

Figure 8-18 Optional 500-sheet feeder cassette

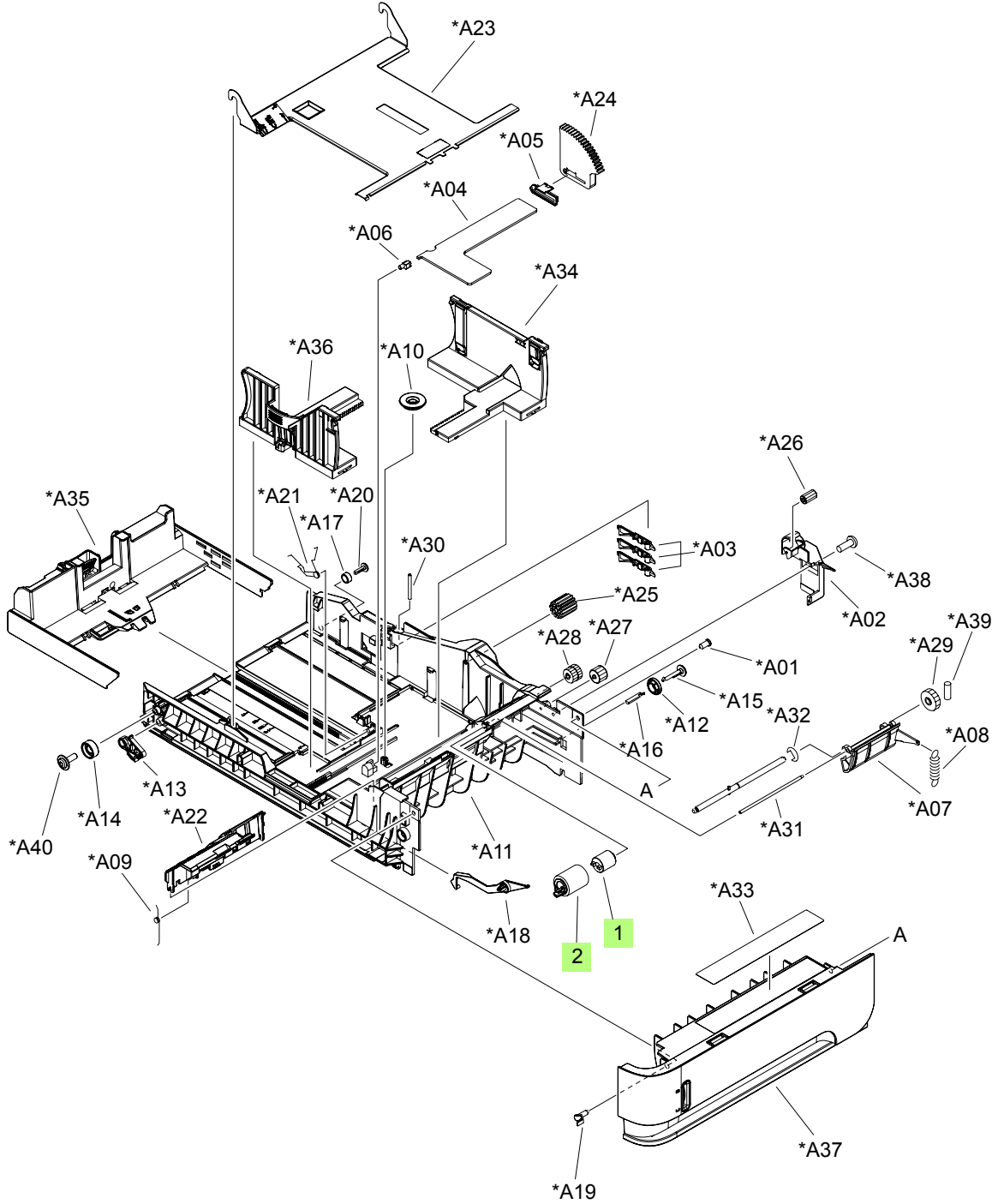


Table 8-17 Optional 500-sheet feeder cassette

Ref	Description	Part number	Qty
	Optional 500-sheet feeder cassette	RM1-4559-000CN	1
1	Limiters, cassette torque	RC2-5262-000CN	1
2	Paper feed roller assembly	RM1-0037-020CN	1
	Product roller kit (contains 2 feed rollers, 1 pickup roller)	CB506-67904	1
A01	Pin, front guide lock, right		1
A02	Cover, gear		1
A03	Flag, size sensing		3
A04	Arm, lifter		1
A05	Support, lifter arm		1
A06	Bushing, lifter arm		1
A07	Holder, retard gear		1
A08	Spring, tension		1
A09	Spring, torsion		1
A10	Gear, 20T		1
A11	Body, cassette		1
A12	Roller, positioning		1
A13	Claw, cassette		1
A14	Roller, LU		1
A15	Flange, positioning roller, right		1
A16	Shaft, positioning roller, auxiliary		1
A17	Roller, RD		1
A18	Gauge, fuel		1
A19			1
A20			1
A21	Spring, torsion		1
A22	Guide, nip		1
A23	Plate, paper lifting		1
A24	Gear, 88T		1
A25	Gear, 14T		1
A26	Gear, 14T		1
A27	Gear, 14T		1
A28	Gear, 15T/25T		1
A29	Gear, 37T		1
A30	Shaft, size sensing		1

Table 8-17 Optional 500-sheet feeder cassette (continued)

Ref	Description	Part number	Qty
A31	Shaft, retard gear holder		1
A32	Ring, E		1
A33	Label, cassette operation		1
A34	Right side end support assembly		1
A35	Cassette rear assembly		1
A36	Left side end support assembly		1
A37	Front cassette assembly		1
A38	Screw, tap, pan head, M4x10		1
A39	Pin, dowel		1
A40	Screw, tap, M4x12		1

¹ Only orderable parts have part numbers.