

Covers

Product base

Figure 3-3 Product base

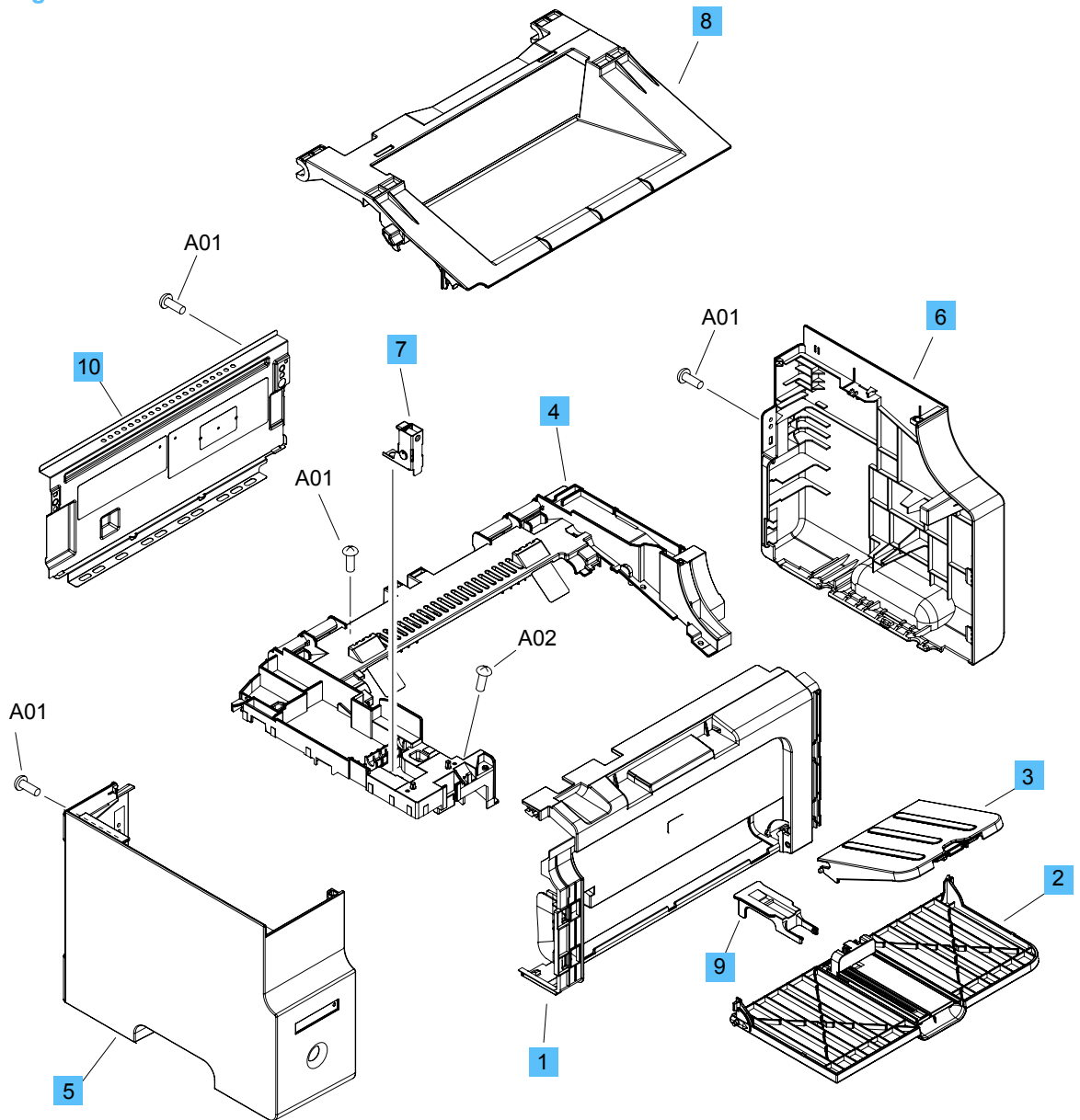


Table 3-18 Product base

Ref	Description	Part number	Qty
1	Front cover	RL1-2946-000CN	1
2	Paper pickup tray assembly	RM1-7728-000CN	1
3	Paper delivery tray assembly	RM1-7727-000CN	1
4	Cover, top	RL1-2944-000CN	1
5	Cover, left	RC3-0823-000CN	1
6	Cover, right	RC3-0825-000CN	1
7	Scanner lock assembly	RM1-7726-000CN	1
8	Door, print cartridge	RC3-0839-000CN	1
9	Stopper, paper	RC2-9249-000CN	1
10	Panel, rear	RC3-0852-000CN	1