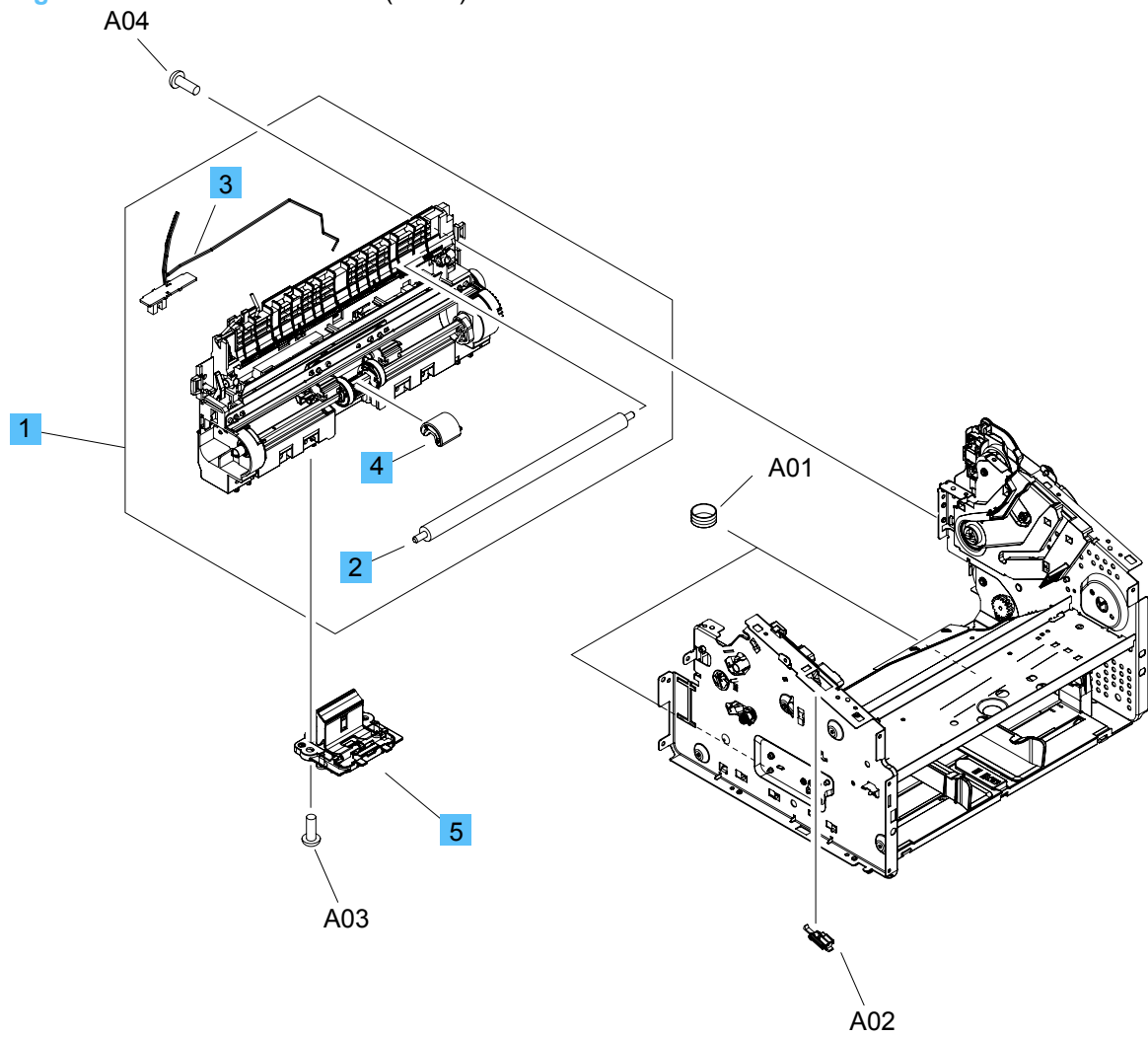


## Internal assemblies (2 of 3)

Figure 3-5 Internal assemblies (2 of 3)



**Table 3-20 Internal assemblies (2 of 3)**

Ref	Description	Part number	Qty
1	Pickup transfer frame assembly	RM1-7737-000CN	1
2	Transfer roller	RM1-4023-000CN	1
3	Paper pickup sensor PCA assembly	RM1-7894-000CN	1
4	Roller, paper pickup	RL1-2593-000CN	1
5	Separation pad assembly	RM1-4006-000CN	1