

Scanner assembly (2 of 2); HP LaserJet Professional M1130 MFP series

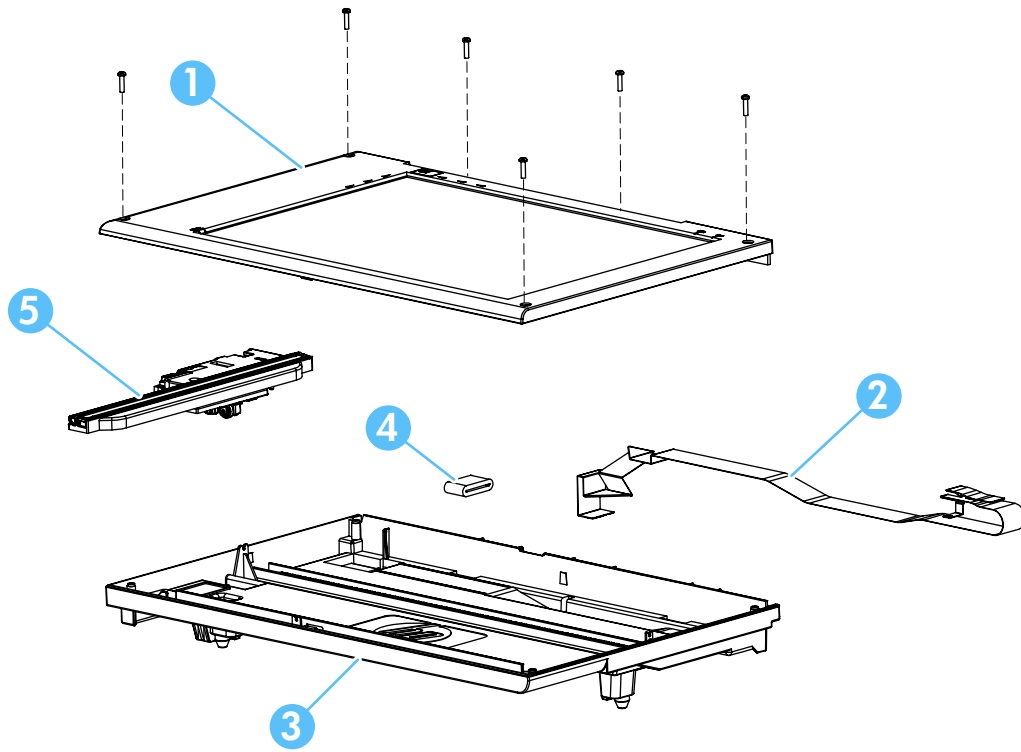


Table 3-9 Scanner assembly (2 of 2); HP LaserJet Professional M1130 MFP series

Ref	Description	Part number	Qty
1	Bezel, scanner assembly	CE847-60103	1
2	FFC, scan module	CE847-60106	1
3	Base, scanner	CE847-40001	1
4	Ferrite, rectangular EMI ROHS	9170-1821	1
5	Scanner drive assembly	CE847-60108	1