

ADF assembly; HP LaserJet Professional M1210 MFP series

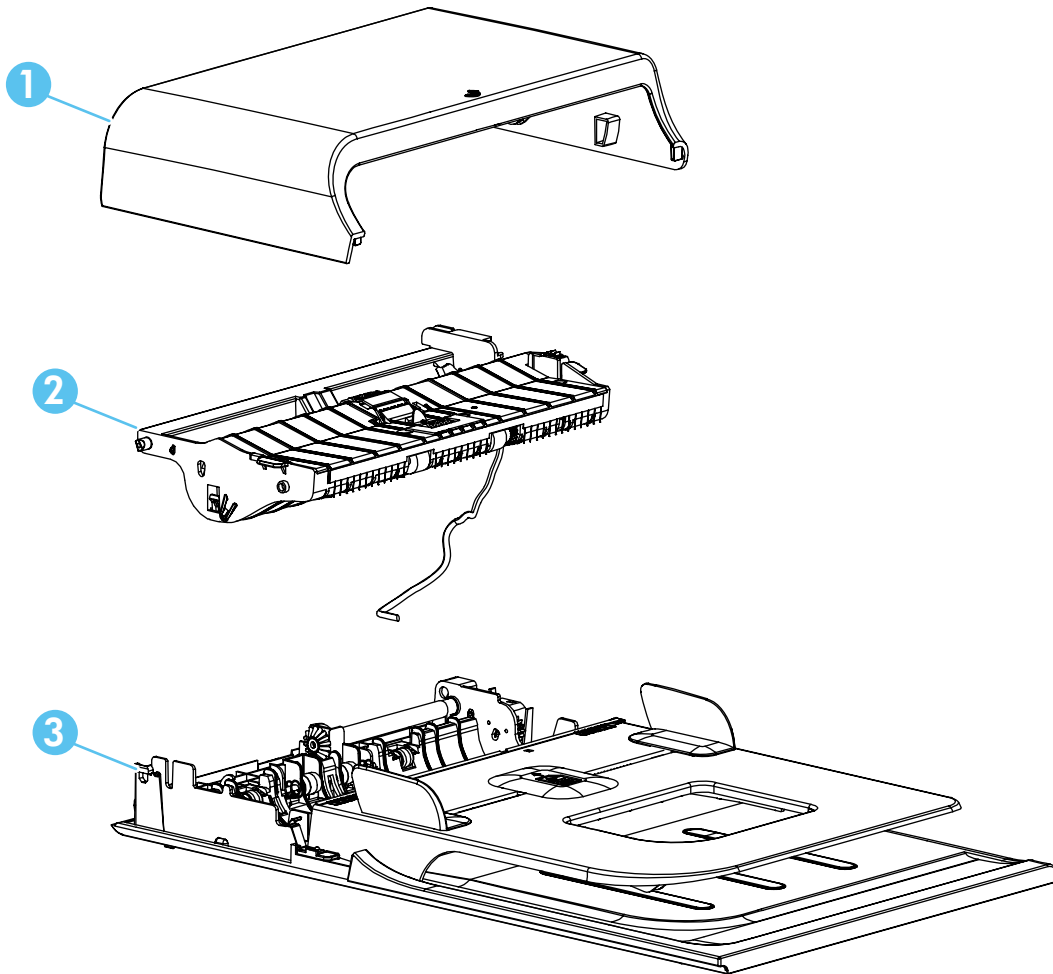


Table 3-14 ADF assembly; HP LaserJet Professional M1210 MFP series

Ref	Description	Part number	Qty
1	Top cover, ADF	CE841-60112	1
2	Core, ADF	CE841-60114	1
3	Base, ADF	CE841-60113	1