

ADF Base; HP LaserJet Professional M1210 MFP series

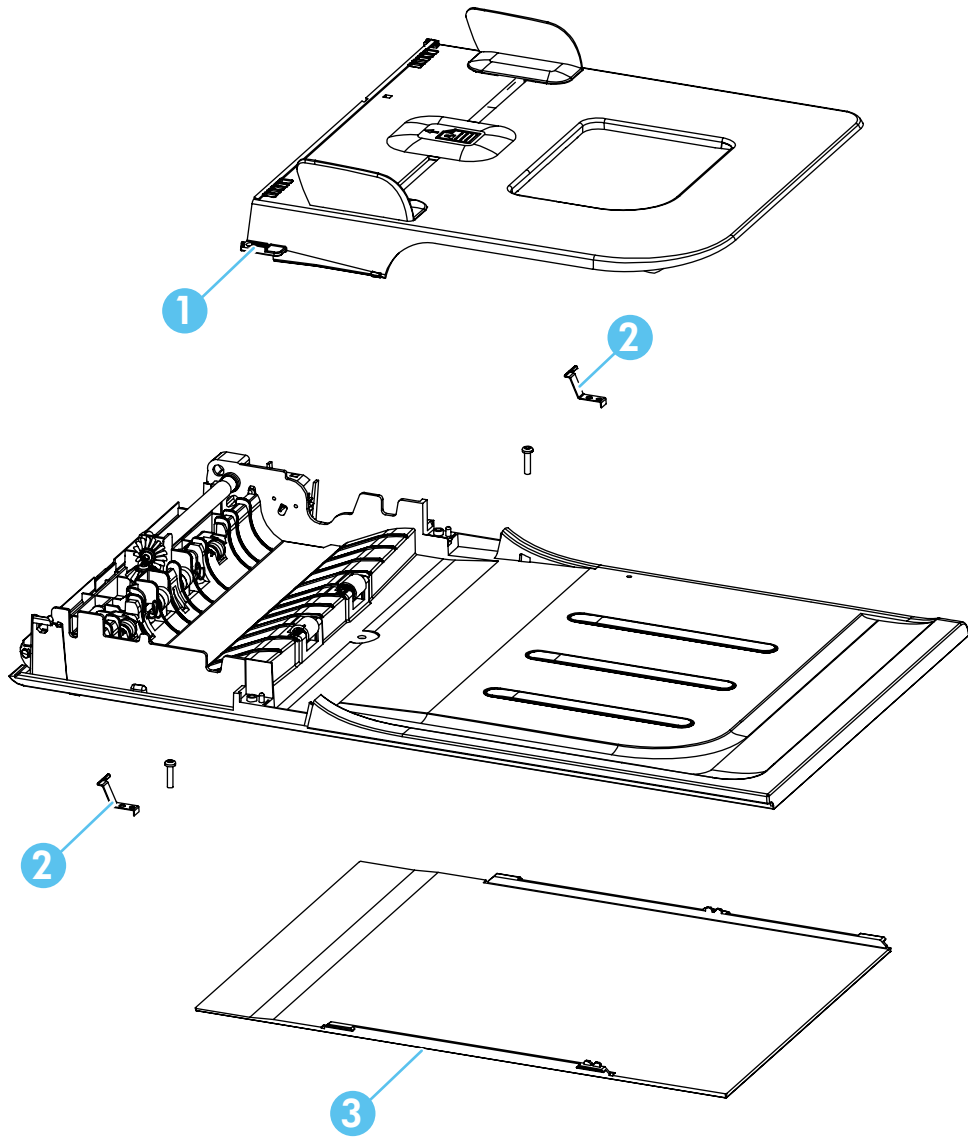


Table 3-17 ADF pre-pick arm assembly; HP LaserJet Professional M1210 MFP series

Ref	Description	Part number	Qty
1	Input tray, ADF	CE841-60118	1
2	Latch, ADF	Q8191-00004	2
3	Backing, document	Q3434-40038	1