

Internal assemblies

Internal assemblies (1 of 3)

Figure 3-4 Internal assemblies (1 of 3)

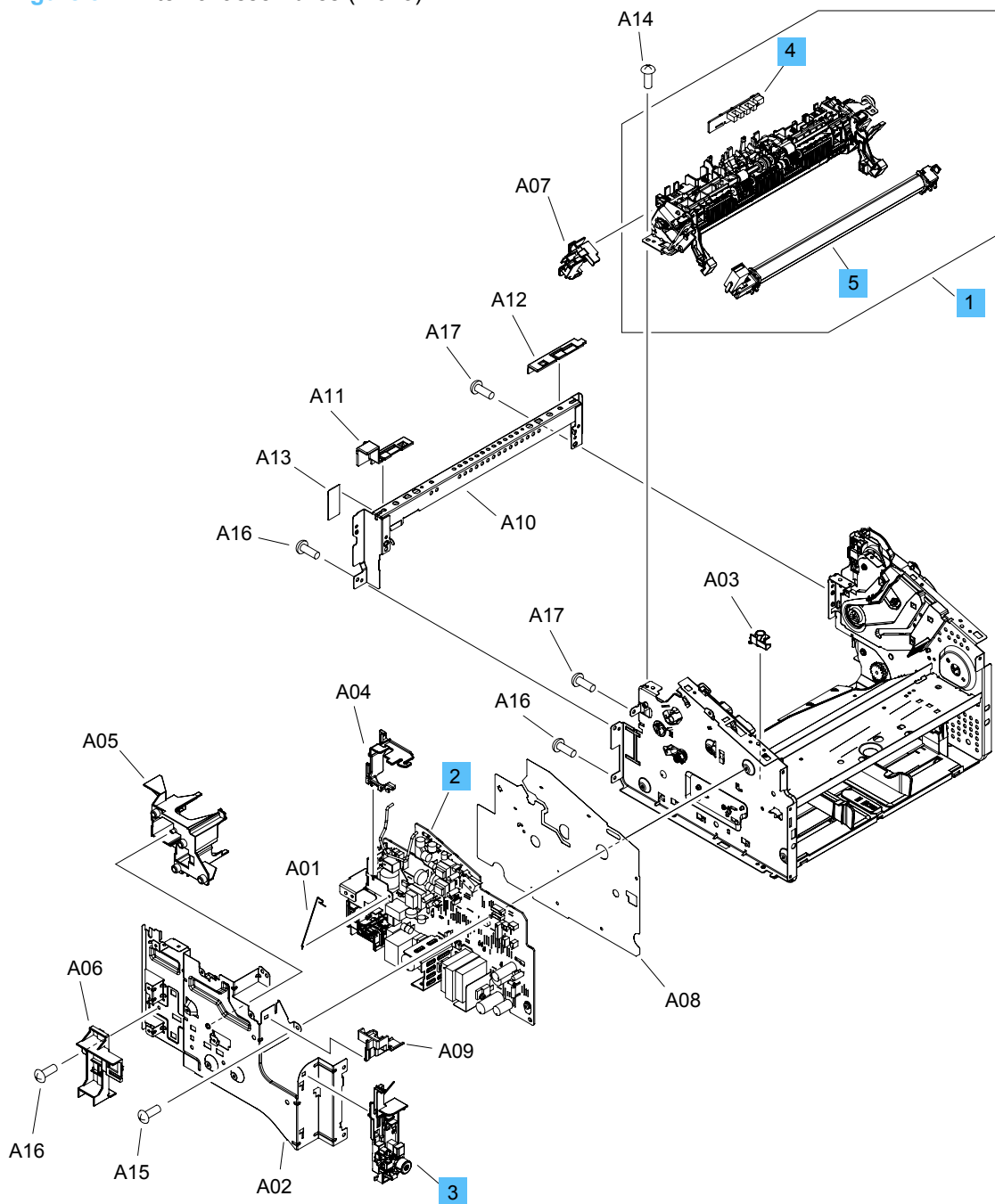


Table 3-19 Internal assemblies (1 of 3)

Ref	Description	Part number	Qty
1	Fuser paper delivery assembly (110 V)	RM1-7733-000CN	1
1	Fuser paper delivery assembly (220 V)	RM1-7734-000CN	1
2	Engine controll PCA (110 V)	RM1-7892-000CN	1
2	Engine controll PCA (220 V)	RM1-7902-000CN	1
3	Power switch assembly	RM1-7735-000CN	1
4	Delivery sensor PCA assembly	RM1-7893-000CN	1
5	Fuser film assembly (110 V)	RM1-6872-000CN	1
5	Fuser film assembly (220 V)	RM1-6873-000CN	1