

Internal assemblies (3 of 3)

Figure 3-6 Internal assemblies (3 of 3)

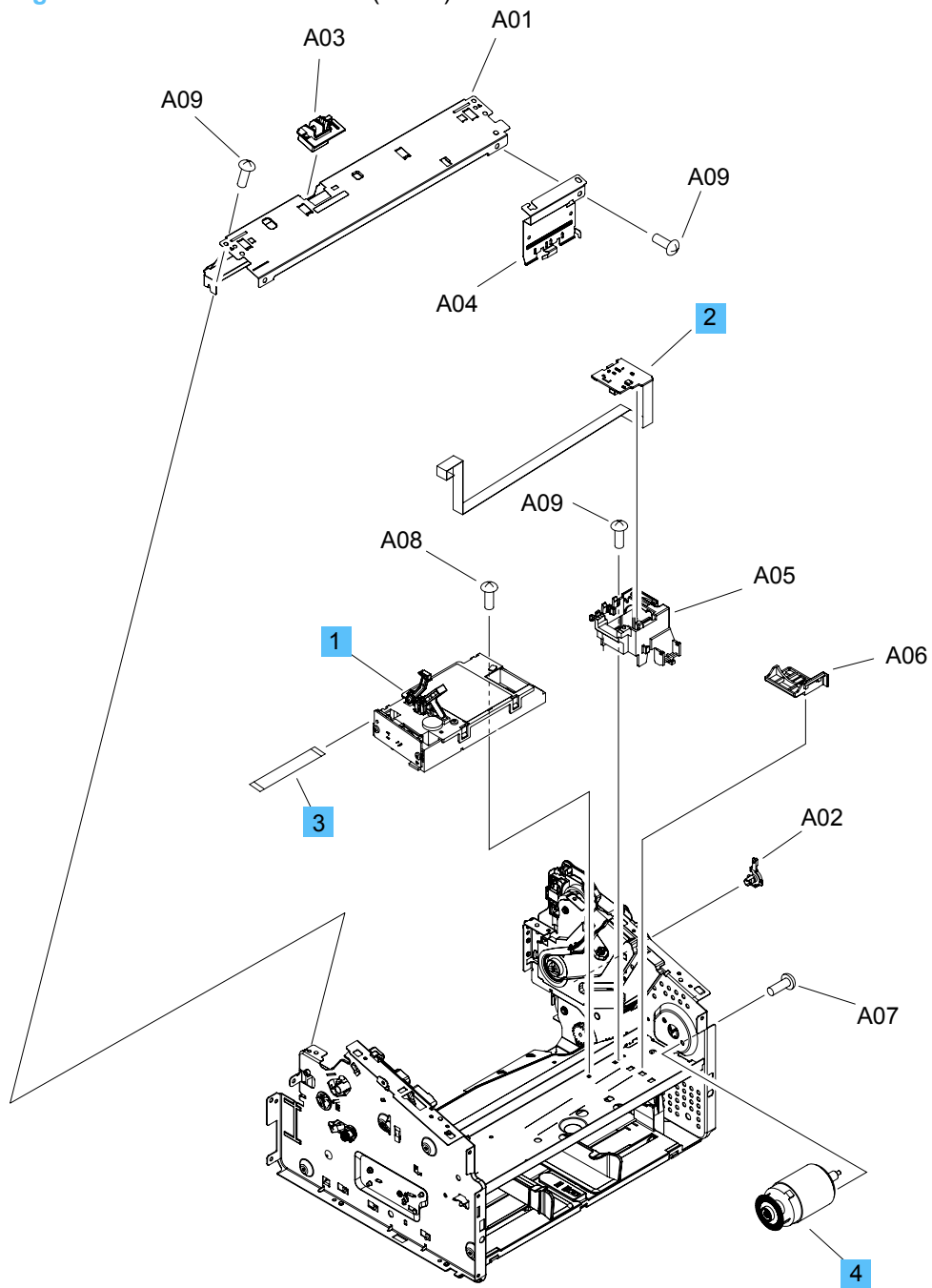


Table 3-21 Internal assemblies (3 of 3)

Ref	Description	Part number	Qty
1	Laser/scanner assembly	RM1-6878-000CN	1
2	Motor PCA assembly	RM1-7895-000CN	1
3	Cable, flat	RM1-7604-000CN	1
4	Motor, DC 24 V	RL1-2591-000CN	1