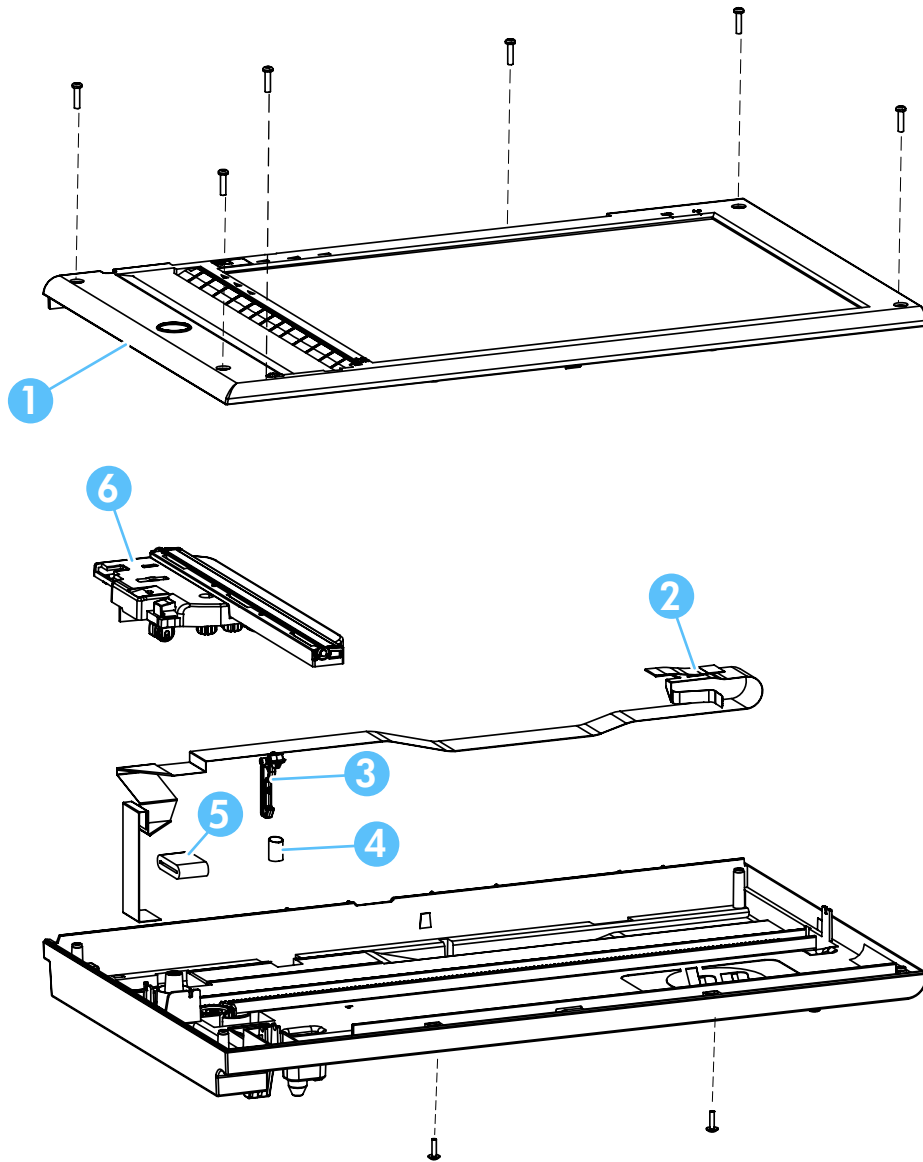


## Scanner assembly; HP LaserJet Professional M1210 MFP series



**Table 3-12 ADF/scanner assembly; HP LaserJet Professional M1210 MFP series**

Ref	Description	Part number	Qty
1	Bezel, scanner assembly	CE841-60102	1
2	FFC, scan module	CE841-60104	1
3	Hook, SSA latch	Q8191-00004	1
4	Spring, SSA latch	CE841-00020	1
5	Ferrite, rectangular EMI ROHS	9170-1821	1
6	Scanner drive assembly	CE841-60111	1