

Covers

Figure 3-5 Print engine covers

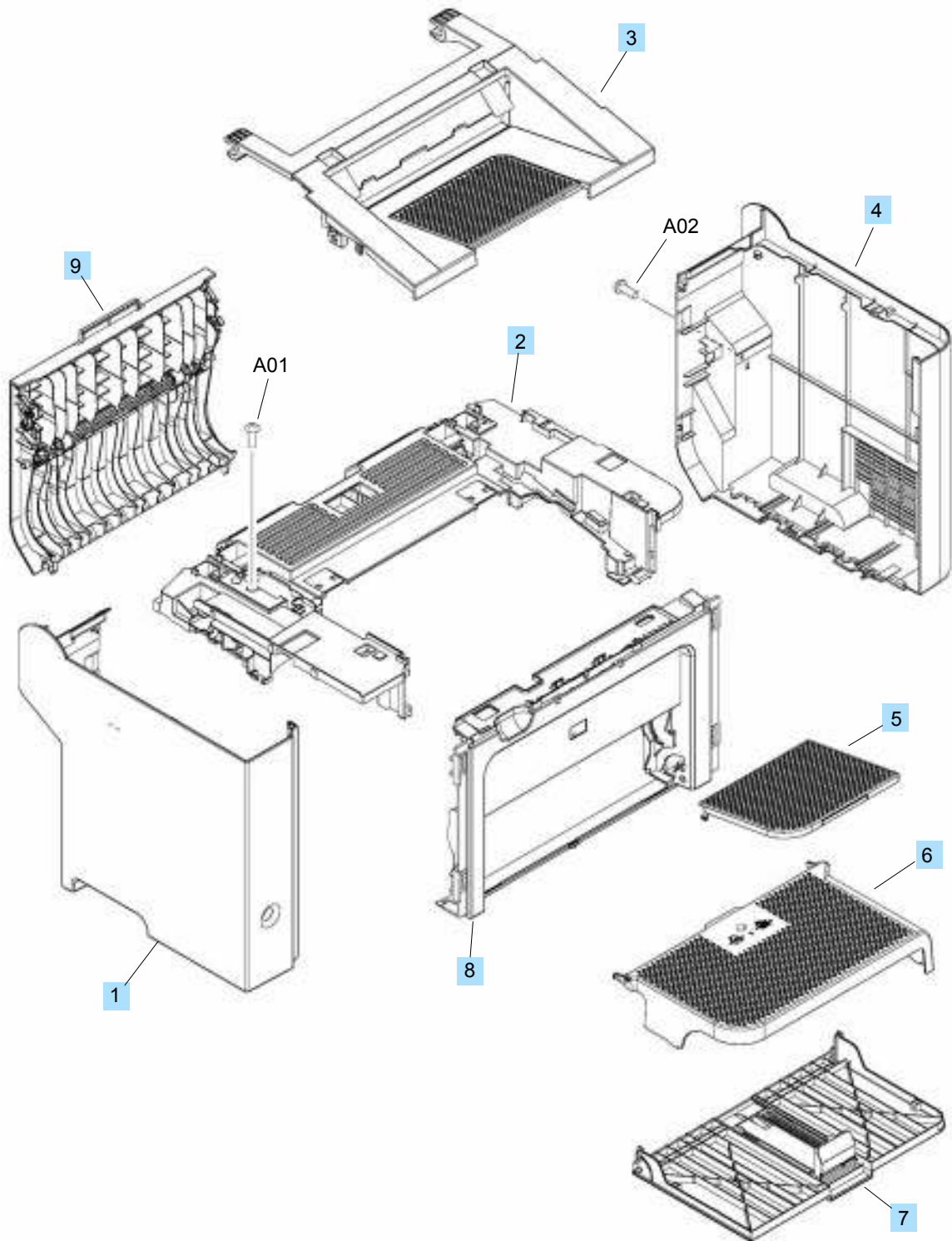


Table 3-10 Print engine covers

Ref	Description	Part number	Qty
1	Cover, left	RC2-9523-000CN	1
2	Cover, top	RC2-9520-000CN	1
3	Cartridge door assembly	RM1-7574-000CN	1
4	Cover, right	RC2-9522-000CN	1
5	Paper delivery tray (output bin) assembly	RM1-7498-000CN	1
6	Cover, dust	RC2-9578-000CN	1
7	Paper pickup tray assembly (input tray)	RM1-7534-000CN	1
8	Cover, front	RL1-2899-000CN	1
9	Duplexing door assembly (rear cover)	RM1-7526-000CN	1