

Internal assemblies (4 of 4)

Figure 3-9 Internal assemblies (4 of 4)

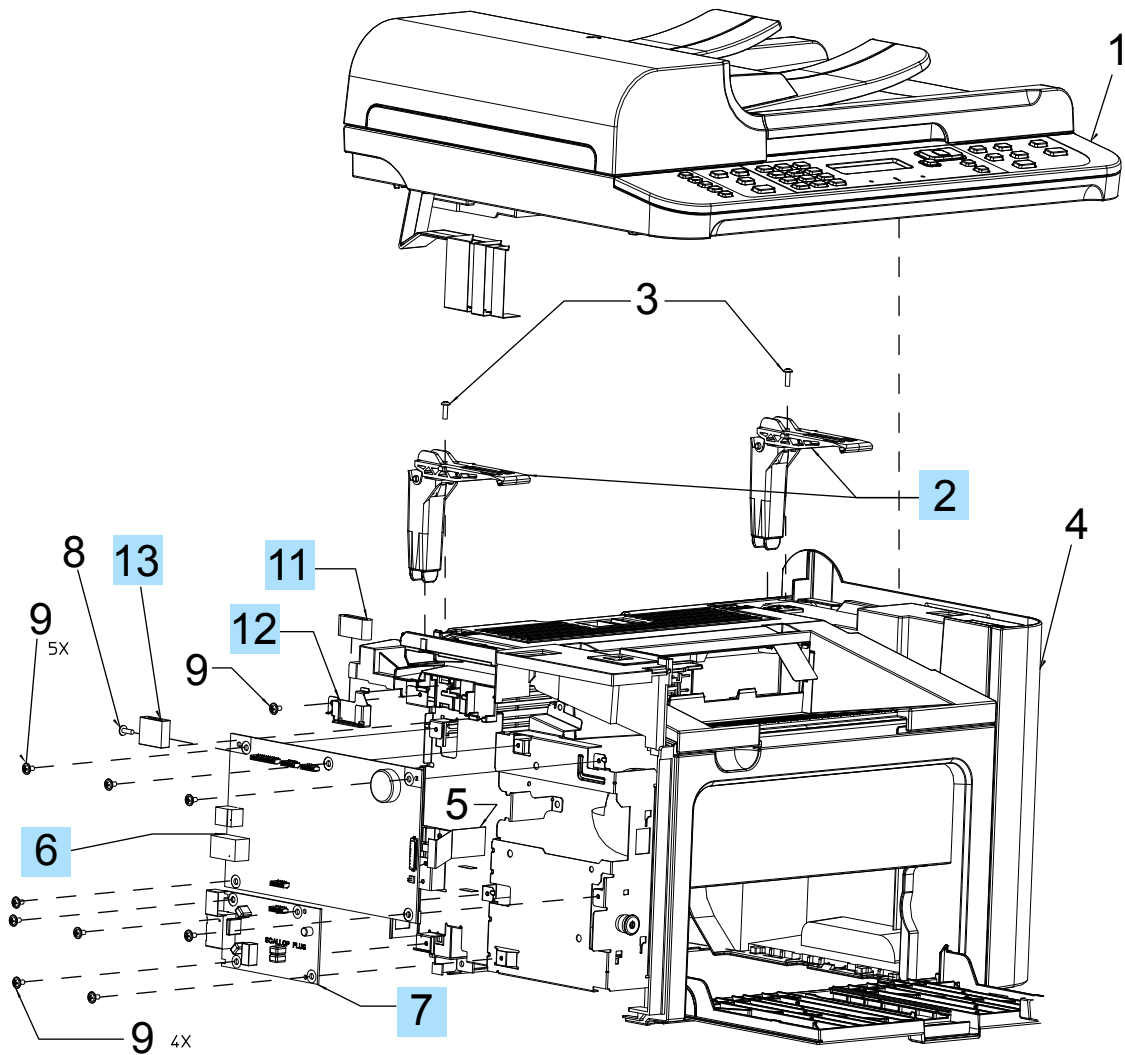


Table 3-14 Internal assemblies (4 of 4)

Ref	Description	Part number	Qty
2	Hinge, scanner sub-assembly	CE538-60135	2
5	Cable, formatter FFC	CE538-60134	1
6	Formatter	CE544-60001	1
7	Fax Board-US	CE682-60001	1
7	Fax Board-EU	CE683-60001	1
11	Core-ferrite flat cable ROHS	9170-2385	1
12	Clip, ferrite	CB534-00010	1
13	Core-ferrite rectangle EMI ROHS	9170-1821	1