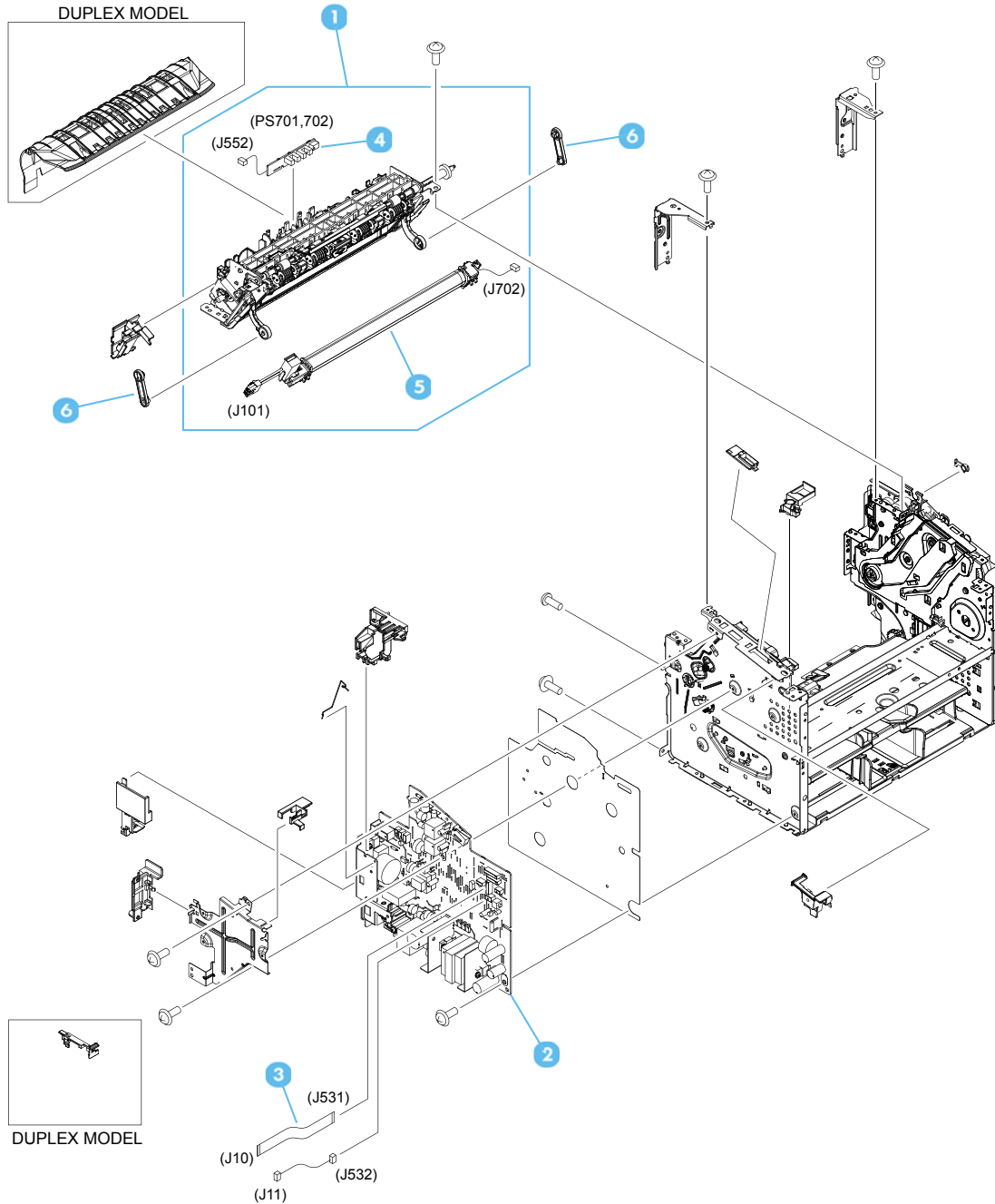


# Internal assemblies

## Internal assemblies (1 of 3)

Figure 2-3 Internal assemblies (1 of 3)



**Table 2-8 Internal assemblies (1 of 3)**

| <b>Ref</b> | <b>Description</b>                           | <b>Part number</b> | <b>Qty</b> |
|------------|--|--------------------|------------|
| 1          | Fixing assembly, 110-127V                    | RM1-9658-000       | 1          |
| 1          | Fixing assembly, 220-240V                    | RM1-9659-000       | 1          |
| 2          | Engine control PCB assembly, 110-127V        | RM2-7605-000       | 1          |
| 2          | Engine control PCB assembly, 220-240V        | RM2-7606-000       | 1          |
| 2          | Engine control PCB assembly, 220-240V, CH IN | RM2-8079-000       | 1          |
| 3          | Cable,flat                                   | RK2-6680-000       | 1          |
| 4          | Delivery sensor PCB assembly                 | RM2-7629-000       | 1          |
| 5          | Fixing film assembly, 110-127V               | RM1-9656-000       | 1          |
| 5          | Fixing film assembly, 220-240V               | RM1-9657-000       | 1          |
| 6          | Link, pressure release                       | RC2-9512-000       | 2          |