

Simplex product

Figure 2-2 External panels and covers, simplex product

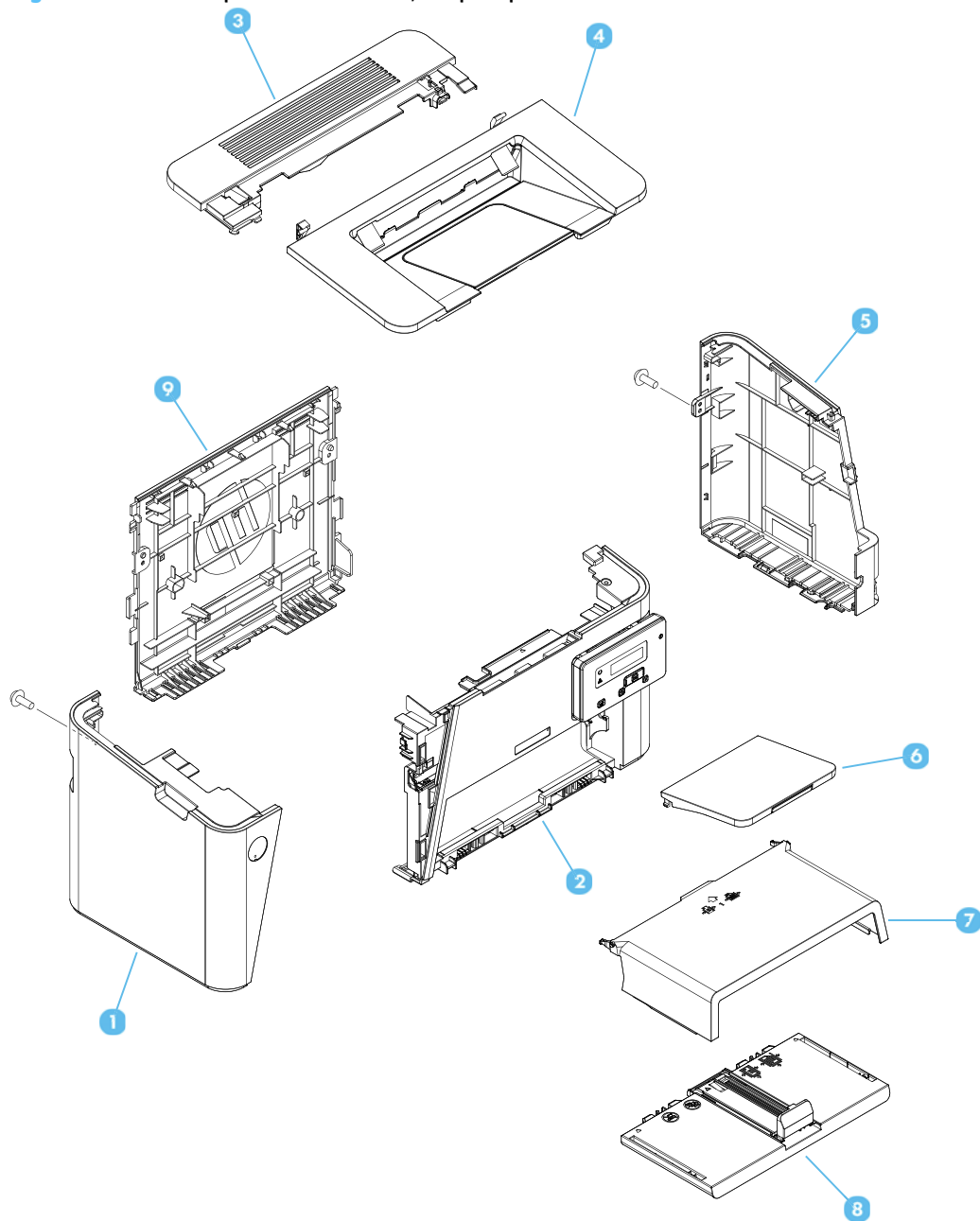


Table 2-7 External panels and covers, simplex product

Ref	Description	Part number	Qty
1	Cover, left (simplex product)	RL1-4079-000	1
2	Front cover assembly (simplex product)	RM2-0414-000	1
3	Cover, top (simplex product)	RC3-3899-000	1
4	Cartridge door assembly	RM1-9652-000	1
5	Cover, right (simplex product)	RC3-3901-000	1
6	Paper delivery tray assembly	RM1-9649-000	1
7	Cover, dust	RC3-3902-000	1
8	Paper pick-up tray assembly	RM1-9677-000	1
9	Cover, rear (simplex product)	RL1-3666-000	1