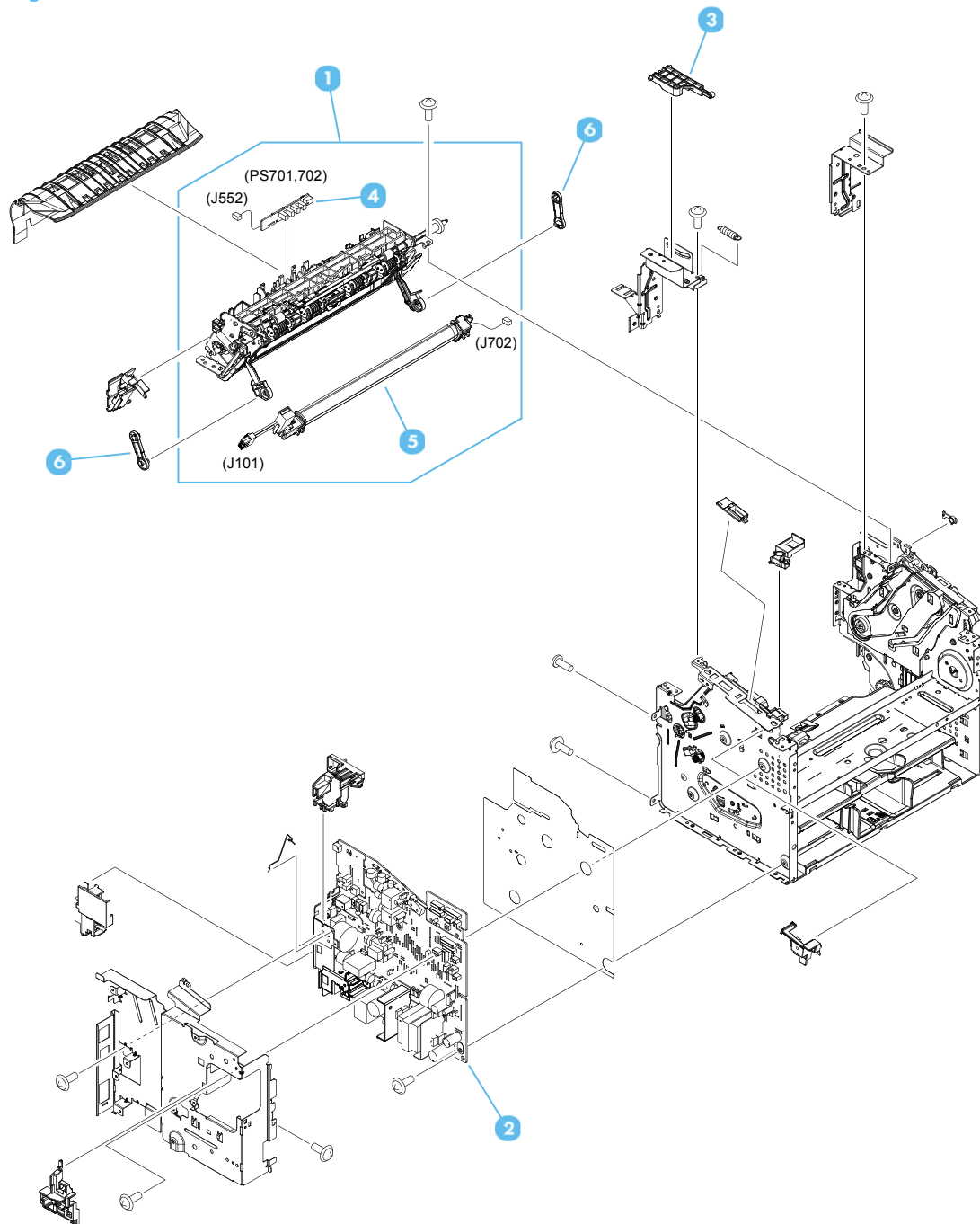


# Internal assemblies

## Internal assemblies (1 of 3)

Figure 3-2 Internal assemblies (1 of 3)



**Table 3-7 Internal assemblies (1 of 3)**

<b>Ref</b>	<b>Description</b>	<b>Part number</b>	<b>Qty</b>
1	Fixing assembly, 110-127V	RM1-9891-000	1
1	Fixing assembly, 220-240V	RM1-9892-000	1
2	Engine control PCB assembly, 110-127V	RM2-7632-000	1
2	Engine control PCB assembly, 220-240V	RM2-7633-000	1
2	Engine control PCB assembly, 220-240V, CH IN	RM2-8080-000	1
3	Link, cartridge door	RC2-9527-000	1
4	Delivery sensor PCB assembly	RM2-7629-000	1
5	Fixing film assembly, 110-127V	RM1-9656-000	1
5	Fixing film assembly, 220-240V	RM1-9657-000	1
6	Link, pressure release	RC2-9531-000	2