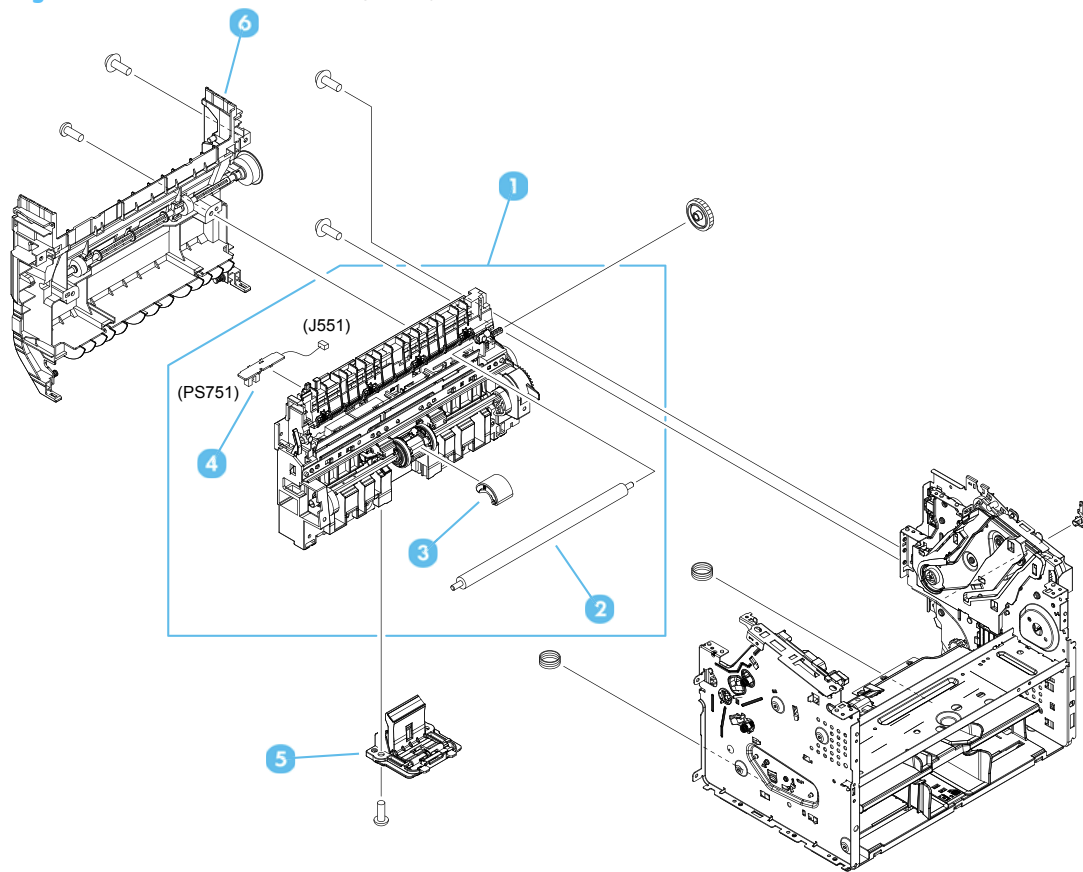


## Internal assemblies (2 of 3)

Figure 3-3 Internal assemblies (2 of 3)



**Table 3-8 Internal assemblies (2 of 3)**

<b>Ref</b>	<b>Description</b>	<b>Part number</b>	<b>Qty</b>
1	Paper pick-up assembly	RM2-6524-000	1
2	Roller, transfer	RM1-4023-000	1
3	Roller, pickup	RL1-3642-000	1
4	Paper pick-up sensor PCB assembly	RM2-7635-000	1
5	Separation pad assembly	RM1-4227-000	1
6	Duplexing frame assembly	RM1-9655-000	1