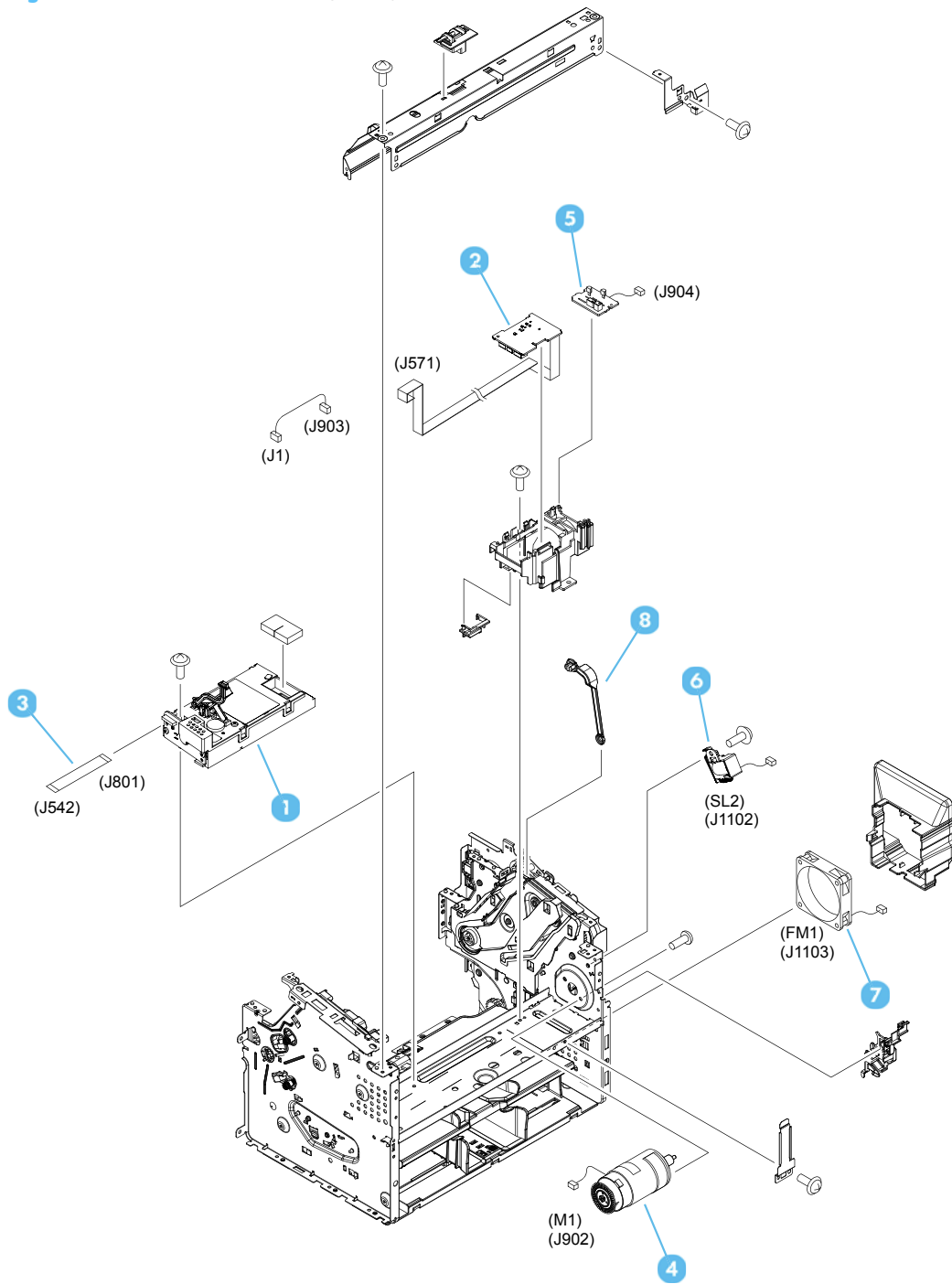


## Internal assemblies (3 of 3)

Figure 3-4 Internal assemblies (3 of 3)



**Table 3-9 Internal assemblies (3 of 3)**

<b>Ref</b>	<b>Description</b>	<b>Part number</b>	<b>Qty</b>
1	Laser scanner assembly	RM2-0426-000	1
2	Motor PCB assembly	RM2-7634-000	1
3	Cable, flat	RK2-6691-000	1
4	Motor, DC24V	RM2-0418-000	1
5	Duplexing PCB assembly	RM2-7608-000	1
6	Solenoid	RK2-0420-000	1
7	Fan	RK2-6694-000	1
8	Link, cartridge door, CH IN	RC2-9514-000	1