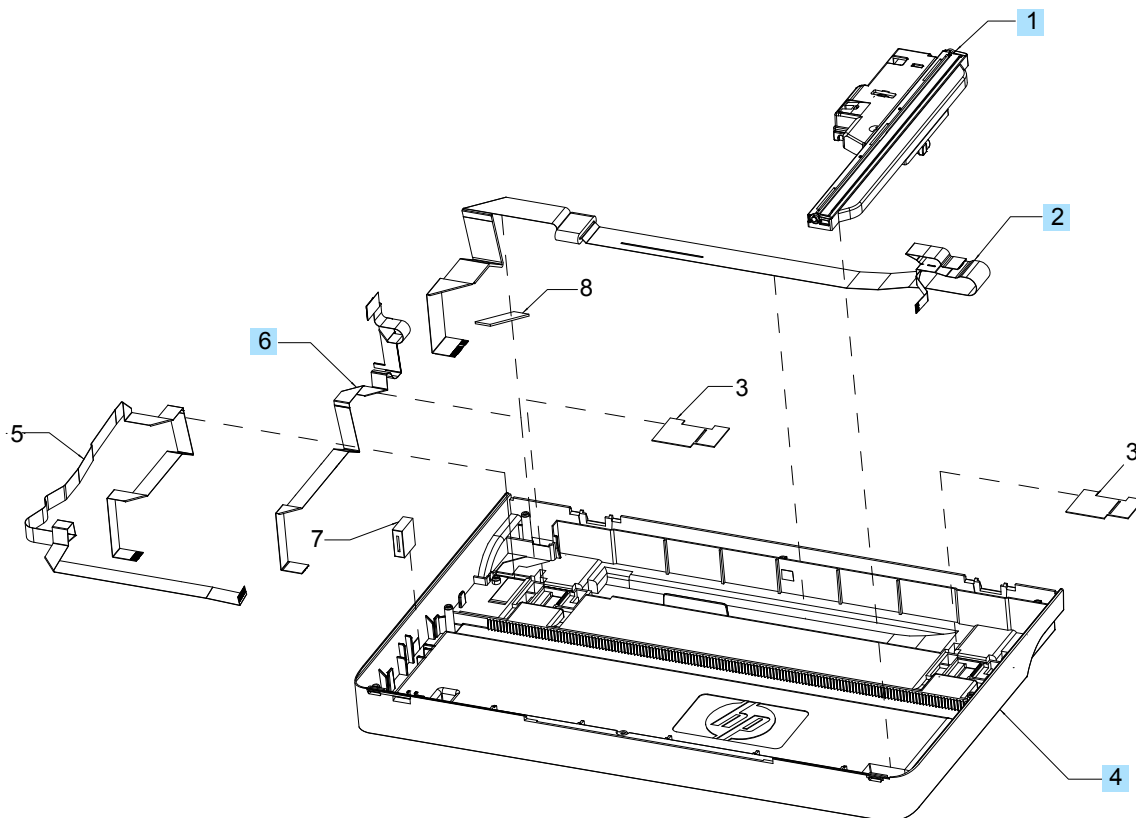


## Scanner assembly internal components (2 of 2)

Figure 3-8 Scanner assembly internal components (2 of 2)



**Table 3-13 Scanner assembly internal components (2 of 2)**

<b>Ref</b>	<b>Description</b>	<b>Part number</b>	<b>Qty</b>
1	Assembly, scan drive system <sup>1</sup>	CF484-60113	1
2	Assembly, scan module/motor cable <sup>1</sup>	CF484-60105	1
4	Scanner base <sup>1</sup>	CF484-40001	1
6	Assembly, ADF cable <sup>1</sup>	CF484-60104	1

<sup>1</sup> Part must be replaced in a dust-free chamber.