

Covers, printer base

Covers, M402 and M403

Figure 2-2 Covers, M402 and M403

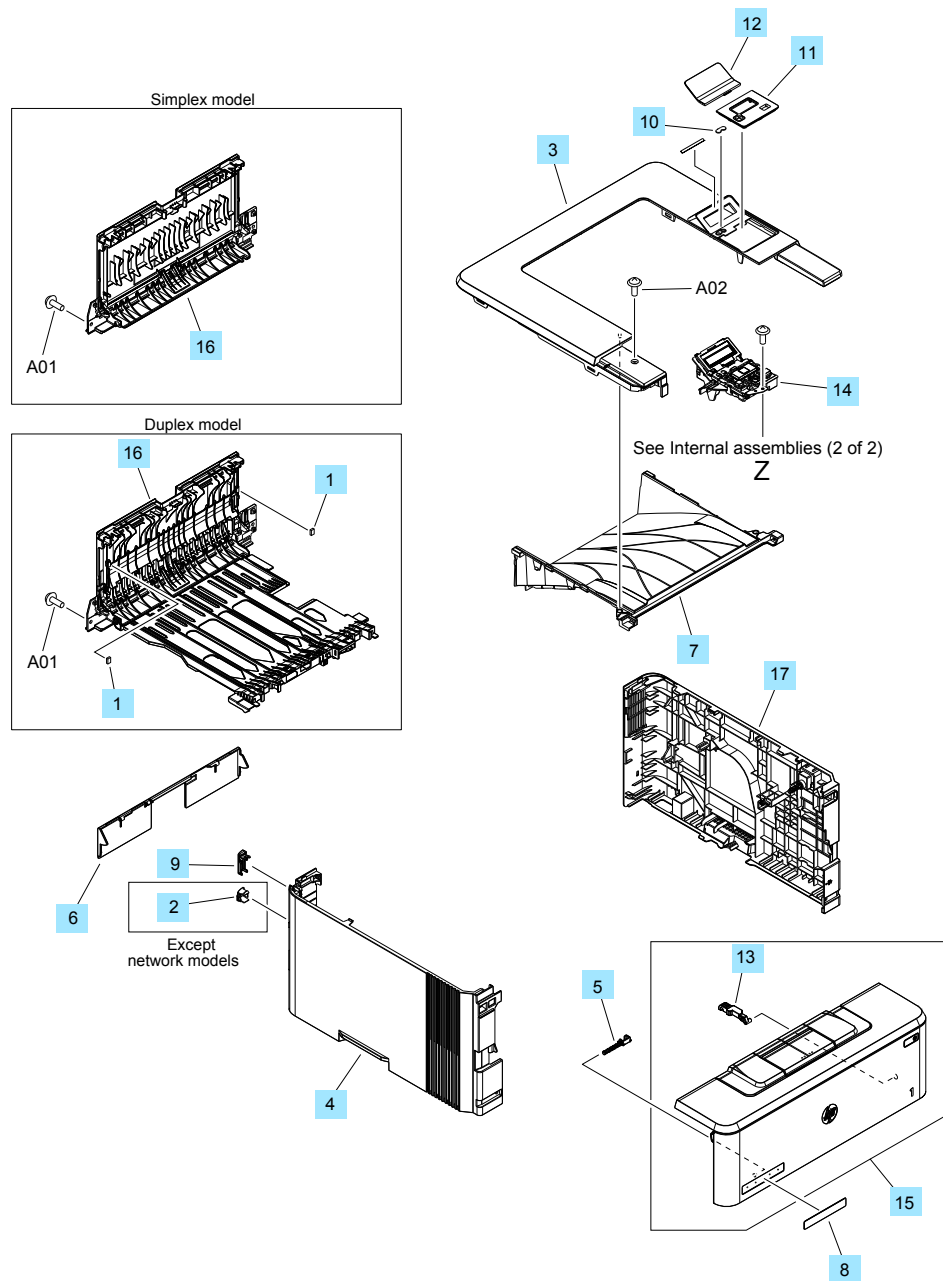


Table 2-4 Covers, M402 and M403

Ref	Description	Part number	Qty
1	Sheet, damper (duplex models only)	RC2-6075-000CN	2
2	Cover, network (non-network models M402/M403)	RC4-2907-000CN	1
3	Cover, top (M402/M403)	RC4-2956-000CN	1
4	Cover, left (M402/M403)	RL2-0673-000CN	1
5	Shaft, support	RC4-3002-000CN	1
6	Cover, cassette rear	RC4-3082-000CN	1
7	Tray, paper delivery	RC4-3231-000CN	1
8	Plate, name M402d	RC4-3288-000CN	1
8	Plate, name M402n	RC4-3270-000CN	1
8	Plate, name M403n	RC4-3267-000CN	1
8	Plate, name M403d	RC4-3266-000CN	1
8	Plate, name M402dn	RC4-3264-000CN	1
8	Plate, name M403dn	RC4-3268-000CN	1
8	Plate, name M402dw	RC4-3265-000CN	1
8	Plate, name M403dw	RC4-3269-000CN	1
9	Cover, rear USB (M402/M403)	RC4-3298-000CN	1
10	Guide, LED light	RC4-3311-000CN	1
11	Cover, operation (non-wireless models M402/M403)	RC4-3312-000CN	1
11	Cover, operation (wireless models M402/M403)	RC4-3322-000CN	1
12	Cover, indication	RL2-0675-000CN	1
13	Link, pressure release	RC4-4479-000CN	1
14	Control-panel assembly (non-wireless models M402/M403)	RM2-5391-000CN	1
14	Control-panel assembly (wireless models M402/M403)	RM2-5424-000CN	1
15	Cartridge door assembly (non-NFC models M402/M403)	RM2-5390-000CN	1
15	Cartridge door assembly (NFC models M402/M403)	RM2-5436-000CN	1
16	Door, rear assembly (simplex models M402/M403)	RM2-5430-000CN	1
16	Door, rear assembly (duplex models only)	RM2-5405-000CN	1
17	Cover, right assembly	RM2-5434-000CN	1
Not shown	HP logo jewel	7121-8686	1