

Internal components, printer base (2 of 3)

Figure 2-5 Internal components, printer base (2 of 3)

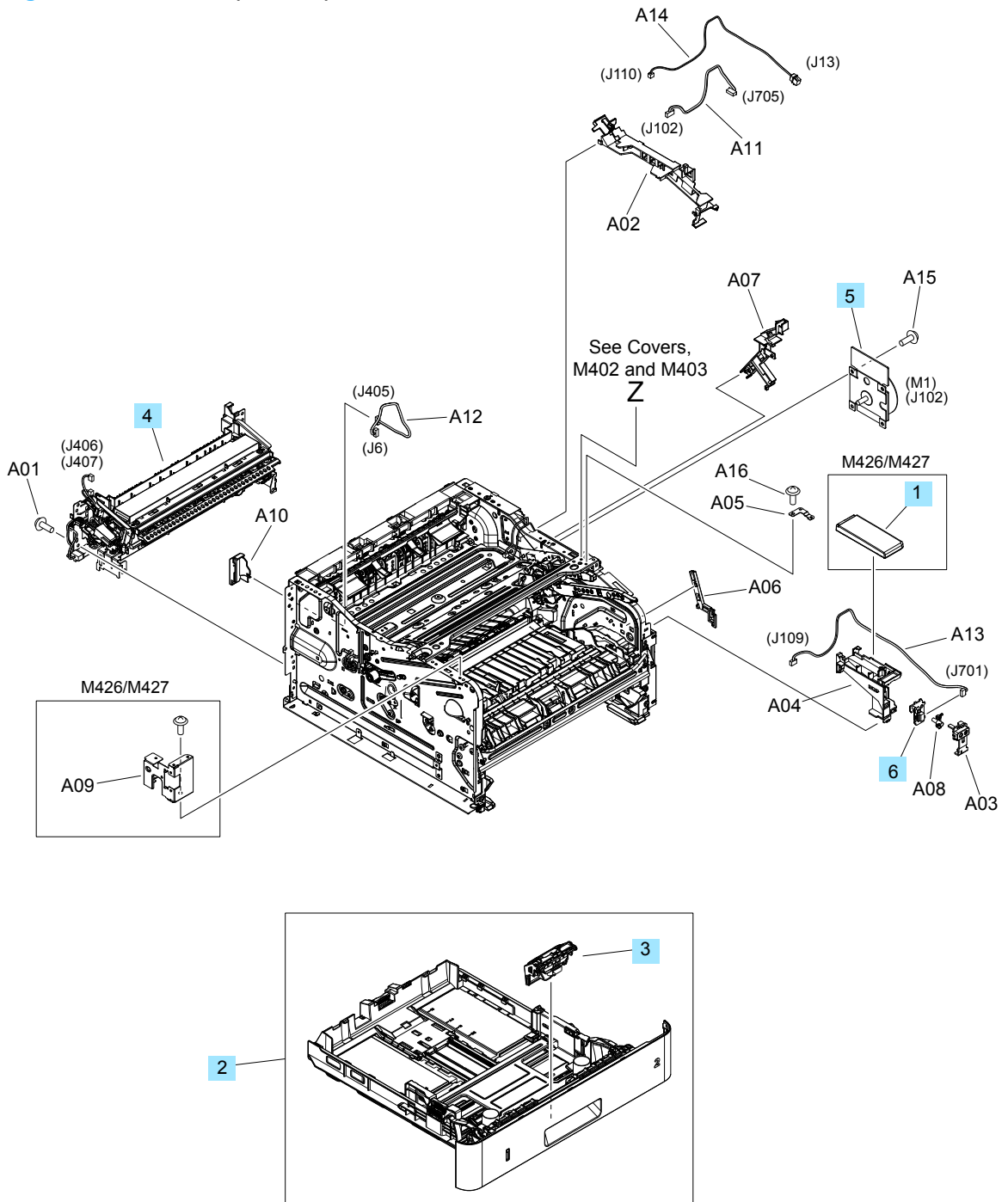


Table 2-7 Internal components, printer base (2 of 3)

Ref	Description	Part number	Qty
1	Cover, Near field communication (NFC) (M426/M427)	RC4-2961-000CN	1
2	Cassette (Tray 2) assembly	RM2-5392-000CN	1
3	Roller, separation assembly	RM2-5397-000CN	1
4	Fixing (fuser) assembly (110-127 V)	RM2-5399-000CN	1
4	Fixing (fuser) assembly (220-240 V)	RM2-5425-000CN	1
5	Main motor assembly	RM2-8684-000CN	1
6	Switch, power PCA	RM2-8506-000CN	1
Not shown	Ferrite, motor	9170-2659	1
Not shown	Walkup USB PCA (M426/M427)	CF368-60001	1
Not shown	Cable, walkup USB (M426/M427)	C5F98-60105	1
Not shown	NFC module	B4K93-60001	1