

Covers, panels, and doors

Figure 2-3 Covers, panels, and doors

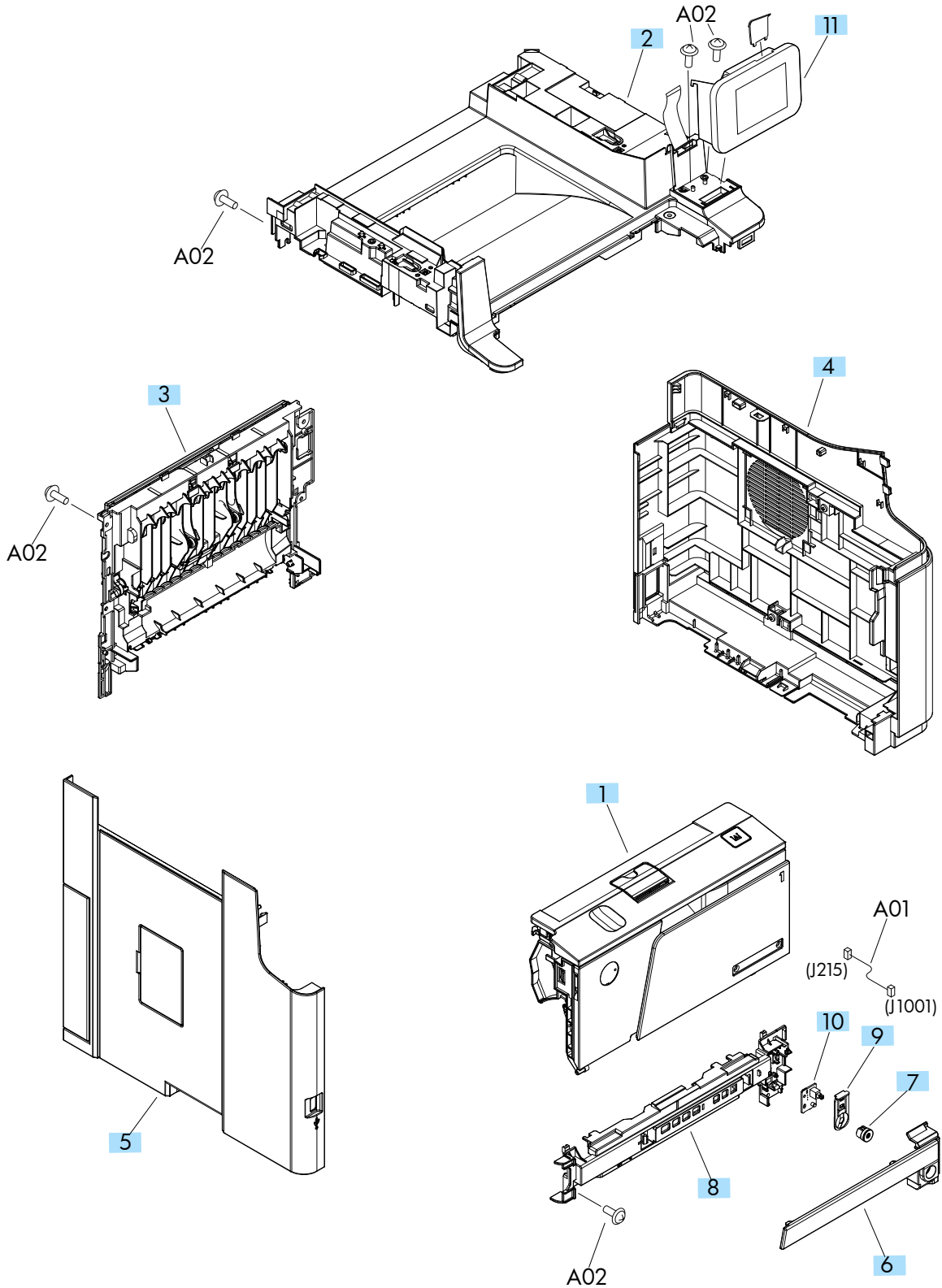


Table 2-7 Covers, panels, and doors

Ref	Description	Part number	Qty
1	Cartridge door assembly	RM1-9307-000CN	1
2	Cover, top	RM1-9303-000CN	1
3	Cover, rear	RM1-9161-000CN	1
4	Cover, right	RM1-9304-000CN	1
5	Cover, left	RM1-9305-000CN	1
6	Cover, outer, front	RC3-2533-000CN	1
7	Switch, power button assembly	RM1-9125-000CN	1
8	Cover, inner, front	RC3-2532-000CN	1
9	Lever, power supply button	RC3-2545-000CN	1
10	Power button PCA	RM1-9039-000CN	1
11	Control-panel assembly (HP LaserJet M425dn model)	CF286-60601	1
11	Control-panel assembly (HP LaserJet M425dw model)	CF288-60602	1