

Internal assemblies

Figure 2-4 Internal components (1 of 5)

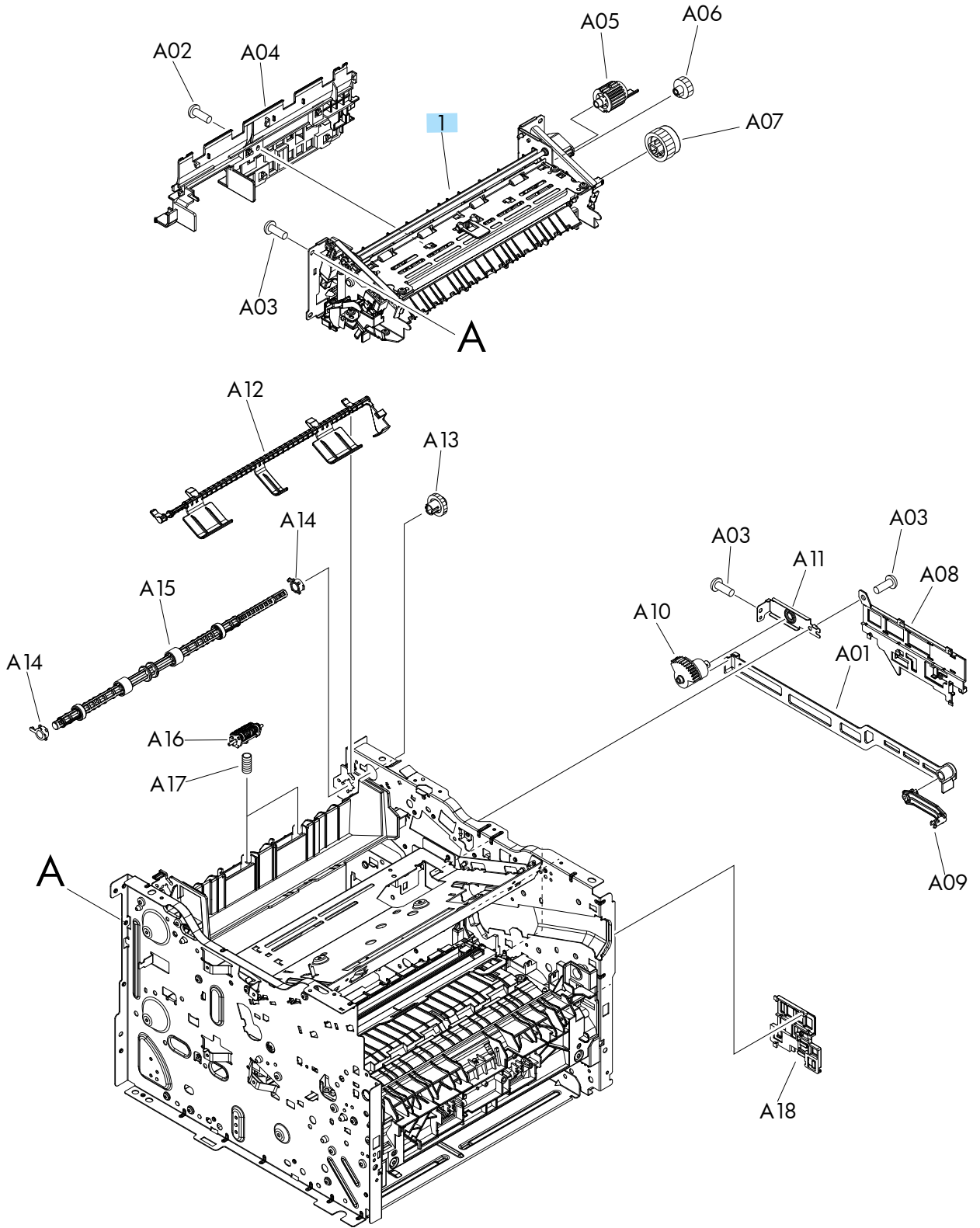


Table 2-8 Internal components (1 of 5)

Ref	Description	Part number	Qty
1	Fuser (110V)	RM1-8808-000CN	1
1	Fuser (220V)	RM1-8809-000CN	1