

Figure 2-6 Internal components (3 of 5)

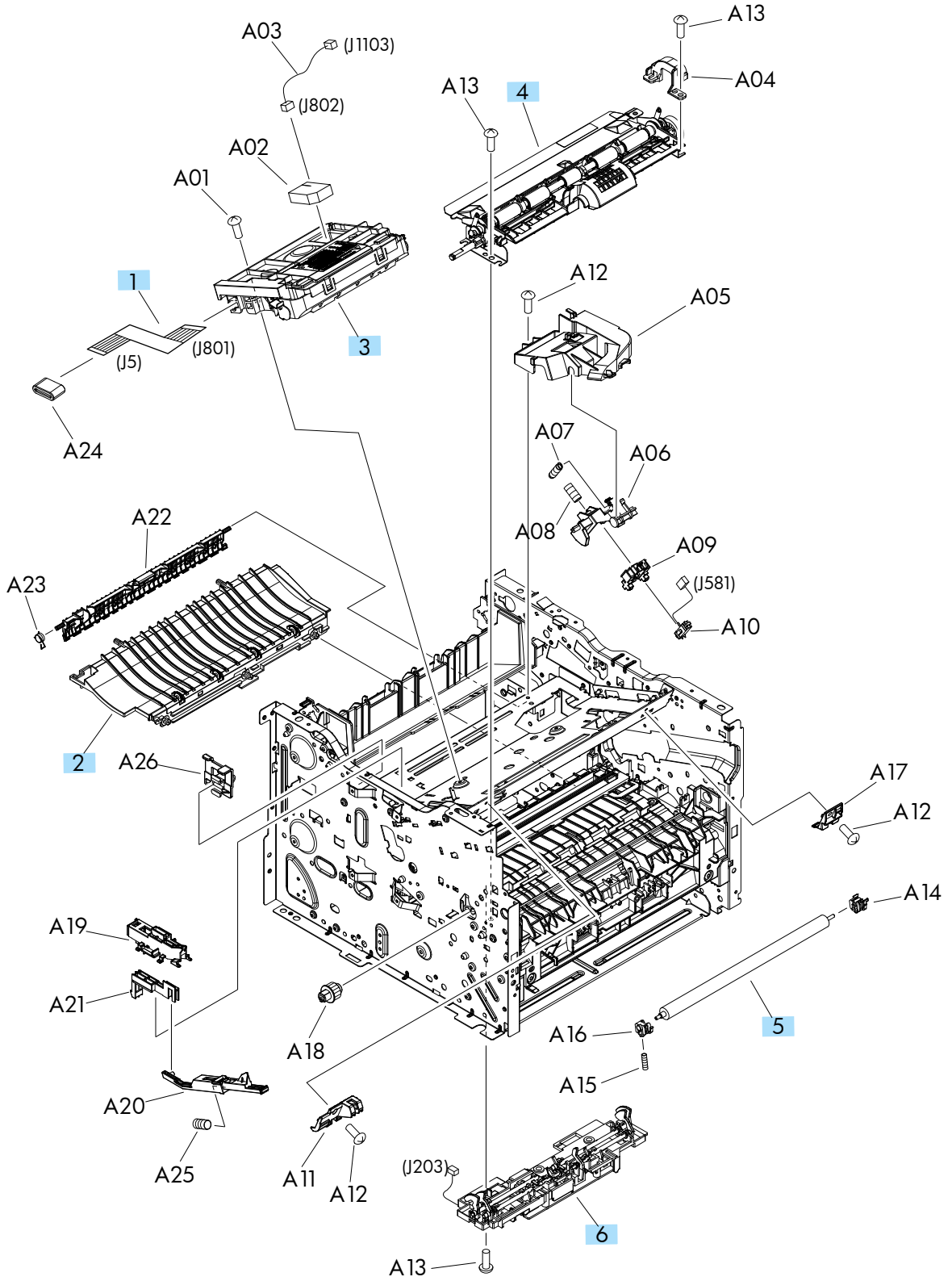


Table 2-10 Internal components (3 of 5)

Ref	Description	Part number	Qty
1	Cable, flexible, flat	RK2-4452-000CN	1
2	Paper feed guide assembly	RM1-9122-000CN	1
3	Laser scanner assembly	RM1-9135-000CN	1
4	Registration roller assembly	RM1-8806-000CN	1
5	Transfer roller assembly	RM1-9175-000CN	1
6	Sensor assembly	RM1-8807-000CN	1