

Figure 2-8 Internal components (5 of 5)

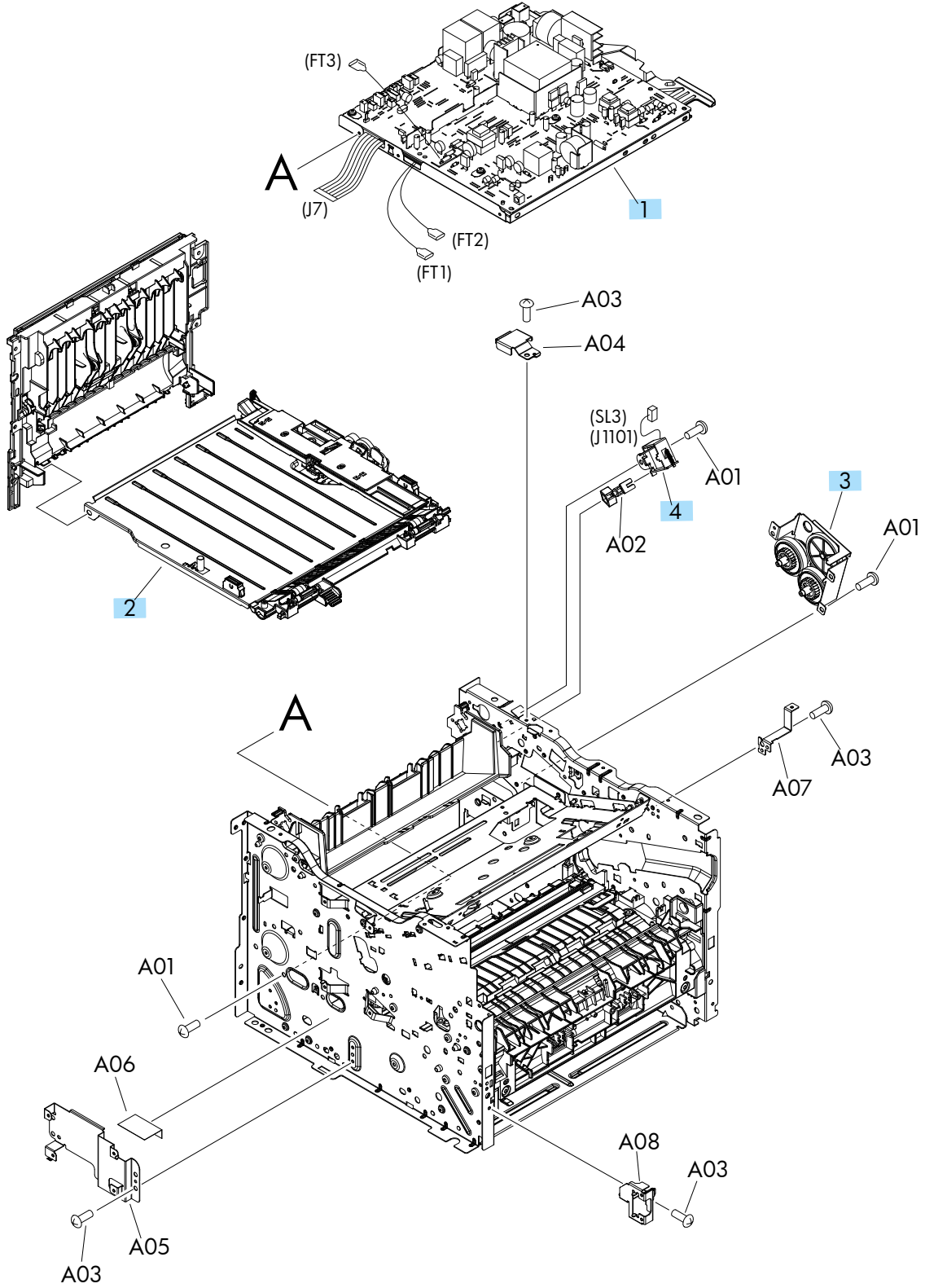


Table 2-12 Internal components (5 of 5)

Ref	Description	Part number	Qty
1	Engine controller assembly (DC controller) — 110V	RM1-9308-000CN	1
1	Engine controller assembly (DC controller) — 220V	RM1-9309-000CN	1
2	Duplexing paper feed assembly	RM1-9153-000CN	1
3	Reverse drive assembly	RM1-9157-000CN	1
4	Solenoid, duplex	RK2-2733-000CN	1