

Covers, M426 and M427

Figure 2-3 Covers, M426 and M427

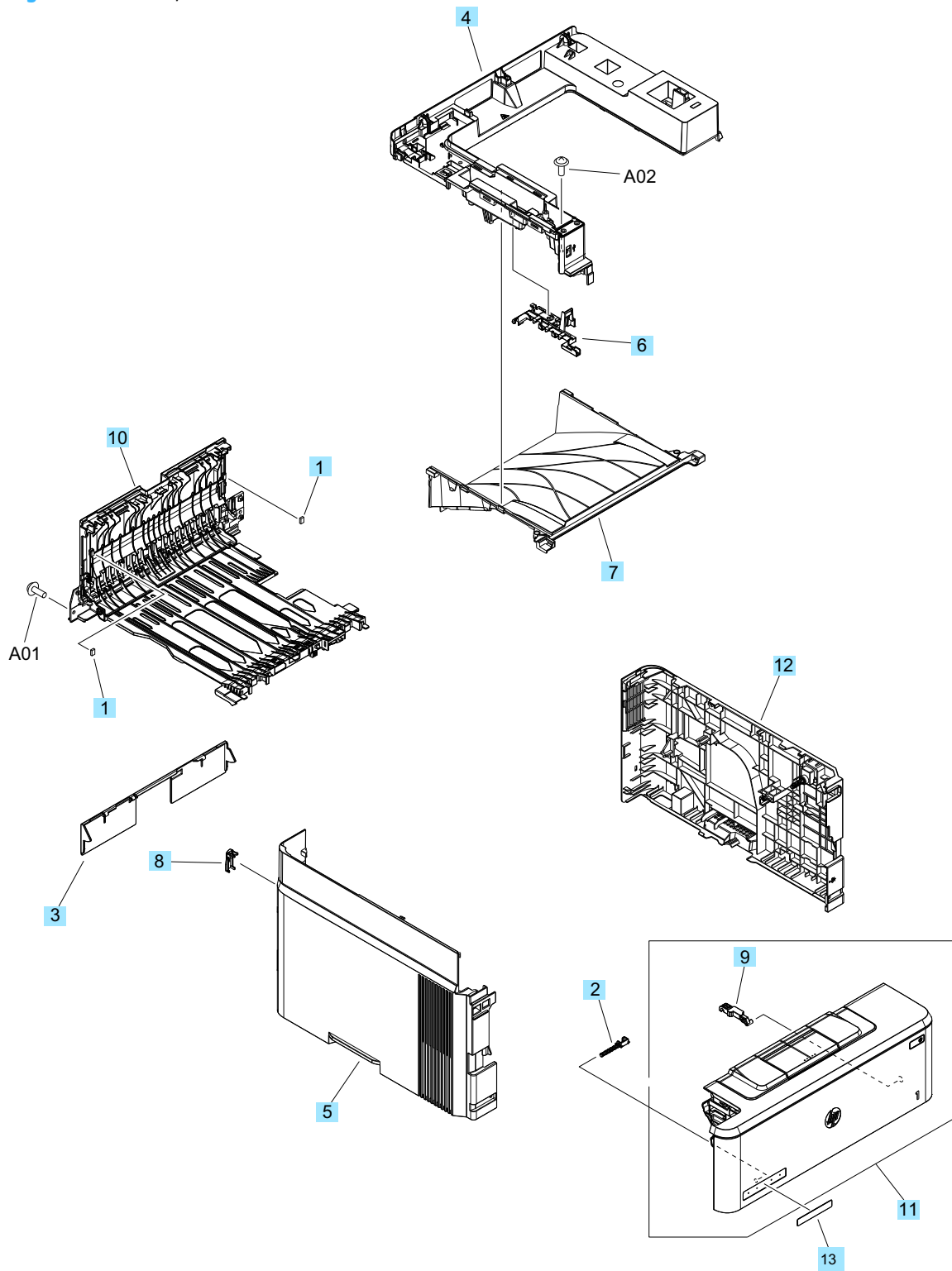


Table 2-5 Covers, M426 and M427

Ref	Description	Part number	Qty
1	Sheet, damper	RC2-6075-000CN	2
2	Shaft, support	RC4-3002-000CN	1
3	Cover, cassette rear	RC4-3082-000CN	1
4	Cover, top (M426/M427)	RC4-3207-000CN	1
5	Cover, left (M426/M427)	RL2-0674-000CN	1
6	Guide, cable	RC4-3217-000CN	1
7	Tray, paper delivery	RC4-3231-000CN	1
8	Cover, rear USB (M426 and M427)	RC4-3299-000CN	1
9	Link, pressure release	RC4-4479-000CN	1
10	Door, rear (duplex models only)	RM2-5405-000CN	1
11	Door, cartridge assembly (non-NFC models M426/M427)	RM2-5408-000CN	1
11	Door, cartridge assembly (NFC models M426/M427)	RM2-5435-000CN	1
12	Cover, right assembly	RM2-5434-000CN	1
13	Name plate M427dw	C5F97-40001	1
13	Name plate M427dn	C5F98-40004	1
13	Name plate M427fdw	C5F99-40002	1
13	Name plate M426dw	F6W13-40002	1
13	Name plate M426fdn	F6W14-40002	1
13	Name plate M426fdw	F6W15-40002	1
Not shown	Control panel (M426/M427)	B3Q10-60139	1
Not shown	Control panel mount cover	B3Q11-40002	1
Not shown	Control panel mount base	B3Q11-40001	1
Not shown	Control panel mount chassis assembly	B3Q10-60145	1
Not shown	Control panel 22-pin FFC	C5F98-60104	1
Not shown	Cover, fax port (M426fdn; M426fdw; 427fdn; M427fdw)	C5F99-40003	1
Not shown	HP logo jewel	7121-8686	1