

Figure 2-8 Internal components (2 of 3)

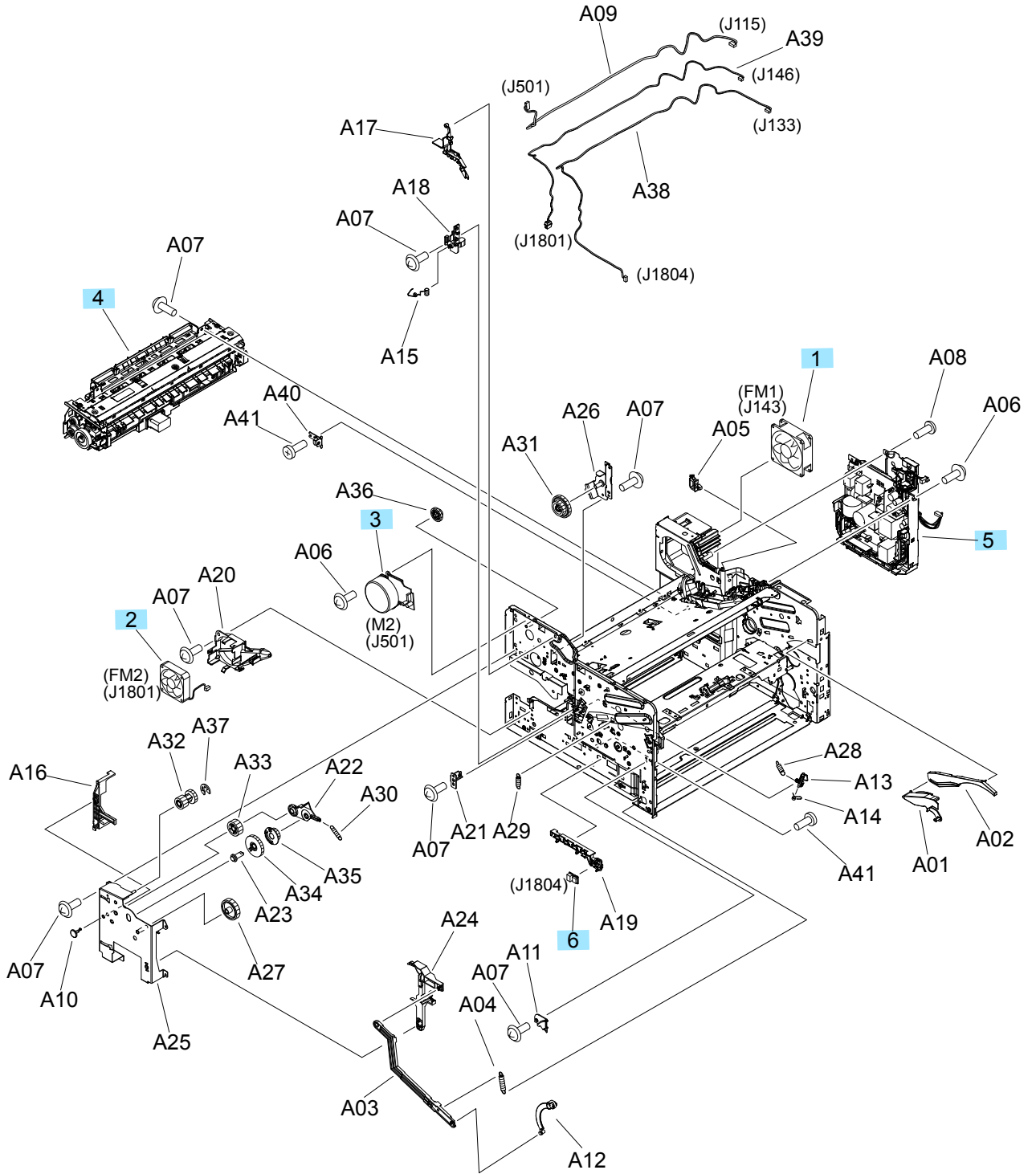


Table 2-11 Internal components (2 of 3)

Ref	Description	Part number	Qty
1	Fan, right	RK2-1090-000	1
2	Fan, left	RK2-2728-000	1
3	Motor, fuser	RM2-0622-000	1
4	Assembly, fuser (220v)	RM2-0639-000	1
5	Power supply, low-voltage	RM2-0647-000	1
6	Sensor, humidity	WP2-5368-000	1