

Figure 2-9 Internal components (3 of 3)

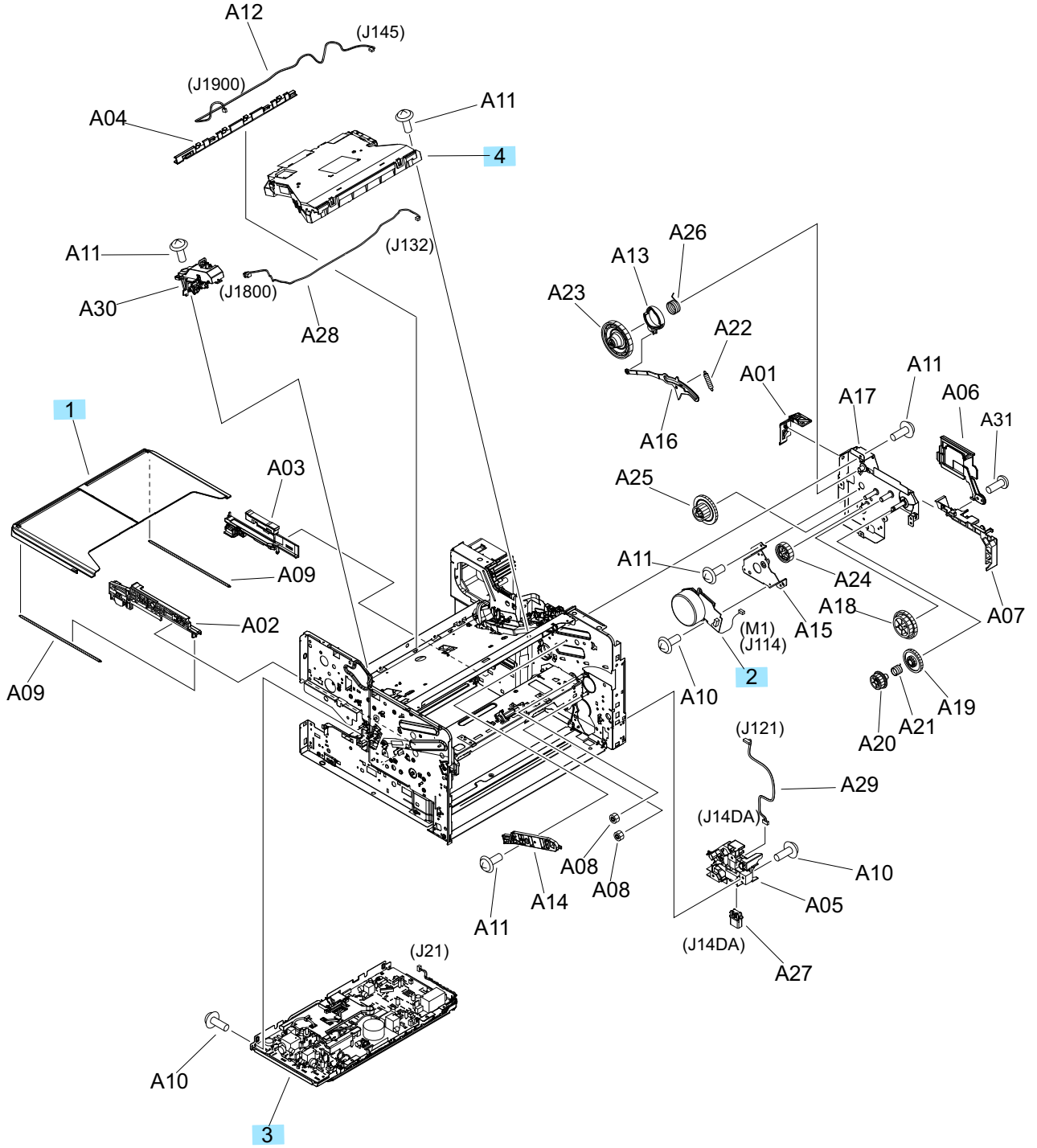


Table 2-12 Internal components (3 of 3)

| Ref | Description | Part number | Qty |
|------------|------------------------------|--------------------|------------|
| 1 | Cover, dust | RC3-5754-000 | 1 |
| 2 | Motor, main | RM2-0623-000 | 1 |
| 3 | Power supply, high-voltage | RM2-0631-000 | 1 |
| 4 | Assembly, laser scanner unit | RM2-0648-000 | 1 |