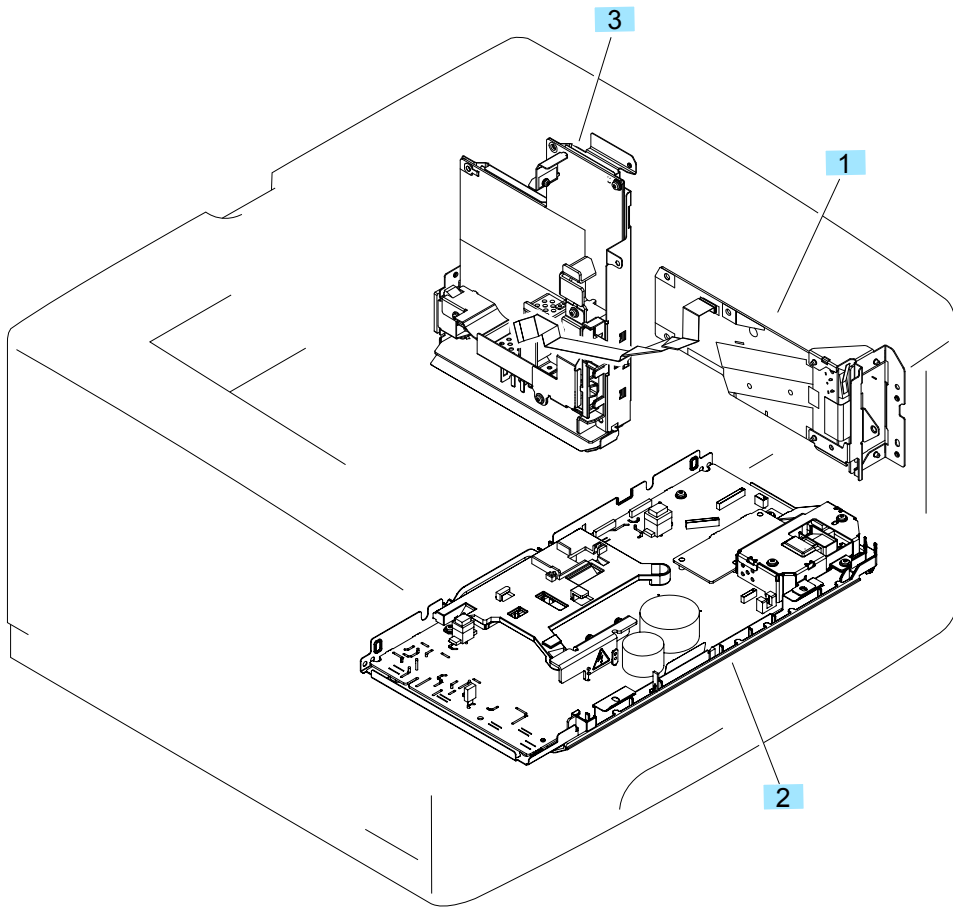


# PCAs

Figure 2-10 PCA assembly



**Table 2-13 PCA assembly**

<b>Ref</b>	<b>Description</b>	<b>Part number</b>	<b>Qty</b>
1	DC controller PCA assembly	RM2-0231-000	1
2	High-voltage PCA assembly	RM2-0631-000	1
3	Low-voltage PCA assembly	RM2-0647-000	1
Not shown	PCA, formatter	CZ237-60001	1
Not shown	Stay, formatter	A3E42-00005	1
Not shown	FFC, formatter engine	A3E42-40013	1
Not shown	PCA, walk-up USB	CF368-60001	1
Not shown	Cable, front USB	A3E42-90978	1
Not shown	Bracket, USB	A2E42-00003	1
Not shown	PCA, WiFi	1150-7957	1
Not shown	Holder, WiFi	CF144-40011	1