

Figure 2-4 SSA and control panel (2 of 4)

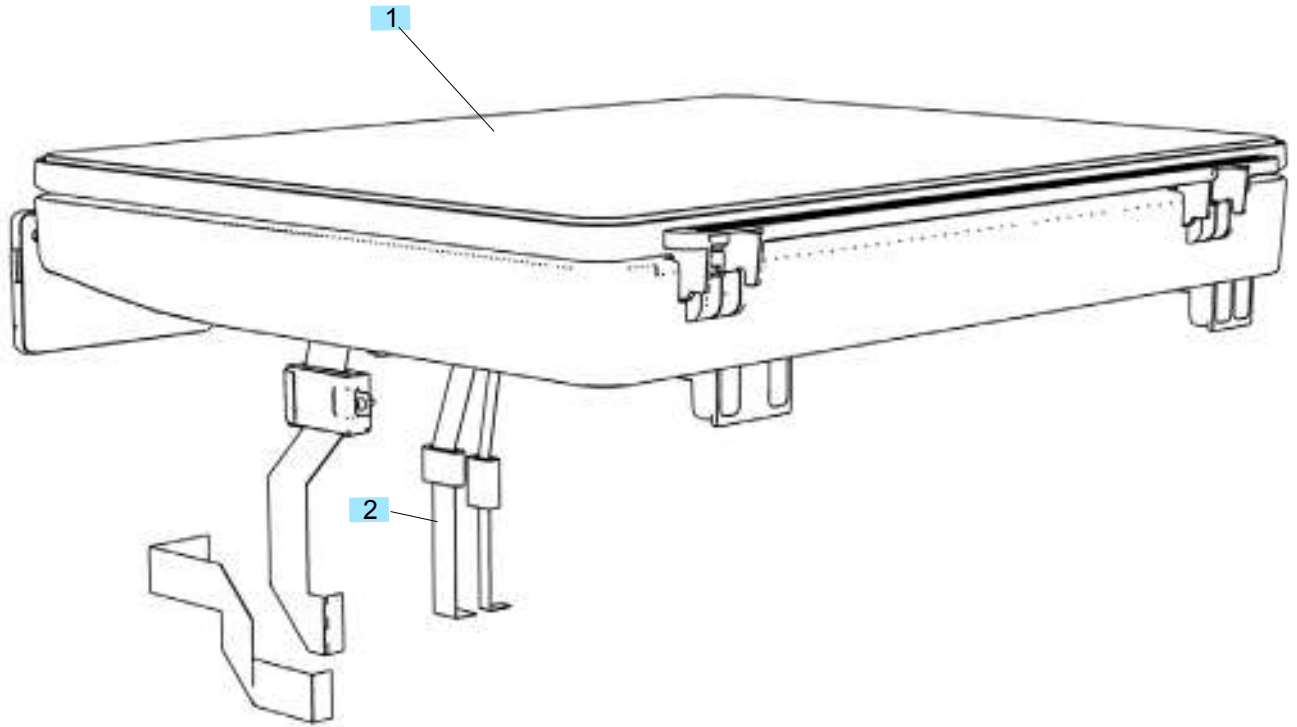


Table 2-7 SSA and control panel (2 of 4)

Ref	Description	Part number	Qty
1	Assembly, scanner lid	A3E42-60105	1