

Internal assemblies (6 of 6)

Figure 2-12 Internal assemblies (6 of 6)

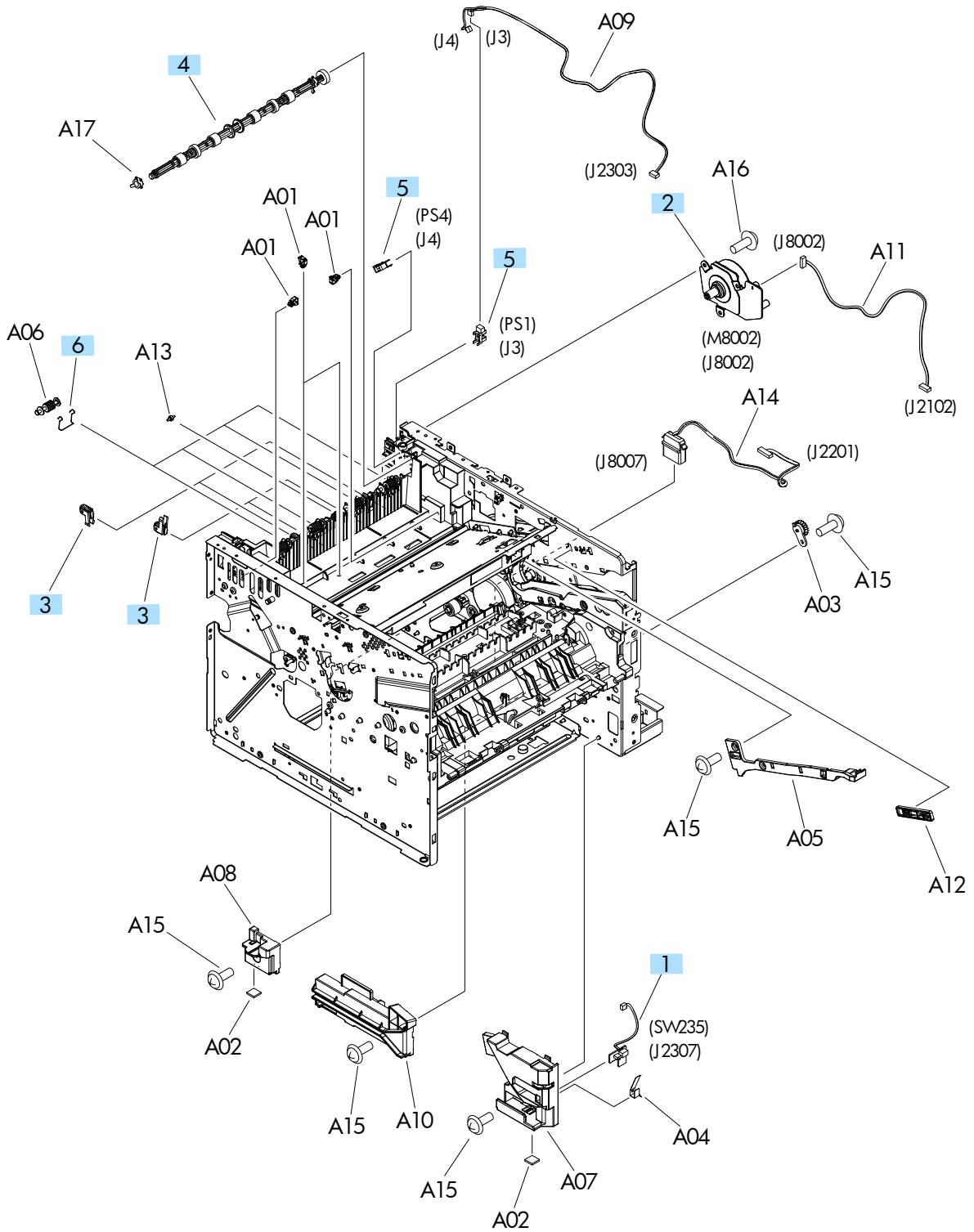


Table 2-15 Internal assemblies (6 of 6)

Ref	Description	Part number	Qty
1	Tray sensor PCA	RM1-8620-000CN	1
2	Fuser motor assembly	RM1-8523-000CN	1
3	Paper-delivery roller assembly	RM1-6301-000CN	4
4	Face-down roller assembly	RM1-6311-000CN	1
5	Photo interrupter, IC	WG8-5935-000CN	2
6	Spring, torsion	RC2-8554-000CN	1