

500-sheet feeder internal components

Figure 2-8 500-sheet feeder internal components

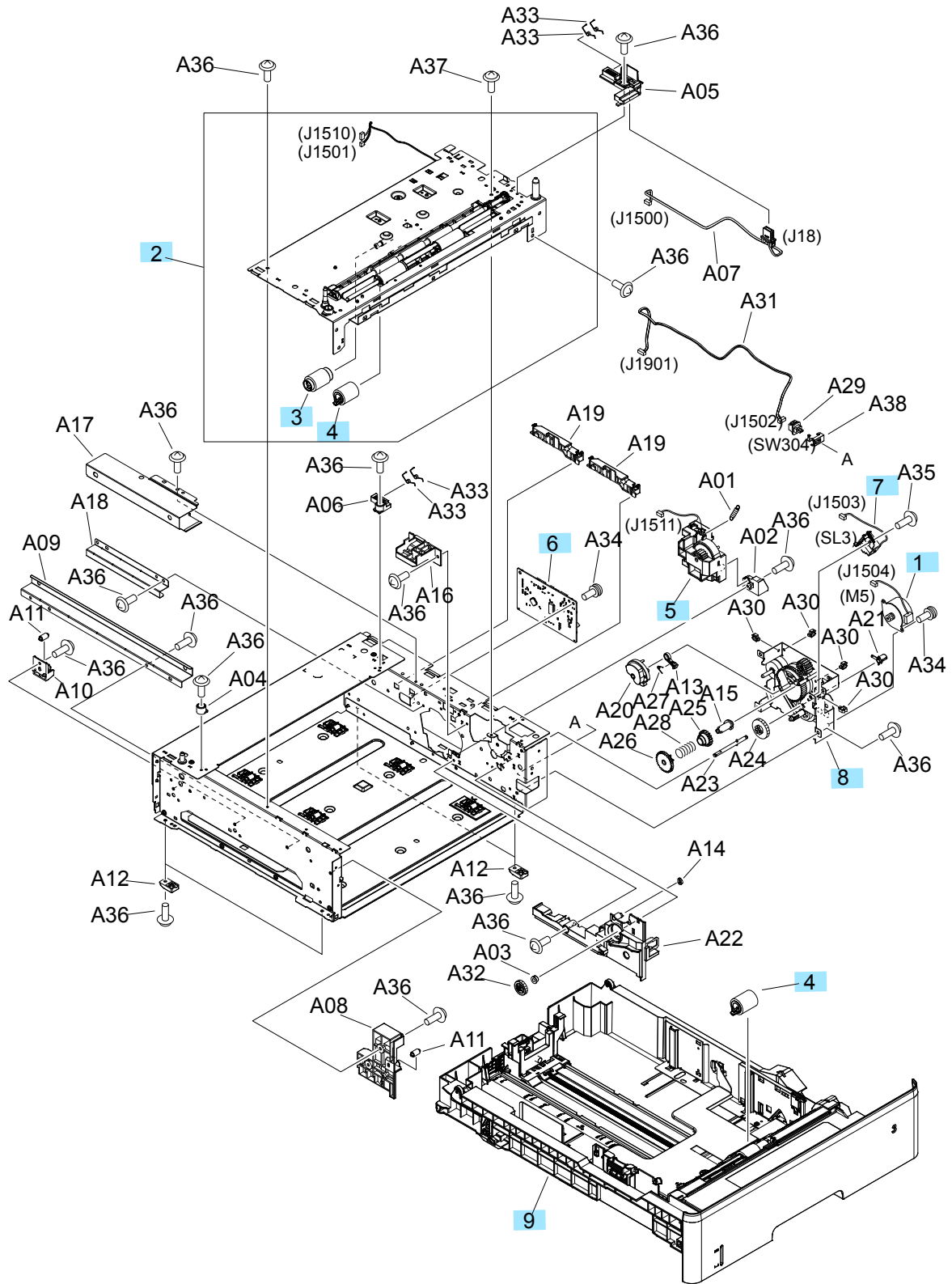


Table 2-11 500-sheet feeder internal components

Ref	Description	Part number	Qty
1	Motor, DC stepping	RK2-1062-000	1
2	Assembly, paper pickup	RM1-2896-000	1
3	Roller, paper pickup	RM1-0036-020	1
4	Roller, paper feed	RM1-0037-020	2
5	Assembly, lifter drive	RM1-2912-030	1
6	PCA, paper feed	RM2-0241-000	1
7	Solenoid, Tray 3	RK2-0270-000	1
8	Assembly, drive	RM1-2909-000	1
9	Cassette, Tray 3	RM2-0657-000	1