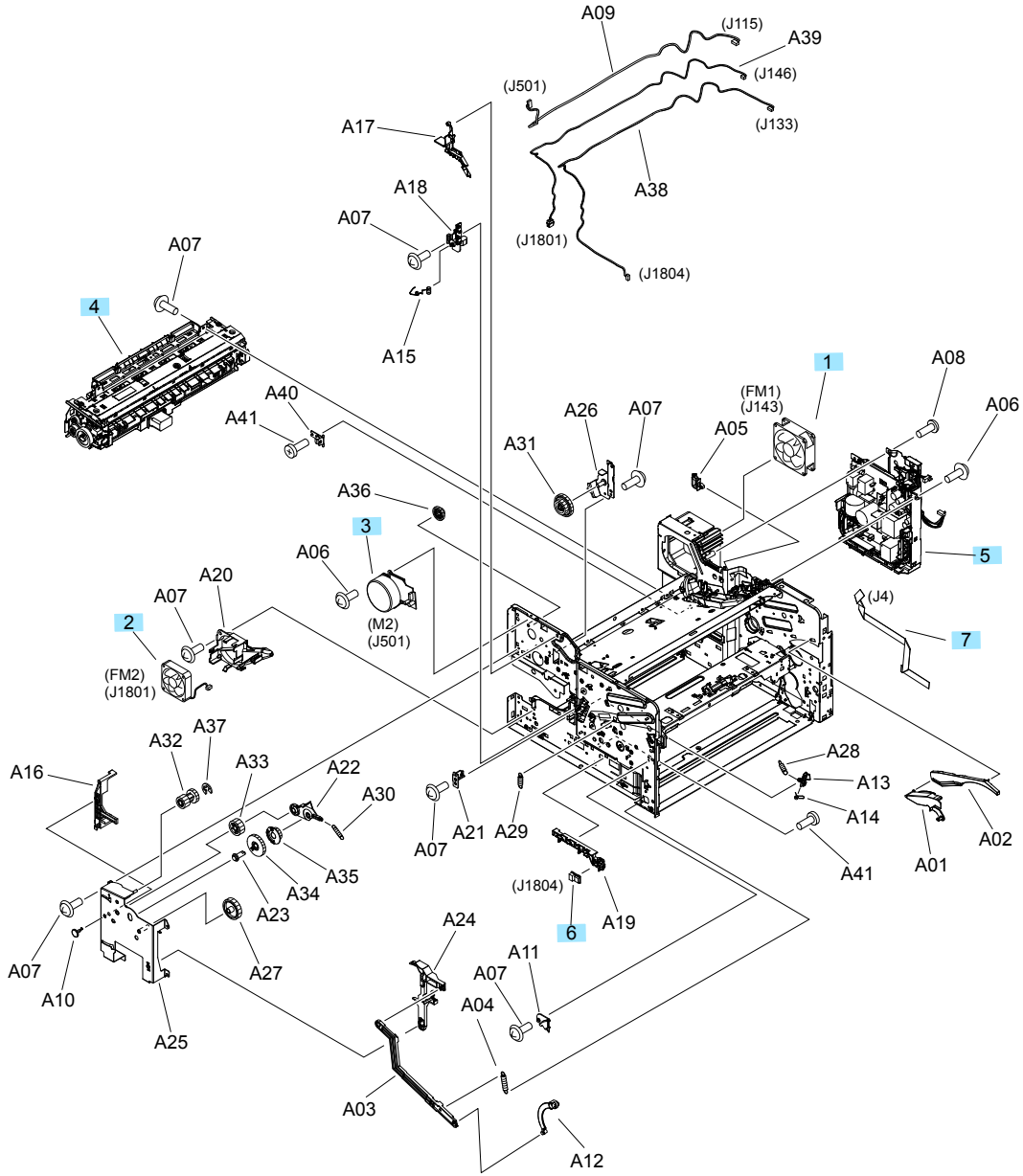


Figure 2-4 Internal components (2 of 3)



**Table 2-7 Internal components (2 of 3)**

<b>Ref</b>	<b>Description</b>	<b>Part number</b>	<b>Qty</b>
1	Fan, right	RK2-1090-000	1
2	Fan, left	RK2-2728-000	1
3	Motor, fuser	RM2-0622-000	1
4	Assembly, fuser (220 V)	RM2-0639-000	1
5	Power supply, low-voltage	RM2-0647-000	1
6	Sensor, humidity	WP2-5368-000	1
7	Cable, flexible flat, 10P	RK2-7118-000	1