

Figure 2-5 Internal components (3 of 3)

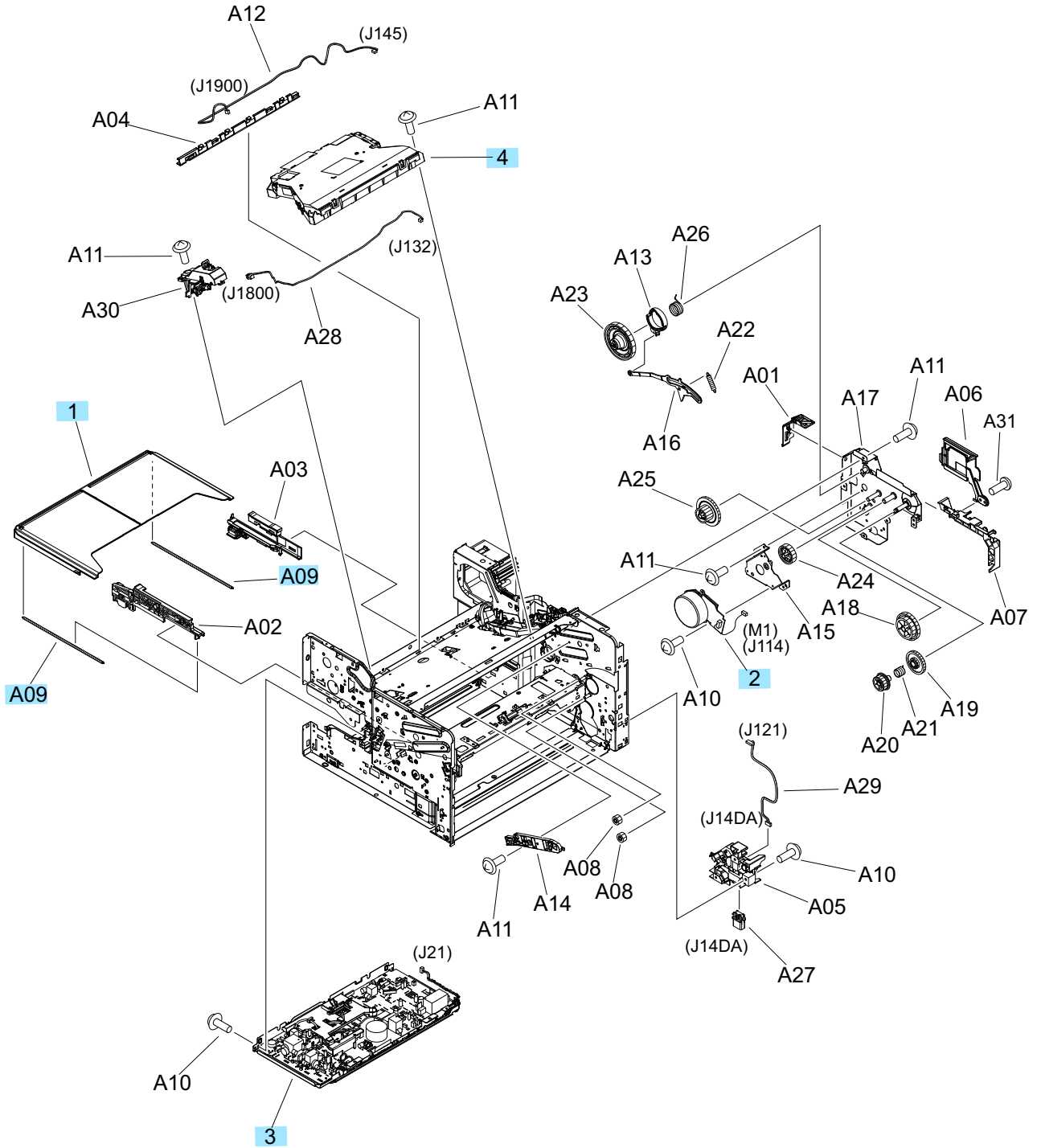


Table 2-8 Internal components (3 of 3)

Ref	Description	Part number	Qty
1	Cover, dust	RC3-5754-000	1
2	Motor, main	RM2-0623-000	1
3	Power supply, high-voltage	RM2-0631-000	1
4	Assembly, laser scanner unit	RM2-0648-000	1
A09	Spring, tension	RU5-2563-000	1
Not shown	Sound absorption cushion	RC3-5696-000	1