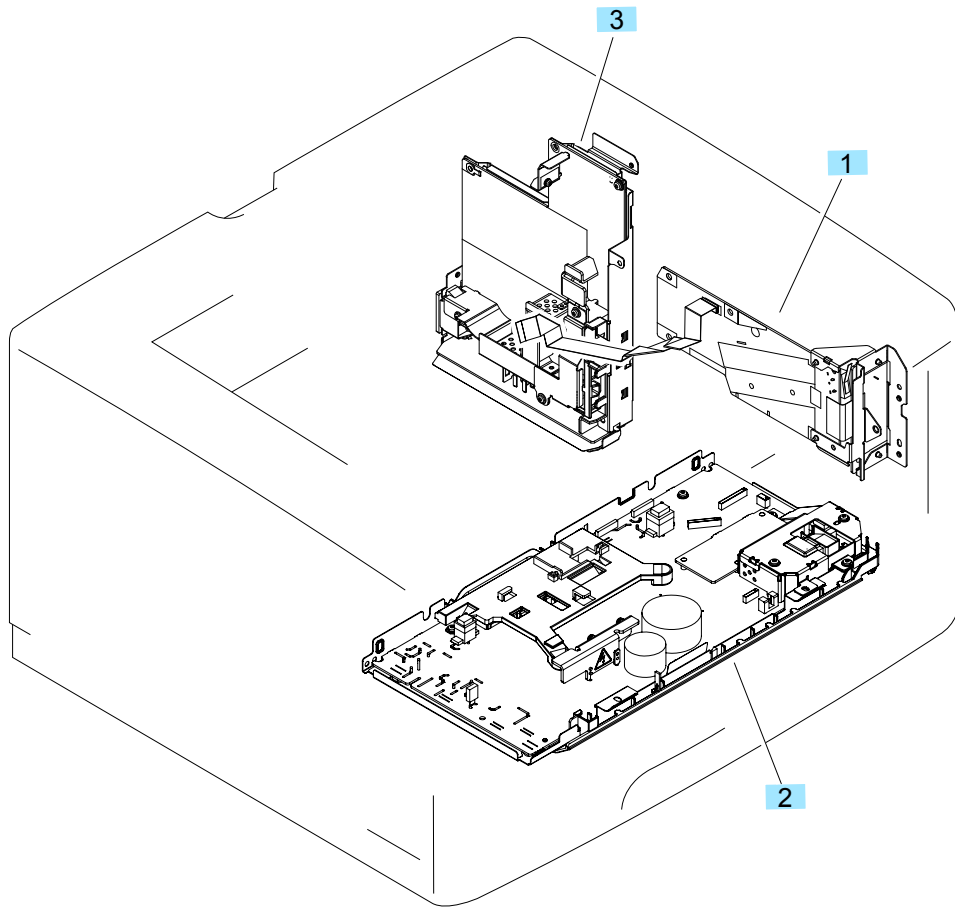


# PCAs

Figure 2-6 PCA assembly



**Table 2-9 PCA assembly**

<b>Ref</b>	<b>Description</b>	<b>Part number</b>	<b>Qty</b>
1	DC controller PCA assembly	RM2-0231-000	1
2	High-voltage PCA assembly	RM2-0631-000	1
3	Low-voltage PCA assembly	RM2-0647-000	1
Not shown	PCA, formatter	B6S00-60001	1
Not shown	PCA, formatter	B6S01-60001	1
Not shown	PCA, formatter	B6S02-60001	1
Not shown	Stay, formatter	A3E42-00005	1
Not shown	FFC, formatter engine	A3E42-40013	1