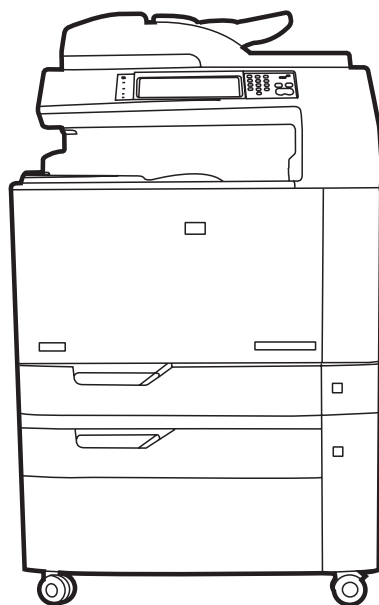


# HP Color LaserJet CM6030 and CM6040 MFP Series

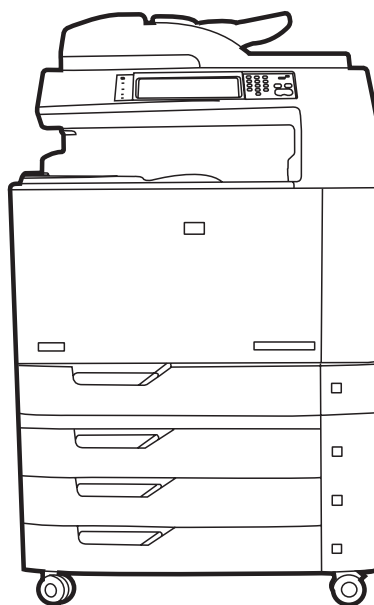
Service Manual



**CM6030 MFP  
CM6040 MFP**



**CM6030f MFP  
CM6040f MFP**







# HP Color LaserJet CM6040 MFP Series Service Manual



## Copyright and License

© 2008 Copyright Hewlett-Packard Development Company, L.P.

Reproduction, adaptation, or translation without prior written permission is prohibited, except as allowed under the copyright laws.

The information contained herein is subject to change without notice.

The only warranties for HP products and services are set forth in the express warranty statements accompanying such products and services. Nothing herein should be construed as constituting an additional warranty. HP shall not be liable for technical or editorial errors or omissions contained herein.

Part number: Q3938-90953

Edition 1, 04/2008

## Trademark Credits

Adobe®, Acrobat®, and PostScript® are trademarks of Adobe Systems Incorporated.

Corel® is a trademark or registered trademark of Corel Corporation or Corel Corporation Limited.

Microsoft®, Windows®, and Windows NT® are U.S. registered trademarks of Microsoft Corporation.

Windows Vista™ is either a registered trademark or trademark of Microsoft Corporation in the United States and/or other countries.

PANTONE® is Pantone, Inc's check-standard trademark for color.

UNIX® is a registered trademark of The Open Group.

ENERGY STAR® and the ENERGY STAR logo® are U.S. registered marks of the United States Environmental Protection Agency.

---

# Table of contents

## 1 Product basics

Product comparison .....	2
Product features .....	4
Product walkaround .....	7
Front view .....	7
HP Color LaserJet CM6040 MFP Series .....	7
Back view .....	8
Interface ports .....	9
Serial number and model number location .....	9
Supported operating systems .....	11

## 2 Control panel

Use the control panel .....	14
Control-panel layout .....	14
Home screen .....	15
Buttons on the touchscreen .....	16
Control-panel help system .....	16
Navigate the Administration menu .....	17
Information menu .....	18
Default Job Options menu .....	20
Default Options for Originals .....	20
Image adjustment .....	21
Default Copy Options .....	22
Default Fax Options .....	23
Default E-mail Options .....	24
Default Send to Folder Options .....	25
Default Print Options .....	26
Time/Scheduling menu .....	27
Management menu .....	29
Initial Setup menu .....	31
Networking and I/O .....	31
Fax Setup .....	38
E-mail Setup .....	41
Send Setup menu .....	41

Device Behavior menu .....	42
Print Quality menu .....	49
Troubleshooting menu .....	53
Resets menu .....	59
Service menu .....	60

### 3 Paper and print media

Understand paper and print media use .....	62
Supported paper and print media sizes .....	63
Supported paper types .....	66
Special paper or print media guidelines .....	68
Load paper and print media .....	69
Load Tray 1 .....	69
Print envelopes .....	70
Load trays 2, 3, 4, or 5 .....	70
Load standard-sized media into trays 2, 3, 4, or 5 .....	70
Load undetectable standard-sized media into Tray 2, 3, 4, and 5 .....	72
Load custom-size media into tray 2, 3, 4, or 5 .....	73
Load large size paper into Tray 3, 4, or 5 .....	74
Load letterhead, pre-printed, or pre-punched paper .....	74
Change the Image Rotation setting .....	75
Choose the correct orientation for loading letterhead, pre-printed, or pre-punched paper .....	75
Configure trays .....	79
Configure a tray when loading paper .....	79
Configure a tray to match print job settings .....	79
Automatic media type sensing (auto sense mode) .....	79
Auto sense settings .....	80
Select the paper by source, type, or size .....	80
Source .....	80
Type and Size .....	81
Choose an output location .....	82
Standard output bins .....	82
Optional output accessories .....	82
3-bin stapler/stacker features .....	82
Booklet maker finisher features .....	83
Accessory workaround .....	83
Use the booklet-making feature .....	84
Create a booklet from the print driver .....	85
Create a booklet from a copy .....	85
Configure the accessory operation mode .....	86
Select the operating mode at the control panel .....	86
Select the operating mode in the printer driver .....	86
Select the operating mode in the printer driver (Mac OS X) .....	86

## 4 Manage and maintain the product

Information pages .....	90
HP Easy Printer Care .....	92
Open the HP Easy Printer Care software .....	92
HP Easy Printer Care software sections .....	92
Embedded Web server .....	95
Open the embedded Web server by using a network connection .....	95
Embedded Web server sections .....	96
Use HP Web Jetadmin software .....	99
Security features .....	100
Secure the embedded Web server .....	100
Foreign Interface Harness (FIH) .....	100
Requirements .....	100
Use the FIH .....	100
Enable the FIH portal .....	100
Disable the FIH portal .....	101
Secure Disk Erase .....	101
Data affected .....	101
Gain access to Secure Disk Erase .....	102
Additional Information .....	102
DSS authentication .....	102
Lock the control-panel menus .....	102
Manage supplies .....	103
Print-cartridge storage .....	103
HP policy on non-HP print cartridges .....	103
HP fraud hotline and Web site .....	103
Replace supplies .....	104
Locate supplies .....	104
Supply replacement guidelines .....	104
Approximate replacement intervals for supplies .....	105
Change print cartridges .....	105
Change image drums .....	108
Install memory .....	111
Install DDR memory DIMMs .....	111
Enable memory .....	114
Enable memory for Windows 2000 and XP .....	114
Install an HP Jetdirect or EIO print server card or EIO hard disk .....	115
Replace the staple cartridge .....	117
Replace saddle stitch staple cartridges in the booklet maker .....	119
Clean the product .....	122
Clean the outside of the product .....	122
Clean the product interior .....	122

Clean the 3X500 sheet input tray .....	124
Clean the IPTU .....	125
Clean the touchscreen .....	125
Clean the scanner glass .....	125
Cleaning the ADF delivery system .....	126
Clean the ADF delivery system .....	126
Clean the ADF rollers .....	127
ADF maintenance kit .....	129
Calibrate the scanner .....	130
Upgrade the firmware .....	131
Determine the current firmware version .....	131
Download new firmware from the HP Web site .....	131
Transfer the new firmware to the product .....	131
Use FTP to upload the firmware through a browser .....	131
Use FTP to upgrade the firmware on a network connection .....	132
Use HP Web Jetadmin to upgrade the firmware .....	133
Use MS-DOS commands to upgrade the firmware .....	133
Use the HP Jetdirect firmware .....	133
Set the real-time clock .....	135
Set the date format .....	135
Set the date .....	135
Set the time format .....	135
Set the time .....	135

## 5 Theory of operation

Basic operation .....	138
Sequence of operation .....	138
Formatter system .....	140
Sleep mode .....	140
Resolution Enhancement technology (REt) .....	140
Input/output .....	141
CPU .....	141
Memory .....	141
Hard disk .....	141
Random-access memory .....	141
DIMM slot .....	141
Nonvolatile memory .....	141
PJL overview .....	141
PML .....	142
Control panel .....	142
Engine-control system .....	143
DC controller .....	144
Solenoids .....	144

Switches .....	145
Sensors .....	146
Motors and fans .....	147
Fuser control .....	149
Fuser temperature-control circuit .....	151
Fuser over-temperature protection .....	152
Fuser-failure detection .....	153
Fuser identification .....	153
Fuser-life detection .....	154
Relay-failure detection .....	154
Low-voltage power supply .....	154
Overcurrent/overvoltage protection .....	155
Safety .....	155
Voltage detection .....	155
Sleep (powersave) mode .....	155
High-voltage power supply .....	155
Laser/scanner system .....	158
Image-formation system .....	160
Image-formation process .....	161
Step 1: Pre-exposure .....	162
Step 2: Primary charging .....	162
Step 3: Laser-beam exposure .....	163
Step 4: Development .....	163
Step 5: Primary transfer .....	164
Step 6: Secondary transfer .....	164
Step 7: Separation .....	165
Step 8: Fusing .....	165
Step 9: ITB cleaning .....	166
Step 10: Drum cleaning .....	166
Print cartridge .....	167
Imaging drum .....	168
Developing roller engagement and disengagement .....	170
Intermediate transfer belt (ITB) unit .....	171
Primary-transfer-roller engagement and disengagement .....	171
ITB unit detection .....	173
Secondary-transfer-roller unit .....	175
Calibration .....	175
Color-misregistration control .....	176
Image stabilization control .....	177
Pickup, feed, and delivery system .....	178
Pickup-and-feed unit .....	181
Cassette pickup .....	183
Cassette paper-size and cassette-presence detection .....	183
Cassette lift operation .....	185

Cassette paper-level and paper-presence detection .....	186
Multifeed prevention .....	187
Multipurpose tray pickup .....	188
Multipurpose tray last-paper detection .....	189
Paper feed .....	190
Skew-feed prevention .....	191
Paper-type detection .....	192
Feed-speed control .....	193
Fusing and delivery unit .....	195
Loop control .....	195
Pressure-roller pressurization control .....	196
Duplexing unit .....	197
Duplexing reverse and feed control .....	198
Jam detection .....	199
Optional input trays .....	201
Paper-feeder pickup and feed operation .....	204
Scanner component .....	206
Product boards .....	207
Scanner system block diagram .....	208
Scanner image-data path .....	209
Scanner power topology .....	210
Scanner power states .....	211
Sensor topology .....	212
Boards I/Os .....	215
Scanner operation flow .....	217
ADF .....	221
Input tray .....	221
ADF simplex-printing operation sequence .....	221
ADF duplex-printing operation sequence .....	222
Multifeed operation .....	223
End of a scan job operation .....	224
Paper pick and separation operation .....	224
Deskew .....	225

## 6 Removal and replacement

Removal and replacement strategy .....	228
Introduction .....	228
Required tools .....	229
Types of screws .....	229
Service approach .....	230
Before performing service .....	230
After performing service .....	230
Parts removal order .....	231



User-replaceable parts .....	232
Fuser .....	233
Transfer roller .....	236
Intermediate transfer belt (ITB) .....	238
Tray 1 pickup and separation rollers .....	241
Tray 2, 3, 4, and 5 pickup rollers .....	243
Formatter .....	245
Tray 2 .....	248
Trays 3, 4, and 5 .....	248
Service-replaceable parts .....	249
Secondary transfer unit .....	249
Multipurpose drive unit .....	254
Multipurpose-tray guide (Tray 1) unit .....	258
Cassette (Tray 2) pickup unit .....	259
Rear-left cover .....	260
Rear-right cover .....	261
Rear cover .....	262
Low-voltage power-supply unit .....	263
High-voltage power supply PCA (A) .....	264
Lifter-drive unit .....	266
Fuser motor .....	269
Intermediate-transfer belt (ITB) motor .....	270
Face-down output bin .....	271
Left cover .....	272
Laser/scanner fan duct .....	273
Print-cartridge driver PCA .....	275
High-voltage power supply PCA (B) .....	277
Formatter case .....	279
DC controller PCA .....	281
Environmental sensor .....	283
Image-drum motor .....	284
Fuser fan .....	286
Print-cartridge feed motor (black) .....	287
Print-cartridge feed motor (yellow, magenta, and cyan) .....	288
Cartridge fan unit .....	289
Laser/scanner fan unit .....	290
Fuser power-supply unit .....	291
Primary transfer-roller disengagement motor .....	292
Print-cartridge drive unit (yellow and magenta) .....	293
Print-cartridge drive unit (cyan and black) .....	298
Print-cartridge interface PCA (cyan and black) .....	299
Print-cartridge interface PCA (yellow and magenta) .....	300
Main drive unit .....	301
Cartridge fan duct .....	303

Duplex switchback tray .....	304
Front lower cover .....	305
Inner cover .....	306
Rear scanner cover .....	308
Right upper cover .....	309
Front door .....	310
Front door assembly .....	311
Color-misregistration and image-density sensor unit .....	312
Pressure-release sensor unit .....	313
Scanner cover .....	315
Laser/scanner assembly (yellow and magenta) .....	316
Laser/scanner assembly (cyan and black) .....	319
VOC fan .....	322
Duplexing reverse unit .....	323
Face-down delivery unit .....	324
Face-down cover .....	326
Right-door assembly .....	327
Duplexing feed unit .....	329
Multipurpose-tray (Tray 1) pickup unit .....	331
Thermopile unit .....	334
Front-lower cover .....	335
ITB duct .....	336
Optional input trays .....	337
1x500-sheet input tray .....	337
Right door .....	337
Lower-rear cover .....	339
Front-right cover .....	340
Right cover .....	341
Front-upper cover .....	342
Lower-left cover .....	343
Front-lower door .....	344
Box .....	345
Pickup unit .....	346
Input tray is attached .....	346
Paper feeder is not attached .....	347
Auto-close unit .....	349
Pickup motor .....	350
Paper-feeder driver PCA .....	351
3x500-sheet input tray .....	352
Right door .....	352
Lower-rear cover .....	352
Front-right cover .....	352
Right cover .....	352
Front-upper cover .....	352

Left cover .....	352
Pickup unit (middle cassette) .....	353
Pickup unit (lower cassette) .....	354
Pickup unit (upper cassette) .....	354
Paper feeder is attached .....	354
Paper feeder is not attached .....	355
Auto-close unit .....	357
Pickup motor .....	357
Paper-feeder driver PCA .....	357
Scanner .....	358
Optical scanner .....	358
Upper-left scanner cover .....	362
Upper-right scanner cover .....	363
Control panel .....	364
Front scanner cover .....	366
Lower-left scanner cover .....	368
Lower-right scanner cover .....	370
Top scanner cover .....	371
Glass assembly .....	372
Carriage unit .....	373
Configure the SCB when replacing the carriage unit, inverter, SCB, or optical scanner .....	378
Pulley assembly and motor unit .....	380
Rail .....	383
Inverter .....	384
Inverter unit .....	384
Lid sensor .....	386
SCB, CPB, and SCUID .....	388
Power-supply unit .....	391
Scanner fan .....	393
SCB fan .....	394
Control panel fan .....	395
Fan filter .....	396
ADF .....	397
ADF assembly .....	397
ADF input tray sensors .....	399
Separation floor assembly .....	401
Diverter .....	403
Jam cover .....	404
Hinge assemblies .....	406
Float assembly .....	407
White backing .....	410
Front end cover (cap) .....	412
Rear end cover (cap) .....	414

ADF PCA and wire harness .....	417
Input tray .....	419

## 7 Solve problems

Introduction .....	422
Troubleshooting process .....	423
Determine the problem source .....	423
Pre-troubleshooting checklist .....	423
Troubleshooting checklist .....	424
Troubleshooting flowchart .....	426
Power subsystem .....	427
Power-on checks .....	427
Power-on troubleshooting overview .....	427
Tools for troubleshooting .....	429
Internal print-quality test pages .....	429
Print-quality-troubleshooting pages .....	429
Diagnostics page .....	429
Cleaning page .....	430
Configuration pages .....	431
Configuration page .....	431
HP embedded Jetdirect page .....	433
Embedded protocol page .....	434
Finding important information on the configuration pages .....	435
Solve performance problems .....	436
Solve connectivity problems .....	437
Solve direct-connect problems .....	437
Solve network connectivity problems .....	437
Solve network printing problems .....	437
Verify communication over the network .....	438
Control-panel message types .....	439
Control-panel messages .....	440
Event log messages .....	511
Print an event log .....	511
Show an event log .....	511
Clear the event log .....	511
Event log message .....	512
Paper-handling problems .....	519
Jams .....	519
Common causes of jams .....	519
Jam locations .....	520
Clear jams .....	520
Jam sensors .....	521
AREA 1: Jams in the output bin .....	522

AREA 2 and 3: Jams in the fuser and transfer area .....	524
AREA 4: Jams in the duplex area .....	531
AREA 5: Jams in Tray 2 and the internal paper path .....	535
AREA 6: Jams in Tray 1 .....	539
AREA 7: Jams in optional Trays 3, 4, and 5 .....	543
AREA 8: Jams in the optional finishing devices .....	547
AREA 9: Jams in the ADF .....	552
Clear staple jams .....	553
Jam recovery .....	557
Product feeds multiple sheets .....	558
Product pulls from incorrect tray .....	558
Product feeds incorrect page size .....	558
Paper does not feed automatically .....	559
Paper does not feed from Tray 2, 3, 4, or 5 .....	559
Transparencies or glossy paper will not feed .....	560
Envelopes jam or will not feed in the product .....	561
Output is curled or wrinkled .....	561
Product will not duplex or duplexes incorrectly .....	562
Solve image quality problems .....	563
Example print quality problems .....	563
Repetitive defects ruler .....	563
Overhead transparency defects .....	565
Print quality problems associated with the environment .....	565
Print quality problems associated with jams .....	565
Optimize and improve image quality .....	565
Use supported paper .....	566
Calibrate the product .....	566
Specify the correct paper type .....	566
Clean the fuser .....	567
Respond to control-panel error messages .....	568
Clean the registration second transfer assembly .....	568
Use manual print modes .....	570
Print-quality-troubleshooting pages .....	571
Image-quality issues .....	574
Interface troubleshooting .....	579
Communication checks .....	579
EIO troubleshooting .....	579
Engine diagnostics .....	580
LED diagnostics .....	580
Understand lights on the formatter .....	580
HP Jetdirect LEDs .....	580
Heartbeat LED .....	581
Understand lights on the SCB .....	581
Understand lights on the copy-process board (CPB) .....	583

Engine-test button .....	583
Troubleshooting menu .....	584
Diagnostics mode .....	585
Diagnostics that put the engine into the special diagnostics mode .....	585
Diagnostic tests .....	586
Disable cartridge check .....	587
Paper-path sensors test .....	587
Paper-path test .....	589
Manual sensor test (special-mode test) .....	590
Component tests .....	592
Component test (special-mode test) .....	592
Transfer-motors test .....	592
Belt-only test .....	592
Image-drum motors test .....	592
CMYK-laser test .....	593
Fuser-motor test .....	593
Fuser pressure-release motor test .....	593
Color-alienation motor test .....	593
ITB-contact/alienation test .....	593
Paper-transport motor test .....	594
Tray-1 pickup-solenoid test .....	594
Tray-2 pickup-motor test .....	594
Duplexer reverse-motor test .....	594
Duplexer refeed-motor test .....	594
Print/stop test .....	596
Color-band test .....	597
Scanner tests .....	597
Service-mode functions .....	598
Service menu .....	598
Product resets .....	600
NVRAM initialization .....	600
Solve scanner problems .....	601
Solve fax problems .....	602
Solve e-mail problems .....	603
Validate the SMTP gateway address .....	603
Validate the LDAP gateway address .....	603
Diagrams .....	604
Connectors .....	604
DC controller PCA .....	604
PCAs .....	604
Product base .....	606
1 x 500 input tray .....	609
3 x 500 input tray .....	610
IPTU .....	611

Fans .....	611
Product base .....	611
Sensors .....	612
Product base .....	612
1 x 500 input tray .....	614
3 x 500 input tray .....	615
IPTU .....	616
Motors .....	617
Product base .....	617
1 x 500 input tray .....	618
3 x 500 input tray .....	619
IPTU .....	620
Solenoids .....	620
Product base .....	620
1 x 500 input tray .....	621
3 x 500 input tray .....	621
Switches .....	622
Product base .....	622
1 x 500 input tray .....	623
3 x 500 input tray .....	623
Block diagrams .....	625
Main assemblies .....	625
Main parts .....	628
PCAs .....	629
1 x 500 input tray .....	630
3 x 500 input tray .....	631
Intermediate paper-transfer unit (IPTU) .....	632
Scanner .....	632
Components (scanner) .....	632
ADF .....	633
Sensors (ADF) .....	633
General timing chart .....	634
General circuit diagrams .....	634
Signals .....	639

## 8 Output accessories and intermediate paper transfer unit (IPTU)

Theory of operation .....	668
Intermediate paper transfer unit (IPTU) .....	668
Basic operation .....	668
Feed operation .....	670
Jam detection .....	670
3-bin stapler/stacker .....	671
Basic operation .....	671

Electrical circuitry .....	672
Feed drive system .....	672
Construction of the control system .....	673
Paper delivery path (stapler/stacker and booklet maker) .....	675
Intermediate-process output-bin assembly (stapler/stacker and booklet maker) .....	679
Stack job offset .....	679
Process output bin paper-stacking operation .....	681
Offset operation .....	681
Stack trailing-edge assist operation .....	682
Stack delivery operation .....	682
Staple operation (stapler/stacker and booklet maker) .....	683
Staple unit .....	686
Shift the staple unit .....	687
Stack operation (stapler/stacker and booklet maker) .....	689
Output bin operation .....	689
Shutter operation .....	691
Jam detection .....	692
Power supply .....	693
Power-supply route .....	693
Protection function .....	693
HP Booklet Maker/Finisher accessory .....	694
Basic operation .....	694
Basic operation of the stacker unit .....	694
Electrical circuitry of the stacker unit .....	694
Basic operation of the booklet maker unit .....	695
Electrical circuitry for the booklet maker unit .....	696
Feed drive system .....	696
Paper-delivery path (booklet maker only) .....	701
Basic operation for the booklet maker .....	702
Control of the inlet flappers .....	706
Control of paper movement .....	709
Alignment of paper .....	711
Control the phase of the crescent roller .....	713
Overview of folding .....	715
Control of stack movement .....	716
Fold the stack .....	716
Double folding a stack .....	719
Intermediate-process-tray assembly .....	720
Staple operation .....	721
Stapler unit .....	721
Stapling operation .....	722
Stitcher (stapler) unit .....	722
Stack operation .....	723



Jam detection .....	723
Detect jams in the stacker unit .....	724
Detect jams in the booklet maker unit .....	724
Power supply .....	725
Power-supply route for the stacker unit .....	725
Protective function for the stacker unit .....	726
Power-supply route for the booklet maker unit .....	726
Protective function for the booklet maker unit .....	726
Specifications .....	727
Accessory specifications .....	727
Stapler/stacker output-bin capacities .....	732
Booklet-maker output-bin capacities .....	733
Removal and replacement .....	734
Intermediate paper transfer unit (IPTU) .....	734
IPTU .....	734
Upper guide assembly .....	736
Rear cover .....	738
Fan unit .....	742
Right belt-drive unit .....	743
Left belt-drive unit .....	746
Finisher lock-assembly .....	748
IPTU paper-feed motor 1 .....	750
IPTU paper-feed motor 2 .....	751
IPTU driver PCA .....	752
Stapler/stacker and Booklet maker .....	753
Identify the booklet maker and stapler/stacker .....	753
Remove the booklet maker and stapler/stacker from the printer .....	754
External covers .....	757
Entrance lower-guide assembly .....	757
Front door .....	758
Rear cover .....	759
Front-foot cover .....	760
Rear-foot cover .....	760
Front inside-upper cover .....	761
Front inside-lower cover (booklet maker only) .....	762
Left-upper cover .....	763
Top door .....	765
Grate-shaped upper guide .....	767
Move output bins 1 and 2 .....	768
Grate-shaped lower guide .....	770
PCA cover .....	771
Drive system .....	772
Stapler .....	772
Stapler assembly .....	774

Swing unit .....	777
Upper crossmember unit .....	781
Saddle unit (booklet maker only) .....	784
Saddle-stapler assembly (booklet maker only) .....	788
Positioning plate unit (inner side-plate assembly) (booklet maker only) .....	789
Document feed system .....	792
Operation-tray assembly .....	792
Output-bin 1 .....	797
Output-bin 2 .....	799
Upper output bin (stapler-stacker only) .....	801
Buffer rollers .....	802
Booklet-delivery output bin (booklet maker only) .....	803
Booklet-delivery output bin unit (booklet maker only) .....	804
Return roller unit .....	805
Pressure roller unit .....	807
Entrance upper guide unit .....	812
Upper-delivery guide (booklet maker only) .....	814
Inlet feed unit (stapler-stacker only) .....	815
Inlet feed unit (booklet maker only) .....	818
Paper-folding roller (booklet maker only) .....	821
Electrical system .....	826
Stacker controller PCA .....	826
Saddle-stitcher controller PCA (booklet maker only) .....	827
Solve problems .....	828
Intermediate paper-transfer unit (IPTU) .....	828
.....	828
Stapler/stacker and booklet maker .....	828
Individual component diagnostics .....	828
Manual sensor test .....	828
Component test .....	829
LED diagnostics .....	830
Diagrams .....	832
Cross sections .....	832
Sensors .....	835
Microswitches .....	839
Solenoids .....	841
Motors .....	843
Clutches .....	845
PCA .....	846
Variable resistors, LED, and check pins .....	849
Circuit diagrams .....	852
Adjustments .....	857
Adjust the alignment position .....	857

Adjust the staple position .....	857
Adjust the folding position to the stitch position (Booklet maker only) .....	859
Adjust the stitcher unit .....	862

## 9 Parts and diagrams

Order parts, accessories, and supplies .....	866
Order directly from HP .....	866
Order directly through the software .....	866
Orderable and non-orderable parts .....	866
Replacement kits .....	868
Printer supplies and accessories .....	868
Printer .....	872
Printer parts .....	872
Input-accessory devices .....	916
Input trays .....	916
Output-accessory devices .....	934
Intermediate paper-transfer unit (IPTU) .....	934
Stapler/stacker and booklet-maker .....	945
Automatic document-feeder (ADF) .....	1016
Automatic document feeder (ADF) assemblies .....	1016
Scanner .....	1032
Scanner assemblies .....	1032
Alphabetical parts list .....	1066
Numerical parts list .....	1094

## Appendix A Service and support

Hewlett-Packard limited warranty statement .....	1124
Print cartridge limited warranty statement .....	1126
Color LaserJet Fuser Kit, Transfer Kit, and Roller Kit Limited Warranty Statement .....	1127
Customer self repair warranty service .....	1128
Customer support .....	1129
Availability of support and service .....	1130
HP maintenance agreements .....	1131
On-site service agreements .....	1131
Priority onsite service .....	1131
Next-day onsite service .....	1131
Weekly (volume) on-site service .....	1131

## Appendix B Product specifications

Physical specifications .....	1134
Electrical specifications .....	1135
Acoustic specifications .....	1136

Environmental specifications .....	1137
------------------------------------	------

### Appendix C Regulatory information

Compliance with FCC regulations .....	1140
Declaration of Conformity .....	1141
Declaration of Conformity .....	1142
Environmental product stewardship program .....	1143
Protecting the environment .....	1143
Ozone production .....	1143
Power consumption .....	1143
Toner consumption .....	1143
Paper use .....	1143
Plastics .....	1143
HP LaserJet print supplies .....	1143
Return and recycling instructions .....	1144
United States and Puerto Rico .....	1144
Multiple returns (more than one cartridge) .....	1144
Single returns .....	1144
Shipping .....	1144
Non-U.S. returns .....	1144
Paper .....	1144
Material restrictions .....	1144
Disposal of waste equipment by users in private households in the European Union .....	1145
Material Safety Data Sheet (MSDS) .....	1145
For more information .....	1146
Certificate of volatility .....	1147
Types of memory .....	1147
Volatile memory .....	1147
Non-volatile memory .....	1147
Hard-disk-drive memory .....	1147
Safety statements .....	1148
Laser safety .....	1148
Canadian DOC regulations .....	1148
VCCI statement (Japan) .....	1148
Power cord statement (Japan) .....	1148
EMI statement (Korea) .....	1148
EMI statement (Taiwan) .....	1149
General telecom statement .....	1149
Laser statement for Finland .....	1149
Substances Table (China) .....	1150

Index .....	1151
-------------	------

---

# List of tables

Table 1-1	Product models .....	2
Table 1-2	Features .....	4
Table 2-1	Information menu .....	18
Table 2-2	Default Options for Originals menu .....	20
Table 2-3	Image Adjustment menu .....	21
Table 2-4	Default Copy Options menu .....	22
Table 2-5	Fax Send menu .....	23
Table 2-6	Fax Receive menu .....	23
Table 2-7	Default Print Options menu .....	26
Table 2-8	Time/Scheduling menu .....	27
Table 2-9	Management menu .....	29
Table 2-10	Networking and I/O .....	31
Table 2-11	Jetdirect menus .....	31
Table 2-12	Fax Setup menu .....	38
Table 2-13	E-mail Setup menu .....	41
Table 2-14	Send Setup menu .....	41
Table 2-15	Device Behavior menu .....	42
Table 2-16	Print Quality menu .....	49
Table 2-17	Troubleshooting menu .....	53
Table 2-18	Resets menu .....	59
Table 3-1	Supported paper and print media sizes .....	63
Table 3-2	Supported envelopes and postcards .....	63
Table 3-3	Supported paper and print media sizes for the optional HP 3-bin Stapler/Stacker and HP Booklet Maker/Finisher accessories .....	64
Table 3-4	Tray 1 paper information .....	66
Table 3-5	Trays 2, 3, 4, and 5 paper information .....	66
Table 3-6	Load letterhead, pre-printed, or pre-punched paper — Image Rotation = Left to right .....	76
Table 3-7	Load letterhead, pre-printed, or pre-punched paper — Image Rotation = Right to left .....	77
Table 3-8	3-bin stapler/stacker features .....	82
Table 3-9	Booklet-maker finisher features .....	83
Table 5-1	Sequence of operation .....	138
Table 5-2	Solenoids .....	145
Table 5-3	Switches .....	145
Table 5-4	Sensors .....	146

Table 5-5	Motors .....	147
Table 5-6	Fans .....	149
Table 5-7	Fuser components .....	150
Table 5-8	Converted DC voltages .....	155
Table 5-9	High-voltage power supply circuits .....	156
Table 5-10	Primary-transfer-roller engagement states .....	172
Table 5-11	ITB unit detection .....	173
Table 5-12	Image stabilization controls .....	177
Table 5-13	Switches and sensors for the pickup, feed, and delivery system .....	178
Table 5-14	Motors and solenoids for the pickup, feed, and delivery system .....	180
Table 5-15	Main operations within the pickup-and-feed system .....	182
Table 5-16	Switch states for paper-size detection .....	184
Table 5-17	Duplexing-unit components .....	197
Table 5-18	Jams that the product detects .....	199
Table 5-19	Electrical components for the optional input trays .....	202
Table 5-20	Scanner power states .....	211
Table 5-21	Sensors .....	213
Table 5-22	SCB connectors .....	216
Table 5-23	CCD map .....	216
Table 7-1	Pre-troubleshooting checklist .....	423
Table 7-2	Troubleshooting flowchart .....	426
Table 7-3	Important information on the configuration pages .....	435
Table 7-4	Control-panel messages .....	440
Table 7-5	Causes and solutions for delivery-delay jam .....	522
Table 7-6	Causes and solutions for fuser delivery-delay jams .....	524
Table 7-7	Causes and solutions for wrapping jams .....	524
Table 7-8	Causes and solutions for fuser delivery stationary jams .....	525
Table 7-9	Causes and solutions for residual media jams .....	525
Table 7-10	Causes and solutions for pickup delay jams 2 .....	525
Table 7-11	Causes and solutions for pickup-stationary jam .....	526
Table 7-12	Causes and solutions for fuser delivery-stationary jam .....	526
Table 7-13	Causes and solutions for duplexing reverse jams 1 .....	531
Table 7-14	Causes and solutions for duplexing reverse jams 2 .....	531
Table 7-15	Causes and solutions for duplexing-repickup jams 1 .....	532
Table 7-16	Causes and solutions for duplexing-repickup jams 2 .....	532
Table 7-17	Causes and solutions for pickup-delay jam 1: tray pickup .....	535
Table 7-18	Causes and solutions for pickup stationary jams .....	536
Table 7-19	Causes and solutions for pickup-delay jam s1; MP-tray pickup .....	539
Table 7-20	Causes and solutions for pickup stationary jams .....	540
Table 7-21	Causes and solutions for pickup-delay jam .....	543
Table 7-22	Causes and solutions for delivery delay jams 1 .....	547
Table 7-23	Causes and solutions for delivery delay jams 2 .....	548
Table 7-24	Causes and solutions for delivery stationary jams .....	548
Table 7-25	Communication check .....	579

Table 7-26	Paper-path sensors diagnostic tests .....	588
Table 7-27	N-Media sensor test values .....	588
Table 7-28	Manual sensor diagnostic tests .....	590
Table 7-29	Component test details .....	595
Table 7-30	Scanner problems .....	601
Table 7-31	Components (scanner) .....	632
Table 7-32	Sensors (ADF) .....	633
Table 7-33	Input/output signals to and from DC Controller PCA .....	639
Table 8-1	Components of the IPTU .....	669
Table 8-2	IPTU components .....	670
Table 8-3	Motors for the stack job offset .....	680
Table 8-4	Sensors for the stack job offset .....	680
Table 8-5	Sensors used in stapling .....	684
Table 8-6	Motors used in stapling .....	684
Table 8-7	Output-bin-1-shift area sensor PCA .....	691
Table 8-8	Output-bin-2-shift area sensor PCA .....	691
Table 8-9	Sensors and paper sizes .....	706
Table 8-10	Solenoids and paper sizes .....	707
Table 8-11	Stapling and stacking specifications (stapler/stacker and booklet maker) .....	727
Table 8-12	Specifications for booklet making (Booklet maker only) .....	730
Table 8-13	Stapler/stacker output-bin capacities .....	732
Table 8-14	Booklet-maker output-bin capacities .....	733
Table 8-15	Manual sensor test letter designations .....	828
Table 8-16	Component test motors and solenoids .....	829
Table 8-17	LED .....	830
Table 8-18	Stapler/stacker cross-sectional view .....	832
Table 8-19	Booklet maker cross-sectional view highlighting the stapling/stacking paper path .....	833
Table 8-20	Booklet maker cross-sectional view highlighting the booklet-making paper path .....	834
Table 8-21	Sensors (booklet maker) .....	837
Table 8-22	Microswitches (stapler/stacker) .....	839
Table 8-23	Microswitches (booklet maker) .....	840
Table 8-24	Solenoids (stapler/stacker) .....	841
Table 8-25	Solenoids (booklet maker) .....	842
Table 8-26	Motors (stapler/stacker) .....	843
Table 8-27	Motors (booklet maker) .....	844
Table 8-28	Clutches (stapler/stacker) .....	845
Table 8-29	PCA (stapler/stacker) .....	846
Table 8-30	PCA (booklet maker) .....	848
Table 8-31	SW504 settings .....	861
Table 8-32	Do not use the following setting. ....	861
Table 9-1	Printer external covers and panels .....	873
Table 9-2	Printer front-door assembly .....	875
Table 9-3	Printer right-door assembly .....	877
Table 9-4	Printer internal components (1 of 7) .....	879

Table 9-5	Printer internal components (2 of 7)	881
Table 9-6	Printer internal components (3 of 7)	883
Table 9-7	Printer internal components (4 of 7)	885
Table 9-8	Printer internal components (5 of 7)	889
Table 9-9	Printer internal components (6 of 7)	891
Table 9-10	Printer internal components (7 of 7)	893
Table 9-11	Printer multi-purpose-drive assembly	895
Table 9-12	Printer lifter-drive assembly	897
Table 9-13	Printer cassette	899
Table 9-14	Printer cassette paper-pickup assembly	901
Table 9-15	Printer multi-purpose paper-pickup assembly	903
Table 9-16	Printer multi-purpose-tray assembly	905
Table 9-17	Printer multi-purpose-guide assembly	907
Table 9-18	Printer face-down paper-delivery assembly	909
Table 9-19	Printer duplexing-reverse assembly	911
Table 9-20	Printer duplexing-feed assembly	913
Table 9-21	Printer PCA assembly location	915
Table 9-22	Input-tray main body (1x500-sheet)	919
Table 9-23	Input-tray main body (3x500-sheet)	923
Table 9-24	Input-tray auto-close assembly	927
Table 9-25	Input-tray cassette	929
Table 9-26	Input-tray paper-pickup assembly	931
Table 9-27	Input-tray PCA assembly	933
Table 9-28	Intermediate-feed main body	935
Table 9-29	Intermediate-feed lower-guide assembly	937
Table 9-30	Intermediate-feed upper-guide assembly	939
Table 9-31	Left-assist assembly	941
Table 9-32	Right-assist assembly	943
Table 9-33	PCA assembly	945
Table 9-34	Stapler/stacker unit	946
Table 9-35	Booklet-maker unit	949
Table 9-36	External panels and covers (stapler/stacker)	951
Table 9-37	External panels and covers (booklet-maker)	953
Table 9-38	Finisher (stapler/stacker and booklet-maker)	959
Table 9-39	Output bin 1 (stack upper-tray assembly) (stapler/stacker)	963
Table 9-40	Output bin 1 (stack upper-tray assembly) (booklet-maker)	967
Table 9-41	Output bin 2 (stack lower-tray assembly) (stapler/stacker and booklet-maker)	971
Table 9-42	Top output bin (stack sub-tray assembly) (stapler/stacker)	973
Table 9-43	Operation-tray assembly (stapler/stacker and booklet-maker)	975
Table 9-44	Paper-feeder motor assembly (stapler/stacker and booklet-maker)	977
Table 9-45	Return-roller assembly (stapler/stacker and booklet-maker)	979
Table 9-46	Pressure-roller assembly (stapler/stacker and booklet-maker)	981
Table 9-47	Swing-guide assembly (stapler/stacker and booklet-maker)	983
Table 9-48	Entrance upper-guide assembly (stapler/stacker and booklet-maker)	985



Table 9-49	Staple assembly (stapler/stacker and booklet-maker) .....	987
Table 9-50	Saddle assembly (booklet-maker) .....	993
Table 9-51	Saddle-tray assembly (booklet-maker) .....	997
Table 9-52	Saddle-guide assembly (booklet-maker) .....	999
Table 9-53	Saddle-stapler assembly (booklet-maker) .....	1001
Table 9-54	Saddle paper-feeder assembly (stapler/stacker) .....	1003
Table 9-55	Saddle paper-feeder assembly (booklet-maker) .....	1005
Table 9-56	Pass lower-guide assembly (booklet-maker) .....	1007
Table 9-57	Inner side-plate assembly (booklet-maker) .....	1009
Table 9-58	Saddle paper-delivery assembly (booklet-maker) .....	1011
Table 9-59	Motor-mount assembly (booklet-maker) .....	1013
Table 9-60	PCA assembly .....	1015
Table 9-61	ADF unit .....	1017
Table 9-62	Front-end cover .....	1019
Table 9-63	Hinge assembly .....	1021
Table 9-64	Backbone assembly .....	1023
Table 9-65	Jam-cover assembly .....	1025
Table 9-66	Pickup-roller assembly .....	1027
Table 9-67	Separation-pad assembly .....	1029
Table 9-68	Separation-floor assembly .....	1031
Table 9-69	Scanner unit .....	1033
Table 9-70	Carriage assembly .....	1035
Table 9-71	Scanner controller-board (SCB) assembly .....	1037
Table 9-72	Large-pin assembly .....	1039
Table 9-73	Small-pin assembly .....	1041
Table 9-74	Inverter assembly .....	1043
Table 9-75	Glass assembly .....	1045
Table 9-76	Lid-sensor assembly .....	1047
Table 9-77	Motor assembly .....	1049
Table 9-78	Pulley assembly .....	1051
Table 9-79	Power-supply assembly .....	1053
Table 9-80	Main-frame assembly .....	1055
Table 9-81	Plastic-parts assembly .....	1059
Table 9-82	Transmission assembly .....	1061
Table 9-83	Fan-system assembly .....	1063
Table 9-84	Havic assembly .....	1065
Table 9-85	Alphabetical parts list .....	1066
Table 9-86	Numerical parts list .....	1094
Table B-1	Product dimensions .....	1134
Table B-2	Product dimensions, with all doors and trays fully opened .....	1134
Table B-3	Power requirements (HP Color LaserJet CM6040 MFP Series) .....	1135
Table B-4	Power consumption HP Color LaserJet CM6030 and CM6040 MFP Series (average, in watts) .....	1135
Table B-5	Sound power and pressure level (HP Color LaserJet CM6040 MFP Series) .....	1136



---

# List of figures

Figure 3-1	3-bin stapler/stacker accessory .....	83
Figure 3-2	Booklet-maker finisher accessory .....	84
Figure 4-1	Supply item locations .....	104
Figure 4-2	Location of product components that require cleaning .....	123
Figure 4-3	Location of components that require cleaning .....	124
Figure 4-4	Location of IPTU components that require cleaning .....	125
Figure 5-1	Relationship between the main product systems .....	138
Figure 5-2	Engine-control system .....	143
Figure 5-3	DC controller block diagram .....	144
Figure 5-4	Fuser components .....	150
Figure 5-5	Fuser temperature-control circuit .....	151
Figure 5-6	Low-voltage power-supply circuit .....	154
Figure 5-7	High-voltage power supply circuits .....	156
Figure 5-8	Laser/scanner system .....	158
Figure 5-9	Image-formation system .....	160
Figure 5-10	Image-formation process .....	161
Figure 5-11	Pre-exposure .....	162
Figure 5-12	Primary charging .....	162
Figure 5-13	Laser-beam exposure .....	163
Figure 5-14	Development .....	163
Figure 5-15	Primary transfer .....	164
Figure 5-16	Secondary transfer .....	164
Figure 5-17	Separation .....	165
Figure 5-18	Fusing .....	165
Figure 5-19	ITB cleaning .....	166
Figure 5-20	Drum cleaning .....	166
Figure 5-21	Print-cartridge system .....	167
Figure 5-22	Imaging-drum system .....	169
Figure 5-23	Developing roller engagement and disengagement control .....	170
Figure 5-24	ITB unit .....	171
Figure 5-25	Three states of primary-transfer-roller engagement and disengagement .....	173
Figure 5-26	Secondary-transfer-roller unit .....	175
Figure 5-27	Toner patterns for calibration .....	176
Figure 5-28	Switches and sensors for the pickup, feed, and delivery system .....	178

Figure 5-29	Motors and solenoids for the pickup, feed, and delivery system .....	180
Figure 5-30	Three main units of the pickup, feed, and delivery system .....	181
Figure 5-31	Cassette-pickup mechanism .....	183
Figure 5-32	Cassette paper-size detection switches .....	184
Figure 5-33	Cassette lift mechanism .....	186
Figure 5-34	Paper-level-detection mechanism .....	187
Figure 5-35	Multifeed prevention .....	188
Figure 5-36	Multipurpose tray pickup mechanism .....	189
Figure 5-37	Multipurpose tray last-paper detection .....	190
Figure 5-38	Paper-feed mechanism .....	191
Figure 5-39	Skew-feed prevention .....	192
Figure 5-40	Media sensor unit .....	193
Figure 5-41	Loop-control mechanism .....	195
Figure 5-42	Pressure-roller pressurization control .....	196
Figure 5-43	Duplexing unit .....	197
Figure 5-44	Optional input trays .....	201
Figure 5-45	Signals for the input trays .....	202
Figure 5-46	Paper-feeder pickup and feed operation .....	204
Figure 5-47	Scanner components (1 of 2) .....	206
Figure 5-48	Scanner components (2 of 3) .....	206
Figure 5-49	Scanner components (3 of 3) .....	207
Figure 5-50	Scanner .....	208
Figure 5-51	Scanner system block diagram .....	209
Figure 5-52	Scanner system image-data path .....	210
Figure 5-53	Scanner power topology .....	210
Figure 5-54	Sleep-state power topology .....	211
Figure 5-55	Deep-sleep-state power topology .....	212
Figure 5-56	Sensor topology .....	213
Figure 5-57	SCB map .....	215
Figure 5-58	CCD map .....	216
Figure 5-59	Power-on initialization-operation flow (1 of 2) .....	217
Figure 5-60	Power-on initialization-operation flow (2 of 2) .....	218
Figure 5-61	FB scan-operation flow .....	219
Figure 5-62	ADF scan-operation flow .....	219
Figure 5-63	ADF operation .....	221
Figure 5-64	Simplex scanning document path .....	222
Figure 5-65	Duplex scanning document path .....	223
Figure 5-66	ADF paper pick and separation .....	225
Figure 6-1	Screwdrivers .....	229
Figure 6-2	Remove the secondary transfer unit (1 of 9) .....	249
Figure 6-3	Remove the secondary transfer unit (2 of 9) .....	250
Figure 6-4	Remove the secondary transfer unit (3 of 9) .....	250
Figure 6-5	Remove the secondary transfer unit (4 of 9) .....	251
Figure 6-6	Remove the secondary transfer unit (5 of 9) .....	251

Figure 6-7	Remove the secondary transfer unit (6 of 9)	252
Figure 6-8	Remove the secondary transfer unit (7 of 9)	252
Figure 6-9	Remove the secondary transfer unit (8 of 9)	253
Figure 6-10	Remove the secondary transfer unit (9 of 9)	253
Figure 6-11	Remove the multipurpose drive unit (1 of 7)	254
Figure 6-12	Remove the multipurpose drive unit (2 of 7)	254
Figure 6-13	Remove the multipurpose drive unit (3 of 7)	255
Figure 6-14	Remove the multipurpose drive unit (4 of 7)	255
Figure 6-15	Remove the multipurpose drive unit (5 of 7)	256
Figure 6-16	Remove the multipurpose drive unit (6 of 7)	256
Figure 6-17	Remove the multipurpose drive unit (7 of 7)	257
Figure 6-18	Remove the multipurpose tray guide unit	258
Figure 6-19	Remove the cassette (Tray 2) pickup unit	259
Figure 6-20	Remove rear left cover	260
Figure 6-21	Remove rear right cover	261
Figure 6-22	Remove rear cover (1 of 2)	262
Figure 6-23	Remove rear cover (2 of 2)	262
Figure 6-24	Remove the low-voltage power-supply unit	263
Figure 6-25	Remove the high-voltage power supply PCA (A) (1 of 3)	264
Figure 6-26	Remove the high-voltage power supply PCA (A) (2 of 3)	265
Figure 6-27	Remove the high-voltage power supply PCA (A) (3 of 3)	265
Figure 6-28	Remove the lifter-drive unit (1 of 2)	266
Figure 6-29	Remove the lifter-drive unit (2 of 2)	267
Figure 6-30	Unlocked position of the lifter-drive unit (correct)	267
Figure 6-31	Locked position of the lifter-drive unit (incorrect)	268
Figure 6-32	Remove the fuser motor	269
Figure 6-33	Remove the intermediate-transfer belt (ITB) motor	270
Figure 6-34	Remove face-down output bin	271
Figure 6-35	Remove left cover (1 of 2)	272
Figure 6-36	Remove left cover (2 of 2)	272
Figure 6-37	Remove the laser/scanner fan duct (1 of 3)	273
Figure 6-38	Remove the laser/scanner fan duct (2 of 3)	273
Figure 6-39	Remove the laser/scanner fan duct (3 of 3)	274
Figure 6-40	Remove the print-cartridge driver PCA (1 of 3)	275
Figure 6-41	Remove the print-cartridge driver PCA (2 of 3)	276
Figure 6-42	Remove the print-cartridge driver PCA (3 of 3)	276
Figure 6-43	Remove the high-voltage power supply PCA (B) (1 of 3)	277
Figure 6-44	Remove the high-voltage power supply PCA (B) (2 of 3)	277
Figure 6-45	Remove the high-voltage power supply PCA (B) (3 of 3)	278
Figure 6-46	Remove the formatter case (1 of 3)	279
Figure 6-47	Remove the formatter case (2 of 3)	279
Figure 6-48	Remove the formatter case (3 of 3)	280
Figure 6-49	Remove the DC controller PCA (1 of 2)	281
Figure 6-50	Remove the DC controller PCA (2 of 2)	282

Figure 6-51	Remove the environmental sensors .....	283
Figure 6-52	Remove the image-drum motor (1 of 3) .....	284
Figure 6-53	Remove the image-drum motor (2 of 3) .....	284
Figure 6-54	Remove the image-drum motor (3 of 3) .....	285
Figure 6-55	Remove the fuser fan .....	286
Figure 6-56	Remove the print-cartridge feed motor (black) .....	287
Figure 6-57	Remove the print-cartridge feed motor (yellow, magenta, and cyan) .....	288
Figure 6-58	Remove the cartridge fan unit (1 of 2) .....	289
Figure 6-59	Remove the cartridge fan unit (2 of 2) .....	289
Figure 6-60	Remove the laser/scanner fan unit (1 of 2) .....	290
Figure 6-61	Remove the laser/scanner fan unit (2 of 2) .....	290
Figure 6-62	Remove the fuser power-supply unit (1 of 2) .....	291
Figure 6-63	Remove the fuser power-supply unit (2 of 2) .....	291
Figure 6-64	Remove the primary transfer-roller disengagement motor (1 of 2) .....	292
Figure 6-65	Remove the primary transfer-roller disengagement motor (2 of 2) .....	292
Figure 6-66	Remove the print-cartridge drive unit (yellow and magenta) .....	293
Figure 6-67	Gear alignment (1 of 7) .....	294
Figure 6-68	Gear alignment (2 of 7) .....	294
Figure 6-69	Gear alignment (3 of 7) .....	295
Figure 6-70	Gear alignment (4 of 7) .....	295
Figure 6-71	Correct position of print-cartridge drive unit (5 of 7) .....	296
Figure 6-72	Incorrect position of print-cartridge drive unit (6 of 7) .....	296
Figure 6-73	Gear alignment (7 of 7) .....	297
Figure 6-74	Remove the print-cartridge drive unit (cyan and black) .....	298
Figure 6-75	Remove the print-cartridge interface PCA (cyan and black) .....	299
Figure 6-76	Print-cartridge interface PCA (yellow and magenta) .....	300
Figure 6-77	Remove the main drive unit (1 of 3) .....	301
Figure 6-78	Remove the main drive unit (2 of 3) .....	302
Figure 6-79	Remove the cartridge fan duct .....	303
Figure 6-80	Remove front lower cover (1 of 2) .....	305
Figure 6-81	Remove front lower cover (2 of 2) .....	305
Figure 6-82	Remove inner cover (1 of 4) .....	306
Figure 6-83	Remove inner cover (2 of 4) .....	306
Figure 6-84	Remove inner cover (3 of 4) .....	307
Figure 6-85	Remove inner cover (4 of 4) .....	307
Figure 6-86	Remove rear-scanner cover .....	308
Figure 6-87	Remove right upper cover .....	309
Figure 6-88	Remove front door .....	310
Figure 6-89	Remove front door assembly .....	311
Figure 6-90	Remove the color-misregistration and image-density sensor unit (1 of 3) .....	312
Figure 6-91	Remove the color-misregistration and image-density sensor unit (2 of 3) .....	313
Figure 6-92	Remove the color-misregistration and image-density sensor unit (3 of 3) .....	313
Figure 6-93	Remove the pressure-release sensor unit (1 of 2) .....	314
Figure 6-94	Remove the pressure-release sensor unit (2 of 2) .....	314

Figure 6-95	Remove the laser/scanner assembly (yellow and magenta) (1 of 3)	316
Figure 6-96	Remove the laser/scanner assembly (yellow and magenta) (2 of 3)	317
Figure 6-97	Remove the laser/scanner assembly (yellow and magenta) (3 of 3)	318
Figure 6-98	Replace cables	318
Figure 6-99	Remove the laser/scanner assembly (cyan and black) (1 of 3)	319
Figure 6-100	Remove the laser/scanner assembly (cyan and black) (2 of 3)	320
Figure 6-101	Remove the laser/scanner assembly (cyan and black) (3 of 3)	321
Figure 6-102	Replace cables	321
Figure 6-103	Remove the VOC fan	322
Figure 6-104	Remove the duplexing reverse unit	323
Figure 6-105	Remove the face-down delivery unit (1 of 3)	324
Figure 6-106	Remove the face-down delivery unit (2 of 3)	325
Figure 6-107	Remove the face-down delivery unit (3 of 3)	325
Figure 6-108	Remove face-down cover	326
Figure 6-109	Remove right-door assembly (1 of 4)	327
Figure 6-110	Remove right-door assembly (2 of 4)	327
Figure 6-111	Remove right-door assembly (3 of 4)	328
Figure 6-112	Remove right-door assembly (4 of 4)	328
Figure 6-113	Remove the duplexing feed unit (1 of 3)	329
Figure 6-114	Remove the duplexing feed unit (2 of 3)	329
Figure 6-115	Remove the duplexing feed unit	330
Figure 6-116	Remove the multipurpose tray (1 of 5)	331
Figure 6-117	Remove the multipurpose tray (2 of 5)	332
Figure 6-118	Remove the multipurpose tray (3 of 5)	332
Figure 6-119	Remove the multipurpose tray (4 of 5)	333
Figure 6-120	Remove the multipurpose tray (5 of 5)	333
Figure 6-121	Remove the thermopile unit (1 of 2)	334
Figure 6-122	Remove the thermopile unit (2 of 2)	334
Figure 6-123	Remove front-lower cover	335
Figure 6-124	Remove the ITB duct (1 of 2)	336
Figure 6-125	Remove the ITB duct (2 of 2)	336
Figure 6-126	Remove the right door (1 of 2)	337
Figure 6-127	Remove the right door (2 of 2)	338
Figure 6-128	Remove the lower-rear cover (1 of 2)	339
Figure 6-129	Remove the lower rear cover (2 of 2)	339
Figure 6-130	Remove the front-right cover (1 of 2)	340
Figure 6-131	Remove the front-right cover (2 of 2)	340
Figure 6-132	Remove the right cover	341
Figure 6-133	Remove the front-upper cover	342
Figure 6-134	Remove the lower-left cover	343
Figure 6-135	Remove the front-lower cover (1 of 2)	344
Figure 6-136	Remove the front-lower cover (2 of 2)	344
Figure 6-137	Remove the box (1 of 2)	345
Figure 6-138	Remove the box (2 of 2)	345

Figure 6-139	Remove the pickup unit .....	346
Figure 6-140	Remove the pickup unit (1 of 3) .....	347
Figure 6-141	Remove the pickup unit (2 of 3) .....	347
Figure 6-142	Remove the pickup unit (2 of 3) .....	348
Figure 6-143	Remove the auto-close unit (1 of 2) .....	349
Figure 6-144	Remove the auto-close unit (2 of 2) .....	349
Figure 6-145	Remove the pickup motor .....	350
Figure 6-146	Remove the paper-feeder driver PCA .....	351
Figure 6-147	Remove the pickup unit (middle cassette) (1 of 2) .....	353
Figure 6-148	Remove the pickup unit (middle cassette) (2 of 2) .....	353
Figure 6-149	Remove the pickup unit (upper cassette) .....	354
Figure 6-150	Remove the pickup unit (upper cassette) (1 of 3) .....	355
Figure 6-151	Remove the pickup unit (upper cassette) (2 of 3) .....	355
Figure 6-152	Remove the pickup unit (upper cassette) (3 of 3) .....	356
Figure 6-153	Remove optical scanner (1 of 7) .....	358
Figure 6-154	Remove optical scanner (2 of 7) .....	359
Figure 6-155	Remove optical scanner (3 of 7) .....	359
Figure 6-156	Remove optical scanner (4 of 7) .....	360
Figure 6-157	Remove optical scanner (5 of 7) .....	360
Figure 6-158	Remove optical scanner (6 of 7) .....	361
Figure 6-159	Remove optical scanner (7 of 7) .....	361
Figure 6-160	Upper-left scanner cover .....	362
Figure 6-161	Remove upper-right scanner cover .....	363
Figure 6-162	Remove control panel (1 of 3) .....	364
Figure 6-163	Remove control panel (2 of 3) .....	364
Figure 6-164	Remove control panel (3 of 3) .....	365
Figure 6-165	Remove front cover (1 of 2) .....	366
Figure 6-166	Remove front cover (2 of 2) .....	367
Figure 6-167	Remove lower left cover (1 of 2) .....	368
Figure 6-168	Remove lower left cover (2 of 2) .....	369
Figure 6-169	Remove lower right cover .....	370
Figure 6-170	Remove top cover (1 of 2) .....	371
Figure 6-171	Remove top cover (2 of 2) .....	371
Figure 6-172	Remove glass assembly .....	372
Figure 6-173	Remove carriage unit (1 of 8) .....	373
Figure 6-174	Remove carriage unit (2 of 8) .....	374
Figure 6-175	Remove carriage unit (3 of 8) .....	374
Figure 6-176	Remove carriage unit (4 of 8) .....	375
Figure 6-177	Remove carriage unit (5 of 8) .....	375
Figure 6-178	Remove carriage unit (6 of 8) .....	376
Figure 6-179	Remove carriage unit (7 of 8) .....	376
Figure 6-180	Remove carriage unit (8 of 8) .....	377
Figure 6-181	Lamp cable .....	378
Figure 6-182	Jumpers on the SCB .....	378



Figure 6-183	Remove pulley assembly and motor unit (1 of 5)	380
Figure 6-184	Remove pulley assembly and motor unit (2 of 5)	381
Figure 6-185	Remove pulley assembly and motor unit (3 of 5)	381
Figure 6-186	Remove pulley assembly and motor unit (4 of 5)	382
Figure 6-187	Remove pulley assembly and motor unit (5 of 5)	382
Figure 6-188	Remove rail	383
Figure 6-189	Remove inverter (1 of 3)	384
Figure 6-190	Remove inverter (2 of 3)	385
Figure 6-191	Remove inverter (3 of 3)	385
Figure 6-192	Remove lid sensor (1 of 3)	386
Figure 6-193	Remove lid sensor (2 of 3)	387
Figure 6-194	Remove lid sensor (3 of 3)	387
Figure 6-195	Remove SCB and CPB (1 of 5)	388
Figure 6-196	Remove SCB and CPB (2 of 5)	388
Figure 6-197	Remove SCB, CPB, and SCUID (3 of 5)	389
Figure 6-198	Remove SCB, CPB, and SCUID (4 of 5)	389
Figure 6-199	Remove SCB, CPB, and SCUID (5 of 5)	390
Figure 6-200	Remove power supply unit (1 of 3)	391
Figure 6-201	Remove power supply unit (2 of 3)	391
Figure 6-202	Remove power supply unit (3 of 3)	392
Figure 6-203	Remove scanner fan	393
Figure 6-204	Remove the SCB fan	394
Figure 6-205	Remove control panel fan	395
Figure 6-206	Remove fan filter	396
Figure 6-207	Remove the ADF assembly (1 of 4)	397
Figure 6-208	Remove the ADF assembly (2 of 4)	397
Figure 6-209	Remove the ADF assembly (3 of 4)	398
Figure 6-210	Remove the ADF assembly (4 of 4)	398
Figure 6-211	Remove the ADF sensors (1 of 2)	399
Figure 6-212	Remove the ADF sensors (2 of 2)	400
Figure 6-213	Remove the ADF separation floor assembly (1 of 4)	401
Figure 6-214	Remove the ADF separation floor assembly (2 of 4)	401
Figure 6-215	Remove the ADF separation floor assembly (3 of 4)	402
Figure 6-216	Remove the ADF separation floor assembly (4 of 4)	402
Figure 6-217	Remove the ADF diverter (1 of 2)	403
Figure 6-218	Remove the ADF diverter (2 of 2)	403
Figure 6-219	Remove the ADF jam cover (1 of 3)	404
Figure 6-220	Remove the ADF jam cover (2 of 3)	404
Figure 6-221	Remove the ADF jam cover (3 of 3)	405
Figure 6-222	Remove the ADF hinges	406
Figure 6-223	Remove the ADF float assembly (1 of 5)	407
Figure 6-224	Remove the ADF float assembly (2 of 5)	407
Figure 6-225	Remove the ADF float assembly (3 of 5)	408
Figure 6-226	Remove the ADF float assembly (4 of 5)	408

Figure 6-227	Remove the ADF float assembly (5 of 5)	409
Figure 6-228	Remove the ADF white backing (1 of 4)	410
Figure 6-229	Remove the ADF white backing (2 of 4)	410
Figure 6-230	Remove the ADF white backing (3 of 4)	411
Figure 6-231	Remove the ADF white backing (4 of 4)	411
Figure 6-232	Remove the ADF front end cover (1 of 4)	412
Figure 6-233	Remove the ADF front end cover (2 of 4)	412
Figure 6-234	Remove the ADF front end cover (3 of 4)	413
Figure 6-235	Remove the ADF front end cover (4 of 4)	413
Figure 6-236	Remove the ADF rear end cover (1 of 5)	414
Figure 6-237	Remove the ADF rear end cover (2 of 5)	414
Figure 6-238	Remove the ADF rear end cover (3 of 5)	415
Figure 6-239	Remove the ADF rear end cover (4 of 5)	415
Figure 6-240	Remove the ADF rear end cover (5 of 5)	416
Figure 6-241	Reinstall the ADF rear end cover	416
Figure 6-242	Remove the ADF PCA and wire harness (1 of 3)	417
Figure 6-243	Remove the ADF PCA and wire harness (2 of 3)	417
Figure 6-244	Remove the ADF PCA and wire harness (3 of 3)	418
Figure 6-245	Remove the ADF input tray (1 of 2)	419
Figure 6-246	Remove the ADF input tray (2 of 2)	419
Figure 7-1	Configuration page	432
Figure 7-2	HP embedded Jetdirect page	433
Figure 7-3	Embedded protocol page	434
Figure 7-4	Paper-path sensors	512
Figure 7-5	Jam locations	520
Figure 7-6	Locations of jam sensors	522
Figure 7-7	Paper deck sensors	543
Figure 7-8	Print-quality troubleshooting procedure	572
Figure 7-9	Yellow print-quality troubleshooting page	572
Figure 7-10	Yellow comparison page	573
Figure 7-11	Black print-quality troubleshooting page	574
Figure 7-12	SCB LEDs	581
Figure 7-13	CPB LEDs	583
Figure 7-14	Engine-test button	584
Figure 7-15	Front- and right-door switch on the right side	586
Figure 7-16	Front-door switch on the left side	587
Figure 7-17	DC controller PCA	604
Figure 7-18	Cartridge driver PCA	604
Figure 7-19	Fuser control PCA	605
Figure 7-20	Duplexing driver PCA	605
Figure 7-21	Input tray driver PCA	605
Figure 7-22	IPTU driver PCA	606
Figure 7-23	Product connector locations (1 of 6)	606
Figure 7-24	Product connector locations (2 of 6)	607

Figure 7-25	Product connector locations (3 of 6)	607
Figure 7-26	Product connector locations (4 of 6)	608
Figure 7-27	Product connector locations (5 of 6)	608
Figure 7-28	Product connector locations (6 of 6)	609
Figure 7-29	1 x 500 input tray	609
Figure 7-30	3 x 500 input tray (1 of 2)	610
Figure 7-31	3 x 500 input tray (2 of 2)	610
Figure 7-32	IPTU	611
Figure 7-33	Product fan locations	611
Figure 7-34	Product sensor locations (1 of 3)	612
Figure 7-35	Product sensor locations (2 of 3)	613
Figure 7-36	Product sensor locations (3 of 3)	613
Figure 7-37	1 x 500 input tray sensor locations	615
Figure 7-38	3 x 500 input tray sensor locations (1 of 2)	615
Figure 7-39	3 x 500 input tray sensor locations (2 of 2)	616
Figure 7-40	IPTU sensor locations	616
Figure 7-41	Product motor locations (1 of 2)	617
Figure 7-42	Product motor locations (2 of 2)	617
Figure 7-43	1 x 500 input tray motor locations	619
Figure 7-44	3 x 500 input tray motor locations	619
Figure 7-45	IPTU motor locations	620
Figure 7-46	Product solenoid locations	620
Figure 7-47	1 x 500 input-tray solenoid locations	621
Figure 7-48	3 x 500 input-tray solenoid locations	621
Figure 7-49	Product switch locations	622
Figure 7-50	1 x 500 input tray switch locations	623
Figure 7-51	3 x 500 input tray switch locations (1 of 2)	623
Figure 7-52	3 x 500 input tray switch locations (2 of 2)	624
Figure 7-53	Main assemblies (1 of 2)	625
Figure 7-54	Main assemblies (2 of 2)	627
Figure 7-55	Main parts	628
Figure 7-56	PCAs	629
Figure 7-57	1 x 500 input tray	630
Figure 7-58	3 x 500 input tray	631
Figure 7-59	IPTU	632
Figure 7-60	Components (scanner)	632
Figure 7-61	Sensors (ADF)	633
Figure 7-62	General timing chart	634
Figure 7-63	General circuit diagram (1 of 4)	635
Figure 7-64	General circuit diagram (2 of 4)	635
Figure 7-65	General circuit diagram (3 of 4)	636
Figure 7-66	General circuit diagram (4 of 4)	637
Figure 8-1	Paper path of the IPTU	668
Figure 8-2	Signal flow in the IPTU	669

Figure 8-3	Motors and sensors of the IPTU .....	670
Figure 8-4	Basic operation of the stapler/stacker .....	671
Figure 8-5	Electrical circuitry of the stapler/stacker .....	672
Figure 8-6	Electrical circuitry of the stapler/stacker .....	672
Figure 8-7	Output bins of the stapler/stacker .....	673
Figure 8-8	Stacker controller PCA (1 of 2) .....	674
Figure 8-9	Stacker controller PCA (2 of 2) .....	675
Figure 8-10	Paper path when set to non-sort .....	676
Figure 8-11	Paper path for sizes other than A4, B5, or LTR .....	677
Figure 8-12	Paper path (1 of 5) .....	678
Figure 8-13	Paper path (2 of 5) .....	678
Figure 8-14	Paper path (3 of 5) .....	678
Figure 8-15	Paper path (4 of 5) .....	679
Figure 8-16	Paper path (5 of 5) .....	679
Figure 8-17	Motors and sensors for stack job offset .....	680
Figure 8-18	Stack job offset example .....	680
Figure 8-19	Process output bin .....	681
Figure 8-20	Job offset operation (1 of 2) .....	681
Figure 8-21	Job offset operation (2 of 2) .....	682
Figure 8-22	Stack trailing-edge assist operation .....	682
Figure 8-23	Stack delivery .....	683
Figure 8-24	Stapler unit .....	683
Figure 8-25	Staple location .....	684
Figure 8-26	Paper path for stapling .....	685
Figure 8-27	Rollers and sensors for stapling .....	685
Figure 8-28	Paper path .....	686
Figure 8-29	Shift process for the staple unit .....	686
Figure 8-30	Stapling operation (1 of 2) .....	687
Figure 8-31	Stapling operation (2 of 2) .....	687
Figure 8-32	Front 1-point stapling .....	688
Figure 8-33	Rear 1-point stapling .....	688
Figure 8-34	2-point stapling .....	689
Figure 8-35	Items detected by the area sensors (PS981, PS982, PS983) .....	690
Figure 8-36	Output-bin components .....	691
Figure 8-37	Shutter location .....	692
Figure 8-38	Jam detection sensors .....	693
Figure 8-39	Power-supply route .....	693
Figure 8-40	Stacker unit basics .....	694
Figure 8-41	Electrical circuitry of the stacker unit .....	695
Figure 8-42	Booklet maker unit basics .....	695
Figure 8-43	Electrical circuitry for the booklet maker unit .....	696
Figure 8-44	Feed drive for the stacker unit .....	696
Figure 8-45	Feed drive for the booklet maker unit .....	697
Figure 8-46	Components of the stacker unit control system (1 of 2) .....	698

Figure 8-47	Components of the stacker unit control system (2 of 2)	698
Figure 8-48	Components of the booklet-maker-unit control system	700
Figure 8-49	Components of the booklet-maker control system	701
Figure 8-50	Booklet-maker-unit paper path	702
Figure 8-51	Paper delivery for booklet maker	703
Figure 8-52	Alignment plates	703
Figure 8-53	Stitching the stack	704
Figure 8-54	Position the stack	705
Figure 8-55	Fold and deliver the stack	706
Figure 8-56	A3/279 mm x 432 mm 11 x 17 paper path (3 sheets)	707
Figure 8-57	B4/LGL paper path (3 sheets)	708
Figure 8-58	A4R/LTRR Paper Path (3 sheets)	708
Figure 8-59	Paper movement (1 of 3)	710
Figure 8-60	Paper movement (2 of 3)	710
Figure 8-61	Paper movement (3 of 3)	710
Figure 8-62	Paper alignment (1 of 8)	711
Figure 8-63	Paper alignment (2 of 8)	711
Figure 8-64	Paper alignment (3 of 8)	711
Figure 8-65	Paper alignment (4 of 8)	712
Figure 8-66	Paper alignment (5 of 8)	712
Figure 8-67	Paper alignment (6 of 8)	713
Figure 8-68	Paper alignment (7 of 8)	713
Figure 8-69	Paper alignment (8 of 8)	713
Figure 8-70	Crescent-roller process (1 of 4)	714
Figure 8-71	Crescent-roller process (2 of 4)	714
Figure 8-72	Crescent-roller process (3 of 4)	715
Figure 8-73	Crescent-roller process (4 of 4)	715
Figure 8-74	Movement of the stack	716
Figure 8-75	Stack sequence	716
Figure 8-76	Folding position (1 of 5)	717
Figure 8-77	Folding process (2 of 5)	717
Figure 8-78	Folding start position (3 of 5)	718
Figure 8-79	Folding start position (4 of 5)	718
Figure 8-80	Folding stop position (5 of 5)	718
Figure 8-81	Double-folding process (1 of 5)	719
Figure 8-82	Double-folding process (2 of 5)	719
Figure 8-83	Double-folding process (3 of 5)	719
Figure 8-84	Double-folding process (4 of 5)	720
Figure 8-85	Double-folding process (5 of 5)	720
Figure 8-86	Location of the staplers	721
Figure 8-87	Stapling operation (1 of 2)	721
Figure 8-88	Stapling operation (2 of 2)	722
Figure 8-89	Stitcher unit	723
Figure 8-90	Sequence of stitching	723

Figure 8-91	Rotation of the cam .....	723
Figure 8-92	Jams in the stacker unit .....	724
Figure 8-93	Jams in the booklet maker unit .....	725
Figure 8-94	Power-supply route for the stacker unit .....	725
Figure 8-95	Power supply route for the booklet maker unit .....	726
Figure 8-96	Stapling position .....	730
Figure 8-97	Staple and folding position .....	732
Figure 8-98	Remove IPTU (1 of 2) .....	734
Figure 8-99	Remove IPTU (2 of 2) .....	734
Figure 8-100	Correct placement of the IPTU (1 of 2) .....	735
Figure 8-101	Incorrect placement of the IPTU (2 of 2) .....	735
Figure 8-102	Remove upper guide assembly (1 of 5) .....	736
Figure 8-103	Remove upper guide assembly (2 of 5) .....	736
Figure 8-104	Remove upper guide assembly (3 of 5) .....	737
Figure 8-105	Remove upper guide assembly (4 of 5) .....	737
Figure 8-106	Remove upper guide assembly (5 of 5) .....	738
Figure 8-107	Remove the rear cover (1 of 4) .....	738
Figure 8-108	Remove the rear cover (2 of 4) .....	739
Figure 8-109	Remove the rear cover (3 of 4) .....	740
Figure 8-110	Remove the rear cover (4 of 4) .....	740
Figure 8-111	Reassemble the rear cover .....	741
Figure 8-112	Remove the damper unit .....	742
Figure 8-113	Remove the right belt-drive unit (1 of 6) .....	743
Figure 8-114	Remove the right belt-drive unit (2 of 6) .....	743
Figure 8-115	Remove the right belt-drive unit (3 of 6) .....	744
Figure 8-116	Remove the right belt-drive unit (4 of 6) .....	744
Figure 8-117	Remove the right belt-drive unit (5 of 6) .....	745
Figure 8-118	Remove the right belt-drive unit (6 of 6) .....	745
Figure 8-119	Remove the left belt-drive unit (1 of 3) .....	746
Figure 8-120	Remove the left belt-drive unit (2 of 3) .....	747
Figure 8-121	Remove the left belt-drive unit (3 of 3) .....	747
Figure 8-122	Remove finisher lock-assembly (1 of 4) .....	748
Figure 8-123	Remove the finisher lock-assembly (2 of 4) .....	748
Figure 8-124	Remove the finisher lock-assembly (3 of 4) .....	749
Figure 8-125	Remove the finisher lock-assembly (4 of 4) .....	749
Figure 8-126	Remove the IPTU paper-feed motor 1 .....	750
Figure 8-127	Remove the IPTU paper-feed motor 2 .....	751
Figure 8-128	Remove the IPTU driver PCA .....	752
Figure 8-129	Booklet maker and stapler/stacker (1 of 2) .....	753
Figure 8-130	Booklet maker and stapler/stacker (2 of 2) .....	753
Figure 8-131	Remove output accessory (1 of 5) .....	754
Figure 8-132	Remove output accessory (2 of 5) .....	754
Figure 8-133	Remove output accessory (3 of 5) .....	755
Figure 8-134	Remove output accessory (4 of 5) .....	755

Figure 8-135	Remove output accessory (5 of 5) .....	756
Figure 8-136	Remove entrance lower-guide assembly (1 of 2) .....	757
Figure 8-137	Remove entrance lower-guide assembly (2 of 2) .....	757
Figure 8-138	Remove the front door .....	758
Figure 8-139	Remove the rear cover (1 of 2) .....	759
Figure 8-140	Remove the rear cover (2 of 2) .....	759
Figure 8-141	Remove the front-foot cover .....	760
Figure 8-142	Remove the rear-foot cover .....	760
Figure 8-143	Remove the front inside-upper cover .....	761
Figure 8-144	Remove the front inside-lower cover (1 of 2) .....	762
Figure 8-145	Remove the front inside-lower cover (2 of 2) .....	762
Figure 8-146	Remove the left-upper cover (1 of 3) .....	763
Figure 8-147	Remove the left-upper cover (2 of 3) .....	764
Figure 8-148	Remove the left-upper cover (3 of 3) .....	764
Figure 8-149	Remove the top door (1 of 3) .....	765
Figure 8-150	Remove the top door (2 of 3) .....	765
Figure 8-151	Remove the top door (3 of 3) .....	766
Figure 8-152	Remove the grate-shaped upper guide .....	767
Figure 8-153	Move output bins (1 of 3) .....	768
Figure 8-154	Move output bins (2 of 3) .....	768
Figure 8-155	Move output bins (3 of 3) .....	769
Figure 8-156	Remove grate-shaped lower guide .....	770
Figure 8-157	Remove the PCA cover .....	771
Figure 8-158	Remove stapler (1 of 3) .....	772
Figure 8-159	Remove stapler (2 of 3) .....	773
Figure 8-160	Remove stapler (3 of 3) .....	773
Figure 8-161	Remove stapler assembly (1 of 5) .....	774
Figure 8-162	Remove stapler assembly (2 of 5) .....	774
Figure 8-163	Remove stapler assembly (3 of 5) .....	775
Figure 8-164	Remove stapler assembly (4 of 5) .....	775
Figure 8-165	Remove stapler assembly (5 of 5) .....	776
Figure 8-166	Remove the swing unit (1 of 6) .....	777
Figure 8-167	Remove the swing unit (2 of 6) .....	778
Figure 8-168	Remove the swing unit (3 of 6) .....	778
Figure 8-169	Remove the swing unit (4 of 6) .....	779
Figure 8-170	Remove the swing unit (5 of 6) .....	779
Figure 8-171	Remove the swing unit (6 of 6) .....	780
Figure 8-172	Remove the upper crossmember unit (1 of 5) .....	781
Figure 8-173	Remove the upper crossmember unit (2 of 5) .....	782
Figure 8-174	Remove the upper crossmember unit (3 of 5) .....	782
Figure 8-175	Remove the upper crossmember unit (4 of 5) .....	783
Figure 8-176	Remove the upper crossmember unit (5 of 5) .....	783
Figure 8-177	Remove the saddle unit (1 of 7) .....	784
Figure 8-178	Remove the saddle unit (2 of 7) .....	785

Figure 8-179	Remove the saddle unit (3 of 7)	785
Figure 8-180	Remove the saddle unit (4 of 7)	786
Figure 8-181	Remove the saddle unit (5 of 7)	786
Figure 8-182	Remove the saddle unit (6 of 7)	787
Figure 8-183	Remove the saddle unit (7 of 7)	787
Figure 8-184	Remove the saddle-stapler assembly	788
Figure 8-185	Remove the positioning plate unit (1 of 5)	789
Figure 8-186	Remove the positioning plate unit (2 of 5)	790
Figure 8-187	Remove the positioning plate unit (3 of 5)	790
Figure 8-188	Remove the positioning plate unit (4 of 5)	791
Figure 8-189	Remove the positioning plate unit (5 of 5)	791
Figure 8-190	Remove the operation-tray assembly (1 of 6)	793
Figure 8-191	Remove the operation-tray assembly (2 of 6)	793
Figure 8-192	Remove the operation-tray assembly (3 of 6)	794
Figure 8-193	Remove the operation-tray assembly (4 of 6)	794
Figure 8-194	Remove the operation-tray assembly (5 of 6)	795
Figure 8-195	Remove the operation-tray assembly (6 of 6)	796
Figure 8-196	Correct position of sheet	796
Figure 8-197	Remove output-bin 1 (1 of 3)	797
Figure 8-198	Remove output-bin 1 (2 of 3)	798
Figure 8-199	Remove output-bin 1 (3 of 3)	798
Figure 8-200	Remove output-bin 2 (1 of 3)	799
Figure 8-201	Remove output-bin 2 (2 of 3)	800
Figure 8-202	Remove output-bin 2 (3 of 3)	800
Figure 8-203	Remove the upper output bin	801
Figure 8-204	Remove buffer rollers	802
Figure 8-205	Remove booklet-delivery output bin (1 of 2)	803
Figure 8-206	Remove booklet-delivery output bin (2 of 2)	803
Figure 8-207	Remove the saddle-delivery output bin (1 of 3)	804
Figure 8-208	Remove the saddle delivery output bin (2 of 3)	804
Figure 8-209	Remove the saddle delivery output bin (3 of 3)	805
Figure 8-210	Remove the return roller unit (1 of 2)	806
Figure 8-211	Remove the return roller unit (2 of 2)	806
Figure 8-212	Remove the pressure roller unit (1 of 8)	807
Figure 8-213	Remove the pressure roller unit (2 of 8)	808
Figure 8-214	Remove the pressure roller unit (3 of 8)	808
Figure 8-215	Remove the pressure roller unit (4 of 8)	809
Figure 8-216	Remove the pressure roller unit (5 of 8)	809
Figure 8-217	Remove the pressure roller unit (6 of 8)	810
Figure 8-218	Remove the pressure roller unit (7 of 8)	810
Figure 8-219	Remove the pressure roller unit (8 of 8)	811
Figure 8-220	Remove the entrance upper guide unit (1 of 3)	812
Figure 8-221	Remove the entrance upper guide unit (2 of 3)	813
Figure 8-222	Remove the entrance upper guide unit (3 of 3)	813



Figure 8-223	Remove the upper-delivery guide .....	814
Figure 8-224	Remove the inlet feed unit (1 of 4) .....	815
Figure 8-225	Remove the inlet feed unit (2 of 4) .....	816
Figure 8-226	Remove the inlet feed unit (3 of 4) .....	816
Figure 8-227	Remove the inlet feed unit (4 of 4) .....	817
Figure 8-228	Remove the inlet feed unit (1 of 4) .....	818
Figure 8-229	Remove the inlet feed unit (2 of 4) .....	819
Figure 8-230	Remove the inlet feed unit (3 of 4) .....	819
Figure 8-231	Remove the inlet feed unit (4 of 4) .....	820
Figure 8-232	Remove the paper-folding roller (1 of 9) .....	821
Figure 8-233	Remove the paper-folding roller (2 of 9) .....	822
Figure 8-234	Remove the paper-folding roller (3 of 9) .....	822
Figure 8-235	Remove the paper-folding roller (4 of 9) .....	823
Figure 8-236	Remove the paper-folding roller (5 of 9) .....	823
Figure 8-237	Remove the paper-folding roller (6 of 9) .....	824
Figure 8-238	Remove the paper-folding roller (7 of 9) .....	824
Figure 8-239	Remove the paper-folding roller (8 of 9) .....	825
Figure 8-240	Remove the paper-folding roller (9 of 9) .....	825
Figure 8-241	Remove the stacker controller PCA .....	826
Figure 8-242	Remove the saddle-stitcher controller PCA .....	827
Figure 8-243	LEDs on the output accessories .....	830
Figure 8-244	Stapler/stacker cross-sectional view .....	832
Figure 8-245	Booklet maker cross-sectional view highlighting the stapling/stacking paper path .....	833
Figure 8-246	Booklet maker cross-sectional view highlighting the booklet-making paper path .....	834
Figure 8-247	Sensors (stapler/stacker) .....	835
Figure 8-248	Sensors (booklet maker) .....	837
Figure 8-249	Microswitches (stapler/stacker) .....	839
Figure 8-250	Microswitches (booklet maker) .....	840
Figure 8-251	Solenoids (stapler/stacker) .....	841
Figure 8-252	Solenoids (booklet maker) .....	842
Figure 8-253	Motors (stapler/stacker) .....	843
Figure 8-254	Motors (booklet maker) .....	844
Figure 8-255	Clutches (stapler/stacker) .....	845
Figure 8-256	PCA (stapler/stacker) .....	846
Figure 8-257	Stacker controller PCA .....	847
Figure 8-258	PCA (booklet maker) .....	847
Figure 8-259	Saddle-stitcher controller PCA .....	849
Figure 8-260	Stacker controller PCA switches .....	850
Figure 8-261	Saddle-stitcher controller PCA switches .....	850
Figure 8-262	Stapler/stacker stacker controller PCA circuit diagram (1 of 2) .....	852
Figure 8-263	Stacker controller PCA circuit diagram (2 of 2) .....	852
Figure 8-264	Saddle-stitcher controller PCA circuit diagram (1 of 2) .....	854
Figure 8-265	Saddle-stitcher controller PCA circuit diagram (2 of 2) .....	854
Figure 8-266	Saddle-stitcher controller PCA circuit diagram .....	855

Figure 8-267	SW4 settings .....	857
Figure 8-268	SW4 settings .....	858
Figure 8-269	SW504 settings .....	859
Figure 8-270	Mark the paper .....	859
Figure 8-271	Folding position adjustment (1 of 2) .....	860
Figure 8-272	Folding position adjustment (2 of 2) .....	860
Figure 8-273	Positive and negative width adjustment .....	861
Figure 8-274	Adjust the stitcher (1 of 6) .....	862
Figure 8-275	Adjust the stitcher (1 of 6) .....	862
Figure 8-276	Adjust the stitcher (2 of 6) .....	863
Figure 8-277	Adjust the stitcher (3 of 6) .....	863
Figure 8-278	Adjust the stitcher (5 of 6) .....	863
Figure 8-279	Adjust the stitcher (6 of 6) .....	864
Figure 9-1	Printer external covers and panels .....	872
Figure 9-2	Printer front-door assembly .....	874
Figure 9-3	Printer right-door assembly .....	876
Figure 9-4	Printer internal components (1 of 7) .....	878
Figure 9-5	Printer internal components (2 of 7) .....	880
Figure 9-6	Printer internal components (3 of 7) .....	882
Figure 9-7	Printer internal components (4 of 7) .....	884
Figure 9-8	Printer internal components (5 of 7) .....	888
Figure 9-9	Printer internal components (6 of 7) .....	890
Figure 9-10	Printer internal components (7 of 7) .....	892
Figure 9-11	Printer multi-purpose-drive assembly .....	894
Figure 9-12	Printer lifter-drive assembly .....	896
Figure 9-13	Printer cassette .....	898
Figure 9-14	Printer cassette paper-pickup assembly .....	900
Figure 9-15	Printer multi-purpose paper-pickup assembly .....	902
Figure 9-16	Printer multi-purpose-tray assembly .....	904
Figure 9-17	Printer multi-purpose-guide assembly .....	906
Figure 9-18	Printer face-down paper-delivery assembly .....	908
Figure 9-19	Printer duplexing-reverse assembly .....	910
Figure 9-20	Printer duplexing-feed assembly .....	912
Figure 9-21	Printer PCA assembly location .....	914
Figure 9-22	Input-tray units (1x500-sheet and 3x500-sheet) .....	916
Figure 9-23	Input-tray main body (1x500-sheet) .....	918
Figure 9-24	Input-tray main body (3x500-sheet) .....	922
Figure 9-25	Input-tray auto-close assembly .....	926
Figure 9-26	Input-tray cassette .....	928
Figure 9-27	Input-tray paper-pickup assembly .....	930
Figure 9-28	Input-tray PCA assembly .....	932
Figure 9-29	Intermediate-feed main body .....	934
Figure 9-30	Intermediate-feed lower-guide assembly .....	936
Figure 9-31	Intermediate-feed upper-guide assembly .....	938

Figure 9-32	Left-assist assembly .....	940
Figure 9-33	Right-assist assembly .....	942
Figure 9-34	PCA assembly .....	944
Figure 9-35	Stapler/stacker unit .....	945
Figure 9-36	Booklet-maker unit .....	948
Figure 9-37	External panels and covers (stapler/stacker) .....	950
Figure 9-38	External panels and covers (booklet-maker) .....	952
Figure 9-39	Finisher (1 of 5) (stapler/stacker and booklet-maker) .....	954
Figure 9-40	Finisher (2 of 5) (stapler/stacker and booklet-maker) .....	954
Figure 9-41	Finisher (3 of 5) (stapler/stacker and booklet-maker) .....	955
Figure 9-42	Finisher (4 of 5) (stapler/stacker and booklet-maker) .....	957
Figure 9-43	Finisher (5 of 5) (stapler/stacker and booklet-maker) .....	958
Figure 9-44	Output bin 1 (stack upper-tray assembly) (1 of 2) (stapler/stacker) .....	961
Figure 9-45	Output bin 1 (stack upper-tray assembly) (2 of 2) (stapler/stacker) .....	962
Figure 9-46	Output bin 1 (stack upper-tray assembly) (1 of 2) (booklet-maker) .....	964
Figure 9-47	Output bin 1 (stack upper-tray assembly) (2 of 2) (booklet-maker) .....	966
Figure 9-48	Output bin 2 (stack lower-tray assembly) (1 of 2) (stapler/stacker and booklet-maker) .....	968
Figure 9-49	Output bin 2 (stack lower-tray assembly) (2 of 2) (stapler/stacker and booklet-maker) .....	970
Figure 9-50	Top output bin (stack sub-tray assembly) (stapler/stacker) .....	972
Figure 9-51	Operation-tray assembly (1 of 2) (stapler/stacker and booklet-maker) .....	973
Figure 9-52	Operation-tray assembly (2 of 2) (stapler/stacker and booklet-maker) .....	974
Figure 9-53	Paper-feeder motor assembly (stapler/stacker and booklet-maker) .....	976
Figure 9-54	Return-roller assembly (stapler/stacker and booklet-maker) .....	978
Figure 9-55	Pressure-roller assembly (stapler/stacker and booklet-maker) .....	980
Figure 9-56	Swing-guide assembly (stapler/stacker and booklet-maker) .....	982
Figure 9-57	Entrance upper-guide assembly (stapler/stacker and booklet-maker) .....	984
Figure 9-58	Staple assembly (stapler/stacker and booklet-maker) .....	986
Figure 9-59	Saddle assembly (1 of 4) (booklet-maker) .....	988
Figure 9-60	Saddle assembly (2 of 4) (booklet-maker) .....	988
Figure 9-61	Saddle assembly (3 of 4) (booklet-maker) .....	989
Figure 9-62	Saddle assembly (4 of 4) (booklet-maker) .....	992
Figure 9-63	Saddle-tray assembly (booklet-maker) .....	996
Figure 9-64	Saddle-guide assembly (booklet-maker) .....	998
Figure 9-65	Saddle-stapler assembly (booklet-maker) .....	1000
Figure 9-66	Saddle paper-feeder assembly (stapler/stacker) .....	1002
Figure 9-67	Saddle paper-feeder assembly (booklet-maker) .....	1004
Figure 9-68	Pass lower-guide assembly (booklet-maker) .....	1006
Figure 9-69	Inner side-plate assembly (booklet-maker) .....	1008
Figure 9-70	Saddle paper-delivery assembly (booklet-maker) .....	1010
Figure 9-71	Motor-mount assembly (booklet-maker) .....	1012
Figure 9-72	PCA assembly .....	1014
Figure 9-73	ADF unit .....	1016
Figure 9-74	Front-end cover .....	1018
Figure 9-75	Hinge assembly .....	1020

Figure 9-76	Base assembly .....	1021
Figure 9-77	Backbone assembly .....	1022
Figure 9-78	Jam-cover assembly .....	1024
Figure 9-79	Pickup-roller assembly .....	1026
Figure 9-80	Separation-pad assembly .....	1028
Figure 9-81	Separation-floor assembly .....	1030
Figure 9-82	Scanner unit .....	1032
Figure 9-83	Carriage assembly .....	1034
Figure 9-84	Scanner controller-board (SCB) assembly .....	1036
Figure 9-85	Large-pin assembly .....	1038
Figure 9-86	Small-pin assembly .....	1040
Figure 9-87	Inverter assembly .....	1042
Figure 9-88	Glass assembly .....	1044
Figure 9-89	Lid-sensor assembly .....	1046
Figure 9-90	Motor assembly .....	1048
Figure 9-91	Pulley assembly .....	1050
Figure 9-92	Power-supply assembly .....	1052
Figure 9-93	Main-frame assembly .....	1054
Figure 9-94	Support-frame assembly .....	1055
Figure 9-95	Plastic-parts assembly (1 of 2) .....	1056
Figure 9-96	Plastic-parts assembly (2 of 2) .....	1058
Figure 9-97	Scanner controller board (SCB)-cage assembly .....	1059
Figure 9-98	Transmission assembly .....	1060
Figure 9-99	Fan-system assembly .....	1062
Figure 9-100	Havic assembly .....	1064




---

# 1 Product basics


- [Product comparison](#)
- [Product features](#)
- [Product walkaround](#)
- [Supported operating systems](#)

# Product comparison

**Table 1-1 Product models**

Model	Features
<p>HP Color LaserJet CM6040 MFP</p> 	<ul style="list-style-type: none"> <li>● 100-sheet multipurpose input tray (Tray 1)</li> <li>● 40 pages per minute (ppm)</li> <li>● Two 500-sheet input trays</li> <li>● Automatic document feeder (ADF) that holds up to 50 pages</li> <li>● HP Jetdirect embedded print server for connecting to a 10/100Base-TX network</li> <li>● 512 megabytes (MB) of random access memory (RAM)</li> <li>● Duplexer</li> <li>● Hard drive</li> </ul>
<p>HP Color LaserJet CM6040f MFP</p> 	<ul style="list-style-type: none"> <li>● 100-sheet multipurpose input tray (Tray 1)</li> <li>● 40 ppm</li> <li>● Four 500-sheet input trays</li> <li>● Automatic document feeder (ADF) that holds up to 50 pages</li> <li>● HP Jetdirect embedded print server for connecting to a 10/100Base-TX network</li> <li>● 512 megabytes (MB) of random access memory (RAM)</li> <li>● Duplexer</li> <li>● Hard drive</li> <li>● Analog fax</li> </ul>
<p>HP Color LaserJet CM6030 MFP</p> 	<ul style="list-style-type: none"> <li>● 100-sheet multipurpose input tray (Tray 1)</li> <li>● 30 ppm</li> <li>● Two 500-sheet input trays</li> <li>● Automatic document feeder (ADF) that holds up to 50 pages</li> <li>● HP Jetdirect embedded print server for connecting to a 10/100Base-TX network</li> <li>● 512 megabytes (MB) of random access memory (RAM)</li> <li>● Duplexer</li> <li>● Hard drive</li> </ul>
<p>HP Color LaserJet CM6030f MFP</p>	<ul style="list-style-type: none"> <li>● 100-sheet multipurpose input tray (Tray 1)</li> <li>● 30 ppm</li> <li>● Four 500-sheet input trays</li> </ul>

**Table 1-1 Product models (continued)**

Model	Features
	<ul style="list-style-type: none"><li>• Automatic document feeder (ADF) that holds up to 50 pages</li><li>• HP Jetdirect embedded print server for connecting to a 10/100Base-TX network</li><li>• 512 megabytes (MB) of random access memory (RAM)</li><li>• Duplexer</li><li>• Hard drive</li><li>• Analog fax</li></ul>

# Product features

**Table 1-2 Features**

---

<b>Speed and throughput</b>	<ul style="list-style-type: none"><li>● Print up to 40 ppm (HP Color LaserJet CM6040) or 30 ppm (HP Color LaserJet CM6030) on letter-size paper.</li><li>● Less than 11 seconds to print the first page</li><li>● Recommended maximum monthly print volume of 15,000 pages (HP Color LaserJet CM6040) or 10,000 pages (HP Color LaserJet CM6030)</li><li>● An 835 megahertz (MHz) microprocessor</li><li>● Duplex at speed</li></ul>
<b>Resolution</b>	<ul style="list-style-type: none"><li>● 600 dots per inch (dpi) with Image Resolution Enhancement technology 4800 for optimum overall imaging</li><li>● 1200 x 600 dpi for detailed line work and small text</li></ul>
<b>Memory</b>	<ul style="list-style-type: none"><li>● 512 MB of random-access memory (RAM), expandable to 1 gigabyte (GB) by using 200-pin small outline dual inline memory modules (SODIMM) that support 128, 256, or 512 MB of RAM.</li><li>● Memory Enhancement technology (MEt) automatically compresses data to use RAM more efficiently.</li></ul>
<b>User interface</b>	<ul style="list-style-type: none"><li>● HP Easy Select Control Panel</li><li>● An embedded Web server to gain access to support and order supplies (for network-connected products)</li><li>● HP Easy Printer Care software (a Web-based status and troubleshooting tool)</li><li>● Internet-enabled supply-ordering capabilities through HP Easy Printer Care software and embedded Web server</li></ul>
<b>Languages and fonts</b>	<ul style="list-style-type: none"><li>● HP Printer Control Language (PCL) 6</li><li>● HP Universal Printer Driver (UPD) PCL 5</li><li>● HP UPD postscript (PS)</li><li>● Printer Management Language</li><li>● 80 scalable TrueType PS typefaces</li></ul>
<b>Print cartridges/image drums (4 of each)</b>	<ul style="list-style-type: none"><li>● Two-part toner/imaging system</li><li>● Black print cartridges print up to 19,500 pages at 5% coverage</li><li>● Color print cartridges print up to 21,000 pages at 5% coverage</li><li>● Image drums print up to 35,000 pages at 5% coverage</li><li>● Authentic HP print cartridge detection</li><li>● Automatic toner strip remover</li></ul>

---



**Table 1-2 Features (continued)**

---

<b>Paper-handling</b>	<ul style="list-style-type: none"><li>● <b>Input</b><ul style="list-style-type: none"><li>◦ <b>Tray 1 (multipurpose tray):</b> A multipurpose tray for paper, transparencies, labels, envelopes and other paper types. See <a href="#">Supported paper types on page 66</a> for a list of paper types. The tray holds up to 100 sheets of paper, 50 transparencies, or 10 envelopes. See <a href="#">Supported paper and print media sizes on page 63</a>.</li><li>◦ <b>Tray 2, 3, 4, and 5:</b> 500-sheet trays. These trays automatically detect common paper sizes and allow printing on custom-size paper. Tray 2 supports up to 279 x 432 mm (11 x 17 inches) and A3 paper sizes, and Trays 3,4, and 5 support sizes up to 305 x 457 mm (12 x 18 inches), and SRA3. See <a href="#">Supported paper and print media sizes on page 63</a> for a list of supported paper sizes. For a list of supported paper types, see <a href="#">Supported paper types on page 66</a>.</li><li>◦ <b>Automatic document feeder (ADF):</b> Holds up to 50 sheets of paper.</li><li>◦ <b>ADF duplex scanning:</b> The ADF has an automatic duplexer for scanning two-sided documents.</li><li>◦ <b>Duplex printing:</b> Provides automatic two-sided printing (printing on both sides of the paper).<p>The paper size range for automatic duplex printing is 175 mm to 320 mm (6.9 to 12.6 inches) x 210 mm to 457 mm (8.3 to 18 inches). The media weight range is 60–220 g/m<sup>2</sup> (16-58 lb).</p></li></ul></li><li>● <b>Output</b><ul style="list-style-type: none"><li>◦ <b>Standard output bin:</b> The standard output bin is located underneath the scanner on the top of the product. This bin can hold up to 500 sheets of paper. The product provides a sensor that indicates when the bin is full.</li><li>◦ <b>Optional 3-bin stapler/stacker:</b> Provides job separation in multiple output bins, convenient stapling (up to 50-sheet jobs), job offset capability, and additional output capacity. The stacker has three bins: a 100-sheet bin, a 500-sheet bin, and a 1000-sheet bin.</li><li>◦ <b>Optional booklet maker finisher:</b> Provides convenient stapling (up to 50-sheet jobs), saddle-stitching (up to 15-sheet booklets), single-sheet v-folding, job separation and offset capability, as well as additional output capacity. The booklet maker finisher has three bins: two 1000-sheet bins and one bin that can hold up to 25 saddle-stitched booklets.</li><li>◦ <b>ADF output bin:</b> The ADF output bin is underneath the ADF input tray. The bin holds up to 50 sheets of paper, and the product automatically stops when this bin is full.</li></ul></li></ul>
<b>Supported operating systems</b>	<ul style="list-style-type: none"><li>● Windows 2000®</li><li>● Windows XP®</li><li>● Windows Server 2003®</li><li>● Windows Vista™</li><li>● Macintosh OS</li></ul>
<b>Connectivity</b>	<ul style="list-style-type: none"><li>● Local area network (LAN) connector (RJ-45) for the embedded HP Jetdirect print server</li><li>● One enhanced input/output (EIO) slot</li><li>● USB 2.0 connection</li><li>● Optional analog fax card</li><li>● A Foreign Interface Harness (FIH) connection (AUX) for connecting other devices</li><li>● Optional HP Digital Sending Software (DSS)</li></ul>

---

**Table 1-2 Features (continued)**

---

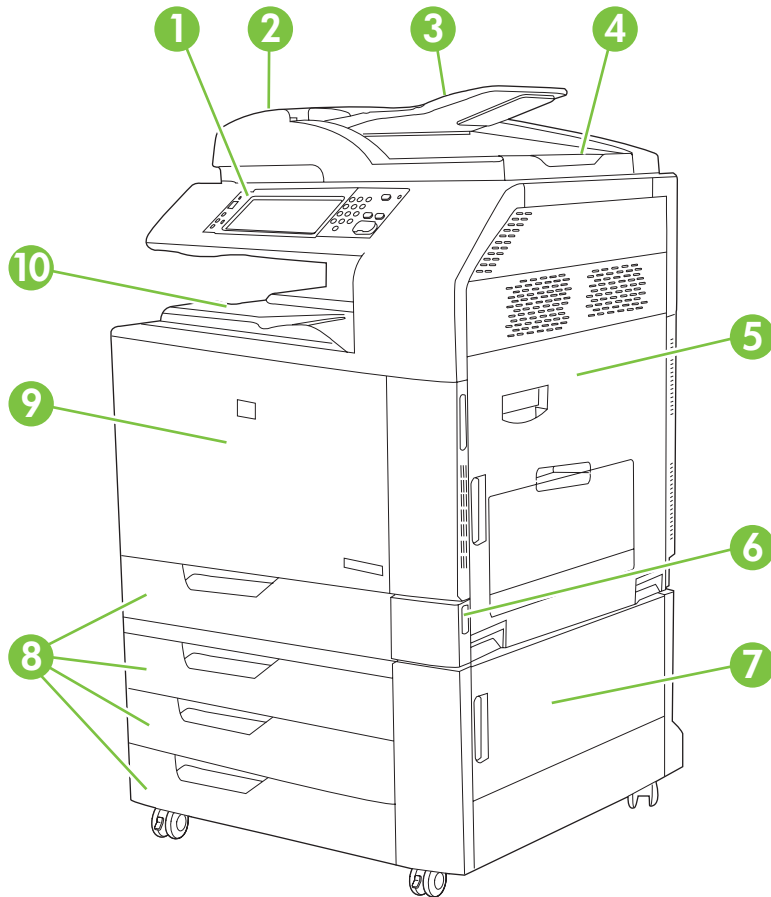
<b>Environmental features</b>	<ul style="list-style-type: none"><li>● Sleep setting saves energy.</li><li>● High content of recyclable components and materials.</li></ul>
<b>Security features</b>	<ul style="list-style-type: none"><li>● Secure Disk Erase</li><li>● Security lock (optional)</li><li>● Job retention</li><li>● User PIN authentication for stored jobs</li><li>● DSS authentication</li><li>● IPv6 security</li></ul>
<b>Copying and sending</b>	<ul style="list-style-type: none"><li>● Modes for text, graphics, and mixed text and graphics formats</li><li>● Job-interrupt feature</li><li>● Multiple pages per sheet</li><li>● Control panel animations (for example, jam recovery)</li><li>● Scan and send to e-mail<ul style="list-style-type: none"><li>◦ Local address book for e-mail and fax</li><li>◦ LDAP addressing</li></ul></li><li>● Send to folder</li><li>● Automatic duplex (two-sided) scanning</li></ul>

---

# Product walkaround

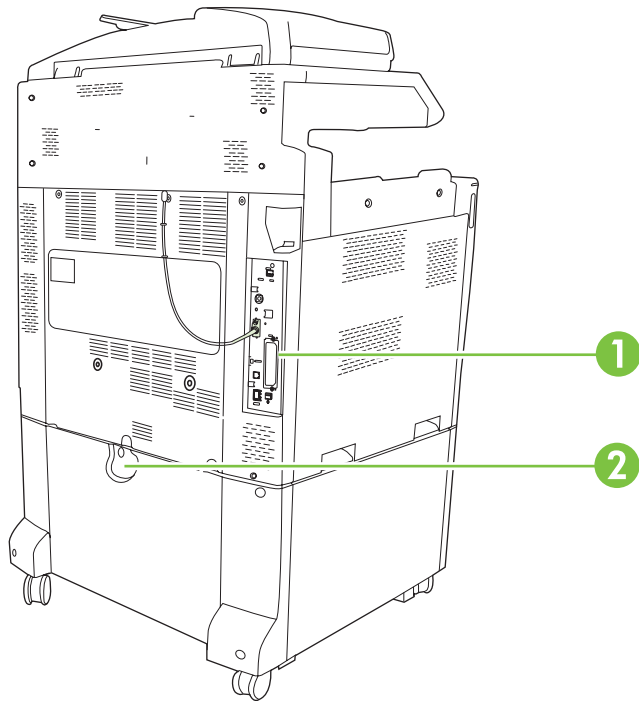
## Front view

### HP Color LaserJet CM6040 MFP Series



1	Control panel
2	Automatic Document Feeder (ADF) top cover
3	ADF input tray for copy/scan/fax originals
4	ADF output bin
5	Right-door (provides access to the transfer unit, transfer roller, and fuser unit)
6	On/Off switch
7	Lower right door
8	HP Color LaserJet CM6030 MFP and HP Color LaserJet CM6040 MFP: Trays 2 and 3 HP Color LaserJet CM6030f MFP and HP Color LaserJet CM6040f MFP: Trays 2, 3, 4 and 5
9	Front cover (provides access to print cartridges and image drums)
10	Output bin

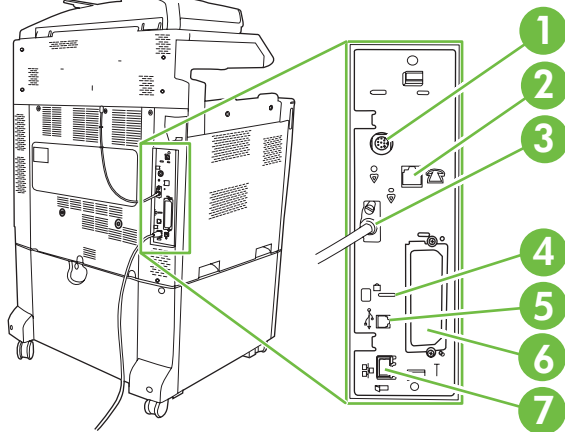
## Back view



1	Interface ports and formatter
2	Lock lever for additional input bins

## Interface ports

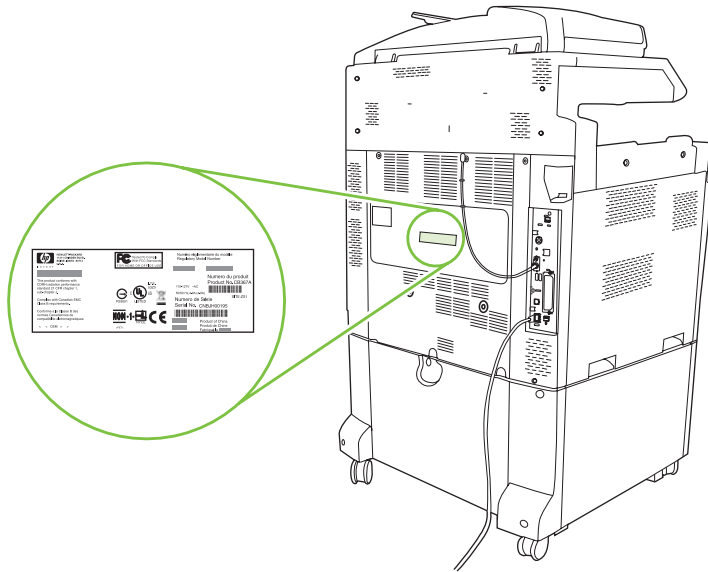
The product has five ports for connecting to a computer or a network. The ports are at the left, rear corner of the product.



1	Foreign interface harness (FIH)
2	Fax connection (when installed)
3	Scanner cable
4	Access port for Kensington lock
5	USB 2.0 port
6	EIO expansion slot
7	Network port

## Serial number and model number location

The model number and serial number are listed on identification labels located on the rear of the printer. The serial number contains information about the country/region of origin, the printer version, production code, and the production number of the printer.



Model name	Model number
HP Color LaserJet CM6030 MFP	CE664A
HP Color LaserJet CM6030f MFP	CE665A
HP Color LaserJet CM6040 MFP	Q3938A
HP Color LaserJet CM6040f MFP	Q3939A

## Supported operating systems

The product supports the following operating systems:

- Windows XP (32-bit and 64-bit)
- Windows Server 2003 (32-bit and 64-bit)
- Windows 2000
- Windows Vista (32-bit and 64-bit)
- Mac OS X V10.2.8, V10.3, V10.4, V10.5 and later



---

**NOTE:** For Mac OS X V10.4 and later, PPC and Intel Core Processor Macs are supported.

---





---

## 2 Control panel

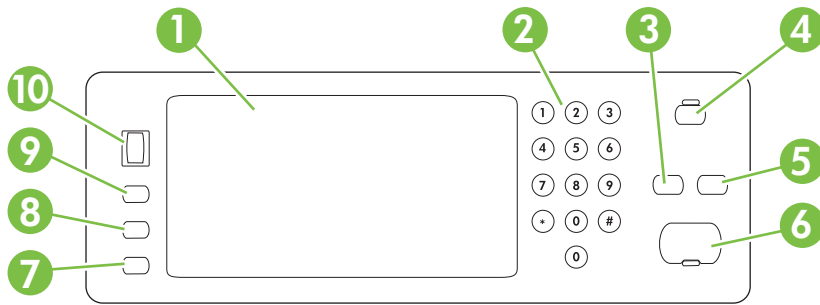
- [Use the control panel](#)
- [Navigate the Administration menu](#)
- [Information menu](#)
- [Default Job Options menu](#)
- [Time/Scheduling menu](#)
- [Management menu](#)
- [Initial Setup menu](#)
- [Device Behavior menu](#)
- [Print Quality menu](#)
- [Troubleshooting menu](#)
- [Resets menu](#)
- [Service menu](#)

# Use the control panel

The control panel has a VGA touchscreen that provides access to all device functions. Use the buttons and numeric keypad to control jobs and the device status. The LEDs indicate overall device status.

## Control-panel layout


The control panel includes a touchscreen graphical display, job-control buttons, a numeric keypad, and three light-emitting diode (LED) status lights.

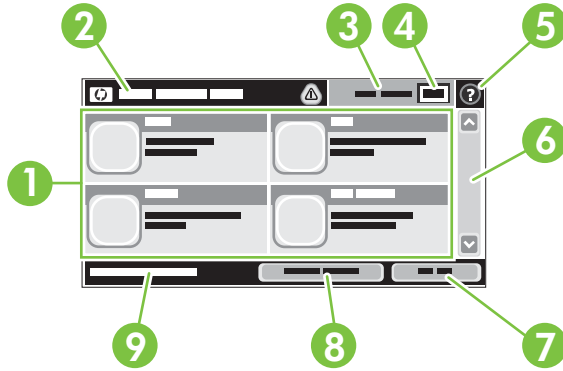


1	Touchscreen graphical display	Use the touchscreen to open and set up all device functions.
2	Numeric keypad	Allows you to type numeric values for number of copies required and other numeric values.
3	<b>Reset</b> button	Resets the job settings to factory or user-defined default values.
4	<b>Sleep</b> button	If the device is inactive for a long period of time, it automatically enters a sleep mode. To place the device into sleep mode or to reactivate the device, press the <b>Sleep</b> button.
5	<b>Stop</b> button	Stops the active job and opens the Job Status screen.
6	<b>Start</b> button	Begins a copy job, starts digital sending, or continues a job that has been interrupted.
7	<b>Attention</b> light	The <b>Attention</b> light indicates that the device has a condition that requires intervention. Examples include an empty paper tray or an error message on the touchscreen.
8	<b>Ready</b> light	The <b>Ready</b> light indicates that the device is ready to begin processing any job.
9	<b>Data</b> light	The <b>Data</b> light indicates that the device is receiving data.
10	Contrast-adjustment dial	Turn the dial to adjust the contrast of the touchscreen display for your viewing angle.

## Home screen

The home screen provides access to the device features, and it indicates the current status of the device.







 **NOTE:** Depending on how the device has been configured, the features that appear on the home screen can vary.




1	Features	Depending on how the system administrator has configured the device, the features that appear in this area can include any of the following items: <ul style="list-style-type: none"> <li>• Copy</li> <li>• Fax</li> <li>• E-mail</li> <li>• Secondary E-mail</li> <li>• Job Status</li> <li>• Network Folder</li> <li>• Job Storage</li> <li>• Workflow</li> <li>• Supplies Status</li> <li>• Administration</li> </ul>
2	Device status line	The status line provides information about the overall device status. Various buttons appear in this area, depending on the current status. For a description of each button that can appear in the status line, see <a href="#">Buttons on the touchscreen on page 16</a> .
3	Copy type	Shows whether copies are color.
4	Copy count	The copy count box indicates the number of copies that the device is set to make.
5	Help button	Touch the Help button to open the embedded help system.
6	Scroll bar	Touch the up or down arrows on the scroll bar to see the complete list of available features.
7	Sign Out	Touch <b>Sign Out</b> to sign out of the device if you have signed in for access to restricted features. After you sign out, the device restores all options to the default settings.
8	Network Address	Touch <b>Network Address</b> to find information about the network connection.
9	Date and time	The current date and time appear here. The system administrator can select the format that the device uses to show the date and time, for example 12-hour format or 24-hour format.

## Buttons on the touchscreen

The status line on the touchscreen provides information about the status of the device. Various buttons can appear in this area. The following table describes each button.



	<b>Home button.</b> Touch the home button to go to the Home screen from any other screen.
	<b>Start button.</b> Touch the Start button to begin the action for the feature that you are using. <b>NOTE:</b> The name of this button changes for each feature. For example, in the <a href="#">Copy</a> feature, the button is named <a href="#">Start Copy</a> .
	<b>Stop button.</b> If the device is processing a print or fax job, the Stop button appears instead of the Start button. Touch the Stop button to halt the current job. The device prompts you to cancel the job or to resume it.
	<b>Error button.</b> The error button appears whenever the device has an error that requires attention before it can continue. Touch the error button to see a message that describes the error. The message also has instructions for solving the problem.
	<b>Warning button.</b> The warning button appears when the device has a problem but can continue functioning. Touch the warning button to see a message that describes the problem. The message also has instructions for solving the problem.
	<b>Help button.</b> Touch the help button to open the built-in online Help system. For more information, see <a href="#">Control-panel help system on page 16</a> .

## Control-panel help system

The device has a built-in Help system that explains how to use each screen. To open the Help system, touch the Help button  in the upper-right corner of the screen.

For some screens, the Help opens to a global menu where you can search for specific topics. You can browse through the menu structure by touching the buttons in the menu.


For screens that contain settings for individual jobs, the Help opens to a topic that explains the options for that screen.


If the device alerts you of an error or warning, touch the error  or warning  button to open a message that describes the problem. The message also contains instructions to help solve the problem.

## Navigate the Administration menu

From the Home screen, touch **Administration** to open the menu structure. You might need to scroll to the bottom of the Home screen to see this feature.

The Administration menu has several sub-menus, which are listed on the left side of the screen. Touch the name of a menu to expand the structure. A plus sign (+) next to a menu name means that it contains sub-menus. Continue opening the structure until you reach the option that you want to configure. To return to the previous level, touch **Back**.

To exit the Administration menu, touch the Home button  in the upper-left corner of the screen.

The device has built-in Help that explains each of the features that are available through the menus. Help is available for many menus on the right-hand side of the touchscreen. Or, to open the global Help system, touch the Help button  in the upper-right corner of the screen.

The tables in the sections that follow indicate the overall structure of each menu under the Administration menu.

# Information menu

## Administration > Information

Use this menu to print information pages and reports that are stored internally on the device.

**Table 2-1 Information menu**

Menu item	Sub-menu item	Sub-menu item	Values	Description
Configuration/Status Pages	Administration Menu Map		Print	Shows the basic structure of the Administration menu and current administration settings.
	Configuration/status Pages		Print	A set of configuration pages that show the current device settings.
	Supplies Status Page		Print	Shows the status of supplies such as cartridges, maintenance kits, and staples.
	Usage Page		Print	Shows information about the number of pages that have been printed on each paper type and size.
	Color Usage Job Log		Print	A directory page that contains job-by-job color usage information. Page content includes the user name, application name, and number of black-only pages and color pages.
	File Directory		Print	A directory page that contains information for any mass-storage devices, such as flash drives, memory cards, or hard disks, that are installed in this device.
Fax Reports	Fax Activity Log		Print	Contains a list of the faxes that have been sent from or received by this device.
	Fax Call Report	Fax Call Report	Print	A detailed report of the last fax operation, either sent or received.
		Thumbnail on Report	Yes No (default)	Choose whether or not to include a thumbnail of the first page of the fax on the call report.
		When to Print Report	Never auto print Print after any fax job Print after fax send jobs Print after any fax error (default) Print after send errors only Print after receive errors only	
		Billing Codes Report	Print	A list of billing codes that have been used for outgoing faxes. This report shows how many sent faxes were billed to each code.
		Blocked Fax List	Print	A list of phone numbers that are blocked from sending faxes to this device.
		Speed Dial List	Print	Shows the speed dials that have been set up for this device.

**Table 2-1 Information menu (continued)**

Menu item	Sub-menu item	Sub-menu item	Values	Description
Sample Pages/Fonts	Demonstration Page		Print	Printout of a page highlighting the print capabilities of the product.
	RGB Samples		Print	Printout of color samples for different RGB values. The samples act as a guide for color matching.
	CMYK Samples		Print	Printout of color samples for different CMYK values. The samples act as a guide for color matching.
	PCL Font List		Print	A list of printer control language (PCL) fonts that are currently available on the device.
	PS Font List		Print	A list of PostScript (PS) fonts that are currently available on the device.

# Default Job Options menu

Administration > Default Job Options

Use this menu to define the default job options for each function. These are used if the user does not specify other options when creating the job.

## Default Options for Originals

Administration > Default Job Options > Default Options For Originals

**Table 2-2** Default Options for Originals menu

Menu item	Values	Description
Paper Size	Select a paper size from the list.	Select the paper size that is most often used for copy or scan originals.
Number of Sides	1 2	Select whether copy or scan originals are most often single-sided or double-sided.
Orientation	Portrait Landscape	Select the orientation that is most often used for copy or scan originals. Select <b>Portrait</b> if the short edge is at the top or select <b>Landscape</b> if the long edge is at the top.
Optimize Text/Picture	Manually Adjust Text Printed Picture Photograph	Optimize the output for a particular type of original: text, pictures, or a mixture of both. If you select <b>Manually Adjust</b> , specify the mix of text and pictures that is used most often.



# Image adjustment

Administration > Default Job Options > Image Adjustment

**Table 2-3** Image Adjustment menu

Menu item	Values	Description
Darkness	Select a value.	Select the level of density (darkness) for the output.
Background Cleanup	Adjust the value within the range.	Increase the <b>Background Removal</b> setting to remove faint images from the background or to remove a light background color.
Sharpness	Adjust the value within the range.	Adjust the <b>Sharpness</b> setting to clarify or soften the image.

## Default Copy Options

Administration > Default Job Options > Default Copy Options

**Table 2-4 Default Copy Options menu**

Menu item	Sub-menu item	Values	Description
Number of Copies		Type the number of copies. The factory default setting is 1.	Set the default number of copies for a copy job.
Number of Sides		1 2	Set the default number of sides for copies.
Color/Black		Auto detect Color Black (default)	Choose whether the default copy mode is color or black.
Staple/Collate	Staple	None (default) One left angled Two left Two top One right angled Two right	Set up options for stapling and collating sets of copies.  If <b>Collate</b> is selected, the device prints a complete copy before starting on the next copy. Otherwise, the device prints the first page of all copies before printing the second page, and so on.  The staple and collate feature may not be present in your product. These features depend on the optional output accessory installed.
	Collate	Off On (default)	
Output Bin		<Binname>	Select the default output bin for copies.  This option is available only if an optional output accessory is installed.
Edge-To-Edge		Normal (recommended) (default) Edge-To-Edge Output	If the original document is printed close to the edges, use the <b>Edge-To-Edge</b> feature to avoid shadows along the edges. Combine this feature with the <b>Reduce/Enlarge</b> feature to ensure that the entire page appears on the copies.
Auto Include Margins		Off (default) On	This feature automatically reduces the image size during scanning so the margins are included.

## Default Fax Options

Administration > Default Job Options > Default Fax Options

**Table 2-5 Fax Send menu**

Menu item	Sub-menu item	Values	Description
Resolution		Standard (100x200dpi) (default)	Set the resolution for sent documents. Higher resolution images have more dots per inch (dpi), so they show more detail. Lower resolution images have fewer dots per inch and show less detail, but the file size is smaller.
		Fine (200x200dpi)	
		Superfine (300x300dpi)	
Fax Header		Prepend (default)	Select the position of the fax header on the page.
		Overlay	Select <b>Prepend</b> to print the fax header above the fax content and move the fax content down on the page. Select <b>Overlay</b> to print the fax header over the top of the fax contents without moving the contents down. Using this option could prevent a single-page fax from flowing onto another page.

**Table 2-6 Fax Receive menu**

Menu item	Sub-menu item	Values	Description
Fax Forwarding	Fax Forwarding	Off (default)	To forward received faxes to another fax device, select <b>Fax Forwarding</b> and <b>Custom</b> . Then type the number of the other fax device into the <b>Fax Forwarding Number</b> field. When you select this menu item for the first time, you are prompted to set up a PIN. Type that PIN every time you use this menu. This is the same PIN that is used to access the Fax Printing menu.
		Custom	
	Create PIN		
Stamp Received Faxes	Enabled		Add the date, time, senders phone number, and page number to each page of the faxes that this device receives.
	Disabled (default)		
Fit to Page	Enabled (default)		Shrink faxes that are larger than Letter-size or A4-size so that they can fit onto a Letter-size or A4-size page. If it this feature set to <b>Disabled</b> , faxes larger than Letter or A4 will flow across multiple pages.
	Disabled		
Fax Paper Tray	Select from the list of trays. The default setting is <b>Automatic</b> .		Select the tray that holds the size and type of paper that you want to use for incoming faxes.
Output Bin	<Binname>		Select the default output bin, if applicable, to use for faxes.

## Default E-mail Options

Administration > Default Job Options > Default E-mail Options

Menu item	Values	Description
Document File Type	PDF (default)	Select the file format for the e-mail.
	JPEG	
	TIFF	
	M-TIFF	
Output Quality	High (large file)	Selecting higher quality for output increases the size of the output file.
	Medium (default)	
	Low (small file)	
Resolution	300 DPI	Select the resolution. Use a lower setting to create smaller files.
	200 DPI	
	150 DPI (default)	
	75 DPI	
Color/Black	Color scan (default)	Specify whether the e-mail will be in black or in color.
	Black/white scan	
TIFF Version	TIFF 6.0 (default)	Specify the TIFF version to use when saving scanned files.
	TIFF (Post 6.0)	

## Default Send to Folder Options

Administration > Default Job Options > Default Send To Folder Options

Menu item	Values	Description
Color/Black	Color scan	Specify whether the file will be in black or in color.
	Black/white scan (default)	
Document File Type	PDF (default)	Select the file format for the file.
	M-TIFF	
	TIFF	
	JPEG	
TIFF version	TIFF 6.0 (default)	Specify the TIFF version to use when saving scanned files.
	TIFF (post 6.0)	
Output Quality	High (large file)	Selecting higher quality for output increases the size of the output file.
	Medium (default)	
	Low (small file)	
Resolution	75 DPI	Select the resolution. Use a lower setting to create smaller files.
	150 DPI (default)	
	200 DPI	
	300 DPI	
	400 DPI	
	600 DPI	

## Default Print Options

Administration > Default Job Options > Default Print Options

**Table 2-7 Default Print Options menu**

Menu item	Sub-menu item	Values	Description
Copies Per Job		Type a value.	Set the default number of copies for print jobs.
Default Paper Size		(List of supported sizes)	Select a paper size.
Default Custom Paper Size	Unit of measure	Millimeters	Configure the default paper size that is used when the user selects <b>Custom</b> as the paper size for a print job.
		Inches	
	X Dimension		Configure the width measurement for the <b>Default Custom Paper Size</b> .
	Y Dimension		Configure the height measurement for the <b>Default Custom Paper Size</b> .
Output Bin		<binname>	Select the default output bin for print jobs. If optional trays are installed, output bin options vary.
Print Sides		1-sided	Select whether print jobs are single-sided or double-sided by default.
		2-sided	

# Time/Scheduling menu

Administration > Time/Scheduling

Use this menu to set options for setting the time and for setting the device to enter and exit sleep mode.

 **NOTE:** Values shown with "(default)" are the factory-default values. Some menu items have no default.

**Table 2-8** Time/Scheduling menu

Menu item	Sub-menu item	Sub-menu item	Values	Description	
Date/Time	Date Format		YYYY/MMM/DD (default)	Use this feature to set the current date and time, and to set the date format and time format that are used to time-stamp outgoing faxes.	
			MMM/DD/YYYY		
			DD/MMM/YYYY		
	Date	Month			
		Day			
		Year			
	Time Format		12 hour (AM/PM) (default)		
			24 hour		
	Time	Hour			
		Minute			
AM					
PM					
Sleep Delay			1 Minute	Use this feature to select the time interval that the device should remain inactive before entering Sleep Mode.	
			20 minutes		
			30 minutes (default)		
			45 minutes		
			1 hour (60 minutes)		
			90 minutes		
			2 hours		
		4 hours			
Wake Time	Monday		Off (default)	Select <b>Custom</b> to set a wake time for each day of the week. The device exits sleep mode according to this schedule. Using a sleep schedule helps conserve energy and prepares the device for use so that users do not have to wait for it to warm up.	
	Tuesday		Custom		
	Wednesday				
	Thursday				
	Friday				
	Saturday				
	Sunday				

**Table 2-8 Time/Scheduling menu (continued)**

Menu item	Sub-menu item	Sub-menu item	Values	Description
Sleep Time	Monday		Off (default)	Use this feature to set a sleep time for each day of the week for periods when the device will not likely be in use (for example, at a certain time each evening). Setting a sleep time makes the device automatically go into a low-power mode. Select a day and then select <b>Custom</b> to set up a custom sleep time schedule.
	Tuesday		Custom	
	Wednesday			
	Thursday			
	Friday			
	Saturday			
	Sunday			
FAX Printing		Create PIN		If you have concerns about the security of private faxes, use this feature to store faxes rather than having them automatically print by creating a printing schedule. When you select this menu item for the first time, you are prompted to set up a PIN. Type that PIN every time you use this menu.



# Management menu

Administration > Management

Use this menu to set up global device-management options.

 **NOTE:** Values shown with "(default)" are the factory-default values. Some menu items have no default.

**Table 2-9 Management menu**

Menu item	Sub-menu item	Values	Description	
Network Address Button	Display		Use this feature to display the Network Address button on the Home screen.	
	Hide (default)			
Stored Job Management	Quick Copy Job Storage Limit	Select the maximum number of jobs to store	Use this menu to view and manage any jobs that are stored on the device.	
	Quick Copy Job Held Timeout	Off (default)		
		1 Hour		
		4 Hours		
		1 Day		
1 Week				
Sleep mode		Disable	Use this feature to customize the sleep mode settings for this device.	
		Use Sleep Delay (default)	Select <b>Use Sleep Delay</b> to set the device to enter sleep mode after the delay that is specified in the <b>Time/Scheduling</b> menu.	
Manage Supplies	Replace Supplies	Stop at low	This menu sets the product behavior for when a print cartridge, fuser kit, or transfer kit is low. Choose <b>Stop at low</b> to stop printing when a supply reaches a low condition. Choose <b>Stop at out</b> to allow the product to continue printing until a color print cartridge is empty.	
		Stop at out (default)		
		Override at out 1		
		Override at out 2		
	Supply Low/Order Threshold	Select a value in the range. The default is 5%.	Use this menu to carry out administrative supply management tasks such as changing the threshold when supplies should be ordered.	
Color Supply Out	Stop (default)	This menu sets the product behavior when a color supply is empty. When <b>Auto-continue black</b> is selected, the product will continue printing using black toner only.		
	Auto-continue black			

**Table 2-9 Management menu (continued)**

Menu item	Sub-menu item	Values	Description
Restrict Color Use	Color printing access	Enable Color (default)	This item allows the administrator to disable or restrict color printing. To use the <b>Color If Allowed</b> setting, set up user permissions and/or application permissions in the embedded Web server, HP Easy Printer Care software, or Web Jetadmin.
		Color If Allowed	
		Disable Color	
	Color copying access	Enable Color (default)	This item allows the administrator to disable or restrict color copying.
		Disable Color	
Color/Black Mix		Automatic (default)	This item controls how the engine switches from color mode to monochrome mode for maximum performance and print cartridge life.  Choose <b>Automatic</b> to reset the product to the factory default setting.  Choose <b>Mostly color pages</b> if nearly all of your print jobs are color with high page coverage.  Choose <b>Mostly black pages</b> if you print mostly monochrome jobs or a combination of color and monochrome jobs.
		Mostly color pages	
		Mostly black pages	

# Initial Setup menu

Administration > Initial Setup

 **NOTE:** Values shown with "(default)" are the factory-default values. Some menu items have no default.

## Networking and I/O

Administration > Initial Setup > Networking and I/O

**Table 2-10 Networking and I/O**

Menu item	Sub-menu item	Values	Description
I/O Timeout		Select a value in the range. The factory default setting is 15 seconds.	I/O timeout refers to the elapsed time before a print job fails. If the stream of data that the device receives for a print job gets interrupted, this setting indicates how long the device will wait before it reports that the job has failed.
Embedded Jetdirect	See <a href="#">Table 2-11 Jetdirect menus on page 31</a> for the list of options.		

**Table 2-11 Jetdirect menus**

Menu item	Sub-menu item	Sub-menu item	Values and Description
TCP/IP	Enable		Off: Disable the TCP/IP protocol.  On (default): Enable the TCP/IP protocol.
		Host Name	An alphanumeric string, up to 32 characters, used to identify the device. This name is listed on the HP Jetdirect configuration page. The default host name is NP1xxxxxx, where xxxxxx is the last six digits of the LAN hardware (MAC) address.
	IPV4 Settings	Config Method	Specifies the method that TCP/IPv4 parameters will be configured on the HP Jetdirect print server.  <b>Bootp:</b> Use BootP (Bootstrap Protocol) for automatic configuration from a BootP server.  <b>DHCP:</b> Use DHCP (Dynamic Host Configuration Protocol) for automatic configuration from a DHCPv4 server. If selected and a DHCP lease exists, <b>DHCP Release</b> and <b>DHCP Renew</b> menus are available to set DHCP lease options.  <b>Auto IP:</b> Use automatic link-local IPv4 addressing. An address in the form 169.254.x.x is assigned automatically.  <b>Manual:</b> Use the <b>Manual Settings</b> menu to configure TCP/IPv4 parameters.
		Default IP	Specify the IP address to default to when the print server is unable to obtain an IP address from the network during a forced TCP/IP reconfiguration (for example, when manually configured to use BootP or DHCP).  <b>Auto IP:</b> A link-local IP address 169.254.x.x is set.

**Table 2-11 Jetdirect menus (continued)**

Menu item	Sub-menu item	Sub-menu item	Values and Description
			<p><b>Legacy:</b> The address 192.0.0.192 is set, consistent with older HP Jetdirect devices.</p>
		DHCP Release	<p>This menu appears if <b>Config Method</b> was set to <b>DHCP</b> and a DHCP lease for the print server exists.</p> <p><b>No</b> (default): The current DHCP lease is saved.</p> <p><b>Yes:</b> The current DHCP lease and the leased IP address are released.</p>
		DHCP Renew	<p>This menu appears if <b>Config Method</b> was set to <b>DHCP</b> and a DHCP lease for the print server exists.</p> <p><b>No</b> (default): The print server does not request to renew the DHCP lease.</p> <p><b>Yes:</b> The print server requests to renew the current DHCP lease.</p>
		Primary DNS	Specify the IP address (n.n.n.n) of a Primary DNS Server.
		Secondary DNS	Specify the IP address (n.n.n.n) of a Secondary Domain Name System (DNS) Server.
	IPV6 Settings	Enable	<p>Use this item to enable or disable IPv6 operation on the print server.</p> <p><b>Off:</b> IPv6 is disabled.</p> <p><b>On</b> (default): IPv6 is enabled.</p>
		Address	<p>Manual Settings: Use this item to manually set IPv6 addresses on the print server.</p> <p><b>Enable:</b> Select this item and choose <b>On</b> to enable manual configuration, or <b>Off</b> to disable manual configuration.</p> <p><b>Address:</b> Use this item to type a 32 hexadecimal digit IPv6 node address that uses the colon hexadecimal syntax.</p>
		DHCPV6 Policy	<p><b>Router Specified:</b> The stateful auto-configuration method to be used by the print server is determined by a router. The router specifies whether the print server obtains its address, its configuration information, or both from a DHCPv6 server.</p> <p><b>Router Unavailable:</b> If a router is not available, the print server should attempt to obtain its stateful configuration from a DHCPv6 server.</p> <p><b>Always:</b> Whether or not a router is available, the print server always attempts to obtain its stateful configuration from a DHCPv6 server.</p>
		Primary DNS	Use this item to specify an IPv6 address for a primary DNS server that the print server should use.
		Secondary DNS	Use this item to specify an IPv6 address for a secondary DNS server that the print server should use.

**Table 2-11 Jetdirect menus (continued)**

Menu item	Sub-menu item	Sub-menu item	Values and Description
	Proxy Server		<p>Specifies the proxy server to be used by embedded applications in the device. A proxy server is typically used by network clients for Internet access. It caches Web pages, and provides a degree of Internet security, for those clients.</p> <p>To specify a proxy server, enter its IPv4 address or fully-qualified domain name. The name can be up to 255 octets.</p> <p>For some networks, you may need to contact your Independent Service Provider (ISP) for the proxy server address.</p>
	Proxy Port		<p>Type the port number used by the proxy server for client support. The port number identifies the port reserved for proxy activity on your network, and can be a value from 0 to 65535.</p>
IPX/SPX	Enable		<p><b>Off:</b> Disable the IPX/SPX protocol.</p> <p><b>On (default):</b> Enable the IPX/SPX protocol.</p>
	Frame Type		<p>Selects the frame-type setting for your network.</p> <p><b>Auto:</b> Automatically sets and limits the frame type to the first one detected.</p> <p><b>EN_8023, EN_II, EN_8022, and EN_SNAP:</b> Frame-type selections for Ethernet networks.</p>
AppleTalk	Enable		<p><b>Off:</b> Disable the AppleTalk protocol.</p> <p><b>On (default):</b> Enable the AppleTalk protocol.</p>
DLC/LLC	Enable		<p><b>Off:</b> Disable the DLC/LLC protocol.</p> <p><b>On (default):</b> Enable the DLC/LLC protocol.</p>

**Table 2-11 Jetdirect menus (continued)**

Menu item	Sub-menu item	Sub-menu item	Values and Description
Security	Print Sec Page		<p><b>Yes</b> (default): Prints a page that contains the current security settings on the HP Jetdirect print server.</p> <p><b>No</b>: A security settings page is not printed.</p>
			<p>For configuration management, specify whether the embedded Web server will accept communications using HTTPS (Secure HTTP) only, or both HTTP and HTTPS.</p> <p><b>HTTPS Required</b> (default): For secure, encrypted communications, only HTTPS access is accepted. The print server will appear as a secure site.</p> <p><b>HTTP/HTTPS optional</b>: Access using either HTTP or HTTPS is permitted.</p>
		IPSEC	<p>Specify the Firewall status on the print server.</p> <p><b>Keep</b>: Firewall status remains the same as currently configured.</p> <p><b>Disable</b>: Firewall operation on the print server is disabled.</p>
		Reset Security	<p>Specify whether the current security settings on the print server will be saved or reset to factory defaults.</p> <p><b>No</b>: The current security settings are maintained.</p> <p><b>Yes</b>: Security settings are reset to factory defaults.</p>
Diagnostics	Embedded Tests		<p>This menu provides tests to help diagnose network hardware or TCP/IP network connection problems.</p> <p>Embedded tests help to identify whether a network fault is internal or external to the device. Use an embedded test to check hardware and communication paths on the print server. After you select and enable a test and set the execution time, you must select <b>Execute</b> to initiate the test.</p> <p>Depending on the execution time, a selected test runs continuously until either the device is turned off, or an error occurs and a diagnostic page is printed.</p>
		LAN HW Test	<p><b>CAUTION:</b> Running this embedded test will erase your TCP/IP configuration.</p> <p>This test performs an internal loopback test. An internal loopback test will send and receive packets only on the internal network hardware. There are no external transmissions on your network.</p> <p>Select <b>Yes</b> to choose this test, or <b>No</b> to not choose it.</p>
		HTTP Test	<p>This test checks operation of HTTP by retrieving predefined pages from the device, and tests the embedded Web server.</p> <p>Select <b>Yes</b> to choose this test, or <b>No</b> to not choose it.</p>
		SNMP Test	<p>This test checks operation of SNMP communications by accessing predefined SNMP objects on the device.</p>

**Table 2-11 Jetdirect menus (continued)**

Menu item	Sub-menu item	Sub-menu item	Values and Description
			Select <b>Yes</b> to choose this test, or <b>No</b> to not choose it.
		Data Path Test	This test helps to identify data path and corruption problems on an HP postscript level 3 emulation device. It sends a predefined PS file to the device. However, the test is paperless; the file will not print.  Select <b>Yes</b> to choose this test, or <b>No</b> to not choose it.
		Select All Tests	Use this item to select all available embedded tests.  Select <b>Yes</b> to choose all tests. Select <b>No</b> to select individual tests.
		Execution Time [H]	Use this item to specify the length of time (in hours) that an embedded test will be run. You can select a value from 1 to 60 hours. If you select zero (0), the test runs indefinitely until an error occurs or device is turned off.  Data gathered from the HTTP, SNMP, and Data Path tests is printed after the tests have completed.
		Execute	<b>No:</b> Do not initiate the selected tests.  <b>Yes:</b> Initiate the selected tests.
	Ping Test		This test is used to check network communications. This test sends link-level packets to a remote network host, then waits for an appropriate response. To run a ping test, set the following items:
		Dest Type	Specify whether the target device is an IPv4 or IPv6 node.
		Dest IPv4	Type the IPv4 address.
		Dest IPv6	Type the IPv6 address.
		Packet Size	Specify the size of each packet, in bytes, to be sent to the remote host. The minimum is 64 (default) and the maximum is 2048.
		Timeout	Specify the length of time, in seconds, to wait for a response from the remote host. The default is 1 and the maximum is 100.
		Count	Specify the number of ping test packets to send for this test. Select a value from 1 to 100. To configure the test to run continuously, select 0.
		Print Results	If the ping test was not set for continuous operation, you can choose to print the test results. Select <b>Yes</b> to print results. If you select <b>No</b> (default), results are not printed.
		Execute	Specify whether to initiate the ping test. Select <b>Yes</b> to initiate the test, or <b>No</b> to not run the test.

**Table 2-11 Jetdirect menus (continued)**

Menu item	Sub-menu item	Sub-menu item	Values and Description
	Ping Results		Use this item to view the ping test status and results using the control panel display. You can select the following items:
		Packets Sent	Shows the number of packets (0 - 65535) sent to the remote host since the most recent test was initiated or completed.
		Packets Received	Shows the number of packets (0 - 65535) received from the remote host since the most recent test was initiated or completed.
		Percent Lost	Shows the percent of ping test packets that were sent with no response from the remote host since the most recent test was initiated or completed.
		RTT Min	Shows the minimum detected roundtrip- time (RTT), from 0 to 4096 milliseconds, for packet transmission and response.
		RTT Max	Shows the maximum detected roundtrip- time (RTT), from 0 to 4096 milliseconds, for packet transmission and response.
		RTT Average	Shows the average round-trip-time (RTT), from 0 to 4096 milliseconds, for packet transmission and response.
		Ping In Progress	Shows whether a ping test is in progress. <b>Yes</b> indicates a test in progress, and <b>No</b> indicates that a test completed or was not run.
		Refresh	When viewing the ping test results, this item updates the ping test data with current results. Select <b>Yes</b> to update the data, or <b>No</b> to maintain the existing data. However, a refresh automatically occurs when the menu times out or you manually return to the main menu.
Link Speed			<p>The link speed and communication mode of the print server must match the network. The available settings depend on the device and installed print server. Select one of the following link configuration settings:</p> <p><b>CAUTION:</b> If you change the link setting, network communications with the print server and network device might be lost.</p> <p><b>Auto</b> (default): The print server uses auto-negotiation to configure itself with the highest link speed and communication mode allowed. If auto-negotiation fails, either 100TX HALF or 10TX HALF is set depending on the detected link speed of the hub/switch port. (A 1000T half-duplex selection is not supported.)</p> <p><b>10T Half:</b> 10 Mbps, half-duplex operation.</p> <p><b>10T Full:</b> 10 Mbps, Full-duplex operation.</p> <p><b>100TX Half:</b> 100 Mbps, half-duplex operation.</p> <p><b>100TX Full:</b> 100 Mbps, full-duplex operation.</p> <p><b>100TX Auto:</b> Limits auto-negotiation to a maximum link speed of 100 Mbps.</p>



**Table 2-11 Jetdirect menus (continued)**

Menu item	Sub-menu item	Sub-menu item	Values and Description
			1000TX Full: 1000 Mbps, full-duplex operation.
Print Protocols			Use this item to print a page that lists the configuration of the following protocols: IPX/SPX, Novell NetWare, AppleTalk, DLC/LLC.

# Fax Setup

Administration > Initial Setup > Fax Setup

**Table 2-12 Fax Setup menu**

Menu item	Sub-menu item	Sub-menu item	Values	Description
Required Settings	Country/Region	Date Format	(Countries/regions listed)	Configure the settings that are legally required for outgoing faxes.
		Date		
		Time Format		
		Time		
	Fax Header Information	Phone Number	Company Name	
PC Fax Send			Disabled	Use this feature to enable or disable PC Fax Send. PC Fax Send enables users to send faxes through the device from their computers if they have the Send Fax driver installed on their PC.
			Enabled (default)	

**Table 2-12 Fax Setup menu (continued)**

Menu item	Sub-menu item	Sub-menu item	Values	Description	
Fax Send Settings	Fax Dial Volume		Off	Use this feature to set the volume of the tones that you hear while the device dials the fax number.	
			Low (default)		
			High		
		Error Correction Mode		Enabled (default)	When Error Correction Mode is enabled and an error occurs during fax transmission, the device sends or receives the error portion again.
			Disabled		
		JBIG Compression		Enabled (default)	JBIG compression reduces fax-transmission time, which can result in lower phone charges. However, using JBIG compression sometimes causes compatibility problems with older fax machines. If this occurs, turn off JBIG compression.
			Disabled		
		Maximum Baud Rate		Select a value from the list. The default is 33.6K.	Use this feature to set the maximum baud rate for receiving faxes. This can be used as a diagnostic tool for troubleshooting fax problems.
		TCF T.30 Delay Timer		Default (default)	This setting should be left at the default value and only changed when directed by an HP technical support agent. Adjustment procedures associated with this setting are beyond the scope of this guide.
		Custom			
	TCF Extend		Default (default)	This setting should be left at the default value and only changed when directed by an HP technical support agent. Adjustment procedures associated with this setting are beyond the scope of this guide.	
		Custom			
	Dialing Mode		Tone (default)	Select whether the device should use tone or pulse dialing.	
		Pulse			
	Redial On Busy		The range is between 0 and 9. The factory default is 3 times.	Type the number of times the device should attempt to redial if the line is busy.	
	Redial On No Answer		Never (default)	Use this feature to specify the number of times the device should attempt to dial if the recipient fax number does not answer.	
		Once			
		Twice	<b>NOTE:</b> Twice is available in locations other than the United States and Canada.		


**Table 2-12 Fax Setup menu (continued)**

Menu item	Sub-menu item	Sub-menu item	Values	Description
	Redial Interval		The range is between 1 and 5 minutes. The factory default is 5 minutes.	Use this feature to specify the number of minutes between dialing attempts if the recipient number is busy or not answering.
	Detect Dial Tone		Enabled Disabled (default)	Use this feature to specify whether the device should check for a dial tone before sending a fax.
	Dialing Prefix		Off (default) Custom	Use this feature to specify a prefix number that must be dialed when sending faxes from the device.
	Billing Codes		Off (default) Custom	When billing codes are enabled, a prompt appears that asks the user to enter the billing code for an outgoing fax.  The range is between 1 and 16 digits. The default is 1 digit.
Fax Receive Settings	Rings To Answer		The range varies by location. The factory default is 2 rings.	Use this feature to specify the number of rings that must occur before the fax modem answers.
	Ring Interval		Default (default) Custom	This setting is used to adjust for some PBX ring signals. Change this setting only when directed by an HP technical support agent.
	Ring Frequency		Default (default) Custom	This setting should be left at the default value and only changed when directed by an HP technical support agent. Adjustment procedures associated with this setting are beyond the scope of this guide.
	Ringer Volume		Off Low (default) High	Set the volume for the fax ring-tone.
	Blocked Fax Numbers	Add Blocked Numbers	Type the fax number to add.	Use this feature to add or delete numbers from the blocked fax list. The blocked fax list can contain up to 30 numbers. When the device receives a call from one of the blocked fax numbers, it deletes the incoming fax. It also logs the blocked fax in the activity log along with job-accounting information.
		Remove Blocked Numbers	Select a fax number to remove.	
		Clear All Blocked Numbers	No (default) Yes	

## E-mail Setup

Administration > Initial Setup > E-mail Setup

Use this menu to enable the e-mail feature and to configure basic e-mail settings.

 **NOTE:** To configure advanced e-mail settings, use the embedded Web server. For more information, see [Embedded Web server on page 95](#).

**Table 2-13 E-mail Setup menu**

Menu item	Values	Description
Address Validation	On (default)	This option enables the device to check e-mail syntax when you type an e-mail address. Valid e-mail addresses require the "@" sign and a ".".
	Off	
Find Send Gateways		Search the network for SMTP gateways that the device can use to send e-mail.
SMTP Gateway	Enter a value.	Specify the IP address of the SMTP gateway that is used to send e-mail from the device.
Test Send Gateway		Test the configured SMTP gateway to see if it is functional.

## Send Setup menu

Administration > Initial Setup > Send Setup

**Table 2-14 Send Setup menu**

Menu item	Values	Description
Fax Number Confirmation	Disable (default)	When fax number confirmation is enabled, you are prompted to enter the fax number twice to verify that it has been typed correctly.
	Enable	

# Device Behavior menu

Administration > Device Behavior

**Table 2-15 Device Behavior menu**

Menu item	Sub-menu item	Sub-menu item	Values	Description
Language			Select the language from the list.	Select a different language for control-panel messages. When you select a new language, the keyboard layout might also change.
Key Press Sound			On (default) Off	Use this feature to specify whether you hear a sound when you touch the screen or press buttons on the control panel.
Inactivity Timeout			Type a value between 10 and 300 seconds. The factory default is 60 seconds.	Specify the amount of time that elapses between any activity on the control panel and the device resetting to the default settings.
Warning/Error Behavior	Clearable Warnings		On Job (default)	Set the amount of time that a clearable warning appears on the control panel.
	Continuable Events		Auto continue (10 seconds) (default) Touch OK to continue	Configure the device behavior when the device encounters certain errors.
	Jam Recovery		Auto (default) Off On	Configure how the device handles pages that are lost during a jam.

**Table 2-15 Device Behavior menu (continued)**

Menu item	Sub-menu item	Sub-menu item	Values	Description
Tray Behavior	Use Requested Tray		Exclusively (default)	Control how the device handles jobs that have specified a specific input tray.
			First	
	Manually Feed Prompt		Always (default)	Specify how a prompt should appear when the type or size for a job does not match the specified tray and the device pulls from the multipurpose tray instead.
			Unless Loaded	
	PS Defer Media		Enabled (default)	Select either the PostScript (PS) or HP paper-handling model.
			Disabled	
	Use Another Tray		Enabled (default)	Turn on or off the control-panel prompt to select another tray when the specified tray is empty.
		Disabled		
Size/Type Prompt		Display (default)	Control whether the tray configuration message appears whenever a tray is opened or closed.	
		Do not display		
Duplex Blank Pages		Auto (default)	Control how the device handles two-sided jobs (duplexing).	
		Yes		
Image Rotation		Left to Right	Image rotation allows users to put paper in the input tray using the same orientation regardless of whether there is a finisher installed.	
		Right to Left		
		Alternate		
				<p><b>NOTE:</b> The image rotation set in this menu will be applied any time a job does not request stapling or when the requested stapling could not be applied because of unsupported media or when the stapler is unavailable.</p> <p>Select <b>Left to Right</b> to rotate the image as if it were going to be bound on the left. This setting is appropriate for print jobs where reading from left to right is the cultural norm. This is the default setting.</p> <p>Select <b>Right to Left</b> to rotate the image as if it were going to be bound on the right. This setting is usually appropriate for print jobs where reading from right to left is the cultural norm.</p> <p>Select <b>Alternate</b> to use a different loading orientation that might work better with preprinted forms that are used on legacy products.</p>
Multifunc Finisher or MBM-3 Bin Stapler	Operation Mode		Mailbox	This menu appears when the HP 3-bin Stapler/Stacker Accessory or the HP Booklet Maker/Finisher Accessory is attached.
			Stacker	
			Function Separator	
				Allows you to set the default operation mode. <b>Mailbox</b> assigns a user or group of users to each output bin. <b>Stacker</b> treats all of the output bins as a single large bin. When one bin gets full, jobs are automatically routed to the next bin. <b>Function Separator</b> specifies a

**Table 2-15 Device Behavior menu (continued)**

Menu item	Sub-menu item	Sub-menu item	Values	Description
				default bin for specific types of jobs such as faxes or copies (stapler/stacker only).
	Staples		None One Left Angled One Right Angled Two Left Two Right Two Top	Sets the default staple selection for documents sent to the device when no staple value is specified.
	Staples Out		Stop Continue	Sets the default behavior when a job specifies stapling and the stapler is out of staples. <b>Stop</b> stops printing if the stapler runs out of staples. <b>Continue</b> allows a job to continue printing even when the device is out of staples.
	Offset		Off On	Turns the job offset feature on or off. When job offset is on, each copy of a job is shifted to one side in the output bin in order to keep each copy separate from the others.
	A4/Letter Staple		Normal Alternate 1 Alternate 2	<p>Controls the speed of the print engine to prevent paper jams by using the stapler buffer.</p> <p><b>NOTE:</b> The stapler buffer may or may not be used depending on the selected media type or on the sensed media type, if Autosense Mode is enabled.</p> <p>If the <b>Normal</b> setting is enabled, the engine speed will be normal by using the stapler buffer whenever possible.</p> <p>If the <b>Alternate 1</b> setting is enabled, and the engine is in Autosense Mode, the engine slows down to prevent jams. If the product is NOT in Autosense Mode, the engine performs at normal speed, using the stapler buffer whenever possible.</p> <p>If the <b>Alternate 2</b> setting is enabled, the engine always slows down to prevent jams, never using the stapler buffer.</p>
	Fold LTR-R & A4 - R		-4.0 mm -3.5 mm -3.0 mm -2.5 mm -2.0 mm -1.5 mm -1.0 mm	Adjusts the fold line for Letter and A4 size paper (booklet maker only).



**Table 2-15 Device Behavior menu (continued)**

Menu item	Sub-menu item	Sub-menu item	Values	Description
			-0.5 mm	
			0.0 mm	
			0.5 mm	
			1.0 mm	
			1.5 mm	
			2.0 mm	
			2.5 mm	
			3.0 mm	
			3.5 mm	
			4.0 mm	
	Fold Legal & JISB4		-4.0 mm	Adjusts the fold line for Legal and JIS B4 size paper (booklet maker only).
			-3.5 mm	
			-3.0 mm	
			-2.5 mm	
			-2.0 mm	
			-1.5 mm	
			-1.0 mm	
			-0.5 mm	
			0.0 mm	
			0.5 mm	
			1.0 mm	
			1.5 mm	
			2.0 mm	
			2.5 mm	
			3.0 mm	
			3.5 mm	
			4.0 mm	
	Fold 11X17 & A3		-4.0 mm	Adjusts the fold line for Legal and 11x17 and A3 size paper (booklet maker only).
			-3.5 mm	
			-3.0 mm	
			-2.5 mm	
			-2.0 mm	
			-1.5 mm	

**Table 2-15 Device Behavior menu (continued)**

Menu item	Sub-menu item	Sub-menu item	Values	Description
			-1.0 mm	
			-0.5 mm	
			0.0 mm	
			0.5 mm	
			1.0 mm	
			1.5 mm	
			2.0 mm	
			2.5 mm	
			3.0 mm	
			3.5 mm	
			4.0 mm	
General Copy Behavior	Scan Ahead		Enabled (default)	Turn on no-wait scanning. With <b>Scan Ahead</b> enabled, the pages in the original document are scanned to disk and held until the device becomes available.
			Disabled	
	Auto Print Interrupt		Enabled	When this feature is enabled, copy jobs can interrupt print jobs that are set to print multiple copies.  The copy job is inserted into the print queue at the end of one copy of the print job. After the copy job is complete, the device continues printing the remaining copies of the print job.
			Disabled (default)	
Copy Interrupt		Enabled	When this feature is enabled, a copy job that is currently printing can be interrupted when a new copy job is started. You are prompted to confirm that you want to interrupt the current job.	
		Disabled (default)		
	Alternative Letterhead Mode		Off (default)	This option allows loading of letterhead or preprinted paper the same way for all copy jobs, whether copying to one side of the paper or to both sides of the paper.
			On	

**Table 2-15 Device Behavior menu (continued)**

Menu item	Sub-menu item	Sub-menu item	Values	Description
General Printing Behavior	Override A4/Letter		No	When this feature is enabled, the job prints on letter-size paper when an A4 job is sent but no A4-size paper is loaded in the device (or prints on A4 paper when a letter-size job is sent but no letter-size paper is loaded). This option also overrides A3 with ledger-size paper and ledger with A3-size paper.
			Yes (default)	
	Manual Feed		Enabled	When this feature is enabled, the user can select manual feed from the control panel as the paper source for a job.
			Disabled (default)	
	Courier Font		Regular (default)	Select which version of the Courier font you want to use.
			Dark	
	Wide A4		Enabled	Change the printable area of A4-size paper. If you enable this option, eighty 10-pitch characters can be printed on a single line of A4 paper.
			Disabled (default)	
Print PS Errors		Enabled	Select whether a PostScript (PS) error page is printed when the device encounters a PS error.	
		Disabled (default)		
Print PDF Errors		Enabled	Select whether a PDF error page is printed when the device encounters a PDF error.	
		Disabled (default)		
Personality		Auto (default)	Select the printer language that the device should use.  <i>Normally, you should not change the language.</i> If you change the setting to a specific language, the device does not automatically switch from one language to another unless specific software commands are sent to the device.	
		PCL		
		PDF		
		PS		

**Table 2-15 Device Behavior menu (continued)**

Menu item	Sub-menu item	Sub-menu item	Values	Description
	PCL	Form Length	Type a value between 5 and 128 lines. The factory default is 60 lines.	PCL is a set of printer commands that Hewlett-Packard developed to provide access to printer features.
		Orientation	Portrait (default) Landscape	Select the orientation that is most often used for print jobs. Select <b>Portrait</b> if the short edge is at the top or <b>Landscape</b> if the long edge is at the top.
		Font Source	Select the source from the list.	Select the font source for the user-soft default font.
		Font Number	Type the font number. The range is between 0 and 999. The factory default is 0.	Specify the font number for the user soft default font by using the source that is specified in the <b>Font Source</b> menu item. The device assigns a number to each font and lists it on the PCL font list (available from the <b>Administration</b> menu).
		Font Pitch	Type a value between 0.44 and 99.99. The factory default is 10.00.	If <b>Font Source</b> and <b>Font Number</b> indicate a contour font, use this feature to select a default pitch (for a fixed-spaced font).
		Symbol Set	PC-8 (default)  (50 additional symbol sets from which to choose)	Select any one of several available symbol sets from the control panel. A symbol set is a unique grouping of all the characters in a font.
		Append CR to LF	No (default) Yes	Configure whether a carriage return (CR) is appended to each line feed (LF) encountered in backwards-compatible PCL jobs (pure text, no job control).
		Suppress Blank Pages	No (default) Yes	This option is for users who are generating their own PCL, which could include extra form feeds that cause blank pages to be printed. When <b>Yes</b> is selected, form feeds are ignored if the page is blank.
		Media Source Mapping	Standard (default) Classic	Select and maintain input trays by number when you are not using the device driver, or when the software program has no option for tray selection.

# Print Quality menu

Administration > Print Quality

**Table 2-16 Print Quality menu**

Menu item	Sub-menu item	Values	Description
Adjust Color	Highlights	Cyan Density. Magenta Density. Yellow Density. Black Density  +5 to -5. Default is 0.	Adjust the darkness or lightness of highlights on a printed page. Lower values represent lighter highlights on a printed page, and higher values represent darker highlights on a printed page.
	Midtones	Cyan Density. Magenta Density. Yellow Density. Black Density  +5 to -5. Default is 0.	Adjust the darkness or lightness of midtones on a printed page. Lower values represent lighter midtones on a printed page, and higher values represent darker midtones on a printed page.
	Shadows	Cyan Density. Magenta Density. Yellow Density. Black Density  +5 to -5. Default is 0.	Adjust the darkness or lightness of shadows on a printed page. Lower values represent lighter shadows on a printed page, and higher values represent darker shadows on a printed page.
	Restore Color Values		Sets all the density values back to the factory default settings.
Set Registration	Test Page	Print	Shift the margin alignment to center the image on the page from top to bottom and from left to right. You can also align the image on the front with the image printed on the back.  Print a test page for setting the registration.
	Source	All trays  Tray <X>: <contents> (choose a tray)	Select the source input tray for printing the <a href="#">Set Registration</a> page.
	Adjust Tray <X>	Shift from -20 to 20 along the X or Y axes. 0 is the default.  X1 Shift  X2 Shift  Y Shift	Perform the alignment procedure for each tray.  When it creates an image, the device <i>scans</i> across the page from side to side as the sheet <i>feeds</i> from top to bottom into the device.  The scan direction is referred to as X. X1 is the scan direction for the first side of a 2-sided page. X2 is the scan direction for the second side of a 2-sided page. The feed direction is referred to as Y.
Print Modes	<Paper Type>		Configure which mode is associated with which paper type.

**Table 2-16 Print Quality menu (continued)**

Menu item	Sub-menu item	Values	Description
Auto Sense Mode	Tray 1 sensing	Full Sensing (default for Tray 1) Expanded Sensing (default for Trays 2-5) Transparency Only	When <b>Full Sensing</b> is selected, the product recognizes light, plain, heavy, glossy, and tough paper and overhead transparencies. When <b>Expanded Sensing</b> is selected, the device recognizes normal paper, overhead transparencies, glossy paper, and tough paper. When <b>Transparency Only</b> is selected, the device recognizes only overhead transparency and non-overhead transparency types.
	Tray 2-5 Sensing	Expanded Sensing Transparency Only (default)	When <b>Expanded Sensing</b> is selected, the device recognizes normal paper, overhead transparencies, glossy paper, and tough paper. When <b>Transparency Only</b> is selected, the device recognizes only overhead transparency and non-overhead transparency types.
Optimize	Paper Curl	Normal Reduced	To help reduce paper curl, set this option to <b>Reduced</b> . This decreases full speed to 10 PPM (instead of 40 ppm) and 3/4 speed to 7.5 ppm (instead of 30 ppm).
	Pre-rotation	Off (default) On	Turn this feature <b>On</b> if horizontal streaks appear on pages. Using this feature increases the warm-up time for the device.
	Fuser Temp	Normal (default) Alternate 1 Alternate 2 Alternate 3	If you are seeing a faint image of the page repeated at the bottom of the page or on the following page, you should first make sure the Paper Type and Print Mode settings are correct for the type of paper you are using. If you continue to see ghost images on your print jobs, set the Fuser Temp feature to one of the Alternate settings . Try the Alternate 1 setting first and see if it solves the problem. If you continue to see the problem, try Alternate 2 and then Alternate 3. With the Alternate 2 and Alternate 3 settings you may see an extra delay between jobs.
	Tray 1	Normal (default) Alternate	If you are seeing marks on the back side of the paper when printing from Tray 1, set the mode to <b>Alternate</b> . This increases the frequency of the cleaning cycle.
	Gloss Mode	Normal (default) High	Chosen when stable high gloss is required. Set this feature to High for glossy print jobs, such as photos, if you notice the gloss finish decreasing after the first page is printed. This setting reduces the performance for all paper types.

**Table 2-16 Print Quality menu (continued)**

Menu item	Sub-menu item	Values	Description
	Light Media	Auto (default) On	Prevents the fuser from wrapping with light paper. Set this feature to On if you are frequently seeing Fuser Delay Jam or Fuser Wrap Jam messages, especially when printing on lightweight paper or on jobs with heavy toner coverage.
	Environment	Normal (default) Low Temp	Optimizes performance in extreme low temperature environments. Set this feature to Low Temp if the product is operating in a low-temperature environment and you are having problems with print quality such as blisters in the printed image.
	Line Voltage	Normal (default) 100V	Optimizes performance in low-voltage conditions. Set this feature to 100V if the product is operating in a low-voltage environment and you are having problems with print quality such as blisters in the printed image.
	Cleaning frequency	Normal (default) Alternate	Set this feature to Alternate if you are seeing defects in the printed output that repeat at 38 mm (1.5 inch) intervals. This feature increases the frequency at which the C roller is cleaned. Setting this feature to Alternate might also reduce printing speed and increase the frequency of consumable replacement.
	D-Blade bias	Normal (default) Alternate	Set this feature to Alternate if you are seeing short white vertical lines in the printed output. The Alternate setting might also cause dark spots in the printed output, so be sure to test this setting on a few print jobs.
	Waste Bin	Normal (default) Alternate	Try setting this feature to Alternate if you are seeing lengthwise toner streaks in your printed output, especially in jobs with low toner coverage.
	Discharge Brush	Off (default) On	Enable this feature in low temperature and low humidity environments if you are seeing specks of toner scattered on double-sided jobs using light-weight paper and longer than ten pages.
	Background	Off (default) On	Turn this feature On if pages are printing with a shaded background. Using this feature might reduce gloss levels.
	Heavy Mode	30 PPM (default) 24 PPM	The default setting is 30 PPM. Select the 24 PPM option to reduce the speed and improve fusing on heavy paper.
	Tracking Control	Off (default) On	Improves color stability by adjusting the bias voltage. This setting should remain On.
	Restore Optimize		Select this setting to return all the settings in the Optimize menu to the factory default settings.
Resolution	Image REt 4800 1200X600dpi		Select Image REt 4800 to produces fast, high-quality printing that is appropriate for most print jobs  Select 1200X600dpi to produce the highest-quality printing available, but it may slow print speed. This setting may be useful for jobs that contain very thin lines or fine graphics.
Color REt		Enabled (default) Disabled	Enable or disable Resolution Enhancement technology (REt), which produces print output with smooth angles, curves, and edges.


**Table 2-16 Print Quality menu (continued)**

Menu item	Sub-menu item	Values	Description
Calibration/Cleaning			
	Process Cleaning Page	Process	Use this feature to create and process a cleaning page for cleaning excess toner off the pressure roller in the fuser. The process takes up to 2.5 minutes.
	Quick Calibration	Calibrate	Performs partial product calibrations.
	Full Calibration	Calibrate	Performs all product calibrations.
	Delay Calibration At Wake/Power On	No Yes (default)	<p>This menu controls the timing of the calibration when the printer wakes up or is turned on.</p> <ul style="list-style-type: none"><li>• Select No to have the printer calibrate immediately when it wakes up or is turned on. The device will not print any jobs until it finishes calibrating.</li><li>• Select Yes to enable a device that is asleep to accept print jobs before it calibrates. The device only accepts new jobs for a short time. It may start calibrating before it has printed all the jobs it has received.</li></ul> <p><b>NOTE:</b> For the best results, allow the device to calibrate before printing. Print jobs performed before calibration may not be of the highest quality.</p>



# Troubleshooting menu

Administration > Troubleshooting

 **NOTE:** Many of the menu items under the Troubleshooting menu are for advanced troubleshooting purposes.

**Table 2-17 Troubleshooting menu**

Menu item	Sub-menu item	Sub-menu item	Values	Description
Event Log			Print	This shows the event codes and their corresponding engine cycles on the control-panel display.
Calibrate Scanner			Calibrate	Use this feature to compensate for offsets in the scanner imaging system (carriage head) for ADF and flatbed scans.  You might need to calibrate the scanner if it is not capturing the correct sections of scanned documents.
PQ Troubleshooting			Print	Print various diagnostic pages that help solve print-quality problems.
Fax T.30 Trace	Print T.30 Report			Print or configure the fax T.30 trace report. T.30 is the standard that specifies handshaking, protocols, and error correction between fax machines.
	When to Print Report		Never auto print (default)	
			Print after any fax job	
			Print after fax send jobs	
			Print after any fax error	
			Print after send errors only	
			Print after receive errors only	
Fax Transmit Signal Loss			A value between 0 and 30. The default is 0.	Set loss levels to compensate for phone-line signal loss. Do not modify this setting unless requested to do so by an HP service representative because it could cause the fax to stop functioning.
Fax V.34			Normal (default) Off	Disable V.34 mode if several fax failures have occurred or if phone line conditions require it.
Fax Speaker Mode			Normal (default) Diagnostic	A technician can use this feature technician to evaluate and diagnose fax issues by listening to the sounds of fax modulations.
Diagnostic Page			Print	Print a diagnostic page that includes color swatches and the EP parameters table.
Disable Cartridge Check				Use this item to enter a mode where a cartridge (or color pair of cartridge and drum) can be removed to determine which particular

**Table 2-17 Troubleshooting menu (continued)**

Menu item	Sub-menu item	Sub-menu item	Values	Description
				color is the source of a problem. In this mode, all consumable-related errors are ignored.
	Paper Path Sensors			Initiate a test of the paper-path sensors.
Paper Path Test	Test Page		Print	Generate a test page for testing the paper-handling features. Define the path for the test in order to test specific paper paths.
		Source	All trays Tray 1 Tray 2 (Additional trays are shown, if applicable.)	Specify whether the test page is printed from all trays or from a specific tray.
		Destination	All bins	Select the output option for the test page. Send the test page to all output bins or only to a specific bin.
		Duplex	Off (default) On	Select whether the duplexer should be included in the test.
		Copies	Range: 1-500, Default is 1.	Select how many pages should be sent from the specified source as part of the test.

**Table 2-17 Troubleshooting menu (continued)**

Menu item	Sub-menu item	Sub-menu item	Values	Description	
Finishing Paper Path Test	Staples	Finishing Options	Choose from a list of available options.	Test the paper-handling features on the finisher.  Select the option that you want to test.	
		Destination Bin			
		Media Size	Letter  A4	Select the paper size for the test.	
		Media Type	Select from a list of types.	Select the paper type for the test.	
		Copies	Range: 2-30, Default=2	Select the number of copies to include in the test.	
		Duplex	Off  On	Select whether to use the duplexer in the test.	
		Test Page	Print	Print a test page to use for the test.	
		Stack	Destination Bin	Select from a list of bins.	Select the options that you want to use to test the stacker.
			Media Size	Letter  Legal  A4  Executive (JIS)  8.5 x 13	
			Media Type	Select from a list of bins.	Select the type of media to use for the Finishing Paper Path Test.
	Copies	1  10  50  100  500	Select the number of copies to include in the Finishing Paper Path Test.		
	Duplex	Off  On	Select whether to use the duplexer in the Finishing Paper Path Test.		
	Test Page	Print	Print a test page to use for the test.		

**Table 2-17 Troubleshooting menu (continued)**

Menu item	Sub-menu item	Sub-menu item	Values	Description
	Booklet Maker	Media Size	Letter Legal A4 Executive (JIS) 8.5 x 13	Select the options that you want to use to test the booklet maker.
		Media Type	Select from a list of bins.	Select the type of media to use for the Finishing Paper Path Test.
		Copies	1 10 50 100 500	Select the number of copies to include in the Finishing Paper Path Test.
		Duplex	Off On	Select whether to use the duplexer in the Finishing Paper Path Test.
		Test Page	Print	Print a test page to use for the test.
Manual Sensor Test				This item performs tests to determine whether the paper-path sensors are operating correctly.
Component Test				
		Transfer Motors		Exercise individual parts independently to isolate noise, leaking, or other issues. To start the test, select one of the components. The test runs the number of times specified in the Repeat option. You might be prompted to remove parts from the device during the test. Press the Stop button to abort the test.
		Belt Only		
		Image Drum Motors		
		Black Laser Scanner		
		Cyan Laser Scanner		
		Magenta Laser Scanner		
		Yellow Laser Scanner		
		Fuser Motor		
		Fuser Pressure Release Motor		
		Black Alienation Motor		
		Cyan Alienation Motor		
		Magenta Alienation Motor		
		Yellow Alienation Motor		

**Table 2-17 Troubleshooting menu (continued)**

Menu item	Sub-menu item	Sub-menu item	Values	Description
			ITB Contact/ Alienation	
			Tray 2 Pickup Motor	
			Tray 2 Pickup Solenoid	
			Tray 3 Pickup Motor	
			Tray 3 Pickup Solenoid	
			Tray 4 Pickup Motor	
			Tray 4 Pickup Solenoid	
			Tray 5 Pickup Motor	
			Tray 5 Pickup Solenoid	
			Duplexer Reverse Motor	
			Duplexer Feed Motor	
			Duplexer ReFeed Motor	
			Paper Transport Motor	
	Repeat		Once (Default)  Continuous	Determines the number of times the test runs.
Print/Stop Test			Continuous value from 0 to 60,000 milliseconds. Default: 0	Isolate faults by stopping the device during the print cycle and observing where in the process the image degrades. To run the test, specify a stop time. The next job that is sent to the device stops at the specified time in the process.
Color Band Test	Test Page		Print	Prints a page that helps identify arcing in the high-voltage power supplies.
		Copies	Continuous value from 1 to 30.  Default: 1	Specify the number of copies to print for the Color Band test
Scanner Tests	Lower Lamp			A service technician can use this menu item to diagnose potential problems with the device scanner.
	Sensors			
	ADF Input Motor			
	ADF Input Reverse			
	Flatbed Motor			
	ADF Read Motor			

**Table 2-17 Troubleshooting menu (continued)**

Menu item	Sub-menu item	Sub-menu item	Values	Description
	ADF Read Motor Reverse			
	ADF Duplex Solenoid			
	ADF LED Indicator			
Control Panel	LEDs			Verify that the components of the control panel are functioning correctly.
	Display			
	Buttons			
	Touchscreen			
Finisher Tests	Manual Sensor Test			
	Component Test			

# Resets menu

Administration > Resets

**Table 2-18 Resets menu**

Menu item	Values	Description
Clear Local Address Book	Clear	Use this feature to clear all addresses from the address books that are stored on the device.
Clear Fax Activity Log	Yes No (default)	Use this feature to clear all events from the Fax Activity Log.
Restore Factory Telecom Setting	Restore	Use this option to restore the following settings to their factory default settings: Transmit Signal Loss, V34, Maximum Baud Rate, Speaker Mode.
Restore Factory Settings	Restore	Use this feature to restore all device settings to their factory defaults.
Reset Supplies	New Document Feeder Kit (Yes/No)	Notify the device that a new document-feeder kit has been installed.

# Service menu

Administration > Service

The Service menu is locked and requires a PIN for access. This menu is intended for use by authorized service personnel.



---

## 3 Paper and print media

- [Understand paper and print media use](#)
- [Supported paper and print media sizes](#)
- [Supported paper types](#)
- [Special paper or print media guidelines](#)
- [Load paper and print media](#)
- [Configure trays](#)
- [Choose an output location](#)

## Understand paper and print media use

This product supports a variety of paper and other print media in accordance with the guidelines in this user guide. Paper or print media that does not meet these guidelines might cause the following problems:

- Poor print quality
- Increased jams
- Premature wear on the product, requiring repair

For best results, use only HP-brand paper and print media designed for laserjets or multiuse. Do not use paper or print media made for inkjet printers. Hewlett-Packard Company cannot recommend the use of other brands of media because HP cannot control their quality.


It is possible for paper to meet all of the guidelines in this user guide and still not produce satisfactory results. This might be the result of improper handling, unacceptable temperature and/or humidity levels, or other variables over which Hewlett-Packard has no control.

---

△ **CAUTION:** Using paper or print media that does not meet Hewlett-Packard's specifications might cause problems for the product, requiring repair. This repair is not covered by the Hewlett-Packard warranty or service agreements.

---

# Supported paper and print media sizes

 **NOTE:** To obtain best print results, select the appropriate paper size and type in your print driver before printing.

**Table 3-1 Supported paper and print media sizes**

Size	Dimensions	Tray 1	Tray 2	Trays 3, 4, 5
Letter	216 x 279 mm (8.5 x 11 in)	✓	✓ <sup>1</sup>	✓ <sup>1</sup>
Letter Rotated	279 x 216 mm (11 x 8.5 in)	✓	✓ <sup>1</sup>	✓ <sup>1</sup>
Legal	216 x 356 mm (8.5 x 14 in)	✓	✓ <sup>1</sup>	✓ <sup>1</sup>
A4	210 x 297 mm (8.27 x 11.69 in)	✓	✓ <sup>1</sup>	✓ <sup>1</sup>
A4 Rotated	297 x 210 mm (11.69 x 8.27 in)	✓	✓ <sup>1</sup>	✓ <sup>1</sup>
Executive	184 x 267 mm (7.24 x 10.51 in)	✓	✓ <sup>1</sup>	✓ <sup>1</sup>
Statement	139.7 x 215.9 mm (5.5 x 8.5 in)	✓		
8.5 x 13	216 x 330 mm (8.5 x 13 in)	✓	✓	✓
A3	297 x 420 mm (11.69 x 16.54 in)	✓	✓ <sup>1</sup>	✓ <sup>1</sup>
A5	148 x 210 mm (5.83 x 8.27 in)	✓	✓ <sup>1</sup>	✓ <sup>1</sup>
A6	105 x 148 mm (4.13 x 5.83 in)	✓		
11 x 17	279 x 432 mm (11 x 17 in)	✓	✓ <sup>1</sup>	✓ <sup>1</sup>
12 x 18	305 x 457 mm (12 x 18 in)	✓		✓
B4 (JIS)	257 x 364 mm (10.12 x 14.33 in)	✓	✓ <sup>1</sup>	✓ <sup>1</sup>
RA3	305 x 430 mm (12 x 16.93 in)	✓		✓
SRA3	320 x 450 mm (12.6 x 17.7 in)	✓		✓
B5 (JIS)	182 x 257 mm (7.17 x 10.12 in)	✓	✓ <sup>1</sup>	✓ <sup>1</sup>
8k	270 x 390 mm (10.63 x 15.35 in)	✓	✓	✓
16k	195 x 270 mm (7.68 x 10.63 in)	✓	✓	✓
Custom	98.55 x 139.70 mm to 320 x 457.2 mm (3.9 x 5.5 to 12.6 x 18 in) <sup>3</sup>	✓		
Custom	148 x 210 mm to 297 x 432 mm (5.8 x 8.2 to 11.7 x 17 in) <sup>2</sup>		✓	
Custom	148 x 210 mm to 320 x 457.2 mm (5.8 x 8.2 to 12.6 x 18 in)			✓

<sup>1</sup> Tray automatically detects paper size.

<sup>2</sup> Standard sizes within the custom range for Tray 2 are: 8.5 x 13, RA4, SRA4, 8K (270 x 390), 16K (195 x 270)

<sup>3</sup> Standard sizes within the custom range for Trays 3, 4, and 5 are: 8.5 x 13, RA4, SRA4, 8K (270 x 390), 16K (195 x 270), RA3, SRA3, and 12 x 18

**Table 3-2 Supported envelopes and postcards**

Size	Dimensions	Tray 1	Trays 2, 3, 4, 5
Envelope #9	98 x 225 mm (3.88 x 8.88 in)	✓	

**Table 3-2 Supported envelopes and postcards (continued)**

Size	Dimensions	Tray 1	Trays 2, 3, 4, 5
Envelope #10	105 x 241 mm (4.13 x 9.49 in)	✓	
Envelope DL	110 x 220 mm (4.33 x 8.66 in)	✓	
Envelope C5	162 x 229 mm (6.93 x 9.84 in)	✓	
Envelope B5	176 x 250 mm (6.7 x 9.8 in)	✓	
Envelope C6	162 x 114 mm (6.4 x 4.5 in)	✓	
Envelope Monarch	98 x 191 mm (3.9 x 7.5 in)	✓	
Double Post Card	148 x 200 mm (5.83 x 7.87 in)	✓	
US Index Cards	102 x 152 mm (4 x 6 in) and 127 x 203 mm (5 x 8 in)	✓	

<sup>1</sup> Weights greater than 160 g/m<sup>2</sup> may not perform well, but will not harm the product.

The following paper sizes are supported with the optional HP 3-bin Stapler/Stacker and HP Booklet Maker/Finisher accessories.

**Table 3-3 Supported paper and print media sizes for the optional HP 3-bin Stapler/Stacker and HP Booklet Maker/Finisher accessories**

Size	Dimensions	Stacking <sup>2</sup>	Angled staple (left-angled)	Angled staple (right-angled)	Two staples (top or side)	Folding	Saddle stitch
Letter	216 x 279 mm (8.5 x 11 in)	✓	✓	✓	✓		
Letter Rotated	279 x 216 mm (11 x 8.5 in)	✓	✓	✓		✓ <sup>1</sup>	✓ <sup>1</sup>
Legal	216 x 356 mm (8.5 x 14 in)	✓	✓	✓		✓ <sup>1</sup>	✓ <sup>1</sup>
A4	210 x 297 mm (8.27 x 11.69 in)	✓	✓	✓	✓		
A4 Rotated	297 x 210 mm (11.69 x 8.27 in)	✓	✓	✓		✓ <sup>1</sup>	✓ <sup>1</sup>
Executive	184 x 267 mm (7.24 x 10.51 in)	✓					
8.5 x 13	216 x 330 mm (8.5 x 13 in)	✓					
A3	297 x 420 mm (11.69 x 16.54 in)	✓	✓	✓	✓	✓ <sup>1</sup>	✓ <sup>1</sup>
A5	148 x 210 mm (5.83 x 8.27 in)	✓					
A6	105 x 148 mm (4.13 x 5.83 in)	✓					
Statement	140 x 216 mm (5.5 x 8.5 in)	✓					
11 x 17 (Ledger)	279 x 432 mm (11 x 17 in)	✓	✓	✓	✓	✓ <sup>1</sup>	✓ <sup>1</sup>

**Table 3-3 Supported paper and print media sizes for the optional HP 3-bin Stapler/Stacker and HP Booklet Maker/Finisher accessories (continued)**

Size	Dimensions	Stacking <sup>2</sup>	Angled staple (left-angled)	Angled staple (right-angled)	Two staples (top or side)	Folding	Saddle stitch
12 x 18	305 x 457 mm (12 x 18 in)	✓					
B4 (JIS)	257 x 364 mm (10.12 x 14.33 in)	✓	✓	✓	✓	✓ <sup>1</sup>	✓ <sup>1</sup>
RA3	305 x 430 mm (12 x 16.93 in)	✓					
SRA3	320 x 450 mm (12.6 x 17.7 in)	✓					
B5 (JIS)	257 x 182 mm (10.12 x 7.17 in)	✓					
B6 (JIS)	128 x 182 mm (5.04 x 7.2 in)	✓					
8K	270 x 390 mm (10.63 x 15.35 in)	✓					
16K	195 x 270 mm (7.68 x 10.63 in)	✓					
Envelope 9#	98.4 x 225.4 mm (3.88 x 8.88 in)	✓					
Envelope 10#	104.77 x 241.3 mm (4.12 x 9.5 in)	✓					
Envelope DL	110 x 220 mm (4.33 x 8.66 in)	✓					
Envelope C5	162 x 229 mm (6.38 x 9.02 in)	✓					
Envelope B5	176 x 250 mm (6.93 x 9.84 in)	✓					
Envelope C6	114 x 162 mm (4.49 x 6.38 in)	✓					
Envelope Monarch	98.42 x 190.5 mm (3.88 x 7.5 in)	✓					
Double Post Card	148 x 200 mm (5.83 x 7.87 in)	✓					
4 x 6 Index Card	102 x 152 mm (4 x 6 in)	✓					
5 x 8 Index Card	127 x 203 mm (5 x 8 in)	✓					
Custom Size	98.55 x 139.70 mm to 320 x 457.2 mm (3.9 x 5.5 to 12.6 x 18 in)						

<sup>1</sup> Booklet maker only

<sup>2</sup> Stacking uses bins 1, 2, and 3 in the stapler/stacker, or bins 1 and 2 in the booklet maker.

# Supported paper types

**Table 3-4 Tray 1 paper information**

Type	Specifications	Quantity	Driver settings	Paper orientation
Paper and cardstock, standard sizes	Range: 60 g/m <sup>2</sup> (16 lb) bond to 220 g/m <sup>2</sup> (58 lb) bond	Maximum stack height: 10 mm (0.6 in)  Equivalent to 100 sheets of 75 g/m <sup>2</sup> (20 lb) bond.	Plain or unspecified	Load preprinted or prepunched paper facing down, with the top edge leading into the tray, or toward the back of the product
Envelopes	Less than 60 g/m <sup>2</sup> (16 lb) bond to 90 g/m <sup>2</sup> (24 lb) bond	Up to 10 envelopes	Envelope	Short edge leading, flap toward the front of the product, facing up
Labels	Maximum 0.23 mm (0.009 in) thick	Maximum stack height: 10 mm (0.6 in)	Labels	Side to be printed on facing down
Transparencies	Minimum 0.13 mm (0.005 in) thick	Maximum stack height: 10 mm (0.6 in)	Transparencies	Side to be printed on facing down
Heavy	0.13 mm (0.005 in) thick	Maximum stack height: 10 mm (0.6 in)	Light glossy, glossy, or heavy glossy	Side to be printed on facing down
Glossy	Range:  75 g/m <sup>2</sup> (20 lb) bond to 220 g/m <sup>2</sup> (58 lb) bond	Maximum stack height: 10 mm (0.6 in)	Light glossy, glossy, or heavy glossy	Side to be printed on facing down
Photo media	60 g/m <sup>2</sup> (16 lb) bond to 220 g/m <sup>2</sup> (58 lb) bond	Maximum stack height: 10 mm (0.6 in)		Side to be printed on facing down
Cut sheet paper	60 g/m <sup>2</sup> (16 lb) bond to 220 g/m <sup>2</sup> (58 lb) bond	Maximum stack height: 10 mm (0.6 in)		Side to be printed on facing down
Tough paper	60 g/m <sup>2</sup> (16 lb) bond to 220 g/m <sup>2</sup> (58 lb) bond	Maximum stack height: 10 mm (0.6 in)		Side to be printed on facing down

**Table 3-5 Trays 2, 3, 4, and 5 paper information**


Type	Specifications	Quantity	Settings	Paper orientation
Paper and cardstock, standard sizes	Range: 60 g/m <sup>2</sup> (16 lb) bond to 220 g/m <sup>2</sup> (58 lb) bond	500 sheets of 75 g/m <sup>2</sup> (20 lb) bond.	Plain or unspecified	Load preprinted or prepunched paper facing up, with the top toward the back of the tray or toward the right- hand side of the tray.
Labels	Maximum 0.13 mm (0.005 in) thick	Maximum stack height: 54 mm (2.1 in)	Labels	Side to be printed on facing up
Transparencies	Minimum 0.13 mm (0.005 in) thick	Maximum stack height: 54 mm (2.1 in)	Transparencies	Side to be printed on facing up
Heavy	0.13 mm (0.005 in) thick	Maximum stack height: 54 mm (2.1 in)	Light glossy, glossy, or heavy glossy	Side to be printed on facing up
Glossy	75 g/m <sup>2</sup> (20 lb) bond to 220 g/m <sup>2</sup> (58 lb) bond	Maximum stack height: 54 mm (2.1 in)	Light glossy, glossy, or heavy glossy	Side to be printed on facing up

**Table 3-5 Trays 2, 3, 4, and 5 paper information (continued)**

Type	Specifications	Quantity	Settings	Paper orientation
Photo media	60 g/m <sup>2</sup> (16 lb) bond to 220 g/m <sup>2</sup> (58 lb) bond	Maximum stack height: 54 mm (2.1 in)	Light glossy, glossy, or heavy glossy	Side to be printed on facing up
Cut sheet paper	60 g/m <sup>2</sup> (16 lb) bond to 220 g/m <sup>2</sup> (58 lb) bond	Maximum stack height: 54 mm (2.1 in)	Plain or unspecified	Side to be printed on facing up
Tough paper	60 g/m <sup>2</sup> (16 lb) bond to 220 g/m <sup>2</sup> (58 lb) bond	Maximum stack height: 54 mm (2.1 in)	HP Tough Paper	Side to be printed on facing up

**Trays 2, 3, 4, and 5 capacity:** 54 mm (2.126 in) height or 500 sheets of paper, whichever is less. Supported media types include: Cut sheet paper, labels, OHT, glossy paper, glossy film, photo media, and tough paper. Basis Weight: 60-220 g/m<sup>2</sup> (16-58 lb).

**Duplex printing:** Provides automatic two-sided printing (printing on both sides of the paper). The paper size range for automatic duplex printing is 175 to 320 mm (7.2 to 12.6 in) x 210 to 457 mm (8.3 to 18 in). The media weight range is 60 to 220 g/m<sup>2</sup> (16 to 58 lb)

 **NOTE:** HP Color Laser Presentation Paper, Glossy (Q2546A) is not supported with this product. Using this type of paper can cause a fuser jam that might require the replacement of the fuser. Two recommended alternatives are HP Color LaserJet Presentation Paper, Soft Gloss (Q6541A) and HP Color LaserJet Brochure Paper, Glossy (Q6611A, Q6610A).

**NOTE:** For a complete list of specific HP-brand paper that this product supports, go to [www.hp.com/sbso/product/supplies](http://www.hp.com/sbso/product/supplies).

## Special paper or print media guidelines

This product supports printing on special media. Use the following guidelines to obtain satisfactory results. When using special paper or print media, be sure to set the type and size in your print driver to obtain the best print results.

- △ **CAUTION:** HP LaserJet printers use fusers to bond dry toner particles to the paper in very precise dots. HP laser paper is designed to withstand this extreme heat. Using inkjet paper not designed for this technology could damage your printer.

Media type	Do	Do not
Envelopes	<ul style="list-style-type: none"> <li>• Store envelopes flat.</li> <li>• Use envelopes where the seam extends all the way to the corner of the envelope.</li> <li>• Use peel-off adhesive strips that are approved for use in laser printers.</li> </ul>	<ul style="list-style-type: none"> <li>• Do not use envelopes that are wrinkled, nicked, stuck together, or otherwise damaged.</li> <li>• Do not use envelopes that have clasps, snaps, windows, or coated linings.</li> <li>• Do not use self-stick adhesives or other synthetic materials.</li> </ul>
Labels	<ul style="list-style-type: none"> <li>• Use only labels that have no exposed backing between them.</li> <li>• Use Labels that lie flat.</li> <li>• Use only full sheets of labels.</li> </ul>	<ul style="list-style-type: none"> <li>• Do not use labels that have wrinkles or bubbles, or are damaged.</li> <li>• Do not print partial sheets of labels.</li> </ul>
Transparencies	<ul style="list-style-type: none"> <li>• Use only transparencies that are approved for use in laser printers.</li> <li>• Place transparencies on a flat surface after removing them from the product.</li> </ul>	<ul style="list-style-type: none"> <li>• Do not use transparent print media not approved for laser printers.</li> </ul>
Letterhead or preprinted forms	<ul style="list-style-type: none"> <li>• Use only letterhead or forms approved for use in laser printers.</li> </ul>	<ul style="list-style-type: none"> <li>• Do not use raised or metallic letterhead.</li> </ul>
Heavy paper	<ul style="list-style-type: none"> <li>• Use only heavy paper that is approved for use in laser printers and meets the weight specifications for this product.</li> </ul>	<ul style="list-style-type: none"> <li>• Do not use paper that is heavier than the recommended media specification for this product unless it is HP paper that has been approved for use in this product.</li> </ul>
Glossy or coated paper	<ul style="list-style-type: none"> <li>• Use only glossy or coated paper that is approved for use in laser printers.</li> </ul>	<ul style="list-style-type: none"> <li>• Do not use glossy or coated paper designed for use in inkjet products.</li> </ul>



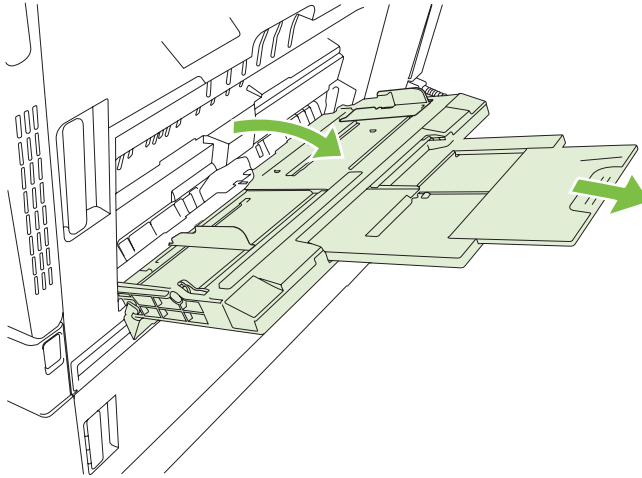
# Load paper and print media

You can load different media in the trays and then request media by type or size by using the control panel.

## Load Tray 1

△ **CAUTION:** To avoid jams, never add or remove paper from Tray 1 during printing.

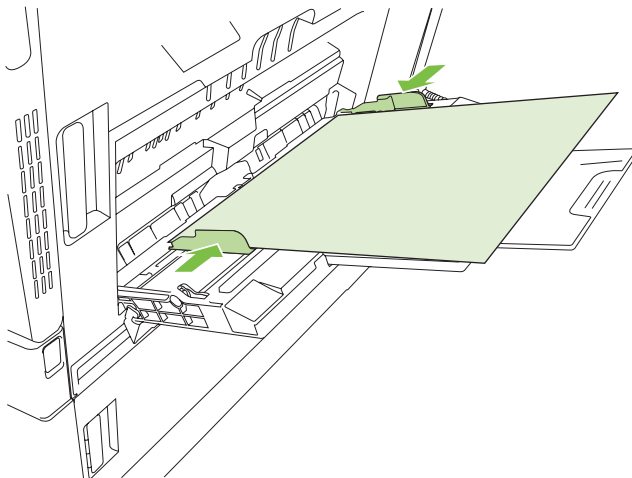
1. Open Tray 1.



2. Set the side guides to the correct width, and pull out the tray extensions to support paper.
3. Load paper in the tray with the side to be printed on face down and the top of the paper or non-postage end facing the back of the printer.

📝 **NOTE:** For Letter Rotated and A4 Rotated sizes, place the side to be printed on face down, with the bottom of the page facing into the printer.

4. Make sure the stack fits under the tabs on the guides and does not exceed the load-level indicators.
5. Adjust the side guides so that they lightly touch the paper stack but do not bend it.



## Print envelopes

If your software does not automatically format an envelope, specify **Landscape** for page orientation in your software program or printer driver. Use the following guidelines to set margins for return and destination addresses on Commercial #10 or DL envelopes:

Address type	Left margin	Top margin
Return	15 mm (0.6 in)	15 mm (0.6 in)
Destination	102 mm (4 in)	51 mm (2 in)

For envelopes of other sizes, adjust the margin settings accordingly.

## Load trays 2, 3, 4, or 5

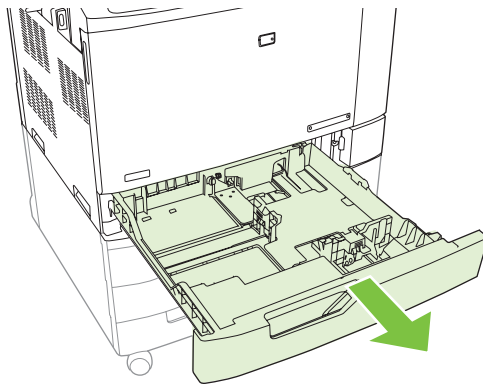
Trays 2, 3, 4, and 5 each hold up to 500 sheets of standard paper or a 54 mm (2.13-inch) stack of labels or other thick paper.

## Load standard-sized media into trays 2, 3, 4, or 5

The product automatically detects the following standard sizes of media in these 500-sheet trays: Letter, Letter rotated, Legal, Executive, 11x17, A3, A4, A4 rotated, A5, B4 (JIS), and B5 (JIS).

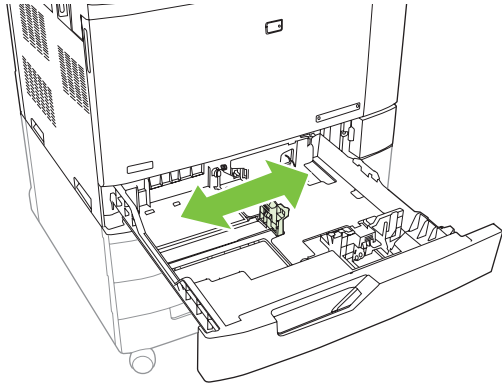
△ **CAUTION:** Do not print envelopes or unsupported sizes of paper from the 500-trays. Print on these types of paper only from Tray 1.

1. Slide the tray from the product.

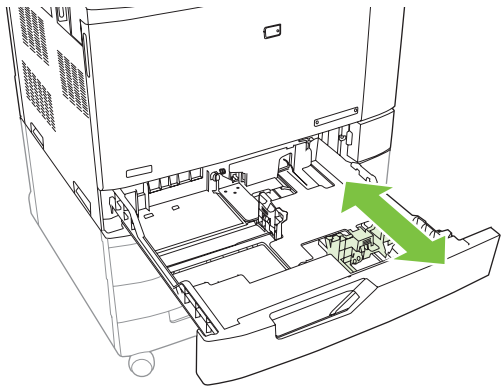


📄 **NOTE:** Do not open the input tray while it is in use. Doing so can cause jams in the product.


2. Adjust the paper width guide by squeezing the adjustment latch and sliding the guide to the size of the paper being used.

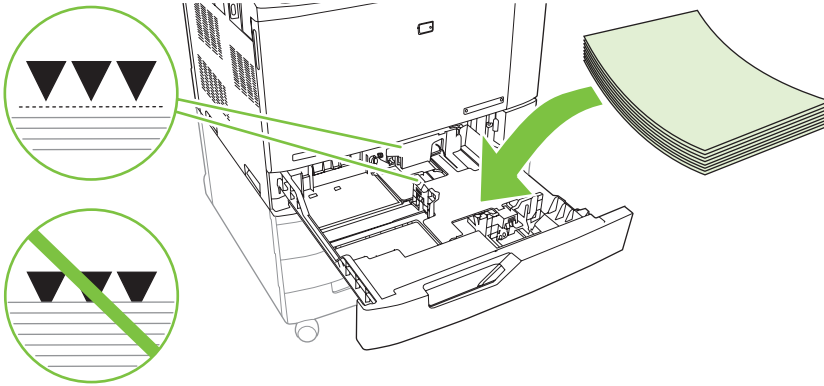



3. Adjust the paper length guide by squeezing the adjustment latch and sliding the guide to the size of the paper being used.



4. Load paper into the tray face up. Check the paper to verify the guides lightly touch the stack, but do not bend it.

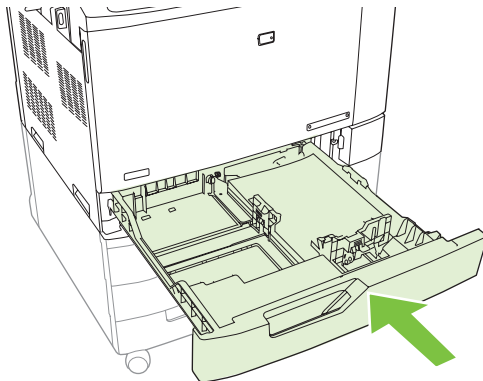
 **NOTE:** To prevent jams, do not overfill the input tray. Be sure the top of the stack is below the tray full indicator.



 **NOTE:** For best performance, fill the tray completely without splitting the ream of paper. Splitting the ream can cause a multifeed problem. The capacity of the paper tray can vary. For example, if you are using 75 g/m<sup>2</sup> (20 lb) paper, the tray holds a full ream of 500 sheets. If the media is heavier, the tray will not hold a full ream. Do not overfill the tray.

**NOTE:** If the tray is not adjusted correctly, an error message might appear or the media might jam.

5. Slide the tray into the product. The control panel shows the tray's paper type and size. If the configuration is not correct, touch **Modify** on the control panel and select the correct configuration. If the configuration is correct, touch **OK**.



### Load undetectable standard-sized media into Tray 2, 3, 4, and 5

The following undetectable standard-sized media is supported in the 500-sheet trays:

- Executive (JIS) (8.5 x 13)
- 12 x 18 (Trays 3, 4, or 5 only)
- B4 (ISO)
- RA3 (Trays 3, 4, or 5 only)

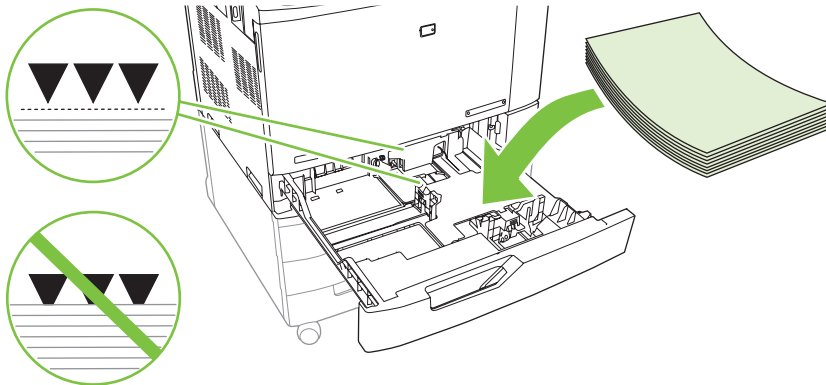
- SRA3 (Trays 3, 4, or 5 only)
- B5 (ISO)

△ **CAUTION:** Do not print envelopes or unsupported sizes of paper from the 500-sheet trays. Print on these types of paper only from Tray 1. Do not overfill the input tray or open it while it is in use. Doing so can cause paper jams.

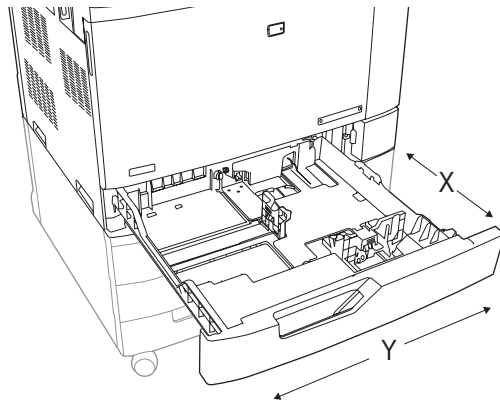
## Load custom-size media into tray 2, 3, 4, or 5

To use custom media, change the size setting on the control panel to **Custom** and set the unit of measure, X dimension, and Y dimension. See [Configure a tray to match print job settings on page 79](#) for more information.

1. Slide open the tray from the product.
2. Load the print media as described in steps 2 through 4 of the “Load detectable (standard-size) media into Tray 2, 3, 4, or 5” section. Then proceed to step 3 in this procedure.



3. Slide the tray into the product. The control panel shows the tray type and size configuration. To specify specific custom dimensions, or if the type is not correct, touch **Modify** when the control panel prompts to change the size or type.

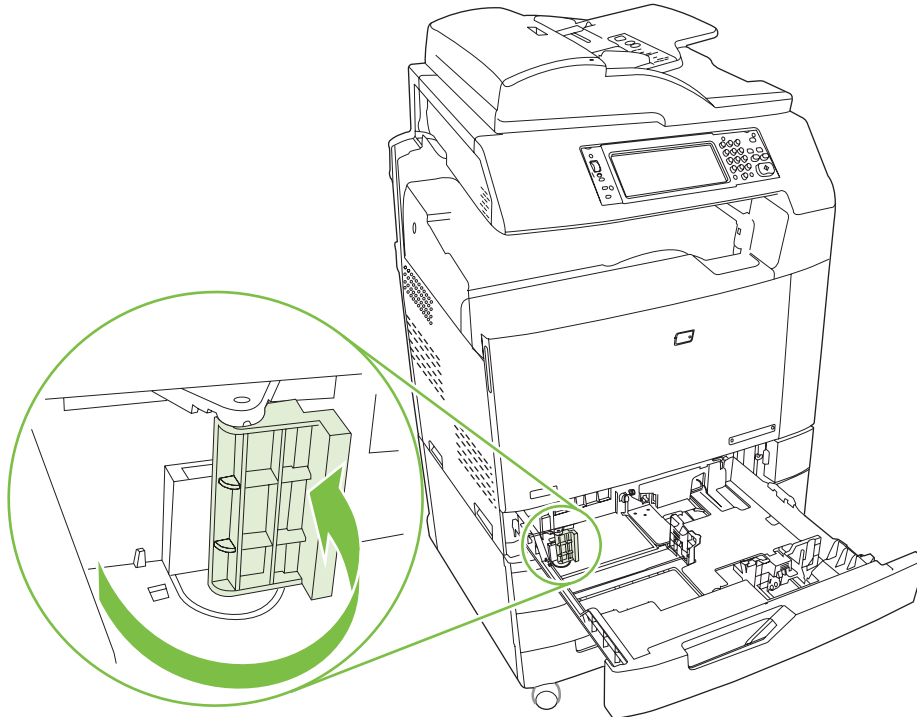


4. Select **Custom**, and then select the **Unit of measure**, **X dimension** and **Y dimension** for the custom paper size.
5. Select the paper type and then touch **Save**.
6. If the configuration is correct, touch **Save**.

## Load large size paper into Tray 3, 4, or 5

Use the following instructions if you are loading 11x17, RA3, SRA3, or 12 x 18-sized paper into Tray 3, 4, or 5.

1. Slide open Tray 3, 4, or 5.
2. Adjust the paper width guide by squeezing the adjustment latch and sliding the guide to the size of the paper being used.
3. Load the paper into the tray.
4. Move the paper stop lever to the correct position for the paper being used.



- For SRA3-sized paper, rotate the lever all the way to the left.
  - For A3- or 11x17-sized paper, rotate the lever down into the center position.
  - For RA3- or 12x18-sized paper, rotate the lever all the way to the right.
5. Slide the tray into the product. The control panel shows the tray's media type and size. If the configuration is not correct, touch **Modify** and configure the tray to the correct type and size. If the configuration is correct, touch **OK**.

## Load letterhead, pre-printed, or pre-punched paper

To correctly print or copy on letterhead, pre-printed, or pre-punched paper, you need to make sure you load the paper correctly into the tray. You might also need to adjust the **Image Rotation** setting on the product control panel. The **Image Rotation** setting is used to adjust for languages that read from left to right (the default) or from right to left.

For more information regarding this subject see the Quick Reference Job Aids on the User CD that came with the product, or visit [www.hp.com/support/cljcm6030mfp/manuals](http://www.hp.com/support/cljcm6030mfp/manuals) or [www.hp.com/support/cljcm6040mfp/manuals](http://www.hp.com/support/cljcm6040mfp/manuals)

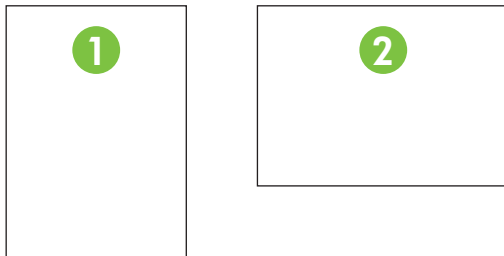
## Change the Image Rotation setting

1. At the control panel home screen, scroll down and touch **Administration**.
2. Scroll down and touch **Device Behavior**.
3. Scroll down and touch **Tray Behavior**.
4. Scroll down and touch **Image Rotation**.
5. Touch the correct Image Rotation option. The default setting is **Left to right**.
6. Touch **OK**.

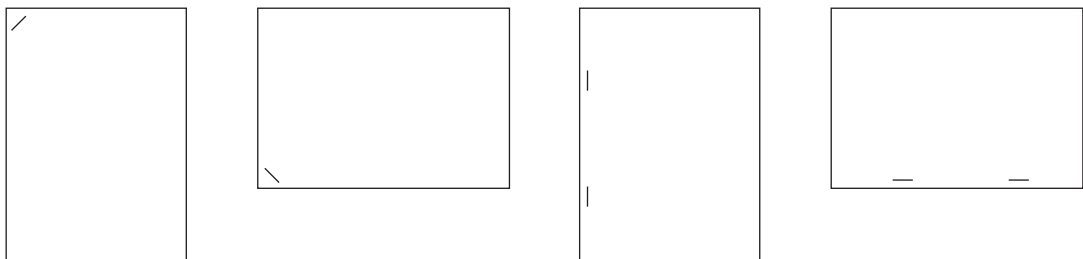
## Choose the correct orientation for loading letterhead, pre-printed, or pre-punched paper

The tables below should be used as a guide for loading letterhead, pre-printed, or pre-punched paper. The first table shows the tray-loading orientation when **Image Rotation** is set to **Left to right**, which indicates that the language reads left to right. The second table shows the tray-loading orientation when **Image Rotation** is set to **Right to left**, which indicates that the language reads right to left. The tables also contain the following information:

- The paper type: letterhead, pre-printed or pre-punched.
- The paper tray: Tray 1 or Trays 2 through 5.
- Image orientation: Portrait (1) or Landscape (2).

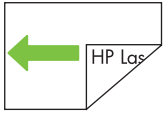
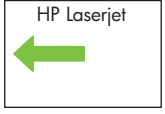

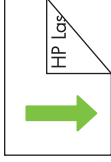


- One-sided or two-sided (duplex) printing.
- Stapling: The optional stapler/stacker or booklet maker output accessory must be attached in order to staple print or copy jobs. The staple location can be one left, one angled staple located in upper left corner; or two left, two staples located on left long edge.



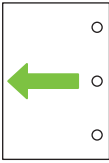
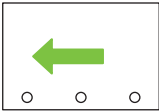
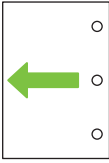
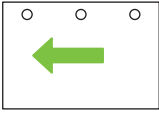
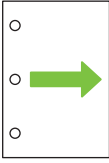
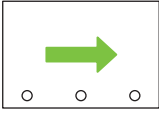
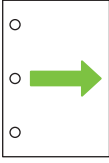
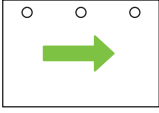
- The arrow in the paper graphic indicates the direction the paper will feed into the printer. The paper graphic indicates the direction the paper should be placed in the paper tray. The default is to load the paper so that the long edge feeds first. This results in the most efficient printing and copying.

**Table 3-6 Load letterhead, pre-printed, or pre-punched paper — Image Rotation = Left to right**

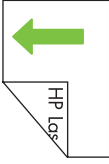
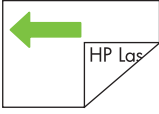

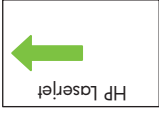
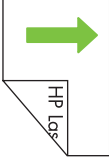
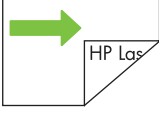
Paper type and tray	Image orientation	Duplex mode	Staple location options	How to load for long-edge feed	How to load for short-edge feed
Letterhead or Pre-printed – Tray 1	Portrait	1-sided	One left, two left		
Letterhead or Pre-printed – Tray 1	Portrait	2-sided	One left, two left		
Letterhead or Pre-printed – Tray 1	Landscape	1-sided	One left, two left		
Letterhead or Pre-printed – Tray 1	Landscape	2-sided	One left, two left		
Letterhead or Pre-printed – Trays 2-5	Portrait	1-sided	One left, two left		
Letterhead or Pre-printed – Trays 2-5	Portrait	2-sided	One left, two left		
Letterhead or Pre-printed – Trays 2-5	Landscape	1-sided	One left, two left		
Letterhead or Pre-printed – Trays 2-5	Landscape	2-sided	One left, two left		




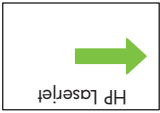
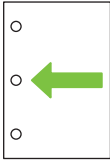
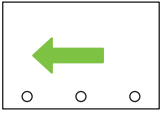
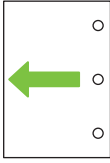
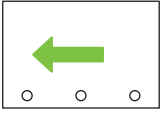
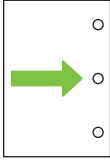
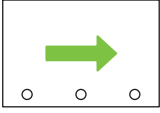
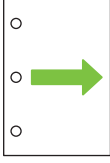
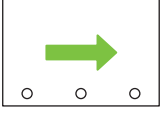
**Table 3-6 Load letterhead, pre-printed, or pre-punched paper — Image Rotation = Left to right (continued)**


Paper type and tray	Image orientation	Duplex mode	Staple location options	How to load for long-edge feed	How to load for short-edge feed
Pre-punched – Tray 1	Portrait	1-sided or 2-sided	One left, two left		
Pre-punched – Tray 1	Landscape	1-sided or 2-sided	One left, two left		
Pre-punched – Trays 2-5	Portrait	1-sided or 2-sided	One left, two left		
Pre-punched – Trays 2-5	Landscape	1-sided or 2-sided	One left, two left		

**Table 3-7 Load letterhead, pre-printed, or pre-punched paper — Image Rotation = Right to left**

Paper type and tray	Image orientation	Duplex mode	Staple location options	How to load for long-edge feed	How to load for short-edge feed
Letterhead or Pre-printed – Tray 1	Portrait	1-sided	One right, two right		
Letterhead or Pre-printed – Tray 1	Landscape	2-sided	One right, two right		
Letterhead or Pre-printed – Trays 2-5	Portrait	2-sided	One right, two right		

**Table 3-7 Load letterhead, pre-printed, or pre-punched paper — Image Rotation = Right to left (continued)**

Paper type and tray	Image orientation	Duplex mode	Staple location options	How to load for long-edge feed	How to load for short-edge feed
Letterhead or Pre-printed – Trays 2-5	Landscape	1-sided	One right, two right		
Pre-punched – Tray 1	Portrait	1-sided or 2-sided	One right, two right		
Pre-punched – Tray 1	Landscape	1-sided or 2-sided	One right, two right		
Pre-punched – Trays 2-5	Portrait	1-sided or 2-sided	One right, two right		
Pre-punched – Trays 2-5	Landscape	1-sided or 2-sided	One right, two right		


 **NOTE:** For more information regarding this subject see the Job Aids on the User CD that came with the product, or visit [www.hp.com/support/cljcm6030mfp/manuals](http://www.hp.com/support/cljcm6030mfp/manuals) or [www.hp.com/support/cljcm6040mfp/manuals](http://www.hp.com/support/cljcm6040mfp/manuals)

# Configure trays

The product automatically prompts you to configure a tray for type and size in the following situations:

- When you load paper into the tray
- When you specify a particular tray or media type for a print job through the printer driver or a software program and the tray is not configured to match the print-job's settings

The following message appears on the control panel: **Tray <x> [type] [size] To change size or type, touch "Modify". To accept, touch "OK".**

 **NOTE:** The prompt does not appear if you are printing from Tray 1 and Tray 1 is configured for **Any Custom** and **Any Type**.

**NOTE:** If you have used other HP LaserJet product models, you might be accustomed to configuring Tray 1 to **First** mode or **Cassette** mode. On HP Color LaserJet CM6040 Series, setting Tray 1 size to **Any Custom** is equivalent to **First** mode. Setting size for Tray 1 to a setting other than **Any Custom** is equivalent to **Cassette** mode.

## Configure a tray when loading paper

1. Load paper in the tray. Close the tray if you are using Tray 2, 3, 4, or 5.
2. The tray configuration message appears.
3. Touch **OK** to accept the detected size and type, or touch **Modify** to choose a different paper size or type.
4. Select the correct size and type and then touch **OK**.

 **NOTE:** The product automatically detects most paper sizes in Trays 2, 3, 4, and 5.

## Configure a tray to match print job settings

1. In the software program, specify the source tray, the paper size, and the paper type.
2. Send the job to the product.  
If the tray needs to be configured, the **Load Tray x <Type> <Size>** message appears.
3. Load the tray with the specified type and size of paper, and then close the tray.  
To specify a custom size, **Modify**.
4. When the **Tray <x> Size=<Size>** message appears, touch **OK** to confirm the size.
5. When the **Tray<x> Type=<Type>** message appears, touch **OK** to confirm the type and continue with the job.

## Automatic media type sensing (auto sense mode)

The automatic media type sensor functions only when that tray is configured to Any Type or Plain type. Configuring a tray to any other type, such as Bond or Glossy, deactivates the media sensor in that tray.

The HP Color LaserJet CM6040 MFP Series can automatically classify many paper types into one of the following categories:

- Plain
- Transparency
- Glossy
- Extra-heavy glossy
- Glossy film
- Heavy

For more control, a specific type must be selected in the job or configured in a tray.

## Auto sense settings

### Full sensing (default for Tray 1)

- The product recognizes light, plain, heavy, glossy, and tough paper and overhead transparencies.
- Each time the product begins a print job, it stops the first page to sense the type.
- This is the slowest mode.

### Expanded sensing (default for Trays 2, 3, 4, and 5)

- Each time the product begins a print job, it stops the first page to sense the type.
- The product assumes that the second and all subsequent pages are of the same media type as the first page.
- This is the second-fastest mode, and is useful for using stacks of the same media type.

### Transparency only

- The product does not stop any pages for sensing but distinguishes between transparencies (Transparency mode) and paper (Normal mode).
- This is the fastest mode and is useful for high-volume printing in Normal mode.

For more information about setting these options, see [Print Quality menu on page 49](#)

## Select the paper by source, type, or size

In the Microsoft Windows operating system, three settings affect how the printer driver tries to pull media when you send a print job. *Source*, *Type*, and *Size* settings appear in the **Page Setup**, **Print**, or **Print Properties** dialog boxes in most software programs. Unless you change these settings, the product automatically selects a tray using the default settings.

### Source

To print by *Source* select a specific tray for the product to pull from. If you select a tray that is configured for a type or size that does not match your print job, the product prompts you to load the tray with the type or size of print media for your print job before printing it. When you load the tray, the product begins printing.

## Type and Size

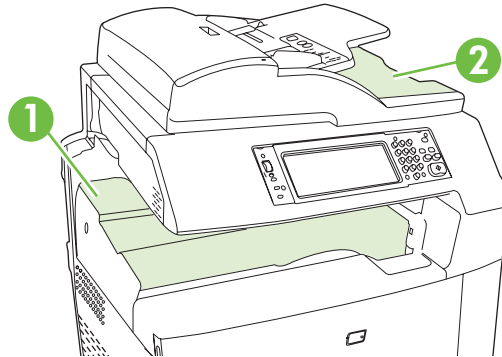
Printing by *Type* or *Size* means that you want the product to pull from the tray that is loaded with the correct type and size of media. Selecting media by type rather than source is similar to locking out trays and helps protect special media from accidental use. For example, if a tray is configured for letterhead and you select plain paper, the product will not pull the letterhead from that tray. Instead, it will pull from a tray that has plain paper loaded and is configured for plain paper on the product control panel. Selecting media by Type and Size results in significantly better print quality for heavy paper, glossy paper, and transparencies. Using the wrong setting might result in unsatisfactory print quality. Always print by Type for special print media, such as labels or transparencies. Print by Size for envelopes, if possible.

- To print by Type or Size, select the Type or Size from the **Page Setup** dialog box, the **Print** dialog box, or the **Print Properties** dialog box, depending on the software program.
- If you often print on a certain type or size of media, configure a tray for that type or size. Then, when you select that type or size as you print a job, the product automatically pulls media from the tray that is configured for that type or size.

# Choose an output location

## Standard output bins

The product has an ADF output bin and the standard output bin for printed pages.



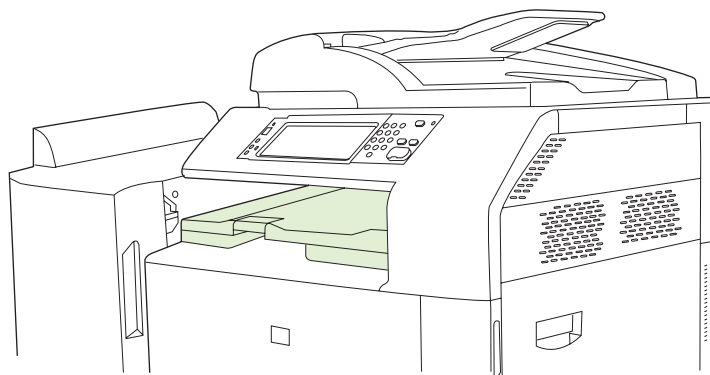
- |   |                                     |
|---|-------------------------------------|
| 1 | Standard output bin                 |
| 2 | ADF output bin (for copy originals) |

When you scan or copy documents by using the ADF, the originals are automatically delivered to the ADF output bin. Copies made from the scanner glass are delivered to the standard output bin or the output bin(s) on the stapler/stacker or the 3-bin mailbox.

When you send print jobs to the product from a computer, the output is to the standard output bin or the output bin(s) on the stapler/stacker or the 3-bin mailbox.

## Optional output accessories

An optional 3 bin stapler/stacker or booklet-maker finisher accessory can be installed with the product. When an accessory is installed, an output accessory bridge is also added on top of the product in order to route the print jobs to the accessory output bins.



## 3-bin stapler/stacker features

**Table 3-8 3-bin stapler/stacker features**

<b>Job offset</b>	Each copy of a job is shifted to one side in the output bin in order to keep each copy separate from the others. (Supported paper sizes: A3, A4, A4 rotated, A5, B4, B5, Ledger, Legal, Letter, Letter rotated, Statement.)
-------------------	---

**Table 3-8 3-bin stapler/stacker features (continued)**

<b>Three operation modes</b>	Mailbox Mode assigns each bin to a user or group of users. Stacker Mode uses all three output bins for all print jobs — when one bin is full, jobs are routed to the next bin. Function Separator Mode sends copies to bin 1, faxes to bin 2, and print jobs to bin 3.
<b>Stapler</b>	Built-in stapler staples jobs up to 50 sheets in size or 30 stapled jobs. Pages can be stapled in one position at the front, in one position at the back, or at two positions at the side or top.
<b>Large-capacity output bins</b>	The stacker has three bins: a 100-sheet bin, a 500-sheet bin, and a 1000-sheet bin.

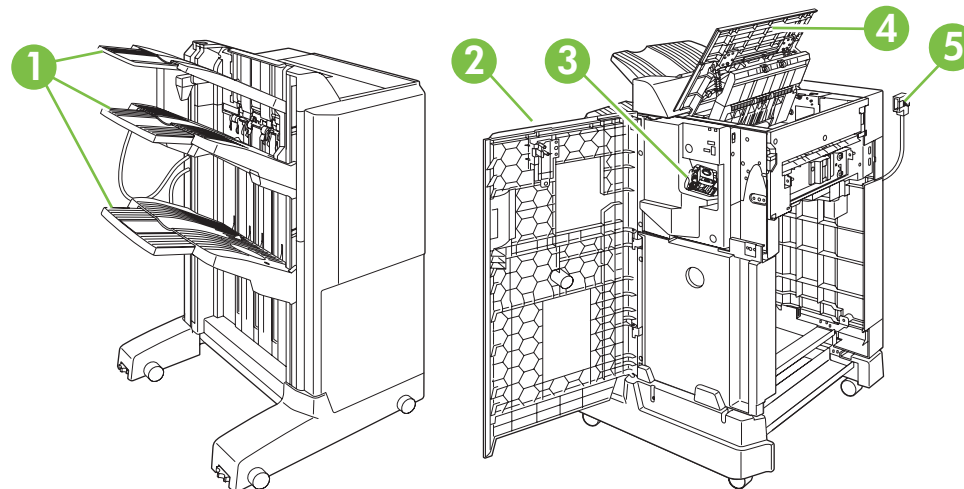
## Booklet maker finisher features

**Table 3-9 Booklet-maker finisher features**

<b>Booklet-making</b>	The booklet-making feature staples and folds print jobs of 2 to 15 pages into a booklet.
<b>Folding</b>	Single-sheet print jobs can be automatically folded in the center.
<b>Job offset</b>	Each copy of a job is shifted to one side in the output bin in order to keep each copy separate from the others. (Supported paper sizes: A3, A4, A4 rotated, A5, B4, B5, Ledger, Legal, Letter, Letter rotated, Statement.)
<b>Two operation modes</b>	Mailbox Mode assigns each bin to a user or group of users, and Stacker Mode uses both output bins for all print jobs — when the top bin is full, jobs are routed to the next bin.
<b>Stapler</b>	Built-in stapler staples jobs up to 50 sheets in size or 30 stapled jobs. Pages can be stapled in one position at the front, in one position at the back, or at two positions at the side or top.
<b>Large-capacity output bins</b>	The stacker has three bins: two 1000-sheet bins and one bin that can hold up to 25 saddle-stitched booklets.

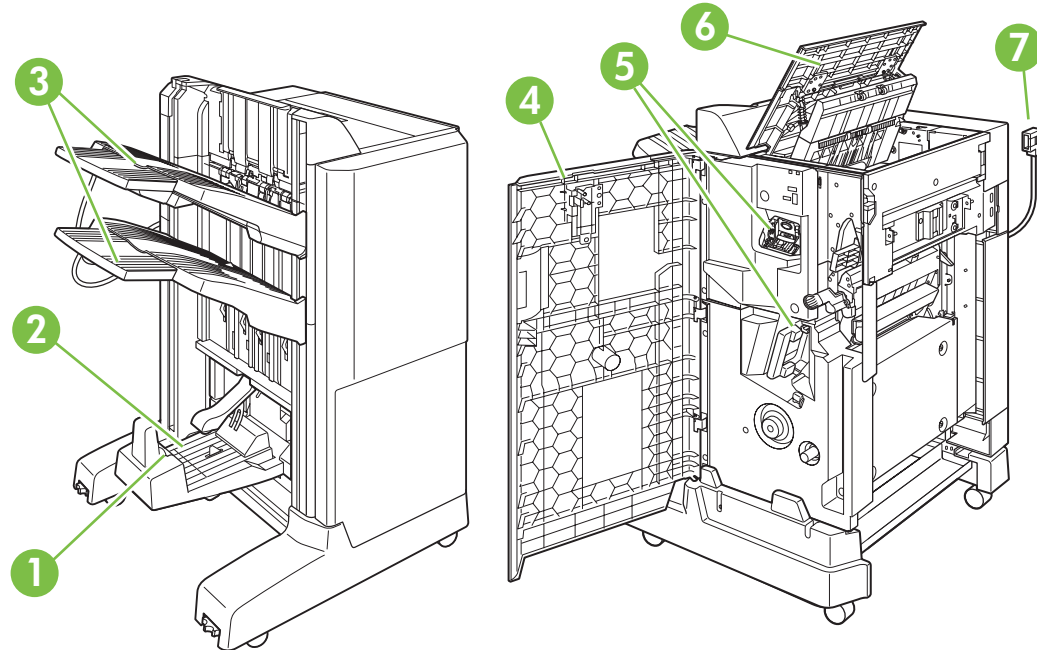
## Accessory walkaround

**Figure 3-1 3-bin stapler/stacker accessory**



1	Output bins
2	Front door
3	Stapler unit
4	Top cover
5	Connection cable

**Figure 3-2** Booklet-maker finisher accessory



1	Booklet bin guide
2	Booklet output bin
3	Stacking output bins
4	Front door
5	Stapler units
6	Top cover
7	Connection cable

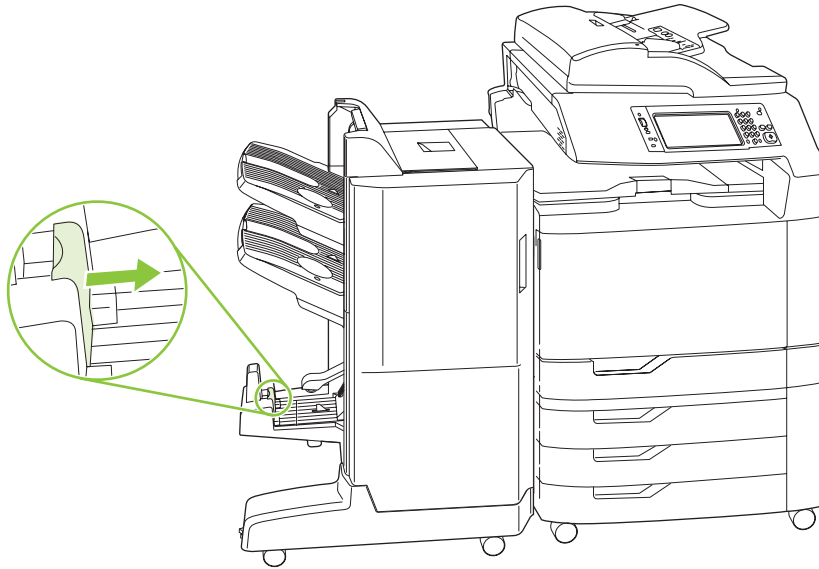
## Use the booklet-making feature

You can create booklets from the print driver or by copying an original document.

Before creating a booklet, set the booklet bin guide for the size of paper being used:

- Closed: 11x17, Legal, A3, or B4
- Open: Letter Rotated, A4 Rotated





### Create a booklet from the print driver

1. On the **File** menu of your software program, click **Print**.
2. Select HP Color LaserJet CM6030 or CM6040 MFP.
3. Click **Properties**, and then click **Booklet Printing**.
4. Set the **Paper source**, **Paper sizes**, **Paper type**, **Orientation**, **Booklet Layout**, **Print document on**, and **Staple** settings, and then click **OK**.
5. Click **OK** to print.

### Create a booklet from a copy

Documents can be copied from the automatic document feeder (ADF) or by placing the document on the scanner glass.

1. From the control panel, touch **Copy**.
2. Scroll to and touch **Booklet Format**.
3. Touch **Booklet on**.
4. For **Original Sides** touch **1-sided** or **2-sided**.
5. Touch **OK** and then touch **Start**.

## Configure the accessory operation mode

### Select the operating mode at the control panel

You can set the operating mode for the stapler/stacker or the booklet maker at the product control panel.

1. At the control panel, touch **Administration**, and then touch **Device behavior**.
2. Touch **MBM-3 bin stapler** or **Multifunction finisher**.
3. Touch **Operation mode**, and then select the operation mode that you want to use.
  - When Mailbox Mode is used, each bin is assigned to a user or group of users. Every time a user sends a print job, the job is routed to the assigned bin.
  - When Stacker Mode is used and the optional 3-bin stapler/stacker is installed, the three bins act as a single bigger bin. When one bin gets full, jobs are automatically routed to the next bin. When Stacker Mode is used and the booklet maker finisher is installed, the two upper bins act as a single bin, and the third bin is reserved for booklets.
  - When Function Separator (3-bin stapler/stacker only) mode is used, each bin is assigned to a specific kind of job. Usually this designation is bin 1 for copies, bin 2 for fax, and bin 3 for printing. These values can be modified in the Default Job Options menus for copy, fax, and print.



**NOTE:** Use the product embedded Web server to assign output bins to users or groups of users. For more information see [Embedded Web server on page 95](#).

### Select the operating mode in the printer driver

1. Click the **Start** button, point to **Settings**, and then click **Printers** (for Windows 2000) or **Printers and Faxes** (for Windows XP).

From your Vista computer click **Start**, click **Control Panel**, and then in the category for **Hardware and Sound** click **Printer**.

2. Right-click the HP product icon, and then click **Properties** or **Printing Preferences**.
3. Click the **Device Settings** tab.
4. Perform one of the following actions:

For automatic configuration: under **Installable Options**, click **Update Now** in the **Automatic Configuration** list.

-or-

For manual configuration: under **Installable Options**, select the appropriate operation mode in the **Accessory Output Bin** list.

5. Click **Apply** to save the settings.

### Select the operating mode in the printer driver (Mac OS X)

1. In the **Apple** menu, click **System Preferences**.
2. In the **System Preferences** box, click **Print and Fax**.
3. Click **Set Up Printers**. A **Printer List** displays.

4. Select the HP product, and then click **Show Info** on the **Printers** menu.
5. Select the **Installable Options** panel.
6. In the **Accessory Output Bins** list, select correct accessory.
7. In the **Mailbox Mode** list, select the appropriate operational mode, and then click **Apply Changes**.



---

## 4 Manage and maintain the product

- [Information pages](#)
- [HP Easy Printer Care](#)
- [Embedded Web server](#)
- [Use HP Web Jetadmin software](#)
- [Security features](#)
- [Manage supplies](#)
- [Replace supplies](#)
- [Clean the product](#)
- [ADF maintenance kit](#)
- [Calibrate the scanner](#)
- [Upgrade the firmware](#)
- [Set the real-time clock](#)

# Information pages

Information pages provide details about the device and its current configuration. The following table provides the instructions for printing the information pages.

Page description	How to print the page from the product control panel
<b>Menu map</b>  Shows the control-panel menus and available settings.	<ol style="list-style-type: none"><li>1. From the Home screen, touch <a href="#">Administration</a>.</li><li>2. Touch <a href="#">Information</a>.</li><li>3. Touch <a href="#">Configuration/status Pages</a>.</li><li>4. Touch <a href="#">Administration Menu Map</a>.</li><li>5. Touch <a href="#">Print</a>.</li></ol> <p>The content of the menu map varies, depending on the options currently installed in the device.</p> <p>For a complete list of control panel menus and possible values, see <a href="#">Use the control panel on page 14</a>.</p>
<b>Configuration page</b>  Shows device settings and installed accessories.	<ol style="list-style-type: none"><li>1. From the Home screen, touch <a href="#">Administration</a>.</li><li>2. Touch <a href="#">Information</a>.</li><li>3. Touch <a href="#">Configuration/Status Pages</a>.</li><li>4. Touch <a href="#">Configuration Page</a>.</li><li>5. Touch <a href="#">Print</a>.</li></ol> <p><b>NOTE:</b> If the device contains an HP Jetdirect print server or an optional hard disk drive, additional configuration pages print that provide information about those devices.</p>
<b>Supplies status page</b>  Shows print-cartridge toner levels.	<ol style="list-style-type: none"><li>1. From the Home screen, touch <a href="#">Administration</a>.</li><li>2. Touch <a href="#">Information</a>.</li><li>3. Touch <a href="#">Configuration/status Pages</a>.</li><li>4. Touch <a href="#">Supplies Status Page</a>.</li><li>5. Touch <a href="#">Print</a>.</li></ol> <p><b>NOTE:</b> If you are using non-HP supplies, the supplies status page might not show the remaining life for those supplies.</p>
<b>Usage page</b>  Shows a page count for each size of paper printed, the number of one-sided (simplex) or two-sided (duplex) pages, and the average percentage of coverage.	<ol style="list-style-type: none"><li>1. From the Home screen, touch <a href="#">Administration</a>.</li><li>2. Touch <a href="#">Information</a>.</li><li>3. Touch <a href="#">Configuration/status Pages</a>.</li><li>4. Touch <a href="#">Usage Page</a>.</li><li>5. Touch <a href="#">Print</a>.</li></ol>
Color usage job log	<ol style="list-style-type: none"><li>1. From the Home screen, touch <a href="#">Administration</a></li><li>2. Touch <a href="#">Information</a></li><li>3. Touch <a href="#">Configuration/status Pages</a></li></ol>

Page description	How to print the page from the product control panel
	<ol style="list-style-type: none"> <li>4. Touch <a href="#">Color Usage Job Log</a></li> <li>5. Touch <a href="#">Print</a></li> </ol>
<p><b>File directory</b></p> <p>Contains information for any mass storage devices, such as flash drives, memory cards, or hard disks, that are installed in the device.</p>	<ol style="list-style-type: none"> <li>1. From the Home screen, touch <a href="#">Administration</a>.</li> <li>2. Touch <a href="#">Information</a>.</li> <li>3. Touch <a href="#">Configuration/status Pages</a>.</li> <li>4. Touch <a href="#">File Directory</a>.</li> <li>5. Touch <a href="#">Print</a>.</li> </ol>
<p><b>Fax reports</b></p> <p>Five reports show fax activity, fax calls, billing codes, blocked fax numbers, and speed-dial numbers.</p> <p><b>NOTE:</b> Fax reports are available only on device models that have fax capabilities.</p>	<ol style="list-style-type: none"> <li>1. From the Home screen, touch <a href="#">Administration</a>.</li> <li>2. Touch <a href="#">Information</a>.</li> <li>3. Touch <a href="#">Fax Reports</a>.</li> <li>4. Touch one of the following buttons to print the corresponding report: <ul style="list-style-type: none"> <li>◦ <a href="#">Fax Activity Log</a></li> <li>◦ <a href="#">Fax Call Report</a></li> <li>◦ <a href="#">Billing Codes Report</a></li> <li>◦ <a href="#">Blocked Fax List</a></li> <li>◦ <a href="#">Speed Dial List</a></li> </ul> </li> <li>5. Touch <a href="#">Print</a>.</li> </ol> <p>For more information, see the fax guide that came with the device.</p>
<p><b>Font lists</b></p> <p>Shows which fonts are currently installed in the device.</p>	<ol style="list-style-type: none"> <li>1. From the Home screen, touch <a href="#">Administration</a>.</li> <li>2. Touch <a href="#">Information</a>.</li> <li>3. Touch <a href="#">Sample Pages/Fonts</a>.</li> <li>4. Touch one of the following buttons to print the corresponding report: <ul style="list-style-type: none"> <li>◦ <a href="#">Demonstration Page</a></li> <li>◦ <a href="#">RGB Samples</a></li> <li>◦ <a href="#">CMYK Samples</a></li> <li>◦ <a href="#">PCL Font List</a></li> <li>◦ <a href="#">PS Font List</a></li> </ul> </li> <li>5. Touch <a href="#">Print</a>.</li> </ol> <p><b>NOTE:</b> The font lists also show which fonts reside on a hard disk accessory or DIMM.</p>

# HP Easy Printer Care

## Open the HP Easy Printer Care software


Use one of the following methods to open the HP Easy Printer Care software:

- On the **Start** menu, select **Programs**, select **Hewlett-Packard**, select **HP Easy Printer Care**, and then click **Start HP Easy Printer Care**.
- In the Windows system tray (in the lower-right corner of the desktop), double-click the HP Easy Printer Care icon.
- Double-click the desktop icon.


## HP Easy Printer Care software sections

HP Easy Printer Care software can provide information about multiple HP products that are on your network as well as any products that are directly connected to your computer. Some of the items that are in the following table might not be available for every product.

The Help button (?) in the upper-right corner of each page provides more detailed information about the options on that page.

Section	Options
<b>Device List</b> tab  When you open the software, this is the first page that appears.  <b>NOTE:</b> To return to this page from any tab, click <b>My HP Printers</b> in the left side of the window.	<ul style="list-style-type: none"><li>● <b>Devices</b> list: Shows the products that you can select.</li></ul> <b>NOTE:</b> The product information appears either in list form or as icons, depending on the setting for the <b>View as</b> option. <ul style="list-style-type: none"><li>● The information on this tab includes current alerts for the product.</li><li>● If you click a product in the list, the HP Easy Printer Care opens the <b>Overview</b> tab for that product.</li></ul>
<b>Compatible Printers</b>	Provides a list of all the HP products that support HP Easy Printer Care software.
<b>Find Other Printers</b> window  Add more products to the <b>My HP Printers</b> list	Click the <b>Find Other Printers</b> link in the <b>Devices</b> list to open the <b>Find Other Printers</b> window. The <b>Find Other Printers</b> window provides a utility that detects other network printers so that you can add them to the <b>My HP Printers</b> list and then monitor those products from your computer.
<b>Overview</b> tab  Contains basic status information for the device	<ul style="list-style-type: none"><li>● <b>Device Status</b> section: This section shows product-identification information and the product status. It indicates product-alert conditions, such as an empty print cartridge. After you correct a problem with the product, click the refresh button  in the upper-right corner of the window to update the status.</li><li>● <b>Supplies Status</b> section: Shows detailed supplies status, such as the percentage of toner remaining in the print cartridge and the status of the paper that is loaded in each tray.</li><li>● <b>Supplies Details</b> link: Opens the supplies status page to view more detailed information about product supplies, ordering information, and recycling information.</li></ul>



Section	Options
<p><b>Support tab</b></p> <p>Provides links to support information</p>	<ul style="list-style-type: none"> <li>● <b>Device Status</b> section: This section shows product-identification information and the product status. It indicates product-alert conditions, such as an empty print cartridge. After you correct a problem with the product, click the refresh button  in the upper-right corner of the window to update the status.</li> <li>● <b>Device Management</b> section: Provides links to information about HP Easy Printer Care, to advanced product settings, and to product usage reports.</li> <li>● <b>Troubleshooting and Help</b>: Provides links to tools that you can use to resolve problems, to online product support information, and to online HP experts.</li> </ul>
<p><b>Settings tab</b></p> <p>Configure product settings, adjust print-quality settings, and find information about specific product features</p> <p><b>NOTE:</b> This tab is not available for some products.</p>	<ul style="list-style-type: none"> <li>● <b>About</b>: Provides general information about this tab.</li> <li>● <b>General</b>: Provides information about the product, such as the model number, serial number, and the settings for date and time, if they are available.</li> <li>● <b>Information Pages</b>: Provides links to print the information pages that are available for the product.</li> <li>● <b>Capabilities</b>: Provides information about product features, such as duplexing, the available memory, and the available printing personalities. Click <b>Change</b> to adjust the settings.</li> <li>● <b>Print Quality</b>: Provides information about print-quality settings. Click <b>Change</b> to adjust the settings.</li> <li>● <b>Trays / Paper</b>: Provides information about the trays and how they are configured. Click <b>Change</b> to adjust the settings.</li> <li>● <b>Restore Defaults</b>: Provides a way to restore the product settings to the factory defaults. Click <b>Restore</b> to restore the settings to the defaults.</li> </ul>
<p><b>HP Proactive Support</b></p> <p><b>NOTE:</b> This item is available from the <b>Overview</b> and <b>Support</b> tabs.</p>	<p>When enabled, HP Proactive Support routinely scans your printing system to identify potential problems. Click the <b>more info</b> link to configure how frequently the scans occur. This page also provides information about available updates for product software, firmware, and HP printer drivers. You can accept or decline each recommended update.</p>
<p><b>Supplies Ordering</b> button</p> <p>Click the <b>Supplies Ordering</b> button on any tab to open the <b>Supplies Ordering</b> window, which provides access to online supplies ordering.</p> <p><b>NOTE:</b> This item is available from the <b>Overview</b> and <b>Support</b> tabs.</p>	<ul style="list-style-type: none"> <li>● <b>Ordering list</b>: Shows the supplies that you can order for each product. To order a certain item, click the <b>Order</b> check box for that item in the supplies list. You can sort the list by product, or by the supplies that need to be ordered the soonest. The list contains supplies information for every product that is in the <b>My HP Printers</b> list.</li> <li>● <b>Shop Online for Supplies</b> button: Opens the HP SureSupply Web site in a new browser window. If you have checked the <b>Order</b> check box for any items, the information about those items can be transferred to the Web site, where you will receive information on options for purchasing your selected supplies.</li> <li>● <b>Print Shopping List</b> button: Prints the information for the supplies that have the <b>Order</b> check box selected.</li> </ul>
<p><b>Alert Settings</b> link</p> <p><b>NOTE:</b> This item is available from the <b>Overview</b> and <b>Support</b> tabs.</p>	<p>Click <b>Alert Settings</b> to open the Alert Settings window, in which you can configure alerts for each product.</p> <ul style="list-style-type: none"> <li>● Alerting is on or off: Activates or deactivates the alerts feature.</li> <li>● <b>Printer Alerts</b>: Select the option to receive alerts for critical errors only, or for any error.</li> <li>● <b>Job Alerts</b>: For products that support it, you can receive alerts for specific print jobs.</li> </ul>
<p><b>Color Access Control</b></p>	<p>Use this feature to permit or restrict color printing.</p>

---

**Section****Options**

---

**NOTE:** This item is available only for HP color products that support Color Access Control.


**NOTE:** This item is available from the **Overview** and **Support** tabs.

---

# Embedded Web server

Use the embedded Web server to view product and network status and to manage printing functions from your computer instead of from the product control panel. The following are examples of what you can do using the embedded Web server:

---

 **NOTE:** When the printer is directly connected to a computer, use the HP Easy Printer Care to view the printer status.


---

- View product status information.
- Set the type of media that is loaded in each tray.
- Determine the remaining life for all supplies and order new ones.
- View and change tray configurations.
- View and change the product control-panel menu configuration.
- View and print internal pages.
- Receive notification of product and supplies events.
- View and change network configuration.

To use the embedded Web server, you must have Microsoft Internet Explorer 5.01 or later or Netscape 6.2 or later for Windows, Mac OS, and Linux (Netscape only). Netscape Navigator 4.7 is required for HP-UX 10 and HP-UX 11. The embedded Web server works when the product is connected to an IP-based network. The embedded Web server does not support IPX-based product connections. You do not have to have Internet access to open and use the embedded Web server.

When the product is connected to the network, the embedded Web server is automatically available.

---


 **NOTE:** For complete information about using the embedded Web server, see the *Embedded Web Server User Guide*, which is on the product Administrator CD.

---

## Open the embedded Web server by using a network connection

1. In a supported Web browser on your computer, type the device IP address or host name in the address/URL field. To find the IP address or host name, print a configuration page. See [Information pages on page 90](#).

---

 **NOTE:** After you open the URL, you can bookmark it so that you can return to it quickly in the future.

---

2. The embedded Web server has four tabs that contain settings and information about the device: the **Information** tab, the **Settings** tab, the **Networking** tab, and the **Digital Sending** tab. Click the tab that you want to view.

See [Embedded Web server sections on page 96](#) for more information about each tab.

## Embedded Web server sections

Tab or section	Options
<b>Information tab</b>  Provides device, status, and configuration information	<ul style="list-style-type: none"><li>● <b>Device Status:</b> Shows the device status and shows the life remaining of HP supplies, with 0% indicating that a supply is empty. The page also shows the type and size of print paper set for each tray. To change the default settings, click <b>Change Settings</b>.</li><li>● <b>Configuration Page:</b> Shows the information found on the configuration page.</li><li>● <b>Supplies Status:</b> Shows the life remaining of HP supplies, with 0 percent indicating that a supply is empty. This page also provides supplies part numbers. To order new supplies, click <b>Shop for Supplies</b> in the <b>Other Links</b> area on the left side of the window.</li><li>● <b>Event log:</b> Shows a list of all device events and errors.</li><li>● <b>Usage page:</b> Shows a summary of the number of pages the device has printed, grouped by size and type.</li><li>● <b>Device Information:</b> Shows the device network name, address, and model information. To change these entries, click <b>Device Information</b> on the <b>Settings</b> tab.</li><li>● <b>Control Panel:</b> Shows messages from the device control panel, such as <b>Ready or Sleep mode on</b>.</li><li>● <b>Print:</b> Allows you to send print jobs to the device.</li></ul>
<b>Settings tab</b>  Provides the ability to configure the device from your computer	<ul style="list-style-type: none"><li>● <b>Configure Device:</b> Allows you to configure device settings. This page contains the traditional menus found on devices using a control-panel display.</li><li>● <b>E-mail Server:</b> Network only. Used in conjunction with the <b>Alerts</b> page to set up incoming and outgoing e-mail, as well as to set e-mail alerts.</li><li>● <b>Alerts:</b> Network only. Allows you to set up to receive e-mail alerts for various device and supplies events.</li><li>● <b>AutoSend:</b> Allows you to configure the device to send automated e-mails regarding device configuration and supplies to specific e-mail addresses.</li><li>● <b>Security:</b> Allows you to set a password that must be entered to gain access to the <b>Settings</b> and <b>Networking</b> tabs. Enable and disable certain features of the embedded Web server.</li><li>● <b>Authentication Manager:</b> Allows you to determine which device functions will require a user to provide log-in information in order to use those functions.</li><li>● <b>LDAP Authentication:</b> Allows you to configure a Lightweight Directory Access Protocol (LDAP) server to limit device access to certain users. The LDAP server will require a user to provide log-in information in order to gain access to the device.</li><li>● <b>Edit Other Links:</b> Allows you to add or customize a link to another Web site. This link is displayed in the <b>Other Links</b> area on all embedded Web server pages.</li><li>● <b>Device Information:</b> Allows you to name the device and assign an asset number to it. Enter the name and e-mail address for the primary contact who will receive information about the device.</li><li>● <b>Language:</b> Allows you to determine the language in which to display the embedded Web server information.</li><li>● <b>Date &amp; Time:</b> Allows time synchronization with a network time server.</li><li>● <b>Wake Time:</b> Allows you to set or edit a wake time for the device.</li></ul>

Tab or section	Options
<b>Digital Sending</b> tab	<p data-bbox="628 226 1465 281"><b>NOTE:</b> The <b>Settings</b> tab can be password-protected. If this device is on a network, always consult with the system administrator before changing settings on this tab.</p> <p data-bbox="628 302 1465 323">Use the pages on the <b>Digital Sending</b> tab to configure the digital-sending features.</p> <p data-bbox="628 352 1465 428"><b>NOTE:</b> If the product is configured to use the optional HP Digital Sending Software, the options on these tabs are not available. Instead, all digital-sending configuration is performed by using the HP Digital Sending Software.</p> <ul data-bbox="628 457 1465 1075" style="list-style-type: none"> <li data-bbox="628 457 1465 487">● <b>General.</b> Set up contact information for the system administrator.</li> <li data-bbox="628 508 1465 583">● <b>Send to E-mail.</b> Configure the e-mail settings for digital sending. You can specify the SMTP server, the default "From" address, and the default subject. You can also set the maximum file size that is allowed for attachments.</li> <li data-bbox="628 604 1465 743">● <b>E-mail Address Book.</b> The E-mail Address Book page enables you to add e-mail addresses into the product one at a time, and to edit e-mail addresses that have already been saved in the product. You can also use the Import/Export tab to load a large list of frequently-used e-mail addresses on to the product all at once, rather than adding them one at a time.</li> <li data-bbox="628 764 1465 898">● <b>Import/Export.</b> Use this tab to import or export .CSV files containing e-mail addresses, fax numbers, or user records, so that they can be accessed on this product. You can also export e-mail, fax, or user records from the device into a file on your computer. You can then use this file as a data backup, or you can use it to import the records onto another HP device.</li> <li data-bbox="628 919 1465 974">● <b>Log.</b> View the digital-sending activity log for the product. The log contains digital-sending job information, including any errors that occur.</li> <li data-bbox="628 995 1465 1075">● <b>Preferences.</b> Configure digital-sending defaults such as the default page-size and the default settings-reset delay. You can also configure these settings by using the product control-panel menus.</li> </ul>
<b>Fax</b> tab	<p data-bbox="628 1100 1465 1155">The <b>Fax</b> tab contains options to configure and use the fax capabilities of the product. For additional information about fax functions, see the Fax User Guide.</p> <ul data-bbox="628 1176 1465 1461" style="list-style-type: none"> <li data-bbox="628 1176 1465 1205">● Use the <b>Fax Settings</b> screen to configure the send-to-fax features for the product.</li> <li data-bbox="628 1226 1465 1360">● The <b>Fax Address Book</b> page enables you to add fax numbers into the product one at a time, and to edit fax numbers that have already been saved in the product. You can also use the Import/Export feature on the <b>Digital Sending</b> tab to load a large list of frequently-used fax numbers on to the device all at once, rather than adding them one at a time.</li> <li data-bbox="628 1381 1465 1461">● Use the <b>Fax Speed Dials</b> screen to add, edit, or delete fax speed dial entries to and from the product. You can use fax speed dials to store frequently used fax numbers or lists of up to 100 fax numbers. Up to 100 speed dial entries can be configured.</li> </ul>

Tab or section	Options
<p><b>Networking tab</b></p> <p>Provides the ability to change network settings from your computer</p>	<p>Network administrators can use this tab to control network-related settings for the device when it is connected to an IP-based network. This tab does not appear if the device is directly connected to a computer, or if the device is connected to a network using anything other than an HP Jetdirect print server.</p> <p><b>NOTE:</b> The <b>Networking</b> tab can be password-protected.</p>
<p><b>Other links</b></p> <p>Contains links that connect you to the Internet</p>	<ul style="list-style-type: none"> <li>● <b>HP Instant Support™:</b> Connects you to the HP Web site to help you find solutions. This service analyzes your device error log and configuration information to provide diagnostic and support information specific to your device.</li> <li>● <b>Shop for Supplies:</b> Connects to the HP SureSupply Web site, where you will receive information on options for purchasing original HP supplies, such as print cartridges and paper.</li> <li>● <b>Product Support:</b> Connects to the support site for the device, from which you can search for help regarding general topics.</li> </ul> <p><b>NOTE:</b> You must have Internet access in order to use any of these links. If you use a dial-up connection and did not connect when you first opened the embedded Web server, you must connect before you can visit these Web sites. Connecting might require that you close the embedded Web server and reopen it.</p>


## Use HP Web Jetadmin software

HP Web Jetadmin is a Web-based software solution for remotely installing, monitoring, and troubleshooting network-connected peripherals. The intuitive browser interface simplifies cross-platform management of a wide range of devices, including HP and non-HP devices. Management is proactive, allowing network administrators the ability to resolve issues before users are affected. Download this free, enhanced-management software at [www.hp.com/go/webjetadmin\\_software](http://www.hp.com/go/webjetadmin_software).

To obtain plug-ins to HP Web Jetadmin, click **plug-ins**, and then click the **download** link that is next to the name of the plug-in that you want. The HP Web Jetadmin software can automatically notify you when new plug-ins are available. On the **Product Update** page, follow the directions to automatically connect to the HP Web site.

If installed on a host server, HP Web Jetadmin is available to any client through a supported Web browser, such as Microsoft Internet Explorer 6.0 for Windows or Netscape Navigator 7.1 for Linux. Browse to the HP Web Jetadmin host.

---

 **NOTE:** Browsers must be Java-enabled. Browsing from an Apple PC is not supported.

---

# Security features

## Secure the embedded Web server

Assign a password for access to the embedded Web server so that unauthorized users cannot change the product settings.

1. Open the embedded Web server. See [Embedded Web server on page 95](#).
2. Click the **Settings** tab.
3. On the left side of the window, click **Security**.
4. Type the password next to **New Password**, and type it again next to **Verify Password**.
5. Click **Apply**. Make note of the password and store it in a safe place.

## Foreign Interface Harness (FIH)

The Foreign Interface Harness (FIH) provides a portal on the product. By using the FIH and third-party equipment, you can track information about copies that are made on the product.

### Requirements


- Windows 2000 or Windows XP
- Access to third-party accounting hardware solutions, such as Equitrac or Copitrak devices

### Use the FIH

To use the FIH, you must download and install the FIH software. The software is available from [www.hp.com/go/cljcm6030mfp\\_software](http://www.hp.com/go/cljcm6030mfp_software) and [www.hp.com/go/cljcm6040mfp\\_software](http://www.hp.com/go/cljcm6040mfp_software). The software is used to enable or disable the FIH portal. Use the software to set and change the administrator personal identification number (PIN).

Administrators can use the PIN option to configure the FIH to prevent any unauthorized changes. Changes can be made only with the correct PIN authentication.

---

 **NOTE:** It is important to remember the PIN that is assigned to the FIH administration software. The PIN is required to make any changes to the FIH.

---

### Enable the FIH portal

1. Double-click the FIH.EXE file. The **Foreign Interface Harness** dialog box appears.
2. Click **OK**.
3. Click **Enable**.
4. If you have not entered a PIN before, click **No**. If you have entered a PIN before, click **Yes**. If you click **No**, type and confirm the PIN, and then click **OK**. If you click **Yes**, type the PIN and click **OK**.

---

 **NOTE:** The PIN must be numeric.

---

5. Click the appropriate button for the type of connection: **Direct** or **Network**. If **Direct** is selected, type the product port. If **Network** is selected, type the IP address and port for the product.



---

 **NOTE:** The IP address for the product can be found on the Configuration page.


---

If you typed an incorrect IP address, you will receive an error message. Otherwise, the portal is enabled.

### Disable the FIH portal

1. Double-click the FIH.EXE file. The **Foreign Interface Harness** dialog box appears.
2. Click **OK**.
3. Click **Disable**.
4. Type the PIN and click **OK**.
5. Click the appropriate button for the type of connection: **Direct** or **Network**. If **Direct** is selected, type the product port and click **OK**. If **Network** is selected, type the IP address and port for the product, and then click **OK**. The portal is disabled.

---

 **NOTE:** If you lose the PIN number and the portal needs to be disabled, try using the default PIN that is listed to disable it. For assistance, use the HP Instant Support service, which is available through the embedded Web server or at [www.hp.com/go/instant-support](http://www.hp.com/go/instant-support). See [Embedded Web server on page 95](#).

---

## Secure Disk Erase

To protect deleted data from unauthorized access on the product hard drive, use the Secure Disk Erase feature. This feature can securely erase print and copy jobs from the hard drive.


Secure Disk Erase offers the following levels of disk security:

- **Non-Secure Fast Erase.** This is a simple file-table erase function. Access to the file is removed, but actual data is retained on the disk until it is overwritten by subsequent data-storage operations. This is the fastest mode. Non-Secure Fast Erase is the default erase mode.
- **Secure Fast Erase.** Access to the file is removed, and the data is overwritten with a fixed identical character pattern. This is slower than Non-Secure Fast Erase, but all data is overwritten. Secure Fast Erase meets the U.S. Department of Defense 5220-22.M requirements for the clearing of disk media.
- **Secure Sanitizing Erase.** This level is similar to the Secure Fast Erase mode. In addition, data is repetitively overwritten by using an algorithm that prevents any residual data persistence. This mode will impact performance. Secure Sanitizing Erase meets the U.S. Department of Defense 5220-22.M requirements for the sanitization of disk media.

### Data affected

Data affected (covered) by the Secure Disk Erase feature includes temporary files that are created during the print and copying process, stored jobs, proof and hold jobs, disk-based fonts, disk-based macros (forms), stored fax files, address books, and HP and third-party applications.

---

 **NOTE:** Stored jobs will be securely overwritten only when they have been deleted through the **Retrieve Job** menu on the product after the appropriate erase mode has been set.

---

This feature will not impact data that is stored on flash-based product non-volatile RAM (NVRAM) that is used to store default settings, page counts, and similar data. This feature does not affect data that is stored on a system RAM disk (if one is used). This feature does not impact data that is stored on the flash-based system boot RAM.

Changing the Secure Disk Erase mode does not overwrite previous data on the disk, nor does it immediately perform a full-disk sanitization. Changing the Secure Disk Erase mode changes how the product cleans up temporary data for jobs after the erase mode has been changed.

## Gain access to Secure Disk Erase

Use HP Web Jetadmin to gain access to and set the Secure Disk Erase feature.

## Additional Information

For additional information about the HP Secure Disk Erase feature, see the HP support flyer or go to [www.hp.com/go/webjetadmin/](http://www.hp.com/go/webjetadmin/).

## DSS authentication

Optional Digital Sending Software (DSS) for the product is available for purchase separately. The software provides an advanced sending program that contains an authentication process. This process requires users to type a user identification and a password before they can use any of the DSS features that require authentication.

## Lock the control-panel menus

To prevent someone from changing the product configuration, you can lock the control-panel menus. This prevents unauthorized users from changing the configuration settings such as the SMTP server. The following procedure describes how to restrict access to the control-panel menus by using the HP Web Jetadmin software. (See [Use HP Web Jetadmin software on page 99](#).)

1. Open the HP Web Jetadmin program.
2. Open the **DEVICE MANAGEMENT** folder in the drop-down list in the **Navigation** panel. Navigate to the **DEVICE LISTS** folder.
3. Select the product.
4. In the **Device Tools** drop-down list, select **Configure**.
5. Select **Security** from the **Configuration Categories** list.
6. Type a **Device Password**.
7. In the **Control Panel Access** section, select **Maximum Lock**. This prevents unauthorized users from gaining access to configuration settings.

# Manage supplies

Use genuine HP print cartridges for the best printing results.

## Print-cartridge storage

Do not remove the print cartridge from its package until you are ready to use it.

- 
- △ **CAUTION:** To prevent damage to the print cartridge, do not expose it to light for more than a few minutes.
- 

## HP policy on non-HP print cartridges

Hewlett-Packard Company cannot recommend the use of non-HP print cartridges, either new or remanufactured.

- 
- △ **CAUTION:** Any damage caused by a non-HP print cartridge is not covered under the HP warranty and service agreements.
- 

To install a new HP print cartridge, see [Change print cartridges on page 105](#). To recycle the used cartridge, follow the instructions included with the new cartridge.

## HP fraud hotline and Web site

Call the HP fraud hotline (1-877-219-3183, toll-free in North America) or go to [www.hp.com/go/anticounterfeit](http://www.hp.com/go/anticounterfeit) when you install an HP print cartridge and the control-panel message says the cartridge is non-HP. HP will help determine if the cartridge is genuine and take steps to resolve the problem.

Your print cartridge might not be a genuine HP print cartridge if you notice the following:

- You are experiencing a high number of problems with the print cartridge.
- The cartridge does not look like it usually does (for example, the orange pull tab is missing, or the packaging differs from HP packaging).

## Replace supplies

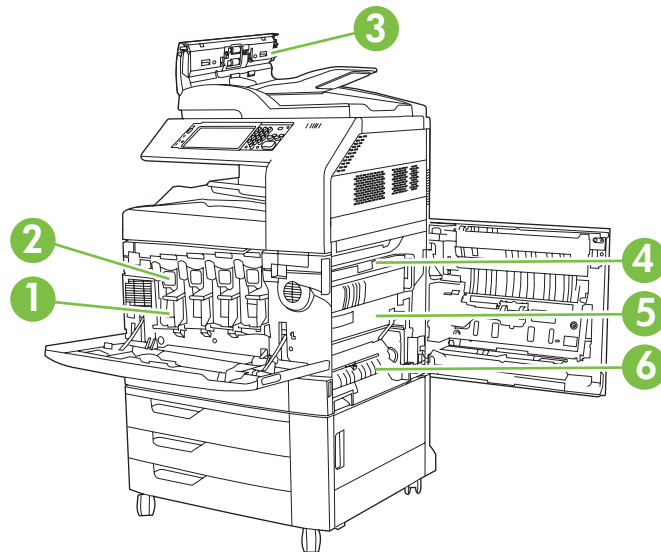
When you use genuine HP supplies, the product automatically notifies you when supplies are nearly depleted. The notification to order supplies allows ample time to order new supplies before they need to be replaced.

## Locate supplies

Supplies are identified by their labeling and their blue plastic handles.

The following figure illustrates the location of each supply item.

**Figure 4-1** Supply item locations



1	Image drums
2	Print cartridges
3	Document feeder kit
4	Fuser
5	Transfer unit
6	Transfer roller

## Supply replacement guidelines

To facilitate the replacement of supplies, keep the following guidelines in mind when setting up the product.

- Allow sufficient space in the front and on the right side of the product for removing supplies.
- The product should be located on a flat, sturdy surface.

For instructions on installing supplies, see the installation guides provided with each supply item or see more information at [www.hp.com/go/cljcm6030mfp\\_software](http://www.hp.com/go/cljcm6030mfp_software) or [www.hp.com/go/cljcm6040mfp\\_software](http://www.hp.com/go/cljcm6040mfp_software). When you connect, select **Solve a Problem**.

△ **CAUTION:** Hewlett-Packard recommends the use of genuine HP products in this product. Use of non-HP products may cause problems requiring service that is not covered by the Hewlett-Packard extended warranty or service agreements.

## Approximate replacement intervals for supplies

The following table lists the estimated replacement intervals for supplies and the control panel messages that prompt when to replace each item. Usage conditions and print patterns may cause results to vary.

Item	Printer message	Page count	Approximate time period
Print cartridges	<b>Replace &lt;color&gt; Cartridge</b>	17,000 pages <sup>1</sup> for color	4 months for color
		20,000 pages for black	5 months for black
Image drums	<b>Replace &lt;color&gt; Drum</b>	35,000 pages <sup>1</sup>	
Image transfer kit	<b>Replace Transfer Kit</b>	150,000 pages <sup>2</sup>	37 months
Image fuser kit	<b>Replace Fuser Kit</b>	100,000 pages	25 months
Roller kit	<b>Replace Roller Kit</b>	100,000 pages	25 months
Stapler cartridge	<b>Replace Stapler Cartridge</b>	5000 staples	
Booklet maker staple cartridges	<b>Replace Staple Cartridges 2 and 3</b>	2,000 booklets	
Document feeder kit	<b>Replace Document Feeder Kit</b>	60,000 pages	50 months

<sup>1</sup> Approximate average A4-/letter-size page count based on 2-page jobs printed from Tray 2, with 5% coverage of individual colors.

<sup>2</sup> Approximate life is based on 4,000 pages per month.

## Change print cartridges

When a print cartridge approaches the end of its useful life, the control panel displays a message recommending that you order a replacement. The product can continue to print using the current print cartridge until the control panel displays a message instructing you to replace the cartridge.

The product uses four colors and has a different print cartridge for each color: black (K), magenta (M), cyan (C), and yellow (Y).

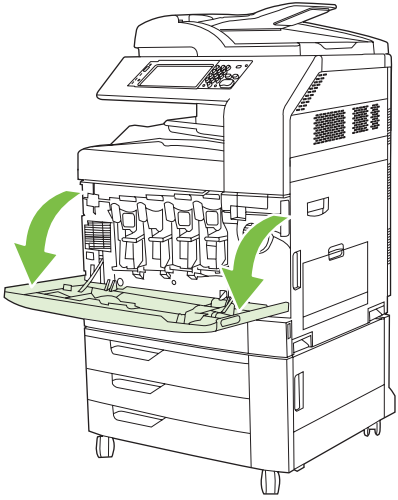
Replace a print cartridge when the control panel displays a **Replace <color> Cartridge** message. The control panel display will also indicate the color that should be replaced (if a genuine HP cartridge is currently installed). Replacement instructions are included in the print-cartridge box.

△ **CAUTION:** If toner gets on clothing, wipe it off with a dry cloth and wash the clothes in cold water. Hot water sets toner into fabric.

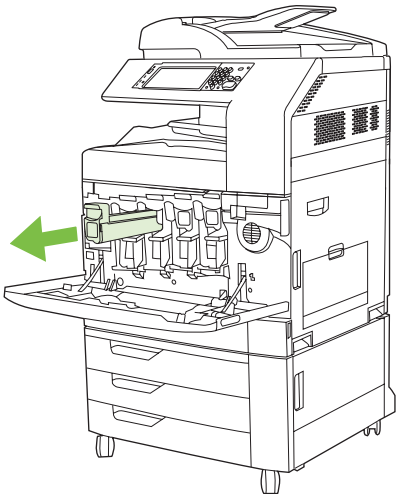
📄 **NOTE:** Information about recycling used print cartridges is on the print-cartridge box.

## Replace print cartridges

1. Grasp the grips on the sides of the front door and pull down to open.

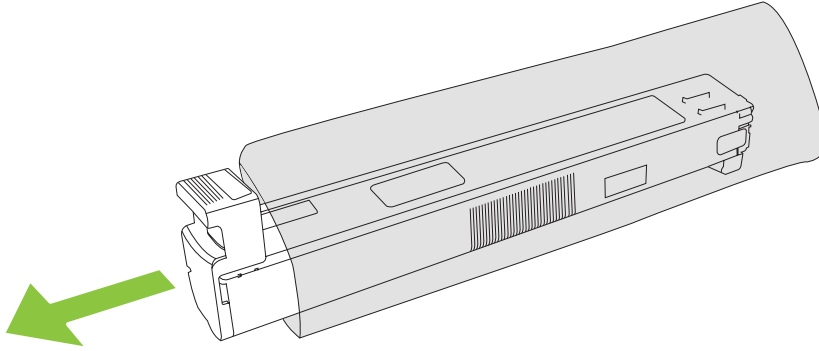



2. Grasp the handle of the used print cartridge and pull out to remove.



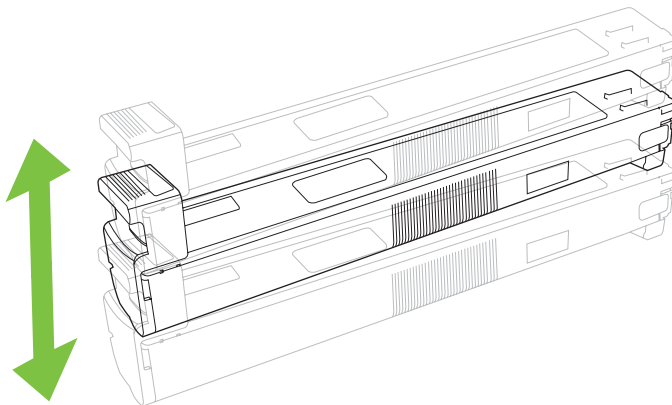
3. Store the used print cartridge in a protective bag. Information about recycling used print cartridges is on the print-cartridge box.
4. Remove additional print cartridges in the same manner.

5. Remove the new print cartridge from its protective bag.

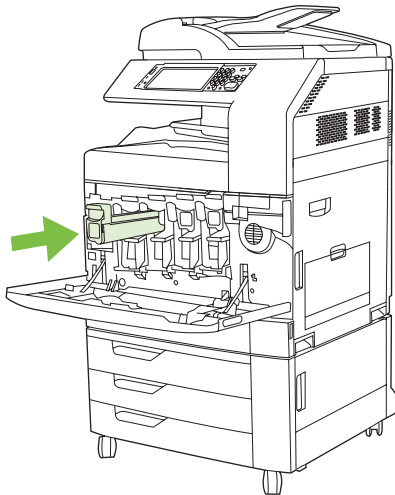


 **NOTE:** Store the protective bag in a secure place for future use.

6. Hold both sides of the cartridge and shake up and down 5-6 times.

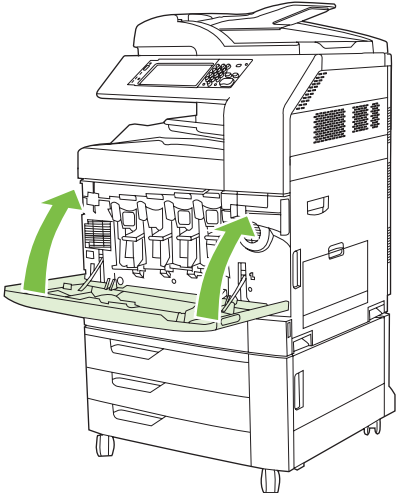


7. Align the print cartridge with its slot and insert the print cartridge until it clicks into place.



8. Insert additional print cartridges in the same manner.

9. Grasp the grips on the sides of the front door and lift up to close.



To recycle the used print cartridge, follow the instructions included with the new print cartridge.

## Change image drums

When an image drum approaches the end of its useful life, the control panel displays a message recommending that you order a replacement. The product can continue to print using the current image drum until the control panel displays a message instructing you to replace the image drum.

The product uses four colors and has a different image drums for each color: black (K), magenta (M), cyan (C), and yellow (Y).

Replace an image drum when the control panel displays **Replace <color> Drum** message. The control-panel display also indicates the color that should be replaced (if a genuine HP cartridge is currently installed). Replacement instructions are included in the image drum box.

---

△ **CAUTION:** If toner gets on clothing, wipe it off with a dry cloth and wash the clothes in cold water. Hot water sets toner into fabric.

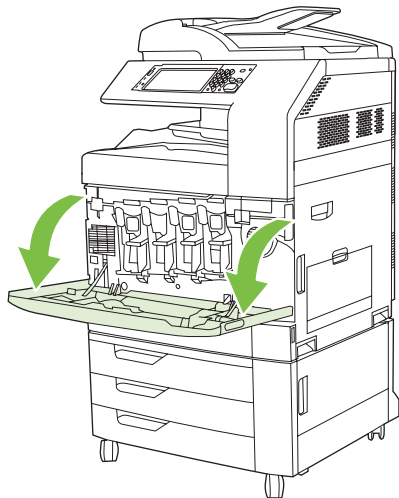
📄 **NOTE:** Information about recycling used image drums is on the image drum box.

---

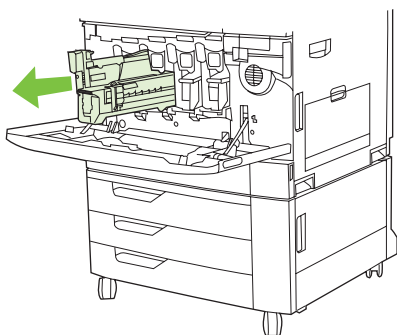


## Replace image drums

1. Grasp the grips on the sides of the front door and pull down to open.



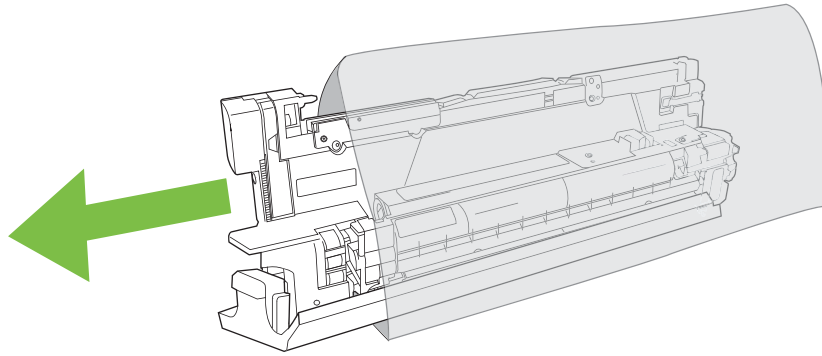
2. With one hand, lift and slowly pull the used image drum out of the product, while supporting the image drum with your other hand.




△ **CAUTION:** If reusing the same image drum, do not touch the green cylinder on the bottom of the drum because it can damage the drum.


3. Store the used image drum in a protective bag. Information about recycling used image drums is on the image drum box.
4. Remove additional image drums in the same manner.

5. Remove the new image drum from its protective bag.

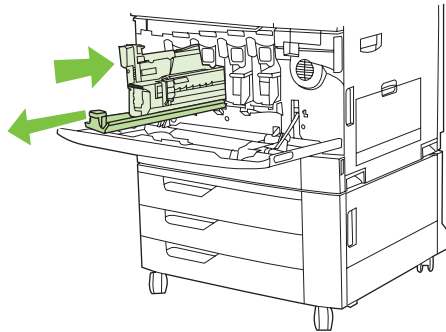


 **NOTE:** Store protective bag in a secure place for future use.

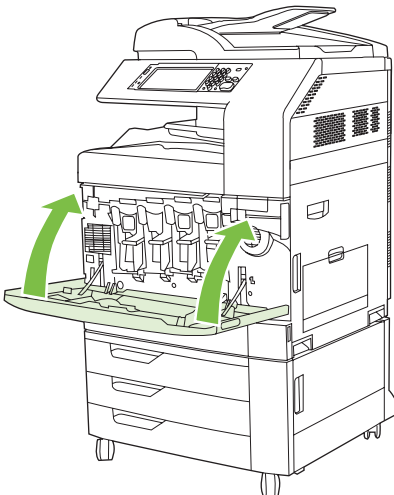
**NOTE:** Do not shake the image drum.

 **CAUTION:** Do not touch the green cylinder on the bottom of the image drum because it can damage the drum.

6. Align the image drum with the correct slot and insert the image drum until it clicks into place. The gray protective cover on the bottom of the drum automatically slides off as the image drum is inserted. You can discard this cover.



7. Insert additional image drums in the same manner.
8. Grasp the grips on the sides of the front door and lift up to close.



To recycle the used image drum, follow the instructions included with the new image drum.

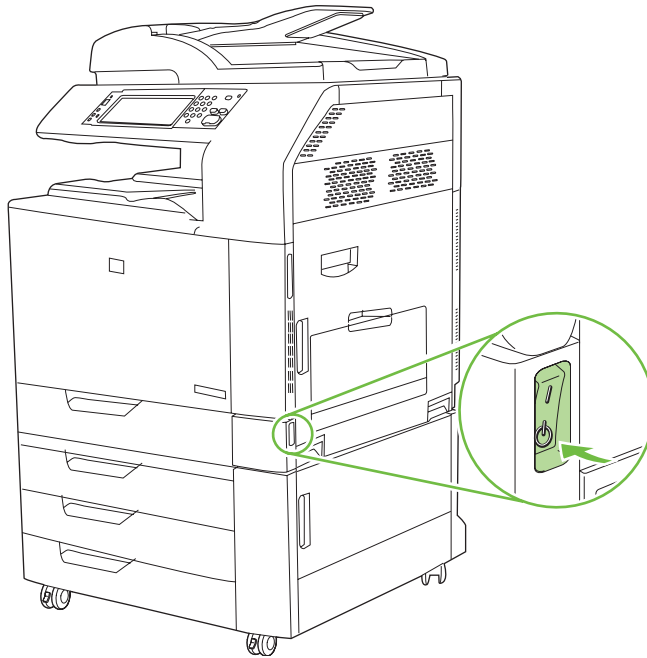
## Install memory

You can install more memory for the product.

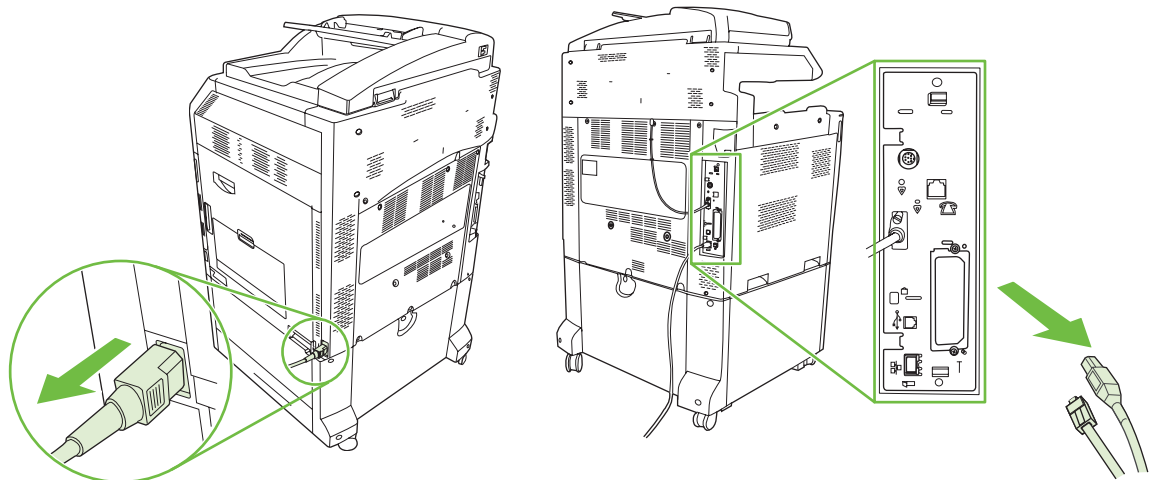
- △ **CAUTION:** Static electricity can damage DIMMs. When handling DIMMs, either wear an antistatic wrist strap, or frequently touch the surface of the DIMM antistatic package and then touch bare metal on the product.

### Install DDR memory DIMMs

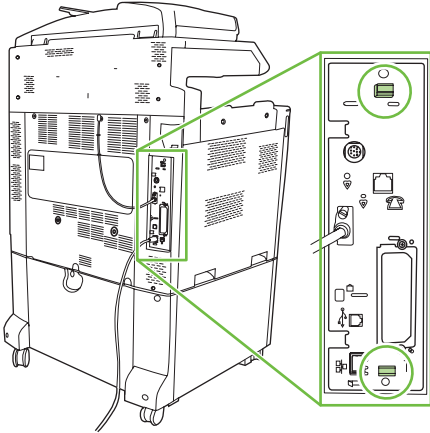
1. Turn the product off.



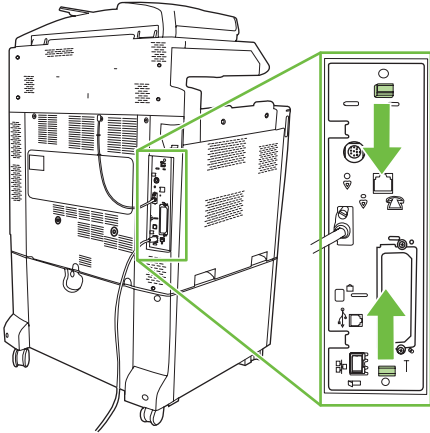
2. Disconnect all power and interface cables.



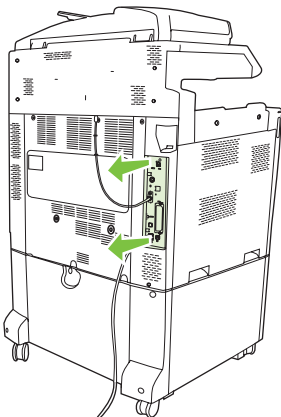
3. Locate the black formatter pressure release tabs on the formatter board in the rear of the product.



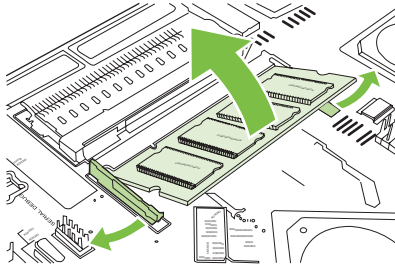
4. Gently press the black tabs toward each other.



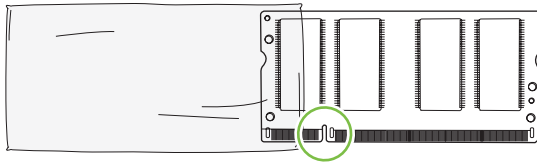
5. Gently pull on the black tabs to pull the formatter board from the product. Place the formatter board on a clean, flat, grounded surface.



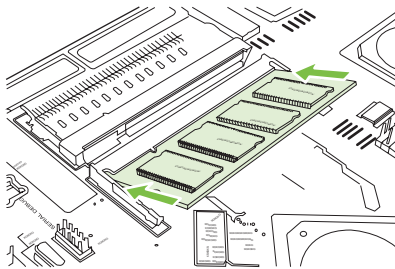
6. To replace a DIMM that is currently installed, spread the latches apart on each side of the DIMM slot, lift the DIMM up at an angle, and pull it out.



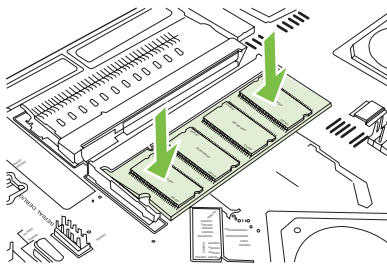
7. Remove the new DIMM from the antistatic package. Locate the alignment notch on the bottom edge of the DIMM.



8. Holding the DIMM by the edges, align the notch on the DIMM with the bar in the DIMM slot at an angle and firmly press the DIMM into the slot until it is fully seated. When installed correctly, the metal contacts are not visible.



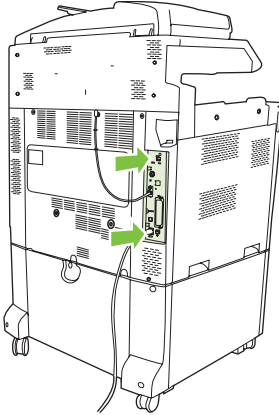
9. Push down on the DIMM until both latches engage the DIMM.



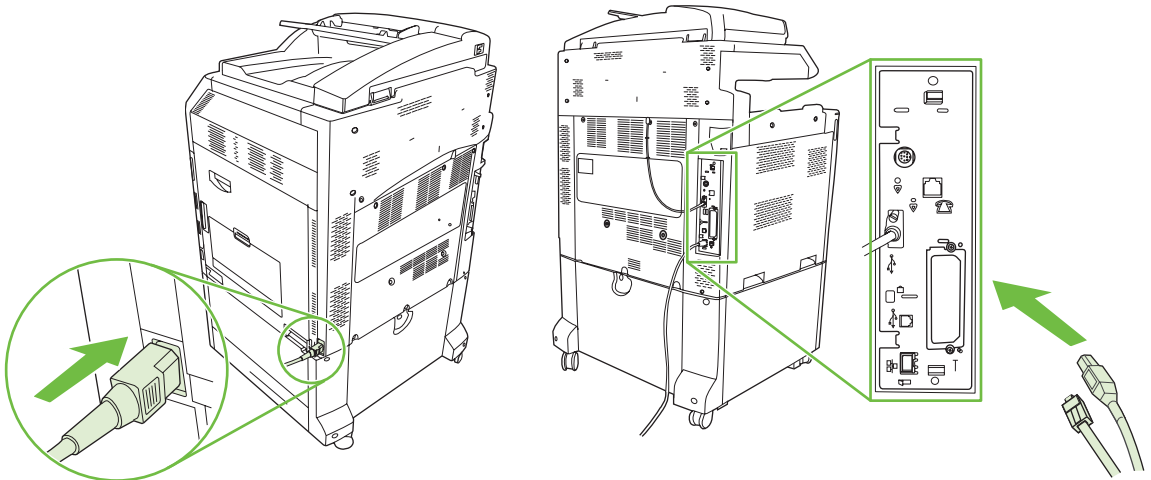
**NOTE:** If you have difficulty inserting the DIMM, make sure the notch on the bottom of the DIMM is aligned with the bar in the slot. If the DIMM still does not go in, make sure you are using the correct type of DIMM.

- Align the formatter board in the tracks at the bottom of the slot, and then slide the board back into the product.

△ **CAUTION:** To prevent damage to the formatter board, ensure the formatter board is aligned in the tracks.



- Reconnect the power cable and interface cables, and turn the product on.



- To enable the new memory, go to [Enable memory on page 114](#).

## Enable memory

If you installed a memory DIMM, set the product driver to recognize the newly added memory.

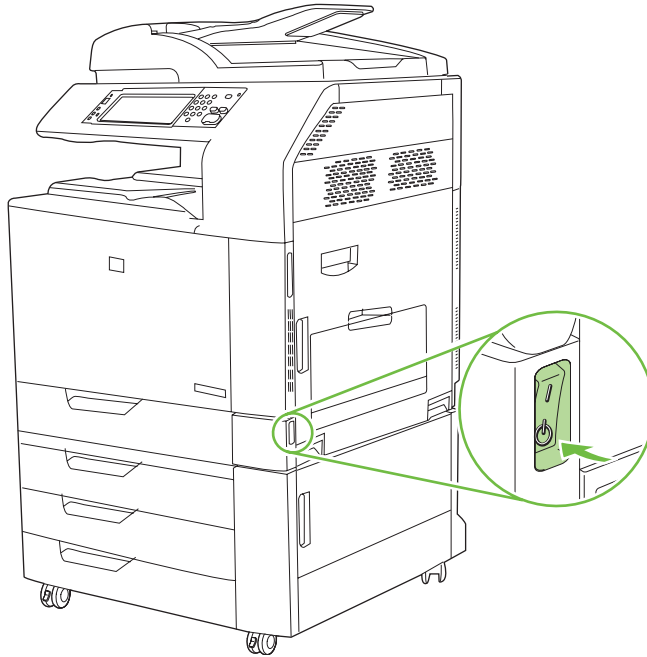
### Enable memory for Windows 2000 and XP

- On the **Start** menu, point to **Settings**, and click **Printers** or **Printers and Faxes**.
- Right-click the product and select **Properties**.
- On the **Device Settings** tab, click **Printer Memory** (in the **Installable Options** section).
- Select the total amount of memory that is now installed.
- Click **OK**.

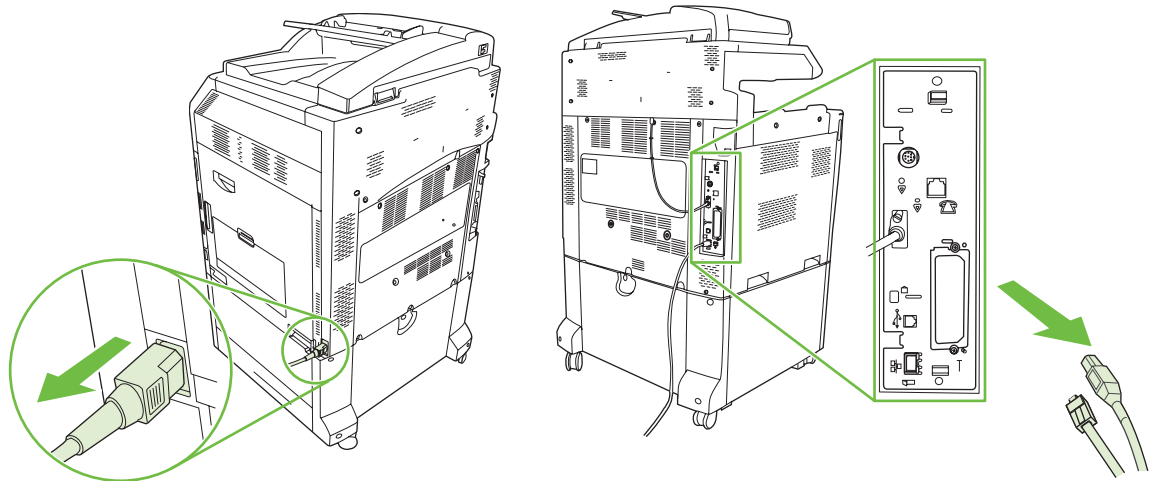
## Install an HP Jetdirect or EIO print server card or EIO hard disk

The HP Color LaserJet CM6040 MFP Series are equipped with an embedded print server port. If desired, you can install an additional I/O card in the available EIO slot.

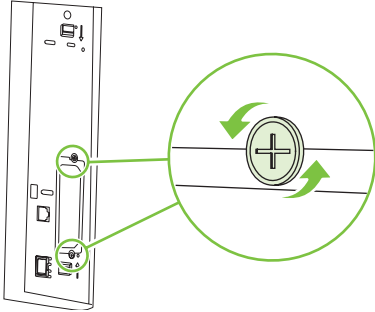
1. Turn the product off.



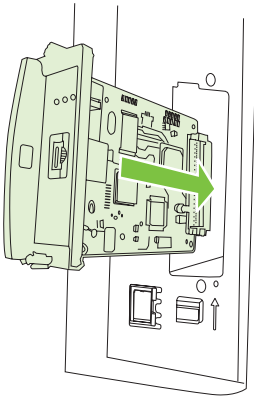
2. Disconnect all power and interface cables.



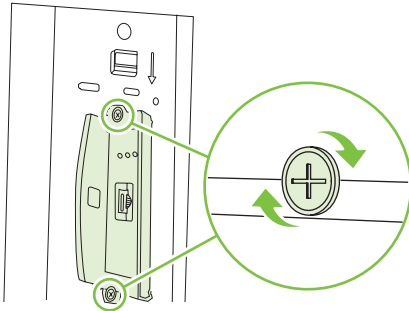
3. Locate an open EIO slot. Loosen and remove the two retaining screws holding the cover for the EIO slot, and then remove the cover. You will not need these screws and the cover again. They can be discarded.



4. Firmly insert the HP Jetdirect print server card into the EIO slot.

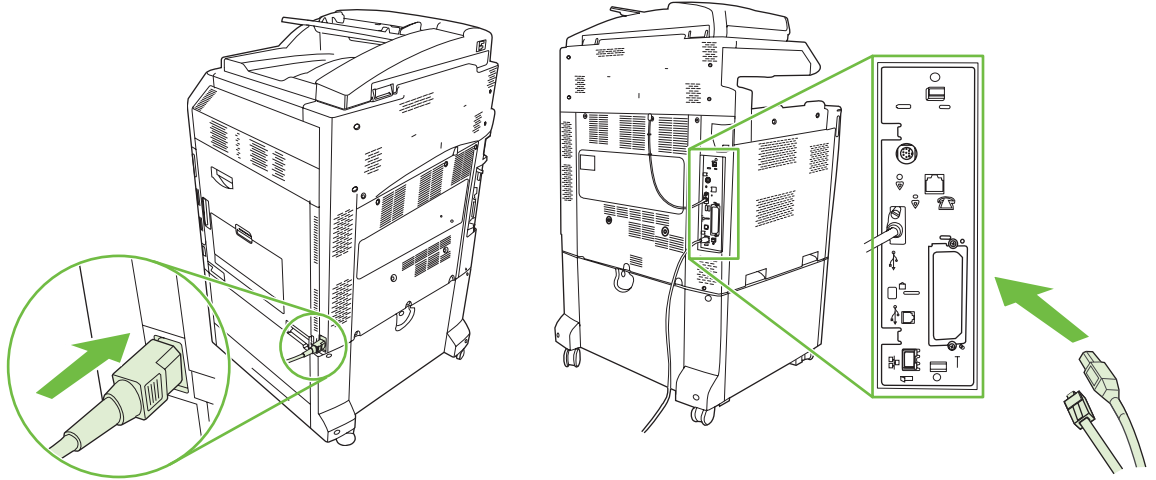


5. Insert and tighten the retaining screws that came with the print server card.





6. Reconnect the power cable and remaining interface cables, and turn the product on.




7. Print a configuration page. In addition to a product configuration page and a Supplies Status page, an HP Jetdirect configuration page that contains network configuration and status information should also print.

If it does not print, turn the power to the device off and uninstall and reinstall the print server card to ensure that it is completely seated in the slot.

8. Perform one of these steps:
  - Choose the correct port. See the computer or operating system documentation for instructions.
  - Reinstall the software, choosing the network installation this time.

## Replace the staple cartridge

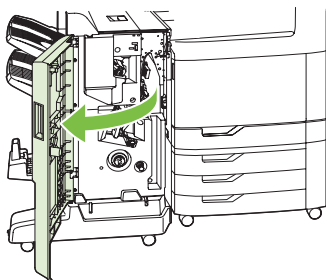
If the optional HP 3-bin Stapler/Stacker Accessory or HP Booklet Maker/Finisher Accessory runs out of staples while it is stapling a print job, the product automatically stops, if set to stop when out. If the product is set to continue when out, the product will continue to print without stapling.

 **NOTE:** Only replace the staple cartridge unit when the stapler/stacker or booklet maker has run out of staples. Removing the staple cartridge at other times can cause an error to occur.

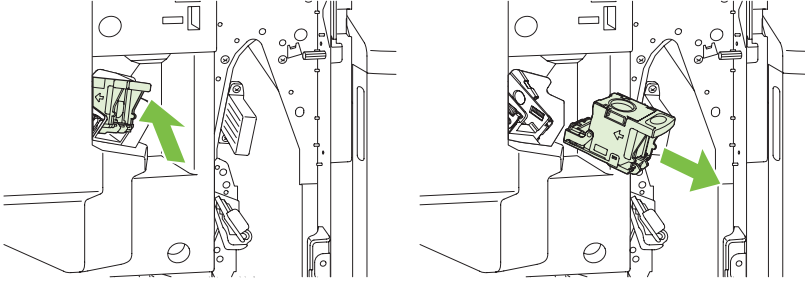
**NOTE:** When the stapler/stacker or booklet maker runs out of staples, the stapler unit will return to its default position automatically.

## Replace the staple cartridge

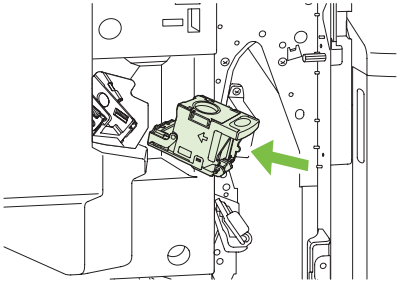
1. Open the front door of the booklet maker or stapler/stacker.



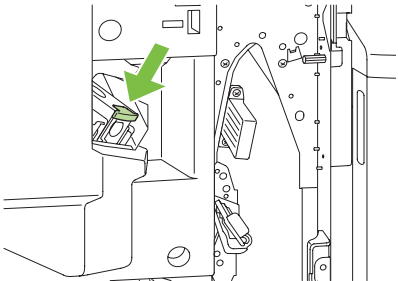
2. Push up to on the staple cartridge to remove it from the booklet maker or stapler/stacker.



3. Insert the replacement staple cartridge unit into the stapler unit.



4. Push the staple cartridge unit into the stapler unit until it clicks into position.

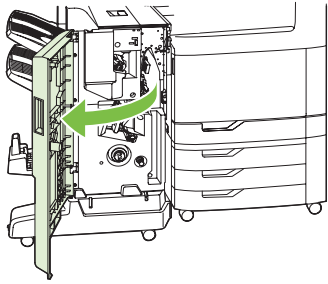


5. Close the front door.

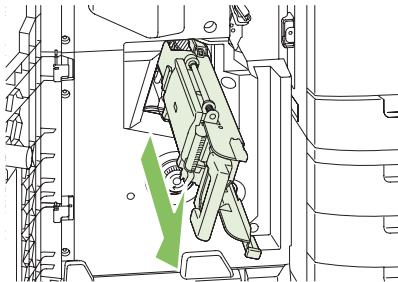


## Replace saddle stitch staple cartridges in the booklet maker

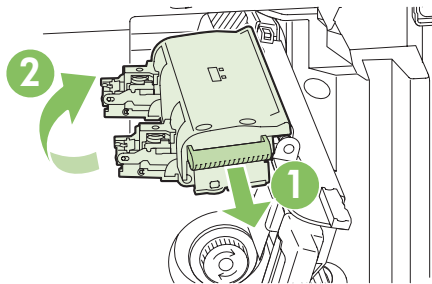
1. Open the front door of the booklet maker.



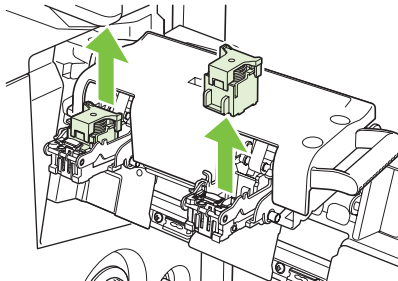
2. Grasp the blue handle and pull the staple carriage out of the booklet maker.



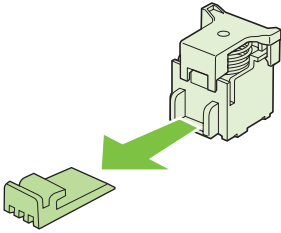
3. Grasp the small blue handle on the staple cartridge unit and pull it toward you, then swing the staple cartridge unit into an upright position.



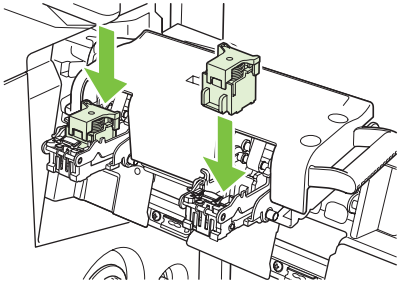
4. Grasp the edges of each staple cartridge and pull up firmly to remove the staple cartridges from the staple cartridge unit.



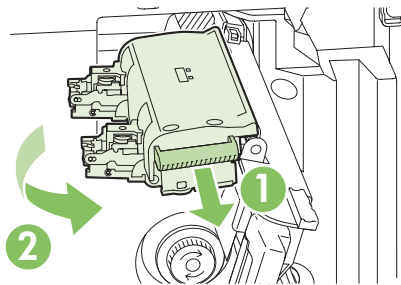
5. Unpack the new cartridges and remove the plastic packing lock from each one.



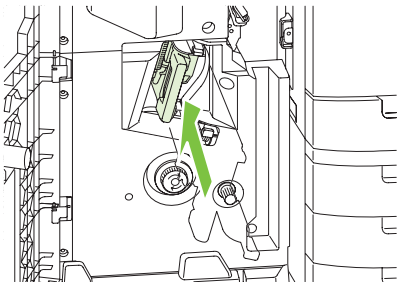
6. Hold the new cartridges so that the arrows on the cartridges align with the arrows on the staple cartridge unit and insert them into the unit.



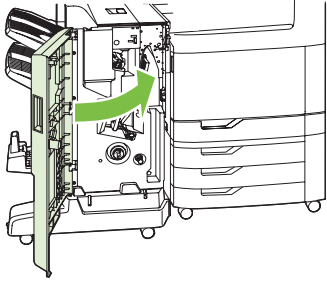
7. Pull the handle of the staple cartridge unit toward you and rotate it downward to its original position. Lock it into position by pushing in the handle.



8. Push the staple carriage back into the booklet maker finisher.



9. Close the front door of the booklet maker.



## Clean the product

To maintain print quality, clean the product thoroughly every time you replace the print cartridge and whenever print-quality problems occur.

- 
- ⚠ **WARNING!** Avoid touching the fusing area when cleaning the product. It can be hot.
  - ⚠ **CAUTION:** To avoid permanent damage to the print cartridge, do not use ammonia-based cleaners on or around the product except as directed.
- 

## Clean the outside of the product

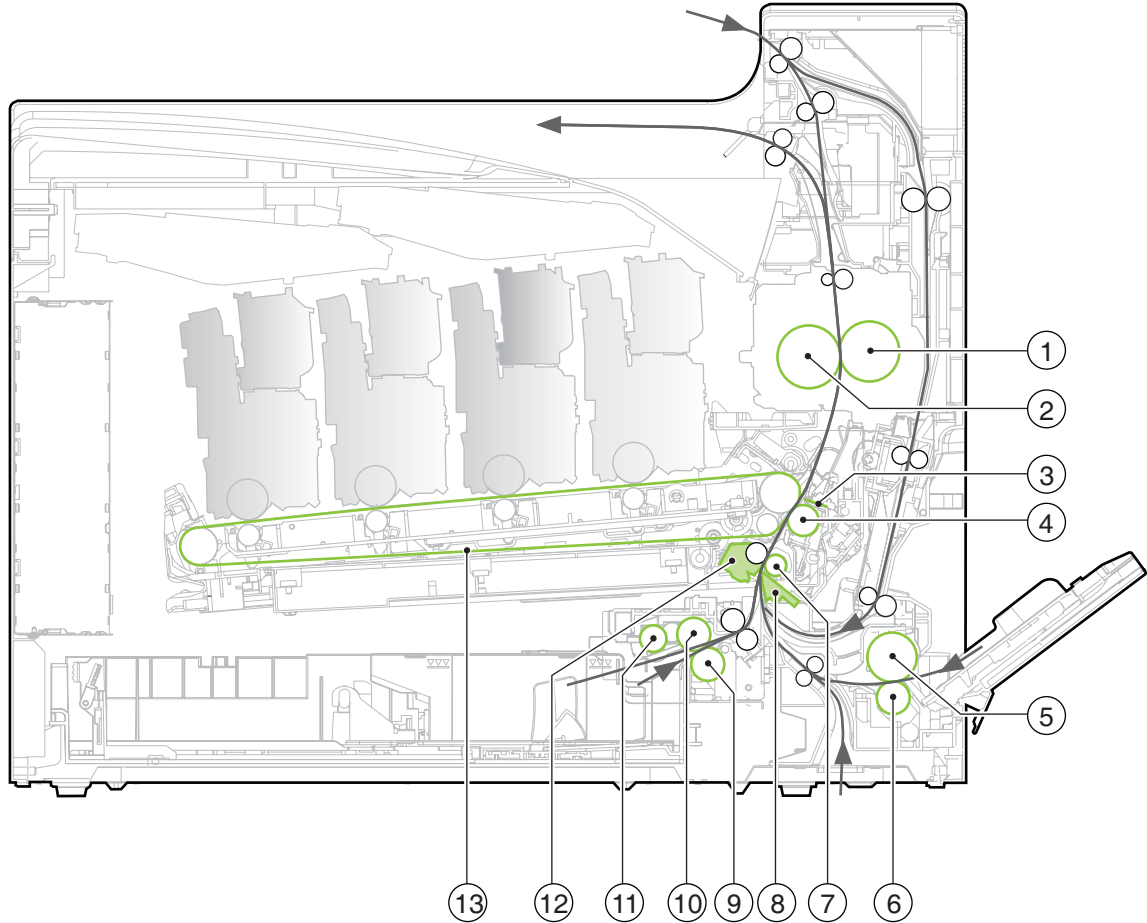
- Clean the outside of the product if it is visibly marked.
- Use a soft, lint-free cloth dampened with water, or water and a mild detergent.

## Clean the product interior

Component	Cleaning method
Guide for media path	Wipe with a lint-free cloth. If dirt cannot be removed, dampen the lint-free cloth with alcohol.
Pickup roller, separation roller, feed roller, MP tray pickup roller, MP tray separation roller, registration roller	Wipe with a lint-free cloth. If dirt cannot be removed, dampen the lint-free cloth with alcohol.
Static charge eliminator	Clean with the brush that is attached to the upper left of the right cover inside.

- 
- 📄 **NOTE:** When the secondary transfer roller unit is opened, do not touch the ITB or media sensor unit in the ITB unit, while cleaning the component.
-

**Figure 4-2** Location of product components that require cleaning

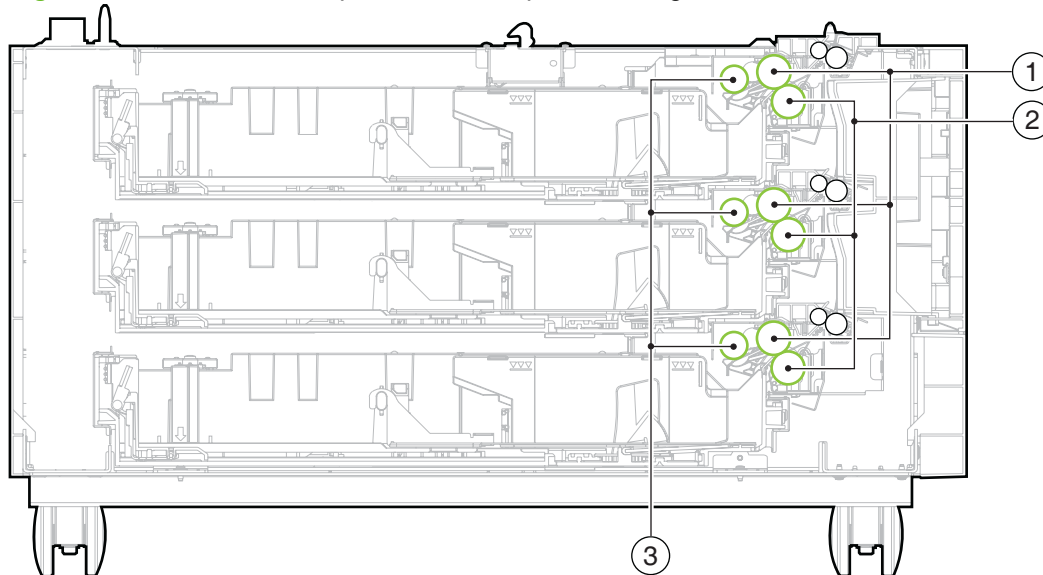


1	Pressure roller
2	Fuser roller
3	Static charge eliminator
4	Secondary transfer roller
5	MP tray pickup roller
6	MP tray separation roller
7	Front registration roller
8	Correction plate
9	Separation roller
10	Feed roller
11	Pickup roller
12	Media sensor roller
13	ITB

## Clean the 3X500 sheet input tray

Component	Cleaning method
Guide for the paper path	Wipe with a lint-free cloth. If dirt cannot be removed, dampen the lint-free cloth with alcohol.
Cassette pickup roller, cassette separation roller, and cassette feed roller	Wipe with a lint-free cloth. If dirt cannot be removed, dampen the lint-free cloth with alcohol.

**Figure 4-3** Location of components that require cleaning



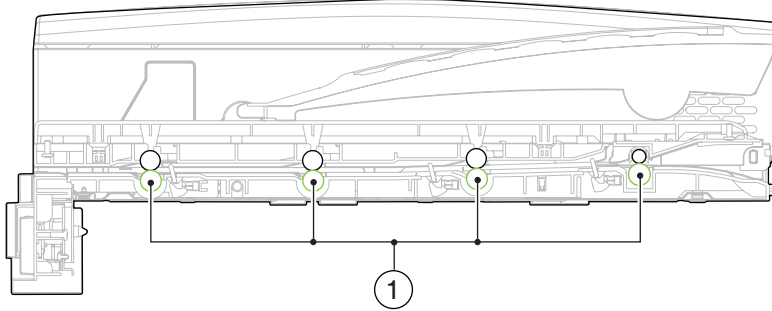
1	Cassette feed roller
2	Cassette separation roller
3	Cassette pickup roller



## Clean the IPTU

Component	Cleaning method
Guide for the paper path	Wipe with a lint-free cloth. If dirt cannot be removed, dampen the lint-free cloth with alcohol.
IPTU feed roller	Wipe with a lint-free cloth. If dirt cannot be removed, dampen the lint-free cloth with alcohol.

**Figure 4-4** Location of IPTU components that require cleaning



1	IPTU feed roller
---	------------------

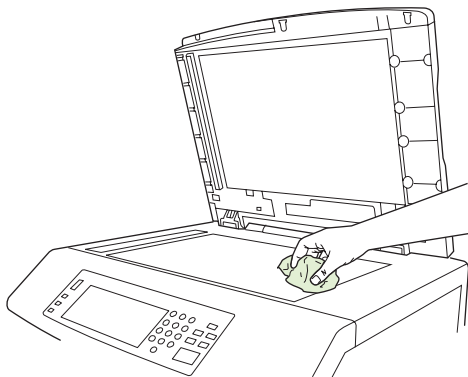
## Clean the touchscreen

Clean the touchscreen whenever it is necessary to remove fingerprints or dust. Wipe the touchscreen gently with a clean, water-dampened, lint-free cloth.

- △ **CAUTION:** Use water only. Solvents or cleaners can damage the touchscreen. Do not pour or spray water directly onto the touchscreen.

## Clean the scanner glass

- Clean the scanner glass only if dirt is visible, or if you are experiencing a decrease in copy quality, such as streaking.
- Clean the scanner glass by wiping it gently with a clean, slightly damp, lint-free cloth. Use an ammonia-based surface cleaner only when a water-dampened cloth does not clean the scanner glass.



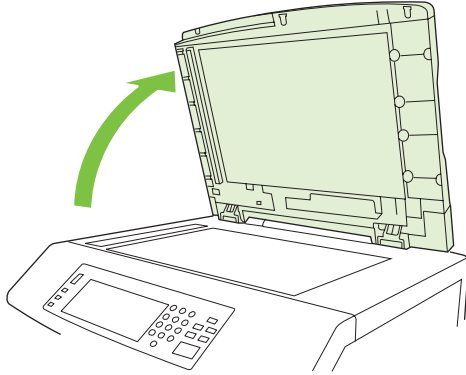
△ **CAUTION:** Do not pour or spray liquids directly onto the scanner glass. Do not press hard on the glass surface. (You could break the glass).

## Cleaning the ADF delivery system

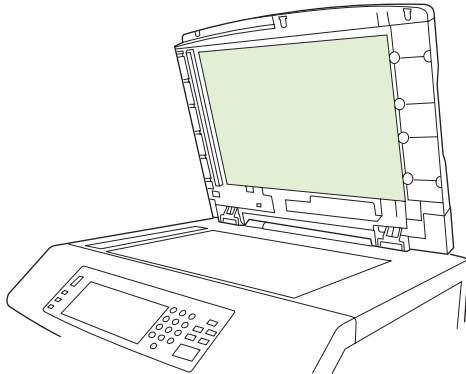
Clean the ADF only if it is visibly marked or dirty, or if you are experiencing a decrease in copy quality (such as streaking).

### Clean the ADF delivery system

1. Open the scanner lid.

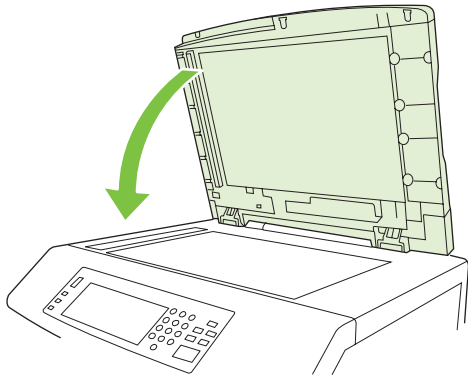


2. Locate the white, vinyl ADF backing.



3. Clean the ADF backing by wiping them with a clean, damp, lint-free cloth. Use an ammonia-based surface cleaner only when a water-dampened cloth does not clean the ADF components.
4. Clean the scanner glass by wiping it gently with a clean, slightly damp, lint-free cloth. Use an ammonia-based surface cleaner only when a water-dampened cloth does not clean the scanner glass.

5. Close the scanner lid.

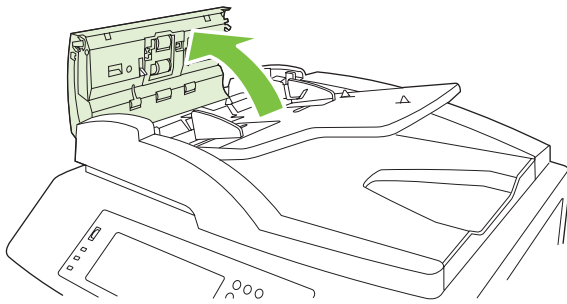


## Clean the ADF rollers

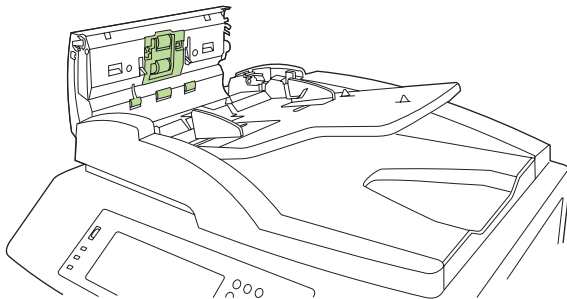
You should clean the rollers in the ADF if you are experiencing misfeeds or if your originals show marks as they exit the ADF.

- △ **CAUTION:** Clean the rollers only if you experience misfeeds or marks on the originals, and you notice dust on the rollers. Cleaning the rollers frequently could introduce dust into the device.

1. Pull the release lever to open the ADF cover.



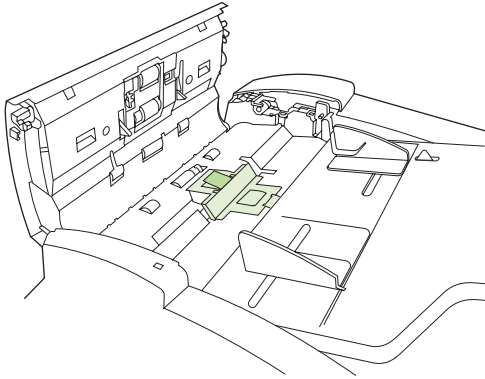
2. Locate the rollers.



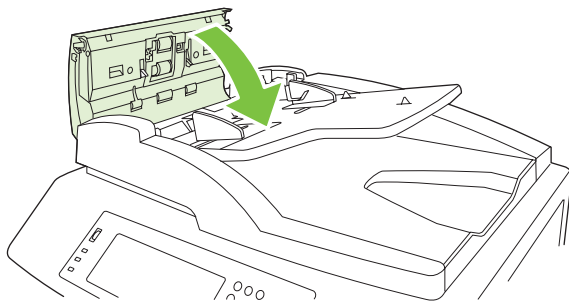
3. Wipe the rollers with a clean, water-dampened, lint-free cloth.

- △ **CAUTION:** Do not pour water directly onto the rollers. Doing so might damage the device.

4. Locate the separation pad.



5. Wipe the pad with a clean, water-dampened, lint-free cloth.
6. Close the ADF cover.



## ADF maintenance kit

After feeding 60,000 pages through the ADF, a **Replace Document Feeder Kit** message appears on the control-panel display. This message appears approximately one month before the kit needs to be replaced. Order a new kit when this message appears.

The ADF maintenance kit includes the following items:

- One pick-up roller assembly
- One separation pad
- An instruction sheet

Follow the instructions that come with the kit to install it.

After replacing the kit, reset the ADF maintenance-kit count.

### Reset the ADF maintenance-kit count

1. On the control panel, scroll to and touch **Administration**.
2. Touch **Resets**.
3. Touch **Reset Supplies**.
4. Touch **ADF Maintenance Kit**.
5. Touch **Yes**.
6. Touch **Save**.

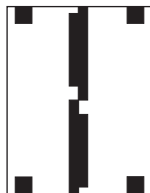
## Calibrate the scanner

Calibrate the scanner to compensate for offsets in the scanner imaging system (carriage head) for ADF and flatbed scans. Because of mechanical tolerances, the scanner's carriage head might not read the position of the image accurately. During the calibration procedure, scanner offset values are calculated and stored. The offset values are then used when producing scans so that the correct portion of the document is captured.

Scanner calibration should be carried out only if you notice offset problems with the scanned images. The scanner is calibrated before it leaves the factory. It needs to be calibrated again only rarely.

Before calibrating the scanner, print the calibration target.

1. Place letter- or A4-size paper in tray 1, and adjust the side guides.
2. On the control-panel Home screen, scroll to and touch **Administration**.
3. Touch **Troubleshooting**.
4. Touch **Calibrate Scanner**.
5. Touch **Calibrate** to print the first pass of the calibration target.
6. Place the first pass of the calibration target face-down in tray 1 so that the arrows are facing into the product.
7. Touch **Start** to print the second pass. The final calibration target *must* look like the following figure.



---

△ **CAUTION:** If the calibration target does not look like the figure shown here, the calibration process will fail and the quality of scans will be degraded. *The black areas must extend completely to the short edges of the page. If they do not, use a black marker to extend the black areas to the edge of the page.*

---

8. Place the calibration target face-up into the ADF, and adjust the side guides.
9. After the calibration target has passed through the ADF once, reposition it face down in the ADF and touch **Start**.
10. Place the calibration target face-down on the scanner glass, touch **Start**, and scan the page. After this pass, the calibration is complete.

# Upgrade the firmware

The product has remote firmware update (RFU) capability. Use the information in this section to upgrade the product firmware.

## Determine the current firmware version

1. From the control panel Home screen, scroll to and touch **Administration**.
2. Touch **Information**.
3. Touch **Configuration/status Pages**.
4. Touch **Configuration Page**.
5. Touch **Print**.

The firmware datecode is listed on the Configuration page in the section called **Device Information**. The firmware datecode has this format: YYYYMMDD XX.XXX.X. The first string of numbers is the date, where YYYY represents the year, MM represents the month, and DD represents the date. For example, a firmware datecode of that begins with 20061125 represents November 25, 2006.

## Download new firmware from the HP Web site

To find the most recent firmware upgrade for the product, go to [www.hp.com/go/cljcm6030mfp\\_firmware](http://www.hp.com/go/cljcm6030mfp_firmware) or [www.hp.com/go/cljcm6040mfp\\_firmware](http://www.hp.com/go/cljcm6040mfp_firmware). This page provides instructions for downloading the new firmware version.

## Transfer the new firmware to the product

---


 **NOTE:** The product can receive an .RFU file update when it is in a "ready" state.

---

The elapsed time for an update depends on the I/O transfer time, as well as the time that it takes for the product to re-initialize. The I/O transfer time depends on a number of things, including the speed of the host computer that is sending the update. If the remote firmware update process is interrupted before the firmware is downloaded (while **Receiving Upgrade** appears on the control-panel display), the firmware file must be sent again. If power is lost during the flash DIMM update (while the **Performing Upgrade** message appears on the control-panel display), the update is interrupted and the message **Resend Upgrade** appears (in English only) on the control-panel display. In this case, you must send the upgrade by using the parallel port. Finally, any jobs that are ahead of the RFU job in the queue are completed before the update is processed.

## Use FTP to upload the firmware through a browser

---


 **NOTE:** The firmware update involves a change in the format of nonvolatile random-access memory (NVRAM). Any menu settings that are changed from the default settings might return to default settings and must be changed again if you want settings that are different from the defaults.

---

1. Print a configuration page and note the TCP/IP address shown on the EIO Jetdirect page.
2. Open a browser window.
3. In the address line of the browser, type `ftp://<ADDRESS>`, where <ADDRESS> is the address of the product. For example, if the TCP/IP address is 192.168.0.90, type `ftp://192.168.0.90`.

4. Locate the downloaded .RFU file for the product.
5. Drag and drop the .RFU file onto the **PORT1** icon in the browser window.


---

 **NOTE:** The product turns off and then on automatically to activate the update. When the update process is complete, a **Ready** message displays on the product control panel.

---

## Use FTP to upgrade the firmware on a network connection


---

 **NOTE:** The firmware update involves a change in the format of nonvolatile random-access memory (NVRAM). Any menu settings that are changed from the default settings might return to default settings and must be changed again if you want settings that are different from the defaults.

---

1. Take note of the IP address on the HP Jetdirect page. The HP Jetdirect page is the second page that prints when you print the configuration page.

---

 **NOTE:** Before upgrading the firmware, make sure that the product is not in Sleep mode. Also make sure that any error messages are cleared from the control-panel display.

---

2. Open an MS-DOS command prompt on your computer.
3. Type: `ftp TCP/IP ADDRESS>`. For example, if the TCP/IP address is 192.168.0.90, type `ftp 192.168.0.90`.
4. Go to the folder where the firmware file is stored.
5. Press **Enter** on the keyboard.
6. When prompted for the user name, press **Enter**.
7. When prompted for the password, press **Enter**.
8. Type `bin` at the command prompt.
9. Press **Enter**. The message **200 Types set to I, Using binary mode to transfer files** appears in the command window.
10. Type `put` and then the file name (for example, if the file name is `CM6040mfp.efn`, type `put CM6040mfp.efn`).
11. The download process begins and the firmware is updated on the product. This can take approximately five minutes. Let the process finish without further interaction with the product or computer.

---

 **NOTE:** The product automatically turns off and then on again after processing the upgrade.

---

12. At the command prompt, type: `bye` to exit the ftp command.
13. At the command prompt, type: `exit` to return to the Windows interface.



## Use HP Web Jetadmin to upgrade the firmware

This procedure requires that you install HP Web Jetadmin Version 7.0 or later on your computer. See [Use HP Web Jetadmin software on page 99](#). Complete the following steps to update a single device through HP Web Jetadmin after downloading the .RFU file from the HP Web site.


1. Start HP Web Jetadmin.
2. Open the **Device Management** folder in the drop-down list in the **Navigation** panel. Navigate to the **Device Lists** folder.
3. Expand the **Device Lists** folder and select **All Devices**. Locate the product in the list of devices, and then click to select it.  
  
If you need to upgrade the firmware for multiple HP Color LaserJet CM6040 MFP Series products, select all of them by pressing the **Ctrl** key as you click the name of each product.
4. Locate the drop-down box for **Device Tools** in the upper-right corner of the window. Select **Update Printer Firmware** from the action list.
5. If the name of the .RFU file is not listed in the **All Available Images** box, click **Browse** in the **Upload New Firmware Image** dialog box and navigate to the location of the .RFU file that you downloaded from the Web at the start of this procedure. If the filename is listed, select it.
6. Click **Upload** to move the .RFU file from your hard drive to the HP Web Jetadmin server. After the upload is complete, the browser window refreshes.
7. Select the .RFU file from the **Printer Firmware Update** drop-down menu.
8. Click **Update Firmware**. HP Web Jetadmin sends the selected .RFU file to the product. The control panel shows messages that indicate the progress of the upgrade. At the end of the upgrade process, the control panel shows the **Ready** message.

## Use MS-DOS commands to upgrade the firmware

To update the firmware by using a network connection, follow these instructions.

1. From a command prompt or in an MS-DOS window, type the following: `copy /B FILENAME> \COMPUTERNAME>\SHARENAME>`, where <FILENAME> is the name of the .RFU file (including the path), <COMPUTERNAME> is the name of the computer from which the product is being shared, and <SHARENAME> is the product share name. For example: `C:\>copy /b C:\9200fw.RFU \\YOUR_SERVER\YOUR_COMPUTER.`

---

 **NOTE:** If the file name or path includes a space, you must enclose the file name or path in quotation marks. For example, type: `C:\>copy /b "C:\MY DOCUMENTS\3500FW.RFU" \\YOUR_SERVER\YOUR_COMPUTER.`

---

2. Press **Enter** on the keyboard. The control panel shows a message that indicates the progress of the firmware upgrade. At the end of the upgrade process, the control panel shows the **Ready** message. The message **One File Copied** appears on the computer screen.

## Use the HP Jetdirect firmware

The HP Jetdirect network interface in the product has firmware that can be upgraded separately from the product firmware. This procedure requires that you install HP Web Jetadmin Version 7.0 or later on

your computer. See [Use HP Web Jetadmin software on page 99](#). Complete the following steps to update the HP Jetdirect firmware by using HP Web Jetadmin.

1. Open the HP Web Jetadmin program.
2. Open the **Device Management** folder in the drop-down list in the **Navigation** panel. Navigate to the **Device Lists** folder.
3. Select the device that you want to update.
4. In the **Device Tools** drop-down list, select **Jetdirect Firmware Update**.
5. Under **Jetdirect firmware version** the HP Jetdirect model number and current firmware version are listed. Make a note of these.
6. Go to [www.hp.com/go/wja\\_firmware](http://www.hp.com/go/wja_firmware).
7. Scroll down to the list of HP Jetdirect model numbers and find the model number you wrote down.
8. Look at the current firmware version for the model, and see if it is later than the version you wrote down. If it is, right-click on the firmware link, and follow the instructions on the Web page to download the new firmware file. The file must be saved into the <drive>:\PROGRAM FILES\HP WEB JETADMIN\DOC\PLUGINS\HPWJA\FIRMWARE\JETDIRECT folder on the computer that is running the HP Web Jetadmin software.
9. In HP Web Jetadmin, return to the main device list and select the digital sender again.
10. In the **Device Tools** drop-down list, select **Jetdirect Firmware Update** again.
11. On the HP Jetdirect firmware page, the new firmware version is listed under **Jetdirect Firmware Available on HP Web Jetadmin**. Click the **Update Firmware Now** button to update the Jetdirect firmware.

## Set the real-time clock

Use the real-time clock feature to set the date and time settings. The date and time information is attached to stored print, fax, and digital-send jobs, so you can identify the most recent versions of stored print jobs.

### Set the date format

1. On the control panel, scroll to and touch **Administration**.
2. Touch **Time/Scheduling**.
3. Touch **Date/Time**.
4. Touch **Date Format**.
5. Touch the desired format.
6. Touch **Save**.

### Set the date

1. On the control panel, scroll to and touch **Administration**.
2. Touch **Time/Scheduling**.
3. Touch **Date/Time**.
4. Touch **Date**.
5. Touch the appropriate options to set the correct month, date of the month, and the year.
6. Touch **Save**.

### Set the time format

1. On the control panel, scroll to and touch **Administration**.
2. Touch **Time/Scheduling**.
3. Touch **Date/Time**.
4. Touch **Time Format**.
5. Touch the appropriate format.
6. Touch **Save**.

### Set the time

1. On the control panel, scroll to and touch **Administration**.
2. Touch **Time/Scheduling**.
3. Touch **Date/Time**.
4. Touch **Time**.

5. Touch the appropriate options to set the correct hour, minute, and AM/PM setting.
6. Touch **Save**.

---

# 5 Theory of operation

- [Basic operation](#)
- [Formatter system](#)
- [Engine-control system](#)
- [Laser/scanner system](#)
- [Image-formation system](#)
- [Pickup, feed, and delivery system](#)
- [Jam detection](#)
- [Optional input trays](#)
- [Scanner component](#)
- [ADF](#)

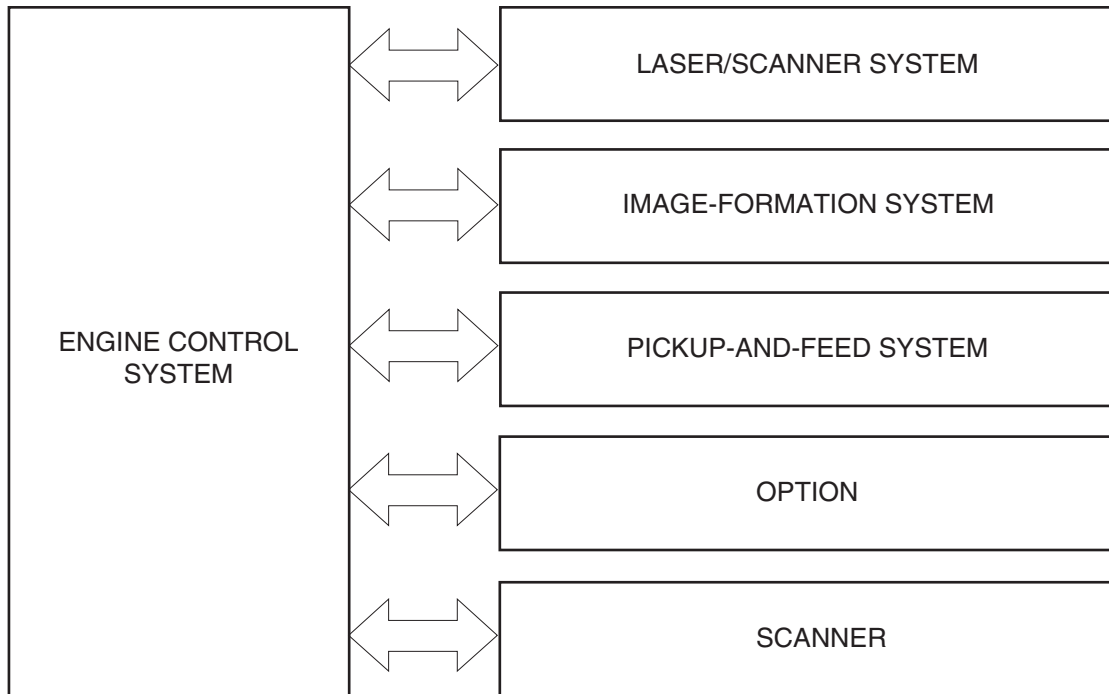
## Basic operation

All high-level processes are routed through the formatter, which stores font information, processes the print image, and communicates with the host computer.

Basic product operation can be divided into the following systems:

- The engine-control system, which includes the power supply and the DC controller PCA
- The laser/scanner system, which forms the latent image on the photosensitive drum
- The image-formation system, which transfers a toner image onto the paper
- The paper pickup and feed system, which uses a system of rollers and belts to transport the paper through the product.
- Scanner and ADF functions and operations

**Figure 5-1** Relationship between the main product systems



## Sequence of operation

The DC controller PCA controls the operating sequence, as described in the following table. For detailed information about the timing of the processes, see [General timing chart on page 634](#).

**Table 5-1** Sequence of operation

Period	Duration	Description
Waiting	From the time the power is turned on or when the product exits Sleep mode until the product is ready for printing	<ul style="list-style-type: none"> <li>• Pressurizes the fuser pressure roller</li> <li>• Detects the print cartridges and imaging drums</li> </ul>

**Table 5-1 Sequence of operation (continued)**

Period	Duration	Description
		<ul style="list-style-type: none"><li>• Detects the home position for the intermediate-transfer belt (ITB) and the developing unit</li><li>• Cleans waste toner from the ITB</li></ul>
Standby	From the end of the waiting sequence or the last rotation until the formatter receives a print command or until the product is turned off	<ul style="list-style-type: none"><li>• The product is in the ready state</li><li>• The product enters Sleep mode after the specified length of time</li><li>• The product calibrates if it is time for an automatic calibration.</li></ul>
Initial rotation	From the time the formatter receives a print command until the paper enters the paper path.	<ul style="list-style-type: none"><li>• Activates the high-voltage power supply</li><li>• Prepares each laser/scanner unit</li><li>• Warms the fuser to the appropriate temperature</li></ul>
Printing	From the time the first sheet of paper enters the paper path until the last sheet has passed through the fuser	<ul style="list-style-type: none"><li>• Forms the image on the photosensitive drums</li><li>• Transfers the toner to the paper</li><li>• Fuses the toner image onto the paper</li><li>• Performs calibration after a specified number of pages</li></ul>
Last rotation	From the time the last sheet of paper exits the fuser until the motors stop rotating	<ul style="list-style-type: none"><li>• Moves the last printed sheet into the output bin</li><li>• Stops each laser/scanner unit</li><li>• Discharges the bias from the high-voltage power supply</li></ul>

## Formatter system

The formatter is responsible for the following procedures:

- Controlling Sleep mode
- Receiving and processing print data from the various product interfaces
- Monitoring control-panel functions and relaying product-status information (through the control panel and the network or the bidirectional interface)
- Developing and coordinating data placement and timing with the DC controller PCA
- Storing font information
- Communicating with the host computer through the network or the bidirectional interface

The formatter receives a print job from the network or the bidirectional interface and separates it into image information and instructions that control the printing process. The DC controller PCA synchronizes the image-formation system with the paper-input and -output systems, and then signals the formatter to send the print-image data.

The formatter also provides the electrical interface and mounting locations for one EIO cards and an additional DIMM.


## Sleep mode

This feature conserves power after the product has been idle for an adjustable period of time. When the product is in Sleep mode, the control-panel backlight is turned off, but the product retains all settings, downloaded fonts, and macros. The default setting is for Sleep mode to be enabled, and the product enters the Sleep mode after a 60-minute idle time. Sleep mode can also be turned off from the **Reset** menu on the control panel.

The product exits Sleep mode and enters the warm-up cycle when any of the following events occurs:

- A print job, valid data, or a PML or PJJL command is received
- A control-panel button is pressed
- A cover is opened
- A paper tray is opened
- The engine-test switch is pressed

---


 **NOTE:** Product error messages override the Sleep message. The product enters Sleep mode at the appropriate time, but the error message continues to appear.

---

## Resolution Enhancement technology (REt)

The formatter contains circuitry for Resolution Enhancement technology (REt), which modifies the standard video dot data on its way to the DC controller PCA to produce “smoothed” line edges. The REt can be turned on or off from the control panel or from some software programs. The default setting is medium.

---

 **NOTE:** The REt settings that are sent from software programs or printer drivers override the control-panel settings.

---



## Input/output

The product receives print data primarily from the embedded HP Jetdirect print server. The product also has a USB 2.0 port for connecting directly to a computer.


## CPU

The formatter incorporates a 533 MHz RISC processor.

## Memory

The formatter system contains the product memory, which is divided into several components. This section describes each memory component.

---

 **NOTE:** If the product encounters a problem when managing available memory, a clearable warning message appears on the control panel.

---

## Hard disk

The product comes standard with a 50 GB hard disk. The hard disk can permanently store fonts and forms. It can also be used for making multiple original prints and for job-storage features.

## Random-access memory

The random-access memory (RAM) contains the page, I/O buffers, and the font storage area. It stores printing and font information received from the host system, and can also serve to temporarily store a full page of print-image data before the data is sent to the print engine. Memory capacity can be increased by adding a DIMM to the formatter. Note that adding memory might also increase the print speed for complex graphics.

## DIMM slot

The DIMM slot can be used to add memory or fonts.

## Nonvolatile memory

The product uses nonvolatile memory (NVRAM) to store I/O and print-environment-configuration information. The contents of NVRAM are retained when the product is turned off or disconnected.

## PJL overview

The printer job language (PJL) is an integral part of configuration, in addition to the standard printer command language (PCL). With standard cabling, the product can use PJL to perform a variety of functions, such as these:

- Two-way communication with the host computer through a network connection or a USB connection. The product can inform the host about such things as the control-panel settings, and the control-panel settings can be changed from the host.
- Dynamic I/O switching. The product uses this switching to be configured with a host on each I/O. The product can receive data from more than one I/O simultaneously, until the I/O buffer is full. This can occur even when the product is offline.

- Context-sensitive switching. The product can automatically recognize the personality (PS or PCL) of each job and configure itself to serve that personality.
- Isolation of print environment settings from one print job to the next. For example, if a print job is sent to the product in landscape mode, the subsequent print jobs print in landscape only if they are formatted for landscape printing.

## **PML**

The printer management language (PML) allows remote configuration and status readback through the I/O ports.

## **Control panel**

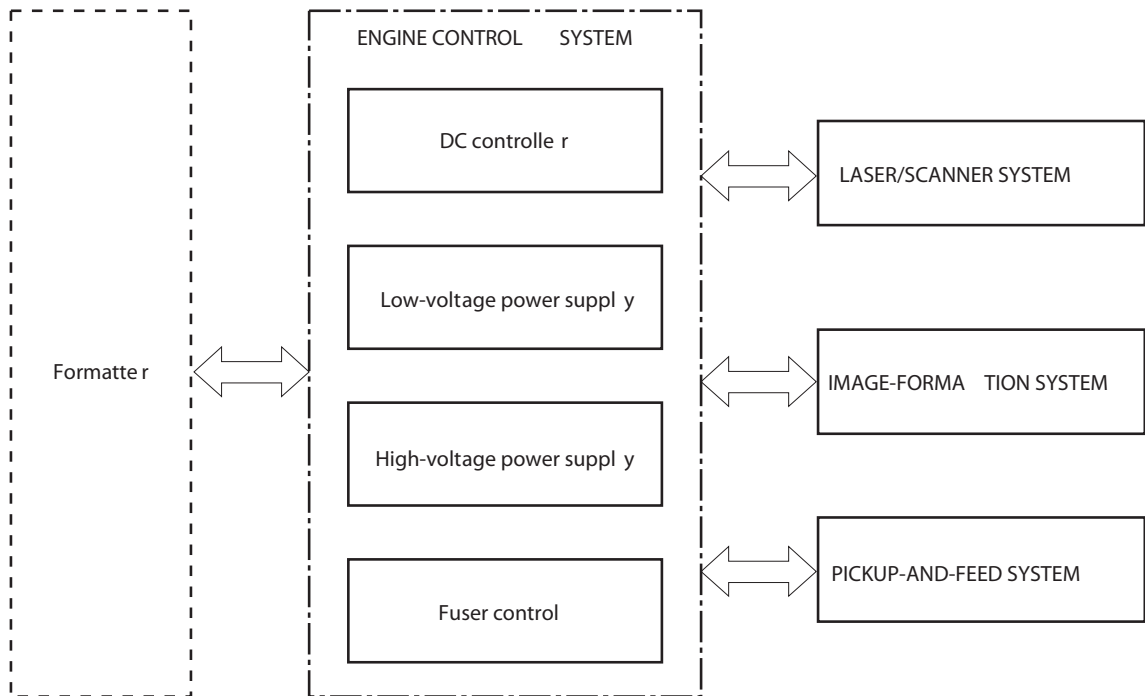
The formatter sends and receives product status and command data to and from a control-panel PCA.

# Engine-control system

The engine-control system receives commands from the formatter and interacts with the other main systems to coordinate all product functions. It consists of the following components:

- DC controller
- Low-voltage power supply
- High-voltage power supply
- Fuser control

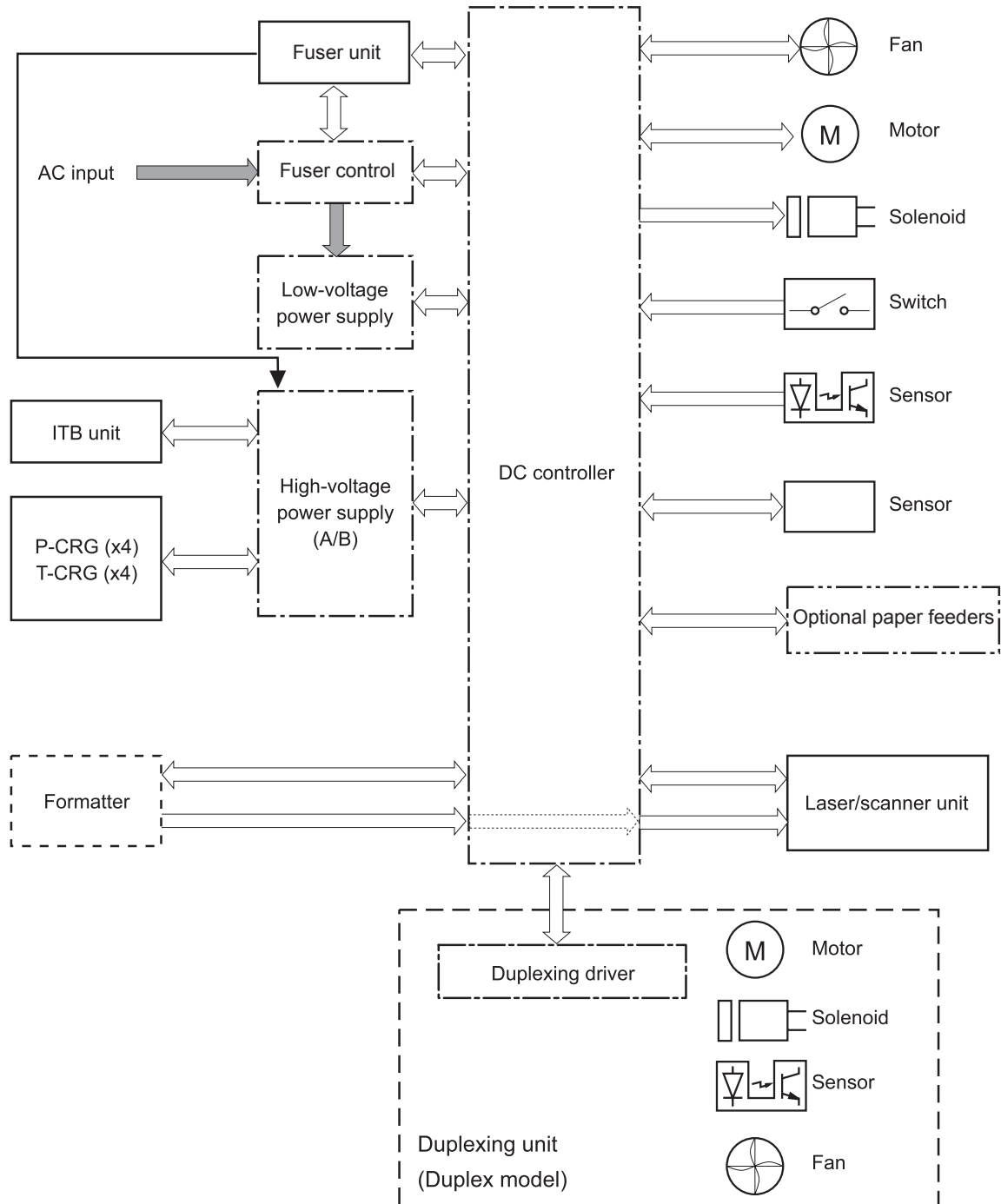
**Figure 5-2** Engine-control system



## DC controller

The DC controller provides operational commands to each of the product components, and it interacts with the other engine-control systems and product systems to control the product operational sequence.

**Figure 5-3** DC controller block diagram



## Solenoids

See [Solenoids on page 620](#).

**Table 5-2 Solenoids**

Component abbreviation	Component name
SL1	Cassette pickup solenoid
SL2	Multipurpose-tray pickup solenoid
SL4	Toner-feed solenoid (yellow)
SL5	Toner-feed solenoid (magenta)
SL6	Toner-feed solenoid (cyan)
SL7	Toner-feed solenoid (black)
SL301	Duplexing-flapper solenoid (duplex models only)

## Switches

See [Switches on page 622](#).

**Table 5-3 Switches**

Component abbreviation	Component name
SW1	Door-open detection switch
SW4	Cassette end-plate-position detection switch
SW5	Cassette side-plate-position detection switch
SW11	Main switch
	Test print switch

## Sensors

See [Sensors on page 612](#).

**Table 5-4 Sensors**

Component abbreviation	Component name
CN1	Environment sensor
CS	Color sensor (duplex models only)
MS	Media sensor
	Color misregistration/image density sensor
	ITB sensor-mark detection sensor
SR0	Vertical synchronous-position sensor
SR1	Cassette media-presence sensor
SR2	Cassette media-stack surface sensor
SR4	Cassette media-level sensor
SR5	Cassette media-feed sensor
SR6	Multipurpose-tray (MP tray) media-presence sensor
SR7	MP tray media-feed sensor
SR8	MP tray last-media sensor
SR10	ITB home-position sensor
SR11	Right door-open-detection sensor
SR13	Loop sensor
SR15	Fuser-delivery media-feed sensor
SR16	Output-bin media-full sensor
SR17	Drum home-position sensor (yellow)
SR18	Drum home-position sensor (magenta)
SR19	Drum home-position sensor (cyan)
SR20	Drum home-position sensor (black)
SR21	Developing home-position sensor (yellow and magenta)
SR22	Developing home-position sensor (cyan and black)
SR23	Toner-feed-motor rotational-count sensor (yellow, magenta, and cyan)
SR24	Toner-feed-motor rotational-count sensor (black)
SR26	Fuser home-position sensor
SR31	ITB waste-toner-full sensor
SR32	Front door-open-detection sensor
SR33	Secondary-transfer-unit cover-open-detection sensor
SR34	Fuser cover-open-detection sensor

**Table 5-4 Sensors (continued)**

Component abbreviation	Component name
SR301	Color-sensor-disengagement sensor (duplex models only)
SR302	Duplexing media re-pickup sensor (duplex models only)
SR303	Duplexing media-feed sensor (duplex models only)
SR304	Duplexing media-reverse sensor (duplex models only)
SCN-TH1	Laser/scanner temperature sensor 1
SCN-TH2	Laser/scanner temperature sensor 2
	Print-cartridge presence sensor (yellow)
	Print-cartridge presence sensor (magenta)
	Print-cartridge presence sensor (cyan)
	Print-cartridge presence sensor (black)
	Imaging-drum waste-toner-full sensor (yellow)
	Imaging-drum waste-toner-full sensor (magenta)
	Imaging-drum waste-toner-full sensor (cyan)
	Imaging-drum waste-toner-full sensor (black)
	Imaging-drum toner-level sensor (yellow)
	Imaging-drum toner-level sensor (magenta)
	Imaging-drum toner-level sensor (cyan)
	Imaging-drum toner-level sensor (black)

## Motors and fans

The product has 17 motors that drive the components in the paper-feed and image-formation systems. See [Motors on page 617](#). It also has nine fans that cool the interior of the product. See [Fans on page 611](#).

The DC controller can sense failure for all the fans and several of the motors. When this occurs, the DC controller notifies the formatter so it can halt the printing process and provide an alert on the control-panel display.

**Table 5-5 Motors**

Abbreviation	Name	Purpose	Type	Failure detection
M5	Pickup motor	Drives the cassette pickup roller, the cassette feed roller, and the MP tray pickup roller	Stepping motor	No
M6	Registration motor	Drives the registration roller	Stepping motor	No
M7	Cassette lifter motor	Drives the cassette-lifter mechanism	DC motor	No

**Table 5-5 Motors (continued)**

Abbreviation	Name	Purpose	Type	Failure detection
M9	Primary-transfer-roller disengagement motor	Engages or disengages the primary transfer roller	Stepping motor	No
M10	ITB motor	Drives the ITB and the secondary transfer roller	DC motor	Yes
M11	Fuser motor	Drives the fuser roller, the delivery roller, and the fuser pressure roller	DC motor	Yes
M12	Drum motor (Y)	Drives the photosensitive drum and the primary charging roller in the yellow imaging drum	DC motor	Yes
M13	Drum motor (M)	Drives the photosensitive drum and the primary charging roller in the magenta imaging drum	DC motor	Yes
M14	Drum motor (C)	Drives the photosensitive drum and the primary charging roller in the cyan imaging drum	DC motor	Yes
M15	Drum motor (K)	Drives the photosensitive drum and the primary charging roller in the black imaging drum	DC motor	Yes
M16	Toner-feed motor (K)	Drives the black toner feed screws and waste-toner feed screws	Stepping motor	No
M17	Toner-feed motor (C, M, Y)	Drives the yellow, magenta, and cyan toner feed screws and waste-toner feed screws	Stepping motor	No
M18	Developing disengagement motor (C, K)	Engages and disengages the developing rollers in the cyan- and black-imaging drums	Stepping motor	No
M19	Developing disengagement motor (Y, M)	Engages and disengages the developing rollers in the yellow- and magenta-imaging drums	Stepping motor	No
M301	Duplexing feed motor	Drives the duplexing paper-feed roller	Stepping motor	No
Duplex models only				



**Table 5-5 Motors (continued)**

Abbreviation	Name	Purpose	Type	Failure detection
M302 Duplex models only	Duplexing reverse motor	Drives the duplexing paper-reverse roller	Stepping motor	No
M303 Duplex models only	Duplexing re-pickup motor	Drives the duplexing paper re-pickup roller and engages or disengages the color sensor	Stepping motor	No

**Table 5-6 Fans**

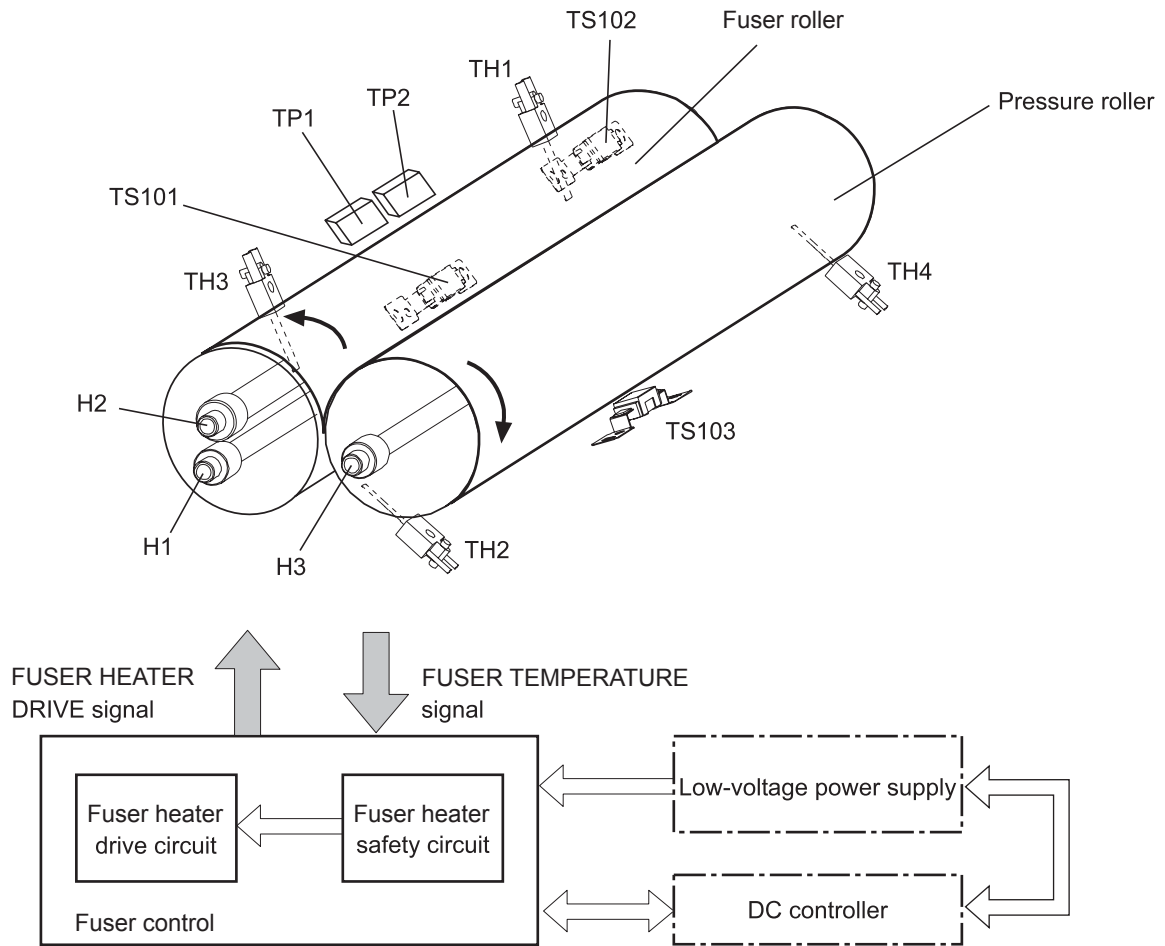
Abbreviation	Name	Cooling area	Type	Speed
FM1	Laser/scanner cooling fan	Laser/scanner area and formatter	Intake	Full/half
FM2	Fuser cooling fan	Fuser	Intake	Full/half
FM3	Cartridge-area cooling fan	Print-cartridge and imaging-drum area	Exhaust	Full
FM4	VOC fan	Fuser	Exhaust	Full/half
FM5	Low-voltage power-supply cooling fan	Low-voltage power-supply unit	Exhaust	Full/half
FM6	Cartridge front-area cooling fan	Print-cartridge and imaging-drum area	Intake	Full/half
FM7	Delivery unit cooling fan	Delivery unit	Intake	Full
FM301 Duplex models only	Duplexing unit cooling fan 1	Duplexing driver PCA	Intake	Full
FM302 Duplex models only	Duplexing unit cooling fan 2	Output bin area	Exhaust	Full/half

## Fuser control

The fuser-control circuit controls the fuser temperature. The heaters provide the high temperatures that melt the toner to bond it to the paper. The thermistors and thermopiles monitor the temperature inside the fuser. The thermostats control the current to the heaters. If the thermistors and thermopiles

detect abnormally high temperatures, the thermostats interrupt the power to the heaters to prevent overheating.

**Figure 5-4** Fuser components



**Table 5-7** Fuser components

Type of component	Abbreviation	Name	Function
Heaters	H1	Fuser-roller main heater	Heats the center area of the fuser roller
	H2	Fuser-roller sub heater	Heats both ends of the fuser roller
	H3	Pressure-roller heater	Heats the pressure roller
Thermistors (Contact type)	TH1	Fuser-roller end thermistor	Each thermistor detects the temperature on one end of the fuser roller.
	TH3		
	TH2	Pressure-roller end thermistor	Each thermistor detects the temperature on one end of the pressure roller.
	TH4		
Thermopiles (Non-contact type)	TP1	Main thermopile	Detects the temperature at the center of the fuser roller
	TP2	Sub thermopile	Detects the temperature at the center of the pressure roller

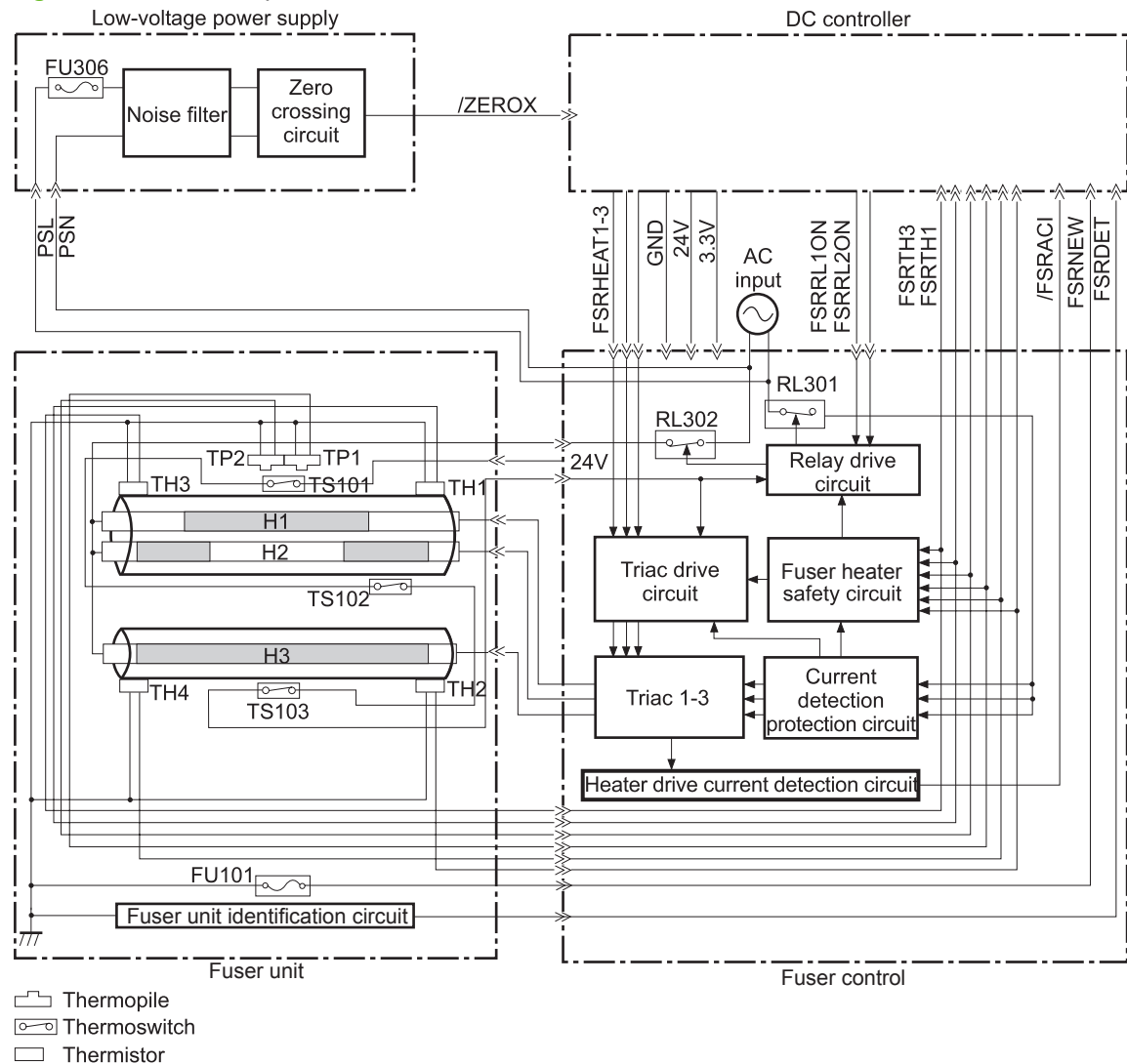
**Table 5-7 Fuser components (continued)**

Type of component	Abbreviation	Name	Function
Thermoswitches (Non-contact type)	TS101	Fuser-roller main thermoswitch	Controls the fuser-roller main heater
	TS102	Fuser-roller sub thermoswitch	Controls the fuser-roller sub heater
	TS103	Pressure-roller thermoswitch	Controls the pressure-roller heater

## Fuser temperature-control circuit

The temperatures of the two rollers in the fuser fluctuate according to the stage of the printing process. The DC controller sends commands to the fuser-control circuit to adjust the temperatures accordingly.

**Figure 5-5 Fuser temperature-control circuit**




## Fuser over-temperature protection

To protect the fuser from excessive temperatures, the product has four layers of protective functions. If one function fails, the subsequent functions should detect the problem.

- **DC controller:** When a thermistor or thermopile detects a temperature above a certain threshold, the DC controller interrupts power to the appropriate heater. Following are the thresholds for each component:
  - TH1: 223° C (433° F) or higher
  - TH2: 195° C (383° F) or higher
  - TH3: 223° C (433° F) or higher
  - TH4: 195° C (383° F) or higher
  - TP1: 240° C (464° F) or higher
  - TP2: 240° C (464° F) or higher
- **Fuser-heater safety circuit:** If the DC controller fails to interrupt the power to the heaters at the prescribed temperatures, the fuser-heater safety circuit deactivates the triac-drive circuit and releases the relay, which causes the heaters to stop at slightly higher temperature thresholds.
  - TH1: 230° C (446° F) or higher
  - TH2: 200° C (392° F) or higher
  - TH3: 230° C (446° F) or higher
  - TH4: 200° C (392° F) or higher
  - TP1: 250° C (482° F) or higher
  - TP2: 250° C (482° F) or higher
- **Current-detection protection circuit:** If current flowing in each triac exceeds a specific value, the current-detection protection circuit deactivates the triac-drive circuit and releases the relay, which interrupts the power supply to the heaters.
- **Thermoswitch:** If the temperature in the heaters is abnormally high, and the temperature the thermoswitches exceeds a pre-specified value, the contact to the thermoswitch is broken. Breaking this contact deactivates the triac-drive circuit and releases the relay, which interrupts the power supply to the heaters. Following are the thresholds for each thermoswitch:
  - TS101: 200° C (392° F) or higher
  - TS102: 200° C (392° F) or higher
  - TS103: 200° C (392° F) or higher

---

 **NOTE:** When the thermoswitches reach this temperature, the actual temperature on the fuser rollers is approximately 370° C (698° F).

---

## Fuser-failure detection

When the DC controller detects any of the following conditions, it determines that the fuser has failed. It then interrupts power to the fuser heaters and notifies the formatter.

- **Abnormally high temperatures:** Temperatures are too high for any of the following components, at any time:
  - TH1: 223° C (433° F) or higher
  - TH2: 195° C (383° F) or higher
  - TH3: 223° C (433° F) or higher
  - TH4: 195° C (383° F) or higher
  - TP1: 240° C (464° F) or higher
  - TP2: 240° C (464° F) or higher
- **Abnormally low temperatures:** Temperatures are too low at any of the following components after the product has initialized.
  - TH1 or TH3: 120° C (248° F) or lower
  - TP1 or TP2: 140° C (284° F) or lower

Or, the temperature drops in either of the thermopiles (TP1 and TP2) by 30° C (86° F) or more within a specified length of time.
- **Abnormal temperature rise:** The temperature-detection sensors do not reach a predefined temperature within a specified length of time after the fuser heaters are turned on.
- **Temperature-detection-sensor failure 1:** The converted analog-to-digital value of each temperature detection sensor is abnormal.
- **Temperature-detection-sensor failure 2:** The difference in temperature between pairs of thermistors or thermopiles is greater than a predetermined amount. Following are the temperature differences for each pair:
  - Between TP1 and TP2: 20° C (68° F) or more
  - Between TH1 and TH3 (fuser-roller ends): 30° C (86° F) or more
  - Between TH2 and TH4 (pressure-roller ends): 25° C (70° F) or more
- **Drive-circuit failure:** The power-supply frequency is out of the specified range when the product is initializing or in standby mode. The specified range is between 40 and 70Hz.
- **Fuser discrepancy:** The fuser-ID voltage does not match the power-supply voltage when the product is turned on or when the right door is closed.

## Fuser identification

Whenever the product is turned on or when the right door is closed, the DC controller detects whether the fuser is present and whether the fuser is for a 110-volt model or a 220-volt model.

## Fuser-life detection

The fuser is rated to print a certain number of pages. When a new fuser is installed, the DC controller receives a signal and directs the formatter to set the fuser count to zero. As pages are printed, the formatter increments the fuser count. When the page count reaches a certain threshold, the formatter sends a message to the control panel to alert the customer to order a new fuser. When the maximum number of pages has printed, the formatter sends a message to the control panel to prompt the customer to replace the fuser.

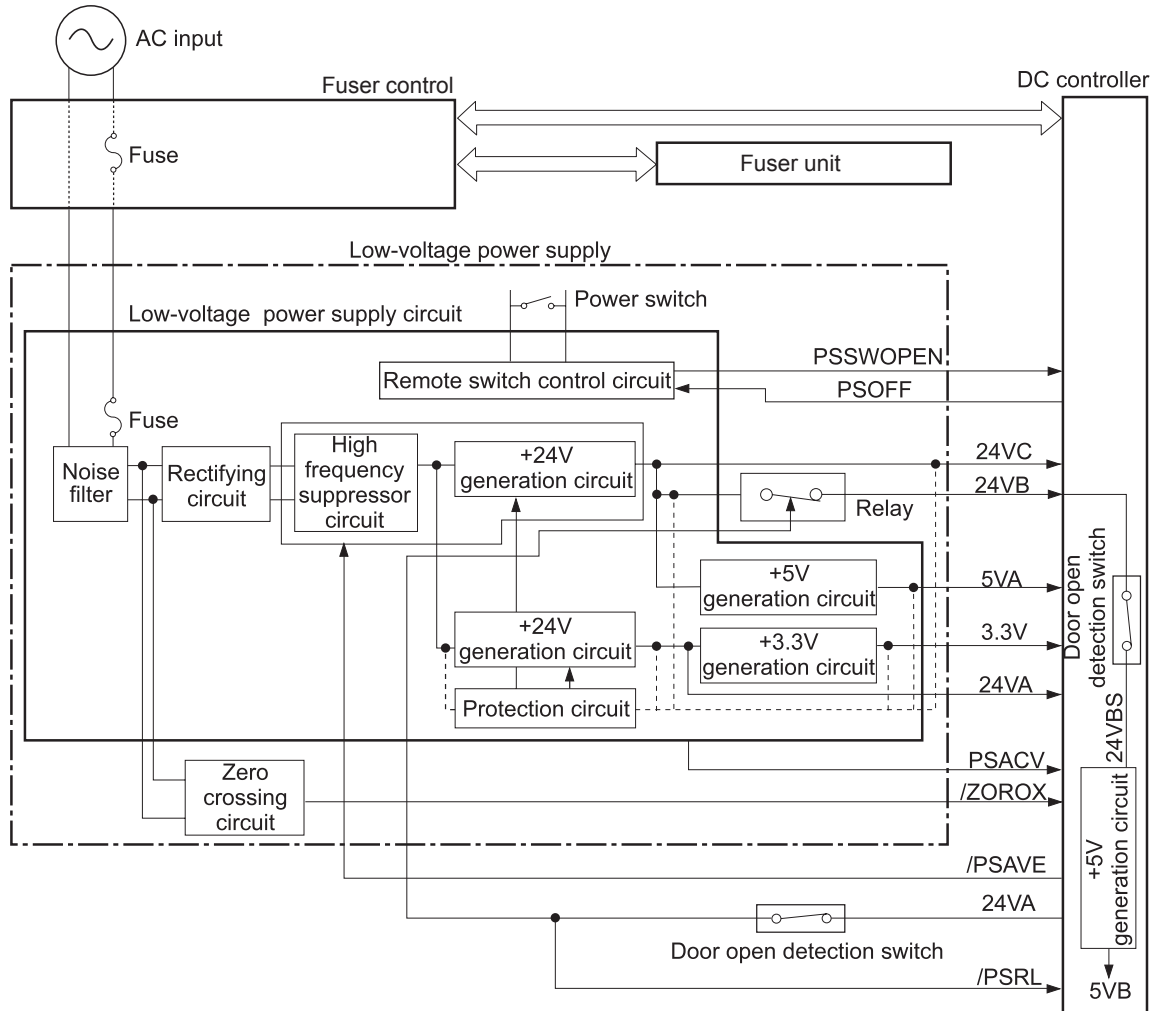
## Relay-failure detection

If a fuser relay fails, the DC controller detects the failure and notifies the formatter. The DC controller checks for signals from the relays when the product is turned on or when it comes out of Sleep mode.

## Low-voltage power supply

The low-voltage power-supply circuit converts the AC power from the wall receptacle into the DC voltage that the product components use. This is a universal power supply that accepts 110 Volt or 220 Volt input.

Figure 5-6 Low-voltage power-supply circuit



The low-voltage power supply converts the AC power into three DC voltages, which are then subdivided, as described in the following table.

**Table 5-8 Converted DC voltages**

Main DC voltage	Sub-voltage	Behavior
+24 V	+24VA	Constantly supplied
	+24VB	Interrupted when the front door or right door is opened  Stopped during Sleep (powersave) mode
	+24VC	Stopped during Sleep (powersave) mode
+5 V	+5VA	Stopped during Sleep (powersave) mode
	+5VB	Interrupted when the front door or right door is opened  Stopped during Sleep (powersave) mode
+3.3 V	none	Constantly supplied

## Overcurrent/overvoltage protection

The low-voltage power supply stops supplying the DC voltage to the product components whenever it detects excessive current or abnormal voltage from the power source.

## Safety

For personal safety, the low-voltage power supply interrupts power to the fuser, the high-voltage power supply, and the motors whenever the front door or right door is opened.

## Voltage detection

The DC controller monitors the input voltage from the power source so it can control the voltage to the fuser. If the input voltage is out of range, the DC controller notifies the formatter that the low-voltage power supply has failed.

## Sleep (powersave) mode

Sleep mode conserves energy by stopping the power to several components when the product is idle. If the DC controller detects voltage that is too high when the product is in Sleep mode, it determines that the low-voltage power supply has failed, and it notifies the formatter.

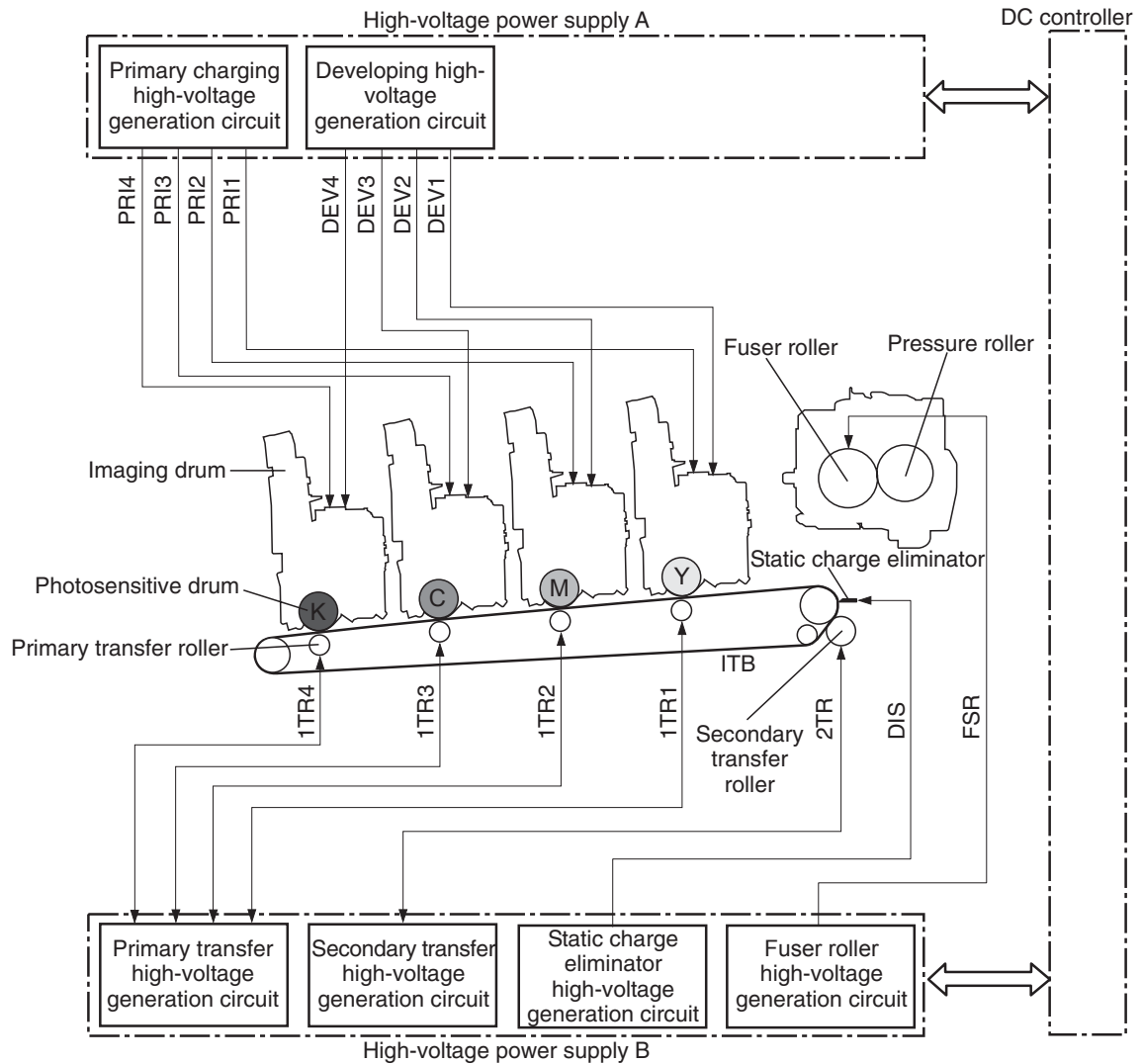
## High-voltage power supply

The high-voltage power supply delivers the high-voltage biases to the following components that are used to transfer toner during the image-formation process:

- Primary-charging roller
- Developing roller

- Primary-transfer roller
- Secondary-transfer roller
- Fuser roller
- Static-charge eliminator

**Figure 5-7** High-voltage power supply circuits



The high-voltage power supply contains several separate circuits.

**Table 5-9** High-voltage power supply circuits

Circuit	Description
Primary-charging-bias generation	DC negative bias is applied to the surface of the photosensitive drum in each imaging drum to prepare it for image formation.
Developing-bias generation	DC negative bias is used to adhere the toner to each photosensitive drum during the image-formation process.
Primary-transfer-bias generation	DC positive bias is used to transfer the latent toner image from each photosensitive drum onto the ITB.



**Table 5-9 High-voltage power supply circuits (continued)**

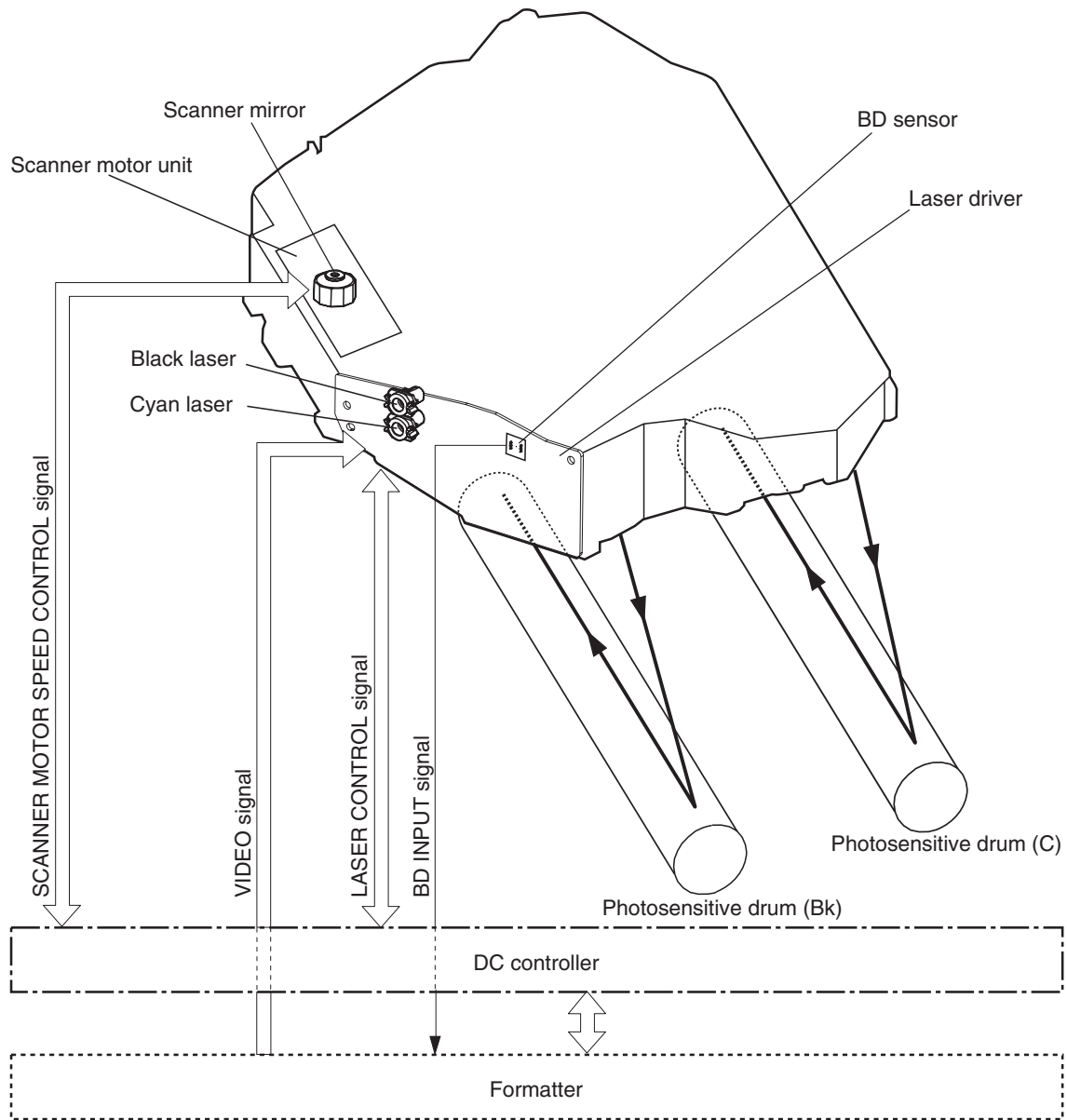
Circuit	Description
Secondary-transfer-bias generation	Two DC biases, one positive and one negative, are used to transfer the toner from the ITB onto the paper.
Static-charge-eliminator-bias generation	DC negative bias is used to reduce the electrical charge on the paper after the secondary-transfer process.
Fuser-roller-bias generation	DC negative bias is applied to the fuser roller to remove any toner that adheres to the roller after fusing.

# Laser/scanner system

The laser/scanner system forms the latent electrostatic image on the photosensitive drums inside each of the imaging drums. The product has two laser/scanners: one for yellow and magenta and the other for cyan and black.

The DC controller receives instructions from the formatter regarding the image of the page to be printed. The DC controller signals the lasers to emit light, and the laser beams pass through lenses and onto the scanner mirror, which rotates at a constant speed. The mirror reflects the beam onto the photosensitive drum in the pattern required for the image, exposing the surface of the drum so it can receive toner.

**Figure 5-8** Laser/scanner system



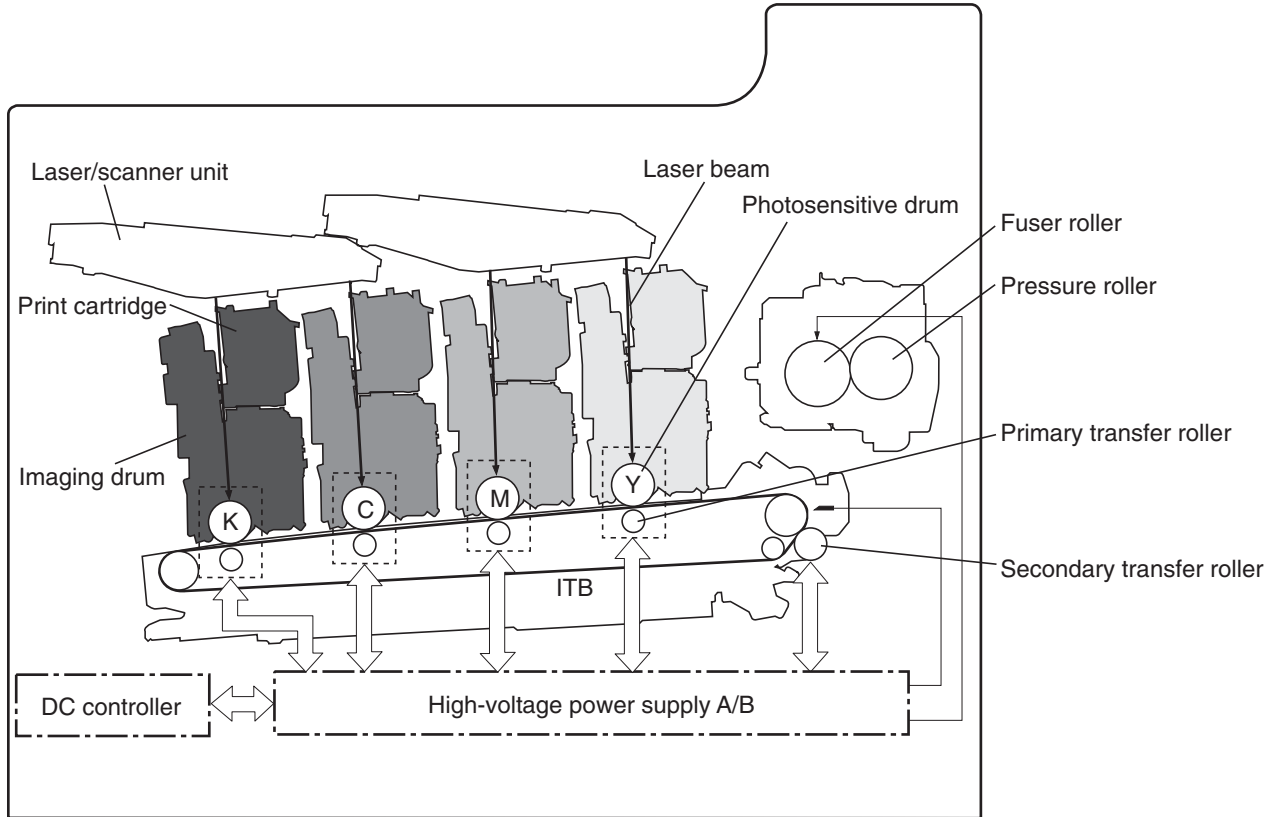
The DC controller determines that a laser/scanner has failed when any of the following conditions occurs:

- **Laser failure:** The detected laser intensity does not match a specified value when the product initializes.
- **Beam-detect (BD) failure:** The BD interval is outside of a specified range during printing.
- **Scanner-motor failure:** The scanner motor does not reach a specified rotation speed within a certain time after it begins rotating.

# Image-formation system

The image-formation system creates the printed image on the paper. It consists of the laser/scanners, print cartridges, imaging drums, ITB, and fuser.

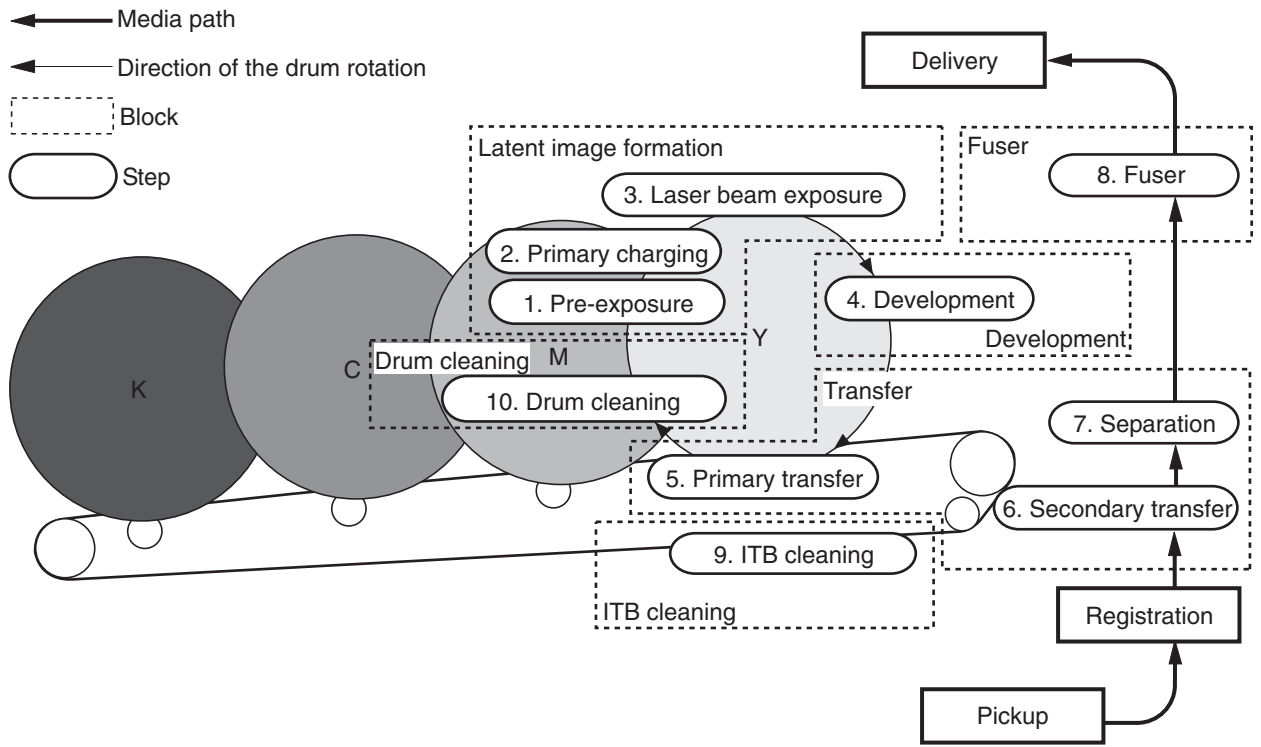
Figure 5-9 Image-formation system



## Image-formation process

The image formation system consists of ten steps that are divided into six functional blocks.

**Figure 5-10** Image-formation process

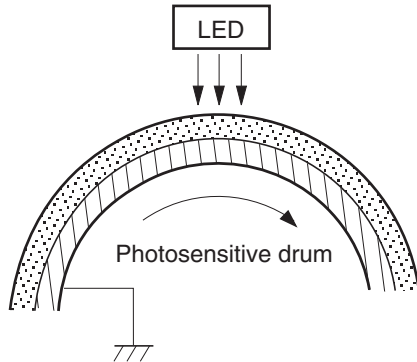


Functional block	Steps	Description
Latent image formation	1. Pre-exposure 2. Primary charging 3. Laser-beam exposure	An invisible latent image is formed on the surface of the photosensitive drums.
Development	4. Development	Toner adheres to the electrostatic latent image on the photosensitive drums.
Transfer	5. Primary transfer 6. Secondary transfer 7. Separation	The toner image is transferred to the ITB and subsequently to the paper.
Fusing	8. Fusing	The toner is fused to the paper to make a permanent image.
ITB cleaning	9. ITB cleaning	Residual toner is removed from the ITB.
Drum cleaning	10. Drum cleaning	Residual toner is removed from the photosensitive drums.

## Step 1: Pre-exposure

Light from the pre-exposure LED strikes the surface of the photosensitive drum to remove any residual electrical charges from the drum surface.

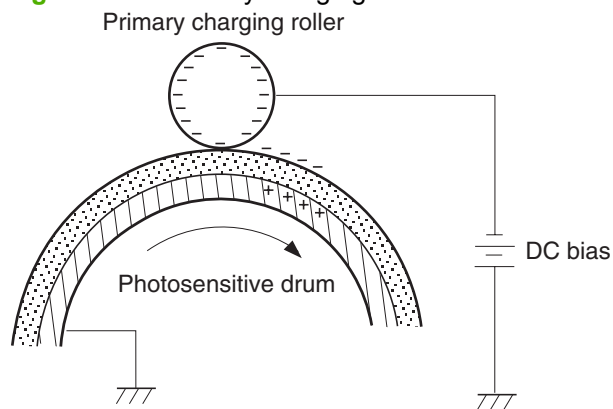
**Figure 5-11** Pre-exposure



## Step 2: Primary charging

The primary-charging roller contacts the photosensitive drum and charges the drum with negative potential.

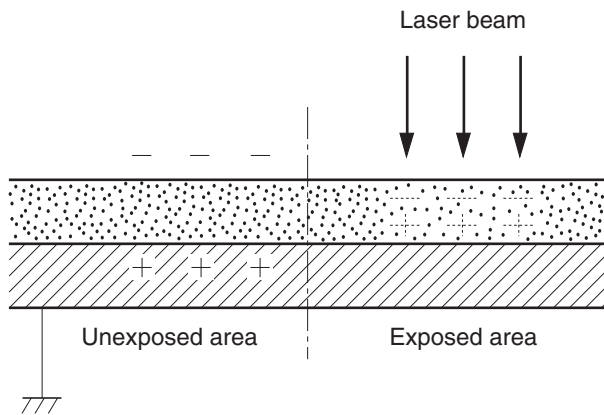
**Figure 5-12** Primary charging



### Step 3: Laser-beam exposure

The laser beam strikes the surface of the photosensitive drum in the areas where the image will be formed. The negative charge is neutralized in those areas, which are then ready to accept toner.

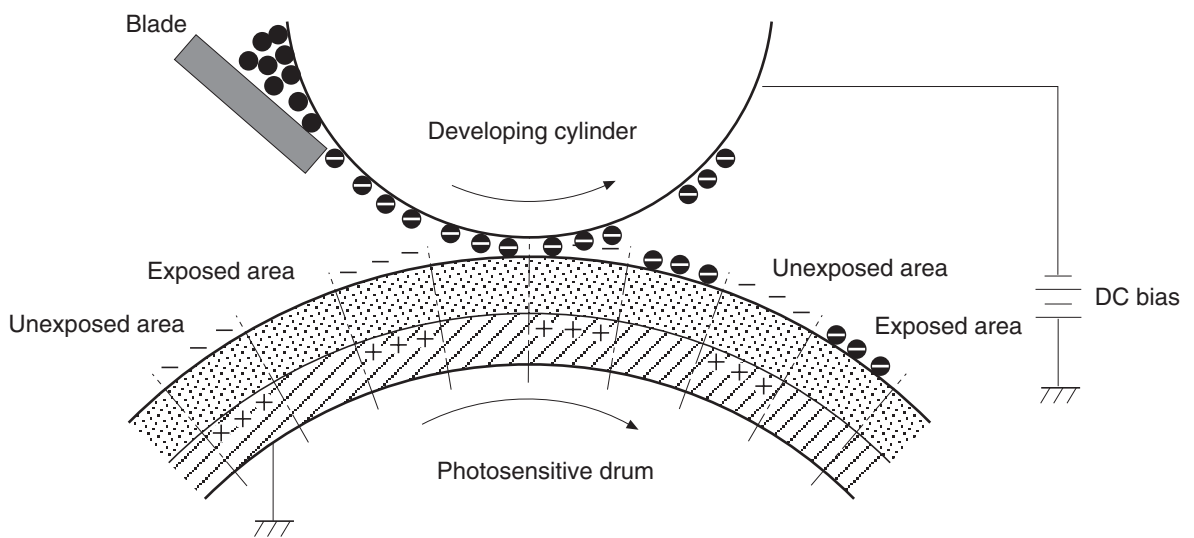
Figure 5-13 Laser-beam exposure



### Step 4: Development

Toner inside the print cartridge acquires a negative charge as the developing cylinder contacts the developing blade. Because the negatively charged surface of the photosensitive drums have been neutralized where they have been struck by the laser beam, the toner adheres to those areas on the drums. The latent image becomes visible on the surface of each drum.

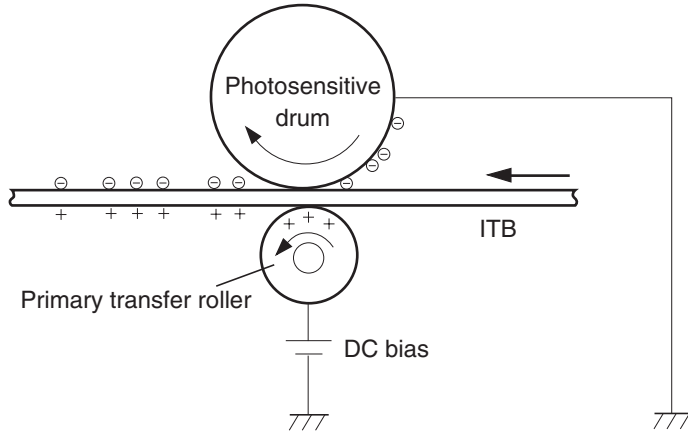
Figure 5-14 Development



## Step 5: Primary transfer

The positively charged primary-transfer rollers contact the ITB, giving the ITB a positive charge. The ITB attracts the negatively charged toner from the surface of each photosensitive drum, and the complete toner image is transferred onto the ITB, beginning with yellow, then magenta, cyan, and black.

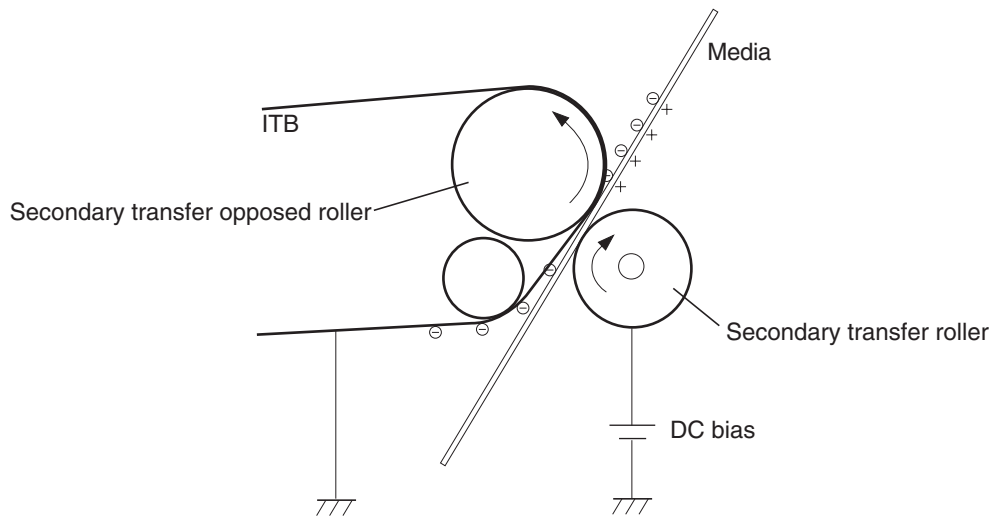
**Figure 5-15** Primary transfer



## Step 6: Secondary transfer

The paper acquires a positive charge from the secondary transfer roller, and so it attracts the negatively charged toner from the surface of the ITB. The complete toner image is transferred onto the paper.

**Figure 5-16** Secondary transfer

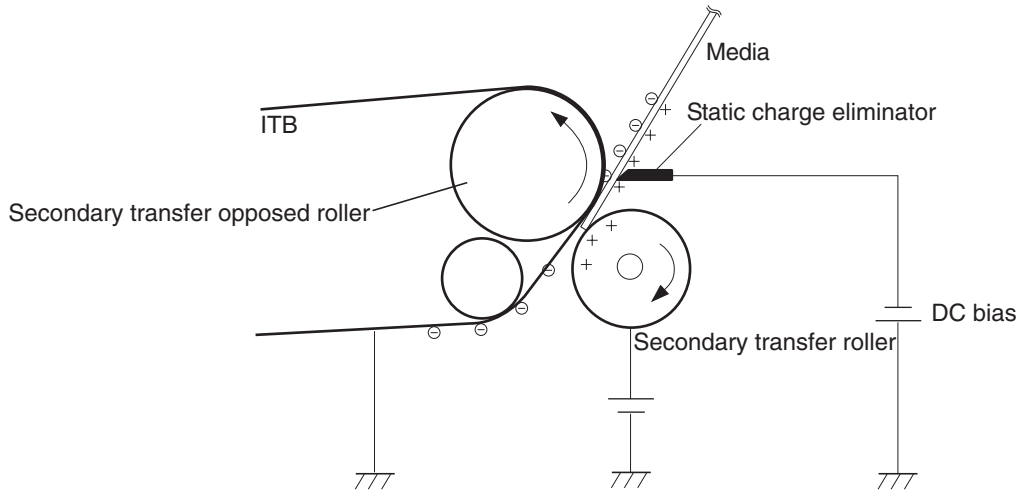




## Step 7: Separation

The stiffness of the paper causes it to separate from the ITB as the ITB bends. The static charge eliminator removes excess charge from the paper to ensure that the toner is fused correctly.

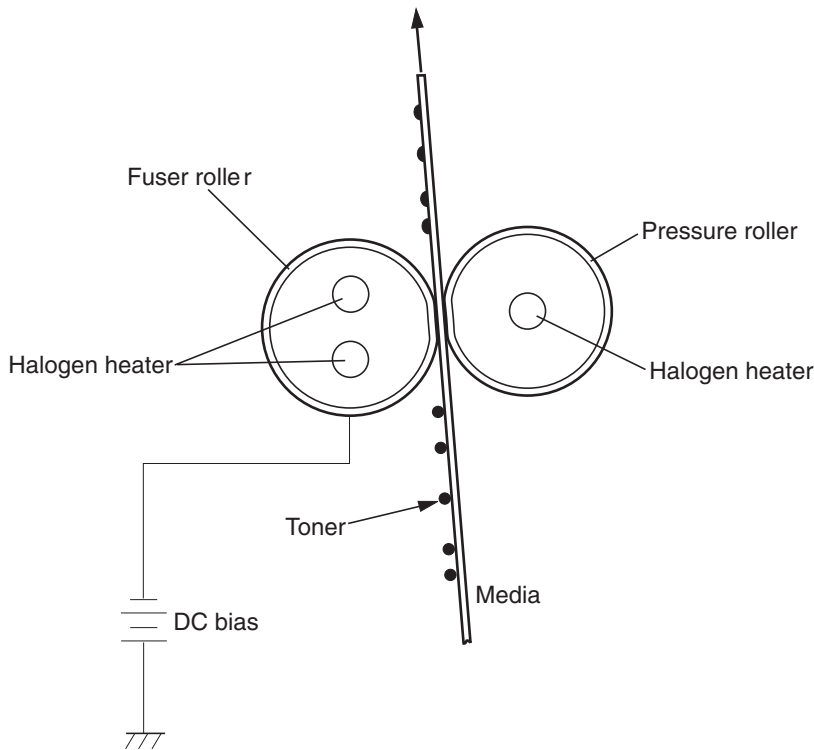
Figure 5-17 Separation



## Step 8: Fusing

To create the permanent image, the paper passes through a set of heated, pressurized rollers to melt the toner onto the page. The fuser roller has a negative DC bias to prevent the negatively-charged toner from being attracted to the roller, which would decrease print quality.

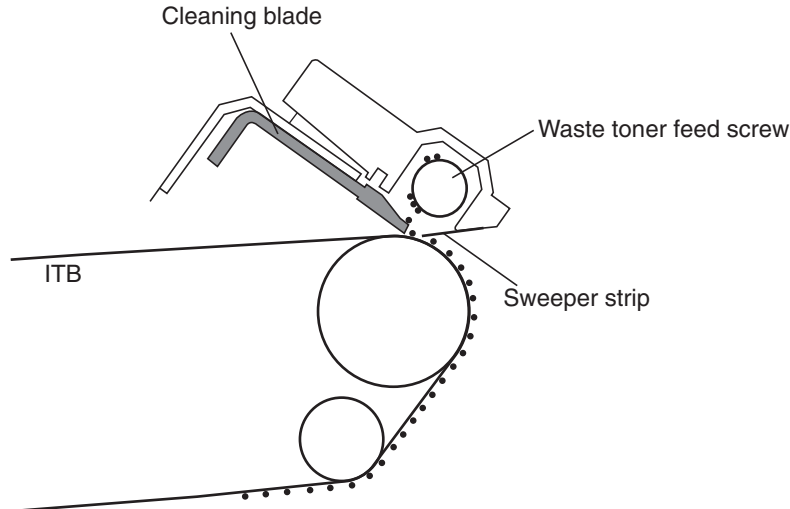
Figure 5-18 Fusing



## Step 9: ITB cleaning

After the paper separates from the ITB, the cleaning blade scrapes the residual toner from the surface of the ITB, preparing it for the next image. The waste toner feed screw picks up the residual toner and deposits it in the waste toner container inside the imaging drum.

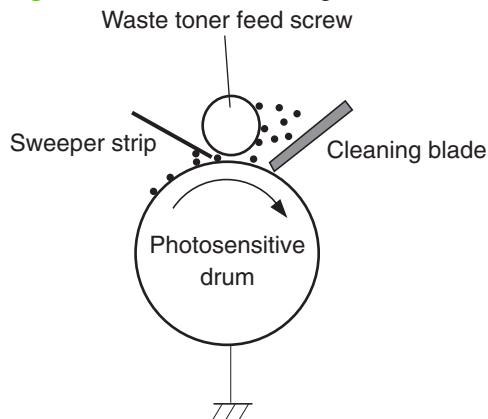
**Figure 5-19** ITB cleaning



## Step 10: Drum cleaning

Inside the imaging drum, the cleaning blade removes the residual toner from the surface of the photosensitive drum to prepare it for the next image. The waste toner feed screw picks up the residual toner and deposits it in the waste toner container inside the imaging drum.

**Figure 5-20** Drum cleaning

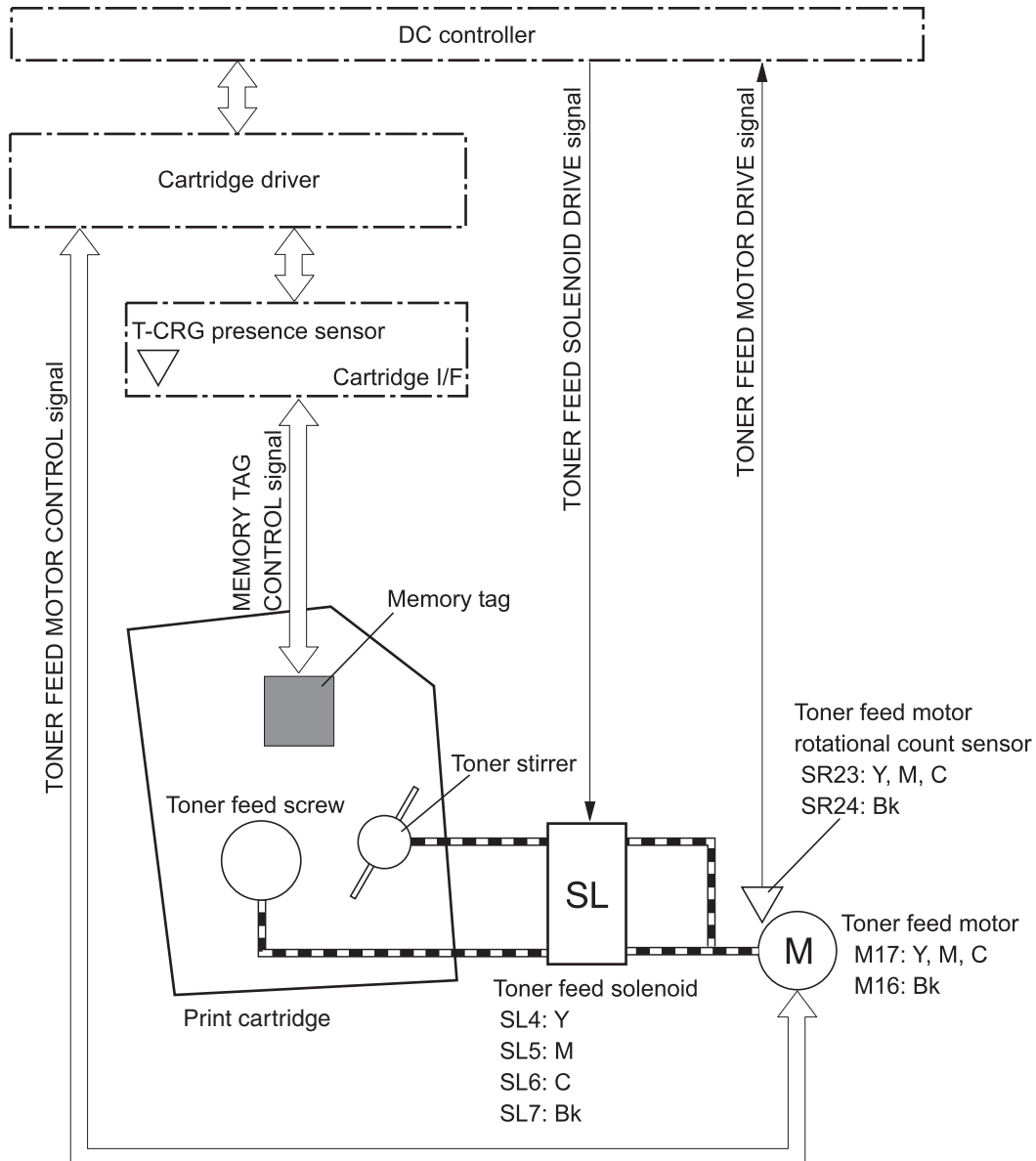


## Print cartridge

The product has four print cartridges, one for each color. Each print cartridge contains a reservoir of toner and the following components:

- Toner feed screw
- Toner stirrer
- Memory tag

**Figure 5-21** Print-cartridge system



The toner feed screw rotates, picks up the toner particles, and transports them into the imaging drum. The toner stirrer rotates at the same time as the toner feed screw to keep the toner particles from sticking to each other.

The memory tag is a non-volatile memory chip that stores information about the usage for the print cartridge.

The DC controller notifies the formatter of an error if any of the following conditions exist:

- If the memory tag fails to either read to or write from the DC controller
- If any of the print-cartridge presence sensors do not detect the presence of the print cartridge
- If the toner level in any of the print cartridges drops below a certain level
- If the toner feed motor is rotating but the rotational-count sensor does not increment the rotation count after a specified length of time. This condition indicates a failure in the toner-feed motor.

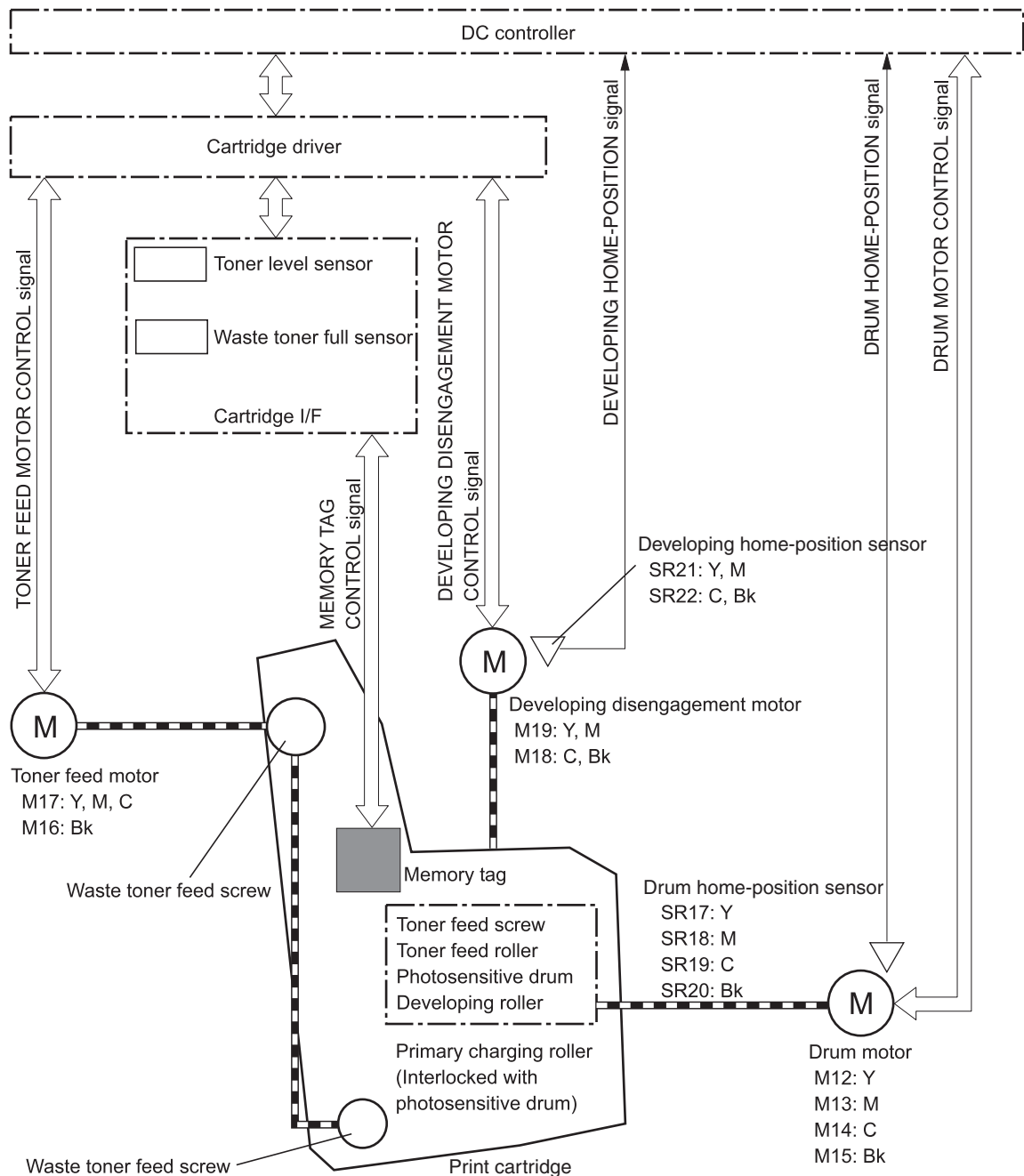
## Imaging drum

The product has four imaging drums, one for each color. Each imaging drum contains the following components:

- Photosensitive drum
- Primary charging roller
- Developing roller
- Toner feed roller

- Toner feed screw
- Waste toner feed screw

**Figure 5-22** Imaging-drum system



The drum motor causes the photosensitive drum to rotate. That rotation cause the primary charging roller to rotate. The drum motor also drives the toner feed screw, the toner feed roller, and the developing roller to transfer toner from the print cartridge into the imaging drum.

The toner feed motor drives the waste toner feed screw, which removes the waste toner and transports it to the waste toner container.

The memory tag is a non-volatile memory chip that stores information about the usage for the imaging drum.

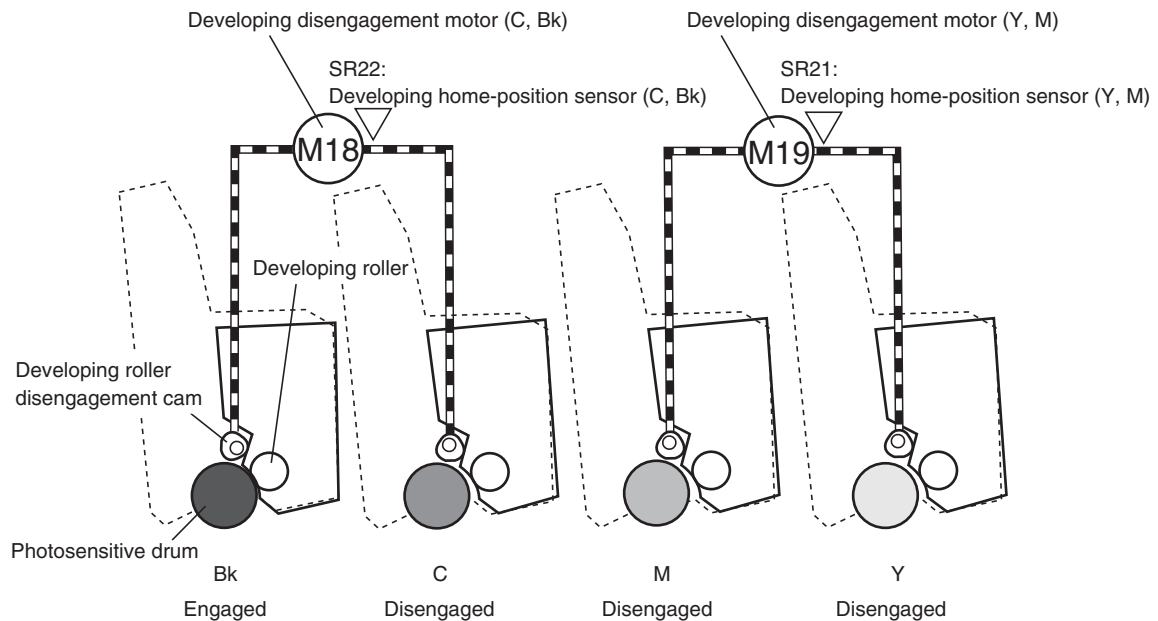
The DC controller notifies the formatter of an error if any of the following conditions exist:

- If the memory tag fails to either read to or write from the DC controller
- If the toner level in any of the waste toner containers reaches a certain level
- If any of the drum-presence sensors do not detect the presence of the imaging drum
- If any of the imaging drums are installed incorrectly.
- If the number of pages printed with the current imaging drum reaches a predetermined level
- If the level of toner in the imaging drum is not at a predetermined level while the print cartridge is feeding toner to the imaging drum. This indicates a toner feed failure.
- If the toner-level sensor detects a level of toner that is outside of a certain range during the print operation. This indicates a toner-level sensor failure.

## Developing roller engagement and disengagement

The product can print in full-color mode or in black-only mode. To print in black only, the developing rollers in the cyan, magenta, and yellow imaging drums are disengaged. This maximizes the life of those three imaging drums.

**Figure 5-23** Developing roller engagement and disengagement control



The DC controller rotates the developing disengagement motor and changes the direction of the cam according to the instructions from the formatter for each print job.

When the product is turned on and at the end of each print job, all four of the developing rollers disengage from the photosensitive drums. If the next print job is full-color, then each of the developing rollers engage. If the next print job is black only, then only the black developing roller engages.

If the DC controller does not detect any output from the developing home-position sensor, it determines that the developing disengagement motor has failed.

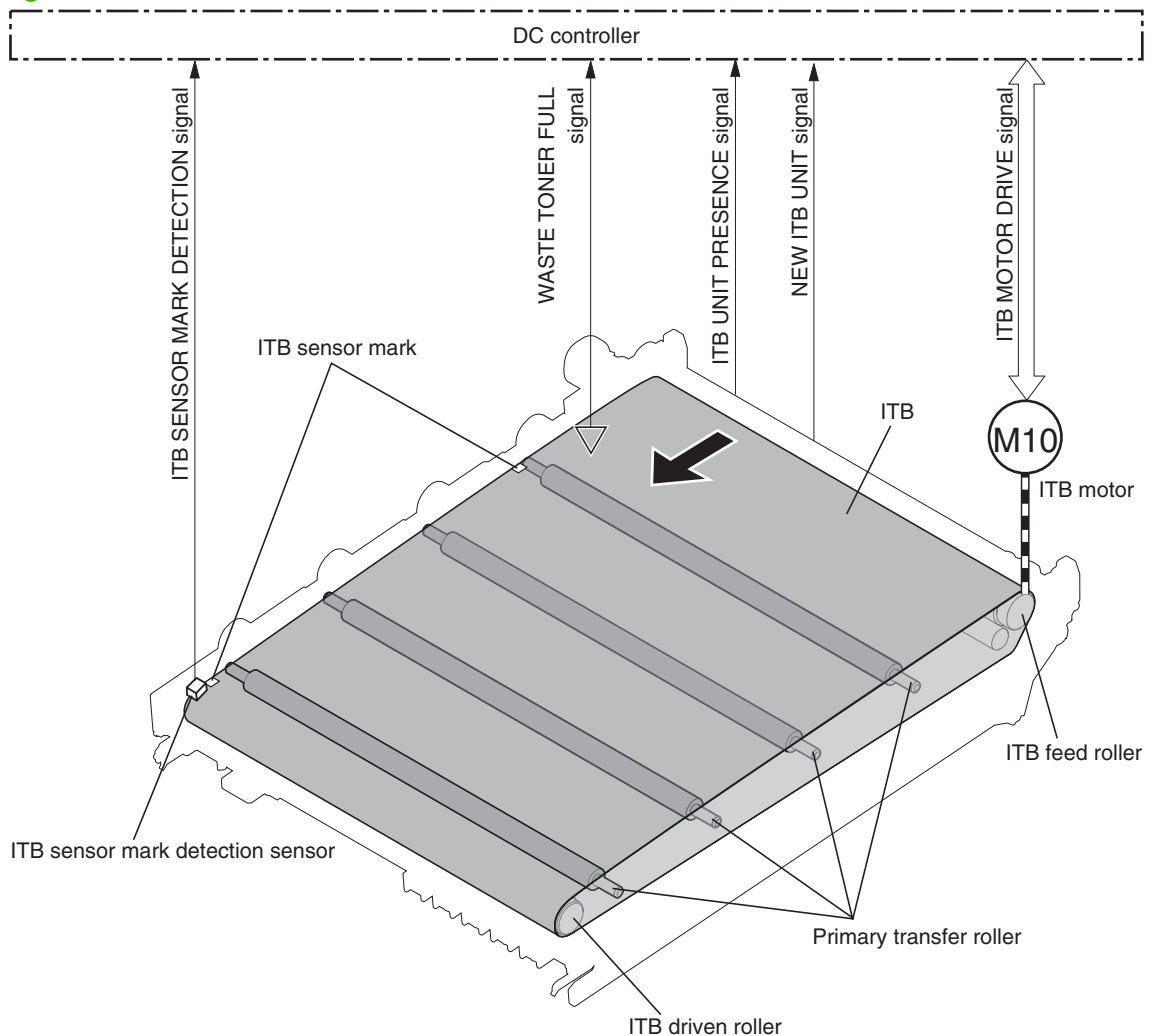
## Intermediate transfer belt (ITB) unit

The ITB unit accepts the toner images from the photosensitive drums and transfers the completed image to the paper. The ITB unit has these main components:

- ITB
- ITB feed roller
- ITB-driven roller
- Primary transfer rollers

The ITB motor drives the ITB feed roller, which rotates the ITB. The motion of the ITB causes the primary transfer rollers to rotate.

**Figure 5-24** ITB unit



## Primary-transfer-roller engagement and disengagement

Depending on the requirements of the print job, the primary transfer rollers engage with the ITB so it can receive toner from the photosensitive drums. There are three states of roller engagement.

**Table 5-10 Primary-transfer-roller engagement states**

All rollers disengaged	This is the home position for the ITB unit.
Black roller engaged	This is the state for a black-only print job.
All rollers engaged	This is the state for a full-color print job.

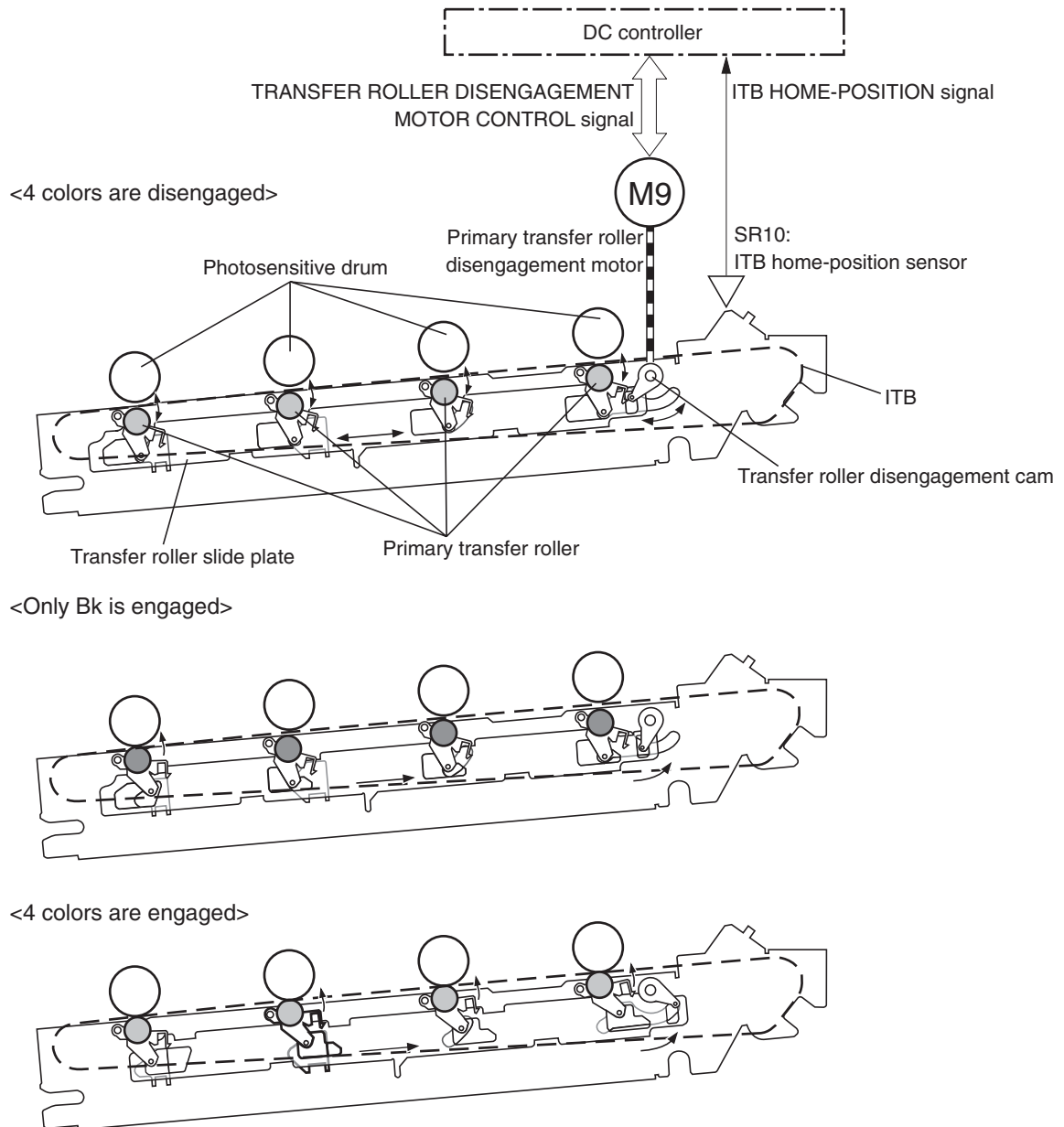
The primary-transfer-roller disengagement motor rotates or reverses to place the primary-transfer-roller disengagement cam into one of three positions. The cam causes the transfer roller slide plate to move to the right or left, which causes the primary transfer rollers to move up to engage the ITB with the photosensitive drum or down to disengage it.

If the DC controller does not receive the expected signal from the ITB home-position sensor during the primary-transfer-roller engagement or disengagement operation, but the primary-transfer-roller



disengagement motor is rotating, it determines that the primary-transfer-disengagement mechanism has failed, and it notifies the formatter.

**Figure 5-25** Three states of primary-transfer-roller engagement and disengagement



## ITB unit detection

The DC controller monitors several signals from the ITB unit to detect status.

**Table 5-11** ITB unit detection

ITB unit life detection	When a specified number of pages have been printed since an ITB unit was installed, the DC controller alerts the formatter that the ITB unit is at the end of its life.
ITB unit waste toner full detection	When any of the waste-toner containers collect a specified level of toner, the DC controller alerts the formatter that the imaging drum needs to be replaced.
ITB unit presence detection	

**Table 5-11 ITB unit detection (continued)**

---

ITB perimeter detection	To ensure that the toner image is placed correctly on each page, the DC controller uses the ITB sensor marks on the surface of the ITB. It adjusts the paper re-pickup timing based on this position.
ITB sensor-mark detection-sensor-failure detection	If the DC controller cannot detect the ITB sensor marks, it determines that the ITB sensor-mark detection-sensor has failed, and it notifies the formatter.

---

## Secondary-transfer-roller unit

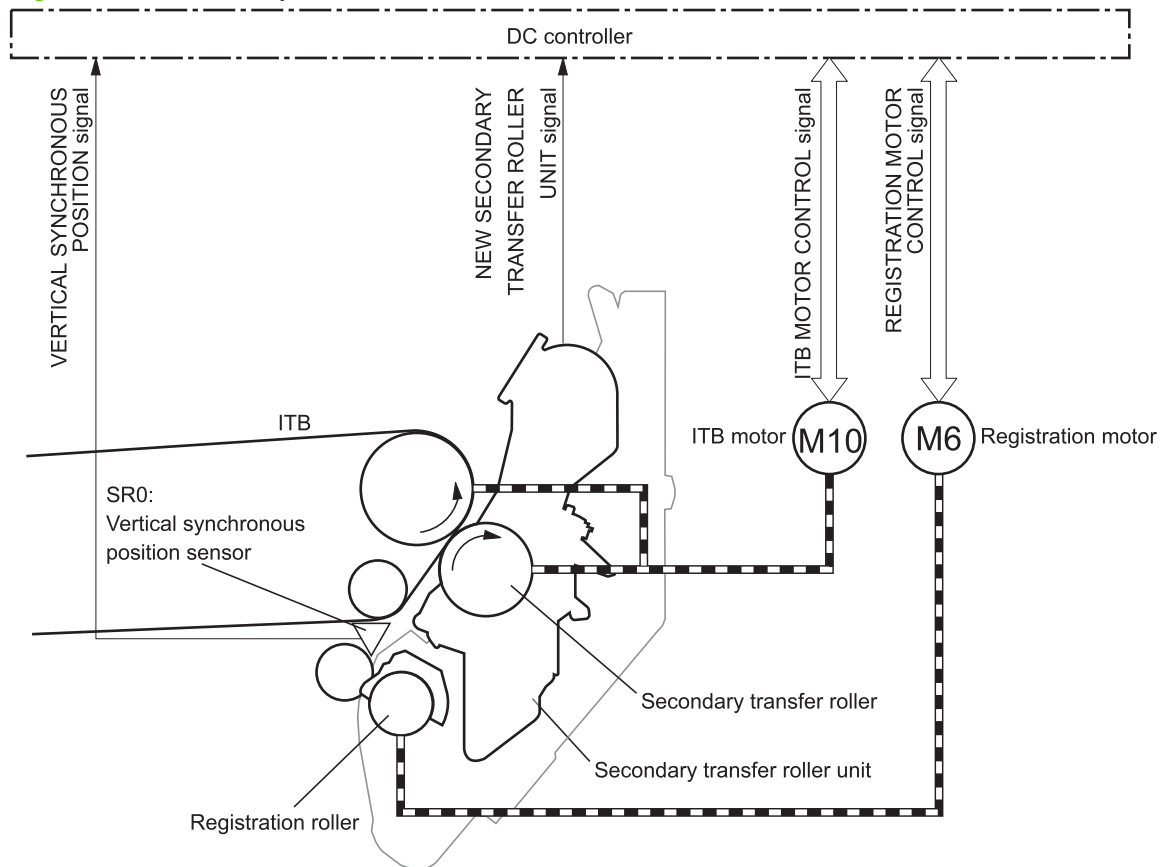
The secondary-transfer-roller unit transfers the toner image from the ITB surface onto the paper. The ITB motor drives the secondary transfer roller, and the registration motor drives the registration roller.

To ensure that the toner image is placed correctly on each page, the DC controller stops the registration motor when the leading edge of the paper passes the vertical synchronous position sensor. It holds the paper in this position until the ITB is in the correct position, according to the ITB perimeter detection, to align the toner image with the paper.

When the product is turned on, when it is coming out of Sleep mode, or after a door has been closed, DC bias is applied to the secondary transfer roller. If no current is detected, the DC controller determines that the secondary-transfer-roller unit is not present, and it notifies the formatter.

The DC controller can detect when a new secondary-transfer-roller unit has been installed. After a specified number of pages have been printed since a new secondary-transfer-roller unit has been installed, the DC controller notifies the formatter that the secondary-transfer-roller unit is reaching the end of its life.

**Figure 5-26** Secondary-transfer-roller unit



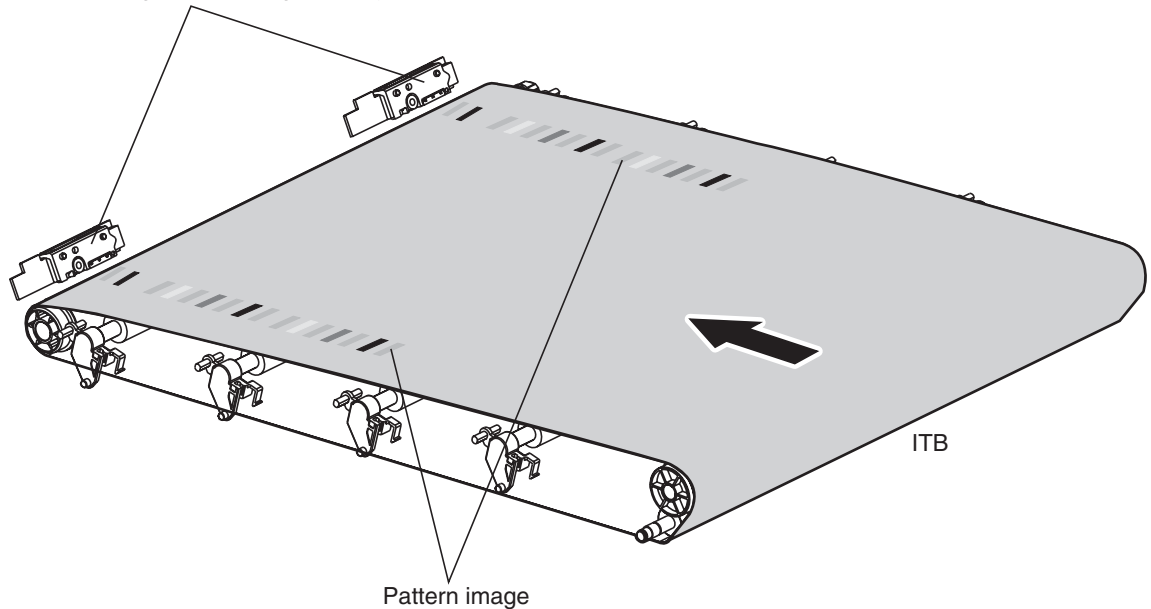
## Calibration

The product calibrates itself to maintain excellent print quality. It corrects color misregistration and color-density variation.

During calibration, the product places a specific pattern of toner on the surface of the ITB. Sensors at the end of the ITB read the toner pattern to determine if adjustments are necessary.

**Figure 5-27** Toner patterns for calibration

Color misregistration/image density sensor



## Color-misregistration control

Internal variations in the imaging drums or the laser/scanners can cause the toner images to become misaligned. The color misregistration control corrects the following problems:

- Horizontal scanning start position
- Horizontal scanning magnification
- Vertical scanning start position

This calibration occurs at these times:

- The product is turned on, or the front door is closed, after replacing an imaging drum.
- The product is turned on, or the right door is closed, after replacing the ITB.
- A specified number of pages have been printed.
- The temperature in the laser/scanner unit area changes, which is a predictor of color misregistration.
- The user requests a calibration by using the control-panel menus

If data from the color misregistration and image-density sensors is outside a specified range when the product is turned on or when it is beginning the calibration sequence, the DC controller determines that these sensors have failed, and it notifies the formatter.

## Image stabilization control

Environmental changes or deterioration of the photosensitive drums and toner can cause variations in the image density. The image stabilization control reduces these fluctuations. There are three kinds of image stabilization controls.

**Table 5-12 Image stabilization controls**

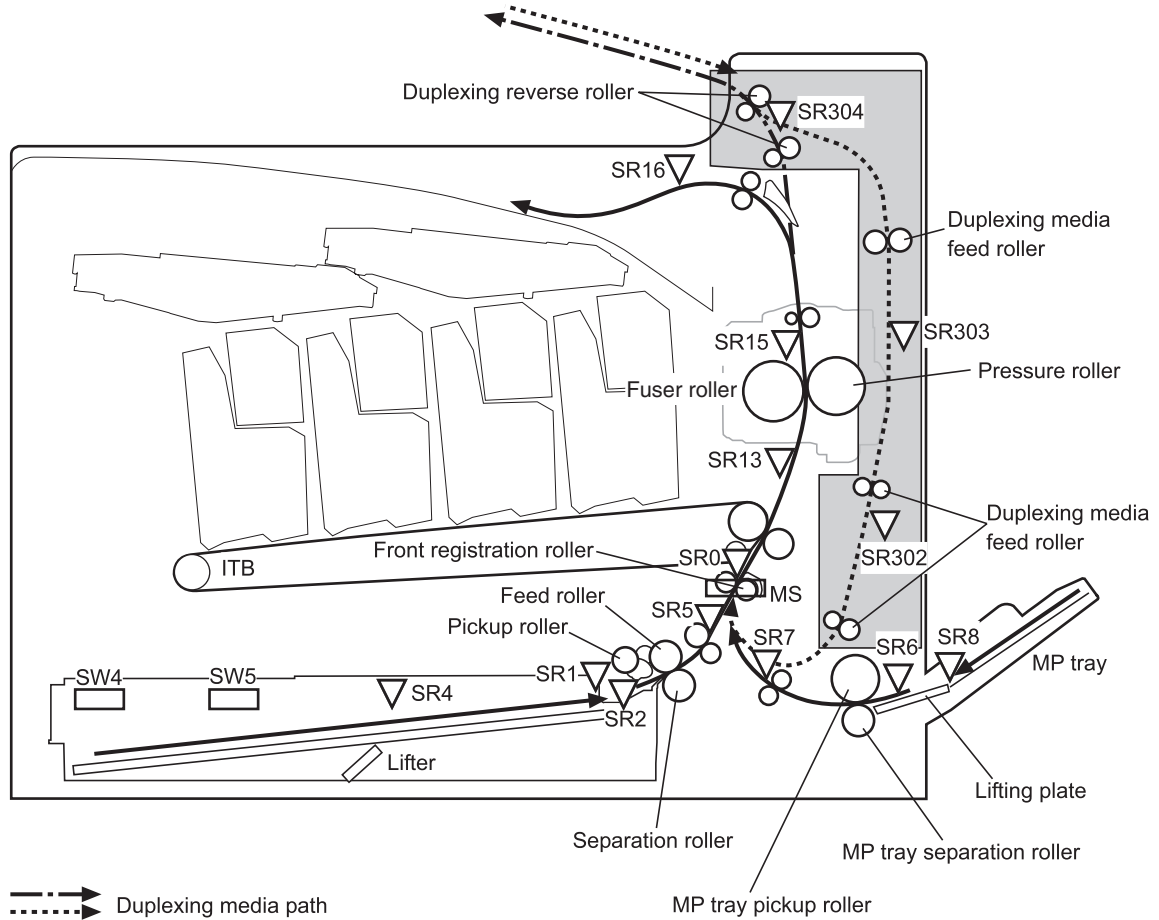
Environment change control	<p>The DC controller monitors environmental information from internal and external temperature and humidity sensors. It adjusts the high-voltage bias to accommodate environmental changes. This control is performed under the following circumstances:</p> <ul style="list-style-type: none"><li>• The product is turned on.</li><li>• The imaging drum is replaced.</li><li>• A change in environmental conditions occurs.</li></ul>
Image density control (DMAX)	<p>This control corrects variations in image density that are related to deterioration of the photosensitive drum or the toner. The DC controller adjusts the high-voltage biases to correct the problem under the following conditions:</p> <ul style="list-style-type: none"><li>• The thermistor detects a temperature that is too low when the product is turned on.</li><li>• The product is turned on, or the front door is closed, after replacing an imaging drum.</li><li>• The product is turned on, or the right door is closed, after replacing the ITB.</li><li>• A specified number of pages have been printed.</li></ul>
Image halftone control (DHALF)	<p>The formatter performs this control to calibrate the halftone, based on the halftone-density measurements, under the following conditions:</p> <ul style="list-style-type: none"><li>• The thermistor detects a temperature that is too low when the product is turned on.</li><li>• The product is turned on, or the front door is closed, after replacing an imaging drum.</li><li>• The product is turned on, or the right door is closed, after replacing the ITB.</li><li>• A specified number of pages have been printed.</li></ul>

# Pickup, feed, and delivery system

The pickup, feed, and delivery system uses a series of rollers to move the paper through the product.

The duplexing flapper solenoid (SL301) controls the position of the duplexing flapper to feed the paper into the duplexing unit.

**Figure 5-28** Switches and sensors for the pickup, feed, and delivery system



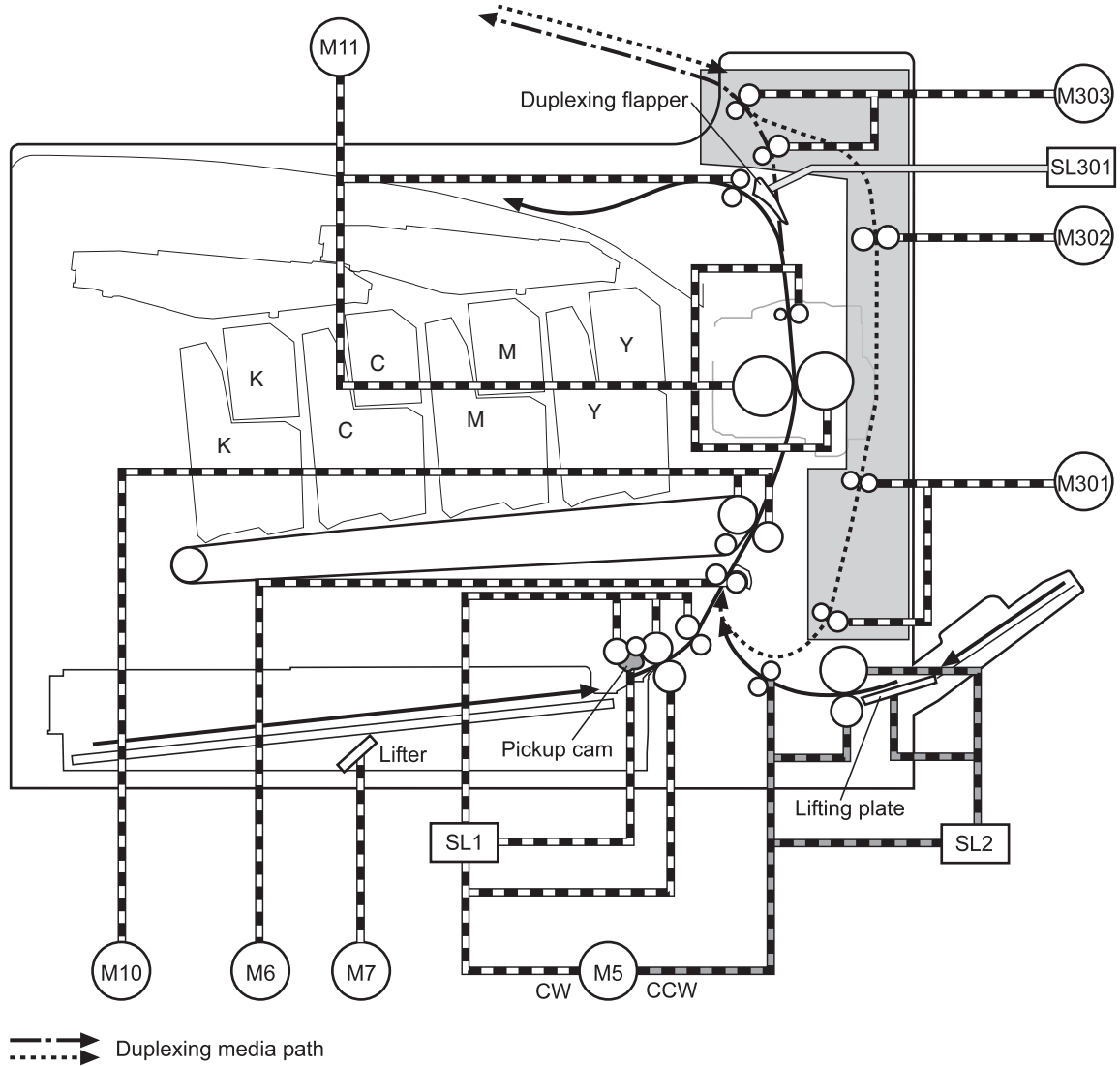
**Table 5-13** Switches and sensors for the pickup, feed, and delivery system

Abbreviation	Component
SR0	Vertical synchronous position sensor
SR1	Cassette paper-presence sensor
SR2	Cassette paper-stack surface sensor
SR4	Cassette paper-level sensor
SR5	Cassette paper-feed sensor
SR6	Multipurpose tray paper-presence sensor
SR7	Multipurpose tray paper-feed sensor
SR8	Multipurpose tray last paper sensor
SR13	Loop sensor

**Table 5-13 Switches and sensors for the pickup, feed, and delivery system (continued)**

Abbreviation	Component
SR15	Fuser delivery paper-feed sensor
SR16	Output-bin full sensor
SR302	Duplexing paper re-pickup sensor
SR303	Duplexing paper-feed sensor
SR304	Duplexing paper-reverse sensor
SW4	Cassette end-plate position switch
SW5	Cassette side-plate position switch
MS	Paper sensor

**Figure 5-29** Motors and solenoids for the pickup, feed, and delivery system



**Table 5-14** Motors and solenoids for the pickup, feed, and delivery system

Abbreviation	Component
M5	Pickup motor
M6	Registration motor
M7	Cassette lifter motor
M10	ITB motor
M11	Fuser motor
M301	Duplexing re-pickup motor
M302	Duplexing feed motor
M303	Duplexing reverse motor
SL1	Cassette pickup solenoid



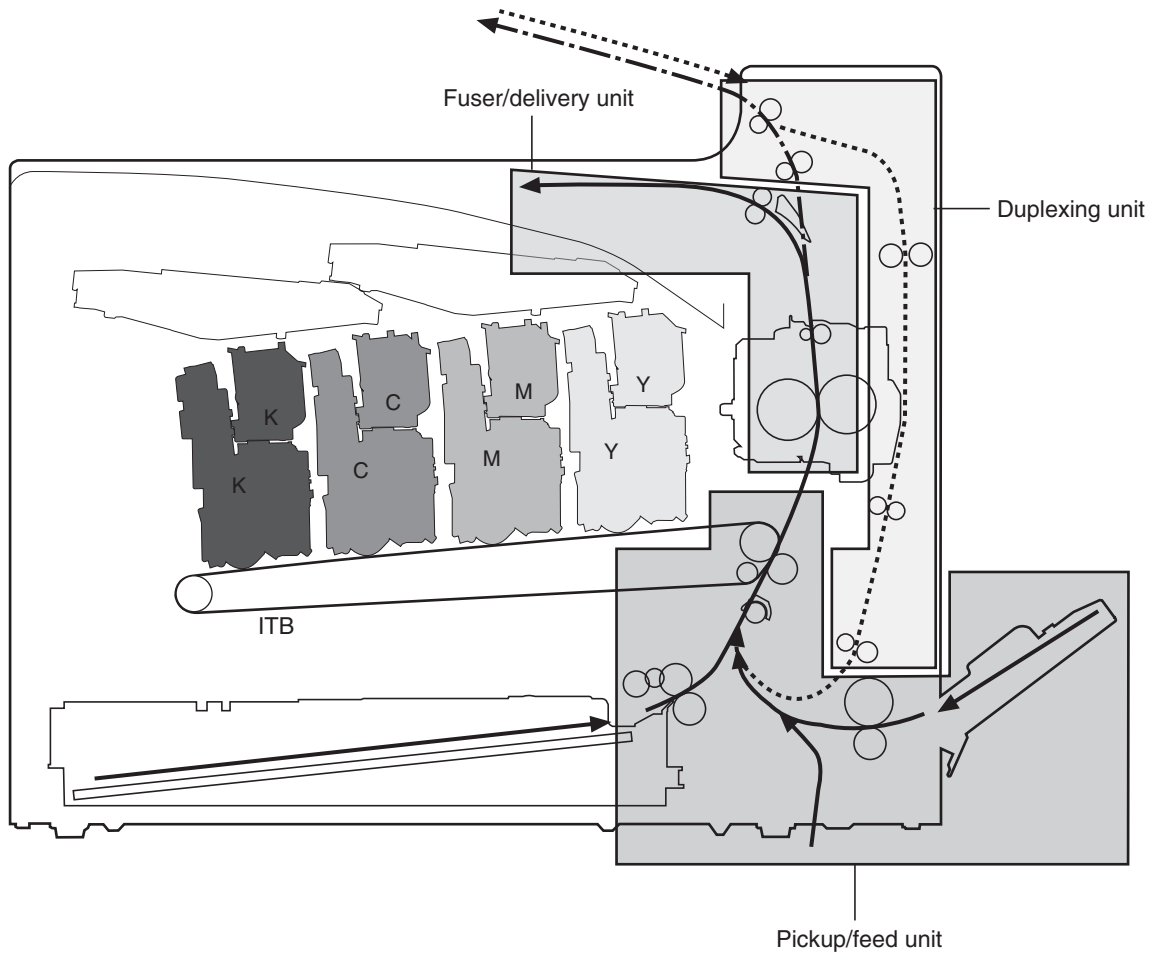
**Table 5-14 Motors and solenoids for the pickup, feed, and delivery system (continued)**

Abbreviation	Component
SL2	Multipurpose tray pickup solenoid
SL301	Duplexing flapper solenoid

The pickup, feed, and delivery system can be divided into three units:

- Pickup-and-feed unit
- Fuser and delivery unit
- Duplexing unit

**Figure 5-30** Three main units of the pickup, feed, and delivery system



## Pickup-and-feed unit

The pickup-and-feed unit picks an individual sheet of paper from the multipurpose tray or the cassettes, carries it through the secondary-transfer unit, and feeds it into the fuser.

**Table 5-15 Main operations within the pickup-and-feed system**

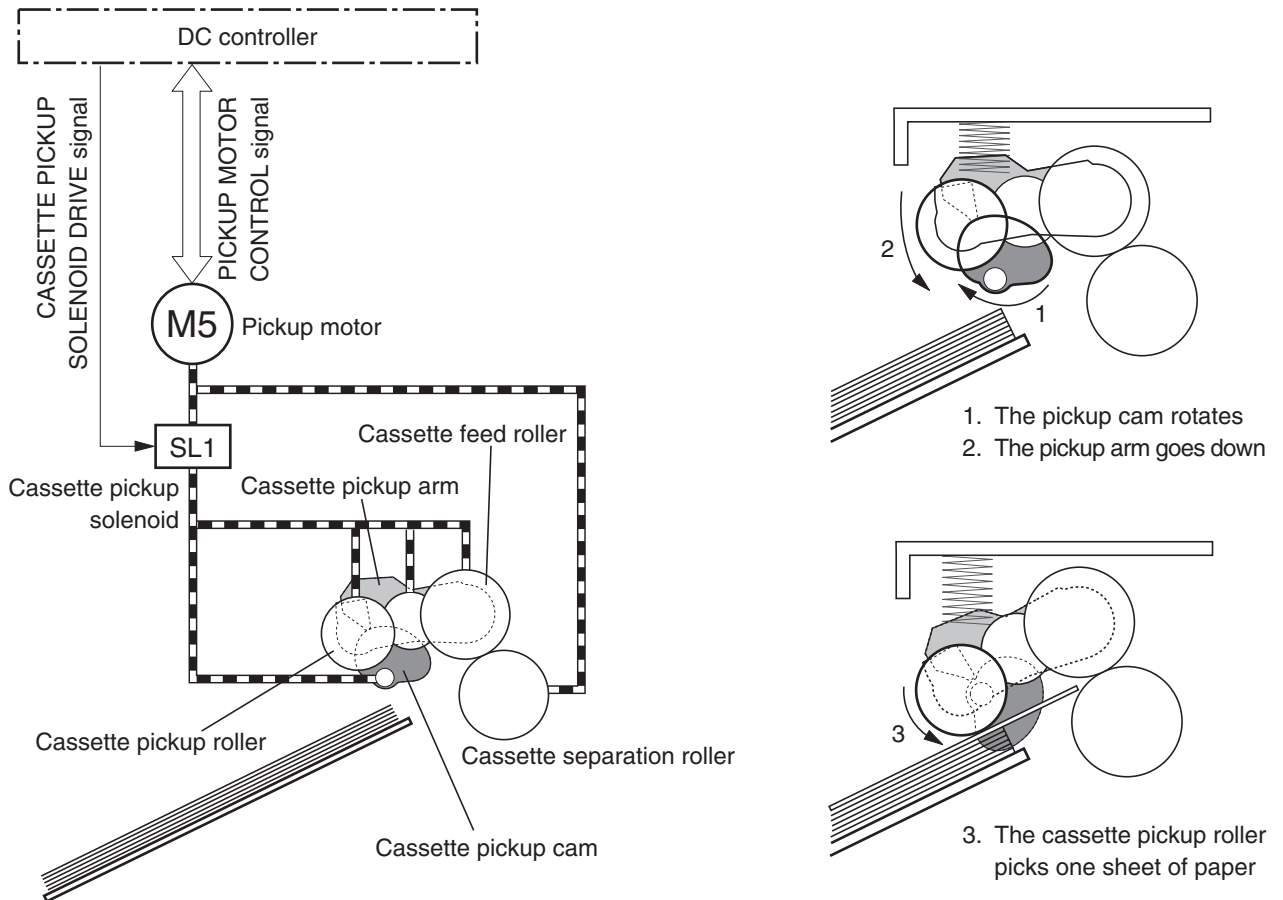
Operation	Steps
Cassette pickup	<ol style="list-style-type: none"><li data-bbox="639 254 1444 300">1. Paper-size and cassette-presence detection</li><li data-bbox="639 306 1444 352">2. Lift operation</li><li data-bbox="639 359 1444 405">3. Paper-level and paper-presence detection</li><li data-bbox="639 411 1444 443">4. Multiple-feed prevention</li></ol>
Multipurpose tray pickup	<ol style="list-style-type: none"><li data-bbox="639 453 1444 499">1. Paper-presence detection</li><li data-bbox="639 506 1444 548">2. Last paper detection</li></ol>
Paper feed	<ol style="list-style-type: none"><li data-bbox="639 558 1444 604">1. Skew-feed prevention</li><li data-bbox="639 611 1444 657">2. Paper detection</li><li data-bbox="639 663 1444 701">3. Feed-speed control</li></ol>

## Cassette pickup

The sequence of steps for the cassette tray pickup operation is the following:

1. When the product is turned on or the tray is pushed closed, the lifting mechanism lifts the paper stack so it is ready.
2. After receiving a print command from the formatter, the DC controller rotates the pickup motor, which causes the cassette pickup roller, cassette feed roller, and cassette separation roller to rotate.
3. The DC controller drives the cassette pickup solenoid, which rotates the cassette pickup cam. As the pickup cam rotates, the pickup arm moves down, the cassette pickup roller touches the surface of the paper stack, and it picks up one sheet of paper.

**Figure 5-31** Cassette-pickup mechanism



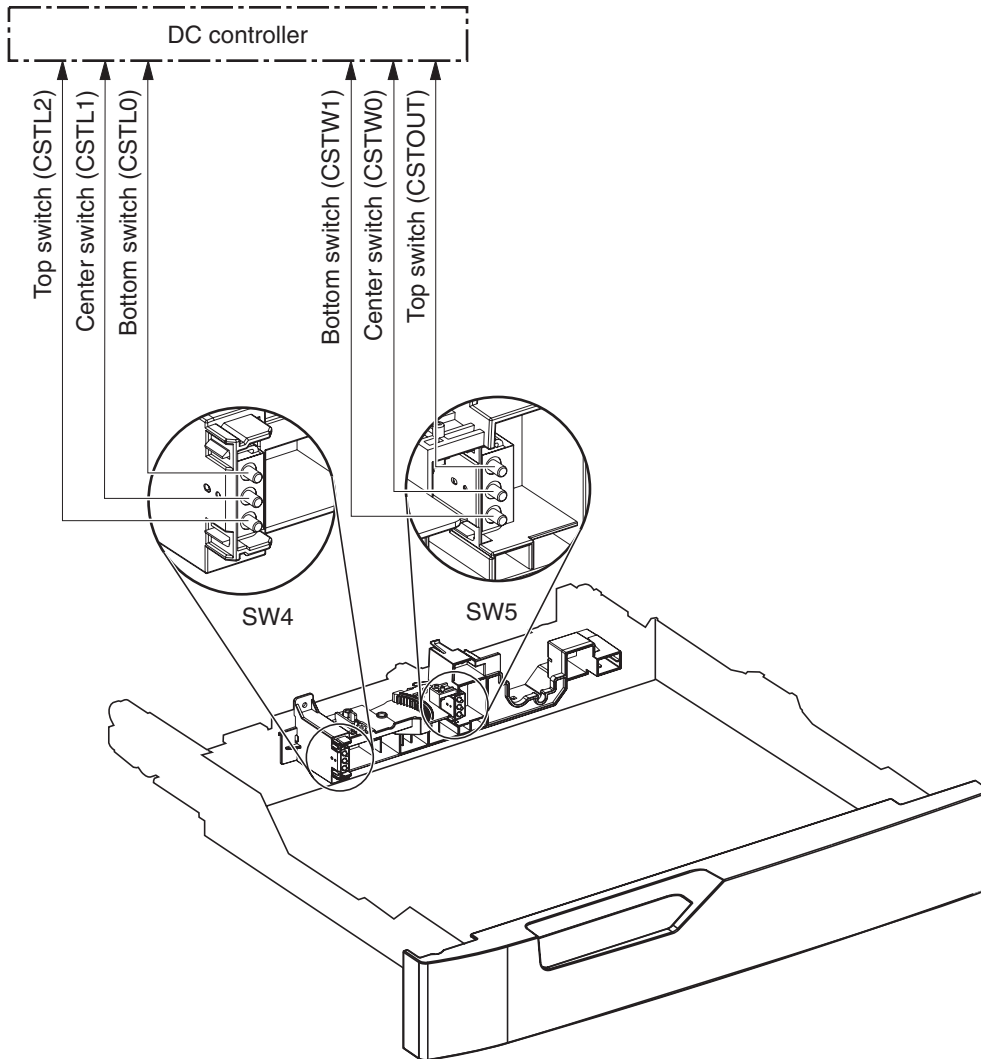
## Cassette paper-size and cassette-presence detection

The cassette end-plate detection switch and the cassette side-plate detection switch detect the size of the paper that is loaded in the cassette. Each of these switches contains three sub-switches.

The DC controller compares the paper length that is detected by the vertical-synchronous-position sensor to the detected size and to the size that is specified for the print job. If they do not match, the DC controller notifies the formatter.

The cassette end-plate detection switch also detects whether the cassette is present. If all three of its switches are off, the DC controller determines that the cassette is absent.

**Figure 5-32** Cassette paper-size detection switches



**Table 5-16** Switch states for paper-size detection

Paper size	Cassette end-plate detection switch (SW4)			Cassette side-plate detection switch (SW5)		
	Top switch	Center switch	Bottom switch	Top switch <sup>1</sup>	Center switch	Bottom switch
A5	On	On	Off	On or off	Off	On
A4	On	On	Off	On or off	Off	Off
Letter	On	On	Off	On or off	On	Off
B5	Off	On	Off	On or off	Off	On
Executive	Off	On	Off	On or off	Off	On
Letter-R	Off	Off	On	On or off	Off	On
A4-R	On	Off	On	On or off	Off	On
Legal	On	Off	Off	On or off	Off	On

**Table 5-16 Switch states for paper-size detection (continued)**

B4	On	Off	Off	On or off	On	On
A3	On	Off	Off	On or off	Off	Off
Ledger	On	Off	Off	On or off	On	Off
Cassette absence	Off	Off	Off			

<sup>1</sup> The top side-plate detection switch controls the lifter mechanism. When the switch is on, the lifting plate moves up. When it is off, the lifting plate moves down. Its position has no effect on paper-size detection.

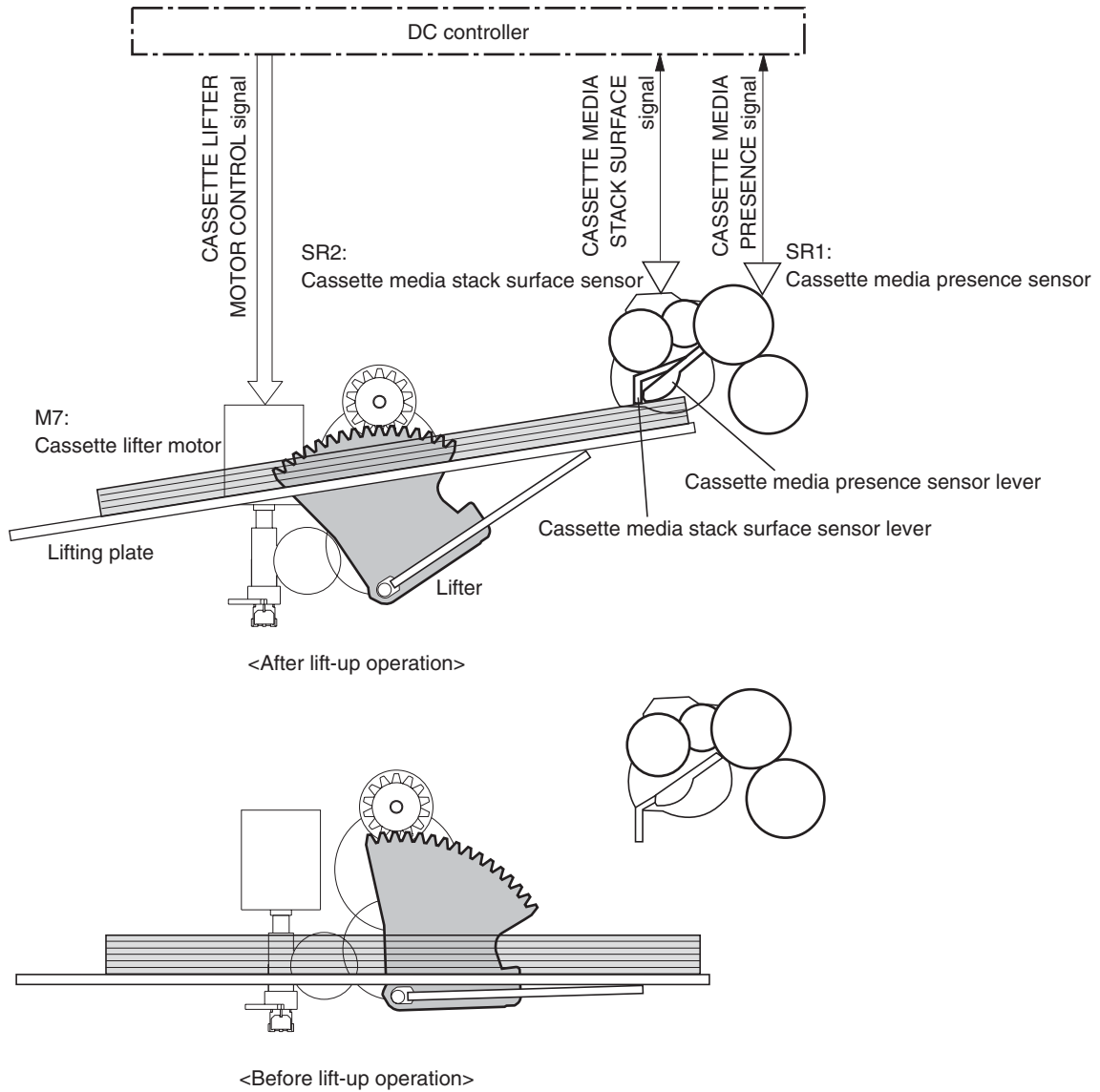
### Cassette lift operation

When the product is turned on, when the cassette is inserted, or as the paper level in the cassette decreases, the cassette lift mechanism raises the plate to keep the surface of the stack high enough so the pickup roller can reach it.

1. The DC controller rotates the cassette-lifter motor to raise the lift plate.
2. When the paper-stack surface sensor detects the paper surface, the DC controller stops rotating the cassette-lifter motor. If the sensor no longer detects paper, the DC controller begins rotating the motor again.

If the paper-stack surface sensor does not detect the paper within a specified time after the lifter motor begins rotating, the DC controller notifies the formatter that the lifter motor has failed.

**Figure 5-33** Cassette lift mechanism



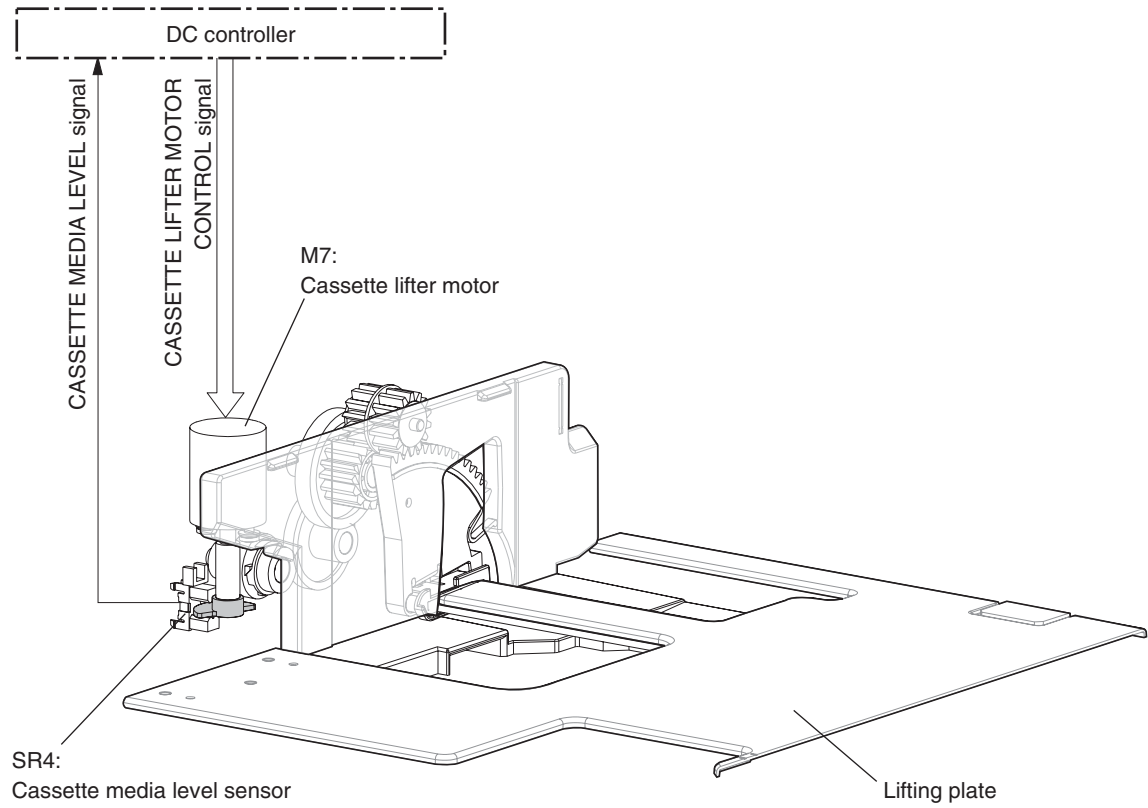
### Cassette paper-level and paper-presence detection

The height of the paper-lift plate in the cassette indicates the paper level. The paper-level sensor, which is at the end of the lifter motor, monitors the rotations of the motor and calculates the paper level. It reports the paper level to the DC controller in the following increments:

- No paper
- Less than 10%
- Between 10% and 20%
- Between 20% and 40%
- More than 40%

The cassette media-presence sensor detects whether paper is in the cassette.

**Figure 5-34** Paper-level-detection mechanism

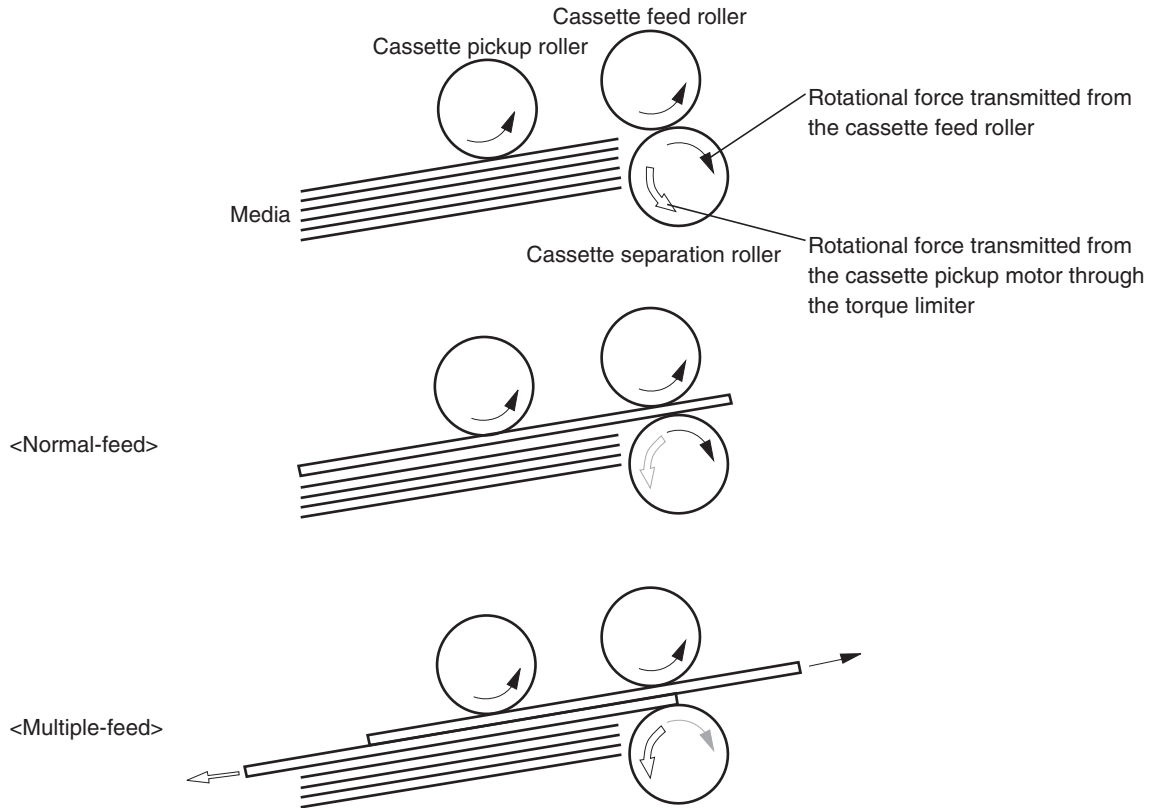


### Multifeed prevention

In each of the cassettes and in the multipurpose tray, a separation roller prevents multiple sheets of paper from entering the paper path. The separation roller is driven by the rotation of the feed roller, but

it is equipped with a torque limiter that counteracts this rotation when more than one sheet of paper is between the two rollers.

**Figure 5-35** Multifeed prevention



## Multipurpose tray pickup

The multipurpose tray paper-presence sensor detects whether paper is in the tray. If no paper is present, the DC controller notifies the formatter. The print operation is not performed until paper is in the tray.

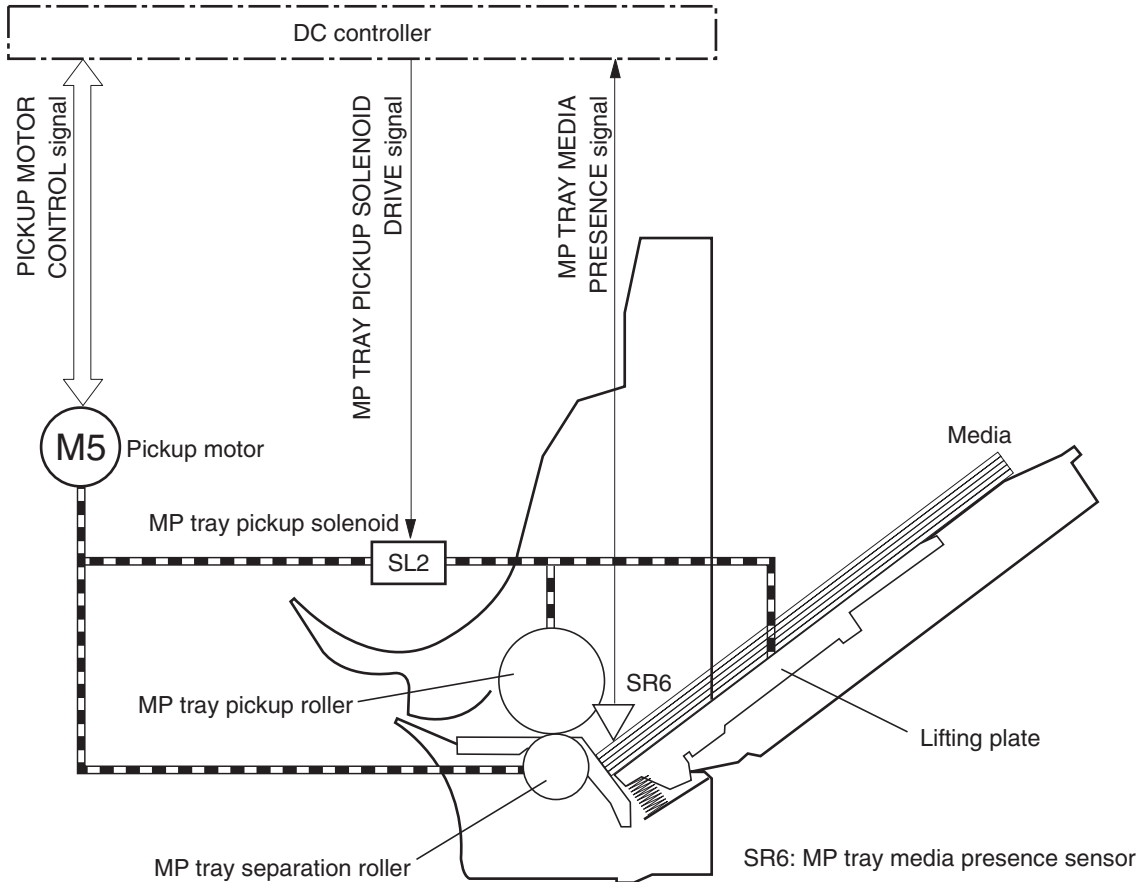
The sequence of steps for the multipurpose tray pickup operation as follows:

1. After receiving a print command from the formatter, the DC controller reverses the pickup motor, which causes the multipurpose tray separation roller to rotate.
2. The DC controller turns on the multipurpose tray pickup solenoid, causing the multipurpose tray pickup roller to rotate.



3. The lifting plate rises to meet the rotating pickup roller, and paper is picked from the stack.
4. The multipurpose tray separation roller isolates a single sheet of paper in case more than one sheet was picked. The single sheet of paper is fed into the product. This mechanism is the same as for the cassette pickup operation.

**Figure 5-36** Multipurpose tray pickup mechanism



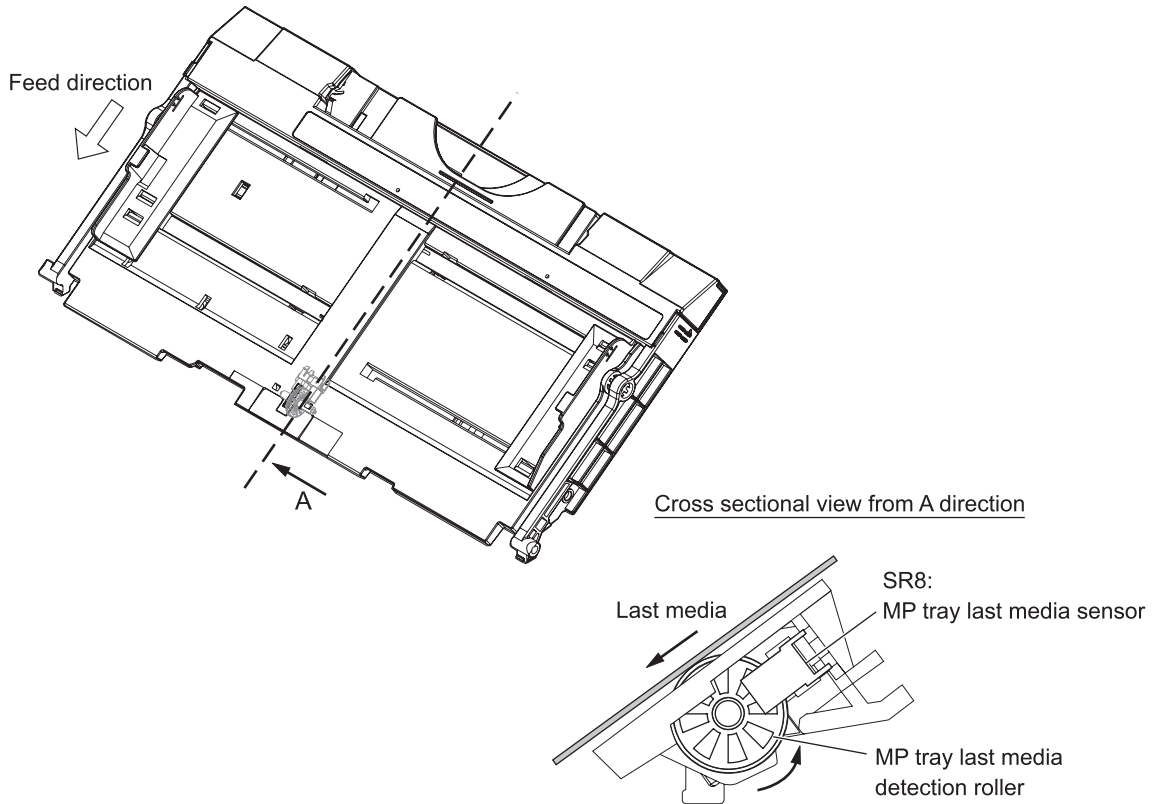
### Multipurpose tray last-paper detection

Because the paper path between the multipurpose tray paper-presence sensor and the registration roller is short, the product attempts to form the next image before the DC controller detects that the tray is empty. To prevent the image from being formed on the photosensitive drum and wasting toner, the multipurpose tray last-paper sensor detects the empty tray before the image-formation process begins.

As the last sheet of paper is picked up, the multipurpose tray last-paper detection roller rotates. It does not rotate if two or more sheets are in the tray. The multipurpose tray last-paper sensor detects the

moving roller, and it sends a signal to the DC controller. The DC controller notifies the formatter so it can temporarily disable the image-formation process.

**Figure 5-37** Multipurpose tray last-paper detection



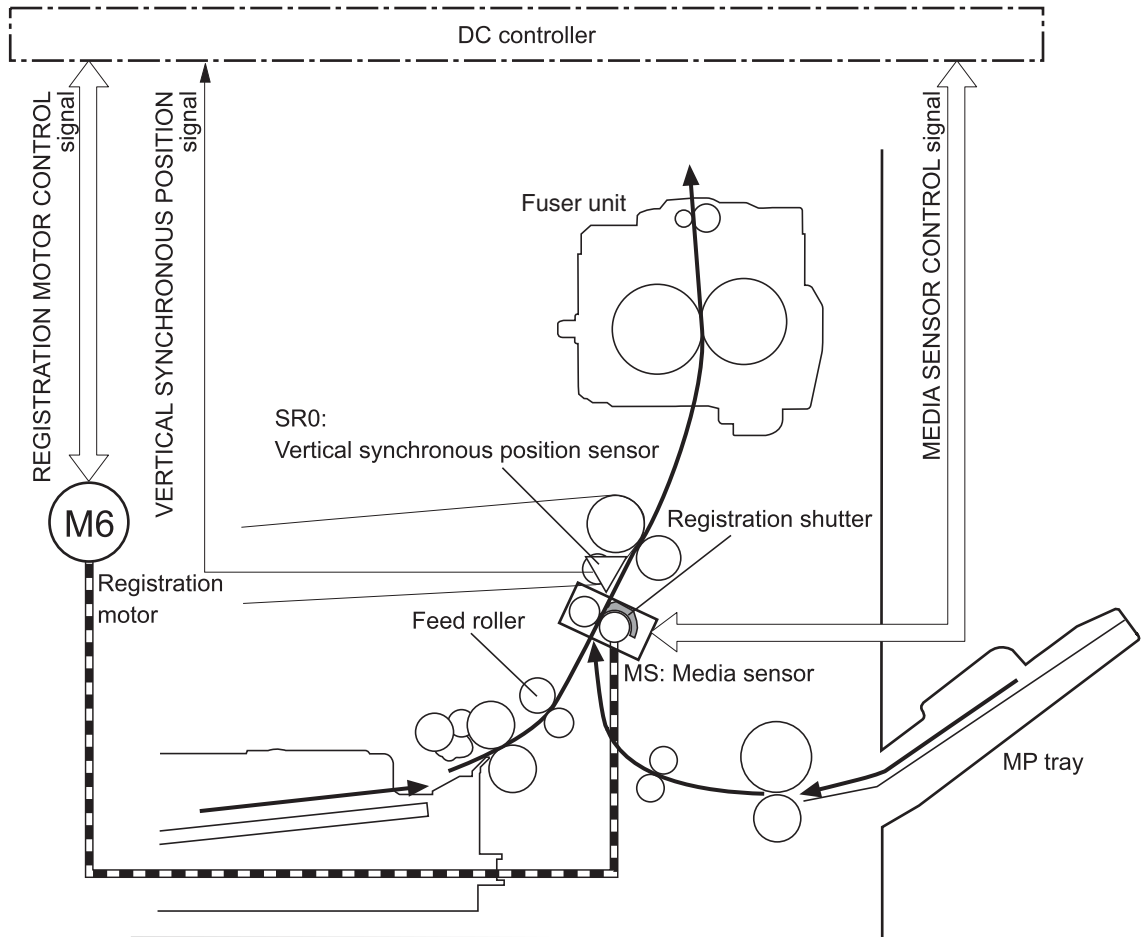
## Paper feed

After the pickup operation, the paper is fed through the product and into the fuser.

1. The paper passes through the feed rollers. The registration shutter aligns the paper correctly to prevent skewed printing.
2. When the vertical synchronous position sensor detects the leading edge of the paper, the registration motor stops, and the paper movement pauses while the image on the ITB is timed to align with the leading edge of the paper.

3. While the paper is paused, the media sensor detects the type of paper.
4. When the timing is correct, the registration motor begins rotating again to feed the paper through the secondary transfer unit and into the fuser.

**Figure 5-38** Paper-feed mechanism

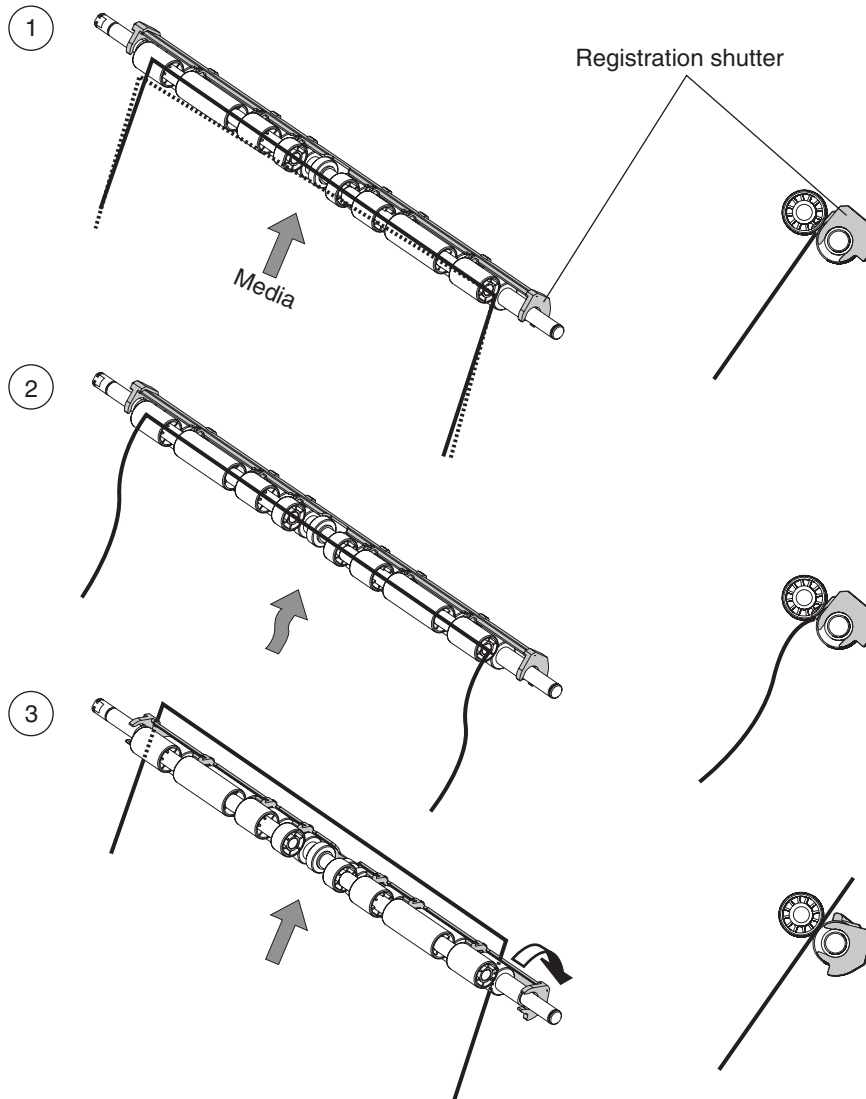


## Skew-feed prevention

The product can straighten the paper without slowing the feed operation.

1. As the paper enters the paper path, the leading edge strikes the registration shutter, but the paper does not pass through the shutter, so it is straightened.
2. The feed rollers keep pushing the paper, creating a force on the leading edge against the registration shutter.
3. When the force is great enough, the registration shutter opens and the paper passes through.

**Figure 5-39** Skew-feed prevention

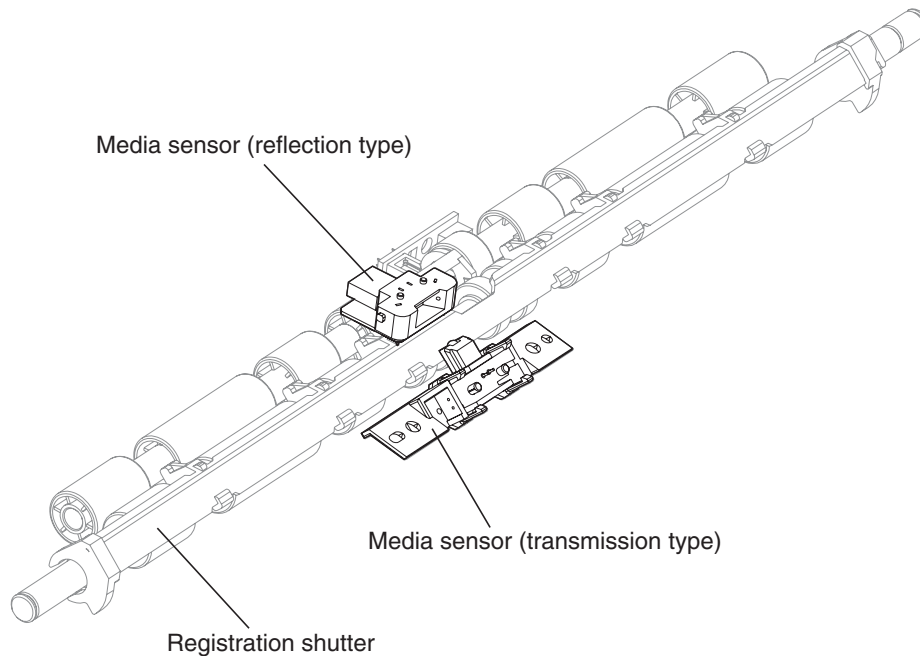


## Paper-type detection

The product can detect the type of paper in the paper path, and it adjusts the print mode accordingly. The product uses two types of media sensors:

- **Reflection:** Detects the glossiness of the paper
- **Transmission:** Detects the thickness of the paper

**Figure 5-40** Media sensor unit



The DC controller uses the information from the media sensors to determine the paper type, and it notifies the formatter. The DC controller notifies the formatter of a paper-type mismatch if any of the following conditions exist:

- **Simplex printing:**
  - The mode specified for the print job is Transparency, but the media sensor detects another type.
  - The mode specified for the print job is something other than Auto or Transparency, but the media sensor detects a transparency.
- **Duplex printing:** The mode specified for the print job is compatible with duplex printing, but the media sensor detects a transparency.

When the product is turned on or when it comes out of Sleep mode, it tests the media sensor by turning on the LED. If the intensity of the light does not match the specified value, the DC controller determines that the sensor has failed.

## Feed-speed control

Depending on the type of paper, the product adjusts the feed speed to obtain the best print quality. For paper types that the media sensor cannot detect, the product adjusts the feed speed according to the print mode specified by the formatter for the print job.

Paper type (Control panel)	Print mode	Recommended paper weight range	Feed speed	Media-sensor detection
BOND	Normal	75–90 g/m <sup>2</sup>	Full	Yes
COLORED				
HP MATTE 90g				
INTERMEDIATE 85-95g				
LETTERHEAD				
PLAIN				
PREPRINTED				
PREPUNCHED				
RECYCLED				
HEAVY 111–125g				
HP MATTE 105g				
HP MATTE 120g				
MID-WEIGHT 96-110g				
EXTRA HEAVY 126-175	Heavy 2	121–163 g/m <sup>2</sup>	1/2	Yes
HP MATTE 160g				
CARDSTOCK 176-220g	Heavy 3	164–220 g/m <sup>2</sup>	1/3	Yes
HP MATTE 200g				
HP MATTE 220g				
LIGHT 60-74g	Light 1	60–74 g/m <sup>2</sup>	Full	No
HP GLOSSY 120g	Glossy 1	90–120 g/m <sup>2</sup>	3/4	Yes
HP SOFT GLOSS 120g				
HVY GLOSSY 111g-125g				
MID-WTGLOSSY 96g-110g				
HP GLOSSY 160g	Glossy 2	121–150 g/m <sup>2</sup>	1/2	Yes
XHVYGLOSSY 126-175g				
CARD GLOSSY 176-220	Glossy 3	151–220 g/m <sup>2</sup>	1/3	Yes
HP GLOSSY 220g				
HP TOUGH PAPER	Glossy film	5 mil	1/10	Yes
OPAQUE FILM				
	Envelope	Envelope	Full	No
COLOR TRANSPARENCY	Transparency	5 mil	1/10	Yes

## Fusing and delivery unit

The fusing and delivery unit fuses the toner onto the paper and delivers the printed page into the output bin. It has the following controls to ensure optimum print quality:

- Loop control
- Pressure roller pressurization/depressurization control

A sensor detects when the output bin is full, and the DC controller notifies the formatter.

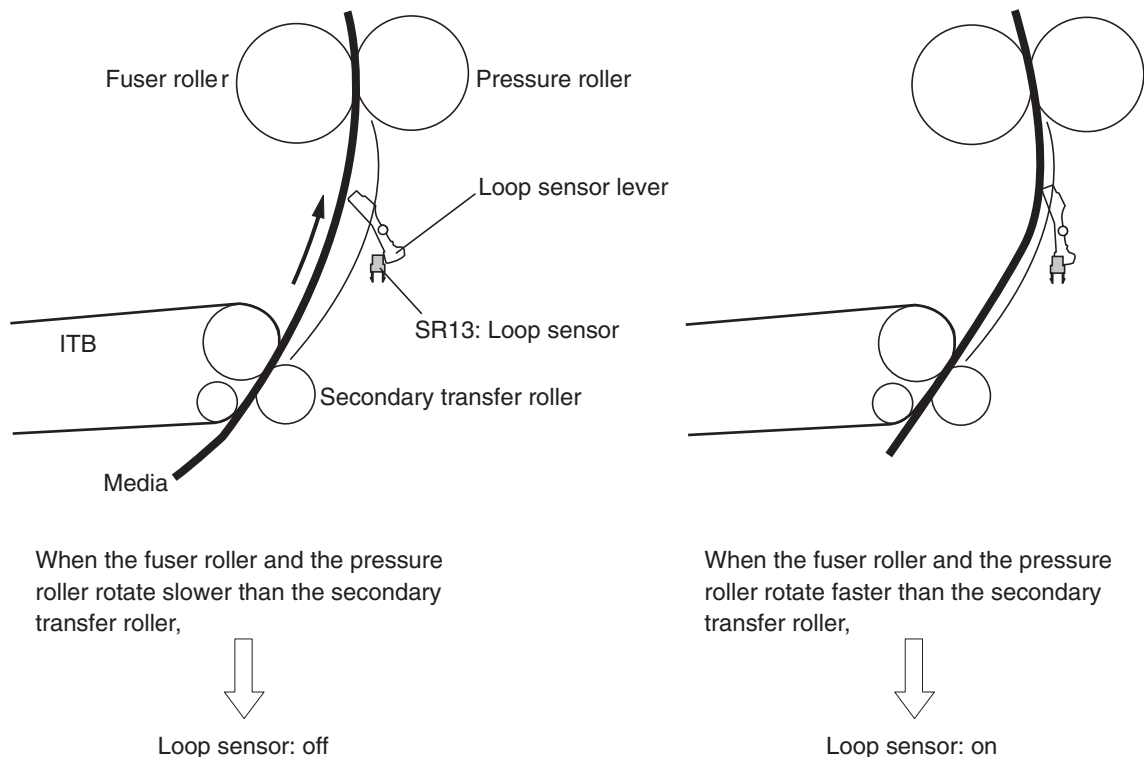
### Loop control

The loop control maintains even tension on the paper while it is moving through the fuser to prevent print-quality defects and paper-handling defects.

- If the fuser rollers rotate more slowly than the secondary transfer rollers, the paper warp increases and an image defect or paper crease occurs.
- If the fuser rollers rotate faster than the secondary transfer rollers, the paper warp decreases and the toner image is not transferred to the paper correctly, causing color misregistration.

To prevent these problems, the loop sensor, located between the secondary transfer rollers and the fuser rollers, detects whether the paper is sagging or is too taut. The DC controller adjusts the speed of the fuser motor accordingly.

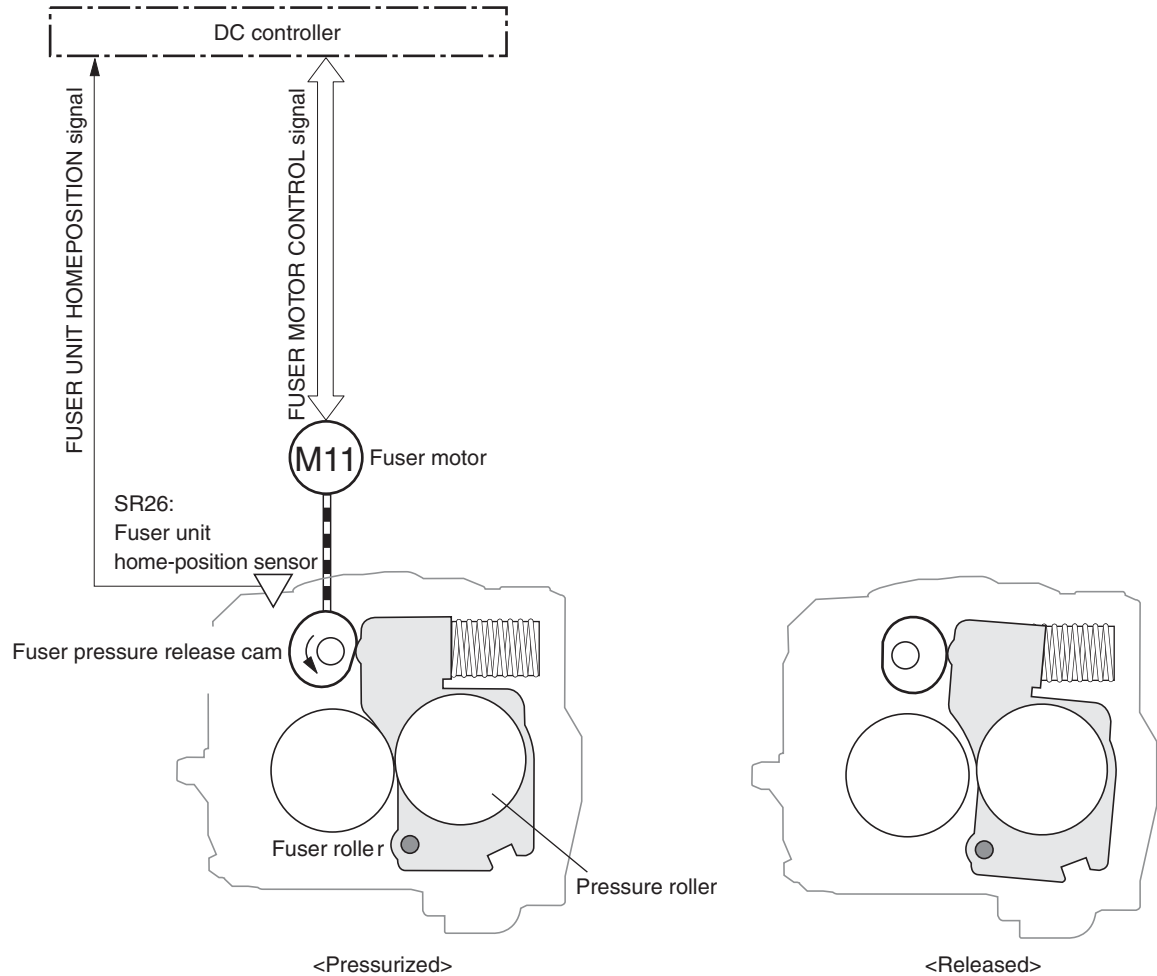
**Figure 5-41** Loop-control mechanism



## Pressure-roller pressurization control

To prevent excessive wear on the pressure roller and to facilitate jam-clearing procedures, the pressure roller is not pressurized except during printing. The DC controller reverses the fuser motor, which rotates the fuser pressure-release cam.

**Figure 5-42** Pressure-roller pressurization control



The pressure roller is depressurized under the following conditions:

- The product is turned off with the on/off switch.
- After a specific time period from entering the standby period
- During powersave mode
- When a paper jam is detected.

**NOTE:** The fuser remains pressurized if the power is interrupted by removing the power cord or turning off a surge protector, or if the fuser is removed without turning off the product.

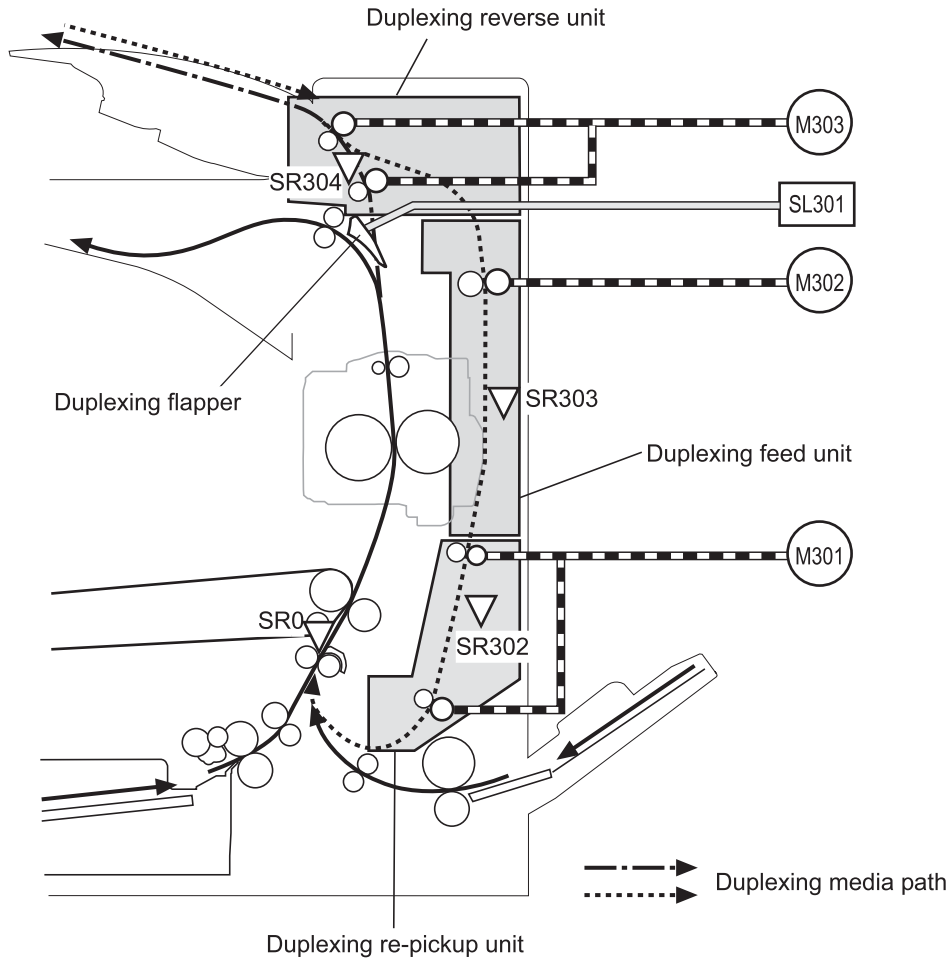


## Duplexing unit

For supported models, the duplexing unit reverses the paper and feeds it through the paper path to print the second side. It consists of the following components:

- **Duplexing-reverse unit:** Installed on top of the product
- **Duplexing-feed unit:** Inside the product, along the right side

**Figure 5-43** Duplexing unit



**Table 5-17** Duplexing-unit components

Abbreviation	Component
M301	Duplexing re-pickup motor
M302	Duplexing feed motor
M303	Duplexing reverse motor
SL301	Duplexing flapper solenoid
SR302	Duplexing paper re-pickup sensor
SR303	Duplexing paper-feed sensor
SR304	Duplexing paper-reverse sensor

All these components are driven by the duplexing driver, according to signals from the DC controller. If the DC controller cannot communicate with the duplexing driver, it notifies the formatter that the duplexing unit has failed.

## Duplexing reverse and feed control

The duplexing reverse procedure pulls the paper into the duplexing unit after it exits the fuser, and the duplexing feed procedure moves the paper through the duplexer so it can enter the product paper path to print the second side of the page.

1. After the first side has printed, the duplexing flapper solenoid is opened, which creates a paper path into the duplexing-reverse unit.
2. After the paper has fully entered the duplexing-reverse unit, the duplexing-reverse motor reverses and directs the paper into the duplexing-feed unit.
3. The duplexing re-pickup motor and duplexing feed motor move the paper into the duplexing re-pickup unit.
4. To align the paper with the toner image on the ITB, the duplexing re-pickup motor stops and the paper pauses until the specified time.
5. The paper re-enters the paper path, and the second side is printed.

# Jam detection

The product uses the following sensors to detect the paper as it moves through the paper path and to report to the DC controller if the paper has jammed.

- Vertical synchronous position sensor
- Cassette paper-feed sensor
- Multipurpose tray paper-feed sensor
- Loop sensor
- Fuser delivery paper-feed sensor
- Output-bin full sensor
- Duplexing paper re-pickup sensor
- Duplexing paper-feed sensor
- Duplexing paper-reverse sensor
- Media sensor

The product determines that a jam has occurred if one of these sensors detects paper at an inappropriate time. The DC controller stops the print operation and notifies the formatter.

**Table 5-18 Jams that the product detects**

Jam	Description
Pickup delay jam 1	<b>Cassette pickup:</b> The cassette paper-feed sensor does not detect the leading edge of the paper within a specified period after the cassette pickup solenoid has turned on. <b>Multipurpose tray pickup:</b> The multipurpose tray paper-feed sensor does not detect the leading edge of the paper within a specified period after the multipurpose tray solenoid has turned on.
Pickup delay jam 2	The vertical synchronous position sensor does not detect the leading edge of the paper within a specified period after the paper-feed sensor (for either the cassette or the multipurpose tray) detects the leading edge.
Pickup stationary jam	The media sensor does not detect the trailing edge of the paper within a specified period after the registration motor begins rotating to re-feed the paper.
Fuser delivery delay jam	The fuser delivery paper-feed sensor does not detect the leading edge of the paper within a specified period after the registration motor begins rotating to re-feed the paper.
Fuser delivery stationary jam	The fuser delivery paper-feed sensor does not detect the trailing edge of the paper within a specified period after it detects the leading edge.
Wrapping jam	After it has detected the leading edge of the paper, the fuser delivery paper-feed sensor detects the absence of paper, and it has not yet detected the trailing edge.
Delivery delay jam 3	The output bin full sensor does not detect the leading edge of the paper within a specified period after the fuser delivery paper-feed sensor has detected the leading edge.

**Table 5-18 Jams that the product detects (continued)**


Jam	Description
Residual paper jam	One of the following sensors detects paper presence during the initialization sequence: <ul style="list-style-type: none"><li>● Fuser delivery paper-feed sensor</li><li>● Loop sensor</li><li>● Duplexing paper-reverse sensor</li></ul>
Door open jam	A door is open while paper is moving through the product.
Duplexing reverse jam 1	The duplexing paper-feed sensor does not detect the leading edge of the paper within a specified period after the paper-reverse operation starts.
Duplexing reverse jam 2	The duplexing paper-reverse sensor does not detect the trailing edge of the paper within a specified period after it detects the leading edge.
Duplexing re-pickup jam 1	The vertical synchronous position sensor does not detect the leading edge of the paper within a specified period after the paper is re-picked up from the duplexing pickup position.
Duplexing re-pickup jam 2	The duplexing paper re-pickup sensor does not detect the leading edge of the paper within a specified period after the paper-reverse operation starts.

After a jam, some sheets of paper might remain inside the product. If the DC controller detects residual paper after a door is closed or after the product is turned on, the product automatically clears itself of those residual sheets.

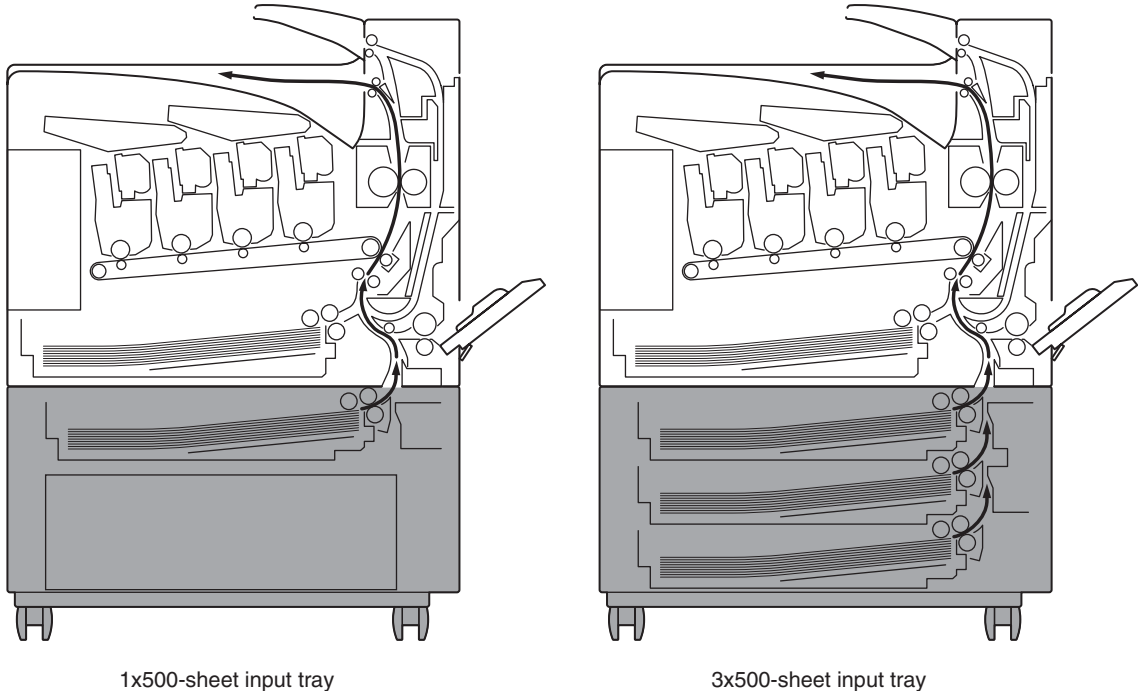
## Optional input trays

The product is configured with either the additional 1x500-sheet input tray or 3x500-sheet input tray depending on which bundle was purchased.

- The 1x500-sheet input tray has one tray (Tray 3) and a storage compartment.
- The 3x500-sheet input tray has three trays (Trays 3, 4, and 5).

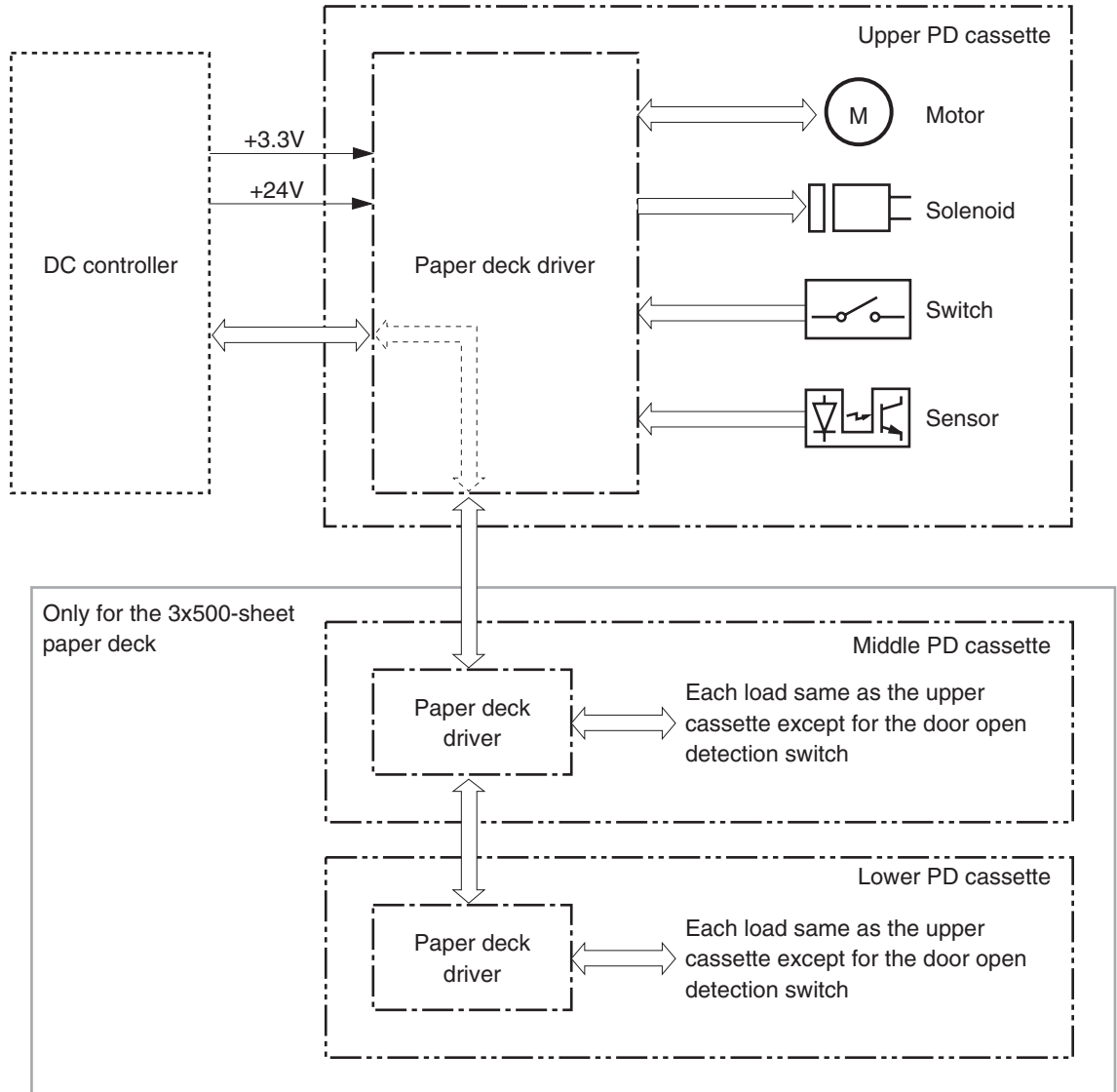
 **NOTE:** These optional trays are *not* identical to the main cassette (Tray 2).

**Figure 5-44** Optional input trays



These additional trays are each controlled by paper-deck drivers, which contain a microcomputer. The paper-deck drivers receive commands from the DC controller. If the DC controller is unable to communicate with a paper-deck driver, it notifies the formatter that the optional input tray is not connected correctly.

**Figure 5-45** Signals for the input trays



The input trays contain several motors, solenoids, sensors, and switches, as described in the following table.

**Table 5-19** Electrical components for the optional input trays

Component type	Abbreviation	Component name
Motors	M101	Upper paper-feeder cassette pickup motor
	M102	Upper paper-feeder lifter cassette motor
	M111	Middle paper-feeder cassette pickup motor (3x500-sheet input tray only)
	M112	Middle paper-feeder cassette lifter motor (3x500-sheet input tray only)
	M121	Lower paper-feeder cassette pickup motor (3x500-sheet input tray only)
	M122	Lower paper-feeder cassette lifter motor (3x500-sheet input tray only)

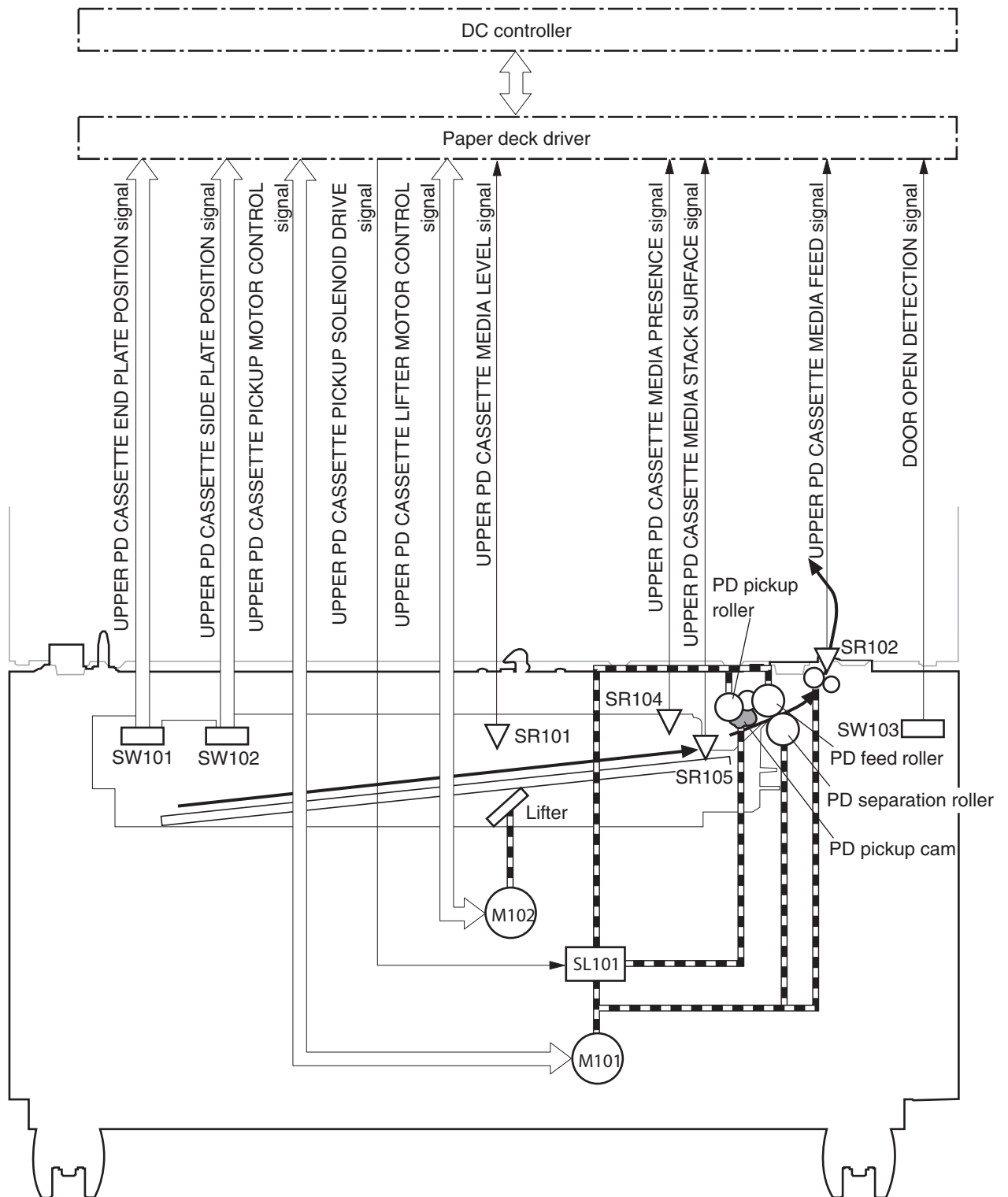
**Table 5-19 Electrical components for the optional input trays (continued)**

Component type	Abbreviation	Component name
Solenoids	SL101	Upper paper-feeder cassette pickup solenoid
	SL111	Middle paper-feeder cassette pickup solenoid (3x500-sheet input tray only)
	SL121	Lower paper-feeder cassette pickup solenoid (3x500-sheet input tray only)
Sensors	SR101	Upper paper-feeder cassette paper-level sensor
	SR102	Upper paper-feeder cassette paper-feed sensor
	SR104	Upper paper-feeder cassette paper-presence sensor
	SR105	Upper paper-feeder cassette paper-stack surface sensor
	SR111	Middle paper-feeder cassette paper-level sensor (3x500-sheet input tray only)
	SR112	Middle paper-feeder cassette paper-feed sensor (3x500-sheet input tray only)
	SR114	Middle paper-feeder cassette paper-presence sensor (3x500-sheet input tray only)
	SR115	Middle paper-feeder cassette paper-stack surface sensor (3x500-sheet input tray only)
	SR121	Lower paper-feeder cassette paper-level sensor (3x500-sheet input tray only)
	SR122	Lower paper-feeder cassette paper-feed sensor (3x500-sheet input tray only)
	SR124	Lower paper-feeder cassette paper-presence sensor (3x500-sheet input tray only)
	SR125	Lower paper-feeder cassette paper-stack surface sensor (3x500-sheet input tray only)
Switches	SW101	Upper paper-feeder cassette end-plate position switch
	SW102	Upper paper-feeder cassette side-plate position switch
	SW103	Door open detection switch
	SW111	Middle paper-feeder cassette end-plate position switch (3x500-sheet input tray only)
	SW112	Middle paper-feeder cassette side-plate position switch (3x500-sheet input tray only)
	SW121	Lower paper-feeder cassette end-plate position switch (3x500-sheet input tray only)
	SW122	Lower paper-feeder cassette side-plate position switch (3x500-sheet input tray only)

## Paper-feeder pickup and feed operation

The pickup and feed operation is the same for each of the trays.

**Figure 5-46** Paper-feeder pickup and feed operation





The methods for all the following operations are the same as for the main cassette (Tray 2):

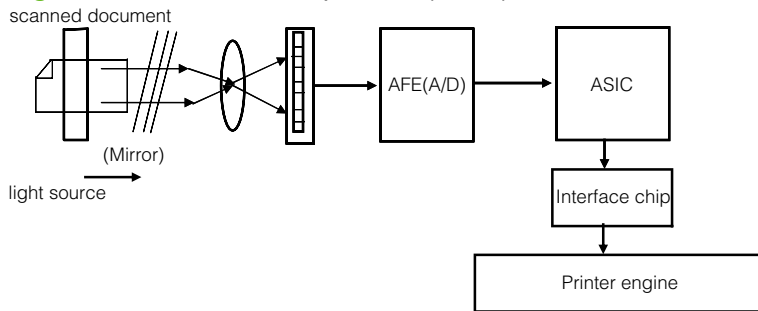
- Paper-size detection and cassette-presence detection
- Lift operation
- Paper-level and paper-presence detection
- Multiple feed prevention
- Jam detection

# Scanner component

The bright and dark areas of a scanned document reflect different light values from the light source (CCFL), and the light emits through the lens in the scan head. When the CCD sensors receive the light, photoelectricity is produced according to the light strength. The CCD and CCB/B change the light into electricity, and then the CCD/B transmits the analog electrical signal through the R, G, B channels. The analog signal (R,G,B) is sent to the A/D converter, which converts the analog signals to digital signals. The ASIC reads the digital data produced by the A/D converter and then processes the read data in the inner ASIC.

**NOTE:** The same optical system is used for the glass and ADF scans.

**Figure 5-47** Scanner components (1 of 2)



**Figure 5-48** Scanner components (2 of 3)

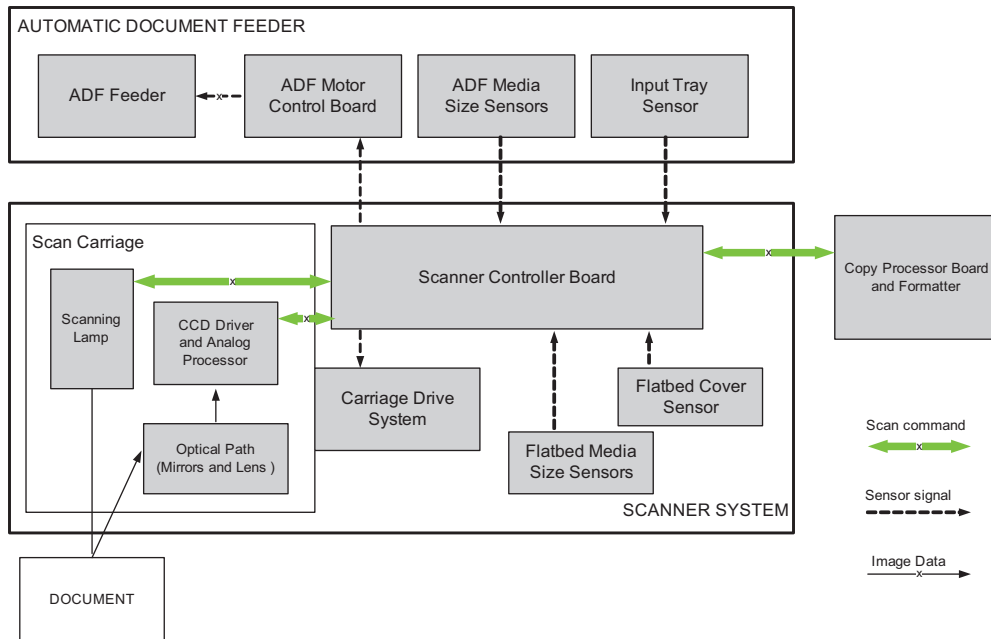
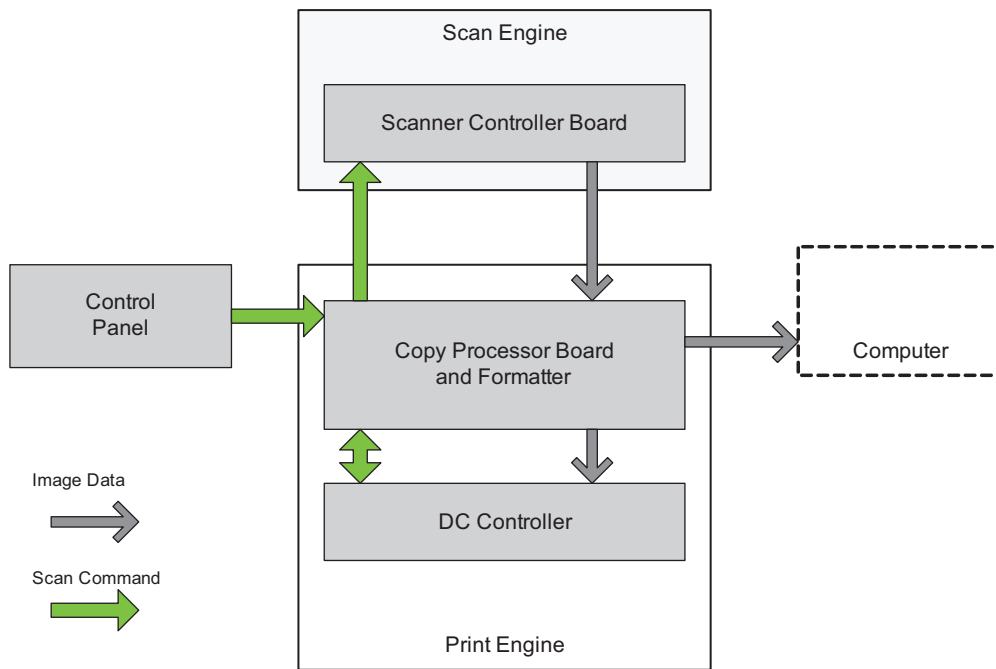


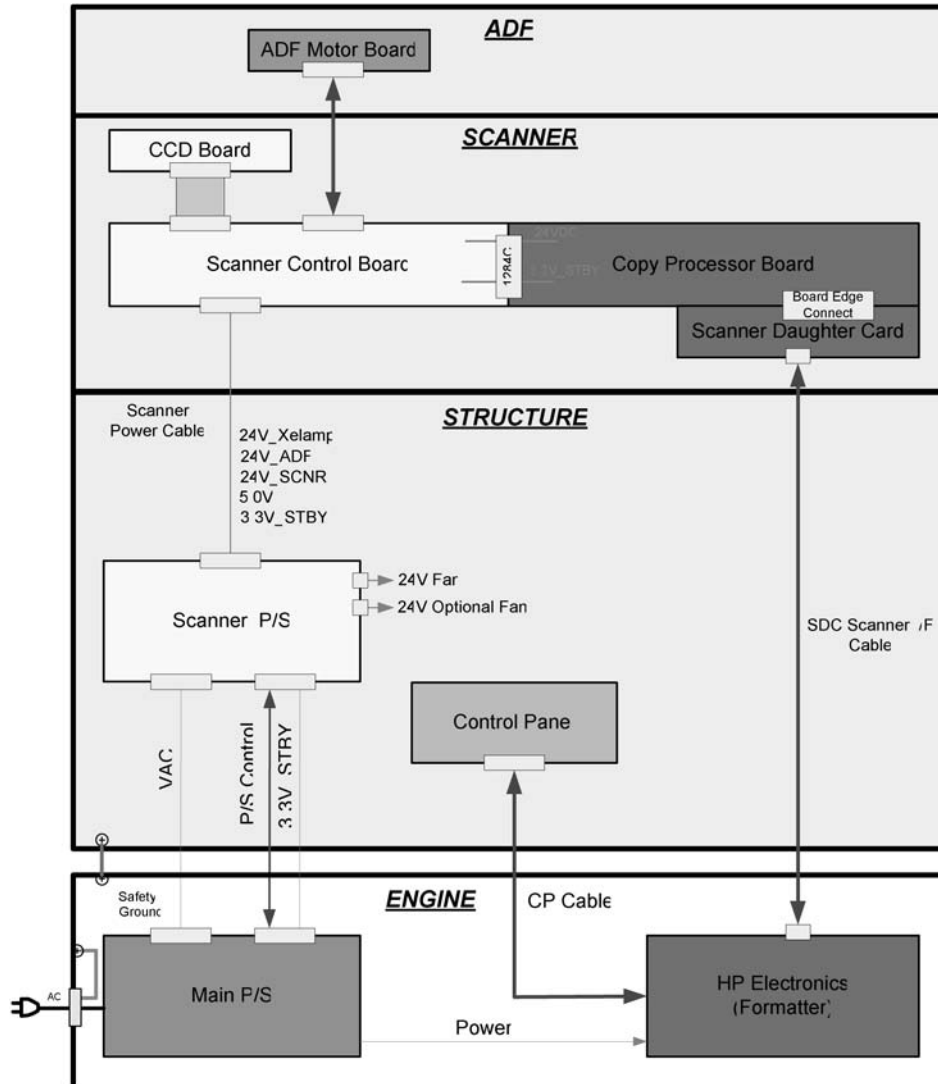
Figure 5-49 Scanner components (3 of 3)



## Product boards

The scanner includes two major parts: structure and scanner. The scanner includes the copy-processor board (CPB), scanner-control board (SCB), and PCI-e cable, which are embedded in the structure and scanner bodies. The scanner controls the ADF.

**Figure 5-50** Scanner



## Scanner system block diagram

The scanner has its own power supply, which can accept the universal ac input range provided by the product power supply. The print engine controls the scanner power supply via a PSON signal. However, the PSON signal does not control the STBY\_3.3 V power source from the print engine. STBY\_3.3 V provides power for certain sensors during sleep mode.

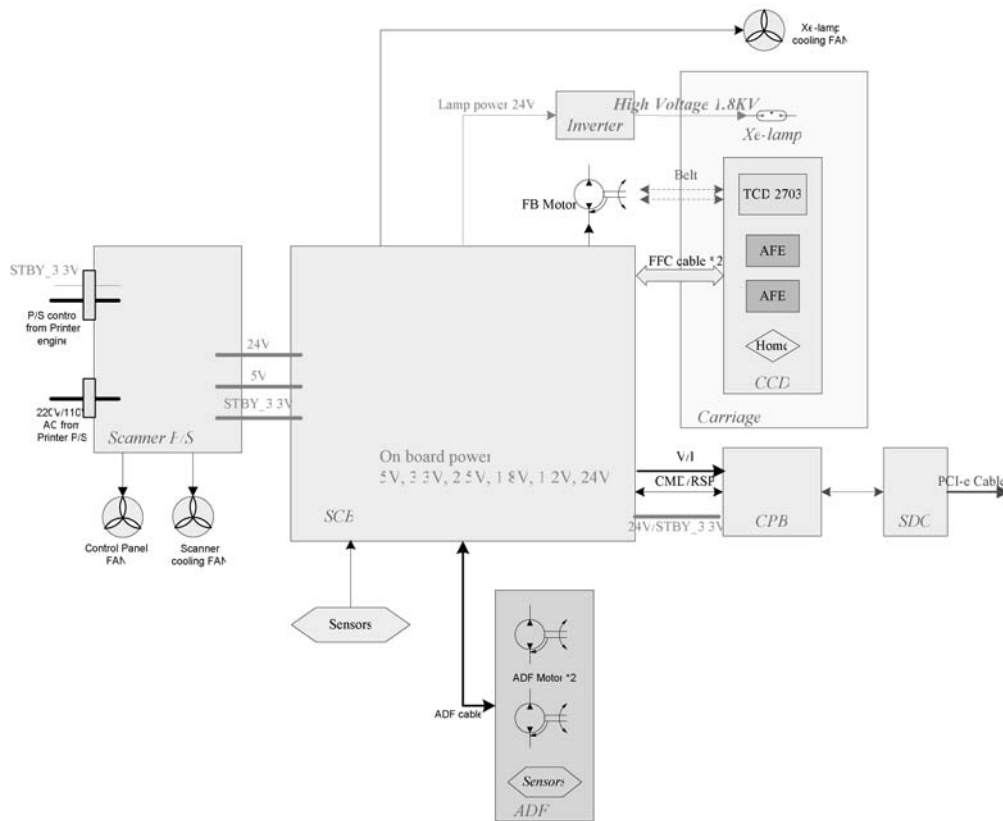
The scanner system has three cooling fans. The control-panel fan and scanner cooling fan are connected to the scanner power supply directly. The lamp fan is connected to the SCB and controlled by the SCB firmware. All three fans have a fan-lock detection mechanism. The lamp fan only operates during ADF scanning, while the other two fans operate when the scanner is on. The light source system

includes one inverter and one Xe-lamp. The inverter is located on the scanner structure. The Xe-lamp is located on the scanner carriage.

△ **CAUTION:** The inverter output voltage is 1.8 KV high voltage. Do not touch both the inverter and carriage when the scanner is on.

Two FFC cables connect the CCD board on the carriage and the SCB. The board-to-board connectors connect the SCB and CPB and CPB and SDC. The black PCI-e cable connects the SDC and print engine (formatter board).

**Figure 5-51** Scanner system block diagram



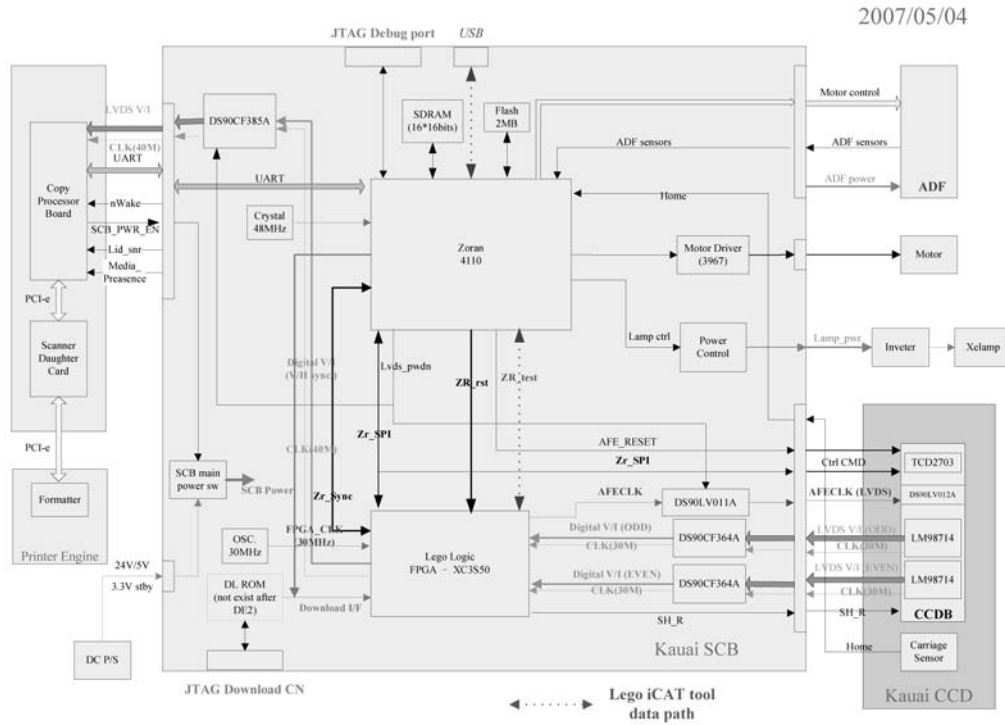
## Scanner image-data path

For input signals, ZR ASIC generates the SH signal of each line. This SH transfers to the AFE chip through the FPGA chip. The AFE then sends the SH signal to the CCD. The clock signal of the AFE chip is provided from the FPGA. The AFE sends the CCD clock/control signals to the CCD.

For output signals, the CCD analog video signals can be decoded as digital data by the AFE (ADC). The AFE sends back the image data using LVDS signals. Two LVDS receiver chips deserialize image

data and send it to the FPGA. The FPGA combines even and odd pixel data and converts it to the HP video interface. The LVDS transmitter chip serializes data as the LVDS format and sends it to the CPB.

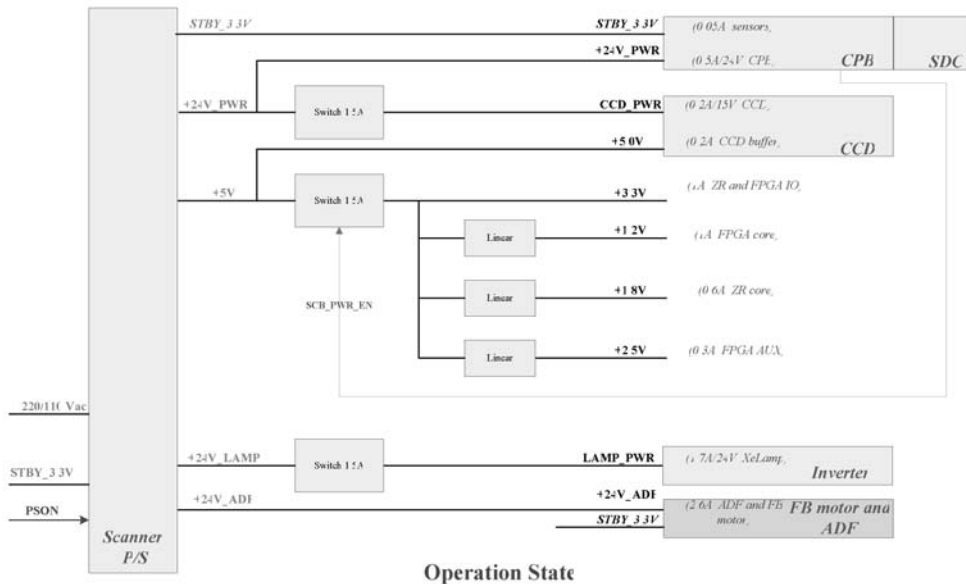
**Figure 5-52** Scanner system image-data path



## Scanner power topology

The scanner power-supply input range is universal ac (100 to 240 Vac). It is controlled by the PSON signal, which is provided by the print engine. There is one standby power (STBY\_3.3 V) provided for sensors during sleep mode. Total power consumption of the scanner power supply is 139.7 W.

**Figure 5-53** Scanner power topology



## Scanner power states

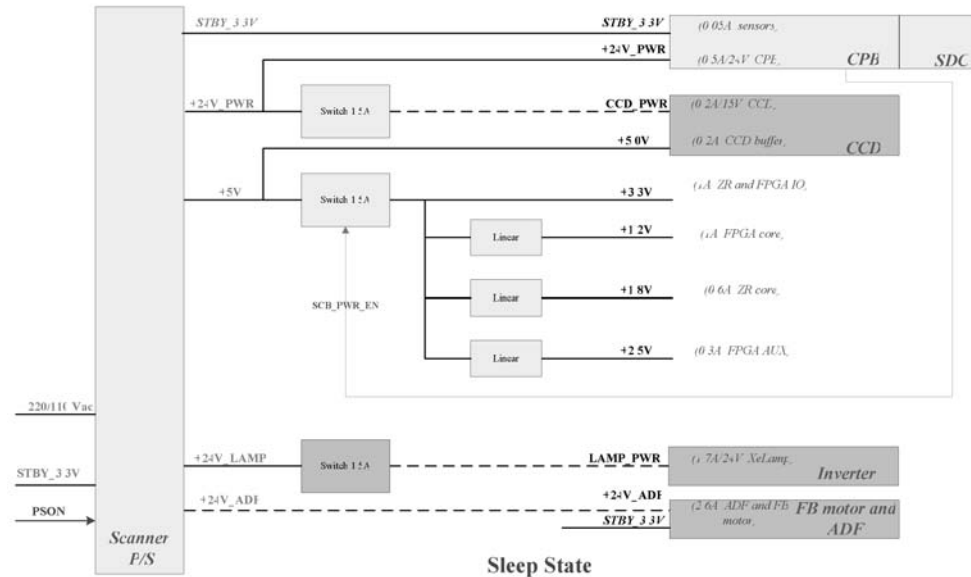
The scanner has three power states:

- Standby: Scanner is ready to scan.
- Sleep: Scanner is in low-power state. Some components are off.
- Deep Sleep: Scanner is in the lowest power state. Most of the components are off, and the power to the processor (U10) of the scanner-controller board is off.

**Table 5-20 Scanner power states**

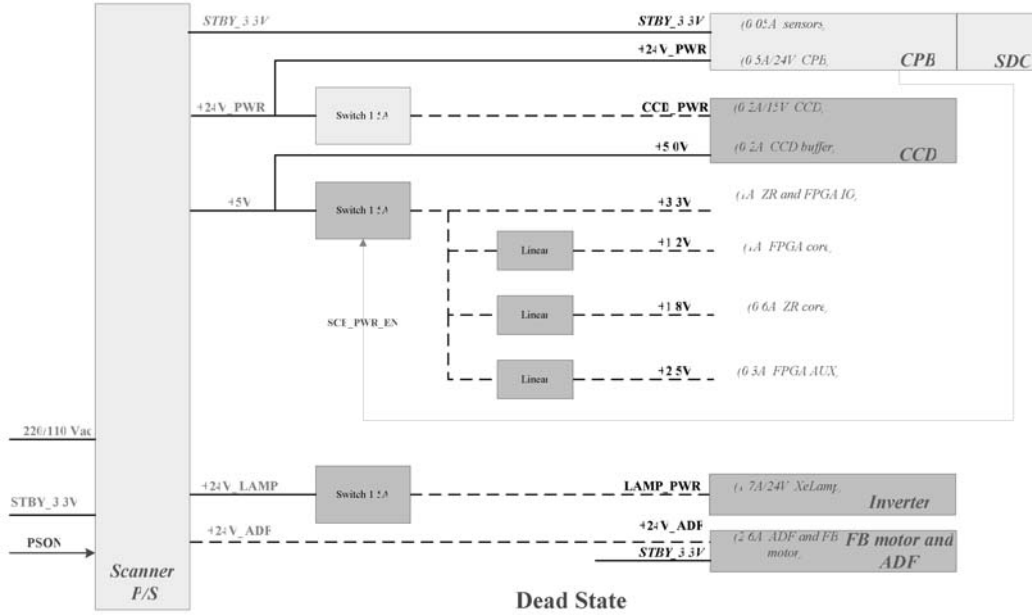
Mode	Scanner system	Printer system
RDY	Standby	Standby
Sleep1	Sleep	Reduced power
Sleep2	Deep sleep	Lowest product state

**Figure 5-54 Sleep-state power topology**



During sleep state, the scanner shuts down most of its peripherals including the CCD, AFE, LVDS, FB/ADF motors, lamp, and inverter. The scanner stops the FPGA oscillator to reduce FPGA (U6) power consumption. Only the CPB sensor signals (cover lid, ADF media presence, and nWake) allow the CPB to send a command to wake up the scanner.

**Figure 5-55** Deep-sleep-state power topology



During deep-sleep state, the CPB disables the SCB\_PWR\_EN signal, which disables the scanner-logic power source. The power to the processor of the SCB is off. 24 V from the scanner power supply is provided to the CPB.

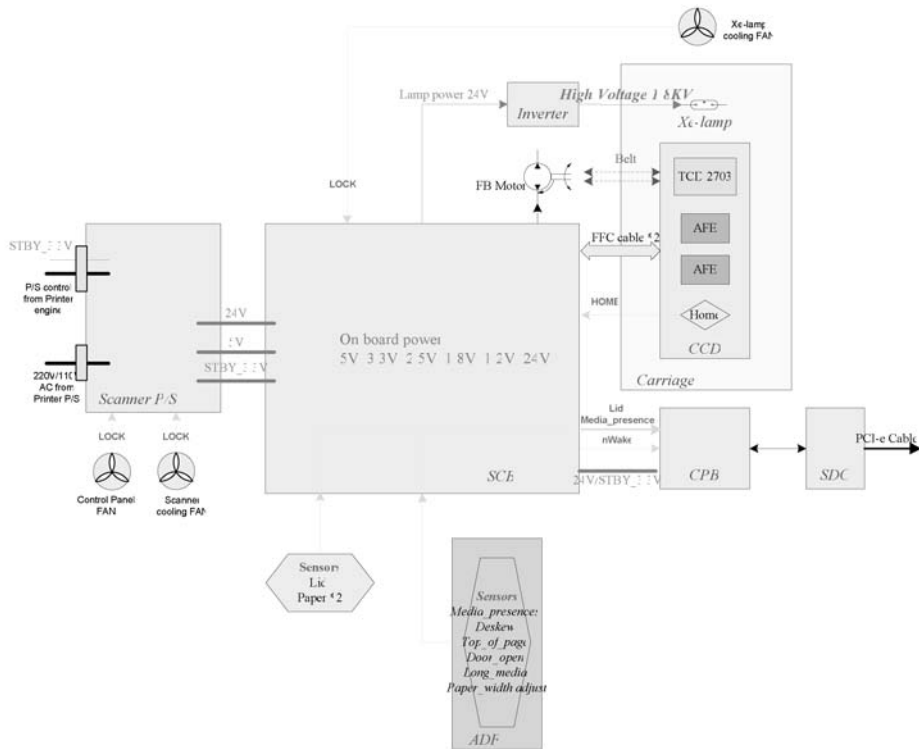
## Sensor topology

Each fan has a lock signal that informs the system if a fan-rotation function has failed. The lid sensor triggers the detection of the FB paper-size sensors. The ADF has eight sensors. The CCD board has a home sensor. The status of these sensors is reported to the CPB by the SCB. The lid sensor,



media\_presence, and nWake signals are directly connected to the CPB and powered by STBY\_3.3 V. STBY\_3.3 V is provided continuously when PSON is enabled.

**Figure 5-56** Sensor topology



**Table 5-21** Sensors

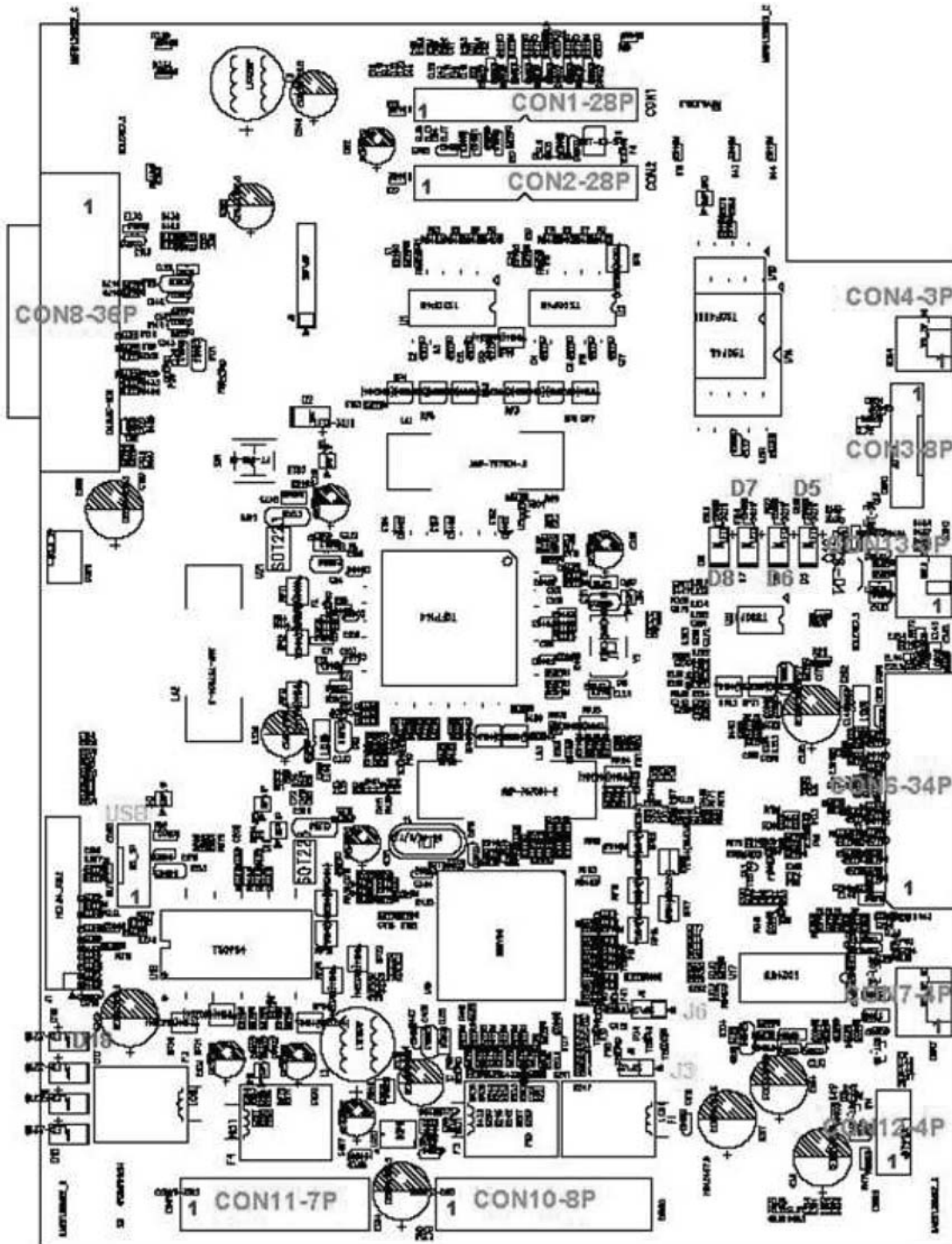
Location	Name	Description
ADF	Media_Presence	Media presence: H
		Media empty: L
Deskew		Skew: H
		No skew: L
Top_of_Page		Top of page: H
		Not top of page: L
EXIT_SENSOR		Not available
Door_Open (Hatch)		Door close: H
		Door open: L
Long_Media		Long media: H
		Not long media : L
Paper_Width_Adjust		Wide media: H
		Not wide media: L
Pick_Success_Sensor		If the ADF module is attached, this signal will always be H.

**Table 5-21 Sensors (continued)**

Carriage	Home Sensor	At home: H
		Not at home: L
SCB	Lid	FB cover open: H
		FB cover close: L
	Paper (wide)	Wide paper: H
		Not wide paper: L
	Paper (wide)	Long paper: H
		Not long paper: L
nWake	Wake up status: H	
	Idle status: L	

## Boards I/Os

Figure 5-57 SCB map

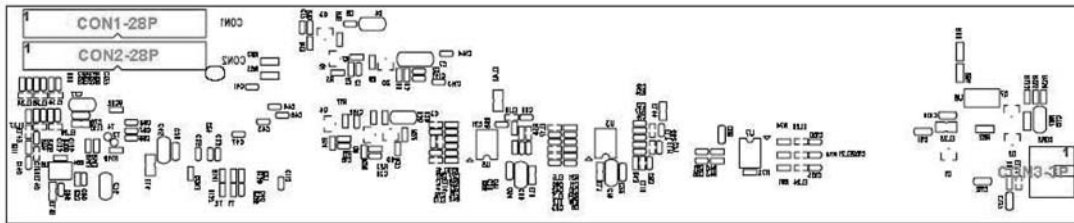


The main board of the scanner is the SCB. The connectors are external I/O ports of the SCB. The LEDs (D5-D8, D18) are SCB LED indicators. The jumpers (J3, J5, USB) are reserved for debugging and the manufacturer.

**Table 5-22 SCB connectors**

Item number	Connector	Pin number	Connects to	Remark
1	CON1	28	CCDB	
2	CON2	28	CCDB	LVDS
3	CON4	3	Lid sensor	
4	CON3	8	Paper sensors	
5	CON13	3	Lamp fan	
6	CON6	34	ADF module	
7	CON7	4	FB motor	
8	CON12	4	Xe-lamp inverter	24V
9	CON10	8	Power supply	ADF and Xe-lamp power (24 V)
10	CON11	7	Power Supply	SCB 24 V, 5 V and STBY_3.3 V
11	CON8	34	CPB	1284C metal connector

The CCD board connects to the SCB using two 28-pin FFC cables. The CCD board and the home sensor are located on the carriage. There are only three connectors on the CCD board.

**Figure 5-58 CCD map****Table 5-23 CCD map**

Item number	Connector	Pin number	Connects to	Remark
1	CON1	28	CCDB	
2	CON2	28	CCDB	LVDS
3	CON3	3	Home	

# Scanner operation flow

Figure 5-59 Power-on initialization-operation flow (1 of 2)

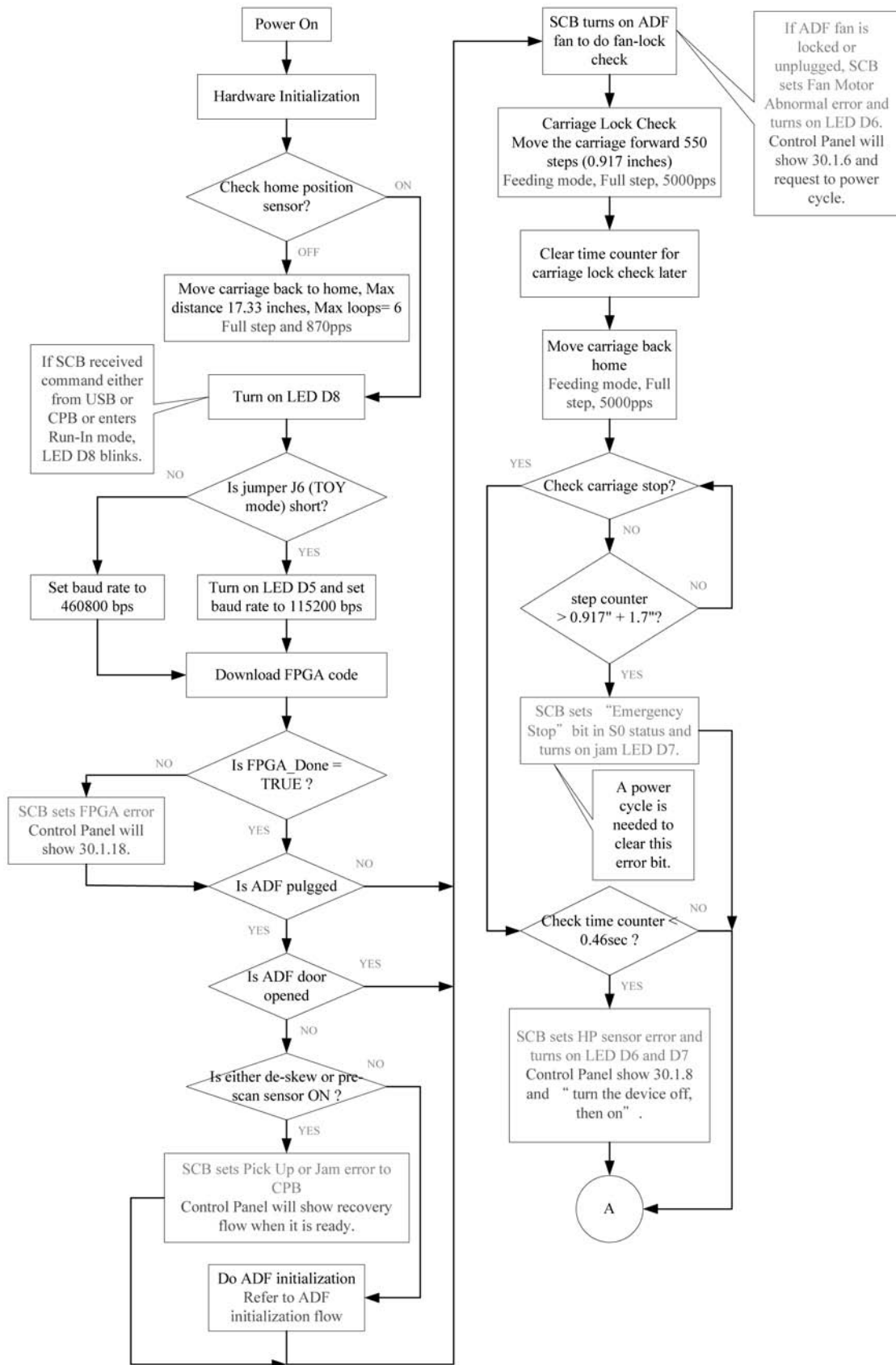


Figure 5-60 Power-on initialization-operation flow (2 of 2)

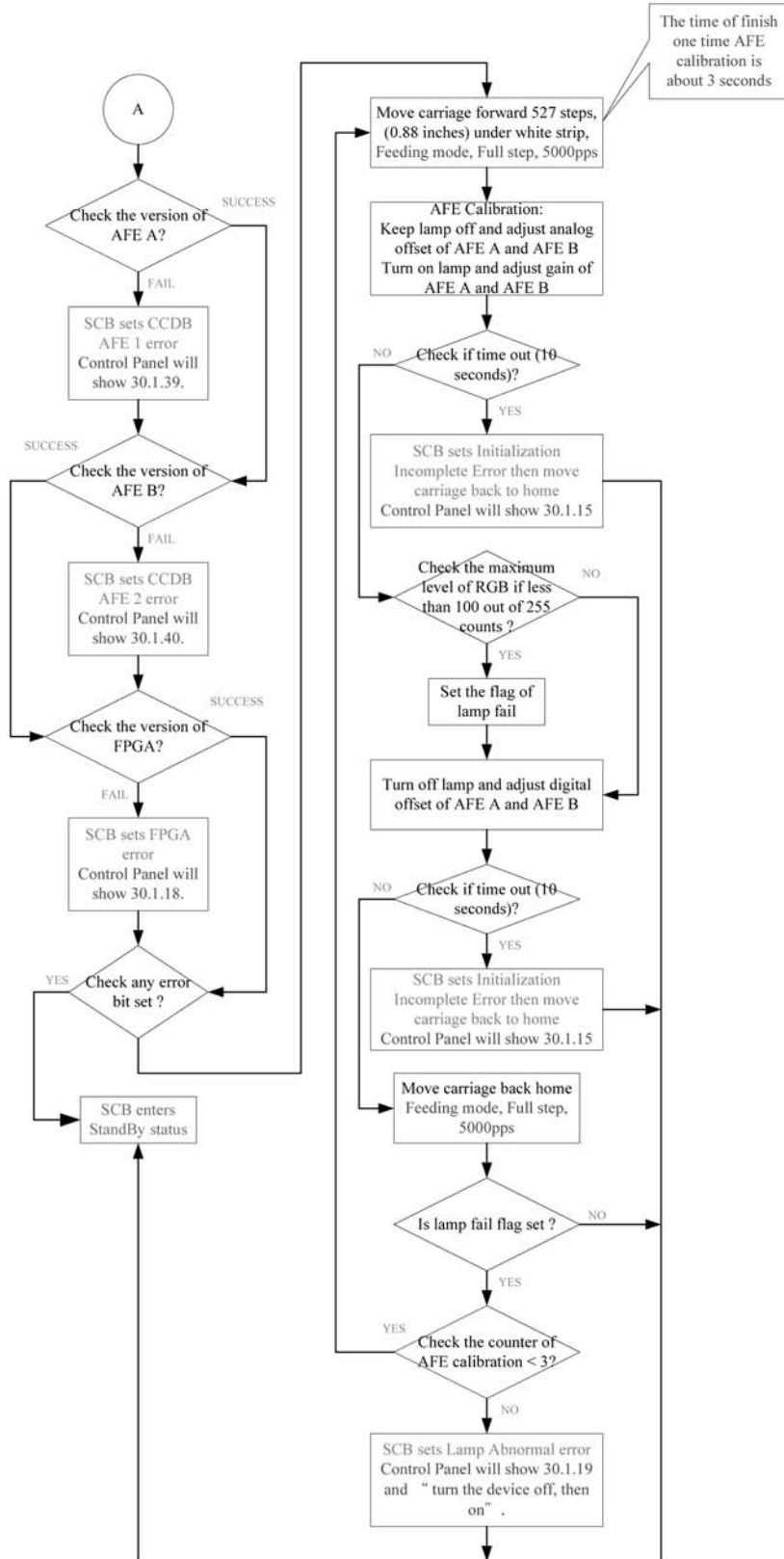
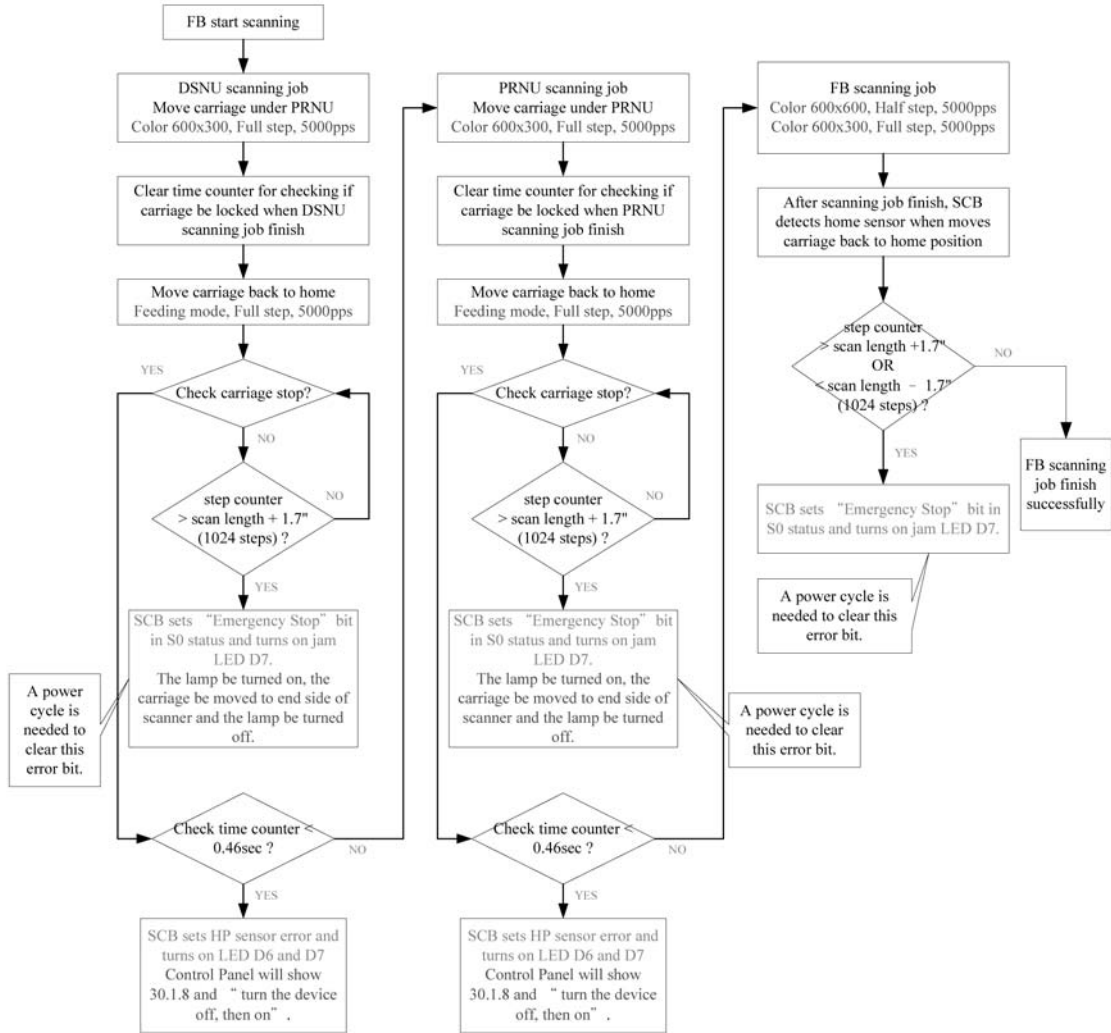
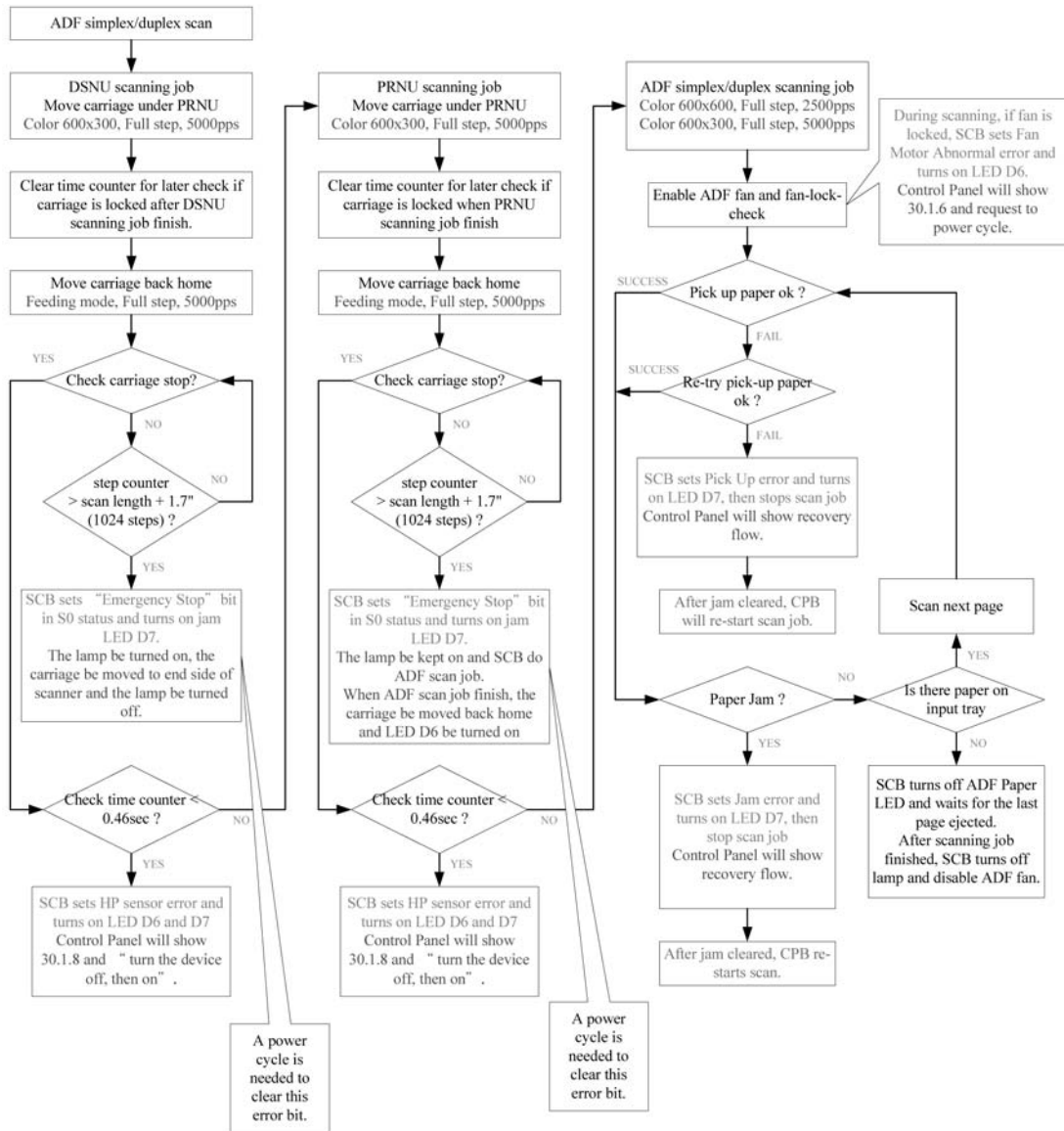


Figure 5-61 FB scan-operation flow





**Figure 5-62** ADF scan-operation flow



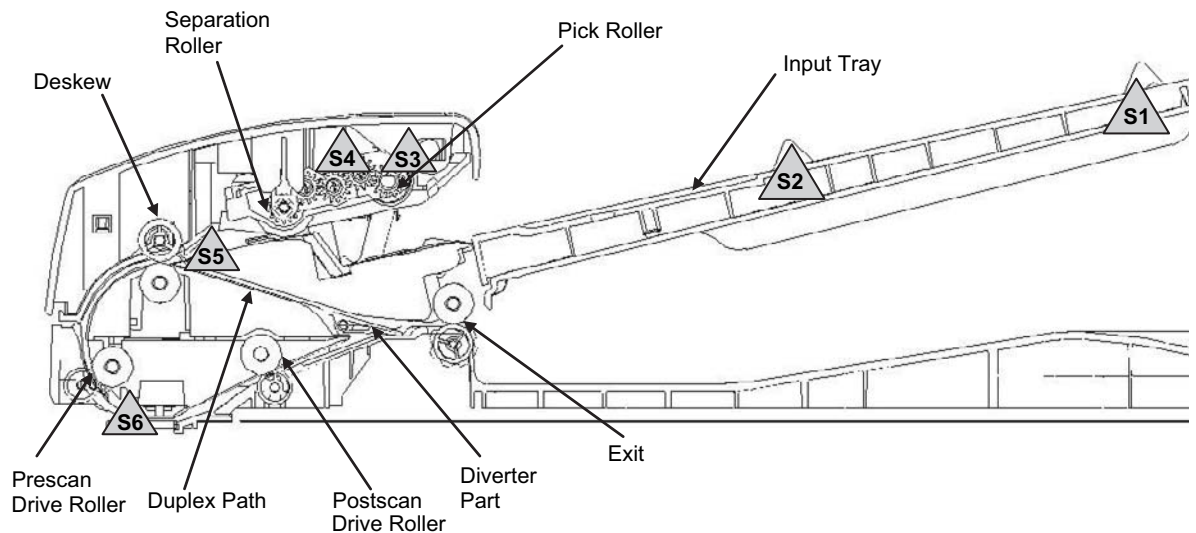


# ADF

## Input tray

The wide-media sensor (S1) and the long-media sensor (S2) are positioned at the input-tray assembly. These sensors allow firmware to detect how A4 and letter media sizes are positioned (in portrait or landscape mode).

**Figure 5-63** ADF operation



## ADF simplex-printing operation sequence

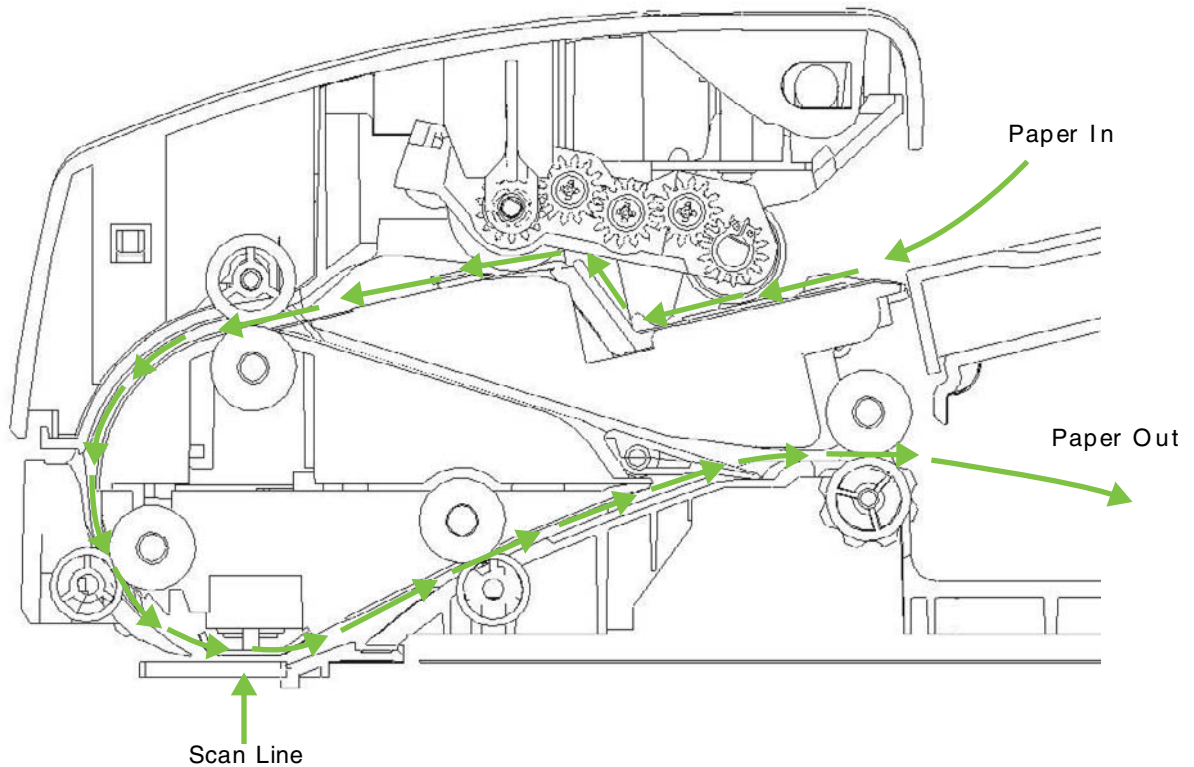
1. The jam-cover sensor (S3) is interrupted when the jam cover is closed, and the media-presence sensor (S4) is interrupted when media is loaded on the input tray. 2. The feed motor rotates clockwise, lowering the pick roller. A cutout on the gears on the side of the lid ensures the proper rotation distance. 3. The pick motor rotates counterclockwise, driving the pick roller to pick media. 4. The deskew sensor (S5) is interrupted when the leading edge of the media is driven past it, and the firmware registers the position of the leading edge of the media. 5. The leading edge of the media is driven into the nip point of the deskew drive roller and deskew pinch rollers. A preset amount of overdrive of media into this nip point is carried to create a buckle of media for pick-skew correction.

6. The pick motor rotates clockwise, rotating the deskew drive roller to pull media into the prescan drive roller. 7. Transmission gears for the pick and separator rollers disengage from the gear train, allowing the pick and separator rollers to free-wheel while media is pulled in by the deskew drive roller. 8. The feed motor rotates counterclockwise, driving the media into the prescan sensor (S6). 9. The firmware registers the position of the leading edge of the media while the prescan sensor (S6) is activated. 10. The feed motor continues rotating counterclockwise, driving the leading edge of the media through the preset distance from the prescan sensor (S6) to the scan zone.

11. When the media arrives, the scanner scans and retrieves data. 12. The prescan sensor (S6) is not interrupted when the trailing edge of the media passes it. 13. The firmware sequence registers the trailing edge of the media position. 14. The feed motor continues rotating counterclockwise, driving the media trailing edge through the preset distance from the prescan sensor (S6) to the scan zone. 15. The scanner finishes scanning and retrieving data. 16. The feed motor continues rotating counterclockwise, driving the trailing edge of the media past the scan zone. 17. The solenoid clamps the exit pinch rollers with

the exit drive rollers before the trailing edge of the media leaves the post-scan drive roller and exit pinch rollers. 18. The feed motor continues rotating counterclockwise, driving the media out of the ADF paper path via the exit pinch roller and exit drive roller.

**Figure 5-64** Simplex scanning document path



## ADF duplex-printing operation sequence

1. The jam-cover sensor (S3) is interrupted when the jam cover is closed. The media-presence sensor (S4) is interrupted when media is loaded on the input tray. 2. The feed motor rotates clockwise, lowering the pick roller. A cutout on the gears on the side of the lid ensures the proper rotation distance. 3. The pick motor rotates counterclockwise, driving the pick roller to pick media. 4. The deskew sensor (S5) is interrupted when the leading edge of the media is driven past it, and the firmware registers the position of the leading edge of the media. 5. The leading edge of the media is driven into the nip point of the deskew drive roller and deskew pinch rollers. A preset amount of overdrive of media into this nip point is carried to create a buckle of media for pick skew correction.

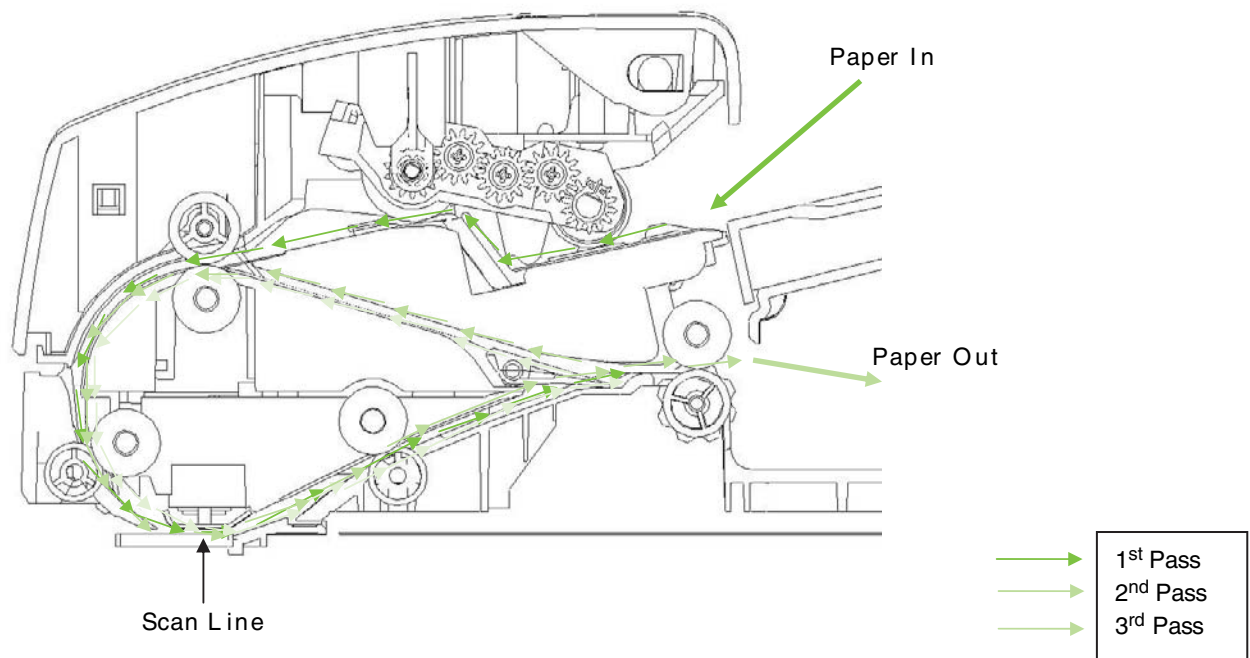
6. The pick motor rotates clockwise, rotating the deskew drive roller to pull media into the prescan drive roller. 7. The pick- and separator-rollers-transmission gears disengage from the gear train, allowing the pick and separator rollers to free-wheel while media is pulled in by the deskew drive roller. 8. The feed motor rotates counterclockwise, driving media into the prescan sensor (S6). 9. The firmware registers the position of the leading edge of the media while S6 is activated. 10. The feed motor continues rotating counterclockwise, driving the leading edge of the media through the preset distance from S6 to the scan zone.

11. When the media arrives, the scanner scans and retrieves data. 12. S6 is not interrupted when the trailing edge of the media passes it. 13. The firmware sequence registers the trailing edge of the media

position. 14. The feed motor continues rotating counterclockwise, driving the media trailing edge through the preset distance from S6 to the scan zone. 15. The scanner finishes scanning and retrieving data.

16. The solenoid activates when the trailing edge of the media passes the scan zone by a predetermined, constant distance from the prescan sensor. This allows the exit pinch rollers to clamp the exit drive roller, driving the remaining media out of the scan zone and past the diverter. 17. The feed motor rotates clockwise, driving the media in a reverse direction. This moves the media into the duplex path, the deskew drive roller, and the deskew pinch rollers. 18. A preset amount of overdrive of media into the nip point is carried out to create a buckle for pick-skew correction. 19. The solenoid activates when the trailing edge of the media passes the scan zone. This allows the exit pinch rollers to clamp the exit drive roller, driving the remaining media out of the scan zone and past the diverter.

**Figure 5-65** Duplex scanning document path



## Multifeed operation

1. The jam-cover sensor (S3) is interrupted when the jam cover is closed. The media-presence sensor (S4) is interrupted when media is loaded on the input tray. 2. The feed motor rotates clockwise, lowering the pick roller. A cutout on the gears on the side of the lid ensures the proper rotation distance. 3. The pick motor rotates counterclockwise, driving the pick roller to pick media. 4. The deskew sensor (S5) is interrupted when the leading edge of the media is driven past it, and the firmware registers the position of the leading edge of the media. 5. The leading edge of the media is driven into the nip point of the deskew drive roller and deskew pinch rollers. A preset amount of overdrive of media into this nip point is carried to create a buckle of media for pick-skew correction.

6. The pick motor rotates clockwise, rotating the deskew drive roller to pull media into the prescan drive roller. 7. The transmission gears for the pick and separator rollers disengage from the gear train, allowing the pick and separator rollers to free-wheel while media is pulled in by the deskew drive roller. 8. The feed motor rotates counterclockwise, driving the media into the prescan sensor (S6). 9. The firmware

registers the position of the leading edge of the media while S6 is activated. 10. The feed motor continues rotating counterclockwise, driving the leading edge of the media through the preset distance from S6 to the scan zone.

11. When the media arrives, the scanner scans and retrieves data. 12. S6 is not interrupted when the trailing edge of the media passes it. 13. The firmware sequence registers the trailing edge of the media position. 14. The feed motor continues rotating counterclockwise, driving the media trailing edge through the preset distance from S6 to the scan zone. 15. The scanner finishes scanning and retrieving data.

16. The solenoid activates when the trailing edge of the media passes the scan zone by a predetermined, constant distance from the prescan sensor. This allows the exit pinch rollers to clamp the exit drive roller, driving the remaining media out of the scan zone and past the diverter. 17. The feed motor rotates clockwise, driving the media in a reverse direction. This moves the media into the duplex path, the deskew drive roller, and the deskew pinch rollers. 18. A preset amount of overdrive of media into the nip point is carried out to create a buckle for pick skew correction. 19. The solenoid activates when the trailing edge of media passes the scan zone. This allows the exit pinch rollers to clamp the exit drive roller, driving the remaining media out of the scan zone and past the diverter.

20. The continual triggering of the media-presence sensor (S4) allows the firmware to recognize that there are pages on the input tray. 21. The S5 is uninterrupted when the trailing edge of the media passes it. 22. The pick motor rotates counterclockwise, driving the pick roller to pick media.

## End of a scan job operation

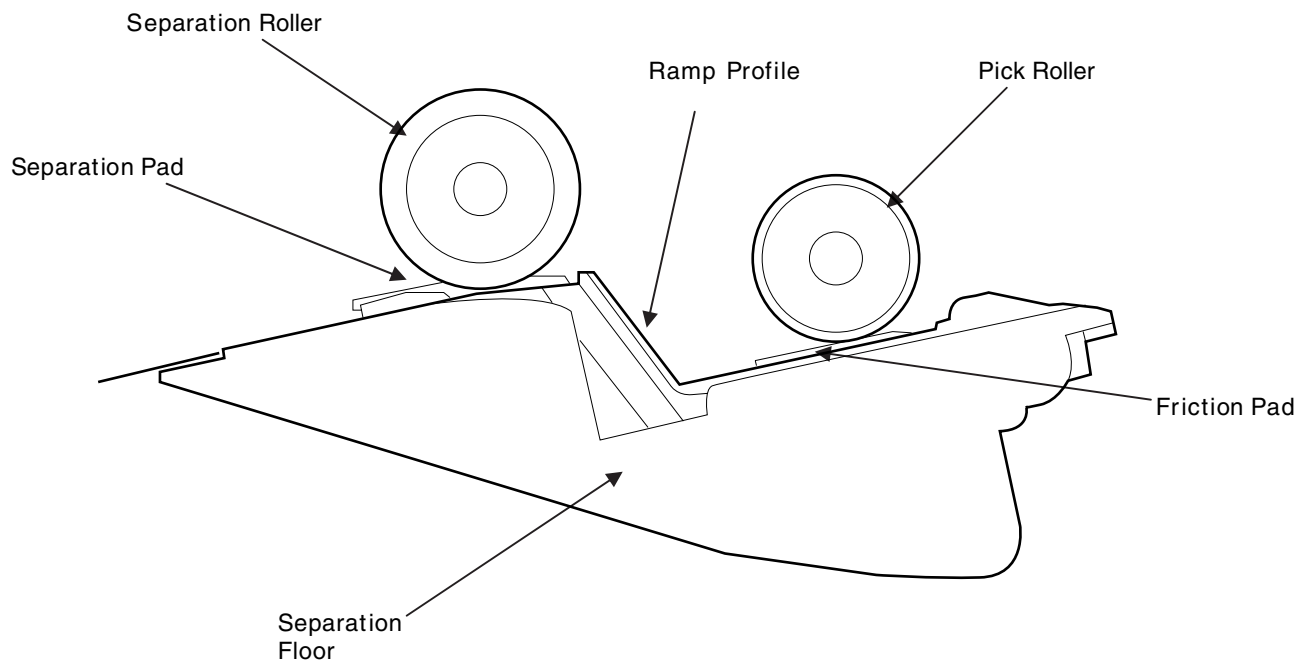
After performing the steps listed in the multifeed operation section, S4 is uninterrupted when no media exists in the input tray. The motor feed rotates clockwise, raising the pick roller. When the pick-roller assembly rises, the media-load stoppers crank down.

## Paper pick and separation operation

The top sheet of media is picked by the pick roller, and an angled-ramp profile must function as a barrier to prevent the remaining lower sheets from being picked together with the top sheet. If more than one

sheet of media is picked, the separator roller and separator pad work together to separate the lower sheet of media, allowing only the top sheet into the ADF.

**Figure 5-66** ADF paper pick and separation



## Deskew

The input tray's operation-width adjustment ensures that the media is stacked neatly at the center of the input tray. It also ensures that the media is located parallel to the direction of travel into the ADF paper path. A deskew function is performed by buckling media, accumulating a media buffer to minimize skew caused by improper loading of media on the input tray. The leading edge of the media is parallel with the deskew drive rollers when entering the ADF paper path.



---

## 6 Removal and replacement

- [Removal and replacement strategy](#)
- [User-replaceable parts](#)
- [Service-replaceable parts](#)
- [Optional input trays](#)
- [Scanner](#)
- [ADF](#)

# Removal and replacement strategy

## Introduction

This chapter describes the removal and replacement of field-replaceable units (FRUs) only.

Replacing FRUs is generally the reverse of removal. Notes are included to provide directions for difficult or critical replacement procedures.

HP does not support repairing individual subassemblies or troubleshooting to the component level.

Never operate or service the printer with the protective cover removed from the laser/scanner assembly. The reflected beam, although invisible, can damage your eyes.

The sheet-metal parts can have sharp edges. Be careful when handling sheet-metal parts.



**CAUTION:**

Some parts are sensitive to electrostatic discharge (ESD). Look for the ESD reminder when removing printer parts. Always perform service work at an ESD-protected workstation or mat. If an ESD workstation or mat is not available, ground yourself by touching the sheet-metal chassis *before* touching an ESD-sensitive part.

Protect the ESD-sensitive parts by placing them in ESD pouches when they are out of the printer.

**CAUTION:** Do not bend or fold the flat flexible cables (FFCs) during removal or installation.




**NOTE:** To install a self-tapping screw, first turn it counterclockwise to align it with the existing thread pattern, and then carefully turn it clockwise to tighten. Do not overtighten. If a self-tapping screw-hole becomes stripped, repair the screw-hole or replace the affected assembly.

---



## Required tools

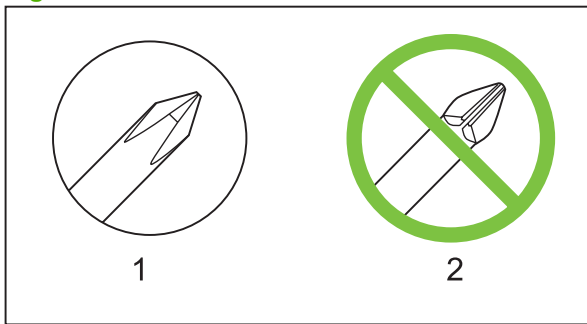
- #2 Phillips screwdriver with a magnetic tip and a 152-mm (6-inch) shaft length

 **NOTE:** For the best fit, use a JIS #2 Phillips screwdriver for the stapler/stacker.



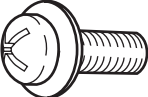
- Small, flat-blade screwdriver
- Needle-nose pliers
- ESD strap (if one is available)
- Penlight

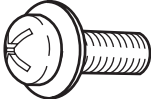
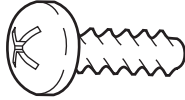
△ **CAUTION:** Always use a Phillips screwdriver (callout 1). Do not use a pozidrive screwdriver (callout 2) or any motorized screwdriver. These can damage screws or screw threads.

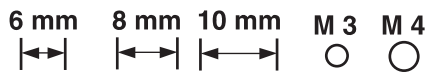
**Figure 6-1** Screwdrivers



## Types of screws

Illustration	Description	Size	Use
	Screw with washer	M3X8	Used to secure metal components to metal components (for example, a ground wire to the frame)
	Screw, RS	M3X6 M3X10	Used to secure metal to metal
	Screw, tapping	M3X6	
	Screw	M3X8	

	Screw	P3X8	
	Screw, tapping, truss head	M4X10	Used to secure anything to plastic



## Service approach

The HP Color LaserJet CM6040 MFP Series use a field repair strategy. Defective parts are diagnosed and replaced at the Field Replaceable Unit (FRU) assembly level. Printer repair normally begins by using the printer internal diagnostics and the following two-step process:

1. Isolate the problem to the major system (for example, the network or server, or the printer).
2. Troubleshoot the problem by using the procedures in the troubleshooting chapter.

After you locate a faulty part, the product can usually be repaired at the assembly level by replacing FRUs. Some mechanical assemblies might need to be repaired at the subassembly level. Hewlett-Packard Company does not support replacement of components on the printed circuit assemblies.

## Before performing service

**⚠ WARNING!** Turn the product off, wait 5 seconds, and then remove the power cord before attempting to service the printer. *If this warning is not followed, severe injury and damage to the device can result.* The power must be on for certain functional checks during troubleshooting. However, the power supply should be disconnected during parts removal.

1. Remove all media.
2. Place the product on an ESD mat (if available). If an ESD workstation or mat is not available, ground yourself by touching the sheet-metal chassis *before* touching an ESD-sensitive part.
3. Remove the print cartridges, image drums, and ITB.
4. Remove the trays.

## After performing service

1. Reinstall the print cartridges, image drums, and ITB.
2. Reinstall the trays.
3. Return all media to the trays.
4. Plug in the power cable and turn on the printer.

## Parts removal order

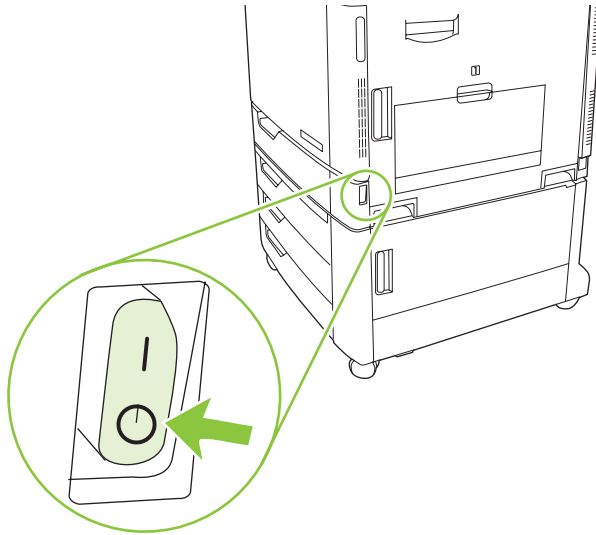
If multiple components must be removed to gain access to an assembly, the first step of the removal procedure lists all of the components that must be removed to gain access to that assembly. Use these lists to determine which parts must be removed before removing other parts.

## User-replaceable parts

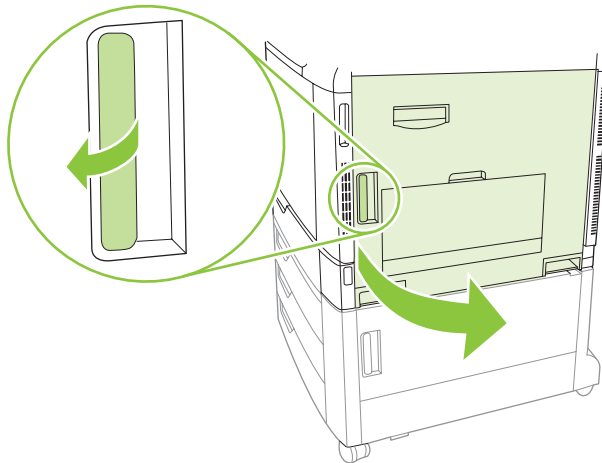
When you use genuine HP supplies, the product automatically notifies you when supplies are nearly depleted. The notification to order supplies allows ample time to order new supplies before they need to be replaced.

## Fuser

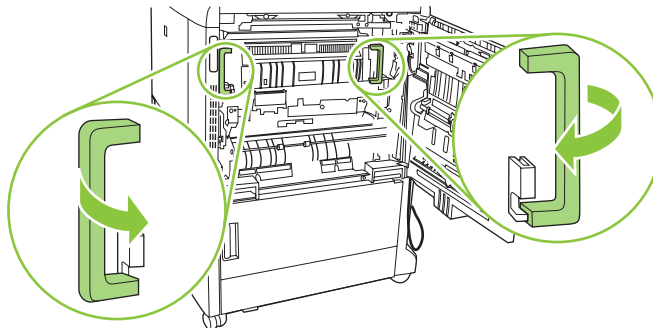
1. Turn the power off.



2. Open the right door.

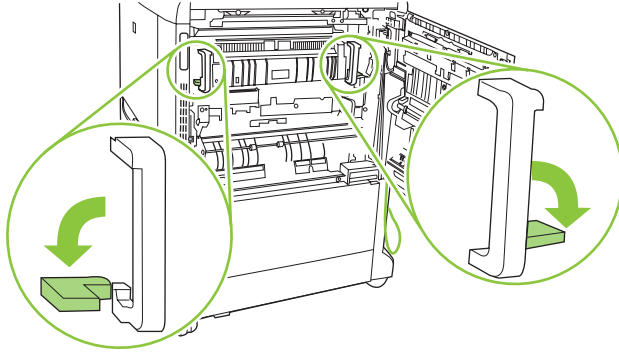


3. Pull the two blue fuser handles forward.

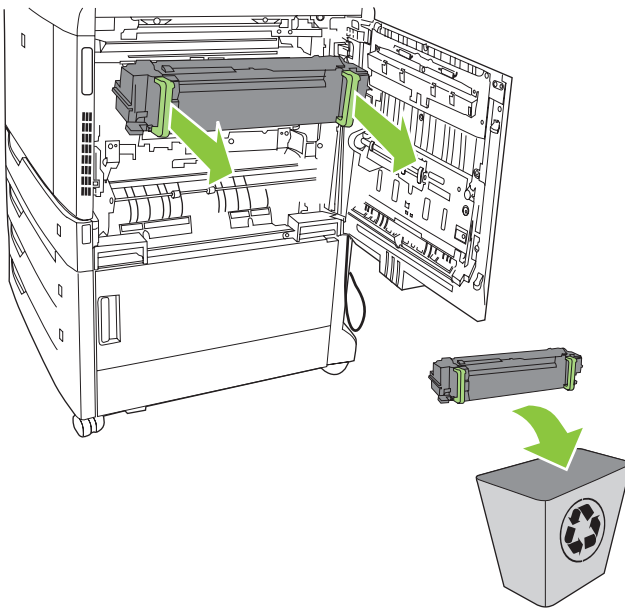


△ **CAUTION:** The fuser can be hot while the product is in use. Wait for the fuser to cool before handling it.

4. Rotate the fuser-release levers down to open them.



5. Grasp the fuser handles and pull straight out to remove the fuser. Recycle the used fuser following the instructions included with the new fuser.

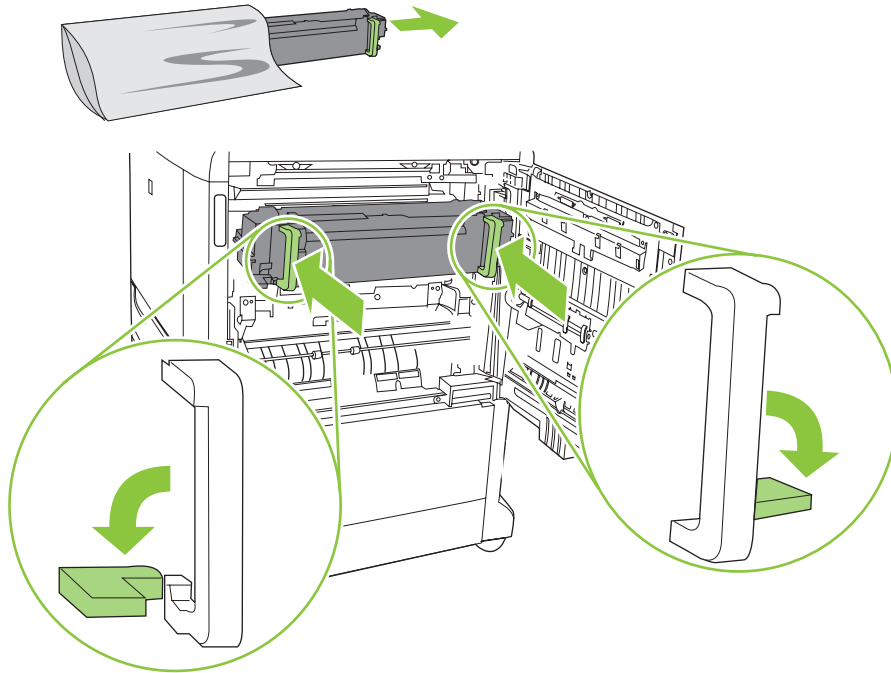


---

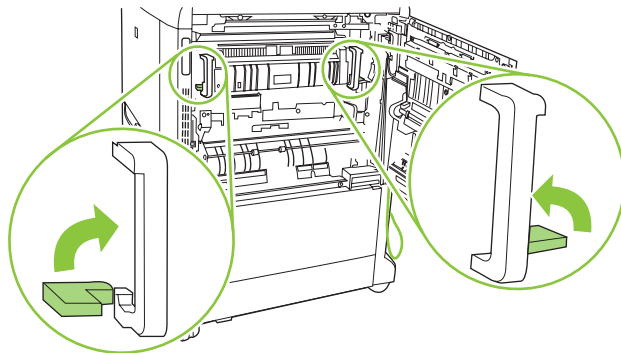
△ **CAUTION:** The fuser weighs 5 kg (11 lbs). Be careful not to drop it.

---

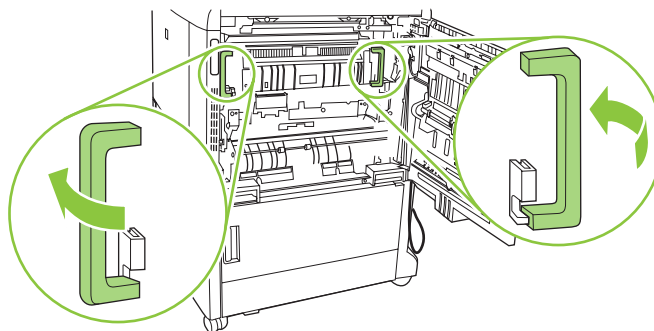
6. Remove the new fuser from its protective bag. Make sure the fuser-release levers are in the down and open position. Align the fuser with the arrows on the product. Push the fuser completely into the printer.



7. Rotate the fuser-release levers up to lock the fuser into place.



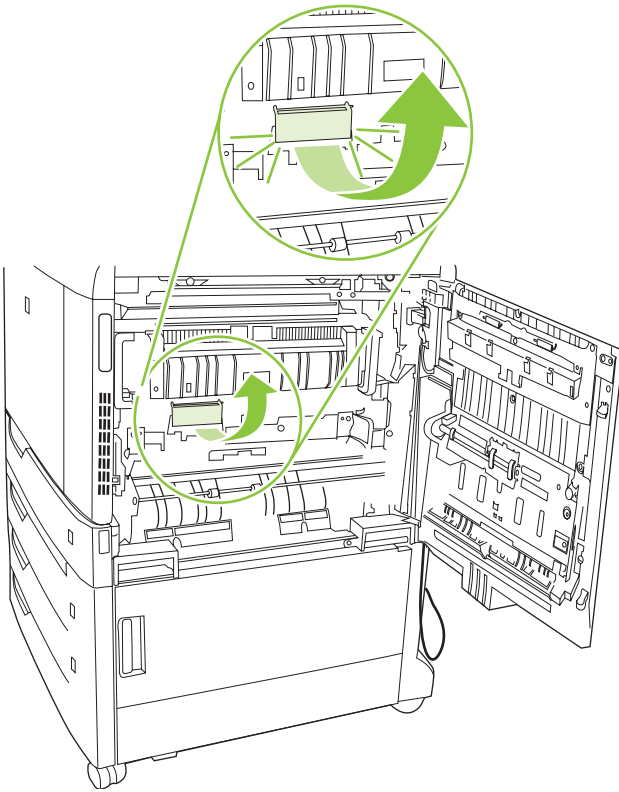
8. Push the fuser handles back to close them.



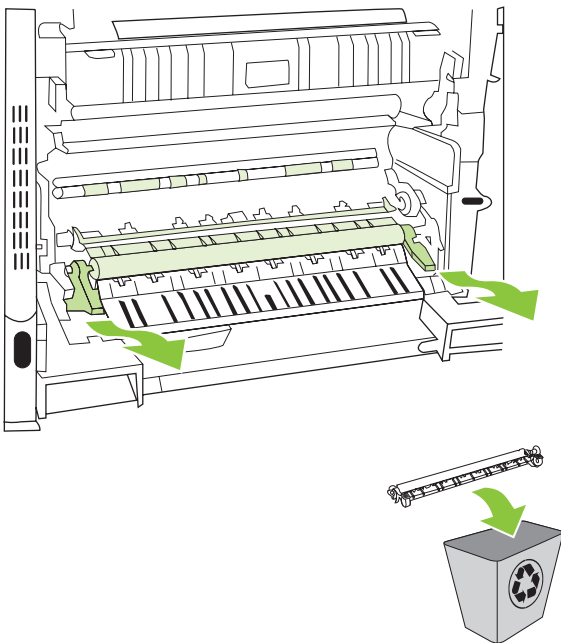
9. Close the right door and turn the power on.

## Transfer roller

1. Turn the power off, and then open the right door.
2. Lift the green handle on the transfer assembly, and then open the panel.

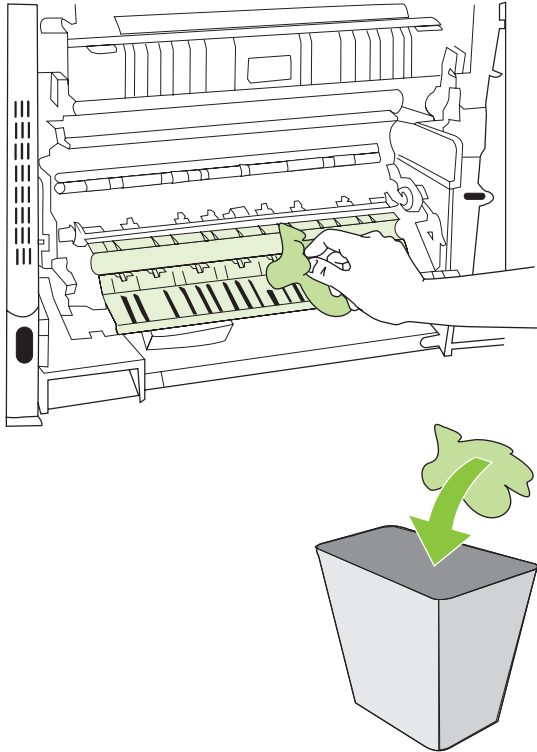


3. Remove the transfer roller, and then recycle it.





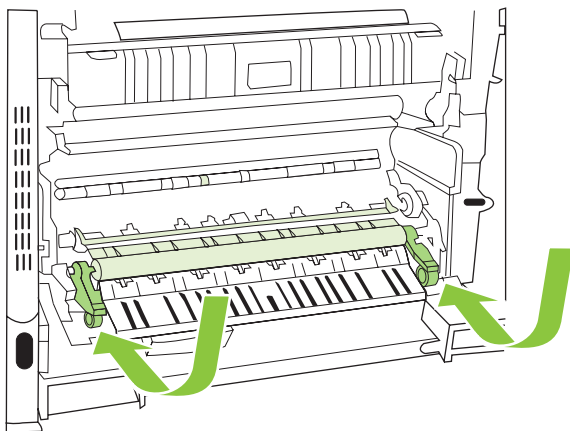
4. Wipe roller area.



5. Remove the new transfer roller from its protective bag.

△ **CAUTION:** Do not touch the sponge part of the new transfer roller or clean the roller. Contaminants or scratching may result in poor print quality.

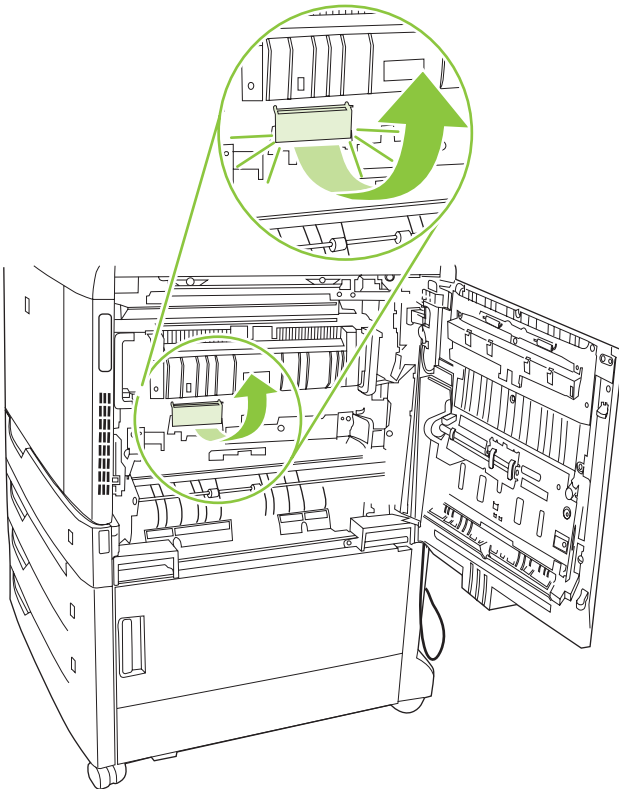
6. Align the transfer roller with the slots in the product and push until it clicks into place.



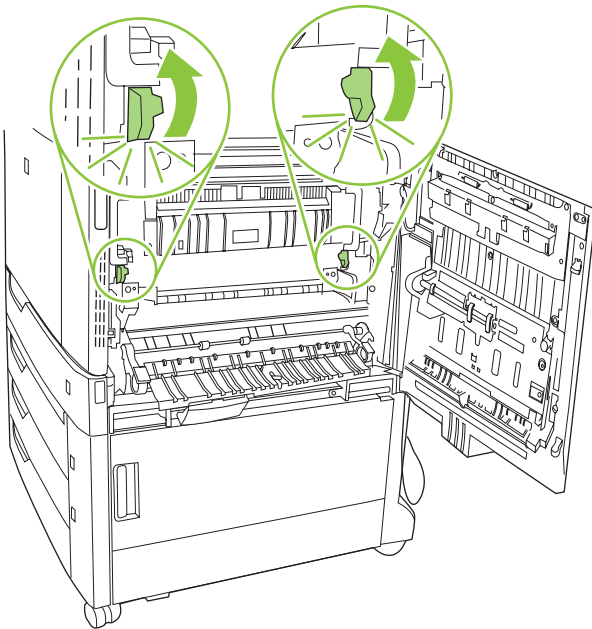
7. Close the transfer assembly.
8. Close the right door, and then turn the power on.

## Intermediate transfer belt (ITB)

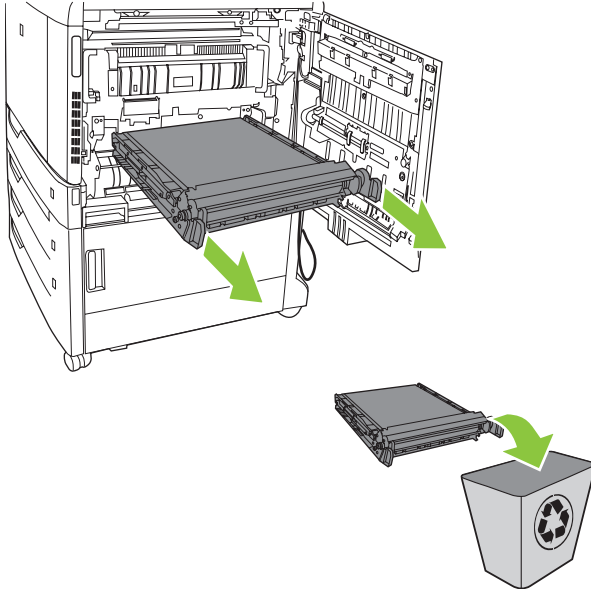
1. Turn the power off and open the right door.
2. Lift the green handle on the transfer assembly, and then open the panel.



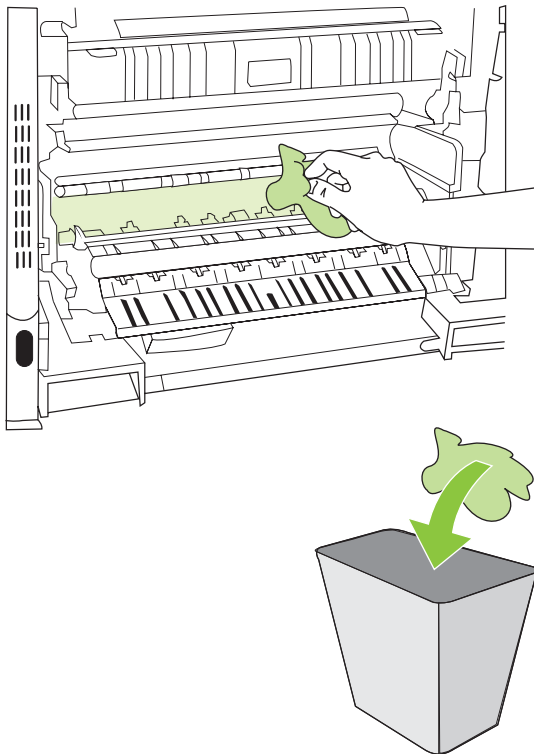
3. Raise the ITB levers.



4. Remove the ITB.



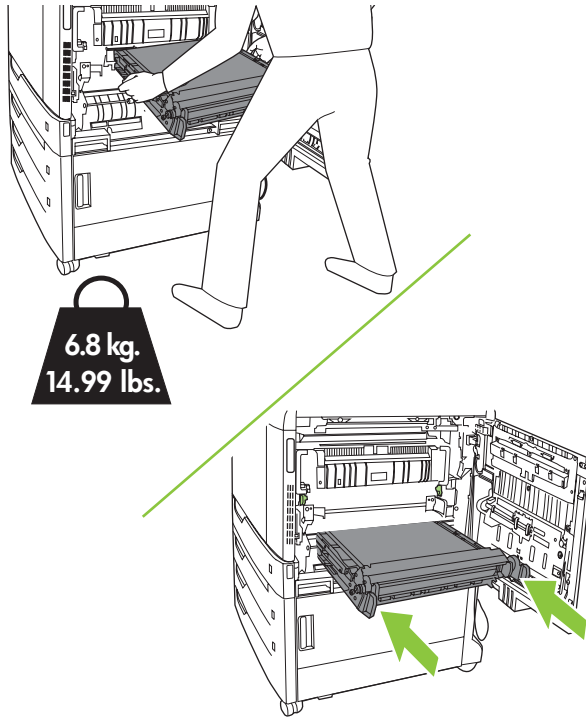
5. Wipe the ITB area.



6. Remove the new ITB from its protective bag.

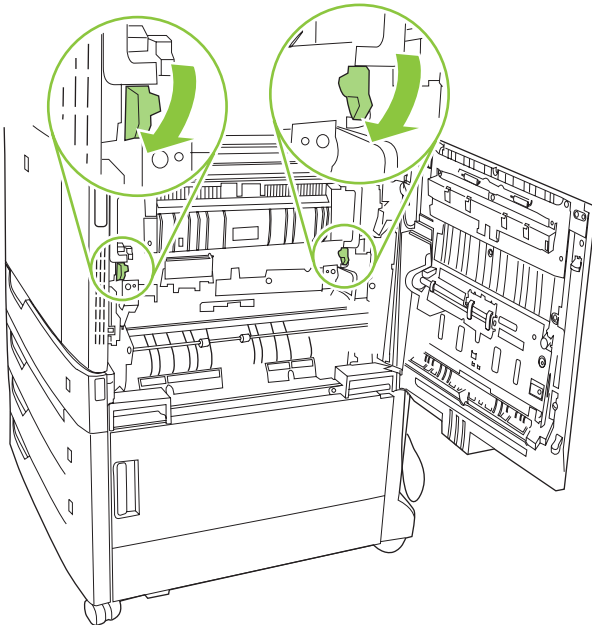
△ **CAUTION:** Contaminants or scratching may result in poor print quality.

7. Install the new ITB.



△ **CAUTION:** Only push on the side handles of the ITB as indicated. Do not push on the center because it could scratch the ITB or leave fingerprints.

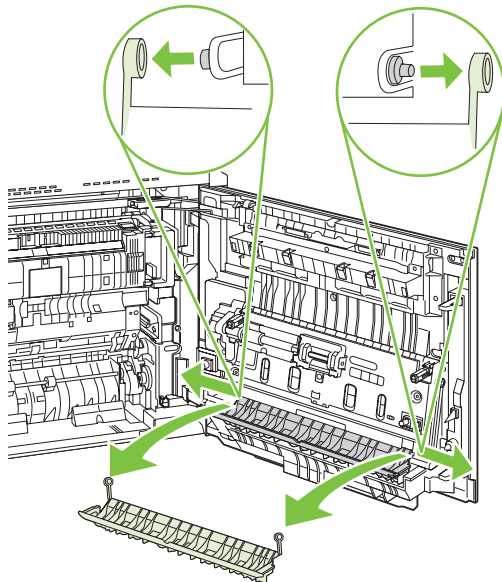
8. Lower the ITB levers.



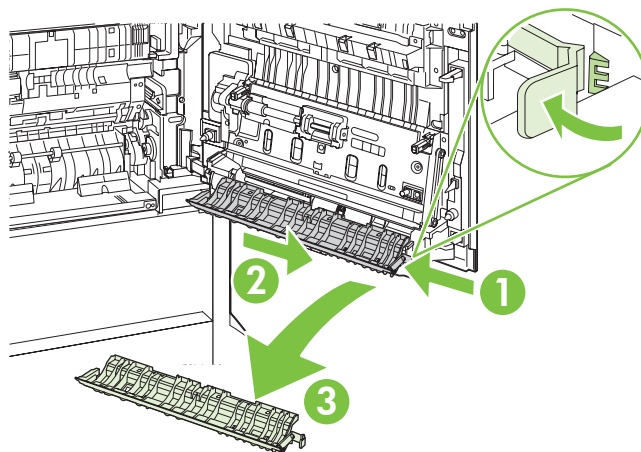
9. Close the transfer assembly.
10. Close the right door, and then turn the power on.

## Tray 1 pickup and separation rollers

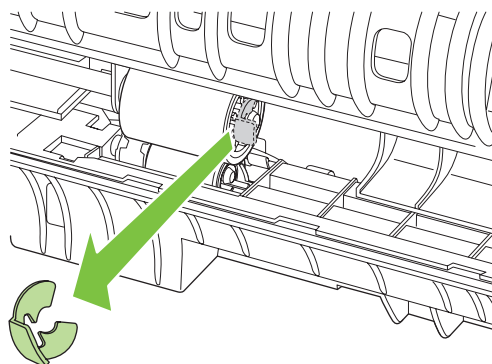
1. Turn the power off, and then open the right door.
2. Remove the paper-feed cover.



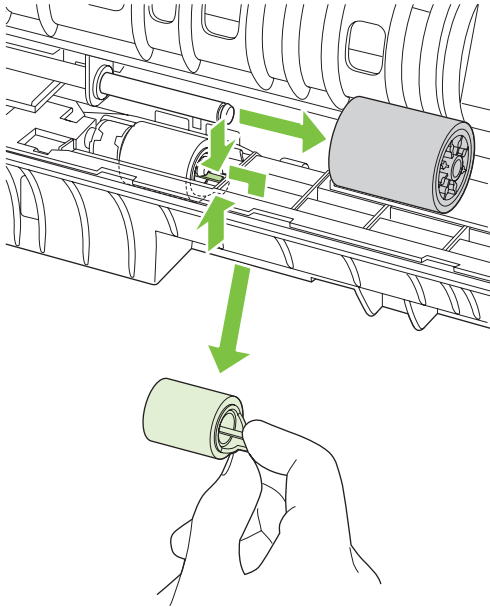
3. Remove the multipurpose upper feed guide.



4. Remove one plastic clip.



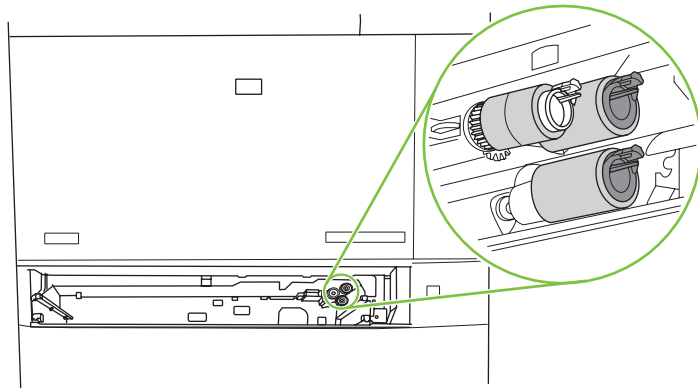
5. Remove the upper roller by sliding it to the right. Rotate the lower roller and then grasp the blue plastic tab and pull the roller off the rod.



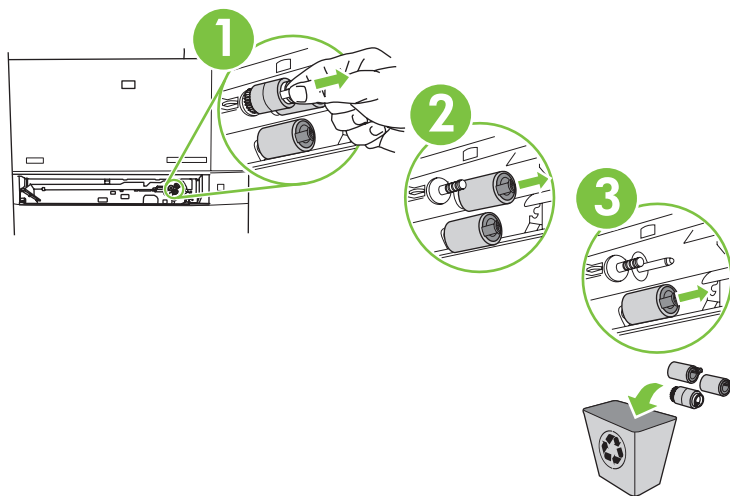
6. Recycle the used rollers, following the instructions included with the new roller.
  7. Remove the new rollers from the protective bag and install.
- 
- △ **CAUTION:** Do not touch the rubber part of the new roller. Contaminants or scratching may result in poor print quality.
- 
8. Attach the multi-purpose upper feed guide and paper-feed cover, and then close the right door.
  9. Turn the power on.

## Tray 2, 3, 4, and 5 pickup rollers

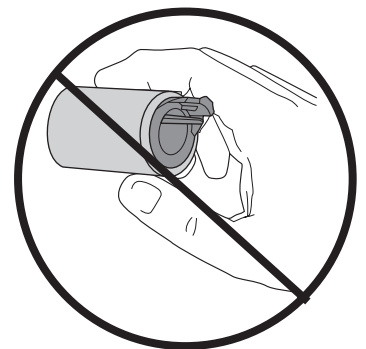
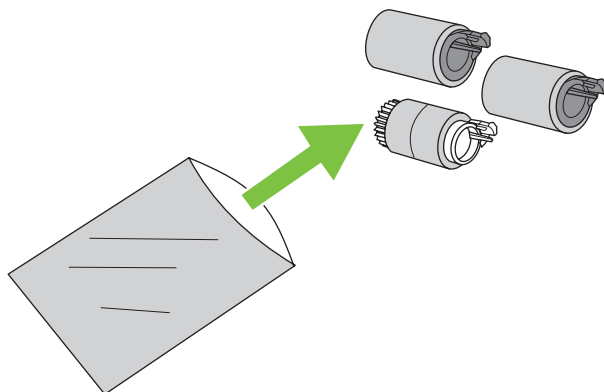
1. Turn the power off, and then remove the paper tray.
2. Locate the rollers.



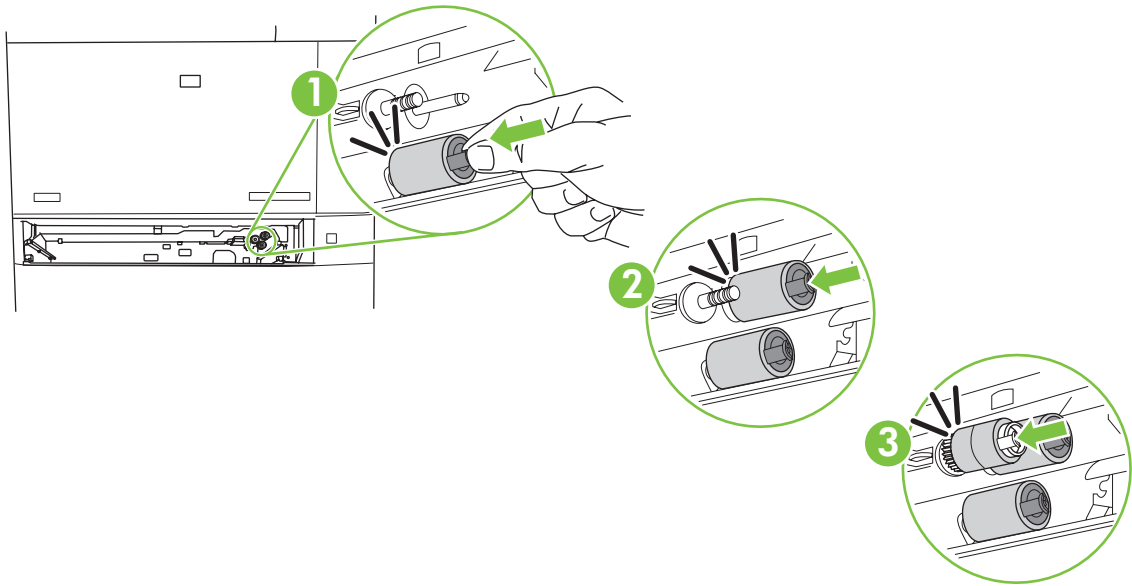
3. Turn the roller, and then grasp the plastic tab and pull the roller off the rod. Repeat the process for the other rollers. Recycle the used rollers.



4. Remove each roller from its protective bag. Do not touch the rubber part of the new roller. Contaminants or scratching may result in poor print quality.



5. Attach the new roller, sliding the new roller onto the rod until it clicks in place. Repeat the process for the other rollers.

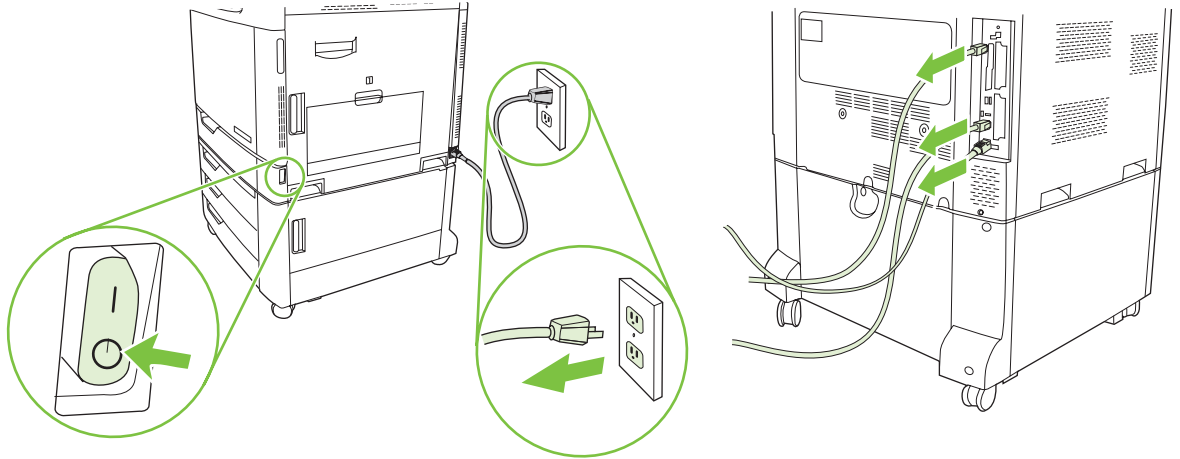



6. Reinstall the paper tray, and then turn the power on.



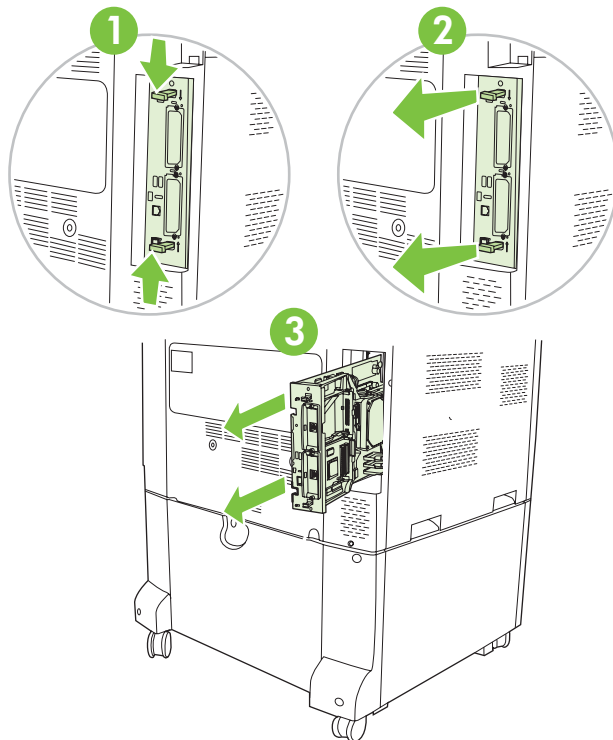
## Formatter

1. Turn the product off, and then disconnect all power and interface cables.



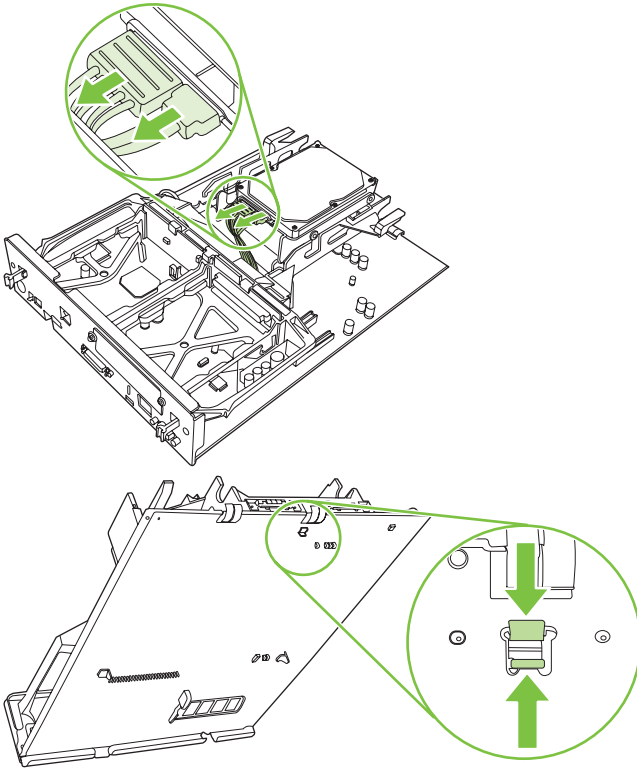
 **NOTE:** Some parts are sensitive to electrostatic discharge (ESD). Look for the ESD reminder when removing printer parts. Always perform service work at an ESD-protected workstation or mat. If an ESD workstation or mat is not available, ground yourself by touching the sheet-metal chassis *before* touching an ESD-sensitive part.

2. Locate the black formatter pressure release tabs on the formatter board in the rear of the product, and then gently press the black tabs (callout 1) toward each other. Gently pull on the black tabs (callout 2) to pull the formatter board from the product (callout 3).

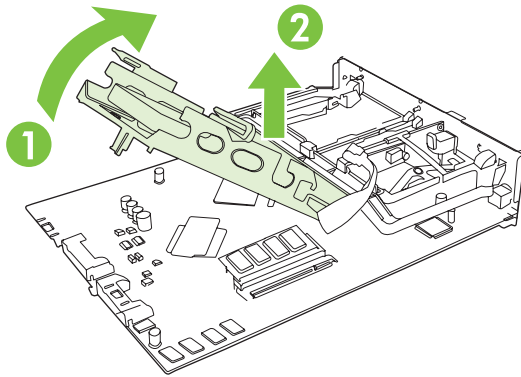


3. Place the formatter board on a clean, flat, grounded surface.
4. Remove the DDR memory DIMM. See [Install DDR memory DIMMs on page 111](#).

5. Disconnect all connectors to the hard-drive, and then release the hard-drive cage.

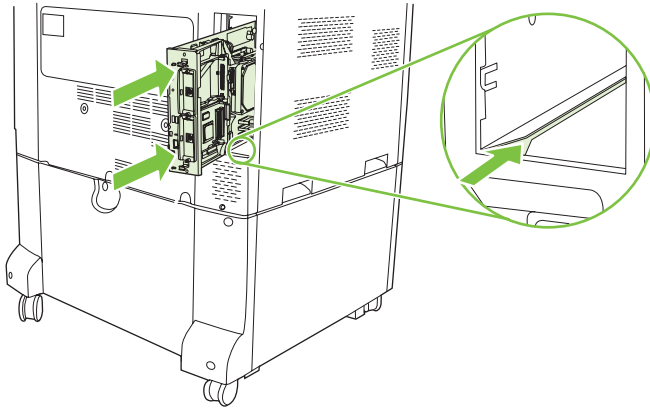


6. Remove the hard-drive cage.



7. Remove the DDR memory DIMM and fax card if present.
8. Recycle the used formatter.
9. Remove the formatter from its protective bag, and then place it on a clean, flat, grounded surface.
10. Install the DDR memory DIMM and hard-drive cage to the new formatter and fax card.

11. Align the formatter board in the tracks at the bottom of the slot, and then slide the board back into the product. Attach all power and interface cables, and then turn the power on.



## Tray 2

1. Pull the old tray completely out of the product by pulling and lifting it up slightly. Recycle the used tray following the instructions included with the new tray.
2. Attach the front cover to the tray.
3. Reinsert the tray by aligning the side rollers and pushing it back into the product.

## Trays 3, 4, and 5

1. Pull the tray completely out of the product by pulling and lifting it up slightly.
2. Recycle the used tray following the instructions included with the new tray.
3. Reinsert the tray by aligning the side rollers and pushing it back into the product.

## Service-replaceable parts

Use the steps below to remove and replace field-replaceable units (FRUs).

### Secondary transfer unit

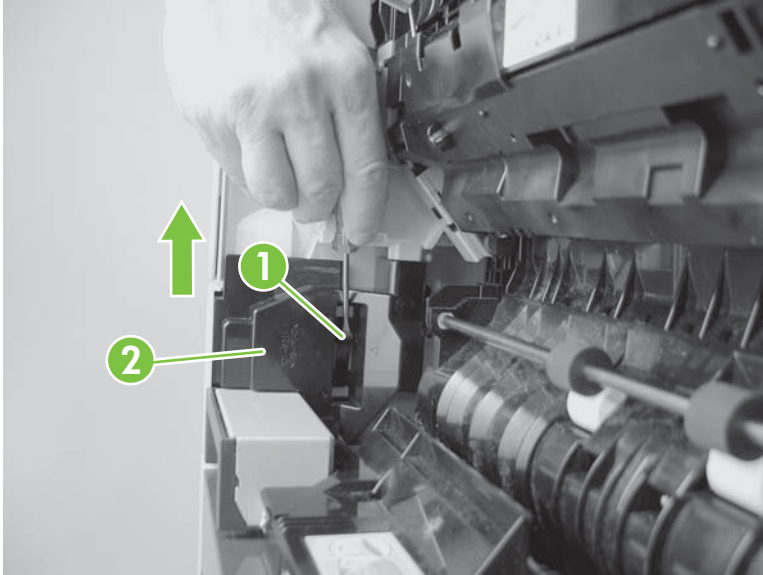
1. Remove the following:
  - Transfer roller. See [Transfer roller on page 236](#).
  - Intermediate transfer belt. See [Intermediate transfer belt \(ITB\) on page 238](#).
2. With a flatblade screwdriver, release two tabs along the bottom edge, and then remove the right ITB guide.

**Figure 6-2** Remove the secondary transfer unit (1 of 9)



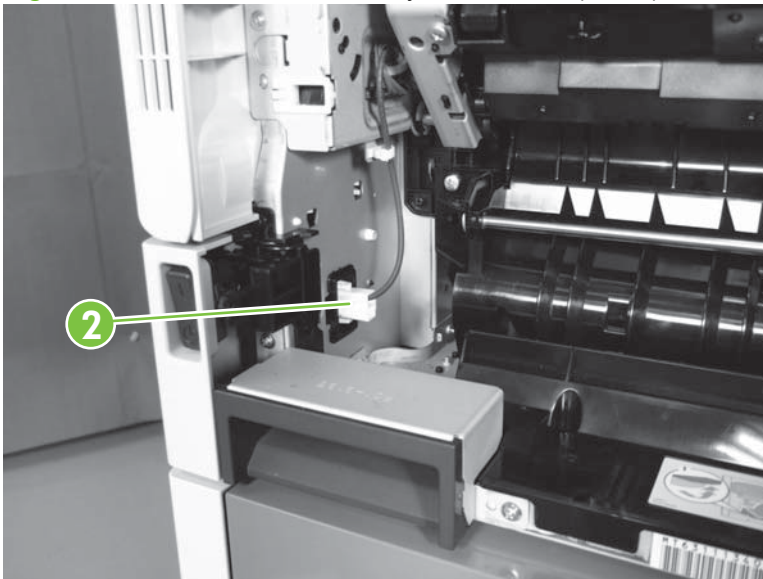
3. Close the secondary transfer unit. On the left side release one tab (callout 1), and then lift the connector cover (callout 2) to remove it.

**Figure 6-3** Remove the secondary transfer unit (2 of 9)




4. Disconnect one connector (callout 1). To disconnect, push the front of the connector toward the product, and then pull out.

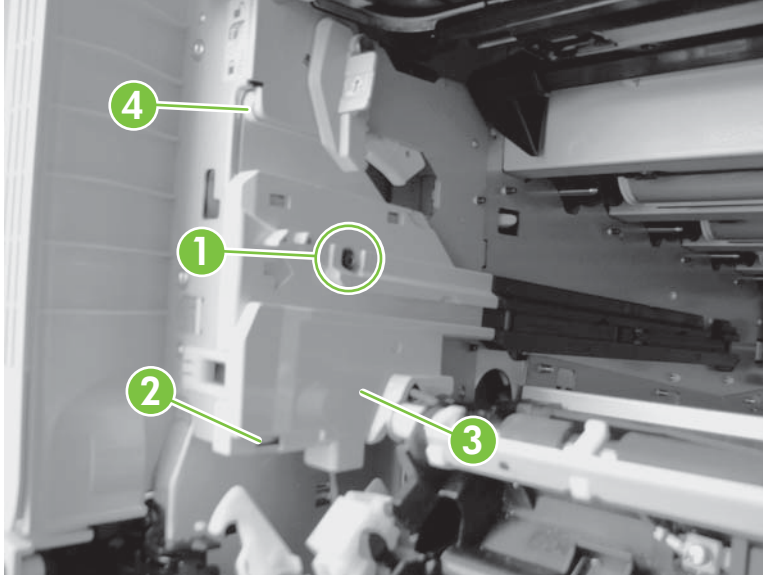
**Figure 6-4** Remove the secondary transfer unit (3 of 9)



5. Remove one screw (callout 1), release one tab (callout 2), and then lift the left ITB guide (callout 3) to remove it.

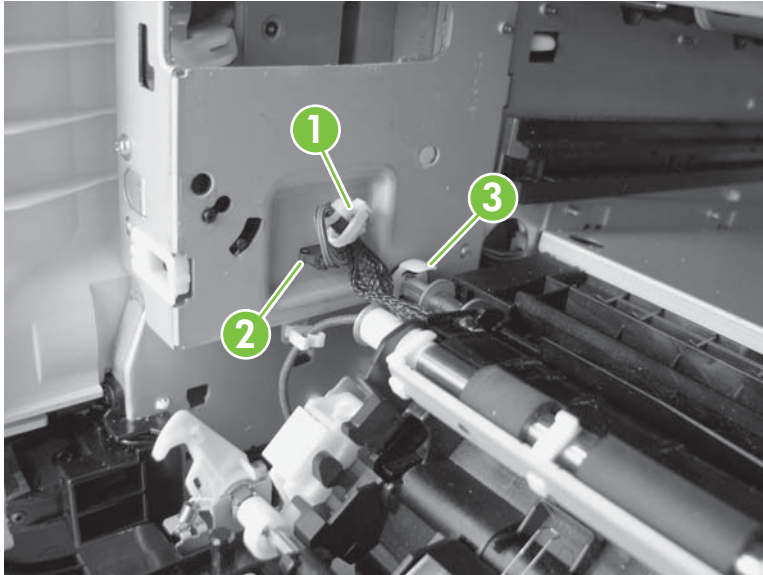
 **NOTE:** When reinstalling the left ITB guide, place the top of the guide behind the sheet metal (callout 4).

**Figure 6-5** Remove the secondary transfer unit (4 of 9)



6. Release one wire retainer (callout 1), one connector (callout 2), and one c-clip (callout 3).

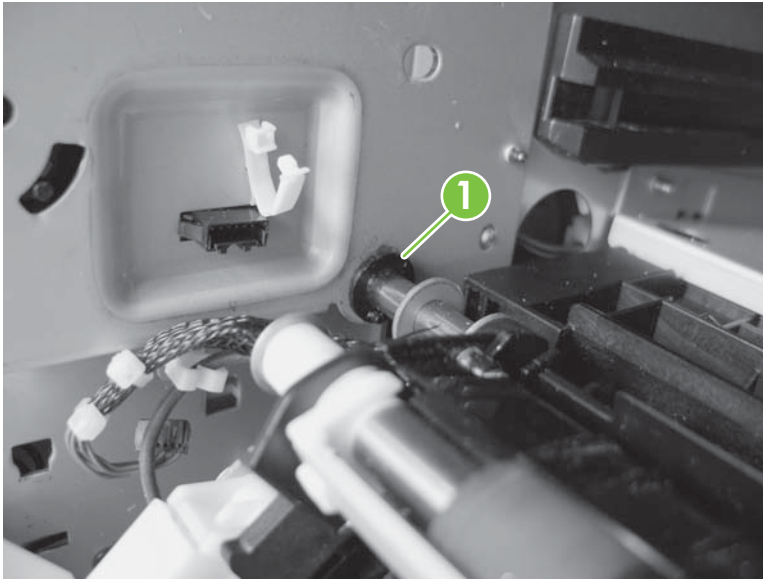
**Figure 6-6** Remove the secondary transfer unit (5 of 9)





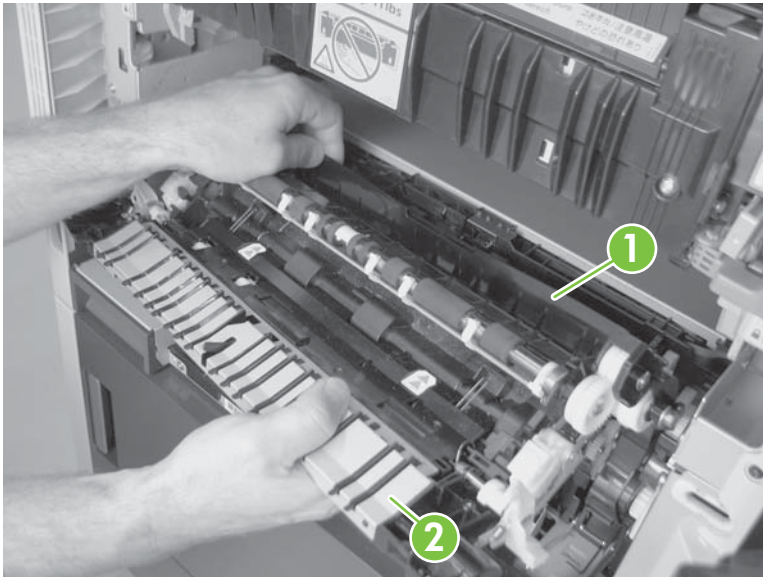
7. Slide the bushing (callout 1) out onto the rod.

**Figure 6-7** Remove the secondary transfer unit (6 of 9)




8. While tilting the feed guide (callout 1) backward, grasp the secondary transfer unit (callout 2) and slide it to the left. Release the right guide bar, and then remove the secondary transfer unit.

**Figure 6-8** Remove the secondary transfer unit (7 of 9)





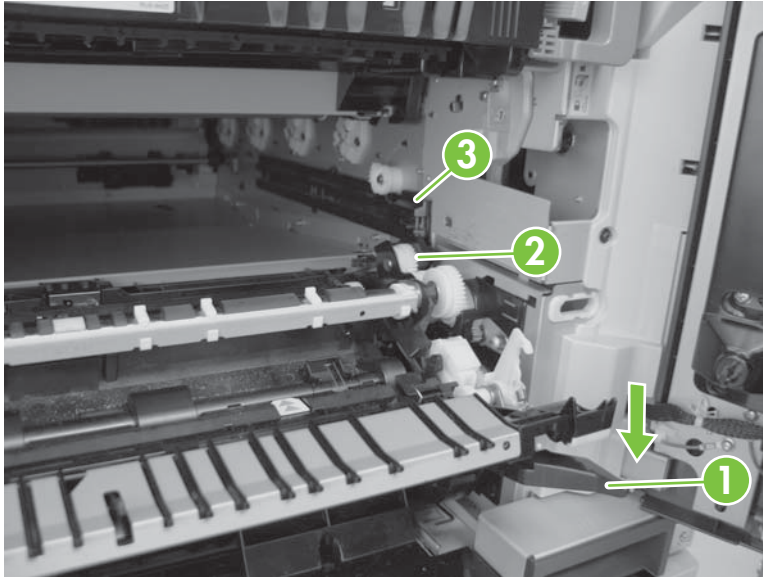
---

 **NOTE:** When reassembling the secondary transfer unit, make sure to position it correctly.

---

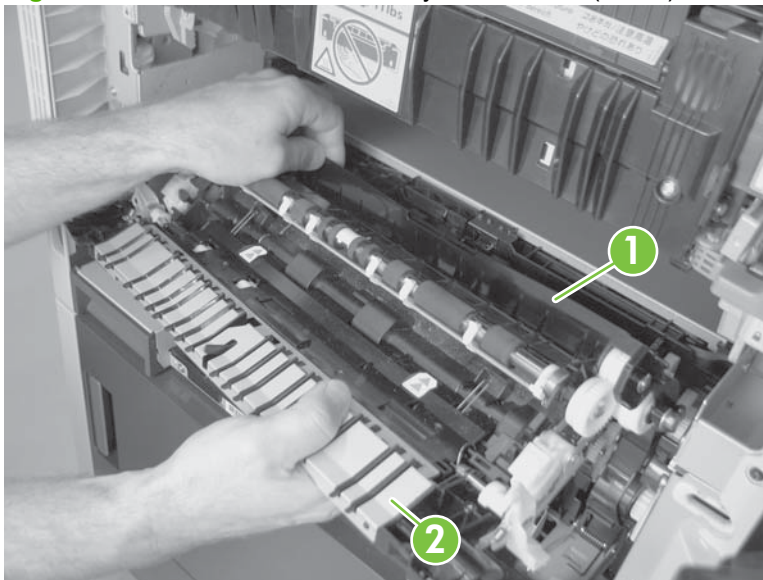
- Push down the secondary transfer unit stopper (callout 1). Place the gear unit (callout 2) under the ITB rail (callout 3).

**Figure 6-9** Remove the secondary transfer unit (8 of 9)




- Lift and place the feed guide (callout 1) on the upper part of the secondary transfer unit (callout 2).

**Figure 6-10** Remove the secondary transfer unit (9 of 9)



---

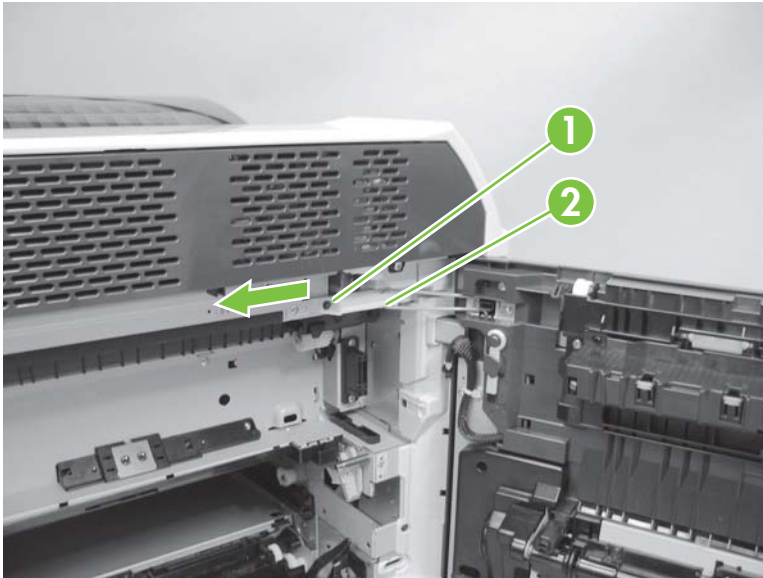
 **NOTE:** Be sure to calibrate the media sensor from the **Service** menu on the control panel after the secondary transfer unit has been replaced.

---

## Multipurpose drive unit

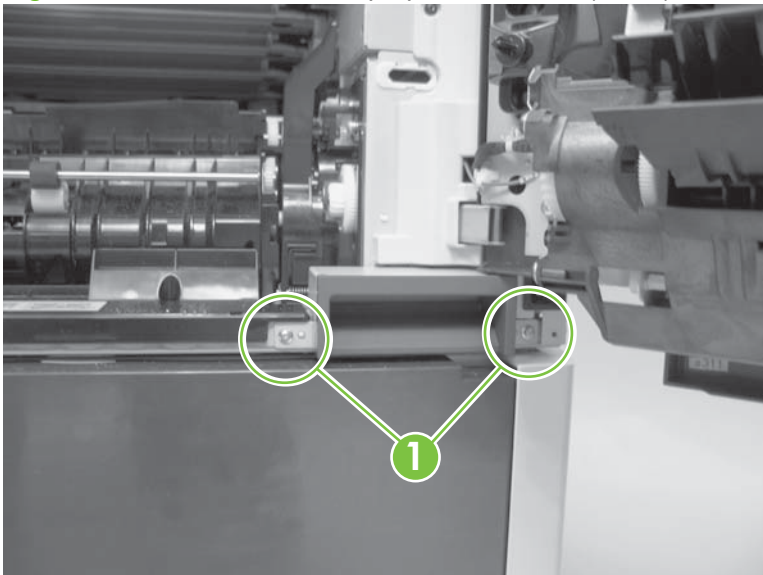
1. Remove the following:
  - Fuser. See [Fuser on page 233](#).
  - Secondary transfer unit. See [Secondary transfer unit on page 249](#).
2. Remove one screw (callout 1) and release the door hinge (callout 2).

**Figure 6-11** Remove the multipurpose drive unit (1 of 7)



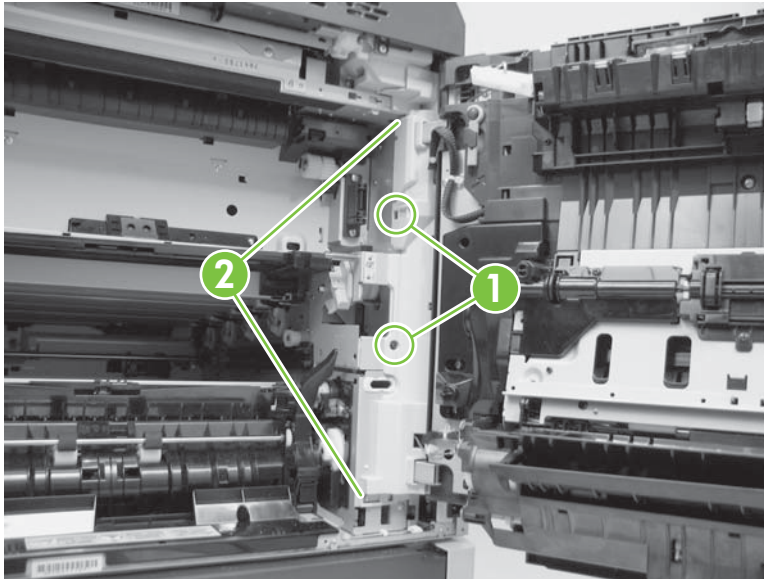
3. Remove two screws (callout 1) and the handle.

**Figure 6-12** Remove the multipurpose drive unit (2 of 7)



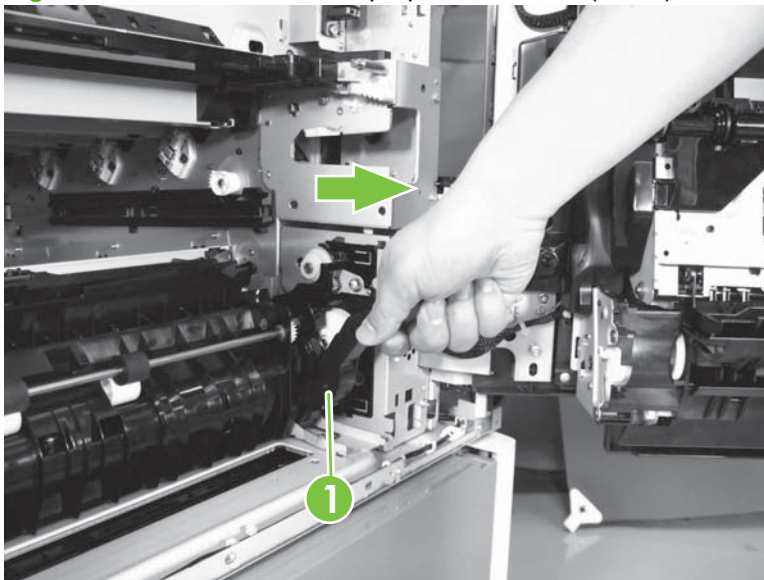
4. Remove two screws (callout 1), release two tabs (callout 2), and then remove the right inner cover.

**Figure 6-13** Remove the multipurpose drive unit (3 of 7)



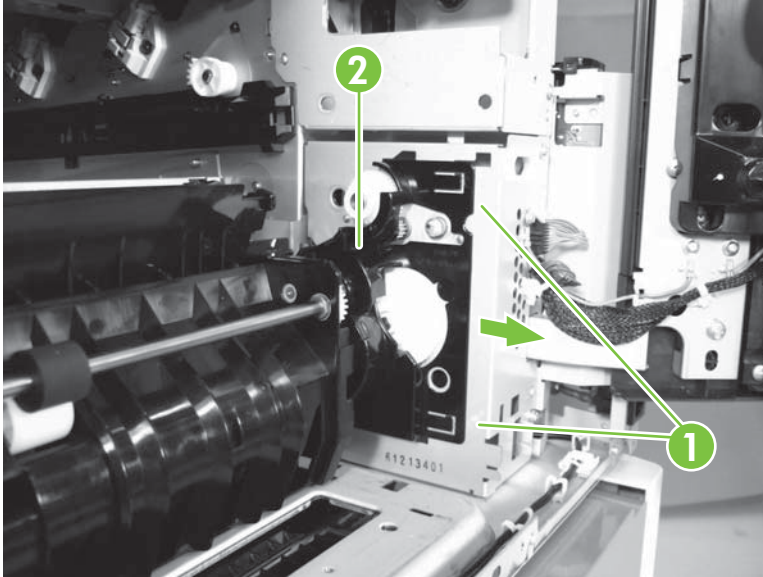
5. Lift the secondary transfer unit stopper (callout 1), and then pull it forward to remove it.

**Figure 6-14** Remove the multipurpose drive unit (4 of 7)



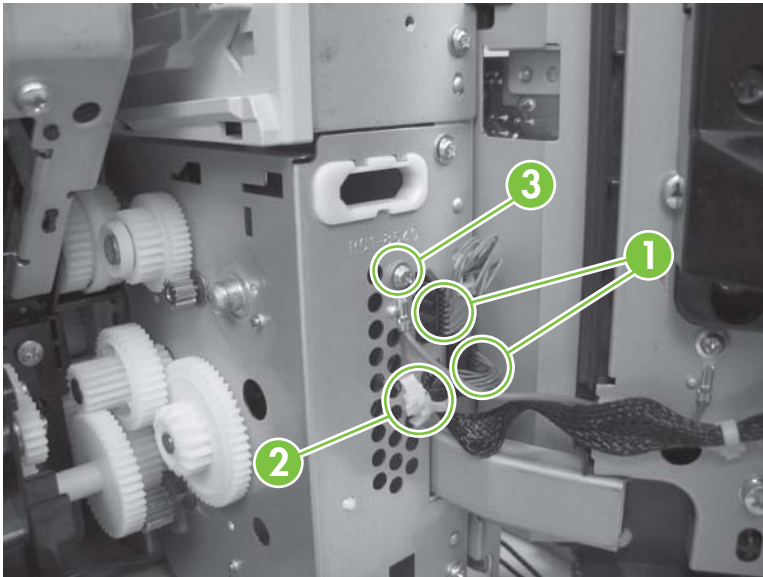
6. Release the two tabs (callout 1), and then slide the gear cover (callout 2) in the direction indicated to remove it.

**Figure 6-15** Remove the multipurpose drive unit (5 of 7)



7. Remove two connectors (callout 1), one wire retainer (callout 2), and one ground screw (callout 3).

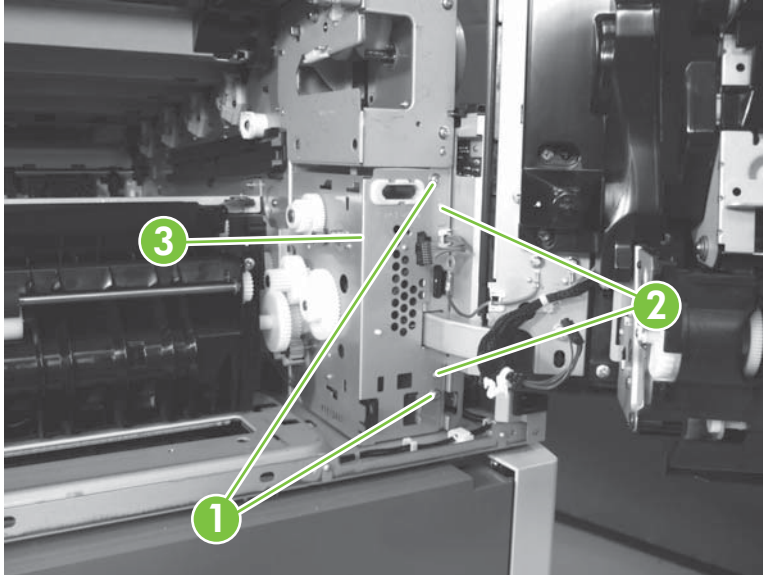
**Figure 6-16** Remove the multipurpose drive unit (6 of 7)





8. Remove two screws (callout 1), two pins (callout 2), and then remove the multipurpose tray drive unit (callout 3).

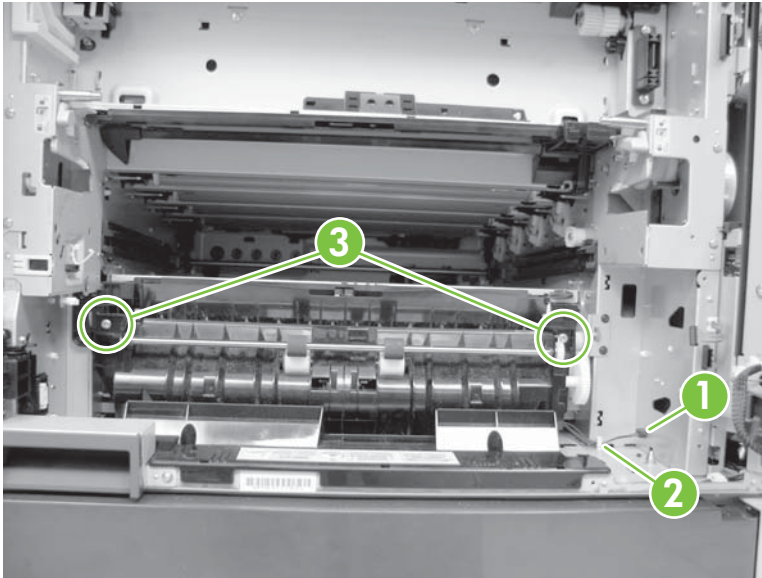
**Figure 6-17** Remove the multipurpose drive unit (7 of 7)



## Multipurpose-tray guide (Tray 1) unit

1. Remove the following:
  - Secondary transfer unit. See [Secondary transfer unit on page 249](#).
  - Multipurpose drive unit. See [Multipurpose drive unit on page 254](#).
2. Disconnect one connector (callout 1), release one wire retainer (callout 2), remove two screws (callout 3), and then remove the multipurpose-tray guide (Tray 1) unit.

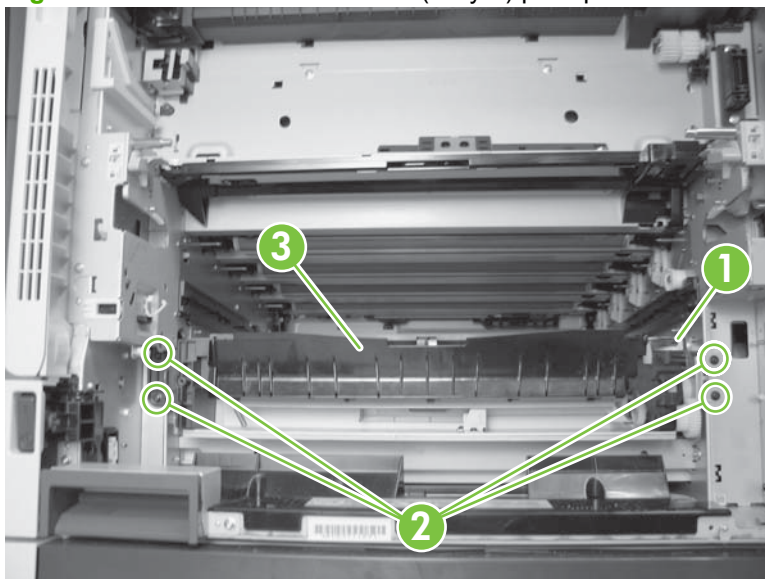
**Figure 6-18** Remove the multipurpose tray guide unit



## Cassette (Tray 2) pickup unit

1. Remove the following:
  - Secondary transfer unit. See [Secondary transfer unit on page 249](#).
  - Multipurpose drive unit. See [Multipurpose drive unit on page 254](#).
  - Multipurpose-tray guide (Tray 1) unit. See [Multipurpose-tray guide \(Tray 1\) unit on page 258](#).
2. Disconnect two connectors (callout 1), remove four screws (callout 2), and then remove the Tray 2 pickup unit (callout 3).

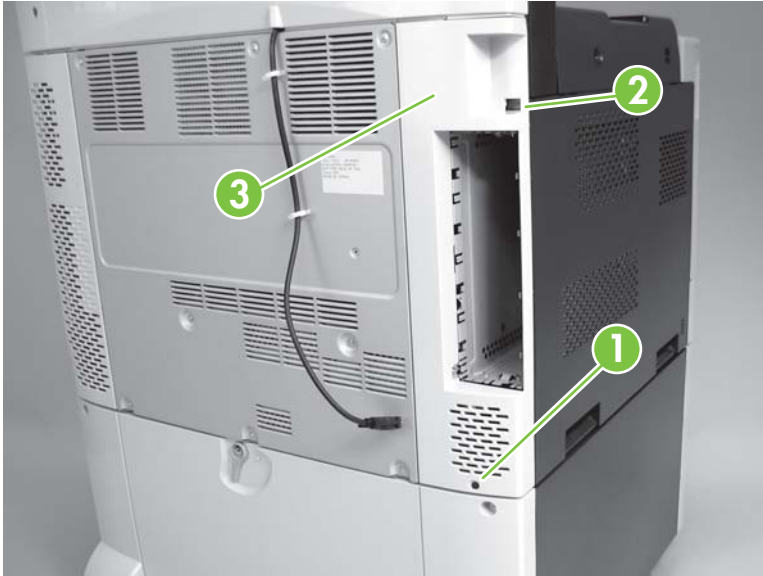
**Figure 6-19** Remove the cassette (Tray 2) pickup unit



## Rear-left cover

- Remove one screw (callout 1), release one tab (callout 2) and remove the rear left cover (callout 3).

**Figure 6-20** Remove rear left cover

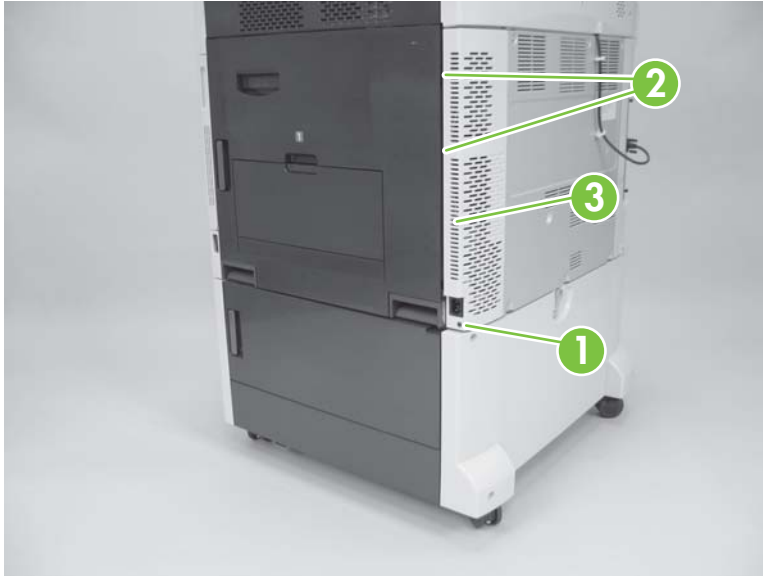




## Rear-right cover

- Remove one screw (callout 1), release two tabs (callout 2) and then remove the rear right cover (callout 3).

**Figure 6-21** Remove rear right cover



## Rear cover

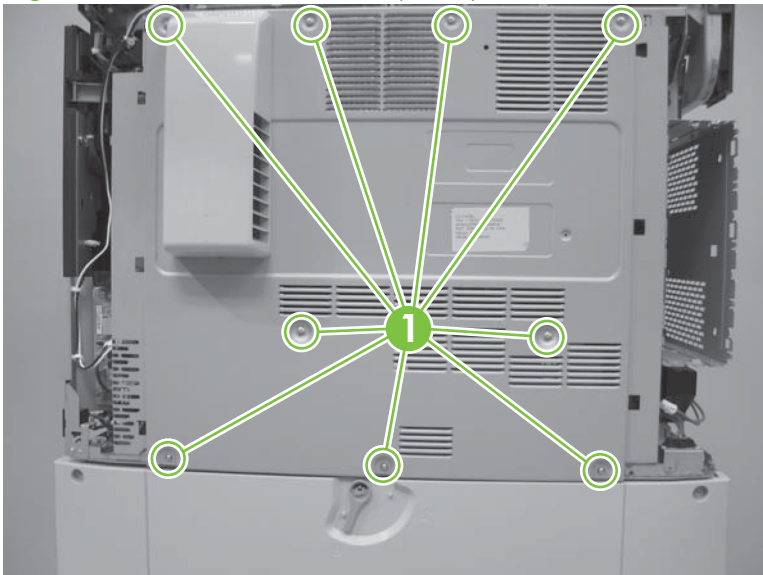
1. Remove the following:
  - Rear-left cover. See [Rear-left cover on page 260](#).
  - Rear-right cover. See [Rear-right cover on page 261](#).
2. Remove two screws (callout 1).

**Figure 6-22** Remove rear cover (1 of 2)



3. Remove nine screws (callout 1) and then remove the rear cover (callout 2).

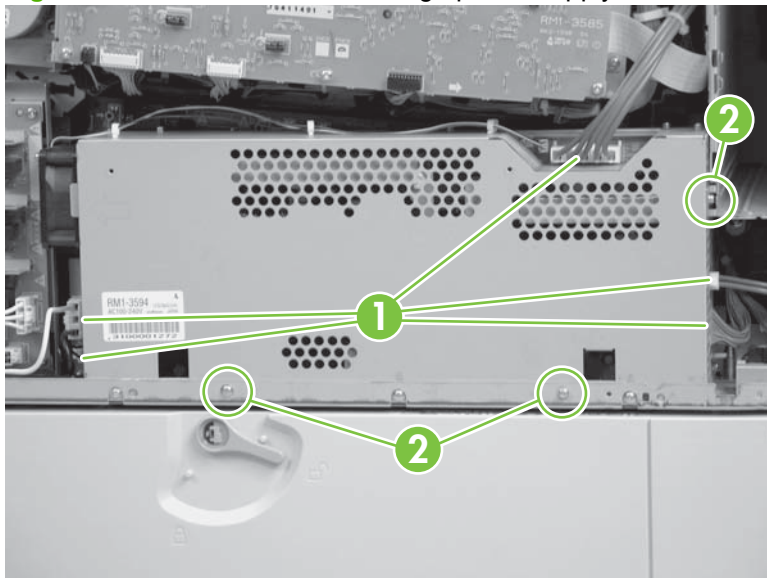
**Figure 6-23** Remove rear cover (2 of 2)



## Low-voltage power-supply unit

1. Remove the following:
  - Rear-left cover. See [Rear-left cover on page 260](#).
  - Rear-right cover. See [Rear-right cover on page 261](#).
  - Rear cover. See [Rear cover on page 262](#).
2. Disconnect five connectors (callout 1), remove three screws (callout 2), and then remove the low-voltage power supply unit.

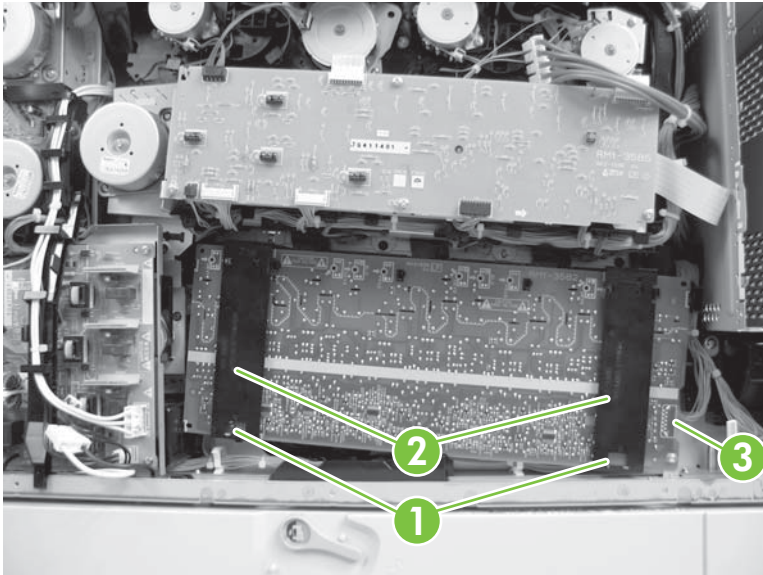
**Figure 6-24** Remove the low-voltage power supply unit



## High-voltage power supply PCA (A)

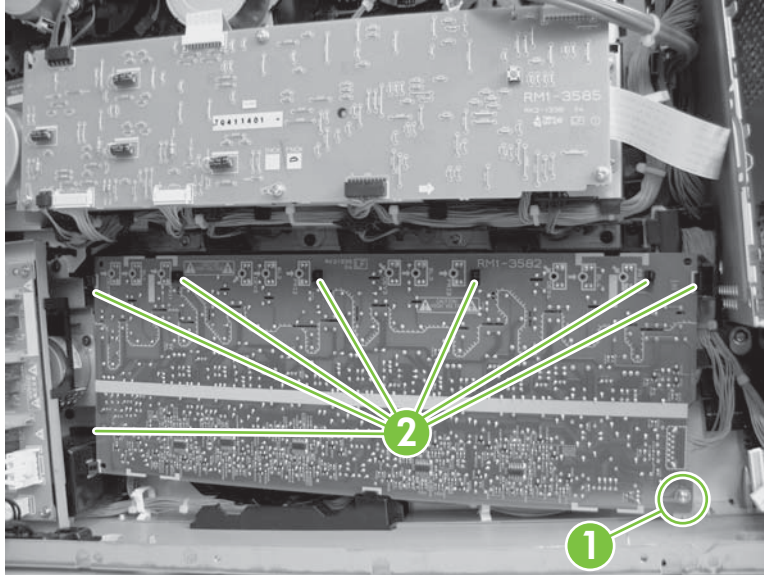
1. Remove the following:
  - Rear-left cover. See [Rear-left cover on page 260](#).
  - Rear-right cover. See [Rear-right cover on page 261](#).
  - Rear cover. See [Rear cover on page 262](#).
  - Low-voltage power-supply unit. See [Low-voltage power-supply unit on page 263](#).
2. Release the two tabs (callout 1), remove the two PCA holders (callout 2), and then remove one connector (callout 3).

**Figure 6-25** Remove the high-voltage power supply PCA (A) (1 of 3)



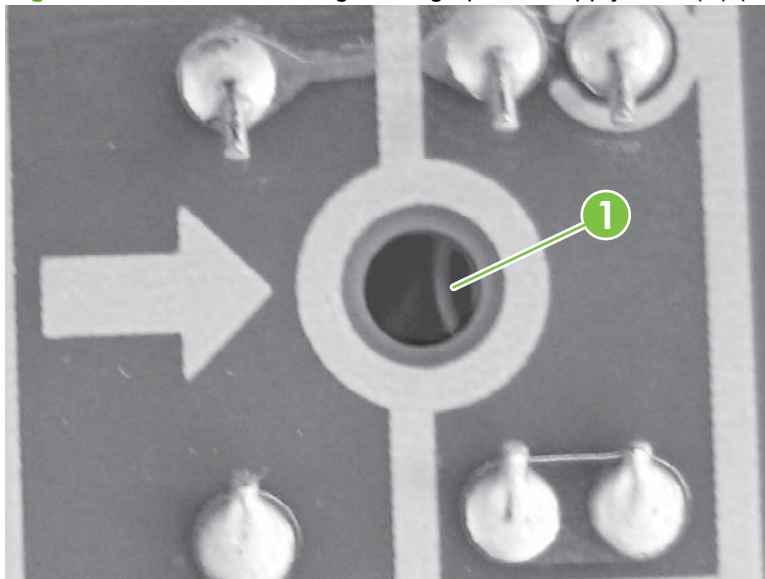
3. Remove one screw (callout 1), release seven tabs (callout 2), and then remove the high-voltage power supply PCA (A).

**Figure 6-26** Remove the high-voltage power supply PCA (A) (2 of 3)



**NOTE:** When reassembling, set the bottom tab of the high-voltage power supply PCA (A) first. Ensure that the contact spring (callout 1) can be seen from the twelve confirmation windows.

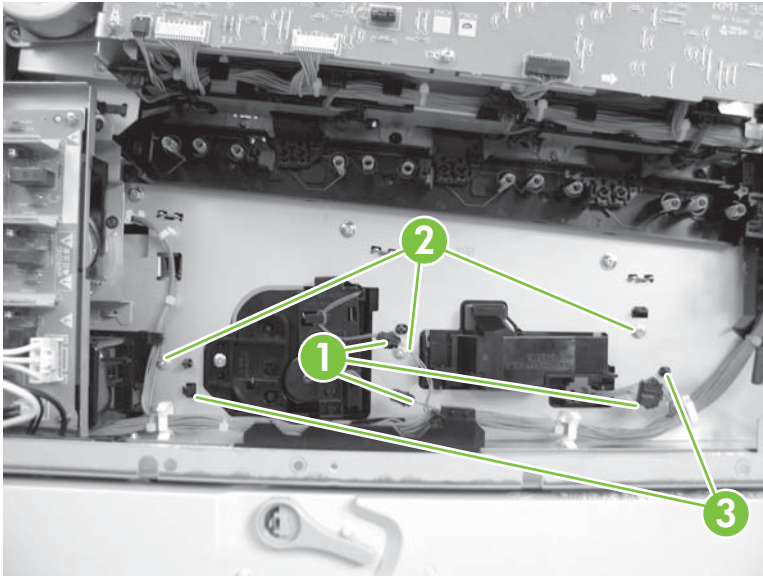
**Figure 6-27** Remove the high-voltage power supply PCA (A) (3 of 3)



## Lifter-drive unit

1. Remove the following:
  - Tray 2. See [Tray 2 on page 248](#).
  - Rear-left cover. See [Rear-left cover on page 260](#).
  - Rear-right cover. See [Rear-right cover on page 261](#).
  - Rear cover. See [Rear cover on page 262](#).
  - Low-voltage power-supply unit. See [Low-voltage power-supply unit on page 263](#).
  - High-voltage power supply PCA (A). See [High-voltage power supply PCA \(A\) on page 264](#).
2. Disconnect three connectors (callout 1), remove three screws (callout 2), and then release two tabs (callout 3).

**Figure 6-28** Remove the lifter-drive unit (1 of 2)




3. Remove the lifter-drive unit through the front of the product.

**Figure 6-29** Remove the lifter-drive unit (2 of 2)

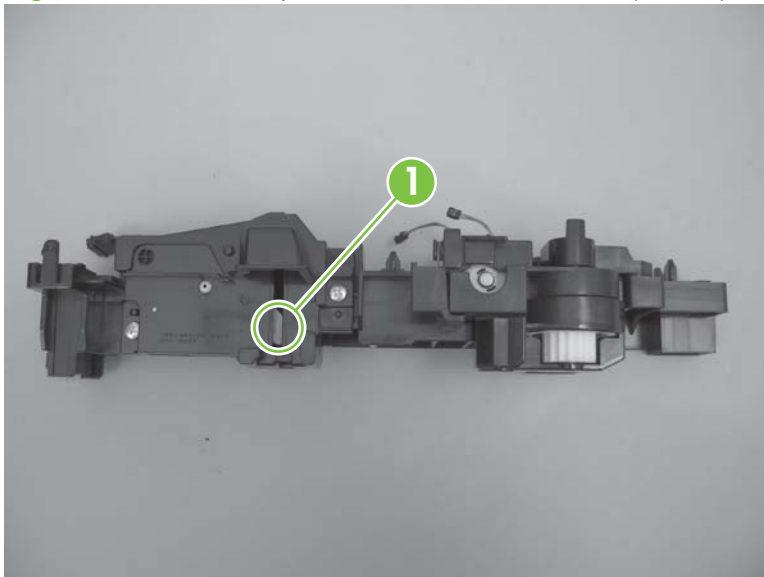


---

 **NOTE:** When reassembling, ensure that the lifter-drive unit is unlocked (callout 1). If the lifter is locked (callout 2), the lifter will not function correctly.

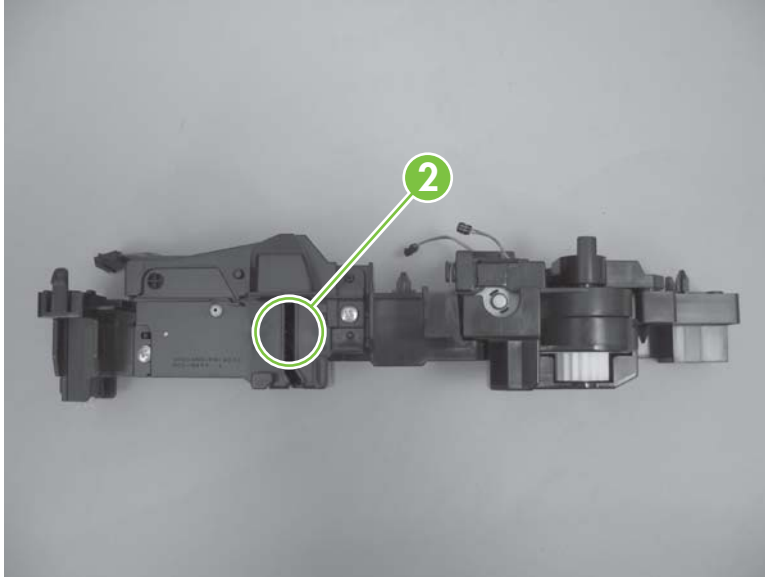
---

**Figure 6-30** Unlocked position of the lifter-drive unit (correct)





**Figure 6-31** Locked position of the lifter-drive unit (incorrect)

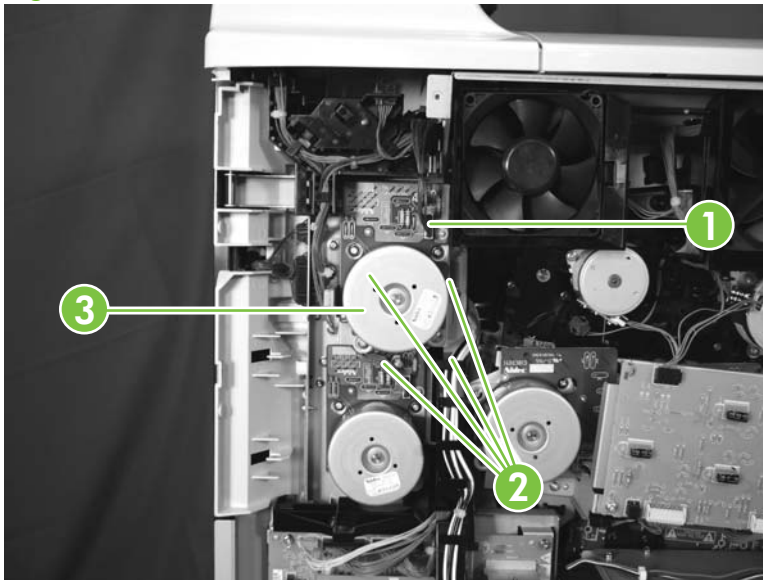




## Fuser motor

1. Remove the following:
  - Rear-left cover. See [Rear-left cover on page 260](#).
  - Rear-right cover. See [Rear-right cover on page 261](#).
  - Rear cover. See [Rear cover on page 262](#).
2. Disconnect one connector (callout 1).
3. Remove four screws (callout 2), and then remove the fuser motor (callout 3).

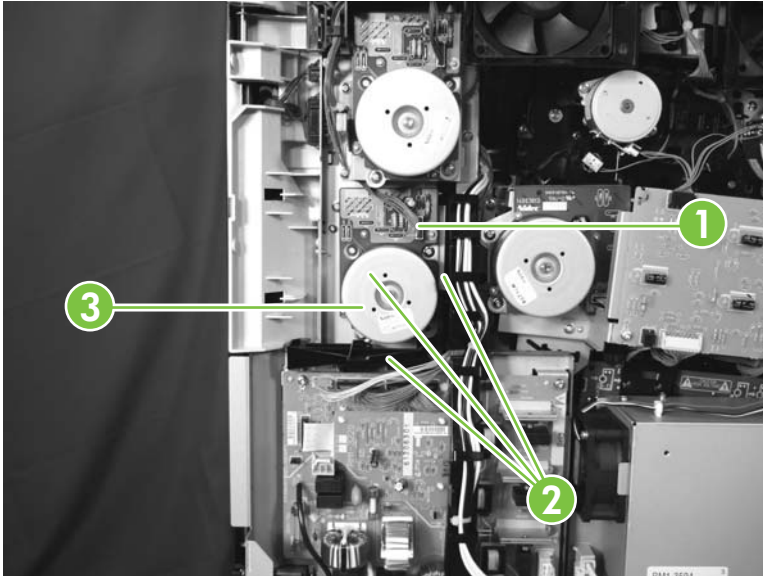
**Figure 6-32** Remove the fuser motor



## Intermediate-transfer belt (ITB) motor

1. Remove the following:
  - Rear-left cover. See [Rear-left cover on page 260](#).
  - Rear-right cover. See [Rear-right cover on page 261](#).
  - Rear cover. See [Rear cover on page 262](#).
2. Disconnect one connector (callout 1). Remove three screws (callout 2), and then remove the ITB motor (callout 3).

**Figure 6-33** Remove the intermediate-transfer belt (ITB) motor



## Face-down output bin

- Remove two screws (callout 1) and then the face-down output bin (callout 2).

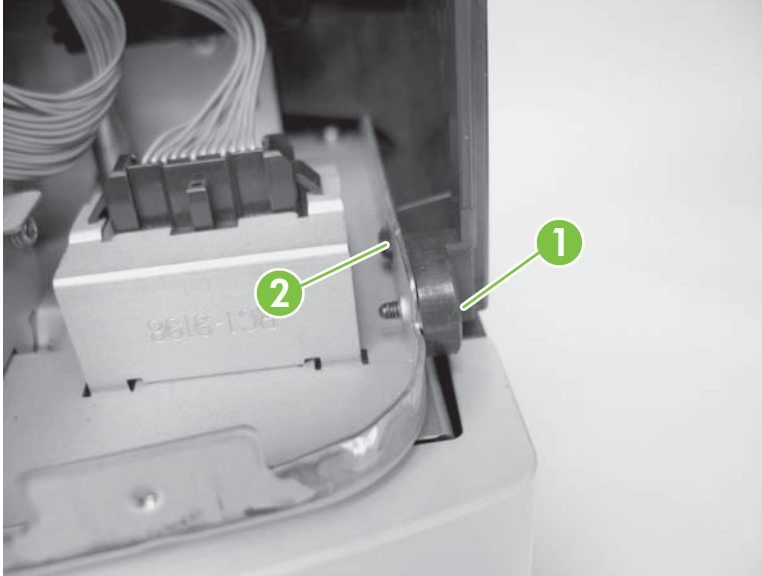
**Figure 6-34** Remove face-down output bin



## Left cover

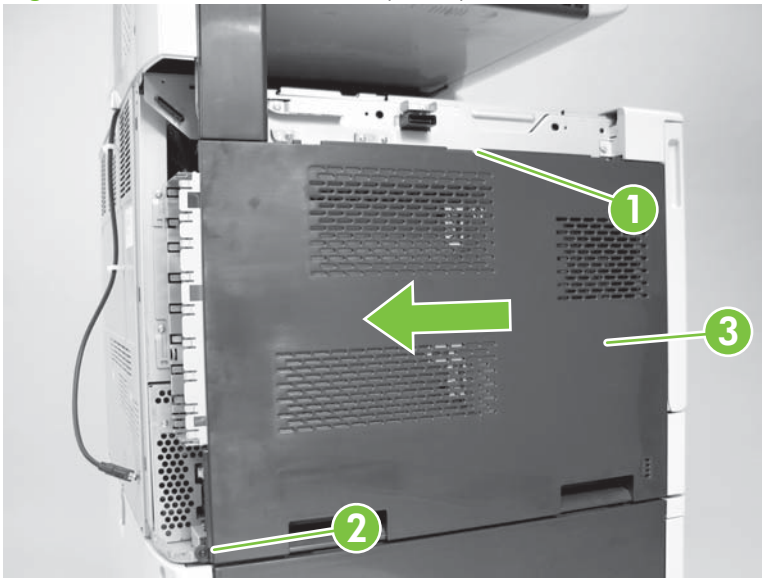
1. Remove the following:
  - Rear-left cover. See [Rear-left cover on page 260](#).
  - Face-down output bin. See [Face-down output bin on page 271](#).
2. Remove one screw (callout 1) and then release one pin (callout 2).

**Figure 6-35** Remove left cover (1 of 2)



3. Release one tab (callout 1). Flex the bottom corner (callout 2), and then slide the left cover (callout 3) in the direction indicated.

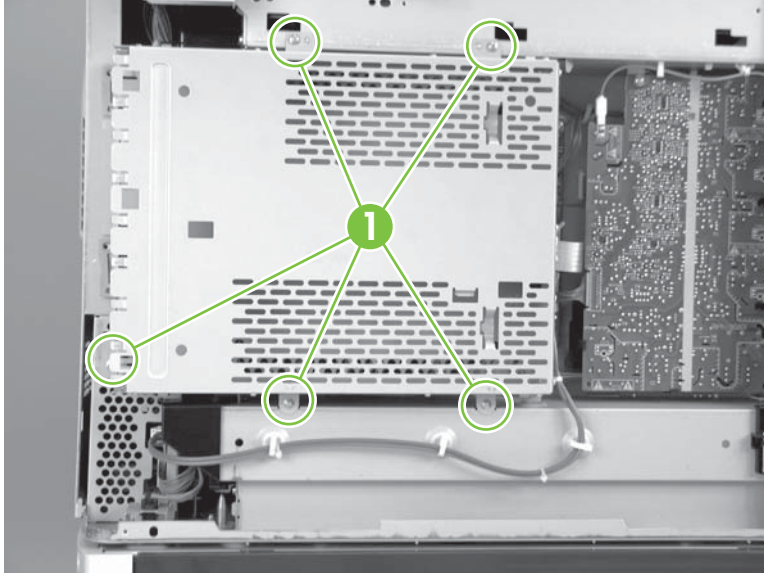
**Figure 6-36** Remove left cover (2 of 2)



## Laser/scanner fan duct

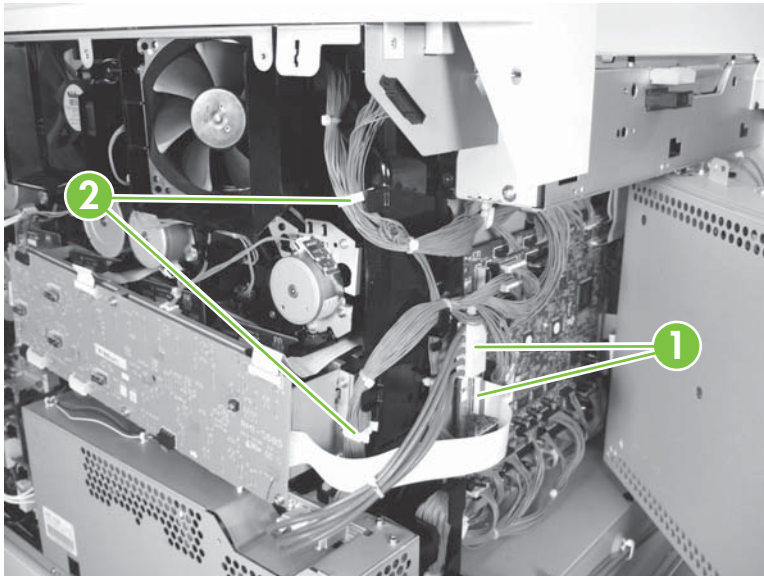
1. Remove the following:
  - Rear-left cover. See [Rear-left cover on page 260](#).
  - Face-down output bin. See [Face-down output bin on page 271](#).
  - Left cover. See [Left cover on page 272](#).
2. Remove five screws (callout 1), and then swing the formatter case to the right.

**Figure 6-37** Remove the laser/scanner fan duct (1 of 3)



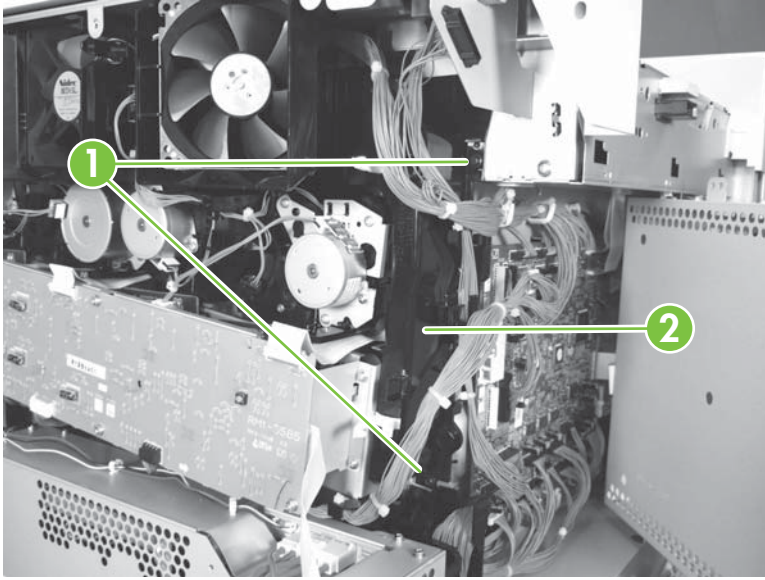
3. Disconnect the two connectors (callout 1), and then release two wire retainers (callout 2).

**Figure 6-38** Remove the laser/scanner fan duct (2 of 3)



4. Remove two screws (callout 1), and then remove the laser/scanner fan duct (callout 2).

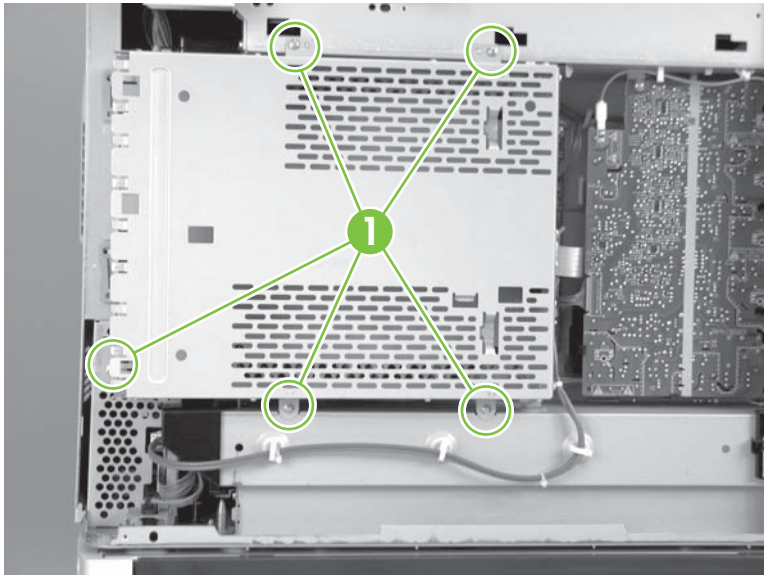
**Figure 6-39** Remove the laser/scanner fan duct (3 of 3)



## Print-cartridge driver PCA

1. Remove the following:
  - Rear-left cover. See [Rear-left cover on page 260](#).
  - Rear-right cover. See [Rear-right cover on page 261](#).
  - Rear cover. See [Rear cover on page 262](#).
  - Face-down output bin. See [Face-down output bin on page 271](#).
  - Left cover. See [Left cover on page 272](#).
2. Remove five screws (callout 1), and then swing the formatter case to the right.

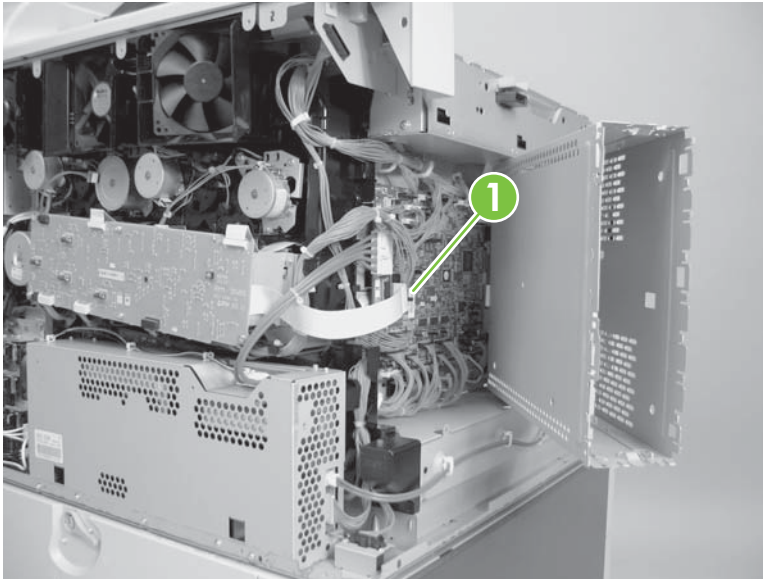
**Figure 6-40** Remove the print-cartridge driver PCA (1 of 3)





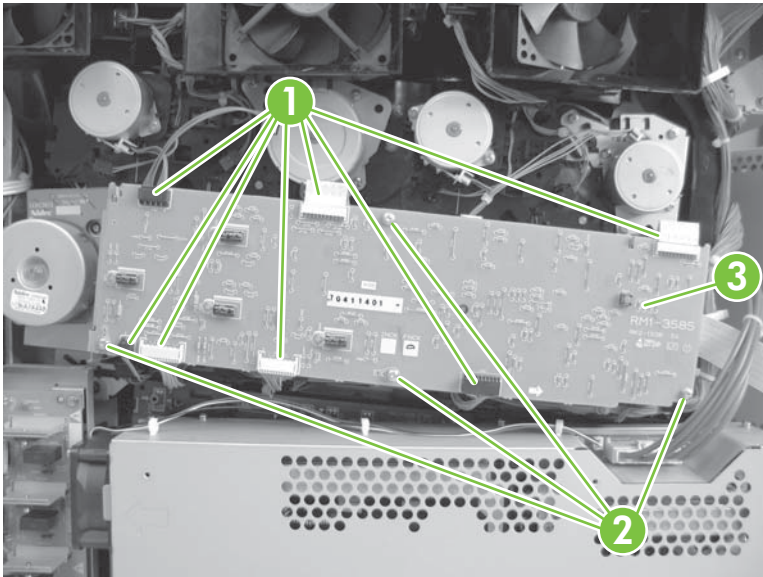
3. Disconnect one connector from the DC controller (callout 1).

**Figure 6-41** Remove the print-cartridge driver PCA (2 of 3)



4. Disconnect seven connectors (callout 1), four screws (callout 2), and the print-cartridge driver PCA (callout 3).

**Figure 6-42** Remove the print-cartridge driver PCA (3 of 3)

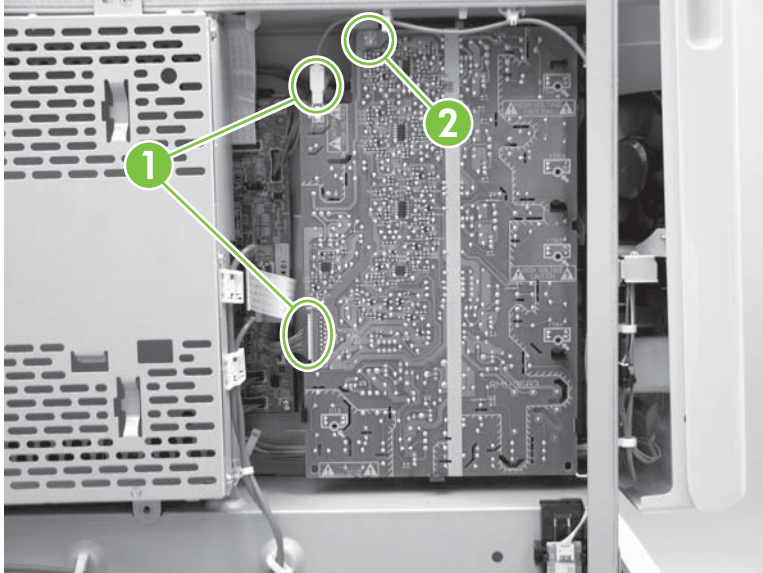




## High-voltage power supply PCA (B)

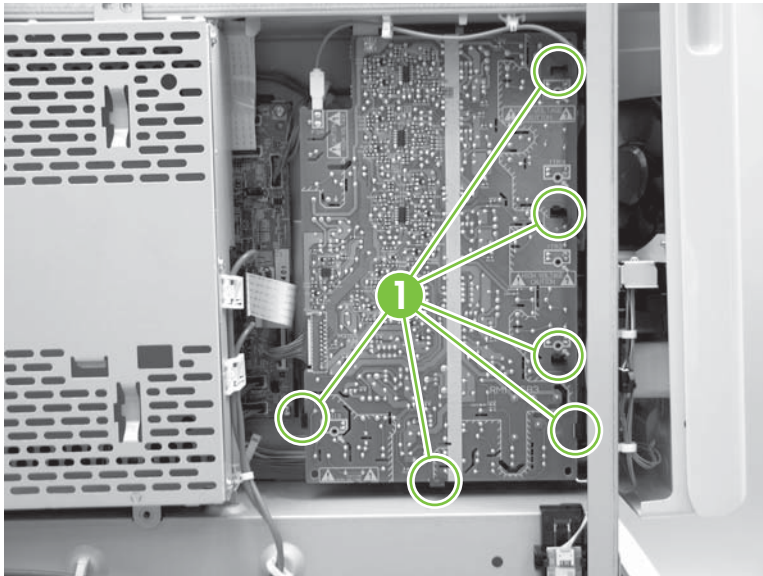
1. Remove the following:
  - Rear-left cover. See [Rear-left cover on page 260](#).
  - Face-down output bin. See [Face-down output bin on page 271](#).
  - Left cover. See [Left cover on page 272](#).
2. Disconnect two connectors (callout 1), and then remove one screw (callout 2).

**Figure 6-43** Remove the high-voltage power supply PCA (B) (1 of 3)



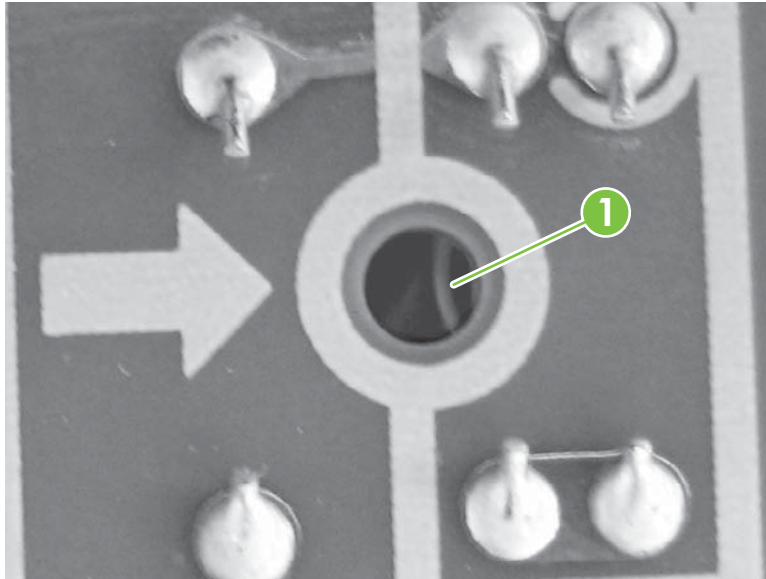
3. Release six tabs (callout 1), and then remove the high-voltage power supply PCA (B).

**Figure 6-44** Remove the high-voltage power supply PCA (B) (2 of 3)



**NOTE:** When reassembling, ensure that the contact springs (callout 1) can be seen from the five confirmation windows. Failure to do so can cause print quality issues.

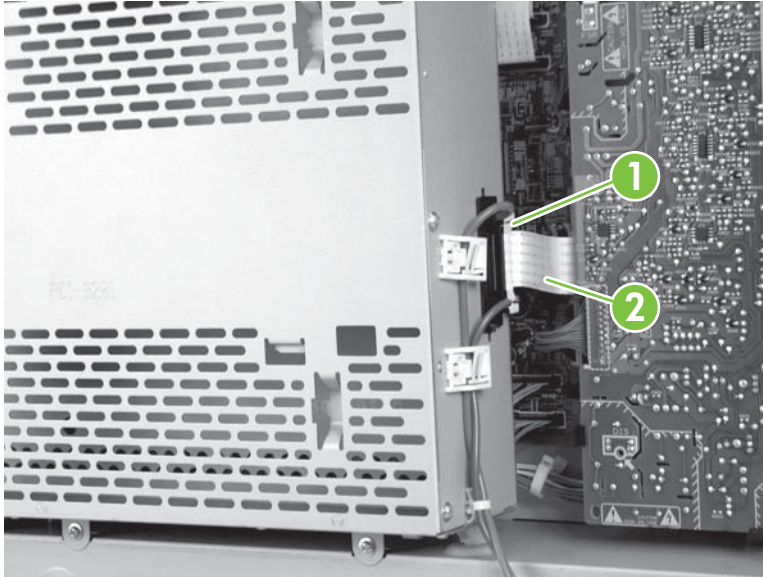
**Figure 6-45** Remove the high-voltage power supply PCA (B) (3 of 3)



## Formatter case

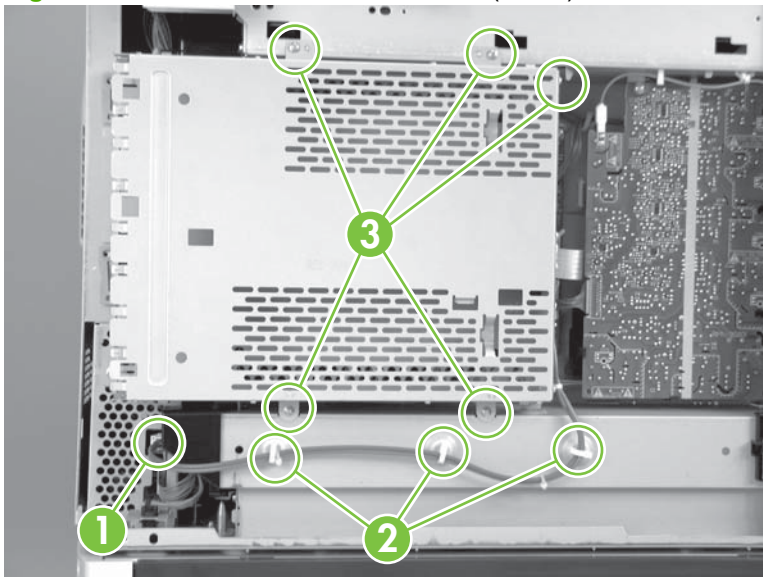
1. Remove the following:
  - Rear-left cover. See [Rear-left cover on page 260](#).
  - Face-down output bin. See [Face-down output bin on page 271](#).
  - Left cover. See [Left cover on page 272](#).
2. Remove the wire-harness holder (callout 1), and then disconnect the flat cable (callout 2) from the formatter case.

**Figure 6-46** Remove the formatter case (1 of 3)



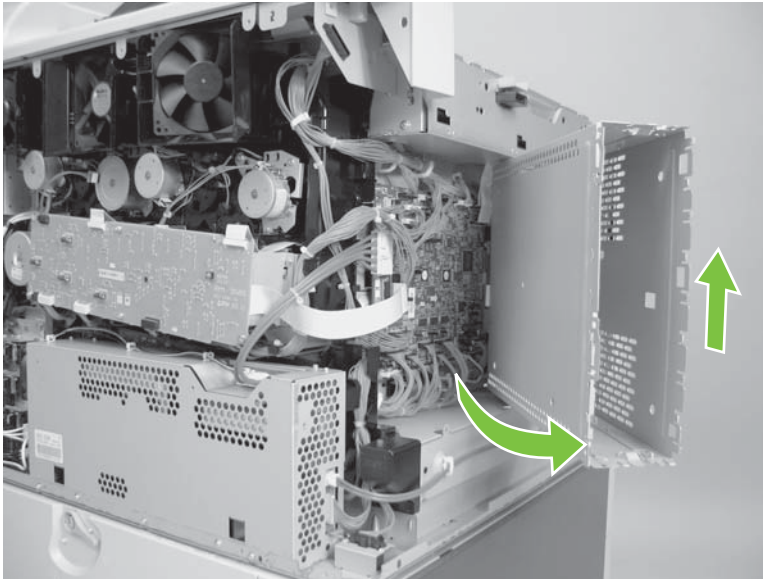
3. Disconnect one connector (callout 1), release three wire retainers (callout 2), and then remove five screws (callout 3).

**Figure 6-47** Remove the formatter case (2 of 3)




4. Rotate and lift the formatter case to remove it.

**Figure 6-48** Remove the formatter case (3 of 3)



---

 **NOTE:** When reassembling, insert the C-shaped hinge on the top of the formatter case into the round hole.

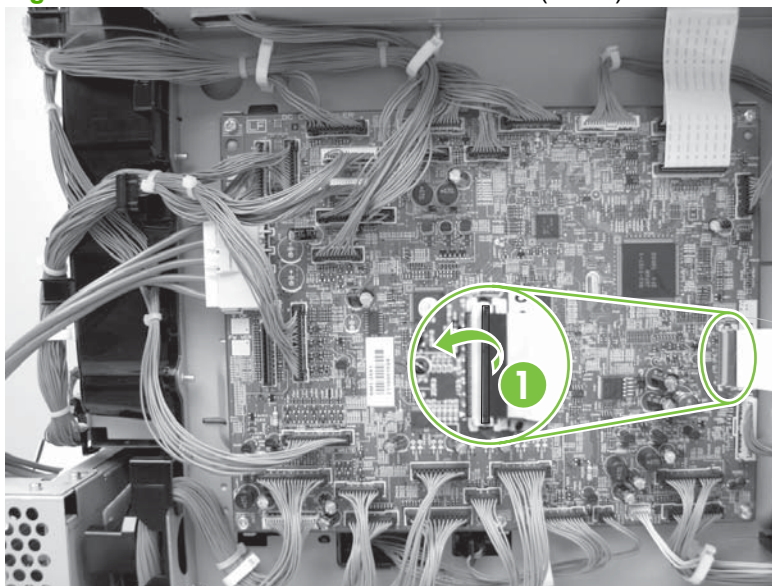
---

## DC controller PCA

1. Remove the following:
  - Rear-left cover. See [Rear-left cover on page 260](#).
  - Face-down output bin. See [Face-down output bin on page 271](#).
  - Left cover. See [Left cover on page 272](#).
2. Disconnect all the connectors on the DC controller PCA.

△ **CAUTION:** Use care when removing the flat cable that comes from the formatter case (callout 1). Gently lift the black latch to release the cable.

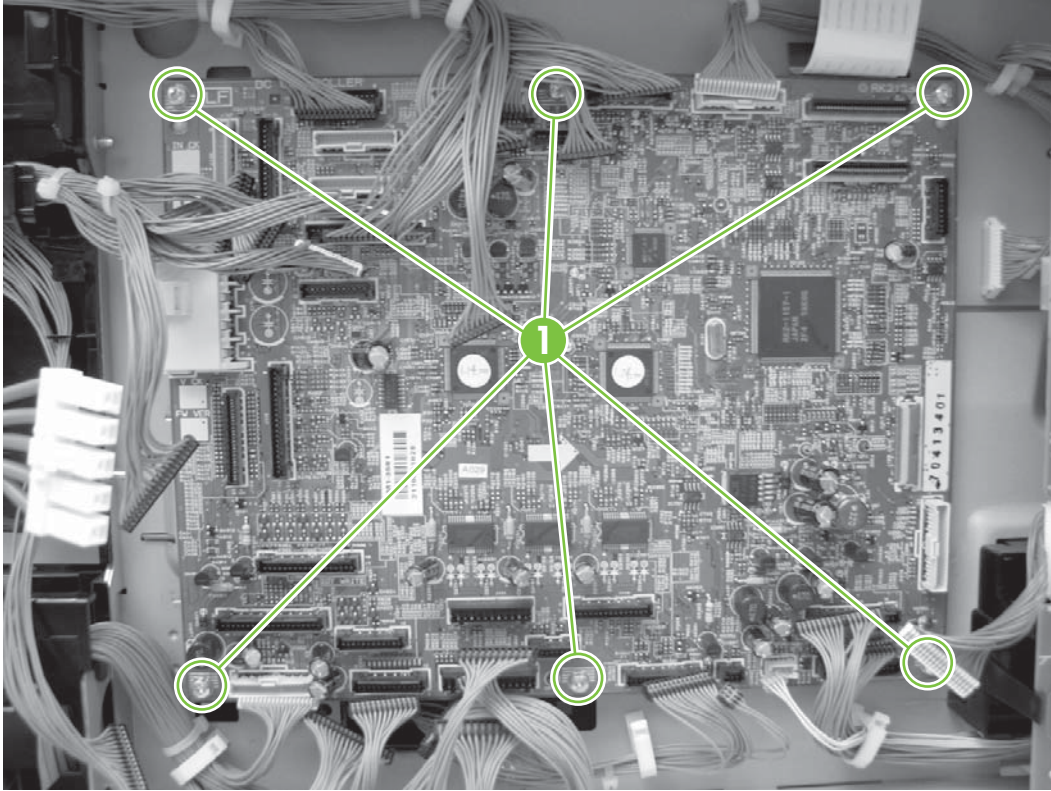
**Figure 6-49** Remove the DC controller PCA (1 of 2)





3. Remove six screws (callout 1), and then remove the DC controller PCA.

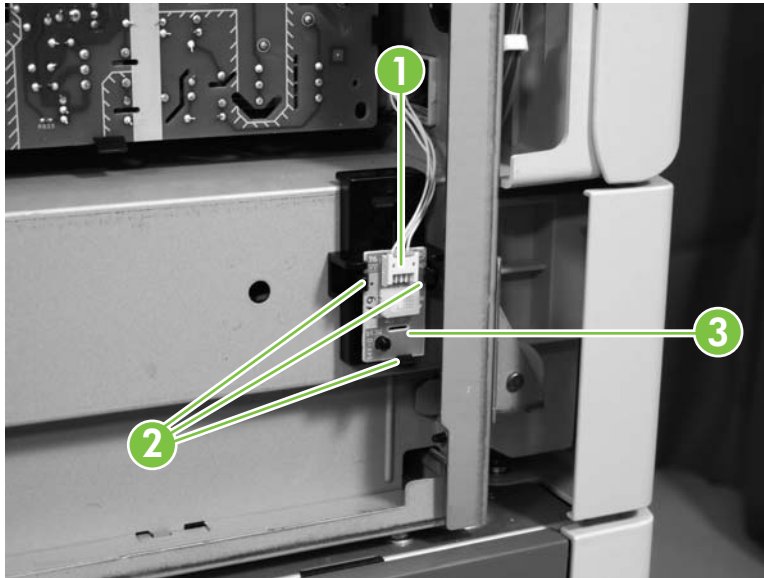
**Figure 6-50** Remove the DC controller PCA (2 of 2)



## Environmental sensor

1. Remove the following:
  - Rear-left cover. See [Rear-left cover on page 260](#).
  - Face-down output bin. See [Face-down output bin on page 271](#).
  - Left cover. See [Left cover on page 272](#).
2. Disconnect one connector (callout 1). Release three tabs (callout 2), and then remove the environmental sensor (callout 3).

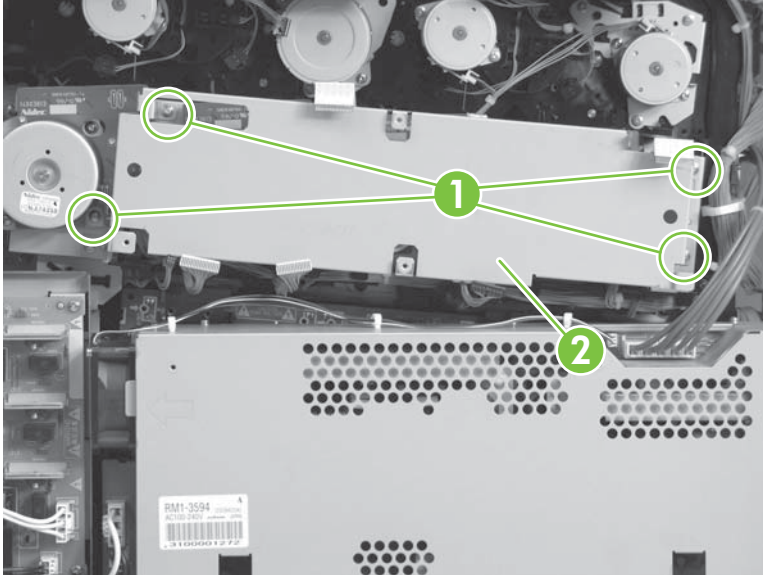
**Figure 6-51** Remove the environmental sensors



## Image-drum motor

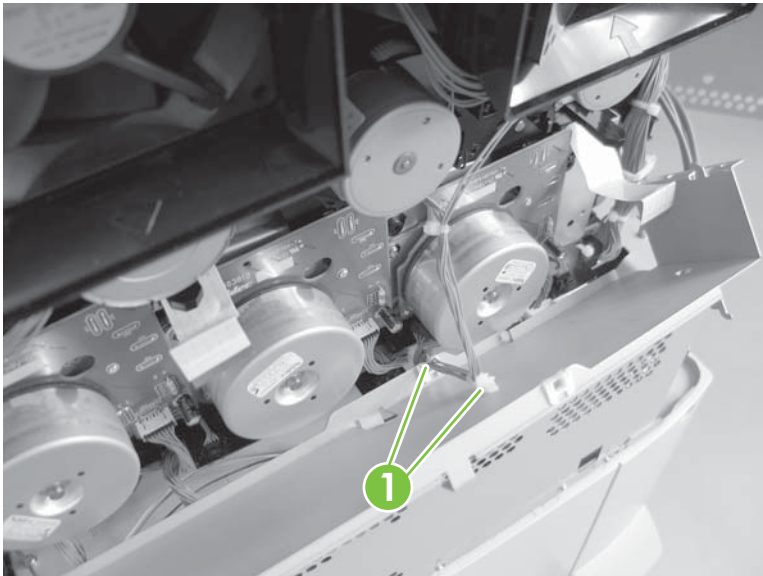
1. Remove the following:
  - Rear-left cover. See [Rear-left cover on page 260](#).
  - Rear-right cover. See [Rear-right cover on page 261](#).
  - Rear cover. See [Rear cover on page 262](#).
2. Remove four screws (callout 1), and then remove the cartridge driver PCA mount (callout 2).

**Figure 6-52** Remove the image-drum motor (1 of 3)



3. Disconnect two wire retainers (callout 1).

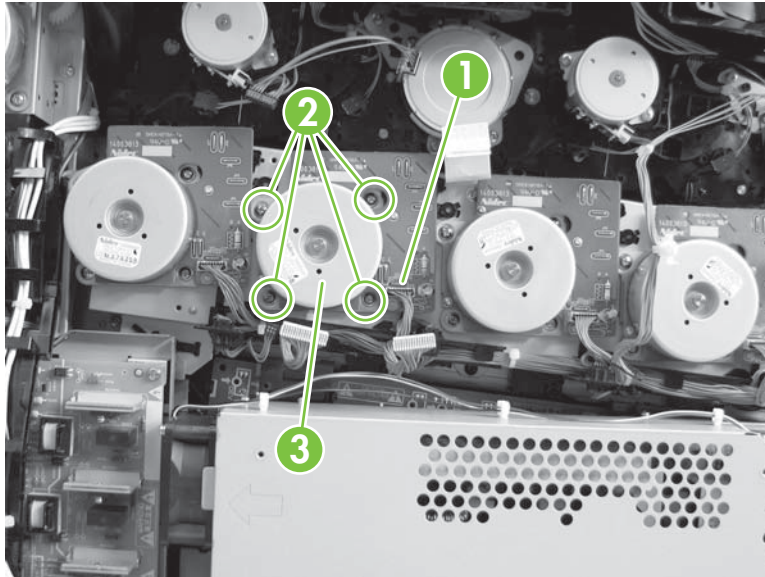
**Figure 6-53** Remove the image-drum motor (2 of 3)





4. Remove one connector (callout 1) and four screws (callout 2) for the appropriate motor. Remove the image-drum motor (callout 3). Removal of the magenta image drum is shown.

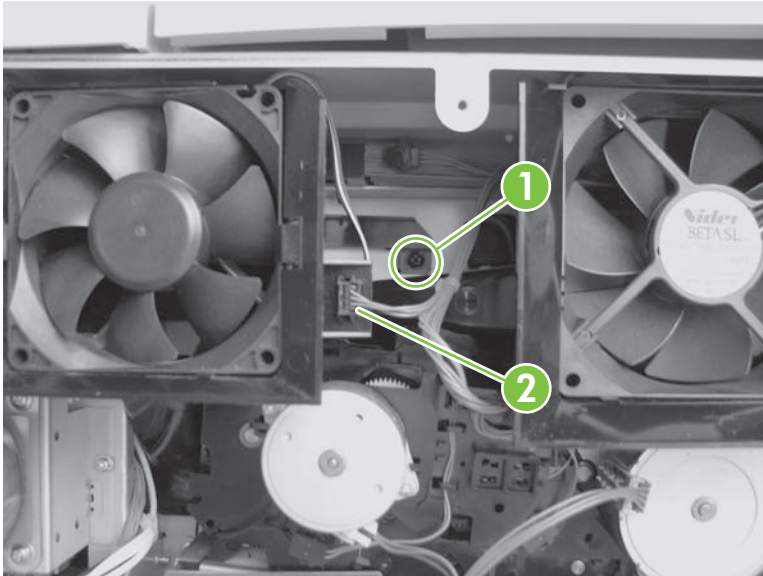
**Figure 6-54** Remove the image-drum motor (3 of 3)



## Fuser fan

1. Remove the following:
  - Rear-left cover. See [Rear-left cover on page 260](#).
  - Rear-right cover. See [Rear-right cover on page 261](#).
  - Rear cover. See [Rear cover on page 262](#).
2. Remove one screw (callout 1), disconnect one connector (callout 2), and then remove the fuser fan.

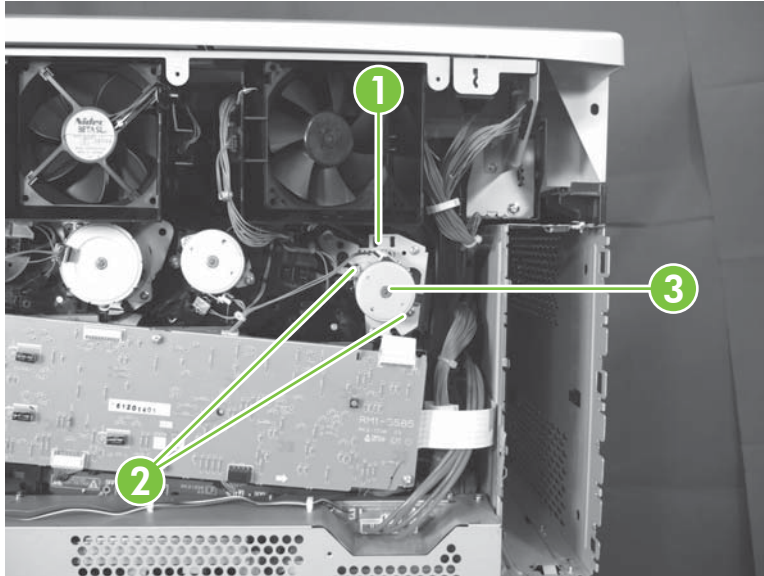
**Figure 6-55** Remove the fuser fan



## Print-cartridge feed motor (black)

1. Remove the following:
  - Rear-left cover. See [Rear-left cover on page 260](#).
  - Rear-right cover. See [Rear-right cover on page 261](#).
  - Rear cover. See [Rear cover on page 262](#).
2. Disconnect one connector (callout 1). Remove two screws (callout 2), and then remove the print-cartridge feed motor (black) (callout 3).

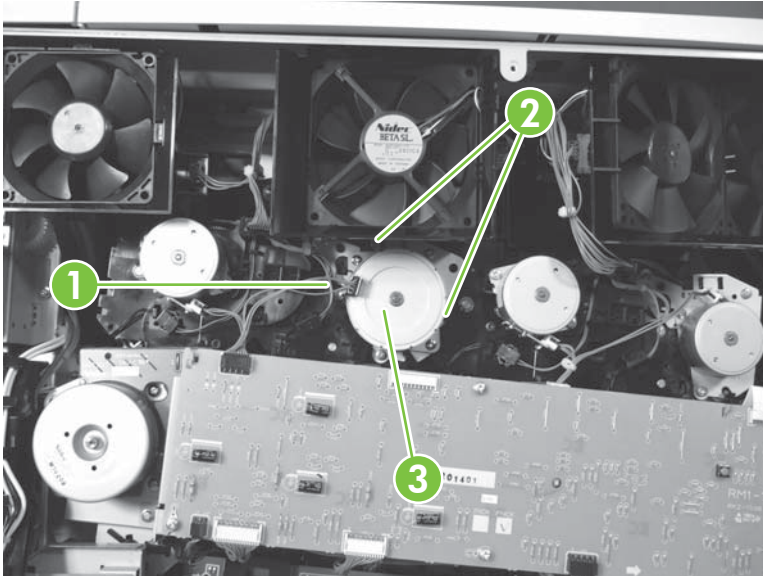
**Figure 6-56** Remove the print-cartridge feed motor (black)



## Print-cartridge feed motor (yellow, magenta, and cyan)

1. Remove the following:
  - Rear-left cover. See [Rear-left cover on page 260](#).
  - Rear-right cover. See [Rear-right cover on page 261](#).
  - Rear cover. See [Rear cover on page 262](#).
2. Disconnect one connector (callout 1). Remove two screws (callout 2), and then remove the print-cartridge feed motor (yellow, magenta, and cyan) (callout 3).

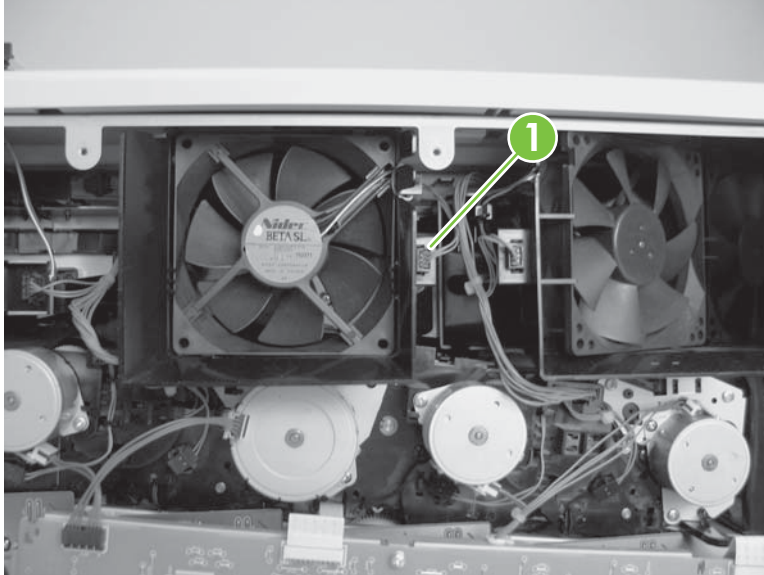
**Figure 6-57** Remove the print-cartridge feed motor (yellow, magenta, and cyan)



## Cartridge fan unit

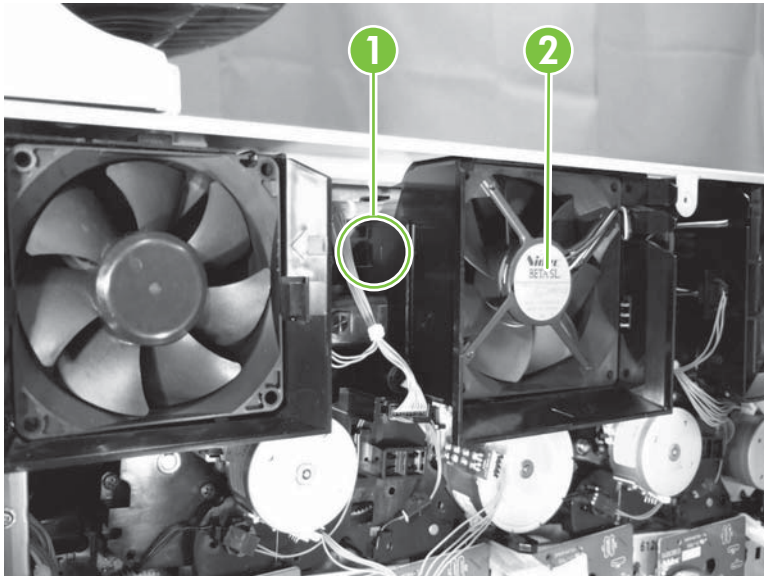
1. Remove the following:
  - Rear-left cover. See [Rear-left cover on page 260](#).
  - Rear-right cover. See [Rear-right cover on page 261](#).
  - Rear cover. See [Rear cover on page 262](#).
2. Disconnect one connector (callout 1).

**Figure 6-58** Remove the cartridge fan unit (1 of 2)



3. Release one tab (callout 1), and then remove the cartridge fan unit (callout 2).

**Figure 6-59** Remove the cartridge fan unit (2 of 2)

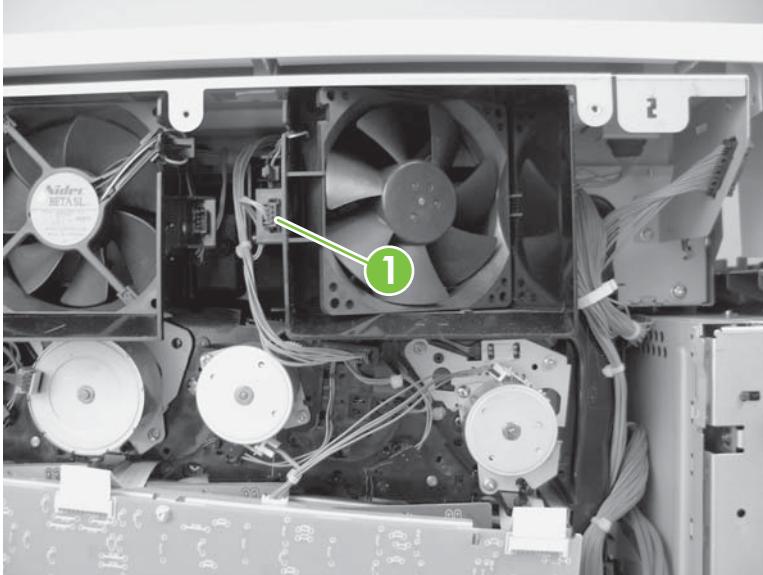




## Laser/scanner fan unit

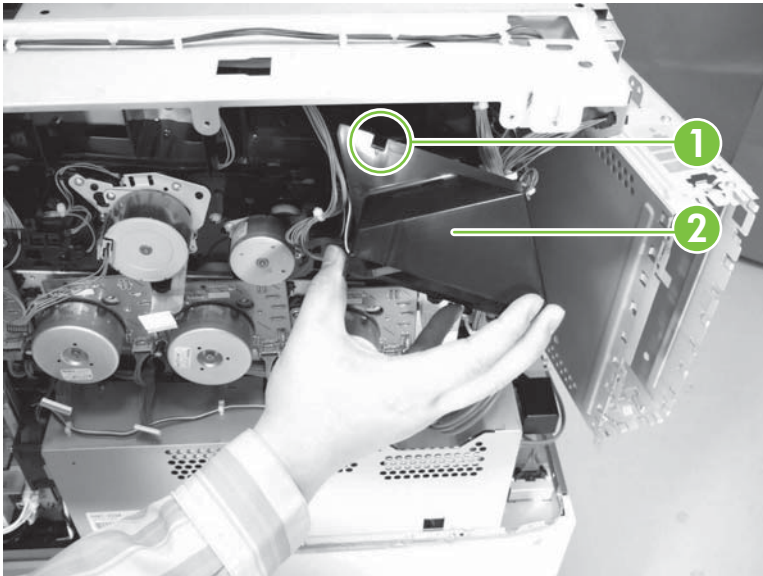
1. Remove the following:
  - Rear-left cover. See [Rear-left cover on page 260](#).
  - Rear-right cover. See [Rear-right cover on page 261](#).
  - Rear cover. See [Rear cover on page 262](#).
2. Disconnect one connector (callout 1).

**Figure 6-60** Remove the laser/scanner fan unit (1 of 2)



3. Release one tab (callout 1), and then remove the laser/scanner fan unit (callout 2).

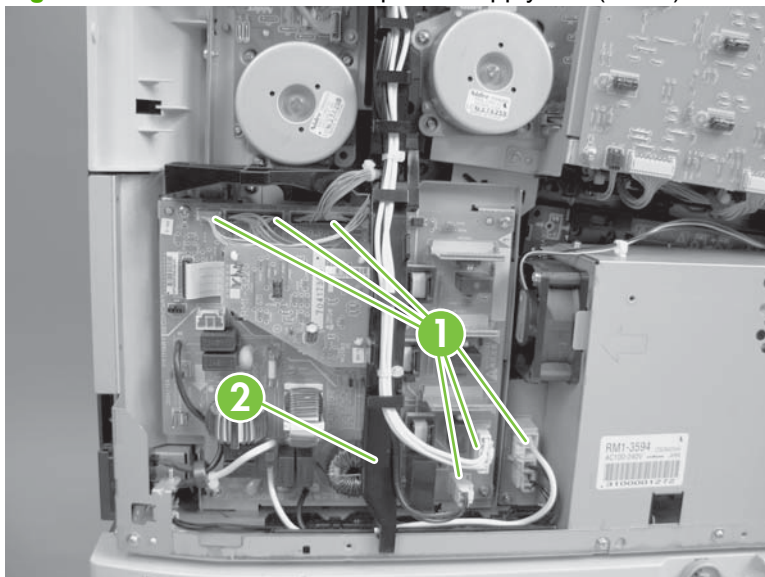
**Figure 6-61** Remove the laser/scanner fan unit (2 of 2)



## Fuser power-supply unit

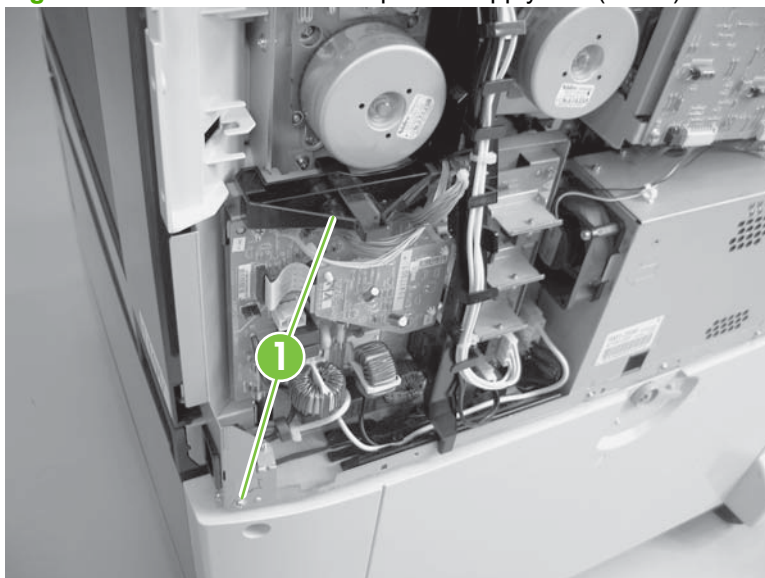
1. Remove the following:
  - Rear-left cover. See [Rear-left cover on page 260](#).
  - Rear-right cover. See [Rear-right cover on page 261](#).
  - Rear cover. See [Rear cover on page 262](#).
2. Disconnect six connectors (callout 1), and then remove one cable guide (callout 2).

**Figure 6-62** Remove the fuser power-supply unit (1 of 2)



3. Remove two screws (callout 1), and then remove the fuser power-supply unit.

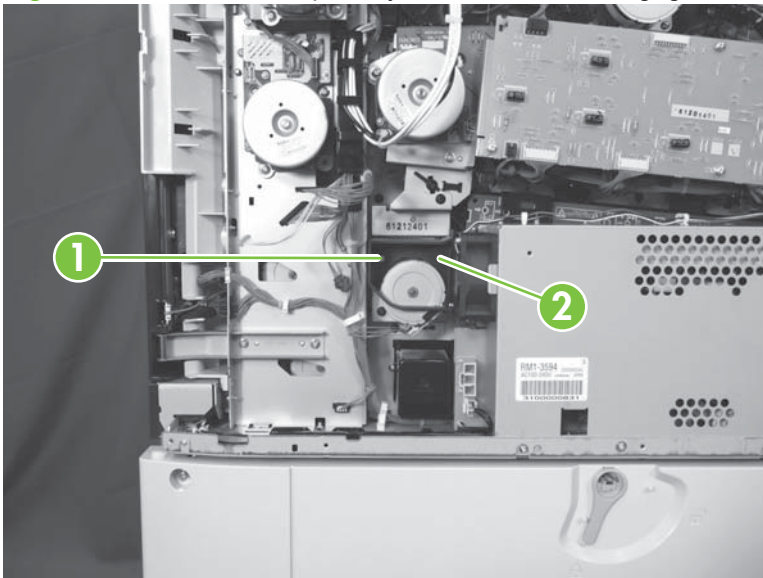
**Figure 6-63** Remove the fuser power-supply unit (2 of 2)



## Primary transfer-roller disengagement motor

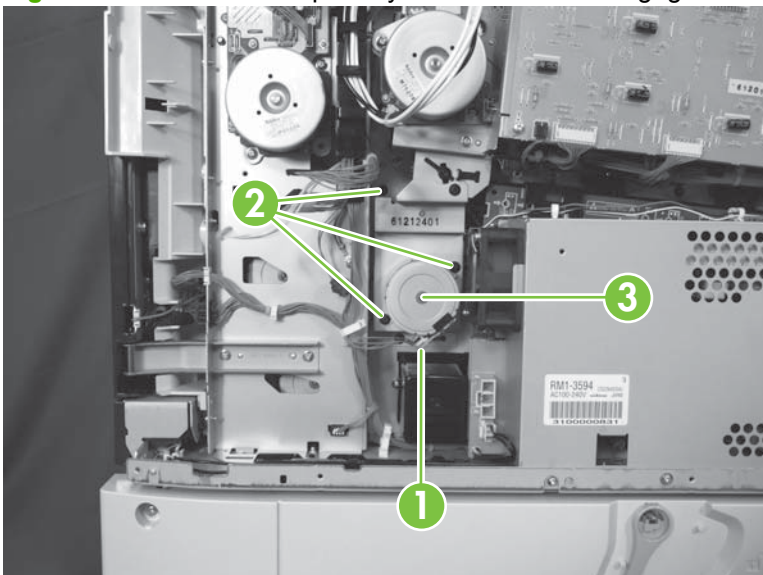
1. Remove the following:
  - Rear-left cover. See [Rear-left cover on page 260](#).
  - Rear-right cover. See [Rear-right cover on page 261](#).
  - Rear cover. See [Rear cover on page 262](#).
  - Fuser power-supply unit. See [Fuser power-supply unit on page 291](#).
2. Remove one screw (callout 1), and then remove the motor cover (callout 2).

**Figure 6-64** Remove the primary transfer-roller disengagement motor (1 of 2)




3. Disconnect one connector (callout 1). Remove three screws (callout 2), and then remove the primary-transfer roller disengagement motor (callout 3).

**Figure 6-65** Remove the primary transfer-roller disengagement motor (2 of 2)





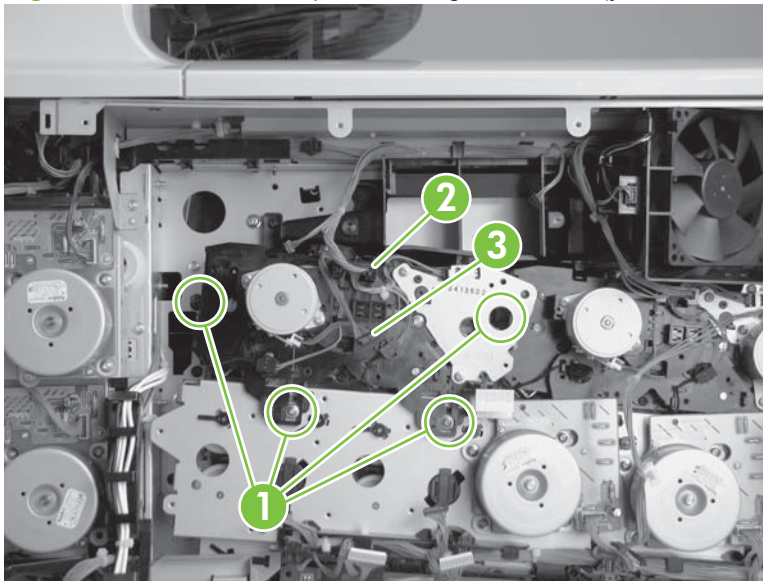
## Print-cartridge drive unit (yellow and magenta)


 **NOTE:** Do not remove the print-cartridge drive unit (yellow and magenta) without having the alignment pins required for reinstallation.

---

1. Remove the following:
  - Rear-left cover. See [Rear-left cover on page 260](#).
  - Rear-right cover. See [Rear-right cover on page 261](#).
  - Rear cover. See [Rear cover on page 262](#).
  - Face-down output bin. See [Face-down output bin on page 271](#).
  - Left cover. See [Left cover on page 272](#).
  - Print-cartridge driver PCA. See [Print-cartridge driver PCA on page 275](#).
  - Image-drum motors (yellow and magenta). See [Image-drum motor on page 284](#).
2. Remove four screws (callout 1), disconnect one connector (callout 2), and then remove the print-cartridge drive unit (yellow and magenta) (callout 3).

**Figure 6-66** Remove the print-cartridge drive unit (yellow and magenta)



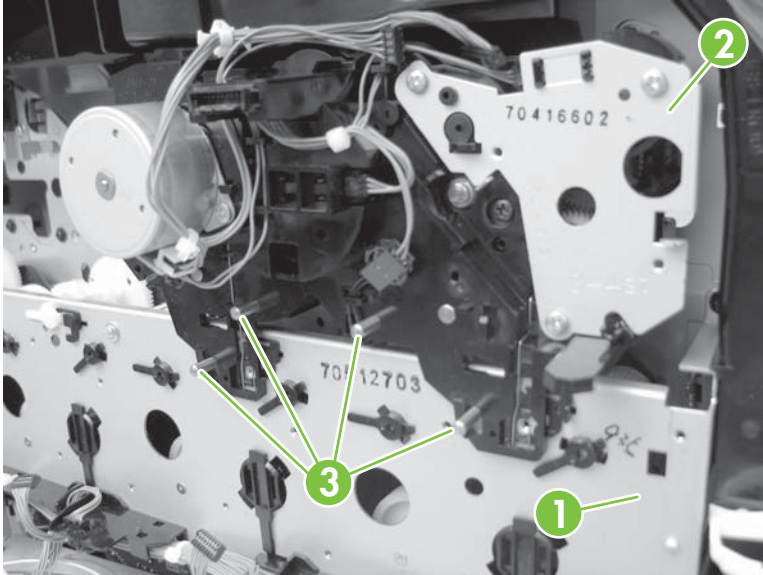
 **NOTE:** Follow the gear alignment procedures when reassembling the print-cartridge drive units and main drive unit.

---

## Gear alignment

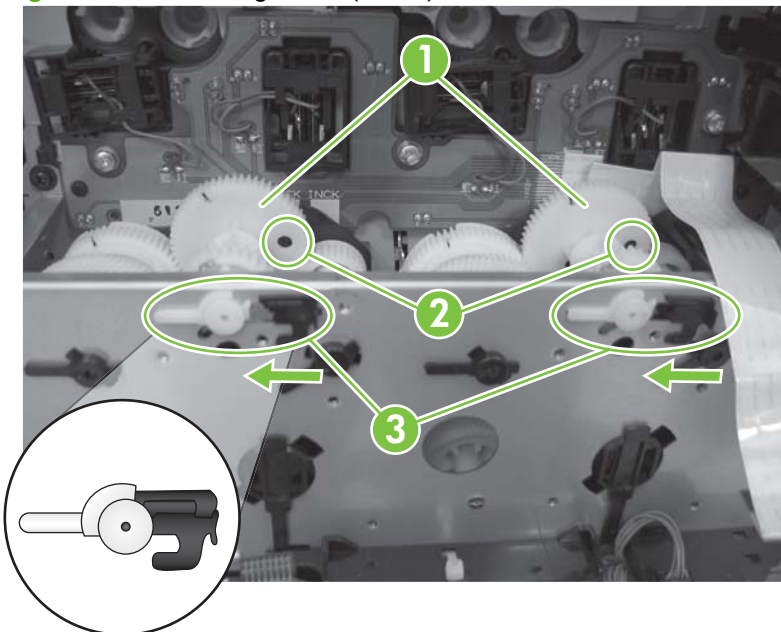
1. This procedure correctly aligns the gears of the main drive unit (callout 1) and the print-cartridge drive unit(s) (callout 2). Use the four pins (callout 3) supplied with the replacement units to align the gears.

**Figure 6-67** Gear alignment (1 of 7)



2. Reinstall the main drive unit. Push the black locks (callout 3) to the left while rotating the top gears (callout 1) on the main drive unit until they lock into position. The large holes (callout 2) should point to the right (3 o'clock position).

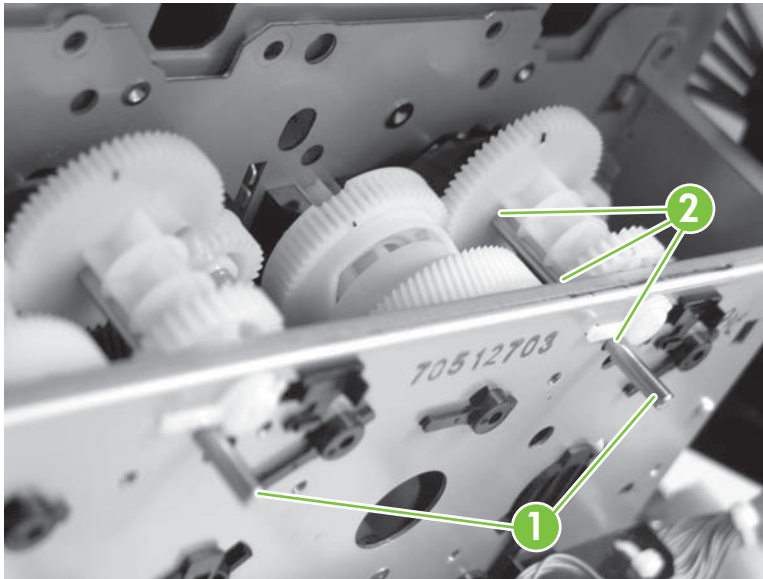
**Figure 6-68** Gear alignment (2 of 7)



3. Insert the long alignment pins (callout 1) through the gears (callout 2) in the main drive unit.

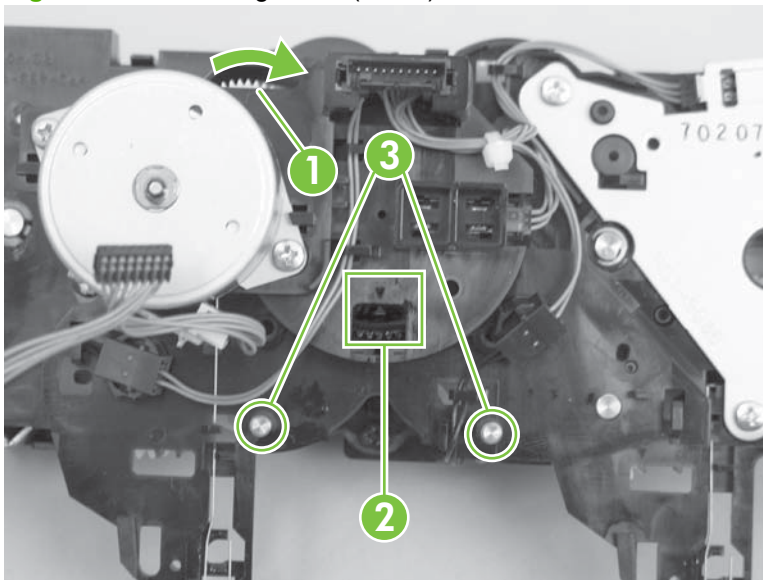
 **NOTE:** This step is not required. Gears can be held in position with the locks.

**Figure 6-69** Gear alignment (3 of 7)




4. On the print-cartridge drive unit, rotate the top gear (callout 1) clockwise until the arrows align (callout 2). Insert the two short pins (callout 3).

**Figure 6-70** Gear alignment (4 of 7)

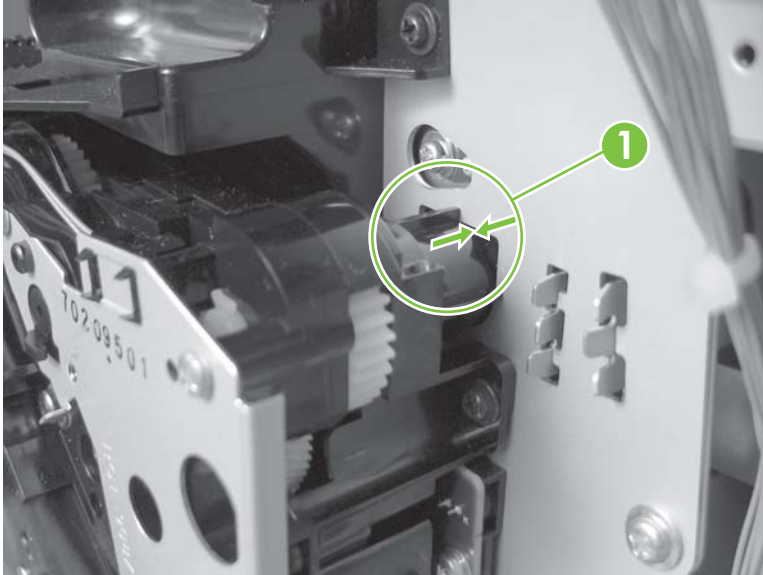


5. Install the print-cartridge drive unit (callout 1) over the long pins in the main drive unit. Remove all pins (callout 2), disengage locks, and reinstall screws.

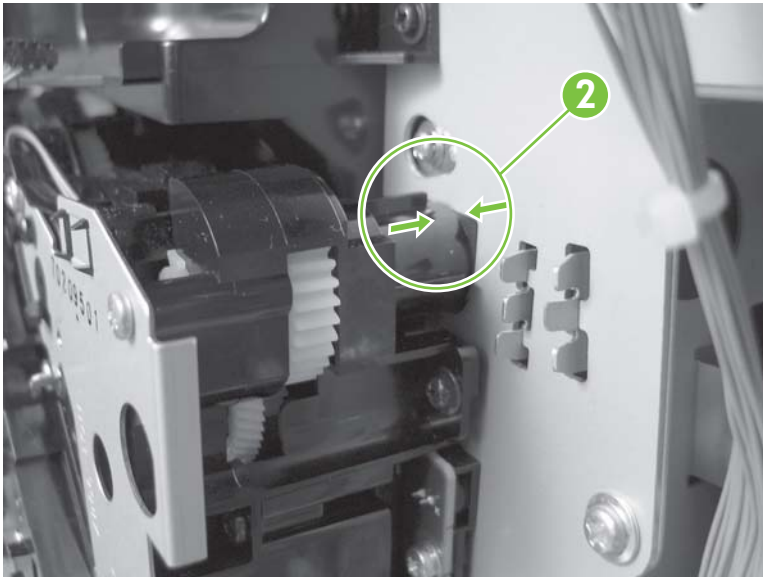
 **CAUTION:** Ensure that the print-cartridge drive unit is installed correctly. The unit should be flush against the product (callout 1). Incorrect installation (callout 2) will cause the product to function incorrectly.

6. Ensure that the print-cartridge drive unit is installed correctly. The unit should be flush against the product (callout 1). Incorrect installation (callout 2) will cause the product to function incorrectly.

**Figure 6-71** Correct position of print-cartridge drive unit (5 of 7)



**Figure 6-72** Incorrect position of print-cartridge drive unit (6 of 7)

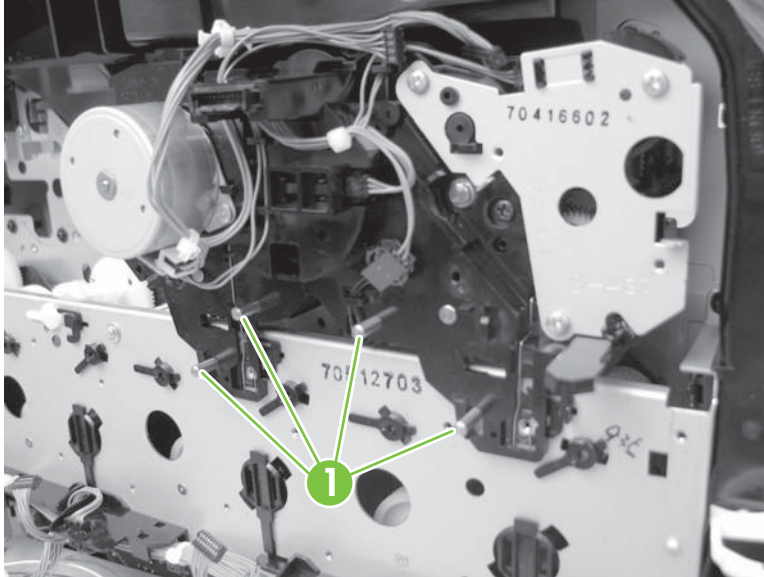


---

△ **CAUTION:** Be sure to remove all pins (callout 1). Failure to do so can damage the product.


---

Figure 6-73 Gear alignment (7 of 7)






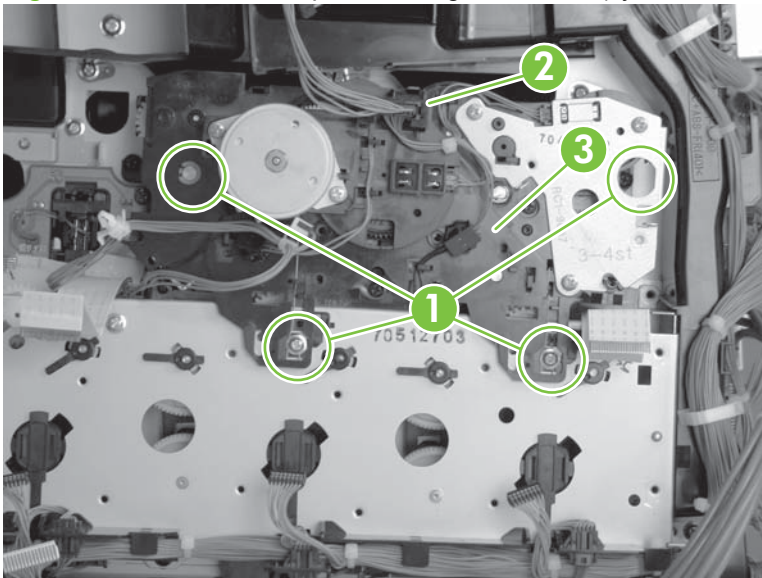
## Print-cartridge drive unit (cyan and black)

 **NOTE:** Do not remove the print-cartridge drive unit (cyan and black) without having the alignment pins required for reinstallation.

1. Remove the following:
  - Rear-left cover. See [Rear-left cover on page 260](#).
  - Rear-right cover. See [Rear-right cover on page 261](#).
  - Rear cover. See [Rear cover on page 262](#).
  - Face-down output bin. See [Face-down output bin on page 271](#).
  - Left cover. See [Left cover on page 272](#).
  - Print-cartridge driver PCA. See [Print-cartridge driver PCA on page 275](#).
  - Image-drum motors (cyan and black). See [Image-drum motor on page 284](#).
2. Remove four screws (callout 1), disconnect one connector (callout 2), and then remove the print-cartridge drive unit (cyan and black) (callout 3).

 **NOTE:** Follow the gear alignment procedures for the drive unit when reassembling. See [Gear alignment on page 294](#).

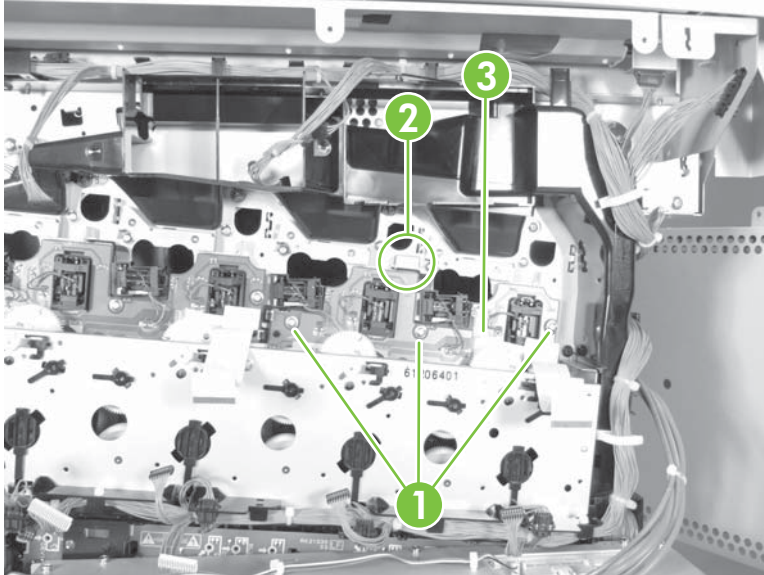
**Figure 6-74** Remove the print-cartridge drive unit (cyan and black)




## Print-cartridge interface PCA (cyan and black)

1. Remove the following:
  - Rear-left cover. See [Rear-left cover on page 260](#).
  - Rear-right cover. See [Rear-right cover on page 261](#).
  - Rear cover. See [Rear cover on page 262](#).
  - Face-down output bin. See [Face-down output bin on page 271](#).
  - Left cover. See [Left cover on page 272](#).
  - Print-cartridge driver PCA. See [Print-cartridge driver PCA on page 275](#).
  - Image-drum motors (cyan and black). See [Image-drum motor on page 284](#).
  - Print-cartridge drive unit (cyan and black). See [Print-cartridge drive unit \(cyan and black\) on page 298](#).
2. Remove three screws (callout 1) and release one tab (callout 2), and then remove the print-cartridge interface PCA (cyan and black) (callout 3).

**Figure 6-75** Remove the print-cartridge interface PCA (cyan and black)

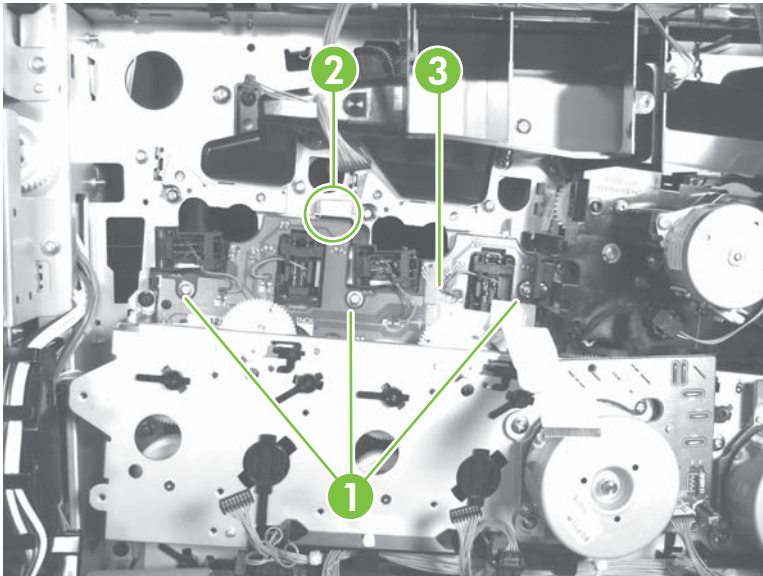



 **NOTE:** When reassembling, some assemblies in this sequence require gear alignment. See [Gear alignment on page 294](#).

## Print-cartridge interface PCA (yellow and magenta)

1. Remove the following:
  - Rear-left cover. See [Rear-left cover on page 260](#).
  - Rear-right cover. See [Rear-right cover on page 261](#).
  - Rear cover. See [Rear cover on page 262](#).
  - Face-down output bin. See [Face-down output bin on page 271](#).
  - Left cover. See [Left cover on page 272](#).
  - Print-cartridge driver PCA. See [Print-cartridge driver PCA on page 275](#).
  - Image-drum motors (yellow and magenta). See [Image-drum motor on page 284](#).
  - Print-cartridge drive unit (yellow and magenta). See [Print-cartridge drive unit \(yellow and magenta\) on page 293](#).
2. Remove three screws (callout 1) and release one tab (callout 2), and then remove the PCA (yellow and magenta) (callout 3).


**Figure 6-76** Print-cartridge interface PCA (yellow and magenta)



 **NOTE:** When reassembling, some assemblies in this sequence require gear alignment. See [Gear alignment on page 294](#).

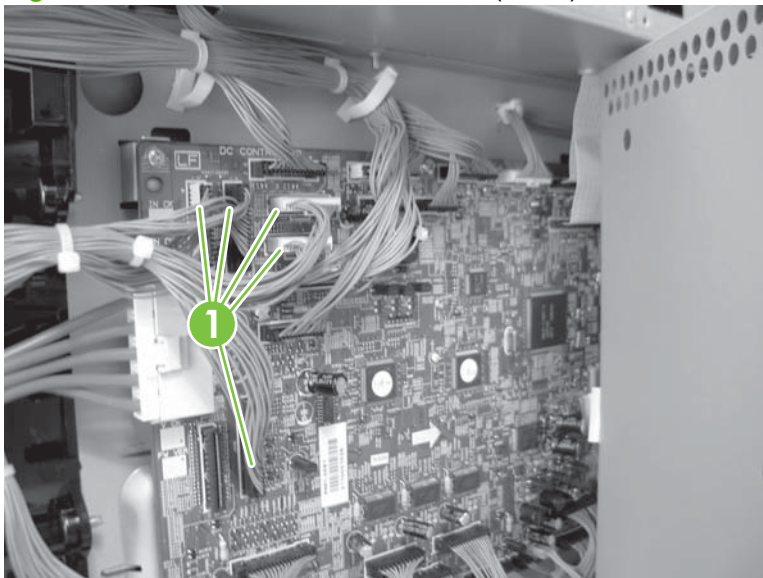


## Main drive unit

 **NOTE:** Do not remove the main drive unit without having the alignment pins required for reinstallation. See [Gear alignment on page 294](#).

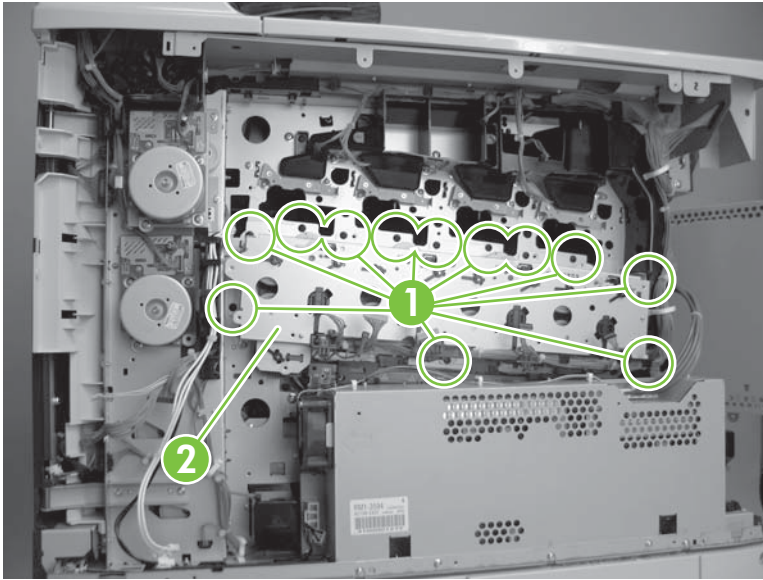
1. Remove the following:
  - Rear-left cover. See [Rear-left cover on page 260](#).
  - Rear-right cover. See [Rear-right cover on page 261](#).
  - Rear cover. See [Rear cover on page 262](#).
  - Face-down output bin. See [Face-down output bin on page 271](#).
  - Left cover. See [Left cover on page 272](#).
  - Print-cartridge driver PCA. See [Print-cartridge driver PCA on page 275](#).
  - Image-drum motors. See [Image-drum motor on page 284](#).
  - Print-cartridge drive unit (cyan and black). See [Print-cartridge drive unit \(cyan and black\) on page 298](#).
  - Print-cartridge drive unit (yellow and magenta). See [Print-cartridge drive unit \(yellow and magenta\) on page 293](#).
  - Print-cartridge interface PCA (yellow and magenta). See [Print-cartridge interface PCA \(cyan and black\) on page 299](#).
  - Print-cartridge interface PCA (cyan and black). See [Print-cartridge interface PCA \(yellow and magenta\) on page 300](#).
2. Disconnect five connectors (J113, J138, J139, J141, and J142) (callout 1) on the DC Controller PCA, behind the formatter case.

**Figure 6-77** Remove the main drive unit (1 of 3)



3. Remove twelve screws (callout 1), and then the main drive unit (callout 2).

**Figure 6-78** Remove the main drive unit (2 of 3)



---

△ **CAUTION:** Do not remove screws that hold the main drive unit together.

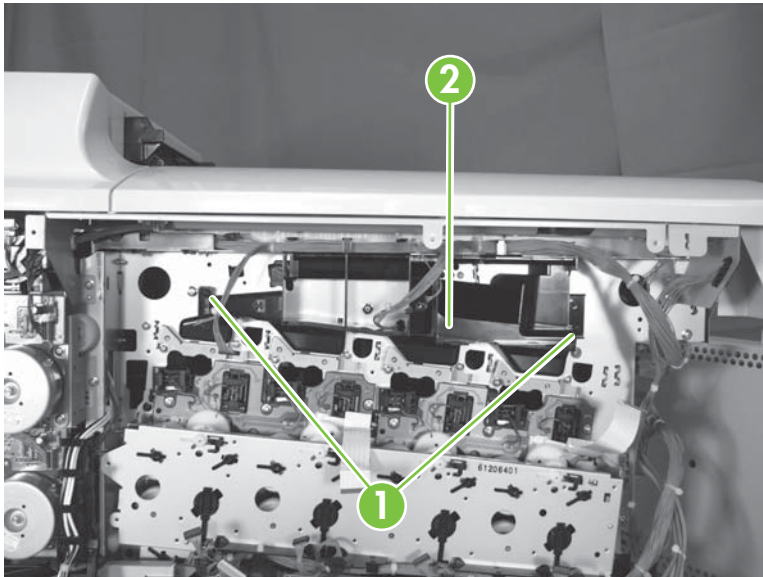
📝 **NOTE:** Follow the gear adjustment procedures when reassembling the main drive unit. See [Gear alignment on page 294](#).

---

## Cartridge fan duct

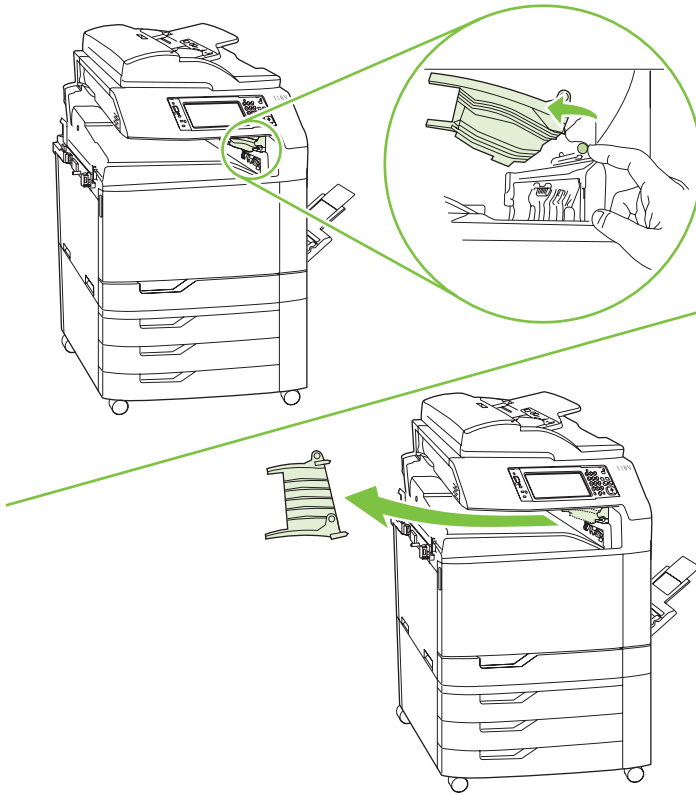
1. Remove the following:
  - Rear-left cover. See [Rear-left cover on page 260](#).
  - Rear-right cover. See [Rear-right cover on page 261](#).
  - Rear cover. See [Rear cover on page 262](#).
  - Face-down output bin. See [Face-down output bin on page 271](#).
  - Left cover. See [Left cover on page 272](#).
  - Print-cartridge driver PCA. See [Print-cartridge driver PCA on page 275](#).
  - Image-drum motors (all). See [Image-drum motor on page 284](#).
  - Print-cartridge drive unit (yellow and magenta). See [Print-cartridge drive unit \(yellow and magenta\) on page 293](#).
  - Print-cartridge drive unit (cyan and black). See [Print-cartridge drive unit \(cyan and black\) on page 298](#).
2. Remove two screws (callout 1), and then remove the cartridge fan duct (callout 2).

**Figure 6-79** Remove the cartridge fan duct



## Duplex switchback tray

- Press the release and remove the duplex switchback tray.



## Front lower cover

1. Remove the following:
  - Face-down bin. See [Face-down output bin on page 271](#)
2. Remove one screw (callout 1) and one tab (callout 2).

**Figure 6-80** Remove front lower cover (1 of 2)



3. Slide front lower cover (callout 1) to the left to remove.

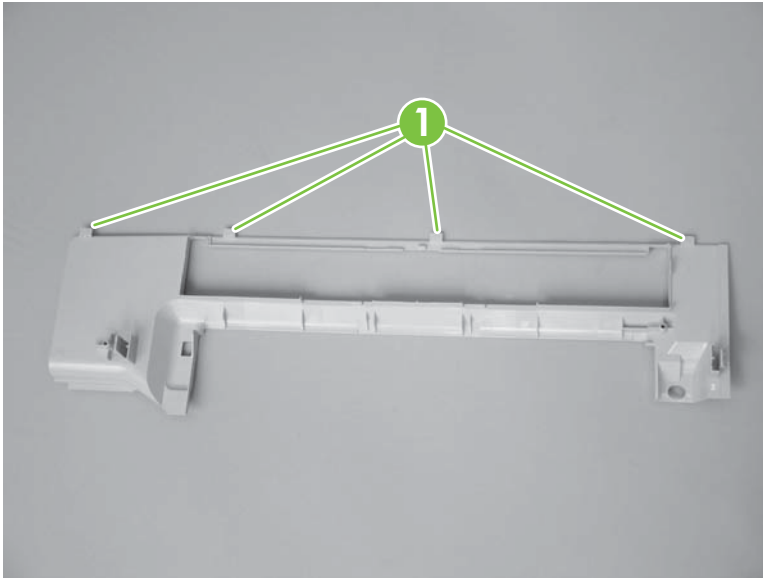
**Figure 6-81** Remove front lower cover (2 of 2)



## Inner cover

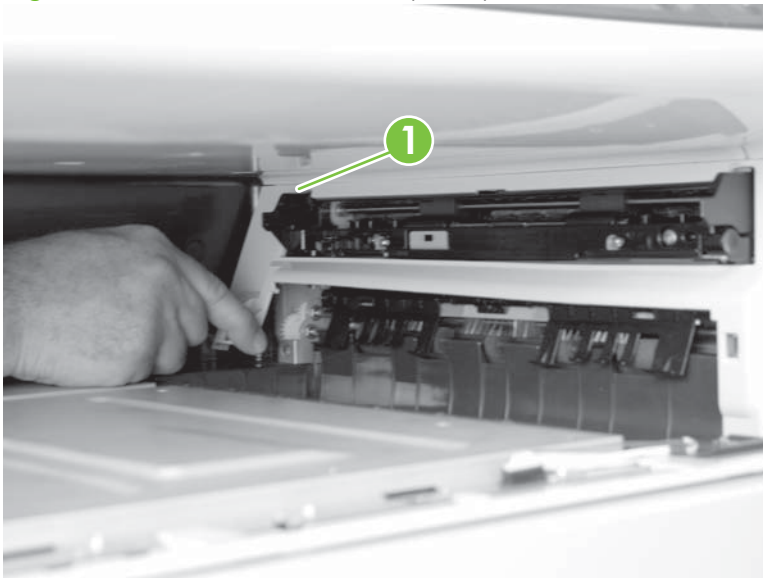
1. Remove the following:
  - Face-down bin. See [Face-down output bin on page 271](#).
  - Front lower cover. See [Front lower cover on page 305](#).
2. The inner cover has four tabs (callout 1) that must be released. Ensure that the tabs are correctly seated when reinstalling.

**Figure 6-82** Remove inner cover (1 of 4)



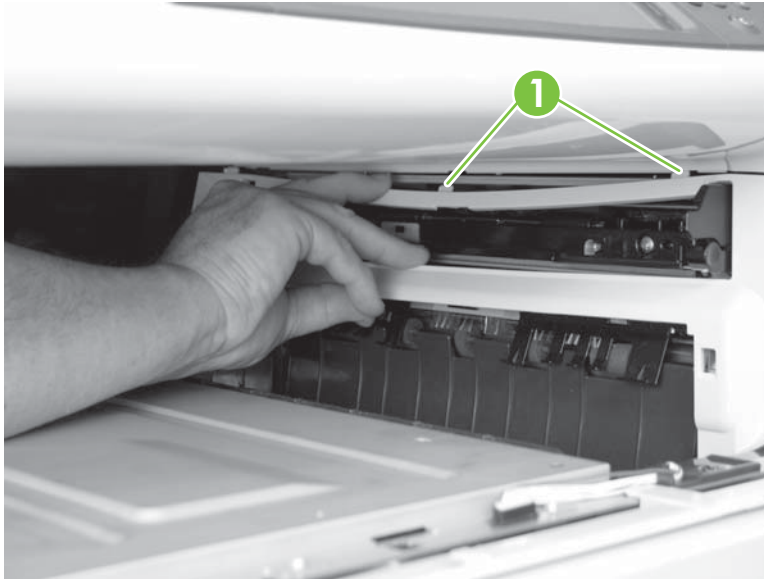
3. Release one tab (callout 1).

**Figure 6-83** Remove inner cover (2 of 4)



4. Release two tabs (callout 1).

**Figure 6-84** Remove inner cover (3 of 4)



5. Release one tab (callout 1), and then remove the inner cover.

**Figure 6-85** Remove inner cover (4 of 4)

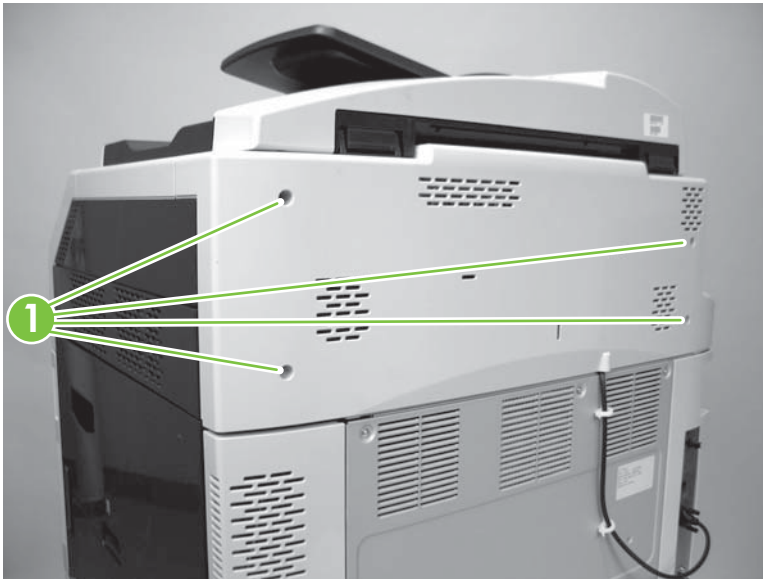




## Rear scanner cover

- Remove four screws (callout 1) and then the rear cover.

**Figure 6-86** Remove rear-scanner cover

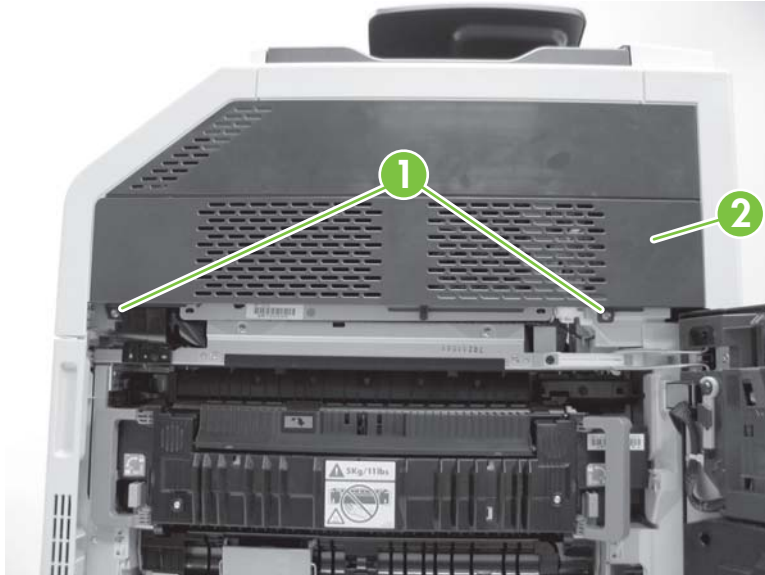




## Right upper cover

1. Open the right door.
2. Remove two screws (callout 1) and then the right upper cover (callout 2).

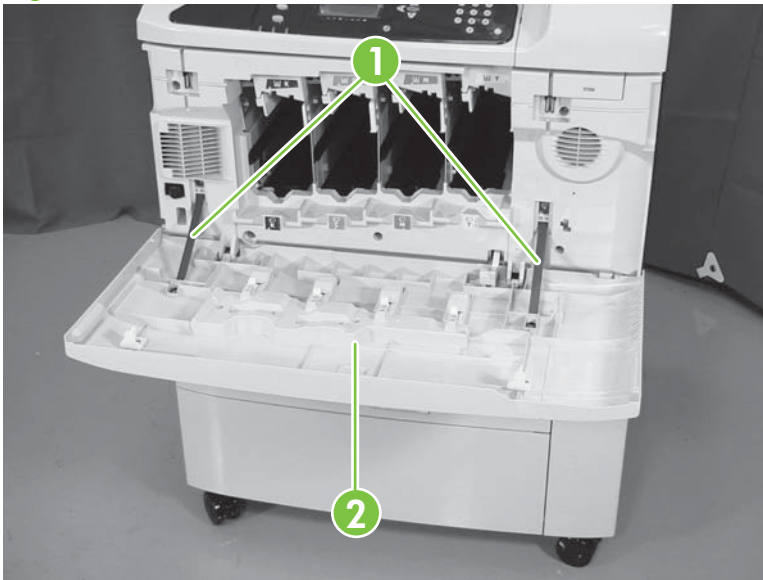
**Figure 6-87** Remove right upper cover



## Front door

1. Open the front door, and then remove the print cartridges and image drums.
2. Use a small flat-blade screwdriver to release the two arms (callout 1), and then remove the front door (callout 2).

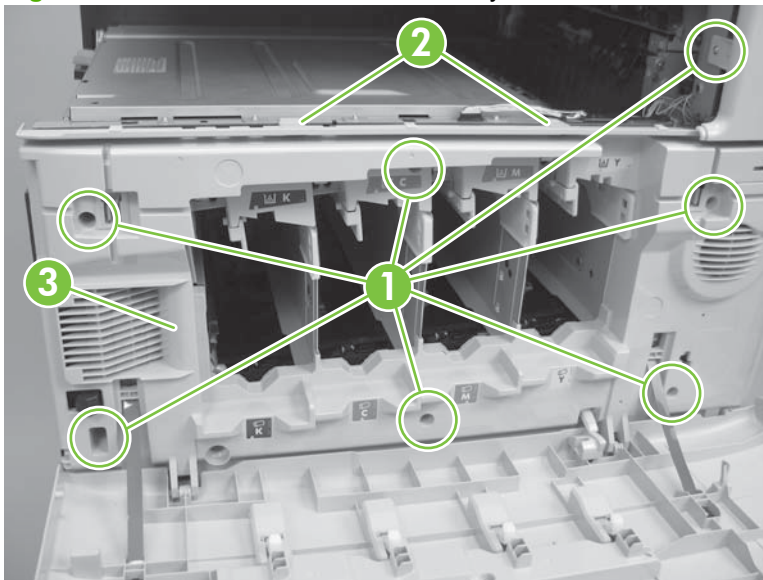
**Figure 6-88** Remove front door



## Front door assembly

1. Remove the following:
  - Duplex switchback tray. See [Duplex switchback tray on page 304](#).
  - Face-down output bin. See [Face-down output bin on page 271](#).
  - Front lower cover. See [Front lower cover on page 305](#).
  - Inner cover. See [Inner cover on page 306](#).
2. Open the front door.
3. Remove seven screws (callout 1), release the two tabs (callout 2), and then remove the front door assembly (callout 3).

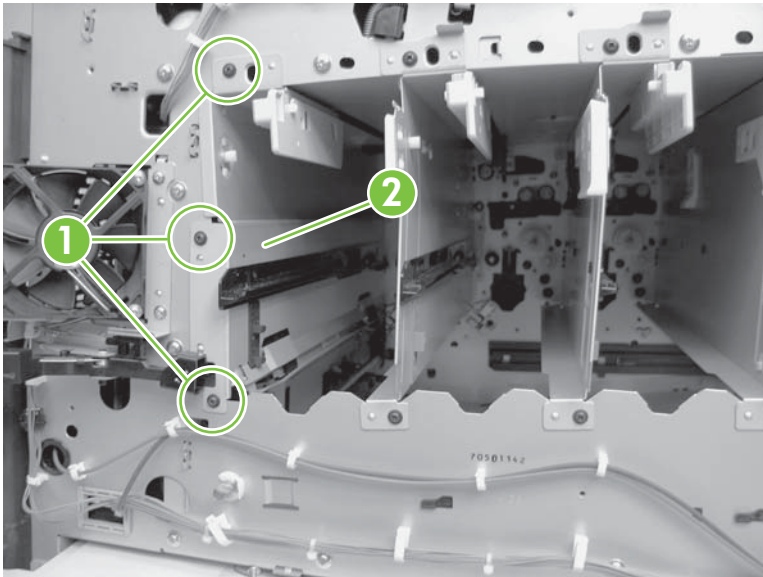
**Figure 6-89** Remove front door assembly



## Color-misregistration and image-density sensor unit

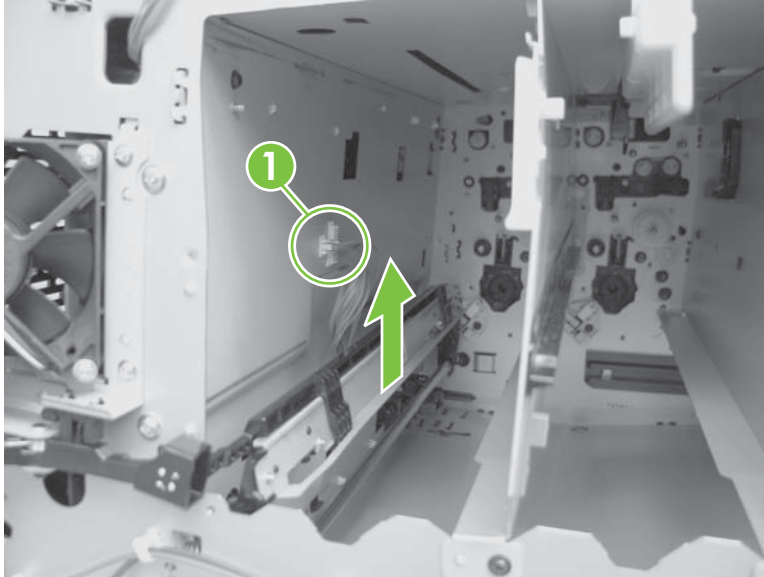
1. Remove the following:
  - Duplex switchback tray. See [Duplex switchback tray on page 304](#).
  - Face-down output bin. See [Face-down output bin on page 271](#).
  - Front lower cover. See [Front lower cover on page 305](#).
  - Inner cover. See [Inner cover on page 306](#).
  - Front door assembly. See [Front door assembly on page 311](#).
2. Remove three screws (callout 1) and the print-cartridge guide (callout 2).


**Figure 6-90** Remove the color-misregistration and image-density sensor unit (1 of 3)



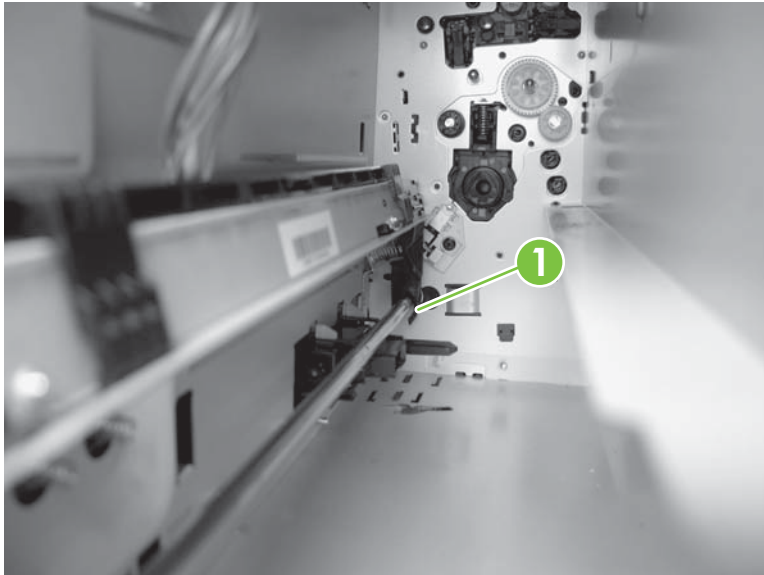
3. Disconnect two connectors (callout 1) and lift the color misregistration/image density sensor unit to remove it.

**Figure 6-91** Remove the color-misregistration and image-density sensor unit (2 of 3)



 **NOTE:** When reassembling, snap the sensor on the rod (callout 1) and align the springs.

**Figure 6-92** Remove the color-misregistration and image-density sensor unit (3 of 3)

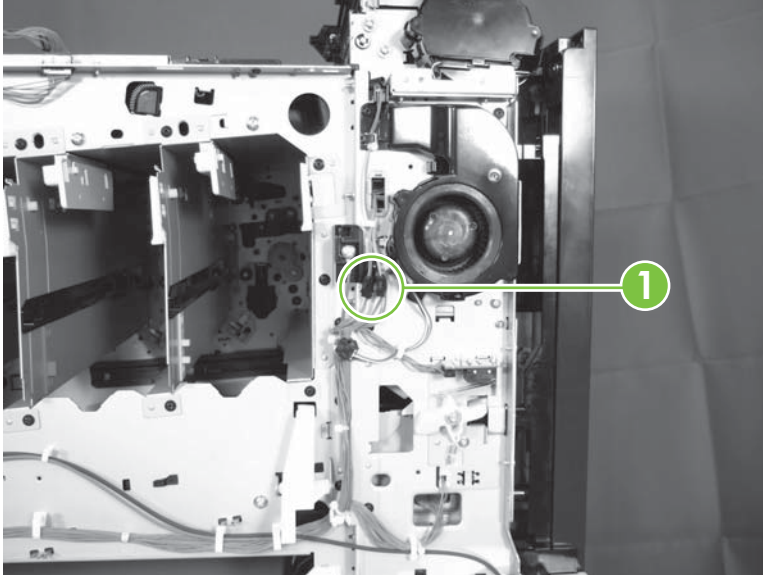


## Pressure-release sensor unit

1. Remove the following:
  - Duplex switchback tray. See [Duplex switchback tray on page 304](#).
  - Face-down output bin. See [Face-down output bin on page 271](#).
  - Front lower cover. See [Front lower cover on page 305](#).

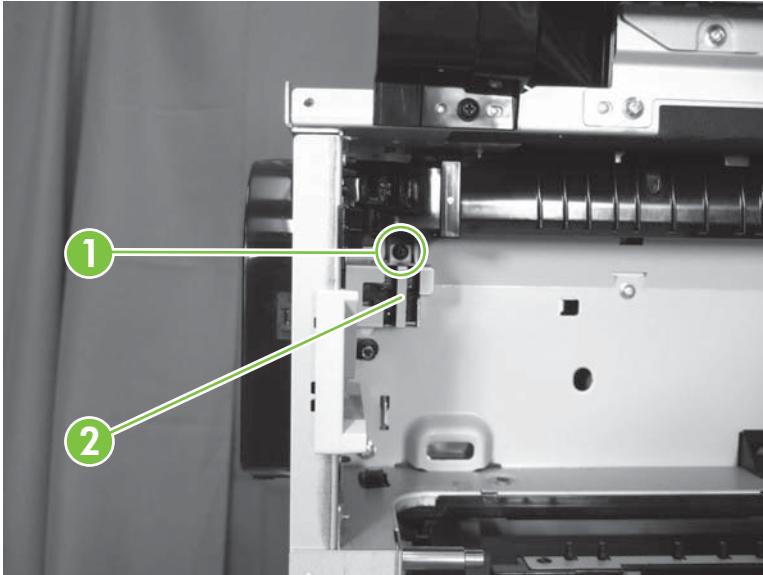
- Inner cover. See [Inner cover on page 306](#).
  - Front door assembly. See [Front door assembly on page 311](#).
2. From the front of the product, disconnect the two connectors (callout 1).

**Figure 6-93** Remove the pressure-release sensor unit (1 of 2)



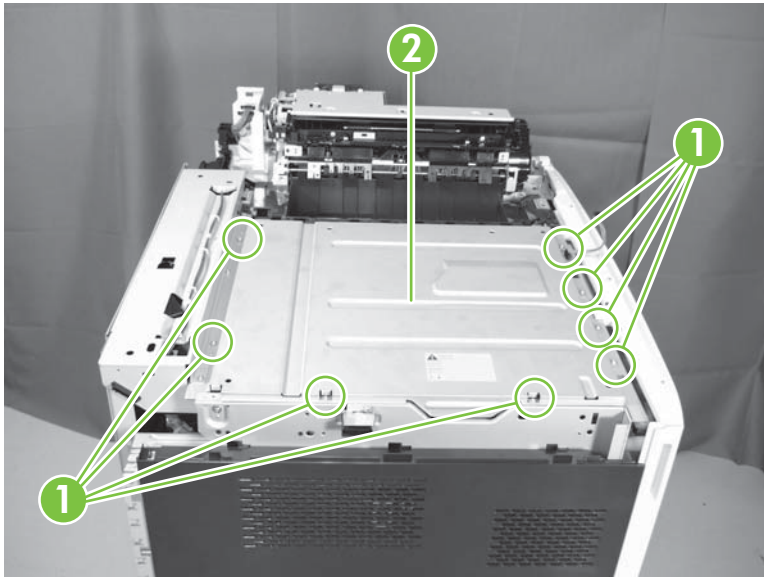
3. From the right side of the product, remove one screw (callout 1), and then the pressure-release sensor unit (callout 2).

**Figure 6-94** Remove the pressure-release sensor unit (2 of 2)



## Scanner cover

1. Remove the following:
  - Duplex switchback tray. See [Duplex switchback tray on page 304](#).
  - Face-down output bin. See [Face-down output bin on page 271](#).
  - Front lower cover. See [Front lower cover on page 305](#).
  - Inner cover. See [Inner cover on page 306](#).
  - Front door assembly. See [Front door assembly on page 311](#).
  - Rear scanner cover. See [Rear scanner cover on page 308](#).
  - Right upper cover. See [Right upper cover on page 309](#).
  - Optical scanner. See [Optical scanner on page 358](#).
2. Remove eight screws (callout 1) and then remove the scanner cover (callout 2).

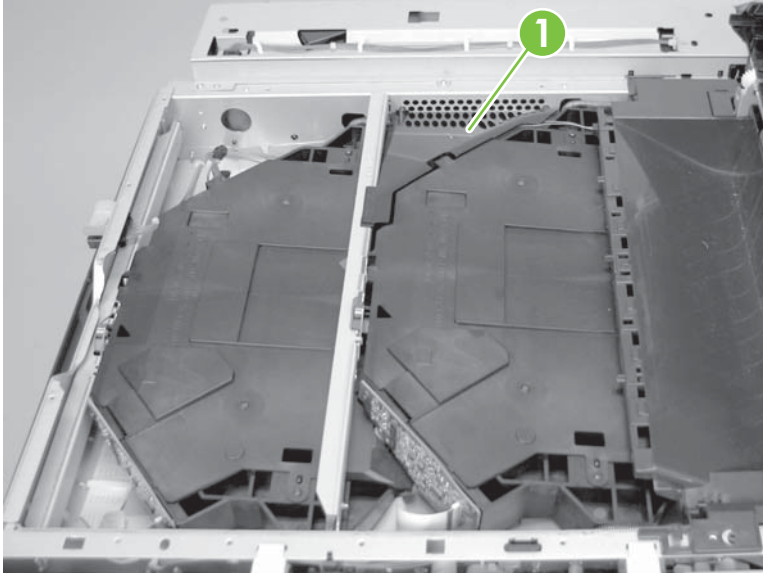




## Laser/scanner assembly (yellow and magenta)

1. Remove the following:
  - Duplex switchback tray. See [Duplex switchback tray on page 304](#).
  - Face-down output bin. See [Face-down output bin on page 271](#).
  - Front lower cover. See [Front lower cover on page 305](#).
  - Inner cover. See [Inner cover on page 306](#).
  - Rear scanner cover. See [Rear scanner cover on page 308](#).
  - Right upper cover. See [Right upper cover on page 309](#).
  - Optical scanner. See [Optical scanner on page 358](#).
  - Scanner cover. See [Scanner cover on page 315](#).
2. Remove one cover (callout 1).

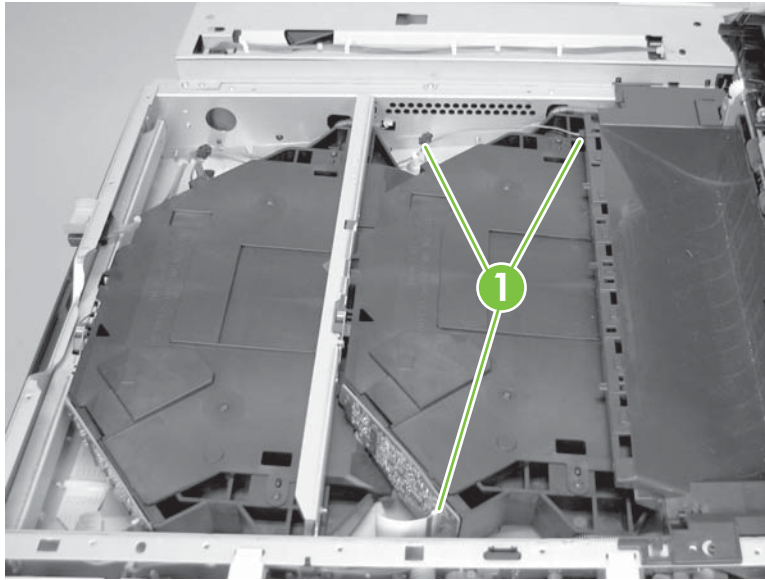
**Figure 6-95** Remove the laser/scanner assembly (yellow and magenta) (1 of 3)





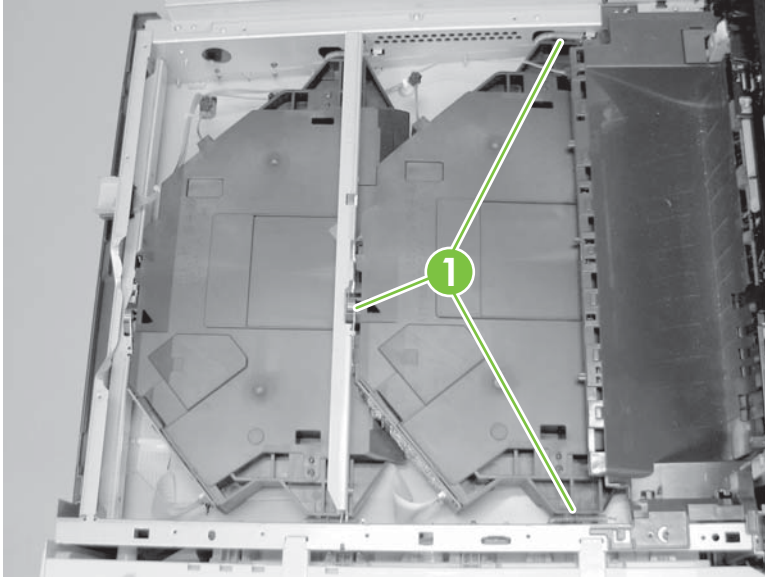
3. Disconnect three connectors (callout 1).

**Figure 6-96** Remove the laser/scanner assembly (yellow and magenta) (2 of 3)



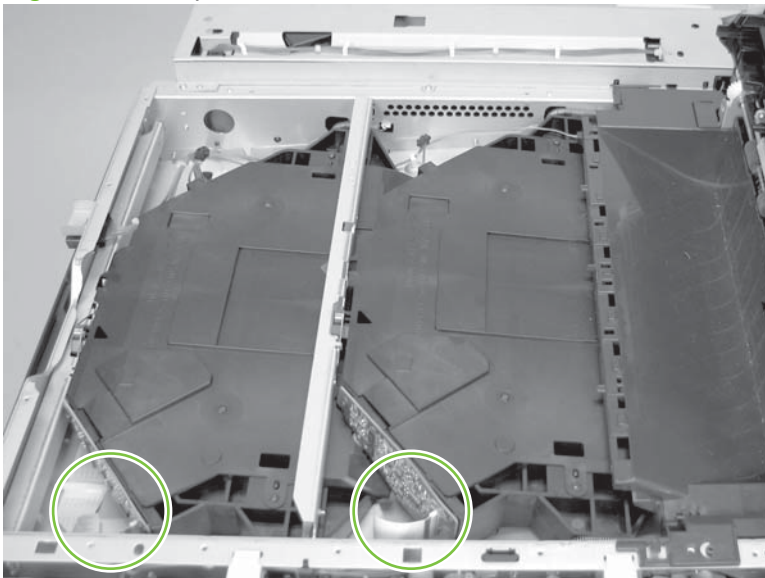
4. Unhook three springs (callout 1). Slide the laser/scanner assembly to the right, and then lift to remove it.

**Figure 6-97** Remove the laser/scanner assembly (yellow and magenta) (3 of 3)



△ **CAUTION:** Use care when replacing the cables for the laser/scanner assemblies. The traces on the cable ends can be damaged when reinserted.

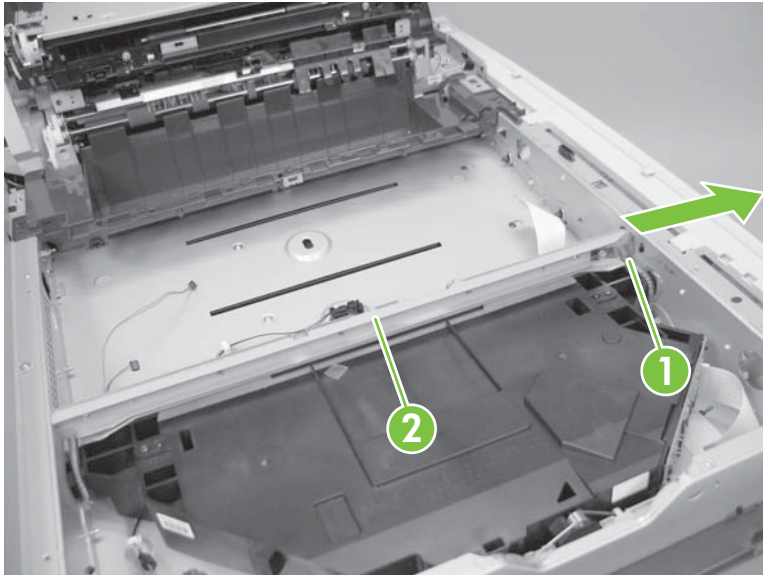
**Figure 6-98** Replace cables



## Laser/scanner assembly (cyan and black)

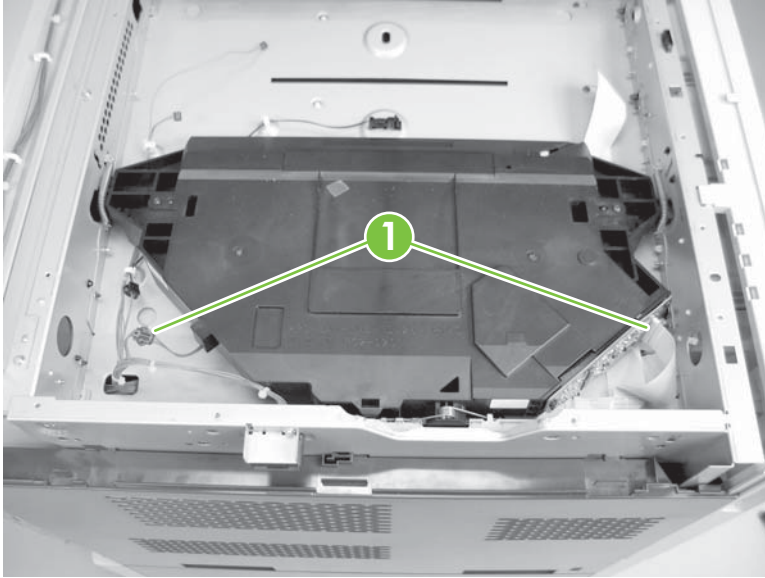
1. Remove the following:
  - Duplex switchback tray. See [Duplex switchback tray on page 304](#).
  - Face-down output bin. See [Face-down output bin on page 271](#).
  - Front lower cover. See [Front lower cover on page 305](#).
  - Inner cover. See [Inner cover on page 306](#).
  - Rear scanner cover. See [Rear scanner cover on page 308](#).
  - Right upper cover. See [Right upper cover on page 309](#).
  - Optical scanner. See [Optical scanner on page 358](#).
  - Scanner cover. See [Scanner cover on page 315](#).
2. Push the tab (callout 1), and then slide the rod (callout 2) in the direction indicated to remove it.

**Figure 6-99** Remove the laser/scanner assembly (cyan and black) (1 of 3)



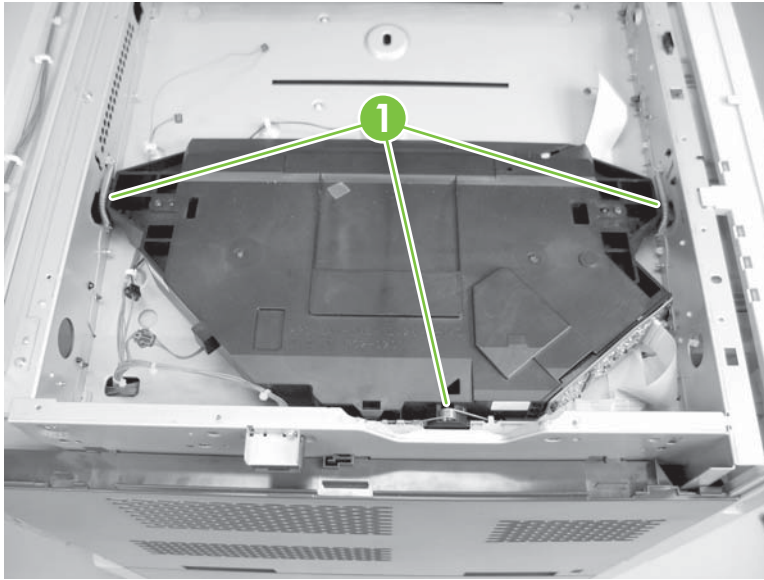
3. Disconnect two connectors (callout 1).

**Figure 6-100** Remove the laser/scanner assembly (cyan and black) (2 of 3)



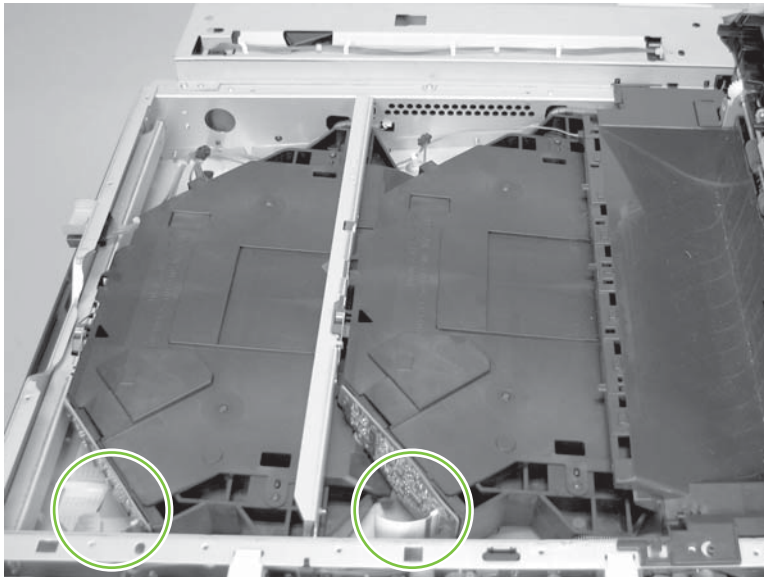
4. Unhook three springs (callout 2), and then remove the laser/scanner assembly (callout 3).

**Figure 6-101** Remove the laser/scanner assembly (cyan and black) (3 of 3)



△ **CAUTION:** Use care when replacing the cables for the laser/scanner assemblies. The traces on the cable ends can be damaged when reinserted.

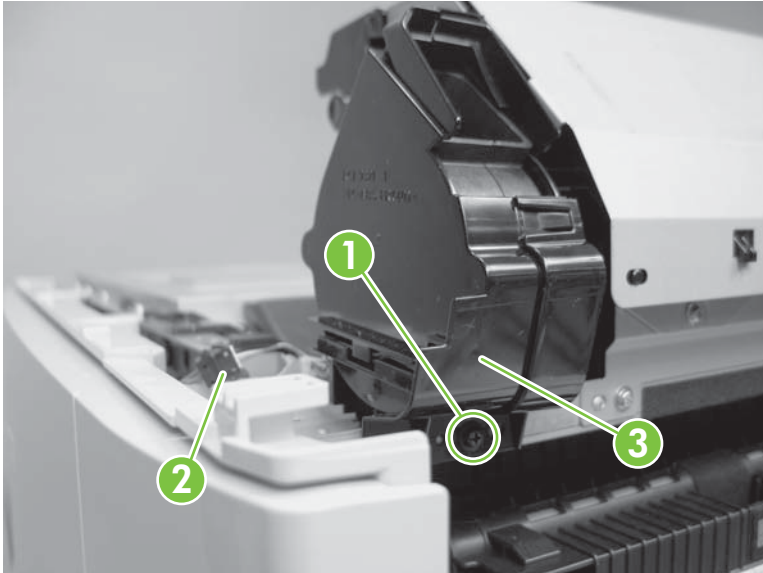
**Figure 6-102** Replace cables



## VOC fan

1. Remove the following:
  - Duplex switchback tray. See [Duplex switchback tray on page 304](#).
  - Face-down output bin. See [Face-down output bin on page 271](#).
  - Front lower cover. See [Front lower cover on page 305](#).
  - Inner cover. See [Inner cover on page 306](#).
  - Rear scanner cover. See [Rear scanner cover on page 308](#).
  - Right upper cover. See [Right upper cover on page 309](#).
  - Optical scanner. See [Optical scanner on page 358](#).
2. Remove one screw (callout 1), disconnect one connector (callout 2), and then remove the VOC fan (callout 3).

**Figure 6-103** Remove the VOC fan

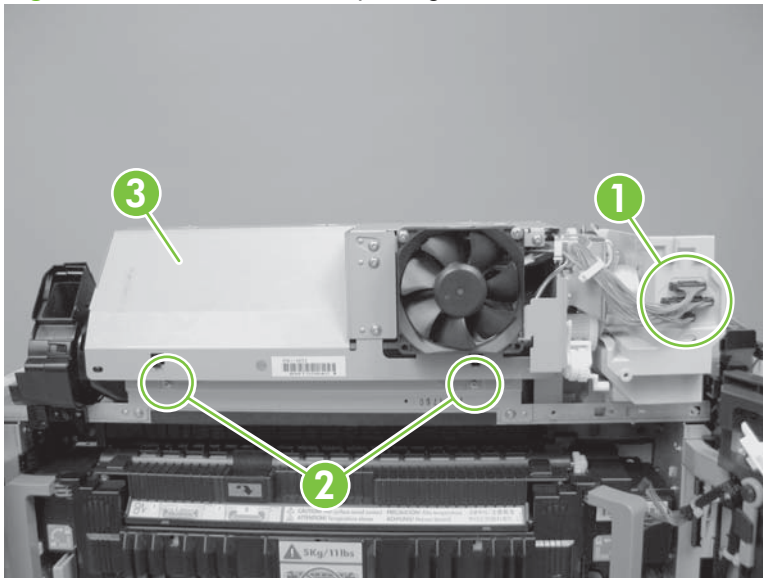




## Duplexing reverse unit

1. Remove the following:
  - Duplex switchback tray. See [Duplex switchback tray on page 304](#).
  - Face-down output bin. See [Face-down output bin on page 271](#).
  - Front lower cover. See [Front lower cover on page 305](#).
  - Inner cover. See [Inner cover on page 306](#).
  - Rear scanner cover. See [Rear scanner cover on page 308](#).
  - Right upper cover. See [Right upper cover on page 309](#).
  - Optical scanner. See [Optical scanner on page 358](#).
  - VOC fan. See [VOC fan on page 322](#).
2. Disconnect three connectors (callout 1), remove two screws (callout 2), and then the duplexing reverse unit (callout 3).

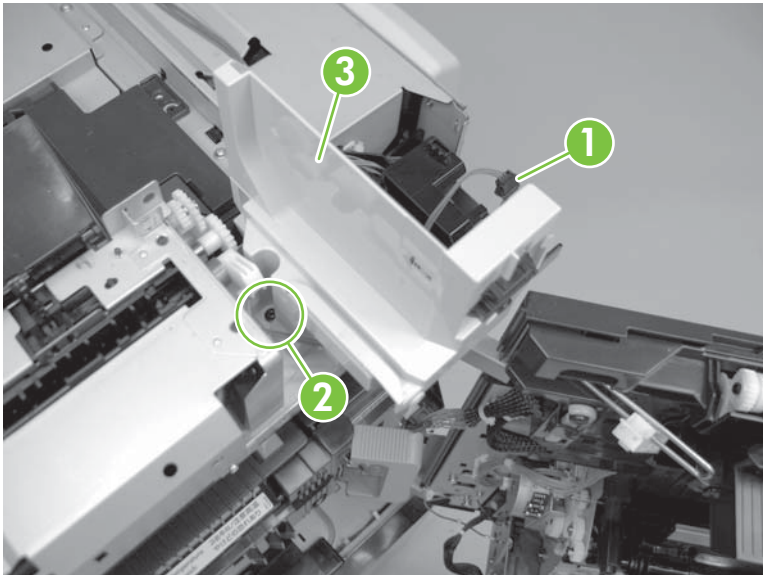
**Figure 6-104** Remove the duplexing reverse unit



## Face-down delivery unit

1. Remove the following:
  - Duplex switchback tray. See [Duplex switchback tray on page 304](#).
  - Face-down output bin. See [Face-down output bin on page 271](#).
  - Front lower cover. See [Front lower cover on page 305](#).
  - Inner cover. See [Inner cover on page 306](#).
  - Rear scanner cover. See [Rear scanner cover on page 308](#).
  - Right upper cover. See [Right upper cover on page 309](#).
  - Optical scanner. See [Optical scanner on page 358](#).
  - VOC fan. See [VOC fan on page 322](#).
  - Duplexing reverse unit. See [Duplexing reverse unit on page 323](#).
2. Disconnect one connector (callout 1), remove one screw (callout 2), and then move the inner cover (callout 3) to the side.

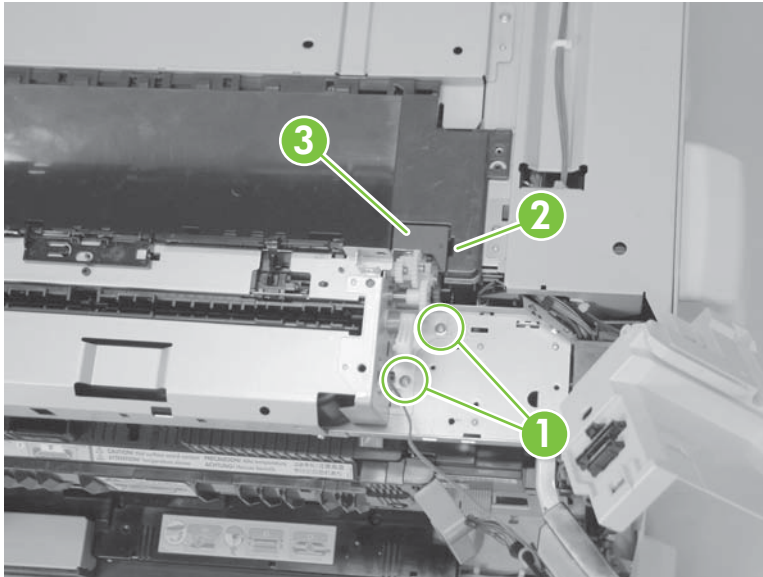
**Figure 6-105** Remove the face-down delivery unit (1 of 3)





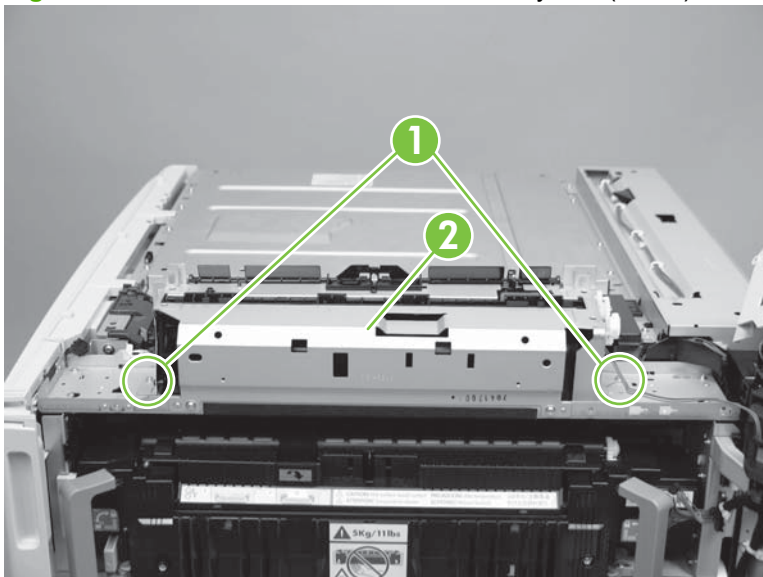
3. Remove two screws (callout 1), release one tab (callout 2), and then remove the gear cover (callout 3).

**Figure 6-106** Remove the face-down delivery unit (2 of 3)



4. Remove three screws (callout 1), and then the face-down delivery unit (callout 2).

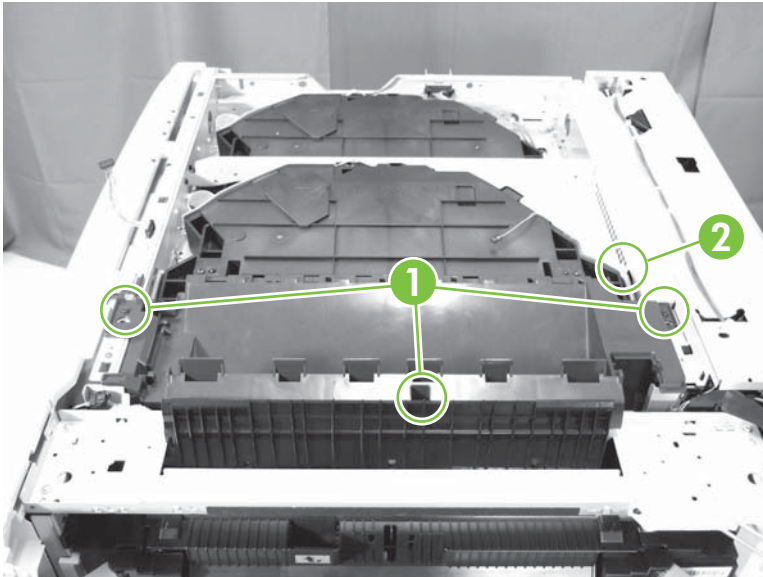
**Figure 6-107** Remove the face-down delivery unit (3 of 3)



## Face-down cover

1. Remove the following:
  - Duplex switchback tray. See [Duplex switchback tray on page 304](#).
  - Face-down output bin. See [Face-down output bin on page 271](#).
  - Front lower cover. See [Front lower cover on page 305](#).
  - Inner cover. See [Inner cover on page 306](#).
  - Rear scanner cover. See [Rear scanner cover on page 308](#).
  - Right upper cover. See [Right upper cover on page 309](#).
  - Optical scanner. See [Optical scanner on page 358](#).
  - VOC fan. See [VOC fan on page 322](#).
  - Duplexing reverse unit. See [Duplexing reverse unit on page 323](#).
  - Face-down delivery unit. See [Face-down delivery unit on page 324](#).
2. Remove three screws (callout 1), disconnect one connector (callout 2), and then remove the face-down cover (callout 3).

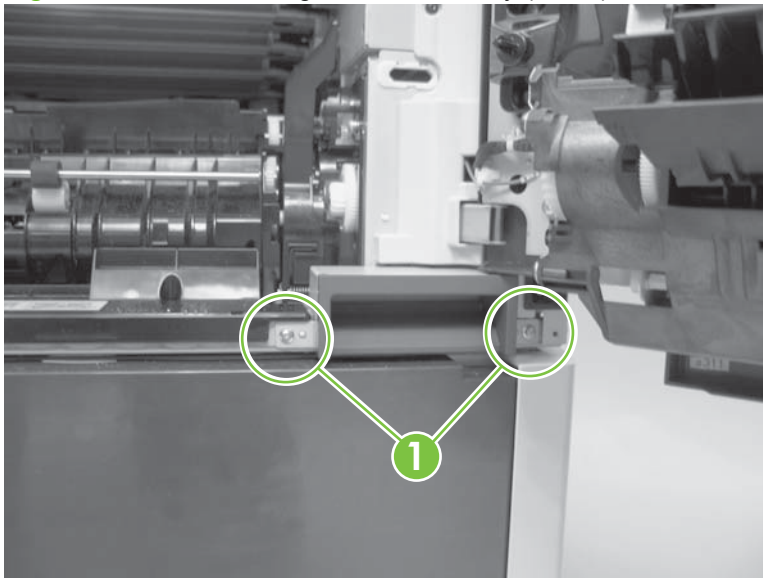
**Figure 6-108** Remove face-down cover



## Right-door assembly

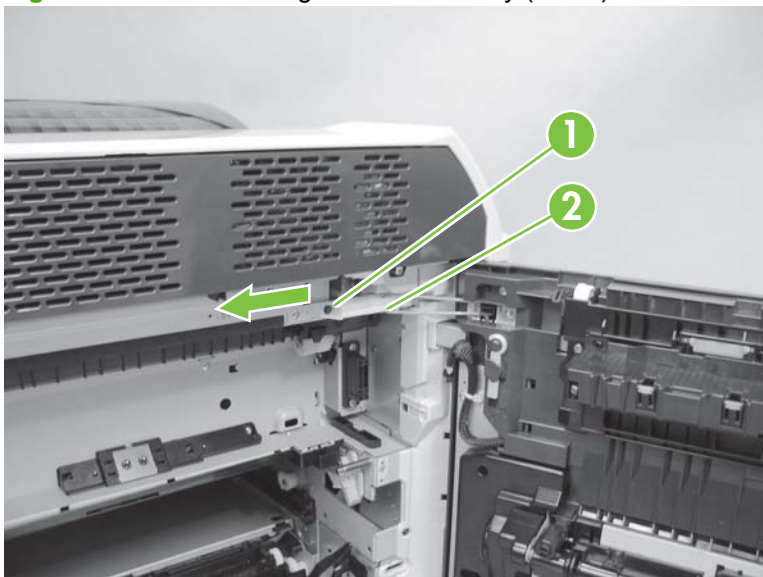
1. Remove the following:
  - Rear-left cover. See [Rear-left cover on page 260](#).
  - Rear-right cover. See [Rear-right cover on page 261](#).
  - Rear cover. See [Rear cover on page 262](#).
2. Open the right door.
3. Remove two screws (callout 1), and then the handle.

**Figure 6-109** Remove right-door assembly (1 of 4)



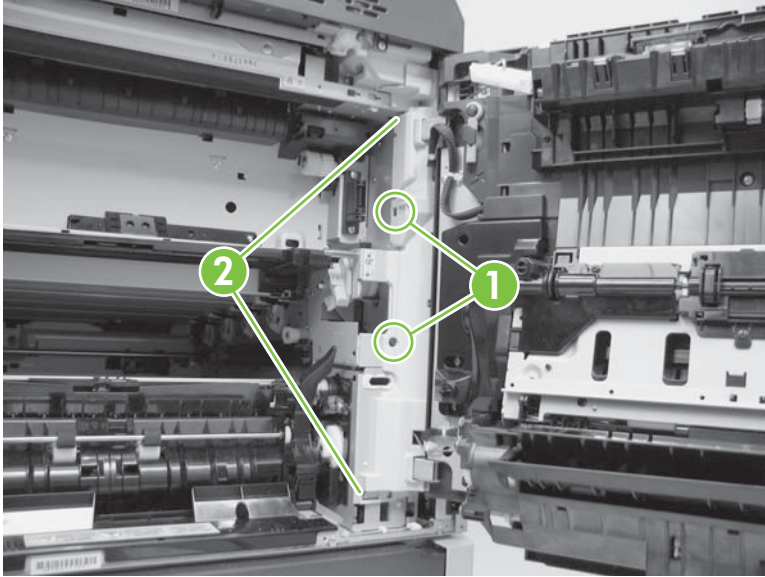
4. Remove one screw (callout 1). Slide the right door arm (callout 2) in the direction indicated to remove it.

**Figure 6-110** Remove right-door assembly (2 of 4)



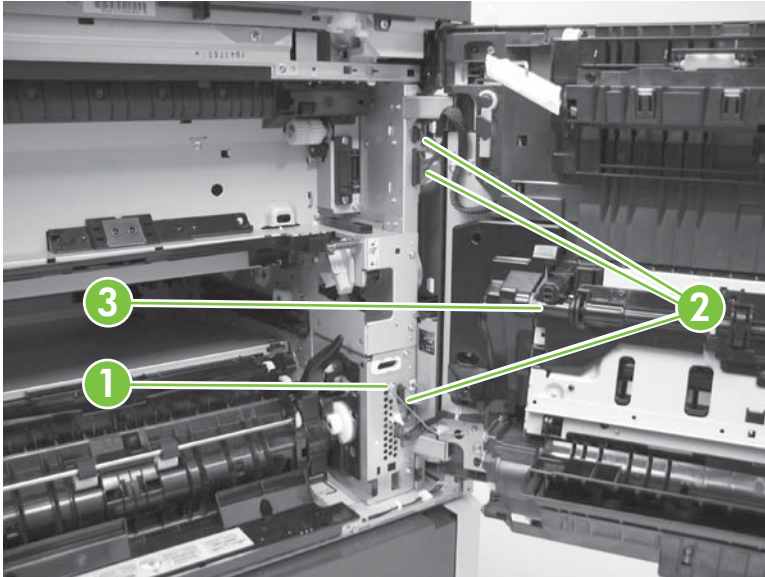
5. Remove two screws (callout 1), release the two tabs (callout 2), and then remove the right inner cover.

**Figure 6-111** Remove right-door assembly (3 of 4)



6. Remove one grounding screw (callout 1), disconnect two connectors (callout 2), and then lift the right-door assembly (callout 3) to remove it.

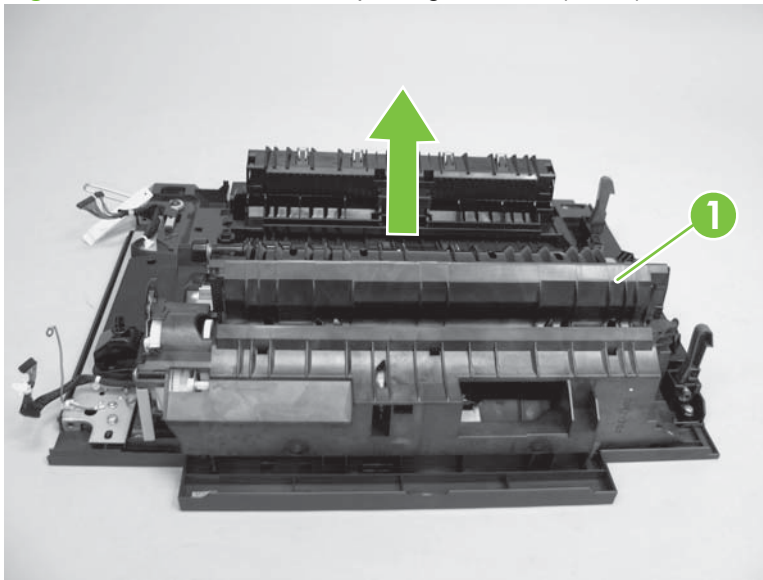
**Figure 6-112** Remove right-door assembly (4 of 4)



## Duplexing feed unit

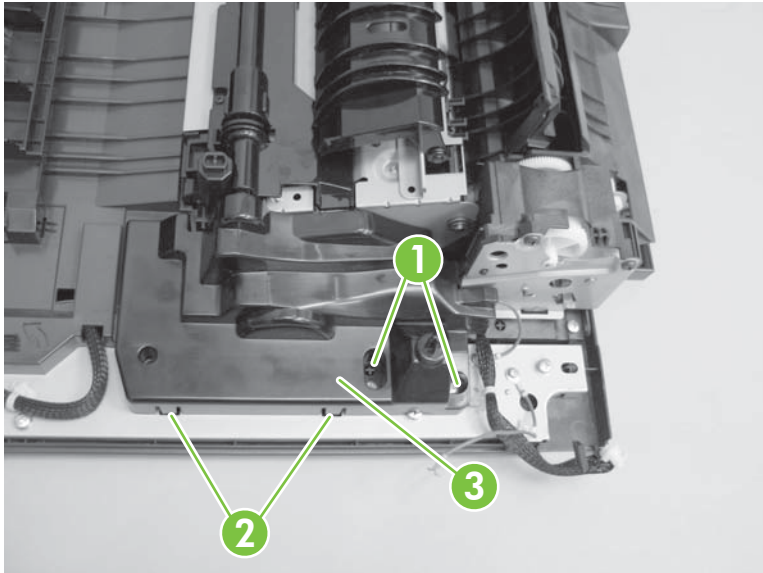
1. Remove the following:
  - Rear-left cover. See [Rear-left cover on page 260](#).
  - Rear-right cover. See [Rear-right cover on page 261](#).
  - Rear cover. See [Rear cover on page 262](#).
  - Right-door assembly. See [Right-door assembly on page 327](#).
2. Lift the duplexing feed upper guide (callout 1) in the direction indicated to remove.

**Figure 6-113** Remove the duplexing feed unit (1 of 3)



3. Remove two screws (callout 1), release two tabs (callout 2), and then remove the cover (callout 3).

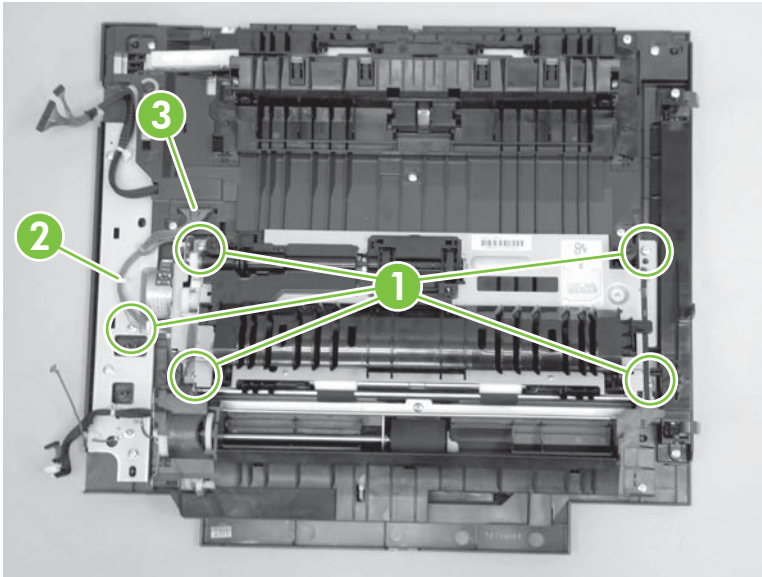
**Figure 6-114** Remove the duplexing feed unit (2 of 3)





4. Remove five screws (callout 1), one wire retainer (callout 2), one connector (callout 3), and then remove the duplexing feed unit.

**Figure 6-115** Remove the duplexing feed unit



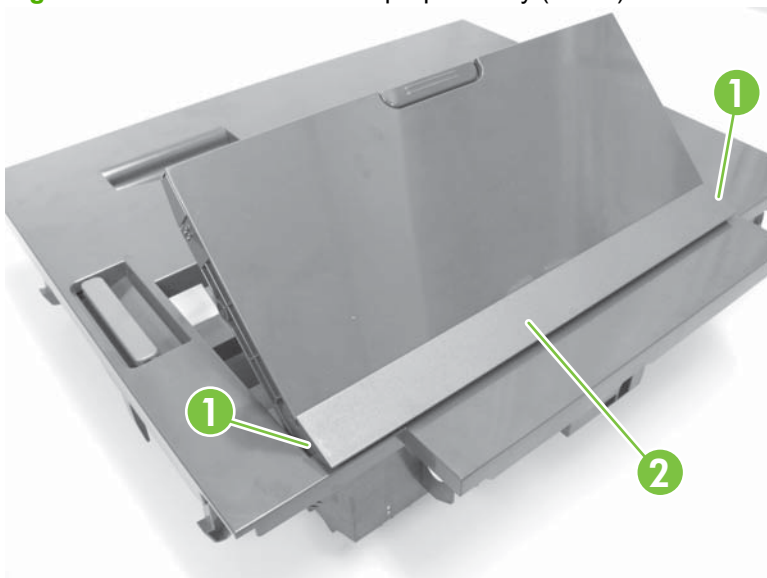
## Multipurpose-tray (Tray 1) pickup unit

1. Remove the following:
  - Rear-left cover. See [Rear-left cover on page 260](#).
  - Rear-right cover. See [Rear-right cover on page 261](#).
  - Rear cover. See [Rear cover on page 262](#).
  - Right-door assembly. See [Right-door assembly on page 327](#).
  - Duplexing feed unit. See [Duplexing feed unit on page 329](#).
2. Spread two tabs (callout 1) and remove the MP tray lower cover (callout 2). Close Tray 1.

 **NOTE:** Close Tray 1 and push it flat.

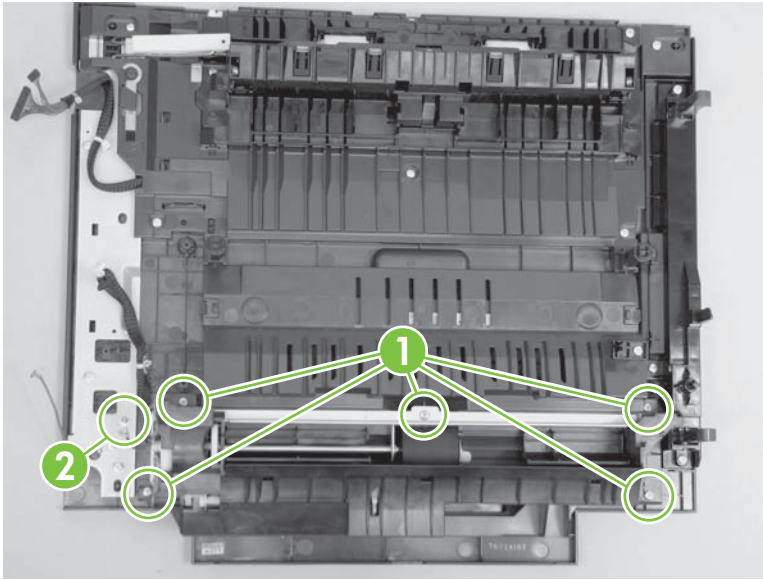
---

**Figure 6-116** Remove the multipurpose tray (1 of 5)



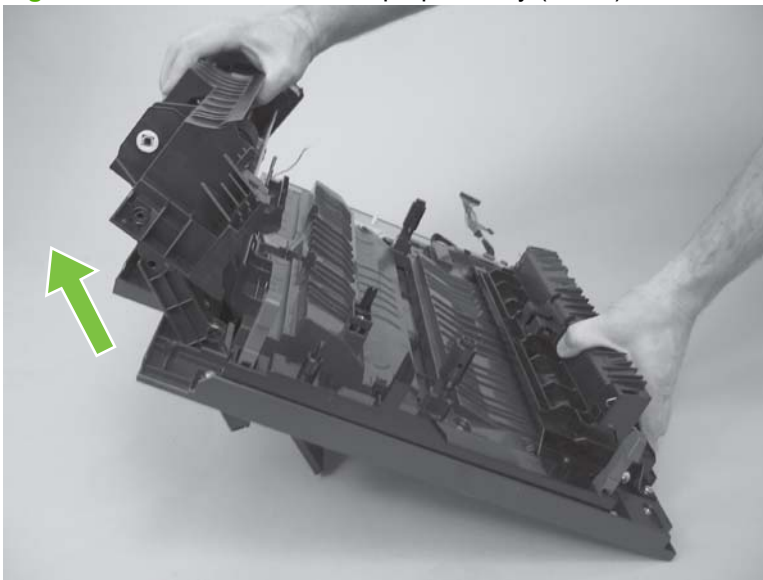
3. Remove five screws (callout 1), and then one grounding screw (callout 2).

**Figure 6-117** Remove the multipurpose tray (2 of 5)



4. Remove the MP tray pickup unit and the MP tray together.

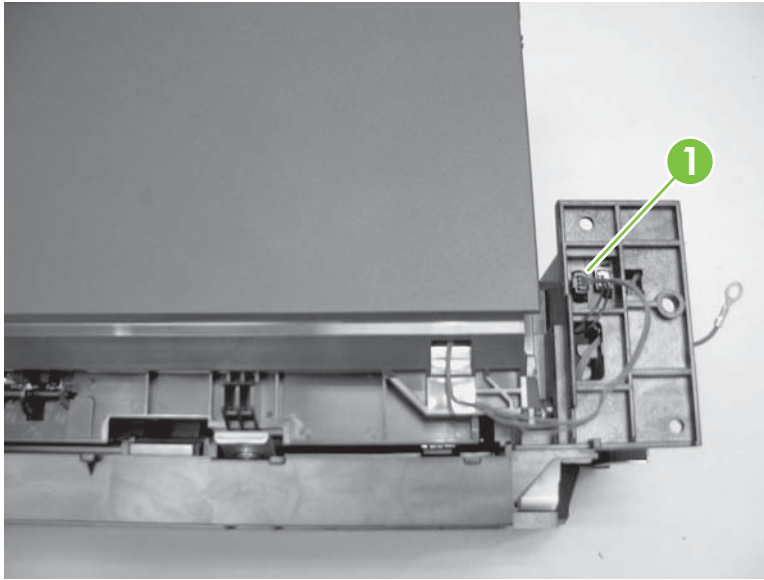
**Figure 6-118** Remove the multipurpose tray (3 of 5)





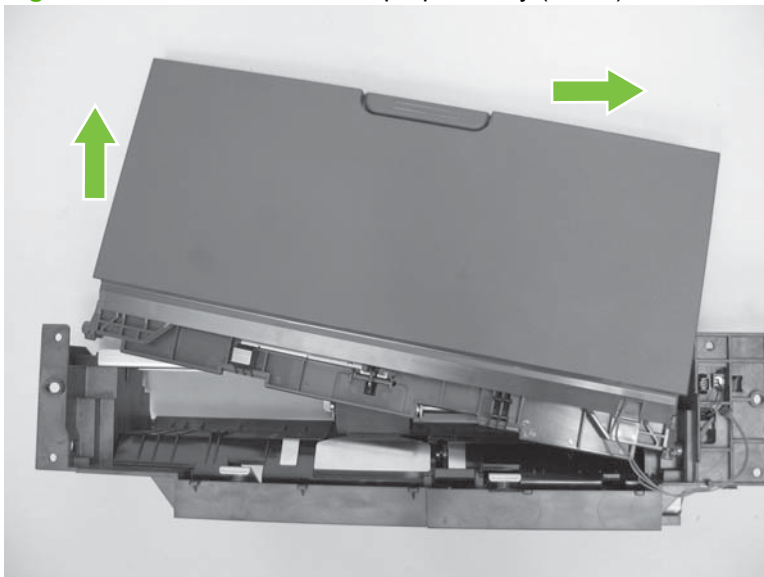
5. Disconnect one connector (callout 1).

**Figure 6-119** Remove the multipurpose tray (4 of 5)



6. With the door closed, use a flat blade screw driver to pry the left side out. Pull the tray in the directions indicated to remove.

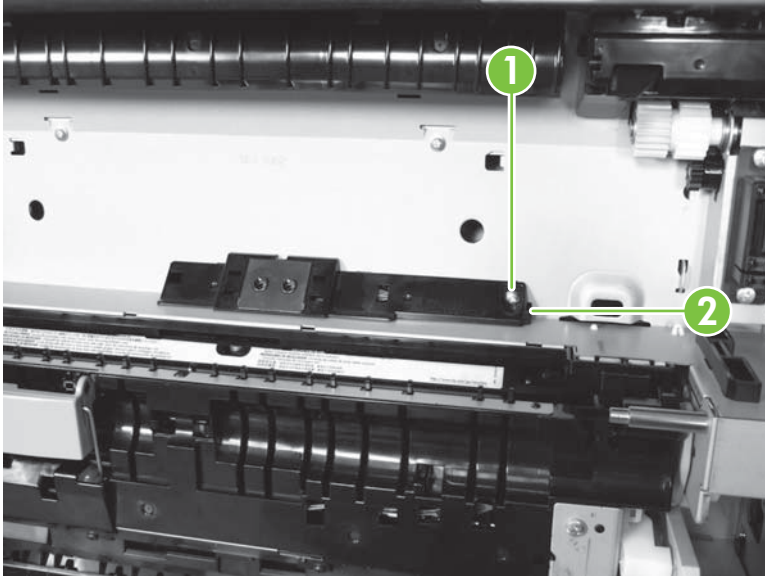
**Figure 6-120** Remove the multipurpose tray (5 of 5)



## Thermopile unit

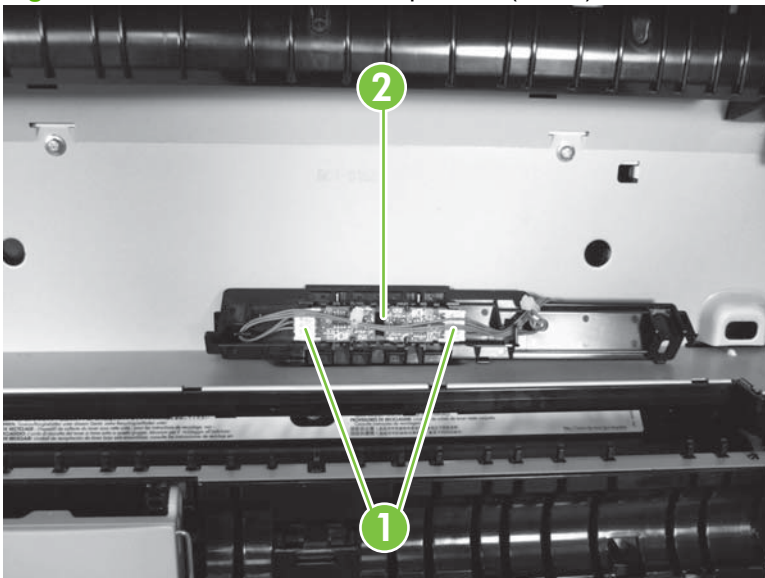
1. Remove the following user replaceable parts:
  - Fuser. See [Fuser on page 233](#).
2. Remove one screw (callout 1), and then release one tab (callout 2).

**Figure 6-121** Remove the thermopile unit (1 of 2)



3. Disconnect two connectors (callout 1), and then remove the thermopile unit (callout 2).

**Figure 6-122** Remove the thermopile unit (2 of 2)



## Front-lower cover

1. Remove the following user replaceable parts:
  - Tray 2. See [Tray 2 on page 248](#).
2. Remove one screw (callout 1), and then remove the front-lower cover (callout 2).

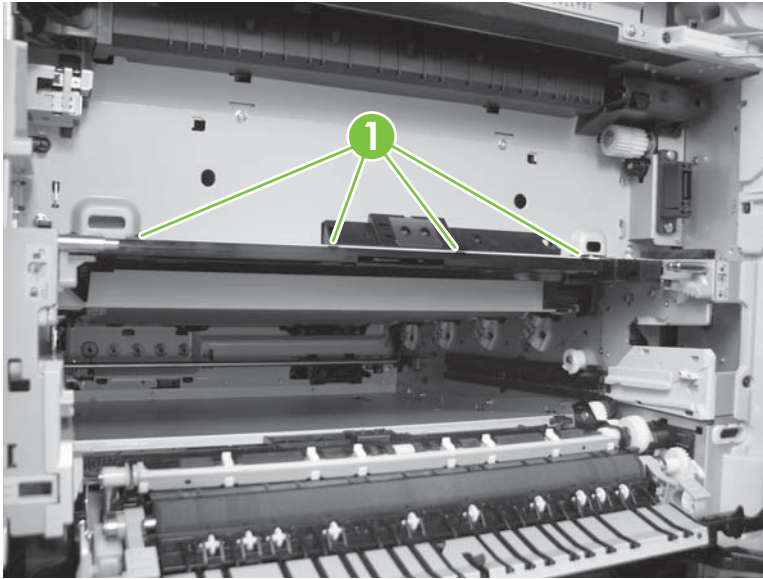
**Figure 6-123** Remove front-lower cover



## ITB duct

1. Remove the following user replaceable parts:
  - Fuser unit. See [Fuser on page 233](#).
2. Release four tabs (callout 1).


**Figure 6-124** Remove the ITB duct (1 of 2)



3. Remove the ITB duct.

**Figure 6-125** Remove the ITB duct (2 of 2)



 **NOTE:** Removal sequence 7 is complete. To reassemble, reverse the steps in this procedure and all previous procedures of this sequence.

## Optional input trays

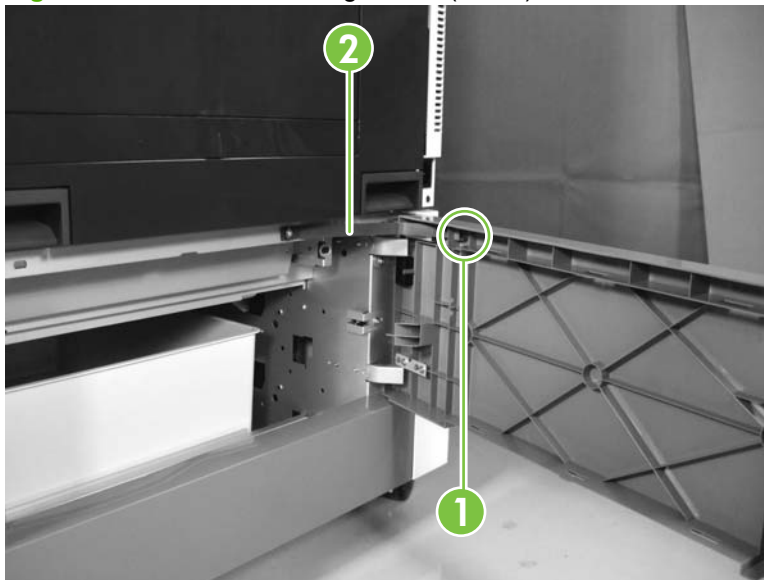
This section provides procedures for removal and replacement of field-replaceable units (FRUs) for optional input trays.

### 1x500-sheet input tray

#### Right door

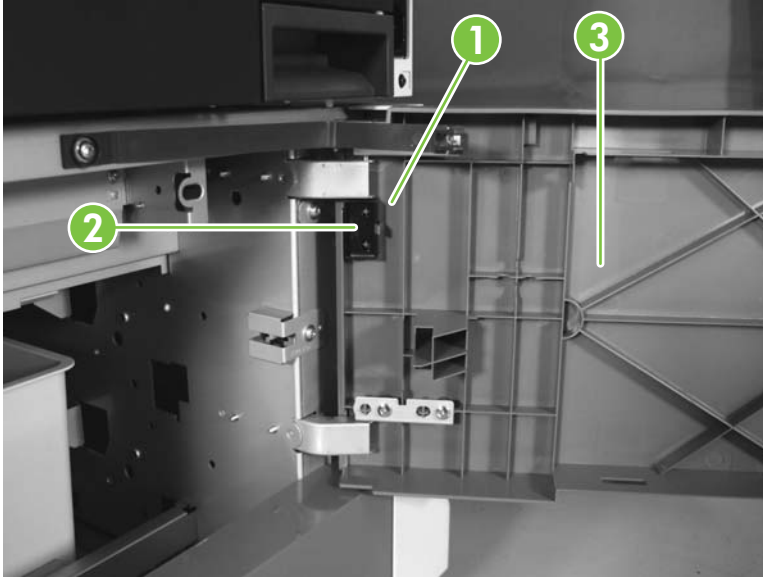
1. Open the right door.
2. Release one tab (callout 1), and then remove the arm (callout 2).

**Figure 6-126** Remove the right door (1 of 2)



3. Release one tab (callout 1), and then remove the stopper (callout 2). Lift the right door (callout 3) to remove it.

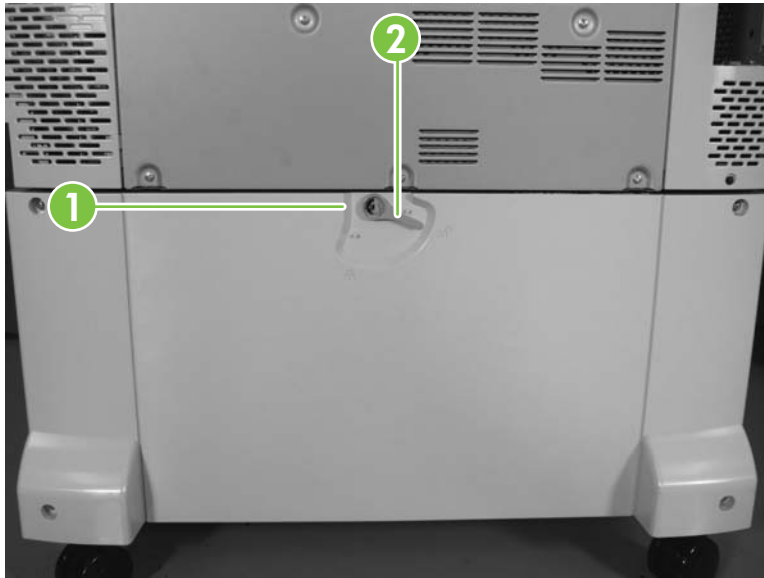
**Figure 6-127** Remove the right door (2 of 2)



## Lower-rear cover

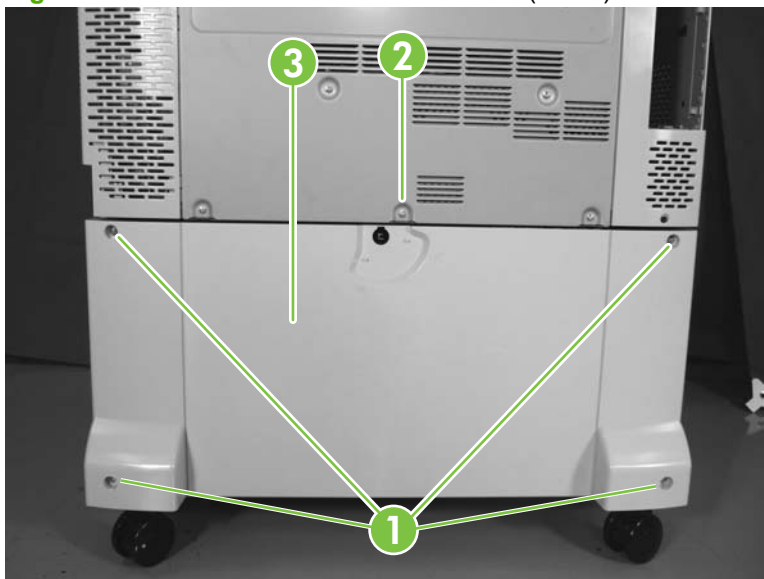
1. Release one tab (callout 1), and then remove the lever (callout 2).

**Figure 6-128** Remove the lower-rear cover (1 of 2)



2. Remove four screws (callout 1). Release one tab (callout 2), and then remove the rear cover (callout 3).

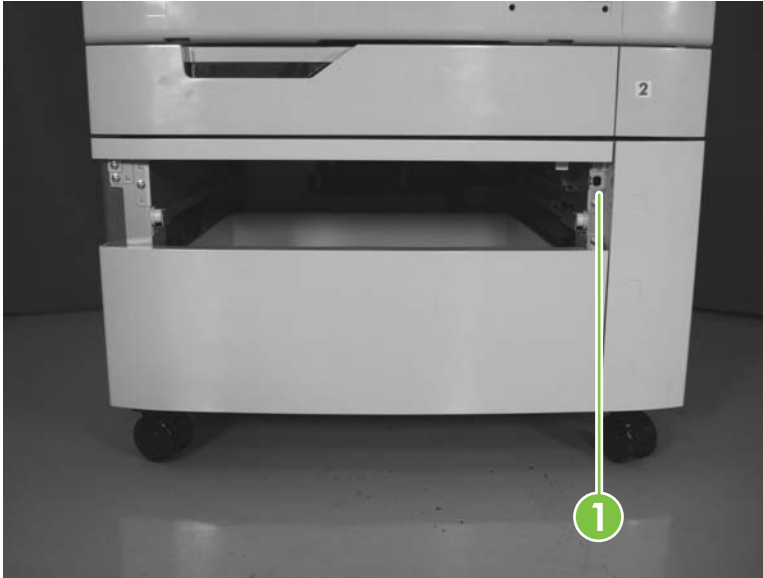
**Figure 6-129** Remove the lower rear cover (2 of 2)



## Front-right cover

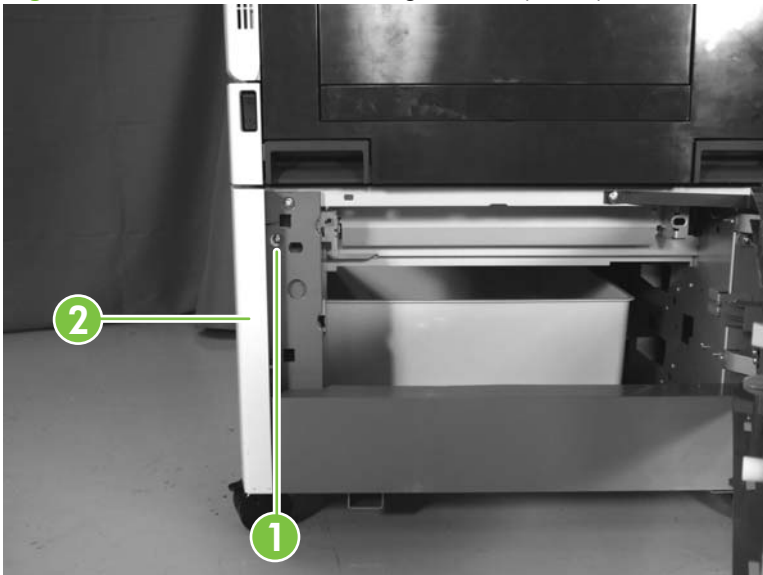
1. Remove the following:
  - Tray 3. See [Trays 3, 4, and 5 on page 248](#).
2. Remove one screw (callout 1).

**Figure 6-130** Remove the front-right cover (1 of 2)



3. Open the right door. Remove one screw (callout 1). Lift the front-right cover (callout 2) to remove it.

**Figure 6-131** Remove the front-right cover (2 of 2)

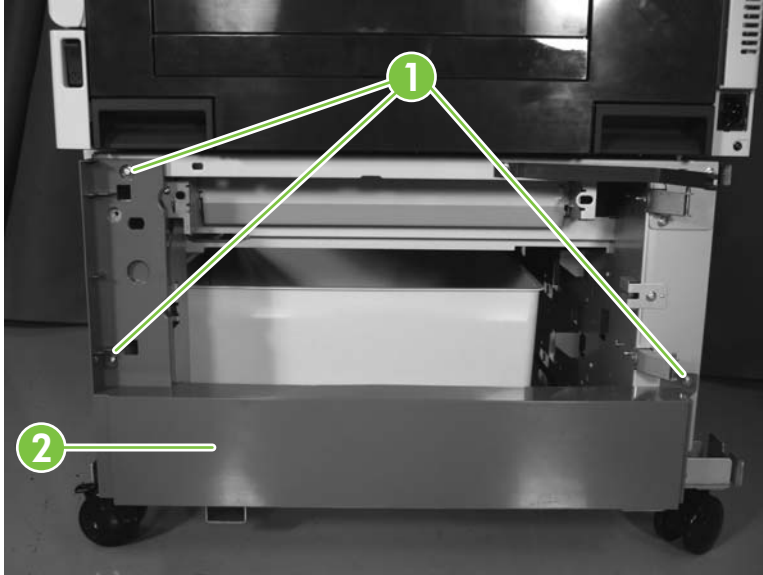




## Right cover

1. Remove the following:
  - Right door. See [Right door on page 337](#).
  - Front-right cover. See [Front-right cover on page 340](#).
  - Rear cover. See [Lower-rear cover on page 339](#).
2. Remove three screws (callout 1) and then remove the right cover (callout 2).

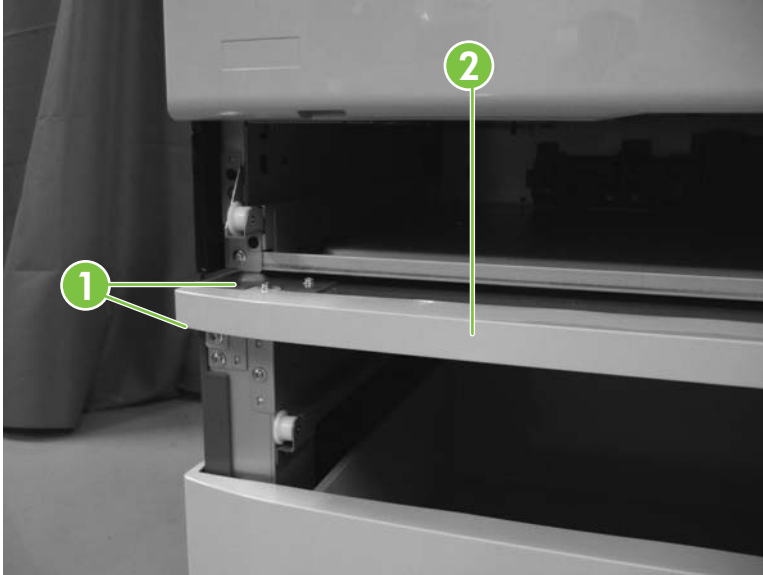
**Figure 6-132** Remove the right cover



## Front-upper cover

1. Remove the following:
  - Tray 2. See [Tray 2 on page 248](#).
  - Tray 3. See [Trays 3, 4, and 5 on page 248](#).
  - Front-right cover. See [Front-right cover on page 340](#).
2. Remove two screws (callout 1), and then remove the front-upper cover (callout 2).

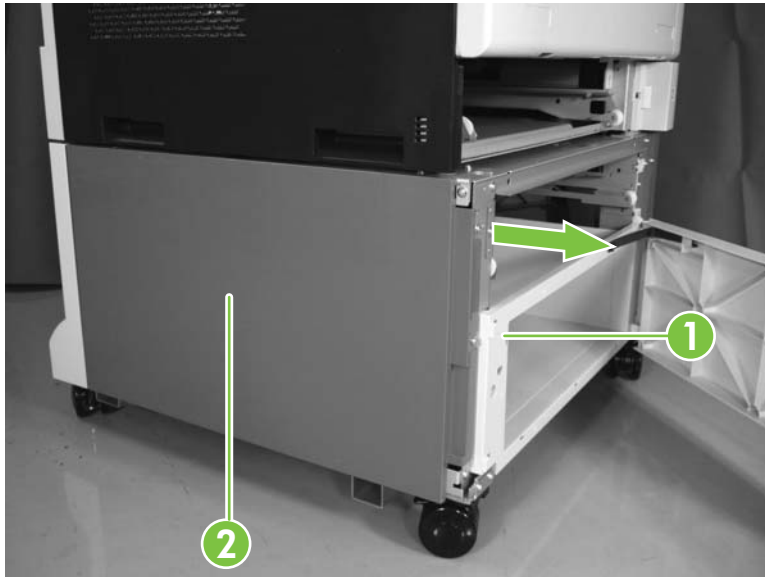
**Figure 6-133** Remove the front-upper cover



## Lower-left cover

1. Remove the following:
  - Front-upper cover. See [Front-upper cover on page 342](#).
2. Remove one screw (callout 1). Slide the left cover (callout 2) in the direction indicated to remove it.

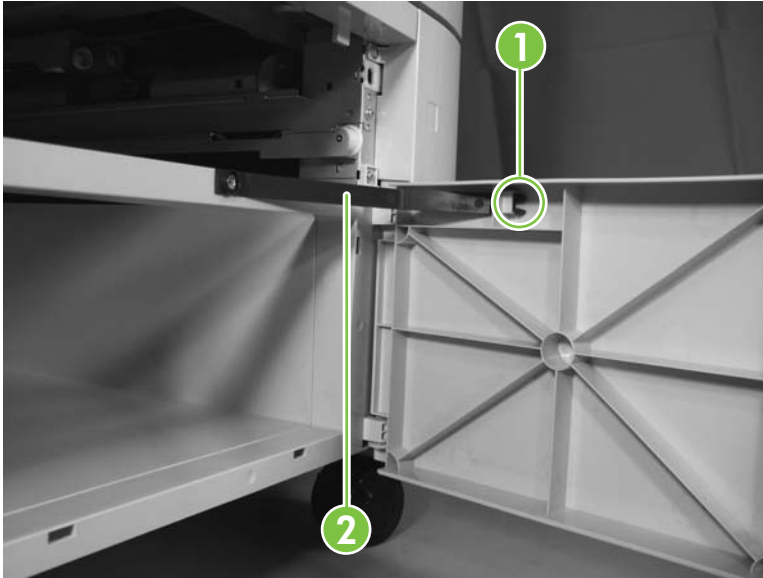
**Figure 6-134** Remove the lower-left cover



## Front-lower door

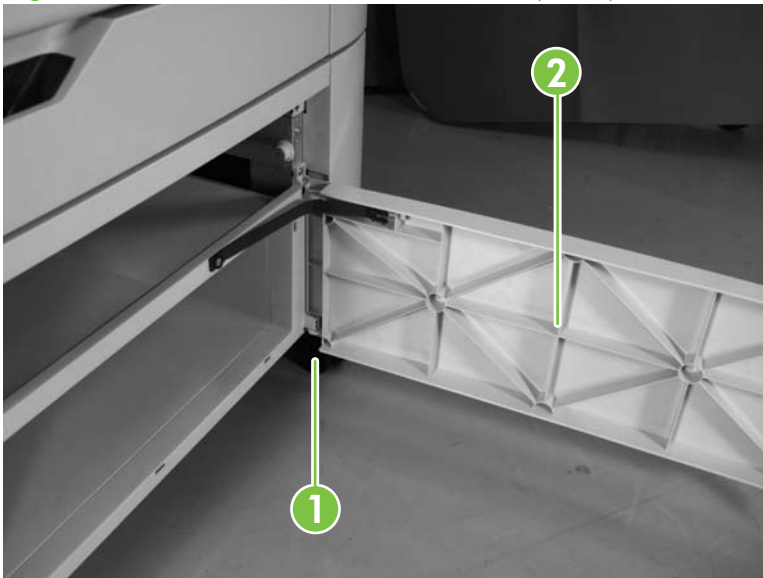
1. Remove the following:
  - Tray 3. See [Trays 3, 4, and 5 on page 248](#).
2. Release one tab (callout 1), and then remove the arm (callout 2).

**Figure 6-135** Remove the front-lower cover (1 of 2)



3. Clear the bottom pin (callout 1), and then lift the front-lower door (callout 2) to remove it.

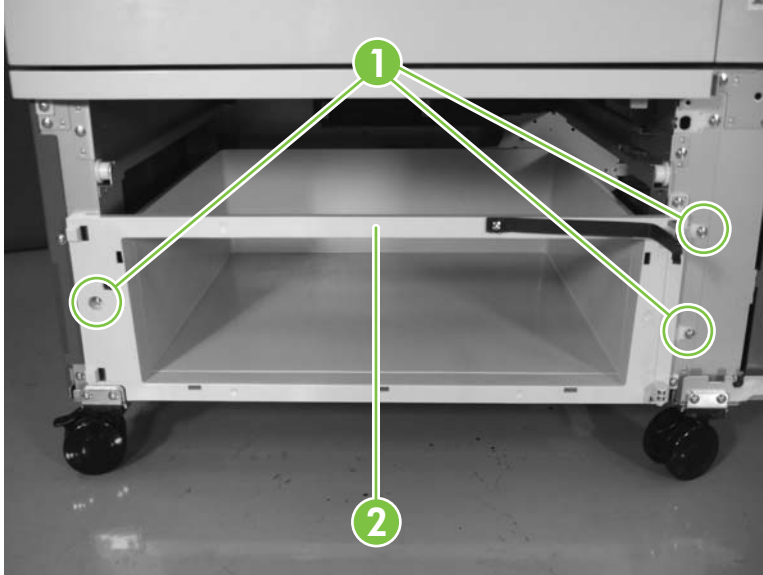
**Figure 6-136** Remove the front-lower cover (2 of 2)



## Box

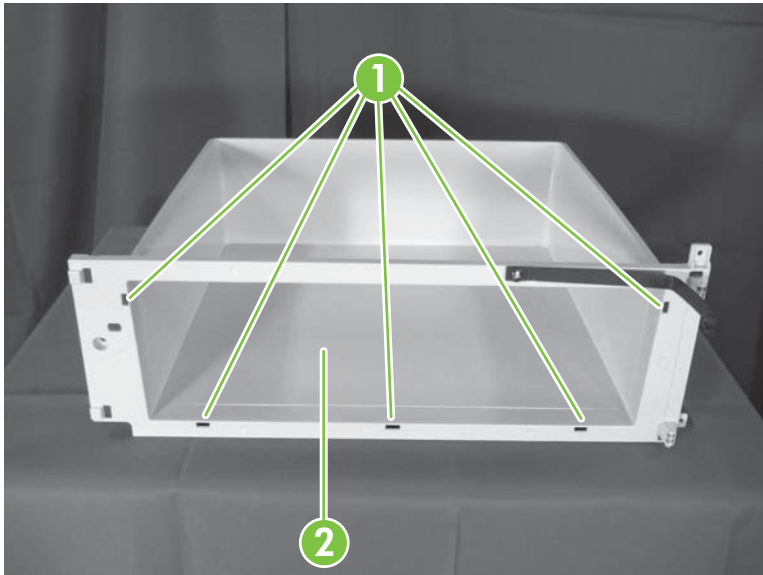
1. Remove the following:
  - Front-lower door. See [Front-lower cover on page 335](#).
  - Front-right cover. See [Front-right cover on page 340](#).
2. Remove three screws (callout 1), and then remove the box with the inner cover (callout 2).

**Figure 6-137** Remove the box (1 of 2)



3. Release the five tabs (callout 1), and then remove the box (callout 2).

**Figure 6-138** Remove the box (2 of 2)



## Pickup unit

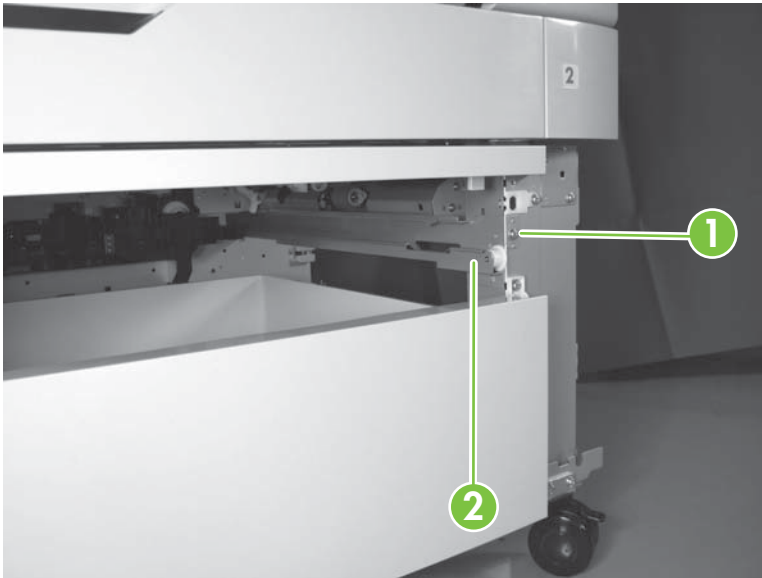
The procedure varies depending on whether the input tray is attached to the product.

- Remove the following:
  - Tray 3. See [Trays 3, 4, and 5 on page 248](#).
  - Lower-rear cover. See [Lower-rear cover on page 339](#).
  - Right cover. See [Right cover on page 341](#).

### Input tray is attached

- Remove one screw (callout 1), and then remove the cassette guide rail (callout 2).

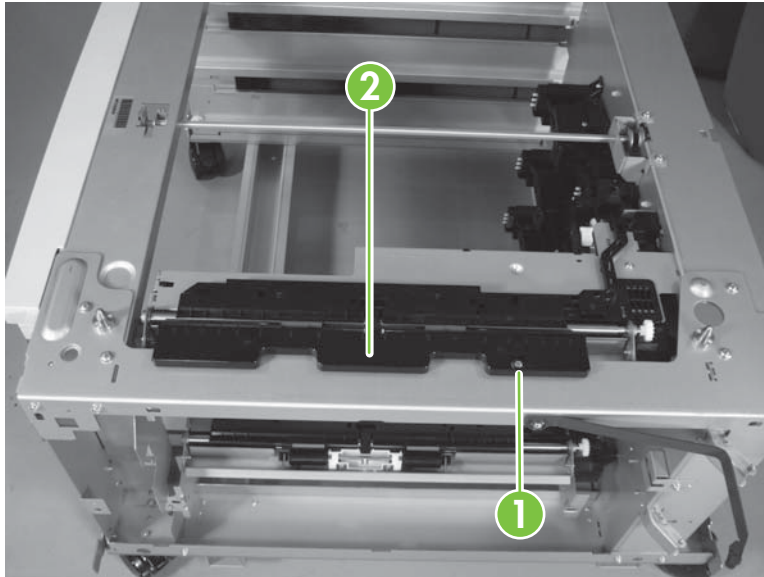
**Figure 6-139** Remove the pickup unit



**Paper feeder is not attached**

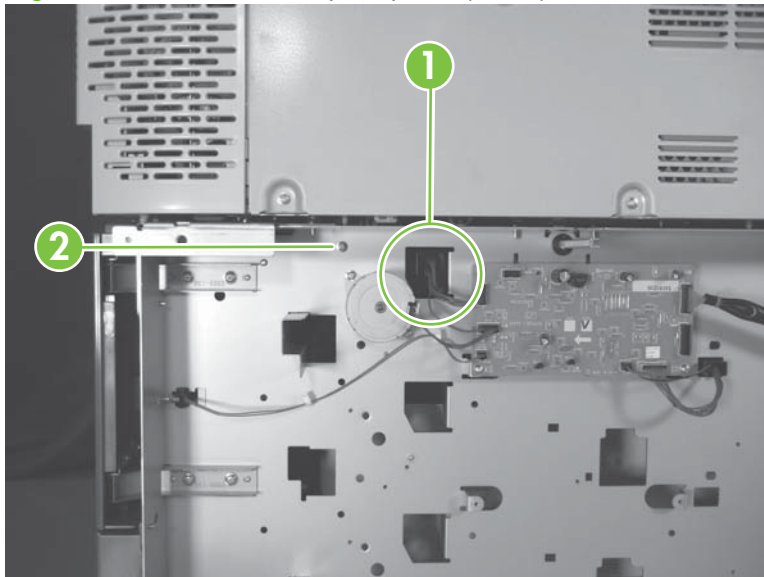
1. Remove one screw (callout 1), and then remove the feed guide (callout 2).

**Figure 6-140** Remove the pickup unit (1 of 3)



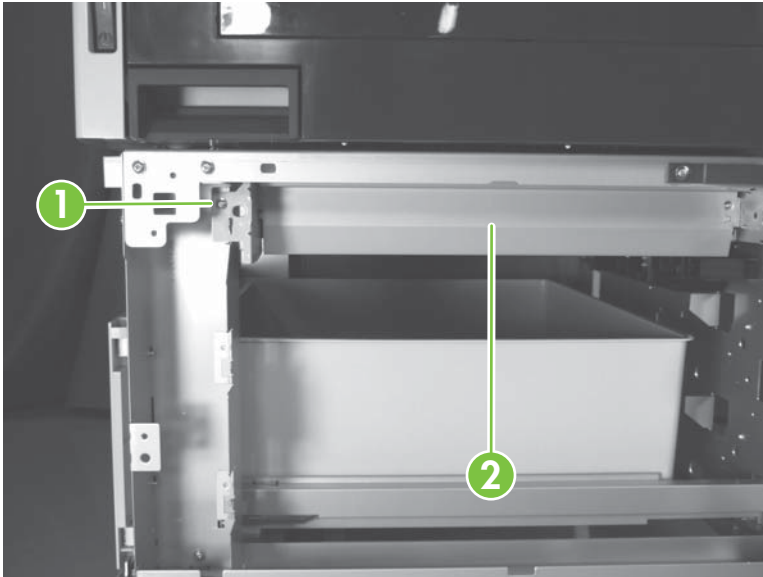
2. Disconnect three connectors (callout 1), and then remove one screw (callout 2).


**Figure 6-141** Remove the pickup unit (2 of 3)



3. Remove one screw (callout 1). Grasp the pickup unit (callout 2), pull the left end off the sheet metal tab, and then shift it left to release the right shaft. Pull the pickup unit forward to remove it.

**Figure 6-142** Remove the pickup unit (2 of 3)



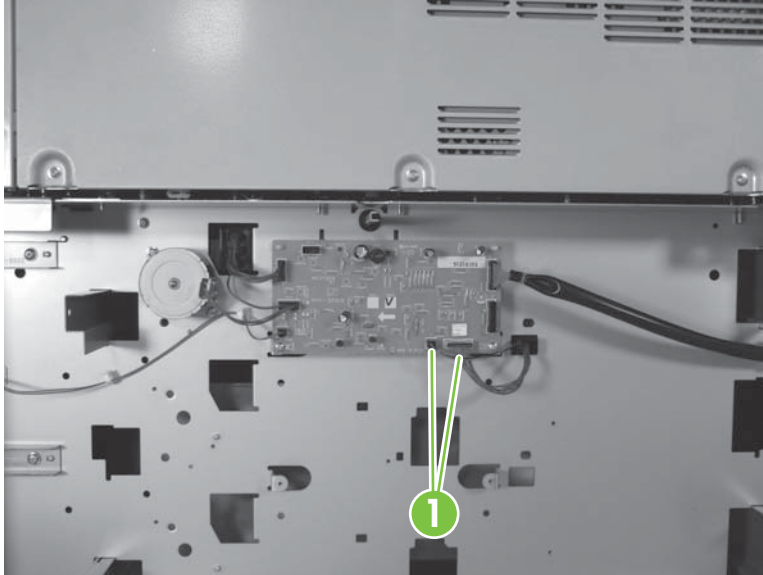
 **NOTE:** If the pickup unit does not come out easily, gently slide a flat screwdriver over the top of the pickup unit to clear any interference with the feed guide.



## Auto-close unit

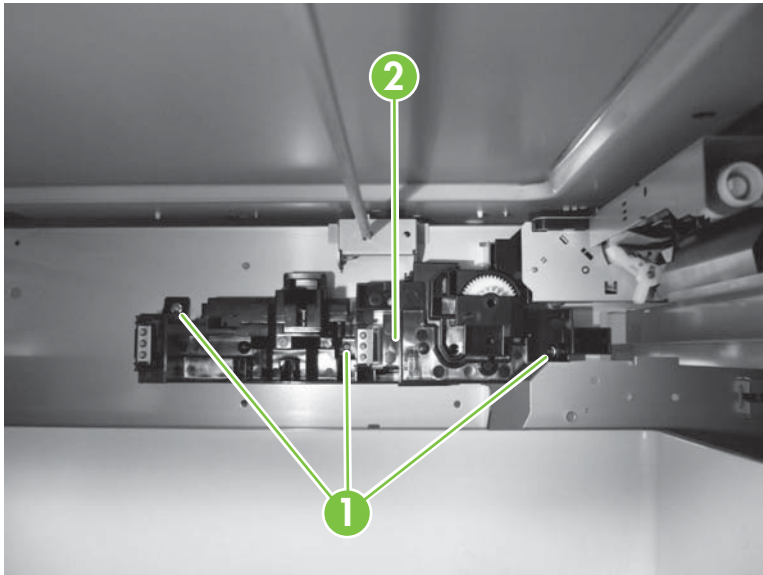
1. Remove the following:
  - Tray 4. See [Trays 3, 4, and 5 on page 248](#).
  - Lower rear cover. See [Lower-rear cover on page 339](#).
2. Disconnect the two connectors (callout 1).

**Figure 6-143** Remove the auto-close unit (1 of 2)



3. Remove three screws (callout 1), and then remove the auto-close unit (callout 2).

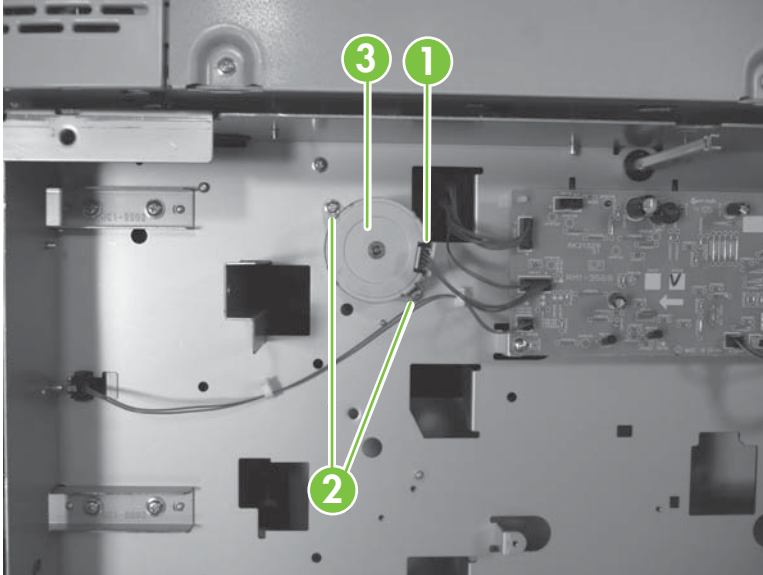
**Figure 6-144** Remove the auto-close unit (2 of 2)



## Pickup motor

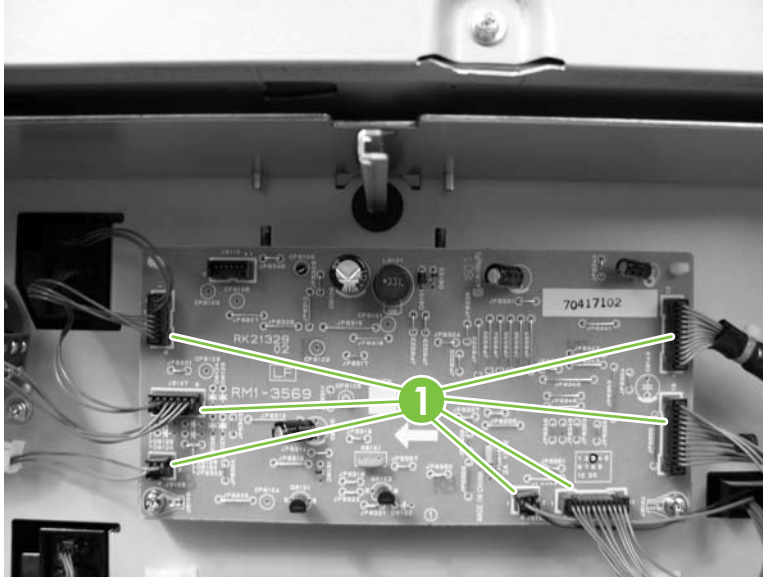
1. Remove the following:
  - Rear cover. See [Lower-rear cover on page 339](#).
2. Disconnect one connector (callout 1).
3. Remove two screws (callout 2), and then remove the pickup motor (callout 3).

**Figure 6-145** Remove the pickup motor



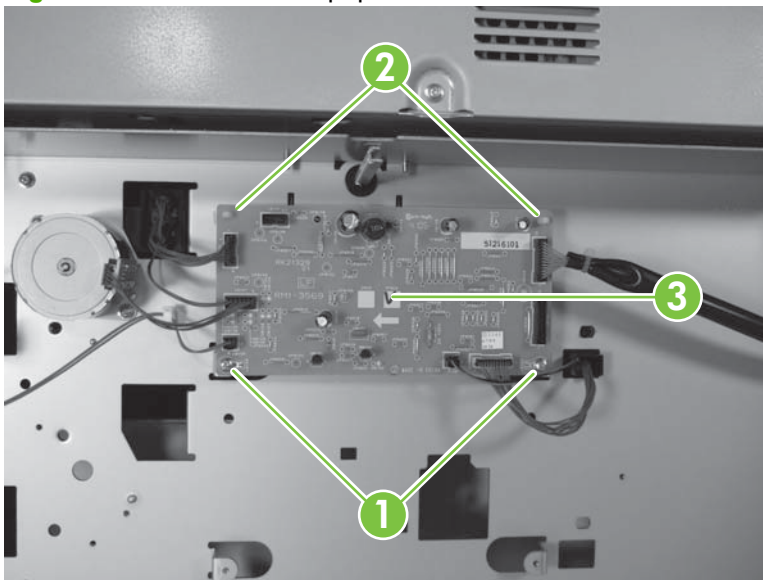
## Paper-feeder driver PCA

1. Remove the following:
  - Rear cover. See [Lower-rear cover on page 339](#).
2. Disconnect seven connectors on the paper-feeder driver PCA.



3. Remove two screws (callout 1), release two tabs (callout 2), and then remove the paper-feeder driver PCA (callout 3).

**Figure 6-146** Remove the paper-feeder driver PCA



## 3x500-sheet input tray

### Right door

To remove use the same procedure as with the 1 x 500 input tray. See [Right door on page 337](#).

### Lower-rear cover

To remove use the same procedure as with the 1x500-sheet input tray. See [Lower-rear cover on page 339](#).

### Front-right cover

To remove use the same procedure as with the 1x500-sheet input tray. See [Front-right cover on page 340](#).

### Right cover

To remove use the same procedure as with the 1x500-sheet input tray. See [Right cover on page 341](#).

### Front-upper cover

To remove use the same procedure as with the 1x500-sheet input tray. See [Front-upper cover on page 342](#).

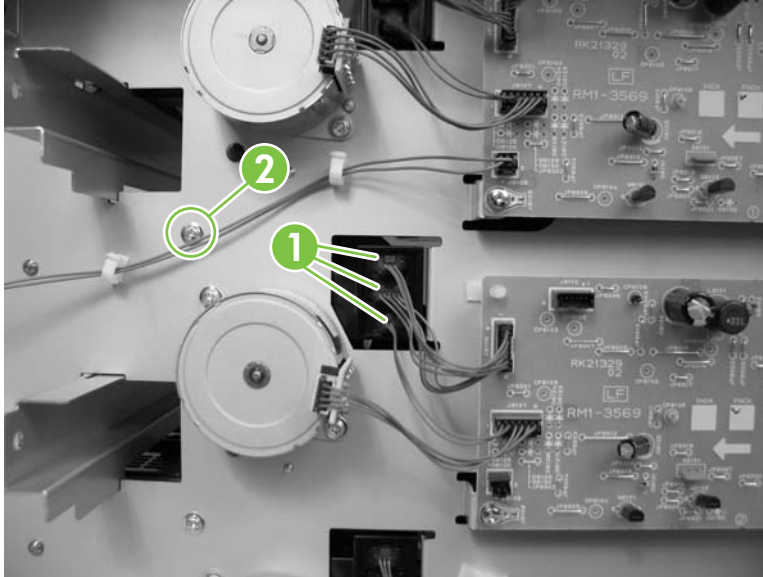
### Left cover

To remove use the same procedure as that found with the 1x500-sheet input tray. See [Lower-left cover on page 343](#).

## Pickup unit (middle cassette)

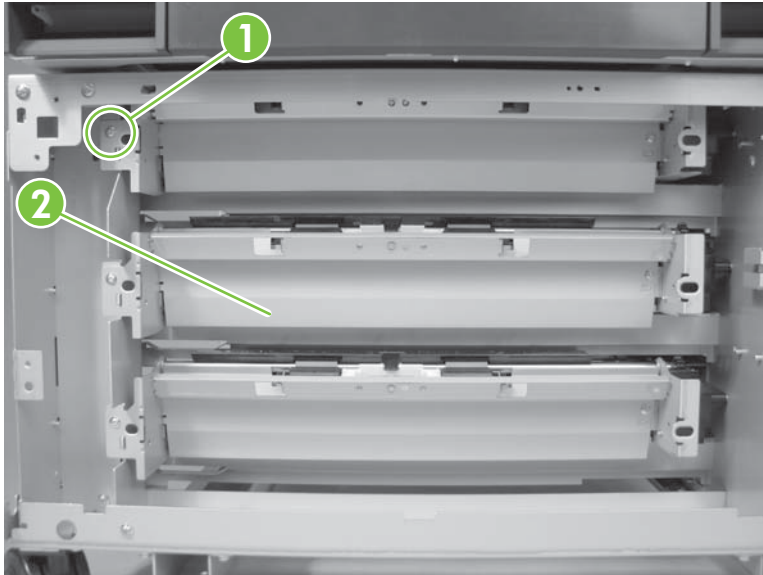
1. Remove the following:
  - [Cassette](#). See [Cassette \(Tray 2\) pickup unit on page 259](#).
  - [Lower-rear cover](#). See [Lower-rear cover on page 339](#).
  - [Right cover](#). See [Right cover on page 341](#).
2. Disconnect the three connectors (callout 1), and then remove one screw (callout 2).

**Figure 6-147** Remove the pickup unit (middle cassette) (1 of 2)



3. Remove one screw (callout 1). Grasp the pickup unit (callout 2), and then shift to the left to release the right shaft. Pull the unit forward to remove it.

**Figure 6-148** Remove the pickup unit (middle cassette) (2 of 2)



### Pickup unit (lower cassette)

To remove use the same procedure as with the pickup unit (middle cassette). See [Pickup unit \(middle cassette\) on page 353](#).

### Pickup unit (upper cassette)

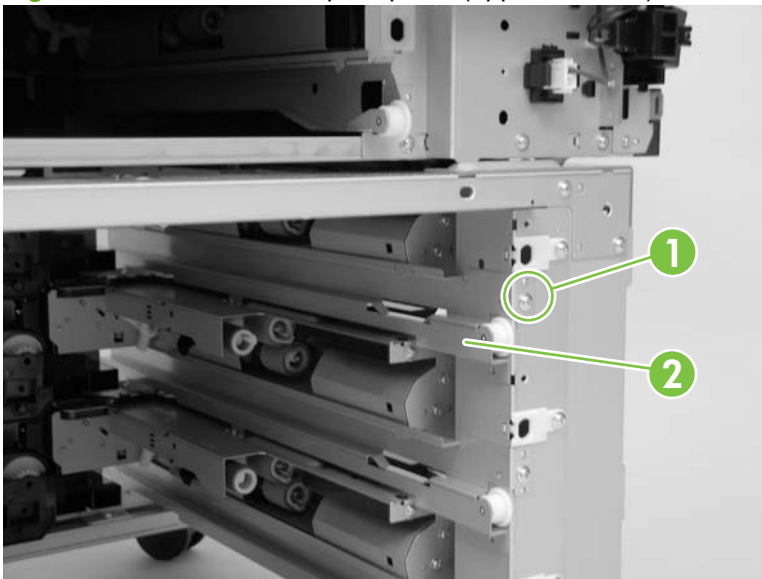
The procedure varies depending on whether the input tray is attached to the product.

- Remove the following:
  - Pickup unit (middle cassette). See [Pickup unit \(middle cassette\) on page 353](#).

### Paper feeder is attached

- Remove one screw (callout 1), and then remove the cassette guide rail (callout 2).

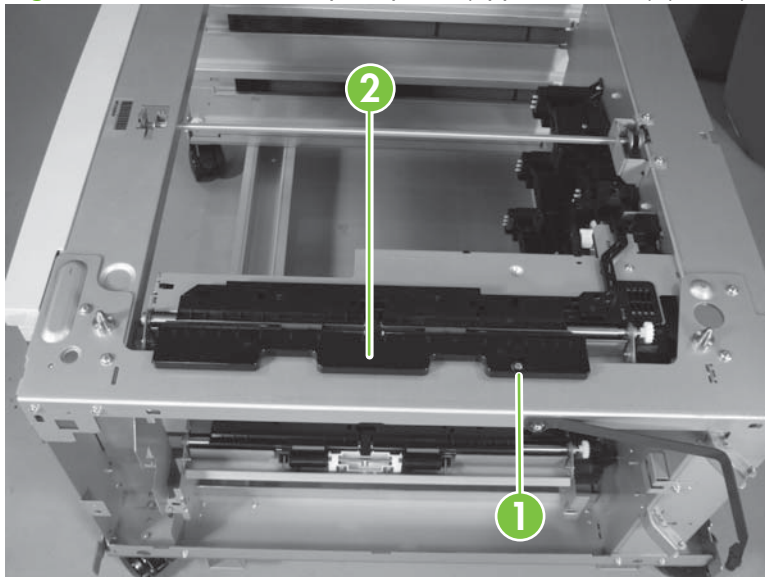
**Figure 6-149** Remove the pickup unit (upper cassette)



**Paper feeder is not attached**

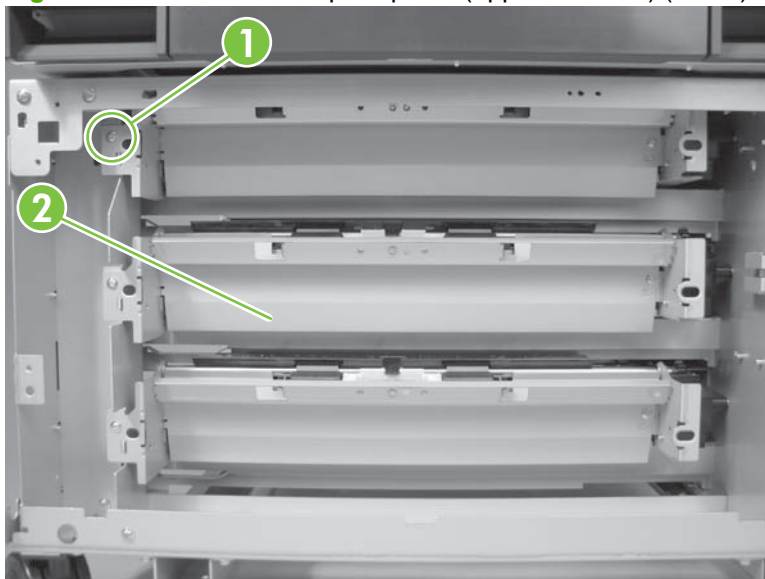
1. Remove one screw (callout 1), and then remove the feed guide (callout 2).

**Figure 6-150** Remove the pickup unit (upper cassette) (1 of 3)



2. Disconnect the three connectors (callout 1), and then remove one screw (callout 2).

**Figure 6-151** Remove the pickup unit (upper cassette) (2 of 3)

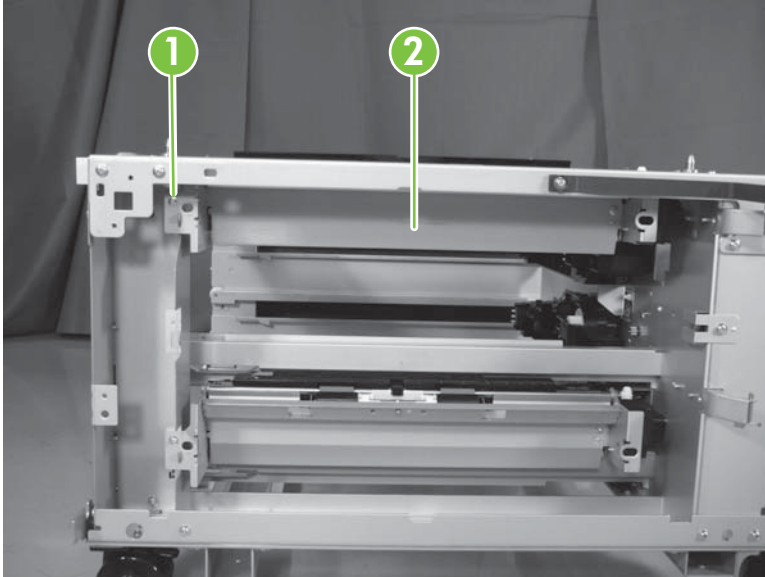


3. Remove one screw (callout 1).



4. Grasp the pickup unit (callout 2) and shift to the left to release the right shaft. Pull the unit forward to remove it.

**Figure 6-152** Remove the pickup unit (upper cassette) (3 of 3)





## **Auto-close unit**

To remove use the same procedure as with the 1x500-sheet input tray. See [Auto-close unit on page 349](#).

## **Pickup motor**

To remove use the same procedure as with the 1x500-sheet input tray. See [Pickup motor on page 350](#).

## **Paper-feeder driver PCA**

To remove use the same procedure as with the 1x500-sheet input tray. See [Paper-feeder driver PCA on page 351](#).

# Scanner

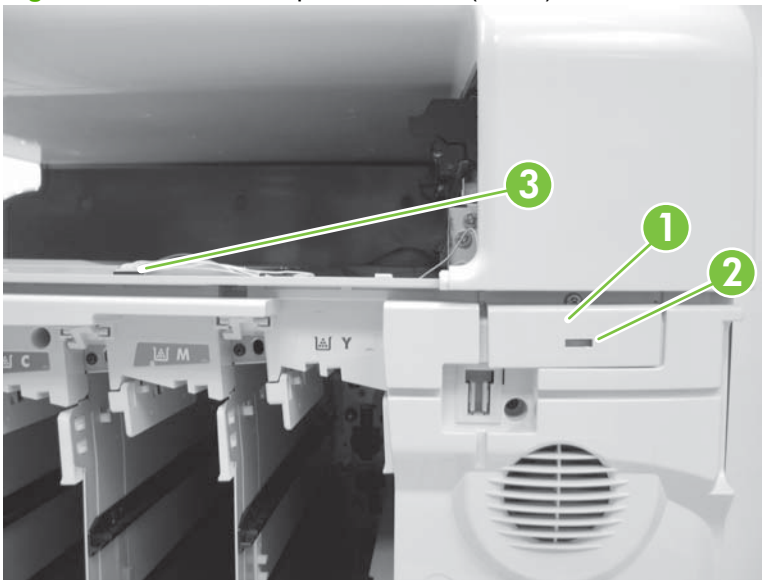
## Optical scanner

△ **CAUTION:** This procedure requires two people to lift the optical scanner.

📄 **NOTE:** To reduce the weight of the optical scanner, remove the ADF. [ADF assembly on page 397.](#)

1. Remove the following:
  - Duplex switchback tray. See [Duplex switchback tray on page 304.](#)
  - Face-down output bin. See [Face-down output bin on page 271.](#)
  - Front lower cover. See [Front lower cover on page 305.](#)
  - Inner cover. See [Inner cover on page 306.](#)
  - Rear scanner cover. See [Rear scanner cover on page 308.](#)
  - Right upper cover. See [Right upper cover on page 309.](#)
2. Lock the wheels and scanner of the product and open the right door.
3. Open the front door and locate the small front internal cover (callout 1). To remove the cover, release the tab (callout 2) upwards. Disconnect one connector (callout 3).

**Figure 6-153** Remove optical scanner (1 of 7)



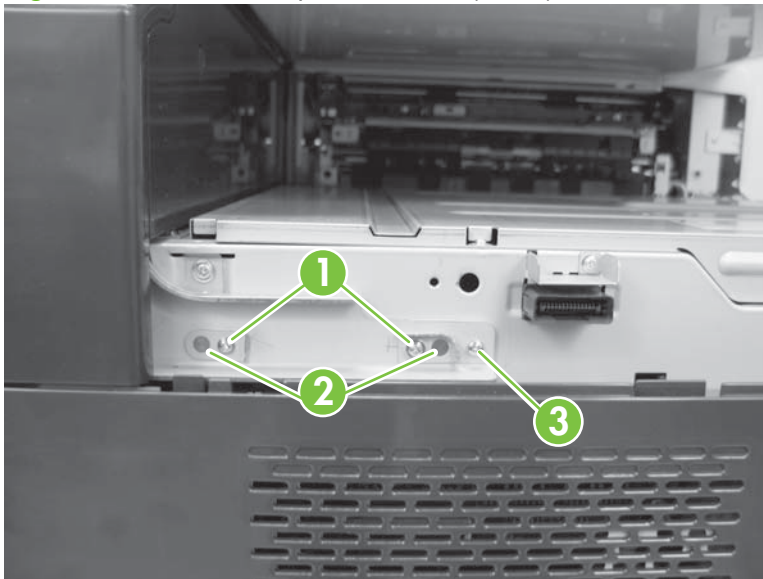
4. From the front of the scanner, remove one screw (callout 1), and then remove one large pin (callout 2).

**Figure 6-154** Remove optical scanner (2 of 7)



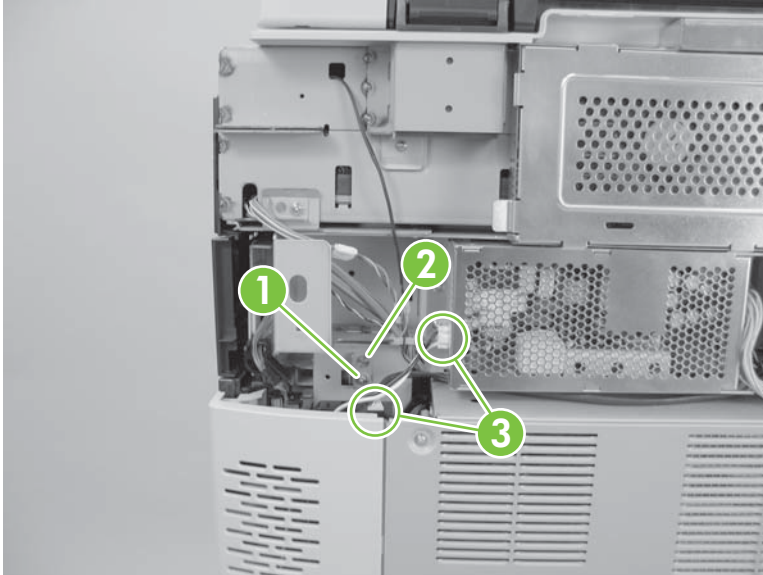
5. From the left side of the scanner, remove two screws (screws are captive and stay with the pins) (callout 1), remove two small pins (callout 2), and then remove one ground screw (callout 3).

**Figure 6-155** Remove optical scanner (3 of 7)



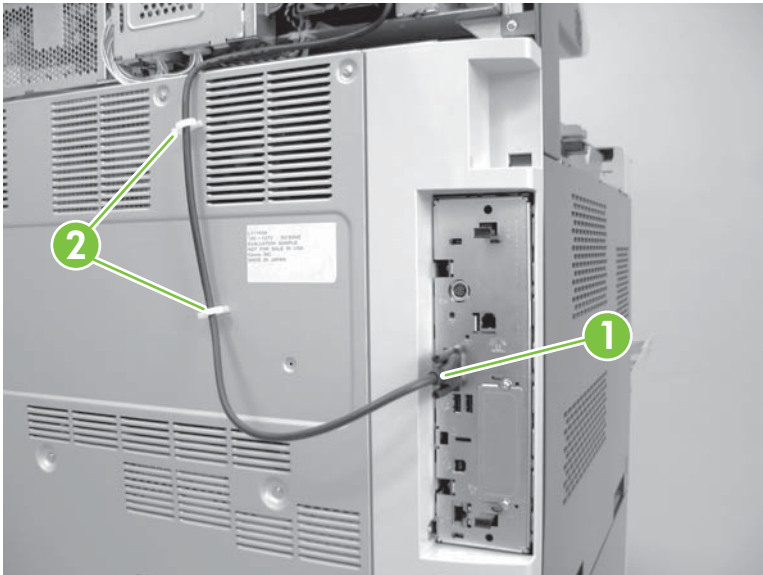
6. From the rear of the scanner, remove one screw (callout 1), remove one large pin (callout 2), and then disconnect two connectors (callout 3).

**Figure 6-156** Remove optical scanner (4 of 7)



7. Disconnect one connector (callout 1), and then release the cable from the two retainers (callout 2).

**Figure 6-157** Remove optical scanner (5 of 7)



- Lift the optical scanner off the product.

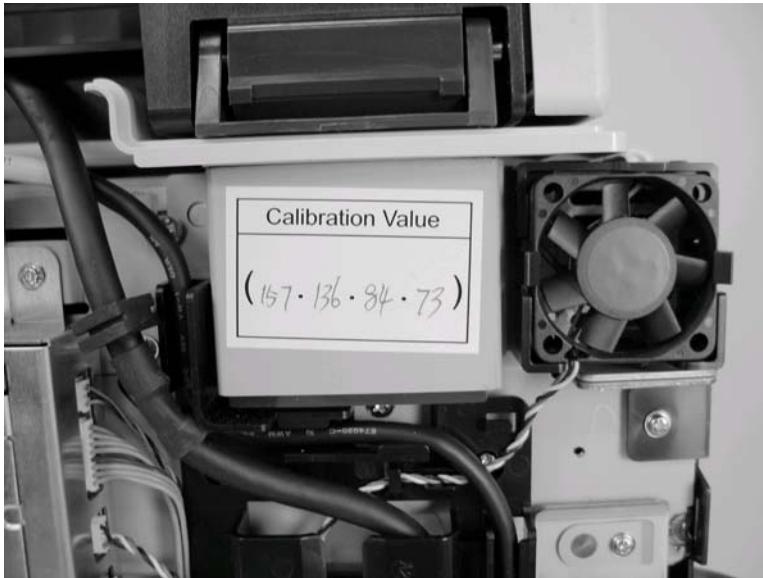
**Figure 6-158** Remove optical scanner (6 of 7)



**NOTE:** When replacing the optical scanner, you may need to add jumpers to the SCB and perform a firmware update. The jumpers are included with the optical scanner. See [Configure the SCB when replacing the carriage unit, inverter, SCB, or optical scanner on page 378](#).

**NOTE:** When reinstalling, enter the calibration value into the control panel. The calibration value is found on the back of the product as shown. See [Calibrate the scanner on page 130](#).

**Figure 6-159** Remove optical scanner (7 of 7)



## Upper-left scanner cover

1. Using a small flat-head screwdriver, remove three adhesive screw caps (callout 1).



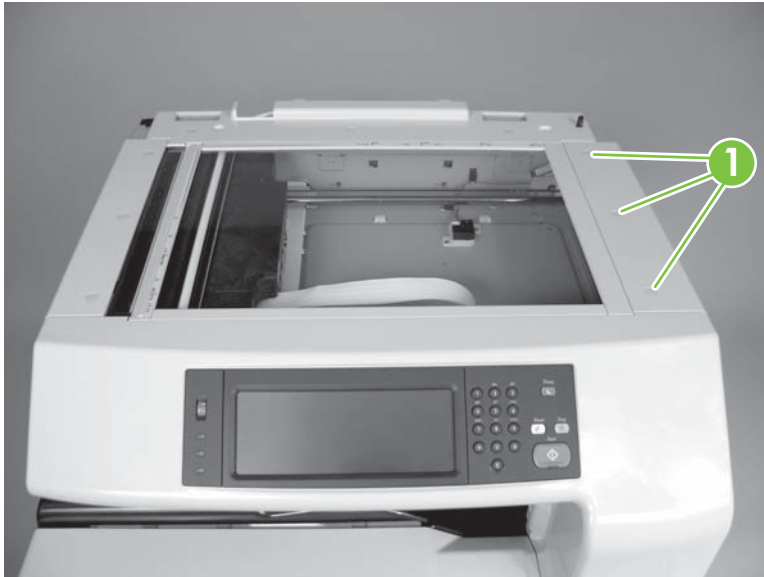
2. Remove three screws (callout 1) and then the upper-left scanner cover (callout 2).

**Figure 6-160** Upper-left scanner cover



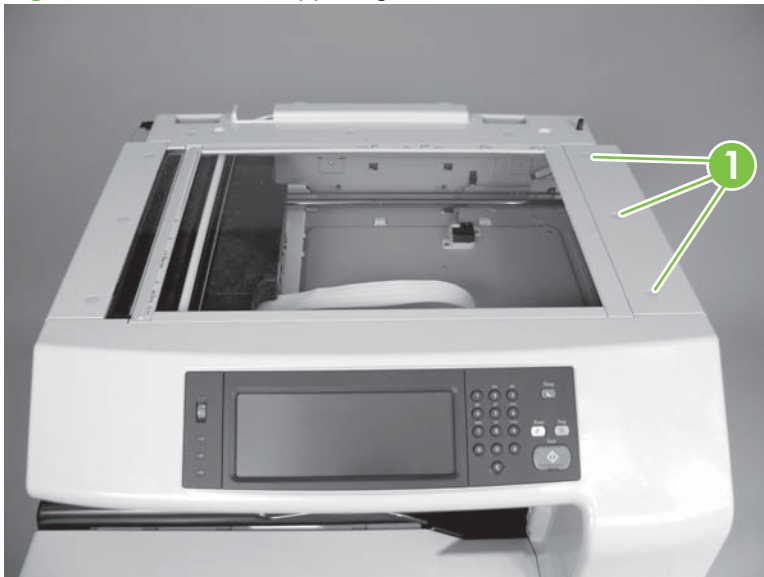
## Upper-right scanner cover

1. Using a small flat-head screwdriver, remove three adhesive screw caps (callout 1).




2. Remove three screws (callout 1) and then the upper-right scanner cover (callout 2).

**Figure 6-161** Remove upper-right scanner cover



## Control panel

1. Open the ADF.

 **NOTE:** It is not necessary to remove the ADF for this procedure.

---

2. Use a flat blade screw driver to remove the control panel overlays.

**Figure 6-162** Remove control panel (1 of 3)



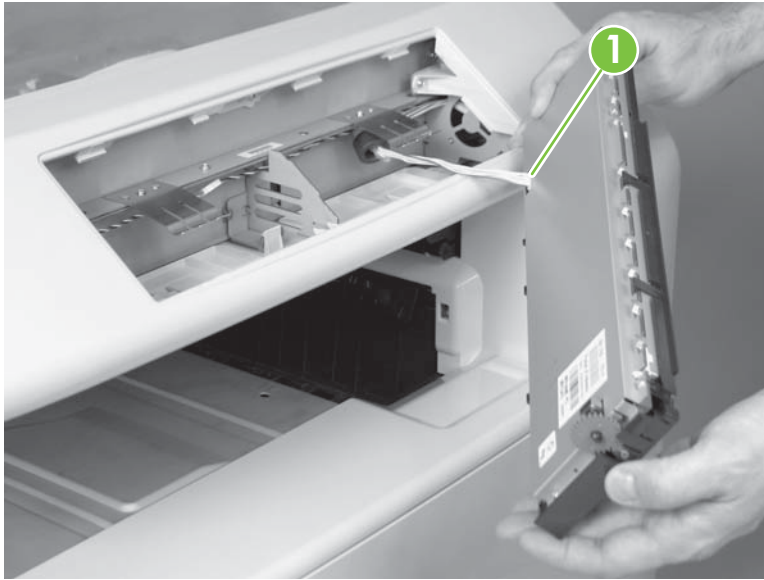
**Figure 6-163** Remove control panel (2 of 3)





3. Remove the control panel, and then disconnect one connector (callout 1).

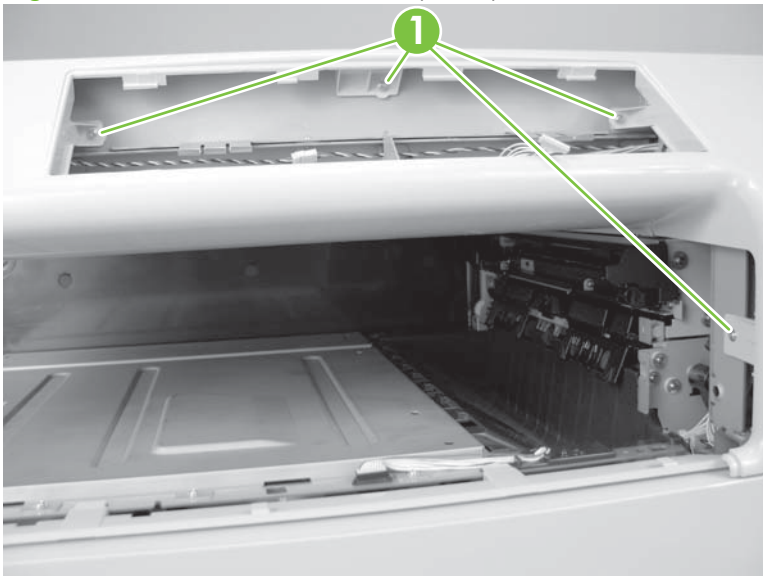
**Figure 6-164** Remove control panel (3 of 3)



## Front scanner cover

1. Remove the following:
  - Face-down bin. See [Face-down output bin on page 271](#)
  - Control panel. See [Control panel on page 364](#)
  - Upper-left scanner cover. See [Upper-left scanner cover on page 362](#)
  - Upper-right scanner cover. See [Upper-right scanner cover on page 363](#)
  - Front lower cover. See [Front lower cover on page 305](#)
  - Inner cover. See [Inner cover on page 306](#)
2. Remove four screws (callout 1).

**Figure 6-165** Remove front cover (1 of 2)



3. Remove the front cover.

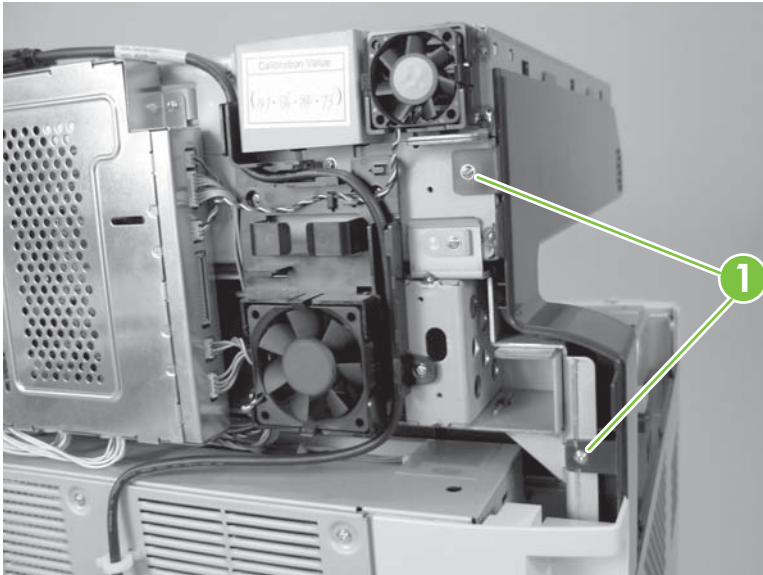
**Figure 6-166** Remove front cover (2 of 2)



## Lower-left scanner cover

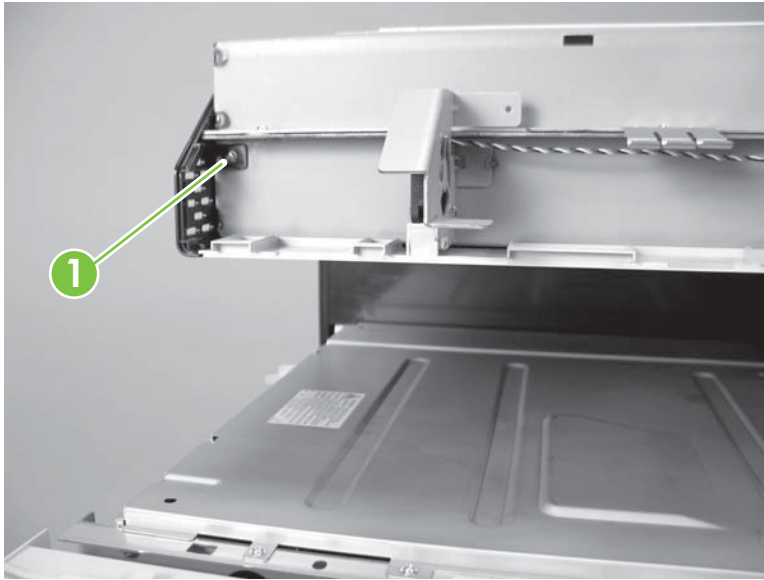
1. Remove the following:
  - Face-down bin. See [Face-down cover on page 326](#).
  - Control panel. See [Control panel on page 364](#).
  - Upper-left scanner cover. See [Upper-left scanner cover on page 362](#).
  - Upper-right cover. See [Upper-right scanner cover on page 363](#).
  - Rear scanner cover. See [Rear scanner cover on page 308](#).
  - Front lower cover. See [Front lower cover on page 305](#).
  - Inner cover. See [Inner cover on page 306](#).
  - Front scanner cover. See [Front scanner cover on page 366](#).
2. Remove two screws (callout 1).

**Figure 6-167** Remove lower left cover (1 of 2)



3. Remove one screw (callout 1) and then the lower left cover.

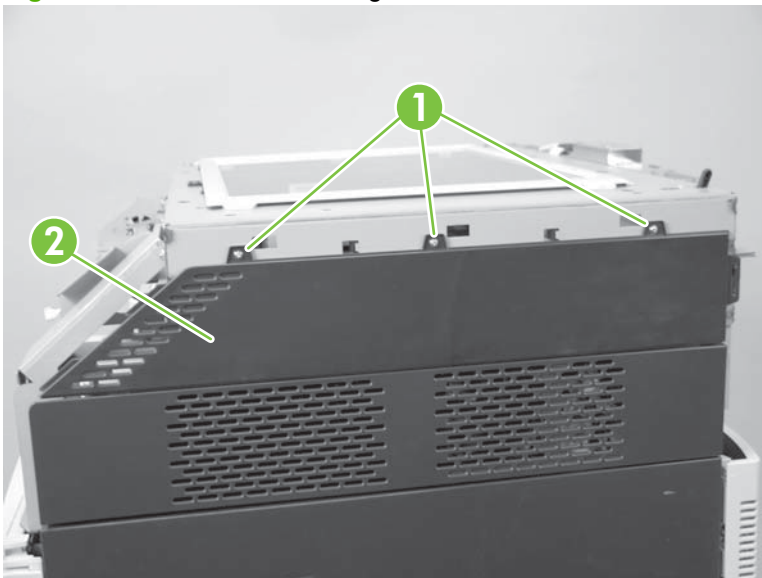
**Figure 6-168** Remove lower left cover (2 of 2)



## Lower-right scanner cover

1. Remove the following:
  - Face-down bin. See [Face-down output bin on page 271](#).
  - Control panel. See [Control panel on page 364](#).
  - Upper-right scanner cover. See [Upper-right scanner cover on page 363](#).
  - Front lower cover. See [Front lower cover on page 305](#).
  - Inner cover. See [Inner cover on page 306](#).
  - Front scanner cover. See [Front scanner cover on page 366](#).
  - Rear scanner cover. See [Rear scanner cover on page 308](#).
2. Remove three screws (callout 1), and then the lower-right cover (callout 2).

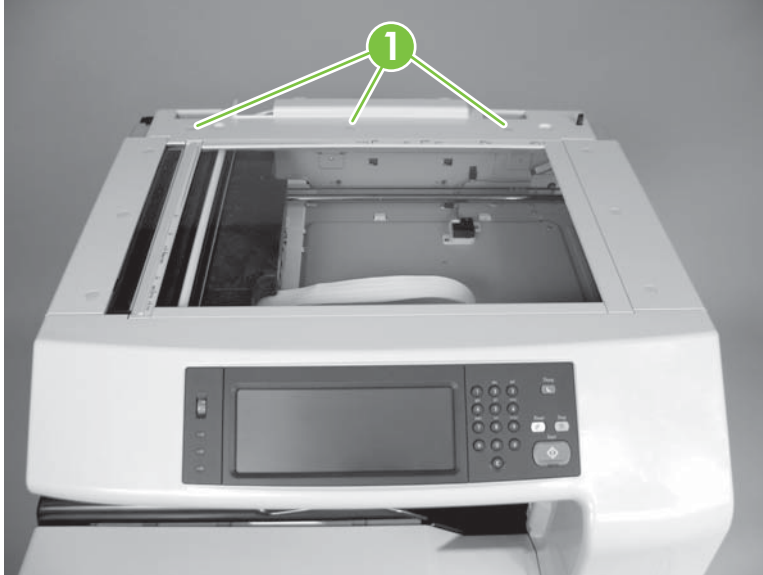
**Figure 6-169** Remove lower right cover



## Top scanner cover

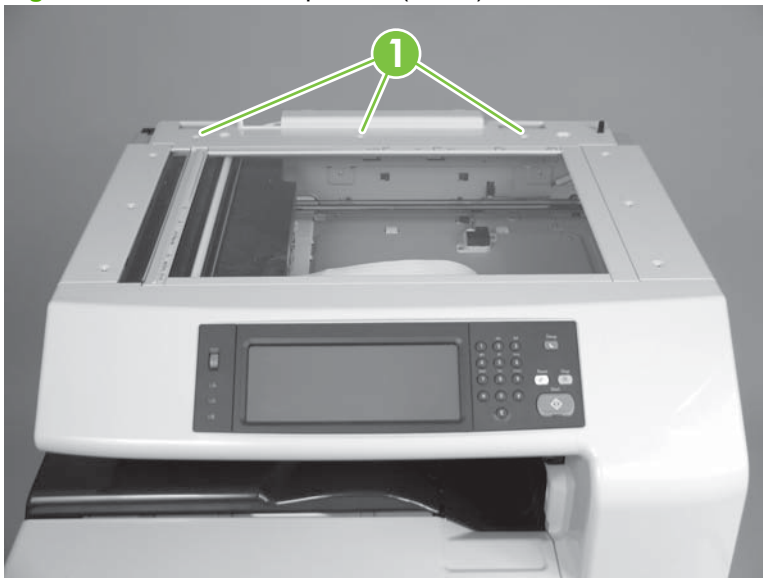
1. Remove the following:
  - ADF. See [ADF assembly on page 397](#).
2. Using a small flat-head screwdriver remove three adhesive screw caps (callout 1).

**Figure 6-170** Remove top cover (1 of 2)



3. Remove three screws (callout 1) and then the top cover.

**Figure 6-171** Remove top cover (2 of 2)

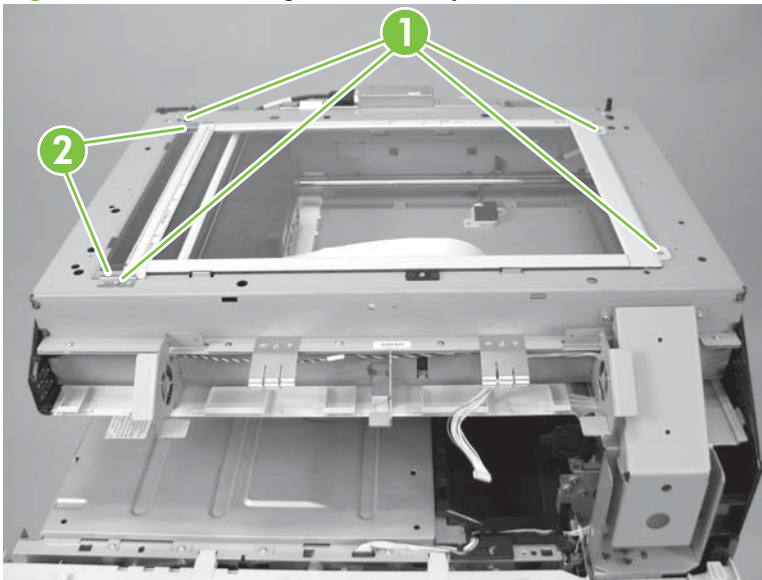


## Glass assembly

△ **CAUTION:** Wear gloves to avoid dust and fingerprints on the glass.

1. Remove the following:
  - Face-down output bin. See [Face-down output bin on page 271](#).
  - Control panel. See [Control panel on page 364](#).
  - Upper-left scanner cover. See [Upper-left scanner cover on page 362](#).
  - Upper-right scanner cover. See [Upper-right scanner cover on page 363](#).
  - Front lower cover. See [Front lower cover on page 305](#).
  - Inner cover. See [Inner cover on page 306](#).
  - Front scanner cover. See [Front scanner cover on page 366](#).
  - Top scanner cover. See [Top scanner cover on page 371](#).
2. Remove four screws (callout 1) and two retainers (callout 2).


**Figure 6-172** Remove glass assembly





## Carriage unit

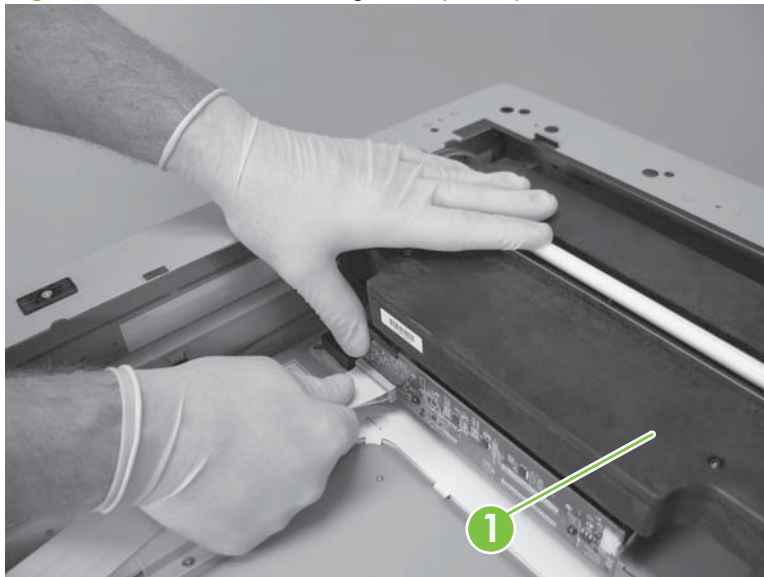
1. Remove the following:
  - Face-down output bin. See [Face-down output bin on page 271](#).
  - Control panel. See [Control panel on page 364](#).
  - Upper-left scanner cover. See [Upper-left scanner cover on page 362](#).
  - Upper-right scanner cover. See [Upper-right scanner cover on page 363](#).
  - Front lower cover. See [Front lower cover on page 305](#).
  - Inner cover. See [Inner cover on page 306](#).
  - Front scanner cover. See [Front scanner cover on page 366](#).
  - Top scanner cover. See [Top scanner cover on page 371](#).
  - Glass assembly. See [Glass assembly on page 372](#).

 **NOTE:** When replacing the carriage unit, you must also replace the inverter. See [Inverter unit on page 384](#).

**NOTE:** When replacing carriage unit, you may need to add jumpers to the SCB and to perform a firmware update. See [Configure the SCB when replacing the carriage unit, inverter, SCB, or optical scanner on page 378](#).

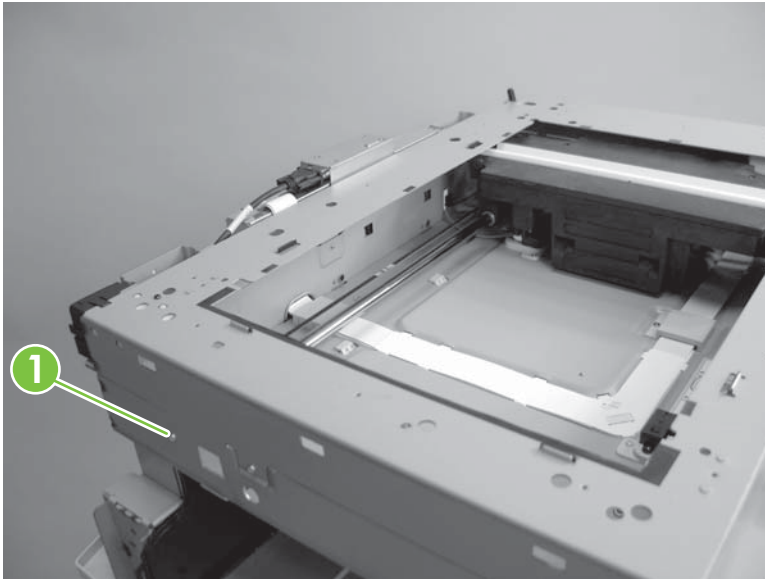
2. Remove two FFC-cables from the carriage unit (callout 1).

**Figure 6-173** Remove carriage unit (1 of 8)



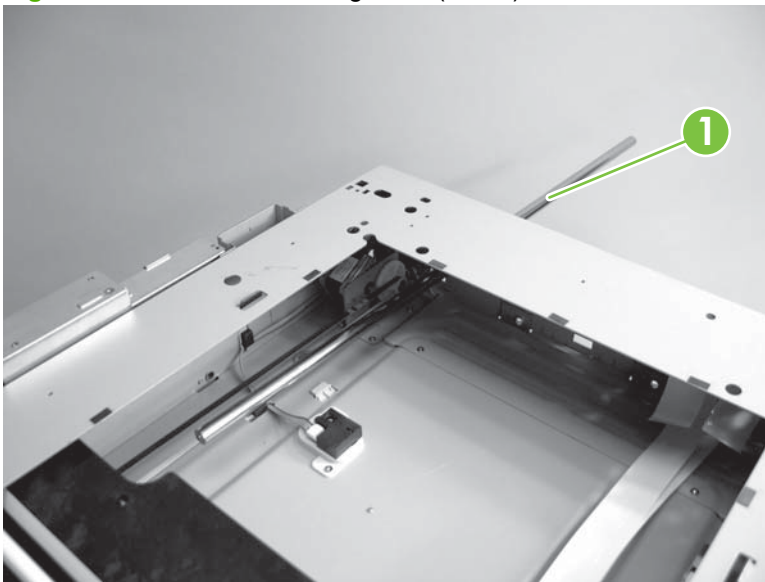
3. Remove one screw (callout 1).

**Figure 6-174** Remove carriage unit (2 of 8)



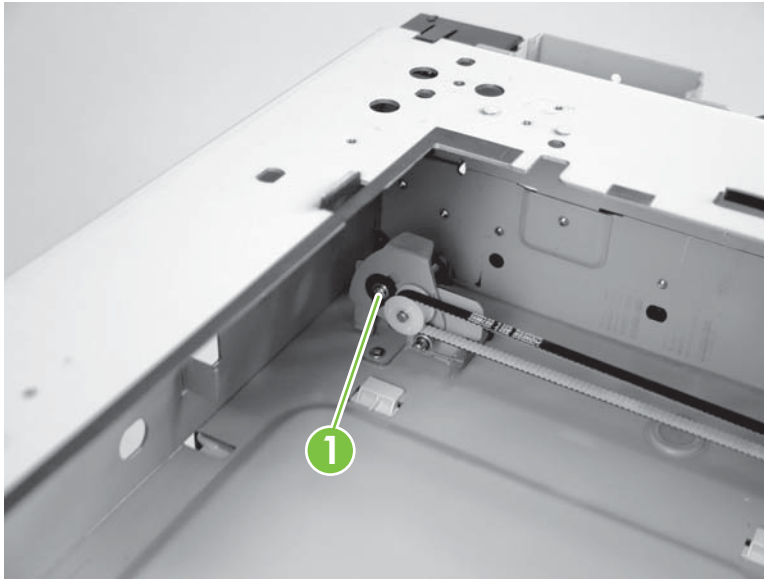
4. Slide the rod (callout 1) half way out.

**Figure 6-175** Remove carriage unit (3 of 8)



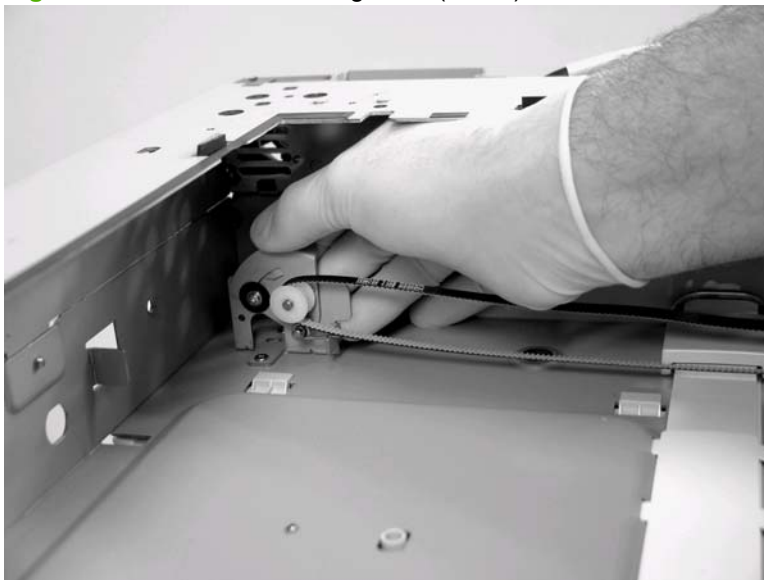
5. Loosen one tension screw (callout 1).

**Figure 6-176** Remove carriage unit (4 of 8)



6. Pull the tension spring to loosen the belt (callout 1).

**Figure 6-177** Remove carriage unit (5 of 8)



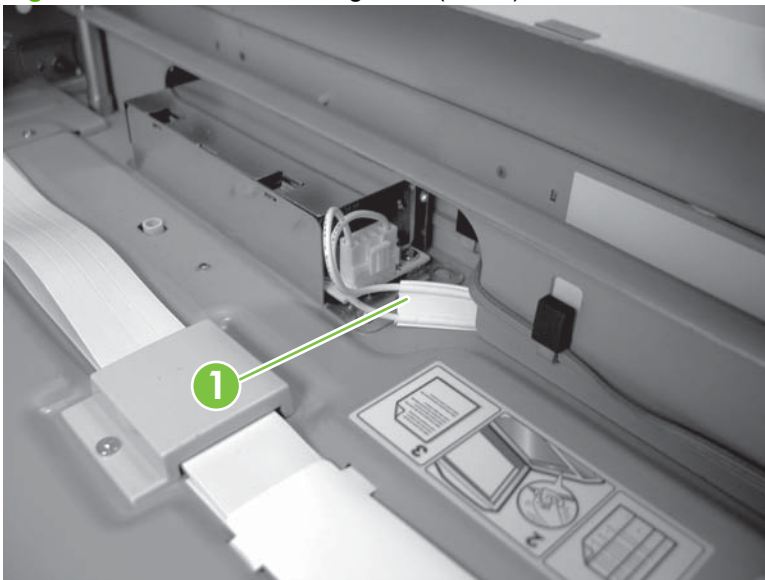
7. Remove the belt from the guide.

**Figure 6-178** Remove carriage unit (6 of 8)



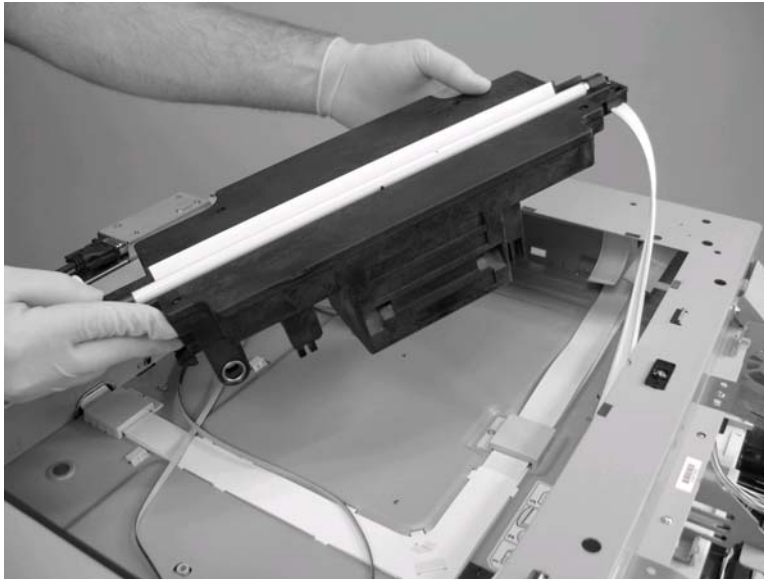
8. Disconnect one connector (callout 1).

**Figure 6-179** Remove carriage unit (7 of 8)



9. Remove the carriage unit.

**Figure 6-180** Remove carriage unit (8 of 8)

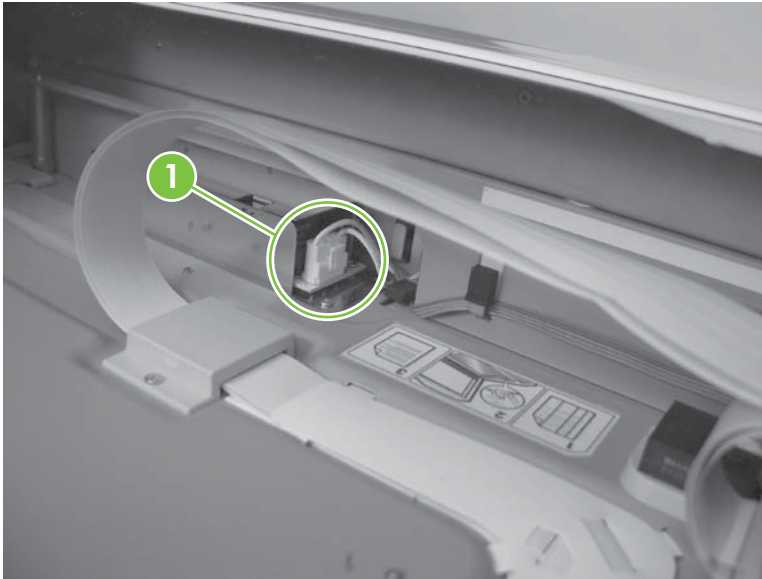


## Configure the SCB when replacing the carriage unit, inverter, SCB, or optical scanner

Two manufacturers have supplied the carriage unit and inverter for the scanner. When replacing either FRU, you must replace both FRUs with replacements from the same manufacturer. You can determine the manufacturer by the color of the lamp cable. When replacing the SCB or optical scanner, you must verify that the SCB is configured correctly.

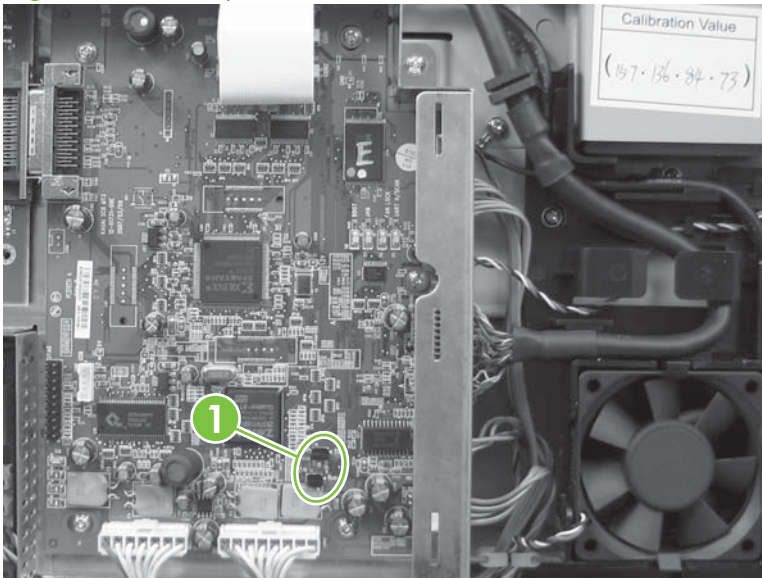
1. Determine the color of the lamp cable (callout 1) on the carriage unit.

**Figure 6-181** Lamp cable



2. If the cable is black, make sure there are two jumpers (callout 1) on the SCB. If the replacement cable is white, make sure these jumpers (callout 1) are not on the SCB.

**Figure 6-182** Jumpers on the SCB



**NOTE:** If replacing the SCB or optical scanner, make sure the SCB is correctly configured with or without jumpers depending on the color of the lamp cable.

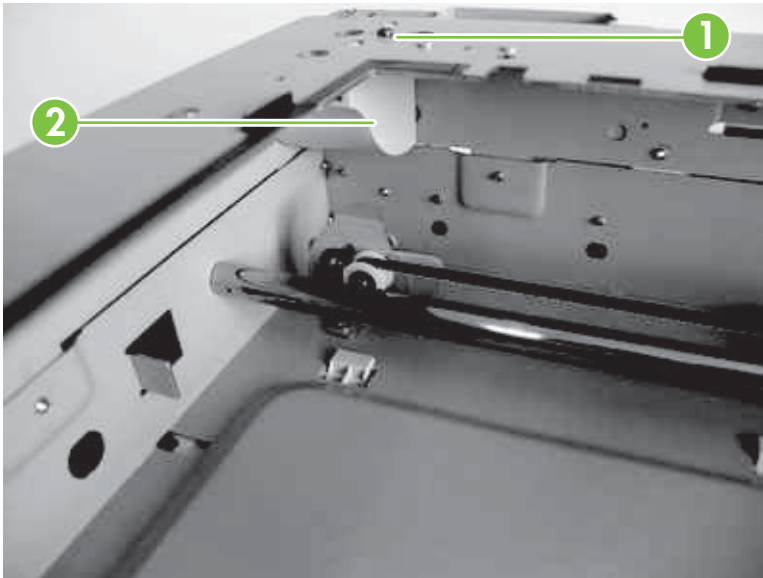
3. Calibrate the product from the control panel.
4. Perform a remote firmware update.



## Pulley assembly and motor unit

1. Remove the following:
  - Face-down output bin. See [Face-down output bin on page 271](#).
  - Control panel. See [Control panel on page 364](#).
  - Upper-left scanner cover. See [Upper-left scanner cover on page 362](#).
  - Upper-right scanner cover. See [Upper-right scanner cover on page 363](#).
  - Front lower cover. See [Front lower cover on page 305](#).
  - Inner cover. See [Inner cover on page 306](#).
  - Front scanner cover. See [Front scanner cover on page 366](#).
  - Top scanner cover. See [Top scanner cover on page 371](#).
  - Glass assembly. See [Glass assembly on page 372](#).
2. Remove one screw (callout 1) and then the carriage fan duct (callout 2).

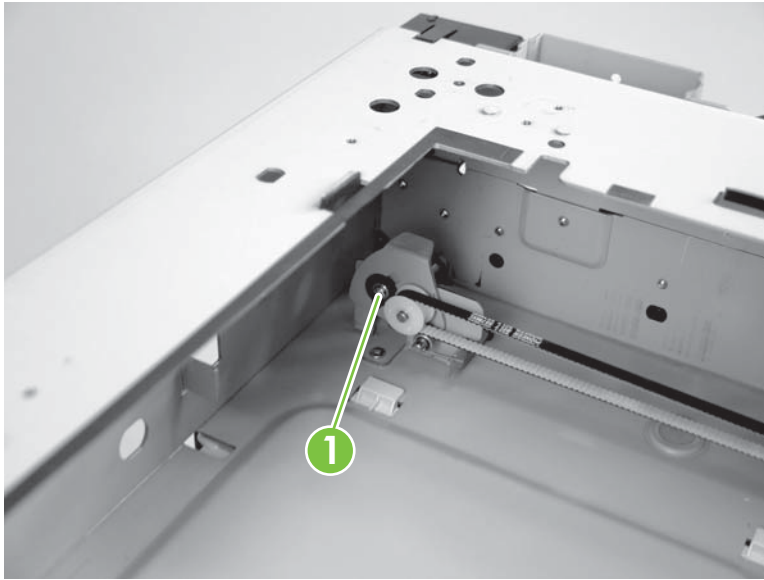
**Figure 6-183** Remove pulley assembly and motor unit (1 of 5)





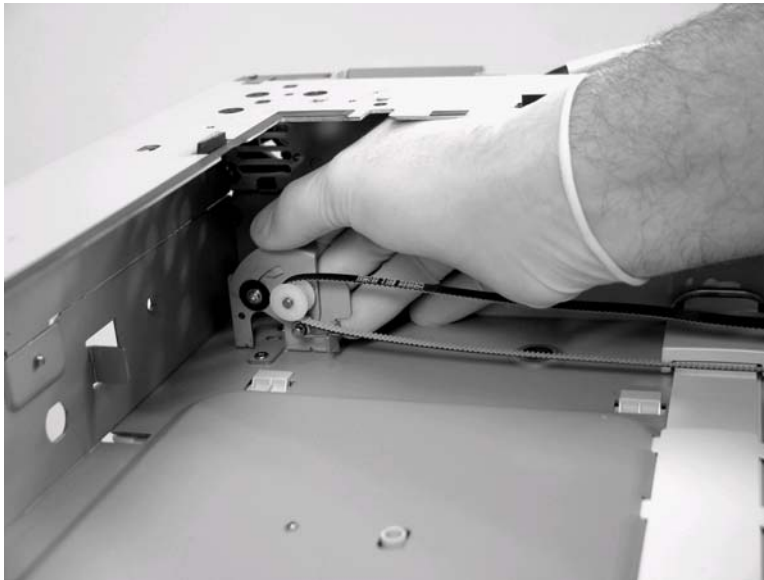
3. Loosen one screw (callout 1) on the pulley.

**Figure 6-184** Remove pulley assembly and motor unit (2 of 5)



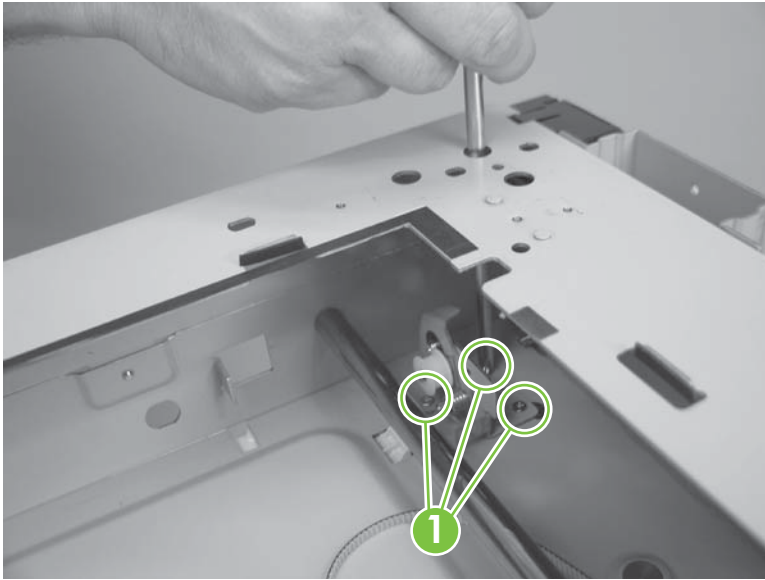
4. Loosen the belt and then remove it.

**Figure 6-185** Remove pulley assembly and motor unit (3 of 5)



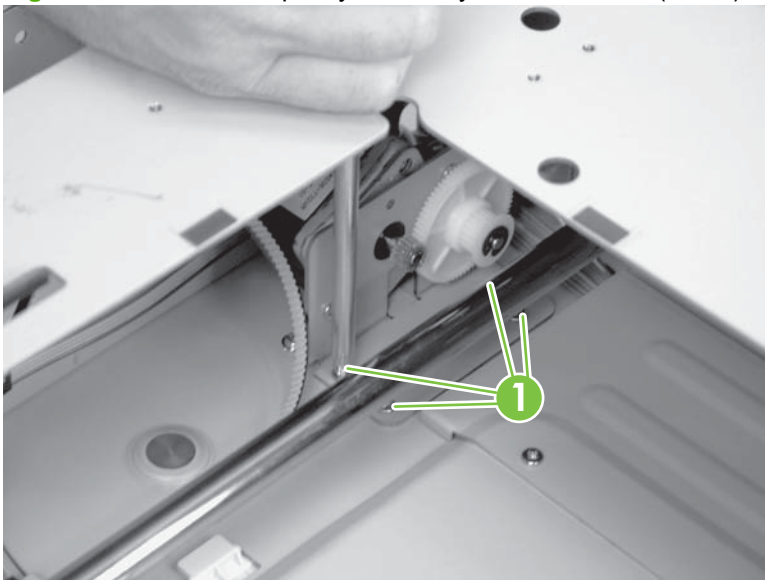
5. Remove three screws (callout 1), and then remove the pulley assembly.

**Figure 6-186** Remove pulley assembly and motor unit (4 of 5)



6. Remove four screws (callout 1), and then remove the motor.

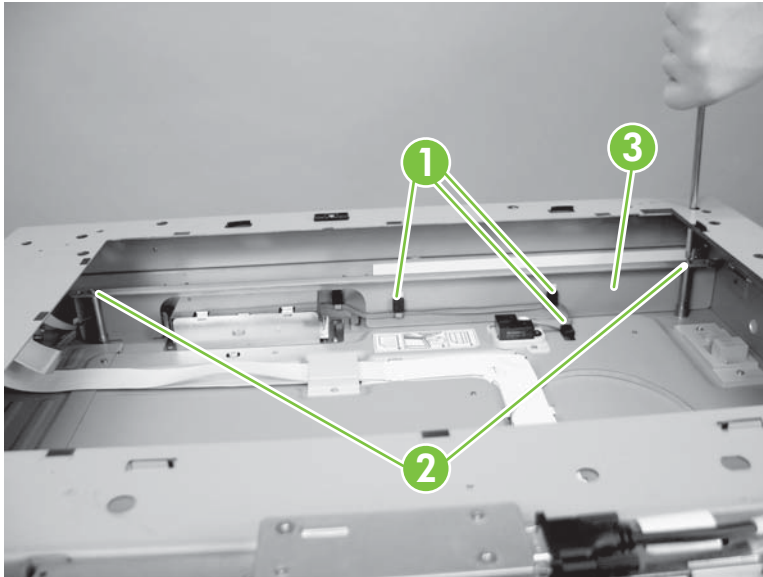
**Figure 6-187** Remove pulley assembly and motor unit (5 of 5)



## Rail

1. Remove the following:
  - Face-down output bin. See [Face-down output bin on page 271](#).
  - Control panel. See [Control panel on page 364](#).
  - Upper-left scanner cover. See [Upper-left scanner cover on page 362](#).
  - Upper-right scanner cover. See [Upper-right scanner cover on page 363](#).
  - Front lower cover. See [Front lower cover on page 305](#).
  - Inner cover. See [Inner cover on page 306](#).
  - Front scanner cover. See [Front scanner cover on page 366](#).
  - Top scanner cover. See [Top scanner cover on page 371](#).
  - Glass assembly. See [Glass assembly on page 372](#).
  - Carriage unit. See [Carriage unit on page 373](#).
2. Release the three wire retainers (callout 1), remove two screws (callout 2), and then remove the rail (callout 3).

**Figure 6-188** Remove rail




# Inverter

## Inverter unit

△ **CAUTION:** Wear gloves to avoid fingerprints on cage.

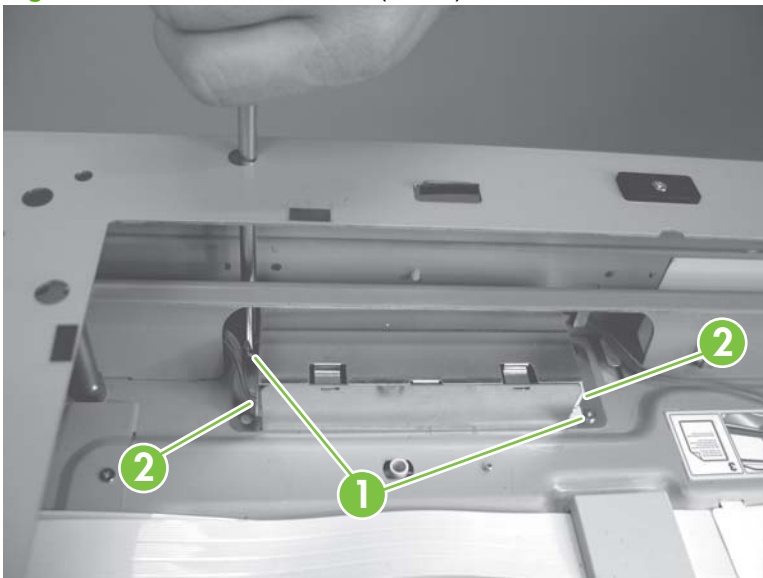
1. Remove the following:
  - Face-down output bin. See [Face-down output bin on page 271](#).
  - Control panel. See [Control panel on page 364](#).
  - Upper-left scanner cover. See [Upper-left scanner cover on page 362](#).
  - Upper-right scanner cover. See [Upper-right scanner cover on page 363](#).
  - Front lower cover. See [Front lower cover on page 305](#).
  - Inner cover. See [Inner cover on page 306](#).
  - Front scanner cover. See [Front scanner cover on page 366](#).
  - Top scanner cover. See [Top scanner cover on page 371](#).
  - Glass assembly. See [Glass assembly on page 372](#).

 **NOTE:** When replacing the inverter, you must also replace the carriage unit. See [Carriage unit on page 373](#).

**NOTE:** When replacing the inverter, you may need to add jumpers to the SCB and perform a firmware update. See [Configure the SCB when replacing the carriage unit, inverter, SCB, or optical scanner on page 378](#).

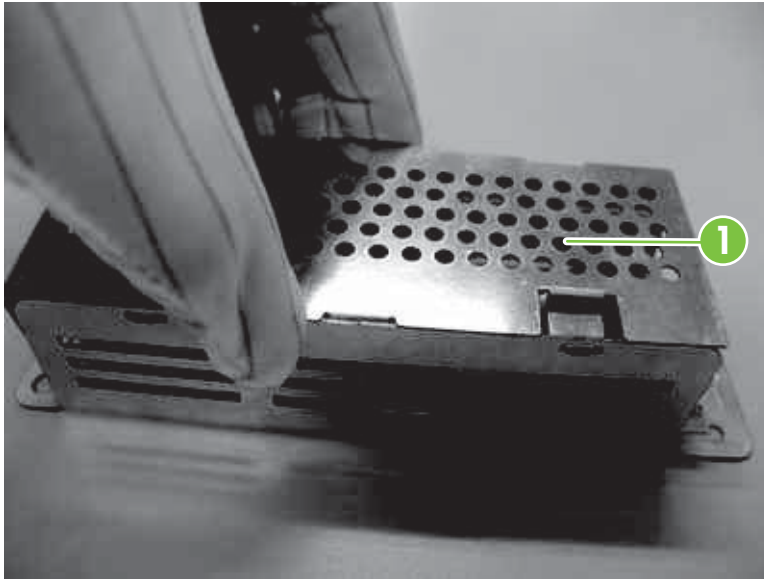
2. Remove two screws (callout 1) and disconnect two connectors (callout 2).

**Figure 6-189** Remove inverter (1 of 3)



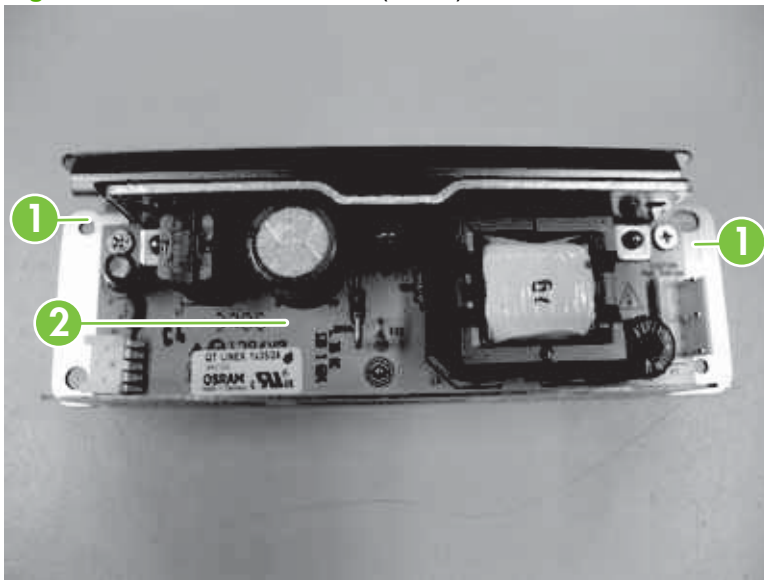
3. Remove the top inverter cage (callout 1).

**Figure 6-190** Remove inverter (2 of 3)



4. Remove two screws (callout 1), and then remove the inverter (callout 2).

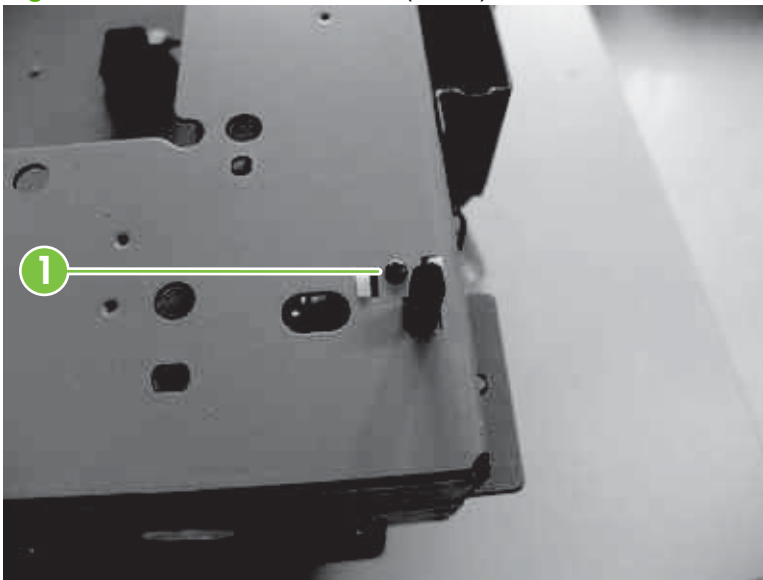
**Figure 6-191** Remove inverter (3 of 3)



## Lid sensor

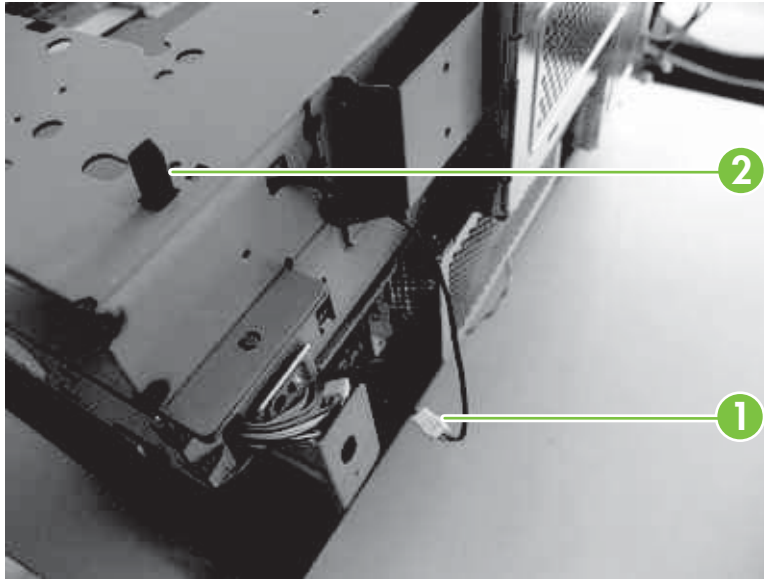
1. Remove the following:
  - Face-down output bin. See [Face-down output bin on page 271](#).
  - Control panel. See [Control panel on page 364](#).
  - Upper-left scanner cover. See [Upper-left scanner cover on page 362](#).
  - Upper-right scanner cover. See [Upper-right scanner cover on page 363](#).
  - Front lower cover. See [Front lower cover on page 305](#).
  - Inner cover. See [Inner cover on page 306](#).
  - Front scanner cover. See [Front scanner cover on page 366](#).
  - Top scanner cover. See [Top scanner cover on page 371](#).
  - Glass assembly. See [Glass assembly on page 372](#).
2. Remove one screw (callout 1).

**Figure 6-192** Remove lid sensor (1 of 3)



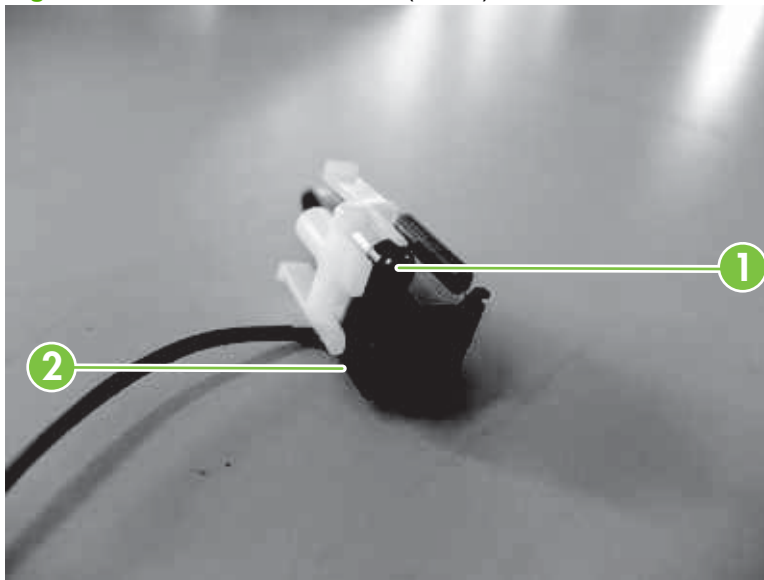
3. Remove one connector (callout 1) and then remove the lid sensor (callout 2).

**Figure 6-193** Remove lid sensor (2 of 3)



4. Remove one screw (callout 1), and then remove the lid sensor (callout 2).

**Figure 6-194** Remove lid sensor (3 of 3)

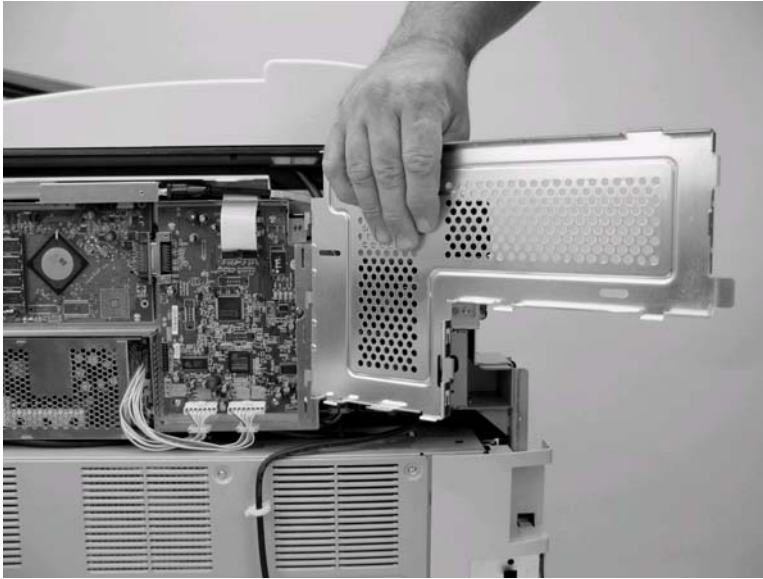




## SCB, CPB, and SCUID

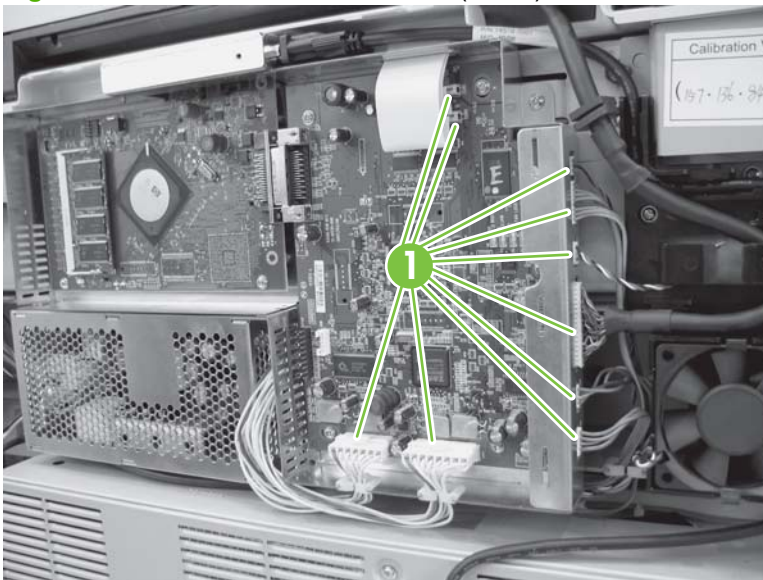
1. Remove the following:
  - Rear scanner cover. See [Rear scanner cover on page 308](#).
2. Remove the cage door.

**Figure 6-195** Remove SCB and CPB (1 of 5)



3. Disconnect ten connectors (callout 1).

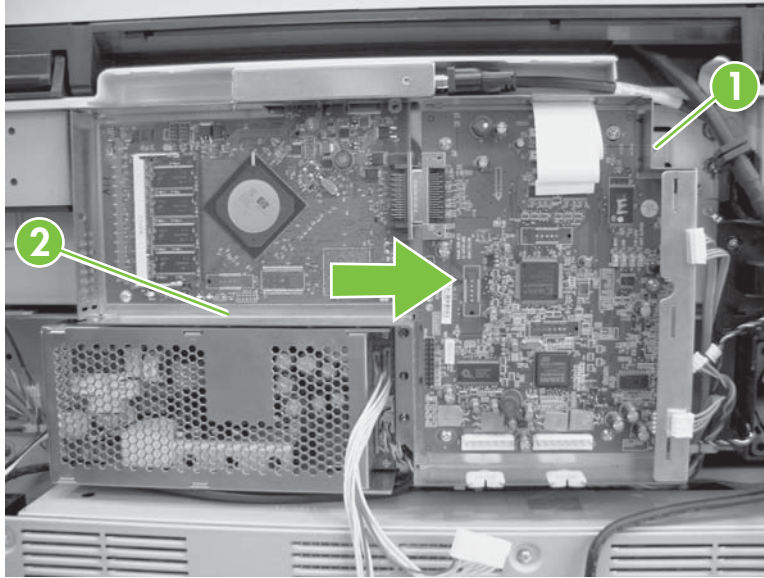
**Figure 6-196** Remove SCB and CPB (2 of 5)





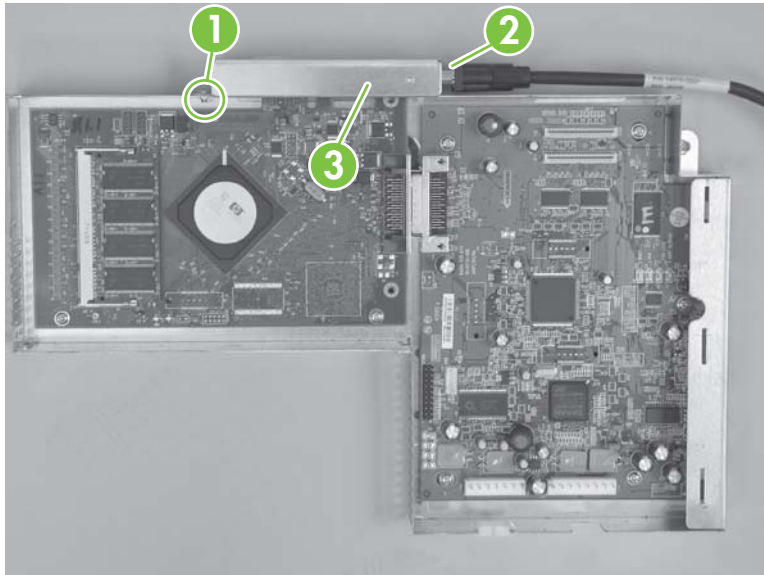
4. Remove one screw (callout 1), and then slide the cage assembly (callout 2) to the right to remove.

**Figure 6-197** Remove SCB, CPB, and SCUID (3 of 5)



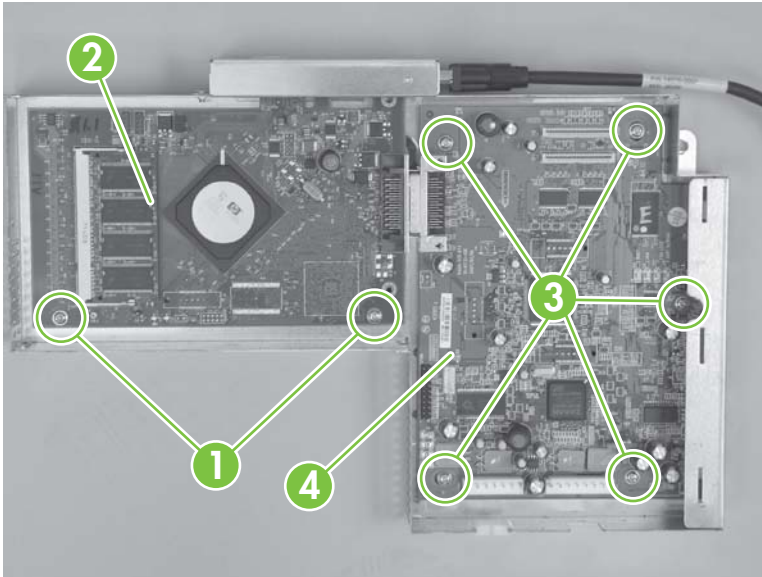
5. Remove one screw (callout 1), disconnect one cable (callout 2), and then remove the SCUID (callout 3).

**Figure 6-198** Remove SCB, CPB, and SCUID (4 of 5)




6. Remove two screws (callout 1) and then slide the SCB (callout 2) to the left to remove. Remove five screws (callout 3), and then remove the CPB (callout 4).

**Figure 6-199** Remove SCB, CPB, and SCUID (5 of 5)



---

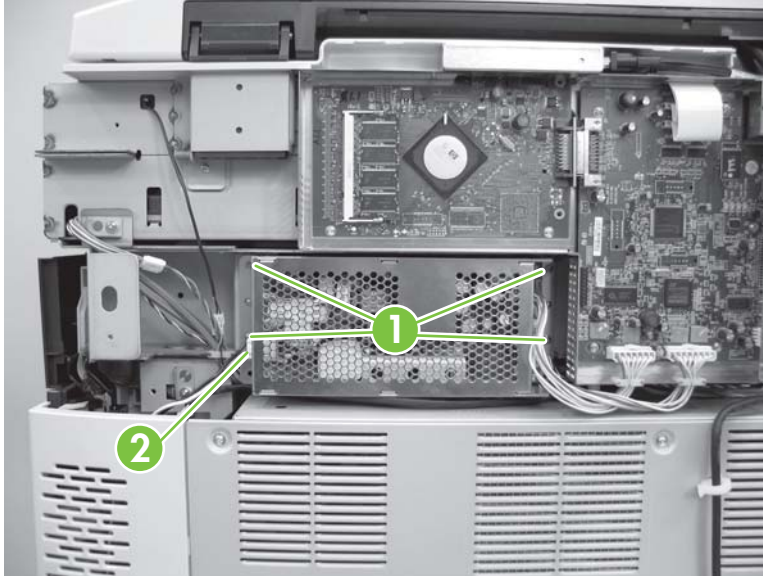
 **NOTE:** When replacing the SCB, you may need to add jumpers to the SCB and perform a firmware update. See [Configure the SCB when replacing the carriage unit, inverter, SCB, or optical scanner on page 378](#).

---

## Power-supply unit

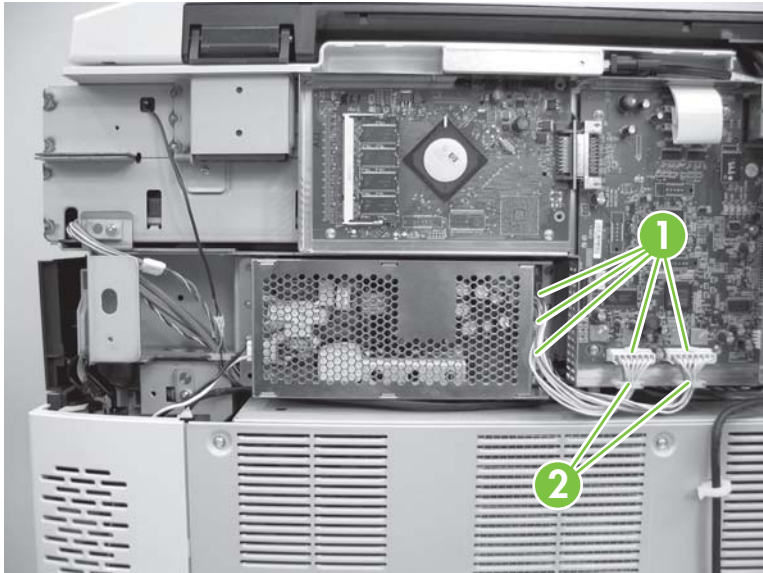
1. Remove the following:
  - Rear scanner cover. See [Rear scanner cover on page 308](#).
2. Open the PCA cage.
3. Remove four screws (callout 1), and then release two wire harnesses (callout 2).

**Figure 6-200** Remove power supply unit (1 of 3)



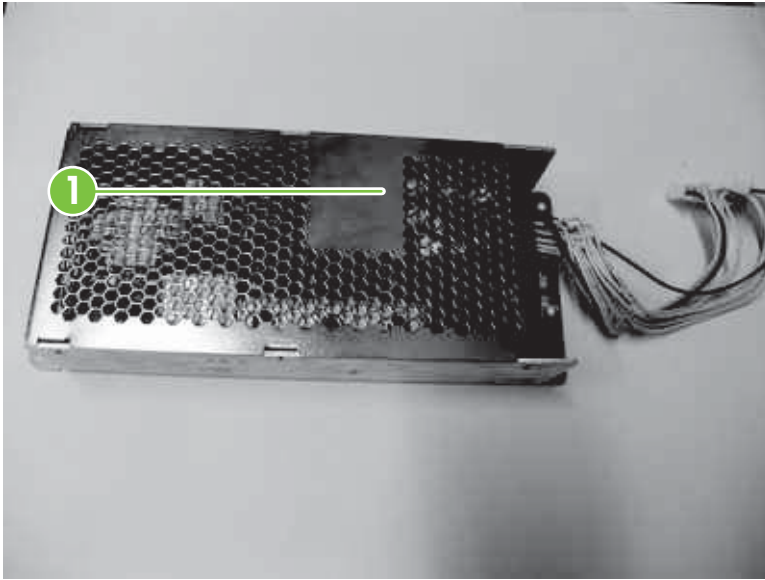
4. Disconnect five connectors (callout 1), and then release two wire harnesses.

**Figure 6-201** Remove power supply unit (2 of 3)



5. Remove the power supply unit (callout 1).

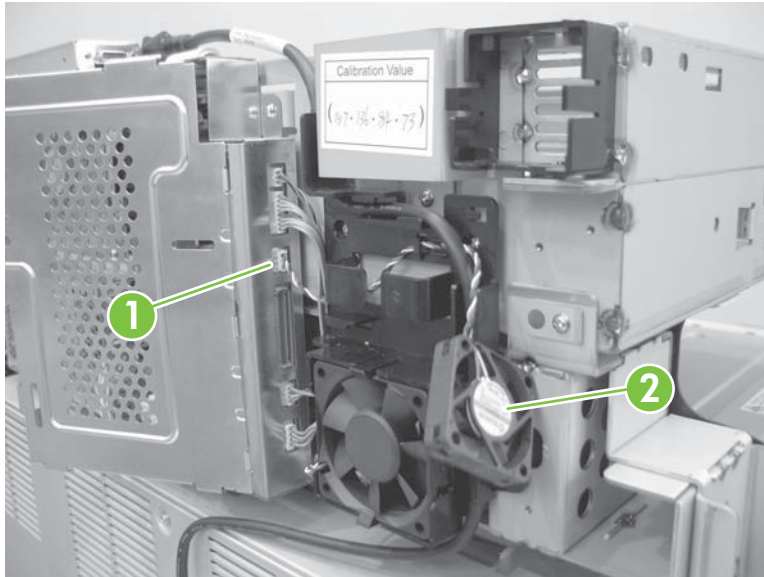
**Figure 6-202** Remove power supply unit (3 of 3)



## Scanner fan

1. Remove the following:
  - Rear scanner cover. See [Rear scanner cover on page 308](#).
2. Remove one connector (callout 1), and then remove the fan (callout 2).

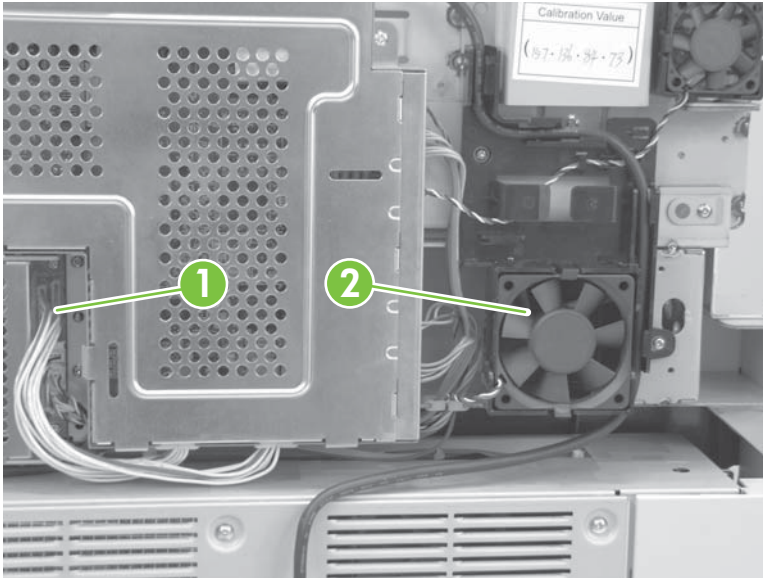
**Figure 6-203** Remove scanner fan



## SCB fan

1. Remove the following:
  - Rear scanner cover. See [Rear scanner cover on page 308](#).
2. Disconnect one connector (callout 1), and then remove the fan (callout 2).

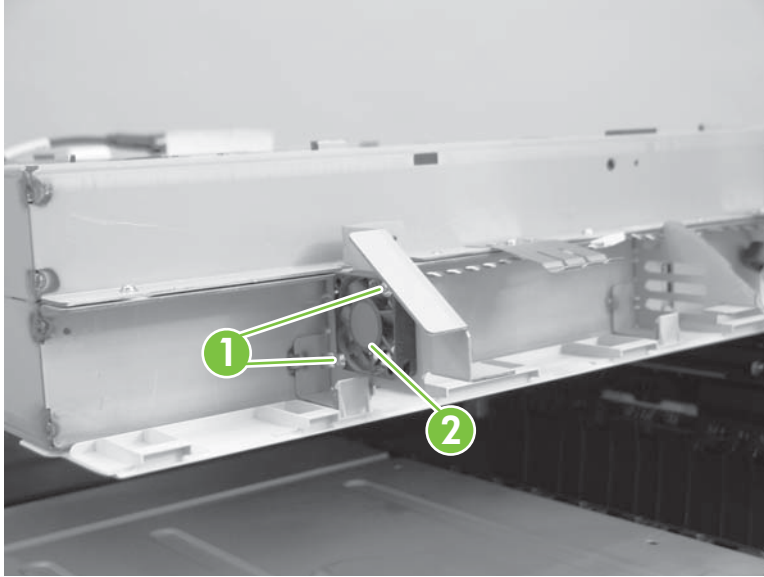
**Figure 6-204** Remove the SCB fan



## Control panel fan

1. Remove the following:
  - Front scanner cover. See [Front scanner cover on page 366](#).
2. Remove two screws (callout 1), and then remove the fan (callout 2).

**Figure 6-205** Remove control panel fan

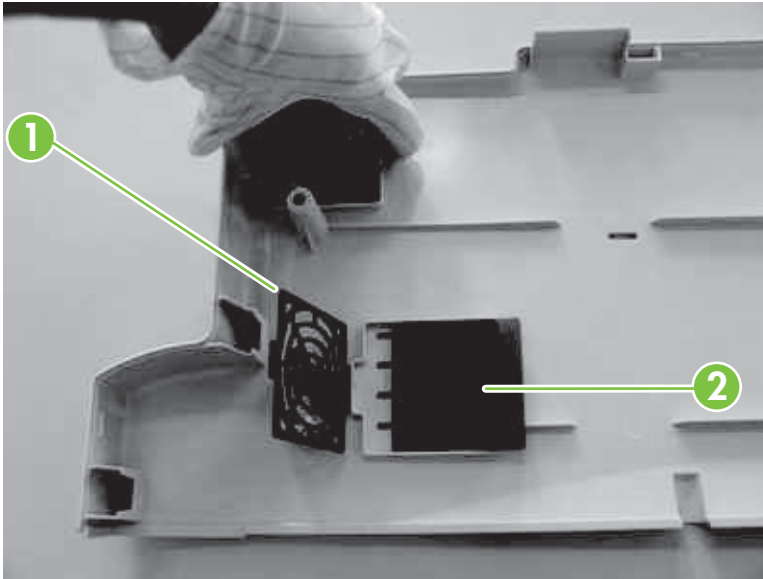




## Fan filter

1. Remove the following:
  - Rear scanner cover. See [Rear scanner cover on page 308](#).
2. Remove two fan covers (callout 1), and then remove the fan filters (callout 2).

**Figure 6-206** Remove fan filter



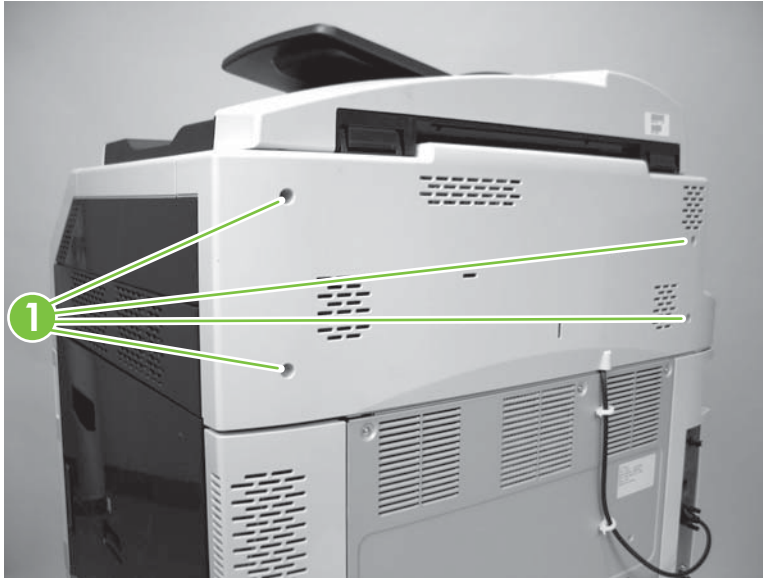


# ADF

## ADF assembly

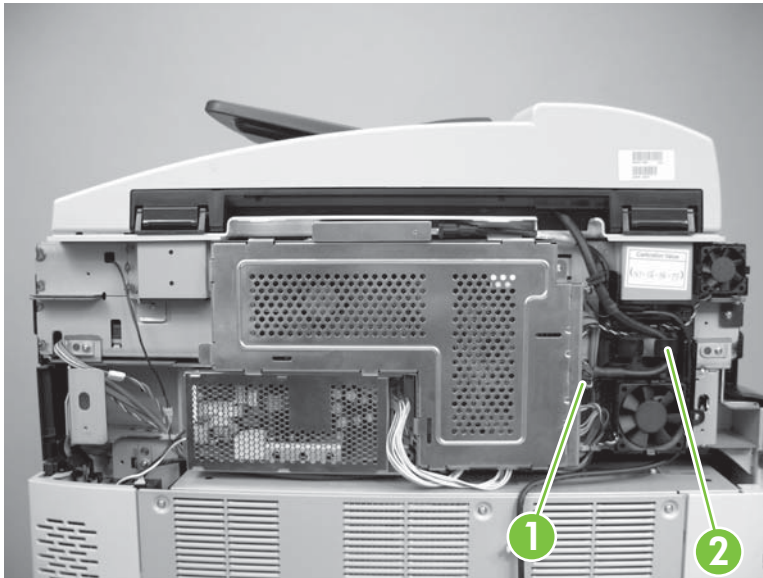
1. Remove four screws (callout 1) and four tabs, and then remove the SCB cover.

**Figure 6-207** Remove the ADF assembly (1 of 4)



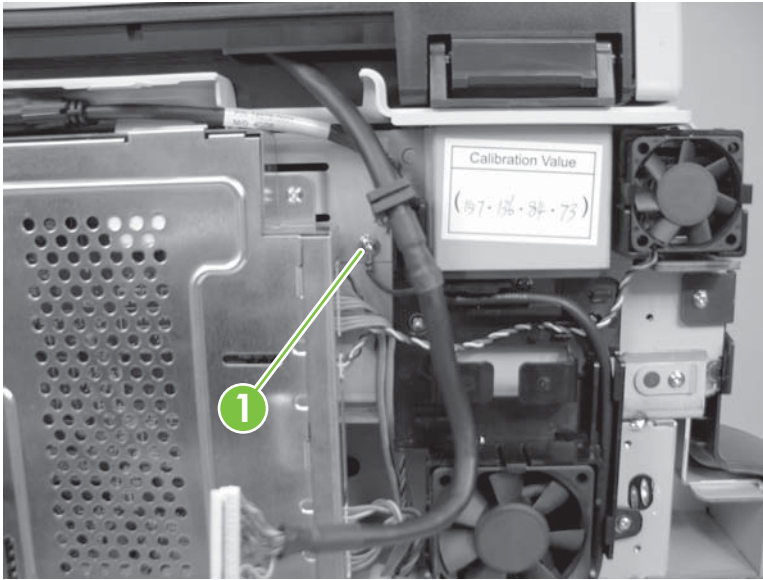
2. Disconnect one connector (callout 1) and release one wire retainer (callout 2).

**Figure 6-208** Remove the ADF assembly (2 of 4)




3. Remove one ground screw (callout 1).

**Figure 6-209** Remove the ADF assembly (3 of 4)



4. Lift the ADF up and off of the product.


 **NOTE:** Be careful not to catch the ADF wire harness on the sharp edges of the plastic scanner covers.

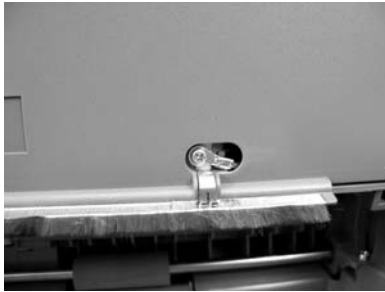
**Figure 6-210** Remove the ADF assembly (4 of 4)



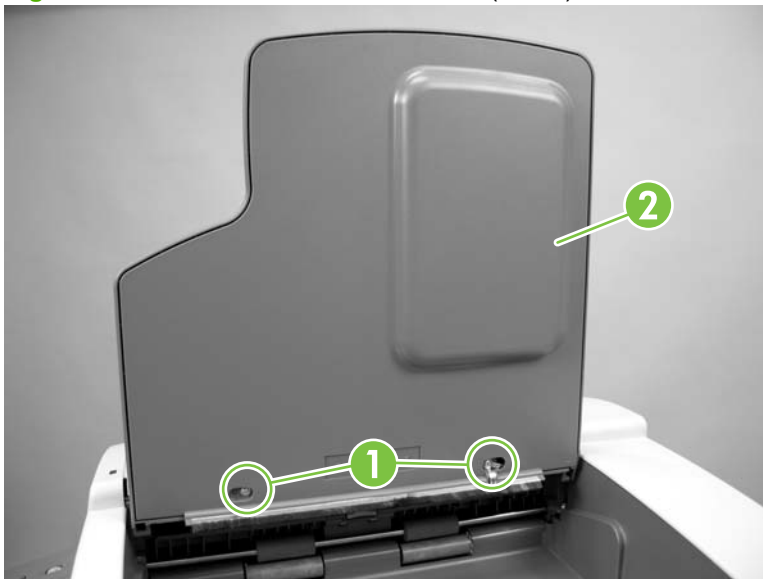
## ADF input tray sensors

1. Open the ADF jam cover and raise the ADF input tray into the upright position. Remove two screws (callout 1), and then carefully remove the input tray back plate (callout 2).

 **TIP:** The grounding clip on the rear mounting screw is not captive. Do not lose this clip when the screw is removed.

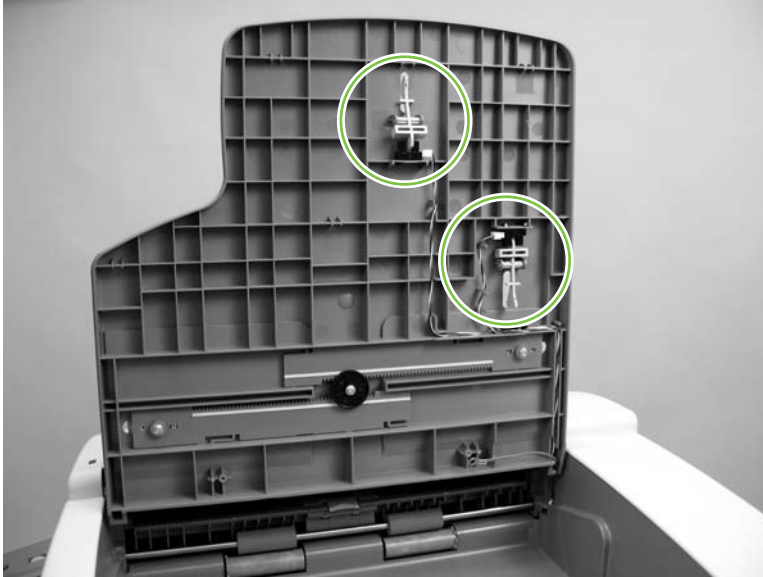


**Figure 6-211** Remove the ADF sensors (1 of 2)



2. Disconnect the sensor connector and carefully remove the sensor. Repeat this step for the remaining sensor.

**Figure 6-212** Remove the ADF sensors (2 of 2)



## Separation floor assembly

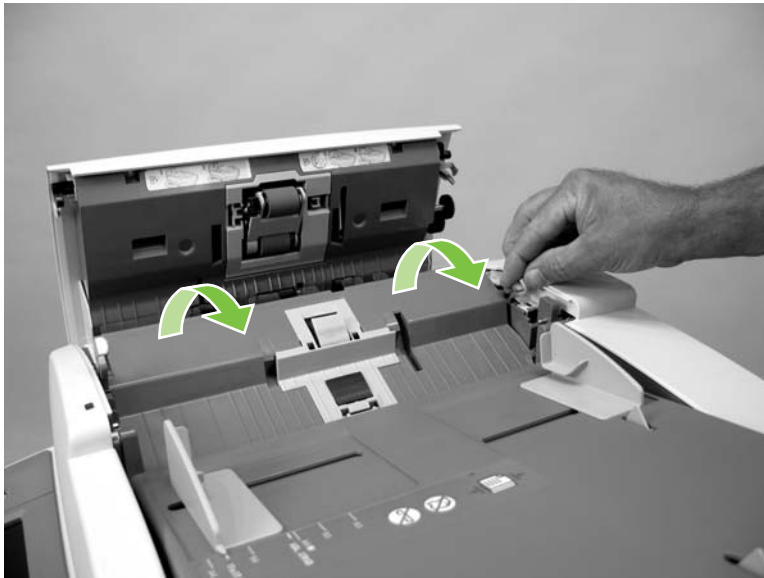
1. Open the ADF jam cover.

**Figure 6-213** Remove the ADF separation floor assembly (1 of 4)




2. Rotate the separation floor assembly into the upright position.

**Figure 6-214** Remove the ADF separation floor assembly (2 of 4)

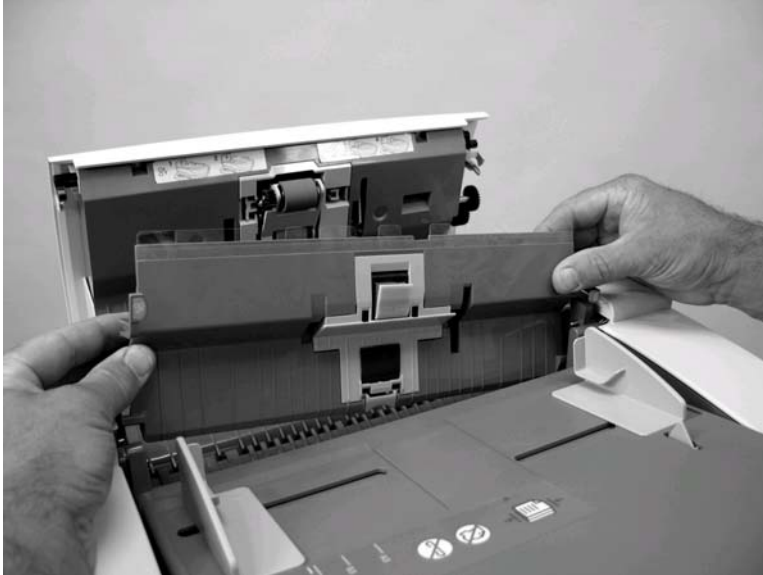


3. Lift up on the end of the separation floor assembly nearest the front of the device to release the keyed hinge pin.

 **TIP:** When you reinstall the separation floor assembly, make sure that the keyed hinge pin is fully seated in the ADF assembly.

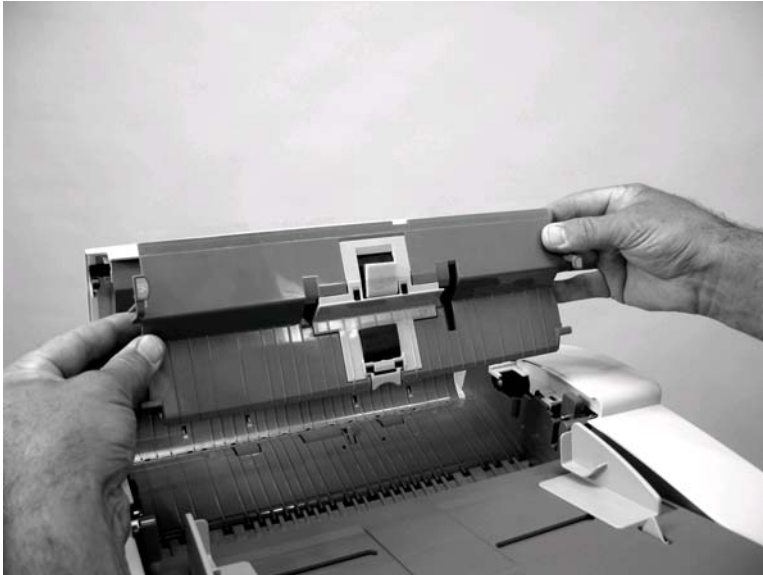
---

**Figure 6-215** Remove the ADF separation floor assembly (3 of 4)



4. Slide the separation floor assembly toward the front of the device to release the rear hinge pin and remove the assembly.

**Figure 6-216** Remove the ADF separation floor assembly (4 of 4)



## Diverter

1. Remove the ADF separation floor assembly. See [Separation floor assembly on page 401](#).
2. Grasp the middle of the diverter and gently flex it up and away from the ADF.

**Figure 6-217** Remove the ADF diverter (1 of 2)



3. Flex the diverter until you can release the pin nearest the front of the device, and then remove the diverter.

**Figure 6-218** Remove the ADF diverter (2 of 2)






## Jam cover

1. Open the ADF jam cover.

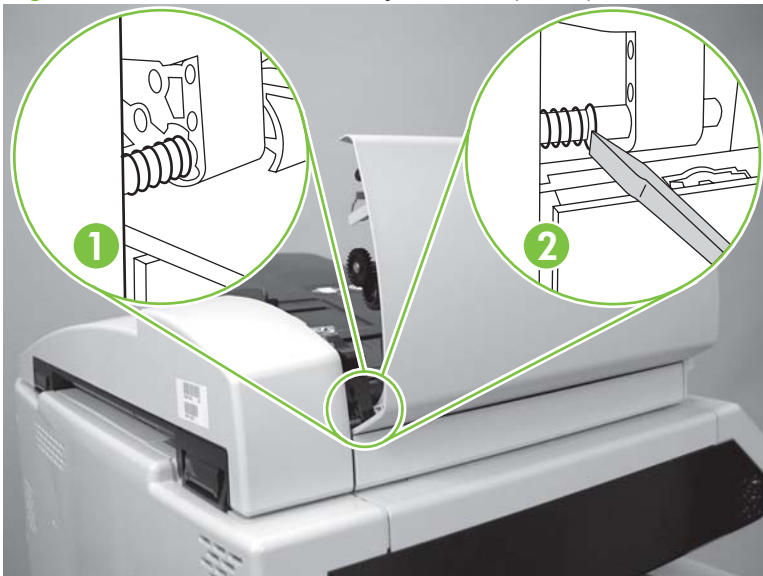
**Figure 6-219** Remove the ADF jam cover (1 of 3)



2. Use a small flat-blade screw driver to rotate the retainer clip on the rear jam cover hinge pin until the groove in the shaft is exposed (callout 1). Place the tip of a small flat-blade screwdriver in the groove in the shaft and slide the shaft toward the back of the printer to release the cover (callout 2).

 **NOTE:** Be careful not to damage the spring or dislodge the retainer clip. Slightly closing and opening the jam cover might make the shaft easier to move.

**Figure 6-220** Remove the ADF jam cover (2 of 3)





3. Rotate the jam cover up and away from the ADF to remove it.

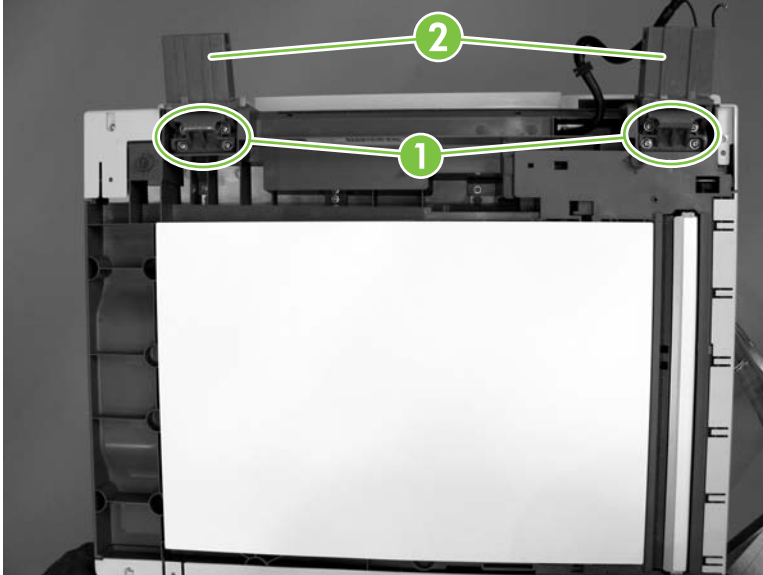
**Figure 6-221** Remove the ADF jam cover (3 of 3)



## Hinge assemblies

1. Remove the ADF and lay it upside down on a flat surface. See [ADF assembly on page 397](#).
2. Remove eight screws (callout 1) and remove the ADF hinges (callout 2).

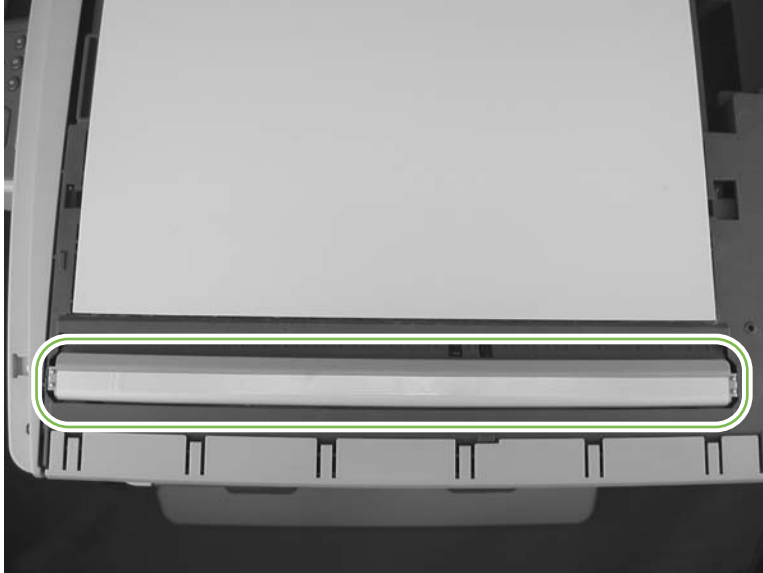
**Figure 6-222** Remove the ADF hinges



## Float assembly

1. Remove the ADF and lay it upside down on a flat surface. See [ADF assembly on page 397](#).
2. Locate the float assembly.

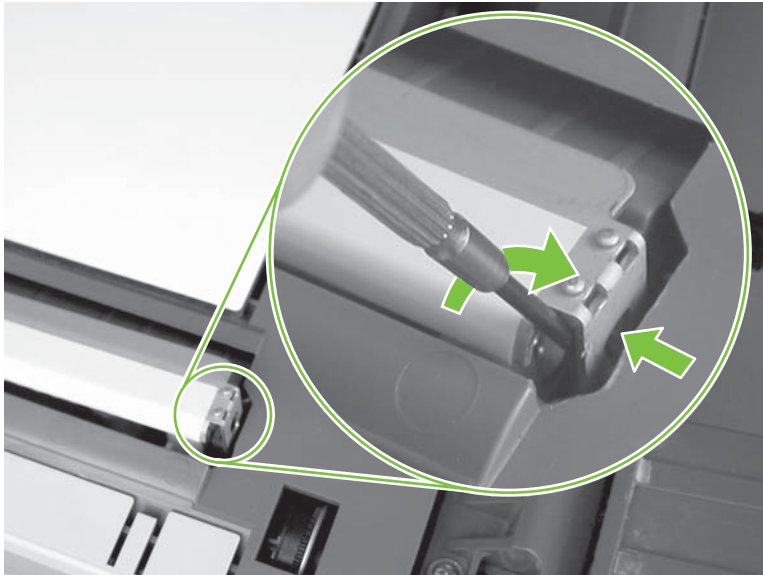
**Figure 6-223** Remove the ADF float assembly (1 of 5)



3. Release one tab at the hinge end of the float assembly and carefully rotate the end of the assembly up and away from the ADF.

△ **CAUTION:** The springs behind the float assembly are not captive and can easily be lost. Always remove the ADF and place it upside down on a flat surface before you remove the float assembly.

**Figure 6-224** Remove the ADF float assembly (2 of 5)



4. Release the tab at the opposite end of the float assembly and remove the assembly.

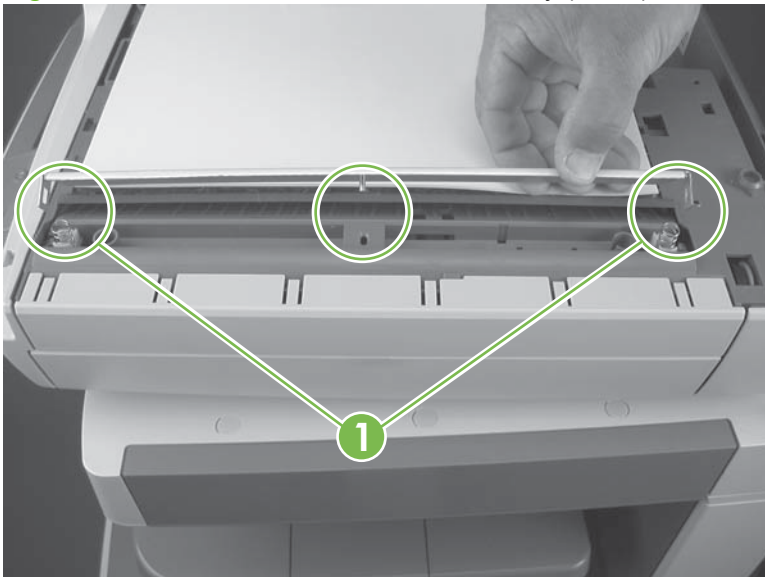
**Figure 6-225** Remove the ADF float assembly (3 of 5)



5. Make sure that the springs are correctly seated in the spring holders (callout 1) when you reinstall the float assembly. The springs must be installed in the spring holders that are located closest to the locking tabs.

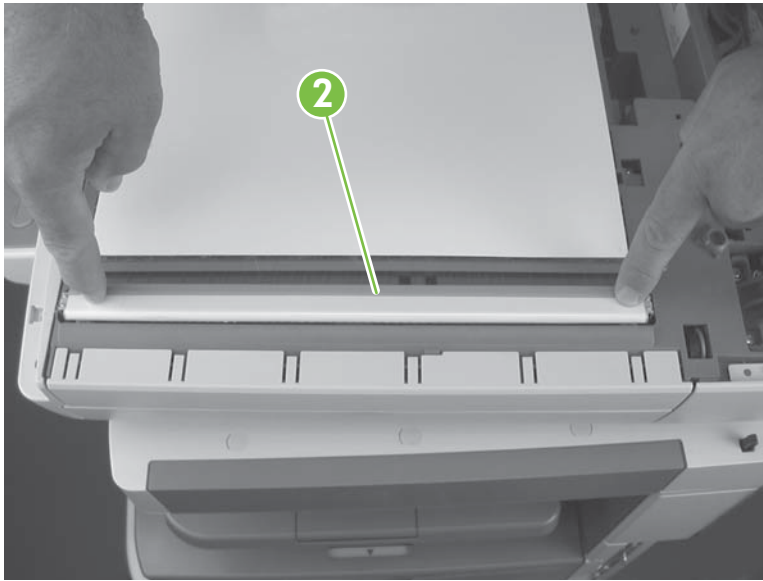
△ **CAUTION:** The pin on the bottom of the float must be placed in the hole in the ADF chassis. Make sure the pin is correctly positioned to prevent the float from being damaged when you press down on the float.


**Figure 6-226** Remove the ADF float assembly (4 of 5)



6. Make sure that the metal strip (callout 2) along the edge of the float is next to the white backing when you reinstall the float. Push down on the float until the clips snap over the locking tabs at each end of the float.

**Figure 6-227** Remove the ADF float assembly (5 of 5)




 **TIP:** When the float assembly and springs are correctly reinstalled, the float should freely move up and down when you push on it with your finger.

---

## White backing

1. Open the ADF.
2. Carefully pull the white backing off the ADF.

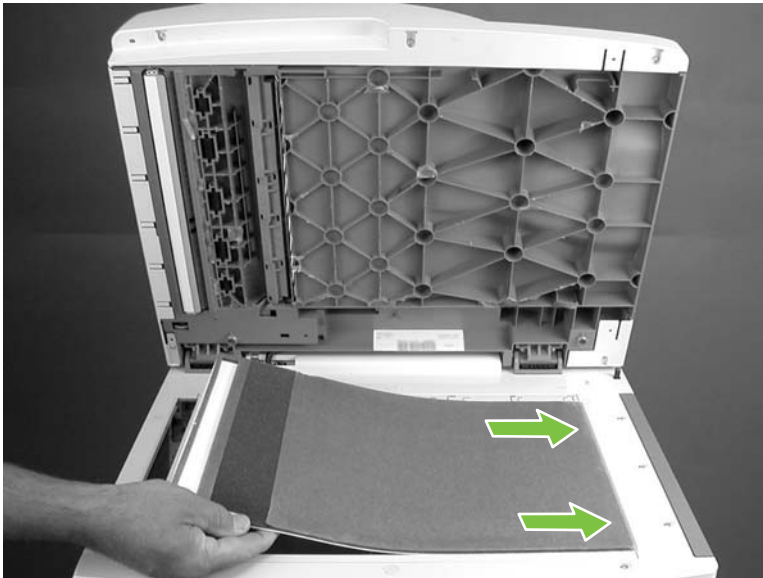
 **TIP:** Make sure that you remove any small pieces of foam or adhesive left on the ADF after the backing is removed.

**Figure 6-228** Remove the ADF white backing (1 of 4)



3. Remove the protective paper backing from the adhesive side of the replacement white backing.
4. Place the replacement backing on the scanner glass. Center the replacement backing on the glass.

**Figure 6-229** Remove the ADF white backing (2 of 4)



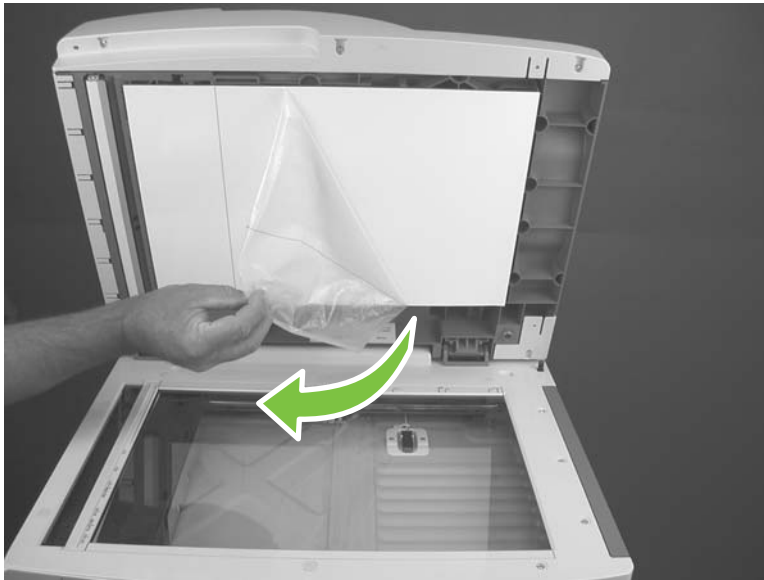
5. Close the ADF. Push down firmly to adhere the replacement backing to the ADF.

**Figure 6-230** Remove the ADF white backing (3 of 4)




6. Open the ADF and carefully remove the protective plastic covering from the backing.

**Figure 6-231** Remove the ADF white backing (4 of 4)

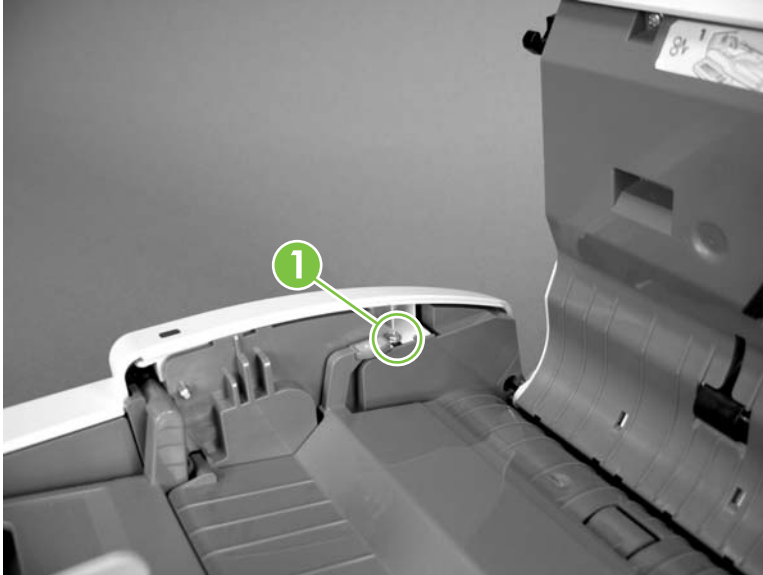


## Front end cover (cap)

1. Remove the ADF. See [ADF assembly on page 397](#).
2. Open the ADF jam cover and remove one screw (callout 1).

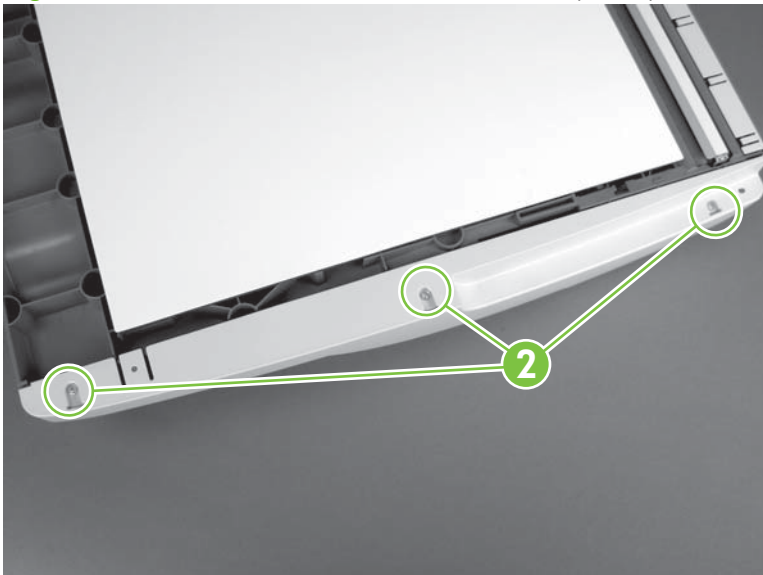
 **TIP:** This screw has a star washer. Make sure that you use the correct screw when you reinstall the front end cover.

**Figure 6-232** Remove the ADF front end cover (1 of 4)



3. Turn the ADF over and remove three screws (callout 2).

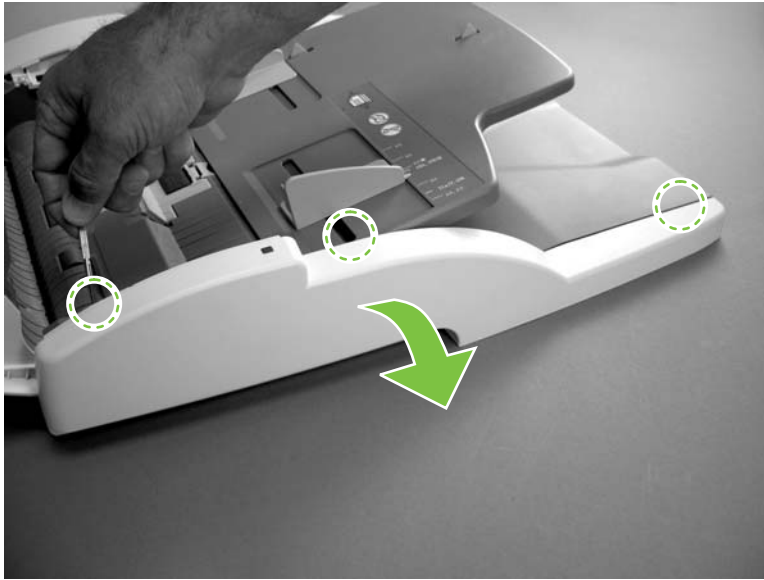
**Figure 6-233** Remove the ADF front end cover (2 of 4)





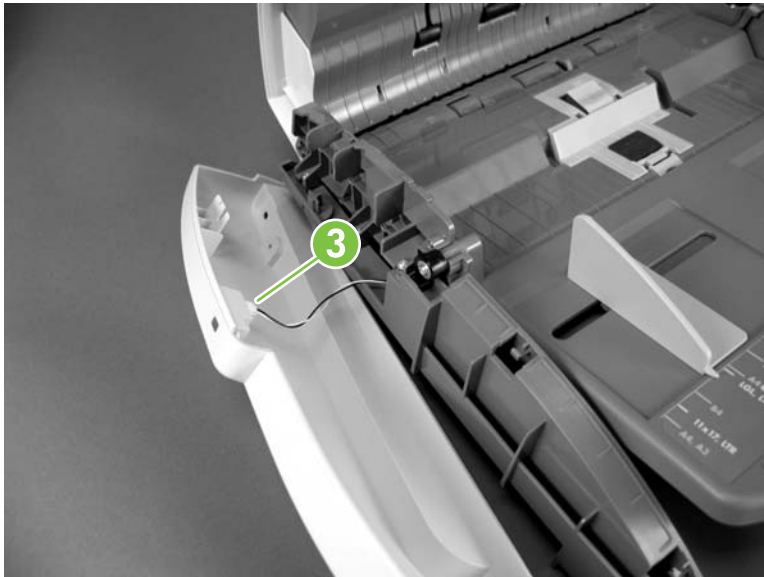
4. Use a small flat-blade screwdriver to carefully release three locking tabs.

**Figure 6-234** Remove the ADF front end cover ( 3 of 4)




5. Carefully rotate the front end cover off and away from the ADF and disconnect one connector (callout 3).

**Figure 6-235** Remove the ADF front end cover (4 of 4)

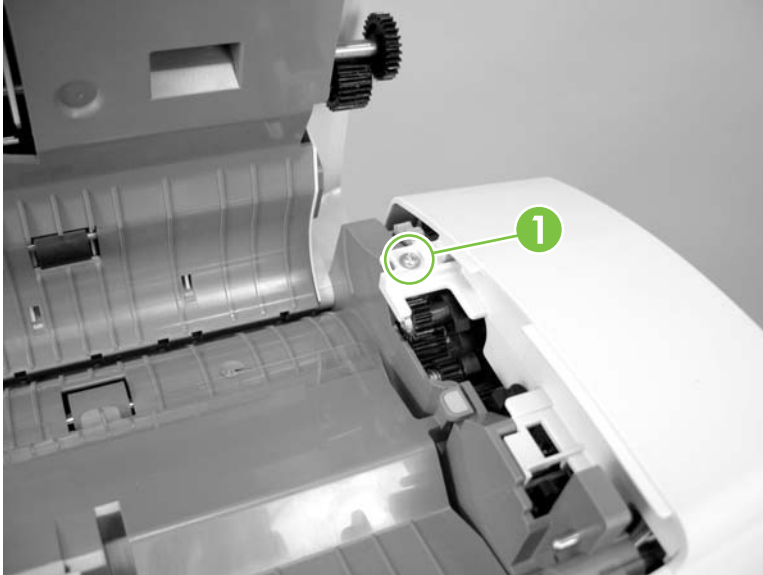


## Rear end cover (cap)

1. Remove the ADF. See [ADF assembly on page 397](#).
2. Open the ADF jam cover and remove one screw (callout 1).

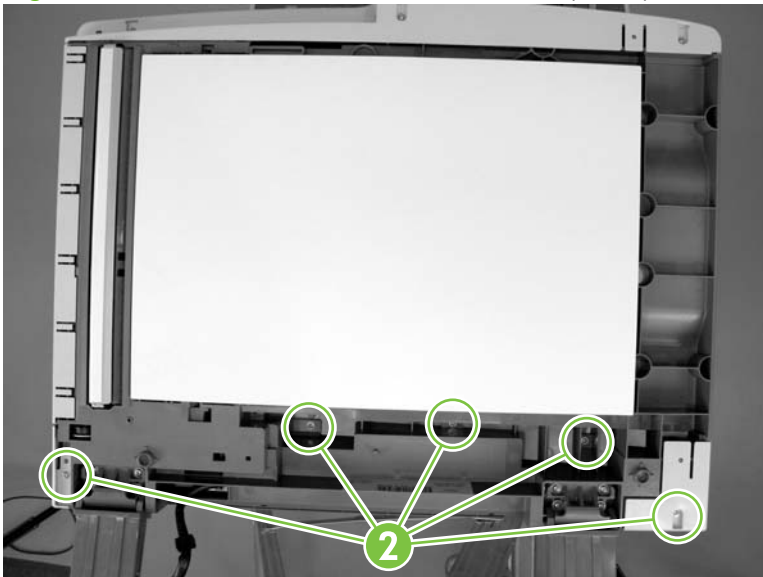
 **TIP:** This screw has a star washer. Make sure that you use the correct screw when you reinstall the rear end cover.

**Figure 6-236** Remove the ADF rear end cover (1 of 5)



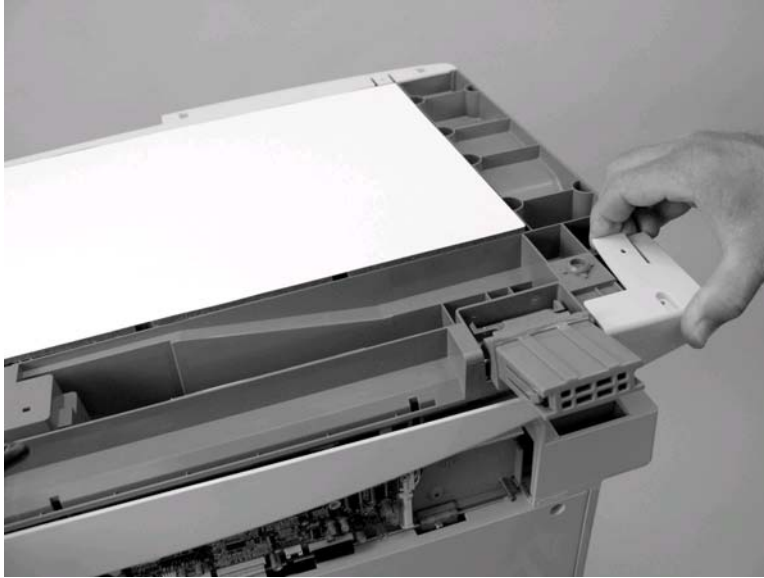
3. Turn the ADF over and remove five screws (callout 2).

**Figure 6-237** Remove the ADF rear end cover (2 of 5)



4. Carefully pry the corner of the rear end cover off of the ADF.

**Figure 6-238** Remove the ADF rear end cover (3 of 5)




5. Use a small flat-blade screwdriver to carefully pry the opposite corner of the rear end cap off of the ADF.

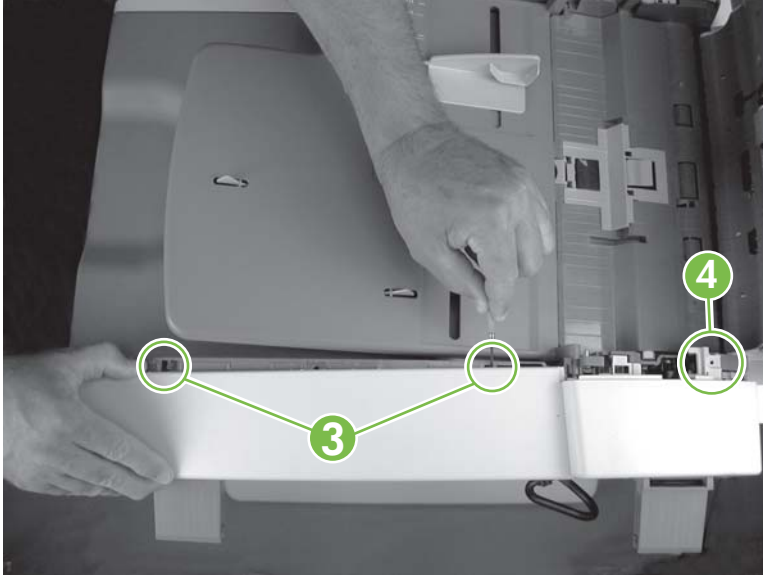
**Figure 6-239** Remove the ADF rear end cover (4 of 5)



- Carefully release two tabs (callout 3) along the top edge of the rear end cover and rotate the cover off and away from the ADF.

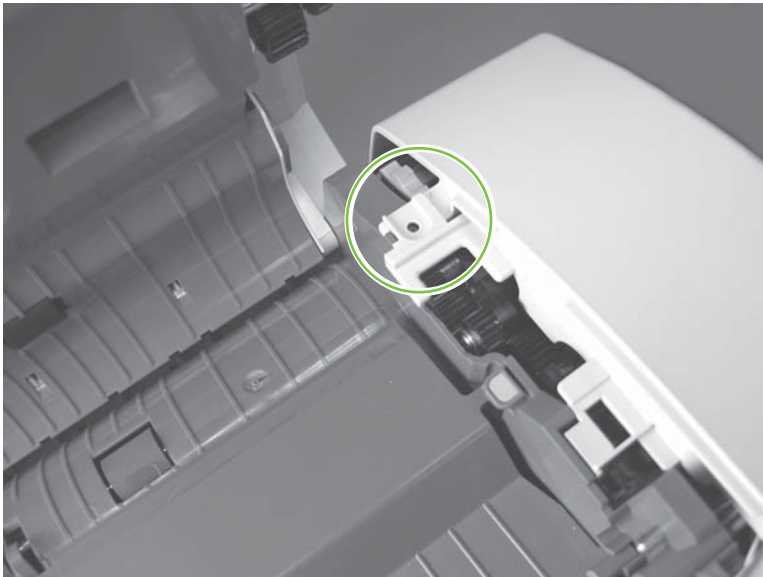
 **NOTE:** Before you remove the cover, look at how the tab on the cover fits underneath the tab on the ADF chassis (callout 4). Make sure that you do not break the tabs when you remove the cover.

**Figure 6-240** Remove the ADF rear end cover (5 of 5)



- When you reinstall the ADF rear end cover, the tab on the cover near the ADF jam access door **must** be positioned under the tab on the ADF chassis.

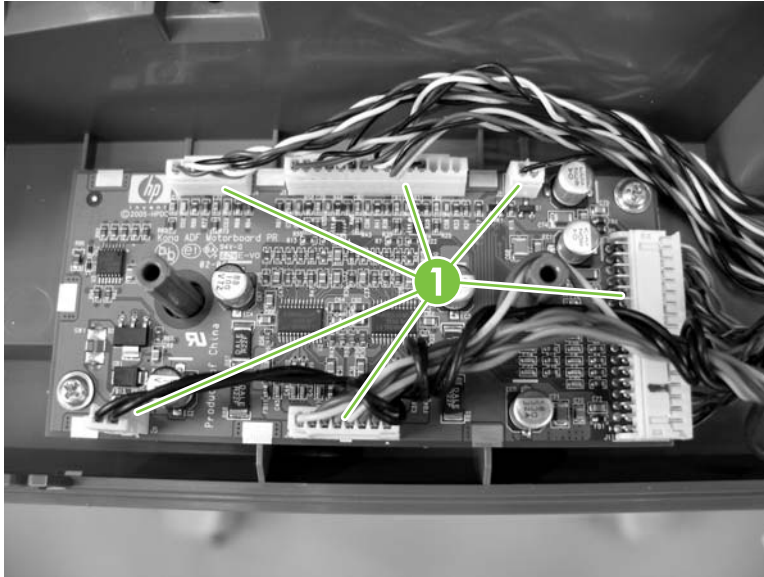
**Figure 6-241** Reinstall the ADF rear end cover



## ADF PCA and wire harness

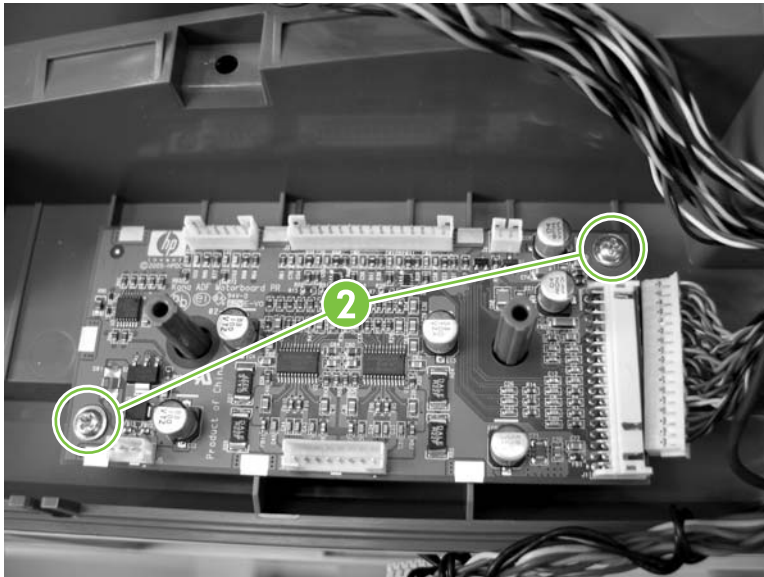
1. Remove the ADF rear end cap. See [Rear end cover \(cap\) on page 414](#).
2. Disconnect six connectors (callout 1).

**Figure 6-242** Remove the ADF PCA and wire harness (1 of 3)



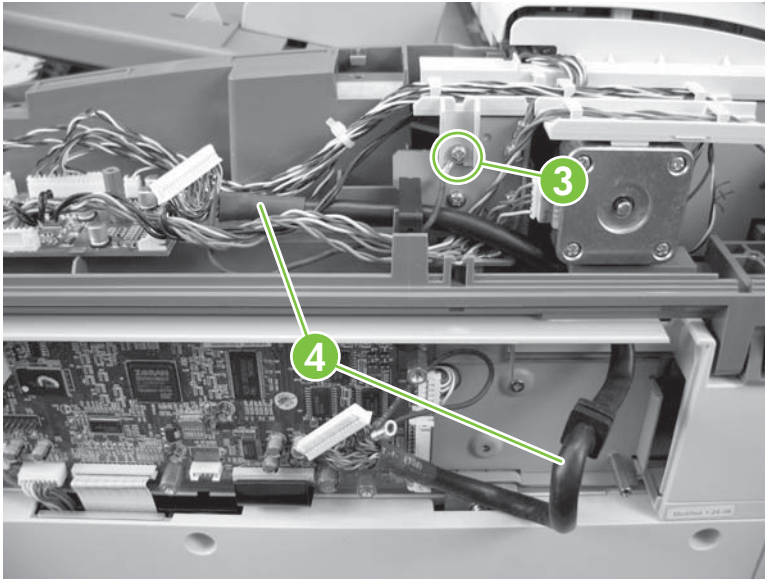
3. Remove two screws (callout 2) and remove the ADF PCA.

**Figure 6-243** Remove the ADF PCA and wire harness (2 of 3)



4. Remove one ground screw (callout 3) and remove the ADF PCA wire harness (callout 4).

**Figure 6-244** Remove the ADF PCA and wire harness (3 of 3)

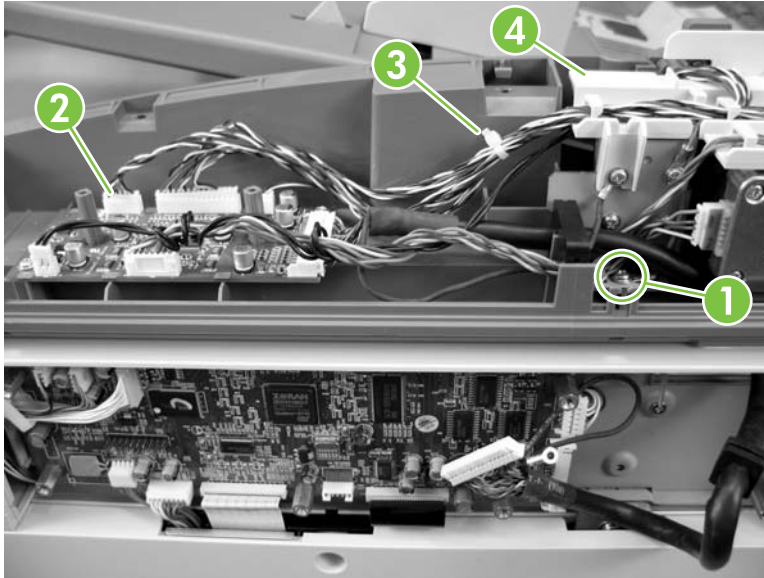




## Input tray

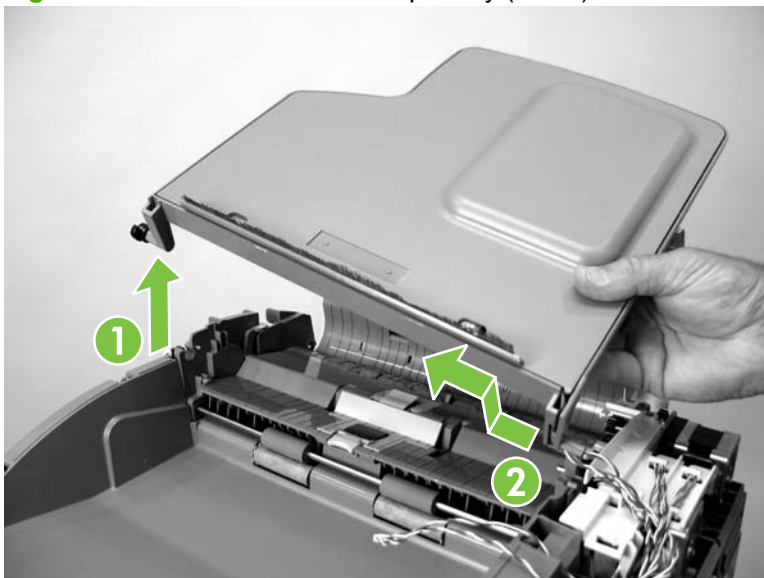
1. Remove the following components or assemblies:
  - ADF front end cap. See [Front end cover \(cap\) on page 412](#).
  - ADF rear end cap. See [Rear end cover \(cap\) on page 414](#).
2. Remove one ground screw (callout 1) and disconnect one connector (callout 2).
3. Clip one wire tie (callout 3) and release the ground cable and wire harness from the retainer (callout 4).

**Figure 6-245** Remove the ADF input tray (1 of 2)



4. Rotate the input tray into the upright position and release the keyed hinge pin nearest the front of the ADF. Slide the tray toward the front of the ADF until the rear hinge pin clears the mounting hole, and then remove the input tray.

**Figure 6-246** Remove the ADF input tray (2 of 2)







---

# 7 Solve problems

- [Introduction](#)
- [Troubleshooting process](#)
- [Tools for troubleshooting](#)
- [Solve performance problems](#)
- [Solve connectivity problems](#)
- [Control-panel message types](#)
- [Control-panel messages](#)
- [Event log messages](#)
- [Paper-handling problems](#)
- [Solve image quality problems](#)
- [Interface troubleshooting](#)
- [Engine diagnostics](#)
- [Service-mode functions](#)
- [Solve scanner problems](#)
- [Solve fax problems](#)
- [Solve e-mail problems](#)
- [Diagrams](#)
- [Signals](#)

# Introduction

The information in this troubleshooting chapter is presented with the assumption that the reader has a basic understanding of the color laser-printing process. Explanations of each mechanical assembly, printer systems, and the basic theory of operation are provided in chapter 5. Do not perform any of these troubleshooting processes without fully understanding the function of each mechanism.

This chapter contains the following sections:

- **Troubleshooting process** includes a pre-troubleshooting checklist and a troubleshooting flowchart. These tools contain information about common printer errors that can inhibit proper operation or create print-quality problems. These tools also include recommendations for solving the cause of the error.
- **Tools for troubleshooting** helps isolate the cause of product failures. This section includes explanations of the product configuration page and the event log.
- **Solve performance problems** lists types of performance problems, their causes and solutions.
- **Solve connectivity problems** lists types of connectivity problems and possible solutions.
- **Control-panel message types** lists the types of control-panel messages.
- **Control-panel messages** explains each control-panel display message and suggests recommendations for clearing the cause of each message. When the printer message indicates a failure for which the root cause is not obvious, use the printer error troubleshooting section and the troubleshooting tools section in this chapter to solve the problem.
- **Event log messages** lists possible event log messages.
- **Paper handling problems** provides techniques to solve feed problems. Explanations are provided about print media checks, troubleshooting jams, and the differences between jams caused by media and those caused by the product.
- **Solve image-quality problems** suggests methods for solving print-quality problems.
- **Interface troubleshooting** provides techniques for isolating communication problems to the product hardware, printer configuration, network configuration, or software program.
- **Diagnostics** provides instructions about how to gain access to and use the diagnostic tools that are incorporated into the product.
- **Service-mode functions** provides procedures for opening the Service menu and performing service-oriented tasks. These tasks include counts for entering the serial number, service ID, transfer unit maintenance, fuser maintenance, color page, and total page, and clearing the event log.
- **Solve scanner problems** provides solutions to problems with scanning.
- **Solve fax problems** provides a link to additional information for troubleshooting fax problems.
- **Solve e-mail problems** provides solutions to problems with e-mail.
- **Diagrams** provides graphical locations and tables for the product's internal assemblies and sensors.

# Troubleshooting process

## Determine the problem source

When the product malfunctions or encounters an unexpected situation, the product control panel alerts you to the situation. This section contains a pre-troubleshooting checklist to filter out many possible causes of the problem and a troubleshooting flowchart to help you diagnose the root cause. The remainder of the chapter provides steps for correcting problems.

- Use the pre-troubleshooting checklist to evaluate the source of the problem and to reduce the number of steps that are required to fix the problem.
- Use the troubleshooting flowchart to pinpoint the root cause of hardware malfunctions. The flowchart guides you to the appropriate section of this chapter that provides steps for correcting the malfunction.

Before beginning any troubleshooting procedure, check the following conditions:

- Are supply items within their rated life? Print a supplies status page.
- Does the configuration page reveal any configuration errors? Print a configuration page. See [Configuration pages on page 431](#).



**NOTE:** The customer is responsible for checking supplies and for using supplies that are in good condition.

## Pre-troubleshooting checklist

The list below describes basic questions to ask the customer to help quickly define the problem(s).

**Table 7-1 Pre-troubleshooting checklist**

Environment	<ul style="list-style-type: none"><li>● Is the product installed on a solid, level surface?</li><li>● Is the product exposed to particle matter or dust?</li><li>● Is the product connected to a dedicated 15 amp (min) circuit?</li><li>● Is the power-supply voltage within <math>\pm 10</math> volts of the specified power source?</li><li>● Is the power supply plug inserted in the product and directly to the wall outlet (not a power strip)?</li><li>● Is the operating environment within the specified parameters, as listed in Chapter 1 of this manual?</li><li>● Is the product exposed to ammonia gas, such as that produced by diazo copiers or office cleaning materials?</li><li>● Is the product exposed to direct sunlight?</li></ul>
Media	<ul style="list-style-type: none"><li>● Does the customer use only supported media?</li><li>● Is the media in good condition (contains no curls, folds, and so forth)?</li><li>● Is the media stored correctly and within environmental limits?</li></ul>

**Table 7-1 Pre-troubleshooting checklist (continued)**

Input trays	<ul style="list-style-type: none"><li>● Is the amount of media in the tray within specifications?</li><li>● Is the media placed in the tray correctly?</li><li>● Are the paper guides aligned with the media?</li><li>● Is the paper tray correctly installed in the product?</li></ul>
Print cartridges	<ul style="list-style-type: none"><li>● Is each print cartridge correctly installed?</li><li>● Are original HP print cartridges installed?</li><li>● Are the cartridges damaged?</li></ul>
ITB and fuser	<ul style="list-style-type: none"><li>● Are the ITB and fuser correctly installed?</li><li>● Is the ITB or fuser damaged?</li></ul>
Covers	<ul style="list-style-type: none"><li>● Are the top cover and front cover closed?</li></ul>
Condensation	<ul style="list-style-type: none"><li>● Does condensation occur following a temperature change (particularly in winter following cold storage)? If so, wipe the affected area dry or leave the product on for 10 to 20 minutes.</li><li>● Was a print cartridge installed soon after being moved from a cold to a warm room? If so, allow the product to sit at room temperature for one to two hours, or overnight if possible.</li></ul>
Miscellaneous	<ul style="list-style-type: none"><li>● Check for and remove any non-HP components (print cartridges, memory modules, and EIO cards) from the product.</li><li>● If hardware or software configuration has not changed, or the problem is not associated with any specific software, contact the Customer Care Center (see Chapter 1).</li><li>● Remove the product from the network, and ensure that the failure is associated with the product before beginning troubleshooting.</li><li>● For any print-quality issues, calibrate the product. See <a href="#">Calibrate the product on page 566</a>.</li></ul>

## Troubleshooting checklist

If the product is not responding correctly, complete the steps in the following checklist, in order. If the product does not pass a step, follow the corresponding troubleshooting suggestions. If a step resolves the problem, you can stop without performing the other steps on the checklist.

1. Make sure one of the following messages displays on the control panel: **Ready**, **Paused**, or **Sleep mode on**. If no lights are on or the display does not say **Ready**, **Paused**, or **Sleep mode on**, see [Power-on checks on page 427](#). The backlight goes off when in sleep mode. Touch the screen or a button or open a door to wake the product.
2. If the product is in the READY state, check to see if any messages appear on the control-panel display. If any error messages appear, see [Control-panel messages on page 440](#).

3. Check the cabling.
  - a. Check the cable connection between the product and the computer or network port. Make sure that the connection is secure.
  - b. Make sure that the cable itself is not faulty by using a different cable, if possible.
  - c. Check the network connection.
  - d. Check the cable from the formatter to the scanner.
4. Ensure that the print media that you are using meets specifications. See [Supported paper and print media sizes on page 63](#).
5. Print a configuration page. If the product is connected to a network, an HP Jetdirect page also prints. See [Configuration pages on page 431](#).
  - a. If the pages do not print, check that at least one tray contains print media.
  - b. If the page jams in the product, see [Jams on page 519](#).
  - c. If the pages don't print, try an engine self test to rule out engine problems and to identify formatter problems. See [Engine-test button on page 583](#).
6. If the configuration page prints, check the following items:
  - a. Is the issue print or copy related? If copy related, clean the scanner glass and adjust the copy settings.
  - b. If the page prints correctly, the product hardware is working. The problem is with the computer that you are using, with the printer driver, or with the program.
  - c. If the page does not print correctly, the problem is with the product hardware.
7. Does the image quality meet the user's requirements? If yes, go to step 8. If no, check the following items:
  - a. Print the print-quality-troubleshooting pages.
  - b. Solve the print-quality problems, and then go to step 8.
8. At the computer, check to see if the print queue is stopped, paused, or set to print offline.

**Windows:** Click **Start**, click **Settings**, and then click **Printers** or **Printers and Faxes**. Double-click **HP Color LaserJet CM6040 MFP**.

-or-

**Mac OS X:** Open **Printer Setup Utility**, and then double-click the line for the **HP Color LaserJet CM6040 MFP**.

9. Verify that you have installed the HP Color LaserJet CM6040 MFP Series printer driver. Check the program to make sure that you are using the HP Color LaserJet CM6040 MFP Series printer driver.
10. Print a short document from a different program that has worked in the past. If this solution works, the problem is with the program that you are using. If this solution does not work (the document does not print), complete these steps:
  - a. Try printing the job from another computer that has the product software installed.
  - b. If you connected the product to the network, connect the product directly to a computer with a USB cable. Redirect the product to the correct port, or reinstall the software, selecting the new connection type that you are using.

## Troubleshooting flowchart

This flowchart highlights the general processes that you can follow to quickly isolate and solve product hardware problems.

Each row depicts a major troubleshooting step. A “yes” answer to a question allows you to proceed to the next major step. A “no” answer indicates that additional testing is needed. Proceed to the appropriate section in this chapter, and follow the instructions there. After completing the instructions, proceed to the next major step in this troubleshooting flowchart.

**Table 7-2 Troubleshooting flowchart**

<b>1</b> <b>Power on</b>	Is the product on and does a readable message display?		Follow the power-on troubleshooting checks. See <a href="#">Power-on checks on page 427</a> .  After the control-panel display is functional, go to step 2.  Ensure the product isn't in sleep mode by touching any button or opening any door.
	Yes ↓	No →	
<b>2</b> <b>Control-panel messages</b>	Does the message <b>Ready</b> display on the control panel?		If an error message displays, see <a href="#">Control-panel messages on page 440</a> .  After the errors have been corrected, go to step 3.
	Yes ↓	No →	
<b>3</b> <b>Event log</b>	Open the <b>Troubleshooting</b> menu and print an event log to see the history of errors with this product.  Does the event log print?		If the event log does not print, see <a href="#">Event log messages on page 511</a> .  If paper jams inside the product, see <a href="#">Jams on page 519</a> .  If error messages display on the control panel when you try to print an event log, see <a href="#">Control-panel messages on page 440</a> .  After successfully printing and evaluating the event log, go to step 4.
	Yes ↓	No →	
<b>4</b> <b>Information pages</b>	Open the <b>Information</b> menu and print the configuration pages to verify that all of the accessories are installed.  Are all of the accessories installed?		If accessories that are installed are not listed on the configuration pages, remove the accessory and reinstall it.  For more information about optional output devices, see <a href="#">Output accessories and intermediate paper transfer unit (IPTU) on page 667</a> .  After evaluating the configuration pages, go to step 5.
	Yes ↓	No →	
<b>5</b> <b>Image quality</b>	Does the print quality meet the customer's requirements?		Compare the images with the sample defects in the image defect tables.  After the print quality is acceptable, go to step 6.
	Yes ↓	No →	

**Table 7-2 Troubleshooting flowchart (continued)**

<b>6</b> <b>Interface</b>	Can the customer print successfully from the host computer?	No →	Verify that all I/O cables are connected correctly and that a valid IP address is listed on the Jetdirect configuration page.
	Yes. This is the end of the troubleshooting process.		If error messages display on the control panel, see <a href="#">Control-panel messages on page 440</a>  When the customer can print from the host computer, this is the end of the troubleshooting process.

## Power subsystem

### Power-on checks

The basic product functions should start up as soon as the product is plugged into an electrical outlet and the power switch is pushed to the *on* position. If the product does not start, use the information in this section to isolate and solve the problem.

### Power-on troubleshooting overview

Turn on the product power. If the control-panel display remains blank, random patterns display, or asterisks remain on the control-panel display, perform power-on checks to locate the cause of the problem.

During normal operation, the main cooling fan begins to spin briefly after the product power is turned on. Place your hand over the holes in the plastic cover that is connected to the rear cover and opposite of the formatter. If the fan is operating, you will feel air passing out of the product. You can also lean close to the product and hear the fan operating. When this fan is operational, the DC side of the power supply is functioning correctly.


After the fan is operating, the main motor turns on (unless the top cover is open, a jam condition is sensed, or the paper-path sensors are damaged). You should be able to visually and audibly determine if the main motor is turned on.

If the fan and main motor are operating correctly, the next troubleshooting step is to isolate print engine, formatter, and control-panel problems. Perform an engine test (see [Engine-test button on page 583](#)). If the formatter is damaged, it might interfere with the engine test. If the page does not print, try removing the formatter and then performing the engine test again. If the engine test is then successful, the problem is almost certainly with the formatter, the control panel, or the cable that connects them.

If the control panel is blank when you turn on the product, check the following items:

1. Make sure that the product is plugged directly into an active electrical outlet (not a power strip) that delivers the correct voltage. If an error 50.05 occurs, the product is configured for a different voltage that it is connected to.
2. Make sure that the power switch is in the *on* position.
3. Make sure that the fan runs briefly, which indicates that the power supply is operational.
4. Make sure that the control-panel display wire harness is connected. See [Control panel on page 364](#).
5. Make sure that the formatter is seated and operating correctly.
6. Remove any HP Jetdirect or other EIO cards, and then try to turn the product on again.

---

 **NOTE:** If the control-panel display is blank, but the main cooling fan runs briefly after the product power is turned on, try printing a page to determine whether the problem is with the control-panel display, formatter, or other product components. See [Engine-test button on page 583](#).

---



# Tools for troubleshooting

## Internal print-quality test pages

### Print-quality-troubleshooting pages

Use the built-in print-quality-troubleshooting pages to help diagnose and solve print-quality problems.

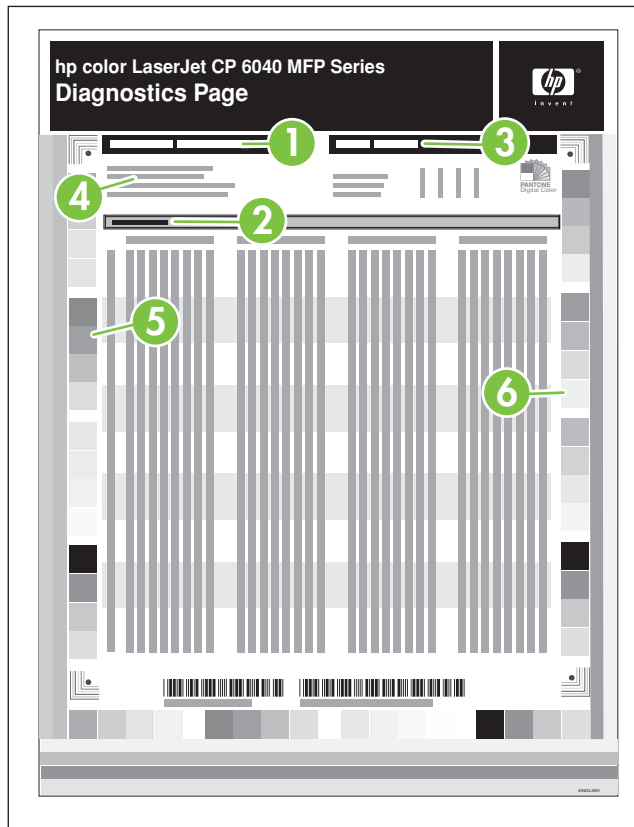
1. Scroll to and touch **Administration**.
2. Scroll to and touch **Troubleshooting**.
3. Touch **PQ Troubleshooting**.
4. Touch **Print**.

The product returns to the **Ready** state after printing the print-quality-troubleshooting pages. Follow the instructions on the pages that print out.

### Diagnostics page

Use the diagnostics page to evaluate problems with color-plane registration, EP parameters, and print quality.

1. Touch **Administration**.
2. Touch **Troubleshooting**.
3. Touch **Diagnostics Page**.



1	Calibration information
2	Parameters
3	Color density
4	Color-plane registration
5	Primary colors
6	Secondary colors

## Cleaning page

Use the cleaning page to keep the fuser free of toner and paper particles that can sometimes accumulate and cause specks to appear on the front or back side of print jobs.

HP recommends that you use the cleaning page when there is a print-quality issue.

A **CLEANING** message appears on the product control-panel display while the cleaning is taking place.

To work correctly, the cleaning page must be printed on copier-grade paper (not bond, heavy, or rough paper). Discard the blank page that is printed when the task is complete.

1. Scroll to and touch **Administration**.
2. Scroll to and touch **Print Quality**.
3. Touch **Calibration/cleaning**.

4. Press the up arrow or down arrow.
5. Touch **Process cleaning page**.

## Configuration pages

Depending on the model, up to three pages print when you select **Print Configuration**. In addition to the main configuration page, an embedded Jetdirect configuration page prints as well as a page for the stapler/stacker.


### Configuration page

Use the configuration page to view current product settings, to help troubleshoot product problems, or to verify installation of optional accessories, such as memory (DIMMs), paper trays, and printer languages.

1. Touch **Administration**.
2. Touch **Information**.
3. Touch **Configuration/Status Pages**.
4. Touch **Configuration Page**.
5. Touch **Print**.

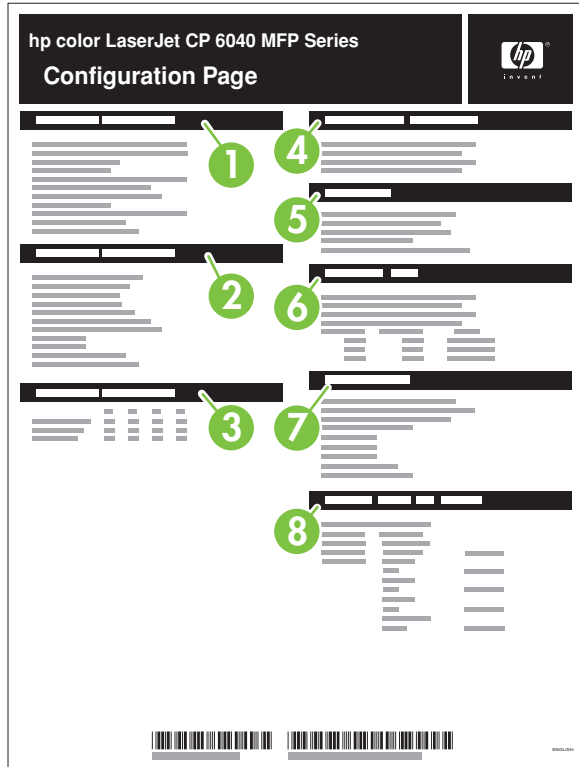
The message **Printing Configuration** displays on the control panel until the product finishes printing the configuration page. The product returns to the **Ready** state after printing the configuration page.

---

 **NOTE:** If the product is configured with EIO cards (for example, an HP Jetdirect print server) or an optional hard-disk drive, an additional configuration page will print that provides information about those devices.

---

**Figure 7-1** Configuration page



1	Printer information
2	Installed personalities and options
3	Color density
4	Calibration information
5	Memory
6	Event log
7	Security
8	Paper trays and options

## HP embedded Jetdirect page

The second configuration page is the HP embedded Jetdirect page, which contains the following information.

**Figure 7-2** HP embedded Jetdirect page



1	<b>HP Jetdirect Configuration</b> indicates the product status, model number, hardware firmware version, port select, port configuration, auto negotiation, manufacturing identification, and manufactured date.
2	<b>Security Settings</b>
3	<b>Network Statistics</b> indicates the total packets received, unicast packets received, bad packets received, framing errors received, total packets transmitted, unsendable packets, transmit collisions, and transmit late collisions.
4	<b>TCP/IP</b> includes the IP address.
5	<b>IPX/SPX</b>
6	<b>Novell/NetWare</b>

Always make sure the status line under the HP Jetdirect configuration lines indicates "I/O Card Ready".

## Embedded protocol page

The embedded protocol page contains the following information.

**Figure 7-3** Embedded protocol page



1	IPX/SPX
2	Novell/NetWare
3	AppleTalk
4	DLC/LLC

## Finding important information on the configuration pages

Certain information, such as the firmware date codes, the IP address, and the e-mail gateways, is especially helpful while servicing the product. This information is on the various configuration pages. [Table 7-3 Important information on the configuration pages on page 435](#) describes where to look for this information.

**Table 7-3 Important information on the configuration pages**

Type of information	Specific information	Configuration page
<b>Firmware date codes</b>  When you use the remote firmware upgrade procedure, all of these firmware components are upgraded.	DC controller	Look on the main configuration page, under "Device Information."
	Firmware datecode	Look on the main configuration page, under "Device Information."
	Stapler/stacker firmware datecode	Look on the paper handling configuration page, under "Product Name."
	Embedded Jetdirect firmware version	Look on the embedded Jetdirect page, under "HP Jetdirect Configuration."
<b>Accessories and internal storage</b>  All optional devices that are installed on the product should be listed on the main configuration page.  In addition, separate pages print for the optional paper handling devices and the fax accessory. These pages list more-detailed information for those devices.	Internal disk (4700ph+ model only)	Look on the main configuration page, under "Installed Personalities and Options." Shows model and capacity.
	Embedded HP Jetdirect	Look on the main configuration page, under "Installed Personalities and Options." Shows model and ID.
	Total RAM	Look on the main configuration page, under "Memory."
	Duplex unit	Look on the main configuration page, under "Paper Trays and Options."
Additional 500-sheet feeders and optional output devices	Additional 500-sheet feeders and optional output devices	Look on the main configuration page, under "Paper Trays and Options."
<b>Engine cycles and event logs</b>  Total page counts and maintenance kit counts are important for ongoing product maintenance.  The configuration page lists only the three most recent errors. To see a list of the 50 most recent errors, print an event log from the <b>Diagnostics</b> menu.	Engine cycles	Look on the main configuration page, under "Device Information."
	Pages since last maintenance (print engine maintenance count)	Pages since last maintenance (print engine maintenance count)
Event-log information	Event-log information	Look on the main configuration page, under "Event log."

# Solve performance problems

Problem	Cause	Solution
Pages print but are totally blank.	The sealing tape might still be in the print cartridges.	Verify that the sealing tape has been completely removed from the print cartridges.
	The document might contain blank pages.	Check the document that you are printing to see if content appears on all of the pages.
	The product might be malfunctioning.	To check the product, print a configuration page.
Pages print very slowly.	Heavier media types can slow the print job.	Print on a different type of media.
	Complex pages can print slowly.	Proper fusing may require a slower print speed to ensure the best print quality.
	The <b>RLT photo fix</b> options under <b>HP real life technologies</b> on the <b>Paper/Quality</b> tab of the print driver can cause slow printing.	Deselect these options to improve print speed.
Pages did not print.	The product might not be pulling media correctly.	Make sure paper is loaded in the tray correctly.  If the problem persists, you might need to replace the pickup rollers and the separation pad. See <a href="#">Customer support on page 1129</a> .
	The media is jamming in the device.	Clear the jam. See <a href="#">Jams on page 519</a> .
	If using USB, the USB cable might be defective or incorrectly connected.	<ul style="list-style-type: none"> <li>● Disconnect the USB cable at both ends and reconnect it.</li> <li>● Try printing a job that has printed in the past.</li> <li>● Try using a different USB cable.</li> </ul>
	Other devices are running on your computer.	The product might not share a USB port. If you have an external hard drive or network switchbox that is connected to the same port as the product, the other device might be interfering. To connect and use the product, you must disconnect the other device or you must use two USB ports on the computer.



# Solve connectivity problems

## Solve direct-connect problems

If you have connected the product directly to a computer, check the USB cable.

- Verify that the cable is connected to the computer and to the product.
- Verify that the cable is not longer than 2 meters (5 feet). Replace the cable if necessary.
- Verify that the cable is working correctly by connecting it to another product. Replace the cable if necessary.

## Solve network connectivity problems

If the product is having problems communicating with the network, use the information in this section to resolve the problem.

## Solve network printing problems


---

 **NOTE:** HP recommends that you use the product CD to install and set up the product on a network.

---

- Make sure that the network cable is securely seated into the product's RJ45 connector.
- Make sure that the Link LED on the formatter is lit. See [Understand lights on the formatter on page 580](#).
- Make sure that the I/O card is ready. Print a configuration page (see [Configuration pages on page 431](#)). If an HP Jetdirect print server is installed, printing a configuration page also prints a second page that shows the network settings and status.

---

 **NOTE:** The HP Jetdirect print server supports various network protocols (TCP/IP, IPX/SPX, Novell NetWare, AppleTalk, and DCL/LLC). Make sure that the correct protocols and network parameters are set correctly.

---

On the HP Jetdirect configuration page, verify the following items for your protocol:

- Under HP Jetdirect Configuration, the status is "I/O Card Ready."
- Protocol status is "Ready."
- An IP address is listed.
- The configuration method (Config by:) is listed correctly. See the network administrator if you are not sure which method is correct.
- Try printing the job from another computer.
- To verify that a product works with a computer, use a USB cable to connect it directly to a computer. You will have to reinstall the printing software. Print a document from a program that has printed correctly in the past. If this works, a problem with the network might exist.
- Contact your network administrator for assistance.

## Verify communication over the network

If the HP Jetdirect configuration page shows an IP address for the product, use this procedure to verify that you can communicate with the product over the network.

1. **Windows:** Click **Start**, click **Run**, and then type `cmd`. An MS-DOS command prompt opens.

-or-

Mac: Click **Applications**, click **Utilities**, and then open the Terminal application. The terminal window opens.

2. Type `ping` followed by the IP address. For example, type `ping XXX.XXX.XXX.XXX` where "XXX.XXX.XXX.XXX" is the IPv4 address that is shown on the HP Jetdirect configuration page. If the product is communicating over the network, the response is a list of replies from the product.
3. Verify that the IP address is not a duplicate address on the network by using the address resolution protocol (`arp -a`) command. At the prompt, type `arp -a`. Find the IP address in the list and compare its physical address to the hardware address that is listed on the HP Jetdirect configuration page in the section called HP Jetdirect Configuration. If the addresses match, all network communications are valid.
4. If you cannot verify that the product is communicating over the network, contact the network administrator.

# Control-panel message types

Four types of control-panel messages can indicate the status of or problems with the product.

Message type	Description
Status messages	Status messages reflect the current state of the product. They inform you of normal product operation and require no interaction to clear them. They change as the state of the product changes. Whenever the product is ready, not busy, and has no pending warning messages, the status message <b>Ready</b> appears if the product is online.
Warning messages	Warning messages inform you of data and print errors. These messages typically alternate with the <b>Ready</b> or status messages and remain until you press the checkmark button ✓. Some warning messages are clearable. If <b>Clearable Warnings</b> is set to <b>Job</b> , the next print job clears these messages.
Error messages	<p>Error messages communicate that some action must be performed, such as adding paper or clearing a jam.</p> <p>Some error messages are auto-continuable. If <b>Auto-Continue</b> is set on the menus, the product will continue normal operation after an auto-continuable error message appears for 10 seconds.</p> <p><b>NOTE:</b> Pressing any button during the 10-second auto-continuable error message overrides the <b>Auto-Continue</b> setting, and a button function takes precedence. For example, pressing the <b>Stop</b> button pauses printing with an option to cancel the print job.</p>
Critical-error messages	Critical error messages inform you of a product failure. Some of these messages can be cleared by turning the product off and then on. These messages are not affected by the <b>Auto-Continue</b> setting. If a critical error persists, service is required.

# Control-panel messages

**Table 7-4 Control-panel messages**

Control panel message	Description	Recommended action
<Binname> Full Remove all paper from bin	The specified output bin is full and must be emptied for printing to continue. The error happens only after a job is sent, and it starts out as a warning.	Empty the bin to continue printing.
10.00.YY Supply memory error (image drum)	<p>The product is unable to read the image drum data. The image drum is present but defective.</p> <ul style="list-style-type: none"> <li>10.00.05 Supply memory error (black image drum)</li> <li>10.00.06 Supply memory error (cyan image drum)</li> <li>10.00.07 Supply memory error (magenta image drum)</li> <li>10.00.08 Supply memory error (yellow image drum)</li> </ul>	<ol style="list-style-type: none"> <li>1. Open the front door and remove the image drum, and then reinsert it.</li> <li>2. Close the front door. If the message reappears, turn the product off and then on.</li> <li>3. If the error reappears, replace the image drum. See <a href="#">Change image drums on page 108</a>.</li> </ol>
10.00.YY Supply memory error (print cartridge)	<p>The product is unable to read the cartridge data. The print cartridge is present but defective.</p> <ul style="list-style-type: none"> <li>10.00.00 Supply memory error (black print cartridge)</li> <li>10.00.01 Supply memory error (cyan print cartridge)</li> <li>10.00.02 Supply memory error (magenta print cartridge)</li> <li>10.00.03 Supply memory error (yellow print cartridge)</li> </ul>	<ol style="list-style-type: none"> <li>1. Open the front door and remove the print cartridge, and then reinsert it.</li> <li>2. Close the front door. If the message reappears, turn the product off and then on.</li> <li>3. If the error reappears, replace the print cartridge. See <a href="#">Change print cartridges on page 105</a>.</li> </ol>
10.10.YY Supply memory error (missing e-label)	<p>The product cannot read or write to at least one e-label, or at least one e-label is missing.</p> <ul style="list-style-type: none"> <li>10.10.00 Supply memory error (e-label for the black print cartridge)</li> <li>10.10.01 Supply memory error (e-label for the cyan print cartridge)</li> <li>10.10.02 Supply memory error (e-label for the magenta print cartridge)</li> <li>10.10.03 Supply memory error (e-label for the yellow print cartridge)</li> <li>10.10.05 Supply memory error (e-label for the black image drum)</li> <li>10.10.06 Supply memory error (e-label for the cyan image drum)</li> </ul>	<ol style="list-style-type: none"> <li>1. Open the front door and remove the print cartridge or image drum, and then reinsert it.</li> <li>2. Close the front door. If the message reappears, turn the product off and then on.</li> <li>3. If the error reappears, replace the print cartridge or image drum. See <a href="#">Change image drums on page 108</a> and <a href="#">Change print cartridges on page 105</a>.</li> <li>4. Replace the toner assembly.</li> </ol>

**Table 7-4 Control-panel messages (continued)**

Control panel message	Description	Recommended action
	<ul style="list-style-type: none"> <li>10.10.07 Supply memory error (e-label for the magenta image drum)</li> <li>10.10.08 Supply memory error (e-label for the yellow image drum)</li> </ul>	
<b>10.90.XY - Replace &lt;color&gt; Cartridge</b>	<p>A toner replenishment malfunction occurred and the toner concentration in the image drum dropped below 30%. This applies to both HP and non-HP print cartridges.</p> <ul style="list-style-type: none"> <li>10.90.00 - Replace Black Cartridge</li> <li>10.90.01 - Replace Cyan Cartridge</li> <li>10.90.02 - Replace Magenta Cartridge</li> <li>10.90.03 - Replace Yellow Cartridge</li> </ul>	<p>See <a href="#">Change print cartridges on page 105</a>.</p> <p>If replacing the print cartridge does not resolve the problem, replace the image drum. See <a href="#">Change image drums on page 108</a>.</p> <p>If replacing the image drum does not resolve the problem, replace the appropriate cartridge interface PCA. See <a href="#">Print-cartridge interface PCA (yellow and magenta) on page 300</a> or <a href="#">Print-cartridge interface PCA (cyan and black) on page 299</a>.</p>
<b>10.xx.yy Supply Memory Error</b>	The product cannot read or write to at least one print cartridge e-label, or an e-label is missing from a print cartridge.	Reinstall the print cartridge, or install a new HP print cartridge.
<b>11.XX Internal clock error To continue touch OK</b>	The product's real time clock experienced an error.	<p>Whenever the product is turned off and then turned on again, set the time and date at the control panel. See <a href="#">Use the control panel on page 14</a>.</p> <p>If the error persists, you might need to replace the formatter.</p>
<b>13.01 Paper feed 1, Paper late jam</b>	<ul style="list-style-type: none"> <li>The leading edge of the paper fed from Tray 1 stopped before reaching the registration sensor (C).</li> <li>The leading edge of the paper fed from Tray 2 stopped before reaching the registration sensor (B).</li> <li>The leading edge of the paper fed from Tray 3 stopped before reaching the registration sensor (A-1).</li> <li>The leading edge of the paper fed from Tray 4 stopped before reaching the registration sensor (A-2).</li> <li>The leading edge of the paper fed from Tray 5 stopped before reaching the registration sensor (A-3).</li> </ul> <p>See <a href="#">Figure 7-4 Paper-path sensors on page 512</a> to determine the location of the sensor originating the failure.</p>	Follow the onscreen instructions to locate and remove the paper or obstruction.
<b>13.02 Paper Stop Jam In Tray 2 at Sensor D</b>	<p>The paper stopped at the registration sensor (D).</p> <p>See <a href="#">Figure 7-4 Paper-path sensors on page 512</a> to determine the location of the sensor originating the failure.</p>	Follow the onscreen instructions to locate and remove the paper or obstruction.

**Table 7-4 Control-panel messages (continued)**

Control panel message	Description	Recommended action
<b>13.05 Paper Late Jam Between Sensors D and F</b>	<p>The leading edge of the paper stopped between the registration sensor (D) and the fuser-output sensor (F).</p> <p>See <a href="#">Figure 7-4 Paper-path sensors on page 512</a> to determine the location of the sensor originating the failure.</p>	Follow the onscreen instructions to locate and remove the paper or obstruction.
<b>13.06 Paper Jam In Fuser</b>	<p>The paper stopped at the fuser-output sensor (F).</p> <p>See <a href="#">Figure 7-4 Paper-path sensors on page 512</a> to determine the location of the sensor originating the failure.</p>	Follow the onscreen instructions to locate and remove the paper or obstruction.
<b>13.10 Paper Late Jam In Duplex Area Sensors F - G</b>	<p>The leading edge of the paper stopped between the output sensor (F) and switchback sensor (G).</p> <p>See <a href="#">Figure 7-4 Paper-path sensors on page 512</a> to determine the location of the sensor originating the failure.</p>	Follow the onscreen instructions to locate and remove the paper or obstruction.
<b>13.11 Paper Stop Jam In Duplex Area at Sensor G</b>	<p>The paper stopped at the switchback-jam sensor (G).</p> <p>See <a href="#">Figure 7-4 Paper-path sensors on page 512</a> to determine the location of the sensor originating the failure.</p>	Follow the onscreen instructions to locate and remove the paper or obstruction.
<b>13.12 Paper Late Jam In Duplex Area Sensors H - D</b>	<p>The duplex refeed paper stopped between the duplexer-delivery sensor (H) and the registration sensor (D).</p> <p>See <a href="#">Figure 7-4 Paper-path sensors on page 512</a> to determine the location of the sensor originating the failure.</p>	Follow the onscreen instructions to locate and remove the paper or obstruction.
<b>13.12.11</b>	<p>Finisher stay jam at either PI33 or PI34 when engine powered on.</p> <p>When the engine is powered on, the finisher's upper-feed-path-entry sensor (PI33) or the upper-feed-path-exit sensor (PI34) is activated suggesting that there is paper in the upper paper path of the finisher at sensors PI33 or PI34.</p>	<p>Signal generated from PI33 (upper-feed-path-entry sensor) and PI34 (upper-feed-path-exit sensor)</p> <p>To locate these sensors, see <a href="#">Detect jams in the stacker unit on page 724</a>.</p> <ol style="list-style-type: none"> <li>1. Open the top door and remove any media in the paper path (media detected at PI33).</li> <li>2. Raise the upper paper path (exit) delivery rollers and remove any media in the paper path (media detected at PI34).</li> <li>3. Check these sensors for obstructions. Verify that the sensor flags are not damaged, move freely, and are correctly aligned with the sensor body and properly mounted. Also check wiring and connectors for damage or loose connections.</li> </ol>

**Table 7-4 Control-panel messages (continued)**

Control panel message	Description	Recommended action
13.12.12	<p>Finisher delay jam at PI33.</p> <p>The engine signals the finisher that paper is about to enter the finisher from the IPTU. The finisher's upper-feed-path-entry sensor (PI33), which detects paper entering the finisher, does not detect the paper within the expected time period triggering the error.</p>	<p>4. Carefully clean the sensor body by gently blowing clean air across the sensor to remove dust and debris.</p> <p>5. Verify that the sensor connectors (J708 and J707) are fully seated on the stacker controller PCA.</p> <p>6. Replace sensor PI33 and PI34.</p> <p>7. Only if the error persists, replace the stacker controller PCA. See <a href="#">Stacker controller PCA on page 826</a>.</p> <hr/> <p>To locate this sensor, see <a href="#">Detect jams in the stacker unit on page 724</a>.</p> <p>Open the IPTU and the finisher top door and check the following items:</p> <ul style="list-style-type: none"> <li>● If media is found in the IPTU but has not reached the finisher, perform the following steps: <ul style="list-style-type: none"> <li>○ Remove and then reinstall the IPTU. Make sure that the connector is fully seated and that the IPTU is securely fastened.</li> <li>○ If the error persists, replace the IPTU. See <a href="#">IPTU on page 734</a>.</li> </ul> </li> <li>● If media is jammed at the exit point of the IPTU (prior to entering the finisher), perform the following steps: <ul style="list-style-type: none"> <li>○ Verify that the finisher is securely fastened to the engine.</li> <li>○ Make sure that the finisher and IPTU are correctly aligned.</li> </ul> <p>Adjust the finisher castors to obtain a uniform gap between the finisher and the engine. The engine-to-finisher gap must be the same at the bottom and the top so that the finisher is parallel to the engine.</p> <p>With the engine-to-finisher gap correct, make sure that the finisher paper path entry point is aligned with the IPTU exit point.</p> <ul style="list-style-type: none"> <li>○ Check the finisher entry-point guides for damage.</li> <li>○ Verify that the finisher rollers are turning before the media leaves the IPTU.</li> </ul> <p>If the rollers are not turning, test motor M9 by using the finisher component test from the control-</p> </li> </ul>

**Table 7-4 Control-panel messages (continued)**

Control panel message	Description	Recommended action
		<p>panel display. If the motor does not activate during the test, check the connectors for motor M9 (inlet motor).</p>
		<p>Make sure that connector J705 is fully seated on the stacker controller PCA.</p>
		<p>If the error persists, replace motor M9 or the saddle-paper-feeder assembly.</p>
		<p>Replace the stacker controller PCA. See <a href="#">Stacker controller PCA on page 826</a>.</p>
		<ul style="list-style-type: none"> <li>● If media is found in the finisher but has not reached sensor PI33, perform the following steps:           <ul style="list-style-type: none"> <li>◦ Check the upper and lower guides and rollers in the paper path for damage.</li> <li>◦ Make sure that the media-diverter gate (saddle-stitch flapper) is not blocking the paper path.</li> </ul> </li> </ul>
		<ul style="list-style-type: none"> <li>● If media is found in the finisher-covering sensor PI33 (the sensor is not detecting the media), perform the following steps:           <ul style="list-style-type: none"> <li>◦ Check the sensor for obstructions. Verify that the sensor flag is not damaged, moves freely, and is correctly aligned with the sensor body. Make sure that the lower end of the flag is not damaged and is correctly positioned to activate the sensor.</li> <li>◦ Make sure that the sensor is securely fastened to the chassis.</li> <li>◦ Carefully clean the sensor body by gently blowing clean air across the sensor to remove dust and debris.</li> <li>◦ Verify that the wiring at the sensor is not damaged and that the intermediate connector J1007 and connector J708 on the stacker controller PCA are fully seated. Replace the sensor if necessary.</li> <li>◦ Only if the error persists, replace the stacker controller PCA. See <a href="#">Stacker controller PCA on page 826</a>.</li> </ul> </li> </ul>
13.12.13	Finisher stay jam at PI33.	Control-panel diagnostics: none



**Table 7-4 Control-panel messages (continued)**

Control panel message	Description	Recommended action
	Finisher's upper-feed-path-entry sensor (PI33) is remaining activated longer than expected, suggesting that paper has jammed at the sensor.	<p>To locate this sensor, see <a href="#">Detect jams in the stacker unit on page 724</a>.</p> <ol style="list-style-type: none"> <li>1. Remove any media in the upper paper path that might be activating sensor PI33.</li> <li>2. Verify that the sensor flag is not damaged, moves freely, and is correctly aligned with the sensor body.</li> <li>3. Carefully clean the sensor body by gently blowing clean air across the sensor to remove dust and debris.</li> <li>4. Verify that the wiring at the sensor is not damaged and that the connector J708 on the stacker controller PCA is fully seated.</li> </ol>
13.12.14	<p>Finisher delay jam at PI34.</p> <p>Upper-paper-path-entry sensor (PI33) has signaled that paper has passed but upper-paper-path-exit sensor PI34 does not actuate within the expected time, suggesting that the paper has jammed between PI33 and PI34 in the upper paper path.</p>	<p>Control-panel diagnostics: none</p> <p>To locate these sensors, see <a href="#">Detect jams in the stacker unit on page 724</a>.</p> <ol style="list-style-type: none"> <li>1. Remove any media jammed in the upper paper path between sensor PI33 and sensor PI34.</li> <li>2. Check the paper path between sensor PI33 and sensor PI34 for obstructions that may be preventing the media from reaching PI34.</li> <li>3. Verify that the PI34 sensor flag is not damaged, moves freely, and is correctly aligned with the sensor body.</li> <li>4. Make sure that sensor PI34 is securely fastened to the chassis and wiring is properly connected to sensor.</li> </ol> <p><b>NOTE:</b> Sensor PI34 is located on the front frame of the finisher, directly over the primary stapler.</p> <ol style="list-style-type: none"> <li>5. Verify that the wiring at the sensor is not damaged and that the connector J707 on the stacker controller PCA is fully seated.</li> <li>6. Only if the error persists and none of the previous steps correct the problem, replace the stacker controller PCA. See <a href="#">Stacker controller PCA on page 826</a>.</li> </ol>
13.12.15	<p>Finisher stay jam at PI34</p> <p>Finisher's upper-paper-path-exit sensor (PI34) remains activated longer than expected suggesting that paper has jammed at the sensor.</p>	<p>Control-panel diagnostics: M31 (entrance motor), SL32 (buffer-roller solenoid), and SL33 (output-roller solenoid)</p> <p>To locate this sensor, see <a href="#">Detect jams in the stacker unit on page 724</a>. PI34 is located on</p>

**Table 7-4 Control-panel messages (continued)**

Control panel message	Description	Recommended action
		<p>the front frame of the finisher, above the main stapler unit.</p> <ol style="list-style-type: none"> <li>1. Remove any media in the upper paper path that might be activating sensor PI34.</li> <li>2. Carefully clean the sensor body, by gently blowing clean air across the sensor to remove dust and debris.</li> <li>3. Verify that the sensor flag is not damaged, moves freely, and is correctly aligned with the sensor body.</li> <li>4. Lift-swing-guide assembly at the paper exit area to output bins and inspect for jammed paper, obstructions, or damage.</li> <li>5. Run a diagnostic through the engine control panel and turn on M31 (entrance motor) to observe gear rotations on the upper-rear frame of the finisher. Ensure that the first delivery rollers and buffer rollers that pass paper to and from PI34 are rotating.</li> <li>6. Test SL32 (buffer-roller solenoid) and SL33 (output-roller solenoid) using the control-panel diagnostics.</li> <li>7. Check wiring from sensor PI34 to stacker-control-board connector J707 for damage.</li> <li>8. Only if the error persists and none of the previous steps correct the problem, replace the stacker controller PCA. See <a href="#">Stacker controller PCA on page 826</a>.</li> </ol>
13.12.16	<p>Finisher jam - door opened during Staple/ Stacking operation</p> <p>While the machine is printing, the upper-door (open/close) sensor (PI31) or front-door (open/close) sensor (PI32) or the front-door (open/close) switch (MSW31) has signaled that one of the doors has been opened, suggesting that there may now be paper found in the upper paper path.</p>	<p>Control-panel diagnostics: PI31 (top-door sensor), PI32 (front-door sensor)</p> <p>Booklet maker only: check PI3 (booklet-door-1 sensor) (booklet-delivery door)</p> <ol style="list-style-type: none"> <li>1. Make sure that the doors properly open and close and stay in the fully closed position.</li> </ol> <p>If the front door is not closing tightly at the top, it will not activate the door switch. If necessary, adjust the alignment of the front door by opening the door and carefully twisting it.</p> <ol style="list-style-type: none"> <li>2. Verify that the sensor-activation arms on the doors are not damaged.</li> <li>3. Make sure that the front-door sensor PI32 and switch MSW31 and top-door sensor PI31 are not obstructed.</li> </ol>

**Table 7-4 Control-panel messages (continued)**

Control panel message	Description	Recommended action
13.12.17	<p>Engine to finisher timing jam: unexpected arrival of paper to finisher</p> <p>Upper-paper-path-entry sensor (PI33) has detected paper before a signal from the engine has been received, indicating that paper is being delivered from the IPTU to the finisher.</p>	<p>Control-panel diagnostics: none</p> <p>To locate this sensor, see <a href="#">Detect jams in the stacker unit on page 724</a>.</p> <ol style="list-style-type: none"> <li>1. Verify that the latest firmware updates are installed for the engine and finisher.</li> <li>2. Remove any media in the upper paper path that might be activating sensor PI33.</li> </ol> <p>If no media is found at PI33, proceed to step 3.</p> <p>If media is found at PI33, perform the following steps:</p> <ul style="list-style-type: none"> <li>◦ Make sure that the power/communication cable from the IPTU to the finisher is properly connected.</li> <li>◦ Make sure that the IPTU is properly connected to the engine and that the mounting screws are tight.</li> <li>◦ Make sure that the finisher is properly grounded. <ul style="list-style-type: none"> <li>● Ensure that the finisher is latched and locked to the engine by tightening the thumbscrew inside the front door.</li> <li>● Ensure that the grounding-frame assembly (the bar with the wheel located between the engine and the finisher) is in the “down” position with the wheel touching the floor and that the grounding plate is not damaged.</li> </ul> </li> </ul>

**Table 7-4 Control-panel messages (continued)**

Control panel message	Description	Recommended action
		<p><b>NOTE:</b> The grounding-frame assembly is in the “up” position when the finisher is shipped. It must be lowered when the finisher is installed.</p> <ul style="list-style-type: none"> <li>◦ If the error persists, replace the IPTU. See <a href="#">IPTU on page 734</a>.</li> </ul> <p><b>3.</b> Check for media at the finisher entrance point and at sensor PI33.</p> <p>If no media is found at PI33, perform the following steps:</p> <ul style="list-style-type: none"> <li>◦ Make sure that the finisher is properly grounded.           <ul style="list-style-type: none"> <li>● Ensure that the finisher is latched and locked to the engine by tightening the thumbscrew inside the front door.</li> <li>● Ensure that the grounding-frame assembly (the bar with the wheel located between the engine and the finisher) is in the down position with the wheel touching the floor and that the grounding plate is not damaged.</li> </ul> </li> </ul> <p><b>NOTE:</b> The grounding-frame assembly is in the up position when the finisher is shipped. It must be lowered when the finisher is installed.</p> <ul style="list-style-type: none"> <li>◦ Carefully clean the sensor body by gently blowing clean air across the sensor to remove dust and debris.</li> <li>◦ Verify that the sensor flag is not damaged, moves freely, and is correctly aligned with the sensor body.</li> <li>◦ Verify that the wiring at the sensor is not damaged and that the connector J708 on the stacker controller PCA is fully seated.</li> </ul> <p><b>4.</b> Only if the error persists and none of the previous steps correct the problem, replace the stacker controller PCA. See <a href="#">Stacker controller PCA on page 826</a>.</p>

**Table 7-4 Control-panel messages (continued)**

Control panel message	Description	Recommended action
13.12.21	<p>Finisher upper-stapler (stapler 1) staple jam.</p> <p>When the staple motor (M41) is rotated forward, the staple home-position sensor (PI5) does not turn back on after the prescribed time has elapsed after it goes off, and the staple home-position sensor (PI50) turns on within the prescribed time after the staple motor (M41) is rotated backwards.</p>	<p>Control-panel diagnostics: none</p> <ol style="list-style-type: none"> <li>1. Check the stapler unit for jammed staples.</li> <li>2. Check the stapler unit for loose staples and paper dust.</li> <li>3. Inspect the stapler unit for damage.</li> <li>4. Remove the stapler cartridge and make sure HP-approved staples are being used.</li> <li>5. Verify that the wiring at the stapler unit and the connector are not damaged.</li> <li>6. Install new staple cartridge and retest.</li> <li>7. If the error persists, replace the stapler unit. See <a href="#">Stapler on page 772</a>.</li> </ol>
13.12.41	<p>Finisher - Paper detected in booklet making portion of finisher at engine power on.</p> <p>Occurs when paper is detected by one of the sensors on the paper-sensor board (PI18, PI19, PI20), vertical-path-paper sensor (PI17), booklet-delivery sensor (PI11), paper-positioning-plate paper sensor (PI8), or booklet-making paper-entry sensor (PI22) when the machine is powered on.</p>	<p>Control-panel diagnostics: none</p> <p>To locate these sensors, see <a href="#">Detect jams in the booklet maker unit on page 724</a>.</p> <ol style="list-style-type: none"> <li>1. Remove media from the booklet-maker paper path.</li> <li>2. Verify that the sensor flags are not damaged, move freely, and are correctly aligned with the sensor bodies.</li> <li>3. Carefully clean each sensor body by gently blowing clean air across each sensor to remove dust and debris.</li> <li>4. Make sure that connectors J6, J9, J10, J13, and J21 are fully seated on the saddle-stitcher controller PCA.</li> <li>5. Only if the error persists and none of the previous steps correct the problem, replace the saddle-stitcher controller PCA. See <a href="#">Saddle-stitcher controller PCA (booklet maker only) on page 827</a>.</li> </ol>
13.12.42	<p>Finisher delay jam at booklet-making paper-entry sensor (PI22)</p> <p>Occurs when booklet making function is selected and after the engine signals the finisher that it is delivering paper to the finisher. The booklet-making paper-entry sensor (PI22) is not activated within the expected time period after receiving the engine's delivery signal, suggesting that a paper jam has occurred somewhere between the output accessory bridge (IPTU) and sensor PI22.</p>	<p>Control-panel diagnostics: M9 (Inlet Motor), SL5 (Inlet-Switch Solenoid)</p> <p>Signal generated from: PI22 (Booklet-Making Paper-Entry Sensor)</p> <p>To locate this sensor, see <a href="#">Detect jams in the booklet maker unit on page 724</a>.</p>

**Table 7-4 Control-panel messages (continued)**

Control panel message	Description	Recommended action
		<p>Open the IPTU and the finisher top door and locate the media jam. Check the following items:</p> <ul style="list-style-type: none"> <li>● If media is found in the IPTU but has not reached the finisher entrance point, perform the following steps: <ul style="list-style-type: none"> <li>◦ Remove and then reinstall the IPTU. Make sure that the connector is fully seated and that the IPTU is securely fastened.</li> <li>◦ If the error persists, replace the IPTU.</li> </ul> </li> <li>● If media is jammed at the entrance point of the finisher, perform the following steps: <ul style="list-style-type: none"> <li>◦ Verify that the finisher is securely fastened to the engine.</li> <li>◦ Make sure that the finisher and IPTU are correctly aligned.</li> </ul> <p>Adjust the finisher castors to obtain a uniform gap between the finisher and the engine. The engine-to-finisher gap must be the same at the bottom and the top so that the finisher is parallel to the engine.</p> <p>With the engine-to-finisher gap correct, make sure that the finisher paper path entry point is aligned with the IPTU exit point.</p> <ul style="list-style-type: none"> <li>◦ Check the finisher entry-point guides for damage.</li> <li>◦ Verify that the finisher rollers are turning before the media leaves the IPTU.</li> </ul> <p>If the rollers are not turning, test motor M9 by using the finisher component test from the control-panel display. If the motor does not activate during the test, check the connectors for motor M9 (inlet motor).</p> <p>Make sure that connector J705 is fully seated on the stacker controller PCA.</p> <p>If the error persists, replace motor M9 or the saddle-paper-feeder assembly for the type finisher you are working on.</p> <p>Only if the error persists and none of the previous steps correct the</p> </li> </ul>

**Table 7-4 Control-panel messages (continued)**

Control panel message	Description	Recommended action
		<p>problem, replace the stacker controller PCA. See <a href="#">Stacker controller PCA on page 826</a>.</p> <ul style="list-style-type: none"> <li>● If media is found in the finisher but has not reached sensor PI22, perform the following steps: <ul style="list-style-type: none"> <li>◦ Check the upper and lower guides and rollers in the paper path for damage.</li> <li>◦ Make sure that the media-diverter gate (saddle-stitch flapper) is not blocking the paper path.</li> <li>◦ Test solenoid SL5 (inlet-switch solenoid) by using the finisher component test from the control-panel display. SL5 should be opening and closing the media-diverter gate (saddle stitch flapper).</li> </ul> </li> <li>● If media is found in the finisher cover sensor PI22 (the sensor is not detecting the media), perform the following steps: <ul style="list-style-type: none"> <li>◦ Check the sensor for obstructions. Verify that the sensor flag is not damaged, moves freely, and is correctly aligned with the sensor body. Make sure that the lower end of the flag is not damaged and is correctly positioned to activate the sensor.</li> <li>◦ Make sure that the sensor is securely fastened to the chassis.</li> <li>◦ Carefully clean the sensor body by gently blowing clean air across the sensor to remove dust and debris.</li> <li>◦ Verify that the wiring at the sensor is not damaged and that the intermediate connectors between the sensor and connector J21 on the saddle-stitcher controller PCA are fully seated. Replace the sensor if necessary. If PI22 is determined to be the failure point, replace the saddle-paper-feeder assembly, which includes PI22.</li> <li>◦ Only if the error persists and none of the previous steps correct the problem, replace the saddle-stitcher controller PCA. See <a href="#">Saddle-stitcher controller PCA (booklet maker only) on page 827</a>.</li> </ul> </li> </ul>

**Table 7-4 Control-panel messages (continued)**

Control panel message	Description	Recommended action
13.12.43	<p>Finisher stay jam at booklet-making paper-entry sensor (PI22)</p> <p>Occurs when the booklet-making paper-entry sensor (PI22) remains activated longer than expected, suggesting that there is a paper jam at the sensor.</p>	<p>Control-panel diagnostics: none</p> <p>To locate this sensor, see <a href="#">Detect jams in the stacker unit on page 724</a>.</p> <ol style="list-style-type: none"> <li>1. Remove any media in the upper paper path that might be activating sensor PI22.</li> <li>2. Verify that the sensor flag is not damaged, moves freely, and is correctly aligned with the sensor body.</li> <li>3. Carefully clean the sensor body by gently blowing clean air across the sensor to remove dust and debris.</li> <li>4. Verify that the wiring at the sensor is not damaged and that the intermediate connectors between sensor PI22 and connector J21 on saddle-stitcher controller PCA for damage and proper connections. Replace the sensor if necessary.</li> </ol>
13.12.44	<p>Finisher delay jam at booklet-making first-paper sensor (PI18)</p> <p>Occurs when the first-paper sensor (PI18) is not activated within the expected time following the activation of the booklet-making paper-entry sensor (PI22), suggesting that there is a paper jam in the area between PI22 and PI18.</p>	<p>Control-panel diagnostics: M1 (Delivery Motor)</p> <p>To locate these sensors, see <a href="#">Detect jams in the booklet maker unit on page 724</a>.</p> <p>Open the IPTU and the finisher top door and locate the media jam. Check the following items:</p> <ul style="list-style-type: none"> <li>● If media is found at sensor PI18, perform the following steps: <ul style="list-style-type: none"> <li>◦ Check the sensor PI18 for damage. Replace the sensor if necessary.</li> <li>◦ Carefully clean the sensor body by gently blowing clean air across the sensor to remove dust and debris.</li> <li>◦ Verify that the wiring from sensor PI18 to connector J10 on the saddle-stitcher controller PCA is undamaged and the connectors are fully seated.</li> </ul> </li> <li>● If media is found at the roller prior to sensor PI18 in the paper path, perform the following steps: <ul style="list-style-type: none"> <li>◦ Test motor M1 (delivery motor) by using the finisher component test from the control-panel display.</li> <li>◦ Remove the finisher rear cover. Activate motor M1 and verify that the drive gears and belts are moving.</li> </ul> </li> </ul>



**Table 7-4 Control-panel messages (continued)**

Control panel message	Description	Recommended action
13.12.45	<p>Finisher stay jam at booklet-making first-paper sensor (PI18), flapper-1 paper sensor (PI19) or flapper-2 paper sensor (PI20)</p> <p>Occurs when PI18, PI19 or PI20 remain activated longer than expected, suggesting that there is a paper jam in the flapper 1 and 2 area of the booklet-maker section of the finisher.</p>	<ul style="list-style-type: none"> <li>◦ If motor M1 does not rotate, verify that connector J5 on the saddle-stitcher controller PCA is fully seated. If the error persists, replace motor M1. If motor M1 still does not rotate, replace the saddle-stitcher controller PCA. See <a href="#">Saddle-stitcher controller PCA (booklet maker only) on page 827</a>.</li> <li>◦ If motor M1 does rotate but the gears and belts connected to motor M1 do not move, check for damaged components. Replace damaged components as necessary.</li> </ul> <p>Control-panel diagnostics: PI19 (flapper 1), PI20 (flapper 2), M1 (delivery motor), SL1 (flapper-1 solenoid), SL2 (flapper-2 solenoid)</p> <p>To locate these sensors, see <a href="#">Detect jams in the booklet maker unit on page 724</a>.</p> <ol style="list-style-type: none"> <li>1. Remove any media in the area around flapper 1 and flapper 2.</li> <li>2. Check the flappers for damage.</li> <li>3. Test sensor PI19 and sensor PI20 by using the finisher component test from the control-panel display. <ul style="list-style-type: none"> <li>◦ If the sensors are faulty, perform the following steps: <ul style="list-style-type: none"> <li>● Verify that the sensor flags are not damaged, move freely, and are correctly aligned with the sensor bodies.</li> <li>● Verify that the wiring at the sensors is not damaged and that the connector J10 on the saddle-stitcher controller PCA is fully seated.</li> <li>● If the error persist, replace the paper sensor PCA (which contains PI118, PI119, and PI20).</li> </ul> </li> </ul> </li> <li>4. Test flapper 1 and flapper 2 by using the finisher component test from the control-panel display.</li> </ol> <p><b>NOTE:</b> To verify the proper movement of the flappers, activate SL1 and SL2 in the finisher component test.</p>
13.12.46	<p>Finisher jam - door was opened during booklet making operation.</p>	<p>Control-panel diagnostics: PI31 (top-door sensor), PI32 (front-door sensor), PI3</p>

**Table 7-4 Control-panel messages (continued)**

Control panel message	Description	Recommended action
	<p>Occurs while the machine is booklet making and the booklet-delivery-door sensor (PI3) or the booklet-paper-path open/close sensor (PI3) detects that the door or paper path has been opened.</p> <p>Also occurs when the finisher's front-door sensor (PI32) has been opened with paper remaining in the processing tray of the main stapler while the finisher is not operating.</p>	<p>(booklet-door-1 sensor) (booklet delivery door)</p> <p>To locate sensor PI31 and sensor PI32, see <a href="#">Detect jams in the booklet maker unit on page 724</a>.</p> <ol style="list-style-type: none"> <li>1. Test sensor PI31, sensor PI32, and sensor PI9 by using the finisher component test from the control-panel display.</li> <li>2. Make sure that the front door, top door, and booklet-delivery door properly open and close and stay in the fully closed position.</li> </ol> <p>If the front door is not closing tightly at the top, it will not activate the door switch. If necessary, adjust the alignment of the front door by opening the door and carefully twisting it into proper alignment.</p> <ol style="list-style-type: none"> <li>3. Verify that the sensor-activation arms on the doors are not damaged.</li> <li>4. Make sure that the sensors and front-door switch MSW31 are not obstructed.</li> <li>5. Make sure that the arm on switch MSW31 is not bent or damaged.</li> <li>6. Make sure that sensors PI31, PI32, PI9, and switch MSW31 are securely fastened to the chassis.</li> <li>7. Only if the error persists and none of the previous steps correct the problem, replace the stacker controller PCA. See <a href="#">Stacker controller PCA on page 826</a>.</li> </ol>
<b>13.12.51</b>	<p>Finisher jam: rear booklet stapler (SW5)</p> <p>When the rear-staple motor (M6) is rotated forward, the staple home-position sensor (SW5) does not turn back on after the prescribed time has elapsed after it goes off (0.4 seconds).</p>	<p>Control-panel diagnostics: none</p> <ol style="list-style-type: none"> <li>1. Check the rear-booklet stapler unit for jammed staples.</li> <li>2. Check the rear-booklet stapler unit for loose staples.</li> <li>3. Inspect the rear-booklet-stitch stapler unit for damage.</li> <li>4. Verify that HP-approved staples for this stapler are being used.</li> <li>5. Verify that the wiring at the stapler unit and the connector are not damaged.</li> <li>6. Replace the staple cartridge.</li> </ol>

**Table 7-4 Control-panel messages (continued)**

Control panel message	Description	Recommended action
		<p><b>NOTE:</b> Replace both the front and rear staple cartridges at the same time so that the staple low sensors will properly detect the level of staples in the cartridges.</p> <p>7. Only if the error persists and none of the previous steps correct the problem, replace the saddle-stapler assembly. See <a href="#">Saddle-stapler assembly (booklet maker only)</a> on page 788.</p>
<b>13.12.52</b>	<p>Finisher jam: front-booklet stapler (SW7)</p> <p>When the rear-staple motor (M7) is rotated forward, the staple home-position sensor (SW7) does not turn back on after the prescribed time has elapsed after it goes off (0.4 seconds).</p>	<p>Control-panel diagnostics: none</p> <ol style="list-style-type: none"> <li>1. Check the front-booklet stapler unit for jammed staples.</li> <li>2. Check the front-booklet stapler unit for loose staples.</li> <li>3. Inspect the front-booklet stapler unit for damage.</li> <li>4. Verify that HP-approved staples for this stapler are being used.</li> <li>5. Verify that the wiring at the stapler unit and the connector are not damaged.</li> <li>6. Replace the staple cartridge. See <a href="#">Stapler</a> on page 772.</li> </ol> <p><b>NOTE:</b> Replace both the front and rear cartridges at the same time so that the staple low sensors will properly detect the level of staples in the cartridges.</p> <p>7. Only if the error persists and none of the previous steps correct the problem, replace the saddle-stapler assembly. See <a href="#">Saddle-stapler assembly (booklet maker only)</a> on page 788.</p>
<b>13.12.61</b>	<p>Finisher delay jam at the booklet-delivery sensor (PI11)</p> <p>Occurs when the folded booklet exits the folding rollers and does not reach the booklet-delivery sensor (PI11) within the expected time.</p>	<p>Control-panel diagnostics: none</p> <ol style="list-style-type: none"> <li>1. Check the folder-roller area for a jam or media wrapped around the rollers.</li> <li>2. Check sensor PI11 for damage.</li> <li>3. Make sure that the sensor is not obstructed.</li> <li>4. Make sure that sensor PI11 is securely fastened to the chassis.</li> </ol>
<b>13.12.62</b>	<p>Finisher stay jam at the booklet-delivery sensor (PI11) or the vertical-paper-path sensor (PI17)</p> <p>Occurs when the booklet-delivery sensor (PI11) remains activated longer than</p>	<p>Control-panel diagnostics: M2 (Folding motor)</p> <ol style="list-style-type: none"> <li>1. Check the folder-roller area for a jam.</li> <li>2. Test the folding motor (M2) by using the finisher component test from the control-panel display. <ul style="list-style-type: none"> <li>◦ Remove the finisher rear cover</li> </ul> </li> </ol>

**Table 7-4 Control-panel messages (continued)**

Control panel message	Description	Recommended action
	<p>expected after sensing the arrival of the new booklet from the folding rollers.</p> <p>Also occurs when the vertical-paper-path sensor (PI17) remains activated longer than expected after the paper has already passed through the folding rollers and is now detected by the booklet-delivery sensor (PI11).</p>	<p>before starting the test and make sure that the folding rollers are rotating when motor M2 is on.</p> <ol style="list-style-type: none"> <li>3. Check sensor PI11 and PI17 for damage.</li> <li>4. Make sure that the sensors are not obstructed.</li> <li>5. Make sure that sensor PI11 and sensor PI17 are securely fastened to the chassis.</li> </ol>
<b>13.13 Paper Stop Jam In Duplex Area Sensors G - H</b>	<p>The duplex refeed paper stopped between the switchback sensor (G) and the duplexer-delivery sensor (H).</p> <p>See <a href="#">Figure 7-4 Paper-path sensors on page 512</a> to determine the location of the sensor originating the failure.</p>	Follow the onscreen instructions to locate and remove the paper or obstruction.
<b>13.1C Fuser Wrap Jam, Paper in Fuser</b>	The paper is wrapping at the fuser.	Follow the onscreen instructions to locate and remove the paper or obstruction.
<b>13.20 Paper Eject Jam at Sensors E, F - G</b>	<p>The paper stopped at either the loop sensor (E), the fuser-output sensor (F) or the switchback sensor (G).</p> <p>See <a href="#">Figure 7-4 Paper-path sensors on page 512</a> to determine the location of the sensor originating the failure.</p>	Follow the onscreen instructions to locate and remove the paper or obstruction.
<b>13.21 Door Open Jam</b>	<p>The paper position is unknown.</p> <p>See <a href="#">Figure 7-4 Paper-path sensors on page 512</a> to determine the location of the sensor originating the failure.</p>	Follow the onscreen instructions to locate and remove the paper or obstruction.
<b>13.2B Paper Stop Jam In Output Accessory Bridge</b>	<p>The paper stopped before reaching IPTU sensor 1 (K).</p> <p>See <a href="#">Figure 7-4 Paper-path sensors on page 512</a> to determine the location of the sensor originating the failure.</p>	Follow the onscreen instructions to locate and remove the paper or obstruction.
<b>13.2C Paper Late Jam in Output Accessory Bridge (1)</b>	<p>The paper stopped between IPTU sensor 1 (K) and IPTU sensor 3 (M).</p> <p>See <a href="#">Figure 7-4 Paper-path sensors on page 512</a> to determine the location of the sensor originating the failure.</p>	Follow the onscreen instructions to locate and remove the paper or obstruction.
<b>13.2D Paper Late Jam in Output Accessory Bridge (2)</b>	<p>The paper stopped in the path along IPTU sensor 1 (K), IPTU sensor 2 (L), and IPTU sensor 3 (M).</p> <p>See <a href="#">Figure 7-4 Paper-path sensors on page 512</a> to determine the location of the sensor originating the failure.</p>	Follow the onscreen instructions to locate and remove the paper or obstruction.
<b>13.2E Paper Late Jam Near Fuser at Sensors F - J</b>	The paper stopped between the fuser-output sensor (F) and the output-bin-full sensor (J).	Follow the onscreen instructions to locate and remove the paper or obstruction.

**Table 7-4 Control-panel messages (continued)**

Control panel message	Description	Recommended action
	See <a href="#">Figure 7-4 Paper-path sensors on page 512</a> to determine the location of the sensor originating the failure.	
<b>13.30 Paper Late Jam, Jam In Cassette</b>	<ul style="list-style-type: none"> <li>The leading edge of the paper fed from Tray 1 stopped before reaching the registration sensor (D).</li> <li>The leading edge of the paper fed from Tray 2 stopped before reaching the registration sensor (D).</li> <li>The leading edge of the paper fed from Tray 3 stopped before reaching the registration sensor (D).</li> <li>The leading edge of the paper fed from Tray 4 stopped before reaching the registration sensor (D).</li> <li>The leading edge of the paper fed from Tray 5 stopped before reaching the registration sensor (D).</li> </ul> <p>See <a href="#">Figure 7-4 Paper-path sensors on page 512</a> to determine the location of the sensor originating the failure.</p>	Follow the onscreen instructions to locate and remove the paper or obstruction.
<b>13.7C Delivery Delay Jam 1</b>	There is a delay in reaching the first IPTU sensor.	Follow the onscreen instructions to locate and remove the paper or obstruction. See <a href="#">Figure 7-4 Paper-path sensors on page 512</a> to determine the sensor originating the failure.
<b>13.7D Delivery Delay Jam 2</b>	There is a delay in reaching the last IPTU sensor.	Follow the onscreen instructions to locate and remove the paper or obstruction. See <a href="#">Figure 7-4 Paper-path sensors on page 512</a> to determine the sensor originating the failure.
<b>13.7E Delivery Delay Jam 3</b>	There is a delay in reaching the output rollers from the fuser.	Follow the onscreen instructions to locate and remove the paper or obstruction. See <a href="#">Figure 7-4 Paper-path sensors on page 512</a> to determine the sensor originating the failure.
<b>13.80 Delivery Stay Jam</b>	There is a jam in the IPTU between the first and last sensor.	Follow the onscreen instructions to locate and remove the paper or obstruction. See <a href="#">Figure 7-4 Paper-path sensors on page 512</a> to determine the sensor originating the failure.
<b>13.80 External Output Device Paper Jam</b>	There is a delivery jam on the IPTU between the first and last sensor.	Follow the onscreen instructions to locate and remove the paper or obstruction.
<b>13.90 Non-specific Paper Jam</b>	<p>The leading edge of the paper is at the registration sensor (D).</p> <p>See <a href="#">Figure 7-4 Paper-path sensors on page 512</a> to determine the location of the sensor originating the failure.</p>	Follow the onscreen instructions to locate and remove the paper or obstruction.

**Table 7-4 Control-panel messages (continued)**

Control panel message	Description	Recommended action
13.JJ.NT - Fuser area jam	A jam occurred in the fuser-output sensor area. In order to continue processing a job, clear all paper found.	<p><b>CAUTION:</b> The fuser can be hot while the product is in use. Wait for the fuser to cool before handling it.</p> <ol style="list-style-type: none"><li>1. Open the right door.</li><li>2. Remove the paper in the duplex area.</li><li>3. Open the fuser access.</li><li>4. Remove the paper. Close the fuser access.</li><li>5. Remove all the paper found. Close the right door.</li></ol>
13.JJ.NT - Fuser wrap jam	Paper is wrapping at the fuser. In order to continue processing a job, clear all paper found.	Clear the jam in the fuser area. See <a href="#">AREA 2 and 3: Jams in the fuser and transfer area on page 524</a> .
13.JJ.NT - Jam in Tray 1	A page is jammed in the multipurpose tray.	Remove all loose paper from Tray 1. <ol style="list-style-type: none"><li>1. Clear the jam in Tray 1. See <a href="#">AREA 6: Jams in Tray 1 on page 539</a>.</li><li>2. Reload paper in Tray 1 and make sure the guides are next to the paper. Do not load paper above the fill tabs.</li><li>3. To continue printing, touch <b>OK</b>.</li></ol>
13.JJ.NT - Jam inside lower-right door	A jam occurred in the lower-right door.	<ol style="list-style-type: none"><li>1. Open the lower-right door.</li><li>2. Remove jammed paper.</li><li>3. Close the lower-right door.</li></ol>
13.JJ.NT - Transfer and fuser jam	A jam occurred in the registration-sensor area.	Clear all paper found. <p><b>CAUTION:</b> The fuser can be hot while the product is in use. Wait for the fuser to cool before handling it.</p> <ol style="list-style-type: none"><li>1. Open the right door.</li><li>2. Remove the paper in the duplex area.</li><li>3. Open the transfer access panel.</li><li>4. Remove the paper. Close the transfer access panel.</li><li>5. Open the fuser access.</li><li>6. Remove the paper. Close the fuser access.</li><li>7. Remove all the paper found. Close the right door.</li></ol>

**Table 7-4 Control-panel messages (continued)**

Control panel message	Description	Recommended action
<b>13.JJ.NT - Transfer area jam</b>	A jam occurred in the registration-sensor area.	In order to continue processing a job, clear all paper found. <ol style="list-style-type: none"> <li>1. Open the right door.</li> <li>2. Remove the paper in the duplex area.</li> <li>3. Open the transfer access panel.</li> <li>4. Remove the paper. Close the transfer access panel.</li> </ol>
<b>13.JJ.NT – Jam inside right door</b>	A page is jammed.	Check the right door of the printer. <ol style="list-style-type: none"> <li>1. Open the right door.</li> <li>2. Remove any paper in the duplex area.</li> <li>3. Close the right door.</li> </ol>
<b>13.JJ.NT- Jam below control panel</b>	A jam occurred below the control panel.	Check the area below the control panel for any jammed paper. Remove any paper found, then touch OK to continue.
<b>13.XX.YY Jam inside output accessory bridge</b>	There is a paper jam inside the output-accessory bridge (IPTU).	Clear the jam in the IPTU. See <a href="#">AREA 8: Jams in the optional finishing devices on page 547</a> .
<b>20 INSUFFICIENT MEMORY To continue touch OK</b>	The product does not have enough memory to print the page.	Touch <b>OK</b> to print a partial page. Reduce the page complexity or add printer memory.
<b>22 - USB I/O buffer overflow To continue touch OK</b>	The printer's USB buffer overflowed during a busy state.	Touching <b>OK</b> resumes printing but results in a loss of data.
<b>22 EMBEDDED I/O BUFFER OVERFLOW To continue touch OK</b>	Too much data was sent to the embedded HP Jetdirect print server. An incorrect communications protocol might be in use.	Touch <b>OK</b> to print the transferred data. Some data might be lost. Check the host configuration.
<b>30.01.02 Scanner failure</b>	The ADF is jammed or the sensor failed.	Verify that there is no paper in the ADF. Use the scanner test in the <a href="#">Troubleshooting</a> menu to check the sensors.
<b>30.01.03 Scanner failure</b>	An ADF pickup failure occurred.	This failure can be caused by using damage or glossy media. Try scanning through the ADF with standard 75 g/m <sup>2</sup> (20 lb) paper. You may need to replace the ADF maintenance kit.
<b>30.01.06 Scanner failure</b>	The scanner-lamp fan failed.	<ol style="list-style-type: none"> <li>1. Determine if the scanner-lamp fan is running during scanner operation.</li> <li>2. Check the scanner connection to the scanner-control board (SCB).</li> <li>3. Replace the fan if the error persists and the fan is not operational.</li> </ol>
<b>30.01.08 Scanner failure</b>	The scanner is locked, or the home sensor or flat cable failed.	Check the scanner lock. Unlock the scanner, and then turn the product off and then on.

**Table 7-4 Control-panel messages (continued)**

Control panel message	Description	Recommended action
<b>30.01.14 Scanner failure</b>	The SCB firmware failed.	<ol style="list-style-type: none"><li>1. Turn the product off and then on.</li><li>2. Perform a remote firmware upgrade. See <a href="#">Upgrade the firmware on page 131</a>.</li><li>3. Check the SCB.</li><li>4. Replace the SCB. See <a href="#">SCB, CPB, and SCUID on page 388</a>.</li></ol>
<b>30.01.15 Scanner failure</b>	The scanner initialization failed.	<ol style="list-style-type: none"><li>1. Turn the product off and then on.</li><li>2. Check the SCB LEDs for a heartbeat.</li><li>3. Replace the SCB. See <a href="#">SCB, CPB, and SCUID on page 388</a>.</li></ol>
<b>30.01.18 Scanner failure</b>	The SCB ASIC failed.	<ol style="list-style-type: none"><li>1. Turn the product off and then on.</li><li>2. Check the connection on the SCB.</li><li>3. Replace the SCB. See <a href="#">SCB, CPB, and SCUID on page 388</a>.</li><li>4. Turn the product off and then on.</li></ol>
<b>30.01.19 Scanner failure</b>	The scanner lamp failed.	<ol style="list-style-type: none"><li>1. Turn the product off and then on.</li><li>2. Determine if the scanner lamp turns on and off approximately 12 second after the product turns on.</li><li>3. If the lamp does not turn on and then off:<ol style="list-style-type: none"><li>a. View the lamp through the glass to determine if it is broken. Replace the lamp if it is broken.</li><li>b. Re-seat the cables from the lamp to the inverter.</li><li>c. Replace the inverter. See <a href="#">Inverter unit on page 384</a>.</li></ol></li><li>4. If the lamp does turn on and then off:<ol style="list-style-type: none"><li>a. Reseat the FFC interconnect between the optical carriage and the SCB.</li><li>b. Replace the optical carriage.</li><li>c. Replace the SCB. See <a href="#">SCB, CPB, and SCUID on page 388</a>.</li></ol></li></ol>
<b>30.01.25 Scanner failure</b>	The copy-process board (CPB) failed.	<ol style="list-style-type: none"><li>1. Turn the product off and then on.</li><li>2. Check the CPB LED.</li><li>3. Verify that the CPB connections are correct.</li></ol>



**Table 7-4 Control-panel messages (continued)**

Control panel message	Description	Recommended action
		<ol style="list-style-type: none"><li>4. Verify the cable from the scanner to the formatter is not plugged in backwards.</li><li>5. Replace the CPB. See <a href="#">SCB, CPB, and SCUID on page 388</a>.</li></ol>
<b>30.01.34 Scanner failure</b>	The scanner initialization failed, and the copy-process board (CPB) cannot communicate with the scanner-control board (SCB).	<ol style="list-style-type: none"><li>1. Turn the product off and then on.</li><li>2. Check the SCB LEDs.</li><li>3. Verify that the SCB connections are correct.</li><li>4. Replace the SCB. See <a href="#">SCB, CPB, and SCUID on page 388</a>.</li></ol>
<b>30.01.39 Scanner failure</b>	There was an AFE1 (analog front-end) failure.	<ol style="list-style-type: none"><li>1. Turn the product off and then on.</li><li>2. Check the flat cables on the SCB.</li><li>3. Check the LEDs on the SCB.</li><li>4. Replace the SCB. See <a href="#">SCB, CPB, and SCUID on page 388</a>.</li><li>5. Replace the scanner. See <a href="#">Optical scanner on page 358</a>.</li></ol>
<b>30.01.40 Scanner failure</b>	The scanner AFE 2 failed.	<ol style="list-style-type: none"><li>1. Turn the product off and then on.</li><li>2. Check the flat cables on the SCB.</li><li>3. Check the LEDs on the SCB.</li><li>4. Replace the SCB. See <a href="#">SCB, CPB, and SCUID on page 388</a>.</li><li>5. Replace the scanner. See <a href="#">Optical scanner on page 358</a>.</li></ol>
<b>30.01.41 Scanner failure</b>	There was a CPB error.	<ol style="list-style-type: none"><li>1. Check the SCB and CPB LEDs to verify that the scanner has power.</li><li>2. Verify that the scanner power cable is connected to the scanner power supply and fuser power supply.</li><li>3. Replace the CPB. See <a href="#">SCB, CPB, and SCUID on page 388</a>.</li></ol>
<b>30.01.42 Scanner failure</b>	The scanner cable is disconnected.	<ol style="list-style-type: none"><li>1. Connect the scanner cable to the formatter.</li><li>2. Turn the product off and then on.</li></ol>
<b>30.01.43 Scanner failure</b>	The CPB memory is full.	<ol style="list-style-type: none"><li>1. Connect the CPB memory.</li><li>2. Turn the product off and then on.</li><li>3. Replace the CPB memory.</li></ol>

**Table 7-4 Control-panel messages (continued)**

Control panel message	Description	Recommended action
<b>30.01.44 Scanner failure</b>	There is an SCB communication error.	<ol style="list-style-type: none"> <li>1. Turn the product off and then on.</li> <li>2. Check the SCB/CPB connections.</li> <li>3. Check the SCB LEDs.</li> </ol>
<b>30.01.45 Scanner failure</b>	The CPB memory is full.	<ol style="list-style-type: none"> <li>1. Turn the product off and then on.</li> <li>2. Check the SCB/CPB connections.</li> <li>3. Check the SCB LEDs.</li> </ol>
<b>30.01.46 Scanner failure</b>	The CPB enumeration failed.	<ol style="list-style-type: none"> <li>1. Turn the product off and then on.</li> <li>2. Check the PCI cable at the scanner and formatter.</li> <li>3. Check the SCB connections.</li> <li>4. Replace the CPB. See <a href="#">SCB, CPB, and SCUID on page 388</a>.</li> </ol>
<b>40 Embedded I/O Bad Transmission To continue touch OK</b>	A temporary printing error occurred. The connection between the product and the EIO card in the specified slot has been broken.	Touch <b>OK</b> to clear the error message and continue printing. Turn the product off and then on.
<b>41.3 Load Tray &lt;XX&gt;: [Type] [Size]</b>	The specified tray is loaded with media that is longer or shorter in the feed direction than the size adjusted for the tray. This message also appears if two or more sheets of media stick together in the product or if the tray is not adjusted correctly. If using glossy paper, ensure that it has been acclimated.	Touch <b>OK</b> to use another tray. Reconfigure the size in a tray so that the product will use a tray that is loaded with the correct media size. If the message does not clear automatically from the control-panel display, turn the product off and then on.
<b>41.5 Load Tray &lt;XX&gt;: [Type], [Size] To use another tray, touch OK</b>	<p>The product detected an unexpected paper size. There is a tray type mismatch.</p> <p>The tray is a cassette and there is another tray available for use.</p>	To continue, load the tray with the size and type indicated. Or, if another tray is available, touch <b>OK</b> to use it. This problem affects printing, but some scan functions might still be available.
<b>41.X ERROR To continue touch OK</b>	A temporary printing error occurred.	Touch <b>OK</b> to clear the error. If the error is not cleared, turn the product off and then on.
<b>48.01 Transfer unit error</b>	The ITB top sensor malfunctioned.	Turn the product off and then on. Check the sensor and replace the ITB. See <a href="#">Intermediate transfer belt (ITB) on page 238</a> .
<b>49.XXXXX ERROR To continue turn off then on</b>	A critical firmware error occurred.	Remove third-party products. Turn the product off and then on.
<b>50.1 Fuser error</b>	The fuser experienced a low-temperature error while printing or after it warmed up.	<ol style="list-style-type: none"> <li>1. Remove any paper jams from the fuser area. See <a href="#">AREA 2 and 3: Jams in the fuser and transfer area on page 524</a>.</li> <li>2. Reinstall the fuser. <a href="#">Fuser on page 233</a>. Check the connector (J1901) between the fuser and the product. Replace the cable or fuser if the connector is damaged.</li> <li>3. Reconnect the connectors of the thermopile (J1990), fuser control PCA (J302, J305, J306, J309), and the DC controller PCA (J107).</li> </ol>

**Table 7-4 Control-panel messages (continued)**

Control panel message	Description	Recommended action
		<ol style="list-style-type: none"><li>4. Replace the fuser. See <a href="#">Fuser on page 233</a>.</li><li>5. Replace the fuser power supply unit. See <a href="#">Fuser power-supply unit on page 291</a>.</li><li>6. Replace the thermopile. See <a href="#">Thermopile unit on page 334</a>.</li></ol>
<b>50.2 Fuser error</b>	The fuser experienced a warm-up error.	<ol style="list-style-type: none"><li>1. Reinstall the fuser. Check the connector (J1901) between the fuser and the product. Replace the cable or fuser if the connector is damaged.</li><li>2. Reconnect the connectors of the thermopile (J1990), fuser control PCA (J302, J305, J306, J309), and the DC controller PCA (J107).</li><li>3. Replace the fuser. See <a href="#">Fuser on page 233</a>.</li><li>4. Replace the fuser power supply unit. See <a href="#">Fuser power-supply unit on page 291</a>.</li><li>5. Replace the thermopile. See <a href="#">Thermopile unit on page 334</a>.</li></ol>
<b>50.3 Fuser error</b>	The fuser experienced a high-temperature error.	<ol style="list-style-type: none"><li>1. Reinstall the fuser. Check the connector (J1901) between the fuser and the product. Replace the cable or fuser if the connector is damaged.</li><li>2. Reconnect the connectors of the thermopile (J1990), fuser control PCA (J302, J305, J306, J309), and the DC controller PCA (J107).</li><li>3. Replace the fuser. See <a href="#">Fuser on page 233</a>.</li><li>4. Replace the fuser power supply unit. See <a href="#">Fuser power-supply unit on page 291</a>.</li><li>5. Replace the thermopile. See <a href="#">Thermopile unit on page 334</a>.</li></ol>
<b>50.4 Fuser error</b>	There was an error with the fuser driver circuit.	<ol style="list-style-type: none"><li>1. Reconnect the connectors of the fuser control PCA (J305) and the DC controller PCA (J107).</li><li>2. If the product does not meet the power requirement of 40 to 70Hz frequency, the fuser temperature control will not work properly, which will cause a malfunction.</li></ol>

**Table 7-4 Control-panel messages (continued)**

Control panel message	Description	Recommended action
		<ol style="list-style-type: none"><li>3. Check the low-voltage power supply unit for proper voltage.</li><li>4. Replace the fuser power supply unit. See <a href="#">Fuser power-supply unit on page 291</a>.</li></ol>
<b>50.5 Fuser error</b>	The fuser experienced a type-mismatch error.	<ol style="list-style-type: none"><li>1. Ensure that the fuser is the correct voltage.</li><li>2. Reinstall the fuser. Check the connector (J1901) between the fuser and the product. Replace the cable or fuser if the connector is damaged.</li><li>3. Reconnect the connectors of the fuser control PCA (J303, J305), low-voltage power supply unit (J6), and the DC controller PCA (J102, J207).</li><li>4. Replace the fuser. See <a href="#">Fuser on page 233</a>.</li></ol>
<b>50.7 Fuser error</b>	The fuser experienced a pressure-release mechanism error.	<ol style="list-style-type: none"><li>1. Reconnect the connectors of the fuser motor (J1720), fuser-unit home-position sensor (J1965), intermediate (J1964), and the DC controller PCA (J105, J121).</li><li>2. Test the fuser pressure-release sensor by performing the paper-path test or the manual sensor test in the <a href="#">Troubleshooting</a> menu. See <a href="#">Paper-path sensors test on page 587</a>.</li><li>3. Check the sensor flag of the fuser pressure-release sensor. If the sensor flag is damaged, replace the fuser. See <a href="#">Fuser on page 233</a>.</li><li>4. Check the inside gear on the product that drives the fuser.</li><li>5. Perform the fuser motor and fuser pressure-release motor component tests in the <a href="#">Troubleshooting</a> menu. See <a href="#">Paper-path sensors test on page 587</a>.</li><li>6. Replace the fuser motor. See <a href="#">Fuser motor on page 269</a>.</li><li>7. Replace the fuser. See <a href="#">Fuser on page 233</a>.</li></ol>
<b>50.8 Fuser error</b>	The fuser experienced a low-temperature error.	<ol style="list-style-type: none"><li>1. Remove any paper jams from the fuser area.</li><li>2. Reinstall the fuser. Check the connector (J1901) between the fuser and the product. Replace the cable or fuser if the connector is damaged.</li><li>3. Reconnect the connectors of the fuser control PCA (J302, J303, J305) and the DC controller PCA (J107).</li></ol>

**Table 7-4 Control-panel messages (continued)**

Control panel message	Description	Recommended action
		<ol style="list-style-type: none"><li>4. Replace the fuser. See <a href="#">Fuser on page 233</a>.</li><li>5. Replace the fuser power supply unit. See <a href="#">Fuser power-supply unit on page 291</a>.</li></ol>
<b>50.9 Fuser error</b>	The fuser experienced a high-temperature error.	<ol style="list-style-type: none"><li>1. Reinstall the fuser. Check the connector (J1901) between the fuser and the product. Replace the cable or fuser if the connector is damaged.</li><li>2. Reconnect the connectors of the fuser control PCA (J302, J303, J305) and the DC controller PCA (J107).</li><li>3. Replace the fuser. See <a href="#">Fuser on page 233</a>.</li><li>4. Replace the fuser power supply unit. See <a href="#">Fuser power-supply unit on page 291</a>.</li></ol>
<b>50.A Fuser Error</b>	There is a low-temperature error.	<ol style="list-style-type: none"><li>1. Remove any paper jams from the fuser area. See <a href="#">AREA 2 and 3: Jams in the fuser and transfer area on page 524</a>.</li><li>2. Reinstall the fuser. Check the connector (J1901) between the fuser and the product. Replace the cable or fuser if the connector is damaged.</li><li>3. Reconnect the connectors of the fuser control PCA (J302, J303, J305) and the DC controller PCA (J107).</li><li>4. Replace the fuser. See <a href="#">Fuser on page 233</a>.</li><li>5. Replace the fuser power supply unit. See <a href="#">Fuser power-supply unit on page 291</a>.</li></ol>
<b>50.B Fuser Error</b>	There is a high-temperature error.	<ol style="list-style-type: none"><li>1. Reinstall the fuser. Check the connector (J1901) between the fuser and the product. Replace the cable or fuser if the connector is damaged.</li><li>2. Reconnect the connectors of the fuser control PCA (J302, J303, J305) and the DC controller PCA (J107).</li><li>3. Replace the fuser. See <a href="#">Fuser on page 233</a>.</li><li>4. Replace the fuser power supply unit. See <a href="#">Fuser power-supply unit on page 291</a>.</li></ol>

**Table 7-4 Control-panel messages (continued)**

Control panel message	Description	Recommended action
<b>51.1Y Error To continue turn off and then on</b>	There is a beam detect error. <ul style="list-style-type: none"><li>• 51.10=black</li><li>• 51.11=cyan</li><li>• 51.12=magenta</li><li>• 51.13=yellow</li></ul>	<ol style="list-style-type: none"><li>1. Turn the product off and then on.</li><li>2. Check the connectors on the laser scanner.</li><li>3. Replace the specific laser scanner. See <a href="#">Laser/scanner assembly (cyan and black) on page 319</a> or <a href="#">Laser/scanner assembly (yellow and magenta) on page 316</a>.</li></ol>
<b>51.2Y Error To continue turn off and then on</b>	There is a laser error. <ul style="list-style-type: none"><li>• 51.20=black</li><li>• 51.21=cyan</li><li>• 51.22=magenta</li><li>• 51.23=yellow</li></ul>	<ol style="list-style-type: none"><li>1. Turn the product off and then on.</li><li>2. Check the connectors on the laser scanner.</li><li>3. Replace the specific laser scanner. See <a href="#">Laser/scanner assembly (cyan and black) on page 319</a> or <a href="#">Laser/scanner assembly (yellow and magenta) on page 316</a>.</li></ol>
<b>52.00 Error To continue turn off and then on</b>	The scanner experienced a startup error.	<ol style="list-style-type: none"><li>1. Perform the laser scanner component tests in the <a href="#">Troubleshooting</a> menu.</li><li>2. Depending on the test results, perform one of the following steps:<ul style="list-style-type: none"><li>◦ If the cyan or black component tests showed a startup failure, reconnect the connectors of the cyan/black scanner motor (J1702) and the DC controller PCA (J129).</li><li>◦ If the yellow or magenta component tests showed a startup failure, reconnect the connectors of the yellow/magenta scanner motor (J1701) and the DC controller PCA (J129).</li></ul></li><li>3. Replace the cyan/black laser scanner unit or the yellow/magenta laser scanner unit. See <a href="#">Laser/scanner assembly (cyan and black) on page 319</a> or <a href="#">Laser/scanner assembly (yellow and magenta) on page 316</a>.</li></ol>
<b>52.10 Error To continue turn off and then on</b>	There is a laser scanner startup error.	Check the cyan/black laser scanner unit or the yellow/magenta laser scanner unit.

**Table 7-4 Control-panel messages (continued)**

Control panel message	Description	Recommended action
<b>52.20 Error To continue turn off and then on</b>	The scanner experienced a rotational error.	<ol style="list-style-type: none"> <li>1. Perform the laser scanner component tests in the <a href="#">Troubleshooting</a> menu.</li> <li>2. Depending on the test results, perform one of the following steps: <ul style="list-style-type: none"> <li>◦ If the cyan or black component tests showed a startup failure, reconnect the connectors of the cyan/black scanner motor (J1702) and the DC controller PCA (J129).</li> <li>◦ If the yellow or magenta component tests showed a startup failure, reconnect the connectors of the yellow/magenta scanner motor (J1701) and the DC controller PCA (J129).</li> </ul> </li> <li>3. Replace the cyan and black laser-scanner assembly or the yellow and magenta laser-scanner assembly. See <a href="#">Laser/scanner assembly (cyan and black) on page 319</a> or <a href="#">Laser/scanner assembly (yellow and magenta) on page 316</a>.</li> </ol>
<b>53.10.0X Unsupported DIMM</b>	An unsupported DIMM is installed.	Turn the product off, and then replace the DIMM that caused the error. See <a href="#">Install DDR memory DIMMs on page 111</a> .
<b>54.01 Error</b>	The environmental sensor experienced an error.	<ol style="list-style-type: none"> <li>1. Reconnect the connector of the DC controller PCA (J115).</li> <li>2. Replace the environmental sensor. See <a href="#">Environmental sensor on page 283</a>.</li> </ol>
<b>54.15 Error</b>	The yellow-toner-level sensor experienced an error.	<ol style="list-style-type: none"> <li>1. Reconnect the connectors of the print-cartridge interface PCA (yellow and magenta).</li> <li>2. Replace the print-cartridge interface PCA (yellow and magenta). See <a href="#">Print-cartridge interface PCA (yellow and magenta) on page 300</a>.</li> </ol>
<b>54.16 Error</b>	The magenta-toner-level sensor experienced an error.	<ol style="list-style-type: none"> <li>1. Reconnect the connectors of the print-cartridge interface PCA (yellow and magenta).</li> <li>2. Replace the print-cartridge interface PCA (yellow and magenta). See <a href="#">Print-cartridge interface PCA (yellow and magenta) on page 300</a>.</li> </ol>
<b>54.17 Error</b>	The cyan-toner-level sensor experienced an error.	<ol style="list-style-type: none"> <li>1. Reconnect the connectors of the print-cartridge interface PCA (cyan and black).</li> <li>2. Replace the print-cartridge interface PCA (cyan and black). See <a href="#">Print-cartridge interface PCA (cyan and black) on page 299</a>.</li> </ol>

**Table 7-4 Control-panel messages (continued)**

Control panel message	Description	Recommended action
<b>54.18 Error</b>	The black-toner-level sensor experienced an error.	<ol style="list-style-type: none"><li>1. Reconnect the connectors of the print-cartridge interface PCA (cyan and black).</li><li>2. Replace the print-cartridge interface PCA (cyan and black). See <a href="#">Print-cartridge interface PCA (cyan and black) on page 299</a>.</li></ol>
<b>55.00.YY DC Controller Communication Error To continue turn off and then on</b>	The DC controller experienced a communication error.	<ol style="list-style-type: none"><li>1. Turn the product off and then on.</li><li>2. Perform an engine test. See <a href="#">Engine-test button on page 583</a>.</li><li>3. Verify the connectors on the DC controller.</li><li>4. Replace the DC controller. See <a href="#">DC controller PCA on page 281</a>.</li></ol>
<b>55.01.YY DC Controller Memory Error To continue turn off and then on</b>	There is an error with the DC controller memory.	<ol style="list-style-type: none"><li>1. Turn the product off and then on.</li><li>2. Perform an engine test. See <a href="#">Engine-test button on page 583</a>.</li><li>3. Verify the connectors on the DC controller.</li><li>4. Replace the DC controller. See <a href="#">DC controller PCA on page 281</a>.</li></ol>
<b>55.02.YY Outgoing Parity Error To continue turn off and then on</b>	There is a DC controller outgoing parity error.	<ol style="list-style-type: none"><li>1. Turn the product off and then on.</li><li>2. Perform an engine test. See <a href="#">Engine-test button on page 583</a>.</li><li>3. Verify the connectors on the DC controller.</li><li>4. Replace the DC controller. See <a href="#">DC controller PCA on page 281</a>.</li></ol>
<b>55.03.YY No Engine Response To continue turn off and then on</b>	DC controller no response error.	<ol style="list-style-type: none"><li>1. Turn the product off and then on.</li><li>2. Perform an engine test. See <a href="#">Engine-test button on page 583</a>.</li><li>3. Verify the connectors on the DC controller.</li><li>4. Replace the DC controller. See <a href="#">DC controller PCA on page 281</a>.</li></ol>
<b>55.04.YY Communications Timeout To continue turn off and then on</b>	There was a DC controller communications timeout.	<ol style="list-style-type: none"><li>1. Turn the product off and then on.</li><li>2. Perform an engine test. See <a href="#">Engine-test button on page 583</a>.</li><li>3. Verify the connectors on the DC controller.</li><li>4. Replace the DC controller. See <a href="#">DC controller PCA on page 281</a>.</li></ol>



**Table 7-4 Control-panel messages (continued)**

Control panel message	Description	Recommended action
<b>55.05 Error To continue turn off and then on</b>	An interruption occurred during a remote firmware update.	<ol style="list-style-type: none"><li>1. Turn the product off and then on.</li><li>2. Remove any third-party hardware.</li><li>3. Attempt the remote firmware update again.</li></ol>
<b>56.01 - Illegal input To continue turn off and then on</b>	There was an illegal input.	<ol style="list-style-type: none"><li>1. Turn the product off and then on.</li><li>2. Remove any third-party hardware.</li><li>3. Attempt the remote firmware update again.</li></ol>
<b>56.02 - Illegal output To continue turn off and then on</b>	There was an illegal output.	Turn the product off and then on.
<b>57.01 Error To continue turn off and then on</b>	The VOC fan (FM4) experienced an error.	<ol style="list-style-type: none"><li>1. Reconnect the connectors of the VOC fan (J1921) and the DC controller PCA (J103).</li><li>2. Measure the voltage between connectors J103-4 and J103-6 on the DC controller PCA right after the product is turned on. If the voltage changes from 0V to approximately 24V, replace the VOC fan. See <a href="#">VOC fan on page 322</a>.</li></ol>
<b>57.03 Error To continue turn off and then on</b>	The fuser cooling fan (FM2) experienced an error.	<ol style="list-style-type: none"><li>1. Reconnect the connectors of the fuser cooling fan (J1917) and the DC controller PCA (J132).</li><li>2. Measure the voltage between connectors J132-7 and J132-9 on the DC controller PCA right after the product is turned on. If the voltage changes from 0V to approximately 24V, replace the cartridge-area cooling fan. See <a href="#">Cartridge fan unit on page 289</a>.</li></ol>
<b>57.04 Error To continue turn off and then on</b>	The cartridge-area cooling fan (FM3) experienced an error.	<ol style="list-style-type: none"><li>1. Reconnect the connectors of the cartridge-area cooling fan (J1915) and the DC controller PCA (J132).</li><li>2. Measure the voltage between connectors J132-1 and J132-3 on the DC controller PCA right after the product is turned on. If the voltage changes from 0V to approximately 24V, replace the cartridge-area cooling fan. See <a href="#">Cartridge fan unit on page 289</a>.</li></ol>
<b>57.05 Error To continue turn off and then on</b>	The low-voltage power-supply cooling fan (FM5) experienced an error.	<ol style="list-style-type: none"><li>1. Reconnect the connectors of the low-voltage power-supply cooling fan (J2), low-voltage power supply (J6), and the DC controller PCA (J102).</li><li>2. Measure the voltage between connectors J2-1 and J2-3 on the low-voltage power-supply cooling fan right after the product is turned on. If the voltage changes from 0V to approximately 24V, replace the low-voltage power-supply cooling fan.</li></ol>

**Table 7-4 Control-panel messages (continued)**

Control panel message	Description	Recommended action
<b>57.06 Error To continue turn off and then on</b>	The cartridge-front-area cooling fan (FM6) experienced an error.	<ol style="list-style-type: none"><li>1. Reconnect the connectors of the cartridge-front-area cooling fan (J1934) and the DC controller PCA (J103).</li><li>2. Measure the voltage between connectors J103-1 and J103-3 on the DC controller PCA right after the product is turned on. If the voltage changes from 0V to approximately 24V, replace the cartridge-front-area cooling fan.</li></ol>
<b>57.07 Error To continue turn off and then on</b>	The laser/scanner-unit cooling fan (FM1) experienced an error.	<ol style="list-style-type: none"><li>1. Reconnect the connectors on the laser/scanner unit cooling fan and the DC controller PCA.</li><li>2. Replace the laser/scanner unit cooling fan. See <a href="#">Laser/scanner fan unit on page 290</a>.</li></ol>
<b>57.08 Error To continue turn off and then on</b>	The delivery-unit cooling fan (FM7) experienced an error.	<ol style="list-style-type: none"><li>1. Reconnect the connectors of the delivery-unit cooling fan (J1910) and the DC controller PCA (J103).</li><li>2. Measure the voltage between connectors J103-7 and J103-9 on the DC controller PCA right after the product is turned on. If the voltage changes from 0V to approximately 24V, replace the delivery-unit cooling fan.</li></ol>
<b>57.09 Error To continue turn off and then on</b>	The scanner fan or control panel fan has failed.	<ol style="list-style-type: none"><li>1. Check if the scanner fan or control panel fan is running while the engine is running. You may be able to hear the fans. If not, perform a visual inspection.</li><li>2. If the fans are not running, determine if the lights on the CPB are on. If so, the connectors at the fan or at the scanner power supply may be disconnected.</li><li>3. If only one fan is not running, try switching the connectors at the power supply. If the failure follows the connection, the power supply may have failed. If the same fan fails regardless of the connection, replace the failed fan.</li></ol>
<b>59.30 Error To continue turn off and then on</b>	The fuser motor experienced a startup error.	<ol style="list-style-type: none"><li>1. Perform the fuser motor component test in the <b>Troubleshooting</b> menu.</li><li>2. Reconnect the connectors of the fuser motor (J1711), intermediate (J1720), and the DC controller PCA (J105).</li><li>3. Replace the fuser motor. See <a href="#">Fuser motor on page 269</a>.</li></ol>

**Table 7-4 Control-panel messages (continued)**

Control panel message	Description	Recommended action
<b>59.40 Error To continue turn off and then on</b>	The fuser motor experienced a rotational error.	<ol style="list-style-type: none"><li>1. Perform the fuser motor component test in the <b>Troubleshooting</b> menu.</li><li>2. Reconnect the connectors of the fuser motor (J1711), intermediate (J1720), and the DC controller PCA (J105).</li><li>3. Replace the fuser motor. See <a href="#">Fuser motor on page 269</a>.</li></ol>
<b>59.50 Error To continue turn off and then on</b>	The black-image-drum motor experienced a startup error.	<ol style="list-style-type: none"><li>1. Perform the image-drum motors component test in the <b>Troubleshooting</b> menu.</li><li>2. Reconnect the connectors of the black-image-drum motor (J1715) and the DC controller PCA (J139).</li><li>3. Replace the black-image-drum motor. See <a href="#">Image-drum motor on page 284</a>.</li></ol>
<b>59.51 Error To continue turn off and then on</b>	The cyan-image-drum motor experienced a startup error.	<ol style="list-style-type: none"><li>1. Perform the image-drum motors component test in the <b>Troubleshooting</b> menu.</li><li>2. Reconnect the connectors of the cyan-image-drum motor (J1714) and the DC controller PCA (J139).</li><li>3. Replace the cyan-image-drum motor. See <a href="#">Image-drum motor on page 284</a>.</li></ol>
<b>59.52 Error To continue turn off and then on</b>	The magenta-image-drum motor experienced a startup error.	<ol style="list-style-type: none"><li>1. Perform the image-drum motors component test in the <b>Troubleshooting</b> menu.</li><li>2. Reconnect the connectors of the magenta-image-drum motor (J1713) and the DC controller PCA (J138).</li><li>3. Replace the magenta-image-drum motor. See <a href="#">Image-drum motor on page 284</a>.</li></ol>
<b>59.53 Error To continue turn off and then on</b>	The yellow-image-drum motor experienced a startup error.	<ol style="list-style-type: none"><li>1. Perform the image-drum motors component test in the <b>Troubleshooting</b> menu.</li><li>2. Reconnect the connectors of the yellow-image-drum motor (J1712) and the DC controller PCA (J138).</li><li>3. Replace the yellow-image-drum motor. See <a href="#">Image-drum motor on page 284</a>.</li></ol>

**Table 7-4 Control-panel messages (continued)**

Control panel message	Description	Recommended action
<b>59.60 Error Black Image Drum Motor rotation error</b>	The black-image-drum motor experienced a rotational error.	<ol style="list-style-type: none"> <li>1. Perform the image-drum motors component test in the <b>Troubleshooting</b> menu.</li> <li>2. Reconnect the connectors of the black-image-drum motor (J1715) and the DC controller PCA (J139).</li> <li>3. Replace the black-image-drum motor. See <a href="#">Image-drum motor on page 284</a>.</li> </ol>
<b>59.61 Error To continue turn off and then on</b>	The cyan-image-drum motor experienced a rotational error.	<ol style="list-style-type: none"> <li>1. Perform the image-drum motors component test in the <b>Troubleshooting</b> menu.</li> <li>2. Reconnect the connectors of the cyan-image-drum motor (J1714) and the DC controller PCA (J139).</li> <li>3. Replace the cyan-image-drum motor. See <a href="#">Image-drum motor on page 284</a>.</li> </ol>
<b>59.62 Error To continue turn off and then on</b>	The magenta-image-drum motor experienced a rotational error.	<ol style="list-style-type: none"> <li>1. Perform the image-drum motors component test in the <b>Troubleshooting</b> menu.</li> <li>2. Reconnect the connectors of the magenta-image-drum motor (J1713) and the DC controller PCA (J138).</li> <li>3. Replace the magenta-image-drum motor. See <a href="#">Image-drum motor on page 284</a>.</li> </ol>
<b>59.63 Error To continue turn off and then on</b>	The yellow-image-drum motor experienced a rotational error.	<ol style="list-style-type: none"> <li>1. Perform the image-drum motors component test in the <b>Troubleshooting</b> menu.</li> <li>2. Reconnect the connectors of the yellow-image-drum motor (J1712) and the DC controller PCA (J138).</li> <li>3. Replace the yellow-image-drum motor. See <a href="#">Image-drum motor on page 284</a>.</li> </ol>
<b>59.90 Error To continue turn off and then on</b>	The ITB motor rotated abnormally.	Check the ITB motor and ITB unit.
<b>59.A0 Error To continue turn off and then on</b>	The ITB motor rotated abnormally.	Check the ITB motor and ITB unit.
<b>59.C0 Error To continue turn off and then on</b>	The developer-disengagement motor experienced a rotational error.	<ol style="list-style-type: none"> <li>1. Perform the alienation motor component tests in the <b>Troubleshooting</b> menu.</li> <li>2. Reconnect the connectors of the yellow/magenta-developing disengagement motor (J1719), cyan/black-developing disengagement motor (J1718), print cartridge PCA (J404, J405, J406, J408), and the DC controller PCA (J141, J142).</li> <li>3. Check the print-cartridge drive unit if the adjustment pin sticks in.</li> </ol>

**Table 7-4 Control-panel messages (continued)**

Control panel message	Description	Recommended action
		<ol style="list-style-type: none"><li>4. Check the main drive unit if the lever locks.</li><li>5. Replace the primary-transfer-roller disengagement motor. See <a href="#">Primary transfer-roller disengagement motor on page 292</a>.</li></ol>
<b>59.F0 Error To continue turn off and then on</b>	The primary-transfer-roller disengagement motor experienced an error.	<ol style="list-style-type: none"><li>1. Check the ITB-alienation sensor (m) by performing either the manual sensor test or the paper-path sensors test in the <b>Troubleshooting</b> menu.</li><li>2. Reconnect the connectors of the ITB home-position sensor (J2010), the cartridge driver PCA (J406, J407), and the DC controller PCA (J142).</li><li>3. Perform the ITB contact/alienation component test in the <b>Troubleshooting</b> menu.</li><li>4. Reconnect the connectors of the primary-transfer-roller disengagement motor (J1709) and the DC controller PCA (J110).</li><li>5. Replace the primary-transfer-roller disengagement motor. See <a href="#">Primary transfer-roller disengagement motor on page 292</a>.</li></ol>
<b>59.XY ERROR To continue turn off then on</b>	A temporary printing error occurred.	Turn the product off and then on.
<b>60.02 Tray 2 lifting error</b>	The Tray 2 lifter motor experienced an error.	<ol style="list-style-type: none"><li>1. Check the Tray-2 paper-surface sensor in the <b>Manual Sensor Test 2</b> menu in the <b>Troubleshooting</b> menu.</li><li>2. Reconnect the connectors of the cassette lifter motor (J1920) and the DC controller PCA (J112).</li><li>3. Replace the lifter drive unit. See <a href="#">Lifter-drive unit on page 266</a>.</li></ol>
<b>60.03 Tray 3 lifting error</b>	The Tray 3 lifter motor experienced an error.	<ol style="list-style-type: none"><li>1. Check the Tray-3 paper-surface sensor in the <b>Manual Sensor Test 2</b> menu in the <b>Troubleshooting</b> menu.</li><li>2. Reconnect the connectors of the cassette lifter motor (J1920) and the DC controller PCA (J112).</li><li>3. Replace the lifter drive unit. See <a href="#">Lifter-drive unit on page 266</a>.</li></ol>

**Table 7-4 Control-panel messages (continued)**

Control panel message	Description	Recommended action
<b>60.04 Tray 4 lifting error</b>	The Tray-4 lifter motor experienced an error.	<ol style="list-style-type: none"> <li>1. Check the Tray-4 paper-surface sensor in the <b>Manual Sensor Test 2</b> menu in the <b>Troubleshooting</b> menu.</li> <li>2. Reconnect the connectors of the cassette lifter motor (J1920) and the DC controller PCA (J112).</li> <li>3. Replace the lifter drive unit. See <a href="#">Lifter-drive unit on page 266</a>.</li> </ol>
<b>60.05 Tray 5 lifting error</b>	The Tray 5 lifter motor experienced an error.	<ol style="list-style-type: none"> <li>1. Check the Tray-5 paper-surface sensor in the <b>Manual Sensor Test 2</b> submenu in the <b>Troubleshooting</b> menu.</li> <li>2. Reconnect the connectors of the cassette lifter motor (J1920) and the DC controller PCA (J112).</li> <li>3. Replace the lifter drive unit. See <a href="#">Lifter-drive unit on page 266</a>.</li> </ol>
<b>60.&lt;XX&gt; Tray &lt;X&gt; lifting error</b>	The tray number specified by <XX> is in the process of lifting the paper to the top of the tray for proper feeding, and an obstruction prevents the tray from lifting properly.	<ol style="list-style-type: none"> <li>1. Open the tray indicated.</li> <li>2. Remove loaded paper, move guides out of the way, and remove any foreign objects.</li> <li>3. Reload paper in the tray and make sure the guides are next to the paper. Do not load above the fill tabs.</li> <li>4. Close the tray.</li> </ol> <p>Turn the product off and then on.</p>
<b>65.12.99 Output accessory disconnected</b>	An external paper-handling product connection has been interrupted.	<p>Check that all external paper-handling products are seated and connected properly. Reconnect any loose external product cables.</p> <p>If the error reappears, turn the product off and then on.</p>
<b>66.00.15</b>	<p>This error occurs when a firmware upgrade is in progress and the 24V DC voltage from the engine to the finisher is interrupted. An unexpected boot-up intent signal is detected causing the error message to be displayed.</p> <p>This error also occurs when too much time (more than 25 minutes) has elapsed during a firmware upgrade.</p> <p>This error also occurs during a 65.12.99 error state, which is caused when the printer is on and the finisher is disconnected, and a different model finisher or the same model finisher with a different version of firmware is connected to the printer.</p>	<p>If the error message occurs during a firmware upgrade, allow the upgrade to continue without interruption. When the upgrade is complete, the printer will power cycle automatically, which may remove the error message.</p> <p>If the system reboots from the firmware upgrade and a message requesting that the upgrade be performed again appears, or if the error originally occurred due to the</p>

**Table 7-4 Control-panel messages (continued)**

Control panel message	Description	Recommended action
		<p>firmware upgrade taking longer than 25 minutes, perform the following procedure:</p> <ol style="list-style-type: none"> <li>1. Turn off the printer and disconnect the finisher.</li> <li>2. Remove the IPTU and inspect the IPTU connectors for damage. Replace the IPTU if the connectors are damaged. Otherwise, reinstall the IPTU, making sure that the two securing screws are tight.</li> <li>3. Ensure that the grounding frame assembly (the bar with the wheel located between the printer and the finisher) is in the down position with the wheel touching the floor, and that the grounding plate is not damaged.</li> </ol> <p><b>NOTE:</b> The grounding-frame assembly is in the up position when the finisher ships. It must be lowered when the finisher is installed to ensure proper grounding.</p> <ol style="list-style-type: none"> <li>4. Reconnect the finisher to the printer.</li> <li>5. Inspect and reconnect the Jet Link cable (power and communication cable) from the finisher to the printer.</li> <li>6. Turn the printer on.</li> <li>7. Perform a firmware upgrade.</li> <li>8. If the error displays again, replace the Stacker Controller PCA and upgrade the firmware again.</li> </ol> <p>If a firmware upgrade was not in process when the error occurred:</p> <ol style="list-style-type: none"> <li>1. Turn off the printer and disconnect the finisher.</li> <li>2. Remove the IPTU and inspect the IPTU connectors for damage. Replace the IPTU if the connectors are damaged. Otherwise, reinstall the IPTU, making sure that the two securing screws are tight.</li> <li>3. Ensure that the grounding frame assembly (the bar with the wheel located between the printer and the finisher) is in the down position with the wheel touching the floor, and that the grounding plate is not damaged.</li> </ol>

**Table 7-4 Control-panel messages (continued)**

Control panel message	Description	Recommended action
66.12.01	<p>Finisher to engine communication error</p> <p>The communication between the print engine and the finisher has been interrupted or lost.</p>	<p><b>NOTE:</b> The grounding-frame assembly is in the up position when the finisher ships. It must be lowered when the finisher is installed to ensure proper grounding.</p> <ol style="list-style-type: none"> <li>4. Reconnect the finisher to the printer.</li> <li>5. Inspect and reconnect Jet Link cable (power and communication cable) from the finisher to the printer.</li> <li>6. Turn the printer on.</li> <li>7. If the error displays again, replace the Stacker Controller PCA.</li> </ol> <p>If the error was caused by exchanging finishers while the printer was still on, perform the following steps:</p> <ol style="list-style-type: none"> <li>1. Turn off the printer and disconnect the finisher.</li> <li>2. Make sure that the finisher is designed to be used with the printer.</li> <li>3. Reconnect the finisher to the printer.</li> <li>4. Turn the printer on.</li> </ol> <p>Control-panel diagnostics: none</p> <ol style="list-style-type: none"> <li>1. Verify that the latest firmware updates are installed for the engine and finisher.</li> <li>2. Make sure that the finisher is properly grounded. <ul style="list-style-type: none"> <li>◦ Ensure that the finisher is latched and locked to the engine by tightening the thumbscrew inside the front door.</li> <li>◦ Ensure that the grounding-frame assembly (the bar with the wheel located between the engine and the finisher) is in the down position with the wheel touching the floor and that the grounding plate is not damaged.</li> </ul> </li> </ol> <p><b>NOTE:</b> The grounding-frame assembly is in the up position when the finisher is shipped. It must be lowered when the finisher is installed.</p> <ol style="list-style-type: none"> <li>3. Make sure that the communication cable from the engine to the finisher is correctly installed.</li> </ol>



**Table 7-4 Control-panel messages (continued)**

Control panel message	Description	Recommended action
		<ol style="list-style-type: none"> <li>4. Verify that connectors J701 and J726 on the stacker controller PCA are fully seated and not damaged.</li> <li>5. Remove and inspect the electrical connections for damage and then reinstall the IPTU. Make sure that the connector is fully seated and that the IPTU is securely fastened.</li> <li>6. If the error persists, replace the IPTU.</li> <li>7. Only if the error persists and none of the previous steps correct the problem, replace the stacker controller PCA. See <a href="#">Stacker controller PCA on page 826</a>.</li> </ol>
<b>66.12.02</b>	<p>Finisher board communication error</p> <p>Occurs when the finisher's stacker-controller board has had a internal communication problem between the two processors on the board.</p>	<p>Control-panel diagnostics: none</p> <ol style="list-style-type: none"> <li>1. Make sure that the finisher is properly grounded. <ul style="list-style-type: none"> <li>◦ Ensure that the finisher is latched and locked to the engine by tightening the thumbscrew inside the front door.</li> <li>◦ Ensure that the grounding-frame assembly (the bar with the wheel located between the engine and the finisher) is in the down position with the wheel touching the floor and that the grounding plate is not damaged.</li> </ul> <p><b>NOTE:</b> The grounding-frame assembly is in the up position when the finisher is shipped. It must be lowered when the finisher is installed.</p> </li> <li>2. Verify that the latest firmware updates are installed for the engine and finisher.</li> <li>3. If the error persists, replace the stacker controller PCA. See <a href="#">Stacker controller PCA on page 826</a>.</li> </ol>
<b>66.12.03</b>	<p>Finisher control board RAM error</p> <p>The checksum for the finisher stacker controller PCA has an error when the power is turned on.</p>	<p>Control-panel diagnostics: none</p> <ol style="list-style-type: none"> <li>1. Make sure that the finisher is properly grounded. <ul style="list-style-type: none"> <li>◦ Ensure that the finisher is latched and locked to the engine by tightening the thumbscrew inside the front door.</li> <li>◦ Ensure that the grounding-frame assembly (the bar with the wheel located between the engine and the finisher) is in the down position with the wheel touching the floor</li> </ul> </li> </ol>

**Table 7-4 Control-panel messages (continued)**

Control panel message	Description	Recommended action
		<p>and that the grounding plate is not damaged.</p> <p><b>NOTE:</b> The grounding-frame assembly is in the up position when the finisher is shipped. It must be lowered when the finisher is installed.</p> <p>2. Turn the engine power off and then on to try clearing this error.</p> <p>3. If the error persists, replace the stacker controller PCA. See <a href="#">Stacker controller PCA on page 826</a>.</p>
66.12.11	<p>Finisher error: swing motor (M36) and the swing-guide home-position sensor (PI35)</p> <p>Occurs when the swing guide does not leave its home position (swing-guide home-position sensor: PI35) after the swing motor (M36) is activated for 3 seconds.</p> <p>Also occurs when the swing guide does not return to its home position (swing-guide home-position sensor: PI35) after the swing motor (M36) is activated for 3 seconds.</p>	<p>Control-panel diagnostics: M36 (Swing Motor) and PI35 (Swing Guide Home Position Sensor)</p> <p>1. Test the swing motor M36 by using the finisher component test from the control-panel display.</p> <p><b>NOTE:</b> When activated during the component test, the motor should rotate for about five seconds. While the motor is rotating, make sure that the swing guide is moving up or down at the exit area for stapling and stacking.</p> <ul style="list-style-type: none"> <li>◦ If the swing guide freely moves up and down, proceed to the next step (testing the swing-guide sensor PI35).</li> <li>◦ If the swing guide does not freely move up and down, remove the finisher rear cover and use your hand to turn the gear located to the right of motor M36 clockwise. <ul style="list-style-type: none"> <li>● If the swing guide moves upward, the gears are properly working. Replace motor M36. If after replacing the motor the motor still does not turn on, replace the stacker controller PCA. See <a href="#">Stacker controller PCA on page 826</a>.</li> <li>● If the swing guide does not move, inspect the gears and replace damaged components as necessary.</li> </ul> </li> </ul> <p>2. Test the swing-guide sensor PI35 by using the finisher component test from the control-panel display.</p>

**Table 7-4 Control-panel messages (continued)**

Control panel message	Description	Recommended action
66.12.12	<p>Finisher error - shutter movement malfunction</p> <p>Normal operation: When the shutter clutch (CL31) and stack-ejection lower-roller clutch (CL32) are on, the shutter moves up (closed) when the stack-ejection motor (M32) turns forward and moves down (open, delivery enabled) when the motor turns backwards.</p> <p>Error occurs when the shutter home-position sensor (PI45) indicates no change when the stack-ejection motor (M32) is activated for 3 seconds, indicating that the shutter is not moving.</p>	<p><b>NOTE:</b> Manually lift the swing guide to the highest position, and then look at the control-panel display and verify a change in state for the sensor.</p> <ul style="list-style-type: none"> <li>◦ If the sensor state does not change, perform the following steps:           <ul style="list-style-type: none"> <li>● Verify that the connector J707 on the stacker controller PCA is fully seated and not damaged.</li> <li>● Manually activate the sensor PI35 at the sensor body. If the control panel does not indicate a change of state, replace the sensor.</li> <li>● If raising the swing guide does not activate the sensor but it can be manually activated at the sensor body, replace the swing-guide assembly.</li> </ul> </li> <li>◦ If the PI35 sensor state does change, check the drive gears for damage or obstructions. Replace components as necessary.</li> </ul> <p>Control-panel diagnostics: none</p> <ol style="list-style-type: none"> <li>1. Inspect the shutter for damage. If the shutter cannot freely move, replace the shutter assembly.</li> <li>2. Remove the lower guide (grate-shaped) and check sensor PI45 for damage. Make sure that the sensor is securely fastened to the chassis.</li> <li>3. Check for proper alignment of the shutter mounted on the back of the grate-shaped lower guide and the lift mechanism on the finisher chassis.</li> <li>4. Verify that connector J721 on the stacker controller PCA is fully seated and not damaged.</li> <li>5. Check CL31 during operation, and verify that it is correctly functioning by activating prior to the error. Replace CL31 if necessary.</li> <li>6. Only if the error persists and none of the previous steps correct the problem, replace the stacker controller PCA. See <a href="#">Stacker controller PCA on page 826</a>.</li> </ol>
66.12.13	<p>Finisher error - stack trailing-edge motor (M39)</p>	<p>Control-panel diagnostics: M39 process motor (stack trailing-edge assist motor)</p>

**Table 7-4 Control-panel messages (continued)**

Control panel message	Description	Recommended action
	<p>In order to improve stacking performance when ejecting copies, a trailing-edge assist guide is used in addition to the stack-ejection roller to support the rear end of the stack during stack ejection.</p> <p>Error occurs when the stacker trailing-edge guide does not leave its home position (PI39) after the stack trailing-edge motor (M39) has been turned on for 3 seconds.</p>	<p>Test the swing motor M39 by using the finisher component test from the control-panel display.</p> <ul style="list-style-type: none"> <li>● If the trailing-edge assist guide does not move, perform the following steps: <ul style="list-style-type: none"> <li>◦ Verify that connector J722 on the stacker controller PCA is fully seated and not damaged. Also check the wiring at motor M39 and sensor PI39.</li> <li>◦ Replace the operation-tray assembly (processing tray). See <a href="#">Positioning plate unit (inner side-plate assembly) (booklet maker only) on page 789</a>.</li> <li>◦ Only if the error persists and none of the previous steps correct the problem, replace the stacker controller PCA. See <a href="#">Stacker controller PCA on page 826</a>.</li> </ul> </li> <li>● If the trailing-edge assist guide does move, perform the following steps: <ul style="list-style-type: none"> <li>◦ Carefully clean the sensor body by gently blowing clean air across the sensor to remove dust and debris.</li> <li>◦ Verify that the sensor flag is not damaged, moves freely, and is correctly aligned with the sensor body.</li> <li>◦ Verify that connector J722 on the stacker controller PCA is fully seated and not damaged. Also check the wiring at sensor PI39.</li> <li>◦ Replace the operation-tray assembly (processing tray). See <a href="#">Positioning plate unit (inner side-plate assembly) (booklet maker only) on page 789</a>.</li> <li>◦ Only if the error persists and none of the previous steps correct the problem, replace the stacker controller PCA. See <a href="#">Stacker controller PCA on page 826</a>.</li> </ul> </li> </ul>
66.12.14	<p>Finisher stapling and offsetting front-aligning-plate motor failure</p> <p>In order to neatly align the paper stack for either stapling or offsetting to take place, the front and rear aligning plates move to align each sheet when it enters the processing tray.</p>	<p>Control-panel diagnostics: none</p> <ol style="list-style-type: none"> <li>1. Verify that <b>Offsetting</b> is turned <b>On</b> in the <b>Device Behavior</b> menu.</li> <li>2. Verify that connector J722 on the stacker controller PCA is fully seated and not damaged. Also check the wiring at sensor PI39 and motor M33.</li> </ol>

**Table 7-4 Control-panel messages (continued)**

Control panel message	Description	Recommended action
	<p>The error occurs when the aligning plate either does not leave or when it does not return to the aligning-plate front-home-position sensor (PI36) when the front-aligning-plate motor (M33) has been driven for 4 seconds.</p>	<ol style="list-style-type: none"> <li>3. Replace the operation-tray assembly (processing tray). See <a href="#">Positioning plate unit (inner side-plate assembly) (booklet maker only) on page 789</a>.</li> <li>4. Only if the error persists and none of the previous steps correct the problem, replace the stacker controller PCA. See <a href="#">Stacker controller PCA on page 826</a>.</li> </ol>
66.12.15	<p>Finisher stapling or offsetting rear-aligning-plate motor failure (M34)</p> <p>In order to neatly align the paper stack for either stapling or offsetting to take place, the front and rear aligning plates move to align each sheet when it enters the processing tray.</p> <p>The error occurs when the aligning plate either does not leave or when it does not return to the aligning-plate rear-home-position sensor (PI37) when the rear-aligning-plate motor (M34) has been driven for 4 seconds.</p>	<p>Control-panel diagnostics: none</p> <ol style="list-style-type: none"> <li>1. Verify that <b>Offsetting</b> is turned <b>On</b> in the <b>Device Behavior</b> menu.</li> <li>2. Verify that connector J722 on the stacker controller PCA is fully seated and not damaged. Also check the wiring at sensor PI37 and motor M34.</li> <li>3. Replace the operation-tray assembly (processing tray). See <a href="#">Positioning plate unit (inner side-plate assembly) (booklet maker only) on page 789</a>.</li> <li>4. Only if the error persists and none of the previous steps correct the problem, replace the stacker controller PCA. See <a href="#">Stacker controller PCA on page 826</a>.</li> </ol>
66.12.16	<p>Finisher error - speed-change motor (M40)</p> <p>The speed-change motor M40 and sensor PI49 associated with this error have been removed from the output device prior to introduction to the field. This error message should never be seen in the field.</p>	<p>If error message appears, contact HP Support and report the error. HP Support: Report error to Technical Marketing.</p>
66.12.21	<p>Finisher upper-stapler motor failure (M41)</p> <p>Error occurs either when the stapler does not leave stapler home position (PI50) after staple motor (M41) is driven for 0.4 seconds or when it does not return to stapler home position after the staple motor has detected a motor-lock condition and the motor is driven backwards for 0.4 seconds, attempting to reach home position.</p> <p><b>NOTE:</b> PI50 and M41 are located on the stapler assembly and can only be replaced by replacing entire stapler assembly. M41 (Staple Motor) drives the insertion and crimping of the staple only (not location of the staple on paper). PI50 senses the home position of the stapler as it is inserting and crimping a staple only (not location of the staple on the paper).</p> <p>The stapler-safety switch (MS34) that assures that stapler motor (M41) is disabled when it senses a finger may be in the stapler.</p>	<p>Control-panel diagnostics: none</p> <ol style="list-style-type: none"> <li>1. Check the stapler unit for jammed staples.</li> <li>2. Check the stapler unit for loose staples and paper dust.</li> <li>3. Make sure that the stapler unit is fully seated.</li> <li>4. Verify that connector J717 on the stacker controller PCA is fully seated and not damaged. Check the wiring at the stapler unit and the stapler PCA.</li> <li>5. Replace the stapler. See <a href="#">Stapler on page 772</a>.</li> </ol>

**Table 7-4 Control-panel messages (continued)**

Control panel message	Description	Recommended action
66.12.22	<p>Finisher upper stapler-shift motor failure (M35)</p> <p>Error occurs when the stapler does not leave the stapler-shift home-position sensor (PI40) after the stapler-shift motor (M35) has driven for 5 seconds.</p> <p>Also occurs when the stapler fails to return to the stapler-shift home-position sensor (PI40) after the stapler-shift motor (M35) has been driven for 20 seconds.</p>	<p>Control-panel diagnostics: M35-Staple Motor (Stapler-Shift Motor) and PI140-Stapler Home Sensor (Stapler Home Position Sensor)</p> <ol style="list-style-type: none"> <li>1. Test the upper stapler-shift motor M35 by using the finisher component test from the control-panel display. <ul style="list-style-type: none"> <li>◦ If the stapler unit moves properly, proceed to the next step in this section.</li> <li>◦ If the stapler unit does not move properly or moves erratically, perform the following steps: <ul style="list-style-type: none"> <li>● Check the flat-flexible cable (FFC) for damage (dents, folds, and/or tears). Replace the FFC if necessary.</li> <li>● Check the FFC connectors and cable mounting areas.</li> <li>● If the error persists, replace the stapler assembly. See <a href="#">Stapler on page 772</a>.</li> </ul> </li> </ul> </li> <li>2. Test the stapler-shift home-position sensor PI40 by using the finisher component test from the control-panel display. <ul style="list-style-type: none"> <li>◦ If the sensor does not change state when the stapler unit is moved from the home position, perform the following steps: <ul style="list-style-type: none"> <li>● Make sure that the sensor is securely fastened to the chassis.</li> <li>● Carefully clean the sensor body by gently blowing clean air across the sensor to remove dust and debris.</li> <li>● Verify that connector J1040 on the stacker controller PCA is fully seated and not damaged. Check the wiring at the sensor.</li> <li>● If the error persists, replace the stapler assembly. See <a href="#">Stapler assembly on page 774</a>.</li> </ul> </li> </ul> </li> </ol>

**Table 7-4 Control-panel messages (continued)**

Control panel message	Description	Recommended action
66.12.23	<p>Finisher upper stapler failure</p> <p>Occurs when stapler-alignment-interference sensor (PI46) is activated, signaling that the stapler unit is not in its proper position for stapling to occur. This is to prevent damage to stapler from occurring when stapler is positioned over one of the three stoppers when the signal to staple has been sent.</p>	<p><b>NOTE:</b> The stapler assembly includes the stapler-shift home position sensor PI40, stapler unit, shift-position-plate assembly, and the flat-flexible cable (FFC).</p> <p>Control-panel diagnostics: none</p> <ol style="list-style-type: none"> <li>1. If the stapler unit does not move properly or moves erratically, check the flat-flexible cable (FFC) for damage (dents, folds, and/or tears). Replace the FFC if necessary.</li> <li>2. If the stacker controller PCA was recently replaced, use the steps in this manual to adjust the staple alignment and staple position. See <a href="#">Adjust the staple position on page 857</a>.</li> <li>3. If the stapler is not positioned over a stopper when this error occurs, perform the following steps. <ul style="list-style-type: none"> <li>◦ Make sure that the stapler unit is correctly mounted and securely fastened to the base.</li> <li>◦ Make sure that the sensor is not obstructed or damaged. Verify that the sensor flag is not damaged, moves freely, and is correctly aligned with the sensor body.</li> <li>◦ If the error persists, replace the stapler subassembly. See <a href="#">Stapler on page 772</a>.</li> </ul> </li> </ol> <p><b>NOTE:</b> The stapler subassembly includes the stapler unit and base.</p>
66.12.31	<p>Finisher error - 1st-tray lift/lower motor (M37)</p> <p>Occurs when the output-bin 1 does not activate the home-position sensor (PI41) when the output-bin-1-shift motor (M37) is driven for 20 seconds.</p> <p>Also occurs when output-bin 1 does not move when output-bin-1-shift motor (M37) is driven for 4 seconds.</p> <p>Also occurs when the output-bin-1 switch (MSW33) is activated while output-bin 1 is operating.</p> <p><b>NOTE:</b> Output-bin-1 home position is detected using the top sheet of paper on the bin when paper is present and the edge of the bin itself when there is no paper on the bin.</p>	<p>Control-panel diagnostics: M37 tray 1 (output-bin 1 motor)</p> <p><b>NOTE:</b> M37 moves both output bin 1 and the upper output bin that is attached to output bin 1 on the stapler stacker finisher, but only output bin 1 on the booklet maker finisher.</p> <ol style="list-style-type: none"> <li>1. Manually release output bin 1, and position it at the mid point of its travel area. Test the output-bin-1-shift motor</li> </ol>

**Table 7-4 Control-panel messages (continued)**

Control panel message	Description	Recommended action
		<p data-bbox="1062 226 1422 281">M37 by using the finisher component test from the control-panel display.</p> <ul style="list-style-type: none"><li data-bbox="1062 306 1422 361">◦ If output bin 1 moves during the test, perform the following steps.<ul style="list-style-type: none"><li data-bbox="1110 386 1442 487">● If the paper-surface sensor flag was recently removed or replaced, make sure that it is installed correctly.<p data-bbox="1158 512 1442 722"><b>NOTE:</b> The four tabs under the clips must be inserted into the slots behind the roller shaft of the lower stack-ejection roller. See <a href="#">Figure 8-191 Remove the operation-tray assembly (2 of 6) on page 793</a>.</p></li><li data-bbox="1110 747 1442 982">● Verify that the paper-surface sensor flag is not damaged, moves freely, and is correctly aligned with the PI41 sensor body. Also verify that when the top edge of the output bin engages the sensor arm that the sensor flag moves into sensor PI41.</li><li data-bbox="1110 1008 1442 1083">● Make sure that the sensor is securely fastened to the chassis.</li><li data-bbox="1110 1108 1442 1209">● Carefully clean the sensor body by gently blowing clean air across the sensor to remove dust and debris.</li><li data-bbox="1110 1234 1442 1394">● Verify that intermediate connector J1040 and J721 on the stacker controller PCA are fully seated and not damaged. Check the wiring at the sensor.</li><li data-bbox="1110 1419 1442 1474">● If the error persist, replace sensor PI41.</li><li data-bbox="1110 1499 1442 1575">● If the error persist, replace the output-bin-1 assembly. See <a href="#">Output-bin 1 on page 797</a>.</li></ul></li></ul>



**Table 7-4 Control-panel messages (continued)**

Control panel message	Description	Recommended action
66.12.32	<p>Finisher error: second-tray lift/lower motor (M38)</p> <p>Occurs when the output-bin 2 does not activate the home-position sensor (PI48) when the output-bin-1 shift motor (M38) is driven for 20 seconds.</p> <p>Also occurs when output-bin 2 does not move when output-bin-1–shift motor (M38) is driven for 4 seconds.</p> <p>Also occurs when bin-2 upper limit is detected by PS983, PS982, PS981 on the Tray-2-shift PCA when no paper has been sensed by the output-bin-2 paper sensor (PI43).</p> <p><b>NOTE:</b> output-bin-2 home position is detected using the top sheet of paper on the bin when paper is present and the edge of the bin itself when there is no paper on the bin.</p>	<p><b>NOTE:</b> The output-bin-1 assembly includes the output-bin-1-shift motor (M37), output-bin-1 switch (MSW33), output-bin-1 area sensors, and the output-bin-1 driver PCA.</p> <p>2. If output bin 1 does not move during the test, perform the following steps.</p> <ul style="list-style-type: none"> <li>◦ Check the output-bin tracks for damage.</li> <li>◦ Replace the output-bin-1 assembly. See <a href="#">Output-bin 1 on page 797</a>.</li> </ul> <p><b>NOTE:</b> The output-bin-1 assembly includes the output-bin-1-shift motor (M37), output-bin-1 switch (MSW33), output-bin-1 area sensors, and the output-bin-1 driver PCA.</p> <ul style="list-style-type: none"> <li>◦ Only if the error persists and none of the previous steps correct the problem, replace the stacker controller PCA. See <a href="#">Stacker controller PCA on page 826</a>.</li> </ul> <p>Control-panel diagnostics: M38 (output-bin-2 motor) and PI48 output-bin-2 paper-surface sensor</p> <p>1. Manually release output-bin 2, and position it at the mid point of its travel area. Test the output-bin-2-shift motor M38 by using the finisher component test from the control-panel display.</p> <ul style="list-style-type: none"> <li>◦ If output bin 2 moves during the test, perform the following steps. <ul style="list-style-type: none"> <li>● Verify that the paper-surface sensor flag is not damaged, moves freely, and is correctly aligned with the PI48 sensor body. Also verify that when the top edge of the output bin engages the sensor arm that the sensor flag moves into sensor PI41.</li> <li>● Make sure that the sensor is securely fastened to the chassis.</li> <li>● Carefully clean by gently blowing clean air across the sensor to remove dust and debris.</li> </ul> </li> </ul>

**Table 7-4 Control-panel messages (continued)**

Control panel message	Description	Recommended action
<b>66.12.34 Output accessory failure</b>	An output accessory is not functioning properly.	<ul style="list-style-type: none"> <li>• Verify that intermediate connector J1040 and J721 on the stacker controller PCA are fully seated and not damaged. Check the wiring at the sensor.</li> <li>• If the error persist, replace sensor PI48.</li> <li>• If the error persist, replace the output-bin-2 assembly. See <a href="#">Output-bin 2 on page 799</a>. <ul style="list-style-type: none"> <li><b>NOTE:</b> The output-bin-2 assembly includes the output-bin-2-shift motor (M38), output-bin-2 area sensors, and the output-bin-2 driver PCA.</li> </ul> </li> </ul> <p><b>2.</b> If output bin 2 does not move during the test, perform the following steps.</p> <ul style="list-style-type: none"> <li>◦ Check the output-bin tracks for damage.</li> <li>◦ Replace the output-bin-2 assembly. See <a href="#">Output-bin 2 on page 799</a>. <ul style="list-style-type: none"> <li><b>NOTE:</b> The output-bin-2 assembly includes the output-bin-2-shift motor (M38), output-bin-2 area sensors, and the output-bin-2 driver PCA.</li> </ul> </li> <li>◦ Only if the error persists and none of the previous steps correct the problem, replace the stacker controller PCA. See <a href="#">Stacker controller PCA on page 826</a>.</li> </ul> <p><b>1.</b> Turn the product off.</p> <p><b>2.</b> Verify that all output accessories are securely connected.</p> <p><b>3.</b> If the product uses cables, disconnect and reconnect them.</p>

**Table 7-4 Control-panel messages (continued)**

Control panel message	Description	Recommended action
66.12.41	<p>Finisher: folding-paper-positioning-plate motor (M4)</p> <p>The paper-positioning-plate motor (M4), located in the booklet making area of the finisher, controls the Up and down positioning of the stacked paper for stitch stapling and for folding.</p> <p>Error occurs when the paper-positioning-plate home-position sensor (PI7) does not turn on when the paper-positioning-plate motor (M4) has been driven for 1500 pulses.</p> <p>Also occurs when the paper-positioning-plate home-position sensor (PI7) does not turn off when the paper-positioning-plate motor (M4) has been driven for 300 pulses.</p>	<p>Control-panel diagnostics: M4-guide plate motor (paper-positioning-plate motor)</p> <ol style="list-style-type: none"> <li>1. Test the paper-positioning-plate motor M4 by using the finisher component test from the control-panel display.</li> </ol> <p>During the test, observe the movement of the booklet-maker-guide plate, and make sure it is not obstructed or damaged.</p> <ol style="list-style-type: none"> <li>2. Remove the booklet-maker output bin to gain access to the paper-position-plate home-position sensor PI7 and delivery door. Remove the plate that holds PI7, and carefully clean the sensor body by gently blowing clean air across the sensor to remove dust and debris.</li> <li>3. Make sure that the sensor is securely fastened to the plate.</li> <li>4. Check the wiring at the sensor.</li> <li>5. If the error persists, replace sensor PI7 and the positioning-plate assembly together.</li> <li>6. Only if the error persists and none of the previous steps correct the problem, replace the stacker controller PCA. See <a href="#">Stacker controller PCA on page 826</a>.</li> </ol>
66.12.42	<p>Finisher error: folding-guide motor (M3)</p> <p>The guide motor (M3), located in the booklet-making area of the finisher, controls the position of the guide plate. The guide plate is positioned in front of the folding rollers as the paper stack is being stapled, allowing the bottom edge of the paper to smoothly pass by the folding rollers. When the stacked paper is lowered to the folding position, the guide motor (M3) lowers the guide plate out of the way to allow the paper stack to be pushed into the folding rollers.</p> <p>Error occurs when The guide-home-position sensor (PI13) does not turn on when the guide motor (M3) has been driven for 700 pulses.</p> <p>Also occurs when the guide-home-position sensor (PI13) does not turn off when the guide motor (M3) has been driven for 50 pulses.</p>	<p>Control-panel diagnostics: M3 guide motor</p> <ol style="list-style-type: none"> <li>1. Carefully clean the sensor body by gently blowing clean air across the sensor to remove dust and debris.</li> <li>2. Make sure that the sensor is securely fastened to the plate.</li> <li>3. Check the wiring at the sensor.</li> <li>4. Check sensor PI13 for damage.</li> <li>5. Check the guide, gears, and gear tracks on the front and rear frame for damage. Replace components as necessary.</li> <li>6. If the error persists, replace the guide motor M3 and the guide-home-position sensor PI13 together.</li> </ol>

**Table 7-4 Control-panel messages (continued)**

Control panel message	Description	Recommended action
66.12.43	<p>Finisher error: paper-fold motor (M2)</p> <p>M2: paper-fold motor, located in the booklet making area of the finisher, drives the rotation of the folding rollers to create the desired fold in the paper.</p> <p>The error occurs when the number of pulses by the paper-fold-motor clock sensor (PI4) is less than expected standard value.</p> <p>Also occurs when the status of the paper-fold home-position sensor (PI21) does not change when the paper-fold motor (M2) has been driven for 3 seconds.</p>	<p>Control-panel diagnostics: M2 folding motor (paper-fold motor)</p> <ol style="list-style-type: none"><li>1. Check the area around the folding rollers for a jam.</li><li>2. Test the paper-fold motor M2 by using the finisher component test from the control-panel display.<ul style="list-style-type: none"><li>◦ If the folding rollers rotate properly, perform the following steps:<ul style="list-style-type: none"><li>● Check sensor PI4 and sensor PI21 for damage.</li><li>● Verify that the sensor flags are not damaged, move freely, and are correctly aligned with the PI48 and PI21 sensor bodies.</li><li>● Make sure that the sensors are securely fastened to the chassis.</li><li>● Carefully clean each sensor body with a clean, lint-free cloth, or gently blow clean air across each sensor to remove dust and debris.</li><li>● Verify that connector J3 on the saddle-stitcher controller PCA is fully seated and not damaged. Check the wiring at the PI4 sensor.</li><li>● Verify that connector J18 on the saddle-stitcher controller PCA is fully seated and not damaged. Check the wiring at the PI21 sensor.</li><li>● If the error persists, replace sensor PI4 or PI21.</li><li>● Only if the error persists and none of the previous steps correct the problem, replace the saddle-stitcher controller PCA. See <a href="#">Saddle-stitcher</a></li></ul></li></ul></li></ol>

**Table 7-4 Control-panel messages (continued)**

Control panel message	Description	Recommended action
66.12.44	<p>Finisher - folding-paper-alignment motor (M5)</p> <p>M5 - The alignment motor, located in the booklet making area of the finisher, drives the two alignment plates that adjust the side edges of the stacked paper so that the paper in the stack is perfectly aligned with one another.</p> <p>Error occurs when the aligning-plate home-position sensor (PI5) does not turn on when the aligning-plate motor (M5) has been driven for 500 pulses.</p> <p>Also occurs when the aligning-plate home-position sensor (PI5) does not turn off when the aligning-plate motor (M5) has been driven for 50 pulses.</p>	<p><a href="#">controller PCA (booklet maker only) on page 827.</a></p> <ul style="list-style-type: none"> <li>◦ If the folding rollers do not rotate properly, perform the following steps: <ul style="list-style-type: none"> <li>● Check the folding-roller gears and connecting gears between the paper-fold motor M2 and the folding rollers for damage. Replace components as necessary.</li> <li>● Check the folding rollers for wear and damage. Replace components as necessary.</li> <li>● Replace the motor-mount assembly.</li> </ul> </li> </ul> <p><b>NOTE:</b> The motor-mount assembly includes the paper-fold motor M2 and the paper-fold motor-clock sensor PI4.</p> <ul style="list-style-type: none"> <li>● Only if the error persists and none of the previous steps correct the problem, replace the saddle-stitcher controller PCA. See <a href="#">Saddle-stitcher controller PCA (booklet maker only) on page 827.</a></li> </ul> <p>Control-panel diagnostics: none</p> <p>Observe the alignment plates during a booklet-maker stacking operation.</p> <ul style="list-style-type: none"> <li>● If the alignment plates move during the operation, perform the following steps: <ul style="list-style-type: none"> <li>◦ Check sensor PI5 for damage.</li> <li>◦ Verify that the sensor flag is not damaged, moves freely, and is correctly aligned with the sensor body.</li> <li>◦ Make sure that the sensor is securely fastened to the chassis.</li> <li>◦ Carefully clean the sensor body by gently blowing clean air across the sensors to remove dust and debris.</li> <li>◦ If the alignment plates or the alignment-plates drive gear has been removed or replaced, make sure that the plates are correctly</li> </ul> </li> </ul>

**Table 7-4 Control-panel messages (continued)**

Control panel message	Description	Recommended action
		<p>aligned with each other on the drive gear.</p> <ul style="list-style-type: none"> <li>● If the alignment plates do not move during the operation, perform the following steps: <ul style="list-style-type: none"> <li>◦ Remove motor M5 and check the gears between the motor and alignment plates for damage. Replace components as necessary.</li> <li>◦ Verify that connector J7 on the saddle-stitcher controller PCA is fully seated and not damaged. Check the wiring at the M5 motor.</li> <li>◦ Replace the alignment motor M5.</li> <li>◦ Only if the error persists and none of the previous steps correct the problem, replace the saddle-stitcher controller PCA. See <a href="#">Saddle-stitcher controller PCA (booklet maker only) on page 827.</a></li> </ul> </li> </ul>
66.12.45	<p>Finisher - paper-pushing-plate motor (M8)</p> <p>Error occurs when the paper-pushing-plate home-position sensor (PI14) does not turn on when the paper-pushing-plate motor (M8) has been driven for 0.3 seconds.</p> <p>Also occurs when the paper-pushing-plate home-position sensor (PI14) does not turn off when the paper-pushing-plate motor (M8) has been driven for 80 ms.</p> <p>Also occurs when the paper-pushing-plate leading-edge-position sensor (PI15) does not turn off when the paper-pushing-plate motor (M8) has been driven for 80 ms.</p> <p>Also occurs when the number of pulses detected by the paper-pushing-plate-motor clock sensor (PI1) is less than expected standard value.</p> <p>Also occurs when the paper-pushing-plate leading-edge-position sensor (PI15) does not turn on when the paper-pushing-plate motor (M8) has been driven for 0.3 seconds.</p>	<p>Control-panel diagnostics: none</p> <ol style="list-style-type: none"> <li>1. Open the front finishing door, and activate the front-door switch (MSW31) and front-door sensor (PI32) so that the finisher will operate with the front door open. Turn the engine and finisher power off to clear the error, and then turn the power on.</li> </ol> <p><b>WARNING!</b> Operating the finisher with the front door open exposes moving parts that can cause serious injury. Be very careful operating the finisher with the front door open.</p> <ol style="list-style-type: none"> <li>2. Use the control-panel menus to begin a booklet making operation. Observe the paper-pushing plate motor M8 (located in the lower-right front corner of the</li> </ol>

**Table 7-4 Control-panel messages (continued)**

Control panel message	Description	Recommended action
		<p>finisher), associated gears, and the paper-pushing plate for proper motion.</p> <ul style="list-style-type: none"> <li>◦ If motor M8 does not rotate, replace the motor-mount assembly.</li> </ul> <p><b>NOTE:</b> The motor-mount assembly includes the paper-pushing-plate motor M8.</p> <ul style="list-style-type: none"> <li>◦ If motor M8 does rotate but the paper-pushing plate does not move or moves erratically, check the drive gears and paper-pushing plate for wear or damage. Replace components as necessary.</li> <li>◦ If motor M8 does rotate and the paper-pushing plate moves properly, the plate movement sensors might have failed.</li> </ul> <ul style="list-style-type: none"> <li>● Inspect the paper-pushing-plate home-position sensor P14, pushing-plate leading-edge-position sensor P15, and paper-pushing-motor clock sensor P11.</li> </ul> <p>Make sure that the sensors are securely fastened to the chassis.</p> <p>Check sensor P14, sensor P15, and sensor P11 for damage.</p> <ul style="list-style-type: none"> <li>● Verify that connectors J6, J9, and J23 on the saddle-stitcher controller PCA are fully seated and not damaged. Check the wiring at the sensors.</li> <li>● Only if the error persists and none of the previous steps correct the problem, replace the saddle-stitcher controller PCA. See <a href="#">Saddle-stitcher controller PCA (booklet maker only) on page 827</a>.</li> </ul>

**Table 7-4 Control-panel messages (continued)**

Control panel message	Description	Recommended action
66.12.46	<p>Finisher - Communication Lost with Stitcher Controller PCA</p> <p>Error occurs when communication between the stacker-controller board and the saddle-stitcher-controller board has been lost or interrupted.</p>	<p>Control-panel diagnostics: none</p> <ol style="list-style-type: none"> <li>1. Make sure that the finisher is properly grounded. <ul style="list-style-type: none"> <li>◦ Ensure that the finisher is latched and locked to the engine by tightening the thumbscrew inside the front door.</li> <li>◦ Ensure that the grounding-frame assembly (the bar with the wheel located between the engine and the finisher) is in the down position with the wheel touching the floor and that the grounding plate is not damaged.</li> </ul> <p><b>NOTE:</b> The grounding-frame assembly is in the up position when the finisher is shipped. It must be lowered when the finisher is installed.</p> </li> <li>2. Verify that connector J730 on the stacker controller PCA and the wiring between connector J22 on the saddle-stitcher controller PCA are fully seated and not damaged.</li> <li>3. Replace the saddle-stitcher controller PCA. See <a href="#">Saddle-stitcher controller PCA (booklet maker only) on page 827</a>.</li> <li>4. Only if the error persists and none of the previous steps correct the problem, replace the stacker controller PCA. See <a href="#">Stacker controller PCA on page 826</a>.</li> </ol>
66.12.47	<p>Finisher error - micro switches - doors</p> <p>There are three switches in the booklet-maker finisher: SW1 (saddle-guide switch also known as the inlet-door switch), SW3 the booklet-ejection-door switch, and MS31 the front-door switch. The stapler/stacker finisher only has one switch, MS31 for the front door of the finisher. All three switches detect if the associated door or guide plate is open or closed. Each of the switches also have a sensor (SW1/PI9, SW3/PI3, and MS31/PI32) that acts as a backup and detects the same information as the switches.</p> <p>The error occurs when all the doors and guides are closed and there is a mismatch in readings between the sensors and the switches. For example, the front finisher door is closed, PI32 senses the door is closed and MS31 senses the door is still open.</p>	<p>Control-panel diagnostics: PI32 (front-door-1 sensor), PI3 (booklet door-1 sensor, also known as booklet-delivery-door sensor), PI9 (front-door-2 sensor, also known as the saddle-guide-door sensor or inlet-door sensor), SW3 (booklet-door 2)</p> <ol style="list-style-type: none"> <li>1. Using the control-panel diagnostics, try to isolate which door or guide switch and sensor is causing the error.</li> <li>2. Make sure that the sensors are securely fastened to the chassis.</li> <li>3. Check the switches and sensors for damage and clean the sensors by gently blowing clean air into the sensor to remove dust and debris.</li> <li>4. Check the wiring at the switches and sensors.</li> <li>5. Check the tabs that activate the switches and sensors on the doors and</li> </ol>



**Table 7-4 Control-panel messages (continued)**

Control panel message	Description	Recommended action
	<p>Associated finisher door and guide switches and sensors are as follows:</p> <ul style="list-style-type: none"> <li>● Saddle-guide switch SW1 and saddle-guide sensor PI9</li> <li>● Booklet-ejection-door switch SW3 and booklet-ejection-door sensor PI3</li> <li>● Front-door switch MS31 and front-door sensor PI32</li> </ul>	<p>guides for damage. Make sure that the tabs are aligned with the switches and sensors. Replace the doors and guides as necessary.</p> <p>6. Verify that the following connectors are fully seated and not damaged:</p> <ul style="list-style-type: none"> <li>○ Stacker controller PCA               <ul style="list-style-type: none"> <li>● J719 (MS31)</li> <li>● J707 (PI32)</li> </ul> </li> <li>○ Saddle-stitcher controller PCA               <ul style="list-style-type: none"> <li>● J4 (SW1)</li> <li>● J10 (PI9)</li> <li>● J4 (SW3)</li> <li>● J11 (PI3)</li> </ul> </li> </ul> <p>7. Only if the error persists and none of the previous steps correct the problem, replace the PCA that is associated with the failed switch/sensor (stacker controller PCA or saddle-stitcher controller PCA). See <a href="#">Stacker controller PCA on page 826</a> or <a href="#">Saddle-stitcher controller PCA (booklet maker only) on page 827</a>.</p>

**Table 7-4 Control-panel messages (continued)**

Control panel message	Description	Recommended action
66.12.51	<p>Finisher error- rear-booklet-stapler motor (M6)</p> <p>The booklet-maker stitch staplers do not move to different locations in relation to the paper like the main stapler. The only movement is through the movement of the rotary cam located on the stapler unit itself, during the actual stapling of the booklet. The stitch-home-position switch (SW5) is part of the rear-stitch stapler unit and senses the stapler opening and closing during stapling by the motion of the rotary drive cam. Like SW5, the stitch motor (M6) is also part of the overall-stitch stapler unit and replacement requires the replacement of saddle-stapler assembly.</p> <p>Error occurs when the front booklet-maker-stapler stitching-home-position sensor (SW5) does not turn on when the stitch motor (rear) (M6) has been driven forward for 0.5 seconds.</p> <p>Also occurs when the front booklet-maker-stapler stitching-home-position sensor (SW5) does not turn off when the stitch motor (rear) (M6) has been driven forward for 0.5 seconds.</p>	<p>Control-panel diagnostics: none</p> <ol style="list-style-type: none"> <li>1. Check the rear-stitch stapler for jammed staples, and then perform the following steps: <ul style="list-style-type: none"> <li>◦ Clear jammed staples, and then check the staple unit for damage. Retest the stapler.</li> <li>● If the error continues, check the following items: <ul style="list-style-type: none"> <li>Make sure that HP-approved staples are used.</li> <li>Replace the staple cartridge with one containing HP-approved staples.</li> <li>If the error continues, replace the saddle-stapler assembly. See <a href="#">Saddle-stapler assembly (booklet maker only) on page 788</a>.</li> </ul> </li> <li>● If the error persists, but no damage is found, proceed to the next step.</li> </ul> </li> <li>2. If the error persists and no jammed staples are found, perform the following steps: <ul style="list-style-type: none"> <li>◦ Verify that connector J8 on the saddle-stitcher controller PCA is fully seated and not damaged. Check the wiring at the rear-saddle-stitch stapler and the saddle-stapler assembly for damage and proper seating. Also inspect the connector that the saddle-stitch-stapler assembly engages inside finisher, for damage and foreign material in the connector as well as for proper seating with the saddle-stitch-stapler assembly.</li> <li>◦ Only if the error persists and none of the previous steps correct the problem, replace the saddle-stitcher controller PCA. See <a href="#">Saddle-stitcher controller PCA (booklet maker only) on page 827</a>.</li> </ul> </li> </ol>

**Table 7-4 Control-panel messages (continued)**

Control panel message	Description	Recommended action
66.12.52	<p>Finisher error - front booklet-stapler motor (M7)</p> <p>The booklet-maker stitch staplers do not move to different locations in relation to the paper like the main stapler. The only movement is through the movement of the rotary cam located on the stapler unit itself, during the actual stapling of the booklet. The stitch-home-position switch (SW7) is part of the front-stitch stapler unit and senses the stapler opening and closing during stapling by the motion of the rotary drive cam. Like SW7, the stitch motor (M7) is also part of the overall-stitch stapler unit and replacement requires the replacement of saddle-stapler assembly.</p> <p>Error occurs when the front booklet-maker stapler-stitching home-position sensor (SW7) does not turn ON when the stitch motor (Front)(M7) has been driven forward for 0.5 seconds.</p> <p>Also occurs when the front booklet-maker stapler-stitching home-position sensor (SW7) does not turn off when the stitch motor (front) (M7) has been driven forward for 0.5 seconds.</p>	<p>Control-panel diagnostics: none</p> <ol style="list-style-type: none"> <li>1. Check the front-stitch stapler for jammed staples, and then perform the following steps: <ul style="list-style-type: none"> <li>◦ Clear jammed staples, and then check the staple unit for damage. Retest the stapler.</li> <li>● If the error continues, check the following items: <ul style="list-style-type: none"> <li>Make sure that HP-approved staples are used.</li> <li>Replace the staple cartridge with one containing HP-approved staples.</li> <li>If the error continues, replace the saddle-stapler assembly. See <a href="#">Saddle-stapler assembly (booklet maker only) on page 788</a>.</li> </ul> </li> <li>● If the error persists, but no damage is found, proceed to the next step.</li> </ul> </li> <li>2. If the error persists and no jammed staples are found, perform the following steps: <ul style="list-style-type: none"> <li>◦ Verify that connector J8 on the saddle-stitcher controller PCA is fully seated and not damaged. Check the wiring at the rear-saddle-stitch stapler and the saddle-stapler assembly for damage and proper seating. Also inspect the connector that the saddle-stitch-stapler assembly engages inside finisher, for damage and foreign material in the connector as well as for proper seating with the saddle-stitch-stapler assembly.</li> <li>◦ Only if the error persists and none of the previous steps correct the problem, replace the saddle-stitcher controller PCA. See <a href="#">Saddle-stitcher controller PCA (booklet maker only) on page 827</a>.</li> </ul> </li> </ol>

**Table 7-4 Control-panel messages (continued)**

Control panel message	Description	Recommended action
<b>66.XY.ZZ Output device failure</b>	An error occurred in an external paper-handling accessory.	<ol style="list-style-type: none"> <li>1. Turn the product power off.</li> <li>2. Check that the accessory is properly seated on and connected to the product, without any gaps between the product and the accessory. If the accessory uses cables, disconnect and reconnect them.</li> <li>3. Verify that there is no packaging material in or around the output device.</li> <li>4. Turn the product power on.</li> </ol>
<b>68.X Storage error settings changed To continue, touch OK.</b>	<p>At least one of the settings saved in the non-volatile storage device is invalid and was reset to its factory default. Printing can continue, but there may be some unexpected behavior because an error occurred in permanent storage.</p> <ul style="list-style-type: none"> <li>• 68.0: The onboard NVRAM failed.</li> <li>• 68.1: The removable disk (flash or hard) failed.</li> </ul>	Touch OK to clear the message.
<b>69.X Error To continue, touch OK.</b>	A duplex error occurred.	Turn the product off and then on. This problem affects printing, but some scan functions might still be available. Touch <b>Hide</b> to remove this message and use other features.
<b>79.XXXX - ERROR To continue turn off and then on</b>	A critical hardware error occurred.	Turn the product off and then on.
<b>8X.YYYY EIO ERROR To continue turn off and then on</b>	The EIO accessory card encountered a critical error, as specified by <b>YYYY</b> .	<p>Try the following actions to clear the message:</p> <ol style="list-style-type: none"> <li>1. Turn the product off and then on.</li> <li>2. Turn the product off, reseal the EIO accessory, and then turn the product on.</li> <li>3. Replace the EIO accessory. See <a href="#">Formatter on page 245</a>.</li> </ol>
<b>8X.YYYY EMBEDDED JETDIRECT ERROR</b>	The embedded HP Jetdirect print server encountered a critical error, as specified by <b>YYYY</b> .	Turn the product off and then on.
<b>ACTION NOT CURRENTLY AVAILABLE FOR TRAY X TRAY SIZE CANNOT BE ANY SIZE/ANY CUSTOM</b>	A duplexed (2-sided) document was requested from a tray that is set to <b>Any Size</b> or <b>Any Custom</b> . Duplexing is not allowed from a tray configured to <b>Any Size</b> or <b>Any Custom</b> .	Select another tray or reconfigure the tray.
<b>Authentication required</b>	Authentication is enabled for this feature or destination. A user name and password are required.	Type the user name and password, or contact the network administrator.
<b>Authentication required to use this feature</b>	A user name and password are required.	Type the user name and password, or contact the network administrator.

**Table 7-4 Control-panel messages (continued)**

Control panel message	Description	Recommended action
<b>Bad duplexer connection To continue turn off then on</b>	The duplex printing accessory is not connected correctly to the product.	<ol style="list-style-type: none"> <li>1. Reconnect the connectors for the duplexing driver PCA (J4101), intermediate (J1902), and the DC controller PCA (J133).</li> <li>2. Replace the duplexing reverse unit. See <a href="#">Duplexing reverse unit on page 323</a>.</li> </ol>
<b>Bad optional tray connection</b>	The optional tray is not connected properly and must be reconnected before printing can continue.	<ol style="list-style-type: none"> <li>1. Turn the product off.</li> <li>2. Remove and then reinstall optional tray or trays.</li> <li>3. Reinstall the IPTU. See <a href="#">IPTU on page 734</a>.</li> <li>4. Reconnect the connectors for the IPTU driver PCA (J7001) and the DC controller PCA (J130).</li> <li>5. Replace the IPTU driver PCA. See <a href="#">IPTU driver PCA on page 752</a>.</li> </ol>
<b>Calibrating</b>	The product is calibrating.	No action is necessary.
<b>Cancelling</b>	The product is canceling a job.	No action is necessary.
<b>Card Slot Device Failure - To Clear Touch OK</b>	The specified device failed.	Touch <b>OK</b> to clear.
<b>Card Slot file operation failed To clear touch OK</b>	A PJL file system command was received that attempted to perform an illogical operation, such as downloading a file to a non-existent directory.	Touch <b>OK</b> to clear.
<b>Card Slot is write protected To clear touch OK</b>	The device is protected and no new files can be written to it.	Touch <b>OK</b> to clear message.
<b>Card Slot Not Initialized</b>	The file system device must be initialized before it can be used.	Initialize the device.
<b>Cartridge Error – Replace Black Cartridge</b>	Toner has settled in the black print cartridge and the auger cannot turn.	Replace the black cartridge. After replacing the cartridge, turn the power off and then on to continue
<b>Cartridge Error-Replace color cartridges Reinstall, then turn off and then on</b>	The cyan, magenta, or yellow print cartridges are defective and need to be replaced.	Replace the defective print cartridges and turn the product off and then on.
<b>Checking engine</b>	The product is checking the engine.	No action is necessary.
<b>Checking paper path</b>	The engine is checking the rollers for possible paper jams.	No action is necessary.
<b>Chosen personality not available. To continue touch OK.</b>	A print job requested a product language (personality) that is not available for this product. The job will not print and will be cleared from memory.	Print the job by using a printer driver for a different printer language, or add the requested language to the product (if possible). To see a list of available personalities, print a configuration page. (See <a href="#">Information pages on page 90</a> .)
<b>Cleaning</b>	The cleaning page is being processed.	No action is necessary.
<b>Cleaning disk &lt;X&gt;% complete Do not power off</b>	A storage device is being sanitized or cleaned.	Do not turn off the product. The product's functions are unavailable. The product will automatically restart when finished.

**Table 7-4 Control-panel messages (continued)**

Control panel message	Description	Recommended action
<b>Clearing activity log</b>	The corresponding fax menu item has been triggered.	No action is necessary.
<b>Clearing all blocked numbers</b>	The corresponding fax menu item has been triggered.	No action is necessary.
<b>Clearing event log</b>	The event log is being cleared.	No action is necessary.
<b>Clearing paper path</b>	The printer jammed or was turned on and paper was detected where it should not be. It is attempting to eject these pages automatically.	No action is necessary.
<b>Close front door</b>	The front door is open.	Close the front door.
<b>Close lower-right door</b>	The lower-right door is open.	Close the lower-right door.
<b>Close output accessory bridge</b>	The output accessory bridge is open.	Close the output accessory bridge.
<b>Close right door</b>	A door on the right side of the product is open.	<ol style="list-style-type: none"> <li>1. Check the right-door-open-detection sensor by the sensor-monitor mode.</li> <li>2. Check the sensor flag of the right door. Replace the right door unit if the sensor flag is damaged.</li> </ol>
<b>Close small front door</b>	The small front door is open.	<ol style="list-style-type: none"> <li>1. Close the door.</li> </ol>
<b>Code CRC error</b>	This message is displayed before the firmware is loaded at startup when an error occurs during a firmware upgrade.	Resend the upgrade.
<b>Color RFU failed</b>	This message is displayed before the firmware is loaded at startup when an error occurs during a firmware upgrade.	Resend the upgrade.
<b>Conditioning image drum</b>	This message is displayed when a new p-crg is inserted, or the printer comes out of power save. The image drum goes through a rotation/charging cycle, approximately 2.5 minutes long. This does not add to the time to get out of power save because it is done in parallel with the other processes.	
<b>Connect output accessory</b>	An accessory device, such as the booklet maker or the stapler/stacker, has not been connected.	To continue with an output accessory, turn the power off, connect the output accessory, reconnect any loose external accessory cables, and then power on. To continue without an output accessory, turn the power off, remove the output accessory bridge, and then power on.
<b>Cooling device</b>	This product recently experienced a period of heavy usage. In order to maintain a supported operating temperature, the product cycles through intervals of printing and pausing.	No action is necessary.
<b>Creating cleaning page</b>	A two-step page is being processed after having been created. This message is also used for products with duplexers that create and process the cleaning page in one step.	No action is necessary.

**Table 7-4 Control-panel messages (continued)**

Control panel message	Description	Recommended action
<b>Data received</b>	The printer is waiting for the command to print the last page. The last page will print in a few moments.	No action is necessary.
<b>Deleting...</b>	The printer is currently deleting a stored job.	No action is necessary.
<b>Disk spinning up</b>	The EIO disk product in slot <X> is spinning up.	No action is necessary.
<b>Document feeder cover open</b>	The document feeder cover is open.	Close the document feeder cover. Follow the instructions in the onscreen dialog box.
<b>Document feeder empty</b>	The user pressed <b>Start</b> and there is no paper in the ADF or scanner.	No action is necessary.
<b>Document feeder pick error Step 1</b>	The document feeder experienced an error while picking media.	Open the document feeder cover.
<b>Document feeder pick error Step 2</b>	The document feeder experienced an error while picking media.	If necessary, roll the green wheel to the left to advance the paper. Remove all paper found.  Lift the green tab to open the paper guide. Remove all paper found.  Close the paper guide. Close the document feeder cover.
<b>Document feeder pick error Step 3</b>	The document feeder experienced an error while picking media.	Reinsert the original pages into the document feeder. Align the paper guides with the edges of the paper.  To continue, press <b>Start</b> .  <b>NOTE:</b> If this jam occurs frequently, try scanning from the flatbed glass. Some paper types cause jams in the document feeder. If the original document contains both Letter and Legal size pages, select "Mixed Letter/Legal" as the original size.
<b>Duplexing... do not grab paper</b>	The product is printing a duplex job, and the paper is accessible.	No action is necessary.
<b>E-mail Gateway did not accept the job because the attachment was too large.</b>	The scanned documents have exceeded the size limit of the server.	Send the job again using a lower resolution, smaller file size setting, or fewer pages. Contact the network administrator to enable sending the scanned documents by using multiple e-mails.
<b>E-mail Gateway did not respond. Job failed.</b>	A gateway exceeded the time-out value.	Validate the SMTP IP address.
<b>E-mail Gateway rejected the job because of the addressing information. Job failed.</b>	One or more of the e-mail addresses is incorrect.	Send the job again with the correct addresses.
<b>EIO &lt;X&gt; Disk initializing</b>	The EIO disk product in slot <X> is initializing.	No action is necessary.
<b>EIO &lt;X&gt; disk not functional</b>	The EIO disk in slot <X> is not working correctly.	Turn the product off. Remove the disk from the slot indicated, and replace it with a new disk. Turn the product on.
<b>EIO Device Failure - To Clear Touch OK</b>	The specified device failed.	Touch <b>OK</b> to clear.
<b>EIO file operation failed To clear touch OK</b>	A PjL file system command attempted to perform an illogical operation, such as	Touch <b>OK</b> to clear.

**Table 7-4 Control-panel messages (continued)**

Control panel message	Description	Recommended action
	downloading a file to a directory that does not exist.	
<b>EIO is write protected To clear touch OK</b>	The device is protected and no new files can be written to it.	Touch <b>OK</b> to clear message.
<b>EIO Not initialized</b>	The file system device must be initialized before it can be used.	Initialize the device.
<b>Entering internal application &lt;X&gt;</b>		
<b>Error</b>	The directory or file is not readable.	To activate a fax, complete the required fax settings available through Administration.
<b>Error executing Digital Send job. Job failed.</b>	A digital send job failed and cannot be delivered.	Try to send the job again.
<b>External device initializing</b>	An external product is initializing.	No action is necessary.
<b>Fax is disabled ignoring call</b>	The product received a call, but the fax feature was not configured with the required settings (country/region, date/time, company name, fax number, etc.). The fax icon on the control panel is grayed out.	Configure the fax with the required settings from the <b>Administration</b> menu on the control panel.
<b>Flatbed cover open</b>	The flatbed scanner cover is open.	Close the flatbed cover.
<b>Found SMTP gateway</b>	The <b>Found SMTP Gateway</b> menu has been selected.	No action is necessary
<b>Gateways failed</b>	The gateway configuration is incorrect.	See <a href="#">Solve network connectivity problems on page 437</a> .
<b>Gateways OK</b>	The gateway configuration is correct.	No action is necessary.
<b>Genuine HP supplies installed</b>	A new HP cartridge has been installed. This message appears for approximately 6 seconds before the printer returns to the <b>Ready</b> state.	No action is necessary.
<b>HP Digital Sending: Delivery Error</b>	A digital send job failed and cannot be delivered.	Try to send the job again.
<b>Incompatible fuser</b>	The wrong fuser is installed. The product will not print, even though the fuser fits the product.	Install the correct fuser. See <a href="#">Fuser on page 233</a> .
<b>Incompatible roller kit</b>	The wrong roller kit is installed. The product will not print, even though the roller kit fits the product.	Install the correct roller kit.
<b>Incompatible supplies</b>	Two or more incompatible supplies are installed. The product will not print, even though the supplies fit the product.	Install the correct supply.
<b>Inflate Failure Send Full RFU on Port &lt;X&gt;</b>	An error occurred during a firmware upgrade.	Reinstall firmware.
<b>Initializing permanent storage</b>	Product is initializing permanent storage.	No action is necessary.
<b>Initializing scanner</b>	The scanner is initializing.	Wait until the scanner is <b>Ready</b> before proceeding to scan.
<b>Install &lt;color&gt; cartridge</b>	The print cartridge has been removed or has been installed incorrectly.	Replace or reinstall the print cartridge correctly to continue printing.



**Table 7-4 Control-panel messages (continued)**

Control panel message	Description	Recommended action
<b>Install &lt;color&gt; drum</b>	An image drum is either not installed or not installed correctly. <Color> can be one or more of the following: black, cyan, magenta, or yellow.	Install the image drum or verify that the installed drum is fully seated. See <a href="#">Change image drums on page 108</a> .
<b>Install fuser</b>	The fuser is either not installed or not installed correctly.	Install the fuser. See <a href="#">Fuser on page 233</a> .
<b>Install roller unit</b>	The roller unit is either not installed or not installed correctly.	Install the roller unit or make sure the installed roller unit is fully seated. <ol style="list-style-type: none"> <li>1. Open the right door and the transfer access panel.</li> <li>2. Install the roller unit.</li> <li>3. Close the transfer access panel and the right door.</li> </ol>
<b>Install supplies</b>	At least two supplies are missing.	Replace the missing supplies or make sure the installed supplies are fully seated.
<b>Install transfer unit</b>	The ITB is either not installed or not installed correctly.	Replace the ITB. See <a href="#">Intermediate transfer belt (ITB) on page 238</a> .
<b>Insufficient memory to load fonts/data &lt;device&gt; To continue touch OK</b>	The product does not have enough memory to load the data (for example, fonts or macros) from the location specified.	Touch <b>OK</b> to continue without this information. If the message persists, add memory.
<b>Internal Disk Device Failure - To Clear Touch OK</b>	The specified device failed.	Touch <b>OK</b> to clear the message.
<b>Internal disk file operation failed To clear touch OK</b>	A PJL file system command attempted to perform an illogical operation, such as downloading a file to a non-existent directory.	Touch <b>OK</b> to clear.
<b>Internal Disk Initializing</b>	The internal disk is initializing.	No action is necessary.
<b>Internal disk is write protected To clear touch OK</b>	The product is protected and no new files can be written to it.	Touch <b>OK</b> to clear the message.
<b>Internal disk not found</b>	Internal disk not found.	Turn the product off and then on.
<b>Internal disk not functional</b>	The internal disk is not functional.	Copy and send is disabled. Turn the product off and then on.
<b>Internal disk not initialized</b>	The internal disk is not initialized.	Initialize the disk.
<b>Internal disk spinning up</b>	The internal disk is spinning up its platter. It usually shows for approximately 15 seconds when the printer comes out of power-save mode. Jobs can still print, but jobs that require disk access (i.e., stored jobs) must wait.	No action is necessary.
<b>Jam in document feeder (Step 1)</b>	Media is jammed in the document feeder.	Open the document feeder cover.
<b>Jam in document feeder (Step 2)</b>	Paper is jammed in the document feeder.	If necessary, roll the green wheel to the left to advance the paper. Remove all paper found. Lift the green tab to open the paper guide. Remove all paper found. Close the paper guide. Close the document feeder cover.

**Table 7-4 Control-panel messages (continued)**

Control panel message	Description	Recommended action
<b>Jam in document feeder (Step 3)</b>	Media is jammed in the document feeder.	Reinsert the original pages into the document feeder. Align the paper guides with the edges of the paper. To continue, press Start.  <b>NOTE:</b> If this jam occurs frequently, try scanning from the flatbed glass. Some paper types cause jams in the document feeder. If the original document contains both letter- and legal-size pages, select <b>Mixed Letter/Legal</b> as the original size.
<b>Job is being saved to disk</b>	Job is being saved.	No action is necessary.
<b>LED is on To continue, touch OK</b>	This message appears when the LED is component tested.	Touch <b>OK</b> to continue.
<b>Load Tray 1 &lt;type&gt; &lt;size&gt;</b>	The tray is empty or configured for a different size than the size requested.	Follow the instructions in the onscreen dialog box.
<b>Load Tray 1: [Type], [Size] To continue, touch OK</b>	Tray 1 is empty.	Load Tray 1 with the requested paper. Or, if paper is already in Tray 1, touch <b>OK</b> to print.  If paper is in another tray, remove the paper and insert it in Tray 1, and then touch <b>OK</b> .
<b>Load Tray &lt;XX&gt; &lt;type&gt; &lt;size&gt; To use another tray, touch OK</b>	A cassette tray is empty, and there is another tray available.	Load the tray with the requested paper or adjust the paper guides.  If another tray is available, touch <b>OK</b> to select.
<b>Load Tray &lt;XX&gt;: [type], [size]</b>	A cassette tray is empty, and there is no other tray available.	Load the tray with the requested paper or adjust the paper guides.
<b>Loading program &lt;XX&gt; Do not power off</b>	Programs and fonts are being loaded into the printer's file system.	No action is necessary.
<b>Manually feed &lt;type&gt; &lt;size&gt;</b>	The specified job requires manual feed from Tray 1.	Load the requested media into Tray 1.  Touch <b>OK</b> to use paper in another tray.
<b>Manually feed output stack Then touch OK to print second sides</b>	The first side of a manual duplex job printed and the product is waiting for the user to insert the output stack to complete the second side. For the normal <b>Manually Feed</b> message, printing continues automatically when the paper is reinserted. With this message, printing stops until the user touches the <b>OK</b> button, which allows time for straightening the output stack.	The even-numbered pages of the two-sided document have printed. Follow the next steps to print the odd-numbered pages.  <ol style="list-style-type: none"> <li>1. Maintaining the same orientation, remove the document from the output bin. Do not discard blank pages.</li> <li>2. Flip the document over so it is face up.</li> <li>3. Load Tray 1 with the face-up document.</li> <li>4. To continue printing, touch <b>OK</b>.</li> </ol>
<b>Manually Feed: [Type], [Size] To continue, touch OK</b>	A job has specified manual feed, and Tray 1 is loaded.	Touch <b>OK</b> to resume printing.
<b>Manually Feed: [Type], [Size] To use another tray, touch OK</b>	The job specified manual feed, the MP-tray is empty, and there is another tray available to use.	Touch <b>OK</b> to switch to another tray and resume printing.
<b>Moving solenoid To exit press STOP</b>	The solenoid and a motor are moving as part of a component test.	No action is necessary.

**Table 7-4 Control-panel messages (continued)**

Control panel message	Description	Recommended action
<b>No job to cancel</b>	This message appears when the <b>Stop</b> button is pressed.	No action is necessary.
<b>Non-HP supply installed</b>	A refilled color or a cloned color/mono cartridge was installed, and the printer previously used all genuine HP supplies. Or, an unauthorized cartridge was installed, and the printer previously used all genuine supplies.	Install a genuine HP cartridge, or touch <b>OK</b> to override the condition.
<b>Non-HP supply in use</b>	This message appears when the override button is pressed (on the non-HP supply installed error).	No action is necessary.
<b>Order &lt;color&gt; Cartridge</b>	The identified print cartridge is nearing the end of its useful life. The product is ready and will continue for the estimated number of pages indicated. Estimated pages remaining is based upon the historical page coverage of this product.  Printing will continue until a supply needs to be replaced.	Order a replacement print cartridge.
<b>Order &lt;color&gt; drum</b>	The <color> image drum has reached the low threshold.	Order a replacement image drum. Approximate pages remaining will vary depending on the types of documents printed.
<b>Order Fuser Kit</b>	The fuser is near the end of life. The product is ready and will continue for the estimated number of pages indicated. Printing will continue until a supply needs to be replaced.	Order a replacement fuser kit.
<b>Order roller kit-Less than XXXX pages</b>	The roller kit is low due to rotations.	Order a replacement roller kit.
<b>Order staple cartridge</b>	The staple cartridge needs to be replaced.	Replace the staple cartridge.
<b>Order Supplies</b>	One or more supplies need to be replaced.	Replace the supply.
<b>Order Transfer Kit</b>	The transfer kit is near the end of life. Printing can continue.	Order a replacement transfer kit.
<b>Order transfer kit</b>	The transfer kit is low.	Order a replacement transfer kit.
<b>Order transfer kit Less than XXXX pages</b>	The number of pages remaining for this supply has reached the low threshold. Printing can continue.	Order a replacement transfer kit. Approximate pages remaining will vary depending on the types of documents printed.
<b>Output accessory bridge attached To continue turn power off and then on</b>	The output accessory bridge (IPTU) has been attached while the power is on. To continue, turn the product off and then on.	This problem affects printing, but some scan functions might still be available.
<b>Output accessory bridge disconnected</b>	The output accessory bridge (IPTU) connection has been interrupted.	<ol style="list-style-type: none"> <li>1. Verify that the output accessory bridge is connected properly.</li> <li>2. Reattach the output accessory.</li> <li>3. Reconnect any loose external product cables.</li> <li>4. To continue without the output accessory bridge, turn the product off,</li> </ol>

**Table 7-4 Control-panel messages (continued)**

Control panel message	Description	Recommended action
		attach the standard output tray, and then turn the product on.
<b>Output accessory bridge failure</b> Turn off, verify connection, then turn on		<ol style="list-style-type: none"> <li>1. Turn the power off.</li> <li>2. Verify that the output accessory bridge is connected properly.</li> <li>3. Turn the power on.</li> </ol> <p>To continue without the output accessory bridge, turn the product off, attach the standard output tray, and then turn the product on.</p>
<b>Output paper path open</b>	The paper path between the product and the output device is open and must be closed before printing can continue.	<ol style="list-style-type: none"> <li>1. If you have a 3-bin mailbox installed, make sure the jam-access door is closed.</li> <li>2. If you have a stapler/stacker installed, make sure the staple cartridge is snapped into position and that the staple-cartridge door is closed.</li> </ol>
<b>Performing Color Band Test</b>	The color-band test is being performed.	No action is necessary.
<b>Performing paper path test</b> Press stop to cancel	The product is performing a paper-path test.	No action is necessary.
<b>Performing upgrade &lt;Device&gt;</b>	The product is performing a product upgrade.	Do not turn the product off or press any buttons. The product will automatically restart when the upgrade is finished.
<b>Please wait</b>	The product is going offline.	No action is necessary.
<b>Printing</b>	The page is being printed.	No action is necessary.
<b>Printing CMYK Samples</b>	The CMYK-samples page is being generated. The product will return to the ready state when the page is complete.	No action is necessary.
<b>Printing Color Usage Log</b>	The color-usage-log page is being generated. The printer will return to the ready state when the page is complete.	No action is necessary.
<b>Printing configuration</b>	The product is generating the internal configuration page.	No action is necessary.
<b>Printing Demo Page</b>	The demo page is being generated. The product will return to the ready state when the page is complete.	No action is necessary.
<b>Printing Diagnostics Page</b>	The diagnostics page is being generated. The product will return to the ready state when the page is complete.	No action is necessary.
<b>Printing event log</b>	The event log page is being generated.	No action is necessary.
<b>Printing file directory</b>	The product is generating the file directory page.	No action is necessary.
<b>Printing font list</b>	The product is generating the font list.	No action is necessary.
<b>Printing menu map</b>	The product is generating the menu map.	No action is necessary.

**Table 7-4 Control-panel messages (continued)**

Control panel message	Description	Recommended action
<b>Printing mopy status</b>	The product is generating the mopy status report.	No action is necessary.
<b>Printing PQ Troubleshooting</b>	The print-quality troubleshooting test is being generated. The product will return to the ready state when the test completes.	No action is necessary.
<b>Printing registration page</b>	The product is generating the registration page.	No action is necessary.
<b>Printing RGB Samples</b>	The print-quality troubleshooting test is being generated. The product will return to the ready state when the test completes.	No action is necessary.
<b>Printing stopped To continue, touch OK</b>	A Print/Stop test is running.	No action is necessary.
<b>Printing supplies status</b>	The product is generating the supplies status page.	No action is necessary.
<b>Printing usage page</b>	The product is generating the usage page.	No action is necessary.
<b>Processing copy &lt;X&gt; of &lt;Y&gt;...</b>	The product is currently processing or printing collated copies.	No action is necessary.
<b>Processing digital send job</b>	The product is processing a digital send job.	No action is necessary.
<b>Processing duplex job</b>	The product is processing a duplex job.	No action is necessary.
<b>Processing from tray &lt;X&gt;</b>	The product is processing a job. The <X> stands for the chosen paper tray.	No action is necessary.
<b>Processing-intermittent mode</b>	The internal temperature of the product is too hot, and the product is processing a job(s).	No action is necessary.
<b>Processing. . .</b>	The product is processing the current job but has not begun to pick up pages yet.	No action is necessary.
<b>RAM Disk Device Failure - To Clear Touch OK</b>	The specified device failed.	Touch <b>OK</b> to clear the message.
<b>RAM Disk file operation failed To clear touch OK</b>	A PjL file system command was received that attempted to perform an illogical operation, such as downloading a file to a non-existent directory.	Touch <b>OK</b> to clear the message.
<b>RAM Disk is write protected To clear touch OK</b>	The device is protected and no new files can be written to it.	Touch <b>OK</b> to clear the message.
<b>RAM disk not initialized</b>	The file system device must be initialized before it can be used.	Initialize the device.
<b>Ready</b>	The product is online and ready to receive data.	No action is necessary.
<b>Reattach output bin</b>	The standard output bin was detached when the product was turned on, or the cable on the stapler/stacker or the 3-bin mailbox is not connected to the product.	Turn the product off. If you are using the stapler/stacker or the booklet maker, verify that the cable is connected to the product. Reattach the output bin, and then turn the product on. Observe the LEDs on the output accessory. If the LEDs are flashing or amber, see <a href="#">LED diagnostics on page 830</a> .
<b>Receiving upgrade</b>	The product is receiving a firmware update.	No action is necessary.
<b>Reinstall Output Device</b>	The output device is not attached.	Make sure the output accessory is installed.

**Table 7-4 Control-panel messages (continued)**

Control panel message	Description	Recommended action
Remove all image drums	The belt is being component tested.	Open the front door and remove all image drums.
Remove All Print Cartridges	The product is executing a component test and the component selected is belt only.	Remove all print cartridges.
Remove at least one image drum	The drum motor is being component tested.	Open the front door and remove at least one image drum. Close the front door. Press <b>Stop</b> to stop the test.
Remove At Least One Print Cartridge	The product is executing a disable-cartridge check or component test and the component selected is the cartridge motor.	Remove one print cartridge.
Remove duplex support	Printing is stopped until the duplex support is removed from the paper tray.	Remove the duplex paper support. This part is needed when an output accessory and IPTU are not used.
Remove or install cartridge/drum pairs	The print cartridge and the image drum must be installed or removed to proceed.	Press the <b>Stop</b> button to stop the test.
Replace <color> Cartridge	The identified print cartridge has reached the end of life. Printing can continue.	Replace the specified print cartridge. <a href="#">Change print cartridges on page 105.</a>
Replace <color> cartridge - To continue, touch "OK"	A print cartridge has reached the low threshold, and the Replace Supplies menu is set to stop at low.	Order a replacement print cartridge. Touch <b>OK</b> to continue printing.
Replace <color> drum	The number of pages remaining for this supply has reached the low threshold.	Replace the image drum. See <a href="#">Change image drums on page 108.</a>
Replace <color> Drum – To Continue, Touch "OK"	The number of pages remaining for this supply has reached the low threshold.	Replace the image drum. See <a href="#">Change image drums on page 108.</a>
Replace DIMM <X> MEM test failure	The listed DIMM is not functioning properly and must be replaced.	Replace the DIMM. See <a href="#">Install DDR memory DIMMs on page 111.</a>
Replace document feeder kit	This warning message appears one month before the end of life when the maintenance interval has been reached.	Follow instructions included with the document feeder kit to install.
Replace fuser kit	The fuser kit has reached the low threshold.	Replace the fuser. See <a href="#">Fuser on page 233.</a>
Replace fuser kit To continue, touch "OK"	The fuser is nearing the end of its useful life. Printing can continue.	Replace the fuser kit. See <a href="#">Fuser on page 233.</a>
Replace roller kit	The roller kit has reached the low threshold.	Replace the roller kit. <a href="#">Transfer roller on page 236.</a>
Replace Supplies - Override in Use	The product is set to continue printing even though a supply has reached the end of life.  <b>CAUTION:</b> Using the override mode can result in unsatisfactory print quality. HP recommends replacing the supply when this message appears. The HP Supplies Premium Protection Warranty coverage ends when a supply is used in override mode.	No action is necessary.

**Table 7-4 Control-panel messages (continued)**

Control panel message	Description	Recommended action
<b>Replace Supplies - Override in use</b>	The product is set to continue printing even though a print cartridge has reached the end of life.	<ol style="list-style-type: none"> <li>1. From the control-panel Home screen, touch <a href="#">Supplies Status</a>.</li> <li>2. Touch the <a href="#">Supplies</a> tab to see which supplies are out.</li> <li>3. Replace the necessary print cartridge. See <a href="#">Change print cartridges on page 105</a>.</li> </ol>
<b>Replace Supplies - Using black</b>	A color supply (or supplies) has reached the out condition and the <a href="#">Color Supply Out</a> menu item is set to <a href="#">Autocontinue black</a> .	No user input is required for printing to continue. Printing continues in black.
<b>Replace transfer kit</b>	The supply has reached the end of life. Printing can continue.	Replace transfer kit. See <a href="#">Intermediate transfer belt (ITB) on page 238</a> .
<b>Replace transfer kit To continue, touch "OK"</b>	The transfer kit is at the end of life. Printing can continue, but print quality might be reduced.	<p>The product is set to stop printing when a supply needs to be ordered. To continue printing, touch <a href="#">OK</a>.</p> <p>Replace the ITB. See <a href="#">Intermediate transfer belt (ITB) on page 238</a>.</p>
<b>Request Accepted Please Wait</b>	This message appears when a request to print an internal page is accepted but cannot print.	Wait for the internal page to print.
<b>Resend external accessory firmware</b>	An external accessory requires a firmware upgrade. Printing can continue, but jams may occur if the job uses the external accessory.	Perform a firmware upgrade. See <a href="#">Upgrade the firmware on page 131</a> .
<b>Resend upgrade</b>	A firmware upgrade did not complete successfully.	Upgrade the firmware again. See <a href="#">Upgrade the firmware on page 131</a> .
<b>Resetting Media Sensor Calibration</b>	This message appears after the user touches <a href="#">Media Sensor Calibration</a> in the Service menu and then touches the <a href="#">Calibrate</a> button.	No action is necessary.
<b>Restoring factory settings</b>	A <a href="#">Restore Factory Settings</a> printer reset is being performed.	No action is necessary.
<b>Restoring...</b>	A <a href="#">Restore Last Saved State</a> , <a href="#">Restore Print Modes</a> , <a href="#">Restore Optimization</a> , or <a href="#">Restore Color Values</a> operation is being performed.	No action is necessary.
<b>Restricted from printing in color</b>	The print job is being forced to print in black either because the printer is set to print only in black or because the user ID and application ID do not have color printing permissions.	No action is necessary.
<b>RFU load error</b>	An error occurred during a firmware upgrade.	Upgrade the firmware again. See <a href="#">Upgrade the firmware on page 131</a> .
<b>ROM Disk Device Failure - To Clear Touch OK</b>	The specified device failed.	Touch <a href="#">OK</a> to clear.
<b>ROM Disk file operation failed To clear touch OK</b>	A P.J.L file system command was received that attempted to perform an illogical operation, such as downloading a file to a non-existent directory.	Touch <a href="#">OK</a> to clear the message.

**Table 7-4 Control-panel messages (continued)**

Control panel message	Description	Recommended action
<b>ROM Disk is write protected To clear touch OK</b>	The device is protected and no new files can be written to it.	Touch <b>OK</b> to clear the message.
<b>ROM Disk Not Initialized</b>	The file system device must be initialized before it can be used.	Initialize the device.
<b>Rotating &lt;color&gt; Motor</b>	A component test is in progress; the component selected is the <color> cartridge motor.	Press <b>Stop</b> to stop the test.
<b>Rotating Motor - To exit press STOP</b>	The product is executing a component test and the component selected is a motor.	Press <b>Stop</b> to stop the test.
<b>Sanitizing Disk &lt;X&gt;% Complete Do not power off</b>	The hard disk is being cleaned.	Contact the network administrator.
<b>Scan Failure Press 'Start' to rescan</b>	The scan was unsuccessful and the document needs to be scanned again.	If necessary, reposition the document to scan again, and then press <b>Start</b> .
<b>Scanning...page &lt;X&gt;</b>	The product is scanning a job in the ADF.	No action is necessary.
<b>Scanning...page from glass</b>	The product is scanning from the glass.	No action is necessary.
<b>Searching... please wait</b>	The product is searching.	No action is necessary.
<b>Send complete</b>	The send process is complete.	No action is necessary.
<b>Sending digital send job</b>	The product is sending a digital job.	No action is necessary.
<b>Sending to external destinations</b>		No action is necessary.
<b>Size mismatch in tray XX</b>	The media in the listed tray does not match the size specified for that tray.	Load the correct media.
<b>Sleep mode on</b>	The product is in sleep mode.	No action is necessary.
<b>SMTP Gateways OK</b>	The status of the SMTP gateways is normal.	No action is necessary.
<b>Testing Please wait</b>	The product is temporarily unavailable.	No action is necessary.
<b>To return to ready press STOP</b>	The product is paused, and there are no error messages pending at the display.	No action is necessary.
<b>Too Many Pages In Job To Staple</b>	The maximum number of sheets the stapler can staple is 30.	Manually staple print jobs that have more than 30 pages.
<b>Total images: &lt;X&gt;</b>		No action is necessary.
<b>Transfer access sensor error</b>	This error affects printing, but some scan functions are still available.	Open the right door. Close all access panels. Close the right door. Touch <b>Hide</b> to remove this message and use other features.
<b>Tray &lt;X&gt;: [Type], [Size]</b>	The tray is closed if the Size/Type Prompt menu is set to Display.	No action is necessary.
<b>Tray &lt;XX&gt; empty: [type], [size]</b>	The specified tray is empty and needs to be loaded, but the current job does not need this tray to print.	Load the tray.
<b>Tray &lt;XX&gt; open</b>	The specified tray is open or not closed completely; the tray is not required to print and is not blocking the paper path of a tray required for printing.	Close the tray.



**Table 7-4 Control-panel messages (continued)**

Control panel message	Description	Recommended action
<b>Type Mismatch In Tray &lt;XX&gt;</b>	The specified tray contains a media type that does not match the configured type.	The specified tray will not be used until this condition is addressed. Printing can continue from other trays.
<b>Unable to connect</b>		To temporarily hide this message in order to fax or send to e-mail, touch <b>Hide</b> .
<b>Unable To Copy</b>	The product was unable to copy the document.	To temporarily hide this message in order to fax or send to e-mail, touch <b>Ignore</b> .
<b>Unable to mopy job</b>	Because of a memory, disk, or configuration problem, a mopy job cannot be moped. Only one copy will be produced.	
<b>Unable To Send</b>		To temporarily hide this message in order to fax or send to e-mail, touch <b>Ignore</b> .
<b>Unable to send Fax. Please check fax configuration.</b>	The product was unable to send the fax.	Contact the network administrator.
<b>Unauthorized supply in use</b>	The product is using a non-HP supply.	Any printer repair required as a result of using non-HP or unauthorized supplies is not covered under warranty. HP cannot ensure the accuracy or the availability of certain features.
<b>Unsupported data on [FS] DIMM in slot</b>	The data on the DIMM is not supported.	The DIMM may need to be replaced. Turn off the product before removing it. To clear this warning, touch <b>OK</b> .
<b>Unsupported USB accessory detected</b>	The USB accessory is not recognized and cannot be used by this product.	Remove the USB accessory. To clear this message, touch <b>OK</b> .
<b>Upgrade complete To continue, turn off and then on</b>	Upgrade complete.	Turn the product off and then on.
<b>USB Device Failure - To Clear Touch OK</b>	The specified device failed.	Touch <b>OK</b> to clear.
<b>USB file operation failed To clear touch OK</b>	A PjL file system command was received that attempted to perform an illogical operation, such as downloading a file to a non-existent directory.	Touch <b>OK</b> to clear the message.
<b>USB is write protected To clear touch OK</b>	The device is protected and no new files can be written to it.	Touch <b>OK</b> to clear the message.
<b>USB needs too much power</b>	Power requirements for the USB accessory attached to this product are beyond supported limits.	Detach the accessory, and then turn the product off and then on. Try a similar accessory that has its own power supply or requires less power.
<b>USB Not Initialized</b>	The file system device must be initialized before it can be used.	Initialize the device.
<b>USB storage &lt;X&gt; is initializing</b>	The designated USB storage unit is initializing.	No action is necessary.
<b>USB storage &lt;X&gt; is not functional</b>	A parameter in the USB storage is not working correctly.	Turn the product off. Disconnect the USB storage accessory, and replace with a new USB storage accessory.
<b>USB storage &lt;X&gt; removed</b>	A USB storage accessory has been disconnected since the product was turned on.	To continue using the USB accessory, turn the product off and reconnect it. Turn the product off and then on to clear the message.

**Table 7-4 Control-panel messages (continued)**

<b>Control panel message</b>	<b>Description</b>	<b>Recommended action</b>
<b>Wait for printer to reinitialize</b>	The user changed the RAMDISK settings before the printer automatically reboots.	No action is necessary.
<b>Waiting for tray &lt;XX&gt; to lift</b>	The tray number specified by <XX> is in the process of lifting the paper to the top of the tray for proper feeding.	No action is necessary.
<b>Warming up</b>	The product is coming out of sleep-delay mode. Printing will continue once the product completely warms up.	No action is necessary.
<b>Warming up scanner</b>	The scanner is warming up.	No action is necessary.
<b>Windows login required to use this feature</b>	A Windows login is required.	Enter a Windows login.

# Event log messages

## Print an event log

### Print the event log

1. Touch **Administration**.
2. Scroll to and touch **Troubleshooting**.
3. Touch **Print Event Log**.

## Show an event log

### View the event log from the control panel

1. Touch **Administration**.
2. Scroll to and touch **Troubleshooting**.
3. Touch **Show Event Log**.

## Clear the event log

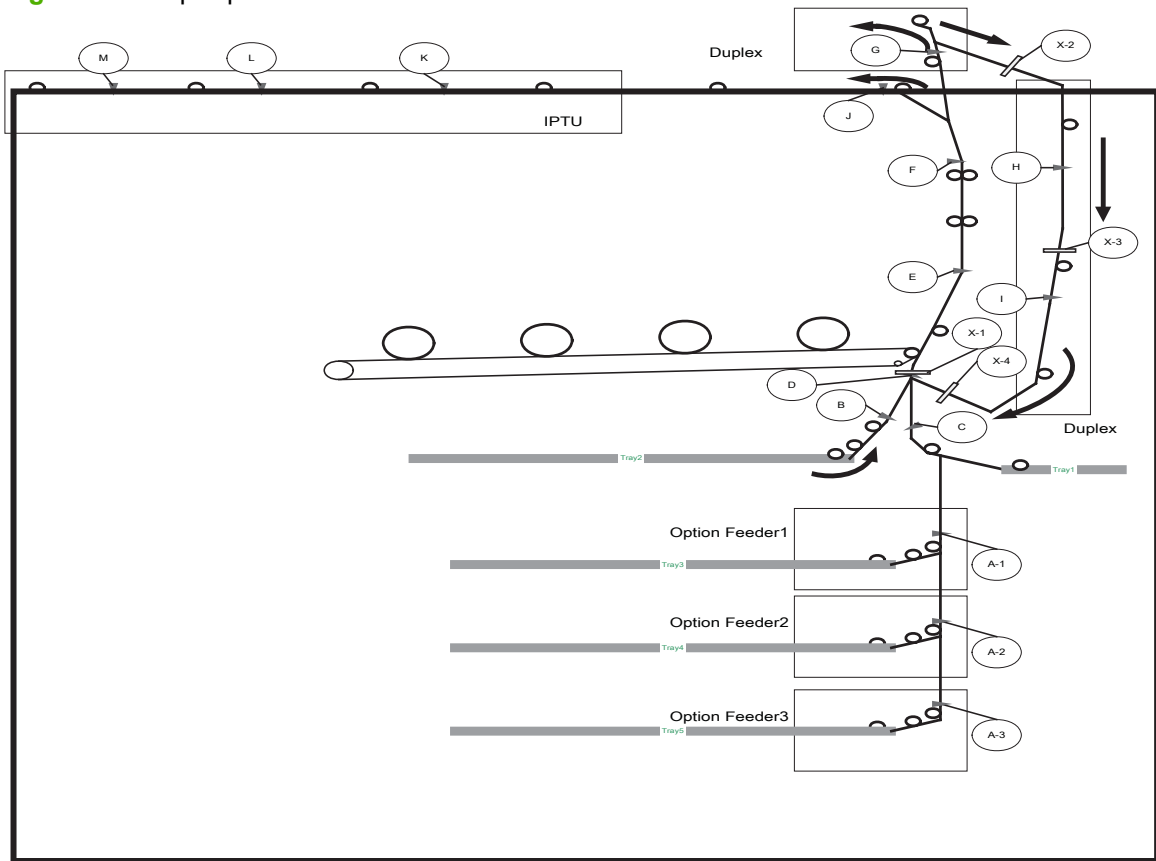
Use the **Service** menu to clear the event log.

### Clear the event log

1. Touch **Administration**.
2. Scroll to and touch **Service**.
3. Touch **Clear Event Log**.

## Event log message

Figure 7-4 Paper-path sensors



Event log message	Description	Recommended action
13.01.00 Paper feed 1, Paper late jam	<ul style="list-style-type: none"> <li>The leading edge of the paper fed from Tray 1 stopped before reaching the registration sensor (C).</li> <li>The leading edge of the paper fed from Tray 2 stopped before reaching the registration sensor (B).</li> <li>The leading edge of the paper fed from Tray 3 stopped before reaching the registration sensor (A-1).</li> <li>The leading edge of the paper fed from Tray 4 stopped before reaching the registration sensor (A-2).</li> <li>The leading edge of the paper fed from Tray 5 stopped before reaching the registration sensor (A-3).</li> </ul>	Follow the onscreen instructions to locate and remove the paper or obstruction.

Event log message	Description	Recommended action
13.02.00 Paper Stop Jam In Tray 2 at Sensor D	The paper stopped at the registration sensor (D).	Follow the onscreen instructions to locate and remove the paper or obstruction.
13.05.00 Paper Late Jam Between Sensors D and F	The leading edge of the paper stopped between the registration sensor (D) and the fuser-output sensor (F).	Follow the onscreen instructions to locate and remove the paper or obstruction.
13.06.00 Paper Jam In Fuser	The paper stopped at the fuser-output sensor (F).	Follow the onscreen instructions to locate and remove the paper or obstruction.
13.10.00 Paper Late Jam In Duplex Area Sensors F - G	The leading edge of the paper stopped between the output sensor (F) and switchback sensor (G).	Follow the onscreen instructions to locate and remove the paper or obstruction.
13.11.00 Paper Stop Jam In Duplex Area at Sensor G	The paper stopped at the switchback-jam sensor (G).	Follow the onscreen instructions to locate and remove the paper or obstruction.
13.12.00 Paper Late Jam In Duplex Area Sensors H - D	The duplex refeed paper stopped between the duplexer-delivery sensor (H) and the registration sensor (D).	Follow the onscreen instructions to locate and remove the paper or obstruction.
13.13.00 Paper Stop Jam In Duplex Area Sensors G - H	The duplex refeed paper stopped between the switchback sensor (G) and the duplexer-delivery sensor (H).	Follow the onscreen instructions to locate and remove the paper or obstruction.
13.1C.00 Fuser Wrap Jam, Paper in Fuser	The paper is wrapping at the fuser.	Follow the onscreen instructions to locate and remove the paper or obstruction.
13.20.00 Paper Eject Jam at Sensors E, F - G	The paper stopped at either the loop sensor (E), the fuser-output sensor (F) or the switchback sensor (G).	Follow the onscreen instructions to locate and remove the paper or obstruction.
13.21.00 Door Open Jam	The paper position is unknown.	Follow the onscreen instructions to locate and remove the paper or obstruction.
13.2B Paper Stop Jam In Output Accessory Bridge	The paper stopped before reaching IPTU sensor 1 (K).	Follow the onscreen instructions to locate and remove the paper or obstruction.
13.2C Paper Late Jam in Output Accessory Bridge (1)	The paper stopped between IPTU sensor 1 (K) and IPTU sensor 3 (M).	Follow the onscreen instructions to locate and remove the paper or obstruction.
13.2D.00 Paper Late Jam in Output Accessory Bridge (2)	The paper stopped between IPTU sensor 1 (K), IPTU sensor 2 (L), and IPTU sensor 3 (M).	Follow the onscreen instructions to locate and remove the paper or obstruction.
13.2E.00 Paper Late Jam Near Fuser at Sensors F - J	The paper stopped between the fuser-output sensor (F) and the output-bin-full sensor (J).	Follow the onscreen instructions to locate and remove the paper or obstruction.
13.30.00 Input Delay Jam	<ul style="list-style-type: none"> <li>● The leading edge of the paper fed from Tray 1 stopped before reaching the registration sensor (D).</li> <li>● The leading edge of the paper fed from Tray 2 stopped before reaching the registration sensor (D).</li> </ul>	Follow the onscreen instructions to locate and remove the paper or obstruction.

Event log message	Description	Recommended action
	<ul style="list-style-type: none"> <li>The leading edge of the paper fed from Tray 3 stopped before reaching the registration sensor (D).</li> <li>The leading edge of the paper fed from Tray 4 stopped before reaching the registration sensor (D).</li> <li>The leading edge of the paper fed from Tray 5 stopped before reaching the registration sensor (D).</li> </ul>	
13.90.00 Non-specific paper jam	The leading edge of the paper is at the registration sensor (D).	Follow the onscreen instructions to locate and remove the paper or obstruction.
30.01.02 Jam in document feeder	The ADF is jammed or the sensor failed.	Verify that there is no paper in the ADF. Use the scanner test in the <a href="#">Troubleshooting</a> menu to check the sensors.
30.01.03 Document feeder pick error	An ADF pickup failure occurred.	Scan using the ADF with standard 75 g/m <sup>2</sup> (20 lb) paper. You may need to replace the ADF maintenance kit.
30.01.06 Scanner lamp fan error	The scanner-lamp fan failed.	<ol style="list-style-type: none"> <li>Determine if the scanner-lamp fan is running during scanner operation.</li> <li>Check the scanner connection to the scanner-control board (SCB).</li> <li>Replace the fan if the error persists and the fan is not operational.</li> </ol>
30.01.08 Scanner lock error, unlock scanner	The scanner is locked, or the home sensor or flat cable failed.	Check the scanner lock. Unlock the scanner, and then turn the product off and then on.
30.01.14 Upgrade firmware (RFU), check SCB	The SCB firmware failed.	<ol style="list-style-type: none"> <li>Turn the product off and then on.</li> <li>Perform a remote firmware upgrade. See <a href="#">Upgrade the firmware on page 131</a>.</li> <li>Check the SCB.</li> <li>Replace the SCB. See <a href="#">SCB, CPB, and SCUJD on page 388</a>.</li> </ol>
30.01.15 Scanner error, power off/on, check SCB	The scanner initialization failed.	<ol style="list-style-type: none"> <li>Turn the product off and then on.</li> <li>Check the SCB LEDs for a heartbeat.</li> <li>Replace the SCB. See <a href="#">SCB, CPB, and SCUJD on page 388</a>.</li> </ol>
30.01.18 Scanner/SCB error, power off/on check SCB	The SCB ASIC failed.	<ol style="list-style-type: none"> <li>Turn the product off and then on.</li> <li>Check the connection on the SCB.</li> </ol>

Event log message	Description	Recommended action
		<ol style="list-style-type: none"> <li>3. Replace the SCB. See <a href="#">SCB, CPB, and SCUID on page 388</a>.</li> <li>4. Turn the product off and then on.</li> </ol>
30.01.19 Scanner lamp error, power off/on	The scanner lamp failed.	<ol style="list-style-type: none"> <li>1. Turn the product off and then on.</li> <li>2. Determine if the scanner lamp turns on when the product is turned on.</li> <li>3. Check the flat cable connections at the SCB.</li> <li>4. Replace the SCB. See <a href="#">SCB, CPB, and SCUID on page 388</a>.</li> <li>5. Replace the carriage assembly.</li> </ol>
30.01.25 Power off/on, check CPB	The copy-process board (CPB) failed.	<ol style="list-style-type: none"> <li>1. Turn the product off and then on.</li> <li>2. Check the CPB LED.</li> <li>3. Verify that the CPB connections are correct.</li> <li>4. Verify the cable from the scanner to the formatter is not plugged in backwards.</li> </ol>
30.01.34 Scanner error, power off/on, check SCB	The scanner initialization failed, and the copy-process board (CPB) cannot communicate with the scanner-control board (SCB).	<ol style="list-style-type: none"> <li>1. Turn the product off and then on.</li> <li>2. Check the SCB LEDs.</li> <li>3. Verify that the SCB connections are correct.</li> <li>4. Replace the SCB. See <a href="#">SCB, CPB, and SCUID on page 388</a>.</li> </ol>
30.01.39 Power off/on, check optical assembly	There was an AFE1 (analog front-end) failure.	<ol style="list-style-type: none"> <li>1. Turn the product off and then on.</li> <li>2. Check the flat cables on the SCB.</li> <li>3. Check the LEDs on the SCB.</li> <li>4. Replace the SCB. See <a href="#">SCB, CPB, and SCUID on page 388</a>.</li> <li>5. Replace the scanner. See <a href="#">Optical scanner on page 358</a>.</li> </ol>
30.01.40 Power off/on, check optical assembly	The scanner AFE 2 failed.	<ol style="list-style-type: none"> <li>1. Turn the product off and then on.</li> <li>2. Check the flat cables on the SCB.</li> <li>3. Check the LEDs on the SCB.</li> <li>4. Replace the SCB. See <a href="#">SCB, CPB, and SCUID on page 388</a>.</li> <li>5. Replace the scanner. See <a href="#">Optical scanner on page 358</a>.</li> </ol>

Event log message	Description	Recommended action
30.01.41 Scanner error, scanner power, cable, CPB	There was a CPB error.	<ol style="list-style-type: none"> <li>1. Check the SCB and CPB LEDs to verify that the scanner has power.</li> <li>2. Verify that the scanner power cable is connected to the scanner power supply and fuser power supply.</li> <li>3. Replace the CPB. See <a href="#">SCB, CPB, and SCUJD on page 388</a>.</li> </ol>
30.01.42 Scanner cable error	The scanner cable is disconnected.	<ol style="list-style-type: none"> <li>1. Connect the scanner cable to the formatter.</li> <li>2. Turn the product off and then on.</li> </ol>
30.01.43 CPB memory failure, check scanner memory	The CPB memory is full.	<ol style="list-style-type: none"> <li>1. Connect the CPB memory.</li> <li>2. Turn the product off and then on.</li> <li>3. Replace the CPB memory.</li> </ol>
30.01.44 Power off/on, check SCB/CPB connection	There is an SCB communication error.	<ol style="list-style-type: none"> <li>1. Turn the product off and then on.</li> <li>2. Check the SCB/CPB connections.</li> <li>3. Check the SCB LEDs.</li> </ol>
30.01.45 Power off/on, check CPB	The CPB memory is full.	<ol style="list-style-type: none"> <li>1. Turn the product off and then on.</li> <li>2. Check the SCB/CPB connections.</li> <li>3. Check the SCB LEDs.</li> </ol>
30.01.46 Power off/on, check CPB	The CPB enumeration failed.	<ol style="list-style-type: none"> <li>1. Turn the product off and then on.</li> <li>2. Check the PCI cable at the scanner and formatter.</li> <li>3. Check the SCB connections.</li> <li>4. Replace the CPB. See <a href="#">SCB, CPB, and SCUJD on page 388</a>.</li> </ol>
54.06	The DMAX density sensor is out of range.	Follow the onscreen instructions to locate and remove the paper or obstruction.
54.0C.06	The engine reported a neutral calibration error.	Follow the onscreen instructions to locate and remove the paper or obstruction.
54.0D.XX	<ul style="list-style-type: none"> <li>• XX=00: Black density-measurement abnormality</li> <li>• XX=01: Cyan density-measurement abnormality</li> <li>• XX=02: Magenta density-measurement abnormality</li> <li>• XX=03: Yellow density-measurement abnormality</li> </ul>	<ol style="list-style-type: none"> <li>1. Touch <a href="#">Administration</a>.</li> <li>2. Touch <a href="#">Print Quality</a>.</li> <li>3. Touch <a href="#">Calibration/Cleaning</a>.</li> <li>4. Touch <a href="#">Quick Calibration</a></li> </ol>
54.0E.03 Media-sensor second-transfer assembly	The media sensor window is contaminated.	Clean the media sensor window.



Event log message	Description	Recommended action
54.01	The humidity-environment sensor is abnormal.	Ensure the product is in a supported environment. If the error persists, replace the CN1 environment sensor.
54.0E.01 Media-sensor replace-registration second-transfer assembly	The registration unit is abnormal.	Ensure the product is in a supported environment. If the error persists, replace the second-transfer assembly. See <a href="#">Secondary transfer unit on page 249</a> .
54.0E.02 Replace transfer kit	The ITB unit is abnormal.	Ensure the product is in a supported environment. If the error persists, replace the ITB.
54.0F.XX	<ul style="list-style-type: none"> <li>● XX=00: Black misregistration is out of range.</li> <li>● XX=01: Cyan misregistration is out of range.</li> <li>● XX=02: Magenta misregistration is out of range.</li> <li>● XX=03: Yellow misregistration is out of range.</li> </ul>	<ol style="list-style-type: none"> <li>1. Touch <a href="#">Administration</a>.</li> <li>2. Touch <a href="#">Print Quality</a>.</li> <li>3. Touch <a href="#">Calibration/Cleaning</a>.</li> <li>4. Touch <a href="#">Full Calibration</a>.</li> </ol>
54.14	The misregistration sensor is abnormal and failed a self test.	<ol style="list-style-type: none"> <li>1. Touch <a href="#">Administration</a>.</li> <li>2. Touch <a href="#">Print Quality</a>.</li> <li>3. Touch <a href="#">Calibration/Cleaning</a>.</li> <li>4. Touch <a href="#">Full Calibration</a>.</li> <li>5. If the error persists, replace the C.P.R assembly.</li> <li>6. Replace the ITB. See <a href="#">Intermediate transfer belt (ITB) on page 238</a>.</li> </ol>
54.19	The ITB sensor-mark detection sensor is abnormal.	<ol style="list-style-type: none"> <li>1. Touch <a href="#">Administration</a>.</li> <li>2. Touch <a href="#">Print Quality</a>.</li> <li>3. Touch <a href="#">Calibration/Cleaning</a>.</li> <li>4. Touch <a href="#">Full Calibration</a>.</li> <li>5. If the error persists, replace the C.P.R assembly.</li> <li>6. Replace the ITB. See <a href="#">Intermediate transfer belt (ITB) on page 238</a>.</li> </ol>
54.22	The color sensor is out of range.	

Event log message	Description	Recommended action
55.06.01	The DC controller NVRAM has an abnormal read/write.	<ol style="list-style-type: none"><li>1. Turn the product off and then on.</li><li>2. If the error persists, replace the DC Controller. See <a href="#">DC controller PCA on page 281</a>.</li></ol>
55.06.02	The DC controller NVRAM is not accessible.	<ol style="list-style-type: none"><li>1. Turn the product off and then on.</li><li>2. If the error persists, replace the DC Controller. See <a href="#">DC controller PCA on page 281</a>.</li></ol>

# Paper-handling problems

## Jams

### Common causes of jams


#### The product is jammed.

Cause	Solution
The paper does not meet specifications.	Use only paper that meets HP specifications.
A component is installed incorrectly.	Verify that the transfer belt and transfer roller are correctly installed.
You are using paper that has already passed through a product or copier.	Do not use paper that has been previously printed on or copied.
An input tray is loaded incorrectly.	Remove any excess paper from the input tray. Make sure that the stack is below the maximum-stack-height mark in the tray.
The paper is skewed.	The input-tray guides are not adjusted correctly. Adjust them so they hold the stack firmly in place without bending it.
The paper is binding or sticking together.	Remove the paper, flex it, rotate it 180°, or flip it over. Reload the paper into the input tray.
When printing on lightweight paper or on jobs with heavy toner coverage, paper is wrapping on the fuser causing Fuser Delay Jam or Fuser Wrap Jam messages.	Set the <b>Light Media</b> optimize mode on the Print Quality menu to <b>On</b> .
The paper is removed before it settles into the output bin.	Reset the product. Wait until the page completely settles in the output bin before removing it.
During two-sided printing, you removed the paper before the second side of the document was printed.	Reset the product and print the document again. Wait until the page completely settles in the output bin before removing it.
The paper is in poor condition.	Replace the paper.
The internal tray rollers are not picking up the paper.	If the paper is heavier than 220 g/m <sup>2</sup> (58 lb), it might not be picked from the tray.  The rollers are worn. Replace the rollers.
The paper has rough or jagged edges.	Replace the paper.
The paper is perforated or embossed.	Perforated or embossed paper does not separate easily. Feed single sheets from Tray 1.
Device supply items have reached the end of their useful life.	Check the product control panel for messages prompting you to replace supplies, or print a supplies status page to verify the remaining life of the supplies.
Paper was not stored correctly.	Replace the paper in the trays. Paper should be stored in the original packaging in a controlled environment.
Not all product packing material was removed.	Verify that the packing tape, cardboard, and plastic shipping locks have been removed from the product.

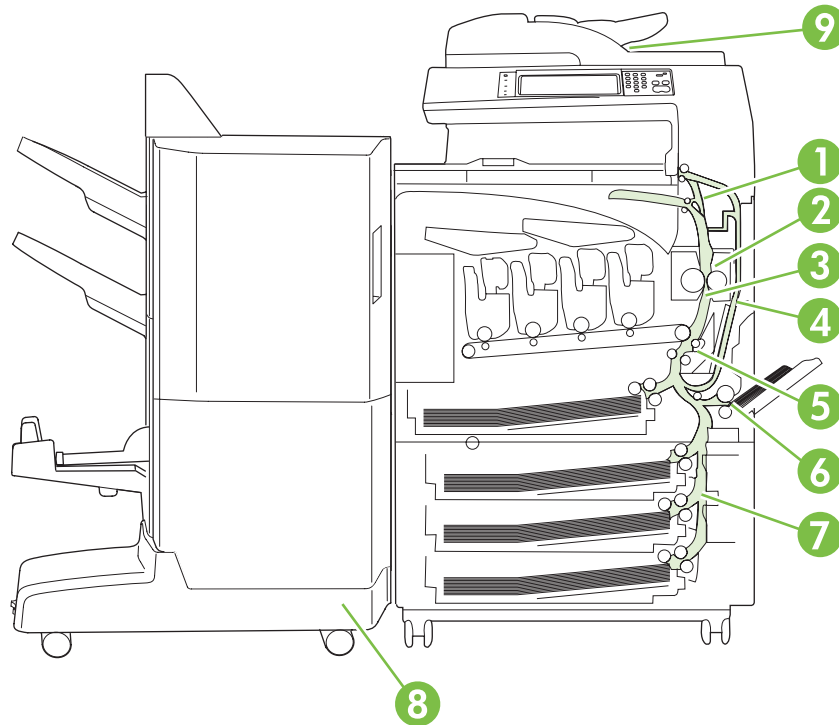
If the product still continues to jam, contact HP Customer Support or your authorized HP service provider.

## Jam locations

Use this illustration to identify locations of jams. In addition, this product provides instructions on the control panel to direct you to the location of jammed paper and how to clear it.

 **NOTE:** All areas of the product that might need to be opened to clear jams are equipped with green handles.

**Figure 7-5** Jam locations



1	AREA 1: Output bin
2	AREA 2: Fuser area
3	AREA 3: Transfer area
4	AREA 4: Duplexing area
5	AREA 5: Tray-2 pickup area
6	AREA 6: Tray 1 area
7	AREA 7: Optional Trays 3, 4, and 5
8	AREA 8: Optional finishing device
9	AREA 9: ADF area

## Clear jams

When a jam occurs, a message appears on the control-panel display that describes the location of the jam. The following table lists the messages that can appear and provides links to the procedures for clearing the jam.

⚠ **WARNING!** To avoid electrical shock, remove any necklaces, bracelets, or other metal items before reaching into the inside of the product.

Type of jam	Procedure
13.JJ.NT Jam below control panel	See <a href="#">AREA 1: Jams in the output bin on page 522.</a>
13.JJ.NT Fuser Area Jam	See <a href="#">AREA 2 and 3: Jams in the fuser and transfer area on page 524.</a>
13.JJ.NT Fuser Wrap Jam	
13.JJ.NT Transfer And Fuser Jam	
13.JJ.NT Jam Inside Right Door	See <a href="#">AREA 4: Jams in the duplex area on page 531.</a>
13.JJ.NT Jam In Tray 2	See <a href="#">AREA 5: Jams in Tray 2 and the internal paper path on page 535.</a>
13.JJ.NT Transfer Area Jam	
13.JJ.NT Jam In Tray 1	See <a href="#">AREA 6: Jams in Tray 1 on page 539.</a>
13.JJ.NT Jam In Tray 3	See <a href="#">AREA 7: Jams in optional Trays 3, 4, and 5 on page 543</a>
13.JJ.NT Jam In Tray 4	
13.JJ.NT Jam In Tray 5	
13.JJ.NT Jam Inside Lower Right Door	
13.JJ.NT Jam In Input Accessory	
13.JJ.NT Jam In Left Accessory	See <a href="#">AREA 8: Jams in the optional finishing devices on page 547.</a>
Jam in document feeder	See <a href="#">AREA 9: Jams in the ADF on page 552.</a>

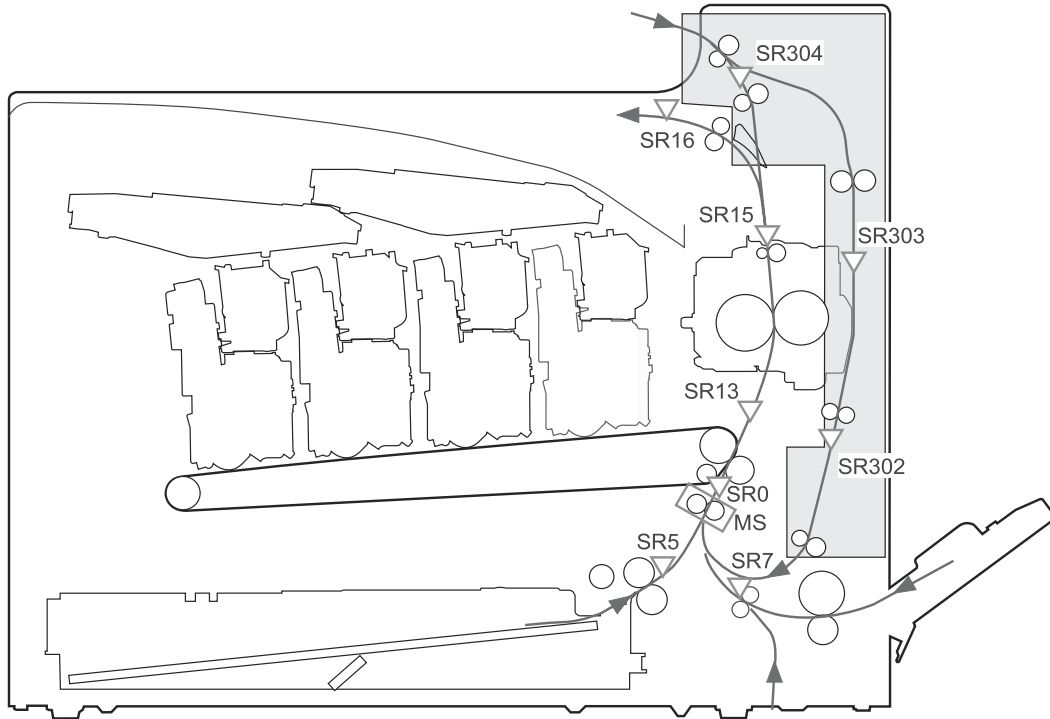
### Jam sensors

Jams in areas 1-6 are detected by the paper sensors on the paper path. The product has 9 sensors:

- Vertical-synchronous-position sensor (SR0)
- Cassette media-feed sensor (SR5)
- MP-tray media-feed sensor (SR7)
- Loop sensor (SR13)
- Fixing-delivery media-feed sensor (SR15)
- Face-down tray media-full sensor (SR16)
- Duplexing media-repickup sensor (SR302)

- Duplexing media-feed sensor (SR303)
- Duplexing media-reverse sensor (SR304)

**Figure 7-6** Locations of jam sensors



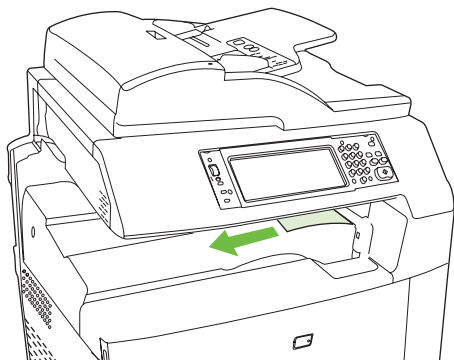
### AREA 1: Jams in the output bin

**Table 7-5** Causes and solutions for delivery-delay jam

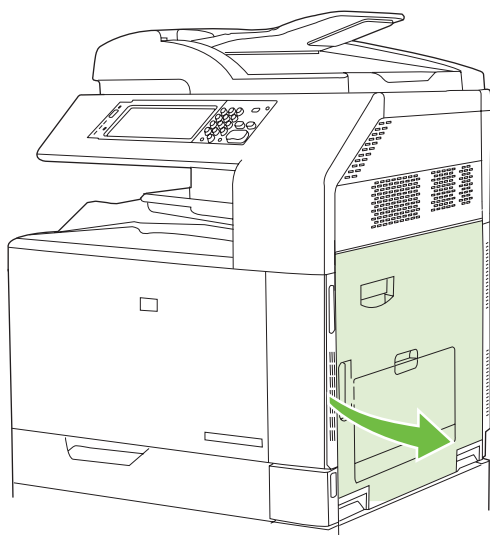
Cause	Solution
The face-down output-bin media-full-sensor lever is damaged.	Replace the face-down delivery unit.
Poor contact of the face-down output-bin media-full-sensor connector	Reconnect the connectors of the face-down output-bin media-full sensor (J2016), intermediate (J1905), and the DC controller PCB (J108).
The face-down output-bin media-full sensor is defective.	Check the face-down output-bin media-full sensor via the sensor-monitor mode. If the sensor is defective, replace the face-down delivery unit.
Poor contact of the fuser-motor connector	Reconnect the connectors of the fuser motor (J1711), intermediate (J1720), and the DC controller PCA (J105).
The fuser motor is defective.	Execute the fuser-motor driving test in the actuator-drive mode. If the motor is defective, replace the fuser motor.

### Area 1: Clear jams in the output bin

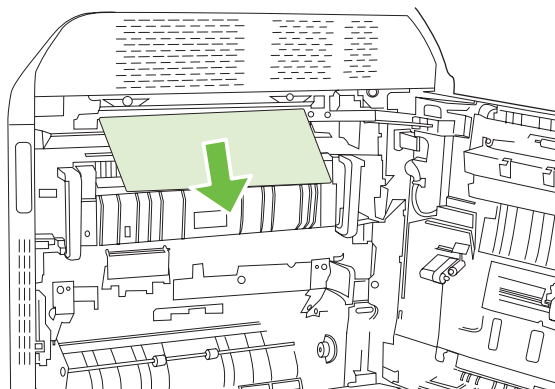
1. If jammed paper is visible in the output bin, gently pull the paper to remove it.



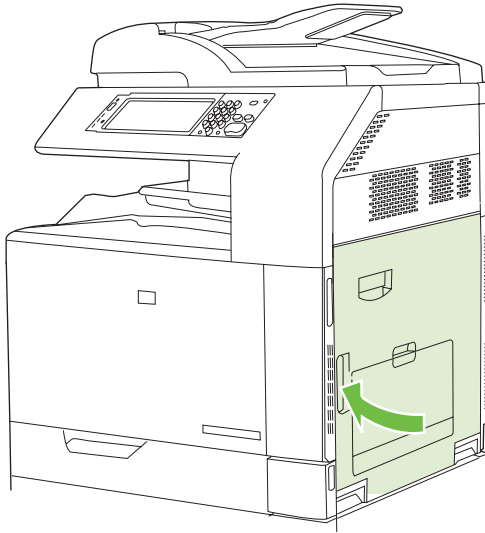
2. Open the right door.



3. If paper has jammed as it enters the output bin, gently pull the paper to remove it.



4. Close the right door.



### AREA 2 and 3: Jams in the fuser and transfer area

**Table 7-6 Causes and solutions for fuser delivery-delay jams**

Cause	Solution
The loop-sensor lever is not set correctly.	Check the loop-sensor lever and place it in the correct position.
The spring of the fuser-delivery media-feed-sensor lever is unhooked.	Check the spring of the fuser and right-door-sensor levers and place it in the correct position.
The fuser-delivery media-feed-sensor lever is damaged.	Replace the fuser or right door.
Poor contact of the fuser-delivery media-feed-sensor connector	Reconnect the connectors of the fuser-delivery media-feed sensor (J1945), intermediate (J1950, J1919), and the DC controller PCA (J108).
The fuser-delivery media-feed sensor is defective.	Check the fuser-delivery media-feed sensor by the sensor-monitor mode. If the sensor is defective, replace the right door.
Poor contact of the fuser-motor connector	Reconnect the connectors of the fuser motor (J1711), intermediate (J1720), and the DC controller PCA (J105).
The fuser motor is defective.	Execute the fuser-motor driving test in the actuator-drive mode. If the motor is defective, replace the fuser motor.

**Table 7-7 Causes and solutions for wrapping jams**

Cause	Solution
The fuser roller or pressure roller is dirty.	Execute a fuser roller cleaning.
The guide of the fuser delivery unit is dirty.	Clean the guide.
The fuser roller or the pressure roller is worn or deformed.	Replace the fuser.



**Table 7-8 Causes and solutions for fuser delivery stationary jams**

Cause	Solution
The fuser roller or pressure roller is worn or deformed.	Replace the fuser.
The fuser-delivery roller is deformed.	Replace the fuser.
The gear of the fuser-delivery roller is damaged.	Replace the fuser.
The pressure roller is not within nip-width specifications.	If the pressure roller is not within the specifications, replace the fuser.

**Table 7-9 Causes and solutions for residual media jams**

Cause	Solution
The spring of the loop-sensor lever is unhooked.	Check the spring and place it in the correct position.
The loop-sensor lever is damaged.	Replace the right door.
Poor contact of the loop-sensor connector	Reconnect the connectors of the loop sensor (J2013), intermediate (J1954, J1955), and the DC controller PCA (J121).
The loop sensor is defective.	Check the loop sensor via the sensor-monitor mode. If the sensor is defective, replace the right door unit.
The spring of the fuser-delivery media-feed-sensor lever is unhooked.	Check the spring of the fuser and right door and place it in the correct position.
The fuser-delivery media-feed-sensor lever is damaged.	Replace the fuser or right door.
Poor contact of the fuser-delivery media-feed-sensor connector	Reconnect the connectors of the fuser-delivery media-feed sensor (J1945), intermediate (J1950, J1919), and the DC controller PCA (J108).
The fuser-delivery media-feed sensor is defective.	Check the fuser-delivery media-feed sensor via the sensor-monitor mode. If the sensor is defective, replace the right door.
The spring of the duplexing media-reverse-sensor lever is unhooked.	Check the spring and place it in the correct position.
The duplexing media-reverse-sensor lever is damaged.	Replace the duplexing reverse unit.
Poor contact of the duplexing media-reverse-sensor connector	Reconnect the connectors of the duplexing media-reverse sensor (J2305) and the duplexing driver PCA (J4103).
The duplexing media-reverse sensor is defective.	Check the duplexing media-reverse sensor via the sensor-monitor mode. If the sensor is defective, replace the duplexing reverse unit.

**Table 7-10 Causes and solutions for pickup delay jams 2**

Cause	Solution
The registration roller is worn or deformed.	Replace the secondary transfer unit.
The spring of the registration shutter is unhooked.	Check the spring and place it in the correct position.

**Table 7-10 Causes and solutions for pickup delay jams 2 (continued)**

Cause	Solution
Poor contact of the vertical synchronous position sensor	Reinstall the ITB unit.
The vertical-synchronous-position sensor is defective.	Check the vertical-synchronous-position sensor by the sensor-monitor mode. If the sensor is defective, replace the ITB unit.
Poor contact of the registration-motor-drive connector	Reconnect the connectors of the registration motor (J1706), intermediate (J1924) and the DC controller PCA (J111).
The registration motor is defective.	Execute the registration-motor driving test in the actuator-drive mode. If the motor is defective, replace the multipurpose drive unit.

**Table 7-11 Causes and solutions for pickup-stationary jam**

Cause	Solution
Multiple-feed of media	<p>Replace any worn or deformed parts (tray separation roller, tray feed roller, MP-tray pickup roller, or MP-tray separation roller).</p> <p>Check the separation roller and MP-tray separation roller to see if they are firmly seated and coupled with the torque limiter.</p> <p>Replace the separation roller and feed roller.</p> <p>Replace the MP-tray pickup roller and MP-tray separation roller.</p>
The secondary-transfer roller is not set correctly.	Place the secondary-transfer roller unit in the correct position.
The secondary-transfer roller is worn or deformed.	Replace the secondary-transfer roller unit.
Poor contact of the ITB motor drive connector	Reconnect the connectors of the ITB motor (J1710) and the DC controller PCA (J105).
The ITB motor is defective.	Execute the ITB-motor driving test in the actuator-drive mode. If the motor is defective, replace the ITB motor.
The ITB does not rotate smoothly.	Replace the ITB unit.

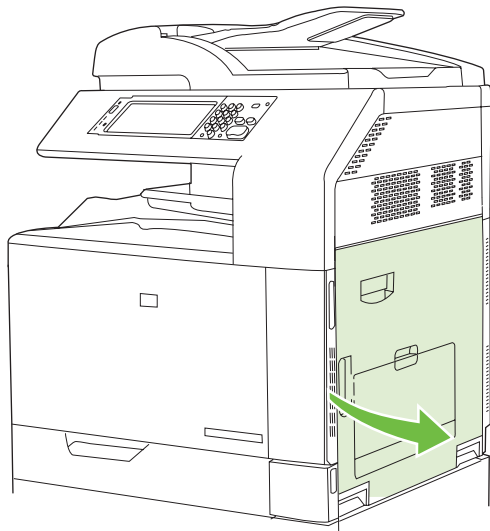
**Table 7-12 Causes and solutions for fuser delivery-stationary jam**

Cause	Solution
The fuser roller or pressure roller is worn or deformed.	Replace the fuser.
The fuser-delivery roller is deformed.	Replace the fuser.
The gear of the fuser-delivery roller is damaged.	Replace the fuser.
The pressure roller is not within nip-width specifications.	If the pressure roller is not within the specifications, replace the fuser.

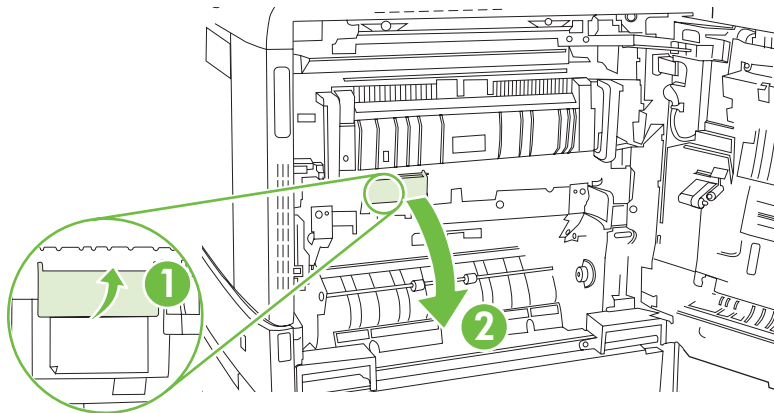
△ **CAUTION:** The fuser can be hot while the product is in use. Wait for the fuser to cool before handling it.

## AREA 2 and 3: Clear jams in the fuser and transfer area

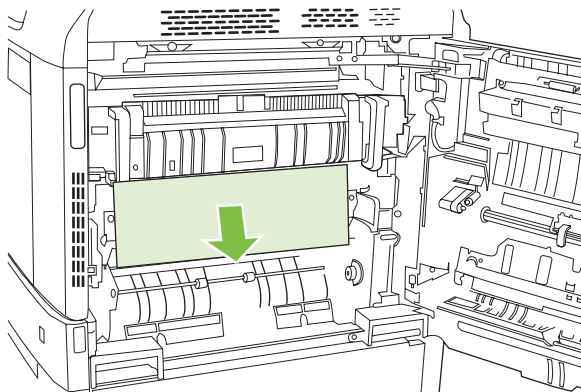
1. Open the right door.



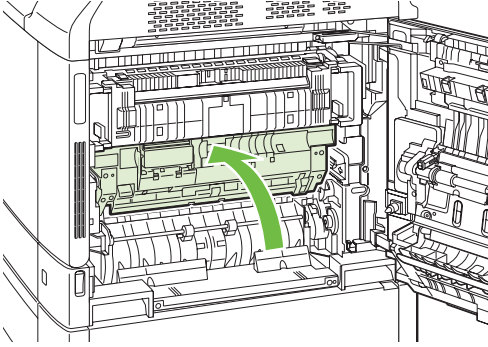
2. Lift the green handle on the transfer-access panel and open the panel.



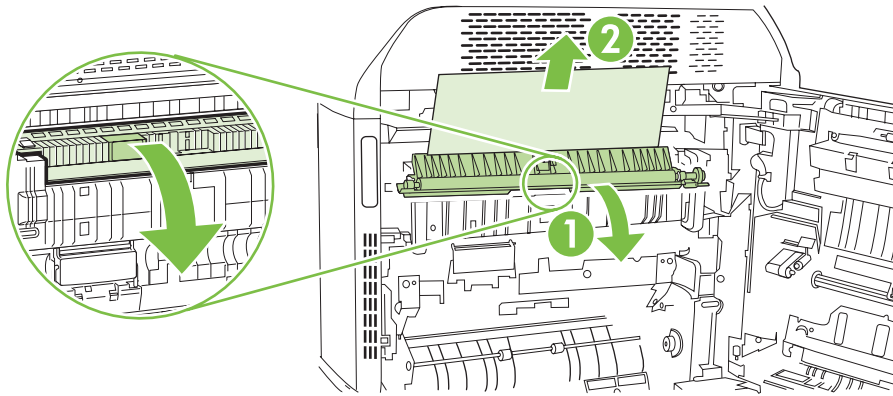
3. If paper is visible entering the bottom of the fuser, gently pull downward to remove it.



4. Close the transfer-access panel.



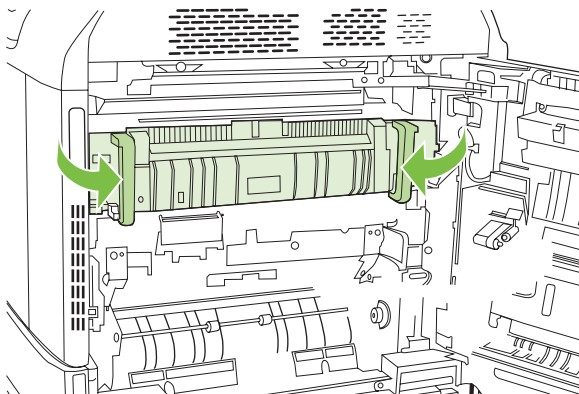
5. Open the fuser jam-access door above the fuser and remove any paper that is visible. Then close the fuser jam-access door.



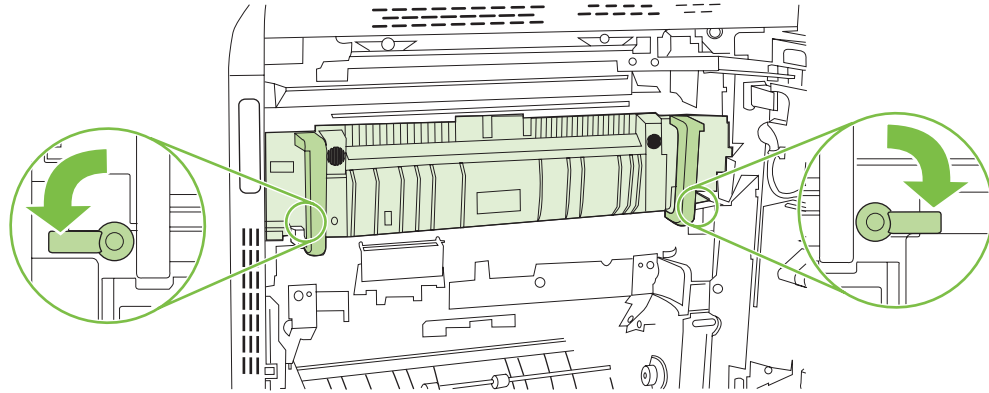
6. Paper could also be jammed inside the fuser where it would not be visible. Remove the fuser to check for jammed paper inside.

△ **CAUTION:** The fuser can be hot while the product is in use. Wait for the fuser to cool before handling it.

- a. Pull the two blue fuser handles forward.

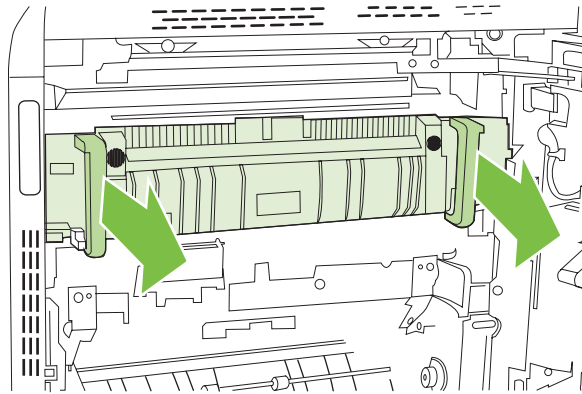


- b. Rotate the fuser-release levers down to open them.



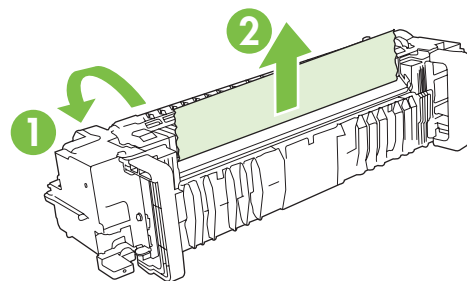
- c. Grasp the fuser handles and pull straight out to remove the fuser.

△ **CAUTION:** The fuser weighs 5 kg (11 lbs). Be careful not to drop it.

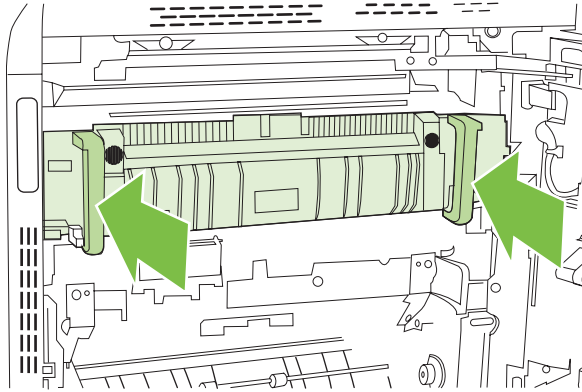


- d. Open the two fuser jam-access doors by pushing and rotating the rear door backward, and pulling and rotating the front door forward. If paper is jammed inside the fuser, gently pull it straight up to remove it. If the paper tears, remove all paper fragments.

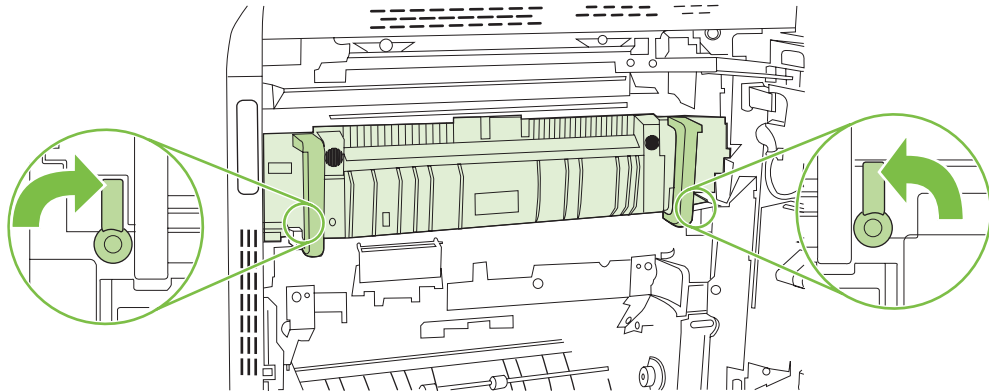
△ **CAUTION:** Even if the body of the fuser has cooled, the rollers that are inside could still be hot. Do not touch the fuser rollers until they have cooled.



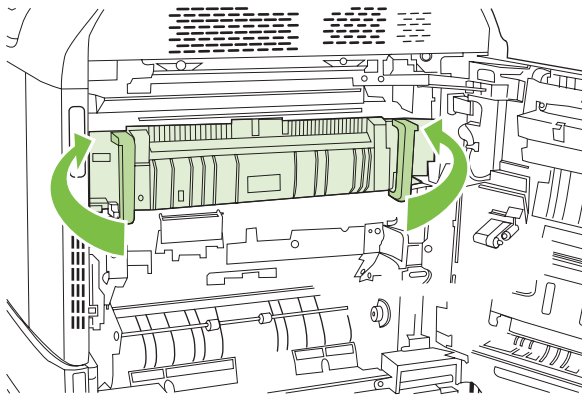
- e. Close both fuser jam-access doors and align the fuser with the arrows on the product. Push the fuser completely into the printer.



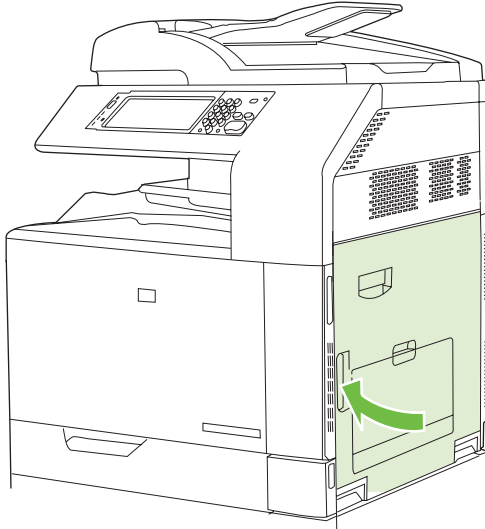
- f. Rotate the fuser-release levers up to lock the fuser into place.



- g. Push the fuser handles back to close them.



7. Close the right door.



#### AREA 4: Jams in the duplex area

**Table 7-13 Causes and solutions for duplexing reverse jams 1**

Cause	Solution
The spring of the duplexing media-feed sensor is unhooked.	Check the spring and place it in the correct position.
The duplexing media-feed sensor lever is damaged.	Replace the right door unit.
Poor contact of the duplexing media-feed sensor connector	Reconnect the connectors of the duplexing media-feed sensor (J1945), intermediate (J1909, J1950), and the DC controller PCA (J4105).
The duplexing media-feed sensor is defective.	Check the duplexing media-feed sensor via the sensor-monitor mode. If the sensor is defective, replace the right door.
Poor contact of the duplexing feed motor connector	Reconnect the connectors of the duplexing feed motor (J1772) and the duplexing driver PCA (J4108).
The duplexing feed motor is defective.	Replace the duplexing reverse unit.

**Table 7-14 Causes and solutions for duplexing reverse jams 2**

Cause	Solution
Poor contact of the duplexing reverse motor connector	Reconnect the connectors of the duplexing reverse motor (J1773) and the duplexing driver PCA (J4108).
The duplexing reverse motor is defective.	Replace the duplexing reverse unit.

**Table 7-15 Causes and solutions for duplexing-pickup jams 1**

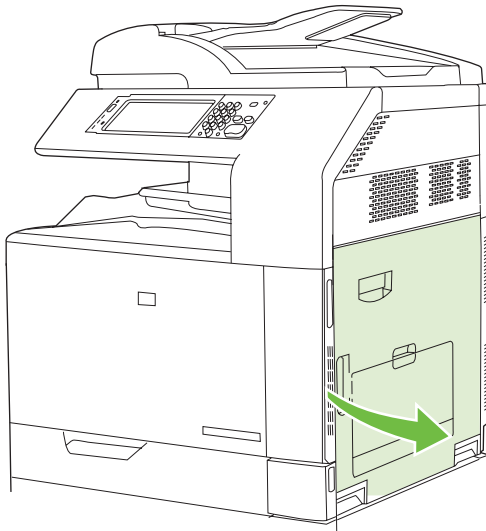
Cause	Solution
The MP-tray upper guide or duplexing media-feed upper guide is not installed properly.	Reinstall the MP-tray upper guide and duplexing media-feed upper guide.
The MP-tray upper guide or duplexing media-feed upper guide is scarred or deformed.	Replace the MP-tray upper guide or duplexing media-feed upper guide.

**Table 7-16 Causes and solutions for duplexing-pickup jams 2**

Cause	Solution
The spring of the duplexing media-pickup-sensor lever is unhooked.	Check the spring and place it in the correct position.
The duplexing media-pickup-sensor lever is damaged.	Replace the duplexing feed unit.
Poor contact of the duplexing media-pickup-sensor connector	Reconnect the connectors of the duplexing media-pickup sensor (J1945), intermediate (J1909, J1950), and the DC controller PCA (J4105).
The duplexing media-pickup sensor is defective.	Check the duplexing media-pickup sensor by the sensor-monitor mode. If the sensor is defective, replace the duplexing feed unit.
Poor contact of the duplexing pickup-motor connector	Reconnect the connectors of the duplexing pickup motor (J1771), intermediate (J1908, J1939, J1941), and the duplexing driver PCA (J4104).
The duplexing pickup motor is defective.	Replace the duplexing feed unit.

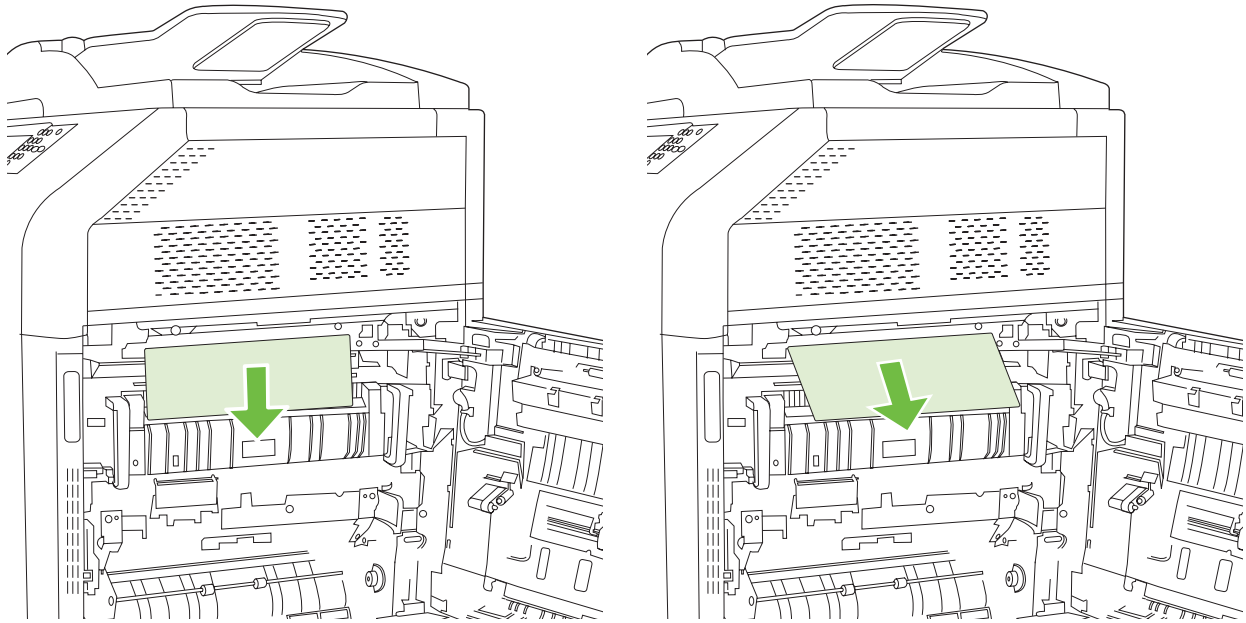
**AREA 4: Clear jams in the duplex area**

1. Check for jammed paper inside the product. Open the right door.

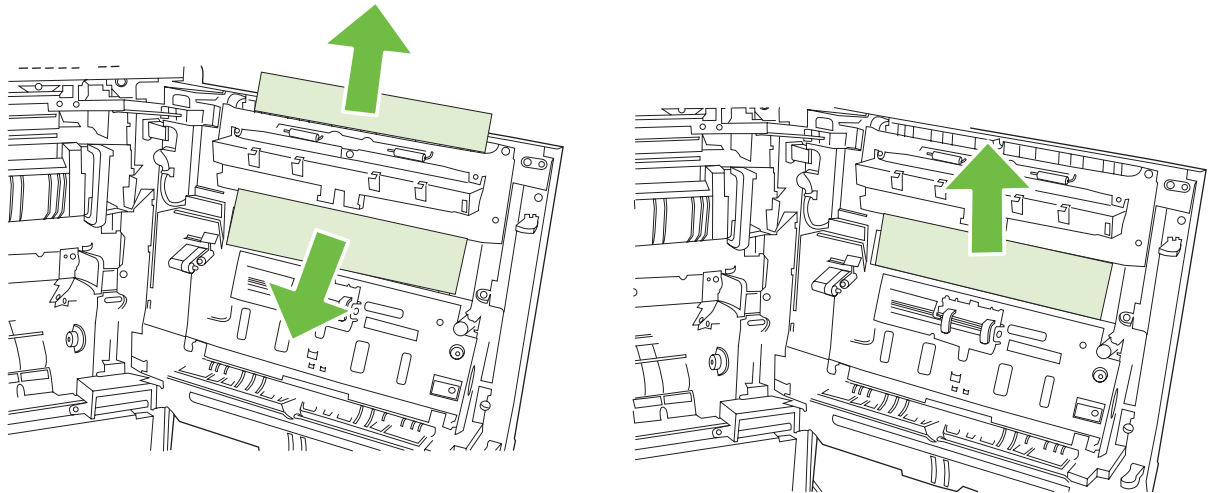




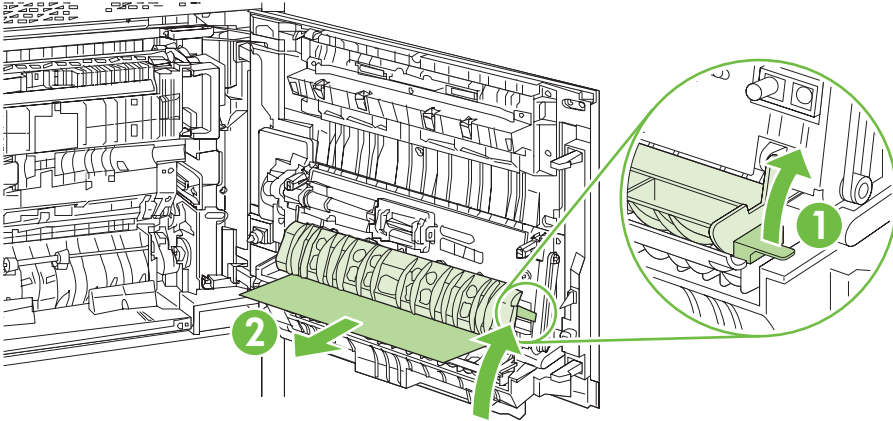
2. If paper is jammed below the duplexing unit, gently pull the paper downward to remove it.



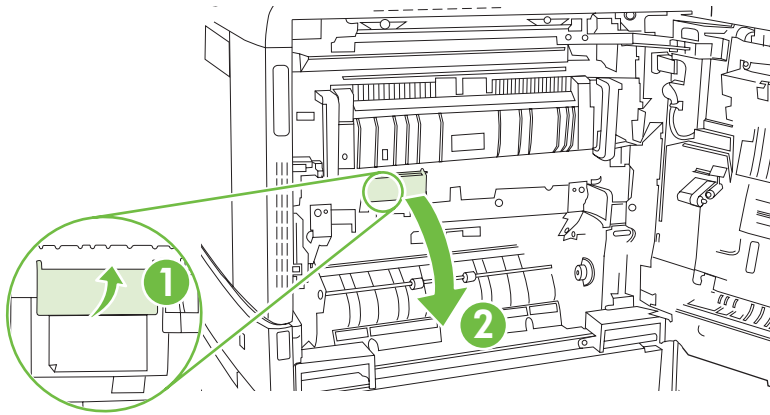
3. If paper is jammed inside the right door, gently pull the paper to remove it.



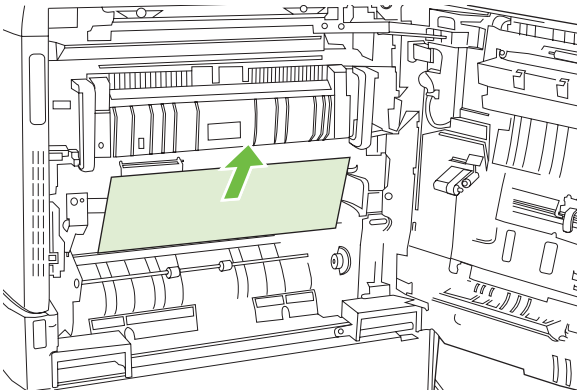
4. Lift the paper-feed cover on the inside of the right door. If jammed paper is present, gently pull the paper straight out to remove it.



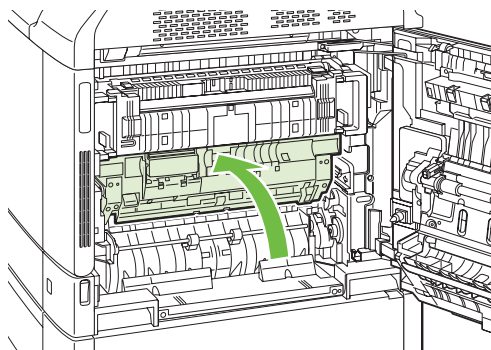
5. Lift the green handle on the transfer assembly and open the panel.



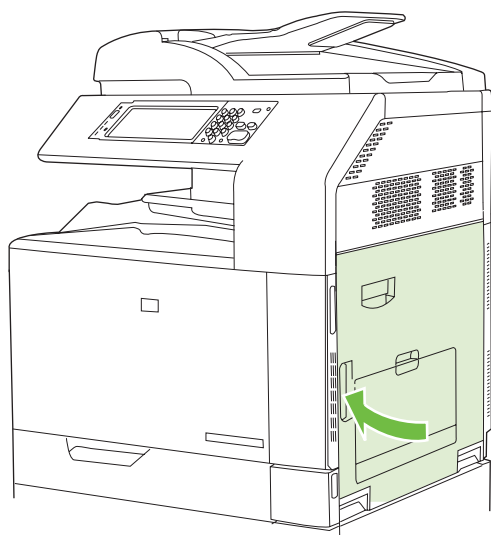
6. Gently pull the paper out of the paper path.



7. Close the transfer-access panel.



8. Close the right door.



## AREA 5: Jams in Tray 2 and the internal paper path

**Table 7-17 Causes and solutions for pickup-delay jam 1: tray pickup**

Cause	Solution
The tray separation roller or tray feed roller is worn or deformed.	Replace the tray separation roller and tray feed roller.
Poor contact of the tray media-feed sensor connector	Reconnect the connectors of the tray media-feed sensor (J2005), intermediate (J1922), and the DC controller PCA (J110).
The tray media-feed sensor is defective.	Check the tray media-feed sensor by the sensor-monitor mode. If the sensor is defective, replace the tray pickup unit.
The arm spring of the tray pickup solenoid is unhooked.	Check the spring and place it in the correct position.
Poor contact of the tray-pickup-solenoid-drive connector	Reconnect the connectors of the tray pickup solenoid (J1923), intermediate (J1922), and the DC controller PCA (J110).
The tray pickup solenoid is defective.	Execute the tray-pickup-solenoid driving test in the actuator-drive mode. If the solenoid is defective, replace the tray pickup unit.

**Table 7-17 Causes and solutions for pickup-delay jam 1: tray pickup (continued)**

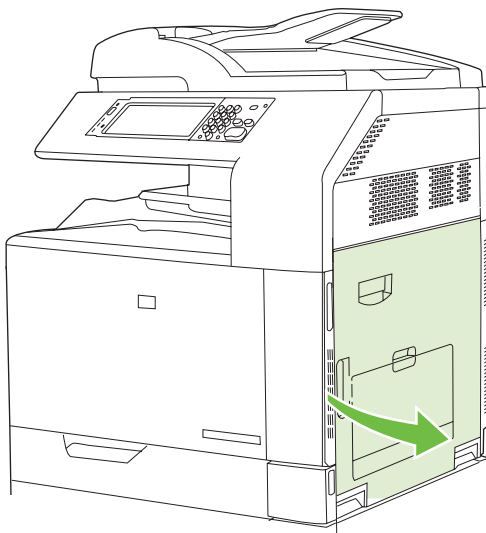
Cause	Solution
Poor contact of the pickup motor drive connector	Reconnect the connectors of the pickup motor (J1705), intermediate (J1924), and the DC controller PCA (J111).
The pickup motor is defective.	Execute the pickup-motor driving test in the actuator-drive mode. If the motor is defective, replace the multipurpose drive unit.

**Table 7-18 Causes and solutions for pickup stationary jams**

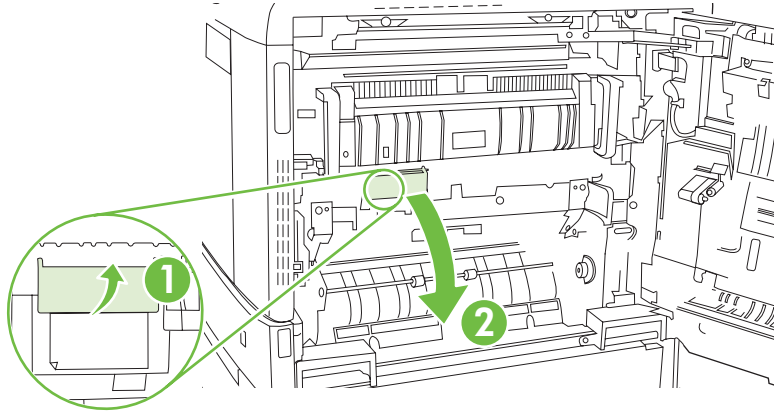
Cause	Solution
Multiple-feed of media	Replace any worn or deformed parts (tray separation roller, tray feed roller, MP-tray pickup roller, or MP-tray separation roller).  Check the separation roller and MP-tray separation roller to see if they are firmly seated and coupled with the torque limiter.  Replace the separation roller and feed roller.  Replace the MP-tray pickup roller and MP-tray separation roller.
The secondary-transfer roller is not set correctly.	Place the secondary-transfer roller unit in the correct position.
The secondary-transfer roller is worn or deformed.	Replace the secondary-transfer roller unit.
Poor contact of the ITB motor drive connector	Reconnect the connectors of the ITB motor (J1710) and the DC controller PCA (J105).
The ITB motor is defective.	Execute the ITB-motor driving test in the actuator-drive mode. If the motor is defective, replace the ITB motor.
The ITB does not rotate smoothly.	Replace the ITB unit.

**AREA 5: Clear jams in Tray 2 and the internal paper path**

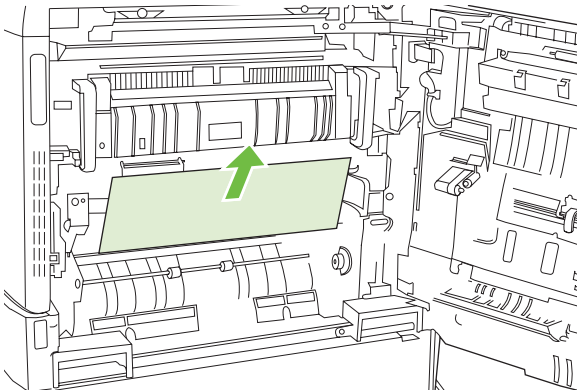
1. Open the right door.



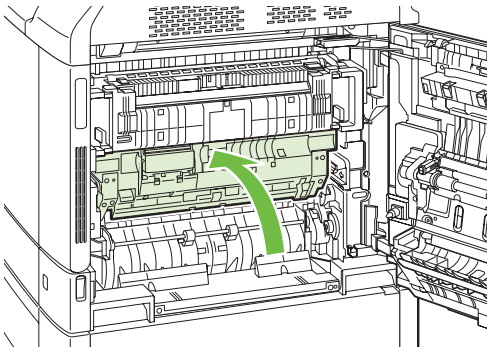
2. Lift the green handle on the transfer-access panel and open the panel.



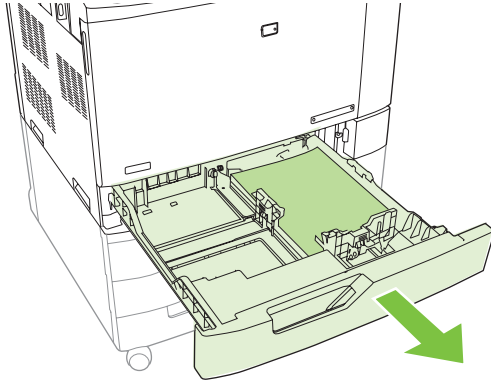
3. Gently pull the paper out of the paper path.



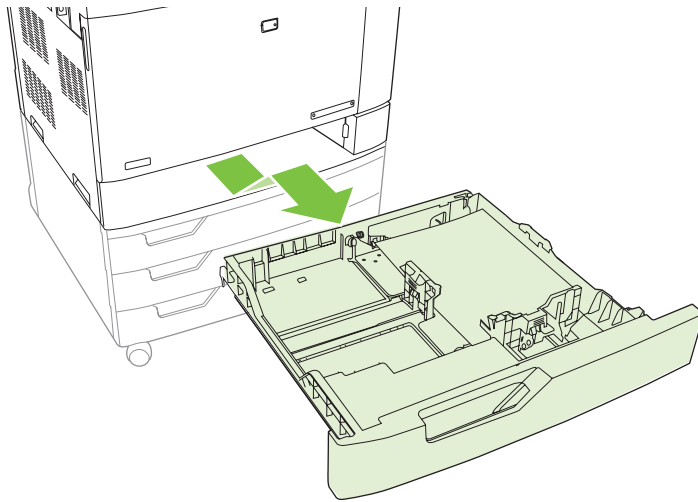
4. Close the transfer-access panel.



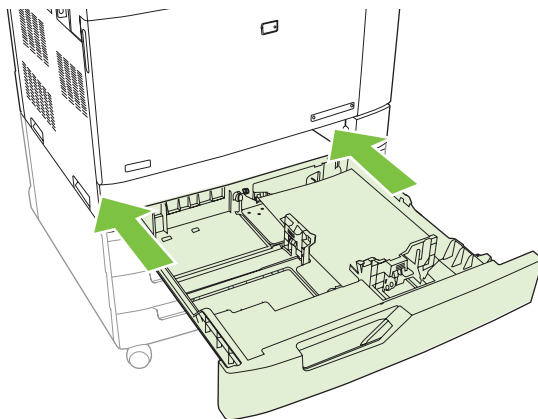
5. Open Tray 2 and make sure that the paper is stacked correctly.



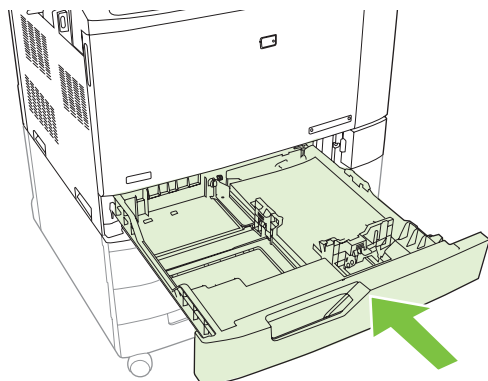
6. Pull the tray completely out of the product by pulling and lifting it up slightly.



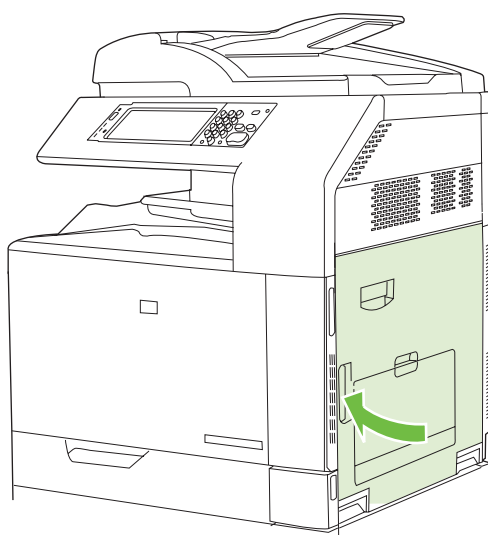
7. Remove any paper from the feeder rollers inside the product.
8. Reinsert Tray 2 by aligning the side rollers and pushing it back into the product.



9. Close the tray.



10. Close the right door.



## AREA 6: Jams in Tray 1

**Table 7-19 Causes and solutions for pickup-delay jam s1; MP-tray pickup**


Cause	Solution
The MP-tray pickup roller or MP-tray separation roller is worn or deformed.	Replace the MP-tray pickup roller and MP-tray separation roller.
Poor contact of the MP-tray media-feed sensor connector	Reconnect the connectors of the MP-tray media-feed sensor (J2007), intermediate (J1935), and the DC controller PCA (J111).
The MP-tray media-feed sensor is defective.	Check the MP-tray media-feed sensor via the sensor-monitor mode. If the sensor is defective, replace the MP-tray guide unit.
The arm spring of the MP-tray pickup solenoid is unhooked.	Check the spring and place it in the correct position.
Poor contact of the MP-tray pickup-solenoid-drive connector	Reconnect the connectors of the MP-tray pickup solenoid (J1925), intermediate (J1926), and the DC controller PCA (J144).
The MP-tray pickup solenoid is defective.	Execute the MP-tray pickup-solenoid driving test in the actuator-drive mode. If the solenoid is defective, replace the MP-tray pickup unit.

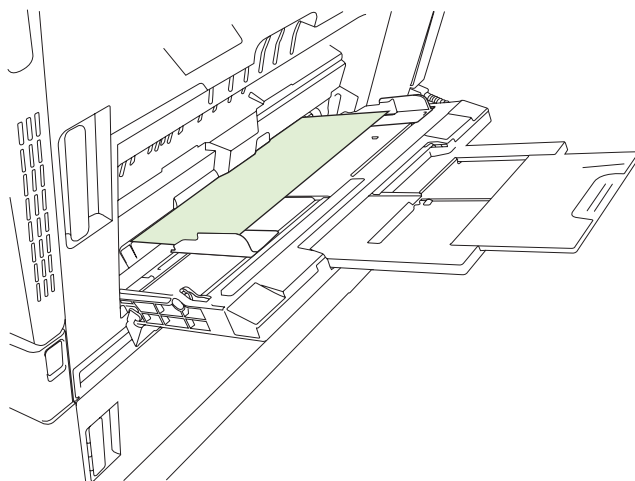
**Table 7-19 Causes and solutions for pickup-delay jams; MP-tray pickup (continued)**

Cause	Solution
Poor contact of the pickup motor drive connector	Reconnect the connectors of the pickup motor (J1705), intermediate (J1924), and the DC controller PCA (J111).
The pickup motor is defective.	Execute the pickup-motor driving test in the actuator-drive mode. If the motor is defective, replace the multipurpose drive unit.

**Table 7-20 Causes and solutions for pickup stationary jams**

Cause	Solution
Multiple-feed of media	Replace any worn or deformed parts (tray separation roller, tray feed roller, MP-tray pickup roller, or MP-tray separation roller).  Check the separation roller and MP-tray separation roller to see if they are firmly seated and coupled with the torque limiter.  Replace the separation roller and feed roller.  Replace the MP-tray pickup roller and MP-tray separation roller.
The secondary-transfer roller is not set correctly.	Place the secondary-transfer roller unit in the correct position.
The secondary-transfer roller is worn or deformed.	Replace the secondary-transfer roller unit.
Poor contact of the ITB motor-drive connector	Reconnect the connectors of the ITB motor (J1710) and the DC controller PCA (J105).
The ITB motor is defective.	Execute the ITB-motor driving test in the actuator-drive mode. If the motor is defective, replace the ITB motor.
The ITB does not rotate smoothly.	Replace the ITB unit.


 **NOTE:** Even if jammed paper is visible in Tray 1, clear the jam from the inside of the product by opening the right door.

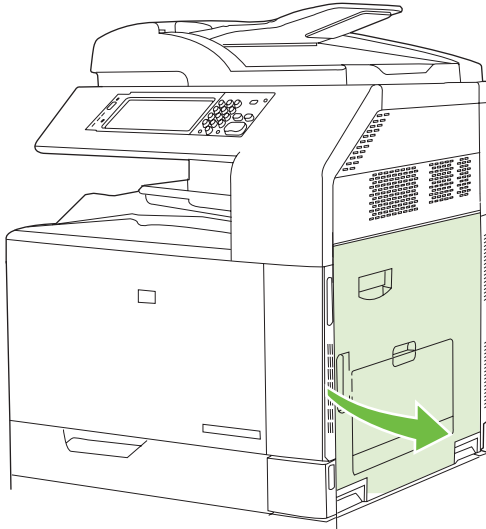




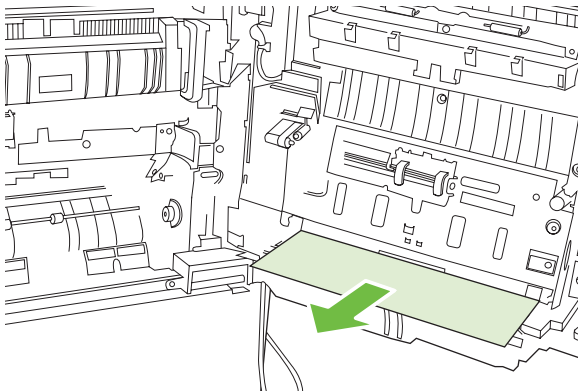
## AREA 6: Clear jams in Tray 1

1. Open the right door.

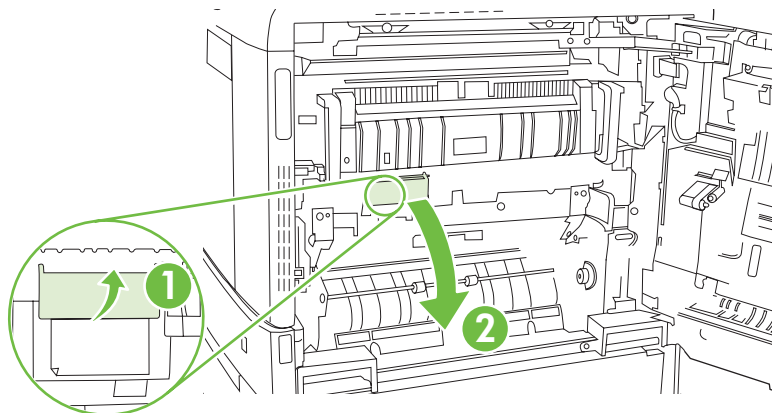
 **NOTE:** When clearing jams of long paper (11 x 17, 12 x 18, and A3), it may be necessary to cut or tear the jammed paper before opening the right door.



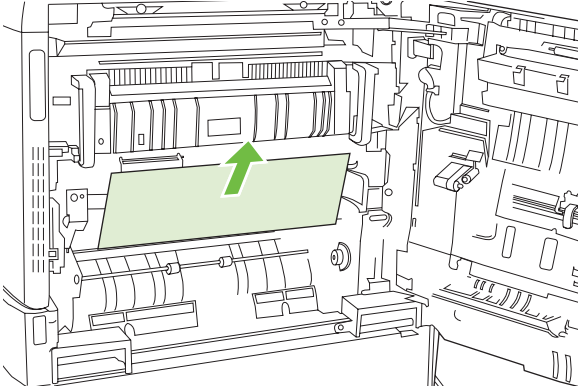
2. If paper is visible inside the right door, gently pull the paper downward to remove it.



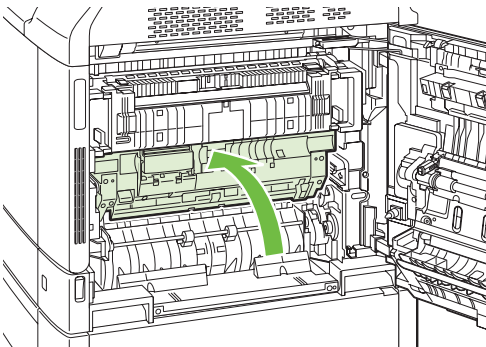
3. If paper has entered the internal paper path, lift the green handle on the transfer-access panel and open the panel.



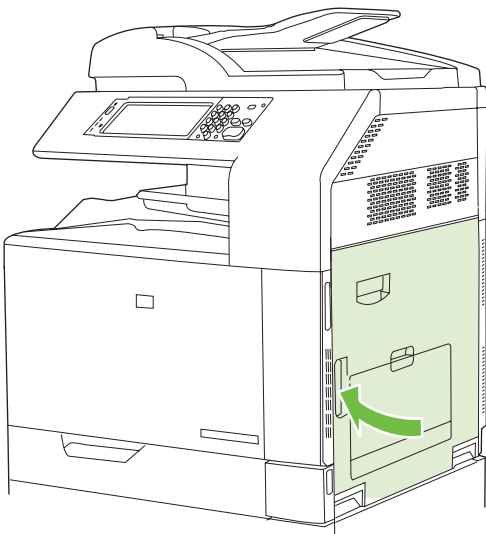
4. Gently pull the paper out of the paper path.



5. Close the transfer-access panel.



6. Close the right door.

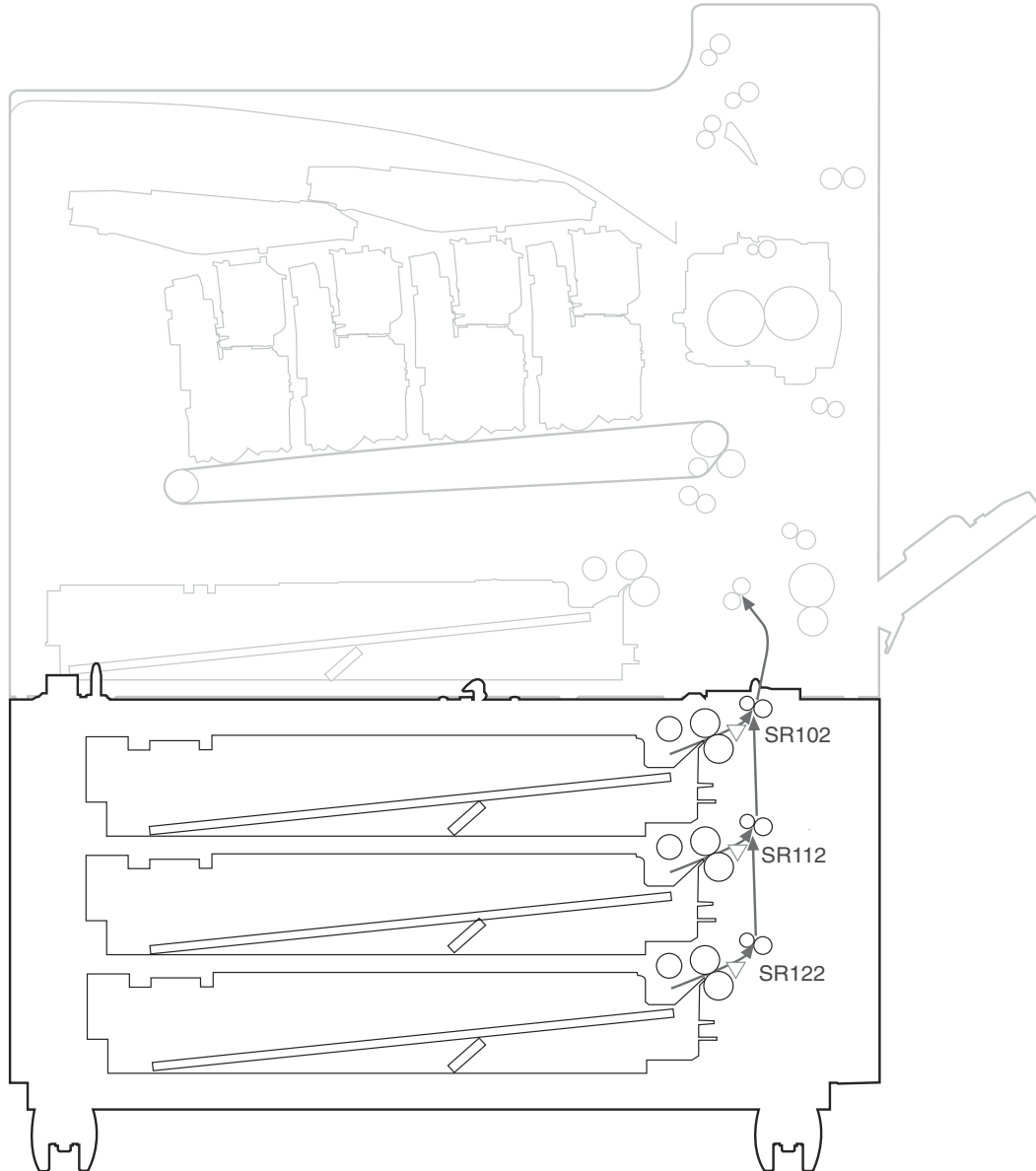


## AREA 7: Jams in optional Trays 3, 4, and 5

Jams in AREA 7 are detected by paper sensors on the paper path:

- Upper-PD-cassette media-feed sensor (SR102)
- Middle-PD-cassette media-feed sensor (SR112)
- Lower-PD-cassette media-feed sensor (SR122)

**Figure 7-7** Paper deck sensors



**Table 7-21** Causes and solutions for pickup-delay jam

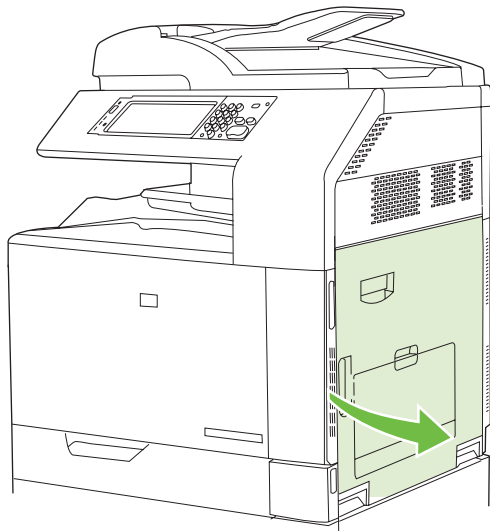
Cause	Solution
The separation roller or feed roller for optional Trays 3, 4, and 5 is worn or deformed.	Replace the separation roller and feed roller for optional Trays 3, 4, and 5.
Poor contact of the Tray-3 media-feed-sensor connector	Reconnect the connectors of the Tray-3 media-feed sensor (J2102), intermediate (J1982) and the Tray-3 paper-deck driver PCA (J8106A).

**Table 7-21 Causes and solutions for pickup-delay jam (continued)**

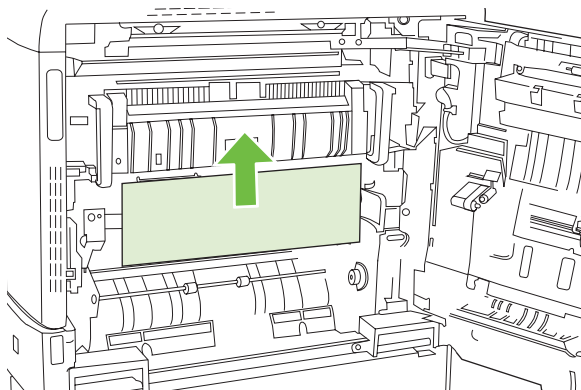
Cause	Solution
The Tray-3 media-feed sensor is defective.	Check the Tray-3 media-feed sensor via the sensor-monitor mode. If the sensor is defective, replace the pickup plate unit.
The spring of the Tray-3 pickup-solenoid arm is unhooked.	Check the spring and place it in the correct position.
Poor contact of the Tray-3 pickup-solenoid-drive connector	Reconnect the connectors of the Tray-3 pickup solenoid (J1983) and the Tray-3 paper-deck driver PCA (J8107A).
The Tray-3 pickup solenoid is defective.	Execute the Tray-3 pickup-solenoid driving test in the actuator-drive mode. If the solenoid is defective, replace the pickup solenoid.
Poor contact of the Tray-3 pickup-motor-drive connector	Reconnect the connectors of the Tray-3 pickup motor (J1751) and the Tray-3 paper-deck driver PCA (J8107A).
The Tray-3 pickup motor is defective.	Execute the Tray-3 pickup-motor driving test in the actuator-drive mode. If the motor is defective, replace the pickup motor.
Poor contact of the Tray-4 media-feed sensor connector	Reconnect the connectors of the Tray-4 media-feed sensor (J2112), intermediate (J1985) and the Tray-4 paper-deck driver PCA (J8106B).
The Tray-4 media-feed sensor is defective.	Check the Tray-4 media-feed sensor via the sensor-monitor mode. If the sensor is defective, replace the pickup plate unit.
The spring of the Tray-4 pickup-solenoid arm is unhooked.	Check the spring and place it in the correct position.
Poor contact of the Tray-4 pickup-solenoid-drive connector	Reconnect the connectors of the Tray-4 pickup solenoid (J1986) and the Tray-4 paper-deck driver PCA (J8107B).
The Tray-4 pickup solenoid is defective.	Execute the Tray-4 pickup-solenoid driving test in the actuator-drive mode. If the solenoid is defective, replace the pickup solenoid.
Poor contact of the Tray-4 pickup-motor-drive connector	Reconnect the connectors of the Tray-4 pickup motor (J1752) and the Tray-4 paper-deck driver PCA (J8107B).
The Tray-4 pickup motor is defective.	Execute the Tray-4 pickup-motor driving test in the actuator-drive mode. If the motor is defective, replace the pickup motor.
Poor contact of the Tray-5 media-feed-sensor connector	Reconnect the connectors of the Tray-5 media-feed sensor (J2122), intermediate (J1988) and the Tray-5 paper-deck driver PCA (J8106C).
The Tray-5 media-feed sensor is defective.	Check the Tray-5 media-feed sensor via the sensor-monitor mode. If the sensor is defective, replace the pickup plate unit.
The spring of the Tray-5 pickup-solenoid arm is unhooked.	Check the spring and place it in the correct position.
Poor contact of the Tray-5 pickup-solenoid-drive connector	Reconnect the connectors of the Tray-5 pickup solenoid (J1989) and the Tray-5 paper-deck driver PCA (J8107C).
The Tray-5 pickup solenoid is defective.	Execute the Tray-5 pickup-solenoid driving test in the actuator-drive mode. If the solenoid is defective, replace the pickup solenoid.
Poor contact of the Tray-5 pickup-motor-drive connector	Reconnect the connectors of the Tray-5 pickup motor (J1753) and the Tray-5 paper-deck driver PCA (J8107C).
The Tray-5 pickup motor is defective.	Execute the Tray-5 pickup-motor driving test in the actuator-drive mode. If the motor is defective, replace the pickup motor.

## AREA 7: Clear jams in optional Trays 3, 4, and 5

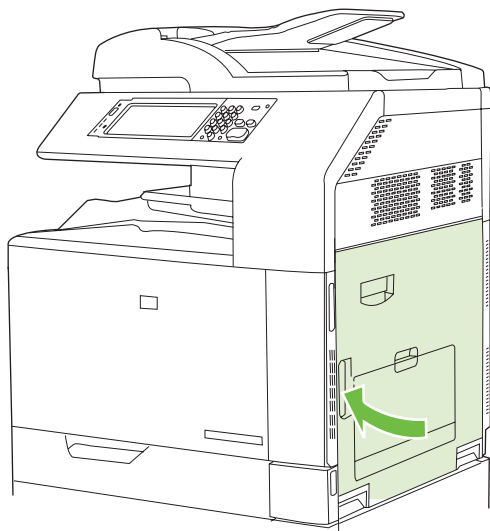
1. Open the right door.



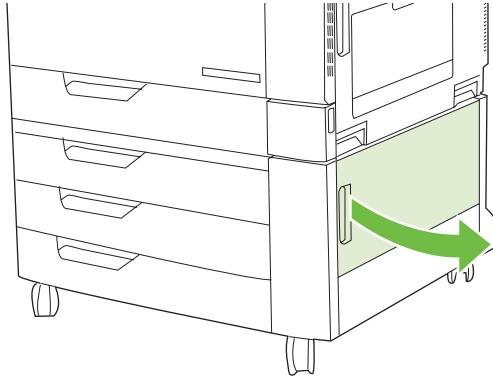
2. If paper is visible in the paper-input area, gently pull the jammed paper up to remove it.



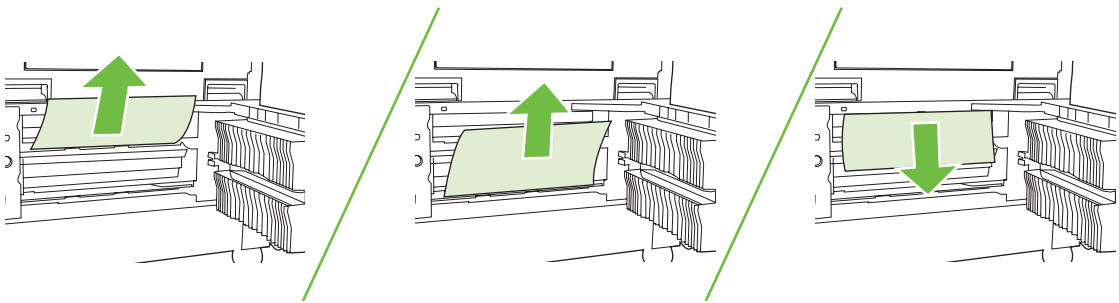
3. Close the right door.



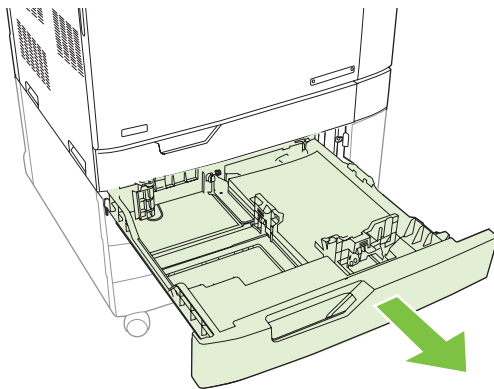
4. Open the lower-right door.



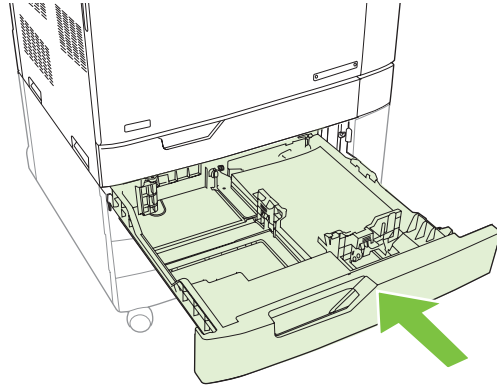
5. Gently pull the jammed paper to remove it.



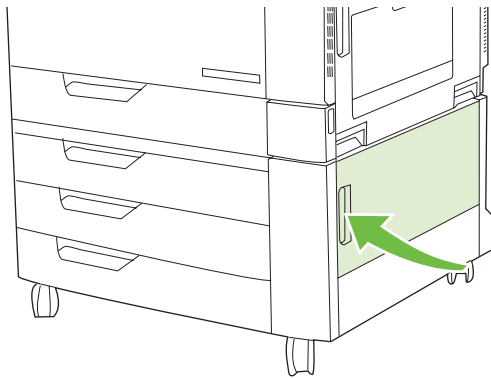
6. Open the tray that is indicated in the control-panel message, and make sure that the paper is stacked correctly.



7. Close the tray.



8. Close the lower-right door.



## AREA 8: Jams in the optional finishing devices

### Clear jams in the output-accessory bridge

**Table 7-22 Causes and solutions for delivery delay jams 1**

Cause	Solution
The spring of the IPTU media-feed sensor 1 lever is unhooked.	Check the spring and place it in the correct position.
The IPTU media-feed sensor 1 lever is damaged.	Replace the lower guide unit.
Poor contact of the IPTU media-feed sensor 1 connector	Reconnect the connectors of the IPTU media-feed sensor 1 (J12203) and the IPTU driver PCA (J7006).
The IPTU media-feed sensor 1 is defective.	Check the IPTU media-feed sensor 1 by the sensor-monitor mode. If the sensor is defective, replace the lower guide unit.
Poor contact of the IPTU media-feed motor 1 connector	Reconnect the connectors of the IPTU media-feed motor 1 (J7011) and the IPTU driver PCA (J7003).
The IPTU media-feed motor 1 is defective.	Execute the IPTU media-feed-motor driving test in the actuator-drive mode. If the motor is defective, replace the IPTU media-feed motor 1.

**Table 7-23 Causes and solutions for delivery delay jams 2**

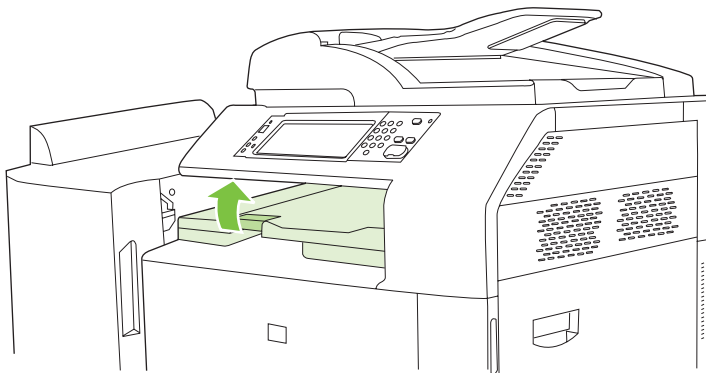
Cause	Solution
The spring of the IPTU media-feed sensor-2 lever is unhooked.	Check the spring and place it in correct position.
The IPTU media-feed sensor-2 lever is damaged.	Replace the lower guide unit.
Poor contact of the IPTU media-feed sensor-2 connector	Reconnect the connectors of the IPTU media-feed sensor 2 (J12202) and the IPTU driver PCA (J7006).
The IPTU media-feed sensor 2 is defective.	Check the IPTU media-feed sensor 2 via the sensor-monitor mode. If the sensor is defective, replace the lower guide unit.
The spring of the IPTU media-feed sensor-3 lever is unhooked.	Check the spring and place it in the correct position.
The IPTU media-feed sensor-3 lever is damaged.	Replace the lower guide unit.
Poor contact of the IPTU media-feed sensor-3 connector	Reconnect the connectors of the IPTU media-feed sensor 3 (J12201) and the IPTU driver PCA (J7006).
The IPTU media-feed sensor 3 is defective.	Check the IPTU media-feed sensor 3 via the sensor-monitor mode. If the sensor is defective, replace the lower guide unit.
Poor contact of the IPTU media-feed motor-2 connector	Reconnect the connectors of the IPTU media-feed motor 2 (J7012) and the IPTU driver PCA (J7007).
The IPTU media-feed motor 2 is defective.	Execute the IPTU media-feed-motor driving test in the actuator-drive mode. If the motor is defective, replace the IPTU media-feed motor 2.

**Table 7-24 Causes and solutions for delivery stationary jams**

Cause	Solution
The IPTU feed roller is worn or deformed.	Replace the upper guide unit or lower guide unit.
The spring of the IPTU feed subroller is unhooked.	Check the spring and place it in the correct position.

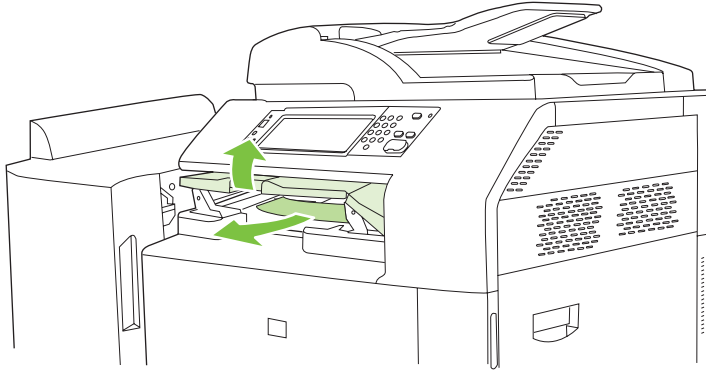
**Clear jams in the optional finishing devices**

1. Lift the latch on the top cover of the output-accessory bridge and open the top cover.

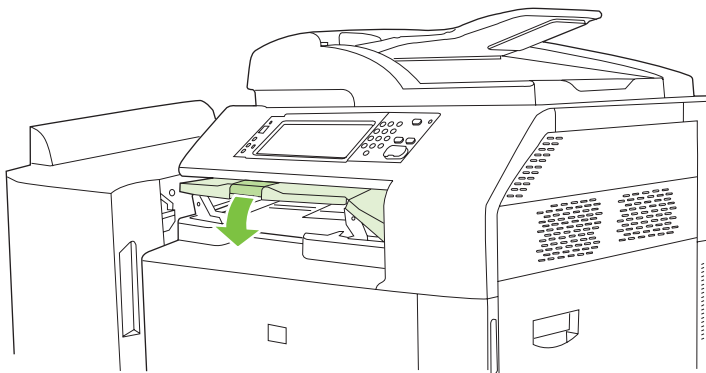




2. Gently pull the jammed paper to remove it.



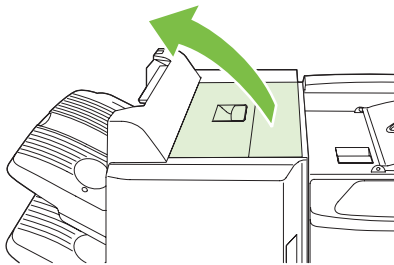
3. Close the top cover of the output-accessory bridge.



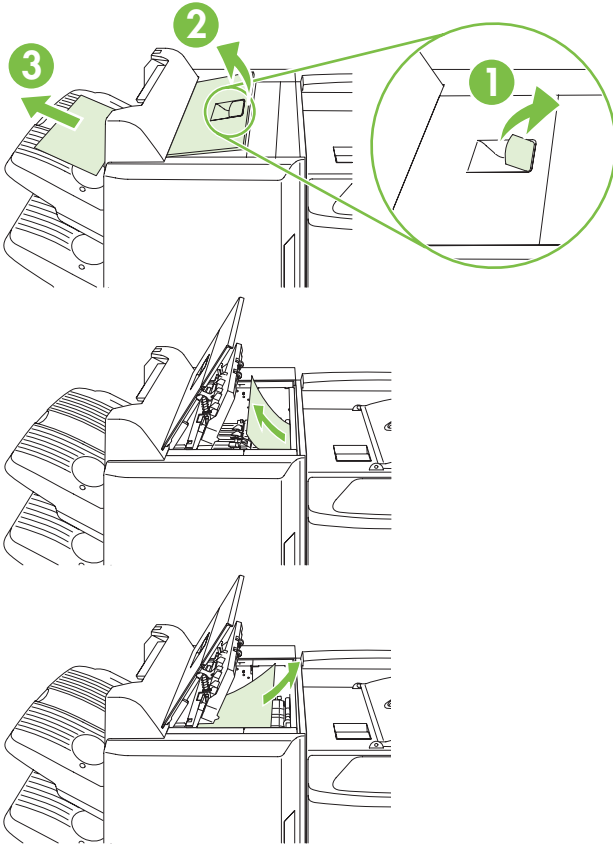
### Clear jams in the sorter area

1. Lift the latch on the top cover of the finishing device, and open the top cover.

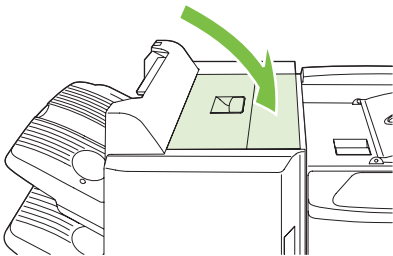
 **NOTE:** Opening the top cover releases pressure on the output-bin rollers.



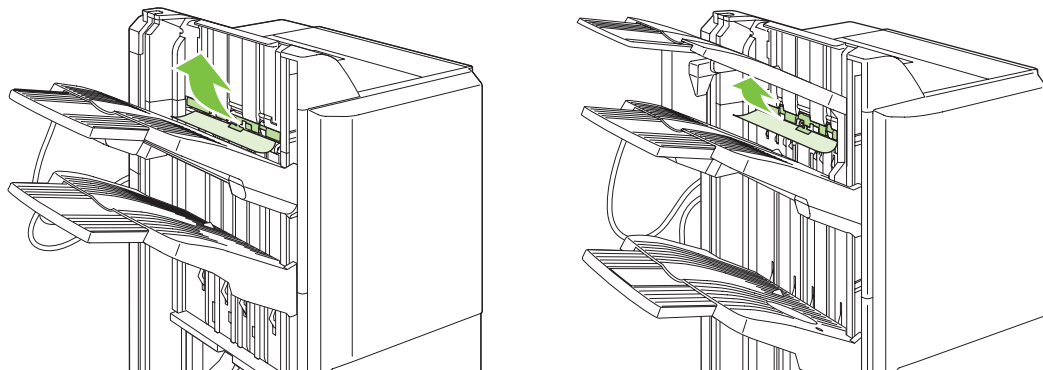
2. Remove jammed paper from the output bin or from the inside of the finishing device.



3. Close the top cover of the finishing device.

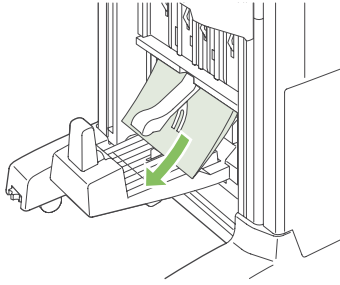


4. Lift the swing-guide panel in the output bin. If you can see any jammed paper, gently pull it out.

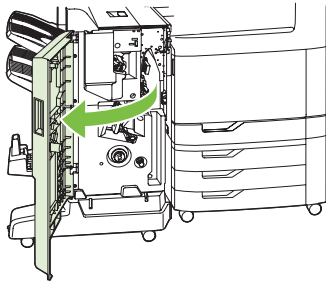


## Clear jams in the booklet maker

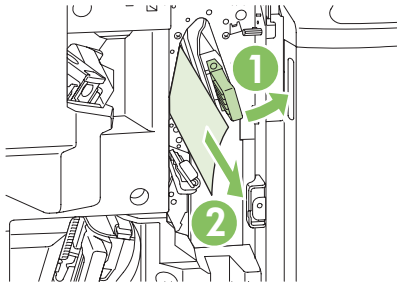
1. If the paper is visible in the booklet output bin, gently pull the paper to remove it.



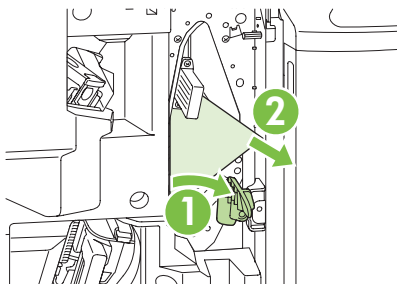
2. Open the front door of the booklet maker.



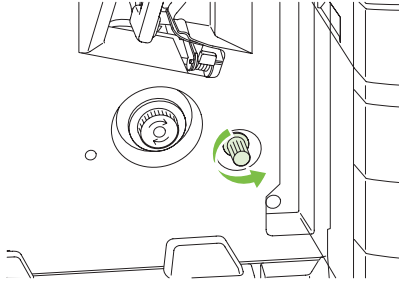
3. Push the upper delivery guide to the right, and remove any jammed paper.



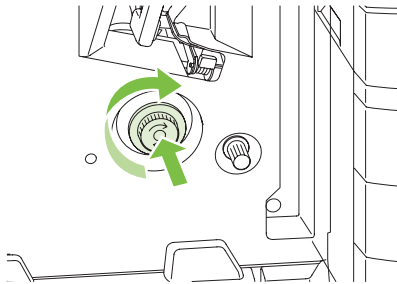
4. Push the lower delivery guide to the right, and remove any jammed paper.



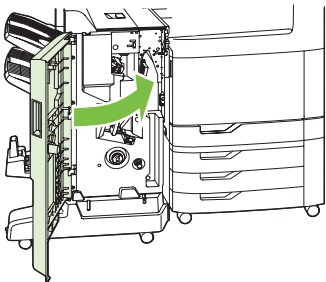
5. The positioning knob is the smaller, green dial on the right. Turn the positioning knob counterclockwise.



6. The jam-release knob is the larger, green dial on the left. Push in the jam-release knob, and then turn it clockwise to move any jammed paper into the output bin.



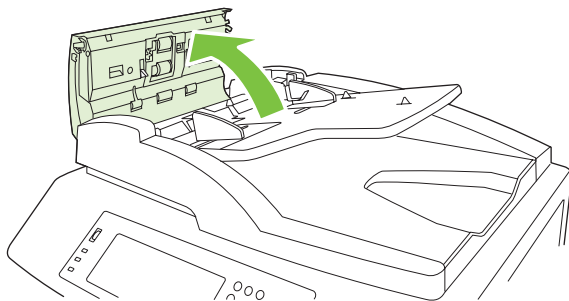
7. Close the front door of the booklet maker.



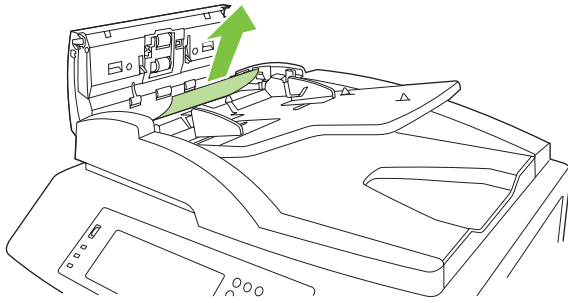
### AREA 9: Jams in the ADF

### AREA 9: Clear jams in the ADF

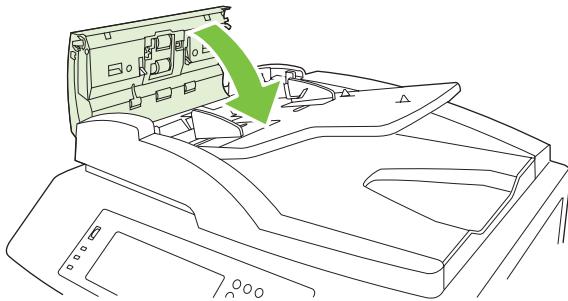
1. Open the ADF cover.



2. Remove any jammed media.



3. Close the ADF cover.

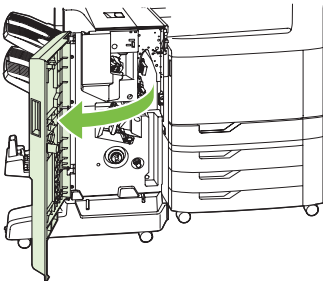


### Clear staple jams

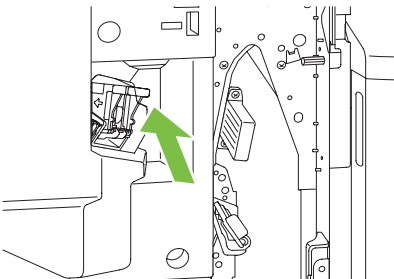
#### Clear staple jams in the main stapler

The HP 3-bin Stapler/Stacker and the HP Booklet maker/Finisher Accessory each have a main stapler, which is located near the top of the finishing device.

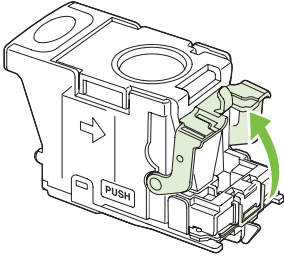
1. Open the front door of the finishing device.



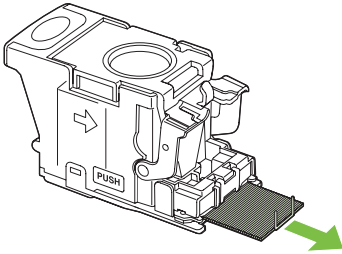
2. To remove the staple cartridge, pull up on the green handle and pull out the staple cartridge.



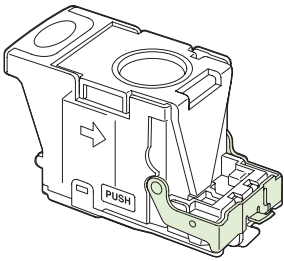
3. Lift up on the small lever at the back of the staple cartridge.



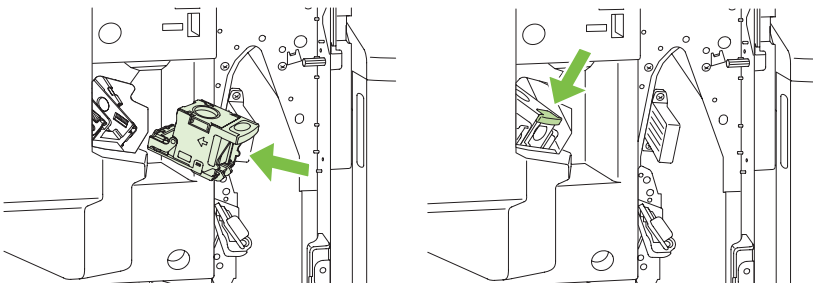
4. Remove the damaged staples that protrude from the staple cartridge. Remove the entire sheet of staples that the damaged staples were attached to.



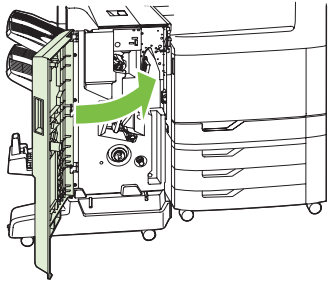
5. Close the lever at the back of the staple cartridge. Be sure that it snaps into place.



6. Reinsert the staple cartridge into the finishing device, and push down on the green handle until it snaps into place.



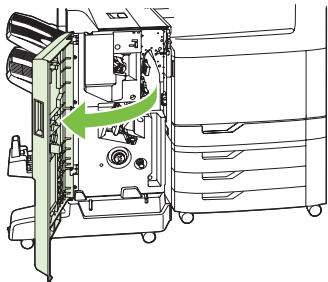
7. Close the front cover of the finishing device.



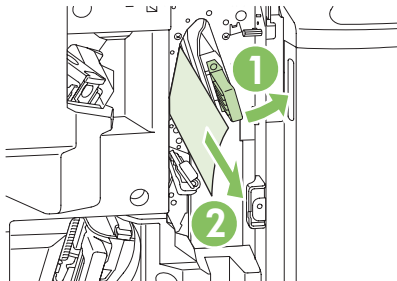
### Clear staple jams in the booklet maker

The booklet maker has an additional saddle stitch stapler that is below the main stapler. The saddle stitch stapler has two staple cartridges.

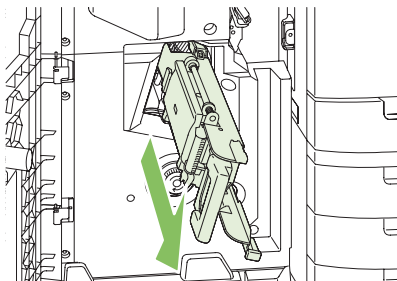
1. Open the front door of the booklet maker.



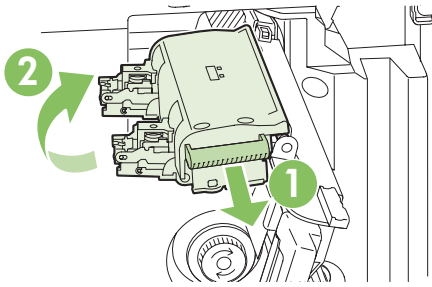
2. Push the upper delivery guide to the right, and remove any jammed paper.



3. Grasp the blue handle for the stapler carriage and pull it straight out.



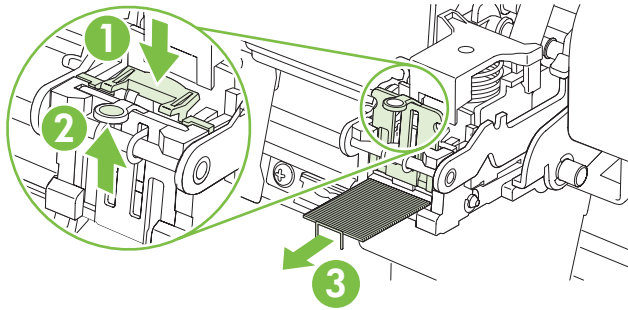
4. Grasp the handle of the blue staple cartridge unit and pull it toward you, then swing the staple cartridge unit into an upright position.



5. Check each staple cartridge for jammed staples.
  - a. On each staple cartridge, press down on the green plastic tabs while lifting the jam clearance plate.

△ **CAUTION:** Do not place your fingers or hands underneath the staple cartridge during this procedure.

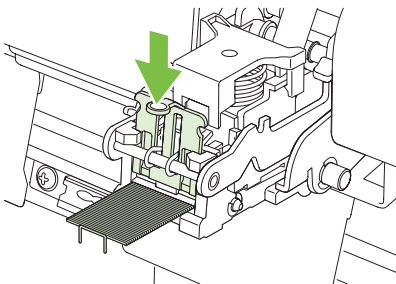
---



- b. Remove any jammed staples. Remove any damaged staples and the entire sheet of staples that the damaged staples were attached to.
  - c. Press down on the jam clearance plate to close it.

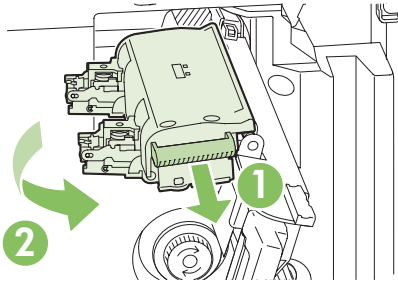
△ **CAUTION:** Do not place your fingers or hands underneath the staple cartridge during this procedure.

---

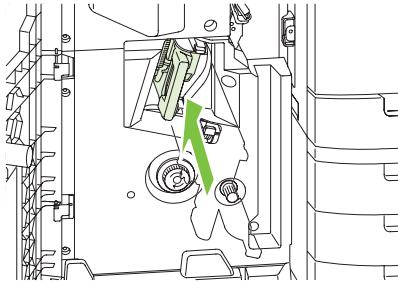




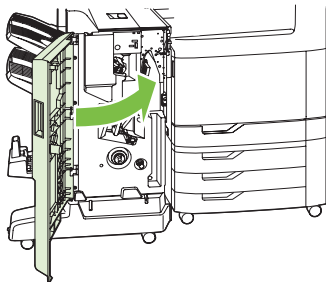
6. Pull the staple cartridge unit forward, and swing it downward to the original position. Push in on the handle to lock it into position.



7. Push the staple carriage back into the booklet maker.



8. Close the front door of the booklet maker.




## Jam recovery

This product provides jam recovery, a feature that reprints jammed pages. The following options are available:

- **Auto** — The product attempts to reprint jammed pages when sufficient memory is available.
- **Off** — The product does not attempt to reprint jammed pages. Because no memory is used to store the most recent pages, performance is optimal.

---

 **NOTE:** When using this option, if the product runs out of paper and the job is being printed on both sides, some pages can be lost.

---

- **On** — The product always reprints jammed pages. Additional memory is allocated to store the last few pages printed. This might cause overall performance to suffer.

## Set the jam recovery feature

1. Touch **Administration**, and then touch **Device Behavior**.
2. Touch **Warning/Error Behavior**, and then touch **Jam Recovery**.
3. Touch an option, and then touch **Save**.

## Product feeds multiple sheets

### Product feeds multiple sheets

Cause	Solution
The input tray is overfilled. Open the tray and verify that the paper stack is below the maximum stack height mark.	Remove excess paper from the input tray.
Print paper is sticking together.	Remove paper, flex it, rotate it 180 degrees or flip it over, and then reload it into the tray.  <b>NOTE:</b> Do not fan paper. Fanning can cause static electricity, which can cause paper to stick together.
Paper does not meet the specifications for this product.	Use only paper that meets HP paper specifications for this product.
Trays are not properly adjusted.	Make sure that the paper guides match the size of paper being used.

## Product pulls from incorrect tray

### Product pulls from incorrect tray

Cause	Solution
You are using a driver for a different product.	Use a driver for this product.
The specified tray is empty.	Load paper in the specified tray.
The paper size is not configured correctly for the input tray.	Print a configuration page or use the control panel to determine the paper size for which the tray is configured.
The guides in the tray are not against the paper.	Verify that the guides are touching the paper.

## Product feeds incorrect page size

### Product feeds incorrect page size

Cause	Solution
The correct size paper is not loaded in the input tray.	Load the correct size paper in the input tray.
The correct size paper is not selected in the software program or printer driver.	Confirm that the settings in the software program and printer driver are appropriate, because the software program settings override the printer driver and control-panel settings, and the printer driver settings override the control-panel settings.
The correct size paper for the tray is not selected in the product control panel.	From the control panel, select the correct size paper for the tray.

### Product feeds incorrect page size

Cause	Solution
The paper size is not configured correctly for the input tray.	Print a configuration page or use the control panel to determine the paper size for which the tray is configured.
The guides in the tray are not against the paper.	Verify that the paper guides are touching the paper.

## Paper does not feed automatically

### Paper does not feed automatically

Cause	Solution
Manual feed is selected in the software program.	Load Tray 1 with paper, or, if the paper is loaded, press the checkmark button ✓.
The correct size paper is not loaded.	Load the correct size paper.
The input tray is empty.	Load paper into the input tray.
Paper from a previous jam has not been completely removed.	Open the product and remove any paper in the paper path.
The paper size is not configured correctly for the input tray.	Print a configuration page or use the control panel to determine the paper size for which the tray is configured.
The guides in the tray are not against the paper.	Verify that the rear and width paper guides are touching the paper.
The manual-feed prompt is set to <b>ALWAYS</b> . The product always prompts for manual feed, even if the tray is loaded.	Open the tray, reload the media, and then close the tray. Or, change the manual-feed prompt setting to <b>UNLESS LOADED</b> , so that the product prompts for manual feed only when the tray is empty.
The <b>USE REQUESTED TRAY</b> setting on the product is set to <b>EXCLUSIVELY</b> , and the requested tray is empty. The product will not use another tray.	Load the requested tray. Or, change the setting from <b>EXCLUSIVELY</b> to <b>FIRST</b> on the <b>CONFIGURE DEVICE</b> menu. The product can use other trays if no media is loaded in the specified tray.

## Paper does not feed from Tray 2, 3, 4, or 5

### Paper does not feed from Tray 2, 3, 4, or 5

Cause	Solution
The correct size paper is not loaded.	Load the correct size paper.
The input tray is empty.	Load paper in the input tray.
The correct paper type for the input tray is not selected in the product control panel.	From the product control panel, select the correct paper type for the input tray.
Paper from a previous jam has not been completely removed.	Open the product and remove any paper in the paper path. Closely inspect the fuser area for jams.
None of the optional trays appear as input tray options.	The optional trays only display as available if they are installed. Verify that any optional trays are correctly installed. Verify that

### Paper does not feed from Tray 2, 3, 4, or 5

Cause	Solution
	the printer driver has been configured to recognize the optional trays.
An optional tray is incorrectly installed.	Print a configuration page to confirm that the optional tray is installed. If not, verify that the tray is correctly attached to the product.
The paper size is not configured correctly for the input tray.	Print a configuration page or use the control panel to determine the paper size for which the tray is configured.
The guides in the tray are not against the paper.	Verify that the guides are touching the paper.

## Transparencies or glossy paper will not feed

### Transparencies or glossy paper will not feed

Cause	Solution
The correct paper type is not specified in the software or printer driver.	Verify that the correct paper type is selected in the software or printer driver.
The input tray is overfilled.	Remove excess paper from the input tray. Do not load more than 200 sheets of glossy paper or glossy film, or more than 100 transparencies in Tray 2, 3, 4, or 5. Do not exceed the maximum stack height marks for Tray 1.
Paper in another input tray is the same size as the transparencies, and the product is defaulting to the other tray.	Make sure that the input tray containing the transparencies or glossy paper is selected in the software program or printer driver. Use the product control panel to configure the tray to the paper type loaded.
The tray containing the transparencies or glossy paper is not configured correctly for type.	Make sure that the input tray containing the transparencies or glossy paper is selected in the software program or printer driver. Use the product control panel to configure the tray to the paper type loaded.
Transparencies or glossy paper might not meet supported paper specifications.	Use only paper that meets the HP paper specifications for this product.
High-humidity environments may cause glossy paper not to feed, or to feed too many sheets.	Print glossy paper from Tray 2, 3, 4, or 5 for best results.  Avoid printing glossy paper in high humidity conditions. When printing glossy paper, removing the paper from the wrapper and letting it rest for a few hours can improve feeding into the product. However, letting paper rest in humid environments may also cause blisters.

- △ **CAUTION:** HP Color Laser Presentation Paper, Glossy (Q2546A) is not supported with this product. Using this type of paper can cause a fuser jam that might require the replacement of the fuser. Two recommended alternatives are HP Color LaserJet Presentation Paper, Soft Gloss (Q6541A) and HP Color LaserJet Brochure Paper, Glossy (Q6611A, Q6610A). For a list of supported paper types, see [Supported paper types on page 66](#).

## Envelopes jam or will not feed in the product

### Envelopes jam or will not feed in the product

Cause	Solution
Envelopes are loaded in an unsupported tray. Only Tray 1 can feed envelopes.	Load envelopes into Tray 1.
Envelopes are curled or damaged.	Try using different envelopes. Store envelopes in a controlled environment.
Envelopes are sealing because the moisture content is too high.	Try using different envelopes. Store envelopes in a controlled environment.
Envelope orientation is incorrect.	Verify that the envelope is loaded correctly.
This product does not support the envelopes being used.	Refer to the <i>HP LaserJet Printer Family Print Media Guide</i> .
Tray 1 is configured for a size other than envelopes.	Configure Tray 1 size for envelopes.

## Output is curled or wrinkled

### Output is curled or wrinkled

Cause	Solution
Paper does not meet the specifications for this product.	Use only paper that meets the HP paper specifications for this product.
Paper is damaged or in poor condition.	Remove paper from the input tray and load paper that is in good condition.
Product speed needs to be reduced.	Set the <b>PAPER CURL</b> option in the Print Quality menu to <b>REDUCED</b> to decrease full speed to 10 ppm (instead of 40 ppm) and 3/4 speed to 7.5 ppm (instead of 30 ppm).
Product is operating in an excessively humid environment.	Verify that the printing environment is within humidity specifications.
You are printing large, solid-filled areas.	Large, solid-filled areas can cause excessive curl. Try using a different pattern.
Paper used was not stored correctly and might have absorbed moisture.	Remove paper and replace it with paper from a fresh, unopened package.
Paper has poorly cut edges.	Remove paper, flex it, rotate it 180 degrees or turn it over, and then reload it into the input tray. Do not fan paper. If the problem persists, replace the paper.
The specific paper type was not configured for the tray or selected in the software.	Configure the software for the paper (see the software documentation). Configure the tray for the paper, see <a href="#">Load paper and print media on page 69</a> .
The paper has previously been used for a print job.	Do not re-use paper.

## Product will not duplex or duplexes incorrectly

### Product will not duplex (print 2-sided jobs) or duplexes incorrectly

Cause	Solution
You are trying to duplex on unsupported paper.	Verify that the paper is supported for duplex printing.
The printer driver is not set up for duplex printing.	Set up the printer driver to enable duplex printing.
The first page is printing on the back of preprinted forms or letterhead.	Load preprinted forms and letterhead in Tray 1 with the letterhead or printed side down, with the top of the page toward the back of the product. For Tray 2, 3, 4 and 5, load the paper printed side up with the top of the page toward the back of the product.
The product model does not support automatic 2-sided printing.	The HP Color LaserJet CM6040 MFP does not support automatic 2-sided printing.
The product configuration is not set for duplexing.	In Windows, run the automatic configuration feature: <ol style="list-style-type: none"><li>1. Click the <b>Start</b> button, point to <b>Settings</b>, and then click <b>Printers</b> (for Windows 2000) or <b>Printers and Faxes</b> (for Windows XP).</li><li>2. Right-click the HP product icon, and then click <b>Properties</b> or <b>Printing Preferences</b>.</li><li>3. Click the <b>Device Settings</b> tab.</li><li>4. Under <b>Installable Options</b>, click <b>Update Now</b> in the <b>Automatic Configuration</b> list.</li></ol>

# Solve image quality problems

This section helps you define print-quality problems and what to do to correct them. Often print-quality problems can be handled easily by making sure that the product is properly maintained, using paper that meets HP specifications, or running a cleaning page.

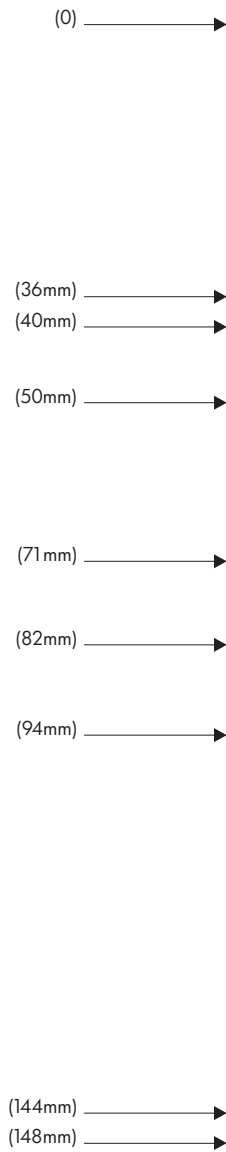
## Example print quality problems

Some print quality problems arise from use of inappropriate paper.

- Use paper that meets HP paper specifications.
- The surface of the paper is too rough. Use paper that meets HP paper specifications.
- The printer driver setting or paper tray setting might be incorrect. Be sure that you have configured the paper tray at the product control panel and have also selected the correct driver setting for the paper that you are using.
- The print mode might be set incorrectly, or the paper might not meet recommended specifications.
- The transparencies you are using are not designed for proper toner adhesion. Use only transparencies designed for HP Color LaserJet products.
- The moisture content of the paper is uneven, too high, or too low. Use paper from a different source or from an unopened ream of paper.
- Some areas of the paper reject toner. Use paper from a different source or from an unopened ream of paper.
- The letterhead you are using is printed on rough paper. Use a smoother, xerographic paper. If this solves your problem, consult with the printer of your letterhead to verify that the paper used meets the specifications for this product.
- Several optimize print modes can be used to address print quality issues. See [Print Quality menu on page 49](#).

## Repetitive defects ruler

If defects repeat at regular intervals on the page, use this ruler to identify the cause of the defect. Place the top of the ruler at the first defect. The marking that is beside the next occurrence of the defect indicates which component needs to be replaced.



36 mm	Developer roller in an image drum. The print quality defect will be in one of the four image drums (image drum).
40 mm	Charge roller in an image drum. The print quality defect will be spots or dots sometimes caused when feeding labels and will be in one of the four image drums (image drum).
50 mm	Transfer 1 roller in the transfer unit (transfer kit).
71 mm	Transfer 2 roller in the roller kit (transfer kit).
82 mm	Tension in the transfer unit (transfer kit).
94 mm	Image drum. The print quality defect will be in one of the four image drums (image drum).
144 mm	Pressure roller in the fuser (fuser kit).
148 mm	Fusing roller in the fuser (fuser kit).




To identify if the image drum is the problem, insert an image drum from another HP Color LaserJet CM6040 series, if one is available, before ordering a new image drum.

If the defect repeats at 94.0 mm (3.75 inch) intervals, try replacing the image drum before replacing the fuser.

## Overhead transparency defects

Overhead transparencies might display any of the image quality problems that any other type of paper could display, as well as defects specific to transparencies. In addition, because transparencies are pliable while in the print path, they are subject to being marked by the paper-handling components.

---

 **NOTE:** Allow transparencies to cool at least 30 seconds before handling them.

---

- On the printer driver's **Paper** tab, select **Transparency** as the paper type. Also, make sure that the tray is correctly configured for transparencies.
- Check that the transparencies meet the specifications for this product.
- If transparencies are sticking together in the output bin, set **Media Temp to Reduced** from the print quality menu. See [Use manual print modes on page 570](#).
- Handle transparencies by the edges. Skin oil on the surface of transparencies can cause spots and smudges.
- Small, random dark areas on the trailing edge of solid fill pages might be caused by transparencies sticking together in the output bin. Try printing the job in smaller batches.
- If the selected colors are undesirable when printed, select different colors in the software program or printer driver.
- If you are using a reflective overhead projector, use a standard overhead projector instead.

## Print quality problems associated with the environment

If the product is operating in excessively humid or dry conditions, verify that the printing environment is within specifications. See [Environmental specifications on page 1137](#). Several optimization modes can also help with environmental conditions. See [Use manual print modes on page 570](#).

## Print quality problems associated with jams

- Make sure that all paper is cleared from the paper path.
- If the product recently jammed, print two to three pages to clean the product.
- The paper does not pass through the fuser, causing image defects to appear on subsequent documents. Print two to three pages to clean the product.

## Optimize and improve image quality

The following procedures can be used to solve most image-quality problems.

If following the procedures do not improve print quality, go to [www.hp.com/support/cljcm6040mfp](http://www.hp.com/support/cljcm6040mfp).

## Use supported paper


Using unsupported paper or other media in the product can cause a wide variety of image-quality problems.

## Calibrate the product

Calibration is a product function that optimizes print quality. If you experience any image-quality problems, calibrate the product.

1. Scroll to and touch **Administration**.
2. Scroll to and touch **Troubleshooting**.
3. Touch **Quick Calibration**, or touch **Full Calibration**.
4. Touch **Calibrate**.

## Specify the correct paper type

 **NOTE:** The steps can vary; this procedure is most common.

When you load a different paper type into the product, specify the type of paper you are using.

1. After loading the paper tray, specify the paper type at the control panel by using the control-panel buttons. For more information, see [Load trays 2, 3, 4, or 5 on page 70](#). Use the table below to aid in selecting the best paper type. The same type is then selected in the printer driver at the time of printing.
2. When you send a print job from your computer, on the **File** menu in the software program, click **Print**.
3. Select the product, and then click **Properties** or **Preferences**.
4. Select the **Paper/Quality** tab.
5. In the **Paper Type** drop-down box, select **More...** and then select the paper type that best matches the paper that is loaded in the product.

If you are using the HP Color LaserJet CM6040 PCL 6 printer driver, select the **General Everyday Printing** shortcut and select **Paper Type**. If you are using the HP Universal Printing PS driver, select the **Paper/Quality** tab and then select **Paper Type**.

6. Select the paper type that best matches the paper that is loaded in the product.

Use the table below to help select the best type in the driver. The table maps the default settings for specific paper types to the types that are listed in the driver and on the product control panel. For example, if you are using glossy paper that is 125 g/m<sup>2</sup>, the type that would be selected in the printer driver is XHVY Glossy 131-175 g/m<sup>2</sup>.

Standard paper types and weights	Paper types that can be selected from the printer driver and control panel
<ul style="list-style-type: none"><li>• Normal</li><li>• Heavy 1</li><li>• Heavy 2</li></ul>	Unspecified

Standard paper types and weights	Paper types that can be selected from the printer driver and control panel
<ul style="list-style-type: none"> <li>• Heavy 3</li> <li>• Glossy 1</li> <li>• Glossy 2</li> <li>• Glossy 3</li> <li>• Gloss Film</li> <li>• OHT</li> </ul>	
Light 1 60-74 g/m <sup>2</sup>	Light 60-74 g/m <sup>2</sup>
Normal 75-90 g/m <sup>2</sup>	Intermediate 85-95 g/m <sup>2</sup>
Heavy 1 91-120 g/m <sup>2</sup>	Heavy 111-130 g/m <sup>2</sup>
Heavy 2 121-163 g/m <sup>2</sup>	Extra Heavy 131-175 g/m <sup>2</sup>
Heavy 3 164-220 g/m <sup>2</sup>	Cardstock 176-220 g/m <sup>2</sup>
Gloss 1 91-120 g/m <sup>2</sup>	HVY Glossy 111-130 g/m <sup>2</sup>
Gloss 2 121-160 g/m <sup>2</sup>	XHVY Glossy 131-175 g/m <sup>2</sup>
Gloss 3 161-220 g/m <sup>2</sup>	Card Glossy 176-220 g/m <sup>2</sup>
Gloss Film	HP Tough Paper
OHT	Color Laser Transparency
Label	Labels
Envelope	Envelope
Envelope 2	Heavy Envelope
Designated 1 60-90 g/m <sup>2</sup>	Rough
Designated 2 >91 g/m <sup>2</sup>	Heavy Rough

## Clean the fuser

Run the device cleaning page to keep the fuser free of toner and paper particles that can sometimes accumulate and cause specks to appear on the front or back side of your print jobs.

HP recommends that you use the cleaning page when there is a print-quality issue.

A **Cleaning** message appears on the product control-panel display while the cleaning is taking place.

In order for the cleaning page to work correctly, print the page on copier-grade paper (not bond, heavy, or rough paper).

## Create and use the cleaning page

1. Scroll to and touch **Administration**.
2. Scroll to and touch **Print Quality**.

3. Touch **Calibration/cleaning**.
4. Touch **Process cleaning page**.

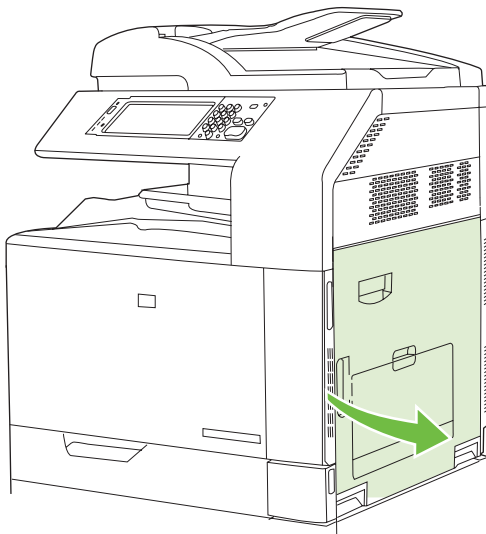
## Respond to control-panel error messages

If you see a **54.Error <XX>** message in the event log, you might need to perform some maintenance on the product in order to avoid more errors and solve print-quality problems.

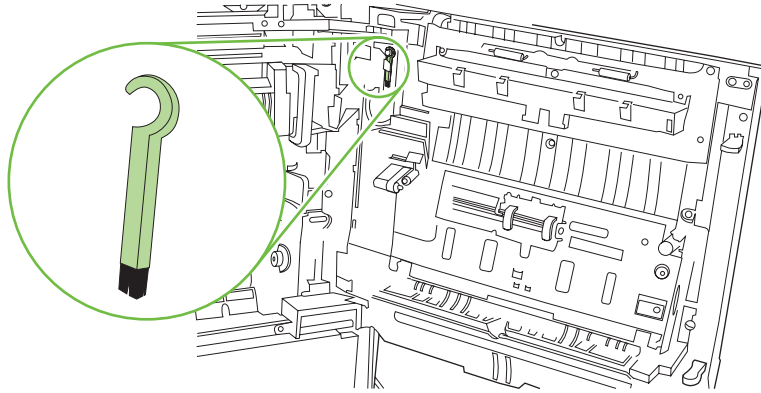
1. Open and then close the right door of the product to log a **54.Error <XX>** as the latest event in the event log.
2. Scroll to and touch **Administration**.
3. Scroll to and touch **Troubleshooting**.
4. Scroll to and touch **Event Log**.
5. Touch **Print**.
6. Find the most recent event in the log.
  - If the event is a **54.OE.01 Media Sensor** event, you need to replace the registration-second-transfer assembly. Contact HP Support at [www.hp.com/support/cljcm6040mfp](http://www.hp.com/support/cljcm6040mfp) and provide them with this error code.
  - If the event is a **54.OE.02 Media Sensor** event, you need to replace the product transfer kit. Contact HP Support at [www.hp.com/support/cljcm6040mfp](http://www.hp.com/support/cljcm6040mfp) and provide them with this error code.
  - If the event is a **54.OE.03 Media Sensor** event, you need to clean the registration-second-transfer assembly and the media sensor using the following procedure.

## Clean the registration second transfer assembly

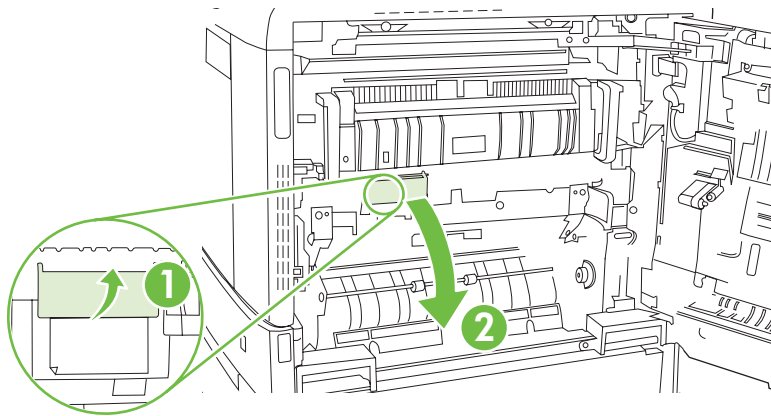
1. Open the right door.



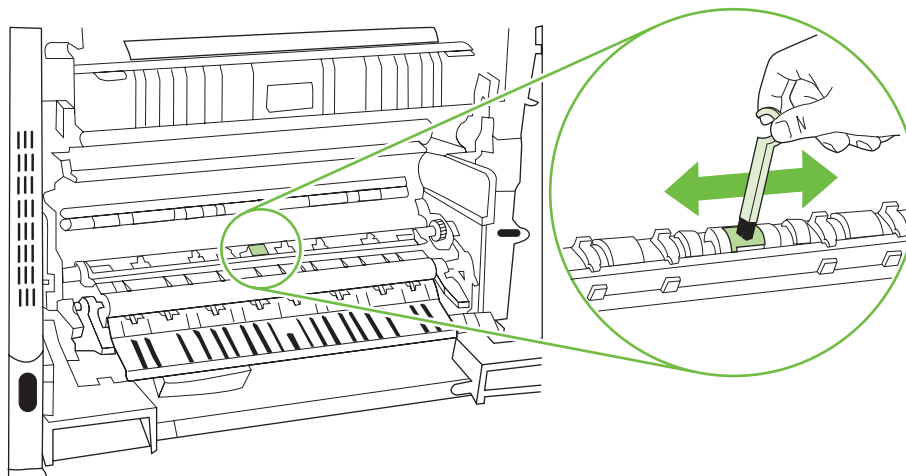
2. Locate and remove the cleaning brush.



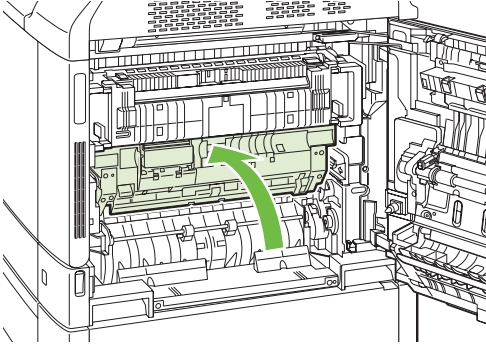
3. Lift the green handle on the transfer-access panel and open the panel.



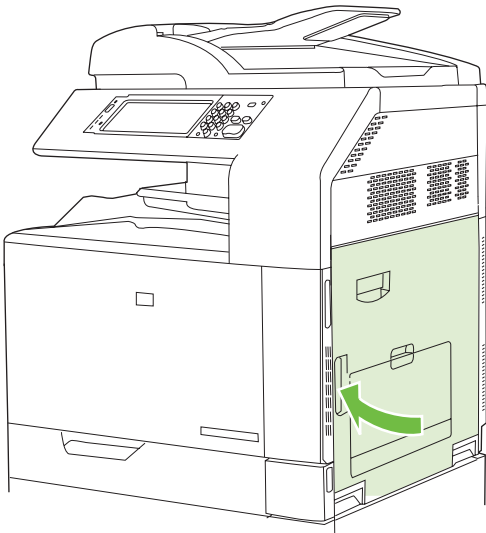
4. Clean the media sensor with the cleaning brush.



5. Close the transfer access panel, and replace the cleaning brush in its holder.



6. Close the right door.



## Use manual print modes

Try the following manual print modes to see if they solve the image-quality problems. These options can be found in the Optimize submenu under the control-panel Print Quality menu. See [Print Quality menu on page 49](#).

- **Gloss Mode:** Set this feature to High for glossy print jobs, such as photos, if you notice the gloss finish decreasing after the first page is printed.
- **Fuser Temp:** If you are seeing a faint image of the page repeated at the bottom of the page or on the following page, you should first make sure the Paper Type and Print Mode settings are correct for the type of paper you are using. If you continue to see ghost images on your print jobs, set the Fuser Temp feature to one of the Alternate settings . Try the Alternate 1 setting first and see if it solves the problem. If you continue to see the problem, try Alternate 2 and then Alternate 3. With the Alternate 2 and Alternate 3 settings, you may see an extra delay between jobs.
- **Light Media:** Set this feature to On if you are frequently seeing Fuser Delay Jam or Fuser Wrap Jam messages, especially when printing on light-weight paper or on jobs with heavy toner coverage.
- **Media Temp:** Set this feature to **Reduced** if you are having problems with paper sticking together in the output bin.

- **Low Temp:** Enable this feature if the product is operating in a low-temperature environment and you are having problems with print quality such as blisters in the printed image.
- **Low Voltage:** Enable this feature if the product is operating in a low-voltage environment and you are having problems with print quality such as blisters in the printed image.
- **Transfer 2 Bias:** Try the **Up** or **Down** setting if you are in a low-humidity environment and you are seeing faded images on your print jobs, especially on the second side of double-sided print jobs. This setting may also help if you are seeing mottled, grainy print jobs, or scattered toner.
- **Background:** Turn this feature on if pages are printing with a shaded background. Using this feature can reduce gloss levels.
- **Paper Curl:** The **Reduced** setting decreases full speed to 10 ppm (instead of 40 ppm) and 3/4 speed to 7.5 ppm (instead of 30 ppm) in order to reduce paper curl problems.
- **Heavy Mode:** Sets speed to **30 PPM** or **24 PPM** in order to better feed heavy paper.
- **Pre-rotation:** Turn this feature on if horizontal streaks appear on pages. Using this feature increases the warm-up time for the device.
- **Tray 1:** If you are seeing marks on the back side of the paper when printing from Tray 1, set the mode to **Alternate** to increase the frequency of the cleaning cycle.

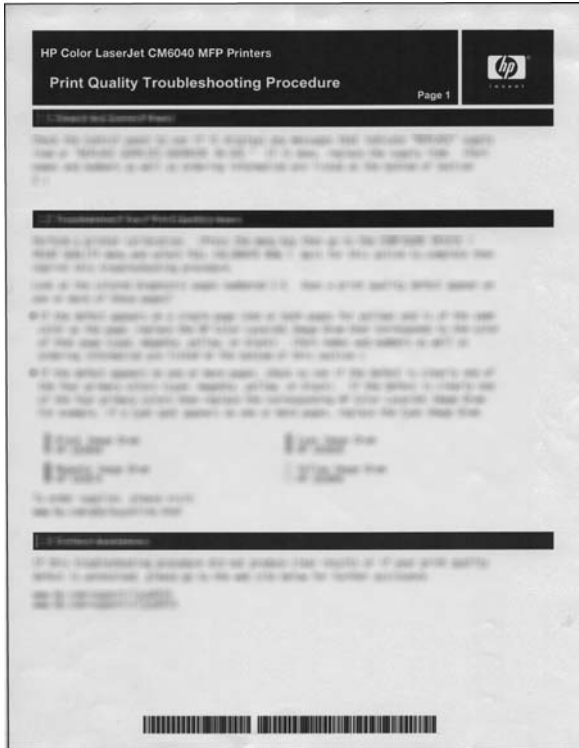
## Print-quality-troubleshooting pages

Use the built-in print-quality-troubleshooting pages to help diagnose and solve print-quality problems.

1. Scroll to and touch **Administration**.
2. Scroll to and touch **Troubleshooting**.
3. Touch **PQ Troubleshooting**.
4. Touch **Print**.

The product returns to the **Ready** state after printing the print-quality-troubleshooting pages. Follow the instructions on the pages that print out.

**Figure 7-8** Print-quality troubleshooting procedure



**Figure 7-9** Yellow print-quality troubleshooting page

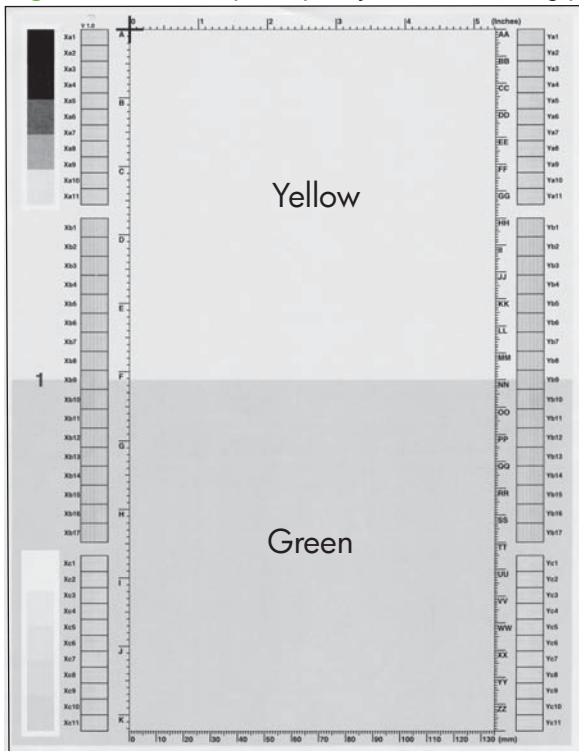
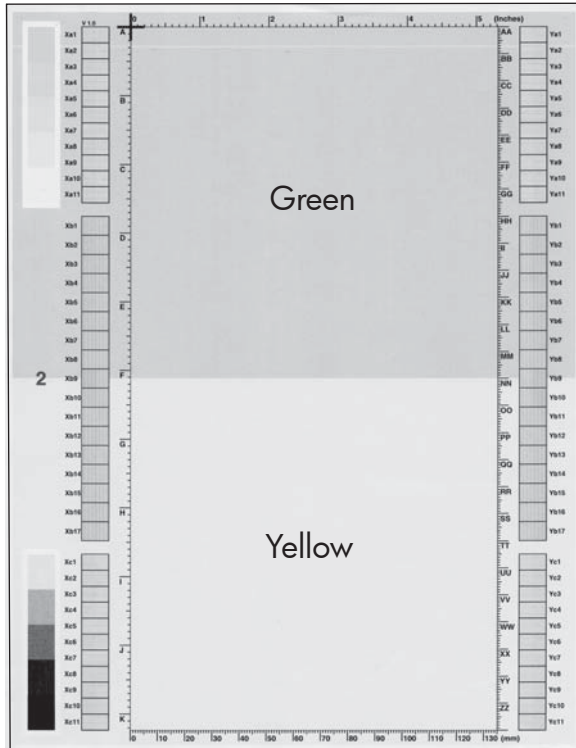


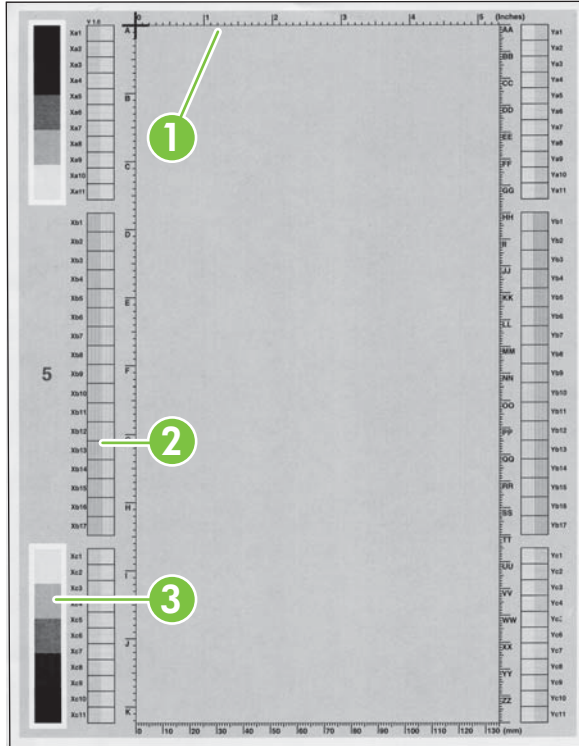


Figure 7-10 Yellow comparison page



Yellow cannot be easily seen unless combined with cyan, so half of each page is yellow and the other half is an amplified version of yellow. Compare the yellow on page one with the corresponding green on page two for defects. You can also check the cyan page for defects.




**Figure 7-11** Black print-quality troubleshooting page

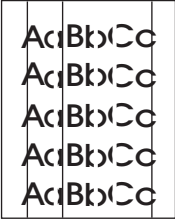




<p>1. Grids</p>	<p>The grids are in inches and millimeters. They are label with letters and numbers so that defects can be described by position and by distance between repeats.</p>
<p>2. Color plane registration (CPR) bars</p>	<p>After printing, the box with no extra color in each area on each page shows how far off the CPR of that color is. Each page has two process direction areas and three scan direction areas that are labeled x and y and 1–11. The page should be fed by the long edge. Each square from the center equals 42 microns.</p>
<p>3. Color ramp patches</p>	<p>Used to detect offset for the OPC or developer in the image drum of offset in the fuser.</p>

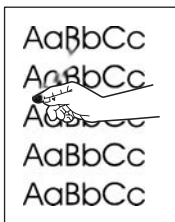
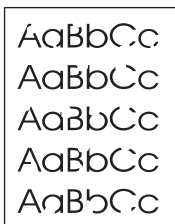
## Image-quality issues

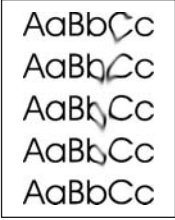
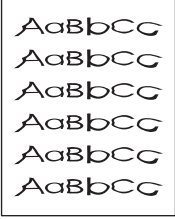
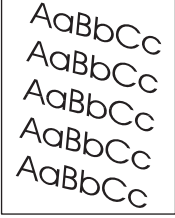

The following examples depict letter-size paper that has passed through the product short-edge first. These examples illustrate problems that would affect all of the pages that you print, whether you print in color or in black only. The topics that follow list the typical cause and solution for each of these examples.

Problem	Cause	Solution
Print is light or faded on entire page.  	Poor contacts exist on the ITB unit and the product grounding unit.  Poor secondary transfer contacts exist on the secondary-transfer roller and the ITB unit.	Clean the grounding contacts. If the problem remains after cleaning, check the contacts for damage. Replace any deformed or damaged parts.  Clean the contacts. If the problem remains after cleaning, check the contacts for damage. Replace any deformed or damaged parts.
Print is light or faded in a particular color.  	Poor primary transfer bias contacts exist on the ITB unit and product.  Poor primary charging bias contacts exist with the process cartridge and product.  Poor developing bias contacts exist with the process cartridge and product.	Clean the contacts of the color that produces the light print. If the problem remains after cleaning, check the contacts for damage. Replace any deformed or damaged parts.
Image is too dark.  	The image-density sensor is defective.	Replace the color-misregistration/image-density sensor unit.
Page is blank.	The high-voltage power-supply PCA is defective (no developing bias output).	Replace the high-voltage power-supply PCA A.
The page is all black or a solid color.	Poor primary charging contacts or developing bias contacts exist from the high-voltage power-supply PCA A to the process cartridge.	Clean each contact of the color that produces the all black or solid color. If the problem remains after cleaning, check the contacts for damage. Replace any deformed or damaged parts.
White spots appear in an image	The static charge eliminator is dirty.  The primary-transfer roller is deformed or has deteriorated.  The secondary-transfer roller is deformed or has deteriorated.	Clean the static charge eliminator.  Replace the ITB unit.  Replace the secondary-transfer roller unit.
The back of the page is dirty.	The feed roller that makes contact with the back of the media is dirty.  The fixing inlet guide or separation guide is dirty.  The pressure roller is dirty.	Use the repetitive-image-defect ruler to identify the dirty roller. Clean the dirty roller. If the dirt does not come off, replace the roller.  Clean the dirty parts. If the dirt does not come off, replace the guide.  Execute the cleaning page. If the dirt does not come off, replace the fixing unit.

Problem	Cause	Solution
Vertical streaks or bands appear on the page.  	Scratches are present on the circumference of the photosensitive drum.	Replace the process cartridge of the color that matches the defect.
	Scratches are present on the circumference of the fuser roller.	Replace the fuser.
	Scratches are present on the circumference of the ITB.	Replace the ITB unit.
	The ITB drive roller is deformed or has deteriorated.	
	The ITB cleaning mechanism is malfunctioning.	
Vertical white lines appear in a particular color.  	The laser beam window is dirty.	Clean the window and remove any foreign substances.
	Scratches are present on the circumference of the developing cylinder or photosensitive drum.	Replace the imaging drum of the color that matches the defect.
	The laser/scanner-unit mirror is dirty.	Replace the laser/scanner unit.
Vertical white lines appear in all colors.  	Vertical scratches are present on the fuser roller.	Replace the fuser.
	Scratches are present on the circumference of the ITB.	Replace the ITB.
Horizontal lines appear on the page.	Horizontal scratches are present on the photosensitive drum.	Replace the imaging drum of the color that matches the defect.
	Horizontal scratches are present on the fuser roller.	Replace the fuser.
A horizontal white line appears on the page.	Horizontal scratches are present on the photosensitive drum.	Replace the imaging drum of the color that matches the defect.
	Scratches are present on the circumference of the ITB.	Replace the ITB.


Problem	Cause	Solution
Image in a particular color does not print in the correct color.	Poor primary charging contacts or developing bias contacts exist between the high-voltage power-supply PCA A and the imaging drum.	Clean each contact of the color that produces the missing color. If the problem remains after cleaning, check the contacts for damage. Replace any deformed or damaged parts.
	The imaging drum (primary-charging roller, developing cylinder, or photosensitive drum) is defective.	Replace the imaging drum of the color that matches the defect.
	The high-voltage power-supply PCA A is defective (no primary charging bias or developing bias output).	Replace the high-voltage power-supply PCA A.
	The laser/scanner unit is defective.	Replace the laser/scanner unit.
Dropouts appear.	The secondary-transfer roller is deformed or has deteriorated.	Replace the secondary-transfer roller unit.
	The primary-charging roller, developing cylinder, or photosensitive drum is deformed or has deteriorated.	Replace the imaging drum of the color that matches the defect.
	The fuser roller is deformed or has deteriorated.	Replace the fuser.
	The high-voltage power-supply PCA B is defective (no transfer bias output).	Replace the high-voltage power-supply PCA A.
The toner is not fully fused to the paper.	The fuser roller or pressure roller is scarred or deformed.	Replace the fuser.
	The fuser control PCA is defective.	Replace the fuser control PCA.
	The thermistor or fuser heater has deteriorated.	Replace the fuser.
	The thermopile is defective.	Replace the thermopile case unit.
Some color is misregistered.	The product is incorrectly calibrated.	Calibrate the product.
	The ITB unit is defective.	If the ITB does not rotate smoothly or a cleaning malfunction occurs (ITB is dirty), replace the ITB unit.
	The drive gear of the ITB motor is worn or chipped.	Check each drive gear between the ITB drive roller and the ITB motor. If the gear is worn or chipped, replace the drive unit.
	The color-misregistration sensor is defective.	Replace the color-misregistration/image-density sensor unit.
	The laser/scanner unit is defective.	Replace the laser/scanner unit.
	The imaging drum is defective.	Replace the imaging drum.



Problem	Cause	Solution
<p>Toner smears appear on the media.</p> 	<p>The product has residual media.</p> <hr/> <p>Poor grounding contacts exist between each imaging drum and the product.</p> <hr/> <p>The fuser inlet guide is dirty.</p>	<p>Remove the residual media.</p> <hr/> <p>Clean the grounding contacts on each drum and the product. If the problem remains after cleaning, check the contacts for damage. Replace any deformed or damaged parts.</p> <hr/> <p>Clean the fuser inlet guide.</p>
<p>The printed page contains misformed characters.</p> 	<p>The product is experiencing page skew.</p> <hr/> <p>The laser/scanner unit is defective.</p>	<p>See the "Text or graphics are skewed on the printed page" row in this table.</p> <hr/> <p>Replace the laser/scanner unit.</p>
<p>Text or graphics are skewed on the printed page.</p> 	<p>The registration shutter spring is unhooked.</p> <hr/> <p>The registration shutter spring is deformed.</p>	<p>Check the spring and place it in the correct position.</p> <hr/> <p>Replace the secondary transfer unit.</p>
<p>The printed page contains wrinkles or creases.</p> 	<p>The roller or media-feed guide is dirty.</p> <hr/> <p>A roller is deformed or has deteriorated.</p> <hr/> <p>The media-feed guide is damaged.</p>	<p>Clean any dirty components.</p> <hr/> <p>Replace any deformed or deteriorated rollers.</p> <hr/> <p>Replace the media-feed guide.</p>
<p>The front of the page is dirty.</p>	<p>The feed roller that contacts with the front of media is dirty.</p> <hr/> <p>The fuser roller or pressure roller is dirty.</p>	<p>Use the repetitive-image-defect ruler to identify the dirty roller. Clean the dirty roller. If the dirt does not come off, replace the roller.</p> <hr/> <p>Clean the fuser. If the dirt does not come off, replace the fuser.</p>

# Interface troubleshooting

## Communication checks

 **NOTE:** Communication problems are normally the customer's responsibility. Time spent attempting to resolve these problems might not be covered by the Hewlett-Packard warranty.

Refer the customer to the network administrator for assistance in troubleshooting network problems.

If the printer is *not* connected to an MS-DOS-based host, use the following table to check the connection.


**Table 7-25 Communication check**

Check	Action
Does the computer configuration match the parameters described in the configuration instructions?	Verify that the configuration of the computer's communications port matches these parameters. View the Jetdirect configuration page for print server status and to verify configuration parameters for operation on your network.  <b>NOTE:</b> If these parameters are not set correctly, an error message might appear on the control panel.

## EIO troubleshooting

If the printer contains an optional HP Jetdirect print server and you cannot communicate with the printer over the network, verify the operation of the print server. Print a configuration page. If the Jetdirect card does not appear under "Installed personalities and options" on the configuration page, see the troubleshooting section of the *HP Jetdirect Print Server Administrators Guide* supplied with the print server.

If the host system and printer still do not communicate, replace the formatter PCA, or (if installed) the EIO card, and reconfigure the printer. If the problem persists, use a protocol analyzer to find the source of the problem.

 **CAUTION:** HP LaserJet printers are not designed to work with mechanical switch-box products that do not have surge protection. These devices generate high transient voltages that cause permanent damage to the formatter PCB. This circumstance is not covered under the Hewlett-Packard warranty.

## Engine diagnostics

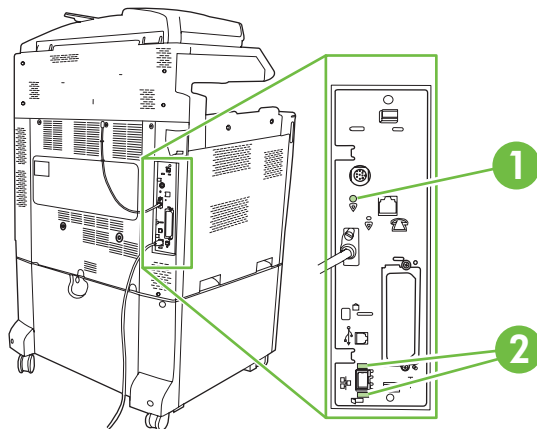
This section provides an overview of the engine diagnostics that are available in the HP Color LaserJet CM6040 MFP Series product. The product contains extensive internal diagnostics that help in troubleshooting print-quality, paper path, noise, component, and timing issues.

## LED diagnostics

LED, engine, and individual diagnostics can identify and troubleshoot product problems.

### Understand lights on the formatter

Three LEDs on the formatter indicate that the product is functioning correctly.



1	Heartbeat LED
2	HP Jetdirect LEDs (This LED exists only if HP Jetdirect is installed.)

### HP Jetdirect LEDs

The embedded HP Jetdirect print server has two LEDs. The yellow LED indicates network activity, and the green LED indicates the link status. A blinking yellow LED indicates network traffic. If the green LED is off, a link failed.

For link failures, check all of the network cable connections. In addition, you can try to manually configure the link settings on the embedded print server by using the product control-panel menus.

1. Scroll to and touch **Administration**.
2. Touch **Initial Setup**.
3. Touch **Networking and I/O**.
4. Touch **Embedded Jetdirect** or **EIO <X> Jetdirect**.
5. Touch **Link Speed**.
6. Select the appropriate link speed.
7. Touch **Save**.



## Heartbeat LED

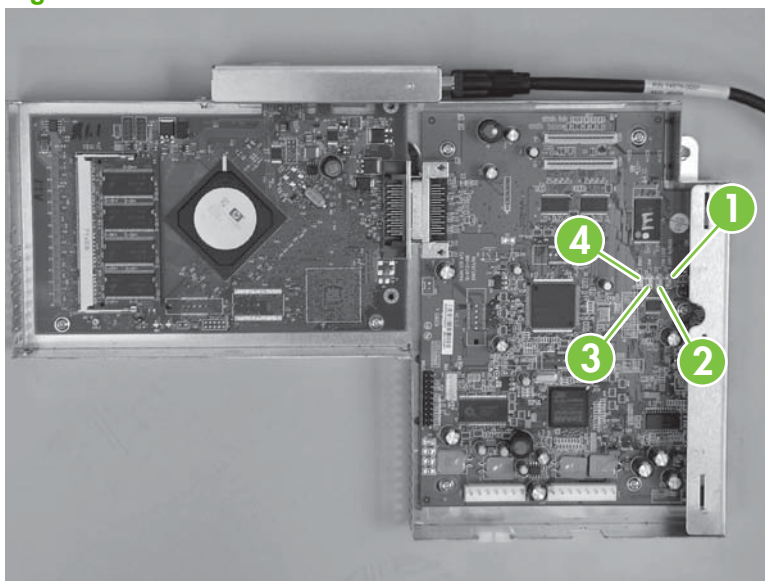
The heartbeat LED indicates that the formatter is functioning correctly. While the product is initializing after you turn it on, the LED blinks rapidly and then turns off. When the product has finished the initialization sequence, the heartbeat LED pulses on and off.

If the heartbeat LED is off, the formatter might have a problem. Contact an HP-authorized service or support provider. See the HP support flyer, or go to [www.hp.com/support/cljcm6040mfp](http://www.hp.com/support/cljcm6040mfp).

## Understand lights on the SCB

There are four LEDs on the SCB that help determine the status of the scanner.

**Figure 7-12** SCB LEDs



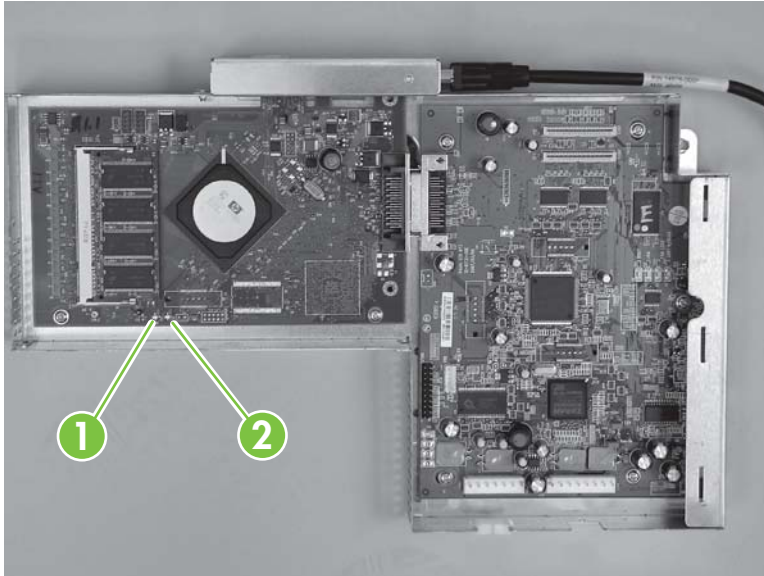
Mode	D8 (callout 4)	D7 (callout 3)	D6 (callout 2)	D5 (callout 1)	Description	Control panel error message
FW Boot OK (460.8K Baud Rate)	Steady On	Not relevant	Not relevant	Not relevant	D8 is on constantly once the scanner firmware successfully starts. CMD/STS is running at 460.8K Baud rate.	
FW Boot OK (115.2K Baud Rate)	Steady On	Not relevant	Not relevant	Steady On	D8 and D5 are on constantly once the scanner firmware successfully starts. CMD/STS is running at 115.2K Baud rate.	
Stand-by	Blinking	Not relevant	Not relevant	Not relevant	The SCB successfully ACKed the	

Mode	D8 (callout 4)	D7 (callout 3)	D6 (callout 2)	D5 (callout 1)	Description	Control panel error message
					<p>initialization command from the CPB.</p> <p>The commands received from the USB SCB jumpers are set in run-in mode.</p> <p>In either condition, the LED blinks at a rate of one per second.</p>	
Carriage Lock	Not relevant	Steady On	Steady On	Off	The firmware detected either a carriage-lock or a home-sensor failure.	30.1.8
Jam	Not relevant	Steady On	Off	Off	The firmware detected an FB carriage jam or an ADF paper jam during scan or run-in.	30.1.2
Fan Locked	Not relevant	Off	Steady On	Off	The firmware detected a fan lock.	30.1.6 or 30.1.10 or 57.09
Scanning	Not relevant	Off	Off	Steady On	While capturing an image, the LED is steady on.	
Boot at Backup FW	Blinking	Blinking	Blinking	Blinking	The firmware started at the backup section if any CMD was received.	

## Understand lights on the copy-process board (CPB)

There are two lights on the CPB.

**Figure 7-13** CPB LEDs



Normal CPB operation is a steady green LED (callout 2) and a flashing amber LED (callout 1). Any other states show a failure and should be appear as an error message on the control panel.

- Steady green LED: power is on and correct.
- Blinking amber LED: hardware and firmware are functioning properly.

## Engine-test button

To verify that the printer engine is functioning, print a page. Use a small pointed object to depress the test-page switch located on the rear of the product. The test page should have a series of horizontal

lines. The test page can use only Tray 2 as the paper source, so make sure that paper is loaded in Tray 2.

**Figure 7-14** Engine-test button



## Troubleshooting menu

The Troubleshooting menu allows you to run tests that can help you identify and solve problems with the printer.

Menu item	Description
Event Log	This shows the event codes and their corresponding engine cycles on the control-panel display. See <a href="#">Print an event log on page 511</a> .
Calibrate Scanner	Use this feature to compensate for offsets in the scanner imaging system (carriage head) for ADF and flatbed scans. You might need to calibrate the scanner if it is not capturing the correct sections of scanned documents. See <a href="#">Calibrate the scanner on page 130</a> .
PQ Troubleshooting	This item prints a series of eight pages that include instructions, pages for each color, a demo page, and a configuration page. These pages can help isolate print-quality problems. See <a href="#">Print-quality-troubleshooting pages on page 571</a> .
Fax T.30 Trace	Print or configure the fax T.30 trace report. T. 30 is the standard that specifies handshaking, protocols, and error correction between fax machines. See <a href="#">Solve fax problems on page 602</a> .
Fax Transmit Signal Loss	Set loss levels to compensate for phone-line signal loss. Do not modify this setting unless requested to do so by an HP service representative because it could cause the fax to stop functioning. See <a href="#">Solve fax problems on page 602</a> .
Fax V.34	Disable V.34 mode if several fax failures have occurred or if phone line conditions require it. See <a href="#">Solve fax problems on page 602</a> .
Fax Speaker Mode	A technician can use this feature to evaluate and diagnose fax issues by listening to the sounds of fax modulations. See <a href="#">Solve fax problems on page 602</a> .

Menu item	Description
Diagnostic Page	Print a diagnostic page that includes color swatches and the EP parameters table. See <a href="#">Solve fax problems on page 602</a> .
Disable Cartridge Check	This item allows you to remove a print cartridge to help determine which cartridge is the source of a problem. See <a href="#">Disable cartridge check on page 587</a> .
Paper Path Sensors	This item performs a test on each of the printer's sensors to determine if they are working correctly and displays the status of each sensor. See <a href="#">Paper-path sensors test on page 587</a> .
Paper Path Test	This item tests the paper handling features of the printer, such as the configuration of the trays. See <a href="#">Paper-path test on page 589</a> .
Manual Sensor Test	This item performs tests to determine whether the paper-path sensors are operating correctly. See <a href="#">Manual sensor test (special-mode test) on page 590</a> .
Component Test	This item activates individual parts independently to isolate noise, leaking, and other hardware issues. See <a href="#">Component tests on page 592</a> .
Print/Stop Test	This item isolates print-quality faults more accurately by stopping the printer in mid-print cycle. Stopping the printer in mid-print cycle allows you to see where the image begins to degrade. It also causes a jam that may need to be manually removed. A service representative should perform this test. See <a href="#">Print/stop test on page 596</a> .
Color Band Test	Print a color-band test page to identify arcing in the high-voltage power supply. See <a href="#">Color-band test on page 597</a> .
Scanner Tests	Diagnose potential problems with the scanner. See <a href="#">Scanner tests on page 597</a> .

## Diagnostics mode

Some of the diagnostic tests automatically put the printer into a special diagnostics mode. In this mode, the printer can perform actions that would normally cause the printer to enter an error state. Always follow the control-panel directions in the [Troubleshooting](#) menu to exit the special diagnostics mode correctly and return the printer to a normal state.

## Diagnostics that put the engine into the special diagnostics mode

Four diagnostic tests put the engine into a special state:


- Disable-cartridge check
- Paper-path sensors
- Manual sensor test
- Component test

While the product is in the special diagnostics mode, the following message should appear:

**READY DIAGNOSTICS MODE**


**TO EXIT PRESS STOP**

When the printer is in the special diagnostics mode, these four tests display in the menu and are available to be run. To gain access into other diagnostic tests or to leave the special state, press **Stop**, and then select **EXIT**. The printer will reset itself and then return to the normal state.

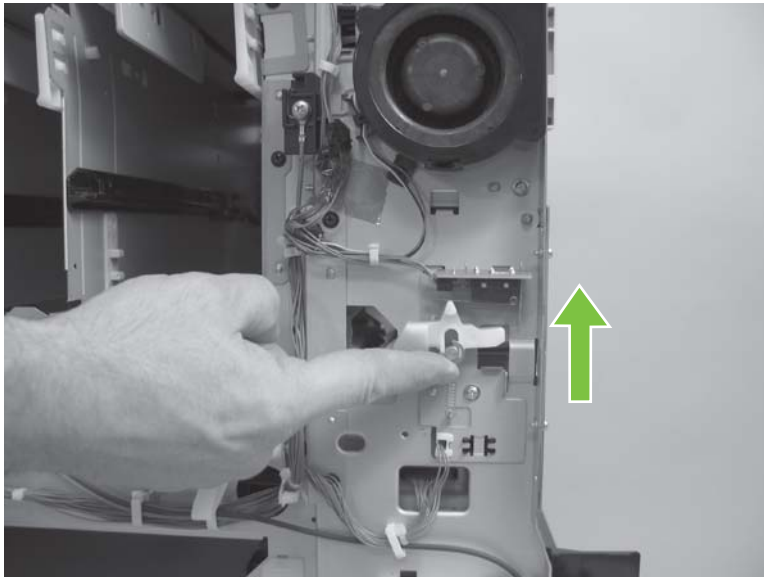
 **NOTE:** You need to have a good understanding of how the printer operates in order to use the engine diagnostics successfully. Before proceeding with these diagnostic tests, make sure that you understand the information in chapter 5 of this manual.

## Diagnostic tests

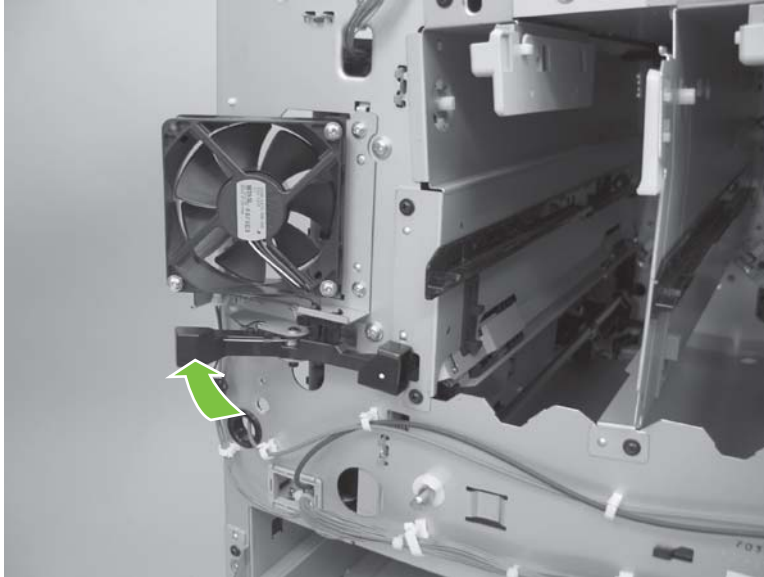
Different tests can be used to isolate different types of issues. For component or noise isolation, you can run the diagnostic test after removing the covers for a better view of the areas that are being tested. To operate the printer with the covers removed, the door-switch levers (SW1, callout 1) must be depressed (this is the door-closed position).

 **WARNING!** Be careful when performing printer diagnostics to avoid risk of injury. Only trained service personnel should open and run the diagnostics with the covers removed. Never touch any of the power supplies when the printer is turned on.

**Figure 7-15** Front- and right-door switch on the right side



**Figure 7-16** Front-door switch on the left side



**NOTE:** Anytime a cartridge is installed or removed while the covers are removed, the door interlock must be manually cycled to simulate opening and closing the top cover in order for the engine to recognize the change. When the covers are installed, the door switch and fuser interlock are automatically operated.

## Disable cartridge check

Use this diagnostic test to print internal pages or send an external job to the product when one or more print cartridges or image drum pairs are removed or exchanged. The print cartridges and image drums are keyed. They must be removed in pairs (for example a black print cartridge and black image drum) and can only be used in the correct color slot. While the product is in this diagnostics mode, consumable supply errors are ignored, and you can navigate the menus. This test can be used to isolate problems, such as noise, and to isolate print-quality problems that are related to individual print cartridges or image drum pairs.

**NOTE:** Do not remove or exchange print cartridges and image drums until **after** you start the disable cartridge check diagnostic.

**NOTE:** Anytime a print cartridge or image drum pair is installed or removed while the covers are removed, the front door interlock must be manually cycled to simulate opening and closing the front door in order for the engine to recognize the change. When the covers are installed, the front-door switch is automatically operated.

1. Touch **Administration**.
2. Scroll to and touch **Troubleshooting**.
3. Touch **Disable Cartridge Check**.

## Paper-path sensors test

**NOTE:** To view the function of each sensor and how to toggle them manually, see [Manual sensor test \(special-mode test\)](#) on page 590.

This test allows you to view the status of each paper-path sensor while the product prints internal pages.

1. Touch [Administration](#).
2. Scroll to and touch [Troubleshooting](#).
3. Touch [Paper Path Sensors](#).
4. Select the paper-path test options for the test you want to run.

**Table 7-26 Paper-path sensors diagnostic tests**

Sensor name	Sensor number	Paper-path sensors test name
Vertical-synchronous-position sensor	SR0	A Registration
Loop sensor	SR13	B Loop
Fixing-delivery media-feed sensor	SR15	C Fuser Output
Duplexing media-reverse sensor	SR304	D Duplexer Switchback
Duplexing media-feed sensor	SR303	E Duplexer Delivery
Duplexing media-repickup sensor	SR302	F Duplexer Refeed
face-down tray media-full sensor	SR16	G Output bin full
IPTU media-feed sensor 1	SR203	H IPTU 1
IPTU media-feed sensor 2	SR202	I IPTU 2
IPTU media-feed sensor 3	SR201	J IPTU 3
Developing home-position sensor	SR21, YM, SR22 CK	K Developer alienation
Fixing home-position sensor	SR26	L Fuser pressure release <sup>1</sup>
ITB home-position sensor	SR10	M ITB alienation
Media sensor	MS	N Media sensor

<sup>1</sup> Open and close the right door to toggle the fuser pressure-release sensor.

To test the media sensor in the paper-path sensors diagnostic mode, feed paper by printing from a computer to the product or by activating the paper path diagnostic test. The following table provides the values for the N-Media sensor test.

**Table 7-27 N-Media sensor test values**

Code	Media type	Tray 1	Cassette
0	Unknown	✓	✓
1	Normal media 85-95 gm <sup>2</sup>	✓	✓
3	LBP OHT	✓	✓
4	Glossy media 111-130 gm <sup>2</sup>	✓	✓
5	Gloss film (HP Tough Paper)	✓	✓
6	Non-assured OHT		
7	Heavy media 111-130 gm <sup>2</sup>	✓	✓



**Table 7-27 N-Media sensor test values (continued)**

Code	Media type	Tray 1	Cassette
8	Light media		
9	Rough media		
A	Extra Heavy Glossy media Glossy media3 176-220 gm <sup>2</sup>	✓	✓
B	Heavy Glossy media Glossy media2 131-175 gm <sup>2</sup>	✓	✓
C	Heavy media3 176-220 gm <sup>2</sup>	✓	✓
D	Heavy media2 131-175 gm <sup>2</sup>	✓	✓

To determine if the media sensor is defective or requires cleaning, check the event log for errors as described below.

If **54.Error<XX>** appears in the event log, you might need to perform maintenance on the product to avoid more errors and to solve print-quality problems.

1. Open and then close the right door of the product to log **54.Error<XX>** as the most recent event in the event log.
2. Scroll to and touch **Administration**.
3. Scroll to and touch **Troubleshooting**.
4. Scroll to and touch **Event Log**.
5. Touch **Print**.
6. Find the most recent event in the event log.
  - If the event is a **54.OE.01 Media Sensor** event, replace the registration-second-transfer assembly.
  - If the event is a **54.OE.02 Media Sensor** event, replace the ITB.
  - If the event is a **54.OE.03 Media Sensor** event, clean the registration-second-transfer assembly and the media sensor.

## Paper-path test

This diagnostic test generates one or more test pages that you can use to isolate the cause of jams.

To isolate a problem, you can specify which input tray to use, specify whether to use the duplex path, and specify the number of copies to print. Multiple copies can be printed to help isolate intermittent problems. The following options become available after you start the diagnostic feature:

- **Print Test Page**. Run the paper-path test from the default settings: Tray 2, no duplex, and one copy. To specify other settings, scroll down the menu and select a setting, and then scroll back up and select **Print Test Page** to start the test.
- **Source**. Select Tray 1, Tray 2, or the optional trays.

- **Duplex.** Enable or disable 2-sided printing.
  - **Copies.** Set the number of copies to be printed; the choices are 1,10, 50, 100, or 500.
1. Touch **Administration**.
  2. Scroll to and touch **Troubleshooting**.
  3. Touch **Paper Path Test**.
  4. Select the paper-path test options for the test you want to run.

## Manual sensor test (special-mode test)

Use this diagnostic test to manually test the product sensors and switches. Each sensor is represented by a letter and number on the control-panel display. A 1 below the letter indicates that paper is present. For the paper-size sensor, the range of values is from 0 to 7.

 **NOTE:** Sensor N cannot be tested manually.

1. Touch **Administration**.
2. Scroll to and touch **Troubleshooting**.
3. Scroll to and touch **Manual Sensor Test**.

**Table 7-28 Manual sensor diagnostic tests**

Sensor or switch name	Sensor or switch number	Manual sensor test
Vertical-synchronous-position sensor	SR0	A Registration
Loop sensor	SR13	B Loop
Fixing-delivery media-feed sensor	SR15	C Fuser Output
Duplexing media-reverse sensor	SR304	D Duplexer Switchback
Duplexing media-feed sensor	SR303	E Duplexer Delivery
Duplexing media-repickup sensor	SR302	F Duplexer Refeed
face-down tray media-full sensor	SR16	G Output bin full
IPTU media-feed sensor 1	SR203	H IPTU 1
IPTU media-feed sensor 2	SR202	I IPTU 2
IPTU media-feed sensor 3	SR201	J IPTU 3
Developing home-position sensor	SR21 YM, SR22 CK	K Developer alienation
Fusing home-position sensor	SR26	L Fuser pressure release
ITB home-position sensor	SR10	M ITB alienation
Media sensor	MS	N Media sensor
Front-door-open-detection sensor	SR32	O Door opening/closing
Right-door-open-detection switch	SW1	P Right door sensor
Fusing-unit cover-open-detection sensor	SR34	Q Fuser door sensor

**Table 7-28 Manual sensor diagnostic tests (continued)**

Sensor or switch name	Sensor or switch number	Manual sensor test
Secondary-transfer-unit cover-open-detection sensor	SR33	R T2 door sensor
Tray-1 media -presence sensor	SR6	S Tray-1-paper sensor <sup>1</sup>
Tray-1 media-feed sensor	SR7	T Tray-1-feed sensor <sup>2</sup>
Tray-2 media-presence sensor	SR1	U Tray-2-paper sensor
Tray-2 media-feed sensor	SR5	V Tray-2-feed sensor
Tray-2 media-stack-surface sensor	SR2	W Tray-2 paper-surface sensor <sup>3</sup>
Tray-2 end-plate position-detection switch or Tray-2 side-plate position-detection switch	SW4, SW5	X Tray-2 paper-size sensor <sup>4</sup>
Tray-3 media-presence sensor	SR104	Y Tray-3 paper sensor
Tray-3 media-feed sensor	SR102	Z Tray-3 feed sensor
Tray-3 media-stack-surface sensor	SR105	a Tray-3 paper-surface sensor
Tray-3 end-plate position-detection switch or Tray-3 side-plate position-detection switch	SW101, SW102	b Tray-3 paper-size sensor
Tray-4 media-presence sensor	SR114	c Tray-4 paper sensor
Tray-4 media-feed sensor-surface sensor	SR112	d Tray-4 feed sensor
Tray-4 media stack	SR115	e Tray-4 paper-surface sensor
Tray-4 end-plate position-detection switch or Tray-4 side-plate position-detection switch	SW111, SW112	f Tray-4 paper-size sensor
Tray-5 media-presence sensor	SR124	g Tray-5 paper sensor
Tray-5 media-feed sensor	SR122	h Tray-5 feed sensor
Tray-5 media-stack-surface sensor	SR125	i Tray-5 paper-surface sensor
Tray-5 end-plate position-detection switch or Tray-5 side-plate position-detection switch	SW121, SW122	j Tray-5 paper-size sensor

<sup>1</sup> The paper sensor detects paper in the tray.

<sup>2</sup> The paper-feed sensor detects jams.

<sup>3</sup> The paper-surface sensor detects whether the tray is raised.

<sup>4</sup> The paper-size sensor detects paper size.

To perform an end-plate (left-side set of switches) or side-plate (right-side set of switches) switch test, do the following:

- Remove the appropriate tray (for example, if you want to test SW4 or SW5, remove Tray 2).
- Watch for the corresponding bit to toggle from 1 to 0. Note that it can take a few seconds for bits to toggle.
- Test each switch individually to see if the corresponding bit toggles from 0 to 1.


## Component tests

### Component test (special-mode test)

This test activates individual parts independently to isolate problems.

Each component test can be performed once or repeatedly. If you select **Continuous** from the drop-down menu, the test cycles the component on and off. This process continues for two minutes, and then the test terminates.

---

 **NOTE:** The door-interlock switch must be defeated to run any of the component tests. If covers are removed, the door switch must be manually cycled during some tests in order for the engine to recognize a change. The ITB assembly can be open, closed, or removed while some of these tests are running. Print cartridges can be installed or removed during certain tests. The control-panel display prompts you to remove some or all cartridges during certain tests to rotate and isolate certain components and to protect the cartridges and ITB.

---

### Transfer-motors test

This test simultaneously activates the ITB motor and four photosensitive drums.

1. Touch **Administration**.
2. Scroll to and touch **Troubleshooting**.
3. Scroll to and touch **Component Test**.
4. Touch **Transfer Motors**.

### Belt-only test

This test activates the ITB motor and belt. Control-panel messages prompt you to remove cartridges because the ITB belt contacts the photosensitive drums and cannot turn without rotating them. Rotating the photosensitive drums can damage the belt and the drums. If the covers are removed, manually activate the door switch after removing the cartridges.

1. Touch **Administration**.
2. Scroll to and touch **Troubleshooting**.
3. Scroll to and touch **Component Test**.
4. Touch **Belt only**.

### Image-drum motors test

This test individually activates the four photosensitive drum motors.

1. Touch **Administration**.
2. Scroll to and touch **Troubleshooting**.
3. Scroll to and touch **Component Test**.
4. Touch **Image drum motors**.

## CMYK-laser test

This test is made up of four tests that activate each scanner motor individually.

1. Touch [Administration](#).
2. Scroll to and touch [Troubleshooting](#).
3. Scroll to and touch [Component Test](#).
4. Touch [CMYK Laser](#).

## Fuser-motor test

This test activates the fuser motor and drive gears.

1. Touch [Administration](#).
2. Scroll to and touch [Troubleshooting](#).
3. Scroll to and touch [Component Test](#).
4. Touch [Fuser Motor](#).

## Fuser pressure-release motor test

This test activates or reverses the fuser motor and pressurizes or depressurizes the pressure roller.

1. Touch [Administration](#).
2. Scroll to and touch [Troubleshooting](#).
3. Scroll to and touch [Component Test](#).
4. Touch [Fuser pressure release motor](#).

## Color-alienation motor test

This test activates the developing disengaging motor, clutches and gears, and plates.

1. Touch [Administration](#).
2. Scroll to and touch [Troubleshooting](#).
3. Scroll to and touch [Component Test](#).
4. Touch [Color alienation motor](#).

## ITB-contact/alienation test

This test activates the primary-transfer-roller disengagement motor, separates the ITB from the photosensitive drum, and engages the ITB with only the Bk photosensitive drum or with the four photosensitive drums.

1. Touch [Administration](#).
2. Scroll to and touch [Troubleshooting](#).

3. Scroll to and touch **Component Test**.
4. Touch **ITB contact/alienation**.

### **Paper-transport motor test**

This test activates the IPTU motor and is only available when the IPTU is installed.

1. Touch **Administration**.
2. Scroll to and touch **Troubleshooting**.
3. Scroll to and touch **Component Test**.
4. Touch **Paper transport motor**.

### **Tray-1 pickup-solenoid test**

This test activates the Tray-1 pickup solenoid.

1. Touch **Administration**.
2. Scroll to and touch **Troubleshooting**.
3. Scroll to and touch **Component Test**.
4. Touch **Tray-1 pickup solenoid**.

### **Tray-2 pickup-motor test**

This test activates the Tray 2 pickup motor.

1. Touch **Administration**.
2. Scroll to and touch **Troubleshooting**.
3. Scroll to and touch **Component Test**.
4. Touch **Tray 2 pickup motor**.

### **Duplexer reverse-motor test**

This test activates the duplexing reverse motor.

1. Touch **Administration**.
2. Scroll to and touch **Troubleshooting**.
3. Scroll to and touch **Component Test**.
4. Touch **Duplexer reverse motor**.

### **Duplexer refeed-motor test**

This test activates the duplexing repickup motor.

1. Touch **Administration**.
2. Scroll to and touch **Troubleshooting**.

3. Scroll to and touch **Component Test**.

4. Touch **Duplexer refeed motor**.

**Table 7-29 Component test details**

Component test	Motor or solenoid number	Component test control-panel display message	Test function
ITB-motor / drum-motor driving test	M10, M12 Y, M13 M, M14 C, M15 Bk	Transfer motors	Simultaneously activates the ITB motor and four drum motors for 10 seconds
ITB-motor driving test	M10	Belt only	Activates the ITB motor for 10 seconds
Drum-motor driving test	M12 Y, M13 M, M14 C, M15 Bk	Image drum motors	Individually activates the Y/M/C/Bk drum motors for 10 seconds
Scanner-motor driving test	No number, part of scanner	Black laser scanner	Activates the C/Bk scanner motor for 10 seconds
Scanner-motor driving test	No number, part of scanner	Cyan laser scanner	Activates the C/Bk scanner motor for 10 seconds
Scanner-motor driving test	No number, part of scanner	Magenta laser scanner	Activates the Y/M scanner motor for 10 seconds
Scanner-motor driving test	No number, part of scanner	Yellow laser scanner	Activates the Y/M scanner motor for 10 seconds
Fuser-motor driving test	M11	Fuser motor	Activates the fuser motor for 10 seconds
Fuser pressure-release-motor driving test	M11	Fuser pressure release motor	Activates or reverses the fuser motor and pressurizes or depressurizes the pressure roller
Developing-disengagement driving test	M18	Black alienation motor	Activates the C/Bk developing disengagement motor and engages or disengages the developing rollers
Developing-disengagement driving test	M18	Cyan alienation motor	Activates the C/Bk developing disengagement motor and engages or disengages the developing rollers
Developing-disengagement driving test	M19	Magenta alienation motor	Activates the Y/M developing disengagement motor and engages or disengages the developing rollers
Developing-disengagement driving test	M19	Yellow alienation motor	Activates the Y/M developing disengagement motor and engages or disengages the developing rollers
ITB-disengagement-motor driving test	M9	ITB contact/alienation	Activates the primary-transfer-roller disengagement motor; either separates the ITB from the photosensitive drum, engages the ITB with only the Bk photosensitive

**Table 7-29 Component test details (continued)**

			drum, or engages with four photosensitive drums.
IPTU media-feed-motor driving test	M201, M202	Paper transport motor	Available only if the IPTU is installed; activates the IPTU motor for 10 seconds
Tray-1 pickup-solenoid driving test	SL2	Tray-1 pickup solenoid	Activates the Tray-1 pickup solenoid for 10 seconds
Tray-2 cassette-pickup-motor driving test	M5, for Tray 1 and Tray 2 cassette	Tray-2 pickup motor	Activates the Tray-2 cassette pickup motor for 10 seconds
Tray-2 cassette-pickup-solenoid driving test	SL1	Tray-2 pickup solenoid	Activates the Tray-2 cassette pickup solenoid for 10 seconds
Tray-3 pickup-motor driving test	M101	Tray-3 pickup motor	Activates the Tray-3 pickup motor for 10 seconds
Tray-3 pickup-solenoid driving test	SL101	Tray-3 pickup solenoid	Activates the Tray-3 pickup solenoid for 10 seconds
Tray-4 pickup-motor driving test	M111	Tray-4 pickup motor	Activates the Tray-4 pickup motor for 10 seconds
Tray-4 pickup-solenoid driving test	SL111	Tray-4 pickup solenoid	Activates the Tray-4 pickup solenoid for 10 seconds
Tray-5 pickup-motor driving test	M121	Tray-5 pickup motor	Activates the Tray-5 pickup motor for 10 seconds
Tray-5 pickup-solenoid driving test	SL121	Tray-5 pickup solenoid	Activates the Tray-5 pickup solenoid for 10 seconds
Duplexing reverse-motor test	M303	Duplexer reverse motor	Activates the duplexing reverse motor for 10 seconds
Duplexing feed-motor test	M302	Duplexer feed motor	Activates the duplexing feed motor for 10 seconds
Duplexing repickup-motor test	M301	Duplexer refeed motor	Activates the duplexing repickup motor for 10 seconds

## Print/stop test

Use this diagnostic test to isolate the cause of problems such as image-formation defects and jams within the engine. During this test you can stop the paper anywhere along the printer-paper path. The test can be programmed to stop printing internal pages or an external print job when the paper reaches a certain position. The test can also be programmed to stop from 0 to 60,000 milliseconds. If the timer is set to a value that is greater than the job-print time, you can recover the printer in one of two ways.

1. Touch **Administration**.
2. Scroll to and touch **Troubleshooting**.
3. Scroll to and touch **Print/Stop Test**.
4. Select the appropriate number of milliseconds and then touch **OK**.



## Color-band test

The color-band test page shows bands of colors that can indicate whether the product is producing colors correctly.

1. Touch **Administration**.
2. Scroll to and touch **Troubleshooting**.
3. Scroll to and touch **Color Band Test**.
4. Select the number of copies, and then touch **Test Page**.

## Scanner tests

Use the scanner tests to verify that specific components in the scanner assembly are operating correctly. For most of the components, you must observe or listen to the component in order to verify that it is functioning as stated on the control-panel display. For the scanner sensors, you must activate the sensor and watch the condition indicator on the control-panel display to see if it changes.


### Scanner tests

1. Touch **Administration**.
2. Scroll to and touch **Troubleshooting**.
3. Scroll to and touch **Scanner Tests**.
4. Select the appropriate test (lower lamp, sensors, ADF input motor, ADF input reverse, flatbed motor, ADF read motor, ADF read motor reverse, ADF-duplex solenoid, or ADF LED indicator).

# Service-mode functions

The Service menu is locked and requires a PIN for access. This menu is intended for use by authorized service personnel.

## Service menu

 **NOTE:** The product automatically exits the Service menu after about one minute if no items are selected or changed.

1. Scroll to and touch **Administration**.
2. Scroll to and touch **Service**.
3. Touch the **Service use only:** text box near the center of the control-panel display. The touchscreen numeric keypad appears.
4. Touch the appropriate touchscreen numeric keypad buttons to enter the PIN (see the note at the beginning of this section).
5. Touch **OK** to save the PIN or **Cancel** to exit the screen.
6. The PIN displays in the **Service use only:** text box as **\*\*\*\*\***.
7. Touch **OK** to enter the **Service** menu or **Cancel** to exit the screen.

The following menu items appear in the **Service** menu:


Menu item	Sub-menu item	Description
<b>Clear Event Log</b>		Use this item to clear the product event log.
<b>Mono Cycle Count</b>		The page count that is stored in NVRAM and printed on the configuration page represents the number of pages that the formatter has formatted (not including engine-test prints).
<b>Color Cycle Count</b>		The page count that is stored in NVRAM and printed on the configuration page represents the number of pages that the formatter has formatted (not including engine-test prints).
<b>Refurbish Cycle Count</b>		Use this item to record the page count when the product was refurbished.
<b>Document Feeder Kit Count:</b>		Set the total number of pages that have been fed through the ADF.
<b>Document Feeder Kit Interval</b>		Total number of pages since the document feeder kit was replaced.
<b>ADF Count</b>		Set the total pages fed through the ADF.
<b>Flatbed Count</b>		Set the total pages scanned from the flatbed.
<b>ADF Simplex Count</b>		Set the total single-sided pages fed through the ADF.
<b>ADF Duplex Count</b>		Set the total two-sided pages fed through the ADF.
<b>Copy Scan Count</b>		Set the total copy pages that have been scanned.
<b>Send Scan Count</b>		Set the number of scanned pages sent to e-mail.
<b>Copy Pages Count</b>		Set the number of scanned pages that have been printed.

Menu item	Sub-menu item	Description
Scanner Settings	ADF Settings	Set the calibration values.
	Glass Settings	Set the calibration values.
Serial number		Set the serial number.
SERVICE ID		<p>Use this item to show the date that the product was first used on the control panel. This eliminates the need for users to keep paper receipts for proof of warranty.</p> <p><b>Restore the service ID</b></p> <p>If you replace the formatter, the date is lost. Use this menu item to reset the date to the original date that the product was first used. The date format is YYDDD. Use the following formula to calculate the dates:</p> <ol style="list-style-type: none"> <li>To calculate YY, subtract 1990 from the calendar year. For instance, if the product was first used in 2002, calculate YY as follows: <math>2002 - 1990 = 12</math>. YY = 12.</li> <li>Subtract 1 from 10 (October is the tenth month of the year): <math>10 - 1 = 9</math>. <ul style="list-style-type: none"> <li>Multiply 9 by 30: <math>9 \times 30 = 270</math> or add 17 to 270: <math>270 + 17 = 287</math>. Thus, DDD = 287.</li> </ul> </li> </ol> <p><b>Convert the service ID to an actual date</b></p> <p>You can use the product Service ID number to determine whether the product is still under warranty. Use the following formula to convert the Service ID into the installation date as follows:</p> <ol style="list-style-type: none"> <li>Add 1990 to YY to get the actual year that the product was installed.</li> <li>Divide DDD by 30. If there is a remainder, add 1 to the result. This is the month.</li> <li>The remainder from the calculation in step 2 is the date.</li> </ol> <p>Using the Service ID 12287 as an example, the date conversion is as follows:</p> <ol style="list-style-type: none"> <li><math>12 + 1990 = 2002</math>, so the year is 2002.</li> <li><math>287 \div 30 = 9</math> with a remainder of 17. Since there is a remainder, add 1 to 9 to get 10, which represents October.</li> <li>The remainder in step 2 is 17, so that is the date.</li> <li>The complete date is 17-October-2002.</li> </ol> <p><b>NOTE:</b> A six-day grace period is built into the date system.</p>


Menu item	Sub-menu item	Description
<b>Cold Reset Paper</b>		When you perform a cold reset, the paper size that is stored in NVRAM is reset to the default factory setting. If you replace a formatter board in a country/region that uses A4 as the standard paper size, use this menu to reset the default paper size to A4. LETTER and A4 are the only available values.
<b>Calibrate Media Sensor</b>		When a 54.05.11 error appears in the event log, the second-transfer assembly needs to be replaced. After it is replaced, the media sensor must be calibrated. Select <b>Calibrate Media Sensor</b> in the <b>Service</b> menu, and then send 10 jobs through the product. Make sure that there is a pause between each job that allows the product to completely spin down. After this process, the sensor is calibrated.

## Product resets

### NVRAM initialization

 **NOTE:** If an analog fax accessory is installed, performing an NVRAM initialization can cause the product to violate local telephone regulations. Reset the language and country/region after performing an NVRAM initialization. For more information, see the *HP LaserJet Analog Fax Accessory 300 User Guide*.

Before performing an NVRAM initialization, print a menu map and a configuration page. Use the information on these pages to reset any customer-specific settings.

 **CAUTION:** All HP Jetdirect settings are also reset. Be sure to print a configuration page before performing a cold reset. Make note of the IP address that is listed on the Jetdirect configuration page. You will need to restore the IP address after performing a cold reset.

Performing an NVRAM initialization resets the following settings and information:

- All menu settings are reset to factory default values, including the fax header and company name.
- All faxes in memory are erased.
- All speed-dials, group-dials, and phonebook entries are erased.
- All localization settings, including language and country/region, are reset.

After performing an NVRAM initialization, reconfigure any computers that print to this product so that the computers can recognize the product.

### To perform an NVRAM initialization

1. Turn the product off and then on.
2. When the memory count appears on the control-panel display, press and hold **3** until all three LEDs flash once and then stay on. This might take up to 20 seconds.
3. Press and release **9**, and then press and release **Start**.
4. Press and release **6**.

# Solve scanner problems

**Table 7-30 Scanner problems**

Problem	Cause	Solution
No power to the ADF	Defective power unit	<p>Measure the DC power output of the connector and P6 and P7 on the cable side.</p> <p><b>CAUTION:</b> Do not cause a short circuit.</p> <p>Replace the power unit if the required power output level is not found.</p>
Carriage jam	Check the carriage lock.	Unlock the carriage.
	Poor contact in the motor signal line	Reconnect the motor connector.
	Motor failure	Determine whether the motor functions correctly in the power-up initialization. If the carriage doesn't move, replace the motor.
ADF-lid-sensor failure	Lid-sensor failure	If the cable and the SCB are functioning correctly, replace the lid sensor.
Paper-sensor failure	Paper-sensor failure	If the cable and the SCB are functioning correctly, replace the lid sensor.
Control-panel-fan failure	Control-panel-fan failure	If the cable and the power supply function correctly, replace the fan.
SCB-fan failure	SCB-fan failure	Replace the fan if the cable and the power supply have no problem.
Carriage-fan failure.	Carriage-fan failure	If the cable and the PCA function correctly, replace the fan.
Xenon-lamp failure	Poor contact in FFC cables between the CCD board and the SCB.	Reconnect the two cables.
	FFC-cables failure	Replace the two cables.
	Xenon-lamp failure	If the xenon lamp did not turn on during running mode, replace the xenon lamp.
Black powder appears on the rod surface.	Damaged rod	Replace the rod if it is damaged.

## Solve fax problems

For help solving fax problems, go to [www.hp.com/go/mfpfaxaccessory300](http://www.hp.com/go/mfpfaxaccessory300).


You can also refer to the *Analog Fax Accessory 300 Fax Guide* and the *Analog Fax Accessory 300 Send Fax Driver Guide*, which are included on the product User CD.

# Solve e-mail problems

If you are unable to send e-mails by using the digital-send feature, you might need to reconfigure the SMTP gateway address or the LDAP gateway address. Print a configuration page to find the current SMTP and LDAP gateway addresses. See [Configuration pages on page 431](#). Use the following procedures to check if the SMTP and LDAP gateway addresses are valid.

## Validate the SMTP gateway address

---


 **NOTE:** This procedure is for Windows operating systems.

---

1. Open an MS-DOS command prompt: click **Start**, click **Run**, and then type `cmd`.
2. Type `telnet` followed by the SMTP gateway address and then the number 25, which is the port over which the product is communicating. For example, type `telnet 123.123.123.123 25` where "123.123.123.123" represents the SMTP gateway address.
3. Press **Enter**. If the SMTP gateway address is *not* valid, the response contains the message `Could not open connection to the host on port 25: Connect Failed`.
4. If the SMTP gateway address is not valid, contact the network administrator.

## Validate the LDAP gateway address

---

 **NOTE:** This procedure is for Windows operating systems.

---

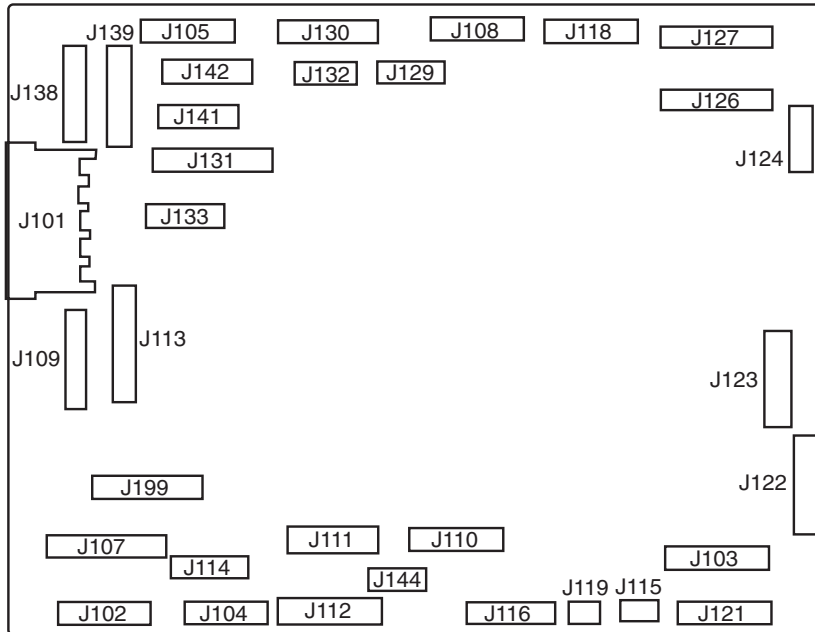
1. Open Windows Explorer. In the address bar, type `LDAP://` immediately followed by the LDAP gateway address. For example, type `LDAP://12.12.12.12` where "12.12.12.12" represents the LDAP gateway address.
2. Press **Enter**. If the LDAP gateway address is valid, the **Find People** dialog box opens.
3. If the LDAP gateway address is not valid, contact the network administrator.

# Diagrams

## Connectors

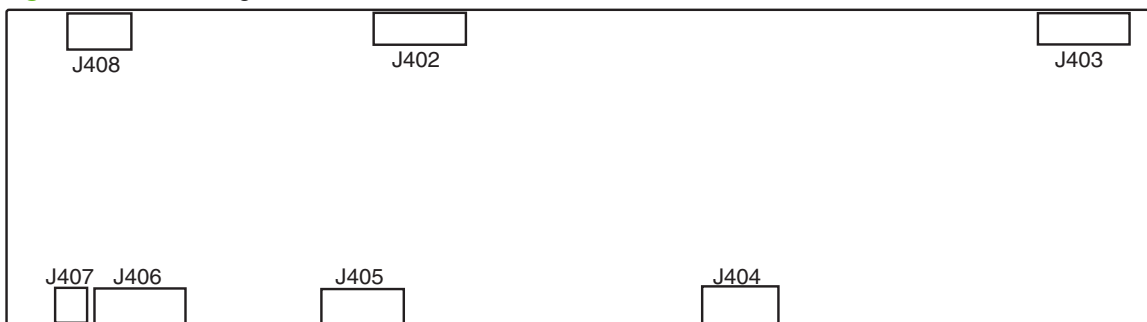
### DC controller PCA

Figure 7-17 DC controller PCA



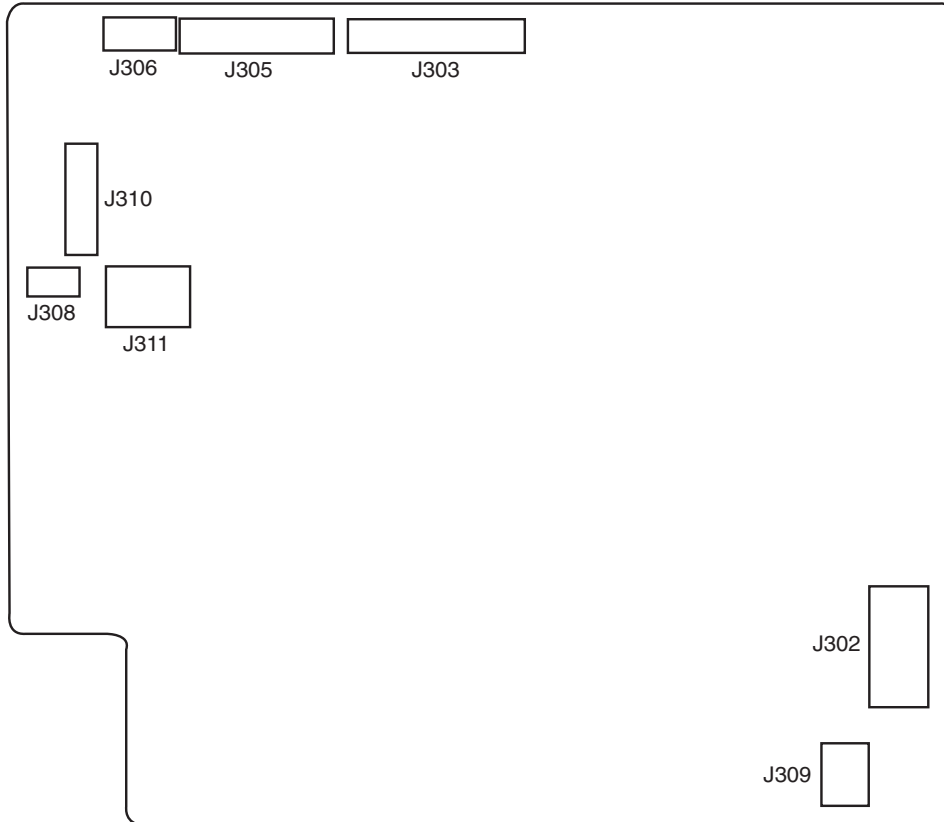
## PCAs

Figure 7-18 Cartridge driver PCA

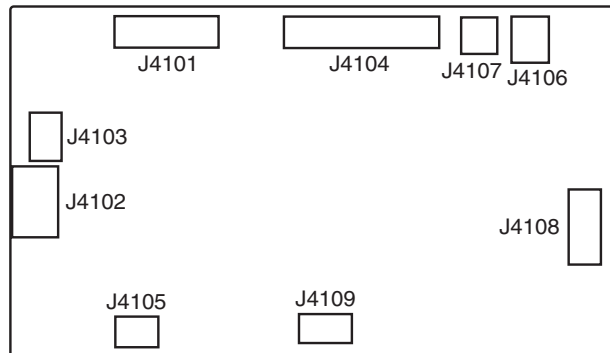




**Figure 7-19** Fuser control PCA



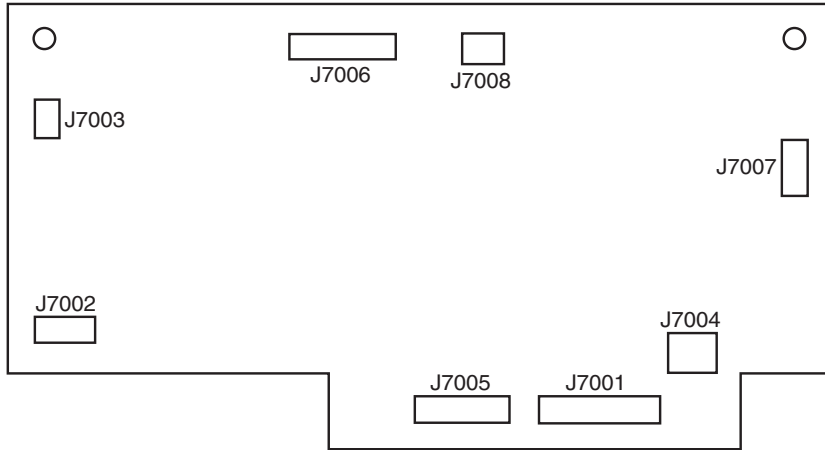
**Figure 7-20** Duplexing driver PCA



**Figure 7-21** Input tray driver PCA

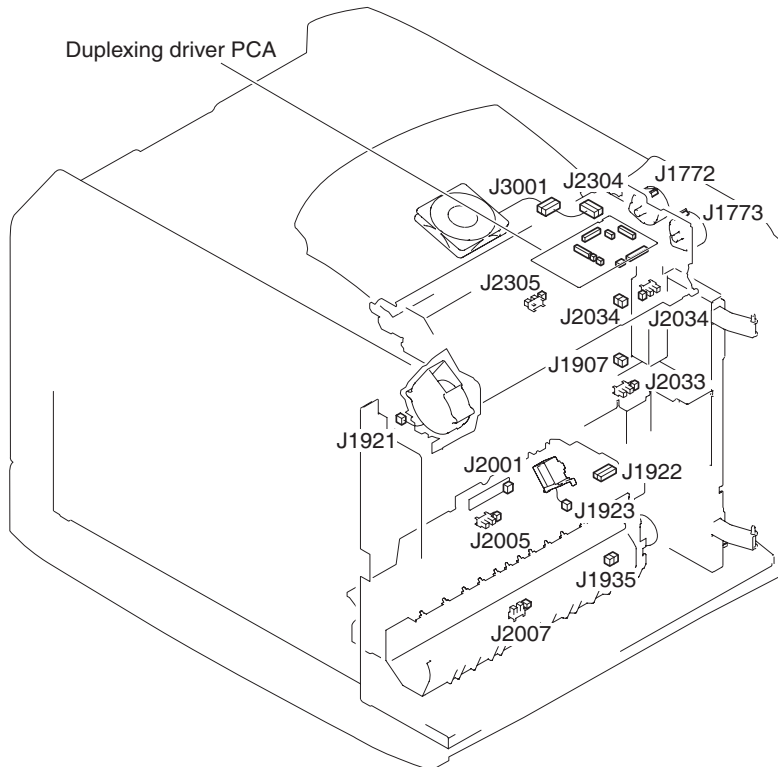


**Figure 7-22** IPTU driver PCA

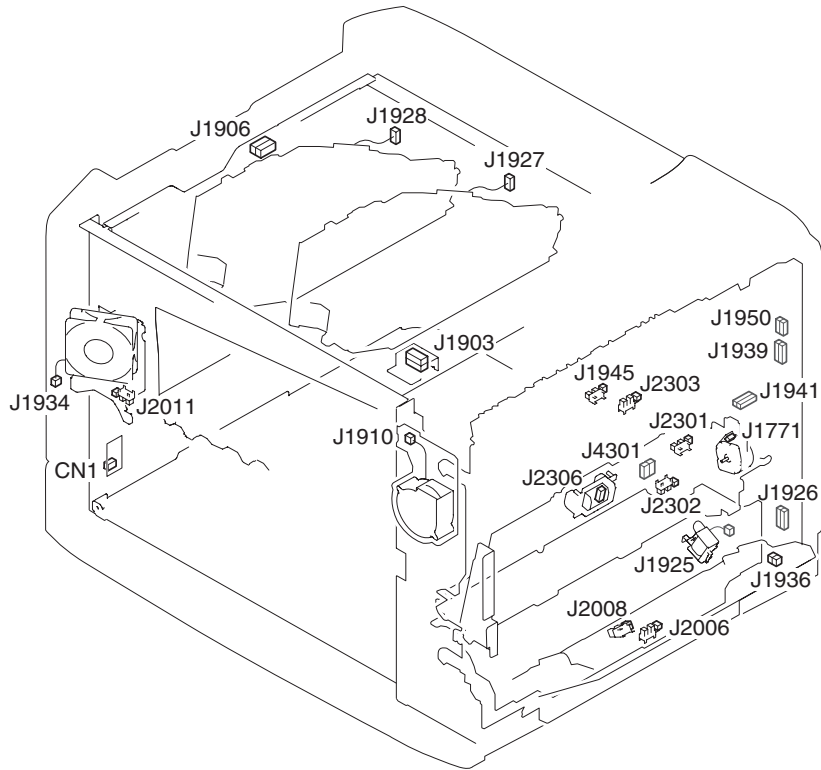


**Product base**

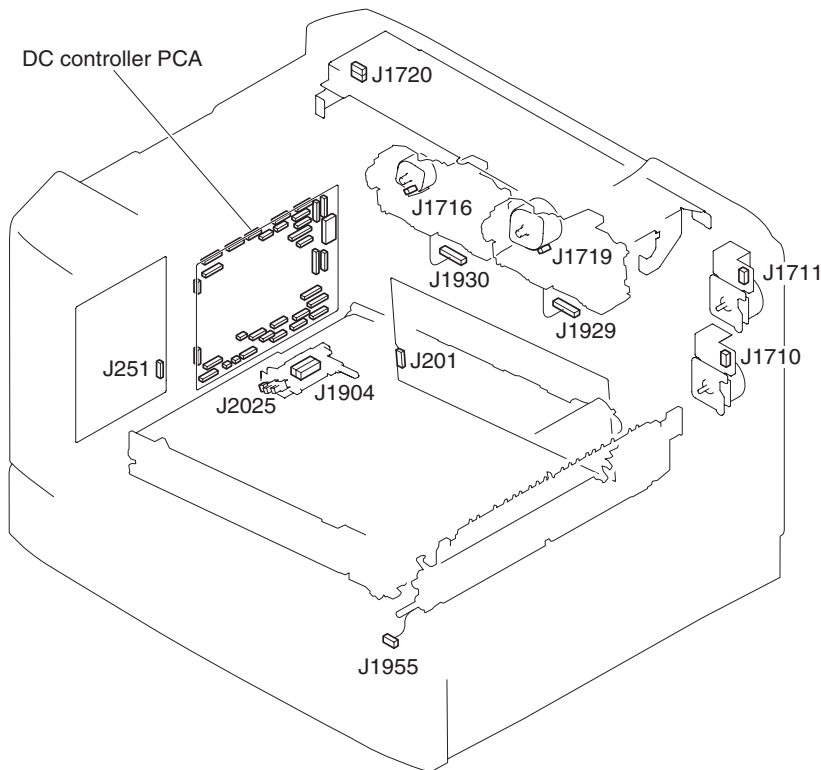
**Figure 7-23** Product connector locations (1 of 6)



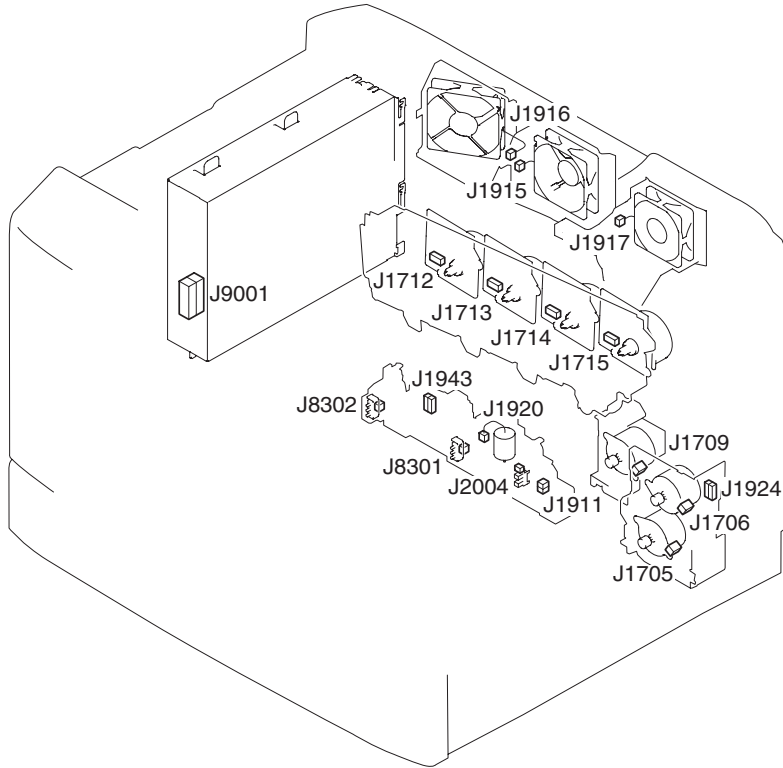
**Figure 7-24** Product connector locations (2 of 6)



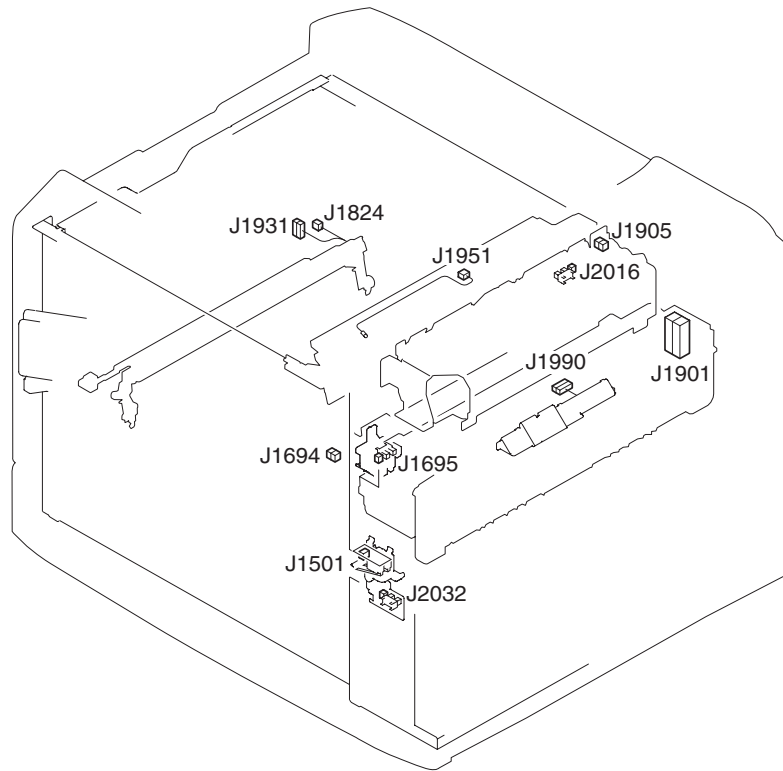
**Figure 7-25** Product connector locations (3 of 6)



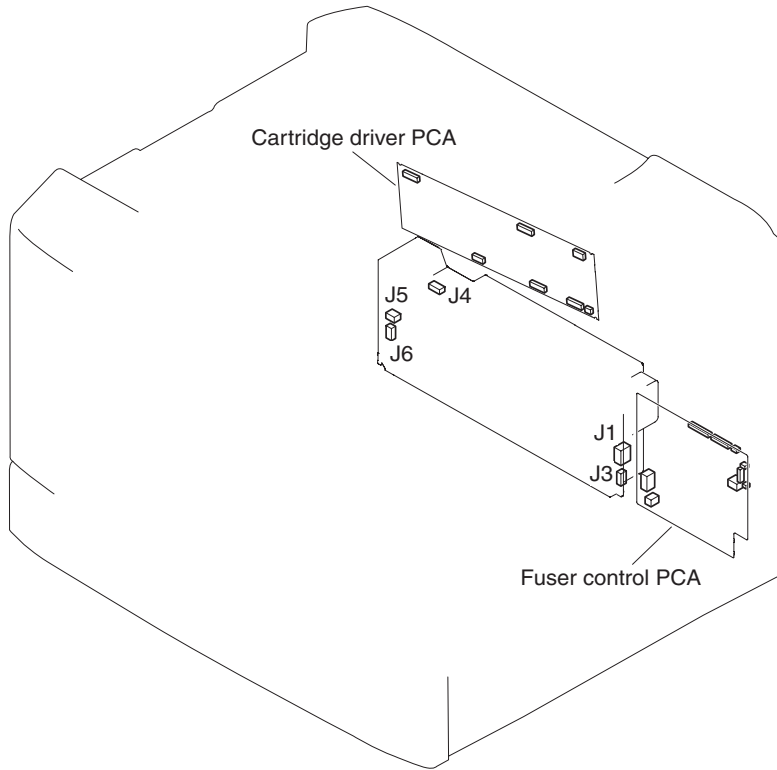
**Figure 7-26** Product connector locations (4 of 6)



**Figure 7-27** Product connector locations (5 of 6)

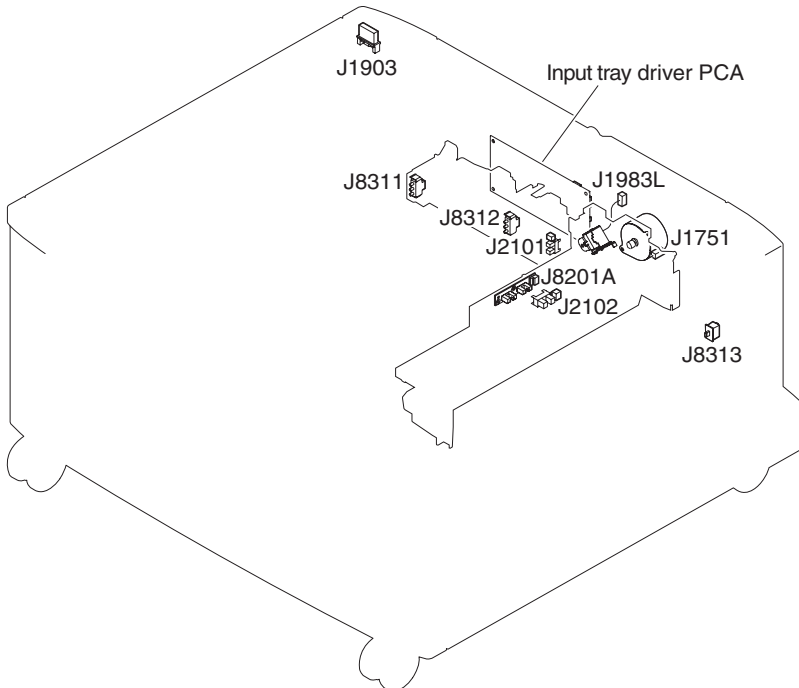


**Figure 7-28** Product connector locations (6 of 6)



**1 x 500 input tray**

**Figure 7-29** 1 x 500 input tray



### 3 x 500 input tray

Figure 7-30 3 x 500 input tray (1 of 2)

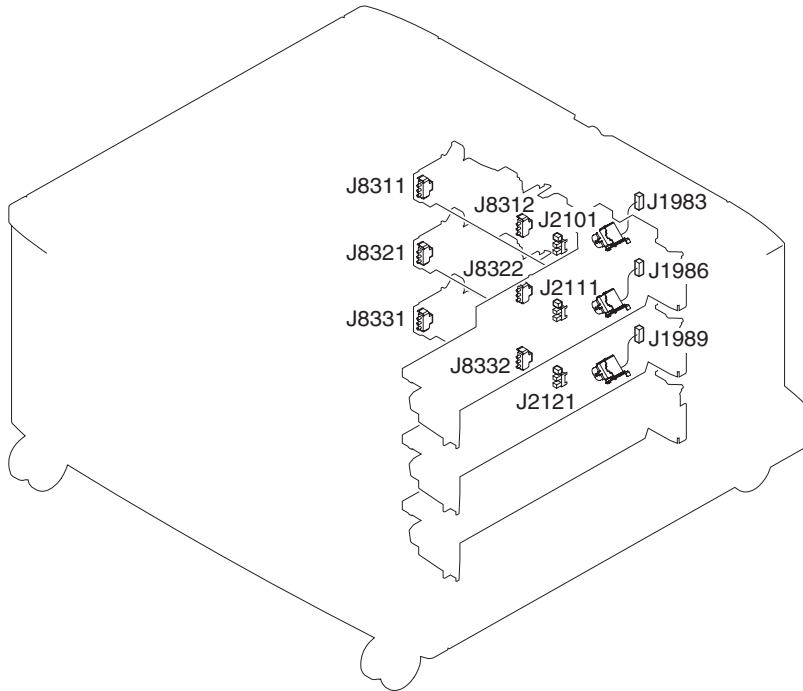
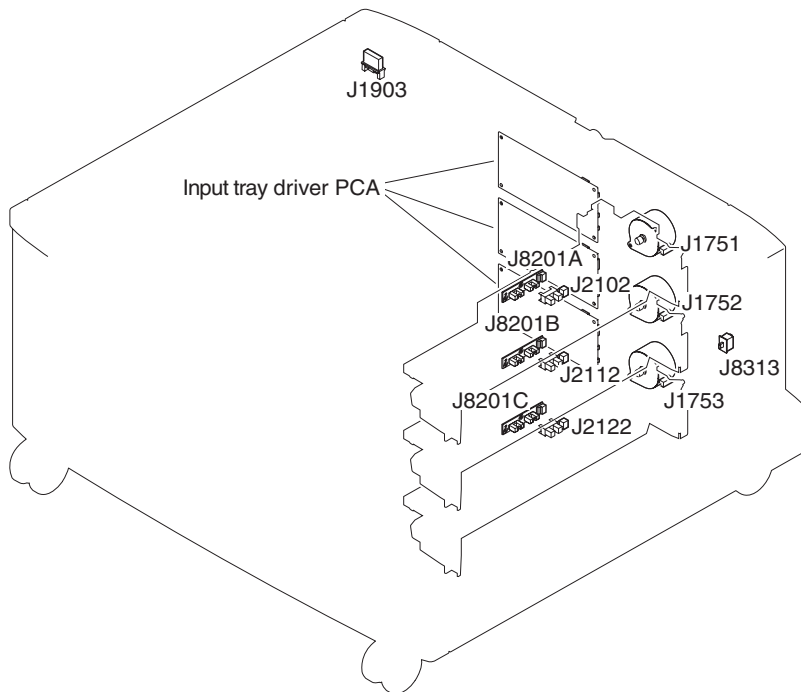
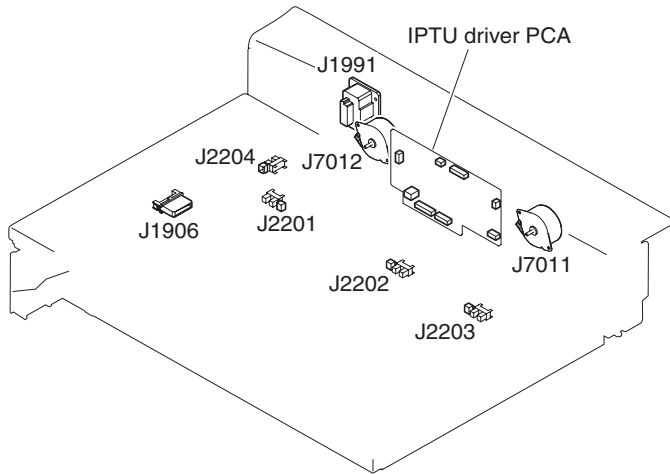


Figure 7-31 3 x 500 input tray (2 of 2)



## IPTU

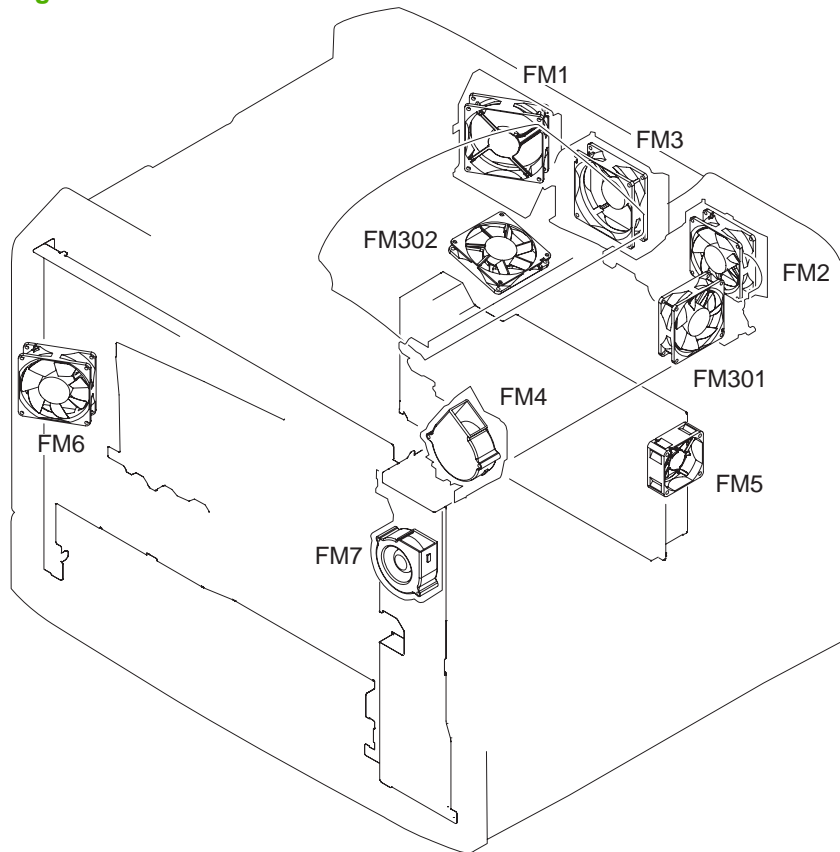
Figure 7-32 IPTU



## Fans

### Product base

Figure 7-33 Product fan locations



## Sensors

### Product base

Figure 7-34 Product sensor locations (1 of 3)

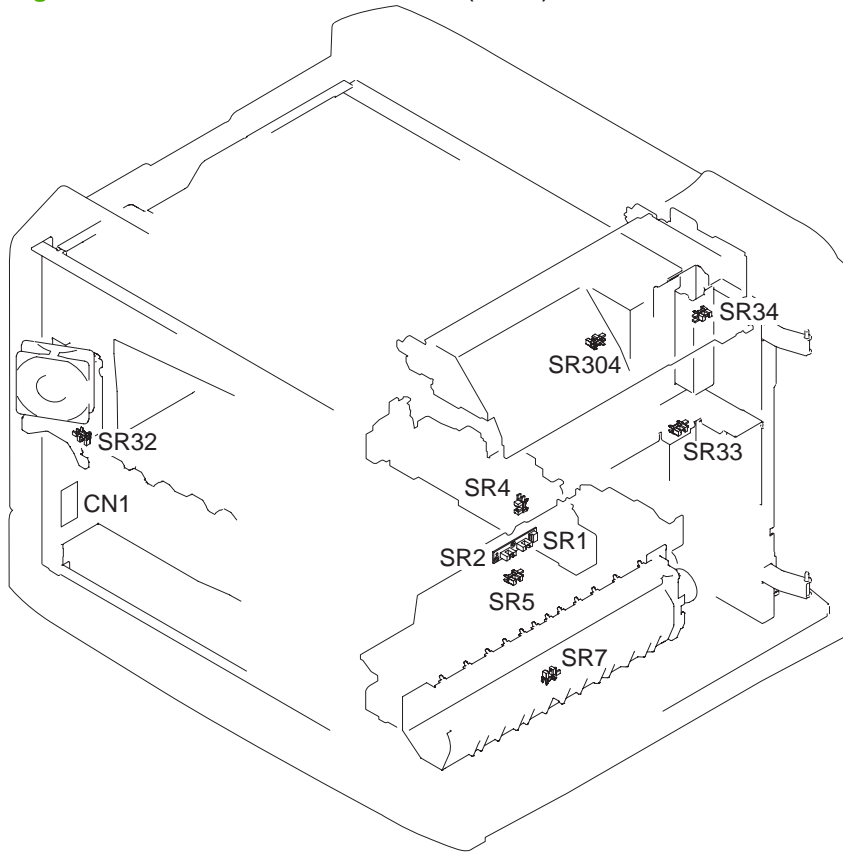
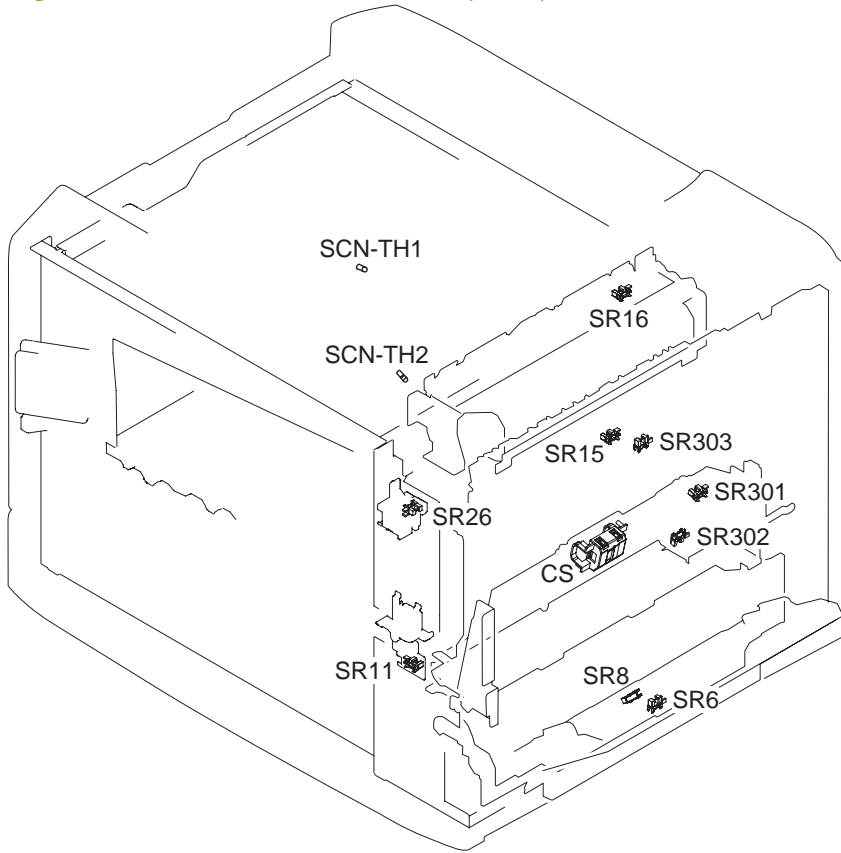
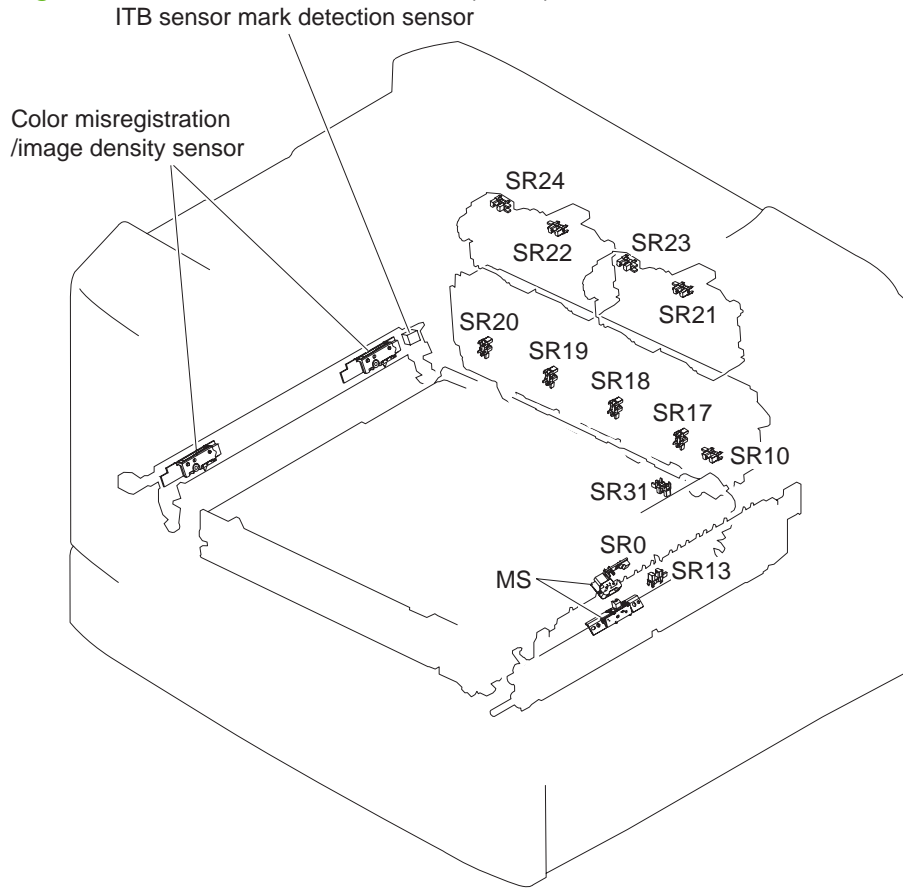




Figure 7-35 Product sensor locations (2 of 3)



**Figure 7-36** Product sensor locations (3 of 3)



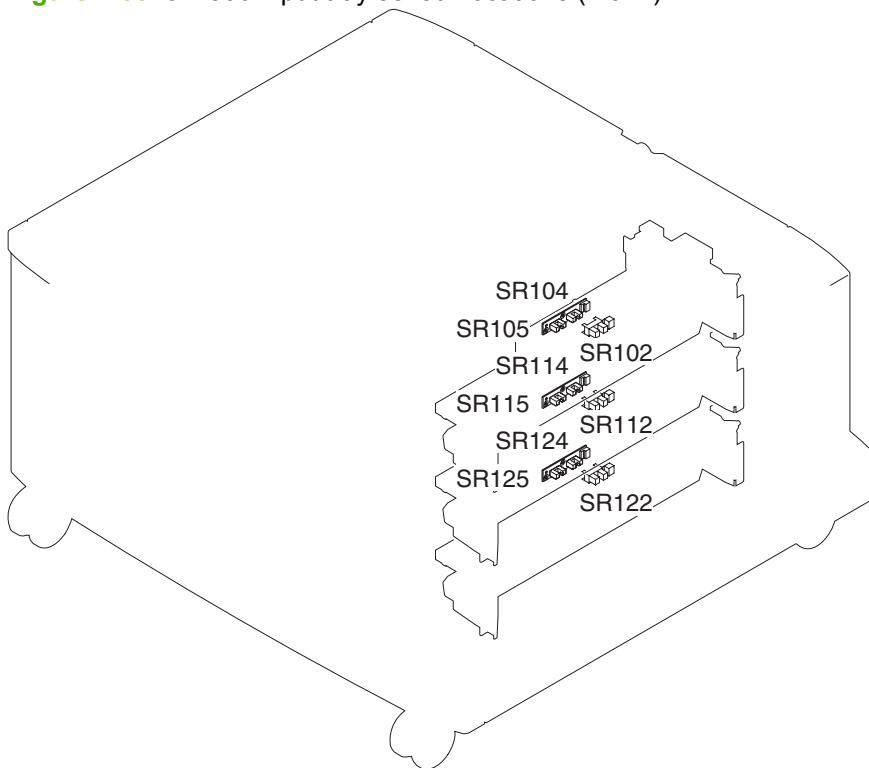
**1 x 500 input tray**

**Figure 7-37** 1 x 500 input tray sensor locations

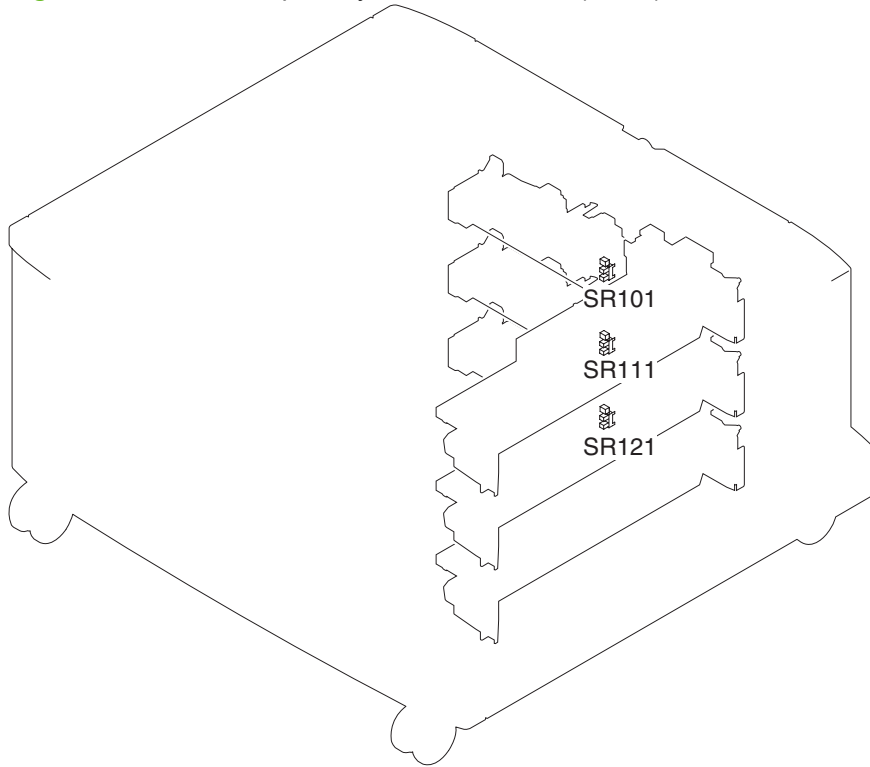


**3 x 500 input tray**

**Figure 7-38** 3 x 500 input tray sensor locations (1 of 2)

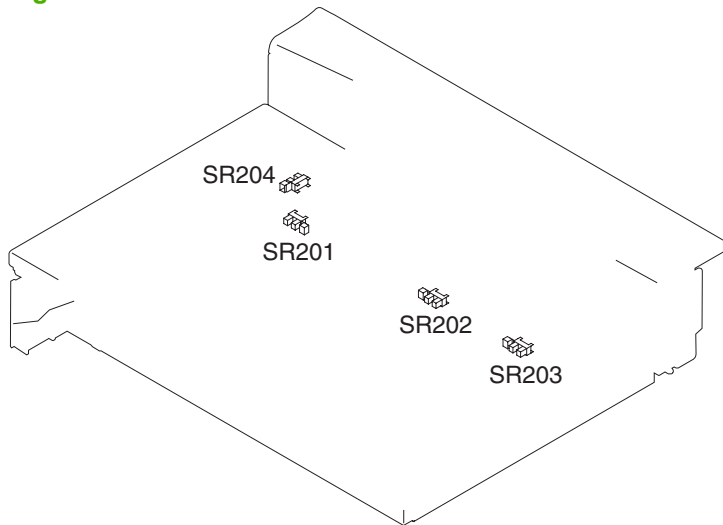


**Figure 7-39** 3 x 500 input tray sensor locations (2 of 2)



## IPTU

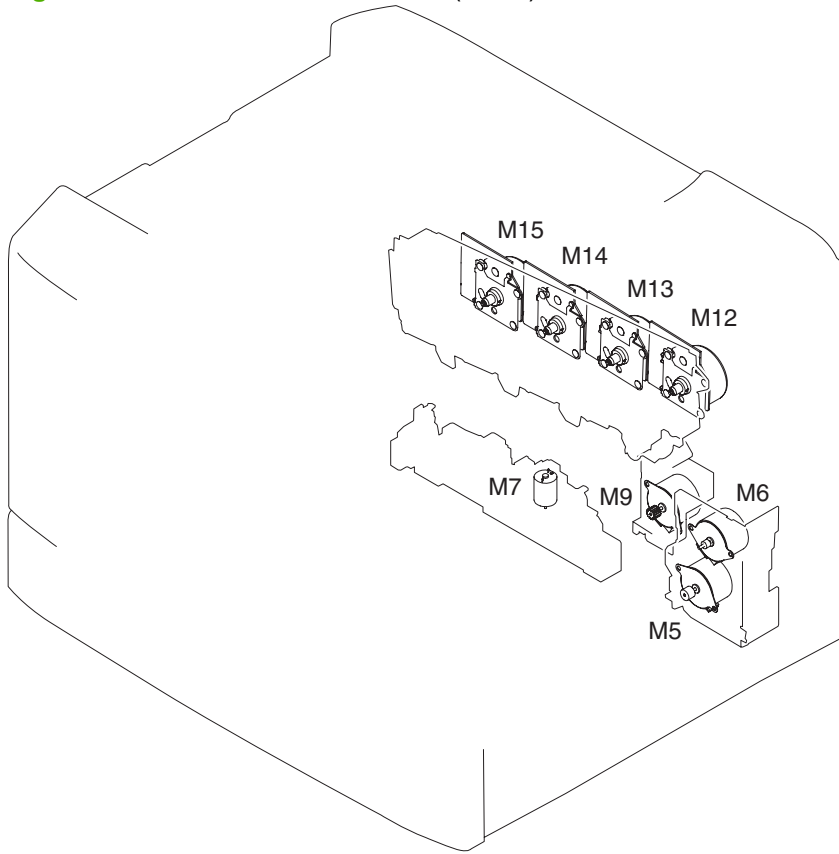
**Figure 7-40** IPTU sensor locations



# Motors

## Product base

Figure 7-41 Product motor locations (1 of 2)

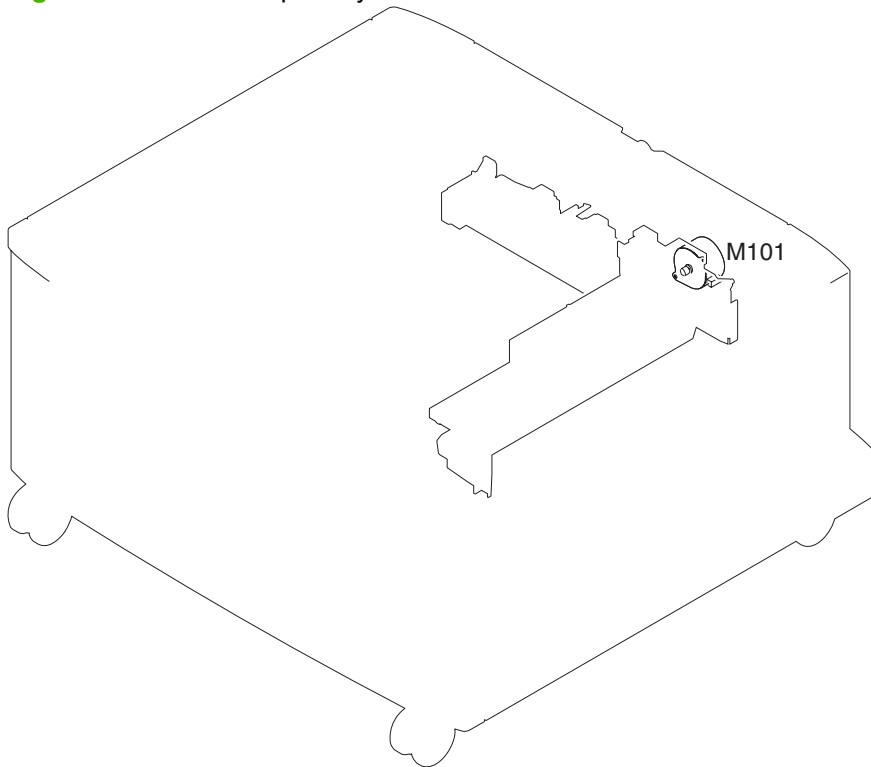


**Figure 7-42** Product motor locations (2 of 2)



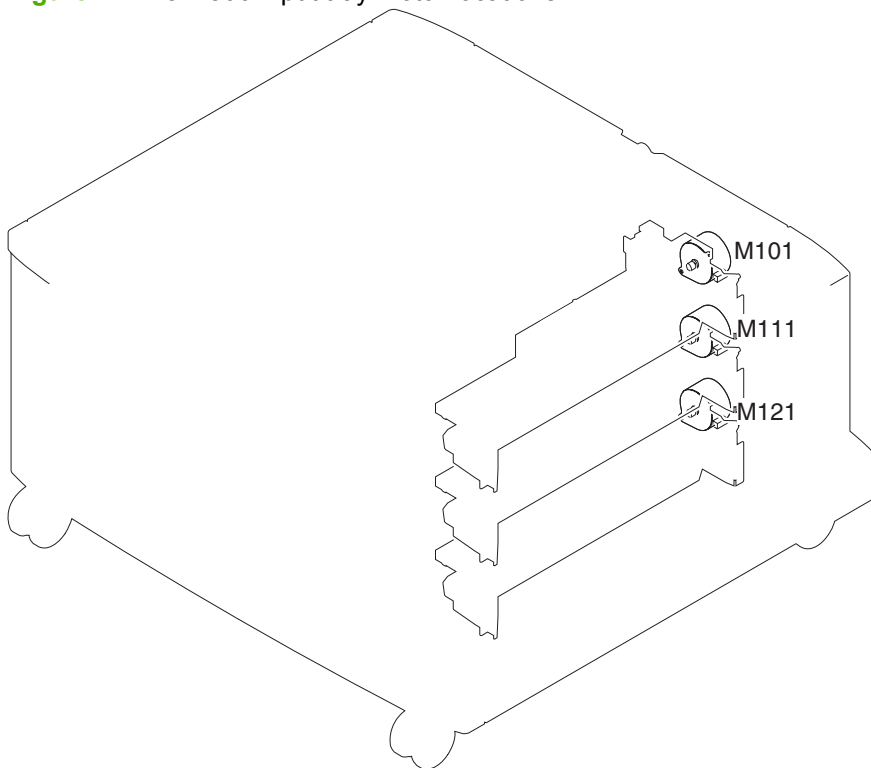
**1 x 500 input tray**

**Figure 7-43** 1 x 500 input tray motor locations



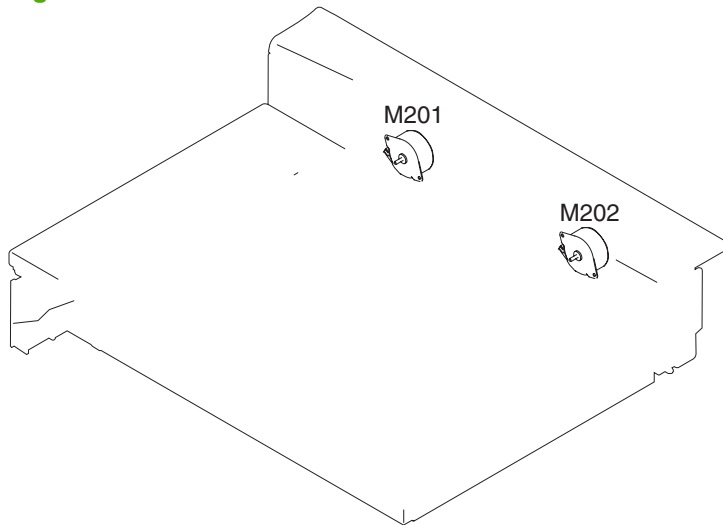
**3 x 500 input tray**

**Figure 7-44** 3 x 500 input tray motor locations



## IPTU

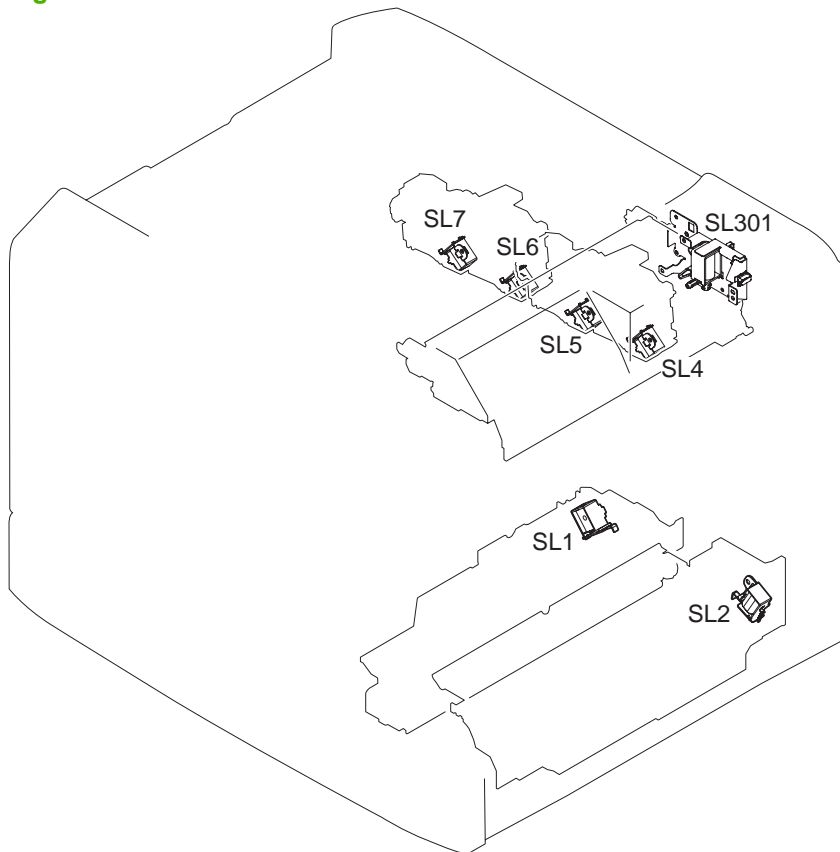
Figure 7-45 IPTU motor locations



## Solenoids

### Product base

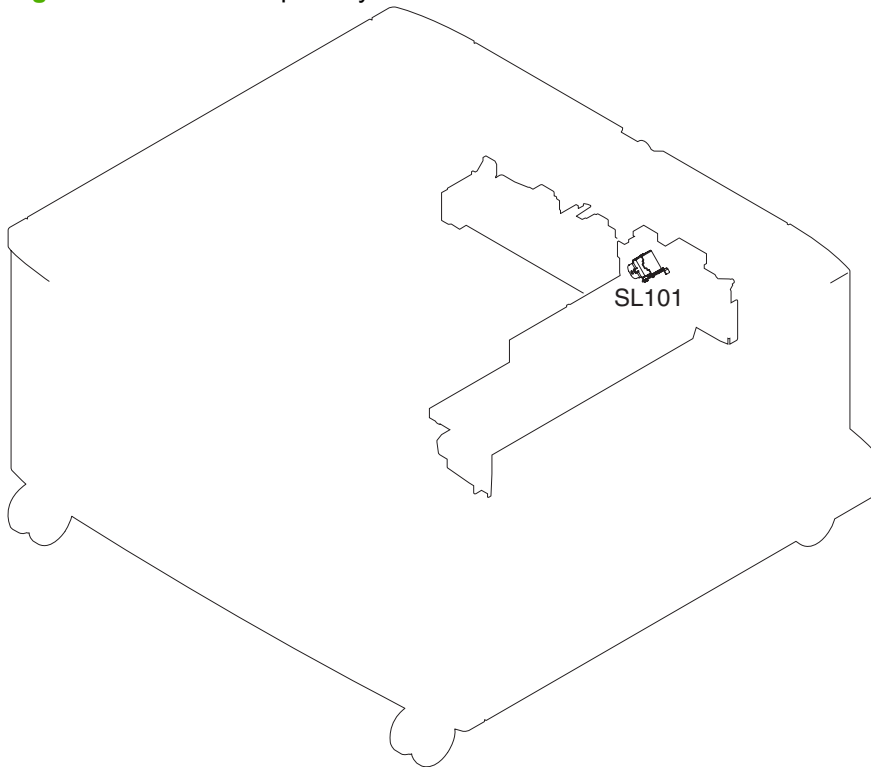
Figure 7-46 Product solenoid locations





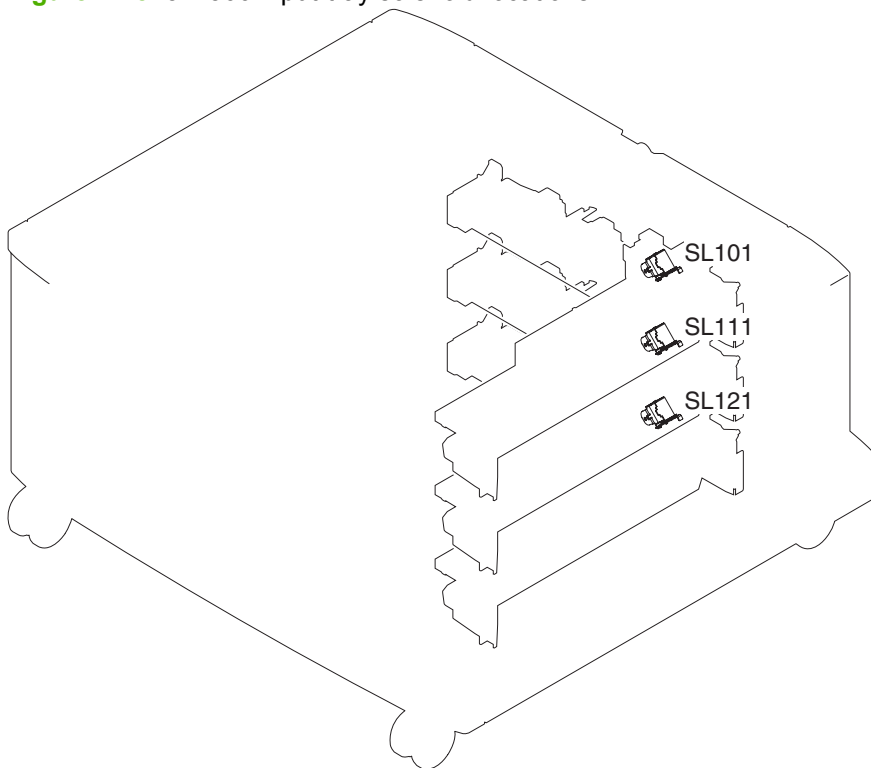
**1 x 500 input tray**

**Figure 7-47** 1 x 500 input-tray solenoid locations



**3 x 500 input tray**

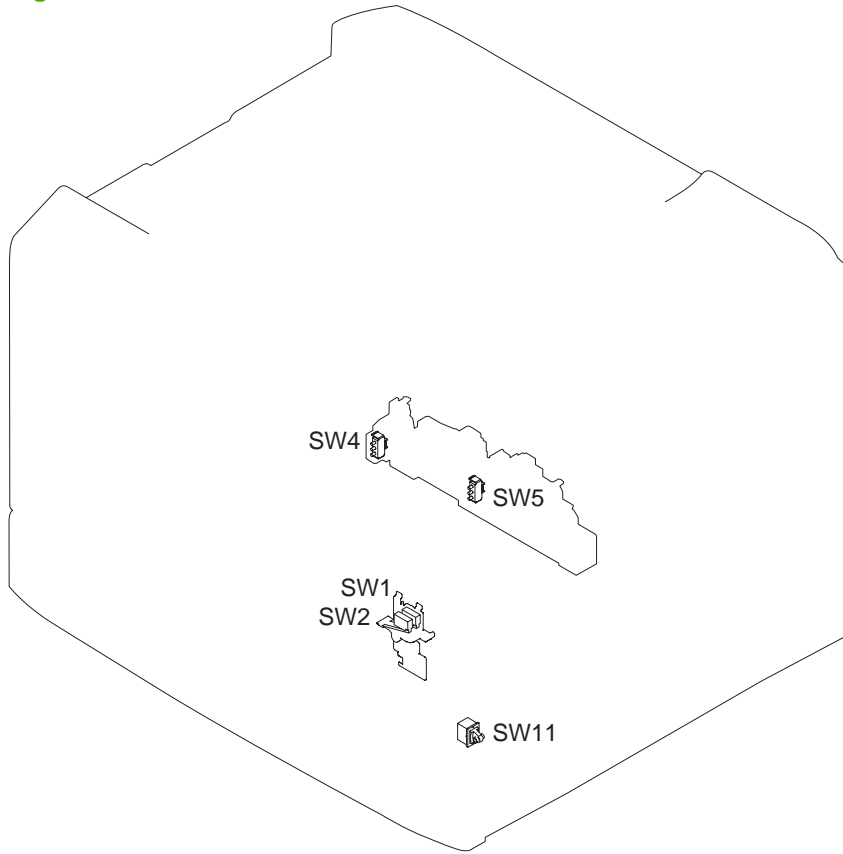
**Figure 7-48** 3 x 500 input-tray solenoid locations



# Switches

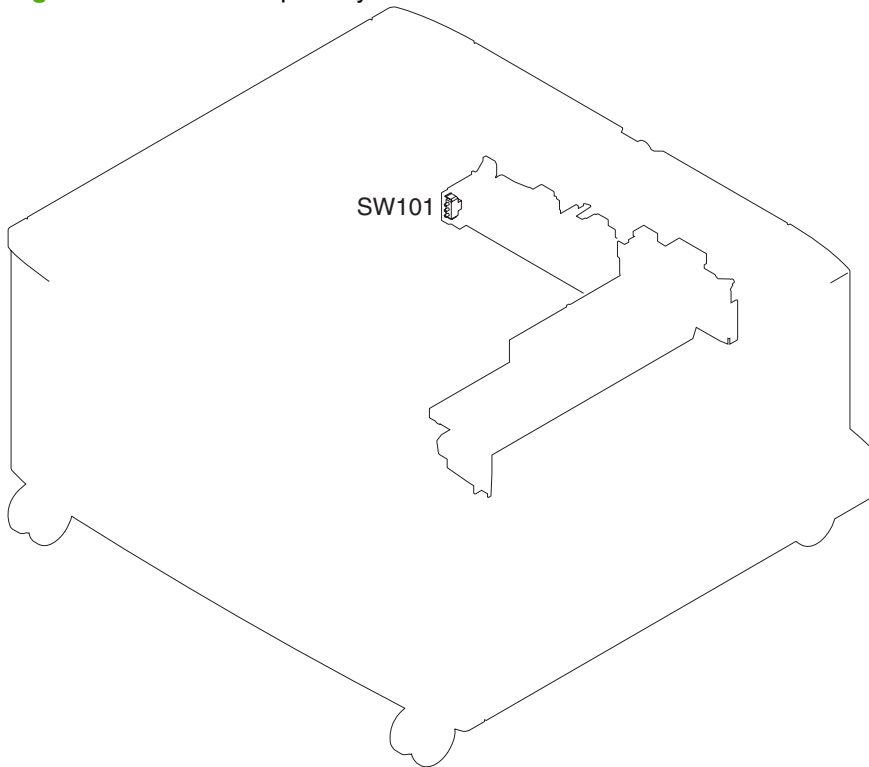
## Product base

Figure 7-49 Product switch locations



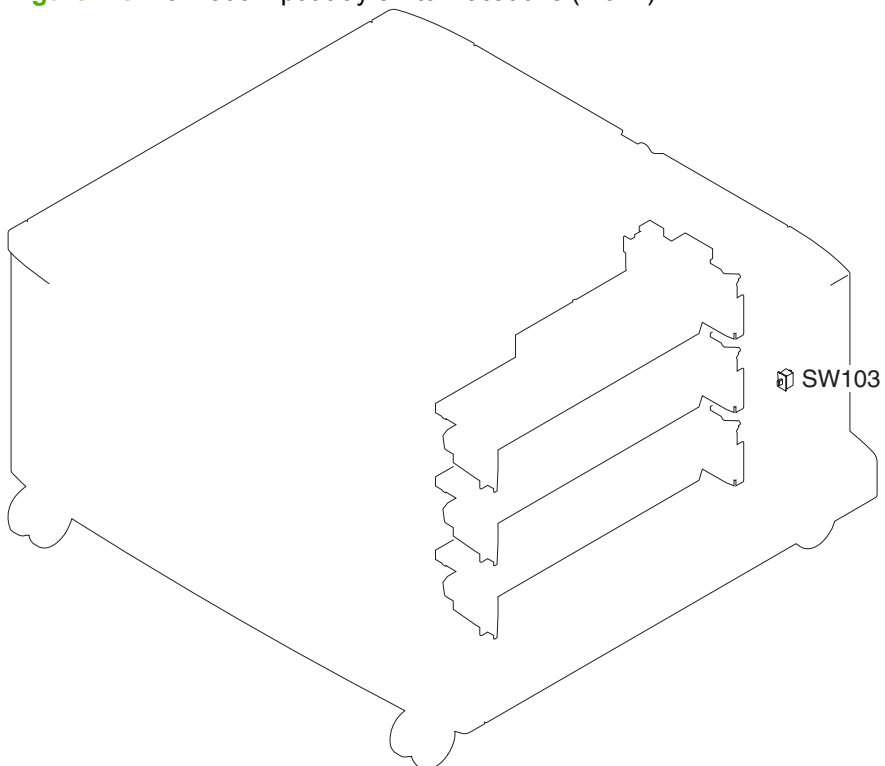
### 1 x 500 input tray

Figure 7-50 1 x 500 input tray switch locations

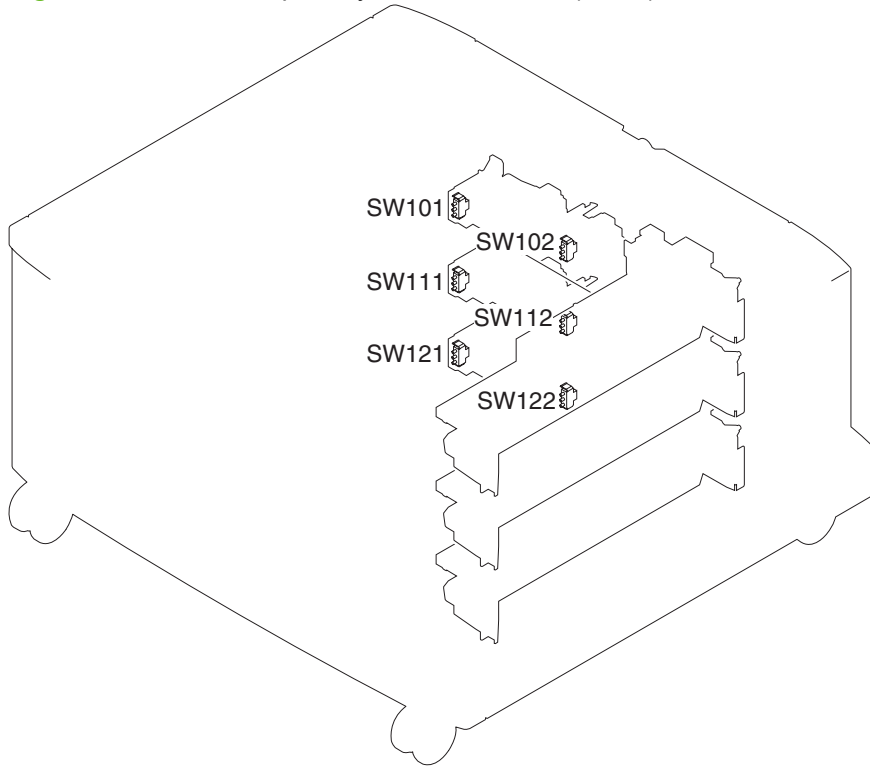


### 3 x 500 input tray

Figure 7-51 3 x 500 input tray switch locations (1 of 2)



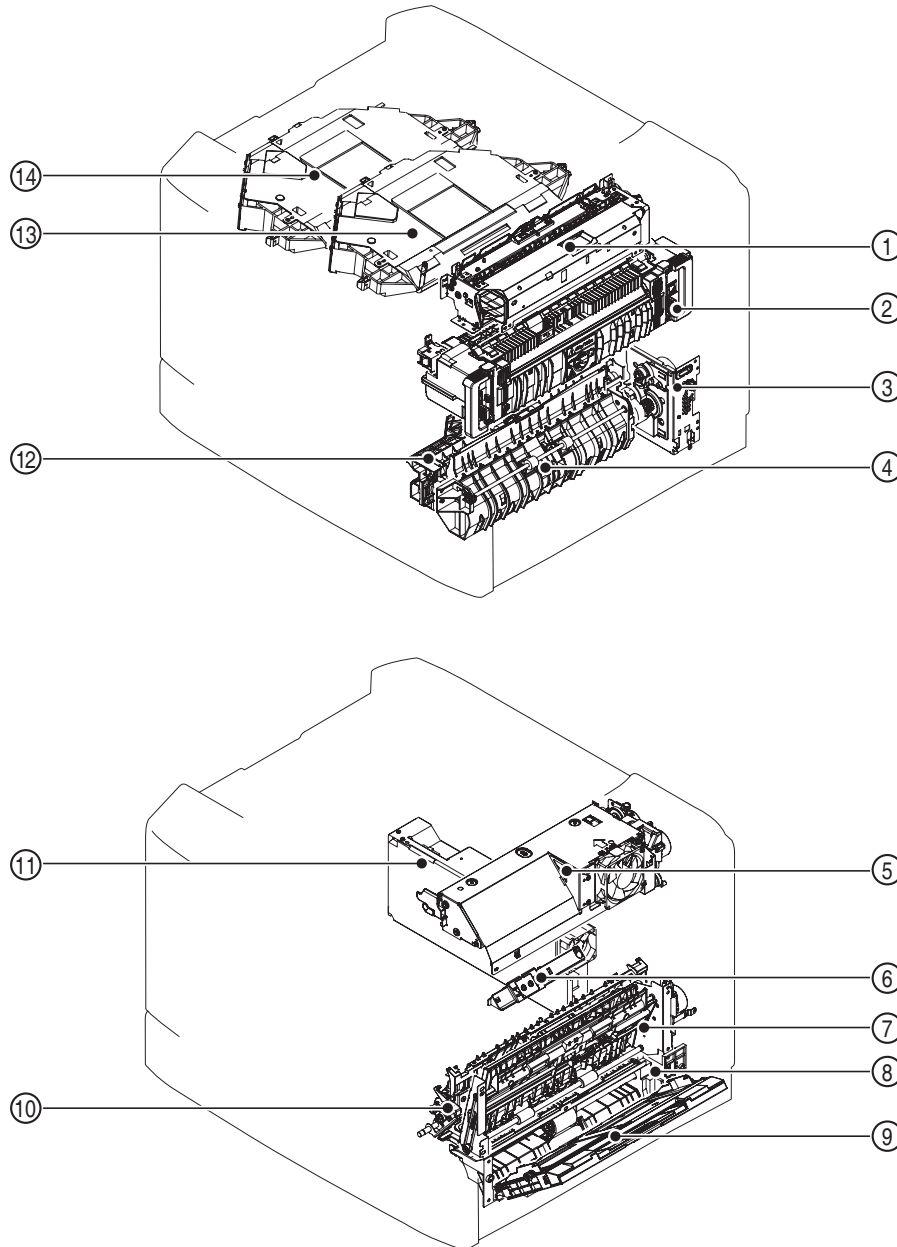
**Figure 7-52** 3 x 500 input tray switch locations (2 of 2)



# Block diagrams

## Main assemblies

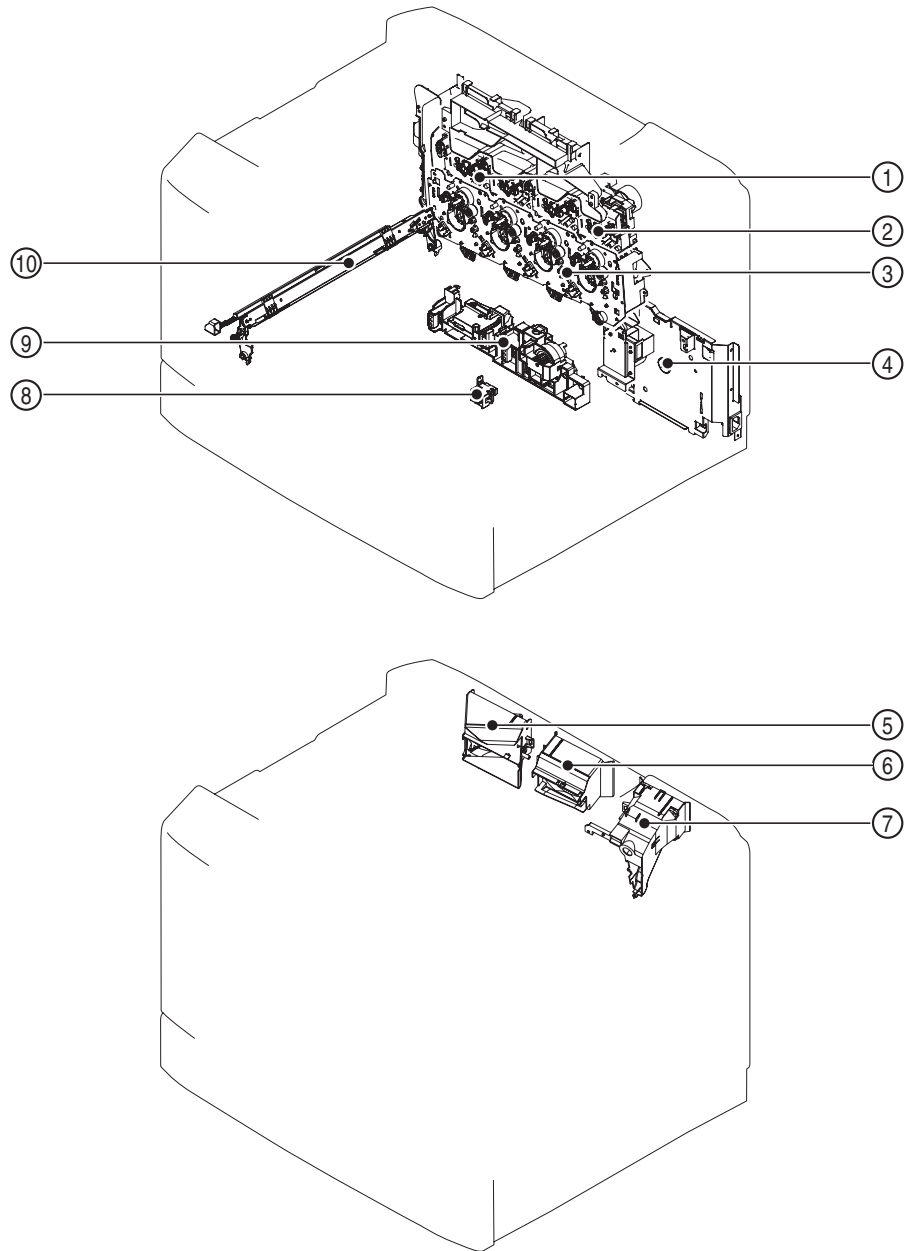
Figure 7-53 Main assemblies (1 of 2)



1	Face-down delivery unit
2	Fuser
3	Multipurpose drive unit
4	Multipurpose-tray guide unit
5	Duplexing reverse unit
6	Thermopile unit

7	Duplexing feed unit
8	Multipurpose-tray pickup unit
9	Multipurpose tray
10	Secondary transfer unit
11	Low-voltage power supply unit
12	Cassette pickup unit
13	Yellow/magenta laser/scanner unit
14	Cyan/black laser/scanner unit

**Figure 7-54** Main assemblies (2 of 2)

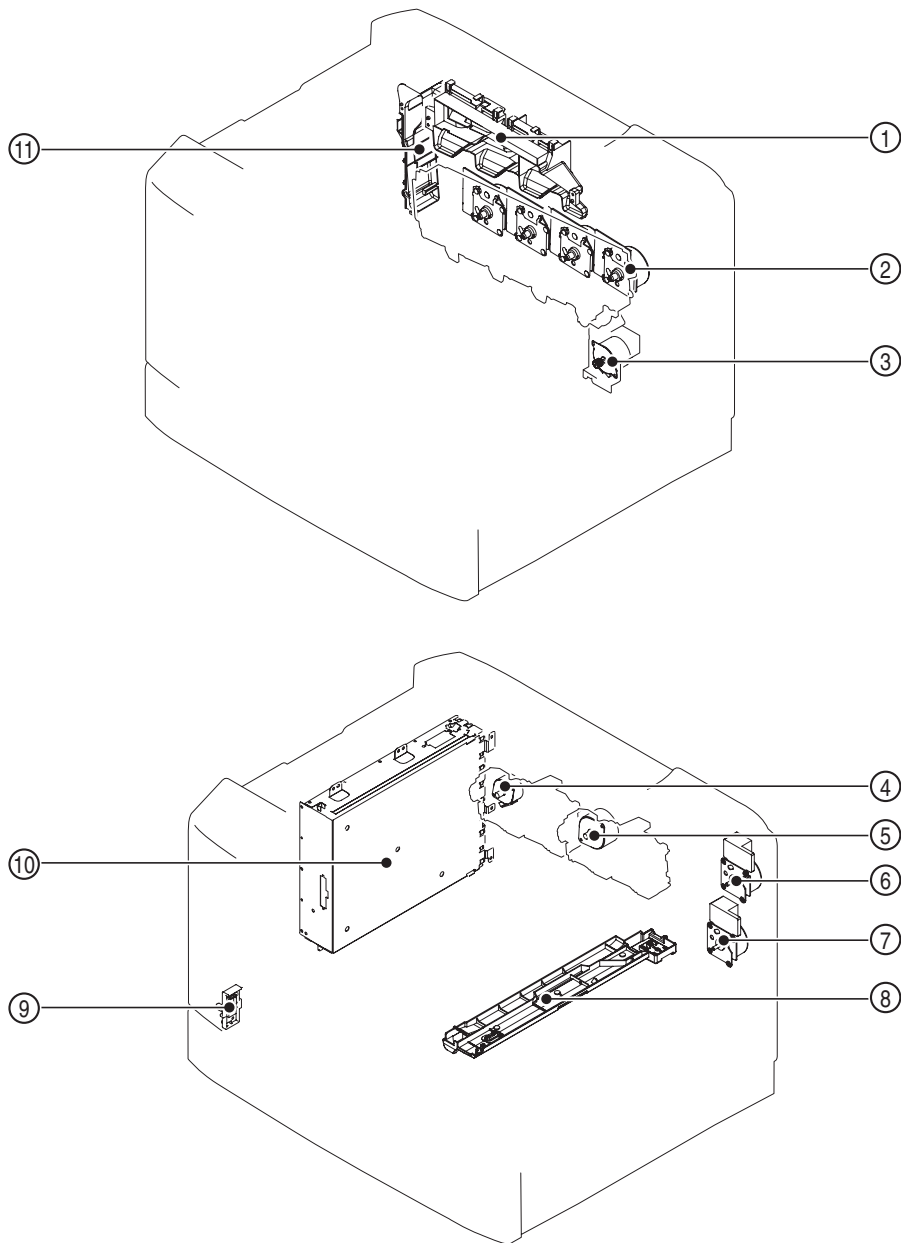


1	Print-cartridge drive unit (cyan/black)
2	Print-cartridge drive unit (yellow/magenta)
3	Main drive unit
4	Fuser power supply unit
5	Scanner fan unit
6	Cartridge fan unit
7	Fuser fan unit
8	Pressure-release sensor unit

9	Lifter drive unit
10	Color-misregistration/image-density sensor unit

## Main parts

Figure 7-55 Main parts



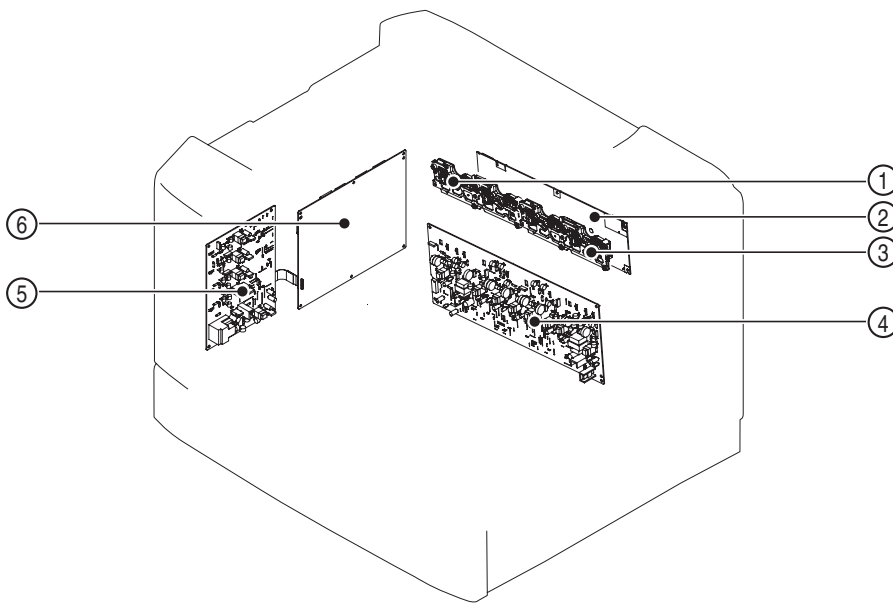
1	Cartridge-fan duct
2	Drum motor
3	primary-transfer-roller disengagement motor
4	Black-toner feed motor



5	Yellow/magenta/cyan-toner feed motor
6	Fuser motor
7	ITB motor
8	ITB duct
9	Environment sensor
10	Formatter case
11	Scanner-fan duct

## PCAs

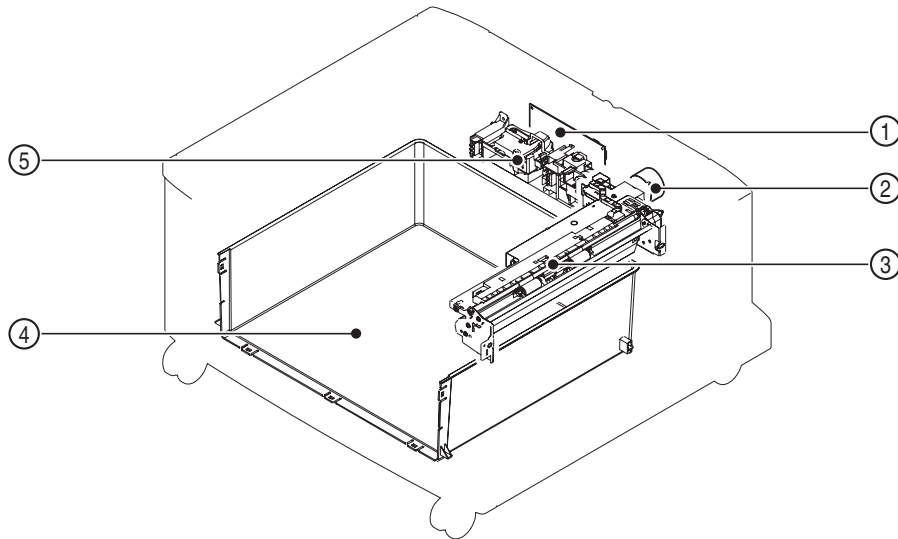
Figure 7-56 PCAs



1	Cartridge I/F PCA (cyan/black)
2	Cartridge driver PCA
3	Cartridge I/F PCA (yellow/magenta)
4	High-voltage power-supply PCA A
5	High-voltage power-supply PCA B
6	DC controller PCA

## 1 x 500 input tray

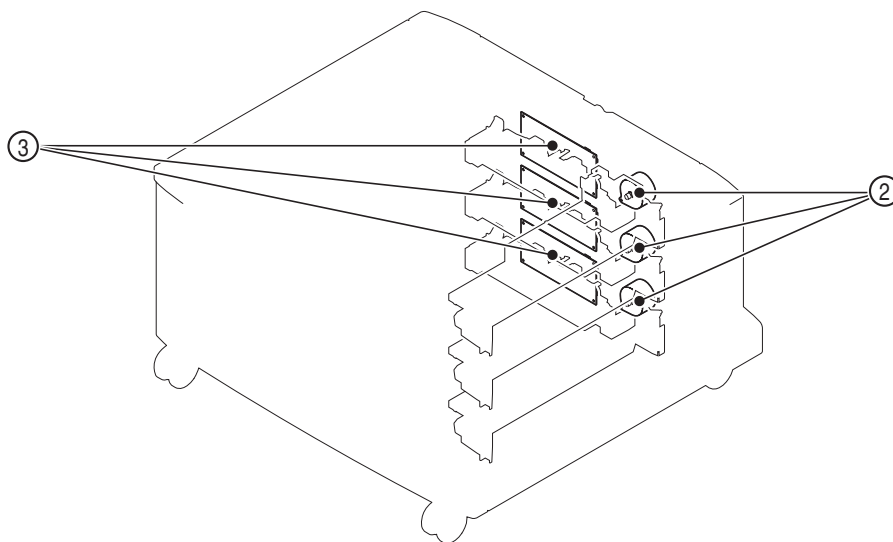
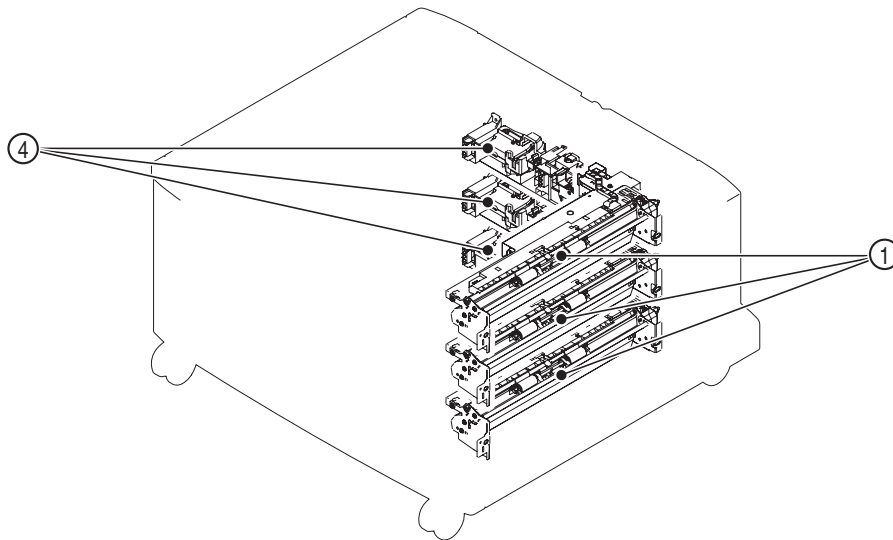
Figure 7-57 1 x 500 input tray



1	Input-tray driver PCA
2	Pickup motor
3	Pickup unit
4	Box
5	Auto-close unit

### 3 x 500 input tray

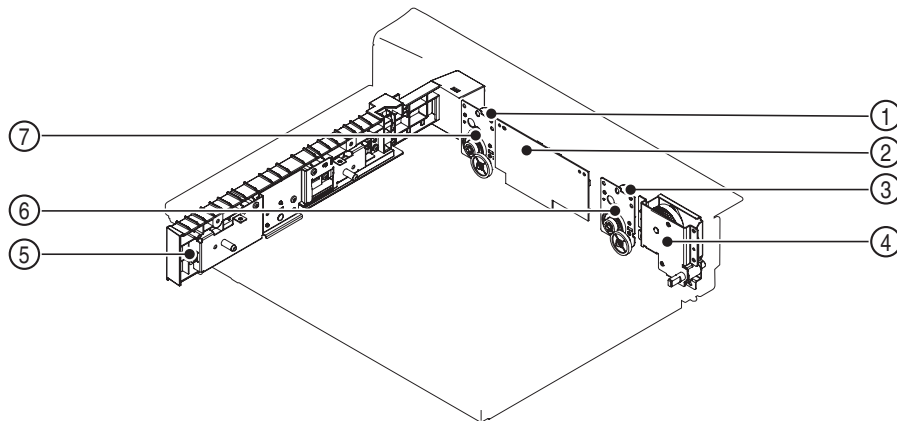
Figure 7-58 3 x 500 input tray



1	Pickup unit (upper/middle/lower cassette)
2	Pickup motor (upper/middle/lower cassette)
3	Input-tray driver PCA (upper/middle/lower cassette)
4	Auto-close unit (upper/middle/lower cassette)

## Intermediate paper-transfer unit (IPTU)

Figure 7-59 IPTU



1	IPTU media-feed motor 2
2	IPTU driver PCA
3	IPTU media-feed motor 1
4	Damper unit
5	Finisher fuser unit
6	Right-belt drive unit
7	Left-belt drive unit

## Scanner

### Components (scanner)

For scanner diagrams, see [Scanner component on page 206](#).

Figure 7-60 Components (scanner)

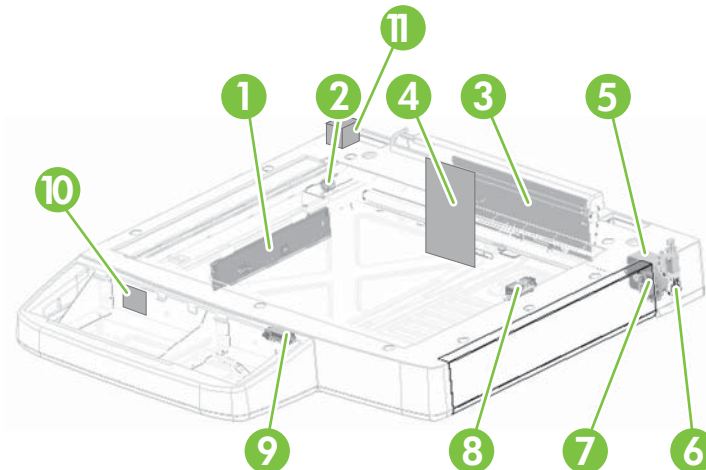


Table 7-31 Components (scanner)

1	CCD PCA
---	---------

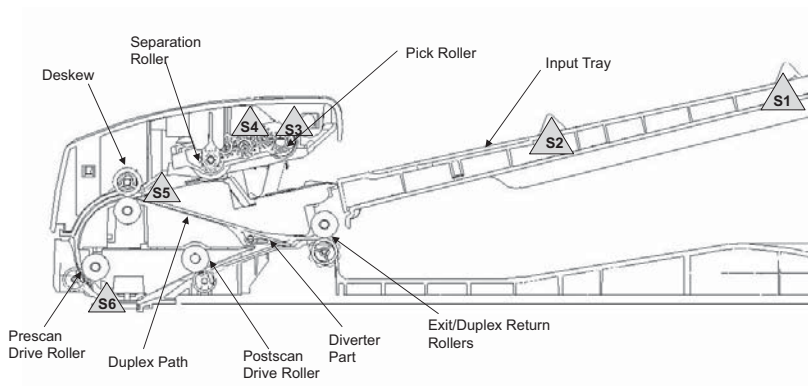
**Table 7-31 Components (scanner) (continued)**

2	Idle pulley
3	Copy-processor board (CPB)
4	Scanner-controller board (SCB)
5	Motor, stepper
6	ADF-open/close sensor
7	Idle gear
8	Paper sensor 2
9	Paper sensor 1
10	Control panel fan
11	Scanner fan

## ADF

### Sensors (ADF)

**Figure 7-61 Sensors (ADF)**

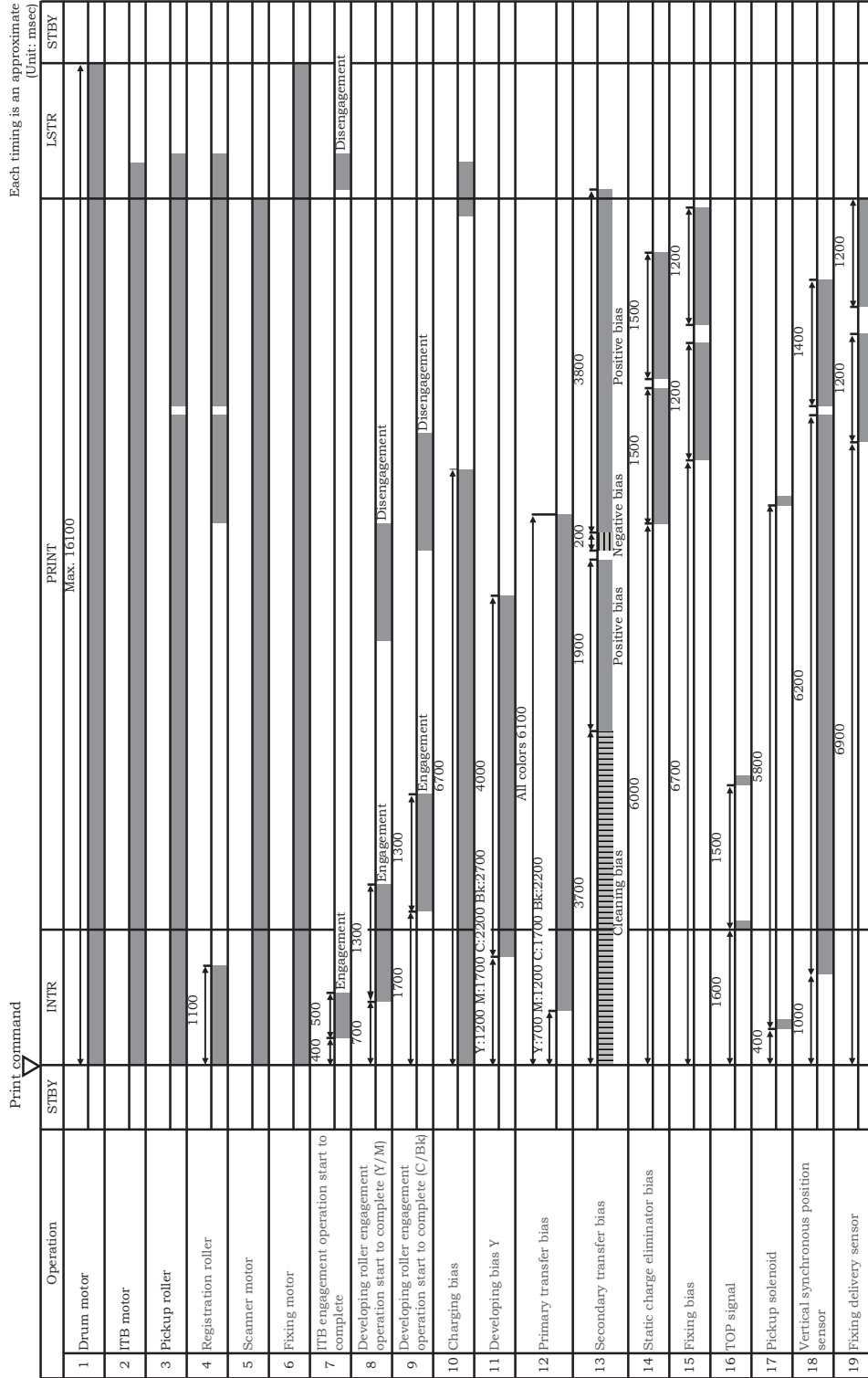


**Table 7-32 Sensors (ADF)**

S1	Length sensor
S2	Width sensor
S3	Cover-closed sensor
S4	Media loaded
S5	De-skew sensor
S6	Prescan sensor

# General timing chart

Figure 7-62 General timing chart



# General circuit diagrams

Figure 7-63 General circuit diagram (1 of 4)

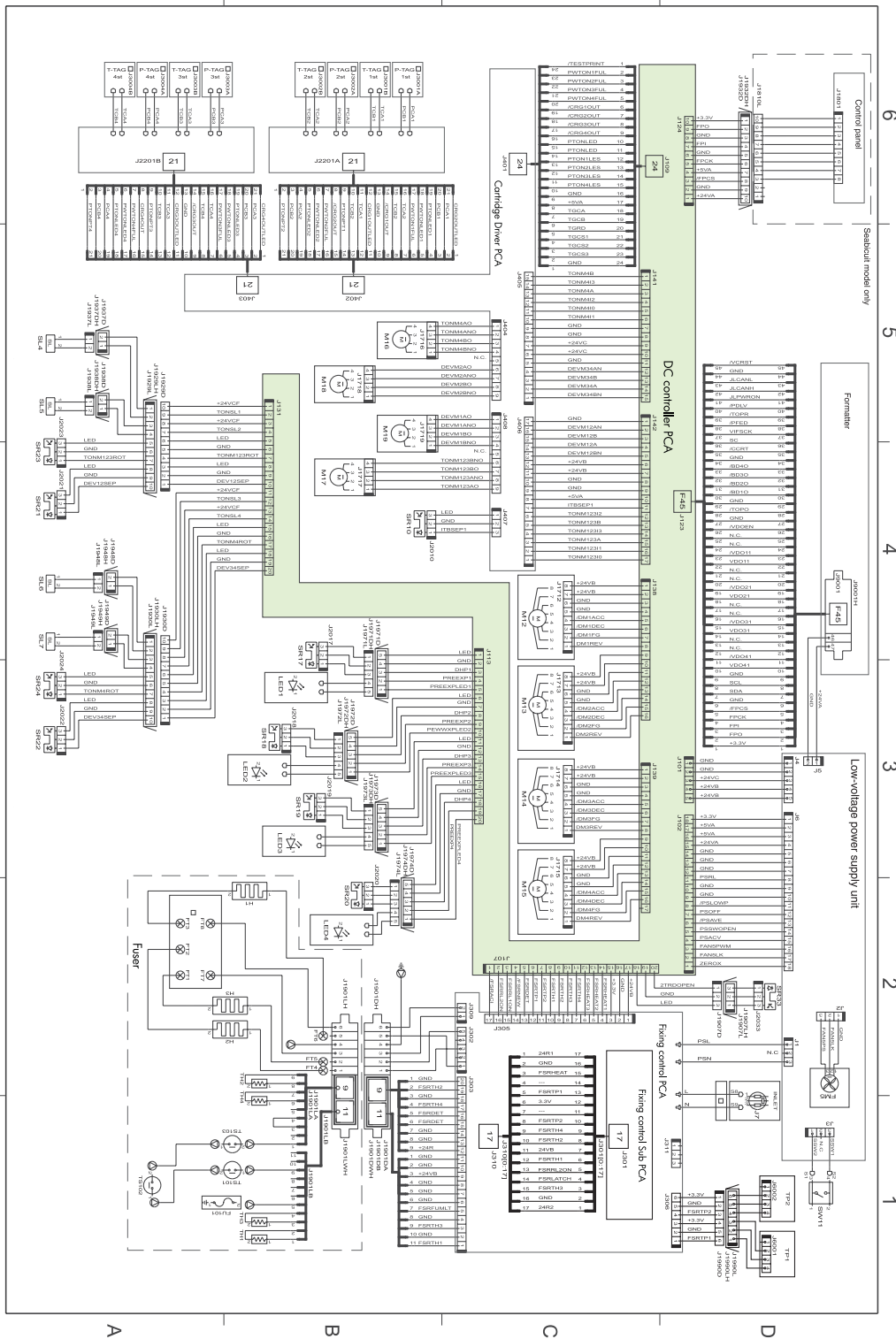


Figure 7-64 General circuit diagram (2 of 4)

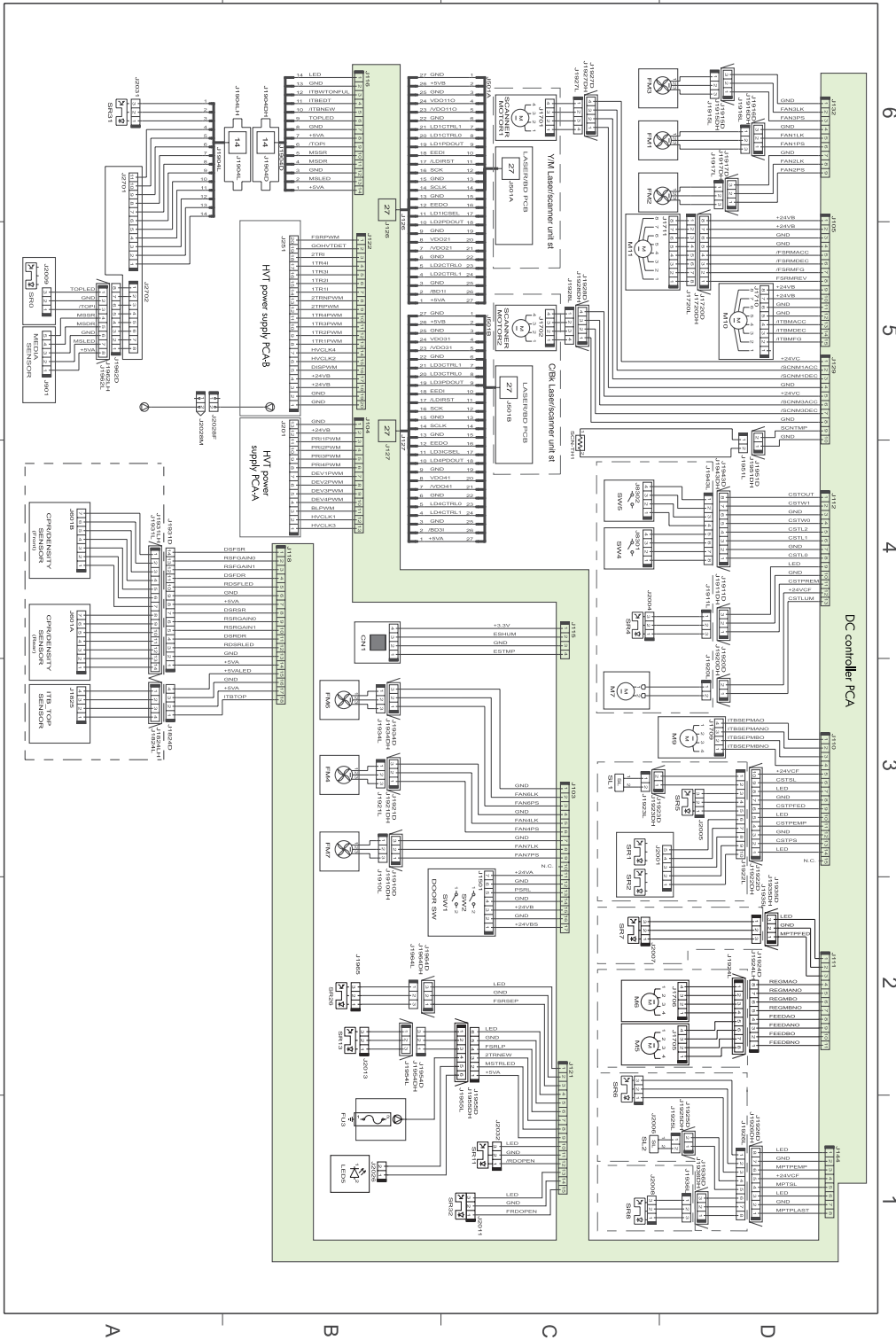
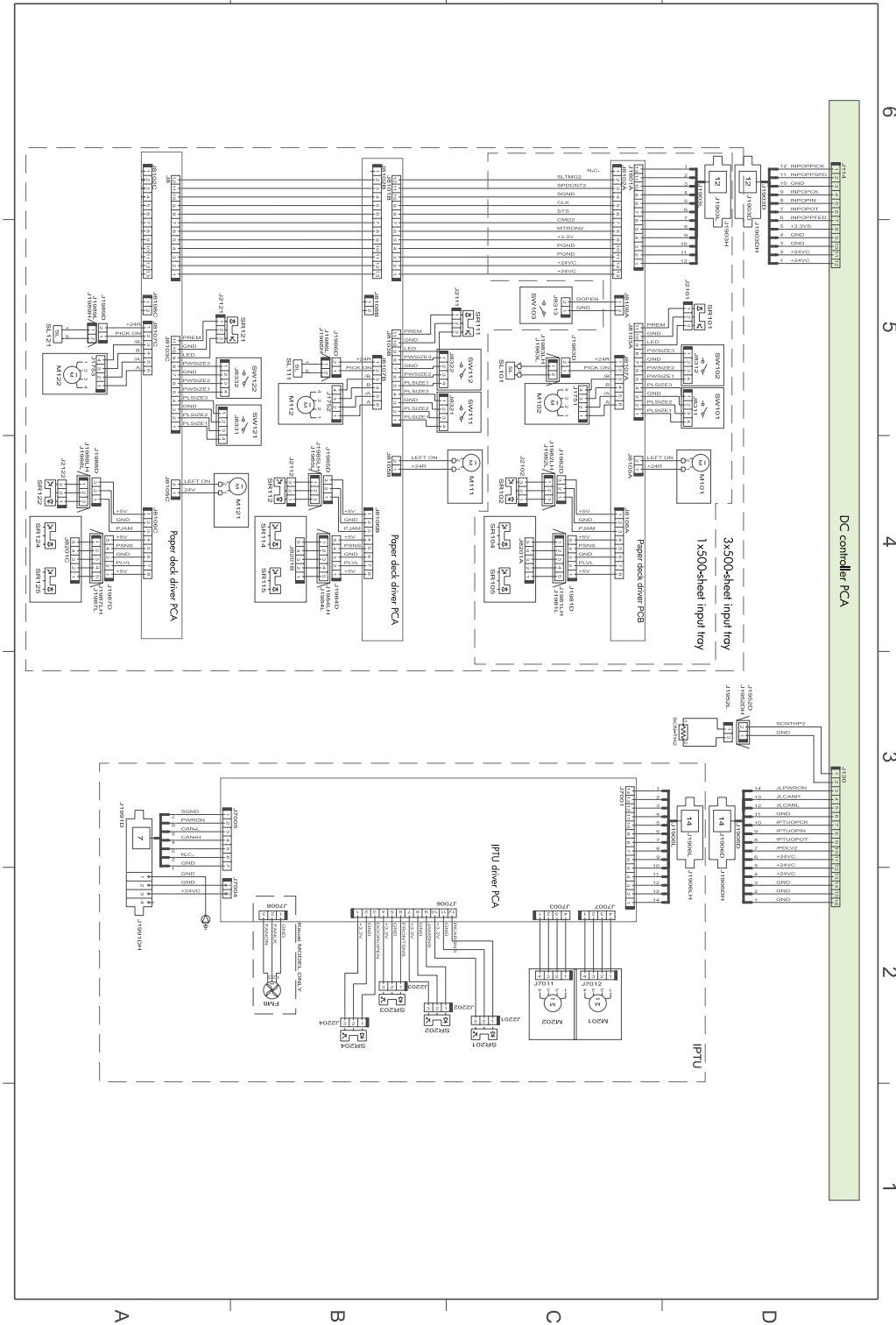




Figure 7-65 General circuit diagram (3 of 4)





# Signals

**Table 7-33** Input/output signals to and from DC Controller PCA

Connector	Pin	Abbreviation	I/O	Logic	Signal name
J101	1	GND			
	2	GND			
	3	+24VC			
	4	+24VB			
	5	+24VB			
J102	1	ZEROX	I	Pulse	ZERO CROSS signal
	2	FAN5LK	I	H	LVPS UNIT COOLING FAN LOCK signal
	3	FAN5PWM	O	H	LVPS UNIT COOLING FAN DRIVE signal
	4	PSACV	I	Analog	INPUT VOLTAGE DETECTION signal
	5	PSSWOPEN	I	H	POWER SWITCH MONITOR signal
	6	/PSAVE	O	Pulse	POWER SAVE MODE signal
	7	PSOFF	O	H	POWER OFF CONTROL signal
	8	/PSLOWP	O	L	POWER SAVE MODE SWITCH signal
	9	GND			
	10	GND			
	11	PSRL	O	H	DOOR OPEN DETECTION signal
	12	GND			
	13	GND			
	14	GND			
	15	+24VA			
	16	+5VA			
	17	+5VA			
	18	+3.3V			

**Table 7-33** Input/output signals to and from DC Controller PCA (continued)

J103	1	GND			
	2	FAN6LK	I	H	CRG FRONT AREA COOLING FAN LOCK signal
	3	FAN6PS	O	H	CRG FRONT AREA COOLING FAN DRIVE signal
	4	GND			
	5	FAN4LK	I	H	VOC FAN LOCK signal
	6	FAN4PS	O	H	VOC FAN DRIVE signal
	7	GND			
	8	FAN7LK	I	H	DELIVERY UNIT COOLING FAN LOCK signal
	9	FAN7PS	O	H	DELIVERY UNIT COOLING FAN DRIVE signal
	10	N.C.			
	11	+24VA			
	12	GND			
	13	PSRL			DOOR OPEN DETECTION signal
	14	GND			
	15	+24VB			
	16	GND			
	17	24VBS			

**Table 7-33** Input/output signals to and from DC Controller PCA (continued)

J104	1	GND			
	2	+24VB			
	3	PRI1PWM	O	Pulse	CHARGING BIAS CONTROL signal (Y)
	4	PRI2PWM	O	Pulse	CHARGING BIAS CONTROL signal (M)
	5	PRI3PWM	O	Pulse	CHARGING BIAS CONTROL signal (C)
	6	PRI4PWM	O	Pulse	CHARGING BIAS CONTROL signal (Bk)
	7	DEV1PWM	O	Pulse	DEVELOPING BIAS CONTROL signal (Y)
	8	DEV2PWM	O	Pulse	DEVELOPING BIAS CONTROL signal (M)
	9	DEV3PWM	O	Pulse	DEVELOPING BIAS CONTROL signal (C)
	10	DEV4PWM	O	Pulse	DEVELOPING BIAS CONTROL signal (Bk)
	11	BLPWM	O	Pulse	BLADE BIAS CONTROL signal
	12	HVCLK1	O	Pulse	HIGH-VOLTAGE TRANSFORMER CONTROL signal
	13	HVCLK3	O	Pulse	HIGH-VOLTAGE TRANSFORMER CONTROL signal

**Table 7-33** Input/output signals to and from DC Controller PCA (continued)

J105	1	+24VB			
	2	+24VB			
	3	GND			
	4	GND			
	5	/FSRMACC	O	L	FIXING MOTOR ACCELERATION signal
	6	/FSRMDEC	O	L	FIXING MOTOR DECELERATION signal
	7	/FSRMFG	I	L	FIXING MOTOR SPEED DETECTION signal
	8	FSRMREV	O	H	FIXING MOTOR REVERSE signal
	9	+24VB			
	10	+24VB			
	11	GND			
	12	GND			
	13	/ITBMACC	O	L	ITB MOTOR ACCELERATION signal
	14	/ITBMDEC	O	L	ITB MOTOR DECELERATION signal
	15	/ITBMFG	I	L	ITB MOTOR SPEED DETECTION signal

**Table 7-33 Input/output signals to and from DC Controller PCA (continued)**

J107	1	/FSRACI	I	L	FIXING DRIVE CURRENT DETECTION signal
	2	FSRRL2ON	O	H	FIXING RELAY 2 DRIVE signal
	3	FSRRL1ON	O	H	FIXING RELAY 1 DRIVE signal
	4	/FSRNEW	I	L	NEW FIXING UNIT signal
	5	FSRDET	I	Analog	FIXING UNIT IDENTIFICATION signal
	6	FSRTP1	I	Analog	FIXING MAIN THERMOPILE TEMPERATURE signal
	7	FSRTP2	I	Analog	FIXING SUB THERMOPILE TEMPERATURE signal
	8	FSRTH1	I	Analog	FIXING ROLLER END THERMISTOR TEMPERATURE signal
	9	FSRTH2	I	Analog	PRESSURE ROLLER END THERMISTOR TEMPERATURE signal
	10	FSRTH3	I	Analog	FIXING ROLLER END THERMISTOR TEMPERATURE signal
	11	FSRTH4	I	Analog	PRESSURE ROLLER END THERMISTOR TEMPERATURE signal
	12	FSRHEAT3	O	H	PRESSURE ROLLER HEATER DRIVE signal
	13	FSRHEAT2	O	H	FIXING ROLLER SUB HEATER DRIVE signal
	14	FSRHEAT1	O	H	FIXING ROLLER MAIN HEATER DRIVE signal
	15	+3.3V			
	16	GND			
	17	+24VB			
	18	LED (+5VA)			
	19	GND			
	20	2TRDOPEN	I	H	SECONDARY TRANSFER UNIT COVER OPEN DETECTION signal

**Table 7-33 Input/output signals to and from DC Controller PCA (continued)**

J108	1	/MFP	I	L	MFP CONTROL sign
	2	SUBPS	O	H	MFP CONTROL signal
	3	+3.3V			
	4	FANON	O	L	IPTU FAN DRIVE signal
	5	FANLK	I	H	IPTU FAN LOCK signal
	6	GND			
	7	LED (+5VA)			
	8	GND			
	9	PFUL	I	H	FACE-DOWN TRAY MEDIA FULL signal
	10	LED (+5VA)			
	11	GND			
	12	POUT	I	H	FIXING DELIVERY media-feed signal
	13	LED (+5VA)			
	14	GND			
	15	FSRDOPEN	I	H	FIXING UNIT COVER OPEN DETECTION signal



**Table 7-33 Input/output signals to and from DC Controller PCA (continued)**

J109	1	/TESTPRINT	I	L	TEST PRINT signal
	2	PWTON1FUL	I	H	P-CRG WASTE TONER FULL signal (Y)
	3	PWTON2FUL	I	H	P-CRG WASTE TONER FULL signal (M)
	4	PWTON3FUL	I	H	P-CRG WASTE TONER FULL signal (C)
	5	PWTON4FUL	I	H	P-CRG WASTE TONER FULL signal (Bk)
	6	/CRG1OUT	I	L	T-CRG PRESENCE signal (Y)
	7	/CRG2OUT	I	L	T-CRG PRESENCE signal (M)
	8	/CRG3OUT	I	L	T-CRG PRESENCE signal (C)
	9	/CRG4OUT	I	L	T-CRG PRESENCE signal (Bk)
	10	PTONLED	O	H	P-CRG TONER LEVEL DETECTION LED DRIVE signal
	11	PTONLED	O	H	P-CRG TONER LEVEL DETECTION LED DRIVE signal
	12	PTON1LE	I	H	P-CRG TONER LEVEL signal (Y)
	13	PTON2LES	I	H	P-CRG TONER LEVEL signal (M)
	14	PTON3LES	I	H	P-CRG TONER LEVEL signal (C)
	15	PTON4LES	I	H	P-CRG TONER LEVEL signal (Bk)
	16	GND			
	17	+5VA			
	18	TGCA	O	CLOCK	MEMORY TAG COMMUNICATION CLOCK signal
	19	TGCB	O	CLOCK	MEMORY TAG COMMUNICATION CLOCK signal
	20	TGRD	I	H	MEMORY TAG DATA signal
	21	TGCS1	O	H	MEMORY TAG COMMUNICATION SELECT signal
	22	TGCS2	O	H	
	23	TGCS3	O	H	
	24	GND			

**Table 7-33 Input/output signals to and from DC Controller PCA (continued)**

J110	1	ITBSEPMAO	O	H	PRIMARY TRANSFER ROLLER DISENGAGEMENT MOTOR CONTROL signal
	2	ITBSEPMANO	O	H	PRIMARY TRANSFER ROLLER DISENGAGEMENT MOTOR CONTROL signal
	3	ITBSEPMBO	O	H	PRIMARY TRANSFER ROLLER DISENGAGEMENT MOTOR CONTROL signal
	4	ITBSEPMBNO	O	H	PRIMARY TRANSFER ROLLER DISENGAGEMENT MOTOR CONTROL signal
	5	+24VCF			
	6	CSTSL	O	H	CST PICKUP SOLENOID CONTROL signal
	7	LED (+5VA)			
	8	GND			
	9	CSTPFED	I	H	CST media-feed signal
	10	LED (+5VA)			
	11	CSTPEMP	I	H	CST MEDIA PRESENCE signal
	12	GND			
	13	CSTPS	I	H	CST MEDIA STACK SURFACE signal
	14	LED (+5VA)			
	15	N.C.			

**Table 7-33 Input/output signals to and from DC Controller PCA (continued)**

J111	1	LRD(+5VA)			
	2	GND			
	3	MPTPFED	I	H	MPT media-feed signal
	4	REGMAO	O	H	REGISTRATION MOTOR CONTROL signal
	5	REGMANO	O	H	REGISTRATION MOTOR CONTROL signal
	6	REGMBO	O	H	REGISTRATION MOTOR CONTROL signal
	7	REGMBNO	O	H	REGISTRATION MOTOR CONTROL signal
	8	FEEDAO	O	H	PICKUP MOTOR CONTROL signal
	9	FEEDANO	O	H	PICKUP MOTOR CONTROL signal
	10	FEEDBO	O	H	PICKUP MOTOR CONTROL signal
	11	FEEDBNO	O	H	PICKUP MOTOR CONTROL signal
J112	1	CSTOUT	I	H	CST SIDE PLATE POSITION signal 2
	2	CSTW1	I	H	CST SIDE PLATE POSITION signal 1
	3	GND			
	4	CSTW0	I	H	CST SIDE PLATE POSITION signal 0
	5	CSTL2	I	H	CST END PLATE POSITION signal 2
	6	CSTL1	I	H	CST END PLATE POSITION signal 1
	7	GND			
	8	CSTL0	I	H	CST END PLATE POSITION signal 0
	9	LED (+5VA)			
	10	GND			
	11	CSTPREM	I	H	CST MEDIA LEVEL signal
	12	+24VCF			
	13	CSTLUM	O	H	CST LIFT UP MOTOR DRIVE signal

**Table 7-33** Input/output signals to and from DC Controller PCA (continued)

J113	1	LED (+5VA)			
	2	GND			
	3	DHP1	I	H	DRUM HOMEPOSITION signal (Y)
	4	PREEXP1	O	H	PRE-EXPOSURE LED DRIVE signal (Y)
	5	PREEXPLED1 (+5VA)			
	6	LED (+5VA)			
	7	GND			
	8	DHP2	I	H	DRUM HOMEPOSITION signal (M)
	9	PREEXP2	O	H	PRE-EXPOSURE LED DRIVE signal (M)
	10	PREEXPLED2 (+5VA)			
	11	LED (+5VA)			
	12	GND			
	13	DHP3	I	H	DRUM HOMEPOSITION signal (C)
	14	PREEXP3	O	H	PRE-EXPOSURE LED DRIVE signal (C)
	15	PREEXPLED3 (+5VA)			
	16	LED (+5VA)			
	17	GND			
	18	DHP4	I	H	DRUM HOMEPOSITION signal (Bk)
	19	PREEXP4	O	H	PRE-EXPOSURE LED DRIVE signal (Bk)
	20	PREEXPLED4 (+5VA)			

**Table 7-33** Input/output signals to and from DC Controller PCA (continued)

J114	1	INPOPPICK	O	H	OPTIONAL PICKUP UNIT PICKUP signal
	2	INPOPPSPD	O	H	OPTIONAL PICKUP UNIT PICKUP SPEED signal
	3	GND			
	4	INPOPCK	O	Clock	OPTIONAL PICKUP UNIT COMMUNICATION signal
	5	INPOPIN	I	H	OPTIONAL PICKUP UNIT COMMUNICATION signal
	6	INPOPOT	O	H	OPTIONAL PICKUP UNIT COMMUNICATION signal
	7	INPOPPFED	O	H	OPTIONAL PICKUP UNIT RE-PICKUP signal
	8	+3.3VS			
	9	GND			
	10	GND			
	11	+24VC			
	12	+24VC			
J115	1	+3.3V			
	2	ESHUM	I	Pulse	ENVIRONMENT signal (Humidity)
	3	GND			
	4	ESTMP	I	Analog	ENVIRONMENT signal (Temperature)

**Table 7-33** Input/output signals to and from DC Controller PCA (continued)

J116	1	LED (+5VA)			
	2	GND			
	3	ITBWTONFUL	I	H	ITB WASTE TONER FULL signal
	4	ITBDET	I	Analog	ITB UNIT PRESENCE signal
	5	/ITBNEW	I	L	NEW ITB UNIT signal
	6	TOPLED (+5VA)			
	7	GND			
	8	+5VA			
	9	/TOPI	I	L	VERTICAL SYNCHRONOUS POSITION signal
	10	MSSR	I	Analog	MEDIA SENSOR REFLECTION signal
	11	MSDR	I	Analog	MEDIA SENSOR REFLECTION signal
	12	GND			
	13	MSLED	O	H	MEDIA SENSOR LED DRIVE signal (Reflection type)
	14	+5VA			

**Table 7-33 Input/output signals to and from DC Controller PCA (continued)**

J118	1	DSFSR	I	Analog	COLOR MISREGISTRATION/ IMAGE DENSITY signal
	2	RSFGAIN0	O	H	COLOR MISREGISTRATION/ IMAGE DENSITY LIGHT RECEIVE SENSITIVITY SWITCH signal
	3	RSFGAIN1	O	H	COLOR MISREGISTRATION/ IMAGE DENSITY LIGHT RECEIVE SENSITIVITY SWITCH signal
	4	DSFDR	I	Analog	COLOR MISREGISTRATION/ IMAGE DENSITY signal
	5	RDSFLED	O	H	COLOR MISREGISTRATION/ IMAGE DENSITY LED DRIVE sig
	6	GND			
	7	+5VA			
	8	DSRSR	I	Analog	COLOR MISREGISTRATION/ IMAGE DENSITY signal
	9	RSRGAIN0	O	H	COLOR MISREGISTRATION/ IMAGE DENSITY LIGHT RECEIVE SENSITIVITY SWITCH signal
	10	RSRGAIN1	O	H	COLOR MISREGISTRATION/ IMAGE DENSITY LIGHT RECEIVE SENSITIVITY SWITCH signal
	11	DSRDR	I	Analog	COLOR MISREGISTRATION/ IMAGE DENSITY signal
	12	RDSRLED	O	H	COLOR MISREGISTRATION/ IMAGE DENSITY LED DRIVE signal
	13	GND			
	14	+5VA			
	15	+5VALED	O	H	ITB SENSOR MARK LED DRIVE signal
	16	GND			
	17	+5VA			
	18	ITBTOP	I	H	ITB SENSOR MARK signal

**Table 7-33** Input/output signals to and from DC Controller PCA (continued)

J121	1	LED (+5VA)			
	2	GND			
	3	FSRSEP	I	H	FIXING UNIT HOMEPOSITION signal
	4	LED (+5VA)			
	5	GND			
	6	FSRLP	I	H	LOOP DETECTION signal
	7	/2TRNEW	I	L	NEW SECONDARY TRANSFER UNIT signal
	8	MSTRLED	O	H	MEDIA SENSOR LED DRIVE signal
	9	+5VA			
	10	LED (+3.3V)			
	11	GND			
	12	/RDOPEN	I	L	RIGHT DOOR OPEN DETECTION signal
	13	LED (+3.3V)			
	14	GND			
	15	FRDOPEN	I	H	FRONT DOOR OPEN DETECTION signal



**Table 7-33 Input/output signals to and from DC Controller PCA (continued)**

J122	1	FSRPWM	O	Pulse	FIXING BIAS CONTROL signal
	2	GOHVTDDET	I	H	HIGH-VOLTAGE PCB IDENTIFICATION signal (Not in use)
	3	2TRI	I	Analog	SECONDARY TRANSFER CURRENT signal
	4	1TR4I	I	Analog	PRIMARY TRANSFER CURRENT signal (Bk)
	5	1TR3I	I	Analog	PRIMARY TRANSFER CURRENT signal (C)
	6	1TR2I	I	Analog	PRIMARY TRANSFER CURRENT signal (M)
	7	1TR1I	I	Analog	PRIMARY TRANSFER CURRENT signal (Y)
	8	2TRNPWM	O	Pulse	SECONDARY TRANSFER REVERSE VOLTAGE CONTROL signal
	9	2TRPWM		Pulse	SECONDARY TRANSFER VOLTAGE CONTROL signal
	10	1TR4PWM	O	Pulse	PRIMARY TRANSFER VOLTAGE CONTROL signal (Bk)
	11	1TR3PWM	O	Pulse	PRIMARY TRANSFER VOLTAGE CONTROL signal (C)
	12	1TR2PWM	O	Pulse	PRIMARY TRANSFER VOLTAGE CONTROL signal (M)
	13	1TR1PWM	O	Pulse	PRIMARY TRANSFER VOLTAGE CONTROL signal (Y)
	14	HVCLK4	O	Pulse	HIGH-VOLTAGE TRANSFORMER CONTROL signal
	15	HVCLK2	O	Pulse	HIGH-VOLTAGE TRANSFORMER CONTROL signal
	16	DISPWM	O	Pulse	STATIC CHARGE ELIMINATOR BIAS DRIVE signal
	17	+24VB			
	18	+24VB			
	19	GND			
	20	GND			

**Table 7-33 Input/output signals to and from DC Controller PCA (continued)**

J123	1	+3.3V				
	2	FPO	O	H		OPERATION PANEL SERIAL DATA OUTPUT signal
	3	FPI	I	H		OPERATION PANEL SERIAL DATA INPUT signal
	4	FPCK	I	Pulse		OPERATION PANEL SERIAL CLOCK signal
	5	/FPCS	I	L		OPERATION PANEL CONTROLLER CHIP SELECT signal
	6	GND				
	7	SDA	I/O	Pulse		FORMATTER EEPROM COMMUNICATION DATA signal
	8	SCL	I/O	Pulse		FORMATTER EEPROM COMMUNICATION CLOCK signal
	9	GND				
	10	VDO41				
	11	/VDO41				
	12	N.C.				
	13	N.C.				
	14	VDO31	I	Pulse		VIDEO signal (C)
	15	/VDO31	I	Pulse		VIDEO signal (C)
	16	N.C.				
	17	N.C.				
	18	VDO21	I	Pulse		VIDEO signal (M)
	19	/VDO21	I	Pulse		VIDEO signal (M)
	20	N.C.				
	21	N.C.				
	22	VDO11	I	Pulse		VIDEO signal (Bk)
	23	/VDO11	I	Pulse		VIDEO signal (Bk)
	24	N.C.				
	25	N.C.				
	26	/VDOEN	O	L		VIDEO ENABLE signal
	27	GND				
	28	/TOPO	O	L		TOP OF PAGE signal
	29	GND				
	30	/BD1O	O	Pulse		BD signal (Y)
	31	/BD2O	O	Pulse		BD signal (M)

**Table 7-33 Input/output signals to and from DC Controller PCA (continued)**

J123 (continued)	32	/BD3O	O	Pulse	BD signal (C)
	33	/BD4O	O	Pulse	BD signal (Bk)
	34	GND			
	35	/CCRT	O	L	STATUS CHANGE NOTICE signal
	36	SC	I/O	H	STATUS COMMAND signal
	37	VIFSCK	I/O	L	SERIAL CLOCK signal
	38	/PFED	I	L	media-feed signal
	39	/TOPR	O	L	MEDIA RE-PICKUP signal
	40	/PDLV	O	L	MEDIA DELIVERY signal
	41	JLPWRON	O	H	OPTIONAL DELIVERY UNIT COMMUNICATION signal
	42	JLCANH	O	H	OPTIONAL DELIVERY UNIT COMMUNICATION signal
	43	JLCANL	I/O	L	OPTIONAL DELIVERY UNIT COMMUNICATION signal
	44	GND	O		
	45	/VCRST	I/O	L	FORMATTER RESET signal
	J124	1	+24VA		
2		GND			
3		/FPCS	I	L	OPERATION PANEL CONTROLLER CHIP SELECT signal
4		+5VA			
5		FPCCK	I	Pulse	OPERATION PANEL SERIAL CLOCK signal
6		GND			
7		FPI	I	H	OPERATION PANEL SERIAL DATA INPUT signal
8		GND			
9		FPO	O	H	OPERATION PANEL SERIAL DATA OUTPUT signal
10		+3.3V			

**Table 7-33 Input/output signals to and from DC Controller PCA (continued)**

J126	1	+5VA			
	2	BD1I	I	Pulse	BD signal (Y)
	3	GND			
	4	LD2CTRL1	O	H	LASER CONTROL signal (M)
	5	LD2CTRL0	O	H	LASER CONTROL signal (M)
	6	GND			
	7	/VDO21	O	L	VIDEO signal (M)
	8	VDO21	O	H	VIDEO signal (M)
	9	GND			
	10	LD2PDOUT	I	Analog	LASER CURRENT OUTPUT signal (M)
	11	LD1ICSEL	O	H	LASER CONTROL SWITCH signal
	12	EEDO	O	H	EEPROM WRITING DATA signal
	13	GND			
	14	SCLK	O	H	LASER IC CLOCK signal
	15	GND			
	16	SCK	O	H	EEPROM COMMUNICATION CLOCK signal
	17	/LDIRST	O	L	LASER IC RESET signal
	18	EEDI	I	H	EEPROM READING DATA signal
	19	LD1PDOUT	I	Analog	LASER CURRENT OUTPUT signal (Y)
	20	LD1CTRL0	O	H	LASER CONTROL signal (Y)
	21	LD1CTRL1	O	H	LASER CONTROL signal (Y)
	22	GND			
	23	/VDO11O	O	L	VIDEO signal (Y)
	24	VDO11O	O	H	VIDEO signal (Y)
	25	GND			
	26	+5VB			
	27	GND			

**Table 7-33** Input/output signals to and from DC Controller PCA (continued)

J127	1	+5VA			
	2	/BD3I	I	Pulse	BD signal (C)
	3	GND			
	4	LD4CTRL1	O	H	LASER CONTROL signal (Bk)
	5	LD4CTRL0	O	H	LASER CONTROL signal (Bk)
	6	GND			
	7	/VDO41	O	L	VIDEO signal (Bk)
	8	VDO41	O	H	VIDEO signal (Bk)
	9	GND			
	10	LD4PDOUT	I	Analog	LASER CURRENT OUTPUT signal (Bk)
	11	LD3ICSEL	O	H	LASER CONTROL SWITCH signal
	12	EEDO	O	H	EEPROM WRITING DATA signal
	13	GND			
	14	SCLK	O	L	LASER IC CLOCK signal
	15	GND			
	16	SCK	O	L	EEPROM COMMUNICATION CLOCK signal
	17	/LDIRST	O	L	LASER IC RESET signal
	18	EEDI	I	H	EEPROM READING DATA signal
	19	LD3PDOUT	I	Analog	LASER CURRENT OUTPUT signal (C)
	20	LD3CTRL0	O	H	LASER CONTROL signal (C)
	21	LD3CTRL1	O	H	LASER CONTROL signal (C)
	22	GND			
	23	/VDO31	O	L	VIDEO signal (C)
	24	VDO31	O	H	VIDEO signal (C)
	25	GND			
	26	+5VB			
	27	GND			

**Table 7-33** Input/output signals to and from DC Controller PCA (continued)

J129	1	+24VC			
	2	/SCNM1ACC	O	L	SCANNER MOTOR ACCELERATION signal
	3	/SCNM1DEC	O	L	SCANNER MOTOR DECELERATION signal
	4	GND			
	5	+24VC			
	6	/SCNM3ACC	O	L	SCANNER MOTOR ACCELERATION signal
	7	/SCNM3DEC	O	L	SCANNER MOTOR DECELERATION signal
	8	GND			
	9	SCNTMP1	I	Analog	LASER/SCANNER AREA TEMPERATURE signal 1
	10	GND			

**Table 7-33** Input/output signals to and from DC Controller PCA (continued)

J130	1	SCNTHP2	I	Analog	LASER/SCANNER AREA TEMPERATURE signal 2
	2	GND			
	3	JLPWRON	O	H	OPTIONAL DELIVERY UNIT POWER ON signal
	4	JLCANH	I/O	H	OPTIONAL DELIVERY UNIT COMMUNICATION signal
	5	JLCANL	I/O	L	OPTIONAL DELIVERY UNIT COMMUNICATION signal
	6	GND			
	7	IPTUOPCK	O	H	OPTIONAL IPTU CLOCK signal
	8	IPTUOPIN	I	L	OPTIONAL IPTU STATUS signal
	9	IPTUOPOT	O	H	OPTIONAL IPTU COMMAND signal
	10		O	H	OPTIONAL IPTU media- feed signal
	11				
	12				
	13				
	14				
	15				
	16				

**Table 7-33 Input/output signals to and from DC Controller PCA (continued)**

J131	1	+24VCF			
	2	TONSL1	O	H	TONER FEED SOLENOID CONTROL signal (Y)
	3	+24VCF			
	4	TONSL2	O	H	TONER FEED SOLENOID CONTROL signal (M)
	5	LED (+5VA)			
	6	GND			
	7	TONM123ROT	I		Pulse TONER FEED SCREW ROTATION NUMBER signal (Y, M, C)
	8	LED (+5VA)			
	9	GND			
	10	DEV12SEP	I	H	DEVELOPING HOMEPOSITION signal (Y, M)
	11	+24VCF			
	12	TONSL3	O	H	TONER FEED SOLENOID CONTROL signal (C)
	13	+24VCF			
	14	TONSL4	O	H	TONER FEED SOLENOID CONTROL signal (Bk)
	15	LED (+5VA)			
	16	GND			
	17	TONM4ROT	I		Pulse TONER FEED SCREW ROTATION NUMBER signal (Bk)
	18	LED (+5VA)			
	19	GND			
	20	DEV34SEP	I	H	DEVELOPING HOMEPOSITION signal (C, Bk)



**Table 7-33** Input/output signals to and from DC Controller PCA (continued)

J132	1	GND			
	2	FAN3LK	I	H	CRG AREA COOLING FAN LOCK signal
	3	FAN3PS	O	H	CRG AREA COOLING FAN DRIVE signal
	4	GND			
	5	FAN1LK	I	H	LASER/SCANNER UNIT COOLING FAN LOCK signal
	6	FAN1PS	O	H	LASER/SCANNER UNIT COOLING FAN DRIVE signal
	7	GND			
	8	FAN2LK	I	H	FIXING UNIT COOLING FAN LOCK signal
	9	FAN2PS	O	H	FIXING UNIT COOLING FAN DRIVE signal
J133	1	DUPOPPSPD	O	H	DUPLEXING UNIT PICKUP SPEED signal
	2	DUPOPPFED	O	H	DUPLEXING UNIT RE-PICKUP signal
	3	DUPOPCK	O	H	DUPLEXING UNIT CLOCK signal
	4	DUPOPIN	I	H	DUPLEXING UNIT STATUS signal
	5	DUPOPOT	O	H	DUPLEXING UNIT COMMAND signal
	6	+3.3VS			
	7	+5VA			
	8	GND			
	9	GND			
	10	GND			
	11	+24VB			
	12	+24VB			

**Table 7-33** Input/output signals to and from DC Controller PCA (continued)

J138	1	+24VB			
	2	+24VB			
	3	GND			
	4	GND			
	5	/DM1ACC	O	H	DRUM MOTOR ACCELERATION signal (Y)
	6	/DM1DEC	O	H	DRUM MOTOR DECELERATION signal (Y)
	7	/DM1FG	I	Pulse	DRUM MOTOR SPEED DETECTION signal (Y)
	8	DM1REV	O	H	DRUM MOTOR REVERSE signal (Y)
	9	+24VB			
	10	+24VB			
	11	GND			
	12	GND			
	13	/DM2ACC	O	H	DRUM MOTOR ACCELERATION signal (M)
	14	/DM2DEC	O	H	DRUM MOTOR DECELERATION signal (M)
	15	/DM2FG	I	Pulse	DRUM MOTOR SPEED DETECTION signal (M)
	16	DM2REV	O	H	DRUM MOTOR REVERSE signal (M)

**Table 7-33** Input/output signals to and from DC Controller PCA (continued)

J139	1	+24VB			
	2	+24VB			
	3	GND			
	4	GND			
	5	/DM3ACC	O	H	DRUM MOTOR ACCELERATION signal (C)
	6	/DM3DEC	O	H	DRUM MOTOR DECELERATION signal (C)
	7	/DM3FG	I	Pulse	DRUM MOTOR SPEED DETECTION signal (C)
	8	DM3REV	O	H	DRUM MOTOR REVERSE signal (C)
	9	+24VB			
	10	+24VB			
	11	GND			
	12	GND			
	13	/DM4ACC	O	H	DRUM MOTOR ACCELERATION signal (Bk)
	14	/DM4DEC	O	H	DRUM MOTOR DECELERATION signal (Bk)
	15	/DM4FG	I	Pulse	DRUM MOTOR SPEED DETECTION signal (Bk)
	16	DM4REV	O	H	DRUM MOTOR REVERSE signal (Bk)
	17	N.C.			

**Table 7-33** Input/output signals to and from DC Controller PCA (continued)

J141	1	TONM4B	O	H	TONER FEED MOTOR CONTROL signal (Bk)
	2	TONM4I3	O	H	TONER FEED MOTOR CURRENT SWITCH signal (Bk)
	3	TONM4A	O	H	TONER FEED MOTOR CONTROL signal (Bk)
	4	TONM4I2	O	H	TONER FEED MOTOR CURRENT SWITCH signal (Bk)
	5	TONM4I0	O	H	TONER FEED MOTOR CURRENT SWITCH signal (Bk)
	6	TONM4I1	O	H	TONER FEED MOTOR CURRENT SWITCH signal (Bk)
	7	GND			
	8	GND			
	9	+24VC			
	10	+24VC			
	11	GND			
	12	DEVM34AN	O	H	DEVELOPING DISENGAGEMENT MOTOR CONTROL signal (C, Bk)
	13	DEVM34B	O	H	DEVELOPING DISENGAGEMENT MOTOR CONTROL signal (C, Bk)
	14	DEVM34A	O	H	DEVELOPING DISENGAGEMENT MOTOR CONTROL signal (C, Bk)
	15	DEVM34BN	O	H	DEVELOPING DISENGAGEMENT MOTOR CONTROL signal (C, Bk)

**Table 7-33** Input/output signals to and from DC Controller PCA (continued)

J142	1	GND			
	2	DEVM12AN	O	H	DEVELOPING DISENGAGEMENT MOTOR CONTROL signal (Y, M)
	3	DEVM12B	O	H	DEVELOPING DISENGAGEMENT MOTOR CONTROL signal (Y, M)
	4	DEVM12A	O	H	DEVELOPING DISENGAGEMENT MOTOR CONTROL signal (Y, M)
	5	DEVM12BN	O	H	DEVELOPING DISENGAGEMENT MOTOR CONTROL signal (Y, M)
	6	+24VB			
	7	+24VB			
	8	GND			
	9	GND			
	10	+5VA			
	11	ITBSEP1	I	H	ITB HOMEPOSITION signal
	12	TONM123I2	O	H	TONER FEED MOTOR CURRENT SWITCH signal (Y, M, C)
	13	TONM123B	O	H	TONER FEED MOTOR CONTROL signal (Y, M, C)
	14	TONM123I3	O	H	TONER FEED MOTOR CURRENT SWITCH signal (Y, M, C)
	15	TONM123A	O	H	TONER FEED MOTOR CONTROL signal (Y, M, C)
	16	TONM123I1	O	H	TONER FEED MOTOR CURRENT SWITCH signal (Y, M, C)
	17	TONM123I0	O	H	TONER FEED MOTOR CURRENT SWITCH signal (Y, M, C)

**Table 7-33** Input/output signals to and from DC Controller PCA (continued)

J144	1	LED (+5VA)			
	2	GND			
	3	MPTPEMP	I	H	MPT MEDIA PRESENCE signal
	4	+24VCF			
	5	MPTSL	O	H	MPT PICKUP SOLENOID CONTROL signal
	6	LED (+5VA)			
	7	GND			
	8	MPTPLAST	I	H	MPT LAST MEDIA signal

---

## 8 Output accessories and intermediate paper transfer unit (IPTU)

- [Theory of operation](#)
- [Specifications](#)
- [Removal and replacement](#)
- [Solve problems](#)

# Theory of operation

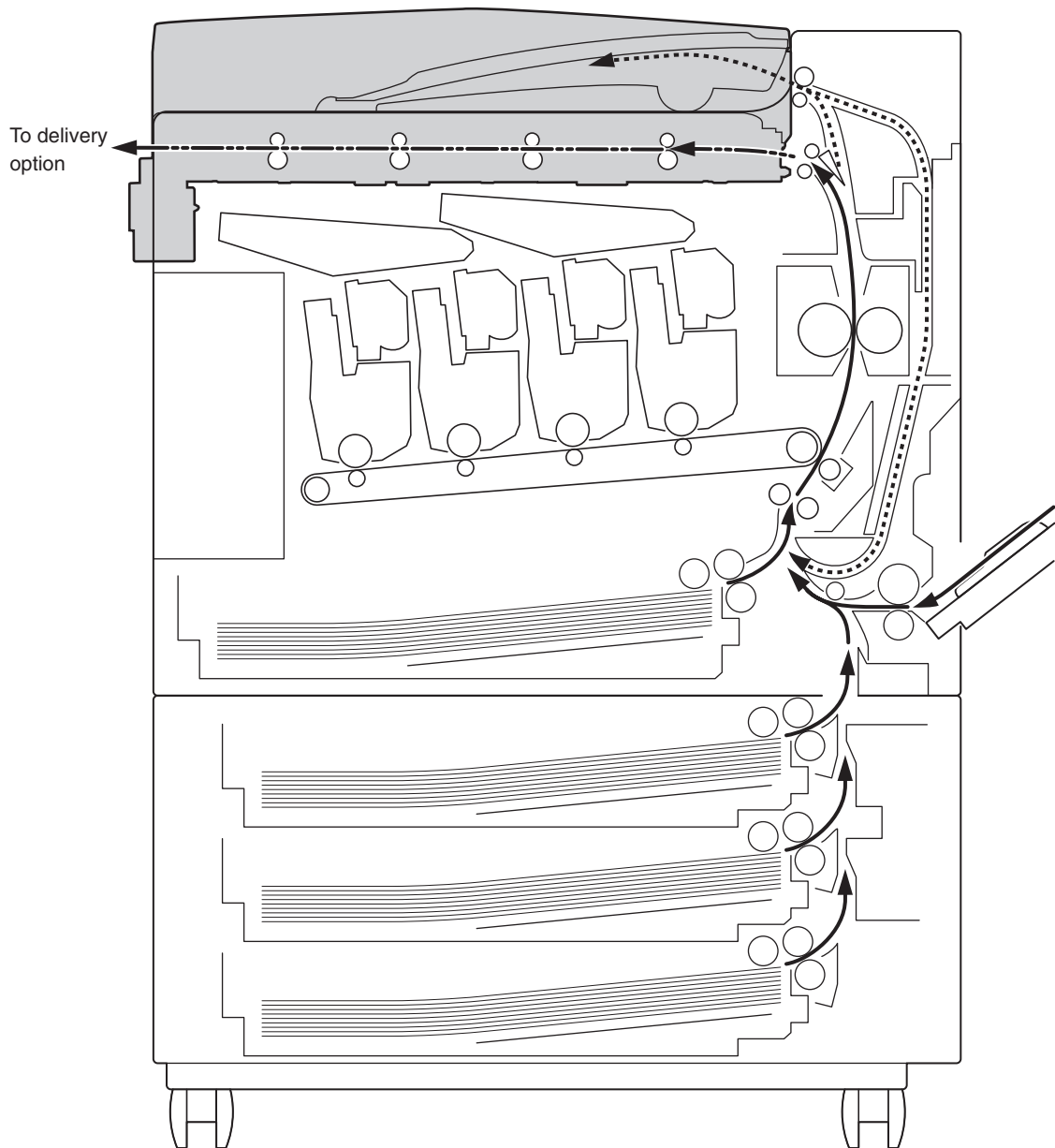
## Intermediate paper transfer unit (IPTU)

 **NOTE:** This item is called the “output accessory bridge” in the user documentation for this product.

### Basic operation

The intermediate paper transfer unit (IPTU) is optionally installed to the face-down delivery unit of the product. It feeds paper to the staple/stacker or booklet maker. The face-down tray is removed when you install the IPTU.

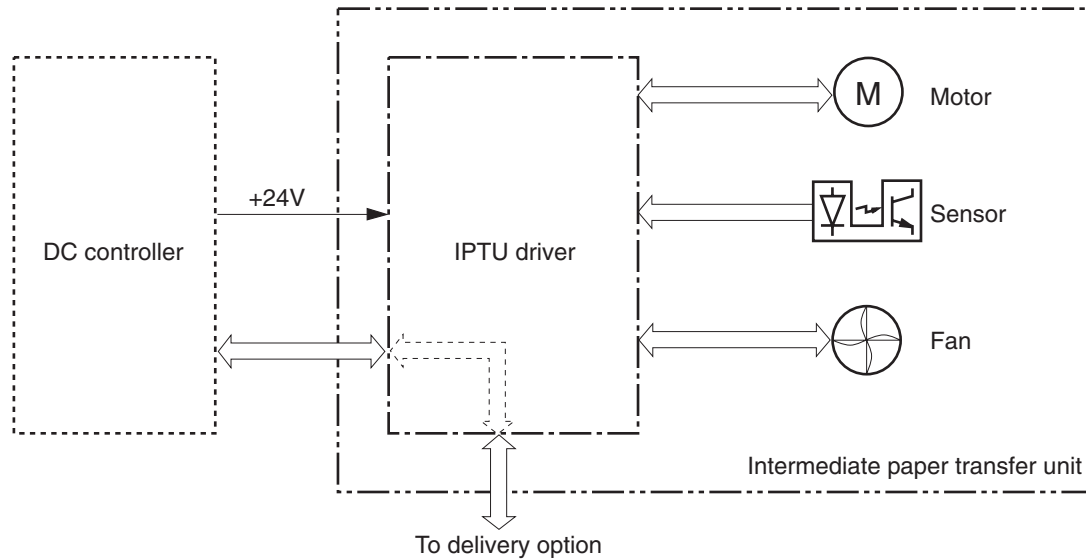
**Figure 8-1** Paper path of the IPTU





The IPTU driver controls the operational sequence of the IPTU and the serial communication with the DC controller of the product. The DC controller sends several commands to the IPTU driver at specific times. The IPTU driver drives the motors according to the commands. The IPTU driver sends the status information of the IPTU to the DC controller. The DC controller determines if there is an IPTU illegal connection. The DC controller notifies the formatter if it does not control the serial communication with the IPTU driver when the product is turned on, when it is recovering from Sleep mode, or during the pre-rotation period when the door closes. The printer supplies DC24V to the IPTU. The IPTU driver generates DC3.3V for sensors and ICs based on the DC24V.

**Figure 8-2** Signal flow in the IPTU



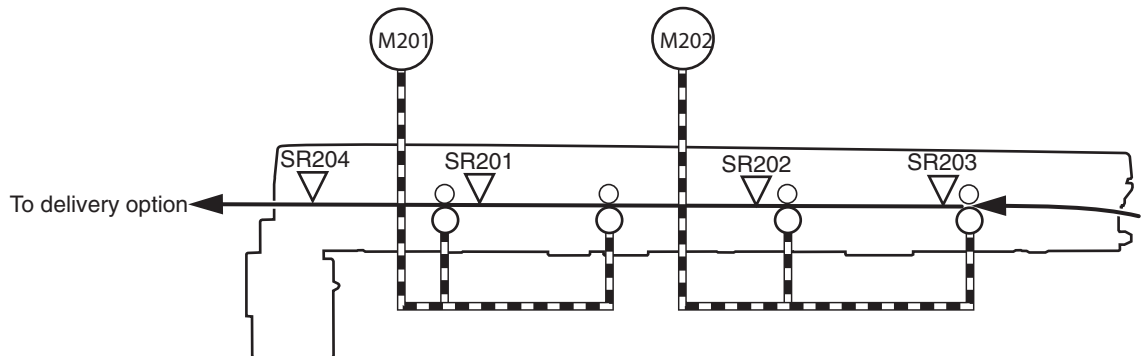
**Table 8-1** Components of the IPTU

Symbol for component	Name	Remark
Motor	M201	IPTU media feed motor 2
	M202	IPTU media feed motor 1
Sensor	SR201	IPTU media feed sensor 3
	SR202	IPTU media feed sensor 2
	SR203	IPTU media feed sensor 1
	SR204	IPTU door open detection sensor
Fan	FM8	IPTU feed unit cooling fan

## Feed operation

The paper is delivered to the staple/stacker or booklet maker through the IPTU.

**Figure 8-3** Motors and sensors of the IPTU



**Table 8-2** IPTU components

Component		Signal	Driver
IPTU feed motor 2	M201	IPTU feed motor 2 control signal	IPTU driver
IPTU feed motor 1	M202	IPTU feed motor 1 control signal	IPTU driver
IPTU media feed sensor 3	SR201	IPTU media feed 3 signal	IPTU driver
IPTU media feed sensor 2	SR202	IPTU media feed 2 signal	IPTU driver
IPTU media feed sensor 1	SR203	IPTU media feed 1 signal	IPTU driver
IPTU door open detection sensor	SR204	IPTU door open detection signal	IPTU driver

## IPTU sequence

1. The paper is fed into the IPTU after fusing.
2. The DC controller sends a drive command to the IPTU driver after the fusing delivery media feed sensor detects the leading edge of paper.
3. When it receives a command, the IPTU driver drives the IPTU feed motors to rotate the PD media feed rollers.
4. The IPTU feed rollers feed the paper to the accessory.

## Jam detection

The IPTU uses three media feed sensors on the media path to detect the presence of paper and to check whether paper is being fed correctly or has jammed. The IPTU identifies a jam if the sensor detects paper at a specified time stored in the IPTU driver. The IPTU driver stops a print operation and notifies the formatter through the DC controller when it determines that a jam has occurred.

### The IPTU detects the following jams:

- Delivery delay jam 1

This jam occurs if the IPTU media feed sensor 1 does not detect the leading edge of a sheet of paper within a specified period from when the paper is delivered from the printer into the IPTU.

- Delivery delay jam 2

This jam occurs if the IPTU media feed sensor 2 does not detect the leading edge of a sheet of paper within a specified period from when the IPTU media feed sensor 1 detects the leading edge. This jam also occurs if the IPTU media feed sensor 3 does not detect the leading edge of the sheet within a specified period from when the IPTU media feed sensor 2 detects the leading edge.

- Delivery stationary jam 1

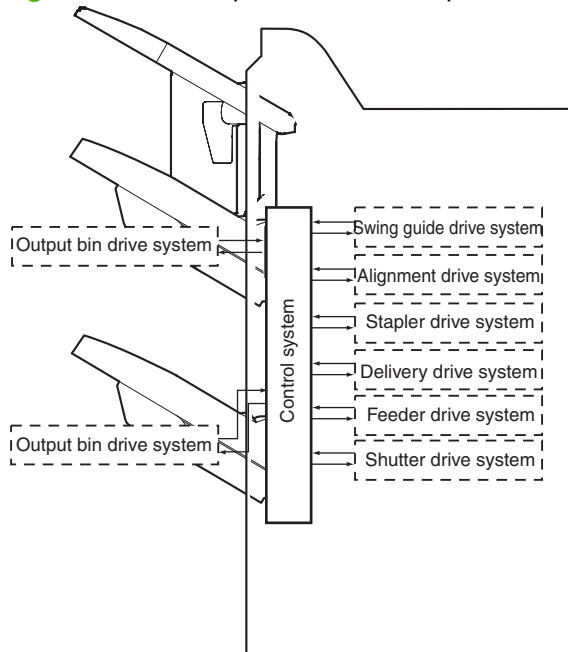
This jam occurs if the IPTU media feed sensor 1 does not detect the trailing edge of sheet of paper within a specified period from when it detects the leading edge. This jam also occurs if the IPTU media feed sensor 2 does not detect the trailing edge of a sheet of paper within a specified period from when it detects the leading edge. This also occurs if the IPTU media feed sensor 3 does not detect the trailing edge of a sheet of paper within a specified period from when it detects the leading edge.

## 3-bin stapler/stacker

### Basic operation

The stapler/stacker delivers jobs from the product several ways. The modes of delivery include simple stacking, job offset, and stapling. The stacker controller PCA controls all operations involved in these modes, according to the commands from the product.

**Figure 8-4** Basic operation of the stapler/stacker



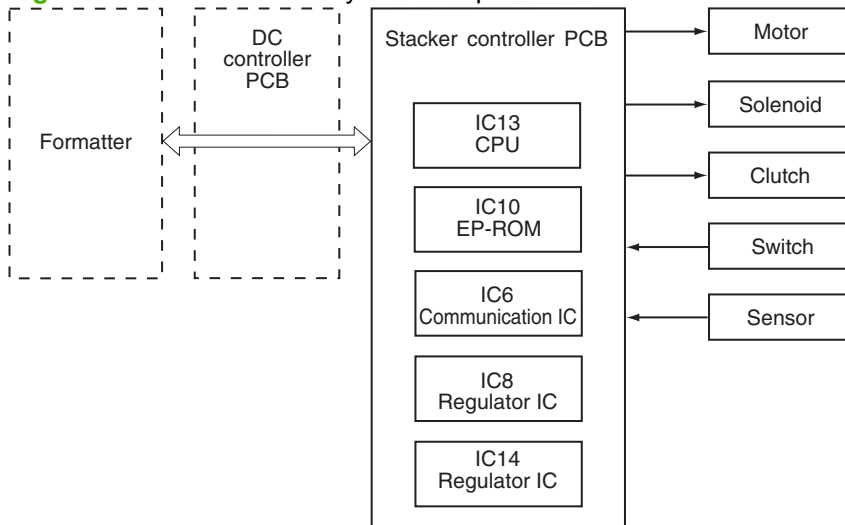
**NOTE:** With job offset, each sheet of a job is shifted to one side in the output bin in order to keep each sheet separate from the others.

## Electrical circuitry

The stacker controller PCA controls the stacker operation sequence. A 16-bit microprocessor (CPU) is installed on the stacker controller PCA to control the stacker operation sequence and CAN communication with the video controller PCA. The stacker controller PCA drives solenoids, motors, and so forth in response to the commands received from the video controller through the CAN communication line. In addition, the stacker controller PCA reports information about various sensors and switches to the video controller through the CAN communication line. Major functions of the IC chips installed on the stacker controller PCA are as follows:

- IC13 (CPU): Controls the operation sequence
- IC10 (EEP-ROM): Backs up adjustment values
- IC6 (Communication IC): Communicates with the host machine
- IC8 (Regulator IC): Generates 5 V
- IC14 (Regulator IC): Generates 3.3 V

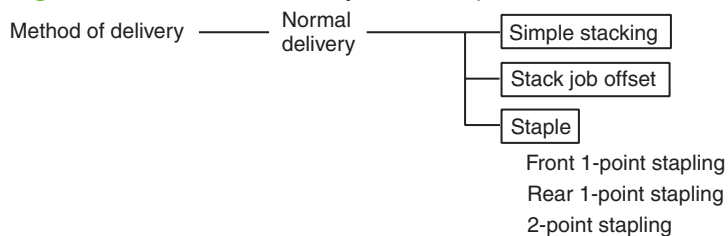
**Figure 8-5** Electrical circuitry of the stapler/stacker



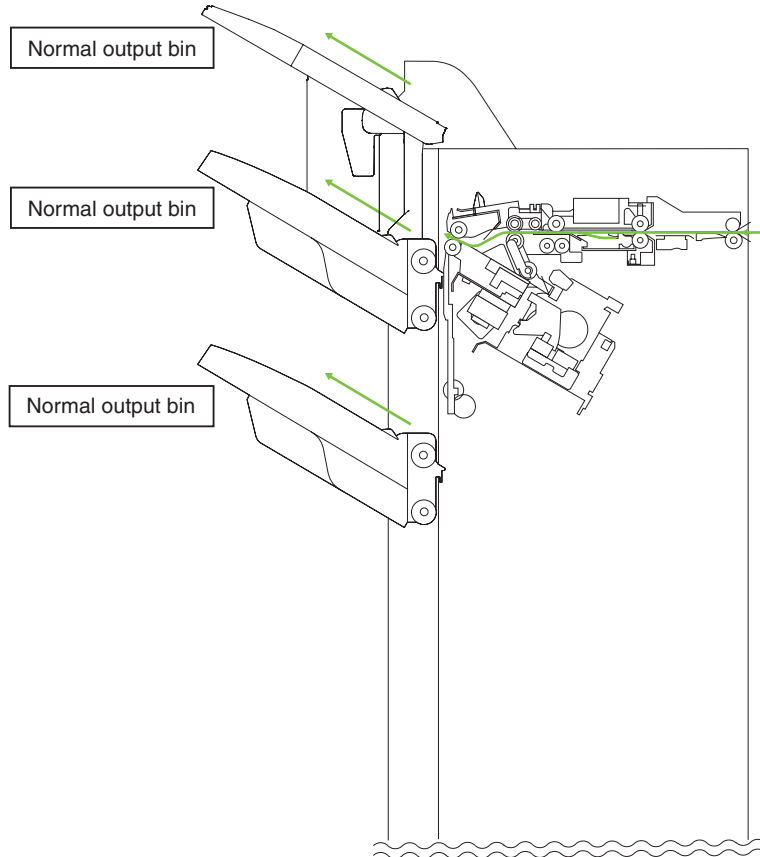
## Feed drive system

Based on commands from the product, the stapler/stacker delivers jobs to the output bins in the appropriate mode: simple stacking, job offset, and stapling.

**Figure 8-6** Electrical circuitry of the stapler/stacker



**Figure 8-7** Output bins of the stapler/stacker



### Construction of the control system

Jobs sent from the product are delivered to the output bin or the processing output bin according to the ejection type. For jobs delivered to the staple bin, job offset or stapling is performed according to the instructions from the product. When ejecting from the processing output bin, a stack trailing-edge assist guide is used in addition to the stack-ejection roller to eject the stack. The inlet motor (M31), stack-ejection motor (M32), and stack trailing-edge assist motor (M39) are step motors. These motors are rotated forward or backward by the microcomputer (CPU) in the stacker controller PCA. The following two sensors are provided in the paper delivery path to detect the arrival or passing of copies:

- Stacking paper-path-entry sensor (PI33)
- Stacking paper-path-delivery sensor (PI34)

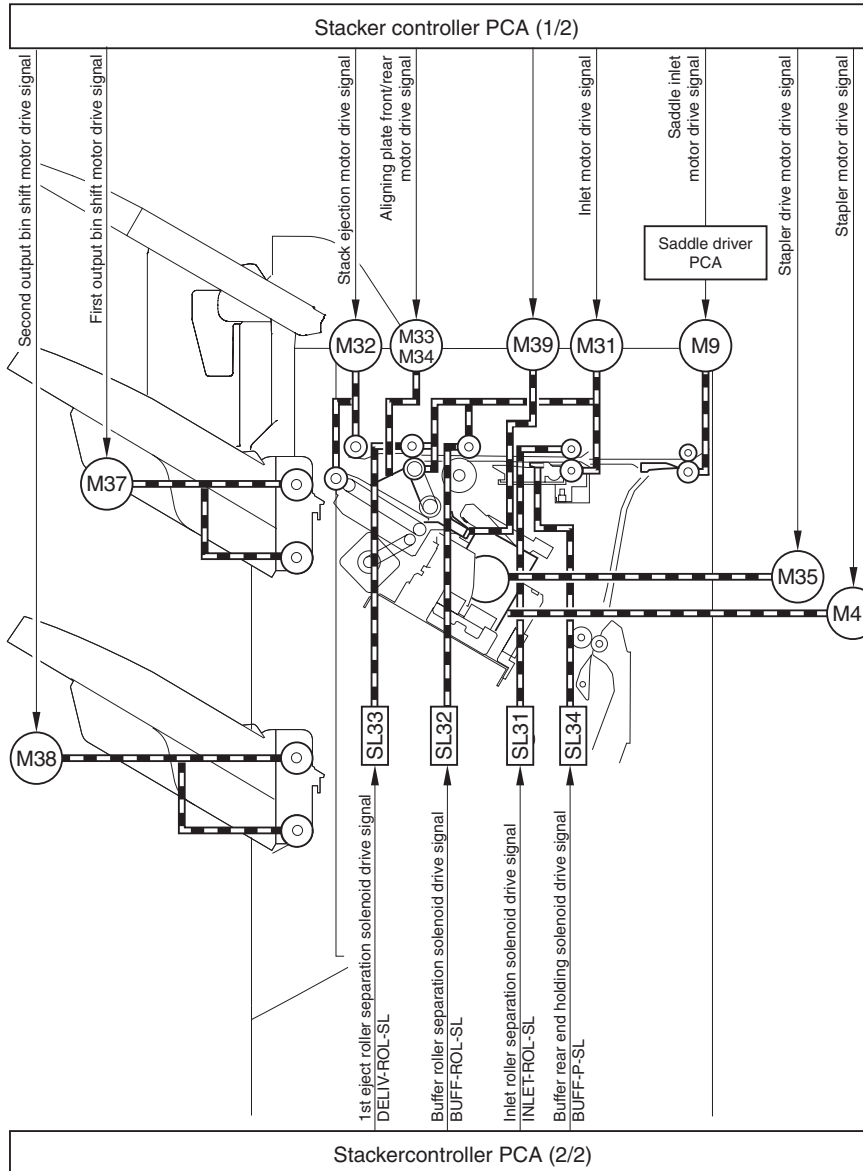
Each output bin also has sensors to detect the presence of a sheet on the bin:

- First output-bin paper sensor (PI42)
- Second output-bin paper sensor (PI43)

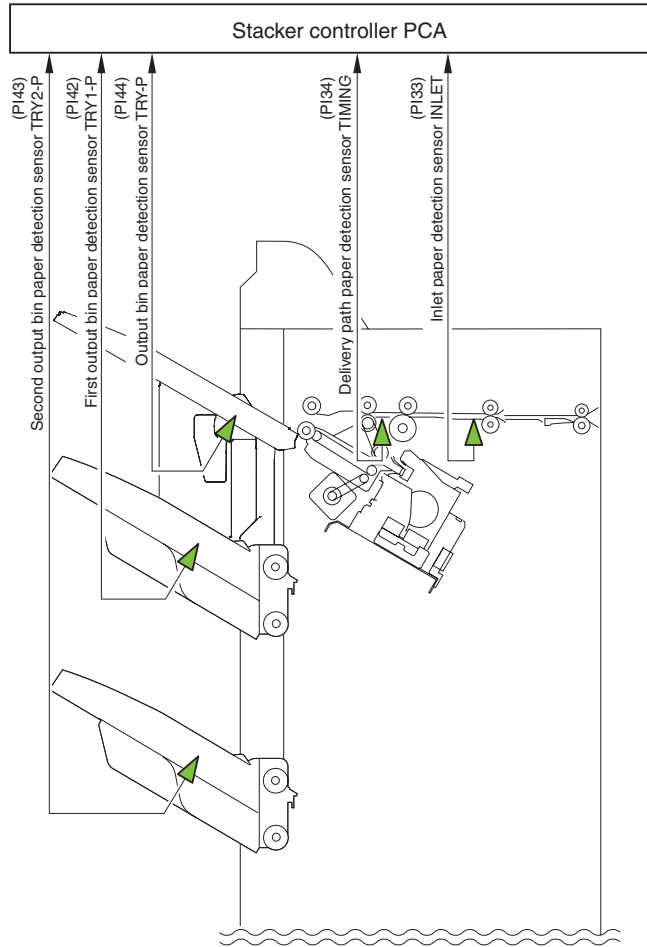
If a sheet does not reach or pass each sensor within the prescribed time, the stacker controller PCA stops the operation and notifies the product that a jam has occurred. After a jam is cleared and all of the doors are closed, the stapler/stacker checks whether the sheet is detected by the stacking paper-

path-entry sensor or stacking paper-path-delivery sensor. If the sensors detect a sheet, the stapler/stacker determines that the jam is not fixed and sends a jam processing signal to the product again.

**Figure 8-8** Stacker controller PCA (1 of 2)



**Figure 8-9** Stacker controller PCA (2 of 2)

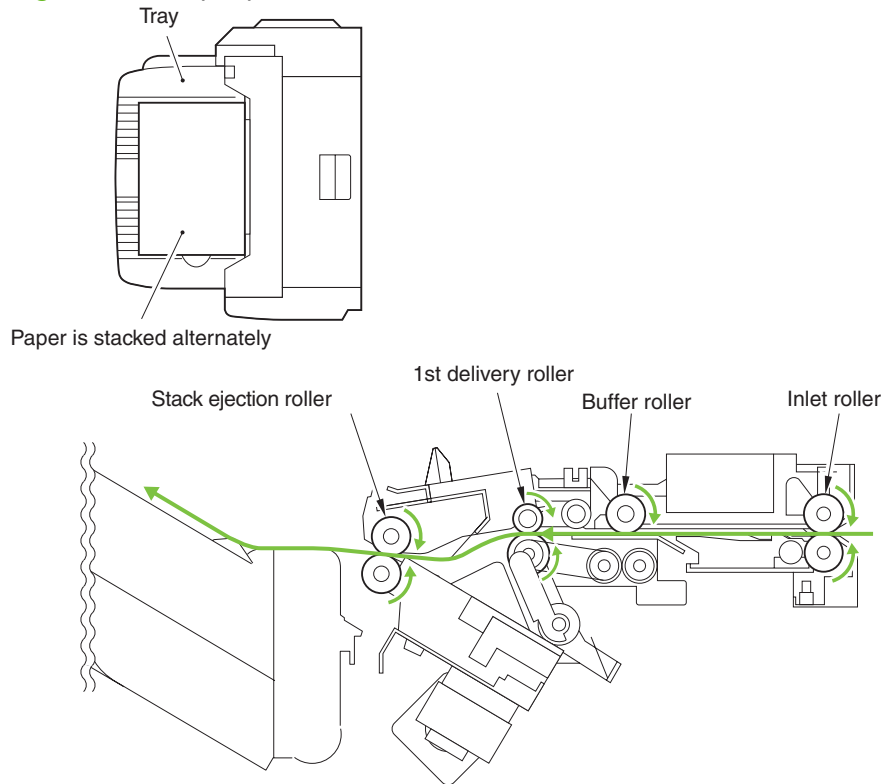


**Paper delivery path (stapler/stacker and booklet maker)**

There are three paper paths to output bins 1, 2, and the additional output bin depending on the ejection process.

All sheets are ejected through the following path when the accessory is set to non-sort.

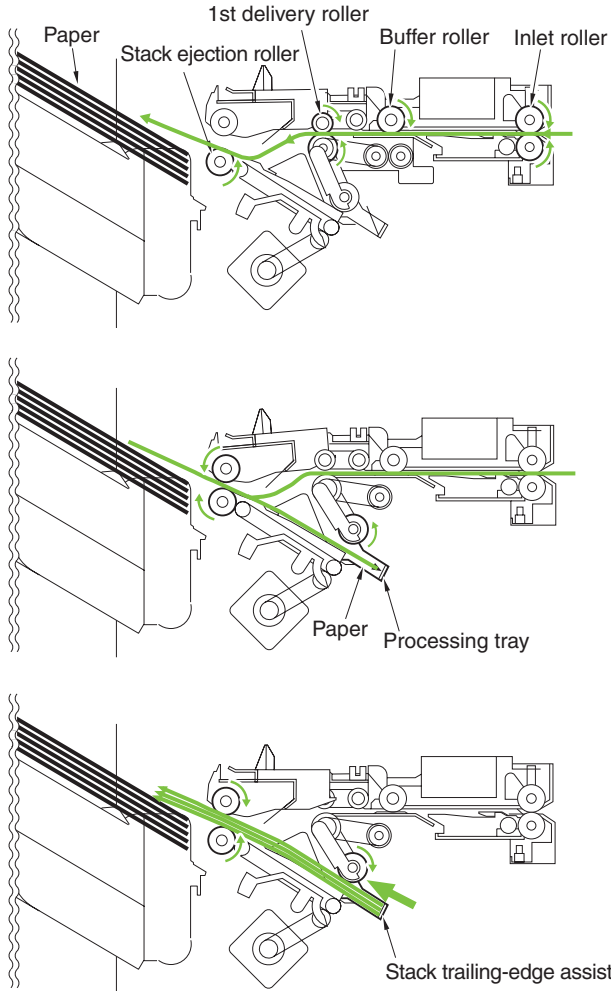
**Figure 8-10** Paper path when set to non-sort



When the product sorts paper size other than A4, B5, or LTR or when set to staple and sort, copies are delivered to the processing output bin for aligning and stapling and then ejected using the stack trailing-edge assist.



**Figure 8-11** Paper path for sizes other than A4, B5, or LTR

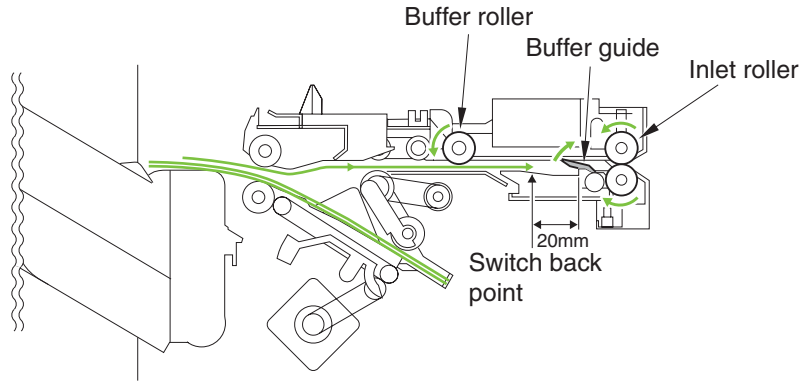


With A4, B5, or LTR paper sizes, two sheets of paper feed into the buffer (two or three sheets if 2-point stapling). The sheets are then aligned and stapled in the processing output bin and ejected. While stapling or offset is performed, copies are simultaneously ejected, delivered to the buffer, and stacked in the processing output bin. Copies are received continuously from the product. The stack delivered from the buffer is ejected to the processing output bin, and the stack processed in the processing output

bin is ejected to the output bin. Simultaneous stack ejection is described below for two A4 copies between stacks when the equipment is set to sort.

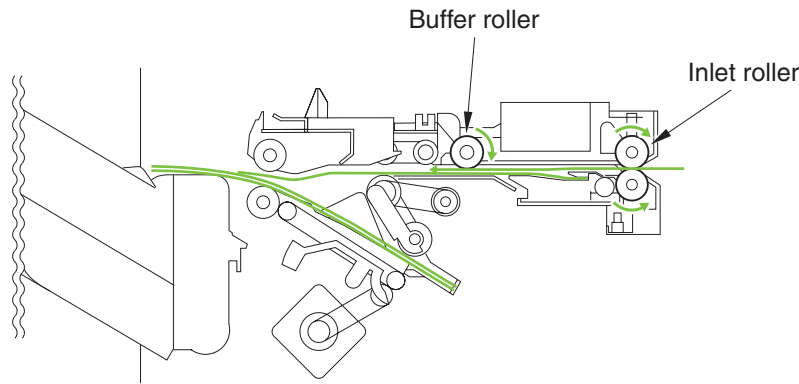
1. When the first paper reaches the switchback point, it is sent to the buffer unit, and the buffer guide holds the trailing edge of the paper.

**Figure 8-12** Paper path (1 of 5)



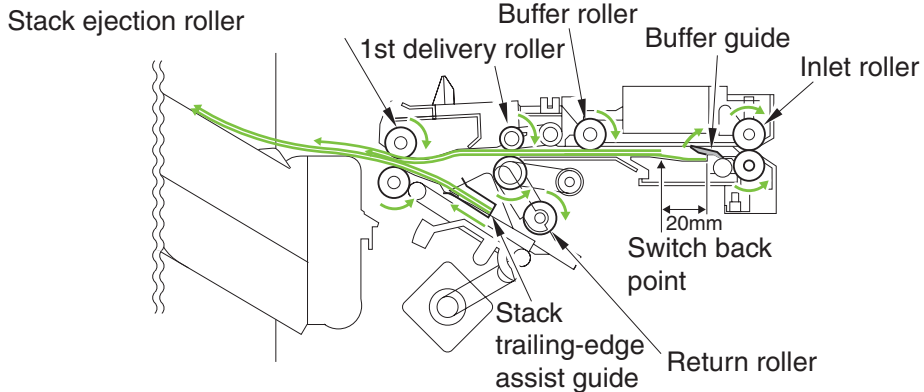
2. When the first sheet arrives at the buffer, the second sheet is sent from the product.

**Figure 8-13** Paper path (2 of 5)



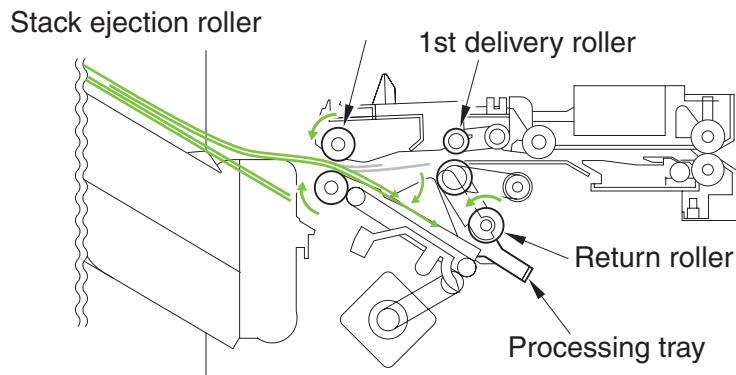
3. The first delivery roller descends and works with the stack-delivery roller to deliver the first and second sheet to the processing output bin. At the same time, the return roller and stack trailing-edge assist send the stack in the processing output bin to the output bin.

**Figure 8-14** Paper path (3 of 5)



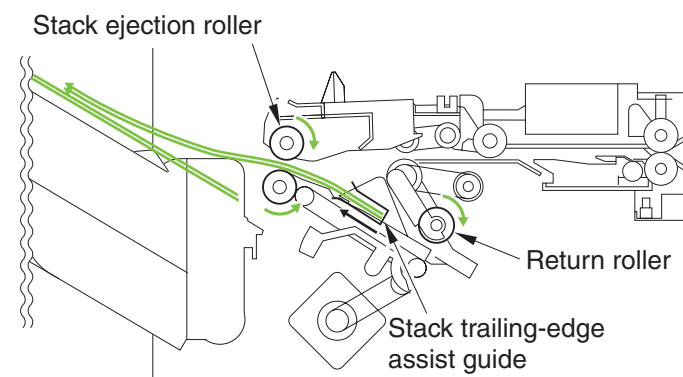
4. When the stack in the processing output bin is sent to the delivery output bin and the trailing edge of the first and second paper exits the first delivery roller, the stack-delivery roller and return roller deliver the first and second sheet to the processing output bin.

**Figure 8-15** Paper path (4 of 5)



5. The first and second paper delivered to the processing output bin are aligned and then delivered to the output bin.

**Figure 8-16** Paper path (5 of 5)



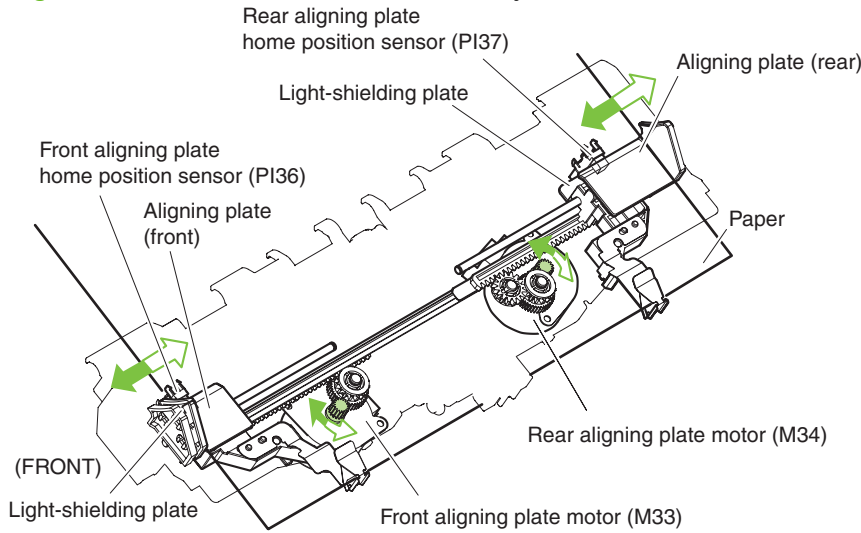
## Intermediate-process output-bin assembly (stapler/stacker and booklet maker)

### Stack job offset

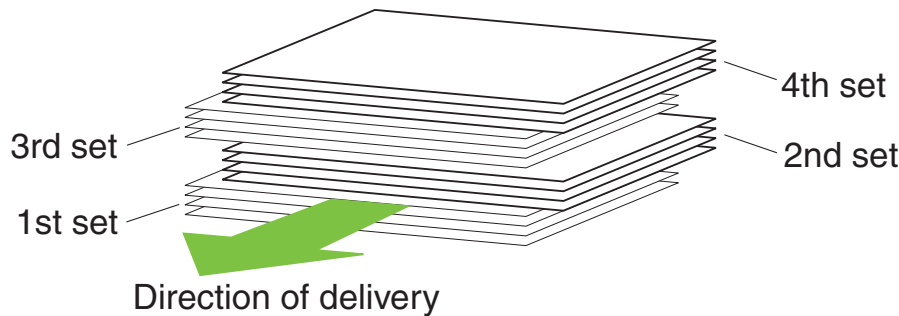
The job-offset operation offsets the paper stack to the front or rear when ejecting to sort the paper stack. The forward/backward movement of the sheet delivered to the processing output bin is controlled by the front-aligning plate and rear-aligning plate. The aligned copies are stapled or ejected according to the signal from the product. When the power is turned on, the stacker controller PCA drives the aligning-plate front motor (M33) and aligning-plate rear motor (M34) to return the two aligning plates to home

position. The name and function of motors and sensors used by the stack job-offset function are shown below.

**Figure 8-17** Motors and sensors for stack job offset



**Figure 8-18** Stack job offset example  
Results Delivering 4 sets



**Table 8-3** Motors for the stack job offset

Motor	Function
Front-aligning-plate motor (M33)	Aligns paper in the processing output bin to the front
Rear-aligning-plate motor (M34)	Aligns paper in the processing output bin to the rear
Swing motor (M36)	Moves the swing guide up/down
Stack trailing-edge assist motor (M39)	Carry the stack end during stack ejection

**Table 8-4** Sensors for the stack job offset

Sensor	Function
Swing-guide home-position (HP) sensor (PI35)	Detects the swing guide home position
Front-aligning-plate HP sensor (PI36)	Detects the aligning plate front-home position

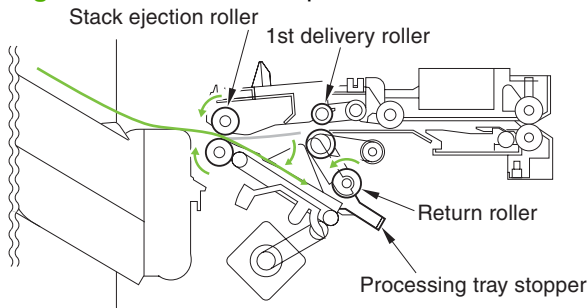
**Table 8-4 Sensors for the stack job offset (continued)**

Sensor	Function
Rear-aligning-plate HP sensor (PI37)	Detects the aligning plate rear-home position
Stack trailing-edge assist HP sensor (PI39)	Detects the stack trailing-edge assist home-position

## Process output bin paper-stacking operation

When the trailing edge of the paper exits the first delivery roller, the sheet is delivered to the processing output bin by the stack-delivery roller and return roller and then pushed against the processing output-bin stopper.

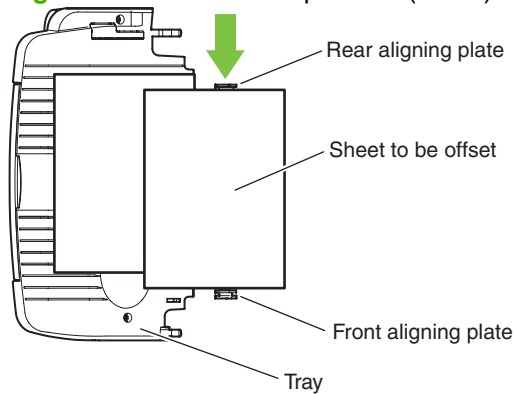
**Figure 8-19** Process output bin



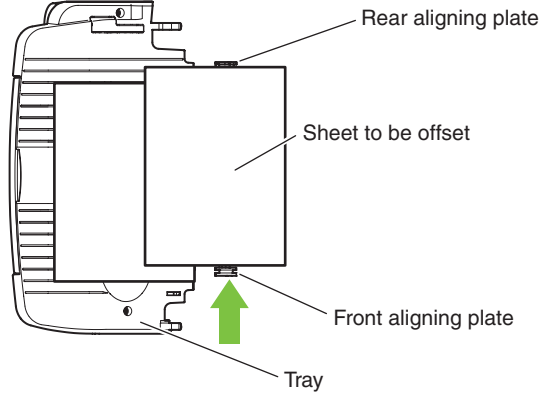
## Offset operation

Each sheet is pulled forward or backward using the front-aligning plate and the rear-aligning plate. The offset operation is performed each time a sheet is pulled onto the processing output bin.

**Figure 8-20** Job offset operation (1 of 2)



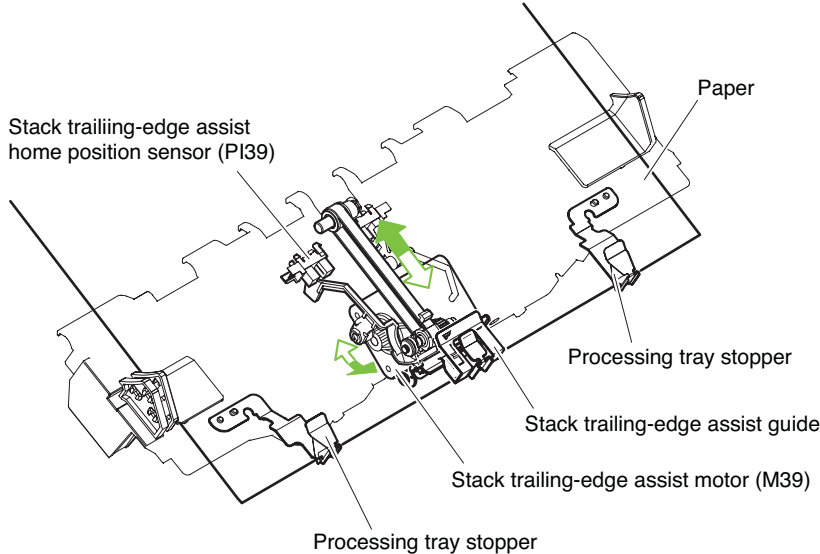
**Figure 8-21** Job offset operation (2 of 2)



### Stack trailing-edge assist operation

To improve stacking performance when ejecting jobs delivered to the processing output bin, a stack trailing-edge assist guide supports the back of the stack during stack ejection.

**Figure 8-22** Stack trailing-edge assist operation

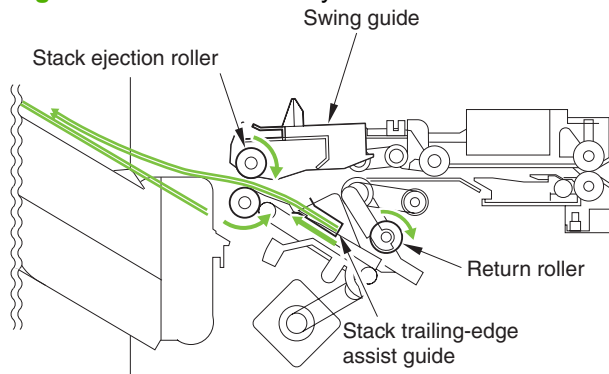


### Stack delivery operation

The stack is ejected each time 2–4 large sheets or 2–6 small sheets are offset on the processing output bin. The swing motor turns and the swing guide descends causing the upper and lower stack-delivery rollers to hold the stack. The stack-delivery motor turns the stack-delivery roller and return roller. At the same time, the stack trailing-edge assist motor starts the stack trailing-edge assist guide, and the stack held by the stack-delivery rollers is moved forward. When the stack trailing-edge assist motor reverses,

the stack trailing-edge assist guide returns to home position. The stack-delivery motor then ejects the stack with the upper and lower stack-delivery rollers.

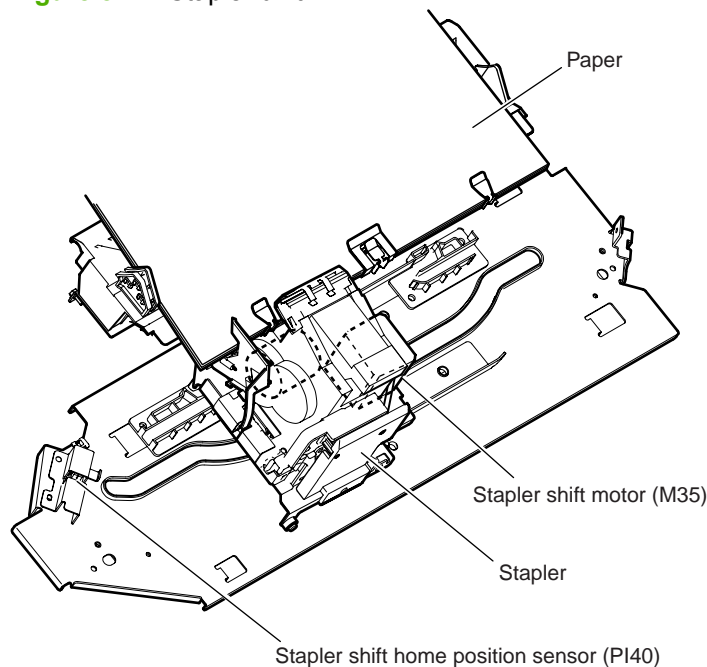
**Figure 8-23** Stack delivery



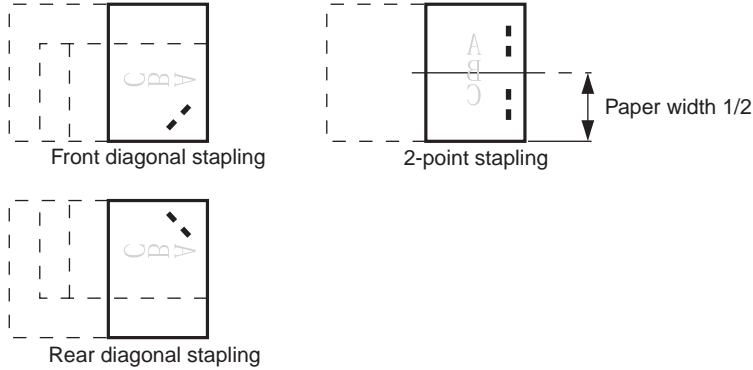
### Staple operation (stapler/stacker and booklet maker)

The stapling operation staples the prescribed number of copies with the stapler unit. The staple position depends on the staple mode and paper size. The stapler-shift home-position sensor (PI40) detects whether the stapler unit is at the home position. The stapler unit is equipped with a stapler-alignment interference sensor (PI46). The staple motor (M41) operation is prohibited when the stapler-alignment interference sensor (PI46) is on. This prevents stapling at the stopper and damaging the stopper when the stapler-shift motor (M35) is incorrectly adjusted. When the power is turned on, the stacker controller PCA drives the stapler-shift motor (M35) to return the stapler unit to home position. If the stapler unit is already at home position, it waits in that state.

**Figure 8-24** Stapler unit



**Figure 8-25 Staple location**



**Table 8-5 Sensors used in stapling**

Sensor	Symbol	Connector	Function	Remarks
Stapler-shift home-position sensor	PI40	J721B-6	Detects the home position for the stapler moving back and forth	
Stapler-alignment interference sensor	PI46	J717-3	Staple prohibited area detection	
Stapler home-position sensor	PI50	J717-5	Detects the home position for the stapling operation	In the stapler
Staple edging sensor	PI51	J717-6	Detects the staple top position	In the stapler
Staple sensor	PI52	J717-7	Detects presence or absence of staples in the cartridge	In the stapler

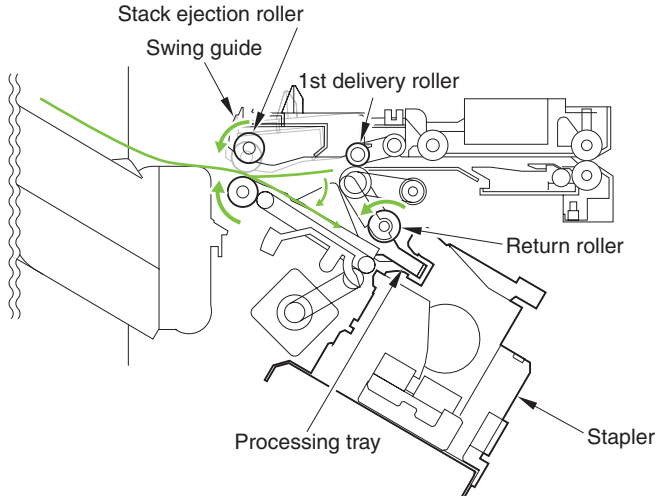
**Table 8-6 Motors used in stapling**

Function	Motor	Symbol	Remarks
Moves the stapler	Stapler-shift motor	M35	
Performs the stapling operation	Staple motor	M41	

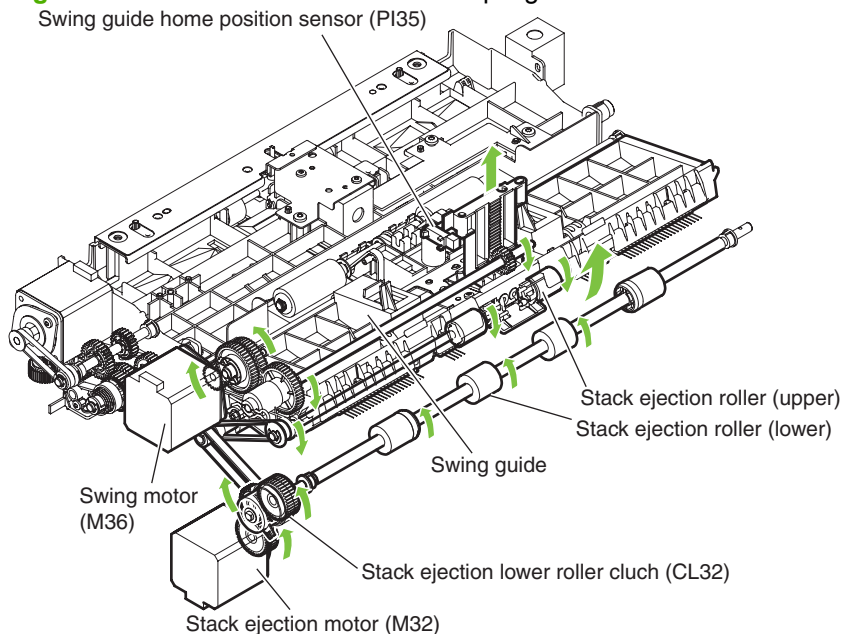
The stacker controller PCA moves the stapler according to the specified stapling position. When the rear of the first sheet passes the first delivery roller, the stacker controller PCA stops the stack-delivery motor (M32) and then rotates it in reverse. The stack-delivery motor rotates the stack-delivery roller and return roller and delivers the paper to the processing output bin. The paper in the processing output bin is detected by the processing-output-bin paper sensor (PI38). When the paper is delivered to the processing output bin, the swing motor (M36) starts and raises the swing guide. When the swing-guide home-position sensor (PI35) detects the rising of the swing guide, the swing-guide motor stops and holds the swing guide at the raised position. After the processing-output-bin paper sensor detects the paper, the aligning motor (M33/M34) starts and aligns the paper.



**Figure 8-26** Paper path for stapling

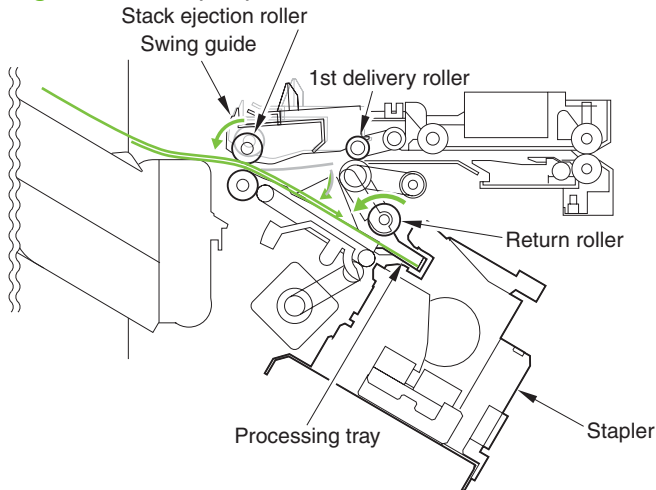


**Figure 8-27** Rollers and sensors for stapling



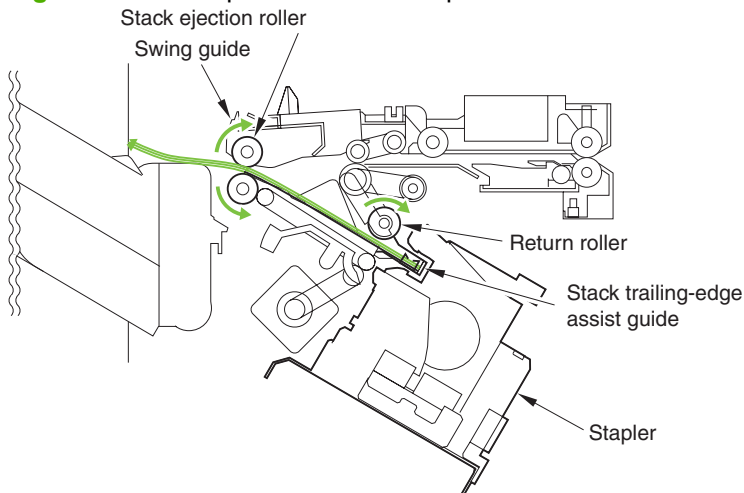
The stacker controller PCA starts the swing motor (M36) and lowers the swing guide when the rear of the second paper passes the first delivery roller. The stack-delivery motor is reversed. The stack-delivery motor rotates the stack-delivery roller (upper) and return roller and sends the paper to the processing output bin. At this point, the stack-delivery roller (lower) does not rotate because the stack-ejection lower-roller clutch (CL32) is disengaged. The output-bin paper sensor (PI38) detects the processing-output-bin paper sensor (P138). When the paper is delivered to the processing output bin, the swing motor (M36) starts and raises the swing guide. When the swing-guide home-position sensor (PI35) detects the rising of the swing guide, the swing-guide motor stops and holds the swing guide at the raised position. After the processing-output-bin paper sensor detects the paper, the aligning motor (M33/M34) starts and aligns the paper.

**Figure 8-28** Paper path



When the last sheet is aligned, the stacker controller PCA moves the aligning plate to the alignment position with the aligning motor (M33/M34) (the paper is held by the aligning plate). Then the stacker controller PCA staples at the specified staple position. After stapling, the stacker controller PCA starts the swing motor (M36) and lowers the swing guide. Then the stack is ejected by the stack-delivery roller, return roller, and stack trailing-edge assist guide.

**Figure 8-29** Shift process for the staple unit

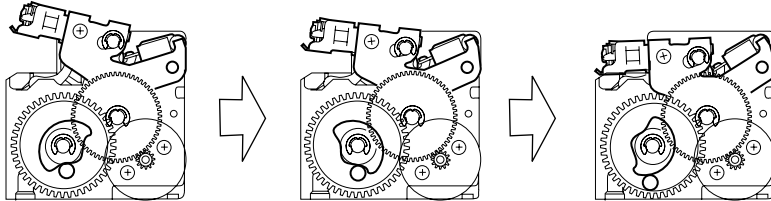


## Staple unit

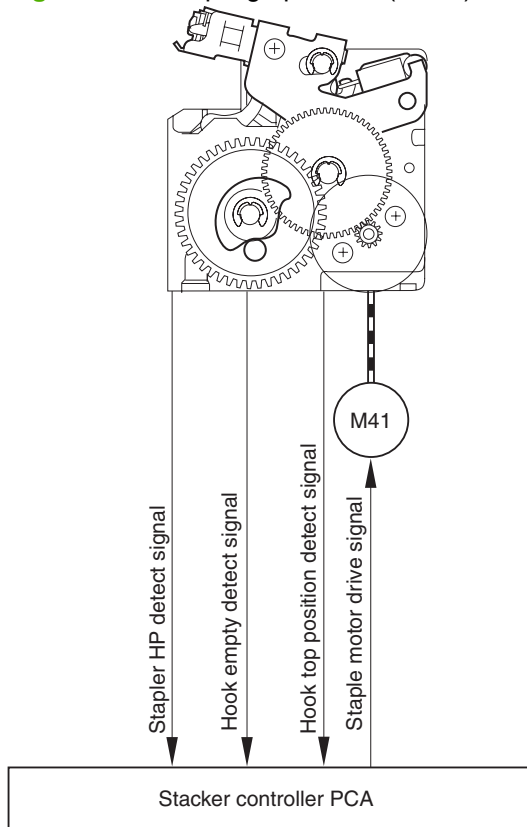
The stapler motor (M41) rotates the cam one turn for stapling. The stapler home-position sensor (PI50) detects the home position of the cam. The macro computer (IC13) on the stacker controller PCA controls the forward and reverse rotation of the stapler motor. When the stapler home-position sensor is off, the stacker controller PCA rotates the stapler motor in the forward direction until the sensor turns on, allowing the staple cam to return to the original position. The staple sensor (PI52) is used to detect the presence or absence of a staple cartridge in the machine and the presence or absence of staples in the cartridge. The staple edging sensor (PI51) determines whether staples are pushed up to the top of the

staple cartridge. For safety, the stacker controller circuit does not drive the staple motor (M41) unless the staple safety switch (MS34) is on.

**Figure 8-30** Stapling operation (1 of 2)



**Figure 8-31** Stapling operation (2 of 2)

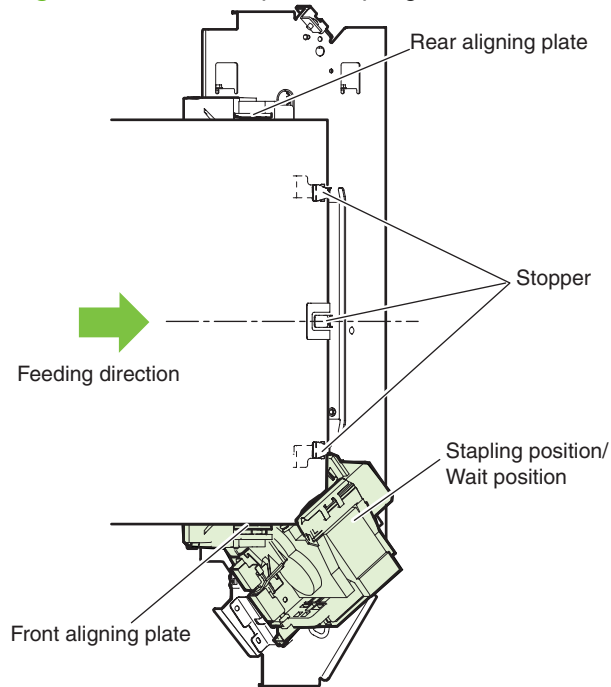


### Shift the staple unit

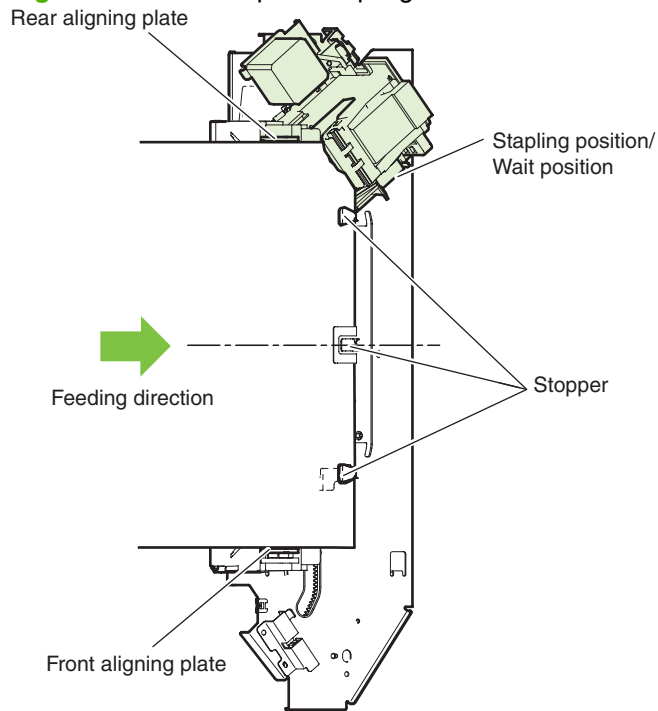
The stapler-shift motor (M35) shifts the stapler unit. The stapler-shift home-position sensor (PI40) detects the home position. When there is a staple command from the product, the stapler shifts to the

staple ready position, which depends on the stapling position and paper size. The stapler unit waits at the following points when staple mode is selected:

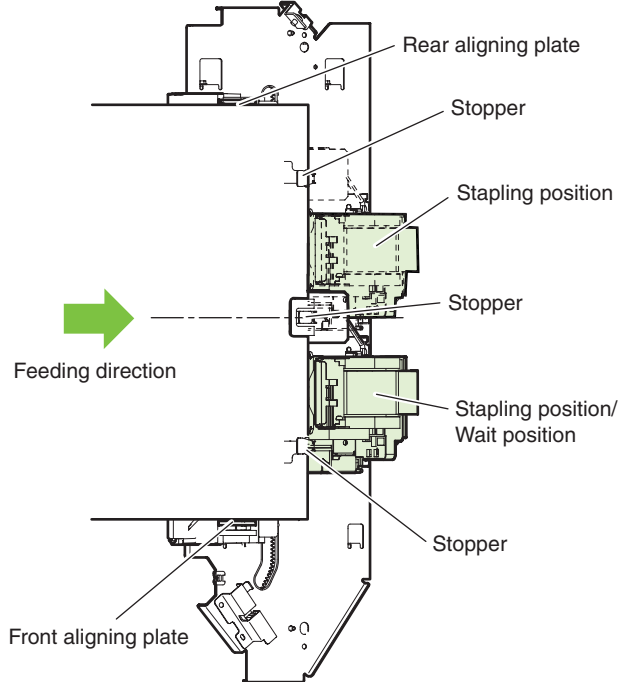
**Figure 8-32** Front 1-point stapling



**Figure 8-33** Rear 1-point stapling



**Figure 8-34** 2-point stapling



## Stack operation (stapler/stacker and booklet maker)

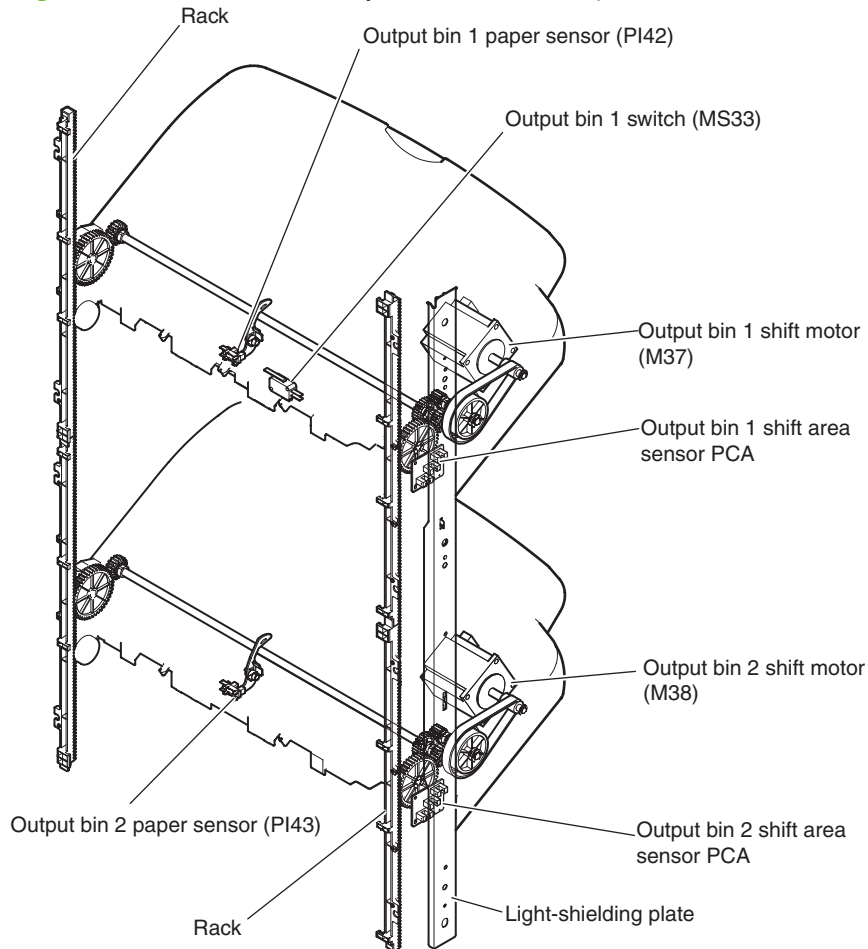
### Output bin operation

This accessory has an upper output bin (output-bin 1) and a lower output bin (output-bin 2).

- The output-bin-1-shift motor (M37) and output-bin-2-shift motor (M38) move output-bin 1 and output-bin 2 up and down independently.
- The output-bin-1 paper sensor (PI42) and output-bin-2 paper sensor (PI43) detect paper stacked on the output bin.
- The output-bin-1 paper-surface sensor (PI41) and output-bin-2 paper-surface sensor (PI48) detect the home positions of output-bin 1 and output-bin 2.
- The home position is the top surface of the paper when paper is stacked on the output bin, or the position where the edge of the output bin is detected when no paper is stacked.
- When the power is turned on, the stacker controller PCA drives the output-bin-1-shift motor (M37) and output-bin-2-shift motor (M38) to return the output bin to home position. If already at home position, the output bin is moved from the home position and then returned. If both output bins are at home position, this is performed for output-bin 1 and then for output-bin 2.
- If the product specifies output-bin 2, the stacker controller PCA shifts the output bin so that output-bin 2 is at the delivery port. When paper is stacked on the output bin, a prescribed number of pulses drive the output-bin-1-shift motor (M37) or output-bin-2-shift motor (M38) to lower the output bin. Then the output bin returns to home position to prepare for the next stack.
- The upper and lower limits of the output bin are detected by three area sensors (PS981, PS982, and PS983) on the output-bin-1- and output-bin-2-shift area sensor PCA.

- The stacker controller PCA stops driving the output-bin-1-shift motor (M37) and output-bin-2-shift motor (M38) when it detects the upper or lower limit of the output bin. Also, the on/off combinations of the area sensors (PS981, PS982, PS983) are used to detect over-stacking according to the stack height for large-size and mixed stacking.
- The stacker controller PCA stops supplying +24 V to the output-bin-1-shift motor (M37) and stops the stacker operation when the output-bin-1 switch (MS33) turns on.

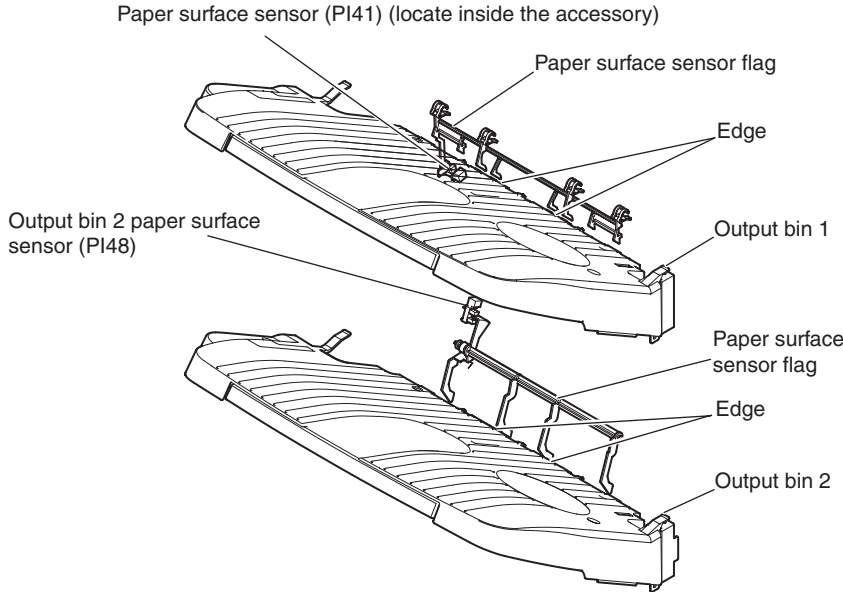
**Figure 8-35** Items detected by the area sensors (PS981, PS982, PS983)



**NOTE:** PI42 is located on output-bin 1.

**NOTE:** PI43 is located on output-bin 2.

**Figure 8-36** Output-bin components



**Table 8-7** Output-bin-1-shift area sensor PCA

Detected items	Area sensors 1 (PS983)	Area sensors 2 (PS982)	Area sensors 3 (PS981)
Output-bin-1 upper limit	off	off	off
Stack-count 500-sheet limit exceeded	on	on	off
Stack-count 1000-sheet limit exceeded	on	off	off
Output-bin-1 lower limit	on	off	on

**Table 8-8** Output-bin-2-shift area sensor PCA

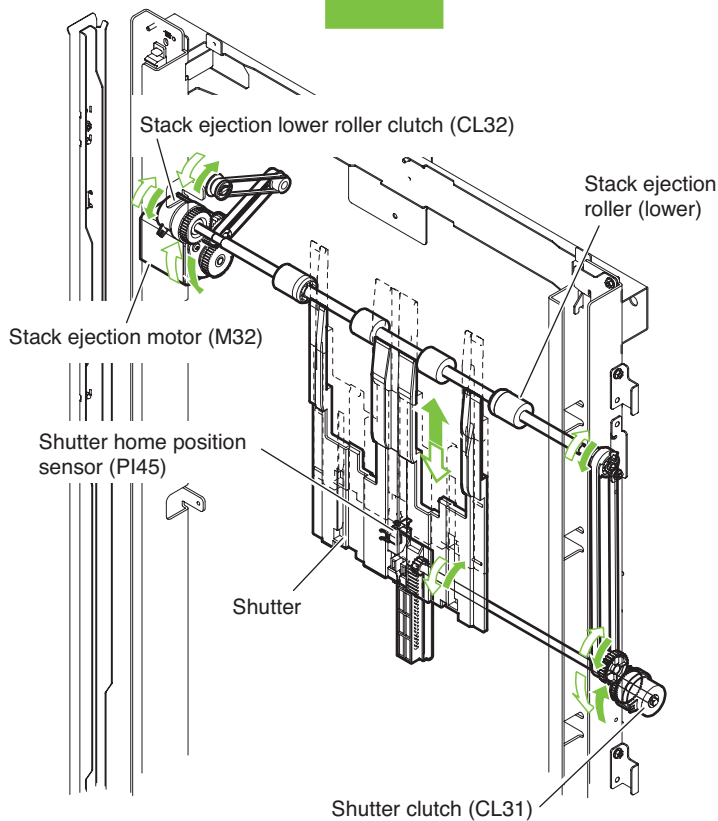
Detected items	Area sensors 1 (PS983)	Area sensors 2 (PS982)	Area sensors 3 (PS981)
Output-bin-2 upper limit	off	on	off
Stack-count 500-sheet limit exceeded	on	on	off
Stack-count 1000-sheet limit exceeded	on	off	off
Output-bin-2 lower limit (Stapler/stacker)	off	off	off
Output-bin-2 lower limit (Booklet maker)	off	off	on

### Shutter operation

To prevent the delivery section from catching stacked paper in output-bin 1 when it passes, a shutter is provided at the delivery section. The shutter closes when output-bin 1 passes, even when no paper is stacked. When the shutter clutch (CL31) and stack-ejection lower-roller clutch (CL32) are on, the shutter moves up (closes) when the stack-ejection motor (M32) turns forward and moves down (open, delivery

enabled), which occurs when the motor turns backward. The shutter home-position sensor (PI45) detects the opening and closing of the shutter.

**Figure 8-37** Shutter location



### Jam detection

The following sensors detect paper and determine whether paper is delivered properly.

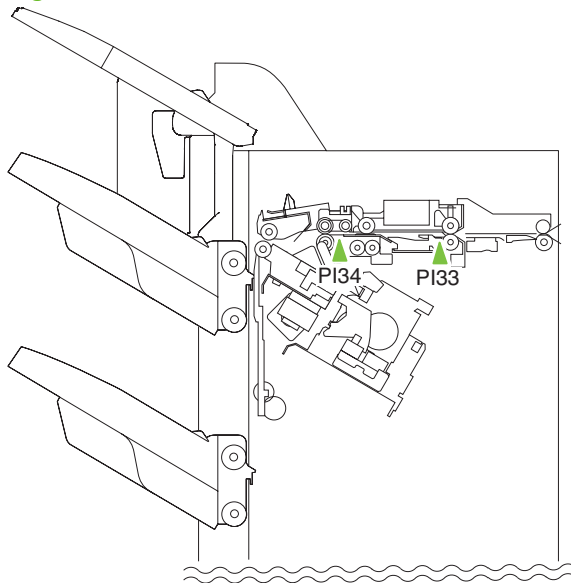
- Stacking paper-path-entry sensor (PI33)
- Stacking paper-path-delivery sensor (PI34)

A jam is identified by checking whether paper is present at each sensor at the timing programmed in the memory of the microcomputer (CPU) on the stacker controller PCA. When the CPU identifies a jam, it suspends the stacker's delivery operation and informs the product of the jam. When all doors are closed after the paper jam is removed, the stacker use the two sensors (stacking paper-path-entry sensor and stacking paper-path-delivery sensor) to check for further jams. If the sensors detect paper,



the stacker determines that the paper jam has not been removed and sends another jam removal signal to the product.

**Figure 8-38** Jam detection sensors

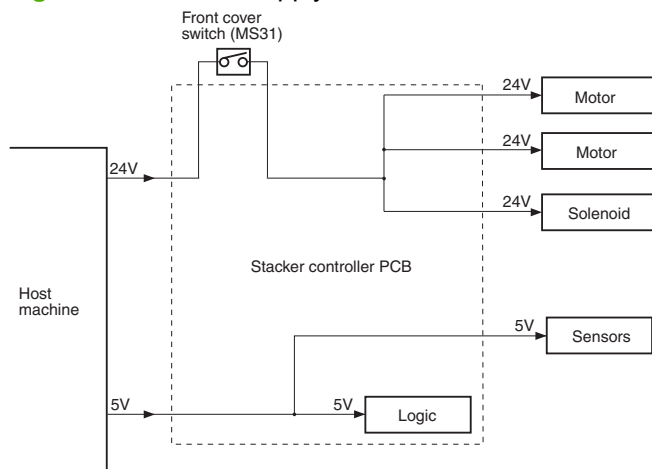


## Power supply

### Power-supply route

When the product power is turned on, 5 Vdc and 24 Vdc are supplied from the product to the stacker controller PCA. The 24 Vdc power drives the motors, solenoids, etc. The 5 Vdc power drives sensors, IC chips on the stacker controller PCA, etc. When the front-cover switch (MS31) is open, the 24 Vdc power for the motor drive is shut down.

**Figure 8-39** Power-supply route



### Protection function

The 24Vdc for the motor and solenoid drive has a fuse or motor driver for over-current protection.

## HP Booklet Maker/Finisher accessory

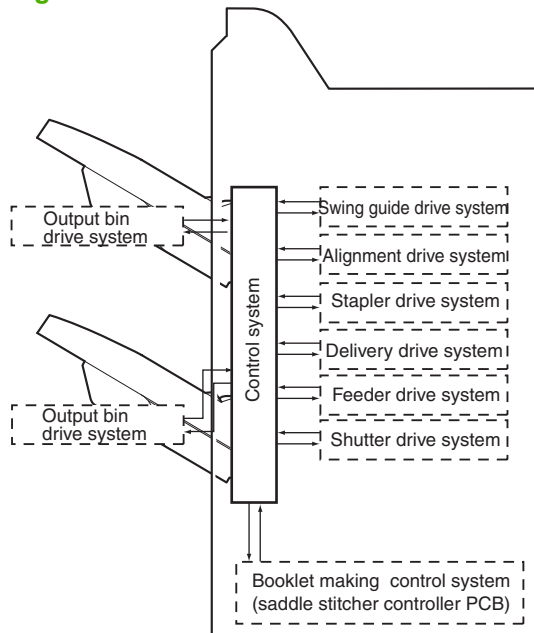
### Basic operation

The following section describes the basic operation of the HP Booklet Maker/ Finisher accessory.

#### Basic operation of the stacker unit

The stacker unit processes jobs from the product in several ways. These include simple stacking, job offset, and stapling. The stacker controller PCA controls all operations involved in these modes, according to the commands from the product. Jobs from the product can also be routed for booklet making.

**Figure 8-40** Stacker unit basics



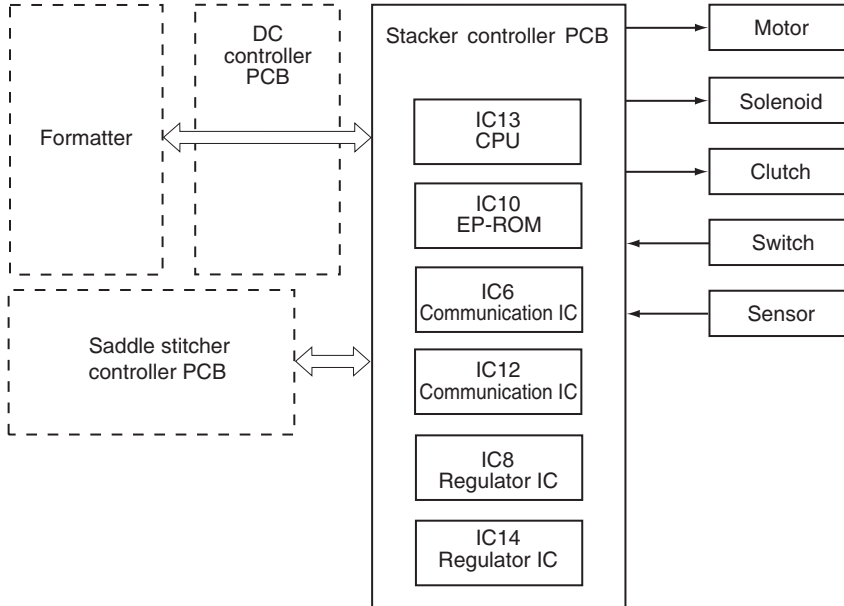
#### Electrical circuitry of the stacker unit

A 16-bit microprocessor (CPU) is installed on the stacker controller PCA to control the stacker operation sequence and CAN communication with the video controller PCA. The stacker controller PCA drives solenoids, motors, and so forth in response to the commands received from the video controller through the CAN communication line. In addition, the stacker controller PCA reports information about various sensors and switches to the video controller through the CAN communication line. Major functions of the IC chips installed on the stacker controller PCA are as follows:

- IC13 (CPU): Controls the operation sequence
- IC10 (EEP-ROM): Backs up adjustment values
- IC6 (Communication IC): Communicates with the host machine
- IC12 (communication IC): Communicates with the saddle sticher unit

- IC8 (Regulator IC): Generates 5 V
- IC14 (Regulator IC) : Generates 3.3 V

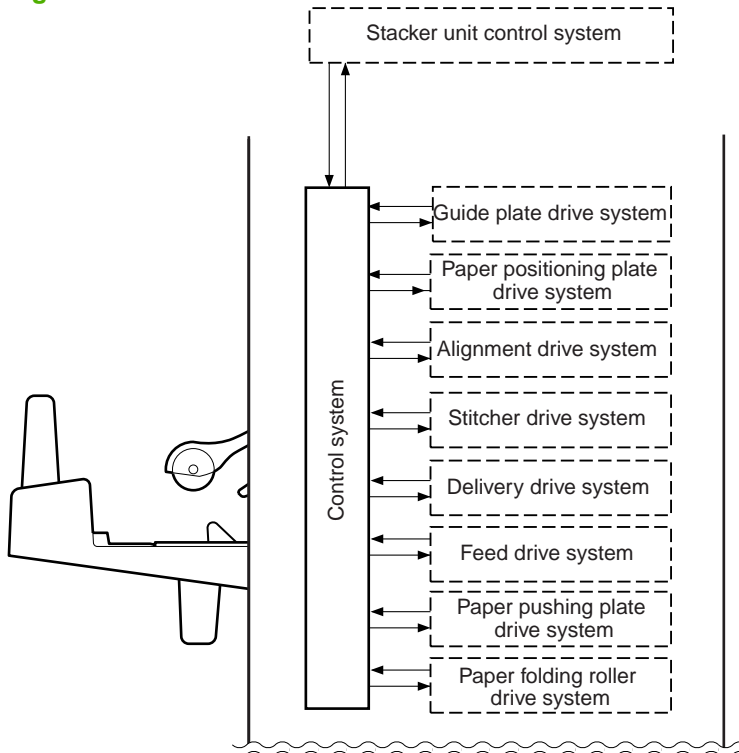
**Figure 8-41** Electrical circuitry of the stacker unit



### Basic operation of the booklet maker unit

The booklet maker unit staples and folds (in half) stacks of paper delivered from the stacker unit. The product sends commands via the stacker to the saddle sticher controller PCA, which controls these operations.

**Figure 8-42** Booklet maker unit basics

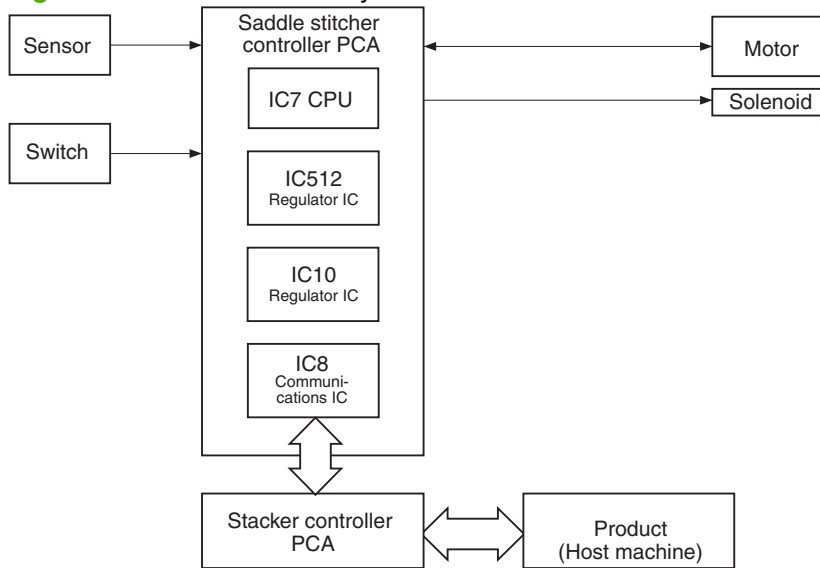


## Electrical circuitry for the booklet maker unit

The saddle-stitcher controller PCA has a microprocessor that controls the sequence of operations and that handles serial communications with the stacker controller PCA. This includes driving solenoids and motors in response to the commands from the stacker controller PCA. The saddle-stitcher controller PCA is also used to communicate the state of various sensors and switches to the stacker controller PCA in serial. The functions of the major ICs mounted on the saddle stitcher controller PCA are as follows:

- IC7 (CPU): Controls the sequence of operations. Contains the sequence program
- IC8 (communications IC): Communicates with the finisher unit
- IC512 (regulator IC): Generates 5 V
- IC10 (regulator IC): Communicates with the product

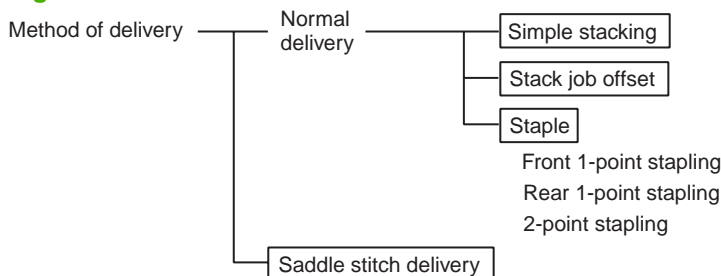
**Figure 8-43** Electrical circuitry for the booklet maker unit



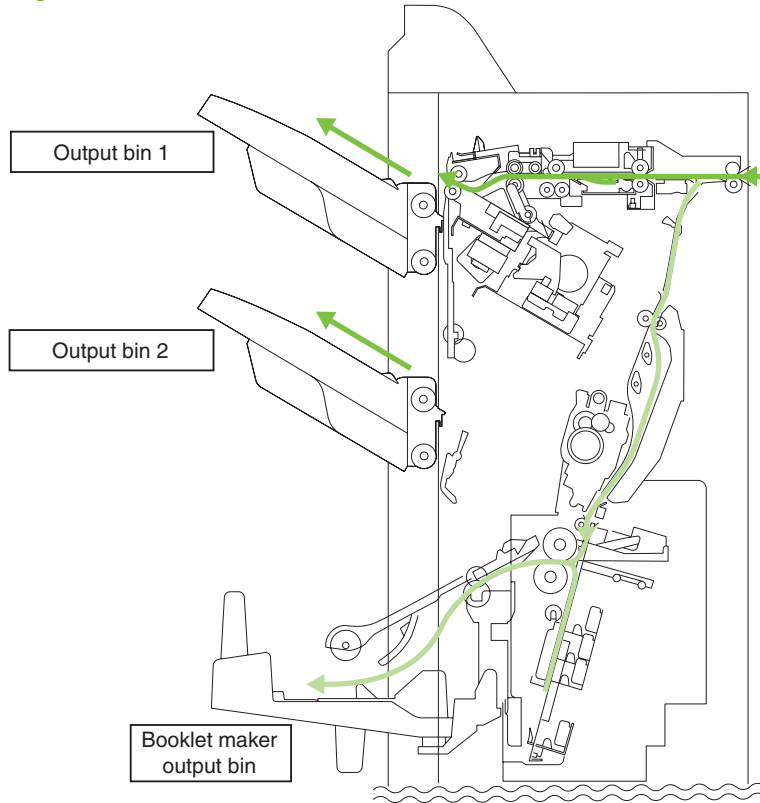
## Feed drive system

The stacker unit stacks paper delivered from the product, offsets stack jobs, or staples and delivers paper to the outputs according to commands from the product. The booklet maker unit carries, aligns, and stitches paper delivered from the product, and then feeds the resulting stack. After these operations, the booklet maker unit folds the stacks of paper and delivers them to the booklet-maker-unit output bin. The delivery methods are shown in the following figure.

**Figure 8-44** Feed drive for the stacker unit



**Figure 8-45** Feed drive for the booklet maker unit



### Construction of the stacker-unit control system

The paper sent from the product is delivered to the output bin or the processing tray according to the type. Job offset or stapling is performed on paper delivered to the output bin, according to the instructions from the product. When paper ejects from the processing tray, a stack trailing-edge assist guide is used in addition to the stack-ejection roller to eject the stack. The inlet motor (M31), stack-ejection motor (M32), and stack trailing-edge assist motor (M39) are step motors. The microcomputer (CPU) in the stacker controller PCA rotates these motors forward or backward. The following two sensors in the paper delivery path detect the arrival or passing of papers:

- Stacking paper-path-entry sensor (PI33)
- Stacking paper-path-delivery sensor (PI34)

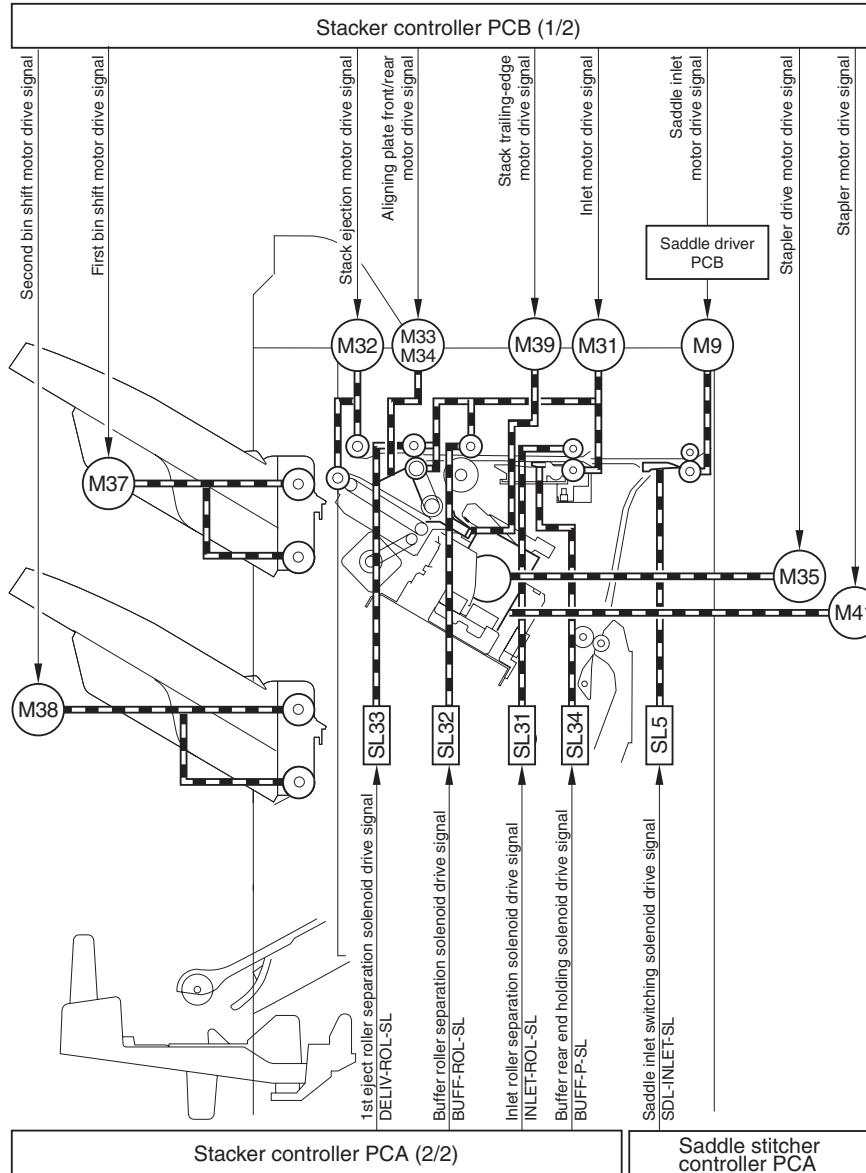
Each output bin also has sensors to detect the presence of a paper on the bin:

- First output-bin paper sensor (PI42)
- Second output-bin paper sensor (PI43)

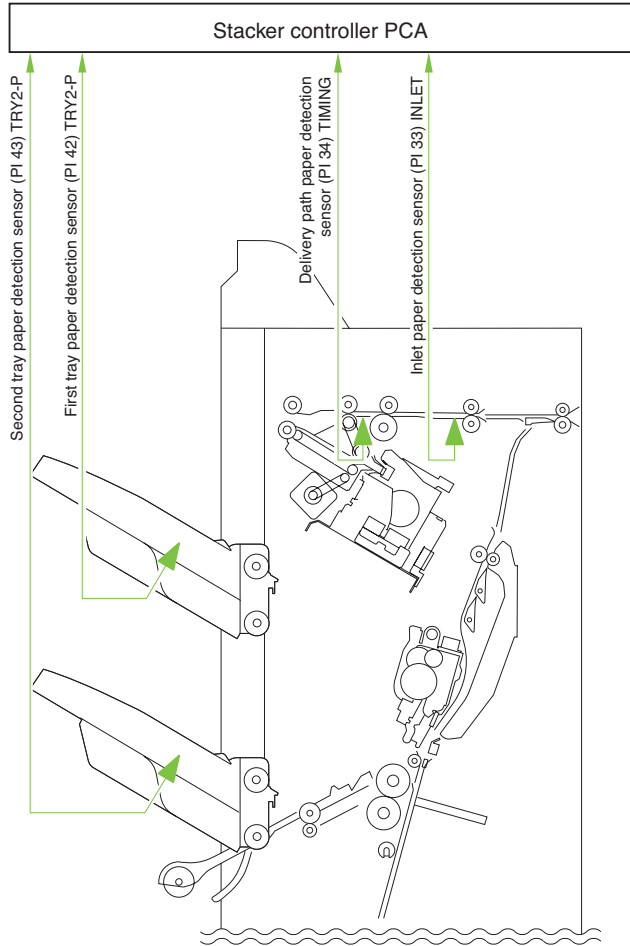
If the sheet does not reach or pass each sensor within the prescribed time, the stacker controller PCA determines that the jam has occurred and stops the operation. It then notifies the product that a jam has occurred. After the jam is cleared and the doors are closed, the stacker unit checks whether the sheet is detected by the stacking paper path entry sensor or stacking paper path delivery sensor. If the sensors

detect a sheet of paper, the stacker unit determines that the jam is not cleared and re-sends the jam processing signal to the product.

**Figure 8-46** Components of the stacker unit control system (1 of 2)



**Figure 8-47** Components of the stacker unit control system (2 of 2)



### Paper-delivery path for the stacker unit

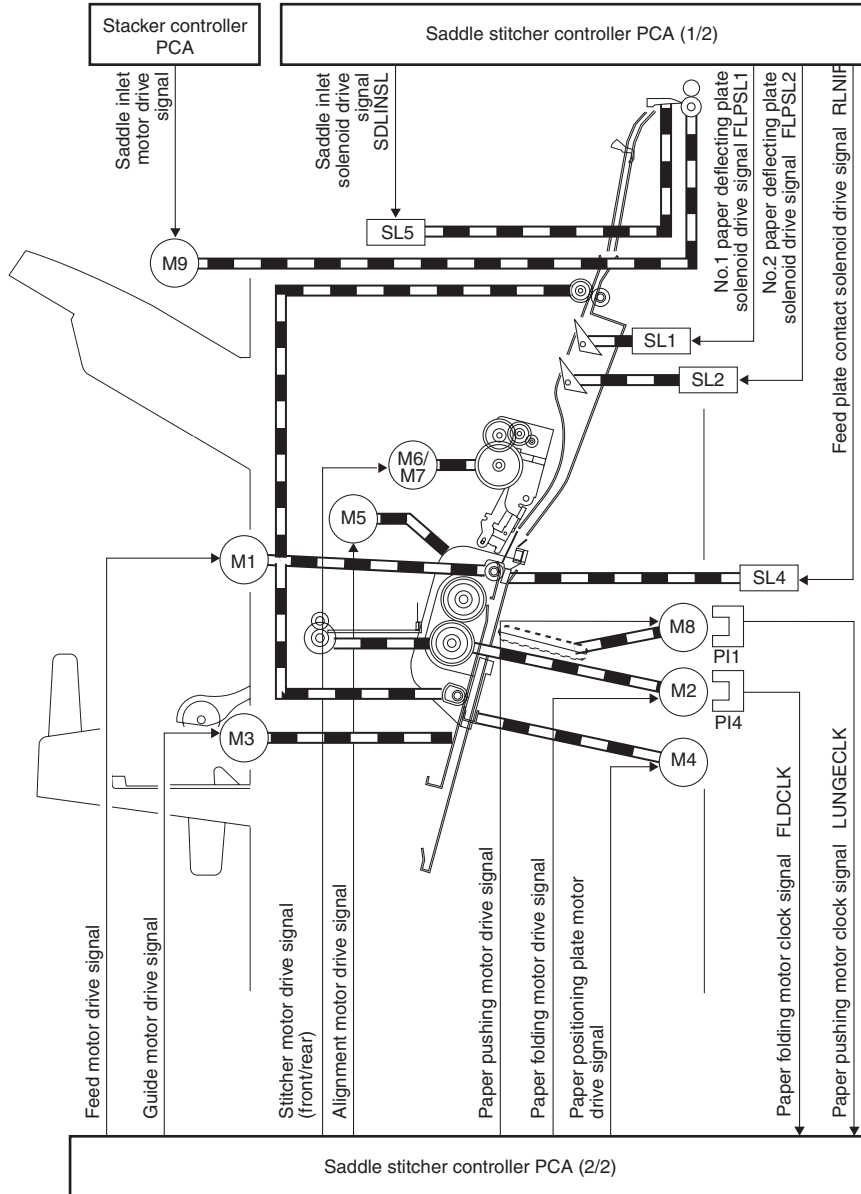
See [Paper delivery path \(stapler/stacker and booklet maker\) on page 675](#).

### Construction of the booklet-maker-unit control system

- The paper-output mechanism keeps paper from the stacker unit in place for stapling and folding.
- The No. 1 flapper and the No. 2 flapper of the paper inlet configure the paper path to fit the paper size.
- The paper-positioning plate is kept at a predetermined location to fit the paper size.
- The paper-positioning-plate motor (M4) drives the paper-positioning plate, and the position of the plate is identified by the number of motor pulses coming from the paper-positioning-plate home-position sensor (PI7).
- The feed rollers and the crescent roller handle paper moved by the inlet roller and held in a predetermined position.
- The feed plate moves paper by coming into contact with or moving away from paper as needed.
- The alignment plates order the stack when paper is output. The alignment motor (M5) drives the alignment plates. The position of the alignment motor (M5) is identified by the number of motor pulses sent from the alignment-plate home-position sensor (PI5).

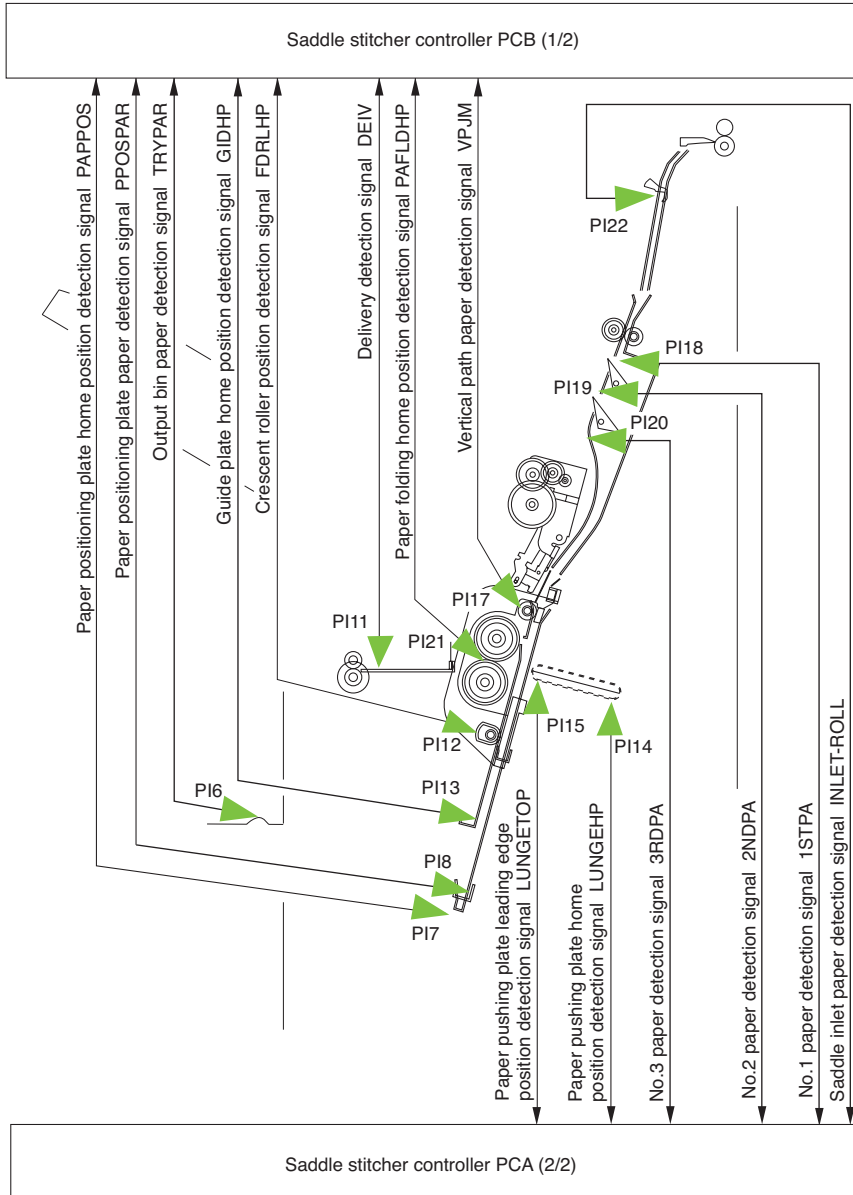
- The guide plate covers the folding rollers to prevent interference between paper and the paper-folding rollers when paper is output. The guide plate moves down before paper is folded to expose the paper-folding rollers.
- The inlet has three paper sensors (PI18, PI19, PI20) that are each suited to specific paper sizes.
- The paper-positioning plate has a paper-positioning-plate paper sensor (PI8).

**Figure 8-48** Components of the booklet-maker-unit control system





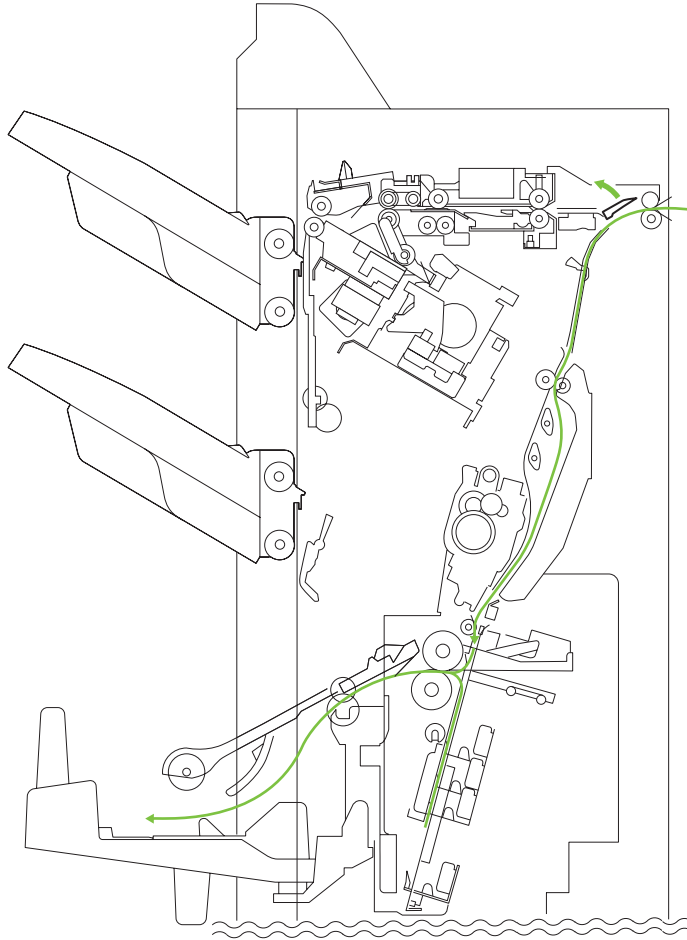
**Figure 8-49** Components of the booklet-maker control system



### Paper-delivery path (booklet maker only)

The saddle-stitcher flapper routes paper from the product to the booklet maker unit. The booklet maker unit staples, folds and then delivers the paper to the booklet-maker-unit output bin.

**Figure 8-50** Booklet-maker-unit paper path

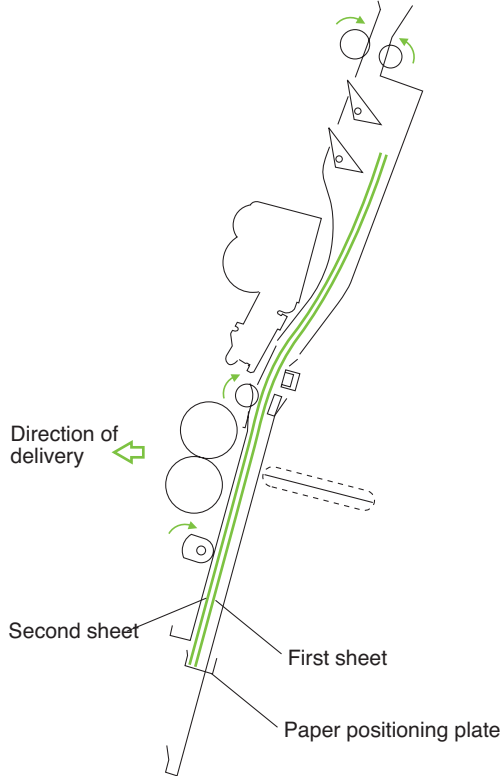


### Basic operation for the booklet maker

- When receiving paper from the stacker unit, the booklet maker unit outputs paper in a vertical orientation to a vertical path.
- Two paper-deflecting plates configure the path.

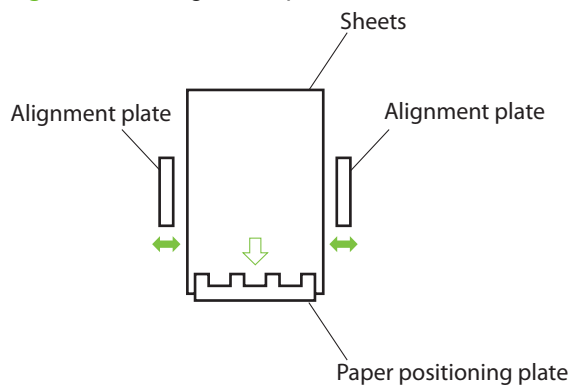
- The paper-positioning plate sets the position of the paper so that the center of the stack matches the stapling/folding position.
- Subsequent paper is output closer to the delivery slot. The volume of paper that can be output is as follows: 15 sheets (maximum of 14 sheets of 80 g/m<sup>2</sup> + 1 sheet of 250 g/m<sup>2</sup>).

**Figure 8-51** Paper delivery for booklet maker



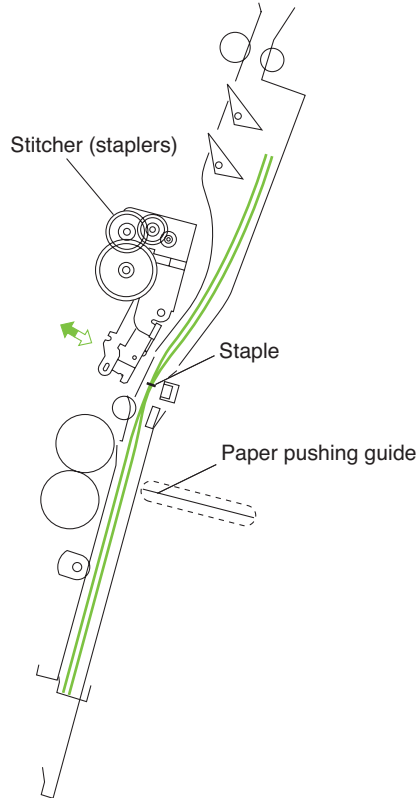
The alignment plates put paper in order when it is output to the vertical-path assembly. Mounted at the edge of the-vertical path assembly, alignment plates also prepare the stack for delivery after stapling.

**Figure 8-52** Alignment plates



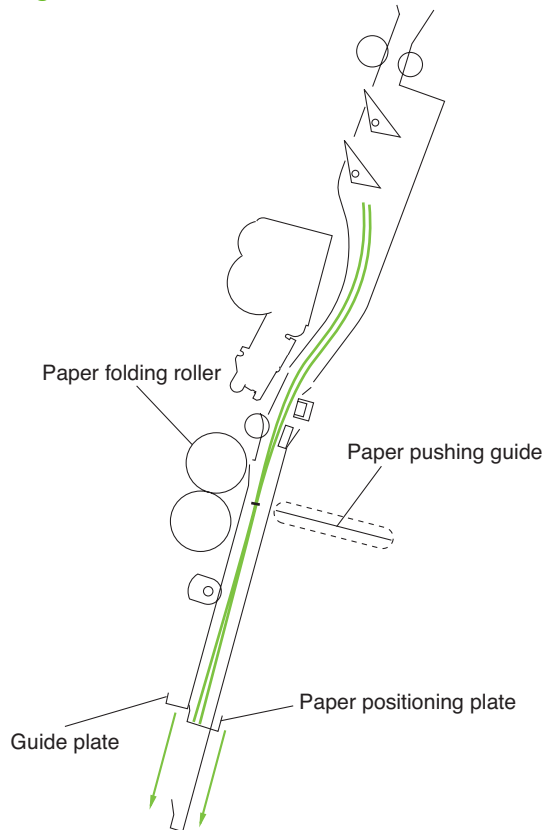
When all paper has been output, the two stitchers staple the stack. The stitchers face the center of a stack and alternate to prevent the paper from wrinkling and to limit the load on the power supply. If only one sheet arrives, stitching does not take place and the next operation (stack feeding) occurs.

**Figure 8-53** Stitching the stack



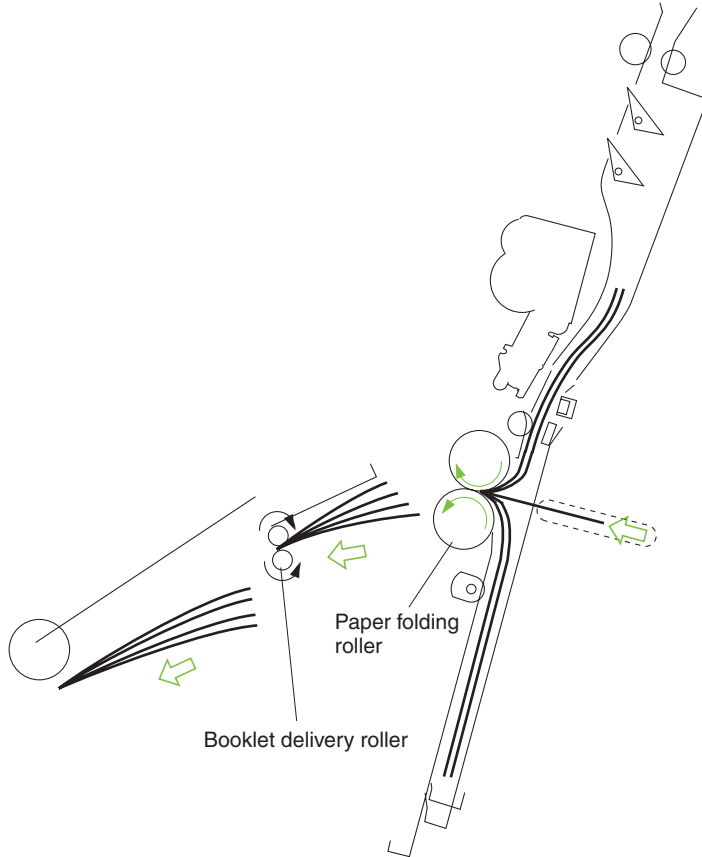
The booklet maker unit folds the stitched stack, and then feeds it to where the stapling position matches the height of the paper-pushing plate and the paper-folding roller nip. The paper-positioning plate moves the stack forward and the guide plate descends so that the paper-folding rollers directly face the stack.

**Figure 8-54** Position the stack



The paper-pushing plate moves the stack to the paper-folding rollers that hold the stack at its center and fold it. The paper-folding rollers and delivery roller then output the stack to the output bin.

**Figure 8-55** Fold and deliver the stack



### Control of the inlet flappers

The two flappers mounted at the paper inlet configure the feed path according to paper size. The flappers detect the trailing edge of the paper and prevent the trailing paper from butting against the top of the existing stack. The following table shows the relationship between sensors and paper sizes.

**Table 8-9** Sensors and paper sizes

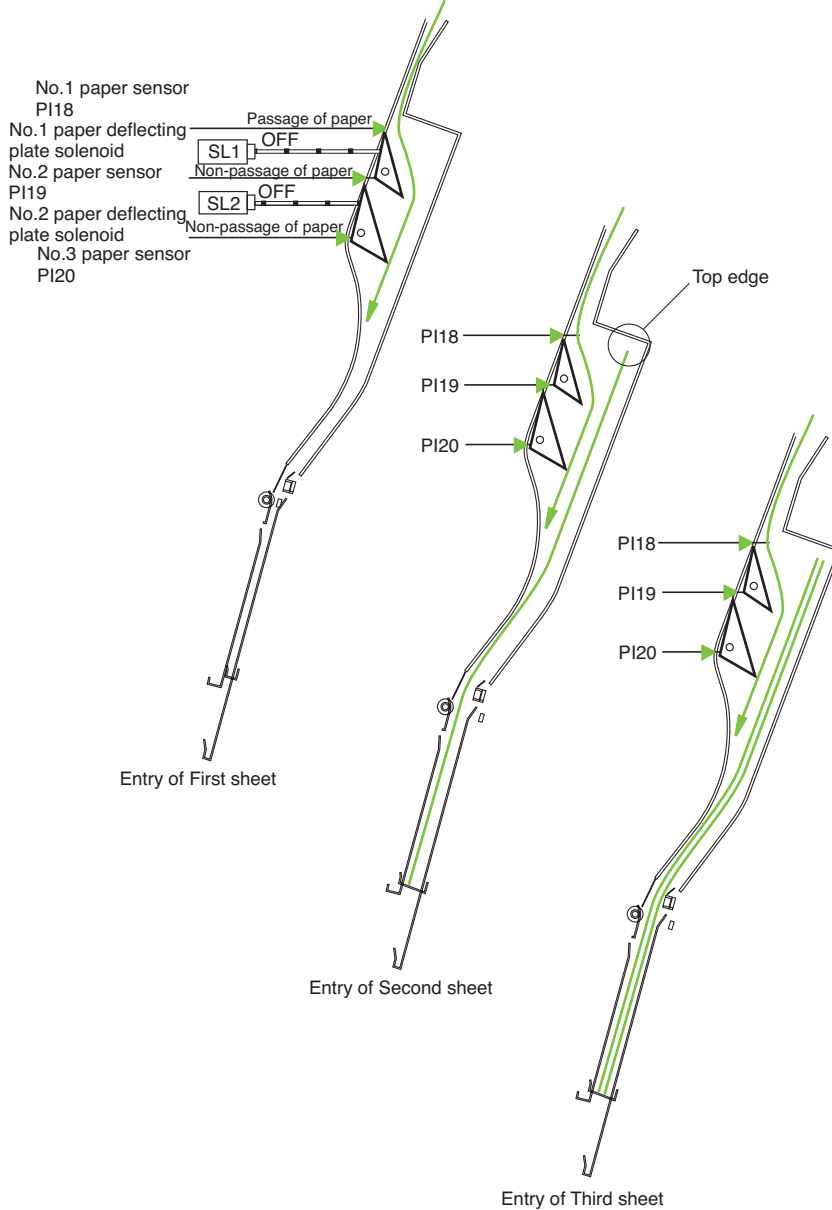
Sensor	A3/279 mm x 432 mm (11 x 17)	B4/LGL	A4R/LTRR
No.1 paper sensor (PI18)	Used	Used	Used
No.2 paper sensor (PI19)	Not used	Used	Used
No.3 paper sensor (PI20)	Not used	Not used	Used

Each flapper is driven by its own solenoid. The following table shows the relationship between solenoids and paper sizes.

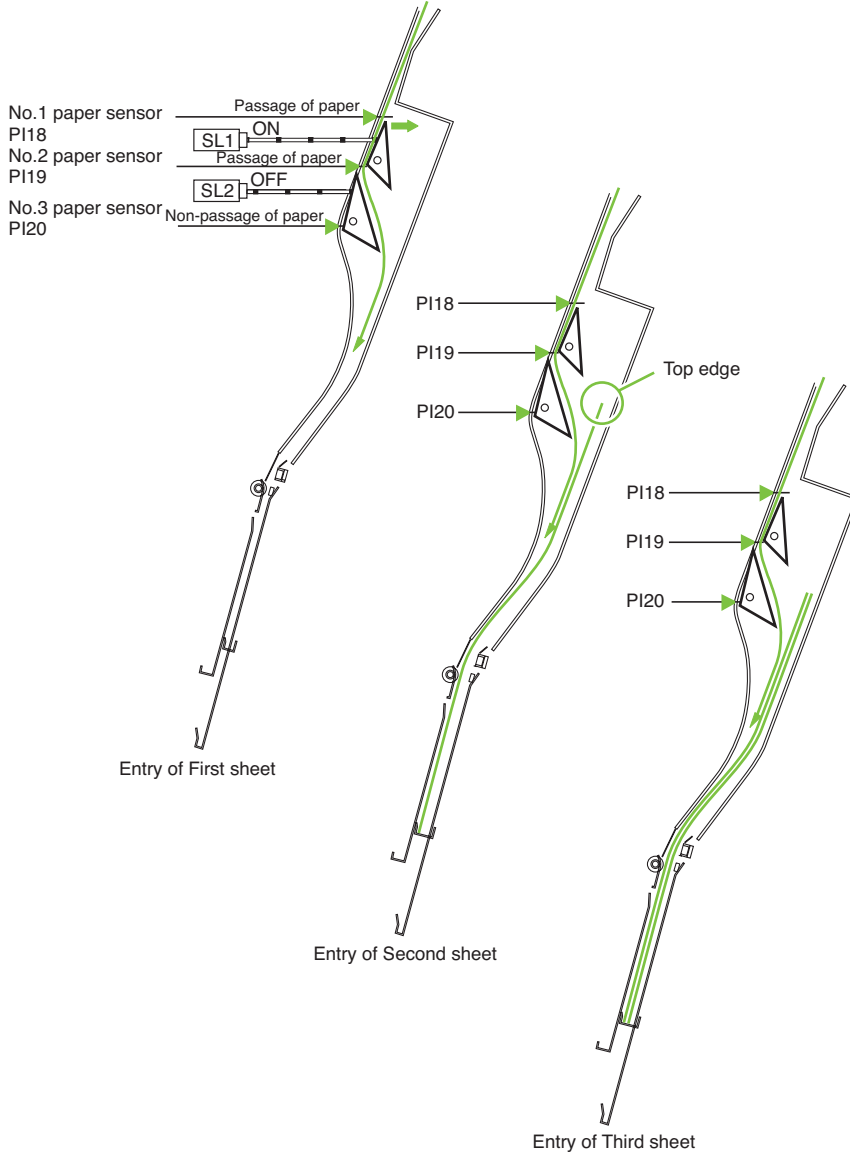
**Table 8-10 Solenoids and paper sizes**

Sensor	A3/279 mm x 432 mm (11 x 17)	B4/LGL	A4R/LTRR
No.1 paper-deflecting solenoid (SL1)	off	on	on
No.2 paper-deflecting solenoid (SL2)	off	off	on

**Figure 8-56** A3/279 mm x 432 mm (11 x 17) paper path (3 sheets)

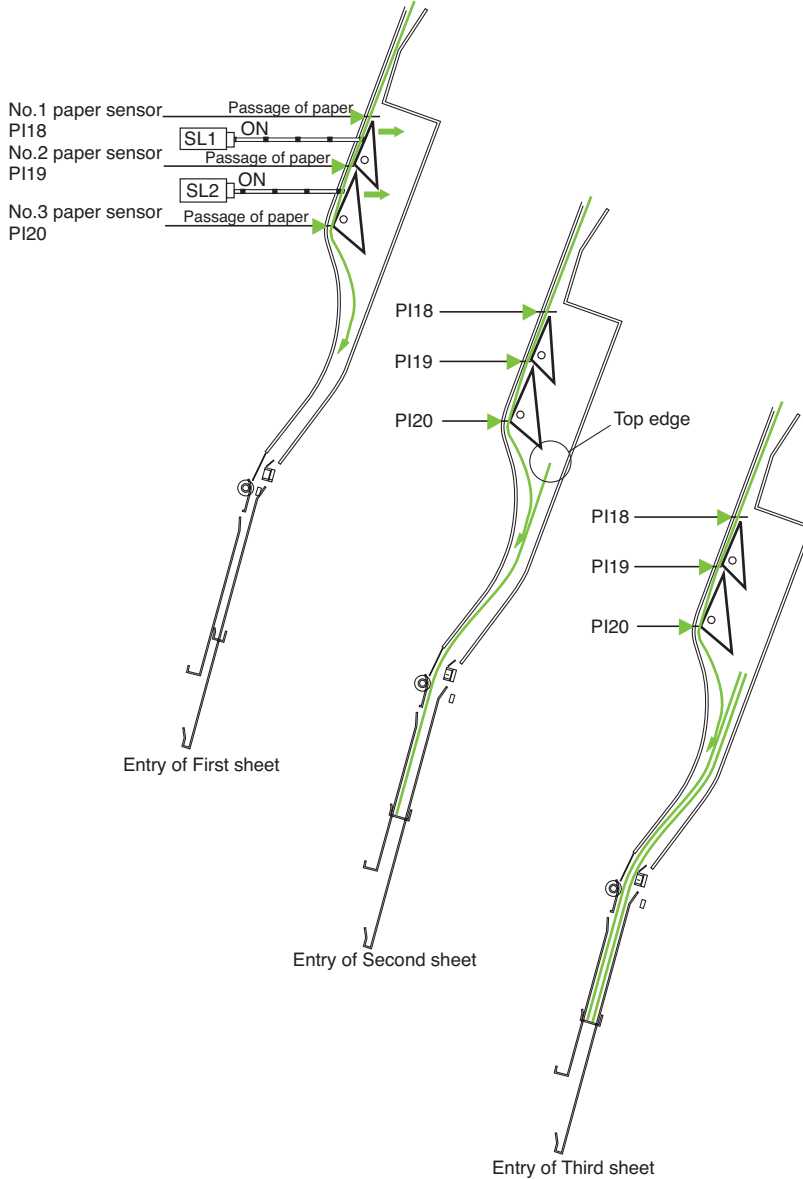


**Figure 8-57** B4/LGL paper path (3 sheets)





**Figure 8-58** A4R/LTRR Paper Path (3 sheets)

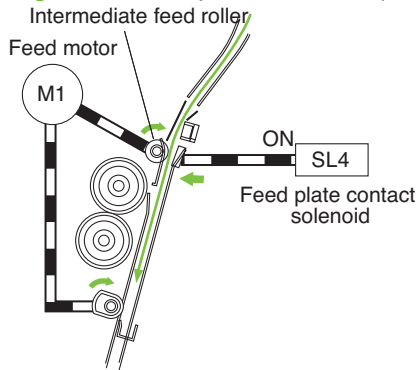


### Control of paper movement

- When the leading edge of the paper has passed the inlet flapper, the intermediate-feed roller and the crescent roller start to move the paper forward.
- When the leading edge of the paper reaches the intermediate-feed roller, the feed-plate-contact solenoid (SL4) causes the roller to contact the path bed and move the paper forward. When the leading edge of the paper reaches the paper-positioning plate, contact is broken.
- When the leading edge of the first sheet reaches the paper-positioning plate, the paper-positioning-plate paper sensor (PI8) turns on. Subsequent sheets will not be checked because the first sheet will still be over the sensor.

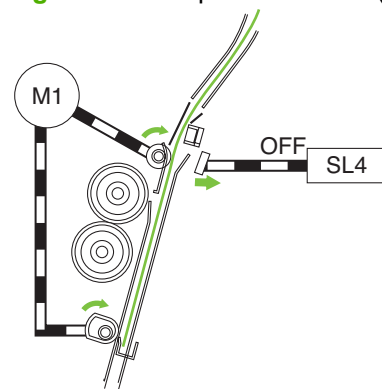
- The crescent roller rotates while sheets are output, butting the leading edge of each sheet against the paper-positioning plate and keeping the leading edge of the stack in order.
  - The alignment motor (M5) drives the alignment plates for each sheet to keep both the left and right edges of the sheet in order.
1. The solenoid turns on while paper is being moved so that the feed plate comes into contact.

**Figure 8-59** Paper movement (1 of 3)



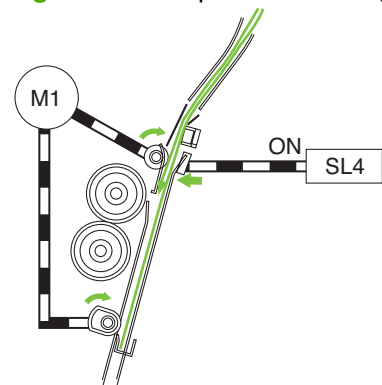
2. The solenoid turns off when the paper touches the paper-positioning plate. The feed motor continues to rotate.

**Figure 8-60** Paper movement (2 of 3)



3. The solenoid turns on when the next sheet arrives, and the feed plate comes into contact.

**Figure 8-61** Paper movement (3 of 3)

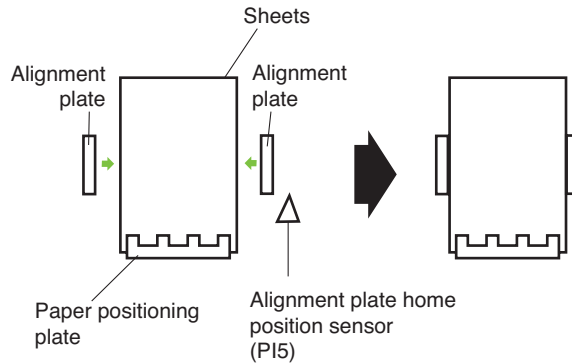


## Alignment of paper

The alignment motor (M5) drives the alignment plates each time paper is output, putting both left and right edges of the sheet in order. The alignment-plate motor is a four-phase stepping motor. The position of the alignment plate is identified by the number of motor pulses from the alignment-plate home-position sensor (PI5). The following briefly describes how the saddle-stitching mechanism operates on two sheets.

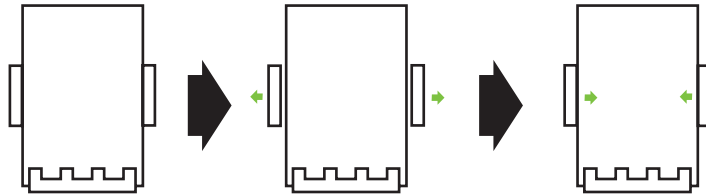
1. When the first sheet is output, the alignment plates touch the left and right edges of the stack (first alignment). The alignment plates leave the home position in advance and wait at points 10 mm from the edges of the stack.

**Figure 8-62** Paper alignment (1 of 8)



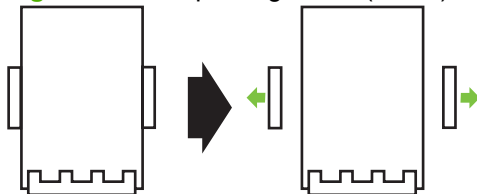
2. The alignment plates move away from the stack and then return (Second alignment).

**Figure 8-63** Paper alignment (2 of 8)



3. The alignment plates move 10 mm from the edge of the stack.

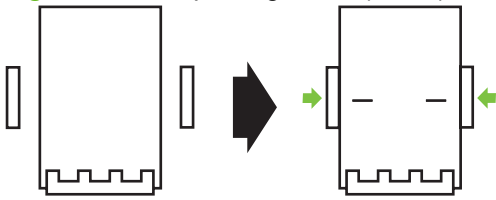
**Figure 8-64** Paper alignment (3 of 8)



4. When the stack arrives, steps 1 through 3 repeat.

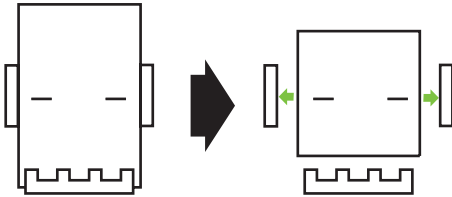
5. The alignment plates return to the stack and stitching takes place.

**Figure 8-65** Paper alignment (4 of 8)



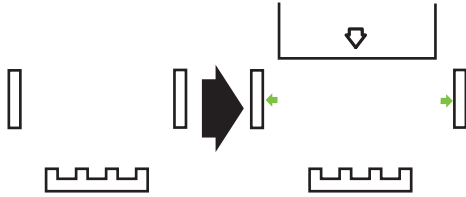
6. The alignment plates move 10 mm from the edges of the stack and folding and delivery takes place.

**Figure 8-66** Paper alignment (5 of 8)

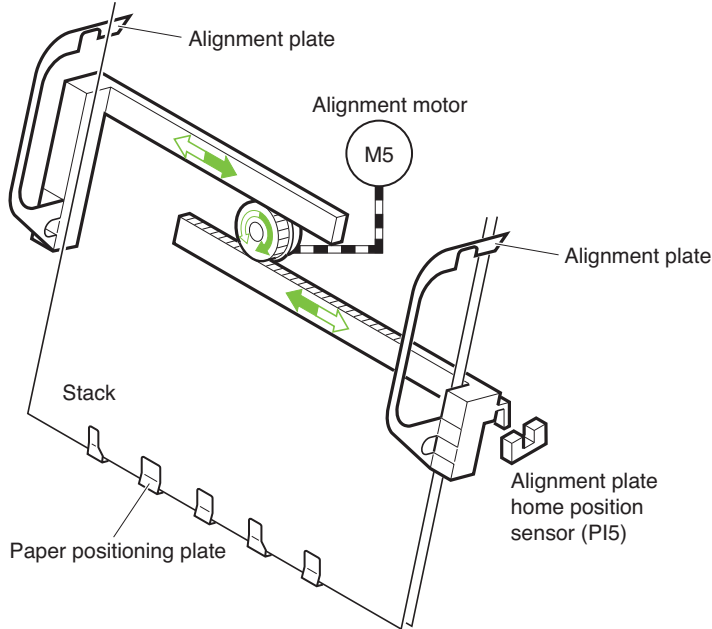


7. When the first sheet of the following stack reaches the No. 1 paper sensor, the guide moves to 10 mm from the edge of the stack for the next alignment.

**Figure 8-67** Paper alignment (6 of 8)

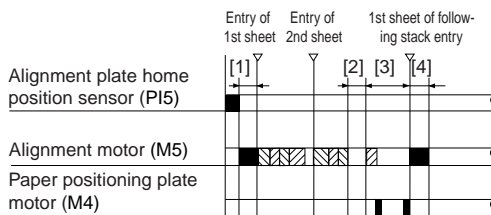


**Figure 8-68** Paper alignment (7 of 8)



**Figure 8-69** Paper alignment (8 of 8)

In case of 2 sheets:



▨ : Alignment ▨ : Escape

[1]: Move to wait position

[2]: Stapling period

[3]: Paper folding/delivery period

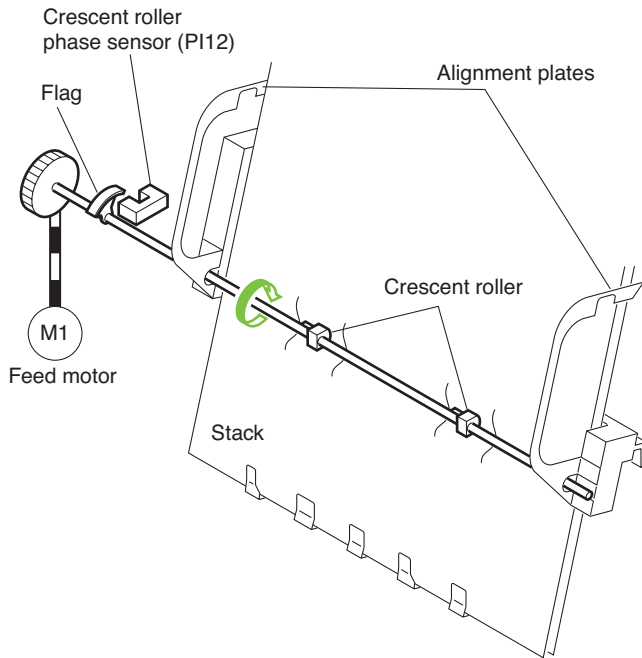
[4]: Move to following stack size wait position

## Control the phase of the crescent roller

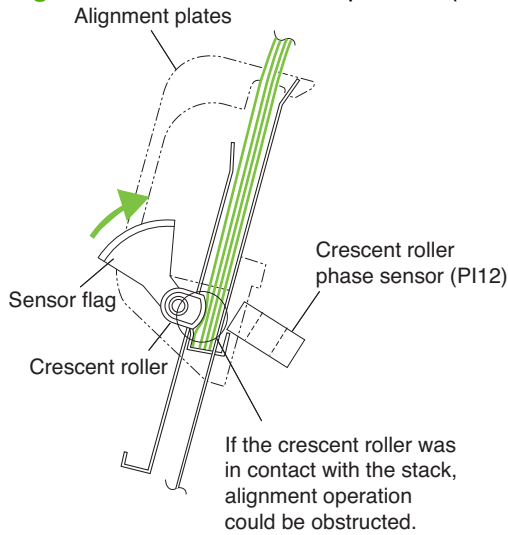
During alignment, the crescent roller can create friction against the roller causing the stack to move incorrectly. To prevent this problem, the crescent-roller phase sensor (PI12) identifies the phase of the crescent roller to determine the timing of alignment. The flag for the crescent-roller phase sensor is

mounted to the crescent-roller shaft. The roller shaft rotates, turning the sensor on and off. Operation of the alignment plates corresponds with the change in the state of the sensor.

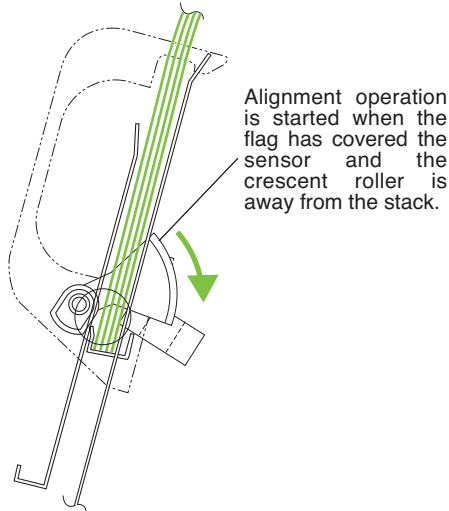
**Figure 8-70** Crescent-roller process (1 of 4)



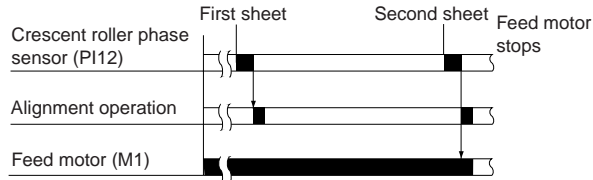
**Figure 8-71** Crescent-roller process (2 of 4)



**Figure 8-72** Crescent-roller process (3 of 4)



**Figure 8-73** Crescent-roller process (4 of 4)



## Overview of folding

The paper-folding mechanism includes a guide plate, paper-folding rollers, paper-pushing plate, and paper-positioning plate. The guide plate covers the folding rollers to prevent sheets from contacting the folding rollers during output. Before folding, the guide plate descends, allowing the folding rollers to operate. The following tables show the names and the functions of the motors and sensors used by the paper folding mechanism.

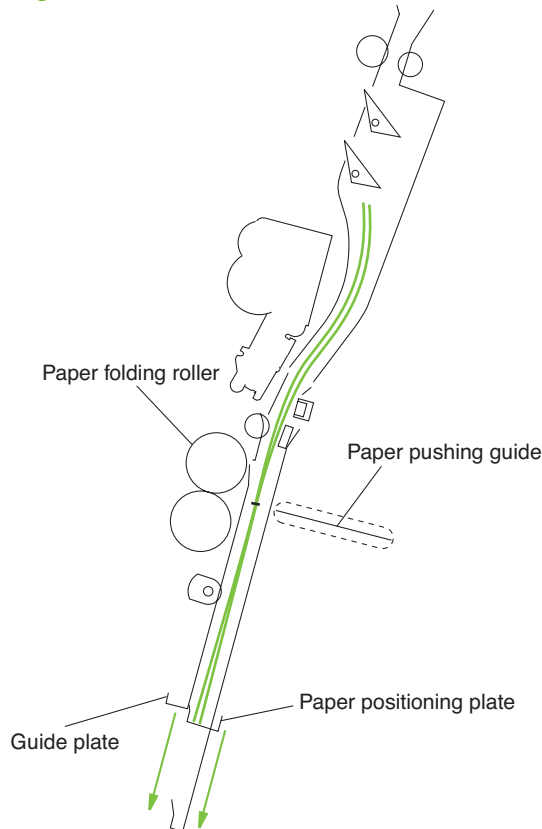
Motor	Function
Paper-folding motor (M2)	Drives the folding roller
Paper-pushing-plate motor (M8)	Drives the paper-pushing plate

Sensor	Function
Paper-pushing-plate-motor clock sensor (PI1)	Detects the paper-pushing-plate-motor clock
Paper-folding-motor clock sensor (PI4)	Detects the paper-folding-motor clock
Output-bin paper sensor (PI6)	Detects the presence/absence of a stack of sheets in the saddle output bin
Delivery sensor (PI11)	Detects the paper delivery
Paper-pushing-plate home-position sensor (PI14)	Detects the paper pushing plate leading edge position
Vertical-path paper sensor (PI17)	Detects the presence/absence of paper after removal of a jam
Paper-folding home-position sensor (PI21)	Detects the paper-folding home position

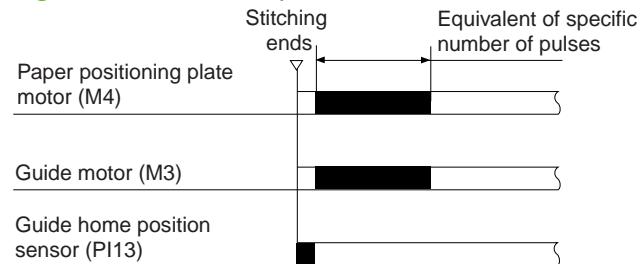
## Control of stack movement

After stitching, the paper-positioning plate lowers allowing the stack to come into contact with the paper-folding rollers. The location of the paper-positioning plate is determined by the number of motor pulses from the paper-positioning home-position sensor (PI7). As the paper-positioning plate operates, the guide plate lowers for folding.

**Figure 8-74** Movement of the stack



**Figure 8-75** Stack sequence



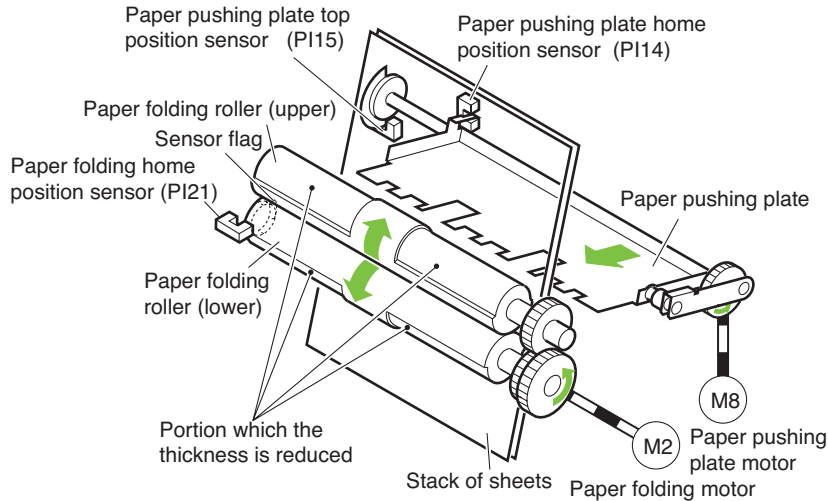
## Fold the stack

The paper-pushing plate pushes the center of the stack to the roller-contact section and waits at the leading-edge position until the stack is taken by the paper-folding roller. When the paper-folding roller has gripped the stack, the paper-pushing-plate motor rotates, returning the paper-pushing plate to its home position. The paper-folding roller draws the stack until the delivery roller moves it to the output bin. The thickness of the paper-folding rollers is reduced at the upper half of the periphery but maintained in the center area and at the lower half of the periphery. At the lower half of the periphery where the thickness is not reduced, the paper-folding roller (upper) and the paper-folding roller (lower) contact each other tightly, and paper starts to be folded at this position. The upper and lower rollers feed paper

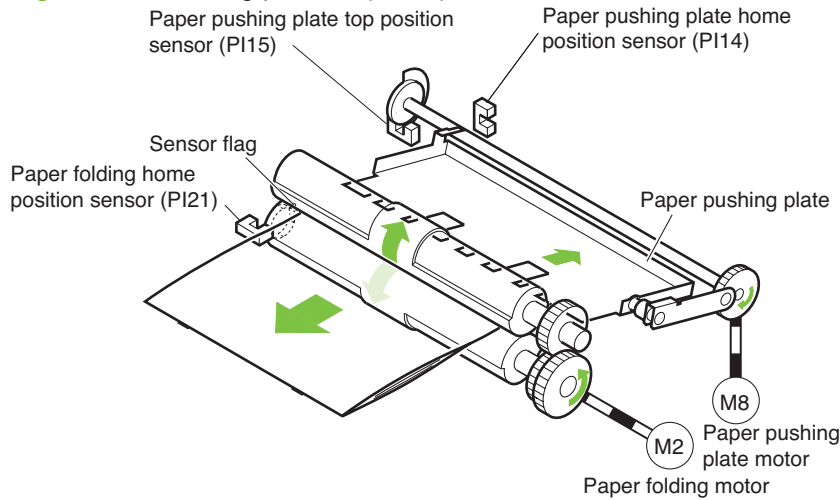


while folding it and stop at the folding position. At the upper half of the periphery where the thickness is reduced, the upper and lower paper-folding rollers do not contact each other except at the center, so they only feed the paper to prevent paper from being wrinkled. The paper-folding start and stop positions are controlled by the number of motor pulses delivered from the paper-folding home-position sensor (P121).

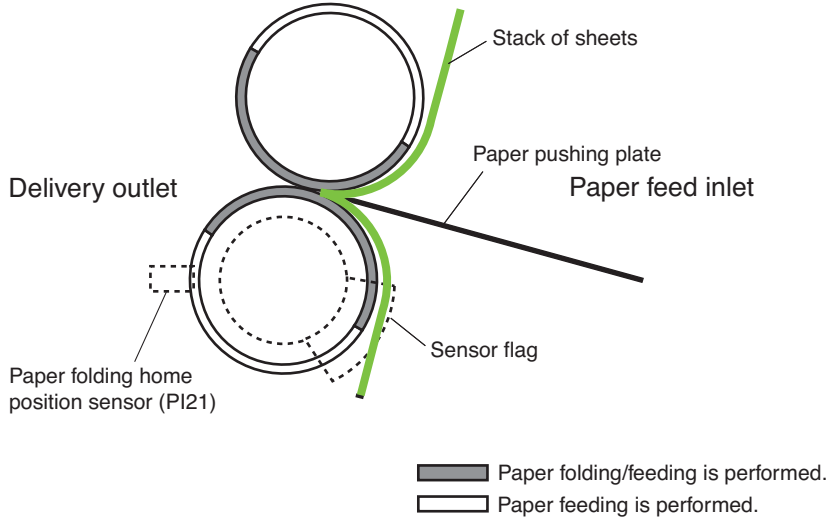
**Figure 8-76** Folding position (1 of 5)



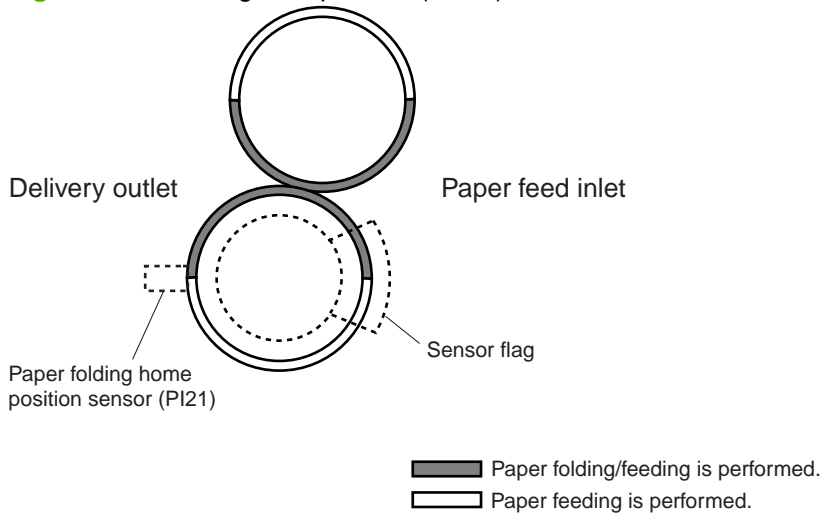
**Figure 8-77** Folding process (2 of 5)



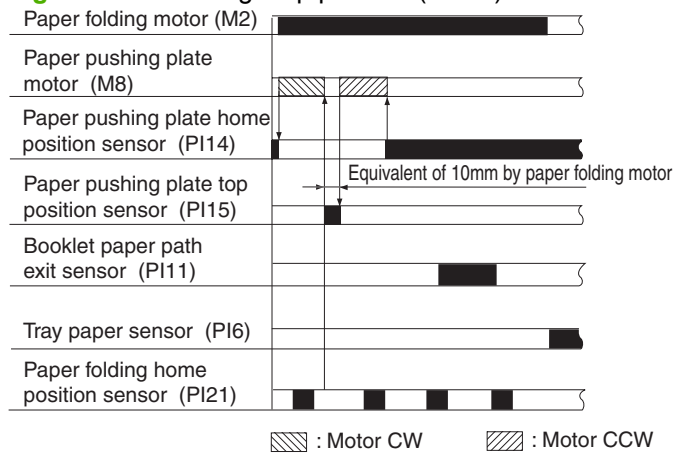
**Figure 8-78** Folding start position (3 of 5)



**Figure 8-79** Folding start position (4 of 5)



**Figure 8-80** Folding stop position (5 of 5)

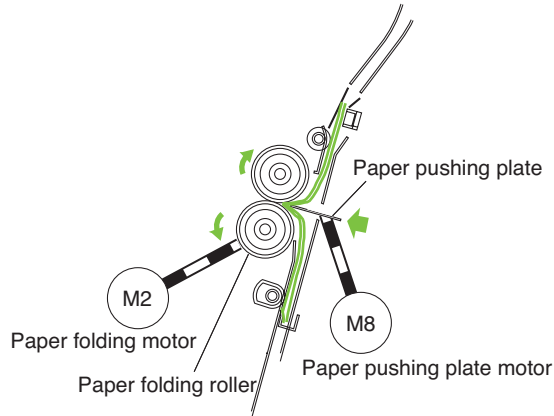


## Double folding a stack

A stack of 10 or more A4R or LTRR sheets is folded twice.

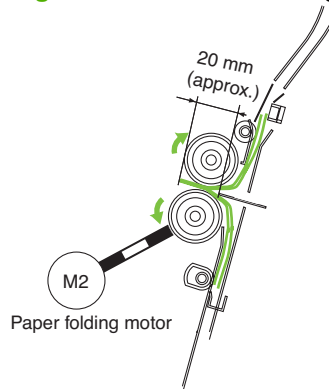
1. The paper-pushing plate pushes the stack to the paper-folding rollers.

**Figure 8-81** Double-folding process (1 of 5)



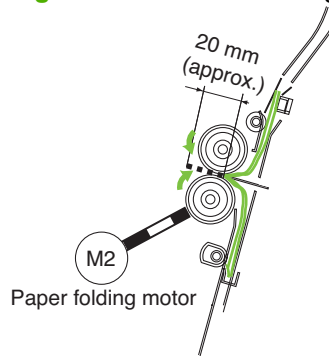
2. The paper-folding rollers grip the stack.

**Figure 8-82** Double-folding process (2 of 5)



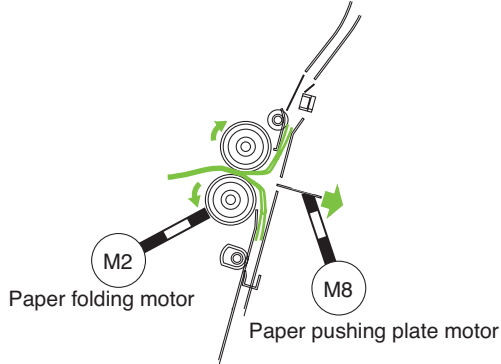
3. The paper-folding rollers rotate in reverse, pushing the stack backward 20 mm (reverse feeding).

**Figure 8-83** Double-folding process (3 of 5)

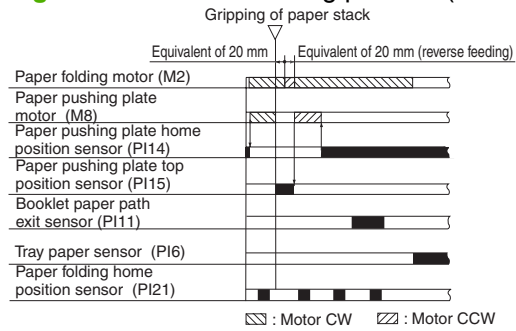


- The paper-folding rollers rotate forward to push the stack forward. The paper-pushing plate returns to its home position.

**Figure 8-84** Double-folding process (4 of 5)



**Figure 8-85** Double-folding process (5 of 5)



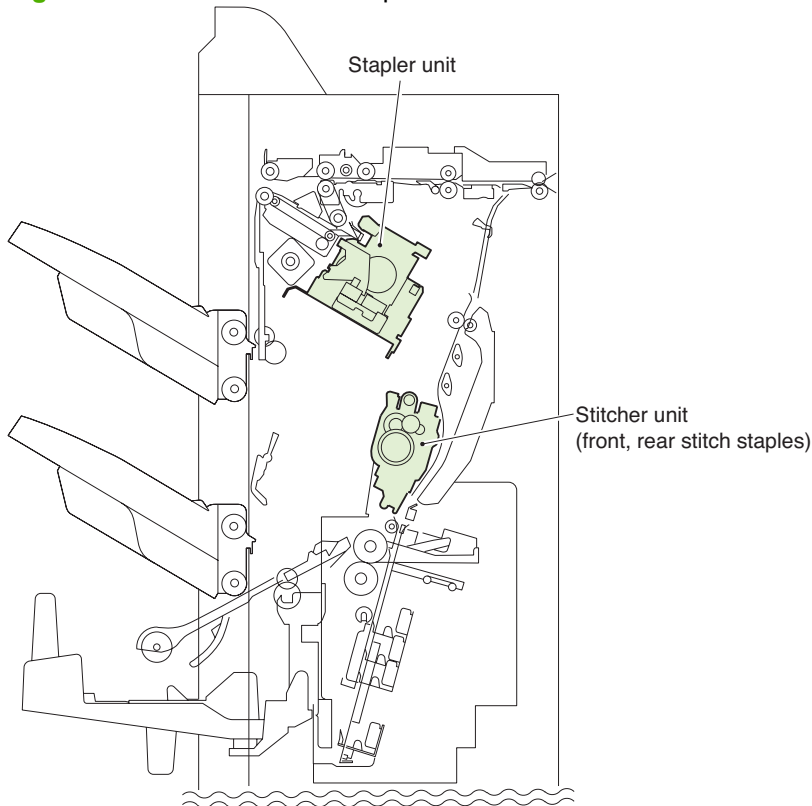
## Intermediate-process-tray assembly

See [Intermediate-process output-bin assembly \(stapler/stacker and booklet maker\)](#) on page 679.

## Staple operation

The stacker unit provides 1-point front stapling, 1-point rear stapling, and 2-point stapling. The booklet stapler provides 2-point center stapling.

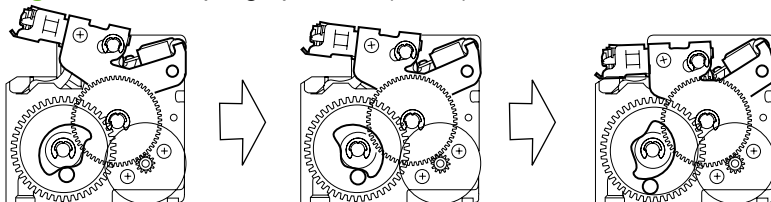
**Figure 8-86** Location of the staplers



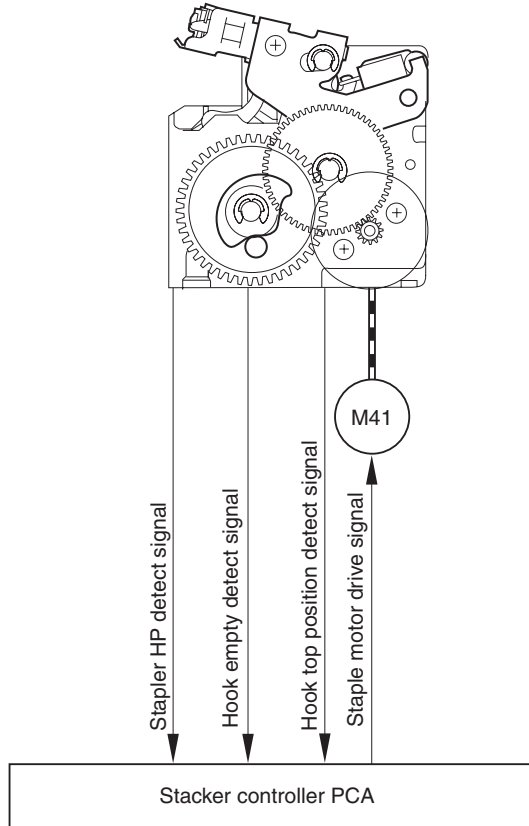
## Stapler unit

- The staple motor (M41) rotates the cam one turn for stapling. The macro computer (IC101) on the stacker controller PCA controls the motor.
- The staple home-position sensor (PI50) detects the home position of the cam. When the staple home-position sensor is off, the stacker controller PCA rotates the staple motor forward until the sensor turns on, moving the staple cam to its original position.
- The staple sensor (PI52) detects presence of a staple cartridge and of staples in the cartridge.
- The staple-edging sensor (PI51) determines whether staples are pushed to the top of the staple cartridge.
- For safety, the stacker-controller circuit does not drive the staple motor (M41) unless the staple safety switch (MS34) is turned on.

**Figure 8-87** Stapling operation (1 of 2)



**Figure 8-88** Stapling operation (2 of 2)



### Stapling operation

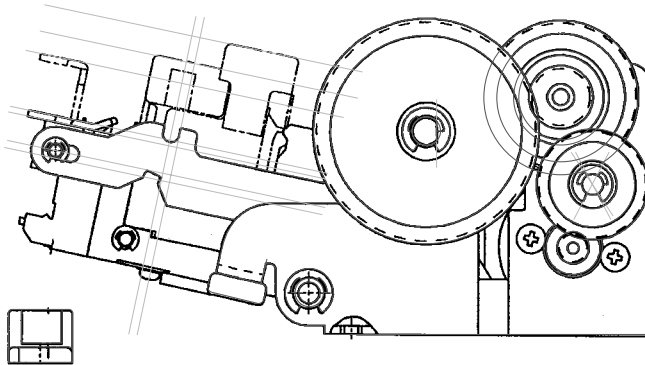
See [Staple operation \(stapler/stacker and booklet maker\)](#) on page 683.

### Stitcher (stapler) unit

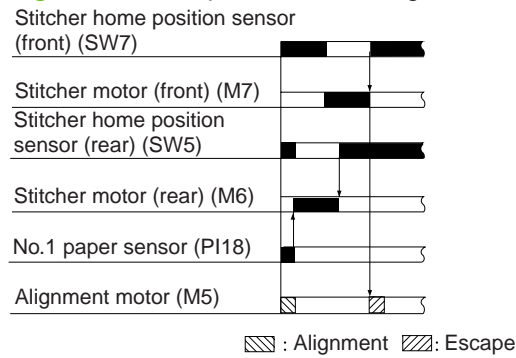
The stitcher base unit includes two stitchers and stitcher bases. The stitchers are fixed in position and do not slide or swing. Stitching begins when the stitcher motor (M7, M6) drives the rotary cam. The front and rear stitcher units operate with a time delay to prevent wrinkling of paper and to limit the load applied to the power supply. The stitcher home-position sensor (SW7, SW5) monitors the movement of the rotary cam and allows identification of individual stitcher operations. The staple sensor (SW6, SW4)

detects the presence or absence of staples inside the staple cartridge. The alignment plates keep both edges of the stack in place while stitching takes place.

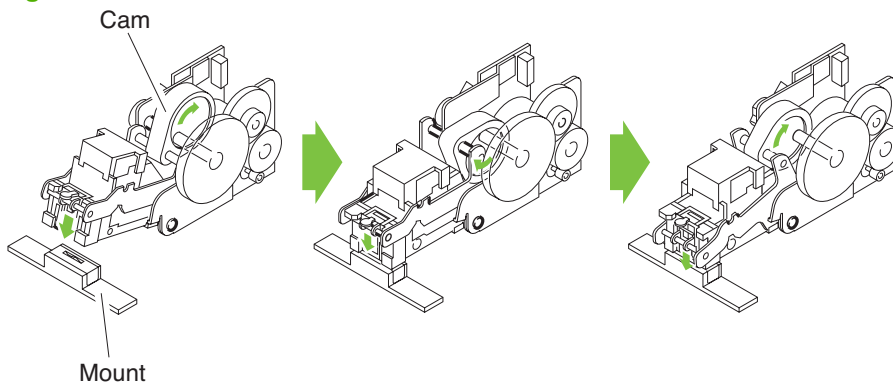
**Figure 8-89** Stitcher unit



**Figure 8-90** Sequence of stitching



**Figure 8-91** Rotation of the cam



## Stack operation

See [Stack operation \(stapler/stacker and booklet maker\)](#) on page 689.

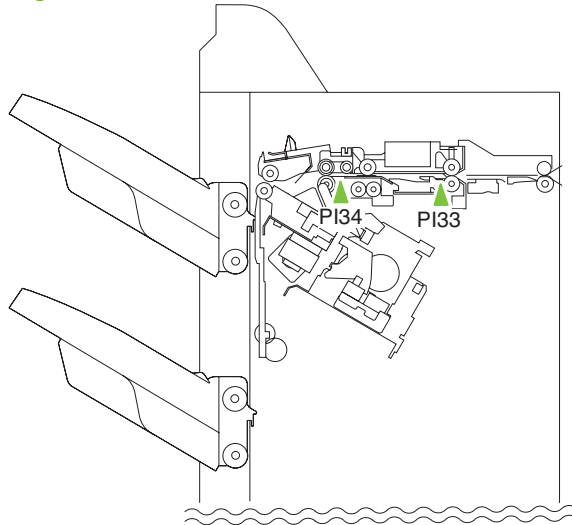
## Jam detection

The stacker unit and booklet maker unit detect jams and provide messages to the product.

### Detect jams in the stacker unit

The inlet sensor (PI33) and delivery sensor (PI34) detect the presence of paper to determine if paper is delivered properly. A jam is identified by checking whether paper is present at each sensor at the timing programmed in the memory of the microcomputer (CPU) on the stacker controller PCA. When the CPU identifies a jam, it suspends the stacker's delivery operation and informs the product. When all doors are closed after the paper jam is removed, the stacker checks whether paper is detected by the sensors (inlet sensor and delivery sensor). If the sensors detect paper, the stacker determines that paper jam is not removed and resends the message to the product.

**Figure 8-92** Jams in the stacker unit



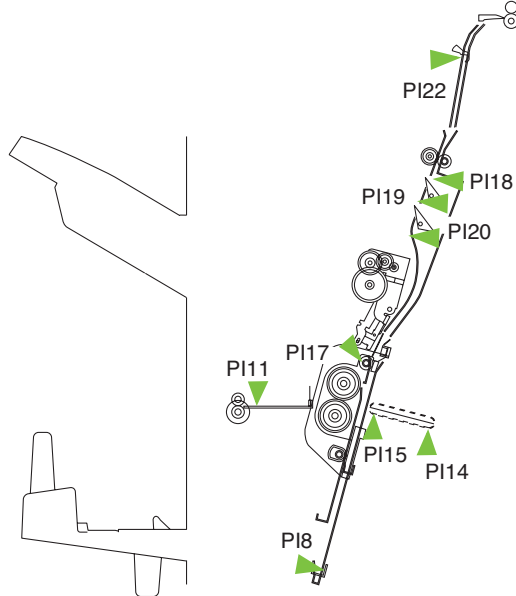
### Detect jams in the booklet maker unit

The saddle stitcher unit identifies any of the following conditions as a jam, and sends the jam signal to the product. When all doors are closed after the jam is removed, the saddle stitcher unit checks whether the vertical-path paper sensor (P117) has detected the presence of paper. If the sensor has detected



paper, the unit identifies the condition as being a faulty jam removal and sends the jam signal to the product once again.

**Figure 8-93** Jams in the booklet maker unit



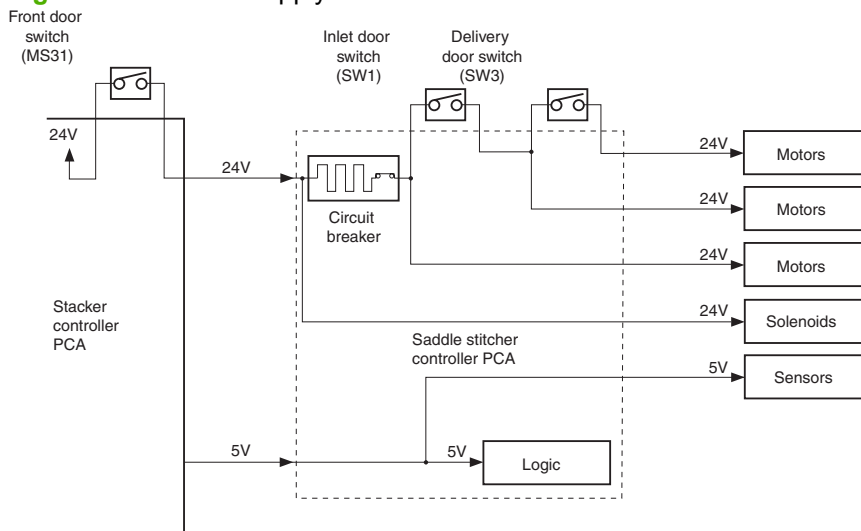
## Power supply

The stacker unit and booklet maker unit use both 5 Vdc and 24 Vdc power.

### Power-supply route for the stacker unit

When power is turned on, 5 Vdc and 24 Vdc are supplied from the product to the stacker controller PCA. The 24 Vdc power drives the motor, solenoid, and so on. The 5 Vdc power drives sensors, IC chips on the stacker controller PCA, and so on. Both 5 Vdc and 24 Vdc are also supplied from the stacker controller PCA to the saddle-stitcher controller PCA. The 24 Vdc power for the motor drive is shut down when the front door switch (MS31) is open. A block diagram of the power supply is shown as follows.

**Figure 8-94** Power-supply route for the stacker unit



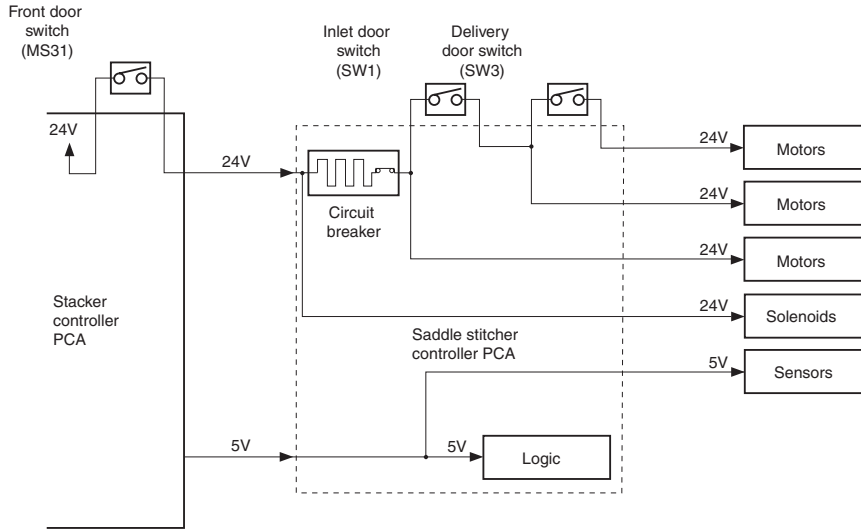
### Protective function for the stacker unit

The 24 Vdc has a fuse or motor driver with over-current protection.

### Power-supply route for the booklet maker unit

When the power to the product is turned on and the door is closed, 24 Vdc and 5 Vdc are supplied from the stacker-controller PCA as saddle sticher power. The 24 V power supply to solenoids is supplied from the stacker controller PCA without passing through protection mechanisms such as microswitches. The 5 Vdc power drives sensors, IC chips on the stacker controller PCA, and so on. The 24 V power supply to motors is not supplied if either of the door switches of the booklet maker unit is open.

**Figure 8-95** Power supply route for the booklet maker unit



### Protective function for the booklet maker unit

The 24 Vdc power supply for motors and solenoids comes with a circuit breaker (CB1). The 24 V power supply for the guide motor (M3), alignment motor (M5), and the paper-positioning plate motor (M4) comes with a fuse designed to blow when there is too much current.

# Specifications

- [Accessory specifications](#)
- [Stapler/stacker output-bin capacities](#)
- [Booklet-maker output-bin capacities](#)

## Accessory specifications

**Table 8-11 Stapling and stacking specifications (stapler/stacker and booklet maker)**

Item	Specifications		Remarks
Stacking method	Stack sub tray (for stapler/stacker only), output bin 1 and output bin 2: by lifting tray		Stack sub tray is interlocked with output bin 1
Stacking orientation	Face down		
Paper capacity	Paper form	Cut-sheet	
	Special paper	Envelope, OHT film, colored paper, label paper, thick paper	
	Paper weight	60 g/m <sup>2</sup> to 220 g/m <sup>2</sup>	
	Paper size	Feed direction: 139.7 mm to 482.6 mm Cross feed direction: 98.425 mm to 330.2 mm	Large size paper length > 216 mm Small size maximum paper length: 216 mm
Mode	Non sort, job offset, staple sort		
Paper size	Non sort	A3, B4, A4, A4-R, B5-R, A5-R, LDR, LGL, LTR, LTR-R, EXE-R, Youkei No.4, Kakukei No.2, COM10, Monarch, DL, C5, B5 envelope, New-DRY type postcard, 12 x 18, 312 x 440 mm, custom size	Large size: A3, B4, A4-R, LDR, LGL, LTR-R Small size: A4, B5-R, A5-R, LTR, EXE-R
	Job offset	A3, B4, A4, A4-R, LDR, LGL, LTR, LTR-R	
	Staple sort	A3, B4, A4, A4-R, LDR, LGL, LTR, LTR-R	

**Table 8-11 Stapling and stacking specifications (stapler/stacker and booklet maker) (continued)**

Item	Specifications	Remarks		
Stacking capacity	Non sort, Job offset	Stack sub tray (for stapler/stacker only)	Large size maximum stack height: 17 mm Small maximum stack height: 24 mm	Stack tray overstacking detection is provided.
		Output bin 1	Large size maximum stack height: 73.5 mm Small size maximum stack height: 73.5 mm	
		Output bin 2	Large size maximum stack height: 73.5 mm Small size maximum stack height: 147 mm	
	Staple sort	Large size maximum stack height: 73.5 mm Small size maximum stack height: 73.5 mm 30 copies or less		
		Special paper	Not specified but up to 10 envelopes can be stacked	
	Mixed stacking	Non sort	Plain paper, recycled paper 60 to 80 g/m <sup>2</sup>	
Plain paper, thick paper 61 to 220 g/m <sup>2</sup>			Maximum stack height: 73.5 mm	
Special paper			Not acceptable	
Job offset		Not specified		
Staple sort		Maximum stack height: 73.5 mm, 30 copies or less		
Stapling position	Front 1-point stapling, Rear 1-point stapling, 2-point stapling	Rear parallel stapling		
Stapling	By rotating cam			
Staple supply	Special staple cartridge (5000 staples)			
Staple near end detection	Provided: Low staple warning is signaled after the staple near end is detected.	Remaining about 40 staples		
Staple detection	Provided			
Manual stapling	Not provided			

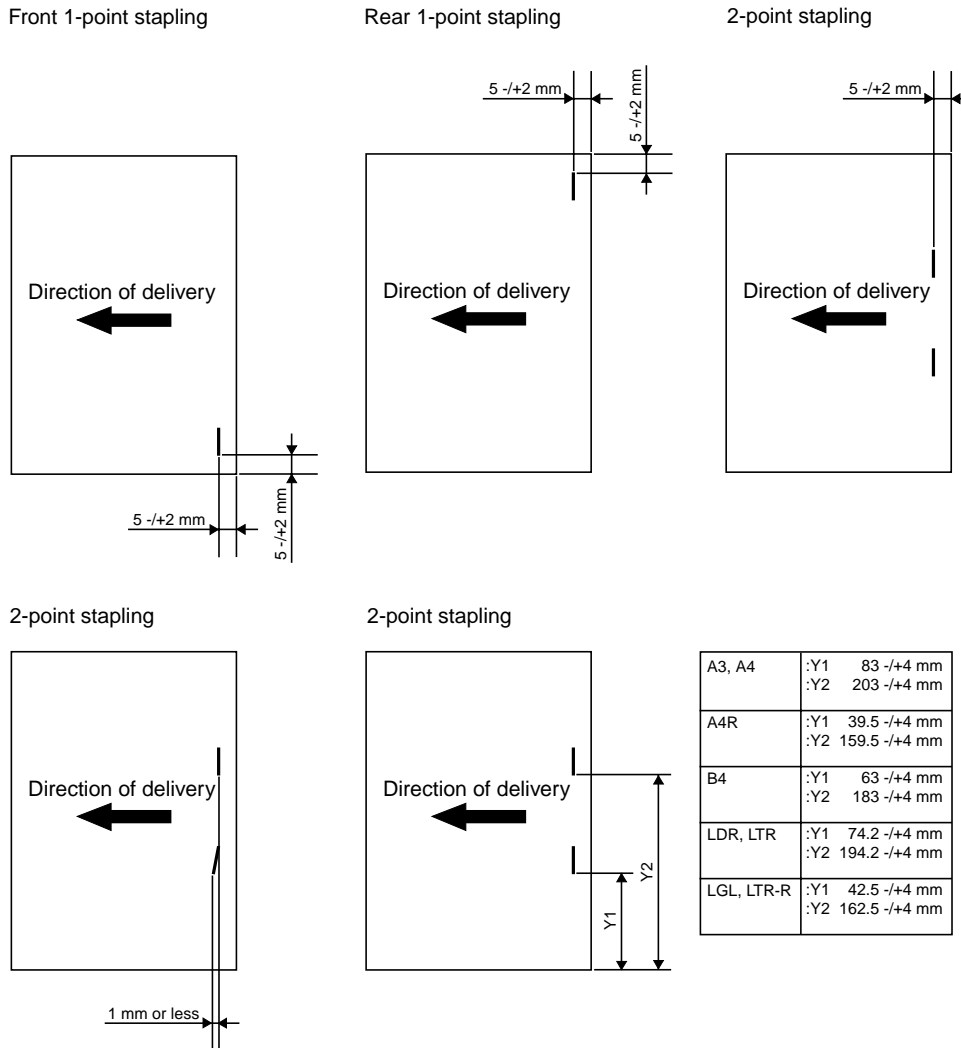
**Table 8-11 Stapling and stacking specifications (stapler/stacker and booklet maker) (continued)**

Item	Specifications	Remarks	
Staple capacity	Large size: 2 to 30 sheets 2 sheets of 199 g/m <sup>2</sup> paper and 28 sheets of 80 g/m <sup>2</sup> paper maximum: 30 sheets in total A3, B4, A4- R, LDR, LGL, LTR-R	Plain paper: 60 g/m <sup>2</sup> to 81 g/m <sup>2</sup> : 30 sheets	<ul style="list-style-type: none"> <li>• Stapling thickness: 5.5 mm or less</li> <li>• Including 2 cover pages except extra thick paper when cover mode is applied</li> </ul>
		Plain paper: 82 g/m <sup>2</sup> to 90 g/m <sup>2</sup> : 22 sheets	
		Thick paper: 91 g/m <sup>2</sup> to 105 g/m <sup>2</sup> : 14 sheets	
		Thick paper: 106 g/m <sup>2</sup> to 120 g/m <sup>2</sup> : 11 sheets	
		Thick paper: 121 g/m <sup>2</sup> to 163 g/m <sup>2</sup> : 9 sheets	
		Extra thick paper: 164 g/m <sup>2</sup> to 199 g/m <sup>2</sup> : 6 sheets	
		Extra thick paper: 200 g/m <sup>2</sup> to 220 g/m <sup>2</sup> : 5 sheets	
	Small size: 2 to 50 sheets 2 sheets of 199 g/m <sup>2</sup> paper and 48 sheets of 80 g/m <sup>2</sup> maximum: total 50 sheets A4, LTR	Plain paper: 60 g/m <sup>2</sup> to 81 g/m <sup>2</sup> : 50 sheets	
		Plain paper: 82 g/m <sup>2</sup> to 90 g/m <sup>2</sup> : 44 sheets	
		Thick paper: 91 g/m <sup>2</sup> to 105 g/m <sup>2</sup> : 28 sheets	
		Thick paper: 106 g/m <sup>2</sup> to 148 g/m <sup>2</sup> : 18 sheets	
		Thick paper: 149 g/m <sup>2</sup> to 163 g/m <sup>2</sup> : 13 sheets	
		Extra thick paper: 164 g/m <sup>2</sup> to 199 g/m <sup>2</sup> : 12 sheets	
		Extra thick paper: 200 g/m <sup>2</sup> to 220 g/m <sup>2</sup> : 5 sheets	
Glossy paper	Glossy paper: 91 g/m <sup>2</sup> to 130 g/m <sup>2</sup> : 8 sheets		
	Glossy paper: 131 g/m <sup>2</sup> to 220 g/m <sup>2</sup> : 5 sheets		
Self-diagnosis function	Provided with staple unit failure, tray failure and jam detection etc.	Identified by LED	
Dimensions	W: 662 mm x D: 657 mm x H: 1063 mm		
Weight	Approximately 54 kg		

**Table 8-11 Stapling and stacking specifications (stapler/stacker and booklet maker) (continued)**

Item	Specifications	Remarks
Power supply	From printer (24VDC)	
Maximum power consumption	20 W or less during standby, 20 W or less operating	

**Figure 8-96 Stapling position**



**Table 8-12 Specifications for booklet making (Booklet maker only)**

Item	Specifications
Stapling method	Center binding (double folding)
Paper size	A3, B4, A4-R, LDR, LGL, LTR-R

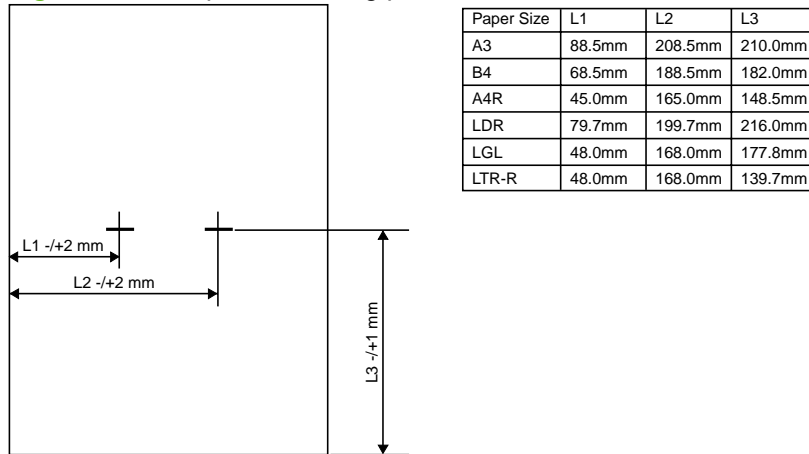
**Table 8-12 Specifications for booklet making (Booklet maker only) (continued)**

Item	Specifications																																														
Capacity	Plain paper: 60 g/m <sup>2</sup> to 81 g/m <sup>2</sup> : 15 sheets																																														
	Plain paper: 82 g/m <sup>2</sup> to 90 g/m <sup>2</sup> : 10 sheets																																														
	Plain paper: 91 g/m <sup>2</sup> to 105 g/m <sup>2</sup> : 6 sheets																																														
	Plain paper: 106 g/m <sup>2</sup> to 148 g/m <sup>2</sup> : 5 sheets																																														
	Plain paper: 149 g/m <sup>2</sup> to 199 g/m <sup>2</sup> : 3 sheets																																														
	Plain paper: 200 g/m <sup>2</sup> to 220 g/m <sup>2</sup> : 2 sheets																																														
	Glossy paper: 91 g/m <sup>2</sup> to 148 g/m <sup>2</sup> : 5 sheets																																														
	Glossy paper: 149 g/m <sup>2</sup> to 220 g/m <sup>2</sup> : 2 sheets																																														
Paper weight	60 g/m <sup>2</sup> to 220 g/m <sup>2</sup>																																														
Stacking capacity	<table border="1"> <thead> <tr> <th>Paper weight</th> <th>Paper size</th> <th>1 to 5 sheets</th> <th>6 to 10 sheets</th> <th>11 to 15 sheets</th> </tr> </thead> <tbody> <tr> <td rowspan="3">Plain paper: 60 g/m<sup>2</sup> to 81 g/m<sup>2</sup></td> <td>A4R, LTR-R</td> <td>20 copies</td> <td>10 copies</td> <td>10 copies</td> </tr> <tr> <td>LGL</td> <td>10 copies</td> <td>10 copies</td> <td>5 copies</td> </tr> <tr> <td>A3, B4, LDR</td> <td>25 copies</td> <td>15 copies</td> <td>10 copies</td> </tr> <tr> <td rowspan="3">Plain paper: 82 g/m<sup>2</sup> to 90 g/m<sup>2</sup></td> <td>A4R, LTR-R</td> <td>20 copies</td> <td>10 copies</td> <td></td> </tr> <tr> <td>LGL</td> <td>10 copies</td> <td>10 copies</td> <td></td> </tr> <tr> <td>A3, B4, LDR</td> <td>25 copies</td> <td>15 copies</td> <td></td> </tr> <tr> <td>Plain paper: 91 g/m<sup>2</sup> to 105 g/m<sup>2</sup></td> <td>Large size</td> <td>10 copies</td> <td>10 copies</td> <td></td> </tr> <tr> <td>Plain paper: 106 g/m<sup>2</sup> to 220 g/m<sup>2</sup></td> <td>Large size</td> <td>10 copies</td> <td></td> <td></td> </tr> <tr> <td>Glossy paper: 91 g/m<sup>2</sup> to 220 g/m<sup>2</sup></td> <td>Large size</td> <td>10 copies</td> <td></td> <td></td> </tr> </tbody> </table>	Paper weight	Paper size	1 to 5 sheets	6 to 10 sheets	11 to 15 sheets	Plain paper: 60 g/m <sup>2</sup> to 81 g/m <sup>2</sup>	A4R, LTR-R	20 copies	10 copies	10 copies	LGL	10 copies	10 copies	5 copies	A3, B4, LDR	25 copies	15 copies	10 copies	Plain paper: 82 g/m <sup>2</sup> to 90 g/m <sup>2</sup>	A4R, LTR-R	20 copies	10 copies		LGL	10 copies	10 copies		A3, B4, LDR	25 copies	15 copies		Plain paper: 91 g/m <sup>2</sup> to 105 g/m <sup>2</sup>	Large size	10 copies	10 copies		Plain paper: 106 g/m <sup>2</sup> to 220 g/m <sup>2</sup>	Large size	10 copies			Glossy paper: 91 g/m <sup>2</sup> to 220 g/m <sup>2</sup>	Large size	10 copies		
	Paper weight	Paper size	1 to 5 sheets	6 to 10 sheets	11 to 15 sheets																																										
	Plain paper: 60 g/m <sup>2</sup> to 81 g/m <sup>2</sup>	A4R, LTR-R	20 copies	10 copies	10 copies																																										
		LGL	10 copies	10 copies	5 copies																																										
		A3, B4, LDR	25 copies	15 copies	10 copies																																										
	Plain paper: 82 g/m <sup>2</sup> to 90 g/m <sup>2</sup>	A4R, LTR-R	20 copies	10 copies																																											
		LGL	10 copies	10 copies																																											
		A3, B4, LDR	25 copies	15 copies																																											
	Plain paper: 91 g/m <sup>2</sup> to 105 g/m <sup>2</sup>	Large size	10 copies	10 copies																																											
	Plain paper: 106 g/m <sup>2</sup> to 220 g/m <sup>2</sup>	Large size	10 copies																																												
Glossy paper: 91 g/m <sup>2</sup> to 220 g/m <sup>2</sup>	Large size	10 copies																																													
Folding capacity	Without binding: 1 sheet																																														
	With binding: 2 to 15 sheets																																														
Stapling position	2 points (center distribution; fixed interval)																																														
Staple accommodation	2000 staples																																														
Staple supply	Special cartridge																																														
Staples	Special staple																																														
Staple detection	Provided																																														
Manual stapling	Not provided																																														
Folding method	Roller contact																																														
Folding mode	Double folding																																														
Folding position	Paper center																																														

**Table 8-12 Specifications for booklet making (Booklet maker only) (continued)**

Item	Specifications
Position adjustment	Provided
Power supply	From stacker unit (24VDC)

**Figure 8-97 Staple and folding position**



## Stapler/stacker output-bin capacities

The actual capacities of the stapler/stacker output bins vary from 100 sheets, to 500 sheets, to 1,000 sheets of plain paper, depending on the bin. However, the stapler/stacker has been designed to accept only 30 staple jobs at one time, regardless of the number of pages in each job. Therefore, customers may see an **OUTPUT BIN FULL** message on the control panel long before the individual output bin is at full capacity.

**Table 8-13 Stapler/stacker output-bin capacities**

Output bin	Actual capacity of output bin	Number of staple jobs accepted	Bin capacity for staple jobs
Top output bin	100 sheets of plain paper <sup>1</sup>	30 staple jobs, regardless of size	30 staple jobs, or 100 sheets (whichever comes first)
Output-bin 1	500 sheets of plain paper <sup>1</sup>		30 staple jobs or 500 sheets (whichever comes first)
Output-bin 2 (stacker bin)	1,000 sheets of plain paper <sup>1</sup>		30 staple jobs or 1,000 sheets (whichever comes first)

<sup>1</sup> Based on 75 g/m<sup>2</sup> (20 lb) paper

### Example scenario:

A customer sends 40 staple jobs to the accessory with each job consisting of just two sheets (40 jobs x 2 sheets = 80 total sheets). Because the capacity of the stacker output bin is 1,000 sheets, the customer expects the 80-sheet job to output without issue.

However, the stacker bin sends an **OUTPUT BIN FULL** message to the control panel at the end of 30 jobs (30 jobs x 2 sheets = 60 total sheets). The actual full capacity of the output bin is 1,000 sheets, but



the stapler/stacker assumes the bin is full after stacking only 60 sheets due to reaching the 30-staple job limit.

The customer calls HP to complain that the stapler/stacker is not working correctly.

## Booklet-maker output-bin capacities

The actual capacities of the booklet-maker output bins are 1,000 sheets of plain paper. However, the booklet maker has been designed to accept only 30 staple jobs at one time, regardless of the number of pages in each job. Therefore, customers may see an **OUTPUT BIN FULL** message on the control panel long before the individual output bin is at full capacity.

**Table 8-14 Booklet-maker output-bin capacities**

Output bin	Actual capacity of output bin	Number of staple jobs accepted	Bin capacity for staple jobs
Output-bin 1	1,000 sheets of plain paper <sup>1</sup>	30 staple jobs, regardless of size	30 staple jobs or 1000 sheets (whichever comes first)
Output-bin 2	1,000 sheets of plain paper <sup>1</sup>		30 staple jobs or 1,000 sheets (whichever comes first)

<sup>1</sup> Based on 75 g/m<sup>2</sup> (20 lb) paper

# Removal and replacement

## Intermediate paper transfer unit (IPTU)

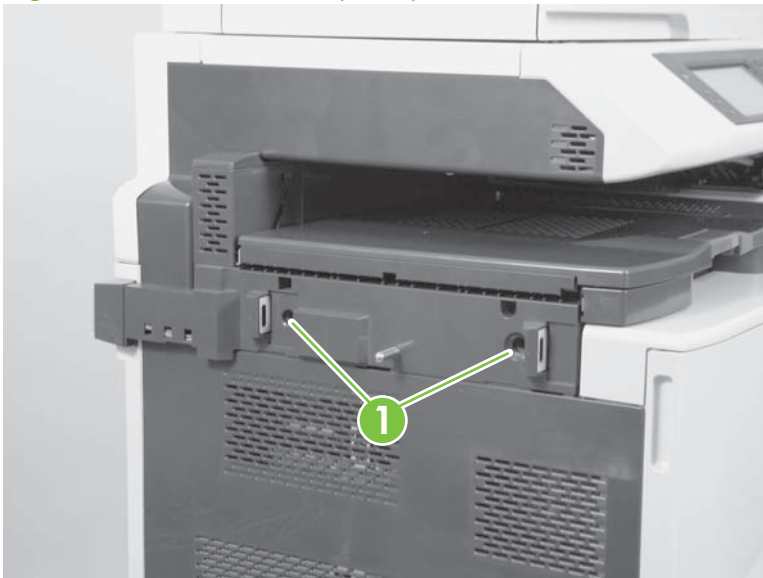
 **NOTE:** This item is called the “output accessory bridge” in the user documentation for this product.

**NOTE:** For all IPTU remove and replace procedures, remove the IPTU from the product.

### IPTU

1. Remove two screws (callout 1).

**Figure 8-98** Remove IPTU (1 of 2)



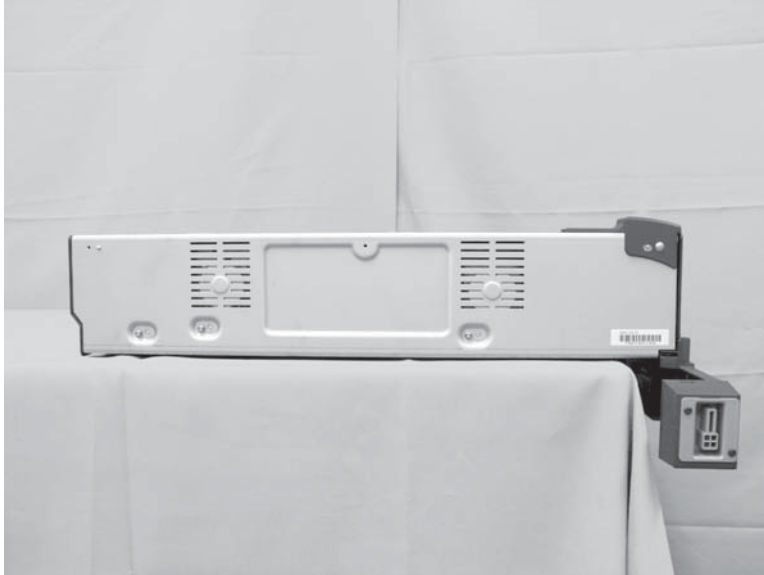
2. Slide the IPTU away from the printer to remove.

**Figure 8-99** Remove IPTU (2 of 2)



△ **CAUTION:** When disassembling or reassembling the IPTU, use the edge of a work table as shown below.

**Figure 8-100** Correct placement of the IPTU (1 of 2)



The connector can be damaged when the IPTU is placed on a table as shown below.

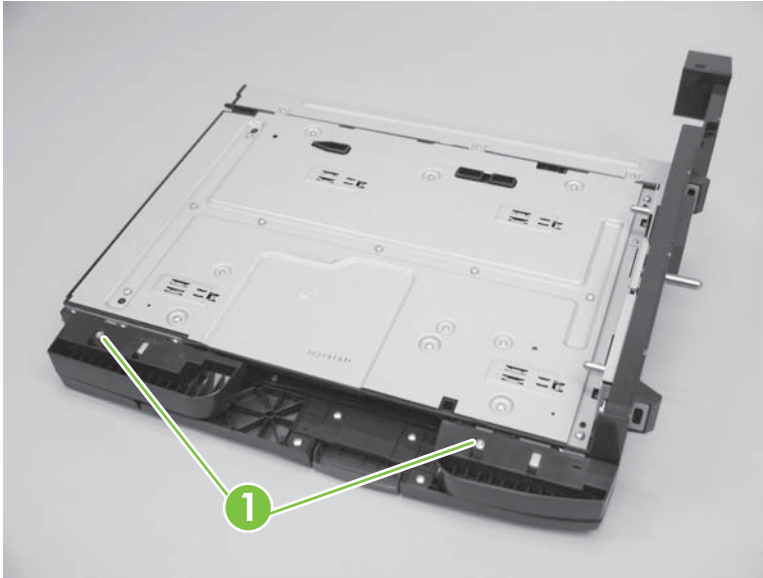
**Figure 8-101** Incorrect placement of the IPTU (2 of 2)



## Upper guide assembly

1. Remove two screws (callout 1).

**Figure 8-102** Remove upper guide assembly (1 of 5)



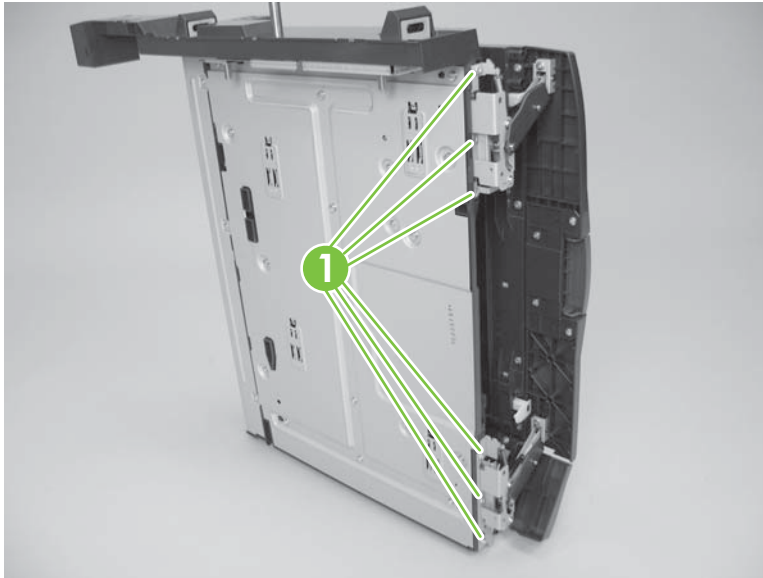
2. Release two tabs and remove two covers.

**Figure 8-103** Remove upper guide assembly (2 of 5)



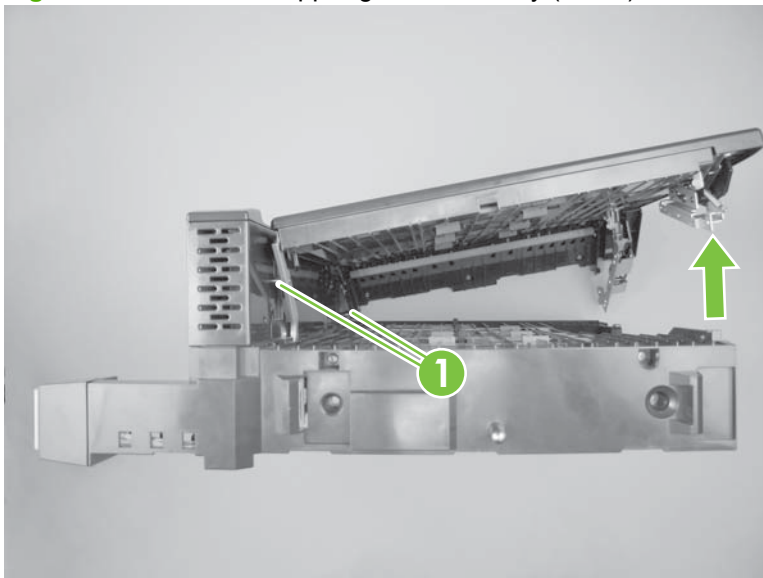
3. Remove six screws (callout 1).

**Figure 8-104** Remove upper guide assembly (3 of 5)



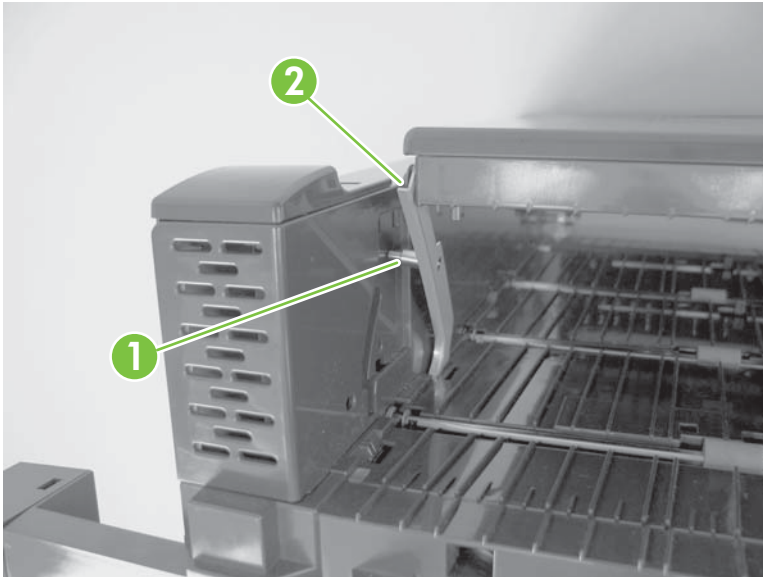
4. Separate the upper guide from the IPTU and locate the hinges (callout 1).

**Figure 8-105** Remove upper guide assembly (4 of 5)



5. Remove one hinge (callout 1) from the slot and then remove one screw (callout 2). Remove the upper guide assembly.

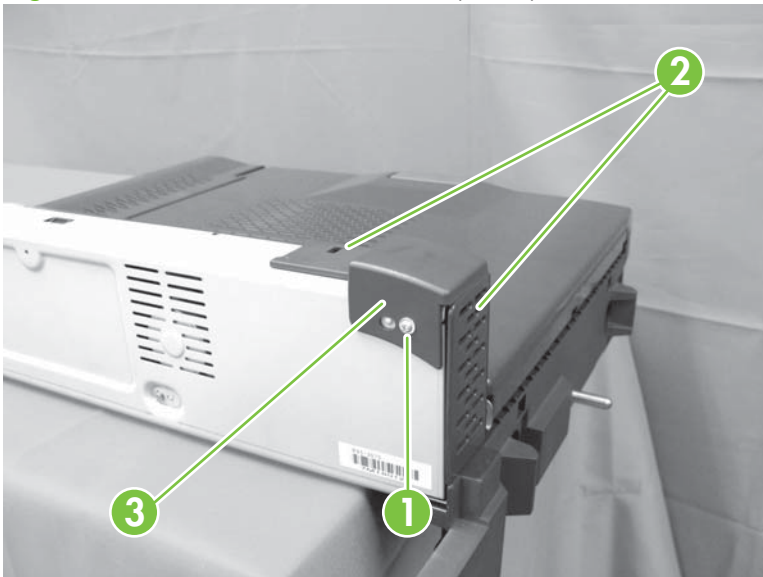
**Figure 8-106** Remove upper guide assembly (5 of 5)



### Rear cover

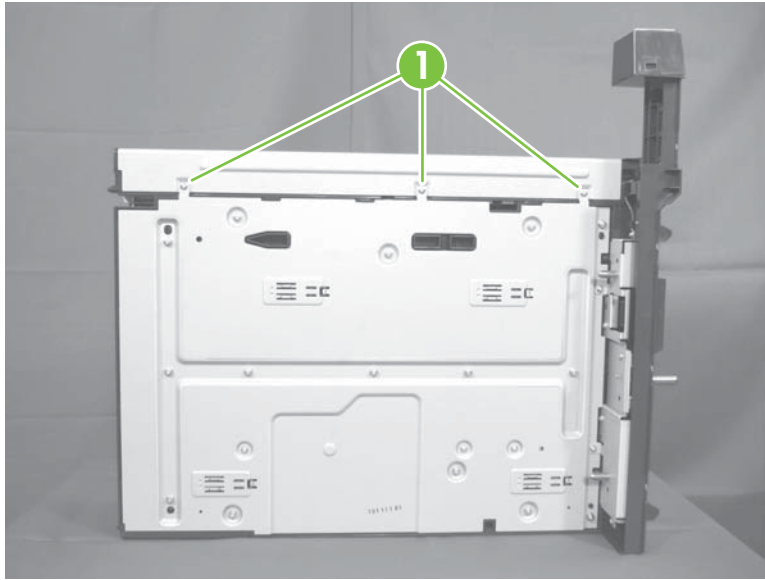
1. Remove one screw (callout 1), release two tabs (callout 2), and slide the upper cover (callout 3) in the direction the arrow indicates and remove it.

**Figure 8-107** Remove the rear cover (1 of 4)



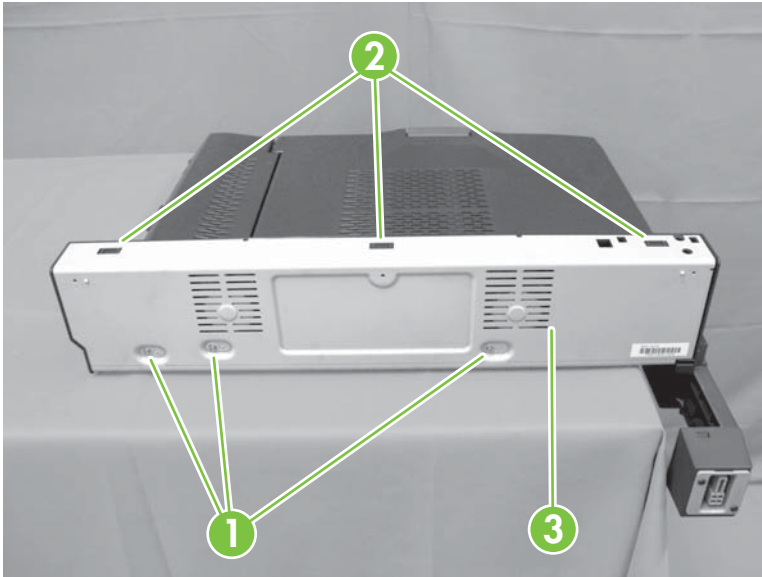
2. Remove three screws (callout 1).

**Figure 8-108** Remove the rear cover (2 of 4)

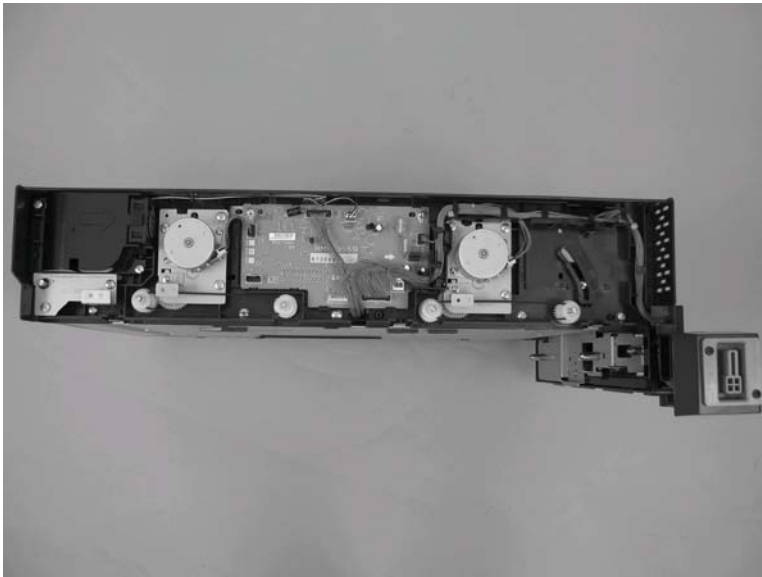


3. Remove three screws with washers (callout 1), release three tabs (callout 2), and then remove the rear cover (callout 3). Release the bottom of the rear cover first and then lift.


**Figure 8-109** Remove the rear cover (3 of 4)



**Figure 8-110** Remove the rear cover (4 of 4)



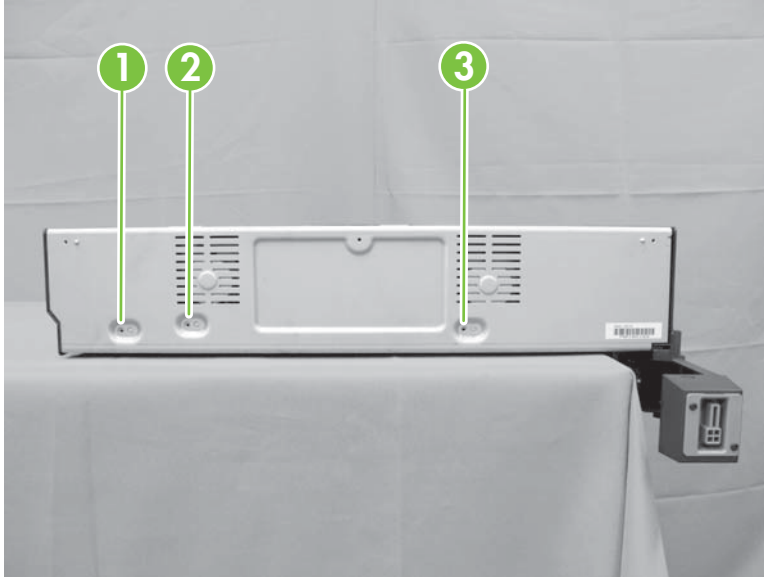
---

 **NOTE:** When reassembling the rear cover, reattached one washer with each screw. Tighten the screws from left to right.

---



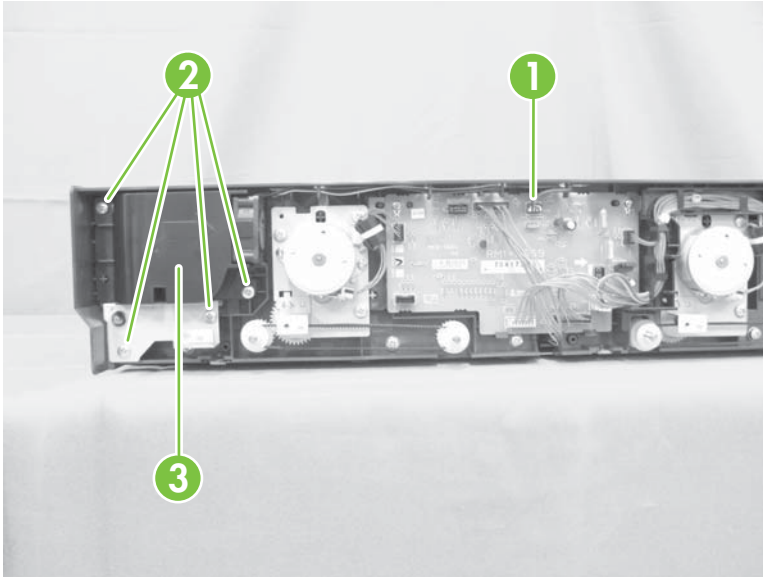
**Figure 8-111** Reassemble the rear cover



## Fan unit

1. Remove the following assemblies:
  - Rear cover. See [Rear cover on page 738](#).
2. Disconnect one connector (callout 1) and then remove four screws (callout 2) and the fan unit (callout 3).

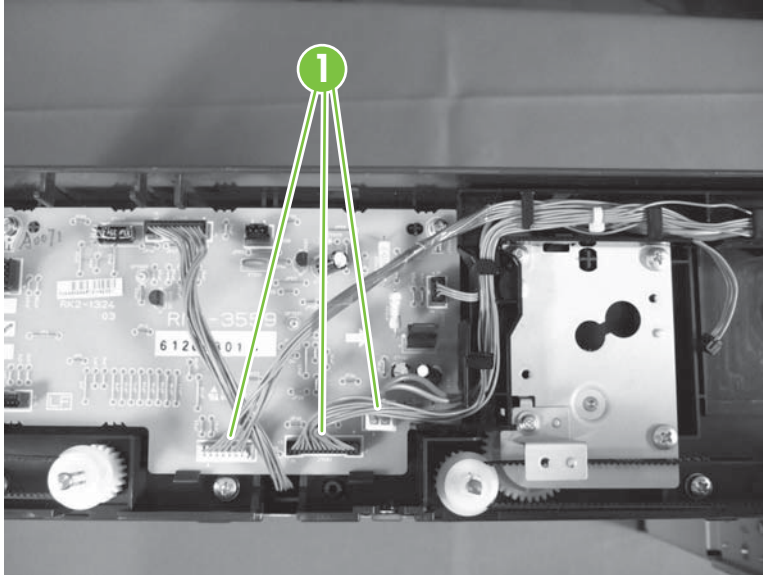
**Figure 8-112** Remove the damper unit



## Right belt-drive unit

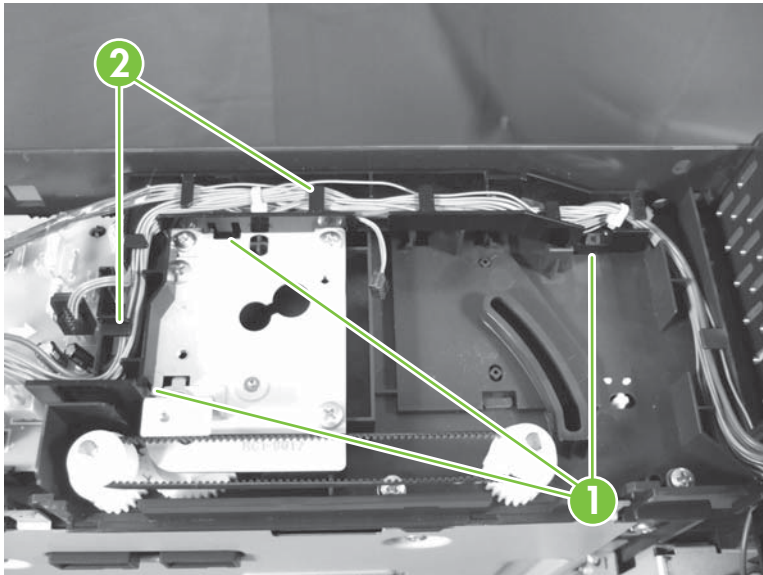
1. Remove the following:
  - Rear cover. See [Rear cover on page 738](#).
  - IPTU paper-feed motor 2. [IPTU paper-feed motor 2 on page 751](#)
2. Disconnect three connectors (callout 1).

**Figure 8-113** Remove the right belt-drive unit (1 of 6)



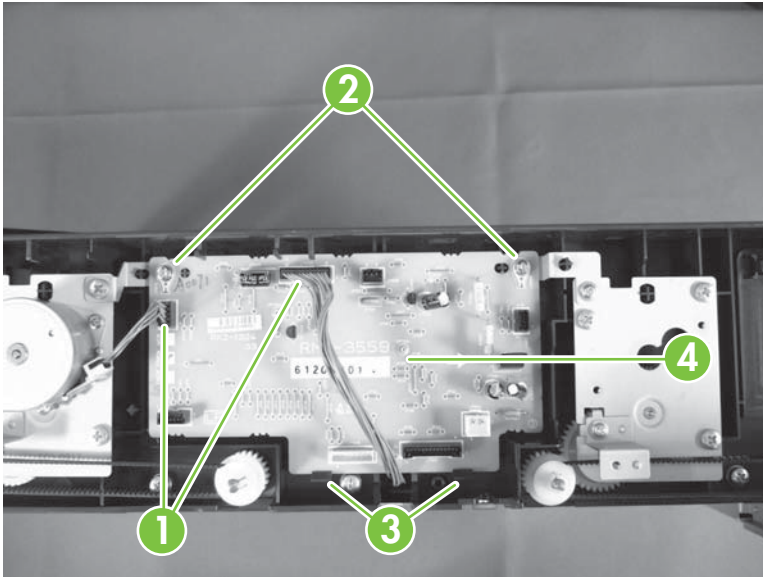
3. Release three tabs (callout 1) and then remove two wire-harness guides (callout 2).

**Figure 8-114** Remove the right belt-drive unit (2 of 6)



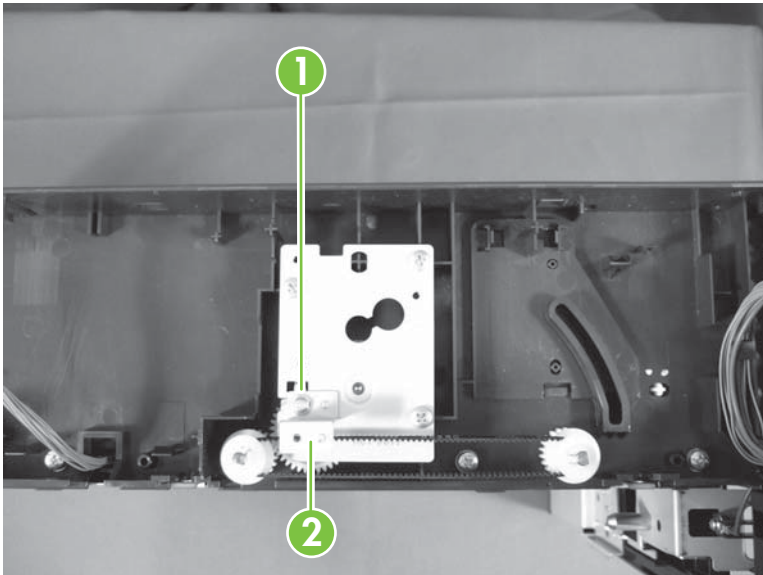
4. Disconnect two connectors (callout 1), and then remove two screws (callout 2). Release two tabs (callout 3), and then remove the IPTU driver PCA (callout 4).

**Figure 8-115** Remove the right belt-drive unit (3 of 6)



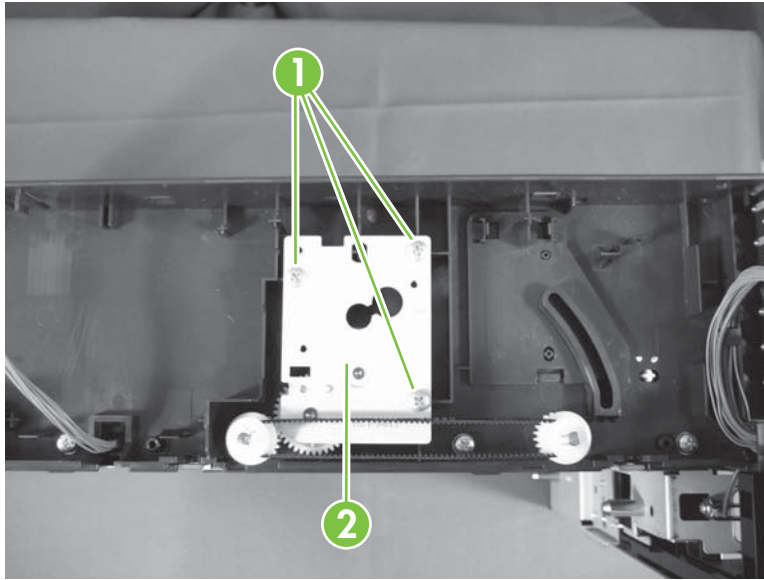
5. Remove one screw (callout 1), and then remove the belt cover plate (callout 2).


**Figure 8-116** Remove the right belt-drive unit (4 of 6)



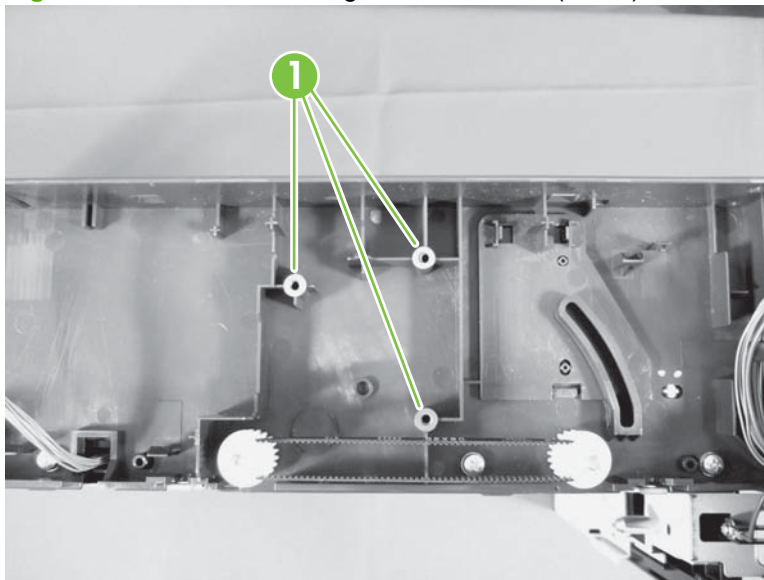
6. Remove three screws (callout 1) , and then remove the right belt-drive unit (callout 2).

**Figure 8-117** Remove the right belt-drive unit (5 of 6)



 **NOTE:** When reassembling, be sure to attach the IPTU drive using two washers with each screw.

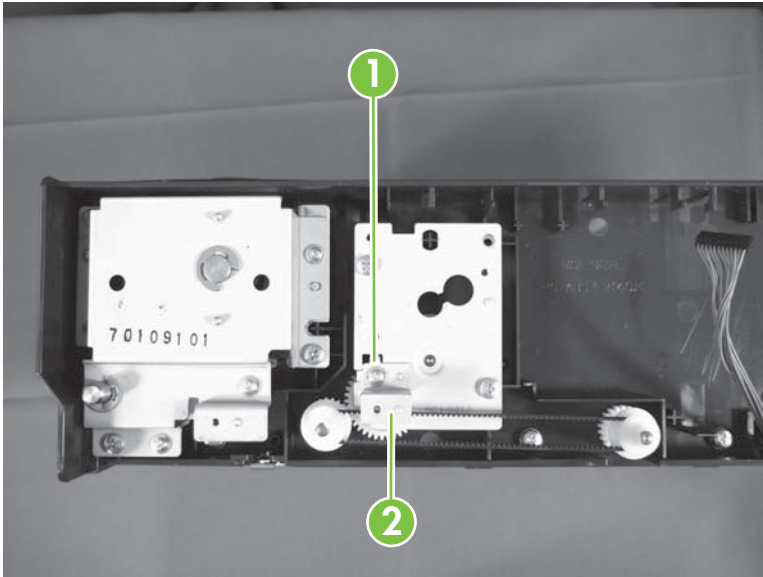
**Figure 8-118** Remove the right belt-drive unit (6 of 6)



## Left belt-drive unit

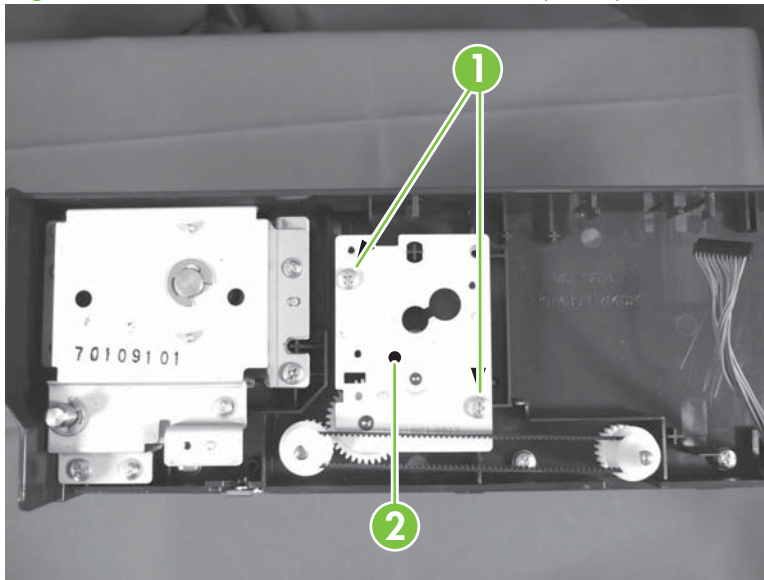
1. Remove the following:
  - Rear cover. See [Rear cover on page 738](#).
  - Right belt-drive unit. See [Right belt-drive unit on page 743](#).
  - IPTU paper feed motor 1. See [IPTU paper-feed motor 1 on page 750](#).
2. Remove one screw (callout 1) , and then remove the belt cover plate (callout 2).


**Figure 8-119** Remove the left belt-drive unit (1 of 3)



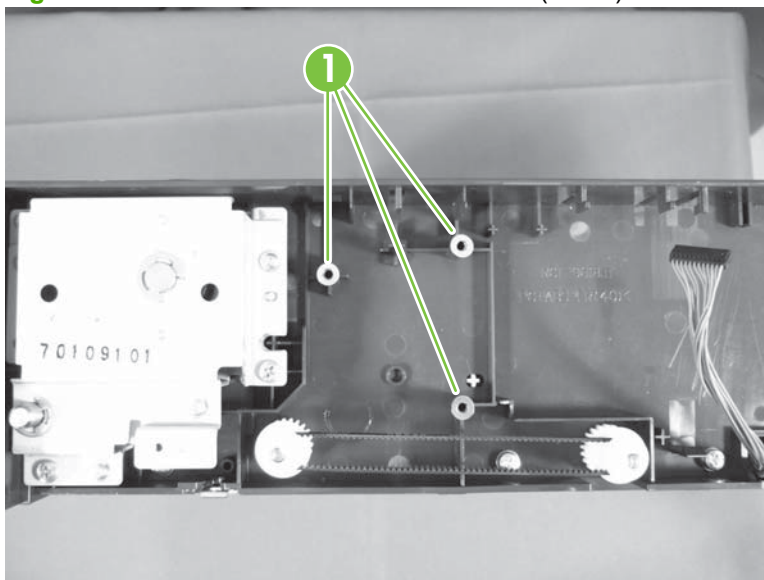
3. Remove two screws (callout 1), and then remove the left belt-drive unit (callout 2).

**Figure 8-120** Remove the left belt-drive unit (2 of 3)



 **NOTE:** When reassembling, be sure to attach the IPTU drive using two washers with each screw.

**Figure 8-121** Remove the left belt-drive unit (3 of 3)

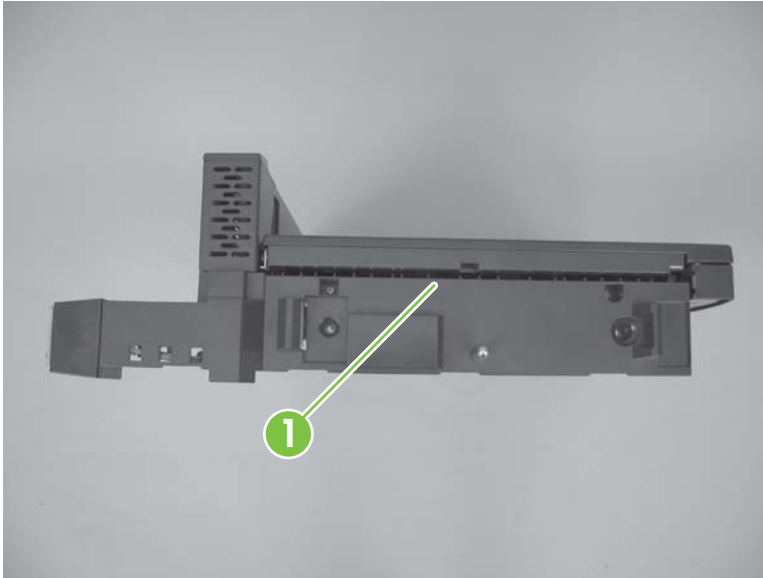




## Finisher lock-assembly

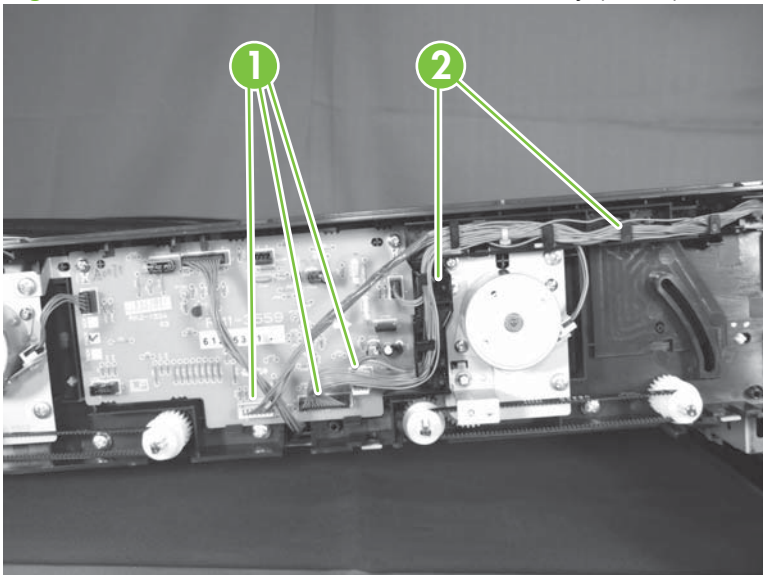
1. Remove the following:
  - Rear cover. See [Rear cover on page 738](#).
2. Locate the finisher lock assembly (callout 1).

**Figure 8-122** Remove finisher lock-assembly (1 of 4)



3. Disconnect three connectors (callout 1), and then release the wire harnesses from the guide (callout 2).

**Figure 8-123** Remove the finisher lock-assembly (2 of 4)






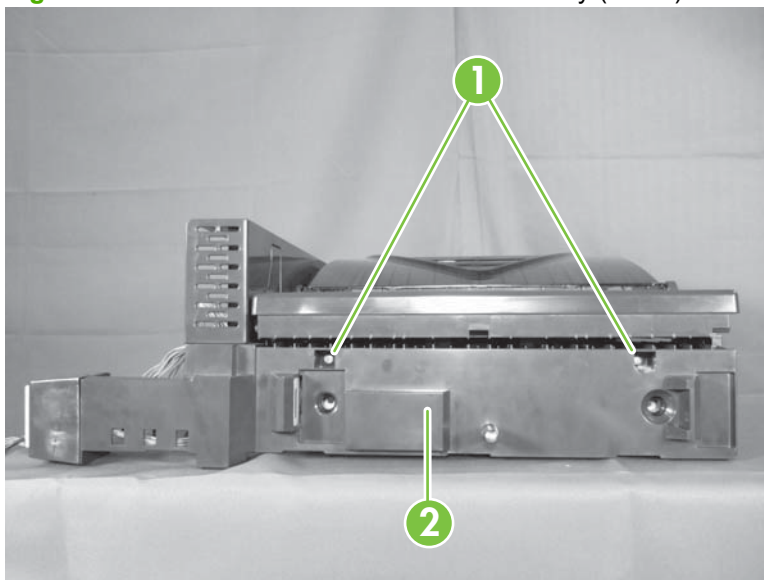
4. Remove two screws (callout 1).

**Figure 8-124** Remove the finisher lock-assembly (3 of 4)



 **NOTE:** Remove two screws (callout 1), and then remove the finisher lock-assembly (callout 2).

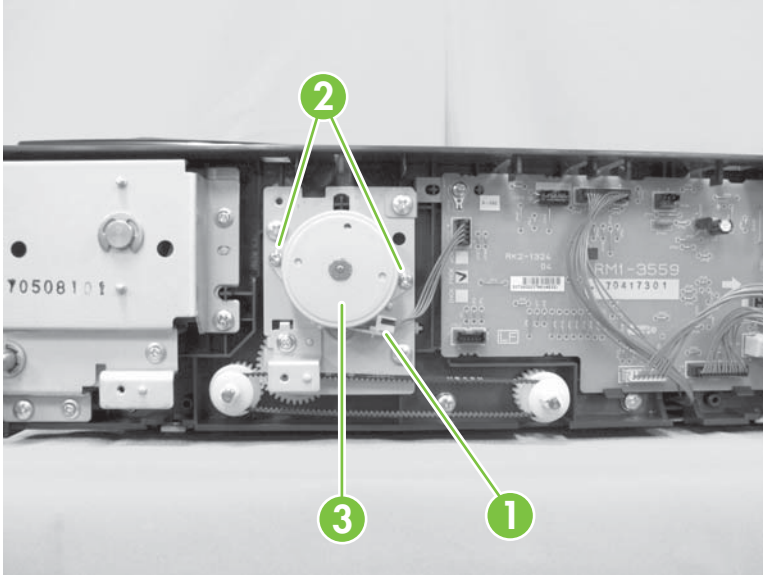
**Figure 8-125** Remove the finisher lock-assembly (4 of 4)



## IPTU paper-feed motor 1

1. Remove the following:
  - Rear cover. See [Rear cover on page 738](#).
2. Disconnect one connector (callout 1). Remove two screws (callout 2), and remove then the IPTU paper-feed motor 1 (callout 3).

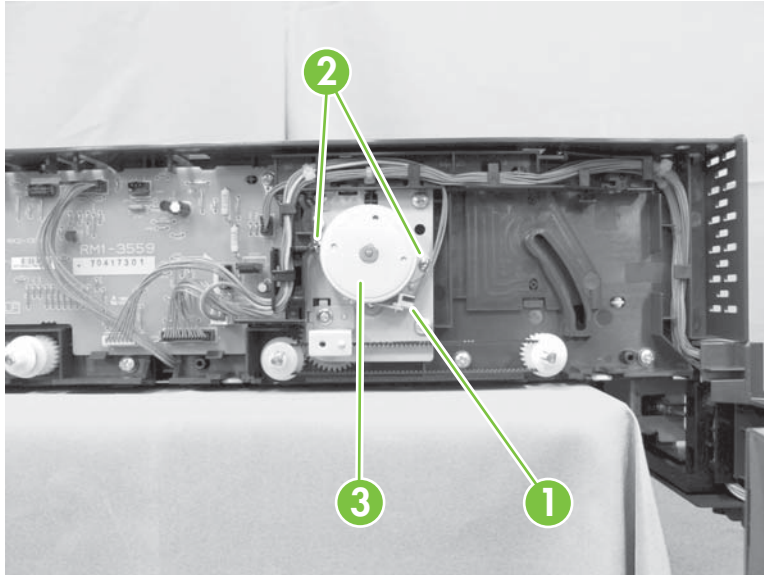
**Figure 8-126** Remove the IPTU paper-feed motor 1



## IPTU paper-feed motor 2

1. Remove the following:
  - Rear cover. See [Rear cover on page 738](#).
2. Disconnect one connector (callout 1). Remove two screws (callout 2), and then remove the IPTU paper-feed motor 2 (callout 3).

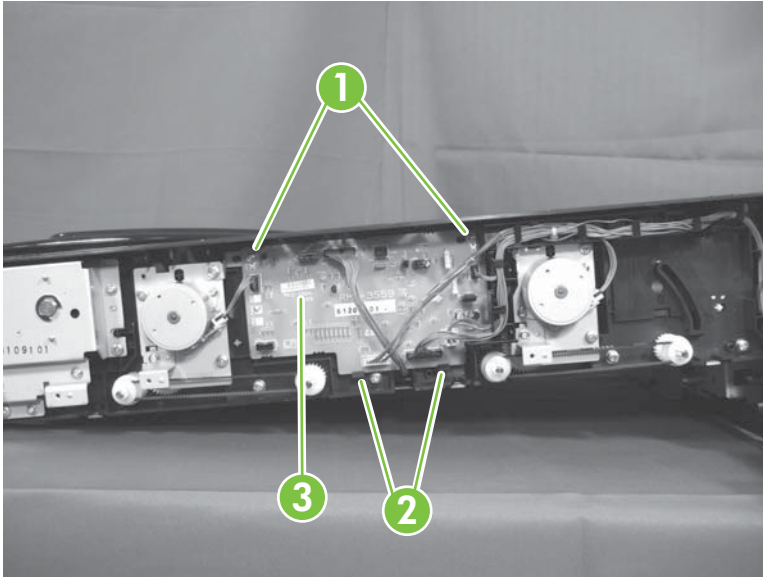
**Figure 8-127** Remove the IPTU paper-feed motor 2



## IPTU driver PCA

1. Remove the following:
  - Rear cover. See [Rear cover on page 738](#).
2. Disconnect all the connectors on the IPTU driver PCA. Remove two screws (callout 1), release two tabs (callout 2), and then remove the IPTU driver PCA (callout 3).

**Figure 8-128** Remove the IPTU driver PCA

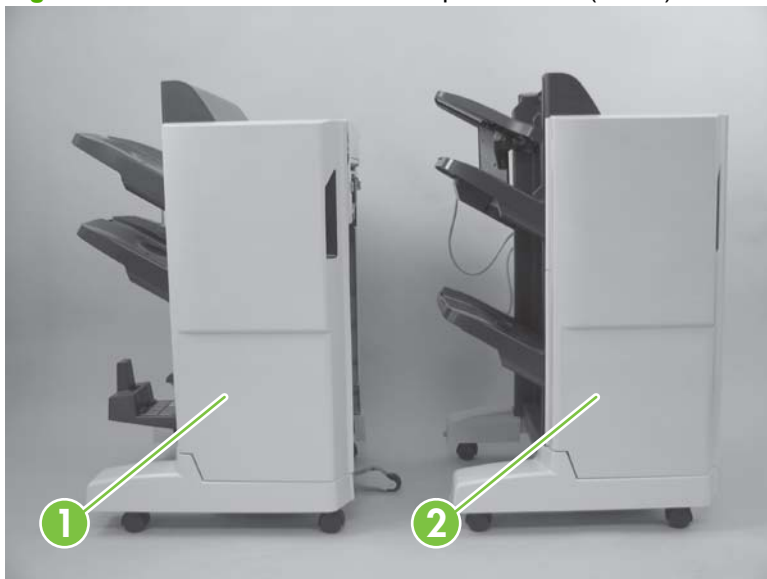


## Stapler/stacker and Booklet maker

### Identify the booklet maker and stapler/stacker

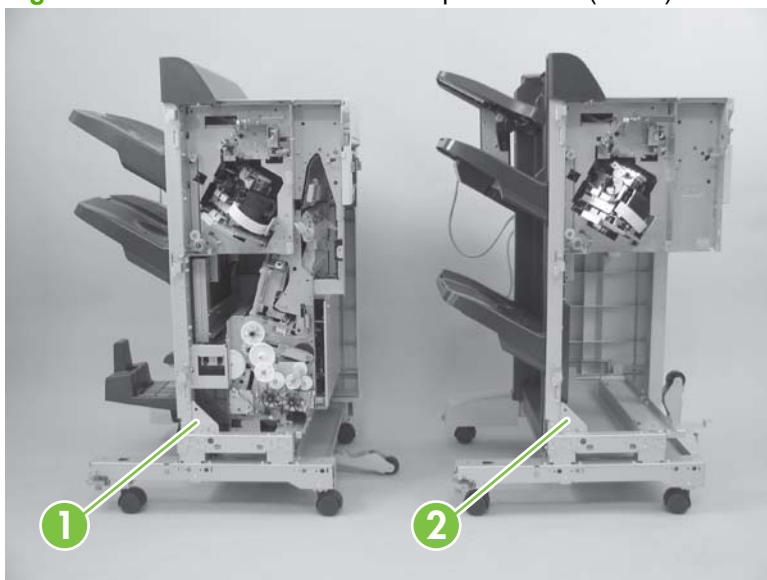
- Remove and replace procedures for the booklet maker (callout 1) and stapler/stacker (callout 2) are provided in this section.

**Figure 8-129** Booklet maker and stapler/stacker (1 of 2)



Most FRUs and removal procedures apply to both the booklet maker (callout 1) and stapler/stacker (callout 2). Exceptions are noted where they exist.

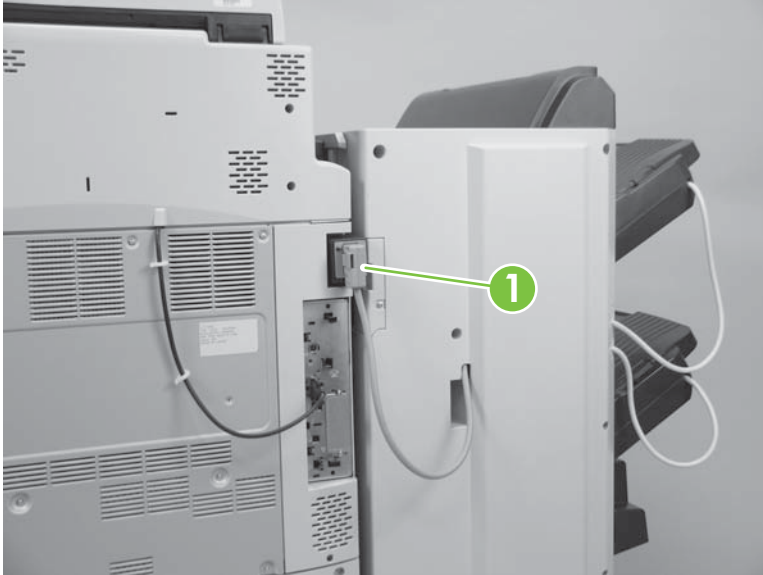
**Figure 8-130** Booklet maker and stapler/stacker (2 of 2)



## Remove the booklet maker and stapler/stacker from the printer

1. Turn the power off.
2. Disconnect the power cord (callout 1).

**Figure 8-131** Remove output accessory (1 of 5)



3. Open the front door to the output accessory and loosen the thumb screw (callout 1).

**Figure 8-132** Remove output accessory (2 of 5)




4. Press down the release button while moving the output accessory away from the printer.

**Figure 8-133** Remove output accessory (3 of 5)

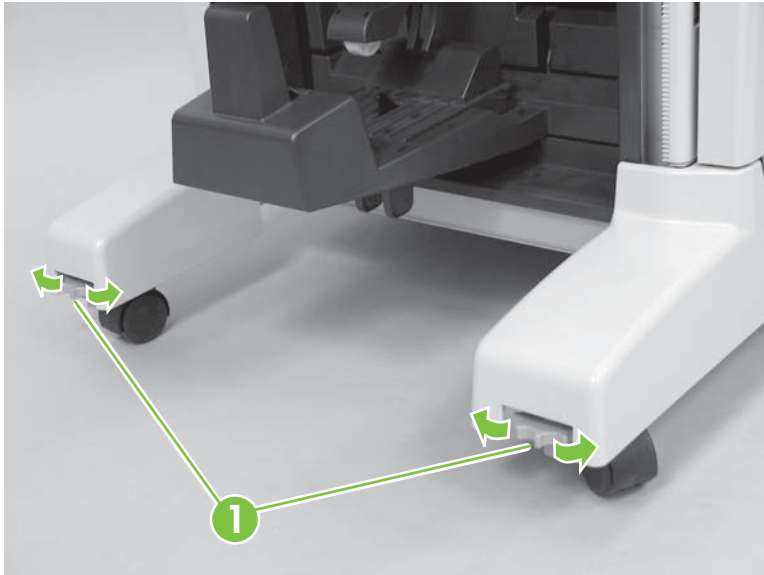


---

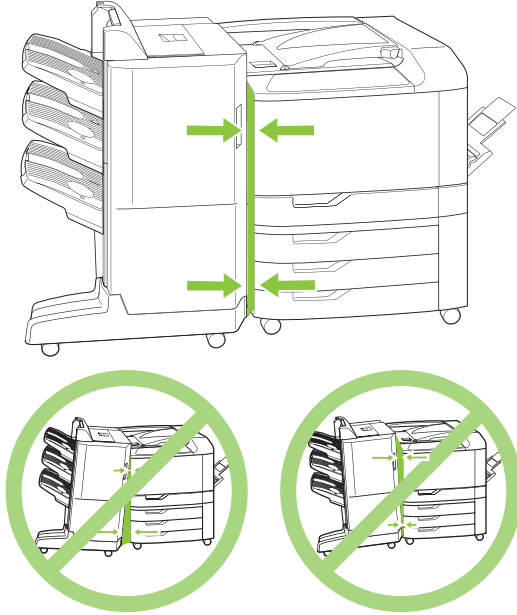
 **NOTE:** When reassembling, adjust the wheels on the output accessory to ensure correct attachment to the printer.

---

**Figure 8-134** Remove output accessory (4 of 5)



**Figure 8-135** Remove output accessory (5 of 5)



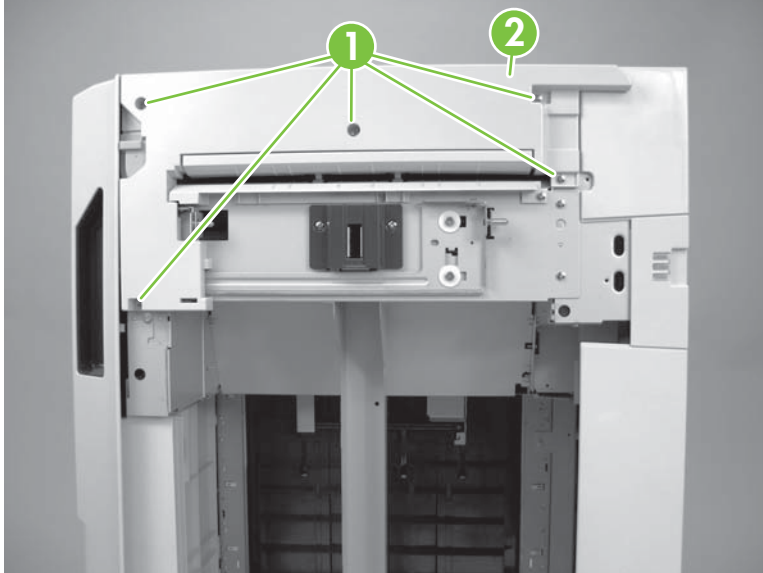


## External covers

### Entrance lower-guide assembly

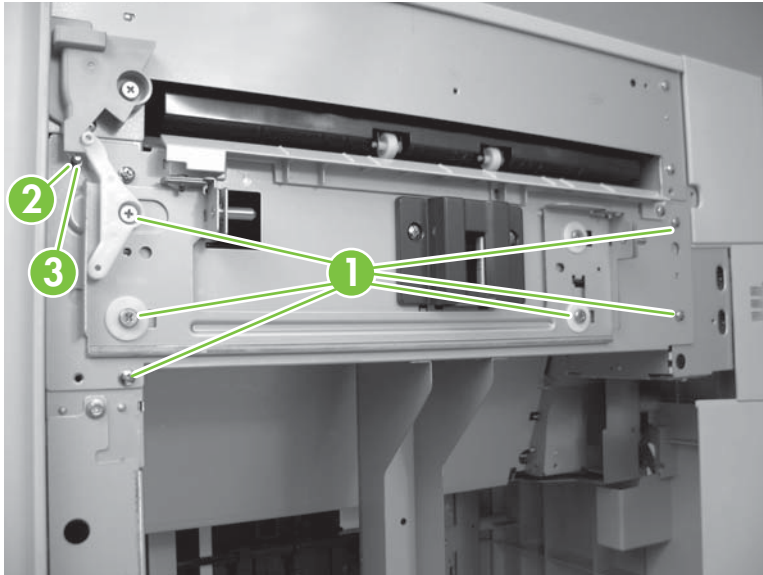
1. Remove five screws (callout 1) and the cover (callout 2).

**Figure 8-136** Remove entrance lower-guide assembly (1 of 2)



2. Remove six screws (callout 1), one e-ring (callout 2), one thumbscrew (callout 3), and then remove the entrance lower-guide assembly.

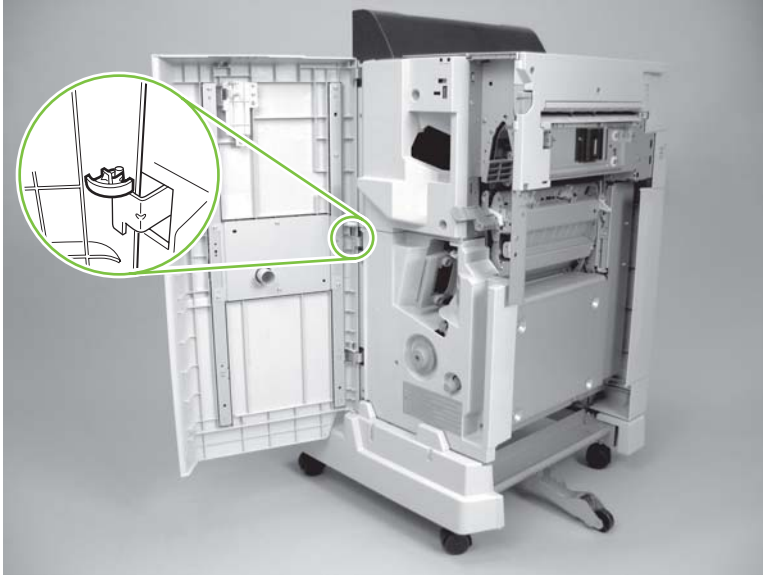
**Figure 8-137** Remove entrance lower-guide assembly (2 of 2)



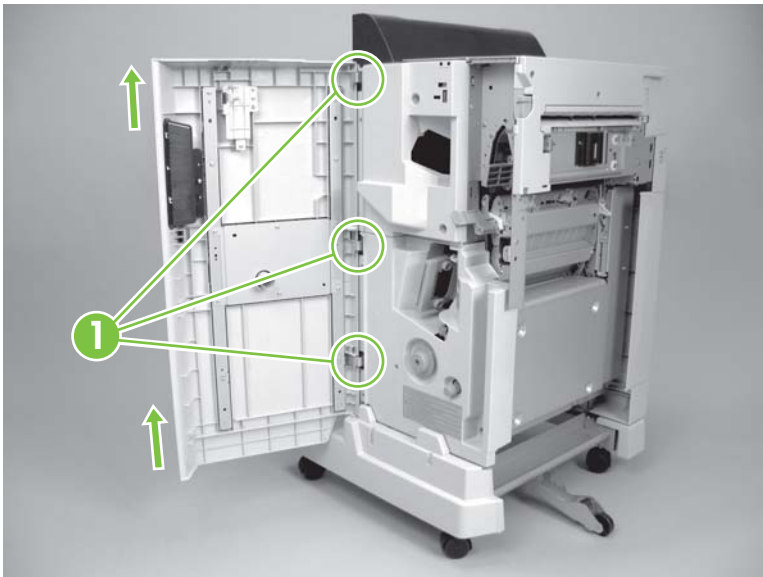
## Front door

1. Open the front door (callout 1) and remove the clip (callout 2).

**Figure 8-138** Remove the front door





2. Lift the front door off the three hinges (callout 1) to remove.



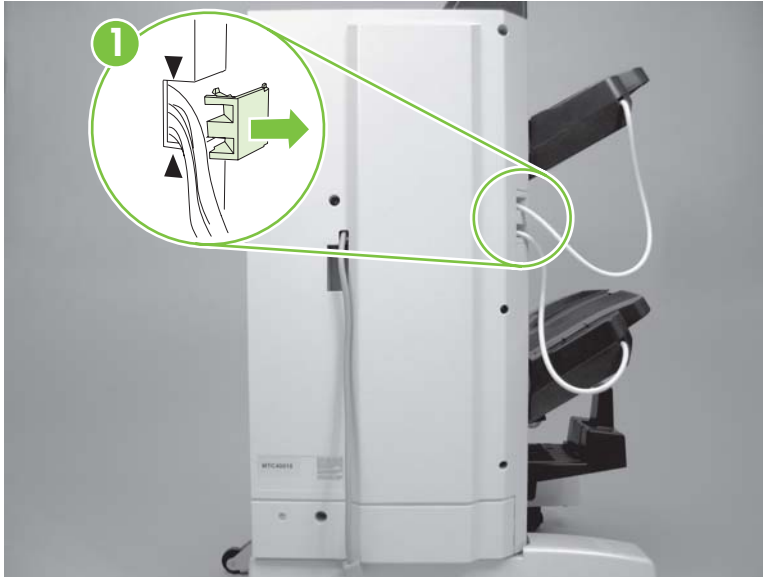
## Rear cover


1. Remove the cable cover by using the two pry points marked on the rear cover to release the cover.

 **NOTE:** Reposition output bins if necessary to remove the cable cover.

 **CAUTION:** When moving output bins, be careful not to damage the stack-delivery gate. See [Move output bins 1 and 2 on page 768](#).

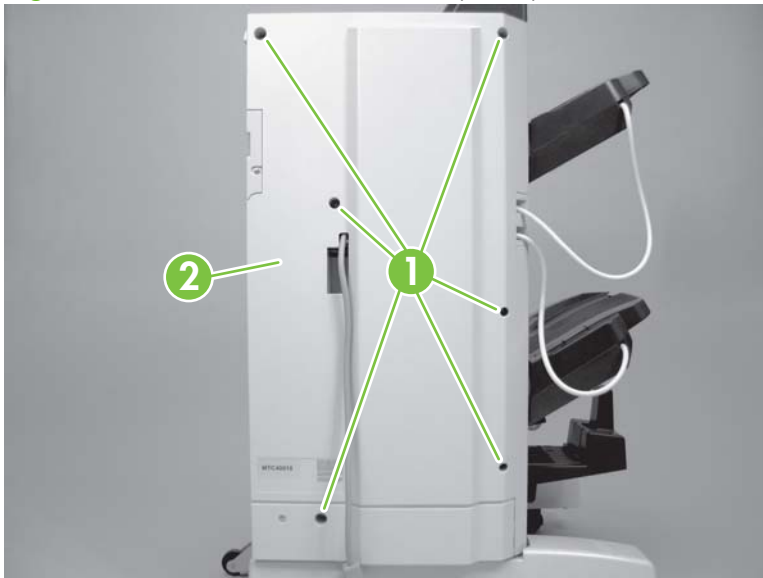
**Figure 8-139** Remove the rear cover (1 of 2)



 **CAUTION:** When reinstalling the cable cover, the cover must be flush with the rear cover so that it does not interfere with movement of the output bins, or damage can result.

2. Remove six screws (callout 1), and then lift the rear cover (callout 2) up and off.

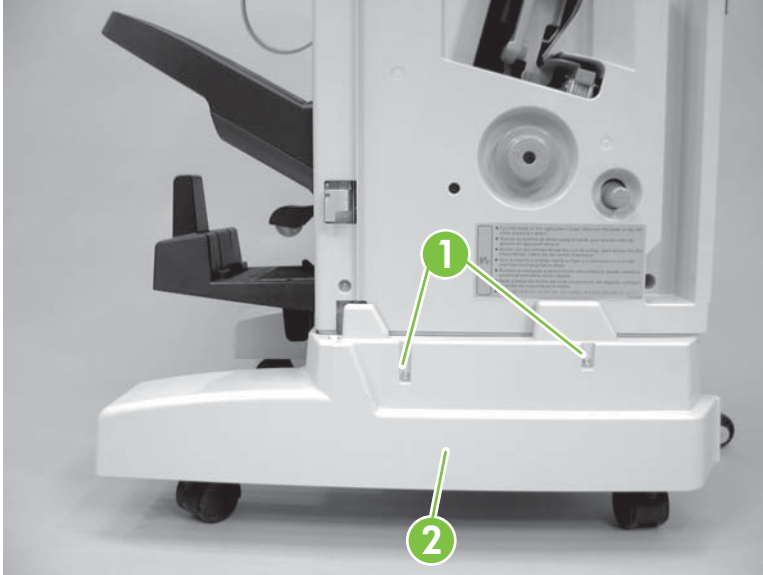
**Figure 8-140** Remove the rear cover (2 of 2)



## Front-foot cover

1. Remove the following:
  - Front door. See [Front door on page 758](#)
2. Remove two screws (callout 1), and then remove the front-foot cover (callout 2) by moving the cover to the left and up.

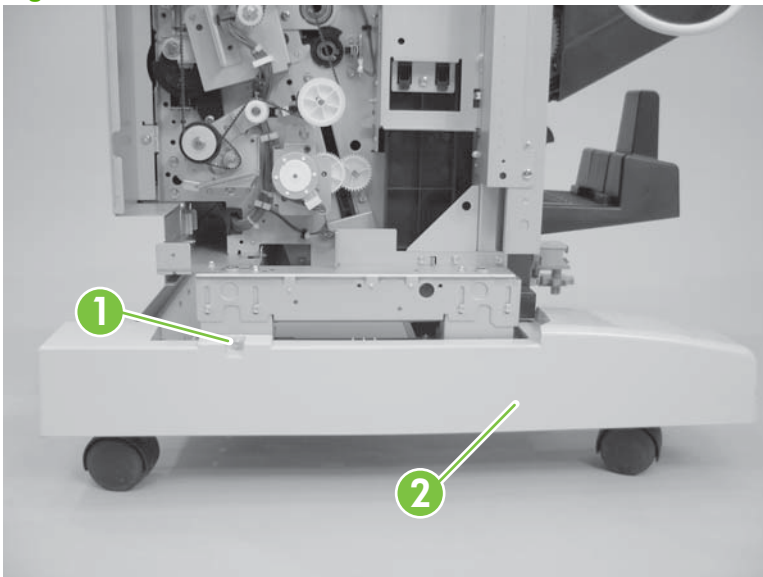
**Figure 8-141** Remove the front-foot cover



## Rear-foot cover

1. Remove the following:
  - Rear cover. See [Rear cover on page 759](#).
2. Remove one screw (callout 1), and then slide the rear-foot cover (callout 2) to the right to remove.

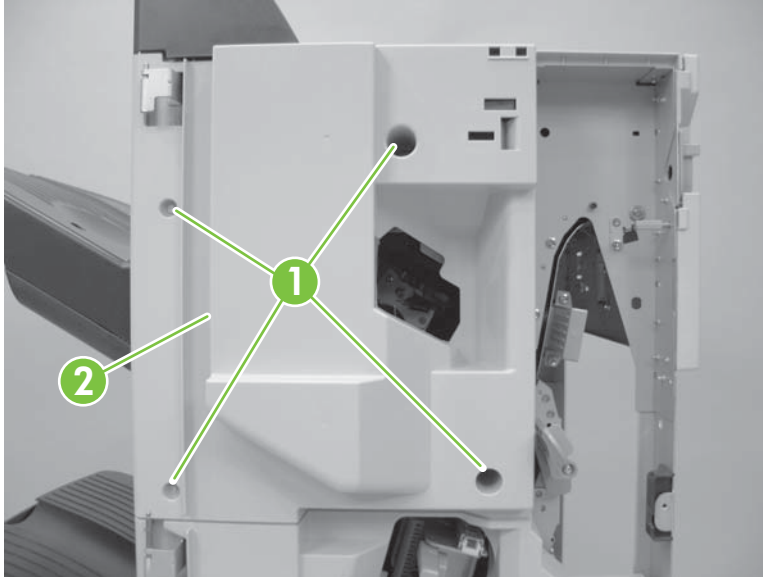
**Figure 8-142** Remove the rear-foot cover



## Front inside-upper cover

1. Remove the following:
  - Front door. See [Front door on page 758](#).
2. Remove four screws (callout 1), and then remove the front inside-upper cover (callout 2).

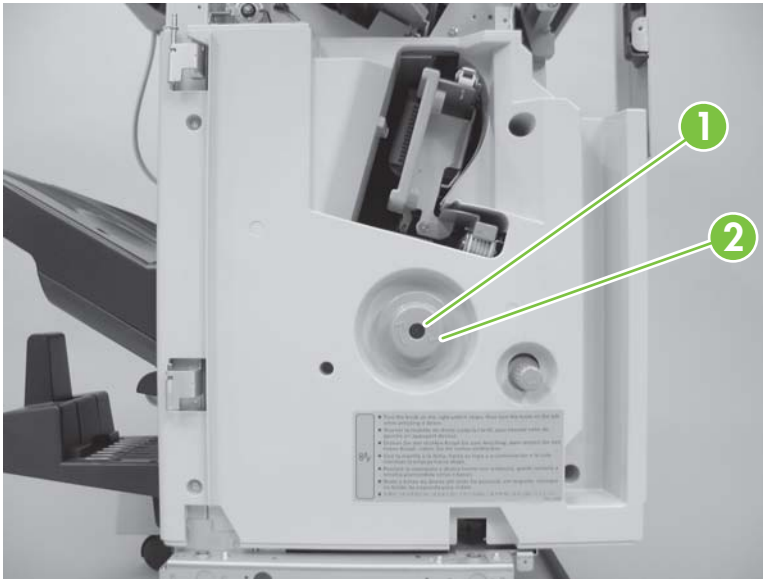
**Figure 8-143** Remove the front inside-upper cover



### Front inside-lower cover (booklet maker only)

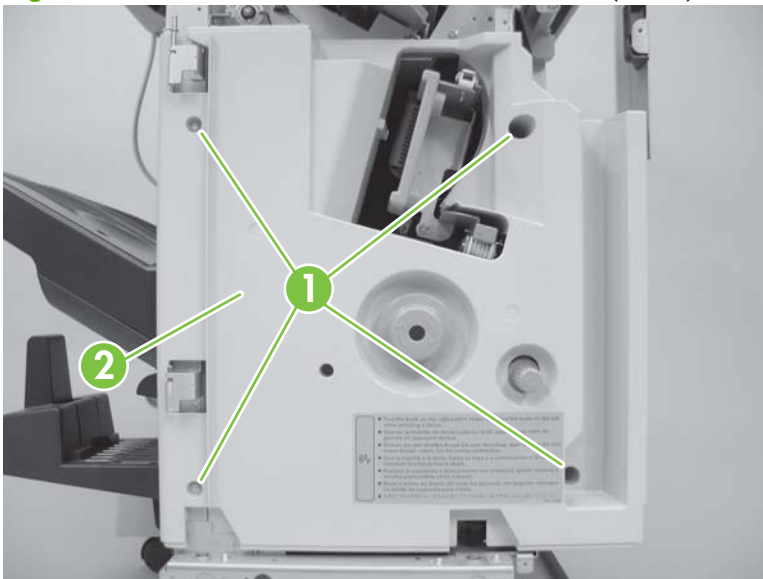
1. Remove the following:
  - Front door. See [Front door on page 758](#).
  - Front inside-upper cover. See [Front inside-upper cover on page 761](#)
  - Front-foot cover. See [Front-foot cover on page 760](#)
2. Remove one screw (callout 1), and then remove the roller knob (callout 2).

**Figure 8-144** Remove the front inside-lower cover (1 of 2)



3. Remove four screws (callout 1) and remove the front inside-lower cover (callout 2).

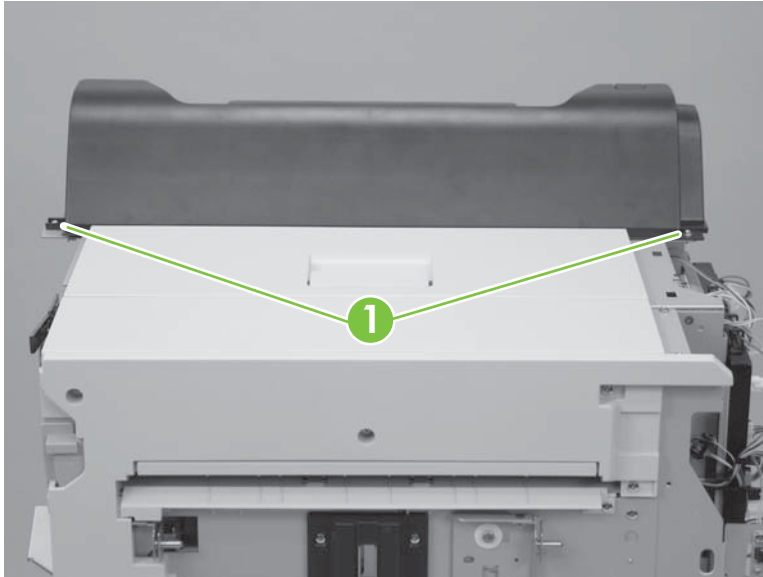
**Figure 8-145** Remove the front inside-lower cover (2 of 2)



## Left-upper cover

1. Remove the following:
  - Front door. See [Front door on page 758](#).
  - Front inside-upper cover. See [Front inside-upper cover on page 761](#).
  - Rear cover. See [Rear cover on page 759](#).
2. Remove two screws (callout 1).


**Figure 8-146** Remove the left-upper cover (1 of 3)



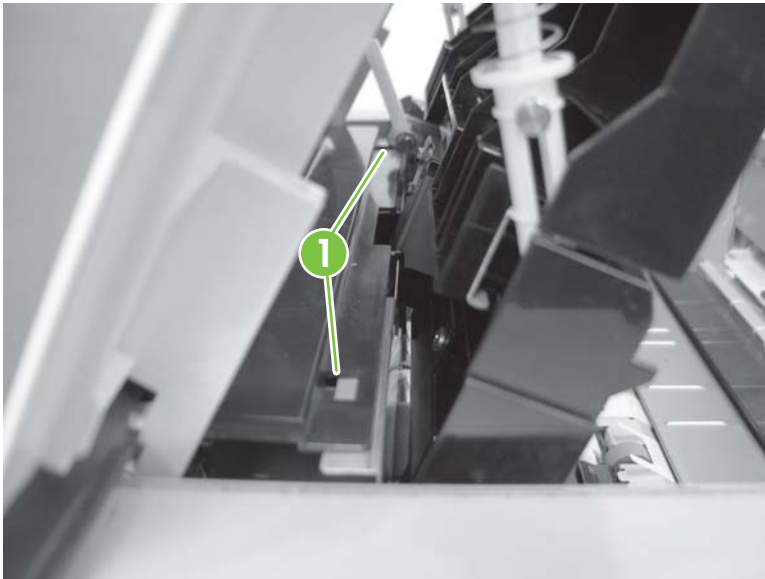
3. With the top door open, tilt the left-upper cover to the right, and then slide it to the left to remove.

**Figure 8-147** Remove the left-upper cover (2 of 3)



 **NOTE:** When replacing, hook the two tabs of the left-upper cover (callout 1) under the steel plate located under the top door.

**Figure 8-148** Remove the left-upper cover (3 of 3)

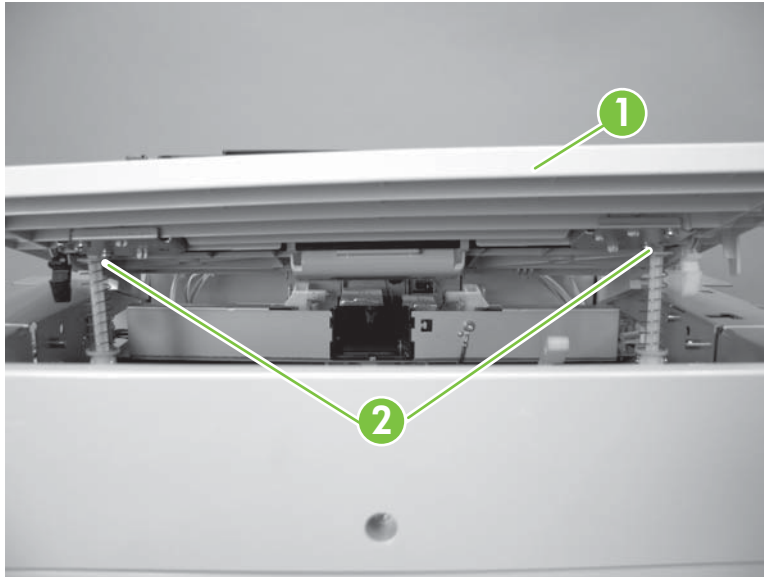




## Top door

1. Remove the following:
  - Front door. See [Front door on page 758](#).
  - Front inside-upper cover. See [Front inside-upper cover on page 761](#).
  - Rear cover. See [Rear cover on page 759](#).
2. Open the top door (callout 1) and locate the two hooks (callout 2) at the top of the two spring-loaded arms.

**Figure 8-149** Remove the top door (1 of 3)



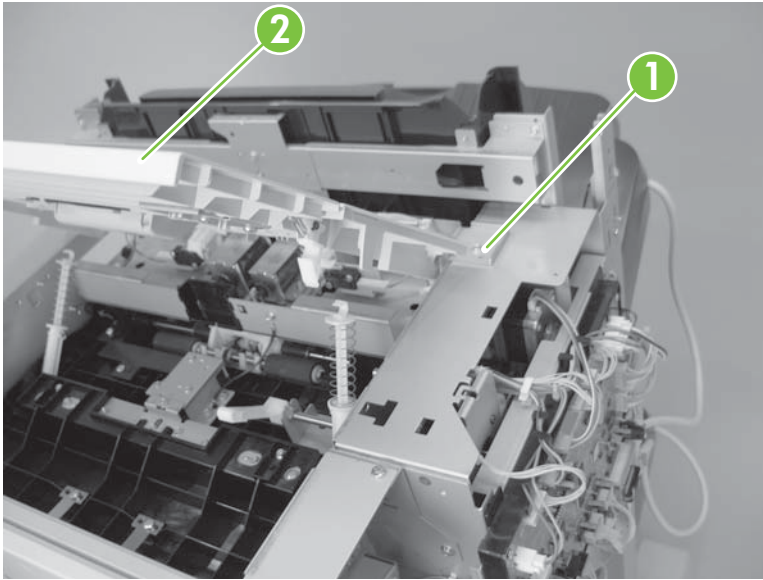
3. Press the hooks at the top (callout 1) to release them from the top door.

**Figure 8-150** Remove the top door (2 of 3)




4. Remove one screw (callout 1), and then remove the top door (callout 2).

**Figure 8-151** Remove the top door (3 of 3)



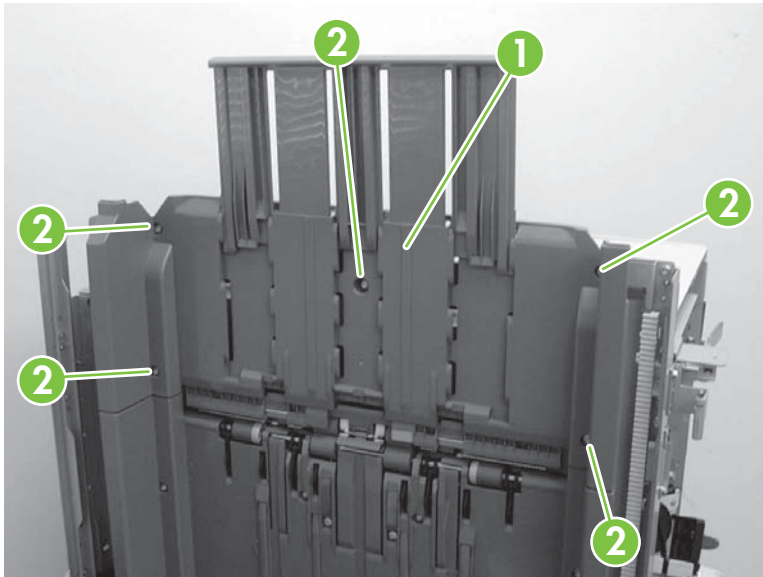
## Grate-shaped upper guide

1. Remove the following:
  - Front door. See [Front door on page 758](#).
  - Front inside-upper cover. See [Front inside-upper cover on page 761](#).
  - Rear cover. See [Rear cover on page 759](#).
  - Left-upper cover. See [Left-upper cover on page 763](#).

 **NOTE:** Position output bins below the grate-shaped upper guide.

2. Remove five screws (callout 2), and then remove the grate-shaped upper guide (callout 1).

**Figure 8-152** Remove the grate-shaped upper guide



## Move output bins 1 and 2

△ **CAUTION:** Lowering the output bins without lifting the shutter can cause the stack-delivery gate to come off the accessory.

1. Raise and hold the shutter to cover the stack-delivery gate.

**Figure 8-153** Move output bins (1 of 3)



2. While raising the shutter, pull the output-bin lift-motor-gear clutch on the bottom of the output bin. Lower the output bin past the stack-delivery gate.

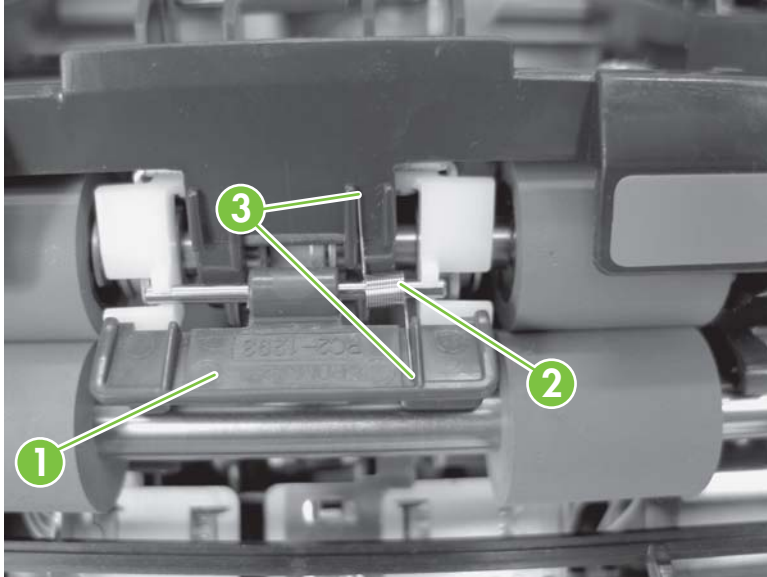
△ **WARNING!** Hold the output bin with your hand when releasing the clutch. When the output-bin lift-motor-gear clutch is released, the output bin drops by its own weight.

**Figure 8-154** Move output bins (2 of 3)



📄 **NOTE:** If the stack-delivery gate (callout 1) comes off, retain the spring (callout 2) and reinstall. The spring ends (callout 3) fit in the slots provided.

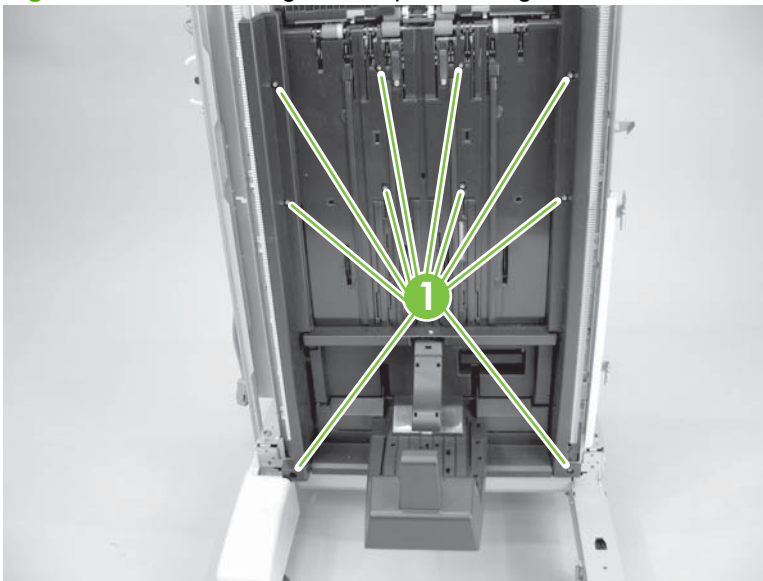
**Figure 8-155** Move output bins (3 of 3)




## Grate-shaped lower guide

1. Remove the following:
  - Front door. See [Front door on page 758](#).
  - Front inside-upper cover. See [Front inside-upper cover on page 761](#).
  - Front-foot cover. See [Front-foot cover on page 760](#).
  - Rear cover. See [Rear cover on page 759](#).
  - Rear-foot cover. See [Rear-foot cover on page 760](#).
  - Grate-shaped upper guide. See [Grate-shaped upper guide on page 767](#).
  - Upper output bin. See [Upper output bin \(stapler-stacker only\) on page 801](#).
  - Output-bin 1. See [Output-bin 1 on page 797](#).
  - Output-bin 2. See [Output-bin 2 on page 799](#).
2. Remove ten screws (callout 1), and then remove the grate-shaped lower guide.

**Figure 8-156** Remove grate-shaped lower guide

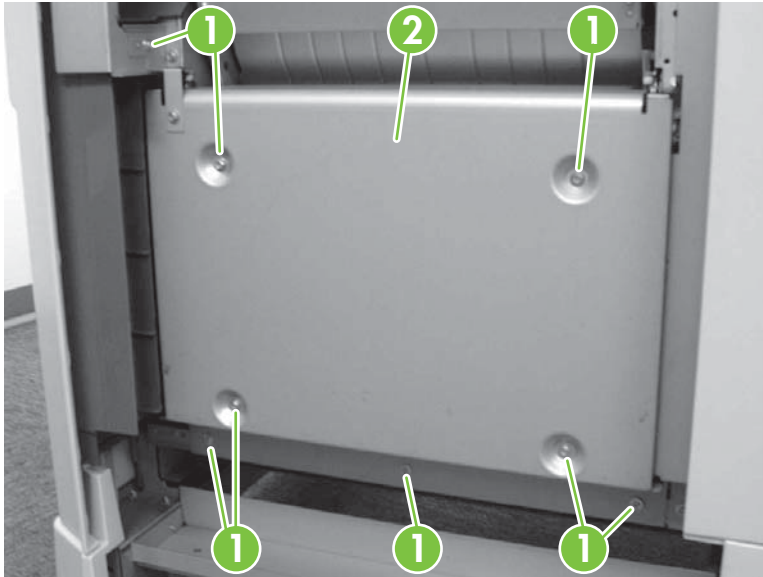


 **NOTE:** When reinstalling, be careful not to hook the grate-shaped lower guide to the sensor flag arm.

## PCA cover

- Remove eight screws (callout 1), and then remove the PCA cover (callout 2) (booklet maker only).

**Figure 8-157** Remove the PCA cover



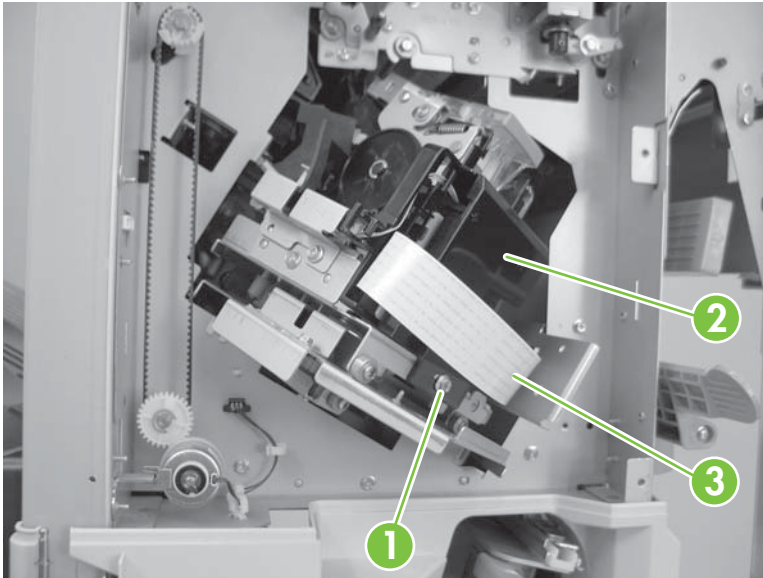
## Drive system

### Stapler

1. Remove the following:
  - Front door. See [Front door on page 758](#).
  - Front inside-upper cover. See [Front inside-upper cover on page 761](#).
2. Pull out the stapler, remove one screw (callout 1), and then remove the PCA cover (callout 2).

△ **CAUTION:** Handle the FCC cable (callout 3) with care. It can be easily damaged if folded, dented, or mishandled.

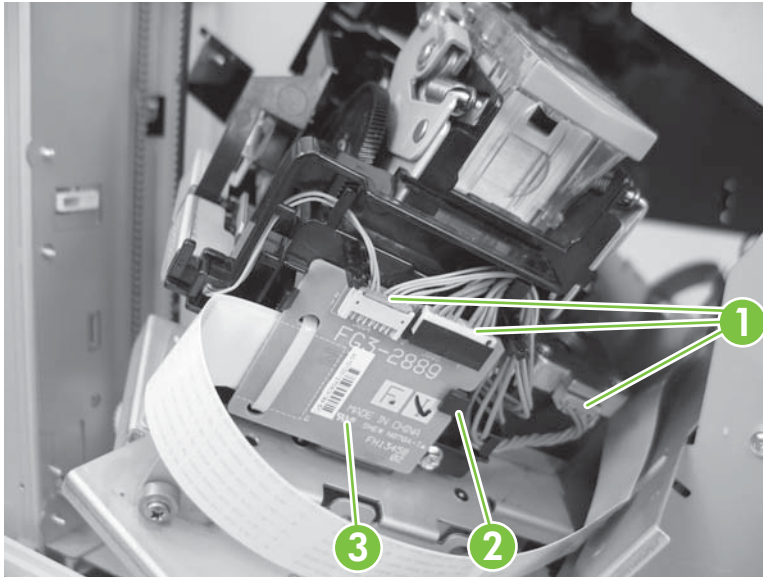
**Figure 8-158** Remove stapler (1 of 3)





3. Disconnect three connectors (callout 1), release one tab (callout 2), and then remove the PCA (callout 3).

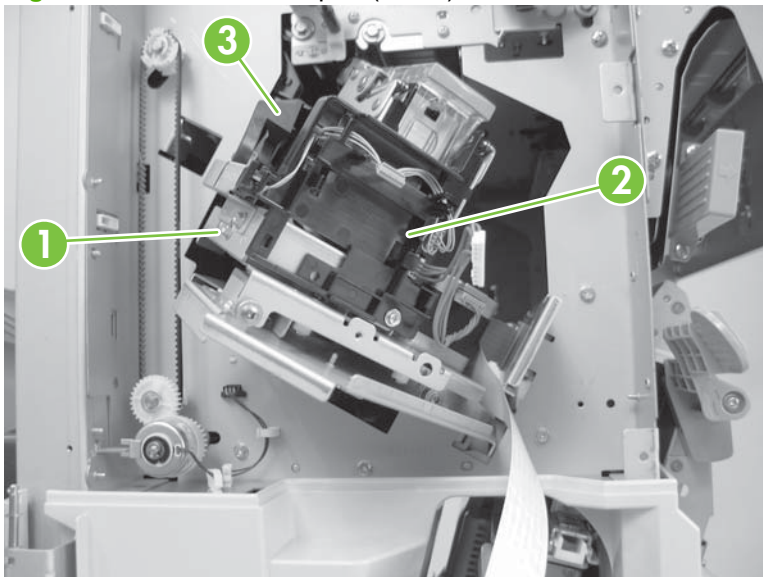
**Figure 8-159** Remove stapler (2 of 3)



4. Remove one screw (callout 1), and then remove the stapler with the stapler base (callout 2).

△ **CAUTION:** When removing and reinstalling the stapler, be careful not to damage the flag (callout 3).

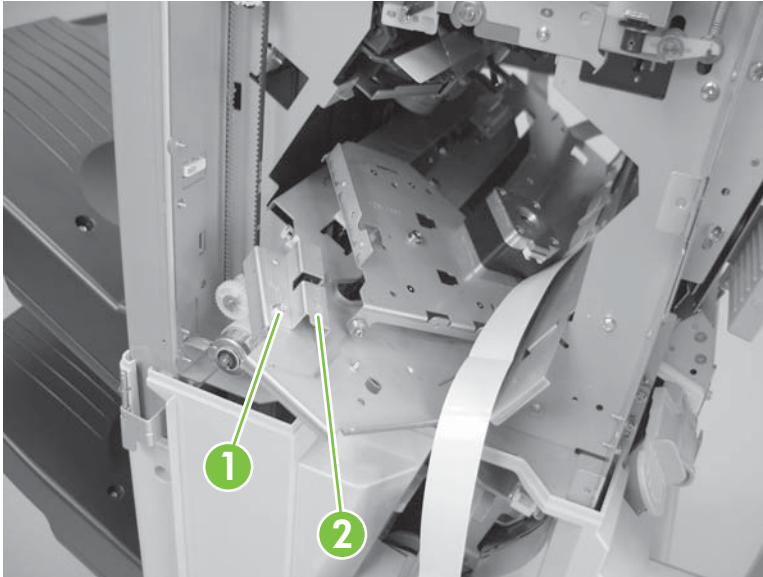
**Figure 8-160** Remove stapler (3 of 3)



## Stapler assembly

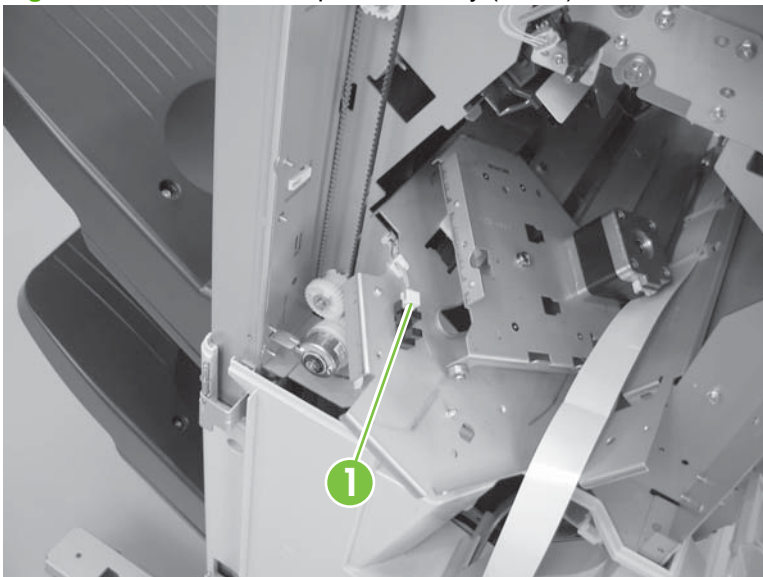
1. Remove the following:
  - Front door. See [Front door on page 758](#).
  - Front inside-upper cover. See [Front inside-upper cover on page 761](#).
  - Rear cover. See [Rear cover on page 759](#).
  - Stapler. See [Stapler on page 772](#).
2. Remove one screw (callout 1), and then remove one cover (callout 2).

**Figure 8-161** Remove stapler assembly (1 of 5)



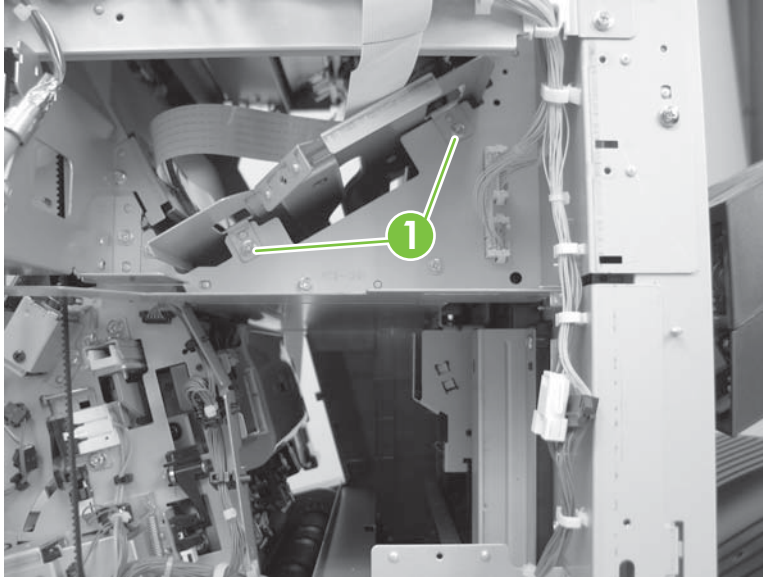
3. Disconnect one connector (callout 1).

**Figure 8-162** Remove stapler assembly (2 of 5)



4. From the rear of the accessory, remove two screws (callout 1).

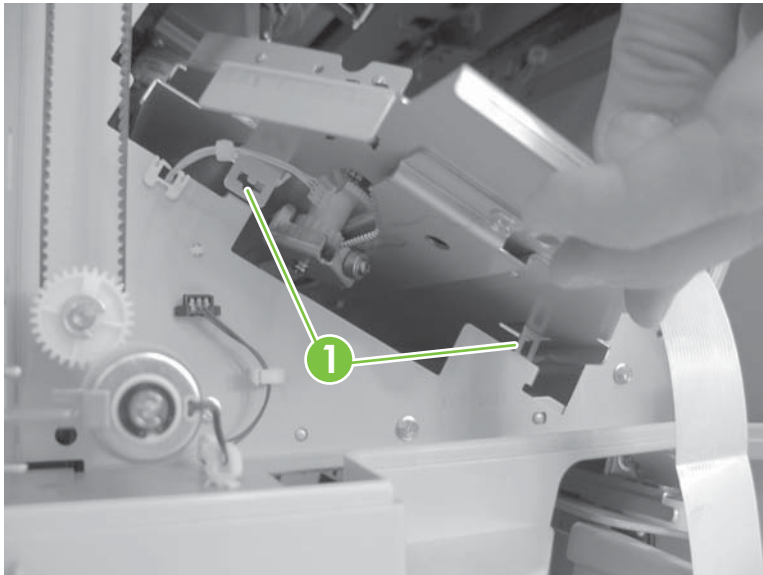
**Figure 8-163** Remove stapler assembly (3 of 5)



5. From the front of the accessory, push the stapler assembly back to clear the tabs (callout 1), and then lift up. Remove the stapler assembly through the front of the accessory.

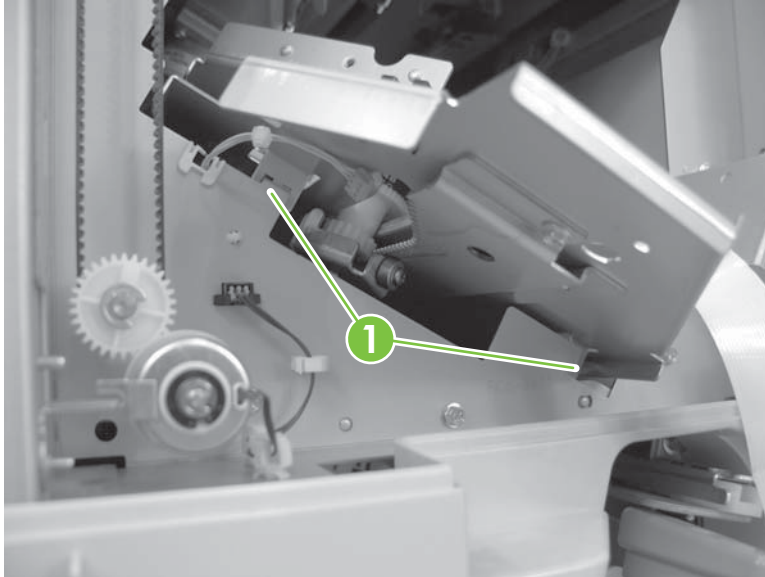
△ **CAUTION:** Handle the FCC cable (callout 3) with care. It can be easily damaged if folded, dented, or mishandled.

**Figure 8-164** Remove stapler assembly (4 of 5)



📄 **NOTE:** When reinstalling, make sure the tabs are positioned correctly (callout 1).

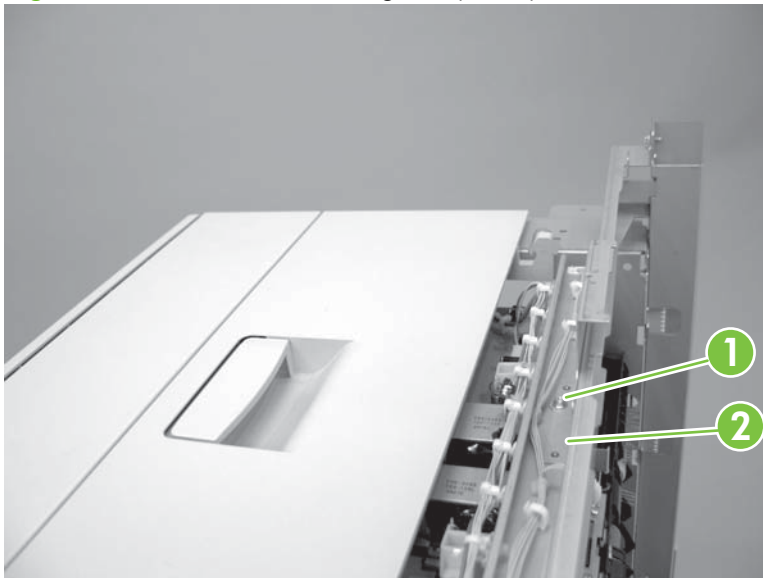
**Figure 8-165** Remove stapler assembly (5 of 5)



## Swing unit

1. Remove the following:
  - Front door. See [Front door on page 758](#).
  - Front inside-upper cover. See [Front inside-upper cover on page 761](#).
  - Front-foot cover. See [Front-foot cover on page 760](#).
  - Rear cover. See [Rear cover on page 759](#).
  - Rear-foot cover. See [Rear-foot cover on page 760](#).
  - Left-upper cover. See [Left-upper cover on page 763](#).
  - Grate-shaped upper guide. See [Grate-shaped upper guide on page 767](#).
  - Upper output bin. See [Upper output bin \(stapler-stacker only\) on page 801](#).
  - Output-bin 1. See [Output-bin 1 on page 797](#).
  - Output-bin 2. See [Output-bin 2 on page 799](#).
  - Grate-shaped lower guide. See [Grate-shaped lower guide on page 770](#).
  - Processing tray. See [Operation-tray assembly on page 792](#).
2. Remove one screw (callout 1), and then lift the swing-pressure guide (callout 2) to remove.

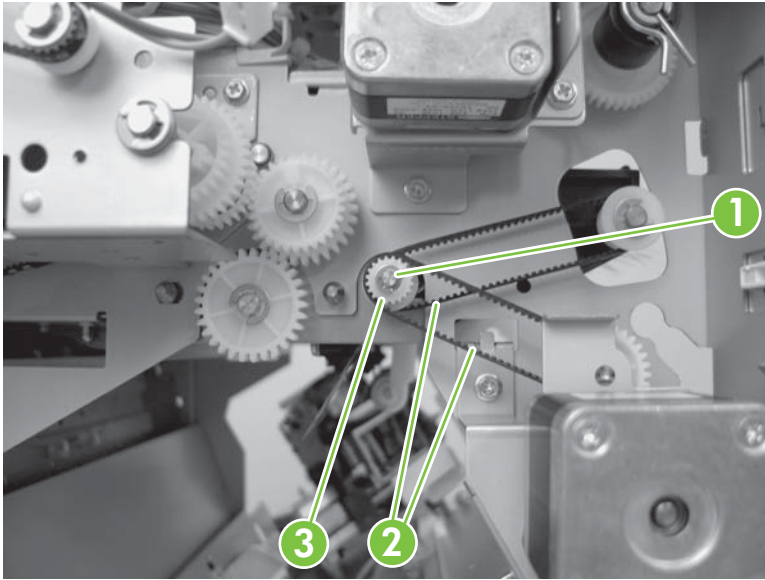
**Figure 8-166** Remove the swing unit (1 of 6)





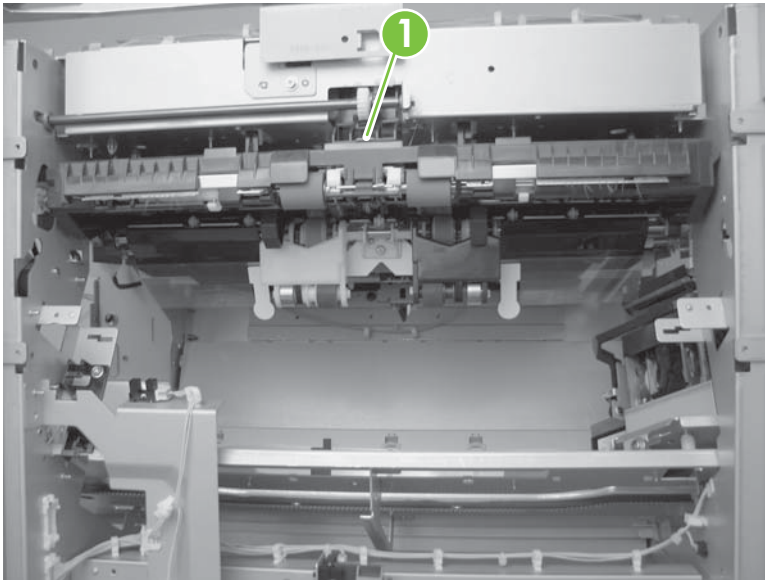
3. Remove one e-ring (callout 1), two belts (callout 2), and one gear (callout 3).

**Figure 8-167** Remove the swing unit (2 of 6)



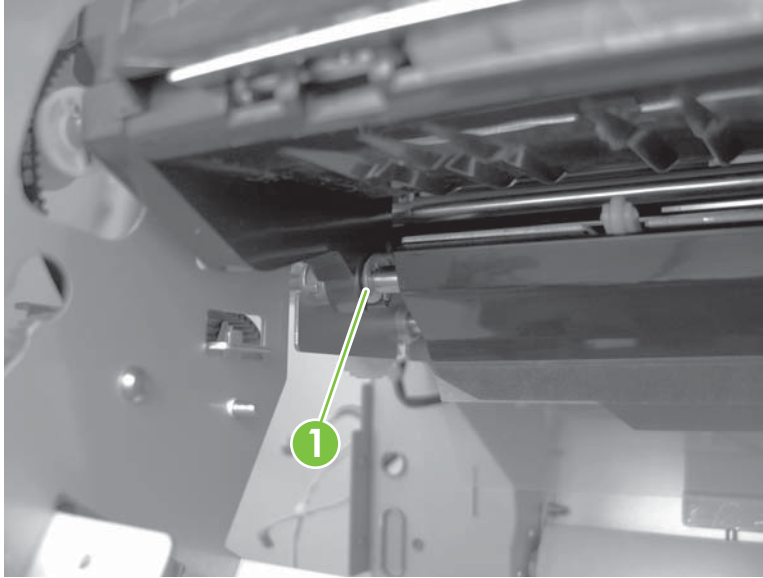
4. Unhook the swing pressure rack (callout 1) from the swing unit center hook.

**Figure 8-168** Remove the swing unit (3 of 6)



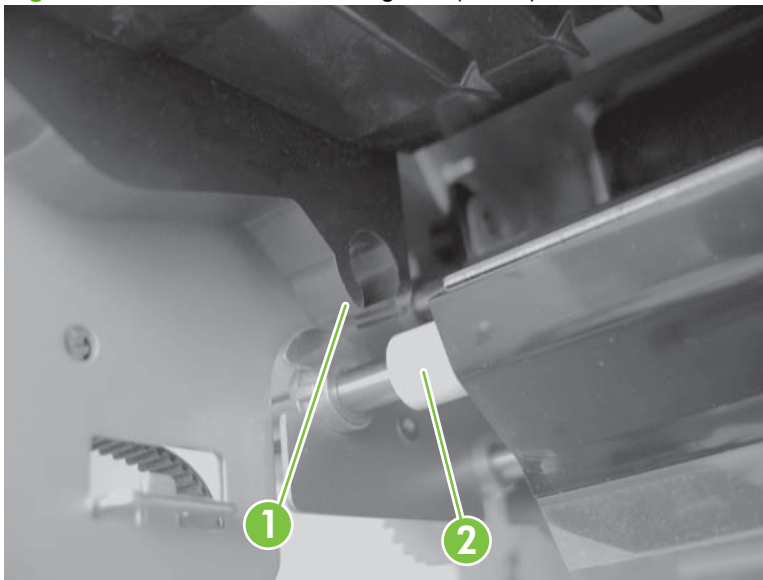
5. Remove one e-ring (callout 1) on each side of the swing unit.

**Figure 8-169** Remove the swing unit (4 of 6)



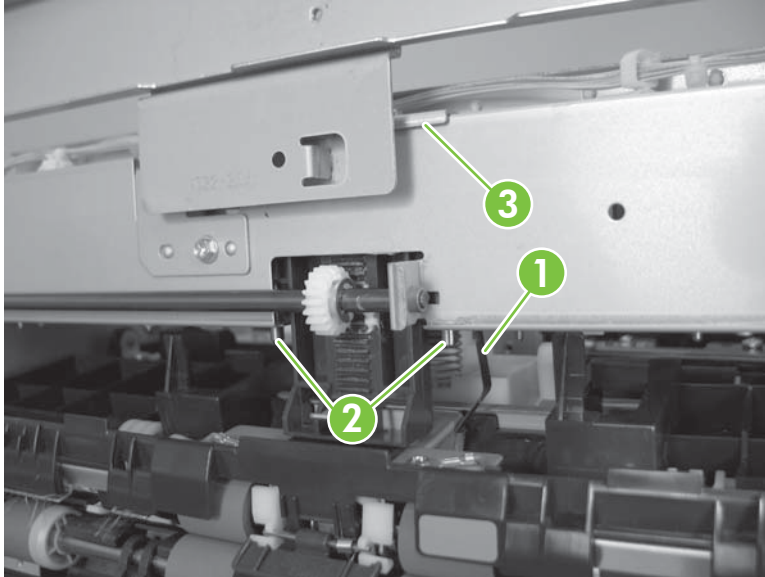
6. Slide the bushing (callout 2) to the inside and lift the swing unit (callout 1) to remove.

**Figure 8-170** Remove the swing unit (5 of 6)



△ **CAUTION:** When reinstalling the swing unit, make sure the grounding plate (callout 1) is positioned so that the bottom of the grounding plate rubs against the metal plate when the swing arm moves up and down. Also make sure the pins (callout 2) are inserted correctly and the swing-pressure guide is flush (callout 3).

**Figure 8-171** Remove the swing unit (6 of 6)

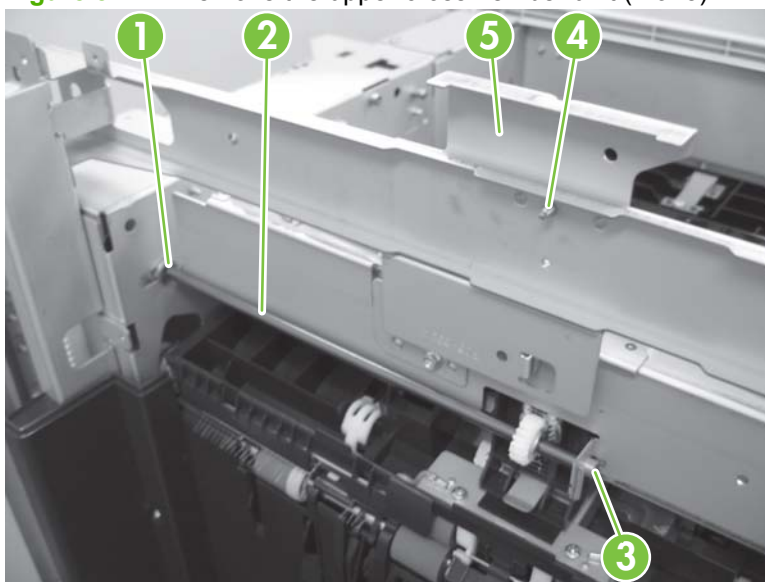




## Upper crossmember unit

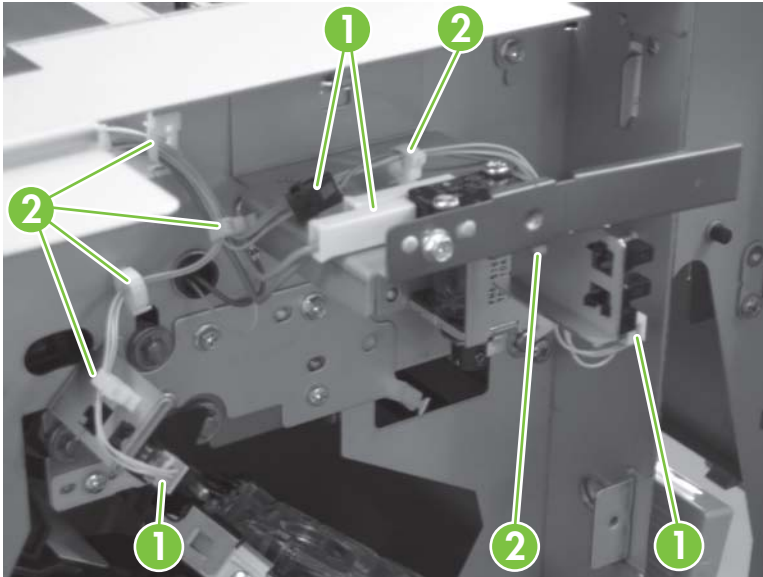
1. Remove the following:
  - Front door. See [Front door on page 758](#).
  - Front inside-upper cover. See [Front inside-upper cover on page 761](#).
  - Rear cover. See [Rear cover on page 759](#).
  - Left-upper cover. See [Left-upper cover on page 763](#).
  - Grate-shaped upper guide. See [Grate-shaped upper guide on page 767](#).
2. Remove the e-ring (callout 1). Slide the shaft (callout 2) to the rear side, and then remove the bushing (callout 3). Remove one screw (callout 4), and then remove the stopper (callout 5).

**Figure 8-172** Remove the upper crossmember unit (1 of 5)



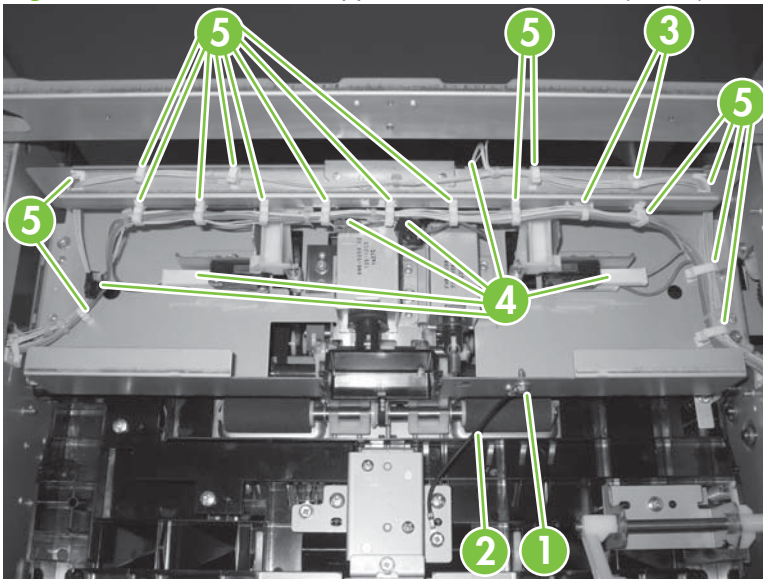
3. Disconnect four connectors (callout 1), and then remove the wire from the six wire retainers (callout 2).

**Figure 8-173** Remove the upper crossmember unit (2 of 5)



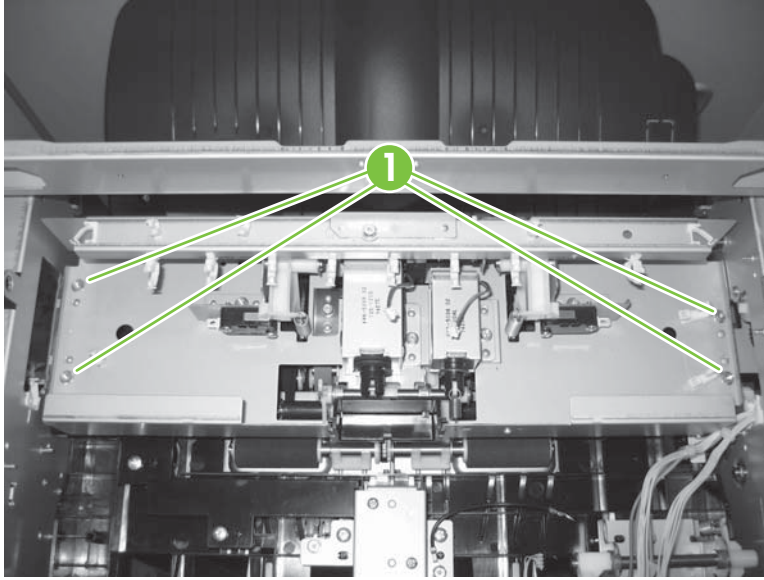
4. Remove one screw (callout 1) and a grounding wire (callout 2). Remove the two cable bands (callout 3). Disconnect six connectors (callout 4), and then release 16 wire retainers (callout 5).

**Figure 8-174** Remove the upper crossmember unit (3 of 5)




5. Remove the four screws (callout 1).

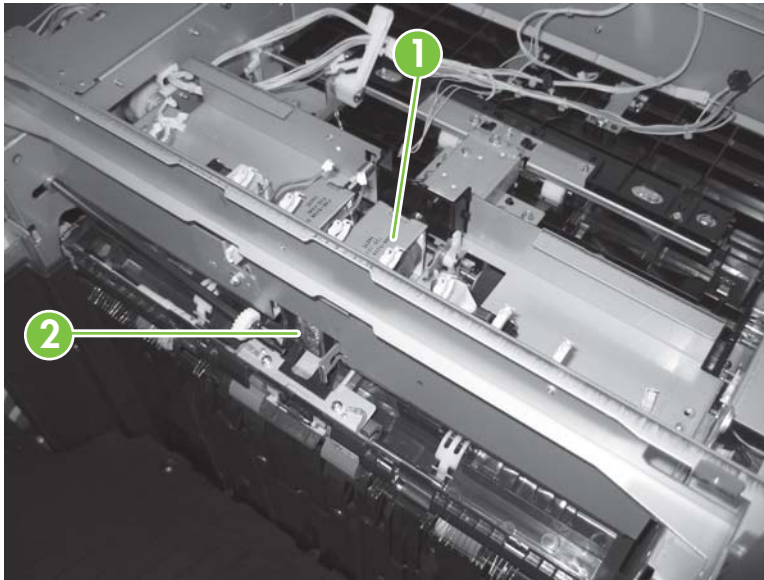
**Figure 8-175** Remove the upper crossmember unit (4 of 5)



6. Lift the upper crossmember unit (callout 1), release the catch of the swing pressure rack (callout 2), and then remove the upper crossmember unit.

 **NOTE:** Do not lose the spring that is attached to the back of the upper crossmember unit.

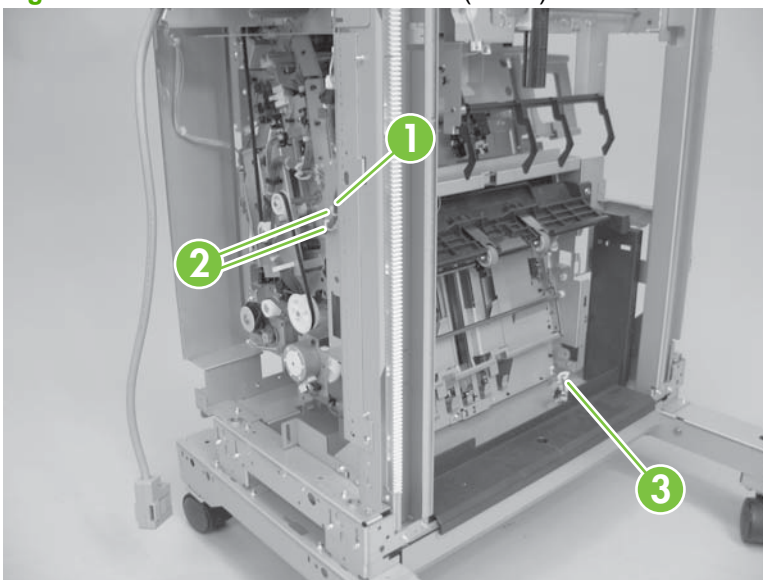
**Figure 8-176** Remove the upper crossmember unit (5 of 5)



## Saddle unit (booklet maker only)

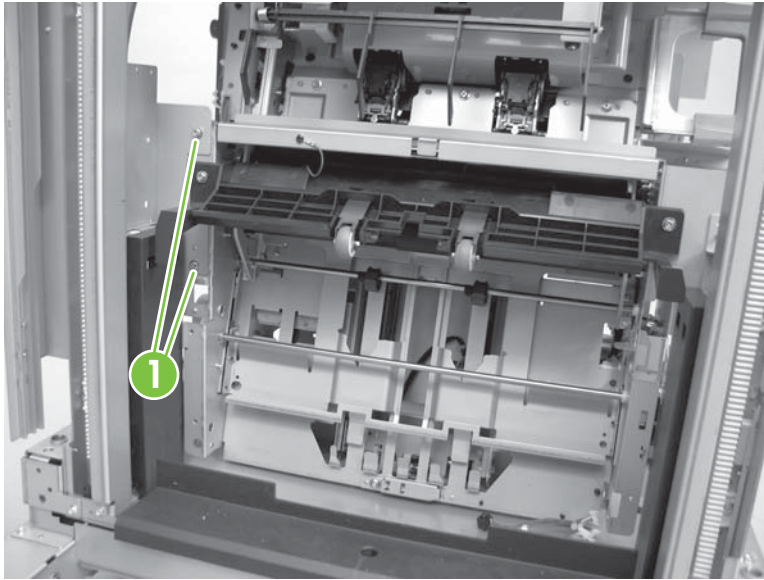
1. Remove the following:
  - Front door. See [Front door on page 758](#).
  - Front inside-upper cover. See [Front inside-upper cover on page 761](#).
  - Front-foot cover. See [Front-foot cover on page 760](#).
  - Front inside-lower cover. See [Front inside-lower cover \(booklet maker only\) on page 762](#).
  - Rear cover. See [Rear cover on page 759](#).
  - Rear-foot cover. See [Rear-foot cover on page 760](#).
  - Left-upper cover. See [Left-upper cover on page 763](#).
  - Grate-shaped upper guide. See [Grate-shaped upper guide on page 767](#).
  - Upper output bin. See [Upper output bin \(stapler-stacker only\) on page 801](#).
  - Output-bin 1. See [Output-bin 1 on page 797](#).
  - Output-bin 2. See [Output-bin 2 on page 799](#).
  - Grate-shaped lower guide. See [Grate-shaped lower guide on page 770](#).
  - Booklet-delivery output bin unit. See [Booklet-delivery output bin unit \(booklet maker only\) on page 804](#).
  - PCA cover. See [PCA cover on page 771](#).
  - Inlet feed unit. See [Inlet feed unit \(booklet maker only\) on page 818](#) or [Inlet feed unit \(stapler-stacker only\) on page 815](#).
2. Disconnect two connectors (callout 1), and then release the wire from the two retainers (callout 2). From the delivery side, release the wire from the two retainers (callout 3).

**Figure 8-177** Remove the saddle unit (1 of 7)



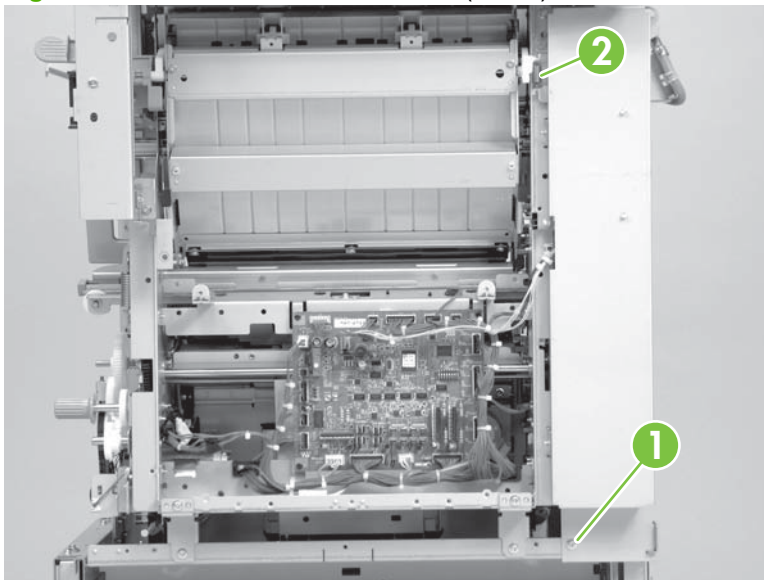
3. Remove two screws (callout 1).

**Figure 8-178** Remove the saddle unit (2 of 7)



4. Remove one screw (callout 1), and then remove one spring (callout 2).

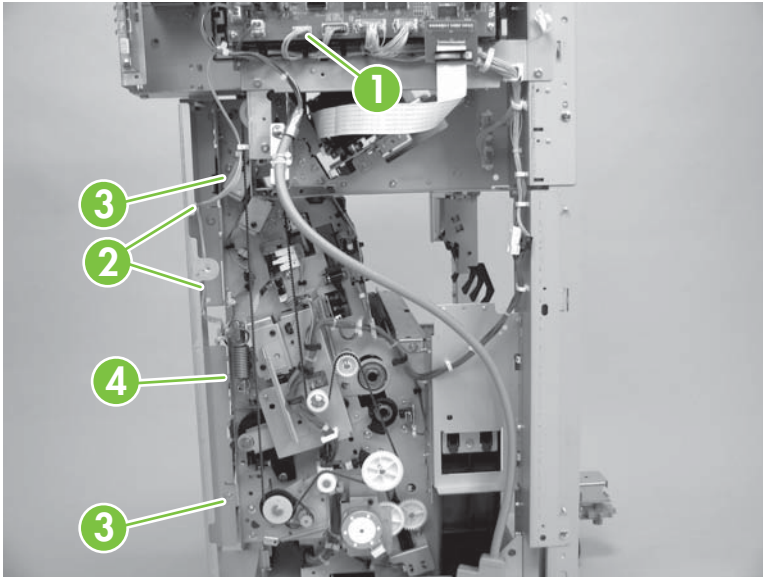
**Figure 8-179** Remove the saddle unit (3 of 7)





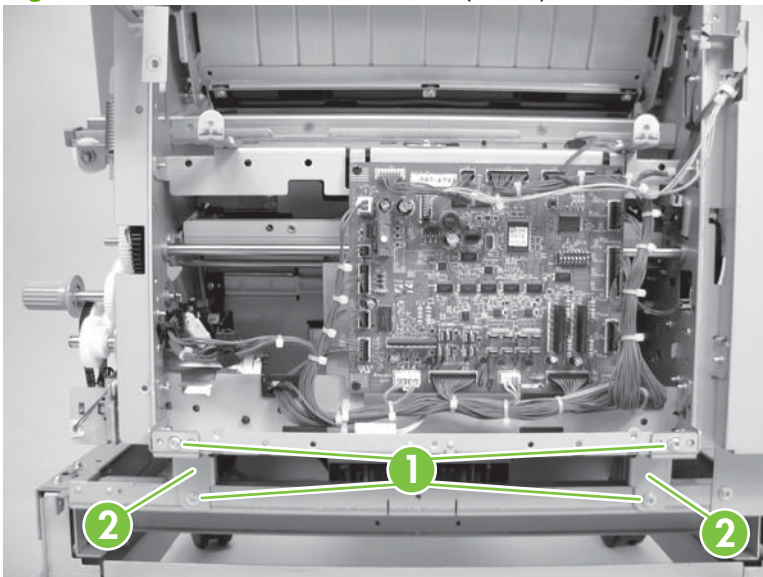
5. Disconnect one connector (callout 1). Release two wire retainers (callout 2), and then remove two screws (callout 3). Remove the guide plate (callout 4).

**Figure 8-180** Remove the saddle unit (4 of 7)



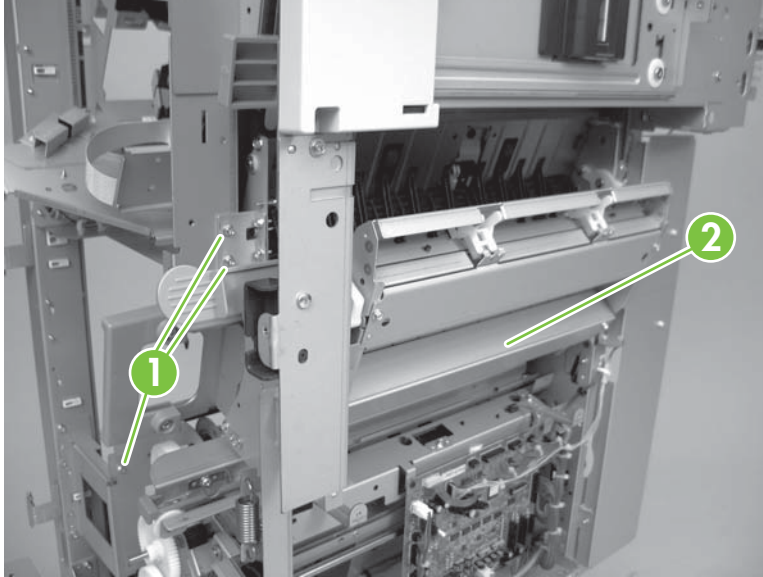
6. Remove four screws (callout 1), and then remove two brackets (callout 2).


**Figure 8-181** Remove the saddle unit (5 of 7)



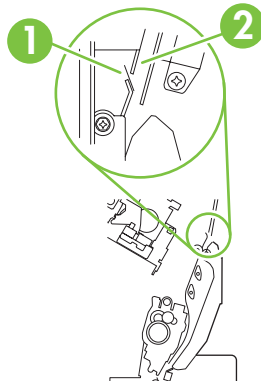
7. Remove three screws (callout 1), and then remove the saddle unit (callout 2) from the paper-feed side.

**Figure 8-182** Remove the saddle unit (6 of 7)



 **NOTE:** Install the saddle unit so that the Mylar (callout 1) at the front-upper side of the saddle is on the outside of the delivery-guide plate (callout 2). A delivery fault will occur if it is on the inside.

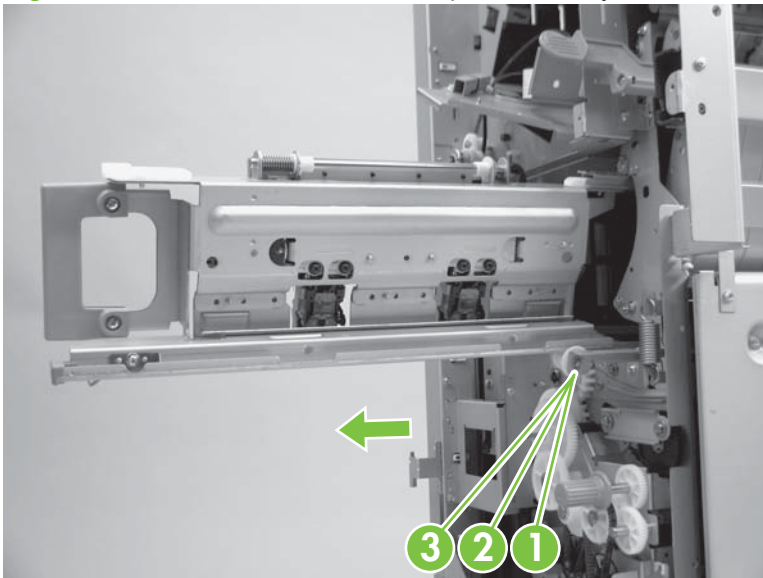
**Figure 8-183** Remove the saddle unit (7 of 7)



### Saddle-stapler assembly (booklet maker only)

1. Remove the following:
  - Front door. See [Front door on page 758](#).
  - Front-foot cover. See [Front-foot cover on page 760](#).
  - Front inside-upper cover. See [Front inside-upper cover on page 761](#).
  - Front inside-lower cover. See [Front inside-lower cover \(booklet maker only\) on page 762](#).
2. Remove one e-ring (callout 1), one shaft (callout 2), and one roller (callout 3). With one hand on the handle and the other supporting the bottom, slide the stitcher stapler out of the accessory.

**Figure 8-184** Remove the saddle-stapler assembly

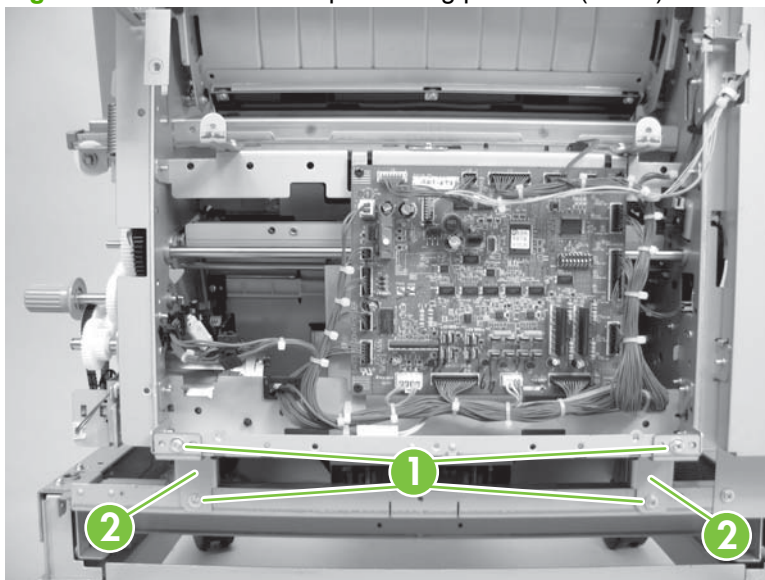




## Positioning plate unit (inner side-plate assembly) (booklet maker only)

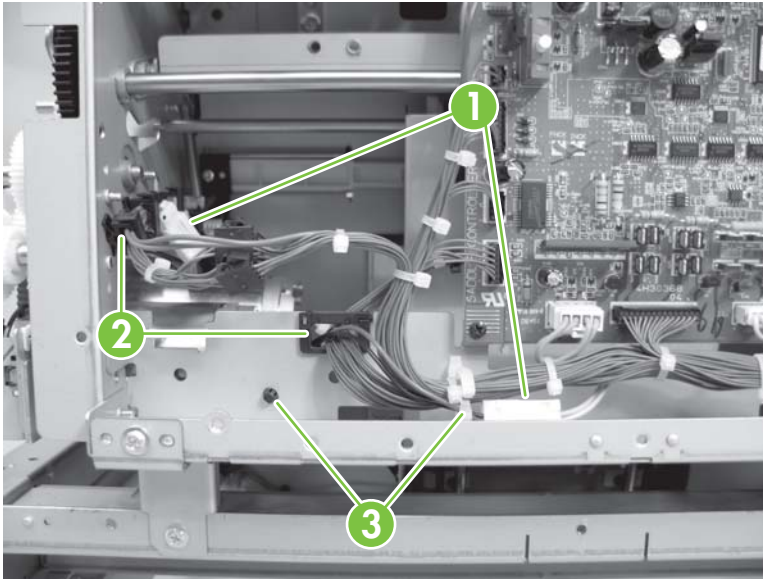
1. Remove the following:
  - Front door. See [Front door on page 758](#).
  - Rear cover. See [Rear cover on page 759](#).
  - Front-foot cover. See [Front-foot cover on page 760](#).
  - Front inside-upper cover. See [Front inside-upper cover on page 761](#).
  - Front inside-lower cover. See [Front inside-upper cover on page 761](#).
  - PCA cover. See [PCA cover on page 771](#).
  - Saddle-stitcher controller PCA. See [Saddle-stitcher controller PCA \(booklet maker only\) on page 827](#).
2. Remove four screws (callout 1) and two brackets (callout 2).

**Figure 8-185** Remove the positioning plate unit (1 of 5)



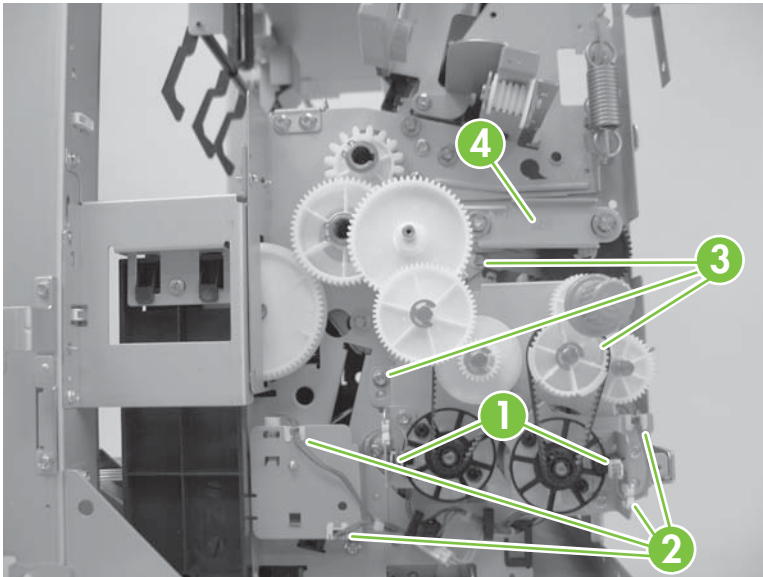
3. Disconnect two connectors (callout 1), two wire retainers (callout 2), and two clamps (callout 3).

**Figure 8-186** Remove the positioning plate unit (2 of 5)



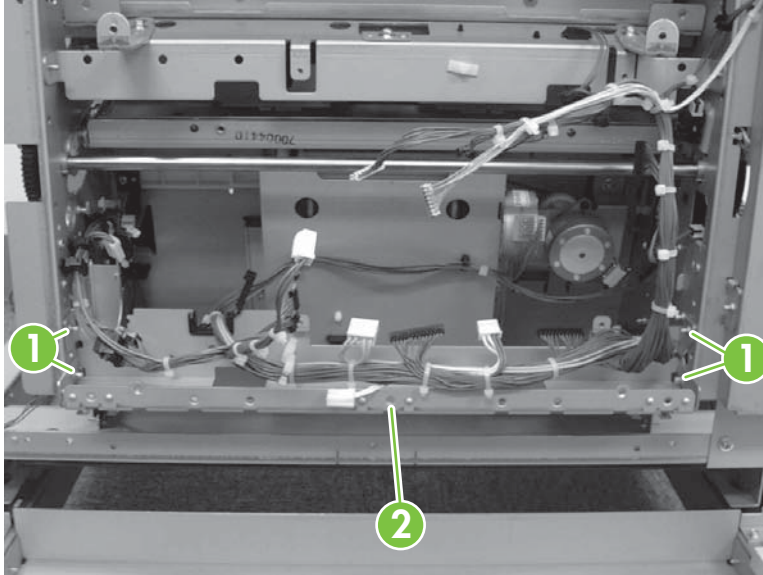
4. Disconnect two connectors (callout 1) and release four wire retainers (callout 2). Remove three screws (callout 3), and then remove the paper-folding/paper-pushing motor base (callout 4).

**Figure 8-187** Remove the positioning plate unit (3 of 5)



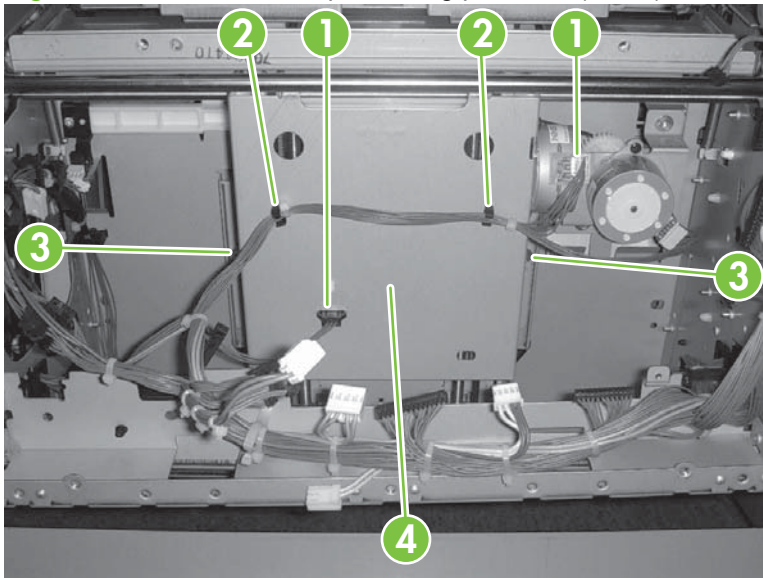
5. Remove four screws (callout 1), and then remove the stay (callout 2). Do not remove the wire retainer on the stay.

**Figure 8-188** Remove the positioning plate unit (4 of 5)



6. Disconnect two connectors (callout 1) and release two wire retainers (callout 2). Remove two screws (callout 3), shift the positioning plate unit (callout 4) forward, and then remove it from the paper-feeding side.

**Figure 8-189** Remove the positioning plate unit (5 of 5)



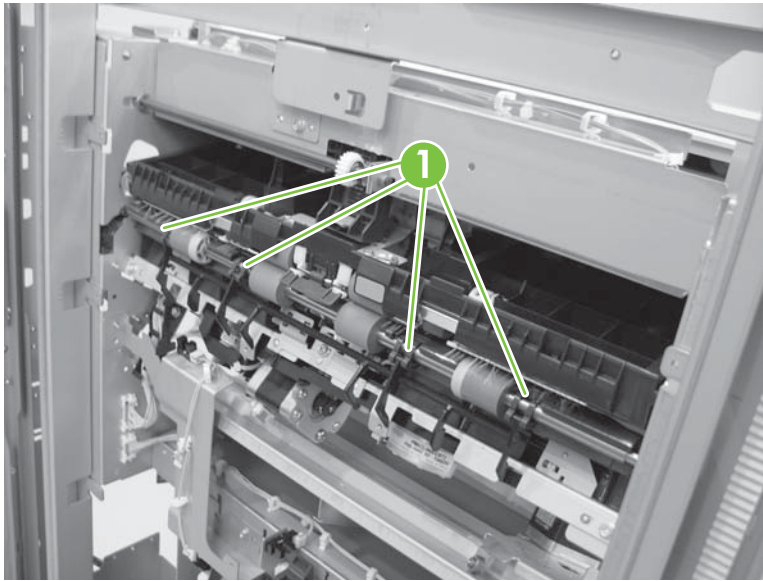
## Document feed system


### Operation-tray assembly

1. Remove the following:
  - Front door. See [Front door on page 758](#).
  - Rear cover. See [Rear cover on page 759](#).
  - Front-foot cover. See [Front-foot cover on page 760](#).
  - Rear-foot cover. See [Rear-foot cover on page 760](#).
  - Front inside-upper cover. See [Front inside-upper cover on page 761](#).
  - Left-upper cover. See [Left-upper cover on page 763](#).
  - Grate-shaped upper guide. See [Grate-shaped upper guide on page 767](#).
  - Grate-shaped lower guide. See [Grate-shaped lower guide on page 770](#).
  - Output-bin 1. See [Output-bin 1 on page 797](#).
  - Output-bin 2. See [Output-bin 2 on page 799](#).
  - Upper output bin. See [Upper output bin \(stapler-stacker only\) on page 801](#).

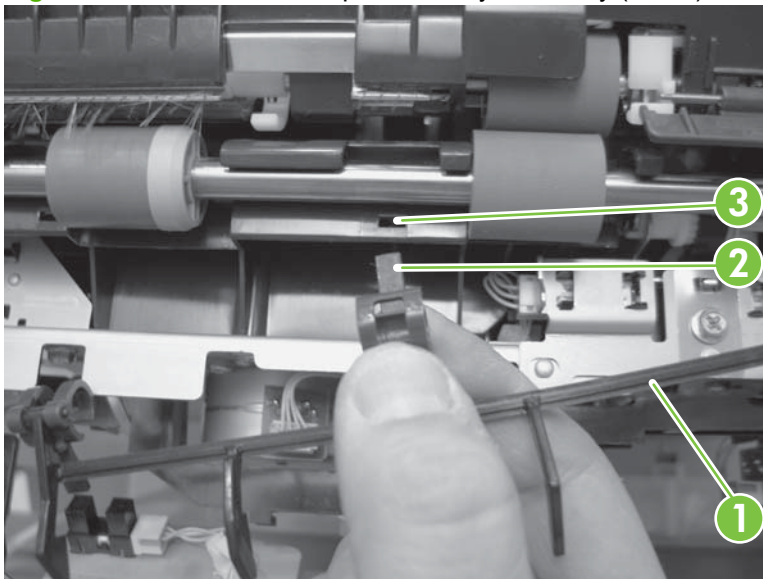
2. The sensor flag arm is very fragile. Grip the sensor flag by the snap fasteners and not by the arm. To remove the sensor flag, start at one end, grip each snap fastener at the base gently pull to remove one at a time.

**Figure 8-190** Remove the operation-tray assembly (1 of 6)




 **NOTE:** When reinstalling, the small tab (callout 2) on each snap fastener must be inserted into a hole (callout 3). The sensor flag (callout 1) will not work properly if the tabs are not installed correctly.

**Figure 8-191** Remove the operation-tray assembly (2 of 6)

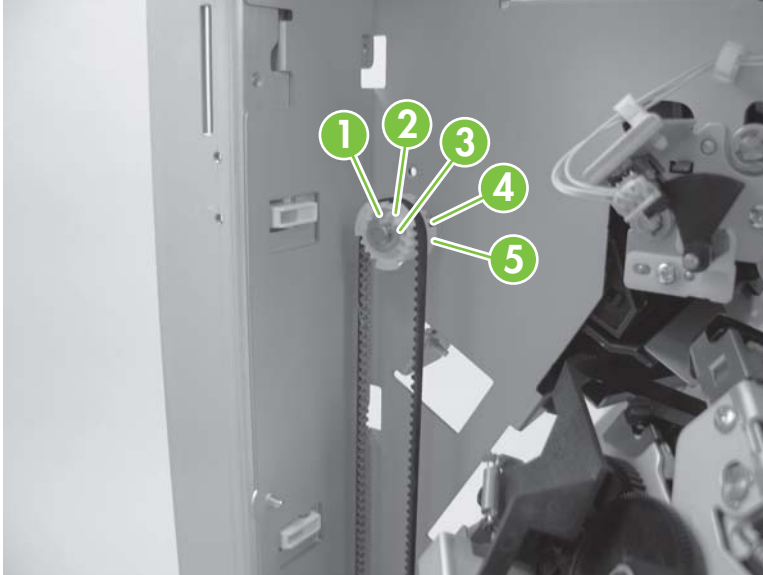




3. Remove one e-ring (callout 1), one parallel pin (callout 2), one gear (callout 3), one e-ring (callout 4), and one bushing (callout 5).

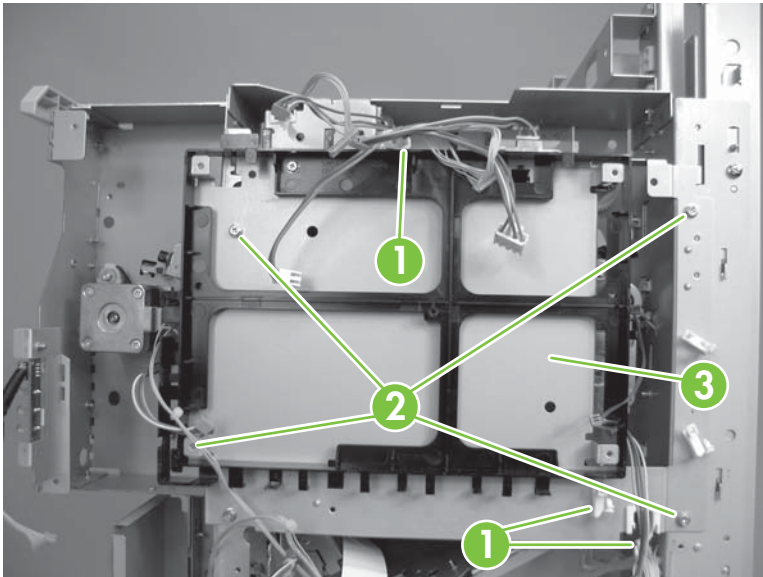
 **NOTE:** The parallel pin (callout 3) drops when the gear (callout 2) is removed. Be sure to locate and save the pin for reinstallation.

**Figure 8-192** Remove the operation-tray assembly (3 of 6)



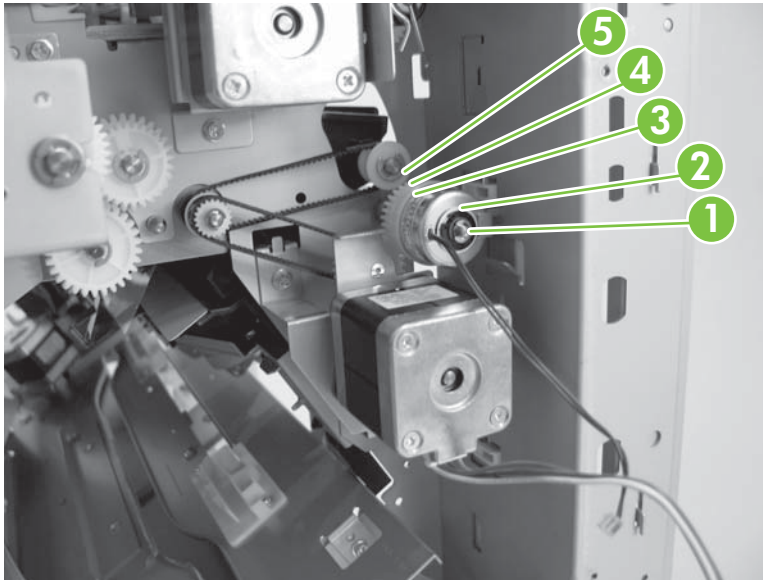
4. Release three wire retainers (callout 1). Remove four screws (callout 2), and then remove the PCA mount (callout 3).

**Figure 8-193** Remove the operation-tray assembly (4 of 6)




5. Remove one e-ring (callout 1) and the stack-delivery-roller rear-side clutch (callout 2). Behind the clutch, remove one e-ring (callout 3), one bushing (callout 4), and one bearing (callout 5), and then remove the stack-delivery roller.

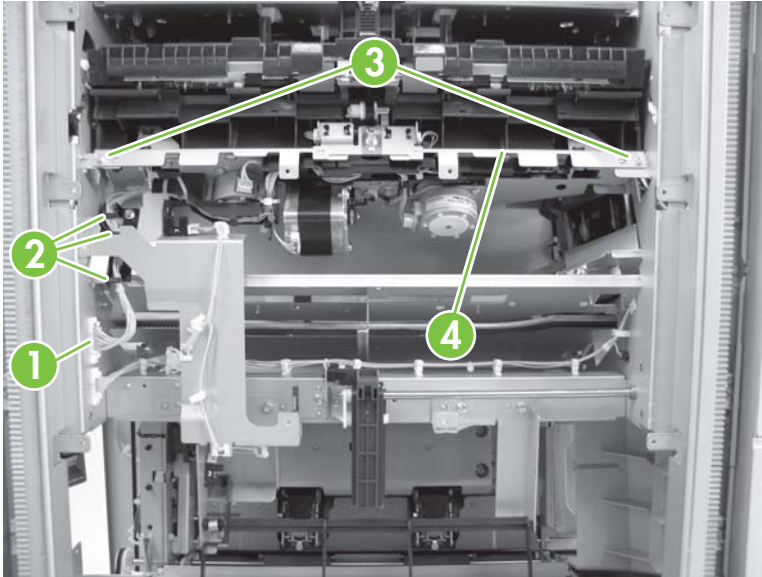
**Figure 8-194** Remove the operation-tray assembly (5 of 6)




6. Disconnect one connector (callout 1), and then release one clamp and one edge saddle (callout 2). Remove two screws (callout 3), and then pull out the operation-tray assembly (callout 4) in the paper-delivery direction.

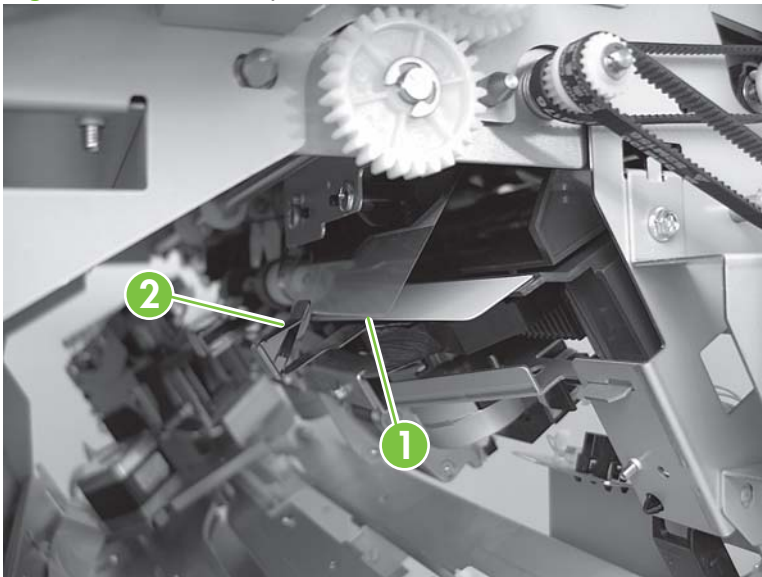
 **NOTE:** When removing parts inside the operation tray, be careful not to exert force on the aligning plates (front/rear) or the rear-end stopper plate.

**Figure 8-195** Remove the operation-tray assembly (6 of 6)



 **NOTE:** When attaching the operation-tray assembly, do not mount the Mylar sheet (callout 1) on top of the stack trailing-edge assist guide (callout 2).

**Figure 8-196** Correct position of sheet

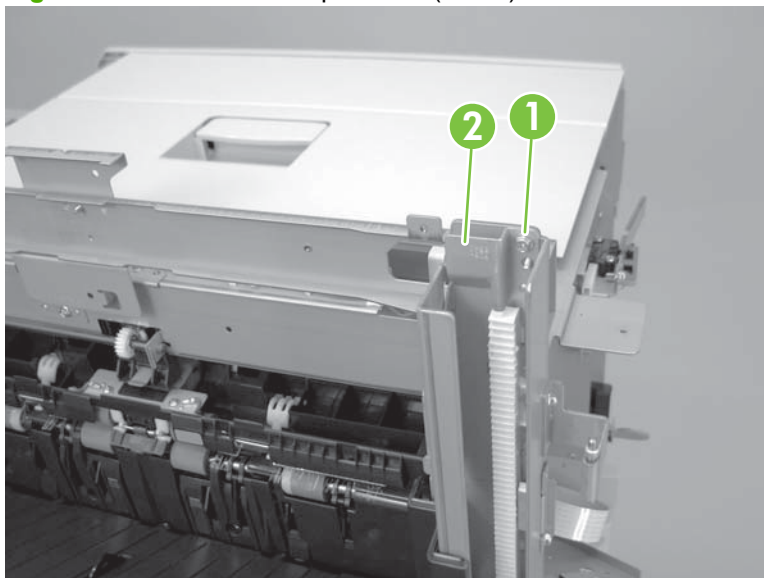




## Output-bin 1

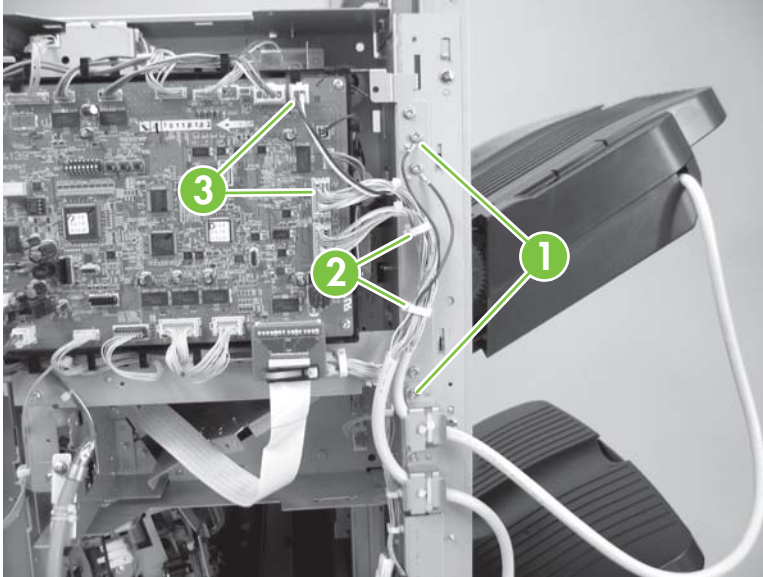
1. Remove the following:
  - Front door. See [Front door on page 758](#).
  - Front inside-upper cover. See [Front inside-upper cover on page 761](#).
  - Front-foot cover. See [Front-foot cover on page 760](#).
  - Rear cover. See [Rear cover on page 759](#).
  - Rear-foot cover. See [Rear-foot cover on page 760](#).
  - Left-upper cover. See [Left-upper cover on page 763](#).
  - Grate-shaped upper guide. See [Grate-shaped upper guide on page 767](#).
  - Upper output bin. See [Upper output bin \(stapler-stacker only\) on page 801](#)
2. Remove one screw (callout 1), and then remove the stopper (callout 2).

**Figure 8-197** Remove output-bin 1 (1 of 3)



3. Remove two screws (callout 1), release two wire retainers (callout 2) and then disconnect two connectors (callout 3).

**Figure 8-198** Remove output-bin 1 (2 of 3)



4. Hold output-bin 1 to prevent the bin from falling. Insert your finger in the hole at the rear side of the bin and release the lift-motor gear. Lift the shutter to prevent damage to the stack-delivery gate. Lift output-bin 1 to remove.

**Figure 8-199** Remove output-bin 1 (3 of 3)



 **NOTE:** When reinstalling, be careful not to twist the tray cable. Lift the shutter to prevent damage to the stack-delivery gate. See [Move output bins 1 and 2 on page 768](#)

**NOTE:** Output bin 1 and output bin 2 are different. Do not reverse the locations of the output bins when reinstalling

## Output-bin 2


1. Remove the following:
  - Front door. See [Front door on page 758](#).
  - Front inside-upper cover. See [Front inside-upper cover on page 761](#).
  - Front-foot cover. See [Front-foot cover on page 760](#).
  - Rear cover. See [Rear cover on page 759](#).
  - Rear-foot cover. See [Rear-foot cover on page 760](#).
  - Left-upper cover. See [Left-upper cover on page 763](#).
  - Grate-shaped upper guide. See [Grate-shaped upper guide on page 767](#).
  - Upper output bin. See [Upper output bin \(stapler-stacker only\) on page 801](#)
  - Output-bin 1. See [Output-bin 1 on page 797](#).
2. Remove screw (callout 1), and then remove the stopper (callout 2).

**Figure 8-200** Remove output-bin 2 (1 of 3)



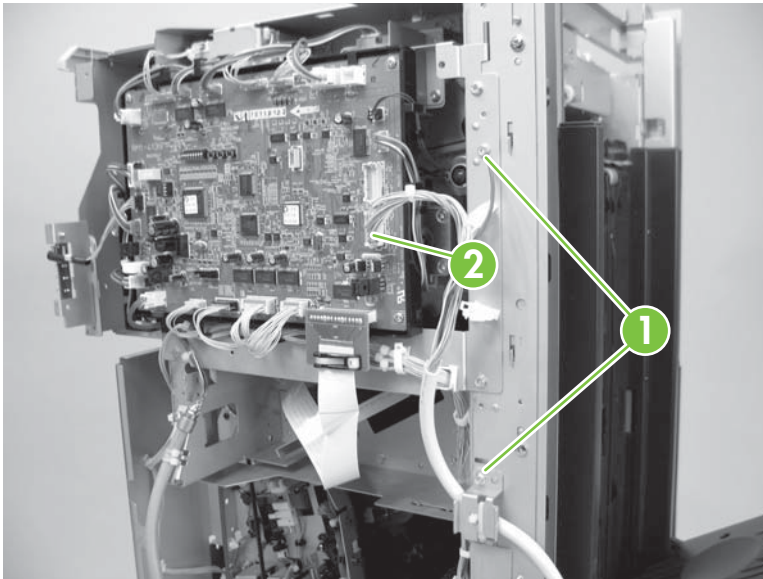
3. Remove two screws (callout 1) and one connector (callout 2).

---

 **NOTE:** Output-bin 2 has one connector. Output-bin 1 has two connectors.

---

**Figure 8-201** Remove output-bin 2 (2 of 3)




4. Hold output-bin 2 to prevent the bin from falling. Insert your finger in the hole at the rear side of the bin and release the lift-motor gear. Lift the shutter to prevent damage to the stack-delivery gate. Lift output-bin 2 to remove.

**Figure 8-202** Remove output-bin 2 (3 of 3)



---

 **NOTE:** When reinstalling, be careful not to twist the tray cable. Lift the shutter to prevent damage to the stack-delivery gate. See [Move output bins 1 and 2 on page 768](#)

---

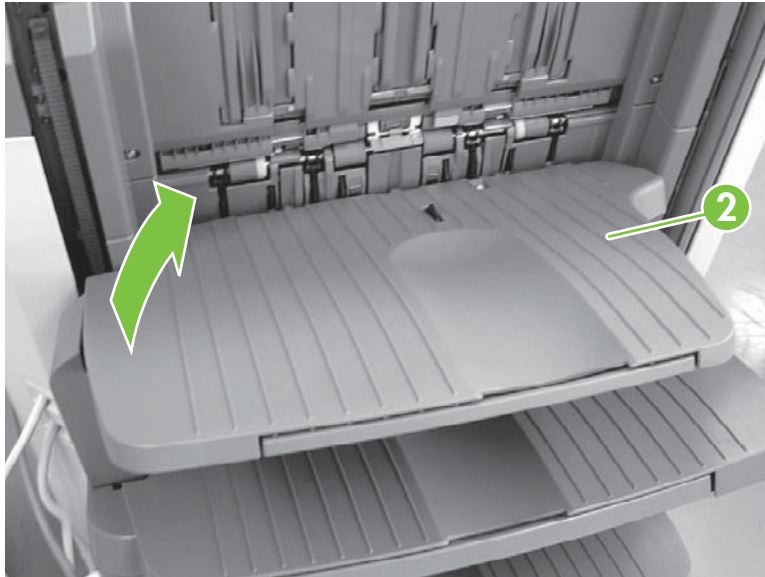
**NOTE:** Output bin 1 and output bin 2 are different. Do not reverse the locations of the output bins when reinstalling

---

### Upper output bin (stapler-stacker only)

- Lift the back of the upper output bin (callout 1) to remove.

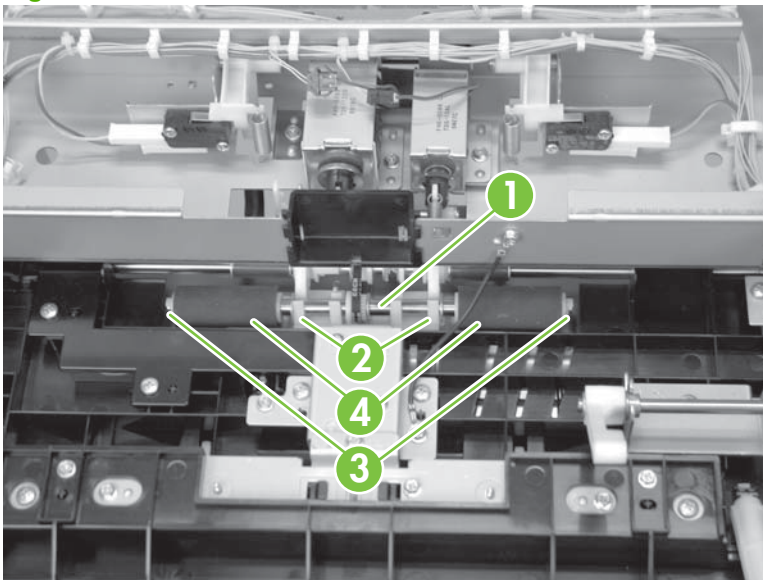
**Figure 8-203** Remove the upper output bin



## Buffer rollers

1. Remove the following:
  - Front door. See [Front door on page 758](#).
  - Rear cover. See [Rear cover on page 759](#).
  - Rear-foot cover. See [Rear-foot cover on page 760](#).
  - Front inside-upper cover. See [Front inside-upper cover on page 761](#).
  - Left-upper cover. See [Left-upper cover on page 763](#).
2. Remove the buffer roller axis (callout 1) from the two arms (callout 2). Remove two clips (callout 3), and then remove the two buffer rollers (callout 4).

**Figure 8-204** Remove buffer rollers





### Booklet-delivery output bin (booklet maker only)

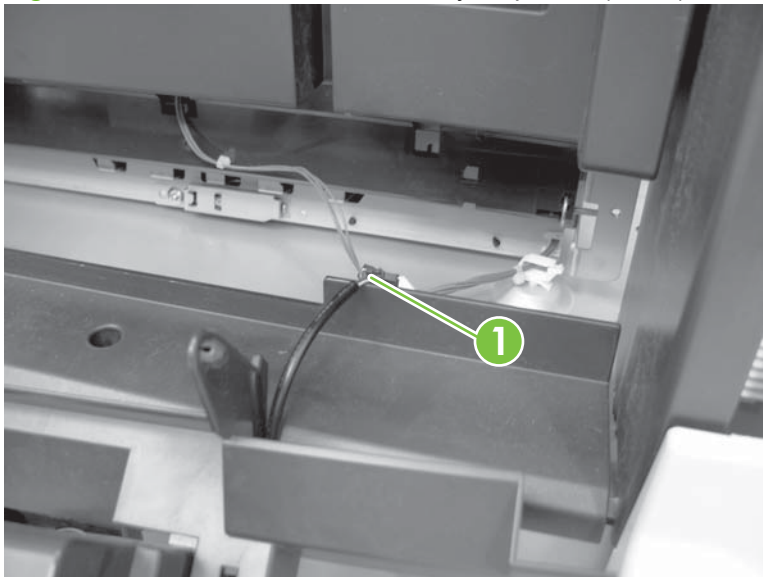
1. Press the hinge of the booklet-delivery output bin to release it from the booklet maker accessory.

**Figure 8-205** Remove booklet-delivery output bin (1 of 2)



2. Disconnect one connector (callout 1), and then remove the booklet-delivery output bin.

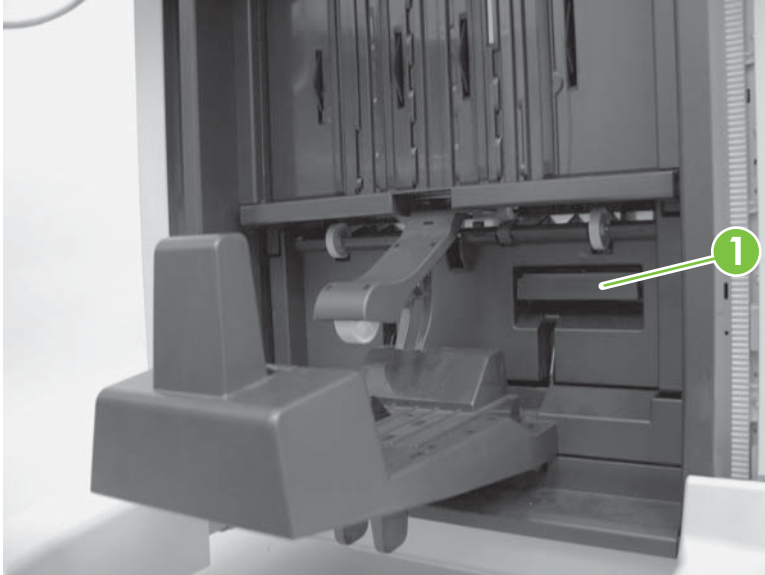
**Figure 8-206** Remove booklet-delivery output bin (2 of 2)



### Booklet-delivery output bin unit (booklet maker only)

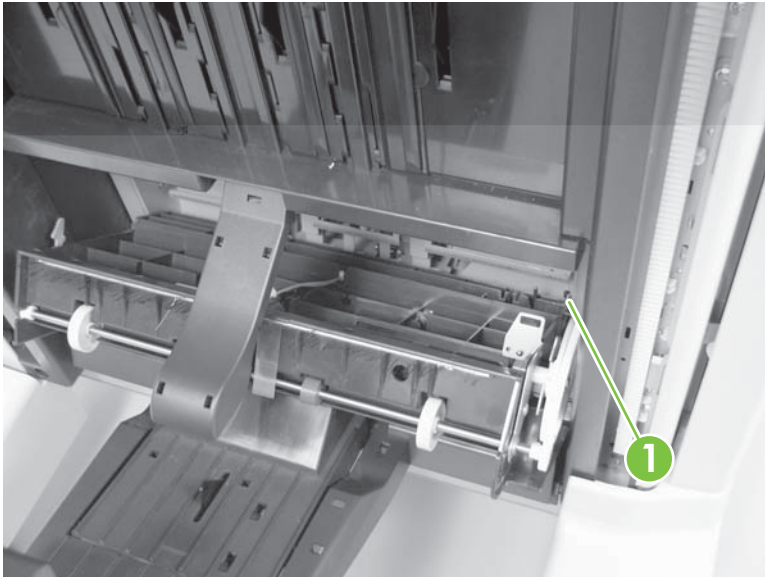
1. Lift the lever (callout 1) to open booklet-delivery output bin unit.

**Figure 8-207** Remove the saddle-delivery output bin (1 of 3)



2. Remove the door pin (callout 1) to release the booklet-delivery output bin unit.

**Figure 8-208** Remove the saddle delivery output bin (2 of 3)





3. Release one wire retainer (callout 1) and disconnect two connectors (callout 2). Remove the booklet-delivery output bin unit.

**Figure 8-209** Remove the saddle delivery output bin (3 of 3)

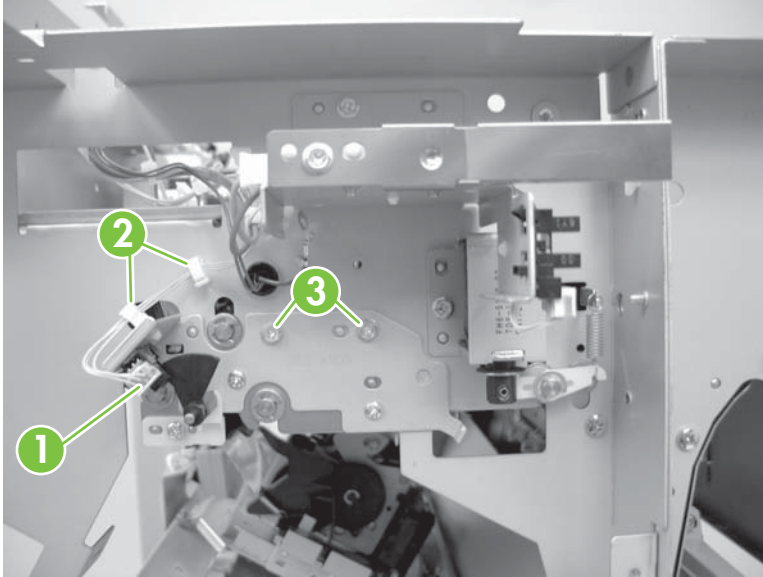


### Return roller unit

1. Remove the following:
  - Front door. See [Front door on page 758](#)
  - Rear cover. See [Rear cover on page 759](#).
  - Front-foot cover. See [Front-foot cover on page 760](#).
  - Rear-foot cover. See [Rear-foot cover on page 760](#).
  - Front inside-upper cover. See [Front inside-upper cover on page 761](#).
  - Left-upper cover. See [Left-upper cover on page 763](#).
  - Grate-shaped upper guide. See [Grate-shaped upper guide on page 767](#).
  - Grate-shaped lower guide. See [Grate-shaped lower guide on page 770](#)
  - Swing unit. See [Swing unit on page 777](#)
  - Output-bin 1. See [Output-bin 1 on page 797](#).
  - Output-bin 2. See [Output-bin 2 on page 799](#).
  - Upper output bin (stapler-stacker only). See [Upper output bin \(stapler-stacker only\) on page 801](#).

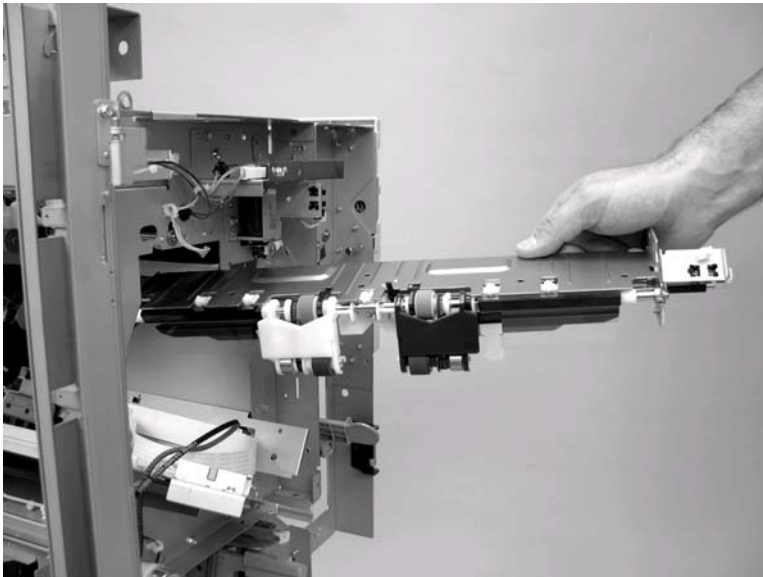
2. Disconnect one connector (callout 1), release two wire retainers (callout 2), and remove two screws (callout 3).

**Figure 8-210** Remove the return roller unit (1 of 2)



3. Remove return roller unit from the front side.

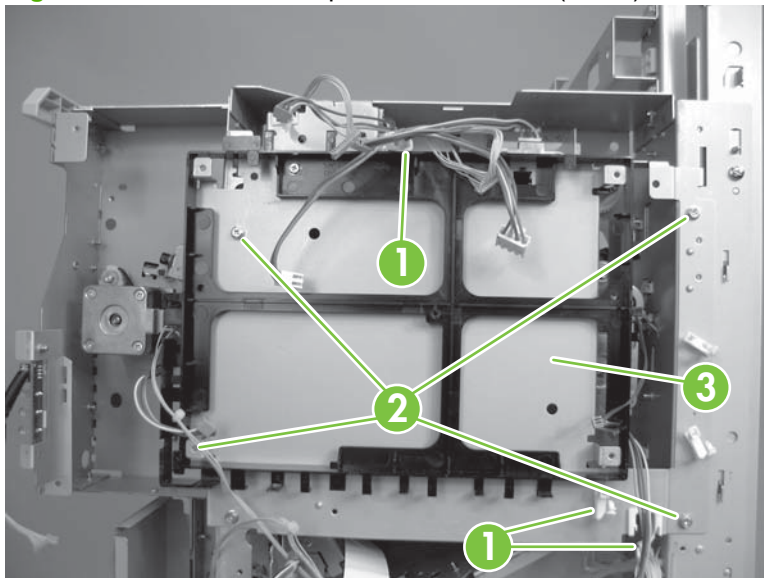
**Figure 8-211** Remove the return roller unit (2 of 2)



## Pressure roller unit

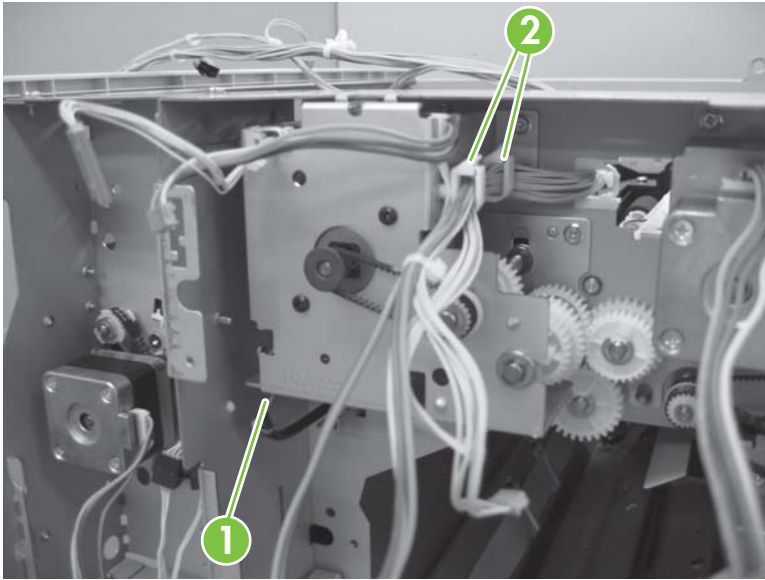
1. Remove the following:
  - See [Front door on page 758](#).
  - Rear cover. See [Rear cover on page 759](#).
  - Front inside-upper cover. See [Front inside-upper cover on page 761](#)
  - Left-upper cover. See [Left-upper cover on page 763](#).
  - Top door. See [Top door on page 765](#).
  - Upper crossmember unit. See [Upper crossmember unit on page 781](#).
  - Stacker controller PCA. See [Stacker controller PCA on page 826](#).
2. Release three wire retainers (callout 1), remove four screws (callout 2), and then remove the PCA mount (callout 3).

**Figure 8-212** Remove the pressure roller unit (1 of 8)



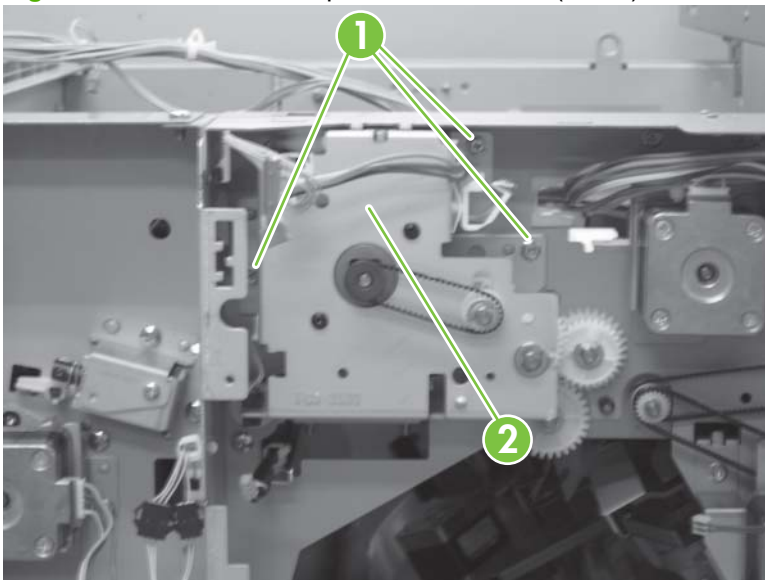
3. Disconnect one connector (callout 1) and release two wire retainers (callout 2).

**Figure 8-213** Remove the pressure roller unit (2 of 8)




4. Remove three screws (callout 1), and then remove the drive unit (callout 2).

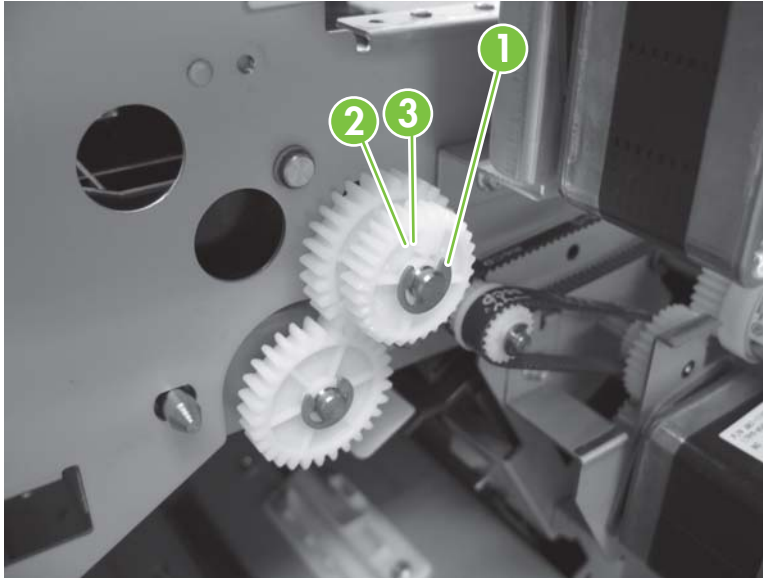
**Figure 8-214** Remove the pressure roller unit (3 of 8)




5. Remove one e-ring (callout 1), one gear (callout 2), and one parallel pin (callout 3).

 **NOTE:** The parallel pin (callout 3) drops when the gear (callout 2) is removed. Be careful not to lose it.

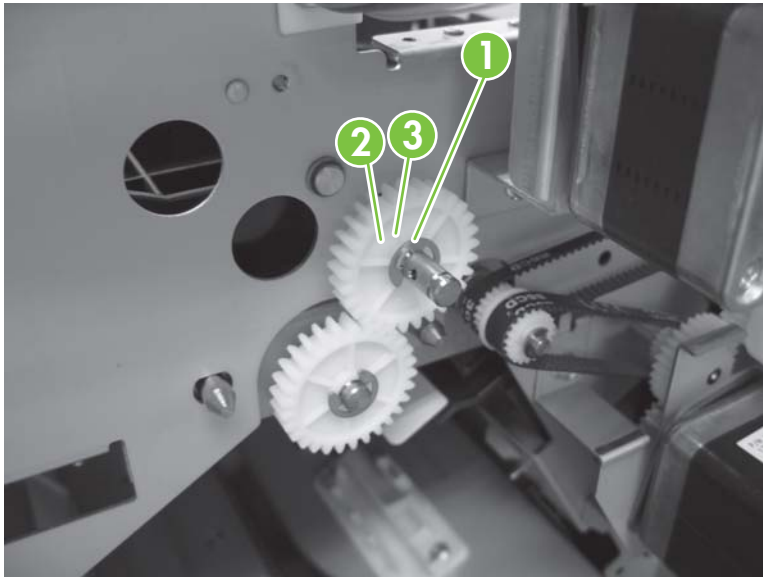
**Figure 8-215** Remove the pressure roller unit (4 of 8)



6. Remove one e-ring (callout 1), one gear (callout 2), and one parallel pin (callout 3).

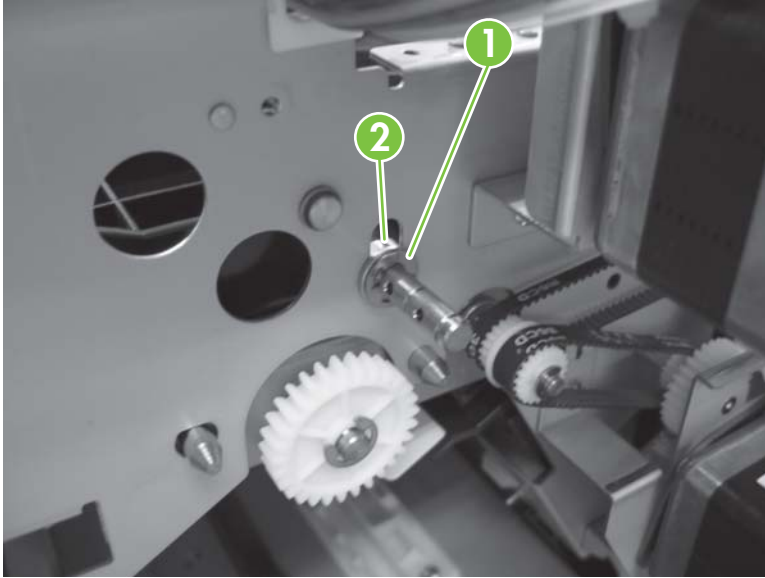
 **NOTE:** The parallel pin (callout 3) drops when the gear (callout 2) is removed. Be careful not to lose it.

**Figure 8-216** Remove the pressure roller unit (5 of 8)



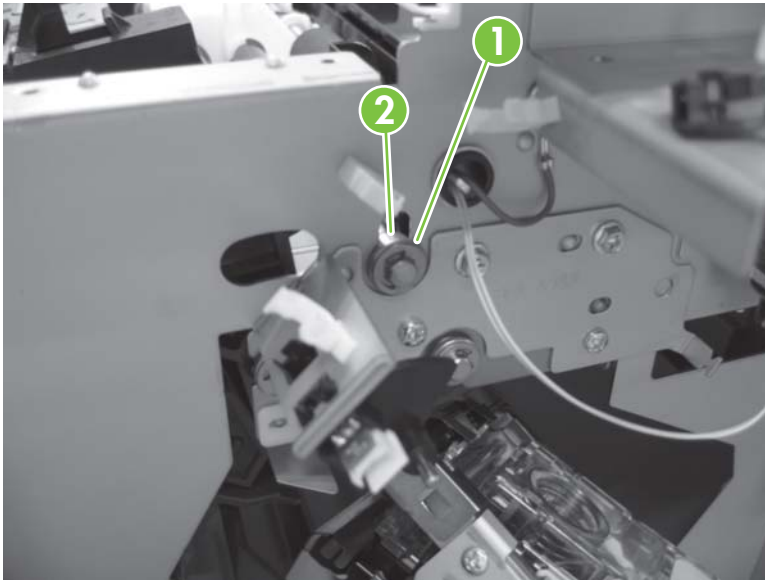
7. Remove the e-ring (callout 1) and one bushing (callout 2).

**Figure 8-217** Remove the pressure roller unit (6 of 8)



8. Remove one e-ring (callout 1) and one bushing (callout 2).

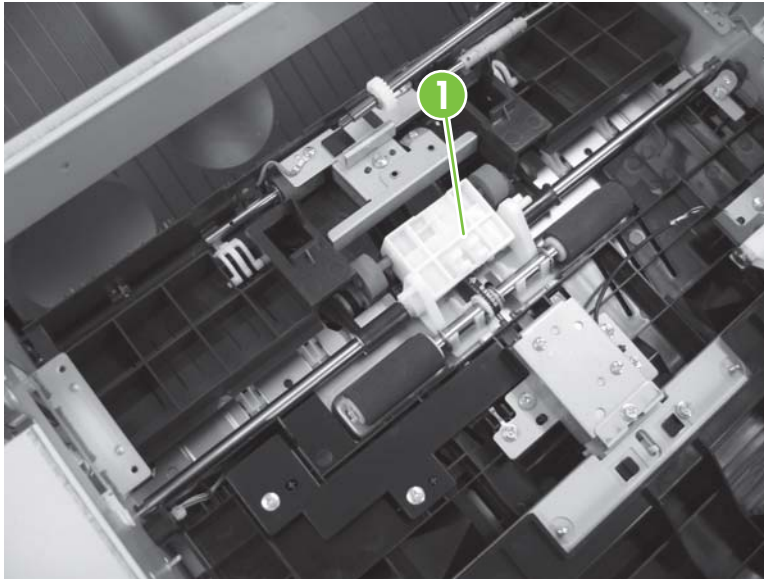
**Figure 8-218** Remove the pressure roller unit (7 of 8)





9. Slide the pressure roller unit (callout 1) to the rear side, and then remove from the front side.

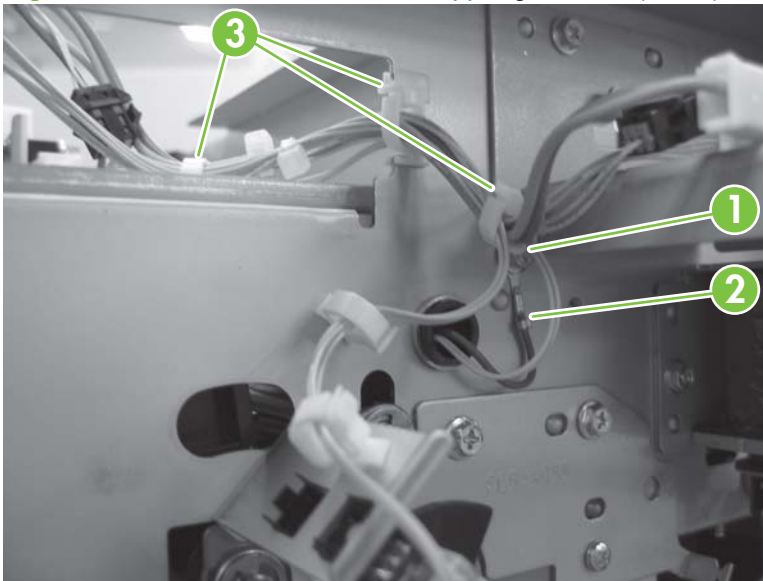
**Figure 8-219** Remove the pressure roller unit (8 of 8)



## Entrance upper guide unit

1. Remove the following:
  - Front door. See [Front door on page 758](#).
  - Rear cover. See [Rear cover on page 759](#).
  - Front inside-upper cover. See [Front inside-upper cover on page 761](#)
  - Left-upper cover. See [Left-upper cover on page 763](#).
  - Top door. See [Top door on page 765](#).
2. Remove one screw (callout 1), and then remove the grounding wire (callout 2).
3. Release three wire retainers (callout 3).

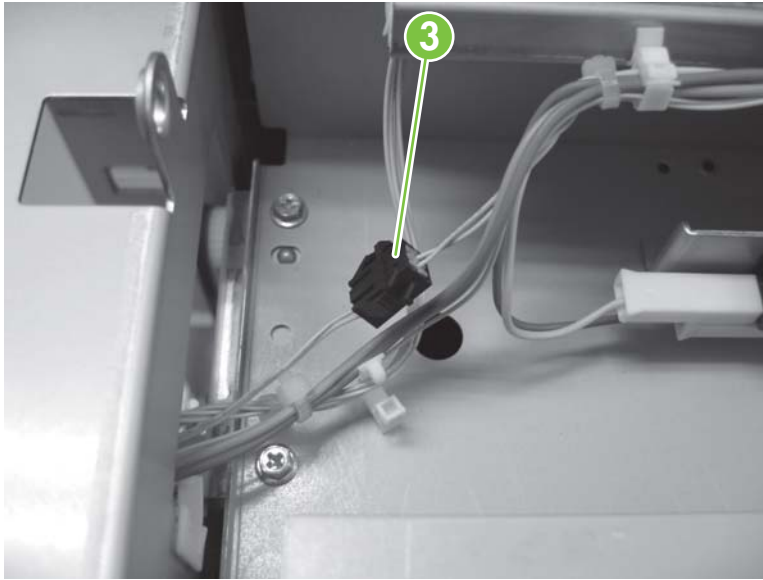
**Figure 8-220** Remove the entrance upper guide unit (1 of 3)





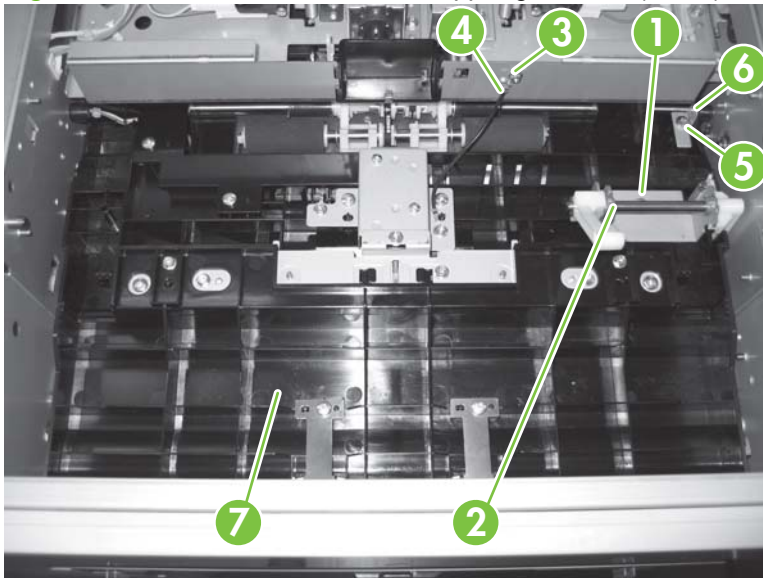
4. Disconnect one connector (callout 3).

**Figure 8-221** Remove the entrance upper guide unit (2 of 3)



5. Remove one screw (callout 1), and then remove the door lock unit (callout 2).
6. Remove one screw (callout 3), and then remove the grounding wire (callout 4).
7. Remove one screw (callout 5), and then remove the one pin (callout 6).
8. Remove the entrance upper guide unit (callout 7).

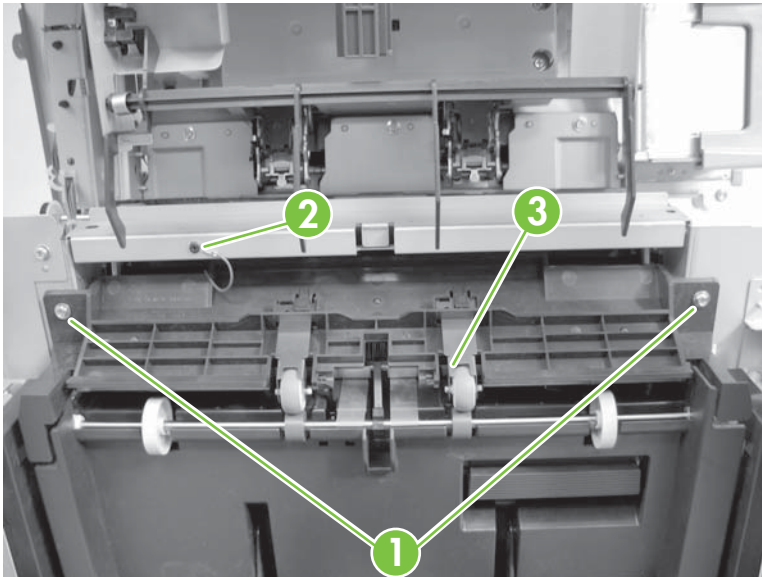
**Figure 8-222** Remove the entrance upper guide unit (3 of 3)



## Upper-delivery guide (booklet maker only)

1. Remove the following:
  - Front door. See [Front door on page 758](#).
  - Rear cover. See [Rear cover on page 759](#).
  - Front-foot cover. See [Front-foot cover on page 760](#).
  - Rear-foot cover. See [Rear-foot cover on page 760](#).
  - Front inside-upper cover. See [Front inside-upper cover on page 761](#).
  - Left-upper cover. See [Left-upper cover on page 763](#).
  - Grate-shaped upper guide. See [Grate-shaped upper guide on page 767](#).
  - Grate-shaped lower guide. See [Grate-shaped lower guide on page 770](#).
  - Output-bin 1. See [Output-bin 1 on page 797](#).
  - Output-bin 2. See [Output-bin 2 on page 799](#).
  - Upper output bin. See [Upper output bin \(stapler-stacker only\) on page 801](#).
2. Remove two screws (callout 1), one ground screw (callout 2), and then remove the upper-delivery guide (callout 3).

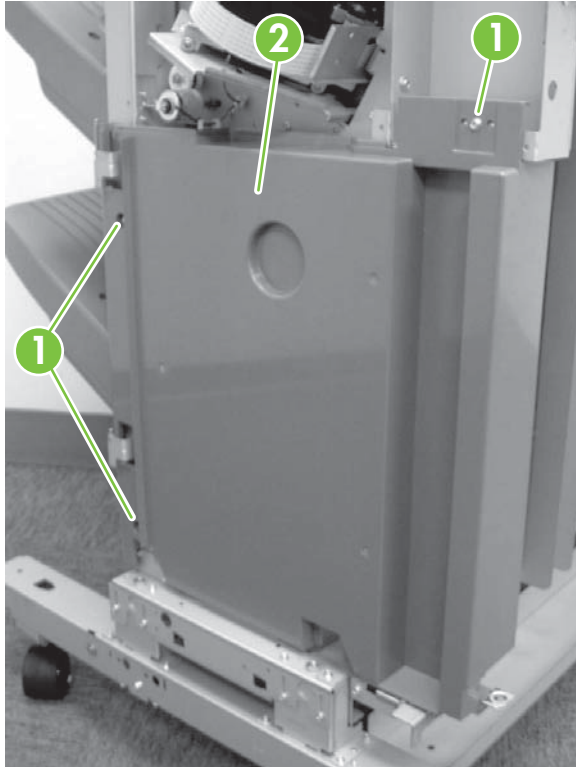
**Figure 8-223** Remove the upper-delivery guide



### Inlet feed unit (stapler-stacker only)

1. Remove the following:
  - Front door. See [Front door on page 758](#).
  - Front inside-upper cover. See [Front inside-upper cover on page 761](#).
  - Front-foot cover. See [Front-foot cover on page 760](#).
2. Remove three screws (callout 1), and then remove the front inside-lower cover (callout 2).

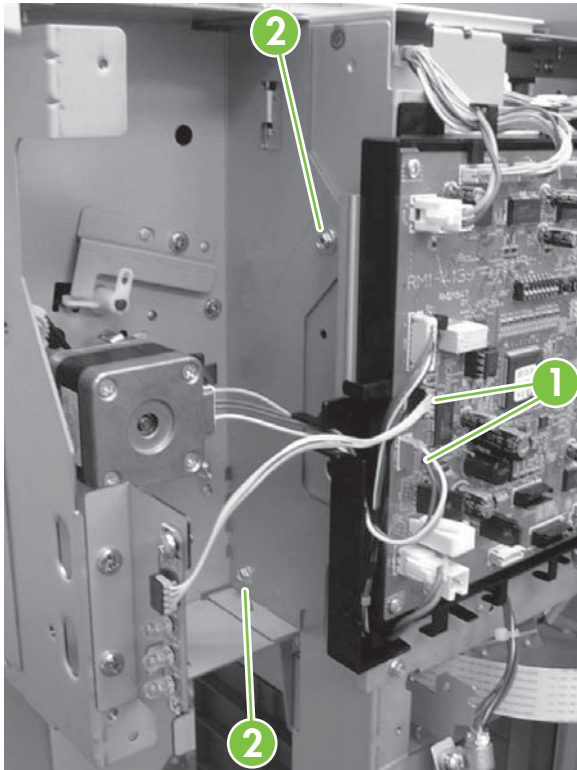
**Figure 8-224** Remove the inlet feed unit (1 of 4)



3. Remove the rear cover.

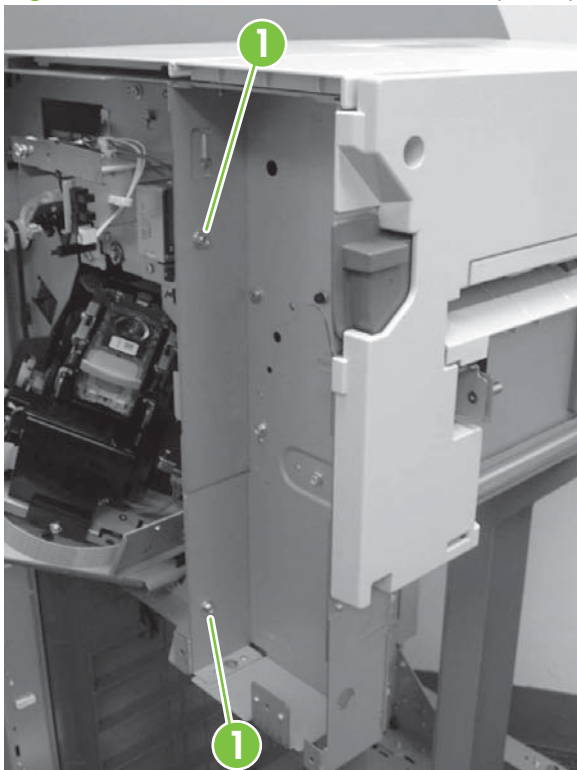
4. Remove two connectors (callout 1), and then remove two screws (callout 2).

**Figure 8-225** Remove the inlet feed unit (2 of 4)



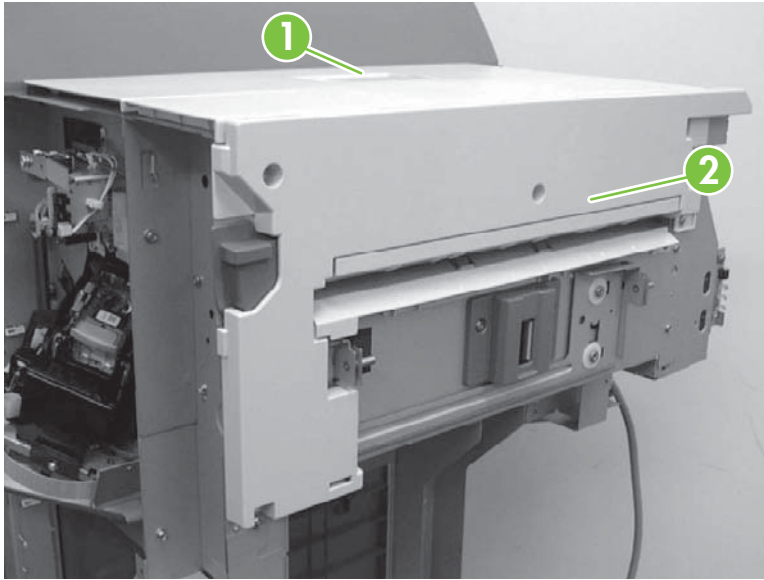
5. Remove the two screws from the front side of the inlet feed unit (callout 1).

**Figure 8-226** Remove the inlet feed unit (3 of 4)



6. Open the top door (callout 1) and remove the inlet feed unit (callout 2) by lifting up and off.

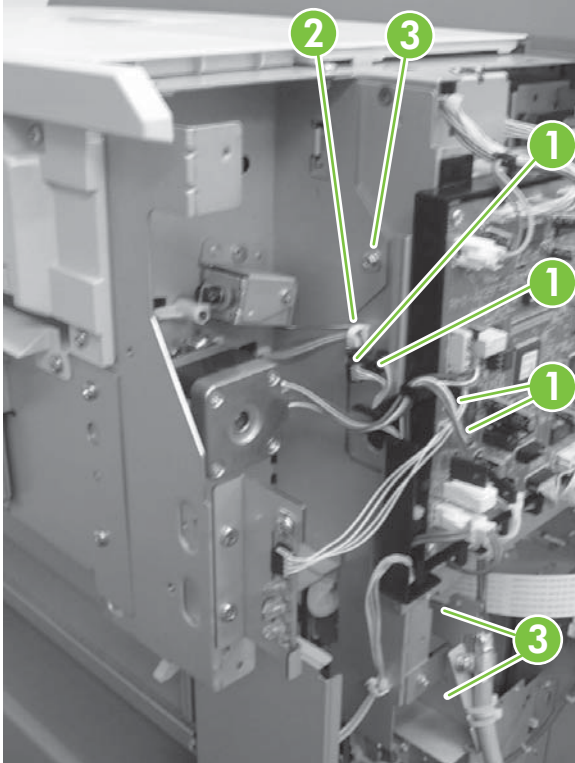
**Figure 8-227** Remove the inlet feed unit (4 of 4)



### Inlet feed unit (booklet maker only)

1. Remove the following:
  - Front door. See [Front door on page 758](#)
  - Front inside-upper cover. See [Front inside-upper cover on page 761](#).
  - Front-foot cover. See [Front-foot cover on page 760](#).
  - Front inside-lower cover. See [Front inside-lower cover \(booklet maker only\) on page 762](#).
  - Rear cover. See [Rear cover on page 759](#).
2. Disconnect the four connectors (callout 1), and then remove the harness from the clamp (callout 2).
3. Remove the three screws (callout 3).

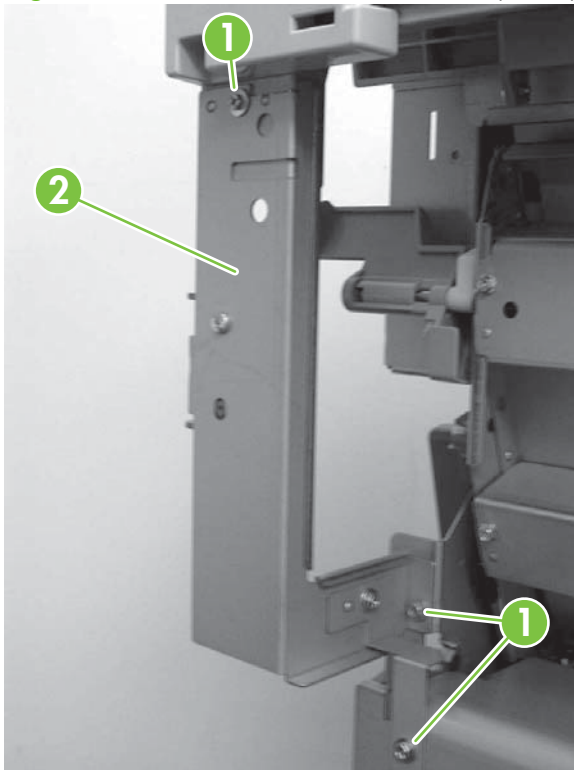
**Figure 8-228** Remove the inlet feed unit (1 of 4)





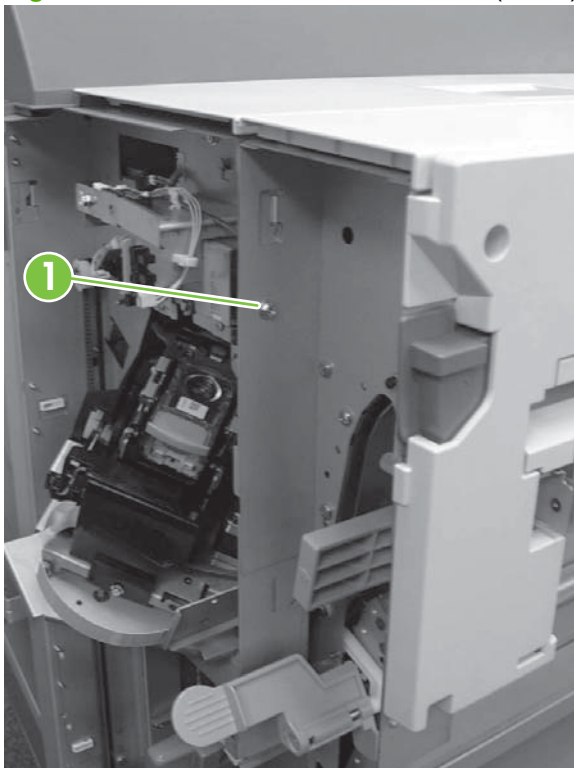
4. Remove three screws (callout 1), and then remove the support plate (callout 2).

**Figure 8-229** Remove the inlet feed unit (2 of 4)



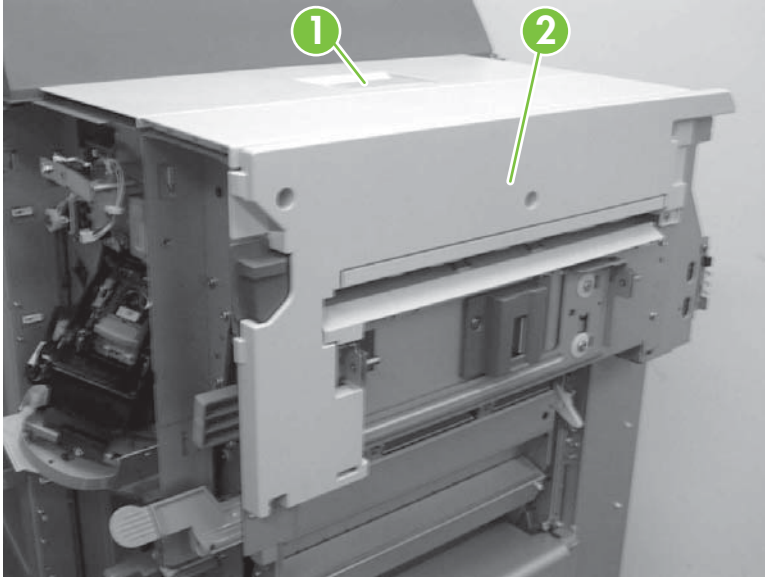
5. Remove one screw (callout 1).

**Figure 8-230** Remove the inlet feed unit (3 of 4)



6. Open the top door (callout 1), and then remove the inlet feed unit (callout 2).

**Figure 8-231** Remove the inlet feed unit (4 of 4)

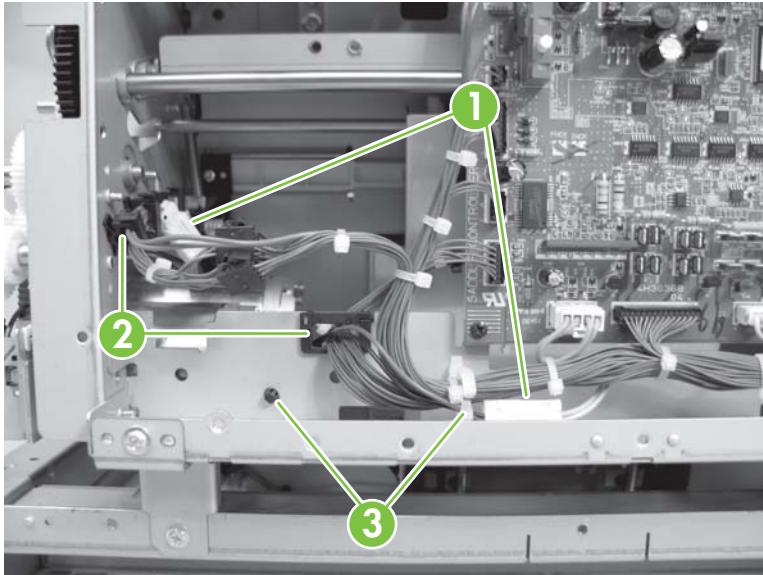




## Paper-folding roller (booklet maker only)

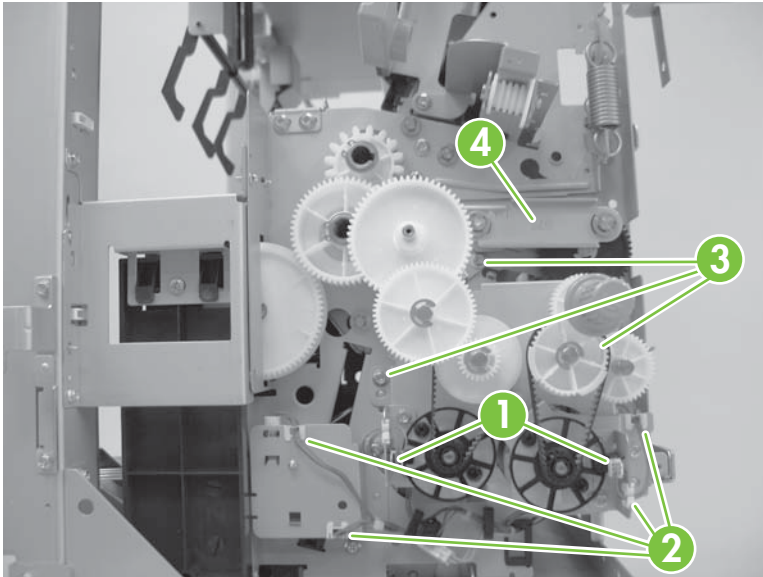
1. Remove the following:
  - Front door. See [Front door on page 758](#)
  - Front inside-upper cover. See [Front inside-upper cover on page 761](#).
  - Front-foot cover. See [Front-foot cover on page 760](#).
  - Front inside-lower cover. See [Front inside-lower cover \(booklet maker only\) on page 762](#).
  - Rear cover. See [Rear cover on page 759](#).
  - Rear-foot cover. See [Rear-foot cover on page 760](#).
  - Left-upper cover. See [Left-upper cover on page 763](#).
  - Grate-shaped upper guide. See [Grate-shaped upper guide on page 767](#).
  - Upper output bin. See [Upper output bin \(stapler-stacker only\) on page 801](#)
  - Output-bin 1. See [Output-bin 1 on page 797](#).
  - Output-bin 2. See [Output-bin 2 on page 799](#).
  - Grate-shaped lower guide. See [Grate-shaped lower guide on page 770](#)
  - Upper-delivery guide. See [Upper-delivery guide \(booklet maker only\) on page 814](#)
  - PCA cover. See [PCA cover on page 771](#)
2. Disconnect two connectors (callout 1), and then release two edge saddles (callout 2) and two clamps (callout 3).

**Figure 8-232** Remove the paper-folding roller (1 of 9)



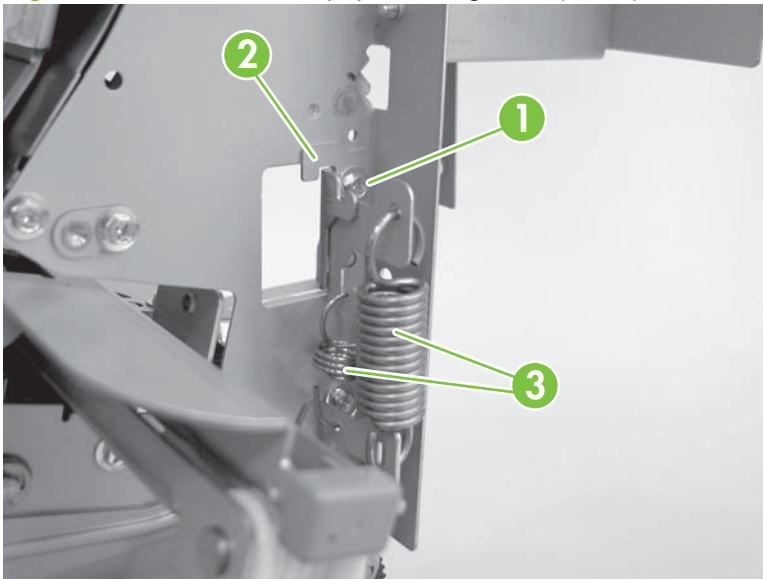
3. Disconnect two connectors (callout 1) and release four edge saddles (callout 2). Remove three screws (callout 3), and then remove the paper-folding/paper-pushing motor base (callout 4).

**Figure 8-233** Remove the paper-folding roller (2 of 9)



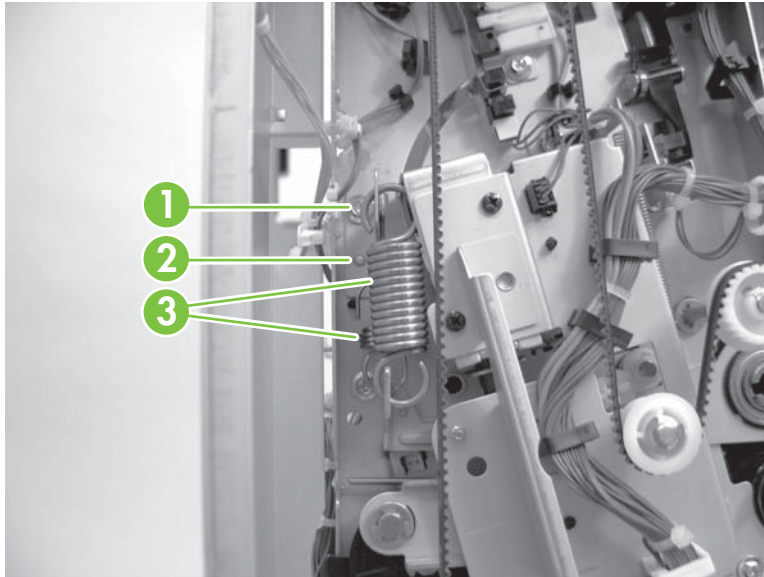
4. Remove one screw (callout 1), one spring retaining plate (callout 2), and two tension springs (callout 3).

**Figure 8-234** Remove the paper-folding roller (3 of 9)



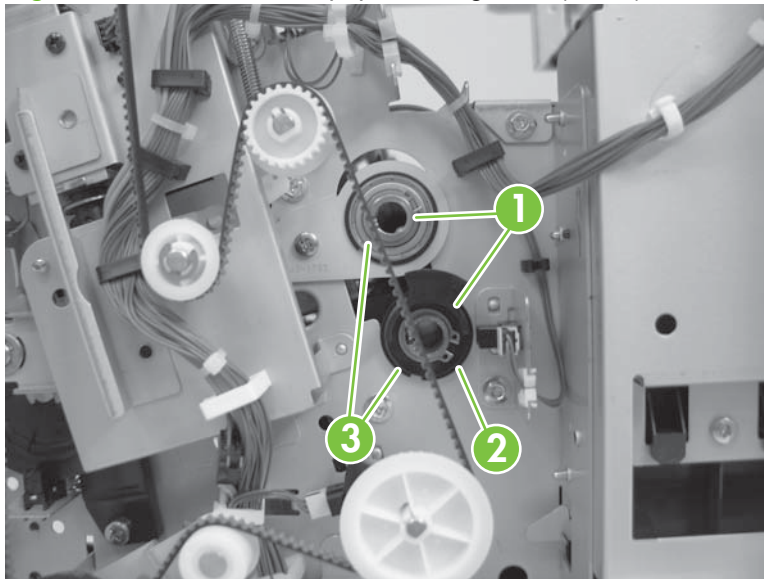
5. Remove one screw (callout 1), one spring-retaining plate (callout 2), and two tension springs (callout 3).

**Figure 8-235** Remove the paper-folding roller (4 of 9)



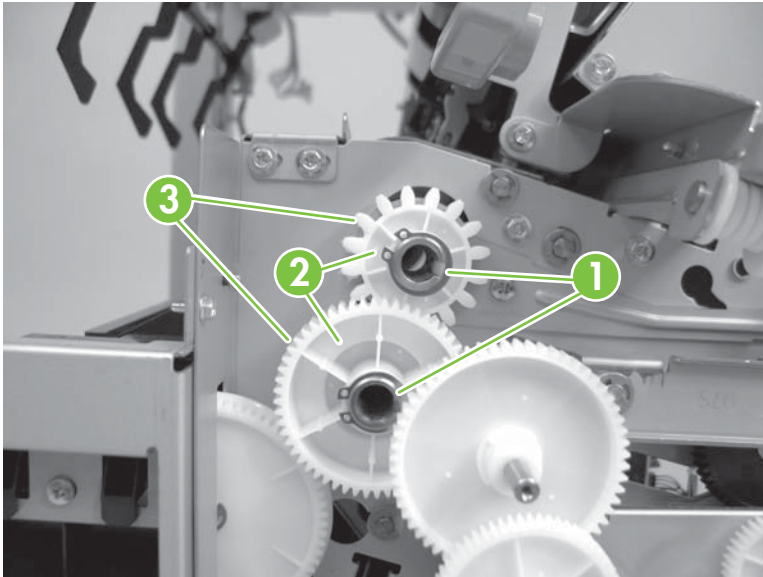
6. From the rear side, remove two c-rings (callout 1), remove one sensor flag (callout 2), and then remove two bearings (callout 3).

**Figure 8-236** Remove the paper-folding roller (5 of 9)



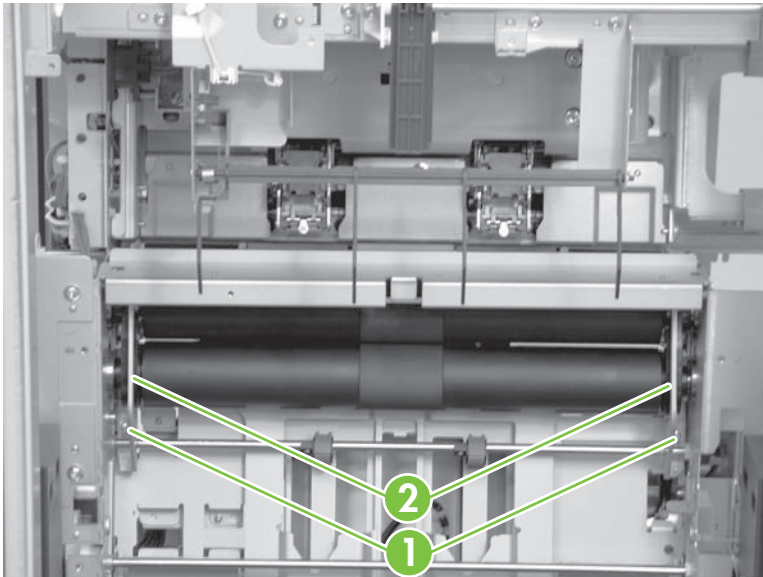
7. From the front, remove two c-rings (callout 1), remove two gears (callout 2), and then remove two bearings (callout 3).

**Figure 8-237** Remove the paper-folding roller (6 of 9)



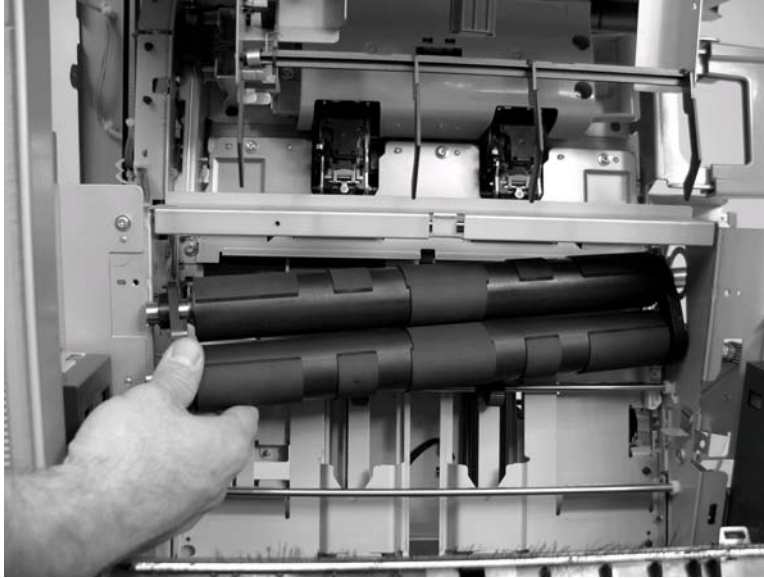
8. Open the saddle delivery output bin. Remove two screws (callout 1) and two brackets (callout 2).

**Figure 8-238** Remove the paper-folding roller (7 of 9)



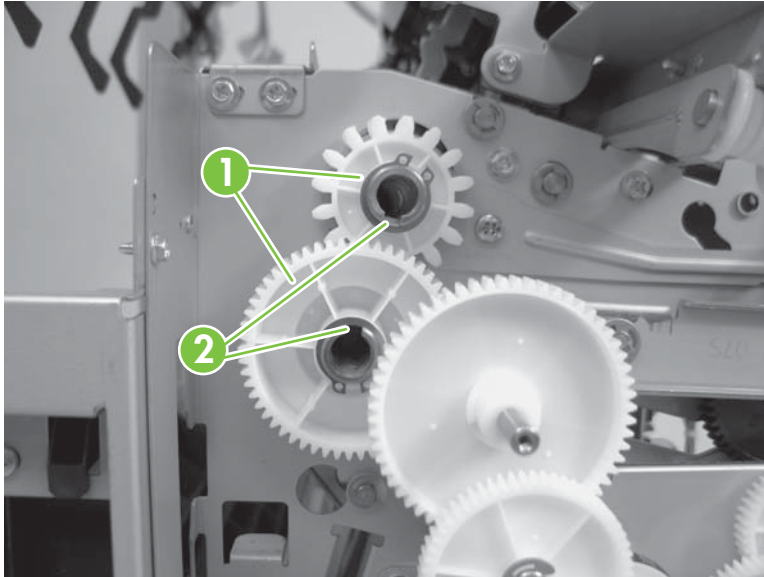
9. Slide the two paper-folding rollers to the front, and then pull them out in the delivery direction.

**Figure 8-239** Remove the paper-folding roller (8 of 9)



- △ **CAUTION:** When reinstalling, attach the gears (callout 1) so that the slots (callout 2) of the paper-folding rollers face each other to ensure gear alignment.

**Figure 8-240** Remove the paper-folding roller (9 of 9)



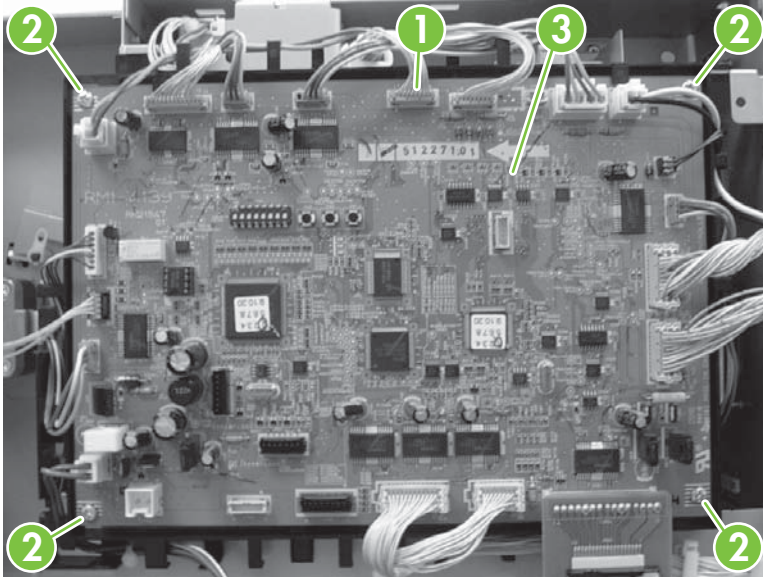


## Electrical system

### Stacker controller PCA

1. Remove the following:
  - Rear cover. See [Rear cover on page 759](#).
2. Disconnect all connectors (callout 1) on the stacker controller PCA.
3. Remove four screws (callout 2), and then remove the stacker controller PCA (callout 3).

**Figure 8-241** Remove the stacker controller PCA

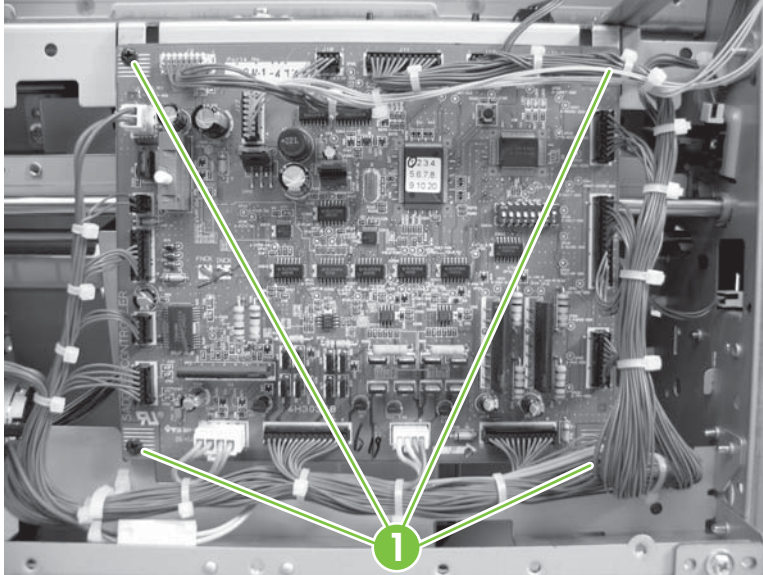


4. Adjust the stack alignment position. See [Adjust the alignment position on page 857](#).

### Saddle-stitcher controller PCA (booklet maker only)

1. Remove the following:
  - Rear cover. See [Rear cover on page 759](#).
2. Disconnect all connectors on the saddle-stitcher controller PCA. Remove four screws (callout 1) and then remove the saddle-stitcher controller PCA.

**Figure 8-242** Remove the saddle-stitcher controller PCA



3. Adjust the folding position. See [Adjust the folding position to the stitch position \(Booklet maker only\) on page 859](#).

# Solve problems

## Intermediate paper-transfer unit (IPTU)

 **NOTE:** This item is called the “output-accessory bridge” in the user documentation for this product.

## Stapler/stacker and booklet maker

### Individual component diagnostics

#### Manual sensor test

The manual sensor test indicates the status of the sensors in the product. It can verify the current status or the last change in status of the listed sensors.

From the **DIAGNOSTICS** menu, scroll to and touch **Read all once** to check the current status of the sensors. Each sensor is assigned a letter. The sensor test indicates the status of each sensor with a corresponding “0” for non-activated or “1” for activated. The status message appears on the control-panel display for 10 seconds. After 10 seconds, the message is cleared and **Ready** appears on the control-panel display.

From the **DIAGNOSTICS** menu, scroll to and touch **Continuous reading** to check the last change in status of the sensors. The output device reads the status of the sensors and stores the data. Next, the output device continuously reads the sensors until it detects a change. The change-in-status message appears on the control-panel display indicating which sensor changed from the original reading. Note that the status messages appear on a first-in, first-out basis. If two or more sensors change in a short period of time, only the first change detected is indicated as a status message on the control-panel display.

Use the following table to determine which component each letter designates..

**Table 8-15 Manual sensor test letter designations**

Letter	Component
A	Front door 1, PI32 (Front-door sensor)
B	Front door 2, PI9 (Saddle-guide sensor)
C	Top door, PI31 (Top-door sensor)
D	Booklet door 1, PI3 (Booklet-delivery-door sensor)
E	Booklet door 2, SW3
F	Stapler home sensor, P140 (Staple-shift home-position sensor)
G	Swing unit, PI35 (Swing-guide home-position sensor)
H	Folding plate, PI13 (Guide home-position sensor)
I	Process tray assy, PI38 (Processing-tray sensor)
J	Bin-1 empty, PI42 (Output-bin-1 paper sensor)



**Table 8-15 Manual sensor test letter designations (continued)**

Letter	Component
K	Bin-2 empty, PI43 (Output-bin-2 paper sensor)
L	Bin-3 empty, PI44
M	Flapper 1, PI19 (#1 flapper paper sensor)
N	Flapper 2, PI20 (#2 flapper paper sensor)

## Component test

The component test exercises the individual motors and solenoids one at a time so that you can determine the cause of noise inside the product. The component test exercises each motor for approximately 5 seconds and each solenoid for 3 seconds. Note that the product requires that some motors be moved back to the home position. The solenoids are deactivated after the exercise period.

A list of the motors and solenoids appears on the control-panel display, but no messages appear unless the component test detects a hardware malfunction. The following table lists the motors and solenoids that are exercised during the component test.

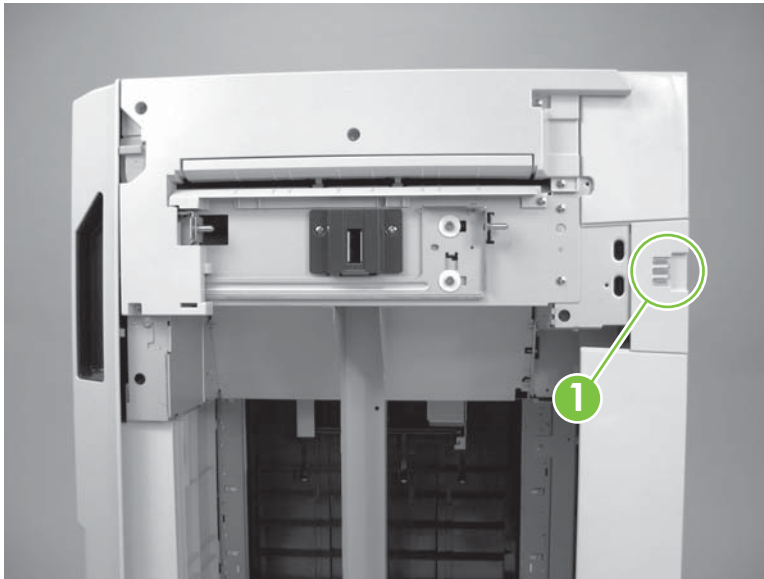
**Table 8-16 Component test motors and solenoids**

Component number	Component name
M1	Delivery motor (Feed motor)
M2	Folding motor (Paper-folding motor)
M3	Guide motor
M4	Guide-plate motor (Paper-positioning-plate motor)
M9	Inlet motor (Saddle-inlet motor)
M31	Entrance motor
M35	Staple motor (Staple-shift motor)
M36	Swing motor
M37	Tray-1 motor (Output-bin-1-shift motor)
M38	Tray-2 motor (Output-bin-2-shift motor)
M39	Process motor (Stack trailing-edge-assist motor)
SL1	Flapper-1 solenoid (#1 paper-deflecting solenoid)
SL2	Flapper-2 solenoid (#2 paper-deflector solenoid)
SL4	Booklet solenoid (Feed-plate-contact solenoid)
SL5	Switch solenoid (Saddle-inlet solenoid)
SL31	Roller 1A solenoid (Inlet-roller-alienate solenoid)
SL32	Buffer solenoid (Buffer-roller-alienate solenoid)
SL33	Output solenoid (#1 delivery-roller-alienate solenoid)
SL34	Guide solenoid (Buffer rear-end holding solenoid)

## LED diagnostics

The LEDs (callout 1) on the rear cover of the accessories indicate malfunctions and errors by blinking a specified number of times.

**Figure 8-243** LEDs on the output accessories



**Table 8-17** LED

Classification	Number of blinks			Error
	Red LED	Yellow LED	Green LED	
Malfunction (Stacker unit)	1		1	Swing motor (M36)
	1		2	Shutter mechanism
	1		3	Stack trailing-edge-assist motor (M39)
	1		4	Front-aligning-plate motor (M33)
	1		5	Rear-aligning-plate motor (M34)
Malfunction (Stapler unit)	2		1	Staple motor (M41)
	2		2	Stapler-shift motor (M35)
Malfunction (Output bin)	3		1	Output-bin-1-shift motor (M37)
	3		2	Output-bin-2-shift motor (M38)

**Table 8-17 LED (continued)**

Malfunction (Booklet maker unit)	4	1	Paper-positioning-plate motor (M4)
	4	2	Guide motor (M3)
	4	3	Paper-folding motor (M2)
	4	4	Alignment motor (M5)
	4	5	Paper-pushing-plate motor (M8)
	4	7	Microswitch error
	5	1	Stitcher motor (rear) (M6)
	5	2	Stitcher motor (front) (M7)
Malfunction	Blinking		Communication error
Jam (Feed path unit)	1	1	Power-on jam
	1	2	Inlet sensor (PI33) delay jam
	1	3	Inlet sensor (PI33) stationary jam
	1	4	Upper paper-path-exit sensor (PI34) delay jam
	1	5	Upper paper-path-exit sensor (PI34) stationary jam
Jam (Stapler unit)	2	1	Stapler staple jam
Jam (Booklet-maker feed path unit)	4	1	Saddle power-on jam
	4	2	Booklet-making paper-entry sensor (PI22) delay jam
	4	3	Booklet-making paper-entry sensor (PI22) stationary jam
	4	4	Paper sensor (PI18, PI19, PI20) delay jam
	4	5	Paper sensor (PI18, PI19, PI20) stationary jam
Jam (Booklet maker unit)	5	1	Stitcher staple jam (rear)
	5	2	Stitcher staple jam (front)

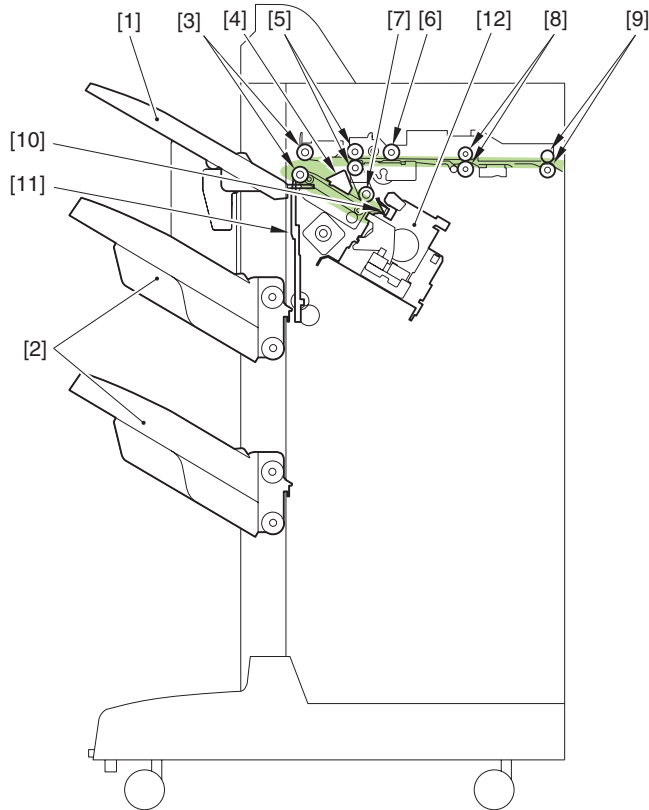
**Table 8-17 LED (continued)**

Jam (Booklet-maker tray unit)	6	1	Booklet paper-path-exit sensor (PI11) delay jam
	6	2	Booklet paper-path-exit sensor (PI11) stationary jam
Jam	1	6	Door-open jam
	4	7	Timing jam
	4	6	Saddle-door-open jam

## Diagrams

### Cross sections

**Figure 8-244 Stapler/stacker cross-sectional view**



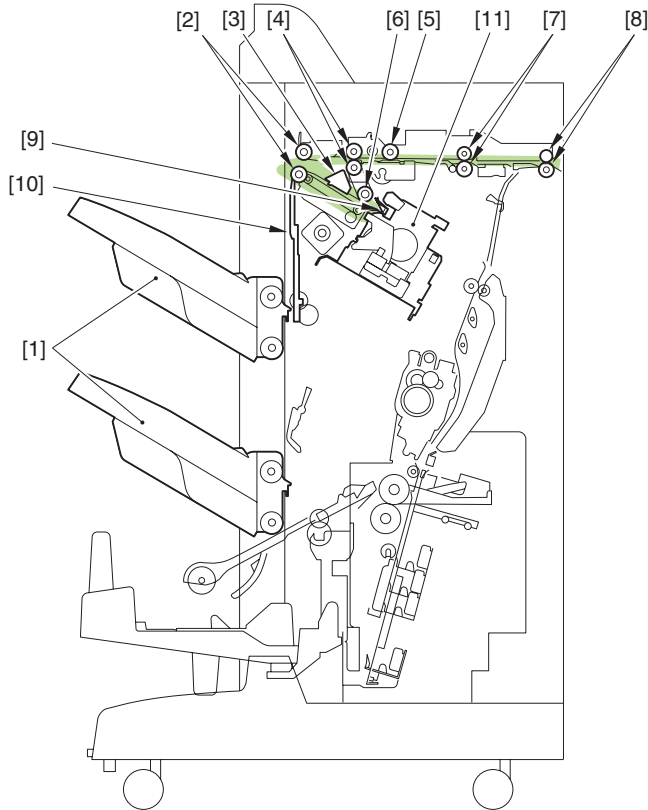
**Table 8-18 Stapler/stacker cross-sectional view**

1	Stack sub tray
2	Output bins
3	Stack-delivery roller
4	Aligning plate
5	First delivery roller

**Table 8-18 Stapler/stacker cross-sectional view (continued)**

6	Buffer roller
7	Return roller
8	Inlet roller
9	Inlet roller 1
10	Trailing-edge-assist guide
11	Shutter
12	Stapler

**Figure 8-245 Booklet maker cross-sectional view highlighting the stapling/stacking paper path**



**Table 8-19 Booklet maker cross-sectional view highlighting the stapling/stacking paper path**

1	Output bins
2	Stack-delivery roller
3	Aligning plate
4	First delivery roller
5	Buffer roller
6	Return roller
7	Inlet roller
8	Inlet roller 1

**Table 8-19 Booklet maker cross-sectional view highlighting the stapling/stacking paper path (continued)**

9	Stack trailing-edge-assist guide
10	Shutter
11	Stapler

**Figure 8-246 Booklet maker cross-sectional view highlighting the booklet-making paper path**

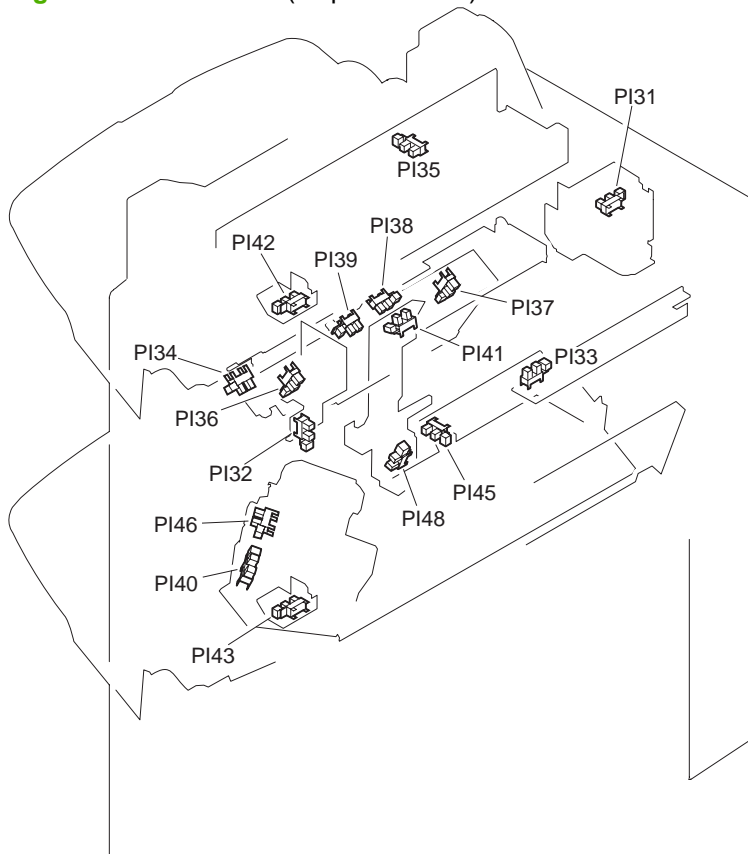


**Table 8-20 Booklet maker cross-sectional view highlighting the booklet-making paper path**

1	Booklet-maker entry flapper
2	Inlet roller 2
3	#1 Flapper paper sensor
4	#2 Flapper paper sensor
5	Stitcher (front, rear) staplers
6	Stitcher mount
7	Holding roller
8	Paper-pushing plate
9	Paper-folding roller
10	Crescent roller
11	Booklet-delivery roller

## Sensors

**Figure 8-247** Sensors (stapler/stacker)

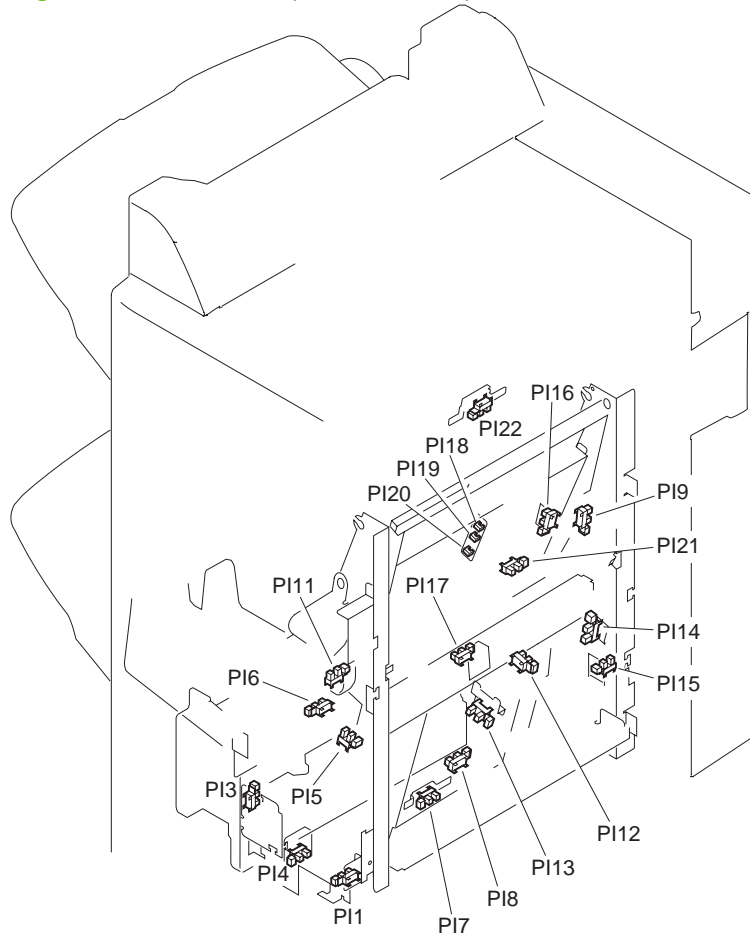


Reference	Name	Description	Stapler PCA2	Stapler PCA1	Stapler controller PCA
PI31	Top-door sensor	Detects upper door open/close			J708
PI32	Front-door sensor	Detects front door open/close			J707
PI33	Upper paper-path-entry sensor	Detects paper entering stacker			J708
PI34	Upper paper-path-exit sensor	Detects paper-feed path			J707
PI35	Swing-guide home-position sensor	Detects swing-guide home position			J707
PI36	Front-aligning-plate home-position sensor	Detects aligning-plate front-home position			J722
PI37	Rear-aligning-plate home-position sensor	Detects aligning-plate rear-home position			J722
PI38	Processing-tray sensor	Detects paper in processing tray			J722

Reference	Name	Description	Stapler PCA2	Stapler PCA1	Stapler controller PCA
PI39	Stack trailing-edge-assist position sensor	Detects stack trailing-edge-assist home position			J722
PI40	Stapler shift home position sensor	Detects stapler home position			J721
PI41	Output-bin-1 paper-surface sensor	Detects paper surface			J721
PI42	Output-bin-1 paper sensor	Detects paper on output-bin 1			J711
PI43	Output-bin-2 paper sensor	Detects paper on output-bin 2			J716
PI45	Shutter home-position sensor	Detects shutter home position			J721
PI46	Stapler alignment-interference sensor	Detects stapler alignment interference	J994 / J993	J992 / J991	J717
PI48	Output-bin-2 paper-surface sensor	Detects paper surface on output-bin 2			J721



**Figure 8-248** Sensors (booklet maker)



**Table 8-21** Sensors (booklet maker)

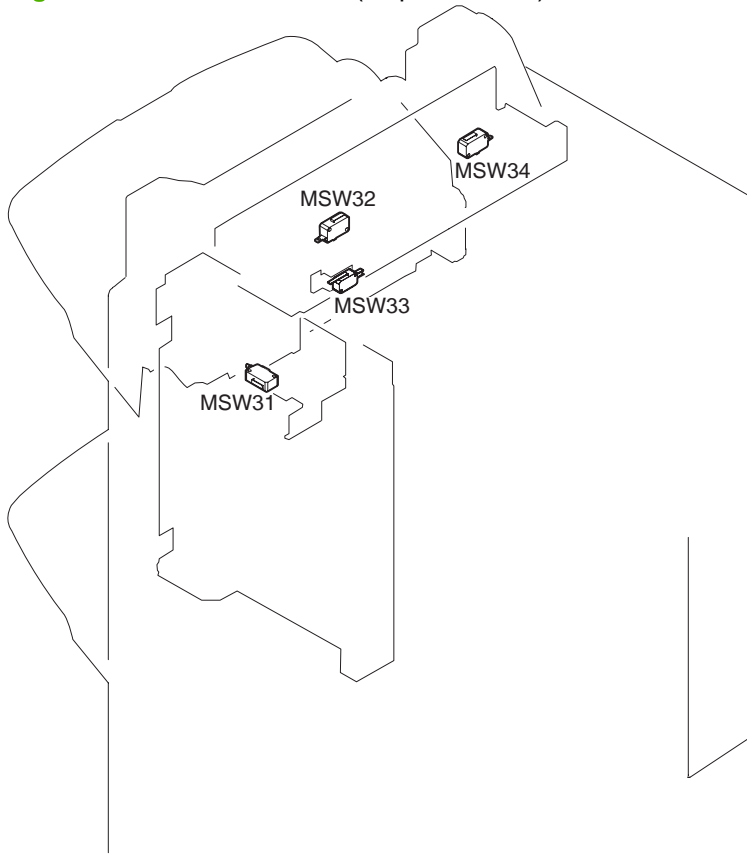
Reference	Name	Description	Saddle-stitcher controller PCA
PI1	Paper-pushing-plate-motor clock sensor	Detects paper-pushing-plate-motor clock	J3
PI3	Booklet-delivery-door sensor	Detects eject cover open	J3
PI4	Paper-folding-motor clock sensor	Detects paper-folding-motor clock	J3
PI5	Alignment-plate home-position sensor	Detects alignment-plate home position	J3
PI6	Output-bin sensor	Detects paper on output bin	J6
PI7	Paper-positioning-plate home-position sensor	Detects paper-positioning-plate home position	J6
PI8	Paper-positioning-plate paper sensor	Detects paper on paper-positioning plate	J6
PI9	Saddle-guide assembly (Inlet door)	Detects inlet cover open	J9
PI11	Saddle-guide door (Inlet cover)	Detects paper ejection	J9

**Table 8-21 Sensors (booklet maker) (continued)**

Reference	Name	Description	Saddle-stitcher controller PCA
PI12	Crescent-roller phase sensor	Detects crescent-roller phase	J9
PI13	Guide home-position sensor	Detects guide home position	J9
PI14	Paper-pushing-plate home-position sensor	Detects paper-pushing-plate home position	J9
PI15	Paper-pushing-plate top-position sensor	Detects paper-pushing-plate leading-edge position	J13
PI16	Stitcher-unit IN sensor	Detects stitcher-unit storage	J13
PI17	Vertical-path paper sensor	Detects paper in vertical path	J10
PI18	No.1 paper sensor ( #1 Flapper paper sensor)	Detects paper (No. 1; on paper sensor PCA)	J10
PI19	No.2 paper sensor ( #2 Flapper paper sensor)	Detects paper (No. 2; on paper sensor PCA)	J10
PI20	No.3 paper sensor	Detects paper (No. 3; on paper sensor PCA)	J10
PI21	Paper-folding home-position sensor	Detects paper-fold home position	J18
PI22	Booklet-making paper-entry sensor	Detects saddle-inlet paper	J21

## Microswitches

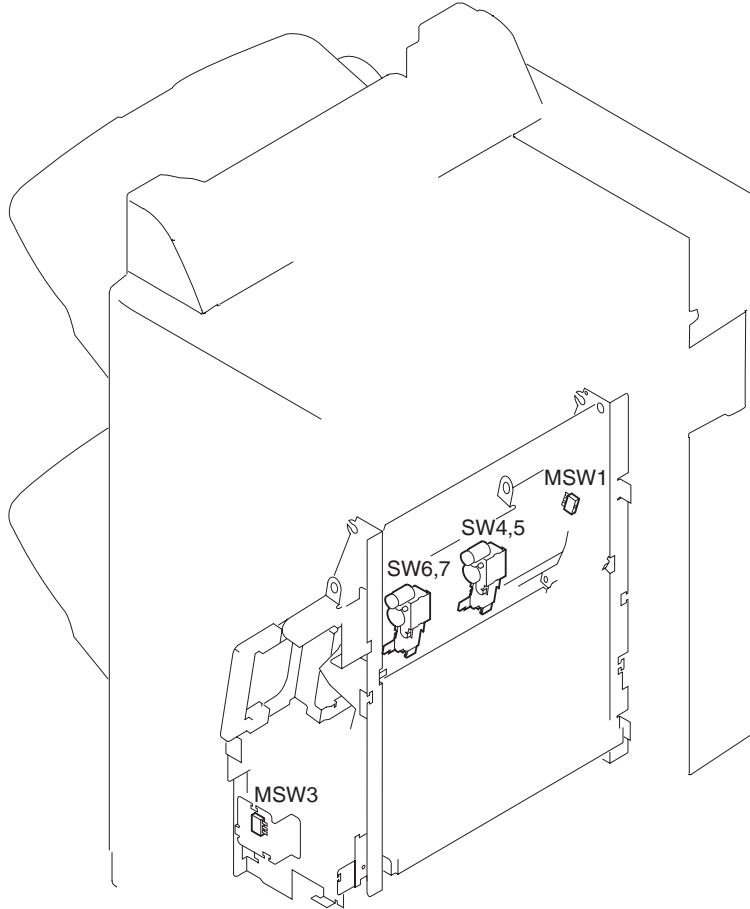
**Figure 8-249** Microswitches (stapler/stacker)



**Table 8-22** Microswitches (stapler/stacker)

Part number	Name	Description	Stacker controller PCA
MSW31	Front-door switch	Detects front cover close	J719
MSW32	Swing-guide switch	Detects swing guide open	J715
MSW33	Tray-1 switch	Detects Tray 1	J714
MSW34	Staple safety switch	Detects swing guide open	J715

**Figure 8-250** Microswitches (booklet maker)

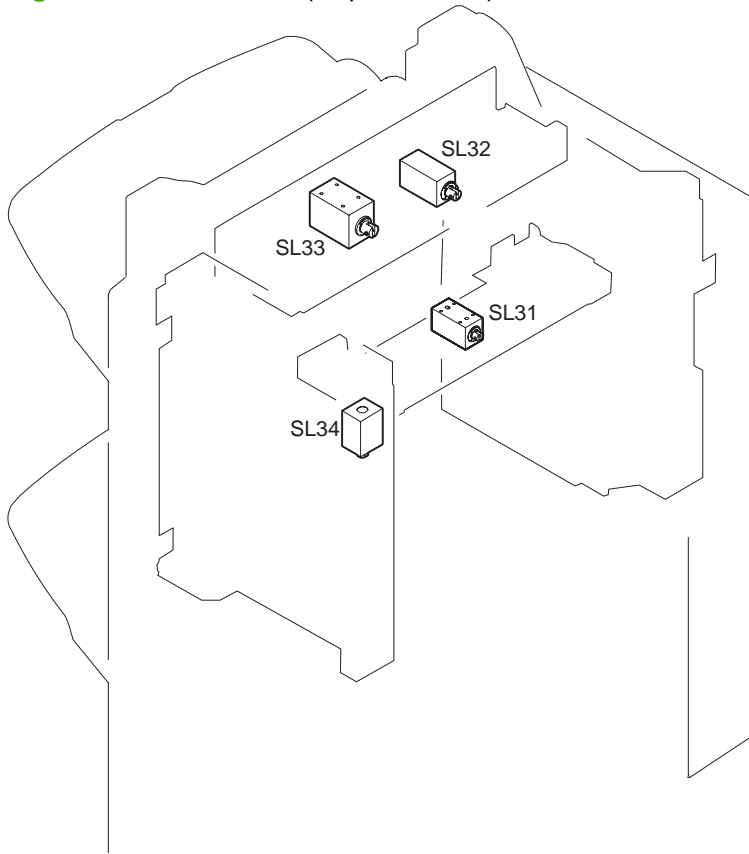


**Table 8-23** Microswitches (booklet maker)

Part number	Name	Description	Stacker controller PCA
MSW1	Saddle-guide-assembly switch (Inlet switch)	Detects saddle-guide assembly (inlet door) open	J4
MSW3	Delivery-door switch	Detects ejection door open	J4
SW4	Staple sensor (rear)	Detects presence of staples (rear)	J8
SW5	Stitcher home-position sensor (rear)	Detects stitching home position (rear)	J8
SW6	Staple sensor (front)	Detects presence of staples (front)	J8
SW7	Stitcher home-position sensor (front)	Detects stitching home position (front)	J8

## Solenoids

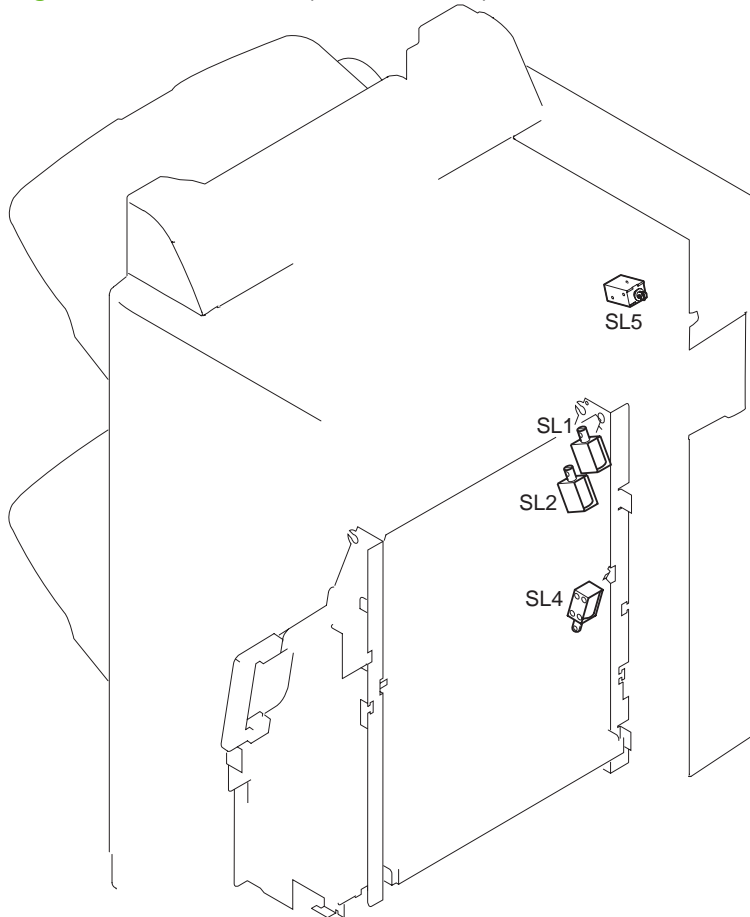
**Figure 8-251** Solenoids (stapler/stacker)



**Table 8-24** Solenoids (stapler/stacker)

Part number	Name	Stack controller PCA
SL31	Inlet-roller-separation solenoid	J710
SL32	Buffer-roller-separation solenoid	J710
SL33	1st-delivery-roller-separation solenoid	J710
SL34	Buffer rear-end holding solenoid	J710

**Figure 8-252 Solenoids (booklet maker)**

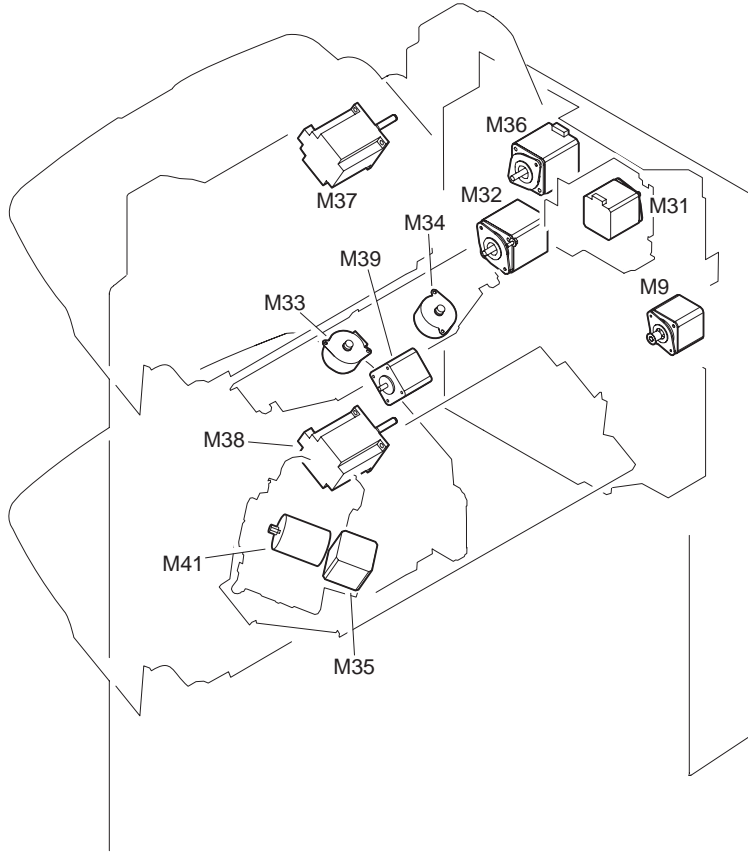


**Table 8-25 Solenoids (booklet maker)**

Part number	Name	Stack controller PCA
SL1	No.1 paper-deflecting solenoid	J15
SL2	No.2 paper-deflecting solenoid	J15
SL4	Feed-plate-contact solenoid	J15
SL5	Saddle-inlet solenoid	J19

## Motors

**Figure 8-253** Motors (stapler/stacker)



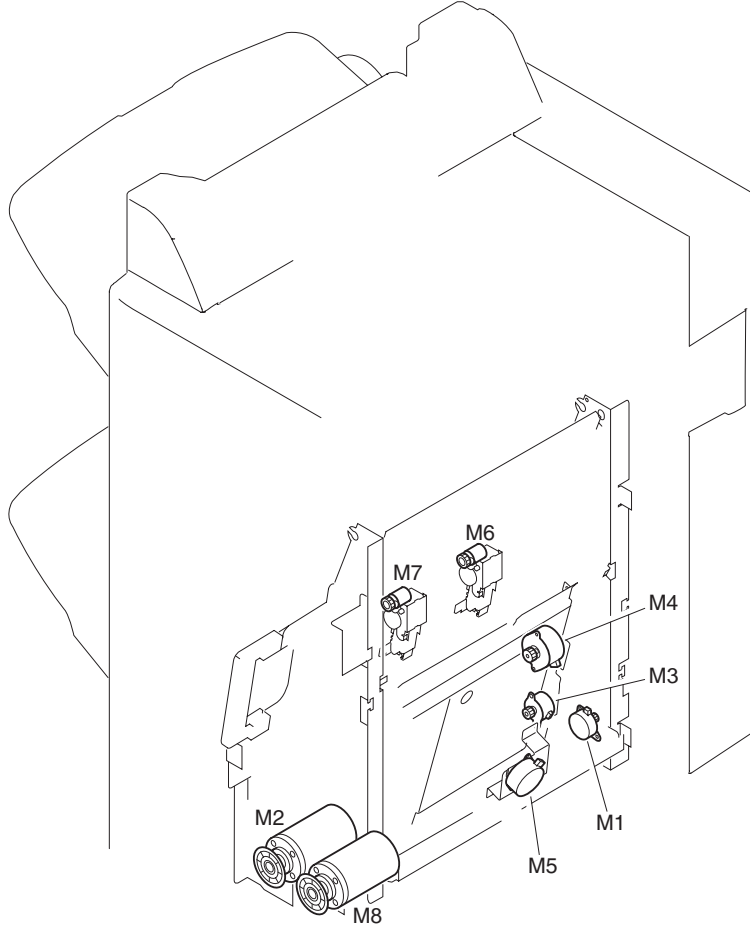
**Table 8-26** Motors (stapler/stacker)

Part number	Name	Tray-1 driver PCA	Stapler PCA2	Stapler PCA1	Tray-2 driver PCA	Stacker controller PCA
M9	Saddle-inlet motor					J705
M31	Inlet motor					J718
M32	Stack-ejection motor					J713
M33	Front-aligning-plate motor					J722
M34	Rear-aligning-plate motor					J722
M35	Stapler-shift motor		J995 / J993	J992 / J991		J717
M36	Swing motor					J709
M37	Output-bin-1-shift motor	J952 / J951				J711
M38	Output-bin-2-shift motor				J1953 / J1951	J716

**Table 8-26 Motors (stapler/stacker) (continued)**

Part number	Name	Tray-1 driver PCA	Stapler PCA2	Stapler PCA1	Tray-2 driver PCA	Stacker controller PCA
M39	Stack trailing-edge-assist motor					J722
M41	Staple motor		J995 / J993	J992 / J991		J717

**Figure 8-254 Motors (booklet maker)**



**Table 8-27 Motors (booklet maker)**

Part Number	Name	Saddle-stitcher controller PCA
M1	Feed motor	J5
M2	Paper-folding motor	J23
M3	Guide motor	J12
M4	Paper-positioning-plate motor	J7
M5	Alignment motor	J7
M6	Stitcher motor (rear)	J8

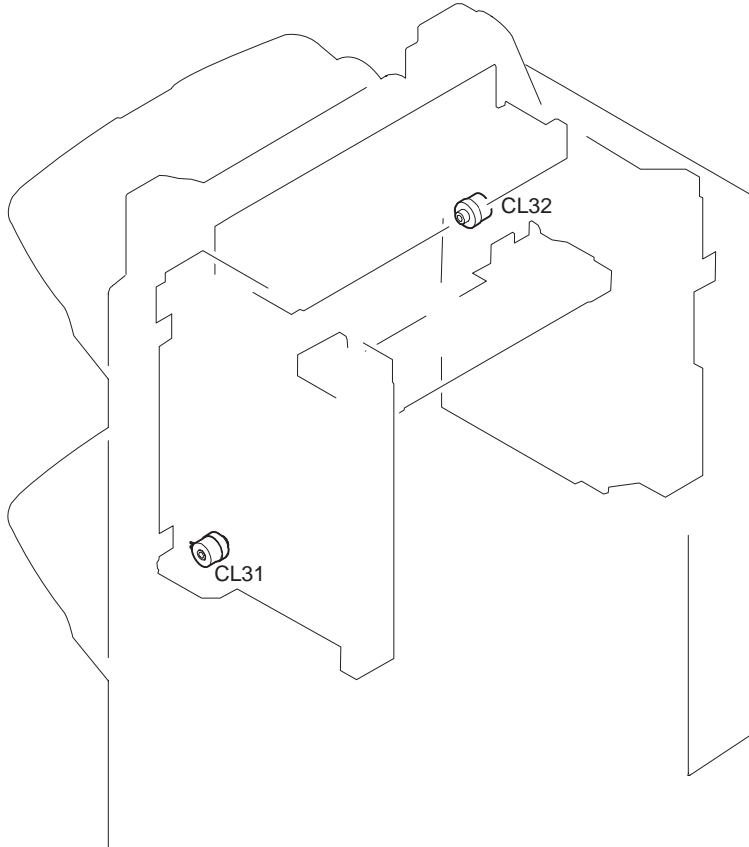


**Table 8-27 Motors (booklet maker) (continued)**

Part Number	Name	Saddle-stitcher controller PCA
M7	Stitcher motor (front)	J8
M8	Paper-pushing-plate motor	J23

## Clutches

**Figure 8-255 Clutches (stapler/stacker)**

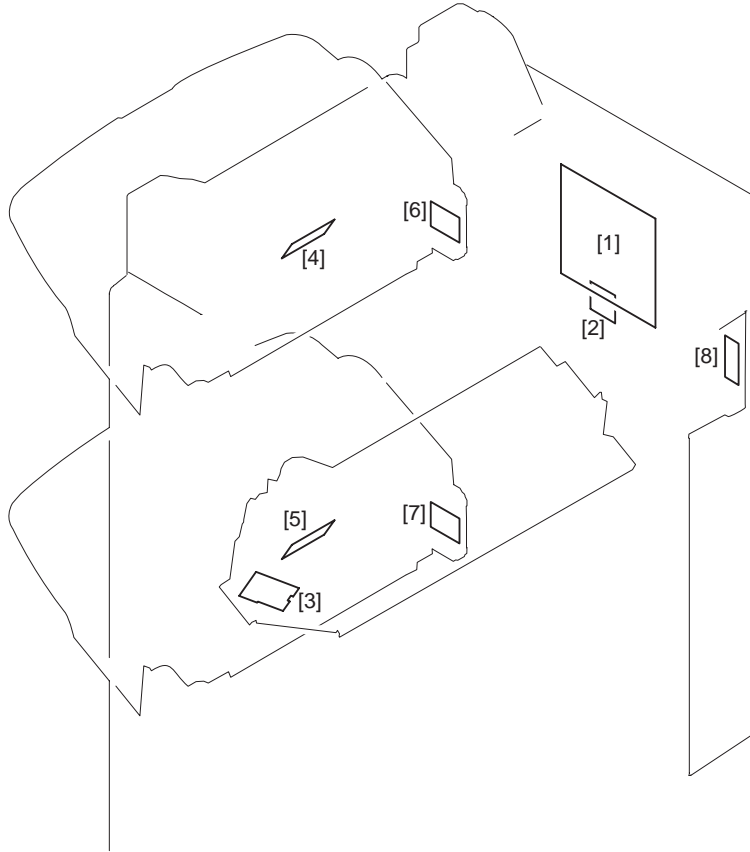


**Table 8-28 Clutches (stapler/stacker)**

Part number	Description	Stacker controller PCA
CL31	Shutter clutch	J721
CL32	Stack-ejection lower-roller clutch	J712

## PCA

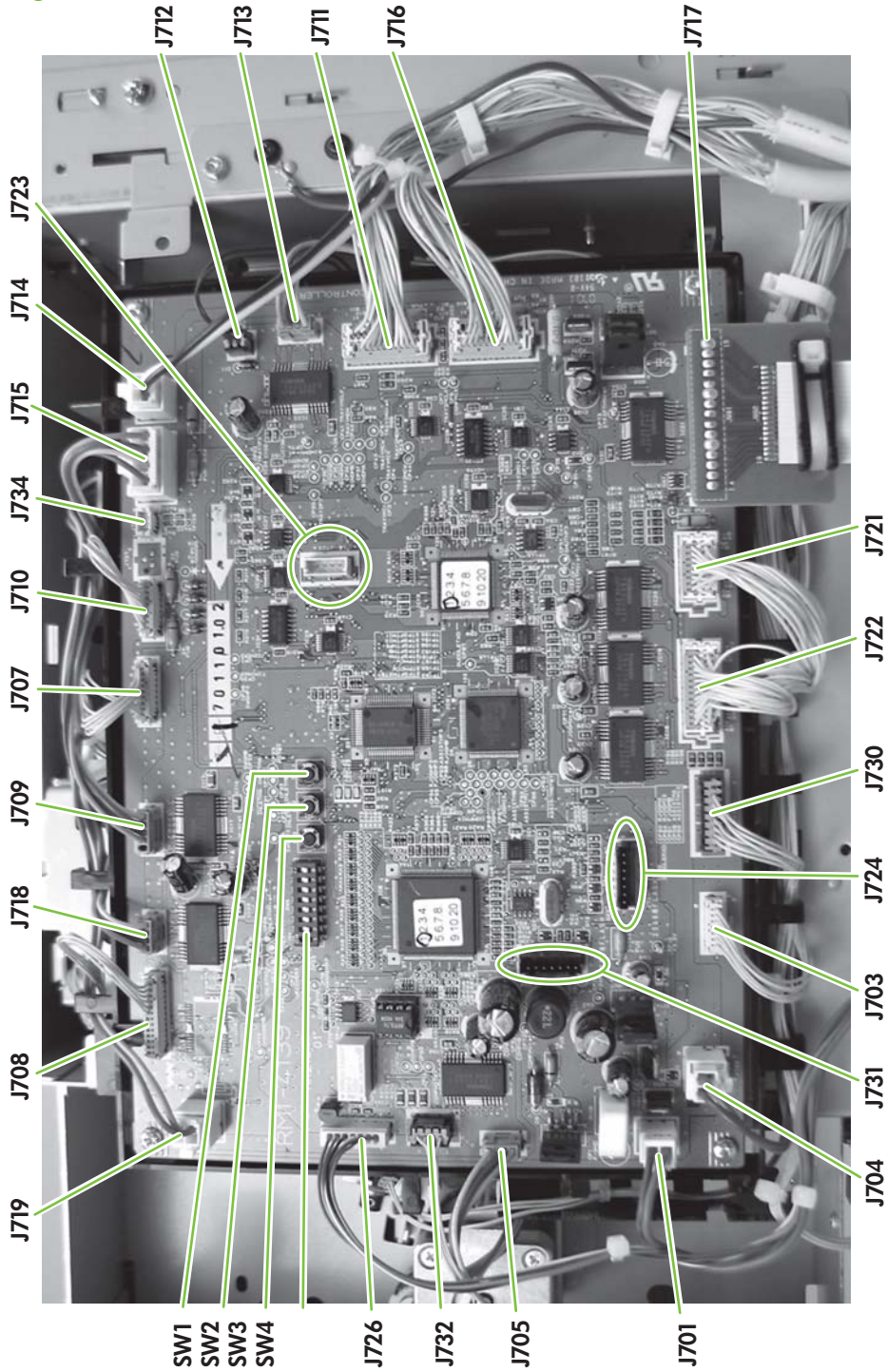
**Figure 8-256** PCA (stapler/stacker)



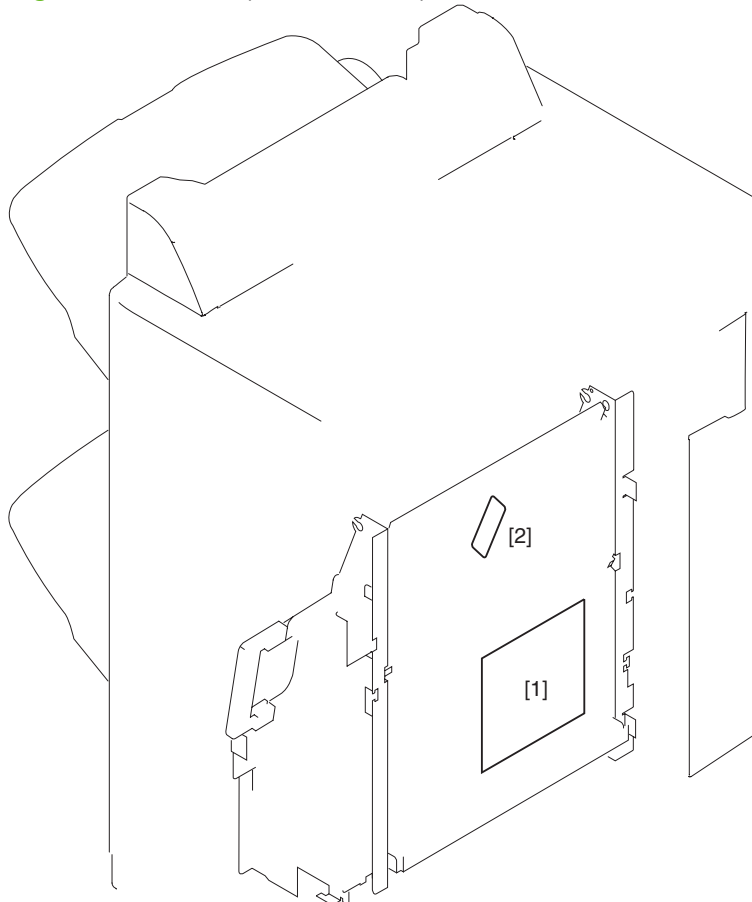
**Table 8-29** PCA (stapler/stacker)

Part number	Name
1	Stacker controller PCA
2	Stapler PCA1
3	Stapler PCA2
4	Tray-1 driver PCA
5	Tray-2 driver PCA
6	Tray-1 shift-area sensor PCA
7	Tray 2 shift-area sensor PCA
8	Service LED PCA

Figure 8-257 Stacker controller PCA



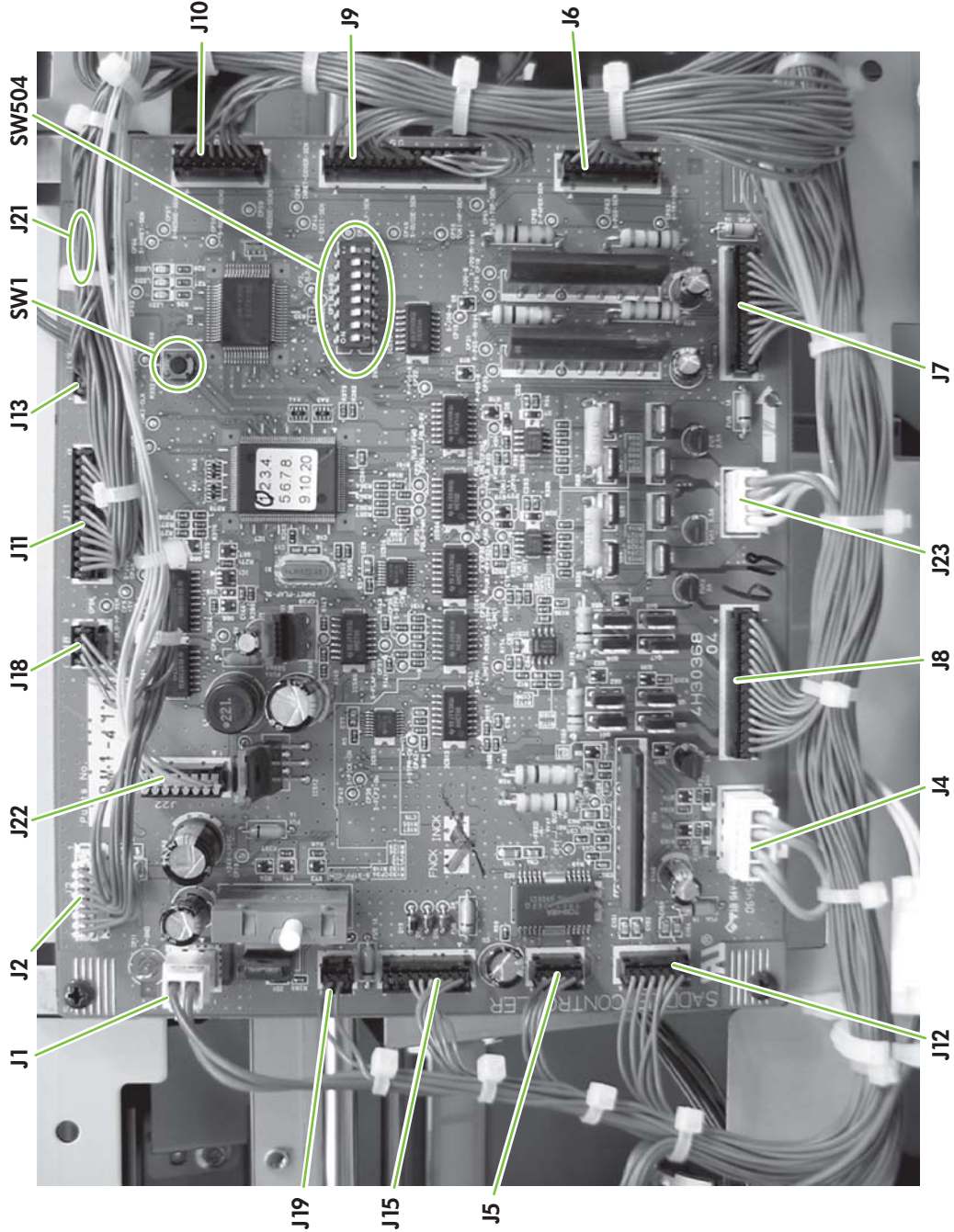
**Figure 8-258** PCA (booklet maker)



**Table 8-30** PCA (booklet maker)

Part number	Name
1	Saddle-stitcher controller PCA
2	Paper sensor PCA

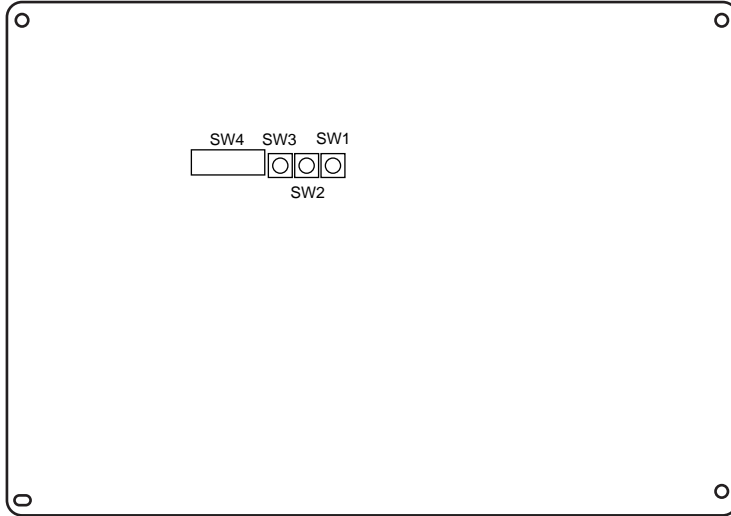
Figure 8-259 Saddle-stitcher controller PCA



### Variable resistors, LED, and check pins

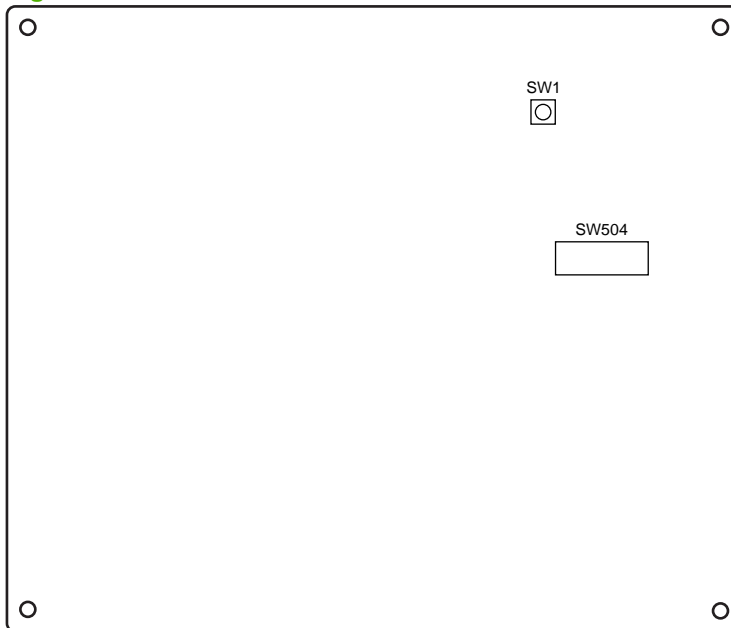
△ **CAUTION:** Do not touch check pins that are absent from the following list. They are for factory use only and special tools must be used to service them.

**Figure 8-260** Stacker controller PCA switches



Switch	Function
SW1	Used for making adjustments to the alignment position/stapling position
SW2	Used for making adjustments to the alignment position/stapling position
SW3	Used to start operation for alignment position adjustment/stapling position adjustment
SW4	Used to start operation for alignment position adjustment/stapling position adjustment

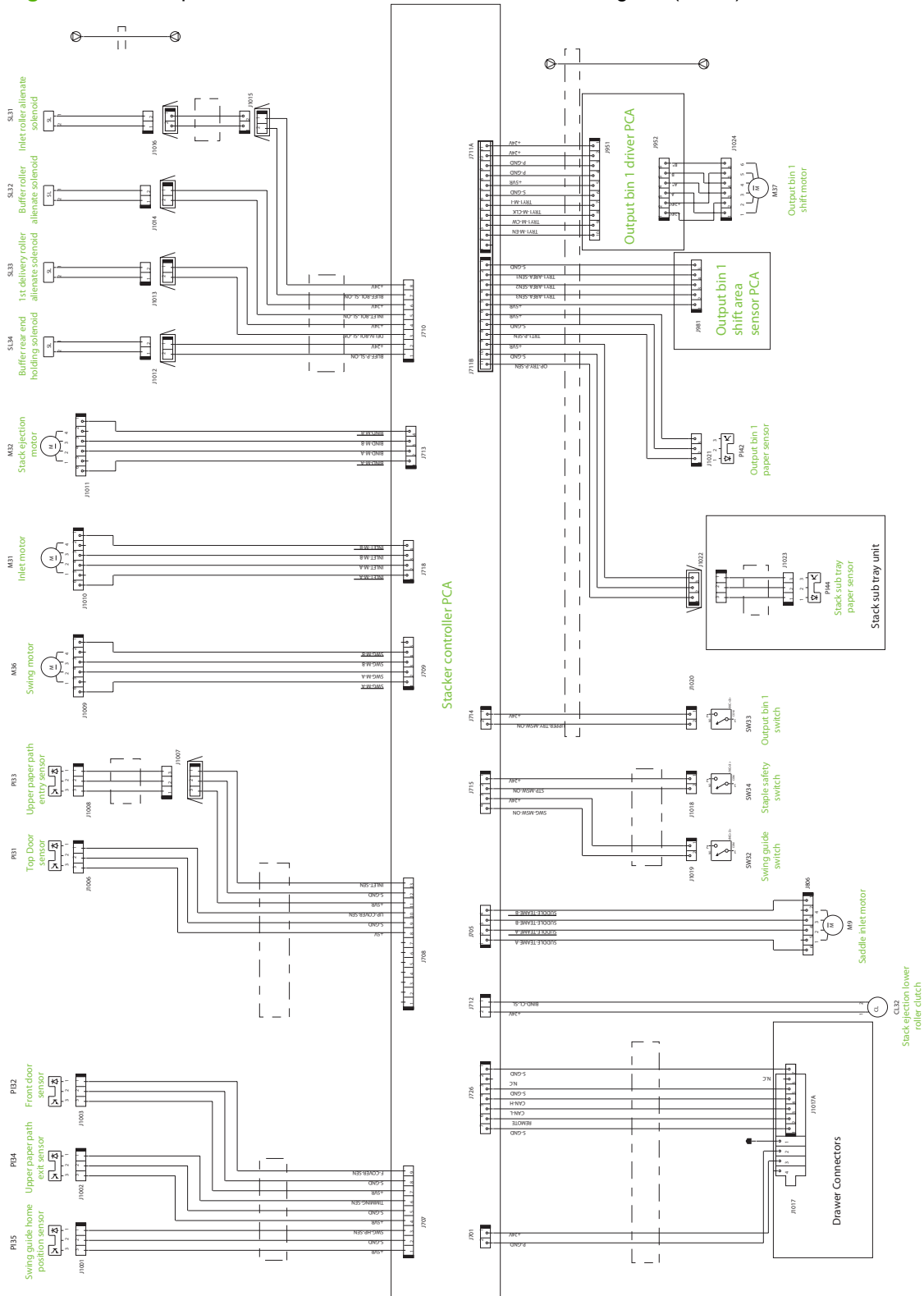
**Figure 8-261** Saddle-stitcher controller PCA switches



Switch	Function
SW504, Bit 1 to 2	Starts correction of discrepancy between stitching position and folding position
SW504, Bit 6 to 8	Stores corrected settings for stitching position and folding position
SW1	Starts correction of discrepancy between stitching position and folding position

## Circuit diagrams

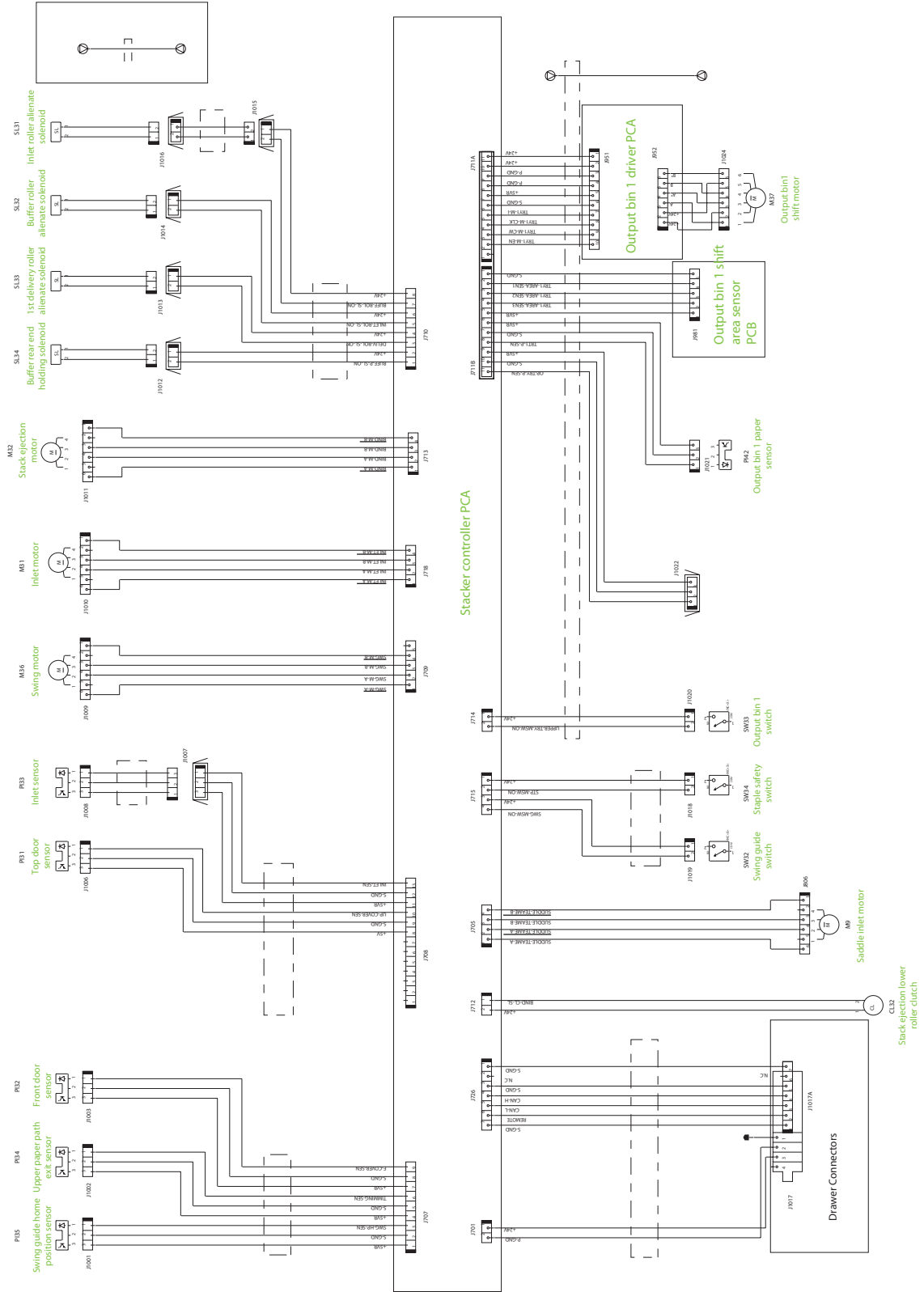
Figure 8-262 Stapler/stacker stacker controller PCA circuit diagram (1 of 2)



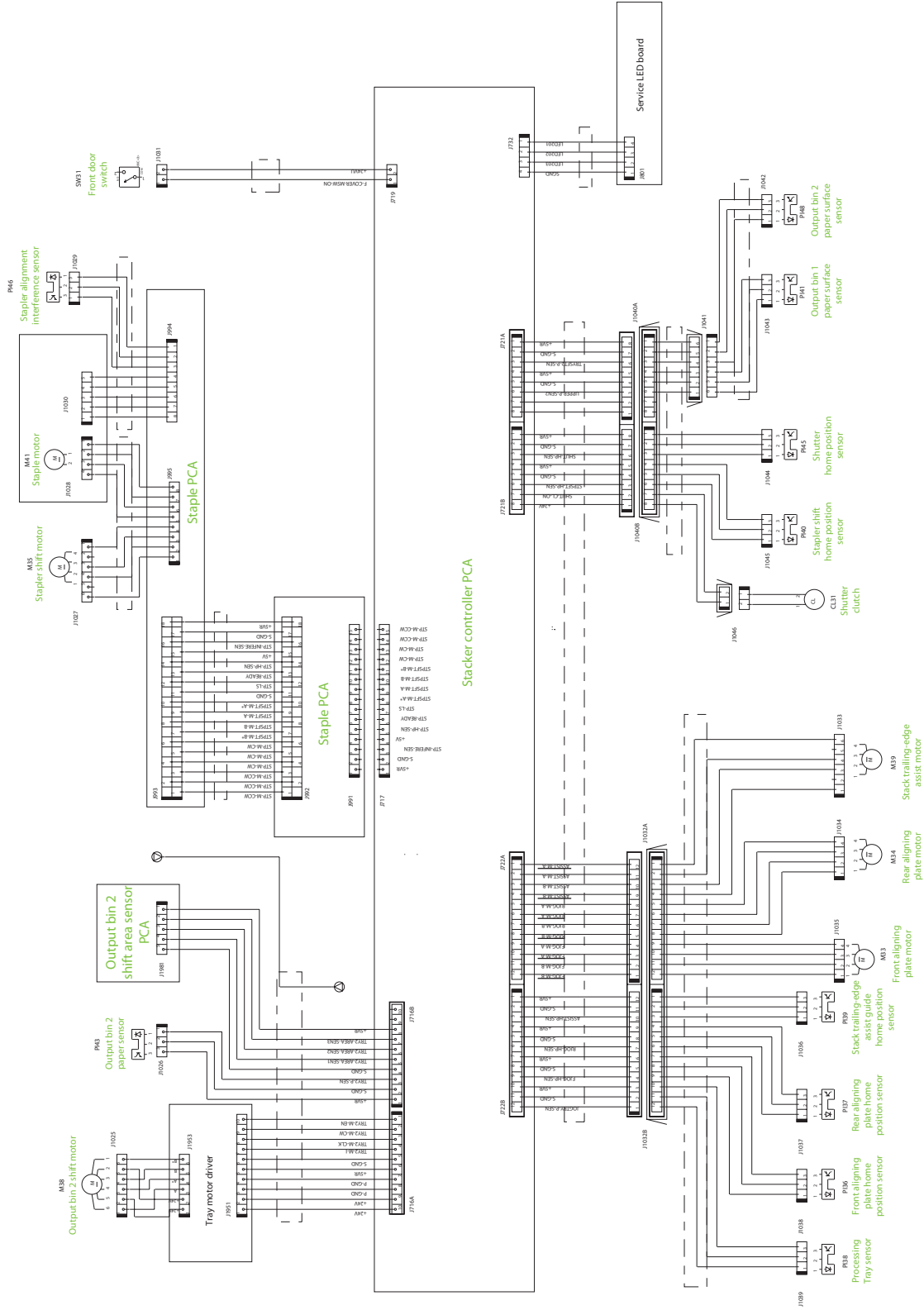




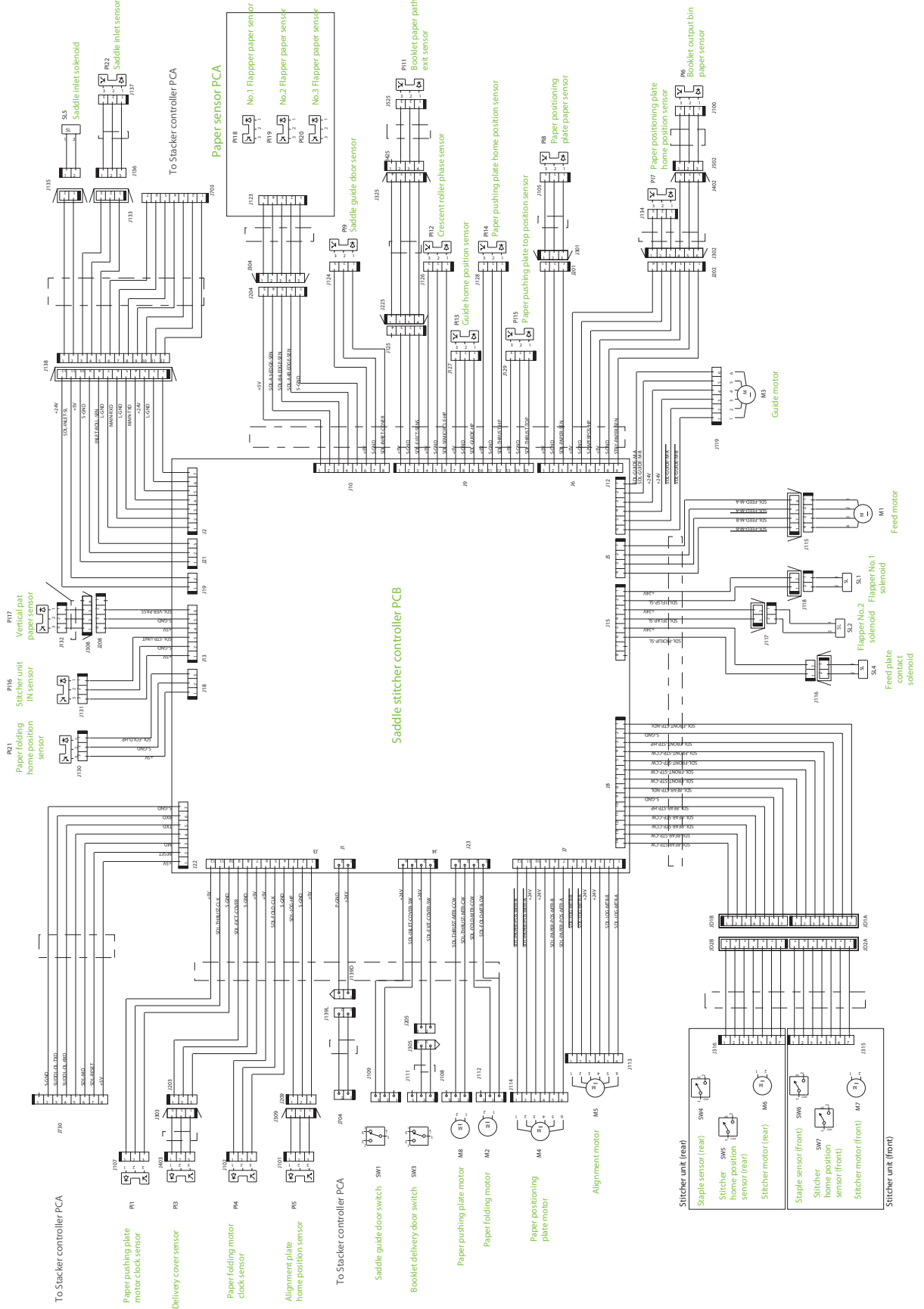
**Figure 8-264** Saddle-stitcher controller PCA circuit diagram (1 of 2)



**Figure 8-265** Saddle-stitcher controller PCA circuit diagram (2 of 2)



**Figure 8-266** Saddle-stitcher controller PCA circuit diagram




## Adjustments

### Adjust the alignment position

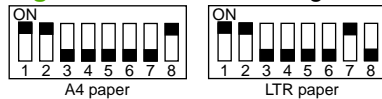
These adjustments are for the primary stapler unit for the both the stapler/stacker and booklet maker finishers.

Perform this adjustment after replacing the stacker controller PCA or when the alignment position must be changed.


 **NOTE:** When the stacker controller PCA is replaced, EP-ROM (IC10) must be transferred from the old board to the new board so that old adjustment values stay with finisher. Otherwise, this adjustment must be made in order to program IC10.

1. Turn the printer off.
2. Disconnect the communication/power cable from the accessory to the printer.
3. Remove the rear cover of the accessory.
4. Set SW4 on the stacker controller PCA according to the paper used for adjustment.

**Figure 8-267** SW4 settings




5. Reconnect the communication/power cable from the finisher to the printer.
6. Turn the printer power on at the printer.
7. Press SW3 on the stacker controller PCA. When SW3 is pressed, the swing guide opens and the alignment plate moves to prescribed position.
8. Place ten sheets of A4/LTR paper between the alignment plates and push them squarely against the stopper.

 **NOTE:** The objective of this adjustment is to adjust the plates so that they will be lightly and evenly touching the sides of the stacked paper.

9. Press SW1 or SW2 on the stacker controller PCA and adjust the alignment plate against the paper. When SW1 is pressed, the alignment plate moves 0.42 mm forward. When SW2 is pressed, the alignment plate moves 0.42 mm backward. The adjustment range is  $\pm 4.2$  mm.
10. When adjustment is complete, remove the paper and press SW3 on the stacker controller PCA once to store the adjustment in memory.
11. Turn off all bits of stacker controller PCA SW4.
12. Turn the power off and install the rear cover of the stacker unit.

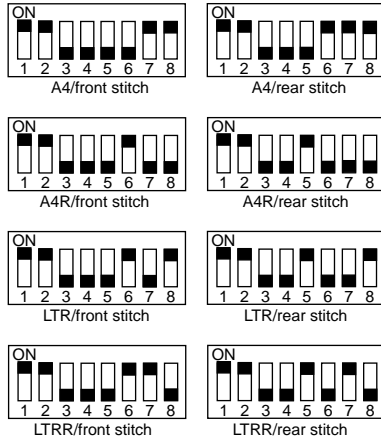
### Adjust the staple position

Adjust the stapler position after replacing the stacker controller PCA or when the staple position must be changed for some reason. This adjustment sets the front and rear stitches with A4/A4R when the paper used for adjustment is AB type and with LTR/LTRR when the paper is INCH type.

 **NOTE:** When the stacker controller PCA is replaced, EP-ROM (IC10) must be transferred from the old board to the new board so that old adjustment values stay with finisher. Otherwise, this adjustment must be made in order to program IC10.

1. Remove the rear cover.
2. Turn the printer power off and set SW4 on the stacker controller PCA according to paper/stitch position used for adjustment.

**Figure 8-268** SW4 settings




3. Turn the printer power on.
4. Press SW3 on the stacker controller PCA. When SW3 is pressed, the swing guide opens and the alignment plate moves to prescribed position.
5. Place two sheets of paper between the alignment plates, push them against the stopper, and then push the rear edge of the paper against the rear alignment plate. If the gap between the front alignment plate and front edge of the paper is 1 mm or greater, adjust the plate alignment before continuing.
6. Press SW3 on the stacker controller PCA once to staple and then remove the stapled paper manually to verify the staple position.
7. Press SW3 on the stacker controller PCA once.
8. If the staple position is correct, insert a sheet of paper between the aligning plates and push it against the stopper, push the far end edge of the paper to the rear aligning plate, press SW3 once (stapling action/store adjustment value), and then proceed to step 11.
9. To adjust the staple position, press SW1 or SW2 on the stacker controller PCA and adjust the staple position. When SW1 is pressed, the staple position moves 0.49 mm forward. When SW2 is pressed, the staple position moves 0.49 mm backward.
10. Repeat steps 5 and 6 and check that the staple position is adjusted correctly.
11. Turn off all bits of SW4 on the stacker controller PCA.
12. Turn off the printer off and install the rear cover.

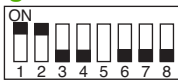
## Adjust the folding position to the stitch position (Booklet maker only)

Adjust the position of the booklet fold by changing the settings of bits six through eight of DIPSW1 on the saddle-stitcher controller board to match the booklet stapling (stitching) position. If the saddle-stitcher controller PCA has been replaced, be sure to set the new DIPSW1 so that the settings will be the same as those on the old DIPSW1. Perform this adjustment if you must change the folding position. DIPSW1 on the saddle-stitcher controller PCA to match the stitching position (adjusting the distance over which the paper positioning plate is moved to the folding position from the stitching position).

1. Turn the printer power off and disconnect the communication/power cord from the booklet maker to the printer.
2. Remove the PCA cover from the lower portion of the booklet maker. To establish a baseline for measurements, set bits 1 through 8 of SW504 on the saddle-stitcher controller PCA as follows:

 **NOTE:** Do not change bit 5.

**Figure 8-269** SW504 settings



Do not change bit 5.

3. Remove the rear cover. Open the front door and the paper-jam-access guide plate (saddle-guide assembly) (green handle above the booklet stapler unit) of the saddle stitcher unit. Moving to the rear of the machine, tape the actuator of the inlet-cover sensor (saddle-guide assembly) (PI9) and inlet-door switch (saddle-guide assembly) (SW1) so that both sensor and switch remain activated signaling that the saddle guide is in the closed position throughout the entire adjustment procedure.
4. You will be using two sheets of A3 or 11 x 17 paper. Mark the top of the paper as shown. This is a reference mark only to show a specific end of the paper. The mark's position just needs to be somewhere at one end of the paper as shown.

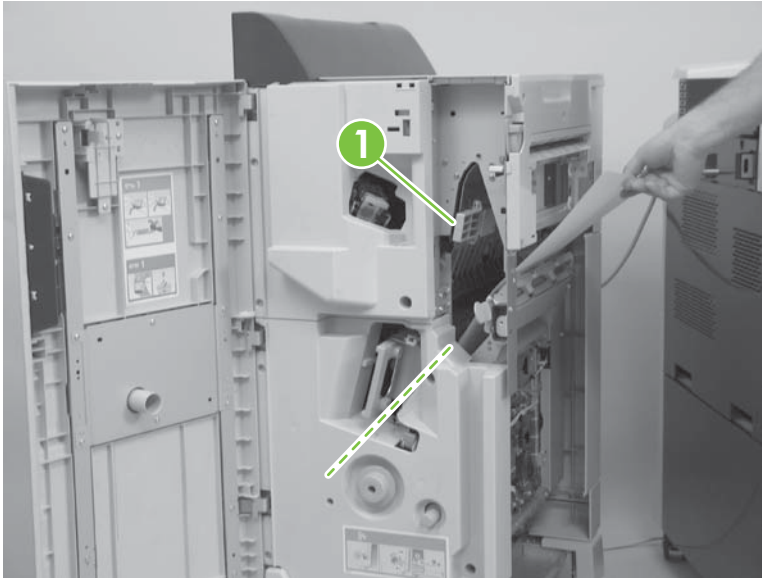
**Figure 8-270** Mark the paper




5. Close the saddle-guide assembly and the front door of the accessory. Reconnect the power cord from the booklet maker to the printer. Turn the printer power on and wait until the printer is in a ready state.
6. Press SW1 on the saddle-stitcher controller PCA so that the feed motor (M1) starts to rotate. You will need to press SW1 three seconds or more if the 11 x 17 paper is used.

7. Open the front door of the booklet maker and then open saddle-guide assembly (callout 1). Insert the two sheets of marked paper down the paper path leading to the folding unit and past the booklet stapler unit. Push them in by hand until the front edge of the sheets push against the paper positioning plate.

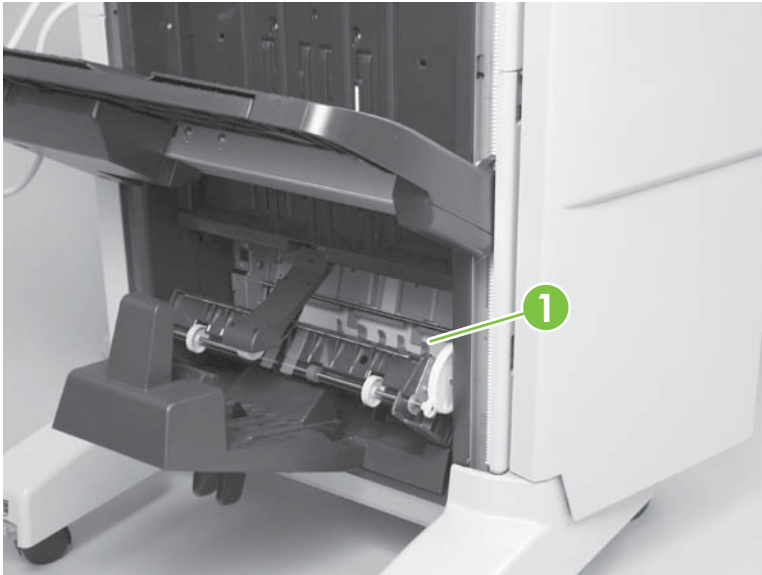
**Figure 8-271** Folding position adjustment (1 of 2)



8. Verify that the paper is properly located against the paper positioning plate by opening the booklet delivery door and looking at the paper positioning plate (callout 1).

 **NOTE:** It is important for the bottom of the sheets of paper to be squarely resting on the paper positioning plate for the adjustment to be accurate.

**Figure 8-272** Folding position adjustment (2 of 2)

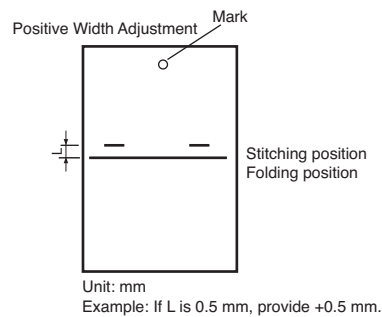
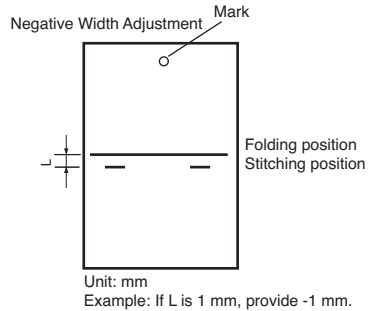


9. Close the saddle-guide assembly.
10. Press SW1 on the saddle-stitcher controller PCA. The saddle stitcher unit will "stitch" the sheets, and fold and deliver the stack automatically to the booklet output bin.



- Measure the distance (L) between the stitching position and the folding position. Then perform "positive width adjustment" or "negative width adjustment" to suit the relationship between the stitching position and the folding position. If the stitching position is below the folding position, perform "negative width adjustment." If the stitching position is above the folding position, perform "positive width adjustment."

**Figure 8-273** Positive and negative width adjustment



**NOTE:** If the L adjustment is significantly larger than what the adjustment allows, the most common cause is that the paper was not fully inserted and resting squarely on the paper position plate.

- Change the settings of bits 6 through 8 on SW504 referring to the following table.

**Table 8-31** SW504 settings

SW504 bit settings			Setting (in units of 0.5 mm)
Bit 6	Bit 7	Bit 8	
OFF	ON	ON	+3
OFF	ON	OFF	+2
OFF	OFF	ON	+1
OFF	OFF	OFF	0
ON	OFF	ON	-1
ON	ON	OFF	-2
ON	ON	ON	-3

**Table 8-32** Do not use the following setting.

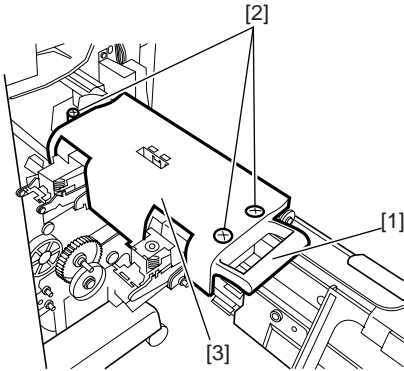
Bit 6	Bit 7	Bit 8
ON	OFF	OFF

13. When adjustment has been completed and the stitch staples are within the fold line, set SW504 bits 1 to 4 (only) to OFF.
14. Remove the tape from the actuator arm of switch SW1 and PI9 on the rear frame of the booklet-making assembly.

### Adjust the stitcher unit

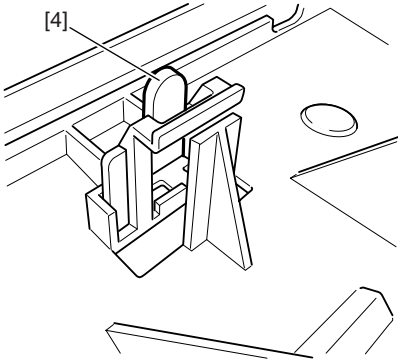
1. Open the front cover.
2. Pull out the stitcher mount unit to the front. Pull the stitcher towards you and then pull up.
3. Remove three screws (callout 2) and then remove the stitcher cover (callout 3).

**Figure 8-274** Adjust the stitcher (1 of 6)



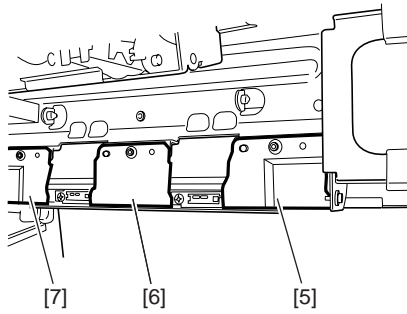
4. Remove the stitcher positioning tool (callout 4) from the back of the cover.

**Figure 8-275** Adjust the stitcher (1 of 6)



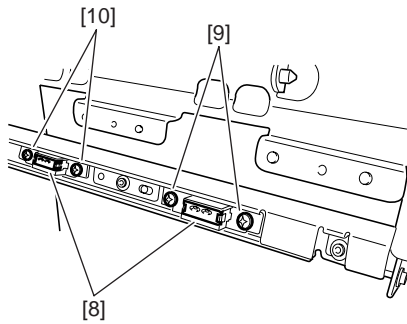
5. To adjust the front stitcher, remove the front guide plate (callout 4) and center guide plate (callout 6). To adjust the rear stitcher, remove the center guide plate (callout 6) and the rear guide plate (callout 7) (one screw each).

**Figure 8-276** Adjust the stitcher (2 of 6)



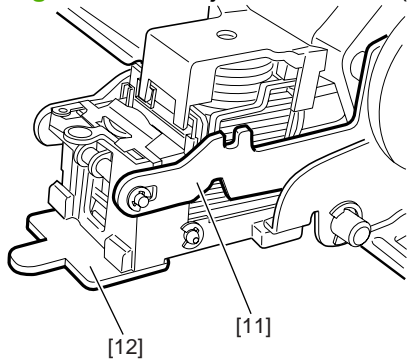
6. To adjust the front stitcher, loosen the two screws (callout 9) on the stitcher mount (callout 8). To adjust the rear stitcher, loosen the two screws (callout 10) on the stitcher mount.

**Figure 8-277** Adjust the stitcher (3 of 6)



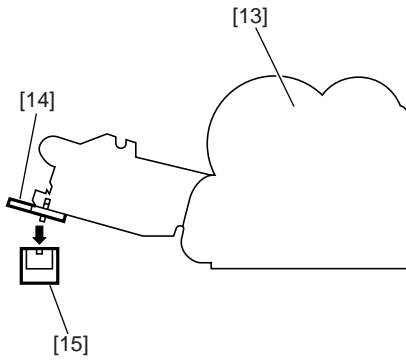
7. Insert the tool (callout 12) into the staple slot of the stitcher (callout 11).

**Figure 8-278** Adjust the stitcher (5 of 6)



8. Tilt the stitcher, and turn the stitcher gear (callout 13) to match the recess of the tool (callout 14) and the mount (callout 15) and then tighten the screws on the mount to secure.

**Figure 8-279** Adjust the stitcher (6 of 6)



---

## 9 Parts and diagrams

- [Order parts, accessories, and supplies](#)
- [Replacement kits](#)
- [Printer](#)
- [Input-accessory devices](#)
- [Output-accessory devices](#)
- [Automatic document-feeder \(ADF\)](#)
- [Scanner](#)
- [Alphabetical parts list](#)
- [Numerical parts list](#)

# Order parts, accessories, and supplies

Several methods are available for ordering parts, supplies, and accessories.

## Order directly from HP


You can obtain the following items directly from HP:

- **Replacement parts:** Outside the United States, order parts by contacting your local authorized HP service center. To order replacement parts in the U.S., go to the following Web sites:
  - HP Parts Store: [www.hp.com/buy/parts](http://www.hp.com/buy/parts)
  - Partsurfer: [www.partsurfer.hp.com](http://www.partsurfer.hp.com)
  - HP Parts Portal: [www.hp.com/go/HPparts](http://www.hp.com/go/HPparts)
- **Supplies and accessories:** To order supplies in the U.S., go to [www.hp.com/go/ljsupplies](http://www.hp.com/go/ljsupplies). To order supplies worldwide, go to [www.hp.com/ghp/buyonline.html](http://www.hp.com/ghp/buyonline.html). To order accessories, go to [www.hp.com/support/cljcm6040mfp](http://www.hp.com/support/cljcm6040mfp).

## Order directly through the software

HP Easy Printer Care and HP ToolboxFX are product management tools designed to make product configuration, monitoring, supplies ordering, troubleshooting, and updating as simple and efficient as possible.

## Orderable and non-orderable parts

- 
-  **NOTE:** Not all components listed in the parts tables can be ordered. If a component listed has an associated part number, then it is a field-replaceable unit (FRU) and can be ordered. If the component does not have an associated part number, you must order the FRU that includes the desired component (if available).
-



# Replacement kits

## Printer supplies and accessories

Description	Part number	Product number	Qty
Control-panel kit with service document	Q3938-67963		1
Control-panel overlay kit, EN	Q3938-60107		1
Control-panel overlay kit, FR	Q3938-60108		1
Control-panel overlay kit, IT	Q3938-60109		1
Control-panel overlay kit, DE	Q3938-60110		1
Control-panel overlay kit, ES	Q3938-60111		1
Control-panel overlay kit, NL	Q3938-60112		1
Control-panel overlay kit, PT	Q3938-60113		1
Control-panel overlay kit, NO	Q3938-60114		1
Control-panel overlay kit, SV	Q3938-60115		1
Control-panel overlay kit, FI	Q3938-60116		1
Control-panel overlay kit, DA	Q3938-60117		1
Control-panel overlay kit, PL	Q3938-60118		1
Control-panel overlay kit, RU	Q3938-60119		1
Control-panel overlay kit, CS	Q3938-60120		1
Control-panel overlay kit, HU	Q3938-60121		1
Control-panel overlay kit, ZHTW	Q3938-60122		1
Control-panel overlay kit, ZHCN	Q3938-60123		1
Control-panel overlay kit, KO	Q3938-60124		1
Control-panel overlay kit, JA	Q3938-60125		1
Control-panel overlay kit, TR	Q3938-60126		1
Control-panel overlay kit, HE	Q3938-60127		1
Control-panel overlay kit, EL	Q3938-60128		1
Control-panel overlay kit, AR	Q3938-60129		1
Control-panel overlay kit, TH	Q3938-60130		1
Control-panel overlay kit, HR	Q3938-60133		1
Control-panel overlay kit, RO	Q3938-60134		1
Control-panel overlay kit, SK	Q3938-60135		1
Control-panel overlay kit, SL	Q3938-60136		1
Black print cartridge	CB390-67901	CB390A	1



Black image drum	CB384-67901	CB384A	1
Magenta print cartridge	CB383-67901	CB383A	1
Magenta image drum	CB387-67901	CB387A	1
Yellow print cartridge	CB382-67901	CB382A	1
Yellow image drum	CB386-67901	CB386A	1
Cyan print cartridge	CB381-67901	CB381A	1
Cyan image drum	CB385-67901	CB385A	1
Air-filter kit with service document	Q3931-67906		1
Image-transfer kit (150,000-page life) with service document	RM1-3307-000CN	CB463A	1
Image-fuser kit (110V) (100,000-page life) with service document	Q3938-67966	CB457A	1
Image-fuser kit (220V) (100,000-page life) with service document	Q3938-67967	CB458A	1
Formatter-assembly base kit with service document	Q3838-67960		1
Hard-drive kit with service document	Q3938-67961	J7989G	1
Memory kit, 128 MB, with service document	Q3931-67902		1
Memory kit, 256 MB, with service document	Q3931-67903		1
Memory kit, 512 MB, with service document	Q3931-67904		1
Fax card	Q3701-60014	Q3701A	
Cassette tray 2 kit with service document	Q3938-67955		1
Cassette tray 3-5 kit with service document	Q3938-67956		1
Tray 1 pickup-roller kit with service document	Q3938-67958		1
Tray 2-5 rollers kit with service document	Q3938-67959		1
T2-roller kit (150,000-page life) with service document	RM1-3319-000CN	CB459A	1
ADF roller kit (60,000-page life) with service document	Q3938-67969	CE487A	1
Duplex-switchback tray	Q3938-67964		1
Face-down cover kit with service document	Q3938-67957		1

Manual-service, EN	Q3938-90953		1
Manual-service chapter 6 and 7, EN	Q3938-90960		1
Manual-service chapter 6 and 7, FR	Q3938-90961		1
Manual-service chapter 6 and 7, DE	Q3938-9096		1
Manual-service chapter 6 and 7, IT	Q3938-90963		1
Manual-service chapter 6 and 7, ES	Q3938-90964		1
Manual-service chapter 6 and 7, KO	Q3938-90965		1
Manual-service chapter 6 and 7, ZHCN	Q3938-90966		1
CD-service	Q3938-60137		1
Security-lock adapter kit with service document	Q3931-67925	Q3931-67925	1
5000-staple replacement cartridge	C8091-67901 (Order this part number.)	C8091A	
2000-staple cartridge (for booklet making)	CC383-67901 (Order this part number.)	CC383A	

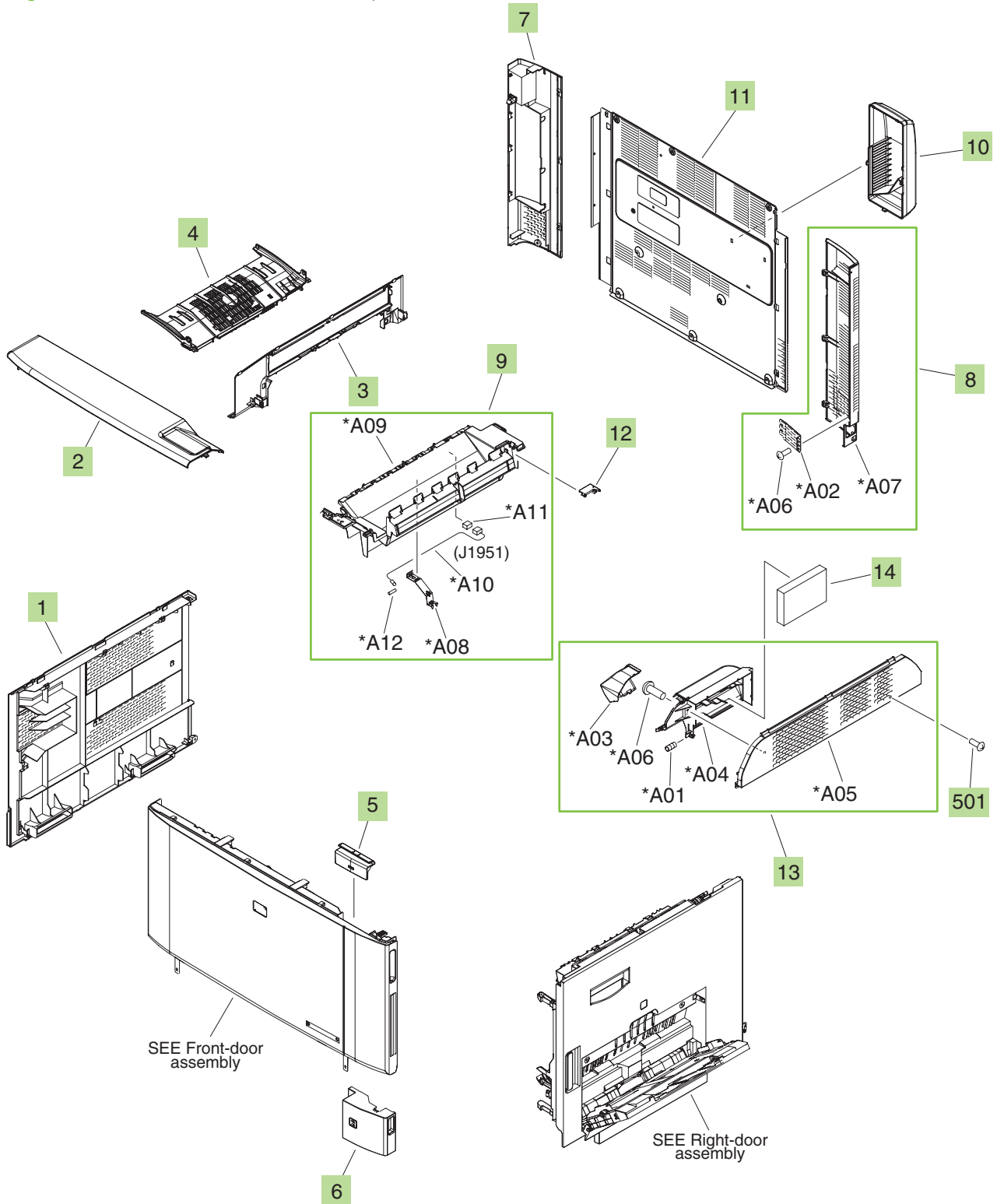
 **NOTE:** Only highlighted parts are orderable.



# Printer

## Printer parts

Figure 9-1 Printer external covers and panels

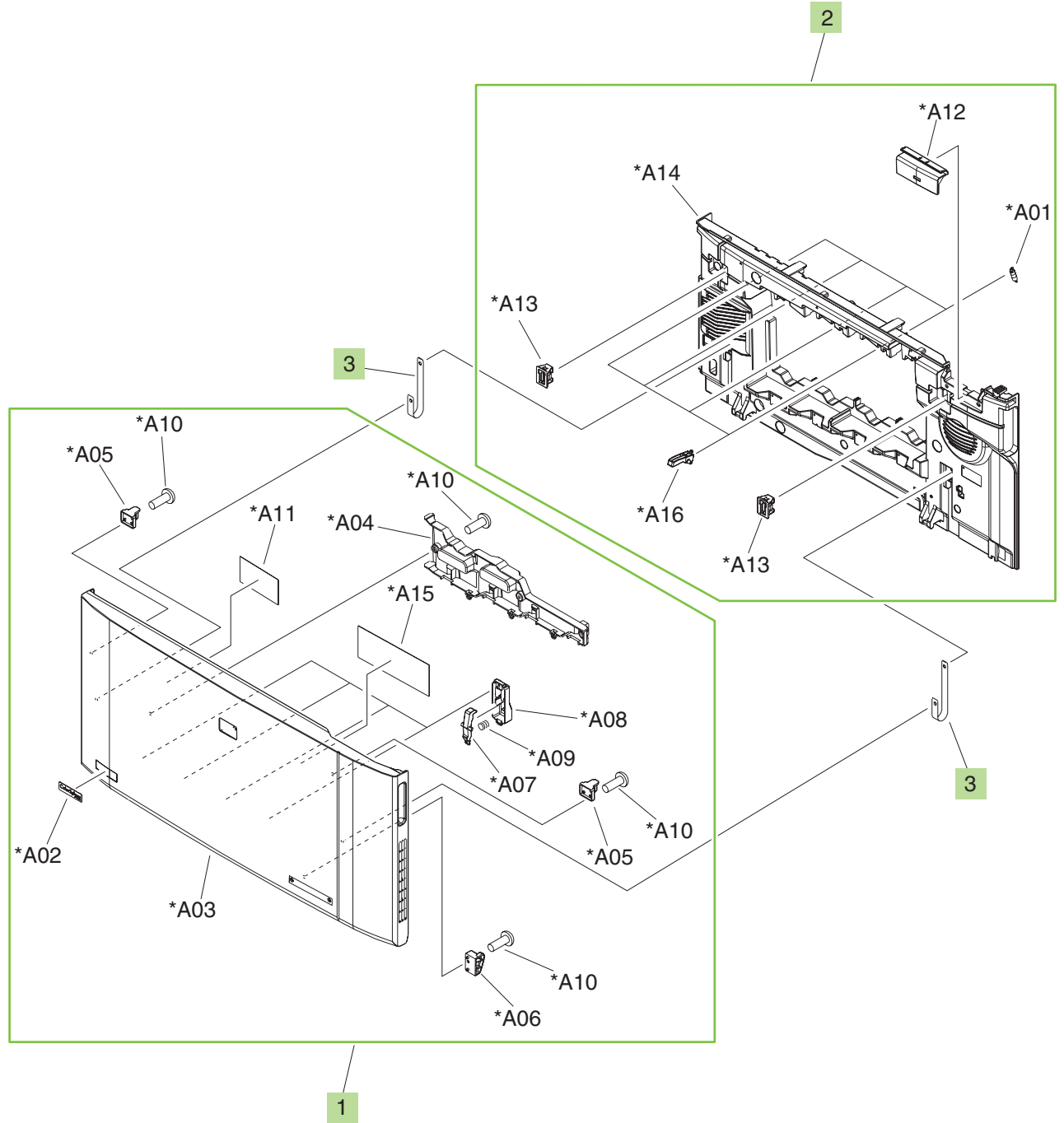


**Table 9-1 Printer external covers and panels**

Ref	Description	Part number	Qty
1	Cover, left	RC1-9336-000CN	1
2	Cover, front, upper	RC1-9350-000CN	1
3	Cover, paper-delivery	RC1-9351-000CN	1
4	Duplexing-tray lower assembly	RC1-5949-000CN	1
5	Front internal small-cover assembly	RC1-5953-000CN	1
6	Right-lower cover assembly	RL1-1280-000CN	1
7	Cover, rear-left	RC1-9344-000CN	1
8	Rear-right cover assembly	RM1-4415-000CN	1
9	Face-down end-tray assembly	RM1-3340-000CN	1
10	Fixing-fan cover assembly	RM1-5950-000CN	1
11	Cover, rear	RL1-1210-000CN	1
12	Cover, face-down drive	RC1-9360-000CN	1
13	Switchback-cover assembly	RM1-4408-000CN	1
14	Filter unit, air	RC1-9313-000CN	1
501	Screw, tapping, truss-head, M4X10	XB4-7401-005CN	1

 **NOTE:** Only highlighted parts are orderable.

Figure 9-2 Printer front-door assembly

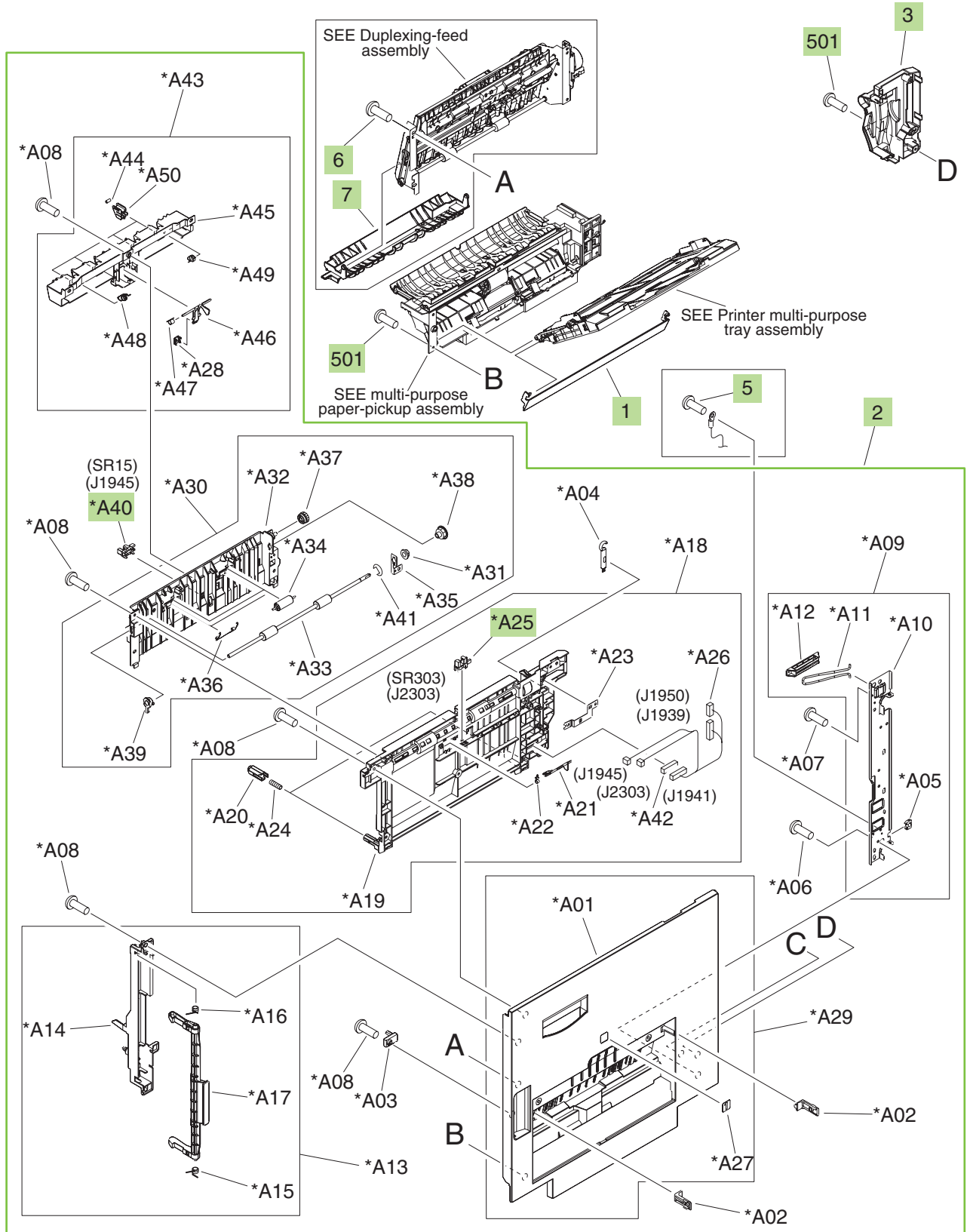


**Table 9-2 Printer front-door assembly**

Ref	Description	Part number	Qty
1	Front-cover assembly	RM1-3357-000CN	1
2	Front internal-cover assembly	RM1-4404-000CN	1
3	Band, door	RC1-9043-000CN	2

 **NOTE:** Only highlighted parts are orderable.

**Figure 9-3** Printer right-door assembly



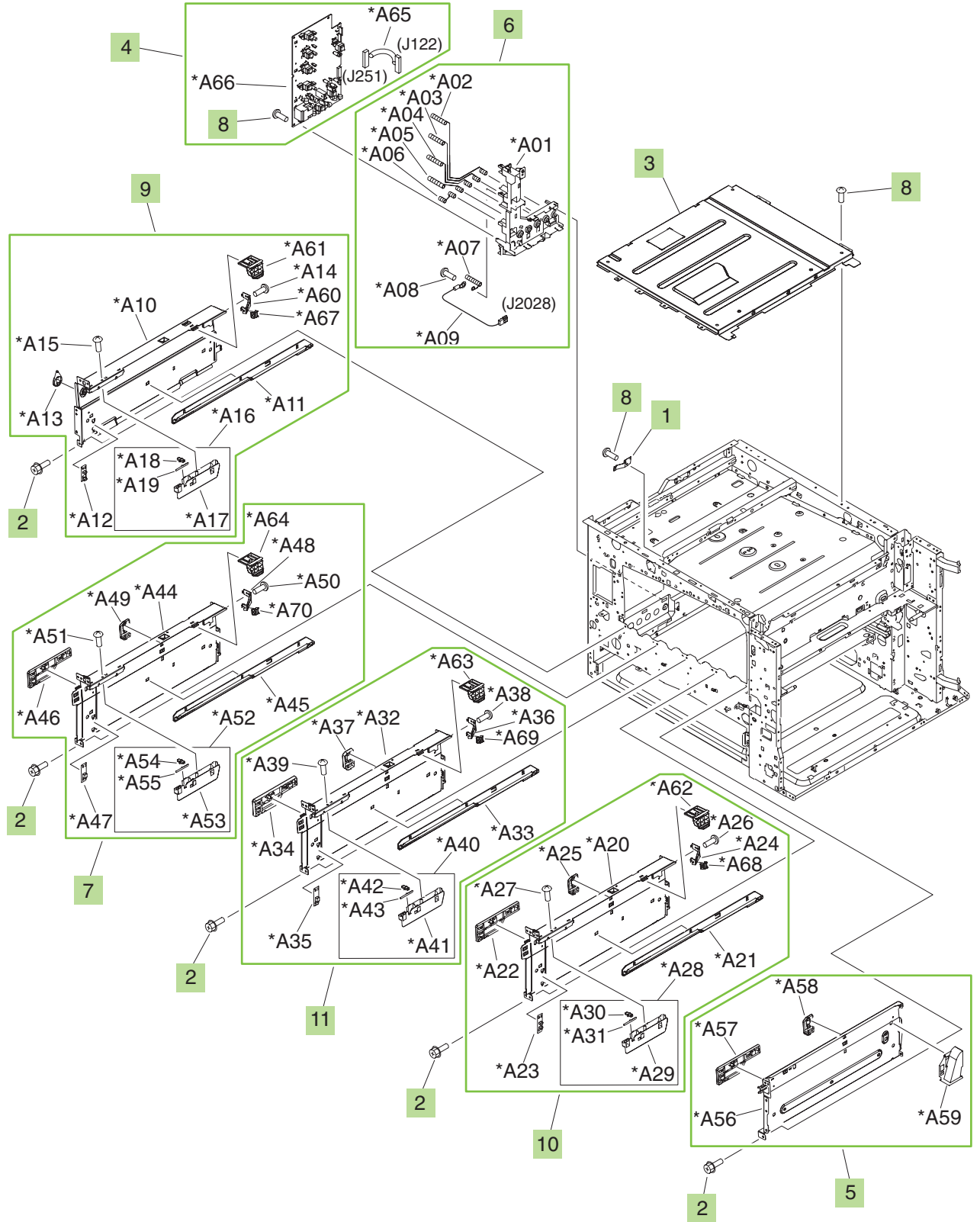


**Table 9-3 Printer right-door assembly**

Ref	Description	Part number	Qty
1	Cover, multi-purpose blanking	RC1-8527-000CN	1
2	Right-door sub-assembly	RM1-3333-000CN	1
3	Cover, motor	RC1-9511-000CN	1
5	Screw, RS, M3X6	XA9-1495-000CN	1
6	Screw, with washer, M4X12	XA9-1422-000CN	4
7	Guide, duplexing-feed, upper	RL1-1335-000CN	1
501	Screw, tapping, truss-head, M4X10	XB4-7401-005CN	7
A25	Photo interrupter, TLP1243	WG8-5696-000CN	1
A40	Photo interrupter, TLP1243	WG8-5696-000CN	1

 **NOTE:** Only highlighted parts are orderable.

Figure 9-4 Printer internal components (1 of 7)

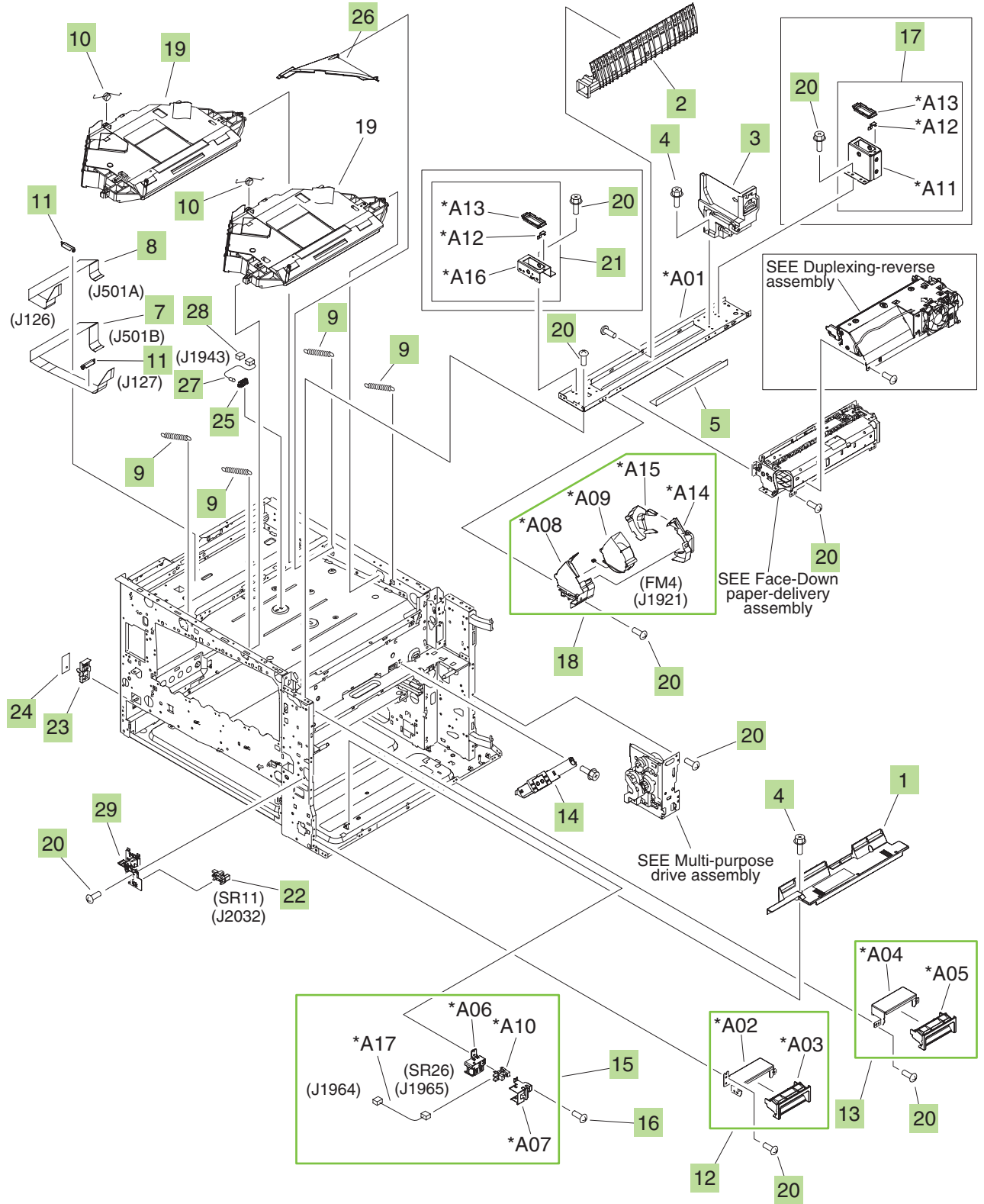


**Table 9-4 Printer internal components (1 of 7)**

Ref	Description	Part number	Qty
1	Spring, leaf	RC1-9233-000CN	1
2	Screw, RS, M3x8	XA9-1504-000CN	5
3	Top-cover assembly	RL1-1284-000CN	1
4	High-voltage transfer B PCA assembly	RM1-5475-000CN	1
5	Right-side wall assembly	RM1-3239-000CN	1
6	Transfer contact-holder assembly	RM1-3230-000CN	1
7	Partition-plate assembly, cyan	RM1-3238-000CN	1
8	Screw, RS, M3x6	XA9-1495-000CN	10
9	Left-side wall assembly	RM1-3233-000CN	1
10	Partition-plate assembly, yellow	RM1-3235-000CN	1
11	Partition-plate assembly, magenta	RM1-3237-000CN	1

 **NOTE:** Only highlighted parts are orderable.

**Figure 9-5** Printer internal components (2 of 7)



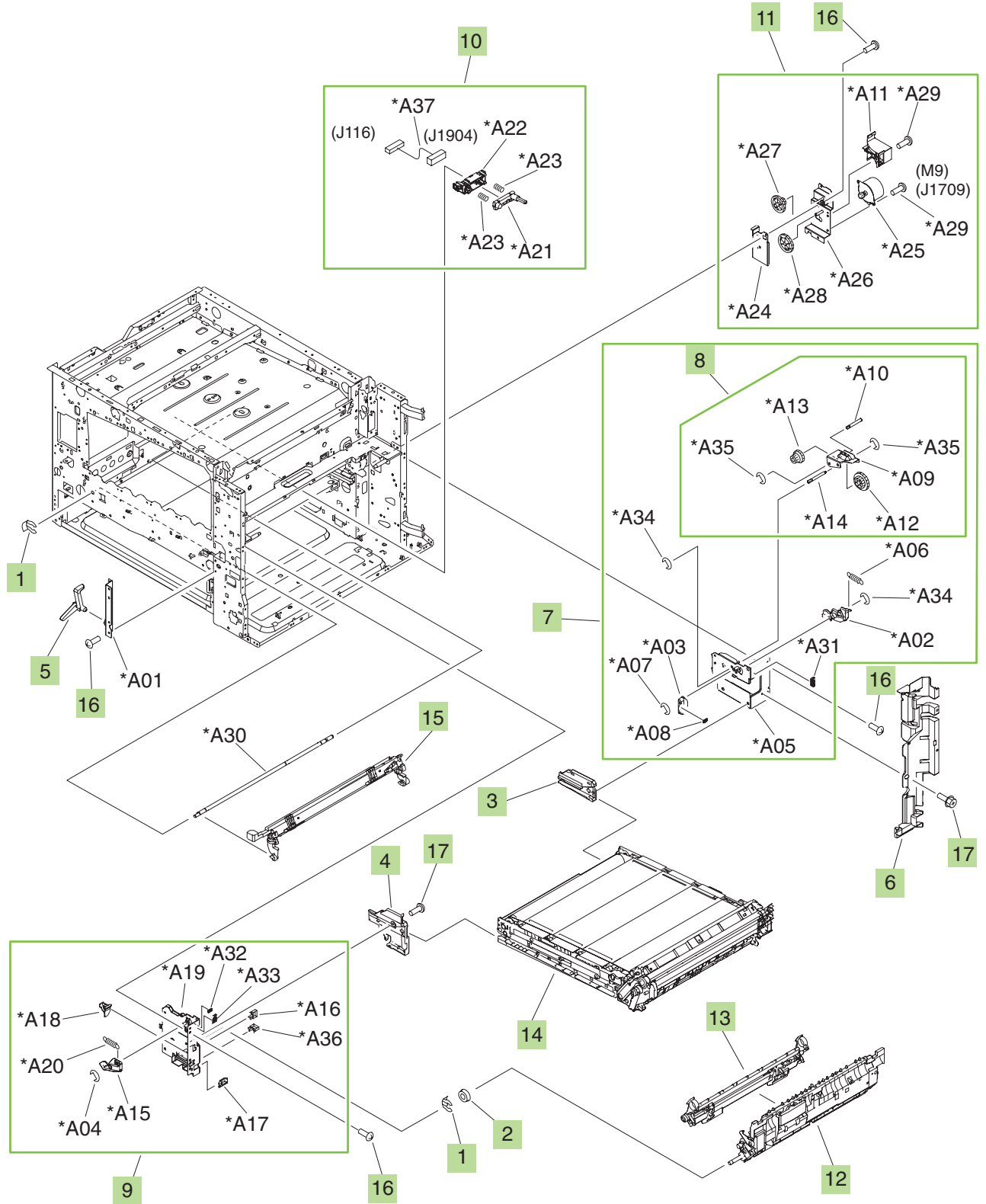
**Table 9-5 Printer internal components (2 of 7)**

Ref	Description	Part number	Qty
1	Guide, multi-purpose, right	RL1-1283-000CN	1
2	Guide, face-down inner	RC1-8959-000CN	1
3	Rail, reverse, rear	RC1-9206-000CN	1
4	Screw, RS, M3x8	XA9-1504-000CN	10
5	Sheet, fixing-crossmember	RC1-9232-000CN	1
7	Cable, laser flexible flat	RK2-1354-000CN	1
8	Cable, laser flexible flat	RK2-1355-000CN	1
9	Spring, tension	RU5-2822-000CN	4
10	Spring, torsion	RU5-2825-000CN	2
11	Clamp, FFC	WT2-5912-000CN	2
12	Grip-support front assembly	RM1-3225-000CN	1
13	Grip-support rear assembly	RM1-3226-000CN	1
14	Thermopile case assembly	RM1-3232-000CN	1
15	Photosensor assembly	RM1-3250-000CN	1
16	Screw, RS, M3x8	XA9-1449-000CN	2
17	Reader rear-guide assembly	RM1-4399-000CN	1
18	Fan assembly	RM1-3364-000CN	1
19	Scanner assembly kit with 1 scanner assembly and service document	Q3931-67907	1
20	Screw, RS, M3x6	XA9-1495-000CN	20
21	Reader front-guide assembly	RM1-4398-000CN	1
22	Photo interrupter, TLP1243	WG8-5696-000CN	1
23	Holder, environment-sensor	RC1-9324-000CN	1
24	Sensor unit, humidity	RK2-2376-000CN	1
25	Holder, scanner-thermistor	RC1-9260-000CN	1
26	Duct, scanner	RC1-9334-000CN	1
27	Thermistor unit	RK2-1363-000CN	1
28	Connector, snap-tight	VS1-7177-002CN	1
29	Interlock-switch assembly	RM1-3589-000CN	1



**NOTE:** Only highlighted parts are orderable.

Figure 9-6 Printer internal components (3 of 7)

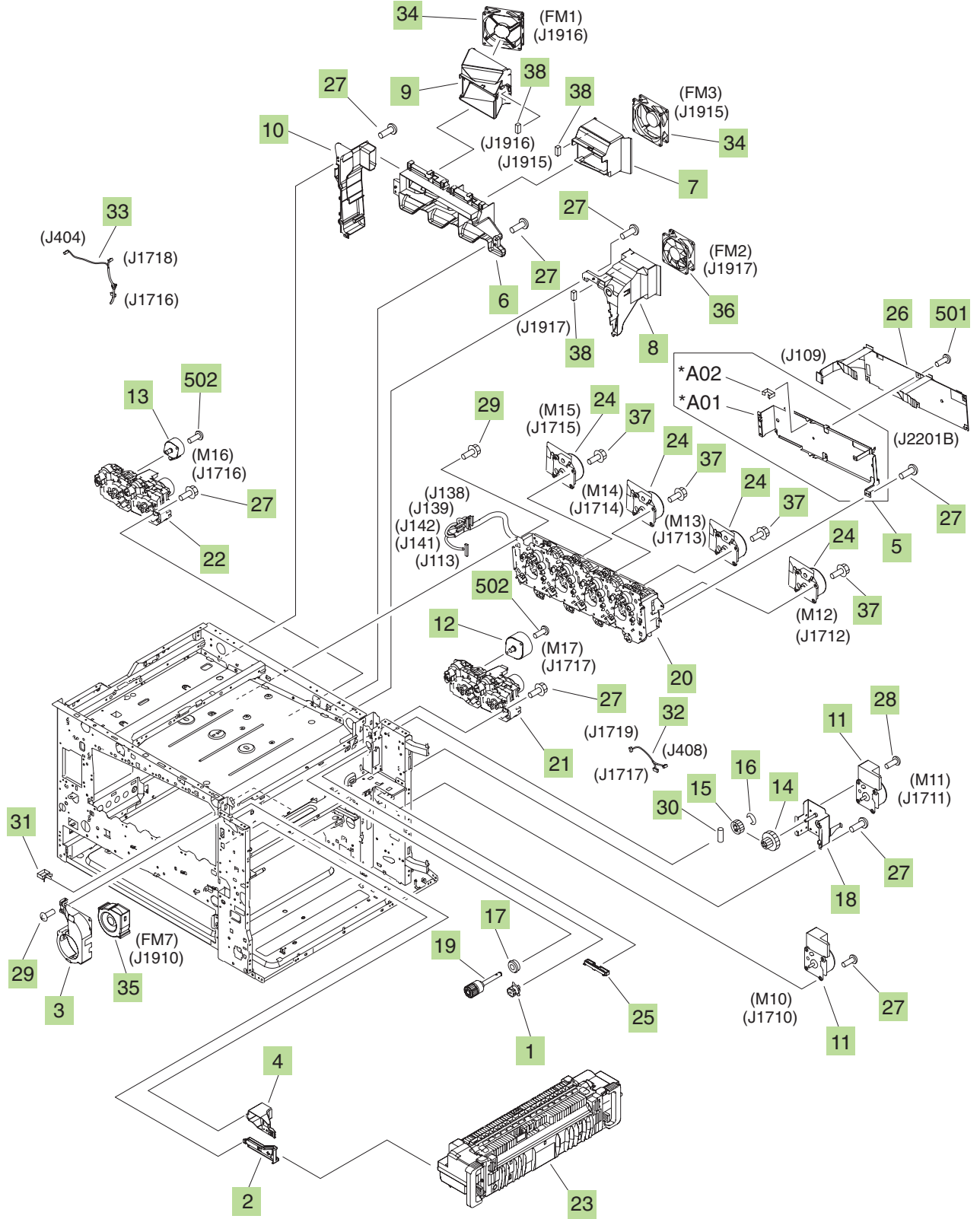


**Table 9-6 Printer internal components (3 of 7)**

Ref	Description	Part number	Qty
1	Retainer	RC1-8511-000CN	2
2	Bushing	RC1-8734-000CN	1
3	Guide, intermediate transfer belt (ITB)-entrance, rear	RC1-9186-000CN	1
4	Guide, intermediate transfer belt (ITB)-entrance, front	RC1-9185-000CN	1
5	Arm, 1st-estrangement	RC1-9189-000CN	1
6	Cover, internal, right	RC1-9348-000CN	1
7	Intermediate transfer belt (ITB) lock-support rear assembly	RM1-3215-000CN	1
9	Intermediate transfer belt (ITB) lock-support front assembly	RM1-3228-000CN	1
10	Intermediate transfer belt (ITB)-drawer assembly	RM1-3240-000CN	1
11	Intermediate transfer belt (ITB) estrangement-drive assembly	RM1-3280-000CN	1
12	Registration 2nd-transfer assembly kit with service document	Q3931-67909	1
13	2nd-transfer-roller assembly kit	Q3931-67910	1
14	Intermediate transfer belt (ITB) assembly kit	Q3931-67908	1
15	Color-plane-registration (CPR) sensor assembly	RM1-3258-000CN	1
16	Screw, RS, M3x6	XA9-1495-000CN	10
17	Screw, RS, M3x8	XA9-1504-000CN	1

 **NOTE:** Only highlighted parts are orderable.

**Figure 9-7** Printer internal components (4 of 7)





**Table 9-7 Printer internal components (4 of 7)**

Ref	Description	Part number	Qty
1	Damper, gear	RC1-8925-000CN	1
2	Rail, fixing, front	RC1-8931-000CN	1
3	Duct, air	RC1-8961-000CN	1
4	Duct, face-down joint	RC1-8964-000CN	1
5	Tag PCA-holder assembly	RM1-4402-000CN	1
6	Duct, cartridge	RC1-9276-000CN	1
7	Holder, cartridge-fan	RC1-9277-000CN	1
8	Holder, fixing-fan	RC1-9278-000CN	1
9	Holder, scanner-fan	RC1-9279-000CN	1
10	Duct, scanner-fan	RC1-9309-000CN	1
11	DC motor assembly	RM1-4519-000CN	2
12	Motor, stepping, DC	RK2-1366-000CN	1
13	Motor, stepping, DC	RK2-1370-000CN	1
14	Gear, 83T/25T	RU5-0790-000CN	1
15	Gear, 34T	RU5-0791-000CN	1
16	Ring, E	XD9-0234-000CN	1
17	Bearing, ball	XG9-0586-000CN	1
18	Plate, fixing-motor	RL1-1216-000CN	1
19	Fixing one-way gear assembly	RM1-3247-000CN	1
20	Main drive-unit kit	Q3931-67911	1
21	Toner-cartridge drive-assembly kit with service document	Q3931-67912	1
22	Toner-cartridge drive-assembly kit with service document	Q3931-67913	1
23	Fixing assembly kit, 110-127V, with air filter (air filter is Ref 14 in Printer external panels and covers)	Q3931-67914	1
23	Fixing assembly kit, 220-240V, with air filter (air filter is Ref 14 in Printer external panels and covers)	Q3931-67915	1
24	Drum-motor assembly	RM1-3286-000CN	4
25	Rail, fixing, rear	RC1-8939-000CN	1
26	Memory-tag PCA assembly	RM1-3585-000CN	1
27	Screw, RS, M3x6	XA9-1495-000CN	10
28	Screw, RS, M3x6	XA9-1495-000CN	4
29	Screw, RS, M3x8	XA9-1504-000CN	10
30	Pin, dowel	XD9-0240-000CN	1
31	Saddle, wire	WT2-5694-000CN	17
32	Toner-motor cable	RM1-3383-000CN	1

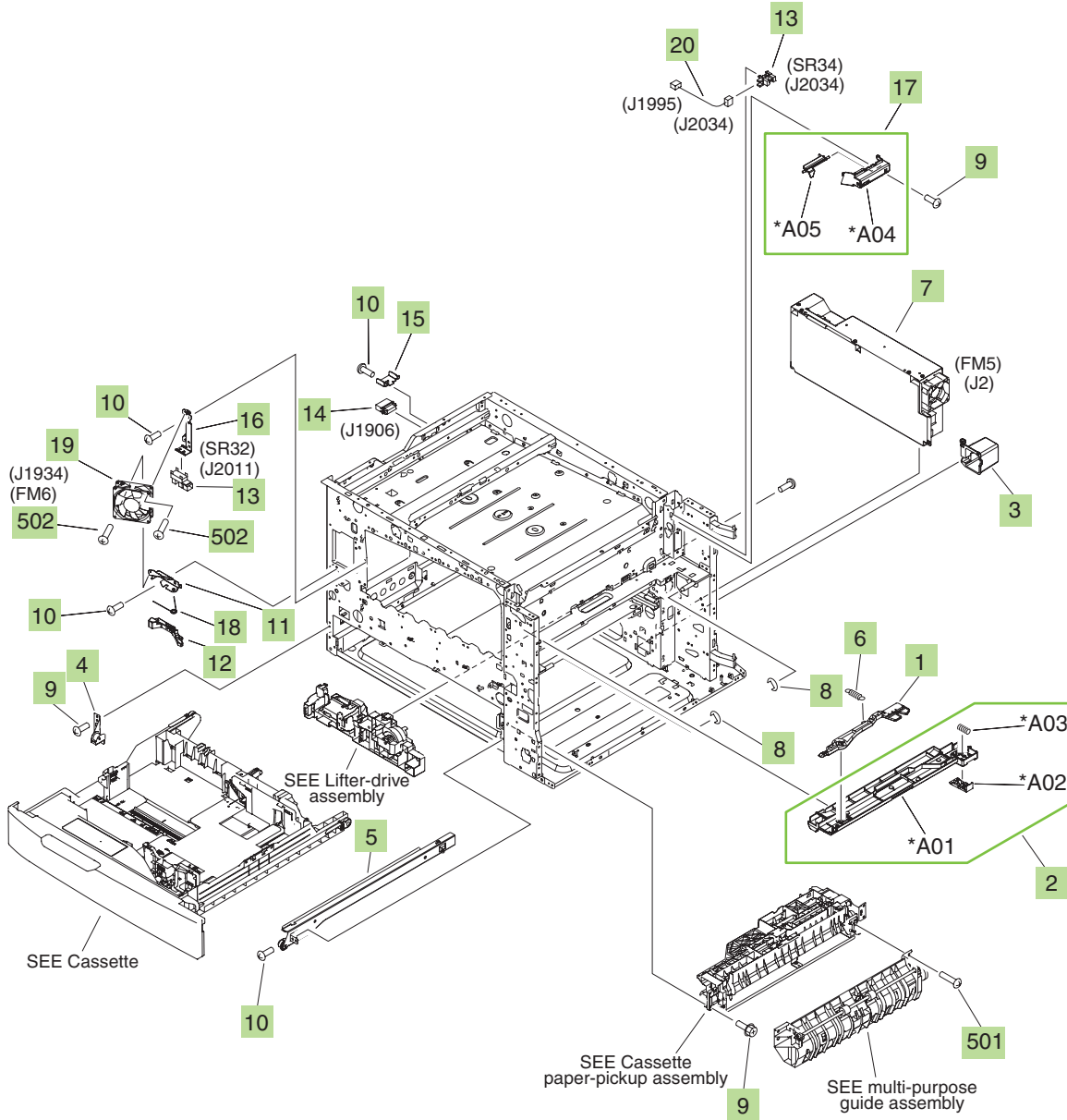
**Table 9-7 Printer internal components (4 of 7) (continued)**

Ref	Description	Part number	Qty
33	Toner-motor cable	RM1-3385-000CN	1
34	Fan	RK2-1377-000CN	2
35	Fan	RK2-1382-000CN	1
36	Fan	RK2-1378-000CN	1
37	Screw, TP, M3x6	XA9-1159-000CN	16
38	Connector, snap-tight	VS1-7177-003CN	3
501	Screw, with washer, M3x6	XB2-8300-607CN	5
502	Screw, machined, truss-head, M3x4	XB1-2300-407CN	4

 **NOTE:** Only highlighted parts are orderable.



Figure 9-8 Printer internal components (5 of 7)

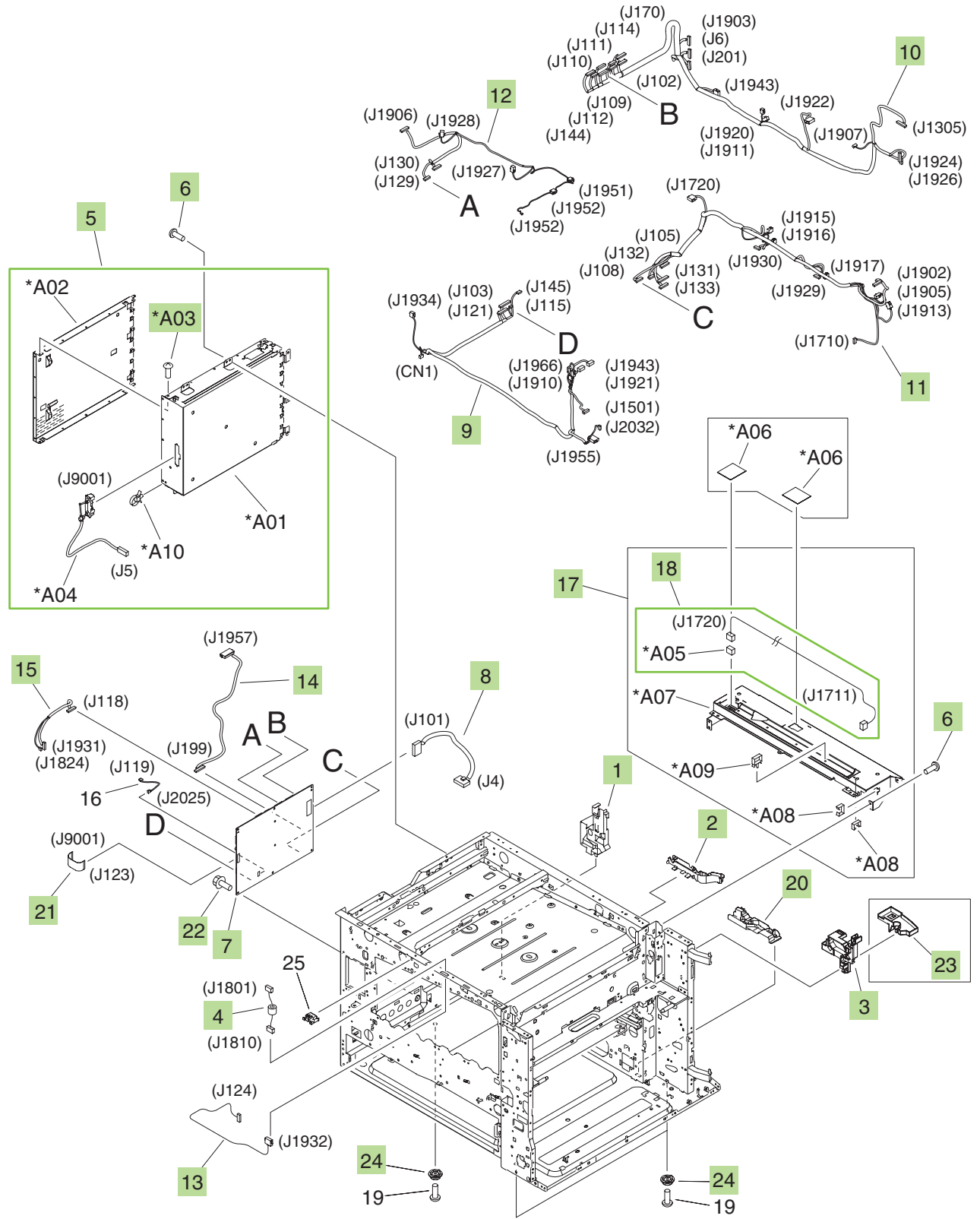


**Table 9-8 Printer internal components (5 of 7)**

Ref	Description	Part number	Qty
1	Lever, paper-sensing	RC1-8928-000CN	1
2	Intermediate transfer belt (ITB) duct assembly	RM1-4401-000CN	1
3	Cover, cassette back-end	RC1-9201-000CN	1
4	Rail, left, top	RL1-1213-000CN	1
5	Rail, cassette, right	RL1-1215-000CN	1
6	Spring, tension	RU5-2796-000CN	1
7	Low-voltage power-supply assembly	RM1-3594-000CN	1
8	Ring, E	XD9-0234-000CN	2
9	Screw, RS, M3x8	XA9-1504-000CN	10
10	Screw, RS, M3x6	XA9-1495-000CN	10
11	Plate, fan-fixing, front	RC1-9190-000CN	1
12	Lever, door-interlock shutter	RC1-9220-000CN	1
13	Photo interrupter, TLP1243	WG8-5696-000CN	2
14	Connector, drawer	VS1-7258-000CN	1
15	Plate, drawer-guard	RC1-9235-000CN	1
16	Plate, sensor, front	RC1-9246-000CN	1
17	Guide-sensor assembly	RM1-4400-000CN	1
18	Spring, torsion	RC1-9244-000CN	1
19	Fan	RK2-1378-000CN	1
20	Cable, fixing open-sensor	RM1-5029-000CN	1
501	Screw, tapping, truss-head, M4x10	XB4-7401-005CN	4
502	Screw, TP, M3x30	XB6-7303-005CN	2

 **NOTE:** Only highlighted parts are orderable.

**Figure 9-9** Printer internal components (6 of 7)

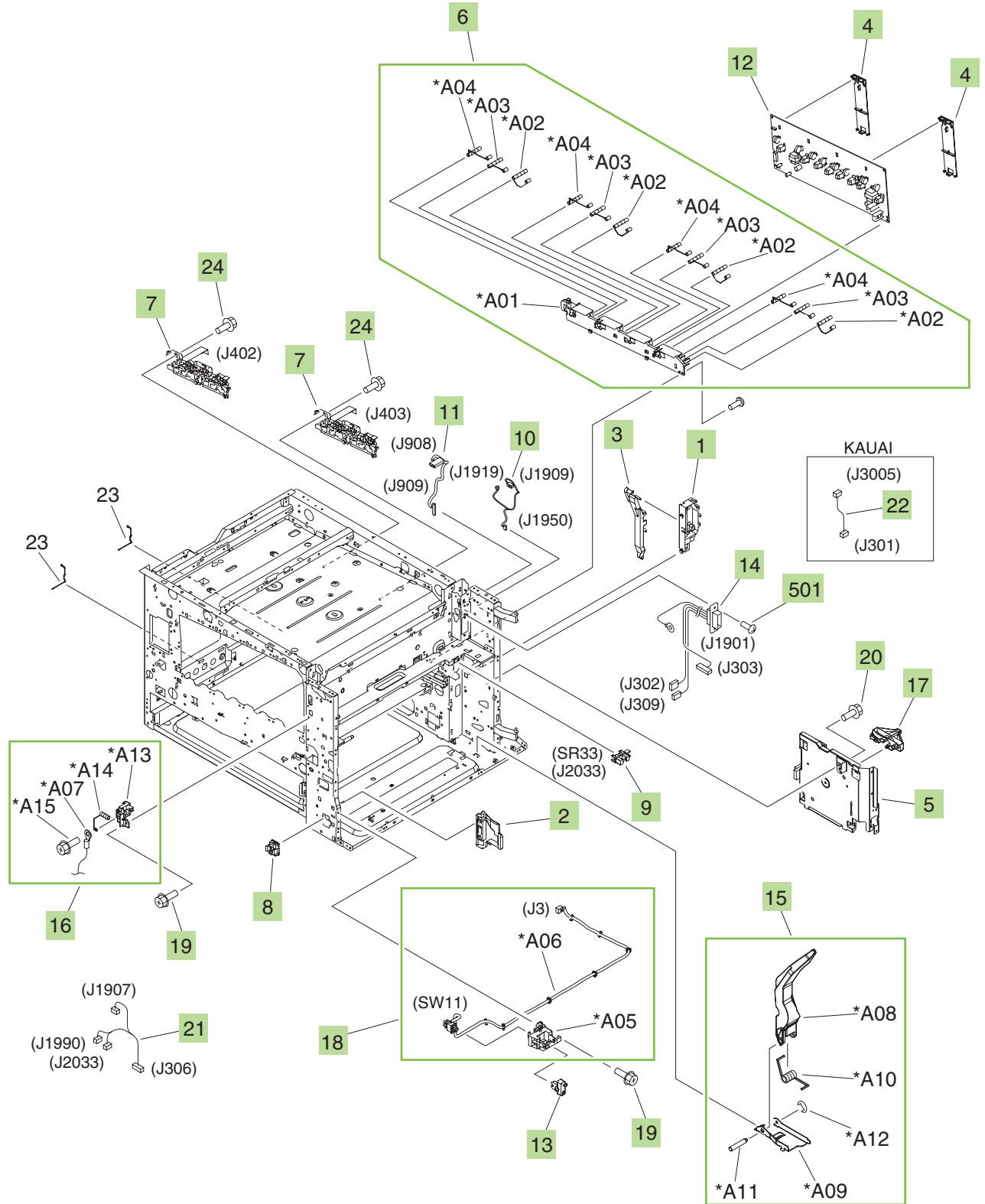


**Table 9-9 Printer internal components (6 of 7)**

Ref	Description	Part number	Qty
1	Guide, cable, C	RC1-9308-000CN	1
2	Guide, cable, D	RC1-9312-000CN	1
3	Guide, cable, E	RC1-9318-000CN	1
4	Panel cable	RM1-3389-000CN	1
5	Formatter-case assembly	RM1-3253-000CN	1
6	Screw, RS, M3x6	XA9-1495-000CN	20
7	DC-controller PCA assembly	RM1-6642-000CN	1
8	DC-controller power cable	RM1-3610-000CN	1
9	Front cable	RM1-3617-000CN	1
10	Rear-lower cable	RM1-3618-000CN	1
11	Rear-upper cable	RM1-3619-000CN	1
12	Scanner-joint cable	RM1-3620-000CN	1
13	Panel-joint cable	RM1-3622-000CN	1
14	Interface-joint cable	RM1-3623-000CN	1
15	Color-plane-registration (CPR)-joint cable	RM1-3624-000CN	1
16	Waste-toner-sensor cable	RM1-3640-000CN	1
17	Rear-cover-mount plate assembly	RM1-3354-000CN	1
18	Fixing-motor cable	RM1-3217-000CN	1
20	Guide, cable, B	RC1-9307-000CN	1
21	Cable, flexible flat	RK2-1356-000CN	1
22	Screw, RS, M3x8	XA9-1449-000CN	8
23	Tray, screw	RC1-9256-000CN	1
24	Foot, rubber	RC1-9208-000CN	3
A03	Screw, RS, M3x6	XA9-1495-000CN	11

 **NOTE:** Only highlighted parts are orderable.

Figure 9-10 Printer internal components (7 of 7)



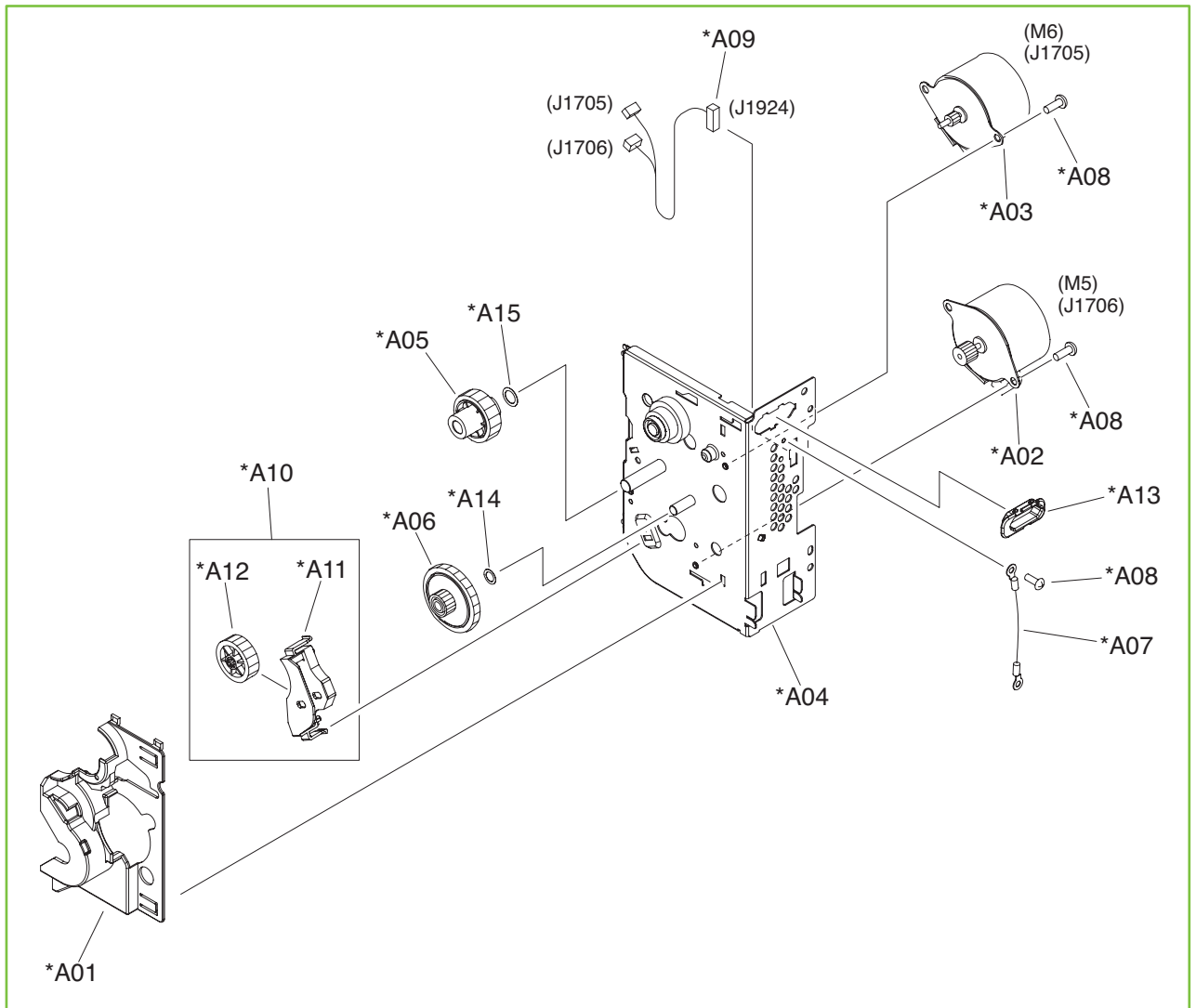


**Table 9-10 Printer internal components (7 of 7)**

Ref	Description	Part number	Qty
1	Guide, cable, A	RC1-9306-000CN	1
2	Cover, main-switch	RC1-9211-000CN	1
3	Guide, cable, F	RC1-9323-000CN	1
4	Plate, high-voltage transmission (HVT-A) guard	RC1-9326-000CN	1
5	Fixing power-supply assembly	RM1-3218-000CN	1
6	Cartridge contact-holder assembly	RM1-3254-000CN	1
7	Cartridge-interface assembly kit with service document	Q3931-67917	2
8	Holder, high-voltage-connector	RC1-9328-000CN	1
9	Photo interrupter, TLP1243	WG8-5696-000CN	1
10	Face-down unit-1 cable	RM1-3390-000CN	1
11	Face-down unit-2 cable	RM1-3391-000CN	1
12	High-voltage-transfer A PCA assembly	RM1-3582-000CN	2
13	Button, main-switch	RC1-9300-000CN	1
14	Fixing-joint cable	RM1-3612-000CN	1
15	T2 guide-arm assembly	RM1-4411-000CN	1
16	Fixing-bias cable assembly	RM1-4409-000CN	1
17	Guide, fixing-cable	RC1-9332-000CN	1
18	Main switch-holder assembly	RM1-3252-000CN	1
19	Screw, RS, M3x8	XA9-1504-000CN	47
20	Screw, RS, M3x6	XA9-1495-000CN	54
21	Cable TP/T2 open-sensor	RM1-5030-000CN	1
22	Cable, MFP AC	RM1-3599-000CN	1
24	Screw, RS, M13x12	XA9-1801-000CN	6
501	Screw, machined, truss-head, M4x8	XB1-2400-805CN	2

 **NOTE:** Only highlighted parts are orderable.

Figure 9-11 Printer multi-purpose-drive assembly

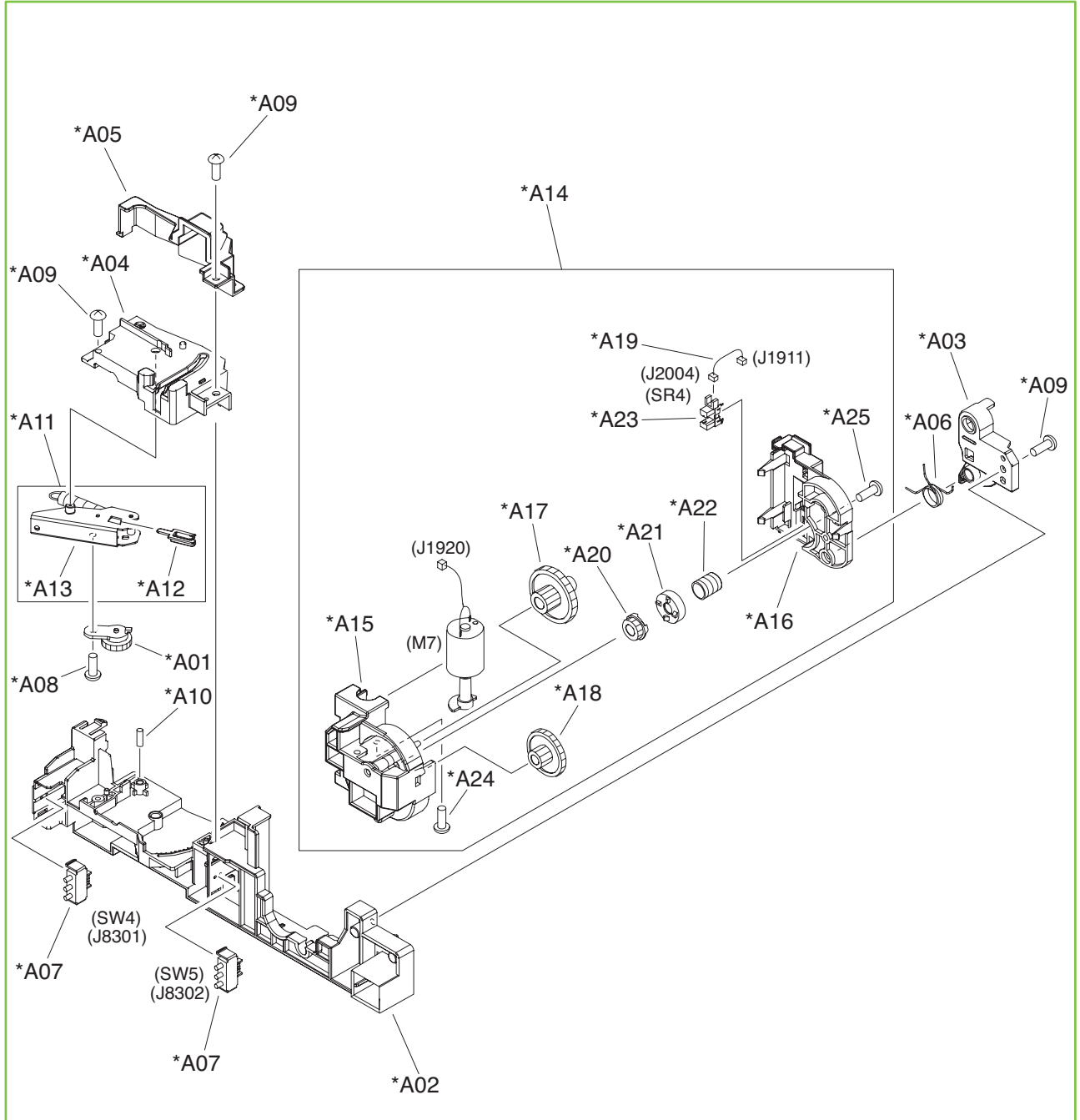


**Table 9-11 Printer multi-purpose-drive assembly**

Ref	Description	Part number	Qty
All	Multi-purpose-drive assembly	RM1-3366-000CN	1

 **NOTE:** Only highlighted parts are orderable.

**Figure 9-12** Printer lifter-drive assembly

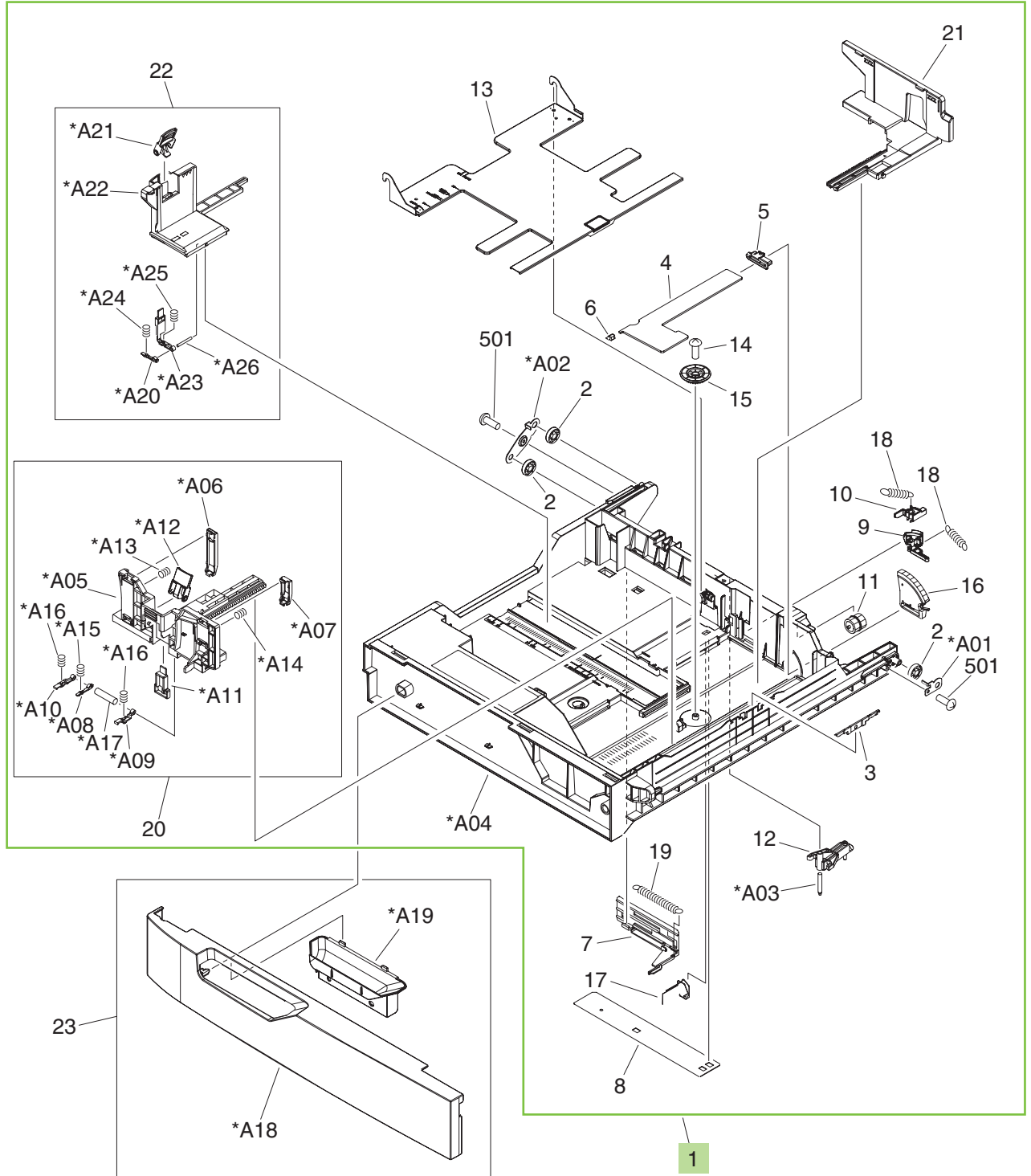


**Table 9-12 Printer lifter-drive assembly**

Ref	Description	Part number	Qty
All	Lifter-drive-assembly kit	RM1-3222-000CN	1

 **NOTE:** Only highlighted parts are orderable.

**Figure 9-13** Printer cassette

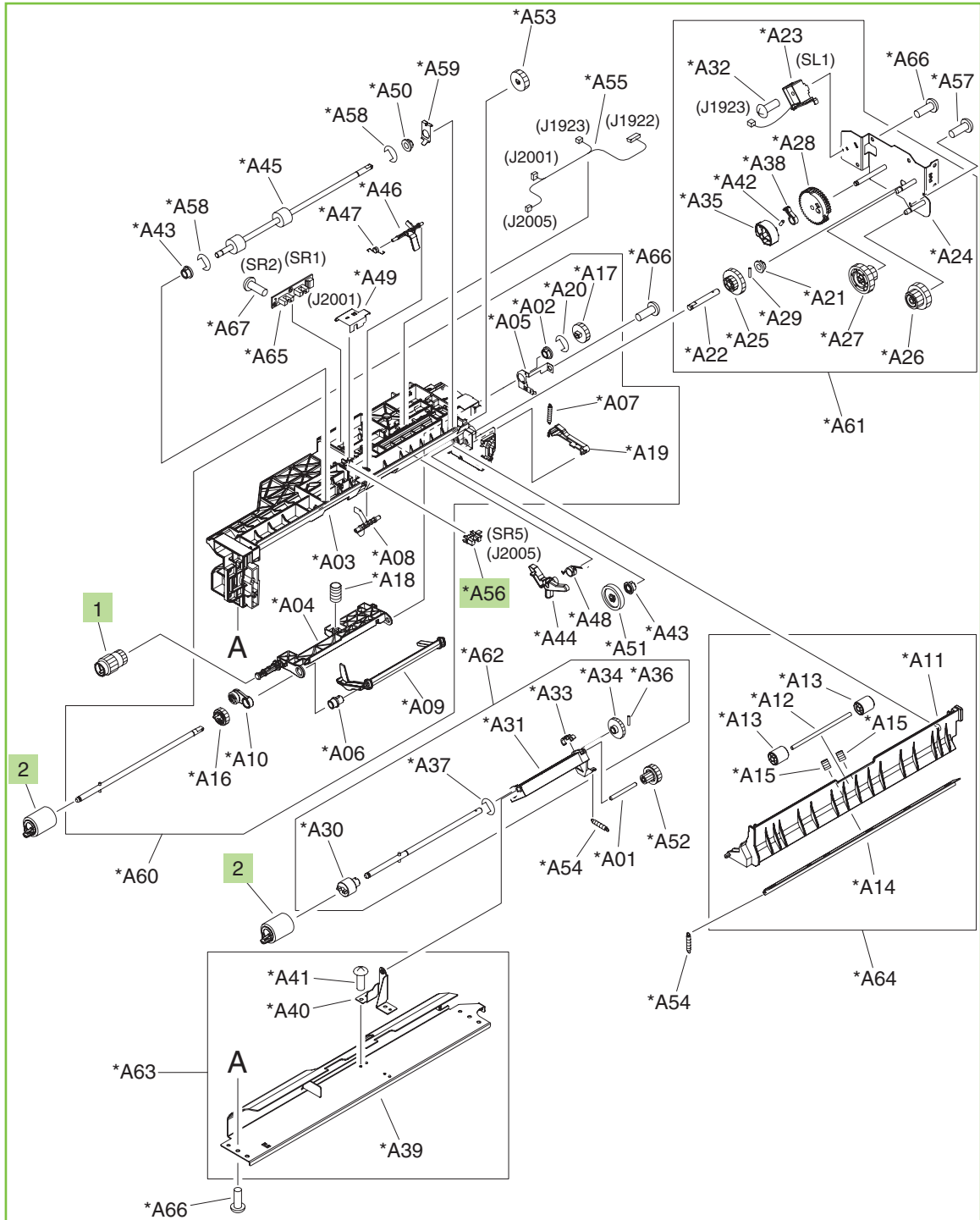


**Table 9-13 Printer cassette**

Ref	Description	Part number	Qty
1	Cassette-assembly kit with service document	Q3931-67918	1

 **NOTE:** Only highlighted parts are orderable.

**Figure 9-14** Printer cassette paper-pickup assembly



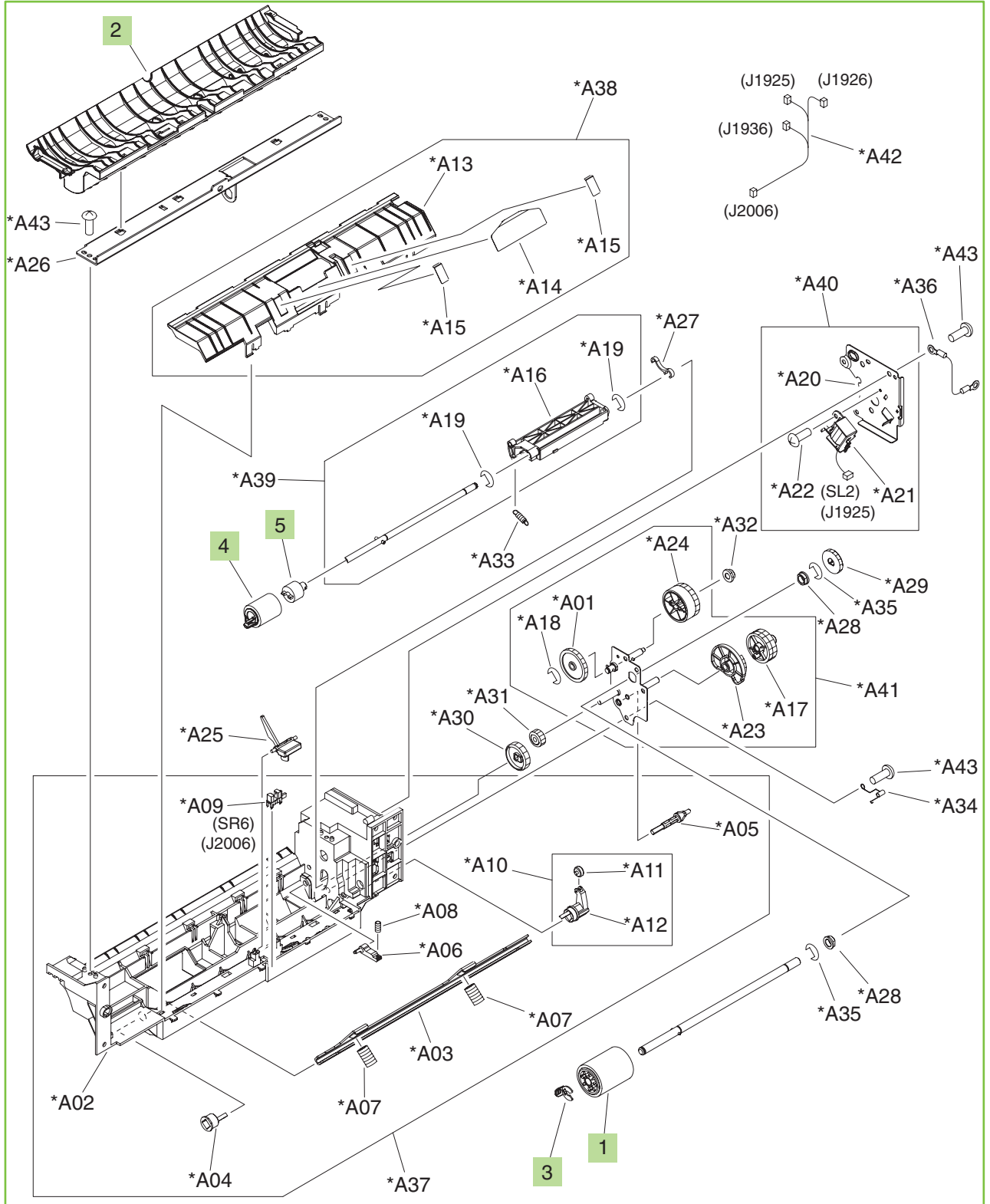


**Table 9-14 Printer cassette paper-pickup assembly**

Ref	Description	Part number	Qty
All	Cassette paper-pickup assembly	RM1-3206-000CN	1
1, 2	Tray 2 pickup, feed-roller kit	Q3931-67919	1
A56	Photo interrupter, TLP1243	WG8-5696-000CN	1

 **NOTE:** Only highlighted parts are orderable.

**Figure 9-15** Printer multi-purpose paper-pickup assembly

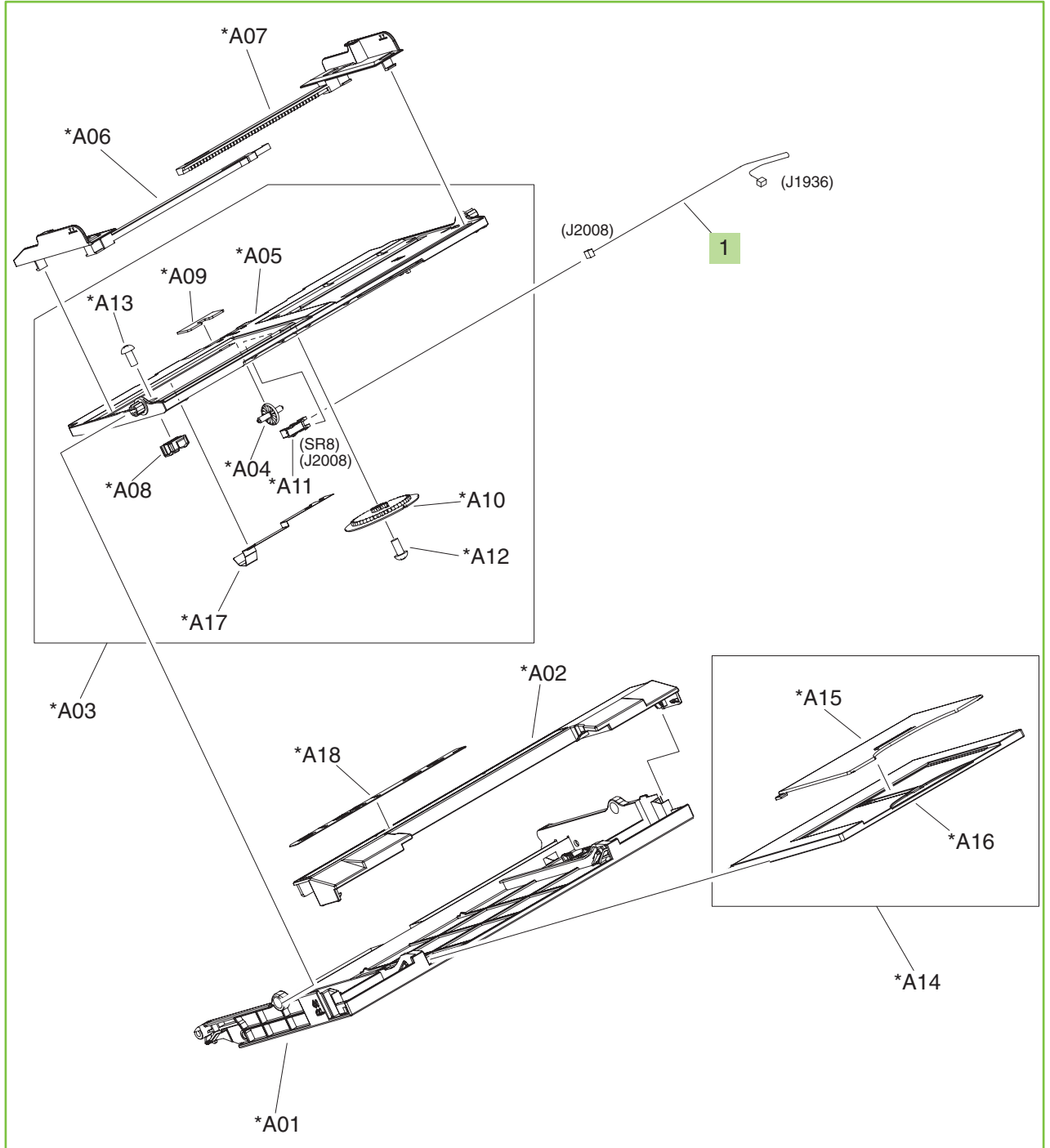


**Table 9-15 Printer multi-purpose paper-pickup assembly**

Ref	Description	Part number	Qty
All	Multi-purpose paper-pickup assembly	RM1-3345-000CN	1
1, 4	Tray 1 pickup, retard-roller kit	Q3931-67920	1
2	Guide, multi-purpose, upper	RC1-8526-000CN	1
3	Retainer	RC1-8511-000CN	1
5	Limiter, torque	RC1-8519-000CN	1

 **NOTE:** Only highlighted parts are orderable.

Figure 9-16 Printer multi-purpose-tray assembly

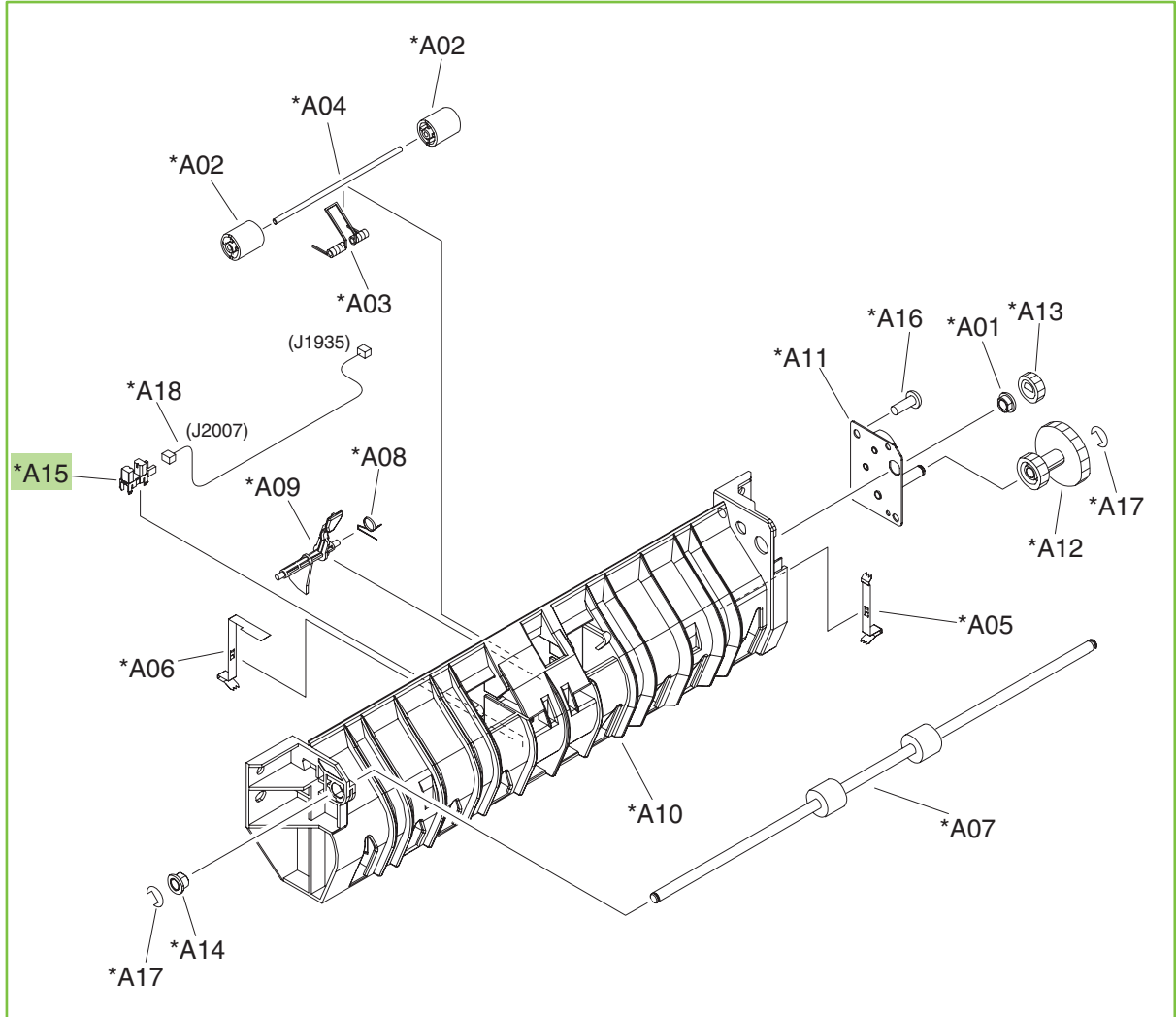


**Table 9-16 Printer multi-purpose-tray assembly**

Ref	Description	Part number	Qty
All	Multi-purpose-tray assembly	RM1-3341-000CN	1
1	Multi-tray cable	RM1-3630-000CN	1

 **NOTE:** Only highlighted parts are orderable.

Figure 9-17 Printer multi-purpose-guide assembly

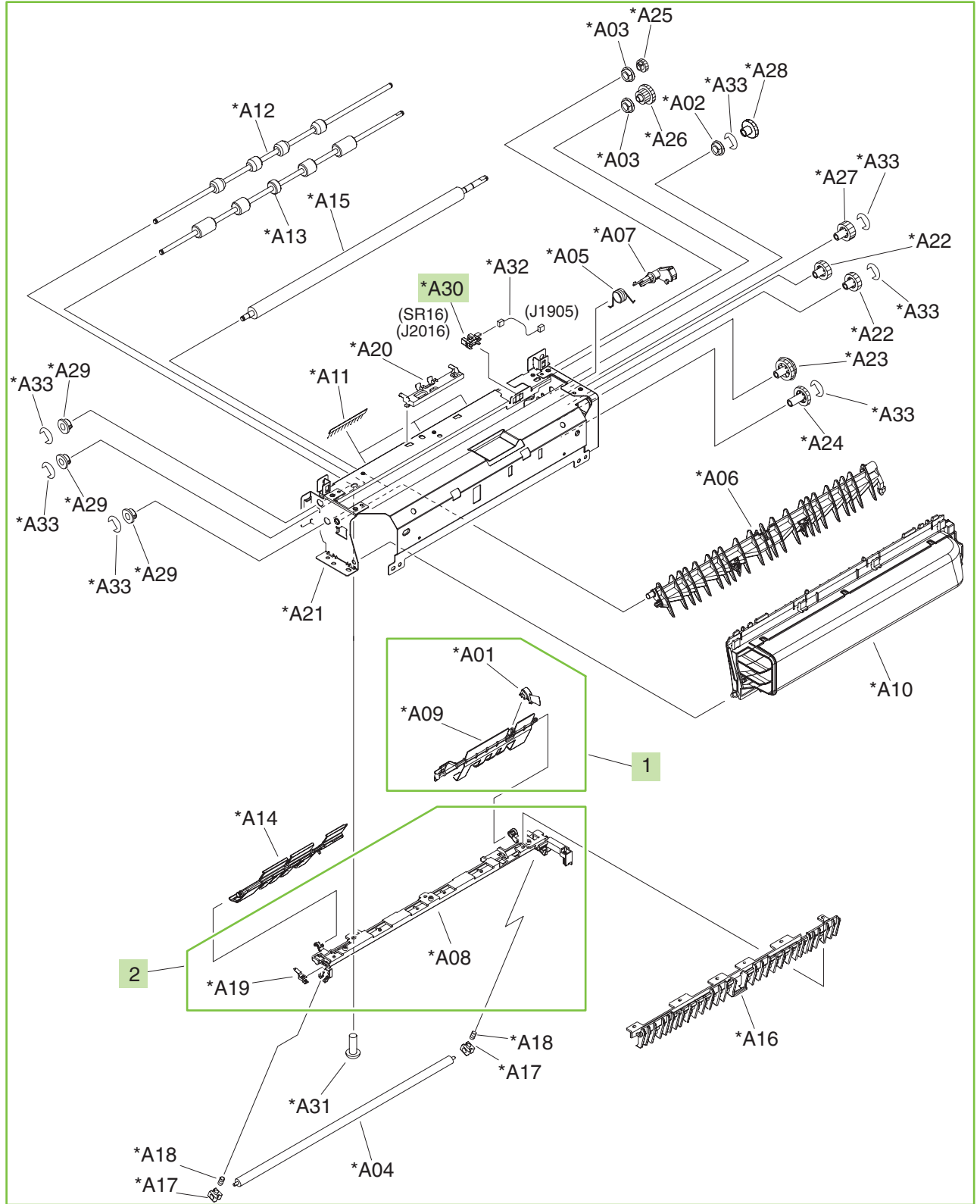


**Table 9-17 Printer multi-purpose-guide assembly**

Ref	Description	Part number	Qty
All	Multi-purpose-guide assembly	RM1-3291-000CN	1
A15	Photo interrupter, TLP1243	WG8-5696-000CN	1

 **NOTE:** Only highlighted parts are orderable.

**Figure 9-18** Printer face-down paper-delivery assembly



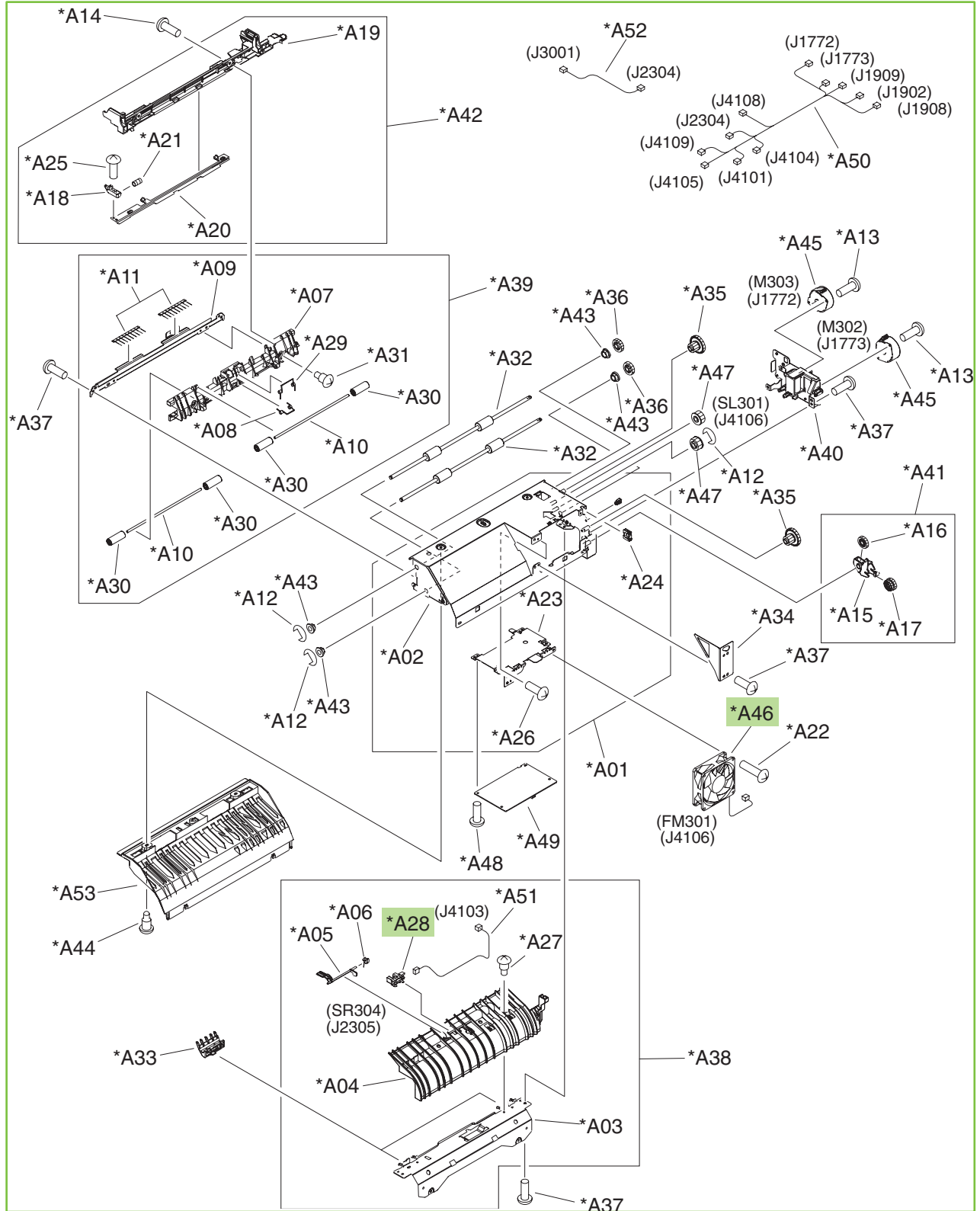


**Table 9-18 Printer face-down paper-delivery assembly**

Ref	Description	Part number	Qty
All	Face-down paper-delivery assembly	RM1-3293-000CN	1
1	Face-down full-flag assembly	RM1-4391-000CN	1
2	Paper-delivery-guide assembly	RM1-4407-000CN	1
A30	Photo interrupter, TLP1243	WG8-5696-000CN	1


 **NOTE:** Only highlighted parts are orderable.

**Figure 9-19** Printer duplexing-reverse assembly

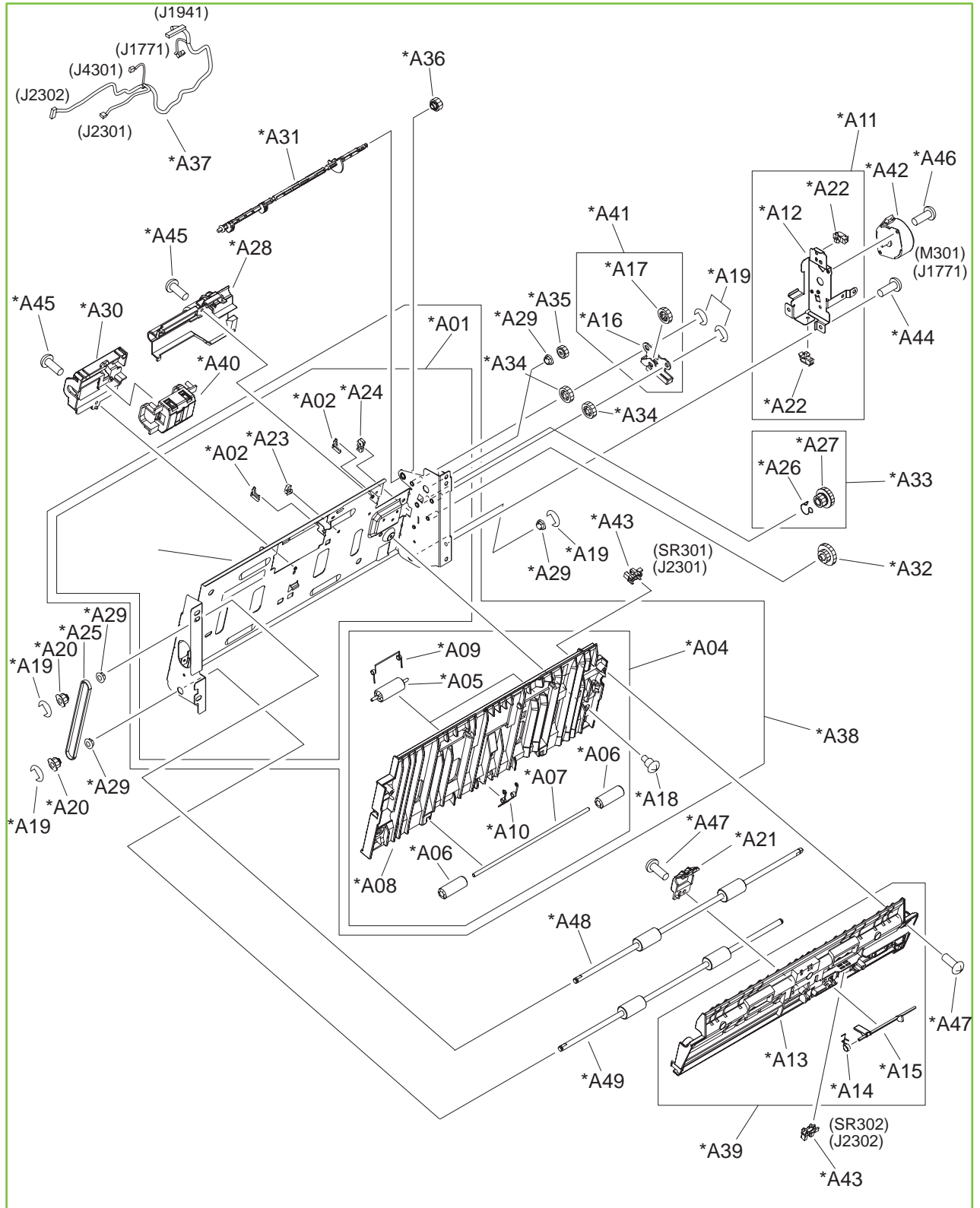


**Table 9-19 Printer duplexing-reverse assembly**

Ref	Description	Part number	Qty
All	Duplexing-reverse assembly	RM1-3652-000CN	1
A28	Photo interrupter, TLP1243	WG8-5696-000CN	1
A46	Fan	RK2-1378-000CN	1

 **NOTE:** Only highlighted parts are orderable.

**Figure 9-20** Printer duplexing-feed assembly

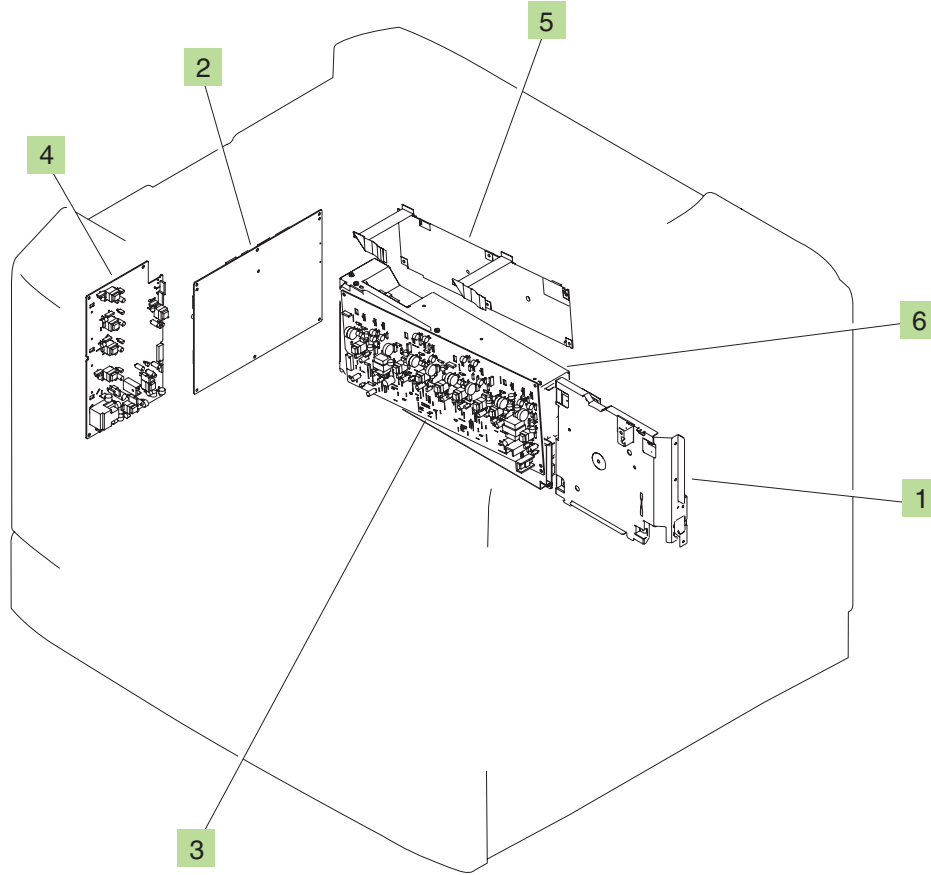


**Table 9-20 Printer duplexing-feed assembly**

Ref	Description	Part number	Qty
All	Duplexing-feed assembly	RM1-3665-000CN	1

 **NOTE:** Only highlighted parts are orderable.

**Figure 9-21** Printer PCA assembly location



**Table 9-21 Printer PCA assembly location**

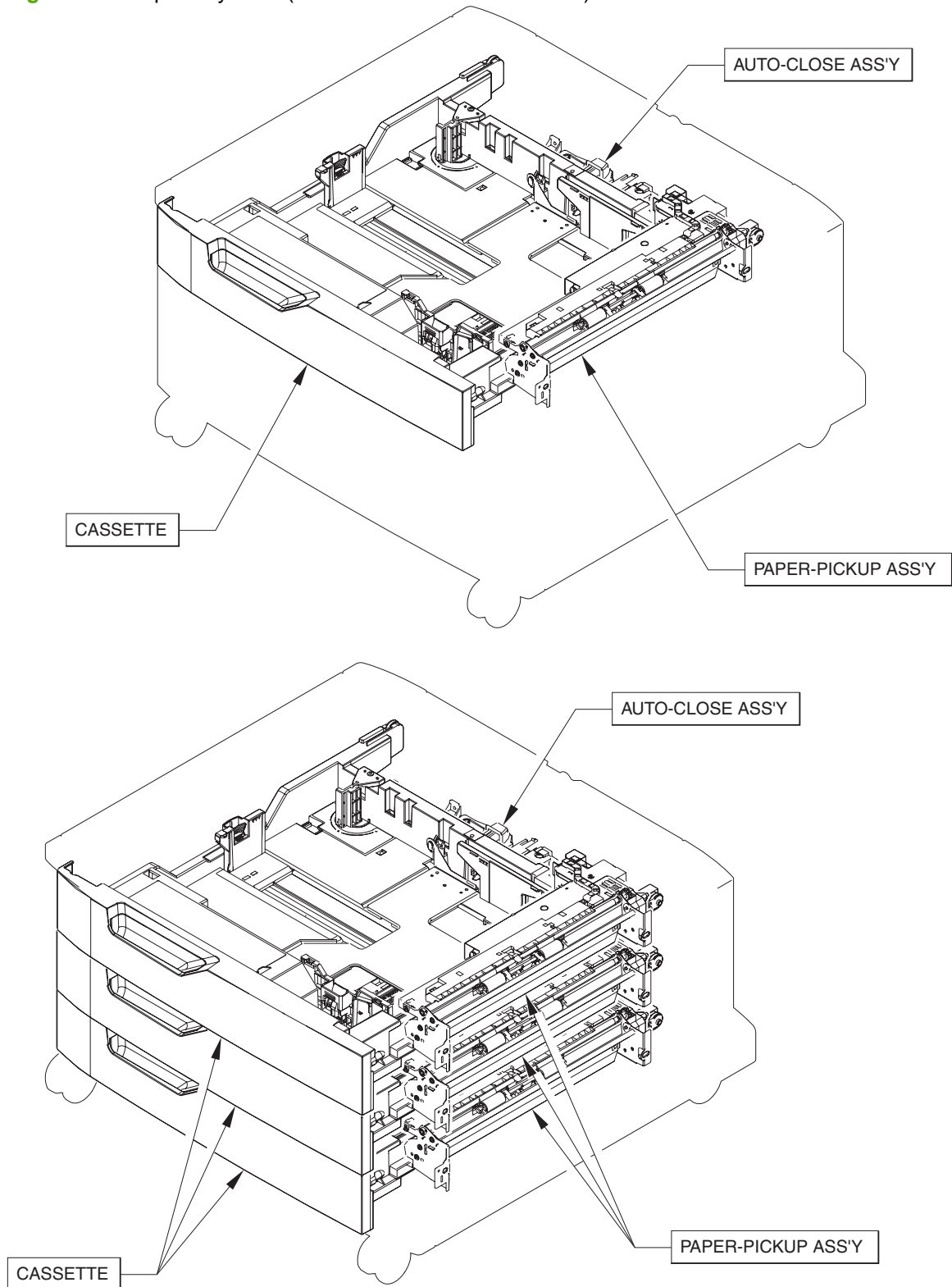
Ref	Description	Part number	Qty
1	Fixing power-supply assembly	RM1-3218-000CN	1
2	DC controller PCA assembly	RM1-6642-000CN	1
3	High-voltage-transfer A PCA assembly	RM1-3582-000CN	1
4	High-voltage-transfer B PCA assembly	RM1-5475-000CN	1
5	Memory-tag PCA assembly	RM1-3585-000CN	1
6	Low-voltage power-supply assembly	RM1-3594-000CN	1

 **NOTE:** Only highlighted parts are orderable.

# Input-accessory devices

## Input trays

Figure 9-22 Input-tray units (1x500-sheet and 3x500-sheet)



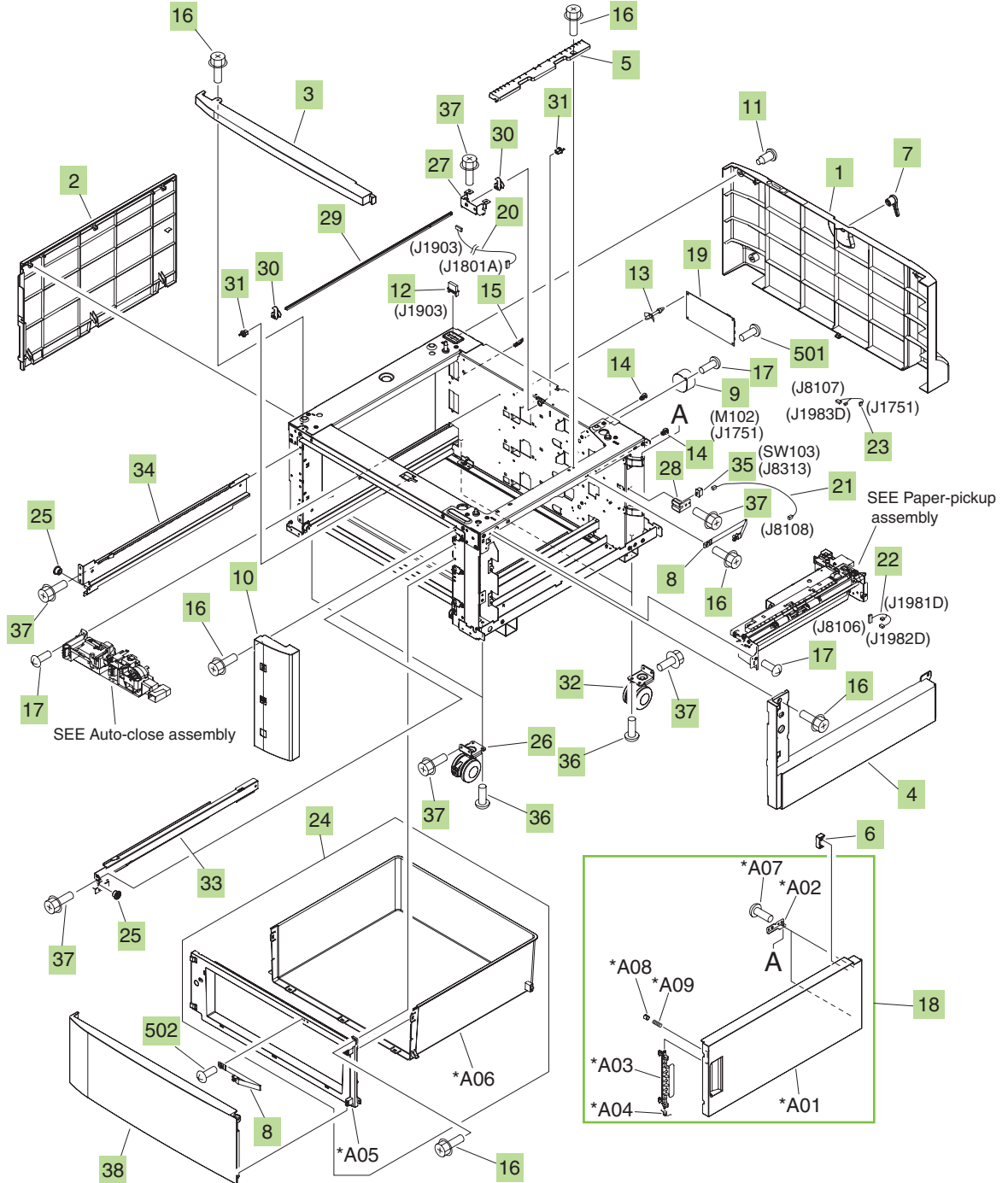


---

 **NOTE:** Only highlighted parts are orderable.

---

**Figure 9-23** Input-tray main body (1x500-sheet)



**Table 9-22 Input-tray main body (1x500-sheet)**

Ref	Description	Part number	Qty
1	Cover, rear	RC1-9871-000CN	1
2	Cover, left	RC1-9872-000CN	1
3	Cover, front-upper	RC1-9873-000CN	1
4	Cover, right-lower	RC1-9874-000CN	1
5	Guide, paper-feed roller	RC1-9881-000CN	1
6	Stopper, right-door	RC1-9882-000CN	1
7	Lever, lock	RC1-9883-000CN	1
8	Tape, door	RC1-9884-000CN	2
9	Motor, stepping, DC	RK2-1331-000CN	1
10	Cover, right-front	RL1-1322-000CN	1
11	Screw, stepped	RS5-9099-000CN	4
12	Connector, drawer	VS1-7257-012CN	1
13	Support, PCA	VT2-0001-008CN	2
14	Saddle, wire	WT2-5694-000CN	2
15	Clamp, cable	WT2-5738-000CN	1
16	Screw, RS, M4x8	XA9-1448-000CN	13
14	Screw, TP, M3x6	XA9-1469-000CN	7
15	Right-door assembly	RM1-3538-000CN	1
19	Paper-feed PCA assembly	RM1-3569-000CN	1
20	Cable, pickup-option drawer	RM1-3571-000CN	1
21	Cable, pickup-option door switch	RM1-3572-000CN	1
22	Cable, option-sensor PCA connect	RM1-3574-000CN	1
23	Cable, paper-pickup option	RM1-3575-000CN	1
24	Stock-box assembly	RM1-3539-000CN	1
25	Roller, rail	RC1-9231-000CN	4
26	Caster, double-lock, front	RC1-9896-000CN	2
27	Support, lock-shaft	RC1-9900-000CN	1
28	Plate, switch-cover	RC1-9901-000CN	1
29	Shaft, lock	RC1-9912-000CN	1
30	Arm, lock	RC1-9913-000CN	2
31	Bushing	RC1-9915-000CN	2
32	Caster, rear	RC1-9917-000CN	2
33	Rail, cassette, right	RL1-1310-000CN	2
34	Rail, cassette, left	RL1-1311-000CN	2

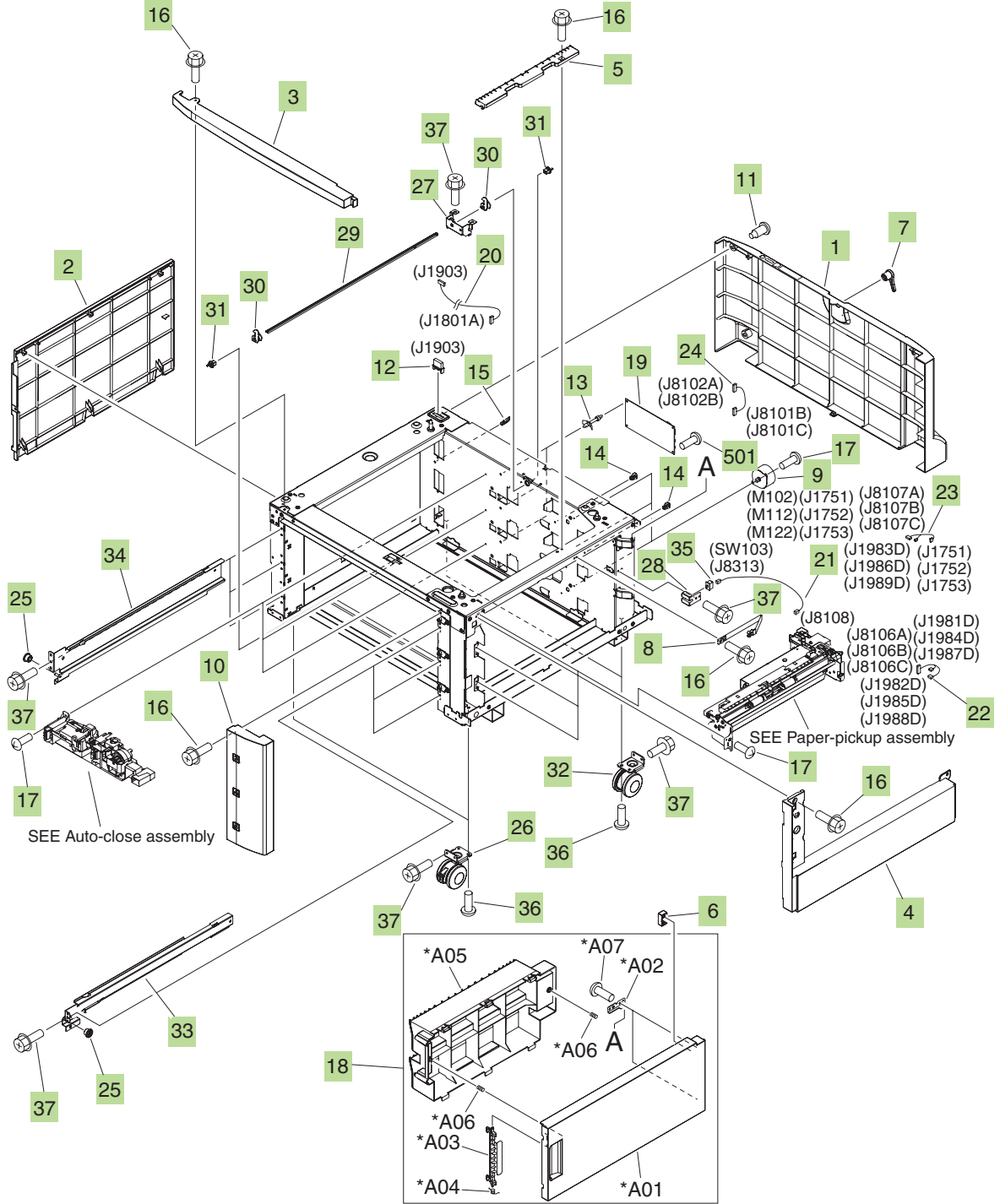
**Table 9-22** Input-tray main body (1x500-sheet) (continued)

Ref	Description	Part number	Qty
35	Switch, button	WC2-5512-000CN	1
36	Screw, with washer, M5x12	XA9-0912-000CN	8
37	Screw, RS, M4x8	XA9-1448-000CN	75
38	Door, stock	RC1-9921-000CN	1
501	Screw, with washer, M3x6	XB2-8300-607CN	2
502	Screw, tapping, pan-head, M4x10	XB4-7401-006CN	1

 **NOTE:** Only highlighted parts are orderable.



**Figure 9-24** Input-tray main body (3x500-sheet)



**Table 9-23 Input-tray main body (3x500-sheet)**

Ref	Description	Part number	Qty
1	Cover, rear	RC1-9871-000CN	1
2	Cover, left	RC1-9872-000CN	1
3	Cover, front-upper	RC1-9873-000CN	1
4	Cover, right-lower	RC1-9874-000CN	1
5	Guide, paper-feed roller	RC1-9881-000CN	1
6	Stopper, right-door	RC1-9882-000CN	1
7	Lever, lock	RC1-9883-000CN	1
8	Tape, door	RC1-9884-000CN	1
9	Motor, stepping, DC	RK2-1331-000CN	3
10	Cover, right-front	RL1-1321-000CN	1
11	Screw, stepped	RS5-9099-000CN	4
12	Connector, drawer	VS1-7257-012CN	1
13	Support, PCA	VT2-001-008CN	6
14	Saddle, wire	WT2-5694-000CN	2
15	Clamp, cable	WT2-5738-000CN	1
16	Screw, RS, M4x8	XA9-1448-000CN	10
17	Screw, TP, M3x6	XA9-1469-000CN	21
18	Right-door assembly	RM1-3537-000CN	1
19	Paper-feed PCA assembly	RM1-3569-000CN	3
20	Cable, paper-pickup-option drawer	RM1-3571-000CN	1
21	Cable, pickup-option door switch	RM1-3572-000CN	1
22	Cable, option-sensor PCA connect	RM1-3574-000CN	3
23	Cable, paper-pickup option	RM1-3575-000CN	3
24	Cable, pickup-option PCA connect	RM1-3573-000CN	2
25	Roller, rail	RC1-9231-000CN	6
26	Caster, double-lock, front	RC1-9896-000CN	2
27	Support, lock-shaft	RC1-9900-000CN	1
28	Plate, switch-cover	RC1-9901-000CN	1
29	Shaft, lock	RC1-9912-000CN	1
30	Arm, lock	RC1-9913-000CN	2
31	Bushing	RC1-9915-000CN	2
32	Caster, rear	RC1-9917-000CN	2
33	Rail, cassette, right	RL1-1310-000CN	3
34	Rail, cassette, left	RL1-1311-000CN	3

**Table 9-23** Input-tray main body (3x500-sheet) (continued)

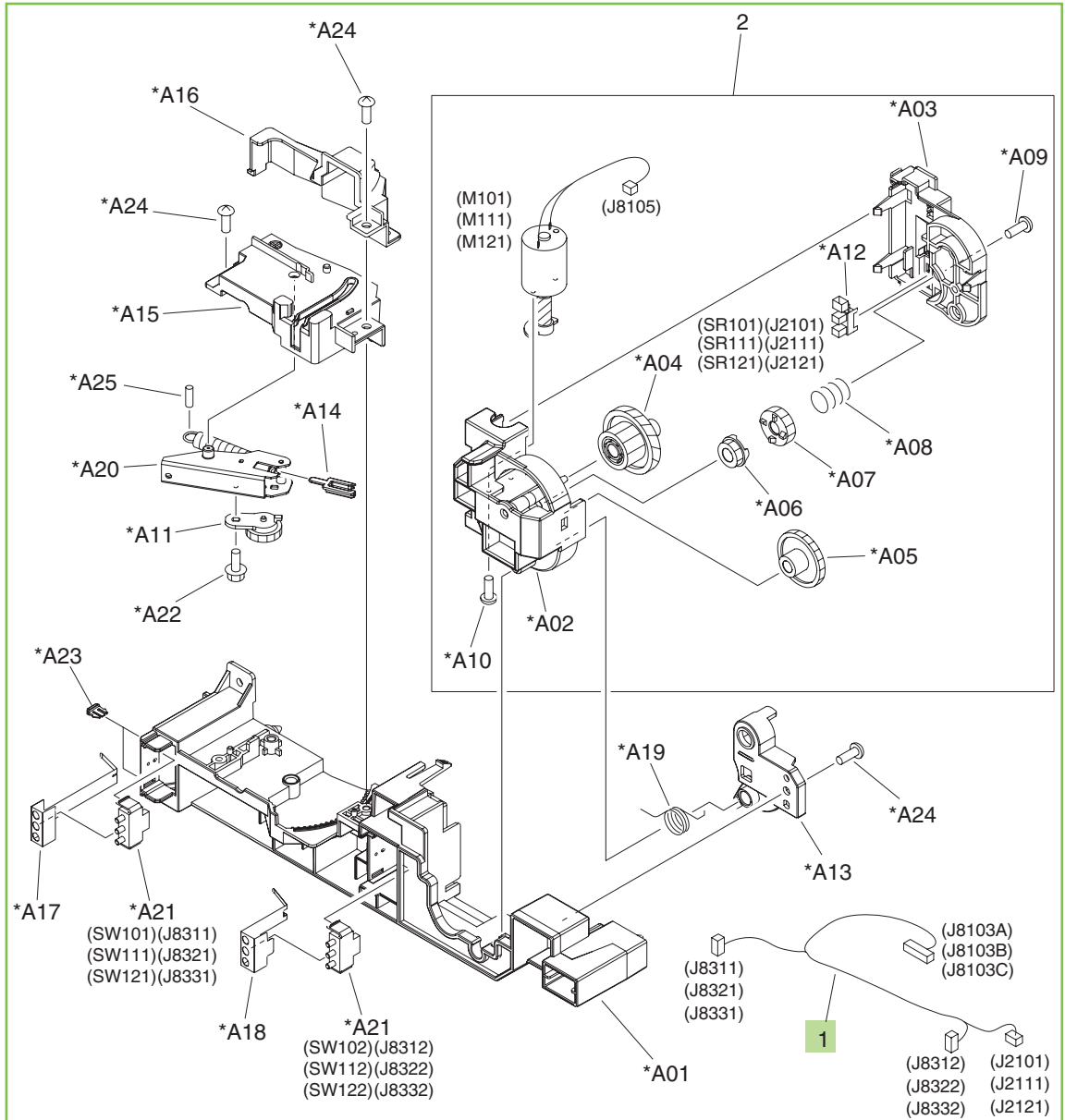
Ref	Description	Part number	Qty
35	Switch, button	WC2-5512-000CN	1
36	Screw, with washer, M5x12	XA9-0912-000CN	8
37	Screw, RS, M4x8	XA9-1448-000CN	77
501	Screw, with washer, M3x6	XB2-8300-607CN	6

 **NOTE:** Only highlighted parts are orderable.





**Figure 9-25** Input-tray auto-close assembly

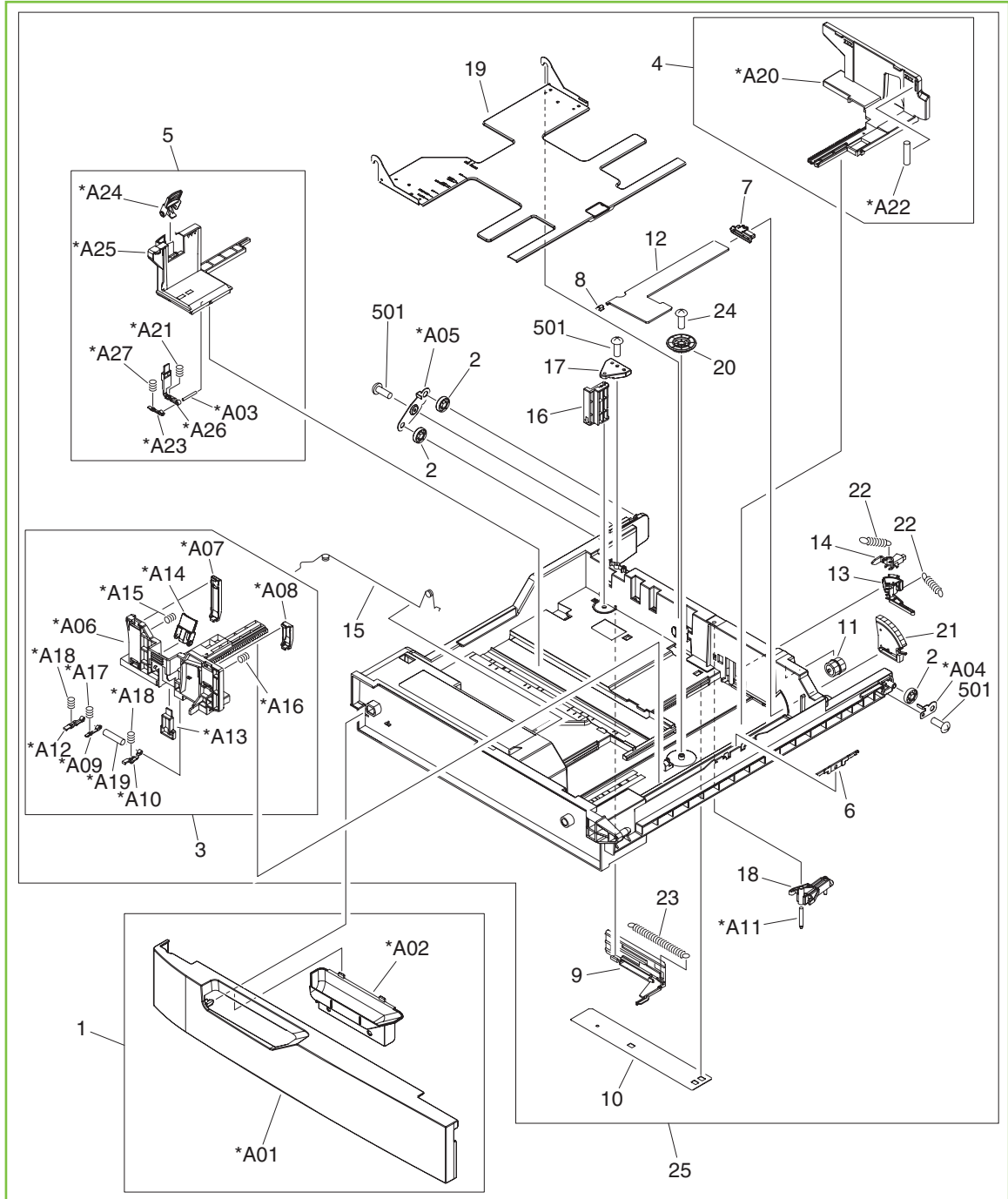


**Table 9-24 Input-tray auto-close assembly**

Ref	Description	Part number	Qty
All	Auto-close assembly, 1x500-sheet	RM1-3531-040CN	1
All	Auto-close assembly, 3x500-sheet	RM1-3531-040CN	3
1	Cable, pickup-option lifter unit	RM1-3576-000CN	1

 **NOTE:** Only highlighted parts are orderable.

**Figure 9-26** Input-tray cassette

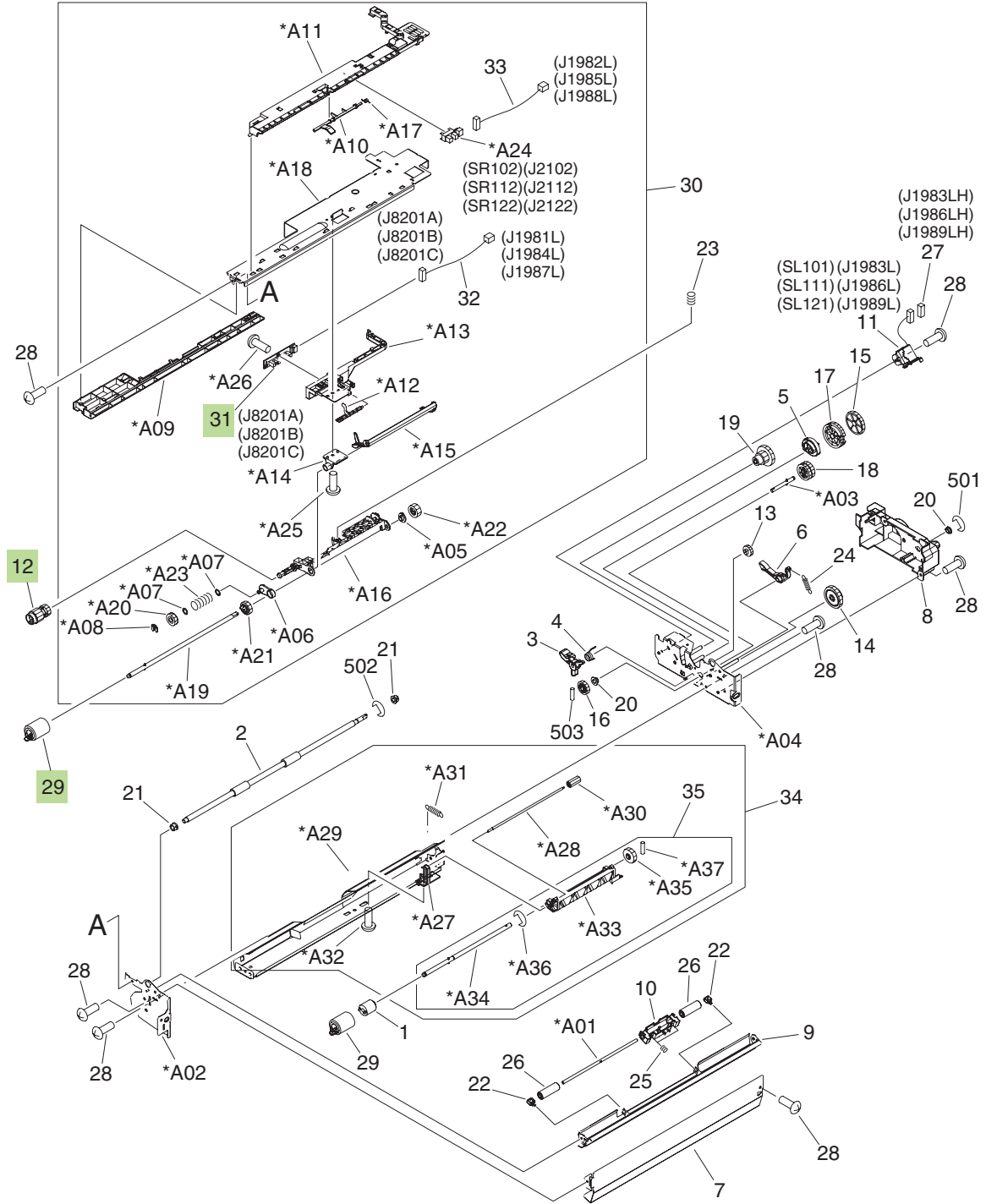


**Table 9-25 Input-tray cassette**

Ref	Description	Part number	Qty
All	Cassette (1x500-sheet)	RM1-3529-000CN	1
All	Cassette (3x500-sheet)	RM1-3529-000CN	3

 **NOTE:** Only highlighted parts are orderable.

Figure 9-27 Input-tray paper-pickup assembly

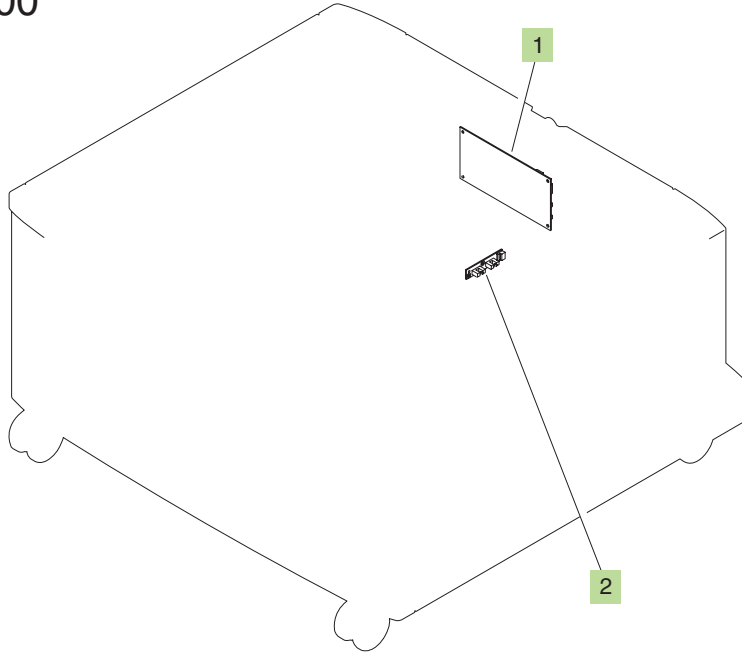


**Table 9-26** Input-tray paper-pickup assembly

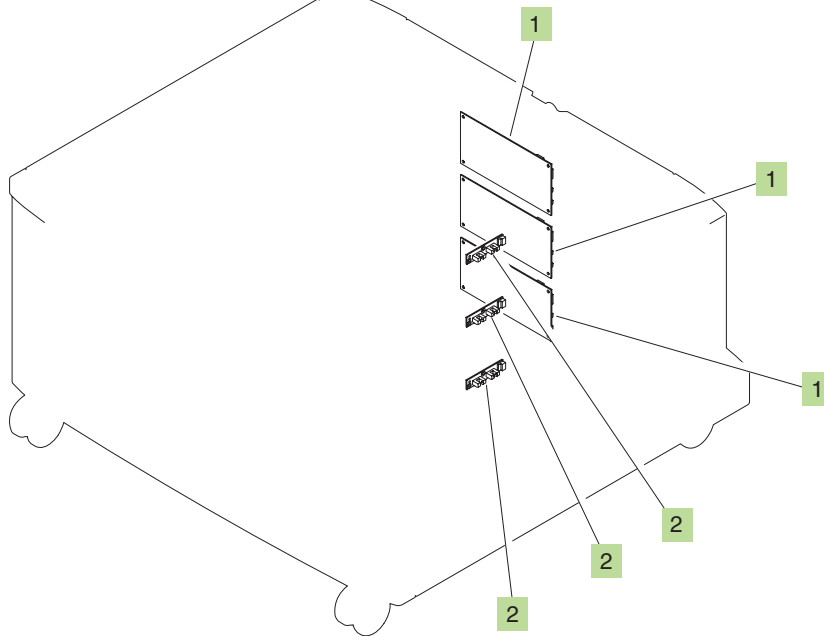
Ref	Description	Part number	Qty
12	Roller, paper-pickup	RL1-1289-000CN	1
29	Paper feed-roller assembly	RM1-0037-020CN	2
31	Option paper-sensor PCA assembly	RM1-3570-000CN	1

 **NOTE:** Only highlighted parts are orderable.

**Figure 9-28** Input-tray PCA assembly  
1x500



3x500





**Table 9-27 Input-tray PCA assembly**

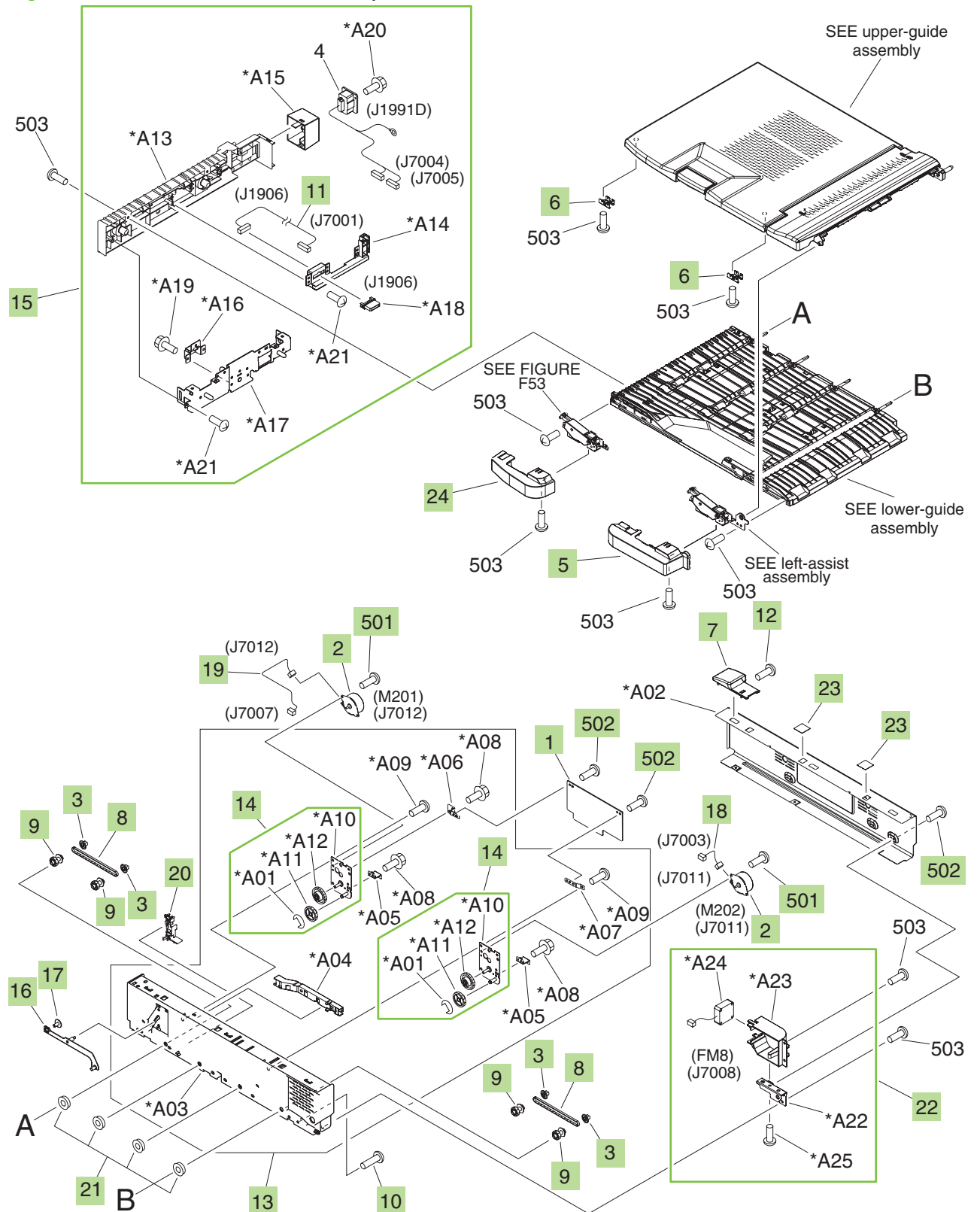
Ref	Description	Part number	Qty
1	Paper-feed PCA assembly (1x500-sheet)	RM1-3569-000CN	1
1	Paper-feed PCA assembly (3x500-sheet)	RM1-3569-000CN	3

 **NOTE:** Only highlighted parts are orderable.

# Output-accessory devices

## Intermediate paper-transfer unit (IPTU)

Figure 9-29 Intermediate-feed main body

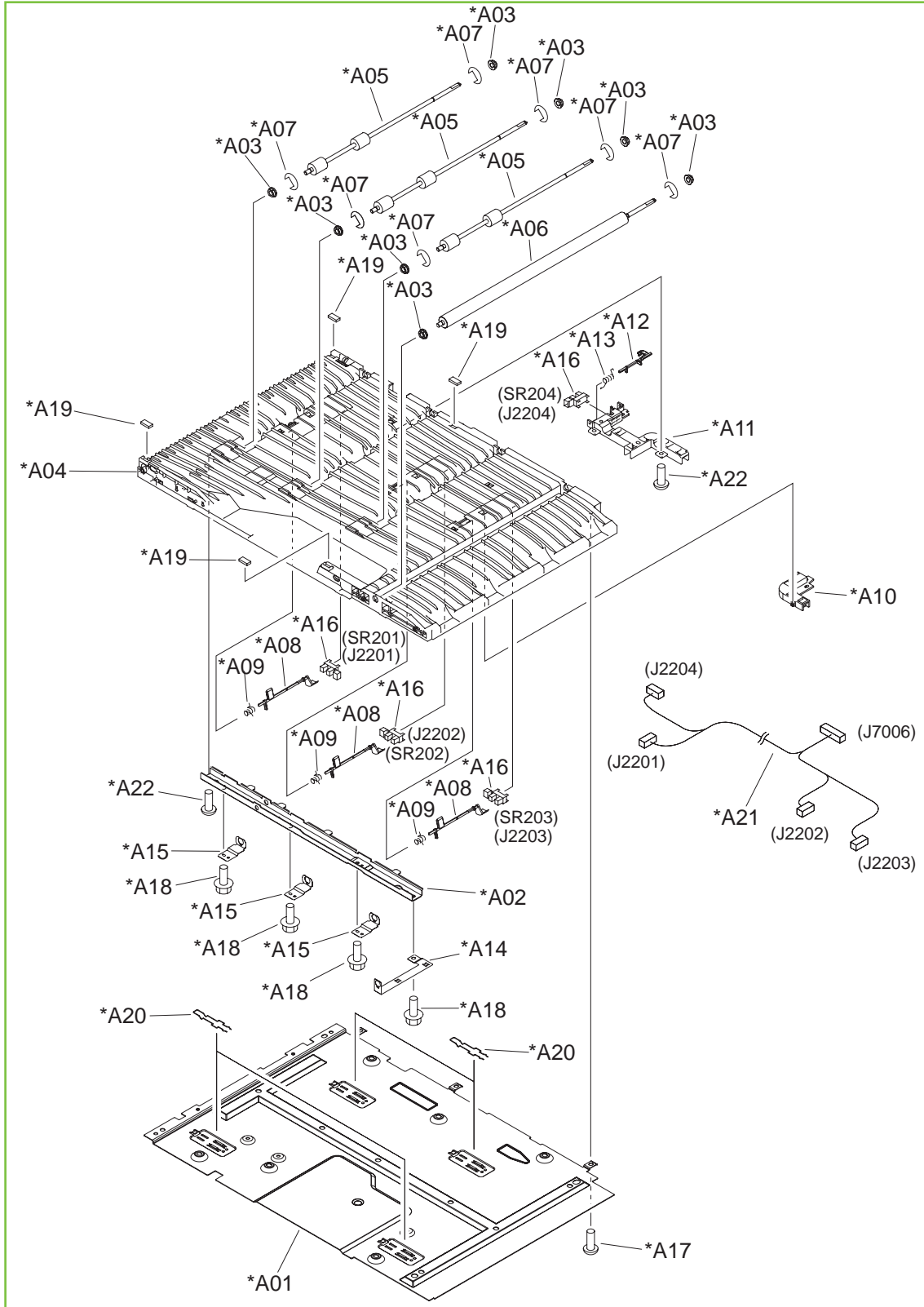


**Table 9-28 Intermediate-feed main body**

Ref	Description	Part number	Qty
1	Intermediate paper-transfer unit (IPTU)-driver PCA assembly	RM1-3559-000CN	1
2	Motor, stepping, DC	RK2-1320-000CN	2
3	Flange, pulley	RC1-9620-000CN	4
4	Cable, drawer	RM1-3561-000CN	1
5	Cover, assist, right	RC1-9706-000CN	1
6	Plate, assist-arm cap	RC1-9695-000CN	1
7	Cover, rear-upper	RC1-9703-000CN	1
8	Belt, paper-feed, cogged	RC1-9674-000CN	2
9	Pulley/gear, 22T	RU5-0868-000CN	4
10	Screw, M4x14	XA9-1292-000CN	5
11	Cable, drawer	RM1-3560-000CN	1
12	Screw, RS M3x8	XA9-1500-000CN	8
13	Side-cover assembly	RM1-3683-000CN	1
14	Drive-belt assembly	RM1-3684-000CN	2
15	Fin-lock assembly	RM1-3685-000CN	1
16	Arm, auxiliary	RL1-1272-000CN	1
17	Screw, B, M4x8	XA9-1277-000CN	8
18	Cable, motor	RM1-3563-000CN	1
19	Cable, motor	RM1-3564-000CN	1
20	Guide, cable, 2	RC1-9688-000CN	1
21	Bushing	RC1-4585-000CN	4
22	Fan assembly	RM1-4394-000CN	1
23	Sheet, blanking	RC1-9687-000CN	2
24	Cover, assist, left	RC1-9705-000CN	1
501	Screw, machined, truss-head, M3x4	XB1-2300-407CN	4
502	Screw, with washer, M3x6	XB2-8300-607CN	5

 **NOTE:** Only highlighted parts are orderable.

**Figure 9-30** Intermediate-feed lower-guide assembly

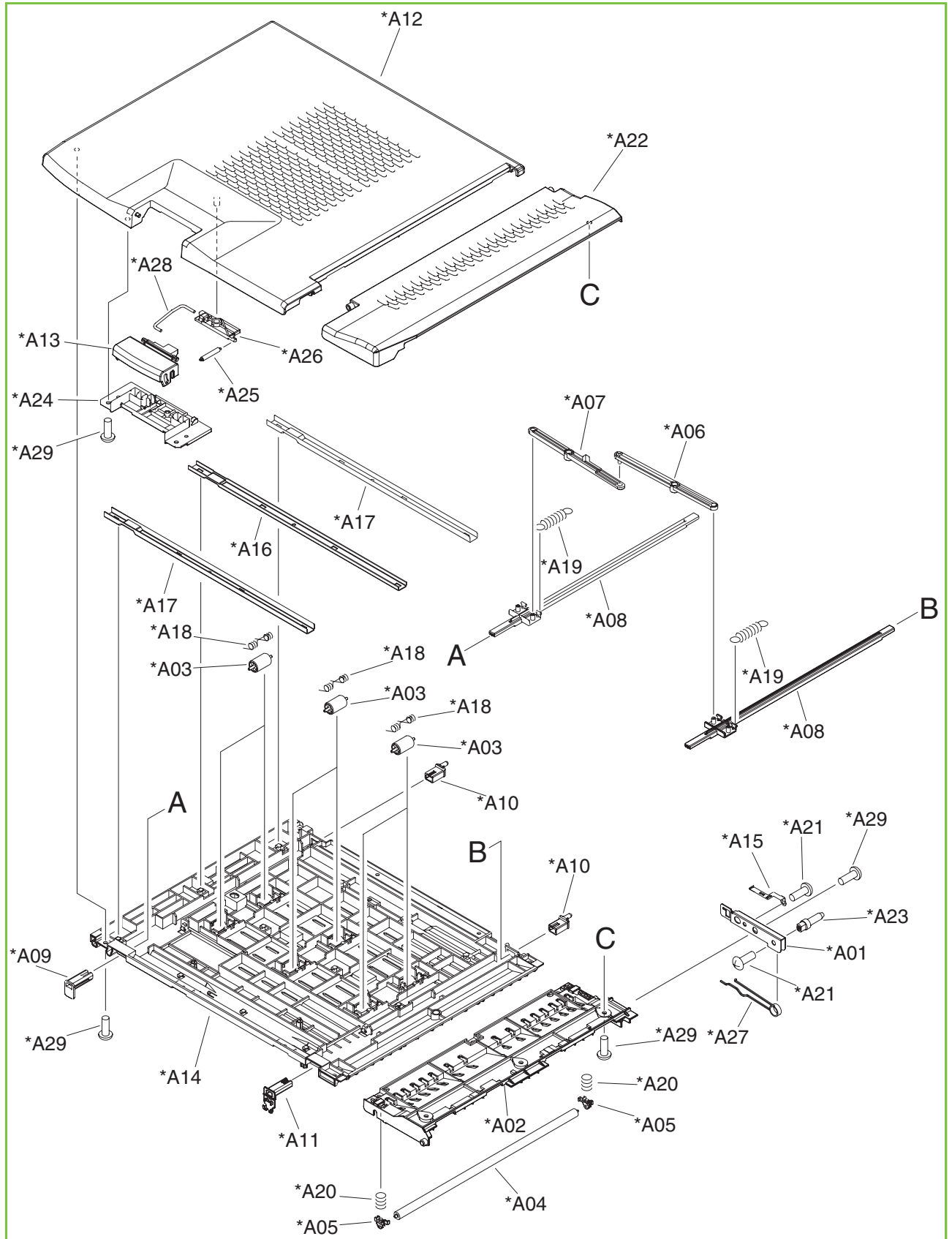


**Table 9-29 Intermediate-feed lower-guide assembly**

Ref	Description	Part number	Qty
All	Lower-guide assembly	RM1-3686-000CN	1

 **NOTE:** Only highlighted parts are orderable.

**Figure 9-31** Intermediate-feed upper-guide assembly

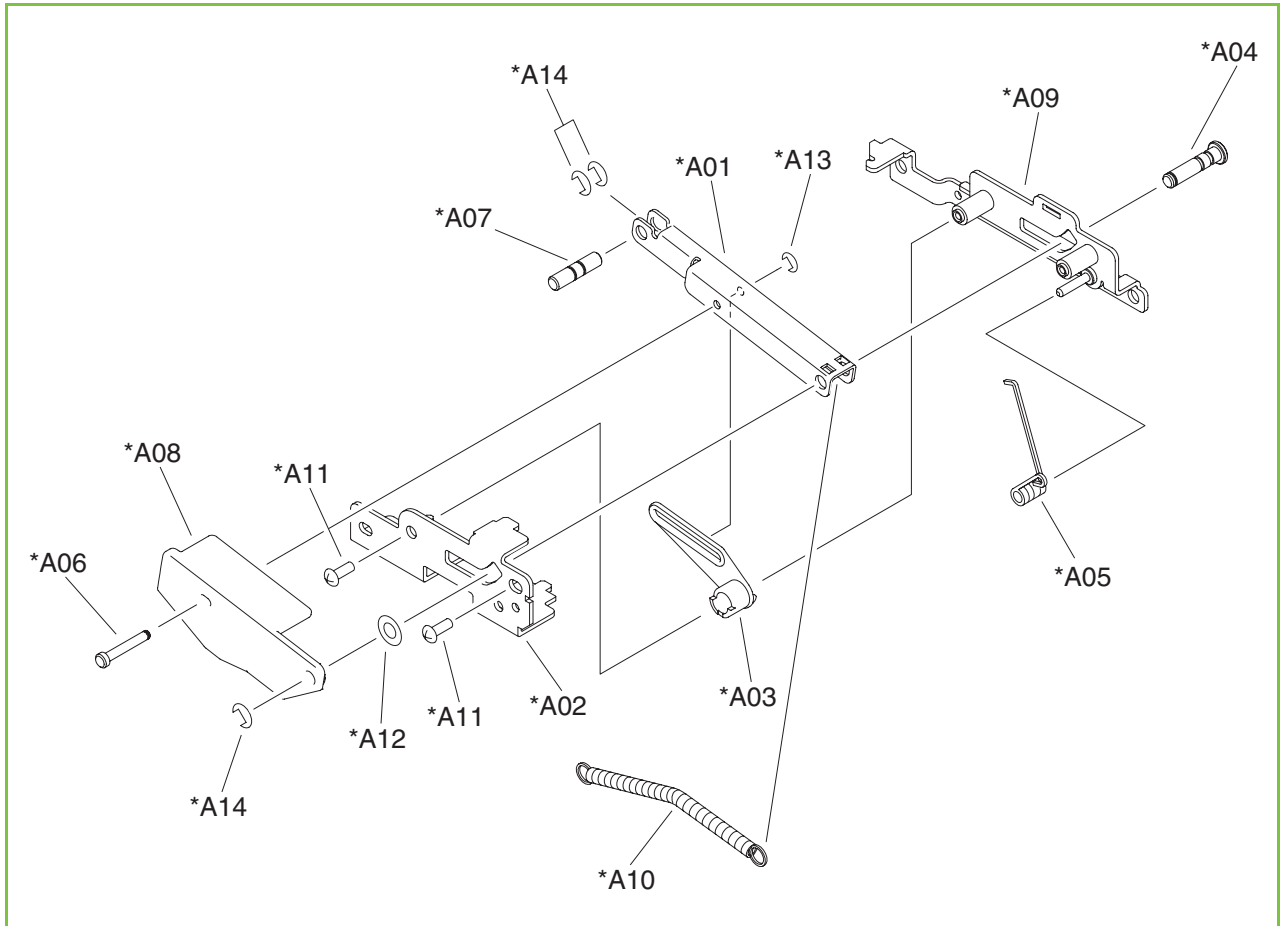


**Table 9-30 Intermediate-feed upper-guide assembly**

Ref	Description	Part number	Qty
All	Upper-guide assembly	RM1-4395-000CN	1

 **NOTE:** Only highlighted parts are orderable.

Figure 9-32 Left-assist assembly



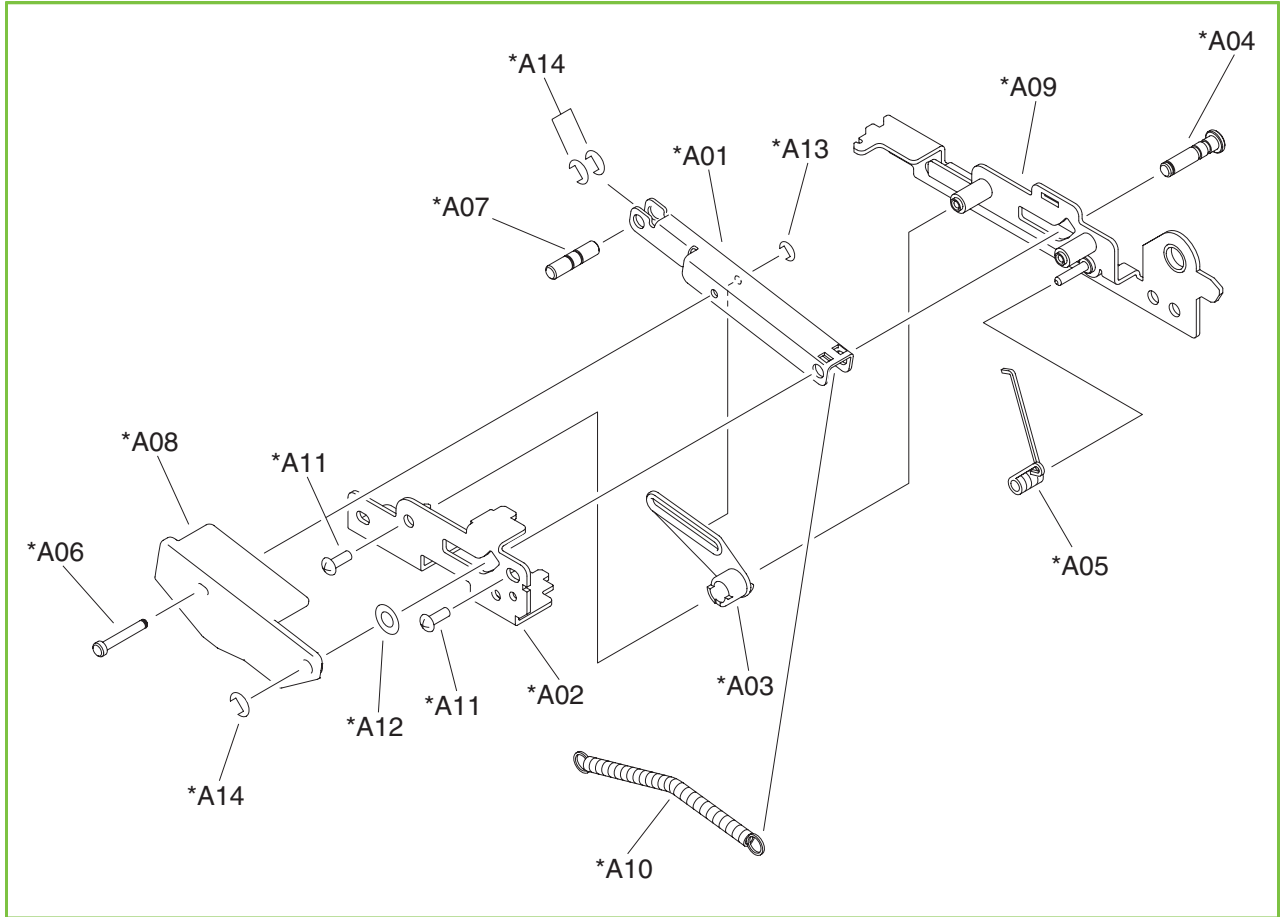


**Table 9-31 Left-assist assembly**

Ref	Description	Part number	Qty
All	Left-assist assembly	RM1-4396-000CN	1

 **NOTE:** Only highlighted parts are orderable.

Figure 9-33 Right-assist assembly

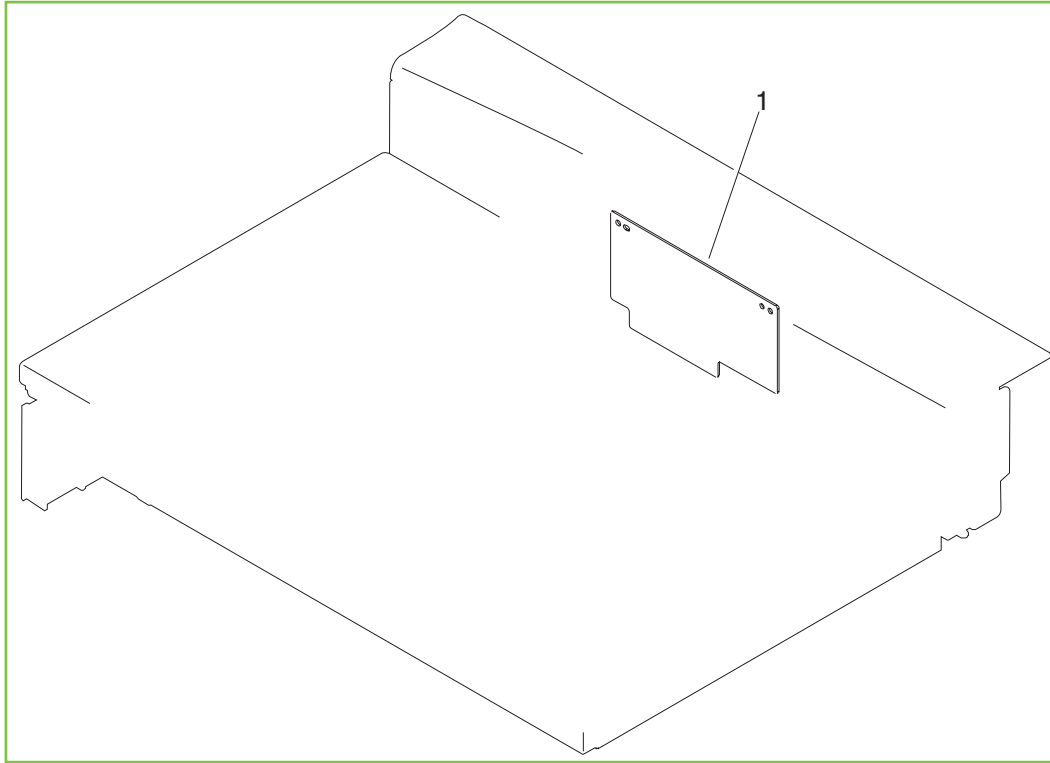


**Table 9-32 Right-assist assembly**

Ref	Description	Part number	Qty
All	Right-assist assembly	RM1-4397-000CN	1

 **NOTE:** Only highlighted parts are orderable.

**Figure 9-34** PCA assembly



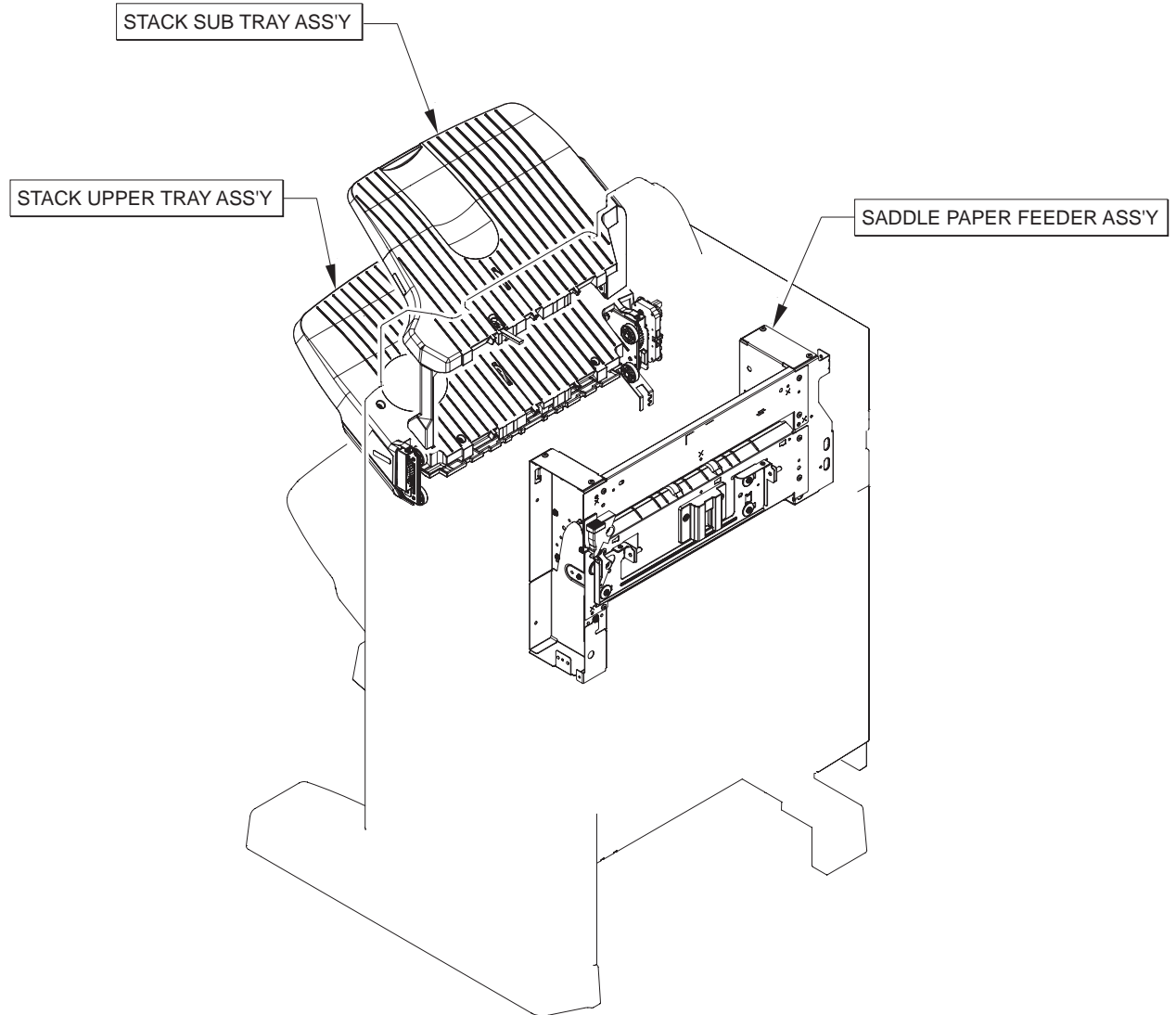
**Table 9-33 PCA assembly**

Ref	Description	Part number	Qty
All	Intermediate paper-transfer unit (IPTU)-driver PCA assembly	RM1-3559-000CN	1

 **NOTE:** Only highlighted parts are orderable.

## Stapler/stacker and booklet-maker

**Figure 9-35** Stapler/stacker unit



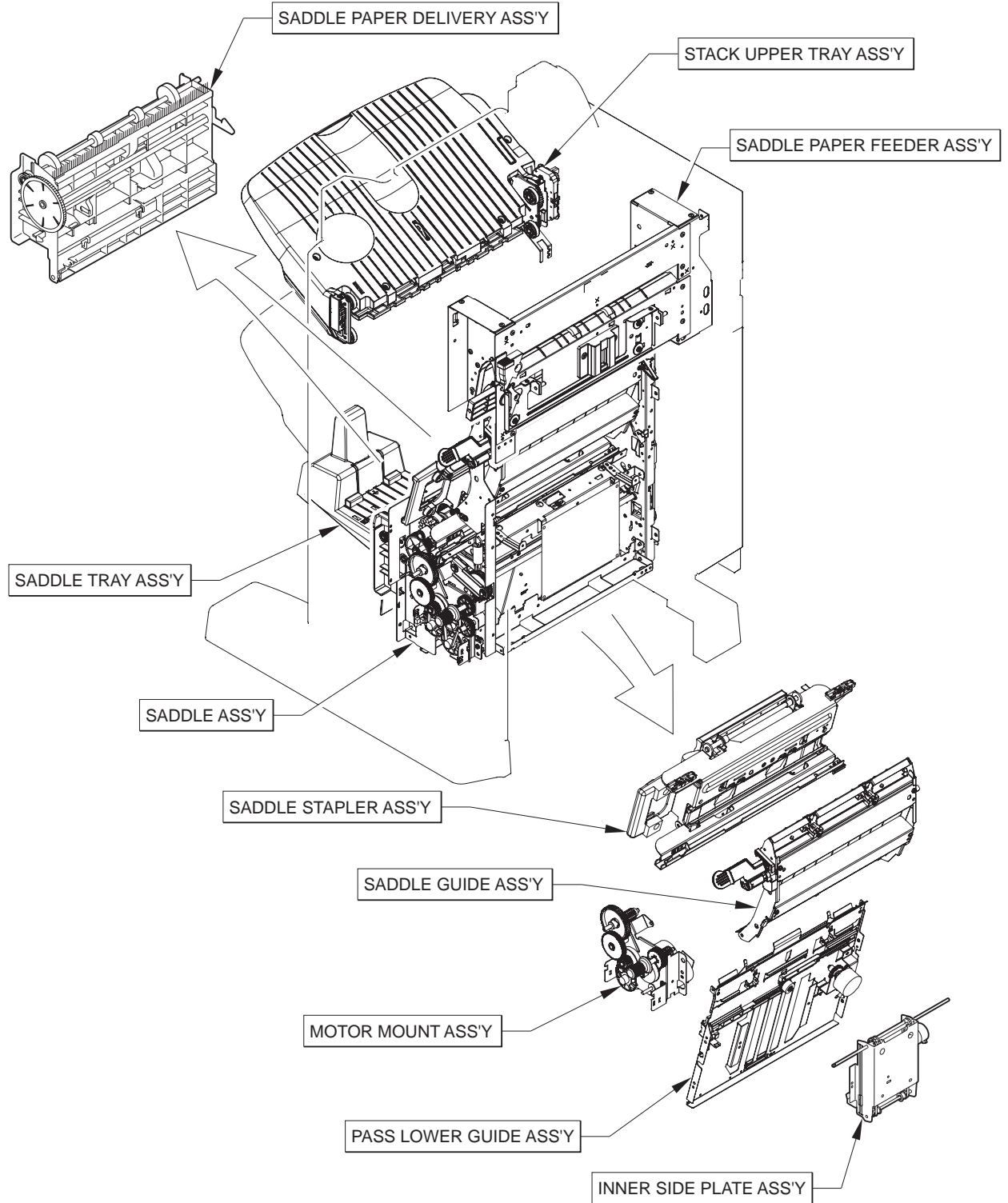
**Table 9-34 Stapler/stacker unit**

Ref	Description	Part number	Qty
All	Stapler/stacker whole unit	CC517A (product number)	1

 **NOTE:** Only highlighted parts are orderable.



Figure 9-36 Booklet-maker unit



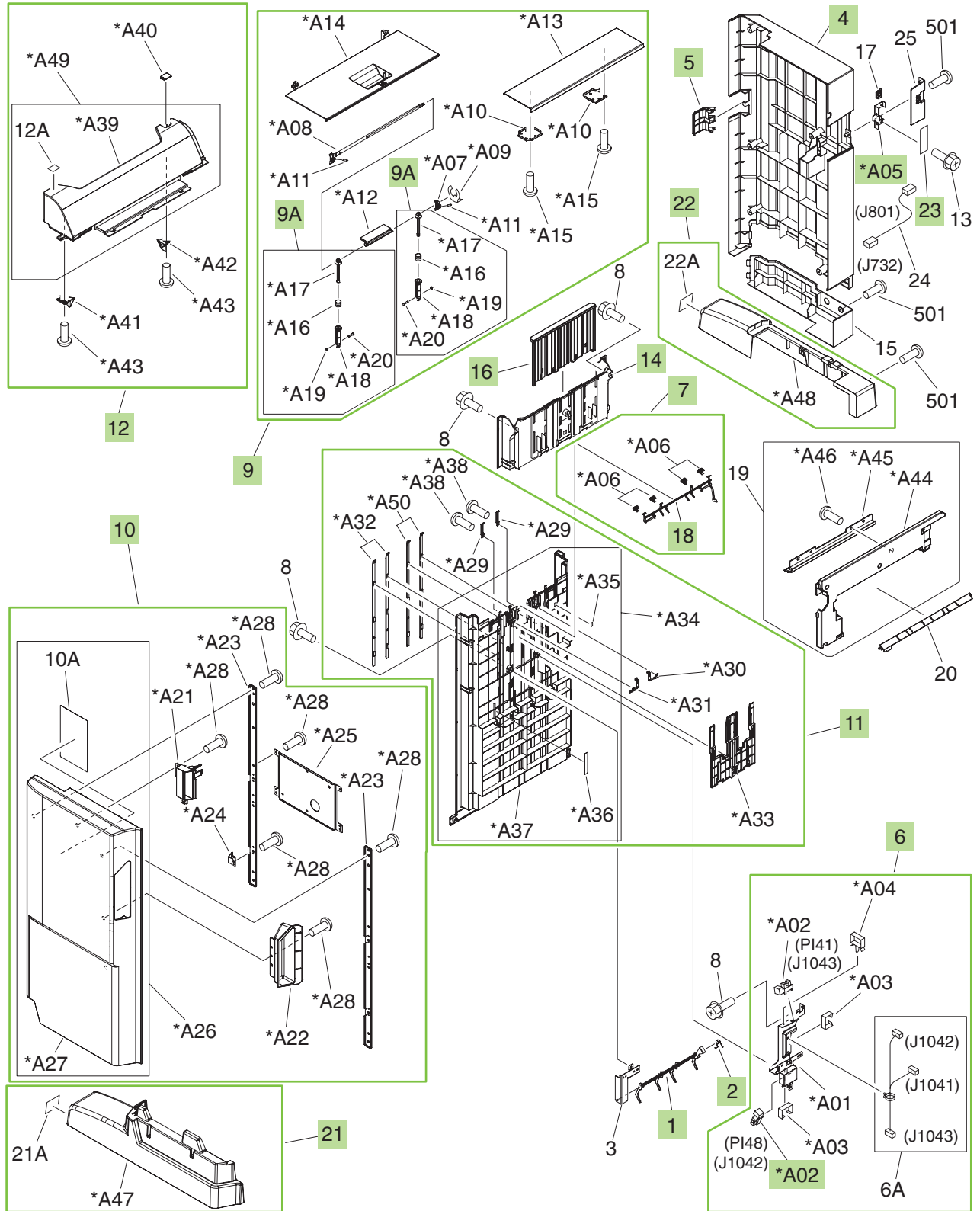


**Table 9-35 Booklet-maker unit**

Ref	Description	Part number	Qty
All	Booklet-maker (multi-function finisher) whole unit	CC516A (product number)	1


 **NOTE:** Only highlighted parts are orderable.

**Figure 9-37** External panels and covers (stapler/stacker)



**Table 9-36 External panels and covers (stapler/stacker)**

Ref	Description	Part number	Qty
1	Flag, paper-sensing sensor	FC5-5004-000CN	1
2	Spring, torsion	FC5-5005-000CN	1
4	Cover, rear	RC2-1278-000CN	1
5	Cover, tray-connector	RC2-1279-000CN	1
6	Paper-face sensor assembly	4G3-0934-000CN	1
7	Paper-face sensing assembly	4G3-1624-000CN	1
9	Top-door (upper-cover) assembly	RM1-4121-000CN	1
9A	Link-slide assembly	4G3-0271-000CN	2
10	Front-door assembly	RM1-4134-000CN	1
11	Lower height-guide assembly	RM1-4135-000CN	1
12	Left upper-cover assembly	RM1-4179-000CN	1
14	Panel, height, upper	RC2-1283-000CN	1
16	Cover, option-slide	RC2-1347-000CN	1
18	Flag, paper-face sensing, upper	FC5-4162-000CN	1
21	Cover, front-lower	RL1-1717-000CN	1
22	Cover, rear-lower	RL1-1718-000CN	1
23	LED-PCA assembly	RM1-4141-000CN	1
A02	Photo interrupter, TLP1242	WG8-5593-000CN	2
A05	Mount, LED-PCA	RC2-1735-000CN	1

 **NOTE:** Only highlighted parts are orderable.

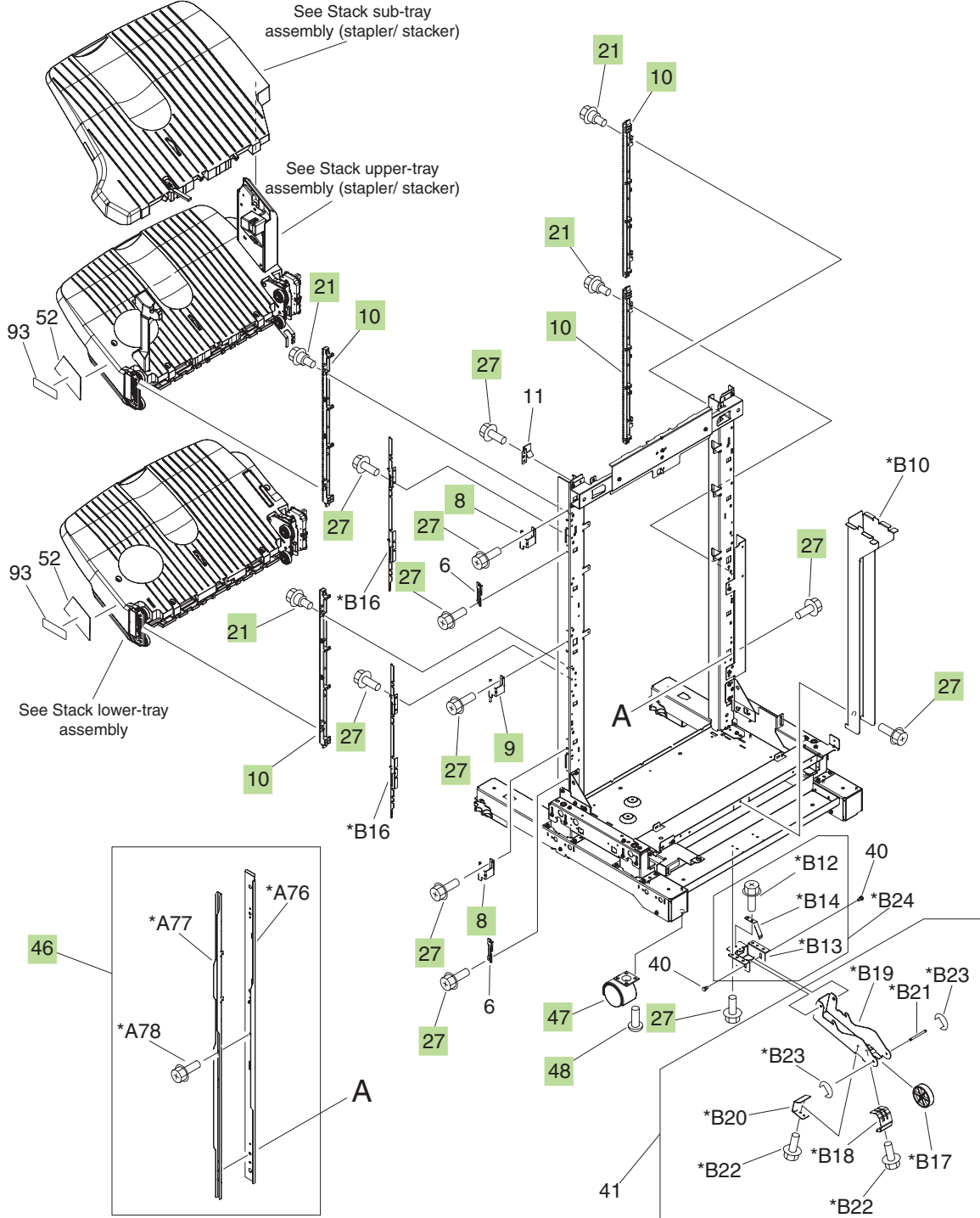


**Table 9-37 External panels and covers (booklet-maker)**

Ref	Description	Part number	Qty
1	Flag, paper-sensing sensor	FC5-5004-000CN	1
2	Spring, torsion	FC5-5005-000CN	1
4	Cover, rear	RC2-1278-000CN	1
5	Cover, tray-connector	RC2-1279-000CN	1
7	Paper-face sensor assembly	4G3-0934-000CN	1
8	Paper-face sensing assembly	4G3-1624-000CN	1
9	Top-door (upper-cover) assembly	RM1-4121-000CN	1
9A	Link-slide assembly	4G3-0271-000CN	2
10	Front-door assembly	RM1-4122-000CN	1
11	Middle-height cover assembly	RM1-4119-000CN	1
12	Left-upper cover assembly	RM1-4129-000CN	1
14	Cover, left-lower	RC2-1280-000CN	1
18	Panel, height, upper	RC2-1283-000CN	1
19	Guide, side-wall	RC2-1284-000CN	1
22	Cover, front-lower	RL1-1717-000CN	1
23	Cover, rear-lower	RL1-1718-000CN	1
24	Window, LED	RC2-1734-000CN	1
27	LED-PCA assembly	RM1-4141-000CN	1
A02	Photo interrupter, TLP1242	WG8-5593-000CN	2

 **NOTE:** Only highlighted parts are orderable.

Figure 9-39 Finisher (1 of 5) (stapler/stacker and booklet-maker)



**Figure 9-40** Finisher (2 of 5) (stapler/stacker and booklet-maker)

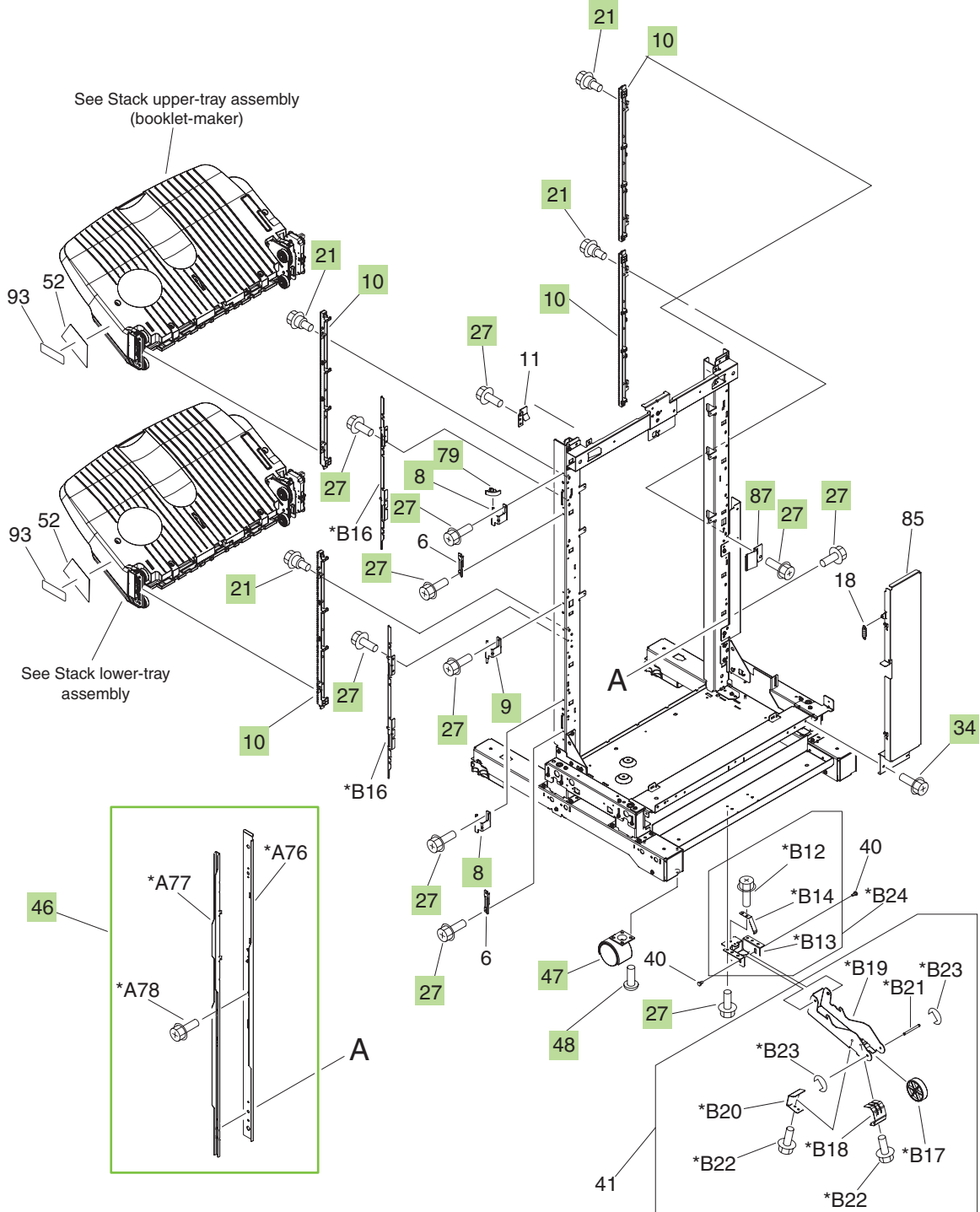


Figure 9-41 Finisher (3 of 5) (stapler/stacker and booklet-maker)

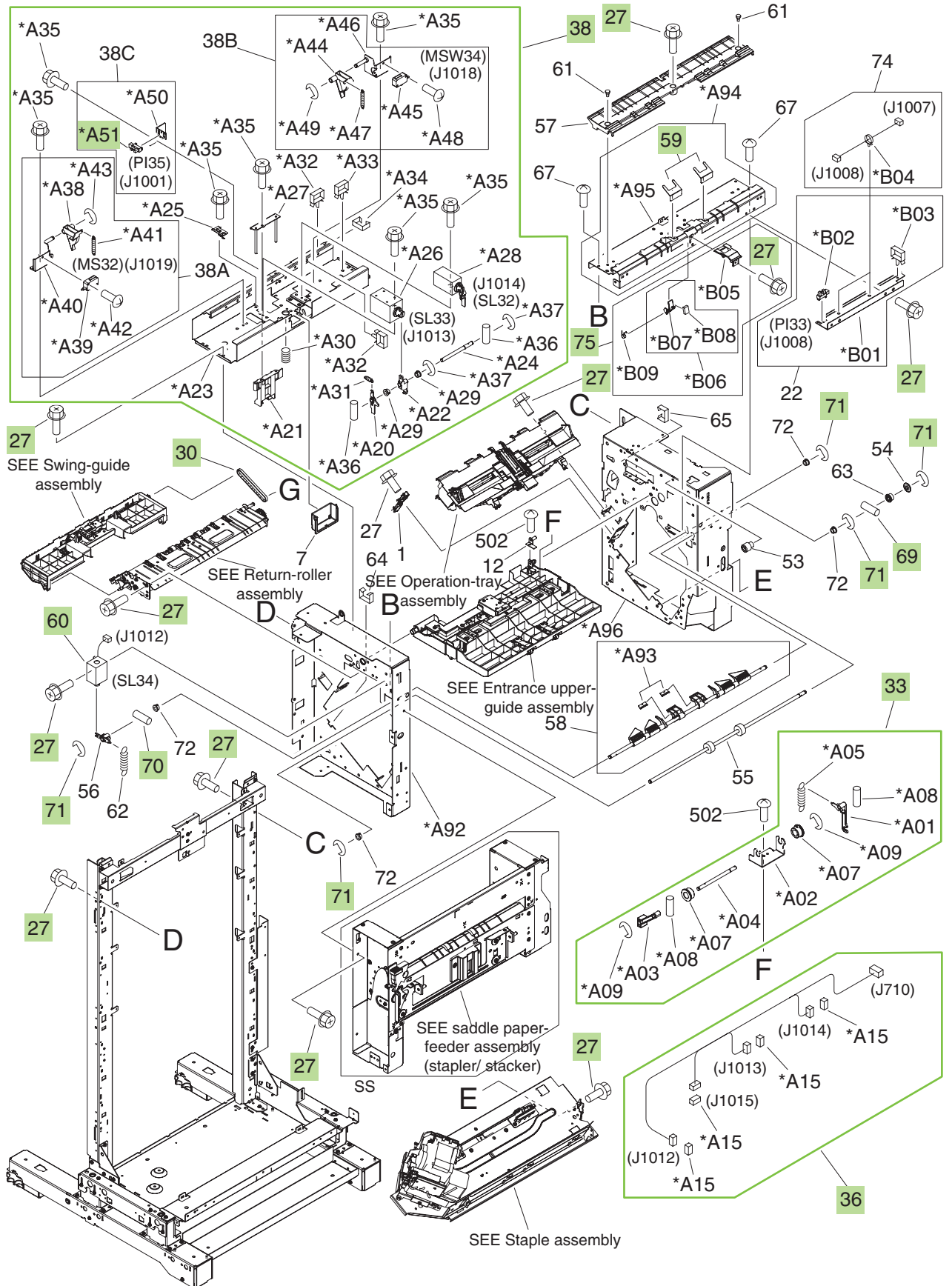
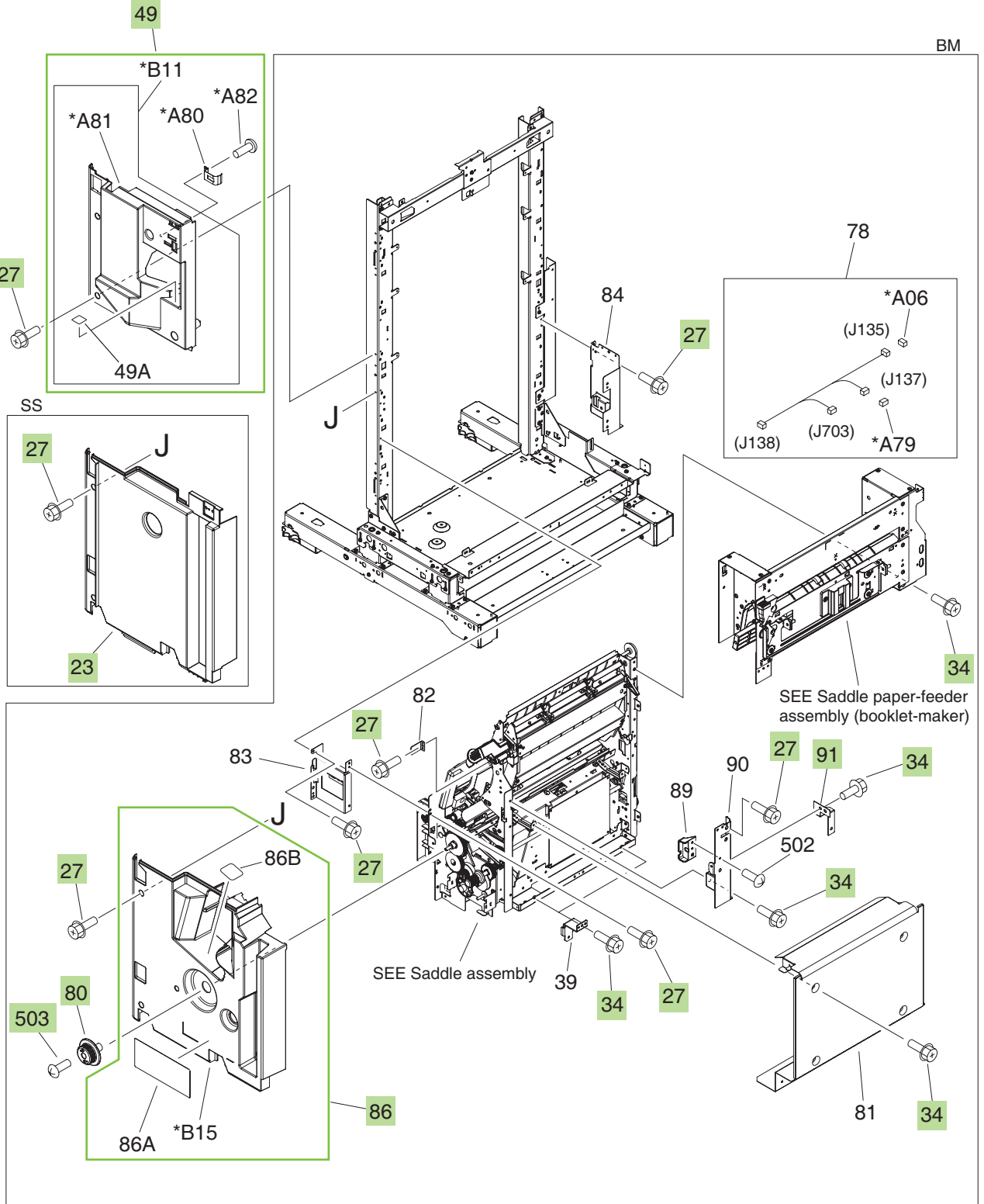






Figure 9-43 Finisher (5 of 5) (stapler/stacker and booklet-maker)



**Table 9-38 Finisher (stapler/stacker and booklet-maker)**

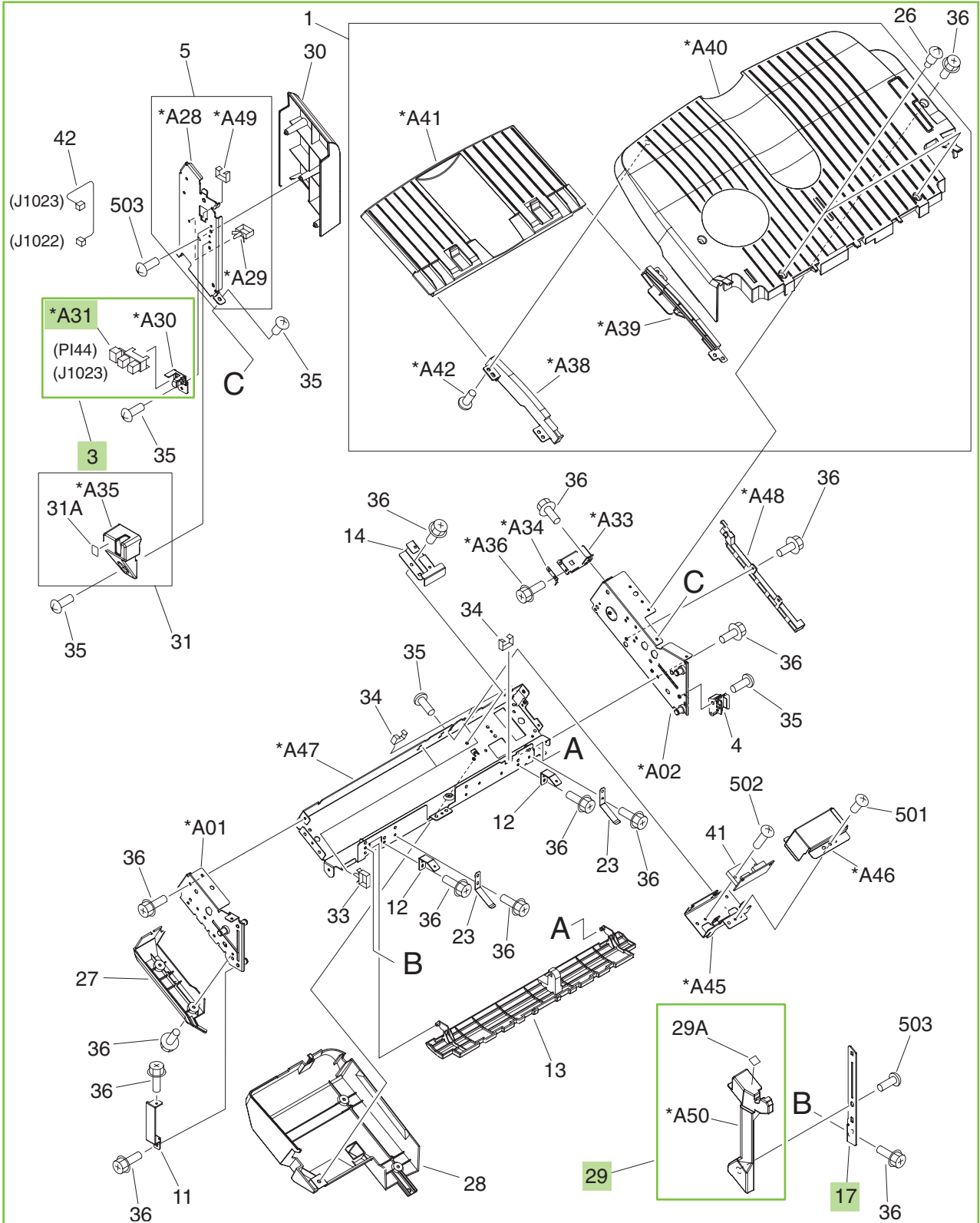
Ref	Description	Part number	Qty
3	Limiter, torque	FC5-3657-000CN	1
8	Hinge, front-door, 1	FC5-4991-030CN	2
9	Hinge, front-door, 2	FC5-4992-030CN	1
10	Rack, rail	FC5-5436-000CN	4
16	Gear, 30T	FU5-0428-000CN	2
17	Gear, 40T	FU5-0454-000CN	1
19	Gear, 29T	FU5-2399-000CN	1
20	Pulley, 20T	FU5-3086-000CN	2
21	Screw, RS stepped, M3	FU9-9059-000CN	8
23	Cover, internal, lower (stapler/stacker only)	RC2-1351-000CN	1
27	Screw, RS, M3x8	XA9-1386-000CN	83
28	Ring, E	XD9-0136-000CN	10
29	Belt, timing, cogged	XF2-1607-860CN	1
30	Belt, timing	XF2-1608-840CN	1
31	Belt, timing, cogged	XF9-0748-000CN	1
33	Upper-cover lock assembly	4G3-0210-000CN	1
34	Screw, RS, M4x8 (booklet-maker only)	XA9-0732-000CN	18
35	Stack-ejection motor assembly	4G3-0769-000CN	1
36	Cable, solenoid	FG3-2892-000CN	1
37	Shutter H.P. sensor assembly	FM2-1401-000CN	1
38	Upper-crossmember assembly	RM1-4180-000CN	1
42	Press-motor assembly	FM2-1409-000CN	1
43	Sensor/switch assembly	FM2-1417-000CN	1
44	Swing-press shaft assembly	FM2-1423-000CN	1
46	Area-sensor flag assembly	RM1-4107-000CN	1
47	Caster, universal	RC2-1315-000CN	4
48	Screw, with washer, M5x12	XA9-0912-000CN	12
49	Inner-cover assembly	RM1-4123-000CN	1
51	Cable-mount lattice assembly	RM1-4128-000CN	1
59	Sheet, entrance-guide	FC5-5542-000CN	2
60	Solenoid	FL2-0821-000CN	1
69	Pin	XD3-2200-102CN	1
70	Pin, dowel	XD3-2200-142CN	1
71	Ring, E	XD9-0136-000CN	5

**Table 9-38 Finisher (stapler/stacker and booklet-maker) (continued)**

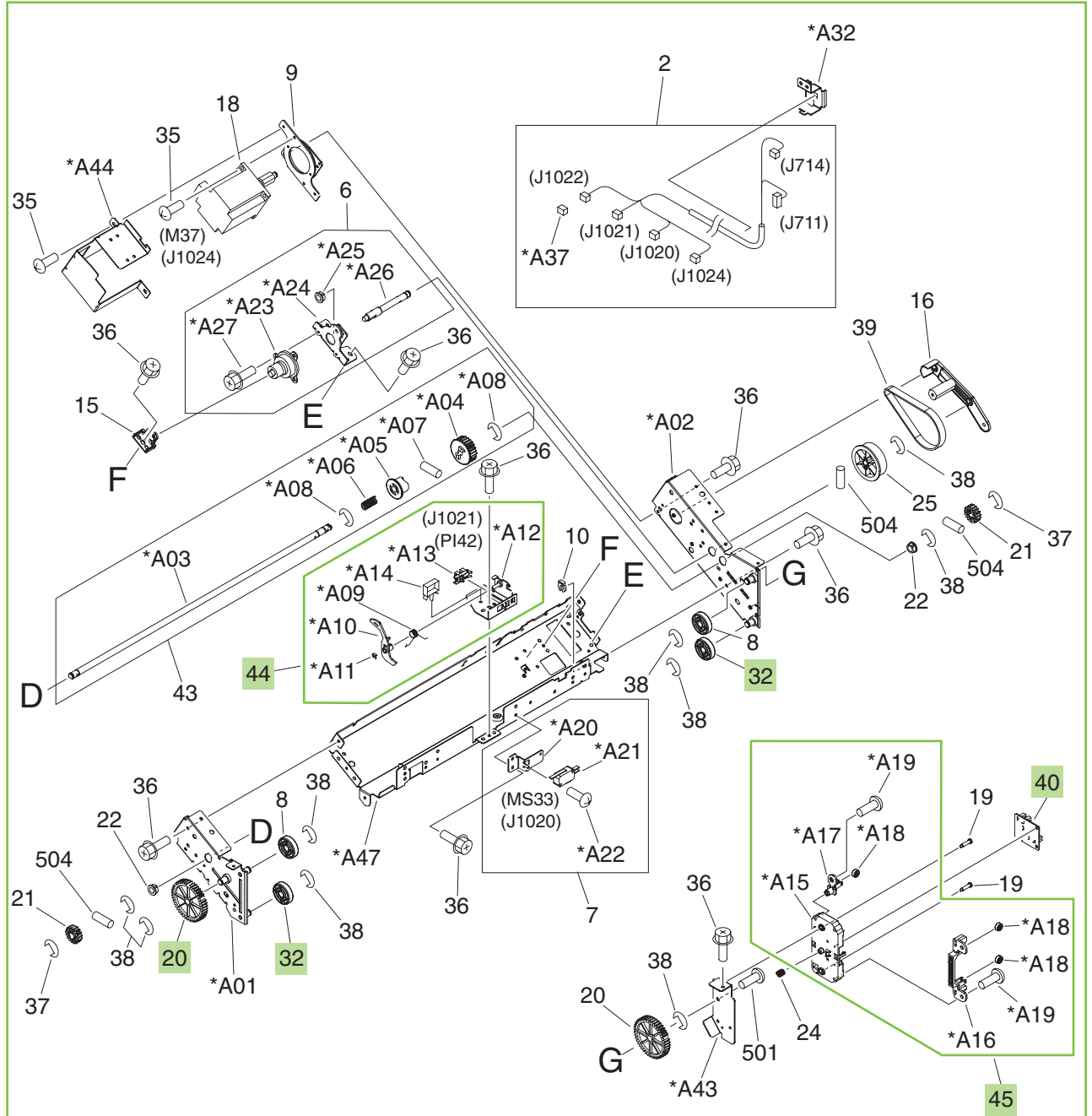
Ref	Description	Part number	Qty
75	Entrance-sensor flag assembly	FM2-0718-000CN	1
79	Plate, hinge-stop (booklet-maker only)	4A3-4715-000CN	1
80	Knob (booklet-maker only)	FB3-7881-000CN	1
86	Cover, internal, lower (booklet-maker only)	RL1-1477-000CN	1
87	Plate, grounding (booklet-maker only)	4A3-1955-000CN	1
88	Clutch, electromagnetic	4H3-0370-000CN	2
91	Plate, grounding (booklet-maker only)	RC2-1356-000CN	1
92	Flexible-cable mount assembly	FM2-0720-000CN	1
501	Pin	XD3-2200-102CN	4
503	Screw, TP, M3x6 (booklet-maker only)	XB6-7300-607CN	1
A51	Photo interrupter, TLP1242	WG8-5593-000CN	1

 **NOTE:** Only highlighted parts are orderable.

**Figure 9-44** Output bin 1 (stack upper-tray assembly) (1 of 2) (stapler/stacker)



**Figure 9-45** Output bin 1 (stack upper-tray assembly) (2 of 2) (stapler/stacker)

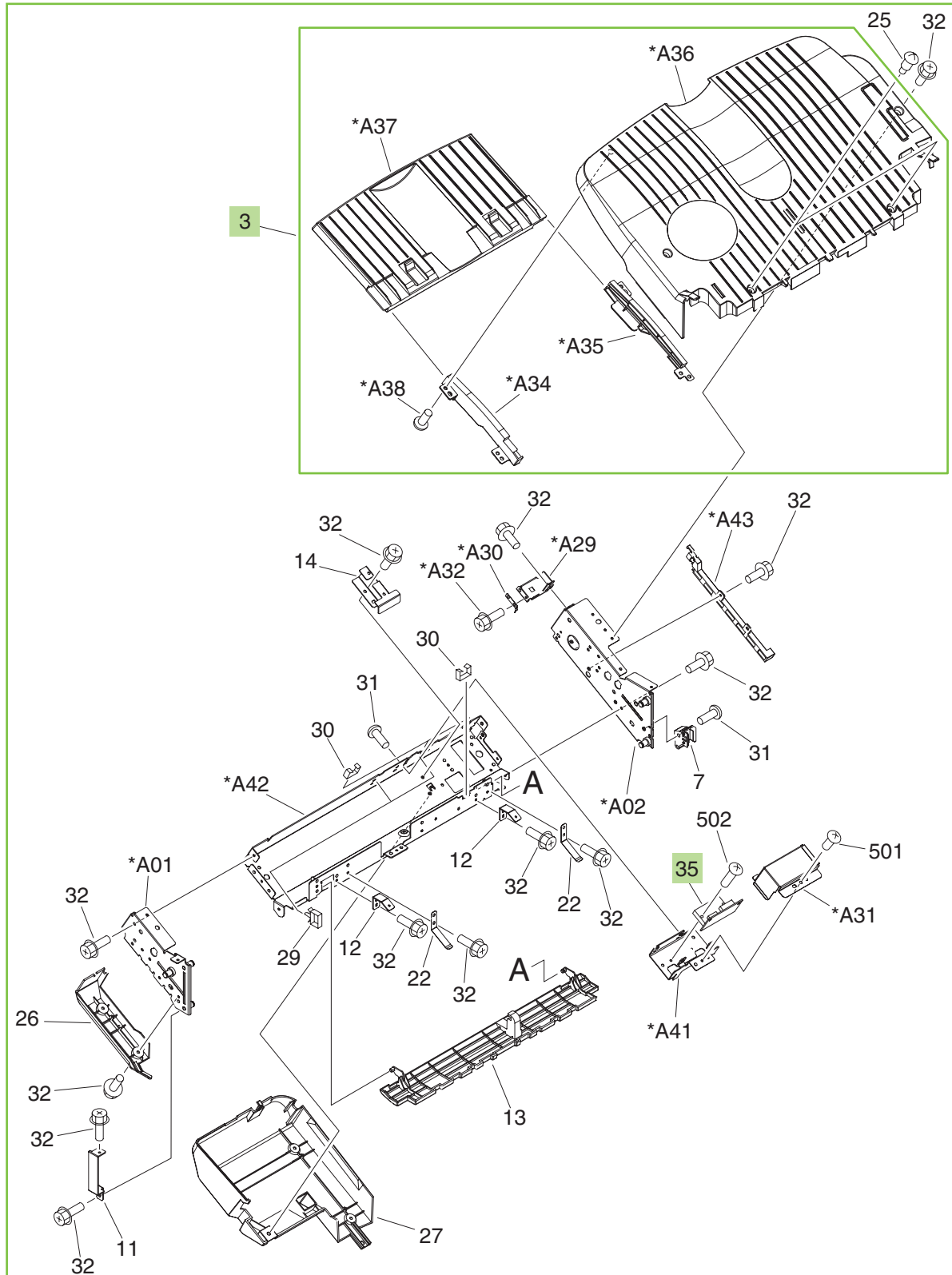


**Table 9-39 Output bin 1 (stack upper-tray assembly) (stapler/stacker)**

Ref	Description	Part number	Qty
All	Stack upper-tray assembly	RM1-4101-000CN	1
3	Option-sensor assembly	FM2-1708-000CN	1
17	Plate, option-tray, front	FC5-6978-000CN	1
20	Gear, 44T	FU5-0435-000CN	2
29	Cover, option-tray, front	RL1-2210-000CN	1
32	Roller, tray-guide	RU5-6035-000CN	2
40	Area-sensor PCA assembly	4G1-1498-000CN	1
44	Paper-sensor assembly	FM2-0707-000CN	1
45	Area-sensor holder assembly	FM2-0709-000CN	1
A31	Photo interrupter, TLP1242	WG8-5593-000CN	1

 **NOTE:** Only highlighted parts are orderable.

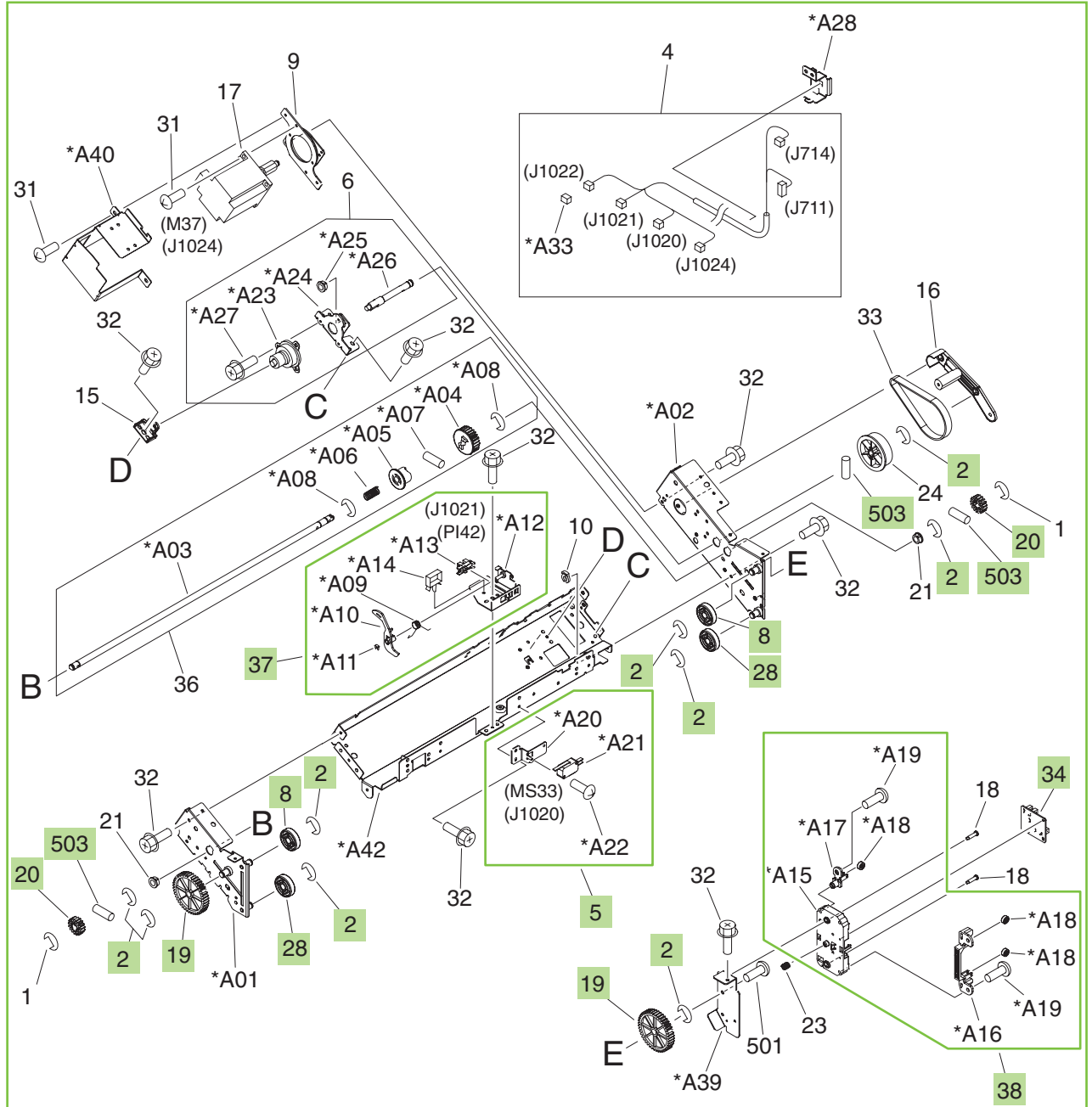
Figure 9-46 Output bin 1 (stack upper-tray assembly) (1 of 2) (booklet-maker)








**Figure 9-47** Output bin 1 (stack upper-tray assembly) (2 of 2) (booklet-maker )



**Table 9-40 Output bin 1 (stack upper-tray assembly) (booklet-maker)**

Ref	Description	Part number	Qty
All	Stack upper-tray assembly	RM1-4102-000CN	1
2	Ring, E	XD9-0137-000CN	9
3	Stack-tray assembly	RM1-4104-000CN	1
5	Approach-switch assembly	FM2-0710-000CN	1
8	Roller, tray-guide	FC5-4221-000CN	2
19	Gear, 44T	FU5-0435-000CN	2
20	Gear, 17T	FU5-0457-000CN	2
28	Roller, tray-guide	RU5-6035-000CN	2
34	Area-sensor PCA assembly	4G1-1498-000CN	1
35	Tray-driver PCA assembly	FG3-2887-000CN	1
37	Paper-sensor assembly	FM2-0707-000CN	1
38	Area-sensor holder assembly	FM2-0709-000CN	1
503	Pin, dowel	XD3-2300-142CN	3

 **NOTE:** Only highlighted parts are orderable.

**Figure 9-48** Output bin 2 (stack lower-tray assembly) (1 of 2) (stapler/stacker and booklet-maker)

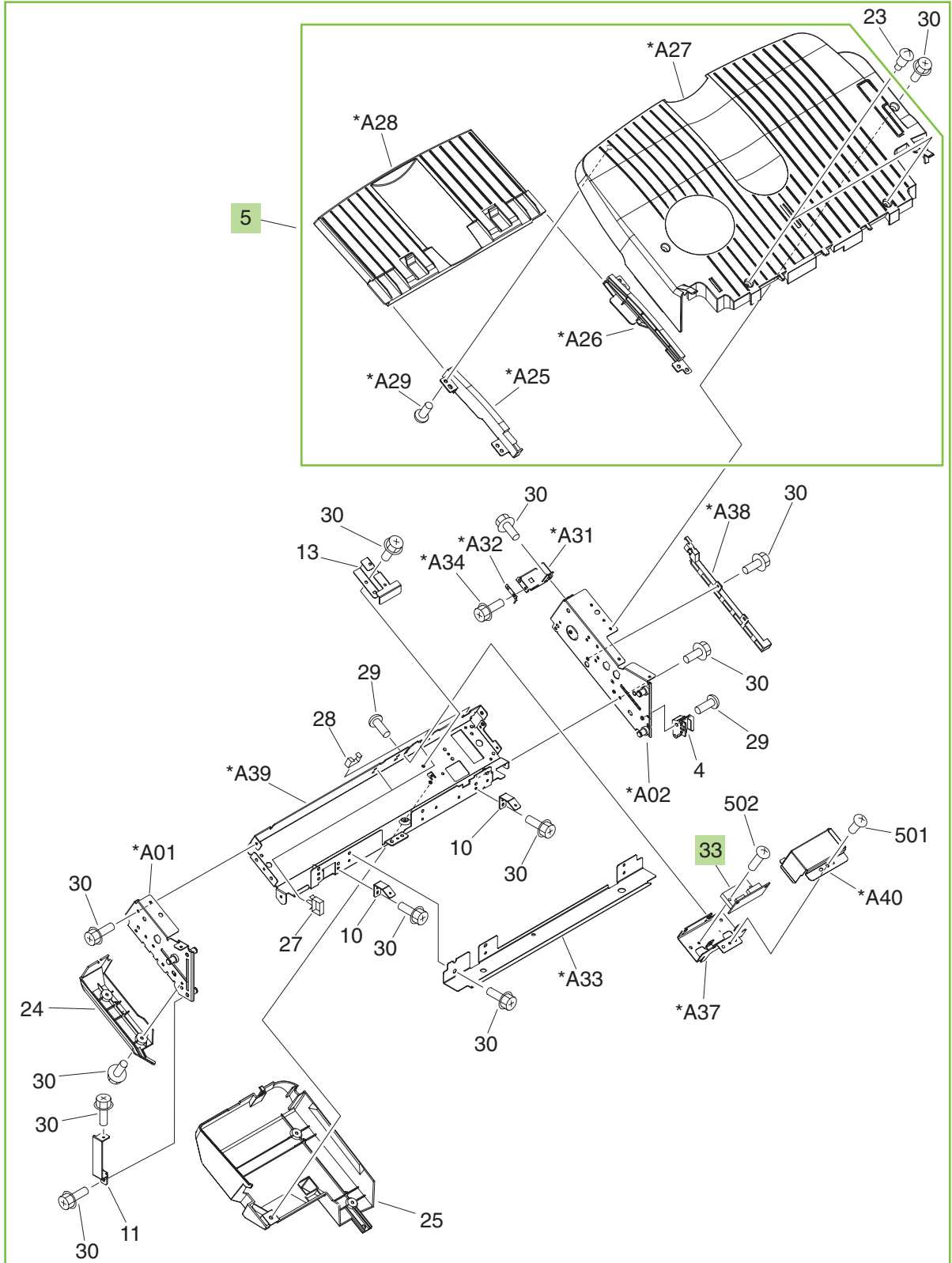
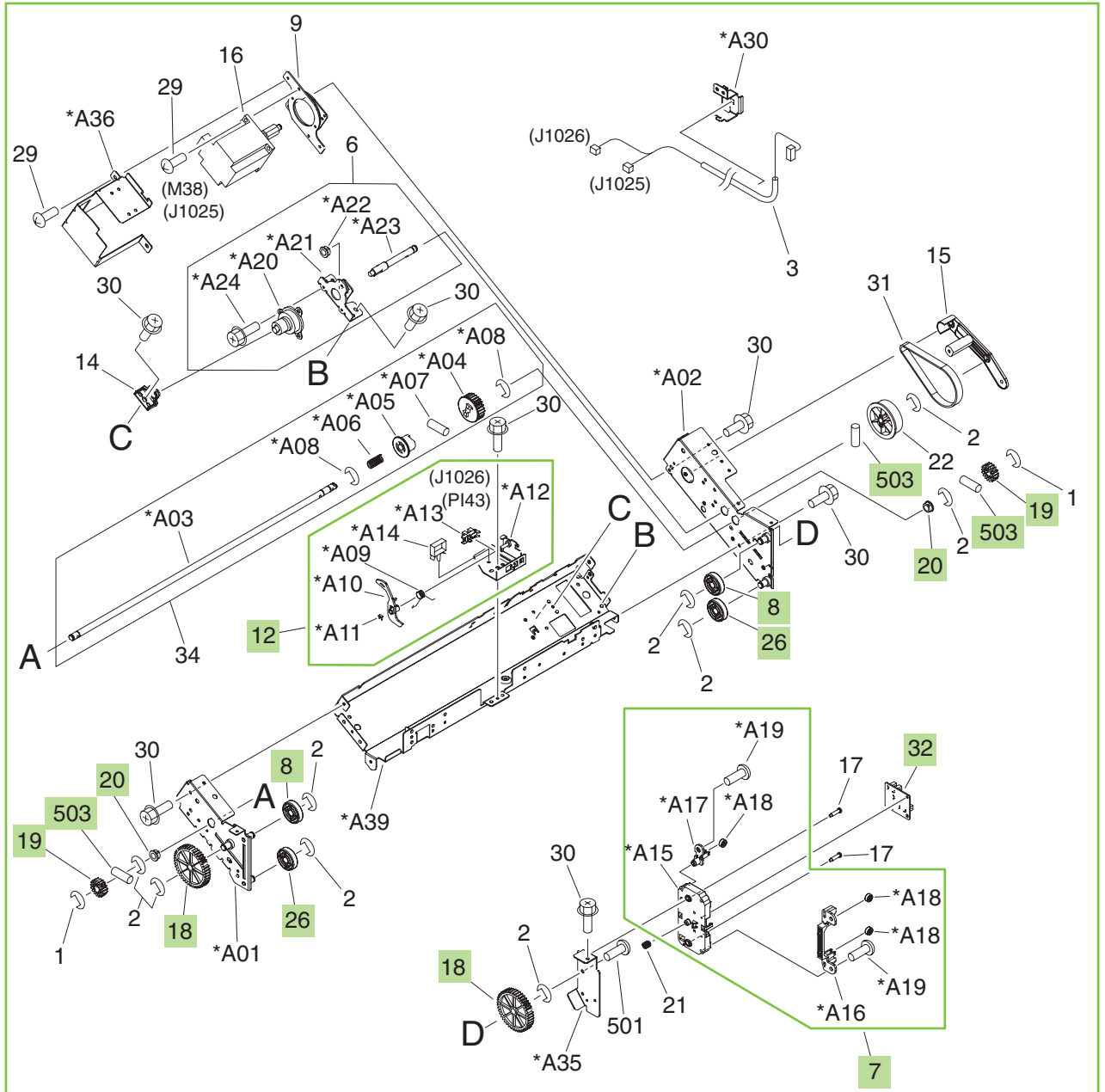




Figure 9-49 Output bin 2 (stack lower-tray assembly) (2 of 2) (stapler/stacker and booklet-maker)

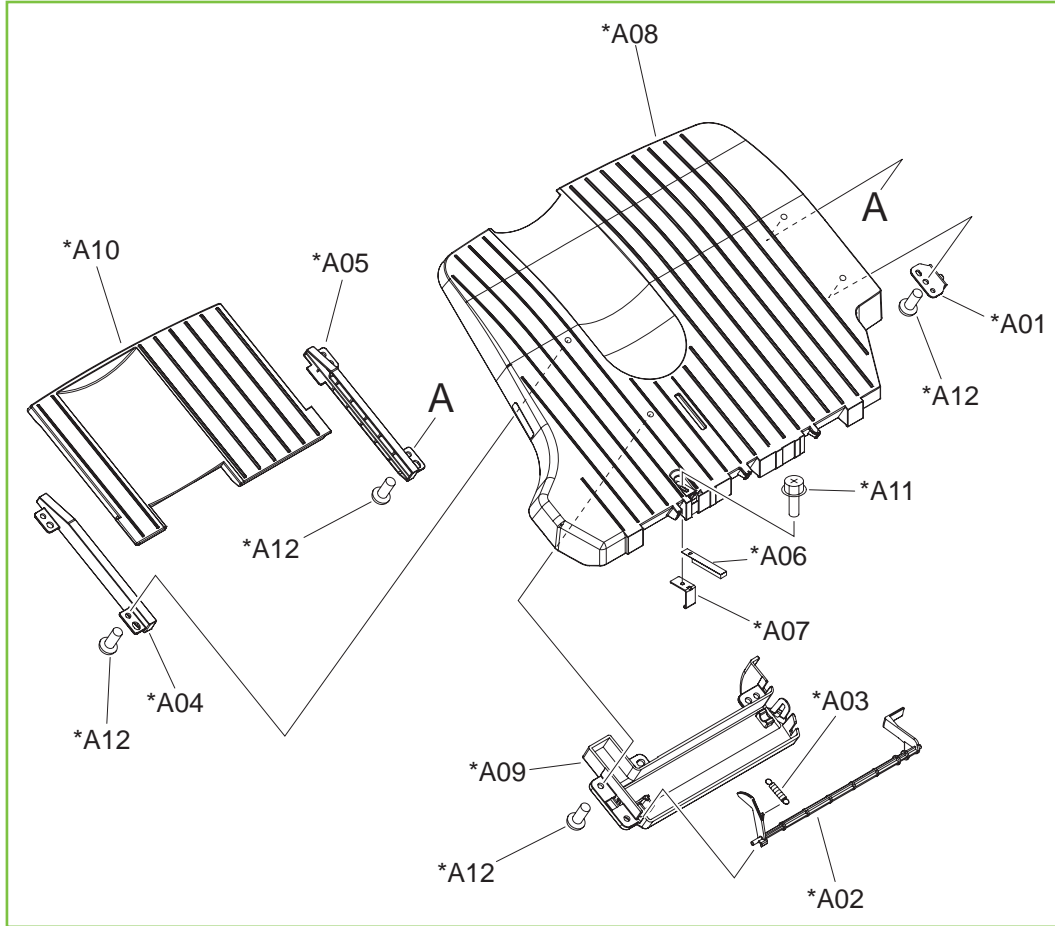


**Table 9-41 Output bin 2 (stack lower-tray assembly) (stapler/stacker and booklet-maker)**

Ref	Description	Part number	Qty
All	Stack lower-tray assembly	RM1-4105-000CN	1
5	Stack-tray assembly	RM1-4104-000CN	1
7	Area-sensor holder assembly	FM2-0709-000CN	1
8	Roller, tray-guide	FC5-4221-000CN	2
12	Paper-sensor assembly	FM2-0707-000CN	1
18	Gear, 44T	FU5-0435-000CN	2
19	Gear, 17T	FU5-0457-000CN	2
20	Bushing	FU5-1169-000CN	2
26	Roller, tray-guide	RU5-6035-000CN	2
32	Area-sensor PCA assembly	4G1-1498-000CN	1
33	Tray-driver PCA assembly	FG3-2887-000CN	1
503	Pin, dowel	XD3-2300-142CN	3

 **NOTE:** Only highlighted parts are orderable.


**Figure 9-50** Top output bin (stack sub-tray assembly) (stapler/stacker)





**Table 9-42 Top output bin (stack sub-tray assembly) (stapler/stacker)**

Ref	Description	Part number	Qty
All	Stack sub-tray assembly	RM1-4115-000CN	1

 **NOTE:** Only highlighted parts are orderable.

**Figure 9-51 Operation-tray assembly (1 of 2) (stapler/stacker and booklet-maker)**

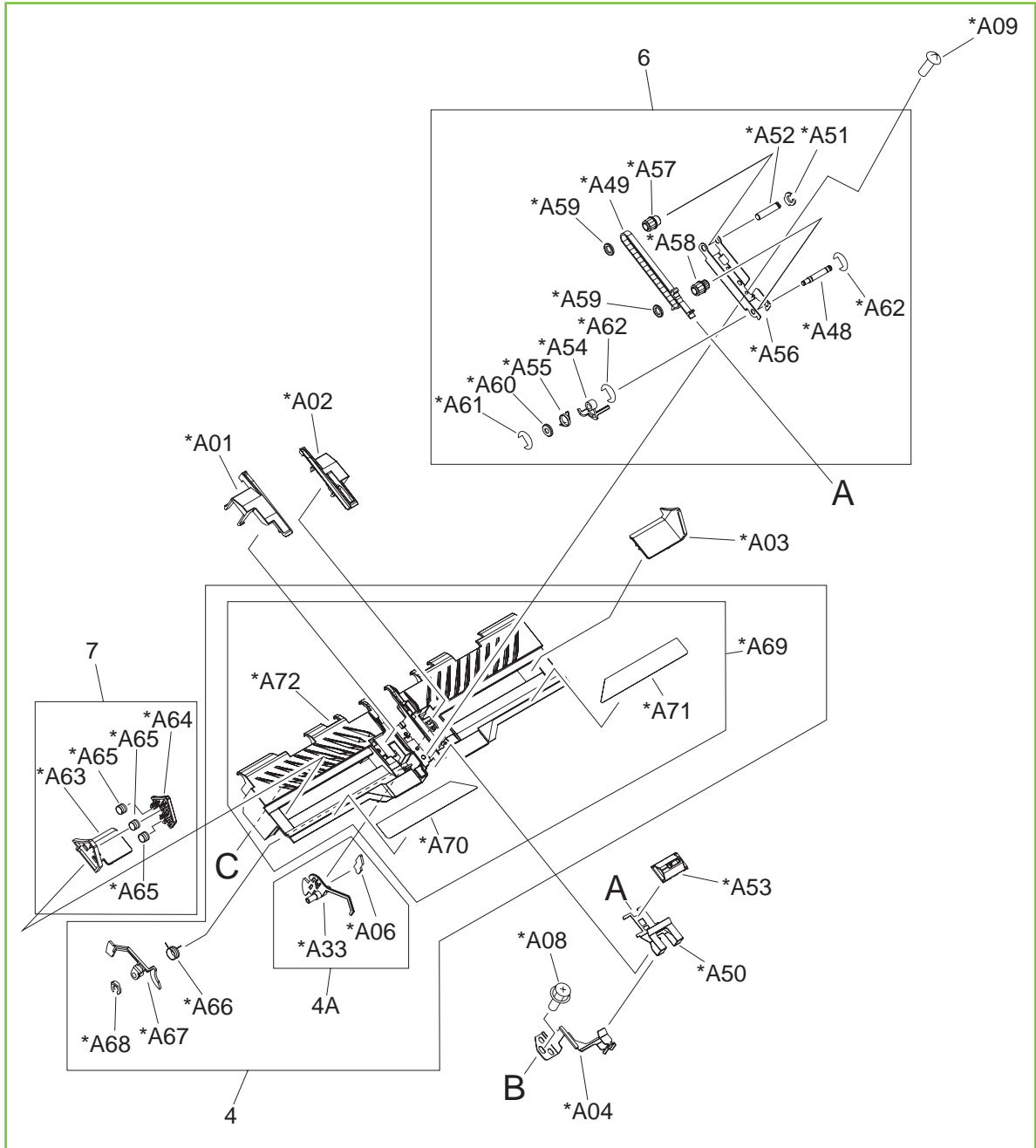
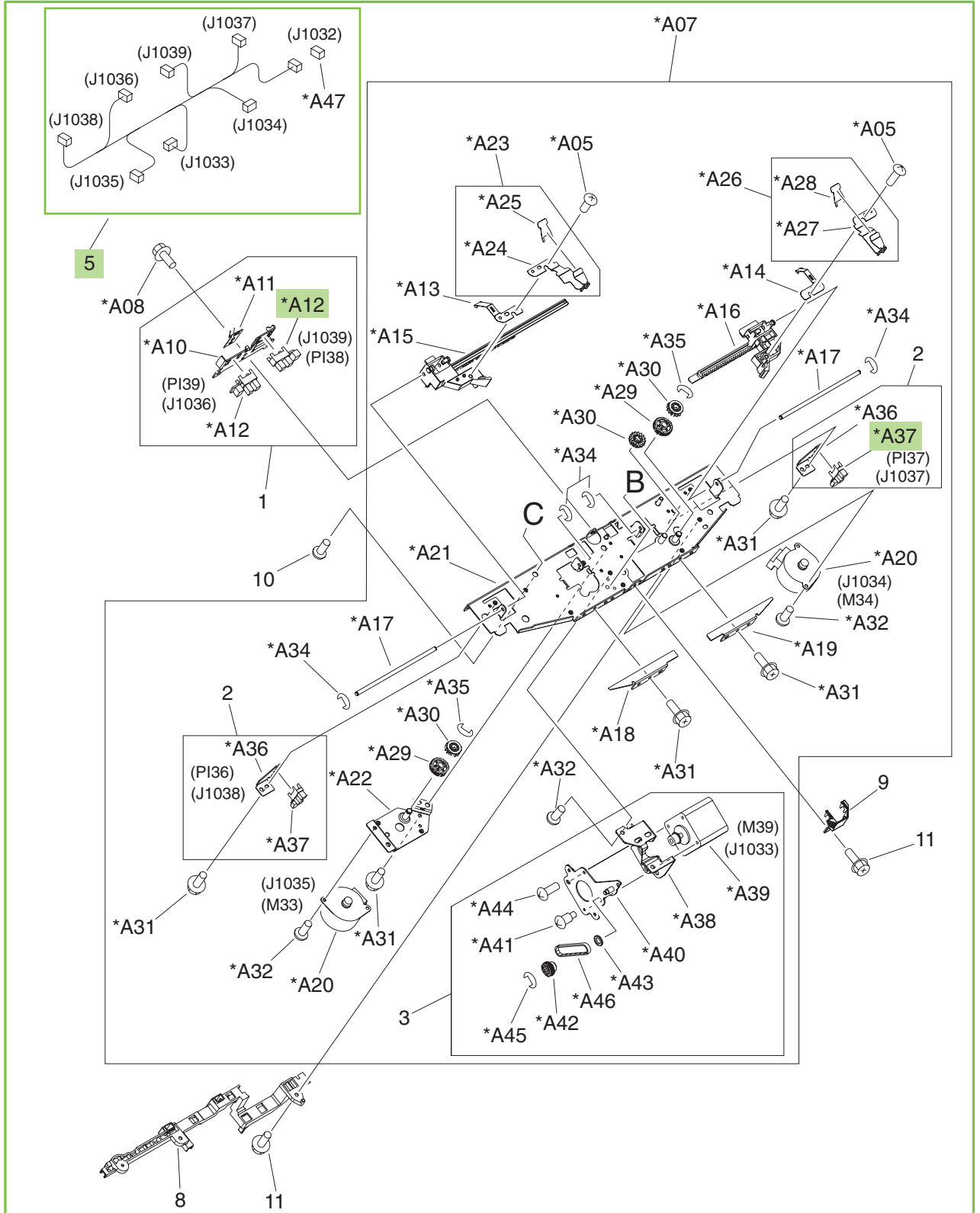


Figure 9-52 Operation-tray assembly (2 of 2) (stapler/stacker and booklet-maker)

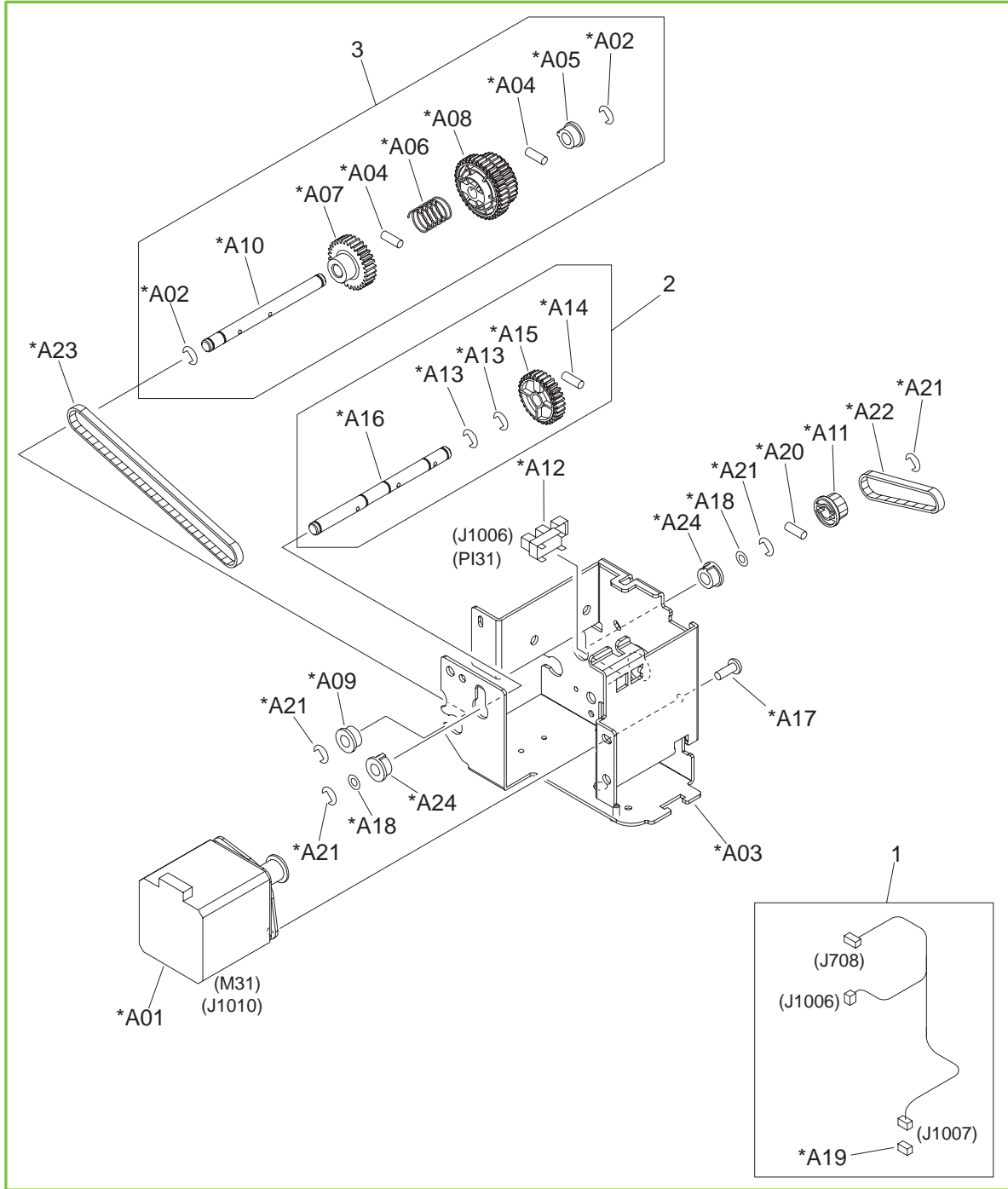


**Table 9-43 Operation-tray assembly (stapler/stacker and booklet-maker)**

Ref	Description	Part number	Qty
All	Operation-tray assembly	RM1-4125-000CN	1
5	Cable, operation-tray	FG3-2903-000CN	1
A12	Photo interrupter, TLP1242	WG8-5593-000CN	2
A37	Photo interrupter, TLP1242	WG8-5593-000CN	1

 **NOTE:** Only highlighted parts are orderable.

**Figure 9-53** Paper-feeder motor assembly (stapler/stacker and booklet-maker)

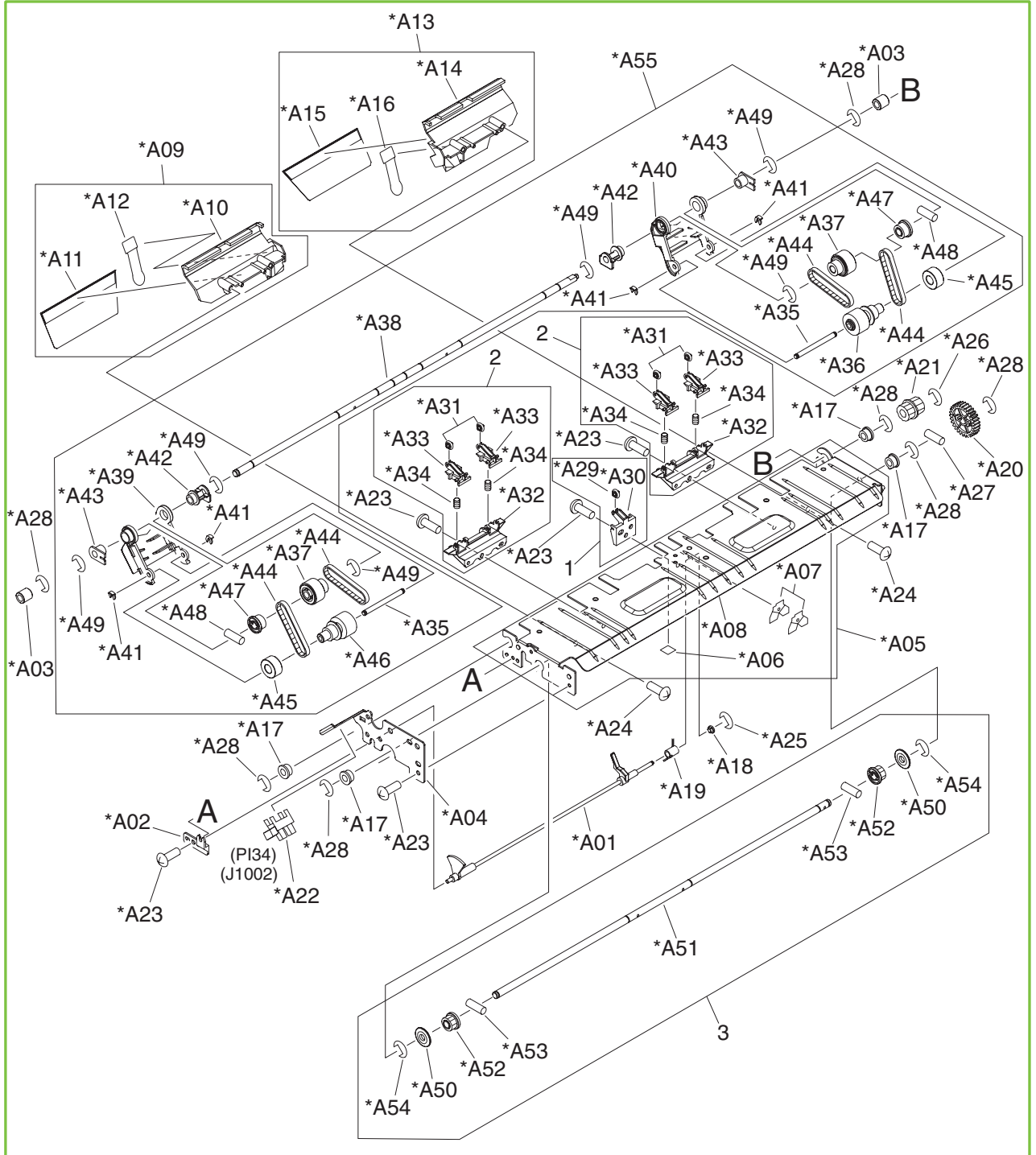


**Table 9-44 Paper-feeder motor assembly (stapler/stacker and booklet-maker)**

Ref	Description	Part number	Qty
All	Paper-feeder motor assembly	RM1-4175-000CN	1

 **NOTE:** Only highlighted parts are orderable.

**Figure 9-54** Return-roller assembly (stapler/stacker and booklet-maker)

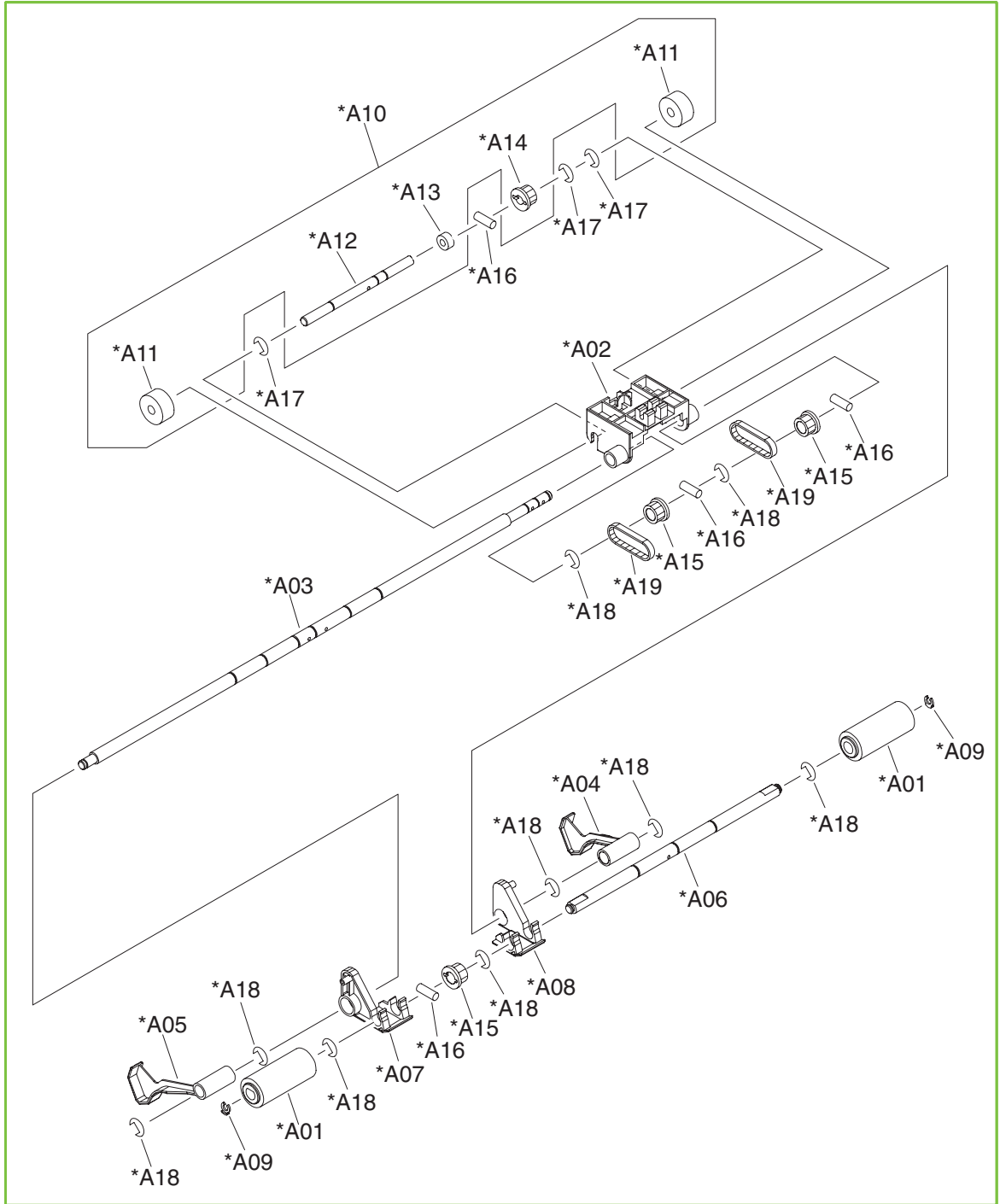


**Table 9-45 Return-roller assembly (stapler/stacker and booklet-maker)**

Ref	Description	Part number	Qty
All	Return-roller assembly	FM2-0725-090	1

 **NOTE:** Only highlighted parts are orderable.

**Figure 9-55** Pressure-roller assembly (stapler/stacker and booklet-maker)



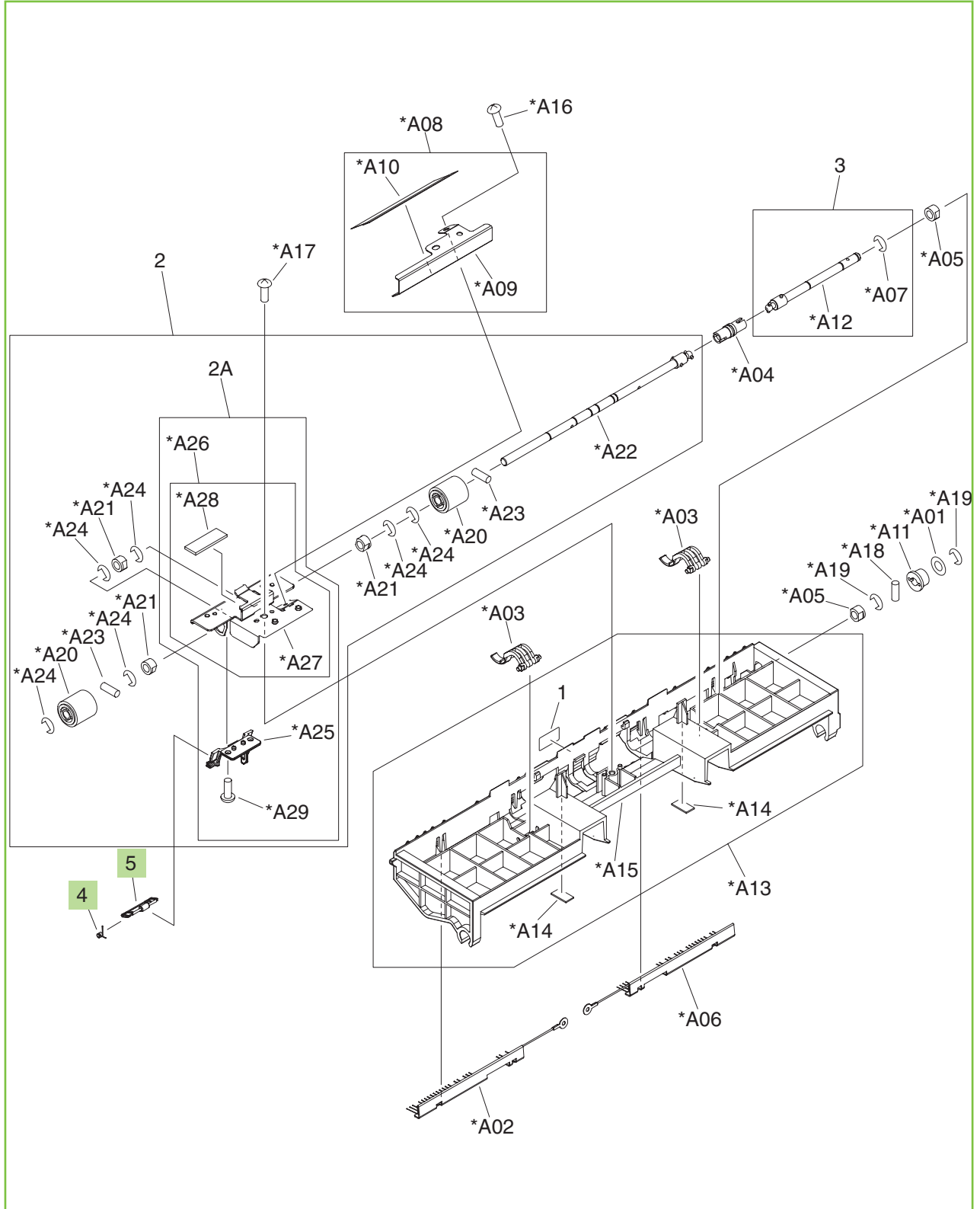


**Table 9-46 Pressure-roller assembly (stapler/stacker and booklet-maker)**

Ref	Description	Part number	Qty
All	Pressure-roller assembly	FM2-0730-000CN	1


 **NOTE:** Only highlighted parts are orderable.

**Figure 9-56** Swing-guide assembly (stapler/stacker and booklet-maker)

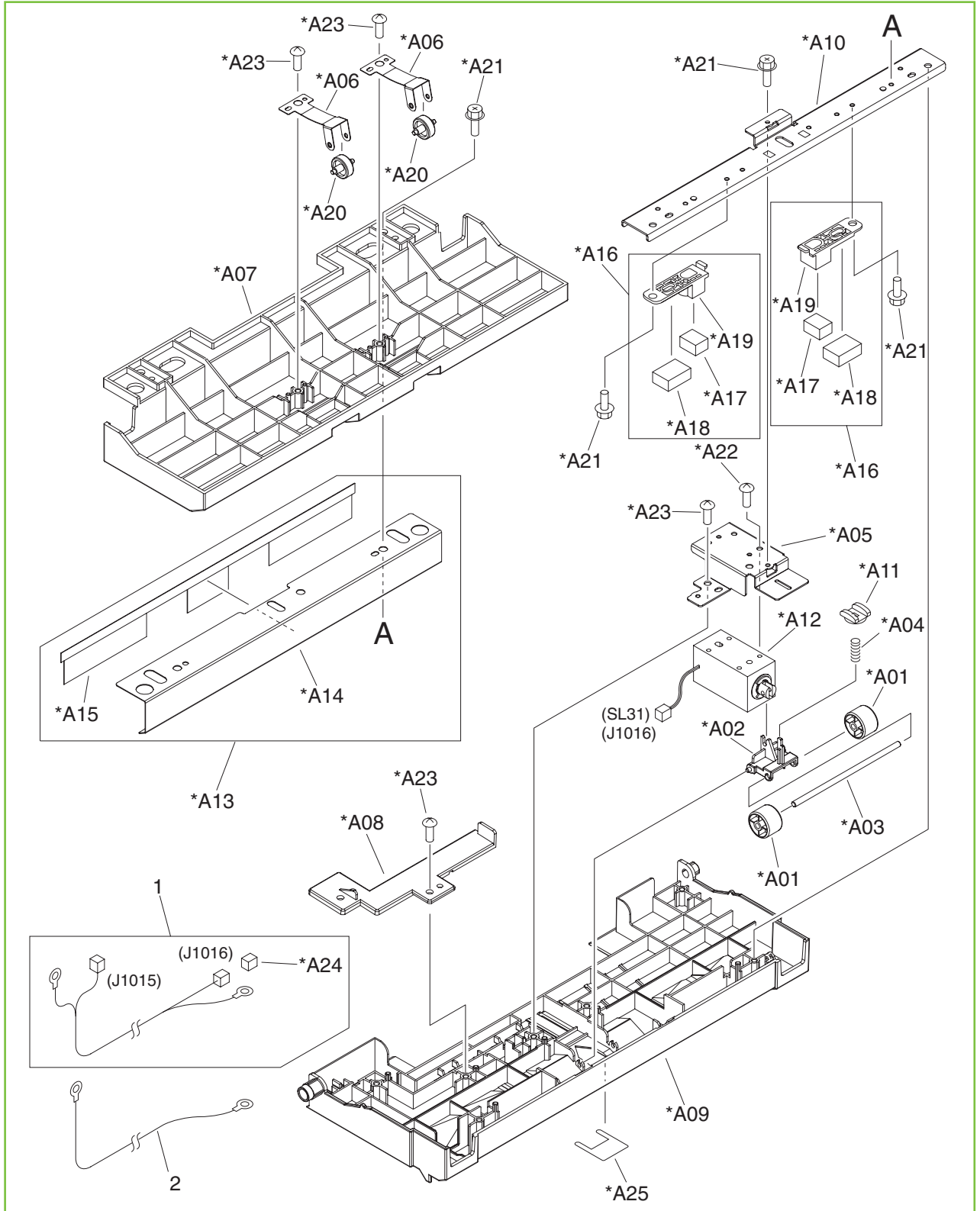


**Table 9-47 Swing-guide assembly (stapler/stacker and booklet-maker)**

Ref	Description	Part number	Qty
All	Swing-guide assembly	RM1-4108-000CN	1
4	Spring, torsion	FC5-6857-000CN	1
5	Arm, paper-delivery gate	RC2-1293-000CN	1

 **NOTE:** Only highlighted parts are orderable.

**Figure 9-57** Entrance upper-guide assembly (stapler/stacker and booklet-maker)

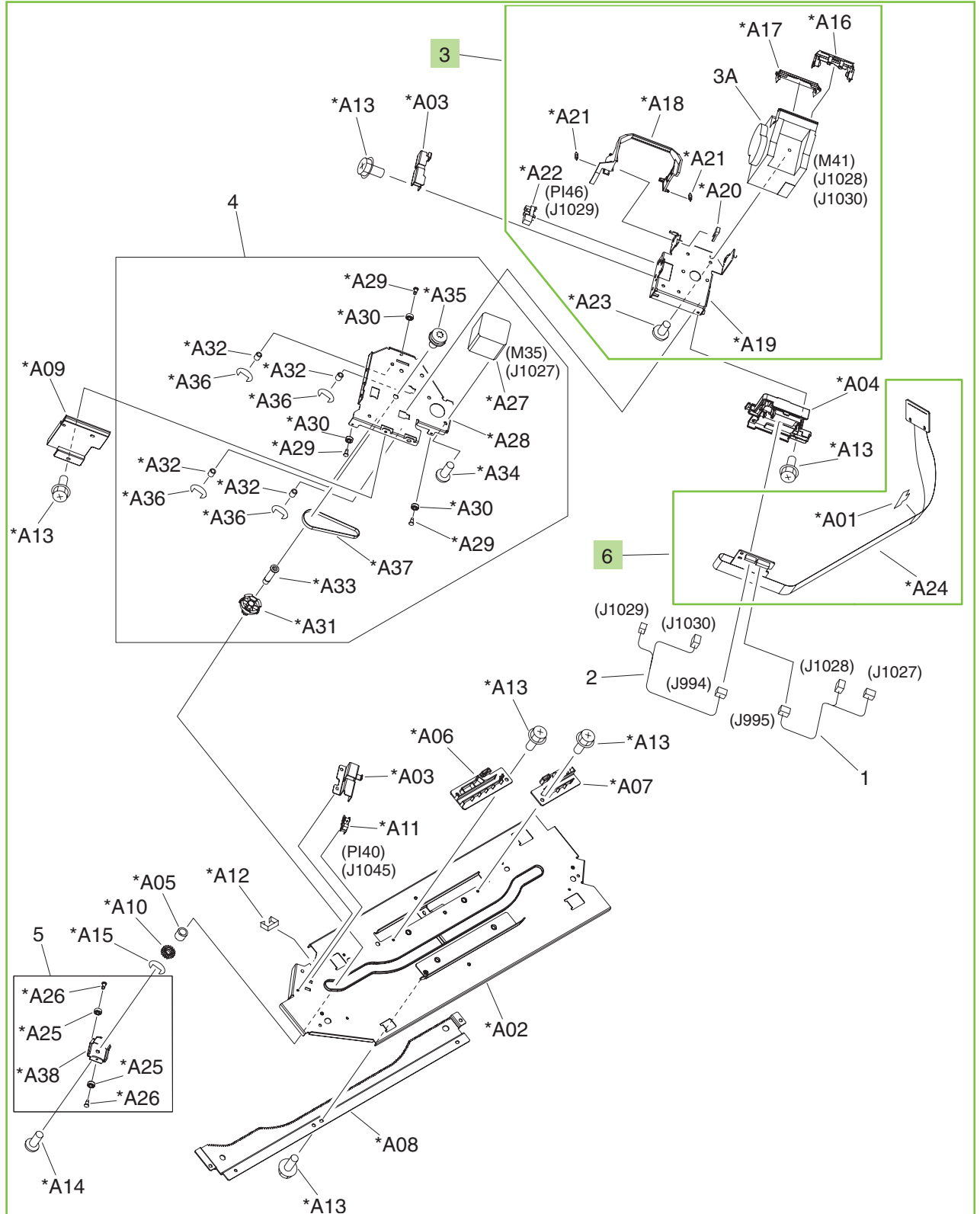


**Table 9-48 Entrance upper-guide assembly (stapler/stacker and booklet-maker)**

Ref	Description	Part number	Qty
All	Entrance upper-guide assembly	RM1-4172-000CN	1

 **NOTE:** Only highlighted parts are orderable.

Figure 9-58 Staple assembly (stapler/stacker and booklet-maker)



**Table 9-49 Staple assembly (stapler/stacker and booklet-maker)**

Ref	Description	Part number	Qty
All	Staple assembly	FM2-0721-000CN	1
3	Stapler sub-assembly	FM2-0722-000CN	1
	5000-staple replacement cartridge	C8091-67901	1
	2000-staple cartridge (for booklet making)	CC383-67901	1
6	Cable, staple-connecting assembly	4G3-1777-000CN	1


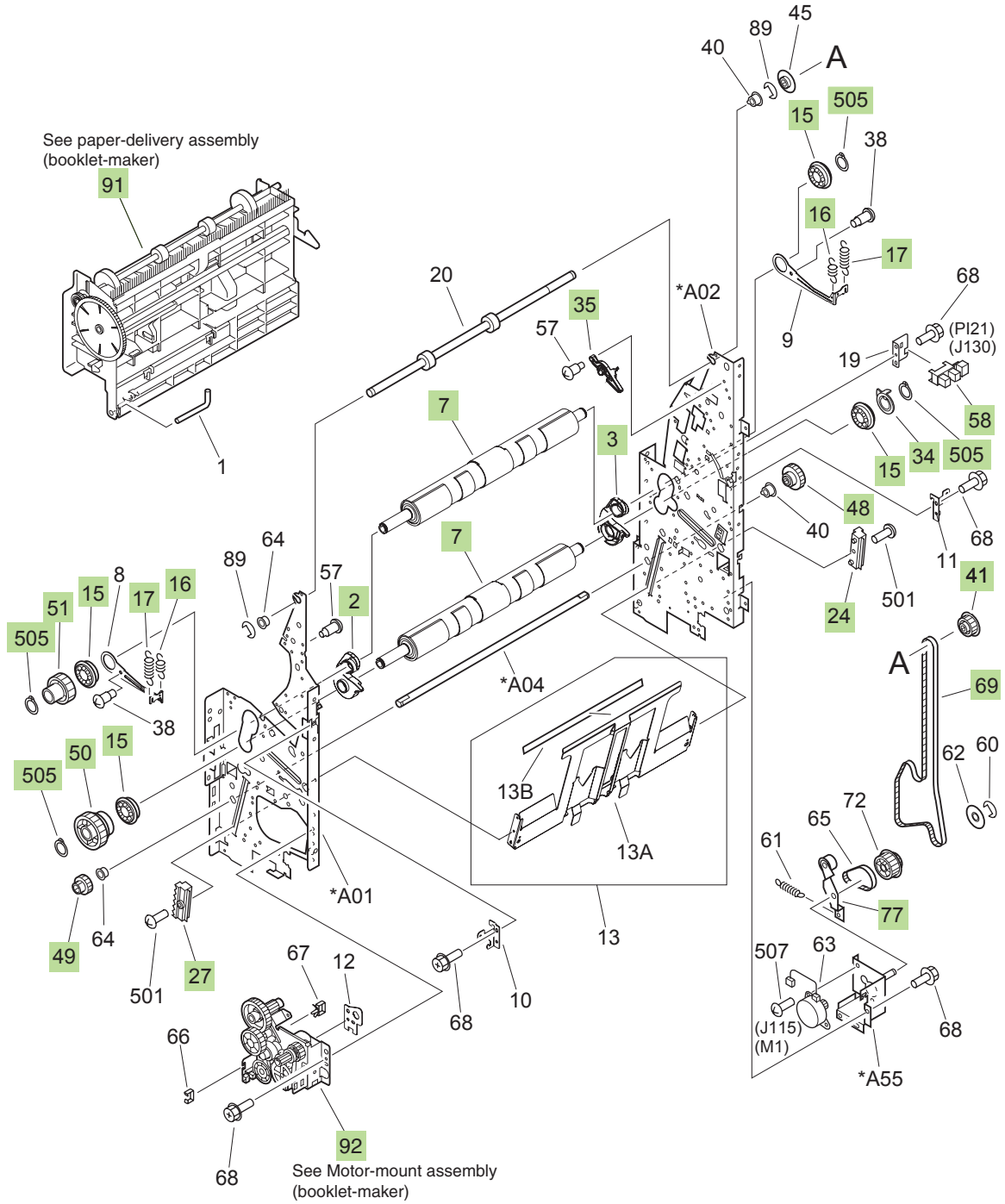
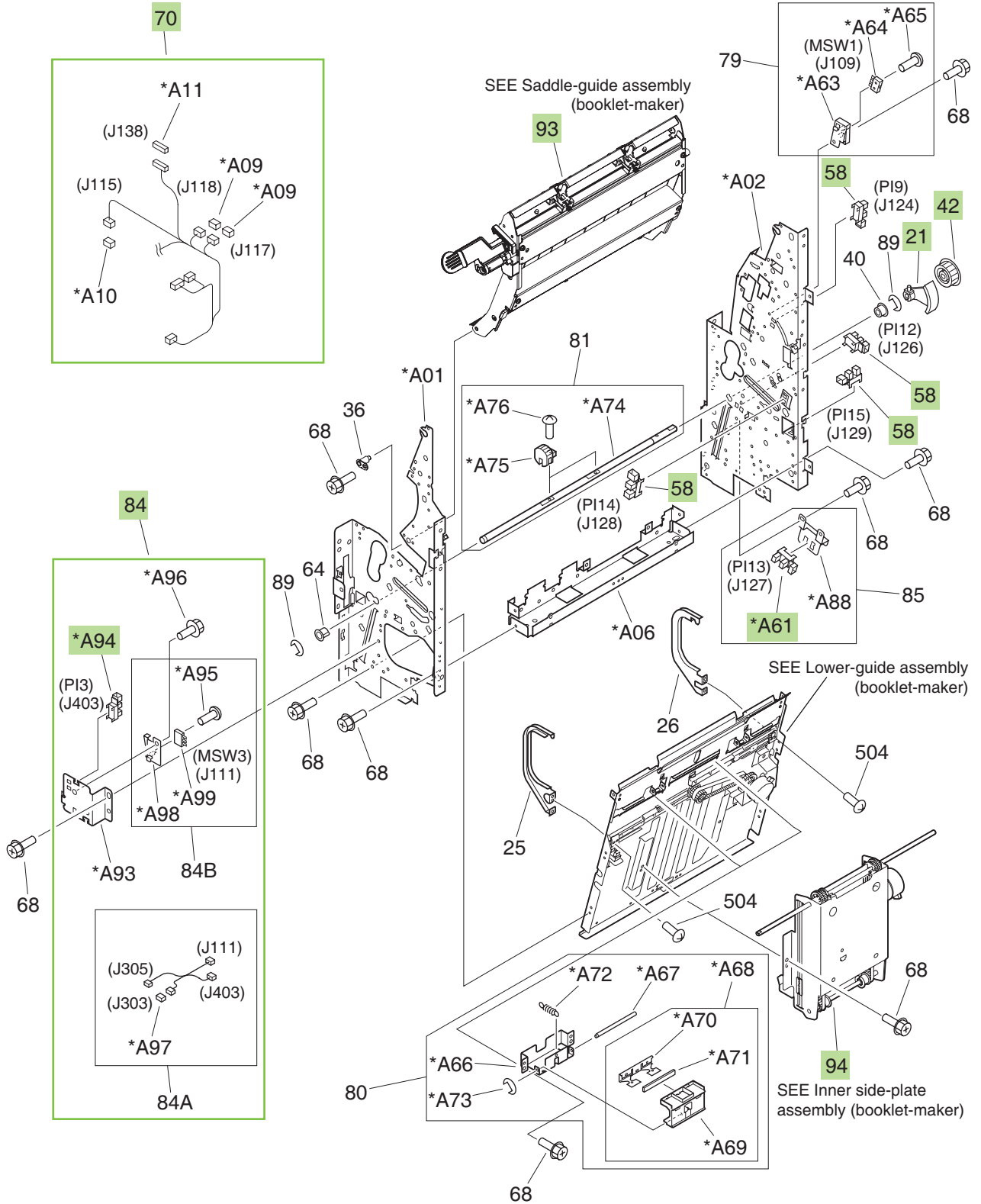
 **NOTE:** Only highlighted parts are orderable.

Figure 9-59 Saddle assembly (1 of 4) (booklet-maker)

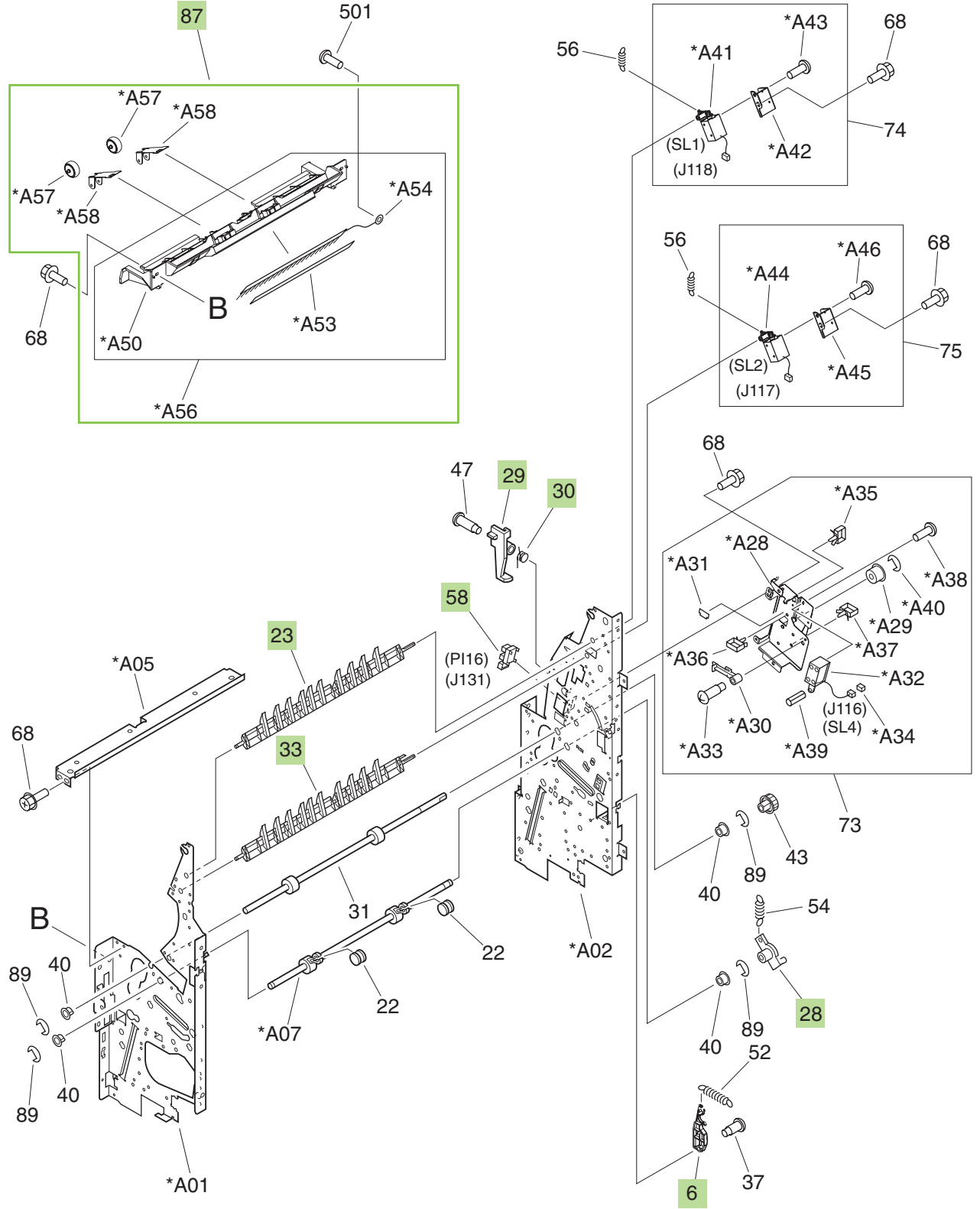




**Figure 9-60** Saddle assembly (2 of 4) (booklet-maker)

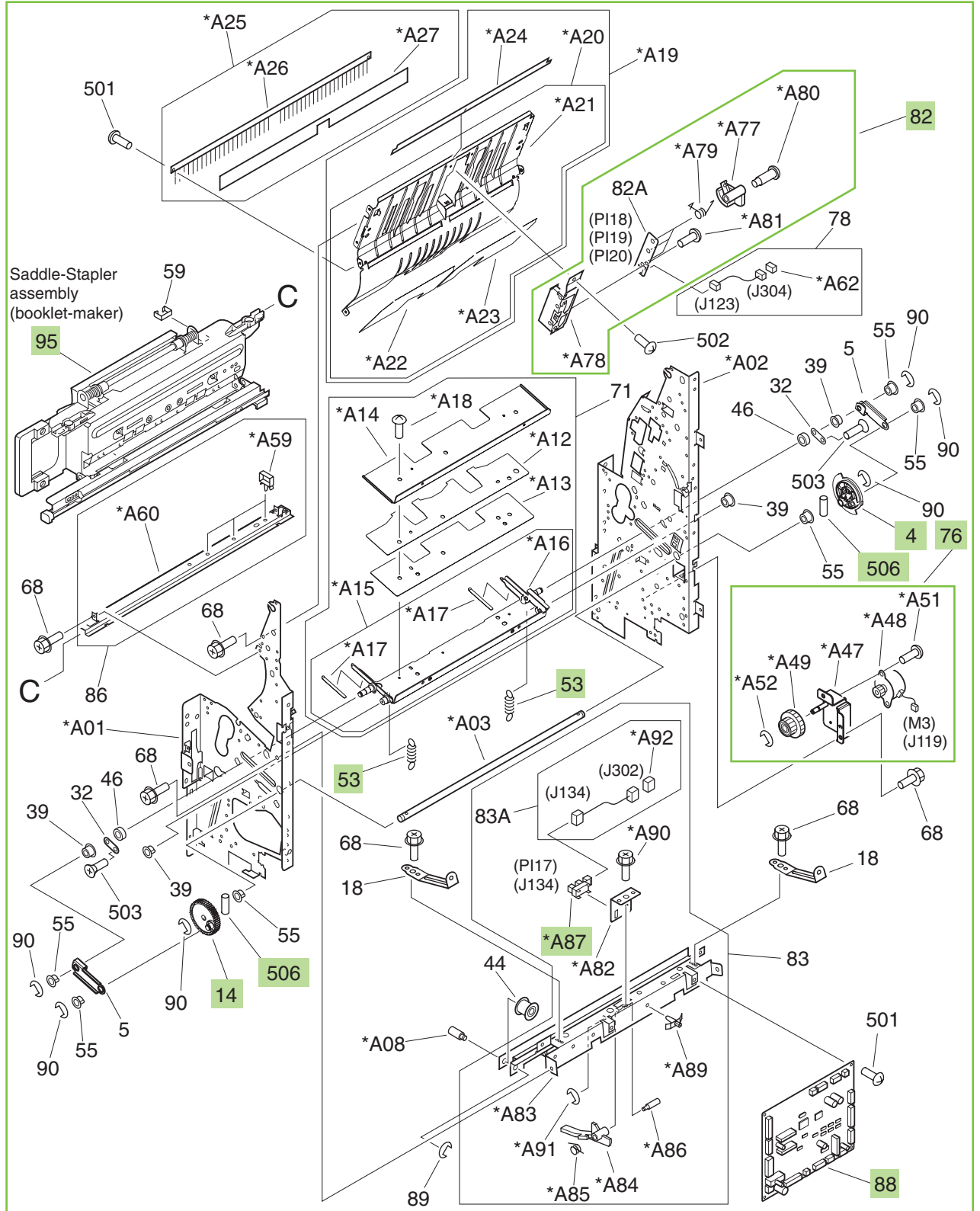


**Figure 9-61** Saddle assembly (3 of 4) (booklet-maker)





**Figure 9-62** Saddle assembly (4 of 4) (booklet-maker)



**Table 9-50 Saddle assembly (booklet-maker)**

Ref	Description	Part number	Qty
2	Arm, adjustment, front	4A3-1763-000CN	1
3	Arm, adjustment, rear	4A3-1764-000CN	1
4	Plate, rotation	4A3-1779-000CN	1
6	Lever, stopper	4A3-1782-000CN	1
7	Roller, folding	4A3-1783-000CN	2
14	Gear, 50T	4S3-0171-000CN	1
15	Bearing, ball, 6902ZZNR	4S3-1050-000CN	4
16	Spring, tension	4S3-2116-000CN	2
17	Spring, tension	4S3-2117-000CN	2
21	Flag, roller	FB3-7925-030CN	1
23	Deflector	FB3-7928-020CN	1
24	Rack, rear	FB3-7934-000CN	1
27	Rack, front	FB3-7967-000CN	1
28	Holder, roller, 2	FB3-7973-000CN	1
29	Flag, sensor	FB3-7979-000CN	1
30	Spring, torsion	FB3-7980-000CN	1
33	Deflector	FB5-2697-000CN	1
34	Flag, sensor	FB5-5937-020CN	1
35	Claw, latch, right	FC5-5021-000CN	1
41	Pulley, 30T	FS5-3576-000CN	1
42	Pulley, 39T	FS5-3577-000CN	1
48	Gear, 16T/33T	FS6-0822-000CN	1
49	Gear, 16T	FS6-0823-000CN	1
50	Gear, 16T/56T	FS6-0829-000CN	1
51	Gear, 16T	FS6-0830-000CN	1
53	Spring, tension	FS6-2582-000CN	2
58	Photo interrupter, TLP1242	WG8-5593-000CN	6
69	Belt, timing	XF2-3837-340CN	1
70	Cable, saddle-unit	4G1-2283-000CN	1
76	Guide-motor assembly	4G3-0725-000CN	1
77	Plate, tension	FF5-5805-040	1
82	Rear-end sensor assembly	FM2-0763-000CN	1
84	Delivery-switch mount assembly	FM2-1639-000CN	1
87	Upper delivery-guide assembly	RM1-4131-000CN	1

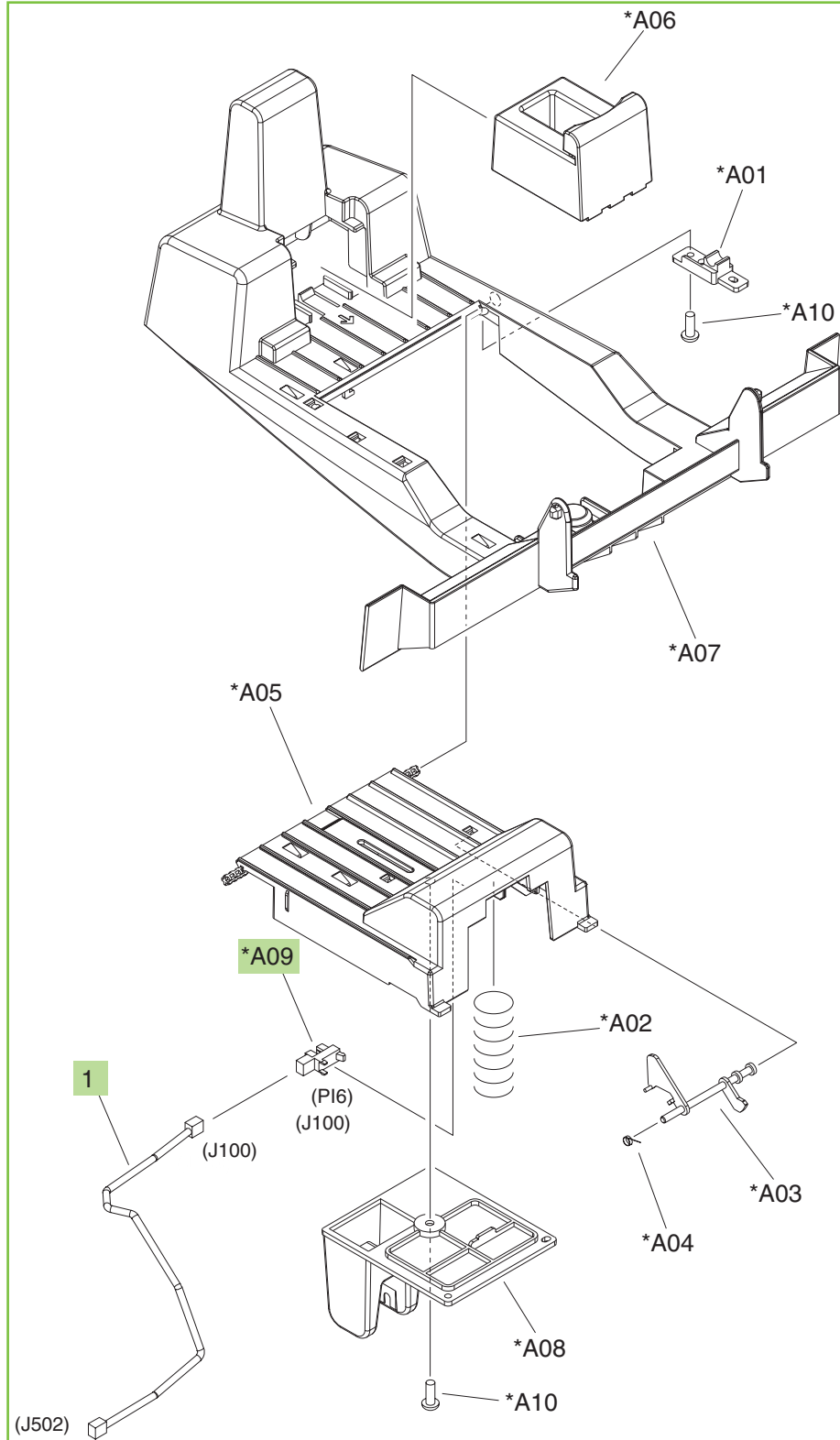
**Table 9-50 Saddle assembly (booklet-maker) (continued)**

Ref	Description	Part number	Qty
88	Saddle-controller PCA assembly	RM1-4140-000CN	1
91	Saddle paper-delivery assembly	RM1-4130-000CN	1
92	Motor-mount assembly	4G3-0670-000CN	1
93	Saddle-guide assembly	FM2-0756-000CN	1
94	Inner side-plate assembly	4G3-0671-000CN	1
95	Saddle-stapler assembly	RM1-4178-000CN	1
505	Ring, C, external	XD2-3100-152CN	4
506	Pin, dowel	XD3-2300-202CN	2
A61	Photo interrupter, TLP1242	WG8-5593-000CN	1
A87	Photo interrupter, TLP1242	WG8-5593-000CN	1
A94	Photo interrupter, TLP1242	WG8-5593-000CN	1

 **NOTE:** Only highlighted parts are orderable.



Figure 9-63 Saddle-tray assembly (booklet-maker)





**Table 9-51 Saddle-tray assembly (booklet-maker)**

Ref	Description	Part number	Qty
All	Booklet-output bin (saddle-tray assembly)	RM1-4113-000CN	1
1	Cable, sensor	4G1-2285-000CN	1
A09	Photo interrupter, TLP1242	WG8-5593-000CN	1


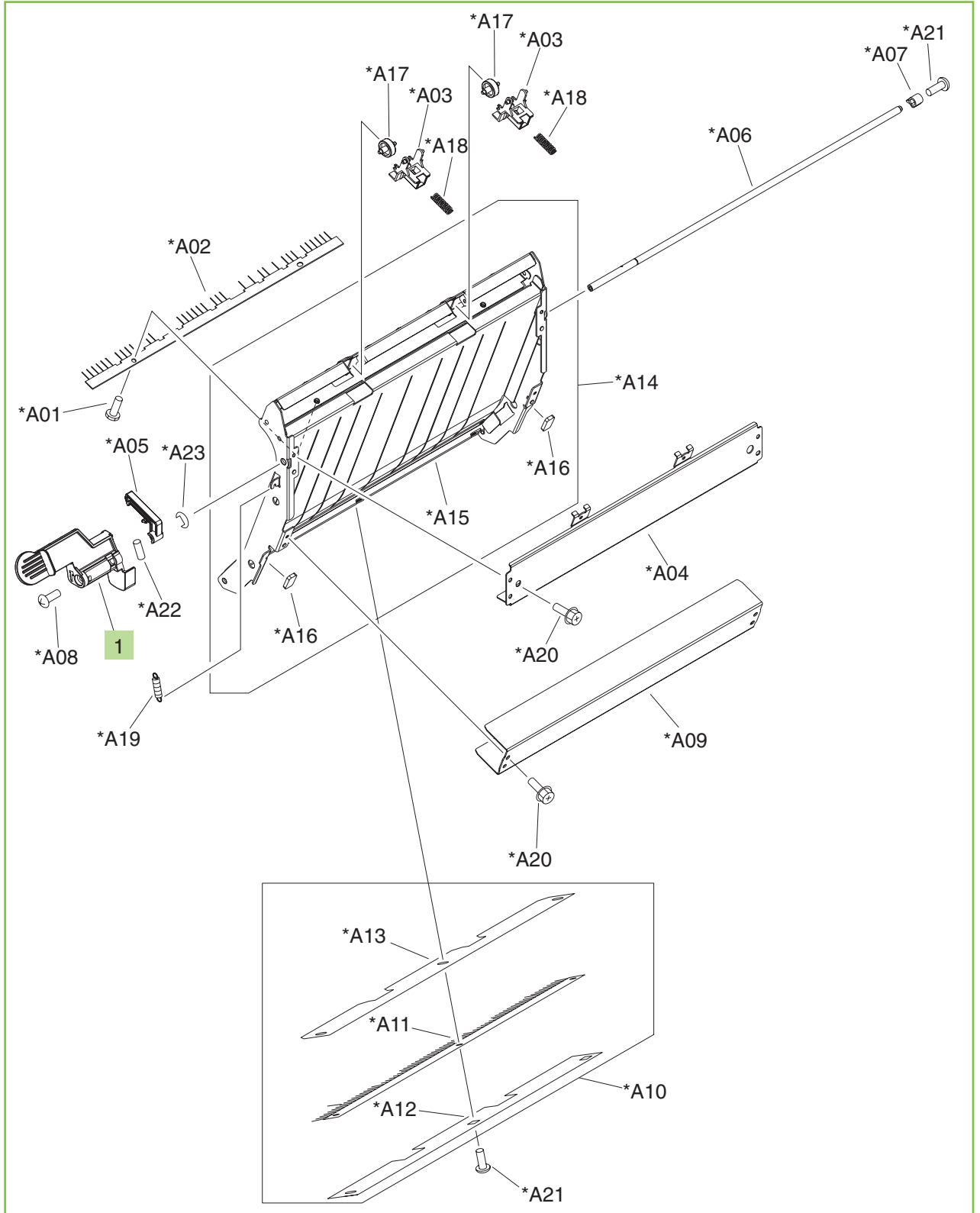
 **NOTE:** Only highlighted parts are orderable.

Figure 9-64 Saddle-guide assembly (booklet-maker)

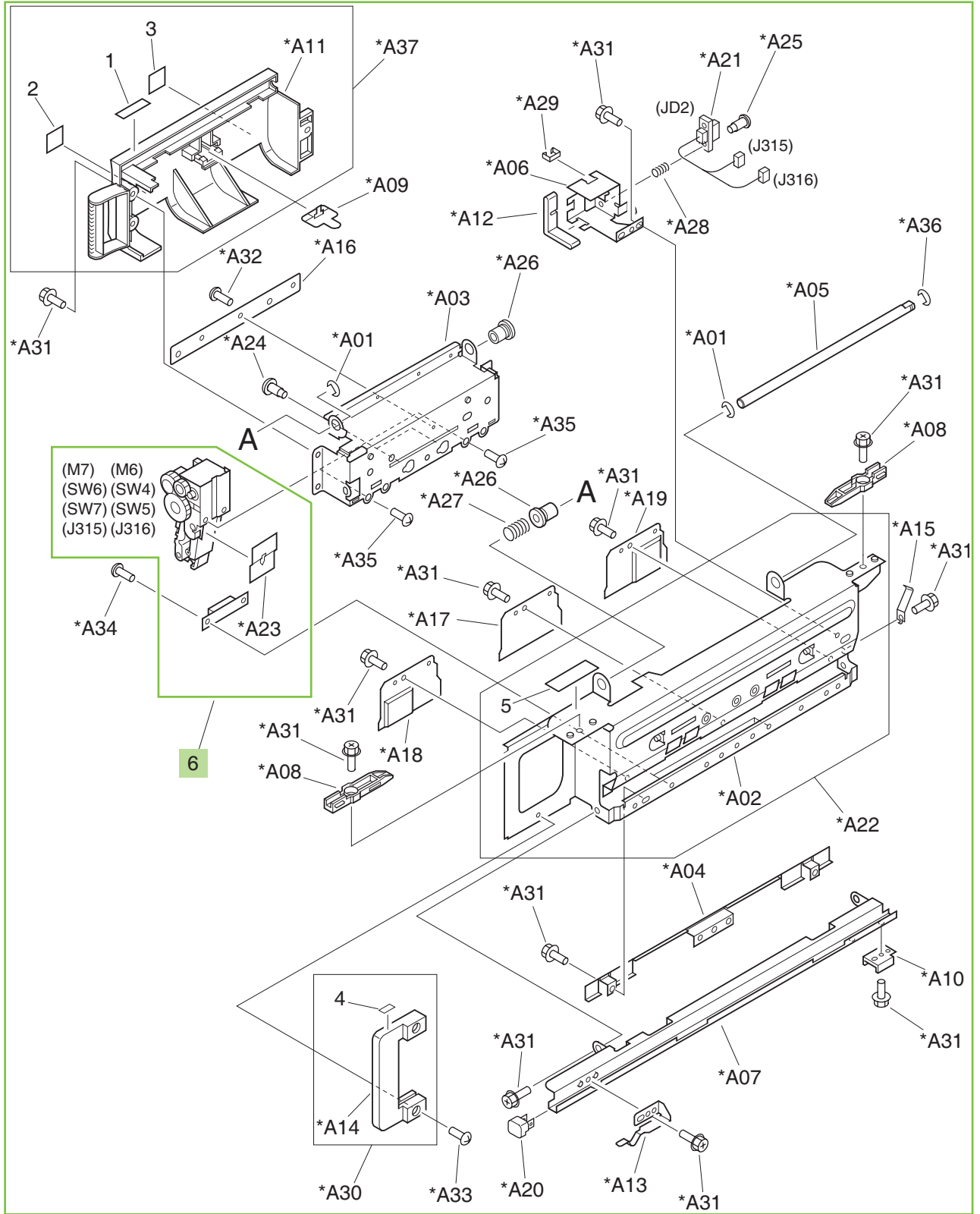


**Table 9-52 Saddle-guide assembly (booklet-maker)**

Ref	Description	Part number	Qty
All	Saddle-guide assembly	FM2-5024-000CN	1
1	Knob, latch	FC5-5024-000CN	1

 **NOTE:** Only highlighted parts are orderable.

Figure 9-65 Saddle-stapler assembly (booklet-maker)

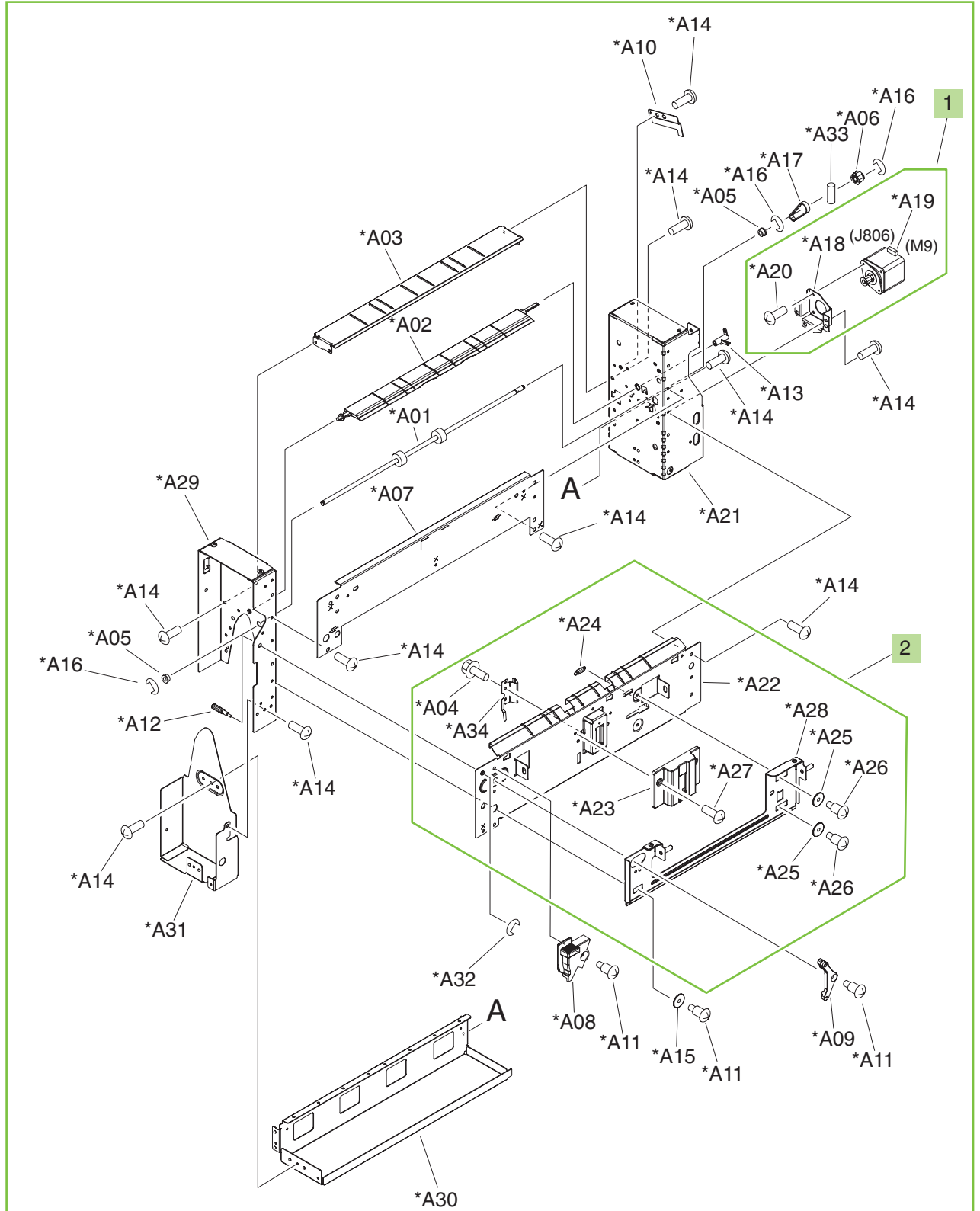


**Table 9-53 Saddle-stapler assembly (booklet-maker)**

Ref	Description	Part number	Qty
All	Saddle-stapler assembly	RM1-4178-000CN	1
6	Stapler unit	FL2-0846-000CN	2
	5000-staple replacement cartridge	C8091-67901	1
	2000-staple cartridge (for booklet making)	CC383-67901	1

 **NOTE:** Only highlighted parts are orderable.

**Figure 9-66** Saddle paper-feeder assembly (stapler/stacker)



**Table 9-54 Saddle paper-feeder assembly (stapler/stacker)**

Ref	Description	Part number	Qty
All	Saddle paper-feeder assembly	RM1-4136-000CN	1
1	Saddle-motor assembly	FM2-0737-000CN	1
2	Entrance lower-guide assembly	RM1-4110-000CN	1

 **NOTE:** Only highlighted parts are orderable.



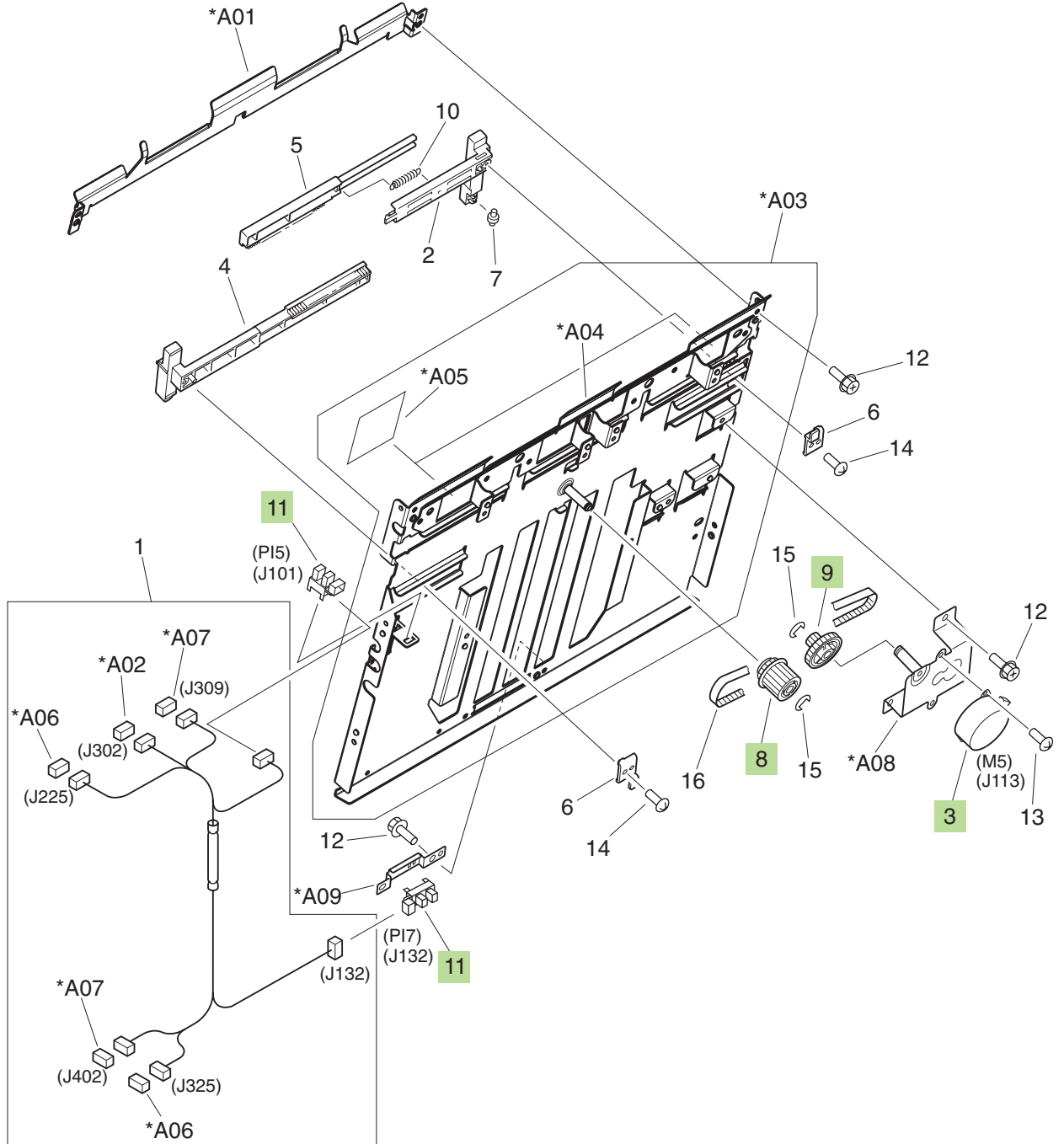


**Table 9-55 Saddle paper-feeder assembly (booklet-maker)**

Ref	Description	Part number	Qty
All	Saddle paper-feeder assembly	RM1-4109-000CN	1
3	Saddle-motor assembly	FM2-0737-000CN	1
4	Entrance lower-guide assembly	RM1-4110-000CN	1
A19	Photo interrupter, TLP1242	WG8-5593-000CN	1

 **NOTE:** Only highlighted parts are orderable.

**Figure 9-68** Pass lower-guide assembly (booklet-maker)

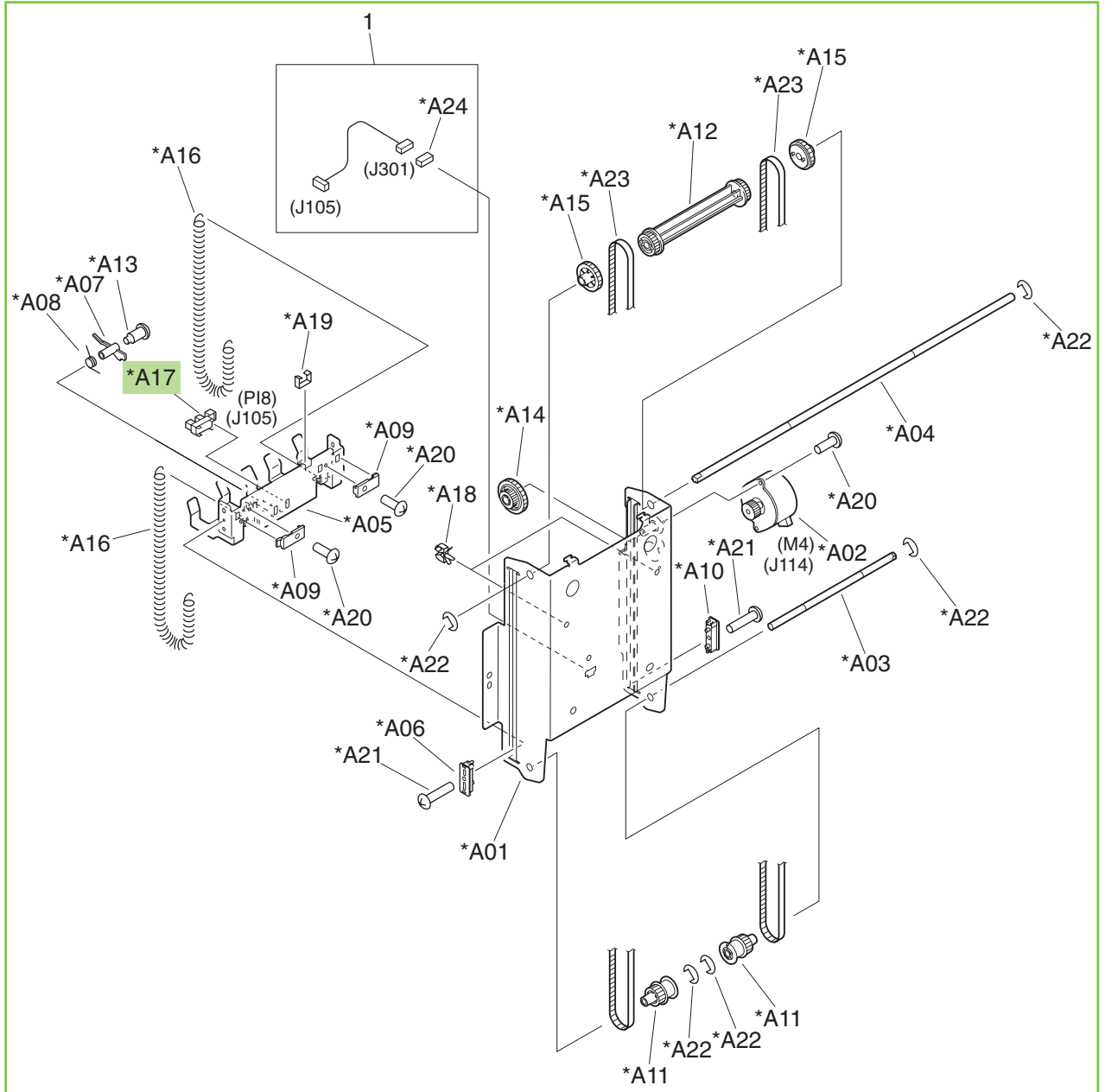


**Table 9-56 Pass lower-guide assembly (booklet-maker)**

Ref	Description	Part number	Qty
3	Motor, stepping	4K1-1103-000CN	1
8	Pulley, 32T/gear, 16T	FS6-0814-000CN	1
9	Pulley, 16T/gear, 32T	FS6-0815-000CN	1
11	Photo interrupter, TLP1242	WG8-5593-000CN	2

 **NOTE:** Only highlighted parts are orderable.

**Figure 9-69** Inner side-plate assembly (booklet-maker)

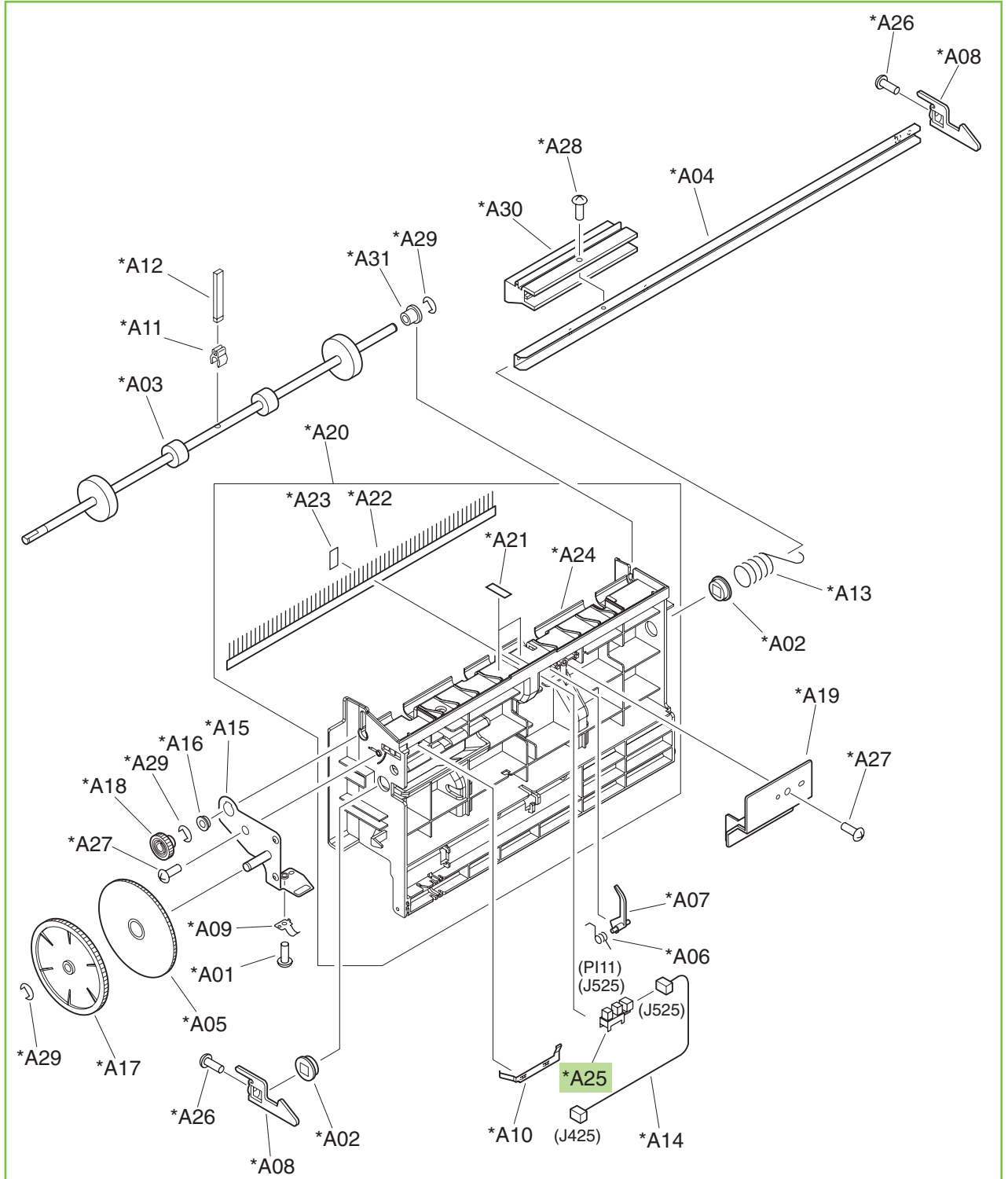


**Table 9-57 Inner side-plate assembly (booklet-maker)**

Ref	Description	Part number	Qty
All	Inner side-plate assembly	4G3-0671-000CN	1
A17	Photo interrupter, TLP1242	WG8-5593-000CN	1

 **NOTE:** Only highlighted parts are orderable.

**Figure 9-70** Saddle paper-delivery assembly (booklet-maker)

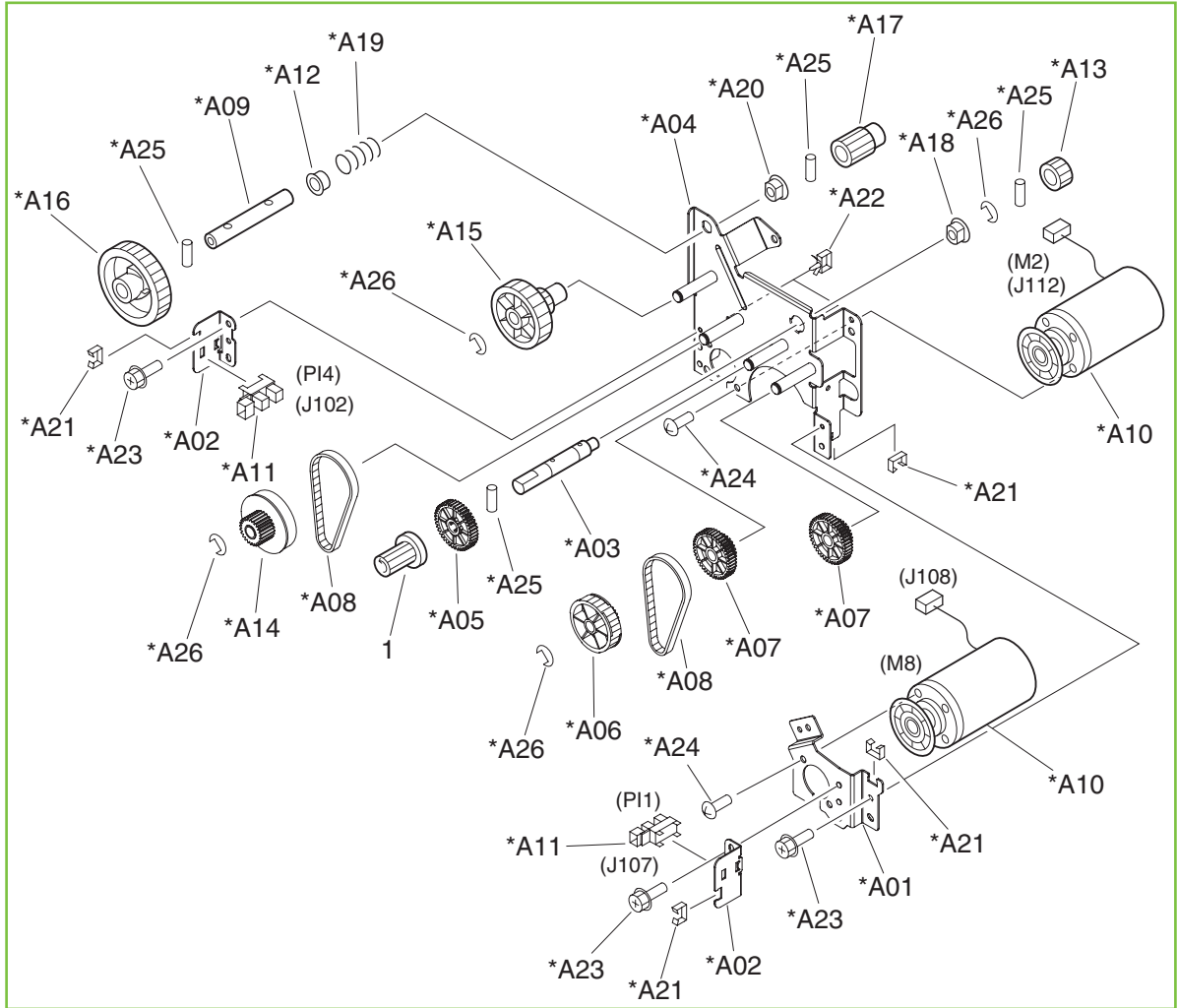


**Table 9-58 Saddle paper-delivery assembly (booklet-maker)**

Ref	Description	Part number	Qty
All	Saddle paper-delivery assembly	RM1-4130-000CN	1
A25	Photo interrupter, TLP1242	WG8-5593-000CN	1

 **NOTE:** Only highlighted parts are orderable.

Figure 9-71 Motor-mount assembly (booklet-maker)



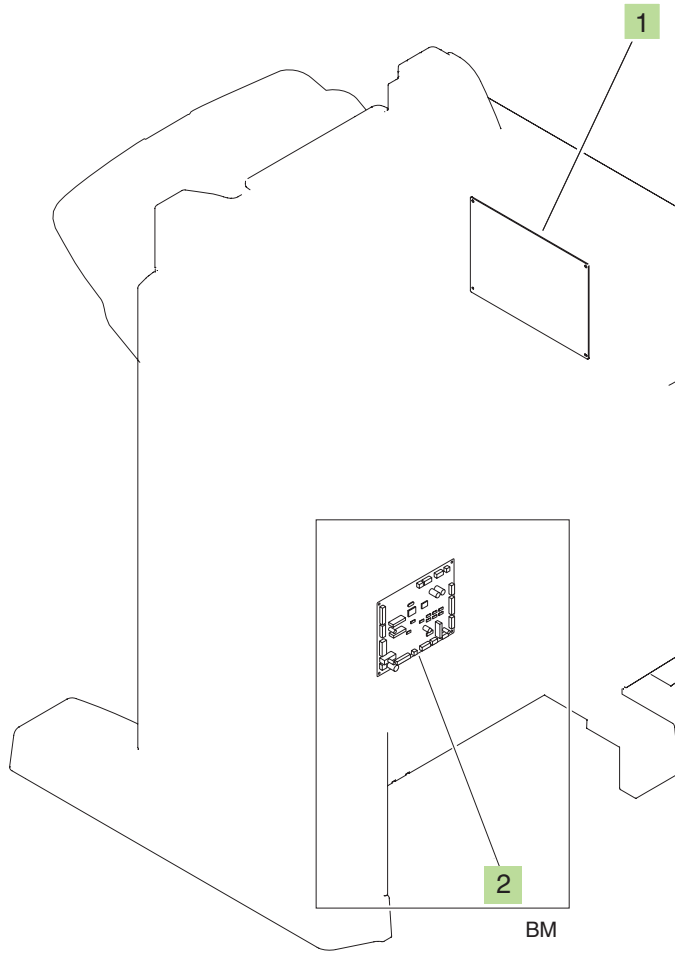


**Table 9-59 Motor-mount assembly (booklet-maker)**

Ref	Description	Part number	Qty
All	Motor-mount assembly	4G3-0670-000CN	1

 **NOTE:** Only highlighted parts are orderable.

Figure 9-72 PCA assembly



**Table 9-60 PCA assembly**

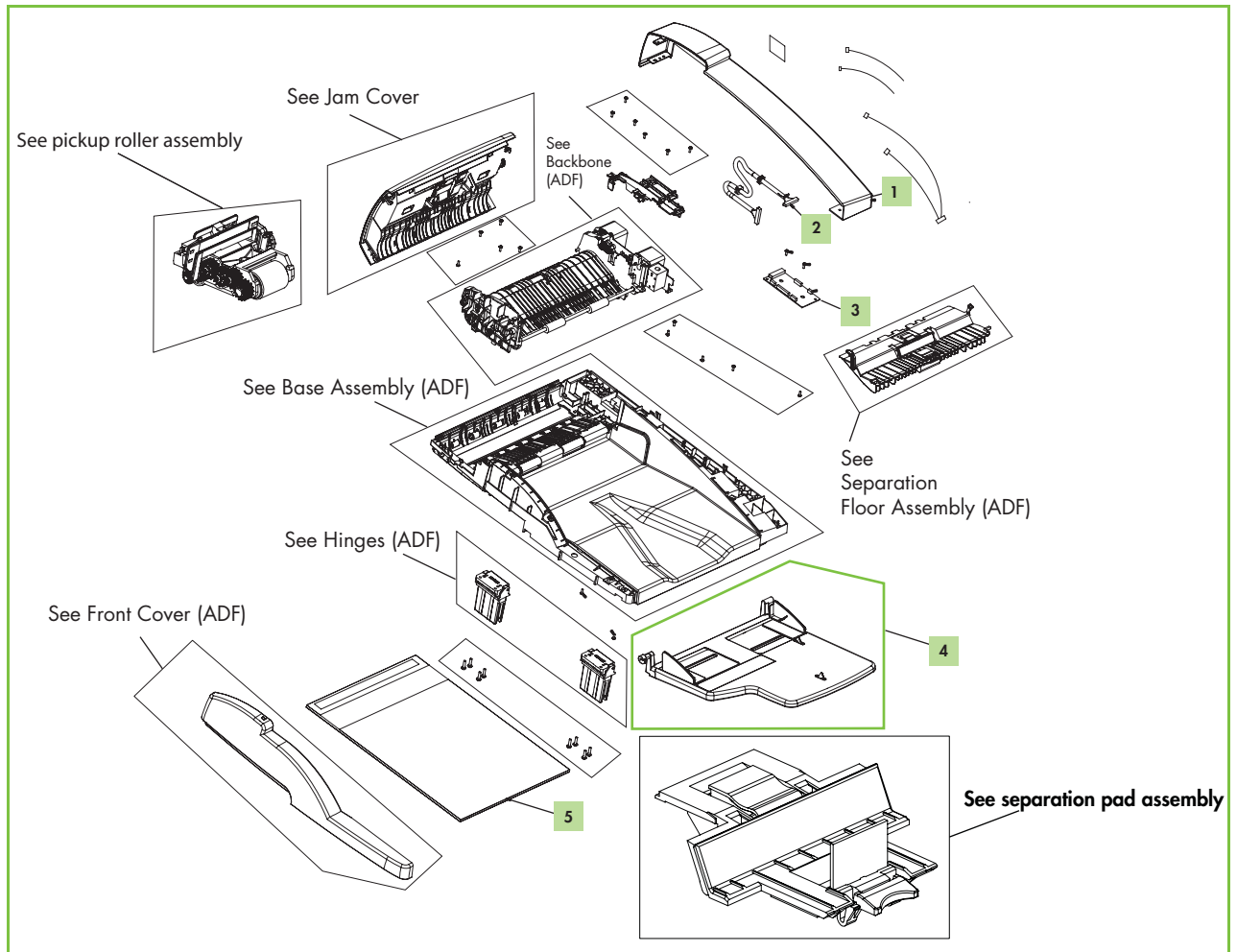
Ref	Description	Part number	Qty
1	Main controller PCA assembly (stapler/stacker and booklet-maker)	RM1-4139-000CN	1
2	Saddle-controller PCA assembly (booklet-maker)	RM1-4140-000CN	1

 **NOTE:** Only highlighted parts are orderable.

# Automatic document-feeder (ADF)

## Automatic document feeder (ADF) assemblies

Figure 9-73 ADF unit

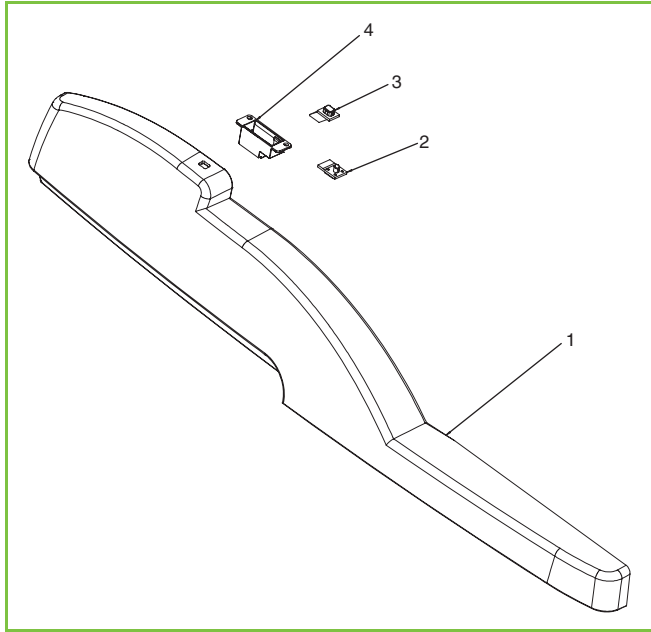


**Table 9-61 ADF unit**

Ref	Description	Part number	Qty
All	Automatic document feeder (ADF) whole unit	Q3938-67943	1
1	End cover (cap) back	Q3938-67945	1
2	Cable, ADF to scanner	Q3938-67948	1
3	PCA motor assembly	Q7829-67903	1
4	Tray-input assembly	Q3938-67950	1
5	Reflector foam (white backing)	Q7829-67909	1
Not shown	Flag sensor LS	Q3938-67951	1
Not shown	Photo interrupter with connector	Q7829-67914	1
Not shown	Maintenance kit	Q3938-67944	1

 **NOTE:** Only highlighted parts are orderable.

**Figure 9-74** Front-end cover

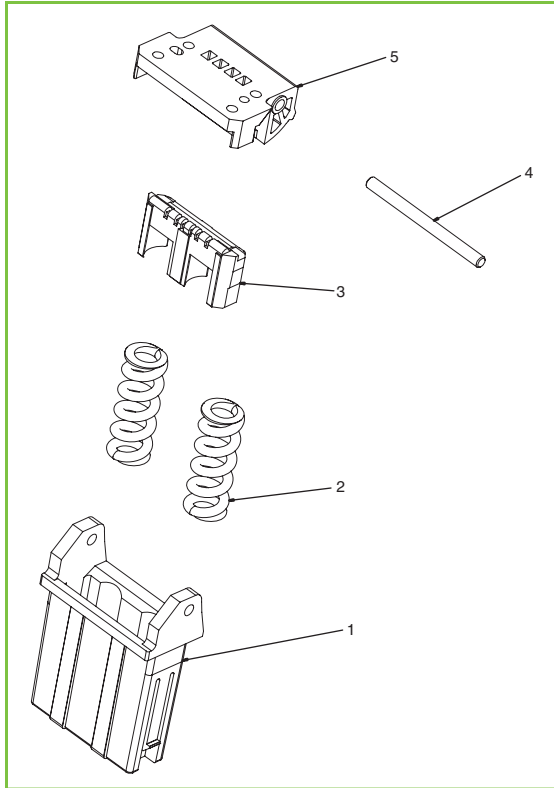


**Table 9-62 Front-end cover**

Ref	Description	Part number	Qty
All	End cover (cap) front assembly	Q3938-67946	1

 **NOTE:** Only highlighted parts are orderable.


**Figure 9-75** Hinge assembly



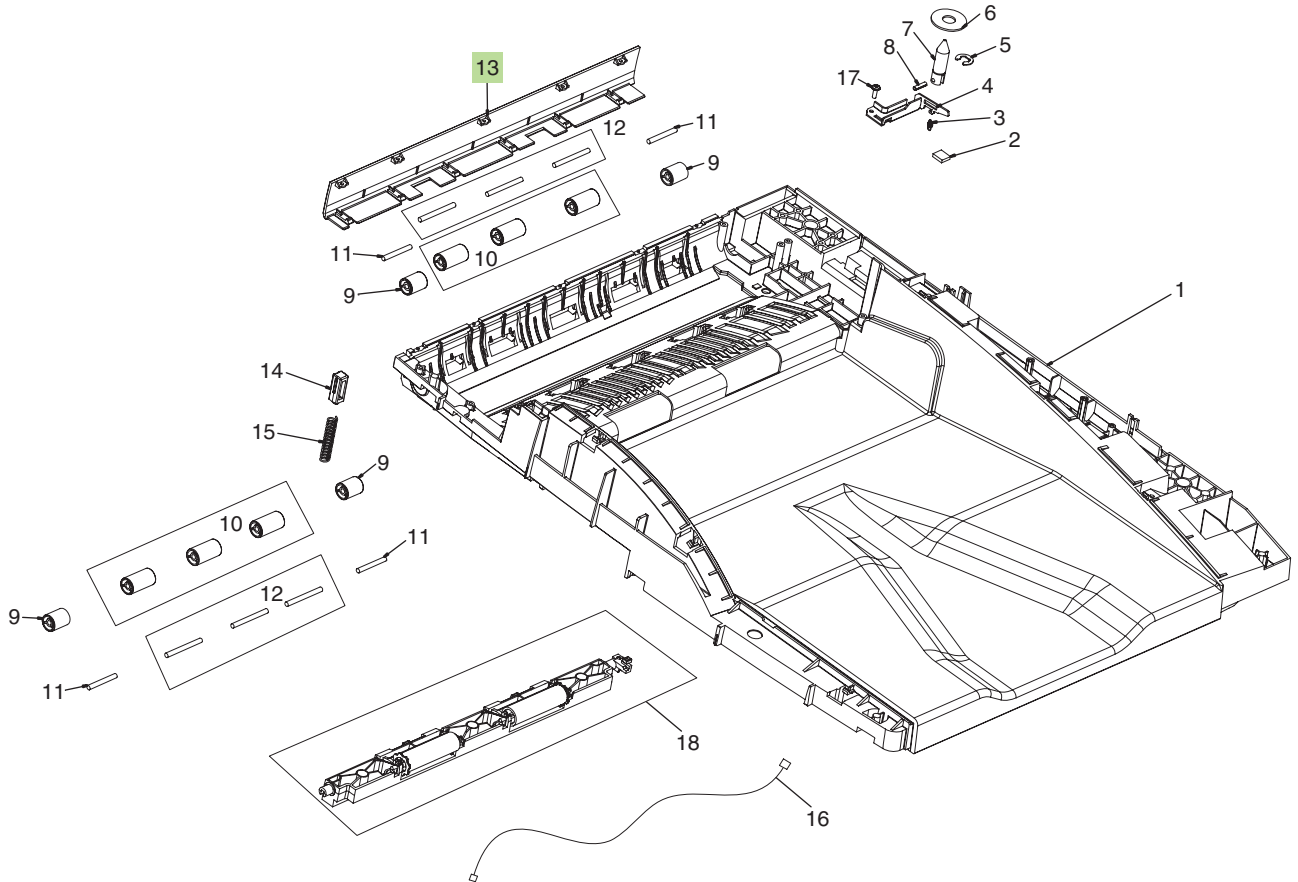


**Table 9-63 Hinge assembly**

Ref	Description	Part number	Qty
All	Hinge assembly	Q3938-67952	1 (Order 2)

 **NOTE:** Only highlighted parts are orderable.

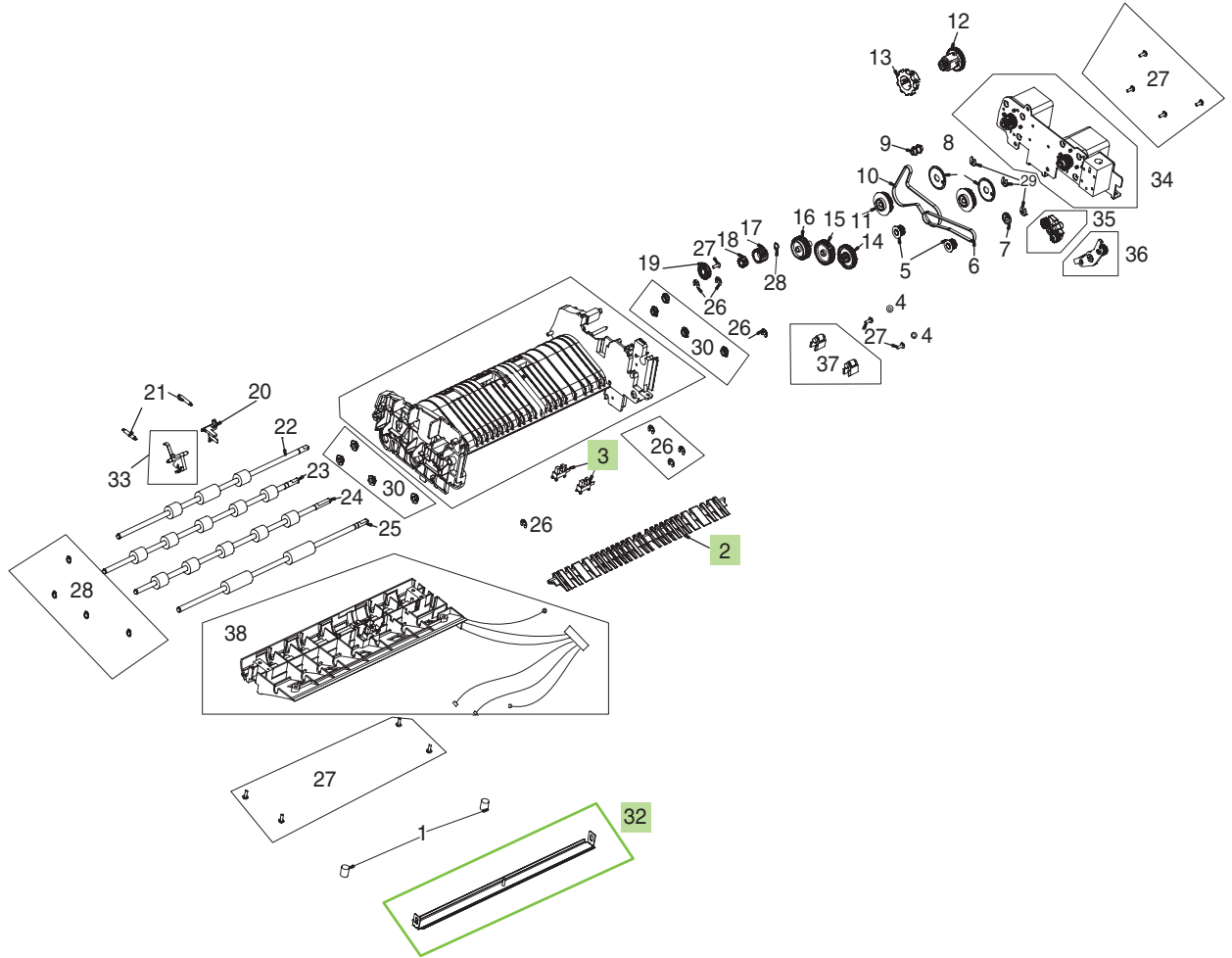
**Figure 9-76** Base assembly



 **NOTE:** Only highlighted parts are orderable.

**NOTE:** To order components other than the left cover for this assembly, you must order a replacement ADF unit (Q3938-67943).

Figure 9-77 Backbone assembly

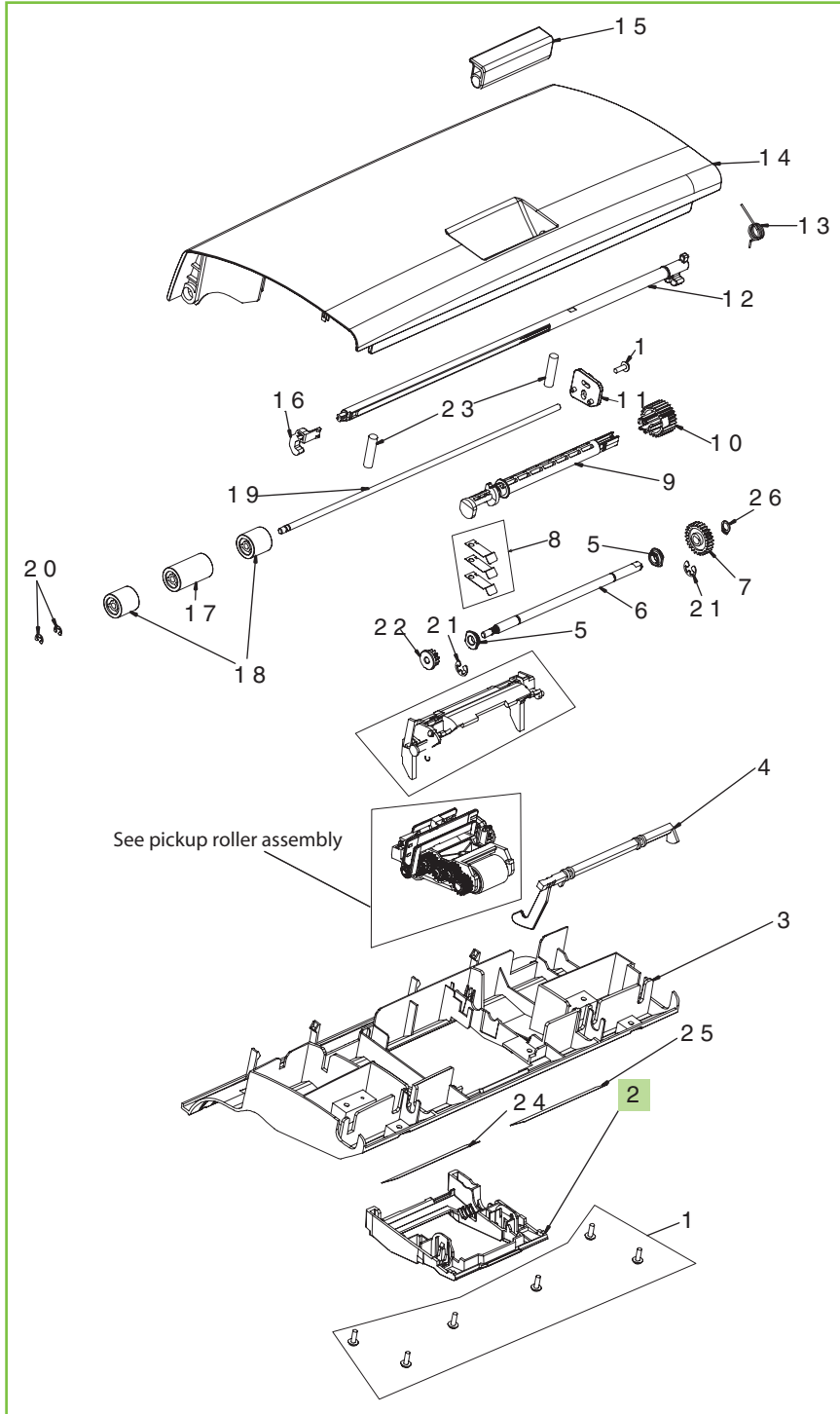


**Table 9-64 Backbone assembly**

Ref	Description	Part number	Qty
2	Diverter	Q3938-67953	1
3	Photo interrupter with connector	Q7829-67914	1
32	Float assembly	Q7829-67917	1

 **NOTE:** Only highlighted parts are orderable.

Figure 9-78 Jam-cover assembly

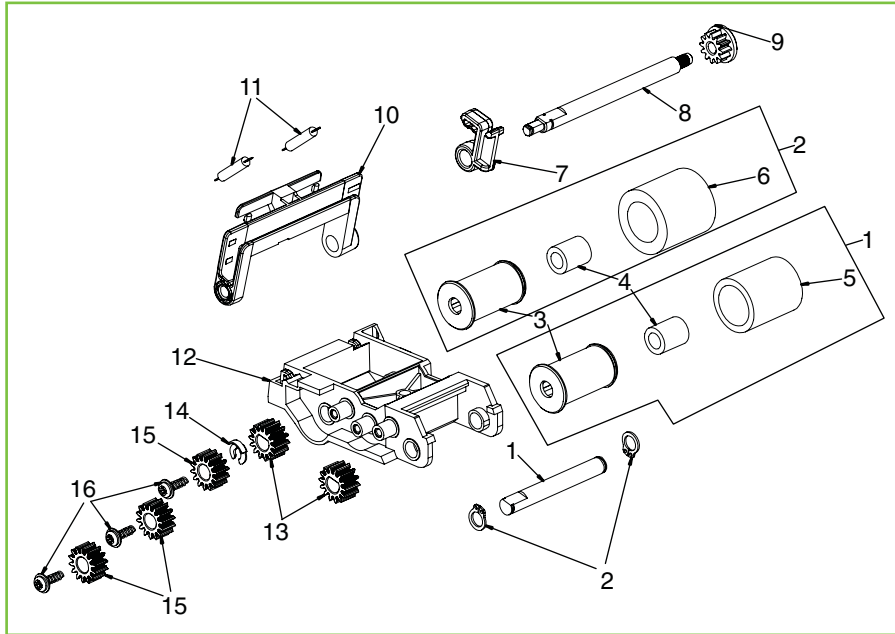


**Table 9-65 Jam-cover assembly**

Ref	Description	Part number	Qty
All	Jam-cover assembly	Q3938-67970	1
2	Cover pick roller	Q3938-67954	1

 **NOTE:** Only highlighted parts are orderable.

**Figure 9-79** Pickup-roller assembly



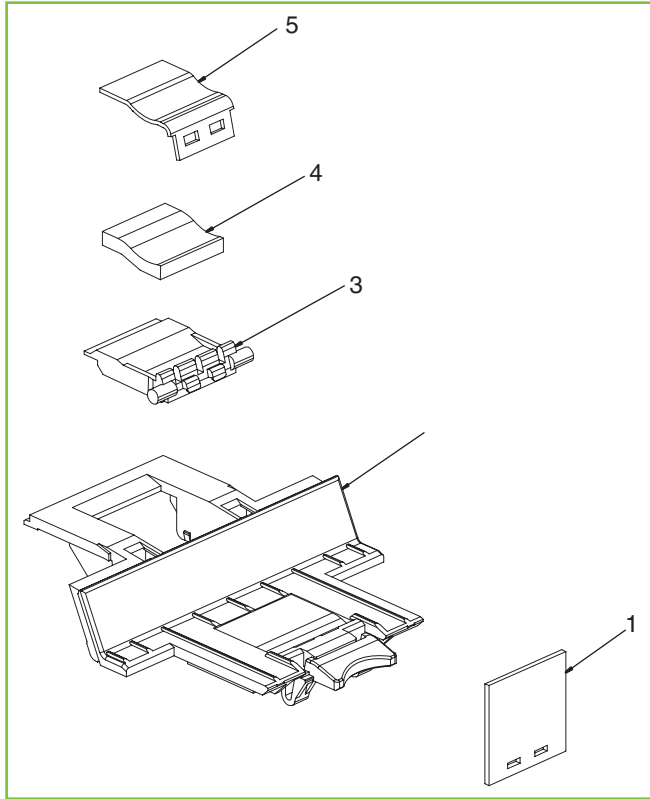
**Table 9-66 Pickup-roller assembly**

Ref	Description	Part number	Qty
All	Cover pick roller (part of the ADF maintenance kit)	Q3938-67954	1

 **NOTE:** Only highlighted parts are orderable.

**NOTE:** The pickup roller is part of the ADF maintenance kit (which also includes the separation pad).

**Figure 9-80** Separation-pad assembly





**Table 9-67 Separation-pad assembly**

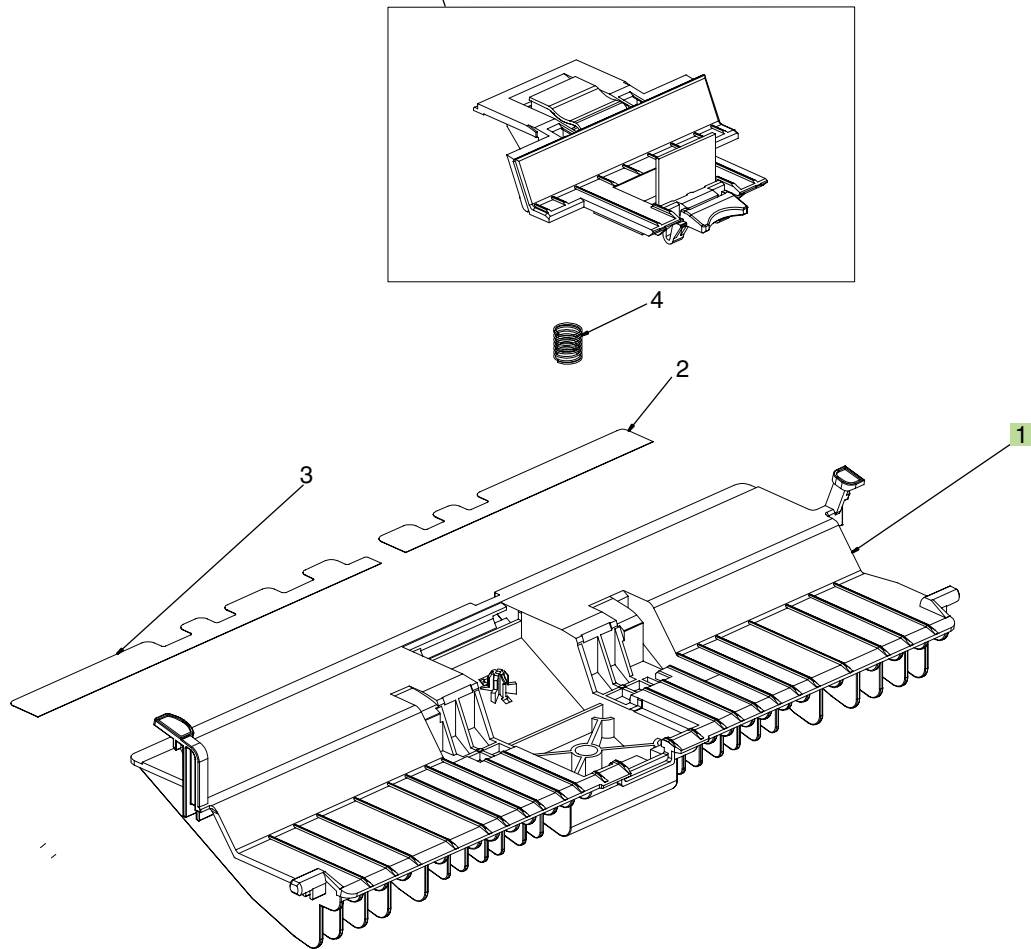
Ref	Description	Part number	Qty
All	Separation-pad assembly (part of the ADF maintenance kit)	Q3938-67949	1

 **NOTE:** Only highlighted parts are orderable.

**NOTE:** The separation pad is part of the ADF maintenance kit (which also includes the pickup roller).

**Figure 9-81** Separation-floor assembly

See separation pad assembly



**Table 9-68 Separation-floor assembly**

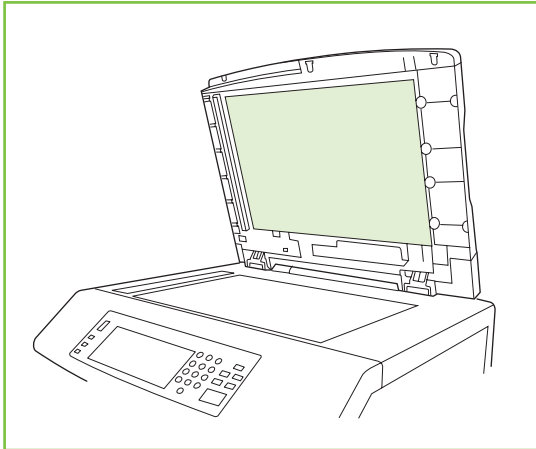
Ref	Description	Part number	Qty
1	Separation-floor assembly	Q3938-67949	1

 **NOTE:** Only highlighted parts are orderable.

# Scanner

## Scanner assemblies

Figure 9-82 Scanner unit



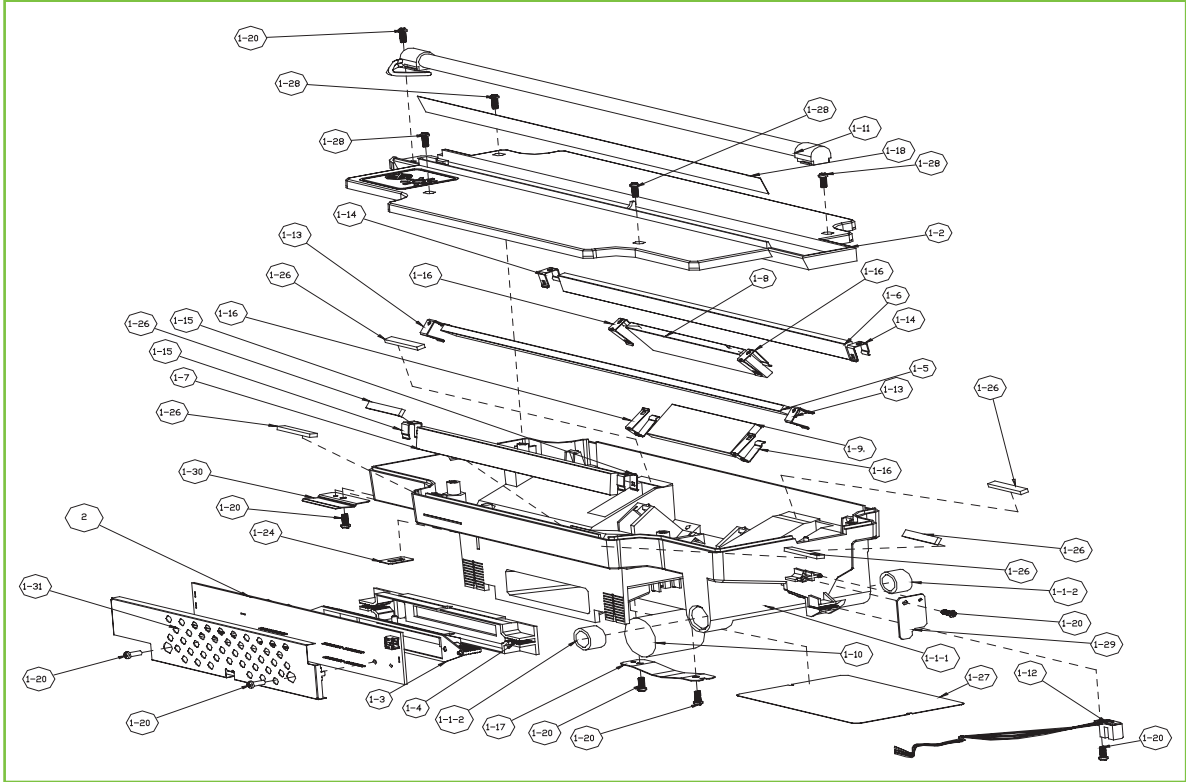
**Table 9-69 Scanner unit**

Ref	Description	Part number	Qty
All	Entire scanner without power supply, boards, and cable	Q3938-60132	1

 **NOTE:** Only highlighted parts are orderable.

**NOTE:** The automatic document feeder (ADF) is not included.

Figure 9-83 Carriage assembly

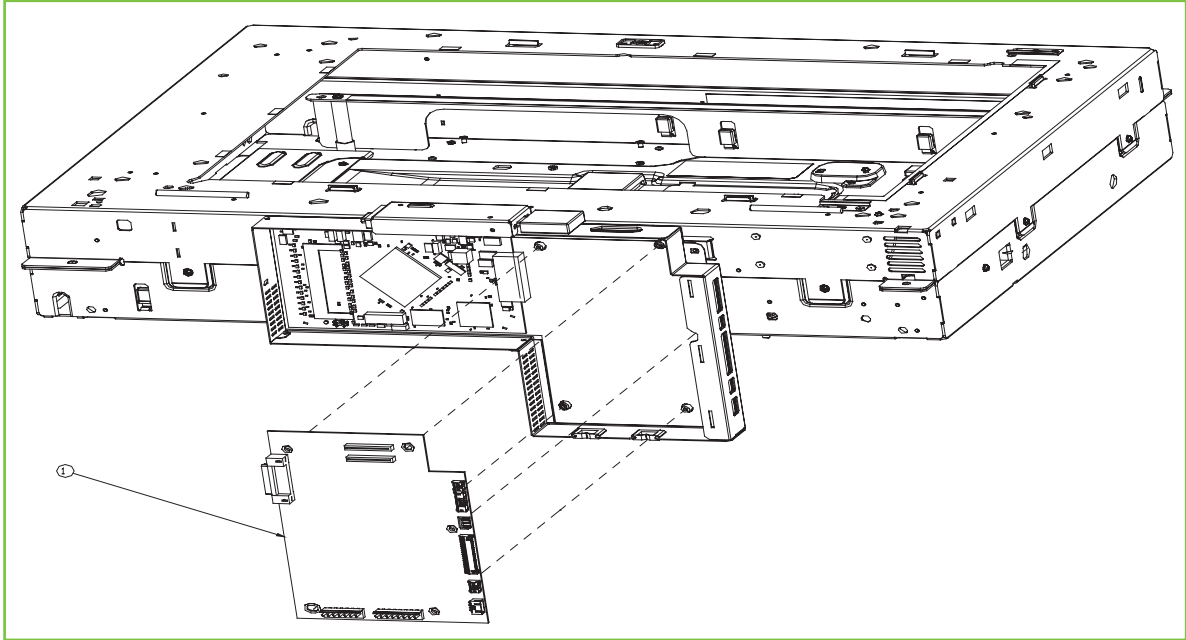


**Table 9-70 Carriage assembly**

Ref	Description	Part number	Qty
All	Carriage assembly	Q3938-67901	1

 **NOTE:** Only highlighted parts are orderable.

**Figure 9-84** Scanner controller-board (SCB) assembly



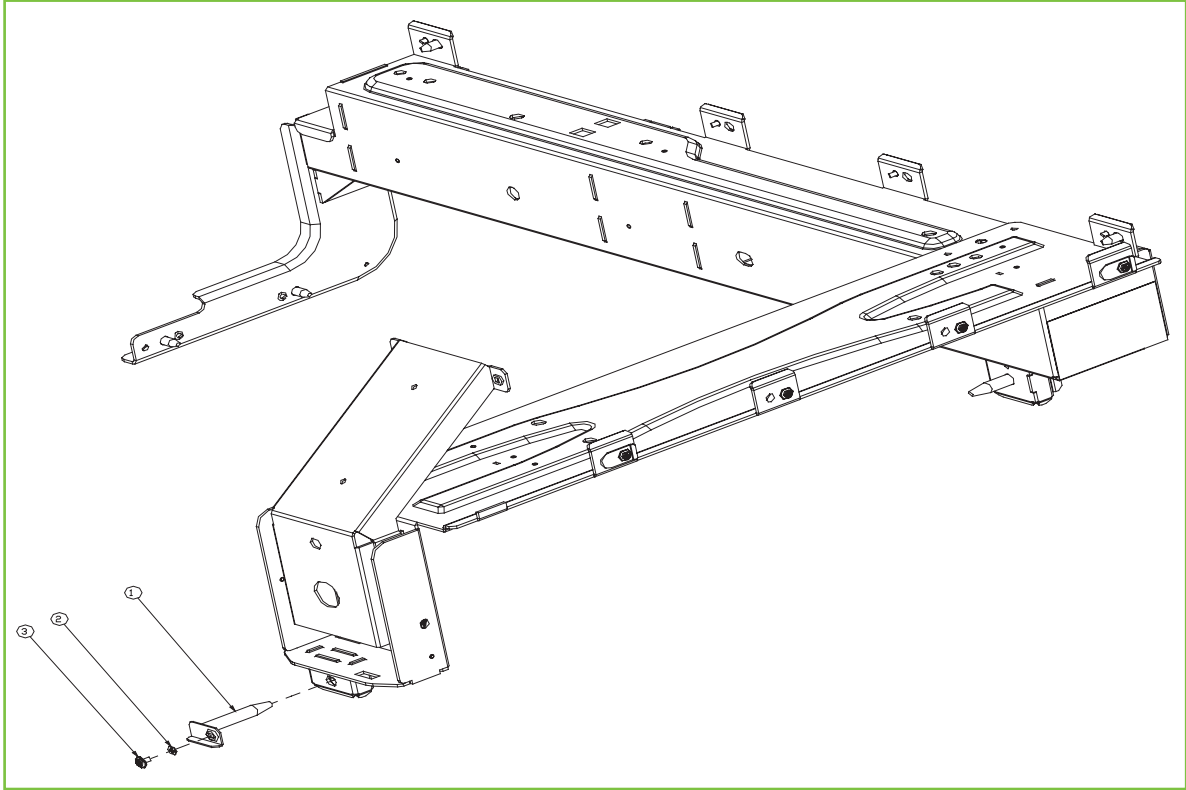


**Table 9-71 Scanner controller-board (SCB) assembly**

Ref	Description	Part number	Qty
All	Scanner controller-board (SCB)	Q3938-67902	1

 **NOTE:** Only highlighted parts are orderable.

Figure 9-85 Large-pin assembly

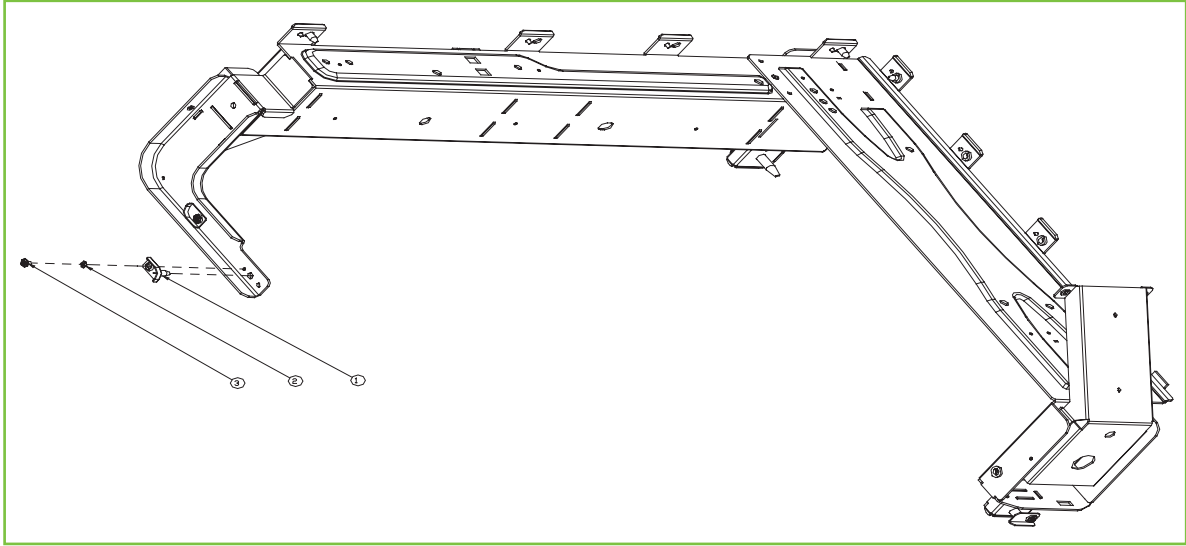


**Table 9-72 Large-pin assembly**

Ref	Description	Part number	Qty
All	Large-pin assembly	Q3938-67903	1

 **NOTE:** Only highlighted parts are orderable.

**Figure 9-86** Small-pin assembly

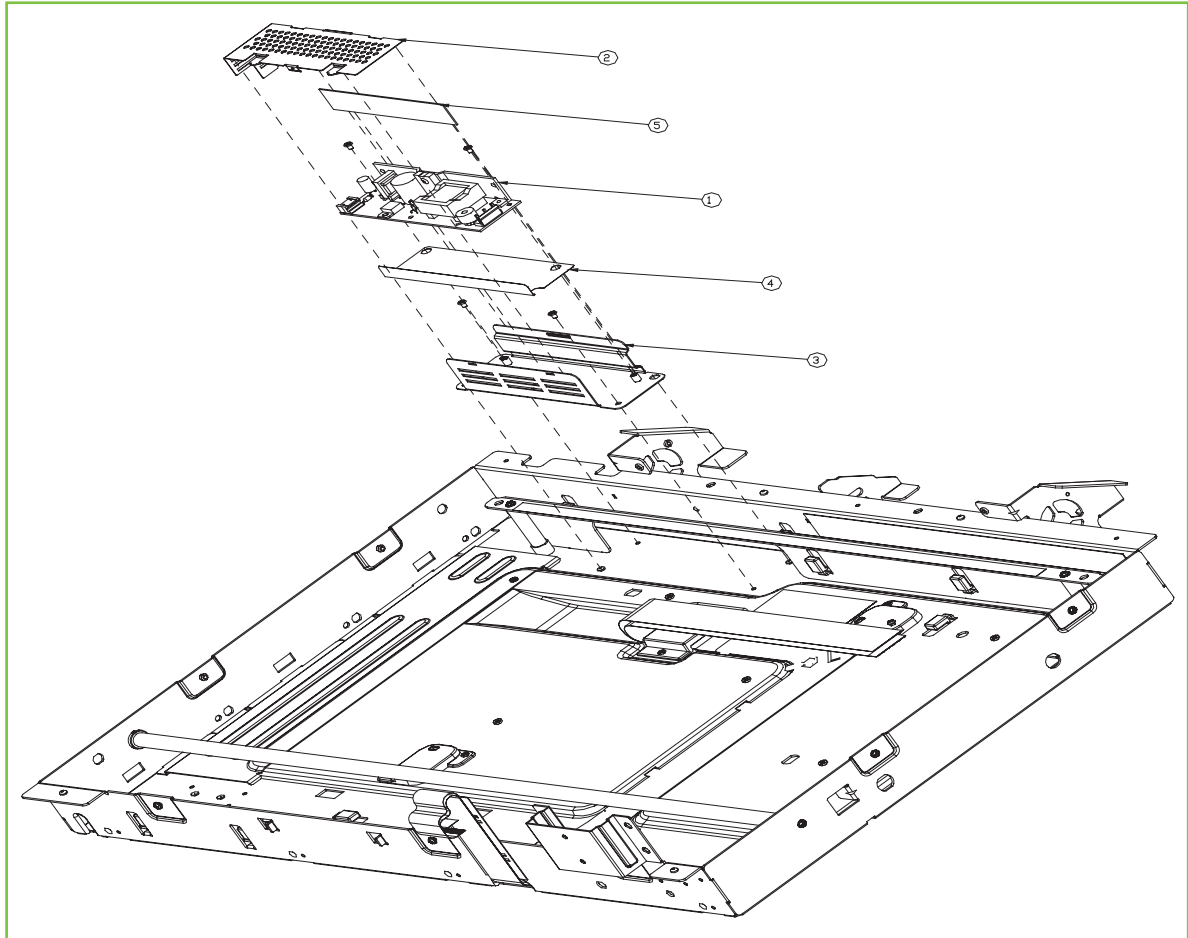


**Table 9-73 Small-pin assembly**

Ref	Description	Part number	Qty
All	Small-pin assembly	Q3938-67904	1

 **NOTE:** Only highlighted parts are orderable.

Figure 9-87 Inverter assembly

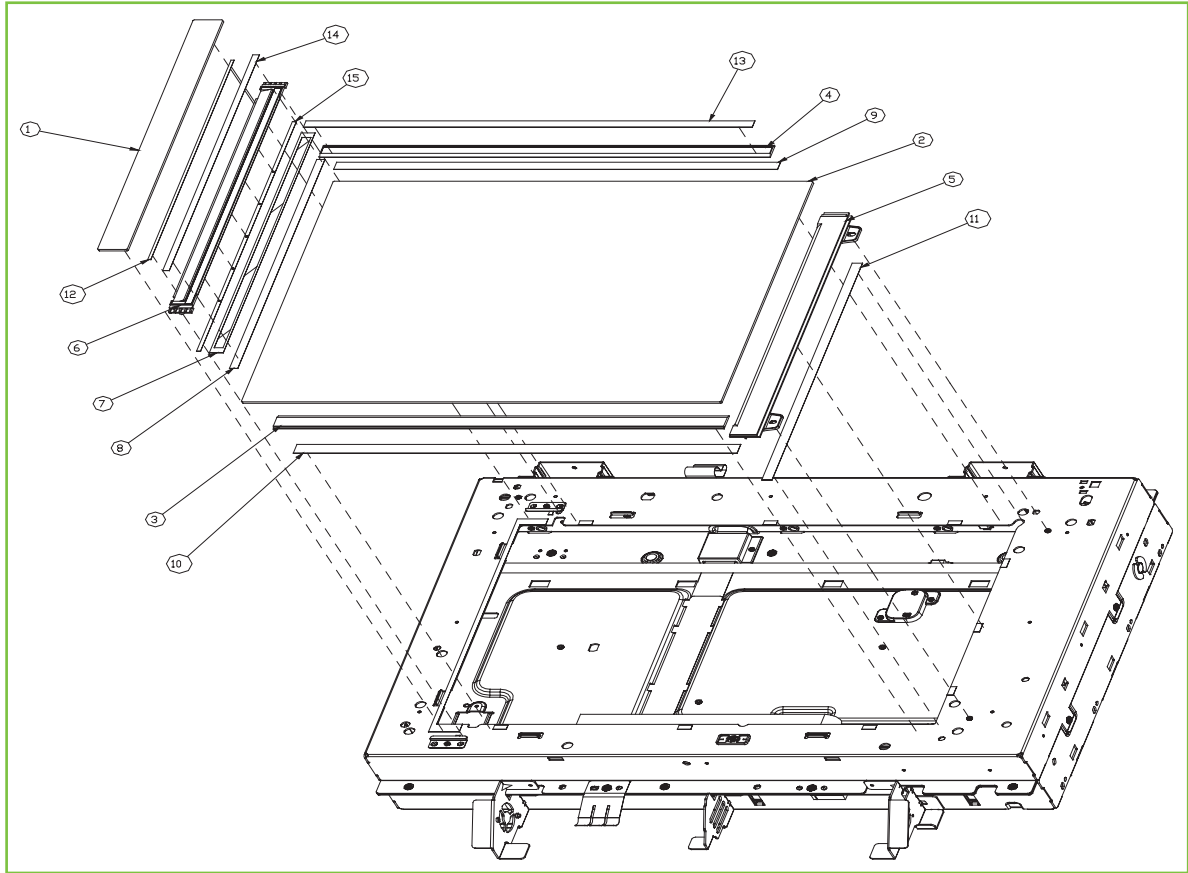


**Table 9-74 Inverter assembly**

Ref	Description	Part number	Qty
All	Inverter assembly	Q3938-67905	1

 **NOTE:** Only highlighted parts are orderable.

Figure 9-88 Glass assembly



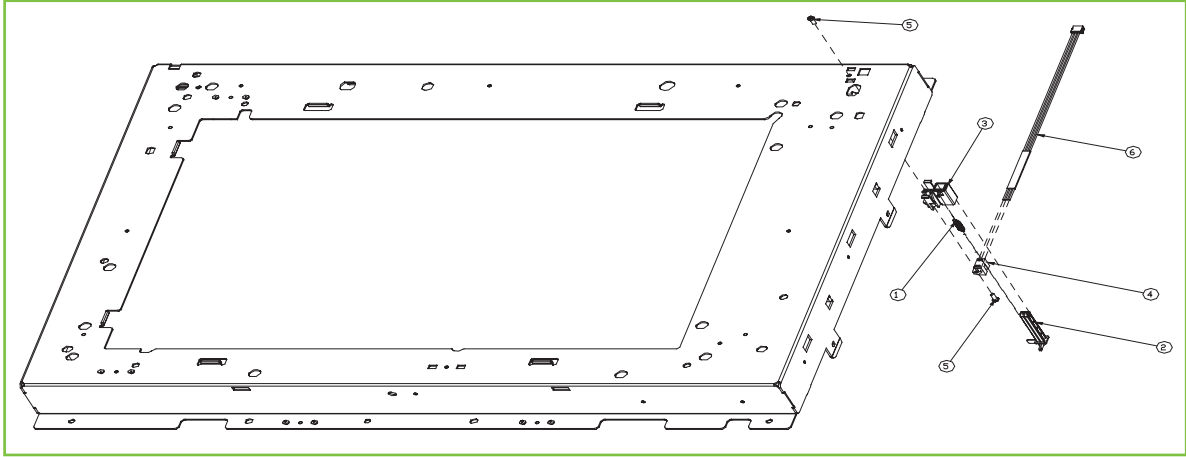


**Table 9-75 Glass assembly**

Ref	Description	Part number	Qty
All	Glass assembly	Q3938-67906	1

 **NOTE:** Only highlighted parts are orderable.

**Figure 9-89** Lid-sensor assembly

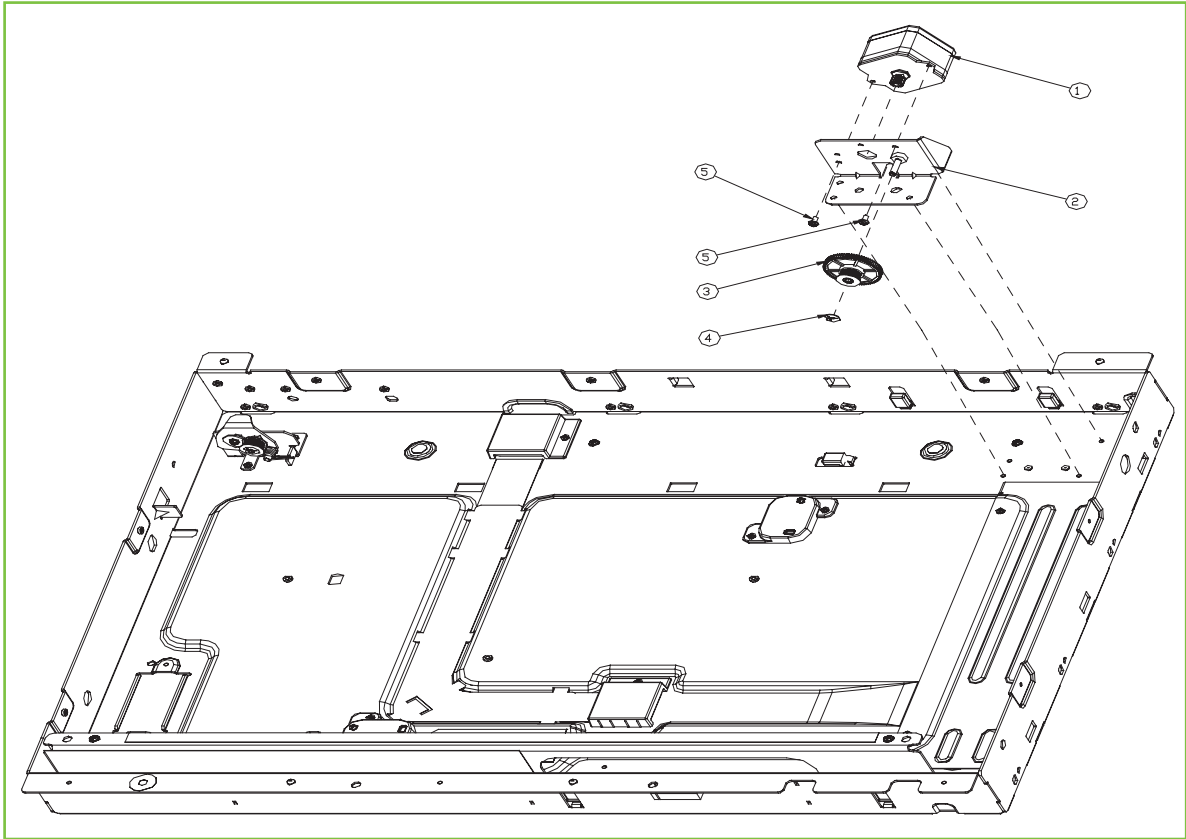


**Table 9-76 Lid-sensor assembly**

Ref	Description	Part number	Qty
All	Lid-sensor assembly	Q3938-67907	1

 **NOTE:** Only highlighted parts are orderable.

Figure 9-90 Motor assembly

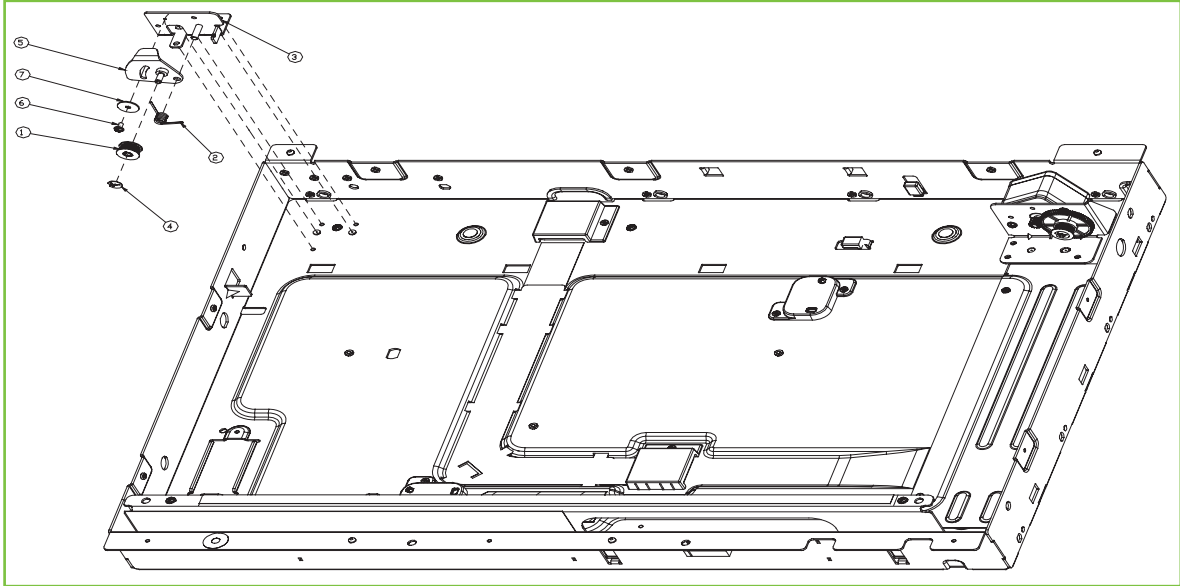


**Table 9-77 Motor assembly**

Ref	Description	Part number	Qty
All	Motor assembly	Q3938-67908	1

 **NOTE:** Only highlighted parts are orderable.

**Figure 9-91** Pulley assembly

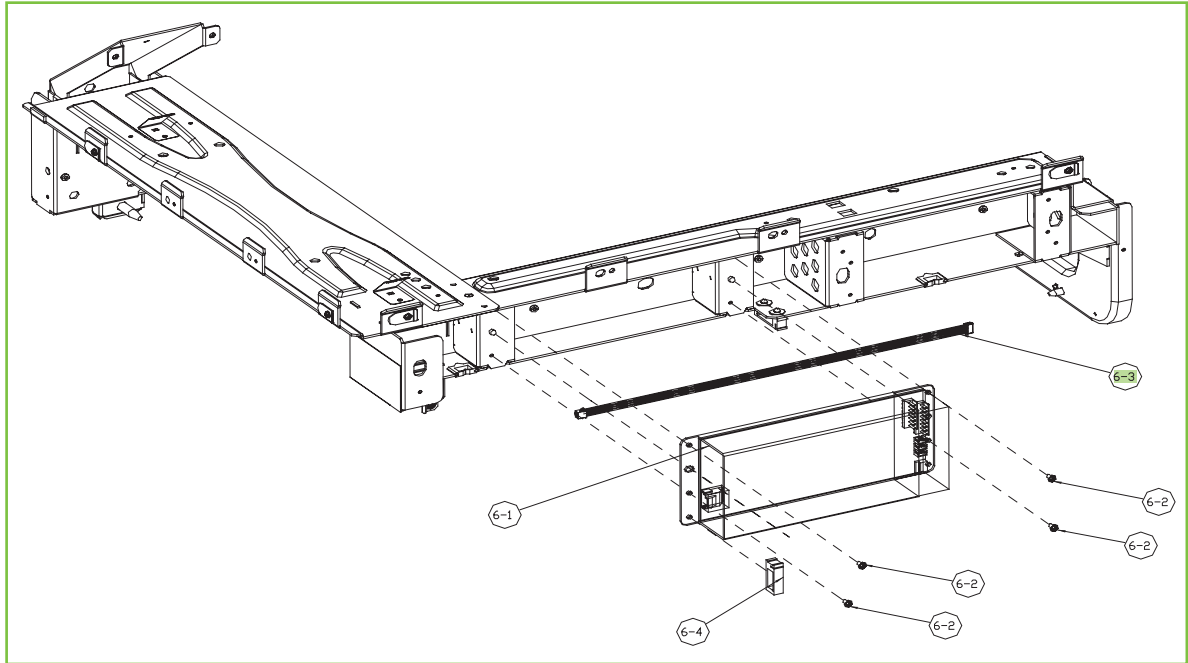


**Table 9-78 Pulley assembly**

Ref	Description	Part number	Qty
All	Pulley assembly	Q3938-67909	1

 **NOTE:** Only highlighted parts are orderable.

**Figure 9-92** Power-supply assembly



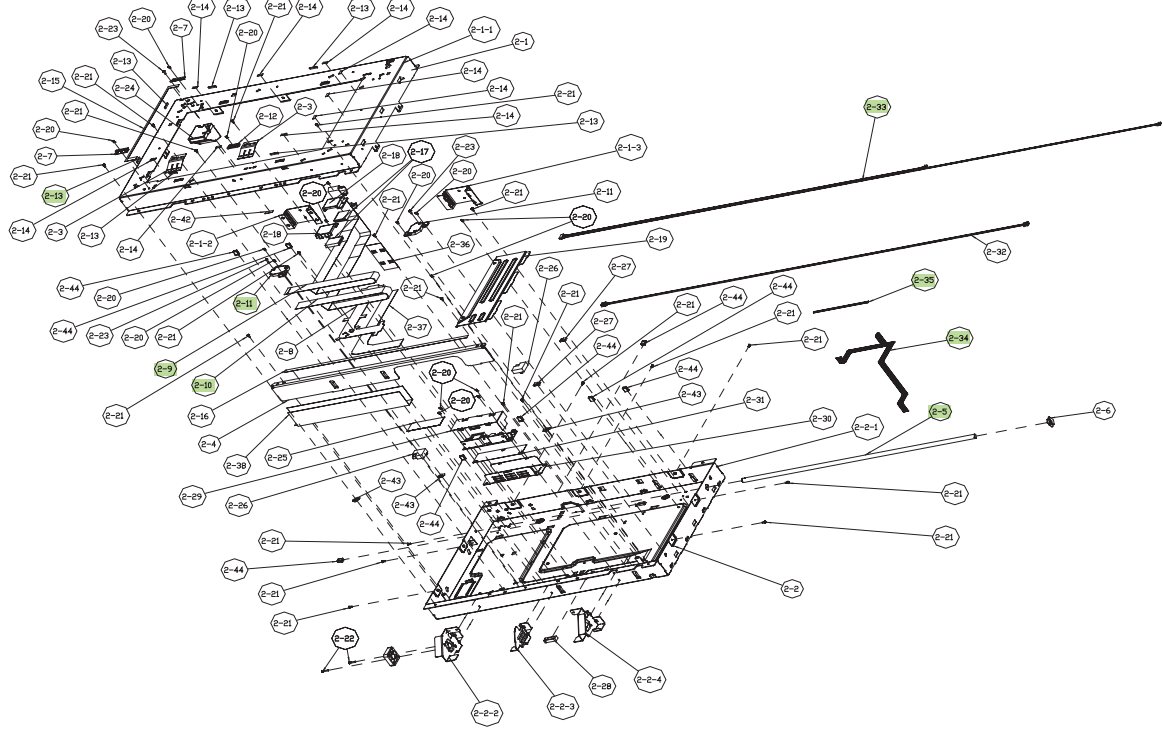


**Table 9-79 Power-supply assembly**

Ref	Description	Part number	Qty
All	Power-supply assembly	Q3938-67910	1
6-3	Power-supply harness	Q3938-67928	1

 **NOTE:** Only highlighted parts are orderable.

**Figure 9-93** Main-frame assembly

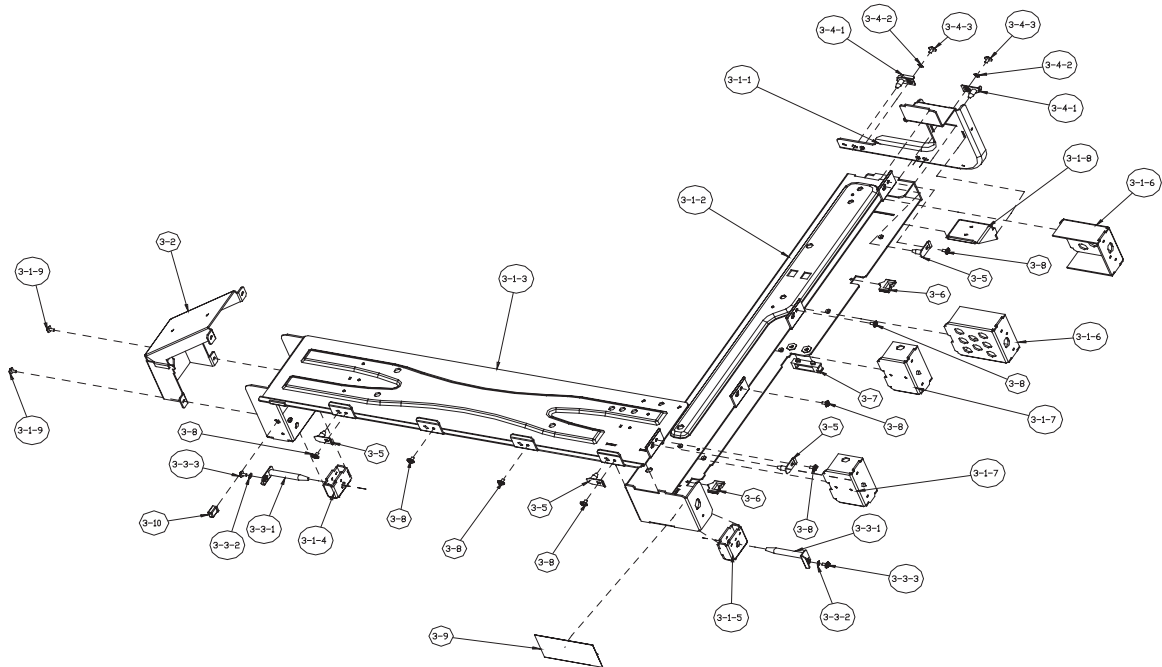


**Table 9-80 Main-frame assembly**

Ref	Description	Part number	Qty
2-5	Rod	Q3938-67911	1
2-9	Flat cable, 28, 940, A	Q3938-67912	1
2-10	Flat cable, 28, 970, B	Q3938-67913	1
2-11	Sensor base	Q3938-67914	2
2-13	Rubber glass guide	Q3938-67915	6

 **NOTE:** Only highlighted parts are orderable.

**Figure 9-94** Support-frame assembly



 **NOTE:** Only highlighted parts are orderable.

Figure 9-95 Plastic-parts assembly (1 of 2)

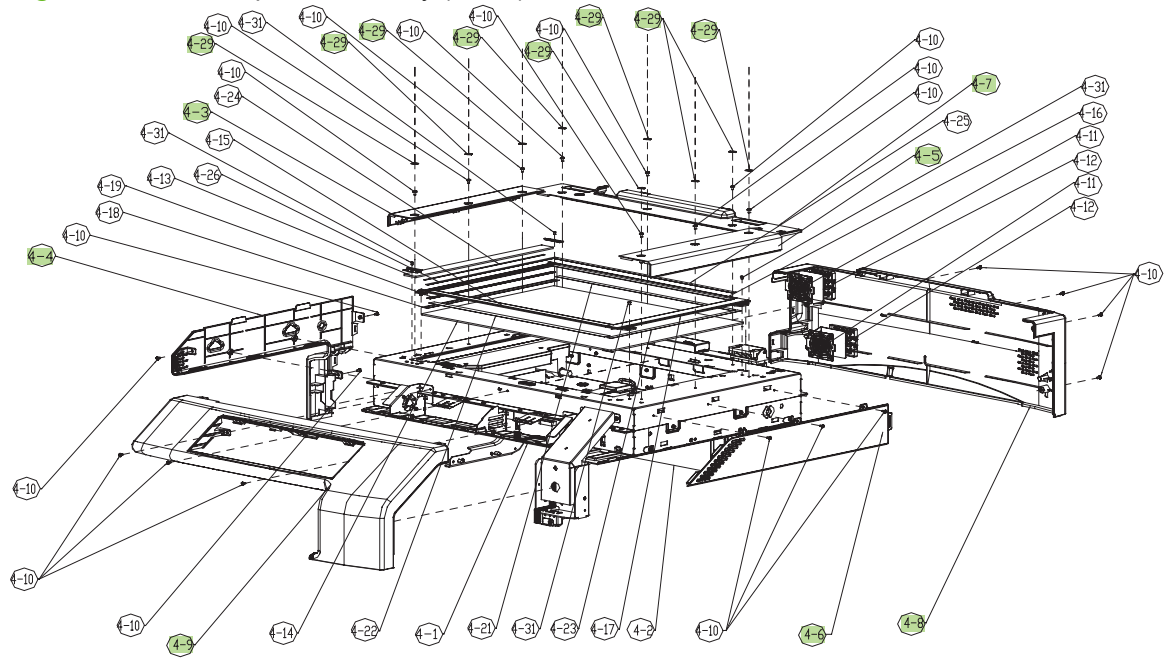
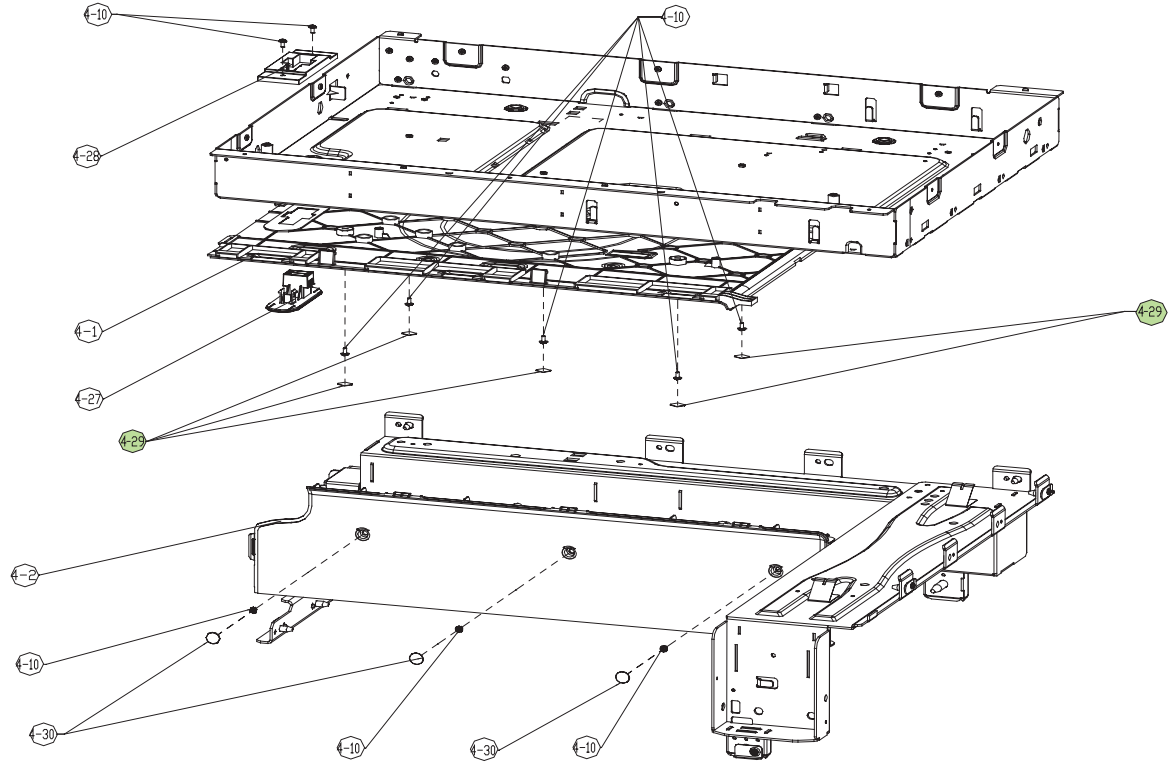




Figure 9-96 Plastic-parts assembly (2 of 2)

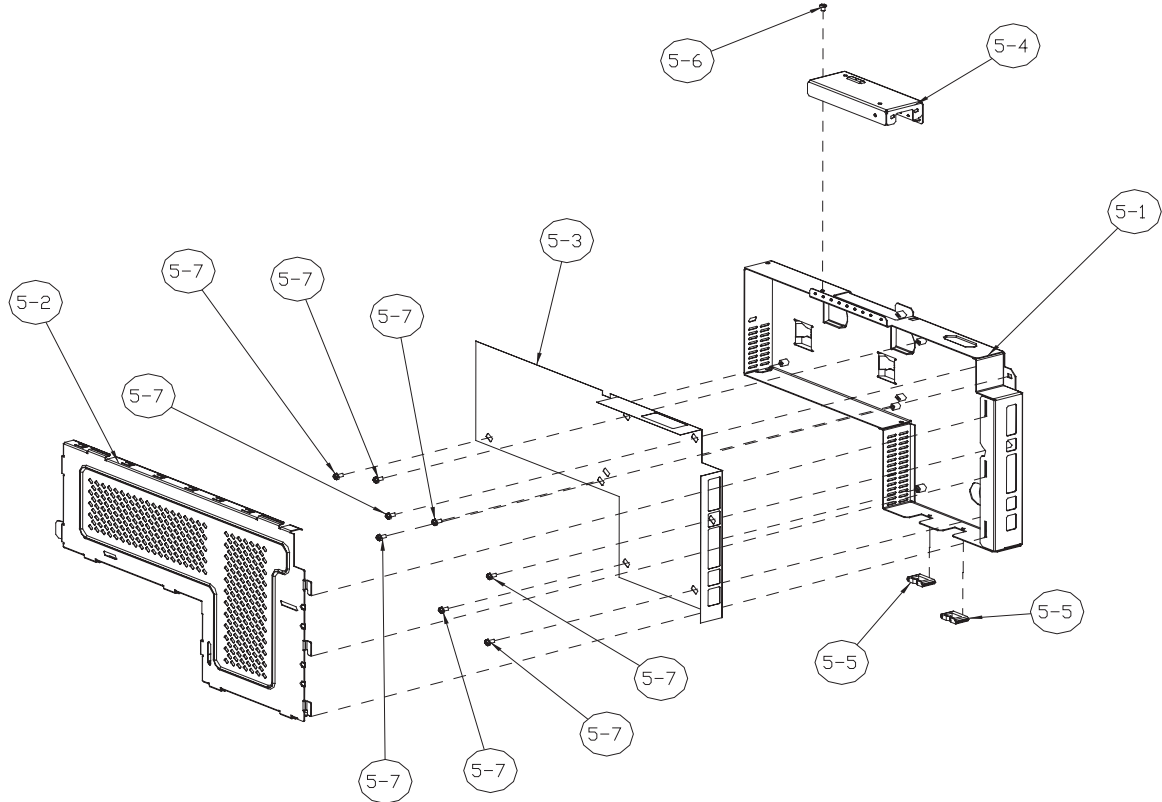



**Table 9-81 Plastic-parts assembly**

Ref	Description	Part number	Qty
4-3	Upper-left cover	Q3938-67920	1
4-4	Lower-left cover	Q3938-67921	1
4-5	Upper-right cover	Q3938-67922	1
4-6	Lower-right cover	Q3938-67923	1
4-7	Top cover	Q3938-67924	1
4-8	Rear cover	Q3938-67925	1
4-9	Front cover	Q3938-67926	1
4-29	Screw covers	Q3938-67927	14

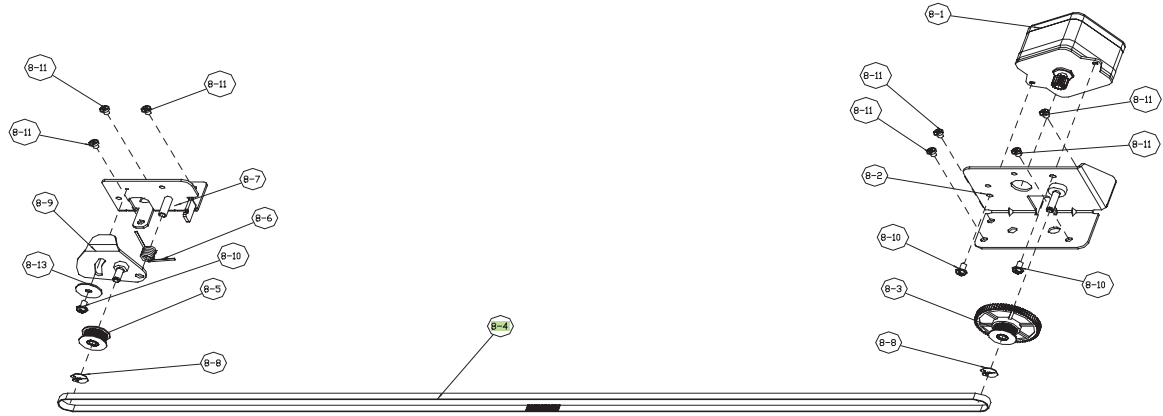
 **NOTE:** Only highlighted parts are orderable.

**Figure 9-97** Scanner controller board (SCB)-cage assembly



 **NOTE:** Only highlighted parts are orderable.

**Figure 9-98** Transmission assembly



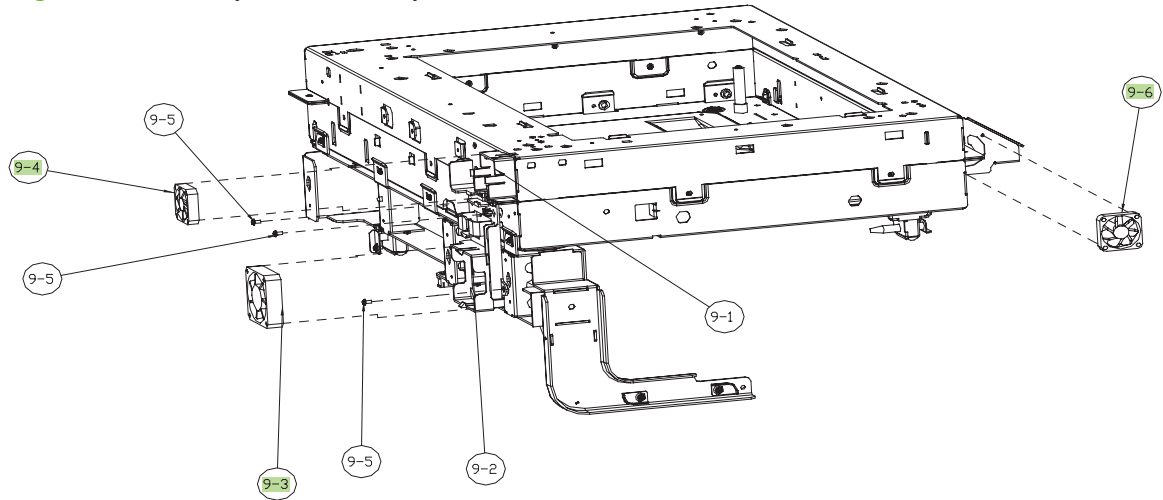


**Table 9-82 Transmission assembly**

Ref	Description	Part number	Qty
8-4	Timing belt	Q3938-67935	1

 **NOTE:** Only highlighted parts are orderable.

**Figure 9-99** Fan-system assembly

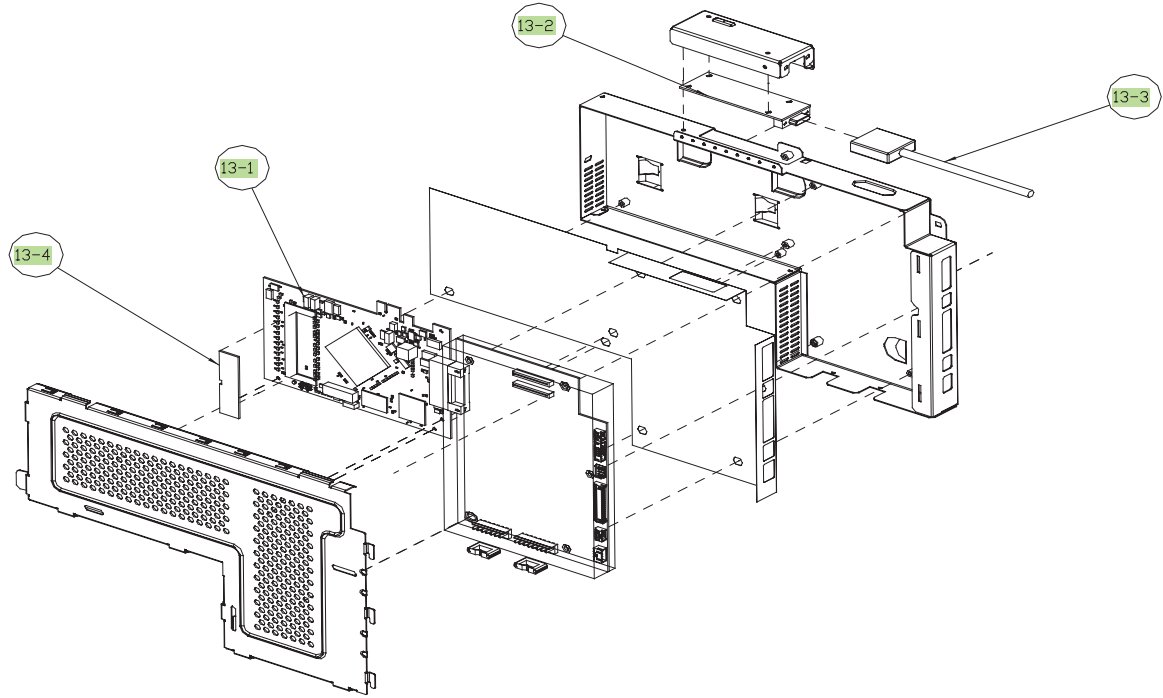


**Table 9-83 Fan-system assembly**

Ref	Description	Part number	Qty
9-3	Scanner controller board (SCB) fan	Q3938-67937	1
9-4	Scanner fan	Q3938-67938	1
9-6	Control-panel fan	Q3938-67939	1


 **NOTE:** Only highlighted parts are orderable.

Figure 9-100 Havic assembly



**Table 9-84 Havic assembly**

Ref	Description	Part number	Qty
13-1	Copy processor board (CPB)	Q3938-67940	1
13-2	SCUID board	Q3938-67941	1
13-3	PCIe cable	Q3938-67942	1
13-4	512 MB image scanner memory DIMM	Q7559A (module only) or Q3931-67904 (service kit)	1

 **NOTE:** Only highlighted parts are orderable.

# Alphabetical parts list

**Table 9-85 Alphabetical parts list**

Description	Part number	Table and page
2000-staple cartridge (for booklet making)	CC383-67901	<a href="#">Staple assembly (stapler/stacker and booklet-maker) on page 987</a>
2000-staple cartridge (for booklet making)	CC383-67901	<a href="#">Saddle-stapler assembly (booklet-maker) on page 1001</a>
2nd-transfer-roller assembly kit	Q3931-67910	<a href="#">Printer internal components (3 of 7) on page 883</a>
5000-staple replacement cartridge	C8091-67901	<a href="#">Staple assembly (stapler/stacker and booklet-maker) on page 987</a>
5000-staple replacement cartridge	C8091-67901	<a href="#">Saddle-stapler assembly (booklet-maker) on page 1001</a>
512 MB image scanner memory DIMM	Q7559A (module only) or Q3931-67904 (service kit)	<a href="#">Havic assembly on page 1065</a>
Approach-switch assembly	FM2-0710-000CN	<a href="#">Output bin 1 (stack upper-tray assembly) (booklet-maker) on page 967</a>
Area-sensor flag assembly	RM1-4107-000CN	<a href="#">Finisher (stapler/stacker and booklet-maker) on page 959</a>
Area-sensor holder assembly	FM2-0709-000CN	<a href="#">Output bin 1 (stack upper-tray assembly) (stapler/stacker) on page 963</a>
Area-sensor holder assembly	FM2-0709-000CN	<a href="#">Output bin 1 (stack upper-tray assembly) (booklet-maker) on page 967</a>
Area-sensor holder assembly	FM2-0709-000CN	<a href="#">Output bin 2 (stack lower-tray assembly) (stapler/stacker and booklet-maker) on page 971</a>
Area-sensor PCA assembly	4G1-1498-000CN	<a href="#">Output bin 1 (stack upper-tray assembly) (stapler/stacker) on page 963</a>
Area-sensor PCA assembly	4G1-1498-000CN	<a href="#">Output bin 1 (stack upper-tray assembly) (booklet-maker) on page 967</a>
Area-sensor PCA assembly	4G1-1498-000CN	<a href="#">Output bin 2 (stack lower-tray assembly) (stapler/stacker and booklet-maker) on page 971</a>
Arm, 1st-estramgement	RC1-9189-000CN	<a href="#">Printer internal components (3 of 7) on page 883</a>
Arm, adjustment, front	4A3-1763-000CN	<a href="#">Saddle assembly (booklet-maker) on page 993</a>
Arm, adjustment, rear	4A3-1764-000CN	<a href="#">Saddle assembly (booklet-maker) on page 993</a>

**Table 9-85 Alphabetical parts list (continued)**

<b>Description</b>	<b>Part number</b>	<b>Table and page</b>
Arm, auxiliary	RL1-1272-000CN	<a href="#">Intermediate-feed main body on page 935</a>
Arm, lock	RC1-9913-000CN	<a href="#">Input-tray main body (1x500-sheet) on page 919</a>
Arm, lock	RC1-9913-000CN	<a href="#">Input-tray main body (3x500-sheet) on page 923</a>
Arm, paper-delivery gate	RC2-1293-000CN	<a href="#">Swing-guide assembly (stapler/stacker and booklet-maker) on page 983</a>
Auto-close assembly, 1x500-sheet	RM1-3531-040CN	<a href="#">Input-tray auto-close assembly on page 927</a>
Auto-close assembly, 3x500-sheet	RM1-3531-040CN	<a href="#">Input-tray auto-close assembly on page 927</a>
Automatic document feeder (ADF) whole unit	Q3938-67943	<a href="#">ADF unit on page 1017</a>
Band, door	RC1-9043-000CN	<a href="#">Printer front-door assembly on page 875</a>
Bearing, ball	XG9-0586-000CN	<a href="#">Printer internal components (4 of 7) on page 885</a>
Bearing, ball, 6902ZZNR	4S3-1050-000CN	<a href="#">Saddle assembly (booklet-maker) on page 993</a>
Belt, paper-feed, cogged	RC1-9674-000CN	<a href="#">Intermediate-feed main body on page 935</a>
Belt, timing	XF2-1608-840CN	<a href="#">Finisher (stapler/stacker and booklet-maker) on page 959</a>
Belt, timing	XF2-3837-340CN	<a href="#">Saddle assembly (booklet-maker) on page 993</a>
Belt, timing, cogged	XF2-1607-860CN	<a href="#">Finisher (stapler/stacker and booklet-maker) on page 959</a>
Belt, timing, cogged	XF9-0748-000CN	<a href="#">Finisher (stapler/stacker and booklet-maker) on page 959</a>
Booklet-maker (multi-function finisher) whole unit	CC516A (product number)	<a href="#">Booklet-maker unit on page 949</a>
Booklet-output bin (saddle-tray assembly)	RM1-4113-000CN	<a href="#">Saddle-tray assembly (booklet-maker) on page 997</a>
Bushing	RC1-8734-000CN	<a href="#">Printer internal components (3 of 7) on page 883</a>
Bushing	RC1-9915-000CN	<a href="#">Input-tray main body (1x500-sheet) on page 919</a>
Bushing	RC1-9915-000CN	<a href="#">Input-tray main body (3x500-sheet) on page 923</a>
Bushing	RC1-4585-000CN	<a href="#">Intermediate-feed main body on page 935</a>
Bushing	FU5-1169-000CN	<a href="#">Output bin 2 (stack lower-tray assembly) (stapler/stacker and booklet-maker) on page 971</a>

**Table 9-85 Alphabetical parts list (continued)**

Description	Part number	Table and page
Button, main-switch	RC1-9300-000CN	<a href="#">Printer internal components (7 of 7) on page 893</a>
Cable TP/T2 open-sensor	RM1-5030-000CN	<a href="#">Printer internal components (7 of 7) on page 893</a>
Cable, ADF to scanner	Q3938-67948	<a href="#">ADF unit on page 1017</a>
Cable, drawer	RM1-3561-000CN	<a href="#">Intermediate-feed main body on page 935</a>
Cable, drawer	RM1-3560-000CN	<a href="#">Intermediate-feed main body on page 935</a>
Cable, fixing open-sensor	RM1-5029-000CN	<a href="#">Printer internal components (5 of 7) on page 889</a>
Cable, flexible flat	RK2-1356-000CN	<a href="#">Printer internal components (6 of 7) on page 891</a>
Cable, laser flexible flat	RK2-1354-000CN	<a href="#">Printer internal components (2 of 7) on page 881</a>
Cable, laser flexible flat	RK2-1355-000CN	<a href="#">Printer internal components (2 of 7) on page 881</a>
Cable, MFP AC	RM1-3599-000CN	<a href="#">Printer internal components (7 of 7) on page 893</a>
Cable, motor	RM1-3563-000CN	<a href="#">Intermediate-feed main body on page 935</a>
Cable, motor	RM1-3564-000CN	<a href="#">Intermediate-feed main body on page 935</a>
Cable, operation-tray	FG3-2903-000CN	<a href="#">Operation-tray assembly (stapler/stacker and booklet-maker) on page 975</a>
Cable, option-sensor PCA connect	RM1-3574-000CN	<a href="#">Input-tray main body (1x500-sheet) on page 919</a>
Cable, option-sensor PCA connect	RM1-3574-000CN	<a href="#">Input-tray main body (3x500-sheet) on page 923</a>
Cable, paper-pickup option	RM1-3575-000CN	<a href="#">Input-tray main body (1x500-sheet) on page 919</a>
Cable, paper-pickup option	RM1-3575-000CN	<a href="#">Input-tray main body (3x500-sheet) on page 923</a>
Cable, paper-pickup-option drawer	RM1-3571-000CN	<a href="#">Input-tray main body (3x500-sheet) on page 923</a>
Cable, pickup-option door switch	RM1-3572-000CN	<a href="#">Input-tray main body (1x500-sheet) on page 919</a>
Cable, pickup-option door switch	RM1-3572-000CN	<a href="#">Input-tray main body (3x500-sheet) on page 923</a>
Cable, pickup-option drawer	RM1-3571-000CN	<a href="#">Input-tray main body (1x500-sheet) on page 919</a>
Cable, pickup-option lifter unit	RM1-3576-000CN	<a href="#">Input-tray auto-close assembly on page 927</a>



**Table 9-85 Alphabetical parts list (continued)**

Description	Part number	Table and page
Cable, pickup-option PCA connect	RM1-3573-000CN	<a href="#">Input-tray main body (3x500-sheet) on page 923</a>
Cable, saddle-unit	4G1-2283-000CN	<a href="#">Saddle assembly (booklet-maker) on page 993</a>
Cable, sensor	4G1-2285-000CN	<a href="#">Saddle-tray assembly (booklet-maker) on page 997</a>
Cable, solenoid	FG3-2892-000CN	<a href="#">Finisher (stapler/stacker and booklet-maker) on page 959</a>
Cable, staple-connecting assembly	4G3-1777-000CN	<a href="#">Staple assembly (stapler/stacker and booklet-maker) on page 987</a>
Cable-mount lattice assembly	RM1-4128-000CN	<a href="#">Finisher (stapler/stacker and booklet-maker) on page 959</a>
Carriage assembly	Q3938-67901	<a href="#">Carriage assembly on page 1035</a>
Cartridge contact-holder assembly	RM1-3254-000CN	<a href="#">Printer internal components (7 of 7) on page 893</a>
Cartridge-interface assembly kit with service document	Q3931-67917	<a href="#">Printer internal components (7 of 7) on page 893</a>
Cassette (1x500-sheet)	RM1-3529-000CN	<a href="#">Input-tray cassette on page 929</a>
Cassette (3x500-sheet)	RM1-3529-000CN	<a href="#">Input-tray cassette on page 929</a>
Cassette paper-pickup assembly	RM1-3206-000CN	<a href="#">Printer cassette paper-pickup assembly on page 901</a>
Cassette-assembly kit with service document	Q3931-67918	<a href="#">Printer cassette on page 899</a>
Caster, double-lock, front	RC1-9896-000CN	<a href="#">Input-tray main body (1x500-sheet) on page 919</a>
Caster, double-lock, front	RC1-9896-000CN	<a href="#">Input-tray main body (3x500-sheet) on page 923</a>
Caster, rear	RC1-9917-000CN	<a href="#">Input-tray main body (1x500-sheet) on page 919</a>
Caster, rear	RC1-9917-000CN	<a href="#">Input-tray main body (3x500-sheet) on page 923</a>
Caster, universal	RC2-1315-000CN	<a href="#">Finisher (stapler/stacker and booklet-maker) on page 959</a>
Clamp, cable	WT2-5738-000CN	<a href="#">Input-tray main body (1x500-sheet) on page 919</a>
Clamp, cable	WT2-5738-000CN	<a href="#">Input-tray main body (3x500-sheet) on page 923</a>
Clamp, FFC	WT2-5912-000CN	<a href="#">Printer internal components (2 of 7) on page 881</a>
Claw, latch, right	FC5-5021-000CN	<a href="#">Saddle assembly (booklet-maker) on page 993</a>

**Table 9-85 Alphabetical parts list (continued)**

Description	Part number	Table and page
Clutch, electromagnetic	4H3-0370-000CN	<a href="#">Finisher (stapler/stacker and booklet-maker) on page 959</a>
Color-plane-registration (CPR) sensor assembly	RM1-3258-000CN	<a href="#">Printer internal components (3 of 7) on page 883</a>
Color-plane-registration (CPR)-joint cable	RM1-3624-000CN	<a href="#">Printer internal components (6 of 7) on page 891</a>
Connector, drawer	VS1-7258-000CN	<a href="#">Printer internal components (5 of 7) on page 889</a>
Connector, drawer	VS1-7257-012CN	<a href="#">Input-tray main body (1x500-sheet) on page 919</a>
Connector, drawer	VS1-7257-012CN	<a href="#">Input-tray main body (3x500-sheet) on page 923</a>
Connector, snap-tight	VS1-7177-002CN	<a href="#">Printer internal components (2 of 7) on page 881</a>
Connector, snap-tight	VS1-7177-003CN	<a href="#">Printer internal components (4 of 7) on page 885</a>
Control-panel fan	Q3938-67939	<a href="#">Fan-system assembly on page 1063</a>
Copy processor board (CPB)	Q3938-67940	<a href="#">Havic assembly on page 1065</a>
Cover pick roller	Q3938-67954	<a href="#">Jam-cover assembly on page 1025</a>
Cover pick roller (part of the ADF maintenance kit)	Q3938-67954	<a href="#">Pickup-roller assembly on page 1027</a>
Cover, assist, left	RC1-9705-000CN	<a href="#">Intermediate-feed main body on page 935</a>
Cover, assist, right	RC1-9706-000CN	<a href="#">Intermediate-feed main body on page 935</a>
Cover, cassette back-end	RC1-9201-000CN	<a href="#">Printer internal components (5 of 7) on page 889</a>
Cover, face-down drive	RC1-9360-000CN	<a href="#">Printer external covers and panels on page 873</a>
Cover, front, upper	RC1-9350-000CN	<a href="#">Printer external covers and panels on page 873</a>
Cover, front-lower	RL1-1717-000CN	<a href="#">External panels and covers (stapler/stacker) on page 951</a>
Cover, front-lower	RL1-1717-000CN	<a href="#">External panels and covers (booklet-maker) on page 953</a>
Cover, front-upper	RC1-9873-000CN	<a href="#">Input-tray main body (1x500-sheet) on page 919</a>
Cover, front-upper	RC1-9873-000CN	<a href="#">Input-tray main body (3x500-sheet) on page 923</a>
Cover, internal, lower (booklet-maker only)	RL1-1477-000CN	<a href="#">Finisher (stapler/stacker and booklet-maker) on page 959</a>

**Table 9-85 Alphabetical parts list (continued)**

<b>Description</b>	<b>Part number</b>	<b>Table and page</b>
Cover, internal, lower (stapler/stacker only)	RC2-1351-000CN	<a href="#">Finisher (stapler/stacker and booklet-maker) on page 959</a>
Cover, internal, right	RC1-9348-000CN	<a href="#">Printer internal components (3 of 7) on page 883</a>
Cover, left	RC1-9336-000CN	<a href="#">Printer external covers and panels on page 873</a>
Cover, left	RC1-9872-000CN	<a href="#">Input-tray main body (1x500-sheet) on page 919</a>
Cover, left	RC1-9872-000CN	<a href="#">Input-tray main body (3x500-sheet) on page 923</a>
Cover, left-lower	RC2-1280-000CN	<a href="#">External panels and covers (booklet-maker) on page 953</a>
Cover, main-switch	RC1-9211-000CN	<a href="#">Printer internal components (7 of 7) on page 893</a>
Cover, motor	RC1-9511-000CN	<a href="#">Printer right-door assembly on page 877</a>
Cover, multi-purpose blanking	RC1-8527-000CN	<a href="#">Printer right-door assembly on page 877</a>
Cover, option-slide	RC2-1347-000CN	<a href="#">External panels and covers (stapler/stacker) on page 951</a>
Cover, option-tray, front	RL1-2210-000CN	<a href="#">Output bin 1 (stack upper-tray assembly) (stapler/stacker) on page 963</a>
Cover, paper-delivery	RC1-9351-000CN	<a href="#">Printer external covers and panels on page 873</a>
Cover, rear	RL1-1210-000CN	<a href="#">Printer external covers and panels on page 873</a>
Cover, rear	RC1-9871-000CN	<a href="#">Input-tray main body (1x500-sheet) on page 919</a>
Cover, rear	RC1-9871-000CN	<a href="#">Input-tray main body (3x500-sheet) on page 923</a>
Cover, rear	RC2-1278-000CN	<a href="#">External panels and covers (stapler/stacker) on page 951</a>
Cover, rear	RC2-1278-000CN	<a href="#">External panels and covers (booklet-maker) on page 953</a>
Cover, rear-left	RC1-9344-000CN	<a href="#">Printer external covers and panels on page 873</a>
Cover, rear-lower	RL1-1718-000CN	<a href="#">External panels and covers (stapler/stacker) on page 951</a>
Cover, rear-lower	RL1-1718-000CN	<a href="#">External panels and covers (booklet-maker) on page 953</a>
Cover, rear-upper	RC1-9703-000CN	<a href="#">Intermediate-feed main body on page 935</a>
Cover, right-front	RL1-1322-000CN	<a href="#">Input-tray main body (1x500-sheet) on page 919</a>

**Table 9-85 Alphabetical parts list (continued)**

Description	Part number	Table and page
Cover, right-front	RL1-1321-000CN	<a href="#">Input-tray main body (3x500-sheet) on page 923</a>
Cover, right-lower	RC1-9874-000CN	<a href="#">Input-tray main body (1x500-sheet) on page 919</a>
Cover, right-lower	RC1-9874-000CN	<a href="#">Input-tray main body (3x500-sheet) on page 923</a>
Cover, tray-connector	RC2-1279-000CN	<a href="#">External panels and covers (stapler/stacker) on page 951</a>
Cover, tray-connector	RC2-1279-000CN	<a href="#">External panels and covers (booklet-maker) on page 953</a>
Damper, gear	RC1-8925-000CN	<a href="#">Printer internal components (4 of 7) on page 885</a>
DC controller PCA assembly	RM1-6642-000CN	<a href="#">Printer PCA assembly location on page 915</a>
DC motor assembly	RM1-4519-000CN	<a href="#">Printer internal components (4 of 7) on page 885</a>
DC-controller PCA assembly	RM1-6642-000CN	<a href="#">Printer internal components (6 of 7) on page 891</a>
DC-controller power cable	RM1-3610-000CN	<a href="#">Printer internal components (6 of 7) on page 891</a>
Deflector	FB3-7928-020CN	<a href="#">Saddle assembly (booklet-maker) on page 993</a>
Deflector	FB5-2697-000CN	<a href="#">Saddle assembly (booklet-maker) on page 993</a>
Delivery-switch mount assembly	FM2-1639-000CN	<a href="#">Saddle assembly (booklet-maker) on page 993</a>
Diverter	Q3938-67953	<a href="#">Backbone assembly on page 1023</a>
Door, stock	RC1-9921-000CN	<a href="#">Input-tray main body (1x500-sheet) on page 919</a>
Drive-belt assembly	RM1-3684-000CN	<a href="#">Intermediate-feed main body on page 935</a>
Drum-motor assembly	RM1-3286-000CN	<a href="#">Printer internal components (4 of 7) on page 885</a>
Duct, air	RC1-8961-000CN	<a href="#">Printer internal components (4 of 7) on page 885</a>
Duct, cartridge	RC1-9276-000CN	<a href="#">Printer internal components (4 of 7) on page 885</a>
Duct, face-down joint	RC1-8964-000CN	<a href="#">Printer internal components (4 of 7) on page 885</a>
Duct, scanner	RC1-9334-000CN	<a href="#">Printer internal components (2 of 7) on page 881</a>
Duct, scanner-fan	RC1-9309-000CN	<a href="#">Printer internal components (4 of 7) on page 885</a>

**Table 9-85 Alphabetical parts list (continued)**

Description	Part number	Table and page
Duplexing-feed assembly	RM1-3665-000CN	<a href="#">Printer duplexing-feed assembly on page 913</a>
Duplexing-reverse assembly	RM1-3652-000CN	<a href="#">Printer duplexing-reverse assembly on page 911</a>
Duplexing-tray lower assembly	RC1-5949-000CN	<a href="#">Printer external covers and panels on page 873</a>
End cover (cap) back	Q3938-67945	<a href="#">ADF unit on page 1017</a>
End cover (cap) front assembly	Q3938-67946	<a href="#">Front-end cover on page 1019</a>
Entire scanner without power supply, boards, and cable	Q3938-60132	<a href="#">Scanner unit on page 1033</a>
Entrance lower-guide assembly	RM1-4110-000CN	<a href="#">Saddle paper-feeder assembly (stapler/stacker) on page 1003</a>
Entrance lower-guide assembly	RM1-4110-000CN	<a href="#">Saddle paper-feeder assembly (booklet-maker) on page 1005</a>
Entrance upper-guide assembly	RM1-4172-000CN	<a href="#">Entrance upper-guide assembly (stapler/stacker and booklet-maker) on page 985</a>
Entrance-sensor flag assembly	FM2-0718-000CN	<a href="#">Finisher (stapler/stacker and booklet-maker) on page 959</a>
Face-down end-tray assembly	RM1-3340-000CN	<a href="#">Printer external covers and panels on page 873</a>
Face-down full-flag assembly	RM1-4391-000CN	<a href="#">Printer face-down paper-delivery assembly on page 909</a>
Face-down paper-delivery assembly	RM1-3293-000CN	<a href="#">Printer face-down paper-delivery assembly on page 909</a>
Face-down unit-1 cable	RM1-3390-000CN	<a href="#">Printer internal components (7 of 7) on page 893</a>
Face-down unit-2 cable	RM1-3391-000CN	<a href="#">Printer internal components (7 of 7) on page 893</a>
Fan	RK2-1377-000CN	<a href="#">Printer internal components (4 of 7) on page 885</a>
Fan	RK2-1382-000CN	<a href="#">Printer internal components (4 of 7) on page 885</a>
Fan	RK2-1378-000CN	<a href="#">Printer internal components (4 of 7) on page 885</a>
Fan	RK2-1378-000CN	<a href="#">Printer internal components (5 of 7) on page 889</a>
Fan	RK2-1378-000CN	<a href="#">Printer duplexing-reverse assembly on page 911</a>
Fan assembly	RM1-3364-000CN	<a href="#">Printer internal components (2 of 7) on page 881</a>
Fan assembly	RM1-4394-000CN	<a href="#">Intermediate-feed main body on page 935</a>

**Table 9-85 Alphabetical parts list (continued)**

Description	Part number	Table and page
Filter unit, air	RC1-9313-000CN	<a href="#">Printer external covers and panels on page 873</a>
Fin-lock assembly	RM1-3685-000CN	<a href="#">Intermediate-feed main body on page 935</a>
Fixing assembly kit, 110-127V, with air filter (air filter is Ref 14 in Printer external panels and covers)	Q3931-67914	<a href="#">Printer internal components (4 of 7) on page 885</a>
Fixing assembly kit, 220-240V, with air filter (air filter is Ref 14 in Printer external panels and covers)	Q3931-67915	<a href="#">Printer internal components (4 of 7) on page 885</a>
Fixing one-way gear assembly	RM1-3247-000CN	<a href="#">Printer internal components (4 of 7) on page 885</a>
Fixing power-supply assembly	RM1-3218-000CN	<a href="#">Printer internal components (7 of 7) on page 893</a>
Fixing power-supply assembly	RM1-3218-000CN	<a href="#">Printer PCA assembly location on page 915</a>
Fixing-bias cable assembly	RM1-4409-000CN	<a href="#">Printer internal components (7 of 7) on page 893</a>
Fixing-fan cover assembly	RM1-5950-000CN	<a href="#">Printer external covers and panels on page 873</a>
Fixing-joint cable	RM1-3612-000CN	<a href="#">Printer internal components (7 of 7) on page 893</a>
Fixing-motor cable	RM1-3217-000CN	<a href="#">Printer internal components (6 of 7) on page 891</a>
Flag sensor LS	Q3938-67951	<a href="#">ADF unit on page 1017</a>
Flag, paper-face sensing, upper	FC5-4162-000CN	<a href="#">External panels and covers (stapler/stacker) on page 951</a>
Flag, paper-sensing sensor	FC5-5004-000CN	<a href="#">External panels and covers (stapler/stacker) on page 951</a>
Flag, paper-sensing sensor	FC5-5004-000CN	<a href="#">External panels and covers (booklet-maker) on page 953</a>
Flag, roller	FB3-7925-030CN	<a href="#">Saddle assembly (booklet-maker) on page 993</a>
Flag, sensor	FB3-7979-000CN	<a href="#">Saddle assembly (booklet-maker) on page 993</a>
Flag, sensor	FB5-5937-020CN	<a href="#">Saddle assembly (booklet-maker) on page 993</a>
Flange, pulley	RC1-9620-000CN	<a href="#">Intermediate-feed main body on page 935</a>
Flat cable, 28, 940, A	Q3938-67912	<a href="#">Main-frame assembly on page 1055</a>
Flat cable, 28, 970, B	Q3938-67913	<a href="#">Main-frame assembly on page 1055</a>
Flexible-cable mount assembly	FM2-0720-000CN	<a href="#">Finisher (stapler/stacker and booklet-maker) on page 959</a>

**Table 9-85 Alphabetical parts list (continued)**

Description	Part number	Table and page
Float assembly	Q7829-67917	<a href="#">Backbone assembly on page 1023</a>
Foot, rubber	RC1-9208-000CN	<a href="#">Printer internal components (6 of 7) on page 891</a>
Formatter-case assembly	RM1-3253-000CN	<a href="#">Printer internal components (6 of 7) on page 891</a>
Front cable	RM1-3617-000CN	<a href="#">Printer internal components (6 of 7) on page 891</a>
Front cover	Q3938-67926	<a href="#">Plastic-parts assembly on page 1059</a>
Front internal small-cover assembly	RC1-5953-000CN	<a href="#">Printer external covers and panels on page 873</a>
Front internal-cover assembly	RM1-4404-000CN	<a href="#">Printer front-door assembly on page 875</a>
Front-cover assembly	RM1-3357-000CN	<a href="#">Printer front-door assembly on page 875</a>
Front-door assembly	RM1-4134-000CN	<a href="#">External panels and covers (stapler/stacker) on page 951</a>
Front-door assembly	RM1-4122-000CN	<a href="#">External panels and covers (booklet-maker) on page 953</a>
Gear, 16T	FS6-0823-000CN	<a href="#">Saddle assembly (booklet-maker) on page 993</a>
Gear, 16T	FS6-0830-000CN	<a href="#">Saddle assembly (booklet-maker) on page 993</a>
Gear, 16T/33T	FS6-0822-000CN	<a href="#">Saddle assembly (booklet-maker) on page 993</a>
Gear, 16T/56T	FS6-0829-000CN	<a href="#">Saddle assembly (booklet-maker) on page 993</a>
Gear, 17T	FU5-0457-000CN	<a href="#">Output bin 1 (stack upper-tray assembly) (booklet-maker) on page 967</a>
Gear, 17T	FU5-0457-000CN	<a href="#">Output bin 2 (stack lower-tray assembly) (stapler/stacker and booklet-maker) on page 971</a>
Gear, 29T	FU5-2399-000CN	<a href="#">Finisher (stapler/stacker and booklet-maker) on page 959</a>
Gear, 30T	FU5-0428-000CN	<a href="#">Finisher (stapler/stacker and booklet-maker) on page 959</a>
Gear, 34T	RU5-0791-000CN	<a href="#">Printer internal components (4 of 7) on page 885</a>
Gear, 40T	FU5-0454-000CN	<a href="#">Finisher (stapler/stacker and booklet-maker) on page 959</a>
Gear, 44T	FU5-0435-000CN	<a href="#">Output bin 1 (stack upper-tray assembly) (stapler/stacker) on page 963</a>

**Table 9-85 Alphabetical parts list (continued)**

Description	Part number	Table and page
Gear, 44T	FU5-0435-000CN	<a href="#">Output bin 1 (stack upper-tray assembly) (booklet-maker) on page 967</a>
Gear, 44T	FU5-0435-000CN	<a href="#">Output bin 2 (stack lower-tray assembly) (stapler/stacker and booklet-maker) on page 971</a>
Gear, 50T	4S3-0171-000CN	<a href="#">Saddle assembly (booklet-maker) on page 993</a>
Gear, 83T/25T	RU5-0790-000CN	<a href="#">Printer internal components (4 of 7) on page 885</a>
Glass assembly	Q3938-67906	<a href="#">Glass assembly on page 1045</a>
Grip-support front assembly	RM1-3225-000CN	<a href="#">Printer internal components (2 of 7) on page 881</a>
Grip-support rear assembly	RM1-3226-000CN	<a href="#">Printer internal components (2 of 7) on page 881</a>
Guide, cable, 2	RC1-9688-000CN	<a href="#">Intermediate-feed main body on page 935</a>
Guide, cable, A	RC1-9306-000CN	<a href="#">Printer internal components (7 of 7) on page 893</a>
Guide, cable, B	RC1-9307-000CN	<a href="#">Printer internal components (6 of 7) on page 891</a>
Guide, cable, C	RC1-9308-000CN	<a href="#">Printer internal components (6 of 7) on page 891</a>
Guide, cable, D	RC1-9312-000CN	<a href="#">Printer internal components (6 of 7) on page 891</a>
Guide, cable, E	RC1-9318-000CN	<a href="#">Printer internal components (6 of 7) on page 891</a>
Guide, cable, F	RC1-9323-000CN	<a href="#">Printer internal components (7 of 7) on page 893</a>
Guide, duplexing-feed, upper	RL1-1335-000CN	<a href="#">Printer right-door assembly on page 877</a>
Guide, face-down inner	RC1-8959-000CN	<a href="#">Printer internal components (2 of 7) on page 881</a>
Guide, fixing-cable	RC1-9332-000CN	<a href="#">Printer internal components (7 of 7) on page 893</a>
Guide, intermediate transfer belt (ITB)-entrance, front	RC1-9185-000CN	<a href="#">Printer internal components (3 of 7) on page 883</a>
Guide, intermediate transfer belt (ITB)-entrance, rear	RC1-9186-000CN	<a href="#">Printer internal components (3 of 7) on page 883</a>
Guide, multi-purpose, right	RL1-1283-000CN	<a href="#">Printer internal components (2 of 7) on page 881</a>
Guide, multi-purpose, upper	RC1-8526-000CN	<a href="#">Printer multi-purpose paper-pickup assembly on page 903</a>
Guide, paper-feed roller	RC1-9881-000CN	<a href="#">Input-tray main body (1x500-sheet) on page 919</a>



**Table 9-85 Alphabetical parts list (continued)**

Description	Part number	Table and page
Guide, paper-feed roller	RC1-9881-000CN	<a href="#">Input-tray main body (3x500-sheet) on page 923</a>
Guide, side-wall	RC2-1284-000CN	<a href="#">External panels and covers (booklet-maker) on page 953</a>
Guide-motor assembly	4G3-0725-000CN	<a href="#">Saddle assembly (booklet-maker) on page 993</a>
Guide-sensor assembly	RM1-4400-000CN	<a href="#">Printer internal components (5 of 7) on page 889</a>
High-voltage transfer B PCA assembly	RM1-5475-000CN	<a href="#">Printer internal components (1 of 7) on page 879</a>
High-voltage-transfer A PCA assembly	RM1-3582-000CN	<a href="#">Printer internal components (7 of 7) on page 893</a>
High-voltage-transfer A PCA assembly	RM1-3582-000CN	<a href="#">Printer PCA assembly location on page 915</a>
High-voltage-transfer B PCA assembly	RM1-5475-000CN	<a href="#">Printer PCA assembly location on page 915</a>
Hinge assembly	Q3938-67952	<a href="#">Hinge assembly on page 1021</a>
Hinge, front-door, 1	FC5-4991-030CN	<a href="#">Finisher (stapler/stacker and booklet-maker) on page 959</a>
Hinge, front-door, 2	FC5-4992-030CN	<a href="#">Finisher (stapler/stacker and booklet-maker) on page 959</a>
Holder, cartridge-fan	RC1-9277-000CN	<a href="#">Printer internal components (4 of 7) on page 885</a>
Holder, environment-sensor	RC1-9324-000CN	<a href="#">Printer internal components (2 of 7) on page 881</a>
Holder, fixing-fan	RC1-9278-000CN	<a href="#">Printer internal components (4 of 7) on page 885</a>
Holder, high-voltage-connector	RC1-9328-000CN	<a href="#">Printer internal components (7 of 7) on page 893</a>
Holder, roller, 2	FB3-7973-000CN	<a href="#">Saddle assembly (booklet-maker) on page 993</a>
Holder, scanner-fan	RC1-9279-000CN	<a href="#">Printer internal components (4 of 7) on page 885</a>
Holder, scanner-thermistor	RC1-9260-000CN	<a href="#">Printer internal components (2 of 7) on page 881</a>
Inner side-plate assembly	4G3-0671-000CN	<a href="#">Saddle assembly (booklet-maker) on page 993</a>
Inner side-plate assembly	4G3-0671-000CN	<a href="#">Inner side-plate assembly (booklet-maker) on page 1009</a>
Inner-cover assembly	RM1-4123-000CN	<a href="#">Finisher (stapler/stacker and booklet-maker) on page 959</a>
Interface-joint cable	RM1-3623-000CN	<a href="#">Printer internal components (6 of 7) on page 891</a>

**Table 9-85 Alphabetical parts list (continued)**

Description	Part number	Table and page
Interlock-switch assembly	RM1-3589-000CN	<a href="#">Printer internal components (2 of 7) on page 881</a>
Intermediate paper-transfer unit (IPTU)-driver PCA assembly	RM1-3559-000CN	<a href="#">Intermediate-feed main body on page 935</a>
Intermediate paper-transfer unit (IPTU)-driver PCA assembly	RM1-3559-000CN	<a href="#">PCA assembly on page 945</a>
Intermediate transfer belt (ITB) assembly kit	Q3931-67908	<a href="#">Printer internal components (3 of 7) on page 883</a>
Intermediate transfer belt (ITB) duct assembly	RM1-4401-000CN	<a href="#">Printer internal components (5 of 7) on page 889</a>
Intermediate transfer belt (ITB) estrangement-drive assembly	RM1-3280-000CN	<a href="#">Printer internal components (3 of 7) on page 883</a>
Intermediate transfer belt (ITB) lock-support front assembly	RM1-3228-000CN	<a href="#">Printer internal components (3 of 7) on page 883</a>
Intermediate transfer belt (ITB) lock-support rear assembly	RM1-3215-000CN	<a href="#">Printer internal components (3 of 7) on page 883</a>
Intermediate transfer belt (ITB)-drawer assembly	RM1-3240-000CN	<a href="#">Printer internal components (3 of 7) on page 883</a>
Inverter assembly	Q3938-67905	<a href="#">Inverter assembly on page 1043</a>
Jam-cover assembly	Q3938-67970	<a href="#">Jam-cover assembly on page 1025</a>
Knob (booklet-maker only)	FB3-7881-000CN	<a href="#">Finisher (stapler/stacker and booklet-maker) on page 959</a>
Knob, latch	FC5-5024-000CN	<a href="#">Saddle-guide assembly (booklet-maker) on page 999</a>
Large-pin assembly	Q3938-67903	<a href="#">Large-pin assembly on page 1039</a>
LED-PCA assembly	RM1-4141-000CN	<a href="#">External panels and covers (stapler/stacker) on page 951</a>
LED-PCA assembly	RM1-4141-000CN	<a href="#">External panels and covers (booklet-maker) on page 953</a>
Left upper-cover assembly	RM1-4179-000CN	<a href="#">External panels and covers (stapler/stacker) on page 951</a>
Left-assist assembly	RM1-4396-000CN	<a href="#">Left-assist assembly on page 941</a>
Left-side wall assembly	RM1-3233-000CN	<a href="#">Printer internal components (1 of 7) on page 879</a>
Left-upper cover assembly	RM1-4129-000CN	<a href="#">External panels and covers (booklet-maker) on page 953</a>
Lever, door-interlock shutter	RC1-9220-000CN	<a href="#">Printer internal components (5 of 7) on page 889</a>
Lever, lock	RC1-9883-000CN	<a href="#">Input-tray main body (1x500-sheet) on page 919</a>

**Table 9-85 Alphabetical parts list (continued)**

Description	Part number	Table and page
Lever, lock	RC1-9883-000CN	<a href="#">Input-tray main body (3x500-sheet) on page 923</a>
Lever, paper-sensing	RC1-8928-000CN	<a href="#">Printer internal components (5 of 7) on page 889</a>
Lever, stopper	4A3-1782-000CN	<a href="#">Saddle assembly (booklet-maker) on page 993</a>
Lid-sensor assembly	Q3938-67907	<a href="#">Lid-sensor assembly on page 1047</a>
Lifter-drive-assembly kit	RM1-3222-000CN	<a href="#">Printer lifter-drive assembly on page 897</a>
Limiter, torque	RC1-8519-000CN	<a href="#">Printer multi-purpose paper-pickup assembly on page 903</a>
Limiter, torque	FC5-3657-000CN	<a href="#">Finisher (stapler/stacker and booklet-maker) on page 959</a>
Link-slide assembly	4G3-0271-000CN	<a href="#">External panels and covers (stapler/stacker) on page 951</a>
Link-slide assembly	4G3-0271-000CN	<a href="#">External panels and covers (booklet-maker) on page 953</a>
Low-voltage power-supply assembly	RM1-3594-000CN	<a href="#">Printer internal components (5 of 7) on page 889</a>
Low-voltage power-supply assembly	RM1-3594-000CN	<a href="#">Printer PCA assembly location on page 915</a>
Lower height-guide assembly	RM1-4135-000CN	<a href="#">External panels and covers (stapler/stacker) on page 951</a>
Lower-guide assembly	RM1-3686-000CN	<a href="#">Intermediate-feed lower-guide assembly on page 937</a>
Lower-left cover	Q3938-67921	<a href="#">Plastic-parts assembly on page 1059</a>
Lower-right cover	Q3938-67923	<a href="#">Plastic-parts assembly on page 1059</a>
Main controller PCA assembly (stapler/stacker and booklet-maker)	RM1-4139-000CN	<a href="#">PCA assembly on page 1015</a>
Main drive-unit kit	Q3931-67911	<a href="#">Printer internal components (4 of 7) on page 885</a>
Main switch-holder assembly	RM1-3252-000CN	<a href="#">Printer internal components (7 of 7) on page 893</a>
Maintenance kit	Q3938-67944	<a href="#">ADF unit on page 1017</a>
Memory-tag PCA assembly	RM1-3585-000CN	<a href="#">Printer internal components (4 of 7) on page 885</a>
Memory-tag PCA assembly	RM1-3585-000CN	<a href="#">Printer PCA assembly location on page 915</a>
Middle-height cover assembly	RM1-4119-000CN	<a href="#">External panels and covers (booklet-maker) on page 953</a>
Motor assembly	Q3938-67908	<a href="#">Motor assembly on page 1049</a>

**Table 9-85 Alphabetical parts list (continued)**

<b>Description</b>	<b>Part number</b>	<b>Table and page</b>
Motor, stepping	4K1-1103-000CN	<a href="#">Pass lower-guide assembly (booklet-maker) on page 1007</a>
Motor, stepping, DC	RK2-1366-000CN	<a href="#">Printer internal components (4 of 7) on page 885</a>
Motor, stepping, DC	RK2-1370-000CN	<a href="#">Printer internal components (4 of 7) on page 885</a>
Motor, stepping, DC	RK2-1331-000CN	<a href="#">Input-tray main body (1x500-sheet) on page 919</a>
Motor, stepping, DC	RK2-1331-000CN	<a href="#">Input-tray main body (3x500-sheet) on page 923</a>
Motor, stepping, DC	RK2-1320-000CN	<a href="#">Intermediate-feed main body on page 935</a>
Motor-mount assembly	4G3-0670-000CN	<a href="#">Saddle assembly (booklet-maker) on page 993</a>
Motor-mount assembly	4G3-0670-000CN	<a href="#">Motor-mount assembly (booklet-maker) on page 1013</a>
Mount, LED-PCA	RC2-1735-000CN	<a href="#">External panels and covers (stapler/stacker) on page 951</a>
Multi-purpose paper-pickup assembly	RM1-3345-000CN	<a href="#">Printer multi-purpose paper-pickup assembly on page 903</a>
Multi-purpose-drive assembly	RM1-3366-000CN	<a href="#">Printer multi-purpose-drive assembly on page 895</a>
Multi-purpose-guide assembly	RM1-3291-000CN	<a href="#">Printer multi-purpose-guide assembly on page 907</a>
Multi-purpose-tray assembly	RM1-3341-000CN	<a href="#">Printer multi-purpose-tray assembly on page 905</a>
Multi-tray cable	RM1-3630-000CN	<a href="#">Printer multi-purpose-tray assembly on page 905</a>
Operation-tray assembly	RM1-4125-000CN	<a href="#">Operation-tray assembly (stapler/stacker and booklet-maker) on page 975</a>
Option paper-sensor PCA assembly	RM1-3570-000CN	<a href="#">Input-tray paper-pickup assembly on page 931</a>
Option-sensor assembly	FM2-1708-000CN	<a href="#">Output bin 1 (stack upper-tray assembly) (stapler/stacker) on page 963</a>
Panel cable	RM1-3389-000CN	<a href="#">Printer internal components (6 of 7) on page 891</a>
Panel, height, upper	RC2-1283-000CN	<a href="#">External panels and covers (stapler/stacker) on page 951</a>
Panel, height, upper	RC2-1283-000CN	<a href="#">External panels and covers (booklet-maker) on page 953</a>
Panel-joint cable	RM1-3622-000CN	<a href="#">Printer internal components (6 of 7) on page 891</a>

**Table 9-85 Alphabetical parts list (continued)**

Description	Part number	Table and page
Paper feed-roller assembly	RM1-0037-020CN	<a href="#">Input-tray paper-pickup assembly on page 931</a>
Paper-delivery-guide assembly	RM1-4407-000CN	<a href="#">Printer face-down paper-delivery assembly on page 909</a>
Paper-face sensing assembly	4G3-1624-000CN	<a href="#">External panels and covers (stapler/stacker) on page 951</a>
Paper-face sensing assembly	4G3-1624-000CN	<a href="#">External panels and covers (booklet-maker) on page 953</a>
Paper-face sensor assembly	4G3-0934-000CN	<a href="#">External panels and covers (stapler/stacker) on page 951</a>
Paper-face sensor assembly	4G3-0934-000CN	<a href="#">External panels and covers (booklet-maker) on page 953</a>
Paper-feed PCA assembly	RM1-3569-000CN	<a href="#">Input-tray main body (1x500-sheet) on page 919</a>
Paper-feed PCA assembly	RM1-3569-000CN	<a href="#">Input-tray main body (3x500-sheet) on page 923</a>
Paper-feed PCA assembly (1x500-sheet)	RM1-3569-000CN	<a href="#">Input-tray PCA assembly on page 933</a>
Paper-feed PCA assembly (3x500-sheet)	RM1-3569-000CN	<a href="#">Input-tray PCA assembly on page 933</a>
Paper-feeder motor assembly	RM1-4175-000CN	<a href="#">Paper-feeder motor assembly (stapler/stacker and booklet-maker) on page 977</a>
Paper-sensor assembly	FM2-0707-000CN	<a href="#">Output bin 1 (stack upper-tray assembly) (stapler/stacker) on page 963</a>
Paper-sensor assembly	FM2-0707-000CN	<a href="#">Output bin 1 (stack upper-tray assembly) (booklet-maker) on page 967</a>
Paper-sensor assembly	FM2-0707-000CN	<a href="#">Output bin 2 (stack lower-tray assembly) (stapler/stacker and booklet-maker) on page 971</a>
Partition-plate assembly, cyan	RM1-3238-000CN	<a href="#">Printer internal components (1 of 7) on page 879</a>
Partition-plate assembly, magenta	RM1-3237-000CN	<a href="#">Printer internal components (1 of 7) on page 879</a>
Partition-plate assembly, yellow	RM1-3235-000CN	<a href="#">Printer internal components (1 of 7) on page 879</a>
PCA motor assembly	Q7829-67903	<a href="#">ADF unit on page 1017</a>
PCIe cable	Q3938-67942	<a href="#">Havic assembly on page 1065</a>
Photo interrupter with connector	Q7829-67914	<a href="#">ADF unit on page 1017</a>
Photo interrupter with connector	Q7829-67914	<a href="#">Backbone assembly on page 1023</a>

**Table 9-85 Alphabetical parts list (continued)**

<b>Description</b>	<b>Part number</b>	<b>Table and page</b>
Photo interrupter, TLP1242	WG8-5593-000CN	<a href="#">External panels and covers (stapler/stacker) on page 951</a>
Photo interrupter, TLP1242	WG8-5593-000CN	<a href="#">External panels and covers (booklet-maker) on page 953</a>
Photo interrupter, TLP1242	WG8-5593-000CN	<a href="#">Finisher (stapler/stacker and booklet-maker) on page 959</a>
Photo interrupter, TLP1242	WG8-5593-000CN	<a href="#">Output bin 1 (stack upper-tray assembly) (stapler/stacker) on page 963</a>
Photo interrupter, TLP1242	WG8-5593-000CN	<a href="#">Operation-tray assembly (stapler/stacker and booklet-maker) on page 975</a>
Photo interrupter, TLP1242	WG8-5593-000CN	<a href="#">Operation-tray assembly (stapler/stacker and booklet-maker) on page 975</a>
Photo interrupter, TLP1242	WG8-5593-000CN	<a href="#">Saddle assembly (booklet-maker) on page 993</a>
Photo interrupter, TLP1242	WG8-5593-000CN	<a href="#">Saddle assembly (booklet-maker) on page 993</a>
Photo interrupter, TLP1242	WG8-5593-000CN	<a href="#">Saddle assembly (booklet-maker) on page 993</a>
Photo interrupter, TLP1242	WG8-5593-000CN	<a href="#">Saddle assembly (booklet-maker) on page 993</a>
Photo interrupter, TLP1242	WG8-5593-000CN	<a href="#">Saddle assembly (booklet-maker) on page 993</a>
Photo interrupter, TLP1242	WG8-5593-000CN	<a href="#">Saddle-tray assembly (booklet-maker) on page 997</a>
Photo interrupter, TLP1242	WG8-5593-000CN	<a href="#">Saddle paper-feeder assembly (booklet-maker) on page 1005</a>
Photo interrupter, TLP1242	WG8-5593-000CN	<a href="#">Pass lower-guide assembly (booklet-maker) on page 1007</a>
Photo interrupter, TLP1242	WG8-5593-000CN	<a href="#">Inner side-plate assembly (booklet-maker) on page 1009</a>
Photo interrupter, TLP1242	WG8-5593-000CN	<a href="#">Saddle paper-delivery assembly (booklet-maker) on page 1011</a>
Photo interrupter, TLP1243	WG8-5696-000CN	<a href="#">Printer right-door assembly on page 877</a>
Photo interrupter, TLP1243	WG8-5696-000CN	<a href="#">Printer right-door assembly on page 877</a>
Photo interrupter, TLP1243	WG8-5696-000CN	<a href="#">Printer internal components (2 of 7) on page 881</a>
Photo interrupter, TLP1243	WG8-5696-000CN	<a href="#">Printer internal components (5 of 7) on page 889</a>
Photo interrupter, TLP1243	WG8-5696-000CN	<a href="#">Printer internal components (7 of 7) on page 893</a>
Photo interrupter, TLP1243	WG8-5696-000CN	<a href="#">Printer cassette paper-pickup assembly on page 901</a>

**Table 9-85 Alphabetical parts list (continued)**

Description	Part number	Table and page
Photo interrupter, TLP1243	WG8-5696-000CN	<a href="#">Printer multi-purpose-guide assembly on page 907</a>
Photo interrupter, TLP1243	WG8-5696-000CN	<a href="#">Printer face-down paper-delivery assembly on page 909</a>
Photo interrupter, TLP1243	WG8-5696-000CN	<a href="#">Printer duplexing-reverse assembly on page 911</a>
Photosensor assembly	RM1-3250-000CN	<a href="#">Printer internal components (2 of 7) on page 881</a>
Pin	XD3-2200-102CN	<a href="#">Finisher (stapler/stacker and booklet-maker) on page 959</a>
Pin	XD3-2200-102CN	<a href="#">Finisher (stapler/stacker and booklet-maker) on page 959</a>
Pin, dowel	XD9-0240-000CN	<a href="#">Printer internal components (4 of 7) on page 885</a>
Pin, dowel	XD3-2200-142CN	<a href="#">Finisher (stapler/stacker and booklet-maker) on page 959</a>
Pin, dowel	XD3-2300-142CN	<a href="#">Output bin 1 (stack upper-tray assembly) (booklet-maker) on page 967</a>
Pin, dowel	XD3-2300-142CN	<a href="#">Output bin 2 (stack lower-tray assembly) (stapler/stacker and booklet-maker) on page 971</a>
Pin, dowel	XD3-2300-202CN	<a href="#">Saddle assembly (booklet-maker) on page 993</a>
Plate, assist-arm cap	RC1-9695-000CN	<a href="#">Intermediate-feed main body on page 935</a>
Plate, drawer-guard	RC1-9235-000CN	<a href="#">Printer internal components (5 of 7) on page 889</a>
Plate, fan-fixing, front	RC1-9190-000CN	<a href="#">Printer internal components (5 of 7) on page 889</a>
Plate, fixing-motor	RL1-1216-000CN	<a href="#">Printer internal components (4 of 7) on page 885</a>
Plate, grounding (booklet-maker only)	4A3-1955-000CN	<a href="#">Finisher (stapler/stacker and booklet-maker) on page 959</a>
Plate, grounding (booklet-maker only)	RC2-1356-000CN	<a href="#">Finisher (stapler/stacker and booklet-maker) on page 959</a>
Plate, high-voltage transmission (HVT-A) guard	RC1-9326-000CN	<a href="#">Printer internal components (7 of 7) on page 893</a>
Plate, hinge-stop (booklet-maker only)	4A3-4715-000CN	<a href="#">Finisher (stapler/stacker and booklet-maker) on page 959</a>
Plate, option-tray, front	FC5-6978-000CN	<a href="#">Output bin 1 (stack upper-tray assembly) (stapler/stacker) on page 963</a>
Plate, rotation	4A3-1779-000CN	<a href="#">Saddle assembly (booklet-maker) on page 993</a>

**Table 9-85 Alphabetical parts list (continued)**

Description	Part number	Table and page
Plate, sensor, front	RC1-9246-000CN	<a href="#">Printer internal components (5 of 7) on page 889</a>
Plate, switch-cover	RC1-9901-000CN	<a href="#">Input-tray main body (1x500-sheet) on page 919</a>
Plate, switch-cover	RC1-9901-000CN	<a href="#">Input-tray main body (3x500-sheet) on page 923</a>
Plate, tension	FF5-5805-040	<a href="#">Saddle assembly (booklet-maker) on page 993</a>
Power-supply assembly	Q3938-67910	<a href="#">Power-supply assembly on page 1053</a>
Power-supply harness	Q3938-67928	<a href="#">Power-supply assembly on page 1053</a>
Press-motor assembly	FM2-1409-000CN	<a href="#">Finisher (stapler/stacker and booklet-maker) on page 959</a>
Pressure-roller assembly	FM2-0730-000CN	<a href="#">Pressure-roller assembly (stapler/stacker and booklet-maker) on page 981</a>
Pulley assembly	Q3938-67909	<a href="#">Pulley assembly on page 1051</a>
Pulley, 16T/gear, 32T	FS6-0815-000CN	<a href="#">Pass lower-guide assembly (booklet-maker) on page 1007</a>
Pulley, 20T	FU5-3086-000CN	<a href="#">Finisher (stapler/stacker and booklet-maker) on page 959</a>
Pulley, 30T	FS5-3576-000CN	<a href="#">Saddle assembly (booklet-maker) on page 993</a>
Pulley, 32T/gear, 16T	FS6-0814-000CN	<a href="#">Pass lower-guide assembly (booklet-maker) on page 1007</a>
Pulley, 39T	FS5-3577-000CN	<a href="#">Saddle assembly (booklet-maker) on page 993</a>
Pulley/gear, 22T	RU5-0868-000CN	<a href="#">Intermediate-feed main body on page 935</a>
Rack, front	FB3-7967-000CN	<a href="#">Saddle assembly (booklet-maker) on page 993</a>
Rack, rail	FC5-5436-000CN	<a href="#">Finisher (stapler/stacker and booklet-maker) on page 959</a>
Rack, rear	FB3-7934-000CN	<a href="#">Saddle assembly (booklet-maker) on page 993</a>
Rail, cassette, left	RL1-1311-000CN	<a href="#">Input-tray main body (1x500-sheet) on page 919</a>
Rail, cassette, left	RL1-1311-000CN	<a href="#">Input-tray main body (3x500-sheet) on page 923</a>
Rail, cassette, right	RL1-1215-000CN	<a href="#">Printer internal components (5 of 7) on page 889</a>
Rail, cassette, right	RL1-1310-000CN	<a href="#">Input-tray main body (1x500-sheet) on page 919</a>



**Table 9-85 Alphabetical parts list (continued)**

Description	Part number	Table and page
Rail, cassette, right	RL1-1310-000CN	<a href="#">Input-tray main body (3x500-sheet) on page 923</a>
Rail, fixing, front	RC1-8931-000CN	<a href="#">Printer internal components (4 of 7) on page 885</a>
Rail, fixing, rear	RC1-8939-000CN	<a href="#">Printer internal components (4 of 7) on page 885</a>
Rail, left, top	RL1-1213-000CN	<a href="#">Printer internal components (5 of 7) on page 889</a>
Rail, reverse, rear	RC1-9206-000CN	<a href="#">Printer internal components (2 of 7) on page 881</a>
Reader front-guide assembly	RM1-4398-000CN	<a href="#">Printer internal components (2 of 7) on page 881</a>
Reader rear-guide assembly	RM1-4399-000CN	<a href="#">Printer internal components (2 of 7) on page 881</a>
Rear cover	Q3938-67925	<a href="#">Plastic-parts assembly on page 1059</a>
Rear-cover-mount plate assembly	RM1-3354-000CN	<a href="#">Printer internal components (6 of 7) on page 891</a>
Rear-end sensor assembly	FM2-0763-000CN	<a href="#">Saddle assembly (booklet-maker) on page 993</a>
Rear-lower cable	RM1-3618-000CN	<a href="#">Printer internal components (6 of 7) on page 891</a>
Rear-right cover assembly	RM1-4415-000CN	<a href="#">Printer external covers and panels on page 873</a>
Rear-upper cable	RM1-3619-000CN	<a href="#">Printer internal components (6 of 7) on page 891</a>
Reflector foam (white backing)	Q7829-67909	<a href="#">ADF unit on page 1017</a>
Registration 2nd-transfer assembly kit with service document	Q3931-67909	<a href="#">Printer internal components (3 of 7) on page 883</a>
Retainer	RC1-8511-000CN	<a href="#">Printer internal components (3 of 7) on page 883</a>
Retainer	RC1-8511-000CN	<a href="#">Printer multi-purpose paper-pickup assembly on page 903</a>
Return-roller assembly	FM2-0725-090	<a href="#">Return-roller assembly (stapler/stacker and booklet-maker) on page 979</a>
Right-assist assembly	RM1-4397-000CN	<a href="#">Right-assist assembly on page 943</a>
Right-door assembly	RM1-3538-000CN	<a href="#">Input-tray main body (1x500-sheet) on page 919</a>
Right-door assembly	RM1-3537-000CN	<a href="#">Input-tray main body (3x500-sheet) on page 923</a>
Right-door sub-assembly	RM1-3333-000CN	<a href="#">Printer right-door assembly on page 877</a>

**Table 9-85 Alphabetical parts list (continued)**

Description	Part number	Table and page
Right-lower cover assembly	RL1-1280-000CN	<a href="#">Printer external covers and panels on page 873</a>
Right-side wall assembly	RM1-3239-000CN	<a href="#">Printer internal components (1 of 7) on page 879</a>
Ring, C, external	XD2-3100-152CN	<a href="#">Saddle assembly (booklet-maker) on page 993</a>
Ring, E	XD9-0234-000CN	<a href="#">Printer internal components (4 of 7) on page 885</a>
Ring, E	XD9-0234-000CN	<a href="#">Printer internal components (5 of 7) on page 889</a>
Ring, E	XD9-0136-000CN	<a href="#">Finisher (stapler/stacker and booklet-maker) on page 959</a>
Ring, E	XD9-0136-000CN	<a href="#">Finisher (stapler/stacker and booklet-maker) on page 959</a>
Ring, E	XD9-0137-000CN	<a href="#">Output bin 1 (stack upper-tray assembly) (booklet-maker) on page 967</a>
Rod	Q3938-67911	<a href="#">Main-frame assembly on page 1055</a>
Roller, folding	4A3-1783-000CN	<a href="#">Saddle assembly (booklet-maker) on page 993</a>
Roller, paper-pickup	RL1-1289-000CN	<a href="#">Input-tray paper-pickup assembly on page 931</a>
Roller, rail	RC1-9231-000CN	<a href="#">Input-tray main body (1x500-sheet) on page 919</a>
Roller, rail	RC1-9231-000CN	<a href="#">Input-tray main body (3x500-sheet) on page 923</a>
Roller, tray-guide	RU5-6035-000CN	<a href="#">Output bin 1 (stack upper-tray assembly) (stapler/stacker) on page 963</a>
Roller, tray-guide	FC5-4221-000CN	<a href="#">Output bin 1 (stack upper-tray assembly) (booklet-maker) on page 967</a>
Roller, tray-guide	RU5-6035-000CN	<a href="#">Output bin 1 (stack upper-tray assembly) (booklet-maker) on page 967</a>
Roller, tray-guide	FC5-4221-000CN	<a href="#">Output bin 2 (stack lower-tray assembly) (stapler/stacker and booklet-maker) on page 971</a>
Roller, tray-guide	RU5-6035-000CN	<a href="#">Output bin 2 (stack lower-tray assembly) (stapler/stacker and booklet-maker) on page 971</a>
Rubber glass guide	Q3938-67915	<a href="#">Main-frame assembly on page 1055</a>
Saddle paper-delivery assembly	RM1-4130-000CN	<a href="#">Saddle assembly (booklet-maker) on page 993</a>

**Table 9-85 Alphabetical parts list (continued)**

<b>Description</b>	<b>Part number</b>	<b>Table and page</b>
Saddle paper-delivery assembly	RM1-4130-000CN	<a href="#">Saddle paper-delivery assembly (booklet-maker) on page 1011</a>
Saddle paper-feeder assembly	RM1-4136-000CN	<a href="#">Saddle paper-feeder assembly (stapler/stacker) on page 1003</a>
Saddle paper-feeder assembly	RM1-4109-000CN	<a href="#">Saddle paper-feeder assembly (booklet-maker) on page 1005</a>
Saddle, wire	WT2-5694-000CN	<a href="#">Printer internal components (4 of 7) on page 885</a>
Saddle, wire	WT2-5694-000CN	<a href="#">Input-tray main body (1x500-sheet) on page 919</a>
Saddle, wire	WT2-5694-000CN	<a href="#">Input-tray main body (3x500-sheet) on page 923</a>
Saddle-controller PCA assembly	RM1-4140-000CN	<a href="#">Saddle assembly (booklet-maker) on page 993</a>
Saddle-controller PCA assembly (booklet-maker)	RM1-4140-000CN	<a href="#">PCA assembly on page 1015</a>
Saddle-guide assembly	FM2-0756-000CN	<a href="#">Saddle assembly (booklet-maker) on page 993</a>
Saddle-guide assembly	FM2-5024-000CN	<a href="#">Saddle-guide assembly (booklet-maker) on page 999</a>
Saddle-motor assembly	FM2-0737-000CN	<a href="#">Saddle paper-feeder assembly (stapler/stacker) on page 1003</a>
Saddle-motor assembly	FM2-0737-000CN	<a href="#">Saddle paper-feeder assembly (booklet-maker) on page 1005</a>
Saddle-stapler assembly	RM1-4178-000CN	<a href="#">Saddle assembly (booklet-maker) on page 993</a>
Saddle-stapler assembly	RM1-4178-000CN	<a href="#">Saddle-stapler assembly (booklet-maker) on page 1001</a>
Scanner assembly kit with 1 scanner assembly and service document	Q3931-67907	<a href="#">Printer internal components (2 of 7) on page 881</a>
Scanner controller board (SCB) fan	Q3938-67937	<a href="#">Fan-system assembly on page 1063</a>
Scanner controller-board (SCB)	Q3938-67902	<a href="#">Scanner controller-board (SCB) assembly on page 1037</a>
Scanner fan	Q3938-67938	<a href="#">Fan-system assembly on page 1063</a>
Scanner-joint cable	RM1-3620-000CN	<a href="#">Printer internal components (6 of 7) on page 891</a>
Screw covers	Q3938-67927	<a href="#">Plastic-parts assembly on page 1059</a>
Screw, B, M4x8	XA9-1277-000CN	<a href="#">Intermediate-feed main body on page 935</a>
Screw, M4x14	XA9-1292-000CN	<a href="#">Intermediate-feed main body on page 935</a>

**Table 9-85 Alphabetical parts list (continued)**

Description	Part number	Table and page
Screw, machined, truss-head, M3x4	XB1-2300-407CN	<a href="#">Printer internal components (4 of 7) on page 885</a>
Screw, machined, truss-head, M3x4	XB1-2300-407CN	<a href="#">Intermediate-feed main body on page 935</a>
Screw, machined, truss-head, M4x8	XB1-2400-805CN	<a href="#">Printer internal components (7 of 7) on page 893</a>
Screw, RS M3x8	XA9-1500-000CN	<a href="#">Intermediate-feed main body on page 935</a>
Screw, RS stepped, M3	FU9-9059-000CN	<a href="#">Finisher (stapler/stacker and booklet-maker) on page 959</a>
Screw, RS, M13x12	XA9-1801-000CN	<a href="#">Printer internal components (7 of 7) on page 893</a>
Screw, RS, M3x6	XA9-1495-000CN	<a href="#">Printer right-door assembly on page 877</a>
Screw, RS, M3x6	XA9-1495-000CN	<a href="#">Printer internal components (1 of 7) on page 879</a>
Screw, RS, M3x6	XA9-1495-000CN	<a href="#">Printer internal components (2 of 7) on page 881</a>
Screw, RS, M3x6	XA9-1495-000CN	<a href="#">Printer internal components (3 of 7) on page 883</a>
Screw, RS, M3x6	XA9-1495-000CN	<a href="#">Printer internal components (4 of 7) on page 885</a>
Screw, RS, M3x6	XA9-1495-000CN	<a href="#">Printer internal components (4 of 7) on page 885</a>
Screw, RS, M3x6	XA9-1495-000CN	<a href="#">Printer internal components (5 of 7) on page 889</a>
Screw, RS, M3x6	XA9-1495-000CN	<a href="#">Printer internal components (6 of 7) on page 891</a>
Screw, RS, M3x6	XA9-1495-000CN	<a href="#">Printer internal components (6 of 7) on page 891</a>
Screw, RS, M3x6	XA9-1495-000CN	<a href="#">Printer internal components (7 of 7) on page 893</a>
Screw, RS, M3x8	XA9-1504-000CN	<a href="#">Printer internal components (1 of 7) on page 879</a>
Screw, RS, M3x8	XA9-1504-000CN	<a href="#">Printer internal components (2 of 7) on page 881</a>
Screw, RS, M3x8	XA9-1449-000CN	<a href="#">Printer internal components (2 of 7) on page 881</a>
Screw, RS, M3x8	XA9-1504-000CN	<a href="#">Printer internal components (3 of 7) on page 883</a>
Screw, RS, M3x8	XA9-1504-000CN	<a href="#">Printer internal components (4 of 7) on page 885</a>
Screw, RS, M3x8	XA9-1504-000CN	<a href="#">Printer internal components (5 of 7) on page 889</a>

**Table 9-85 Alphabetical parts list (continued)**

Description	Part number	Table and page
Screw, RS, M3x8	XA9-1449-000CN	<a href="#">Printer internal components (6 of 7) on page 891</a>
Screw, RS, M3x8	XA9-1504-000CN	<a href="#">Printer internal components (7 of 7) on page 893</a>
Screw, RS, M3x8	XA9-1386-000CN	<a href="#">Finisher (stapler/stacker and booklet-maker) on page 959</a>
Screw, RS, M4x8	XA9-1448-000CN	<a href="#">Input-tray main body (1x500-sheet) on page 919</a>
Screw, RS, M4x8	XA9-1448-000CN	<a href="#">Input-tray main body (1x500-sheet) on page 919</a>
Screw, RS, M4x8	XA9-1448-000CN	<a href="#">Input-tray main body (3x500-sheet) on page 923</a>
Screw, RS, M4x8	XA9-1448-000CN	<a href="#">Input-tray main body (3x500-sheet) on page 923</a>
Screw, RS, M4x8 (booklet-maker only)	XA9-0732-000CN	<a href="#">Finisher (stapler/stacker and booklet-maker) on page 959</a>
Screw, stepped	RS5-9099-000CN	<a href="#">Input-tray main body (1x500-sheet) on page 919</a>
Screw, stepped	RS5-9099-000CN	<a href="#">Input-tray main body (3x500-sheet) on page 923</a>
Screw, tapping, pan-head, M4x10	XB4-7401-006CN	<a href="#">Input-tray main body (1x500-sheet) on page 919</a>
Screw, tapping, truss-head, M4X10	XB4-7401-005CN	<a href="#">Printer external covers and panels on page 873</a>
Screw, tapping, truss-head, M4X10	XB4-7401-005CN	<a href="#">Printer right-door assembly on page 877</a>
Screw, tapping, truss-head, M4x10	XB4-7401-005CN	<a href="#">Printer internal components (5 of 7) on page 889</a>
Screw, TP, M3x30	XB6-7303-005CN	<a href="#">Printer internal components (5 of 7) on page 889</a>
Screw, TP, M3x6	XA9-1159-000CN	<a href="#">Printer internal components (4 of 7) on page 885</a>
Screw, TP, M3x6	XA9-1469-000CN	<a href="#">Input-tray main body (1x500-sheet) on page 919</a>
Screw, TP, M3x6	XA9-1469-000CN	<a href="#">Input-tray main body (3x500-sheet) on page 923</a>
Screw, TP, M3x6 (booklet-maker only)	XB6-7300-607CN	<a href="#">Finisher (stapler/stacker and booklet-maker) on page 959</a>
Screw, with washer, M3x6	XB2-8300-607CN	<a href="#">Printer internal components (4 of 7) on page 885</a>
Screw, with washer, M3x6	XB2-8300-607CN	<a href="#">Input-tray main body (1x500-sheet) on page 919</a>
Screw, with washer, M3x6	XB2-8300-607CN	<a href="#">Input-tray main body (3x500-sheet) on page 923</a>

**Table 9-85 Alphabetical parts list (continued)**

<b>Description</b>	<b>Part number</b>	<b>Table and page</b>
Screw, with washer, M3x6	XB2-8300-607CN	<a href="#">Intermediate-feed main body on page 935</a>
Screw, with washer, M4X12	XA9-1422-000CN	<a href="#">Printer right-door assembly on page 877</a>
Screw, with washer, M5x12	XA9-0912-000CN	<a href="#">Input-tray main body (1x500-sheet) on page 919</a>
Screw, with washer, M5x12	XA9-0912-000CN	<a href="#">Input-tray main body (3x500-sheet) on page 923</a>
Screw, with washer, M5x12	XA9-0912-000CN	<a href="#">Finisher (stapler/stacker and booklet-maker) on page 959</a>
SCUID board	Q3938-67941	<a href="#">Havic assembly on page 1065</a>
Sensor base	Q3938-67914	<a href="#">Main-frame assembly on page 1055</a>
Sensor unit, humidity	RK2-2376-000CN	<a href="#">Printer internal components (2 of 7) on page 881</a>
Sensor/switch assembly	FM2-1417-000CN	<a href="#">Finisher (stapler/stacker and booklet-maker) on page 959</a>
Separation-floor assembly	Q3938-67949	<a href="#">Separation-floor assembly on page 1031</a>
Separation-pad assembly (part of the ADF maintenance kit)	Q3938-67949	<a href="#">Separation-pad assembly on page 1029</a>
Shaft, lock	RC1-9912-000CN	<a href="#">Input-tray main body (1x500-sheet) on page 919</a>
Shaft, lock	RC1-9912-000CN	<a href="#">Input-tray main body (3x500-sheet) on page 923</a>
Sheet, blanking	RC1-9687-000CN	<a href="#">Intermediate-feed main body on page 935</a>
Sheet, entrance-guide	FC5-5542-000CN	<a href="#">Finisher (stapler/stacker and booklet-maker) on page 959</a>
Sheet, fixing-crossmember	RC1-9232-000CN	<a href="#">Printer internal components (2 of 7) on page 881</a>
Shutter H.P. sensor assembly	FM2-1401-000CN	<a href="#">Finisher (stapler/stacker and booklet-maker) on page 959</a>
Side-cover assembly	RM1-3683-000CN	<a href="#">Intermediate-feed main body on page 935</a>
Small-pin assembly	Q3938-67904	<a href="#">Small-pin assembly on page 1041</a>
Solenoid	FL2-0821-000CN	<a href="#">Finisher (stapler/stacker and booklet-maker) on page 959</a>
Spring, leaf	RC1-9233-000CN	<a href="#">Printer internal components (1 of 7) on page 879</a>
Spring, tension	RU5-2822-000CN	<a href="#">Printer internal components (2 of 7) on page 881</a>

**Table 9-85 Alphabetical parts list (continued)**

Description	Part number	Table and page
Spring, tension	RU5-2796-000CN	<a href="#">Printer internal components (5 of 7) on page 889</a>
Spring, tension	4S3-2116-000CN	<a href="#">Saddle assembly (booklet-maker) on page 993</a>
Spring, tension	4S3-2117-000CN	<a href="#">Saddle assembly (booklet-maker) on page 993</a>
Spring, tension	FS6-2582-000CN	<a href="#">Saddle assembly (booklet-maker) on page 993</a>
Spring, torsion	RU5-2825-000CN	<a href="#">Printer internal components (2 of 7) on page 881</a>
Spring, torsion	RC1-9244-000CN	<a href="#">Printer internal components (5 of 7) on page 889</a>
Spring, torsion	FC5-5005-000CN	<a href="#">External panels and covers (stapler/stacker) on page 951</a>
Spring, torsion	FC5-5005-000CN	<a href="#">External panels and covers (booklet-maker) on page 953</a>
Spring, torsion	FC5-6857-000CN	<a href="#">Swing-guide assembly (stapler/stacker and booklet-maker) on page 983</a>
Spring, torsion	FB3-7980-000CN	<a href="#">Saddle assembly (booklet-maker) on page 993</a>
Stack lower-tray assembly	RM1-4105-000CN	<a href="#">Output bin 2 (stack lower-tray assembly) (stapler/stacker and booklet-maker) on page 971</a>
Stack sub-tray assembly	RM1-4115-000CN	<a href="#">Top output bin (stack sub-tray assembly) (stapler/stacker) on page 973</a>
Stack upper-tray assembly	RM1-4101-000CN	<a href="#">Output bin 1 (stack upper-tray assembly) (stapler/stacker) on page 963</a>
Stack upper-tray assembly	RM1-4102-000CN	<a href="#">Output bin 1 (stack upper-tray assembly) (booklet-maker) on page 967</a>
Stack-ejection motor assembly	4G3-0769-000CN	<a href="#">Finisher (stapler/stacker and booklet-maker) on page 959</a>
Stack-tray assembly	RM1-4104-000CN	<a href="#">Output bin 1 (stack upper-tray assembly) (booklet-maker) on page 967</a>
Stack-tray assembly	RM1-4104-000CN	<a href="#">Output bin 2 (stack lower-tray assembly) (stapler/stacker and booklet-maker) on page 971</a>
Staple assembly	FM2-0721-000CN	<a href="#">Staple assembly (stapler/stacker and booklet-maker) on page 987</a>
Stapler sub-assembly	FM2-0722-000CN	<a href="#">Staple assembly (stapler/stacker and booklet-maker) on page 987</a>

**Table 9-85 Alphabetical parts list (continued)**

Description	Part number	Table and page
Stapler unit	FL2-0846-000CN	<a href="#">Saddle-stapler assembly (booklet-maker) on page 1001</a>
Stapler/stacker whole unit	CC517A (product number)	<a href="#">Stapler/stacker unit on page 946</a>
Stock-box assembly	RM1-3539-000CN	<a href="#">Input-tray main body (1x500-sheet) on page 919</a>
Stopper, right-door	RC1-9882-000CN	<a href="#">Input-tray main body (1x500-sheet) on page 919</a>
Stopper, right-door	RC1-9882-000CN	<a href="#">Input-tray main body (3x500-sheet) on page 923</a>
Support, lock-shaft	RC1-9900-000CN	<a href="#">Input-tray main body (1x500-sheet) on page 919</a>
Support, lock-shaft	RC1-9900-000CN	<a href="#">Input-tray main body (3x500-sheet) on page 923</a>
Support, PCA	VT2-0001-008CN	<a href="#">Input-tray main body (1x500-sheet) on page 919</a>
Support, PCA	VT2-001-008CN	<a href="#">Input-tray main body (3x500-sheet) on page 923</a>
Swing-guide assembly	RM1-4108-000CN	<a href="#">Swing-guide assembly (stapler/stacker and booklet-maker) on page 983</a>
Swing-press shaft assembly	FM2-1423-000CN	<a href="#">Finisher (stapler/stacker and booklet-maker) on page 959</a>
Switch, button	WC2-5512-000CN	<a href="#">Input-tray main body (1x500-sheet) on page 919</a>
Switch, button	WC2-5512-000CN	<a href="#">Input-tray main body (3x500-sheet) on page 923</a>
Switchback-cover assembly	RM1-4408-000CN	<a href="#">Printer external covers and panels on page 873</a>
T2 guide-arm assembly	RM1-4411-000CN	<a href="#">Printer internal components (7 of 7) on page 893</a>
Tag PCA-holder assembly	RM1-4402-000CN	<a href="#">Printer internal components (4 of 7) on page 885</a>
Tape, door	RC1-9884-000CN	<a href="#">Input-tray main body (1x500-sheet) on page 919</a>
Tape, door	RC1-9884-000CN	<a href="#">Input-tray main body (3x500-sheet) on page 923</a>
Thermistor unit	RK2-1363-000CN	<a href="#">Printer internal components (2 of 7) on page 881</a>
Thermopile case assembly	RM1-3232-000CN	<a href="#">Printer internal components (2 of 7) on page 881</a>
Timing belt	Q3938-67935	<a href="#">Transmission assembly on page 1061</a>
Toner-cartridge drive-assembly kit with service document	Q3931-67912	<a href="#">Printer internal components (4 of 7) on page 885</a>



**Table 9-85 Alphabetical parts list (continued)**

Description	Part number	Table and page
Toner-cartridge drive-assembly kit with service document	Q3931-67913	<a href="#">Printer internal components (4 of 7) on page 885</a>
Toner-motor cable	RM1-3383-000CN	<a href="#">Printer internal components (4 of 7) on page 885</a>
Toner-motor cable	RM1-3385-000CN	<a href="#">Printer internal components (4 of 7) on page 885</a>
Top cover	Q3938-67924	<a href="#">Plastic-parts assembly on page 1059</a>
Top-cover assembly	RL1-1284-000CN	<a href="#">Printer internal components (1 of 7) on page 879</a>
Top-door (upper-cover) assembly	RM1-4121-000CN	<a href="#">External panels and covers (stapler/stacker) on page 951</a>
Top-door (upper-cover) assembly	RM1-4121-000CN	<a href="#">External panels and covers (booklet-maker) on page 953</a>
Transfer contact-holder assembly	RM1-3230-000CN	<a href="#">Printer internal components (1 of 7) on page 879</a>
Tray 1 pickup, retard-roller kit	Q3931-67920	<a href="#">Printer multi-purpose paper-pickup assembly on page 903</a>
Tray 2 pickup, feed-roller kit	Q3931-67919	<a href="#">Printer cassette paper-pickup assembly on page 901</a>
Tray, screw	RC1-9256-000CN	<a href="#">Printer internal components (6 of 7) on page 891</a>
Tray-driver PCA assembly	FG3-2887-000CN	<a href="#">Output bin 1 (stack upper-tray assembly) (booklet-maker) on page 967</a>
Tray-driver PCA assembly	FG3-2887-000CN	<a href="#">Output bin 2 (stack lower-tray assembly) (stapler/stacker and booklet-maker) on page 971</a>
Tray-input assembly	Q3938-67950	<a href="#">ADF unit on page 1017</a>
Upper delivery-guide assembly	RM1-4131-000CN	<a href="#">Saddle assembly (booklet-maker) on page 993</a>
Upper-cover lock assembly	4G3-0210-000CN	<a href="#">Finisher (stapler/stacker and booklet-maker) on page 959</a>
Upper-crossmember assembly	RM1-4180-000CN	<a href="#">Finisher (stapler/stacker and booklet-maker) on page 959</a>
Upper-guide assembly	RM1-4395-000CN	<a href="#">Intermediate-feed upper-guide assembly on page 939</a>
Upper-left cover	Q3938-67920	<a href="#">Plastic-parts assembly on page 1059</a>
Upper-right cover	Q3938-67922	<a href="#">Plastic-parts assembly on page 1059</a>
Waste-toner-sensor cable	RM1-3640-000CN	<a href="#">Printer internal components (6 of 7) on page 891</a>
Window, LED	RC2-1734-000CN	<a href="#">External panels and covers (booklet-maker) on page 953</a>

# Numerical parts list

**Table 9-86 Numerical parts list**

Part number	Description	Table and page
4A3-1763-000CN	Arm, adjustment, front	<a href="#">Saddle assembly (booklet-maker) on page 993</a>
4A3-1764-000CN	Arm, adjustment, rear	<a href="#">Saddle assembly (booklet-maker) on page 993</a>
4A3-1779-000CN	Plate, rotation	<a href="#">Saddle assembly (booklet-maker) on page 993</a>
4A3-1782-000CN	Lever, stopper	<a href="#">Saddle assembly (booklet-maker) on page 993</a>
4A3-1783-000CN	Roller, folding	<a href="#">Saddle assembly (booklet-maker) on page 993</a>
4A3-1955-000CN	Plate, grounding (booklet-maker only)	<a href="#">Finisher (stapler/stacker and booklet-maker) on page 959</a>
4A3-4715-000CN	Plate, hinge-stop (booklet-maker only)	<a href="#">Finisher (stapler/stacker and booklet-maker) on page 959</a>
4G1-1498-000CN	Area-sensor PCA assembly	<a href="#">Output bin 1 (stack upper-tray assembly) (stapler/stacker) on page 963</a>
4G1-1498-000CN	Area-sensor PCA assembly	<a href="#">Output bin 1 (stack upper-tray assembly) (booklet-maker) on page 967</a>
4G1-1498-000CN	Area-sensor PCA assembly	<a href="#">Output bin 2 (stack lower-tray assembly) (stapler/stacker and booklet-maker) on page 971</a>
4G1-2283-000CN	Cable, saddle-unit	<a href="#">Saddle assembly (booklet-maker) on page 993</a>
4G1-2285-000CN	Cable, sensor	<a href="#">Saddle-tray assembly (booklet-maker) on page 997</a>
4G3-0210-000CN	Upper-cover lock assembly	<a href="#">Finisher (stapler/stacker and booklet-maker) on page 959</a>
4G3-0271-000CN	Link-slide assembly	<a href="#">External panels and covers (stapler/stacker) on page 951</a>
4G3-0271-000CN	Link-slide assembly	<a href="#">External panels and covers (booklet-maker) on page 953</a>
4G3-0670-000CN	Motor-mount assembly	<a href="#">Saddle assembly (booklet-maker) on page 993</a>
4G3-0670-000CN	Motor-mount assembly	<a href="#">Motor-mount assembly (booklet-maker) on page 1013</a>
4G3-0671-000CN	Inner side-plate assembly	<a href="#">Saddle assembly (booklet-maker) on page 993</a>
4G3-0671-000CN	Inner side-plate assembly	<a href="#">Inner side-plate assembly (booklet-maker) on page 1009</a>

**Table 9-86 Numerical parts list (continued)**

<b>Part number</b>	<b>Description</b>	<b>Table and page</b>
4G3-0725-000CN	Guide-motor assembly	<a href="#">Saddle assembly (booklet-maker) on page 993</a>
4G3-0769-000CN	Stack-ejection motor assembly	<a href="#">Finisher (stapler/stacker and booklet-maker) on page 959</a>
4G3-0934-000CN	Paper-face sensor assembly	<a href="#">External panels and covers (stapler/stacker) on page 951</a>
4G3-0934-000CN	Paper-face sensor assembly	<a href="#">External panels and covers (booklet-maker) on page 953</a>
4G3-1624-000CN	Paper-face sensing assembly	<a href="#">External panels and covers (stapler/stacker) on page 951</a>
4G3-1624-000CN	Paper-face sensing assembly	<a href="#">External panels and covers (booklet-maker) on page 953</a>
4G3-1777-000CN	Cable, staple-connecting assembly	<a href="#">Staple assembly (stapler/stacker and booklet-maker) on page 987</a>
4H3-0370-000CN	Clutch, electromagnetic	<a href="#">Finisher (stapler/stacker and booklet-maker) on page 959</a>
4K1-1103-000CN	Motor, stepping	<a href="#">Pass lower-guide assembly (booklet-maker) on page 1007</a>
4S3-0171-000CN	Gear, 50T	<a href="#">Saddle assembly (booklet-maker) on page 993</a>
4S3-1050-000CN	Bearing, ball, 6902ZZNR	<a href="#">Saddle assembly (booklet-maker) on page 993</a>
4S3-2116-000CN	Spring, tension	<a href="#">Saddle assembly (booklet-maker) on page 993</a>
4S3-2117-000CN	Spring, tension	<a href="#">Saddle assembly (booklet-maker) on page 993</a>
C8091-67901	5000-staple replacement cartridge	<a href="#">Staple assembly (stapler/stacker and booklet-maker) on page 987</a>
C8091-67901	5000-staple replacement cartridge	<a href="#">Saddle-stapler assembly (booklet-maker) on page 1001</a>
CC383-67901	2000-staple cartridge (for booklet making)	<a href="#">Staple assembly (stapler/stacker and booklet-maker) on page 987</a>
CC383-67901	2000-staple cartridge (for booklet making)	<a href="#">Saddle-stapler assembly (booklet-maker) on page 1001</a>
CC516A (product number)	Booklet-maker (multi-function finisher) whole unit	<a href="#">Booklet-maker unit on page 949</a>
CC517A (product number)	Stapler/stacker whole unit	<a href="#">Stapler/stacker unit on page 946</a>
FB3-7881-000CN	Knob (booklet-maker only)	<a href="#">Finisher (stapler/stacker and booklet-maker) on page 959</a>
FB3-7925-030CN	Flag, roller	<a href="#">Saddle assembly (booklet-maker) on page 993</a>

**Table 9-86 Numerical parts list (continued)**

<b>Part number</b>	<b>Description</b>	<b>Table and page</b>
FB3-7928-020CN	Deflector	<a href="#">Saddle assembly (booklet-maker) on page 993</a>
FB3-7934-000CN	Rack, rear	<a href="#">Saddle assembly (booklet-maker) on page 993</a>
FB3-7967-000CN	Rack, front	<a href="#">Saddle assembly (booklet-maker) on page 993</a>
FB3-7973-000CN	Holder, roller, 2	<a href="#">Saddle assembly (booklet-maker) on page 993</a>
FB3-7979-000CN	Flag, sensor	<a href="#">Saddle assembly (booklet-maker) on page 993</a>
FB3-7980-000CN	Spring, torsion	<a href="#">Saddle assembly (booklet-maker) on page 993</a>
FB5-2697-000CN	Deflector	<a href="#">Saddle assembly (booklet-maker) on page 993</a>
FB5-5937-020CN	Flag, sensor	<a href="#">Saddle assembly (booklet-maker) on page 993</a>
FC5-3657-000CN	Limiter, torque	<a href="#">Finisher (stapler/stacker and booklet-maker) on page 959</a>
FC5-4162-000CN	Flag, paper-face sensing, upper	<a href="#">External panels and covers (stapler/stacker) on page 951</a>
FC5-4221-000CN	Roller, tray-guide	<a href="#">Output bin 1 (stack upper-tray assembly) (booklet-maker) on page 967</a>
FC5-4221-000CN	Roller, tray-guide	<a href="#">Output bin 2 (stack lower-tray assembly) (stapler/stacker and booklet-maker) on page 971</a>
FC5-4991-030CN	Hinge, front-door, 1	<a href="#">Finisher (stapler/stacker and booklet-maker) on page 959</a>
FC5-4992-030CN	Hinge, front-door, 2	<a href="#">Finisher (stapler/stacker and booklet-maker) on page 959</a>
FC5-5004-000CN	Flag, paper-sensing sensor	<a href="#">External panels and covers (stapler/stacker) on page 951</a>
FC5-5004-000CN	Flag, paper-sensing sensor	<a href="#">External panels and covers (booklet-maker) on page 953</a>
FC5-5005-000CN	Spring, torsion	<a href="#">External panels and covers (stapler/stacker) on page 951</a>
FC5-5005-000CN	Spring, torsion	<a href="#">External panels and covers (booklet-maker) on page 953</a>
FC5-5021-000CN	Claw, latch, right	<a href="#">Saddle assembly (booklet-maker) on page 993</a>
FC5-5024-000CN	Knob, latch	<a href="#">Saddle-guide assembly (booklet-maker) on page 999</a>
FC5-5436-000CN	Rack, rail	<a href="#">Finisher (stapler/stacker and booklet-maker) on page 959</a>

**Table 9-86 Numerical parts list (continued)**

<b>Part number</b>	<b>Description</b>	<b>Table and page</b>
FC5-5542-000CN	Sheet, entrance-guide	<a href="#">Finisher (stapler/stacker and booklet-maker) on page 959</a>
FC5-6857-000CN	Spring, torsion	<a href="#">Swing-guide assembly (stapler/stacker and booklet-maker) on page 983</a>
FC5-6978-000CN	Plate, option-tray, front	<a href="#">Output bin 1 (stack upper-tray assembly) (stapler/stacker) on page 963</a>
FF5-5805-040	Plate, tension	<a href="#">Saddle assembly (booklet-maker) on page 993</a>
FG3-2887-000CN	Tray-driver PCA assembly	<a href="#">Output bin 1 (stack upper-tray assembly) (booklet-maker) on page 967</a>
FG3-2887-000CN	Tray-driver PCA assembly	<a href="#">Output bin 2 (stack lower-tray assembly) (stapler/stacker and booklet-maker) on page 971</a>
FG3-2892-000CN	Cable, solenoid	<a href="#">Finisher (stapler/stacker and booklet-maker) on page 959</a>
FG3-2903-000CN	Cable, operation-tray	<a href="#">Operation-tray assembly (stapler/stacker and booklet-maker) on page 975</a>
FL2-0821-000CN	Solenoid	<a href="#">Finisher (stapler/stacker and booklet-maker) on page 959</a>
FL2-0846-000CN	Stapler unit	<a href="#">Saddle-stapler assembly (booklet-maker) on page 1001</a>
FM2-0707-000CN	Paper-sensor assembly	<a href="#">Output bin 1 (stack upper-tray assembly) (stapler/stacker) on page 963</a>
FM2-0707-000CN	Paper-sensor assembly	<a href="#">Output bin 1 (stack upper-tray assembly) (booklet-maker) on page 967</a>
FM2-0707-000CN	Paper-sensor assembly	<a href="#">Output bin 2 (stack lower-tray assembly) (stapler/stacker and booklet-maker) on page 971</a>
FM2-0709-000CN	Area-sensor holder assembly	<a href="#">Output bin 1 (stack upper-tray assembly) (stapler/stacker) on page 963</a>
FM2-0709-000CN	Area-sensor holder assembly	<a href="#">Output bin 1 (stack upper-tray assembly) (booklet-maker) on page 967</a>
FM2-0709-000CN	Area-sensor holder assembly	<a href="#">Output bin 2 (stack lower-tray assembly) (stapler/stacker and booklet-maker) on page 971</a>
FM2-0710-000CN	Approach-switch assembly	<a href="#">Output bin 1 (stack upper-tray assembly) (booklet-maker) on page 967</a>
FM2-0718-000CN	Entrance-sensor flag assembly	<a href="#">Finisher (stapler/stacker and booklet-maker) on page 959</a>

**Table 9-86 Numerical parts list (continued)**

<b>Part number</b>	<b>Description</b>	<b>Table and page</b>
FM2-0720-000CN	Flexible-cable mount assembly	<a href="#">Finisher (stapler/stacker and booklet-maker) on page 959</a>
FM2-0721-000CN	Staple assembly	<a href="#">Staple assembly (stapler/stacker and booklet-maker) on page 987</a>
FM2-0722-000CN	Stapler sub-assembly	<a href="#">Staple assembly (stapler/stacker and booklet-maker) on page 987</a>
FM2-0725-090	Return-roller assembly	<a href="#">Return-roller assembly (stapler/stacker and booklet-maker) on page 979</a>
FM2-0730-000CN	Pressure-roller assembly	<a href="#">Pressure-roller assembly (stapler/stacker and booklet-maker) on page 981</a>
FM2-0737-000CN	Saddle-motor assembly	<a href="#">Saddle paper-feeder assembly (stapler/stacker) on page 1003</a>
FM2-0737-000CN	Saddle-motor assembly	<a href="#">Saddle paper-feeder assembly (booklet-maker) on page 1005</a>
FM2-0756-000CN	Saddle-guide assembly	<a href="#">Saddle assembly (booklet-maker) on page 993</a>
FM2-0763-000CN	Rear-end sensor assembly	<a href="#">Saddle assembly (booklet-maker) on page 993</a>
FM2-1401-000CN	Shutter H.P. sensor assembly	<a href="#">Finisher (stapler/stacker and booklet-maker) on page 959</a>
FM2-1409-000CN	Press-motor assembly	<a href="#">Finisher (stapler/stacker and booklet-maker) on page 959</a>
FM2-1417-000CN	Sensor/switch assembly	<a href="#">Finisher (stapler/stacker and booklet-maker) on page 959</a>
FM2-1423-000CN	Swing-press shaft assembly	<a href="#">Finisher (stapler/stacker and booklet-maker) on page 959</a>
FM2-1639-000CN	Delivery-switch mount assembly	<a href="#">Saddle assembly (booklet-maker) on page 993</a>
FM2-1708-000CN	Option-sensor assembly	<a href="#">Output bin 1 (stack upper-tray assembly) (stapler/stacker) on page 963</a>
FM2-5024-000CN	Saddle-guide assembly	<a href="#">Saddle-guide assembly (booklet-maker) on page 999</a>
FS5-3576-000CN	Pulley, 30T	<a href="#">Saddle assembly (booklet-maker) on page 993</a>
FS5-3577-000CN	Pulley, 39T	<a href="#">Saddle assembly (booklet-maker) on page 993</a>
FS6-0814-000CN	Pulley, 32T/gear, 16T	<a href="#">Pass lower-guide assembly (booklet-maker) on page 1007</a>
FS6-0815-000CN	Pulley, 16T/gear, 32T	<a href="#">Pass lower-guide assembly (booklet-maker) on page 1007</a>

**Table 9-86 Numerical parts list (continued)**

<b>Part number</b>	<b>Description</b>	<b>Table and page</b>
FS6-0822-000CN	Gear, 16T/33T	<a href="#">Saddle assembly (booklet-maker) on page 993</a>
FS6-0823-000CN	Gear, 16T	<a href="#">Saddle assembly (booklet-maker) on page 993</a>
FS6-0829-000CN	Gear, 16T/56T	<a href="#">Saddle assembly (booklet-maker) on page 993</a>
FS6-0830-000CN	Gear, 16T	<a href="#">Saddle assembly (booklet-maker) on page 993</a>
FS6-2582-000CN	Spring, tension	<a href="#">Saddle assembly (booklet-maker) on page 993</a>
FU5-0428-000CN	Gear, 30T	<a href="#">Finisher (stapler/stacker and booklet-maker) on page 959</a>
FU5-0435-000CN	Gear, 44T	<a href="#">Output bin 1 (stack upper-tray assembly) (stapler/stacker) on page 963</a>
FU5-0435-000CN	Gear, 44T	<a href="#">Output bin 1 (stack upper-tray assembly) (booklet-maker) on page 967</a>
FU5-0435-000CN	Gear, 44T	<a href="#">Output bin 2 (stack lower-tray assembly) (stapler/stacker and booklet-maker) on page 971</a>
FU5-0454-000CN	Gear, 40T	<a href="#">Finisher (stapler/stacker and booklet-maker) on page 959</a>
FU5-0457-000CN	Gear, 17T	<a href="#">Output bin 1 (stack upper-tray assembly) (booklet-maker) on page 967</a>
FU5-0457-000CN	Gear, 17T	<a href="#">Output bin 2 (stack lower-tray assembly) (stapler/stacker and booklet-maker) on page 971</a>
FU5-1169-000CN	Bushing	<a href="#">Output bin 2 (stack lower-tray assembly) (stapler/stacker and booklet-maker) on page 971</a>
FU5-2399-000CN	Gear, 29T	<a href="#">Finisher (stapler/stacker and booklet-maker) on page 959</a>
FU5-3086-000CN	Pulley, 20T	<a href="#">Finisher (stapler/stacker and booklet-maker) on page 959</a>
FU9-9059-000CN	Screw, RS stepped, M3	<a href="#">Finisher (stapler/stacker and booklet-maker) on page 959</a>
Q3931-67907	Scanner assembly kit with 1 scanner assembly and service document	<a href="#">Printer internal components (2 of 7) on page 881</a>
Q3931-67908	Intermediate transfer belt (ITB) assembly kit	<a href="#">Printer internal components (3 of 7) on page 883</a>
Q3931-67909	Registration 2nd-transfer assembly kit with service document	<a href="#">Printer internal components (3 of 7) on page 883</a>
Q3931-67910	2nd-transfer-roller assembly kit	<a href="#">Printer internal components (3 of 7) on page 883</a>

**Table 9-86 Numerical parts list (continued)**

Part number	Description	Table and page
Q3931-67911	Main drive-unit kit	<a href="#">Printer internal components (4 of 7) on page 885</a>
Q3931-67912	Toner-cartridge drive-assembly kit with service document	<a href="#">Printer internal components (4 of 7) on page 885</a>
Q3931-67913	Toner-cartridge drive-assembly kit with service document	<a href="#">Printer internal components (4 of 7) on page 885</a>
Q3931-67914	Fixing assembly kit, 110-127V, with air filter (air filter is Ref 14 in Printer external panels and covers)	<a href="#">Printer internal components (4 of 7) on page 885</a>
Q3931-67915	Fixing assembly kit, 220-240V, with air filter (air filter is Ref 14 in Printer external panels and covers)	<a href="#">Printer internal components (4 of 7) on page 885</a>
Q3931-67917	Cartridge-interface assembly kit with service document	<a href="#">Printer internal components (7 of 7) on page 893</a>
Q3931-67918	Cassette-assembly kit with service document	<a href="#">Printer cassette on page 899</a>
Q3931-67919	Tray 2 pickup, feed-roller kit	<a href="#">Printer cassette paper-pickup assembly on page 901</a>
Q3931-67920	Tray 1 pickup, retard-roller kit	<a href="#">Printer multi-purpose paper-pickup assembly on page 903</a>
Q3938-60132	Entire scanner without power supply, boards, and cable	<a href="#">Scanner unit on page 1033</a>
Q3938-67901	Carriage assembly	<a href="#">Carriage assembly on page 1035</a>
Q3938-67902	Scanner controller-board (SCB)	<a href="#">Scanner controller-board (SCB) assembly on page 1037</a>
Q3938-67903	Large-pin assembly	<a href="#">Large-pin assembly on page 1039</a>
Q3938-67904	Small-pin assembly	<a href="#">Small-pin assembly on page 1041</a>
Q3938-67905	Inverter assembly	<a href="#">Inverter assembly on page 1043</a>
Q3938-67906	Glass assembly	<a href="#">Glass assembly on page 1045</a>
Q3938-67907	Lid-sensor assembly	<a href="#">Lid-sensor assembly on page 1047</a>
Q3938-67908	Motor assembly	<a href="#">Motor assembly on page 1049</a>
Q3938-67909	Pulley assembly	<a href="#">Pulley assembly on page 1051</a>
Q3938-67910	Power-supply assembly	<a href="#">Power-supply assembly on page 1053</a>
Q3938-67911	Rod	<a href="#">Main-frame assembly on page 1055</a>
Q3938-67912	Flat cable, 28, 940, A	<a href="#">Main-frame assembly on page 1055</a>
Q3938-67913	Flat cable, 28, 970, B	<a href="#">Main-frame assembly on page 1055</a>
Q3938-67914	Sensor base	<a href="#">Main-frame assembly on page 1055</a>



**Table 9-86 Numerical parts list (continued)**

<b>Part number</b>	<b>Description</b>	<b>Table and page</b>
Q3938-67915	Rubber glass guide	<a href="#">Main-frame assembly on page 1055</a>
Q3938-67920	Upper-left cover	<a href="#">Plastic-parts assembly on page 1059</a>
Q3938-67921	Lower-left cover	<a href="#">Plastic-parts assembly on page 1059</a>
Q3938-67922	Upper-right cover	<a href="#">Plastic-parts assembly on page 1059</a>
Q3938-67923	Lower-right cover	<a href="#">Plastic-parts assembly on page 1059</a>
Q3938-67924	Top cover	<a href="#">Plastic-parts assembly on page 1059</a>
Q3938-67925	Rear cover	<a href="#">Plastic-parts assembly on page 1059</a>
Q3938-67926	Front cover	<a href="#">Plastic-parts assembly on page 1059</a>
Q3938-67927	Screw covers	<a href="#">Plastic-parts assembly on page 1059</a>
Q3938-67928	Power-supply harness	<a href="#">Power-supply assembly on page 1053</a>
Q3938-67935	Timing belt	<a href="#">Transmission assembly on page 1061</a>
Q3938-67937	Scanner controller board (SCB) fan	<a href="#">Fan-system assembly on page 1063</a>
Q3938-67938	Scanner fan	<a href="#">Fan-system assembly on page 1063</a>
Q3938-67939	Control-panel fan	<a href="#">Fan-system assembly on page 1063</a>
Q3938-67940	Copy processor board (CPB)	<a href="#">Havic assembly on page 1065</a>
Q3938-67941	SCUID board	<a href="#">Havic assembly on page 1065</a>
Q3938-67942	PCIe cable	<a href="#">Havic assembly on page 1065</a>
Q3938-67943	Automatic document feeder (ADF) whole unit	<a href="#">ADF unit on page 1017</a>
Q3938-67944	Maintenance kit	<a href="#">ADF unit on page 1017</a>
Q3938-67945	End cover (cap) back	<a href="#">ADF unit on page 1017</a>
Q3938-67946	End cover (cap) front assembly	<a href="#">Front-end cover on page 1019</a>
Q3938-67948	Cable, ADF to scanner	<a href="#">ADF unit on page 1017</a>
Q3938-67949	Separation-pad assembly (part of the ADF maintenance kit)	<a href="#">Separation-pad assembly on page 1029</a>
Q3938-67949	Separation-floor assembly	<a href="#">Separation-floor assembly on page 1031</a>
Q3938-67950	Tray-input assembly	<a href="#">ADF unit on page 1017</a>

**Table 9-86 Numerical parts list (continued)**

<b>Part number</b>	<b>Description</b>	<b>Table and page</b>
Q3938-67951	Flag sensor LS	<a href="#">ADF unit on page 1017</a>
Q3938-67952	Hinge assembly	<a href="#">Hinge assembly on page 1021</a>
Q3938-67953	Diverter	<a href="#">Backbone assembly on page 1023</a>
Q3938-67954	Cover pick roller	<a href="#">Jam-cover assembly on page 1025</a>
Q3938-67954	Cover pick roller (part of the ADF maintenance kit)	<a href="#">Pickup-roller assembly on page 1027</a>
Q3938-67970	Jam-cover assembly	<a href="#">Jam-cover assembly on page 1025</a>
Q7559A (module only) or Q3931-67904 (service kit)	512 MB image scanner memory DIMM	<a href="#">Havic assembly on page 1065</a>
Q7829-67903	PCA motor assembly	<a href="#">ADF unit on page 1017</a>
Q7829-67909	Reflector foam (white backing)	<a href="#">ADF unit on page 1017</a>
Q7829-67914	Photo interrupter with connector	<a href="#">ADF unit on page 1017</a>
Q7829-67914	Photo interrupter with connector	<a href="#">Backbone assembly on page 1023</a>
Q7829-67917	Float assembly	<a href="#">Backbone assembly on page 1023</a>
RC1-4585-000CN	Bushing	<a href="#">Intermediate-feed main body on page 935</a>
RC1-5949-000CN	Duplexing-tray lower assembly	<a href="#">Printer external covers and panels on page 873</a>
RC1-5953-000CN	Front internal small-cover assembly	<a href="#">Printer external covers and panels on page 873</a>
RC1-8511-000CN	Retainer	<a href="#">Printer internal components (3 of 7) on page 883</a>
RC1-8511-000CN	Retainer	<a href="#">Printer multi-purpose paper-pickup assembly on page 903</a>
RC1-8519-000CN	Limiter, torque	<a href="#">Printer multi-purpose paper-pickup assembly on page 903</a>
RC1-8526-000CN	Guide, multi-purpose, upper	<a href="#">Printer multi-purpose paper-pickup assembly on page 903</a>
RC1-8527-000CN	Cover, multi-purpose blanking	<a href="#">Printer right-door assembly on page 877</a>
RC1-8734-000CN	Bushing	<a href="#">Printer internal components (3 of 7) on page 883</a>
RC1-8925-000CN	Damper, gear	<a href="#">Printer internal components (4 of 7) on page 885</a>
RC1-8928-000CN	Lever, paper-sensing	<a href="#">Printer internal components (5 of 7) on page 889</a>

**Table 9-86 Numerical parts list (continued)**

<b>Part number</b>	<b>Description</b>	<b>Table and page</b>
RC1-8931-000CN	Rail, fixing, front	<a href="#">Printer internal components (4 of 7) on page 885</a>
RC1-8939-000CN	Rail, fixing, rear	<a href="#">Printer internal components (4 of 7) on page 885</a>
RC1-8959-000CN	Guide, face-down inner	<a href="#">Printer internal components (2 of 7) on page 881</a>
RC1-8961-000CN	Duct, air	<a href="#">Printer internal components (4 of 7) on page 885</a>
RC1-8964-000CN	Duct, face-down joint	<a href="#">Printer internal components (4 of 7) on page 885</a>
RC1-9043-000CN	Band, door	<a href="#">Printer front-door assembly on page 875</a>
RC1-9185-000CN	Guide, intermediate transfer belt (ITB)-entrance, front	<a href="#">Printer internal components (3 of 7) on page 883</a>
RC1-9186-000CN	Guide, intermediate transfer belt (ITB)-entrance, rear	<a href="#">Printer internal components (3 of 7) on page 883</a>
RC1-9189-000CN	Arm, 1st-estrangement	<a href="#">Printer internal components (3 of 7) on page 883</a>
RC1-9190-000CN	Plate, fan-fixing, front	<a href="#">Printer internal components (5 of 7) on page 889</a>
RC1-9201-000CN	Cover, cassette back-end	<a href="#">Printer internal components (5 of 7) on page 889</a>
RC1-9206-000CN	Rail, reverse, rear	<a href="#">Printer internal components (2 of 7) on page 881</a>
RC1-9208-000CN	Foot, rubber	<a href="#">Printer internal components (6 of 7) on page 891</a>
RC1-9211-000CN	Cover, main-switch	<a href="#">Printer internal components (7 of 7) on page 893</a>
RC1-9220-000CN	Lever, door-interlock shutter	<a href="#">Printer internal components (5 of 7) on page 889</a>
RC1-9231-000CN	Roller, rail	<a href="#">Input-tray main body (1x500-sheet) on page 919</a>
RC1-9231-000CN	Roller, rail	<a href="#">Input-tray main body (3x500-sheet) on page 923</a>
RC1-9232-000CN	Sheet, fixing-crossmember	<a href="#">Printer internal components (2 of 7) on page 881</a>
RC1-9233-000CN	Spring, leaf	<a href="#">Printer internal components (1 of 7) on page 879</a>
RC1-9235-000CN	Plate, drawer-guard	<a href="#">Printer internal components (5 of 7) on page 889</a>
RC1-9244-000CN	Spring, torsion	<a href="#">Printer internal components (5 of 7) on page 889</a>
RC1-9246-000CN	Plate, sensor, front	<a href="#">Printer internal components (5 of 7) on page 889</a>

**Table 9-86 Numerical parts list (continued)**

Part number	Description	Table and page
RC1-9256-000CN	Tray, screw	<a href="#">Printer internal components (6 of 7) on page 891</a>
RC1-9260-000CN	Holder, scanner-thermistors	<a href="#">Printer internal components (2 of 7) on page 881</a>
RC1-9276-000CN	Duct, cartridge	<a href="#">Printer internal components (4 of 7) on page 885</a>
RC1-9277-000CN	Holder, cartridge-fan	<a href="#">Printer internal components (4 of 7) on page 885</a>
RC1-9278-000CN	Holder, fixing-fan	<a href="#">Printer internal components (4 of 7) on page 885</a>
RC1-9279-000CN	Holder, scanner-fan	<a href="#">Printer internal components (4 of 7) on page 885</a>
RC1-9300-000CN	Button, main-switch	<a href="#">Printer internal components (7 of 7) on page 893</a>
RC1-9306-000CN	Guide, cable, A	<a href="#">Printer internal components (7 of 7) on page 893</a>
RC1-9307-000CN	Guide, cable, B	<a href="#">Printer internal components (6 of 7) on page 891</a>
RC1-9308-000CN	Guide, cable, C	<a href="#">Printer internal components (6 of 7) on page 891</a>
RC1-9309-000CN	Duct, scanner-fan	<a href="#">Printer internal components (4 of 7) on page 885</a>
RC1-9312-000CN	Guide, cable, D	<a href="#">Printer internal components (6 of 7) on page 891</a>
RC1-9313-000CN	Filter unit, air	<a href="#">Printer external covers and panels on page 873</a>
RC1-9318-000CN	Guide, cable, E	<a href="#">Printer internal components (6 of 7) on page 891</a>
RC1-9323-000CN	Guide, cable, F	<a href="#">Printer internal components (7 of 7) on page 893</a>
RC1-9324-000CN	Holder, environment-sensor	<a href="#">Printer internal components (2 of 7) on page 881</a>
RC1-9326-000CN	Plate, high-voltage transmission (HVT-A) guard	<a href="#">Printer internal components (7 of 7) on page 893</a>
RC1-9328-000CN	Holder, high-voltage-connector	<a href="#">Printer internal components (7 of 7) on page 893</a>
RC1-9332-000CN	Guide, fixing-cable	<a href="#">Printer internal components (7 of 7) on page 893</a>
RC1-9334-000CN	Duct, scanner	<a href="#">Printer internal components (2 of 7) on page 881</a>
RC1-9336-000CN	Cover, left	<a href="#">Printer external covers and panels on page 873</a>
RC1-9344-000CN	Cover, rear-left	<a href="#">Printer external covers and panels on page 873</a>

**Table 9-86 Numerical parts list (continued)**

<b>Part number</b>	<b>Description</b>	<b>Table and page</b>
RC1-9348-000CN	Cover, internal, right	<a href="#">Printer internal components (3 of 7) on page 883</a>
RC1-9350-000CN	Cover, front, upper	<a href="#">Printer external covers and panels on page 873</a>
RC1-9351-000CN	Cover, paper-delivery	<a href="#">Printer external covers and panels on page 873</a>
RC1-9360-000CN	Cover, face-down drive	<a href="#">Printer external covers and panels on page 873</a>
RC1-9511-000CN	Cover, motor	<a href="#">Printer right-door assembly on page 877</a>
RC1-9620-000CN	Flange, pulley	<a href="#">Intermediate-feed main body on page 935</a>
RC1-9674-000CN	Belt, paper-feed, cogged	<a href="#">Intermediate-feed main body on page 935</a>
RC1-9687-000CN	Sheet, blanking	<a href="#">Intermediate-feed main body on page 935</a>
RC1-9688-000CN	Guide, cable, 2	<a href="#">Intermediate-feed main body on page 935</a>
RC1-9695-000CN	Plate, assist-arm cap	<a href="#">Intermediate-feed main body on page 935</a>
RC1-9703-000CN	Cover, rear-upper	<a href="#">Intermediate-feed main body on page 935</a>
RC1-9705-000CN	Cover, assist, left	<a href="#">Intermediate-feed main body on page 935</a>
RC1-9706-000CN	Cover, assist, right	<a href="#">Intermediate-feed main body on page 935</a>
RC1-9871-000CN	Cover, rear	<a href="#">Input-tray main body (1x500-sheet) on page 919</a>
RC1-9871-000CN	Cover, rear	<a href="#">Input-tray main body (3x500-sheet) on page 923</a>
RC1-9872-000CN	Cover, left	<a href="#">Input-tray main body (1x500-sheet) on page 919</a>
RC1-9872-000CN	Cover, left	<a href="#">Input-tray main body (3x500-sheet) on page 923</a>
RC1-9873-000CN	Cover, front-upper	<a href="#">Input-tray main body (1x500-sheet) on page 919</a>
RC1-9873-000CN	Cover, front-upper	<a href="#">Input-tray main body (3x500-sheet) on page 923</a>
RC1-9874-000CN	Cover, right-lower	<a href="#">Input-tray main body (1x500-sheet) on page 919</a>
RC1-9874-000CN	Cover, right-lower	<a href="#">Input-tray main body (3x500-sheet) on page 923</a>
RC1-9881-000CN	Guide, paper-feed roller	<a href="#">Input-tray main body (1x500-sheet) on page 919</a>

**Table 9-86 Numerical parts list (continued)**

Part number	Description	Table and page
RC1-9881-000CN	Guide, paper-feed roller	<a href="#">Input-tray main body (3x500-sheet) on page 923</a>
RC1-9882-000CN	Stopper, right-door	<a href="#">Input-tray main body (1x500-sheet) on page 919</a>
RC1-9882-000CN	Stopper, right-door	<a href="#">Input-tray main body (3x500-sheet) on page 923</a>
RC1-9883-000CN	Lever, lock	<a href="#">Input-tray main body (1x500-sheet) on page 919</a>
RC1-9883-000CN	Lever, lock	<a href="#">Input-tray main body (3x500-sheet) on page 923</a>
RC1-9884-000CN	Tape, door	<a href="#">Input-tray main body (1x500-sheet) on page 919</a>
RC1-9884-000CN	Tape, door	<a href="#">Input-tray main body (3x500-sheet) on page 923</a>
RC1-9896-000CN	Caster, double-lock, front	<a href="#">Input-tray main body (1x500-sheet) on page 919</a>
RC1-9896-000CN	Caster, double-lock, front	<a href="#">Input-tray main body (3x500-sheet) on page 923</a>
RC1-9900-000CN	Support, lock-shaft	<a href="#">Input-tray main body (1x500-sheet) on page 919</a>
RC1-9900-000CN	Support, lock-shaft	<a href="#">Input-tray main body (3x500-sheet) on page 923</a>
RC1-9901-000CN	Plate, switch-cover	<a href="#">Input-tray main body (1x500-sheet) on page 919</a>
RC1-9901-000CN	Plate, switch-cover	<a href="#">Input-tray main body (3x500-sheet) on page 923</a>
RC1-9912-000CN	Shaft, lock	<a href="#">Input-tray main body (1x500-sheet) on page 919</a>
RC1-9912-000CN	Shaft, lock	<a href="#">Input-tray main body (3x500-sheet) on page 923</a>
RC1-9913-000CN	Arm, lock	<a href="#">Input-tray main body (1x500-sheet) on page 919</a>
RC1-9913-000CN	Arm, lock	<a href="#">Input-tray main body (3x500-sheet) on page 923</a>
RC1-9915-000CN	Bushing	<a href="#">Input-tray main body (1x500-sheet) on page 919</a>
RC1-9915-000CN	Bushing	<a href="#">Input-tray main body (3x500-sheet) on page 923</a>
RC1-9917-000CN	Caster, rear	<a href="#">Input-tray main body (1x500-sheet) on page 919</a>
RC1-9917-000CN	Caster, rear	<a href="#">Input-tray main body (3x500-sheet) on page 923</a>
RC1-9921-000CN	Door, stock	<a href="#">Input-tray main body (1x500-sheet) on page 919</a>

**Table 9-86 Numerical parts list (continued)**

<b>Part number</b>	<b>Description</b>	<b>Table and page</b>
RC2-1278-000CN	Cover, rear	<a href="#">External panels and covers (stapler/stacker) on page 951</a>
RC2-1278-000CN	Cover, rear	<a href="#">External panels and covers (booklet-maker) on page 953</a>
RC2-1279-000CN	Cover, tray-connector	<a href="#">External panels and covers (stapler/stacker) on page 951</a>
RC2-1279-000CN	Cover, tray-connector	<a href="#">External panels and covers (booklet-maker) on page 953</a>
RC2-1280-000CN	Cover, left-lower	<a href="#">External panels and covers (booklet-maker) on page 953</a>
RC2-1283-000CN	Panel, height, upper	<a href="#">External panels and covers (stapler/stacker) on page 951</a>
RC2-1283-000CN	Panel, height, upper	<a href="#">External panels and covers (booklet-maker) on page 953</a>
RC2-1284-000CN	Guide, side-wall	<a href="#">External panels and covers (booklet-maker) on page 953</a>
RC2-1293-000CN	Arm, paper-delivery gate	<a href="#">Swing-guide assembly (stapler/stacker and booklet-maker) on page 983</a>
RC2-1315-000CN	Caster, universal	<a href="#">Finisher (stapler/stacker and booklet-maker) on page 959</a>
RC2-1347-000CN	Cover, option-slide	<a href="#">External panels and covers (stapler/stacker) on page 951</a>
RC2-1351-000CN	Cover, internal, lower (stapler/stacker only)	<a href="#">Finisher (stapler/stacker and booklet-maker) on page 959</a>
RC2-1356-000CN	Plate, grounding (booklet-maker only)	<a href="#">Finisher (stapler/stacker and booklet-maker) on page 959</a>
RC2-1734-000CN	Window, LED	<a href="#">External panels and covers (booklet-maker) on page 953</a>
RC2-1735-000CN	Mount, LED-PCA	<a href="#">External panels and covers (stapler/stacker) on page 951</a>
RK2-1320-000CN	Motor, stepping, DC	<a href="#">Intermediate-feed main body on page 935</a>
RK2-1331-000CN	Motor, stepping, DC	<a href="#">Input-tray main body (1x500-sheet) on page 919</a>
RK2-1331-000CN	Motor, stepping, DC	<a href="#">Input-tray main body (3x500-sheet) on page 923</a>
RK2-1354-000CN	Cable, laser flexible flat	<a href="#">Printer internal components (2 of 7) on page 881</a>
RK2-1355-000CN	Cable, laser flexible flat	<a href="#">Printer internal components (2 of 7) on page 881</a>
RK2-1356-000CN	Cable, flexible flat	<a href="#">Printer internal components (6 of 7) on page 891</a>
RK2-1363-000CN	Thermistor unit	<a href="#">Printer internal components (2 of 7) on page 881</a>

**Table 9-86 Numerical parts list (continued)**

Part number	Description	Table and page
RK2-1366-000CN	Motor, stepping, DC	<a href="#">Printer internal components (4 of 7) on page 885</a>
RK2-1370-000CN	Motor, stepping, DC	<a href="#">Printer internal components (4 of 7) on page 885</a>
RK2-1377-000CN	Fan	<a href="#">Printer internal components (4 of 7) on page 885</a>
RK2-1378-000CN	Fan	<a href="#">Printer internal components (4 of 7) on page 885</a>
RK2-1378-000CN	Fan	<a href="#">Printer internal components (5 of 7) on page 889</a>
RK2-1378-000CN	Fan	<a href="#">Printer duplexing-reverse assembly on page 911</a>
RK2-1382-000CN	Fan	<a href="#">Printer internal components (4 of 7) on page 885</a>
RK2-2376-000CN	Sensor unit, humidity	<a href="#">Printer internal components (2 of 7) on page 881</a>
RL1-1210-000CN	Cover, rear	<a href="#">Printer external covers and panels on page 873</a>
RL1-1213-000CN	Rail, left, top	<a href="#">Printer internal components (5 of 7) on page 889</a>
RL1-1215-000CN	Rail, cassette, right	<a href="#">Printer internal components (5 of 7) on page 889</a>
RL1-1216-000CN	Plate, fixing-motor	<a href="#">Printer internal components (4 of 7) on page 885</a>
RL1-1272-000CN	Arm, auxiliary	<a href="#">Intermediate-feed main body on page 935</a>
RL1-1280-000CN	Right-lower cover assembly	<a href="#">Printer external covers and panels on page 873</a>
RL1-1283-000CN	Guide, multi-purpose, right	<a href="#">Printer internal components (2 of 7) on page 881</a>
RL1-1284-000CN	Top-cover assembly	<a href="#">Printer internal components (1 of 7) on page 879</a>
RL1-1289-000CN	Roller, paper-pickup	<a href="#">Input-tray paper-pickup assembly on page 931</a>
RL1-1310-000CN	Rail, cassette, right	<a href="#">Input-tray main body (1x500-sheet) on page 919</a>
RL1-1310-000CN	Rail, cassette, right	<a href="#">Input-tray main body (3x500-sheet) on page 923</a>
RL1-1311-000CN	Rail, cassette, left	<a href="#">Input-tray main body (1x500-sheet) on page 919</a>
RL1-1311-000CN	Rail, cassette, left	<a href="#">Input-tray main body (3x500-sheet) on page 923</a>
RL1-1321-000CN	Cover, right-front	<a href="#">Input-tray main body (3x500-sheet) on page 923</a>



**Table 9-86 Numerical parts list (continued)**

<b>Part number</b>	<b>Description</b>	<b>Table and page</b>
RL1-1322-000CN	Cover, right-front	<a href="#">Input-tray main body (1x500-sheet) on page 919</a>
RL1-1335-000CN	Guide, duplexing-feed, upper	<a href="#">Printer right-door assembly on page 877</a>
RL1-1477-000CN	Cover, internal, lower (booklet-maker only)	<a href="#">Finisher (stapler/stacker and booklet-maker) on page 959</a>
RL1-1717-000CN	Cover, front-lower	<a href="#">External panels and covers (stapler/stacker) on page 951</a>
RL1-1717-000CN	Cover, front-lower	<a href="#">External panels and covers (booklet-maker) on page 953</a>
RL1-1718-000CN	Cover, rear-lower	<a href="#">External panels and covers (stapler/stacker) on page 951</a>
RL1-1718-000CN	Cover, rear-lower	<a href="#">External panels and covers (booklet-maker) on page 953</a>
RL1-2210-000CN	Cover, option-tray, front	<a href="#">Output bin 1 (stack upper-tray assembly) (stapler/stacker) on page 963</a>
RM1-0037-020CN	Paper feed-roller assembly	<a href="#">Input-tray paper-pickup assembly on page 931</a>
RM1-3206-000CN	Cassette paper-pickup assembly	<a href="#">Printer cassette paper-pickup assembly on page 901</a>
RM1-3215-000CN	Intermediate transfer belt (ITB) lock-support rear assembly	<a href="#">Printer internal components (3 of 7) on page 883</a>
RM1-3217-000CN	Fixing-motor cable	<a href="#">Printer internal components (6 of 7) on page 891</a>
RM1-3218-000CN	Fixing power-supply assembly	<a href="#">Printer internal components (7 of 7) on page 893</a>
RM1-3218-000CN	Fixing power-supply assembly	<a href="#">Printer PCA assembly location on page 915</a>
RM1-3222-000CN	Lifter-drive-assembly kit	<a href="#">Printer lifter-drive assembly on page 897</a>
RM1-3225-000CN	Grip-support front assembly	<a href="#">Printer internal components (2 of 7) on page 881</a>
RM1-3226-000CN	Grip-support rear assembly	<a href="#">Printer internal components (2 of 7) on page 881</a>
RM1-3228-000CN	Intermediate transfer belt (ITB) lock-support front assembly	<a href="#">Printer internal components (3 of 7) on page 883</a>
RM1-3230-000CN	Transfer contact-holder assembly	<a href="#">Printer internal components (1 of 7) on page 879</a>
RM1-3232-000CN	Thermopile case assembly	<a href="#">Printer internal components (2 of 7) on page 881</a>
RM1-3233-000CN	Left-side wall assembly	<a href="#">Printer internal components (1 of 7) on page 879</a>
RM1-3235-000CN	Partition-plate assembly, yellow	<a href="#">Printer internal components (1 of 7) on page 879</a>

**Table 9-86 Numerical parts list (continued)**

Part number	Description	Table and page
RM1-3237-000CN	Partition-plate assembly, magenta	<a href="#">Printer internal components (1 of 7) on page 879</a>
RM1-3238-000CN	Partition-plate assembly, cyan	<a href="#">Printer internal components (1 of 7) on page 879</a>
RM1-3239-000CN	Right-side wall assembly	<a href="#">Printer internal components (1 of 7) on page 879</a>
RM1-3240-000CN	Intermediate transfer belt (ITB)-drawer assembly	<a href="#">Printer internal components (3 of 7) on page 883</a>
RM1-3247-000CN	Fixing one-way gear assembly	<a href="#">Printer internal components (4 of 7) on page 885</a>
RM1-3250-000CN	Photosensor assembly	<a href="#">Printer internal components (2 of 7) on page 881</a>
RM1-3252-000CN	Main switch-holder assembly	<a href="#">Printer internal components (7 of 7) on page 893</a>
RM1-3253-000CN	Formatter-case assembly	<a href="#">Printer internal components (6 of 7) on page 891</a>
RM1-3254-000CN	Cartridge contact-holder assembly	<a href="#">Printer internal components (7 of 7) on page 893</a>
RM1-3258-000CN	Color-plane-registration (CPR) sensor assembly	<a href="#">Printer internal components (3 of 7) on page 883</a>
RM1-3280-000CN	Intermediate transfer belt (ITB) estrangement-drive assembly	<a href="#">Printer internal components (3 of 7) on page 883</a>
RM1-3286-000CN	Drum-motor assembly	<a href="#">Printer internal components (4 of 7) on page 885</a>
RM1-3291-000CN	Multi-purpose-guide assembly	<a href="#">Printer multi-purpose-guide assembly on page 907</a>
RM1-3293-000CN	Face-down paper-delivery assembly	<a href="#">Printer face-down paper-delivery assembly on page 909</a>
RM1-3333-000CN	Right-door sub-assembly	<a href="#">Printer right-door assembly on page 877</a>
RM1-3340-000CN	Face-down end-tray assembly	<a href="#">Printer external covers and panels on page 873</a>
RM1-3341-000CN	Multi-purpose-tray assembly	<a href="#">Printer multi-purpose-tray assembly on page 905</a>
RM1-3345-000CN	Multi-purpose paper-pickup assembly	<a href="#">Printer multi-purpose paper-pickup assembly on page 903</a>
RM1-3354-000CN	Rear-cover-mount plate assembly	<a href="#">Printer internal components (6 of 7) on page 891</a>
RM1-3357-000CN	Front-cover assembly	<a href="#">Printer front-door assembly on page 875</a>
RM1-3364-000CN	Fan assembly	<a href="#">Printer internal components (2 of 7) on page 881</a>
RM1-3366-000CN	Multi-purpose-drive assembly	<a href="#">Printer multi-purpose-drive assembly on page 895</a>

**Table 9-86 Numerical parts list (continued)**

<b>Part number</b>	<b>Description</b>	<b>Table and page</b>
RM1-3383-000CN	Toner-motor cable	<a href="#">Printer internal components (4 of 7) on page 885</a>
RM1-3385-000CN	Toner-motor cable	<a href="#">Printer internal components (4 of 7) on page 885</a>
RM1-3389-000CN	Panel cable	<a href="#">Printer internal components (6 of 7) on page 891</a>
RM1-3390-000CN	Face-down unit-1 cable	<a href="#">Printer internal components (7 of 7) on page 893</a>
RM1-3391-000CN	Face-down unit-2 cable	<a href="#">Printer internal components (7 of 7) on page 893</a>
RM1-3529-000CN	Cassette (1x500-sheet)	<a href="#">Input-tray cassette on page 929</a>
RM1-3529-000CN	Cassette (3x500-sheet)	<a href="#">Input-tray cassette on page 929</a>
RM1-3531-040CN	Auto-close assembly, 1x500-sheet	<a href="#">Input-tray auto-close assembly on page 927</a>
RM1-3531-040CN	Auto-close assembly, 3x500-sheet	<a href="#">Input-tray auto-close assembly on page 927</a>
RM1-3537-000CN	Right-door assembly	<a href="#">Input-tray main body (3x500-sheet) on page 923</a>
RM1-3538-000CN	Right-door assembly	<a href="#">Input-tray main body (1x500-sheet) on page 919</a>
RM1-3539-000CN	Stock-box assembly	<a href="#">Input-tray main body (1x500-sheet) on page 919</a>
RM1-3559-000CN	Intermediate paper-transfer unit (IPTU)-driver PCA assembly	<a href="#">Intermediate-feed main body on page 935</a>
RM1-3559-000CN	Intermediate paper-transfer unit (IPTU)-driver PCA assembly	<a href="#">PCA assembly on page 945</a>
RM1-3560-000CN	Cable, drawer	<a href="#">Intermediate-feed main body on page 935</a>
RM1-3561-000CN	Cable, drawer	<a href="#">Intermediate-feed main body on page 935</a>
RM1-3563-000CN	Cable, motor	<a href="#">Intermediate-feed main body on page 935</a>
RM1-3564-000CN	Cable, motor	<a href="#">Intermediate-feed main body on page 935</a>
RM1-3569-000CN	Paper-feed PCA assembly	<a href="#">Input-tray main body (1x500-sheet) on page 919</a>
RM1-3569-000CN	Paper-feed PCA assembly	<a href="#">Input-tray main body (3x500-sheet) on page 923</a>
RM1-3569-000CN	Paper-feed PCA assembly (1x500-sheet)	<a href="#">Input-tray PCA assembly on page 933</a>
RM1-3569-000CN	Paper-feed PCA assembly (3x500-sheet)	<a href="#">Input-tray PCA assembly on page 933</a>

**Table 9-86 Numerical parts list (continued)**

Part number	Description	Table and page
RM1-3570-000CN	Option paper-sensor PCA assembly	<a href="#">Input-tray paper-pickup assembly on page 931</a>
RM1-3571-000CN	Cable, pickup-option drawer	<a href="#">Input-tray main body (1x500-sheet) on page 919</a>
RM1-3571-000CN	Cable, paper-pickup-option drawer	<a href="#">Input-tray main body (3x500-sheet) on page 923</a>
RM1-3572-000CN	Cable, pickup-option door switch	<a href="#">Input-tray main body (1x500-sheet) on page 919</a>
RM1-3572-000CN	Cable, pickup-option door switch	<a href="#">Input-tray main body (3x500-sheet) on page 923</a>
RM1-3573-000CN	Cable, pickup-option PCA connect	<a href="#">Input-tray main body (3x500-sheet) on page 923</a>
RM1-3574-000CN	Cable, option-sensor PCA connect	<a href="#">Input-tray main body (1x500-sheet) on page 919</a>
RM1-3574-000CN	Cable, option-sensor PCA connect	<a href="#">Input-tray main body (3x500-sheet) on page 923</a>
RM1-3575-000CN	Cable, paper-pickup option	<a href="#">Input-tray main body (1x500-sheet) on page 919</a>
RM1-3575-000CN	Cable, paper-pickup option	<a href="#">Input-tray main body (3x500-sheet) on page 923</a>
RM1-3576-000CN	Cable, pickup-option lifter unit	<a href="#">Input-tray auto-close assembly on page 927</a>
RM1-3582-000CN	High-voltage-transfer A PCA assembly	<a href="#">Printer internal components (7 of 7) on page 893</a>
RM1-3582-000CN	High-voltage-transfer A PCA assembly	<a href="#">Printer PCA assembly location on page 915</a>
RM1-3585-000CN	Memory-tag PCA assembly	<a href="#">Printer internal components (4 of 7) on page 885</a>
RM1-3585-000CN	Memory-tag PCA assembly	<a href="#">Printer PCA assembly location on page 915</a>
RM1-3589-000CN	Interlock-switch assembly	<a href="#">Printer internal components (2 of 7) on page 881</a>
RM1-3594-000CN	Low-voltage power-supply assembly	<a href="#">Printer internal components (5 of 7) on page 889</a>
RM1-3594-000CN	Low-voltage power-supply assembly	<a href="#">Printer PCA assembly location on page 915</a>
RM1-3599-000CN	Cable, MFP AC	<a href="#">Printer internal components (7 of 7) on page 893</a>
RM1-3610-000CN	DC-controller power cable	<a href="#">Printer internal components (6 of 7) on page 891</a>
RM1-3612-000CN	Fixing-joint cable	<a href="#">Printer internal components (7 of 7) on page 893</a>
RM1-3617-000CN	Front cable	<a href="#">Printer internal components (6 of 7) on page 891</a>

**Table 9-86 Numerical parts list (continued)**

<b>Part number</b>	<b>Description</b>	<b>Table and page</b>
RM1-3618-000CN	Rear-lower cable	<a href="#">Printer internal components (6 of 7) on page 891</a>
RM1-3619-000CN	Rear-upper cable	<a href="#">Printer internal components (6 of 7) on page 891</a>
RM1-3620-000CN	Scanner-joint cable	<a href="#">Printer internal components (6 of 7) on page 891</a>
RM1-3622-000CN	Panel-joint cable	<a href="#">Printer internal components (6 of 7) on page 891</a>
RM1-3623-000CN	Interface-joint cable	<a href="#">Printer internal components (6 of 7) on page 891</a>
RM1-3624-000CN	Color-plane-registration (CPR)-joint cable	<a href="#">Printer internal components (6 of 7) on page 891</a>
RM1-3630-000CN	Multi-tray cable	<a href="#">Printer multi-purpose-tray assembly on page 905</a>
RM1-3640-000CN	Waste-toner-sensor cable	<a href="#">Printer internal components (6 of 7) on page 891</a>
RM1-3652-000CN	Duplexing-reverse assembly	<a href="#">Printer duplexing-reverse assembly on page 911</a>
RM1-3665-000CN	Duplexing-feed assembly	<a href="#">Printer duplexing-feed assembly on page 913</a>
RM1-3683-000CN	Side-cover assembly	<a href="#">Intermediate-feed main body on page 935</a>
RM1-3684-000CN	Drive-belt assembly	<a href="#">Intermediate-feed main body on page 935</a>
RM1-3685-000CN	Fin-lock assembly	<a href="#">Intermediate-feed main body on page 935</a>
RM1-3686-000CN	Lower-guide assembly	<a href="#">Intermediate-feed lower-guide assembly on page 937</a>
RM1-4101-000CN	Stack upper-tray assembly	<a href="#">Output bin 1 (stack upper-tray assembly) (stapler/stacker) on page 963</a>
RM1-4102-000CN	Stack upper-tray assembly	<a href="#">Output bin 1 (stack upper-tray assembly) (booklet-maker) on page 967</a>
RM1-4104-000CN	Stack-tray assembly	<a href="#">Output bin 1 (stack upper-tray assembly) (booklet-maker) on page 967</a>
RM1-4104-000CN	Stack-tray assembly	<a href="#">Output bin 2 (stack lower-tray assembly) (stapler/stacker and booklet-maker) on page 971</a>
RM1-4105-000CN	Stack lower-tray assembly	<a href="#">Output bin 2 (stack lower-tray assembly) (stapler/stacker and booklet-maker) on page 971</a>
RM1-4107-000CN	Area-sensor flag assembly	<a href="#">Finisher (stapler/stacker and booklet-maker) on page 959</a>

**Table 9-86 Numerical parts list (continued)**

<b>Part number</b>	<b>Description</b>	<b>Table and page</b>
RM1-4108-000CN	Swing-guide assembly	<a href="#">Swing-guide assembly (stapler/stacker and booklet-maker) on page 983</a>
RM1-4109-000CN	Saddle paper-feeder assembly	<a href="#">Saddle paper-feeder assembly (booklet-maker) on page 1005</a>
RM1-4110-000CN	Entrance lower-guide assembly	<a href="#">Saddle paper-feeder assembly (stapler/stacker) on page 1003</a>
RM1-4110-000CN	Entrance lower-guide assembly	<a href="#">Saddle paper-feeder assembly (booklet-maker) on page 1005</a>
RM1-4113-000CN	Booklet-output bin (saddle-tray assembly)	<a href="#">Saddle-tray assembly (booklet-maker) on page 997</a>
RM1-4115-000CN	Stack sub-tray assembly	<a href="#">Top output bin (stack sub-tray assembly) (stapler/stacker) on page 973</a>
RM1-4119-000CN	Middle-height cover assembly	<a href="#">External panels and covers (booklet-maker) on page 953</a>
RM1-4121-000CN	Top-door (upper-cover) assembly	<a href="#">External panels and covers (stapler/stacker) on page 951</a>
RM1-4121-000CN	Top-door (upper-cover) assembly	<a href="#">External panels and covers (booklet-maker) on page 953</a>
RM1-4122-000CN	Front-door assembly	<a href="#">External panels and covers (booklet-maker) on page 953</a>
RM1-4123-000CN	Inner-cover assembly	<a href="#">Finisher (stapler/stacker and booklet-maker) on page 959</a>
RM1-4125-000CN	Operation-tray assembly	<a href="#">Operation-tray assembly (stapler/stacker and booklet-maker) on page 975</a>
RM1-4128-000CN	Cable-mount lattice assembly	<a href="#">Finisher (stapler/stacker and booklet-maker) on page 959</a>
RM1-4129-000CN	Left-upper cover assembly	<a href="#">External panels and covers (booklet-maker) on page 953</a>
RM1-4130-000CN	Saddle paper-delivery assembly	<a href="#">Saddle assembly (booklet-maker) on page 993</a>
RM1-4130-000CN	Saddle paper-delivery assembly	<a href="#">Saddle paper-delivery assembly (booklet-maker) on page 1011</a>
RM1-4131-000CN	Upper delivery-guide assembly	<a href="#">Saddle assembly (booklet-maker) on page 993</a>
RM1-4134-000CN	Front-door assembly	<a href="#">External panels and covers (stapler/stacker) on page 951</a>
RM1-4135-000CN	Lower height-guide assembly	<a href="#">External panels and covers (stapler/stacker) on page 951</a>
RM1-4136-000CN	Saddle paper-feeder assembly	<a href="#">Saddle paper-feeder assembly (stapler/stacker) on page 1003</a>
RM1-4139-000CN	Main controller PCA assembly (stapler/stacker and booklet-maker)	<a href="#">PCA assembly on page 1015</a>

**Table 9-86 Numerical parts list (continued)**

<b>Part number</b>	<b>Description</b>	<b>Table and page</b>
RM1-4140-000CN	Saddle-controller PCA assembly	<a href="#">Saddle assembly (booklet-maker) on page 993</a>
RM1-4140-000CN	Saddle-controller PCA assembly (booklet-maker)	<a href="#">PCA assembly on page 1015</a>
RM1-4141-000CN	LED-PCA assembly	<a href="#">External panels and covers (stapler/stacker) on page 951</a>
RM1-4141-000CN	LED-PCA assembly	<a href="#">External panels and covers (booklet-maker) on page 953</a>
RM1-4172-000CN	Entrance upper-guide assembly	<a href="#">Entrance upper-guide assembly (stapler/stacker and booklet-maker) on page 985</a>
RM1-4175-000CN	Paper-feeder motor assembly	<a href="#">Paper-feeder motor assembly (stapler/stacker and booklet-maker) on page 977</a>
RM1-4178-000CN	Saddle-stapler assembly	<a href="#">Saddle assembly (booklet-maker) on page 993</a>
RM1-4178-000CN	Saddle-stapler assembly	<a href="#">Saddle-stapler assembly (booklet-maker) on page 1001</a>
RM1-4179-000CN	Left upper-cover assembly	<a href="#">External panels and covers (stapler/stacker) on page 951</a>
RM1-4180-000CN	Upper-crossmember assembly	<a href="#">Finisher (stapler/stacker and booklet-maker) on page 959</a>
RM1-4391-000CN	Face-down full-flag assembly	<a href="#">Printer face-down paper-delivery assembly on page 909</a>
RM1-4394-000CN	Fan assembly	<a href="#">Intermediate-feed main body on page 935</a>
RM1-4395-000CN	Upper-guide assembly	<a href="#">Intermediate-feed upper-guide assembly on page 939</a>
RM1-4396-000CN	Left-assist assembly	<a href="#">Left-assist assembly on page 941</a>
RM1-4397-000CN	Right-assist assembly	<a href="#">Right-assist assembly on page 943</a>
RM1-4398-000CN	Reader front-guide assembly	<a href="#">Printer internal components (2 of 7) on page 881</a>
RM1-4399-000CN	Reader rear-guide assembly	<a href="#">Printer internal components (2 of 7) on page 881</a>
RM1-4400-000CN	Guide-sensor assembly	<a href="#">Printer internal components (5 of 7) on page 889</a>
RM1-4401-000CN	Intermediate transfer belt (ITB) duct assembly	<a href="#">Printer internal components (5 of 7) on page 889</a>
RM1-4402-000CN	Tag PCA-holder assembly	<a href="#">Printer internal components (4 of 7) on page 885</a>
RM1-4404-000CN	Front internal-cover assembly	<a href="#">Printer front-door assembly on page 875</a>

**Table 9-86 Numerical parts list (continued)**

Part number	Description	Table and page
RM1-4407-000CN	Paper-delivery-guide assembly	<a href="#">Printer face-down paper-delivery assembly on page 909</a>
RM1-4408-000CN	Switchback-cover assembly	<a href="#">Printer external covers and panels on page 873</a>
RM1-4409-000CN	Fixing-bias cable assembly	<a href="#">Printer internal components (7 of 7) on page 893</a>
RM1-4411-000CN	T2 guide-arm assembly	<a href="#">Printer internal components (7 of 7) on page 893</a>
RM1-4415-000CN	Rear-right cover assembly	<a href="#">Printer external covers and panels on page 873</a>
RM1-4519-000CN	DC motor assembly	<a href="#">Printer internal components (4 of 7) on page 885</a>
RM1-5029-000CN	Cable, fixing open-sensor	<a href="#">Printer internal components (5 of 7) on page 889</a>
RM1-5030-000CN	Cable TP/T2 open-sensor	<a href="#">Printer internal components (7 of 7) on page 893</a>
RM1-5475-000CN	High-voltage transfer B PCA assembly	<a href="#">Printer internal components (1 of 7) on page 879</a>
RM1-5475-000CN	High-voltage-transfer B PCA assembly	<a href="#">Printer PCA assembly location on page 915</a>
RM1-5950-000CN	Fixing-fan cover assembly	<a href="#">Printer external covers and panels on page 873</a>
RM1-6642-000CN	DC-controller PCA assembly	<a href="#">Printer internal components (6 of 7) on page 891</a>
RM1-6642-000CN	DC controller PCA assembly	<a href="#">Printer PCA assembly location on page 915</a>
RS5-9099-000CN	Screw, stepped	<a href="#">Input-tray main body (1x500-sheet) on page 919</a>
RS5-9099-000CN	Screw, stepped	<a href="#">Input-tray main body (3x500-sheet) on page 923</a>
RU5-0790-000CN	Gear, 83T/25T	<a href="#">Printer internal components (4 of 7) on page 885</a>
RU5-0791-000CN	Gear, 34T	<a href="#">Printer internal components (4 of 7) on page 885</a>
RU5-0868-000CN	Pulley/gear, 22T	<a href="#">Intermediate-feed main body on page 935</a>
RU5-2796-000CN	Spring, tension	<a href="#">Printer internal components (5 of 7) on page 889</a>
RU5-2822-000CN	Spring, tension	<a href="#">Printer internal components (2 of 7) on page 881</a>
RU5-2825-000CN	Spring, torsion	<a href="#">Printer internal components (2 of 7) on page 881</a>



**Table 9-86 Numerical parts list (continued)**

<b>Part number</b>	<b>Description</b>	<b>Table and page</b>
RU5-6035-000CN	Roller, tray-guide	<a href="#">Output bin 1 (stack upper-tray assembly) (stapler/stacker) on page 963</a>
RU5-6035-000CN	Roller, tray-guide	<a href="#">Output bin 1 (stack upper-tray assembly) (booklet-maker) on page 967</a>
RU5-6035-000CN	Roller, tray-guide	<a href="#">Output bin 2 (stack lower-tray assembly) (stapler/stacker and booklet-maker) on page 971</a>
VS1-7177-002CN	Connector, snap-tight	<a href="#">Printer internal components (2 of 7) on page 881</a>
VS1-7177-003CN	Connector, snap-tight	<a href="#">Printer internal components (4 of 7) on page 885</a>
VS1-7257-012CN	Connector, drawer	<a href="#">Input-tray main body (1x500-sheet) on page 919</a>
VS1-7257-012CN	Connector, drawer	<a href="#">Input-tray main body (3x500-sheet) on page 923</a>
VS1-7258-000CN	Connector, drawer	<a href="#">Printer internal components (5 of 7) on page 889</a>
VT2-0001-008CN	Support, PCA	<a href="#">Input-tray main body (1x500-sheet) on page 919</a>
VT2-001-008CN	Support, PCA	<a href="#">Input-tray main body (3x500-sheet) on page 923</a>
WC2-5512-000CN	Switch, button	<a href="#">Input-tray main body (1x500-sheet) on page 919</a>
WC2-5512-000CN	Switch, button	<a href="#">Input-tray main body (3x500-sheet) on page 923</a>
WG8-5593-000CN	Photo interrupter, TLP1242	<a href="#">External panels and covers (stapler/stacker) on page 951</a>
WG8-5593-000CN	Photo interrupter, TLP1242	<a href="#">External panels and covers (booklet-maker) on page 953</a>
WG8-5593-000CN	Photo interrupter, TLP1242	<a href="#">Finisher (stapler/stacker and booklet-maker) on page 959</a>
WG8-5593-000CN	Photo interrupter, TLP1242	<a href="#">Output bin 1 (stack upper-tray assembly) (stapler/stacker) on page 963</a>
WG8-5593-000CN	Photo interrupter, TLP1242	<a href="#">Operation-tray assembly (stapler/stacker and booklet-maker) on page 975</a>
WG8-5593-000CN	Photo interrupter, TLP1242	<a href="#">Operation-tray assembly (stapler/stacker and booklet-maker) on page 975</a>
WG8-5593-000CN	Photo interrupter, TLP1242	<a href="#">Saddle assembly (booklet-maker) on page 993</a>
WG8-5593-000CN	Photo interrupter, TLP1242	<a href="#">Saddle assembly (booklet-maker) on page 993</a>

**Table 9-86 Numerical parts list (continued)**

<b>Part number</b>	<b>Description</b>	<b>Table and page</b>
WG8-5593-000CN	Photo interrupter, TLP1242	<a href="#">Saddle assembly (booklet-maker) on page 993</a>
WG8-5593-000CN	Photo interrupter, TLP1242	<a href="#">Saddle assembly (booklet-maker) on page 993</a>
WG8-5593-000CN	Photo interrupter, TLP1242	<a href="#">Saddle-tray assembly (booklet-maker) on page 997</a>
WG8-5593-000CN	Photo interrupter, TLP1242	<a href="#">Saddle paper-feeder assembly (booklet-maker) on page 1005</a>
WG8-5593-000CN	Photo interrupter, TLP1242	<a href="#">Pass lower-guide assembly (booklet-maker) on page 1007</a>
WG8-5593-000CN	Photo interrupter, TLP1242	<a href="#">Inner side-plate assembly (booklet-maker) on page 1009</a>
WG8-5593-000CN	Photo interrupter, TLP1242	<a href="#">Saddle paper-delivery assembly (booklet-maker) on page 1011</a>
WG8-5696-000CN	Photo interrupter, TLP1243	<a href="#">Printer right-door assembly on page 877</a>
WG8-5696-000CN	Photo interrupter, TLP1243	<a href="#">Printer right-door assembly on page 877</a>
WG8-5696-000CN	Photo interrupter, TLP1243	<a href="#">Printer internal components (2 of 7) on page 881</a>
WG8-5696-000CN	Photo interrupter, TLP1243	<a href="#">Printer internal components (5 of 7) on page 889</a>
WG8-5696-000CN	Photo interrupter, TLP1243	<a href="#">Printer internal components (7 of 7) on page 893</a>
WG8-5696-000CN	Photo interrupter, TLP1243	<a href="#">Printer cassette paper-pickup assembly on page 901</a>
WG8-5696-000CN	Photo interrupter, TLP1243	<a href="#">Printer multi-purpose-guide assembly on page 907</a>
WG8-5696-000CN	Photo interrupter, TLP1243	<a href="#">Printer face-down paper-delivery assembly on page 909</a>
WG8-5696-000CN	Photo interrupter, TLP1243	<a href="#">Printer duplexing-reverse assembly on page 911</a>
WT2-5694-000CN	Saddle, wire	<a href="#">Printer internal components (4 of 7) on page 885</a>
WT2-5694-000CN	Saddle, wire	<a href="#">Input-tray main body (1x500-sheet) on page 919</a>
WT2-5694-000CN	Saddle, wire	<a href="#">Input-tray main body (3x500-sheet) on page 923</a>
WT2-5738-000CN	Clamp, cable	<a href="#">Input-tray main body (1x500-sheet) on page 919</a>
WT2-5738-000CN	Clamp, cable	<a href="#">Input-tray main body (3x500-sheet) on page 923</a>

**Table 9-86 Numerical parts list (continued)**

<b>Part number</b>	<b>Description</b>	<b>Table and page</b>
WT2-5912-000CN	Clamp, FFC	<a href="#">Printer internal components (2 of 7) on page 881</a>
XA9-0732-000CN	Screw, RS, M4x8 (booklet-maker only)	<a href="#">Finisher (stapler/stacker and booklet-maker) on page 959</a>
XA9-0912-000CN	Screw, with washer, M5x12	<a href="#">Input-tray main body (1x500-sheet) on page 919</a>
XA9-0912-000CN	Screw, with washer, M5x12	<a href="#">Input-tray main body (3x500-sheet) on page 923</a>
XA9-0912-000CN	Screw, with washer, M5x12	<a href="#">Finisher (stapler/stacker and booklet-maker) on page 959</a>
XA9-1159-000CN	Screw, TP, M3x6	<a href="#">Printer internal components (4 of 7) on page 885</a>
XA9-1277-000CN	Screw, B, M4x8	<a href="#">Intermediate-feed main body on page 935</a>
XA9-1292-000CN	Screw, M4x14	<a href="#">Intermediate-feed main body on page 935</a>
XA9-1386-000CN	Screw, RS, M3x8	<a href="#">Finisher (stapler/stacker and booklet-maker) on page 959</a>
XA9-1422-000CN	Screw, with washer, M4X12	<a href="#">Printer right-door assembly on page 877</a>
XA9-1448-000CN	Screw, RS, M4x8	<a href="#">Input-tray main body (1x500-sheet) on page 919</a>
XA9-1448-000CN	Screw, RS, M4x8	<a href="#">Input-tray main body (1x500-sheet) on page 919</a>
XA9-1448-000CN	Screw, RS, M4x8	<a href="#">Input-tray main body (3x500-sheet) on page 923</a>
XA9-1448-000CN	Screw, RS, M4x8	<a href="#">Input-tray main body (3x500-sheet) on page 923</a>
XA9-1449-000CN	Screw, RS, M3x8	<a href="#">Printer internal components (2 of 7) on page 881</a>
XA9-1449-000CN	Screw, RS, M3x8	<a href="#">Printer internal components (6 of 7) on page 891</a>
XA9-1469-000CN	Screw, TP, M3x6	<a href="#">Input-tray main body (1x500-sheet) on page 919</a>
XA9-1469-000CN	Screw, TP, M3x6	<a href="#">Input-tray main body (3x500-sheet) on page 923</a>
XA9-1495-000CN	Screw, RS, M3X6	<a href="#">Printer right-door assembly on page 877</a>
XA9-1495-000CN	Screw, RS, M3x6	<a href="#">Printer internal components (1 of 7) on page 879</a>
XA9-1495-000CN	Screw, RS, M3x6	<a href="#">Printer internal components (2 of 7) on page 881</a>
XA9-1495-000CN	Screw, RS, M3x6	<a href="#">Printer internal components (3 of 7) on page 883</a>

**Table 9-86 Numerical parts list (continued)**

Part number	Description	Table and page
XA9-1495-000CN	Screw, RS, M3x6	<a href="#">Printer internal components (4 of 7) on page 885</a>
XA9-1495-000CN	Screw, RS, M3x6	<a href="#">Printer internal components (4 of 7) on page 885</a>
XA9-1495-000CN	Screw, RS, M3x6	<a href="#">Printer internal components (5 of 7) on page 889</a>
XA9-1495-000CN	Screw, RS, M3x6	<a href="#">Printer internal components (6 of 7) on page 891</a>
XA9-1495-000CN	Screw, RS, M3x6	<a href="#">Printer internal components (6 of 7) on page 891</a>
XA9-1495-000CN	Screw, RS, M3x6	<a href="#">Printer internal components (7 of 7) on page 893</a>
XA9-1500-000CN	Screw, RS M3x8	<a href="#">Intermediate-feed main body on page 935</a>
XA9-1504-000CN	Screw, RS, M3x8	<a href="#">Printer internal components (1 of 7) on page 879</a>
XA9-1504-000CN	Screw, RS, M3x8	<a href="#">Printer internal components (2 of 7) on page 881</a>
XA9-1504-000CN	Screw, RS, M3x8	<a href="#">Printer internal components (3 of 7) on page 883</a>
XA9-1504-000CN	Screw, RS, M3x8	<a href="#">Printer internal components (4 of 7) on page 885</a>
XA9-1504-000CN	Screw, RS, M3x8	<a href="#">Printer internal components (5 of 7) on page 889</a>
XA9-1504-000CN	Screw, RS, M3x8	<a href="#">Printer internal components (7 of 7) on page 893</a>
XA9-1801-000CN	Screw, RS, M13x12	<a href="#">Printer internal components (7 of 7) on page 893</a>
XB1-2300-407CN	Screw, machined, truss-head, M3x4	<a href="#">Printer internal components (4 of 7) on page 885</a>
XB1-2300-407CN	Screw, machined, truss-head, M3x4	<a href="#">Intermediate-feed main body on page 935</a>
XB1-2400-805CN	Screw, machined, truss-head, M4x8	<a href="#">Printer internal components (7 of 7) on page 893</a>
XB2-8300-607CN	Screw, with washer, M3x6	<a href="#">Printer internal components (4 of 7) on page 885</a>
XB2-8300-607CN	Screw, with washer, M3x6	<a href="#">Input-tray main body (1x500-sheet) on page 919</a>
XB2-8300-607CN	Screw, with washer, M3x6	<a href="#">Input-tray main body (3x500-sheet) on page 923</a>
XB2-8300-607CN	Screw, with washer, M3x6	<a href="#">Intermediate-feed main body on page 935</a>
XB4-7401-005CN	Screw, tapping, truss-head, M4X10	<a href="#">Printer external covers and panels on page 873</a>

**Table 9-86 Numerical parts list (continued)**

<b>Part number</b>	<b>Description</b>	<b>Table and page</b>
XB4-7401-005CN	Screw, tapping, truss-head, M4X10	<a href="#">Printer right-door assembly on page 877</a>
XB4-7401-005CN	Screw, tapping, truss-head, M4x10	<a href="#">Printer internal components (5 of 7) on page 889</a>
XB4-7401-006CN	Screw, tapping, pan-head, M4x10	<a href="#">Input-tray main body (1x500-sheet) on page 919</a>
XB6-7300-607CN	Screw, TP, M3x6 (booklet-maker only)	<a href="#">Finisher (stapler/stacker and booklet-maker) on page 959</a>
XB6-7303-005CN	Screw, TP, M3x30	<a href="#">Printer internal components (5 of 7) on page 889</a>
XD2-3100-152CN	Ring, C, external	<a href="#">Saddle assembly (booklet-maker) on page 993</a>
XD3-2200-102CN	Pin	<a href="#">Finisher (stapler/stacker and booklet-maker) on page 959</a>
XD3-2200-102CN	Pin	<a href="#">Finisher (stapler/stacker and booklet-maker) on page 959</a>
XD3-2200-142CN	Pin, dowel	<a href="#">Finisher (stapler/stacker and booklet-maker) on page 959</a>
XD3-2300-142CN	Pin, dowel	<a href="#">Output bin 1 (stack upper-tray assembly) (booklet-maker) on page 967</a>
XD3-2300-142CN	Pin, dowel	<a href="#">Output bin 2 (stack lower-tray assembly) (stapler/stacker and booklet-maker) on page 971</a>
XD3-2300-202CN	Pin, dowel	<a href="#">Saddle assembly (booklet-maker) on page 993</a>
XD9-0136-000CN	Ring, E	<a href="#">Finisher (stapler/stacker and booklet-maker) on page 959</a>
XD9-0136-000CN	Ring, E	<a href="#">Finisher (stapler/stacker and booklet-maker) on page 959</a>
XD9-0137-000CN	Ring, E	<a href="#">Output bin 1 (stack upper-tray assembly) (booklet-maker) on page 967</a>
XD9-0234-000CN	Ring, E	<a href="#">Printer internal components (4 of 7) on page 885</a>
XD9-0234-000CN	Ring, E	<a href="#">Printer internal components (5 of 7) on page 889</a>
XD9-0240-000CN	Pin, dowel	<a href="#">Printer internal components (4 of 7) on page 885</a>
XF2-1607-860CN	Belt, timing, cogged	<a href="#">Finisher (stapler/stacker and booklet-maker) on page 959</a>
XF2-1608-840CN	Belt, timing	<a href="#">Finisher (stapler/stacker and booklet-maker) on page 959</a>
XF2-3837-340CN	Belt, timing	<a href="#">Saddle assembly (booklet-maker) on page 993</a>

**Table 9-86 Numerical parts list (continued)**

Part number	Description	Table and page
XF9-0748-000CN	Belt, timing, cogged	<a href="#">Finisher (stapler/stacker and booklet-maker) on page 959</a>
XG9-0586-000CN	Bearing, ball	<a href="#">Printer internal components (4 of 7) on page 885</a>

---

# A Service and support

- [Hewlett-Packard limited warranty statement](#)
- [Print cartridge limited warranty statement](#)
- [Color LaserJet Fuser Kit, Transfer Kit, and Roller Kit Limited Warranty Statement](#)
- [Customer self repair warranty service](#)
- [Customer support](#)
- [Availability of support and service](#)
- [HP maintenance agreements](#)

# Hewlett-Packard limited warranty statement

HP PRODUCT	DURATION OF LIMITED WARRANTY
HP Color LaserJet CM6030 Series MFP	One-year limited warranty
HP Color LaserJet CM6040 Series MFP	One-year limited warranty

HP warrants to you, the end-user customer, that HP hardware and accessories will be free from defects in materials and workmanship after the date of purchase, for the period specified above. If HP receives notice of such defects during the warranty period, HP will, at its option, either repair or replace products which prove to be defective. Replacement products may be either new or equivalent in performance to new.

HP warrants to you that HP software will not fail to execute its programming instructions after the date of purchase, for the period specified above, due to defects in material and workmanship when properly installed and used. If HP receives notice of such defects during the warranty period, HP will replace software which does not execute its programming instructions due to such defects.

HP does not warrant that the operation of HP products will be uninterrupted or error free. If HP is unable, within a reasonable time, to repair or replace any product to a condition as warranted, you will be entitled to a refund of the purchase price upon prompt return of the product.

HP products may contain remanufactured parts equivalent to new in performance or may have been subject to incidental use.

Warranty does not apply to defects resulting from (a) improper or inadequate maintenance or calibration, (b) software, interfacing, parts or supplies not supplied by HP, (c) unauthorized modification or misuse, (d) operation outside of the published environmental specifications for the product, or (e) improper site preparation or maintenance.

TO THE EXTENT ALLOWED BY LOCAL LAW, THE ABOVE WARRANTIES ARE EXCLUSIVE AND NO OTHER WARRANTY OR CONDITION, WHETHER WRITTEN OR ORAL, IS EXPRESSED OR IMPLIED AND HP SPECIFICALLY DISCLAIMS ANY IMPLIED WARRANTIES OR CONDITIONS OF MERCHANTABILITY, SATISFACTORY QUALITY, AND FITNESS FOR A PARTICULAR PURPOSE. Some countries/regions, states or provinces do not allow limitations on the duration of an implied warranty, so the above limitation or exclusion might not apply to you. This warranty gives you specific legal rights and you might also have other rights that vary from country/region to country/region, state to state, or province to province.

HP's limited warranty is valid in any country/region or locality where HP has a support presence for this product and where HP has marketed this product. The level of warranty service you receive may vary according to local standards. HP will not alter form, fit or function of the product to make it operate in a country/region for which it was never intended to function for legal or regulatory reasons.

TO THE EXTENT ALLOWED BY LOCAL LAW, THE REMEDIES IN THIS WARRANTY STATEMENT ARE YOUR SOLE AND EXCLUSIVE REMEDIES. EXCEPT AS INDICATED ABOVE, IN NO EVENT WILL HP OR ITS SUPPLIERS BE LIABLE FOR LOSS OF DATA OR FOR DIRECT, SPECIAL, INCIDENTAL, CONSEQUENTIAL (INCLUDING LOST PROFIT OR DATA), OR OTHER DAMAGE, WHETHER BASED IN CONTRACT, TORT, OR OTHERWISE. Some countries/regions, states or provinces do not allow the exclusion or limitation of incidental or consequential damages, so the above limitation or exclusion may not apply to you.



THE WARRANTY TERMS CONTAINED IN THIS STATEMENT, EXCEPT TO THE EXTENT  
LAWFULLY PERMITTED, DO NOT EXCLUDE, RESTRICT OR MODIFY AND ARE IN ADDITION TO  
THE MANDATORY STATUTORY RIGHTS APPLICABLE TO THE SALE OF THIS PRODUCT TO YOU.

## Print cartridge limited warranty statement

This HP product is warranted to be free from defects in materials and workmanship.

This warranty does not apply to products that (a) have been refilled, refurbished, remanufactured or tampered with in any way, (b) experience problems resulting from misuse, improper storage, or operation outside of the published environmental specifications for the printer product or (c) exhibit wear from ordinary use.

To obtain warranty service, please return the product to place of purchase (with a written description of the problem and print samples) or contact HP customer support. At HP's option, HP will either replace products that prove to be defective or refund your purchase price.

TO THE EXTENT ALLOWED BY LOCAL LAW, THE ABOVE WARRANTY IS EXCLUSIVE AND NO OTHER WARRANTY OR CONDITION, WHETHER WRITTEN OR ORAL, IS EXPRESSED OR IMPLIED AND HP SPECIFICALLY DISCLAIMS ANY IMPLIED WARRANTIES OR CONDITIONS OF MERCHANTABILITY, SATISFACTORY QUALITY, AND FITNESS FOR A PARTICULAR PURPOSE.

TO THE EXTENT ALLOWED BY LOCAL LAW, IN NO EVENT WILL HP OR ITS SUPPLIERS BE LIABLE FOR DIRECT, SPECIAL, INCIDENTAL, CONSEQUENTIAL (INCLUDING LOST PROFIT OR DATA), OR OTHER DAMAGE, WHETHER BASED IN CONTRACT, TORT, OR OTHERWISE.

THE WARRANTY TERMS CONTAINED IN THIS STATEMENT, EXCEPT TO THE EXTENT LAWFULLY PERMITTED, DO NOT EXCLUDE, RESTRICT OR MODIFY AND ARE IN ADDITION TO THE MANDATORY STATUTORY RIGHTS APPLICABLE TO THE SALE OF THIS PRODUCT TO YOU.

# Color LaserJet Fuser Kit, Transfer Kit, and Roller Kit Limited Warranty Statement

This HP product is warranted to be free from defects in materials and workmanship until the printer provides a low-life indicator on the control panel.

This warranty does not apply to products that (a) have been refurbished, remanufactured or tampered with in any way, (b) experience problems resulting from misuse, improper storage, or operation outside of the published environmental specifications for the printer product or (c) exhibit wear from ordinary use.

To obtain warranty service, please return the product to place of purchase (with a written description of the problem) or contact HP customer support. At HP's option, HP will either replace products that prove to be defective or refund your purchase price.

TO THE EXTENT ALLOWED BY LOCAL LAW, THE ABOVE WARRANTY IS EXCLUSIVE AND NO OTHER WARRANTY OR CONDITION, WHETHER WRITTEN OR ORAL, IS EXPRESSED OR IMPLIED AND HP SPECIFICALLY DISCLAIMS ANY IMPLIED WARRANTIES OR CONDITIONS OF MERCHANTABILITY, SATISFACTORY QUALITY, AND FITNESS FOR A PARTICULAR PURPOSE.

TO THE EXTENT ALLOWED BY LOCAL LAW, IN NO EVENT WILL HP OR ITS SUPPLIERS BE LIABLE FOR DIRECT, SPECIAL, INCIDENTAL, CONSEQUENTIAL (INCLUDING LOST PROFIT OR DATA), OR OTHER DAMAGE, WHETHER BASED IN CONTRACT, TORT, OR OTHERWISE.

THE WARRANTY TERMS CONTAINED IN THIS STATEMENT, EXCEPT TO THE EXTENT LAWFULLY PERMITTED, DO NOT EXCLUDE, RESTRICT OR MODIFY AND ARE IN ADDITION TO THE MANDATORY STATUTORY RIGHTS APPLICABLE TO THE SALE OF THIS PRODUCT TO YOU.

## Customer self repair warranty service

HP products are designed with many Customer Self Repair (CSR) parts to minimize repair time and allow for greater flexibility in performing defective parts replacement. If during the diagnosis period, HP identifies that the repair can be accomplished by the use of a CSR part, HP will ship that part directly to you for replacement. There are two categories of CSR parts: 1) Parts for which customer self repair is mandatory. If you request HP to replace these parts, you will be charged for the travel and labor costs of this service. 2) Parts for which customer self repair is optional. These parts are also designed for Customer Self Repair. If, however, you require that HP replace them for you, this may be done at no additional charge under the type of warranty service designated for your product.

Based on availability and where geography permits, CSR parts will be shipped for next business day delivery. Same-day or four-hour delivery may be offered at an additional charge where geography permits. If assistance is required, you can call the HP Technical Support Center and a technician will help you over the phone. HP specifies in the materials shipped with a replacement CSR part whether a defective part must be returned to HP. In cases where it is required to return the defective part to HP, you must ship the defective part back to HP within a defined period of time, normally five (5) business days. The defective part must be returned with the associated documentation in the provided shipping material. Failure to return the defective part may result in HP billing you for the replacement. With a customer self repair, HP will pay all shipping and part return costs and determine the courier/carrier to be used.

# Customer support

---

Get telephone support, free during your warranty period, for your country/region

Country/region phone numbers are on the flyer that was in the box with your product or at [www.hp.com/support/](http://www.hp.com/support/).

Have the product name, serial number, date of purchase, and problem description ready.

---

Get 24-hour Internet support

[www.hp.com/support/cljcm6030mfp](http://www.hp.com/support/cljcm6030mfp) or [www.hp.com/support/cljcm6040mfp](http://www.hp.com/support/cljcm6040mfp)

---

Get support for products used with a Macintosh computer

[www.hp.com/go/macosex](http://www.hp.com/go/macosex)

---

Download software utilities, drivers, and electronic information

[www.hp.com/go/cljcm6030mfp\\_software](http://www.hp.com/go/cljcm6030mfp_software) or [www.hp.com/go/cljcm6040mfp\\_software](http://www.hp.com/go/cljcm6040mfp_software)

---

Order supplies and paper

[www.hp.com/go/suresupply](http://www.hp.com/go/suresupply)

---

Order genuine HP parts or accessories

[www.hp.com/buy/parts](http://www.hp.com/buy/parts)

---

Order additional HP service or maintenance agreements

[www.hp.com/go/carepack](http://www.hp.com/go/carepack)

---

## Availability of support and service

Around the world, HP provides a variety of service and support options for purchase. Availability of these programs will vary depending upon your location.

# HP maintenance agreements

HP has several types of maintenance agreements that meet a wide range of support needs. Maintenance agreements are not part of the standard warranty. Support services may vary by area. Check with your local HP dealer to determine the services available to you.

## On-site service agreements

To provide you with the level of support best suited to your needs, HP has on-site service agreements with three response times:

### Priority onsite service

This agreement provides 4-hour service response to your site for calls made during normal HP business hours.

### Next-day onsite service

This agreement provides support by the next working day following a service request. Extended coverage hours and extended travel beyond HP's designated service zones are available on most on-site agreements (for additional charges).

### Weekly (volume) on-site service

This agreement provides scheduled weekly on-site visits for organizations with many HP products. This agreement is designated for sites using 25 or more workstation products, including printers, plotters, computers, and disk drives.





---

## B Product specifications

- [Physical specifications](#)
- [Electrical specifications](#)
- [Acoustic specifications](#)
- [Environmental specifications](#)

# Physical specifications

**Table B-1 Product dimensions**

Product	Height	Depth	Width	Weight <sup>1</sup>
HP Color LaserJet CM6030 MFP	1194 mm (47 in)	635 mm (25 in)	704 mm (27.7 in)	140 kg (308 lb)
HP Color LaserJet CM6030f MFP	1194 mm (47 in)	635 mm (25 in)	704 mm (27.7 in)	145 kg (319 lb)
HP Color LaserJet CM6040 MFP	1194 mm (47 in)	635 mm (25 in)	704 mm (27.7 in)	140 kg (308 lb)
HP Color LaserJet CM6040f MFP	1194 mm (47 in)	635 mm (25 in)	704 mm (27.7 in)	145 kg (319 lb)

<sup>1</sup> Without print cartridge

**Table B-2 Product dimensions, with all doors and trays fully opened**

Product	Height	Depth	Width
HP Color LaserJet CM6030 MFP	1524 mm (60 in)	1079.5 mm (42.5 in)	983 mm (38.7 in)
HP Color LaserJet CM6030f MFP	1524 mm (60 in)	1079.5 mm (42.5 in)	983 mm (38.7 in)
HP Color LaserJet CM6040 MFP	1524 mm (60 in)	1079.5 mm (42.5 in)	983 mm (38.7 in)
HP Color LaserJet CM6040f MFP	1524 mm (60 in)	1079.5 mm (42.5 in)	983 mm (38.7 in)

# Electrical specifications

⚠ **WARNING!** Power requirements are based on the country/region where the product is sold. Do not convert operating voltages. This can damage the product and void the product warranty.

**Table B-3 Power requirements (HP Color LaserJet CM6040 MFP Series)**

Specification	110-volt models	220-volt models
Power requirements	100 to 127 volts (± 10%)	220 to 240 volts (± 10%)
	50/60 Hz (± 2 Hz)	50/60 Hz (± 2 Hz)
Rated current	10.5 A	5.5 A

**Table B-4 Power consumption HP Color LaserJet CM6030 and CM6040 MFP Series (average, in watts)**

Product model	Printing	Ready	Sleep	Off
HP Color LaserJet CM6030 MFP	1265 W	251.7 W	26.3 W	0.72 W
HP Color LaserJet CM6030f MFP	1265 W	251.7 W	26.5 W	0.72 W
HP Color LaserJet CM6040 MFP	1265 W	251.7 W	26.3 W	0.72 W
HP Color LaserJet CM6040f MFP	1265 W	251.7 W	26.5 W	0.72 W

Values subject to change. See [www.hp.com/support/cljcm6030mfp](http://www.hp.com/support/cljcm6030mfp) or [www.hp.com/support/cljcm6040mfp](http://www.hp.com/support/cljcm6040mfp) for current information.

HP Color LaserJet CM6040 MFP Series printing and copying speeds are 40 ppm for Letter and A4 sizes.

Default time from Ready mode to Sleep mode = 60 minutes.

Recovery time from Sleep mode = less than 20 seconds

# Acoustic specifications

**Table B-5 Sound power and pressure level<sup>1</sup> (HP Color LaserJet CM6040 MFP Series)**

<b>Sound power level</b>	<b>Declared per ISO 9296</b>
Printing <sup>1</sup>	$L_{wAd} = 7.1$ Bels (A) [71 dB(A)]
Copying <sup>2</sup>	$L_{wAd} = 7.1$ Bels (A) [71 dB(A)]
Ready	$L_{wAd} = 4.7$ Bels (A) [47 dB(A)]
<b>Sound pressure level</b>	<b>Declared per ISO 9296</b>
Printing <sup>1</sup>	$L_{pAm} = 50$ dB (A)
Copying <sup>2</sup>	$L_{pAm} = 52$ dB (A)
Ready	$L_{pAm} = 37$ dB (A)

<sup>1</sup> Values subject to change. See [www.hp.com/support/cljcm6030mfp](http://www.hp.com/support/cljcm6030mfp) or [www.hp.com/support/cljcm6040mfp](http://www.hp.com/support/cljcm6040mfp) for current information.

<sup>2</sup> Configuration tested (HP Color LaserJet CM6040 MFP Series) Base model, simplex copying from ADF with A4 paper size.)

# Environmental specifications

Environmental condition	Recommended	Allowed	Storage/standby
Temperature (product and print cartridge)	17° to 25°C (62.6° to 77°F)	10° to 30°C (50° to 86°F)	0° to 35°C (32° to 95°F)
Relative humidity	30% to 70% relative humidity (RH)	10% to 80% RH	5% to 95%
Altitude	N/A	0 meters (0 feet) to 2500 meters (8000 feet)	N/A



---

## C Regulatory information

## Compliance with FCC regulations

This equipment has been tested and found to comply with the limits for a Class A digital device, pursuant to part 15 of the FCC Rules. These limits are designed to provide reasonable protection against harmful interference when the equipment is operated in a commercial environment. This equipment generates, uses, and can radiate radio frequency energy and, if not installed and used in accordance with the instruction manual, may cause harmful interference to radio communications. Operation of this equipment in a residential area is likely to cause harmful interference in which case the user will be required to correct the interference at his own expense.



# Declaration of Conformity

## Declaration of Conformity

according to ISO/IEC 17050-1 and EN 17050-1

**Manufacturer's Name:** Hewlett-Packard Company  
DoC#: BOISB-0601-01-rel.2.0  
**Manufacturer's Address:** 11311 Chinden Boulevard,  
Boise, Idaho 83714-1021, USA

### declares that the product

**Product Name:** HP Color LaserJet CM6030, CM6040 MFP series

**Accessories**  
CB473A – 1x500-sheet input tray/stand  
CB474A – 3x500-sheet input tray/stand  
CC516A – Booklet Maker  
CC517A - 3-Bin Stapler/Stacker

**Regulatory Model Number:<sup>2)</sup>** BOISB-0601-01

**Product Options:** ALL

Toner Cartridges/Drums: CB390A, CB381A, CB382A, CB383A, CB384A, CB385A, CB386A, CB387A

### conforms to the following Product Specifications:

**Safety:** IEC 60950-1:2001 / EN60950-1: 2001 + A11  
IEC 60825-1:1993 +A1 +A2 / EN 60825-1:1994 A1 +A2 (Class 1 Laser/LED Product)  
GB4943-2001

**EMC:** CISPR 22:2005 / EN 55022:2006 – Class A<sup>1)</sup>  
EN 61000-3-2:2000 +A2  
EN 61000-3-3:1995 + A1  
EN 55024:1998+A1 + A2  
FCC Title 47 CFR, Part 15 Class A / ICES-003, Issue 4  
GB9254-1998, GB17625.1-2003

### Supplementary Information:

The product herewith complies with the requirements of the EMC Directive 2004/108/EC and the Low Voltage Directive 2006/95/EC, and carries the CE-Marking accordingly.

This device complies with Part 15 of the FCC Rules. Operation is subject to the following two Conditions: (1) this device may not cause harmful interference, and (2) this device must accept any interference received, including interference that may cause undesired operation.

1) The product was tested in a typical configuration with Hewlett-Packard Personal Computer Systems.

2) For regulatory purposes, this product is assigned a Regulatory model number. This number should not be confused with the product name or the product number(s).

Boise, Idaho , USA

**February 1, 2008**

### For regulatory topics only:

**European Contact:** Your Local Hewlett-Packard Sales and Service Office or Hewlett-Packard GmbH, Department HQ-TRE / Standards Europe, Herrenberger Straße 140, D-71034 Böblingen, Germany, (FAX: +49-7031-14-3143) [www.hp.com/go/certificates](http://www.hp.com/go/certificates)

**USA Contact:** Product Regulations Manager, Hewlett-Packard Company, PO Box 15, Mail Stop 160, Boise, Idaho 83707-0015, USA, (Phone: 208-396-6000)

# Declaration of Conformity

## Declaration of Conformity

according to ISO/IEC 17050-1 and EN 17050-1

**Manufacturer's Name:** Hewlett-Packard Company  
DoC#: BOISB-0601-02-rel.2.0  
**Manufacturer's Address:** 11311 Chinden Boulevard,  
Boise, Idaho 83714-1021, USA

### declares that the product

**Product Name:** HP Color LaserJet CM6030f, CM6040f MFP series

**Accessories**  
CB473A – 1x500-sheet input tray/stand  
CB474A – 3x500-sheet input tray/stand  
CC516A – Booklet Maker  
CC517A - 3-Bin Stapler/Stacker  
BOISB-0308-00 – Fax Module

**Regulatory Model Number:<sup>2)</sup>** BOISB-0601-02

**Product Options:** ALL

Toner Cartridges/Drums: CB390A, CB381A, CB382A, CB383A, CB384A, CB385A, CB386A, CB387A

### conforms to the following Product Specifications:

**Safety:** IEC 60950-1:2001 / EN60950-1: 2001 + A11  
IEC 60825-1:1993 +A1 +A2 / EN 60825-1:1994 A1 +A2 (Class 1 Laser/LED Product)  
GB4943-2001

**EMC:** CISPR 22:2005 / EN 55022:2006 – Class A<sup>1)</sup>  
EN 61000-3-2:2000 +A2  
EN 61000-3-3:1995 + A1  
EN 55024:1998+A1 + A2  
FCC Title 47 CFR, Part 15 Class A / ICES-003, Issue 4  
GB9254-1998, GB17625.1-2003

**Telecom** ES 203 021; FCC Title 47 CFR, Part 68<sup>4)</sup>

### Supplementary Information:

The product herewith complies with the requirements of the EMC Directive 2004/108/EC and the Low Voltage Directive 2006/95/EC, and the R&TTE Directive 1999/5/EC (Annex II), and carries the CE-Marking accordingly.

This device complies with Part 15 of the FCC Rules. Operation is subject to the following two Conditions: (1) this device may not cause harmful interference, and (2) this device must accept any interference received, including interference that may cause undesired operation.

- 1) The product was tested in a typical configuration with Hewlett-Packard Personal Computer Systems.
- 2) For regulatory purposes, this product is assigned a Regulatory model number. This number should not be confused with the product name or the product number(s).
- 3) All worldwide modular approvals for analog fax accessory obtained by Hewlett-Packard under the regulatory model number BOISB-0601-02 incorporate the Multi-Tech Systems MT5634SMI Socket Modem Module.
- 4) Telecom approvals and standards appropriate for the target countries/regions have been applied to this product, in addition to those listed above.

Boise, Idaho , USA

**February 1, 2008**

### For regulatory topics only:

**European Contact:** Your Local Hewlett-Packard Sales and Service Office or Hewlett-Packard GmbH, Department HQ-TRE / Standards Europe, Herrenberger Straße 140, D-71034 Böblingen, Germany, (FAX: +49-7031-14-3143) [www.hp.com/go/certificates](http://www.hp.com/go/certificates)

**USA Contact:** Product Regulations Manager, Hewlett-Packard Company, PO Box 15, Mail Stop 160, Boise, Idaho 83707-0015, USA, (Phone: 208-396-6000)

# Environmental product stewardship program

## Protecting the environment

Hewlett-Packard Company is committed to providing quality products in an environmentally sound manner. This product has been designed with several attributes to minimize impacts on our environment.

## Ozone production

This product generates no appreciable ozone gas (O<sub>3</sub>).

## Power consumption

Power usage drops significantly while in Ready and Sleep mode, which saves natural resources and saves money without affecting the high performance of this product. To determine the ENERGY STAR® qualification status for this product, see the Product Data Sheet or Specifications Sheet. Qualified products are also listed at:

[www.hp.com/go/energystar](http://www.hp.com/go/energystar)

## Toner consumption

EconoMode uses less toner, which might extend the life of the print cartridge.

## Paper use

This product's optional automatic duplex feature (two-sided printing) and N-up printing (multiple pages printed on one page) capability can reduce paper usage and the resulting demands on natural resources.


## Plastics

Plastic parts over 25 grams are marked according to international standards that enhance the ability to identify plastics for recycling purposes at the end of the product's life.

## HP LaserJet print supplies

It's easy to return and recycle your empty HP LaserJet print cartridges—free of charge—with HP Planet Partners. Multilingual program information and instructions are included in every new HP LaserJet print cartridge and supplies package. You help reduce the toll on the environment further when you return multiple cartridges together rather than separately.

HP is committed to providing inventive, high-quality products and services that are environmentally sound, from product design and manufacturing to distribution, customer use, and recycling. When you participate in the HP Planet Partners program, we ensure your HP LaserJet print cartridges are recycled properly, processing them to recover plastics and metals for new products and diverting millions of tons of waste from landfills. Please note that the cartridge will not be returned to you. Thank you for being environmentally responsible!

 **NOTE:** Use the return label to return original HP LaserJet print cartridges only. Please do not use this label for HP inkjet cartridges, non-HP cartridges, refilled or remanufactured cartridges, or warranty returns. For information about recycling your HP inkjet cartridges, please go to [www.hp.com/recycle](http://www.hp.com/recycle).

## Return and recycling instructions

### United States and Puerto Rico

The enclosed label in the HP LaserJet toner cartridge box is for the return and recycling of one or more HP LaserJet print cartridges after use. Please follow the applicable instructions below.

#### Multiple returns (more than one cartridge)

1. Package each HP LaserJet print cartridge in its original box and bag.
2. Tape the boxes together using strapping or packaging tape. The package can weigh up to 31 kg (70 lb).
3. Use a single pre-paid shipping label.

#### OR

1. Use your own suitable box, or request a free bulk collection box from [www.hp.com/recycle](http://www.hp.com/recycle) or 1-800-340-2445 (holds up to 31 kg (70 lb) of HP LaserJet print cartridges).
2. Use a single pre-paid shipping label.

#### Single returns

1. Package the HP LaserJet print cartridge in its original bag and box.
2. Place the shipping label on the front of the box.

#### Shipping

For all HP LaserJet print cartridge recycling returns, give the package to UPS during your next delivery or pickup, or take it to an authorized UPS drop-off center. For the location of your local UPS drop-off center, call 1-800-PICKUPS or visit [www.ups.com](http://www.ups.com). If you are returning via USPS label, give the package to a U.S. Postal Service carrier or drop off at a U.S. Postal Service Office. For more information, or to order additional labels or boxes for bulk returns, visit [www.hp.com/recycle](http://www.hp.com/recycle) or call 1-800-340-2445. Requested UPS pickup will be charged normal pickup rates. Information subject to change without notice.

#### Non-U.S. returns

To participate in HP Planet Partners return and recycling program, just follow the simple directions in the recycling guide (found inside the packaging of your new product supply item) or visit [www.hp.com/recycle](http://www.hp.com/recycle). Select your country/region for information on how to return your HP LaserJet printing supplies.

#### Paper

This product is capable of using recycled papers when the paper meets the guidelines outlined in the *HP LaserJet Printer Family Print Media Guide*. This product is suitable for the use of recycled paper according to EN12281:2002.

#### Material restrictions

This HP product contains a battery that may require special handling at end-of-life.

The battery contained in this product includes:

Type	Carbon monofluoride lithium battery
Weight	0.8 grams
Location	Formatter board
User removable	No

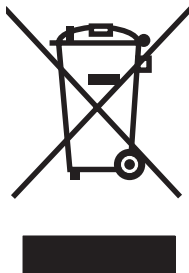


## 廢電池請回收

This product contains mercury in the fluorescent lamp of the control panel liquid crystal display that might require special handling at end-of-life.

For recycling information you can visit [www.hp.com/go/recycle](http://www.hp.com/go/recycle) or contact your local authorities or the Electronics Industry Alliance ([www.eiae.org](http://www.eiae.org)).

## Disposal of waste equipment by users in private households in the European Union



This symbol on the product or on its packaging indicates that this product must not be disposed of with your other household waste. Instead, it is your responsibility to dispose of your waste equipment by handing it over to a designated collection point for the recycling of waste electrical and electronic equipment. The separate collection and recycling of your waste equipment at the time of disposal will help to conserve natural resources and ensure that it is recycled in a manner that protects human health and the environment. For more information about where you can drop off your waste equipment for recycling, please contact your local city office, your household waste disposal service or the shop where you purchased the product.

## Material Safety Data Sheet (MSDS)

Material Safety Data Sheets (MSDS) for supplies containing chemical substances (for example, toner) can be obtained by accessing the HP Web site at [www.hp.com/go/msds](http://www.hp.com/go/msds) or [www.hp.com/hpinfo/community/environment/productinfo/safety](http://www.hp.com/hpinfo/community/environment/productinfo/safety).

## For more information

To obtain information about these environmental topics:

- Product environmental profile sheet for this and many related HP products
- HP's commitment to the environment
- HP's environmental management system
- HP's end-of-life product return and recycling program
- Material Safety Data Sheets

Visit [www.hp.com/go/environment](http://www.hp.com/go/environment) or [www.hp.com/hpinfo/globalcitizenship/environment](http://www.hp.com/hpinfo/globalcitizenship/environment).

# Certificate of volatility

This is a statement regarding the volatility of customer data stored in memory. It also outlines how to erase secure data from the device.

## Types of memory

### Volatile memory

The MFP utilizes volatile memory (64MB on the board and 256MB installed, for a total of 320MB) to store customer data during the printing and copying process. When the MFP is powered off, this volatile memory is erased.

### Non-volatile memory

The MFP utilizes non-volatile memory (EEPROM) to store system control data and user preference settings. No customer print or copy data is stored in non-volatile memory. This non-volatile memory can be cleared and restored to factory defaults by performing a Cold Reset or Restore Factory Defaults from the control panel.

### Hard-disk-drive memory

The MFP contains an internal hard disk drive (40GB or larger) that may retain data after the MFP is powered off. The MFP also may contain additional optional compact flash storage, or an external EIO hard disk. Data stored in these devices may be from incoming/outgoing fax or email files, stored copy or print jobs, fax or email address books, or third-party solutions. Some of this data can be erased from the control panel of the MFP, but most must be erased using the Secure Storage Erase features available within HP Web Jetadmin. Secure Storage Erase features comply with U.S. Department of Defense (DOD) specification 5220–22.M.

# Safety statements

## Laser safety

The Center for Devices and Radiological Health (CDRH) of the U.S. Food and Drug Administration has implemented regulations for laser products manufactured since August 1, 1976. Compliance is mandatory for products marketed in the United States. The device is certified as a “Class 1” laser product under the U.S. Department of Health and Human Services (DHHS) Radiation Performance Standard according to the Radiation Control for Health and Safety Act of 1968. Since radiation emitted inside the device is completely confined within protective housings and external covers, the laser beam cannot escape during any phase of normal user operation.

**⚠ WARNING!** Using controls, making adjustments, or performing procedures other than those specified in this user guide may result in exposure to hazardous radiation.

## Canadian DOC regulations

Complies with Canadian EMC Class A requirements.

« Conforme à la classe A des normes canadiennes de compatibilité électromagnétiques. « CEM ». »

## VCCI statement (Japan)

この装置は、情報処理装置等電波障害自主規制協議会（VCCI）の基準に基づくクラスA情報技術装置です。この装置を家庭環境で使用すると電波妨害を引き起こすことがあります。この場合には使用者が適切な対策を講ずるよう要求されることがあります。

## Power cord statement (Japan)

製品には、同梱された電源コードをお使い下さい。  
同梱された電源コードは、他の製品では使用出来ません。

## EMI statement (Korea)

시용시 안내문 (A급 기기)  
이 기기는 업무용으로 전자파장애감정을 받은  
기기이오니, 만약 잘못 구입하셨을 때에는 구입  
한 곳에서 비입무용으로 교환하시기 바랍니다.



## EMI statement (Taiwan)

**警告使用者：**

這是甲類的資訊產品，在居住的環境中使用時，可能會造成射頻干擾，在這種情況下，使用者會被要求採取某些適當的對策。

## General telecom statement

The HP Color LaserJet CM6030f MFP and CM6040f MFP models have the HP LaserJet Analog Fax Accessory 300 already installed to provide communication to the public switch telephone network (PSTN) for fax functionality. See the *HP LaserJet Analog Fax Accessory 300 User Guide* for all regulatory approval information and regulatory notices associated with the fax functionality and that device.

## Laser statement for Finland

### **Luokan 1 laserlaite**

Klass 1 Laser Apparat

HP LaserJet CM6040, CM6040f, laserkirjoitin on käyttäjän kannalta turvallinen luokan 1 laserlaite. Normaalisissa käytössä kirjoittimen suojakotelointi estää lasersäteen pääsyn laitteen ulkopuolelle. Laitteen turvallisuusluokka on määritetty standardin EN 60825-1 (1994) mukaisesti.

### **VAROITUS !**

Laitteen käyttäminen muulla kuin käyttöohjeessa mainitulla tavalla saattaa altistaa käyttäjän turvallisuusluokan 1 ylittävälle näkymättömälle lasersäteilylle.

### **WARNING !**

Om apparaten används på annat sätt än i bruksanvisning specificerats, kan användaren utsättas för osynlig laserstrålning, som överskrider gränsen för laserklass 1.

### **HUOLTO**

HP LaserJet CM6040, CM6040f - kirjoittimen sisällä ei ole käyttäjän huollettavissa olevia kohteita. Laitteen saa avata ja huoltaa ainoastaan sen huoltamiseen koulutettu henkilö. Tällaiseksi huoltotoimenpiteeksi ei katsota väriainekasetin vaihtamista, paperiradan puhdistusta tai muita käyttäjän käsikirjassa lueteltuja, käyttäjän tehtäväksi tarkoitettuja ylläpitotoimia, jotka voidaan suorittaa ilman erikoistyökaluja.

### **VARO !**

Mikäli kirjoittimen suojakotelo avataan, olet alttiina näkymättömälle lasersäteilylle laitteen ollessa toiminnassa. Älä katso säteeseen.

### **WARNING !**

Om laserprinterns skyddshölje öppnas då apparaten är i funktion, utsättas användaren för osynlig laserstrålning. Betrakta ej strålen. Tiedot laitteessa käytettävän laserdiodin säteilyominaisuuksista: Aallonpituus 775-795 nm Teho 5 m W Luokan 3B laser.

## Substances Table (China)

### 有毒有害物质表

根据中国电子信息产品污染控制管理办法的要求而出台

部件名称	有毒有害物质和元素					
	铅 (Pb)	汞 (Hg)	镉 (Cd)	六价铬 (Cr(VI))	多溴联苯 (PBB)	多溴二苯醚 (PBDE)
打印引擎	X	0	X	X	0	0
复印机组件	X	0	0	0	0	0
控制面板	0	X	0	0	0	0
塑料外壳	0	0	0	0	0	0
格式化板组件	X	0	0	0	0	0
碳粉盒	X	0	0	0	0	0

3046

0：表示在此部件所用的所有同类材料中，所含的此有毒或有害物质均低于 SJ/T11363-2006 的限制要求。

X：表示在此部件所用的所有同类材料中，至少一种所含的此有毒或有害物质高于 SJ/T11363-2006 的限制要求。

注：引用的“环保使用期限”是根据在正常温度和湿度条件下操作使用产品而确定的。

---

# Index

## Symbols/Numerics

- 3-bin mailbox
  - capacity 5
  - selecting 82
  - specifications, physical 1133
- 3-bin stapler/stacker
  - features 82
- 500-sheet trays
  - models including 2
  - specifications, physical 1133
- low-voltage power supply
  - stops and interruptions 155

## A

- AC to DC conversion 155
- accessories
  - 3-bin stapler/stacker 82
  - booklet-maker finisher 82
  - optional output 82
  - ordering 866
- accessories installed,
  - information 435
- accounting hardware 100
- acoustic specifications 1136
- activity log, fax 91
- address books, e-mail
  - clearing 59
  - importing 97
- ADF
  - capacity 5
  - clean delivery system 126
  - maintenance kit 129
  - removing and replacing 397
- ADF (automatic document feeder)
  - deskew 225
  - duplex printing 222
  - end of a scan 224
  - input tray 221
  - multifeed operation 223

- paper pick and
  - separation 224
- scan-operation flow 217
- sensors 212, 633
- simplex printing 221
- ADF assembly
  - removing and replacing 397
- ADF input tray sensors
  - removing and replacing 399
- ADF output bin
  - capacity 5
  - selecting 82
- ADF PCA
  - removing and replacing 417
- ADF wire harness
  - removing and replacing 417
- adjustments after component
  - replacements
    - booklet maker 857
    - stapler/stacker 857
- Administration menu, control
  - panel 17
- after-service checklist 230
- agreements, maintenance 1131
- alignment position adjustments,
  - staplers 857
- anticounterfeit supplies 103
- AppleTalk information 434
- AppleTalk settings 33
- assemblies, main 625
- Attention light
  - locating 14
- automatic media sensing 79

## B

- bands, troubleshooting 576
- beam detect (BD) failure 159
- before-service checklist 230

- bias generation
  - high-voltage power
    - supply 156
- billing codes report, fax 91
- bins
  - booklet maker output bins 1 and 2, move 768
  - booklet maker output,
    - remove 797
  - capacities 5
  - locating 7
  - output, caution when
    - moving 759
  - selecting 82
  - stapler/stacker 673, 689
  - stapler/stacker output bins 1 and 2, move 768
  - stapler/stacker output,
    - remove 797
- blank pages,
  - troubleshooting 436, 575
- blocked fax list, printing 91
- board map
  - CCD 216
  - SCB 215
- booklet maker
  - adjustments after component
    - replacements 857
  - circuit diagrams 852
  - configuring 86
  - crescent roller, friction
    - prevention 713
  - cross section diagram 833, 834
  - features 82
  - feed drive system 696
  - folding mechanism 715
  - folding position, adjust 859
  - inlet flappers control 706

- microswitches 840
  - motors 844
  - operation 695, 702
  - overcurrent or overvoltage protection 726
  - paper delivery path 675
  - paper movement control 709
  - PCAs 696, 848
  - power supply 725
  - saddle stitcher controller
    - PCA 696
  - sensors 837
  - sensors and paper sizes 706
  - solenoids 842
  - solenoids and paper sizes 707
  - stacker control system 697
  - stacker operation 689, 694
  - staple operation 683, 721
  - stapler, alignment 857
  - stitcher unit 722
  - stitcher unit, adjust 862
  - troubleshooting 828
  - unit control system 699
  - use 84
  - walkaround 84
  - booklet maker, remove or replace
    - parts. *See* remove or replace parts, booklet maker
  - both sides, printing on. *See* duplexing unit
  - box, remove 345
  - browser requirements
    - embedded Web server 95
  - buffer overflow errors 459
  - buttons, control panel
    - locating 14
    - touchscreen 16
- C**
- cabinet/stand
    - specifications, physical 1133
  - cables
    - network, troubleshooting 436
    - scanner 208
    - USB, troubleshooting 436
  - calibrate scanner 130
  - calibrating scanner 53
  - calibration
    - information, printed 430
  - instructions 566
  - media sensor unit 600
  - call report, fax 91
  - Canadian DOC regulations 1148
  - capacity
    - 3-bin mailbox 5
    - ADF 5
    - output bins 5
    - stapler/stacker 5
  - cartridges
    - management menu 29
    - non-HP 103
    - ordering through embedded Web server 98
    - recycling 1143
    - replace 104
    - storage 103
    - warranty 1126
  - cassette, paper
    - cassette presence detection 183
    - lift operation 185
    - paper presence detection 186
    - paper-level detection 186
    - paper-size detection 183
    - pickup operations 183
    - See also* trays
  - CCD board
    - connectors 216
    - map 216
  - characters, troubleshooting 578
  - check pins 849
  - circuit diagrams
    - booklet maker 852
    - general 635
    - stapler/stacker 852
  - circuitry. *See* PCAs
  - clean
    - about 122, 127
    - ADF delivery system 126
    - ADF rollers 127
    - glass 125
    - outside of product 122
    - touchscreen 125
  - cleaning
    - fuser 430, 567
    - page, printing 430, 567
  - clock
    - error message 441
    - set 135
  - clutches, stapler/stacker 845
  - cold reset 600
  - color
    - diagnostic test 597
    - page count, reset 598
    - troubleshooting 429
  - communications,
    - troubleshooting 579
  - components
    - booklet maker stacker control system 697
    - booklet maker unit control system 699
    - DC controller 144
    - diagnostic tests 592
    - diagrams of 604
    - duplexing unit 197
    - engine-control system 143
    - fuser 150
    - main assemblies 625
    - optional input trays 202
    - pickup, feed, and delivery 178
    - protection for 151, 155
    - scanner 206
    - stapler/stacker 671
    - See also* parts; parts configuration page
  - configuration page
    - Information menu 18
    - printing 90
  - configuration pages
    - information 435
    - printing 431
  - configurations, models 2
  - configure
    - trays 79
  - connectivity
    - troubleshooting 436
  - connectivity features 5
  - connectivity, troubleshooting 437
  - connectors
    - 1 x 500 input tray 609
    - 3 x 500 input tray 610
    - CCD board, scanner 216
    - DC controller PCA 604
    - IPTU 611
    - PCAs 604
    - product base 606
    - SCB, scanner 215
  - contracts, maintenance 1131

- control panel
  - Administration menu 17
  - blank or random pattern
    - troubleshooting 427
  - buttons 14
  - clean touchscreen 125
  - E-mail Setup menu 41
  - Fax Setup menu 38
  - help 16
  - Home screen 15
  - Information menu 18
  - Initial Setup menu 31
  - layout 14
  - lights 14
  - locating 7
  - locking menus 102
  - Management menu 29
  - messages, listed
    - alphabetically 440
  - messages, listed
    - numerically 440
  - messages, respond to 568
  - messages, types of 439
  - Resets menu 59
  - Send Setup menu 41
  - Service menu 60, 598
  - Time/Scheduling menu 27
  - touchscreen buttons 16
- controlling print jobs 80
- cooling
  - areas and fans 149
- Copitrak devices 100
- copying
  - features 6
  - quality, troubleshooting 563
  - speed specifications 4
- counterfeit supplies 103
- counts
  - ADF 598
  - ADF duplex 598
  - ADF simplex 598
  - color cycle 598
  - copy pages 598
  - copy scan 598
  - flatbed cycle 598
  - mono cycle 598
  - page, reset 598
  - print engine maintenance 435
  - refurbish cycle 598
- reset after replacing
  - formatter 598
  - send scan 598
- See also* pages counts
- covers, locating 7
- covers, remove
  - booklet maker PCA cover 771
  - booklet maker, front inside-lower cover 762
  - booklet maker, front inside-upper cover 761
  - booklet maker, front-foot cover 760
  - booklet maker, left-upper cover 763
  - booklet maker, rear cover 759
- face-down 326
- front-lower 335
- front-right 340
- lower-left 343
- lower-rear 339
- right 341
- scanner 315
- stapler/stacker PCA cover 771
- stapler/stacker, front inside-upper cover 761
- stapler/stacker, front-foot cover 760
- stapler/stacker, left-upper cover 763
- stapler/stacker, rear cover 759
- stapler/stacker, rear-foot cover 760
- CPB (copy-process board) lights 583
- CPB (copy-processor board) about 208
- CPU, formatter 141
- creases, troubleshooting 578
- crooked pages
  - prevention, ADF 225
  - troubleshooting 578
- customer support
  - embedded Web server links 98
  - maintenance
    - agreements 1131
    - online 1129
- D**
  - dark image, troubleshooting 575
  - Data light
    - locating 14
  - date
    - codes for firmware 435
    - manufacture 433
    - product first used 599
  - date, set 135
  - date, setting 27
  - DC controller
    - fans 147
    - motors 147
    - PCA, connectors 604
    - PCA, remove 281
    - PCA, signals to and from 639
    - sensors 146
    - solenoids 144
    - switches 145
    - voltage detection 155
  - DC motors 147
  - DC voltages converted from AC 155
  - Declaration of Conformity 1141, 1142
  - default job options menu 20
  - default settings
    - Resets menu 59
  - defects, repeating 563
  - deskew, ADF 225
  - Device Behavior menu 42
  - diagnostics
    - component tests 592
    - engine 580
    - LED 580
    - mode 585
    - networks 34
    - page, printing 429
    - stapler/stacker and booklet maker 828
    - tests to perform 586
    - See also* tests; troubleshooting
  - digital sending
    - embedded Web server settings 97
    - Setup menu 41
    - validating gateway addresses 603
  - Digital Sending tab, embedded Web server 97

- DIMMs (dual inline memory modules)
  - installing 111
- Disk Erase feature 101
- diverter
  - removing and replacing 403
- DLC/LLC information 434
- DLC/LLC settings 33
- document feeder count
  - ADF pages 598
- document feeder interval 598
- document feeder kit, replacing 129
- doors, remove
  - booklet maker front door 758
  - booklet maker, top door 765
  - front door 310
  - front-lower door 344
  - right door 337
  - right-door assembly 327
  - stapler/stacker front door 758
  - stapler/stacker, top door 765
- double-sided printing. *See* duplexing unit
- drive-circuit
  - power-supply frequency range 153
- driver
  - paper-feeder PCA, remove 351
  - PCAs 604
- ducts
  - fan duct for cartridge, remove 303
  - fan duct for laser/scanner, remove 273
  - ITB duct, remove 336
- duplex printing accessory
  - locating 7
  - specifications, physical 1133
- duplexer
  - removing 304
- duplexing unit
  - ADF operation with 222
  - components 197
  - feed unit, remove 329
  - jams detected 200
  - motors 147
  - reverse unit, remove 323
- See also* pickup, feed, and delivery
- duty cycle 4
- E**
- e-mail
  - troubleshooting 603
- Easy Printer Care 92
- EIO cards
  - buffer overflow 459
  - errors 496
  - installing 115
  - troubleshooting 579
- electrical specifications 1135
- embedded protocol page 434
- embedded Web server
  - assigning a password 100
  - Digital Sending tab 97
  - features 95
- energy specifications 1135
- engine
  - diagnostics 580
  - diagnostics mode 585
  - test page 583
- engine-control system
  - components 143
- envelope feeder
  - specifications, physical 1133
- envelopes
  - jams 561
  - loading in tray 1 69
- environment
  - sensor, remove 283
- environment, specifications 1137
- Environmental Product Stewardship Program 1143
- Equitrac devices 100
- erasing hard disk 101
- Error button, control panel touchscreen 16
- error messages
  - control panel, listed alphabetically 440
  - control panel, listed numerically 440
  - event log, listed numerically 512
  - respond to 568
  - types of 439
  - See also* troubleshooting
- ESD (electrostatic discharge) 228
- Ethernet cards 5
- European Union, waste disposal 1145
- event log
  - clear 511, 598
  - information 435
  - messages, listed numerically 512
  - view or print 511
- EWS
  - features 95
- exhaust fans 149
- Explorer, versions supported
  - embedded Web server 95
- extended warranty 1131
- e-mail
  - embedded Web server settings 97
  - validating gateway addresses 603
- E-mail Setup menu 41
- F**
- faded print 575
- failure detection
  - drive-circuit 153
  - fuser 153
  - lasers and scanners 159
  - motors 147
  - relays, fuser 154
  - See also* jams
- fans
  - cartridge, remove 289
  - DC controller 147
  - exhaust 149
  - intake 149
  - laser/scanner unit, remove 290
  - laser/scanner, remove 290
  - product base 611
  - scanner 208
  - VOC, remove 322
- fax accessory
  - printing schedule 28
  - resets caused by NVRAM initialization 600
  - troubleshooting 602

- Fax Activity Log
  - clearing 59
- fax reports, printing 18, 91
- Fax Setup menu 38
- features 2, 4
- feed, paper. *See* pickup, feed, and delivery
- file directory, printing 91
- Finnish laser safety statement 1149
- firmware
  - date codes 435
  - version information 433
- firmware, upgrading 131
- float assembly
  - removing and replacing 407
- flowcharts
  - troubleshooting 426
- folding
  - adjust position, booklet maker 859
- folding, booklet maker
  - in stacker unit 716
- fonts
  - included 4
  - list, printing 19, 91
- Foreign Interface Harness (FIH) 9, 100
- formatter
  - case, remove 279
  - lights 580
  - operations 140
  - remove and replace 245
  - resets after replacing 598
- formatter cover, locating 7
- fraud hotline 103
- front end cover (cap)
  - removing and replacing 412
- FRUs (field-replaceable units). *See* remove or replace parts
- fuser
  - cleaning 430, 567
  - components 150
  - control circuit function 149
  - failure detection 153
  - fan, remove 286
  - identification 153
  - life remaining detection 154
  - motor, remove 269

- power-supply unit,
  - remove 291
- remove and replace 233
- temperature control 151
- See also* fusing and delivery unit
- fusing and delivery unit
  - operations 195
- See also* fuser; pickup, feed, and delivery

## G

- gateways
  - validating addresses 603
- glass
  - clean 125
- graphical display, control panel 14

## H

- hard disk
  - erasing 101
- heartbeat LED 581
- heat control for fuser 151
- heaters, fuser 150
- Help button, control panel touchscreen 16
- help, control panel 16
- high-voltage power supply
  - bias generation 156
  - circuits 156
  - operations 155
  - PCA (A), remove 264
  - PCA (B), remove 277
  - See also* power supply
- hinge assemblies
  - removing and replacing 406
- Home button, control panel touchscreen 16
- Home screen, control panel 15
- HP Customer Care 1129
- HP Easy Printer Care
  - opening 92
  - options 92
  - using 92
- HP fraud hotline 103
- HP Jetdirect print server
  - configuration page 433
  - firmware updates 134
  - installing 115
  - lights 580

- models including 2
- settings 31
- settings reset by NVRAM
  - initialization 600
- troubleshooting 579
- HP Jetdirect print servers
  - installing 115
- HP Web Jetadmin
  - firmware updates 133
- humidity requirements 1137

## I

- I/O configuration
  - settings 31
- identification
  - fuser 153
- image drums
  - replace 108
- image-data path, scanner 209
- imaging drums
  - diagnostic test 587
  - motor, remove 284
- Information menu 18
- information pages 90
- Information tab, embedded Web server 96
- Initial Setup menu 31
- initializing
  - NVRAM 600
- input tray
  - removing and replacing 419
- input tray, 1 x 500
  - connectors 609
  - main parts diagram and list 630
  - motors 619
  - remove 337
  - sensors 615
  - solenoids 621
  - switches 623
- input tray, 3 x 500
  - connectors 610
  - main parts diagram and list 631
  - motors 619
  - remove 352
  - sensors 615
  - solenoids 621
  - switches 623
- input tray, ADF 221



- input trays optional
    - optional, operations 201
  - installation
    - date calculation 599
    - screws 228
    - verify for optional
      - accessories 431
    - See *also* remove or replace parts
  - installing
    - EIO cards 115
  - intake fans 149
  - interface ports
    - included 5
    - locating 9
  - intermediate transfer belt . See ITB
  - Internet Explorer, versions
    - supported
      - embedded Web server 95
  - IPTU (intermediate paper-transfer unit)
    - connectors 611
    - main parts diagram and list 632
    - motors 620
    - sensors 616
  - IPX/SPX information 433, 434
  - IPX/SPX setting 33
  - ITB (intermediate transfer belt)
    - caution when handling 239
    - duct, remove 336
    - motor, remove 270
    - remove and replace 238
- J**
- jam cover
    - removing and replacing 404
  - jam-access lever, locating 7
  - jams
    - ADF 552
    - booklet maker 551, 724
    - causes and solutions by area 521
    - clearing for each area 520
    - common causes of 519
    - detection sensors 199
    - diagnostic test for 589
    - duplexer 532
    - envelopes 561
    - IPTU 547
    - locations 520
  - recovery of pages 557
  - sensors for each area 521
  - sorter 549
  - stacker unit 724
  - stapler/stacker 692
  - types detected 199
  - Japanese VCCI statement 1148
  - Jetadmin
    - firmware updates 133
  - Jetadmin, HP Web 99
  - Jetdirect print server
    - firmware updates 134
    - installing 115
    - models including 2
    - settings 31
  - job storage
    - settings 29
- K**
- keys, control panel
    - locating 14
    - touchscreen 16
  - Korean EMI statement 1148
- L**
- LAN-connector 5
  - languages, printer 4
  - laser failure 159
  - laser safety statements 1148, 1149
  - laser/scanner system
    - assembly for cyan and black, remove 319
    - assembly for yellow and magenta, remove 316
    - fan duct, remove 273
    - operations 158
  - LDAP servers
    - embedded Web server settings 97
    - validating gateway addresses 603
  - LEDs. See lights
  - letter designations, manual sensor test 828
  - letterhead
    - load 74
  - light print, troubleshooting 575
  - lights
    - control panel 14
    - CPB 583
    - formatter 580
    - HP Jetdirect print server 580
    - SCB 581
    - troubleshooting with 580, 830
  - lines, troubleshooting 576
  - link speed settings 36
  - load media
    - configuring 69
  - loading
    - tray 1 69
    - trays 2, 3, 4 70
  - localization settings
    - reset by NVRAM initialization 600
  - locking
    - control panel menus 102
  - log of events
    - clear 511
    - messages, listed numerically 512
    - view or print 511
  - loop control 195
  - loose toner, troubleshooting 577
  - low-voltage power supply
    - converted DC voltages 155
    - operations 154
    - protection for
      - components 155
      - remove 263
      - safety provided by 155
    - See *also* power supply
- M**
- Macintosh
    - AppleTalk settings 33
    - support 1129
  - mailbox, 3-bin
    - capacity 5
    - selecting 82
    - specifications, physical 1133
  - main assemblies, diagrams and lists 625
  - main parts diagram and list 628
  - maintenance agreements 1131
  - manage
    - EPC 92
    - EWS 95
    - information pages 90
    - supplies 103



- Management menu 29
  - manual print modes 570
  - map of board
    - CCD board 216
    - SCB 215
  - Material Safety Data Sheet (MSDS) 1145
  - mechanism for booklet maker
    - folding overview 715
  - Media 61
  - media
    - loading tray 2 73
    - loading tray 2, 3, and 4 72
    - loading tray 2, 3, or 4 70
    - supported sizes 63
  - media sensor unit
    - calibration 600
  - memory
    - enabling 114
    - features 4
    - formatter 141
    - included 2
    - information 431
    - insufficient 459, 501
    - NVRAM initialization 600
  - Menu button 14
  - menu map
    - Information menu 18
    - printing 90
  - menus
    - reset by NVRAM
      - initialization 600
  - menus, control panel
    - Administration 17
    - E-mail Setup 41
    - Fax Setup 38
    - Information 18
    - Initial Setup 31
    - locking 102
    - Management 29
    - Resets 59
    - Send Setup 41
    - Service 60
    - Time/Scheduling 27
  - messages
    - control panel, listed
      - alphabetically 440
      - numerically 440
  - event log, listed
    - numerically 512
    - respond to 568
    - types of 439
  - microswitches
    - booklet maker 840
    - stapler/stacker 839
    - See also switches
  - model number 433
  - models 2
  - monthly duty cycle 4
  - motors
    - 1 x 500 input tray 619
    - 3 x 500 input tray 619
    - booklet maker 844
    - component test 829
    - DC controller 147
    - duplexing unit 197
    - failure detection 147
    - folding mechanism 715
    - IPTU 620
    - optional input trays 202
    - pickup, feed, and delivery 180
    - product base 617
    - stack job offset 680
    - stapler/stacker 673, 843
    - stapling 684
    - stepping 147
  - motors, remove. See remove or replace parts
  - movement of paper through product. See pickup, feed, and delivery
  - multifeed operation, ADF 223
  - multiple paper feed
    - prevention 187
  - multiple paper-pick prevention, ADF 224
  - multipurpose tray. See trays
- N**
- Netscape Navigator, versions supported
    - embedded Web server 95
  - Networking tab, embedded Web server 98
  - networks
    - AppleTalk settings 33
    - connectivity features 5
    - diagnostics 34
  - DLC/LLC settings 33
  - HP embedded Jetdirect
    - configuration page 433
  - HP Web Jetadmin 99
  - installing EIO cards 115
  - IPX/SPX settings 33
  - link speed settings 36
  - print servers included 2
  - protocol configuration page, printing 37
  - security 34
  - TCP/IP settings 31
  - troubleshooting
    - communications 579
    - troubleshooting printing 436, 437
    - validating gateway
      - addresses 603
  - noise in product, diagnose 829
  - noise specifications 1136
  - non-HP supplies 103
  - Novell/NetWare information 433, 434
  - NVRAM
    - operations 141
  - NVRAM (nonvolatile memory)
    - initialization 600
    - resets required after
      - initialization 600
- O**
- offset printing. See stack job offset
  - on/off switch, locating 7
  - online help, control panel 16
  - online support 1129
  - operating environment
    - specifications 1137
  - operating systems supported 11
  - operations
    - formatter 140
    - Resolution Enhancement
      - technology (REt) 140
    - Sleep mode 140
  - optical system, scanner 206
  - optional input trays and trays 201
  - optional output accessories 82
  - ordering
    - supplies and accessories 866
    - supplies through embedded Web server 98

- output bins
  - accessories 82
  - capacities 5
  - locating 7
  - selecting 82
  - standard 82
- output-accessory bridge. *See* IPTU
- overcurrent or overvoltage protection
  - booklet maker 726
  - stacker unit 726
  - stapler/stacker 693
- P**
- pages
  - blank 436
  - count and fuser life 154
  - not printing 436
  - printing slowly 436
  - reprint after jam 557
  - skewed 578
- pages count
  - from product ADF 598
  - from product copy 598
  - from product copy scan count 598
  - from product flatbed 598
  - from product refurbish date 598
  - from product send scan 598
  - reset 598
  - since last maintenance 435
  - See also* counts
- pages per minute 4
- paper
  - cassette presence detection 183
  - default size reset 600
  - last-paper, multipurpose tray 189
  - level detection 186
  - load 69
  - movement sensors 178, 199
  - movement through booklet maker 709
  - offset stacking 679
  - pick and separation, ADF 224
  - presence detection 186
  - selecting 81
  - size detection 183
  - source 80
  - stop in path for testing 596
  - supported sizes 63
  - type 66, 81
  - type and size 81
  - type detection 193
  - type, specify 566
  - types and feed speed control 193
  - wrinkled 578
- paper feeders
  - feed operations 190
  - multifeed prevention 187
  - skew feed prevention 192
  - speed control 193
  - troubleshooting 519
- paper jams. *See* jams
- paper path
  - booklet maker 702
  - diagnostic test 589
  - duplex scanning 223
  - sensors and event-log messages 512
  - sensors, stapler/stacker 673
  - stapler/stacker 675
  - stapling 685
  - stop movement for testing 596
- paper-path
  - test, sensors 587
- parallel port
  - locating 9
- parameters, EP, troubleshooting 429
- parts
  - main parts diagram and list 628
  - See also* components
- parts removal or replacement. *See* remove or replace parts
- parts repair. *See* repair parts
- PCAs (printed circuit assemblies)
  - booklet maker 694, 696, 848
  - DC controller, remove 281
  - high-voltage power supply, remove 264, 277
  - output bin, stapler/stacker 691
  - paper-feeder driver, remove 351
  - print-cartridge driver, remove 275
  - print-cartridge interface, remove 299, 300
  - stapler/stacker 672, 846
- PCAs (printed-circuit assemblies) connectors 604
  - main parts diagram and list 629
- PCAs, remove. *See* remove or replace parts
- physical specifications 1133
- pickup, feed and delivery
  - paper feed operations 190
- pickup, feed, and delivery
  - booklet maker 696, 709
  - components 178
  - feed speed control 193
  - multipurpose tray pickup 188
  - overview 178
  - pickup and feed unit operations 181
  - pickup motor, remove 350
  - pickup unit, remove 346
  - pickup units (middle, lower, upper cassette), remove 353
  - stapler/stacker 672
  - See also* fusing and delivery unit; duplexing unit
- pin numbers for connectors
  - CCD connectors 216
  - SCB connectors 215
- PJL (printer job language) 141
- PML (printer management language) 142
- port configuration information 433
- ports
  - included 5
  - locating 9
- power
  - specifications 1135
- power supply
  - booklet maker 725
  - during sleep states, scanner 211
  - frequency range for drive-circuit 153
  - fuser, remove 291
  - input range, scanner 210

- power-on troubleshooting 427
  - scanner 208
  - stapler/stacker 693
  - See *also* low-voltage power supply; high-voltage power supply
  - power switch, locating 7
  - power-save mode. See sleep settings
  - pre-printed paper
    - load 74
  - pre-punched paper
    - load 74
  - pre-troubleshooting checklist 423
  - pressure roller pressurization control 196
  - print cartridge
    - managing 103
  - print cartridges
    - diagnostic test 587
    - drive units, remove 293, 298
    - driver PCA, remove 275
    - fan unit, remove 289
    - feed motor for black, remove 287
    - feed motor for yellow, magenta, cyan, remove 288
    - interface PCAs, remove 299, 300
    - management menu 29
    - non-HP 103
    - ordering through embedded Web server 98
    - recycling 1143
    - replacing 105
    - storage 103
    - warranty 1126
  - print media
    - loading in tray 1 69
    - supported sizes 63
  - print paper
    - types 66
  - print quality
    - built-in troubleshooting pages 571
    - cleaning to improve 430
    - manual print modes 570
    - menu 49
    - optimization 565
    - troubleshooting 563
    - troubleshooting pages 429
  - Print Quality menu options 570
  - print server card
    - installing 115
  - printed circuit assemblies. See PCAs
  - printer job language (PJM) 141
  - printer languages 4
  - printer management language (PML) 142
  - printing
    - duplex with ADF 222
    - modes, manual 570
    - output bin, selecting 82
    - simplex with ADF 221
    - speed specifications 4
    - stop for testing 596
    - troubleshooting 436
  - printing from tray 2, 3, or 4 70
  - printing, both sides. See duplexing unit
  - priority onsite service 1131
  - problem-solving
    - Error button, control panel touchscreen 16
    - networks 34
  - processor specifications 141
  - processor speed 4
  - product info 1
  - product status
    - HP Easy Printer Care 92
  - protocol configuration page, printing 37
- Q**
- quality. See print quality
- R**
- Ready light
    - locating 14
  - real-time clock 135
  - rear end cover (cap)
    - removing and replacing 414
  - recycling
    - HP printing supplies returns and environmental program 1144
  - regulatory statements
    - Declaration of
      - Conformity 1141, 1142
      - environmental product stewardship program 1143
  - relays, fuser
    - failure detection 154
  - remote firmware update (RFU) 131
  - remove or replace parts
    - 1x500-sheet input tray 337
    - 3x500-sheet input tray 352
    - about 228
    - after-service checklist 230
    - auto-close unit 349
    - before-service checklist 230
    - box 345
    - cartridge fan duct 303
    - cartridge fan unit 289
    - cautions for handling 228
    - color-misregistration and image-density sensor unit 312
    - DC controller PCA 281
    - duplexing feed unit 329
    - environmental sensor 283
    - face-down cover 326
    - face-down delivery unit 324
    - formatter 245
    - formatter case 279
    - front door 310
    - front-lower cover 335
    - front-lower door 344
    - front-right cover 340
    - FRUs 228
    - fuser 233
    - fuser fan 286
    - fuser motor 269
    - fuser power-supply unit 291
    - high-voltage power supply PCA (A) 264
    - high-voltage power supply PCA (B) 277
    - image drum motor 284
    - ITB 238
    - ITB duct 336
    - ITB motor 270
    - laser/scanner assembly, cyan and black 319
    - laser/scanner assembly, yellow and magenta 316

laser/scanner fan duct 273  
 laser/scanner fan unit 290  
 lifter-drive unit 266  
 low-voltage power supply 263  
 lower-left cover 343  
 lower-rear cover 339  
 main drive unit 301  
 multipurpose drive unit 254  
 paper-feeder driver PCA 351  
 pickup motor 350  
 pickup unit 346  
 pickup units (middle, lower, and upper cassette) 353  
 pressure-release sensor unit 313  
 primary transfer-roller disengagement motor 292  
 print-cartridge drive unit, cyan and black 298  
 print-cartridge drive unit, yellow and magenta 293  
 print-cartridge driver PCA 275  
 print-cartridge feed motor for black 287  
 print-cartridge feed motor for yellow, magenta, cyan 288  
 print-cartridge interface PCA, cyan and black 299  
 print-cartridge interface PCA, yellow and magenta 300  
 remove 323  
 replacements not covered 230  
 right cover 341  
 right door 337  
 right-door assembly 327  
 scanner cover 315  
 screws 228  
 secondary transfer unit 249  
 service approach 230  
 thermopile unit 334  
 tools, required 229  
 transfer roller 236  
 Tray 1 guide unit 258  
 Tray 1 pickup roller 241  
 Tray 1 pickup unit 331  
 Tray 2 248  
 Tray 2 guide unit 259  
 Trays 2, 3, 4, and 5 pickup roller 243  
 Trays 3, 4, and 5 248  
 VOC fan 322  
 See also installation  
 remove or replace parts, booklet maker  
   booklet maker 754  
   booklet-delivery output bin 803  
   buffer rollers 802  
   document feed system 792  
   entrance lower-guide assembly 757  
   entrance upper guide unit 812  
   front door 758  
   front inside-lower cover 762  
   front inside-upper cover 761  
   front-foot cover 760  
   grate-shaped lower guide 770  
   grate-shaped upper guide 767  
   inlet feed unit 818  
   left-upper cover 763  
   operation-tray assembly 792  
   output bins 797  
   paper-folding roller 821  
   PCA cover 771  
   positioning plate unit 789  
   pressure roller unit 807  
   rear cover 759  
   rear-foot cover 760  
   return roller unit 805  
   saddle unit 784  
   saddle-stapler assembly 788  
   saddle-stitcher controller PCA 827  
   stapler 772  
   stapler assembly 774  
   swing unit 777  
   top door 765  
   upper crossmember unit 781  
   upper-delivery guide 814  
 remove or replace parts, IPTU driver PCA 752  
   finisher lock-assembly 748  
   left belt-drive unit 746  
   paper-feed motor 1 750  
   paper-feed motor 2 751  
   right belt-drive unit 743  
 remove or replace parts, stapler/stacker  
   buffer rollers 802  
   document feed system 792  
   entrance lower-guide assembly 757  
   entrance upper guide unit 812  
   front door 758  
   front inside-lower cover 762  
   front inside-upper cover 761  
   front-foot cover 760  
   grate-shaped lower guide 770  
   grate-shaped upper guide 767  
   inlet feed unit 815  
   left-upper cover 763  
   operation-tray assembly 792  
   output bins 797  
   PCA cover 771  
   pressure roller unit 807  
   rear cover 759  
   rear-foot cover 760  
   return roller unit 805  
   stacker controller PCA 826  
   stapler 772  
   stapler assembly 774  
   stapler/stacker 754  
   swing unit 777  
   top door 765  
   upper crossmember unit 781  
   upper output bin 801  
 removing parts  
   duplexer assembly 304  
 repair parts  
   cautions for handling 228  
   repairs not supported 228, 230  
   service approach 230  
 repeating defects, troubleshooting 563  
 replace  
   image drums 108  
   memory 111  
   supplies 104  
 replacing parts  
   duplexer assembly 304  
 reset button 14  
 Resets menu, control panel 59  
 resolution  
   operations 140  
   specifications 4  
   troubleshooting quality 563  
 Resolution Enhancement technology (REt) 140

- reverse and feed control, duplexer 198
- rollers
  - booklet maker, remove 802
  - clean ADF 127
  - crescent rollers, booklet maker 713
  - paper-folding in booklet maker, caution when reinstalling 825
  - paper-folding in booklet maker, remove 821
  - stapler/stacker, remove 802
  - stapling 685
  - transfer, remove and replace 236
  - Tray 1 pickup, replace 241
  - Trays 2, 3, 4 and 5, pickup rollers, replace 243
- ruler, repetitive defect 563
- S**
- safety features
  - when front door is open 155
- safety statements 1148, 1149
- scanner
  - connectors, CCD board 216
  - connectors, SCB 215
  - control boards 208
  - cooling system 208
  - cover, remove 315
  - image-data path 209
  - lights on SCB 581
  - main parts diagram and list 632
  - operation flow diagrams 217
  - operations 206
  - optical system 206
  - power states 211
  - power supply 208, 210
  - removing and replacing 358
  - sensors 212
  - tests 597
  - troubleshooting 601
- scanner calibration 53, 130
- scanner glass
  - clean 125
- scanner motor failure 159
- scanner settings 599
- scanning
  - speed specifications 4
- scanning to e-mail
  - embedded Web server settings 97
- SCB (scanner-control board)
  - about 208
  - connectors 215
  - lights 581
- screwdrivers, required 229
- screws
  - caution for installing 229
  - installing 228
  - types of 229
- secondary transfer unit
  - remove 249
- Secure Disk Erase 101
- security
  - EWS 100
  - Foreign Interface Harness (FIH) 100
  - locking control panel menus 102
  - secure disk erase 101
  - settings 34
- security features 6
- security settings information 433
- Send Setup menu 41
- sending to e-mail
  - embedded Web server settings 97
- sensors
  - 1 x 500 input tray 615
  - 3 x 500 input tray 615
  - ADF 212, 633
  - and paper sizes, booklet maker 706
  - booklet maker 837
  - DC controller 146
  - diagnostic tests 587
  - duplexing unit 197
  - folding mechanism 715
  - IPTU 616
  - jam 692
  - jam, by area 521
  - optional input trays 203
  - output bin, stapler/stacker 691
  - paper-path sensors and event-log messages 512
  - pickup, feed, and delivery 178
- product base 612
- scanner 212
- scanner, testing 597
- stack job offset 680
- stacker control system, booklet maker 697
- stapler/stacker 673, 835
- stapling 684, 685
- tests, manual 590, 828
- sensors, remove. *See* remove or replace parts
- separation floor assembly
  - removing and replacing 401
- separation of paper. *See* stack job offset
- sequences
  - ADF duplex printing operation 222
  - ADF simplex-printing operation 221
  - See also* remove parts sequence information
- serial number
  - locate 9
- service
  - agreements 1131
- service approach 230
- Service ID
  - convert to date 599
  - restore 599
- Service menu options 598
- Service menu, control panel 60
- Settings tab, embedded Web server 96
- shutter, stapler/stacker 691
- signals for scanner images 209
- signals to and from DC controller PCA 639
- skew-feed prevention 192
- skewed pages
  - prevention, ADF 225
- Sleep button 14
- Sleep mode
  - settings 27, 29
- sleep settings
  - operations 140
  - power specifications 1135
  - scanner 211
  - voltage for 155
  - voltage too high during 155

- smear toner, troubleshooting 578
- SMTP servers
  - validating gateway addresses 603
- software
  - HP Easy Printer Care 92
  - supported operating systems 11
- solenoids
  - 1 x 500 input tray 621
  - 3 x 500 input tray 621
  - and paper sizes, booklet maker 707
  - booklet maker 842
  - component test 829
  - DC controller 144
  - duplexing unit 197
  - optional input trays 203
  - pickup, feed, and delivery 180
  - product base 620
  - stapler/stacker 841
- space requirements 1133
- special media
  - guidelines 68
- special paper
  - guidelines 68
- specifications
  - acoustic 1136
  - electrical 1135
  - features 4
  - operating environment 1137
  - physical 1133
- speed control, paper feed 193
- speed dial list, printing 91
- speed specifications 4
- stack job offset, components and operation 679
- stacker unit, booklet maker
  - feed drive system 696
  - folding of stack 716
  - movement of stack 716
  - operation 694
  - over-current protection 726
  - PCAs 694
  - power supply 725
  - staple operation 721
- standard output bin
  - capacity 5
- locating 7
  - selecting 82
- stapler
  - booklet maker 722
  - jams, clearing 553
  - See also* stitcher unit; stapler/stacker
- stapler options
  - stapler/stacker 83
- stapler stacker
  - solenoids 841
- stapler/stacker
  - adjustments after component replacements 857
  - capacity 5
  - circuit diagrams 852
  - clutches 845
  - components 671
  - configuring 86
  - control system 673
  - cross section diagram 832
  - feed drive system 672
  - microswitches 839
  - motors 843
  - operation, basic 671
  - output bin operation 689
  - output bins 673
  - over-current protection 693
  - paper delivery path 675
  - paper path for stapling 685
  - PCAs 672, 846
  - power supply 693
  - selecting 82
  - sensors 835
  - shift process, stapler 686
  - shutter operation 691
  - specifications, physical 1133
  - stack job offset 679
  - stacker operation 689
  - staple operation 683
  - staple unit operation 686
  - stapler, alignment 857
  - troubleshooting 828
- stapler/stacker, remove or replace parts. *See* remove or replace parts, stapler/stacker
- staples
  - loading 117, 119
- Start button 14
- Start button, control panel
  - touchscreen 16
- static, precautions for 228
- status
  - embedded Web server 96
  - Home screen, control panel 15
  - HP Easy Printer Care 92
- Status button 14
- stepping motors 147
- stitcher unit
  - adjust 862
- stitcher unit, booklet maker 722
- Stop button 14
- Stop button, control panel
  - touchscreen 16
- stop printing for test 596
- storage cabinet
  - specifications, physical 1133
- storage, job
  - settings 29
- storing
  - print cartridges 103
- streaks, troubleshooting 576
- subvoltage
  - low-voltage power supply circuit 155
- supplies
  - counterfeit 103
  - locating 104
  - management menu 29
  - non-HP 103
  - ordering 866
  - ordering through embedded Web server 98
  - recycling 1143
  - replace 104
  - replacement intervals 105
  - replacing 104
  - Resets menu 59
  - status page, printing 90
  - status, viewing with embedded Web server 96
  - supplies 103
- supplies, status
  - HP Easy Printer Care 92
- support
  - embedded Web server links 98

- maintenance
  - agreements 1131
  - online 1129
- supported media 63
- switch boxes 579
- switches
  - 1 x 500 input tray 623
  - 3 x 500 input tray 623
  - DC controller 145
  - optional input trays 203
  - paper-size detection
    - states 184
  - pickup, feed, and delivery 178
  - product base 622
  - saddle-stitcher controller
    - PCA 850
  - stacker controller PCA 850
  - See *also* microswitches
- system requirements
  - embedded Web server 95

## T

- Taiwan EMI statement 1149
- TCP/IP information 433
- TCP/IP settings 31
- technical support
  - maintenance
    - agreements 1131
    - online 1129
- temperature
  - thresholds for fuser
    - components 152, 153
- temperature requirements 1137
- tests
  - component 592, 829
  - component tests list and
    - descriptions 595
  - diagnostic, running 586
  - disable cartridge check 587
  - engine 583
  - instructions, belt-only
    - test 592
  - instructions, CMYK-laser
    - test 593
  - instructions, color-band
    - test 597
  - instructions, color-alientation
    - motor test 593
  - instructions, duplexer refeed-
    - motor test 594

- instructions, duplexer reverse-
  - motor test 594
- instructions, fuser pressure-
  - release motor test 593
- instructions, fuser-motor
  - test 593
- instructions, image-drum motors
  - test 592
- instructions, ITB-contact/
  - alientation test 593
- instructions, paper-transport
  - motor test 594
- instructions, scanner test 597
- instructions, transfer-motors
  - test 592
- instructions, Tray-1 pickup-
  - solenoid test 594
- instructions, Tray-2 pickup-
  - motor test 594
- manual sensor 590, 828
- N-media sensor, values 588
- networks 34
- paper path 589
- paper-path sensors 587
- print/stop 596
- See *also* diagnostics
- text, troubleshooting 578
- thermistors, fuser 150
- thermopiles
  - remove 334
- thermopiles, fuser 150
- thermoswitches, fuser 151
- thresholds
  - power-supply frequency, drive-
    - circuit 153
  - temperature, fuser
    - components 152, 153
- time, set 135
- time, setting 27
- Time/Scheduling menu, control
  - panel 27
- timeout settings 31
- timing chart 634
- toner
  - loose, troubleshooting 577
  - smearred, troubleshooting 578
- toner cartridges. See print
  - cartridges
- tools required to remove
  - parts 229

- top cover
  - locating 7
- touchscreen, clean 125
- Tray 1
  - guide unit, remove 258
  - pickup roller, replace 241
  - pickup unit, remove 331
- tray 1
  - locating 7
- Tray 2
  - guide unit, remove 259
  - pickup roller, replace 243
  - remove and replace 248
- tray 2, 3, 4, 5
  - load 70
- Tray 3
  - pickup roller, replace 243
  - remove and replace 248
- Tray 4
  - pickup roller, replace 243
  - remove and replace 248
- Tray 5
  - pickup roller, replace 243
  - remove and replace 248
- trays
  - automatic media sensing 79
  - configure 79
  - included 2
  - load 69
  - multipurpose, last-paper
    - detection 189
  - multipurpose, pickup
    - operation 188
  - select paper 80
  - specifications, physical 1133
  - See *also* cassette, paper
- trays, status
  - HP Easy Printer Care 92
- triac-drive circuit
  - deactivation 152
- troubleshooting
  - blank pages 436
  - checklist 423, 424
  - color 429
  - communications 579
  - configuration pages for 431
  - control-panel messages,
    - alphabetical list 440
  - control-panel messages,
    - numerical list 440



- diagnostic tests for 586
- duplexing 562
- EIO cards 579
- EP parameters 429
- event log, use for 511
- event-log messages, numerical list 512
- fax accessory 602
- flowchart 426
- gateway addresses 603
- jams 519
- lights for 830
- lights, using 580
- lines, printed pages 576
- loose toner 577
- menu 53
- messages, alphabetical list of 440
- network connectivity 436
- network printing 437
- overhead transparencies 565
- pages not printing 436
- pages printing slowly 436
- power 427
- print quality issues 563
- process 423
- repeating defects 563
- scanner problems 601
- scanner test 597
- service approach 230
- skewed pages 578
- stapler/stacker and booklet maker 828
- text 578
- toner smear 578
- transparencies 560
- USB cable 436, 437
- wrinkles 578
- See *also* diagnostics; error messages
- Troubleshooting menu options 584
- TrueType fonts included 4
- two-sided printing. See duplexing unit
- typefaces
  - included 4

## U

- upgrading firmware 131

- usage page, printing 90
- USB port, troubleshooting 436, 437

## V

- validating gateway
  - addresses 603
- version, hardware firmware 433
- vertical lines,
  - troubleshooting 576
- voltage detection
  - DC controller 155
- voltage specifications 1135

## W

- wake time, setting 27
- Warning button, control panel touchscreen 16
- warning messages 439
- warranty
  - Customer self repair 1128
  - extended 1131
  - print cartridges 1126
  - product 1124
- warranty date information 599
- Web browser requirements
  - embedded Web server 95
- Web Jetadmin
  - firmware updates 133
- Web sites
  - customer support 1129
  - fraud reports 103
  - HP Web Jetadmin,
    - downloading 99
  - Macintosh customer support 1129
  - Material Safety Data Sheet (MSDS) 1145
  - ordering supplies 866
- white backing
  - removing and replacing 410
- Windows
  - supported operating systems 11
- wrinkles, troubleshooting 578

## X

- Xe-lamp, scanner 208





© 2008 Hewlett-Packard Development Company, L.P.

[www.hp.com](http://www.hp.com)



Q3938-90953