

hp LaserJet 9055 mfp
hp LaserJet 9065 mfp



i n v e n t



parts manual

hp LaserJet 9055mfp/9065mfp

parts manual

Copyright Information

© 2003 Copyright Hewlett-Packard Development Company, L.P.

Reproduction, adaptation or translation without prior written permission is prohibited, except as allowed under the copyright laws.

The information contained herein is subject to change without notice.

The only warranties for HP products and services are set forth in the express warranty statements accompanying such products and services. Nothing herein should be construed as constituting an additional warranty. HP shall not be liable for technical or editorial errors or omissions contained herein.

Part number: Q3631-90910
Edition 1, 11/2003

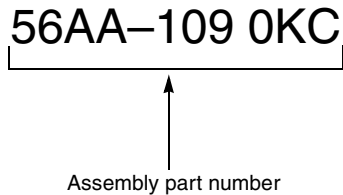
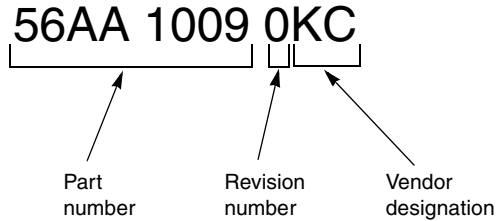
Trademark Credits

Microsoft®, Windows®, and Windows NT® are U.S. registered trademarks of Microsoft Corporation.

All other products mentioned herein may be trademarks of their respective companies.

How to use this manual

Part number format



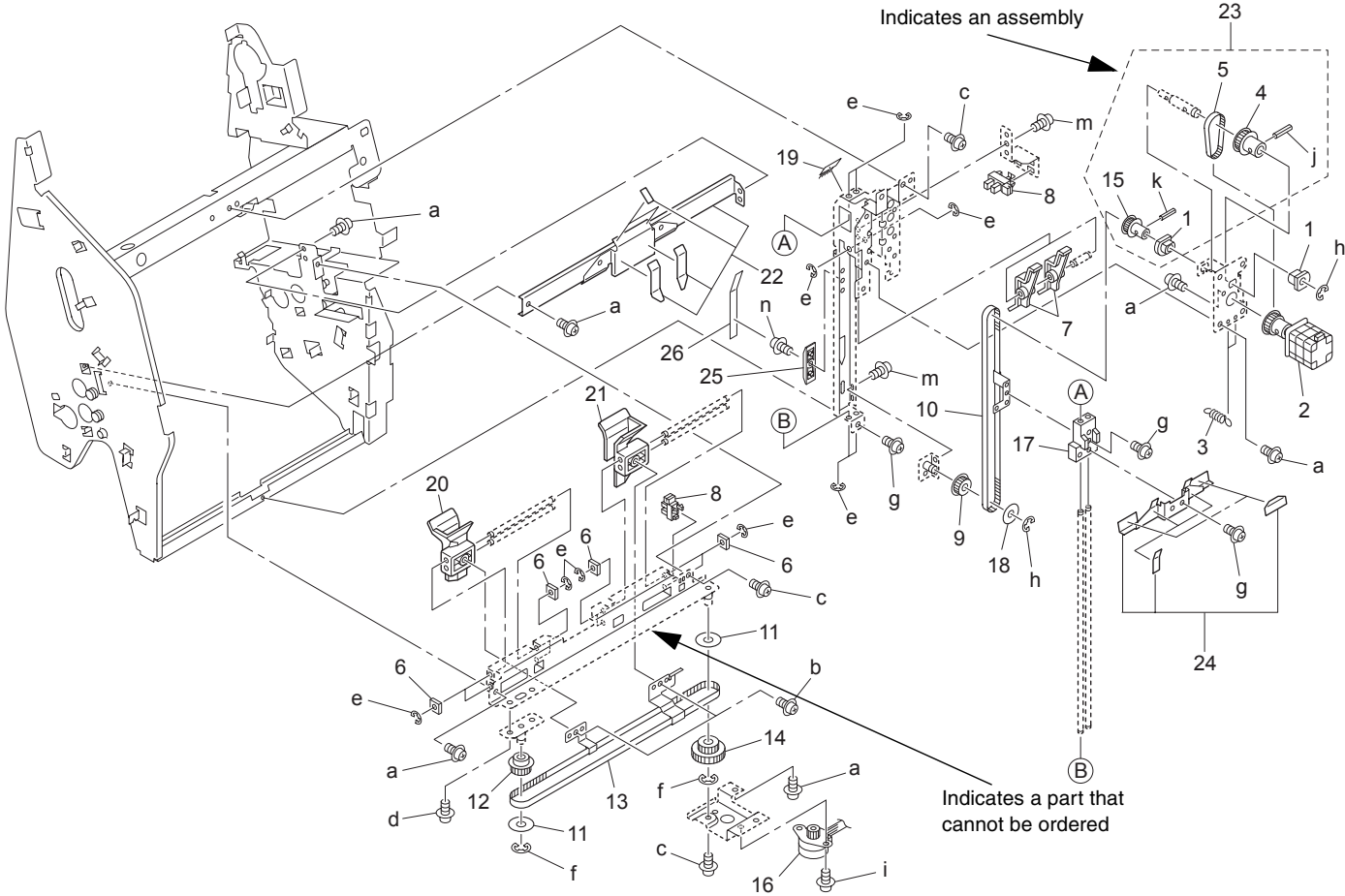
To maintain the safe operation of the MFP, some parts are set up as “essential safety parts.” The part numbers for these essential safety parts are indicated as SP00-####KC. When replacing these parts, follow the precautions specified in the appropriate Disassembly/ Assembly chapter in the *HP LaserJet 9055mfp/9065mfp Service Manual*.

The revision control digit might be different when placing a parts order.

The following is an example of the part number format for standard parts, such as screws and springs:
00Z163081KC

The following are examples of the part number format for HP parts:
Q3639-67901 HP new assembly
Q3639-69101 HP exchange assembly

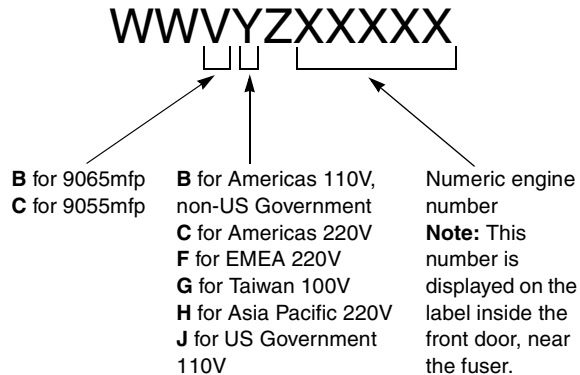
Line indicators



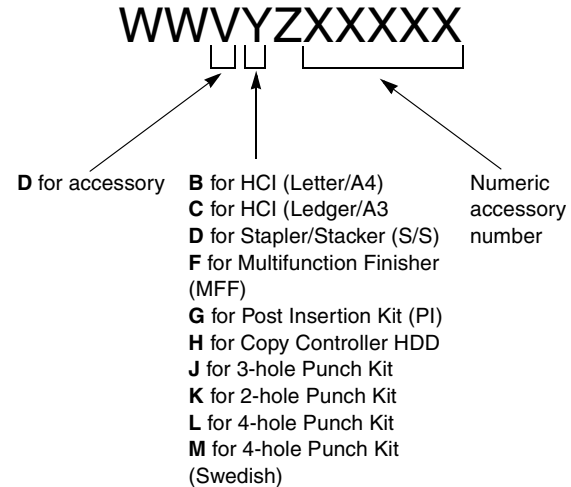
Exclusive parts (♣)

There are several parts in the MFP that are region-specific (for example, labels), voltage-specific (for example, lamps), or model-specific (for example, ADU control PCA). These parts are referred to as EXCLUSIVE PARTS (♣) on the diagrams in this manual. The following information will help you determine which exclusive part you need.

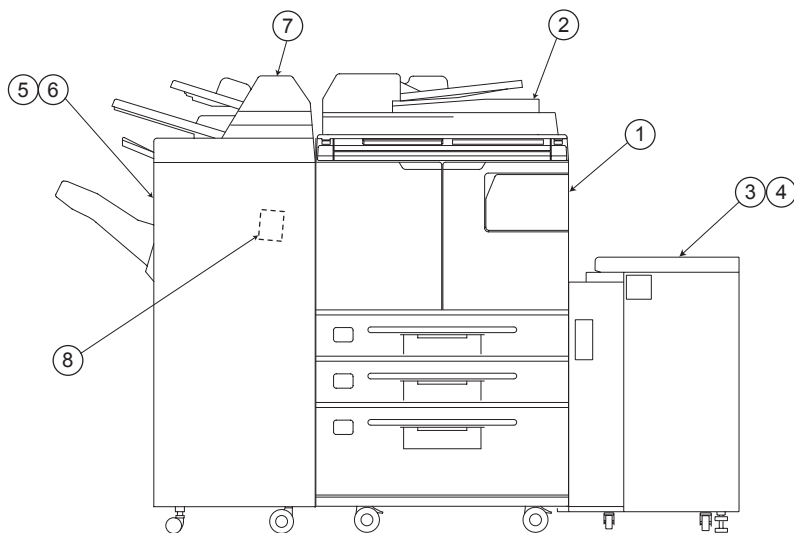
MFP serial number format



Accessory serial number format



General contents

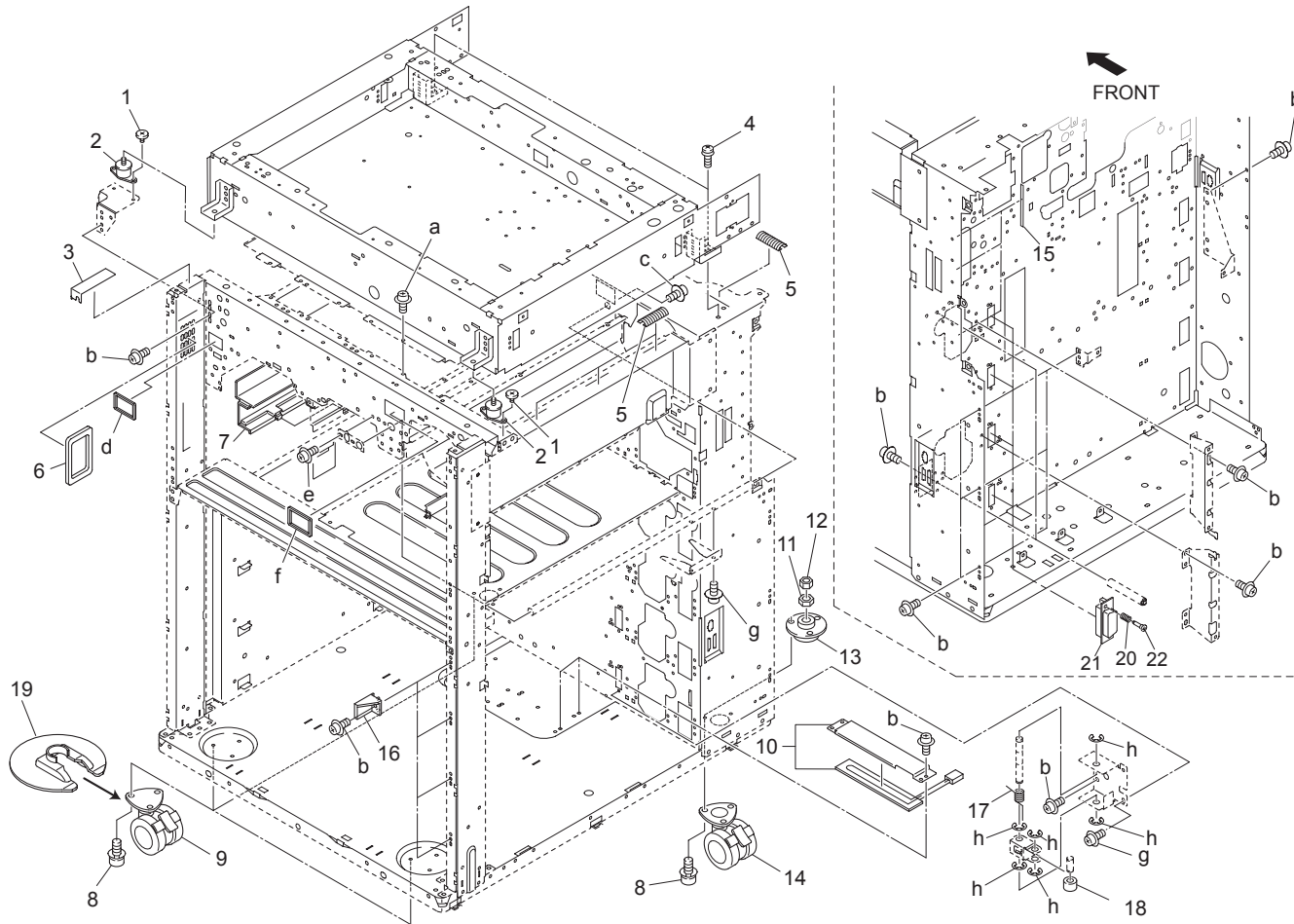


Number	Description	Model
1	Main machine	hp LaserJet 9055mfp/9065mfp
2	ADF	Automatic Document Feeder
3	HCI	4000-sheet High Capacity Input (A4/Letter)
4	HCI	4000-sheet High Capacity Input (A3/Ledger)
5	Finisher	3000-sheet Stapler/Stacker
6	Finisher	2500-sheet Multifunction Finisher
7	Cover feeder	Post Insertion Kit
8	Punch kit	2-hole Punch Kit, 3-hole Punch Kit, 4-hole Punch Kit
9	Tools	Maintenance Tools

1 hp LaserJet 9055mfp/9065mfp

Main frame	2	Fixing unit (fuser) (5)	60	Electric parts (3)	118
External parts (1)	4	Fixing unit (fuser) (6)	62	Wiring (1)	120
External parts (2)	6	Fixing unit (fuser) (7)	64	Wiring (2)	122
External parts (3)	8	Paper feed unit (1)	66	Wiring (3)	124
Operation unit (control panel) (1)	10	Paper feed unit (2)	68	Wiring (4)	126
Operation unit (control panel) (2)	12	Paper feed unit (3)	70	Wiring (5)	128
Optics unit (1)	14	Vertical conveyance unit (1)	72	Wiring (6)	130
Optics unit (2)	16	Vertical conveyance unit (2)	74	Wiring (7)	132
Optics unit (3)	18	Tray 1 (Bypass Tray) (1)	76		
Optics unit (4)	20	Tray 1 (Bypass Tray) (2)	78		
Optics unit (5)	22	Tray 1 (Bypass Tray) (3)	80		
Driving section (1)	24	500-sheet tray (1)	82		
Driving section (2)	26	500-sheet tray (2)	84		
Driving section (3)	28	1500-sheet tray (1)	86		
Drum cartridge (1)	30	1500-sheet tray (2)	88		
Drum cartridge (2)	32	1500-sheet tray (3)	90		
Drum cartridge (3)	34	ADU (1)	92		
Drum cartridge (4)	36	ADU (2)	94		
Transfer separator corona unit	38	ADU (3)	96		
Charging unit	40	ADU (4)	98		
Developing unit	42	ADU (5)	100		
Toner supply unit (1)	44	ADU (6)	102		
Toner supply unit (2)	46	ADU (7)	104		
Toner supply unit (3)	48	ADU (8)	106		
Registration unit	50	Conveyance unit (1)	108		
Fixing unit (fuser) (1)	52	Conveyance unit (2)	110		
Fixing unit (fuser) (2)	54	Paper exit unit	112		
Fixing unit (fuser) (3)	56	Electric parts (1)	114		
Fixing unit (fuser) (4)	58	Electric parts (2)	116		

Main frame



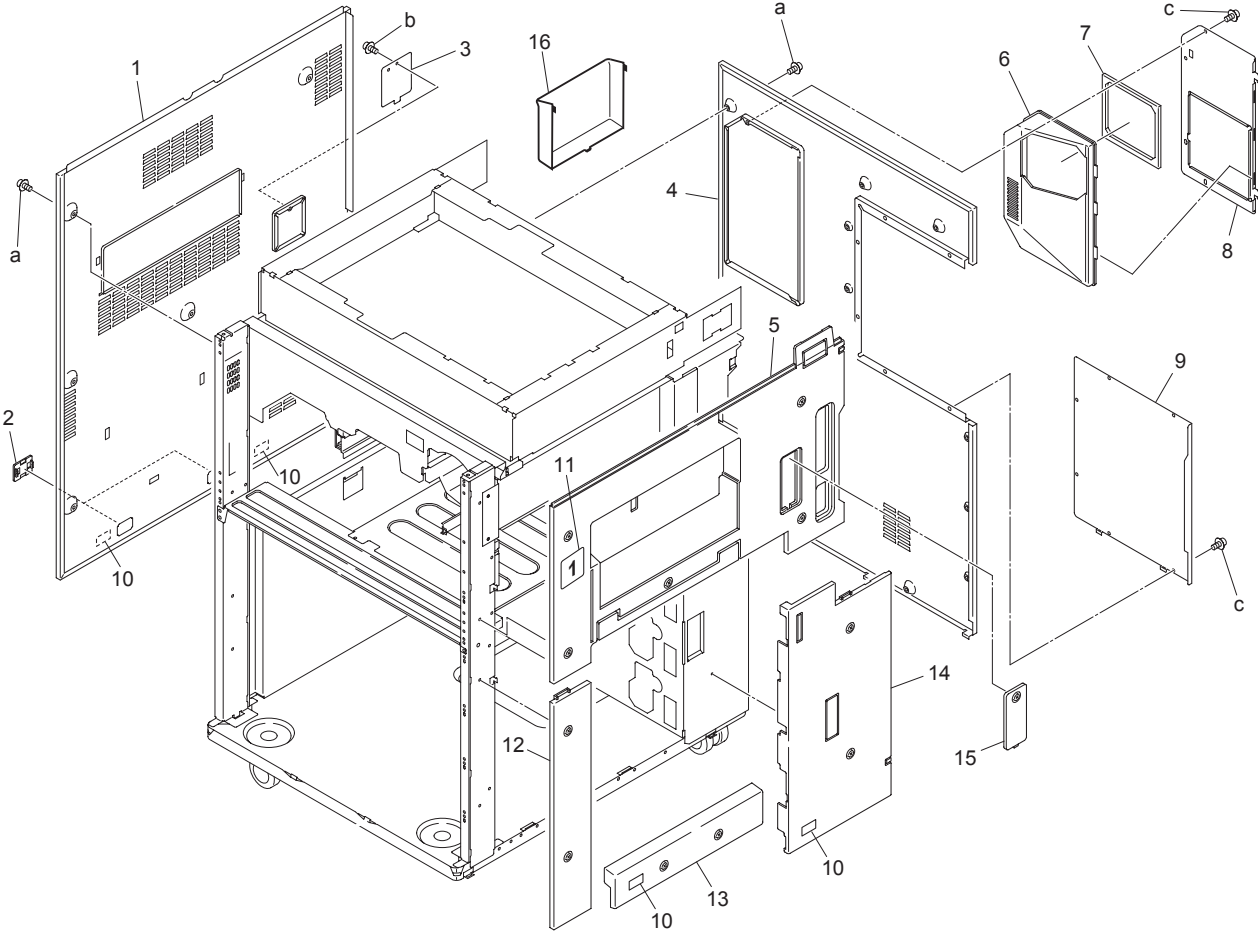
2 Main frame

Main frame

Key no.	Part number	Description
1	3080 6136 0KC	Screw
2	25SA 1020 0KC	Read Support Rubber
3	56AA 1056 0KC	Cooling Seal /2
4	0900 2041 0KC	Spring Hanger Screw
5	56AA -149 0KC	Earth Spring Assembly
6	56AA 1055 0KC	Cooling Seal /1
7	56AA 1008 0KC	Cleaner Cooling Duct
8	25SA 1043 1KC	Locking Screw
9	55WA 1030 0KC	Main Body Support Roller/X
10	56AA -710 0KC	Heater Mounting Plate Assembly
11	56AA 1764 0KC	Adjusting Part/2
12	56AA 1763 0KC	Adjusting Part
13	56AA 1762 0KC	Carriage Adjusting Part
14	55WA 1031 0KC	Main Body Support Roller/Y
15	56AA 7358 0KC	Earth Part/Right
16	56AA 4156 0KC	Tray Stopper
17	56AE 4356 1KC	Paper Feed Lock Spring
18	0676 4258 0KC	Tray Lock Pulley
19	56AA 1060 0KC	Bottom Plate Cover Part
20	56AA 1708 0KC	Terminal Rocking Spring
21	56AE 9006 1KC	Paper Feed Control Wiring
22	56AA 1733 0KC	Slide Shaft
a	00Z193041KC	C.R.P.H. Screw M3X4
b	00Z194061KC	C.R.P.H. Screw M4X6
c	00Z196081KC	C.R.P.H. Screw M6*8
d	00Z920026KC	Bushing (SB-2718)

Key no.	Part number	Description
e	00Z164061KC	C.R.P.H.S.Sems2 M4X6
f	00Z920025KC	Bushing SB-4025
g	00Z193061KC	C.R.P.H. Screw M3X6
h	00Z670606KC	E-Ring

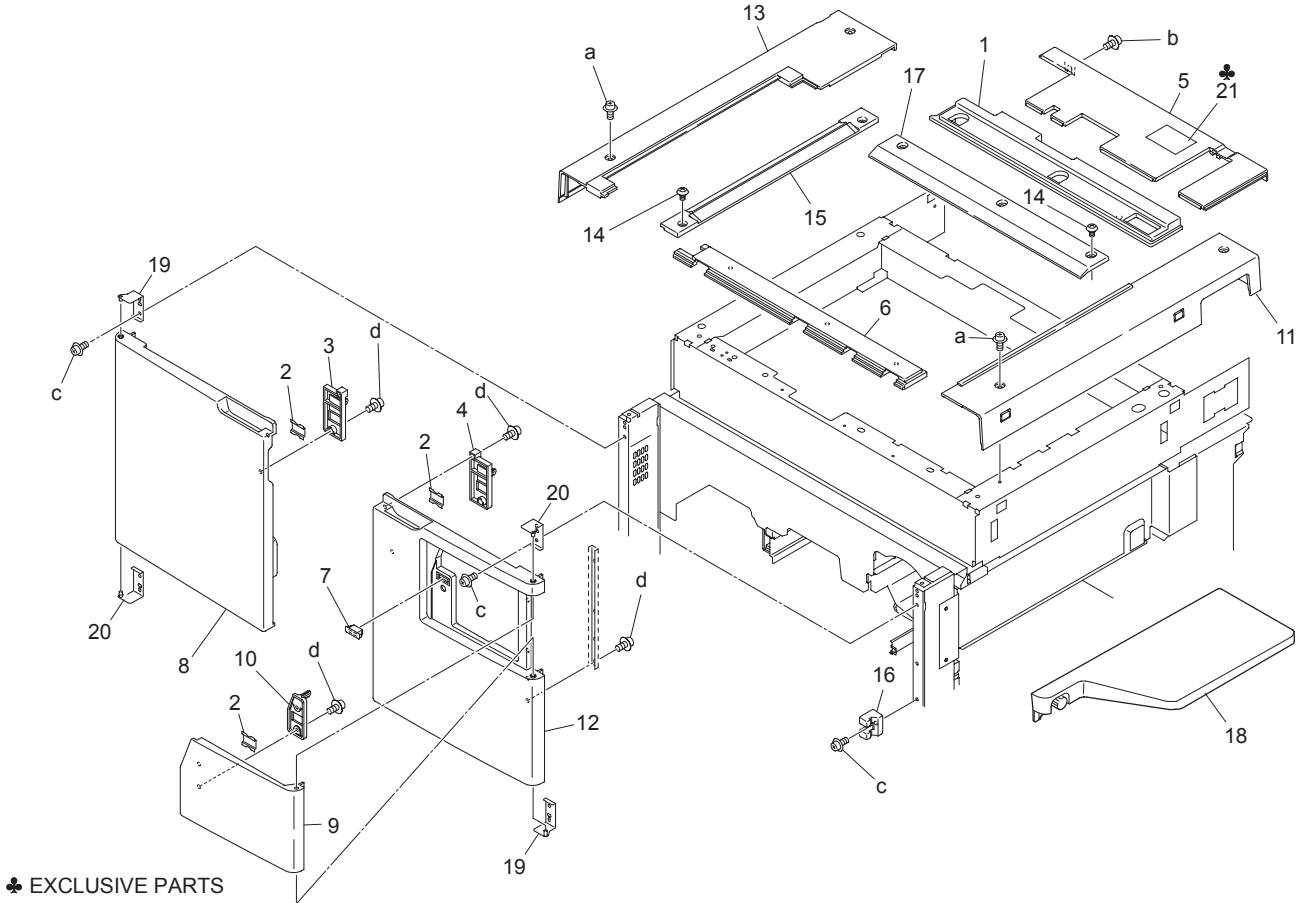
External parts (1)



External parts (1)

Key no.	Part number	Description
1	56AA 1209 0KC	Side Cover/Left
2	56AA 1236 0KC	External Auxiliary Part/Left
3	56AA 1280 0KC	Side Cover
4	56AA 1210 0KC	Rear Cover
5	56AA -129 0KC	Side Cover/A Assembly
6	56AA 1231 0KC	Ozone Guide Duct
7	56AA 1234 0KC	Ozone Sealing Pad
8	56AA 1232 0KC	Ozone Guide Plate
9	56AA 1233 0KC	External Cover Part/Rear
10	56AA 9779 0KC	Bottom Plate Caution Label
11	56NE 9791 0KC	Paper Feed Indicating Label/B
12	56AA -126 0KC	Side Cover/B Assembly
13	56AA -127 0KC	Side Cover/C Assembly
14	56AA -128 0KC	Side Cover/D Assembly
15	56AA -132 0KC	External Auxiliary Part/Right Assembly
16	26NA 1254 0KC	Accessories Holding Panel
a	00Z144062KC	C.R.P.H.TR.Screw M4X6
b	00Z184062KC	Bind Screw M4X6
c	00Z183062KC	Bind Screw M3X6

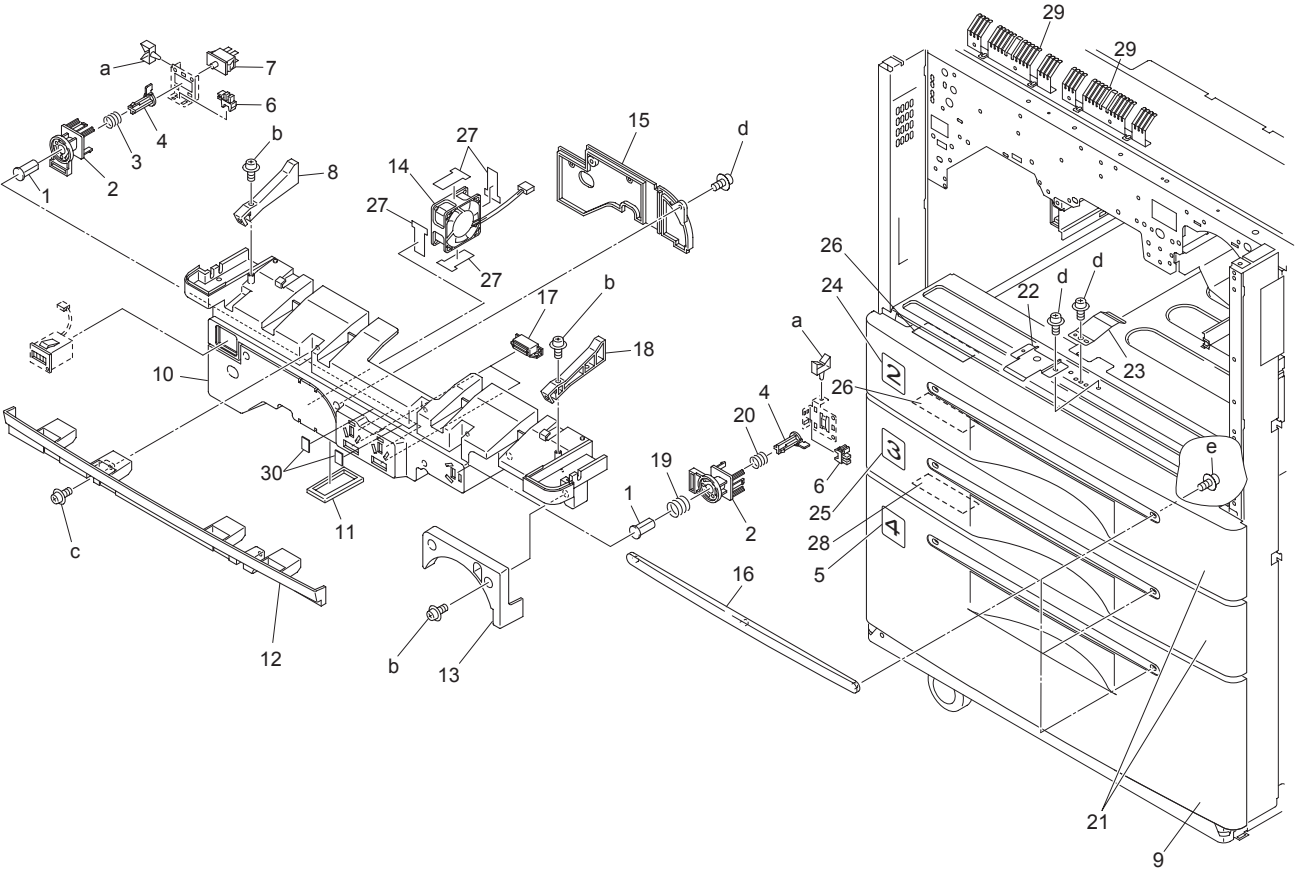
External parts (2)



External parts (2)

Key no.	Part number	Description
1	56AA 1245 0KC	Read Cover/Middle
2	56AA 1224 1KC	External Locking Plate
3	56AA 1256 0KC	External Locking Cover/C
4	56AA 1240 0KC	External Locking Cover/B
5	56AA 1204 0KC	Read Cover/Rear
6	56AA 1203 0KC	Read Cover/Front
7	56AA 1227 0KC	External Locking Part
8	56NE 1202 0KC	Front Door/Left
9	56AA 1220 0KC	Toner Supply Cover
10	56AA 1223 0KC	External Locking Cover
11	56AA 1205 0KC	Read Cover/Right
12	56AE 1201 0KC	Front Door/Right
13	56AA 1206 0KC	Read Cover/Left
14	1900 4092 1KC	Scale Plate Fixed Screw
15	56NE -145 0KC	Original Stopper Plate /Left Assembly
16	56AA 1246 0KC	Front Open/Shut Stopper/Right
17	56NE 1252 0KC	Original Stopper Plate/Rear
18	56AA -147 0KC	Working Table
19	56AA -143 0KC	External Open/Shut Hinge/D Assembly
20	56AA -142 0KC	External Open/Shut Hinge/C Assembly
21	56AE 9797 0KC	Caution Label /Front
21	56AF 9797 0KC	Caution Label /Front
a	00Z144062KC	C.R.P.H.TR.Screw M4X6
b	00Z194062KC	C.R.P.H Screw
c	00Z194061KC	C.R.P.H. Screw M4X6
d	00Z253081KC	Cross Recessed Tapping Screw

External parts (3)

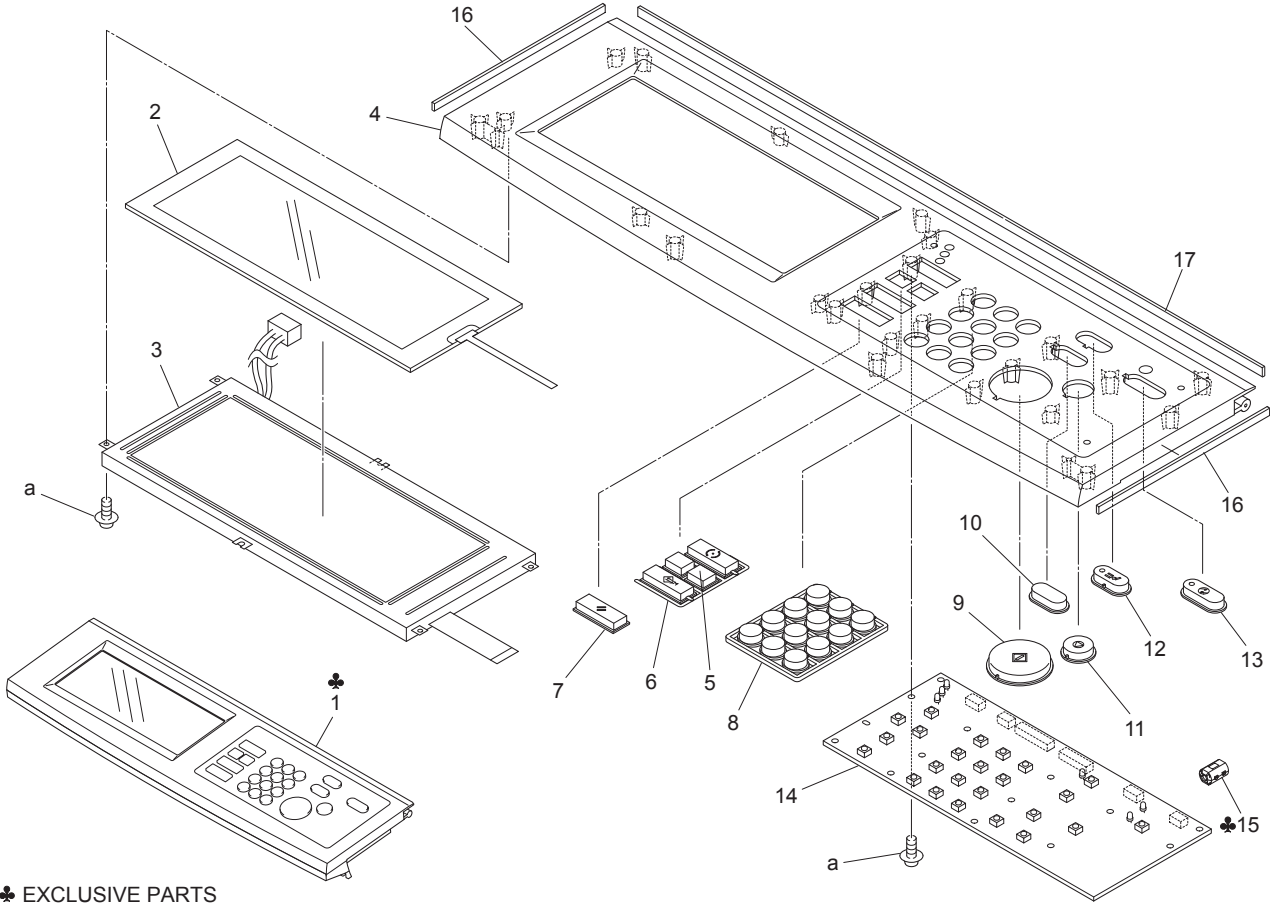


External parts (3)

Key no.	Part number	Description
1	56AA 1214 0KC	Switch Connecting Actuator
2	56AA 1212 0KC	Switch Guide Part
3	56AA 1216 0KC	Contact Pressing Spring/1
4	56AA 1215 0KC	Switch Pressing Actuator
5	56NE 9794 0KC	Paper Feed Indicating Label/4
6	08AA 8551 0KC	Photo Sensor
7	40AA 8501 0KC	Door Switch
8	56AA 1259 0KC	Operation Unit (Control Panel) Support Block/ Left
9	56AE 1225 0KC	Cassette Cover
10	56AA 1211 2KC	Operation Unit (Control Panel) Cover/Lower
11	56AA 1254 0KC	Cleaner Suction Seal
12	56NE 1247 0KC	Operation Unit (Control Panel) Cover/Middle
13	56AA 1249 0KC	Toner Auxiliary Cover
14	56AA 8054 0KC	Fan Motor/1
15	56AA -121 0KC	Cleaner Suction Cover Assembly
16	56NE 1226 0KC	Cassette Auxiliary Part
17	55FA 1210 1KC	Magnet Catch/X
18	56AA 1250 0KC	Operation Unit (Control Panel) Support Block/ Right
19	56AA 1218 0KC	Contact Pressing Spring/3
20	56AA 1217 0KC	Contact Pressing Spring/2
21	56AA 1225 0KC	Cassette Cover
22	56AA 5241 0KC	Spring Cover Plate
23	56AA 5240 0KC	Locking Spring
24	56NE 9792 0KC	Paper Feed Indicating Label/2

Key no.	Part number	Description
25	56NE 9793 0KC	Paper Feed Indicating Label/3
26	56AA 9796 0KC	Paper Supply Label
27	26NA 7373 1KC	Dust Proof Seal/5
28	56AA 9781 0KC	Paper Supply Label/2
29	56AA 7017 0KC	Operation Unit (Control Panel) Earth Plate/ Lower
30	56AA 1273 0KC	Front Door Stopper Part (Snap Ring)
a	00Z921930KC	Mini Clamp
b	00Z253081KC	Cross Recessed Tapping Screw
c	00Z253121KC	CRPH TA Screw
d	00Z193041KC	C.R.P.H. Screw M3X4
e	00Z243081KC	Cross Recessed Tapping Screw

Operation unit (control panel) (1)



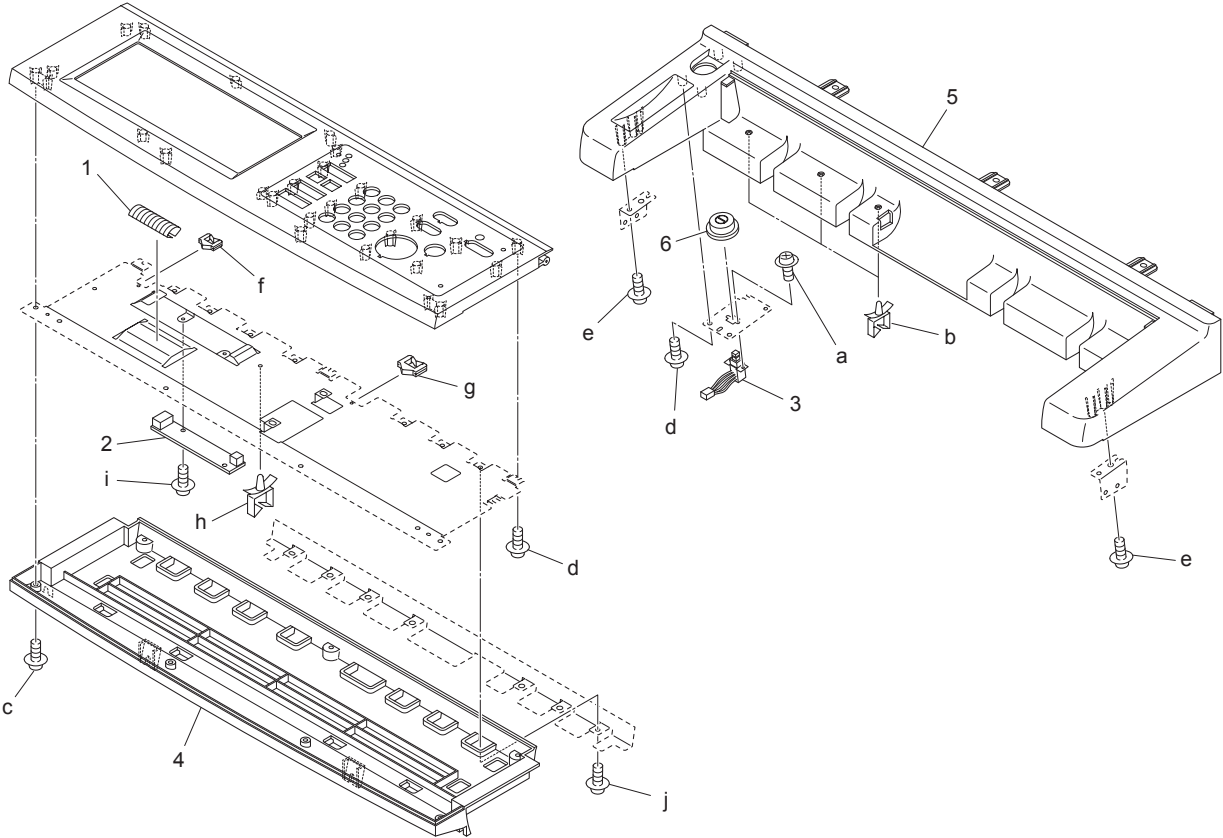
10 Operation unit (control panel) (1)

Operation unit (control panel) (1)

Key no.	Part number	Description
1	56NE -700 0KC	Operation Unit (Control Panel) (110V)
1	56NF -700 0KC	Operation Unit (Control Panel) (220V and Taiwan 100V)
2	56AA 8755 0KC	Touch Key Board
3	55VA 8754 1KC	Indication Board
4	56NE 7015 0KC	Operation Unit (Control Panel) Cover/A
5	56NE 7006 0KC	Operation Button/K
6	56NE 7007 0KC	Operation Button/C
7	55TA 7008 1KC	Operation Button/D
8	56NE 7009 0KC	Operation Button/E
9	56NE 7012 0KC	Operation Button/H
10	56NE 7011 0KC	Operation Button/G
11	56NE 7013 0KC	Operation Button/I
12	56NE 7010 0KC	Operation Button/F
13	56NE 7014 0KC	Operation Button/J
14	56AA -903 2KC	Operation Board/1 Assembly
15	56AF 8871 0KC	Ferrite core /1 (220V and Taiwan)
16	56AA 7020 0KC	Operation Unit (Control Panel) Seal
17	56AA 7019 0KC	Operation Unit (Control Panel) Seal/Rear
a	00Z253101KC	Cross Recessed Tapping Screw
	Q3631-67901	CPO-ENGLISH English
	Q3631-67902	CPO-FRENCH French
	Q3631-67903	CPO-ITALIAN Italian
	Q3631-67904	CPO-GERMAN German
	Q3631-67905	CPO-SPANISH Spanish
	Q3631-67906	CPO-PORTUGUESE Portuguese

Key no.	Part number	Description
	Q3631-67907	CPO-NL Dutch
	Q3631-67908	CPO-SV Swedish
	Q3631-67909	CPO-NO Norwegian
	Q3631-67910	CPO-FI Finnish
	Q3631-67911	CPO-DA Danish
	Q3631-67912	CPO-ZHCN Simplified Chinese
	Q3631-67913	CPO-ZHTW Traditional Chinese
	Q3631-67914	CPO-KO Korean
	Q3631-67915	CPO-RUSSIAN Russian
	Q3631-67916	CPO-CZECH Czech
	Q3631-67917	CPO-HUNGARIAN Hungarian
	Q3631-67918	CPO-POLISH Polish
	Q3631-67919	CPO-TURKISH Turkish

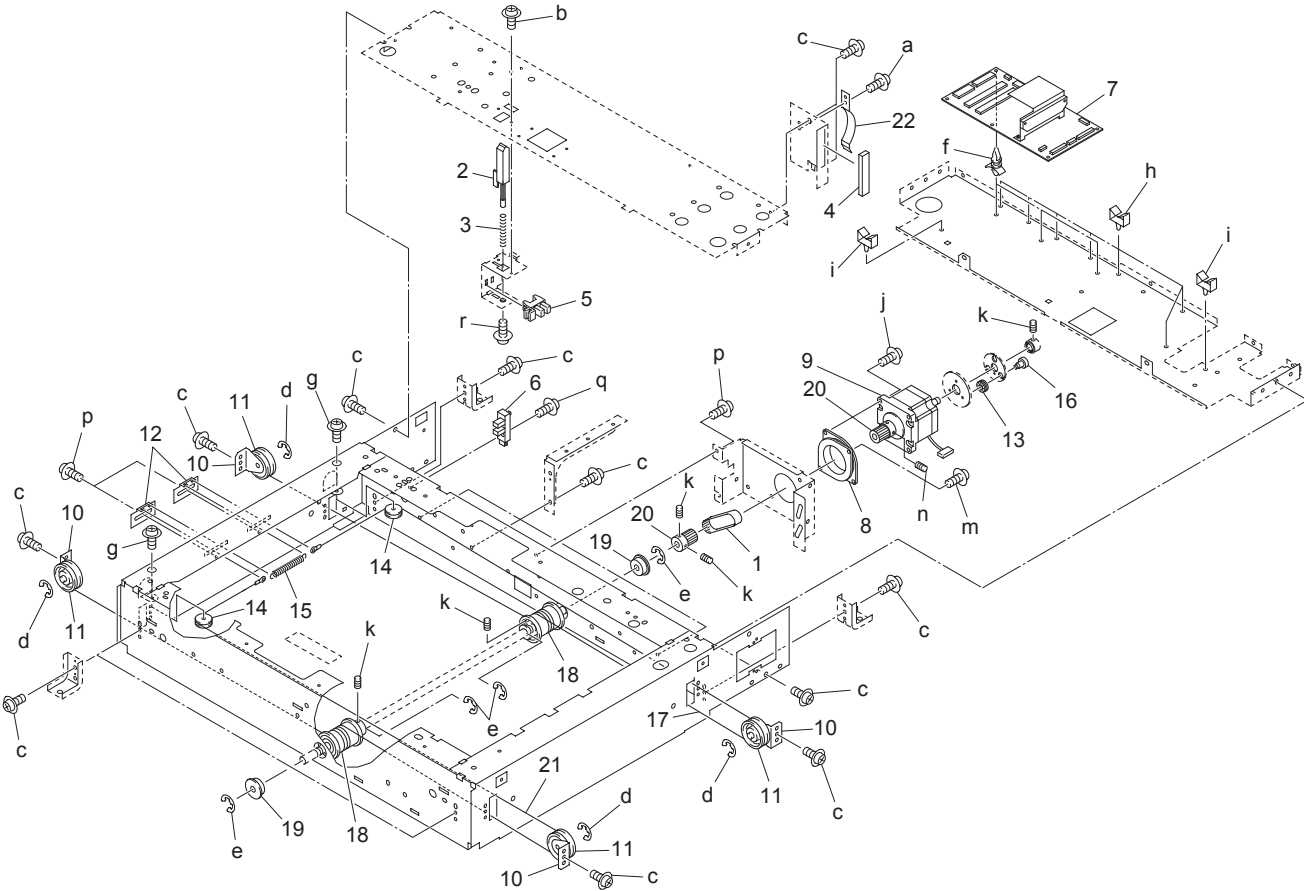
Operation unit (control panel) (2)



Operation unit (control panel) (2)

Key no.	Part number	Description
1	56AA -149 0KC	Earth Spring Assembly
2	56AA 8352 0KC	Indicating Starter
3	56AA -801 0KC	Operation Unit (Control Panel) Source Switch Assembly
4	56NE 7016 0KC	Operation Unit (Control Panel) Cover/B
5	56AA 7001 0KC	Operation Unit (Control Panel) Cover/Upper
6	56AA 7008 0KC	Power Source Switch
a	00Z112061KC	C.R.P.H. Screw M2X6
b	00Z921916KC	Mini Clamp (UAMS-05S-0)
c	00Z253101KC	Cross Recessed Tapping Screw
d	00Z253081KC	Cross Recessed Tapping Screw
e	00Z254101KC	Cross Recessed Tapping Screw
f	00Z926258KC	Edge Saddle (EDS-1208U)
g	00Z926257KC	Edge Saddle (EDS-1717U)
h	00Z921916KC	Mini Clamp (UAMS-05S-0)
i	00Z193061KC	C.R.P.H. Screw M3X6
j	00Z194061KC	C.R.P.H. Screw M4X6

Optics unit (1)

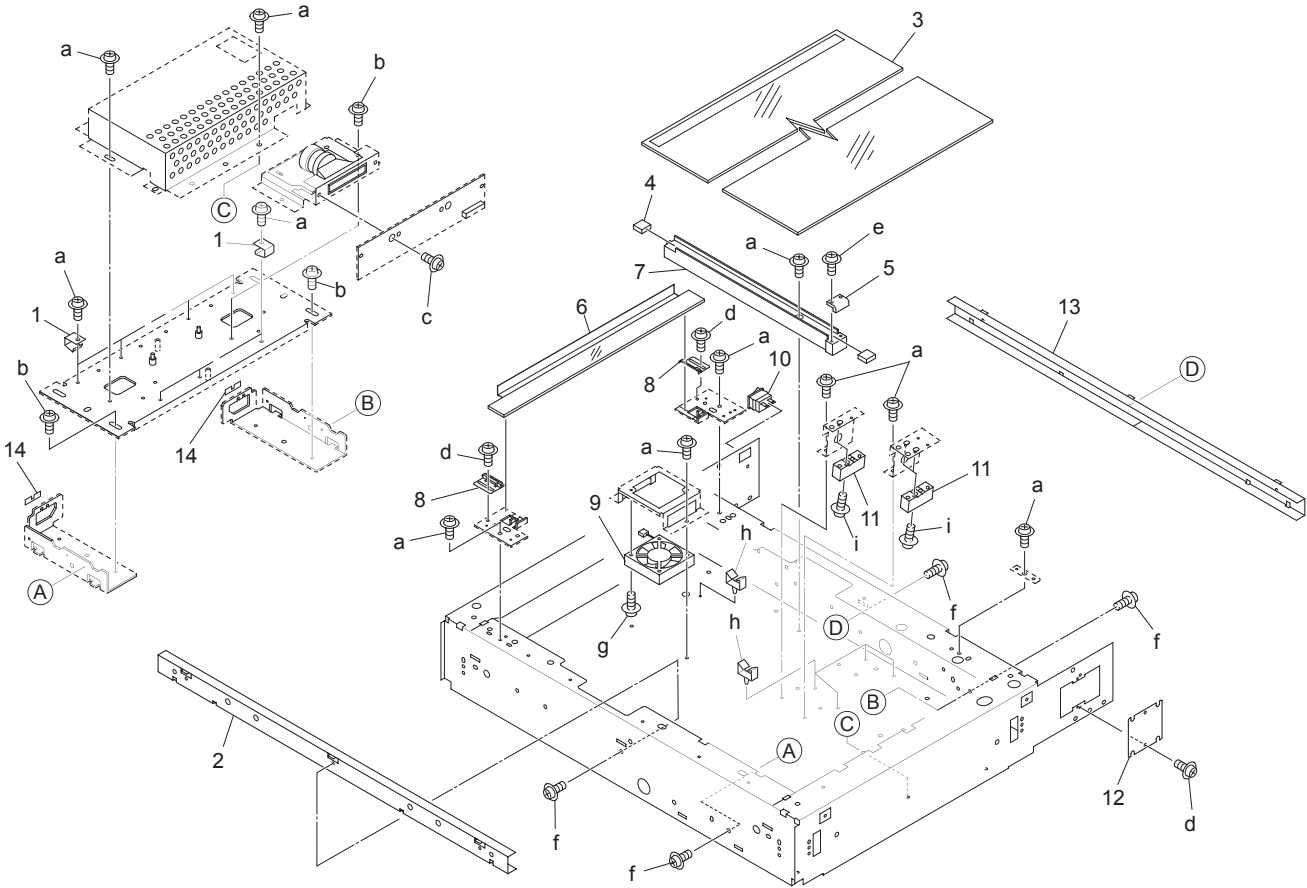


Optics unit (1)

Key no.	Part number	Description
1	55VA 7811 0KC	Read Driving Belt
2	56AA 6142 0KC	ADF Detecting Actuator
3	56AA 6143 0KC	ADF Detecting Spring
4	56AA 6154 0KC	Read Earth Part /Right Rear
5	08AA 8551 0KC	Photo Sensor
6	56AA 8551 0KC	Photo Sensor
7	56AA -909 1KC	Scanner Drive Board Assembly
8	55VA 6202 0KC	Motor Fixing Part
9	55VA 8012 1KC	Optics Driving Motor
10	25SA -620 1KC	Pulley Mt Plate/Front Unit
11	56AA 6129 0KC	Optics Idling Pulley
12	25SA 6171 0KC	Spring Fixing Plate
13	56AA 6141 0KC	Motor Auxiliary Rubber
14	25SA 6170 0KC	Wire Guide Roller
15	56AA 6157 0KC	Wire Tension Spring
16	56AA 6140 0KC	Motor Auxiliary Screw
17	56AA 6114 1KC	Read Driving Wire/Rear
18	25SA 6165 0KC	Drive Pulley
19	5000 7501 0KC	Read Driving Shaft Holder (Bushing/Bearing)
20	55VA 7670 0KC	Read Driving Pulley /1(Z=19)
21	56AA 6113 1KC	Read Driving Wire/Front
22	56AA 6153 0KC	Read Earth Spring /Right Rear
a	00Z193041KC	C.R.P.H. Screw M3X4
b	00Z193061KC	C.R.P.H. Screw M3X6
c	00Z194061KC	C.R.P.H. Screw M4X6
d	00Z670406KC	E-Ring

Key no.	Part number	Description
e	00Z670906KC	E-Ring
f	00Z925106KC	Locking Circuit Board Support
g	00Z194081KC	Cross Recessed Pan Head Screw
h	00Z921303KC	Wire Saddle
i	00Z921302KC	Wire Saddle
j	00Z184101KC	Bind Screw M4X10
k	00Z474063KC	Hexagon Socket Screw
m	00Z194051KC	C.R.P.H. Screw
n	00Z474083KC	Hexagon Socket Screw (W Point)
p	00Z164061KC	C.R.P.H.S.Sems2 M4X6
q	00Z184121KC	Bind Screw M4X12
r	00Z253061KC	Cross Recessed Tapping Screw

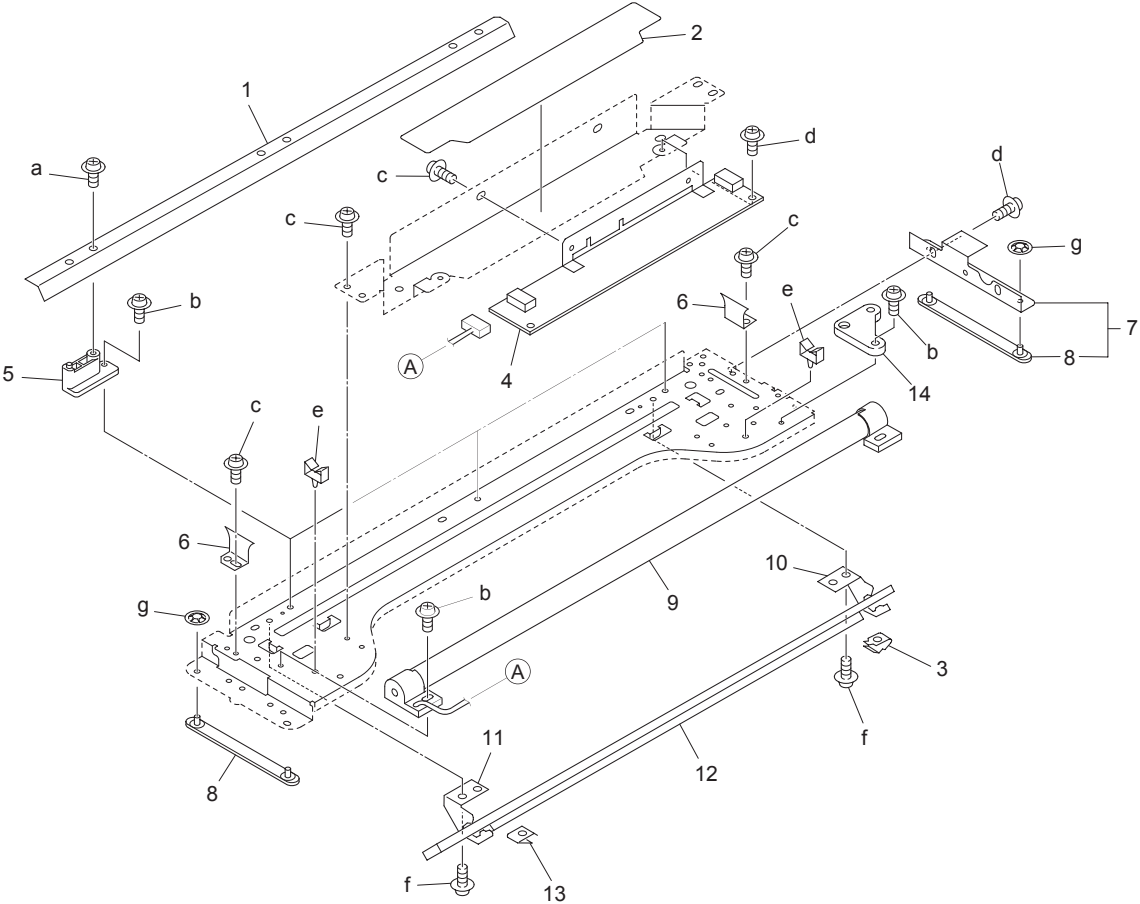
Optics unit (2)



Optics unit (2)

Key no.	Part number	Description
1	55TA 6132 0KC	Lens Earth Spring
2	56AA -617 0KC	Guide Rail/Front Assembly
3	56AA -635 0KC	Original Glass Assembly (Scanner Glass)
4	56AA 9091 0KC	Lamp Relay Wiring
5	25SA 6188 1KC	Cord Holder
6	56AA -633 1KC	Original Glass/1 Assembly (ADF Glass)
7	25SA 6186 0KC	Cord Guide Part
8	56AA 6133 0KC	Glass Holder
9	56AA 8055 0KC	Fan Motor/2
10	25AA 8502 0KC	Heater Switch
11	56AA 8553 0KC	APS Sensor/2
12	3000 7315 0KC	Key Counter Inner Cover
13	56AA -618 0KC	Guide Rail/Rear Assembly
14	56AA 6158 0KC	Wire Regulation Sheet
a	00Z194041KC	C.R.P.H. Screw
b	00Z164081KC	C.R.P.H.S.Sems2 M4X8
c	00Z163061KC	C.R.P.H.S.Sems2 M3X6
d	00Z193041KC	C.R.P.H. Screw M3X4
e	00Z253101KC	Cross Recessed Tapping Screw
f	00Z194061KC	C.R.P.H. Screw M4X6
g	00Z183161KC	Bind Screw M3X16
h	00Z921942KC	Mini Clamp (MSC-1611)
i	00Z183181KC	Bind Screw M3X18

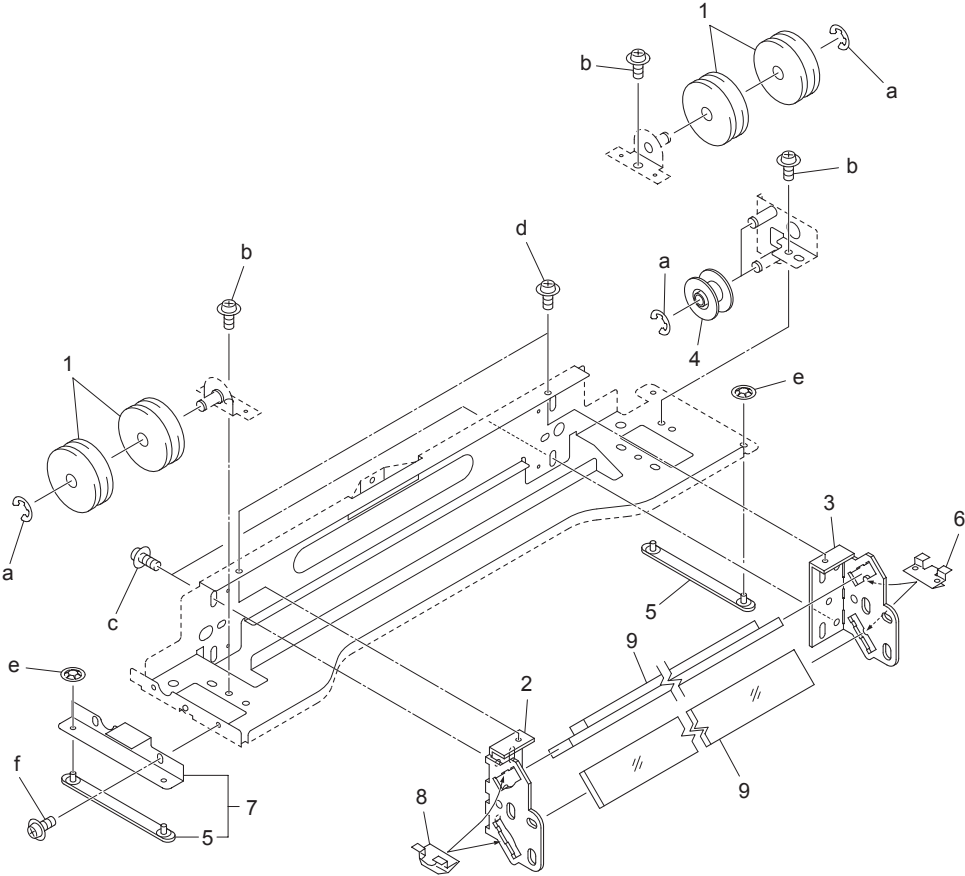
Optics unit (3)



Optics unit (3)

Key no.	Part number	Description
1	55TA 6111 0KC	Reflecting Mirror/1
2	56AA 6144 0KC	Power Source Protection Sheet
3	25SA 6147 0KC	Mirror Holder/2
4	56AA 8351 0KC	Lamp Starter
5	55TA 6113 0KC	Mirror Support Part
6	55TA 6112 0KC	Reflecting Mirror/2
7	56AA -614 0KC	Side Guide Plate Assembly
8	25SA 6142 0KC	Optics Slide Part
9	56AA 8301 0KC	Exposure Lamp
10	25SA 6208 0KC	Mirror Positioning Plate/4
11	25SA 6207 0KC	Mirror Positioning Plate/3
12	55WA 6115 0KC	Read Mirror/1
13	25SA 6146 0KC	Mirror Holder/1
14	56AA 6118 0KC	Cord Holder Part/B
a	00Z253083KC	C.R.P.H.TA. Screw
b	00Z193061KC	C.R.P.H. Screw M3X6
c	00Z193041KC	C.R.P.H. Screw M3X4
d	00Z163061KC	C.R.P.H.S.Sems2 M3X6
e	00Z921942KC	Mini Clamp (MSC-1611)
f	00Z193031KC	T.P.Screw M3X3
g	00Z580303KC	Push Nut

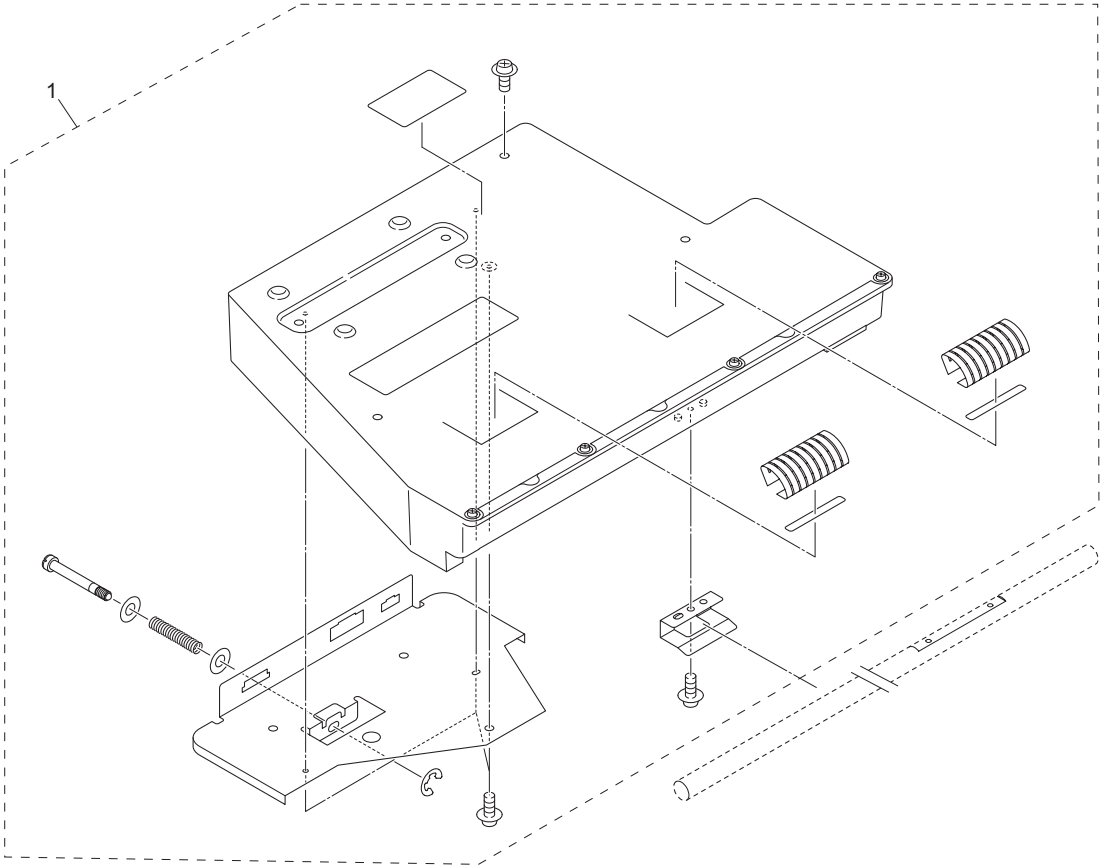
Optics unit (4)



Optics unit (4)

Key no.	Part number	Description
1	56AA 6129 0KC	Optics Idling Pulley
2	55FA 6113 0KC	Mirror Positioning Plate
3	55FA 6114 0KC	Mirror Positioning Plate/2
4	25SA 6216 0KC	Cord Guide Pulley/2
5	25SA 6142 0KC	Optics Slide Part
6	25SA 6155 1KC	Mirror Holder/4
7	56AA -614 0KC	Side Guide Plate Assembly
8	25SA 6154 1KC	Mirror Holder/3
9	55TA 6134 1KC	Read Mirror/2
a	00Z670406KC	E-Ring
b	00Z194041KC	C.R.P.H. Screw
c	00Z164061KC	C.R.P.H.S.Sems2 M4X6
d	00Z193121KC	C.R.P.H. Screw M3X12
e	00Z580303KC	Push Nut
f	00Z163061KC	C.R.P.H.S.Sems2 M3X6

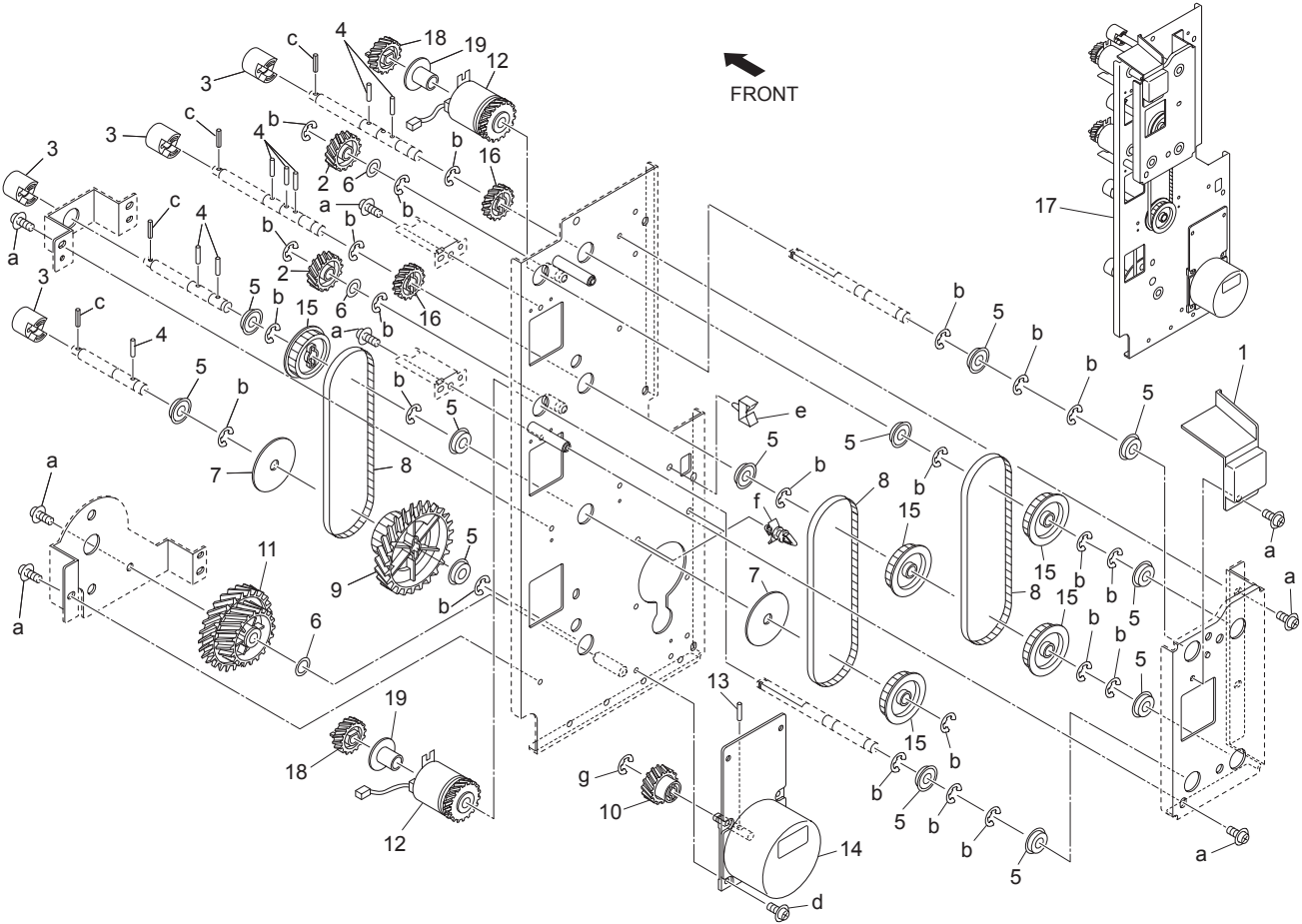
Optics unit (5)



Optics unit (5)

Key no.	Part number	Description
1	56AA -650 0KC	Write Unit (Laser/Scanner Assembly)

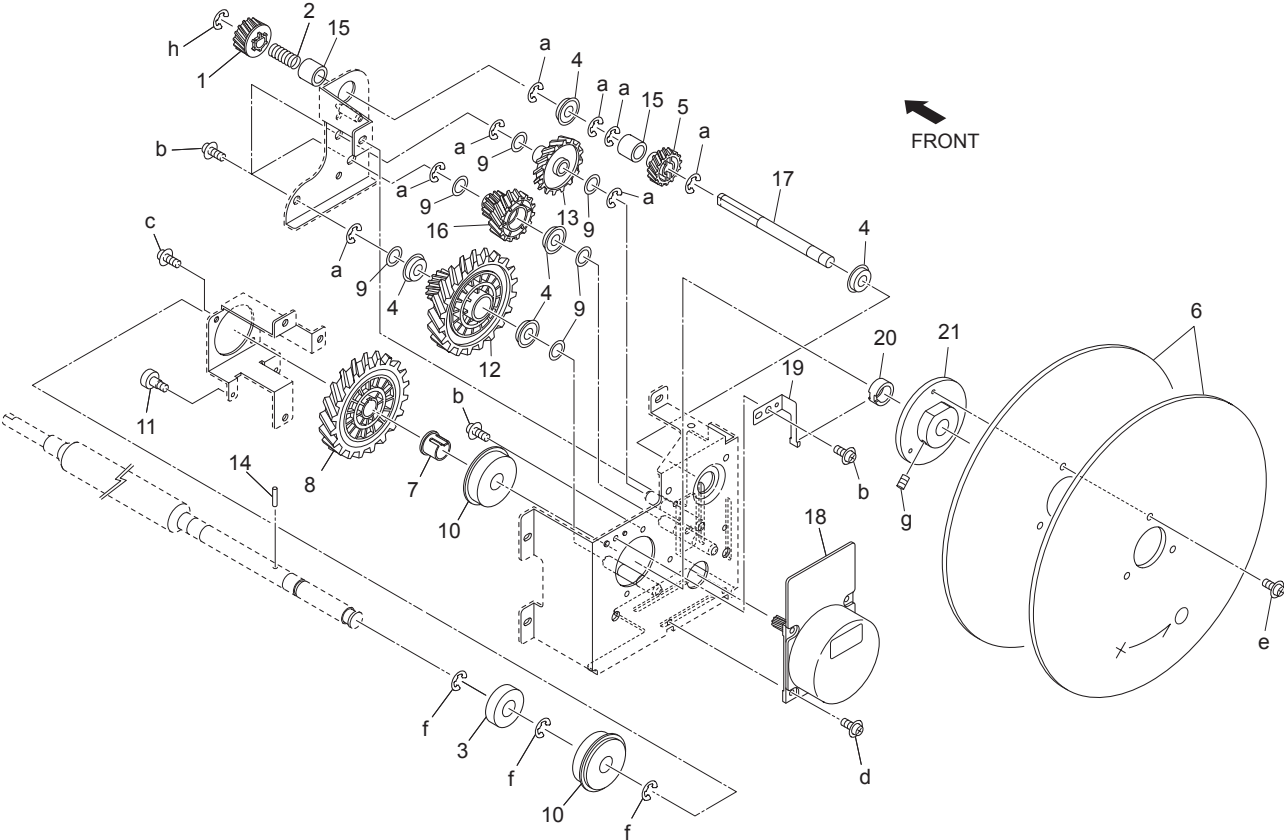
Driving section (1)



Driving section (1)

Key no.	Part number	Description
1	56AA 1554 1KC	Wiring Guide Part
2	56AA 7774 0KC	Conveyance Driving Gear/2 (Z=25)
3	55VA 1554 1KC	Cleaner Coupling Part
4	56AA 1748 0KC	Pin (B)
5	5400 7605 0KC	Driving Shaft Holder (Bushing/Bearing)
6	12QV 4065 0KC	Spacer
7	55VA 1547 0KC	Belt Guide Plate
8	56AA 7753 0KC	Paper Feed Driving Belt/1 (L=336)
9	55VA 7713 0KC	Paper Feed Driving Gear/C (Z=63/36)
10	56AA 7714 0KC	Paper Feed Driving Gear (Z=23)
11	55VA 7712 0KC	Paper Feed Driving Gear/B
12	56AA 8201 1KC	Paper Feed Driving Clutch
13	56AA 1732 0KC	Pin (A) (D2*7)
14	56AA 8001 1KC	DC Brushless Motor/40
15	56AA 7653 0KC	Paper Feed Driving Pulley (Z=36)
16	56AA 7771 1KC	Conveyance Driving Gear/1 (Z=24)
17	56AA -150 1KC	Paper Feed Drive Assembly
18	56AA 7715 0KC	Conveyance Input Gear (Z=23)
19	56AA 1542 0KC	Paper Feed Coupling Collar
a	00Z194061KC	C.R.P.H. Screw M4X6
b	00Z670606KC	E-Ring
c	00Z713206KC	Spring Pin
d	00Z184061KC	Bind Screw M4X6
e	00Z921301KC	Wire Saddle
f	00Z925103KC	Locking Circuit Board Support
g	00Z670406KC	E-Ring

Driving section (2)

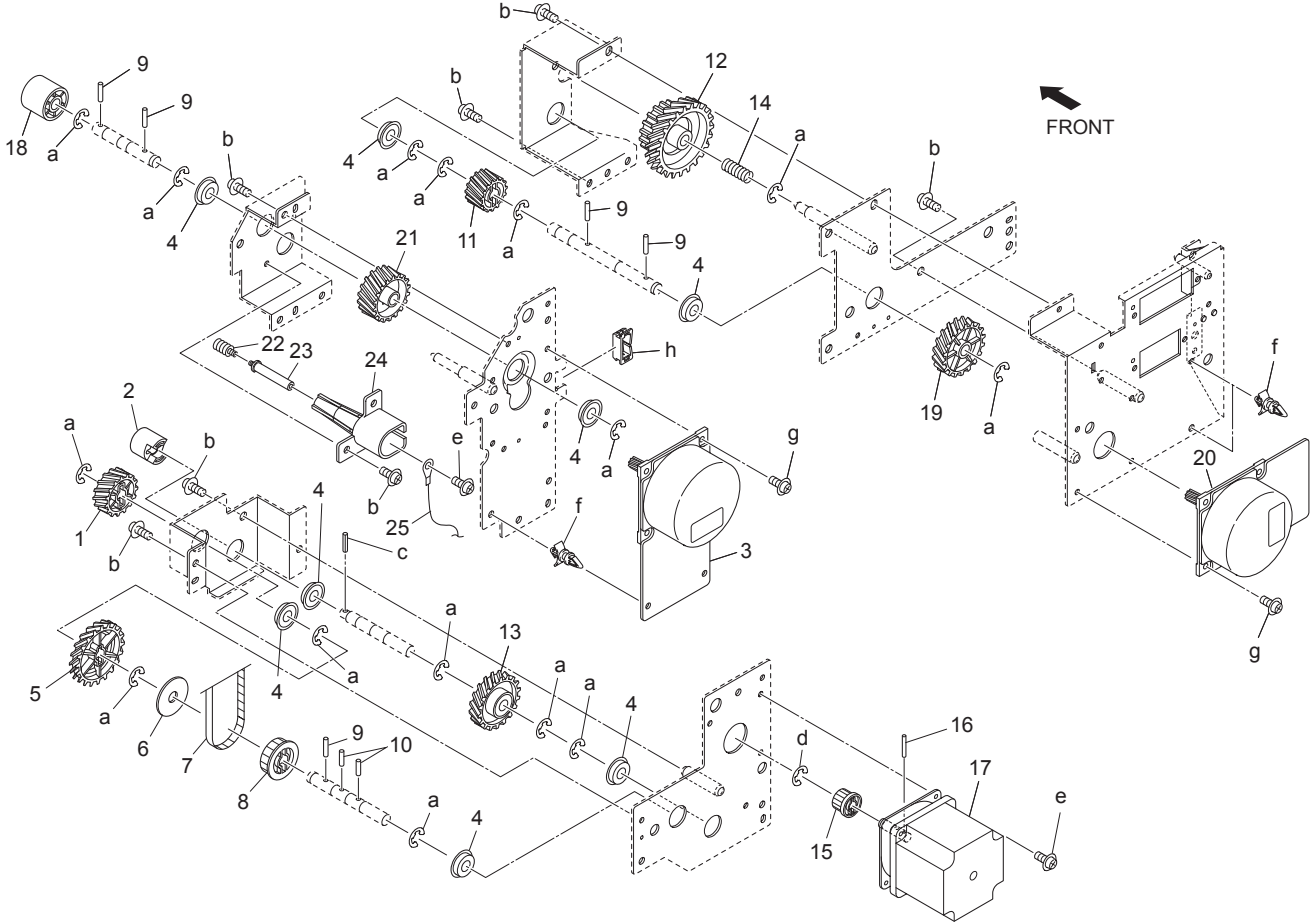


Driving section (2)

Key no.	Part number	Description
1	56AA 7783 1KC	Toner Collecting Gear/4 (Z=22)
2	56AA 1701 0KC	Fixing Coupling Spring
3	56AA 7502 0KC	Base Shaft Holder (Bushing/Bearing)
4	5400 7605 0KC	Driving Shaft Holder (Bushing/Bearing)
5	56AA 7782 0KC	Toner Collecting Gear/3 (Z=28)
6	55JE 1501 0KC	Drum Rotary Plate
7	56AA 1553 0KC	Drum Collar
8	56AA 7705 0KC	Drum Driving Gear/2 (Z=73)
9	12QV 4065 0KC	Spacer
10	56AA 7501 0KC	Drum Rotary Shaft Holder/1 (Bushing/Bearing)
11	56AA 2087 0KC	Terminal Fixing Screw
12	56AA 7704 0KC	Drum Driving Gear/1 (Z=124/25)
13	56AA 7707 0KC	Toner Collecting Gear/2 (Z=46)
14	56AA 1749 0KC	Pin
15	56AA 1559 0KC	Drum Coupling Collar
16	56AA 7706 0KC	Toner Collecting Gear/1 (Z=61/21)
17	56AA 1518 1KC	Toner Collecting Shaft/2
18	56AA 8008 1KC	DC Brushless Motor/15
19	25SA 1528 0KC	Drum Earth Spring
20	55GA 1506 0KC	Earth Shaft Holder (Bushing/Bearing)
21	55GA 1503 0KC	Mounting Material
a	00Z670606KC	E-Ring
b	00Z194061KC	C.R.P.H. Screw M4X6
c	00Z184041KC	Bind Screw M4X4
d	00Z184061KC	Bind Screw M4X6
e	00Z163141KC	C.R.P.H.S.Sems2 M3X14

Key no.	Part number	Description
f	00Z681203KC	Set Ring For Shaft (D=12)
g	00Z474063KC	Hexagon Socket Screw
h	00Z670506KC	E-Ring

Driving section (3)

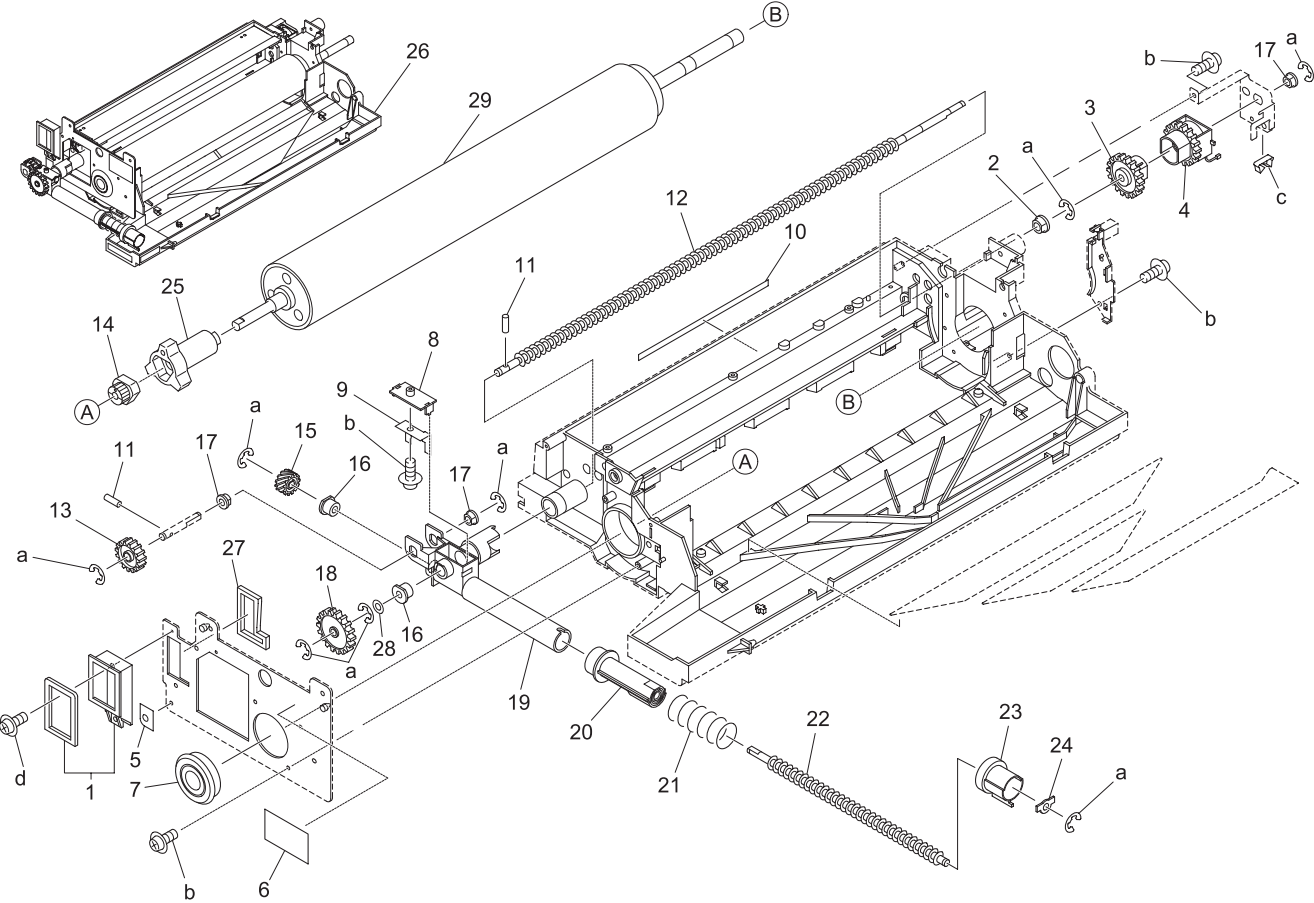


Driving section (3)

Key no.	Part number	Description
1	56AA 7713 0KC	By-Pass Feed Driving Gear/2 (Z=28)
2	56AA 1554 1KC	Wiring Guide Part
3	56AA 8007 0KC	DC Brushless Motor/30
4	5400 7605 0KC	Driving Shaft Holder (Bushing/Bearing)
5	12AJ 7703 1KC	Gear/2 (Z=42)
6	56AA 1549 0KC	Pulley Guide Plate
7	56AA 7752 0KC	By-Pass Feed Driving Belt/1 (L=192)
8	56AA 7652 0KC	By-Pass Feed Driving Pulley/2 (Z=26)
9	56AA 1748 0KC	Pin (B)
10	56AA 1747 0KC	Pin (B) (3*12)
11	56AA 7702 0KC	Fixing Driving Gear/2 (Z=22)
12	25BA 7726 1KC	Fixing Input Gear (Z=50/36)
13	56AA 7712 0KC	By-Pass Feed Driving Gear/1 (Z=36)
14	56AA 1701 0KC	Fixing Coupling Spring
15	56AA 7651 0KC	By-Pass Feed Driving Pulley/1 (Z=15)
16	56AA 1753 0KC	Pin (A) (D2*10)
17	56AA 8011 0KC	Paper Exit Driving Motor
18	56AA 1541 0KC	Developing Coupling Part
19	56AA 7701 0KC	Fixing Driving Gear/1 (Z=72)
20	56AA 8008 1KC	DC Brushless Motor/15
21	56AA 7709 0KC	Developing Driving Gear (Z=64)
22	56AA 1547 1KC	Contact Spring
23	56AA 1552 1KC	Contact Shaft
24	56AA 1546 0KC	High Voltage Guide Part
25	56AA 9070 0KC	High Voltage Lead Wire/1
a	00Z670606KC	E-Ring

Key no.	Part number	Description
b	00Z194061KC	C.R.P.H. Screw M4X6
c	00Z713206KC	Spring Pin
d	00Z670406KC	E-Ring
e	00Z193061KC	C.R.P.H. Screw M3X6
f	00Z925103KC	Locking Circuit Board Support
g	00Z184061KC	Bind Screw M4X6
h	00Z921370KC	Edge Saddle

Drum cartridge (1)

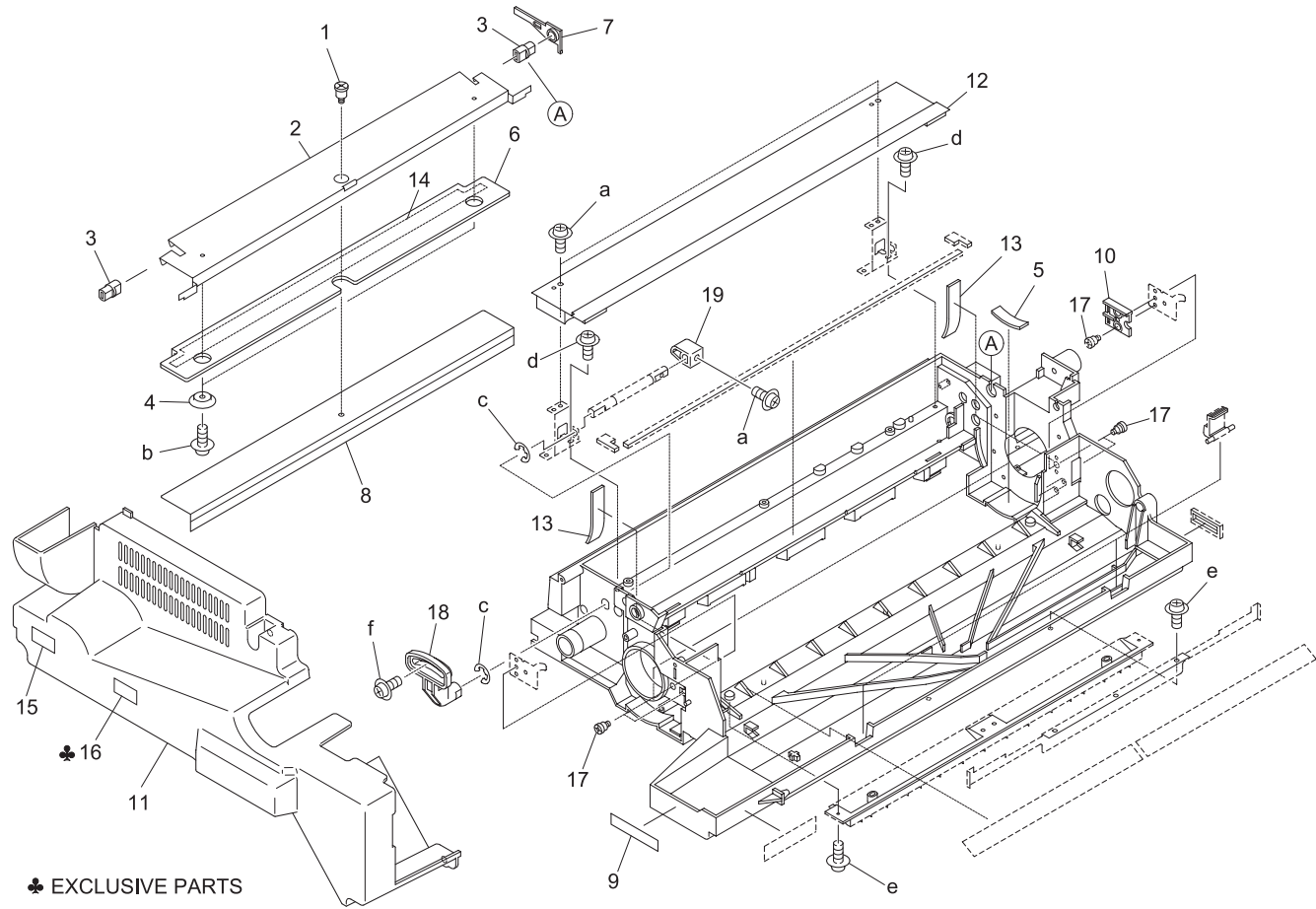


Drum cartridge (1)

Key no.	Part number	Description
1	56AA -228 0KC	Cleaner Cooling Duct Assembly
2	3920 1565 0KC	Slide Shaft Holder/C (Bushing/Bearing)
3	56AA -217 0KC	Clutch Connecting Gear Assembly
4	56AA 8202 1KC	Cleaner Clutch
5	56AA 9786 0KC	Guide Label/2
6	26NA 9708 1KC	Laser Indication Label
7	56AA 7504 0KC	Drum Rotary Shaft Holder/2 (Bushing/Bearing)
8	25SA 2064 0KC	Toner Collection Block (B)
9	56AA 2076 0KC	Toner Agitating Sheet
10	56AA 9787 0KC	Guide Label/3
11	56AA 1752 0KC	Pin (A) (D3*10)
12	56AA 2052 0KC	Toner Recycling Screw/1
13	25SA 7718 0KC	Toner Conveyance Gear (B) (Z=26)
14	56AA 2107 1KC	Drum Fixing Coupling /2 (Drum Shaft Coupling)
15	56AA 7726 0KC	Toner Recycling Gear (Z=17)
16	55WA 3001 0KC	Developing Shaft Holder (Bushing/Bearing)
17	08AA 7601 0KC	Drum Driving Shaft Holder (Bushing/Bearing)
18	25SA 7717 0KC	Toner Conveyance Gear (A) (Z=38)
19	56AA 2051 0KC	Toner Recycling Block
20	56AA -231 0KC	Toner Collecting Pipe
21	56AA 1703 0KC	Open-Close Spring
22	56AA 2081 0KC	Toner Recycling Screw/2
23	56AA 2056 0KC	Toner Slide Cover
24	25SA 2067 0KC	Toner Conveyance Shaft Holder (Bushing/Bearing)

Key no.	Part number	Description
25	56NE 2106 0KC	Drum Fixing Coupling (Drum Coupling)
26	56AA -990 0KC	Drum Cartridge
27	56AA 2033 0KC	Cleaner Suction Seal
28	25HA 1521 0KC	Spacer/E
29	E4SKKC	Drum
a	00Z670406KC	E-Ring
b	00Z253081KC	Cross Recessed Tapping Screw
c	00Z926251KC	Edge Saddle (EDS-1)
d	00Z193061KC	C.R.P.H. Screw M3X6

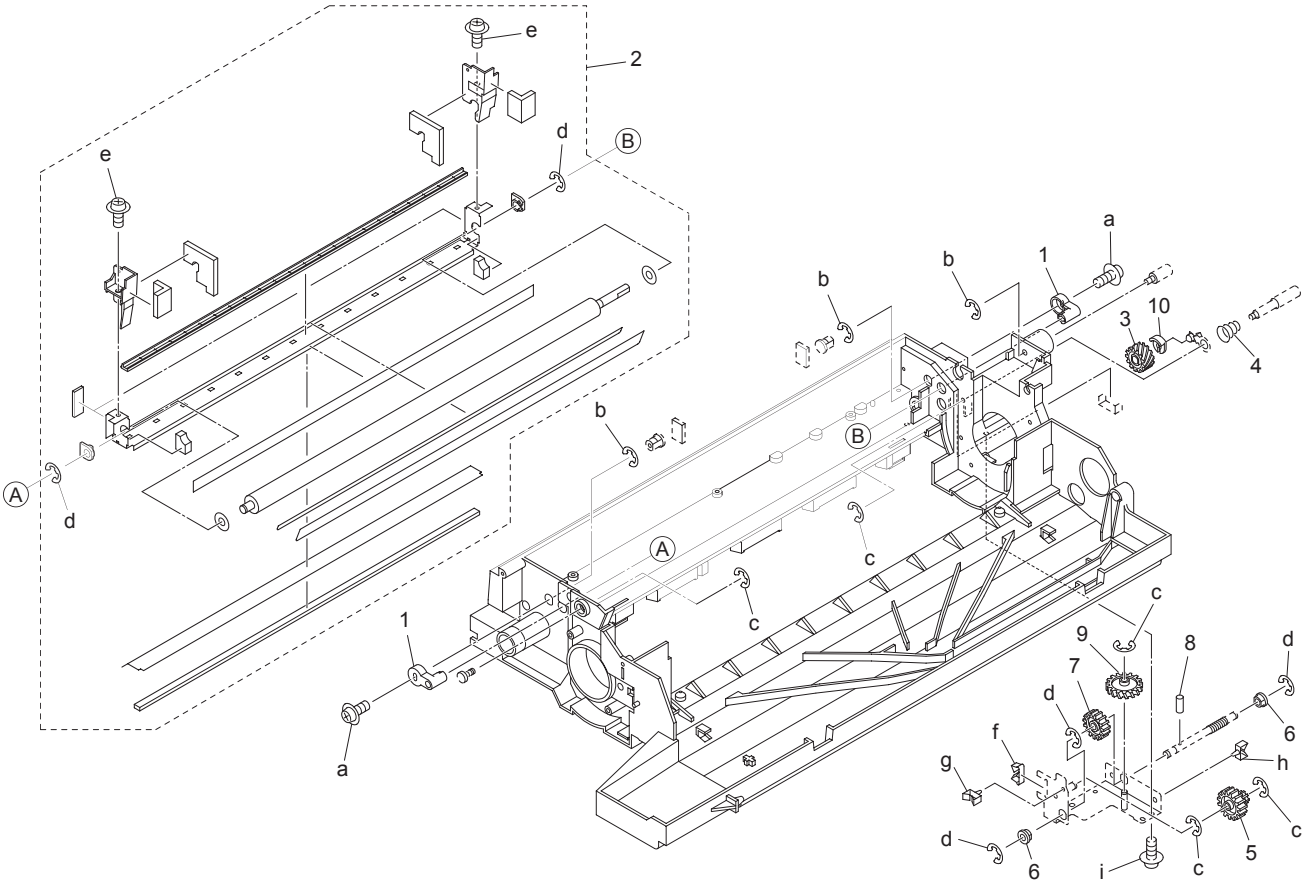
Drum cartridge (2)



Drum cartridge (2)

Key no.	Part number	Description
1	56AA 1741 0KC	Blade Rotary Screw (M4*3.2)
2	56AA -222 0KC	Blade Support Plate Caulking
3	56AA 2116 0KC	Hinge
4	25SA 2028 0KC	Blade Position Block
5	5400 2080 0KC	Drum Support Material
6	56AA 2012 0KC	Blade Tension Plate
7	56AA 2115 0KC	Blade Fulcrum Shaft Holder (Bushing/Bearing)
8	56AA 2010 0KC	Cleaner Blade
9	56AA 9785 0KC	Guide Label/1
10	56AA 2021 0KC	Developing Base Part
11	56AA -125 0KC	Drum Cover Assembly
12	56AA -223 0KC	Cleaner Cover Assembly
13	5400 2079 0KC	Drum Seal
14	56AA 2110 0KC	Cleaner Auxiliary Seal
15	56AA 9782 0KC	Drum Caution Label
16	56AA 9712 0KC	High Voltage Caution Label
16	56AE 9712 0KC	High Voltage Caution Label
17	56AA 1739 0KC	Base Screw
18	56AA 2112 0KC	Blade Release Lever
19	56AA 2113 0KC	Blade Release Cam
a	00Z193061KC	C.R.P.H. Screw M3X6
b	00Z193041KC	C.R.P.H. Screw M3X4
c	00Z253081KC	Cross Recessed Tapping Screw
d	00Z253063KC	CRPH TA Screw
e	00Z243081KC	Cross Recessed Tapping Screw
f	00Z163101KC	C.R.P.H.S.Sems2 M3X10

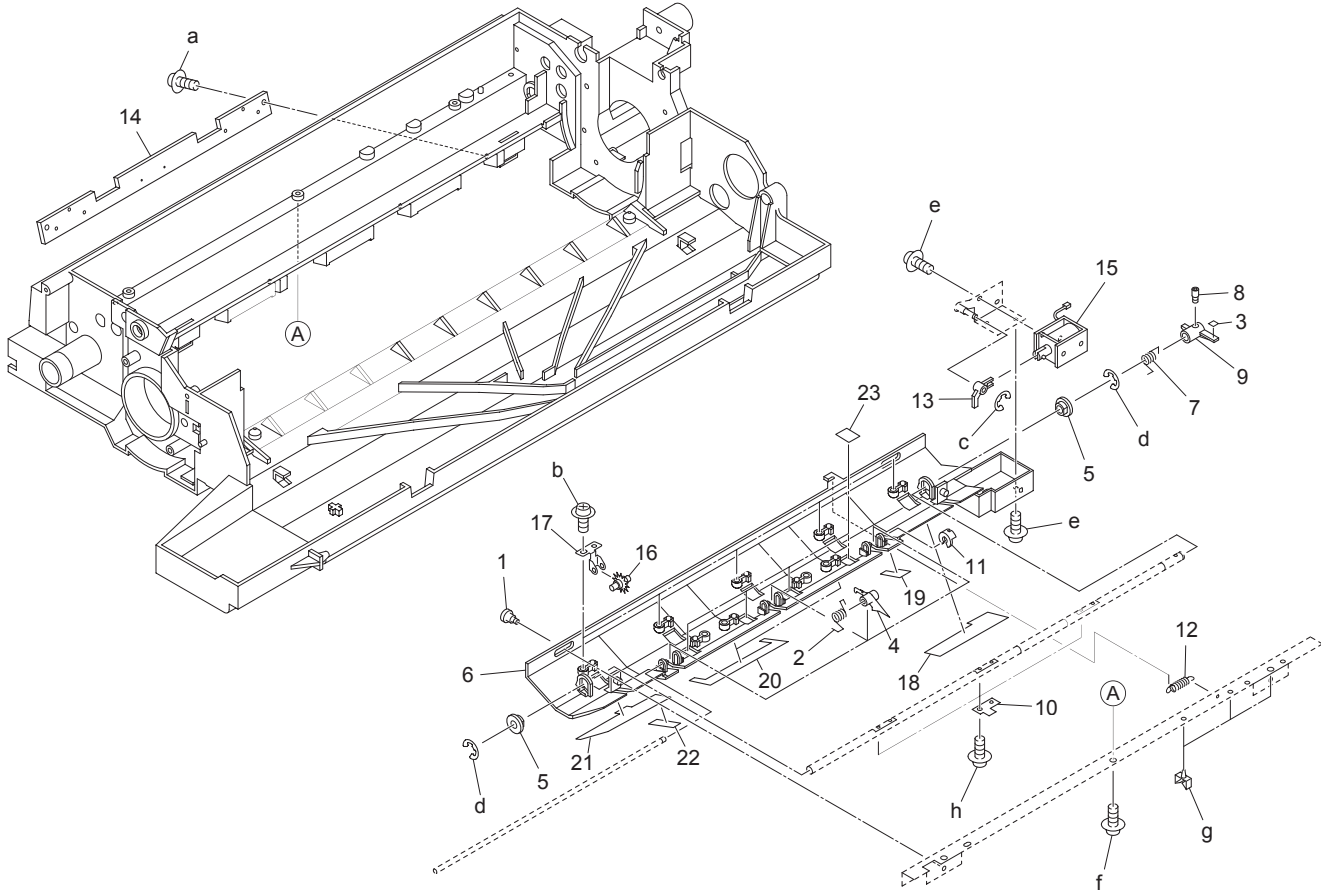
Drum cartridge (3)



Drum cartridge (3)

Key no.	Part number	Description
1	56AA 2040 0KC	Shaft Positioning Part
2	56AA -213 1KC	Collecting Roller Assembly (Toner Guide Roller)
3	56AA 7708 1KC	Cleaner Idling Gear (Z=21)
4	56AA 2017 0KC	Contact Pressing Spring
5	56AA 7710 0KC	Separation Driving Gear (Z=26/18)
6	56AA 2075 0KC	Separation Fulcrum Shaft Holder (Bushing/Bearing)
7	56AA 7711 0KC	Separation Idling Gear (Z=40)
8	56AA 1753 0KC	Pin (A) (D2*10)
9	56AA 7725 0KC	Separation Rocking Gear (Z=41)
10	56AA 2125 0KC	Shaft Stopper/5
a	00Z163061KC	C.R.P.H.S.Sems2 M3X6
b	00Z670606KC	E-Ring
c	00Z670306KC	E-Ring
d	00Z670406KC	E-Ring
e	00Z193061KC	C.R.P.H. Screw M3X6
f	00Z926251KC	Edge Saddle (EDS-1)
g	00Z921931KC	Mini Clamp (MSB-1607)
h	00Z921941KC	Mini Clamp (MSC-1609)
i	00Z253081KC	Cross Recessed Tapping Screw

Drum cartridge (4)

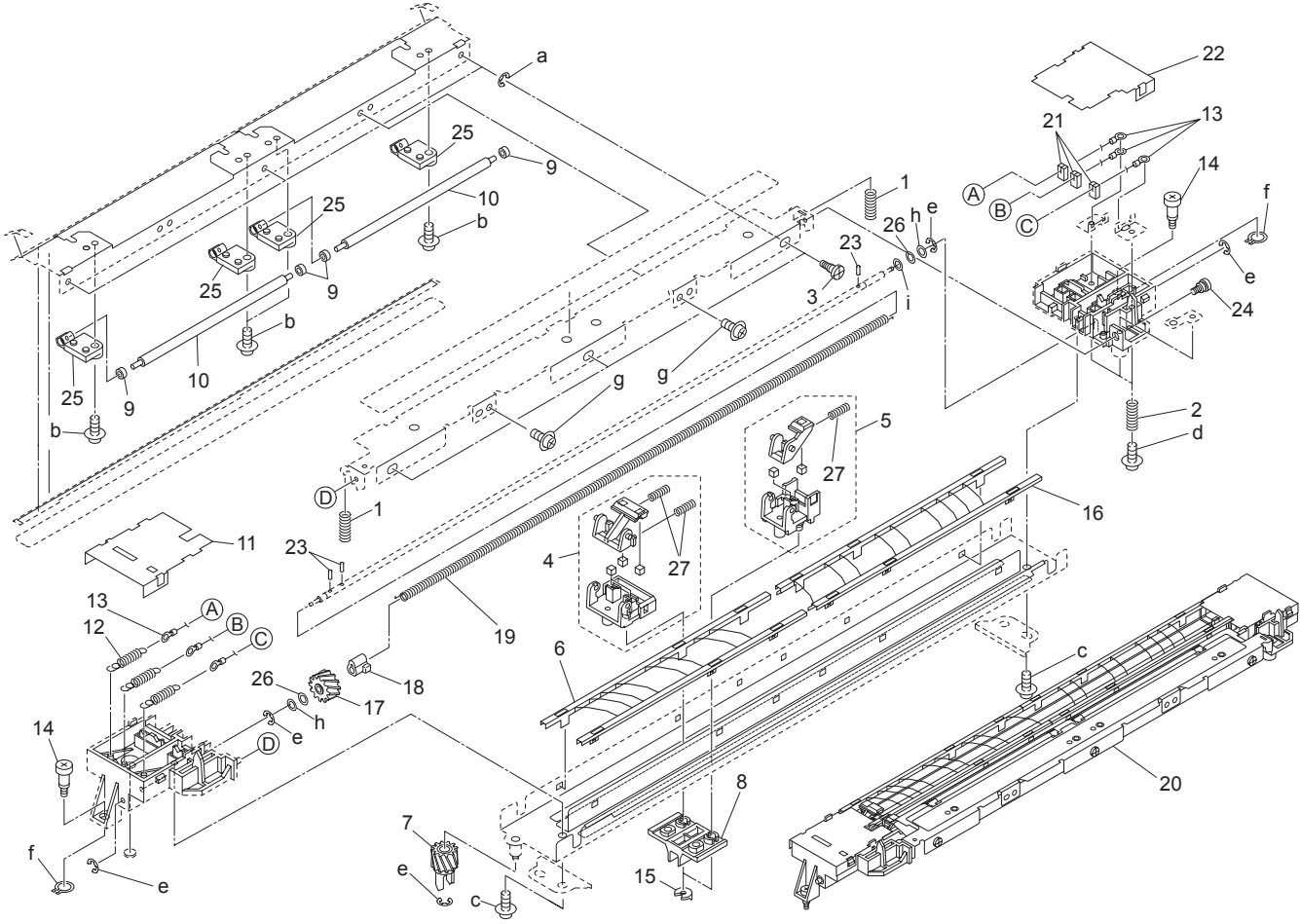


Drum cartridge (4)

Key no.	Part number	Description
1	55VA 2068 0KC	Separation Positioning Screw
2	56AA 2098 0KC	Separation Pressing Spring
3	56AA 2126 0KC	Spacer
4	56AA 2070 0KC	Drum Separating Claw
5	56AA 2075 0KC	Separation Fulcrum Shaft Holder (Bushing/ Bearing)
6	56AA 2003 0KC	Separation Guide Part
7	56AA 2096 0KC	Solenoid Release Spring
8	56AA 1742 0KC	Separate Screw (M3*3.2)
9	56AA 2044 1KC	Rocking Cam
10	56AA 2046 0KC	Release Plate
11	45AA 2040 0KC	Stopper Part (Snap Ring)
12	56AA 1710 0KC	Separation Rocking Spring
13	56AA 2043 0KC	Release Cam
14	56AA -910 0KC	Toner Control Sensor Assembly
15	26NA 8251 2KC	Paper Feed Solenoid
16	07BA 5472 1KC	Paper Holding Claw
17	56AA 2108 0KC	Fixing Part
18	56AA 2119 0KC	Separation Guide Seal/1
19	56AA 2120 0KC	Separation Guide Seal/2
20	56AA 2121 0KC	Separation Guide Seal/3
21	56AA 2122 0KC	Separation Guide Seal/4
22	56AA 2123 0KC	Separation Guide Seal/5
23	56AA 2124 0KC	Separation Guide Seal/6
a	00Z243083KC	C.R.P.H.TA. Screw
b	00Z243061KC	Cross Recessed Pan Head

Key no.	Part number	Description
c	00Z670206KC	E-Ring
d	00Z670406KC	E-Ring
e	00Z193041KC	C.R.P.H. Screw M3X4
f	00Z253081KC	Cross Recessed Tapping Screw
g	00Z921931KC	Mini Clamp (MSB-1607)
h	00Z113041KC	C.R.P.H. Screw M3X4

Transfer separator corona unit

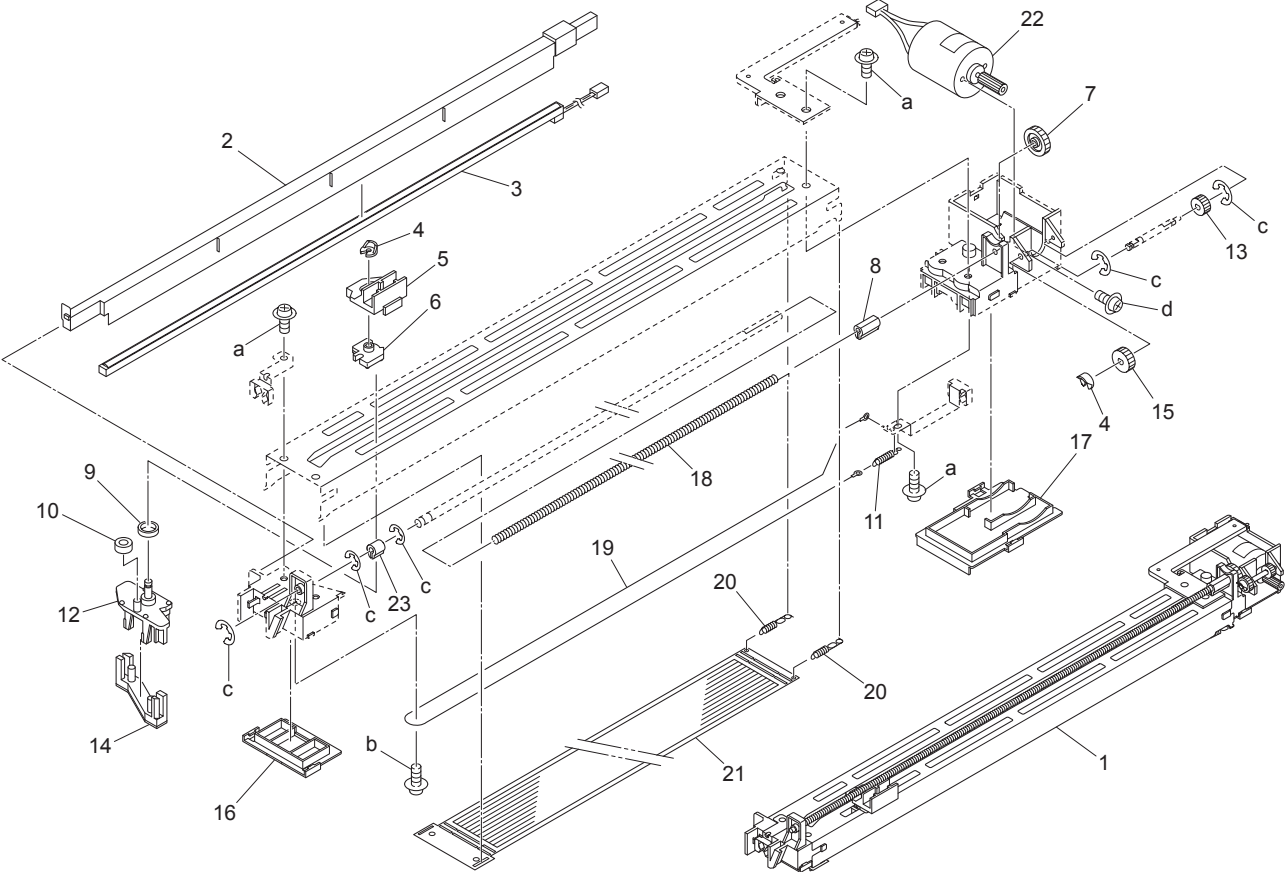


Transfer separator corona unit

Key no.	Part number	Description
1	56AA 1705 0KC	Pressure Spring
2	56AA 1702 0KC	Electrify Spring
3	56AA 1758 0KC	Adjusting Screw
4	56AA -267 1KC	Separation Cleaning Assembly
5	56AA -264 0KC	Transfer Cleaning Assembly
6	56AA 2608 2KC	Separating Bridge
7	56AA 7770 0KC	Cleaning Gear /1 (Z=14/14)
8	56AA 2620 2KC	Slide Block
9	55GA 7655 0KC	Transfer Guide Shaft Holder/2 (Bushing/ Bearing)
10	56AA 2625 0KC	Transfer Guide Roller
11	56AA 2604 0KC	Spark Preventing Plate/Front
12	56AA 1714 0KC	Wire Tension Spring
13	56AA 2609 0KC	Discharging Wire
14	56AA 2628 0KC	Electrode Fixing Screw
15	45AA 2040 0KC	Stopper Part (Snap Ring)
16	56AA 2619 2KC	Separating Bridge/Rear
17	56AA 7797 0KC	Cleaning Gear /2 (Z=14/14)
18	56AA 2618 0KC	Electrode Cleaning Joint
19	56AA 2617 0KC	Electrode Cleaning Spring
20	56AA -260 5KC	Transfer/Separation Unit
21	56AA 1783 0KC	Transfer Holding Rubber
22	56AA 2605 0KC	Spark Preventing Plate/Rear
23	56AA 1731 0KC	Pin
24	56AA 1739 0KC	Base Screw
25	56AA 2612 0KC	Transfer Guide Shaft Holder (Bushing/Bearing)

Key no.	Part number	Description
26	56AA 2631 0KC	Spacer/5
27	56AA 1704 0KC	Wire Cleaning Spring
a	00Z670306KC	E-Ring
b	00Z183061KC	Bind Screw M3X6
c	00Z253081KC	Cross Recessed Tapping Screw
d	00Z112061KC	C.R.P.H. Screw M2X6
e	00Z670206KC	E-Ring
f	00Z600506KC	Set Ring (5M)
g	00Z193061KC	C.R.P.H. Screw M3X6
h	00Z610501KC	Plane Washer
i	00Z670406KC	E-Ring

Charging unit

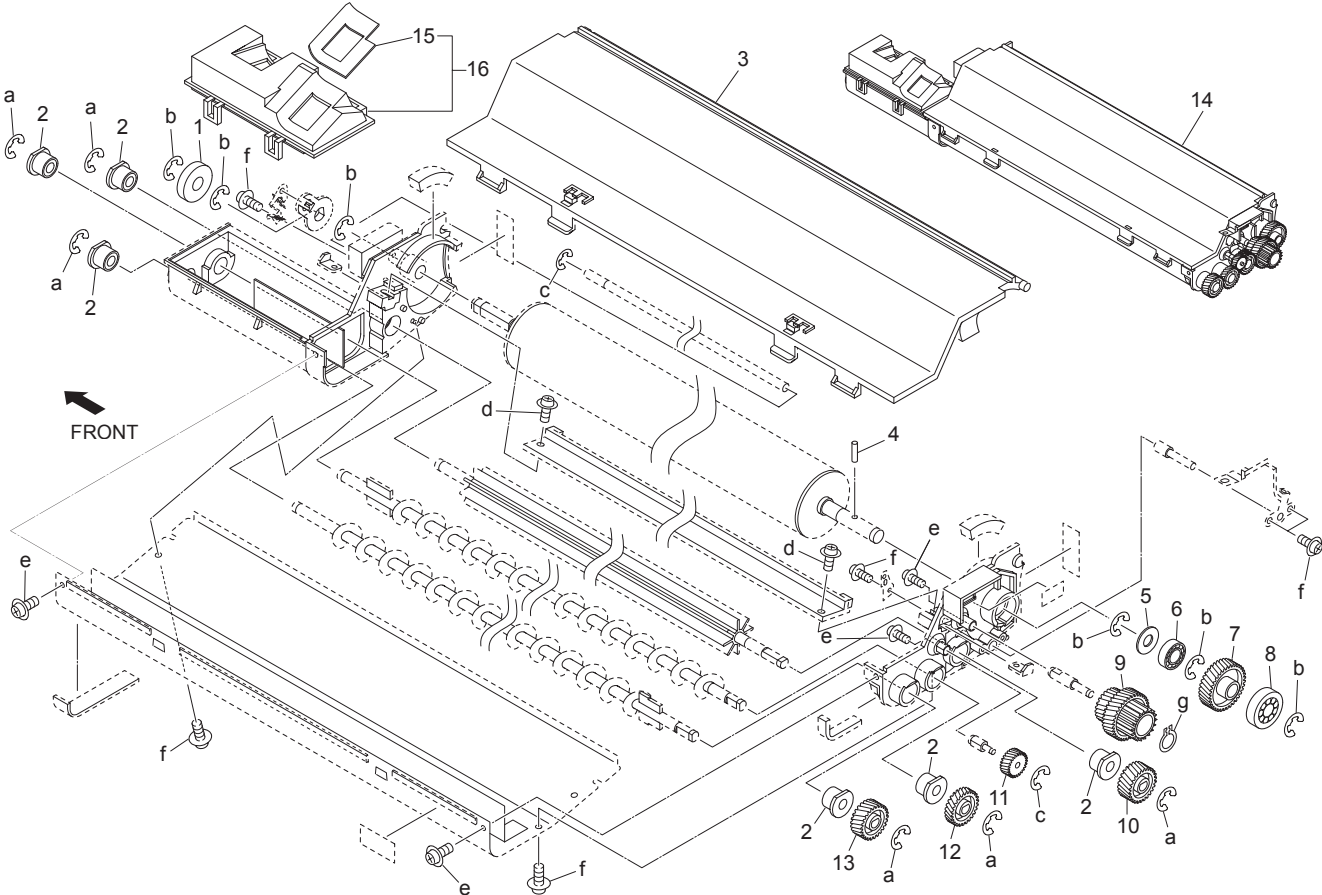


Charging unit

Key no.	Part number	Description
1	56AA -250 3KC	Charging Corona Unit
2	56AA 2530 1KC	PCL Cover
3	56AA 8307 0KC	PCL
4	45AA 2040 0KC	Stopper Part (Snap Ring)
5	56AA 2538 0KC	Charge Slide Part
6	56AA 2540 0KC	Charge Cleaning Base Plate
7	56AA 7791 0KC	Charge Cleaning Gear/4 (Z=28)
8	56AA 2515 0KC	Electrode Cleaning Joint
9	25SA 2518 0KC	Charging Slide Collar
10	56AA 2545 0KC	Charge Slide Collar/2
11	56AA 2523 0KC	Charge Tension Spring
12	56AA -253 1KC	Charge Cleaner Upper Block Assembly
13	56AA 7789 0KC	Charge Cleaning Gear/2 (Z=15)
14	56AA -254 1KC	Charge Cleaner Lower Block Assembly
15	56AA 7790 0KC	Charge Cleaning Gear/3 (Z=18)
16	56AA 2533 0KC	Spark Preventing Part/Front
17	56AA 2534 0KC	Spark Preventing Part/Rear
18	56AA 2517 0KC	Electrode Cleaning Spring
19	56AA 2509 0KC	Charge Wire
20	56AA 1716 0KC	Charging Control Spring
21	56AA 2503 0KC	Charge Control Plate
22	56AA -255 0KC	Charge Cleaning Motor Assembly
23	56AA 2514 1KC	Electrode Cleaning Joint /Front
a	00Z253081KC	Cross Recessed Tapping Screw
b	00Z242051KC	C.R.P.H.TA. Screw (M2X5)
c	00Z670206KC	E-Ring

Key no.	Part number	Description
d	00Z11B061KC	C.R.P.H. Screw M2.6*6

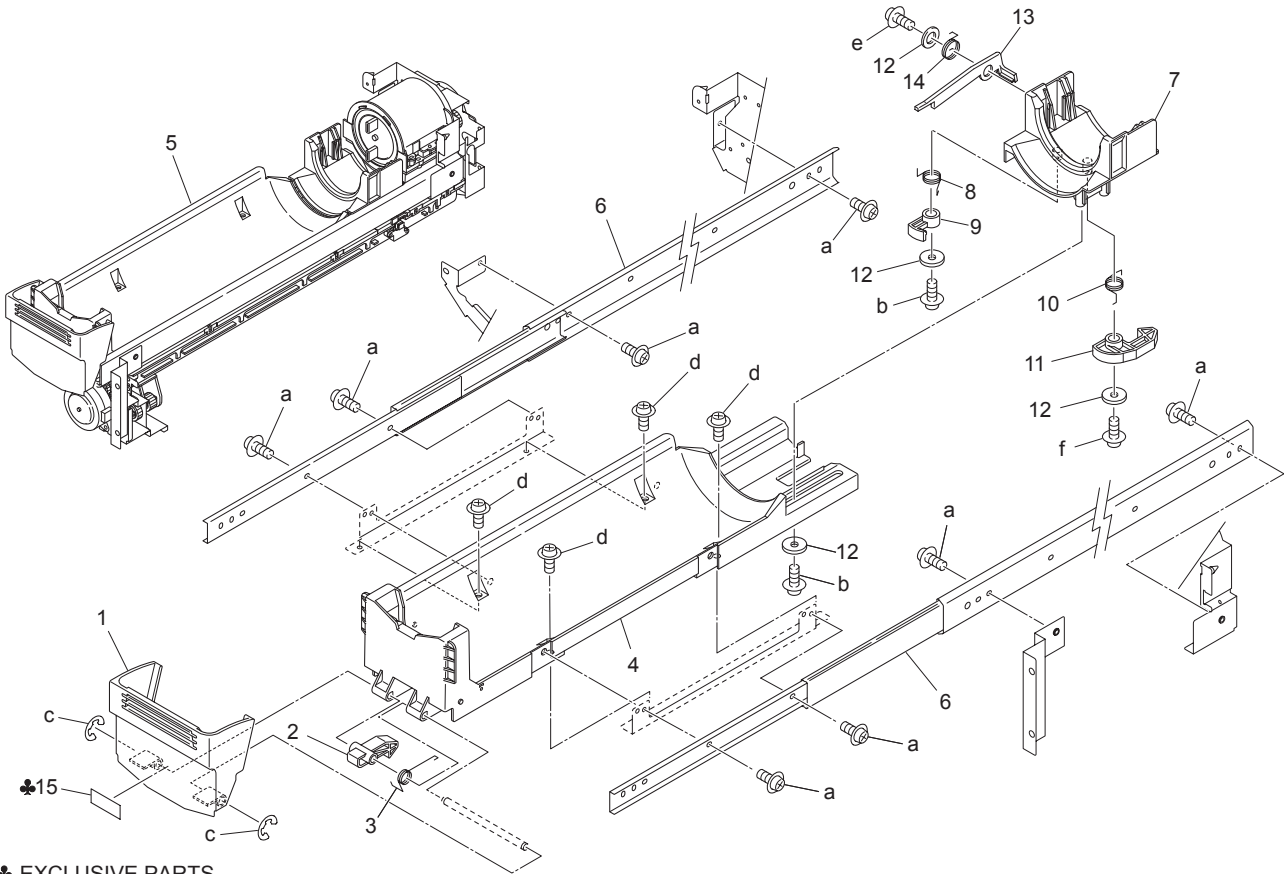
Developing unit



Developing unit

Key no.	Part number	Description
1	56GA 3071 0KC	Developing Stopper Roller/B
2	55WA 3001 0KC	Developing Shaft Holder (Bushing/Bearing)
3	56AA -301 1KC	Developing Cover Assembly
4	56AA 1747 0KC	Pin (B) (3*12)
5	5400 3017 0KC	Spewing Preventive Felt
6	4660 7803 0KC	Shaft Holder (Bushing/Bearing)
7	56AA 7775 0KC	Developing Driving Gear (Z=36)
8	56GA 3070 0KC	Developing Stopper Roller/A
9	56AA 7776 0KC	Developing Input Gear (Z=36/24)
10	56AA 7777 0KC	Developing Agitating Gear (Z=26)
11	56AA 7778 0KC	Developing Idling Gear (Z=18)
12	56AA 7779 0KC	Screw Gear/Left (Z=26)
13	56AA 7780 0KC	Screw Gear/Right (Z=26)
14	56AA -300 4KC	Developing Unit
15	56AA 3042 0KC	Scatter Preventing Pad /No.3
16	56AA -306 0KC	Developing Cover Part Assembly
17	E4Q0KC	Developer (not shown)
a	00Z670406KC	E-Ring
b	00Z670606KC	E-Ring
c	00Z670206KC	E-Ring
d	00Z163101KC	C.R.P.H.S.Sems2 M3X10
e	00Z193061KC	C.R.P.H. Screw M3X6
f	00Z253101KC	Cross Recessed Tapping Screw
g	00Z680403KC	Set Ring For Shaft (D=4)

Toner supply unit (1)

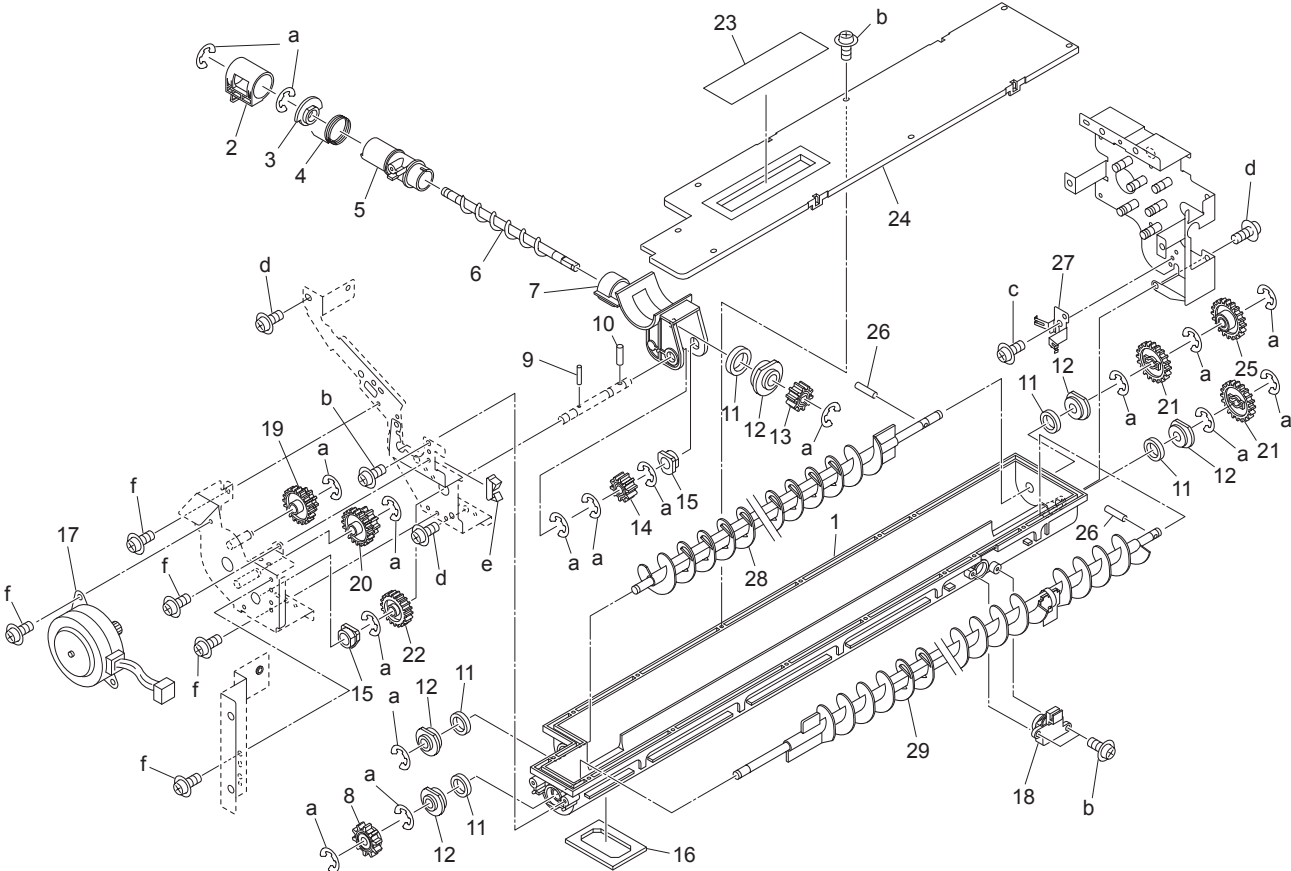


♣ EXCLUSIVE PARTS

Toner supply unit (1)

Key no.	Part number	Description
1	56NE 3251 0KC	Lever
2	56AA 3261 0KC	Toner Supply Locking Part
3	56AA 3262 0KC	Toner Supply Locking Spring
4	56AA 3230 2KC	Cartridge Pressing Part
5	56NE -320 0KC	Toner Supply Unit
6	56AA 1030 0KC	Slide Rail/A
7	56NE 3243 0KC	Cartridge Holding Part
8	56AA 3264 0KC	Locking Spring/B
9	56AA 3263 0KC	Locking Part/B
10	56AA 3245 0KC	Locking Spring/A
11	56AA 3244 0KC	Locking Part/A
12	56AA 3271 0KC	Guide Spacer
13	56AA 3275 1KC	Locking Part /C
14	56AA 3276 1KC	Locking Spring /C
15	56NE9795	Toner Part # Label (N. America)
15	56NF9795	Toner Part # Label (EMEA)
15	56NN9795	Toner Part # Label (AP)
a	00Z184041KC	Bind Screw M4X4
b	00Z253081KC	Cross Recessed Tapping Screw
c	00Z670406KC	E-Ring
d	00Z144062KC	C.R.P.H.TR.Screw M4X6
e	00Z243083KC	C.R.P.H.TA. Screw
f	00Z253101KC	Cross Recessed Tapping Screw

Toner supply unit (2)

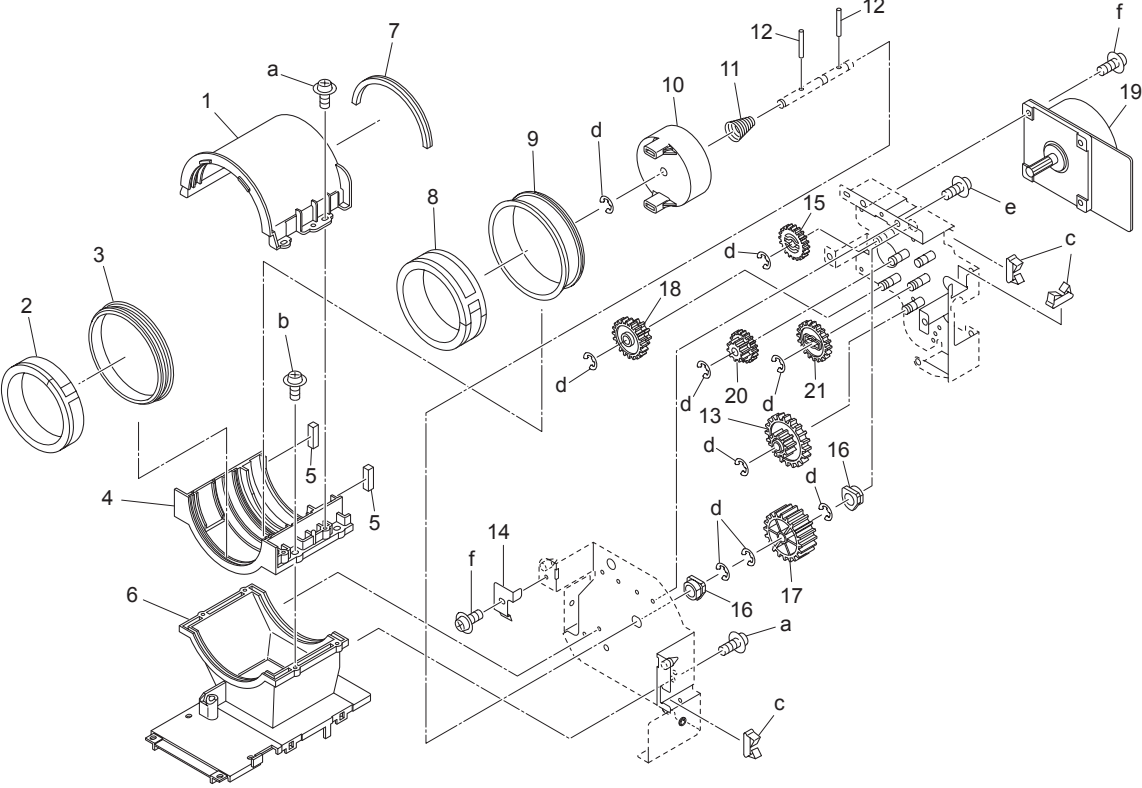


Toner supply unit (2)

Key no.	Part number	Description
1	56AA 3203 0KC	Toner Supply Main Body/Lower
2	56AA 3233 1KC	Toner Supply Open/Shut Cover
3	56AA 3270 0KC	Screw Shaft Holder (Bushing/Bearing)
4	56AA 3235 1KC	Toner Supply Open/Shut Spring
5	56AA 3259 0KC	Toner Supply Block/B
6	56AA 3209 0KC	Toner Supply Screw
7	56AA 3256 0KC	Toner Supply Block/A
8	55GA 7768 0KC	Toner Agitating Gear/A (Z=25)
9	56AA 1732 0KC	Pin (A) (D2*7)
10	56AA 1752 0KC	Pin (A) (D3*10)
11	56AA 3266 0KC	Toner Conveying Seal
12	56AA 3265 0KC	Toner Conveying Shaft Holder (Bushing/Bearing)
13	56AA 7733 0KC	Screw Gear (Z=15)
14	56AA 7724 0KC	Screw Input Gear (Z=15)
15	4660 7602 0KC	Paper Feed Shaft Holder (Bushing/Bearing)
16	56AA 3214 0KC	Toner Supply Seal
17	56AA 8006 0KC	Toner Supply Motor
18	40AA 8803 0KC	Quantity Detecting Sensor
19	56AA 7729 0KC	Idling Gear/C (Z=51,15)
20	56AA 7732 0KC	Idling Gear/D (Z=47,20)
21	56AA 7730 0KC	Agitating Gear (Z=37)
22	12AA 7708 0KC	Gear/H (Z=27)
23	56AA 3274 0KC	Toner Sealing Sheet/A
24	56AA 3213 0KC	Main Body Cover/Lower
25	56AA 7731 0KC	Toner Supply Input Gear (Z=30)

Key no.	Part number	Description
26	56AA 1747 0KC	Pin (B) (3*12)
27	56AA 3273 0KC	Screw Earth Plate
28	56AA 3206 0KC	Agitating Screw/Left
29	56AA -333 0KC	Screw/Right
a	00Z670406KC	E-Ring
b	00Z253081KC	Cross Recessed Tapping Screw
c	00Z193041KC	C.R.P.H. Screw M3X4
d	00Z243083KC	C.R.P.H.TA. Screw
e	00Z921370KC	Edge Saddle
f	00Z193061KC	C.R.P.H. Screw M3X6

Toner supply unit (3)

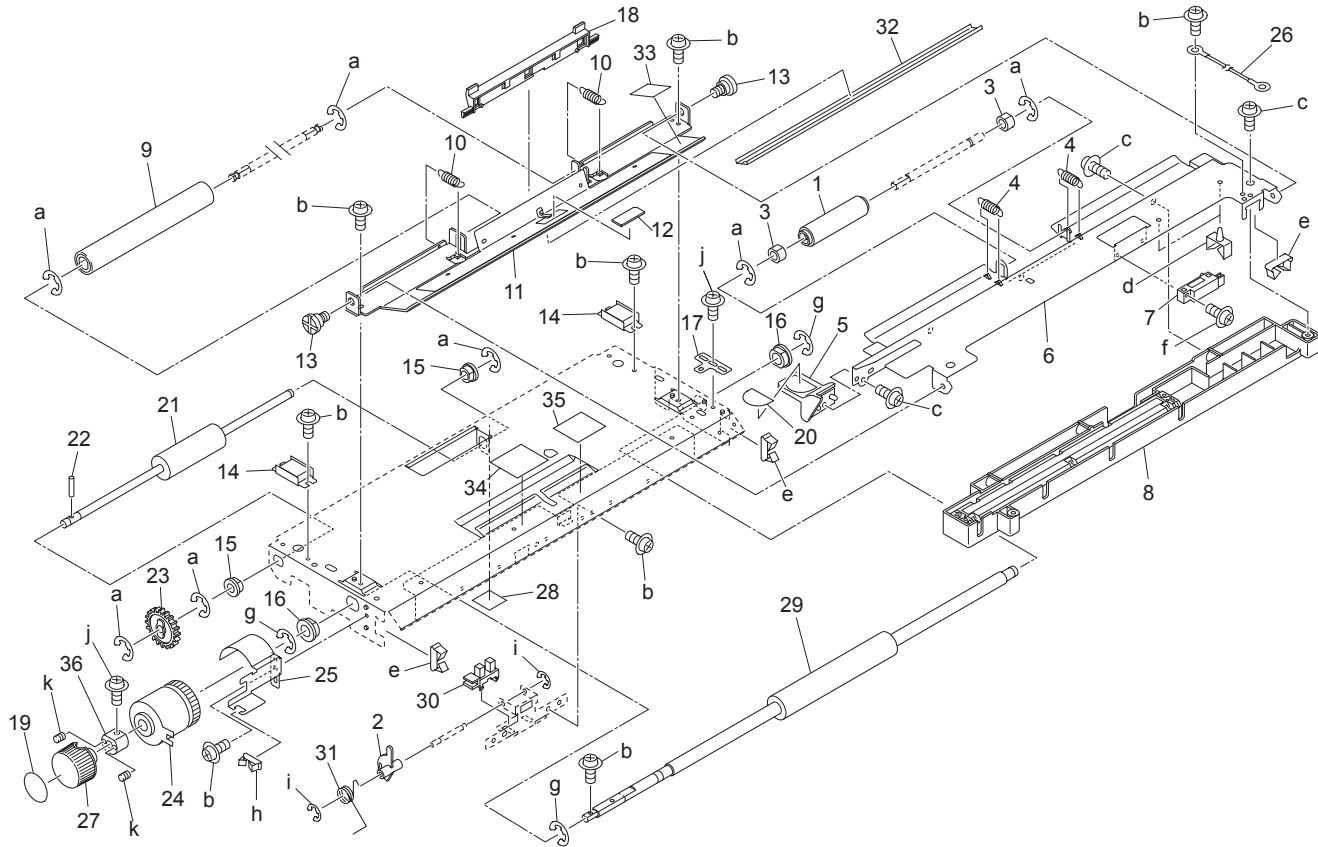


Toner supply unit (3)

Key no.	Part number	Description
1	56AA 3242 0KC	Main Body Cover/Upper
2	56AA 3215 1KC	Toner Sealing Part/A
3	56AA 3240 0KC	Toner Supply Sleeve/Front
4	56AA 3202 0KC	Toner Supply Main Body/Upper
5	56AA 3268 0KC	Toner Sealing Part/D
6	56AA 3201 1KC	Toner Supply Main Body
7	56AA 3267 0KC	Toner Sealing Part/C
8	56AA 3216 0KC	Toner Sealing Part/B
9	56AA 3241 0KC	Toner Supply Sleeve/Rear
10	56AE 3239 0KC	Cartridge Driving Part
11	56AA 3227 0KC	Drive Release Spring
12	56AA 1750 0KC	Pin
13	56AA 7728 0KC	Idling Gear/B (Z=44/16)
14	56AA 3272 0KC	Earth Plate/A
15	56AA 7794 0KC	Idling Gear/G (Z=20)
16	4660 7602 0KC	Paper Feed Shaft Holder (Bushing/Bearing)
17	56AA 7795 0KC	Cartridge Gear (Z=33)
18	56AA 7727 0KC	Idling Gear/A (Z=53/14)
19	56AA 8008 1KC	DC Brushless Motor/15
20	56AA 7793 0KC	Idling Gear/F (Z=15/20)
21	56AA 7792 0KC	Idling Gear/E (Z=30)
a	00Z243083KC	C.R.P.H.TA. Screw
b	00Z253081KC	Cross Recessed Tapping Screw
c	00Z921370KC	Edge Saddle
d	00Z670406KC	E-Ring
e	00Z193061KC	C.R.P.H. Screw M3X6

Key no.	Part number	Description
f	00Z193041KC	C.R.P.H. Screw M3X4

Registration unit



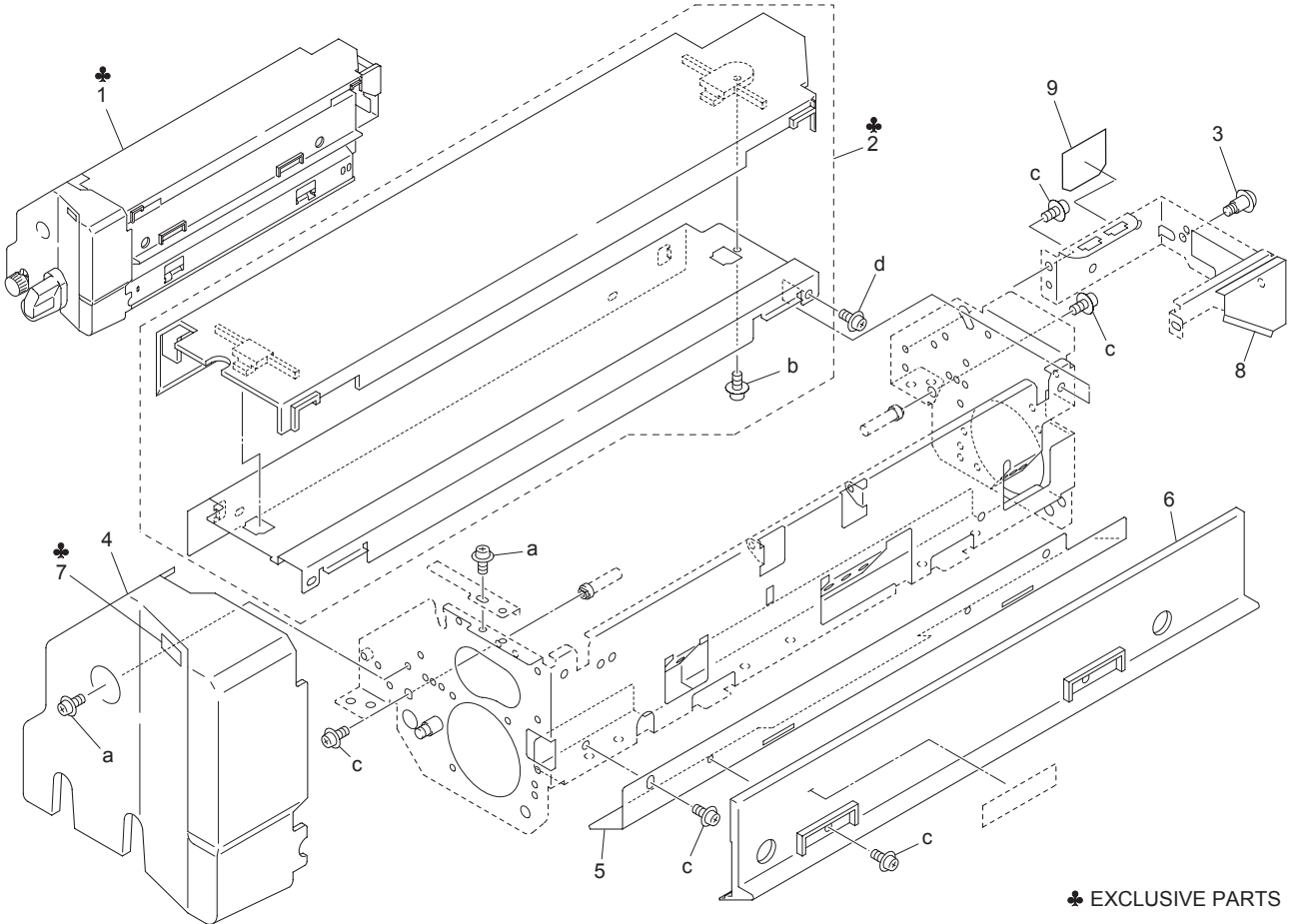
Registration unit

Key no.	Part number	Description
1	55VA 4689 0KC	Driven Rubber
2	56AA 4610 0KC	Registration Paper Feed Actuator
3	25AA 7553 0KC	Slide Shaft Holder (Bushing/Bearing)
4	56AA 4645 0KC	Registration Feeding Spring
5	56AA 4606 0KC	Transfer Guide Handle
6	56AA 4604 1KC	Transfer Feeding Plate
7	56AA 8552 0KC	Conveyance Photo Sensor
8	55VA -804 0KC	Sensor Assembly
9	56AA 4617 2KC	Registration Driven Roller/Upper
10	56AA 4691 0KC	Registration Pressing Spring/Upper
11	56AA 4605 0KC	Registration Entrance Plate
12	56AA 1782 0KC	Preventing Rubber
13	56AA 4611 0KC	Registration Open/Shut Screw
14	40AA 3229 0KC	Magnet Catch
15	08AA 7601 0KC	Drum Driving Shaft Holder (Bushing/Bearing)
16	26NA 4082 0KC	Paper Feed Slide Shaft Holder (Bushing/Bearing)
17	56AA 4640 0KC	Registration Positioning Plate
18	56AA -366 0KC	Registration Cleaner Assembly
19	56AA 9721 0KC	Jam Release Label/D (see Note 1)
20	56AA 9725 0KC	Jam Release Label/1
21	56AA 4685 2KC	Conveyance Driving Roller/T
22	56AA 1747 0KC	Pin (B) (3*12)
23	56AA 7784 0KC	Driving Gear (Z=30)
24	56AA 8201 1KC	Paper Feed Driving Clutch
25	56AA 4620 1KC	Registration Driving Base Plate

Key no.	Part number	Description
26	56AA 9029 0KC	ADU Earth Wire
27	13GQ 4547 0KC	Rotary Knob (see Note 1)
28	56AA 5028 0KC	Registration Lift-Up Sheet/2
29	56AA 4603 1KC	Registration Roller/Upper
30	08AA 8551 0KC	Photo Sensor
31	56AA 4616 0KC	Pressing Spring/Lower
32	56AA -367 0KC	Paper Regulating Plate Assembly
33	56AA 4607 0KC	Wiring Guide Sheet
34	56AA 4612 0KC	Registration Enter Sheet/Front
35	56AA 4613 0KC	Registration Enter Sheet/Rear
36	56AA 4693 0KC	Clutch Fixing Part
a	00Z670406KC	E-Ring
b	00Z193041KC	C.R.P.H. Screw M3X4
c	00Z254081KC	Cross Recessed Tapping Screw
d	00Z921941KC	Mini Clamp (MSC-1609)
e	00Z921370KC	Edge Saddle
f	00Z183101KC	Bind Screw M3X10
g	00Z670606KC	E-Ring
h	00Z920013KC	Super Saddle MSS-2
i	00Z670206KC	E-Ring
j	00Z193061KC	C.R.P.H. Screw M3X6
k	00Z473063KC	Hexagon Socket Screw (W Point)

Note 1: U6181-60002 includes both 56AA97210KC (key no. 19) and 13GQ45470KC (key no. 27).

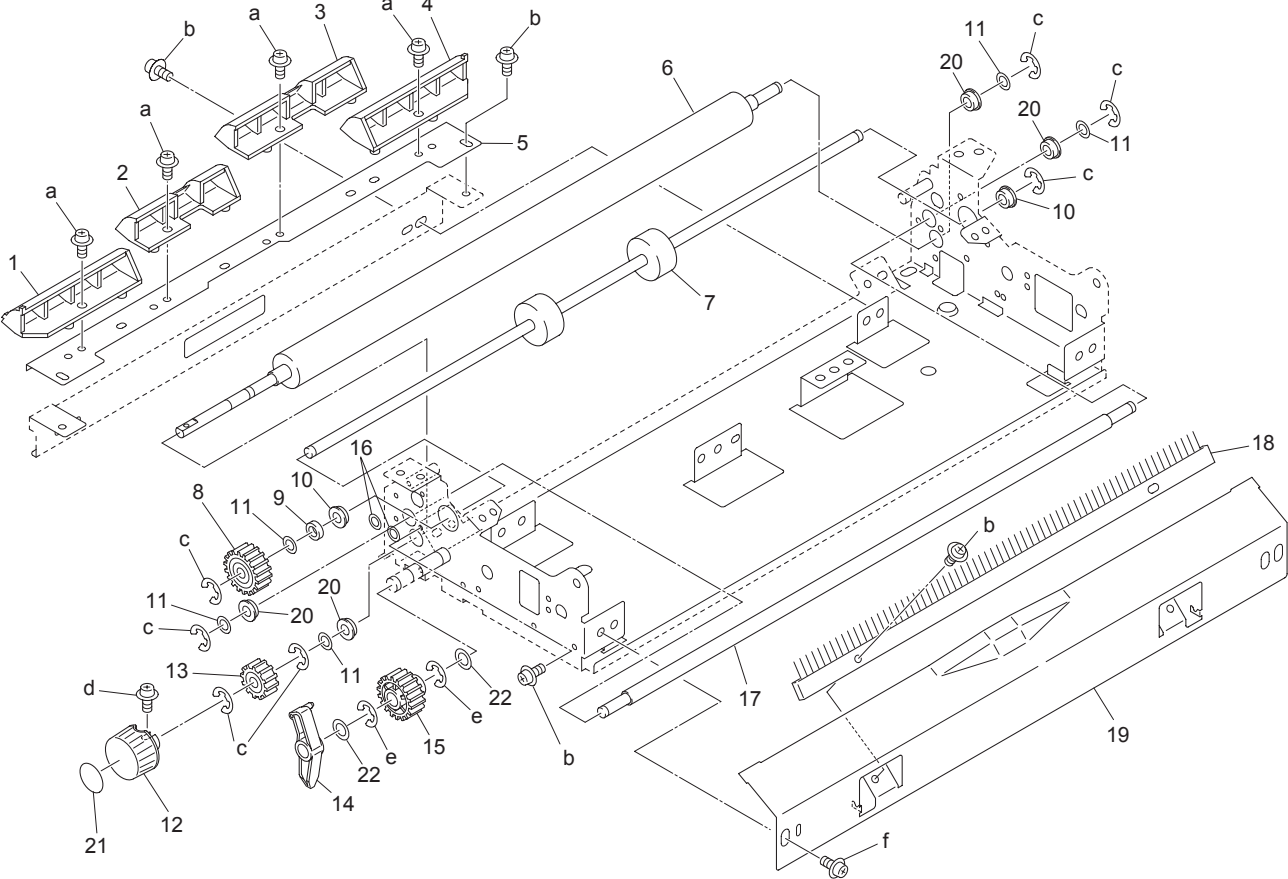
Fixing unit (fuser) (1)



Fixing unit (fuser) (1)

Key no.	Part number	Description
1	56AE -53T 0KC	Fixing Unit (Fuser) (110V)
1	56AF -53T 0KC	Fixing Unit (Fuser) (220V)
1	56AG -53T 0KC	Fixing Unit (Fuser) (220V Asia-Pacific A/P)
1	56AK -53T 0KC	Fixing Unit (Fuser) (100V Taiwan)
2	56AE -544 0KC	Upper Plate Assembly
2	56AF -544 0KC	Upper Plate Assembly
3	26NA 5403 0KC	Mounting Screw
4	56AA 5336 0KC	Fixing Cover/Front
5	56AA 5345 0KC	Fixing Entrance Plate/Upper
6	56AA 5339 0KC	Guide Part/A
7	56AA 9710 0KC	High Temperature Caution Label
7	56AE 9710 0KC	High Temperature Caution Label
8	56AA 5394 2KC	Fixing Heat Insulate Sheet /A
9	56AA 5455 0KC	Protection Seal/1
a	00ZAA0008KC	Hexagon Cross Recessed RS Tap
b	00Z253063KC	CRPH TA Screw
c	00Z193061KC	C.R.P.H. Screw M3X6
d	00Z194061KC	C.R.P.H. Screw M4X6

Fixing unit (fuser) (2)

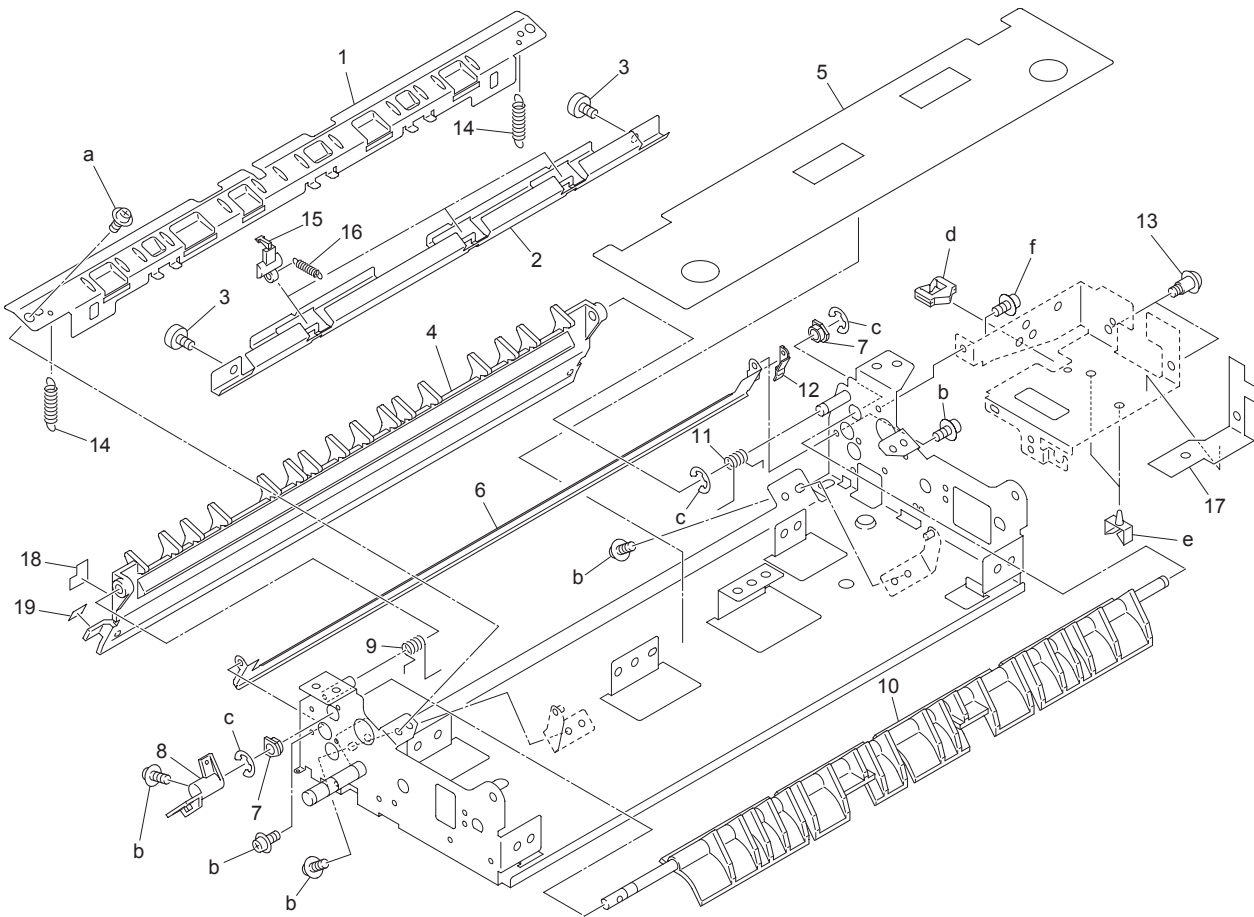


Fixing unit (fuser) (2)

Key no.	Part number	Description
1	56AA 5441 0KC	Paper Exit Guide Part/1
2	56AA 5442 0KC	Paper Exit Guide Part/2
3	56AA 5443 0KC	Paper Exit Guide Part/3
4	56AA 5444 0KC	Paper Exit Guide Part/4
5	56AA 5378 0KC	Paper Exit Guide Plate
6	56AA 5307 0KC	Paper Exit Conveying Roller/Upper (Decurler Roller)
7	56AA 5371 0KC	Fixing Paper Exit Roller
8	56AA 7722 0KC	Paper Exit Driving Gear/1 (Z=24)
9	56AA 5447 1KC	Drive Stopper Roller
10	56AA 7506 1KC	Fixing Paper Exit Shaft Holder (Bushing/Bearing)
11	56AA 5448 0KC	Drive Protection Spacer
12	13GQ 4547 0KC	Rotary Knob
13	56AA 7723 1KC	Paper Exit Driving Gear/2 (Z=18)
14	56AA 5384 0KC	Paper Exit Guide Lever
15	56AA 7721 0KC	Paper Exit Idling Gear/1 (Z=25)
16	56AA 5464 0KC	Shaft Holder (Bushing/Bearing) Regulation Plate
17	56AA 5372 1KC	Paper Exit Driven Roller/Upper (Regulator Shaft)
18	56AA 5419 0KC	Neutralizing Brush (Anti-Static Brush)
19	56AA 5346 0KC	Fixing Entrance Plate/Lower
20	07AA 7509 0KC	Bushing /1 (Bearing)
21	56AA 9722 0KC	Jam Release Label
22	12QV 4065 0KC	Spacer
a	00Z194061KC	C.R.P.H. Screw M4X6

Key no.	Part number	Description
b	00Z193061KC	C.R.P.H. Screw M3X6
c	00Z670406KC	E-Ring
d	00Z183061KC	Bind Screw M3X6
e	00Z670606KC	E-Ring
f	00ZAA0008KC	Hexagon Cross Recessed RS Tap

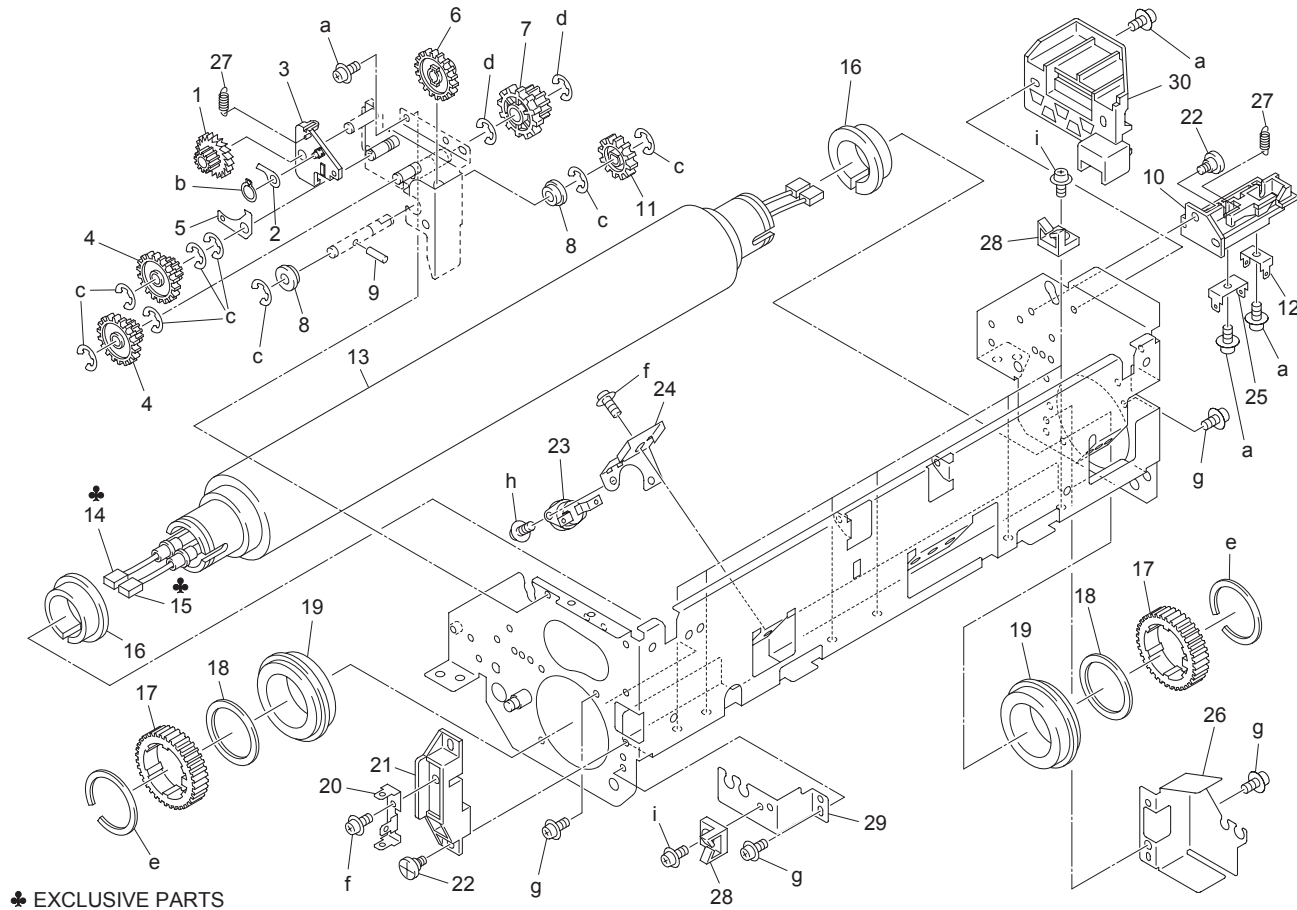
Fixing unit (fuser) (3)



Fixing unit (fuser) (3)

Key no.	Part number	Description
1	56AA 5418 0KC	Fixing Paper Exit Plate/Lower
2	56AA 5417 1KC	Fixing Paper Exit Plate/Upper
3	56AA 1790 0KC	Fixing Paper Exit Screw
4	56AA 5373 2KC	Paper Exit Entrance Plate/Upper
5	56AA 5389 0KC	Insulating Sheet/1
6	56AA 5408 0KC	Paper Exit Guide Plate/Lower
7	4660 7602 0KC	Paper Feed Shaft Holder (Bushing/Bearing)
8	56AA 5382 0KC	Positioning Lever
9	56AA 5374 1KC	Paper Exit Pressing Spring/Front
10	56AA 5380 2KC	Paper Exit Guide Part/Right
11	56AA 5375 1KC	Paper Exit Pressing Spring /Rear
12	56AA 5449 0KC	Paper Exit Release Handle
13	26NA 5403 0KC	Mounting Screw
14	56AA 1711 0KC	Jam Detecting Spring
15	25BA 5333 0KC	Fixing Claw/Lower
16	56AA 1713 0KC	Separating Spring/Lower
17	56AA 5395 1KC	Fixing Heat Insulate Sheet /B
18	56AA 9728 0KC	Jam Release Label/4
19	56AA 9730 0KC	Jam Release Label/6
a	00ZAA0008KC	Hexagon Cross Recessed RS Tap
b	00Z193061KC	C.R.P.H. Screw M3X6
c	00Z670406KC	E-Ring
d	00Z926258KC	Edge Saddle (EDS-1208U)
e	00Z921321KC	Wire Saddle (LWS-1N)
f	00Z193041KC	C.R.P.H. Screw M3X4

Fixing unit (fuser) (4)



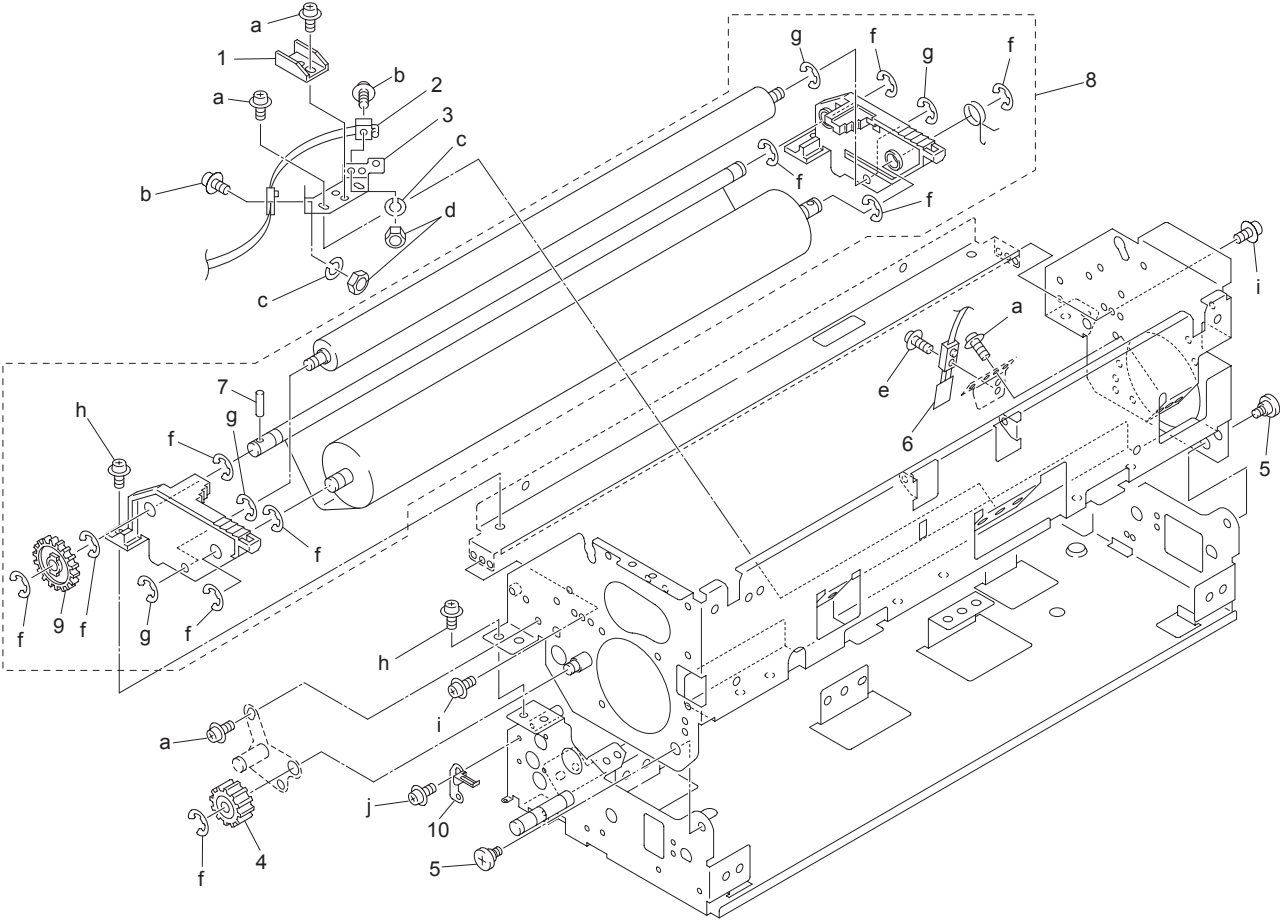
♣ EXCLUSIVE PARTS

Fixing unit (fuser) (4)

Key no.	Part number	Description
1	56AA 7734 0KC	Fixing Cleaning Gear/1 (Z=18)
2	5400 5346 0KC	Rock Claw
3	56AA 5344 2KC	Rocking Lever
4	5400 7722 0KC	Fixing Driving Gear/D
5	5400 5351 0KC	Regulate Claw
6	5400 7721 0KC	Fixing Driving Gear/C
7	56AA 7736 0KC	Fixing Cleaning Gear/3 (Z=25/19)
8	5400 7606 0KC	Fixing Cleaning Shaft Holder/A (Bushing/Bearing)
9	56AA 1753 0KC	Pin (A) (D2*10)
10	56AA 5361 0KC	Terminal Pedestal/3
11	56AA 7735 0KC	Fixing Cleaning Gear/2 (Z=19)
12	56AA 5365 0KC	Terminal Plate/3
13	56AE 5305 2KC	Fixing Roller/Upper
14	56AE 8304 0KC	Fixing Lamp/2 (110V)
14	56AF 8304 0KC	Fixing Lamp/2 (220V)
14	56AK 8304 0KC	Fixing Lamp/2 (Taiwan)
15	56AE 8303 0KC	Fixing Lamp/1 (110V)
15	56AF 8303 0KC	Fixing Lamp/1 (220V)
16	4540 5339 1KC	Heat Insulate Sleeve
17	5440 7720 1KC	Fixing Driving Gear/B
18	25SA 5379 0KC	Fixing Collar
19	4540 7504 0KC	Shaft Holder (Bushing/Bearing)
20	56AA 5363 0KC	Terminal Plate/1
21	56AA 5359 0KC	Terminal Pedestal/1
22	56AA 5422 0KC	Fixing Screw/2

Key no.	Part number	Description
23	SP00 -002 0KC	Thermostat
24	5400 5354 0KC	Fuse Attaching Plate
25	56AA 5366 0KC	Terminal Plate/4
26	56AA 5358 2KC	Lamp Mounting Plate/Rear
27	56AA 5435 0KC	Solenoid Pulling Spring
28	55GA 5365 2KC	Wiring Holding Part
29	56AA 5340 2KC	Lamp Mounting Plate/Front
30	56AA 5412 0KC	Fixing Handle
a	00Z193061KC	C.R.P.H. Screw M3X6
b	00Z600306KC	Set Ring (3M)
c	00Z670406KC	E-Ring
d	00Z670606KC	E-Ring
e	00Z683003KC	Set Ring For Shaft
f	00Z163061KC	C.R.P.H.S.Sems2 M3X6
g	00ZAA0008KC	Hexagon Cross Recessed RS Tap
h	00Z183041KC	Bind Screw M3X4
i	00Z184061KC	Bind Screw M4X6

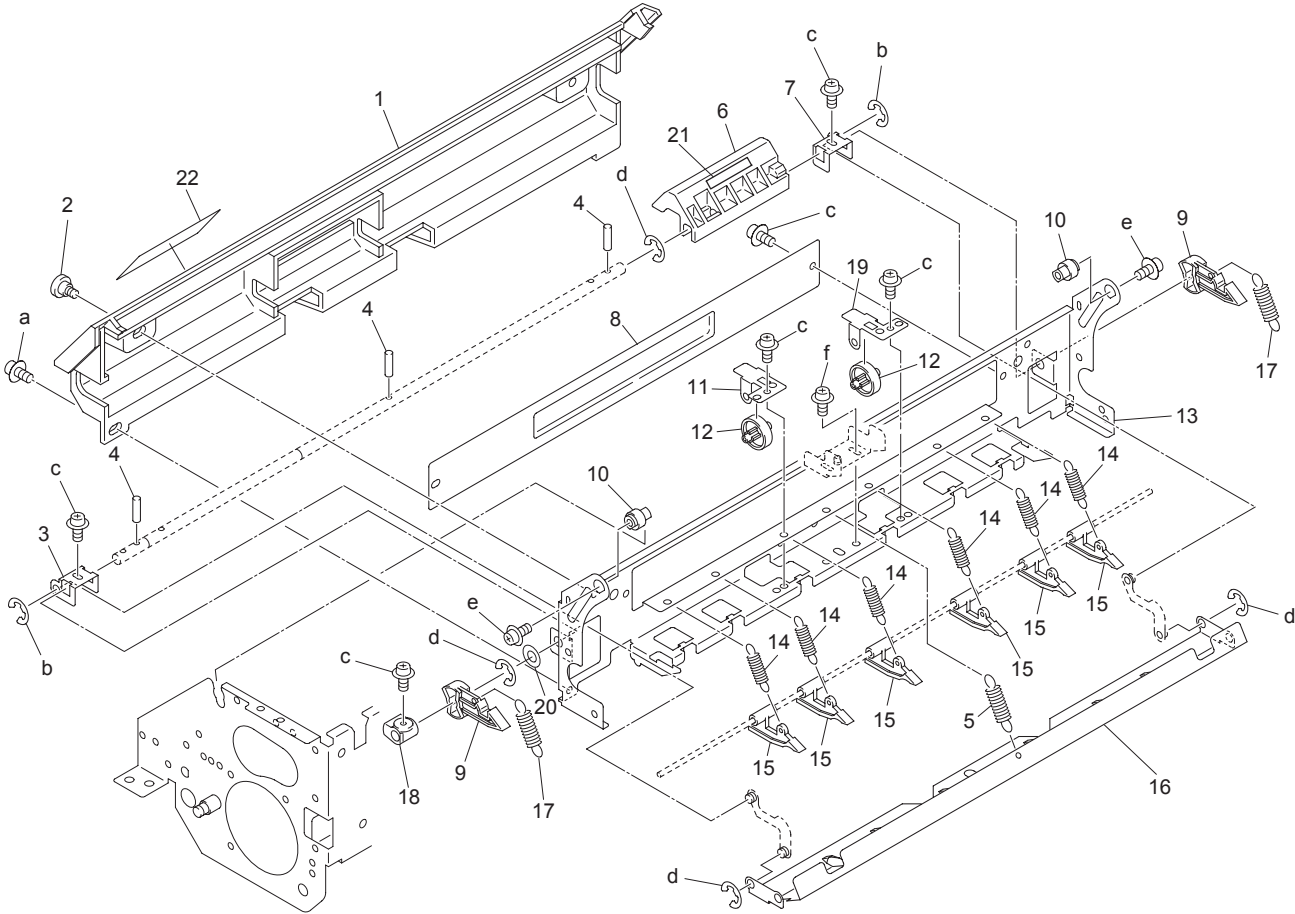
Fixing unit (fuser) (5)



Fixing unit (fuser) (5)

Key no.	Part number	Description
1	25SA 5369 1KC	Holding Part
2	56AA 8803 0KC	Temperature Sensor/1
3	25SA 5368 0KC	Support Part/2
4	25BA 7719 1KC	Fixing Idling Gear/Black
5	56AA 5347 0KC	Fixing Fulcrum Shaft
6	56AA 8804 0KC	Temperature Sensor/2
7	56AA 1755 0KC	Pin/A
8	56AA -543 0KC	Web Unit
9	56AA 7737 0KC	Fixing Cleaning Gear/4 (Z=37)
10	56AA 5453 0KC	Fixing Earth Spring
a	00Z163061KC	C.R.P.H.S.Sems2 M3X6
b	00Z113101KC	C.R.P.H. Screw M3X10
c	00Z620301KC	Spring Washer
d	00Z510301KC	Hexagon Nut. (A)
e	00Z163101KC	C.R.P.H.S.Sems2 M3X10
f	00Z670606KC	E-Ring
g	00Z670406KC	E-Ring
h	56QA53A98KC	Shoulder Screw M3X4
i	00Z193061KC	C.R.P.H. Screw M3X6
j	00Z193041KC	C.R.P.H. Screw M3X4

Fixing unit (fuser) (6)

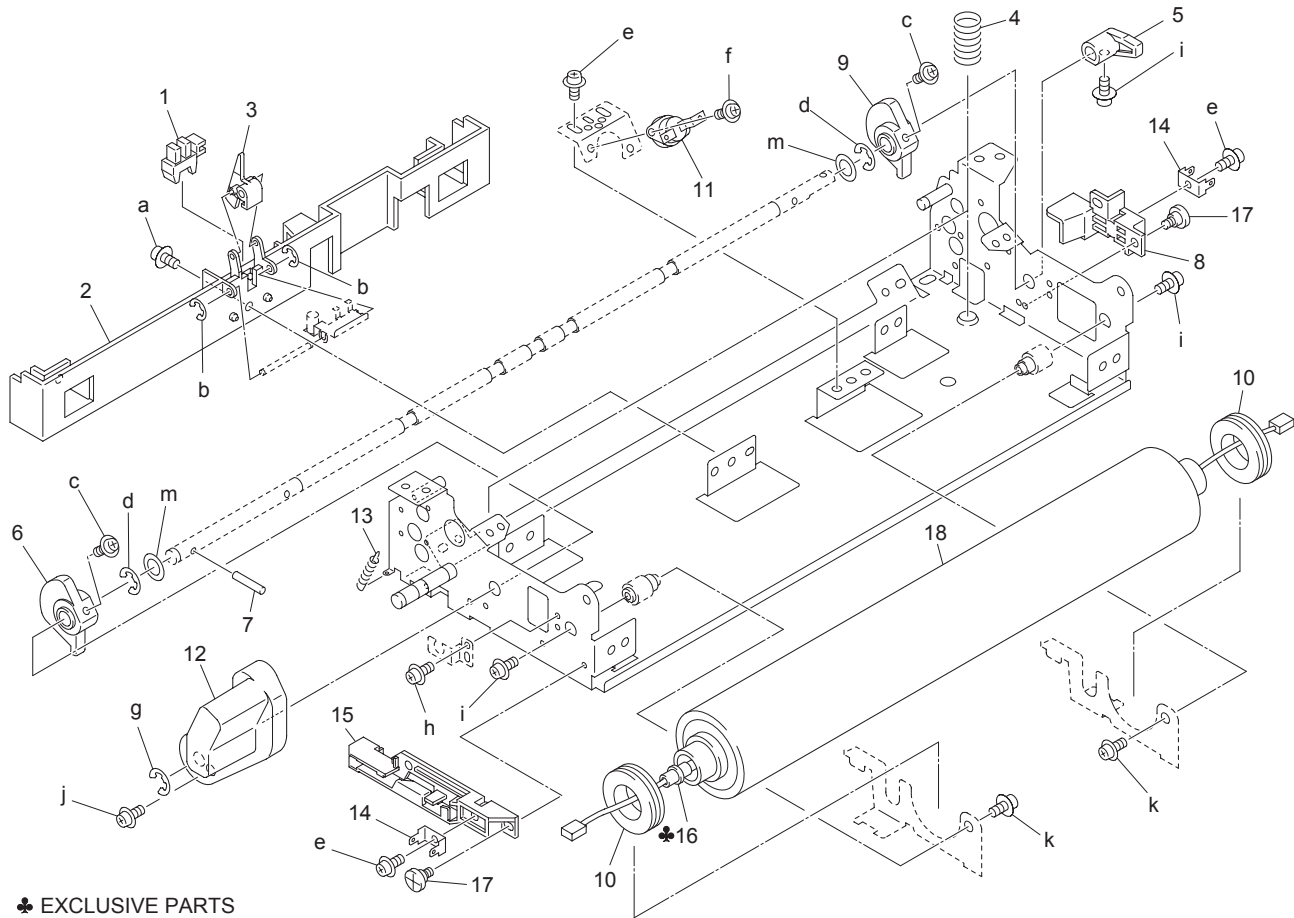


Fixing unit (fuser) (6)

Key no.	Part number	Description
1	56AA 5337 0KC	Jam Processing Cover
2	56AA 5421 0KC	Fixing Screw/1
3	56AA 5437 0KC	Paper Exit Release Plate/A
4	56AA 1732 0KC	Pin (A) (D2*7)
5	56AA 5434 0KC	Fixing Release Spring
6	56AA 5433 1KC	Jam Release Lever
7	56AA 5438 0KC	Paper Exit Release Plate/B
8	56AA 5312 0KC	Release Plate/2
9	56AA 5316 0KC	Locking Claw/Front
10	56AA 5320 0KC	Fixing Mounting Shaft/Front
11	56AA 5458 3KC	Pressing Plate/2
12	56AA 5466 0KC	Paper Exit Roller
13	56AA 5303 1KC	Fixing Paper Exit Plate/Right
14	56AA 5324 0KC	Separating Spring/Upper
15	56AA 5427 0KC	Fixing Claw/Upper
16	56AA 5318 0KC	Fixing Paper Exit Plate/Left
17	56AA 5436 0KC	Fixing Locking Spring
18	56AA 5317 2KC	Fixing Rocking Cam
19	56AA 5457 3KC	Pressing Plate /1
20	26MA 7406 0KC	Spacer/A
21	56AA 9727 0KC	Jam Release Label/3
22	56AA 9778 0KC	Fixing Open/Shut Label
a	00ZAA0008KC	Hexagon Cross Recessed RS Tap
b	00Z670306KC	E-Ring
c	00Z193061KC	C.R.P.H. Screw M3X6
d	00Z670406KC	E-Ring

Key no.	Part number	Description
e	00Z194061KC	C.R.P.H. Screw M4X6
f	00Z193081KC	C.R.P.H. Screw M3X8

Fixing unit (fuser) (7)



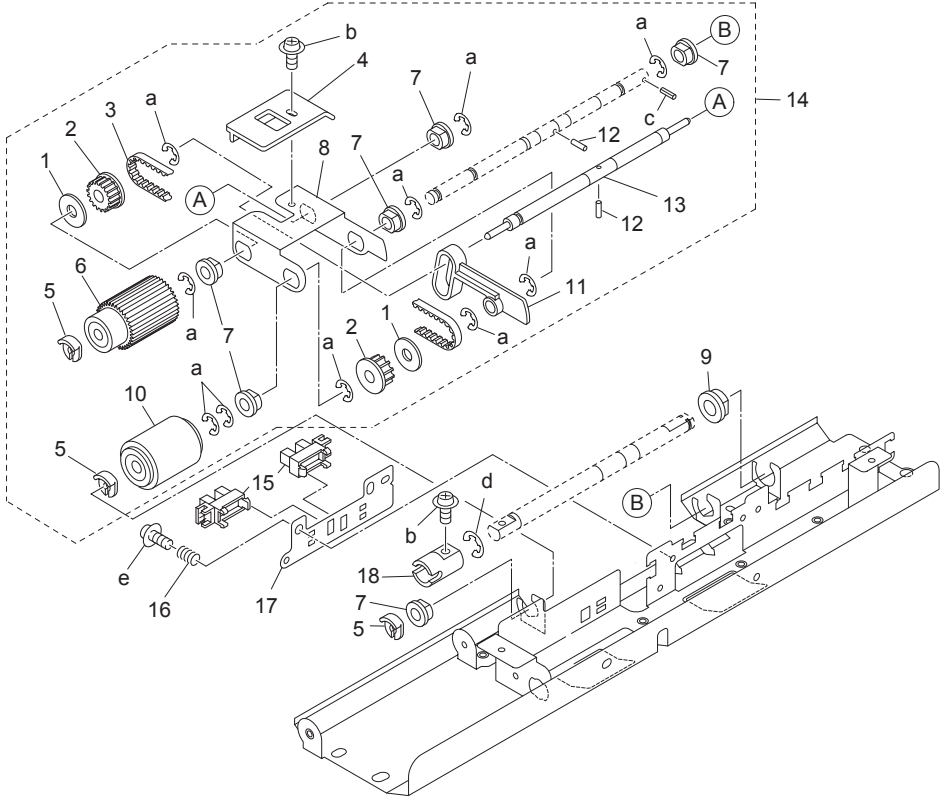
♣ EXCLUSIVE PARTS

Fixing unit (fuser) (7)

Key no.	Part number	Description
1	55VA 8552 0KC	Photo Sensor
2	56AA 5402 0KC	Mounting Part
3	56AA 5328 1KC	Paper Exit Actuator
4	55FA 5304 0KC	Pressure Spring
5	56AA 5413 1KC	Lever Stopper
6	56AA 5405 1KC	Pressure Cam/Front
7	56AA 5450 0KC	Pin/1
8	56AA 5362 0KC	Terminal Pedestal/4
9	56AA 5430 1KC	Pressure Cam/Rear
10	25SA 7603 0KC	Fixing Rolling Shaft Holder (Bushing/Bearing)
11	SP00 -001 0KC	Thermostat/2
12	56AA 5403 0KC	Fixing Lever
13	56AA 5383 0KC	Regulating Spring/1
14	56AA 5365 0KC	Terminal Plate/3
15	56AA 5360 0KC	Terminal Pedestal/2
16	56AE 8305 0KC	Fixing Lamp/3 (110V)
16	56AF 8305 0KC	Fixing Lamp/3 (220V)
17	56AA 5422 0KC	Fixing Screw/2
18	56AA 5306 1KC	Fixing Roller/Lower
a	00Z193061KC	C.R.P.H. Screw M3X6
b	00Z670206KC	E-Ring
c	00Z194101KC	Cross Recessed Pan Head Screw
d	00Z670706KC	E-Ring
e	00Z163061KC	C.R.P.H.S.Sems2 M3X6
f	00Z183041KC	Bind Screw M3X4
g	00Z670606KC	E-Ring

Key no.	Part number	Description
h	00ZAA0008KC	Hexagon Cross Recessed RS Tap
i	00Z194081KC	Cross Recessed Pan Head Screw
j	00Z243101KC	CPPH Screw
k	00Z184061KC	Bind Screw M4X6
m	00Z610801KC	Plane Washer

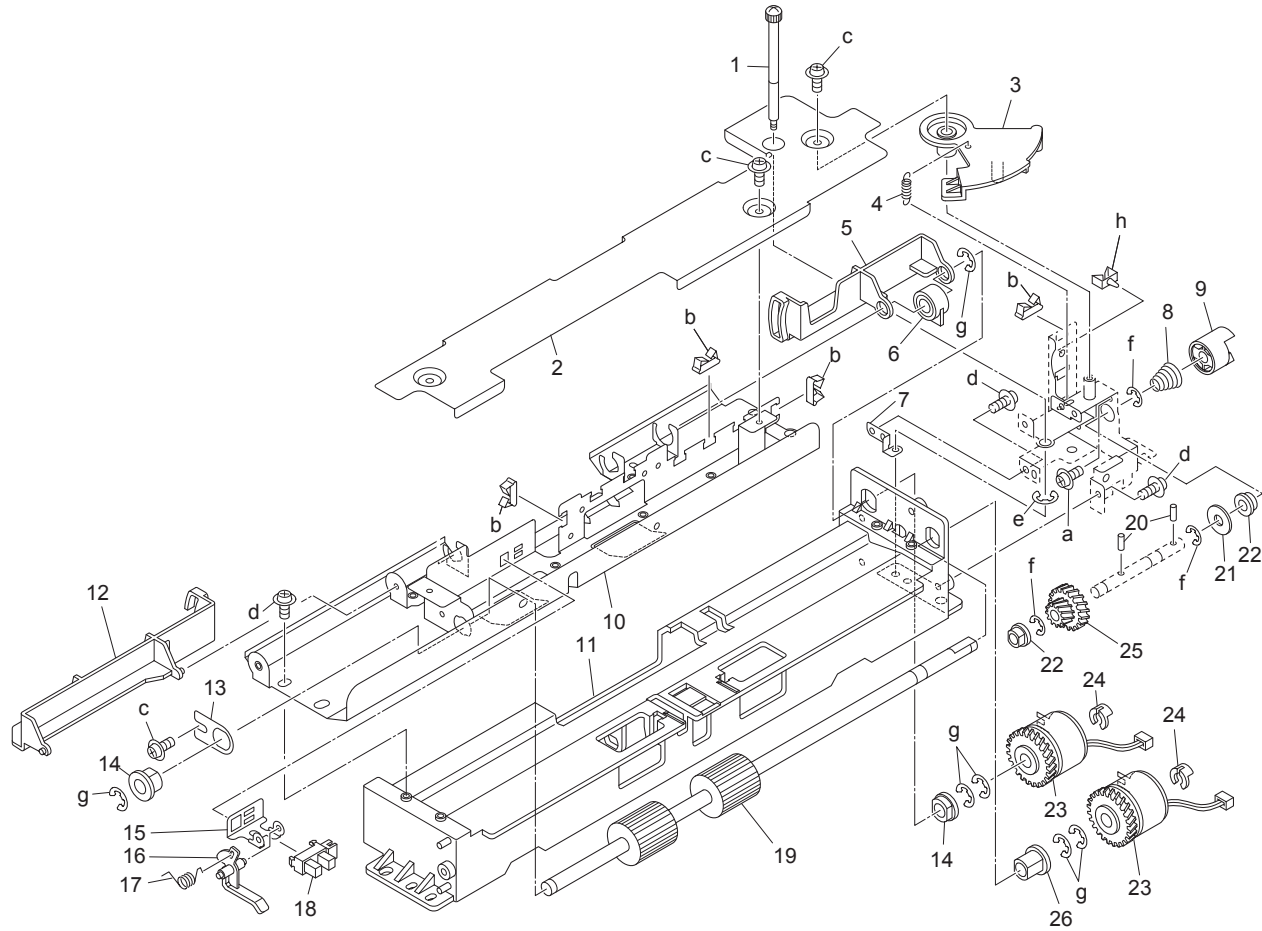
Paper feed unit (1)



Paper feed unit (1)

Key no.	Part number	Description
1	56AA 1776 0KC	Roller Collar
2	0590 7651 0KC	Pulley/1
3	56AA 7759 0KC	Paper Feed Rocking Belt (L=111)
4	56AA 4035 0KC	Rocking Handle
5	56AA 4049 0KC	Shaft Stopper/4
6	56AA -458 0KC	Paper Feed Oscillate Roller Assembly (Pick Roller)
7	08AA 7601 0KC	Drum Driving Shaft Holder (Bushing/Bearing)
8	56AA 4007 0KC	Paper Feed Rocking Plate
9	26NA 4082 0KC	Paper Feed Slide Shaft Holder (Bushing/Bearing)
10	56AA -457 0KC	Feeding Roller Assembly (Feed Roller)
11	56AA 4030 0KC	Paper Quantity Actuator
12	56AA 1751 0KC	Pin (B)
13	56AA 4029 0KC	Paper Feed Rocking Shaft
14	56AA -403 0KC	Feeding Assembly
15	08AA 8551 0KC	Photo Sensor
16	56AA 4052 0KC	Earth Spring
17	56AA 4046 0KC	Adjusting Plate
18	55FA 4032 0KC	Coupling
a	00Z670406KC	E-Ring
b	00Z193061KC	C.R.P.H. Screw M3X6
c	00Z712146KC	Spring Pin
d	00Z670606KC	E-Ring
e	00Z193041KC	C.R.P.H. Screw M3X4

Paper feed unit (2)



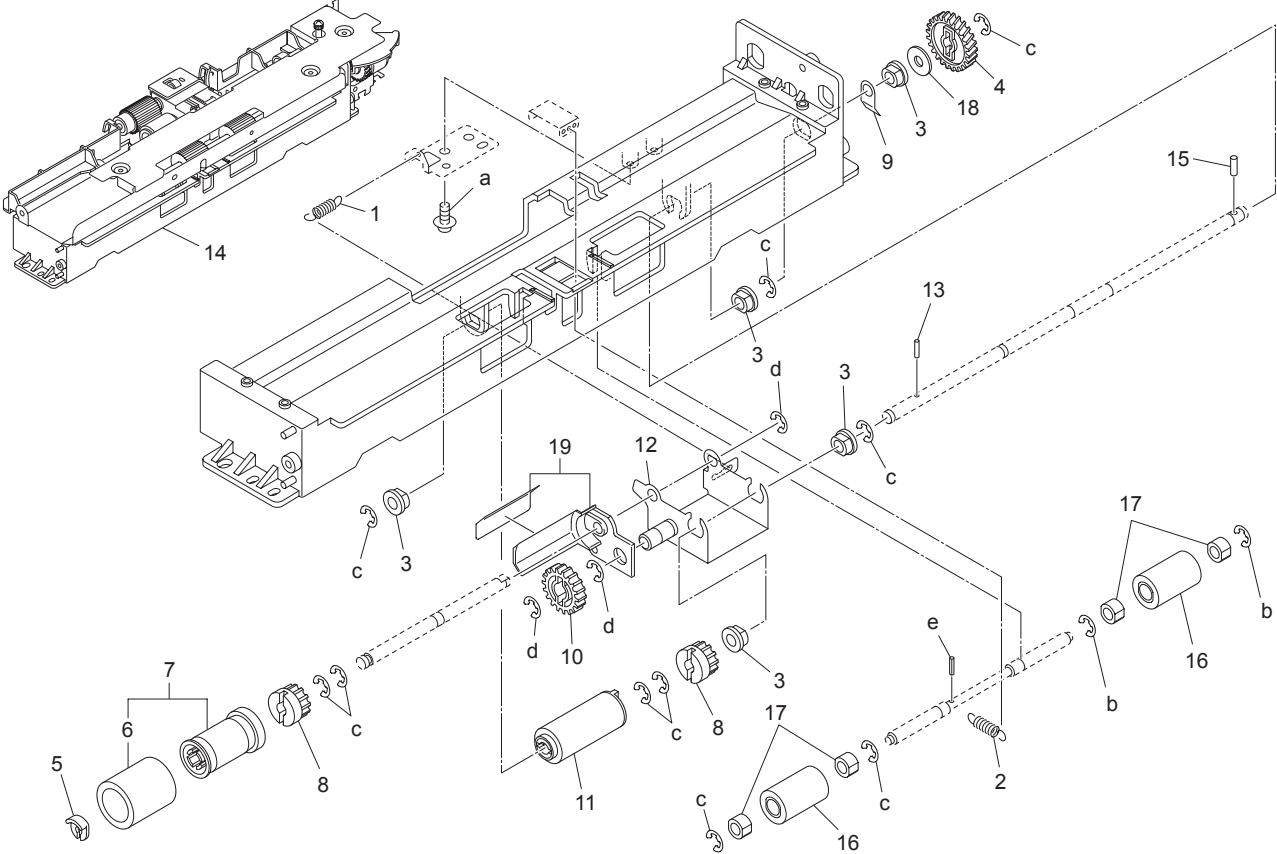
Paper feed unit (2)

Key no.	Part number	Description
1	56AA 4012 0KC	Paper Feed Holding Screw
2	56AA 4010 0KC	Wiring Protection Cover
3	56AA 4039 0KC	Cam Plate (see Note 1)
4	56AA 1712 1KC	Separate Spring/Upper (see Note 1)
5	56AA 4022 0KC	Entrance Guide Plate/Rear
6	56AA 4038 0KC	Paper Feed Regulating Block
7	56AA 4047 0KC	Screw Earth Plate
8	56AA 4051 0KC	Pressing Spring
9	56AA 4045 0KC	Paper Feed Coupling Part
10	56AA 4003 0KC	Paper Feed Guide Plate/Upper
11	56AA 4001 0KC	Paper Feed Main Body
12	56AA 4021 0KC	Entrance Guide Plate/Front
13	56AA 4037 0KC	Adjusting Plate
14	26NA 4082 0KC	Paper Feed Slide Shaft Holder (Bushing/ Bearing)
15	56AA 4031 0KC	Mounting Plate
16	56AA 4017 1KC	Paper Feed Detecting Actuator
17	56AA 4019 0KC	Pressing Spring
18	08AA 8551 0KC	Photo Sensor
19	56AA 4023 0KC	Paper Feed Registration Roller
20	56AA 1748 0KC	Pin (B)
21	56AA 1776 0KC	Roller Collar
22	08AA 7601 0KC	Drum Driving Shaft Holder (Bushing/Bearing)
23	56AA 8201 1KC	Paper Feed Driving Clutch
24	55VA 4212 0KC	Shaft Stopper
25	56AA 7772 0KC	Paper Feed Reversing Gear/1 (Z=16/22)

Key no.	Part number	Description
26	55VA 7554 0KC	Paper Feed Shaft Holder/B (Bushing/Bearing)
a	00Z113081KC	C.R.P.H. Screw M3X8
b	00Z920013KC	Super Saddle MSS-2
c	00Z193061KC	C.R.P.H. Screw M3X6
d	00Z253081KC	Cross Recessed Tapping Screw
e	00Z670306KC	E-Ring
f	00Z670406KC	E-Ring
g	00Z670606KC	E-Ring
h	00Z921941KC	Mini Clamp (MSC-1609)

Note 1: U6181-60001 includes both 56AA40390KC (key no. 3) and 56AA17121KC (key no. 4).

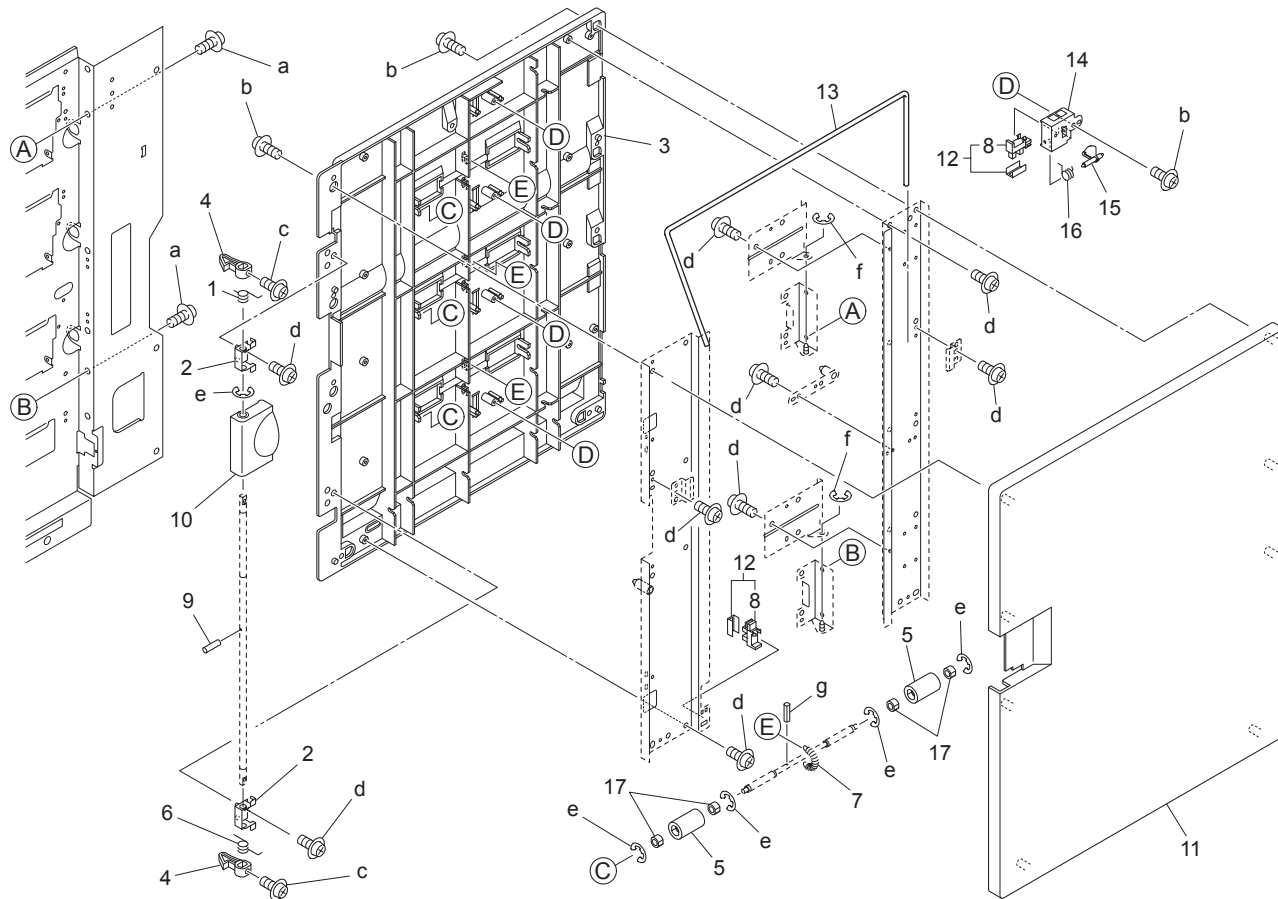
Paper feed unit (3)



Paper feed unit (3)

Key no.	Part number	Description
1	56AA 4042 0KC	Multi-Feed Preventing Spring
2	56AA 4048 0KC	Paper Feed Pressing Spring
3	08AA 7601 0KC	Drum Driving Shaft Holder (Bushing/Bearing)
4	56AA 7773 0KC	Paper Feed Reversing Gear/2 (Z=33)
5	56AA 4049 0KC	Shaft Stopper/4
6	25SA 4096 0KC	Multi-Feed Preventing Rubber
7	56AA -408 0KC	Reversing Roller Assembly (Separation Roller)
8	55VA 7903 0KC	Paper Feed Reversing Gear/C (Z=14)
9	56AA 4050 0KC	Shaft Holder (Bushing/Bearing) Earth Plate
10	26NA 4206 1KC	By-Pass Feed Conveying Gear (Z=21)
11	56AA 4041 1KC	Torque Limiter
12	56AA 4008 1KC	Multi-Feed Preventing Plate
13	56AA 1731 0KC	Pin
14	56AA -400 0KC	Paper Feed Unit
15	56AA 1748 0KC	Pin (B)
16	26NA 4256 0KC	Manual Feed Driven Roller
17	25AA 7553 0KC	Slide Shaft Holder (Bushing/Bearing)
18	56AA 1776 0KC	Roller Collar
19	56AA -459 0KC	Entrance Guide Assembly
a	00Z253081KC	Cross Recessed Tapping Screw
b	00Z670306KC	E-Ring
c	00Z670406KC	E-Ring
d	00Z670606KC	E-Ring
e	00Z711106KC	Spring Pin

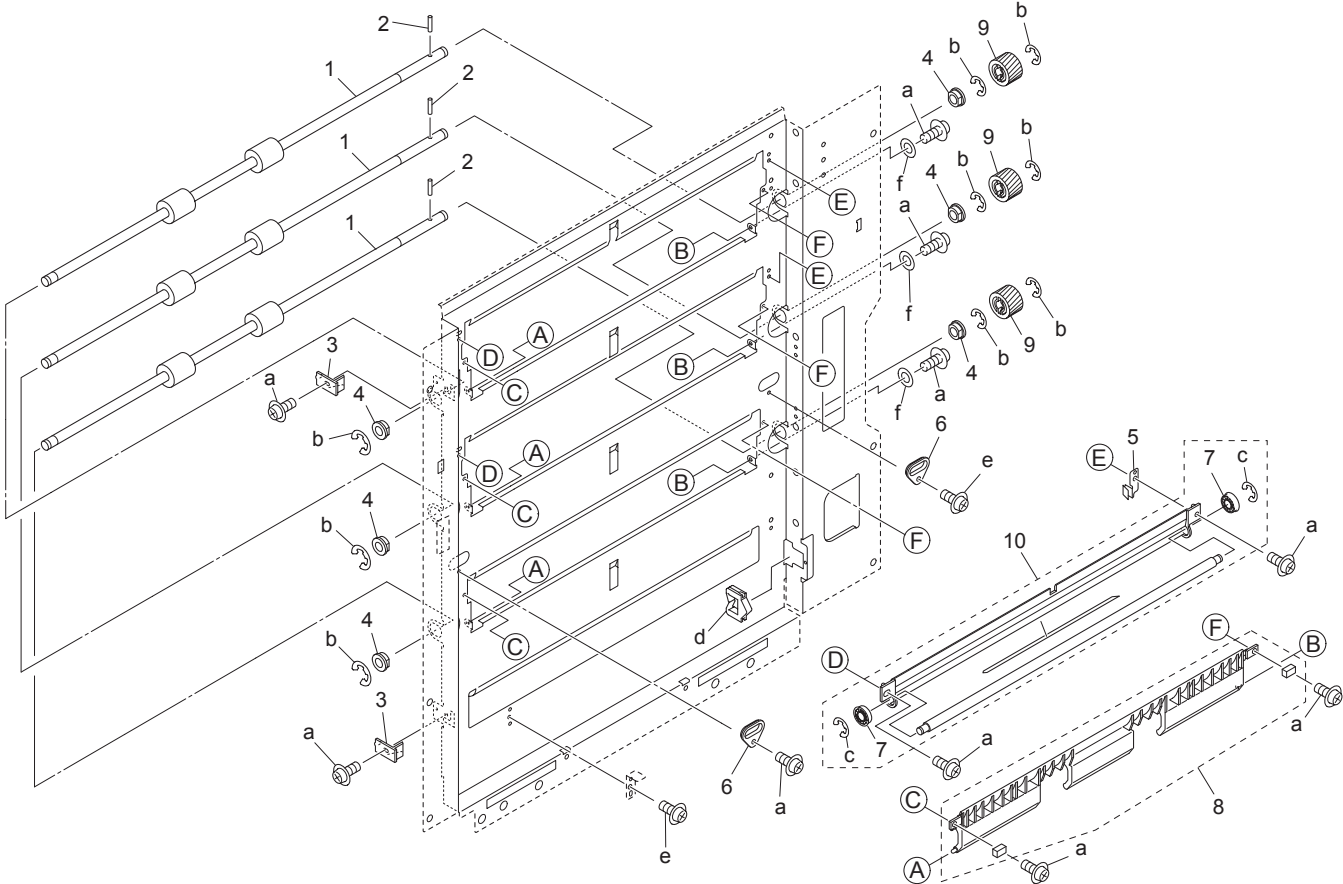
Vertical conveyance unit (1)



Vertical conveyance unit (1)

Key no.	Part number	Description
1	56AA 4418 0KC	Locking Spring/Upper
2	56AA 4415 0KC	Shaft Fixing Part
3	56AA 4404 1KC	Conveyance Guide Plate/Right
4	56AA 4420 0KC	Locking Claw
5	26NA 4256 0KC	Manual Feed Driven Roller
6	56AA 4419 0KC	Locking Spring/Lower
7	56AA 4443 0KC	Conveyance Pressing Spring/1
8	08AA 8551 0KC	Photo Sensor
9	56AA 1730 0KC	Pin
10	56AA 4414 0KC	Door Open/Shut Lever
11	56AA 4403 0KC	Paper Feed Conveying Door
12	56AA -455 0KC	Sensor Assembly
13	56AA 4454 0KC	Conveyance Pressing Spring
14	56AA 4425 0KC	Mounting Part
15	56AA 4427 0KC	Paper Detecting Actuator
16	56AA 4426 0KC	Pressing Spring
17	25AA 7553 0KC	Slide Shaft Holder (Bushing/Bearing)
a	00Z194061KC	C.R.P.H. Screw M4X6
b	00Z253081KC	Cross Recessed Tapping Screw
c	00Z183061KC	Bind Screw M3X6
d	00Z193061KC	C.R.P.H. Screw M3X6
e	00Z670406KC	E-Ring
f	00Z670306KC	E-Ring
g	00Z711126KC	Spring Pin

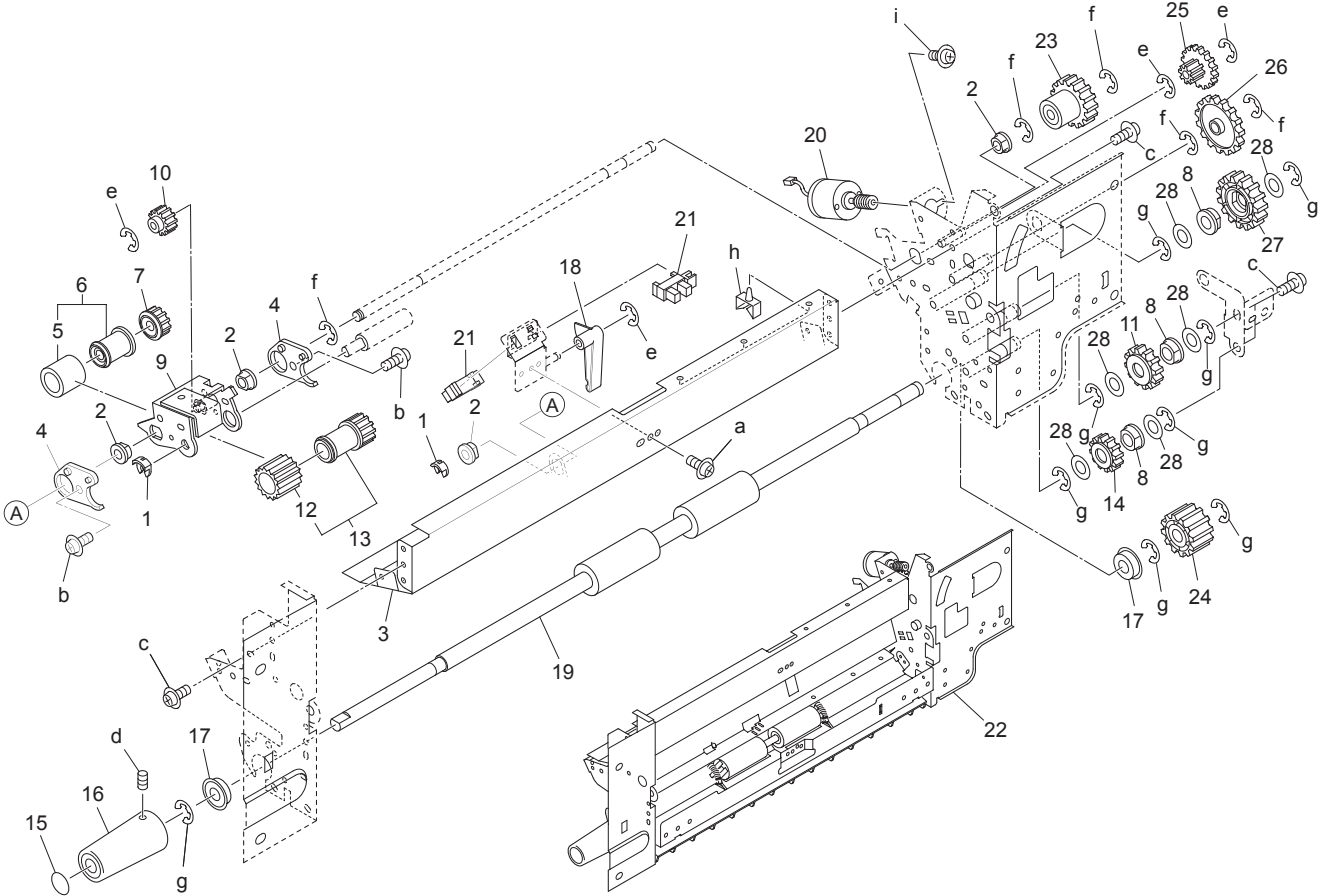
Vertical conveyance unit (2)



Vertical conveyance unit (2)

Key no.	Part number	Description
1	56AA 4408 1KC	Paper Feed Conveying Roller
2	56AA 1748 0KC	Pin (B)
3	56AA 4423 0KC	Door Locking Part
4	26NA 4082 0KC	Paper Feed Slide Shaft Holder (Bushing/ Bearing)
5	56AA 4444 0KC	Shaft Earth Plate
6	56AA 4424 0KC	Door Positioning Part
7	26NA 1728 0KC	Developing Driving Shaft Holder (Bushing/ Bearing)
8	56AA -453 0KC	Paper Feed Guide Part/Upper Assembly
9	56AA 7738 0KC	Conveyance Gear (Z=21)
10	56AA -444 0KC	Conveyance Auxiliary Roller Assembly (Separation Roller)
a	00Z193061KC	C.R.P.H. Screw M3X6
b	00Z670606KC	E-Ring
c	00Z670406KC	E-Ring
d	00Z926258KC	Edge Saddle (EDS-1208U)
e	00Z183061KC	Bind Screw M3X6
f	00Z610301KC	Plane Washer

Tray 1 (Bypass Tray) (1)

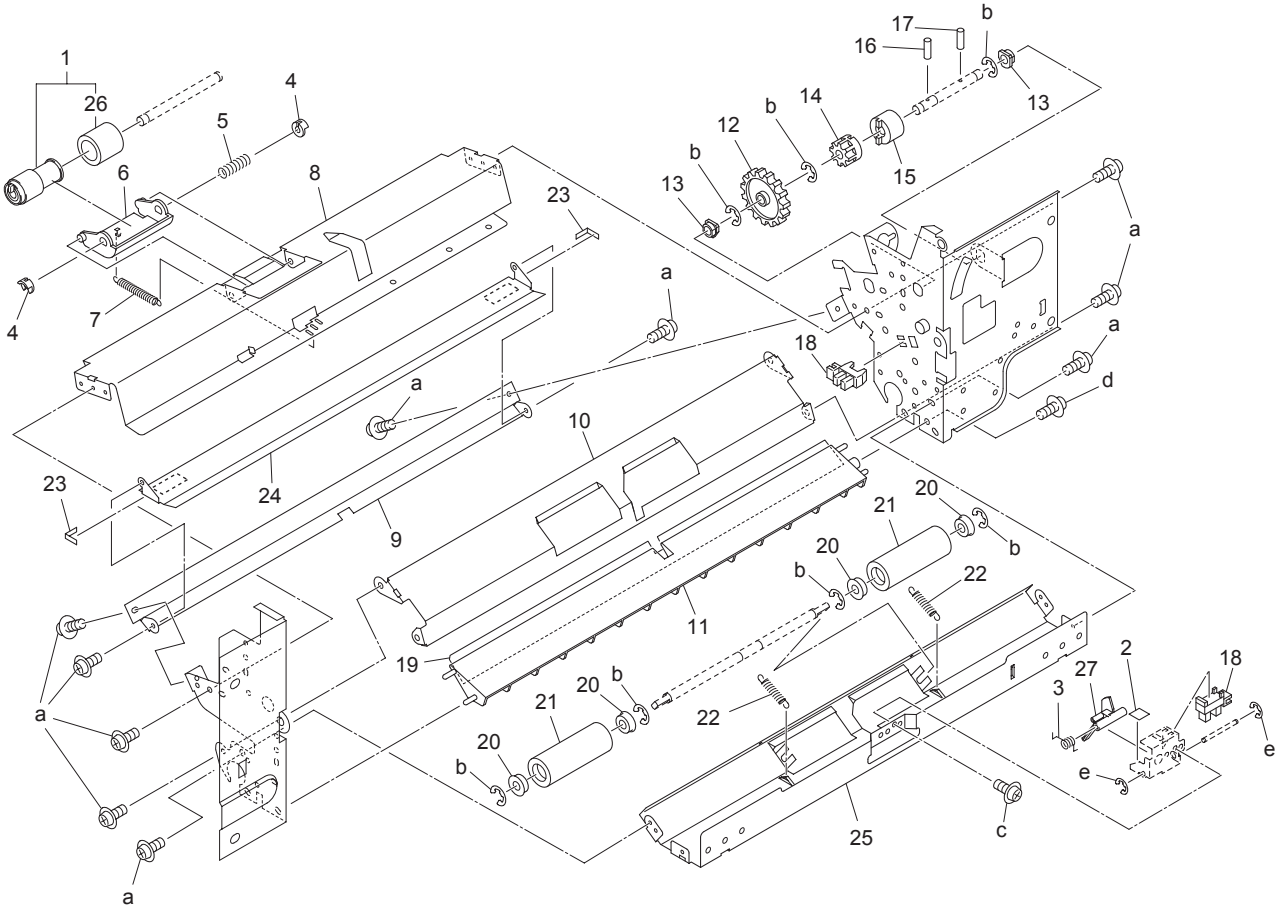


Tray 1 (Bypass Tray) (1)

Key no.	Part number	Description
1	3960 4068 1KC	Snap Ring
2	08AA 7601 0KC	Drum Driving Shaft Holder (Bushing/Bearing)
3	56AA 4203 0KC	By-Pass Feed Guide Plate/Upper
4	56AA 4243 0KC	Paper Guide Part
5	5400 4056 2KC	Paper Supply Rubber
6	56AA -469 0KC	Paper Con Roller Assembly (Feed Roller)
7	56AA 7718 0KC	By-Pass Feed Conveying Gear/1 (Z=19)
8	26NA 4082 0KC	Paper Feed Slide Shaft Holder (Bushing/Bearing)
9	56AA 4216 0KC	Paper Feeding Plate
10	56AA 7796 0KC	By-Pass Feed Idling Gear (Z=18)
11	25AA 7773 0KC	Conveyance Idler/Right (Z=24)
12	55FA 4233 0KC	Paper Delivery Rubber
13	56AA -468 0KC	Feeding Roller/A Assembly (Pick Roller)
14	25AA 7736 0KC	Conveyance Idler
15	56AA 9720 0KC	Jam Processing Label/C
16	4540 4048 0KC	Roller Knob
17	5400 7605 0KC	Driving Shaft Holder (Bushing/Bearing)
18	56AA 4217 0KC	By-Pass Feed Detecting Part
19	56AA 4251 0KC	Paper Stopper Roller
20	56AA -479 0KC	Motor Assembly
21	08AA 8551 0KC	Photo Sensor
22	56AA -461 1KC	By-Pass Feed Main Body
23	56AA 7717 0KC	By-Pass Feed Input Gear/B (Z=28)
24	56AA 7716 0KC	By-Pass Feed Input Gear/A (Z=24)
25	3960 7724 0KC	Toner Supply Gear/A

Key no.	Part number	Description
26	4660 7722 0KC	Double Gear
27	25AA 4952 1KC	Paper Exit Idler Gear (Z=31)
28	12QV 4065 0KC	Spacer
a	00Z183041KC	Bind Screw M3X4
b	00Z193053KC	C.R.P.H. Screw
c	00Z193061KC	C.R.P.H. Screw M3X6
d	00Z474043KC	Hexagon Socket Screw (W-Point)
e	00Z670306KC	E-Ring
f	00Z670406KC	E-Ring
g	00Z670606KC	E-Ring
h	00Z921941KC	Mini Clamp (MSC-1609)
i	00Z11B041KC	C.R.P.H. Screw M2.6*4

Tray 1 (Bypass Tray) (2)

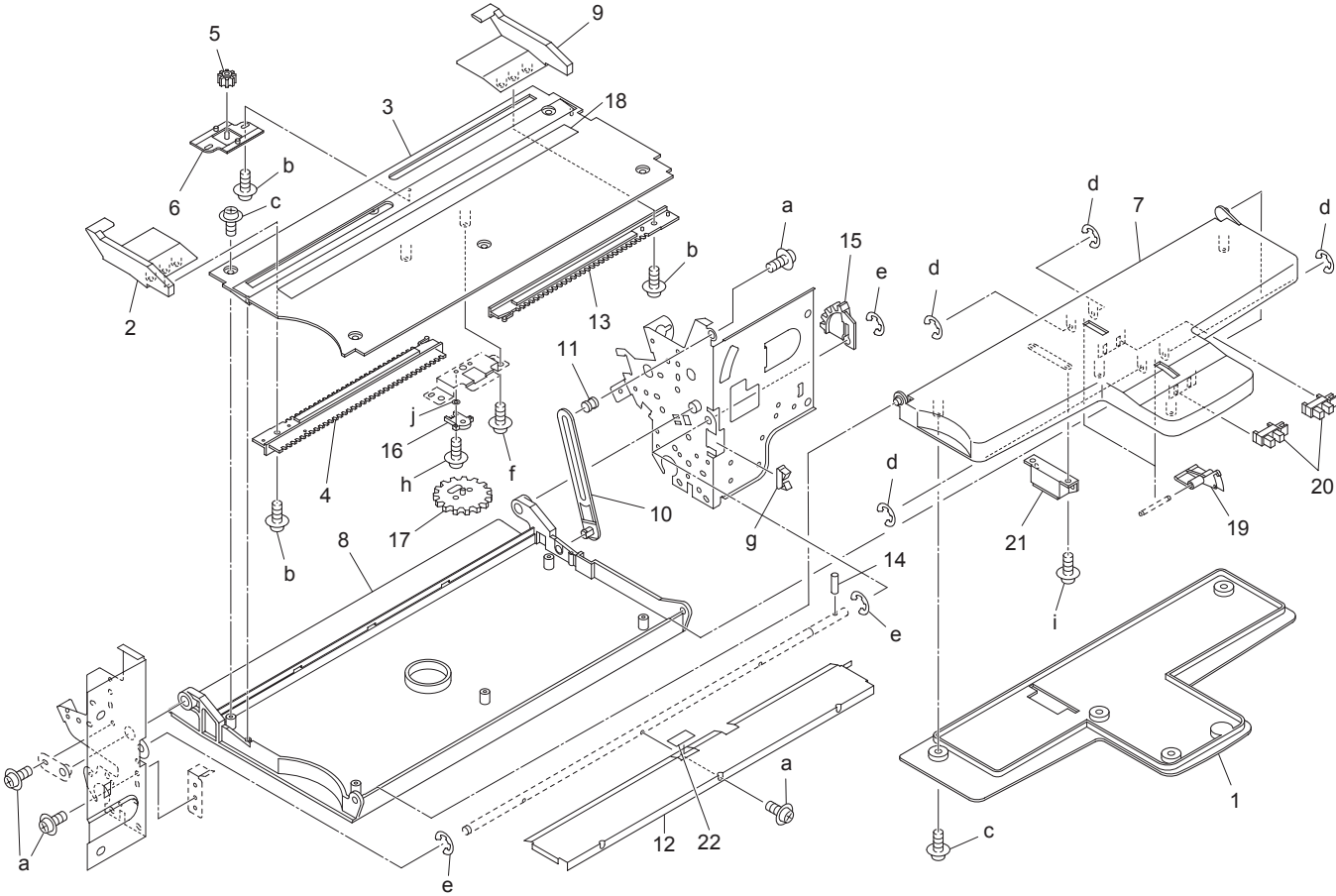


Tray 1 (Bypass Tray) (2)

Key no.	Part number	Description
1	56AA -475 1KC	Double Feed Preventive Roller (Separation Roller)
2	56AA 4245 0KC	Preventing Rubber
3	56AA 4267 0KC	Spring /B
4	3960 4068 1KC	Snap Ring
5	56AA 4244 0KC	By-Pass Feed Pressing Spring
6	56AA 4206 1KC	Multi-Feed Mounting Plate
7	56AA 4224 1KC	Multi-Feed Pressing Spring
8	56AA 4204 0KC	By-Pass Feed Guide Plate/Lower
9	56AA 4205 0KC	By-Pass Feed Auxiliary Plate
10	56AA 4253 0KC	Conveyance Guide Plate/Lower
11	56AA 4254 0KC	Entrance Guide Part
12	55VA 7774 0KC	Manual Feed Up-Down Gear/A (Z=45)
13	4660 7602 0KC	Paper Feed Shaft Holder (Bushing/Bearing)
14	55VA 7903 0KC	Paper Feed Reversal Gear/C (Z=14)
15	13GQ 4551 1KC	Torque Limiter
16	56AA 1732 0KC	Pin (A) (D2*7)
17	56AA 1731 0KC	Pin
18	08AA 8551 0KC	Photo Sensor
19	56AA 4270 1KC	Paper Guide Sheet/Front
20	56AA 7505 0KC	Cleaner Shaft Holder (Bushing/Bearing)
21	56AA 4250 0KC	Conveyance Driven Roller/Lower
22	56AA 4259 0KC	Conveyance Pressing Spring/1
23	56AA 4264 0KC	Stopper Sheet
24	56AA 4246 0KC	Open/Shut Plate
25	56AA 4252 0KC	Conveyance Guide Plate/Upper

Key no.	Part number	Description
26	5400 4056 2KC	Paper Supply Rubber
27	56AA 4258 0KC	Paper Detecting Actuator/B
a	00Z193061KC	C.R.P.H. Screw M3X6
b	00Z670406KC	E-Ring
c	00Z183041KC	Bind Screw M3X4
d	00Z253081KC	Cross Recessed Tapping Screw
e	00Z670206KC	E-Ring

Tray 1 (Bypass Tray) (3)

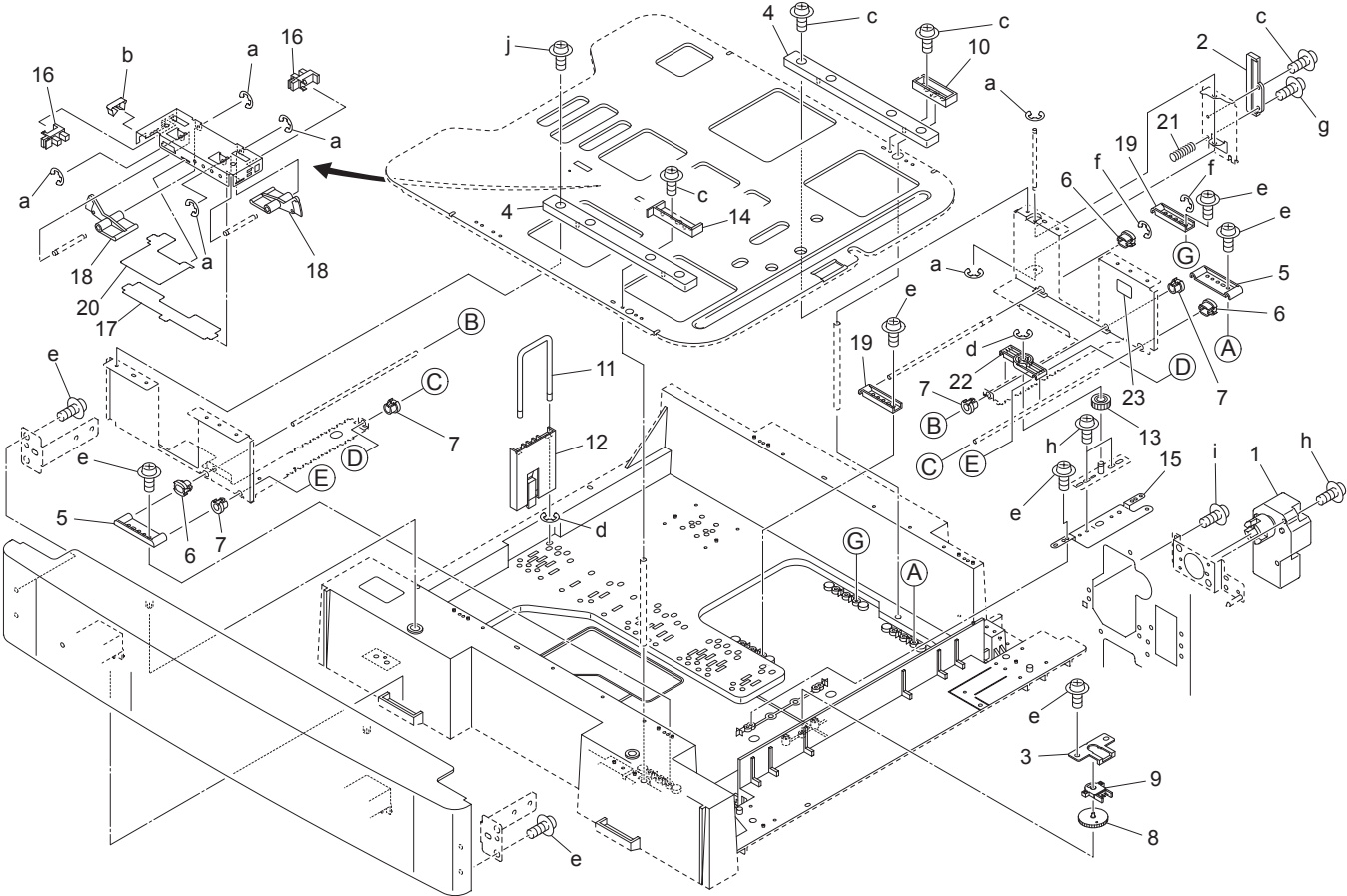


Tray 1 (Bypass Tray) (3)

Key no.	Part number	Description
1	56AA 4233 0KC	Wiring Protection Cover
2	56AA 4240 0KC	Paper Regulating Plate/Front
3	56AA 4231 0KC	By-Pass Feed Paper Feed Tray
4	56AA 4234 0KC	Rack/Front
5	4660 7713 0KC	Pinion
6	56AA 4242 0KC	Slide Holder
7	56AA 4232 0KC	By-Pass Feed Auxiliary Tray
8	56AA 4230 0KC	By-Pass Feed Paper Feed Cover
9	56AA 4241 0KC	Paper Regulating Plate/Rear
10	56AA 4261 0KC	Open/Shut Stopper
11	56AA 4226 0KC	Paper Feed Tray Stopper Shaft
12	56AA 4211 0KC	Paper Lifting Plate
13	56AA 4235 0KC	Rack/Rear
14	56AA 1746 0KC	Pin/A
15	5400 7705 2KC	Paper Lift-Up Gear/A
16	56AA 8560 0KC	Size Detecting Volume (Variable Resistor)
17	56AA 4238 0KC	Pinion
18	56NE 9788 0KC	By-Pass Feed Label/1
19	56AA 4237 0KC	Paper Detecting Actuator/A
20	08AA 8551 0KC	Photo Sensor
21	07BA 1235 1KC	Magnet Catch
22	5400 4235 0KC	Double Feed Preventive Plate
a	00Z193061KC	C.R.P.H. Screw M3X6
b	00Z253081KC	Cross Recessed Tapping Screw
c	00Z253082KC	C.R.P.H.TA. Screw
d	00Z670206KC	E-Ring

Key no.	Part number	Description
e	00Z670406KC	E-Ring
f	00Z921003KC	Cord Keep K-103G
g	00Z921370KC	Edge Saddle
h	00Z11B041KC	C.R.P.H. Screw M2.6*4
i	00Z243081KC	Cross Recessed Tapping Screw
j	00Z610401KC	Plane Washer

500-sheet tray (1)



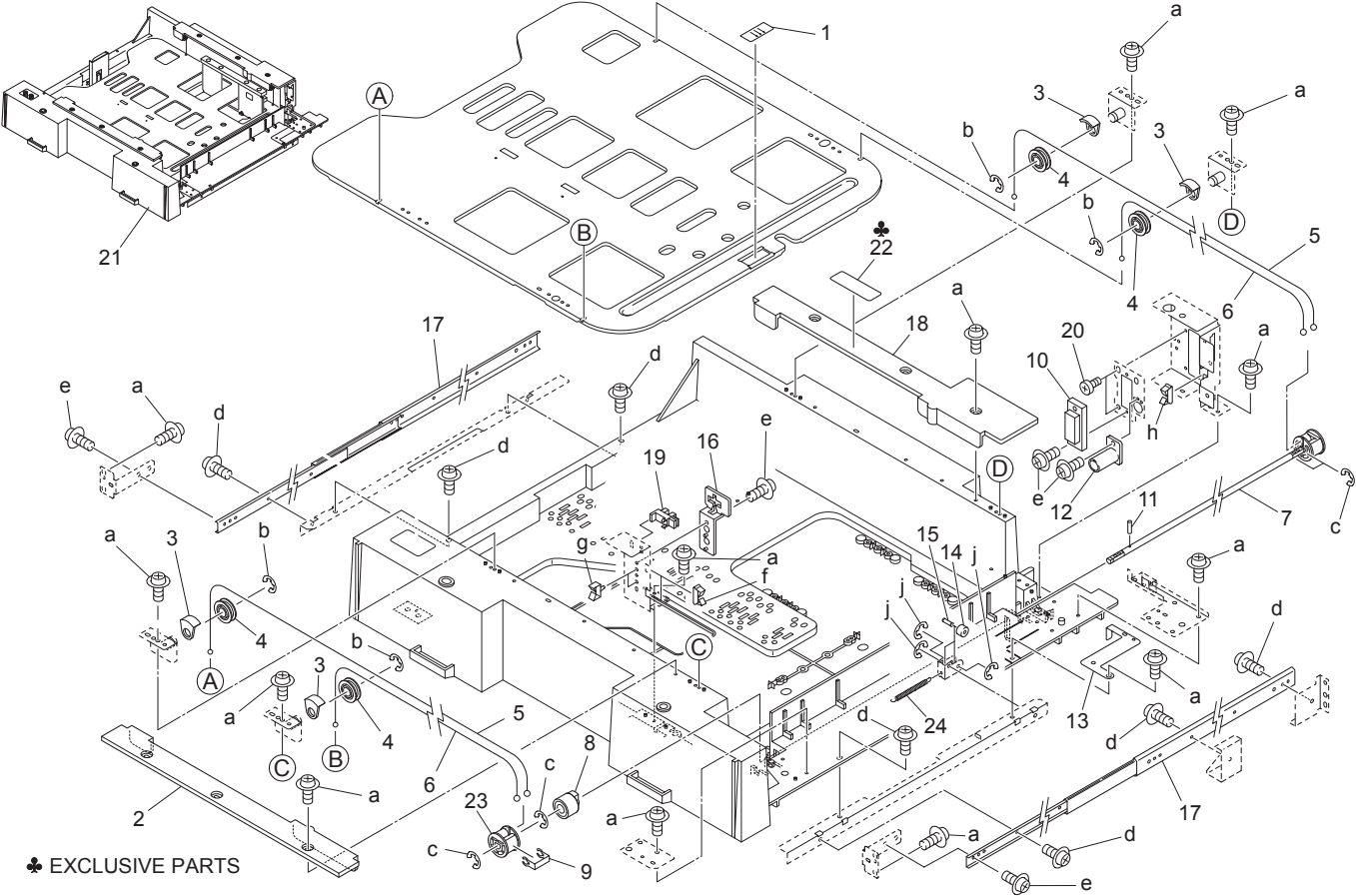
500-sheet tray (1)

Key no.	Part number	Description
1	56AA 8003 0KC	Cassette Driving Motor
2	56AA 4125 0KC	Slide Handle
3	56AA 4135 0KC	Detecting Base Plate
4	56AA 4136 0KC	Protection Cover
5	56AA 4146 0KC	Tray Slide Holder
6	56AA 4120 0KC	Tray Guide Collar/Left
7	56AA 4119 0KC	Tray Guide Collar/Right
8	56AA 4134 0KC	Detecting Gear (Z=35)
9	56AA 8560 0KC	Size Detecting Volume (Variable Resistor)
10	56AA 4161 0KC	Tray Slide Part/Rear
11	56AA 4149 0KC	Tray Locking Shaft/Left (see Note 1)
12	56AA 4107 0KC	Tray Slide Side Plate/Left (see Note 1)
13	55VA 7915 0KC	Cassette Pinion
14	56AA 4116 0KC	Tray Slide Part
15	56AA 4133 0KC	Adjusting Plate/Lower
16	08AA 8551 0KC	Photo Sensor
17	56AA 4166 0KC	Protection Sheet
18	56AA 4237 0KC	Paper Detecting Actuator/A
19	56AA 4160 0KC	Tray Slide Cover/Middle
20	56AA 4168 0KC	Protection Sheet /2
21	56AA 1706 0KC	Switch Fixed Spring
22	56AA 4123 0KC	Tray Slide Cover
23	56AA 9790 0KC	Paper Guide Label
a	00Z670206KC	E-Ring
b	00Z920013KC	Super Saddle MSS-2
c	00Z193061KC	C.R.P.H. Screw M3X6

Key no.	Part number	Description
d	00Z670406KC	E-Ring
e	00Z253081KC	Cross Recessed Tapping Screw
f	00Z670306KC	E-Ring
g	00Z193101KC	C.R.P.H. Screw M3X10
h	00Z193201KC	C.R.P.H. Screw M3X20
i	00Z194061KC	C.R.P.H. Screw M4X6
j	00Z193041KC	C.R.P.H. Screw M3X4
6	56AA 9065 1KC	By-Pass Feed Wiring/2
7	56AA 9066 0KC	Paper Feed Relay Wiring/1

Note 1: U6181-60003 includes both 56AA41490KC (key no. 11) and 56AA41070KC (key no. 12).

500-sheet tray (2)



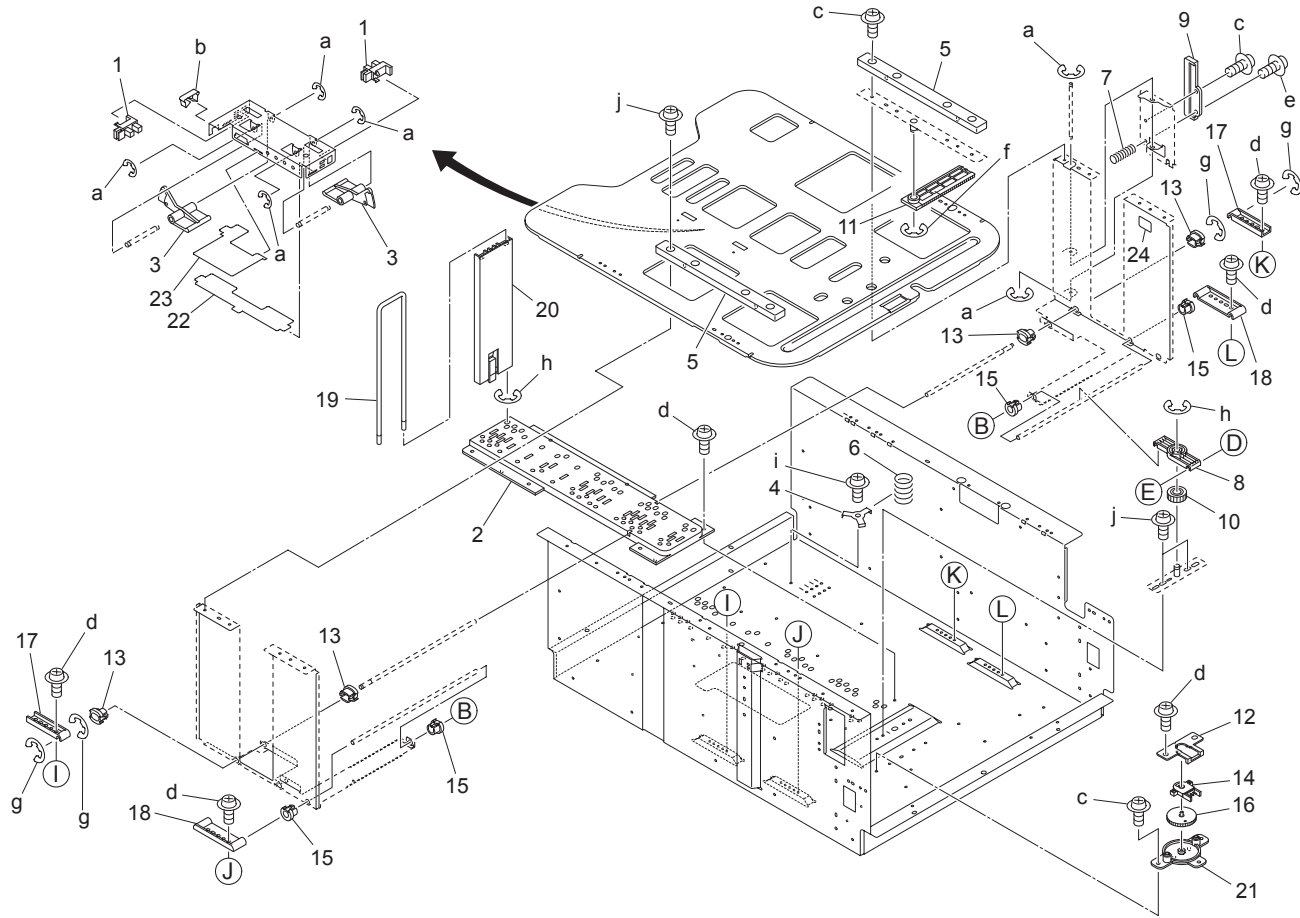
♣ EXCLUSIVE PARTS

500-sheet tray (2)

Key no.	Part number	Description
1	55VA 4093 0KC	Double Feed Preventive Plate
2	56AA 4142 0KC	Pulley Guide Part
3	55VA 4061 0KC	Wire Holder/A
4	25AA 4257 0KC	Wire Pulley
5	56AA 4112 0KC	Tray Up/Down Wire/B
6	56AA 4111 0KC	Tray Up/Down Wire/A
7	56AA -418 0KC	Paper Up/Down Shaft Assembly
8	56AA 4144 0KC	Tray Up/Down Limiter
9	56AA 4167 1KC	Wire Cover
10	56AA 9060 2KC	Paper Feed Wiring/1
11	56AA 1731 0KC	Pin
12	56AA 4169 0KC	Shaft Guide Cover
13	56AA 4145 0KC	Earth Spring
14	56AA 4176 0KC	Tray Locking Roller
15	56AA 4174 0KC	Tray Locking Pin
16	56AA 4165 0KC	Protection Cover
17	56AA 1030 0KC	Slide Rail/A
18	56AA 4163 0KC	Pulley Guide Part/Rear
19	08AA 8551 0KC	Photo Sensor
20	26NA 4544 0KC	Registration Fixing Screw
21	56AA -410 0KC	500 Sheet Tray
22	56AE 9717 0KC	Paper Feed Caution Label
22	56AF 9717 0KC	Paper Feed Caution Label
23	56AA 4139 0KC	Pulley
24	56AA 4173 1KC	Tray Positioning Spring
a	00Z253081KC	Cross Recessed Tapping Screw

Key no.	Part number	Description
b	00Z670606KC	E-Ring
c	00Z670406KC	E-Ring
d	00Z184061KC	Bind Screw M4X6
e	00Z193061KC	C.R.P.H. Screw M3X6
f	00Z920013KC	Super Saddle MSS-2
g	00Z921941KC	Mini Clamp (MSC-1609)
h	00Z921370KC	Edge Saddle
i	00Z253101KC	Cross Recessed Tapping Screw
j	00Z670306KC	E-Ring
k	00Z510301KC	Hexagon Nut. (A)

1500-sheet tray (1)



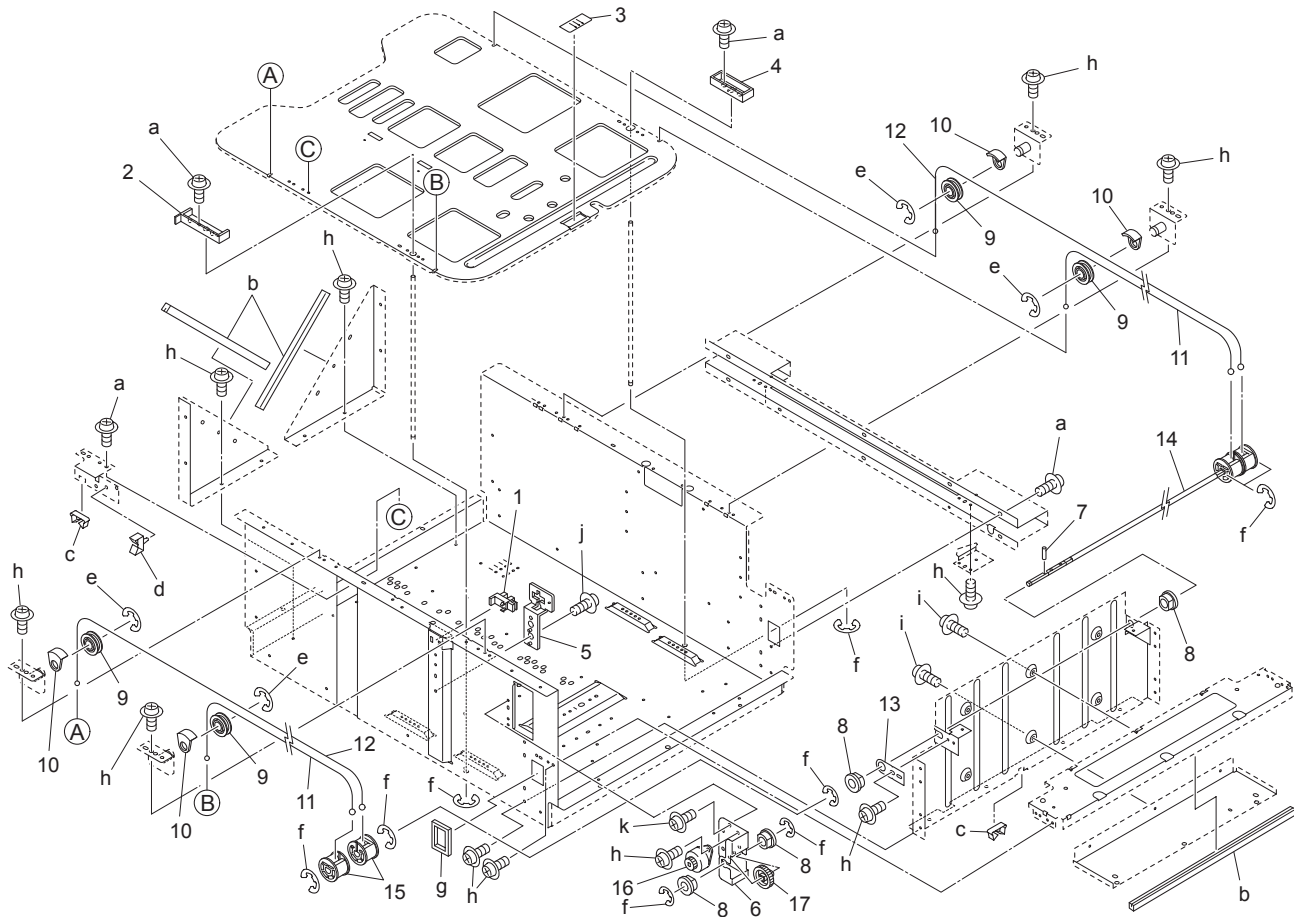
1500-sheet tray (1)

Key no.	Part number	Description
1	08AA 8551 0KC	Photo Sensor
2	56AE 4304 0KC	HCI Slide Base Plate
3	56AA 4237 0KC	Paper Detecting Actuator/A
4	56AE 4334 0KC	Spring Holder
5	56AA 4136 0KC	Protection Cover
6	56AE 4329 0KC	Bottom Plate Regulating Spring
7	56AA 1706 0KC	Switch Fixed Spring
8	56AA 4123 0KC	Tray Slide Cover
9	56AA 4125 0KC	Slide Handle
10	55VA 7915 0KC	Cassette Pinion
11	56AE 4320 0KC	Reinforce Rack
12	56AA 4135 0KC	Detecting Base Plate
13	56AA 4120 0KC	Tray Guide Collar/Left
14	56AA 8560 0KC	Size Detecting Volume (Variable Resistor)
15	56AA 4119 0KC	Tray Guide Collar/Right
16	56AA 4134 0KC	Detecting Gear (Z=35)
17	56AA 4160 0KC	Tray Slide Cover/Middle
18	56AA 4146 0KC	Tray Slide Holder
19	56AE 4315 0KC	HCI Locking Shaft/Left (see Note 1)
20	56AE 4307 0KC	HCI Slide Side Plate/Left (see Note 1)
21	56AE 4309 0KC	Base Plate Mounting Part
22	56AA 4166 0KC	Protection Sheet
23	56AA 4168 0KC	Protection Sheet /2
24	56AA 9790 0KC	Paper Guide Label
a	00Z670206KC	E-Ring
b	00Z920013KC	Super Saddle MSS-2

Key no.	Part number	Description
c	00Z193061KC	C.R.P.H. Screw M3X6
d	00Z193053KC	C.R.P.H. Screw
e	00Z193101KC	C.R.P.H. Screw M3X10
f	00Z670606KC	E-Ring
g	00Z670306KC	E-Ring
h	00Z670406KC	E-Ring
i	00Z193031KC	T.P.Screw M3X3
j	00Z193041KC	C.R.P.H. Screw M3X4

Note 1: U6181-60004 includes both 56AE43150KC (key no. 19) and 56AE43070KC (key no. 20).

1500-sheet tray (2)

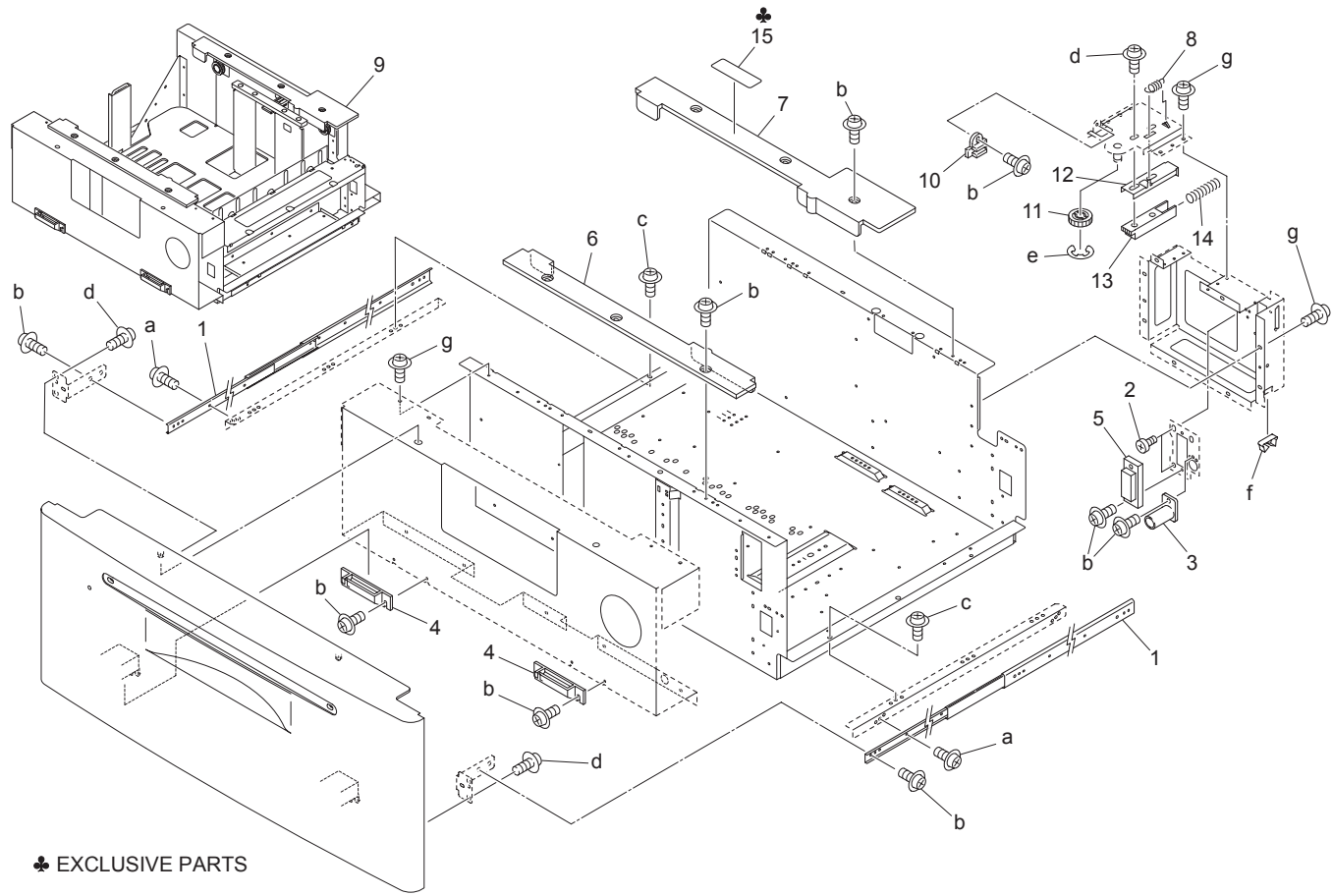


1500-sheet tray (2)

Key no.	Part number	Description
1	08AA 8551 0KC	Photo Sensor
2	56AA 4116 0KC	Tray Slide Part
3	55VA 4093 0KC	Double Feed Preventive Plate
4	56AA 4161 0KC	Tray Slide Part/Rear
5	56AA 4165 0KC	Protection Cover
6	56AE 4341 0KC	CI Regulating Plate
7	56AA 1731 0KC	Pin
8	08AA 7601 0KC	Drum Driving Shaft Holder (Bushing/Bearing)
9	25AA 4257 0KC	Wire Pulley
10	55VA 4061 0KC	Wire Holder/A
11	56AE 4311 0KC	HCI Up/Down Wire/A
12	56AE 4312 0KC	HCI Up/Down Wire/B
13	56AE 4330 0KC	HCI Adjusting Plate
14	56AE -430 0KC	HCI Up/Down Shaft Assembly
15	56AA 4139 0KC	Pulley
16	56AE 4340 0KC	HCI Regulating Limiter
17	56AA 7799 0KC	HCI Regulating Gear (Z=24)
a	00Z193061KC	C.R.P.H. Screw M3X6
b	00Z924512KC	Flexible Bush
c	00Z920013KC	Super Saddle MSS-2
d	00Z921941KC	Mini Clamp (MSC-1609)
e	00Z670606KC	E-Ring
f	00Z670406KC	E-Ring
g	00Z920027KC	Bushing SB-1909
h	00Z193041KC	C.R.P.H. Screw M3X4
i	00Z183041KC	Bind Screw M3X4

Key no.	Part number	Description
j	00Z193053KC	C.R.P.H. Screw
k	00Z193101KC	C.R.P.H. Screw M3X10

1500-sheet tray (3)

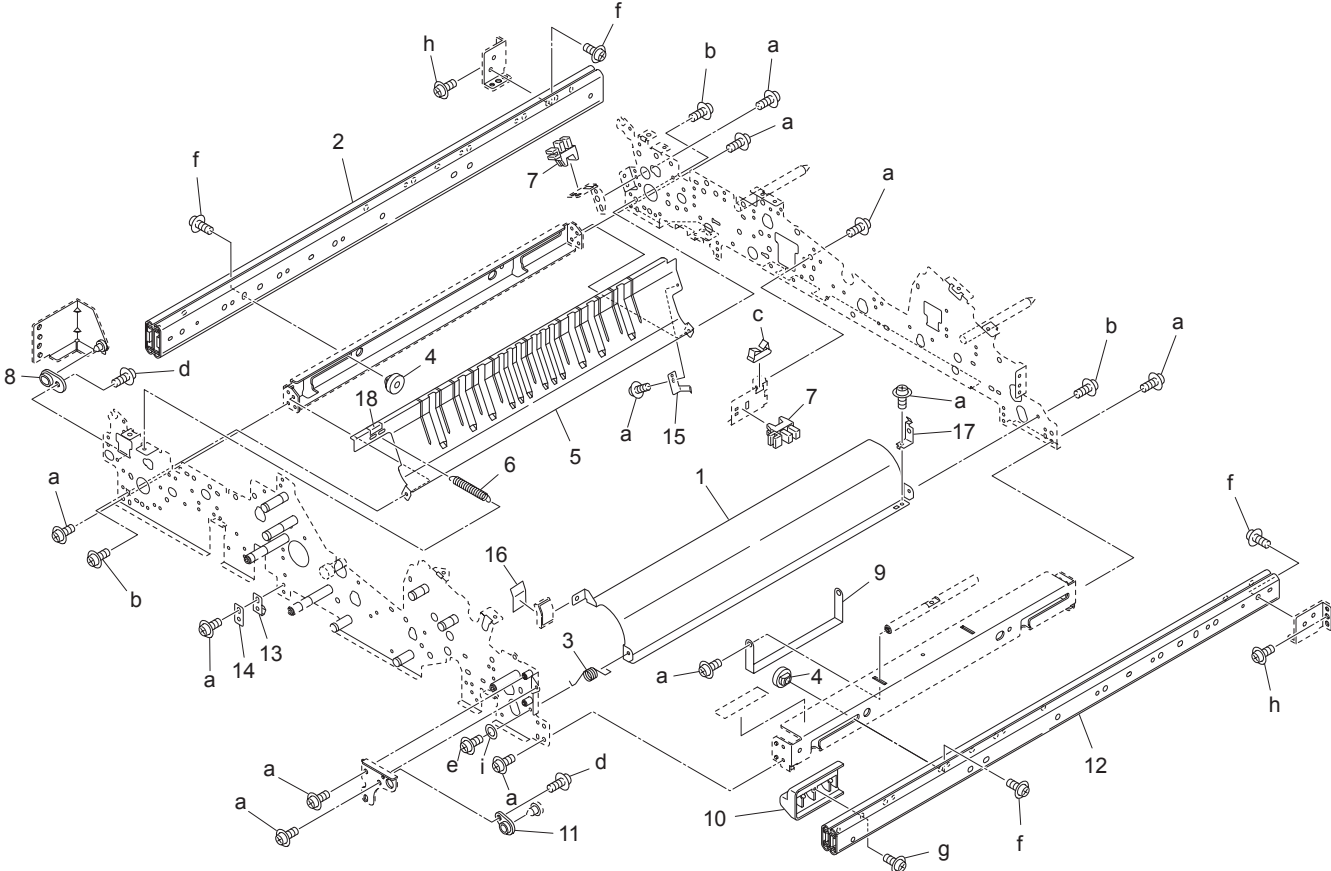


♣ EXCLUSIVE PARTS

1500-sheet tray (3)

Key no.	Part number	Description
1	56AA 1030 0KC	Slide Rail/A
2	26NA 4544 0KC	Registration Fixing Screw
3	56AA 4169 0KC	Shaft Guide Cover
4	56AE 4352 0KC	External Support Part
5	56AE 9060 2KC	Paper Feed Wiring/1
6	56AA 4142 0KC	Pulley Guide Part
7	56AA 4163 0KC	Pulley Guide Part/Rear
8	56AE 4343 0KC	Gear Pressure Spring
9	56AE -420 0KC	1500 Sheet Tray
10	56AE 4332 0KC	Locking Holder
11	55VA 7908 0KC	Paper Feed Driving Gear/C (Z=22)
12	56AE 4322 1KC	Locking Plate
13	56AE 4323 0KC	Locking Part
14	56AE 4325 0KC	Locking Spring
15	56AE 9717 0KC	Paper Feed Caution Label
a	00Z184061KC	Bind Screw M4X6
b	00Z193061KC	C.R.P.H. Screw M3X6
c	00Z194061KC	C.R.P.H. Screw M4X6
d	00Z253081KC	Cross Recessed Tapping Screw
e	00Z670606KC	E-Ring
f	00Z921370KC	Edge Saddle
g	00Z193041KC	C.R.P.H. Screw M3X4

ADU (1)

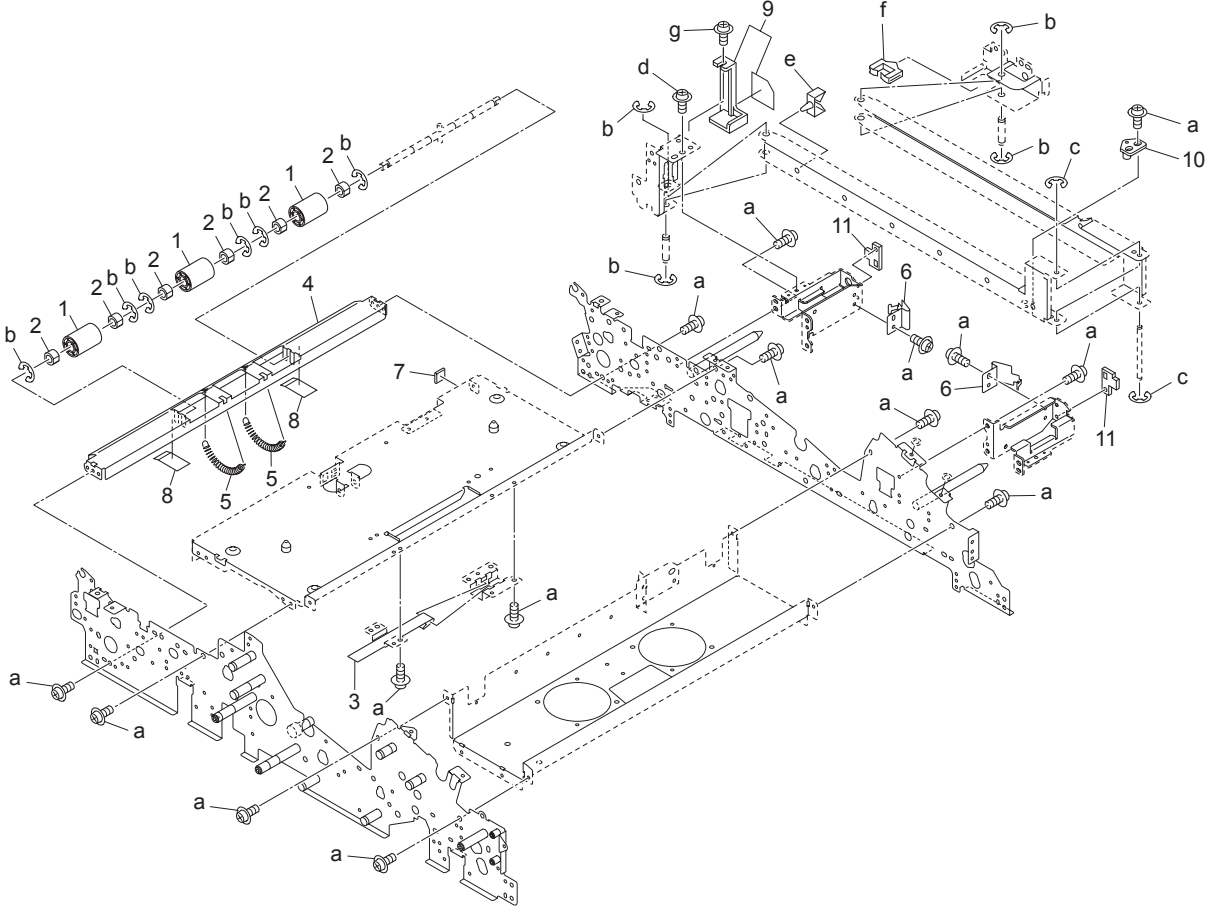


ADU (1)

Key no.	Part number	Description
1	56AA 5106 0KC	ADU Paper Exit Plate/Right
2	56AA 5052 0KC	Slide Rail/D
3	56AA 5143 0KC	Exit Open/Shut Spring/Front
4	56AA 5053 0KC	ADU Mounting Collar
5	56AA 5102 0KC	ADU Entrance Plate/Left
6	56AA 5139 0KC	Entrance Open/Shut Spring/Front
7	08AA 8551 0KC	Photo Sensor
8	129X 4836 0KC	Guide Shaft Holder/B (Bushing/Bearing)
9	56AA 5021 0KC	Shaft Regulating Plate
10	56AA 5282 0KC	Protection Cover/Right
11	129X 4835 0KC	Guide Shaft Holder/A (Bushing/Bearing)
12	56AA 5051 0KC	Slide Rail/C
13	56AA 5231 1KC	Bottom Plate Click Plate /Left
14	56AA 5232 0KC	Holding Plate
15	56AA 5041 0KC	Earth Spring /1
16	56AA 9726 0KC	Jam Release Label /2
17	56AA 5042 0KC	Earth Spring /2
18	56AA 9799 0KC	Jam Processing Label
a	00Z193041KC	C.R.P.H. Screw M3X4
b	00Z193081KC	C.R.P.H. Screw M3X8
c	00Z920013KC	Super Saddle MSS-2
d	00Z193061KC	C.R.P.H. Screw M3X6
e	00Z193121KC	C.R.P.H. Screw M3X12
f	00Z184063KC	Bind Screw M4X6
g	00Z253081KC	Cross Recessed Tapping Screw
h	00Z184061KC	Bind Screw M4X6

Key no.	Part number	Description
i	00Z610301KC	Plane Washer

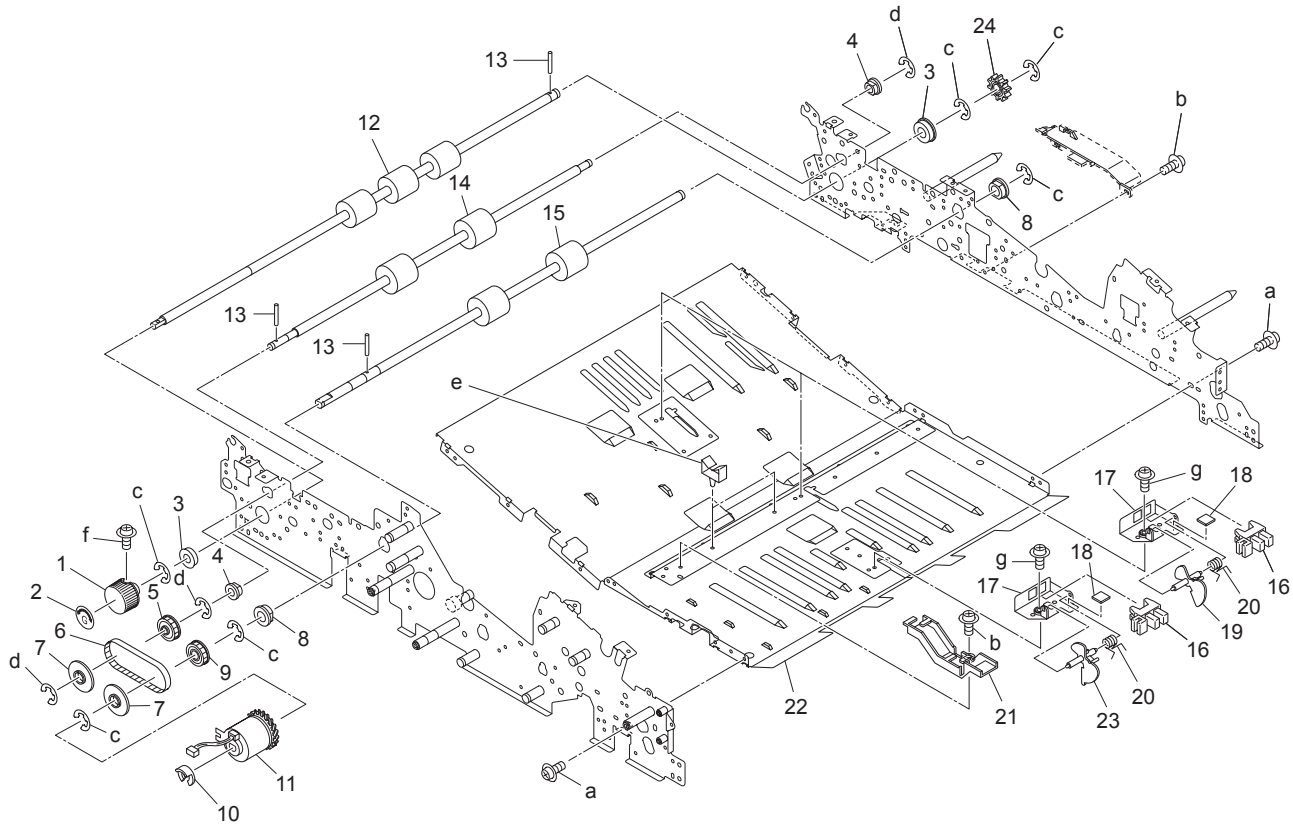
ADU (2)



ADU (2)

Key no.	Part number	Description
1	56AA 5155 0KC	ADU Driven Roller
2	25AA 7553 0KC	Slide Shaft Holder (Bushing/Bearing)
3	56AA 5016 0KC	ADU Lifting Belt/Left (L=520)
4	56AA 5104 0KC	ADU Entrance Plate/Lower
5	56AA 5145 1KC	Entrance Pressing Spring
6	56AA 5024 0KC	ADU Earth Plate/A
7	56AA 4245 0KC	Preventing Rubber
8	56AA 5158 0KC	ADU Guide Sheet /1
9	56AA -058 0KC	Wiring Cover Assembly
10	56AA 5038 1KC	Hinge Lifting Block
11	56AA 5014 0KC	ADU Stopper Cushion/2
a	00Z193041KC	C.R.P.H. Screw M3X4
b	00Z670406KC	E-Ring
c	00Z670306KC	E-Ring
d	00Z164061KC	C.R.P.H.S.Sems2 M4X6
e	00Z921302KC	Wire Saddle
f	00Z926257KC	Edge Saddle (EDS-1717U)
g	00Z193081KC	C.R.P.H. Screw M3X8

ADU (3)

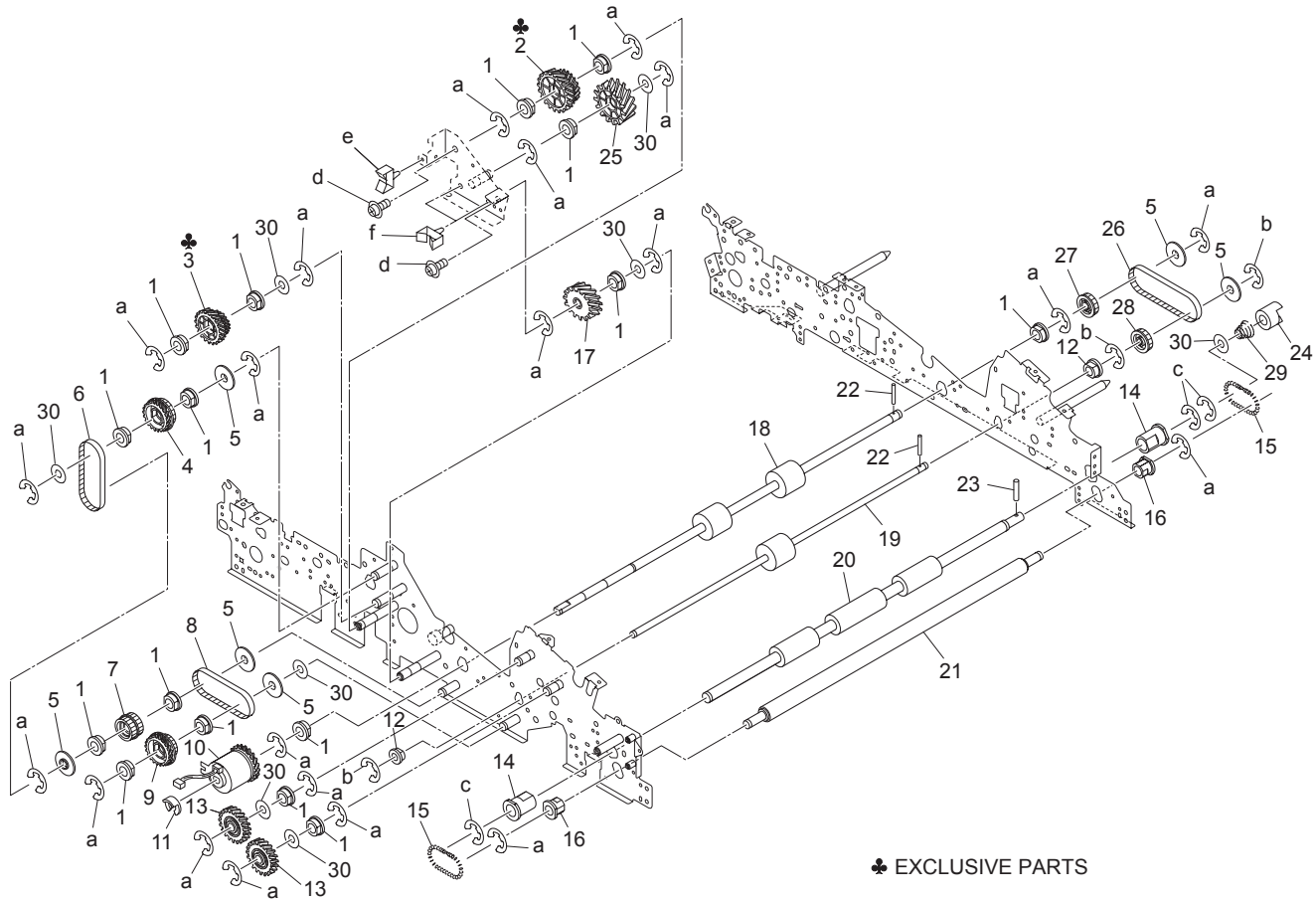


ADU (3)

Key no.	Part number	Description
1	13GQ 4547 0KC	Rotary Knob
2	56AA 9724 0KC	Jam Release Label/G
3	5400 7605 0KC	Driving Shaft Holder (Bushing/Bearing)
4	08AA 7601 0KC	Drum Driving Shaft Holder (Bushing/Bearing)
5	56AA 7660 0KC	ADU Conveying Pulley/2 (Z=32)
6	56AA 7760 0KC	ADU Conveying Belt/2 (L=344)
7	56AA 5181 0KC	Belt Holding Collar
8	26NA 4082 0KC	Paper Feed Slide Shaft Holder (Bushing/Bearing)
9	56AA 7659 0KC	ADU Conveying Pulley/1 (Z=32)
10	55VA 4212 0KC	Shaft Stopper
11	56AA 8201 1KC	Paper Feed Driving Clutch
12	56AA 5113 0KC	ADU Reversing Roller/Left
13	56AA 1755 0KC	Pin/A
14	56AA 5115 0KC	ADU Conveying Roller/1
15	56AA 5116 0KC	ADU Conveying Roller/2
16	08AA 8551 0KC	Photo Sensor
17	56AA 4255 0KC	Mounting Part
18	56AA 4245 0KC	Preventing Rubber
19	56AA 5130 0KC	ADU Paper Exit Actuator
20	56AA 4257 0KC	Paper Conveying Spring/1
21	56AA 5279 0KC	Wiring Protection Part
22	56AA 5101 0KC	ADU Guide Plate/Upper
23	56AA 5131 0KC	ADU Paper Exit Actuator/2
24	56AA 7748 0KC	Paper Exit Reversing Gear/1 (Z=19)
a	00Z193041KC	C.R.P.H. Screw M3X4

Key no.	Part number	Description
b	00Z193061KC	C.R.P.H. Screw M3X6
c	00Z670606KC	E-Ring
d	00Z670406KC	E-Ring
e	00Z921930KC	Mini Clamp
f	00Z183061KC	Bind Screw M3X6
g	00Z183041KC	Bind Screw M3X4

ADU (4)

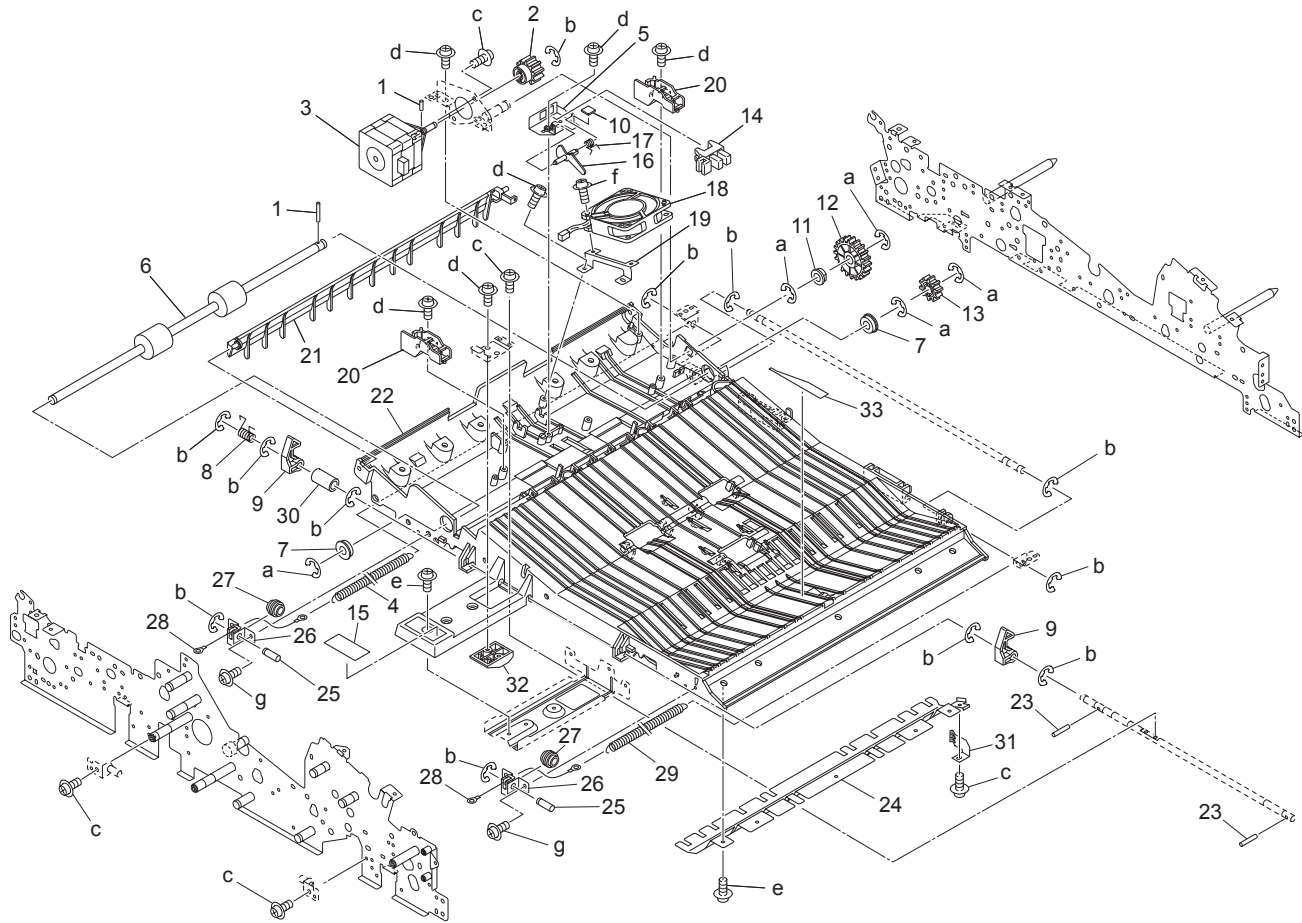


ADU (4)

Key no.	Part number	Description
1	26NA 4082 0KC	Paper Feed Slide Shaft Holder (Bushing/Bearing)
2	56AA 7742 1KC	ADU Conveying Gear/2 (Z=25/36) (HP LaserJet 9065mfp)
2	56EA 7742 0KC	ADU Conveying Gear/B (Z=28/36) (HP LaserJet 9055mfp)
3	56AA 7741 0KC	ADU Conveying Gear/1 (Z=29/23) (HP LaserJet 9065mfp)
3	56EA 7741 0KC	ADU Conveying Gear/A (Z=28/23) (HP LaserJet 9055mfp)
4	56AA 7658 0KC	Conveyance Driving Pulley/3 (Z=23/22)
5	56AA 5181 0KC	Belt Holding Collar
6	56AA 7757 0KC	Conveyance Driving Belt/2 (L=315)
7	56AA 7655 0KC	Conveyance Driving Pulley/2 (Z=23)
8	56AA 7756 0KC	Conveyance Driving Belt/1 (L=225)
9	56AA 7654 0KC	Conveyance Driving Pulley/1 (Z=23/29)
10	56AA 8201 1KC	Paper Feed Driving Clutch
11	55VA 4212 0KC	Shaft Stopper
12	08AA 7601 0KC	Drum Driving Shaft Holder (Bushing/Bearing)
13	56AA 7746 0KC	Registration Driving Gear/2 (Z=27)
14	55GA 7551 0KC	Registration Shaft Holder (Bushing/Bearing)/ Lower
15	56AA 5150 0KC	ADU Registration Spring
16	55GA 7552 0KC	Registration Shaft Holder (Bushing/Bearing)/ Upper
17	56AA 7747 0KC	ADU Conveying Gear/4 (Z=34)
18	56AA 5117 0KC	ADU Conveying Roller/3
19	56AA 5118 0KC	ADU Conveying Roller/4

Key no.	Part number	Description
20	56AA 5111 0KC	ADU Registration Roller/Upper
21	56AA 5112 0KC	ADU Registration Roller/Lower
22	56AA 1755 0KC	Pin/A
23	56AA 1748 0KC	Pin (B)
24	55VA 1554 1KC	Cleaner Coupling Part
25	56AA 7745 0KC	ADU Conveying Gear/3 (Z=34)
26	56AA 7755 0KC	ADU Conveying Belt/1 (L=210)
27	56AA 7659 0KC	ADU Conveying Pulley/1 (Z=32)
28	56AA 7660 0KC	ADU Conveying Pulley/2 (Z=32)
29	56AA 1709 0KC	Pressure Spring
30	12QV 4065 0KC	Spacer
a	00Z670606KC	E-Ring
b	00Z670406KC	E-Ring
c	00Z670806KC	E-Ring
d	00Z193041KC	C.R.P.H. Screw M3X4
e	00Z921930KC	Mini Clamp
f	00Z921301KC	Wire Saddle

ADU (5)

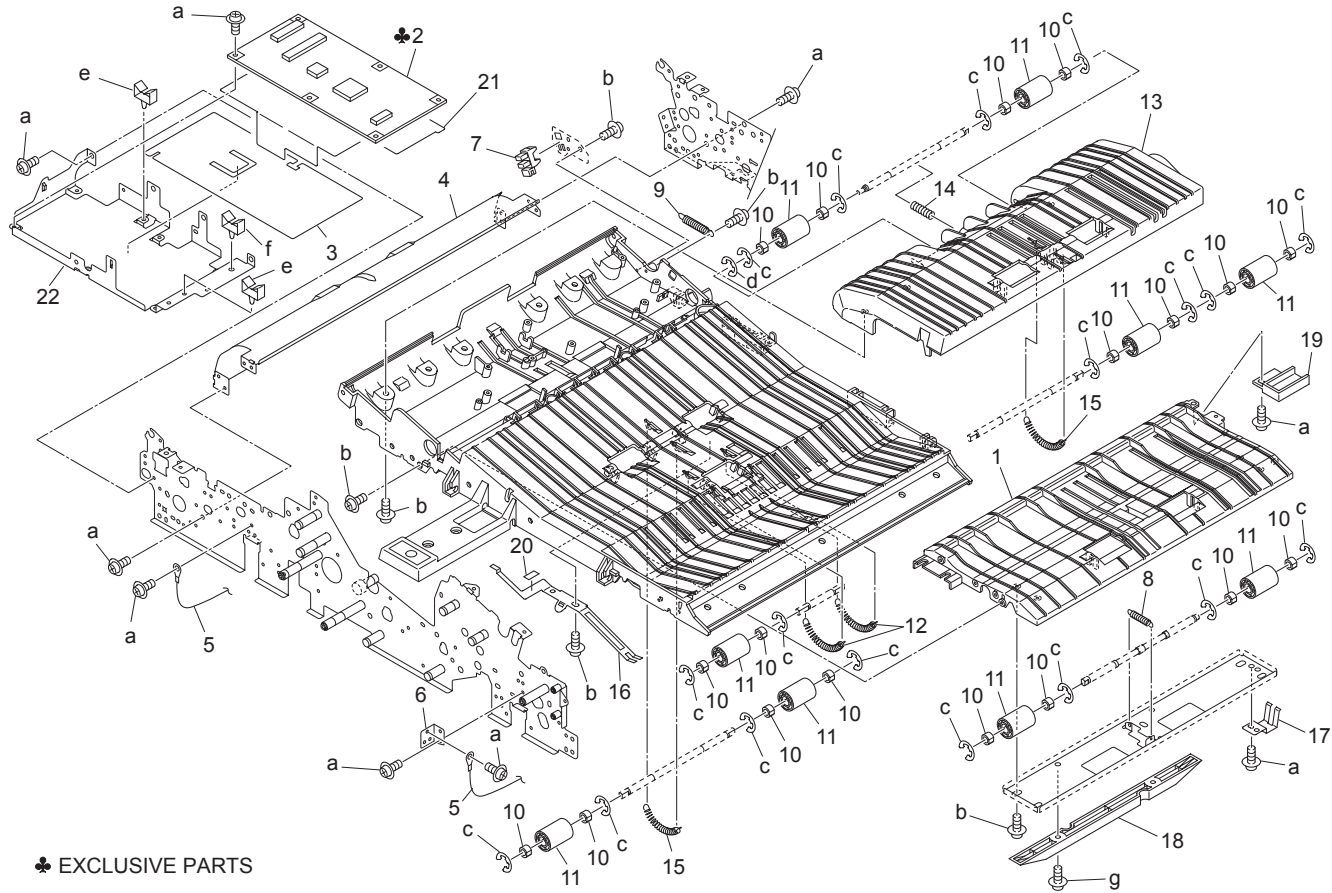


ADU (5)

Key no.	Part number	Description
1	56AA 1755 0KC	Pin/A
2	56AA 7743 0KC	ADU Reversing Gear/1 (Z=19)
3	56AA -812 0KC	ADU Drive Assembly
4	56AA 5246 0KC	Open/Shut Spring
5	56AA 4255 0KC	Mounting Part
6	56AA 5114 0KC	ADU Reversing Roller/Right
7	56AA 7507 0KC	Driving Shaft Holder (Bushing/Bearing)
8	56AA 5226 0KC	Bottom Plate Locking Spring
9	56AA 5242 0KC	Bottom Plate Locking Claw
10	56AA 4245 0KC	Preventing Rubber
11	26NA 4082 0KC	Paper Feed Slide Shaft Holder (Bushing/Bearing)
12	56AA 7744 0KC	ADU Reversing Gear/2 (Z=36)
13	56AA 7748 0KC	Paper Exit Reversing Gear/1 (Z=19)
14	08AA 8551 0KC	Photo Sensor
15	56AA 9729 0KC	Jam Release Label/5
16	56AA 5124 0KC	ADU Reversing Actuator
17	56AA 4257 0KC	Paper Conveying Spring/1
18	56AA 8055 0KC	Fan Motor/2
19	56AA 5248 0KC	Fan Mounting Plate
20	56AA 5278 0KC	Wiring Guide Part
21	56AA 5110 2KC	ADU Open/Shut Part
22	56AA 5107 2KC	ADU Guide Part/Middle
23	56AA 1747 0KC	Pin (B) (3*12)
24	56AA 5243 1KC	Bottom Plate Guide Plate
25	56AA 1736 0KC	Wire Rotary Shaft

Key no.	Part number	Description
26	56AA 5245 1KC	Pulley Mounting Plate
27	25AA 5008 0KC	Wire Pulley
28	56AA 5247 0KC	Open/Shut Wire
29	56AA 5249 0KC	Open/Shut Spring /Right
30	56AA 5229 0KC	Bottom Plate Open/Shut Collar
31	56AA 5045 0KC	Earth Spring /5
32	56AA 5238 0KC	Locking Part/A
33	56AA 5159 0KC	ADU Guide Sheet/2
a	00Z670606KC	E-Ring
b	00Z670406KC	E-Ring
c	00Z193041KC	C.R.P.H. Screw M3X4
d	00Z253081KC	Cross Recessed Tapping Screw
e	00Z193061KC	C.R.P.H. Screw M3X6
f	00Z193181KC	C.R.P.H. Screw M3X18
g	00Z253101KC	Cross Recessed Tapping Screw

ADU (6)



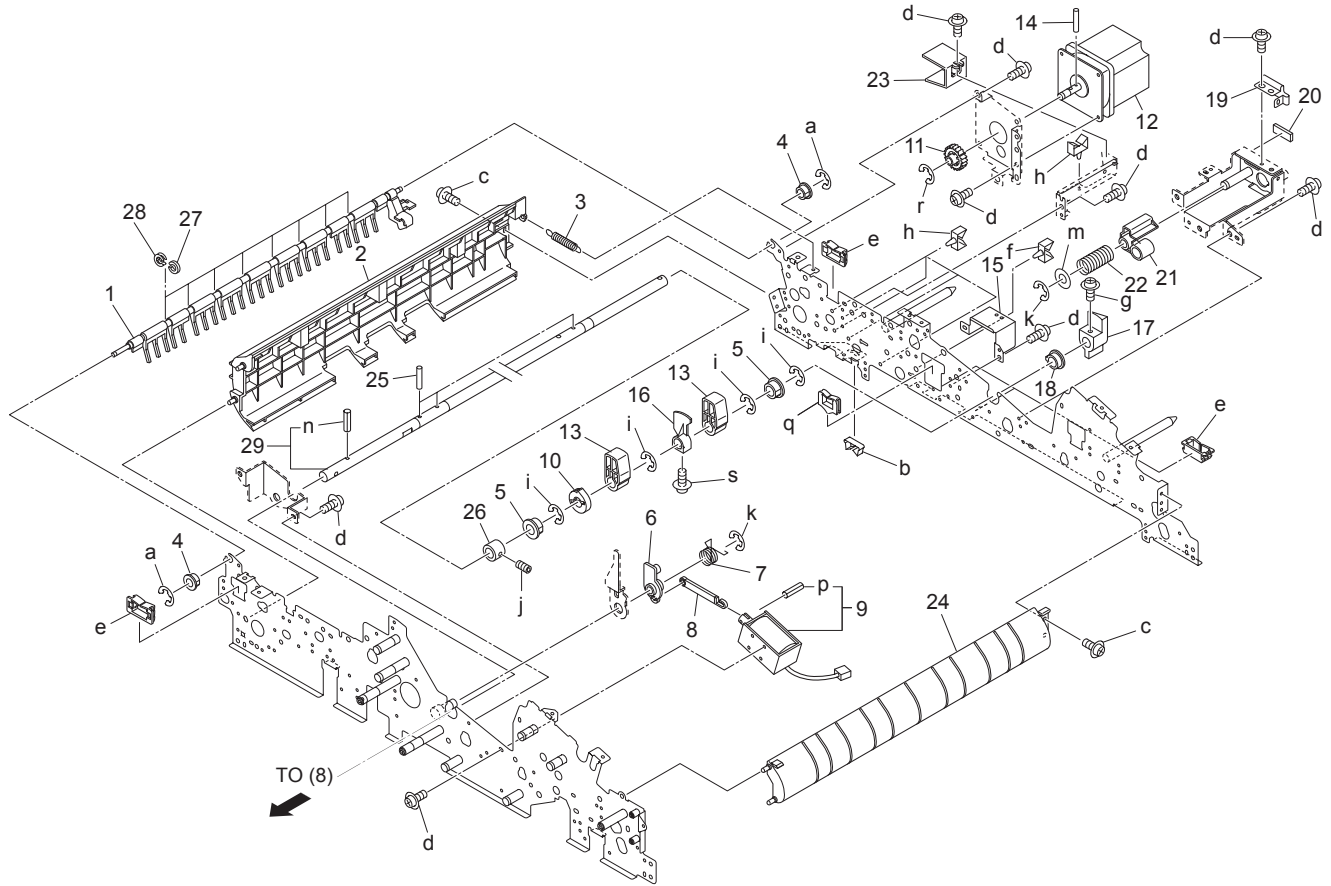
♣ EXCLUSIVE PARTS

ADU (6)

Key no.	Part number	Description
1	56AA 5108 1KC	ADU Guide Part/Lower
2	56AA -904 2KC	ADU Driver Board Assembly (HP LaserJet 9065mfp)
2	56EA -904 2KC	ADU Driver Board Assembly (HP LaserJet 9055mfp)
3	56AA 5039 0KC	Base Plate Insulating Cover
4	56AA 5154 0KC	ADU Guide Plate/Left
5	56AA 5247 0KC	Open/Shut Wire
6	56AA 5244 0KC	Wire Mounting Plate
7	08AA 8551 0KC	Photo Sensor
8	56AA 5146 0KC	ADU Reversing Spring
9	56AA 5237 0KC	ADU Spring
10	25AA 7553 0KC	Slide Shaft Holder (Bushing/Bearing)
11	56AA 5155 0KC	ADU Driven Roller
12	56AA 5149 0KC	ADU Conveying Spring/3
13	56AA 5152 1KC	ADU Guide Cover
14	56AA 5147 0KC	ADU Conveying Spring/1
15	56AA 5148 0KC	ADU Conveying Spring/2
16	56AA 5043 0KC	Earth Spring /3
17	56AA 5044 0KC	Earth Spring /4
18	56AA 5230 1KC	Bottom Plate Lifting Block /Lower
19	56AA 5048 0KC	Cover Part
20	56AA 5040 0KC	Spring Sticking Seal
21	56AA 5030 0KC	Base Plate Protection Cover
a	00Z193041KC	C.R.P.H. Screw M3X4
b	00Z253081KC	Cross Recessed Tapping Screw

Key no.	Part number	Description
c	00Z670406KC	E-Ring
d	00Z670306KC	E-Ring
e	00Z921941KC	Mini Clamp (MSC-1609)
f	00Z921302KC	Wire Saddle
g	00Z193061KC	C.R.P.H. Screw M3X6

ADU (7)

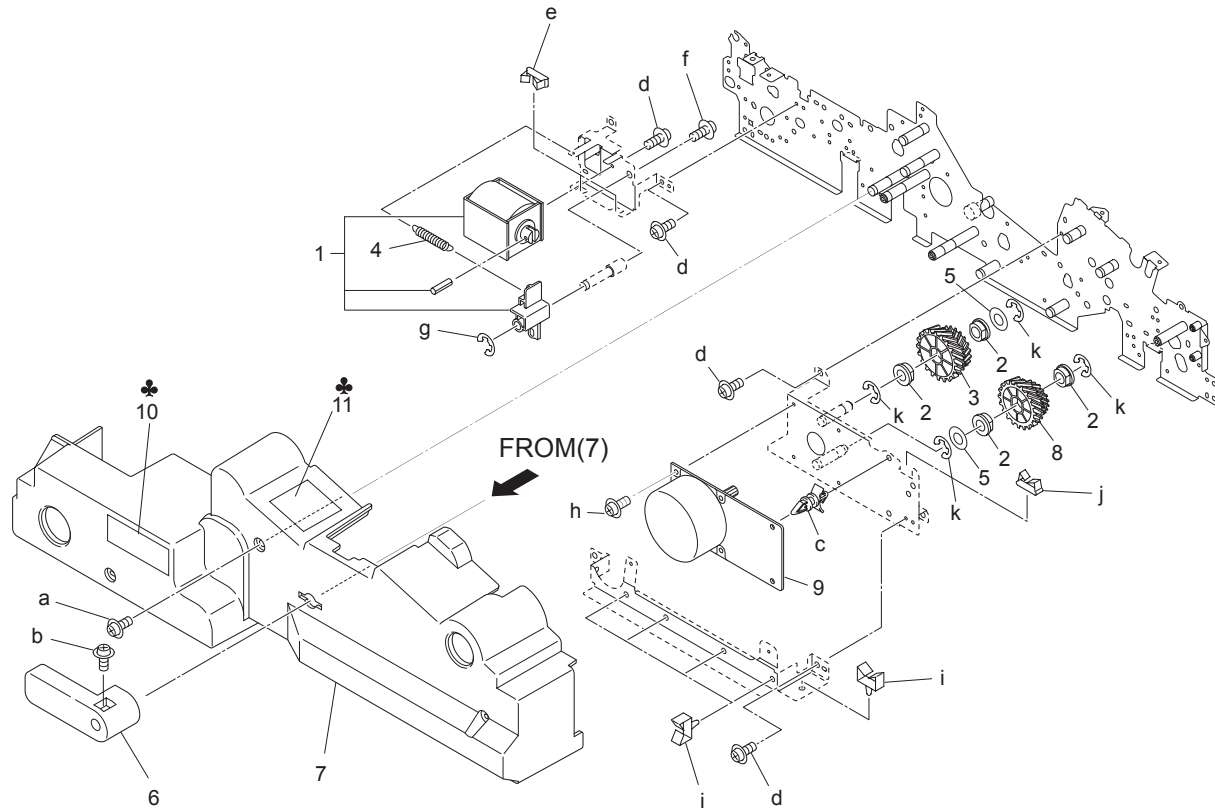


ADU (7)

Key no.	Part number	Description
1	56AA 5109 0KC	Paper Exit Open/Shut Part
2	56AA 5103 0KC	ADU Entrance Part/Right
3	56AA 5138 0KC	Paper Exit Open/Shut Spring
4	56AA 5049 0KC	Paper Exit Fulcrum Shaft Holder (Bushing/ Bearing)
5	4620 7601 0KC	Driving Slide Shaft Holder (A) (Bushing/ Bearing)
6	56AA 5070 0KC	Lever Locking Part
7	56AA 5071 0KC	Lever Locking Spring
8	56AA 5073 0KC	Solenoid Pulling Lever
9	56AA -040 0KC	ADU Connecting Solenoid Assembly
10	25AA 4750 0KC	Carriage Lock Claw/B
11	56AA 7749 0KC	Paper Exit Reversing Gear/2 (Z=19)
12	56AA 8011 0KC	Paper Exit Driving Motor
13	56AA 5068 0KC	Transfer Lifting Lever
14	56AA 1755 0KC	Pin/A
15	56AA 5094 0KC	High Voltage Cover Plate
16	56AA 5079 1KC	Lever Detecting Actuator
17	56AA 5062 1KC	Carriage Positioning Part
18	56AA 5080 0KC	Lever Support Shaft Holder (Bushing/Bearing)
19	56AA 5025 0KC	ADU Earth Plate/B
20	56AA 5013 0KC	ADU Stopper Cushion/1
21	56AA 5063 0KC	Cam Stopper Part (Snap Ring)
22	56AA 5067 0KC	Cam Stopper Spring
23	56AA 5047 0KC	Motor Cover Part /2
24	56AA 5105 0KC	ADU Paper Exit Part/Left

Key no.	Part number	Description
25	56AA 1746 0KC	Pin/A
26	56AA 1735 0KC	Shaft Positioning Part
27	56AA 5180 0KC	ADU Guide Roller /Middle
28	56AA 5179 0KC	ADU Guide Roller /Side
29	56AA -034 0KC	Carriage Pulling Shaft assembly
a	00Z670306KC	E-Ring
b	00Z920013KC	Super Saddle MSS-2
c	00Z193061KC	C.R.P.H. Screw M3X6
d	00Z193041KC	C.R.P.H. Screw M3X4
e	00Z921370KC	Edge Saddle
f	00Z921302KC	Wire Saddle
g	00Z194101KC	Cross Recessed Pan Head Screw
h	00Z921941KC	Mini Clamp (MSC-1609)
i	00Z670806KC	E-Ring
j	00Z474043KC	Hexagon Socket Screw (W-Point)
k	00Z670606KC	E-Ring
m	00Z610801KC	Plane Washer
n	00Z713166KC	Spring Pin
p	00Z713106KC	Spring Pin
q	00Z926257KC	Edge Saddle (EDS-1717U)
r	00Z670406KC	E-Ring
s	00Z194061KC	C.R.P.H. Screw M4X6

ADU (8)

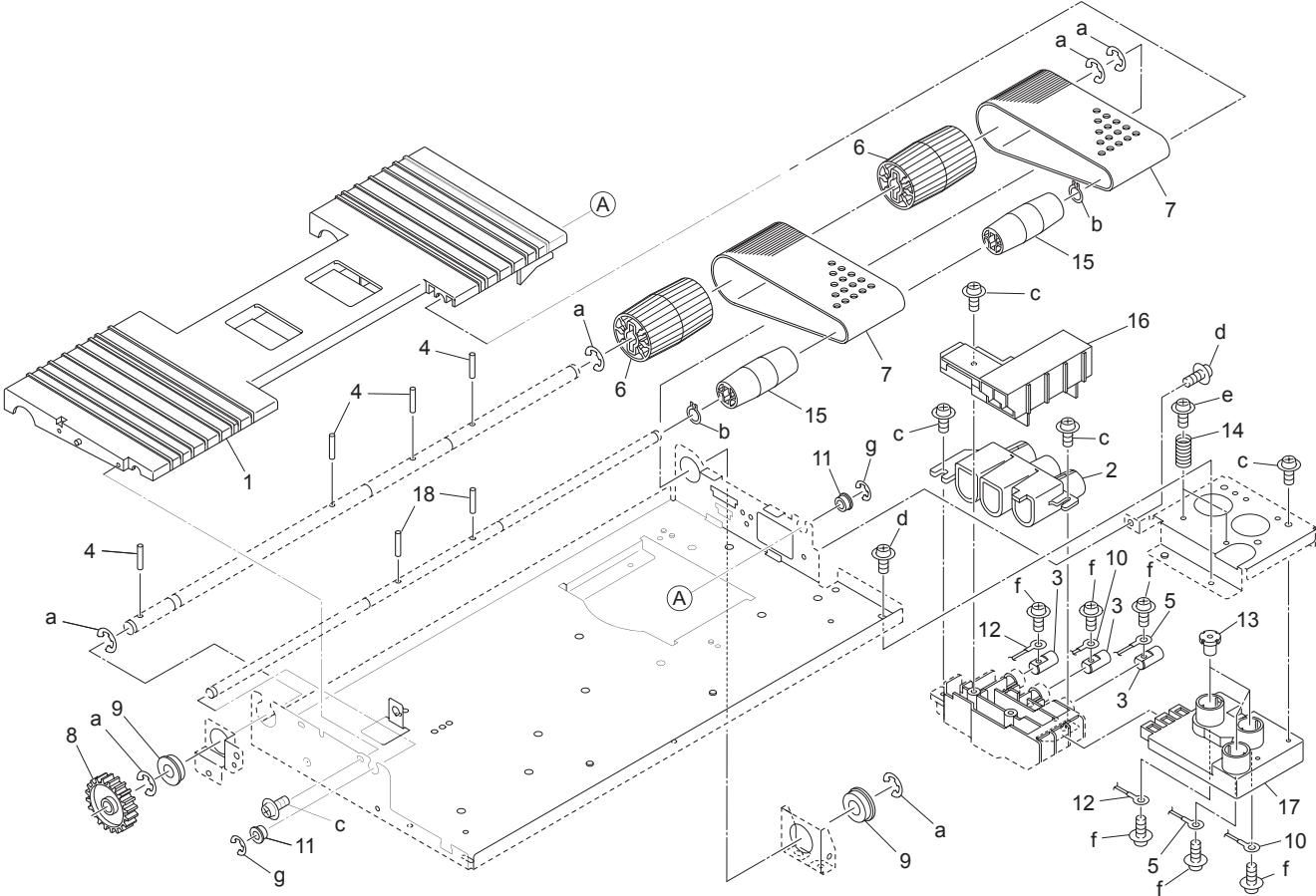


♣ EXCLUSIVE PARTS

ADU (8)

Key no.	Part number	Description
1	56AA -039 0KC	Exit Solenoid Assembly
2	26NA 4082 0KC	Paper Feed Slide Shaft Holder (Bushing/ Bearing)
3	56AA 7739 0KC	Registration Driving Gear/1 (Z=29/77)
4	56AA 5294 0KC	Solenoid Pulling Spring
5	12QV 4065 0KC	Spacer
6	56AA 5076 0KC	Carriage Pulling Lever
7	56AA 5281 0KC	ADU Cover
8	56AA 7740 0KC	Conveyance Driving Gear/1 (Z=24/67)
9	56AA 8007 0KC	DC Brushless Motor/30
10	56AF 9716 0KC	Operation Caution Label
11	56AE 9718 0KC	Operation Caution Label /Rear
11	56AF 9718 0KC	Operation Caution Label /Rear
a	00Z144062KC	C.R.P.H.TR.Screw M4X6
b	00Z194101KC	Cross Recessed Pan Head Screw
c	00Z925103KC	Locking Circuit Board Support
d	00Z193041KC	C.R.P.H. Screw M3X4
e	00Z920013KC	Super Saddle MSS-2
f	00Z193061KC	C.R.P.H. Screw M3X6
g	00Z670406KC	E-Ring
h	00Z193081KC	C.R.P.H. Screw M3X8
i	00Z921301KC	Wire Saddle
j	00Z921370KC	Edge Saddle
k	00Z670606KC	E-Ring

Conveyance unit (1)

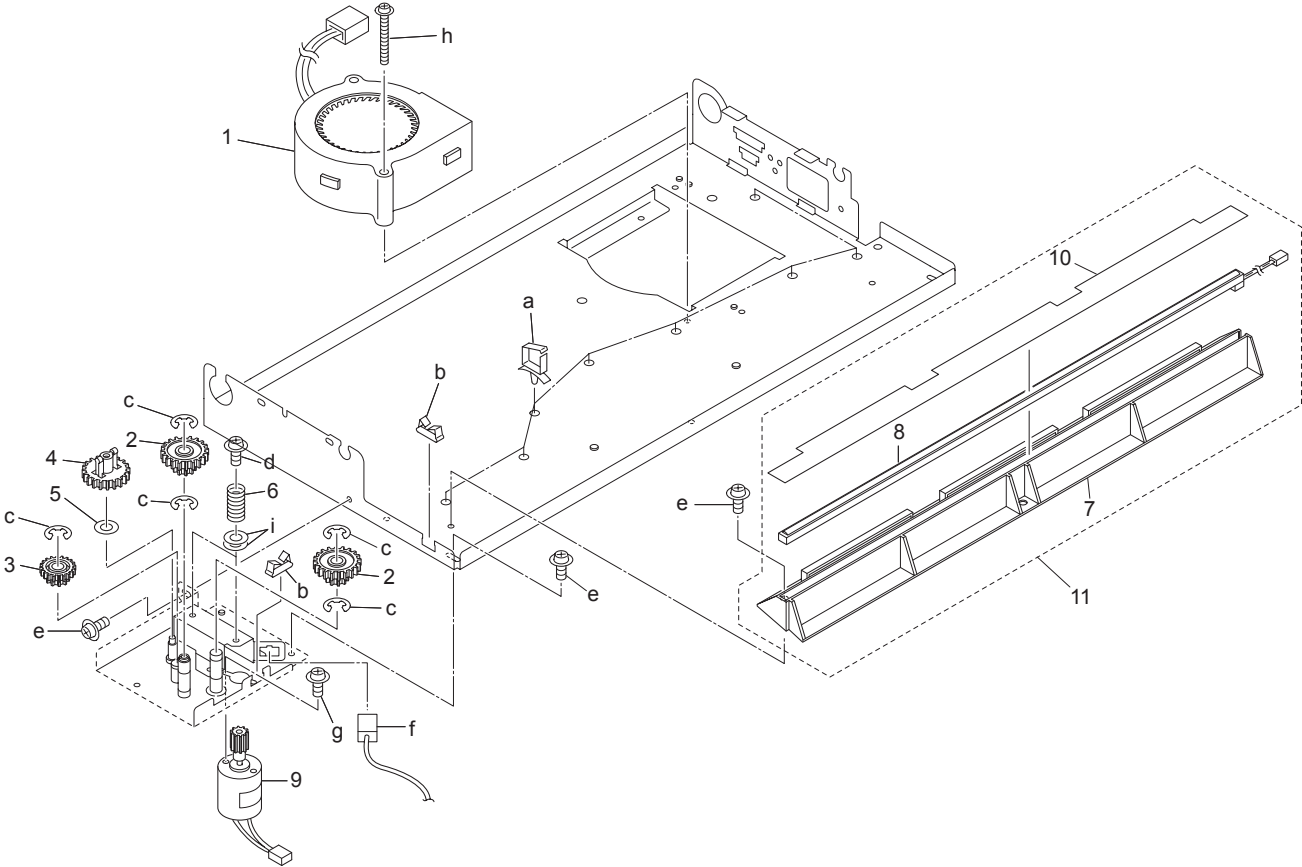


Conveyance unit (1)

Key no.	Part number	Description
1	56AA -386 0KC	Conveyance Main Body/Upper Assembly
2	56AA 5092 0KC	High Voltage Powering Part/2
3	56AA 5093 0KC	High Voltage Powering Shaft
4	56AA 1746 0KC	Pin/A
5	56AA 9370 0KC	High Voltage Lead Wire/A
6	56AA 4532 0KC	Conveyance Driving Roller
7	56AA 4509 0KC	Conveyance Belt (L=239)
8	56AA 7781 0KC	Conveyance Driving Gear (Z=31)
9	5400 7605 0KC	Driving Shaft Holder (Bushing/Bearing)
10	56AA 9371 0KC	High Voltage Lead Wire/B
11	26NA 1728 0KC	Developing Driving Shaft Holder (Bushing/Bearing)
12	56AA 9372 0KC	High Voltage Lead Wire/C
13	56AA 4517 0KC	Powering Shaft
14	56AA 1707 1KC	Electrode Lift-Up Spring
15	56AA 4533 0KC	Conveyance Driven Roller
16	56AA -389 0KC	Conveyance Duct/Rear Assembly
17	56AA 4508 2KC	Powering Block
18	56AA 1747 0KC	Pin (B) (3*12)
a	00Z670606KC	E-Ring
b	00Z600606KC	Set Ring (6M)
c	00Z253081KC	Cross Recessed Tapping Screw
d	00Z193061KC	C.R.P.H. Screw M3X6
e	00Z183061KC	Bind Screw M3X6
f	00Z163061KC	C.R.P.H.S.Sems2 M3X6
g	00Z670406KC	E-Ring

Key no.	Part number	Description
h	00Z193041KC	C.R.P.H. Screw M3X4

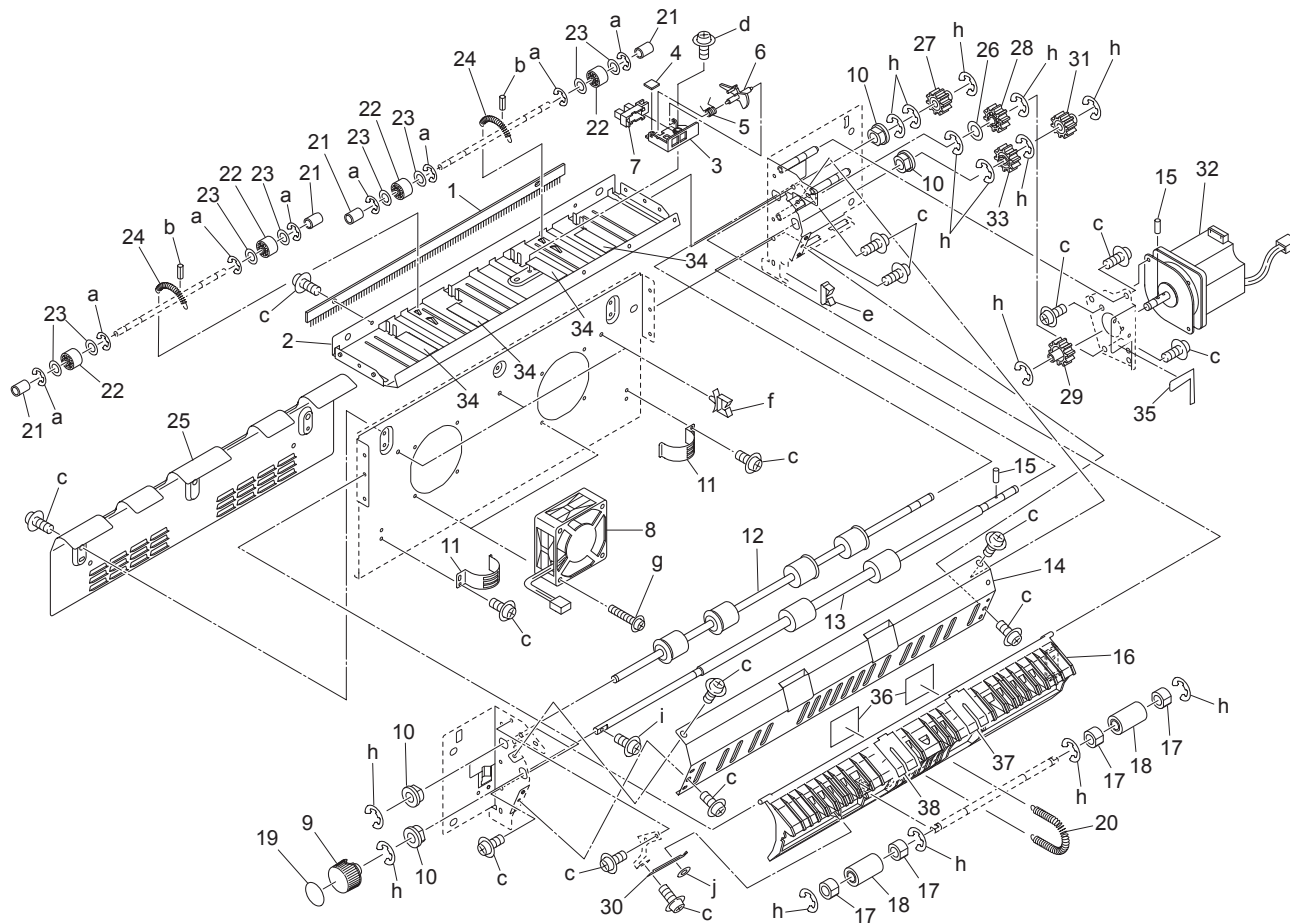
Conveyance unit (2)



Conveyance unit (2)

Key no.	Part number	Description
1	56AA 8053 0KC	Conveyance Suction Fan
2	55VA 7744 0KC	Cleaning Gear/5 (Z=46/20)
3	55VA 7743 0KC	Cleaning Gear/4 (Z=33/17)
4	55VA 7742 0KC	Cleaning Gear/3 (Z=38)
5	56AA 1770 0KC	Spacer/B
6	56AA 1707 1KC	Electrode Lift-Up Spring
7	56AA 4521 0KC	PTL Cover
8	56AA 8307 0KC	PCL
9	56AA -383 1KC	Cleaning Motor Assembly
10	56AA 4530 0KC	Protection Sheet
11	56AA -387 0KC	TSL
a	00Z920022KC	Wire Saddle LWS-0511
b	00Z920013KC	Super Saddle MSS-2
c	00Z670406KC	E-Ring
d	00Z183061KC	Bind Screw M3X6
e	00Z193061KC	C.R.P.H. Screw M3X6
f	00Z930015KC	Relay Connector
g	00Z11B041KC	C.R.P.H. Screw M2.6*4
h	00Z193351KC	C.R.P.H. Screw
i	00Z610401KC	Plane Washer

Paper exit unit

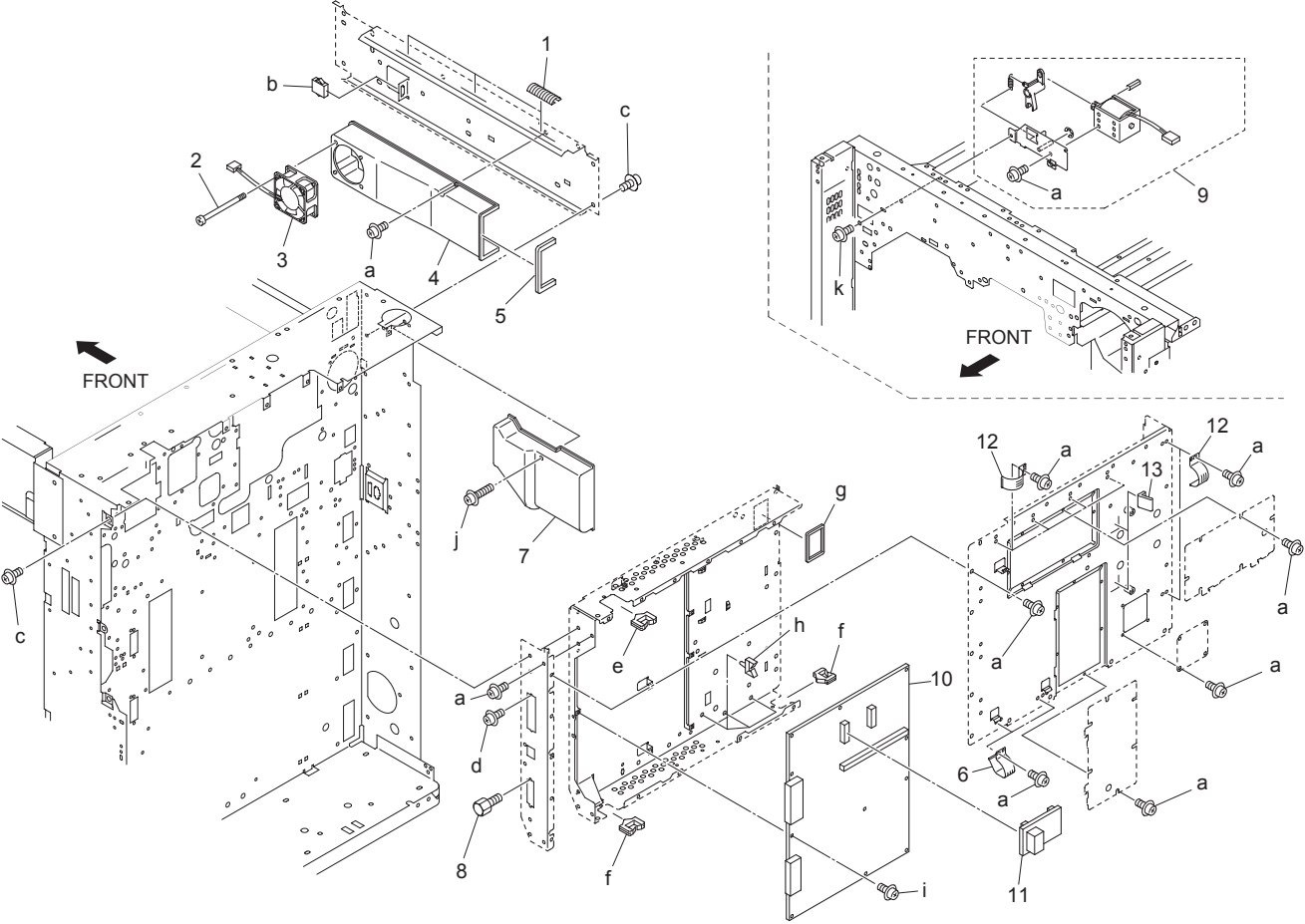


Paper exit unit

Key no.	Part number	Description
1	0486 4448 0KC	Neutralizing Brush (Anti-Static Brush)
2	56AA 4806 0KC	Paper Exit Guide Plate/Upper
3	56AA 4255 0KC	Mounting Part
4	56AA 4245 0KC	Preventing Rubber
5	56AA 4257 0KC	Paper Conveying Spring/1
6	56AA 4816 0KC	Paper Detecting Actuator/Upper
7	08AA 8551 0KC	Photo Sensor
8	26NA 8051 0KC	Main Fan Motor
9	13GQ 4547 0KC	Rotary Knob
10	08AA 7601 0KC	Drum Driving Shaft Holder (Bushing/Bearing)
11	56AA 4810 0KC	Paper Exit Earth Plate /Lower
12	56AA 4808 0KC	Paper Exit Driving Roller
13	56AA 4809 0KC	Paper Exit Driving Roller/Front
14	56AA 4803 0KC	Paper Exit Entrance Plate/Left
15	56AA 1732 0KC	Pin (A) (D2*7)
16	56AA 4804 0KC	Paper Exit Entrance Plate/Right
17	25AA 7553 0KC	Slide Shaft Holder (Bushing/Bearing)
18	26NA 4256 0KC	Manual Feed Driven Roller
19	56AA 9723 0KC	Jam Release Label/F
20	56AA 4822 0KC	Paper Exit Driven Spring/Lower
21	5520 1225 0KC	Roller/B
22	26NA 4807 0KC	Paper Exit Driven Roller
23	56AA 4814 0KC	Paper Exit Spacer /Upper
24	56AA 4821 1KC	Paper Exit Driven Spring/Upper
25	56AA 4823 0KC	Paper Exit Guide Plate
26	40AA 3027 0KC	Developing Spacer

Key no.	Part number	Description
27	56AA 7798 0KC	Paper Exit Driving Gear/Upper (Z=24)
28	56AA 7786 0KC	Paper Exit Idling Gear (Z=24)
29	56AA 7720 0KC	Paper Exit Gear (Z=22)
30	56AA 4811 0KC	Paper Exit Earth Plate
31	56AA 7719 0KC	Paper Exit Driving Gear (Z=24)
32	56AA -812 0KC	ADU Drive Assembly
33	56AA 7785 0KC	Paper Exit Input Gear (Z=24)
34	56AA 4815 0KC	Paper Exit Guide Sheet /Upper
35	56AA 4819 0KC	Paper Exit Driving Sheet
36	56AA 4820 0KC	Paper Exit Guide Sheet /Lower
37	56AA 4826 0KC	Paper Exit Guide Sheet /2
38	56AA 4825 0KC	Paper Exit Guide Sheet /1
a	00Z670206KC	E-Ring
b	00Z711106KC	Spring Pin
c	00Z193041KC	C.R.P.H. Screw M3X4
d	00Z183041KC	Bind Screw M3X4
e	00Z921370KC	Edge Saddle
f	00Z921941KC	Mini Clamp (MSC-1609)
g	00Z183301KC	Bind Screw M3X30
h	00Z670406KC	E-Ring
i	00Z183061KC	Bind Screw M3X6
j	00Z660306KC	C-Ring

Electric parts (1)

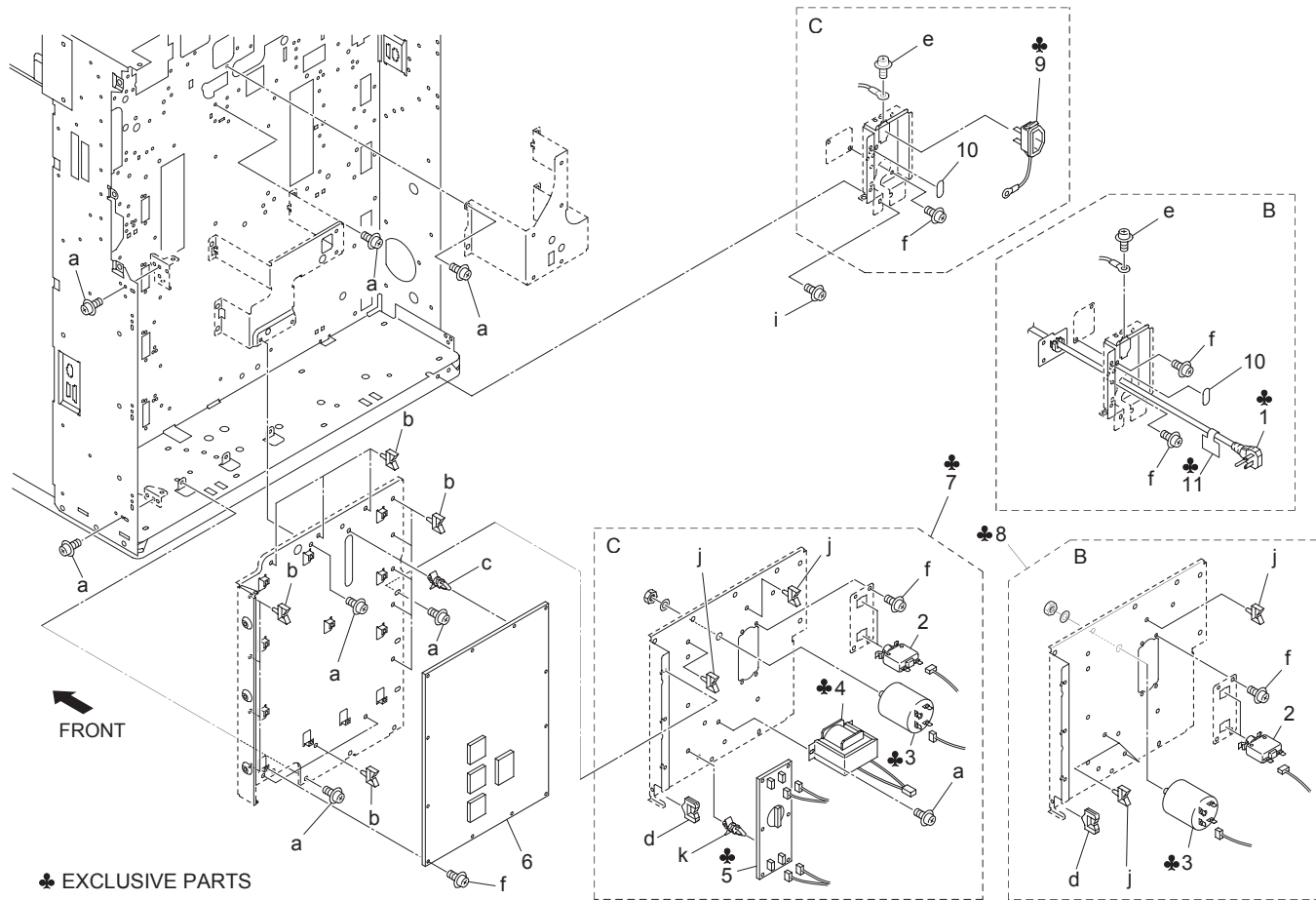


Electric parts (1)

Key no.	Part number	Description
1	56AA -149 0KC	Earth Spring Assembly
2	56AA 1051 0KC	Fan Mounting Screw
3	56AA 8054 0KC	Fan Motor/1
4	56AA 1045 0KC	Write Cooling Duct/Middle
5	56AA 1048 0KC	Write Cooling Pad/Middle
6	56AA 7359 0KC	Earth Plate/Lower
7	56AA -118 0KC	Write Cooling Duct/Rear Assembly
8	26NA 7357 0KC	Contact Fixing Screw/A
9	56AA -716 0KC	Solenoid Mounting Plate Assembly
10	56AA -901 5KC	Image Control Board (ICB)
11	56AA -912 1KC	Memory Board Unit
12	56AA 7356 0KC	Earth Plate/Upper
13	56AA 7357 0KC	Earth Part/1
14	13PUKC	Copy Controller (CC) HDD (not shown)
15	13PY-9010KC	CC HDD Interface Board (not shown)
16	C9653-67901	CC Memory DIMM (256 MB) (not shown)
a	00Z193061KC	C.R.P.H. Screw M3X6
b	00Z930003KC	Relay Connector 175694-4
c	00Z194061KC	C.R.P.H. Screw M4X6
d	00Z113065KC	C.R.P.H. Screw M3X6
e	00Z926259KC	Edge Saddle (EDS-2323U)
f	00Z926258KC	Edge Saddle (EDS-1208U)
g	00Z920025KC	Bushing SB-4025
h	00Z921302KC	Wire Saddle
i	00Z183061KC	Bind Screw M3X6
j	00Z254101KC	Cross Recessed Tapping Screw

Key no.	Part number	Description
k	00Z163061KC	C.R.P.H.S.Sems2 M3X6

Electric parts (2)

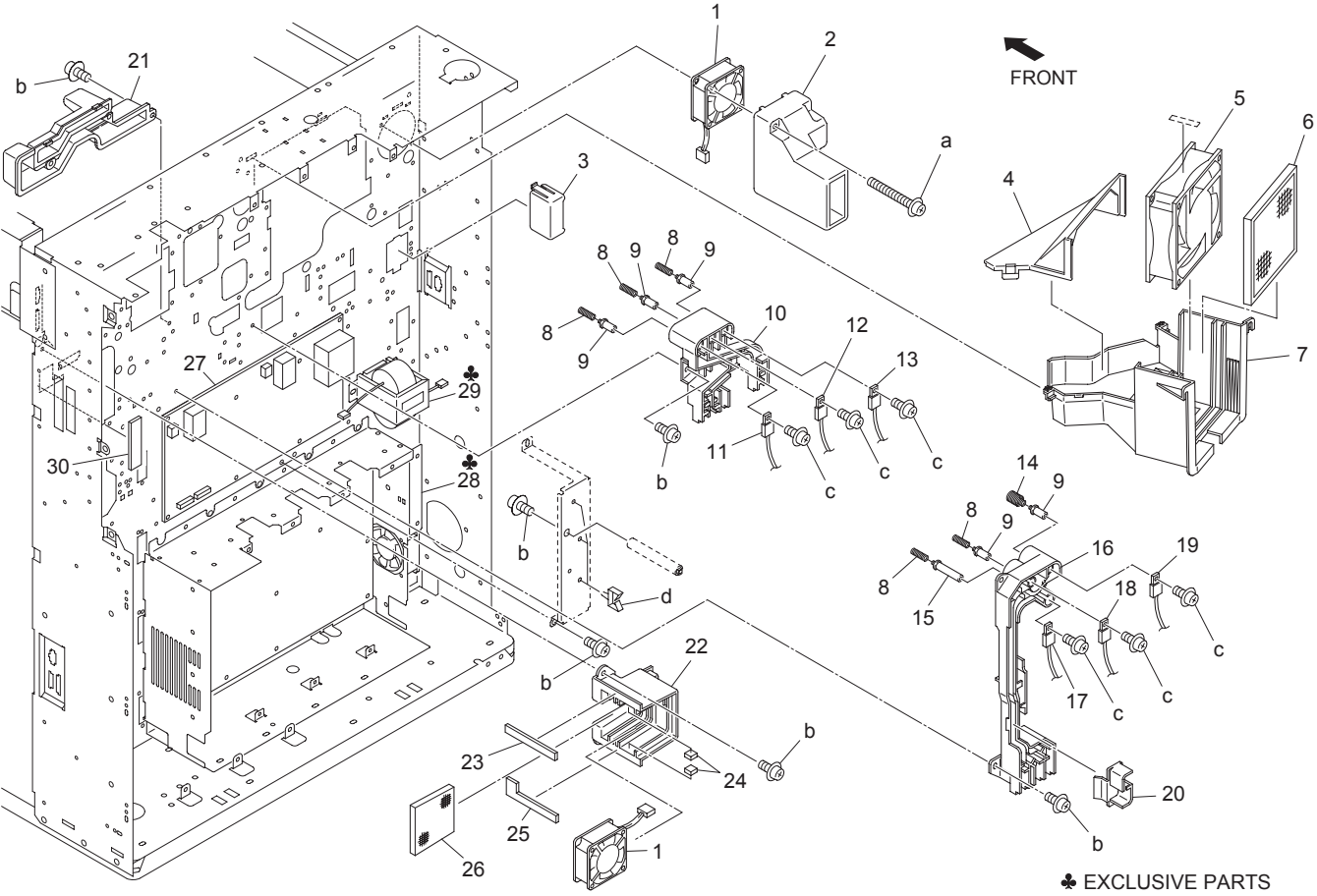


Electric parts (2)

Key no.	Part number	Description
1	56AE -742 0KC	Cord Fixing Plate Assembly (110V)
1	56AA -742 0KC	Cord Fixing Plate Assembly (Taiwan)
2	56AA 8842 0KC	Circuit Breaker
3	5380 8826 0KC	Noise Filter (110V)
3	3235 8453 1KC	Noise Filter (220V)
3	55TA84560	Noise Filter (Taiwan 100V)
4	56AF 8454 0KC	Coil (220V)
5	55FF 8455 1KC	Coil (2) (220V)
5	56AK84530	Coil (2) (Taiwan 100V)
6	56AA -902 2KC	Print Control Board (PRCB)
7	56AF -719 0KC	AC Power Source Assembly (220V)
8	56AE -719 0KC	AC Power Source Assembly (110V)
8	56AK -719 0KC	AC Power Source Assembly (Taiwan 100V)
9	26NA -752 0KC	Power Socket Assembly (220V)
10	56AE 9784 0KC	Earth Label/D
11	56AA 9714 0KC	Cord Label (110V)
12	8120-8709	UK 220V Power Cord
12	8120-6802	Europe 220V Power Cord
12	8120-6799	Israel 220V Power Cord
12	8120-6806	Denmark 220V Power Cord
12	8120-6808	South Africa 20V Power cord
12	8120-6803	Australia 220V Power Cord
12	8120-8708	China 220V Power Cord
12	8121-0772	India 220V Power Cord
12	8120-6807	Switzerland 220V Power Cord
12	8121-0670	Brazil 220V Power Cord

Key no.	Part number	Description
12	8120-6871	Argentina 220V Power Cord
12	8120-6979	Chile 220V Power Cord
12	8120-8381	Peru 220V Power Cord
a	00Z194061KC	C.R.P.H. Screw M4X6
b	00Z921303KC	Wire Saddle
c	00Z925103KC	Locking Circuit Board Support
d	00Z926257KC	Edge Saddle (EDS-1717U)
e	00Z164061KC	C.R.P.H.S.Sems2 M4X6
f	00Z193061KC	C.R.P.H. Screw M3X6
g	00Z630406KC	Tooth Lock Washer
h	00Z184065KC	Bind Screw M4X6
i	00Z164081KC	C.R.P.H.S.Sems2 M4X8
j	00Z921302KC	Wire Saddle
k	00Z925110KC	Locking Circuit Board Support

Electric parts (3)

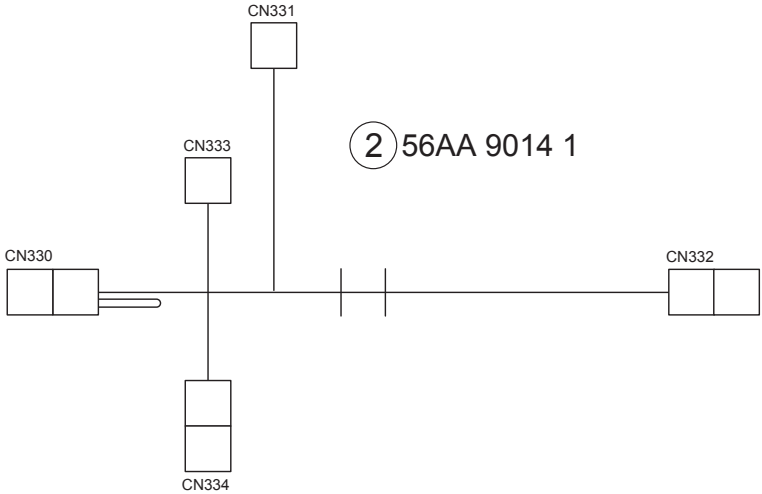
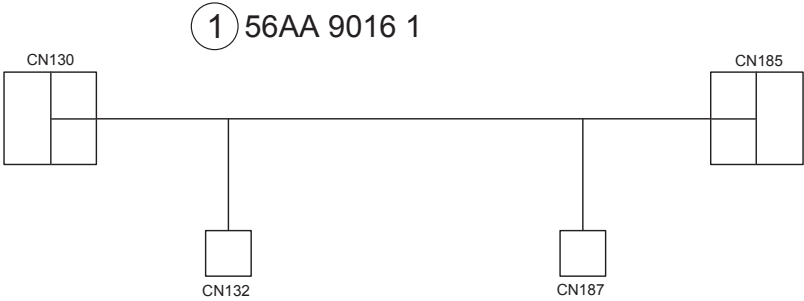


Electric parts (3)

Key no.	Part number	Description
1	26NA 8051 0KC	Main Fan Motor
2	56AA 1053 0KC	Paper Exit Cooling Duct/Rear
3	56AA 7315 0KC	Wiring Protection Part
4	56AA 7307 0KC	Fan Mounting Cover
5	55FA 8052 0KC	Main Fan Motor
6	55FA 7301 0KC	Ozone Filter/K
7	56AA 7306 0KC	Fan Mounting Duct
8	56AA 7327 1KC	Contact Spring/1
9	56AA 7323 0KC	Contact Shaft/A
10	56AA 7309 0KC	High Voltage Guide Part/Lower
11	56AA 9076 0KC	High Voltage Lead Wire/7
12	56AA 9075 0KC	High Voltage Lead Wire/6
13	56AA 9074 0KC	High Voltage Lead Wire/5
14	56AA 7328 1KC	Contact Spring/2
15	56AA 7321 0KC	Contact Shaft
16	56AA 7308 0KC	High Voltage Guide Part/Upper
17	56AA 9073 0KC	High Voltage Lead Wire/4
18	56AA 9071 0KC	High Voltage Lead Wire/2
19	56AA 9072 0KC	High Voltage Lead Wire/3
20	56AA 7316 0KC	High Voltage Guide Cover
21	56AA -113 0KC	Developing Suction Duct Assembly
22	56AA 7310 0KC	Developing Suction Cover
23	56AA 7324 0KC	Developing Suction Seal/1
24	56AA 7349 0KC	Fan Holding Pad/2
25	56AA 7325 0KC	Developing Suction Seal/2
26	56AA -735 0KC	Filter Assembly

Key no.	Part number	Description
27	56AA 8401 0KC	High Voltage Power Source
28	56AA 8451 1KC	DC Power Source/1 (110V)
28	56AF 8451 0KC	DC Power Source/1 (220V)
29	56AE 8452 0KC	Power Source Transformer (110V)
29	56AF 8452 0KC	Power Source Transformer (220V)
30	56AA 7348 0KC	Fan Holding Pad/1
a	00Z194301KC	C.R.P.H. Screw
b	00Z194061KC	C.R.P.H. Screw M4X6
c	00Z193061KC	C.R.P.H. Screw M3X6
d	00Z921302KC	Wire Saddle

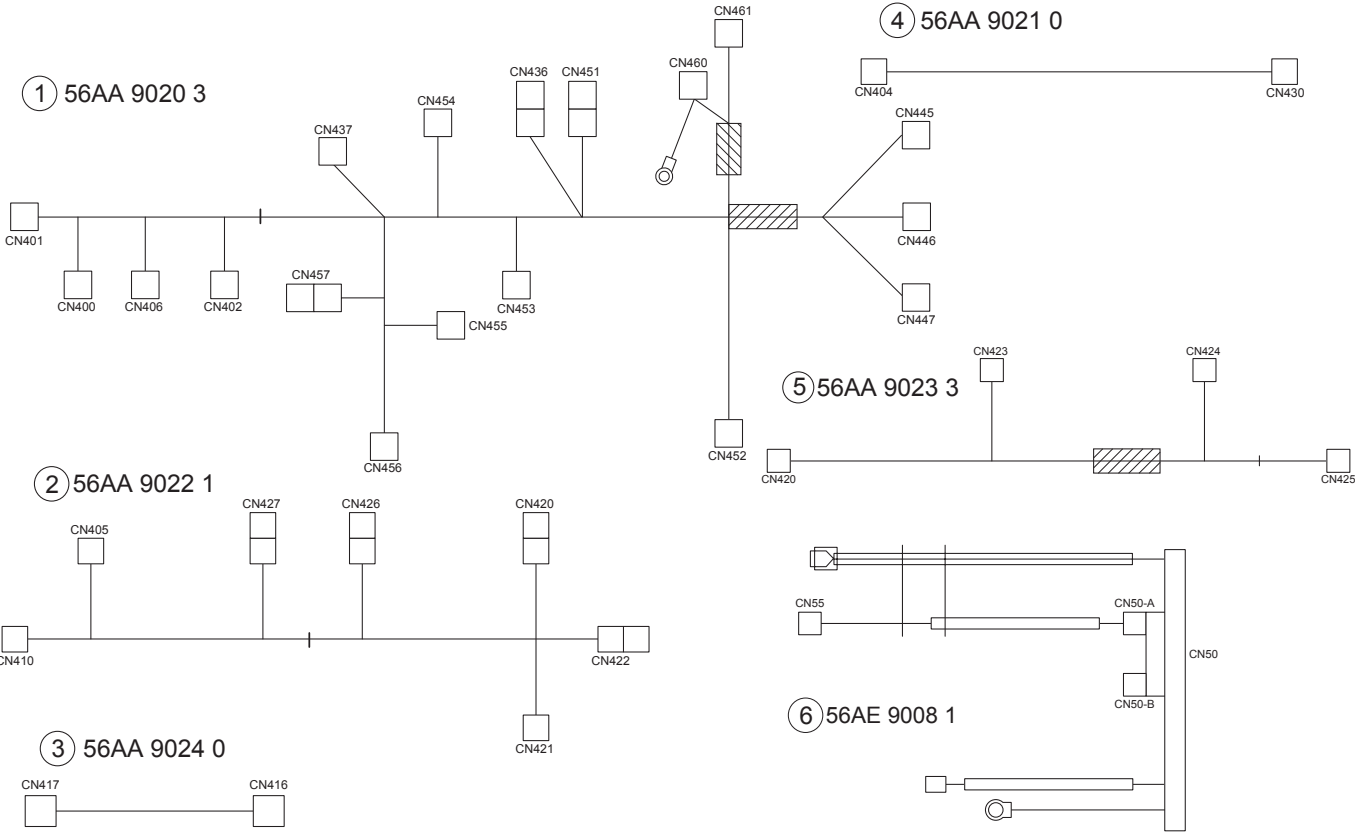
Wiring (1)



Wiring (1)

Key no.	Part number	Description
1	56AA 9016 1KC	Laser Control Wiring
2	56AA 9014 1KC	Toner Supply Wiring

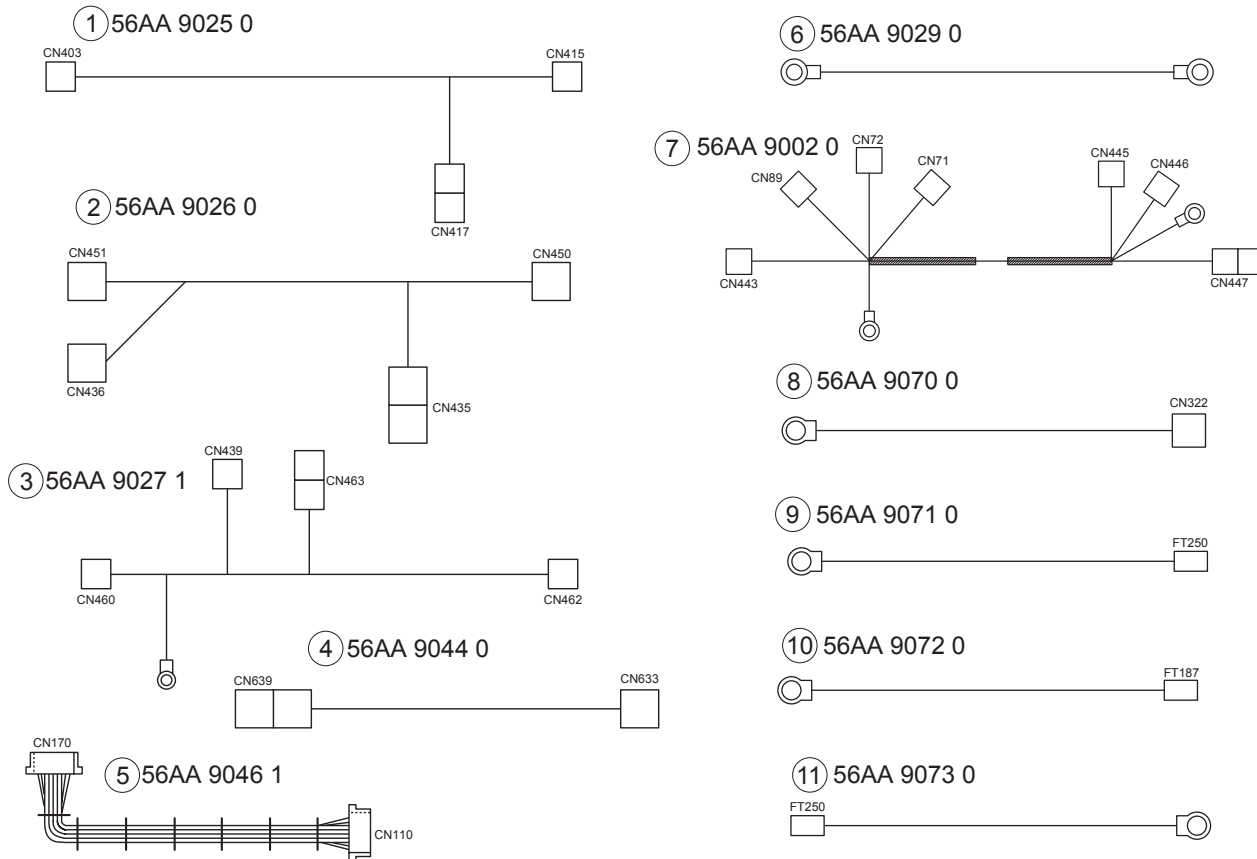
Wiring (2)



Wiring (2)

Key no.	Part number	Description
1	56AA 9020 3KC	ADU Control Wiring
2	56AA 9022 1KC	Conveyance. Unit Control Wiring
3	56AA 9024 0KC	ADU Driving Wiring
4	56AA 9021 1KC	Paper Exit Control Wiring
5	56AA 9023 3KC	Registration Wiring
6	56AE 9008 2KC	Fixing Powering Wiring/1

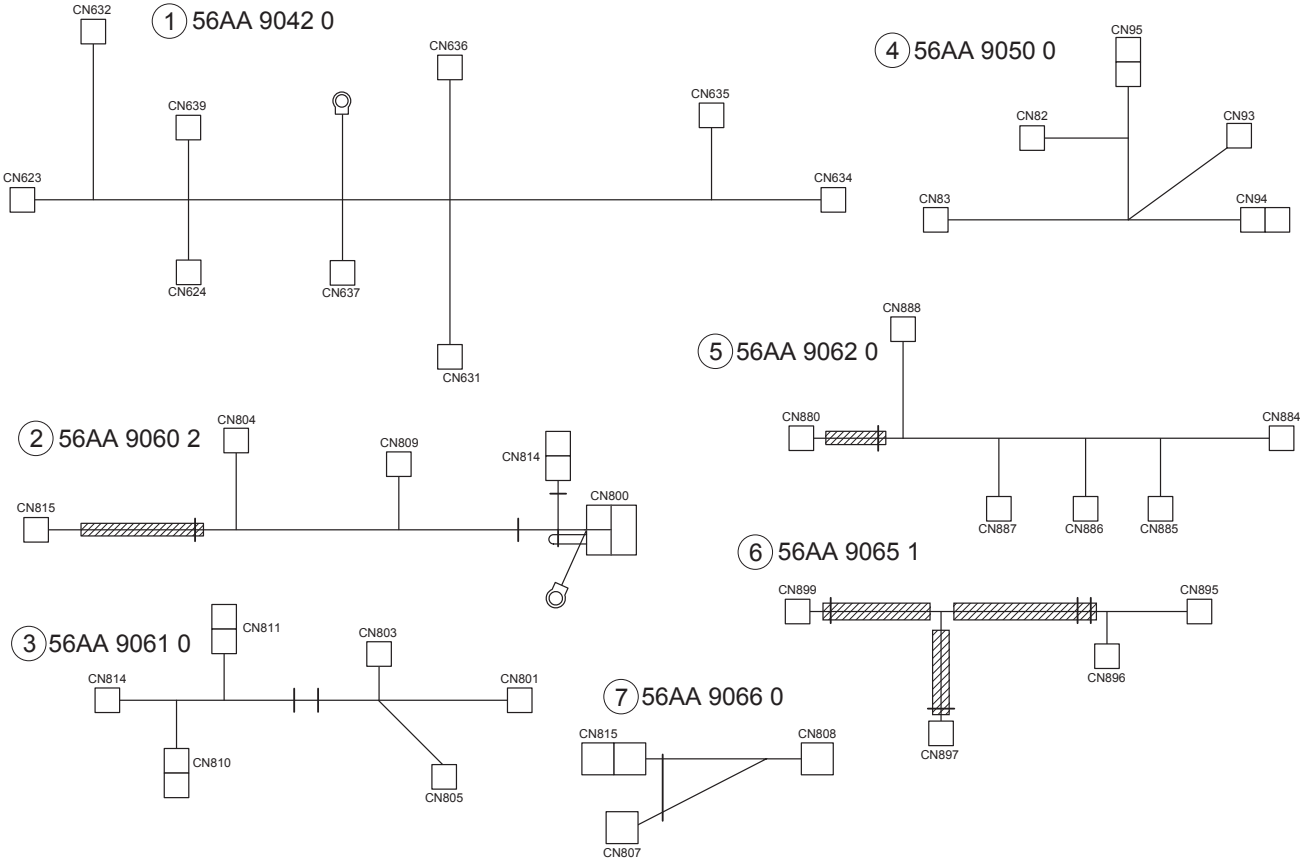
Wiring (3)



Wiring (3)

Key no.	Part number	Description
1	56AA 9025 0KC	Conveyance Driving Wiring
2	56AA 9026 0KC	Relay Wiring/S
3	56AA 9027 1KC	Conveyance Relay Wiring
4	56AA 9044 0KC	Relay Wiring/A
5	56AA 9046 0KC	A/D Wiring
6	56AA 9029 0KC	ADU Earth Wire
7	56AA 9002 0KC	ADU Connecting Wiring
8	56AA 9070 0KC	High Voltage Lead Wire/1
9	56AA 9071 0KC	High Voltage Lead Wire/2
10	56AA 9072 0KC	High Voltage Lead Wire/3
11	56AA 9073 0KC	High Voltage Lead Wire/4

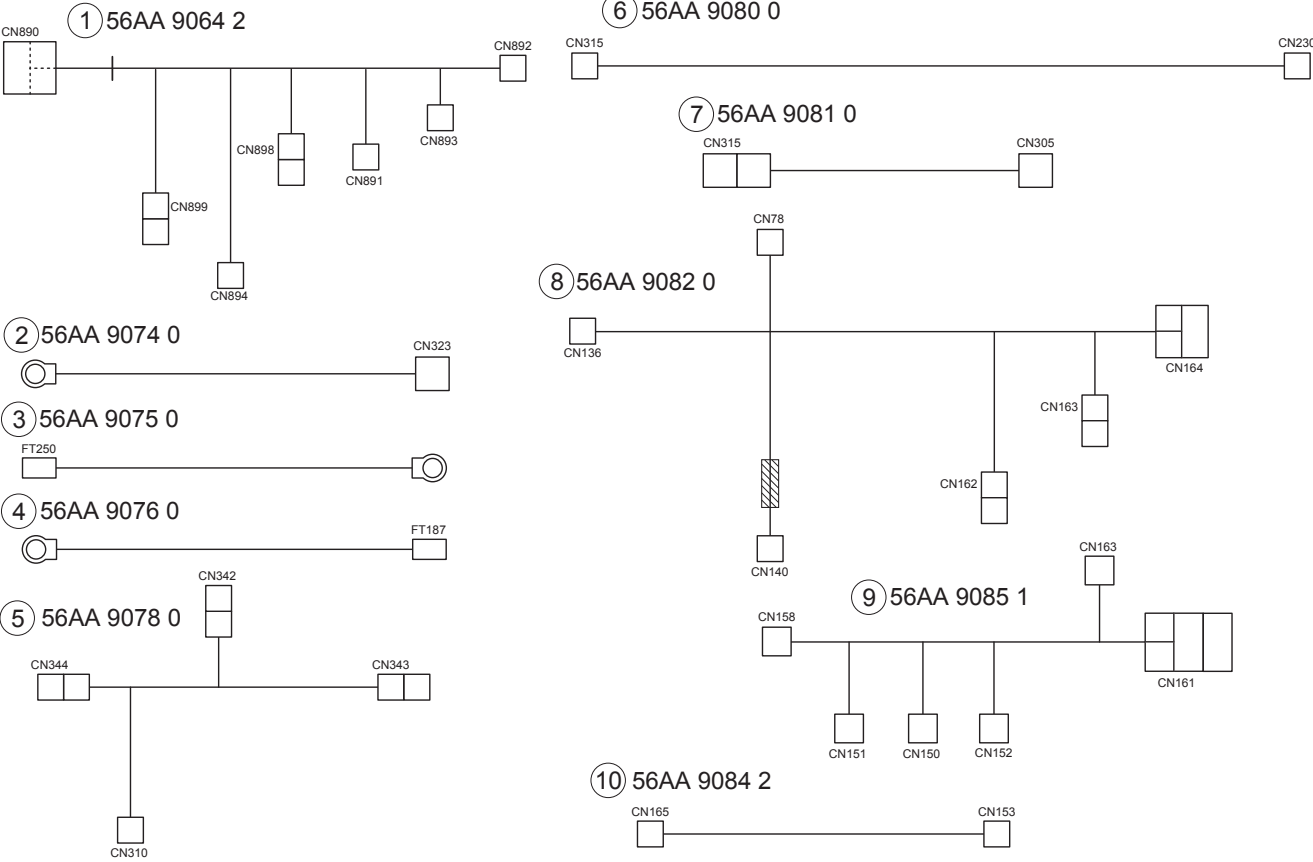
Wiring (4)



Wiring (4)

Key no.	Part number	Description
1	56AA 9042 0KC	APS Wiring/1
2	56AA 9060 2KC	Paper Feed Wiring/1
3	56AA 9061 0KC	Paper Feed Wiring/2
4	56AA 9050 0KC	DC Interlocking Wiring
5	56AA 9062 0KC	Paper Feed Wiring/3

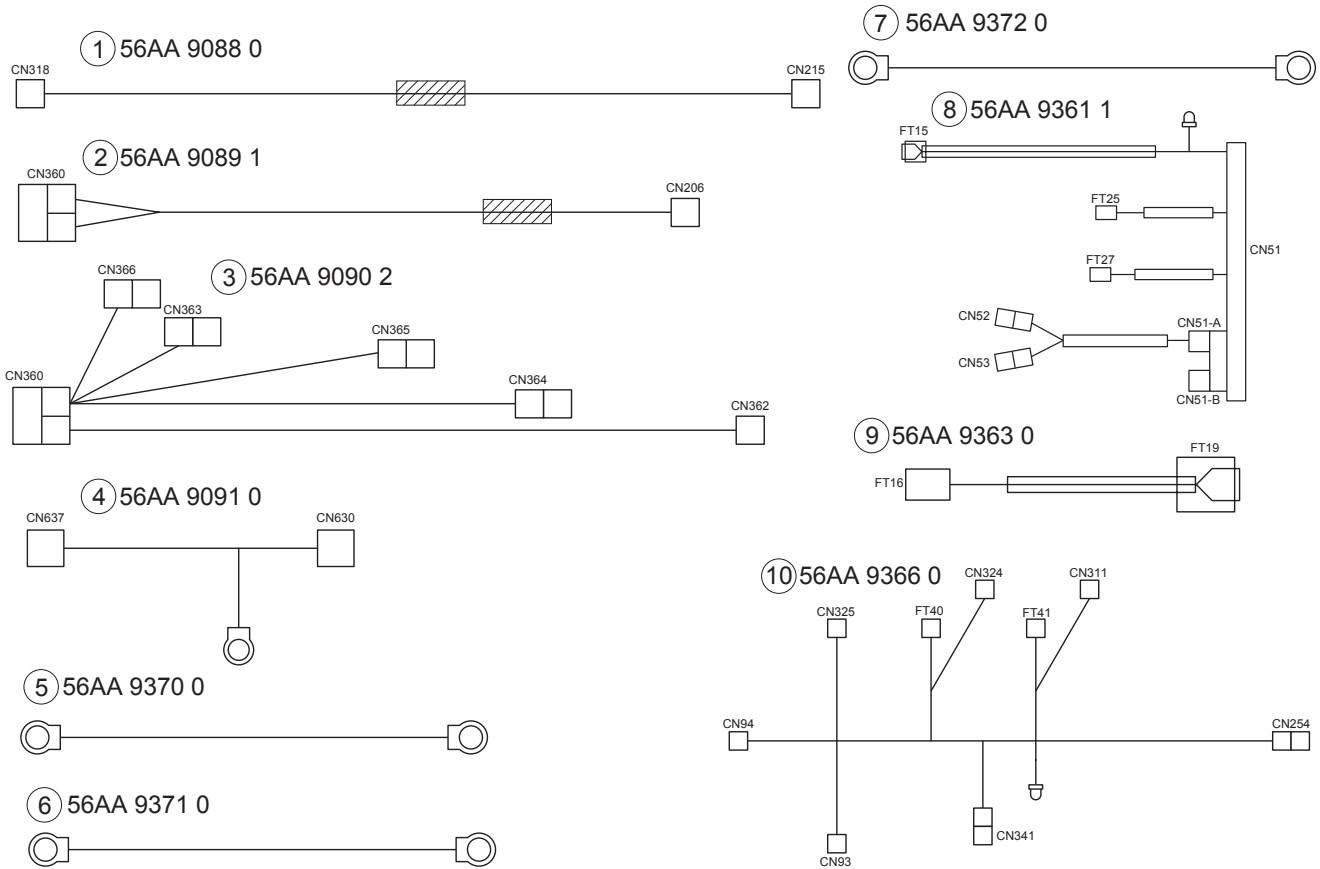
Wiring (5)



Wiring (5)

Key no.	Part number	Description
1	56AA 9064 2KC	By-Pass Feed Wiring/1
2	56AA 9074 0KC	High Voltage Lead Wire/5
3	56AA 9075 0KC	High Voltage Lead Wire/6
4	56AA 9076 0KC	High Voltage Lead Wire/7
5	56AA 9078 0KC	Paper Exit Wiring/1
6	56AA 9080 0KC	Motor Driving Wiring/X
7	56AA 9081 0KC	Paper Exit Wiring/3
8	56AA 9082 0KC	Operation Unit (Control Panel) Wiring/1
9	56AA 9085 1KC	Operation Unit (Control Panel) Relay Wiring
10	56AA 9084 2KC	Operation Unit (Control Panel) Wiring/3

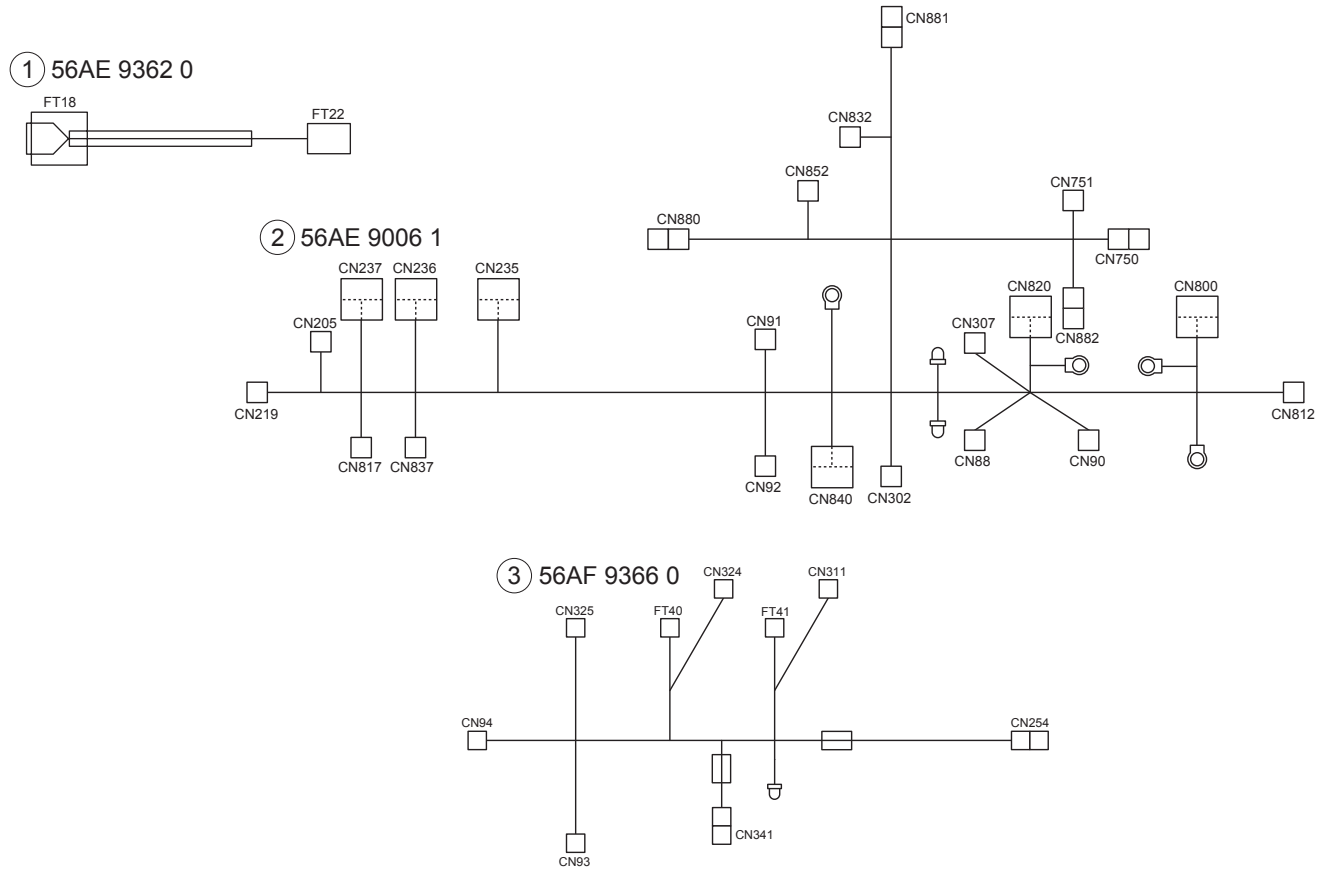
Wiring (6)



Wiring (6)

Key no.	Part number	Description
1	56AA 9088 0KC	Motor Driving Wiring/Y
2	56AA 9089 1KC	Drum Wiring
3	56AA 9090 2KC	Drum Wiring/1
4	56AA 9091 0KC	Lamp Relay Wiring
5	56AA 9370 0KC	High Voltage Lead Wire/A
6	56AA 9371 0KC	High Voltage Lead Wire/B
7	56AA 9372 0KC	High Voltage Lead Wire/C
8	56AA 9361 1KC	Fixing Powering Wiring/2
9	56AA 9363 0KC	Fixing Relay Wiring/2
10	56AA 9366 0KC	DC Interlocking Wiring/2

Wiring (7)



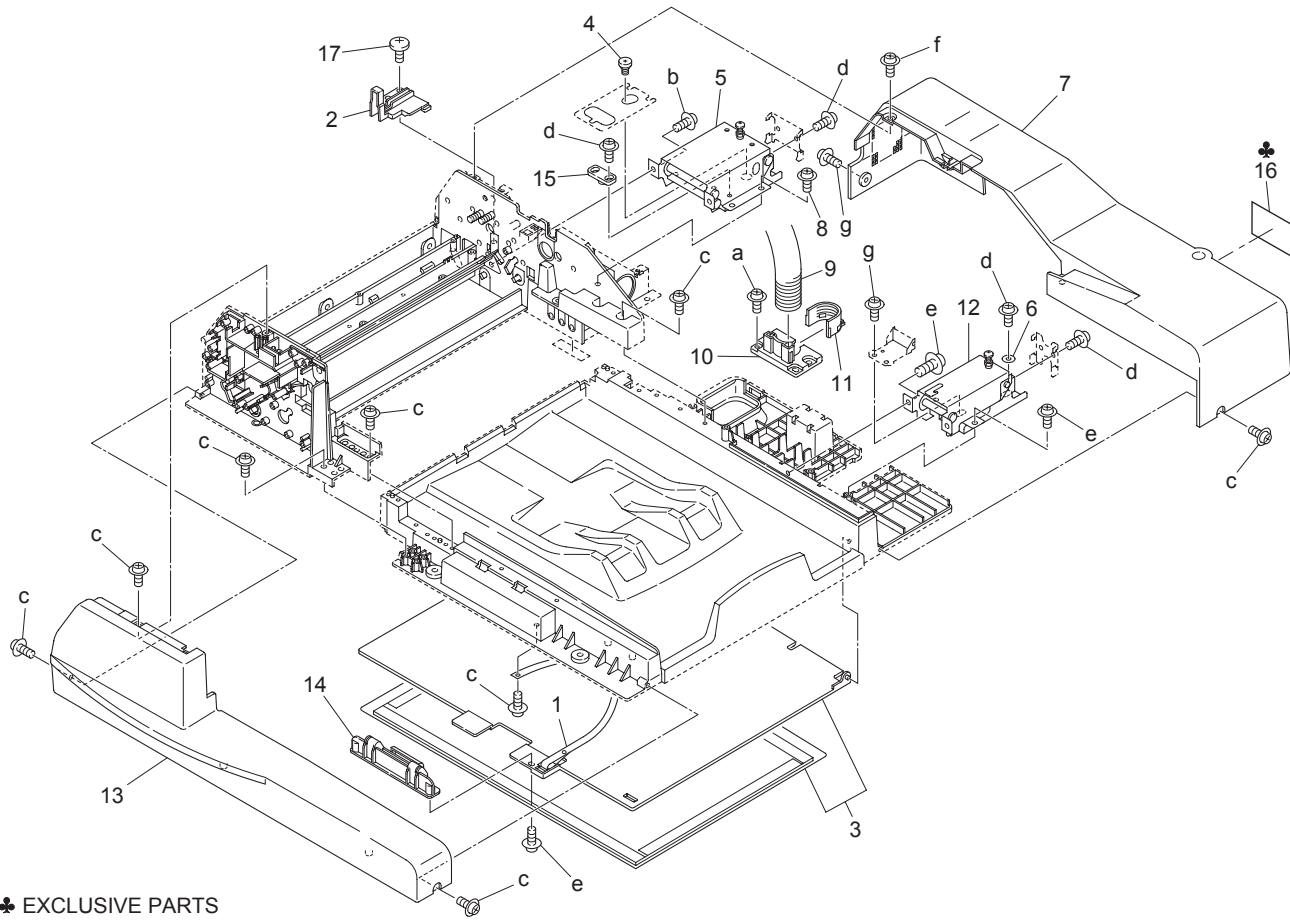
Wiring (7)

Key no.	Part number	Description
1	56AE 9362 0KC	Fixing Relay Wiring/1
2	56AE 9006 1KC	Paper Feed Control Wiring
3	56AF 9366 0KC	DC Interlocking Wiring/2

2 Automatic document feeder

Automatic document feeder (1)	136
Automatic document feeder (2)	138
Automatic document feeder (3)	140
Automatic document feeder (4)	142
Automatic document feeder (5)	144
Automatic document feeder (6)	146
Automatic document feeder (7)	148
Automatic document feeder (8)	150
Automatic document feeder (9)	152

Automatic document feeder (1)

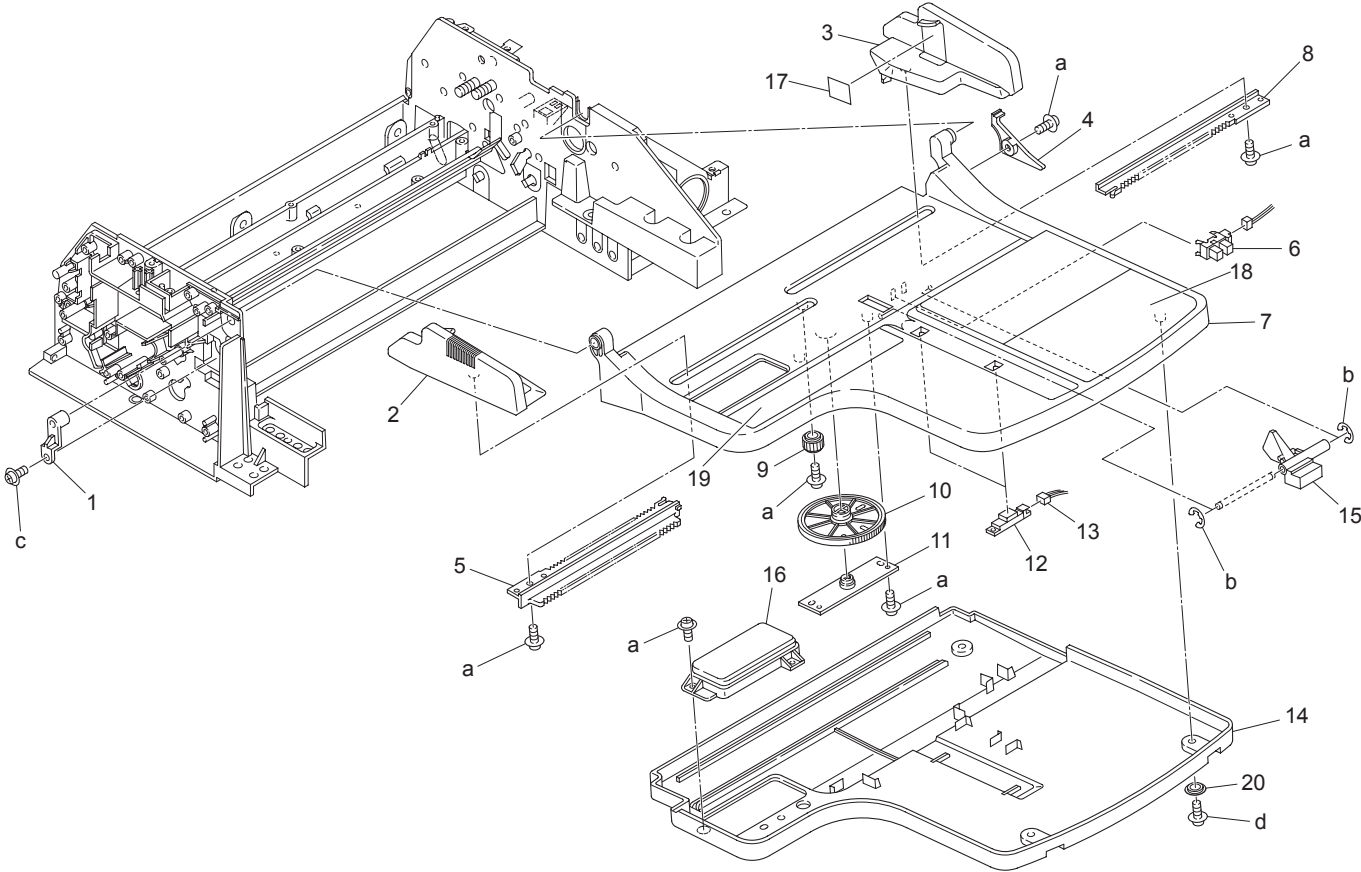


♣ EXCLUSIVE PARTS

Automatic document feeder (1)

Key no.	Part number	Description
1	13QA 1404 0KC	Original Holding Belt
2	13QA 1015 0KC	Wiring Holding Part
3	13QA -141 1KC	Platen Holding Plate Assembly (White Board)
4	13QA 1017 0KC	Hinge Holding Screw
5	13QA 1003 0KC	Hinge/L
6	13QA 1009 0KC	Hinge Holding Plate/B
7	13QA 1202 1KC	Rear Cover
8	13QA 1021 0KC	Screw/A
9	13QA 1012 1KC	Wiring Pipe/A
10	13QA 1010 1KC	Wiring Cover/A
11	13QA 1011 0KC	Wiring Cover/B
12	13QA 1004 2KC	Hinge/R
13	13QA 1201 1KC	Front Cover
14	13QA 1403 0KC	Original Holding Lock
15	13QA 1016 0KC	ADF Positioning Pin
16	56AE 9798 0KC	Caution Label /Rear
16	56AF 9798 0KC	Caution Label /Rear
17	13RN 7311 0KC	Mounting Screw/H
a	00Z144062KC	C.R.P.H.TR.Screw M4X6
b	00Z194061KC	C.R.P.H. Screw M4X6
c	00Z254102KC	Cross Recessed Tapping Screw
d	00Z164101KC	C.R.P.H.S.Sems2 M4X10
e	00Z254081KC	Cross Recessed Tapping Screw
f	00Z193082KC	C.R.P.H Screw M3*8
g	00Z144082KC	C.R.P.H.TR.Screw M4X8

Automatic document feeder (2)



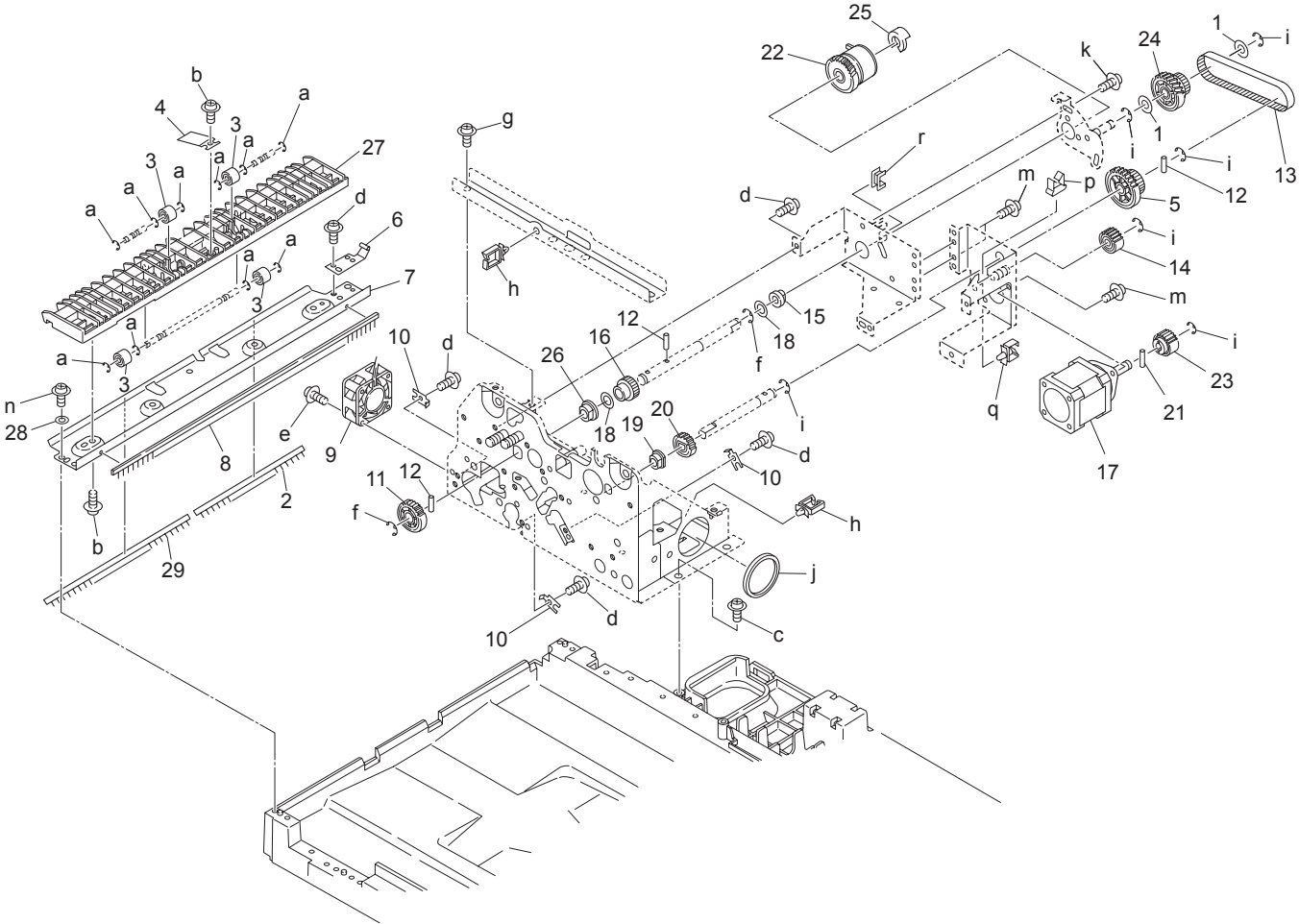
Automatic document feeder (2)

Key no.	Part number	Description
1	13QA 4208 0KC	Support Part
2	13QA 4203 0KC	Regulating Plate/Front
3	13QA 4204 0KC	Regulating Plate/Rear (see Note 1)
4	13QA 4205 1KC	Fulcrum Cover
5	55GA 4221 0KC	Rack
6	08AA 8551 0KC	Photo Sensor
7	13QA 4201 1KC	Paper Feed Tray (see Note 2)
8	3960 4061 1KC	Rack
9	13QA 7711 0KC	Pinion/1 (Z=16)
10	13QA 7703 0KC	Detecting Pinion/1 (Z=124)
11	13QA -901 1KC	Size Detecting Board Assembly
12	13QA 8552 0KC	Sensor/2
13	13QA 9004 0KC	ADF Wiring/4
14	13QA 4202 1KC	Paper Feed Tray Bottom Plate
15	13QA 4206 0KC	Actuator
16	13QA 4209 0KC	Original Cover /A
17	13QA 9703 0KC	Original Regulating Label (see Note 1)
18	13ZQ 9704 1KC	Original Set Label /A (see Note 2)
19	13ZQ 9705 0KC	Original Set Label /B (see Note 2)
20	13QA 4210 0KC	Paper Feed Tray Fixing Collar
a	00Z253081KC	Cross Recessed Tapping Screw
b	00Z670206KC	E-Ring
c	00Z253101KC	Cross Recessed Tapping Screw
d	00Z253121KC	CRPH TA Screw

Note 1: U6181-60009 includes both 13QA42040KC (key no. 3) and 13QA97030KC (key no. 17).

Note 2: U6181-60010 includes 13QA42011KC (key no. 7), 13ZQ97041KC (key no. 18), and 13ZQ97050KC (key no. 19).

Automatic document feeder (3)

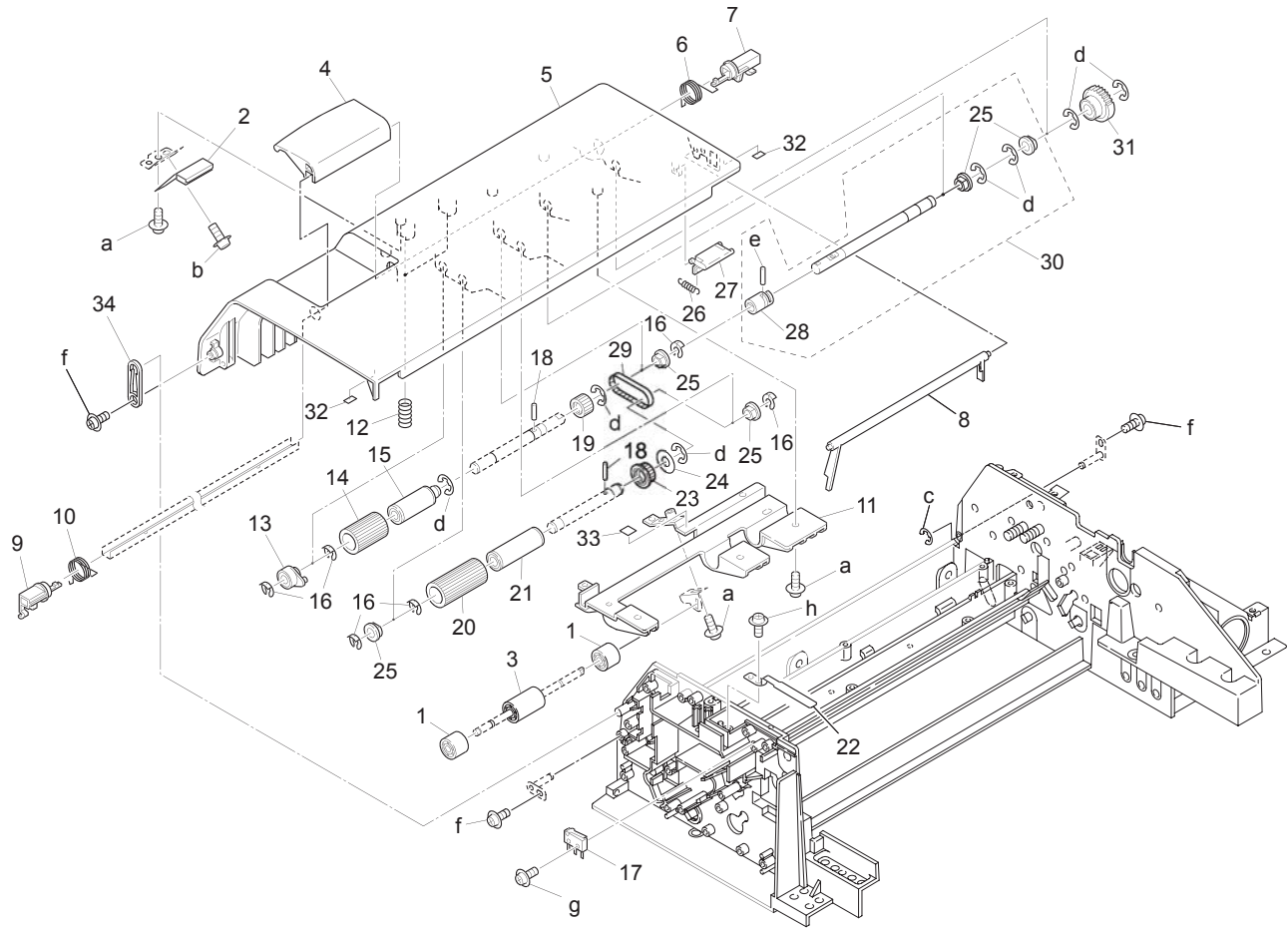


Automatic document feeder (3)

Key no.	Part number	Description
1	13QA 1773 0KC	Collar 6
2	13QA 4625 0KC	Neutralizing Brush/A
3	13QA 4612 0KC	Paper Exit Driven Roller
4	13QA 4614 0KC	Paper Exit Driven Spring
5	13QA 7659 0KC	Conveyance Pulley/5 (Z=34/34)
6	13QA 4618 0KC	Earth Plate
7	13QA 4615 1KC	Paper Exit Guide Stay
8	12QV 4625 0KC	Neutralizing Brush
9	26NA 8051 0KC	Main Fan Motor
10	13QA 1022 0KC	Earth Spring/3
11	13QA 7708 0KC	Drive Gear/5 (Z=24)
12	56AA 1732 0KC	Pin (A) (D2*7)
13	13QA 7754 0KC	Belt/4 (L=232)
14	13QA 7717 0KC	Idling Gear /1 (Z=16)
15	26NA 4082 0KC	Paper Feed Slide Shaft Holder (Bushing/ Bearing)
16	13QA 7705 0KC	Drive Gear/2 (Z=21)
17	13QA -801 0KC	Drive Motor Assembly
18	13QA 4061 0KC	Gear Spacer
19	13QA 7602 1KC	Shaft Holder/2 (Bushing/Bearing)
20	13QA 7707 0KC	Drive Gear/4 (Z=18)
21	56AA 1753 0KC	Pin (A) (D2*10)
22	56AA 8201 1KC	Paper Feed Driving Clutch
23	13QA 7718 0KC	Motor Gear /1 (Z=16)
24	13QA 7656 0KC	Paper Feed Pulley/1 (Z=30/34)
25	55VA 4212 0KC	Shaft Stopper

Key no.	Part number	Description
26	5400 7605 0KC	Driving Shaft Holder (Bushing/Bearing)
27	13QA 4602 0KC	Paper Exit Guide Plate/Upper
28	13QA 4628 0KC	Spacer/A
29	13QA 4626 0KC	Neutralizing Brush/B
a	00Z670206KC	E-Ring
b	00Z253083KC	C.R.P.H.TA. Screw
c	00Z254081KC	Cross Recessed Tapping Screw
d	00Z193061KC	C.R.P.H. Screw M3X6
e	00Z193301KC	C.R.P.H. Screw (M3X30)
f	00Z670606KC	E-Ring
g	00Z194061KC	C.R.P.H. Screw M4X6
h	00Z921302KC	Wire Saddle
i	00Z670406KC	E-Ring
j	00Z924673KC	Snap Bushing (SB-1500-21)
k	00Z163061KC	C.R.P.H.S.Sems2 M3X6
m	00Z193041KC	C.R.P.H. Screw M3X4
n	00Z253101KC	Cross Recessed Tapping Screw
p	00Z926251KC	Edge Saddle (EDS-1)
q	00Z921302KC	Wire Saddle
r	00Z920013KC	Super Saddle MSS-2

Automatic document feeder (4)



Automatic document feeder (4)

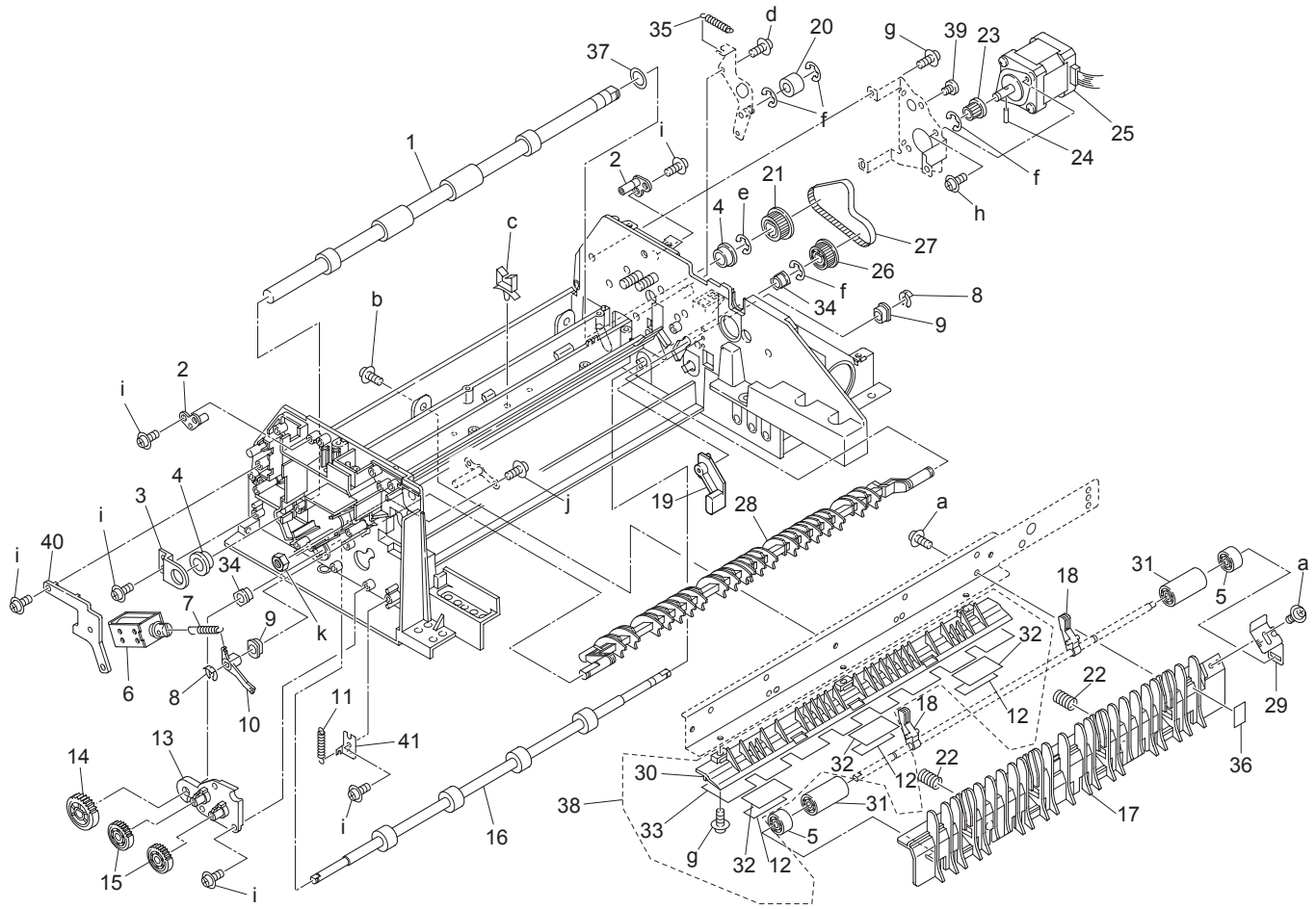
Key no.	Part number	Description
1	13QA 4137 0KC	Registration Driven Roller/2
2	13QA -417 0KC	Cleaning Material Assembly
3	13GL 4041 0KC	Registration Driven Roller/B
4	13QA 4108 0KC	Cover Handle
5	13QA 4101 1KC	Open/Shut Cover
6	13QA 4133 0KC	Open/Shut Spring/Rear
7	13QA 4110 0KC	Locking Part/Rear
8	13QA 4105 0KC	Paper Feed Detecting Actuator
9	13QA 4109 0KC	Locking Part/Front
10	13QA 4112 0KC	Open/Shut Spring/Front
11	13QA 4136 0KC	Paper Feed Cover
12	13QA 4120 0KC	Registration Pressing Spring
13	13GL 7602 1KC	Shaft Holder/B (Bushing/Bearing)
14	13QA 4104 0KC	Paper Feed Rubber/1 (see Note 2)
15	13QA 4122 0KC	Paper Feed Roller/1 (see Note 2)
16	12QV 4066 0KC	Shaft Positioning Part
17	12QR 8601 0KC	Inter Lock Switch
18	13QA 1730 0KC	Pin
19	12QV 7659 0KC	Feeding Pulley/A
20	13QA 4127 0KC	Paper Feed Rubber/2 (see Note 1)
21	13QA 4128 0KC	Paper Feed Roller/2 (see Note 1)
22	13QA 4139 0KC	Switch Pressing Spring
23	12QV 7660 0KC	Feeding Pulley/B
24	12QV 4074 0KC	Belt Regulating Part
25	13GQ 7602 0KC	Shaft Holder/A (Bushing/Bearing)
26	13QA 4132 0KC	Collecting Spring

Key no.	Part number	Description
27	13QA 4131 0KC	Collecting Arm
28	13GL 4032 0KC	Paper Feed Coupling/A
29	13GL 7754 0KC	Feeding Belt (L=92)
30	13QA -416 1KC	Paper Feed Drive Shaft Assembly
31	13QA 7702 0KC	Paper Feed Driving Gear (Z=24)
32	13QA 4144 0KC	Stopper Part
33	13QA 4143 0KC	Sensor Support Sheet/2
34	13QA 4116 0KC	Open-Close Stopper
a	00Z253081KC	Cross Recessed Tapping Screw
b	00Z194061KC	C.R.P.H. Screw M4X6
c	00Z670306KC	E-Ring
d	00Z670406KC	E-Ring
e	00Z712106KC	Spring Pin
f	00Z253101KC	Cross Recessed Tapping Screw
g	00Z252141KC	C.R.P.H.TA Screw (M2*14)
h	00Z253083KC	C.R.P.H.TA. Screw

Note 1: U6181-60007 pick roller kit includes 13QA41270KC (key no. 20) and 13QA41280KC (key no. 21).

Note 2: U6181-60008 feed roller kit includes 13QA41040KC (key no. 14) and 13QA41220KC (key no. 15).

Automatic document feeder (5)

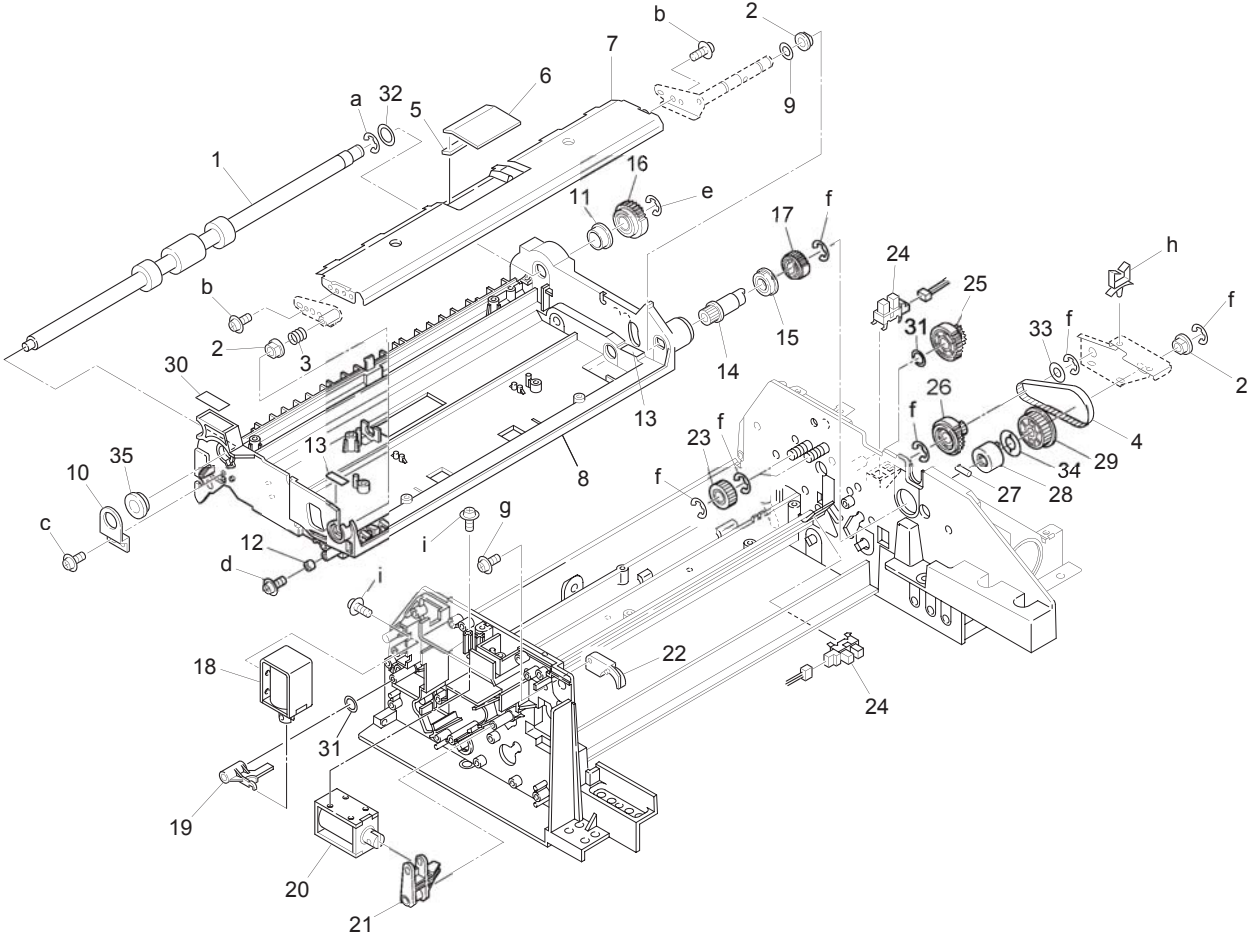


Automatic document feeder (5)

Key no.	Part number	Description
1	13QA 4502 2KC	Read Conveying Roller/1
2	13QA 4134 1KC	Fulcrum Shaft/2
3	13QA 4016 0KC	Shaft Holding Plate/B
4	26NA 3065 0KC	Developing Shaft Holder (Bushing/Bearing)/Rear
5	13QA 4123 0KC	Registration Driven Roller/3
6	13QA -407 0KC	Solenoid/A Assembly
7	13QA 4621 0KC	Paper Exit Adjusting Spring
8	3960 4068 1KC	Snap Ring
9	13GQ 7602 0KC	Shaft Holder/A (Bushing/Bearing)
10	13QA 4611 0KC	Connecting Arm
11	13QA 4617 0KC	Paper Exit Pulling Spring
12	13QA 4534 0KC	Light Shield Sheet/2
13	13QA 4518 0KC	Pulley Shaft
14	13QA 7710 0KC	Paper Exit Gear/1 (Z=26)
15	13QA 7715 0KC	Paper Exit Driven Gear (Z=21)
16	13QA 4503 0KC	Read Conveying Roller/2
17	13QA 4102 0KC	Conveyance Guide Part/1
18	13QA 4117 0KC	Release Arm
19	13QA 4627 0KC	Release Part/A
20	13QA 4528 0KC	Tension Pulley /2
21	13QA 7660 0KC	Read Pulley/1 (Z=30)
22	13QA 4125 0KC	Registration Driven Spring
23	13QA 7655 0KC	Motor Pulley (Z=16)
24	56AA 1753 0KC	Pin (A) (D2*10)
25	13QA -801 0KC	Drive Motor Assembly
26	13QA 7661 1KC	Read Pulley/2 (Z=30)

Key no.	Part number	Description
27	13QA 7756 0KC	Read Driving Belt (L=182)
28	13QA 4610 0KC	Paper Exit Guide Part
29	13QA 4126 0KC	Adjusting Part/1
30	13QA 4103 1KC	Platen Guide Part/Left
31	13QA 4141 0KC	Registration Driven Roller /4
32	13QA 4529 1KC	Light Shield Sheet
33	13QA 4527 1KC	Read Auxiliary Sheet
34	13QA 7605 0KC	Reading Bush
35	13QA 4532 0KC	Reading Tension Spring/C
36	13QA 4142 0KC	Sensor Support Sheet
37	13QA 4530 1KC	Reading Spacer
38	13QA -618 1KC	Platen Guide Part Assembly
39	13QA 4533 0KC	Adjusting Screw/A
40	13QA 4622 0KC	Holder Stuff
41	13QA 4623 0KC	Spring Support Plate/A
a	00Z253101KC	Cross Recessed Tapping Screw
b	00Z144062KC	C.R.P.H.TR.Screw M4X6
c	00Z921943KC	Mini Clamp (MSC-1613)
d	00Z163061KC	C.R.P.H.S.Sems2 M3X6
e	00Z670806KC	E-Ring
f	00Z670406KC	E-Ring
g	00Z193061KC	C.R.P.H. Screw M3X6
h	00Z193041KC	C.R.P.H. Screw M3X4
i	00Z253101KC	Cross Recessed Tapping Screw
j	00Z193081KC	C.R.P.H. Screw M3X8
k	00Z510301KC	Hexagon Nut. (A)

Automatic document feeder (6)

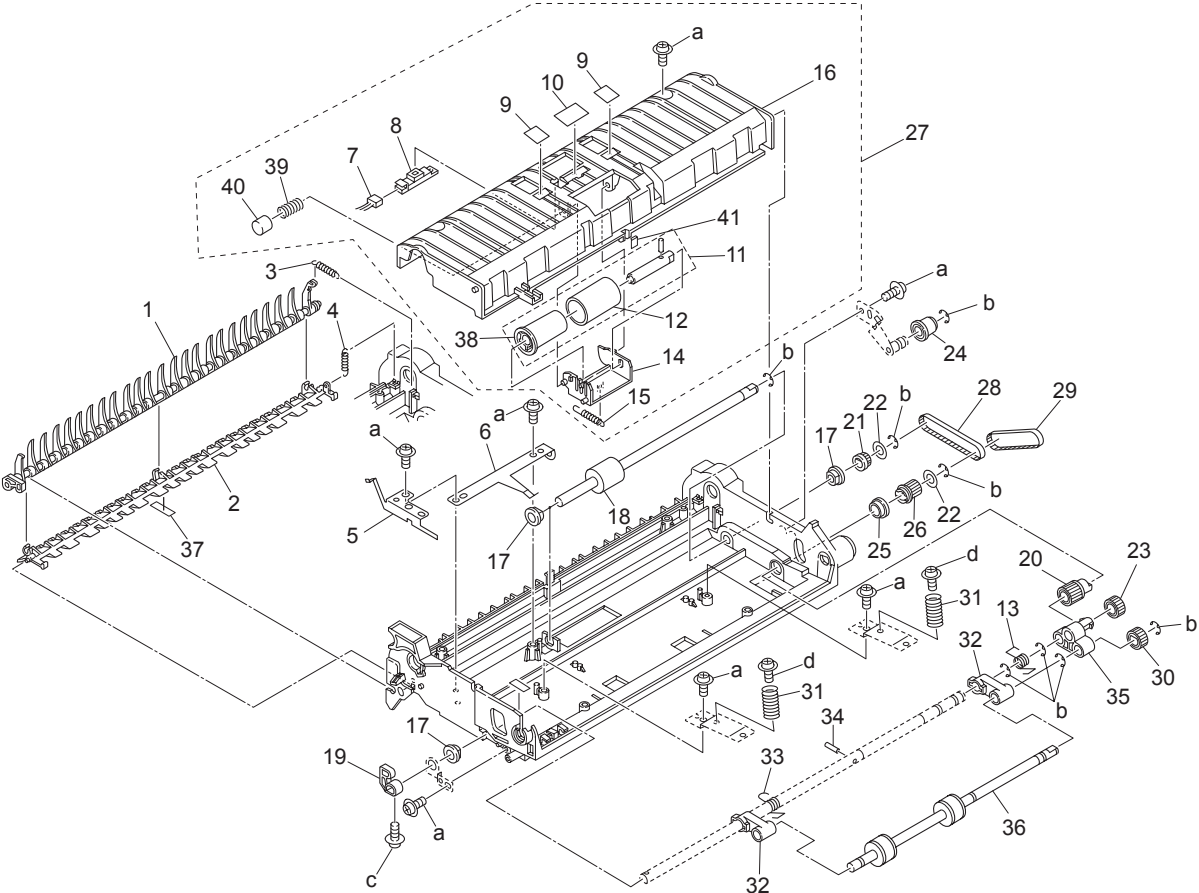


Automatic document feeder (6)

Key no.	Part number	Description
1	13QA 4004 2KC	Registration Driving Roller
2	13QA 7602 1KC	Shaft Holder/2 (Bushing/Bearing)
3	13QA 4026 0KC	Shaft Holder (Bushing/Bearing) Holding Spring
4	13QA 7755 0KC	Belt/5 (L=168)
5	13QA 1772 0KC	Sticking Part
6	13QA 1771 0KC	Original Pressure Sheet
7	13QA 4039 0KC	Original Pressing Plate
8	13QA 4002 2KC	Paper Feed Casing
9	13QA 1773 0KC	Collar 6
10	13QA 4016 0KC	Shaft Holding Plate/B
11	13QA 7601 1KC	Shaft Holder/1 (Bushing/Bearing)
12	13QA 4013 0KC	Stopper Collar
13	13QA 4008 0KC	Stopper Part/A
14	13QA 7654 0KC	Conveyance Pulley/4 (Z=18)
15	13QA 7603 0KC	Paper Feed Driving Shaft Holder (Bushing/Bearing)
16	13QA 7701 0KC	Registration Driving Gear (Z=24)
17	13QA 7704 0KC	Drive Gear/1 (Z=18)
18	13QA -407 0KC	Solenoid/A Assembly
19	13QA 4047 0KC	Drive Release Lever/3
20	13QA -406 0KC	Drive Release Solenoid Assembly
21	13QA 4022 0KC	Drive Release Lever/2
22	13QA 4043 0KC	Paper Feed Fulcrum Plate
23	13QA 7709 0KC	Drive Gear/6 (Z=16)
24	08AA 8551 0KC	Photo Sensor
25	13QA 7706 0KC	Drive Gear/3 (Z=31/15)

Key no.	Part number	Description
26	13QA 7657 1KC	Up/Down Pulley/1 (Z=17/31)
27	13QA 1730 0KC	Pin
28	13QA 4007 2KC	Torque Limiter
29	13QA 7658 1KC	Up/Down Pulley/2 (Z=40)
30	13QA 9706 0KC	Jam Processing Label /A
31	13QA 1033 0KC	Shaft Spacer
32	13QA 4530 1KC	Reading Spacer
33	13QA 4038 0KC	Belt Holder/2
34	13QA 4064 0KC	Collar/A
35	13QA 7604 0KC	Writing Bush/1
a	00Z670806KC	E-Ring
b	00Z193061KC	C.R.P.H. Screw M3X6
c	00Z253081KC	Cross Recessed Tapping Screw
d	00Z113081KC	C.R.P.H. Screw M3X8
e	00Z670606KC	E-Ring
f	00Z670406KC	E-Ring
g	00Z253083KC	C.R.P.H.TA. Screw
h	00Z921931KC	Mini Clamp (MSB-1607)
i	00Z163061KC	C.R.P.H.S.Sems2 M3X6

Automatic document feeder (7)

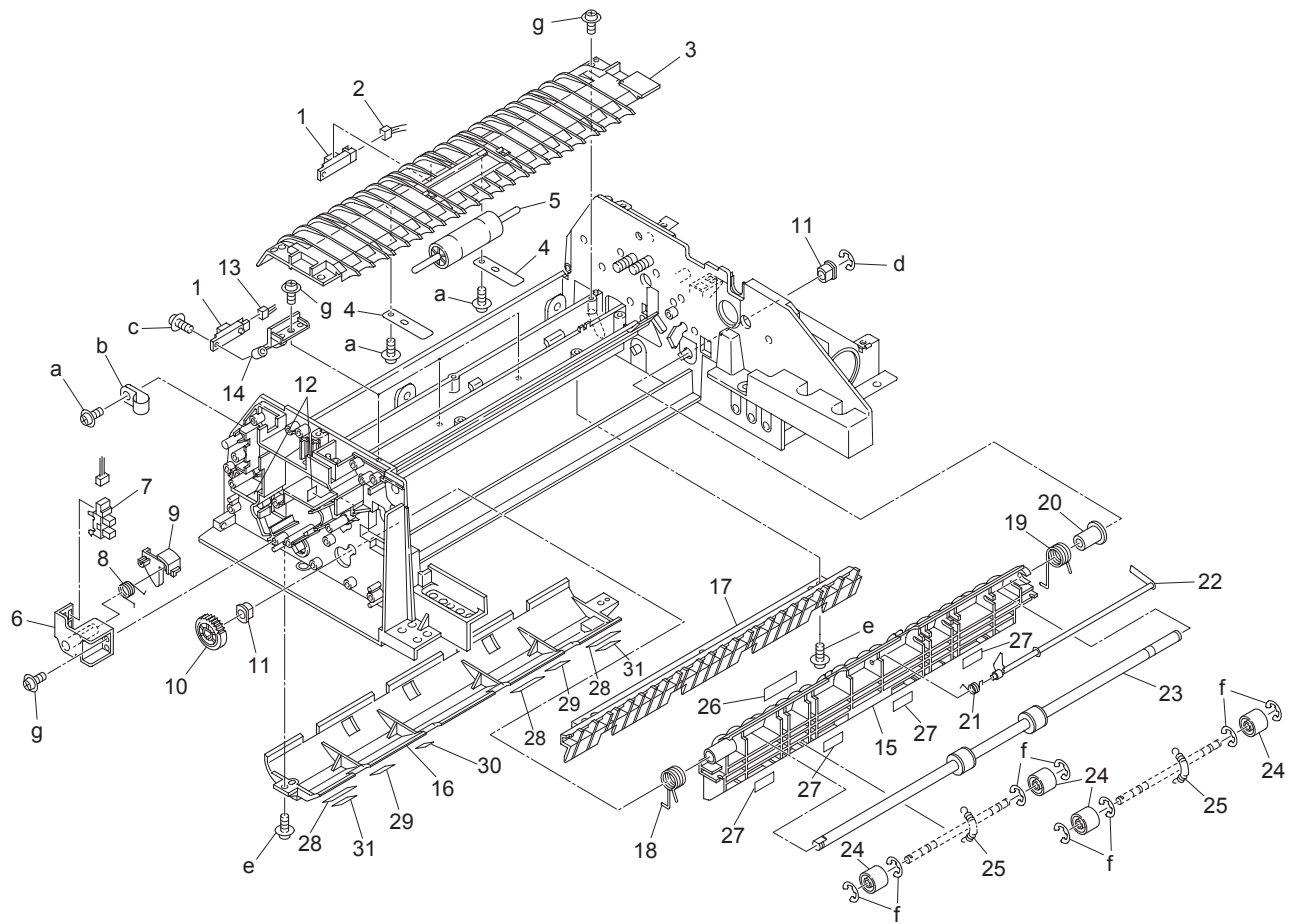


Automatic document feeder (7)

Key no.	Part number	Description
1	13QA 4050 2KC	Conveyance Guide Part/A
2	13QA 4051 0KC	Conveyance Guide Part/B
3	13QA 4048 0KC	Conveyance Guide Spring/A
4	13QA 4049 0KC	Conveyance Guide Spring/B
5	13QA 4055 0KC	Paper Feed Earth Plate/2
6	13QA 4054 1KC	Paper Feed Earth Plate/1
7	13QA 9003 0KC	ADF Wiring/3
8	13QA 8551 0KC	Sensor/1
9	13QA 4041 0KC	Registration Auxiliary Sheet/A
10	13QA 4042 0KC	Registration Auxiliary Sheet/B
11	13QA -408 1KC	Double Feed Preventive Roller Assembly
12	13QA 4045 1KC	Multi-Feed Preventing Rubber
13	13QA 4044 0KC	Conveyance Rocking Spring/Rear
14	13QA 4014 2KC	Multi-Feed Preventing Plate
15	13QA 4015 2KC	Multi-Feed Preventing Spring
16	13QA 4003 3KC	Paper Feed Guide Plate
17	13QA 7602 1KC	Shaft Holder/2 (Bushing/Bearing)
18	13QA 4005 0KC	Reversing Roller
19	13QA 4021 1KC	Drive Release Lever/1
20	13QA 7712 0KC	Drive Gear/7 (Z=14)
21	13QA 7651 0KC	Conveying Pulley/1 (Z=18)
22	13QA 4038 0KC	Belt Holder/2
23	13QA 7713 0KC	Drive Gear/8 (Z=14)
24	13QA 4037 0KC	Tension Pulley/1
25	13GL 1524 0KC	Reversal Shaft Holder (Bushing/Bearing)
26	13QA 7653 0KC	Conveyance Pulley/3 (Z=18)

Key no.	Part number	Description
27	13QA -401 1KC	Paper Feed Plate Assembly
28	13QA 7752 0KC	Belt/2 (L=150)
29	13QA 7751 0KC	Belt/1 (L=144)
30	13QA 7714 0KC	Drive Gear/9 (Z=14)
31	13QA 4024 0KC	Original Pressing Spring
32	13QA 4019 1KC	Drive Release Part
33	13QA 4033 0KC	Conveyance Rocking Spring/Front
34	56AA 1732 0KC	Pin (A) (D2*7)
35	13QA 4020 0KC	Gear Support Part
36	13QA 4006 0KC	Drive Release Roller
37	13QA 4057 0KC	Conveyance Auxiliary Sheet/1
38	13QA 4001 0KC	Multi-Feed Preventing Roller
39	13QA 4059 0KC	Multi-Feed Holding Spring/A
40	13QA 4060 0KC	Multi-Feed Holding Part/A
41	13QA 4062 1KC	Multi Feed Preventing Sheet
a	00Z253081KC	Cross Recessed Tapping Screw
b	00Z670406KC	E-Ring
c	00Z193061KC	C.R.P.H. Screw M3X6
d	00Z193041KC	C.R.P.H. Screw M3X4

Automatic document feeder (8)



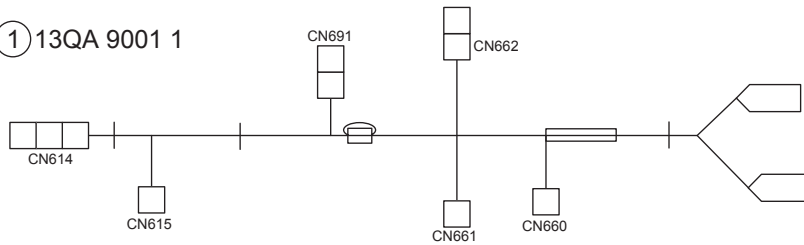
Automatic document feeder (8)

Key no.	Part number	Description
1	13QA 8551 0KC	Sensor/1
2	13QA 9003 0KC	ADF Wiring/3
3	13QA 4519 0KC	Guide Plate/A
4	13QA 4510 0KC	Pressing Spring/A
5	13QA 4509 1KC	Driven Roller/A
6	13QA 1008 0KC	Mounting Plate/A
7	08AA 8551 0KC	Photo Sensor
8	13QA 1007 0KC	Detecting Spring/A
9	13QA 1006 0KC	Detecting Actuator/A
10	13QA 7716 0KC	Paper Exit Gear/2 (Z=22)
11	13GL 7606 0KC	Shaft Holder/D (Bushing/Bearing)
12	13QA 1770 0KC	Sticking Part
13	13QA 9002 1KC	ADF Wiring/2
14	13QA 4511 0KC	Fixing Part
15	13QA 4601 1KC	Paper Exit Guide Plate/Lower
16	13QA 4501 0KC	Read Guide Plate
17	13QA 4520 0KC	Guide Plate/B
18	13QA 4604 0KC	Open/Shut Spring/F
19	13QA 4619 0KC	Open/Shut Spring/R
20	13QA 4620 0KC	Spring Collar
21	13QA 4609 0KC	Paper Exit Detecting Spring
22	13QA 4608 1KC	Paper Exit Actuator
23	13QA 4603 0KC	Paper Exit Driving Roller
24	13QA 4605 0KC	Read Driven Roller
25	13QA 4607 0KC	Read Driven Spring
26	13QA 9707 0KC	Jam Processing Label /B

Key no.	Part number	Description
27	13QA 4624 1KC	Read Auxiliary Sheet /F
28	13QA 4524 0KC	Conveyance Guide Sheet/A
29	13QA 4525 0KC	Conveyance Guide Sheet/B
30	13QA 4526 0KC	Conveyance Guide Sheet/C
31	13QA 4531 0KC	Conveyance Guide Sheet/D
a	00Z253081KC	Cross Recessed Tapping Screw
b	00Z921102KC	Nylon Clamp
c	00Z243101KC	CPPH Screw
d	00Z670406KC	E-Ring
e	00Z253101KC	Cross Recessed Tapping Screw
f	00Z670306KC	E-Ring
g	00Z253101KC	Cross Recessed Tapping Screw

Automatic document feeder (9)

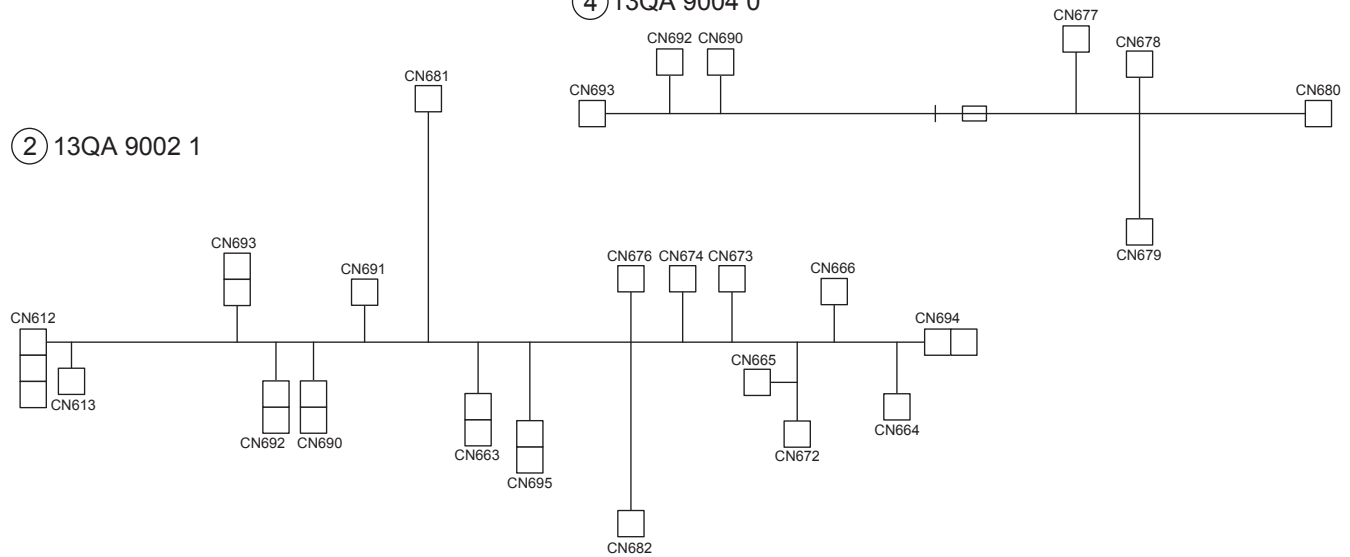
① 13QA 9001 1



③ 13QA 9003 0



④ 13QA 9004 0



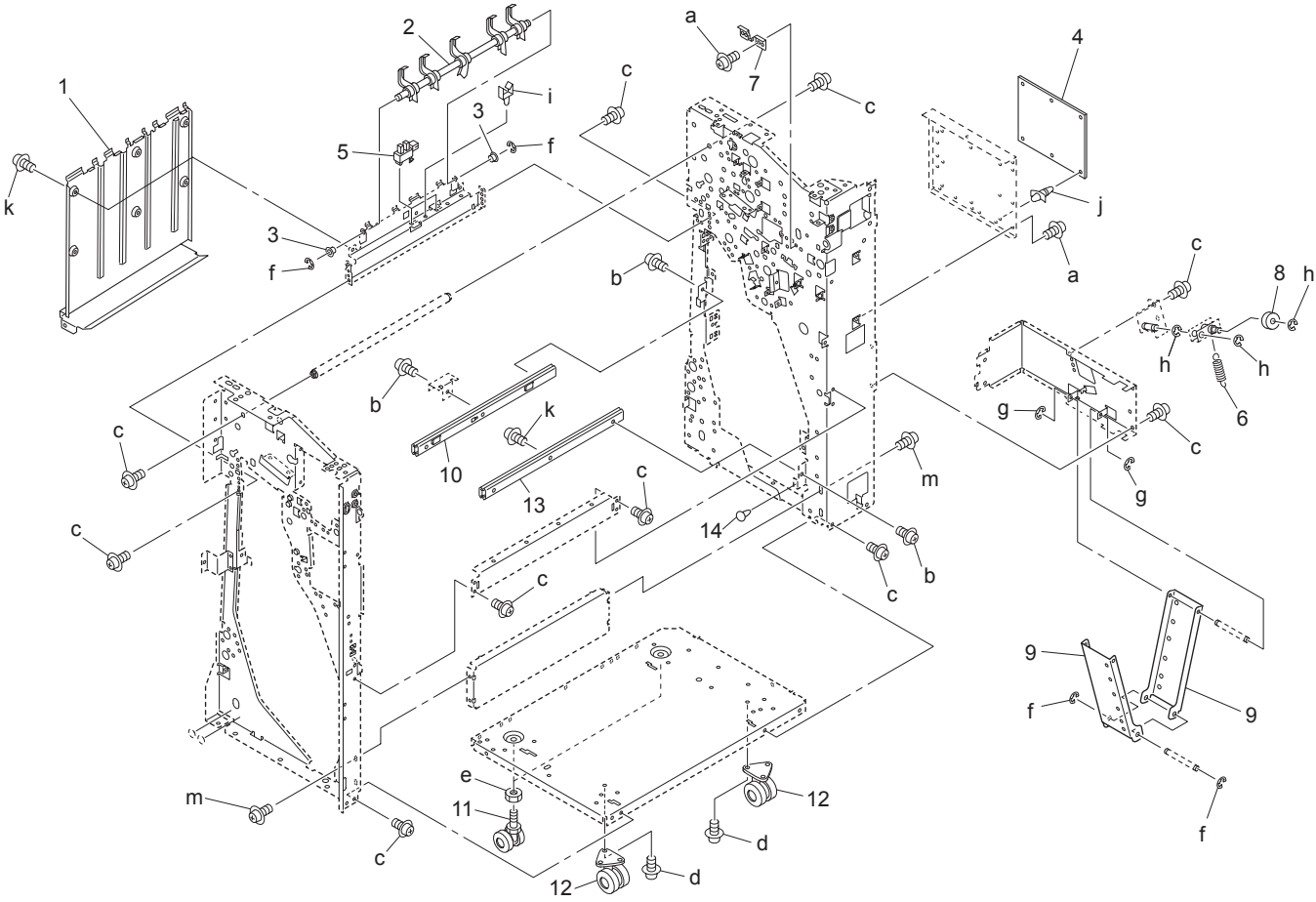
Automatic document feeder (9)

Key no.	Part number	Description
1	13QA 9001 1KC	ADF Wiring/1
2	13QA 9002 1KC	ADF Wiring/2
3	13QA 9003 0KC	ADF Wiring/3
4	13QA 9004 0KC	ADF Wiring/4

3 2500-sheet multifunction finisher

2500-sheet multifunction finisher (1)	156
2500-sheet multifunction finisher (2)	158
2500-sheet multifunction finisher (3)	160
2500-sheet multifunction finisher (4)	162
2500-sheet multifunction finisher (5)	164
2500-sheet multifunction finisher (6)	166
2500-sheet multifunction finisher (7)	168
2500-sheet multifunction finisher (8)	170
2500-sheet multifunction finisher (9)	172
2500-sheet multifunction finisher (10)	174
2500-sheet multifunction finisher (11)	176
2500-sheet multifunction finisher (12)	178
2500-sheet multifunction finisher (13)	180
2500-sheet multifunction finisher (14)	182
2500-sheet multifunction finisher (15)	184
2500-sheet multifunction finisher (16)	186
2500-sheet multifunction finisher (17)	188
2500-sheet multifunction finisher (18)	190
2500-sheet multifunction finisher (19)	192
2500-sheet multifunction finisher (20)	194
2500-sheet multifunction finisher (21)	196
2500-sheet multifunction finisher (22)	198
2500-sheet multifunction finisher (23)	200

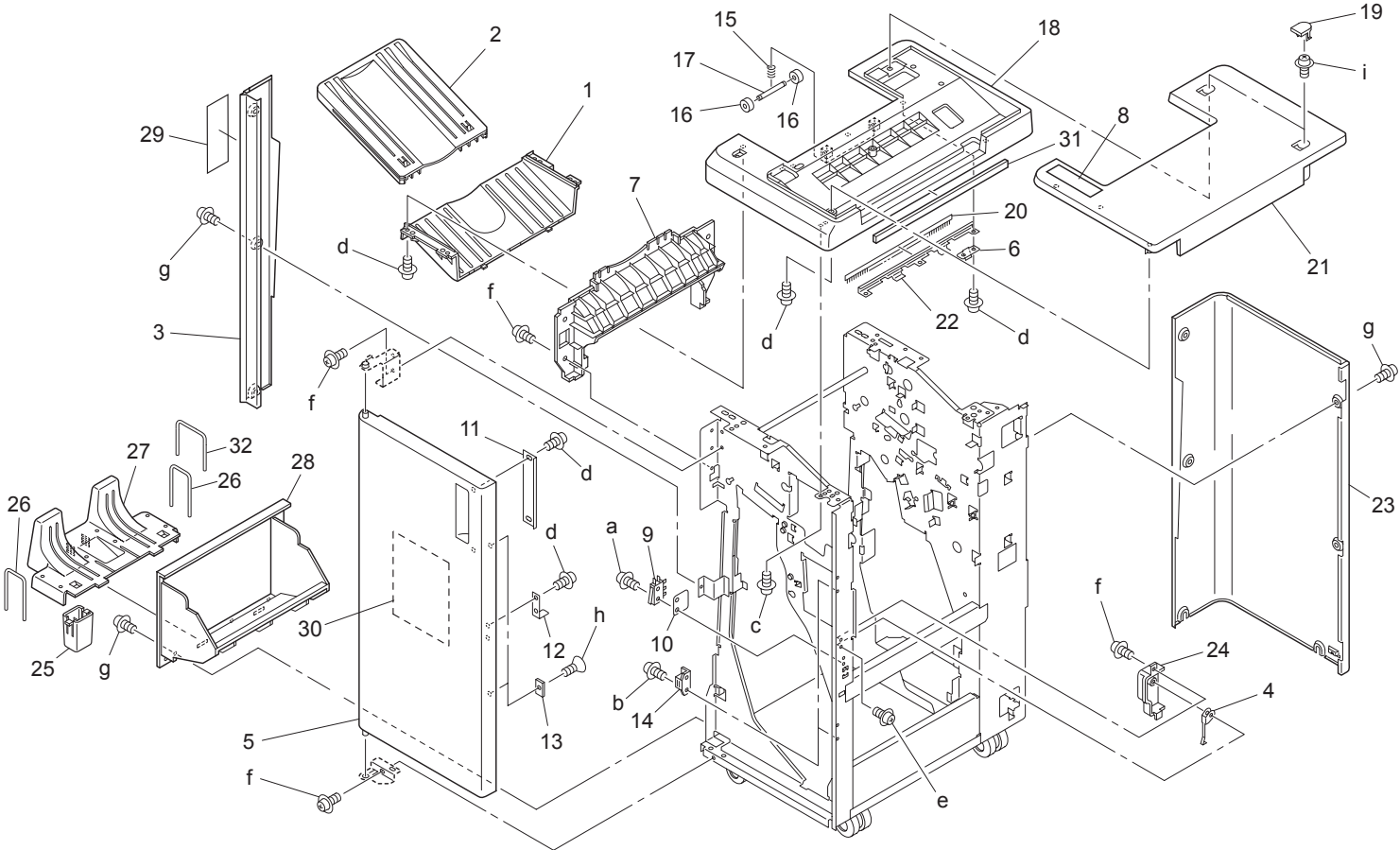
2500-sheet multifunction finisher (1)



2500-sheet multifunction finisher (1)

Key no.	Parts number	Description
1	13QJ 1010 0KC	Paper Exit Stopper Plate
2	13QE 4901 0KC	Paper Exit Up/Down Actuator
3	12AA 7556 0KC	Driven Shaft Holder (Bushing/Bearing)
4	13QJ -901 4KC	Control Board Unit
5	08AA 8551 0KC	Photo Sensor
6	129U 1030 0KC	Lock Spring
7	13QE 1017 1KC	Punch Guide Plate /A
8	0660 3114 1KC	Roller
9	129U 1015 0KC	Wiring Guide Arm
10	129U 1032 1KC	Slide Rail/Left
11	129U 1035 0KC	Carriage Roller/1
12	0498 1002 0KC	Carriage Roller/Rear
13	129U 1031 1KC	Slide Rail/Right
14	0486 4526 0KC	Stopper Rubber
a	00Z193061KC	C.R.P.H. Screw M3X6
b	00Z194053KC	C.R.P.H. Screw
c	00Z194061KC	C.R.P.H. Screw M4X6
d	00Z185081KC	Bind Screw (M5*8)
e	00Z511201KC	Hexagon Nut (A)
f	00Z670306KC	E-Ring
g	00Z670406KC	E-Ring
h	00Z670606KC	E-Ring
i	00Z921930KC	Mini Clamp
j	00Z925106KC	Locking Circuit Board Support
k	00Z194062KC	C.R.P.H Screw
m	00Z164081KC	C.R.P.H.S.Sems2 M4X8

2500-sheet multifunction finisher (2)

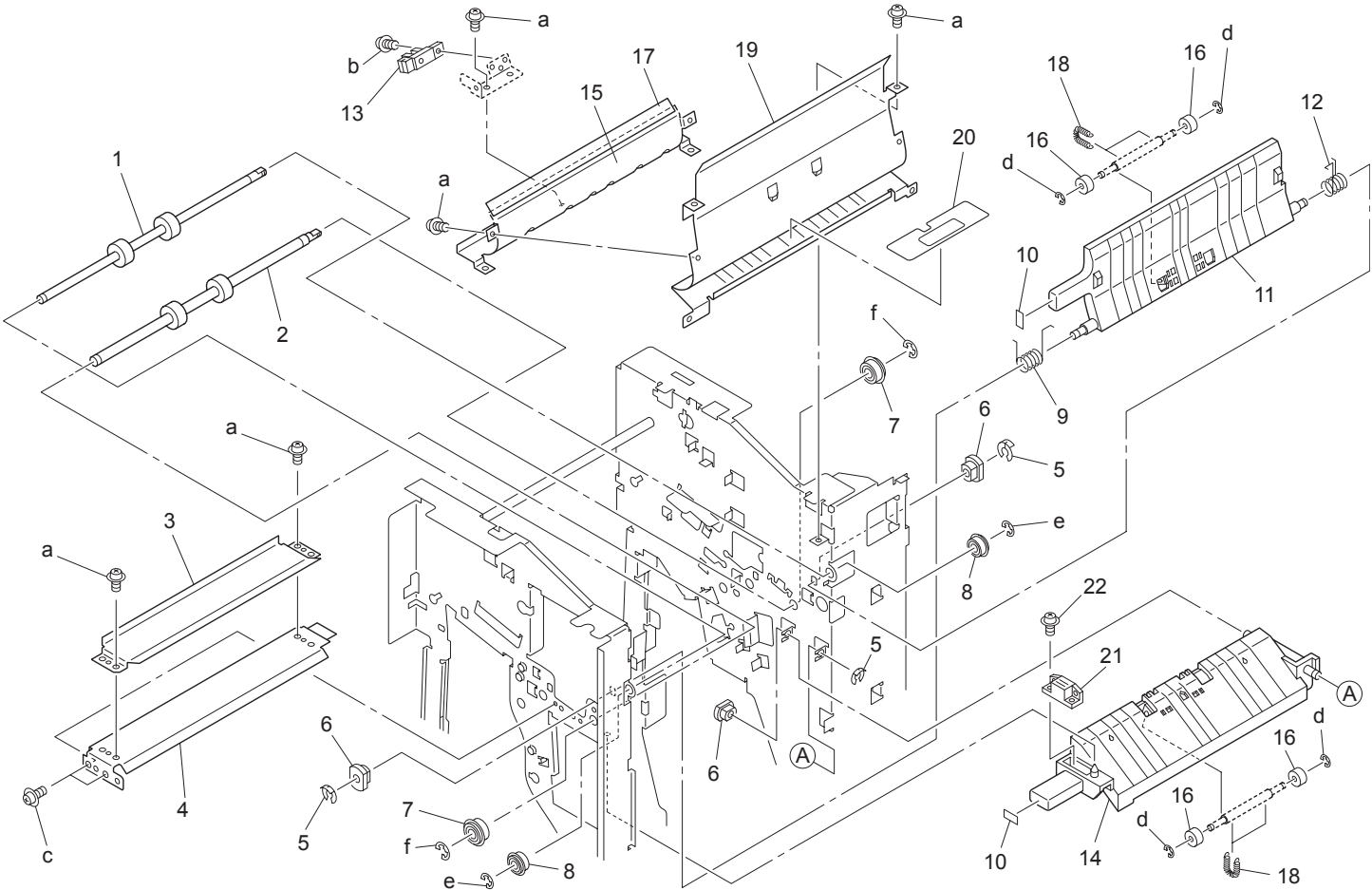


2500-sheet multifunction finisher (2)

Key no.	Parts number	Description
1	13QE 1210 0KC	Top Plate/2
2	13QE 1208 0KC	Paper Exit Tray/1
3	13QE 1203 0KC	Side Cover/Left
4	12AR 4561 1KC	Actuator
5	13QE 1204 0KC	Front Door
6	13QE 4806 0KC	Earth Plate/1
7	13QE 1202 0KC	Side Cover/Upper
8	129U 9707 0KC	Caution Label/C
9	12QR 8601 0KC	Inter Lock Switch
10	12QR 1226 0KC	Switch Insulating Sheet
11	13QE 1206 0KC	Handle
12	12AR 1216 0KC	Actuator
13	3000 1119 1KC	Magnet Catch
14	07BA 1235 1KC	Magnet Catch
15	129U 4611 0KC	Spring/Lower
16	25SA 4333 0KC	Paper Exit Driven Roller/B
17	12QR 4578 0KC	Shaft/Lower
18	13QE 1201 0KC	Top Plate/1
19	13QE 1211 0KC	Screw Cover
20	12QR 4721 0KC	Neutralizing Brush
21	13QE 1209 0KC	Top Plate/3
22	13QE 4810 0KC	Neutralizing Plate
23	13QE 1207 1KC	Rear Cover
24	12QR 1219 0KC	Cover
25	13QJ 4457 0KC	Stopper Block
26	13QJ 4472 0KC	Guide Shaft

Key no.	Parts number	Description
27	13QJ 4456 2KC	Paper Exit Tray/Lower
28	13QJ 1215 2KC	Side Cover/Lower
29	13QE 9705 0KC	Caution Label/A
30	13ZR 9702 0KC	Jam Processing Label
31	13QE 1020 0KC	Preventing Parts/1
32	13QJ 4477 0KC	Stopper Shaft/1
a	00Z182101KC	Bind Screw M2X10
b	00Z183061KC	Bind Screw M3X6
c	00Z354101KC	P Tight P.H. Screw
d	00Z353081KC	PT Screw (M3*8)
e	00Z193161KC	C.R.P.H. Screw M3X16
f	00Z194061KC	C.R.P.H. Screw M4X6
g	00Z144062KC	C.R.P.H.TR.Screw M4X6
h	00Z264081KC	Cross Recessed Tapping Screw
i	00Z194101KC	Cross Recessed Pan Head Screw

2500-sheet multifunction finisher (3)

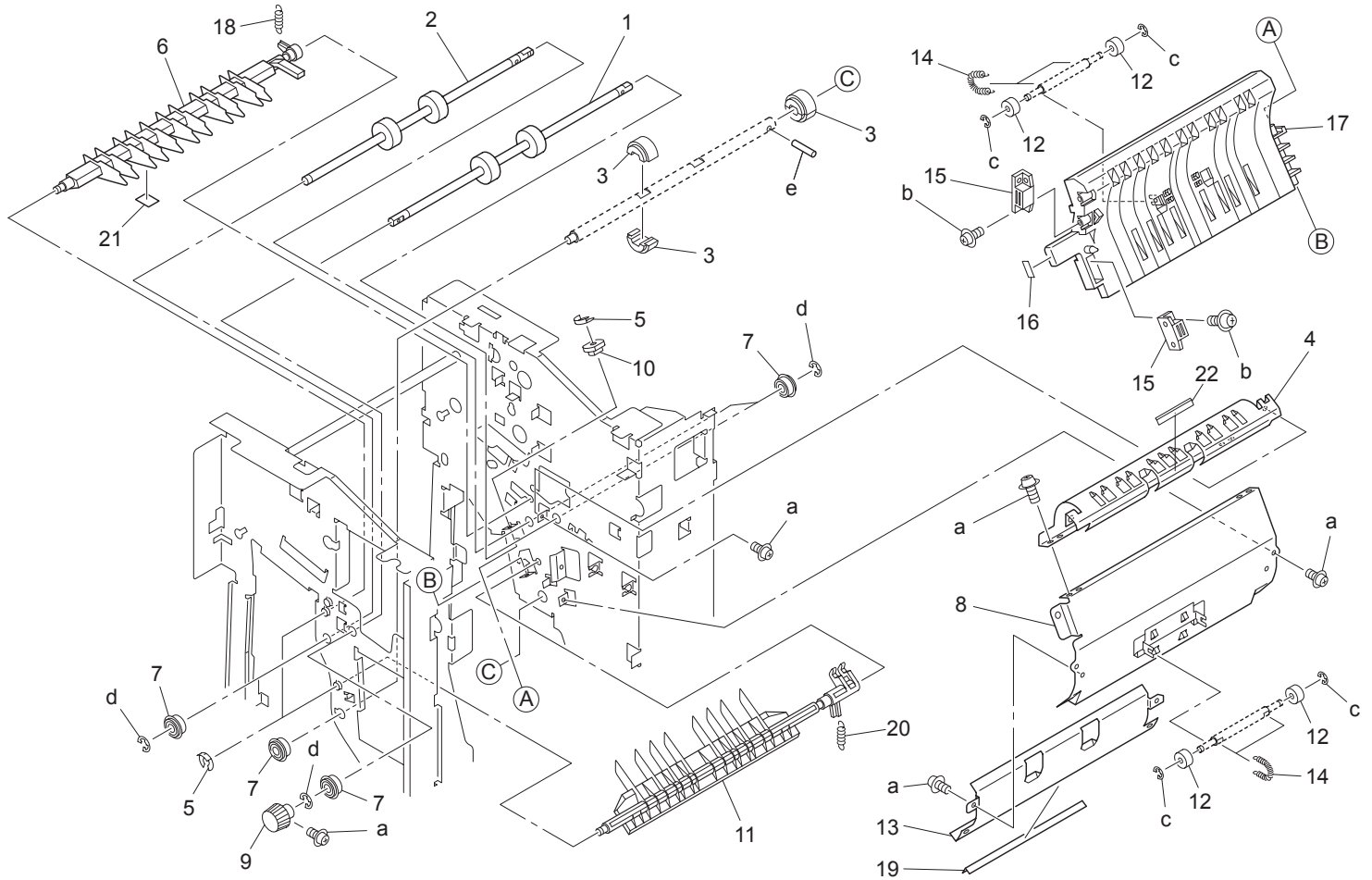


2500-sheet multifunction finisher (3)

Key no.	Parts number	Description
1	13QE 4511 1KC	Conveyance Roller/1
2	13QE 4537 0KC	Conveyance Roller/4
3	13QE 4541 0KC	Conveyance Guide Plate/B
4	13QE 4540 0KC	Conveyance Guide Plate/A
5	3960 4068 1KC	Snap Ring
6	13GQ 7602 0KC	Shaft Holder/A (Bushing/Bearing)
7	5400 7605 0KC	Driving Shaft Holder (Bushing/Bearing)
8	55GA 7503 1KC	Shaft Holder (Bushing/Bearing)
9	13QE 4526 0KC	Hinge Spring/1
10	3920 9716 0KC	Knob Label (A)
11	13QE 4503 0KC	Conveyance Guide Plate/3
12	13QE 4527 0KC	Hinge Spring/2
13	13QA 8552 0KC	Sensor/2
14	13QE 4501 1KC	Conveyance Guide Plate/1
15	13QE 4504 2KC	Conveyance Guide Plate/4
16	12AR 4518 0KC	Entrance Roller
17	13QE 4549 0KC	Conveyance Guide Sheet/1
18	13QE 4539 0KC	Pressing Spring/2
19	13QE 4502 1KC	Conveyance Guide Plate/2
20	13QE 4536 0KC	Conveyance Guide Sheet
21	07BA 1235 1KC	Magnet Catch
22	13QE 4520 0KC	Magnet Mounting Screw
a	00Z193061KC	C.R.P.H. Screw M3X6
b	00Z113061KC	C.R.P.H. Screw M3X6
c	00Z194061KC	C.R.P.H. Screw M4X6
d	00Z670206KC	E-Ring

Key no.	Parts number	Description
e	00Z670406KC	E-Ring
f	00Z670606KC	E-Ring

2500-sheet multifunction finisher (4)

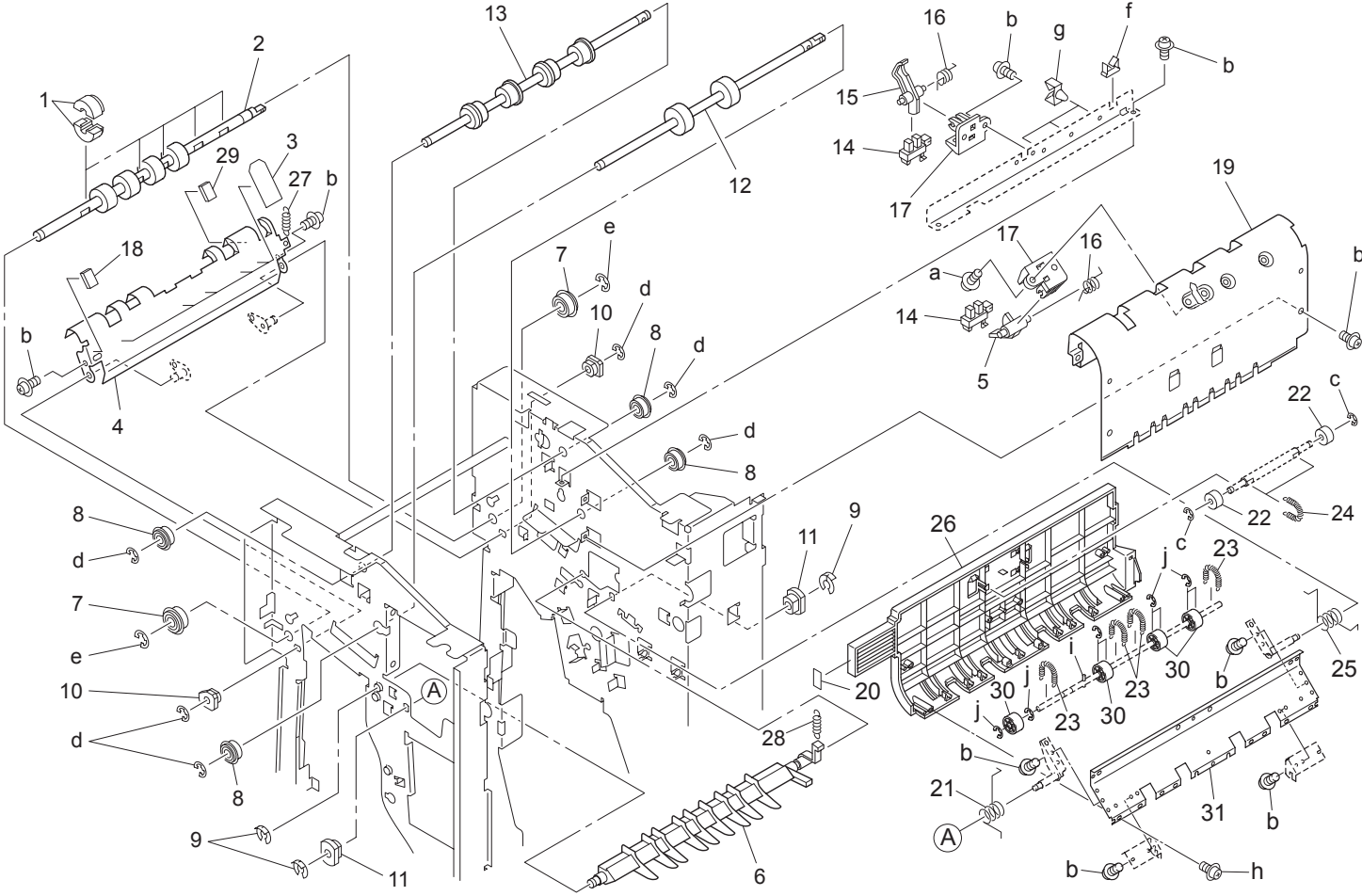


2500-sheet multifunction finisher (4)

Key no.	Parts number	Description
1	13QE 4513 1KC	Conveyance Roller/3
2	13QE 4512 0KC	Conveyance Roller/2
3	13QE 4531 0KC	Conveyance Roller/4
4	13QE 4507 1KC	Conveyance Guide Plate/7
5	3960 4068 1KC	Snap Ring
6	13QE 4517 0KC	Paper Guide Part/1
7	55GA 7503 1KC	Shaft Holder (Bushing/Bearing)
8	13QE 4530 1KC	Conveyance Guide Plate/A
9	13GQ 4547 0KC	Rotary Knob
10	13GQ 7602 0KC	Shaft Holder/A (Bushing/Bearing)
11	13QE 4519 2KC	Paper Guide Part/3
12	12AR 4518 0KC	Entrance Roller
13	13QE 4509 0KC	Conveyance Guide Plate/9
14	13QE 4560 0KC	Pressing Spring/4
15	07BA 1235 1KC	Magnet Catch
16	3920 9716 0KC	Knob Label (A)
17	13QE 4508 1KC	Conveyance Guide Plate/8
18	13QE 4865 0KC	Solenoid Spring
19	13QE 4546 0KC	Conveyance Sheet/1
20	13QE 4873 0KC	Solenoid Spring/2
21	13QE 4548 0KC	Conveyance Guide Sheet
22	13QE 4559 0KC	Sheet/A
a	00Z193061KC	C.R.P.H. Screw M3X6
b	00Z343081KC	P Tight P.H. Screw
c	00Z670206KC	E-Ring
d	00Z670406KC	E-Ring

Key no.	Parts number	Description
e	00Z713146KC	Spring Pin

2500-sheet multifunction finisher (5)

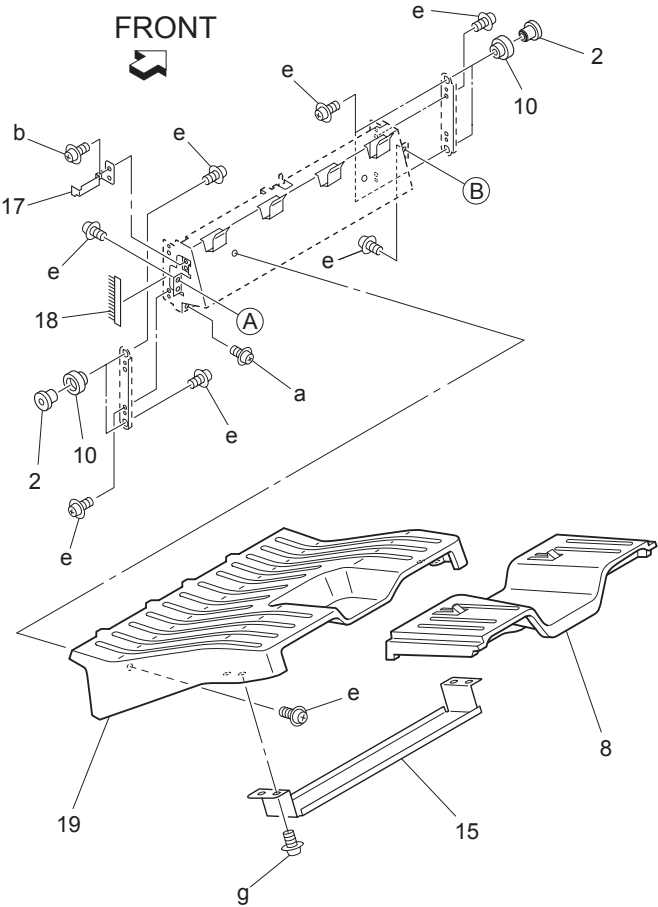
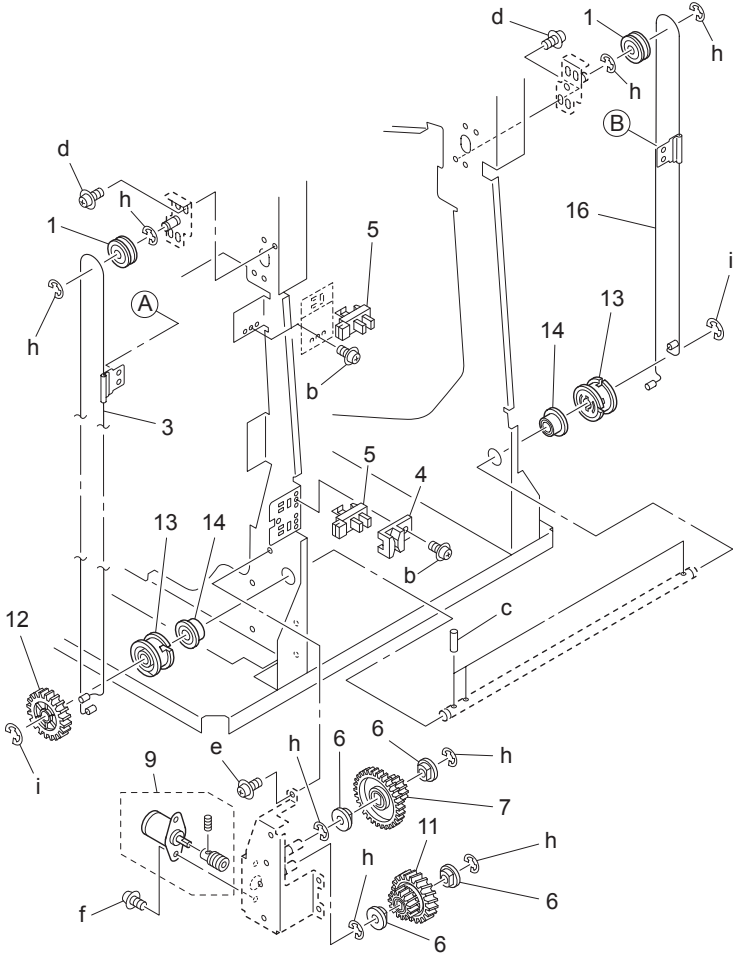


2500-sheet multifunction finisher (5)

Key no.	Parts number	Description
1	122H 4825 1KC	Paper Exit Roller/A
2	13QE 4515 0KC	Paper Exit Roller/1
3	13QE 4542 0KC	Paper Exit Auxiliary Sheet
4	13QE 4510 0KC	Paper Exit Guide Plate
5	13QE 4807 0KC	Actuator/1
6	13QE 4518 0KC	Paper Guide Part/2
7	5400 7605 0KC	Driving Shaft Holder (Bushing/Bearing)
8	55GA 7503 1KC	Shaft Holder (Bushing/Bearing)
9	3960 4068 1KC	Snap Ring
10	12ER 7553 0KC	Shaft Holder /A (Bushing/Bearing)
11	13GQ 7602 0KC	Shaft Holder/A (Bushing/Bearing)
12	13QE 4512 0KC	Conveyance Roller/2
13	13QE 4802 0KC	Paper Exit Roller
14	08AA 8551 0KC	Photo Sensor
15	13QE 4809 0KC	Actuator/2
16	13QE 4808 0KC	Spring/1
17	13QE 4830 0KC	Block
18	13QE 4543 0KC	Stopper Part
19	13QE 4506 0KC	Conveyance Guide Plate/6
20	3920 9716 0KC	Knob Label (A)
21	13QE 4528 0KC	Hinge Spring/3
22	12AR 4518 0KC	Entrance Roller
23	13QE 4524 0KC	Pressing Spring/1
24	13QE 4545 0KC	Pressing Spring/3
25	13QE 4529 0KC	Hinge Spring/4
26	13QE 4505 1KC	Conveyance Guide Plate/5

Key no.	Parts number	Description
27	13QE 4839 0KC	Paper Exit Spring
28	13QE 4865 0KC	Solenoid Spring
29	13QE 4547 0KC	Stopper Part
30	13QE 4276 0KC	Entrance Roller
31	13QE 4550 0KC	Conveyance Guide Stay/Front
a	00Z193043KC	C.R.P.H. Screw
b	00Z193061KC	C.R.P.H. Screw M3X6
c	00Z670206KC	E-Ring
d	00Z670406KC	E-Ring
e	00Z670606KC	E-Ring
f	00Z926251KC	Edge Saddle (EDS-1)
g	00Z921930KC	Mini Clamp
h	00Z353081KC	PT Screw (M3*8)
i	00Z711186KC	Spring Pin
j	00Z670306KC	E-Ring

2500-sheet multifunction finisher (6)

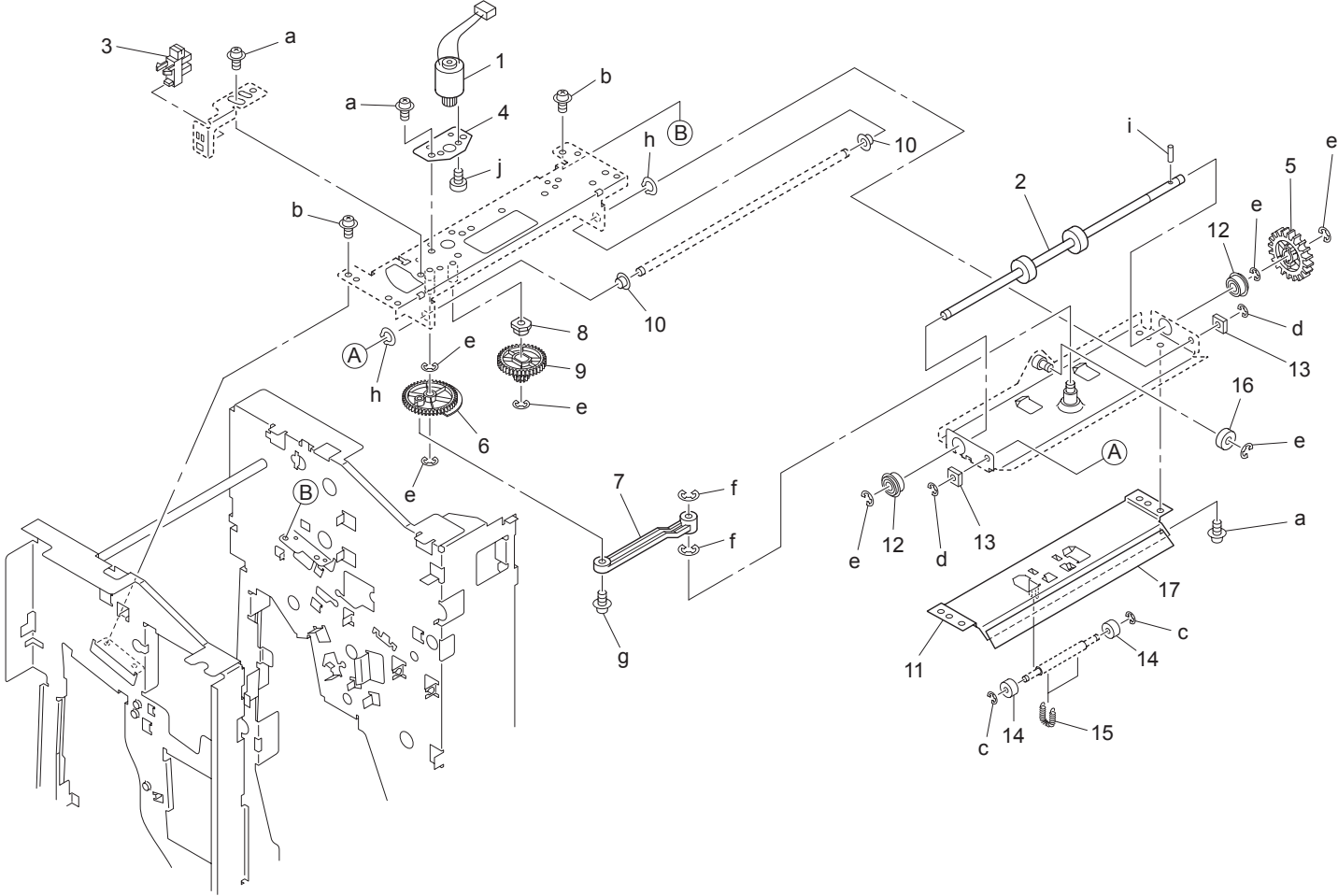


2500-sheet multifunction finisher (6)

Key no.	Parts number	Description
1	13QE 4914 0KC	Tension Pulley
2	13QE 4909 0KC	Slide Shaft
3	13QJ 4907 0KC	Up/Down Wire/R
4	13QE 4915 0KC	Protection Part
5	08AA 8551 0KC	Photo Sensor
6	0900 7553 0KC	Bushing
7	13QE 7702 0KC	Up/Down Gear/B (Z=65/15; depth=25 mm)
7	14J 7702 0KC	Up/Down Gear/B (Z=59/16; depth=43 mm)
8	129R 4802 1KC	Paper Exit Up-Down Tray/2
9	13QE -115 0KC	Up-Down Motor Assembly
10	13QE 4916 0KC	Guide Roller
11	13QE 7701 1KC	Up/Down Gear/A (Z=44/21; depth=25 mm)
11	14JS 7701 0KC	Up/Down Gear/A (Z=40/27; depth=51 mm)
12	13QE 7703 0KC	Up/Down Gear/C (Z=24; depth=10 mm)
12	14JS 7703 0KC	Up/Down Gear/C (Z=23; depth=26 mm)
13	12QR 4807 0KC	Up-Down Pulley
14	13QE 7501 0KC	Rolling Shaft Holder/A (Bushing/Bearing)
15	129R 4861 0KC	Paper Exit Reinforcing Stay
16	13QJ 4906 0KC	Up/Down Wire/F
17	13QE 4913 1KC	Actuator/1
18	13QE 4904 0KC	Neutralizing Brush
19	129R 4801 2KC	Paper Exit Up-Down Tray/1
a	00Z193041KC	C.R.P.H. Screw M3X4
b	00Z193061KC	C.R.P.H. Screw M3X6
c	00Z743206KC	Parallel Pin
d	00Z194043KC	C.R.P.H. Screw

Key no.	Parts number	Description
e	00Z194061KC	C.R.P.H. Screw M4X6
f	00Z113061KC	C.R.P.H. Screw M3X6
g	00Z254081KC	Cross Recessed Tapping Screw
h	00Z670606KC	E-Ring
i	00Z670806KC	E-Ring

2500-sheet multifunction finisher (7)

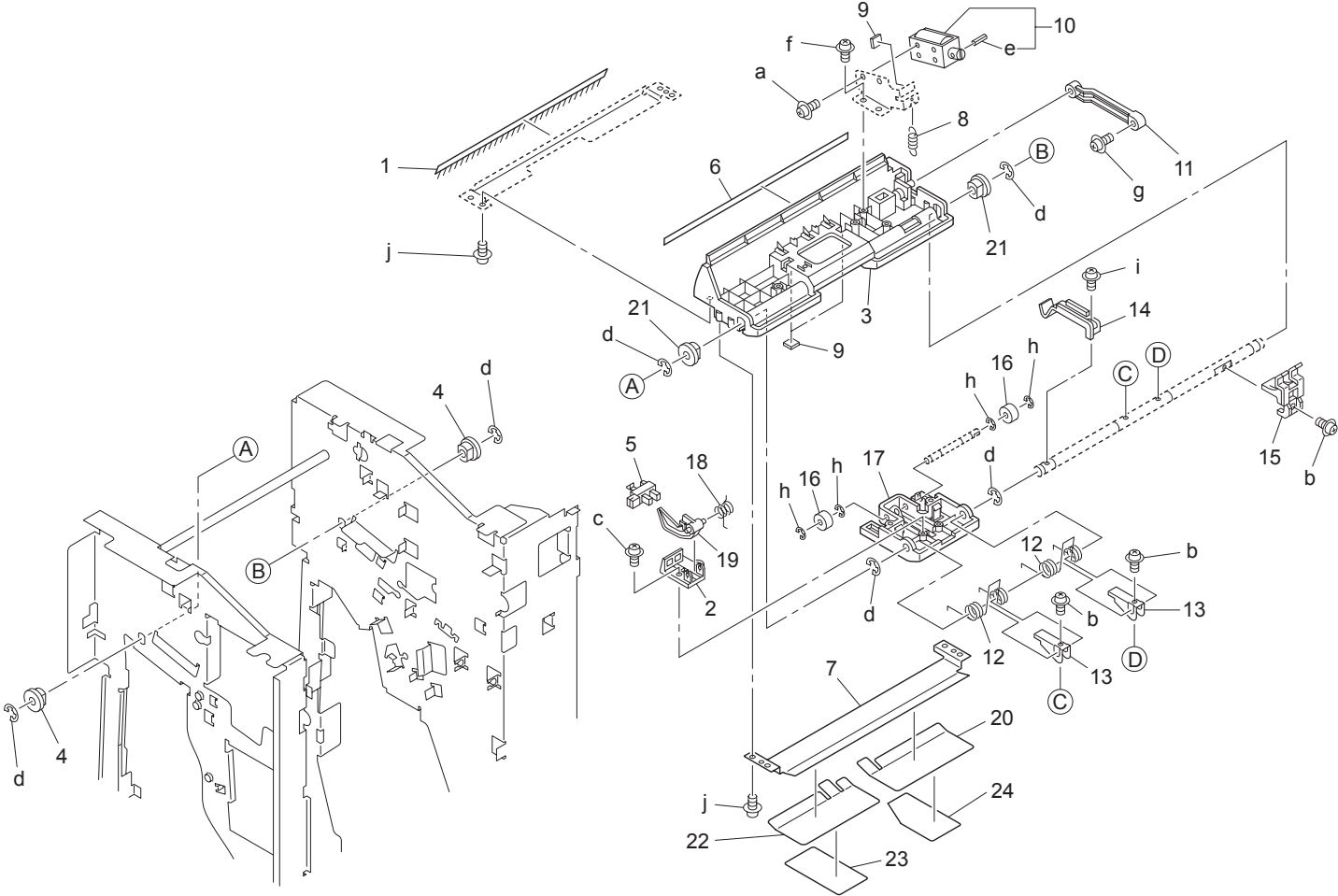


2500-sheet multifunction finisher (7)

Key no.	Parts number	Description
1	12QR -361 0KC	Shift Motor Assembly
2	13QE 4604 0KC	Conveyance Roller/A
3	08AA 8551 0KC	Photo Sensor
4	12QR 4628 0KC	Motor Mount Plate
5	13QE 7704 0KC	Drive Gear/1 (Z=32)
6	13QE 7707 0KC	Slide Gear/2 (Z=128)
7	12QR 4611 0KC	Slide Arm
8	1921 4171 0KC	Paper Lift-Up Lever Shaft Holder (B) (Bushing/Bearing)
9	13QE 7706 0KC	Slide Gear/1 (Z=105/24)
10	12AR 7551 0KC	Shaft Holder/A (Bushing/Bearing)
11	13QE 4603 0KC	Guide Plate/Lower
12	55GA 7503 1KC	Shaft Holder (Bushing/Bearing)
13	25AA 5209 0KC	Pressure Sheet
14	12AR 4518 0KC	Entrance Roller
15	13QE 4524 0KC	Pressing Spring/1
16	5040 4511 0KC	Pressure Roller
17	13QE 4611 0KC	Conveyance Guide Sheet/2
a	00Z193061KC	C.R.P.H. Screw M3X6
b	00Z194061KC	C.R.P.H. Screw M4X6
c	00Z670206KC	E-Ring
d	00Z670306KC	E-Ring
e	00Z670406KC	E-Ring
f	00Z670606KC	E-Ring
g	00Z354101KC	P Tight P.H. Screw
h	00Z600606KC	Set Ring (6M)

Key no.	Parts number	Description
i	00Z743146KC	Parallel Pin 3*14
j	00Z182641KC	Bind Screw M2.6X4

2500-sheet multifunction finisher (8)

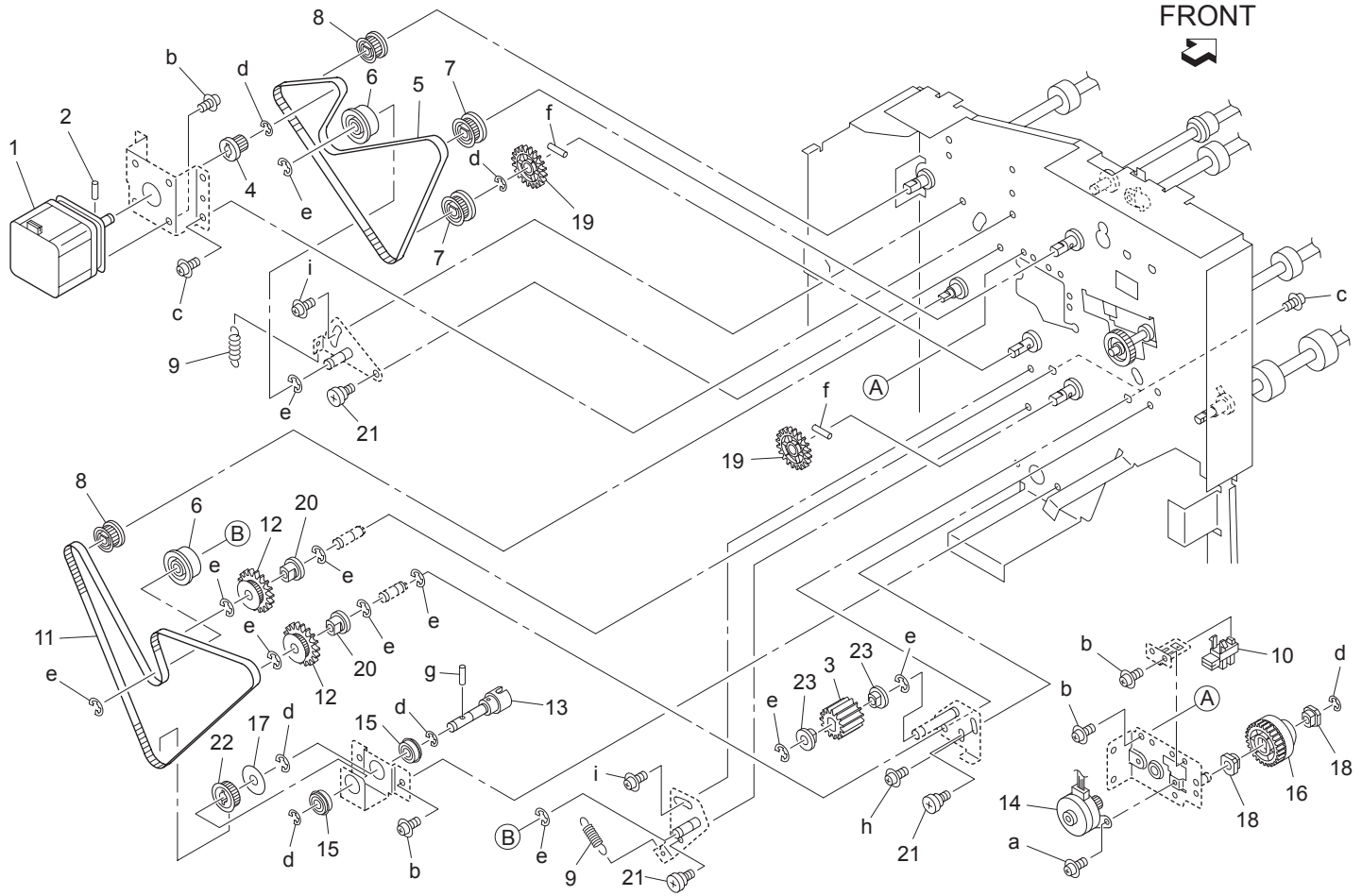


2500-sheet multifunction finisher (8)

Key no.	Parts number	Description
1	13QE 4842 1KC	Neutralizing Brush
2	13QE 4830 0KC	Block
3	13QE 4821 0KC	Paper Exit Guide Stay
4	0900 7553 0KC	Bushing
5	08AA 8551 0KC	Photo Sensor
6	13QE 4846 0KC	Spacer/A
7	13QE 4822 0KC	Paper Exit Guide Plate/Lower
8	13QE 4835 0KC	Solenoid Spring
9	12ER 4035 0KC	Sticking Part
10	13QE -486 0KC	Paper Exit Solenoid Assembly
11	13QE 4840 0KC	Slide Arm
12	13QE 4831 0KC	Pressing Spring
13	13QE 4832 0KC	Stopper Plate
14	13QE 4836 1KC	Holding Plate
15	13QE 4834 0KC	Solenoid Lever
16	12AR 4518 0KC	Entrance Roller
17	13QE 4825 0KC	Paper Exit Guide Part
18	13QE 4808 0KC	Spring/1
19	13QE 4828 0KC	Actuator
20	13QE 4829 0KC	Paper Exit Guide Sheet
21	13GQ 7603 0KC	Shaft Holder/B (Bushing/Bearing)
22	13QE 4843 0KC	Paper Exit Guide Sheet/2
23	13QE 4844 0KC	Paper Exit Sheet /A
24	13QE 4845 0KC	Paper Exit Sheet /B
a	00Z163061KC	C.R.P.H.S.Sems2 M3X6
b	00Z193061KC	C.R.P.H. Screw M3X6

Key no.	Parts number	Description
c	00Z353061KC	P Tight P.H. Screw
d	00Z670606KC	E-Ring
e	00Z713256KC	Spring Pin
f	00Z354081KC	P Tight P.H. Screw
g	00Z354101KC	P Tight P.H. Screw
h	00Z670206KC	E-Ring
i	00Z163081KC	C.R.P.H.S.Sems2 M3X8
j	00Z353081KC	PT Screw (M3*8)

2500-sheet multifunction finisher (9)

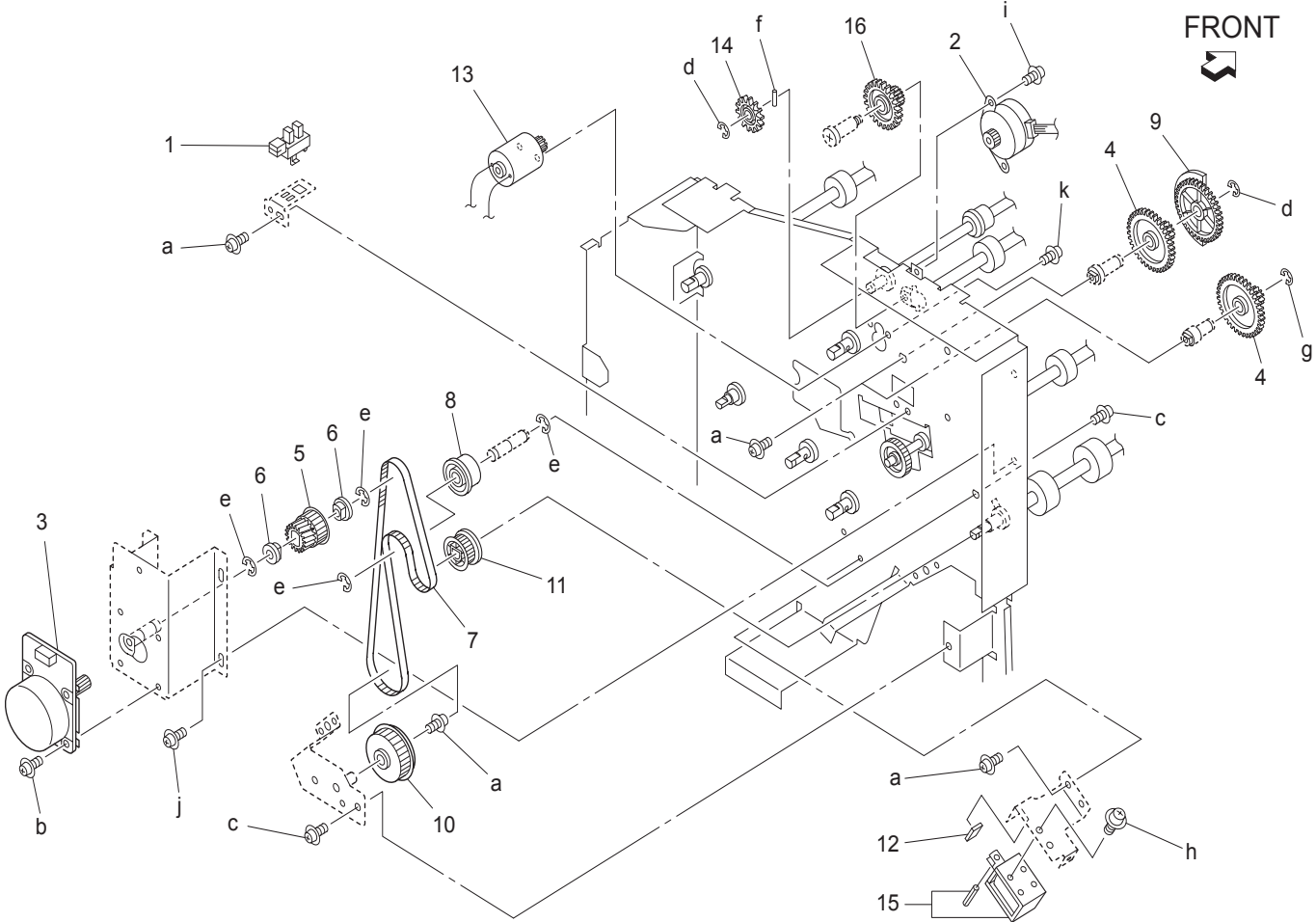


2500-sheet multifunction finisher (9)

Key no.	Parts number	Description
1	56AA 8011 0KC	Paper Exit Driving Motor
2	1136 2060 0KC	Pin (A)
3	129R 7716 0KC	Idler Gear
4	13QE 7653 0KC	Motor Pulley (Z=14)
5	13QE 7754 0KC	Belt/1 (L=651)
6	122H 1522 0KC	Tension Roller
7	13QE 7654 0KC	Drive Pulley/1 (Z=25)
8	13QE 7663 0KC	Drive Pulley/2 (Z=20)
9	13QE 4864 0KC	Tension Spring/1
10	08AA 8551 0KC	Photo Sensor
11	13QE 7755 0KC	Belt/2 (L=741)
12	13QE 7655 0KC	Idling Pulley/1 (Z=32)
13	13QE -169 0KC	Coupling Shaft Assembly
14	13GQ 8001 1KC	FNS Collect Motor
15	55GA 7503 1KC	Shaft Holder (Bushing/Bearing)
16	13QE 7705 0KC	Cam Gear (Z=71)
17	25AA 4793 0KC	Collar/C
18	12ER 7553 0KC	Shaft Holder /A (Bushing/Bearing)
19	13QE 7704 0KC	Drive Gear/1 (Z=32)
20	3260 4033 0KC	Shaft Holder (A) (Bushing/Bearing)
21	25AA 4767 0KC	Guide Screw
22	13QE 7665 0KC	Drive Pulley/3 (Z=25)
23	0900 7553 0KC	Bushing
a	00Z183061KC	Bind Screw M3X6
b	00Z193061KC	C.R.P.H. Screw M3X6
c	00Z194061KC	C.R.P.H. Screw M4X6

Key no.	Parts number	Description
d	00Z670406KC	E-Ring
e	00Z670606KC	E-Ring
f	00Z743146KC	Parallel Pin 3*14
g	00Z743126KC	Parallel Pin
h	00Z163061KC	C.R.P.H.S.Sems2 M3X6
i	00Z164061KC	C.R.P.H.S.Sems2 M4X6

2500-sheet multifunction finisher (10)

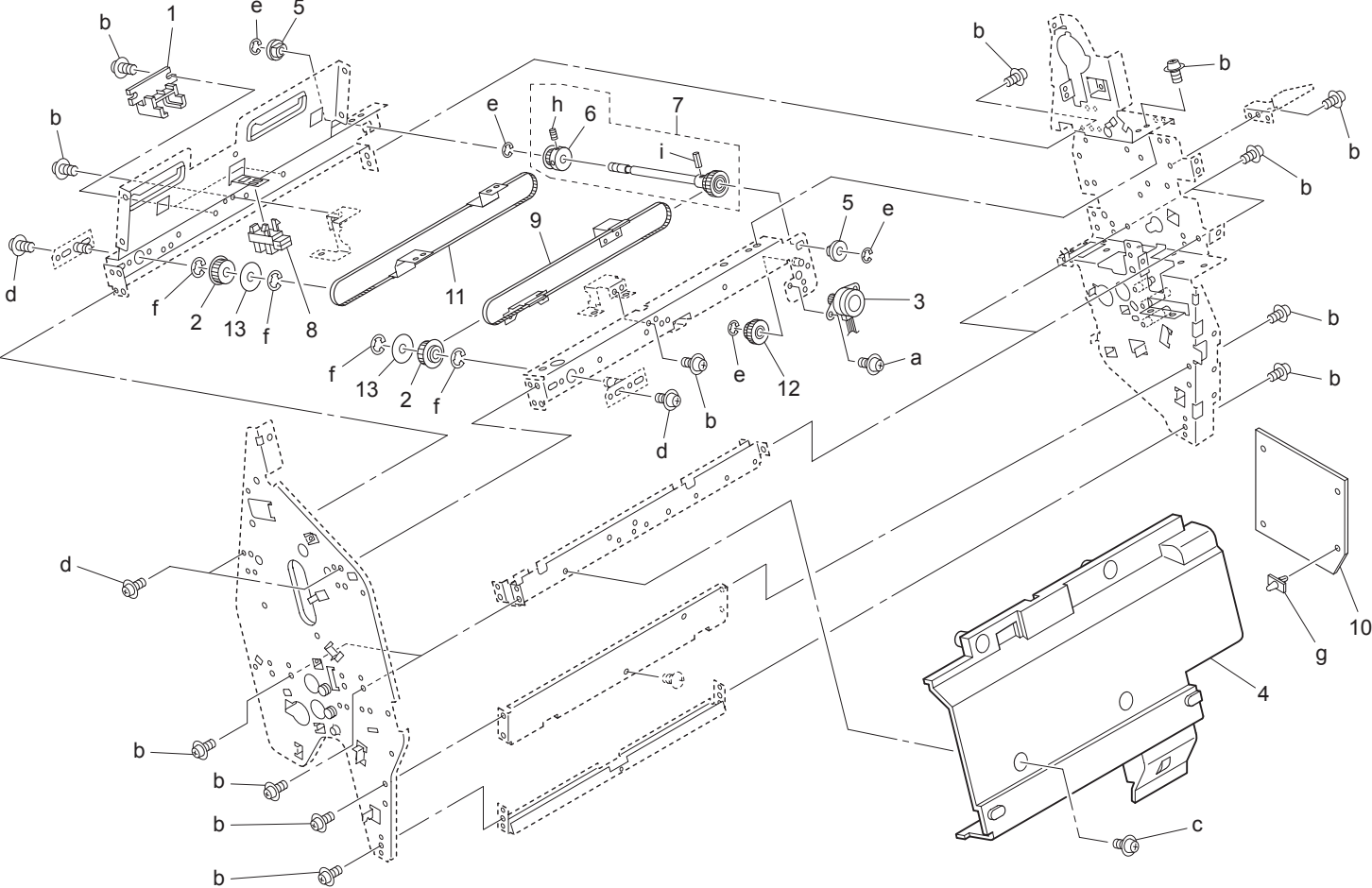


2500-sheet multifunction finisher (10)

Key no.	Parts number	Description
1	08AA 8551 0KC	Photo Sensor
2	129U 8003 0KC	Correction Motor
3	56AA 8008 1KC	DC Brushless Motor/15
4	12QR 7711 0KC	Paper Exit Gear (Z=100/20)
5	13QE 7656 0KC	Idling Pulley/2 (Z=31/24)
6	3260 4033 0KC	Shaft Holder (A) (Bushing/Bearing)
7	13QE 7756 0KC	Belt/3 (L=582)
8	122H 1522 0KC	Tension Roller
9	129U 7701 0KC	Slide Gear/A (Z=100)
10	129U 7656 0KC	Paper Exit Pulley (Z=43)
11	12QR 7655 0KC	Driving Pulley/A (Z=24)
12	12ER 4035 0KC	Sticking Part
13	12QR -361 0KC	Shift Motor Assembly
14	13QE 7721 0KC	Drive Gear/2 (Z=22)
15	12QR -263 0KC	FNS Solenoid Assembly
16	13QE 7720 0KC	Idling Gear/1 (Z=37/25)
a	00Z193061KC	C.R.P.H. Screw M3X6
b	00Z183061KC	Bind Screw M3X6
c	00Z194061KC	C.R.P.H. Screw M4X6
d	00Z670406KC	E-Ring
e	00Z670606KC	E-Ring
f	00Z743146KC	Parallel Pin 3*14
g	00Z670306KC	E-Ring
h	00Z163061KC	C.R.P.H.S.Sems2 M3X6
i	00Z183041KC	Bind Screw M3X4
j	00Z164081KC	C.R.P.H.S.Sems2 M4X8

Key no.	Parts number	Description
k	00Z182641KC	Bind Screw M2.6X4

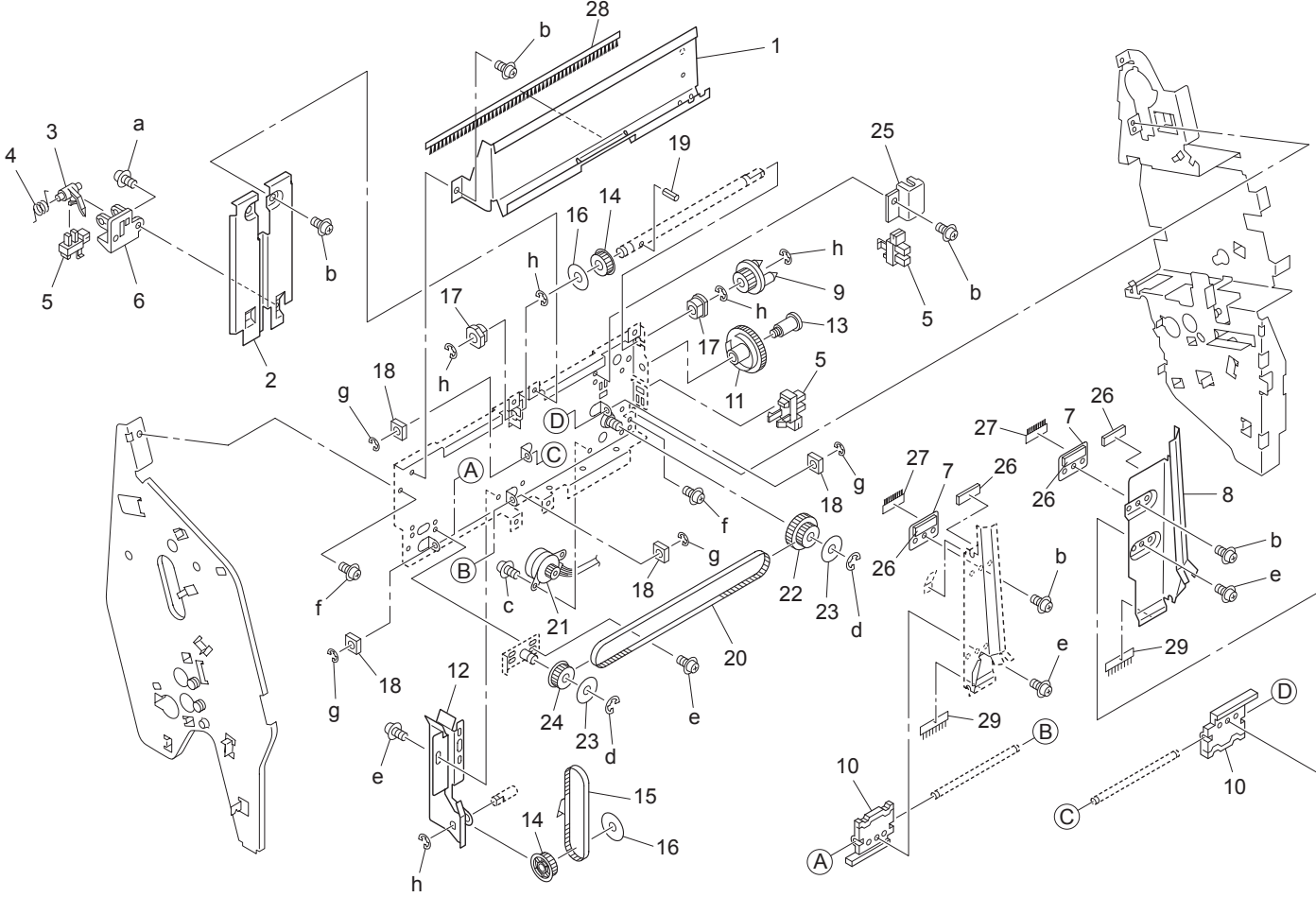
2500-sheet multifunction finisher (11)



2500-sheet multifunction finisher (11)

Key no.	Parts number	Description
1	13QE 4242 0KC	Cartridge Guide Rail
2	13QE 7664 0KC	Idling Pulley (Z=19)
3	129U 8003 0KC	Correction Motor
4	13QE 4243 0KC	Staple Cover
5	4660 7602 0KC	Paper Feed Shaft Holder (Bushing/Bearing)
6	13QE 7658 0KC	Staple Slide Pulley/B (Z=19)
7	13QE -410 0KC	Staple Driving Shaft Assembly
8	08AA 8551 0KC	Photo Sensor
9	13QE 7758 0KC	Staple Driving Belt/Upper (L=1014)
10	13QJ -932 6KC	Relay Board Assembly
11	13QE 7763 0KC	Staple Guide Belt/Lower (L=1014)
12	12QR 7701 0KC	Staple Driving Gear
13	25AA 5214 0KC	Belt Holder/B
a	00Z183041KC	Bind Screw M3X4
b	00Z194061KC	C.R.P.H. Screw M4X6
c	00Z144062KC	C.R.P.H.TR.Screw M4X6
d	00Z164081KC	C.R.P.H.S.Sems2 M4X8
e	00Z670406KC	E-Ring
f	00Z670606KC	E-Ring
g	00Z925104KC	Locking Circuit Board Support
h	00Z473063KC	Hexagon Socket Screw (W Point)
i	00Z713106KC	Spring Pin

2500-sheet multifunction finisher (12)

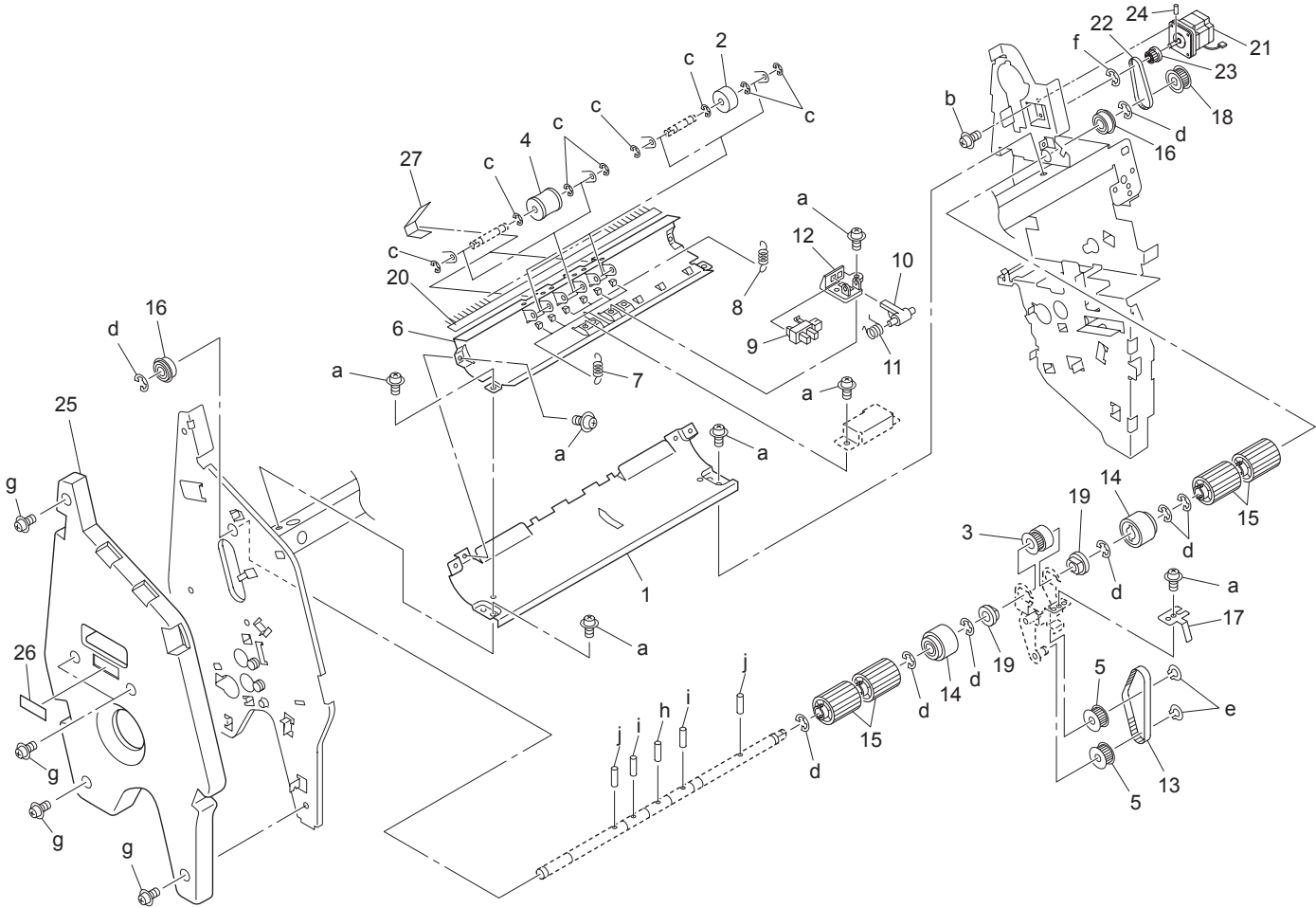


2500-sheet multifunction finisher (12)

Key no.	Parts number	Description
1	13QE 4313 1KC	Paper Exit Regulating Plate
2	13QE 4302 2KC	Guide Plate/Middle
3	13QE 4828 0KC	Actuator
4	13QE 4808 0KC	Spring/1
5	08AA 8551 0KC	Photo Sensor
6	13QE 4830 0KC	Block
7	13QE 4308 0KC	Slide Plate
8	13QE 4304 2KC	Regulating Plate/Rear
9	129U 7704 1KC	Coupling Gear (Z=18)
10	13QE 4306 0KC	Slide Block/A
11	12QR 7721 0KC	Belt Detecting Gear (Z=102)
12	13QE 4309 1KC	Belt Mounting Plate
13	12QR 5053 0KC	Belt Detecting Screw
14	13QE 7651 0KC	Paper Exit Pulley (Z=18)
15	13QE 7751 0KC	Paper Exit Belt (L=518.16)
16	13QE 4310 0KC	Belt Holder
17	12ER 7553 0KC	Shaft Holder /A (Bushing/Bearing)
18	25AA 5209 0KC	Pressure Sheet
19	4660 7801 0KC	Pin A
20	12QR 7751 0KC	Belt/A
21	129U 8003 0KC	Correction Motor
22	25AA 5251 0KC	Regulating Gear/S (Z=55/28)
23	25AA 5214 0KC	Belt Holder/B
24	25AA 5271 0KC	Idler Pulley (Z=28)
25	129X 4282 0KC	Cover
26	13QE 4315 0KC	Slide Sheet

Key no.	Parts number	Description
27	13QE 4316 0KC	Neutralizing Brush
28	13NK 5022 0KC	Neutralizing Brush /A
29	13QE 4317 0KC	Neutralizing Brush /3
a	00Z193043KC	C.R.P.H. Screw
b	00Z193061KC	C.R.P.H. Screw M3X6
c	00Z183041KC	Bind Screw M3X4
d	00Z670606KC	E-Ring
e	00Z163061KC	C.R.P.H.S.Sems2 M3X6
f	00Z194061KC	C.R.P.H. Screw M4X6
g	00Z670306KC	E-Ring
h	00Z670406KC	E-Ring

2500-sheet multifunction finisher (13)

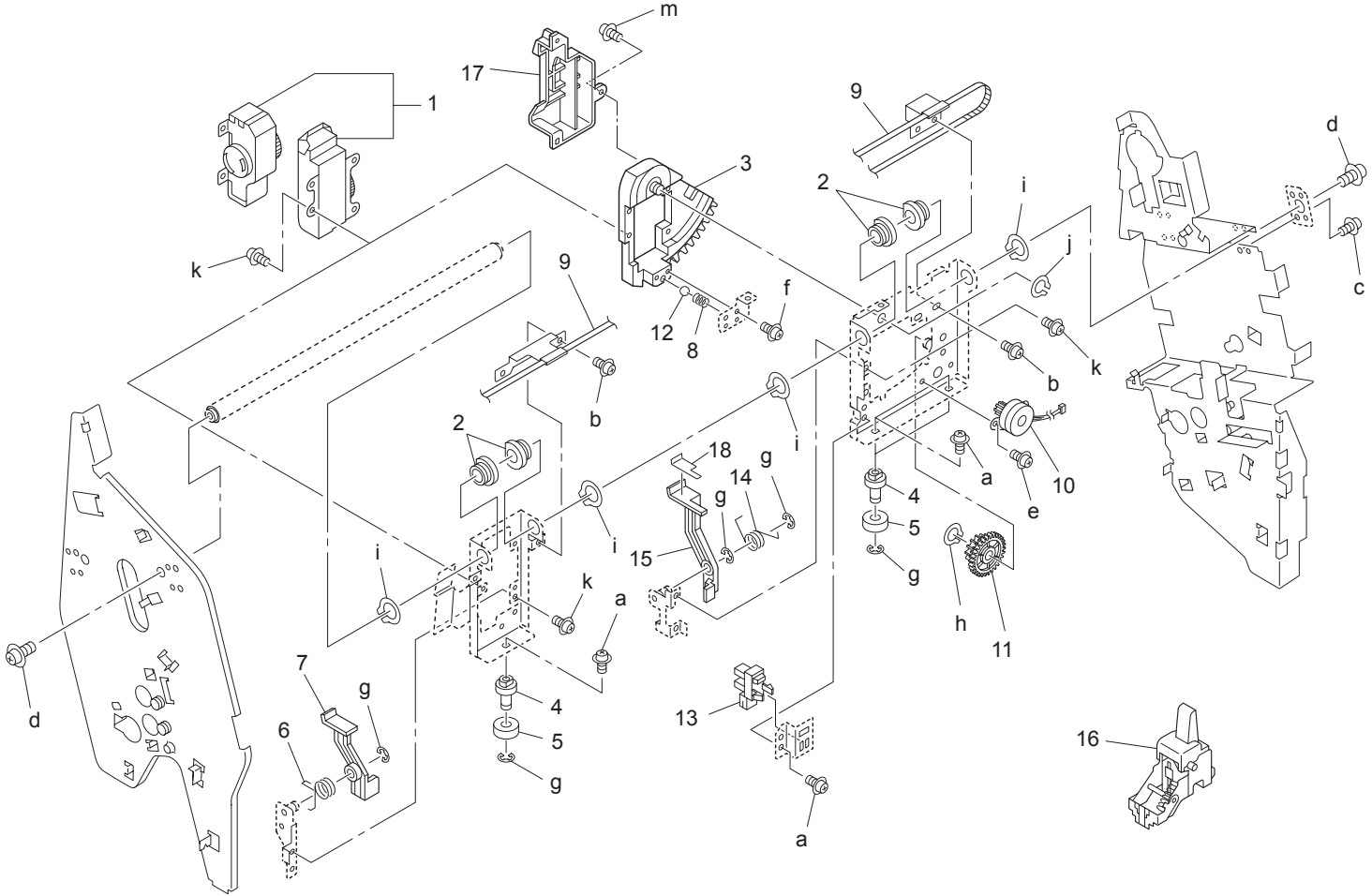


2500-sheet multifunction finisher (13)

Key no.	Parts number	Description
1	13QE 4272 2KC	Conveyance Guide Plate/A
2	13QE 4276 0KC	Entrance Roller
3	13QE 4266 0KC	Entrance Feed Roller (Z=30)
4	13QE 4275 0KC	Entrance Driven Roller
5	13QE 7652 0KC	Rocking Pulley (Z=32)
6	13QE 4273 2KC	Conveyance Guide Plate/B
7	13QE 4278 0KC	Conveyance Pressing Spring/A
8	13QE 4270 0KC	Conveyance Pressing Spring/B
9	08AA 8551 0KC	Photo Sensor
10	13QE 4807 0KC	Actuator/1
11	13QE 4808 0KC	Spring/1
12	13QE 4830 0KC	Block
13	13QE 7752 0KC	Belt/J (L=180)
14	13QE 4262 0KC	Entrance Guide Roller/1
15	13QE 4264 0KC	Entrance Guide Roller/2
16	5400 7605 0KC	Driving Shaft Holder (Bushing/Bearing)
17	13QE 4281 2KC	Rocking Spring
18	12QR 7655 0KC	Driving Pulley/A (Z=24)
19	0900 7553 0KC	Bushing
20	13NK 5022 0KC	Neutralizing Brush /A
21	12WM 8003 0KC	STR Driving Motor
22	13QE 7753 0KC	Belt/E (L=189)
23	129R 7691 0KC	Motor Pulley
24	0980 3030 0KC	Pin
25	13QE 4204 0KC	Front Cover /1
26	1136 9702 0KC	Knob Label

Key no.	Parts number	Description
27	13QE 4283 3KC	Exit Guide Sheet
a	00Z193043KC	C.R.P.H. Screw
b	00Z193061KC	C.R.P.H. Screw M3X6
c	00Z670306KC	E-Ring
d	00Z670606KC	E-Ring
e	00Z680606KC	Set Ring For Shaft (D=6)
f	00Z670406KC	E-Ring
g	00Z144062KC	C.R.P.H.TR.Screw M4X6
h	00Z741126KC	Parallel Pin(1.6*12)
i	00Z743146KC	Parallel Pin 3*14
j	00Z743126KC	Parallel Pin

2500-sheet multifunction finisher (14)

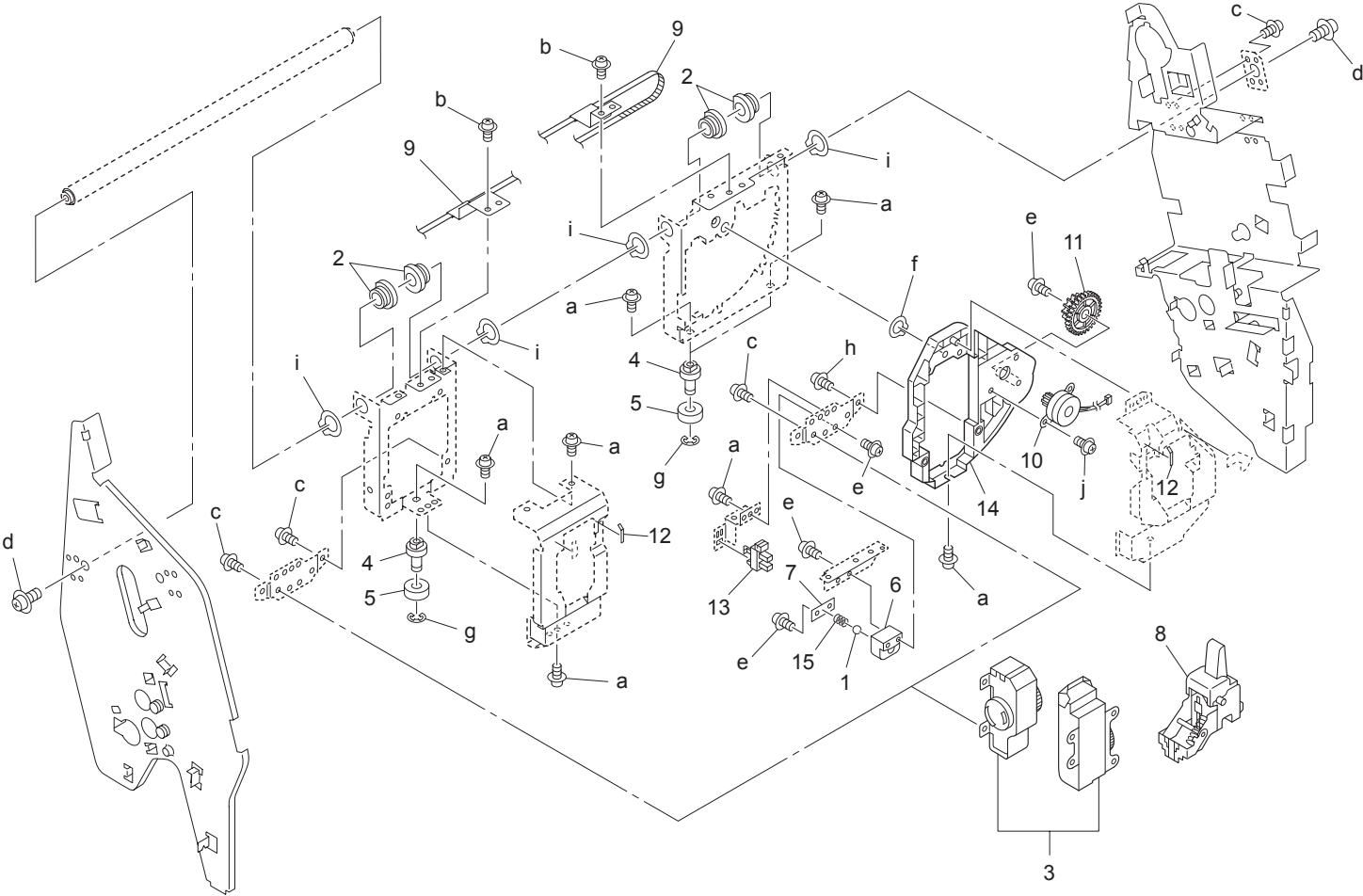


2500-sheet multifunction finisher (14)

Key no.	Parts number	Description
1	20AK 4241 0KC	Stapler Unit (also includes Cartridge Case - key 16)
2	13QE 4234 0KC	Slide Shaft Holder (Bushing/Bearing)
3	13QE 4219 2KC	Staple Rotary Plate/Upper
4	12QR 5238 0KC	Idler Shaft
5	5040 4511 0KC	Pressure Roller
6	13QE 4335 0KC	Stopper Spring/Front
7	13QE 4331 2KC	Stopper/Front
8	129U 4236 0KC	Lock Spring
9	13QE 7758 0KC	Staple Driving Belt/Upper (L=1014)
10	129U 8003 0KC	Correction Motor
11	13QE 7708 0KC	Staple Rotary Gear (Z=90/15)
12	129U 4237 0KC	Lock Pin (D8)
13	08AA 8551 0KC	Photo Sensor
14	13QE 4336 0KC	Stopper Spring/Rear
15	13QE 4332 2KC	Stopper/Rear
16	20AK K001 0KC	Cartridge Case
17	13QJ 4246 0KC	Staple Guide Cover
18	13QE 4247 2KC	Stopper Sheet /1
a	00Z193061KC	C.R.P.H. Screw M3X6
b	00Z164081KC	C.R.P.H.S.Sems2 M4X8
c	00Z194061KC	C.R.P.H. Screw M4X6
d	00Z196103KC	C.R.P.H. Screw M6*10
e	00Z183041KC	Bind Screw M3X4
f	00Z253081KC	Cross Recessed Tapping Screw
g	00Z670406KC	E-Ring

Key no.	Parts number	Description
h	00Z680606KC	Set Ring For Shaft (D=6)
i	00Z680203KC	Set Ring (D=20)
j	00Z680103KC	Set Ring For Shaft (D=10)
k	00Z163061KC	C.R.P.H.S.Sems2 M3X6
m	00Z353081KC	PT Screw (M3*8)

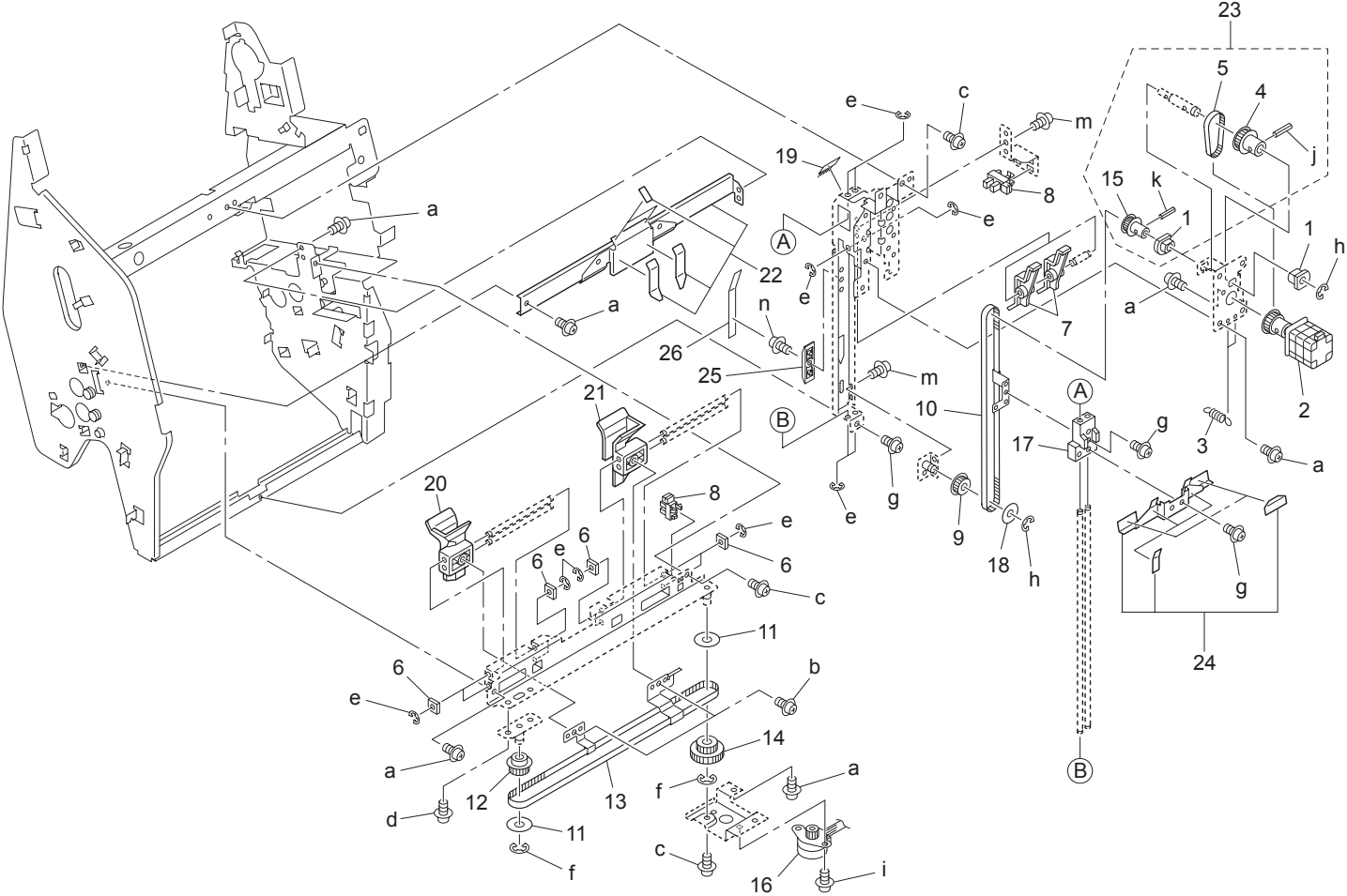
2500-sheet multifunction finisher (15)



2500-sheet multifunction finisher (15)

Key no.	Parts number	Description
1	129U 4237 0KC	Lock Pin (D8)
2	13QE 4234 0KC	Slide Shaft Holder (Bushing/Bearing)
3	20AK 4241 0KC	Stapler Unit (also includes Cartridge Case - key 16)
4	12QR 5238 0KC	Idler Shaft
5	5040 4511 0KC	Pressure Roller
6	129U 4235 0KC	Lock Block
7	12AA 1031 0KC	ADF Stopper Part
8	20AK K001 0KC	Cartridge Case
9	13QE 7763 0KC	Staple Guide Belt/Lower (L=1014)
10	129U 8003 0KC	Correction Motor
11	13QE 7708 0KC	Staple Rotary Gear (Z=90/15)
12	13QE 4246 0KC	Conveyance Guide Sheet /A
13	08AA 8551 0KC	Photo Sensor
14	13QE 4220 2KC	Staple Rotary Plate/Lower
15	129U 4236 0KC	Lock Spring
a	00Z193061KC	C.R.P.H. Screw M3X6
b	00Z164081KC	C.R.P.H.S.Sems2 M4X8
c	00Z194061KC	C.R.P.H. Screw M4X6
d	00Z196103KC	C.R.P.H. Screw M6*10
e	00Z353081KC	PT Screw (M3*8)
f	00Z680103KC	Set Ring For Shaft (D=10)
g	00Z670406KC	E-Ring
h	00Z354081KC	P Tight P.H. Screw
i	00Z680203KC	Set Ring (D=20)
j	00Z343081KC	P Tight P.H. Screw

2500-sheet multifunction finisher (16)

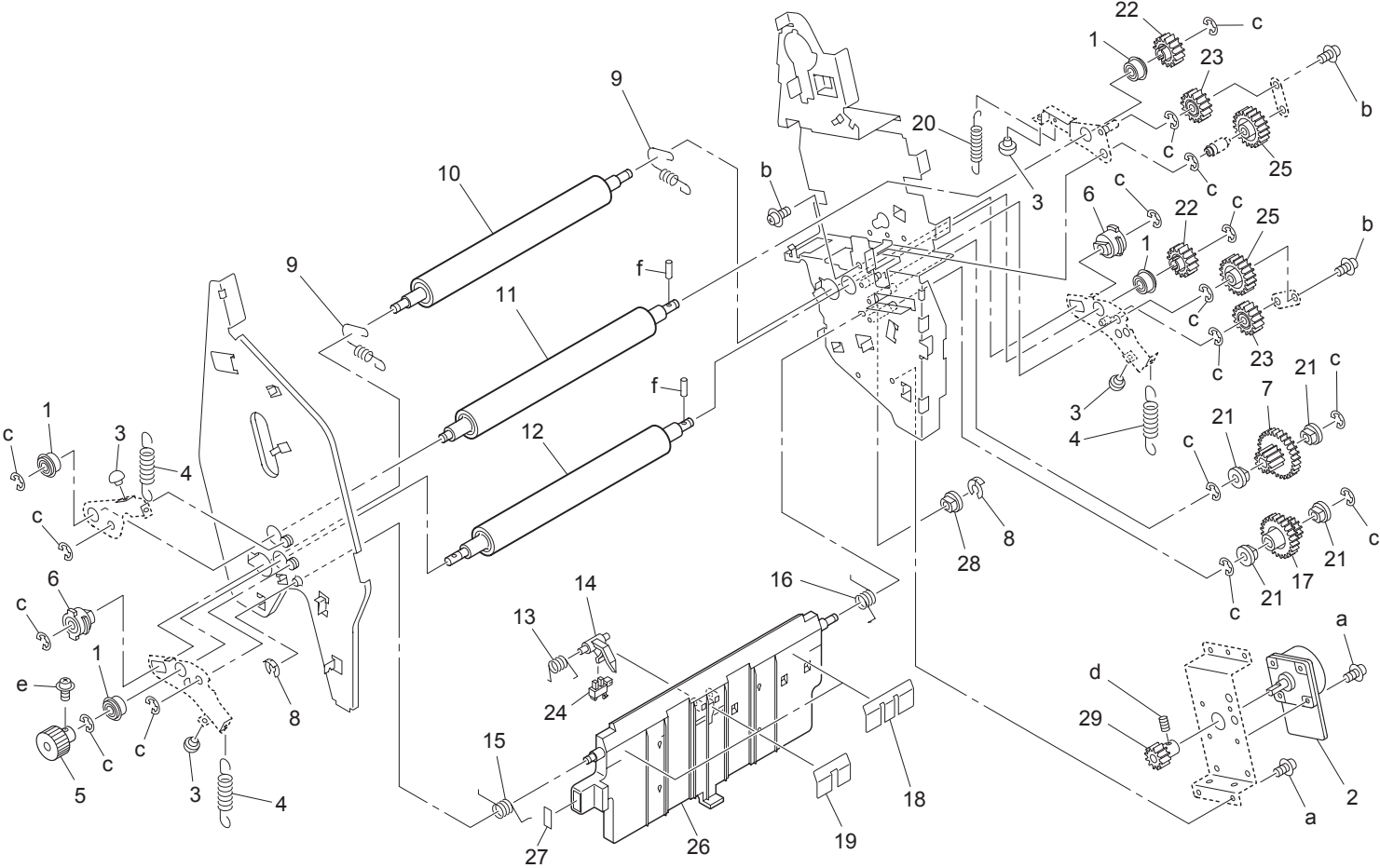


2500-sheet multifunction finisher (16)

Key no.	Parts number	Description
1	4660 7602 0KC	Paper Feed Shaft Holder (Bushing/Bearing)
2	13QJ -533 0KC	Stopper Motor Assembly
3	13QJ 4489 0KC	Cam Spring
4	13QJ 7661 0KC	Driving Pulley/A (Z=28)
5	13QJ 7761 0KC	Belt/A (L=112)
6	25AA 5209 0KC	Pressure Sheet
7	13QJ 4488 0KC	Cam Part
8	08AA 8551 0KC	Photo Sensor
9	12VR 7660 0KC	Paper Feed Pulley/B
10	13QJ 7762 0KC	Belt/B (L=742)
11	25AA 5214 0KC	Belt Holder/B
12	25AA 5271 0KC	Idler Pulley (Z=28)
13	13QJ 7760 0KC	Paper Regulating Belt (L=892)
14	25AA 5251 0KC	Regulating Gear/S (Z=55/28)
15	13QJ 7662 0KC	Driving Pulley/B (Z=20)
16	129U 8003 0KC	Correction Motor
17	13QJ 4485 0KC	Stopper Part
18	07BA 1140 0KC	Slide Spacer (B)
19	13QJ 4475 0KC	Neutralizing Brush/B
20	13QJ -526 0KC	Paper Regulating Plate/Front Assembly
21	13QJ -527 0KC	Paper Regulating Plate/Rear Assembly
22	13QJ -528 1KC	Guide Plate/Middle Assembly
23	13QJ -532 0KC	Stopper Drive Shaft Assembly
24	13QJ -536 0KC	Paper Stopper Assembly
25	13QJ 4247 0KC	Guide Part
26	13QJ 4248 0KC	Guide Sheet /2

Key no.	Parts number	Description
a	00Z193061KC	C.R.P.H. Screw M3X6
b	00Z353081KC	PT Screw (M3*8)
c	00Z194061KC	C.R.P.H. Screw M4X6
d	00Z164061KC	C.R.P.H.S.Sems2 M4X6
e	00Z670306KC	E-Ring
f	00Z670606KC	E-Ring
g	00Z163061KC	C.R.P.H.S.Sems2 M3X6
h	00Z670406KC	E-Ring
i	00Z183041KC	Bind Screw M3X4
j	00Z713126KC	Spring Pin
k	00Z712106KC	Spring Pin
m	00Z193043KC	C.R.P.H. Screw
n	00Z183061KC	Bind Screw M3X6

2500-sheet multifunction finisher (17)

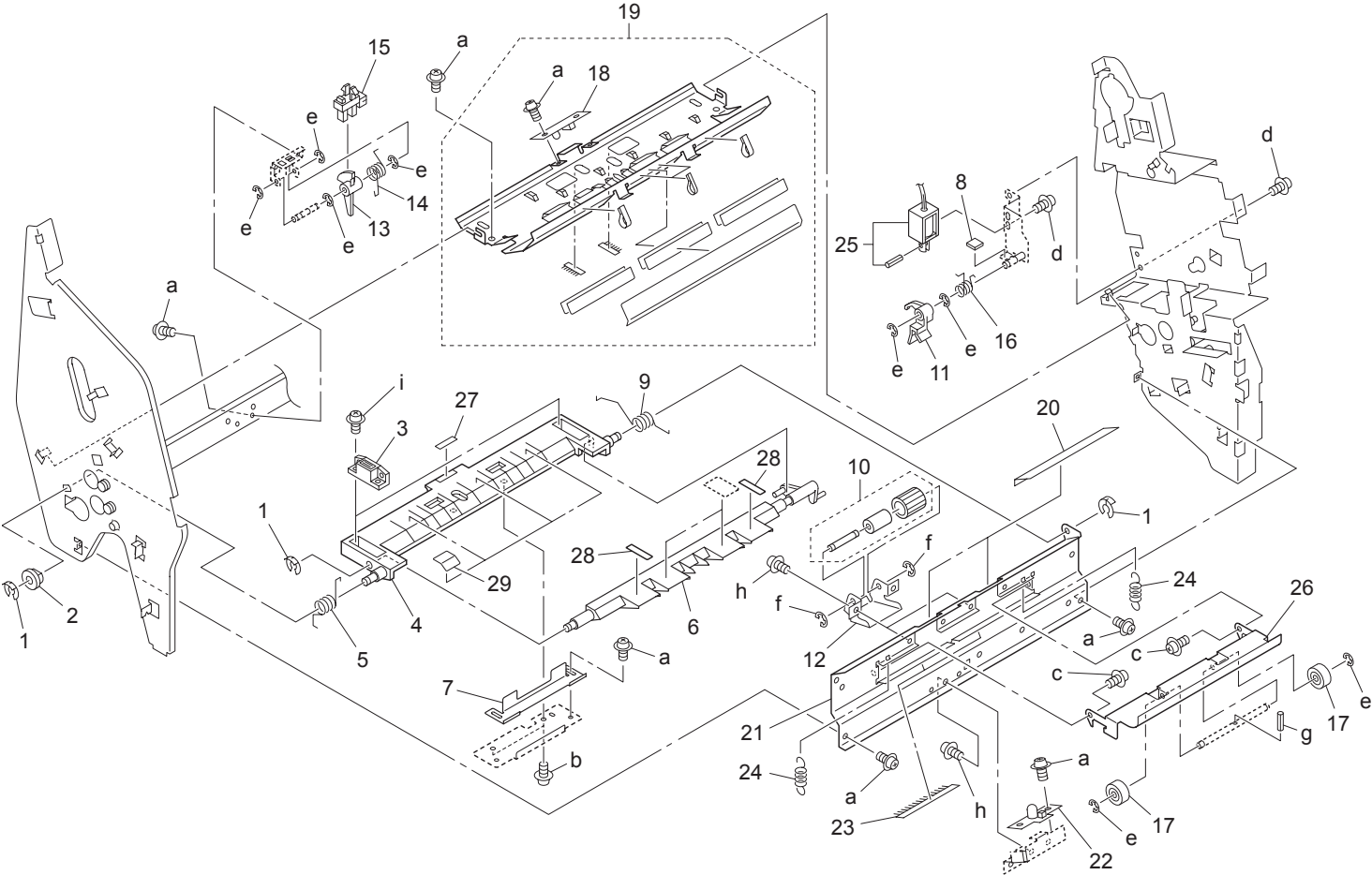


2500-sheet multifunction finisher (17)

Key no.	Parts number	Description
1	5400 7605 0KC	Driving Shaft Holder (Bushing/Bearing)
2	56AA 8001 1KC	DC Brushless Motor/40
3	123Y 4526 0KC	Stopper Rubber
4	13QJ 4430 0KC	Pressing Spring/A
5	129X 4847 0KC	Jam Release Knob
6	13QJ 7551 0KC	Pressure Shaft Holder (Bushing/Bearing)
7	13QJ 7719 0KC	Idling Gear/2 (Z=45/15)
8	3960 4068 1KC	Snap Ring
9	13QJ 4431 0KC	Pressing Spring/C
10	13QJ 4423 0KC	Folding Roller/3
11	13QJ 4422 0KC	Folding Roller/2
12	13QJ 4421 0KC	Folding Roller/1
13	13QJ 4354 0KC	Spring/A
14	13QE 4828 0KC	Actuator
15	13QJ 4434 0KC	Hinge Spring/1
16	13QJ 4435 0KC	Hinge Spring/2
17	13QJ 7713 0KC	Idling Gear/1 (Z=38/15)
18	13QJ 4460 0KC	Guide Sheet/B
19	13QJ 4459 0KC	Guide Sheet/A
20	13QJ 4452 0KC	Pressing Spring/B
21	13QJ 7552 0KC	Driving Shaft Holder (Bushing/Bearing)
22	13QJ 7714 0KC	Driving Gear/1 (Z=24)
23	13QJ 7720 0KC	Idling Gear/3 (Z=23)
24	08AA 8551 0KC	Photo Sensor
25	13QJ 7715 0KC	Driving Gear/2 (Z=32)
26	13QJ 4420 0KC	Guide Plate/A

Key no.	Parts number	Description
27	3920 9716 0KC	Knob Label (A)
28	13GQ 7602 0KC	Shaft Holder/A (Bushing/Bearing)
29	13QJ 7712 0KC	Motor Gear (Z=16)
a	00Z193061KC	C.R.P.H. Screw M3X6
b	00Z194061KC	C.R.P.H. Screw M4X6
c	00Z670606KC	E-Ring
d	00Z473063KC	Hexagon Socket Screw (W Point)
e	00Z194121KC	Cross Recessed Pan Head Screw
f	00Z749056KC	Hexagon Socket Screw

2500-sheet multifunction finisher (18)

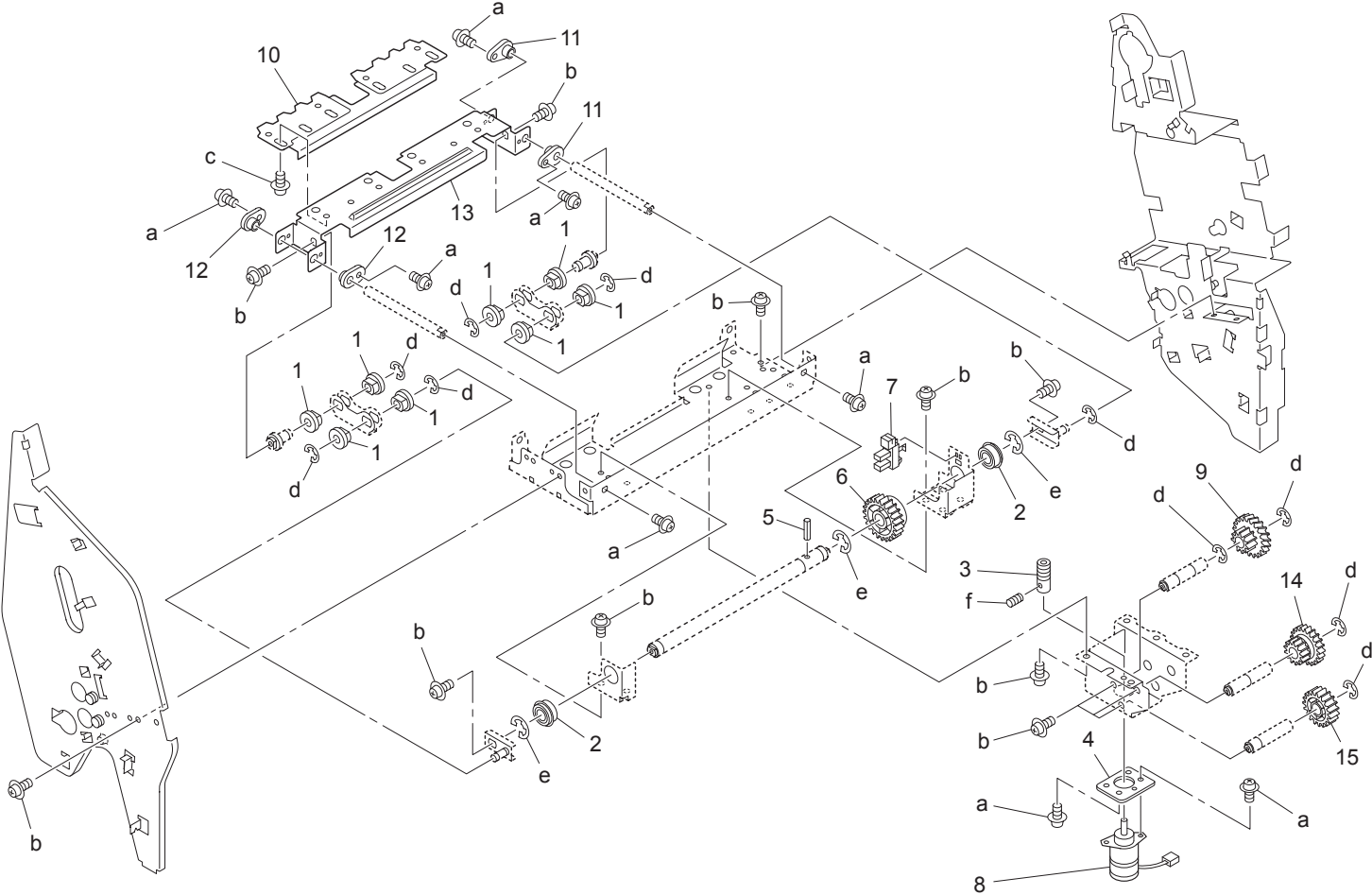


2500-sheet multifunction finisher (18)

Key no.	Parts number	Description
1	3960 4068 1KC	Snap Ring
2	13GQ 7602 0KC	Shaft Holder/A (Bushing/Bearing)
3	07BA 1235 1KC	Magnet Catch
4	13QJ 4440 0KC	Guide Plate/2
5	13QJ 4449 0KC	Hinge Spring/3
6	13QJ 4442 1KC	Paper Guide Part
7	13QJ 4445 0KC	Folding Stopper
8	12ER 4035 0KC	Sticking Part
9	13QJ 4450 0KC	Hinge Spring/4
10	13QJ -560 0KC	Rolling Roller Assembly
11	13QJ 4448 0KC	Solenoid Lever
12	13QJ 4359 0KC	Support Plate
13	129X 4850 0KC	Actuator/3
14	13QJ 4439 0KC	Spring
15	08AA 8551 0KC	Photo Sensor
16	13QJ 4451 0KC	Solenoid Spring
17	13QE 4276 0KC	Entrance Roller
18	12AR 8551 2KC	Detecting Sensor
19	13QJ -544 1KC	Guide Plate/3 Assembly
20	13QJ 4478 1KC	Separation Preventing Sheet /1
21	13QJ 4432 2KC	Paper Exit Guide Plate
22	13QJ 8551 0KC	Detecting LED
23	13QJ 4473 0KC	Neutralizing Brush/A
24	13QJ 4357 0KC	Paper Exit Pressing Spring
25	12QR -263 0KC	FNS Solenoid Assembly
26	13QJ 4356 0KC	Paper Guide Plate/Lower

Key no.	Parts number	Description
27	3920 9716 0KC	Knob Label (A)
28	13QJ 4364 0KC	Folding Sheet /E
29	13QJ 4476 0KC	Paper Exit Auxiliary Sheet /A
a	00Z193061KC	C.R.P.H. Screw M3X6
b	00Z353081KC	PT Screw (M3*8)
c	00Z193081KC	C.R.P.H. Screw M3X8
d	00Z163061KC	C.R.P.H.S.Sems2 M3X6
e	00Z670306KC	E-Ring
f	00Z670406KC	E-Ring
g	00Z711146KC	Spring Pin
h	00Z193043KC	C.R.P.H. Screw
i	00Z343081KC	P Tight P.H. Screw

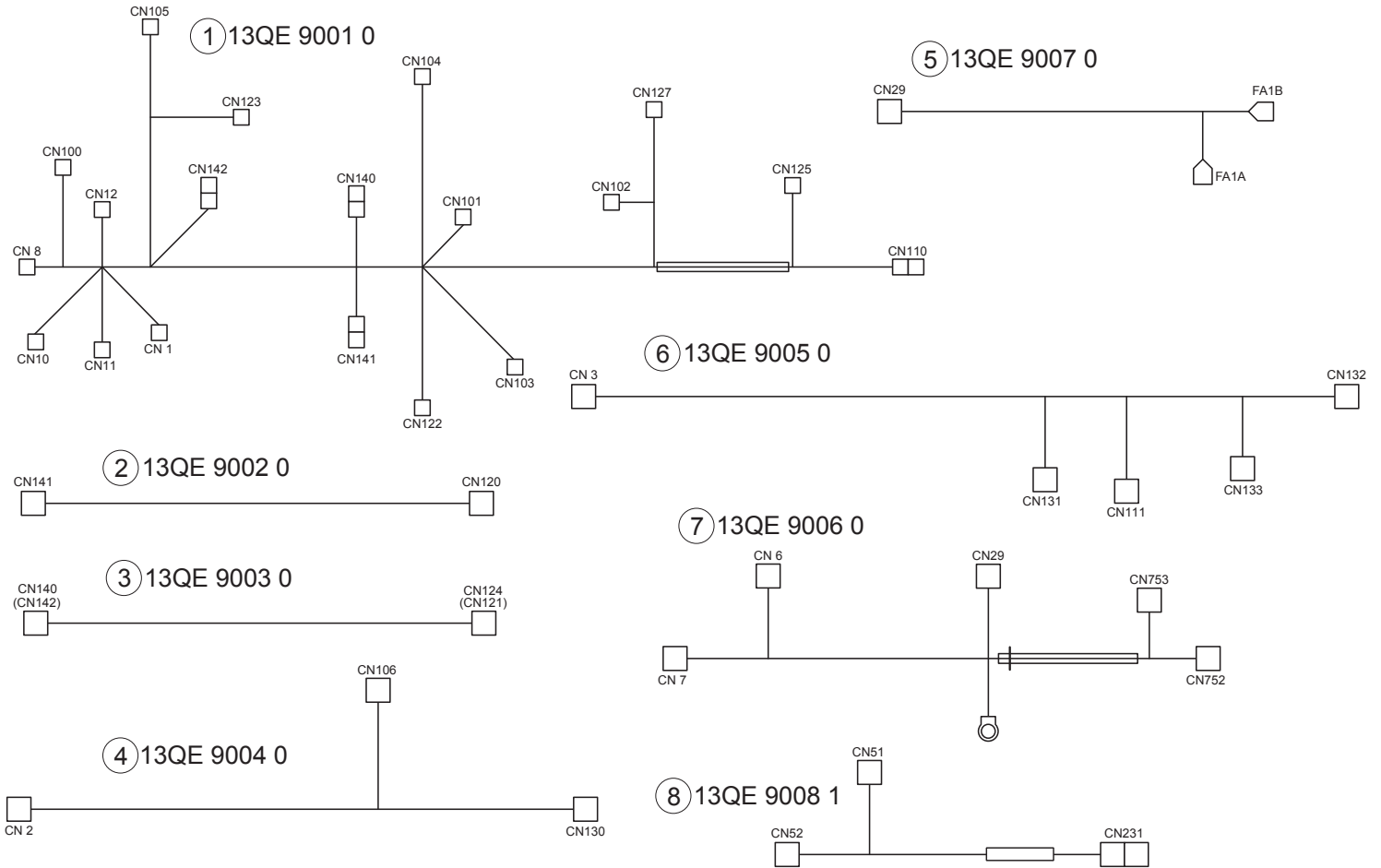
2500-sheet multifunction finisher (19)



2500-sheet multifunction finisher (19)

Key no.	Parts number	Description
1	3960 7605 0KC	Paper Feed Shaft Holder (Bushing/Bearing)
2	13QE 7501 0KC	Rolling Shaft Holder/A (Bushing/Bearing)
3	13QJ 7711 0KC	Paper Folding Worm
4	120H 1804 0KC	Motor Mounting Plate
5	25SA 1539 0KC	Drive Positioning Pin
6	13QJ 7710 0KC	Paper Folding Gear (Z=30)
7	08AA 8551 0KC	Photo Sensor
8	120H 8001 0KC	FNS Driving Motor /1
9	13QJ 7716 0KC	Idling Gear/1 (Z=35/15)
10	13QJ 4403 2KC	Paper Folding Blade
11	129X 4835 0KC	Guide Shaft Holder/A (Bushing/Bearing)
12	129X 4836 0KC	Guide Shaft Holder/B (Bushing/Bearing)
13	13QJ 4402 1KC	Slide Plate
14	13QJ 7717 0KC	Idling Gear/2 (Z=43/15)
15	13QJ 7718 0KC	Idling Gear/3 (Z=25)
a	00Z193061KC	C.R.P.H. Screw M3X6
b	00Z194061KC	C.R.P.H. Screw M4X6
c	00Z164081KC	C.R.P.H.S.Sems2 M4X8
d	00Z670606KC	E-Ring
e	00Z670806KC	E-Ring
f	00Z473043KC	Hexagon Socket Screw (W Point)

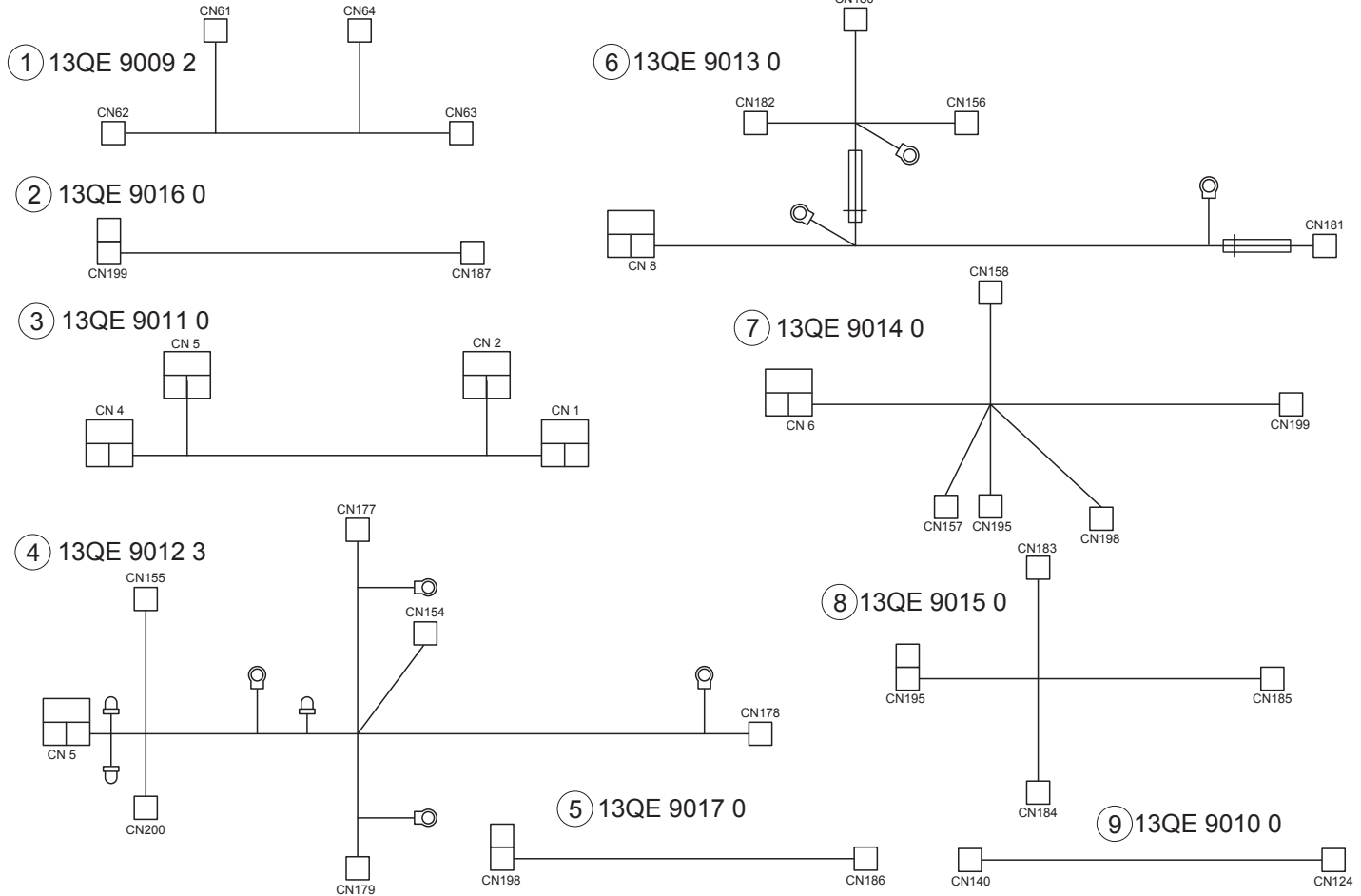
2500-sheet multifunction finisher (20)



2500-sheet multifunction finisher (20)

Key no.	Parts number	Description
1	13QE 9001 0KC	FNS Wiring/1
2	13QE 9002 0KC	FNS Wiring/2
3	13QE 9003 0KC	FNS Wiring/3
4	13QE 9004 0KC	FNS Wiring/4
5	13QE 9007 0KC	FNS Wiring/7
6	13QE 9005 1KC	FNS Wiring/5
7	13QE 9006 0KC	FNS Wiring/6
8	13QE 9008 2KC	FNS Wiring/8

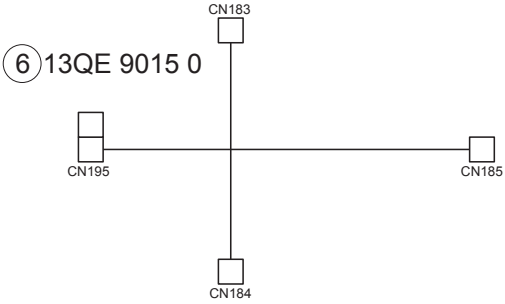
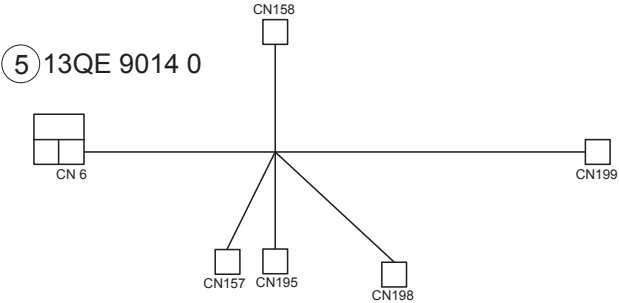
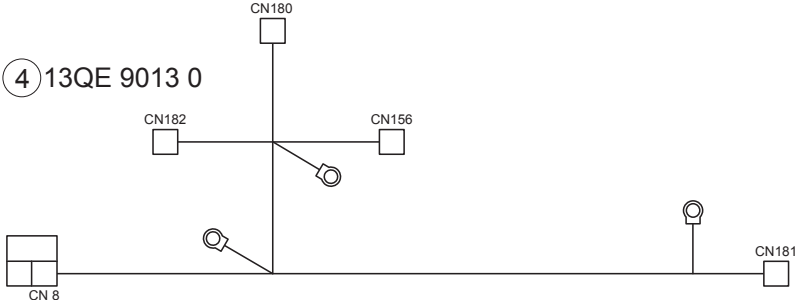
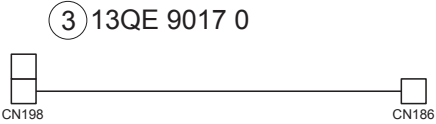
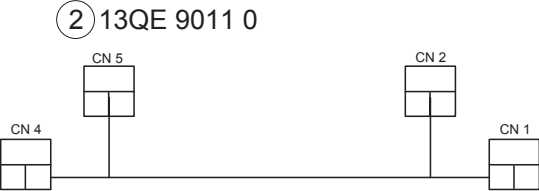
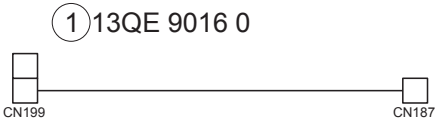
2500-sheet multifunction finisher (21)



2500-sheet multifunction finisher (21)

Key no.	Parts number	Description
1	13QE 9009 2KC	FNS Wiring/9
2	13QE 9016 0KC	Relay Wiring/A
3	13QE 9011 0KC	FNS Wiring/A
4	13QE 9012 4KC	FNS Wiring/B
5	13QE 9017 0KC	Relay Wiring/B
6	13QE 9013 1KC	FNS Wiring/C
7	13QE 9014 0KC	FNS Wiring/D
8	13QE 9015 0KC	FNS Wiring/E
9	13QE 9010 0KC	FNS Wiring/10

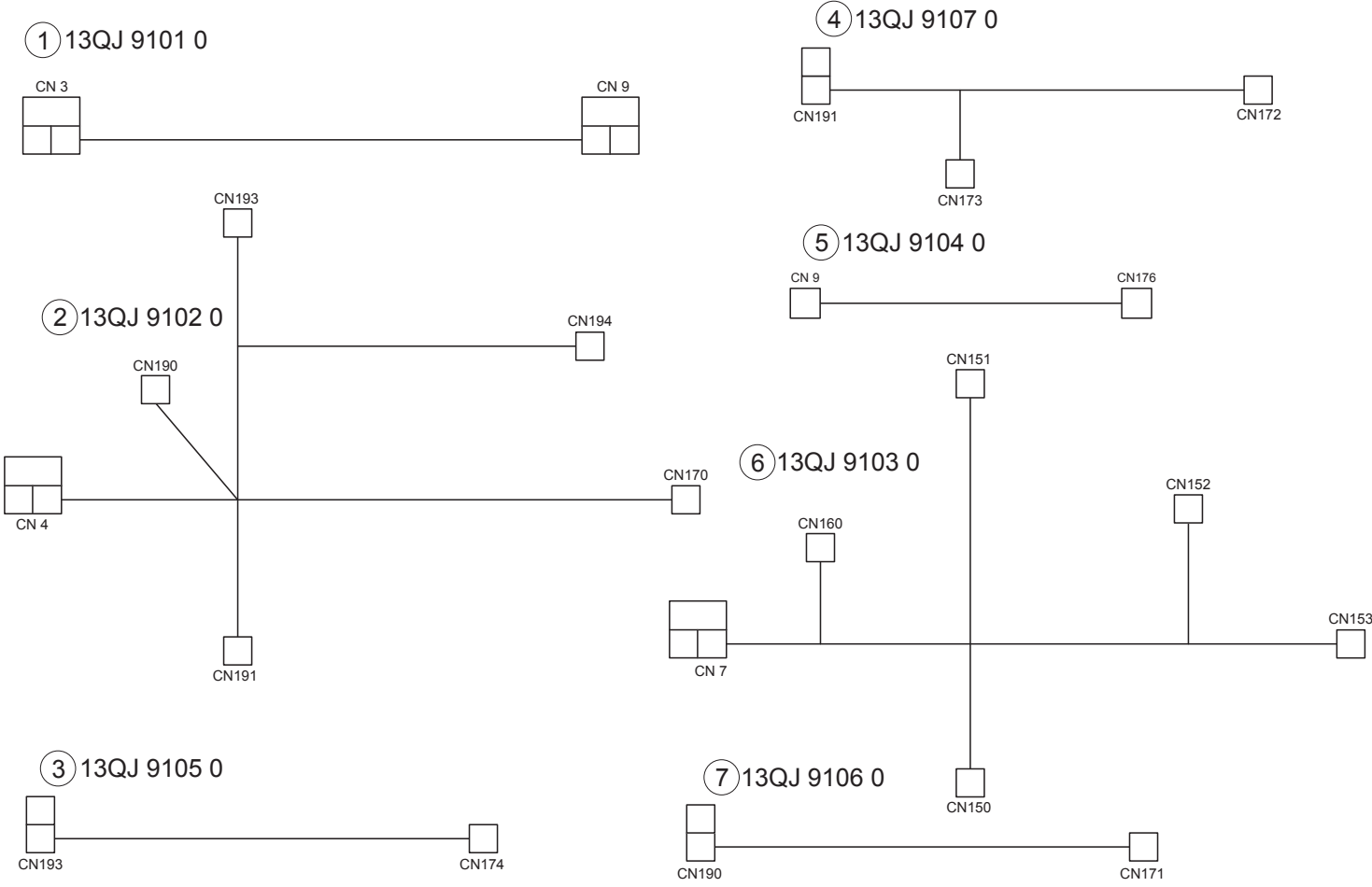
2500-sheet multifunction finisher (22)



2500-sheet multifunction finisher (22)

Key no.	Parts number	Description
1	13QE 9016 0KC	Relay Wiring/A
2	13QE 9011 0KC	FNS Wiring/A
3	13QE 9017 0KC	Relay Wiring/B
4	13QE 9013 1KC	FNS Wiring/C
5	13QE 9014 0KC	FNS Wiring/D
6	13QE 9015 0KC	FNS Wiring/E

2500-sheet multifunction finisher (23)



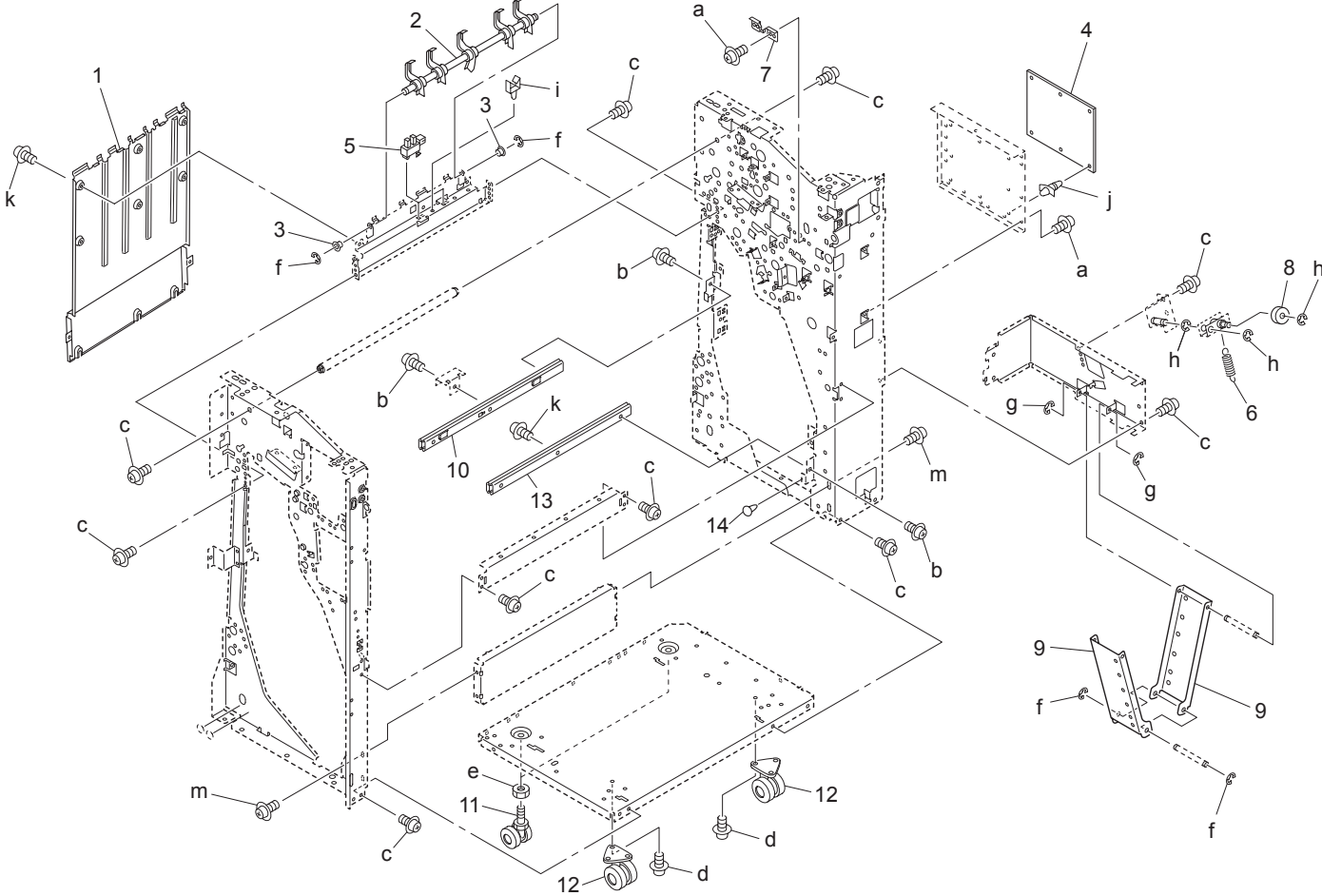
2500-sheet multifunction finisher (23)

Key no.	Parts number	Description
1	13QJ 9101 0KC	FNS Wiring/F
2	13QJ 9102 1KC	FNS Wiring/G
3	13QJ 9105 0KC	Relay Wiring/C
4	13QJ 9107 0KC	Relay Wiring/E
5	13QJ 9104 0KC	FNS Wiring/I
6	13QJ 9103 1KC	FNS Wiring/H
7	13QJ 9106 0KC	Relay Wiring/D

4 3000-sheet stapler/stacker

3000-sheet stapler/stacker (1)	204
3000-sheet stapler/stacker (2)	206
3000-sheet stapler/stacker (3)	208
3000-sheet stapler/stacker (4)	210
3000-sheet stapler/stacker (5)	212
3000-sheet stapler/stacker (6)	214
3000-sheet stapler/stacker (7)	216
3000-sheet stapler/stacker (8)	218
3000-sheet stapler/stacker (9)	220
3000-sheet stapler/stacker (10)	222
3000-sheet stapler/stacker (11)	224
3000-sheet stapler/stacker (12)	226
3000-sheet stapler/stacker (13)	228
3000-sheet stapler/stacker (14)	230
3000-sheet stapler/stacker (15)	232
3000-sheet stapler/stacker (16)	234
3000-sheet stapler/stacker (17)	236
3000-sheet stapler/stacker (18)	238

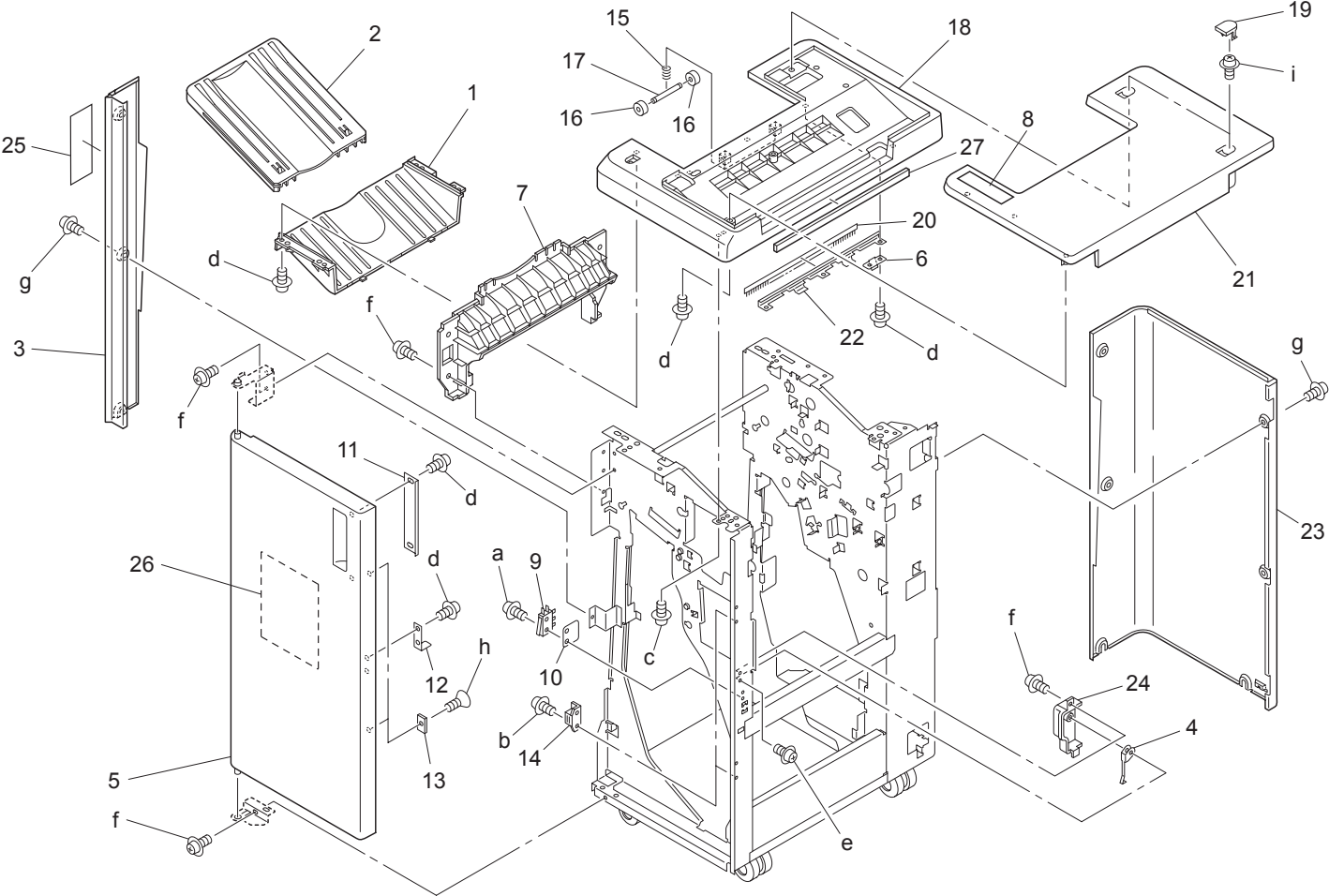
3000-sheet stapler/stacker (1)



3000-sheet stapler/stacker (1)

Key no.	Parts number	Description
1	13QE 1010 0KC	Paper Exit Stopper Plate
2	13QE 4901 0KC	Paper Exit Up/Down Actuator
3	12AA 7556 0KC	Driven Shaft Holder (Bushing/Bearing)
4	13QE -901 4KC	Control Board Unit
5	08AA 8551 0KC	Photo Sensor
6	129U 1030 0KC	Lock Spring
7	13QE 1017 1KC	Punch Guide Plate/A
8	0660 3114 1KC	Roller
9	129U 1015 0KC	Wiring Guide Arm
10	129U 1032 1KC	Slide Rail/Left
11	129U 1035 0KC	Carriage Roller/1
12	0498 1002 0KC	Carriage Roller/Rear
13	129U 1031 1KC	Slide Rail/Right
14	0486 4526 0KC	Stopper Rubber
a	00Z193061KC	C.R.P.H. Screw M3X6
b	00Z194053KC	C.R.P.H. Screw
c	00Z194061KC	C.R.P.H. Screw M4X6
d	00Z185081KC	Bind Screw (M5*8)
e	00Z511201KC	Hexagon Nut (A)
f	00Z670306KC	E-Ring
g	00Z670406KC	E-Ring
h	00Z670606KC	E-Ring
i	00Z921930KC	Mini Clamp
j	00Z925106KC	Locking Circuit Board Support
k	00Z194062KC	C.R.P.H Screw
m	00Z164081KC	C.R.P.H.S.Sems2 M4X8

3000-sheet stapler/stacker (2)

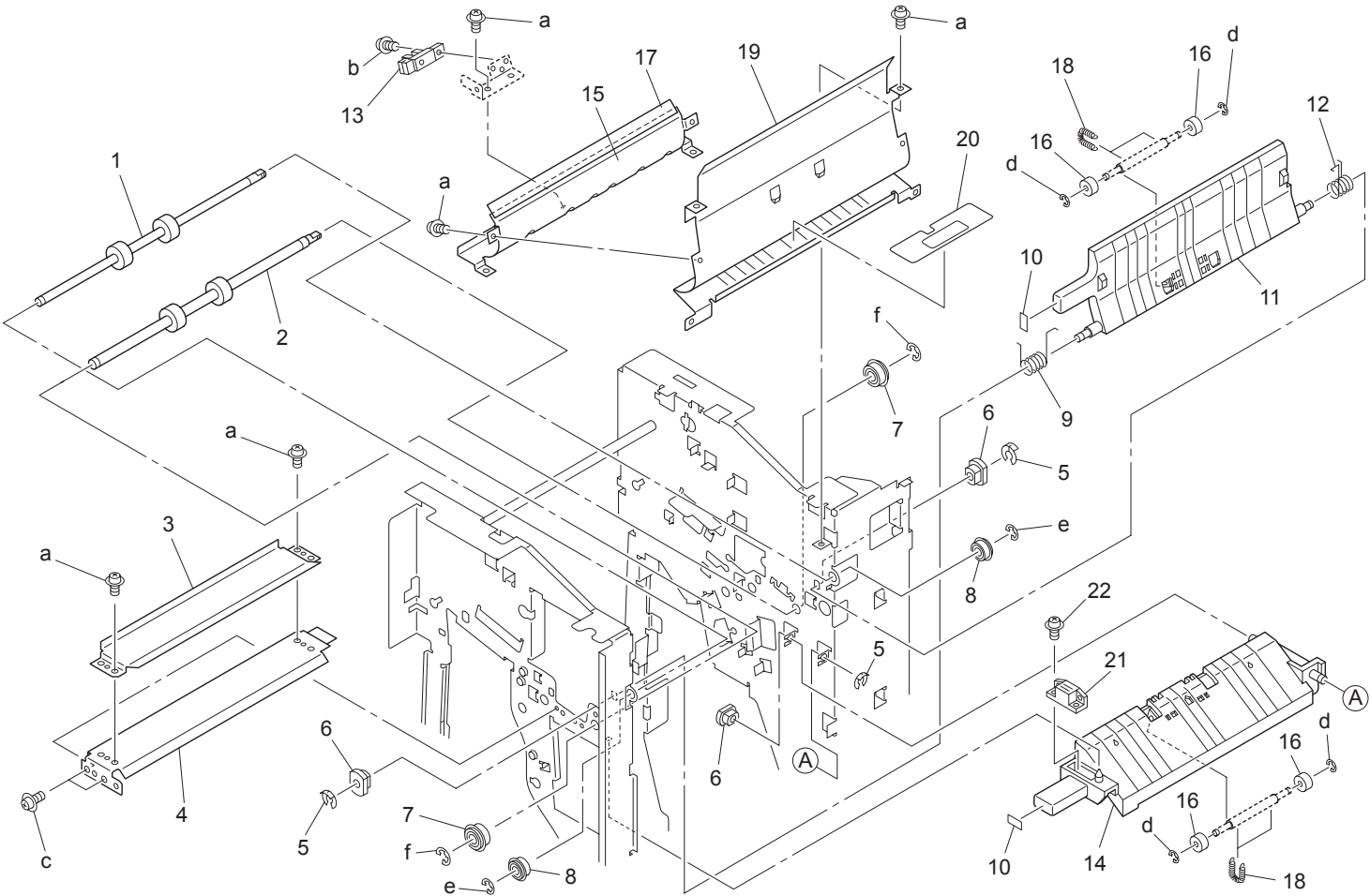


3000-sheet stapler/stacker (2)

Key no.	Parts number	Description
1	13QE 1210 0KC	Top Plate/2
2	13QE 1208 0KC	Paper Exit Tray/1
3	13QE 1203 0KC	Side Cover/Left
4	12AR 4561 1KC	Actuator
5	13QE 1204 0KC	Front Door
6	13QE 4806 0KC	Earth Plate/1
7	13QE 1202 0KC	Side Cover/Upper
8	129U 9707 0KC	Caution Label /C
9	12QR 8601 0KC	Inter Lock Switch
10	12QR 1226 0KC	Switch Insulating Sheet
11	13QE 1206 0KC	Handle
12	12AR 1216 0KC	Actuator
13	3000 1119 1KC	Magnet Catch
14	07BA 1235 1KC	Magnet Catch
15	129U 4611 0KC	Spring/Lower
16	25SA 4333 0KC	Paper Exit Driven Roller/B
17	12QR 4578 0KC	Shaft/Lower
18	13QE 1201 0KC	Top Plate/1
19	13QE 1211 0KC	Screw Cover
20	12QR 4721 0KC	Neutralizing Brush
21	13QE 1209 0KC	Top Plate/3
22	13QE 4810 0KC	Neutralizing Plate
23	13QE 1207 1KC	Rear Cover
24	12QR 1219 0KC	Cover
25	13QE 9705 0KC	Caution Label/A
26	13ZR 9702 0KC	Jam Processing Label

Key no.	Parts number	Description
27	13QE 1020 0KC	Preventing Parts/1
a	00Z182101KC	Bind Screw M2X10
b	00Z183061KC	Bind Screw M3X6
c	00Z354101KC	P Tight P.H. Screw
d	00Z353081KC	PT Screw (M3*8)
e	00Z193161KC	C.R.P.H. Screw M3X16
f	00Z194061KC	C.R.P.H. Screw M4X6
g	00Z144062KC	C.R.P.H.TR.Screw M4X6
h	00Z264081KC	Cross Recessed Tapping Screw
i	00Z194101KC	Cross Recessed Pan Head Screw

3000-sheet stapler/stacker (3)

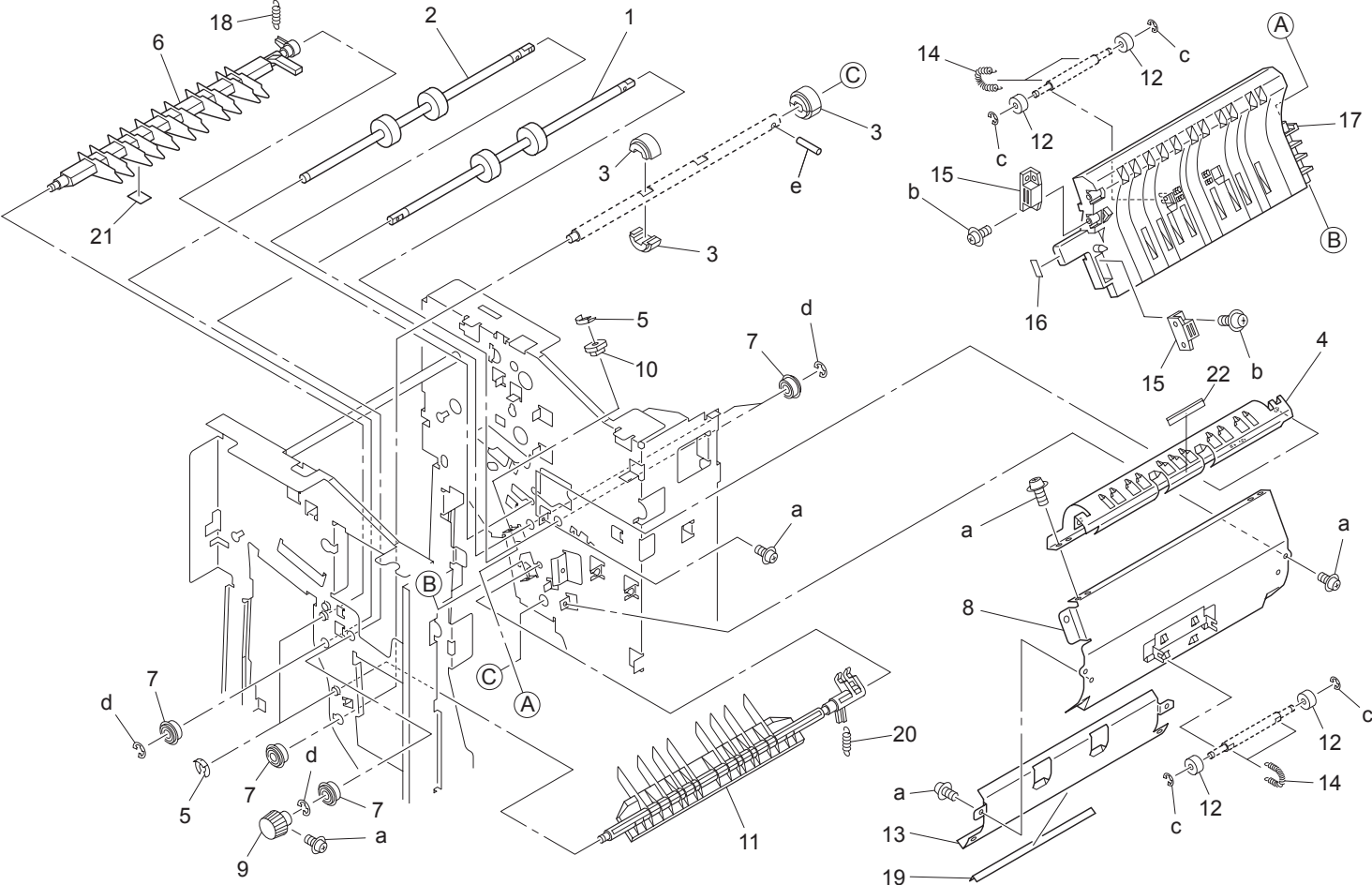


3000-sheet stapler/stacker (3)

Key no.	Parts number	Description
1	13QE 4511 1KC	Conveyance Roller/1
2	13QE 4537 0KC	Conveyance Roller/4
3	13QE 4541 0KC	Conveyance Guide Plate/B
4	13QE 4540 0KC	Conveyance Guide Plate/A
5	3960 4068 1KC	Snap Ring
6	13GQ 7602 0KC	Shaft Holder/A (Bushing/Bearing)
7	5400 7605 0KC	Driving Shaft Holder (Bushing/Bearing)
8	55GA 7503 1KC	Shaft Holder (Bushing/Bearing)
9	13QE 4526 0KC	Hinge Spring/1
10	3920 9716 0KC	Knob Label (A)
11	13QE 4503 0KC	Conveyance Guide Plate/3
12	13QE 4527 0KC	Hinge Spring/2
13	13QA 8552 0KC	Sensor/2
14	13QE 4501 1KC	Conveyance Guide Plate/1
15	13QE 4504 2KC	Conveyance Guide Plate/4
16	12AR 4518 0KC	Entrance Roller
17	13QE 4549 0KC	Conveyance Guide Sheet/1
18	13QE 4539 0KC	Pressing Spring/2
19	13QE 4502 1KC	Conveyance Guide Plate/2
20	13QE 4536 0KC	Conveyance Guide Sheet
21	07BA 1235 1KC	Magnet Catch
22	13QE 4520 0KC	Magnet Mounting Screw
a	00Z193061KC	C.R.P.H. Screw M3X6
b	00Z113061KC	C.R.P.H. Screw M3X6
c	00Z194061KC	C.R.P.H. Screw M4X6
d	00Z670206KC	E-Ring

Key no.	Parts number	Description
e	00Z670406KC	E-Ring
f	00Z670606KC	E-Ring
g	00Z113061KC	C.R.P.H. Screw M3X6

3000-sheet stapler/stacker (4)

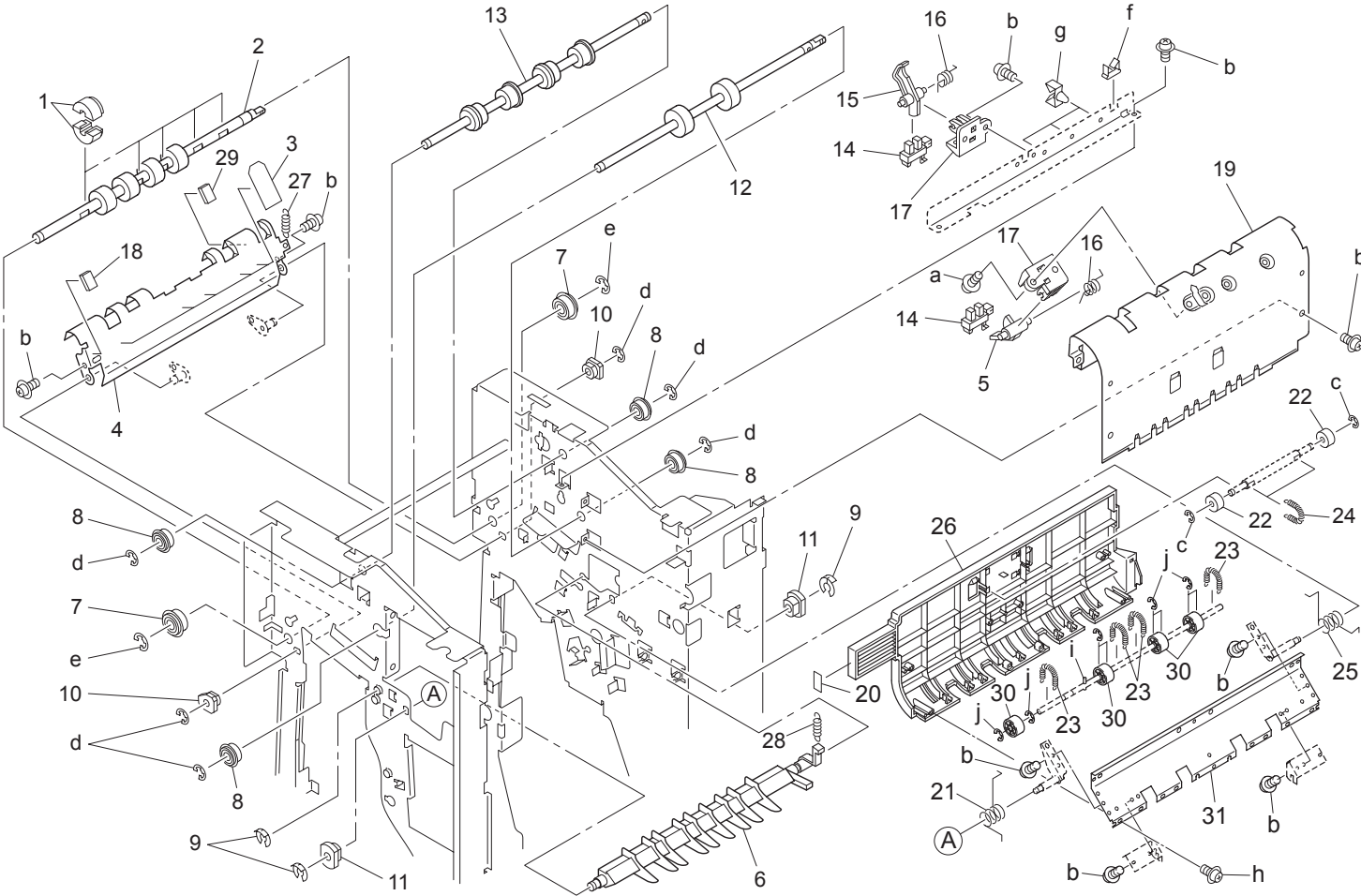


3000-sheet stapler/stacker (4)

Key no.	Parts number	Description
1	13QE 4513 1KC	Conveyance Roller/3
2	13QE 4512 0KC	Conveyance Roller/2
3	13QE 4531 0KC	Conveyance Roller/4
4	13QE 4507 1KC	Conveyance Guide Plate/7
5	3960 4068 1KC	Snap Ring
6	13QE 4517 0KC	Paper Guide Part/1
7	55GA 7503 1KC	Shaft Holder (Bushing/Bearing)
8	13QE 4530 1KC	Conveyance Guide Plate/A
9	13GQ 4547 0KC	Rotary Knob
10	13GQ 7602 0KC	Shaft Holder/A (Bushing/Bearing)
11	13QE 4519 2KC	Paper Guide Part/3
12	12AR 4518 0KC	Entrance Roller
13	13QE 4509 0KC	Conveyance Guide Plate/9
14	13QE 4560 0KC	Pressing Spring/4
15	07BA 1235 1KC	Magnet Catch
16	3920 9716 0KC	Knob Label (A)
17	13QE 4508 1KC	Conveyance Guide Plate/8
18	13QE 4865 0KC	Solenoid Spring
19	13QE 4546 0KC	Conveyance Sheet/1
20	13QE 4873 0KC	Solenoid Spring/2
21	13QE 4548 0KC	Conveyance Guide Sheet
22	13QE 4559 0KC	Sheet/A
a	00Z193061KC	C.R.P.H. Screw M3X6
b	00Z343081KC	P Tight P.H. Screw
c	00Z670206KC	E-Ring
d	00Z670406KC	E-Ring

Key no.	Parts number	Description
e	00Z713146KC	Spring Pin

3000-sheet stapler/stacker (5)

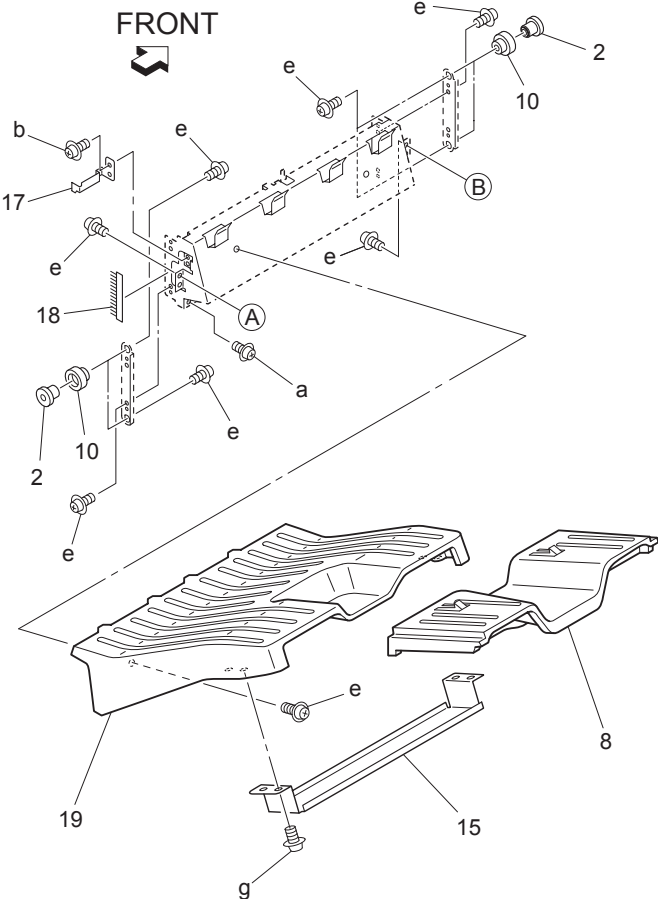
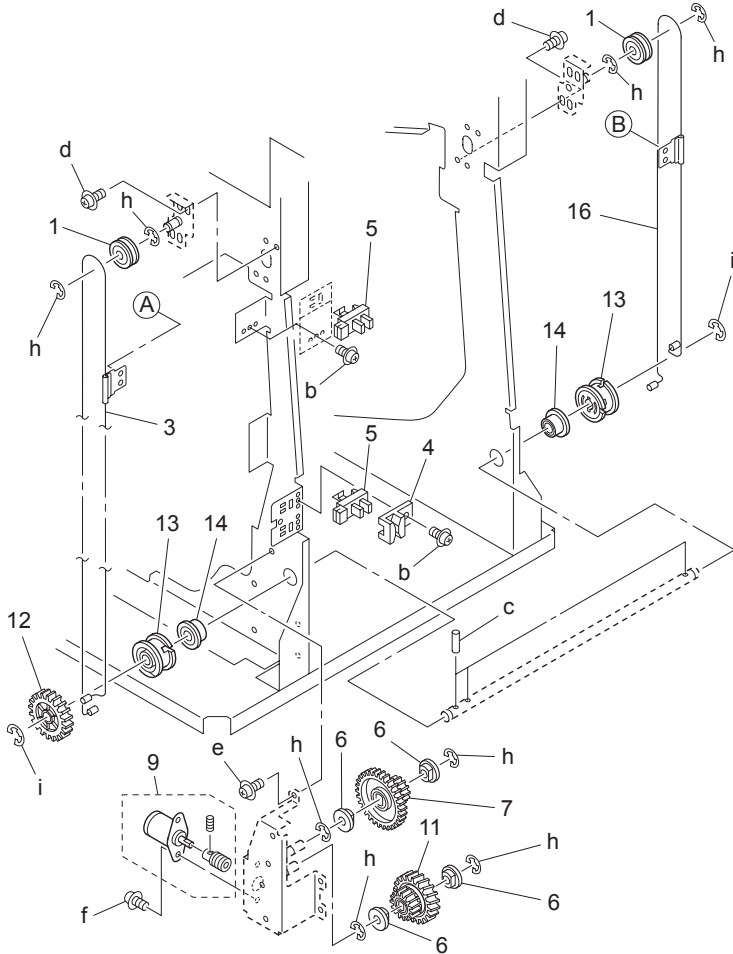


3000-sheet stapler/stacker (5)

Key no.	Parts number	Description
1	122H 4825 1KC	Paper Exit Roller/A
2	13QE 4515 0KC	Paper Exit Roller/1
3	13QE 4542 0KC	Paper Exit Auxiliary Sheet
4	13QE 4510 0KC	Paper Exit Guide Plate
5	13QE 4807 0KC	Actuator/1
6	13QE 4518 0KC	Paper Guide Part/2
7	5400 7605 0KC	Driving Shaft Holder (Bushing/Bearing)
8	55GA 7503 1KC	Shaft Holder (Bushing/Bearing)
9	3960 4068 1KC	Snap Ring
10	12ER 7553 0KC	Shaft Holder/A (Bushing/Bearing)
11	13GQ 7602 0KC	Shaft Holder/A (Bushing/Bearing)
12	13QE 4512 0KC	Conveyance Roller/2
13	13QE 4802 0KC	Paper Exit Roller
14	08AA 8551 0KC	Photo Sensor
15	13QE 4809 0KC	Actuator/2
16	13QE 4808 0KC	Spring/1
17	13QE 4830 0KC	Block
18	13QE 4543 0KC	Stopper Part
19	13QE 4506 0KC	Conveyance Guide Plate/6
20	3920 9716 0KC	Knob Label (A)
21	13QE 4528 0KC	Hinge Spring/3
22	12AR 4518 0KC	Entrance Roller
23	13QE 4524 0KC	Pressing Spring/1
24	13QE 4545 0KC	Pressing Spring/3
25	13QE 4529 0KC	Hinge Spring/4
26	13QE 4505 1KC	Conveyance Guide Plate/5

Key no.	Parts number	Description
27	13QE 4839 0KC	Paper Exit Spring
28	13QE 4865 0KC	Solenoid Spring
29	13QE 4547 0KC	Stopper Part
30	13QE 4276 0KC	Entrance Roller
31	13QE 4550 0KC	Conveyance Guide Stay/Front
a	00Z193043KC	C.R.P.H. Screw
b	00Z193061KC	C.R.P.H. Screw M3X6
c	00Z670206KC	E-Ring
d	00Z670406KC	E-Ring
e	00Z670606KC	E-Ring
f	00Z926251KC	Edge Saddle (EDS-1)
g	00Z921930KC	Mini Clamp
h	00Z353081KC	PT Screw (M3*8)
i	00Z711186KC	Spring Pin
j	00Z670306KC	E-Ring

3000-sheet stapler/stacker (6)

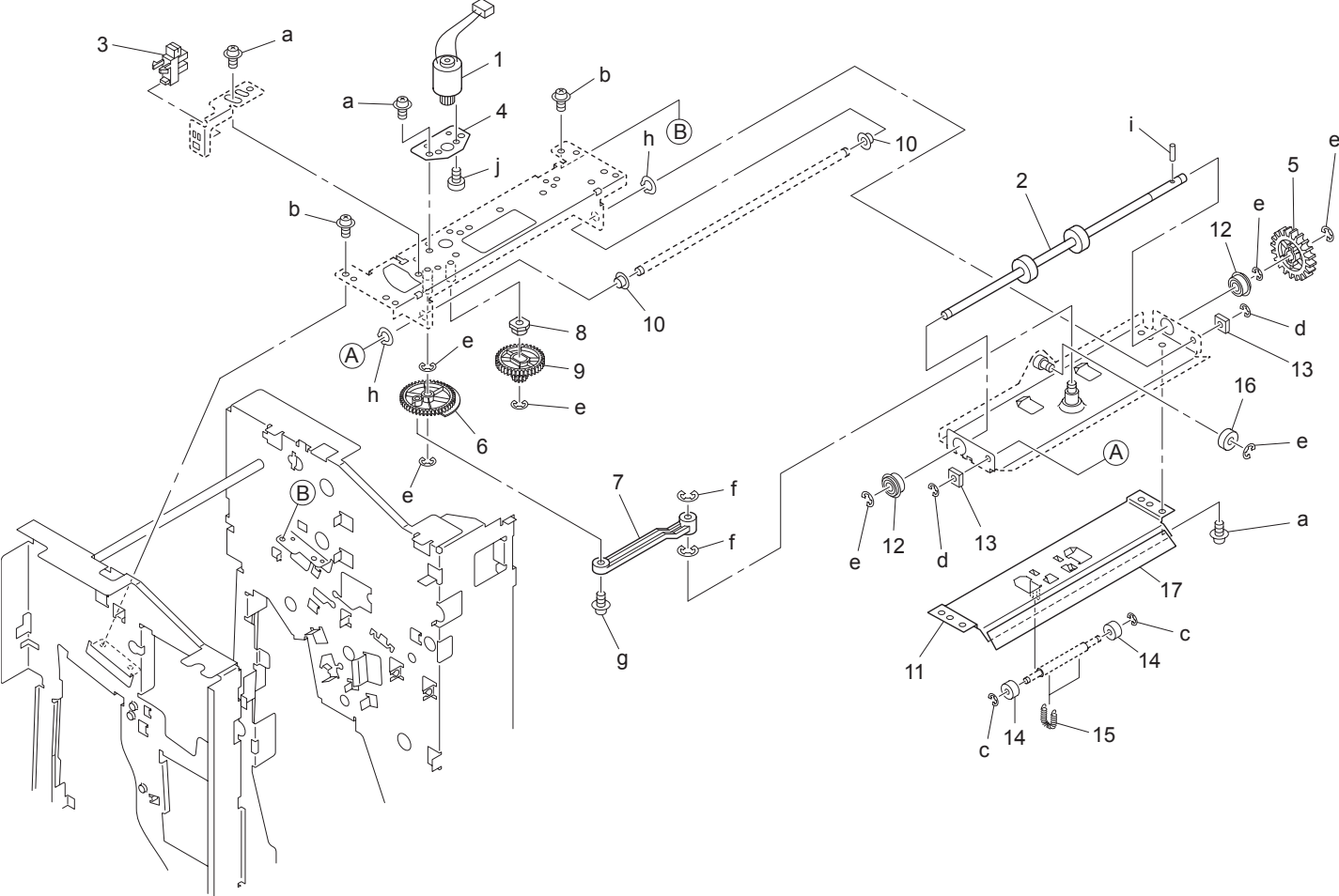


3000-sheet stapler/stacker (6)

Key no.	Parts number	Description
1	13QE 4914 0KC	Tension Pulley
2	13QE 4909 0KC	Slide Shaft
3	13QE 4907 0KC	Up/Down Wire/R
4	13QE 4915 0KC	Protection Part
5	08AA 8551 0KC	Photo Sensor
6	0900 7553 0KC	Bushing
7	13QE 7702 0KC	Up/Down Gear/B (Z=65/15; depth=25 mm)
7	14JS 7702 0KC	Up/Down Gear/B (Z=59/16; depth=43 mm)
8	129R 4802 1KC	Paper Exit Up-Down Tray/2
9	13QE -115 0KC	Up-Down Motor Assembly
10	13QE 4916 0KC	Guide Roller
11	13QE 7701 1KC	Up/Down Gear/A (Z=44/21; depth=25 mm)
11	14JS 7701 0KC	Up/Down Gear/A (Z=40/27; depth=51 mm)
12	13QE 7703 0KC	Up/Down Gear/C (Z=24; depth=10 mm)
12	14JS 7703 0KC	Up/Down Gear/C (Z=23; depth=26 mm)
13	12QR 4807 0KC	Up-Down Pulley
14	13QE 7501 0KC	Rolling Shaft Holder/A (Bushing/Bearing)
15	129R 4861 0KC	Paper Exit Reinforcing Stay
16	13QE 4906 0KC	Up/Down Wire/F
17	13QE 4913 1KC	Actuator/1
18	13QE 4904 0KC	Neutralizing Brush
19	129R 4801 2KC	Paper Exit Up-Down Tray/1
a	00Z193041KC	C.R.P.H. Screw M3X4
b	00Z193061KC	C.R.P.H. Screw M3X6
c	00Z743206KC	Parallel Pin
d	00Z194043KC	C.R.P.H. Screw

Key no.	Parts number	Description
e	00Z194061KC	C.R.P.H. Screw M4X6
f	00Z113061KC	C.R.P.H. Screw M3X6
g	00Z254081KC	Cross Recessed Tapping Screw
h	00Z670606KC	E-Ring
i	00Z670806KC	E-Ring

3000-sheet stapler/stacker (7)

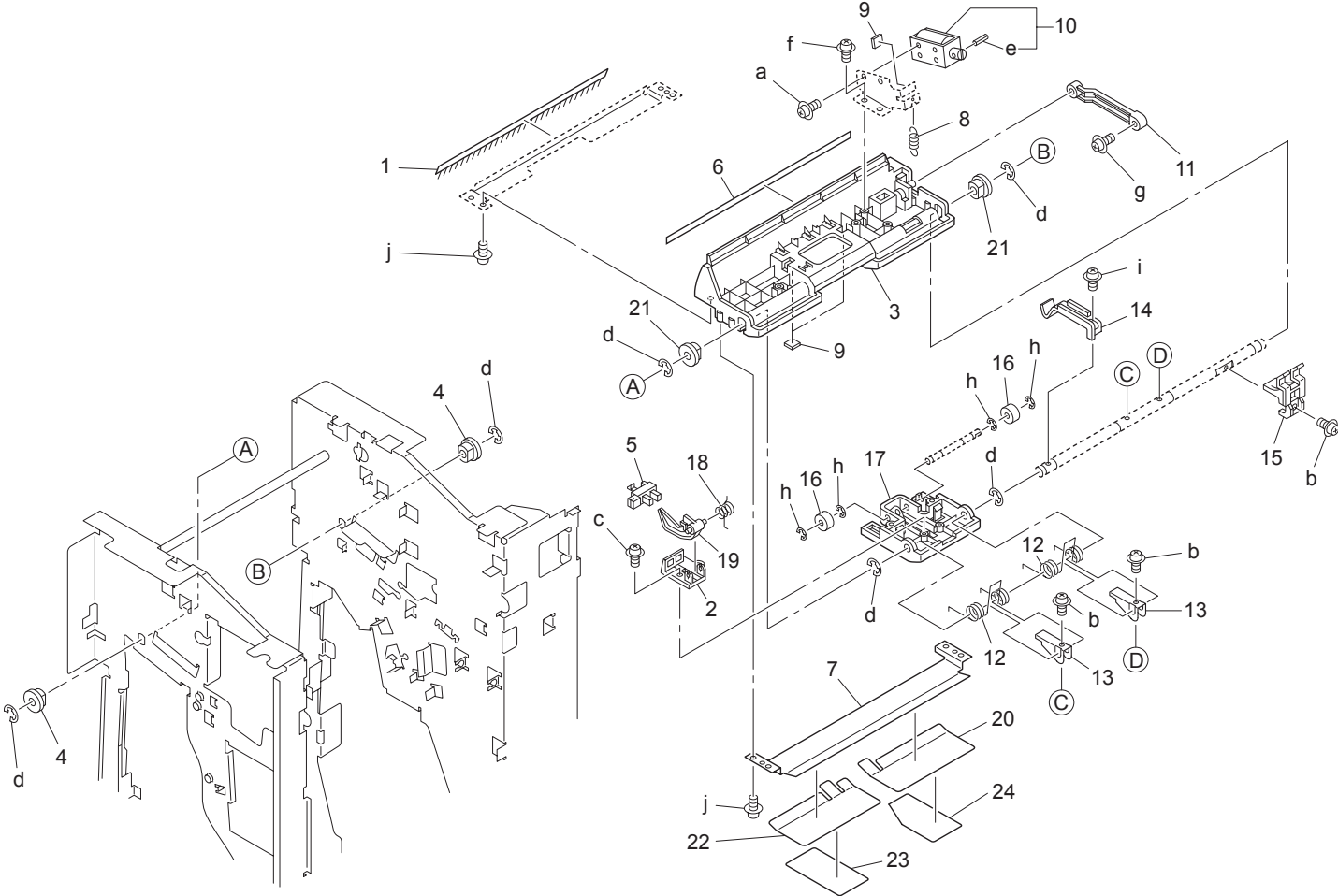


3000-sheet stapler/stacker (7)

Key no.	Parts number	Description
1	12QR -361 0KC	Shift Motor Assembly
2	13QE 4604 0KC	Conveyance Roller/A
3	08AA 8551 0KC	Photo Sensor
4	12QR 4628 0KC	Motor Mount Plate
5	13QE 7704 0KC	Drive Gear/1 (Z=32)
6	13QE 7707 0KC	Slide Gear/2 (Z=128)
7	12QR 4611 0KC	Slide Arm
8	1921 4171 0KC	Paper Lift-Up Lever Shaft Holder (B) (Bushing/ Bearing)
9	13QE 7706 0KC	Slide Gear/1 (Z=105/24)
10	12AR 7551 0KC	Bushing/A
11	13QE 4603 0KC	Guide Plate/Lower
12	55GA 7503 1KC	Shaft Holder (Bushing/Bearing)
13	25AA 5209 0KC	Pressure Sheet
14	12AR 4518 0KC	Entrance Roller
15	13QE 4524 0KC	Pressing Spring/1
17	13QE 4611 0KC	Conveyance Guide Sheet/2
a	00Z193061KC	C.R.P.H. Screw M3X6
b	00Z194061KC	C.R.P.H. Screw M4X6
c	00Z670206KC	E-Ring
d	00Z670306KC	E-Ring
e	00Z670406KC	E-Ring
f	00Z670606KC	E-Ring
g	00Z354101KC	P Tight P.H. Screw
h	00Z600606KC	Set Ring (6M)
i	00Z743146KC	Parallel Pin 3*14

Key no.	Parts number	Description
j	00Z182641KC	Bind Screw M2.6X4

3000-sheet stapler/stacker (8)

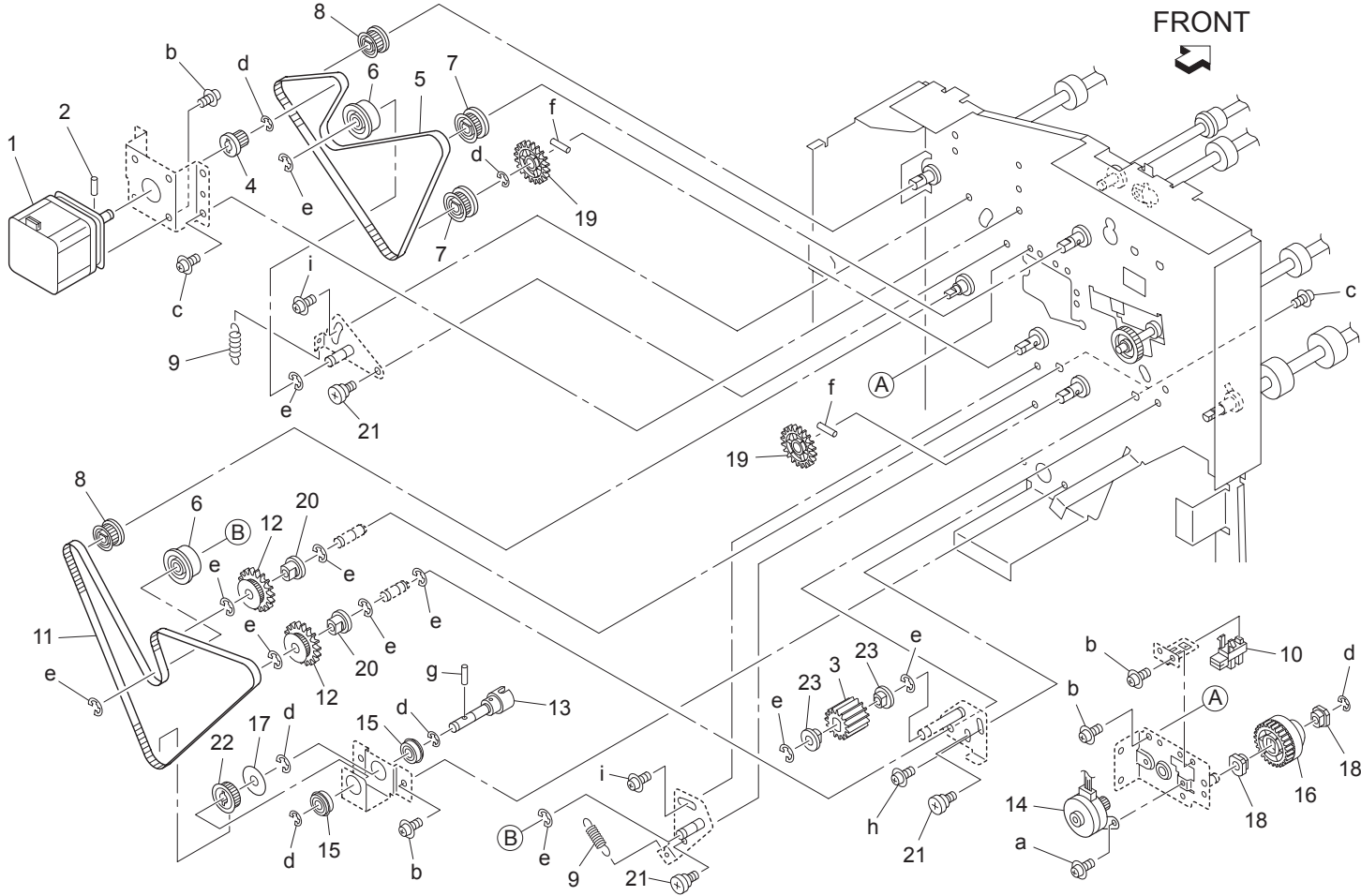


3000-sheet stapler/stacker (8)

Key no.	Parts number	Description
1	13QE 4842 1KC	Neutralizing Brush
2	13QE 4830 0KC	Block
3	13QE 4821 0KC	Paper Exit Guide Stay
4	0900 7553 0KC	Bushing
5	08AA 8551 0KC	Photo Sensor
6	13QE 4846 0KC	Spacer/A
7	13QE 4822 0KC	Paper Exit Guide Plate/Lower
8	13QE 4835 0KC	Solenoid Spring
9	12ER 4035 0KC	Sticking Part
10	13QE -486 0KC	Paper Exit Solenoid Assembly
11	13QE 4840 0KC	Slide Arm
12	13QE 4831 0KC	Pressing Spring
13	13QE 4832 0KC	Stopper Plate
14	13QE 4836 1KC	Holding Plate
15	13QE 4834 0KC	Solenoid Lever
16	12AR 4518 0KC	Entrance Roller
17	13QE 4825 0KC	Paper Exit Guide Part
18	13QE 4808 0KC	Spring/1
19	13QE 4828 0KC	Actuator
20	13QE 4829 0KC	Paper Exit Guide Sheet
21	13GQ 7603 0KC	Shaft Holder/B (Bushing/Bearing)
22	13QE 4843 0KC	Paper Exit Guide Sheet/2
23	13QE 4844 0KC	Paper Exit Sheet /A
24	13QE 4845 0KC	Paper Exit Sheet /B
a	00Z163061KC	C.R.P.H.S.Sems2 M3X6
b	00Z193061KC	C.R.P.H. Screw M3X6

Key no.	Parts number	Description
c	00Z353061KC	P Tight P.H. Screw
d	00Z670606KC	E-Ring
e	00Z713256KC	Spring Pin
f	00Z354081KC	P Tight P.H. Screw
g	00Z354101KC	P Tight P.H. Screw
h	00Z670206KC	E-Ring
i	00Z163081KC	C.R.P.H.S.Sems2 M3X8
j	00Z353081KC	PT Screw (M3*8)

3000-sheet stapler/stacker (9)

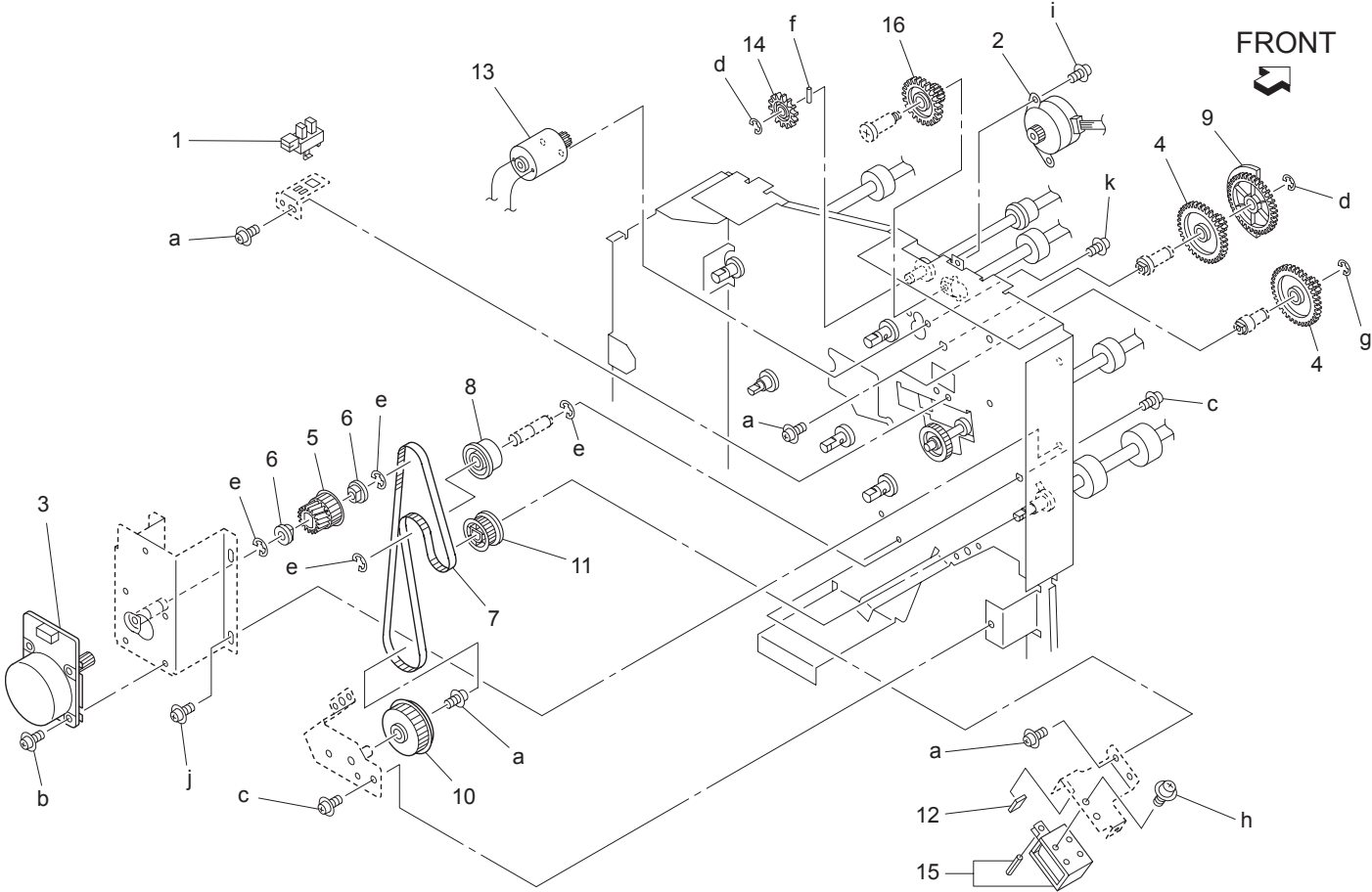


3000-sheet stapler/stacker (9)

Key no.	Parts number	Description
1	56AA 8011 0KC	Paper Exit Driving Motor
2	1136 2060 0KC	Pin (A)
3	129R 7716 0KC	Idler Gear
4	13QE 7653 0KC	Motor Pulley (Z=14)
5	13QE 7754 0KC	Belt/1 (L=651)
6	122H 1522 0KC	Tension Roller
7	13QE 7654 0KC	Drive Pulley/1 (Z=25)
8	13QE 7663 0KC	Drive Pulley/2 (Z=20)
9	13QE 4864 0KC	Tension Spring/1
10	08AA 8551 0KC	Photo Sensor
11	13QE 7755 0KC	Belt/2 (L=741)
12	13QE 7655 0KC	Idling Pulley/1 (Z=32)
13	13QE -169 0KC	Coupling Shaft Assembly
14	13GQ 8001 1KC	FNS Collect Motor
15	55GA 7503 1KC	Shaft Holder (Bushing/Bearing)
16	13QE 7705 0KC	Cam Gear (Z=71)
17	25AA 4793 0KC	Collar/C
18	12ER 7553 0KC	Shaft Holder/A (Bushing/Bearing)
19	13QE 7704 0KC	Drive Gear/1 (Z=32)
20	3260 4033 0KC	Shaft Holder (A) (Bushing/Bearing)
21	25AA 4767 0KC	Guide Screw
22	13QE 7665 0KC	Drive Pulley/3 (Z=25)
23	0900 7553 0KC	Bushing
a	00Z183061KC	Bind Screw M3X6
b	00Z193061KC	C.R.P.H. Screw M3X6
c	00Z194061KC	C.R.P.H. Screw M4X6

Key no.	Parts number	Description
d	00Z670406KC	E-Ring
e	00Z670606KC	E-Ring
f	00Z743146KC	Parallel Pin 3*14
g	00Z743126KC	Parallel Pin
h	00Z163061KC	C.R.P.H.S.Sems2 M3X6
i	00Z164061KC	C.R.P.H.S.Sems2 M4X6

3000-sheet stapler/stacker (10)

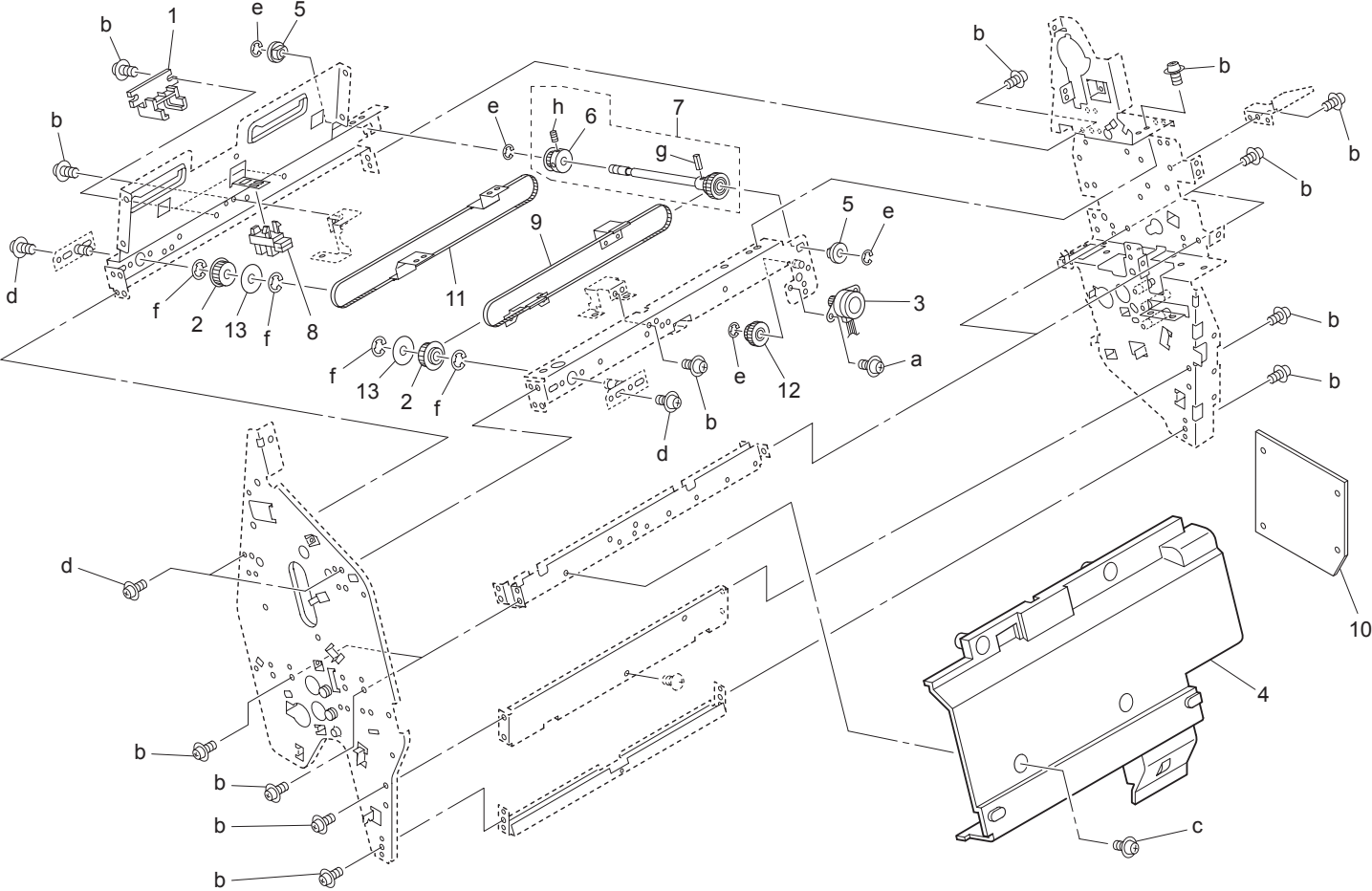


3000-sheet stapler/stacker (10)

Key no.	Parts number	Description
1	08AA 8551 0KC	Photo Sensor
2	129U 8003 0KC	Correction Motor
3	56AA 8008 1KC	DC Brushless Motor/15
4	12QR 7711 0KC	Paper Exit Gear (Z=100/20)
5	13QE 7656 0KC	Idling Pulley/2 (Z=31/24)
6	3260 4033 0KC	Shaft Holder (A) (Bushing/Bearing)
7	13QE 7756 0KC	Belt/3 (L=582)
8	122H 1522 0KC	Tension Roller
9	129U 7701 0KC	Slide Gear/A (Z=100)
10	129U 7656 0KC	Paper Exit Pulley (Z=43)
11	12QR 7655 0KC	Driving Pulley/A (Z=24)
12	12ER 4035 0KC	Sticking Part
13	12QR -361 0KC	Shift Motor Assembly
14	13QE 7721 0KC	Drive Gear/2 (Z=22)
15	12QR -263 0KC	FNS Solenoid Assembly
16	13QE 7720 0KC	Idling Gear/1 (Z=37/25)
a	00Z193061KC	C.R.P.H. Screw M3X6
b	00Z183061KC	Bind Screw M3X6
c	00Z194061KC	C.R.P.H. Screw M4X6
d	00Z670406KC	E-Ring
e	00Z670606KC	E-Ring
f	00Z743146KC	Parallel Pin 3*14
g	00Z670306KC	E-Ring
h	00Z163061KC	C.R.P.H.S.Sems2 M3X6
i	00Z183041KC	Bind Screw M3X4
j	00Z164081KC	C.R.P.H.S.Sems2 M4X8

Key no.	Parts number	Description
k	00Z182641KC	Bind Screw M2.6X4

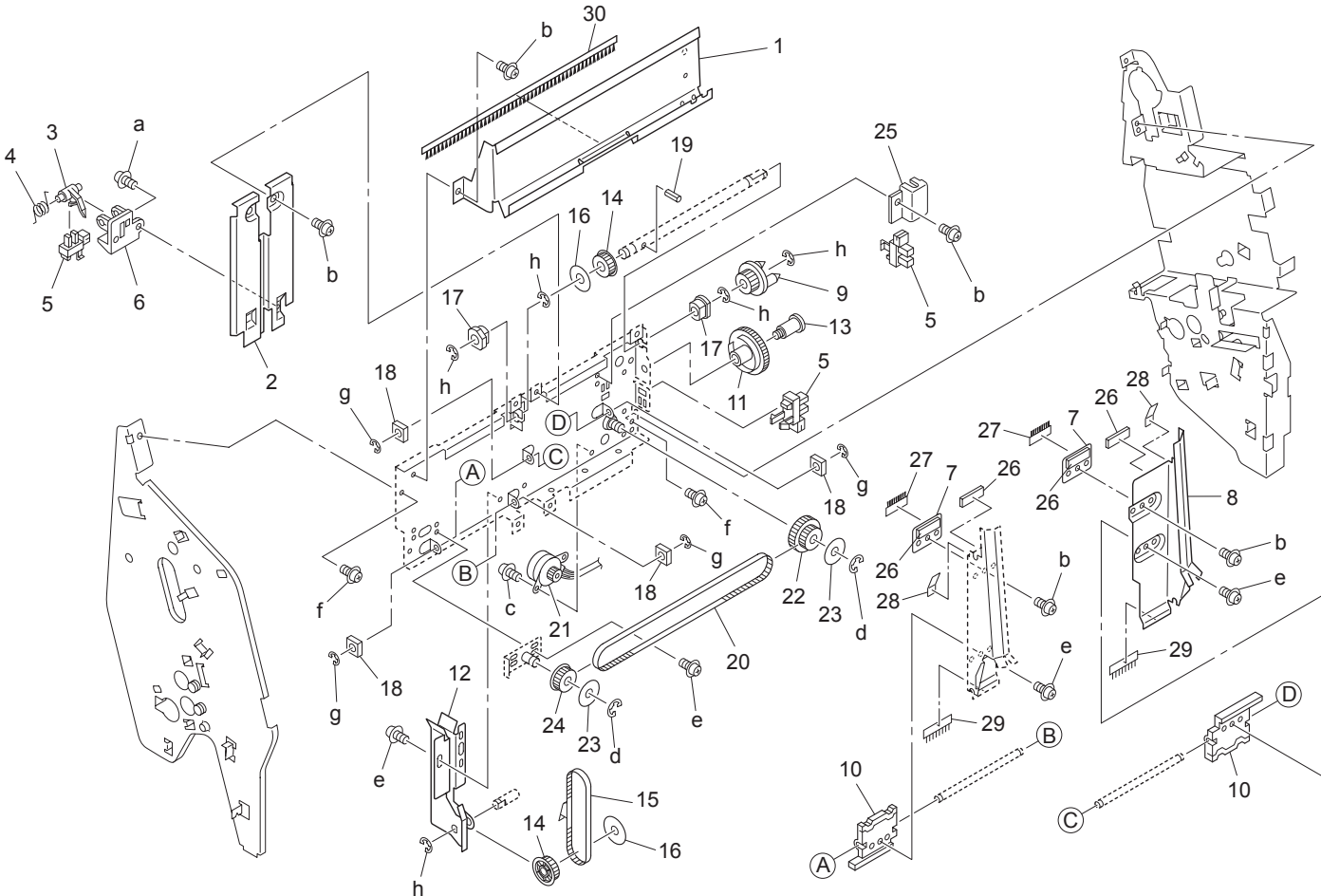
3000-sheet stapler/stacker (11)



3000-sheet stapler/stacker (11)

Key no.	Parts number	Description
1	13QE 4242 0KC	Cartridge Guide Rail
2	13QE 7664 0KC	Idling Pulley (Z=19)
3	129U 8003 0KC	Correction Motor
4	13QE 4243 0KC	Staple Cover
5	4660 7602 0KC	Paper Feed Shaft Holder (Bushing/Bearing)
6	13QE 7658 0KC	Staple Slide Pulley/B (Z=19)
7	13QE -410 0KC	Staple Driving Shaft Assembly
8	08AA 8551 0KC	Photo Sensor
9	13QE 7758 0KC	Staple Driving Belt/Upper (L=1014)
10	13QE -932 6KC	Relay Board Assembly
11	13QE 7763 0KC	Staple Guide Belt/Lower (L=1014)
12	12QR 7701 0KC	Staple Driving Gear
13	25AA 5214 0KC	Belt Holder/B
a	00Z183041KC	Bind Screw M3X4
b	00Z194061KC	C.R.P.H. Screw M4X6
c	00Z144062KC	C.R.P.H.TR.Screw M4X6
d	00Z164081KC	C.R.P.H.S.Sems2 M4X8
e	00Z670406KC	E-Ring
f	00Z670606KC	E-Ring
g	00Z713106KC	Spring Pin
h	00Z473063KC	Hexagon Socket Screw (W Point)

3000-sheet stapler/stacker (12)

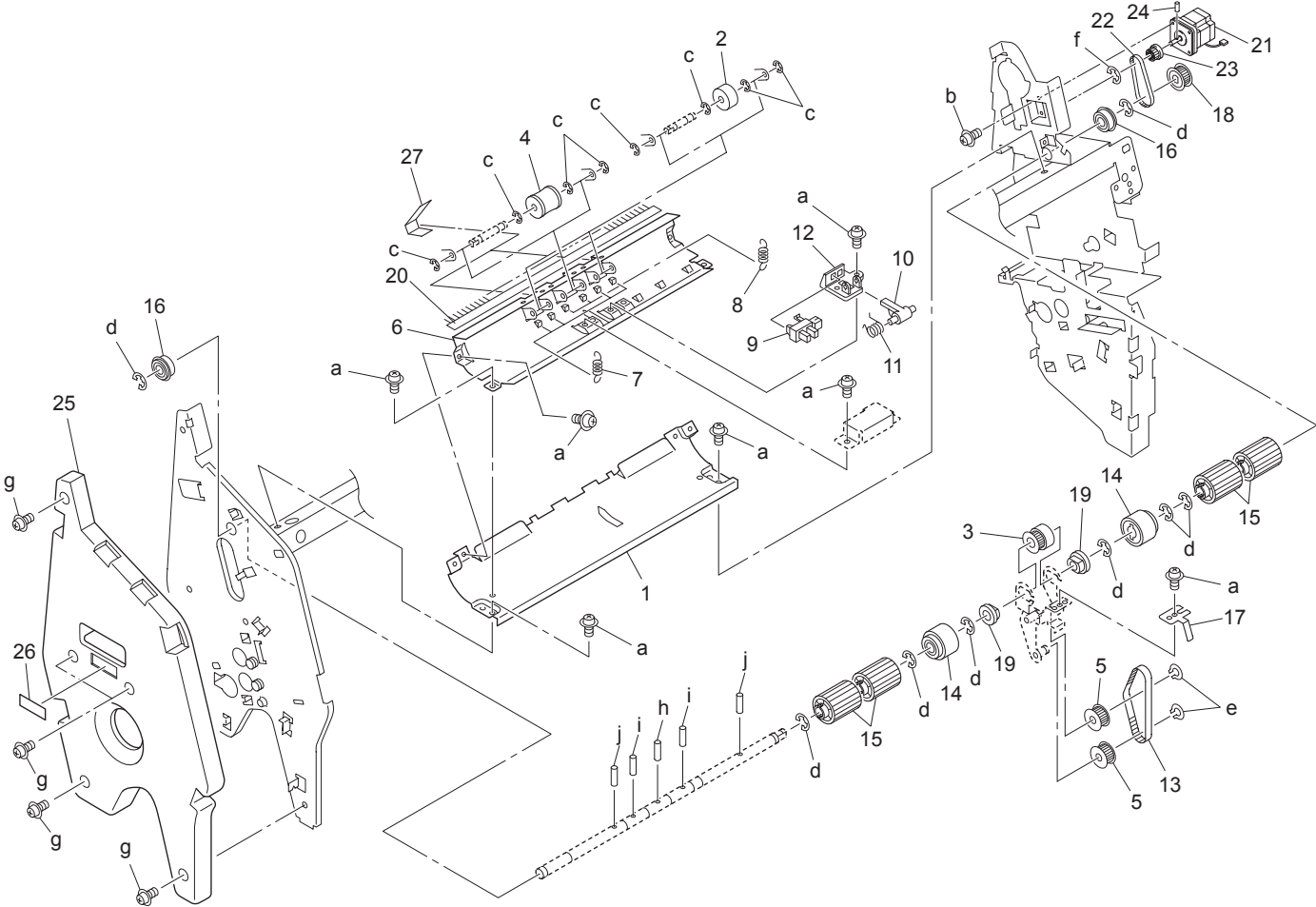


3000-sheet stapler/stacker (12)

Key no.	Parts number	Description
1	13QE 4313 1KC	Paper Exit Regulating Plate
2	13QE 4302 2KC	Guide Plate/Middle
3	13QE 4828 0KC	Actuator
4	13QE 4808 0KC	Spring/1
5	08AA 8551 0KC	Photo Sensor
6	13QE 4830 0KC	Block
7	13QE 4308 0KC	Slide Plate
8	13QE 4304 2KC	Regulating Plate/Rear
9	129U 7704 1KC	Coupling Gear (Z=18)
10	13QE 4306 0KC	Slide Block/A
11	12QR 7721 0KC	Belt Detecting Gear (Z=102)
12	13QE 4309 1KC	Belt Mounting Plate
13	12QR 5053 0KC	Belt Detecting Screw
14	13QE 7651 0KC	Paper Exit Pulley (Z=18)
15	13QE 7751 0KC	Paper Exit Belt (L=518.16)
16	13QE 4310 0KC	Belt Holder
17	12ER 7553 0KC	Shaft Holder/A (Bushing/Bearing)
18	25AA 5209 0KC	Pressure Sheet
19	4660 7801 0KC	Pin A
20	12QR 7751 0KC	Belt/A
21	129U 8003 0KC	Correction Motor
22	25AA 5251 0KC	Regulating Gear/S (Z=55/28)
23	25AA 5214 0KC	Belt Holder/B
24	25AA 5271 0KC	Idler Pulley (Z=28)
25	129X 4282 0KC	Cover
26	13QE 4315 0KC	Slide Sheet

Key no.	Parts number	Description
27	13QE 4316 0KC	Neutralizing Brush
28	13QE 4318 0KC	Guide Sheet /1
29	13QE 4317 0KC	Neutralizing Brush /3
30	13NK 5022 0KC	Neutralizing Brush /A
a	00Z193043KC	C.R.P.H. Screw
b	00Z193061KC	C.R.P.H. Screw M3X6
c	00Z183041KC	Bind Screw M3X4
d	00Z670606KC	E-Ring
e	00Z163061KC	C.R.P.H.S.Sems2 M3X6
f	00Z194061KC	C.R.P.H. Screw M4X6
g	00Z670306KC	E-Ring
h	00Z670406KC	E-Ring

3000-sheet stapler/stacker (13)

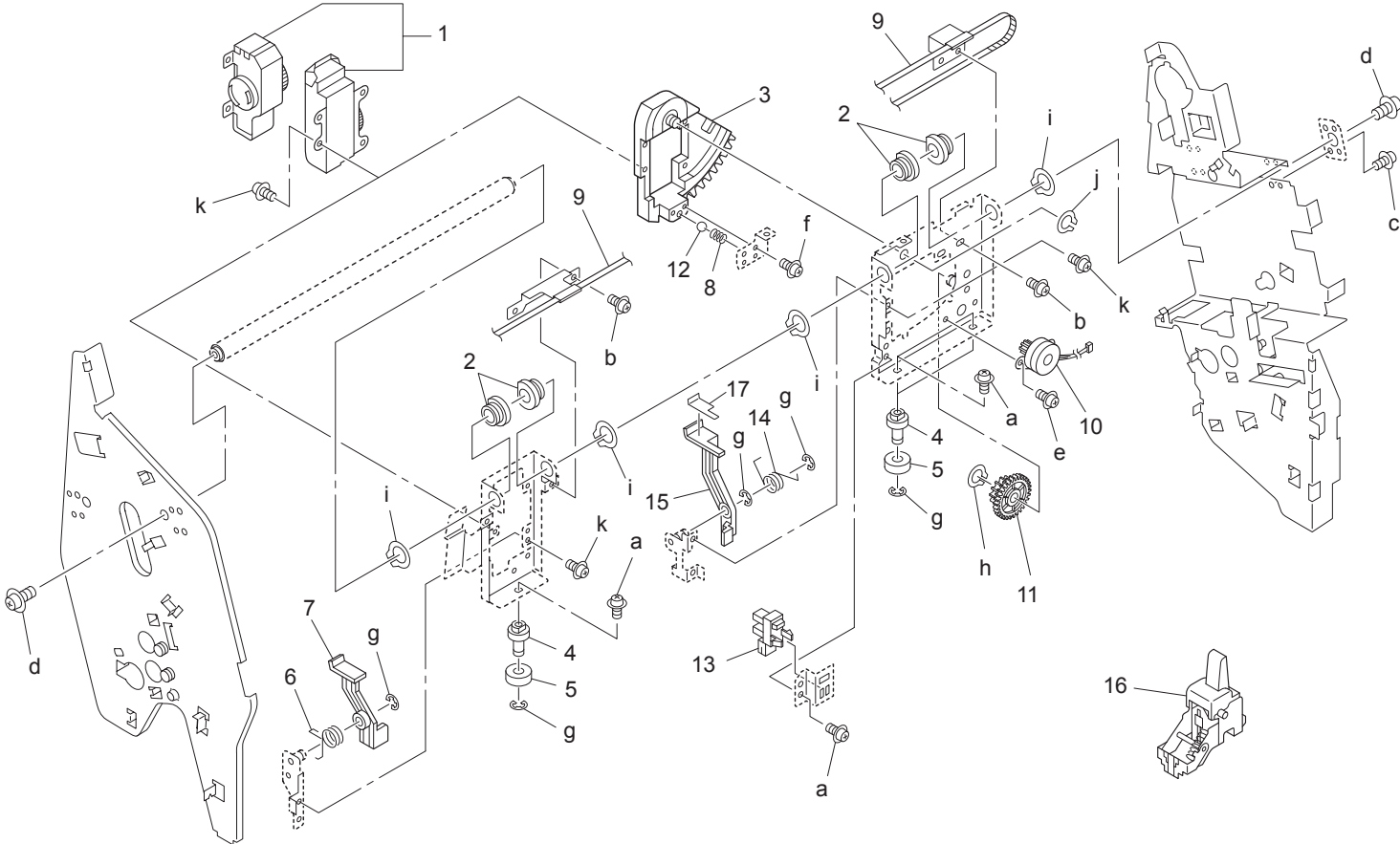


3000-sheet stapler/stacker (13)

Key no.	Parts number	Description
1	13QE 4272 2KC	Conveyance Guide Plate/A
2	13QE 4276 0KC	Entrance Roller
3	13QE 4266 0KC	Entrance Feed Roller (Z=30)
4	13QE 4275 0KC	Entrance Driven Roller
5	13QE 7652 0KC	Rocking Pulley (Z=32)
6	13QE 4273 2KC	Conveyance Guide Plate/B
7	13QE 4278 0KC	Conveyance Pressing Spring/A
8	13QE 4270 0KC	Conveyance Pressing Spring/B
9	08AA 8551 0KC	Photo Sensor
10	13QE 4807 0KC	Actuator/1
11	13QE 4808 0KC	Spring/1
12	13QE 4830 0KC	Block
13	13QE 7752 0KC	Belt/J (L=180)
14	13QE 4262 0KC	Entrance Guide Roller/1
15	13QE 4264 0KC	Entrance Guide Roller/2
16	5400 7605 0KC	Driving Shaft Holder (Bushing/Bearing)
17	13QE 4281 2KC	Rocking Spring
18	12QR 7655 0KC	Driving Pulley/A (Z=24)
19	0900 7553 0KC	Bushing
20	13NK 5022 0KC	Neutralizing Brush /A
21	12WM 8003 0KC	STR Driving Motor
22	13QE 7753 0KC	Belt/E (L=189)
23	129R 7691 0KC	Motor Pulley
24	0980 3030 0KC	Pin
25	13QE 4204 0KC	Front Cover /1
26	1136 9702 0KC	Knob Label

Key no.	Parts number	Description
27	13QE 4283 3KC	Exit Guide Sheet
a	00Z193043KC	C.R.P.H. Screw
b	00Z193061KC	C.R.P.H. Screw M3X6
c	00Z670306KC	E-Ring
d	00Z670606KC	E-Ring
e	00Z680606KC	Set Ring For Shaft (D=6)
f	00Z670406KC	E-Ring
g	00Z144062KC	C.R.P.H.TR.Screw M4X6
h	00Z741126KC	Parallel Pin(1.6*12)
i	00Z743146KC	Parallel Pin 3*14
j	00Z743126KC	Parallel Pin

3000-sheet stapler/stacker (14)

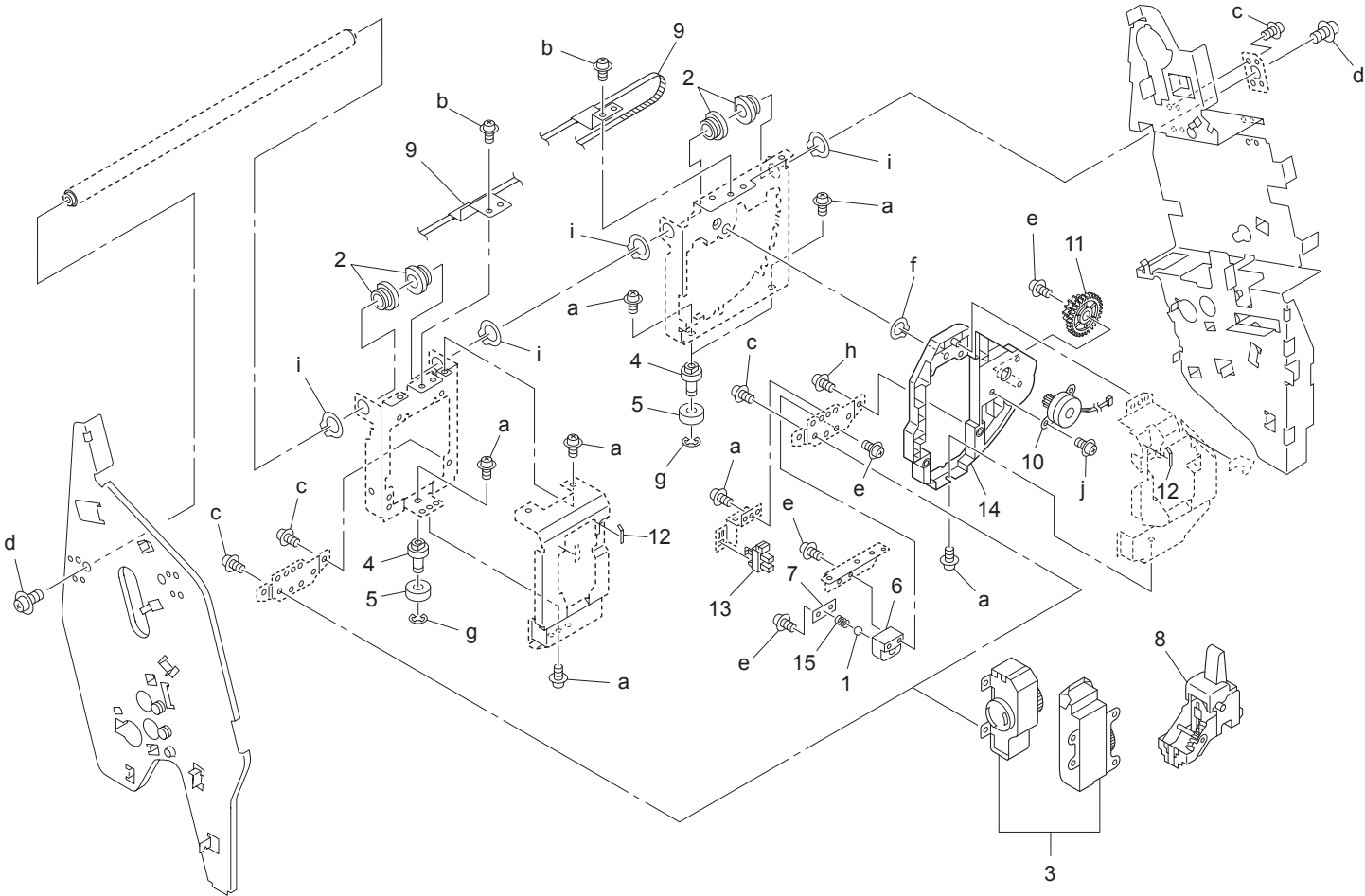


3000-sheet stapler/stacker (14)

Key no.	Parts number	Description
1	20AK 4241 0KC	Staple Main Body (Stapler/Clincher) (also includes Cartridge Case - key 16)
2	13QE 4234 0KC	Slide Shaft Holder (Bushing/Bearing)
3	13QE 4219 2KC	Staple Rotary Plate/Upper
4	12QR 5238 0KC	Idler Shaft
5	5040 4511 0KC	Pressure Roller
6	13QE 4335 0KC	Stopper Spring/Front
7	13QE 4331 2KC	Stopper/Front
8	129U 4236 0KC	Lock Spring
9	13QE 7758 0KC	Staple Driving Belt/Upper (L=1014)
10	129U 8003 0KC	Correction Motor
11	13QE 7708 0KC	Staple Rotary Gear (Z=90/15)
12	129U 4237 0KC	Lock Pin (D8)
13	08AA 8551 0KC	Photo Sensor
14	13QE 4336 0KC	Stopper Spring/Rear
15	13QE 4332 2KC	Stopper/Rear
16	20AK K001 0KC	Cartridge Case
17	13QE 4247 2KC	Stopper Sheet /1
a	00Z193061KC	C.R.P.H. Screw M3X6
b	00Z164081KC	C.R.P.H.S.Sems2 M4X8
c	00Z194061KC	C.R.P.H. Screw M4X6
d	00Z196103KC	C.R.P.H. Screw M6*10
e	00Z183041KC	Bind Screw M3X4
f	00Z253081KC	Cross Recessed Tapping Screw
g	00Z670406KC	E-Ring
h	00Z680606KC	Set Ring For Shaft (D=6)

Key no.	Parts number	Description
i	00Z680203KC	Set Ring (D=20)
j	00Z680103KC	Set Ring For Shaft (D=10)
k	00Z163061KC	C.R.P.H.S.Sems2 M3X6
m	00Z353081KC	PT Screw (M3*8)

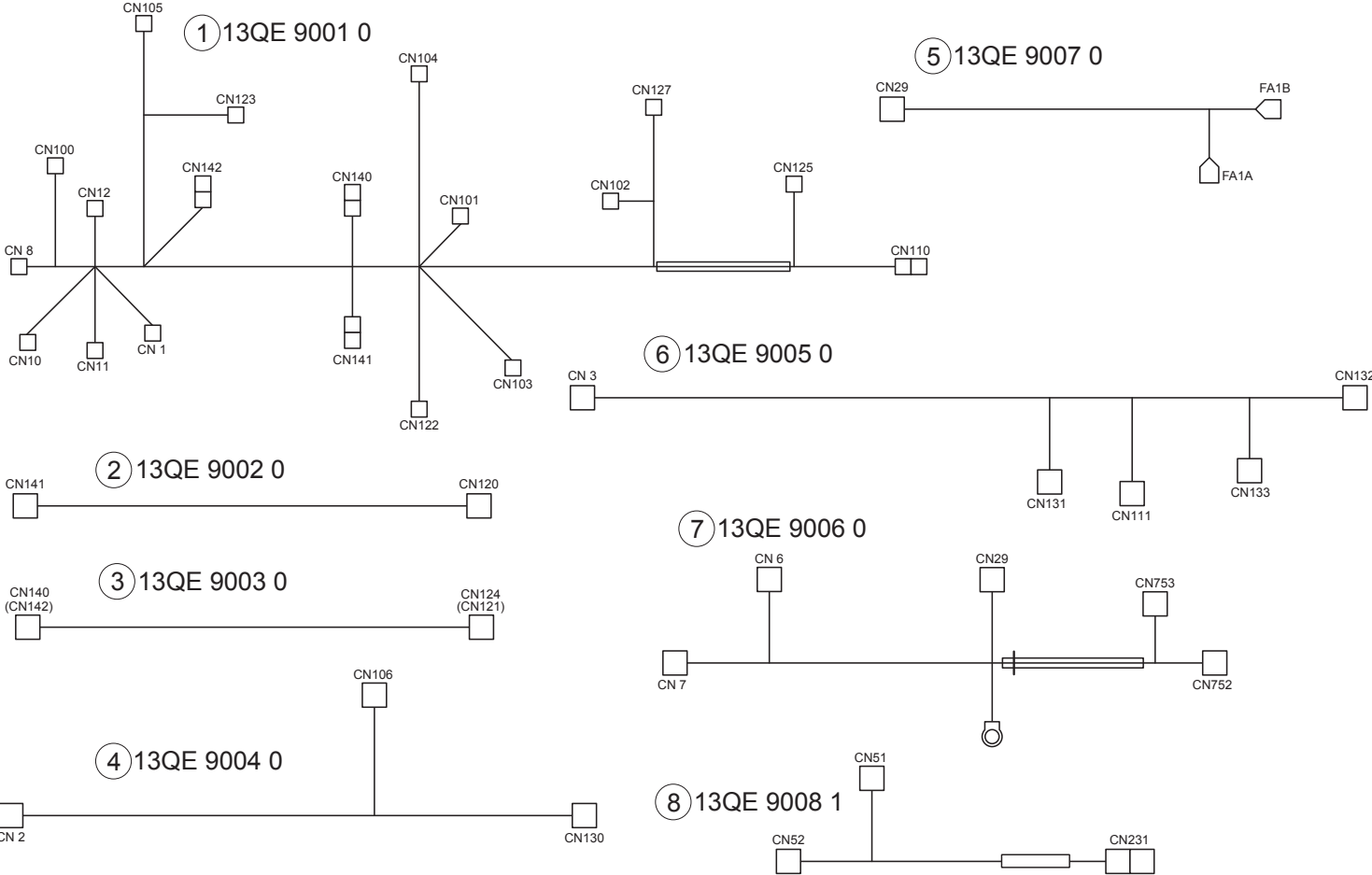
3000-sheet stapler/stacker (15)



3000-sheet stapler/stacker (15)

Key no.	Parts number	Description
1	129U 4237 0KC	Lock Pin (D8)
2	13QE 4234 0KC	Slide Shaft Holder (Bushing/Bearing)
3	20AK 4241 0KC	Staple Main Body (Stapler/Clincher) (also includes Cartridge Case - key 16)
4	12QR 5238 0KC	Idler Shaft
5	5040 4511 0KC	Pressure Roller
6	129U 4235 0KC	Lock Block
7	12AA 1031 0KC	ADF Stopper Part
8	20AK K001 0KC	Cartridge Case
9	13QE 7763 0KC	Staple Guide Belt/Lower (L=1014)
10	129U 8003 0KC	Correction Motor
11	13QE 7708 0KC	Staple Rotary Gear (Z=90/15)
12	13QE 4246 0KC	Conveyance Guide Sheet /A
13	08AA 8551 0KC	Photo Sensor
14	13QE 4220 2KC	Staple Rotary Plate/Lower
15	129U 4236 0KC	Lock Spring
a	00Z193061KC	C.R.P.H. Screw M3X6
b	00Z164081KC	C.R.P.H.S.Sems2 M4X8
c	00Z194061KC	C.R.P.H. Screw M4X6
d	00Z196103KC	C.R.P.H. Screw M6*10
e	00Z353081KC	PT Screw (M3*8)
f	00Z680103KC	Set Ring For Shaft (D=10)
g	00Z670406KC	E-Ring
h	00Z354081KC	P Tight P.H. Screw
i	00Z680203KC	Set Ring (D=20)
j	00Z343081KC	P Tight P.H. Screw

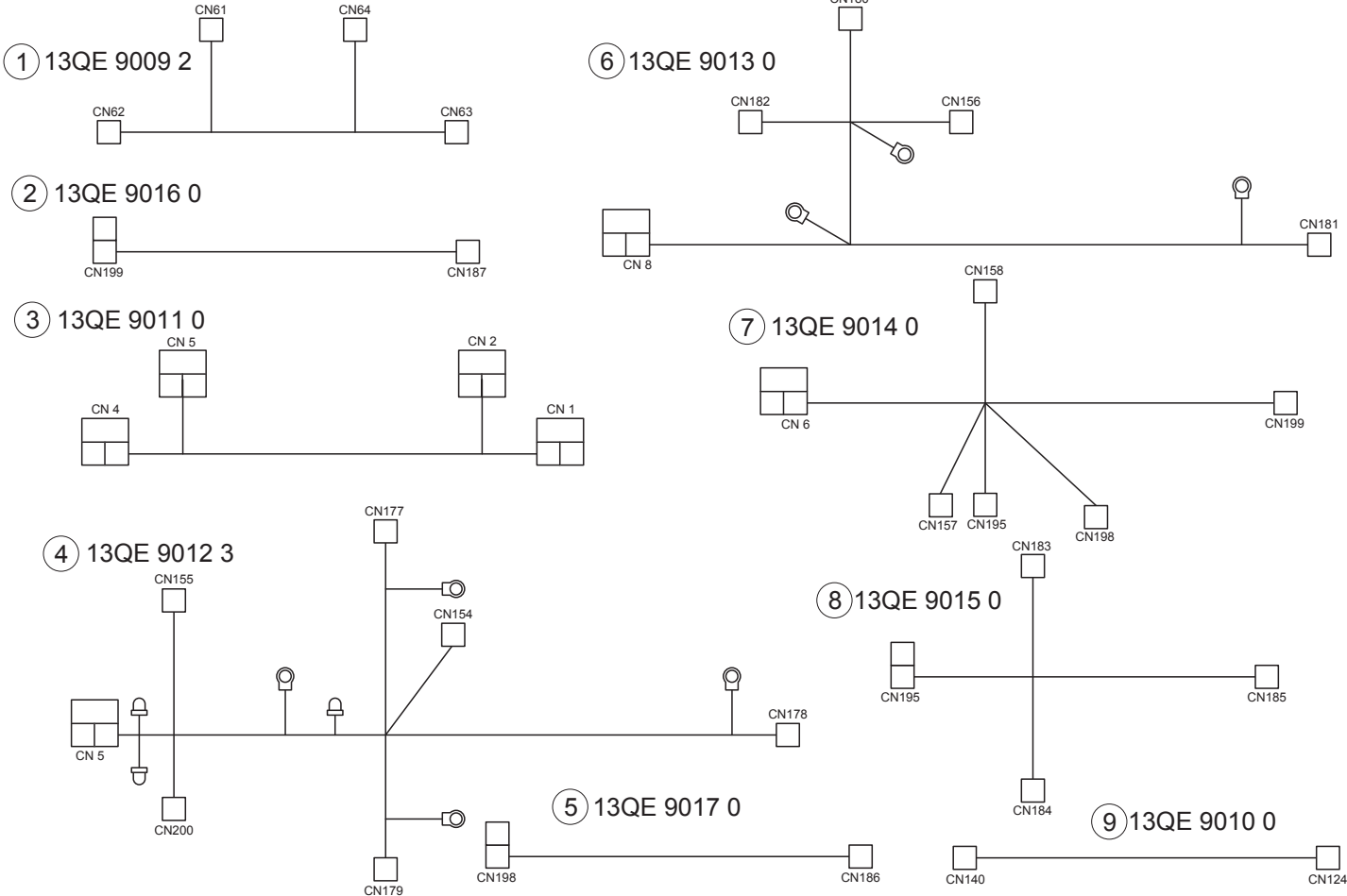
3000-sheet stapler/stacker (16)



3000-sheet stapler/stacker (16)

Key no.	Parts number	Description
1	13QE 9001 0KC	FNS Wiring/1
2	13QE 9002 0KC	FNS Wiring/2
3	13QE 9003 0KC	FNS Wiring/3
4	13QE 9004 0KC	FNS Wiring/4
5	13QE 9007 0KC	FNS Wiring/7
6	13QE 9005 1KC	FNS Wiring/5
7	13QE 9006 0KC	FNS Wiring/6
8	13QE 9008 2KC	FNS Wiring/8

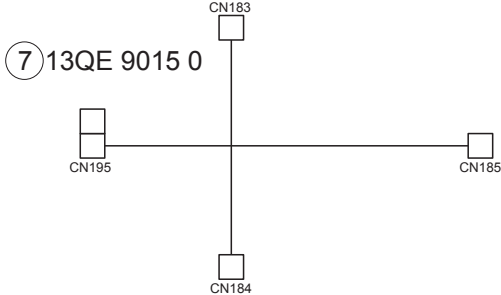
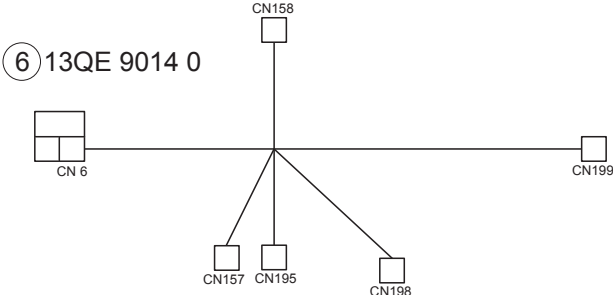
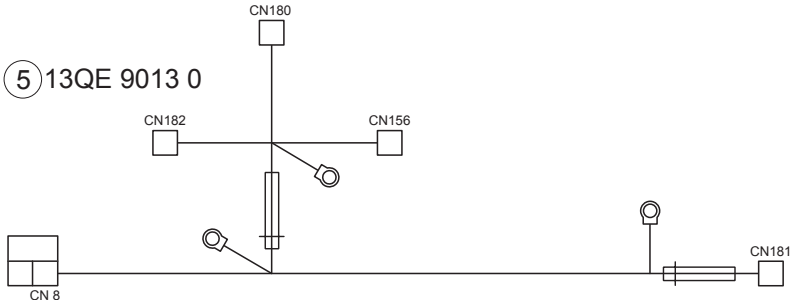
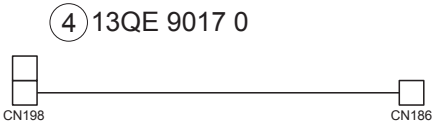
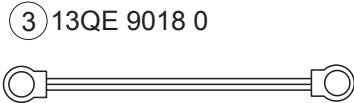
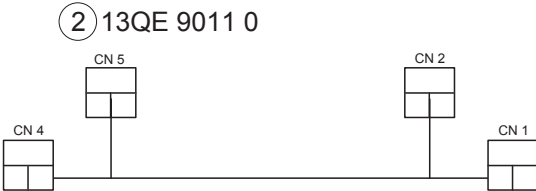
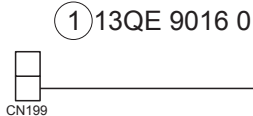
3000-sheet stapler/stacker (17)



3000-sheet stapler/stacker (17)

Key no.	Parts number	Description
1	13QE 9009 2KC	FNS Wiring/9
2	13QE 9016 0KC	Relay Wiring/A
3	13QE 9011 0KC	FNS Wiring/A
4	13QE 9012 4KC	FNS Wiring/B
5	13QE 9017 0KC	Relay Wiring/B
6	13QE 9013 1KC	FNS Wiring/C
7	13QE 9014 0KC	FNS Wiring/D
8	13QE 9015 0KC	FNS Wiring/E
9	13QE 9010 0KC	FNS Wiring/10

3000-sheet stapler/stacker (18)



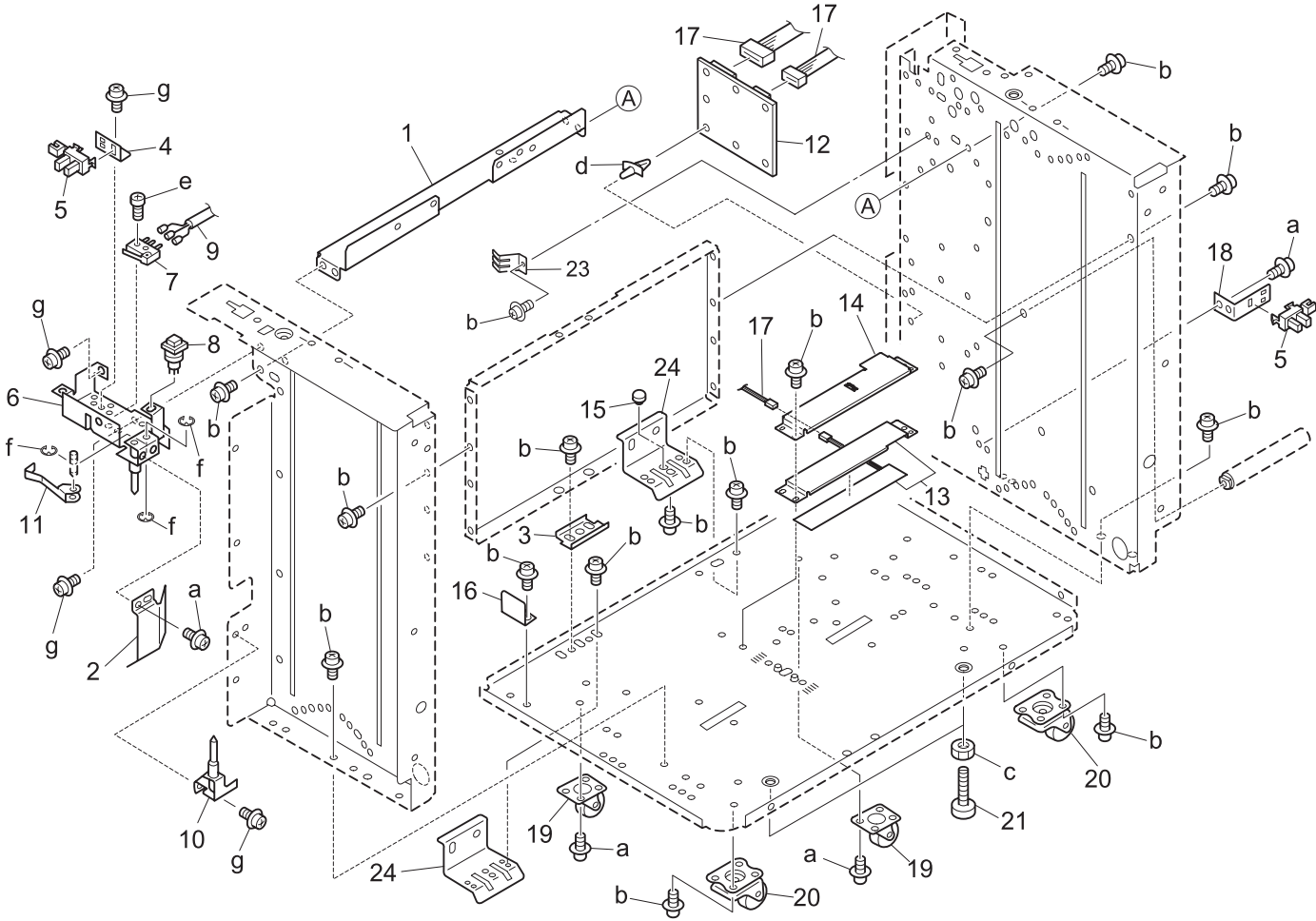
3000-sheet stapler/stacker (18)

Key no.	Parts number	Description
1	13QE 9016 0KC	Relay Wiring/A
2	13QE 9011 0KC	FNS Wiring/A
3	13QE 9018 2KC	Earth Wiring/A
4	13QE 9017 0KC	Relay Wiring/B
5	13QE 9013 1KC	FNS Wiring/C
6	13QE 9014 0KC	FNS Wiring/D
7	13QE 9015 0KC	FNS Wiring/E

5 4000-sheet high capacity input (A4/letter)

4000-sheet high capacity input (A4/letter) (1)	242
4000-sheet high capacity input (A4/letter) (2)	244
4000-sheet high capacity input (A4/letter) (3)	246
4000-sheet high capacity input (A4/letter) (4)	248
4000-sheet high capacity input (A4/letter) (5)	250
4000-sheet high capacity input (A4/letter) (6)	252
4000-sheet high capacity input (A4/letter) (7)	254
4000-sheet high capacity input (A4/letter) (8)	256
4000-sheet high capacity input (A4/letter) (9)	258
4000-sheet high capacity input (A4/letter) (10)	260

4000-sheet high capacity input (A4/letter) (1)

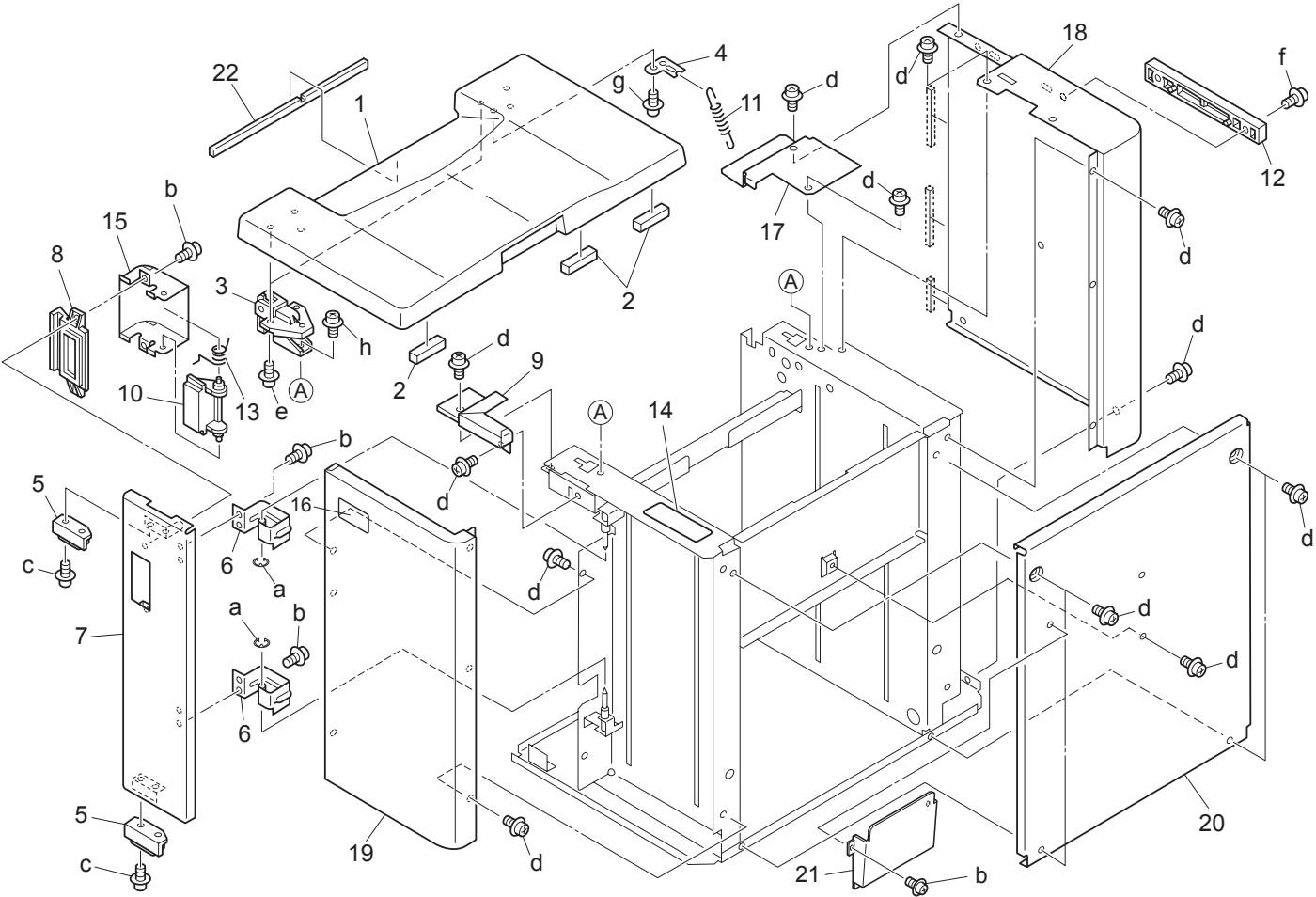


4000-sheet high capacity input (A4/letter) (1)

Key no.	Part number	Description
1	13GG 1005 2KC	Board Connecting Stay/Left
2	13GG 1019 0KC	Driving Protect Cover
3	13GG 1011 0KC	Main Positioning Plate
4	13GG 1012 0KC	Fixed Plate
5	08AA 8551 0KC	Photo Sensor
6	13GG -107 0KC	Door Plate/Combined
7	12QR 8601 0KC	Inter Lock Switch
8	25AA 8501 0KC	Switch/1
9	13GG 9001 1KC	HCI Signal Wiring/Front
10	13GG -109 0KC	Jam Door Hinge/Lower Combined
11	12AR 4561 1KC	Actuator
12	13RJ -901 2KC	HCI Driving Board Assembly (Control Board)
13	56AA -710 0KC	Heater Mounting Plate Assembly
14	56GA 4226 1KC	Heater Cover
15	13RJ 1013 0KC	Main Fixed Pin
16	12AR 1036 1KC	Magnet Pressure Plate
17	13RJ 9004 2KC	HCI Control Wiring
18	13GG 1014 0KC	Support Plate/Lower
19	12UM 1009 0KC	HCI Setting Roller/Left
20	12TR 1011 0KC	HCI Support Part/Left
21	13GG 1015 0KC	Bottom Plate Support Part
22	9630 0320 0KC	Not used for the HP LaserJet 9055mfp/ 9065mfp
23	129R 1021 0KC	Main Fixed Plate/1
24	13RJ 1010 0KC	Main Fixed Plate
a	00Z193061KC	C.R.P.H. Screw M3X6

Key no.	Part number	Description
b	00Z194061KC	C.R.P.H. Screw M4X6
c	00Z511001KC	Hexagon Nut (Mio)
d	00Z925106KC	Locking Circuit Board Support
e	00Z182081KC	Bind Screw (2X8 P=0.4)
f	00Z670206KC	E-Ring
g	00Z193041KC	C.R.P.H. Screw M3X4

4000-sheet high capacity input (A4/letter) (2)

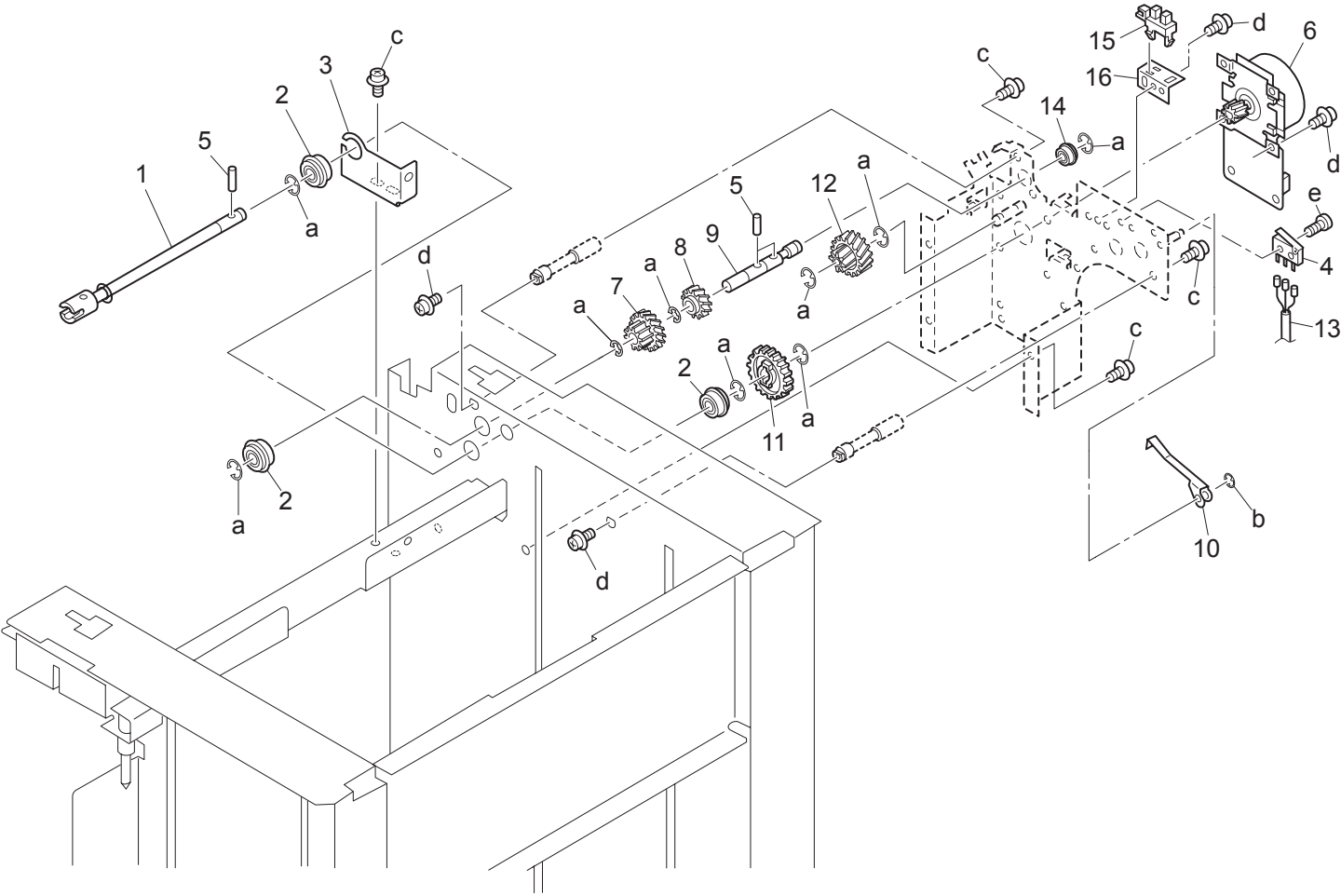


4000-sheet high capacity input (A4/letter) (2)

Key no.	Part number	Description
1	13GG 1201 1KC	Paper Supply Cover
2	12UM 1210 0KC	Stopper Part
3	13GG 1211 0KC	Open-Close Hinge
4	25SA 5053 0KC	Spring Mount Plate
5	0500 1116 0KC	Magnet Catch
6	12AJ 1211 0KC	Hinge Plate/A
7	13GG 1205 1KC	Jam Open-Close Door
8	12AJ 1225 1KC	Mount Cover/B
9	13GG 1206 1KC	Paper Feed Auxiliary Cover/Front
10	12AJ 1226 1KC	Open-Close Knob
11	12UM 4022 0KC	Lift-Up Spring
12	13GG 1213 0KC	Paper Guide Knob
13	12AJ 1227 0KC	Open-Close Spring
14	13GG 9701 0KC	Paper Supply Label
15	12AJ 1224 1KC	Mount Cover/A
16	14HX 9707 0KC	Paper Feed Indicating Label/4
17	13RJ 1209 0KC	Clutch Exchanging Cover
18	13RJ 1204 0KC	Rear Cover
19	13RJ 1202 0KC	Front Cover
20	13RJ 1203 0KC	Side Cover/Right
21	55VA 1240 1KC	Accessories Installing Cover
22	13RJ 1223 0KC	Cushion/C
a	00Z670306KC	E-Ring
b	00Z194061KC	C.R.P.H. Screw M4X6
c	00Z114061KC	C.R.P.H. Screw M4X6
d	00Z144062KC	C.R.P.H.TR.Screw M4X6

Key no.	Part number	Description
e	00Z254101KC	Cross Recessed Tapping Screw
f	00Z144082KC	C.R.P.H.TR.Screw M4X8
g	00Z253081KC	Cross Recessed Tapping Screw
h	00Z164083KC	C.R.P.H.S.Sems2 M4X8

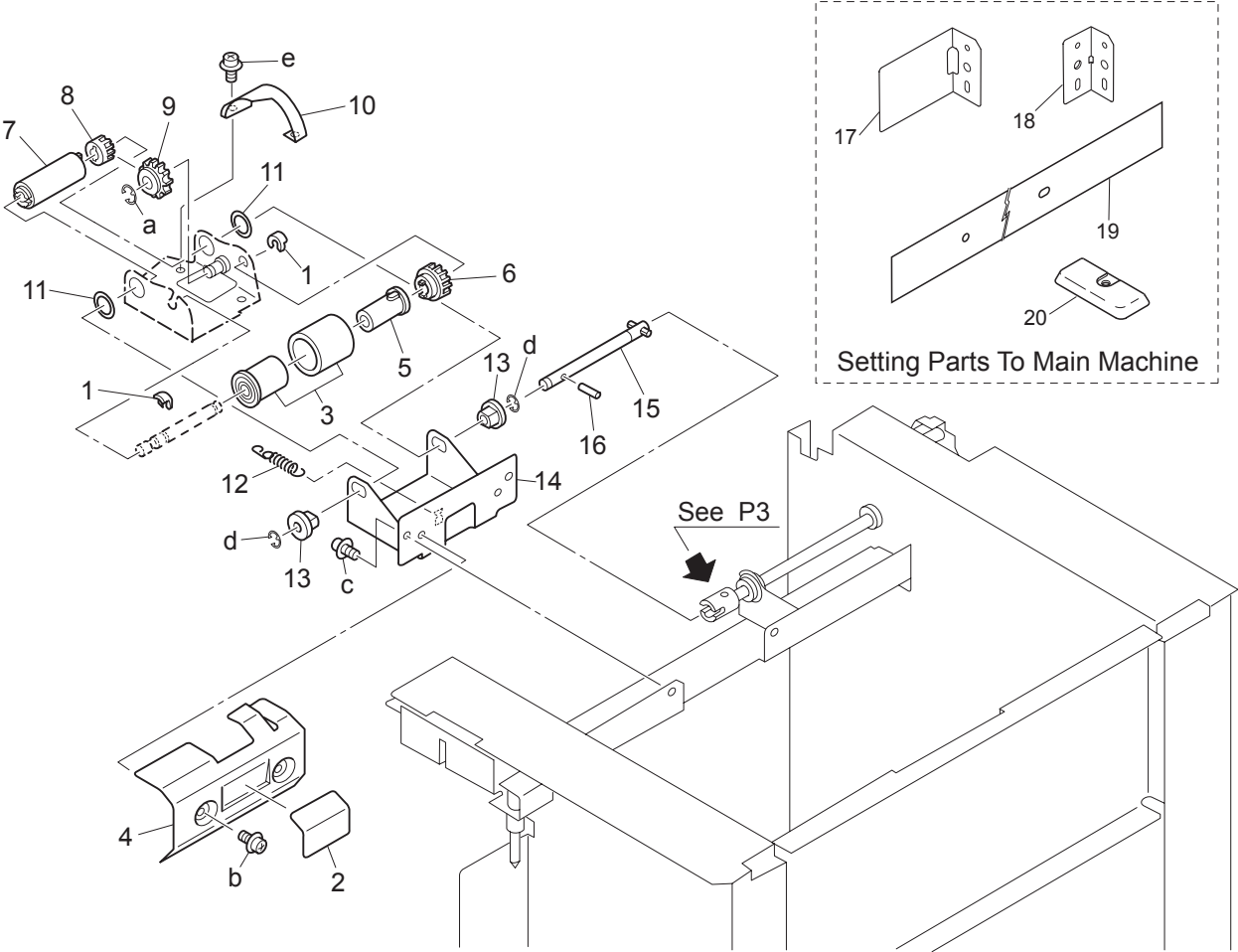
4000-sheet high capacity input (A4/letter) (3)



4000-sheet high capacity input (A4/letter) (3)

Key no.	Part number	Description
1	13GG -164 0KC	Funning Drive Shaft
2	5400 7605 0KC	Driving Shaft Holder (Bushing/Bearing)
3	55VA 4206 0KC	Shaft Support Plate
4	12QR 8601 0KC	Inter Lock Switch
5	3040 7804 0KC	Pin (B)
6	56AA 8008 1KC	DC Brushless Motor/15
7	13RJ 7907 0KC	Paper Feed Driving Gear/B (Z=22/30)
8	13RJ 7908 0KC	Paper Feed Driving Gear/C (Z=22)
9	13GG 1605 1KC	Paper Feed Input Shaft/1
10	12AR 4561 1KC	Actuator
11	55VA 7901 0KC	Paper Feed Reversal Gear/A (Z=60)
12	13RJ 7777 0KC	Registration Idler Gear (Z=66/27)
13	13GG 9003 0KC	HCI Driving Wiring
14	25AA 7509 0KC	Paper Feed Rolling Shaft Holder (Bushing/ Bearing)
15	08AA 8551 0KC	Photo Sensor
16	13GG 1012 0KC	Fixed Plate
a	00Z670606KC	E-Ring
b	00Z670206KC	E-Ring
c	00Z194061KC	C.R.P.H. Screw M4X6
d	00Z193061KC	C.R.P.H. Screw M3X6
e	00Z182081KC	Bind Screw (2X8 P=0.4)

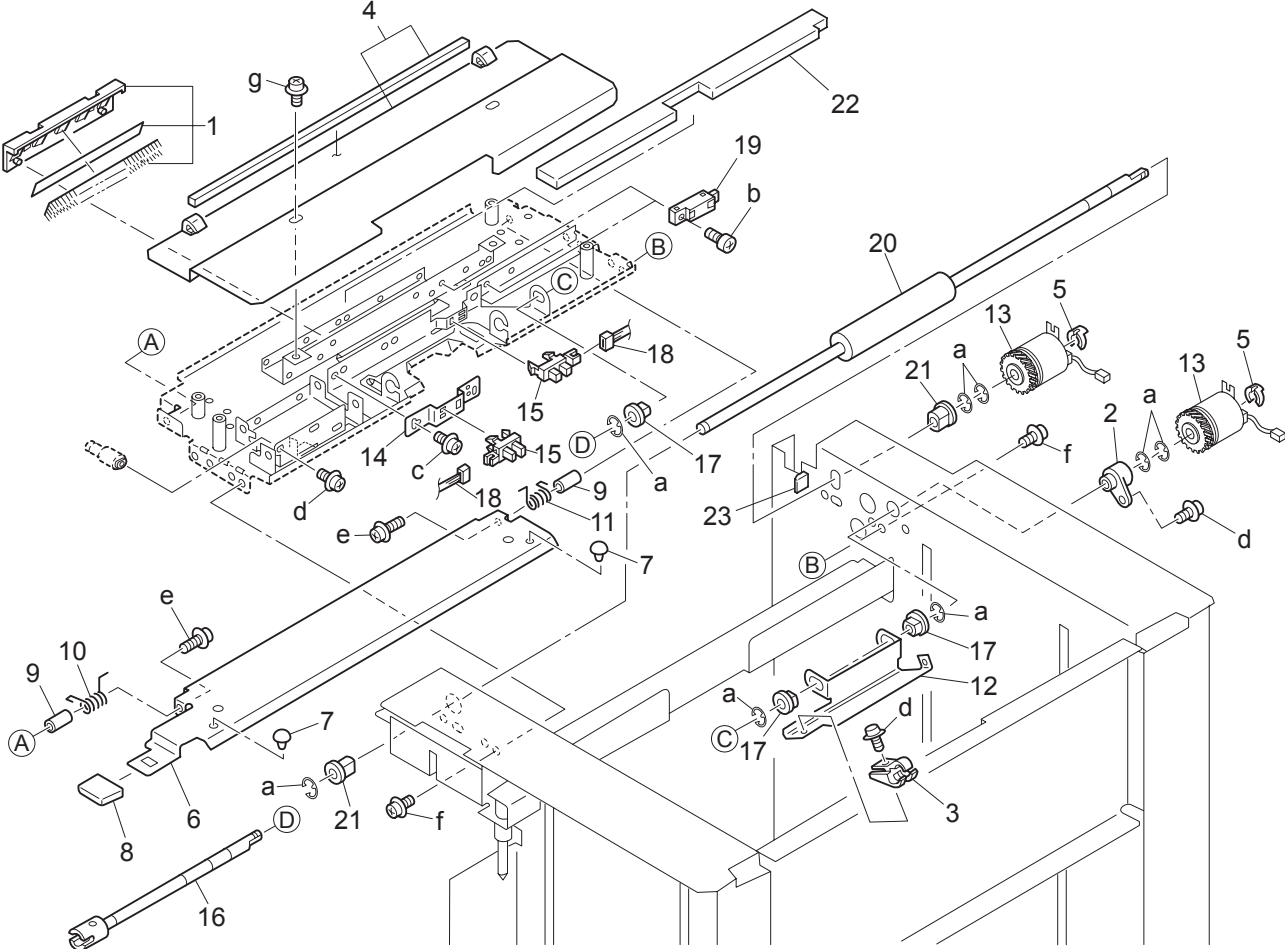
4000-sheet high capacity input (A4/letter) (4)



4000-sheet high capacity input (A4/letter) (4)

Key no.	Part number	Description
1	3960 4068 1KC	Snap Ring
2	55VA 4141 1KC	Entrance Guide Sheet
3	55VA -483 0KC	Feeding Roller Assembly/B (Separation Roller)
4	13GG 4006 1KC	Entrance Guide Plate
5	50BA 4022 0KC	Reversal Roller
6	55VA 7914 0KC	Paper Feed Reversal Gear/D (Z=19)
7	55FA 5819 0KC	Toque Limiter
8	55VA 7903 0KC	Paper Feed Reversal Gear/C (Z=14)
9	55VA 7905 0KC	Idler Gear/B (Z=24)
10	55VA 4225 0KC	Paper Feed Driving Cover/2
11	25AA 4012 0KC	Spacer
12	55VA 4031 0KC	Reversal Spring/B
13	0084 7861 0KC	Bushing
14	55VA 4019 1KC	Paper Feed Holder Plate/Lower
15	13GG -424 0KC	Toque Drive Shaft Assembly
16	0980 3030 0KC	Pin
17	13RJ 1031 0KC	Earth Plate/1
18	13RJ 1032 0KC	Earth Plate/2
19	13RJ 1033 0KC	Earth Plate/3
20	13RJ 1034 0KC	Cover/A
a	00Z670606KC	E-Ring
b	00Z193061KC	C.R.P.H. Screw M3X6
c	00Z194061KC	C.R.P.H. Screw M4X6
d	00Z670406KC	E-Ring
e	00Z193041KC	C.R.P.H. Screw M3X4

4000-sheet high capacity input (A4/letter) (5)

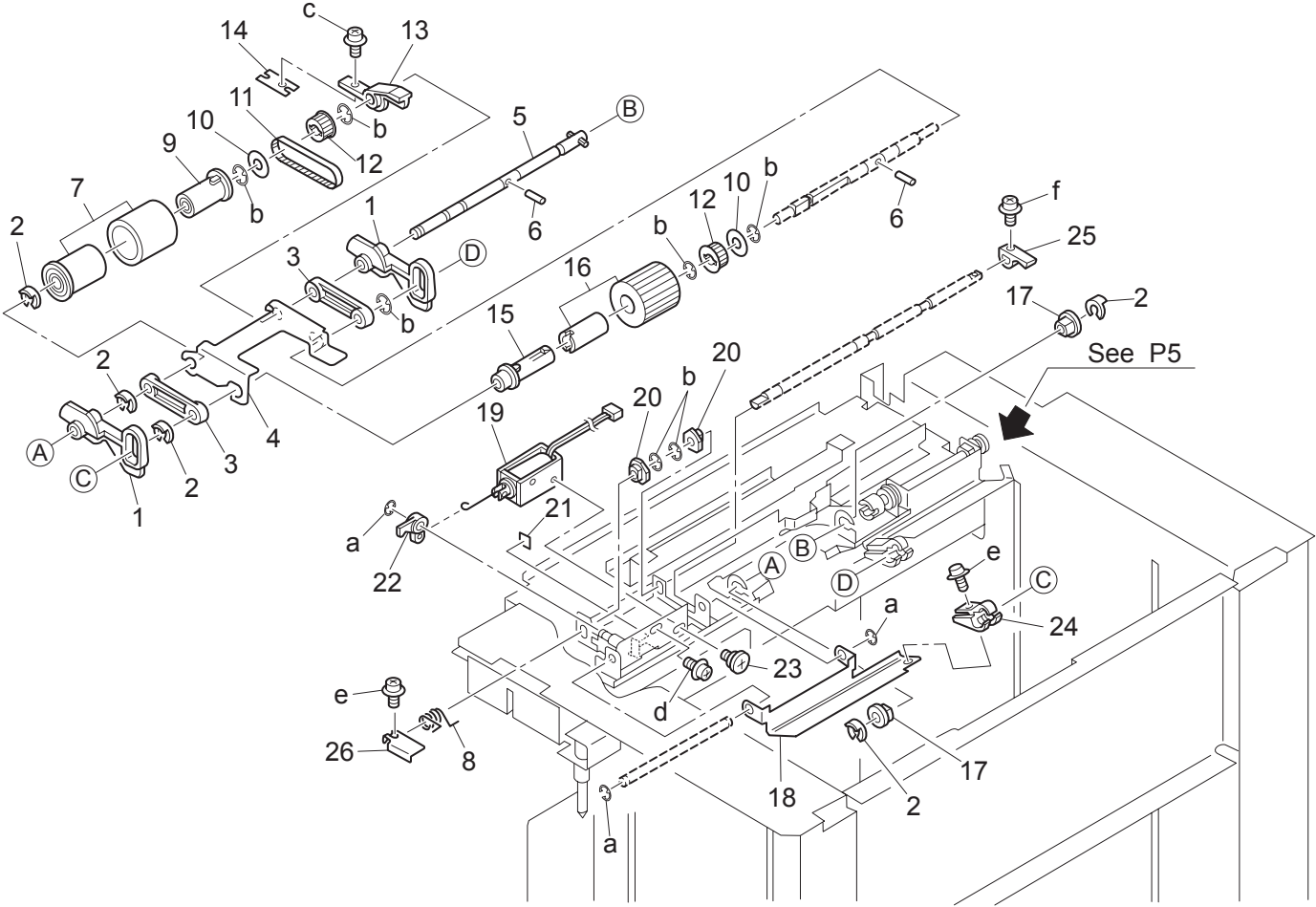


4000-sheet high capacity input (A4/letter) (5)

Key no.	Part number	Description
1	55VA -455 0KC	Paper Dust Scraper
2	55VA 4336 0KC	Lock Shaft Holder (Bushing/Bearing)
3	25AA 4074 2KC	Connecting Part/A
4	13RJ -124 0KC	Feeding Cover Assembly
5	55VA 4212 0KC	Shaft Stopper
6	13GG 4004 2KC	Exit Guide Plate/Lower
7	0486 4526 0KC	Stopper Rubber
8	25AA 4890 0KC	Open-Close Lever
9	25AA 4770 0KC	Spring Guide Part
11	13GG 4014 0KC	Paper Feed Pressure Spring/Rear
12	13GG 4008 0KC	Entrance Guide Plate/Rear
13	56AA 8201 1KC	Paper Feed Clutch
14	13GG 4020 0KC	Mount Plate/A
15	08AA 8551 0KC	Photo Sensor
16	13GG -165 0KC	Paper Feed Driving Shaft/A
17	0900 7553 0KC	Bushing
18	13RJ 9006 0KC	HCI Signal Wiring/Upper
19	56AA 8552 0KC	Conveyance Photo Sensor
20	13GG 4005 0KC	Paper Conveyance Roller
21	55VA 7554 0KC	Paper Feed Shaft Holder/B (Bushing/Bearing)
22	13RJ 1222 0KC	Cushion/B
23	13RJ 1224 0KC	Rubber/A
a	00Z670606KC	E-Ring
b	00Z183101KC	Bind Screw M3X10
c	00Z163061KC	C.R.P.H.S.Sems2 M3X6
d	00Z193061KC	C.R.P.H. Screw M3X6

Key no.	Part number	Description
e	00Z193251KC	C.R.P.H. Screw (M3X25)
f	00Z194061KC	C.R.P.H. Screw M4X6
g	00Z183062KC	Bind Screw M3X6

4000-sheet high capacity input (A4/letter) (6)

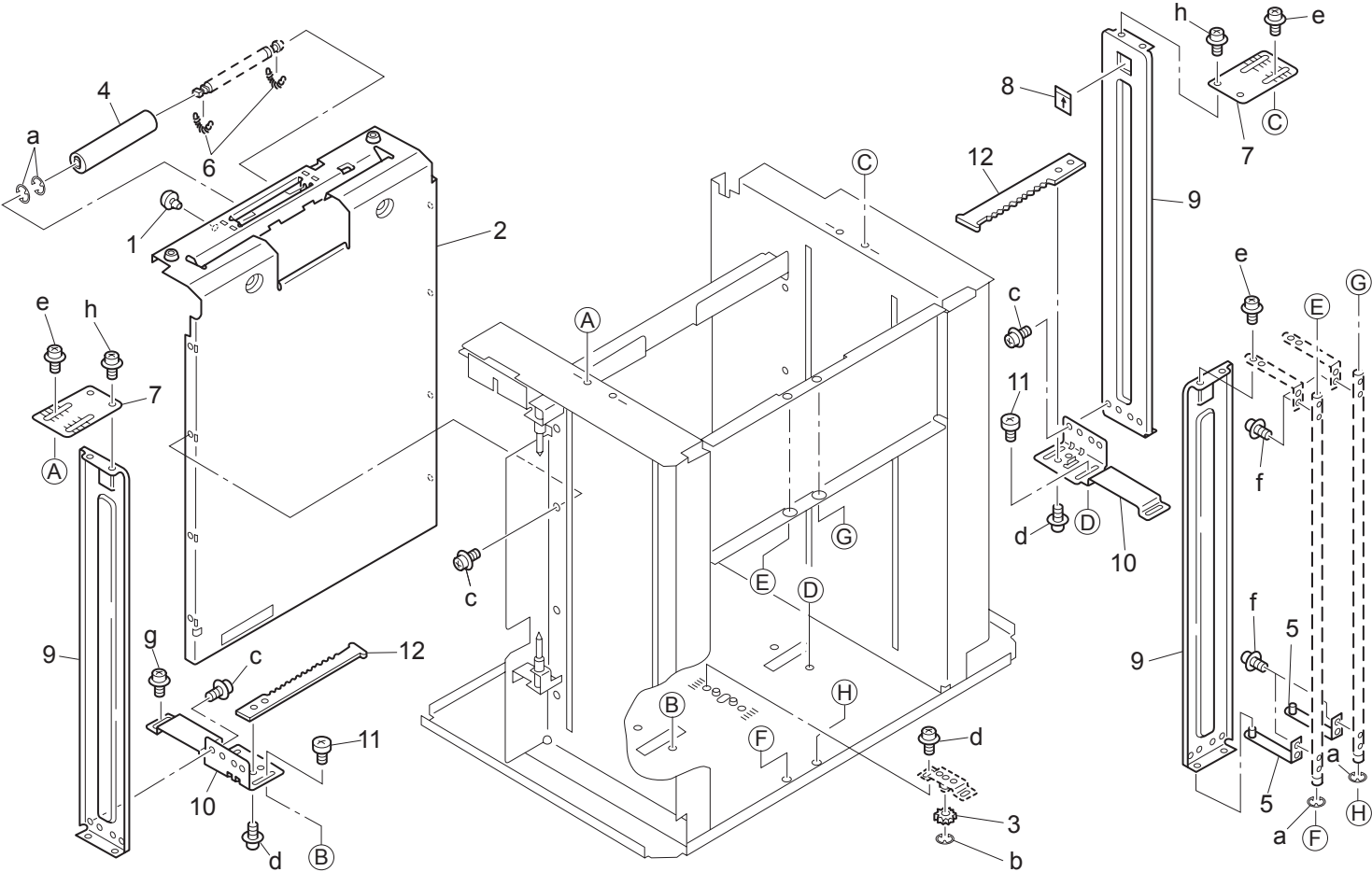


4000-sheet high capacity input (A4/letter) (6)

Key no.	Part number	Description
1	55VA 4122 0KC	Paper Feed Standard Actuator
2	3960 4068 1KC	Snap Ring
3	55VA 4026 0KC	Paper Feeding Shaft Holder (Bushing/Bearing)
4	13GG 4018 1KC	Paper Feed Holder Plate
5	13GG -423 1KC	Feeding Shaft
6	3960 7802 0KC	Pin (B)
7	55VA -483 0KC	Feeding Roller Assembly/B (Feed Roller)
8	13GG 4013 0KC	Lever Spring
9	55VA 4015 0KC	Double Feed Feeding Roller
10	1975 4511 0KC	Roller Collar
11	25SA 7756 1KC	Paper Driving Belt (L=126)
12	0590 7651 0KC	Pulley/1
13	55VA 4023 0KC	Paper Feed Lift-Up Lever
14	55VA 4099 0KC	Lever Auxiliary Plate
15	55VA 4013 0KC	Paper Feeding Roller/A
16	55VA -484 0KC	Feeding Roller Assembly/A (Pick Roller)
17	1310 7551 0KC	Bushing/A
18	13GG 4007 0KC	Entrance Guide Plate/Front
19	55VA -460 0KC	Pick-Up Solenoid
20	4660 7602 0KC	Paper Feed Shaft Holder (Bushing/Bearing)
21	55VA 4211 1KC	Solenoid Stopper Sheet
22	25AA 4087 0KC	Switch Lever/1
23	55VA 4222 0KC	Positioning Screw
24	25AA 4074 2KC	Connecting Part/A
25	55VA 4044 0KC	Pressure Plate/B
26	13GG 4016 0KC	Pressure Plate/L

Key no.	Part number	Description
a	00Z670306KC	E-Ring
b	00Z670406KC	E-Ring
c	00Z183041KC	Bind Screw M3X4
d	00Z163061KC	C.R.P.H.S.Sems2 M3X6
e	00Z193061KC	C.R.P.H. Screw M3X6
f	00Z183061KC	Bind Screw M3X6

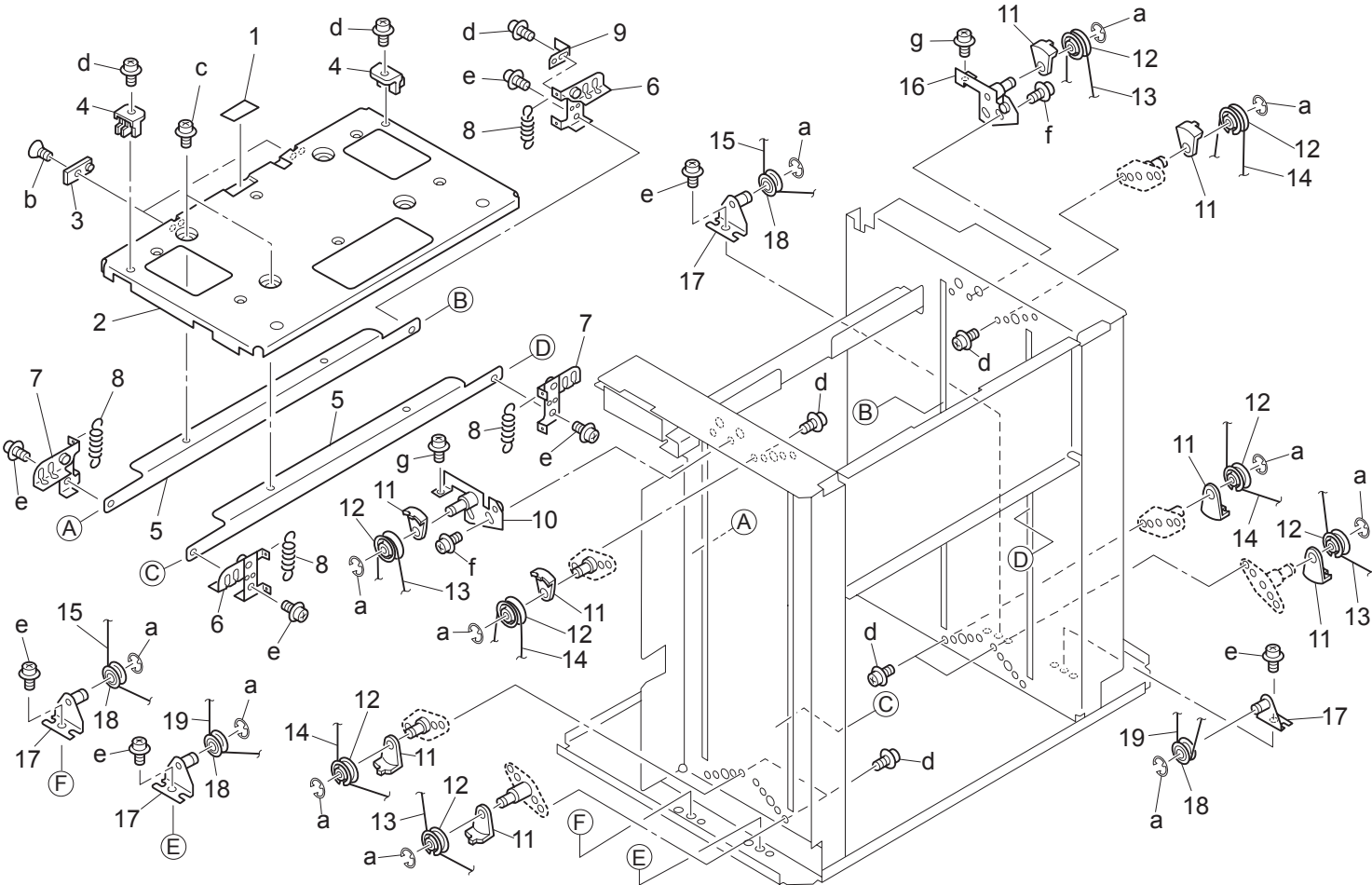
4000-sheet high capacity input (A4/letter) (7)



4000-sheet high capacity input (A4/letter) (7)

Key no.	Part number	Description
1	12AJ 4585 0KC	Stopper Rubber
2	13GG 4201 2KC	Paper Stopper Plate
3	25BA 7730 1KC	Cassette Pinion(Z=14)
4	56GA 4017 1KC	Conveyance Driven Roller
5	13GG -410 0KC	Rear Guide Arm
6	55VA 4649 0KC	Registration Pressure Spring
7	13GG 4207 0KC	Paper Positioning Plate
8	25AA 9732 0KC	Paper Guide Seal
9	13GG 4204 3KC	Paper Supply Side Plate
10	13GG 4208 2KC	Side Fixed Plate
11	1975 1029 0KC	Shoulder Screw
12	25BA 4723 0KC	Rack (Front)
a	00Z670406KC	E-Ring
b	00Z670306KC	E-Ring
c	00Z194061KC	C.R.P.H. Screw M4X6
d	00Z193061KC	C.R.P.H. Screw M3X6
e	00Z144062KC	C.R.P.H.TR.Screw M4X6
f	00Z193081KC	C.R.P.H. Screw M3X8
g	00Z164061KC	C.R.P.H.S.Sems2 M4X6
h	00Z164082KC	C.R.P.H.S.Sems2 M4X8

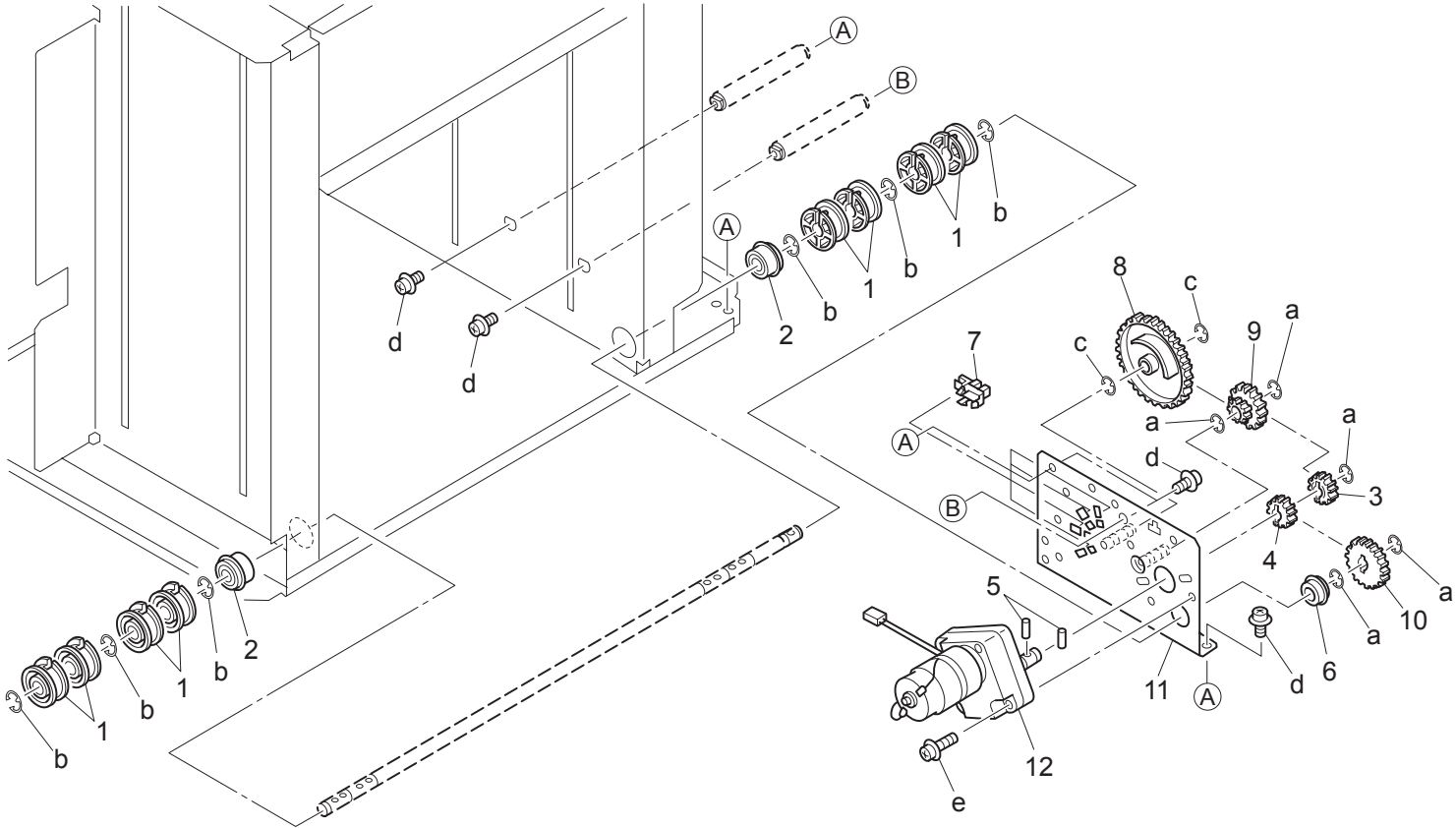
4000-sheet high capacity input (A4/letter) (8)



4000-sheet high capacity input (A4/letter) (8)

Key no.	Part number	Description
1	55VA 4093 0KC	Double Feed Preventive Plate
2	13GG 4202 1KC	Paper Up-Down Plate
3	0676 4285 0KC	Spacer Plate
4	13GG 4214 1KC	Board Positioning Block
5	13GG 4206 0KC	Up-Down Stay
6	25AA -476 0KC	Wire Fixed Plate/A Combined
7	25AA -478 0KC	Wire Fixed Plate/B Combined
8	25AA 4280 0KC	Up-Down Spring
9	55VA 4414 0KC	Detecting Plate
10	13GG -419 0KC	Tension Plate Assembly/Front
11	25AA 4118 0KC	Wire Holder/A
12	25AA 4112 0KC	Driven Pulley
13	13GG 1512 1KC	Driving Up-Down Wire/A
14	13GG 1513 1KC	Driving Up-Down Wire/B
15	13GG 1514 1KC	Driving Up-Down Wire/C
16	13GG -420 0KC	Tension Plate Assembly/Rear
17	25AA -473 0KC	Wire Mount Plate Combined
18	25AA 4257 0KC	Wire Pulley
19	13GG 1515 1KC	Driving Up-Down Wire/D
a	00Z670606KC	E-Ring
b	00Z123061KC	C.R.C.S. Screw M3X6
c	00Z144062KC	C.R.P.H.TR.Screw M4X6
d	00Z193061KC	C.R.P.H. Screw M3X6
e	00Z194061KC	C.R.P.H. Screw M4X6
f	00Z163061KC	C.R.P.H.S.Sems2 M3X6
g	00Z184301KC	Bind Screw M4X30

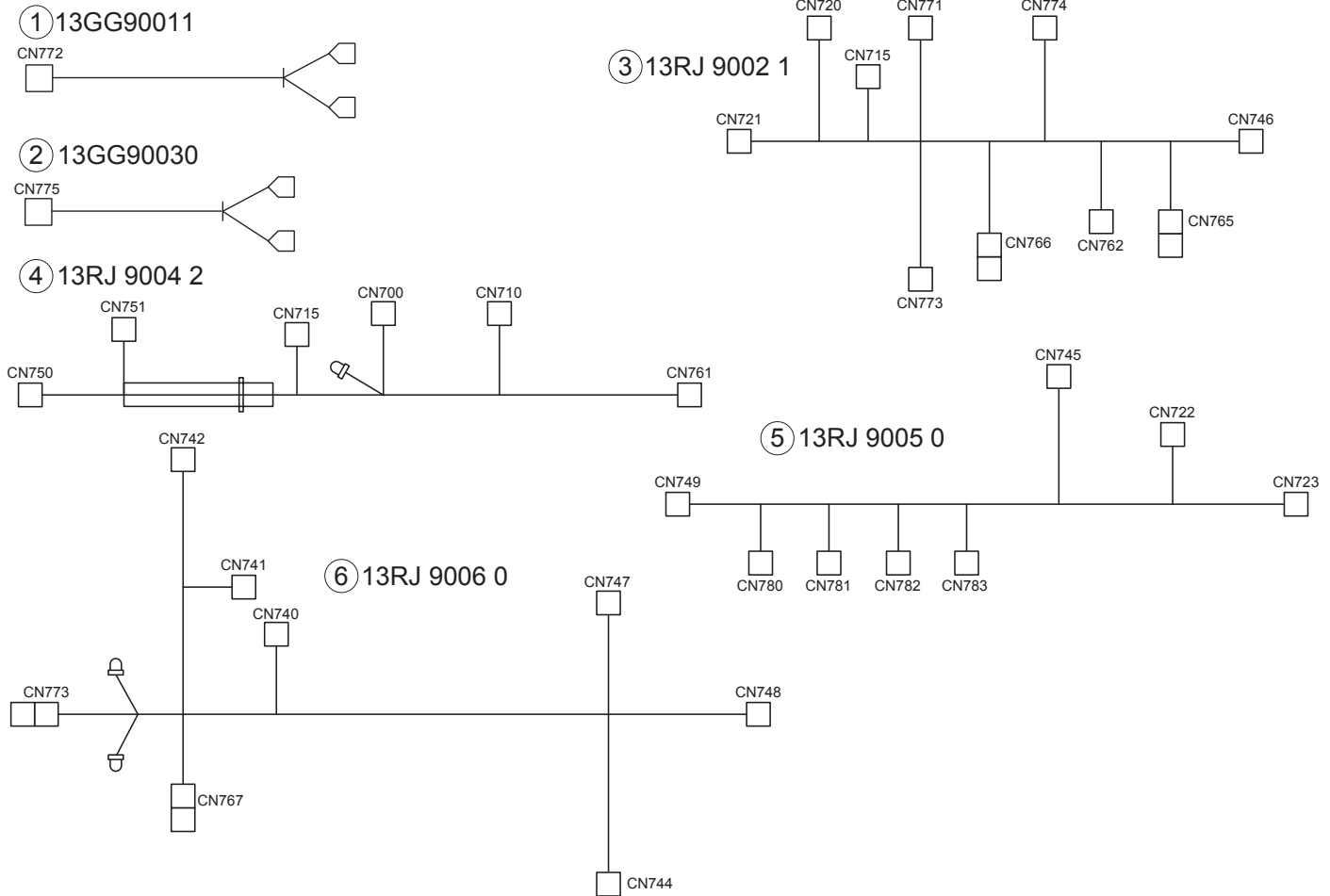
4000-sheet high capacity input (A4/letter) (9)



4000-sheet high capacity input (A4/letter) (9)

Key no.	Part number	Description
1	13GG 1511 1KC	Driving Up-Down Pulley
2	0660 7701 0KC	Shaft Holder (A) (Bushing/Bearing)
3	13GG 7702 0KC	Driving Gear (Z=22)
4	13GG 7703 0KC	Motor Driving Gear
5	3000 7803 0KC	Pin (B)
6	5400 7605 0KC	Driving Shaft Holder (Bushing/Bearing)
7	08AA 8551 0KC	Photo Sensor
8	13GG 7701 0KC	Detecting Gear (Z=92)
9	0980 3026 0KC	Slow Down Gear
10	25AA 7798 1KC	Toner Supply Agitate Gear
11	13GG -158 1KC	Driving Up-Down Plate Combined
12	13GG 8002 0KC	Transfer Paper Supply Motor
a	00Z670606KC	E-Ring
b	00Z670806KC	E-Ring
c	00Z670406KC	E-Ring
d	00Z194061KC	C.R.P.H. Screw M4X6
e	00Z163251KC	C.R.P.H.S.Sems2 M3X25

4000-sheet high capacity input (A4/letter) (10)



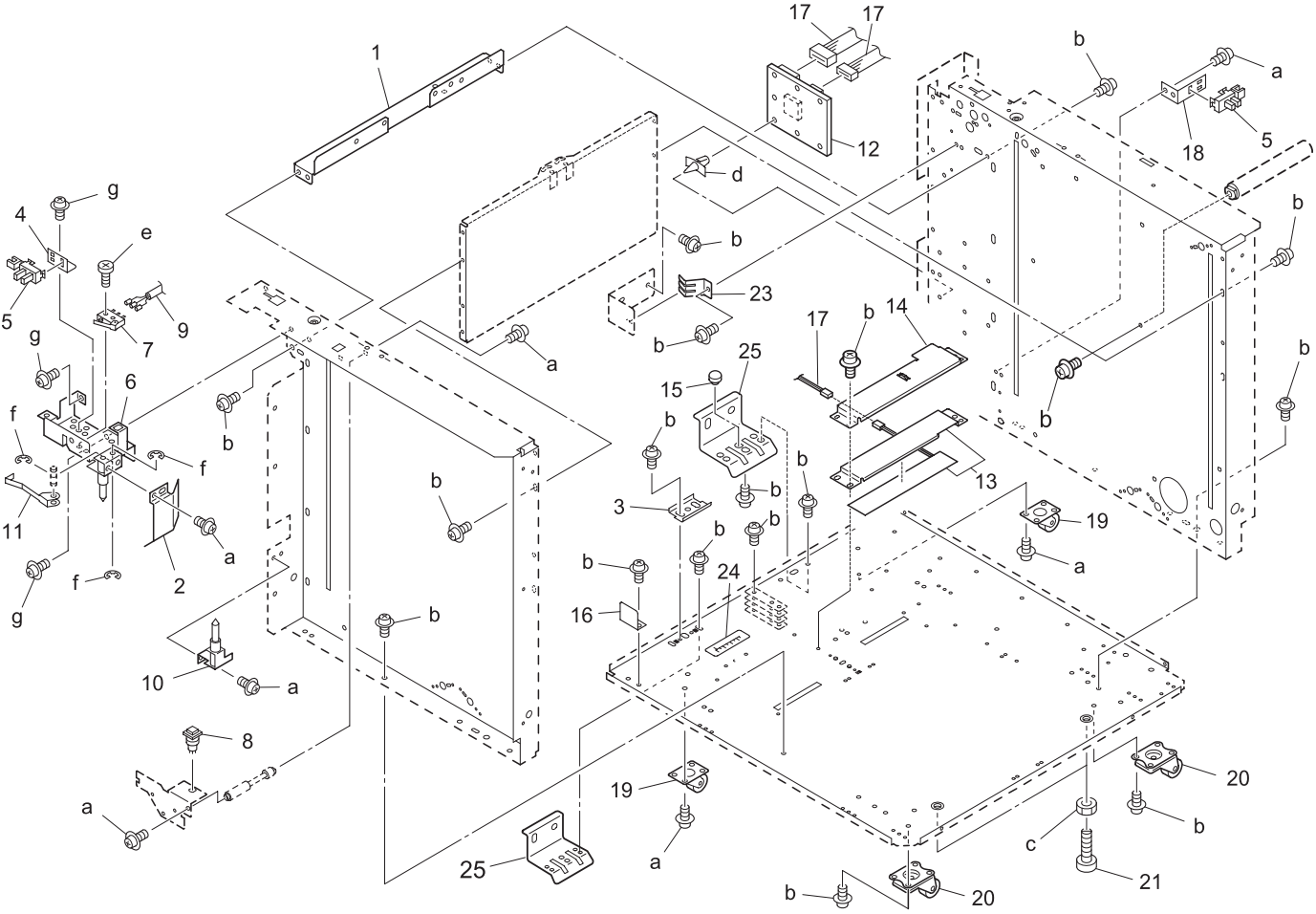
4000-sheet high capacity input (A4/letter) (10)

Key no.	Part number	Description
1	13GG 9001 1KC	HCI Signal Wiring/Front
2	13GG 9003 0KC	HCI Driving Wiring
3	13RJ 9002 1KC	HCI Signal Wiring/1
4	13RJ 9004 2KC	HCI Control Wiring
5	13RJ 9005 0KC	HCI Signal Wiring/Lower
6	13RJ 9006 0KC	HCI Signal Wiring/Upper

6 4000-sheet high capacity input (A3/ledger)

4000-sheet high capacity input (A3/ledger) (1)	264
4000-sheet high capacity input (A3/ledger) (2)	266
4000-sheet high capacity input (A3/ledger) (3)	268
4000-sheet high capacity input (A3/ledger) (4)	270
4000-sheet high capacity input (A3/ledger) (5)	272
4000-sheet high capacity input (A3/ledger) (6)	274
4000-sheet high capacity input (A3/ledger) (7)	276
4000-sheet high capacity input (A3/ledger) (8)	278
4000-sheet high capacity input (A3/ledger) (9)	280

4000-sheet high capacity input (A3/ledger) (1)

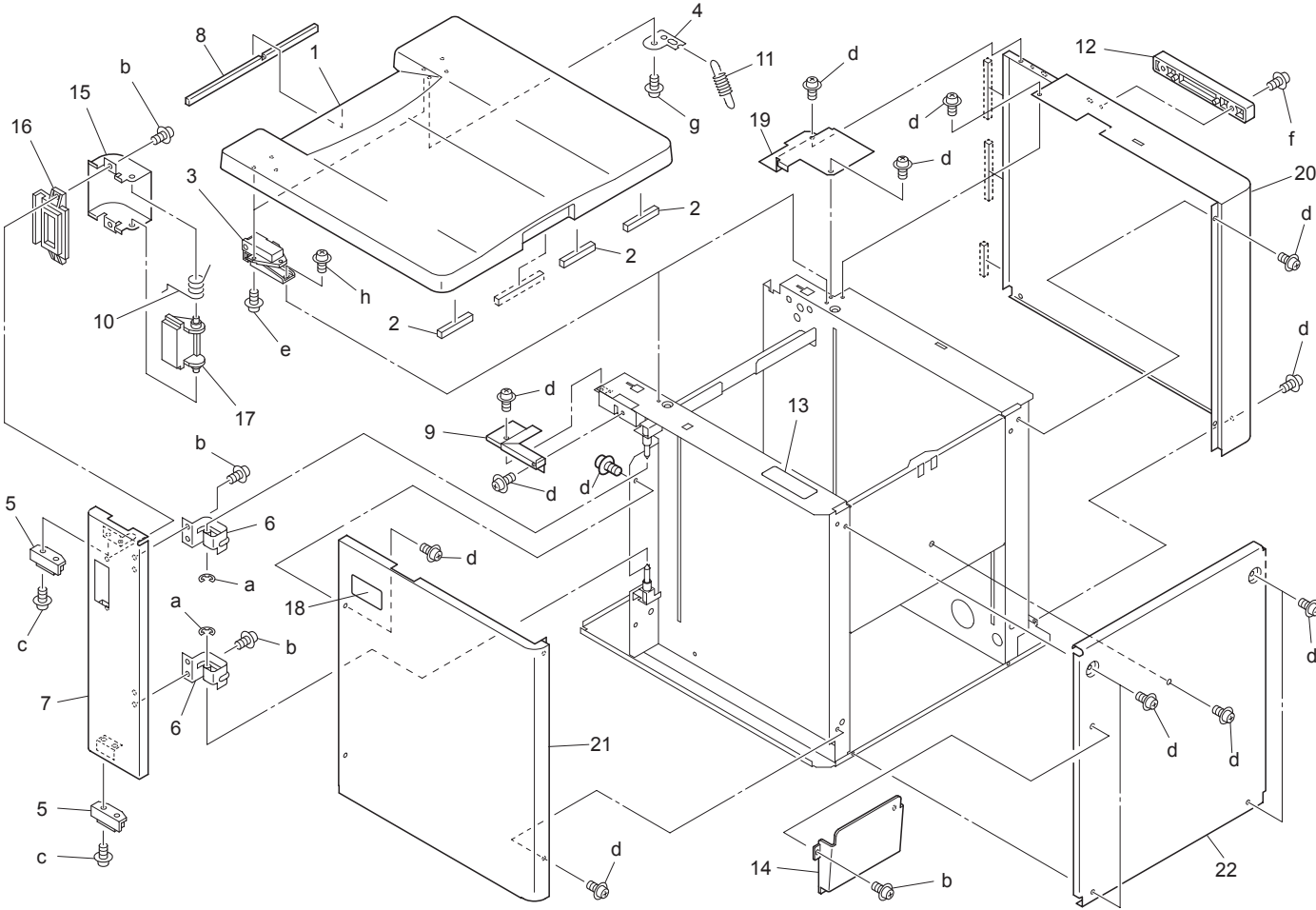


4000-sheet high capacity input (A3/ledger) (1)

Key no.	Part number	Description
1	13GG 1005 2KC	Board Connecting Stay/Left
2	13GG 1019 0KC	Driving Protect Cover
3	13GG 1011 0KC	Main Positioning Plate
4	13GG 1012 0KC	Fixed Plate
5	08AA 8551 0KC	Photo Sensor
6	13GG -107 0KC	Door Plate/Combined
7	12QR 8601 0KC	Inter Lock Switch
8	25AA 8501 0KC	Switch/1
9	13GG 9001 1KC	HCI Signal Wiring/Front
10	13GG -109 0KC	Jam Door Hinge/Lower Combined
11	12AR 4561 1KC	Actuator
12	13RE -901 2KC	HCI Driving Board Assembly
13	56AA -710 0KC	Heater Mounting Plate Assembly
14	56GA 4226 1KC	Heater Cover
15	13RJ 1013 0KC	Main Fixed Pin
16	12AR 1036 1KC	Magnet Pressure Plate
17	13RJ 9004 2KC	HCI Control Wiring
18	13GG 1014 0KC	Support Plate/Lower
19	12UM 1009 0KC	HCI Setting Roller/Left
20	12TR 1011 0KC	HCI Support Part/Left
21	13GG 1015 0KC	Bottom Plate Support Part
22	9630 0320 0KC	Not used for the HP LaserJet 9055mfp/ 9065mfp
23	129R 1021 0KC	Main Fixed Plate/1
24	13LT 9711 1KC	Paper Base Label
25	13RJ 1010 0KC	Main Fixed Plate

Key no.	Part number	Description
a	00Z193061KC	C.R.P.H. Screw M3X6
b	00Z194061KC	C.R.P.H. Screw M4X6
c	00Z511001KC	Hexagon Nut (Mio)
d	00Z925106KC	Locking Circuit Board Support
e	00Z182101KC	Bind Screw M2X10
f	00Z670206KC	E-Ring
g	00Z193041KC	C.R.P.H. Screw M3X4

4000-sheet high capacity input (A3/ledger) (2)

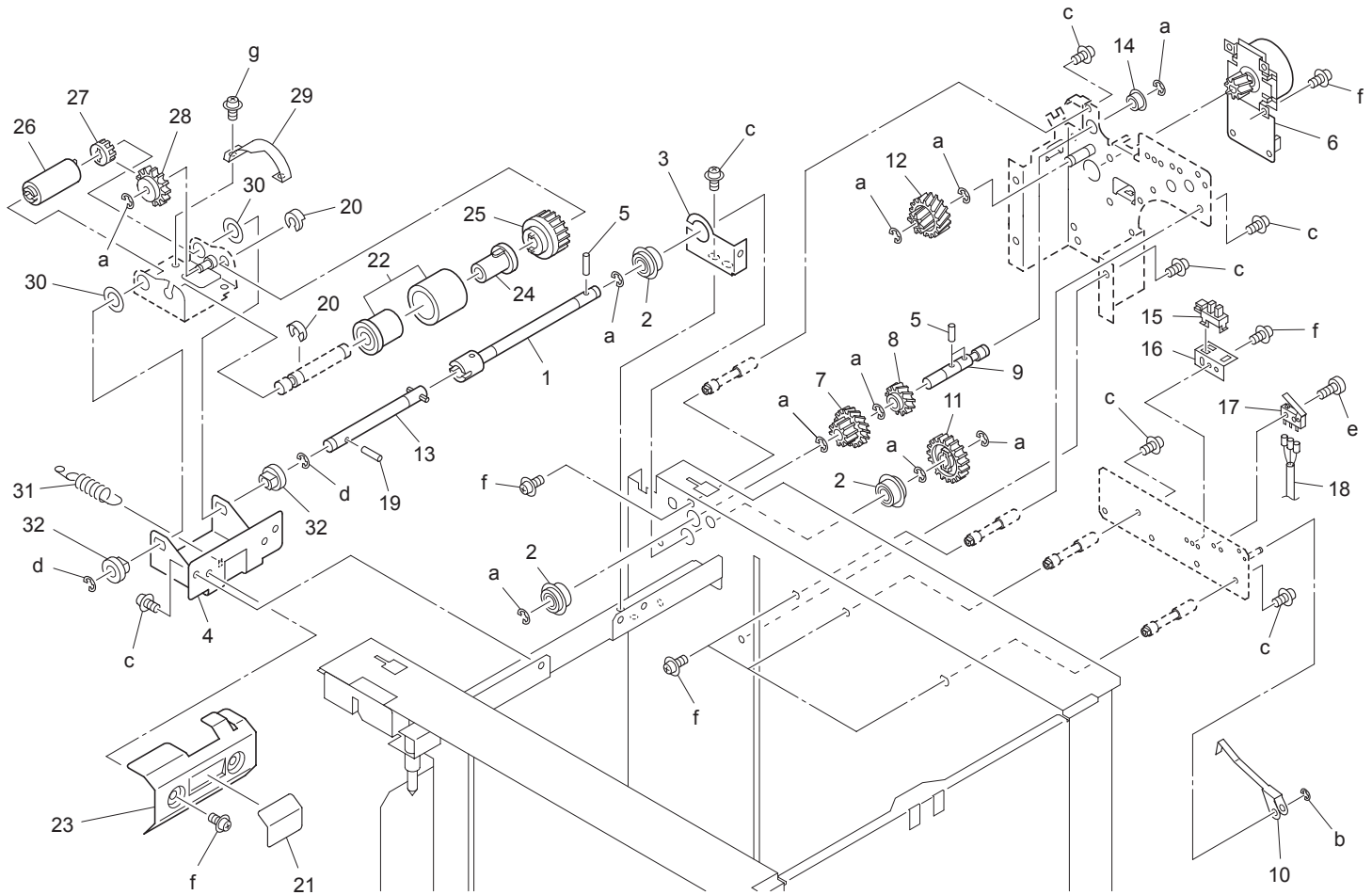


4000-sheet high capacity input (A3/ledger) (2)

Key no.	Part number	Description
1	13LS 1201 1KC	Paper Supply Cover
2	12UM 1210 0KC	Stopper Part
3	13LS 1211 1KC	Open/Shut Hinge
4	25SA 5053 0KC	Spring Mount Plate
5	0500 1116 0KC	Magnet Catch
6	12AJ 1211 0KC	Hinge Plate/A
7	13GG 1205 1KC	Jam Open-Close Door
8	13RJ 1223 0KC	Cushion/C
9	13GG 1206 1KC	Paper Feed Auxiliary Cover/Front
10	12AJ 1227 0KC	Open-Close Spring
11	12UM 4022 0KC	Lift-Up Spring
12	13GG 1213 0KC	Paper Guide Knob
13	13LS 9701 0KC	Paper Supply Label
14	55VA 1240 1KC	Accessories Installing Cover
15	12AJ 1224 1KC	Mount Cover/A
16	12AJ 1225 1KC	Mount Cover/B
17	12AJ 1226 1KC	Open-Close Knob
18	14HX 9707 0KC	Paper Feed Indicating Label/4
19	13RJ 1209 0KC	Clutch Exchanging Cover
20	13RE 1204 0KC	Rear Cover
21	13RE 1202 0KC	Front Cover
22	13RJ 1203 0KC	Side Cover/Right
a	00Z670306KC	E-Ring
b	00Z194061KC	C.R.P.H. Screw M4X6
c	00Z114061KC	C.R.P.H. Screw M4X6
d	00Z144062KC	C.R.P.H.TR.Screw M4X6

Key no.	Part number	Description
e	00Z254081KC	Cross Recessed Tapping Screw
f	00Z144082KC	C.R.P.H.TR.Screw M4X8
g	00Z253061KC	Cross Recessed Tapping Screw
h	00Z164083KC	C.R.P.H.S.Sems2 M4X8

4000-sheet high capacity input (A3/ledger) (3)

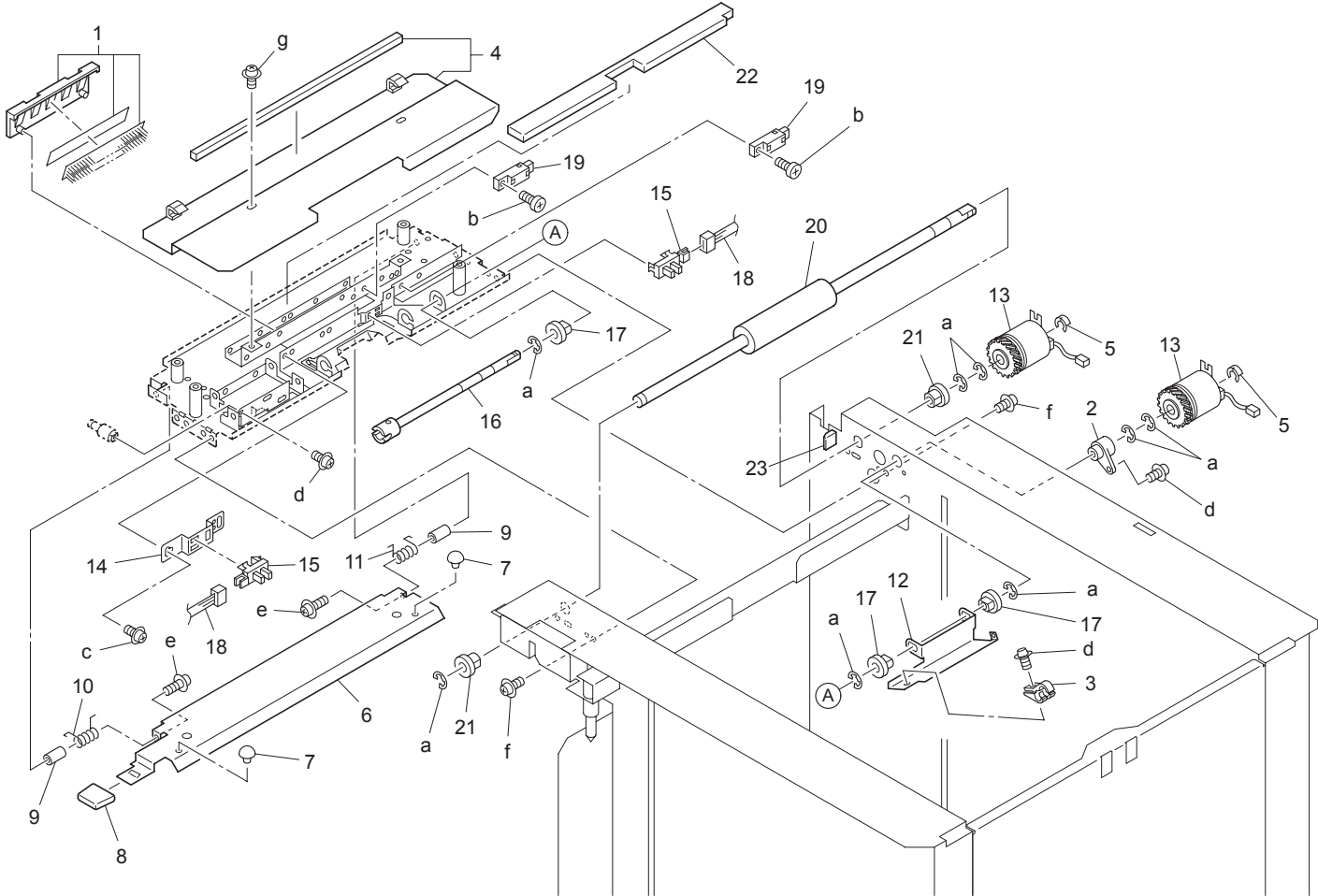


4000-sheet high capacity input (A3/ledger) (3)

Key no.	Part number	Description
1	13GG -164 0KC	Funning Drive Shaft
2	5400 7605 0KC	Driving Shaft Holder (Bushing/Bearing)
3	55VA 4206 0KC	Shaft Support Plate
4	55VA 4019 1KC	Paper Feed Holder Plate/Lower
5	3040 7804 0KC	Pin (B)
6	56AA 8008 1KC	DC Brushless Motor/15
7	13RJ 7907 0KC	Paper Feed Driving Gear/B (Z=22/30)
8	13RJ 7908 0KC	Paper Feed Driving Gear/C (Z=22)
9	13GG 1605 1KC	Paper Feed Input Shaft/1
10	12AR 4561 1KC	Actuator
11	55VA 7901 0KC	Paper Feed Reversal Gear/A (Z=60)
12	13RJ 7777 0KC	Registration Idler Gear (Z=66/27)
13	13GG -424 0KC	Toque Drive Shaft Assembly
14	25AA 7509 0KC	Paper Feed Rolling Shaft Holder (Bushing/Bearing)
15	08AA 8551 0KC	Photo Sensor
16	13GG 1012 0KC	Fixed Plate
17	12QR 8601 0KC	Inter Lock Switch
18	13GG 9003 0KC	HCI Driving Wiring
19	0980 3030 0KC	Pin
20	3960 4068 1KC	Snap Ring
21	55VA 4141 1KC	Entrance Guide Sheet
22	55VA -483 0KC	Feeding Roller Assembly/B
23	13GG 4006 1KC	Entrance Guide Plate
24	50BA 4022 0KC	Reversal Roller
25	55VA 7914 0KC	Paper Feed Reversal Gear/D (Z=19)

Key no.	Part number	Description
26	55FA 5819 0KC	Toque Limiter
27	55VA 7903 0KC	Paper Feed Reversal Gear/C (Z=14)
28	55VA 7905 0KC	Idler Gear/B (Z=24)
29	55VA 4225 0KC	Paper Feed Driving Cover/2
30	25AA 4012 0KC	Spacer
31	55VA 4031 0KC	Reversal Spring/B
32	0084 7861 0KC	Bushing
a	00Z670606KC	E-Ring
b	00Z670206KC	E-Ring
c	00Z194061KC	C.R.P.H. Screw M4X6
d	00Z670406KC	E-Ring
e	00Z182101KC	Bind Screw M2X10
f	00Z193061KC	C.R.P.H. Screw M3X6
g	00Z193041KC	C.R.P.H. Screw M3X4

4000-sheet high capacity input (A3/ledger) (4)

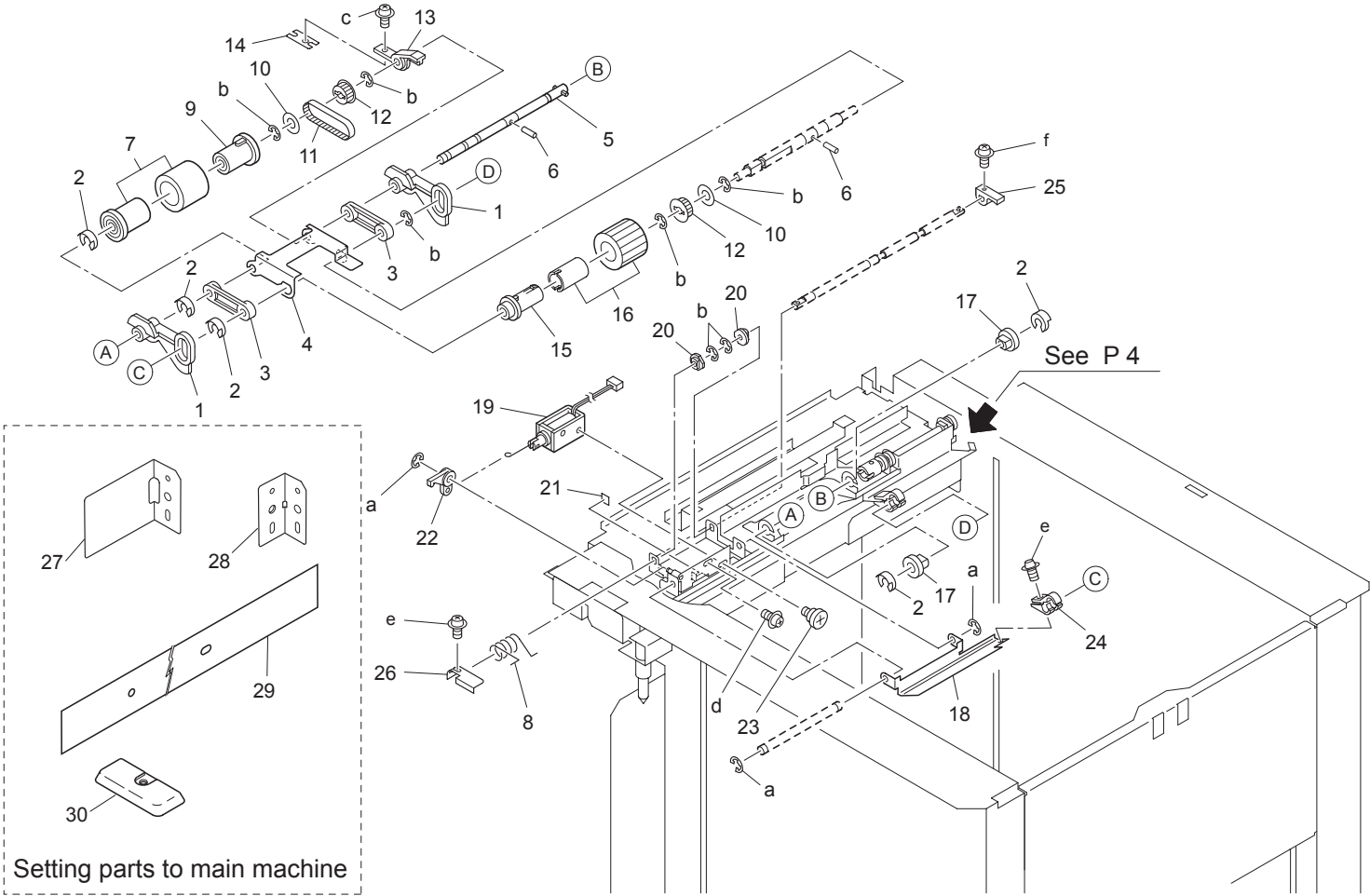


4000-sheet high capacity input (A3/ledger) (4)

Key no.	Part number	Description
1	55VA -455 0KC	Paper Dust Scraper
2	55VA 4336 0KC	Lock Shaft Holder (Bushing/Bearing)
3	25AA 4074 2KC	Connecting Part/A
4	13RJ -124 0KC	Feeding Cover Assembly
5	55VA 4212 0KC	Shaft Stopper
6	13GG 4004 2KC	Exit Guide Plate/Lower
7	0486 4526 0KC	Stopper Rubber
8	25AA 4890 0KC	Open-Close Lever
9	25AA 4770 0KC	Spring Guide Part
10	13GG 4015 0KC	Paper Feed Pressure Spring/Front
11	13GG 4014 0KC	Paper Feed Pressure Spring/Rear
12	13GG 4008 0KC	Entrance Guide Plate/Rear
13	56AA 8201 1KC	Paper Feed Clutch
14	13GG 4020 0KC	Mount Plate/A
15	08AA 8551 0KC	Photo Sensor
16	13GG -165 0KC	Paper Feed Driving Shaft/A
17	0900 7553 0KC	Bushing
18	13RE 9006 0KC	HCI Signal Wiring/Upper
19	56AA 8552 0KC	Conveyance Photo Sensor
20	13GG 4005 0KC	Paper Conveyance Roller
21	55VA 7554 0KC	Paper Feed Shaft Holder/B (Bushing/Bearing)
22	13RJ 1222 0KC	Cushion/B
23	13RJ 1224 0KC	Rubber/A
a	00Z670606KC	E-Ring
b	00Z183101KC	Bind Screw M3X10
c	00Z163061KC	C.R.P.H.S.Sems2 M3X6

Key no.	Part number	Description
d	00Z193061KC	C.R.P.H. Screw M3X6
e	00Z193251KC	C.R.P.H. Screw (M3X25)
f	00Z194061KC	C.R.P.H. Screw M4X6
g	00Z183062KC	Bind Screw M3X6

4000-sheet high capacity input (A3/ledger) (5)

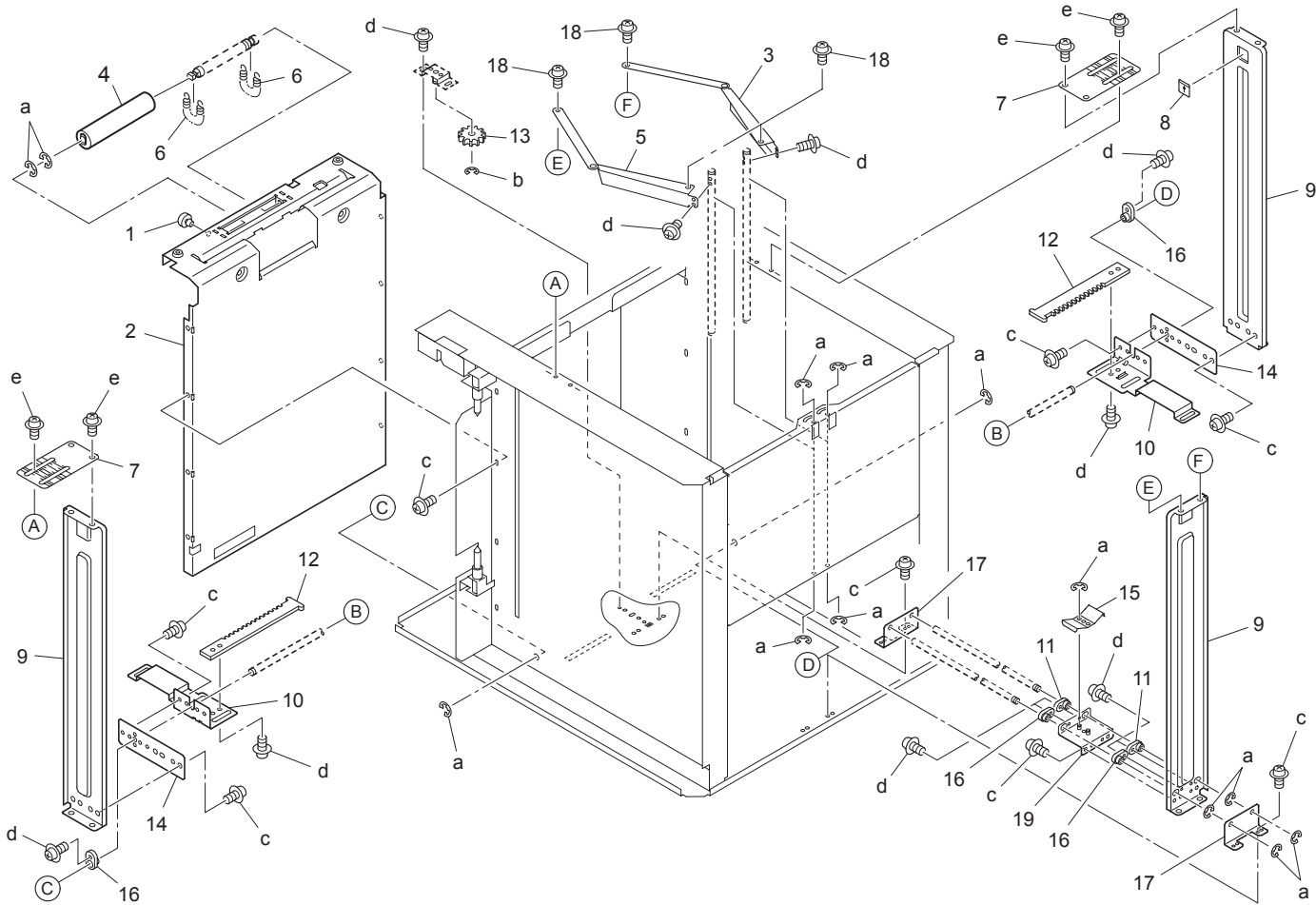


4000-sheet high capacity input (A3/ledger) (5)

Key no.	Part number	Description
1	55VA 4122 0KC	Paper Feed Standard Actuator
2	3960 4068 1KC	Snap Ring
3	55VA 4026 0KC	Paper Feeding Shaft Holder (Bushing/Bearing)
4	13GG 4018 1KC	Paper Feed Holder Plate
5	13GG -423 1KC	Feeding Shaft
6	3960 7802 0KC	Pin (B)
7	55VA -483 0KC	Feeding Roller Assembly/B
8	13GG 4013 0KC	Lever Spring
9	55VA 4015 0KC	Double Feed Feeding Roller
10	1975 4511 0KC	Roller Collar
11	25SA 7756 1KC	Paper Driving Belt (L=126)
12	0590 7651 0KC	Pulley/1
13	55VA 4023 0KC	Paper Feed Lift-Up Lever
14	55VA 4099 0KC	Lever Auxiliary Plate
15	55VA 4013 0KC	Paper Feeding Roller/A
16	55VA -484 0KC	Feeding Roller Assembly/A
17	1310 7551 0KC	Bushing/A
18	13GG 4007 0KC	Entrance Guide Plate/Front
19	55VA -460 0KC	Pick-Up Solenoid
20	4660 7602 0KC	Paper Feed Shaft Holder (Bushing/Bearing)
21	55VA 4211 1KC	Solenoid Stopper Sheet
22	25AA 4087 0KC	Switch Lever/1
23	55VA 4222 0KC	Positioning Screw
24	25AA 4074 2KC	Connecting Part/A
25	55VA 4044 0KC	Pressure Plate/B
26	13GG 4016 0KC	Pressure Plate/L

Key no.	Part number	Description
27	13RJ 1031 0KC	Earth Plate/1
28	13RJ 1032 0KC	Earth Plate/2
29	13RJ 1033 0KC	Earth Plate/3
30	13RJ 1034 0KC	Cover/A
a	00Z670306KC	E-Ring
b	00Z670406KC	E-Ring
c	00Z183041KC	Bind Screw M3X4
d	00Z163061KC	C.R.P.H.S.Sems2 M3X6
e	00Z193061KC	C.R.P.H. Screw M3X6
f	00Z183061KC	Bind Screw M3X6

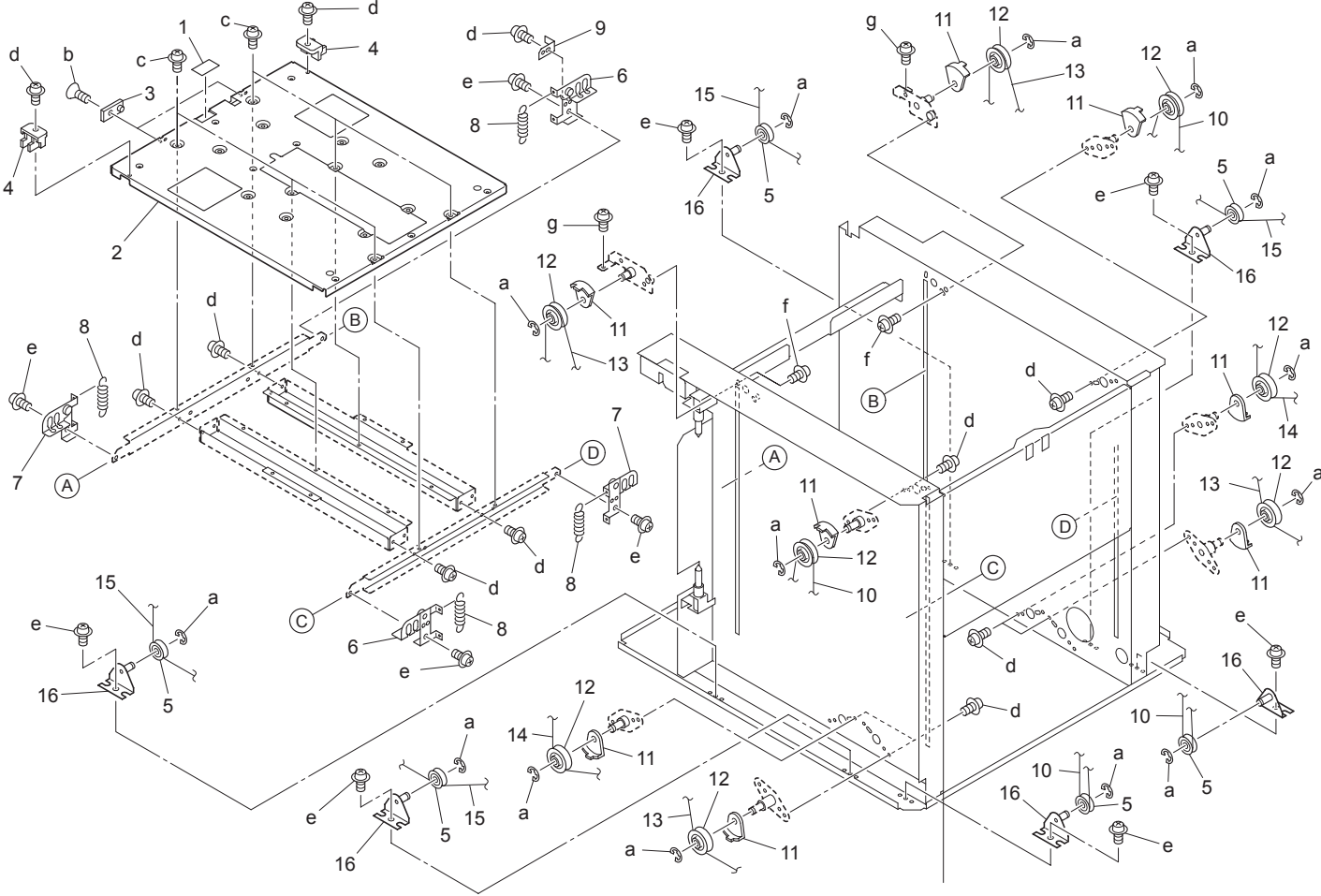
4000-sheet high capacity input (A3/ledger) (6)



4000-sheet high capacity input (A3/ledger) (6)

Key no.	Part number	Description
1	12AJ 4585 0KC	Stopper Rubber
2	13GG 4201 2KC	Paper Stopper Plate
3	13LS -409 0KC	Rear Guide Arm /Rear Assembly
4	56GA 4017 1KC	Conveyance Driven Roller
5	13LS -410 0KC	Rear Guide Arm /Front Assembly
6	55VA 4649 0KC	Registration Pressure Spring
7	13LS 4207 0KC	Paper Positioning Plate
8	25AA 9732 0KC	Paper Guide Seal
9	13GG 4204 3KC	Paper Supply Side Plate
10	13GG 4208 2KC	Side Fixed Plate
11	129X 4835 0KC	Guide Shaft Holder/A (Bushing/Bearing)
12	25BA 4723 0KC	Luck (Front)
13	25BA 7730 1KC	Cassette Pinion(Z=14)
14	13LS 4226 0KC	Side Connecting Plate
15	13LS 4227 0KC	Bottom Plate Locking Plate
16	129X 4836 0KC	Guide Shaft Holder/B (Bushing/Bearing)
17	13LS 4220 1KC	Shaft Support Plate /A
18	1900 4092 1KC	Scale Plate Fixed Screw
19	13LS -431 0KC	Rear Slide Plate
a	00Z670406KC	E-Ring
b	00Z670306KC	E-Ring
c	00Z194061KC	C.R.P.H. Screw M4X6
d	00Z193061KC	C.R.P.H. Screw M3X6
e	00Z144062KC	C.R.P.H.TR.Screw M4X6

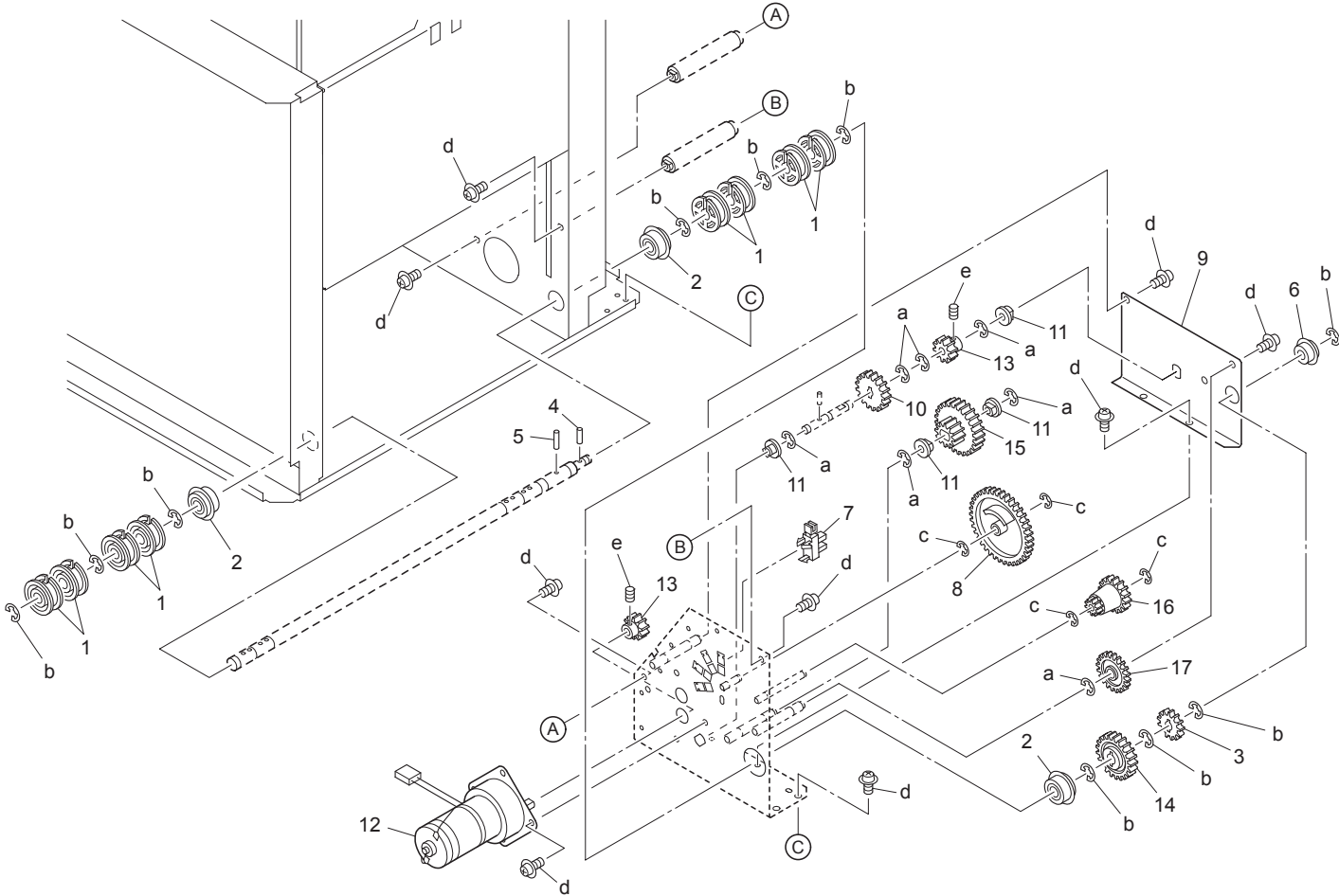
4000-sheet high capacity input (A3/ledger) (7)



4000-sheet high capacity input (A3/ledger) (7)

Key no.	Part number	Description
1	55VA 4093 0KC	Double Feed Preventive Plate
2	13LS 4202 1KC	Paper Up/Down Plate
3	0676 4285 0KC	Spacer Plate
4	13GG 4214 1KC	Board Positioning Block
5	25AA 4257 0KC	Wire Pulley
6	25AA -476 0KC	Wire Fixed Plate/A Combined
7	25AA -478 0KC	Wire Fixed Plate/B Combined
8	25AA 4280 0KC	Up-Down Spring
9	55VA 4414 0KC	Detecting Plate
10	13LS 1515 1KC	Driving Up-Down Wire/D
11	25AA 4118 0KC	Wire Holder/A
12	25AA 4112 0KC	Driven Pulley
13	13LS 1512 1KC	Drive Up/Down Wire /A
14	13LS 1513 1KC	Drive Up/Down Wire /B
15	13LS 1514 1KC	Drive Up/Down Wire /C
16	25AA -473 0KC	Wire Mount Plate Combined
a	00Z670606KC	E-Ring
b	00Z123061KC	C.R.C.S. Screw M3X6
c	00Z144062KC	C.R.P.H.TR.Screw M4X6
d	00Z193061KC	C.R.P.H. Screw M3X6
e	00Z194061KC	C.R.P.H. Screw M4X6
f	00Z163061KC	C.R.P.H.S.Sems2 M3X6
g	00Z184301KC	Bind Screw M4X30

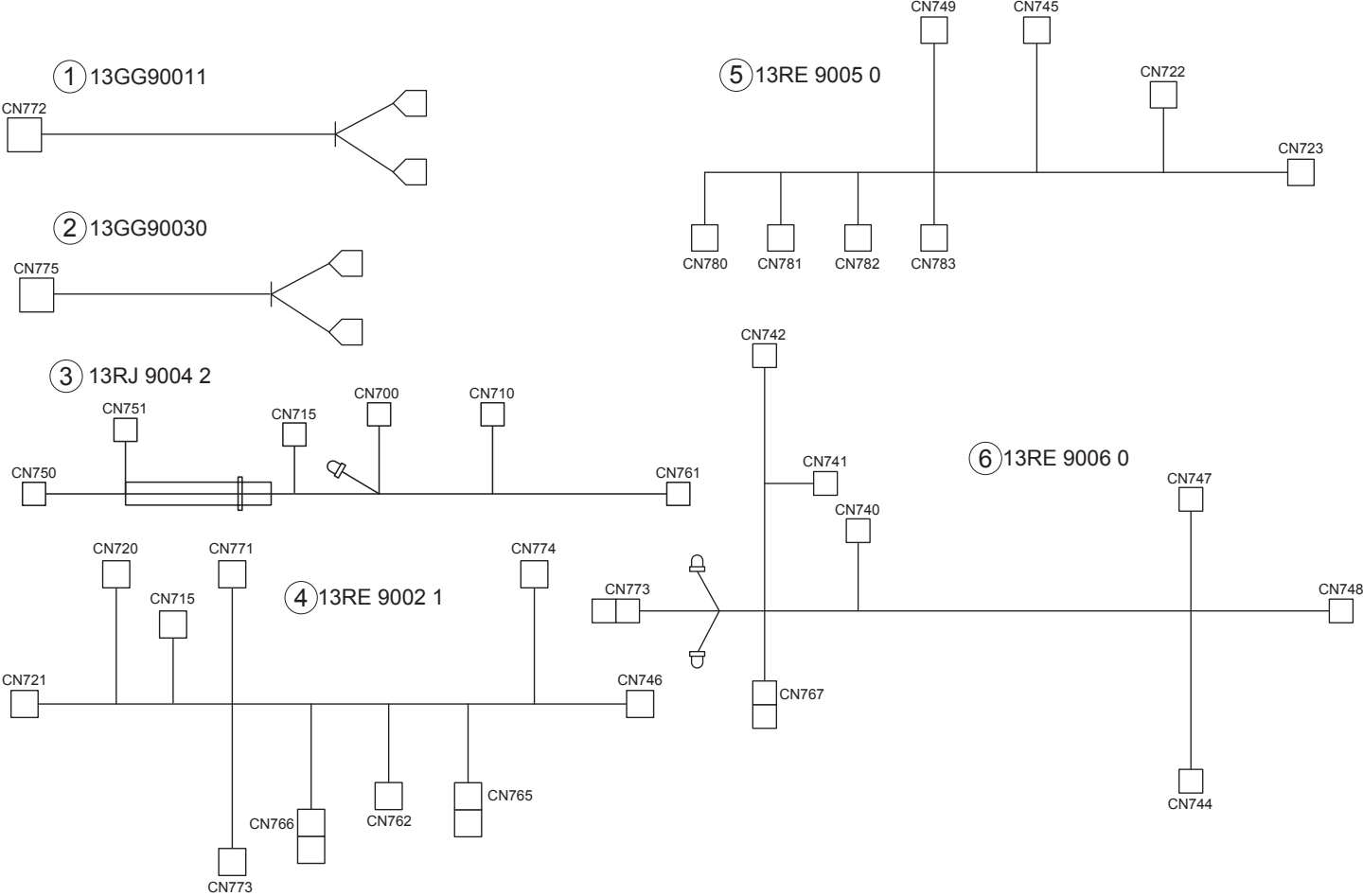
4000-sheet high capacity input (A3/ledger) (8)



4000-sheet high capacity input (A3/ledger) (8)

Key no.	Part number	Description
1	13GG 1511 1KC	Driving Up-Down Pulley
2	0660 7701 0KC	Shaft Holder (A) (Bushing/Bearing)
3	1921 4302 0KC	Delivery Gear
4	3040 7804 0KC	Pin (B)
5	3040 7807 0KC	Pin (C)
6	5400 7605 0KC	Driving Shaft Holder (Bushing/Bearing)
7	08AA 8551 0KC	Photo Sensor
8	13GG 7701 0KC	Detecting Gear (Z=92)
9	13LS 1503 0KC	Driving Up-Down Plate/Front
10	25AA 7798 1KC	Toner Supply Agitate Gear
11	0900 7553 0KC	Bushing
12	25AA 8017 2KC	Paper Feed Unit Motor
13	13LS 7703 0KC	Motor Driving Gear /B
14	12QR 7706 0KC	Up/Down Gear/C (Z=30)
15	12QR 7705 0KC	Up/Down Gear/B (Z=52/15)
16	1921 4306 0KC	Gear (B)
17	55GA 7715 0KC	Paper Feed Driving Gear /3
a	00Z670606KC	E-Ring
b	00Z670806KC	E-Ring
c	00Z670406KC	E-Ring
d	00Z194061KC	C.R.P.H. Screw M4X6
e	00Z474043KC	Hexagon Socket Screw (W-Point)

4000-sheet high capacity input (A3/ledger) (9)



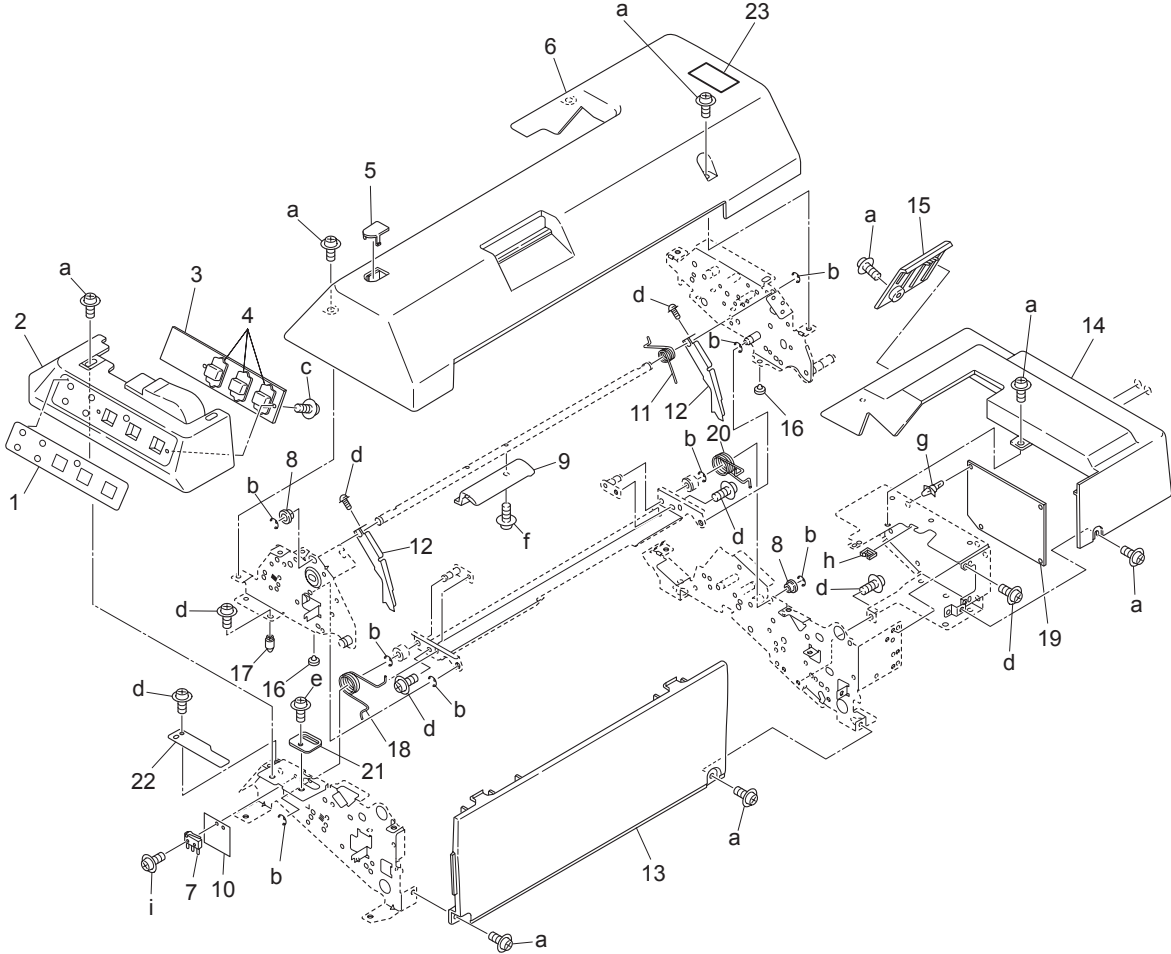
4000-sheet high capacity input (A3/ledger) (9)

Key no.	Part number	Description
1	13GG 9001 1KC	HCI Signal Wiring/Front
2	13GG 9003 0KC	HCI Driving Wiring
3	13RJ 9004 2KC	HCI Control Wiring
4	13RE 9002 1KC	HCI Signal Wiring/1
5	13RE 9005 0KC	HCI Signal Wiring/Lower
6	13RE 9006 0KC	HCI Signal Wiring/Upper

7 Post insertion kit

Post insertion kit (1)	284
Post insertion kit (2)	286
Post insertion kit (3)	288
Post insertion kit (4)	290
Post insertion kit (5)	292
Post insertion kit (6)	294
Post insertion kit (7)	296
Post insertion kit (8)	298

Post insertion kit (1)



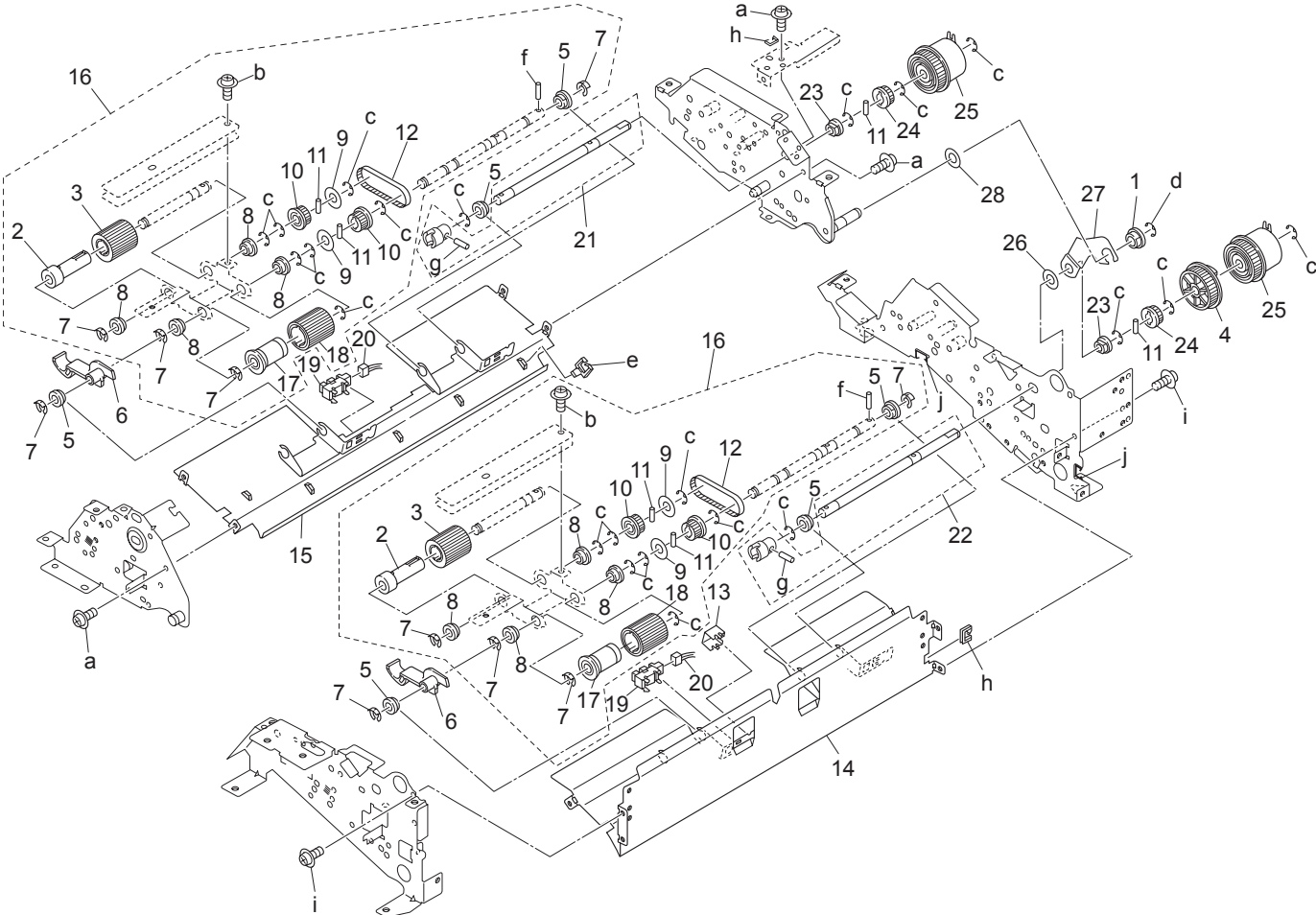
Post insertion kit (1)

Key no.	Part number	Description
1	13ZT 7001 0KC	Operation Unit (Control Panel) Sheet (see Note 1)
2	13QN 1203 0KC	Cover/Front (see Note 1)
3	13QN -932 0KC	Operation Board Assembly
4	5540 1208 0KC	Switch Button
5	13GQ 1210 0KC	Screw Cover
6	13QN 1202 0KC	Cover/Upper
7	12QR 8601 0KC	Inter Lock Switch
8	12ER 7553 0KC	Shaft Holder /A (Bushing/Bearing)
9	13QN 4056 0KC	Tray Release Handle
10	13QN 4074 0KC	Insulating Sheet
11	13QN 4059 0KC	Tray Locking Spring
12	13QN 4058 0KC	Locking Claw
13	13QN 1205 1KC	Cover/Right
14	13QN 1201 0KC	Cover/Lower
15	13QN 1204 0KC	Wiring Cover/1
16	0486 4526 0KC	Stopper Rubber
17	13QN 4050 0KC	Tray Positioning Pin
18	13QN 4067 0KC	Tray Lifting Spring/Front
19	13QN -931 1KC	Drive Board Assembly
20	13QN 4068 0KC	Tray Lifting Spring/Rear
21	13QN 4076 0KC	Positioning Part
22	13QN 4070 0KC	Switch Spring
23	13QN 9703 0KC	Caution Label/A
a	00Z144062KC	C.R.P.H.TR.Screw M4X6
b	00Z670406KC	E-Ring

Key no.	Part number	Description
c	00Z353081KC	PT Screw (M3*8)
d	00Z193061KC	C.R.P.H. Screw M3X6
e	00Z194061KC	C.R.P.H. Screw M4X6
f	00Z163081KC	C.R.P.H.S.Sems2 M3X8
g	00Z925103KC	Locking Circuit Board Support
h	00Z920013KC	Super Saddle MSS-2
i	00Z182101KC	Bind Screw M2X10

Note 1: U6181-60006 includes both 13ZT70010KC (key no. 1) and 13QN12030KC (key no. 2).

Post insertion kit (2)

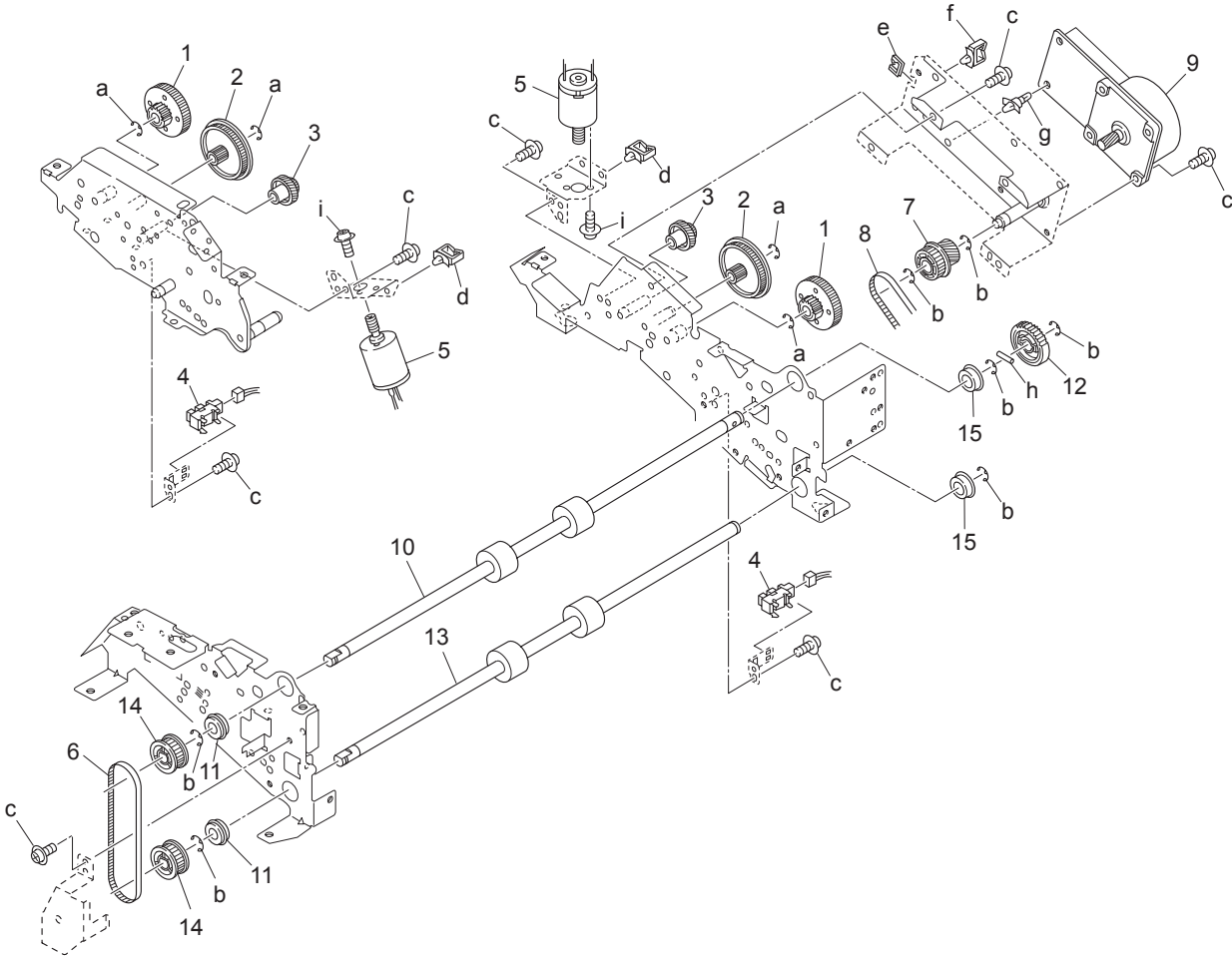


Post insertion kit (2)

Key no.	Part number	Description
1	26NA 4082 0KC	Paper Feed Slide Shaft Holder (Bushing/Bearing)
2	50BA 4003 0KC	Feeding Roller/A
3	50BA -574 0KC	Paper Feeding Roller Assembly/A (Pick Roller)
4	13QN 7652 0KC	Drive Pulley/2 (Z=40)
5	12ER 7553 0KC	Shaft Holder /A (Bushing/Bearing)
6	13QN 4005 0KC	Paper Detecting Actuator
7	56AA 4049 0KC	Shaft Stopper/4
8	3920 1565 0KC	Slide Shaft Holder/C (Bushing/Bearing)
9	12QV 4074 0KC	Belt Regulating Part
10	0590 7651 0KC	Pulley/1
11	3960 7802 0KC	Pin (B)
12	25SA 7756 1KC	Paper Driving Belt (L=126)
13	13QN 4075 0KC	Cover
14	13QN 4023 2KC	Paper Feed Guide Plate/A
15	13QN 4025 1KC	Paper Feed Guide Plate/C
16	13QN -404 0KC	Feeding Unit Assembly
17	13QN 4006 0KC	Feeding Roller/B
18	13QN -446 0KC	Feeding Roller Assembly/C (Feed Roller)
19	08AA 8551 0KC	Photo Sensor
20	13QN 9107 0KC	FNS Wiring/7
21	13QN -411 0KC	Driving Connecting Shaft/A Assembly
22	13QN -412 0KC	Driving Connecting Shaft/B Assembly
23	1921 4171 0KC	Paper Lift-Up Lever Shaft Holder (B) (Bushing/Bearing)
24	129X 7662 0KC	Conveyance Pulley/B (Z=16)

Key no.	Part number	Description
25	13QN 8201 0KC	Paper Feed Clutch
26	12AR 1519 0KC	Collar/B
27	13QN 4044 1KC	Connecting Arm/C
28	13QN 4079 0KC	Spacer
a	00Z193061KC	C.R.P.H. Screw M3X6
b	00Z193081KC	C.R.P.H. Screw M3X8
c	00Z670406KC	E-Ring
d	00Z670606KC	E-Ring
e	00Z920062KC	Saddle (MSBS-1207)
f	00Z712126KC	Spring Pin
g	00Z713126KC	Spring Pin
h	00Z920013KC	Super Saddle MSS-2
i	00Z193043KC	C.R.P.H. Screw
j	00Z921370KC	Edge Saddle

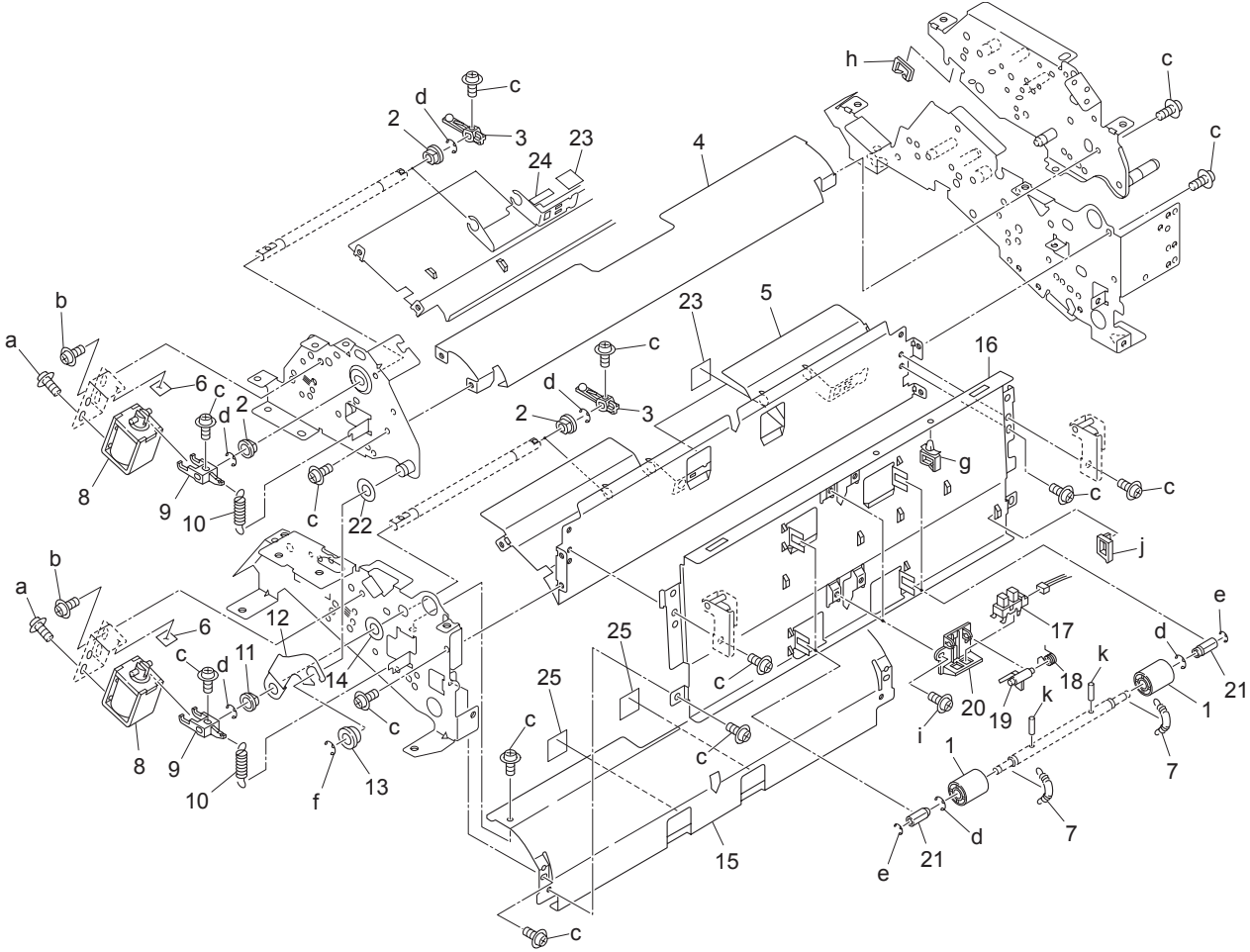
Post insertion kit (3)



Post insertion kit (3)

Key no.	Part number	Description
1	5400 7736 2KC	Paper Lift-up Gear/B
2	5400 7731 1KC	Paper Lift-up Gear/C
3	5400 7732 1KC	Paper Lift-up Gear/D
4	08AA 8551 0KC	Photo Sensor
5	13FG -415 0KC	Paper Feed Motor Assembly
6	13QN 7755 0KC	Drive Belt/E (L=258)
7	13QN 7706 0KC	Idling Gear/B (Z=24/31)
8	13QN 7751 0KC	Drive Belt/A (L=189)
9	56AA 8007 0KC	DC Brushless Motor/30
10	13QN 4027 1KC	Paper Feed Driving Shaft/Upper
11	5400 7605 0KC	Driving Shaft Holder (Bushing/Bearing)
12	25SA 7706 0KC	Screw Drive Gear (4) (Z=30)
13	13QN 4028 1KC	Paper Feed Driving Shaft/Lower
14	13QN 7653 0KC	Drive Pulley/3 (Z=24)
15	0900 7553 0KC	Bushing
a	00Z670406KC	E-Ring
b	00Z670606KC	E-Ring
c	00Z193061KC	C.R.P.H. Screw M3X6
d	00Z921931KC	Mini Clamp (MSB-1607)
e	00Z920013KC	Super Saddle MSS-2
f	00Z921303KC	Wire Saddle
g	00Z925103KC	Locking Circuit Board Support
h	00Z749026KC	Hexagon Socket Screw
i	00Z182641KC	Bind Screw M2.6X4

Post insertion kit (4)

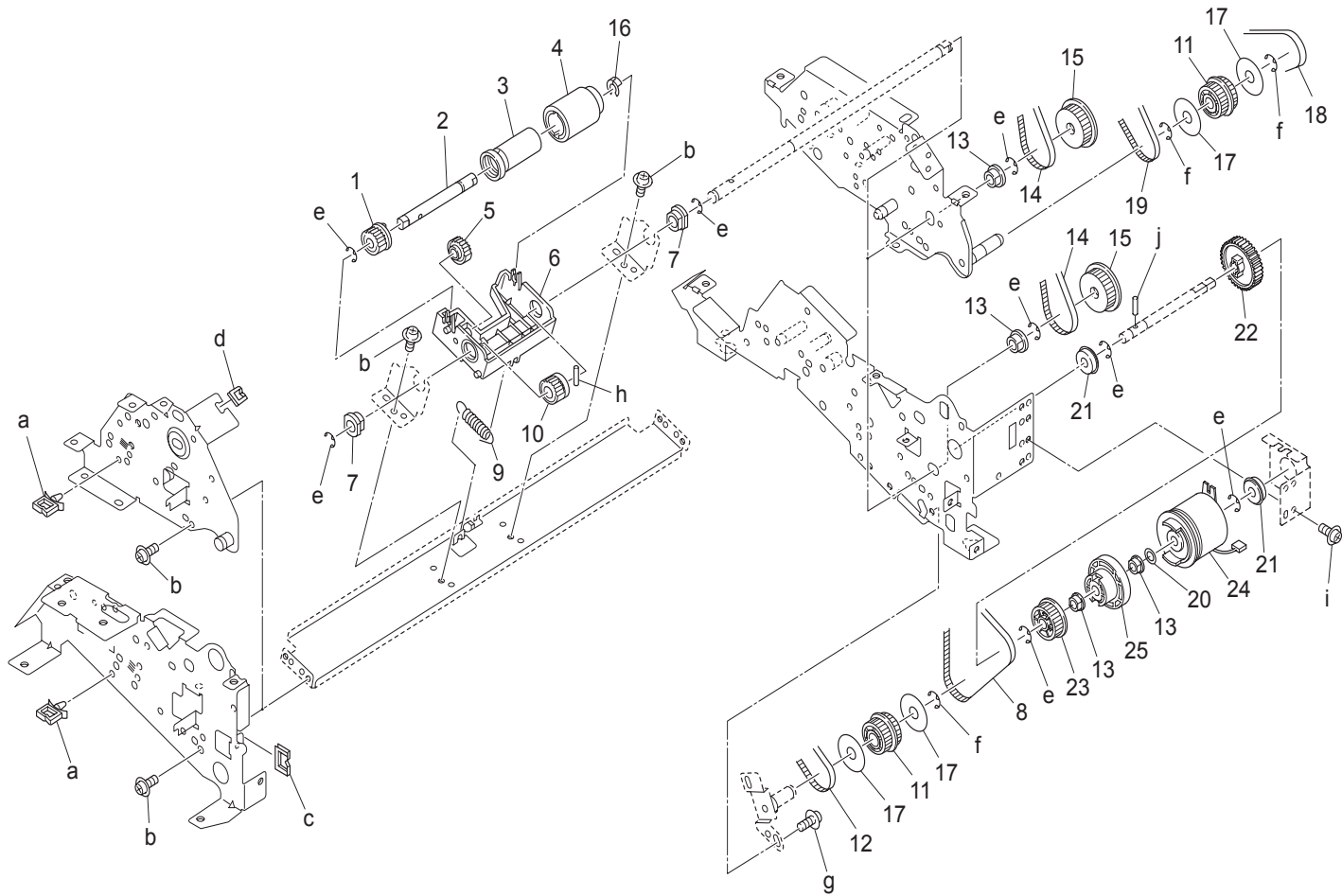


Post insertion kit (4)

Key no.	Part number	Description
1	13QN 4053 0KC	Conveyance Driven Roller
2	12ER 7553 0KC	Shaft Holder /A (Bushing/Bearing)
3	13QN 4007 0KC	Paper Feed Rocking Block/A
4	13QN 4026 0KC	Paper Feed Guide Plate/D
5	13QN 4023 2KC	Paper Feed Guide Plate/A
6	12ER 4035 0KC	Sticking Part
7	13QN 4041 1KC	Conveyance Pressing Spring
8	12QR -263 0KC	FNS Solenoid Assembly
9	13QN 4008 0KC	Paper Feed Rocking Block/B
10	13QN 4011 0KC	Solenoid Spring
11	1921 4171 0KC	Paper Lift-Up Lever Shaft Holder (B) (Bushing/Bearing)
12	13QN 4043 1KC	Connecting Arm/B
13	26NA 4082 0KC	Paper Feed Slide Shaft Holder (Bushing/Bearing)
14	12AR 1519 0KC	Collar/B
15	13QN 4024 1KC	Paper Feed Guide Plate/B
16	13QN 4037 1KC	Conveyance Guide Plate/Lower
17	08AA 8551 0KC	Photo Sensor
18	13QE 4808 0KC	Spring/1
19	13QE 4807 0KC	Actuator/1
20	13QE 4830 0KC	Block
21	129U 7551 0KC	Tension Shaft Holder (Bushing/Bearing)
22	13QN 4079 0KC	Spacer
23	13QN 4084 0KC	Registration Guide Sheet
24	13QN 4085 0KC	Paper Feed Guide Sheet

Key no.	Part number	Description
25	13QN 4086 0KC	Registration Guide Sheet/2
a	00Z163061KC	C.R.P.H.S.Sems2 M3X6
b	00Z163081KC	C.R.P.H.S.Sems2 M3X8
c	00Z193061KC	C.R.P.H. Screw M3X6
d	00Z670406KC	E-Ring
e	00Z670306KC	E-Ring
f	00Z670606KC	E-Ring
g	00Z921931KC	Mini Clamp (MSB-1607)
h	00Z921370KC	Edge Saddle
i	00Z193041KC	C.R.P.H. Screw M3X4
j	00Z920015KC	Locking Wire Saddle (LWSS-1M)
k	00Z743146KC	Parallel Pin 3*14

Post insertion kit (5)

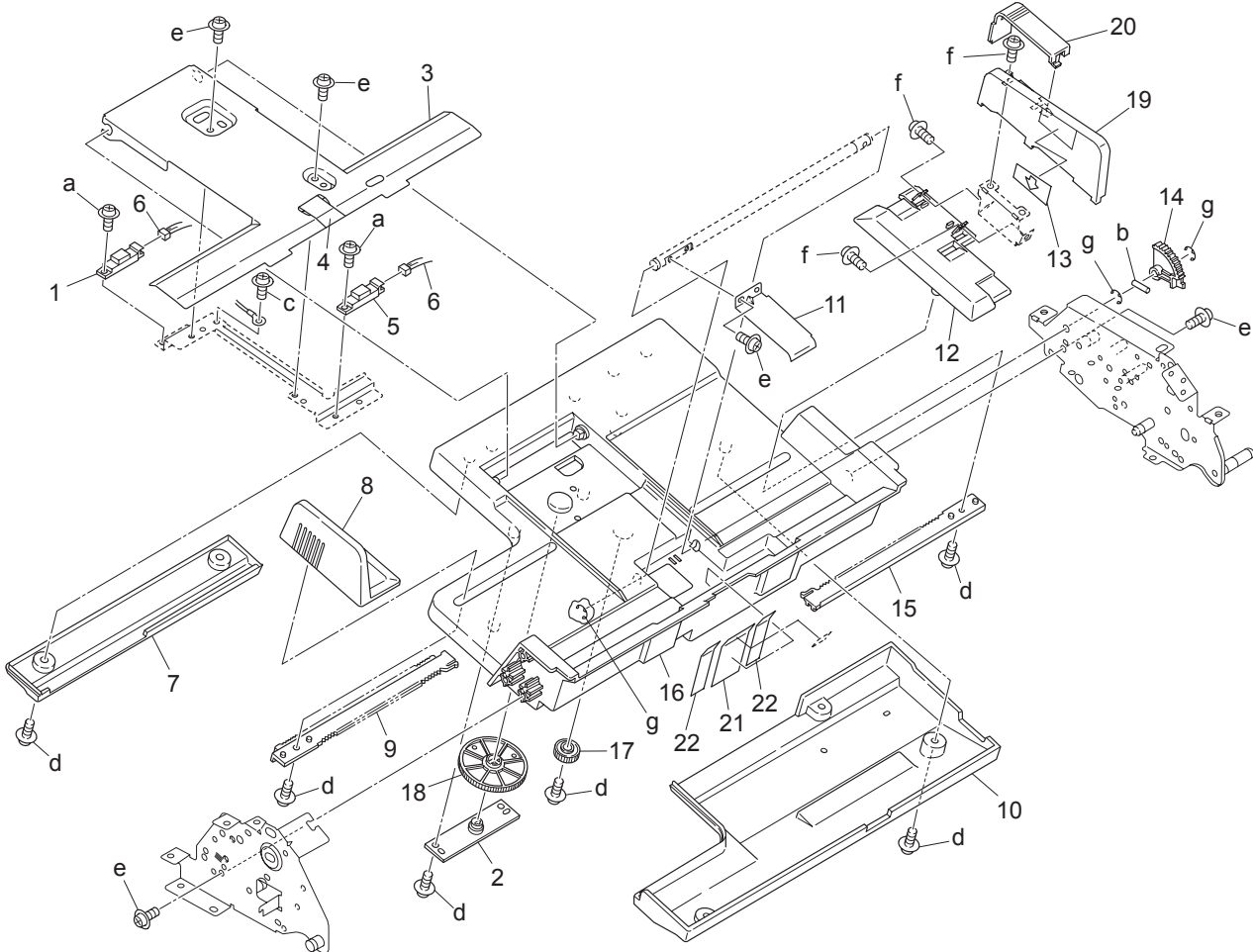


Post insertion kit (5)

Key no.	Part number	Description
1	13QN 7701 0KC	Paper Feed Reversing Gear/A (Z=14)
2	13QN 4015 0KC	Multi-Feed Preventing Shaft
3	13QN 4073 1KC	Torque Limiter
4	13QN -443 0KC	Reversing Rubber Assembly (Separation Roller)
5	13QN 7702 0KC	Idling Gear/A (Z=15)
6	13QN 4013 0KC	Multi-Feed Preventing Plate
7	13QN 4077 0KC	Shaft Holder /B (Bushing/Bearing)
8	13QN 7755 0KC	Drive Belt/E (L=258)
9	13QN 4055 0KC	Multi-Feed Preventing Spring
10	13QN 7703 0KC	Paper Feed Reversing Gear/B (Z=15)
11	13QN 7655 0KC	Idling Pulley/3 (Z=26)
12	13QN 7751 0KC	Drive Belt/A (L=189)
13	12ER 7553 0KC	Shaft Holder /A (Bushing/Bearing)
14	13QN 7753 0KC	Drive Belt/C (L=150)
15	13QN 7651 0KC	Drive Pulley/1 (Z=30)
16	56AA 4049 0KC	Shaft Stopper/4
17	25AA 5116 0KC	Belt Holder/A
18	129R 7792 0KC	Drive Belt/B
19	13QN 7756 0KC	Driving Belt/F (L=246)
20	13QA 1033 0KC	Shaft Spacer
21	55GA 7503 1KC	Shaft Holder (Bushing/Bearing)
22	55VA 7727 0KC	Toner Conveyance Gear
23	13QN 7656 0KC	Drive Pulley/C
24	13QN 8202 0KC	Registration Clutch
25	13QN 4082 0KC	Connecting Part

Key no.	Part number	Description
a	00Z921931KC	Mini Clamp (MSB-1607)
b	00Z193061KC	C.R.P.H. Screw M3X6
c	00Z921370KC	Edge Saddle
d	00Z920013KC	Super Saddle MSS-2
e	00Z670406KC	E-Ring
f	00Z670606KC	E-Ring
g	00Z163081KC	C.R.P.H.S.Sems2 M3X8
h	00Z743126KC	Parallel Pin
i	00Z193041KC	C.R.P.H. Screw M3X4
j	00Z742086KC	Parallel Pin

Post insertion kit (6)

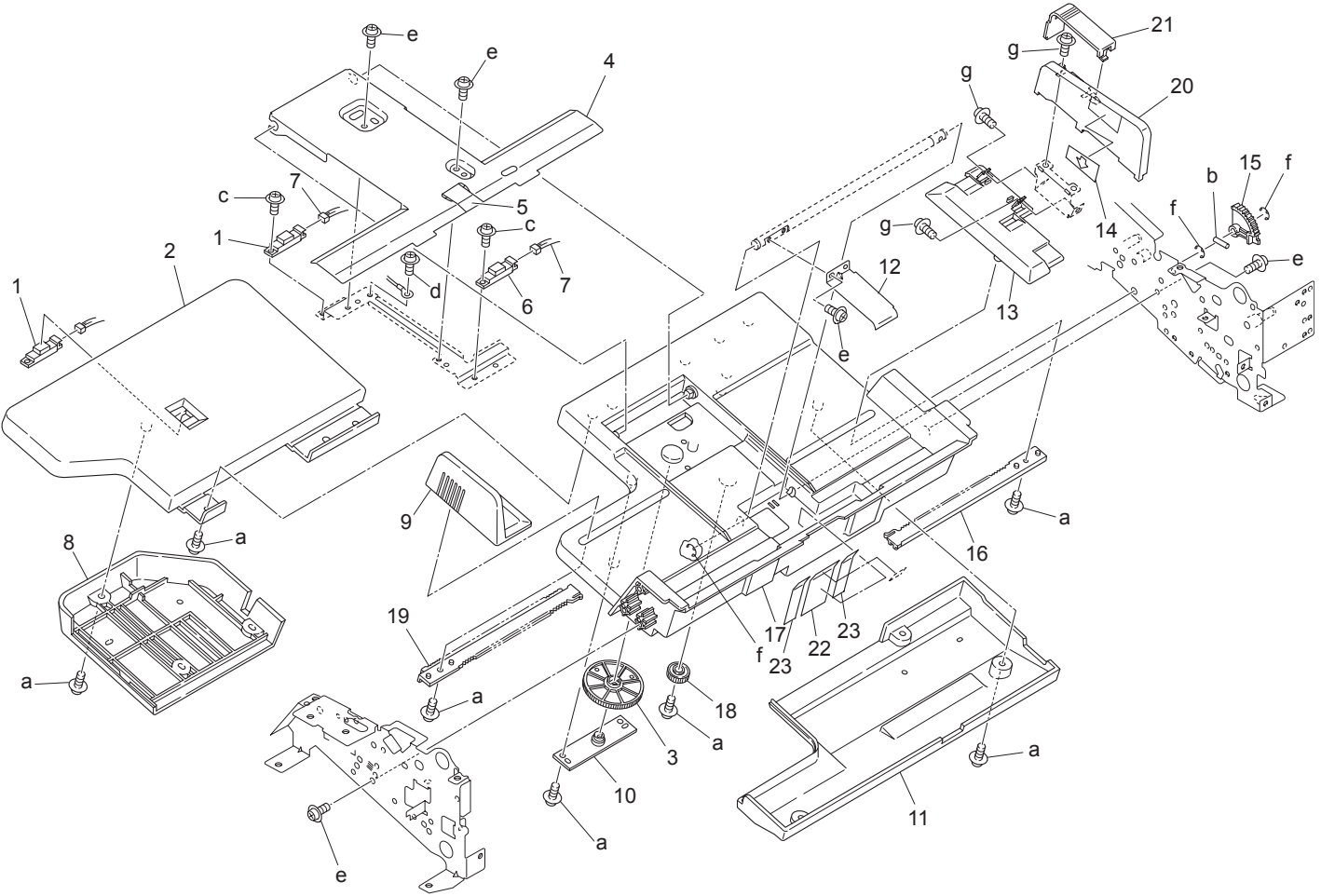


Post insertion kit (6)

Key no.	Part number	Description
1	13QA 8552 0KC	Sensor/2
2	13FG -933 0KC	Size Detecting Board Assembly
3	13QN 4203 0KC	Up/Down Tray
4	13QN 4212 0KC	Multi-Feed Preventing Sheet
5	13QA 8551 0KC	Sensor/1
6	13QN 9104 1KC	FNS Wiring/4
7	13QN 4219 0KC	Paper Feed Cover/3
8	13QN 4220 1KC	Paper Regulating Plate/Front
9	13QN 4210 0KC	Rack/A
10	13QN 4206 0KC	Paper Feed Cover/1
11	13QN 4208 0KC	Lever
12	13QN 4205 1KC	Paper Regulating Plate/Rear
13	13QN 9704 0KC	Original Regulating Label/A
14	13QN 7704 0KC	Up/Down Gear (Z=12)
15	13QN 4211 0KC	Rack/B
16	13QN 4201 0KC	Paper Feed Tray/1
17	3960 7706 0KC	Paper Feed Idler Gear/A
18	55GA 7719 0KC	Pinion
19	13QN 4221 0KC	Paper Regulating Plate /2
20	13QN 4223 0KC	Adjusting Cover
21	13QN 4224 0KC	Separation Auxiliary Sheet
22	13QN 4225 0KC	Separation Auxiliary Sheet/2
a	00Z153061KC	C.R.P.H.S.Sems1 M3X6
b	00Z743166KC	Parallel Pin
c	00Z163061KC	C.R.P.H.S.Sems2 M3X6
d	00Z353081KC	PT Screw (M3*8)

Key no.	Part number	Description
e	00Z193061KC	C.R.P.H. Screw M3X6
f	00Z184061KC	Bind Screw M4X6
g	00Z670406KC	E-Ring

Post insertion kit (7)

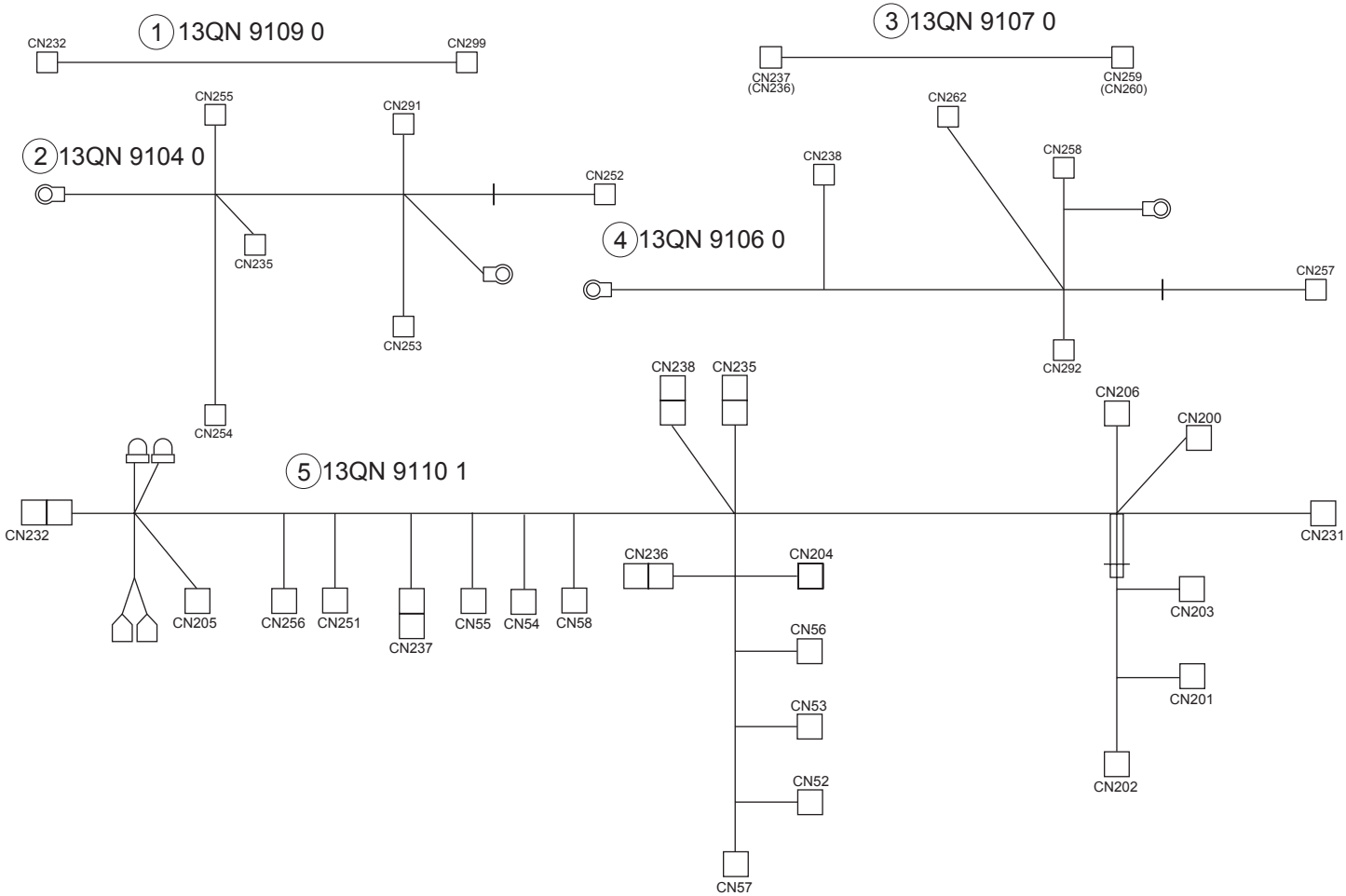


Post insertion kit (7)

Key no.	Part number	Description
1	13QA 8552 0KC	Sensor/2
2	13QN 4202 0KC	Paper Feed Tray/2
3	55GA 7719 0KC	Pinion
4	13QN 4203 0KC	Up/Down Tray
5	13QN 4212 0KC	Multi-Feed Preventing Sheet
6	13QA 8551 0KC	Sensor/1
7	13QN 9106 1KC	FNS Wiring/6
8	13QN 4207 0KC	Paper Feed Cover/2
9	13QN 4220 1KC	Paper Regulating Plate/Front
10	13FG -933 0KC	Size Detecting Board Assembly
11	13QN 4206 0KC	Paper Feed Cover/1
12	13QN 4208 0KC	Lever
13	13QN 4205 1KC	Paper Regulating Plate/Rear
14	13QN 9704 0KC	Original Regulating Label/A
15	13QN 7704 0KC	Up/Down Gear (Z=12)
16	13QN 4211 0KC	Rack/B
17	13QN 4201 0KC	Paper Feed Tray/1
18	3960 7706 0KC	Paper Feed Idler Gear/A
19	13QN 4210 0KC	Rack/A
20	13QN 4221 0KC	Paper Regulating Plate /2
21	13QN 4223 0KC	Adjusting Cover
22	13QN 4224 0KC	Separation Auxiliary Sheet
23	13QN 4225 0KC	Separation Auxiliary Sheet/2
a	00Z353081KC	PT Screw (M3*8)
b	00Z743166KC	Parallel Pin
c	00Z153061KC	C.R.P.H.S.Sems1 M3X6

Key no.	Part number	Description
d	00Z163061KC	C.R.P.H.S.Sems2 M3X6
e	00Z193061KC	C.R.P.H. Screw M3X6
f	00Z670406KC	E-Ring
g	00Z184061KC	Bind Screw M4X6

Post insertion kit (8)



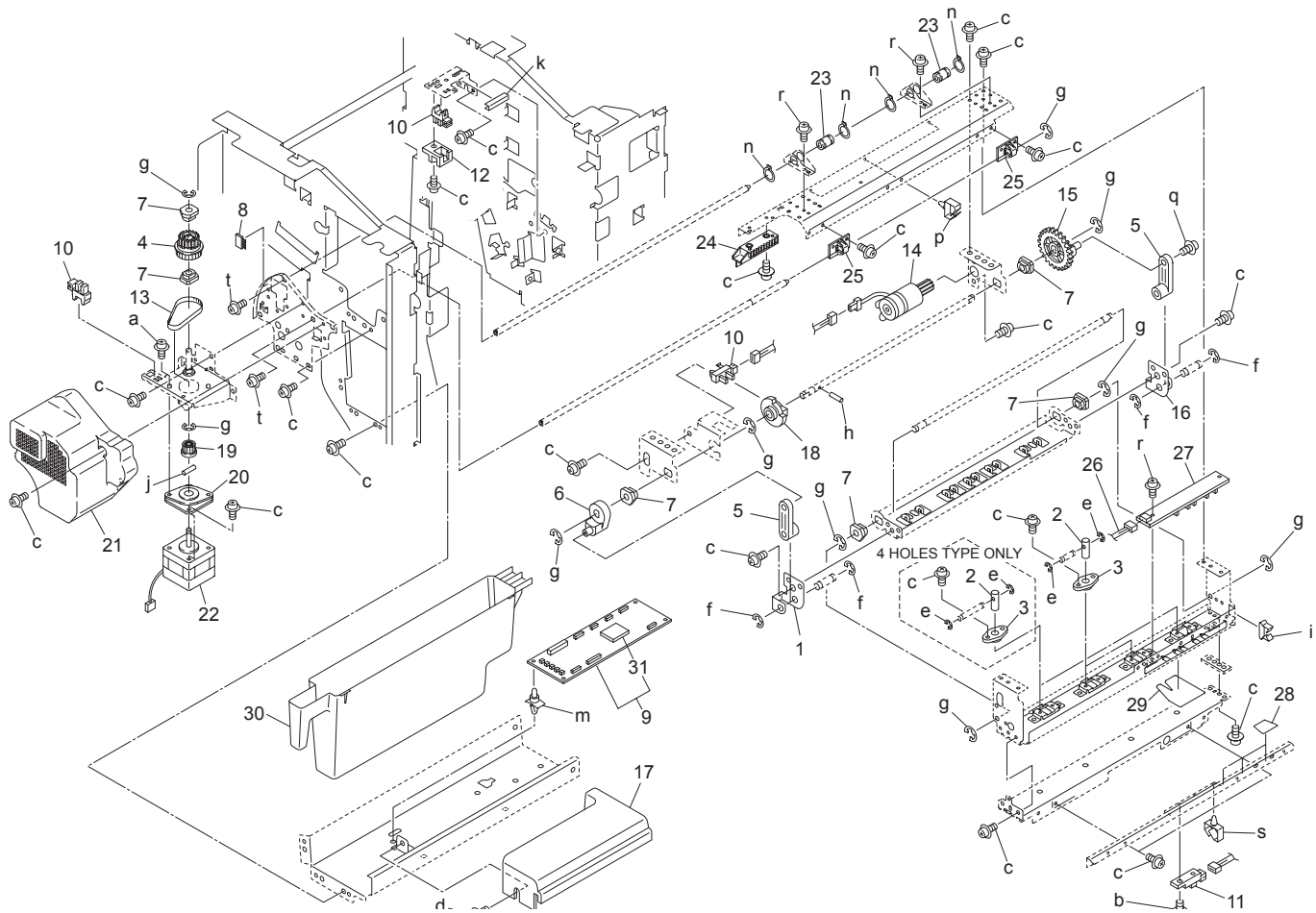
Post insertion kit (8)

Key no.	Part number	Description
1	13QN 9109 0KC	FNS Wiring/9
2	13QN 9104 1KC	FNS Wiring/4
3	13QN 9107 0KC	FNS Wiring/7
4	13QN 9106 1KC	FNS Wiring/6
5	13QN 9110 2KC	FNS Wiring/10

8 Punch kits

4-hole type	302
2-hole and 3-hole type	304
Wiring	306

4-hole type

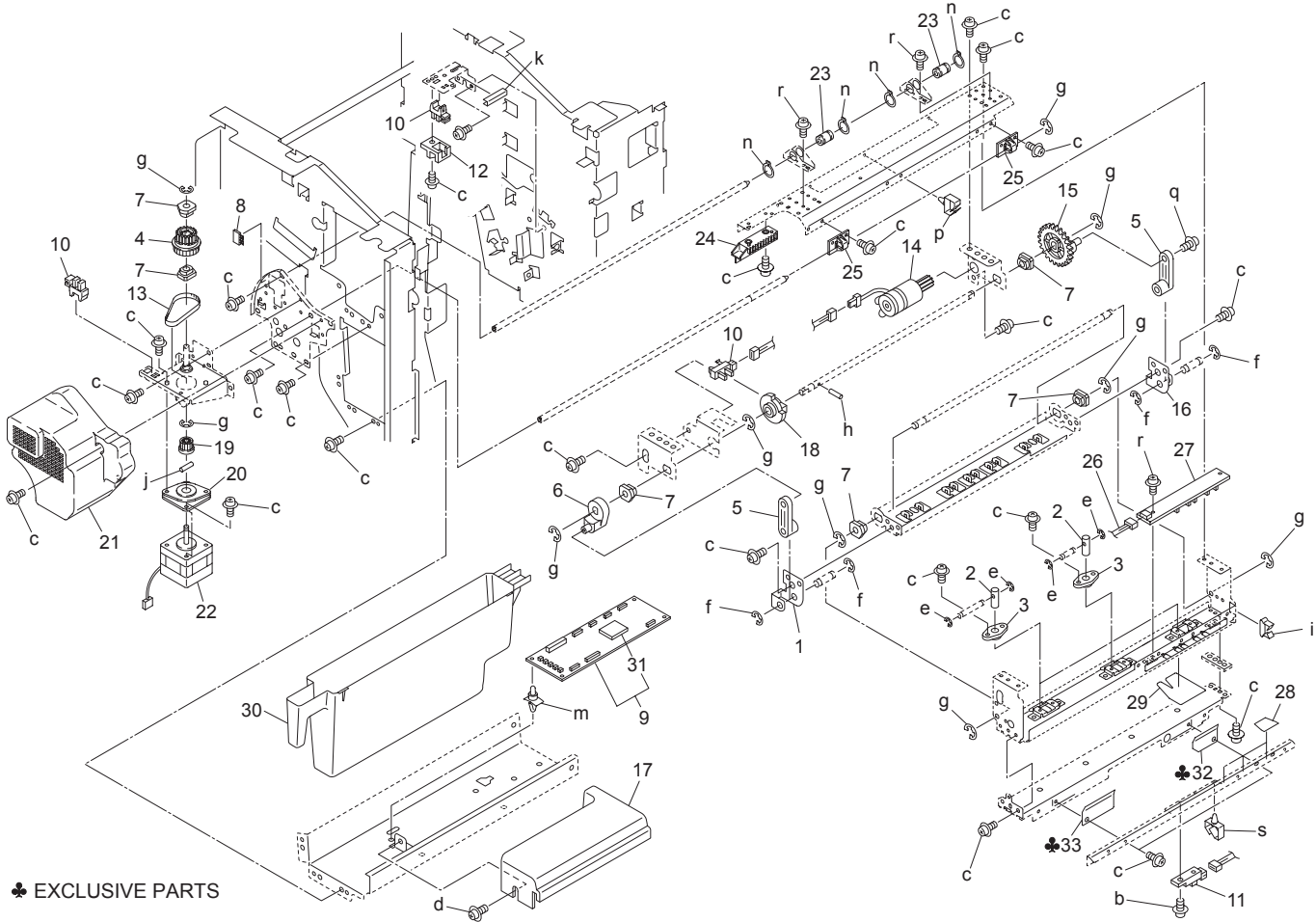


4-hole type

Key no.	Part number	Description
1	13QR 1017 0KC	Punch Guide Plate/Front
2	13QR 1008 0KC	Punch Shaft/A
3	13QR 1010 0KC	Punch Support Pedestal/A
4	13XA 7652 0KC	Punch Driving Pulley /2
5	13QR 1021 0KC	Drive Slide Arm
6	13QR 1022 1KC	Drive Slide Lever
7	12ER 7553 0KC	Shaft Holder/A (Bushing/Bearing)
8	13NK 5038 0KC	Neutralizing Brush /C
9	13XY -901 0KC	Driving Board Assembly
10	08AA 8551 0KC	Photo Sensor
11	13QA 8552 0KC	Sensor/2
12	13QE 4915 0KC	Protection Part
13	13XA 7751 0KC	Drive Belt /1
14	13QR -111 0KC	Motor Assembly
15	13QR 7702 1KC	Punch Driving Gear (Z=67)
16	13QR 1016 0KC	Punch Guide Plate/Rear
17	13QE 7303 0KC	Base Plate Cover
18	13QR 1020 0KC	Actuator
19	13XA 7651 0KC	Punch Driving Pulley /1
20	56GA 7343 0KC	Motor Fixing Part /1
21	13XA 1059 0KC	Punch Cover
22	56GA 8006 1KC	HB Motor /40
23	13NK 7501 0KC	Slide Shaft Holder (Bushing/Bearing)
24	13XA 1056 0KC	Rack
25	13XA 1052 0KC	Regulating Part
26	13XA 9202 0KC	FNS Driving Wiring /2

Key no.	Part number	Description
27	13NK -961 1KC	Size Detect Board Assembly
28	13XA 1031 0KC	Reflecting Sheet /1
29	13XA 1030 0KC	Guide Sheet /1
30	13QR 2001 0KC	Punch Processing Box
31	13XY -951 0KC	ROM Assembly
a	00Z163061KC	C.R.P.H.S.Sems2 M3X6
b	00Z113061KC	C.R.P.H. Screw M3X6
c	00Z193061KC	C.R.P.H. Screw M3X6
d	00Z193062KC	C.R.P.H. Screw M3X6
e	00Z670256KC	E-Ring
f	00Z670306KC	E-Ring
g	00Z670406KC	E-Ring
h	00Z749026KC	Hexagon Socket Screw
i	00Z926252KC	Edge Saddle (EDS-2)
j	00Z742126KC	Parallel Pin
k	00Z924508KC	Flexible Bush
m	00Z925104KC	Locking Circuit Board Support
n	00Z680126KC	Set Ring For Shaft (D=12)
p	00Z921931KC	Mini Clamp (MSB-1607)
q	00Z353081KC	PT Screw (M3*8)
r	00Z183061KC	Bind Screw M3X6
s	00Z921930KC	Mini Clamp
t	00Z163081KC	C.R.P.H.S.Sems2 M3X8

2-hole and 3-hole type



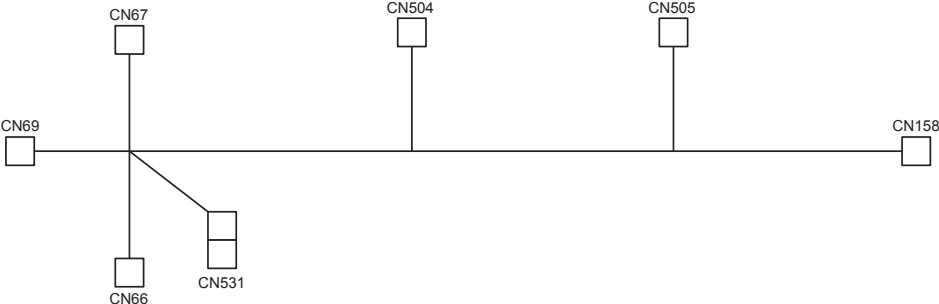
2-hole and 3-hole type

Key no.	Part number	Description
1	13QR 1017 0KC	Punch Guide Plate/Front
2	13QS 1008 0KC	Punch Shaft/A
3	13QS 1010 0KC	Punch Support Pedestal/A
4	13XA 7652 0KC	Punch Driving Pulley /2
5	13QR 1021 0KC	Drive Slide Arm
6	13QR 1022 1KC	Drive Slide Lever
7	12ER 7553 0KC	Shaft Holder/A (Bushing/Bearing)
8	13NK 5038 0KC	Neutralizing Brush /C
9	13XY -901 0KC	Driving Board Assembly
10	08AA 8551 0KC	Photo Sensor
11	13QA 8552 0KC	Sensor/2
12	13QE 4915 0KC	Protection Part
13	13XA 7751 0KC	Drive Belt /1
14	13QR -111 0KC	Motor Assembly
15	13QR 7702 1KC	Punch Driving Gear (Z=67)
16	13QR 1016 0KC	Punch Guide Plate/Rear
17	13QE 7303 0KC	Base Plate Cover
18	13QR 1020 0KC	Actuator
19	13XA 7651 0KC	Punch Driving Pulley /1
20	56GA 7343 0KC	Motor Fixing Part /1
21	13XA 1059 0KC	Punch Cover
22	56GA 8006 1KC	HB Motor /40
23	13NK 7501 0KC	Slide Shaft Holder (Bushing/Bearing)
24	13XA 1056 0KC	Rack
25	13XA 1052 0KC	Regulating Part
26	13XA 9202 0KC	FNS Driving Wiring /2

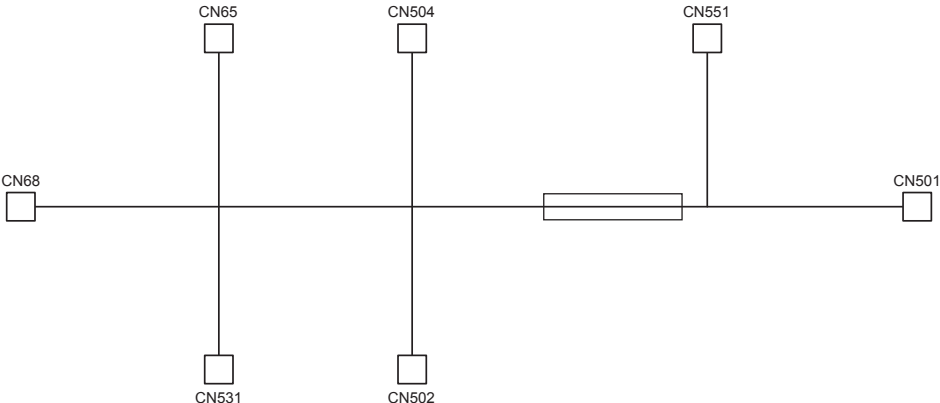
Key no.	Part number	Description
27	13NK -961 1KC	Size Detect Board Assembly
28	13XA 1031 0KC	Reflecting Sheet /1
29	13XA 1030 0KC	Guide Sheet /1
30	13QR 2001 0KC	Punch Processing Box
31	13XY -951 0KC	ROM Assembly
32	13XA 1025 0KC	Guide Sheet /Rear (Europe only)
33	13XA 1029 0KC	Guide Sheet /Front (Europe only)
a	00Z163061KC	C.R.P.H.S.Sems2 M3X6
b	00Z113061KC	C.R.P.H. Screw M3X6
c	00Z193061KC	C.R.P.H. Screw M3X6
d	00Z193062KC	C.R.P.H. Screw M3X6
e	00Z670256KC	E-Ring
f	00Z670306KC	E-Ring
g	00Z670406KC	E-Ring
h	00Z749026KC	Hexagon Socket Screw
i	00Z926252KC	Edge Saddle (EDS-2)
j	00Z742126KC	Parallel Pin
k	00Z924508KC	Flexible Bush
m	00Z925104KC	Locking Circuit Board Support
n	00Z680126KC	Set Ring For Shaft (D=12)
p	00Z921931KC	Mini Clamp (MSB-1607)
q	00Z353081KC	PT Screw (M3*8)
r	00Z183061KC	Bind Screw M3X6
s	00Z921930KC	Mini Clamp

Wiring

① 13XA 9201 1



② 13XA 9202 0



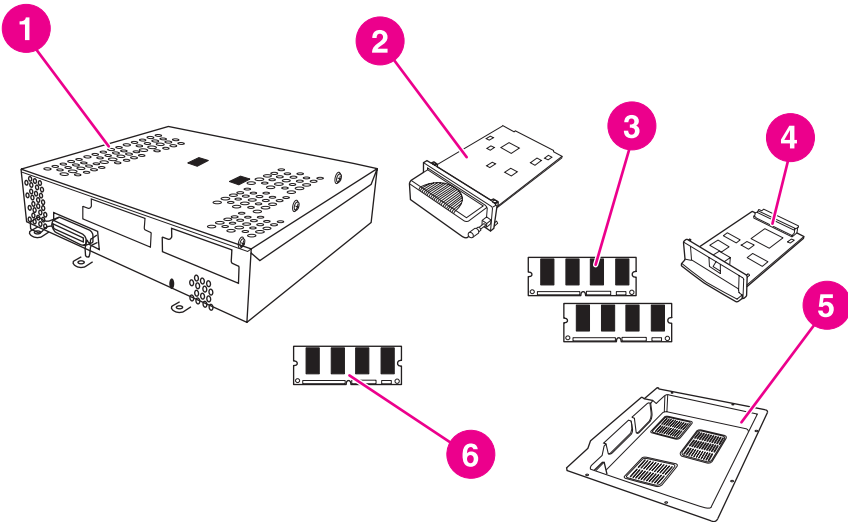
Wiring

Key no.	Part number	Description
1	13XA 9201 0KC	FNS Driving Wiring /1
2	13XA 9202 0KC	FNS Driving Wiring /2

9 Print controller

Print controller 310

Print controller



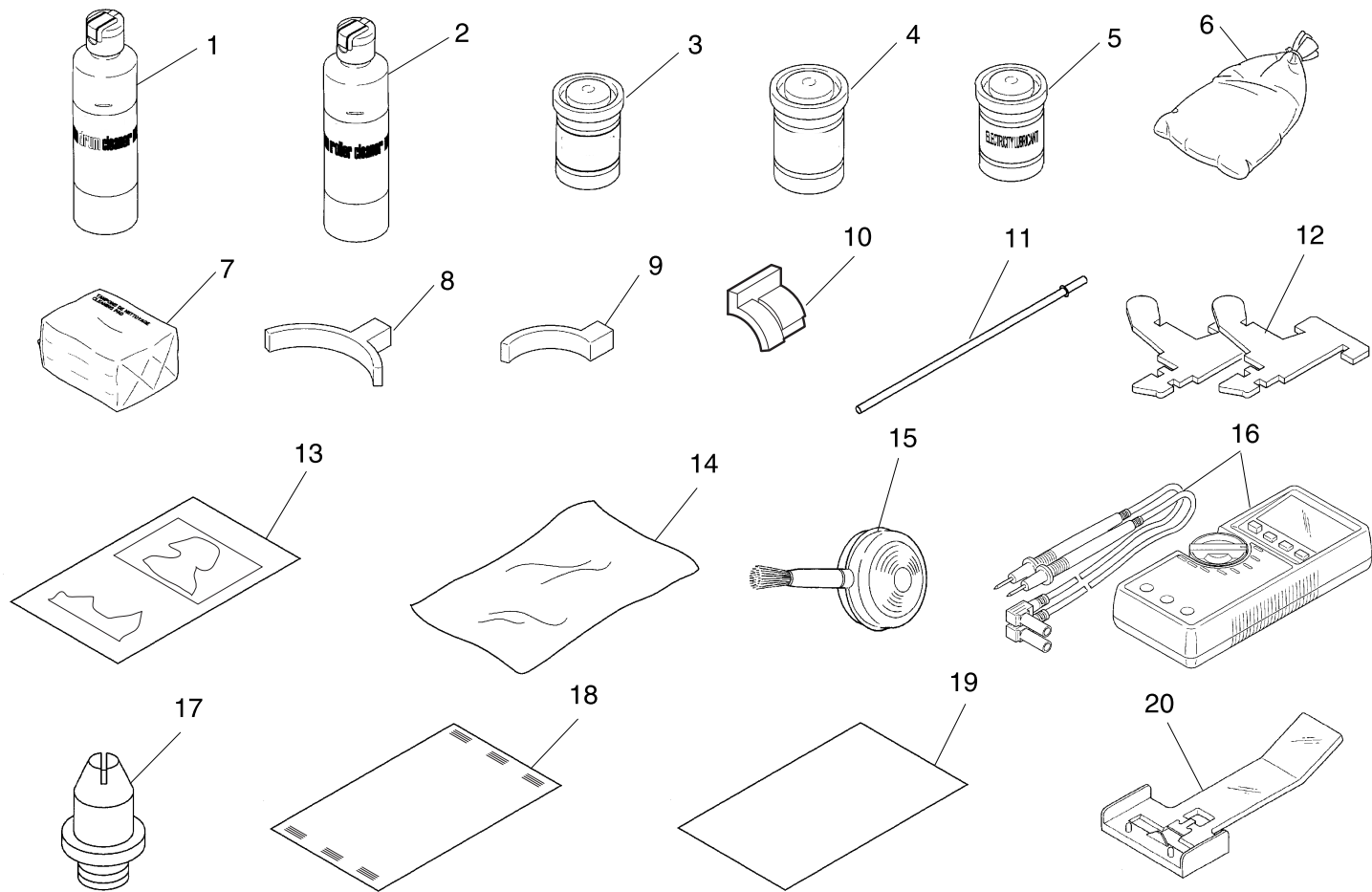
Print controller

Key no.	Part number	Description
1	Q3639-69101	HP LaserJet 9055mfp/9065mfp Print Controller Assembly Contains the following parts, which cannot be ordered separately:
	C9651-60001	Formatter PCA
	Q2680-80001	Bridge PCA
	Q2431-40001	EIO Card Cage
	Q3657-60002	EIO Interface PCA
	Q3631-60101	Case/Door/Fan
2	J6073-69001	EIO HDD, 20 GB
3	C9121-67901	Memory DIMM, 128 MB, 100 pin
4	J6057-69001	HP Jetdirect Card, 615N, 10/100T
5	Q3631-40001	Print Controller Cover
6	C9147-67908	FW DIMM, 16 MB, Programmed
7	13RN-9030KC	Print controller interface board (not shown)
8	C9653-67901	Copy controller 256 MB DIMM (not shown)

10 Service tools and supplies

Maintenance tool 314

Maintenance tool



Maintenance tool

Key no.	Part number	Description
1	Obtain locally	Drum Cleaner (98% Isopropyl Alcohol)
2	Obtain locally	Roller Cleaner (100% Acetone)
3	00GR 0002 0KC	Plas Guard (25G) (TSCA)
4	00GR 0015 0KC	Molytherm Grease (TSCA)
5	00GR 0020 0KC	Electricity Lubricant
6	000V -19- 0KC	Setting Powder
7	000V -18- 1KC	Cleaning Pad
8	00M8 -1-0 0KC	Thermostat/U Tool
9	7050 K001 0KC	Temp Sensor/1 Tool
10	56AEJG011	Thermostat/L Tool
11	7050 K002 0KC	Optics Positioning Tool
12	00M6 -2-0 0KC	Door Switch Tool
13	00VD -500 0KC	New Pyramid Chart
14	00VC -2-0 0KC	Drum Cover
15	00VD -100 0KC	Blower Brush
16	00VE -100 5KC	Digital Tester
17	120A 1052 1KC	ADF Positioning Tool
18	120A 9711 0KC	ADJ Chart
19	120A 9712 0KC	White Sheet
20	129X JG01 1KC	Stapler Positioning Tool

Note: TSCA refers to the Toxic Substance Control Act.

A Terminology cross-reference

Copy industry terminology	HP terminology
1 oblique staple	1 corner staple
11 by 17	Ledger or 11 by 17; but ledger when referring to the HCI's name
25 mode	2-5 mode
36 mode	3-6 mode
47 mode	4-7 mode
5.5" X 8.5"	5.5 by 8.5 (half-letter)
5.5" X 8.5" R	5.5 by .8.5 R (half-letter rotated)
8.5" X 11"	Letter
8.5" X 14"	Legal
80 g/m ²	75 g/m ² (20 lb)
Agitator screws	Developer supply screws
AMS (Automatic Magnification Selection)	Auto scale
APS (Automatic Paper Selection)	Auto paper
APS sensors	Document size detection sensors (in text) APS sensors (in tables or drawings)

Copy industry terminology	HP terminology
Armature	Shaft
Basic screen	Main screen
Bypass tray	Tray 1
Cartridge set mode	Cartridge set mode (drum)
Centring Adjustment	Centering Adjustment
Charging control plate	Charge control grid
Charger cleaning block/U	Corona cleaning block
Charger cleaning block/L	Charge control grid cleaner
Copier	Copy controller
Copy quantity setting keys	Keypad
Cover sheet feeder	Post Insertion Kit
Cylindrical lens 2	Focusing lens 2
Dmax	Maximum contrast
Double feed prevention roller	Separation roller
F0 lens	Focusing lens 1 (F0)
Faults	Issues

Copy industry terminology	HP terminology
Feed roller	Pick roller
Feeder cover	Jam access cover
Fixing	Fusing
Fixing unit	Fuser
Flatbed unit	Scanning glass
FNS	Finisher
Fold	Folding
HCI left side door	HCI door
HCI lever	HCI jam access lever
HCI top door	HCI top cover
HP sensor	Home position sensor
Jig	Adjustment tool
Large Capacity Tray (LCT)	Tray 5/HCI
Left-partition glass	ADF glass
LT driver board	HCI control board
Magnetic clutch	Clutch
Main switch SW1	Primary power switch
Main tray or main bin	Paper exit face down tray
MC (magnetic clutch)	CL (clutch)

Copy industry terminology	HP terminology
Measuring guides (glass)	Alignment guides
MS	SW (switch)
MT/MTEM	Motor/motor error message
OHP interleave	Transparency interleave
Oil-less metal	Bushing
Operation panel	Control panel
Original feed tray (ADF)	ADF input tray
Original stopper plates	Alignment guides (scanner glass)
Output tray (ADF)	Original exit tray
Paper up/down plate	Paper lift plate
Platen glass	Scanner glass
Platen guide cover	White board
Power saver on/off	Sleep on/off
Print controller	Formatter assembly (when referring to contents of print kit)
Printer, copier, machine, or main body	MFP
Proof output	Proof and hold
RADF	ADF
Relay connector	Inline connector

Copy industry terminology	HP terminology
Resin ring	Snap ring
Resis or Resist	Registration
Saddle stitch	2-position flat
Scan/server	Send/store
SD (solenoid)	SL (solenoid)
Semiconductor laser	Laser diode
Shaft holder	Bushing
Slit glass	ADF glass
Start (copy/print)	Start
Stitch and fold	Staple and fold
Stop ring	Snap ring
Stop/Scan	Stop
Sub switch (SW2)	Secondary power switch (SW2)
Sub tray	Paper exit tray
Three-fold	Tri-fold
To and fro	Back and forth
Toner cartridge	Toner bottle
Total counter, odometer, mechanical counter, or paper exit counter	

Copy industry terminology	HP terminology
Touch screen	Touch display
Transparent film	Transparency (OHT)
Upper bin	Paper exit tray
Upper unit release lever (post insertion kit)	Release lever
Worktable	Shelf
Write unit	Laser/scanner assembly
/F or /R	Front or Rear
/U or /L	Upper or Lower

B Parts stocked at introduction

Part number
000V-18-1KC
000V-19-0KC
008478610KC
00GR00020KC
00GR00150KC
00GR00200KC
00M6-2-00KC
00M8-1-00KC
00VC-2-00KC
00VD-1000KC
00VD-5000KC
00VE-1003KC
048644480KC
048645260KC
049810020KC
050011160KC
059076510KC
066031141KC
066077010KC
067642580KC
07AA75090KC
07BA12351KC
07BA54721KC

Part number
08AA76010KC
08AA85510KC
090020410KC
090075530KC
098030260KC
098030300KC
113697020KC
120A10521KC
120A97110KC
120A97120KC
122H15220KC
122H48251KC
123Y45260KC
129R48012KC
129R48021KC
129R76910KC
129R77160KC
129R77920KC
129U10300KC
129U10311KC
129U10321KC
129U10350KC
129U-1160KC

Part number
129U-1170KC
129U42350KC
129U42360KC
129U42370KC
129U46110KC
129U75510KC
129U76560KC
129U77010KC
129U77041KC
129U80030KC
129U80040KC
129U97070KC
129X42820KC
129X48350KC
129X48360KC
129X48470KC
129X48500KC
129X76620KC
129XJG011KC
12AA10310KC
12AA75560KC
12AA77080KC
12AJ12241KC

Part number
12AJ12251KC
12AJ12261KC
12AJ12270KC
12AJ45850KC
12AJ77031KC
12AR12160KC
12AR15190KC
12AR45180KC
12AR45611KC
12AR75510KC
12ER40350KC
12ER75530KC
12QR12190KC
12QR12260KC
12QR-2630KC
12QR-3610KC
12QR46110KC
12QR47210KC
12QR48070KC
12QR50530KC
12QR76550KC
12QR77010KC
12QR77050KC

Part number
12QR77060KC
12QR77110KC
12QR77210KC
12QR77510KC
12QR86010KC
12QV40650KC
12QV40660KC
12QV40740KC
12QV46250KC
12QV76590KC
12QV76600KC
12TR10110KC
12UM10090KC
12UM12100KC
12UM40220KC
12WM80030KC
131075510KC
13FG-4150KC
13GG10110KC
13GG10120KC
13GG10150KC
13GG-1090KC
13GG12011KC
13GG12051KC
13GG12061KC
13GG12110KC
13GG12130KC

Part number
13GG15111KC
13GG15121KC
13GG15131KC
13GG15141KC
13GG15151KC
13GG40050KC
13GG40061KC
13GG40130KC
13GG40140KC
13GG40150KC
13GG-4100KC
13GG42070KC
13GG42141KC
13GG77010KC
13GG77020KC
13GG77030KC
13GG80020KC
13GL15240KC
13GL40320KC
13GL40410KC
13GL76021KC
13GL77540KC
13GQ12100KC
13GQ45470KC
13GQ45470KC
13GQ45511KC
13GQ76020KC

Part number
13GQ76030KC
13GQ80011KC
13LS12011KC
13LS12111KC
13LS15121KC
13LS15131KC
13LS15141KC
13LS15151KC
13LS77030KC
13NK50220KC
13NK50380KC
13NK75010KC
13NK-9611KC
13QA10030KC
13QA10040KC
13QA10060KC
13QA10070KC
13QA10080KC
13QA10090KC
13QA10101KC
13QA10110KC
13QA10121KC
13QA10150KC
13QA10160KC
13QA10170KC
13QA10210KC
13QA10220KC

Part number
13QA12010KC
13QA12020KC
13QA14030KC
13QA14040KC
13QA-1410KC
13QA17300KC
13QA17700KC
13QA17710KC
13QA17720KC
13QA17730KC
13QA40010KC
13QA40021KC
13QA40032KC
13QA40042KC
13QA40050KC
13QA40060KC
13QA40072KC
13QA40080KC
13QA-4010KC
13QA40130KC
13QA40142KC
13QA40152KC
13QA40160KC
13QA40190KC
13QA40200KC
13QA40211KC
13QA40220KC

Part number
13QA40240KC
13QA40260KC
13QA40330KC
13QA40370KC
13QA40380KC
13QA40410KC
13QA40420KC
13QA40430KC
13QA40440KC
13QA40450KC
13QA40470KC
13QA40480KC
13QA40490KC
13QA40501KC
13QA40510KC
13QA40541KC
13QA40550KC
13QA40570KC
13QA40590KC
13QA40600KC
13QA-4060KC
13QA40610KC
13QA40621KC
13QA-4070KC
13QA-4081KC
13QA41010KC
13QA41020KC

Part number
13QA41030KC
13QA41050KC
13QA41080KC
13QA41090KC
13QA41100KC
13QA41120KC
13QA41160KC
13QA41170KC
13QA41200KC
13QA41230KC
13QA41250KC
13QA41310KC
13QA41320KC
13QA41330KC
13QA41340KC
13QA41360KC
13QA41370KC
13QA41390KC
13QA41410KC
13QA-4160KC
13QA-4170KC
13QA42021KC
13QA42030KC
13QA42051KC
13QA42060KC
13QA42080KC
13QA42090KC

Part number
13QA45010KC
13QA45020KC
13QA45030KC
13QA45091KC
13QA45100KC
13QA45110KC
13QA45180KC
13QA45190KC
13QA45200KC
13QA45270KC
13QA45280KC
13QA45291KC
13QA45320KC
13QA45330KC
13QA45340KC
13QA46011KC
13QA46020KC
13QA46030KC
13QA46040KC
13QA46050KC
13QA46070KC
13QA46081KC
13QA46090KC
13QA46100KC
13QA46110KC
13QA46120KC
13QA46140KC

Part number
13QA46170KC
13QA46180KC
13QA46190KC
13QA46200KC
13QA46210KC
13QA46220KC
13QA46241KC
13QA46250KC
13QA46260KC
13QA-6181KC
13QA76011KC
13QA76021KC
13QA76030KC
13QA76040KC
13QA76050KC
13QA76510KC
13QA76530KC
13QA76540KC
13QA76550KC
13QA76560KC
13QA76571KC
13QA76581KC
13QA76590KC
13QA76600KC
13QA76611KC
13QA77010KC
13QA77020KC

Part number
13QA77030KC
13QA77040KC
13QA77050KC
13QA77060KC
13QA77070KC
13QA77080KC
13QA77090KC
13QA77100KC
13QA77110KC
13QA77120KC
13QA77130KC
13QA77140KC
13QA77150KC
13QA77160KC
13QA77170KC
13QA77180KC
13QA77510KC
13QA77520KC
13QA77540KC
13QA77550KC
13QA77560KC
13QA-8010KC
13QA85510KC
13QA85520KC
13QA-9011KC
13QA97060KC
13QA97070KC

Part number
13QE-1150KC
13QE12010KC
13QE12020KC
13QE12040KC
13QE12080KC
13QE12090KC
13QE12100KC
13QE12110KC
13QE-1690KC
13QE-4100KC
13QE42040KC
13QE42193KC
13QE42202KC
13QE42340KC
13QE42420KC
13QE42430KC
13QE42620KC
13QE42640KC
13QE42660KC
13QE42700KC
13QE42750KC
13QE42760KC
13QE42780KC
13QE42812KC
13QE43060KC
13QE43100KC
13QE43150KC

Part number
13QE43160KC
13QE43170KC
13QE43311KC
13QE43321KC
13QE43350KC
13QE43360KC
13QE45011KC
13QE45030KC
13QE45051KC
13QE45081KC
13QE45111KC
13QE45120KC
13QE45131KC
13QE45150KC
13QE45170KC
13QE45180KC
13QE45192KC
13QE45240KC
13QE45260KC
13QE45270KC
13QE45280KC
13QE45290KC
13QE45310KC
13QE45360KC
13QE45370KC
13QE45390KC
13QE45420KC

Part number
13QE45430KC
13QE45450KC
13QE45470KC
13QE45600KC
13QE46040KC
13QE48020KC
13QE48060KC
13QE48070KC
13QE48080KC
13QE48090KC
13QE48210KC
13QE48250KC
13QE48280KC
13QE48300KC
13QE48310KC
13QE48340KC
13QE48350KC
13QE48361KC
13QE48390KC
13QE48400KC
13QE48421KC
13QE-4860KC
13QE48640KC
13QE48650KC
13QE48730KC
13QE49010KC
13QE49040KC

Part number
13QE49060KC
13QE49070KC
13QE49090KC
13QE49140KC
13QE49150KC
13QE49160KC
13QE75010KC
13QE76510KC
13QE76520KC
13QE76540KC
13QE76550KC
13QE76560KC
13QE76580KC
13QE76630KC
13QE76640KC
13QE76650KC
13QE77011KC
13QE77020KC
13QE77030KC
13QE77040KC
13QE77050KC
13QE77060KC
13QE77070KC
13QE77080KC
13QE77200KC
13QE77210KC
13QE77510KC

Part number
13QE77520KC
13QE77530KC
13QE77540KC
13QE77550KC
13QE77560KC
13QE77580KC
13QE77630KC
13QE90010KC
13QE90050KC
13QE-9014KC
13QE-9326KC
13QE97050KC
13QJ12151KC
13QJ44562KC
13QJ44570KC
13QJ44720KC
13QJ-5330KC
13QJ-5600KC
13QJ-9014KC
13QN12010KC
13QN12020KC
13QN12040KC
13QN12051KC
13QN40050KC
13QN40060KC
13QN40070KC
13QN40080KC

Part number
13QN40110KC
13QN40130KC
13QN40271KC
13QN40281KC
13QN-4040KC
13QN40411KC
13QN40530KC
13QN40550KC
13QN40560KC
13QN40590KC
13QN40670KC
13QN40680KC
13QN40700KC
13QN40731KC
13QN40740KC
13QN40750KC
13QN40760KC
13QN40770KC
13QN40790KC
13QN-4110KC
13QN-4120KC
13QN42010KC
13QN42020KC
13QN42060KC
13QN42070KC
13QN42100KC
13QN42110KC

Part number
13QN42120KC
13QN42190KC
13QN42201KC
13QN42210KC
13QN42230KC
13QN42240KC
13QN-4430KC
13QN-4460KC
13QN76510KC
13QN76520KC
13QN76530KC
13QN76550KC
13QN76560KC
13QN77010KC
13QN77020KC
13QN77030KC
13QN77040KC
13QN77060KC
13QN77510KC
13QN77530KC
13QN77550KC
13QN77560KC
13QN82010KC
13QN82020KC
13QN-9311KC
13QN-9320KC
13QN97030KC

Part number
13QN97040KC
13QR10200KC
13QR10210KC
13QR10221KC
13QR-1110KC
13QR77021KC
13RE-9012KC
13RJ10340KC
13RJ77770KC
13RJ79070KC
13RJ79080KC
13RJ-9012KC
13XA10560KC
13XA76510KC
13XA76520KC
13XA77510KC
13XA92010KC
13XY-9010KC
13ZR97020KC
14HX97060KC
190040921KC
192141710KC
197510290KC
197545110KC
20AK42410KC
20AKK001KC
25AA40120KC

Part number
25AA40742KC
25AA40870KC
25AA41120KC
25AA41180KC
25AA42570KC
25AA42800KC
25AA-4730KC
25AA47500KC
25AA-4760KC
25AA47670KC
25AA47700KC
25AA-4780KC
25AA47930KC
25AA48900KC
25AA50080KC
25AA51160KC
25AA52090KC
25AA52140KC
25AA52510KC
25AA52710KC
25AA75090KC
25AA75530KC
25AA77730KC
25AA77981KC
25AA80172KC
25AA85010KC
25AA85020KC

Part number
25AA97320KC
25BA47230KC
25BA53330KC
25BA77191KC
25BA77261KC
25BA77301KC
25HA15210KC
25HE97070KC
25SA10431KC
25SA12281KC
25SA15280KC
25SA20280KC
25SA20640KC
25SA20670KC
25SA25180KC
25SA43330KC
25SA50530KC
25SA53680KC
25SA53691KC
25SA53790KC
25SA61420KC
25SA61470KC
25SA61650KC
25SA61700KC
25SA62160KC
25SA76030KC
25SA77060KC

Part number
25SA77170KC
25SA77180KC
25SA77561KC
26NA17280KC
26NA30650KC
26NA40820KC
26NA42061KC
26NA42560KC
26NA45440KC
26NA48070KC
26NA54030KC
26NA73570KC
26NA80510KC
26NA82511KC
300011191KC
300073150KC
300078030KC
304078070KC
308061360KC
323584531KC
326040330KC
392015650KC
392097160KC
396040611KC
396040681KC
396076050KC
396077060KC

Part number
396077240KC
396078020KC
40AA12121KC
40AA12130KC
40AA30270KC
40AA32290KC
40AA85010KC
40AA88030KC
454040480KC
454053391KC
454075040KC
45AA20400KC
462076010KC
466076020KC
466077130KC
466077220KC
466078030KC
500075010KC
504045110KC
50BA40030KC
50BA40220KC
50BA-5740KC
538088260KC
540020790KC
540020800KC
540030170KC
540040562KC

Part number
540042350KC
5400-4393KC
540053460KC
540053510KC
540053540KC
540076050KC
540076060KC
540077052KC
540077210KC
540077220KC
540077311KC
540077321KC
540077362KC
544077201KC
552012250KC
554012080KC
55FA12101KC
55FA40320KC
55FA42330KC
55FA53040KC
55FA58190KC
55FA80520KC
55FF84551KC
55GA15030KC
55GA15060KC
55GA42210KC
55GA53652KC

Part number
55GA75031KC
55GA75510KC
55GA75520KC
55GA76550KC
55GA77150KC
55GA77190KC
55GA77680KC
55JE15010KC
55TA61320KC
55TA61341KC
55TA84560KC
55VA12400KC
55VA15470KC
55VA15541KC
55VA20680KC
55VA40130KC
55VA40150KC
55VA40230KC
55VA40260KC
55VA40310KC
55VA40440KC
55VA40610KC
55VA40930KC
55VA40990KC
55VA41220KC
55VA41411KC
55VA42120KC

Part number
55VA42220KC
55VA42250KC
55VA43360KC
55VA44140KC
55VA-4550KC
55VA-4600KC
55VA46490KC
55VA46890KC
55VA-4830KC
55VA-4840KC
55VA62020KC
55VA75540KC
55VA76700KC
55VA76710KC
55VA77120KC
55VA77130KC
55VA77270KC
55VA77420KC
55VA77430KC
55VA77440KC
55VA77740KC
55VA78110KC
55VA79010KC
55VA79030KC
55VA79050KC
55VA79080KC
55VA79140KC

Part number
55VA79150KC
55VA80120KC
55VA-8040KC
55VA85520KC
55WA10300KC
55WA10310KC
55WA30010KC
55WA61150KC
56AA-0340KC
56AA-0390KC
56AA-0400KC
56AA10080KC
56AA10450KC
56AA10480KC
56AA10530KC
56AA10550KC
56AA10560KC
56AA-1130KC
56AA12012KC
56AA12030KC
56AA12050KC
56AA12060KC
56AA12090KC
56AA12100KC
56AA12120KC
56AA12140KC
56AA12150KC

Part number
56AA12160KC
56AA12170KC
56AA12180KC
56AA12200KC
56AA12230KC
56AA12250KC
56AA12270KC
56AA12310KC
56AA12320KC
56AA12340KC
56AA12360KC
56AA12400KC
56AA12450KC
56AA12460KC
56AA12490KC
56AA12500KC
56AA-1250KC
56AA12540KC
56AA12560KC
56AA12590KC
56AA-1260KC
56AA-1270KC
56AA12730KC
56AA12800KC
56AA-1280KC
56AA-1290KC
56AA-1320KC

Part number
56AA-1470KC
56AA-1501KC
56AA15410KC
56AA15420KC
56AA15460KC
56AA15471KC
56AA15490KC
56AA15530KC
56AA15541KC
56AA17010KC
56AA17020KC
56AA17030KC
56AA17040KC
56AA17050KC
56AA17060KC
56AA17071KC
56AA17080KC
56AA17090KC
56AA17100KC
56AA17110KC
56AA17130KC
56AA17140KC
56AA17160KC
56AA17300KC
56AA17310KC
56AA17320KC
56AA17330KC

Part number
56AA17350KC
56AA17360KC
56AA17390KC
56AA17410KC
56AA17420KC
56AA17460KC
56AA17470KC
56AA17480KC
56AA17490KC
56AA17500KC
56AA17510KC
56AA17520KC
56AA17530KC
56AA17550KC
56AA17580KC
56AA17700KC
56AA17760KC
56AA17820KC
56AA17830KC
56AA17900KC
56AA20030KC
56AA20100KC
56AA20170KC
56AA20210KC
56AA20400KC
56AA20430KC
56AA20441KC

Part number
56AA20510KC
56AA20560KC
56AA20700KC
56AA20750KC
56AA20760KC
56AA20810KC
56AA20870KC
56AA20960KC
56AA20980KC
56AA21071KC
56AA21080KC
56AA21100KC
56AA21130KC
56AA21150KC
56AA21160KC
56AA21250KC
56AA-2131KC
56AA-2170KC
56AA-2230KC
56AA-2280KC
56AA-2310KC
56AA25030KC
56AA-2503KC
56AA25090KC
56AA25141KC
56AA25150KC
56AA25170KC

Part number
56AA25230KC
56AA25301KC
56AA-2531KC
56AA25330KC
56AA25340KC
56AA25380KC
56AA25400KC
56AA-2541KC
56AA25450KC
56AA-2550KC
56AA26040KC
56AA-2604KC
56AA26050KC
56AA26082KC
56AA26090KC
56AA26120KC
56AA26170KC
56AA26180KC
56AA26192KC
56AA26202KC
56AA26250KC
56AA26280KC
56AA26310KC
56AA-2640KC
56AA-2671KC
56AA-3003KC
56AA-3011KC

Part number
56AA30420KC
56AA-3060KC
56AA32011KC
56AA32020KC
56AA32130KC
56AA32140KC
56AA32151KC
56AA32160KC
56AA32270KC
56AA32302KC
56AA32331KC
56AA32351KC
56AA32390KC
56AA32400KC
56AA32410KC
56AA32420KC
56AA32440KC
56AA32450KC
56AA32560KC
56AA32590KC
56AA32610KC
56AA32620KC
56AA32630KC
56AA32640KC
56AA32650KC
56AA32660KC
56AA32670KC

Part number
56AA32680KC
56AA32700KC
56AA32710KC
56AA32720KC
56AA32730KC
56AA32751KC
56AA32761KC
56AA-3660KC
56AA-3831KC
56AA-3860KC
56AA-3870KC
56AA-3890KC
56AA-4000KC
56AA40010KC
56AA40171KC
56AA40190KC
56AA40210KC
56AA40220KC
56AA40230KC
56AA40300KC
56AA-4030KC
56AA40350KC
56AA40380KC
56AA40411KC
56AA40420KC
56AA40450KC
56AA40470KC

Part number
56AA40480KC
56AA40490KC
56AA40500KC
56AA40510KC
56AA40520KC
56AA-4080KC
56AA-4100KC
56AA41110KC
56AA41120KC
56AA41160KC
56AA41190KC
56AA41200KC
56AA41230KC
56AA41250KC
56AA41340KC
56AA41350KC
56AA41360KC
56AA41390KC
56AA41420KC
56AA41440KC
56AA41450KC
56AA41460KC
56AA41560KC
56AA41600KC
56AA41610KC
56AA41630KC
56AA41650KC

Part number
56AA41660KC
56AA41671KC
56AA41680KC
56AA-4180KC
56AA42061KC
56AA42170KC
56AA42241KC
56AA42300KC
56AA42310KC
56AA42320KC
56AA42330KC
56AA42340KC
56AA42350KC
56AA42370KC
56AA42380KC
56AA42401KC
56AA42410KC
56AA42420KC
56AA42430KC
56AA42440KC
56AA42450KC
56AA42500KC
56AA42510KC
56AA42540KC
56AA42550KC
56AA42570KC
56AA42580KC

Part number
56AA42590KC
56AA42610KC
56AA42640KC
56AA42670KC
56AA42701KC
56AA44030KC
56AA44041KC
56AA44081KC
56AA44140KC
56AA44150KC
56AA44180KC
56AA44190KC
56AA44200KC
56AA44230KC
56AA44240KC
56AA44250KC
56AA44260KC
56AA44270KC
56AA-4440KC
56AA44430KC
56AA44440KC
56AA45081KC
56AA45082KC
56AA45090KC
56AA45210KC
56AA45300KC
56AA-4530KC

Part number
56AA45320KC
56AA45330KC
56AA-4550KC
56AA-4570KC
56AA-4580KC
56AA46031KC
56AA46050KC
56AA46060KC
56AA46100KC
56AA46110KC
56AA46160KC
56AA46172KC
56AA46450KC
56AA-4680KC
56AA46852KC
56AA-4690KC
56AA46910KC
56AA-4751KC
56AA-4790KC
56AA48040KC
56AA48080KC
56AA48090KC
56AA48100KC
56AA48140KC
56AA48150KC
56AA48160KC
56AA48190KC

Part number
56AA48200KC
56AA48211KC
56AA48220KC
56AA48250KC
56AA48260KC
56AA50130KC
56AA50140KC
56AA50160KC
56AA50381KC
56AA50390KC
56AA50490KC
56AA50530KC
56AA50621KC
56AA50630KC
56AA50670KC
56AA50680KC
56AA50700KC
56AA50710KC
56AA50730KC
56AA50760KC
56AA50791KC
56AA50800KC
56AA50920KC
56AA51030KC
56AA51050KC
56AA51081KC
56AA51102KC

Part number
56AA51110KC
56AA51120KC
56AA51130KC
56AA51140KC
56AA51150KC
56AA51160KC
56AA51170KC
56AA51180KC
56AA51240KC
56AA51300KC
56AA51310KC
56AA51380KC
56AA51390KC
56AA51430KC
56AA51451KC
56AA51460KC
56AA51470KC
56AA51480KC
56AA51490KC
56AA51500KC
56AA51521KC
56AA51550KC
56AA51580KC
56AA51790KC
56AA51800KC
56AA51810KC
56AA52260KC

Part number
56AA52370KC
56AA52380KC
56AA52420KC
56AA52431KC
56AA52460KC
56AA52470KC
56AA52480KC
56AA52490KC
56AA52780KC
56AA52790KC
56AA52810KC
56AA52820KC
56AA52940KC
56AA53061KC
56AA53070KC
56AA53160KC
56AA53172KC
56AA53240KC
56AA53281KC
56AA53360KC
56AA53370KC
56AA53390KC
56AA53442KC
56AA53590KC
56AA53600KC
56AA53610KC
56AA53620KC

Part number
56AA53630KC
56AA53650KC
56AA53660KC
56AA53710KC
56AA53731KC
56AA53741KC
56AA53751KC
56AA53820KC
56AA53830KC
56AA53840KC
56AA53890KC
56AA53942KC
56AA53951KC
56AA-53T0KC
56AA54020KC
56AA54030KC
56AA54051KC
56AA54120KC
56AA54131KC
56AA54190KC
56AA54210KC
56AA54220KC
56AA54270KC
56AA54301KC
56AA-5430KC
56AA54331KC
56AA54340KC

Part number
56AA54350KC
56AA54360KC
56AA-5440KC
56AA54410KC
56AA54420KC
56AA54430KC
56AA54440KC
56AA54471KC
56AA54480KC
56AA54490KC
56AA54530KC
56AA54660KC
56AA61131KC
56AA61141KC
56AA61180KC
56AA61290KC
56AA61330KC
56AA61400KC
56AA-6140KC
56AA61410KC
56AA61420KC
56AA61430KC
56AA61440KC
56AA61530KC
56AA61540KC
56AA61570KC
56AA-6331KC

Part number
56AA-6350KC
56AA-6500KC
56AA-7100KC
56AA-7160KC
56AA-7190KC
56AA73060KC
56AA73080KC
56AA73090KC
56AA73100KC
56AA73150KC
56AA73160KC
56AA73240KC
56AA73250KC
56AA73271KC
56AA73281KC
56AA73480KC
56AA73490KC
56AA-7350KC
56AA73560KC
56AA73570KC
56AA73590KC
56AA75010KC
56AA75020KC
56AA75040KC
56AA75050KC
56AA75061KC
56AA75070KC

Part number
56AA76510KC
56AA76520KC
56AA76530KC
56AA76540KC
56AA76550KC
56AA76580KC
56AA76590KC
56AA76600KC
56AA77010KC
56AA77020KC
56AA77040KC
56AA77050KC
56AA77060KC
56AA77070KC
56AA77081KC
56AA77090KC
56AA77100KC
56AA77110KC
56AA77120KC
56AA77130KC
56AA77140KC
56AA77150KC
56AA77160KC
56AA77170KC
56AA77180KC
56AA77190KC
56AA77200KC

Part number
56AA77210KC
56AA77220KC
56AA77231KC
56AA77240KC
56AA77250KC
56AA77260KC
56AA77270KC
56AA77280KC
56AA77290KC
56AA77300KC
56AA77310KC
56AA77320KC
56AA77330KC
56AA77340KC
56AA77350KC
56AA77360KC
56AA77370KC
56AA77380KC
56AA77390KC
56AA77400KC
56AA77410KC
56AA77421KC
56AA77430KC
56AA77440KC
56AA77450KC
56AA77460KC
56AA77470KC

Part number
56AA77480KC
56AA77490KC
56AA77520KC
56AA77530KC
56AA77550KC
56AA77560KC
56AA77570KC
56AA77590KC
56AA77600KC
56AA77700KC
56AA77711KC
56AA77720KC
56AA77730KC
56AA77740KC
56AA77750KC
56AA77760KC
56AA77770KC
56AA77780KC
56AA77790KC
56AA77800KC
56AA77810KC
56AA77820KC
56AA77831KC
56AA77840KC
56AA77850KC
56AA77860KC
56AA77890KC

Part number
56AA77900KC
56AA77910KC
56AA77920KC
56AA77930KC
56AA77940KC
56AA77950KC
56AA77960KC
56AA77970KC
56AA77980KC
56AA77990KC
56AA80011KC
56AA80030KC
56AA80060KC
56AA80071KC
56AA80081KC
56AA80110KC
56AA80530KC
56AA80540KC
56AA80550KC
56AA-8120KC
56AA82010KC
56AA82021KC
56AA83010KC
56AA83030KC
56AA83040KC
56AA83070KC
56AA83510KC

Part number
56AA84010KC
56AA84511KC
56AA84520KC
56AA85510KC
56AA85520KC
56AA85530KC
56AA85600KC
56AA88030KC
56AA88040KC
56AA88420KC
56AA-9015KC
56AA-9022KC
56AA-9032KC
56AA-9042KC
56AA90460KC
56AA-9090KC
56AA90910KC
56AA-9100KC
56AA-9121KC
56AA97100KC
56AA97120KC
56AA97160KC
56AA97170KC
56AA97200KC
56AA97220KC
56AA97230KC
56AA97240KC

Part number
56AA97250KC
56AA97260KC
56AA97270KC
56AA97780KC
56AA97810KC
56AA97960KC
56AA97970KC
56AE12010KC
56AE12250KC
56AE-4200KC
56AE-4300KC
56AE43040KC
56AE43090KC
56AE43110KC
56AE43120KC
56AE43200KC
56AE43230KC
56AE43250KC
56AE43290KC
56AE43320KC
56AE43340KC
56AE43400KC
56AE43430KC
56AE53052KC
56AE-53T0KC
56AE-6500KC
56AE-7190KC

ENWW

Parts stocked at introduction 333

Parts stocked at introduction

Part number
56AE83030KC
56AE83040KC
56AE83050KC
56AE84520KC
56AE97100KC
56AE97170KC
56AE97980KC
56AEJG011KC
56AF-53T0KC
56AF-5440KC
56AF-7190KC
56AF83030KC
56AF83040KC
56AF83050KC
56AF84510KC
56AF84520KC
56AF84540KC
56AF93660KC
56AF97160KC
56AF97170KC
56AF97180KC
56AF97970KC
56AF97980KC
56AK-53T0KC
56AK-7190KC
56AK83040KC
56AS-53T0KC

Part number
56AS83030KC
56AS83040KC
56AS83050KC
56EA12010KC
56EA-53T0KC
56EA77410KC
56EA77420KC
56EA83030KC
56EA-9042KC
56FA73010KC
56GA30700KC
56GA30710KC
56GA42260KC
56GA80061KC
56NE12020KC
56NE12040KC
56NE12260KC
56NE12470KC
56NE12520KC
56NE-1450KC
56NE21060KC
56NE-3200KC
56NE32430KC
56NE32510KC
56NE-7000KC
56NE97880KC
56NE97910KC

Part number
56NE97920KC
56NE97930KC
56NE97940KC
56NE97950KC
56NF-7000KC
56NF97950KC
56NN97950KC
7050K0010KC
7050K0020KC
963003200KC
C9121-67901
C9147-67908
E4Q0KC
E4SKKC
J6057-61001
J6073-61001
Q3631-40001
Q3631-67901
Q3631-67902
Q3631-67903
Q3631-67904
Q3631-67905
Q3631-67906
Q3631-67907
Q3631-67908
Q3631-67909
Q3631-67910

Part number
Q3631-67911
Q3631-67912
Q3631-67913
Q3631-67914
Q3631-67915
Q3631-67916
Q3631-67917
Q3631-67918
Q3631-67919
Q3639-67901
SP00-0010KC
SP00-0020KC
U6181-60001
U6181-60002
U6181-60003
U6181-60004
U6181-60006
U6181-60007
U6181-60008
U6181-60009
U6181-60010

Index

Numerics

1500-sheet tray 86–91
2500-sheet multifunction finisher 156–201
2-hole punch kit 304–305
3000-sheet stapler/stacker 204–239
3-hole punch kit 304–305
4000-sheet high capacity input 264–281
4000-sheet high capacity input/A4 242–261
4-hole punch kit 302–303
500-sheet tray 82–85

A

accessory serial number format v
automatic document feeder (ADF) 136–153
automatic duplex unit (ADU) 92–107

C

charging unit 40–41
control panel 10–13
conveyance unit 108–111

D

developing unit 42–43
drawings, line indicators iv
driving section 24–29
drum cartridge 30–37

E

electric parts 114–119
exclusive parts v
external parts 4–9

F

fuser 52–65

H

hp LaserJet 9055mfp/9065mfp 1–133

L

line indicators on drawings iv

M

main frame 2
maintenance tool 314–315
manual feed unit 76–81
manual, using iii
MFP serial number format v

O

operation unit 10–13
optics unit 14–23

P

- paper exit unit 112–113
- paper feed unit 66–71
- part number format iii
- parts stocked at introduction 321
- post insertion kit 284–299
- print controller 310–311
- punch kits
 - 2-hole 304–305
 - 3-hole 304–305
 - 4-hole 302–303
 - wiring 306–307

R

- registration unit 50–51

S

- serial number format
 - accessory v
 - MFP v

T

- terminology cross-reference 317
- toner supply unit 44–49
- transfer separator corona unit 38–39

U

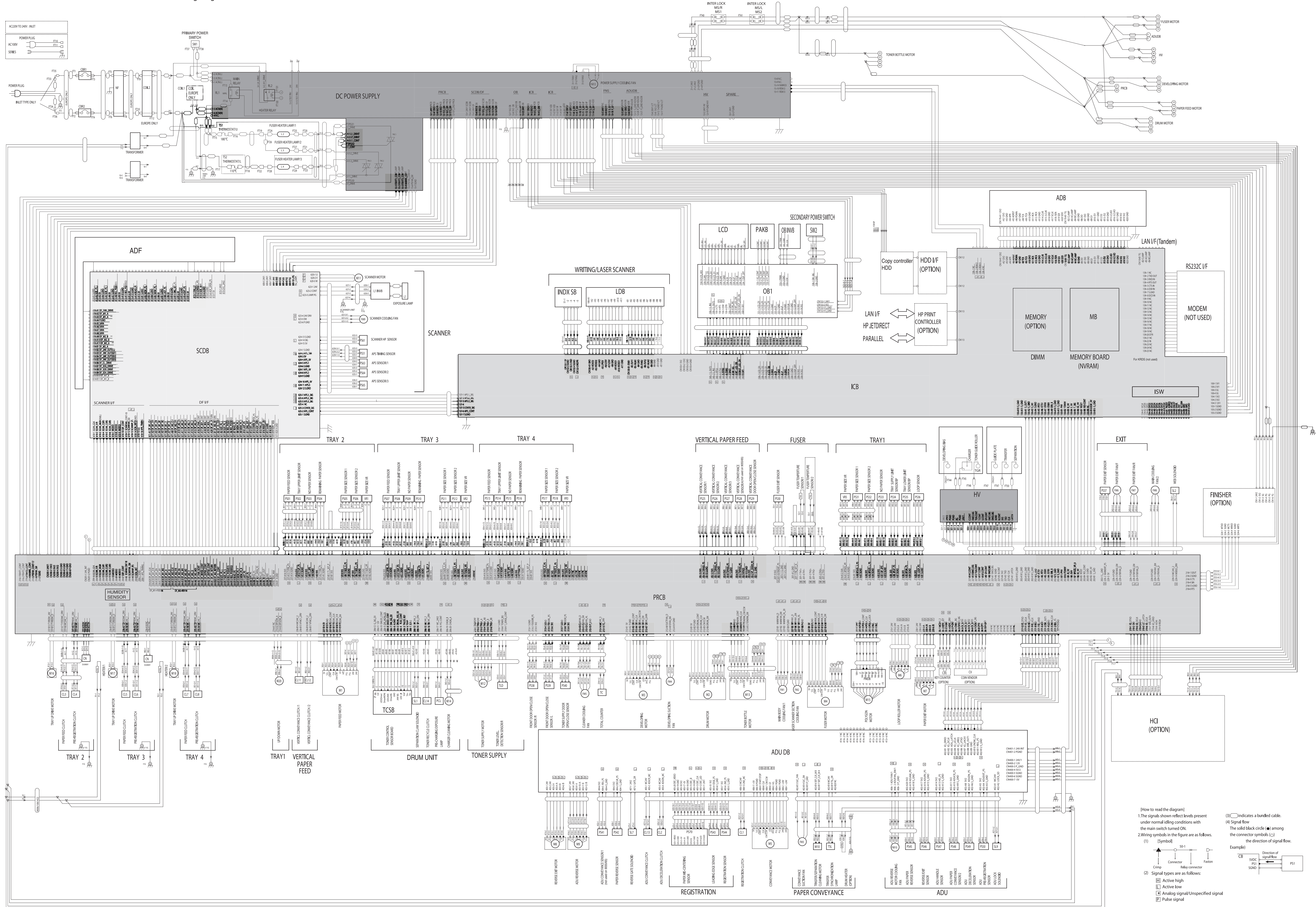
- using this manual iii

V

- vertical conveyance unit 72–75

W

- wiring
 - multifunction finisher 120–133
 - punch kits 306–307



(How to read the diagram)

- The signals shown reflect levels present under normal idling conditions with the main switch turned ON.
- Wiring symbols in the figure are as follows.
 - (1) Symbol:
 - Comp
 - Relay connector
 - Fusion
 - (2) Signal types are as follows:
 - Active high
 - Active low
 - Analog signal/Unspecified signal
 - Pulse signal
- (3) indicates a bundled cable.
- (4) Signal flow:
 - The solid black circle (●) among the connector symbols (C) indicates the direction of signal flow.

Example:

C1: Direction of signal flow

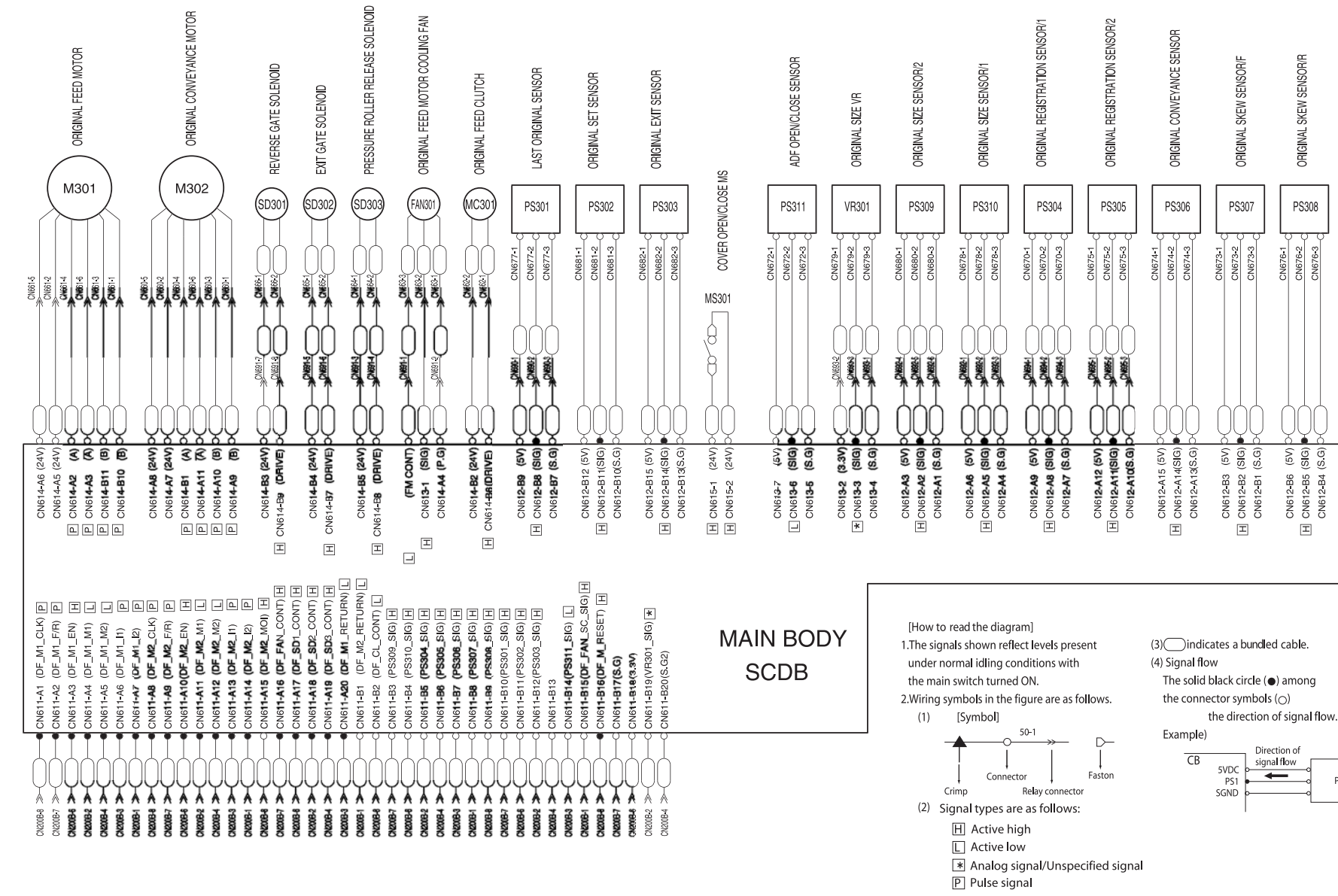
C2: SYDC

C3: SW

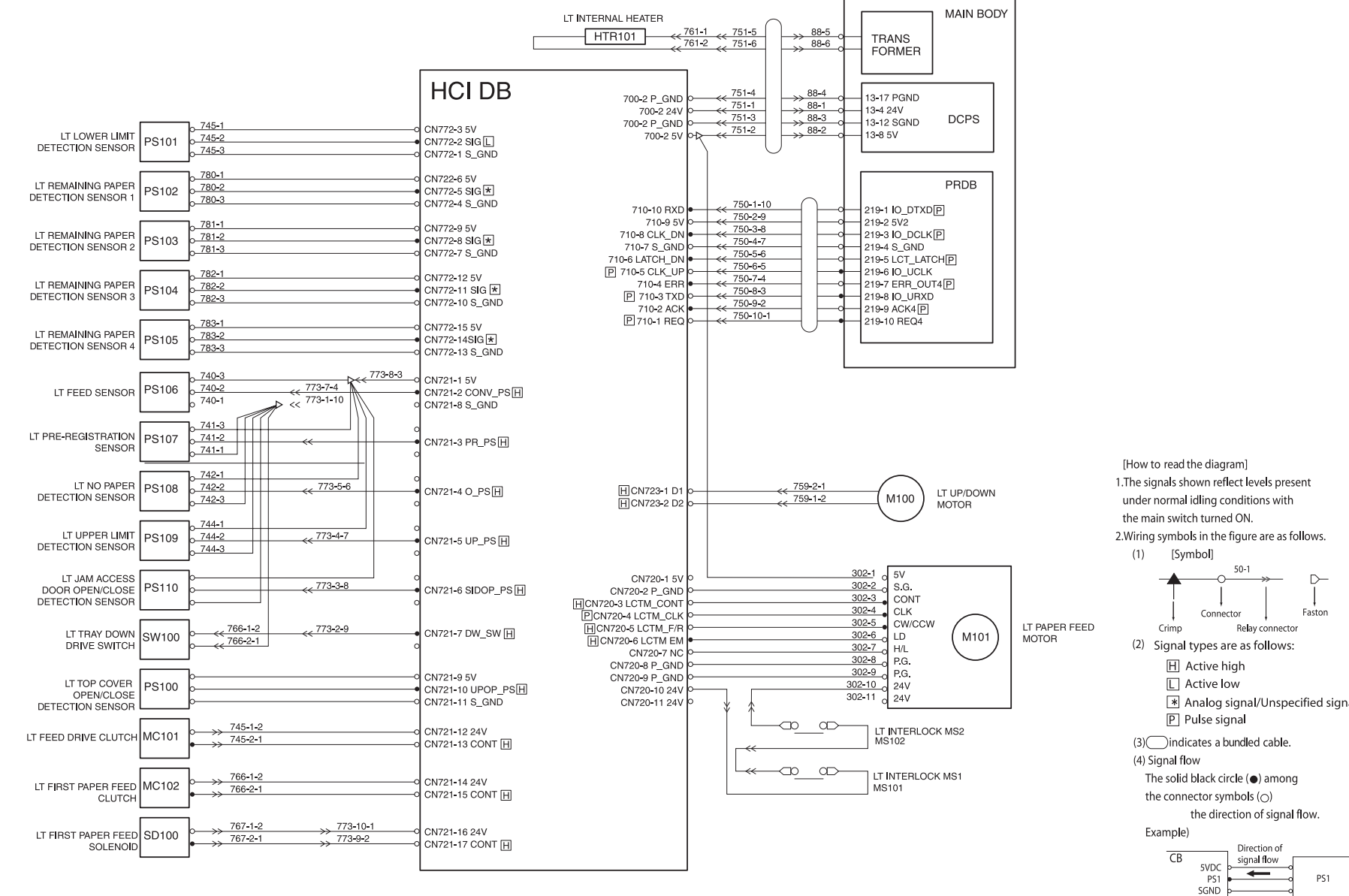
C4: SWAD

C5: PS1

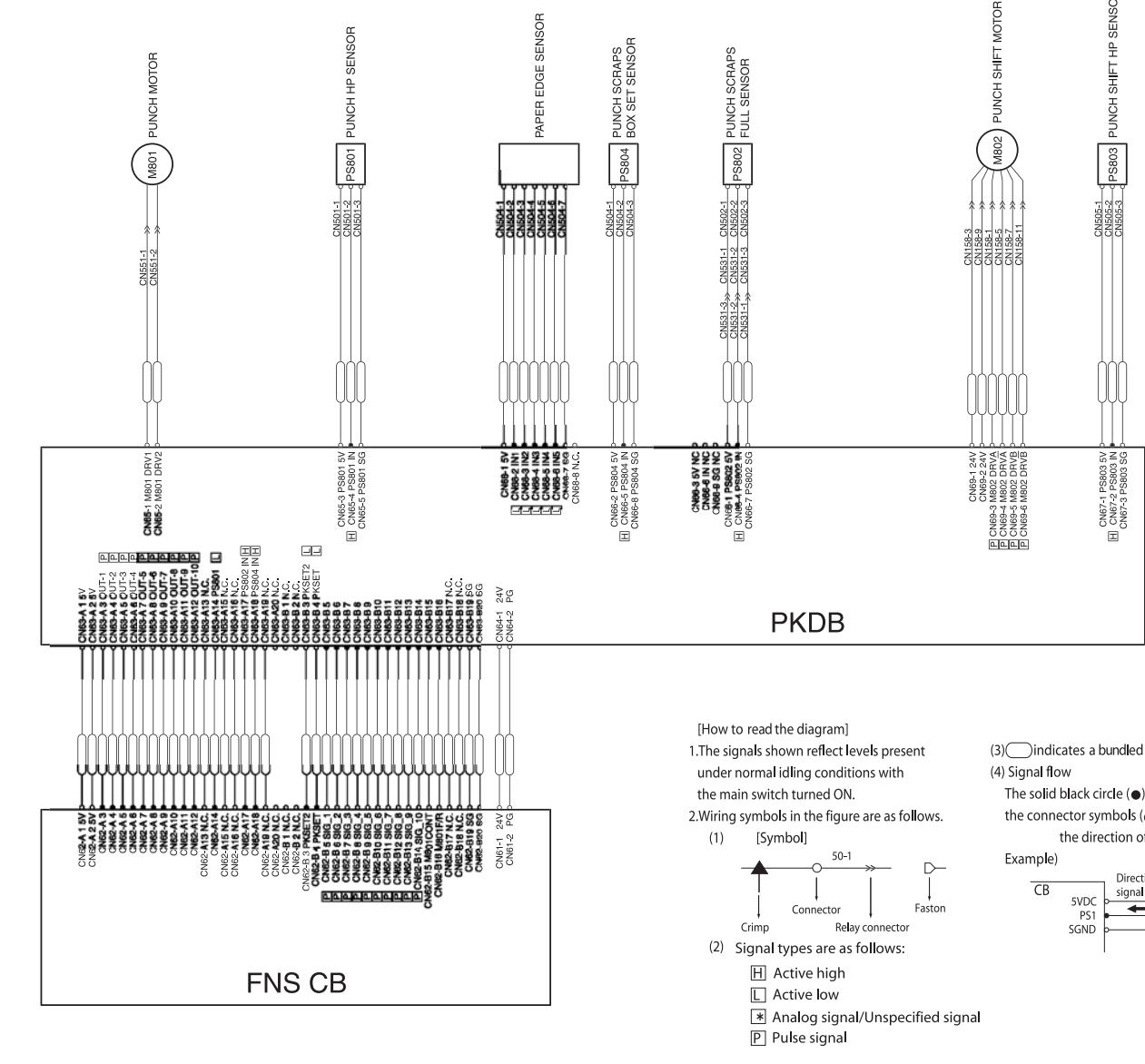
ADF Overall Wiring Diagram



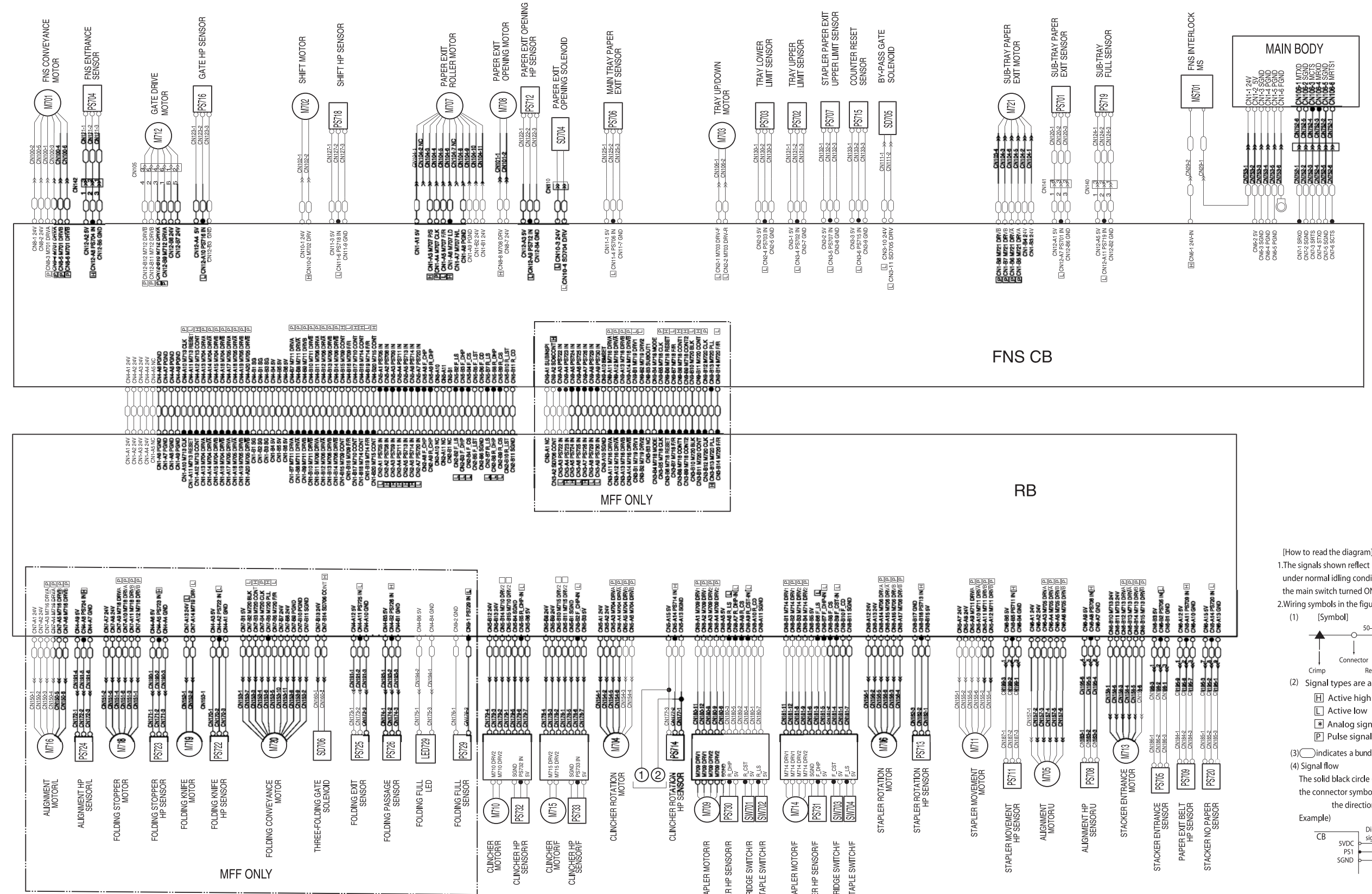
HCI Overall Wiring Diagram



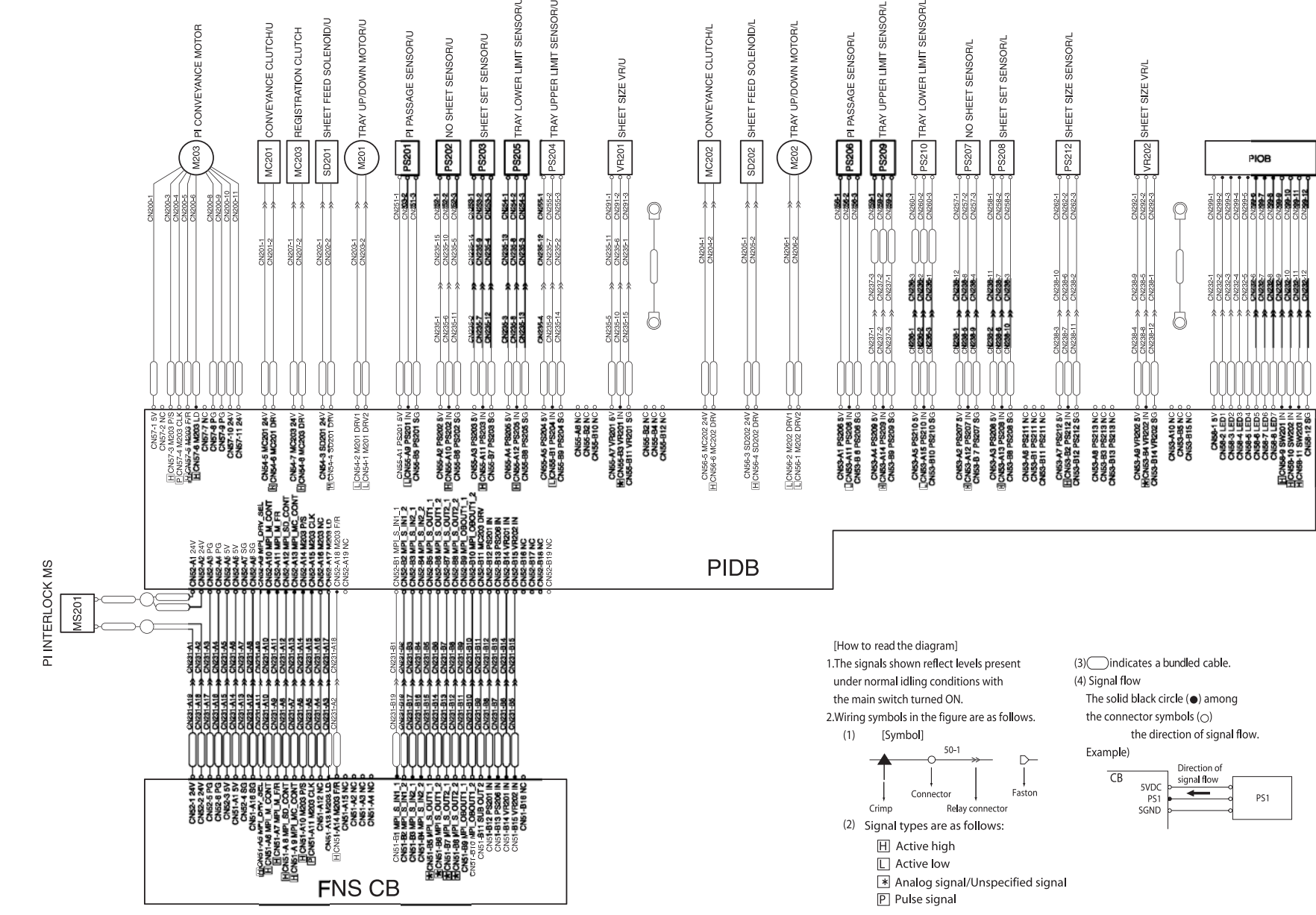
PK(Punch Kit) Overall Wiring Diagram



Finishers (both S/S & MFF) Overall Wiring Diagram



PI (Post Insertor) Overall Wiring Diagram



Terminology Key	
DB	Driver Board
CB	Control Board
LT	HCI
Main Body	MFP
FNS	Finisher (Stapler/Stacker or MFF)
OB1	MFP Control Panel PCA
PIOB	PI Control Panel PCA
RB	Interconnect PCA on rear of stacker in Finisher
ADB	A/D Converter Board



© 2003 Hewlett-Packard Development Company, L.P.

www.hp.com



Q3631-90910