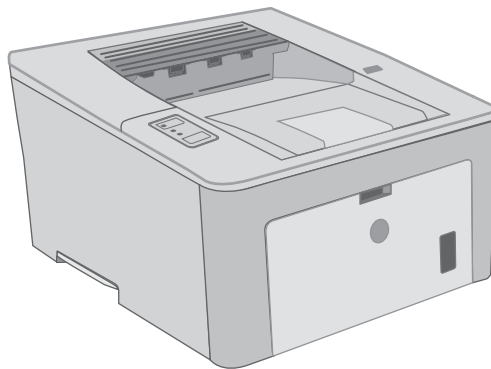


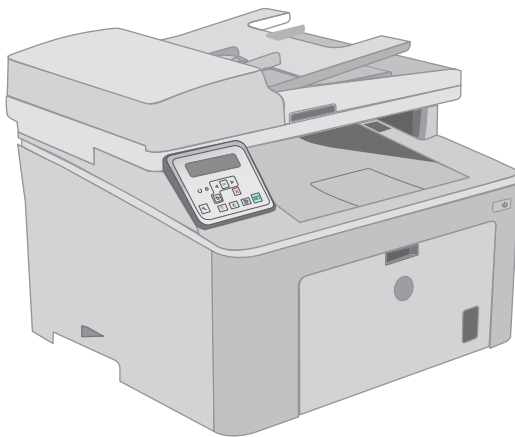


# LaserJet Pro M203 LaserJet Pro MFP M227

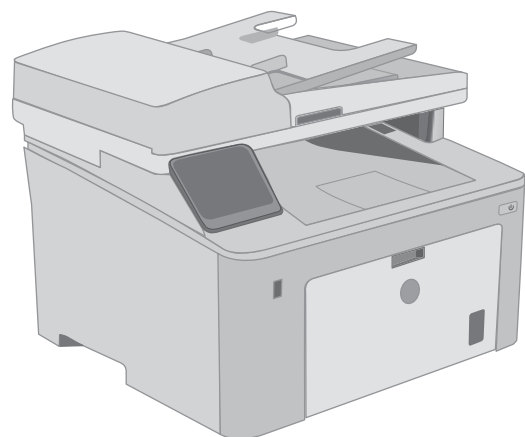
## Repair Manual



**M203d**  
**M203dn**  
**M203dw**



**M227d**  
**M227sdn**  
**M227fdn**



**M227fdw**



[www.hp.com/support/ljM203](http://www.hp.com/support/ljM203)  
[www.hp.com/support/ljmfpm227](http://www.hp.com/support/ljmfpm227)  
For printer theory and troubleshooting  
information, see the Troubleshooting Manual.





# HP LaserJet Pro M203 and LaserJet Pro MFP M227

Repair Manual

## **Copyright and License**

© Copyright 2016 HP Development Company, L.P.

Reproduction, adaptation, or translation without prior written permission is prohibited, except as allowed under the copyright laws.

The information contained herein is subject to change without notice.


The only warranties for HP products and services are set forth in the express warranty statements accompanying such products and services. Nothing herein should be construed as constituting an additional warranty. HP shall not be liable for technical or editorial errors or omissions contained herein.

Edition 1, 11/2016




## Conventions used in this guide


---


 **TIP:** Helpful hints or shortcuts.

**Reinstallation tip:** Reinstallation helpful hints, shortcuts, or considerations.

 **NOTE:** Information that explains a concept or how to complete a task.

 **IMPORTANT:** Information that help the user to avoid potential printer error conditions.

 **CAUTION:** Procedures that the user must follow to avoid losing data or damaging the printer.

 **WARNING!** Procedures that the user must follow to avoid personal injury, catastrophic loss of data, or extensive damage to the printer.

---



## For additional service and support information

HP service personnel, go to the Service Access Work Bench (SAW) at <http://h41302.www4.hp.com/km/saw/home.do>.

Channel partners, go to HP Channel Services Network (CNS) at [www.hp.com/partners/csn](http://www.hp.com/partners/csn).

At these locations, find information on the following topics:

- Install and configure
- Printer specifications
- Up-to-date control panel message (CPMD) troubleshooting
- Solutions for printer issues and emerging issues
- Remove and replace part instructions and videos
- Service advisories
- Warranty and regulatory information

To access HP PartSurfer information from any mobile device, go to <http://partsurfermobile.hp.com/> or scan the Quick Response (QR) code below.





---

# Table of contents

<b>1 Removal and replacement .....</b>	<b>1</b>
For additional service and support .....	2
Removal and replacement strategy .....	3
Introduction .....	3
Considerations during removal and replacement .....	3
Electrostatic discharge .....	4
Required tools .....	4
Fasteners used in this printer .....	5
Service approach .....	6
Before performing service .....	6
After performing service .....	6
Post-service test .....	6
Print-quality test .....	6
Removal and replacement procedures .....	7
Customer self-repair (CSR) A parts and assemblies .....	8
Removal and replacement: Toner cartridge .....	9
Introduction .....	9
Step 1: Remove the toner cartridge .....	10
Step 2: Unpack the replacement assembly .....	11
Step 3: Install the toner cartridge .....	12
Removal and replacement: Imaging drum .....	15
Introduction .....	15
Step 1: Remove the imaging drum .....	16
Step 2: Unpack the replacement assembly .....	18
Step 3: Install the imaging drum .....	19
Removal and replacement: Pickup roller .....	22
Introduction .....	22
Step 1: Remove the roller .....	22
Step 2: Unpack the replacement assembly .....	25
Step 3: Install the roller .....	26
Removal and replacement: Sheet plate assembly (MFP) .....	29
Introduction .....	29

Step 1: Remove the sheet plate assembly .....	29
Step 2: Unpack the replacement assembly .....	30
Step 3: Install the sheet plate assembly .....	31
Field Replaceable Units (FRUs) .....	34
Removal and replacement: External panels, covers, and doors .....	35
Removal and replacement: Multipurpose cover .....	36
Removal and replacement: Paper tray end guide .....	40
Removal and replacement: Front feed guide .....	43
Removal and replacement: Cable cover (MFP) .....	46
Removal and replacement: Duplex door .....	50
Removal and replacement: Left cover .....	53
Removal and replacement: USB cover (MFP) .....	60
Removal and replacement: Right cover .....	66
Removal and replacement: Cartridge door .....	83
Removal and replacement: Top front cover .....	108
Removal and replacement: Front cover .....	137
Removal and replacement: Top rear cover (SFP) .....	171
Removal and replacement: Hinge assembly (MFP) .....	183
Removal and replacement: Top cover (MFP) .....	199
Removal and replacement: Control panel (SFP) .....	225
Removal and replacement: Control panel (M227fdw, M230fdw) .....	238
Removal and replacement: Control panel and frame adapter (M227d/sdn/fdn, M230sdn) .....	258
Removal and replacement: Document feeder and scanner .....	270
Removal and replacement: Document feeder (MFP) .....	271
Removal and replacement: Document feeder input tray (MFP) .....	286
Removal and replacement: Document feeder top cover (MFP) .....	291
Removal and replacement: Document feeder pre-pick arm (MFP) .....	296
Removal and replacement: Document feeder core assembly (MFP) .....	303
Removal and replacement: 3-in-1 or 4-in-1 scanner assembly (MFP) .....	321
Removal and replacement: Internal parts and assemblies .....	336
Removal and replacement: Transfer roller .....	337
Removal and replacement: Separation pad assembly .....	345
Removal and replacement: Formatter PCA .....	349
Removal and replacement: Wireless PCA .....	364
Removal and replacement: Flat flexible cable (engine controller PCA to formatter PCA) .....	380
Removal and replacement: Flat flexible cable (fax PCA; MFP) .....	389
Removal and replacement: Flat flexible cable (control panel; SFP) .....	395
Removal and replacement: Near field communication (NFC) PCA (MFP) .....	406
Removal and replacement: Fan .....	426

Removal and replacement: Power button cap and power button PCA .....	454
Removal and replacement: Developer alienation solenoid .....	495
Removal and replacement: Motor PCA .....	544
Removal and replacement: Laser scanner .....	591
Removal and replacement: Flat flexible cable (laser scanner) .....	639
Removal and replacement: Flat flexible cable (motor PCA) .....	688
Removal and replacement: Duplex paper feed assembly .....	740
Removal and replacement: Environmental sensor .....	782
Removal and replacement: Low-voltage power supply (LVPS) .....	832
Removal and replacement: Engine controller PCA .....	887
Removal and replacement: Transfer assembly .....	953
Removal and replacement: Fuser and fixing film assembly .....	1009
Removal and replacement: Delivery sensor .....	1073
Removal and replacement: Paper pickup sensor .....	1117
Removal and replacement: Fax PCA (MFP fax models) .....	1162

<b>2 Parts and diagrams .....</b>	<b>1171</b>
For additional service and support .....	1172
Assembly locations .....	1173
SFP printer views .....	1173
Printer front view .....	1173
Printer back view .....	1174
MFP printer views .....	1175
Printer front view .....	1175
Printer back view .....	1176
Interface ports .....	1176
Order parts, accessories, and supplies .....	1178
Ordering .....	1178
Orderable parts .....	1178
Supplies .....	1178
Customer self-repair parts .....	1178
How to use the parts lists and diagrams .....	1179
3-in-1 and 4-in-1 scanner assemblies .....	1180
4-in-1 scanner assembly .....	1180
3-in-1 scanner assembly .....	1182
Covers .....	1184
Covers (SFP models) .....	1184
Covers (MFP models) .....	1186
Internal components, printer base .....	1188
Internal components, printer base (1 of 3; SFP)1 .....	1188
Internal components, printer base (2 of 3; SFP)1 .....	1190

Internal components, printer base (3 of 3; SFP)1 .....	1192
Internal components, printer base (1 of 3; MFP)1 .....	1194
Internal components, printer base (2 of 3; MFP)1 .....	1196
Internal components, printer base (3 of 3; MFP)1 .....	1198
Alphabetical parts list .....	1200
Numerical parts list .....	1206
<b>Index .....</b>	<b>1213</b>



---

# List of tables

Table 2-1	Supplies .....	1178
Table 2-2	4-in-1 scanner assembly .....	1181
Table 2-3	3-in-1 scanner assembly .....	1183
Table 2-4	Covers (SFP models) .....	1185
Table 2-5	Covers (MFP models) .....	1187
Table 2-6	Internal components, printer base (1 of 3; SFP) <sup>1</sup> .....	1189
Table 2-7	Internal components, printer base (2 of 3; SFP) <sup>1</sup> .....	1191
Table 2-8	Internal components, printer base (3 of 3; SFP) <sup>1</sup> .....	1193
Table 2-9	Internal components, printer base (1 of 3; MFP) <sup>1</sup> .....	1195
Table 2-10	Internal components, printer base (2 of 3; MFP) <sup>1</sup> .....	1197
Table 2-11	Internal components, printer base (3 of 3; MFP) <sup>1</sup> .....	1199



---

# List of figures

Figure 1-1	Screwdrivers .....	5
Figure 1-2	Toner cartridge .....	9
Figure 1-3	Open the scanner assembly .....	10
Figure 1-4	Open the cartridge door .....	11
Figure 1-5	Close the cartridge door .....	13
Figure 1-6	Close the scanner assembly .....	14
Figure 1-7	Imaging drum .....	15
Figure 1-8	Open the scanner assembly .....	16
Figure 1-9	Open the cartridge door .....	17
Figure 1-10	Close the cartridge door .....	21
Figure 1-11	Close the scanner assembly .....	21
Figure 1-12	Open the scanner assembly .....	23
Figure 1-13	Open the cartridge door .....	23
Figure 1-14	Remove the toner cartridge .....	24
Figure 1-15	Locate the pickup roller .....	24
Figure 1-16	Release two tabs .....	25
Figure 1-17	Remove the roller .....	25
Figure 1-18	Position the roller .....	26
Figure 1-19	Engage two tabs .....	27
Figure 1-20	Install the toner cartridge .....	27
Figure 1-21	Close the cartridge door .....	28
Figure 1-22	Close the scanner assembly .....	28
Figure 1-23	Open the document feeder .....	30
Figure 1-24	Release the tabs .....	30
Figure 1-25	Remove the protective covering .....	31
Figure 1-26	Install the sheet plate assembly .....	32
Figure 1-27	Engage the tabs .....	32
Figure 1-28	Close the document feeder .....	33
Figure 1-29	Remove the multipurpose cover (SFP) .....	37
Figure 1-30	Remove the multipurpose cover (MFP) .....	37
Figure 1-31	Install the multipurpose cover (SFP) .....	39
Figure 1-32	Install the multipurpose cover (MFP) .....	39

Figure 1-33	Remove the paper tray end guide .....	41
Figure 1-34	Install the paper tray end guide .....	42
Figure 1-35	Remove the front feed guide .....	44
Figure 1-36	Install the front feed guide .....	45
Figure 1-37	Open the scanner assembly .....	47
Figure 1-38	Remove the cable cover (MFP) .....	47
Figure 1-39	Install the cable cover (MFP) .....	49
Figure 1-40	Close the scanner assembly .....	49
Figure 1-41	Remove the duplex door .....	51
Figure 1-42	Install the duplex door .....	52
Figure 1-43	Remove the duplex door .....	54
Figure 1-44	Remove one screw (SFP) .....	54
Figure 1-45	Remove the left cover (SFP) .....	55
Figure 1-46	Remove one screw (MFP) .....	55
Figure 1-47	Remove the left cover (MFP) .....	56
Figure 1-48	Install the left cover (SFP) .....	57
Figure 1-49	Install one screw (SFP) .....	58
Figure 1-50	Install the left cover (MFP) .....	58
Figure 1-51	Install one screw (MFP) .....	59
Figure 1-52	Install the duplex door .....	59
Figure 1-53	Remove the duplex door .....	61
Figure 1-54	Remove one screw (MFP) .....	61
Figure 1-55	Remove the left cover (MFP) .....	62
Figure 1-56	Remove the USB cover (MFP) .....	62
Figure 1-57	Install the USB cover (MFP) .....	64
Figure 1-58	Install the left cover (MFP) .....	64
Figure 1-59	Install one screw (MFP) .....	65
Figure 1-60	Install the duplex door .....	65
Figure 1-61	Remove the duplex door .....	67
Figure 1-62	Remove one screw (MFP) .....	68
Figure 1-63	Remove the left cover (MFP) .....	68
Figure 1-64	Open the scanner assembly .....	69
Figure 1-65	Remove the cable cover (MFP) .....	69
Figure 1-66	Release the ground wire (4-in-1 models) .....	70
Figure 1-67	Disconnect flat cable(s) .....	70
Figure 1-68	Release the right hinge .....	71
Figure 1-69	Release the left hinge .....	71
Figure 1-70	Remove the scanner assembly .....	72
Figure 1-71	Remove one screw (SFP) .....	72
Figure 1-72	Remove the right cover (SFP) .....	73
Figure 1-73	Remove one screw (MFP) .....	73

Figure 1-74	Remove the right cover (MFP)	74
Figure 1-75	Install the right cover (SFP)	75
Figure 1-76	Install one screw (SFP)	76
Figure 1-77	Install the right cover (MFP)	76
Figure 1-78	Install one screw (MFP)	77
Figure 1-79	Install the scanner assembly (MFP)	77
Figure 1-80	Engage the left hinge (MFP)	78
Figure 1-81	Engage the right hinge (MFP)	78
Figure 1-82	Connect flat cable(s)	79
Figure 1-83	Install the ground wire (4-in-1 models)	79
Figure 1-84	Install the cable cover (MFP)	80
Figure 1-85	Close the scanner assembly	80
Figure 1-86	Install the left cover (MFP)	81
Figure 1-87	Install one screw (MFP)	81
Figure 1-88	Install the duplex door	82
Figure 1-89	Remove the duplex door	84
Figure 1-90	Remove one screw (SFP)	85
Figure 1-91	Remove the left cover (SFP)	85
Figure 1-92	Remove one screw (MFP)	86
Figure 1-93	Remove the left cover (MFP)	86
Figure 1-94	Open the scanner assembly	87
Figure 1-95	Remove the cable cover (MFP)	87
Figure 1-96	Release the ground wire (4-in-1 models)	88
Figure 1-97	Disconnect flat cable(s)	88
Figure 1-98	Release the right hinge	89
Figure 1-99	Release the left hinge	89
Figure 1-100	Remove the scanner assembly	90
Figure 1-101	Remove one screw (SFP)	90
Figure 1-102	Remove the right cover (SFP)	91
Figure 1-103	Remove one screw (MFP)	91
Figure 1-104	Remove the right cover (MFP)	92
Figure 1-105	Disconnect left link arms (SFP)	92
Figure 1-106	Disconnect right link arms (SFP)	93
Figure 1-107	Remove the cartridge door (SFP)	93
Figure 1-108	Disconnect left link arms (MFP)	94
Figure 1-109	Disconnect right link arms (MFP)	94
Figure 1-110	Remove the cartridge door (MFP)	95
Figure 1-111	Install the cartridge door (SFP)	96
Figure 1-112	Connect left link arms (SFP)	97
Figure 1-113	Connect right link arms (SFP)	97
Figure 1-114	Install the cartridge door (MFP)	98

Figure 1-115	Connect left link arms (MFP)	98
Figure 1-116	Connect right link arms (MFP)	99
Figure 1-117	Install the right cover (SFP)	99
Figure 1-118	Install one screw (SFP)	100
Figure 1-119	Install the right cover (MFP)	100
Figure 1-120	Install one screw (MFP)	101
Figure 1-121	Install the scanner assembly (MFP)	101
Figure 1-122	Engage the left hinge (MFP)	102
Figure 1-123	Engage the right hinge (MFP)	102
Figure 1-124	Connect flat cable(s)	103
Figure 1-125	Install the ground wire (4-in-1 models)	103
Figure 1-126	Install the cable cover (MFP)	104
Figure 1-127	Close the scanner assembly	104
Figure 1-128	Install the left cover (SFP)	105
Figure 1-129	Install one screw (SFP)	105
Figure 1-130	Install the left cover (MFP)	106
Figure 1-131	Install one screw (MFP)	106
Figure 1-132	Install the duplex door	107
Figure 1-133	Remove the duplex door	110
Figure 1-134	Remove one screw (SFP)	110
Figure 1-135	Remove the left cover (SFP)	111
Figure 1-136	Remove one screw (MFP)	111
Figure 1-137	Remove the left cover (MFP)	112
Figure 1-138	Open the scanner assembly	112
Figure 1-139	Remove the cable cover (MFP)	113
Figure 1-140	Release the ground wire (4-in-1 models)	113
Figure 1-141	Disconnect flat cable(s)	114
Figure 1-142	Release the right hinge	114
Figure 1-143	Release the left hinge	115
Figure 1-144	Remove the scanner assembly	115
Figure 1-145	Remove one screw (SFP)	116
Figure 1-146	Remove the right cover (SFP)	116
Figure 1-147	Remove one screw (MFP)	117
Figure 1-148	Remove the right cover (MFP)	117
Figure 1-149	Disconnect one connector	118
Figure 1-150	Release one tab	118
Figure 1-151	Release two tabs and remove the cover	119
Figure 1-152	Disconnect connector and release cable	119
Figure 1-153	Release one tab	120
Figure 1-154	Release two tabs and remove the cover	120
Figure 1-155	Remove screw and disconnect connector (SFP)	121

Figure 1-156	Remove the control panel (SFP)	121
Figure 1-157	Disconnect one connector (MFP)	122
Figure 1-158	Remove the control panel (MFP)	122
Figure 1-159	Install the control panel (MFP)	124
Figure 1-160	Install the cable (MFP)	124
Figure 1-161	Position the control panel (SFP)	125
Figure 1-162	Install the screw and cable	125
Figure 1-163	Install two tabs	126
Figure 1-164	Install one tab	126
Figure 1-165	Connect one connector	127
Figure 1-166	Install two tabs	127
Figure 1-167	Install one tab	128
Figure 1-168	Install one connector and grounding cable	128
Figure 1-169	Install the right cover (SFP)	129
Figure 1-170	Install one screw (SFP)	129
Figure 1-171	Install the right cover (MFP)	130
Figure 1-172	Install one screw (MFP)	130
Figure 1-173	Install the scanner assembly (MFP)	131
Figure 1-174	Engage the left hinge (MFP)	131
Figure 1-175	Engage the right hinge (MFP)	132
Figure 1-176	Connect flat cable(s)	132
Figure 1-177	Install the ground wire (4-in-1 models)	133
Figure 1-178	Install the cable cover (MFP)	133
Figure 1-179	Close the scanner assembly	134
Figure 1-180	Install the left cover (SFP)	134
Figure 1-181	Install one screw (SFP)	135
Figure 1-182	Install the left cover (MFP)	135
Figure 1-183	Install one screw (MFP)	136
Figure 1-184	Install the duplex door	136
Figure 1-185	Remove the multipurpose cover (SFP)	139
Figure 1-186	Remove the multipurpose cover (MFP)	139
Figure 1-187	Remove the duplex door	140
Figure 1-188	Remove one screw (SFP)	140
Figure 1-189	Remove the left cover (SFP)	141
Figure 1-190	Remove one screw (MFP)	141
Figure 1-191	Remove the left cover (MFP)	142
Figure 1-192	Open the scanner assembly	142
Figure 1-193	Remove the cable cover (MFP)	143
Figure 1-194	Release the ground wire (4-in-1 models)	143
Figure 1-195	Disconnect flat cable(s)	144
Figure 1-196	Release the right hinge	144

Figure 1-197	Release the left hinge .....	145
Figure 1-198	Remove the scanner assembly .....	145
Figure 1-199	Remove one screw (SFP) .....	146
Figure 1-200	Remove the right cover (SFP) .....	146
Figure 1-201	Remove one screw (MFP) .....	147
Figure 1-202	Remove the right cover (MFP) .....	147
Figure 1-203	Disconnect one connector .....	148
Figure 1-204	Release one tab .....	148
Figure 1-205	Release two tabs and remove the cover .....	149
Figure 1-206	Disconnect connector and release cable .....	149
Figure 1-207	Release one tab .....	150
Figure 1-208	Release two tabs and remove the cover .....	150
Figure 1-209	Disconnect connector (SFP) .....	151
Figure 1-210	Remove the front cover (SFP) .....	151
Figure 1-211	Remove the power switch assembly (SFP) .....	152
Figure 1-212	Disconnect connectors (MFP) .....	152
Figure 1-213	Remove the front cover (MFP) .....	153
Figure 1-214	Disconnect one connector .....	153
Figure 1-215	Remove the power switch assembly (MFP) .....	154
Figure 1-216	Install the power switch assembly (SFP) .....	155
Figure 1-217	Install the front cover (SFP) .....	156
Figure 1-218	Connect the connector (SFP) .....	156
Figure 1-219	Install the power switch assembly (MFP) .....	157
Figure 1-220	Connect one connector .....	157
Figure 1-221	Install the front cover (MFP) .....	158
Figure 1-222	Connect two connectors (MFP) .....	158
Figure 1-223	Install two tabs .....	159
Figure 1-224	Install one tab .....	159
Figure 1-225	Connect one connector .....	160
Figure 1-226	Install two tabs .....	160
Figure 1-227	Install one tab .....	161
Figure 1-228	Install one connector and grounding cable .....	161
Figure 1-229	Install the right cover (SFP) .....	162
Figure 1-230	Install one screw (SFP) .....	162
Figure 1-231	Install the right cover (MFP) .....	163
Figure 1-232	Install one screw (MFP) .....	163
Figure 1-233	Install the scanner assembly (MFP) .....	164
Figure 1-234	Engage the left hinge (MFP) .....	164
Figure 1-235	Engage the right hinge (MFP) .....	165
Figure 1-236	Connect flat cable(s) .....	165
Figure 1-237	Install the ground wire (4-in-1 models) .....	166



Figure 1-238	Install the cable cover (MFP)	166
Figure 1-239	Close the scanner assembly	167
Figure 1-240	Install the left cover (SFP)	167
Figure 1-241	Install one screw (SFP)	168
Figure 1-242	Install the left cover (MFP)	168
Figure 1-243	Install one screw (MFP)	169
Figure 1-244	Install the duplex door	169
Figure 1-245	Install the multipurpose cover (SFP)	170
Figure 1-246	Install the multipurpose cover (MFP)	170
Figure 1-247	Remove the duplex door	172
Figure 1-248	Remove one screw (SFP)	173
Figure 1-249	Remove the left cover (SFP)	173
Figure 1-250	Remove one screw (SFP)	174
Figure 1-251	Remove the right cover (SFP)	174
Figure 1-252	Disconnect left link arms (SFP)	175
Figure 1-253	Disconnect right link arms (SFP)	175
Figure 1-254	Remove the cartridge door (SFP)	176
Figure 1-255	Remove the top rear cover (SFP)	176
Figure 1-256	Install the top rear cover (SFP)	178
Figure 1-257	Install the cartridge door (SFP)	178
Figure 1-258	Connect left link arms (SFP)	179
Figure 1-259	Connect right link arms (SFP)	179
Figure 1-260	Install the right cover (SFP)	180
Figure 1-261	Install one screw (SFP)	180
Figure 1-262	Install the left cover (SFP)	181
Figure 1-263	Install one screw (SFP)	181
Figure 1-264	Install the duplex door	182
Figure 1-265	Remove the duplex door	184
Figure 1-266	Remove one screw (MFP)	185
Figure 1-267	Remove the left cover (MFP)	185
Figure 1-268	Open the scanner assembly	186
Figure 1-269	Remove the cable cover (MFP)	186
Figure 1-270	Release the ground wire (4-in-1 models)	187
Figure 1-271	Disconnect flat cable(s)	187
Figure 1-272	Release the right hinge	188
Figure 1-273	Release the left hinge	188
Figure 1-274	Remove the scanner assembly	189
Figure 1-275	Remove one screw (MFP)	189
Figure 1-276	Remove the right cover (MFP)	190
Figure 1-277	Remove the hinge assembly (MFP)	190
Figure 1-278	Install the hinge assembly (MFP)	192

Figure 1-279	Install the right cover (MFP) .....	192
Figure 1-280	Install one screw (MFP) .....	193
Figure 1-281	Install the scanner assembly (MFP) .....	193
Figure 1-282	Engage the left hinge (MFP) .....	194
Figure 1-283	Engage the right hinge (MFP) .....	194
Figure 1-284	Connect flat cable(s) .....	195
Figure 1-285	Install the ground wire (4-in-1 models) .....	195
Figure 1-286	Install the cable cover (MFP) .....	196
Figure 1-287	Close the scanner assembly .....	196
Figure 1-288	Install the left cover (MFP) .....	197
Figure 1-289	Install one screw (MFP) .....	197
Figure 1-290	Install the duplex door .....	198
Figure 1-291	Remove the duplex door .....	200
Figure 1-292	Remove one screw (MFP) .....	201
Figure 1-293	Remove the left cover (MFP) .....	201
Figure 1-294	Open the scanner assembly .....	202
Figure 1-295	Remove the cable cover (MFP) .....	202
Figure 1-296	Release the ground wire (4-in-1 models) .....	203
Figure 1-297	Disconnect flat cable(s) .....	203
Figure 1-298	Release the right hinge .....	204
Figure 1-299	Release the left hinge .....	204
Figure 1-300	Remove the scanner assembly .....	205
Figure 1-301	Remove one screw (MFP) .....	205
Figure 1-302	Remove the right cover (MFP) .....	206
Figure 1-303	Remove the hinge assembly (MFP) .....	206
Figure 1-304	Disconnect left link arms (MFP) .....	207
Figure 1-305	Disconnect right link arms (MFP) .....	207
Figure 1-306	Remove the cartridge door (MFP) .....	208
Figure 1-307	Disconnect connector and release cable (MFP) .....	208
Figure 1-308	Release one tab (MFP) .....	209
Figure 1-309	Release two tabs and remove the cover (MFP) .....	209
Figure 1-310	Remove the multipurpose cover (MFP) .....	210
Figure 1-311	Disconnect connectors (MFP) .....	210
Figure 1-312	Remove the front cover (MFP) .....	211
Figure 1-313	Remove the top cover .....	211
Figure 1-314	Install the top cover .....	213
Figure 1-315	Install the front cover (MFP) .....	213
Figure 1-316	Connect two connectors (MFP) .....	214
Figure 1-317	Install the multipurpose cover (MFP) .....	214
Figure 1-318	Install two tabs (MFP) .....	215
Figure 1-319	Install one tab (MFP) .....	215

Figure 1-320	Install one connector and grounding cable (MFP)	216
Figure 1-321	Install the cartridge door (MFP)	216
Figure 1-322	Connect left link arms (MFP)	217
Figure 1-323	Disconnect right link arms (MFP)	217
Figure 1-324	Install the hinge assembly (MFP)	218
Figure 1-325	Install the right cover (MFP)	218
Figure 1-326	Install one screw (MFP)	219
Figure 1-327	Install the scanner assembly (MFP)	219
Figure 1-328	Engage the left hinge (MFP)	220
Figure 1-329	Engage the right hinge (MFP)	220
Figure 1-330	Connect flat cable(s)	221
Figure 1-331	Install the ground wire (4-in-1 models)	221
Figure 1-332	Install the cable cover (MFP)	222
Figure 1-333	Close the scanner assembly	222
Figure 1-334	Install the left cover (MFP)	223
Figure 1-335	Install one screw (MFP)	223
Figure 1-336	Install the duplex door	224
Figure 1-337	Remove the duplex door	226
Figure 1-338	Remove one screw (SFP)	227
Figure 1-339	Remove the left cover (SFP)	227
Figure 1-340	Remove one screw (SFP)	228
Figure 1-341	Remove the right cover (SFP)	228
Figure 1-342	Disconnect one connector (SFP)	229
Figure 1-343	Release one tab (SFP)	229
Figure 1-344	Release two tabs and remove the cover (SFP)	230
Figure 1-345	Remove screw and disconnect connector (SFP)	230
Figure 1-346	Remove the control panel (SFP)	231
Figure 1-347	Position the control panel (SFP)	232
Figure 1-348	Install the screw and cable	233
Figure 1-349	Install two tabs (SFP)	233
Figure 1-350	Install one tab.(SFP)	234
Figure 1-351	Connect one connector.(SFP)	234
Figure 1-352	Install the right cover (SFP)	235
Figure 1-353	Install one screw (SFP)	235
Figure 1-354	Install the left cover (SFP)	236
Figure 1-355	Install one screw (SFP)	236
Figure 1-356	Install the duplex door	237
Figure 1-357	Remove the duplex door	239
Figure 1-358	Remove one screw (MFP)	240
Figure 1-359	Remove the left cover (MFP)	240
Figure 1-360	Open the scanner assembly	241

Figure 1-361	Remove the cable cover (MFP) .....	241
Figure 1-362	Release the ground wire (4-in-1 models) .....	242
Figure 1-363	Disconnect flat cable(s) .....	242
Figure 1-364	Release the right hinge .....	243
Figure 1-365	Release the left hinge .....	243
Figure 1-366	Remove the scanner assembly .....	244
Figure 1-367	Remove one screw (MFP) .....	244
Figure 1-368	Remove the right cover (MFP) .....	245
Figure 1-369	Disconnect connector and release cable (MFP) .....	245
Figure 1-370	Release one tab (MFP) .....	246
Figure 1-371	Release two tabs and remove the cover (MFP) .....	246
Figure 1-372	Disconnect one connector (MFP) .....	247
Figure 1-373	Remove the control panel (MFP) .....	247
Figure 1-374	Install the control panel (MFP) .....	249
Figure 1-375	Install the cable (MFP) .....	249
Figure 1-376	Install two tabs (MFP) .....	250
Figure 1-377	Install one tab (MFP) .....	250
Figure 1-378	Install one connector and grounding cable (MFP) .....	251
Figure 1-379	Install the right cover (MFP) .....	251
Figure 1-380	Install one screw (MFP) .....	252
Figure 1-381	Install the scanner assembly (MFP) .....	252
Figure 1-382	Engage the left hinge (MFP) .....	253
Figure 1-383	Engage the right hinge (MFP) .....	253
Figure 1-384	Connect flat cable(s) .....	254
Figure 1-385	Install the ground wire (4-in-1 models) .....	254
Figure 1-386	Install the cable cover (MFP) .....	255
Figure 1-387	Close the scanner assembly .....	255
Figure 1-388	Install the left cover (MFP) .....	256
Figure 1-389	Install one screw (MFP) .....	256
Figure 1-390	Install the duplex door .....	257
Figure 1-391	Remove the duplex door .....	259
Figure 1-392	Remove one screw (MFP) .....	259
Figure 1-393	Remove the left cover (MFP) .....	260
Figure 1-394	Disconnect connector and release cable .....	260
Figure 1-395	Release eight tabs .....	261
Figure 1-396	Remove the control panel and frame adapter .....	261
Figure 1-397	Release two tabs .....	262
Figure 1-398	Release the control panel .....	262
Figure 1-399	Release the control panel cables .....	263
Figure 1-400	Note the tab and slot locations .....	264
Figure 1-401	Install the control panel cables .....	265

Figure 1-402	Install the control panel .....	265
Figure 1-403	Note the tab and slot locations .....	266
Figure 1-404	Position the control panel and frame adapter .....	266
Figure 1-405	Position the frame adapter .....	267
Figure 1-406	Install the control panel and frame adapter .....	267
Figure 1-407	Install one connector and grounding cable .....	268
Figure 1-408	Install the left cover (MFP) .....	268
Figure 1-409	Install one screw (MFP) .....	269
Figure 1-410	Install the duplex door .....	269
Figure 1-411	Remove the duplex door .....	272
Figure 1-412	Remove one screw (MFP) .....	273
Figure 1-413	Remove the left cover (MFP) .....	273
Figure 1-414	Open the scanner assembly .....	274
Figure 1-415	Remove the cable cover (MFP) .....	274
Figure 1-416	Release the ground wire (4-in-1 models) .....	275
Figure 1-417	Disconnect flat cable(s) .....	275
Figure 1-418	Release the right hinge .....	276
Figure 1-419	Release the left hinge .....	276
Figure 1-420	Remove the scanner assembly .....	277
Figure 1-421	Release two tabs .....	277
Figure 1-422	Remove the document feeder .....	278
Figure 1-423	Install the document feeder cables .....	279
Figure 1-424	Position the document feeder .....	280
Figure 1-425	Install the document feeder .....	280
Figure 1-426	Install the scanner assembly (MFP) .....	281
Figure 1-427	Engage the left hinge (MFP) .....	281
Figure 1-428	Engage the right hinge (MFP) .....	282
Figure 1-429	Connect flat cable(s) .....	282
Figure 1-430	Install the ground wire (4-in-1 models) .....	283
Figure 1-431	Install the cable cover (MFP) .....	283
Figure 1-432	Close the scanner assembly .....	284
Figure 1-433	Install the left cover (MFP) .....	284
Figure 1-434	Install one screw (MFP) .....	285
Figure 1-435	Install the duplex door .....	285
Figure 1-436	Open the document feeder top cover .....	287
Figure 1-437	Raise the input tray .....	287
Figure 1-438	Remove the document feeder input tray .....	288
Figure 1-439	Install the document feeder input tray .....	289
Figure 1-440	Lower the input tray .....	290
Figure 1-441	Close the document feeder top cover .....	290
Figure 1-442	Open the document feeder top cover .....	292

Figure 1-443	Release one tab .....	292
Figure 1-444	Remove the document feeder top cover .....	293
Figure 1-445	Install the document feeder top cover .....	294
Figure 1-446	Engage one tab .....	295
Figure 1-447	Close the document feeder top cover .....	295
Figure 1-448	Open the document feeder top cover .....	297
Figure 1-449	Release one tab .....	297
Figure 1-450	Remove the document feeder top cover .....	298
Figure 1-451	Note the pre-pick arm drive gear .....	298
Figure 1-452	Remove the document feeder pre-pick arm .....	299
Figure 1-453	Pre-pick arm drive gear .....	300
Figure 1-454	Install the document feeder pre-pick arm .....	301
Figure 1-455	Install the document feeder top cover .....	301
Figure 1-456	Engage one tab .....	302
Figure 1-457	Close the document feeder top cover .....	302
Figure 1-458	Remove the duplex door .....	304
Figure 1-459	Remove one screw (MFP) .....	305
Figure 1-460	Remove the left cover (MFP) .....	305
Figure 1-461	Open the scanner assembly .....	306
Figure 1-462	Remove the cable cover (MFP) .....	306
Figure 1-463	Release the ground wire (4-in-1 models) .....	307
Figure 1-464	Disconnect flat cable(s) .....	307
Figure 1-465	Release the right hinge .....	308
Figure 1-466	Release the left hinge .....	308
Figure 1-467	Remove the scanner assembly .....	309
Figure 1-468	Open the document feeder top cover .....	309
Figure 1-469	Release one tab .....	310
Figure 1-470	Remove the document feeder top cover .....	310
Figure 1-471	Release the document feeder core assembly .....	311
Figure 1-472	Remove the document feeder core assembly .....	311
Figure 1-473	Install the document feeder wire harness and flat cable .....	313
Figure 1-474	Install the document feeder core assembly .....	313
Figure 1-475	Install the document feeder top cover .....	314
Figure 1-476	Engage one tab .....	314
Figure 1-477	Close the document feeder top cover .....	315
Figure 1-478	Install the scanner assembly (MFP) .....	315
Figure 1-479	Engage the left hinge (MFP) .....	316
Figure 1-480	Engage the right hinge (MFP) .....	316
Figure 1-481	Connect flat cable(s) .....	317
Figure 1-482	Install the ground wire (4-in-1 models) .....	317
Figure 1-483	Install the cable cover (MFP) .....	318

Figure 1-484	Close the scanner assembly .....	318
Figure 1-485	Install the left cover (MFP) .....	319
Figure 1-486	Install one screw (MFP) .....	319
Figure 1-487	Install the duplex door .....	320
Figure 1-488	Remove the duplex door .....	322
Figure 1-489	Remove one screw (MFP) .....	323
Figure 1-490	Remove the left cover (MFP) .....	323
Figure 1-491	Open the scanner assembly .....	324
Figure 1-492	Remove the cable cover (MFP) .....	324
Figure 1-493	Release the ground wire (4-in-1 models) .....	325
Figure 1-494	Disconnect flat cable(s) .....	325
Figure 1-495	Release the right hinge .....	326
Figure 1-496	Release the left hinge .....	326
Figure 1-497	Remove the scanner assembly .....	327
Figure 1-498	Release two tabs .....	327
Figure 1-499	Remove the document feeder .....	328
Figure 1-500	Install the document feeder cables .....	329
Figure 1-501	Position the document feeder .....	330
Figure 1-502	Install the document feeder .....	330
Figure 1-503	Install the scanner assembly (MFP) .....	331
Figure 1-504	Engage the left hinge (MFP) .....	331
Figure 1-505	Engage the right hinge (MFP) .....	332
Figure 1-506	Connect flat cable(s) .....	332
Figure 1-507	Install the ground wire (4-in-1 models) .....	333
Figure 1-508	Install the cable cover (MFP) .....	333
Figure 1-509	Close the scanner assembly .....	334
Figure 1-510	Install the left cover (MFP) .....	334
Figure 1-511	Install one screw (MFP) .....	335
Figure 1-512	Install the duplex door .....	335
Figure 1-513	Open the scanner assembly .....	338
Figure 1-514	Open the cartridge door .....	338
Figure 1-515	Transfer roller right collar tabs .....	340
Figure 1-516	Remove the transfer roller .....	340
Figure 1-517	Transfer roller right collar .....	342
Figure 1-518	Install the roller .....	342
Figure 1-519	Close the cartridge door .....	344
Figure 1-520	Close the scanner assembly .....	344
Figure 1-521	Remove two screws .....	346
Figure 1-522	Remove the separation pad .....	346
Figure 1-523	Install the separation pad .....	348
Figure 1-524	Install two screws .....	348

Figure 1-525	Remove the duplex door .....	350
Figure 1-526	Remove one screw (SFP) .....	351
Figure 1-527	Remove the left cover (SFP) .....	351
Figure 1-528	Remove one screw (MFP) .....	352
Figure 1-529	Remove the left cover (MFP) .....	352
Figure 1-530	Disconnect two flat cables and one connector (SFP) .....	353
Figure 1-531	Remove the formatter PCA (SFP) .....	353
Figure 1-532	Remove the formatter PCA (MFP) .....	354
Figure 1-533	Release two tabs (SFP) .....	354
Figure 1-534	Remove the wireless PCA and holder (SFP) .....	355
Figure 1-535	Remove one screw (MFP) .....	355
Figure 1-536	Remove the wireless card (MFP) .....	356
Figure 1-537	Install the wireless PCA (SFP) .....	357
Figure 1-538	Check two tabs (SFP) .....	358
Figure 1-539	Install the wireless PCA (MFP) .....	358
Figure 1-540	Install one screw (MFP) .....	359
Figure 1-541	Install the formatter PCA (SFP) .....	359
Figure 1-542	Connect two flat cables and one connector (SFP) .....	360
Figure 1-543	Install the formatter PCA (MFP) .....	360
Figure 1-544	Install the left cover (SFP) .....	361
Figure 1-545	Install one screw (SFP) .....	361
Figure 1-546	Install the left cover (MFP) .....	362
Figure 1-547	Install one screw (MFP) .....	362
Figure 1-548	Install the duplex door .....	363
Figure 1-549	Remove the duplex door .....	365
Figure 1-550	Remove one screw (SFP) .....	366
Figure 1-551	Remove the left cover (SFP) .....	366
Figure 1-552	Remove one screw (MFP) .....	367
Figure 1-553	Remove the left cover (MFP) .....	367
Figure 1-554	Disconnect two flat cables and one connector (SFP) .....	368
Figure 1-555	Remove the formatter PCA (SFP) .....	368
Figure 1-556	Remove the formatter PCA (MFP) .....	369
Figure 1-557	Release two tabs (SFP) .....	369
Figure 1-558	Remove the wireless PCA and holder (SFP) .....	370
Figure 1-559	Remove the wireless PCA .....	370
Figure 1-560	Remove one screw (MFP) .....	371
Figure 1-561	Remove the wireless card (MFP) .....	371
Figure 1-562	Install the wireless PCA in the holder .....	373
Figure 1-563	Install the wireless PCA (SFP) .....	373
Figure 1-564	Check two tabs (SFP) .....	374
Figure 1-565	Install the wireless PCA (MFP) .....	374



Figure 1-566	Install one screw (MFP) .....	375
Figure 1-567	Install the formatter PCA (SFP) .....	375
Figure 1-568	Connect two flat cables and one connector (SFP) .....	376
Figure 1-569	Install the formatter PCA (MFP) .....	376
Figure 1-570	Install the left cover (SFP) .....	377
Figure 1-571	Install one screw (SFP) .....	377
Figure 1-572	Install the left cover (MFP) .....	378
Figure 1-573	Install one screw (MFP) .....	378
Figure 1-574	Install the duplex door .....	379
Figure 1-575	Remove the duplex door .....	381
Figure 1-576	Remove one screw (SFP) .....	381
Figure 1-577	Remove the left cover (SFP) .....	382
Figure 1-578	Remove one screw (MFP) .....	382
Figure 1-579	Remove the left cover (MFP) .....	383
Figure 1-580	Remove the flat flexible cable (SFP) .....	383
Figure 1-581	Remove the flat flexible cable (MFP) .....	384
Figure 1-582	Install the flat flexible cable (SFP) .....	385
Figure 1-583	Install the flat flexible cable (MFP) .....	386
Figure 1-584	Install the left cover (SFP) .....	386
Figure 1-585	Install one screw (SFP) .....	387
Figure 1-586	Install the left cover (MFP) .....	387
Figure 1-587	Install one screw (MFP) .....	388
Figure 1-588	Install the duplex door .....	388
Figure 1-589	Remove the duplex door .....	390
Figure 1-590	Remove one screw (MFP) .....	390
Figure 1-591	Remove the left cover (MFP) .....	391
Figure 1-592	Remove the flat flexible cable (MFP) .....	391
Figure 1-593	Install the fax flat flexible cable (MFP) .....	393
Figure 1-594	Install the left cover (MFP) .....	393
Figure 1-595	Install one screw (MFP) .....	394
Figure 1-596	Install the duplex door .....	394
Figure 1-597	Remove the duplex door .....	396
Figure 1-598	Remove one screw (SFP) .....	396
Figure 1-599	Remove the left cover (SFP) .....	397
Figure 1-600	Remove one screw (SFP) .....	397
Figure 1-601	Remove the right cover (SFP) .....	398
Figure 1-602	Disconnect one connector (SFP) .....	398
Figure 1-603	Release one tab (SFP) .....	399
Figure 1-604	Release two tabs and remove the cover (SFP) .....	399
Figure 1-605	Remove the flat flexible cable (SFP) .....	400
Figure 1-606	Install the flat flexible cable (SFP) .....	401

Figure 1-607	Install two tabs (SFP) .....	402
Figure 1-608	Install one tab.(SFP) .....	402
Figure 1-609	Connect one connector.(SFP) .....	403
Figure 1-610	Install the right cover (SFP) .....	403
Figure 1-611	Install one screw (SFP) .....	404
Figure 1-612	Install the left cover (SFP) .....	404
Figure 1-613	Install one screw (SFP) .....	405
Figure 1-614	Install the duplex door .....	405
Figure 1-615	Remove the duplex door .....	407
Figure 1-616	Remove one screw (MFP) .....	408
Figure 1-617	Remove the left cover (MFP) .....	408
Figure 1-618	Open the scanner assembly .....	409
Figure 1-619	Remove the cable cover (MFP) .....	409
Figure 1-620	Release the ground wire (4-in-1 models) .....	410
Figure 1-621	Disconnect flat cable(s) .....	410
Figure 1-622	Release the right hinge .....	411
Figure 1-623	Release the left hinge .....	411
Figure 1-624	Remove the scanner assembly .....	412
Figure 1-625	Remove one screw (MFP) .....	412
Figure 1-626	Remove the right cover (MFP) .....	413
Figure 1-627	Disconnect connector and release cable (MFP) .....	413
Figure 1-628	Release one tab (MFP) .....	414
Figure 1-629	Release two tabs and remove the cover (MFP) .....	414
Figure 1-630	Remove one screw and release one tab (MFP) .....	415
Figure 1-631	Remove the NFC PCA (MFP) .....	415
Figure 1-632	Connect one connector (MFP) .....	417
Figure 1-633	Install the tab and screw (MFP) .....	417
Figure 1-634	Install two tabs (MFP) .....	418
Figure 1-635	Install one tab (MFP) .....	418
Figure 1-636	Install one connector and grounding cable (MFP) .....	419
Figure 1-637	Install the right cover (MFP) .....	419
Figure 1-638	Install one screw (MFP) .....	420
Figure 1-639	Install the scanner assembly (MFP) .....	420
Figure 1-640	Engage the left hinge (MFP) .....	421
Figure 1-641	Engage the right hinge (MFP) .....	421
Figure 1-642	Connect flat cable(s) .....	422
Figure 1-643	Install the ground wire (4-in-1 models) .....	422
Figure 1-644	Install the cable cover (MFP) .....	423
Figure 1-645	Close the scanner assembly .....	423
Figure 1-646	Install the left cover (MFP) .....	424
Figure 1-647	Install one screw (MFP) .....	424

Figure 1-648	Install the duplex door .....	425
Figure 1-649	Remove the duplex door .....	427
Figure 1-650	Remove one screw (SFP) .....	428
Figure 1-651	Remove the left cover (SFP) .....	428
Figure 1-652	Remove one screw (MFP) .....	429
Figure 1-653	Remove the left cover (MFP) .....	429
Figure 1-654	Open the scanner assembly .....	430
Figure 1-655	Remove the cable cover (MFP) .....	430
Figure 1-656	Release the ground wire (4-in-1 models) .....	431
Figure 1-657	Disconnect flat cable(s) .....	431
Figure 1-658	Release the right hinge .....	432
Figure 1-659	Release the left hinge .....	432
Figure 1-660	Remove the scanner assembly .....	433
Figure 1-661	Remove one screw (SFP) .....	433
Figure 1-662	Remove the right cover (SFP) .....	434
Figure 1-663	Remove one screw (MFP) .....	434
Figure 1-664	Remove the right cover (MFP) .....	435
Figure 1-665	Disconnect one connector .....	435
Figure 1-666	Release one tab .....	436
Figure 1-667	Release two tabs and remove the cover .....	436
Figure 1-668	Disconnect connector and release cable .....	437
Figure 1-669	Release one tab .....	437
Figure 1-670	Release two tabs and remove the cover .....	438
Figure 1-671	Remove the fan duct .....	438
Figure 1-672	Disconnect one connector .....	439
Figure 1-673	Remove the fan .....	439
Figure 1-674	Install the fan .....	441
Figure 1-675	Connect one connector .....	441
Figure 1-676	Install the fan duct .....	442
Figure 1-677	Install two tabs .....	442
Figure 1-678	Install one tab .....	443
Figure 1-679	Connect one connector .....	443
Figure 1-680	Install two tabs .....	444
Figure 1-681	Install one tab .....	444
Figure 1-682	Install one connector and grounding cable .....	445
Figure 1-683	Install the right cover (SFP) .....	445
Figure 1-684	Install one screw (SFP) .....	446
Figure 1-685	Install the right cover (MFP) .....	446
Figure 1-686	Install one screw (MFP) .....	447
Figure 1-687	Install the scanner assembly (MFP) .....	447
Figure 1-688	Engage the left hinge (MFP) .....	448

Figure 1-689	Engage the right hinge (MFP)	448
Figure 1-690	Connect flat cable(s)	449
Figure 1-691	Install the ground wire (4-in-1 models)	449
Figure 1-692	Install the cable cover (MFP)	450
Figure 1-693	Close the scanner assembly	450
Figure 1-694	Install the left cover (SFP)	451
Figure 1-695	Install one screw (SFP)	451
Figure 1-696	Install the left cover (MFP)	452
Figure 1-697	Install one screw (MFP)	452
Figure 1-698	Install the duplex door	453
Figure 1-699	Remove the multipurpose cover (SFP)	456
Figure 1-700	Remove the multipurpose cover (MFP)	456
Figure 1-701	Remove the duplex door	457
Figure 1-702	Remove one screw (SFP)	457
Figure 1-703	Remove the left cover (SFP)	458
Figure 1-704	Remove one screw (MFP)	458
Figure 1-705	Remove the left cover (MFP)	459
Figure 1-706	Open the scanner assembly	459
Figure 1-707	Remove the cable cover (MFP)	460
Figure 1-708	Release the ground wire (4-in-1 models)	460
Figure 1-709	Disconnect flat cable(s)	461
Figure 1-710	Release the right hinge	461
Figure 1-711	Release the left hinge	462
Figure 1-712	Remove the scanner assembly	462
Figure 1-713	Remove one screw (SFP)	463
Figure 1-714	Remove the right cover (SFP)	463
Figure 1-715	Remove one screw (MFP)	464
Figure 1-716	Remove the right cover (MFP)	464
Figure 1-717	Disconnect one connector	465
Figure 1-718	Release one tab	465
Figure 1-719	Release two tabs and remove the cover	466
Figure 1-720	Disconnect connector and release cable	466
Figure 1-721	Release one tab	467
Figure 1-722	Release two tabs and remove the cover	467
Figure 1-723	Disconnect connector (SFP)	468
Figure 1-724	Remove the front cover (SFP)	468
Figure 1-725	Disconnect connectors (MFP)	469
Figure 1-726	Remove the front cover (MFP)	469
Figure 1-727	Remove one screw	470
Figure 1-728	Remove the power switch assembly (SFP)	470
Figure 1-729	Remove the power switch button (SFP)	471

Figure 1-730	Release one tab .....	471
Figure 1-731	Remove the cover .....	472
Figure 1-732	Remove the power switch PCA .....	472
Figure 1-733	Remove one screw and release one tab .....	473
Figure 1-734	Remove the power switch assembly (MFP) .....	473
Figure 1-735	Remove the power switch button (MFP) .....	474
Figure 1-736	Remove the power switch PCA (MFP) .....	474
Figure 1-737	Install the power switch button (SFP) .....	476
Figure 1-738	Install the power switch PCA .....	476
Figure 1-739	Install the cover .....	477
Figure 1-740	Install one tab .....	477
Figure 1-741	Install the power switch assembly (SFP) .....	478
Figure 1-742	Install one screw .....	478
Figure 1-743	Install the power switch button (MFP) .....	479
Figure 1-744	Install the power switch PCA (MFP) .....	479
Figure 1-745	Install the power switch assembly (MFP) .....	480
Figure 1-746	Install one tab and one screw .....	480
Figure 1-747	Install the front cover (SFP) .....	481
Figure 1-748	Connect the connector (SFP) .....	481
Figure 1-749	Install the front cover (MFP) .....	482
Figure 1-750	Connect two connectors (MFP) .....	482
Figure 1-751	Install two tabs .....	483
Figure 1-752	Install one tab .....	483
Figure 1-753	Connect one connector .....	484
Figure 1-754	Install two tabs .....	484
Figure 1-755	Install one tab .....	485
Figure 1-756	Install one connector and grounding cable .....	485
Figure 1-757	Install the right cover (SFP) .....	486
Figure 1-758	Install one screw (SFP) .....	486
Figure 1-759	Install the right cover (MFP) .....	487
Figure 1-760	Install one screw (MFP) .....	487
Figure 1-761	Install the scanner assembly (MFP) .....	488
Figure 1-762	Engage the left hinge (MFP) .....	488
Figure 1-763	Engage the right hinge (MFP) .....	489
Figure 1-764	Connect flat cable(s) .....	489
Figure 1-765	Install the ground wire (4-in-1 models) .....	490
Figure 1-766	Install the cable cover (MFP) .....	490
Figure 1-767	Close the scanner assembly .....	491
Figure 1-768	Install the left cover (SFP) .....	491
Figure 1-769	Install one screw (SFP) .....	492
Figure 1-770	Install the left cover (MFP) .....	492

Figure 1-771	Install one screw (MFP) .....	493
Figure 1-772	Install the duplex door .....	493
Figure 1-773	Install the multipurpose cover (SFP) .....	494
Figure 1-774	Install the multipurpose cover (MFP) .....	494
Figure 1-775	Remove the multipurpose cover (SFP) .....	497
Figure 1-776	Remove the multipurpose cover (MFP) .....	497
Figure 1-777	Remove the duplex door .....	498
Figure 1-778	Remove one screw (SFP) .....	498
Figure 1-779	Remove the left cover (SFP) .....	499
Figure 1-780	Remove one screw (MFP) .....	499
Figure 1-781	Remove the left cover (MFP) .....	500
Figure 1-782	Open the scanner assembly .....	500
Figure 1-783	Remove the cable cover (MFP) .....	501
Figure 1-784	Release the ground wire (4-in-1 models) .....	501
Figure 1-785	Disconnect flat cable(s) .....	502
Figure 1-786	Release the right hinge .....	502
Figure 1-787	Release the left hinge .....	503
Figure 1-788	Remove the scanner assembly .....	503
Figure 1-789	Remove one screw (SFP) .....	504
Figure 1-790	Remove the right cover (SFP) .....	504
Figure 1-791	Remove one screw (MFP) .....	505
Figure 1-792	Remove the right cover (MFP) .....	505
Figure 1-793	Disconnect one connector .....	506
Figure 1-794	Release one tab .....	506
Figure 1-795	Release two tabs and remove the cover .....	507
Figure 1-796	Disconnect connector and release cable .....	507
Figure 1-797	Release one tab .....	508
Figure 1-798	Release two tabs and remove the cover .....	508
Figure 1-799	Disconnect connector (SFP) .....	509
Figure 1-800	Remove the front cover (SFP) .....	509
Figure 1-801	Disconnect connectors (MFP) .....	510
Figure 1-802	Remove the front cover (MFP) .....	510
Figure 1-803	Remove the hinge assembly (MFP) .....	511
Figure 1-804	Disconnect left link arms (SFP) .....	511
Figure 1-805	Disconnect right link arms (SFP) .....	512
Figure 1-806	Remove the cartridge door (SFP) .....	512
Figure 1-807	Disconnect left link arms (MFP) .....	513
Figure 1-808	Disconnect right link arms (MFP) .....	513
Figure 1-809	Remove the cartridge door (MFP) .....	514
Figure 1-810	Remove the top cover .....	514
Figure 1-811	Disconnect one connector (MFP) .....	515

Figure 1-812	Remove the fan duct and cover (MFP) .....	515
Figure 1-813	Remove the fan duct and cover (SFP) .....	516
Figure 1-814	Remove one screw .....	516
Figure 1-815	Remove the fan holder .....	517
Figure 1-816	Remove four screws .....	517
Figure 1-817	Remove the laser scanner cover .....	518
Figure 1-818	Disconnect one connector .....	518
Figure 1-819	Remove two screws and the plate .....	519
Figure 1-820	Remove the developer alienation solenoid .....	519
Figure 1-821	Install the developer alienation solenoid .....	521
Figure 1-822	Install the duplex switchback assembly .....	521
Figure 1-823	Connect one connector .....	522
Figure 1-824	Install the laser scanner cover .....	522
Figure 1-825	Install the laser scanner cover .....	523
Figure 1-826	Install the fan holder .....	523
Figure 1-827	Install one screw .....	524
Figure 1-828	Install the fan duct and cover (SFP) .....	524
Figure 1-829	Install the fan duct and cover (MFP) .....	525
Figure 1-830	Connect one connector .....	525
Figure 1-831	Install the top cover .....	526
Figure 1-832	Install the cartridge door (SFP) .....	526
Figure 1-833	Connect left link arms (SFP) .....	527
Figure 1-834	Connect right link arms (SFP) .....	527
Figure 1-835	Install the cartridge door (MFP) .....	528
Figure 1-836	Connect left link arms (MFP) .....	528
Figure 1-837	Connect right link arms (MFP) .....	529
Figure 1-838	Install the hinge assembly (MFP) .....	529
Figure 1-839	Install the front cover (SFP) .....	530
Figure 1-840	Connect the connector (SFP) .....	530
Figure 1-841	Install the front cover (MFP) .....	531
Figure 1-842	Connect two connectors (MFP) .....	531
Figure 1-843	Install two tabs .....	532
Figure 1-844	Install one tab .....	532
Figure 1-845	Connect one connector .....	533
Figure 1-846	Install two tabs .....	533
Figure 1-847	Install one tab .....	534
Figure 1-848	Install one connector and grounding cable .....	534
Figure 1-849	Install the right cover (SFP) .....	535
Figure 1-850	Install one screw (SFP) .....	535
Figure 1-851	Install the right cover (MFP) .....	536
Figure 1-852	Install one screw (MFP) .....	536

Figure 1-853	Install the scanner assembly (MFP)	537
Figure 1-854	Engage the left hinge (MFP)	537
Figure 1-855	Engage the right hinge (MFP)	538
Figure 1-856	Connect flat cable(s)	538
Figure 1-857	Install the ground wire (4-in-1 models)	539
Figure 1-858	Install the cable cover (MFP)	539
Figure 1-859	Close the scanner assembly	540
Figure 1-860	Install the left cover (SFP)	540
Figure 1-861	Install one screw (SFP)	541
Figure 1-862	Install the left cover (MFP)	541
Figure 1-863	Install one screw (MFP)	542
Figure 1-864	Install the duplex door	542
Figure 1-865	Install the multipurpose cover (SFP)	543
Figure 1-866	Install the multipurpose cover (MFP)	543
Figure 1-867	Remove the multipurpose cover (SFP)	546
Figure 1-868	Remove the multipurpose cover (MFP)	546
Figure 1-869	Remove the duplex door	547
Figure 1-870	Remove one screw (SFP)	547
Figure 1-871	Remove the left cover (SFP)	548
Figure 1-872	Remove one screw (MFP)	548
Figure 1-873	Remove the left cover (MFP)	549
Figure 1-874	Open the scanner assembly	549
Figure 1-875	Remove the cable cover (MFP)	550
Figure 1-876	Release the ground wire (4-in-1 models)	550
Figure 1-877	Disconnect flat cable(s)	551
Figure 1-878	Release the right hinge	551
Figure 1-879	Release the left hinge	552
Figure 1-880	Remove the scanner assembly	552
Figure 1-881	Remove one screw (SFP)	553
Figure 1-882	Remove the right cover (SFP)	553
Figure 1-883	Remove one screw (MFP)	554
Figure 1-884	Remove the right cover (MFP)	554
Figure 1-885	Disconnect one connector	555
Figure 1-886	Release one tab	555
Figure 1-887	Release two tabs and remove the cover	556
Figure 1-888	Disconnect connector and release cable	556
Figure 1-889	Release one tab	557
Figure 1-890	Release two tabs and remove the cover	557
Figure 1-891	Disconnect connector (SFP)	558
Figure 1-892	Remove the front cover (SFP)	558
Figure 1-893	Disconnect connectors (MFP)	559



Figure 1-894	Remove the front cover (MFP) .....	559
Figure 1-895	Remove the hinge assembly (MFP) .....	560
Figure 1-896	Disconnect left link arms (SFP) .....	560
Figure 1-897	Disconnect right link arms (SFP) .....	561
Figure 1-898	Remove the cartridge door (SFP) .....	561
Figure 1-899	Disconnect left link arms (MFP) .....	562
Figure 1-900	Disconnect right link arms (MFP) .....	562
Figure 1-901	Remove the cartridge door (MFP) .....	563
Figure 1-902	Remove the top cover .....	563
Figure 1-903	Disconnect one connector (MFP) .....	564
Figure 1-904	Remove the fan duct and cover (MFP) .....	564
Figure 1-905	Remove the fan duct and cover (SFP) .....	565
Figure 1-906	Remove one screw .....	565
Figure 1-907	Remove the fan holder .....	566
Figure 1-908	Remove four screws .....	566
Figure 1-909	Remove the laser scanner cover .....	567
Figure 1-910	Remove the motor PCA .....	567
Figure 1-911	Install the motor PCA .....	569
Figure 1-912	Install the laser scanner cover .....	569
Figure 1-913	Install the laser scanner cover .....	570
Figure 1-914	Install the fan holder .....	570
Figure 1-915	Install one screw .....	571
Figure 1-916	Install the fan duct and cover (SFP) .....	571
Figure 1-917	Install the fan duct and cover (MFP) .....	572
Figure 1-918	Connect one connector .....	572
Figure 1-919	Install the top cover .....	573
Figure 1-920	Install the cartridge door (SFP) .....	573
Figure 1-921	Connect left link arms (SFP) .....	574
Figure 1-922	Connect right link arms (SFP) .....	574
Figure 1-923	Install the cartridge door (MFP) .....	575
Figure 1-924	Connect left link arms (MFP) .....	575
Figure 1-925	Connect right link arms (MFP) .....	576
Figure 1-926	Install the hinge assembly (MFP) .....	576
Figure 1-927	Install the front cover (SFP) .....	577
Figure 1-928	Connect the connector (SFP) .....	577
Figure 1-929	Install the front cover (MFP) .....	578
Figure 1-930	Connect two connectors (MFP) .....	578
Figure 1-931	Install two tabs .....	579
Figure 1-932	Install one tab .....	579
Figure 1-933	Connect one connector .....	580
Figure 1-934	Install two tabs .....	580

Figure 1-935	Install one tab .....	581
Figure 1-936	Install one connector and grounding cable .....	581
Figure 1-937	Install the right cover (SFP) .....	582
Figure 1-938	Install one screw (SFP) .....	582
Figure 1-939	Install the right cover (MFP) .....	583
Figure 1-940	Install one screw (MFP) .....	583
Figure 1-941	Install the scanner assembly (MFP) .....	584
Figure 1-942	Engage the left hinge (MFP) .....	584
Figure 1-943	Engage the right hinge (MFP) .....	585
Figure 1-944	Connect flat cable(s) .....	585
Figure 1-945	Install the ground wire (4-in-1 models) .....	586
Figure 1-946	Install the cable cover (MFP) .....	586
Figure 1-947	Close the scanner assembly .....	587
Figure 1-948	Install the left cover (SFP) .....	587
Figure 1-949	Install one screw (SFP) .....	588
Figure 1-950	Install the left cover (MFP) .....	588
Figure 1-951	Install one screw (MFP) .....	589
Figure 1-952	Install the duplex door .....	589
Figure 1-953	Install the multipurpose cover (SFP) .....	590
Figure 1-954	Install the multipurpose cover (MFP) .....	590
Figure 1-955	Remove the multipurpose cover (SFP) .....	593
Figure 1-956	Remove the multipurpose cover (MFP) .....	593
Figure 1-957	Remove the duplex door .....	594
Figure 1-958	Remove one screw (SFP) .....	594
Figure 1-959	Remove the left cover (SFP) .....	595
Figure 1-960	Remove one screw (MFP) .....	595
Figure 1-961	Remove the left cover (MFP) .....	596
Figure 1-962	Open the scanner assembly .....	596
Figure 1-963	Remove the cable cover (MFP) .....	597
Figure 1-964	Release the ground wire (4-in-1 models) .....	597
Figure 1-965	Disconnect flat cable(s) .....	598
Figure 1-966	Release the right hinge .....	598
Figure 1-967	Release the left hinge .....	599
Figure 1-968	Remove the scanner assembly .....	599
Figure 1-969	Remove one screw (SFP) .....	600
Figure 1-970	Remove the right cover (SFP) .....	600
Figure 1-971	Remove one screw (MFP) .....	601
Figure 1-972	Remove the right cover (MFP) .....	601
Figure 1-973	Disconnect one connector .....	602
Figure 1-974	Release one tab .....	602
Figure 1-975	Release two tabs and remove the cover .....	603

Figure 1-976	Disconnect connector and release cable .....	603
Figure 1-977	Release one tab .....	604
Figure 1-978	Release two tabs and remove the cover .....	604
Figure 1-979	Disconnect connector (SFP) .....	605
Figure 1-980	Remove the front cover (SFP) .....	605
Figure 1-981	Disconnect connectors (MFP) .....	606
Figure 1-982	Remove the front cover (MFP) .....	606
Figure 1-983	Remove the hinge assembly (MFP) .....	607
Figure 1-984	Disconnect left link arms (SFP) .....	607
Figure 1-985	Disconnect right link arms (SFP) .....	608
Figure 1-986	Remove the cartridge door (SFP) .....	608
Figure 1-987	Disconnect left link arms (MFP) .....	609
Figure 1-988	Disconnect right link arms (MFP) .....	609
Figure 1-989	Remove the cartridge door (MFP) .....	610
Figure 1-990	Remove the top cover .....	610
Figure 1-991	Disconnect one connector (MFP) .....	611
Figure 1-992	Remove the fan duct and cover (MFP) .....	611
Figure 1-993	Remove the fan duct and cover (SFP) .....	612
Figure 1-994	Remove one screw .....	612
Figure 1-995	Remove the fan holder .....	613
Figure 1-996	Remove four screws .....	613
Figure 1-997	Remove the laser scanner cover .....	614
Figure 1-998	Disconnect two connectors .....	614
Figure 1-999	Release three springs .....	615
Figure 1-1000	Install the laser scanner .....	616
Figure 1-1001	Connect two connectors .....	617
Figure 1-1002	Install the laser scanner cover .....	617
Figure 1-1003	Install the laser scanner cover .....	618
Figure 1-1004	Install the fan holder .....	618
Figure 1-1005	Install one screw .....	619
Figure 1-1006	Install the fan duct and cover (SFP) .....	619
Figure 1-1007	Install the fan duct and cover (MFP) .....	620
Figure 1-1008	Connect one connector .....	620
Figure 1-1009	Install the top cover .....	621
Figure 1-1010	Install the cartridge door (SFP) .....	621
Figure 1-1011	Connect left link arms (SFP) .....	622
Figure 1-1012	Connect right link arms (SFP) .....	622
Figure 1-1013	Install the cartridge door (MFP) .....	623
Figure 1-1014	Connect left link arms (MFP) .....	623
Figure 1-1015	Connect right link arms (MFP) .....	624
Figure 1-1016	Install the hinge assembly (MFP) .....	624

Figure 1-1017	Install the front cover (SFP)	625
Figure 1-1018	Connect the connector (SFP)	625
Figure 1-1019	Install the front cover (MFP)	626
Figure 1-1020	Connect two connectors (MFP)	626
Figure 1-1021	Install two tabs	627
Figure 1-1022	Install one tab	627
Figure 1-1023	Connect one connector	628
Figure 1-1024	Install two tabs	628
Figure 1-1025	Install one tab	629
Figure 1-1026	Install one connector and grounding cable	629
Figure 1-1027	Install the right cover (SFP)	630
Figure 1-1028	Install one screw (SFP)	630
Figure 1-1029	Install the right cover (MFP)	631
Figure 1-1030	Install one screw (MFP)	631
Figure 1-1031	Install the scanner assembly (MFP)	632
Figure 1-1032	Engage the left hinge (MFP)	632
Figure 1-1033	Engage the right hinge (MFP)	633
Figure 1-1034	Connect flat cable(s)	633
Figure 1-1035	Install the ground wire (4-in-1 models)	634
Figure 1-1036	Install the cable cover (MFP)	634
Figure 1-1037	Close the scanner assembly	635
Figure 1-1038	Install the left cover (SFP)	635
Figure 1-1039	Install one screw (SFP)	636
Figure 1-1040	Install the left cover (MFP)	636
Figure 1-1041	Install one screw (MFP)	637
Figure 1-1042	Install the duplex door	637
Figure 1-1043	Install the multipurpose cover (SFP)	638
Figure 1-1044	Install the multipurpose cover (MFP)	638
Figure 1-1045	Remove the multipurpose cover (SFP)	641
Figure 1-1046	Remove the multipurpose cover (MFP)	641
Figure 1-1047	Remove the duplex door	642
Figure 1-1048	Remove one screw (SFP)	642
Figure 1-1049	Remove the left cover (SFP)	643
Figure 1-1050	Remove one screw (MFP)	643
Figure 1-1051	Remove the left cover (MFP)	644
Figure 1-1052	Open the scanner assembly	644
Figure 1-1053	Remove the cable cover (MFP)	645
Figure 1-1054	Release the ground wire (4-in-1 models)	645
Figure 1-1055	Disconnect flat cable(s)	646
Figure 1-1056	Release the right hinge	646
Figure 1-1057	Release the left hinge	647

Figure 1-1058	Remove the scanner assembly .....	647
Figure 1-1059	Remove one screw (SFP) .....	648
Figure 1-1060	Remove the right cover (SFP) .....	648
Figure 1-1061	Remove one screw (MFP) .....	649
Figure 1-1062	Remove the right cover (MFP) .....	649
Figure 1-1063	Disconnect one connector .....	650
Figure 1-1064	Release one tab .....	650
Figure 1-1065	Release two tabs and remove the cover .....	651
Figure 1-1066	Disconnect connector and release cable .....	651
Figure 1-1067	Release one tab .....	652
Figure 1-1068	Release two tabs and remove the cover .....	652
Figure 1-1069	Disconnect connector (SFP) .....	653
Figure 1-1070	Remove the front cover (SFP) .....	653
Figure 1-1071	Disconnect connectors (MFP) .....	654
Figure 1-1072	Remove the front cover (MFP) .....	654
Figure 1-1073	Remove the hinge assembly (MFP) .....	655
Figure 1-1074	Disconnect left link arms (SFP) .....	655
Figure 1-1075	Disconnect right link arms (SFP) .....	656
Figure 1-1076	Remove the cartridge door (SFP) .....	656
Figure 1-1077	Disconnect left link arms (MFP) .....	657
Figure 1-1078	Disconnect right link arms (MFP) .....	657
Figure 1-1079	Remove the cartridge door (MFP) .....	658
Figure 1-1080	Remove the top cover .....	658
Figure 1-1081	Disconnect one connector (MFP) .....	659
Figure 1-1082	Remove the fan duct and cover (MFP) .....	659
Figure 1-1083	Remove the fan duct and cover (SFP) .....	660
Figure 1-1084	Remove one screw .....	660
Figure 1-1085	Remove the fan holder .....	661
Figure 1-1086	Remove four screws .....	661
Figure 1-1087	Remove the laser scanner cover .....	662
Figure 1-1088	Disconnect one connector .....	662
Figure 1-1089	Release the ferrite and disconnect one connector .....	663
Figure 1-1090	Remove the cable from the ferrite .....	663
Figure 1-1091	Install the cable in the ferrite .....	665
Figure 1-1092	Connect one connector and install the ferrite .....	665
Figure 1-1093	Connect one connector .....	666
Figure 1-1094	Install the laser scanner cover .....	666
Figure 1-1095	Install the laser scanner cover .....	667
Figure 1-1096	Install the fan holder .....	667
Figure 1-1097	Install one screw .....	668
Figure 1-1098	Install the fan duct and cover (SFP) .....	668

Figure 1-1099	Install the fan duct and cover (MFP) .....	669
Figure 1-1100	Connect one connector .....	669
Figure 1-1101	Install the top cover .....	670
Figure 1-1102	Install the cartridge door (SFP) .....	670
Figure 1-1103	Connect left link arms (SFP) .....	671
Figure 1-1104	Connect right link arms (SFP) .....	671
Figure 1-1105	Install the cartridge door (MFP) .....	672
Figure 1-1106	Connect left link arms (MFP) .....	672
Figure 1-1107	Connect right link arms (MFP) .....	673
Figure 1-1108	Install the hinge assembly (MFP) .....	673
Figure 1-1109	Install the front cover (SFP) .....	674
Figure 1-1110	Connect the connector (SFP) .....	674
Figure 1-1111	Install the front cover (MFP) .....	675
Figure 1-1112	Connect two connectors (MFP) .....	675
Figure 1-1113	Install two tabs .....	676
Figure 1-1114	Install one tab .....	676
Figure 1-1115	Connect one connector .....	677
Figure 1-1116	Install two tabs .....	677
Figure 1-1117	Install one tab .....	678
Figure 1-1118	Install one connector and grounding cable .....	678
Figure 1-1119	Install the right cover (SFP) .....	679
Figure 1-1120	Install one screw (SFP) .....	679
Figure 1-1121	Install the right cover (MFP) .....	680
Figure 1-1122	Install one screw (MFP) .....	680
Figure 1-1123	Install the scanner assembly (MFP) .....	681
Figure 1-1124	Engage the left hinge (MFP) .....	681
Figure 1-1125	Engage the right hinge (MFP) .....	682
Figure 1-1126	Connect flat cable(s) .....	682
Figure 1-1127	Install the ground wire (4-in-1 models) .....	683
Figure 1-1128	Install the cable cover (MFP) .....	683
Figure 1-1129	Close the scanner assembly .....	684
Figure 1-1130	Install the left cover (SFP) .....	684
Figure 1-1131	Install one screw (SFP) .....	685
Figure 1-1132	Install the left cover (MFP) .....	685
Figure 1-1133	Install one screw (MFP) .....	686
Figure 1-1134	Install the duplex door .....	686
Figure 1-1135	Install the multipurpose cover (SFP) .....	687
Figure 1-1136	Install the multipurpose cover (MFP) .....	687
Figure 1-1137	Remove the multipurpose cover (SFP) .....	690
Figure 1-1138	Remove the multipurpose cover (MFP) .....	690
Figure 1-1139	Remove the duplex door .....	691

Figure 1-1140	Remove one screw (SFP) .....	691
Figure 1-1141	Remove the left cover (SFP) .....	692
Figure 1-1142	Remove one screw (MFP) .....	692
Figure 1-1143	Remove the left cover (MFP) .....	693
Figure 1-1144	Open the scanner assembly .....	693
Figure 1-1145	Remove the cable cover (MFP) .....	694
Figure 1-1146	Release the ground wire (4-in-1 models) .....	694
Figure 1-1147	Disconnect flat cable(s) .....	695
Figure 1-1148	Release the right hinge .....	695
Figure 1-1149	Release the left hinge .....	696
Figure 1-1150	Remove the scanner assembly .....	696
Figure 1-1151	Remove one screw (SFP) .....	697
Figure 1-1152	Remove the right cover (SFP) .....	697
Figure 1-1153	Remove one screw (MFP) .....	698
Figure 1-1154	Remove the right cover (MFP) .....	698
Figure 1-1155	Disconnect one connector .....	699
Figure 1-1156	Release one tab .....	699
Figure 1-1157	Release two tabs and remove the cover .....	700
Figure 1-1158	Disconnect connector and release cable .....	700
Figure 1-1159	Release one tab .....	701
Figure 1-1160	Release two tabs and remove the cover .....	701
Figure 1-1161	Disconnect connector (SFP) .....	702
Figure 1-1162	Remove the front cover (SFP) .....	702
Figure 1-1163	Disconnect connectors (MFP) .....	703
Figure 1-1164	Remove the front cover (MFP) .....	703
Figure 1-1165	Remove the hinge assembly (MFP) .....	704
Figure 1-1166	Disconnect left link arms (SFP) .....	704
Figure 1-1167	Disconnect right link arms (SFP) .....	705
Figure 1-1168	Remove the cartridge door (SFP) .....	705
Figure 1-1169	Disconnect left link arms (MFP) .....	706
Figure 1-1170	Disconnect right link arms (MFP) .....	706
Figure 1-1171	Remove the cartridge door (MFP) .....	707
Figure 1-1172	Remove the top cover .....	707
Figure 1-1173	Disconnect one connector (MFP) .....	708
Figure 1-1174	Remove the fan duct and cover (MFP) .....	708
Figure 1-1175	Remove the fan duct and cover (SFP) .....	709
Figure 1-1176	Remove one screw .....	709
Figure 1-1177	Remove the fan holder .....	710
Figure 1-1178	Remove four screws .....	710
Figure 1-1179	Remove the laser scanner cover .....	711
Figure 1-1180	Disconnect one connector .....	711

Figure 1-1181	Release the ferrite and disconnect one connector .....	712
Figure 1-1182	Disconnect one connector .....	712
Figure 1-1183	Release three springs .....	713
Figure 1-1184	Disconnect one connector .....	713
Figure 1-1185	Disconnect one connector .....	714
Figure 1-1186	Connect one connector .....	715
Figure 1-1187	Connect one connector .....	716
Figure 1-1188	Install the laser scanner .....	716
Figure 1-1189	Connect one connector .....	717
Figure 1-1190	Connect one connector and install the ferrite .....	717
Figure 1-1191	Connect one connector .....	718
Figure 1-1192	Install the laser scanner cover .....	718
Figure 1-1193	Install the laser scanner cover .....	719
Figure 1-1194	Install the fan holder .....	719
Figure 1-1195	Install one screw .....	720
Figure 1-1196	Install the fan duct and cover (SFP) .....	720
Figure 1-1197	Install the fan duct and cover (MFP) .....	721
Figure 1-1198	Connect one connector .....	721
Figure 1-1199	Install the top cover .....	722
Figure 1-1200	Install the cartridge door (SFP) .....	722
Figure 1-1201	Connect left link arms (SFP) .....	723
Figure 1-1202	Connect right link arms (SFP) .....	723
Figure 1-1203	Install the cartridge door (MFP) .....	724
Figure 1-1204	Connect left link arms (MFP) .....	724
Figure 1-1205	Connect right link arms (MFP) .....	725
Figure 1-1206	Install the hinge assembly (MFP) .....	725
Figure 1-1207	Install the front cover (SFP) .....	726
Figure 1-1208	Connect the connector (SFP) .....	726
Figure 1-1209	Install the front cover (MFP) .....	727
Figure 1-1210	Connect two connectors (MFP) .....	727
Figure 1-1211	Install two tabs .....	728
Figure 1-1212	Install one tab .....	728
Figure 1-1213	Connect one connector .....	729
Figure 1-1214	Install two tabs .....	729
Figure 1-1215	Install one tab .....	730
Figure 1-1216	Install one connector and grounding cable .....	730
Figure 1-1217	Install the right cover (SFP) .....	731
Figure 1-1218	Install one screw (SFP) .....	731
Figure 1-1219	Install the right cover (MFP) .....	732
Figure 1-1220	Install one screw (MFP) .....	732
Figure 1-1221	Install the scanner assembly (MFP) .....	733



Figure 1-1222	Engage the left hinge (MFP)	733
Figure 1-1223	Engage the right hinge (MFP)	734
Figure 1-1224	Connect flat cable(s)	734
Figure 1-1225	Install the ground wire (4-in-1 models)	735
Figure 1-1226	Install the cable cover (MFP)	735
Figure 1-1227	Close the scanner assembly	736
Figure 1-1228	Install the left cover (SFP)	736
Figure 1-1229	Install one screw (SFP)	737
Figure 1-1230	Install the left cover (MFP)	737
Figure 1-1231	Install one screw (MFP)	738
Figure 1-1232	Install the duplex door	738
Figure 1-1233	Install the multipurpose cover (SFP)	739
Figure 1-1234	Install the multipurpose cover (MFP)	739
Figure 1-1235	Remove the multipurpose cover (SFP)	742
Figure 1-1236	Remove the multipurpose cover (MFP)	742
Figure 1-1237	Remove the duplex door	743
Figure 1-1238	Remove one screw (SFP)	743
Figure 1-1239	Remove the left cover (SFP)	744
Figure 1-1240	Remove one screw (MFP)	744
Figure 1-1241	Remove the left cover (MFP)	745
Figure 1-1242	Open the scanner assembly	745
Figure 1-1243	Remove the cable cover (MFP)	746
Figure 1-1244	Release the ground wire (4-in-1 models)	746
Figure 1-1245	Disconnect flat cable(s)	747
Figure 1-1246	Release the right hinge	747
Figure 1-1247	Release the left hinge	748
Figure 1-1248	Remove the scanner assembly	748
Figure 1-1249	Remove one screw (SFP)	749
Figure 1-1250	Remove the right cover (SFP)	749
Figure 1-1251	Remove one screw (MFP)	750
Figure 1-1252	Remove the right cover (MFP)	750
Figure 1-1253	Install two tabs	751
Figure 1-1254	Install one tab	751
Figure 1-1255	Connect one connector	752
Figure 1-1256	Install two tabs	752
Figure 1-1257	Install one tab	753
Figure 1-1258	Install one connector and grounding cable	753
Figure 1-1259	Disconnect connector (SFP)	754
Figure 1-1260	Remove the front cover (SFP)	754
Figure 1-1261	Disconnect connectors (MFP)	755
Figure 1-1262	Remove the front cover (MFP)	755

Figure 1-1263	Remove the hinge assembly (MFP) .....	756
Figure 1-1264	Disconnect left link arms (SFP) .....	756
Figure 1-1265	Disconnect right link arms (SFP) .....	757
Figure 1-1266	Remove the cartridge door (SFP) .....	757
Figure 1-1267	Disconnect left link arms (MFP) .....	758
Figure 1-1268	Disconnect right link arms (MFP) .....	758
Figure 1-1269	Remove the cartridge door (MFP) .....	759
Figure 1-1270	Remove the top cover .....	759
Figure 1-1271	Remove the top rear cover (SFP) .....	760
Figure 1-1272	Remove the duplex switchback guide .....	760
Figure 1-1273	Remove the duplex feed assembly .....	761
Figure 1-1274	Install the duplex feed assembly .....	762
Figure 1-1275	Install the duplex switchback guide .....	763
Figure 1-1276	Install the top rear cover (SFP) .....	763
Figure 1-1277	Install the top cover .....	764
Figure 1-1278	Install the cartridge door (SFP) .....	764
Figure 1-1279	Connect left link arms (SFP) .....	765
Figure 1-1280	Connect right link arms (SFP) .....	765
Figure 1-1281	Install the cartridge door (MFP) .....	766
Figure 1-1282	Connect left link arms (MFP) .....	766
Figure 1-1283	Connect right link arms (MFP) .....	767
Figure 1-1284	Install the hinge assembly (MFP) .....	767
Figure 1-1285	Install the front cover (SFP) .....	768
Figure 1-1286	Connect the connector (SFP) .....	768
Figure 1-1287	Install the front cover (MFP) .....	769
Figure 1-1288	Connect two connectors (MFP) .....	769
Figure 1-1289	Install two tabs .....	770
Figure 1-1290	Install one tab .....	770
Figure 1-1291	Connect one connector .....	771
Figure 1-1292	Install two tabs .....	771
Figure 1-1293	Install one tab .....	772
Figure 1-1294	Install one connector and grounding cable .....	772
Figure 1-1295	Install the right cover (SFP) .....	773
Figure 1-1296	Install one screw (SFP) .....	773
Figure 1-1297	Install the right cover (MFP) .....	774
Figure 1-1298	Install one screw (MFP) .....	774
Figure 1-1299	Install the scanner assembly (MFP) .....	775
Figure 1-1300	Engage the left hinge (MFP) .....	775
Figure 1-1301	Engage the right hinge (MFP) .....	776
Figure 1-1302	Connect flat cable(s) .....	776
Figure 1-1303	Install the ground wire (4-in-1 models) .....	777

Figure 1-1304	Install the cable cover (MFP)	777
Figure 1-1305	Close the scanner assembly	778
Figure 1-1306	Install the left cover (SFP)	778
Figure 1-1307	Install one screw (SFP)	779
Figure 1-1308	Install the left cover (MFP)	779
Figure 1-1309	Install one screw (MFP)	780
Figure 1-1310	Install the duplex door	780
Figure 1-1311	Install the multipurpose cover (SFP)	781
Figure 1-1312	Install the multipurpose cover (MFP)	781
Figure 1-1313	Remove the multipurpose cover (SFP)	784
Figure 1-1314	Remove the multipurpose cover (MFP)	784
Figure 1-1315	Remove the duplex door	785
Figure 1-1316	Remove one screw (SFP)	785
Figure 1-1317	Remove the left cover (SFP)	786
Figure 1-1318	Remove one screw (MFP)	786
Figure 1-1319	Remove the left cover (MFP)	787
Figure 1-1320	Open the scanner assembly	787
Figure 1-1321	Remove the cable cover (MFP)	788
Figure 1-1322	Release the ground wire (4-in-1 models)	788
Figure 1-1323	Disconnect flat cable(s)	789
Figure 1-1324	Release the right hinge	789
Figure 1-1325	Release the left hinge	790
Figure 1-1326	Remove the scanner assembly	790
Figure 1-1327	Remove one screw (SFP)	791
Figure 1-1328	Remove the right cover (SFP)	791
Figure 1-1329	Remove one screw (MFP)	792
Figure 1-1330	Remove the right cover (MFP)	792
Figure 1-1331	Disconnect one connector	793
Figure 1-1332	Release one tab	793
Figure 1-1333	Release two tabs and remove the cover	794
Figure 1-1334	Disconnect connector and release cable	794
Figure 1-1335	Release one tab	795
Figure 1-1336	Release two tabs and remove the cover	795
Figure 1-1337	Disconnect connector (SFP)	796
Figure 1-1338	Remove the front cover (SFP)	796
Figure 1-1339	Disconnect connectors (MFP)	797
Figure 1-1340	Remove the front cover (MFP)	797
Figure 1-1341	Remove the hinge assembly (MFP)	798
Figure 1-1342	Disconnect left link arms (SFP)	798
Figure 1-1343	Disconnect right link arms (SFP)	799
Figure 1-1344	Remove the cartridge door (SFP)	799

Figure 1-1345	Disconnect left link arms (MFP) .....	800
Figure 1-1346	Disconnect right link arms (MFP) .....	800
Figure 1-1347	Remove the cartridge door (MFP) .....	801
Figure 1-1348	Remove the top cover .....	801
Figure 1-1349	Remove the top rear cover (SFP) .....	802
Figure 1-1350	Remove the duplex switchback guide .....	802
Figure 1-1351	Remove the duplex feed assembly .....	803
Figure 1-1352	Remove two screws .....	803
Figure 1-1353	Remove the separation pad .....	804
Figure 1-1354	Remove one screw and release tab .....	804
Figure 1-1355	Rotate the sensor holder .....	805
Figure 1-1356	Disconnect one connector .....	805
Figure 1-1357	Release two tabs .....	806
Figure 1-1358	Remove the environmental sensor .....	806
Figure 1-1359	Install the sensor in the holder .....	808
Figure 1-1360	Install the cable in the guide .....	808
Figure 1-1361	Connect one connector .....	809
Figure 1-1362	Install one tab .....	809
Figure 1-1363	Install the sensor holder .....	810
Figure 1-1364	Install one screw .....	810
Figure 1-1365	Install the separation pad .....	811
Figure 1-1366	Install two screws .....	811
Figure 1-1367	Install the duplex feed assembly .....	812
Figure 1-1368	Install the duplex switchback guide .....	812
Figure 1-1369	Install the top rear cover (SFP) .....	813
Figure 1-1370	Install the top cover .....	813
Figure 1-1371	Install the cartridge door (SFP) .....	814
Figure 1-1372	Connect left link arms (SFP) .....	814
Figure 1-1373	Connect right link arms (SFP) .....	815
Figure 1-1374	Install the cartridge door (MFP) .....	815
Figure 1-1375	Connect left link arms (MFP) .....	816
Figure 1-1376	Connect right link arms (MFP) .....	816
Figure 1-1377	Install the hinge assembly (MFP) .....	817
Figure 1-1378	Install the front cover (SFP) .....	817
Figure 1-1379	Connect the connector (SFP) .....	818
Figure 1-1380	Install the front cover (MFP) .....	818
Figure 1-1381	Connect two connectors (MFP) .....	819
Figure 1-1382	Install two tabs .....	819
Figure 1-1383	Install one tab .....	820
Figure 1-1384	Connect one connector .....	820
Figure 1-1385	Install two tabs .....	821

Figure 1-1386	Install one tab .....	821
Figure 1-1387	Install one connector and grounding cable .....	822
Figure 1-1388	Install the right cover (SFP) .....	822
Figure 1-1389	Install one screw (SFP) .....	823
Figure 1-1390	Install the right cover (MFP) .....	823
Figure 1-1391	Install one screw (MFP) .....	824
Figure 1-1392	Install the scanner assembly (MFP) .....	824
Figure 1-1393	Engage the left hinge (MFP) .....	825
Figure 1-1394	Engage the right hinge (MFP) .....	825
Figure 1-1395	Connect flat cable(s) .....	826
Figure 1-1396	Install the ground wire (4-in-1 models) .....	826
Figure 1-1397	Install the cable cover (MFP) .....	827
Figure 1-1398	Close the scanner assembly .....	827
Figure 1-1399	Install the left cover (SFP) .....	828
Figure 1-1400	Install one screw (SFP) .....	828
Figure 1-1401	Install the left cover (MFP) .....	829
Figure 1-1402	Install one screw (MFP) .....	829
Figure 1-1403	Install the duplex door .....	830
Figure 1-1404	Install the multipurpose cover (SFP) .....	830
Figure 1-1405	Install the multipurpose cover (MFP) .....	831
Figure 1-1406	Remove the multipurpose cover (SFP) .....	834
Figure 1-1407	Remove the multipurpose cover (MFP) .....	835
Figure 1-1408	Remove the duplex door .....	835
Figure 1-1409	Remove one screw (SFP) .....	836
Figure 1-1410	Remove the left cover (SFP) .....	836
Figure 1-1411	Remove one screw (MFP) .....	837
Figure 1-1412	Remove the left cover (MFP) .....	837
Figure 1-1413	Open the scanner assembly .....	838
Figure 1-1414	Remove the cable cover (MFP) .....	838
Figure 1-1415	Release the ground wire (4-in-1 models) .....	839
Figure 1-1416	Disconnect flat cable(s) .....	839
Figure 1-1417	Release the right hinge .....	840
Figure 1-1418	Release the left hinge .....	840
Figure 1-1419	Remove the scanner assembly .....	841
Figure 1-1420	Remove one screw (SFP) .....	841
Figure 1-1421	Remove the right cover (SFP) .....	842
Figure 1-1422	Remove one screw (MFP) .....	842
Figure 1-1423	Remove the right cover (MFP) .....	843
Figure 1-1424	Remove the USB cover (MFP) .....	843
Figure 1-1425	Disconnect one connector .....	844
Figure 1-1426	Release one tab .....	844

Figure 1-1427	Release two tabs and remove the cover .....	845
Figure 1-1428	Disconnect connector and release cable .....	845
Figure 1-1429	Release one tab .....	846
Figure 1-1430	Release two tabs and remove the cover .....	846
Figure 1-1431	Disconnect connector (SFP) .....	847
Figure 1-1432	Remove the front cover (SFP) .....	847
Figure 1-1433	Disconnect connectors (MFP) .....	848
Figure 1-1434	Remove the front cover (MFP) .....	848
Figure 1-1435	Remove the hinge assembly (MFP) .....	849
Figure 1-1436	Disconnect left link arms (SFP) .....	849
Figure 1-1437	Disconnect right link arms (SFP) .....	850
Figure 1-1438	Remove the cartridge door (SFP) .....	850
Figure 1-1439	Disconnect left link arms (MFP) .....	851
Figure 1-1440	Disconnect right link arms (MFP) .....	851
Figure 1-1441	Remove the cartridge door (MFP) .....	852
Figure 1-1442	Remove the top cover .....	852
Figure 1-1443	Remove the top rear cover (SFP) .....	853
Figure 1-1444	Remove the duplex switchback guide .....	853
Figure 1-1445	Remove the duplex feed assembly .....	854
Figure 1-1446	Disconnect two flat cables and one connector (SFP) .....	854
Figure 1-1447	Remove the formatter PCA (SFP) .....	855
Figure 1-1448	Remove the formatter PCA (MFP) .....	855
Figure 1-1449	Remove three screws and a cover (SFP) .....	856
Figure 1-1450	Disconnect four connectors (SFP) .....	856
Figure 1-1451	Remove the LVPS (SFP) .....	857
Figure 1-1452	Remove the inner cover (MFP) .....	857
Figure 1-1453	Remove the guide (MFP) .....	858
Figure 1-1454	Remove the plate (MFP) .....	858
Figure 1-1455	Remove the support plate (MFP) .....	859
Figure 1-1456	Remove the LVPS (MFP) .....	859
Figure 1-1457	Install the LVPS (SFP) .....	861
Figure 1-1458	Connect four connectors (SFP) .....	861
Figure 1-1459	Install the inner cover (SFP) .....	862
Figure 1-1460	Install the LVPS (MFP) .....	862
Figure 1-1461	Install the support plate (MFP) .....	863
Figure 1-1462	Install the plate (MFP) .....	863
Figure 1-1463	Install the guide (MFP) .....	864
Figure 1-1464	Install the inner cover (MFP) .....	864
Figure 1-1465	Install the formatter PCA (SFP) .....	865
Figure 1-1466	Connect two flat cables and one connector (SFP) .....	865
Figure 1-1467	Install the formatter PCA (MFP) .....	866

Figure 1-1468	Install the duplex feed assembly .....	866
Figure 1-1469	Install the duplex switchback guide .....	867
Figure 1-1470	Install the top rear cover (SFP) .....	867
Figure 1-1471	Install the top cover .....	868
Figure 1-1472	Install the cartridge door (SFP) .....	868
Figure 1-1473	Connect left link arms (SFP) .....	869
Figure 1-1474	Connect right link arms (SFP) .....	869
Figure 1-1475	Install the cartridge door (MFP) .....	870
Figure 1-1476	Connect left link arms (MFP) .....	870
Figure 1-1477	Connect right link arms (MFP) .....	871
Figure 1-1478	Install the hinge assembly (MFP) .....	871
Figure 1-1479	Install the front cover (SFP) .....	872
Figure 1-1480	Connect the connector (SFP) .....	872
Figure 1-1481	Install the front cover (MFP) .....	873
Figure 1-1482	Connect two connectors (MFP) .....	873
Figure 1-1483	Install two tabs .....	874
Figure 1-1484	Install one tab .....	874
Figure 1-1485	Connect one connector .....	875
Figure 1-1486	Install two tabs .....	875
Figure 1-1487	Install one tab .....	876
Figure 1-1488	Install one connector and grounding cable .....	876
Figure 1-1489	Install the USB cover (MFP) .....	877
Figure 1-1490	Install the right cover (SFP) .....	877
Figure 1-1491	Install one screw (SFP) .....	878
Figure 1-1492	Install the right cover (MFP) .....	878
Figure 1-1493	Install one screw (MFP) .....	879
Figure 1-1494	Install the scanner assembly (MFP) .....	879
Figure 1-1495	Engage the left hinge (MFP) .....	880
Figure 1-1496	Engage the right hinge (MFP) .....	880
Figure 1-1497	Connect flat cable(s) .....	881
Figure 1-1498	Install the ground wire (4-in-1 models) .....	881
Figure 1-1499	Install the cable cover (MFP) .....	882
Figure 1-1500	Close the scanner assembly .....	882
Figure 1-1501	Install the left cover (SFP) .....	883
Figure 1-1502	Install one screw (SFP) .....	883
Figure 1-1503	Install the left cover (MFP) .....	884
Figure 1-1504	Install one screw (MFP) .....	884
Figure 1-1505	Install the duplex door .....	885
Figure 1-1506	Install the multipurpose cover (SFP) .....	885
Figure 1-1507	Install the multipurpose cover (MFP) .....	886
Figure 1-1508	Remove the multipurpose cover (SFP) .....	889

Figure 1-1509	Remove the multipurpose cover (MFP) .....	889
Figure 1-1510	Remove the duplex door .....	890
Figure 1-1511	Remove one screw (SFP) .....	890
Figure 1-1512	Remove the left cover (SFP) .....	891
Figure 1-1513	Remove one screw (MFP) .....	891
Figure 1-1514	Remove the left cover (MFP) .....	892
Figure 1-1515	Open the scanner assembly .....	892
Figure 1-1516	Remove the cable cover (MFP) .....	893
Figure 1-1517	Release the ground wire (4-in-1 models) .....	893
Figure 1-1518	Disconnect flat cable(s) .....	894
Figure 1-1519	Release the right hinge .....	894
Figure 1-1520	Release the left hinge .....	895
Figure 1-1521	Remove the scanner assembly .....	895
Figure 1-1522	Remove one screw (SFP) .....	896
Figure 1-1523	Remove the right cover (SFP) .....	896
Figure 1-1524	Remove one screw (MFP) .....	897
Figure 1-1525	Remove the right cover (MFP) .....	897
Figure 1-1526	Remove the USB cover (MFP) .....	898
Figure 1-1527	Disconnect one connector .....	898
Figure 1-1528	Release one tab .....	899
Figure 1-1529	Release two tabs and remove the cover .....	899
Figure 1-1530	Disconnect connector and release cable .....	900
Figure 1-1531	Release one tab .....	900
Figure 1-1532	Release two tabs and remove the cover .....	901
Figure 1-1533	Disconnect connector (SFP) .....	901
Figure 1-1534	Remove the front cover (SFP) .....	902
Figure 1-1535	Disconnect connectors (MFP) .....	902
Figure 1-1536	Remove the front cover (MFP) .....	903
Figure 1-1537	Remove the hinge assembly (MFP) .....	903
Figure 1-1538	Disconnect left link arms (SFP) .....	904
Figure 1-1539	Disconnect right link arms (SFP) .....	904
Figure 1-1540	Remove the cartridge door (SFP) .....	905
Figure 1-1541	Disconnect left link arms (MFP) .....	905
Figure 1-1542	Disconnect right link arms (MFP) .....	906
Figure 1-1543	Remove the cartridge door (MFP) .....	906
Figure 1-1544	Remove the top cover .....	907
Figure 1-1545	Remove the top rear cover (SFP) .....	907
Figure 1-1546	Remove the duplex switchback guide .....	908
Figure 1-1547	Remove the duplex feed assembly .....	908
Figure 1-1548	Disconnect two flat cables and one connector (SFP) .....	909
Figure 1-1549	Remove the formatter PCA (SFP) .....	909



Figure 1-1550	Remove the formatter PCA (MFP) .....	910
Figure 1-1551	Remove three screws and a cover (SFP) .....	910
Figure 1-1552	Disconnect four connectors (SFP) .....	911
Figure 1-1553	Remove the LVPS (SFP) .....	911
Figure 1-1554	Remove the inner cover (MFP) .....	912
Figure 1-1555	Remove the guide (MFP) .....	912
Figure 1-1556	Remove the plate (MFP) .....	913
Figure 1-1557	Remove the support plate (MFP) .....	913
Figure 1-1558	Remove the LVPS (MFP) .....	914
Figure 1-1559	Remove the support plate (SFP) .....	914
Figure 1-1560	Disconnect one connector and remove the support (SFP) .....	915
Figure 1-1561	Disconnect all connectors on the engine controller PCA (SFP) .....	915
Figure 1-1562	Remove the guide (SFP) .....	916
Figure 1-1563	Remove the guide (SFP) .....	916
Figure 1-1564	Remove the engine controller PCA (SFP) .....	917
Figure 1-1565	Disconnect one connector and remove the support (MFP) .....	917
Figure 1-1566	Disconnect all connectors on the engine controller PCA (MFP) .....	918
Figure 1-1567	Remove the guide (MFP) .....	918
Figure 1-1568	Remove the guide (MFP) .....	919
Figure 1-1569	Remove the engine controller PCA (MFP) .....	919
Figure 1-1570	Install the engine controller PCA (SFP) .....	921
Figure 1-1571	Install the guide (SFP) .....	921
Figure 1-1572	Install the guide (SFP) .....	922
Figure 1-1573	Connect all connectors on the engine controller PCA (SFP) .....	922
Figure 1-1574	Connect one connector and install the support (SFP) .....	923
Figure 1-1575	Install the support plate (SFP) .....	923
Figure 1-1576	Install the engine controller PCA (MFP) .....	924
Figure 1-1577	Install the guide (MFP) .....	924
Figure 1-1578	Install the guide (MFP) .....	925
Figure 1-1579	Connect all connectors on the engine controller PCA (MFP) .....	925
Figure 1-1580	Connect one connector and install the support (MFP) .....	926
Figure 1-1581	Install the LVPS (SFP) .....	927
Figure 1-1582	Connect four connectors (SFP) .....	927
Figure 1-1583	Install the inner cover (SFP) .....	928
Figure 1-1584	Install the LVPS (MFP) .....	928
Figure 1-1585	Install the support plate (MFP) .....	929
Figure 1-1586	Install the plate (MFP) .....	929
Figure 1-1587	Install the guide (MFP) .....	930
Figure 1-1588	Install the inner cover (MFP) .....	930
Figure 1-1589	Install the formatter PCA (SFP) .....	931
Figure 1-1590	Connect two flat cables and one connector (SFP) .....	931

Figure 1-1591	Install the formatter PCA (MFP) .....	932
Figure 1-1592	Install the duplex feed assembly .....	932
Figure 1-1593	Install the duplex switchback guide .....	933
Figure 1-1594	Install the top rear cover (SFP) .....	933
Figure 1-1595	Install the top cover .....	934
Figure 1-1596	Install the cartridge door (SFP) .....	934
Figure 1-1597	Connect left link arms (SFP) .....	935
Figure 1-1598	Connect right link arms (SFP) .....	935
Figure 1-1599	Install the cartridge door (MFP) .....	936
Figure 1-1600	Connect left link arms (MFP) .....	936
Figure 1-1601	Connect right link arms (MFP) .....	937
Figure 1-1602	Install the hinge assembly (MFP) .....	937
Figure 1-1603	Install the front cover (SFP) .....	938
Figure 1-1604	Connect the connector (SFP) .....	938
Figure 1-1605	Install the front cover (MFP) .....	939
Figure 1-1606	Connect two connectors (MFP) .....	939
Figure 1-1607	Install two tabs .....	940
Figure 1-1608	Install one tab .....	940
Figure 1-1609	Connect one connector .....	941
Figure 1-1610	Install two tabs .....	941
Figure 1-1611	Install one tab .....	942
Figure 1-1612	Install one connector and grounding cable .....	942
Figure 1-1613	Install the USB cover (MFP) .....	943
Figure 1-1614	Install the right cover (SFP) .....	943
Figure 1-1615	Install one screw (SFP) .....	944
Figure 1-1616	Install the right cover (MFP) .....	944
Figure 1-1617	Install one screw (MFP) .....	945
Figure 1-1618	Install the scanner assembly (MFP) .....	945
Figure 1-1619	Engage the left hinge (MFP) .....	946
Figure 1-1620	Engage the right hinge (MFP) .....	946
Figure 1-1621	Connect flat cable(s) .....	947
Figure 1-1622	Install the ground wire (4-in-1 models) .....	947
Figure 1-1623	Install the cable cover (MFP) .....	948
Figure 1-1624	Close the scanner assembly .....	948
Figure 1-1625	Install the left cover (SFP) .....	949
Figure 1-1626	Install one screw (SFP) .....	949
Figure 1-1627	Install the left cover (MFP) .....	950
Figure 1-1628	Install one screw (MFP) .....	950
Figure 1-1629	Install the duplex door .....	951
Figure 1-1630	Install the multipurpose cover (SFP) .....	951
Figure 1-1631	Install the multipurpose cover (MFP) .....	952

Figure 1-1632	Remove the multipurpose cover (SFP) .....	955
Figure 1-1633	Remove the multipurpose cover (MFP) .....	955
Figure 1-1634	Remove the duplex door .....	956
Figure 1-1635	Remove one screw (SFP) .....	956
Figure 1-1636	Remove the left cover (SFP) .....	957
Figure 1-1637	Remove one screw (MFP) .....	957
Figure 1-1638	Remove the left cover (MFP) .....	958
Figure 1-1639	Open the scanner assembly .....	958
Figure 1-1640	Remove the cable cover (MFP) .....	959
Figure 1-1641	Release the ground wire (4-in-1 models) .....	959
Figure 1-1642	Disconnect flat cable(s) .....	960
Figure 1-1643	Release the right hinge .....	960
Figure 1-1644	Release the left hinge .....	961
Figure 1-1645	Remove the scanner assembly .....	961
Figure 1-1646	Remove one screw (SFP) .....	962
Figure 1-1647	Remove the right cover (SFP) .....	962
Figure 1-1648	Remove one screw (MFP) .....	963
Figure 1-1649	Remove the right cover (MFP) .....	963
Figure 1-1650	Remove the USB cover (MFP) .....	964
Figure 1-1651	Disconnect one connector .....	964
Figure 1-1652	Release one tab .....	965
Figure 1-1653	Release two tabs and remove the cover .....	965
Figure 1-1654	Disconnect connector and release cable .....	966
Figure 1-1655	Release one tab .....	966
Figure 1-1656	Release two tabs and remove the cover .....	967
Figure 1-1657	Disconnect connector (SFP) .....	967
Figure 1-1658	Remove the front cover (SFP) .....	968
Figure 1-1659	Disconnect connectors (MFP) .....	968
Figure 1-1660	Remove the front cover (MFP) .....	969
Figure 1-1661	Remove the hinge assembly (MFP) .....	969
Figure 1-1662	Disconnect left link arms (SFP) .....	970
Figure 1-1663	Disconnect right link arms (SFP) .....	970
Figure 1-1664	Remove the cartridge door (SFP) .....	971
Figure 1-1665	Disconnect left link arms (MFP) .....	971
Figure 1-1666	Disconnect right link arms (MFP) .....	972
Figure 1-1667	Remove the cartridge door (MFP) .....	972
Figure 1-1668	Remove the top cover .....	973
Figure 1-1669	Remove the top rear cover (SFP) .....	973
Figure 1-1670	Remove the duplex switchback guide .....	974
Figure 1-1671	Remove the duplex feed assembly .....	974
Figure 1-1672	Remove three screws and a cover (SFP) .....	975

Figure 1-1673	Disconnect four connectors (SFP)	975
Figure 1-1674	Remove the LVPS (SFP)	976
Figure 1-1675	Remove the inner cover (MFP)	976
Figure 1-1676	Remove the guide (MFP)	977
Figure 1-1677	Remove the plate (MFP)	977
Figure 1-1678	Remove the support plate (MFP)	978
Figure 1-1679	Remove the LVPS (MFP)	978
Figure 1-1680	Remove the support plate (SFP)	979
Figure 1-1681	Disconnect one connector and remove the support bracket	979
Figure 1-1682	Disconnect five connectors	980
Figure 1-1683	Disconnect three connectors	980
Figure 1-1684	Remove the transfer assembly	981
Figure 1-1685	Install the transfer assembly	982
Figure 1-1686	Connect three connectors	983
Figure 1-1687	Connect five connectors	983
Figure 1-1688	Connect one connector and install the support bracket	984
Figure 1-1689	Install the support plate (SFP)	984
Figure 1-1690	Install the LVPS (SFP)	985
Figure 1-1691	Connect four connectors (SFP)	985
Figure 1-1692	Install the inner cover (SFP)	986
Figure 1-1693	Install the LVPS (MFP)	986
Figure 1-1694	Install the support plate (MFP)	987
Figure 1-1695	Install the plate (MFP)	987
Figure 1-1696	Install the guide (MFP)	988
Figure 1-1697	Install the inner cover (MFP)	988
Figure 1-1698	Install the duplex feed assembly	989
Figure 1-1699	Install the duplex switchback guide	989
Figure 1-1700	Install the top rear cover (SFP)	990
Figure 1-1701	Install the top cover	990
Figure 1-1702	Install the cartridge door (SFP)	991
Figure 1-1703	Connect left link arms (SFP)	991
Figure 1-1704	Connect right link arms (SFP)	992
Figure 1-1705	Install the cartridge door (MFP)	992
Figure 1-1706	Connect left link arms (MFP)	993
Figure 1-1707	Connect right link arms (MFP)	993
Figure 1-1708	Install the hinge assembly (MFP)	994
Figure 1-1709	Install the front cover (SFP)	994
Figure 1-1710	Connect the connector (SFP)	995
Figure 1-1711	Install the front cover (MFP)	995
Figure 1-1712	Connect two connectors (MFP)	996
Figure 1-1713	Install two tabs	996

Figure 1-1714	Install one tab .....	997
Figure 1-1715	Connect one connector .....	997
Figure 1-1716	Install two tabs .....	998
Figure 1-1717	Install one tab .....	998
Figure 1-1718	Install one connector and grounding cable .....	999
Figure 1-1719	Install the USB cover (MFP) .....	999
Figure 1-1720	Install the right cover (SFP) .....	1000
Figure 1-1721	Install one screw (SFP) .....	1000
Figure 1-1722	Install the right cover (MFP) .....	1001
Figure 1-1723	Install one screw (MFP) .....	1001
Figure 1-1724	Install the scanner assembly (MFP) .....	1002
Figure 1-1725	Engage the left hinge (MFP) .....	1002
Figure 1-1726	Engage the right hinge (MFP) .....	1003
Figure 1-1727	Connect flat cable(s) .....	1003
Figure 1-1728	Install the ground wire (4-in-1 models) .....	1004
Figure 1-1729	Install the cable cover (MFP) .....	1004
Figure 1-1730	Close the scanner assembly .....	1005
Figure 1-1731	Install the left cover (SFP) .....	1005
Figure 1-1732	Install one screw (SFP) .....	1006
Figure 1-1733	Install the left cover (MFP) .....	1006
Figure 1-1734	Install one screw (MFP) .....	1007
Figure 1-1735	Install the duplex door .....	1007
Figure 1-1736	Install the multipurpose cover (SFP) .....	1008
Figure 1-1737	Install the multipurpose cover (MFP) .....	1008
Figure 1-1738	Remove the multipurpose cover (SFP) .....	1011
Figure 1-1739	Remove the multipurpose cover (MFP) .....	1012
Figure 1-1740	Remove the duplex door .....	1012
Figure 1-1741	Remove one screw (SFP) .....	1013
Figure 1-1742	Remove the left cover (SFP) .....	1013
Figure 1-1743	Remove one screw (MFP) .....	1014
Figure 1-1744	Remove the left cover (MFP) .....	1014
Figure 1-1745	Open the scanner assembly .....	1015
Figure 1-1746	Remove the cable cover (MFP) .....	1015
Figure 1-1747	Release the ground wire (4-in-1 models) .....	1016
Figure 1-1748	Disconnect flat cable(s) .....	1016
Figure 1-1749	Release the right hinge .....	1017
Figure 1-1750	Release the left hinge .....	1017
Figure 1-1751	Remove the scanner assembly .....	1018
Figure 1-1752	Remove one screw (SFP) .....	1018
Figure 1-1753	Remove the right cover (SFP) .....	1019
Figure 1-1754	Remove one screw (MFP) .....	1019

Figure 1-1755	Remove the right cover (MFP) .....	1020
Figure 1-1756	Remove the USB cover (MFP) .....	1020
Figure 1-1757	Disconnect one connector .....	1021
Figure 1-1758	Release one tab .....	1021
Figure 1-1759	Release two tabs and remove the cover .....	1022
Figure 1-1760	Disconnect connector and release cable .....	1022
Figure 1-1761	Release one tab .....	1023
Figure 1-1762	Release two tabs and remove the cover .....	1023
Figure 1-1763	Disconnect connector (SFP) .....	1024
Figure 1-1764	Remove the front cover (SFP) .....	1024
Figure 1-1765	Disconnect connectors (MFP) .....	1025
Figure 1-1766	Remove the front cover (MFP) .....	1025
Figure 1-1767	Remove the hinge assembly (MFP) .....	1026
Figure 1-1768	Disconnect left link arms (SFP) .....	1026
Figure 1-1769	Disconnect right link arms (SFP) .....	1027
Figure 1-1770	Remove the cartridge door (SFP) .....	1027
Figure 1-1771	Disconnect left link arms (MFP) .....	1028
Figure 1-1772	Disconnect right link arms (MFP) .....	1028
Figure 1-1773	Remove the cartridge door (MFP) .....	1029
Figure 1-1774	Remove the top cover .....	1029
Figure 1-1775	Remove the top rear cover (SFP) .....	1030
Figure 1-1776	Remove the duplex switchback guide .....	1030
Figure 1-1777	Remove the duplex feed assembly .....	1031
Figure 1-1778	Remove three screws and a cover (SFP) .....	1031
Figure 1-1779	Disconnect four connectors (SFP) .....	1032
Figure 1-1780	Remove the LVPS (SFP) .....	1032
Figure 1-1781	Remove the inner cover (MFP) .....	1033
Figure 1-1782	Remove the guide (MFP) .....	1033
Figure 1-1783	Remove the plate (MFP) .....	1034
Figure 1-1784	Remove the support plate (MFP) .....	1034
Figure 1-1785	Remove the LVPS (MFP) .....	1035
Figure 1-1786	Remove the support plate (SFP) .....	1035
Figure 1-1787	Disconnect one connector and remove the support bracket .....	1036
Figure 1-1788	Disconnect five connectors .....	1036
Figure 1-1789	Disconnect three connectors .....	1037
Figure 1-1790	Remove the transfer assembly .....	1037
Figure 1-1791	Release the cables .....	1038
Figure 1-1792	Remove the guide .....	1038
Figure 1-1793	Remove the bushing .....	1039
Figure 1-1794	Remove the fuser .....	1039
Figure 1-1795	Disconnect one connector .....	1040

Figure 1-1796	Remove the fuser cover .....	1040
Figure 1-1797	Remove the fuser film .....	1041
Figure 1-1798	Install the fuser film .....	1042
Figure 1-1799	Install the fuser cover .....	1043
Figure 1-1800	Connect one connector .....	1043
Figure 1-1801	Gear location .....	1044
Figure 1-1802	Install the fuser .....	1044
Figure 1-1803	Install the bushing .....	1045
Figure 1-1804	Install the guide .....	1045
Figure 1-1805	Install the cables .....	1046
Figure 1-1806	Install the transfer assembly .....	1046
Figure 1-1807	Connect three connectors .....	1047
Figure 1-1808	Connect five connectors .....	1047
Figure 1-1809	Connect one connector and install the support bracket .....	1048
Figure 1-1810	Install the support plate (SFP) .....	1048
Figure 1-1811	Install the LVPS (SFP) .....	1049
Figure 1-1812	Connect four connectors (SFP) .....	1049
Figure 1-1813	Install the inner cover (SFP) .....	1050
Figure 1-1814	Install the LVPS (MFP) .....	1050
Figure 1-1815	Install the support plate (MFP) .....	1051
Figure 1-1816	Install the plate (MFP) .....	1051
Figure 1-1817	Install the guide (MFP) .....	1052
Figure 1-1818	Install the inner cover (MFP) .....	1052
Figure 1-1819	Install the duplex feed assembly .....	1053
Figure 1-1820	Install the duplex switchback guide .....	1053
Figure 1-1821	Install the top rear cover (SFP) .....	1054
Figure 1-1822	Install the top cover .....	1054
Figure 1-1823	Install the cartridge door (SFP) .....	1055
Figure 1-1824	Connect left link arms (SFP) .....	1055
Figure 1-1825	Connect right link arms (SFP) .....	1056
Figure 1-1826	Install the cartridge door (MFP) .....	1056
Figure 1-1827	Connect left link arms (MFP) .....	1057
Figure 1-1828	Connect right link arms (MFP) .....	1057
Figure 1-1829	Install the hinge assembly (MFP) .....	1058
Figure 1-1830	Install the front cover (SFP) .....	1058
Figure 1-1831	Connect the connector (SFP) .....	1059
Figure 1-1832	Install the front cover (MFP) .....	1059
Figure 1-1833	Connect two connectors (MFP) .....	1060
Figure 1-1834	Install two tabs .....	1060
Figure 1-1835	Install one tab .....	1061
Figure 1-1836	Connect one connector .....	1061

Figure 1-1837	Install two tabs .....	1062
Figure 1-1838	Install one tab .....	1062
Figure 1-1839	Install one connector and grounding cable .....	1063
Figure 1-1840	Install the USB cover (MFP) .....	1063
Figure 1-1841	Install the right cover (SFP) .....	1064
Figure 1-1842	Install one screw (SFP) .....	1064
Figure 1-1843	Install the right cover (MFP) .....	1065
Figure 1-1844	Install one screw (MFP) .....	1065
Figure 1-1845	Install the scanner assembly (MFP) .....	1066
Figure 1-1846	Engage the left hinge (MFP) .....	1066
Figure 1-1847	Engage the right hinge (MFP) .....	1067
Figure 1-1848	Connect flat cable(s) .....	1067
Figure 1-1849	Install the ground wire (4-in-1 models) .....	1068
Figure 1-1850	Install the cable cover (MFP) .....	1068
Figure 1-1851	Close the scanner assembly .....	1069
Figure 1-1852	Install the left cover (SFP) .....	1069
Figure 1-1853	Install one screw (SFP) .....	1070
Figure 1-1854	Install the left cover (MFP) .....	1070
Figure 1-1855	Install one screw (MFP) .....	1071
Figure 1-1856	Install the duplex door .....	1071
Figure 1-1857	Install the multipurpose cover (SFP) .....	1072
Figure 1-1858	Install the multipurpose cover (MFP) .....	1072
Figure 1-1859	Remove the multipurpose cover (SFP) .....	1075
Figure 1-1860	Remove the multipurpose cover (MFP) .....	1075
Figure 1-1861	Remove the duplex door .....	1076
Figure 1-1862	Remove one screw (SFP) .....	1076
Figure 1-1863	Remove the left cover (SFP) .....	1077
Figure 1-1864	Remove one screw (MFP) .....	1077
Figure 1-1865	Remove the left cover (MFP) .....	1078
Figure 1-1866	Open the scanner assembly .....	1078
Figure 1-1867	Remove the cable cover (MFP) .....	1079
Figure 1-1868	Release the ground wire (4-in-1 models) .....	1079
Figure 1-1869	Disconnect flat cable(s) .....	1080
Figure 1-1870	Release the right hinge .....	1080
Figure 1-1871	Release the left hinge .....	1081
Figure 1-1872	Remove the scanner assembly .....	1081
Figure 1-1873	Remove one screw (SFP) .....	1082
Figure 1-1874	Remove the right cover (SFP) .....	1082
Figure 1-1875	Remove one screw (MFP) .....	1083
Figure 1-1876	Remove the right cover (MFP) .....	1083
Figure 1-1877	Disconnect one connector .....	1084



Figure 1-1878	Release one tab .....	1084
Figure 1-1879	Release two tabs and remove the cover .....	1085
Figure 1-1880	Disconnect connector and release cable .....	1085
Figure 1-1881	Release one tab .....	1086
Figure 1-1882	Release two tabs and remove the cover .....	1086
Figure 1-1883	Disconnect connector (SFP) .....	1087
Figure 1-1884	Remove the front cover (SFP) .....	1087
Figure 1-1885	Disconnect connectors (MFP) .....	1088
Figure 1-1886	Remove the front cover (MFP) .....	1088
Figure 1-1887	Remove the hinge assembly (MFP) .....	1089
Figure 1-1888	Disconnect left link arms (SFP) .....	1089
Figure 1-1889	Disconnect right link arms (SFP) .....	1090
Figure 1-1890	Remove the cartridge door (SFP) .....	1090
Figure 1-1891	Disconnect left link arms (MFP) .....	1091
Figure 1-1892	Disconnect right link arms (MFP) .....	1091
Figure 1-1893	Remove the cartridge door (MFP) .....	1092
Figure 1-1894	Remove the top cover .....	1092
Figure 1-1895	Remove the top rear cover (SFP) .....	1093
Figure 1-1896	Remove the duplex switchback guide .....	1093
Figure 1-1897	Remove the duplex feed assembly .....	1094
Figure 1-1898	Disconnect two connectors .....	1094
Figure 1-1899	Remove the delivery sensor .....	1095
Figure 1-1900	Install the delivery sensor .....	1096
Figure 1-1901	Connect two connectors .....	1097
Figure 1-1902	Install the duplex feed assembly .....	1097
Figure 1-1903	Install the duplex switchback guide .....	1098
Figure 1-1904	Install the top rear cover (SFP) .....	1098
Figure 1-1905	Install the top cover .....	1099
Figure 1-1906	Install the cartridge door (SFP) .....	1099
Figure 1-1907	Connect left link arms (SFP) .....	1100
Figure 1-1908	Connect right link arms (SFP) .....	1100
Figure 1-1909	Install the cartridge door (MFP) .....	1101
Figure 1-1910	Connect left link arms (MFP) .....	1101
Figure 1-1911	Connect right link arms (MFP) .....	1102
Figure 1-1912	Install the hinge assembly (MFP) .....	1102
Figure 1-1913	Install the front cover (SFP) .....	1103
Figure 1-1914	Connect the connector (SFP) .....	1103
Figure 1-1915	Install the front cover (MFP) .....	1104
Figure 1-1916	Connect two connectors (MFP) .....	1104
Figure 1-1917	Install two tabs .....	1105
Figure 1-1918	Install one tab .....	1105

Figure 1-1919	Connect one connector .....	1106
Figure 1-1920	Install two tabs .....	1106
Figure 1-1921	Install one tab .....	1107
Figure 1-1922	Install one connector and grounding cable .....	1107
Figure 1-1923	Install the right cover (SFP) .....	1108
Figure 1-1924	Install one screw (SFP) .....	1108
Figure 1-1925	Install the right cover (MFP) .....	1109
Figure 1-1926	Install one screw (MFP) .....	1109
Figure 1-1927	Install the scanner assembly (MFP) .....	1110
Figure 1-1928	Engage the left hinge (MFP) .....	1110
Figure 1-1929	Engage the right hinge (MFP) .....	1111
Figure 1-1930	Connect flat cable(s) .....	1111
Figure 1-1931	Install the ground wire (4-in-1 models) .....	1112
Figure 1-1932	Install the cable cover (MFP) .....	1112
Figure 1-1933	Close the scanner assembly .....	1113
Figure 1-1934	Install the left cover (SFP) .....	1113
Figure 1-1935	Install one screw (SFP) .....	1114
Figure 1-1936	Install the left cover (MFP) .....	1114
Figure 1-1937	Install one screw (MFP) .....	1115
Figure 1-1938	Install the duplex door .....	1115
Figure 1-1939	Install the multipurpose cover (SFP) .....	1116
Figure 1-1940	Install the multipurpose cover (MFP) .....	1116
Figure 1-1941	Remove the multipurpose cover (SFP) .....	1119
Figure 1-1942	Remove the multipurpose cover (MFP) .....	1119
Figure 1-1943	Remove the duplex door .....	1120
Figure 1-1944	Remove one screw (SFP) .....	1120
Figure 1-1945	Remove the left cover (SFP) .....	1121
Figure 1-1946	Remove one screw (MFP) .....	1121
Figure 1-1947	Remove the left cover (MFP) .....	1122
Figure 1-1948	Open the scanner assembly .....	1122
Figure 1-1949	Remove the cable cover (MFP) .....	1123
Figure 1-1950	Release the ground wire (4-in-1 models) .....	1123
Figure 1-1951	Disconnect flat cable(s) .....	1124
Figure 1-1952	Release the right hinge .....	1124
Figure 1-1953	Release the left hinge .....	1125
Figure 1-1954	Remove the scanner assembly .....	1125
Figure 1-1955	Remove one screw (SFP) .....	1126
Figure 1-1956	Remove the right cover (SFP) .....	1126
Figure 1-1957	Remove one screw (MFP) .....	1127
Figure 1-1958	Remove the right cover (MFP) .....	1127
Figure 1-1959	Disconnect one connector .....	1128

Figure 1-1960	Release one tab .....	1128
Figure 1-1961	Release two tabs and remove the cover .....	1129
Figure 1-1962	Disconnect connector and release cable .....	1129
Figure 1-1963	Release one tab .....	1130
Figure 1-1964	Release two tabs and remove the cover .....	1130
Figure 1-1965	Disconnect connector (SFP) .....	1131
Figure 1-1966	Remove the front cover (SFP) .....	1131
Figure 1-1967	Disconnect connectors (MFP) .....	1132
Figure 1-1968	Remove the front cover (MFP) .....	1132
Figure 1-1969	Remove the hinge assembly (MFP) .....	1133
Figure 1-1970	Disconnect left link arms (SFP) .....	1133
Figure 1-1971	Disconnect right link arms (SFP) .....	1134
Figure 1-1972	Remove the cartridge door (SFP) .....	1134
Figure 1-1973	Disconnect left link arms (MFP) .....	1135
Figure 1-1974	Disconnect right link arms (MFP) .....	1135
Figure 1-1975	Remove the cartridge door (MFP) .....	1136
Figure 1-1976	Remove the top cover .....	1136
Figure 1-1977	Remove the top rear cover (SFP) .....	1137
Figure 1-1978	Remove the duplex switchback guide .....	1137
Figure 1-1979	Remove the duplex feed assembly .....	1138
Figure 1-1980	Disconnect two connectors .....	1138
Figure 1-1981	Release two tabs .....	1139
Figure 1-1982	Remove the paper pickup sensor .....	1139
Figure 1-1983	Install the paper pickup sensor .....	1141
Figure 1-1984	Engage two tabs .....	1141
Figure 1-1985	Connect two connectors .....	1142
Figure 1-1986	Install the duplex feed assembly .....	1142
Figure 1-1987	Install the duplex switchback guide .....	1143
Figure 1-1988	Install the top rear cover (SFP) .....	1143
Figure 1-1989	Install the top cover .....	1144
Figure 1-1990	Install the cartridge door (SFP) .....	1144
Figure 1-1991	Connect left link arms (SFP) .....	1145
Figure 1-1992	Connect right link arms (SFP) .....	1145
Figure 1-1993	Install the cartridge door (MFP) .....	1146
Figure 1-1994	Connect left link arms (MFP) .....	1146
Figure 1-1995	Connect right link arms (MFP) .....	1147
Figure 1-1996	Install the hinge assembly (MFP) .....	1147
Figure 1-1997	Install the front cover (SFP) .....	1148
Figure 1-1998	Connect the connector (SFP) .....	1148
Figure 1-1999	Install the front cover (MFP) .....	1149
Figure 1-2000	Connect two connectors (MFP) .....	1149

Figure 1-2001	Install two tabs .....	1150
Figure 1-2002	Install one tab .....	1150
Figure 1-2003	Connect one connector .....	1151
Figure 1-2004	Install two tabs .....	1151
Figure 1-2005	Install one tab .....	1152
Figure 1-2006	Install one connector and grounding cable .....	1152
Figure 1-2007	Install the right cover (SFP) .....	1153
Figure 1-2008	Install one screw (SFP) .....	1153
Figure 1-2009	Install the right cover (MFP) .....	1154
Figure 1-2010	Install one screw (MFP) .....	1154
Figure 1-2011	Install the scanner assembly (MFP) .....	1155
Figure 1-2012	Engage the left hinge (MFP) .....	1155
Figure 1-2013	Engage the right hinge (MFP) .....	1156
Figure 1-2014	Connect flat cable(s) .....	1156
Figure 1-2015	Install the ground wire (4-in-1 models) .....	1157
Figure 1-2016	Open the scanner assembly .....	1157
Figure 1-2017	Remove the cable cover (MFP) .....	1158
Figure 1-2018	Install the left cover (SFP) .....	1158
Figure 1-2019	Install one screw (SFP) .....	1159
Figure 1-2020	Install the left cover (MFP) .....	1159
Figure 1-2021	Install one screw (MFP) .....	1160
Figure 1-2022	Install the duplex door .....	1160
Figure 1-2023	Install the multipurpose cover (SFP) .....	1161
Figure 1-2024	Install the multipurpose cover (MFP) .....	1161
Figure 1-2025	Remove the duplex door .....	1163
Figure 1-2026	Remove one screw (MFP) .....	1163
Figure 1-2027	Remove the left cover (MFP) .....	1164
Figure 1-2028	Disconnect one flat cable .....	1164
Figure 1-2029	Remove three screws .....	1165
Figure 1-2030	Remove the fax PCA .....	1165
Figure 1-2031	Install the fax PCA .....	1167
Figure 1-2032	Install three screws .....	1167
Figure 1-2033	Connect one flat cable (fax models) .....	1168
Figure 1-2034	Install the left cover (MFP) .....	1168
Figure 1-2035	Install one screw (MFP) .....	1169
Figure 1-2036	Install the duplex door .....	1169
Figure 2-1	4-in-1 scanner assembly .....	1180
Figure 2-2	3-in-1 scanner assembly .....	1182
Figure 2-3	Covers (SFP models) .....	1184
Figure 2-4	Covers (MFP models) .....	1186
Figure 2-5	Internal components, printer base (1 of 3; SFP) .....	1188

Figure 2-6	Internal components, printer base (2 of 3; SFP) .....	1190
Figure 2-7	Internal components, printer base (3 of 3; SFP) .....	1192
Figure 2-8	Internal components, printer base (1 of 3; MFP) .....	1194
Figure 2-9	Internal components, printer base (2 of 3; MFP) .....	1196
Figure 2-10	Internal components, printer base (3 of 3; MFP) .....	1198



---

# 1 Removal and replacement

- [For additional service and support](#)
- [Removal and replacement strategy](#)
- [Service approach](#)
- [Removal and replacement procedures](#)

## For additional service and support

HP service personnel, go to the Service Access Workbench (SAW) at <http://sawpro.glb.itcs.hp.com>.

Channel partners, go to HP Channel Services Network (CSN) at [www.hp.com/partners/csn](http://www.hp.com/partners/csn).

At these locations, find information on the following topics:

- Install and configure
- Printer specifications
- Up-to-date control panel message (CPMD) troubleshooting
- Solutions for printer issues and emerging issues
- Remove and replace part instructions and videos
- Service advisories
- Warranty and regulatory information

Channel partners, access training materials in the HP University and Partner Learning Center at <https://content.ext.hp.com/sites/LMS/HPU.page>.

To access HP PartSurfer information from any mobile device, go to <http://partsurfermobile.hp.com/> or scan the Quick Response (QR) code below.





# Removal and replacement strategy

## Introduction

The printer uses a field repair strategy. Defective parts are diagnosed and replaced at the Field Replaceable Unit (FRU) assembly level. Repair normally begins by using the printer internal diagnostics and the following two-step process:

1. Isolate the problem to the major system (for example, the network, server, or printer).
2. Identify the cause of failures according to the printer troubleshooting service manual and follow the disassembly procedures to replace the defective parts or the consumable parts.

After locating a faulty part, the printer can usually be repaired at the assembly level by replacing FRUs. Some mechanical assemblies might need to be repaired at the subassembly level. HP does not support replacement of components on the printed circuit assemblies.

The user replaces toner cartridges and image drum cartridges as they are depleted. Additional instructions about other user-replaceable parts are provided in this section.

The printer tracks the amount of use on the customer-replaceable supplies by keeping a page count. The printer prompts the user to replace certain items when a supply is depleted or a specific number of pages has been printed.

Swapping toner cartridges or image drum cartridges between products might cause a misrepresentation of supply life values and is not recommended.

## Considerations during removal and replacement

HP does not support repairing individual subassemblies or troubleshooting to the printed-circuit assembly (PCA) component level.

---

**⚠ WARNING!** Never operate or service the printer with the protective cover removed from the laser scanner assembly. The reflected beam, although invisible, can cause damage to the eyes.

The sheet-metal parts can have sharp edges. Be careful when handling sheet-metal parts.


Before attempting to remove or replace parts, turn the printer off and remove the power cable. Never operate the printer with the parts removed from the printer.

Turn the printer off, wait five seconds, and then remove the power cable before attempting to service the printer. *If this warning is not followed*, severe injury can result as well as damage to the printer. The power must be on for certain functional checks during troubleshooting. However, the power cable must be disconnected during parts removal. AC voltage is still present inside the printer when the power switch is in the off position. The power cable must be *disconnected* before servicing the printer.

**⚠ CAUTION:** Incorrectly routed or loose wire harnesses might interfere with other internal components or assemblies and be damaged, pinched, or frayed. Make sure that wire harnesses are correctly routed and retained when installing assemblies.


Do not bend or fold the flat flexible cables (FFCs) during removal or installation. Do not straighten pre-folds in the FFCs.

Do not expose the toner cartridge or imaging drum to strong light, even for a short time.

 **IMPORTANT:** When an assembly is removed that includes a rating plate or tag (or a printer code label), make sure to transfer the plate or tag (or code label) to the replacement assembly.


Do not replace the formatter and DC controller simultaneously during a single printer servicing. Doing so might cause the printer to become unstable or inoperable.

Incorrectly routed or loose wire harnesses can interfere with other internal components and can become damaged or broken.

 **NOTE:** During assembly removal and replacement, or if the printer is moved, remove the toner cartridge and imaging drum.

Toner is a non-poisonous substance composed of plastic and a small number of colored components. If toner gets on the skin or clothing, wipe it off with dry tissue paper and wash in cold water. Hot water sets toner and it might be difficult, or impossible, to remove. Toner easily breaks down vinyl materials, so avoid letting toner contact vinyl.



Reassembling procedures are generally the reverse of removal unless otherwise specified. Occasionally, notes and tips are included to provide directions for difficult or critical replacement procedures.

 **TIP:** Some figures might show assemblies removed or installed that have not yet been removed or installed at that specific step. However, the procedures are correct for this printer and the target assembly. Always thoroughly read the instructions that accompany each figure.

---

## Electrostatic discharge

---


 **CAUTION:**  Some parts are sensitive to electrostatic discharge (ESD). Look for the ESD reminder when removing printer parts. Always perform service work at an ESD-protected workstation or mat. If an ESD workstation or mat is not available, touch the sheet-metal chassis to provide a static ground *before* touching an ESD-sensitive assembly.

Protect the ESD-sensitive assemblies by placing them in ESD pouches when they are out of the printer.

---

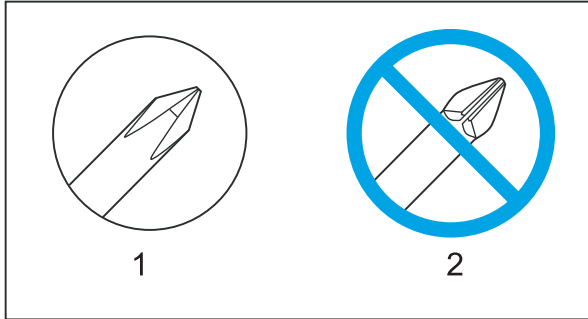
## Required tools

- #2 Phillips screwdriver with a magnetic tip and a 152 mm (6 in) shaft length
- Small, flat-blade screwdriver
- Needle-nose pliers
- ESD strap (if one is available)
- Penlight

 **CAUTION:** Always use a Phillips screwdriver (callout 1). Do not use a Pozidriv screwdriver (callout 2) or any motorized screwdriver. These can damage screws or screw threads.

---

Figure 1-1 Screwdrivers



## Fasteners used in this printer

**⚠ WARNING!** Make sure that assemblies are replaced with the correct screw type. Using the incorrect screw (for example, substituting a long screw for the correct shorter screw) can cause damage to the printer or interfere with printer operation. Do not intermix screws that are removed from one assembly with the screws that are removed from another assembly.

**📝 NOTE:** To install a self-tapping screw, first turn it counterclockwise to align it with the existing thread pattern, and then carefully turn it clockwise to tighten. Do not overtighten. If a self-tapping screw hole becomes stripped, repair the screw hole or replace the affected assembly.

Note the length, diameter, color, type, and location of each screw. Be sure to return each screw to its original location during reassembly.

# Service approach

## Before performing service

- Remove all paper from the product.
- Turn off the power using the power switch.
- Disconnect the power cable and interface cable or cables.
- Place the product on an ESD workstation or mat, or use an ESD strap (if one is available). If an ESD workstation, mat, or strap is not available, ground yourself by touching the sheet-metal chassis *before* touching an ESD-sensitive part.
- Remove the toner cartridge and image drum cartridge.

## After performing service

1. Reinstall the toner cartridge and image drum cartridge.
2. Return all paper to the input tray.
3. Connect the power cable and turn on the printer.
4. Perform print-quality tests by printing from a host computer.

## Post-service test

Perform the following test to verify that the repair or replacement was successful.

### Print-quality test

1. Verify that you have completed the necessary reassembly steps.
2. Make sure that the input tray contains clean, unmarked paper.
3. Attach the power cable and interface cable or interface cables, and then turn on the product.
4. Verify that the expected startup sounds occur.
5. Print a configuration page, and then verify that the expected printing sounds occur.
6. Print a demo page, and then verify that the print quality is as expected.
7. Send a print job from the host computer, and then verify that the output meets expectations.
8. Clean the outside of the product with a damp cloth.

# Removal and replacement procedures

## Customer self-repair (CSR) A parts and assemblies

The CSR level indicates the expected difficulty the customer will experience when removing and replacing an assembly. The CSR A assemblies in this section are easy for the customer to remove and replace.

- [Removal and replacement: Toner cartridge](#)
- [Removal and replacement: Imaging drum](#)
- [Removal and replacement: Pickup roller](#)
- [Removal and replacement: Sheet plate assembly \(MFP\)](#)

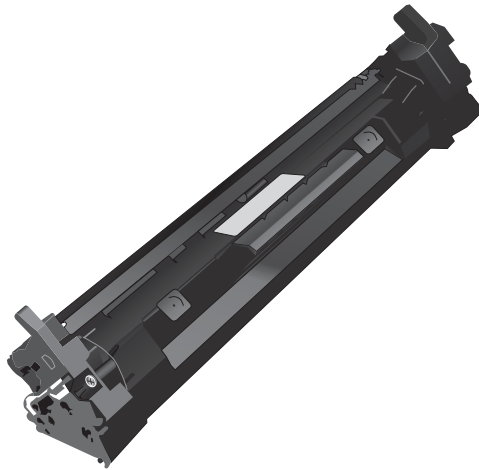
## Removal and replacement: Toner cartridge

- [Introduction](#)
- [Step 1: Remove the toner cartridge](#)
- [Step 2: Unpack the replacement assembly](#)
- [Step 3: Install the toner cartridge](#)

### Introduction

This document provides the procedures to remove and replace the toner cartridge.

**Figure 1-2** Toner cartridge



### Before performing service

#### Turn the printer power off

- Disconnect the power cable.

**⚠ WARNING!** To avoid damage to the printer, turn the printer off, wait 30 seconds, and then remove the power cable before attempting to service the printer.

Use the table below to identify the correct part number for your printer. To order the part, go to [www.hp.com/buy/parts](http://www.hp.com/buy/parts).

Toner cartridge part numbers	
CF230-67901	Standard-capacity toner cartridge (1.6K)
CF230-67902	High-capacity toner cartridge (3.5K)
CF231-67901	Extra high-capacity toner cartridge (5.0K)

### Required tools

- No special tools are needed to remove or install this assembly.

## After performing service

### Turn the printer power on

- Connect the power cable.
- Use the power switch to turn the power on.

### Post service test

Send a print job from the host computer (or print a configuration report). Verify that a page prints.

### Step 1: Remove the toner cartridge

1. **MFP only:** Open the scanner assembly.

**Figure 1-3** Open the scanner assembly



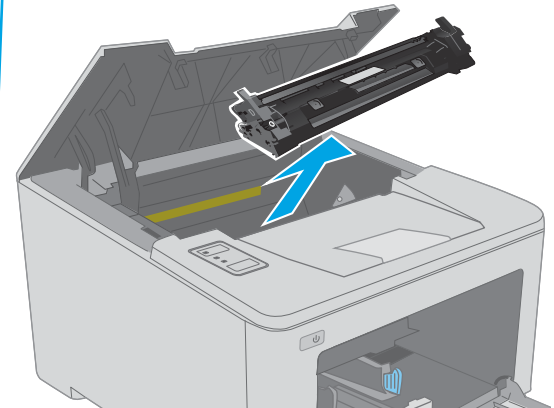
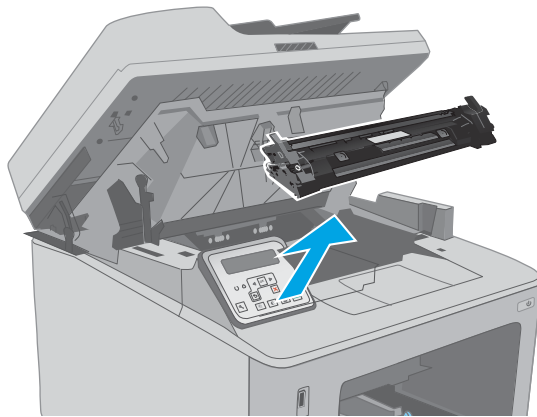


2. Open the cartridge door.

Figure 1-4 Open the cartridge door



3. Remove the toner cartridge from the printer.



## Step 2: Unpack the replacement assembly

1. Dispose of the defective part.



**NOTE:** HP recommends responsible disposal of the defective part.

[www.hp.com/recycle](http://www.hp.com/recycle)



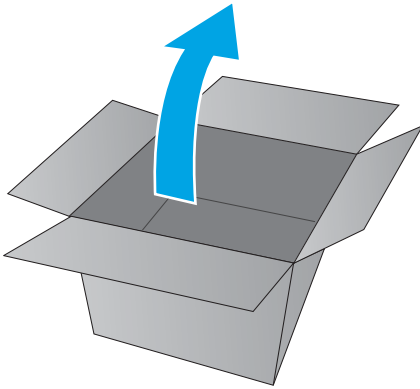
2. Unpack the replacement part from the packaging.

---

**⚠ CAUTION:** If the replacement part is a roller or pad, avoid touching the spongy part of it. Skin oils on the roller or pad can cause paper pickup and/or print-quality problems. HP recommends using disposable gloves when handling rollers or pads or washing your hands or before touching rollers or pads.

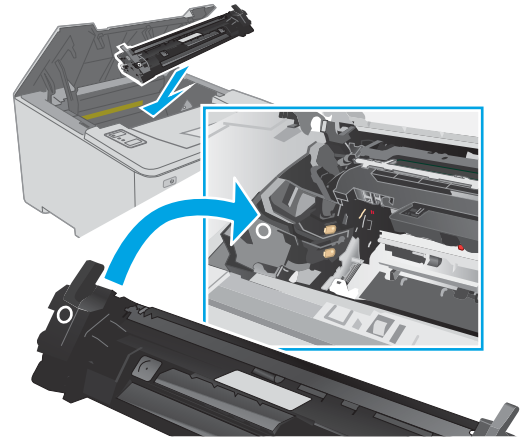
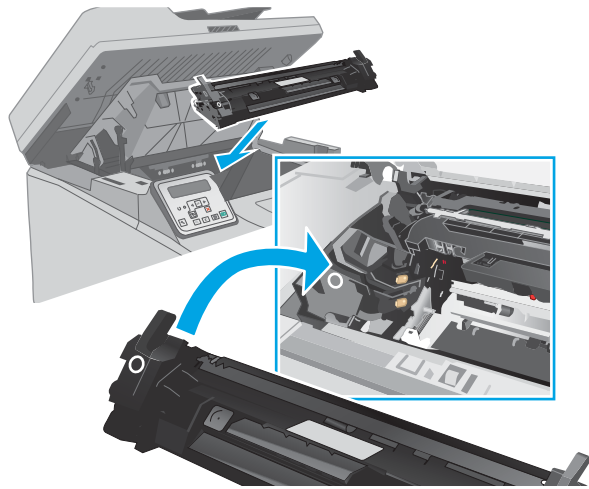
**📄 IMPORTANT:** Make sure that all of the shipping materials (for example shipping tape) are removed from the replacement part prior to installation.

---



### Step 3: Install the toner cartridge

1. Align the new toner cartridge with the tracks inside the printer, and install the new toner cartridge until it is firmly seated.



2. Close the cartridge door.

Figure 1-5 Close the cartridge door



3. **MFP only:** Close the scanner assembly.

Figure 1-6 Close the scanner assembly



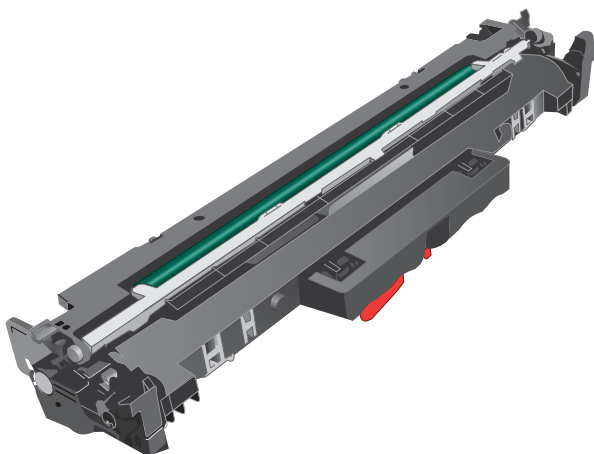
## Removal and replacement: Imaging drum

- [Introduction](#)
- [Step 1: Remove the imaging drum](#)
- [Step 2: Unpack the replacement assembly](#)
- [Step 3: Install the imaging drum](#)

### Introduction

This document provides the procedures to remove and replace the imaging drum.

**Figure 1-7** Imaging drum



### Before performing service

#### Turn the printer power off

- Disconnect the power cable.

**⚠ WARNING!** To avoid damage to the printer, turn the printer off, wait 30 seconds, and then remove the power cable before attempting to service the printer.

Use the table below to identify the correct part number for your printer. To order the part, go to [www.hp.com/buy/parts](http://www.hp.com/buy/parts).

Imaging drum part number	
CF232-67901	Imaging drum

### Required tools

- No special tools are needed to remove or install this assembly.

## After performing service

### Turn the printer power on

- Connect the power cable.
- Use the power switch to turn the power on.

### Post service test

Send a print job from the host computer (or print a configuration report). Verify that a page prints.

### Step 1: Remove the imaging drum

1. **MFP only:** Open the scanner assembly.

**Figure 1-8** Open the scanner assembly

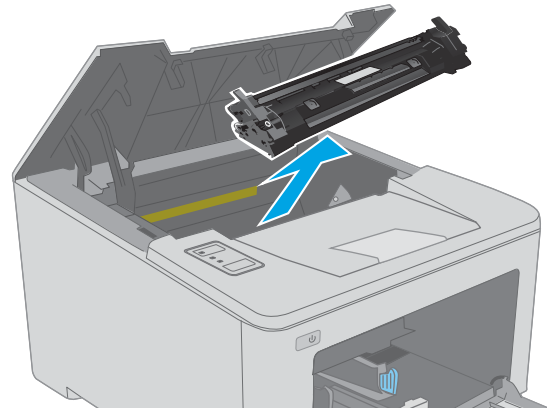
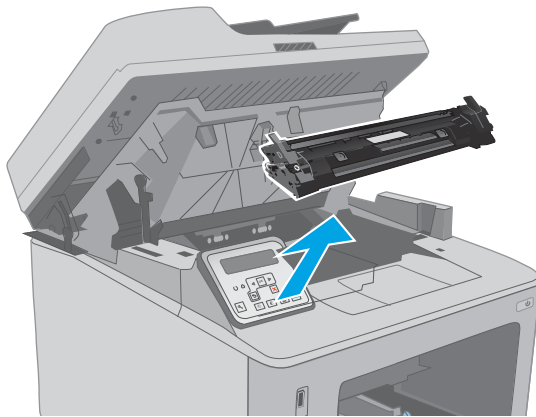


2. Open the cartridge door.

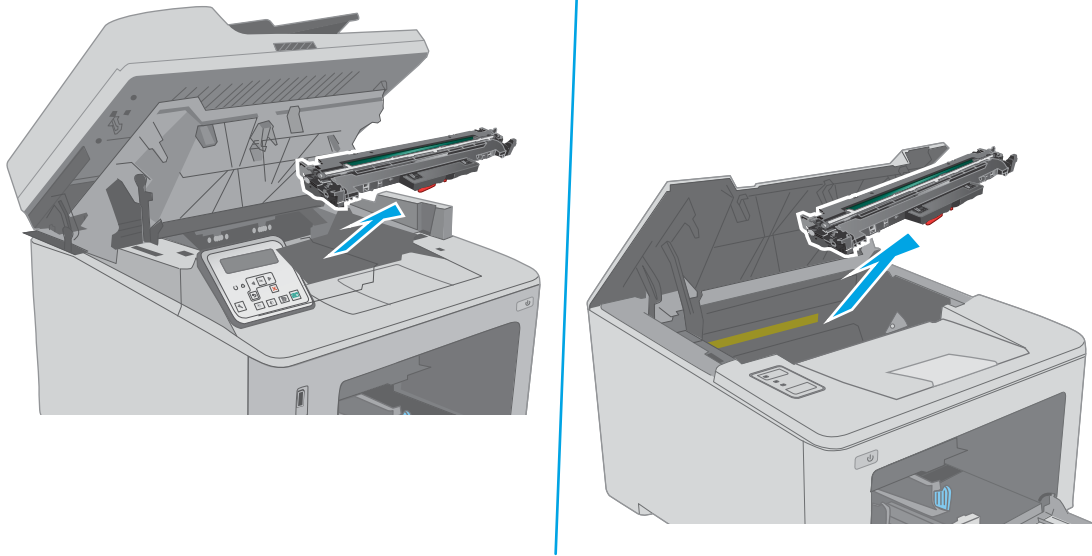
Figure 1-9 Open the cartridge door



3. Temporarily remove the toner cartridge from the printer.




4. Remove the used imaging drum from the printer.



### Step 2: Unpack the replacement assembly

1. Dispose of the defective part.

 **NOTE:** HP recommends responsible disposal of the defective part.

[www.hp.com/recycle](http://www.hp.com/recycle)

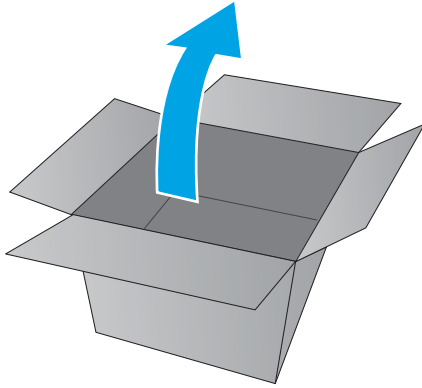




2. Unpack the replacement part from the packaging.

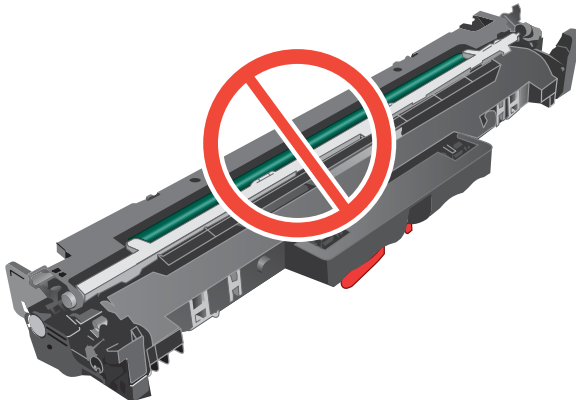
**⚠ CAUTION:** If the replacement part is a roller or pad, avoid touching the spongy part of it. Skin oils on the roller or pad can cause paper pickup and/or print-quality problems. HP recommends using disposable gloves when handling rollers or pads or washing your hands or before touching rollers or pads.

**📋 IMPORTANT:** Make sure that all of the shipping materials (for example shipping tape) are removed from the replacement part prior to installation.

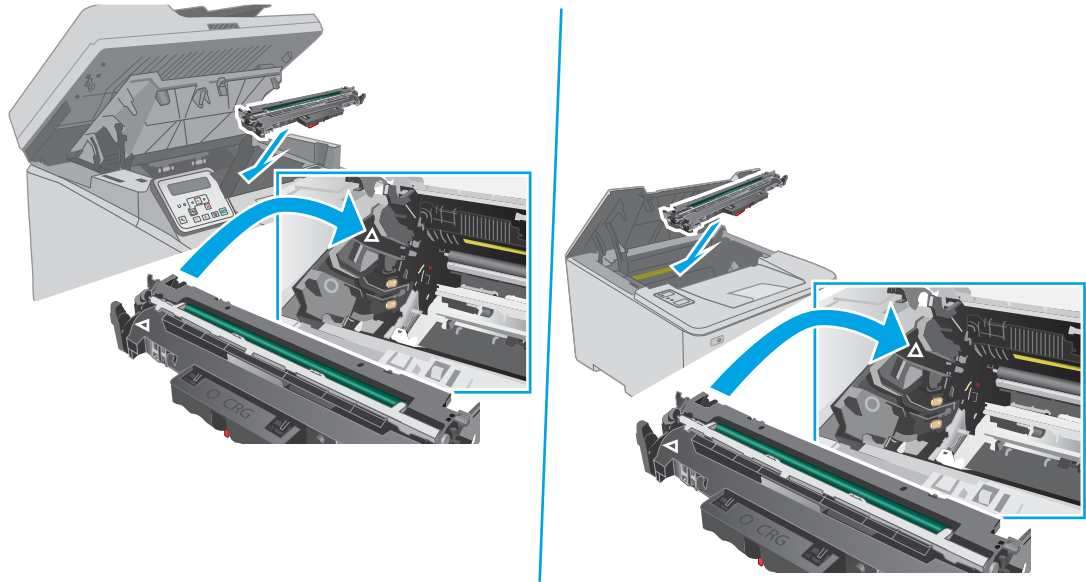


### Step 3: Install the imaging drum

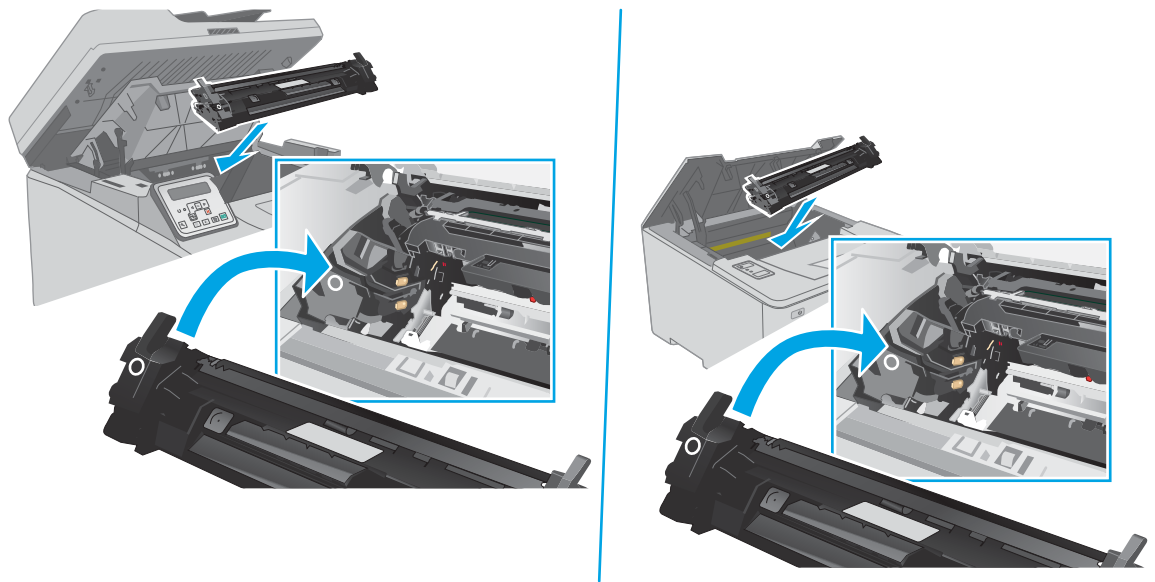
1. Do not touch the imaging drum. Fingerprints on the imaging drum can cause print-quality problems.



2. Align the new imaging drum with the tracks inside the printer, and install the new imaging drum until it is firmly seated.



3. Align the toner cartridge with the tracks inside the printer, and install the toner cartridge until it is firmly seated.



4. Close the cartridge door.

Figure 1-10 Close the cartridge door



5. MFP only: Close the scanner assembly.

Figure 1-11 Close the scanner assembly



## Removal and replacement: Pickup roller

- [Introduction](#)
- [Step 1: Remove the roller](#)
- [Step 2: Unpack the replacement assembly](#)
- [Step 3: Install the roller](#)

### Introduction

This document provides the procedures to remove and replace the pickup roller.

### Before performing service

#### Turn the printer power off

- Disconnect the power cable.

**⚠ WARNING!** To avoid damage to the printer, turn the printer off, wait 30 seconds, and then remove the power cable before attempting to service the printer.

Use the table below to identify the correct part number for your printer. To order the part, go to [www.hp.com/buy/parts](http://www.hp.com/buy/parts).

Pickup roller part number	
RL1-2593-000CN	Pickup roller

### Required tools

- No special tools are needed to remove or install this assembly.

### After performing service

#### Turn the printer power on

- Connect the power cable.
- Use the power switch to turn the power on.

### Post service test

Send a print job from the host computer (or print a configuration report). Verify that a page prints.

### Step 1: Remove the roller

1. **MFP only:** Open the scanner assembly.

Figure 1-12 Open the scanner assembly



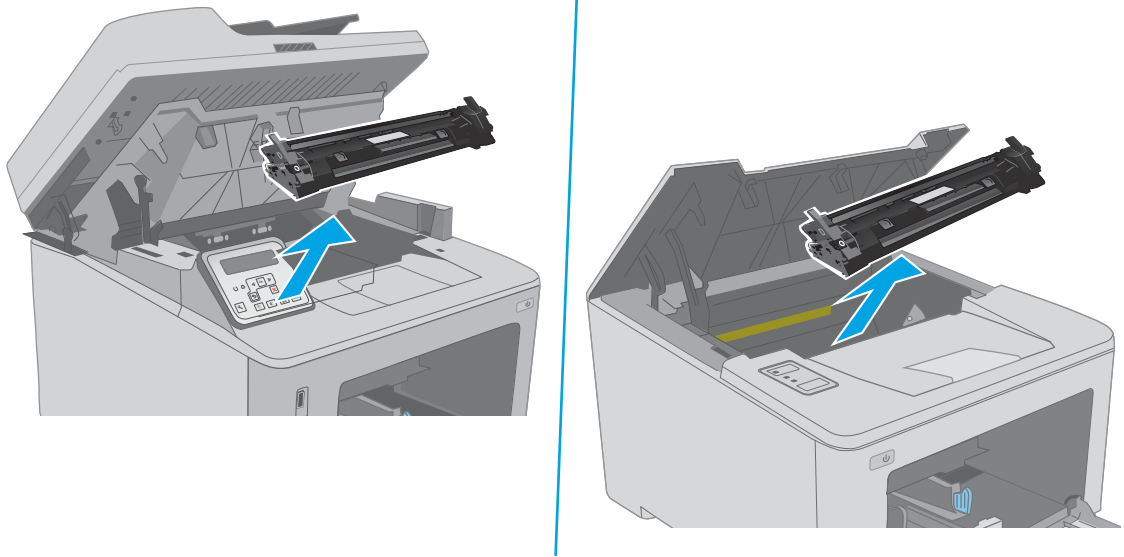
- 2. Open the cartridge door.

Figure 1-13 Open the cartridge door




3. Temporarily remove the toner cartridge.

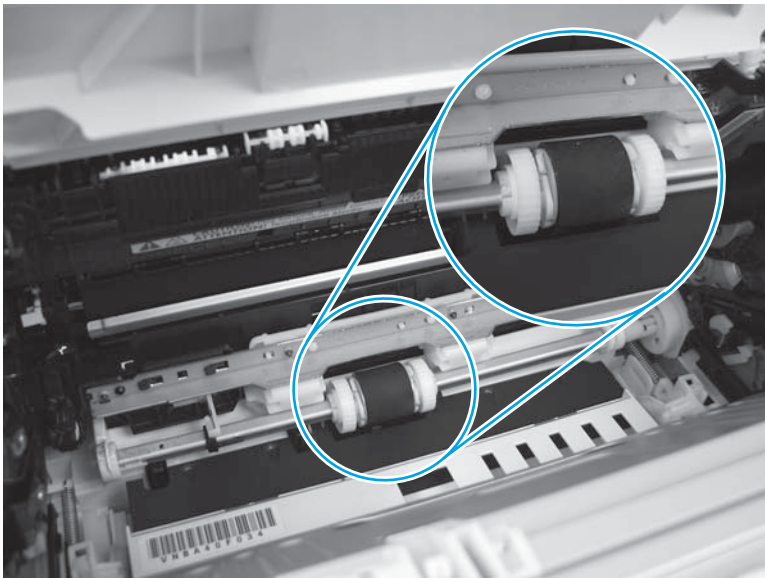
**Figure 1-14** Remove the toner cartridge



4. Locate the pickup roller.

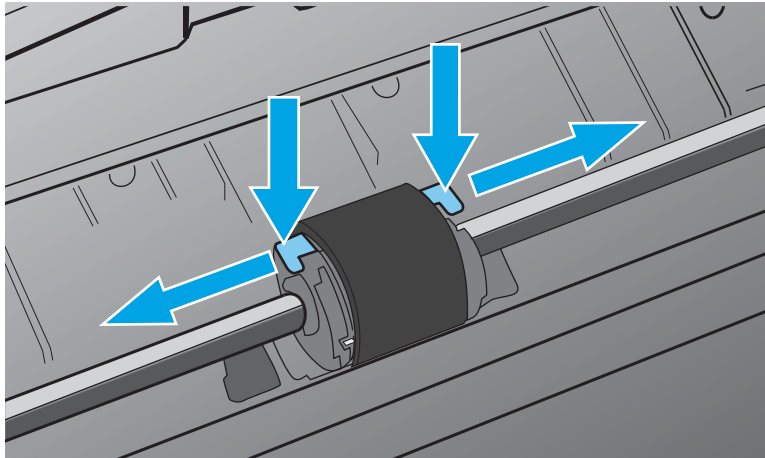
 **NOTE:** The imaging drum is removed in the figure below. However, it is not necessary to remove the imaging drum in order to replace the pickup roller.

**Figure 1-15** Locate the pickup roller



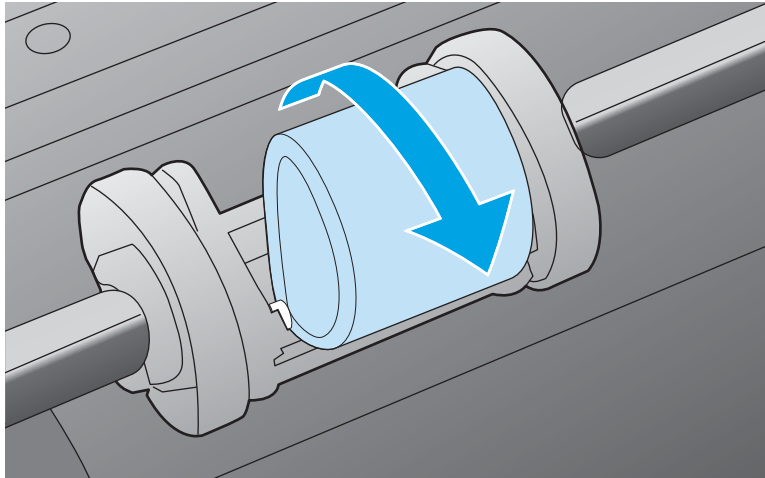
5. Press down on two tabs between the roller collar and roller, and then release the roller.

Figure 1-16 Release two tabs



6. Rotate the roller away from the printer to remove it.

Figure 1-17 Remove the roller



## Step 2: Unpack the replacement assembly

1. Dispose of the defective part.

 **NOTE:** HP recommends responsible disposal of the defective part.

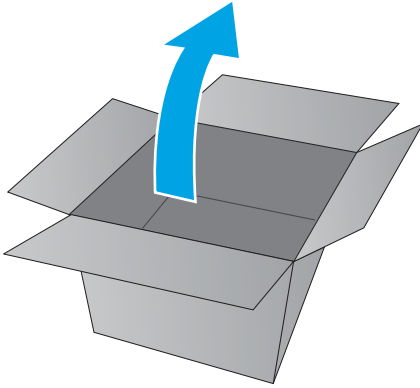
[www.hp.com/recycle](http://www.hp.com/recycle)



2. Unpack the replacement part from the packaging.

**⚠ CAUTION:** If the replacement part is a roller or pad, avoid touching the spongy part of it. Skin oils on the roller or pad can cause paper pickup and/or print-quality problems. HP recommends using disposable gloves when handling rollers or pads or washing your hands or before touching rollers or pads.

**📄 IMPORTANT:** Make sure that all of the shipping materials (for example shipping tape) are removed from the replacement part prior to installation.

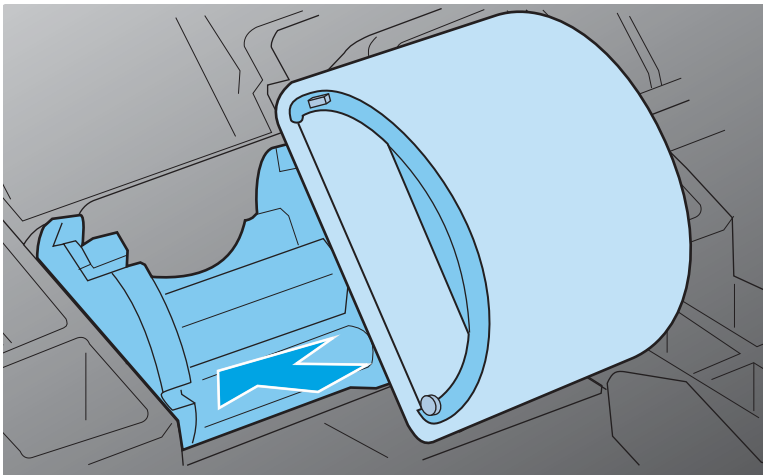


### Step 3: Install the roller

**⚠ CAUTION:** Do not touch the gray spongy portion of the replacement roller. Skin oils on the roller can cause paper handling problems.

1. Position the replacement pickup roller on the printer.

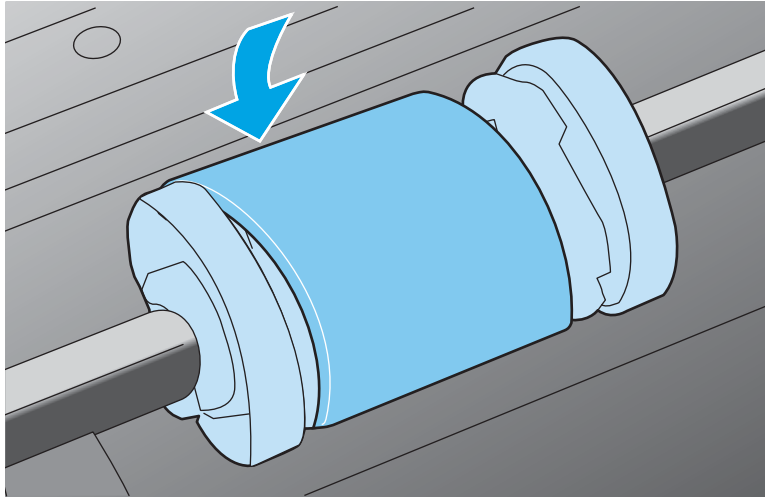
**Figure 1-18** Position the roller





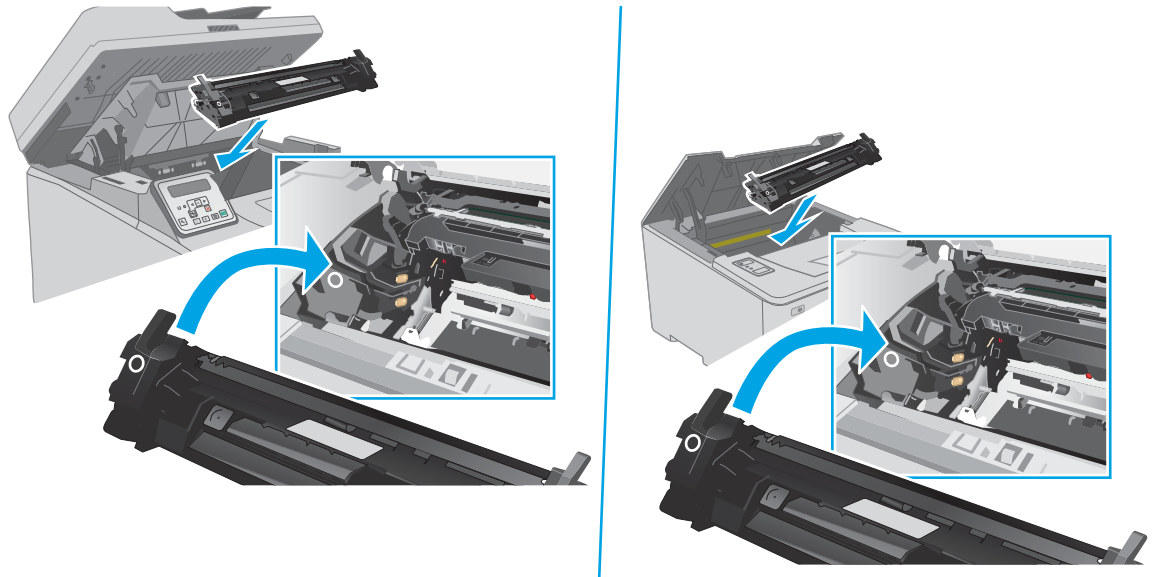
2. Continue to rotate the top of the roller toward the printer until two tabs snap into place.

Figure 1-19 Engage two tabs




3. Align the toner cartridge with the tracks inside the printer, and install the toner cartridge until it is firmly seated.

Figure 1-20 Install the toner cartridge



4. Close the cartridge door.

 **NOTE:** Install the toner cartridge.

**Figure 1-21** Close the cartridge door



5. **MFP only:** Close the scanner assembly.

**Figure 1-22** Close the scanner assembly



## Removal and replacement: Sheet plate assembly (MFP)

- [Introduction](#)
- [Step 1: Remove the sheet plate assembly](#)
- [Step 2: Unpack the replacement assembly](#)
- [Step 3: Install the sheet plate assembly](#)


### Introduction

This document provides the procedures to remove and replace the sheet plate assembly.

### Before performing service

#### Turn the printer power off

- Disconnect the power cable.

 **WARNING!** To avoid damage to the printer, turn the printer off, wait 30 seconds, and then remove the power cable before attempting to service the printer.

Use the table below to identify the correct part number for your printer. To order the part, go to [www.hp.com/buy/parts](http://www.hp.com/buy/parts).

Sheet plate assembly part number	
RM2-1185-000CN	Sheet plate assembly with instruction guide

### Required tools

- No special tools are needed to remove or install this assembly.

### After performing service

#### Turn the printer power on

- Connect the power cable.
- Use the power switch to turn the power on.

### Post service test

Use the document feeder to copy a page. Verify that the copied page correctly prints.

### Step 1: Remove the sheet plate assembly

1. Open the document feeder.

Figure 1-23 Open the document feeder



2. Release two outside tabs on the sheet plate assembly (callout 1), and then release two inner tabs (callout 2).

Figure 1-24 Release the tabs



### Step 2: Unpack the replacement assembly

1. Dispose of the defective part.

 **NOTE:** HP recommends responsible disposal of the defective part.

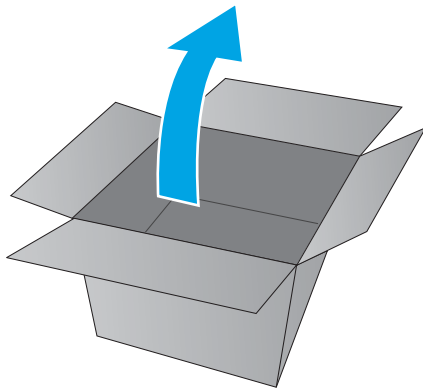
[www.hp.com/recycle](http://www.hp.com/recycle)



2. Unpack the replacement part from the packaging.

**⚠ CAUTION:** If the replacement part is a roller or pad, avoid touching the spongy part of it. Skin oils on the roller or pad can cause paper pickup and/or print-quality problems. HP recommends using disposable gloves when handling rollers or pads or washing your hands or before touching rollers or pads.

**📋 IMPORTANT:** Make sure that all of the shipping materials (for example shipping tape) are removed from the replacement part prior to installation.

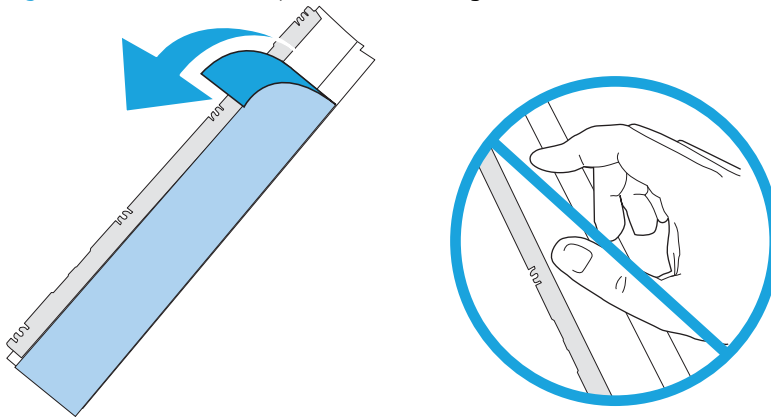


### Step 3: Install the sheet plate assembly

1. Remove the protective covering from the replacement sheet plate assembly.

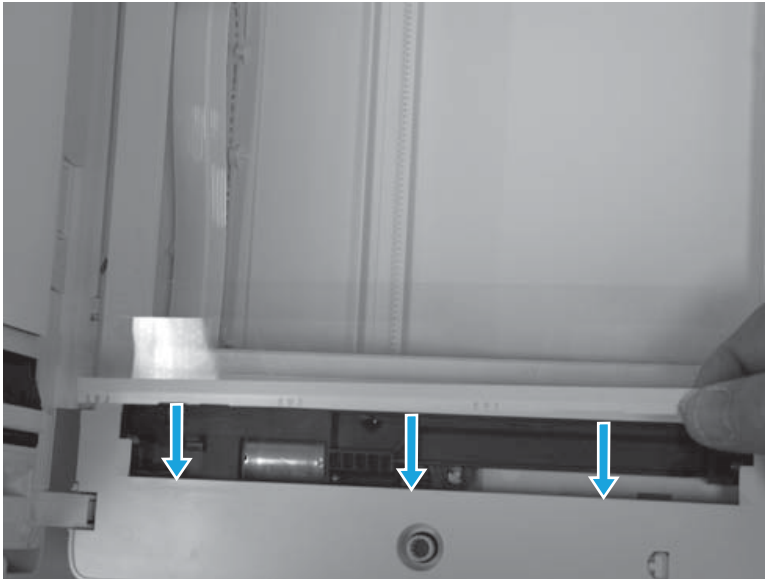
**⚠ CAUTION:** Do not touch the surface of the sheet plate assembly. Skin oils on the assembly might cause copy quality issues.

Figure 1-25 Remove the protective covering



2. Position the sheet plate assembly on the image scanner.

Figure 1-26 Install the sheet plate assembly



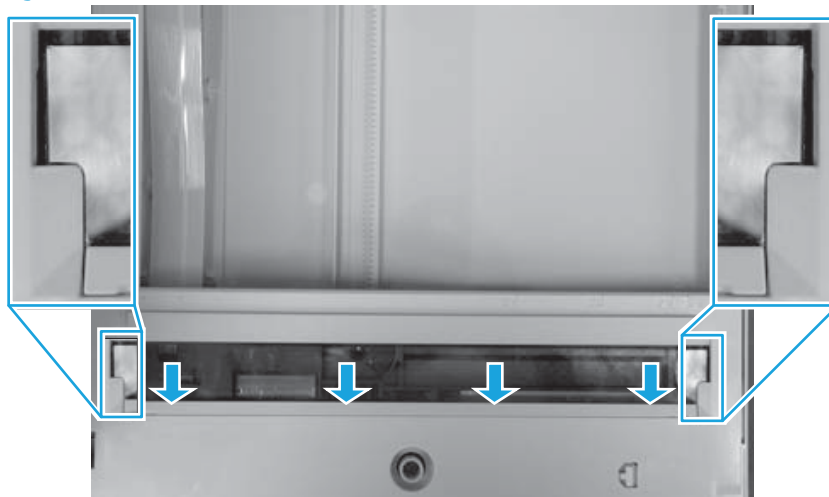
3. Push in along the plastic portion of the sheet plate assembly to engage four tabs.

---

**CAUTION:** Make sure that the ends of the sheet plate assembly are installed under the image scanner frame.

---

Figure 1-27 Engage the tabs



4. Close the document feeder.

Figure 1-28 Close the document feeder



## Field Replaceable Units (FRUs)

- [Removal and replacement: External panels, covers, and doors](#)
- [Removal and replacement: Document feeder and scanner](#)
- [Removal and replacement: Internal parts and assemblies](#)



## Removal and replacement: External panels, covers, and doors

- [Removal and replacement: Multipurpose cover](#)
- [Removal and replacement: Paper tray end guide](#)
- [Removal and replacement: Front feed guide](#)
- [Removal and replacement: Cable cover \(MFP\)](#)
- [Removal and replacement: Duplex door](#)
- [Removal and replacement: Left cover](#)
- [Removal and replacement: USB cover \(MFP\)](#)
- [Removal and replacement: Right cover](#)
- [Removal and replacement: Cartridge door](#)
- [Removal and replacement: Top front cover](#)
- [Removal and replacement: Front cover](#)
- [Removal and replacement: Top rear cover \(SFP\)](#)
- [Removal and replacement: Hinge assembly \(MFP\)](#)
- [Removal and replacement: Top cover \(MFP\)](#)
- [Removal and replacement: Control panel \(SFP\)](#)
- [Removal and replacement: Control panel \(M227fdw, M230fdw\)](#)
- [Removal and replacement: Control panel and frame adapter \(M227d/sdn/fdn, M230sdn\)](#)

## Removal and replacement: Multipurpose cover

- [Introduction](#)
- [Step 1: Remove the multipurpose cover](#)
- [Step 2: Unpack the replacement assembly](#)
- [Step 3: Install the multipurpose cover](#)


### Introduction

This document provides the procedures to remove and replace the multipurpose cover.

### Before performing service

#### Turn the printer power off

- Disconnect the power cable.

 **WARNING!** To avoid damage to the printer, turn the printer off, wait 30 seconds, and then remove the power cable before attempting to service the printer.

Use the table below to identify the correct part number for your printer. To order the part, go to [www.hp.com/buy/parts](http://www.hp.com/buy/parts).

---

Multipurpose cover part number
--------------------------------

RL2-5015-000CN
----------------

Multipurpose cover
--------------------

---

### Required tools

- No special tools are needed to remove or install this assembly.

### After performing service

#### Turn the printer power on

- Connect the power cable.
- Use the power switch to turn the power on.

### Post service test

There is no post service test for this assembly.

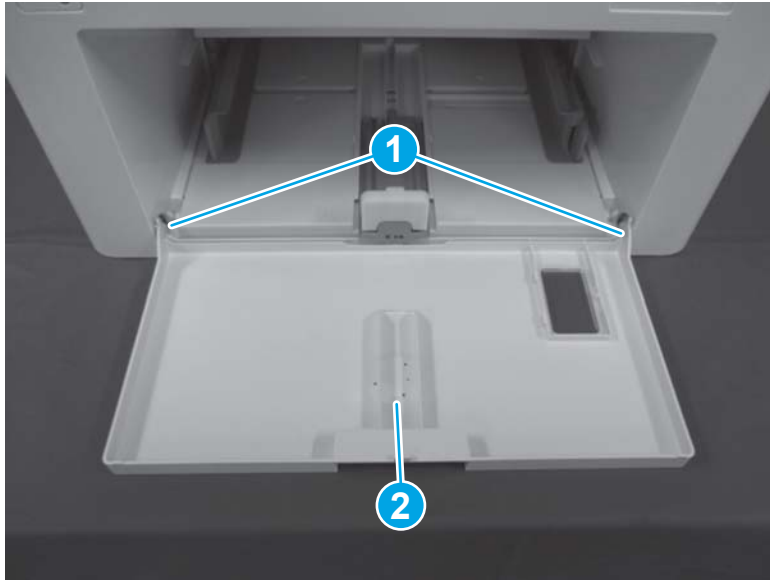
### Step 1: Remove the multipurpose cover

1. Open the multipurpose cover.

2. **SFP:** Release two bosses (callout 1), and then remove the cover (callout 2).

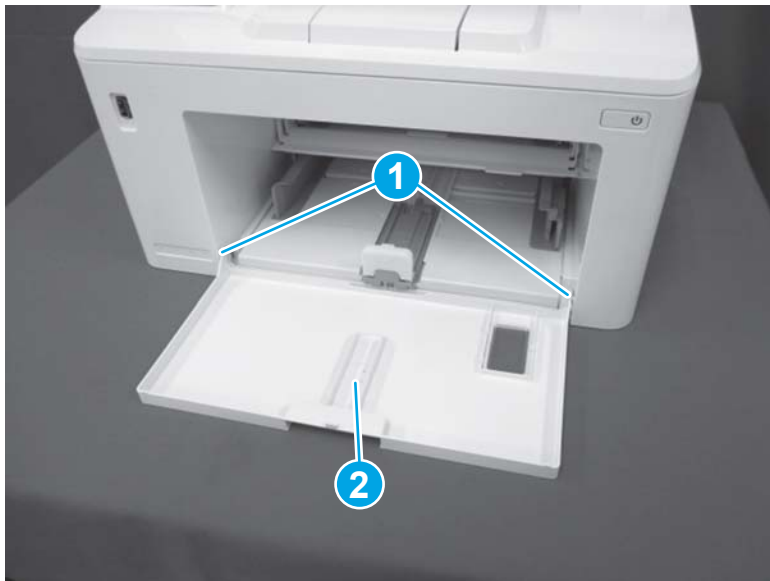
 **TIP:** It might be easier to remove the cover if the right boss is released first, and then lower the right-side of the cover to release the left-side boss.

**Figure 1-29** Remove the multipurpose cover (SFP)



3. **MFP:** Release two bosses (callout 1), and then remove the cover (callout 2).

**Figure 1-30** Remove the multipurpose cover (MFP)



## Step 2: Unpack the replacement assembly

1. Dispose of the defective part.

 **NOTE:** HP recommends responsible disposal of the defective part.

[www.hp.com/recycle](http://www.hp.com/recycle)



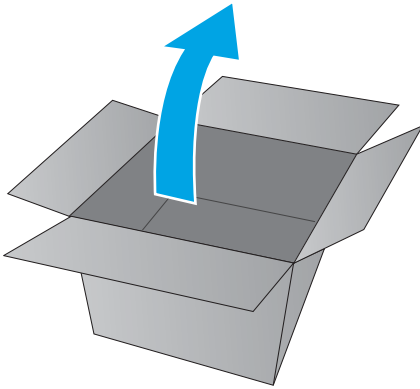
2. Unpack the replacement part from the packaging.

---

**⚠ CAUTION:** If the replacement part is a roller or pad, avoid touching the spongy part of it. Skin oils on the roller or pad can cause paper pickup and/or print-quality problems. HP recommends using disposable gloves when handling rollers or pads or washing your hands or before touching rollers or pads.

**📄 IMPORTANT:** Make sure that all of the shipping materials (for example shipping tape) are removed from the replacement part prior to installation.

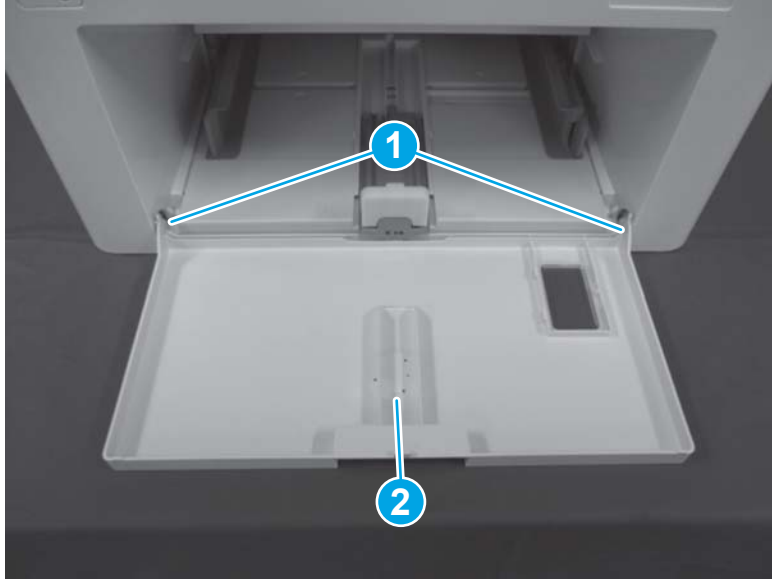
---



### Step 3: Install the multipurpose cover

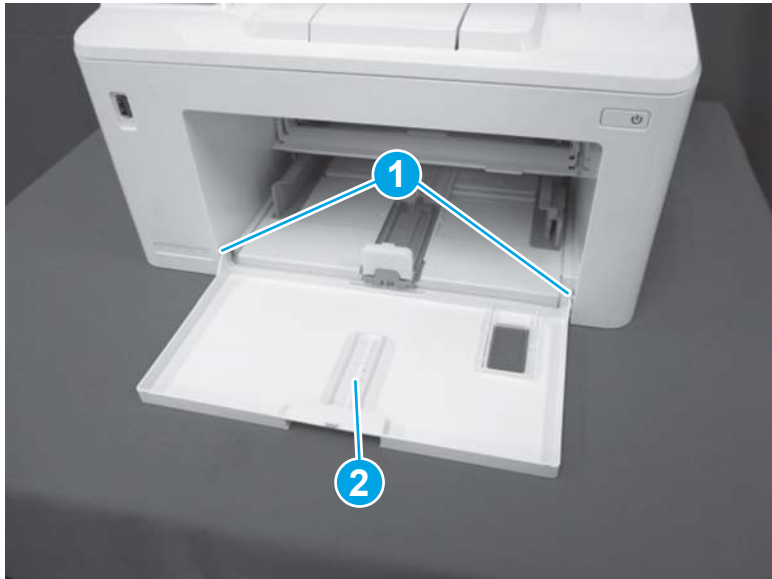
1. **SFP:** Engage two bosses (callout 1), to install the cover (callout 2).

Figure 1-31 Install the multipurpose cover (SFP)



2. MFP: Engage two bosses (callout 1) to install the cover (callout 2).

Figure 1-32 Install the multipurpose cover (MFP)



3. Close the multipurpose cover.

## Removal and replacement: Paper tray end guide

- [Introduction](#)
- [Step 1: Remove the paper tray end guide](#)
- [Step 2: Unpack the replacement assembly](#)
- [Step 3: Install the paper tray end guide](#)


### Introduction

This document provides the procedures to remove and replace the paper tray end guide.

### Before performing service

#### Turn the printer power off

- Disconnect the power cable.

 **WARNING!** To avoid damage to the printer, turn the printer off, wait 30 seconds, and then remove the power cable before attempting to service the printer.

Use the table below to identify the correct part number for your printer. To order the part, go to [www.hp.com/buy/parts](http://www.hp.com/buy/parts).

Paper tray end guide part number	
RL2-5016-000CN	Paper tray end guide

### Required tools

- Small flat-blade screwdriver

### After performing service

#### Turn the printer power on

- Connect the power cable.
- Use the power switch to turn the power on.

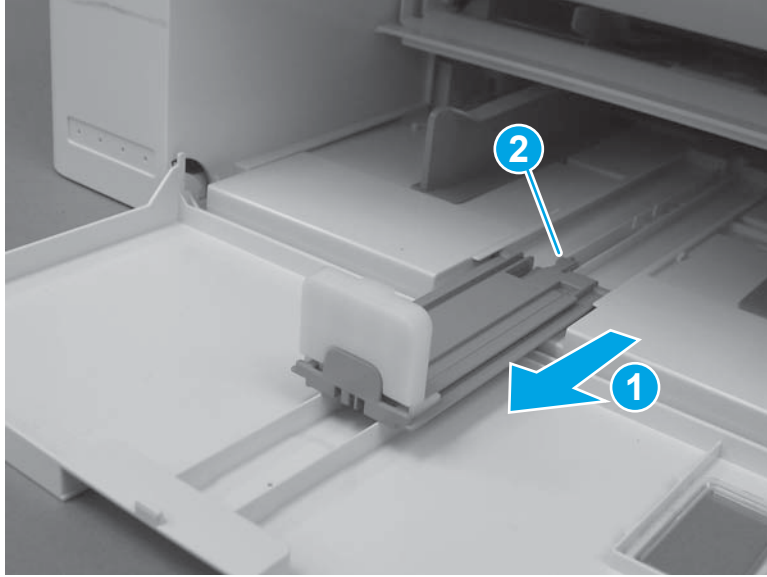
### Post service test

Slide the paper tray end guide away from and toward the printer to verify correct operation.

### Step 1: Remove the paper tray end guide


- ▲ Pull the paper tray end guide away from the printer until it stops (callout 1). Use a small flat-blade screwdriver to release one tab (callout 2), and then remove the paper tray end guide.

Figure 1-33 Remove the paper tray end guide



### Step 2: Unpack the replacement assembly

1. Dispose of the defective part.

 **NOTE:** HP recommends responsible disposal of the defective part.

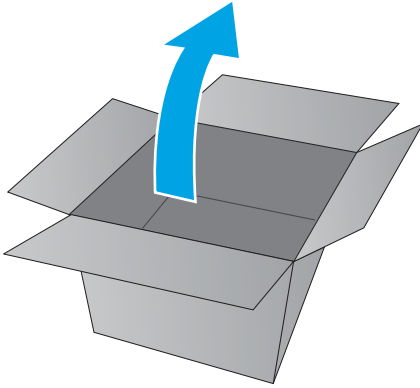
[www.hp.com/recycle](http://www.hp.com/recycle)



2. Unpack the replacement part from the packaging.

**⚠ CAUTION:** If the replacement part is a roller or pad, avoid touching the spongy part of it. Skin oils on the roller or pad can cause paper pickup and/or print-quality problems. HP recommends using disposable gloves when handling rollers or pads or washing your hands or before touching rollers or pads.

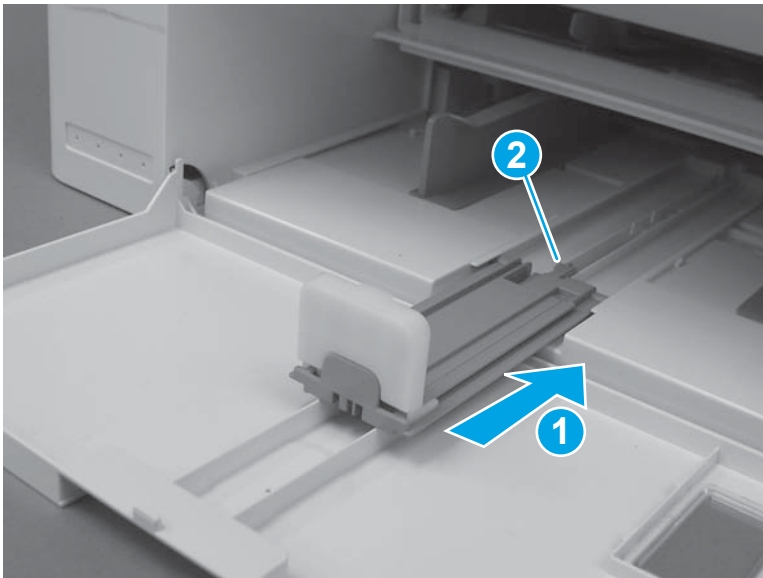
**📄 IMPORTANT:** Make sure that all of the shipping materials (for example shipping tape) are removed from the replacement part prior to installation.



### Step 3: Install the paper tray end guide

- ▲ Slide the paper tray end guide (callout 1) toward the printer until the tab (callout 2) snaps into place.

**Figure 1-34** Install the paper tray end guide





## Removal and replacement: Front feed guide

- [Introduction](#)
- [Step 1: Remove the front feed guide](#)
- [Step 2: Unpack the replacement assembly](#)
- [Step 3: Install the front feed guide](#)

### Introduction

This document provides the procedures to remove and replace the front feed guide.

### Before performing service

#### Turn the printer power off

- Disconnect the power cable.

**⚠ WARNING!** To avoid damage to the printer, turn the printer off, wait 30 seconds, and then remove the power cable before attempting to service the printer.

Use the table below to identify the correct part number for your printer. To order the part, go to [www.hp.com/buy/parts](http://www.hp.com/buy/parts).

Front feed guide part number
RC4-7985-000CN
Front feed guide

### Required tools

- No special tools are needed to remove or install this assembly.

### After performing service

#### Turn the printer power on

- Connect the power cable.
- Use the power switch to turn the power on.

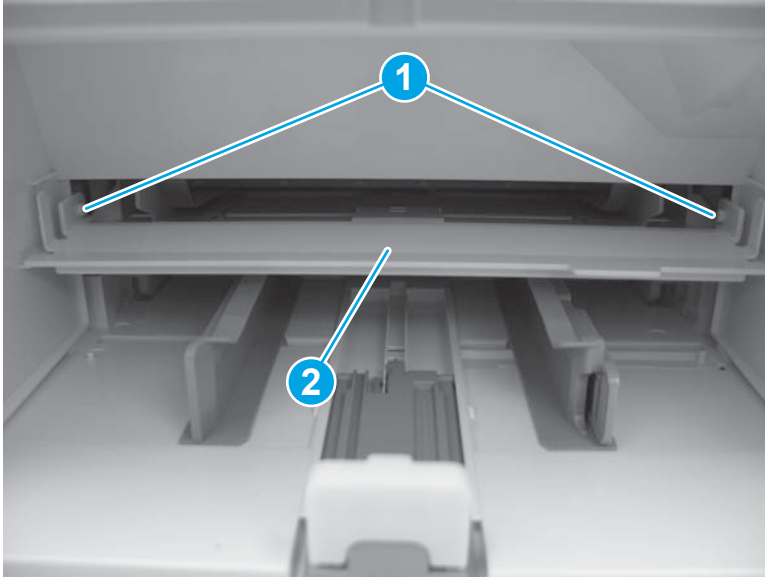
### Post service test

Raise and lower the front feed guide to verify it is correctly installed.

### Step 1: Remove the front feed guide


- ▲ Flex the front feed guide to release two hinge pins (callout 1), and then remove the front feed guide (callout 2).

Figure 1-35 Remove the front feed guide



### Step 2: Unpack the replacement assembly

1. Dispose of the defective part.

 **NOTE:** HP recommends responsible disposal of the defective part.

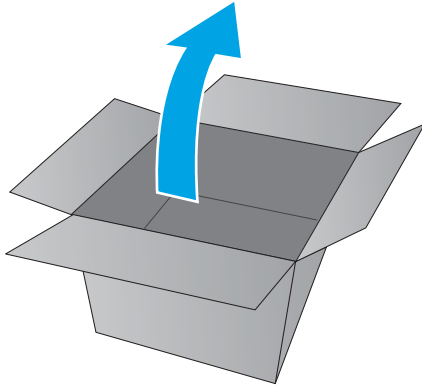
[www.hp.com/recycle](http://www.hp.com/recycle)



2. Unpack the replacement part from the packaging.

**⚠ CAUTION:** If the replacement part is a roller or pad, avoid touching the spongy part of it. Skin oils on the roller or pad can cause paper pickup and/or print-quality problems. HP recommends using disposable gloves when handling rollers or pads or washing your hands or before touching rollers or pads.

**📝 IMPORTANT:** Make sure that all of the shipping materials (for example shipping tape) are removed from the replacement part prior to installation.

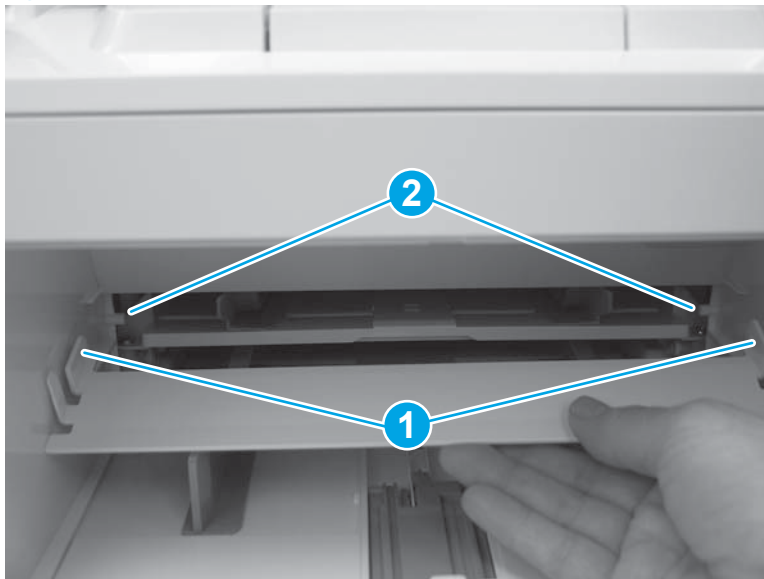


### Step 3: Install the front feed guide


- ▲ Flex the front feed guide to position the slots (callout 1) in the guide over the hinge pins (callout 2) in the front cover.

**📝 NOTE:** Make sure that the guide is fully positioned over the hinge pins.

Figure 1-36 Install the front feed guide



## Removal and replacement: Cable cover (MFP)

 **NOTE:** The figures in the procedure show a 4-in-1 scanner assembly printer. However, the procedure is also correct for 3-in-1 scanner assembly printers.

- [Introduction](#)
- [Step 1: Remove the cable cover \(MFP\)](#)
- [Step 2: Unpack the replacement assembly](#)
- [Step 3: Install the cable cover \(MFP\)](#)


### Introduction

This document provides the procedures to remove and replace the cable cover (MFP).

### Before performing service

#### Turn the printer power off

- Disconnect the power cable.

 **WARNING!** To avoid damage to the printer, turn the printer off, wait 30 seconds, and then remove the power cable before attempting to service the printer.

Use the table below to identify the correct part number for your printer. To order the part, go to [www.hp.com/buy/parts](http://www.hp.com/buy/parts).

Cable cover (MFP) part number	
RCS-0436-000CN	Cable cover (MFP)

### Required tools

- #2 Phillips screwdriver with a magnetic tip.
- Small flat-blade screwdriver

### After performing service

#### Turn the printer power on

- Connect the power cable.
- Use the power switch to turn the power on.

### Post service test

There is no post service test for this assembly.

### Step 1: Remove the cable cover (MFP)

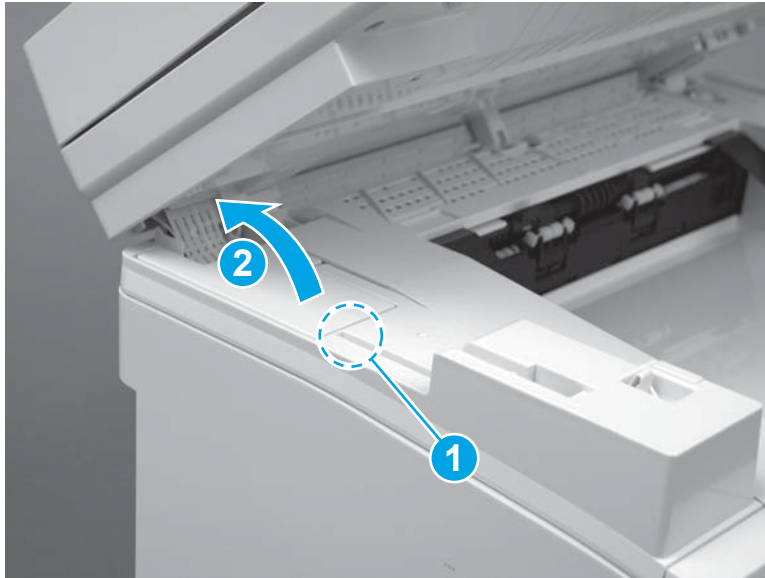
1. Open the scanner assembly.

Figure 1-37 Open the scanner assembly



2. Use a small flat-blade screw driver to release one tab (callout 1), and then remove the cable cover (callout 2).

Figure 1-38 Remove the cable cover (MFP)



### Step 2: Unpack the replacement assembly

1. Dispose of the defective part.

 **NOTE:** HP recommends responsible disposal of the defective part.

[www.hp.com/recycle](http://www.hp.com/recycle)



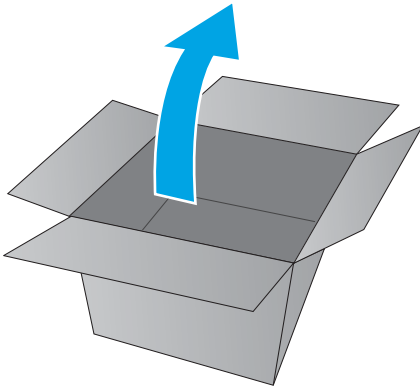
2. Unpack the replacement part from the packaging.

---

**⚠ CAUTION:** If the replacement part is a roller or pad, avoid touching the spongy part of it. Skin oils on the roller or pad can cause paper pickup and/or print-quality problems. HP recommends using disposable gloves when handling rollers or pads or washing your hands or before touching rollers or pads.

**📄 IMPORTANT:** Make sure that all of the shipping materials (for example shipping tape) are removed from the replacement part prior to installation.

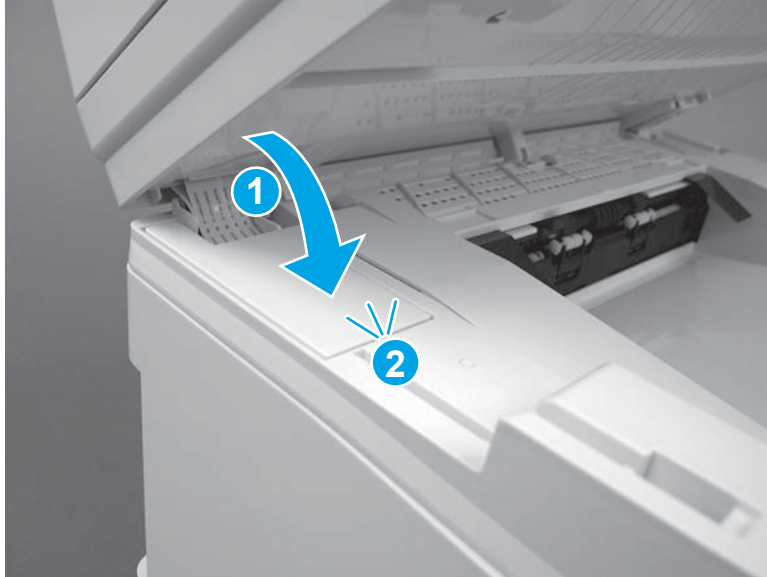
---



### Step 3: Install the cable cover (MFP)

1. Install the cable cover (callout 1), on the printer, and then push down to engage one tab (callout 2).

Figure 1-39 Install the cable cover (MFP)



2. Close the scanner assembly.

Figure 1-40 Close the scanner assembly



## Removal and replacement: Duplex door

- [Introduction](#)
- [Step 1: Remove the duplex door](#)
- [Step 2: Unpack the replacement assembly](#)
- [Step 3: Install the duplex door](#)


### Introduction

This document provides the procedures to remove and replace the duplex door.

### Before performing service

#### Turn the printer power off

- Disconnect the power cable.

 **WARNING!** To avoid damage to the printer, turn the printer off, wait 30 seconds, and then remove the power cable before attempting to service the printer.

Use the table below to identify the correct part number for your printer. To order the part, go to [www.hp.com/buy/parts](http://www.hp.com/buy/parts).

Duplex door part number	
RM2-0809-000CN	Duplex door

### Required tools

- Small flat-blade screwdriver

### After performing service

#### Turn the printer power on

- Connect the power cable.
- Use the power switch to turn the power on.

### Post service test

Process a duplex print job and verify that the pages print correctly.

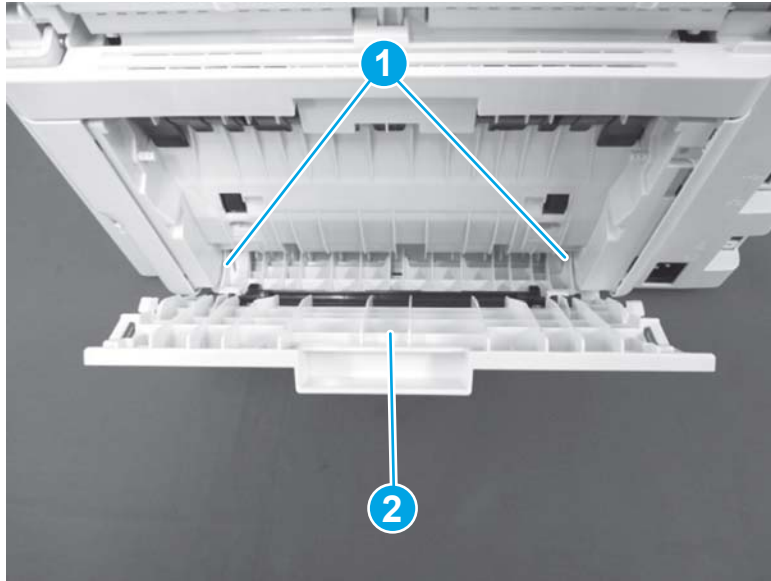
### Step 1: Remove the duplex door

1. Open the duplex door.



2. Use a small flat-blade screwdriver to release two tabs (callout 1), and then remove the duplex door (callout 2).

Figure 1-41 Remove the duplex door



### Step 2: Unpack the replacement assembly

1. Dispose of the defective part.

 **NOTE:** HP recommends responsible disposal of the defective part.

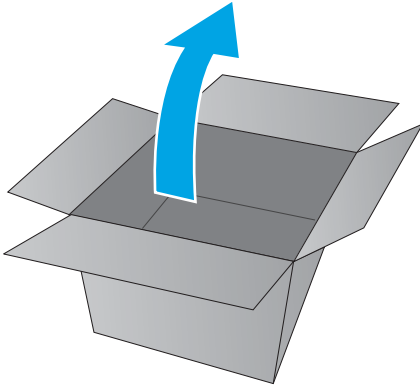
[www.hp.com/recycle](http://www.hp.com/recycle)



2. Unpack the replacement part from the packaging.

**⚠ CAUTION:** If the replacement part is a roller or pad, avoid touching the spongy part of it. Skin oils on the roller or pad can cause paper pickup and/or print-quality problems. HP recommends using disposable gloves when handling rollers or pads or washing your hands or before touching rollers or pads.

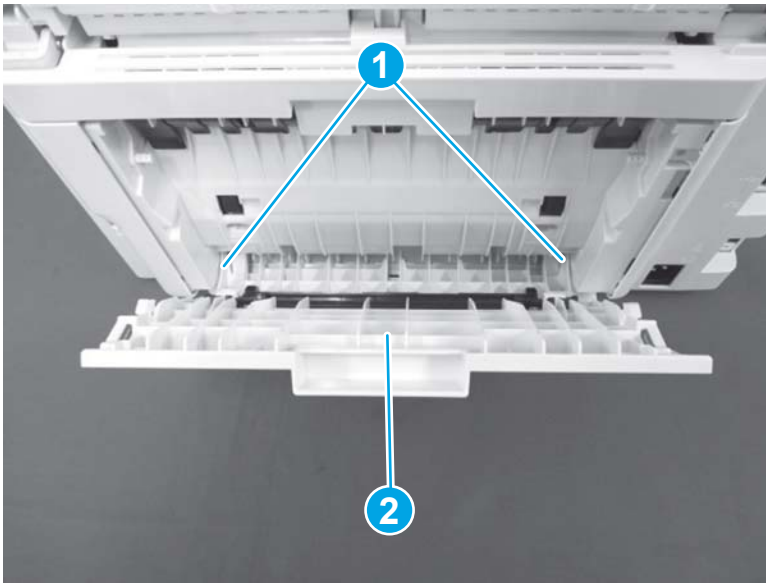
**📄 IMPORTANT:** Make sure that all of the shipping materials (for example shipping tape) are removed from the replacement part prior to installation.



### Step 3: Install the duplex door

1. Install two tabs (callout 1) to install the duplex door (callout 2).

Figure 1-42 Install the duplex door



2. Close the duplex door.

## Removal and replacement: Left cover

- [Introduction](#)
- [Step 1: Remove the duplex door](#)
- [Step 2: Remove the left cover](#)
- [Step 3: Unpack the replacement assembly](#)
- [Step 4: Install the left cover](#)
- [Step 5: Install the duplex door](#)

### Introduction

This document provides the procedures to remove and replace the left cover.

### Before performing service

#### Turn the printer power off

- Disconnect the power cable.

---

**⚠ WARNING!** To avoid damage to the printer, turn the printer off, wait 30 seconds, and then remove the power cable before attempting to service the printer.

---

Use the table below to identify the correct part number for your printer. To order the part, go to [www.hp.com/buy/parts](http://www.hp.com/buy/parts).

---

Left cover part numbers	
RL2-2925-000CN	Left cover (SFP)
RC4-8070-000CN	Left cover (MFP)

---

### Required tools

- #2 Phillips screwdriver with a magnetic tip.

### After performing service

#### Turn the printer power on

- Connect the power cable.
- Use the power switch to turn the power on.

### Post service test

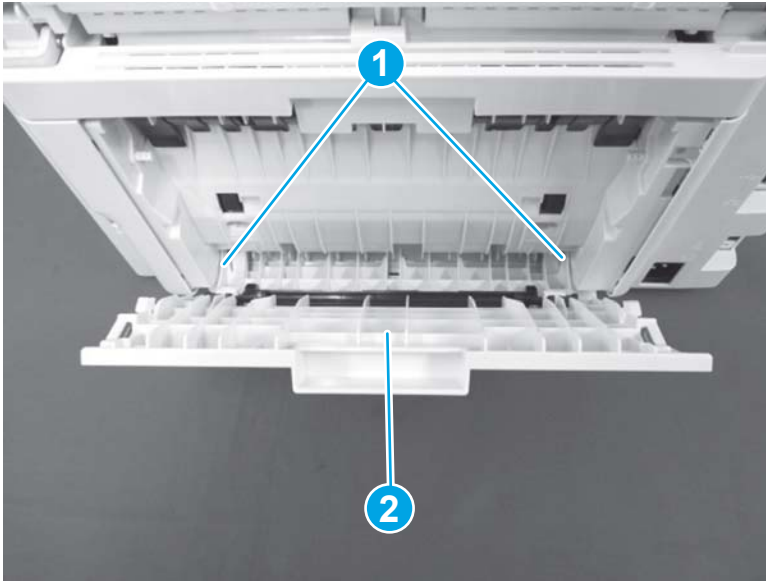
There are no post service test for this assembly.

### Step 1: Remove the duplex door

1. Open the duplex door.

2. Use a small flat-blade screwdriver to release two tabs (callout 1), and then remove the duplex door (callout 2).

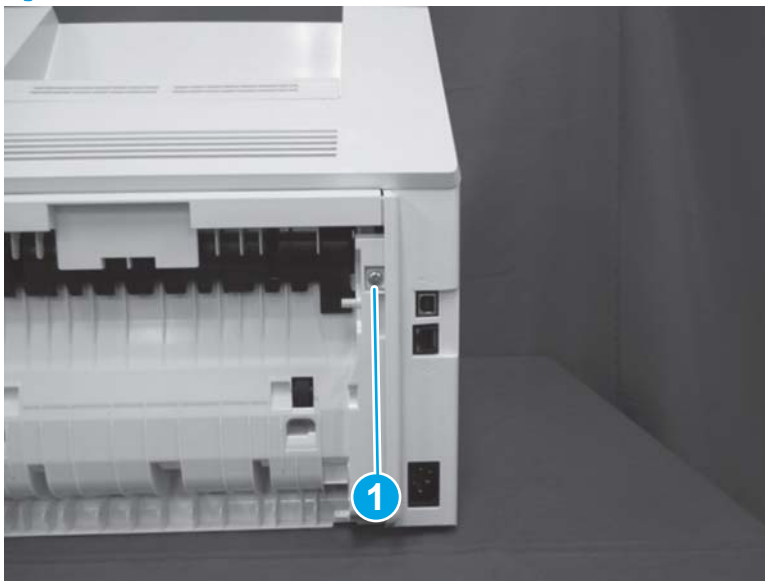
**Figure 1-43** Remove the duplex door



#### Step 2: Remove the left cover

1. **SFP:** Do the following.
  - a. Remove one screw (callout 1).

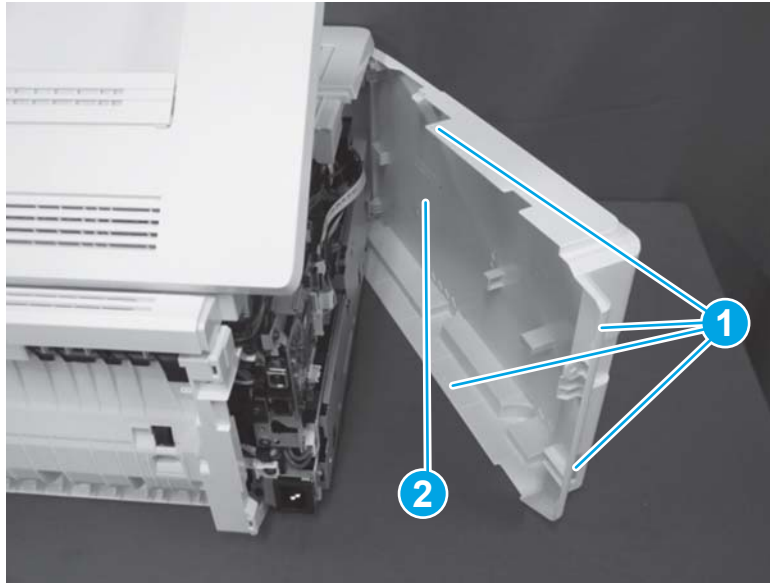
**Figure 1-44** Remove one screw (SFP)



- b. Open the cartridge door.

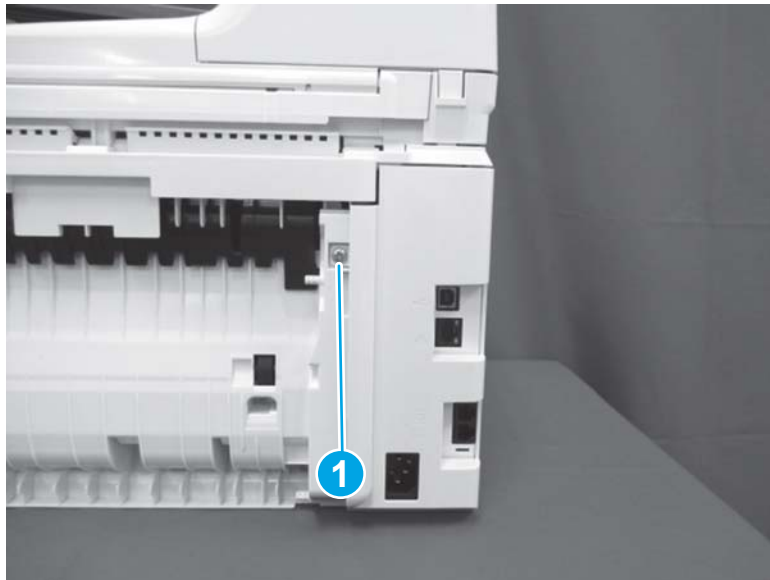
- c. Release four tabs (callout 1), and then remove the left cover (callout 2).

Figure 1-45 Remove the left cover (SFP)



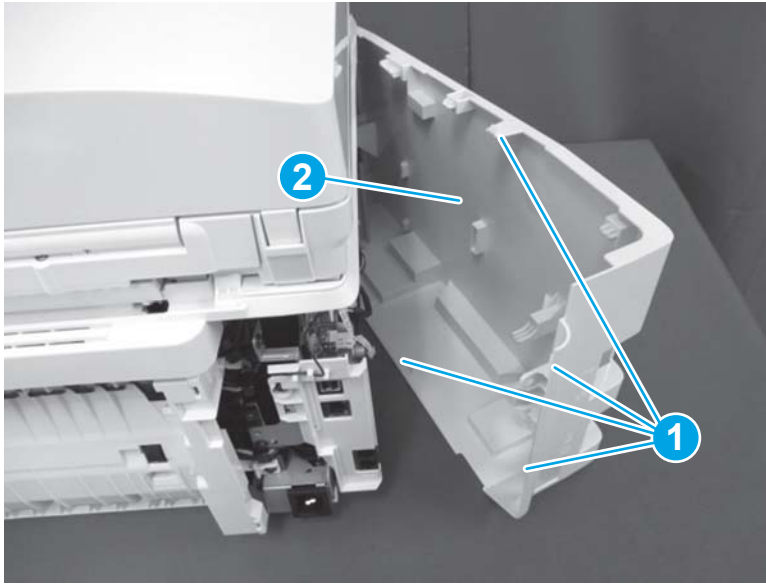
- 2. MFP: Do the following.
  - a. Remove one screw (callout 1).

Figure 1-46 Remove one screw (MFP)




- b. Release four tabs (callout 1), and then remove the left cover (callout 2).

Figure 1-47 Remove the left cover (MFP)



### Step 3: Unpack the replacement assembly

1. Dispose of the defective part.

 **NOTE:** HP recommends responsible disposal of the defective part.

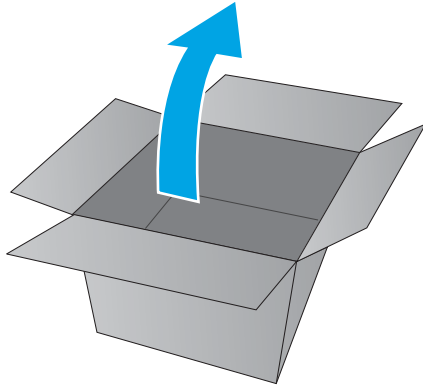
[www.hp.com/recycle](http://www.hp.com/recycle)



2. Unpack the replacement part from the packaging.

**⚠ CAUTION:** If the replacement part is a roller or pad, avoid touching the spongy part of it. Skin oils on the roller or pad can cause paper pickup and/or print-quality problems. HP recommends using disposable gloves when handling rollers or pads or washing your hands or before touching rollers or pads.

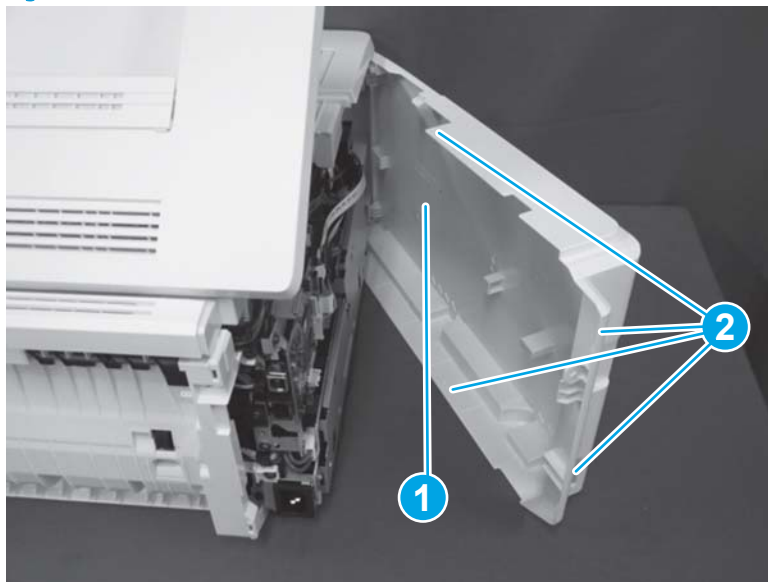
**📋 IMPORTANT:** Make sure that all of the shipping materials (for example shipping tape) are removed from the replacement part prior to installation.



#### Step 4: Install the left cover

1. **SFP:** Do the following.
  - a. Open the cartridge door.
  - b. Position the left cover (callout 1) on the printer, and then engage four tabs (callout 2).

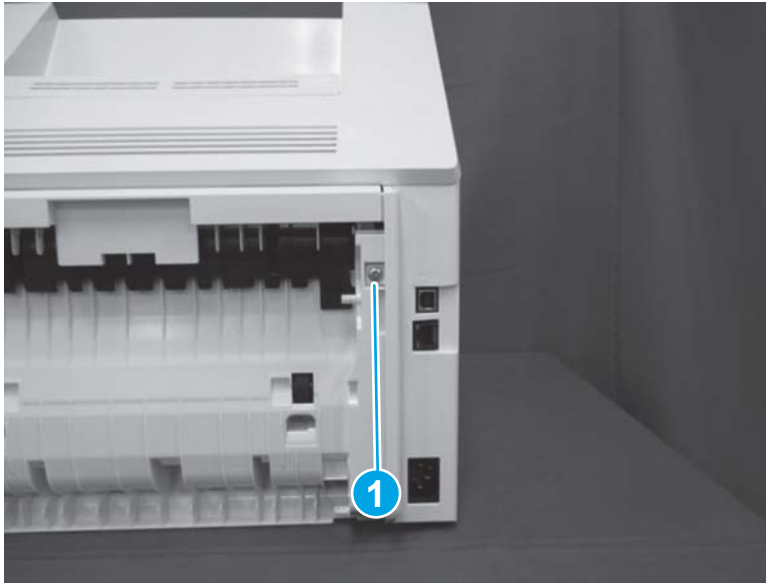
**Figure 1-48** Install the left cover (SFP)



- c. Close the cartridge door.

- d. Install one screw (callout 1).

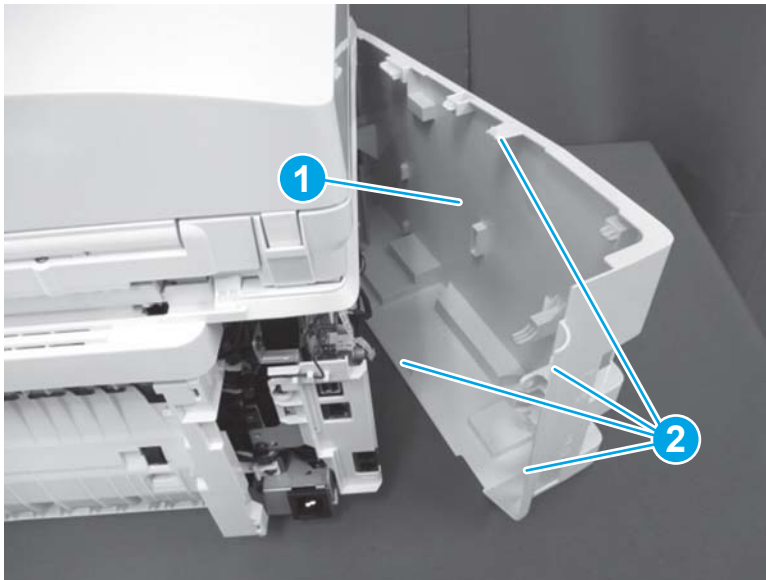
Figure 1-49 Install one screw (SFP)



- 2. MFP: Do the following.

- a. Position the left cover (callout 1) on the printer, and then engage four tabs (callout 2).

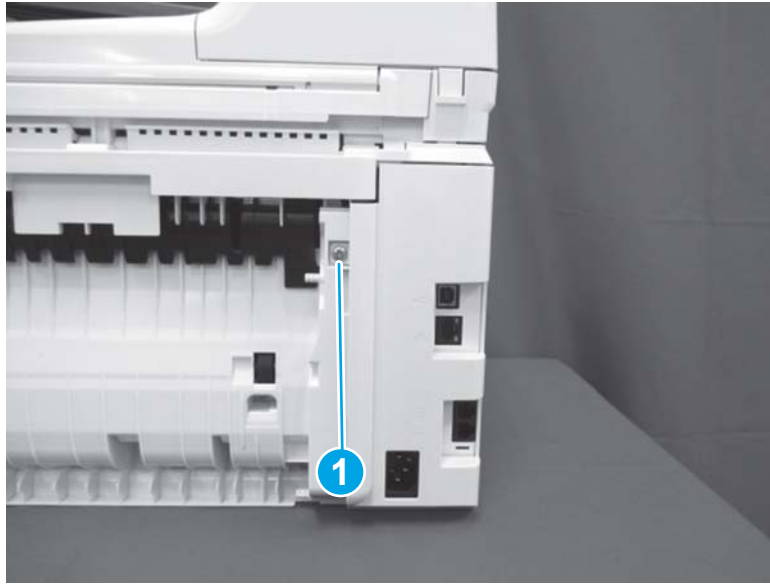
Figure 1-50 Install the left cover (MFP)





- b. Install one screw (callout 1).

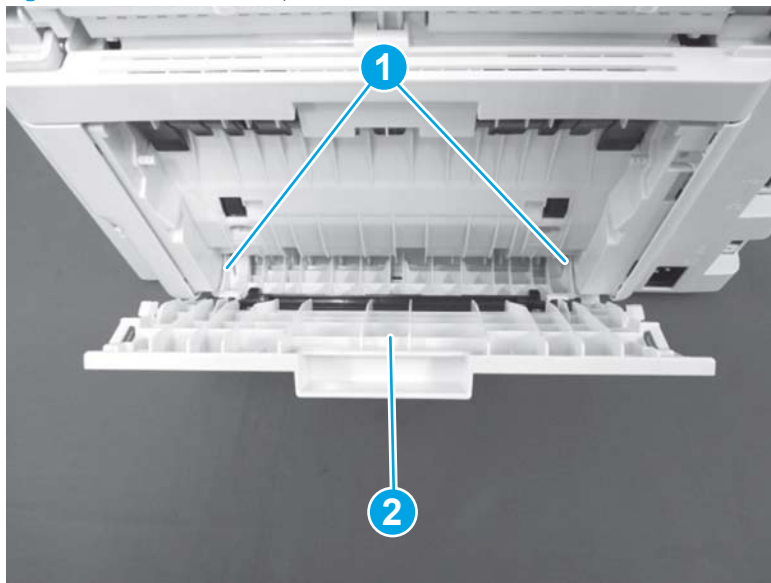
**Figure 1-51** Install one screw (MFP)



#### Step 5: Install the duplex door

1. Install two tabs (callout 1) to install the duplex door (callout 2).

**Figure 1-52** Install the duplex door



2. Close the duplex door.

## Removal and replacement: USB cover (MFP)

- [Introduction](#)
- [Step 1: Remove the duplex door](#)
- [Step 2: Remove the left cover](#)
- [Step 3: Remove the USB cover](#)
- [Step 4: Unpack the replacement assembly](#)
- [Step 5: Install the USB cover](#)
- [Step 6: Install the left cover](#)
- [Step 7: Install the duplex door](#)


### Introduction

This document provides the procedures to remove and replace the USB cover (MFP).

### Before performing service

#### Turn the printer power off

- Disconnect the power cable.

 **WARNING!** To avoid damage to the printer, turn the printer off, wait 30 seconds, and then remove the power cable before attempting to service the printer.

Use the table below to identify the correct part number for your printer. To order the part, go to [www.hp.com/buy/parts](http://www.hp.com/buy/parts).

USB cover (MFP) part numbers	
RC4-8021-000CN	USB cover (MFP) USB models
RC4-8020-000CN	USB cover (MFP) USB/LAN models
RC4-8019-000CN	USB cover (MFP) USB/LAN/FAX models

### Required tools

- #2 Phillips screwdriver with a magnetic tip.

### After performing service

#### Turn the printer power on

- Connect the power cable.
- Use the power switch to turn the power on.

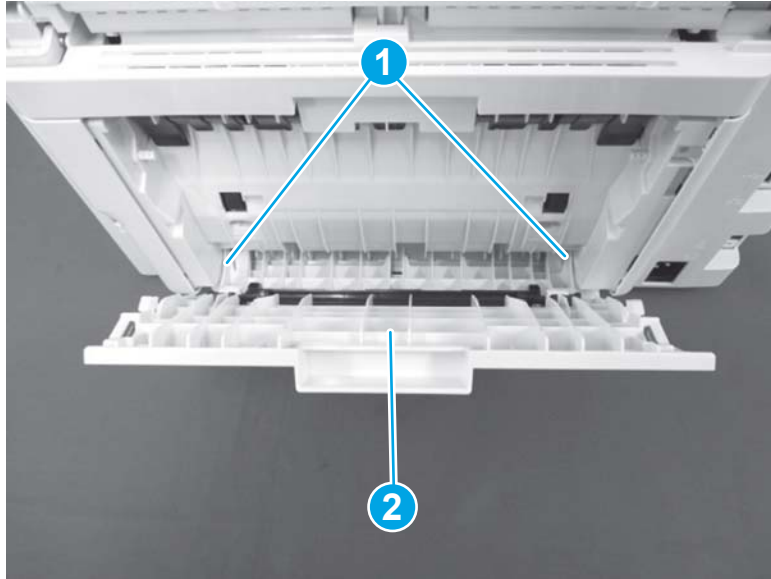
### Post service test

There are no post service tests for this assembly.

### Step 1: Remove the duplex door

1. Open the duplex door.
2. Use a small flat-blade screwdriver to release two tabs (callout 1), and then remove the duplex door (callout 2).

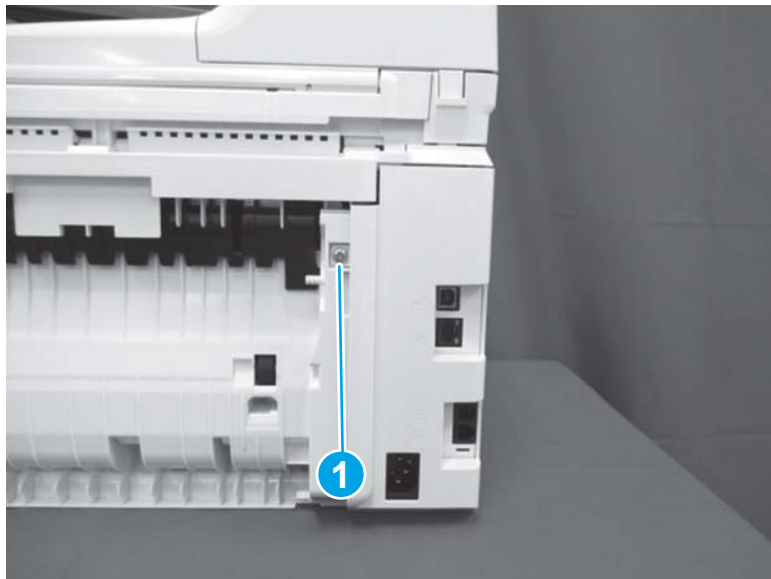
Figure 1-53 Remove the duplex door



### Step 2: Remove the left cover

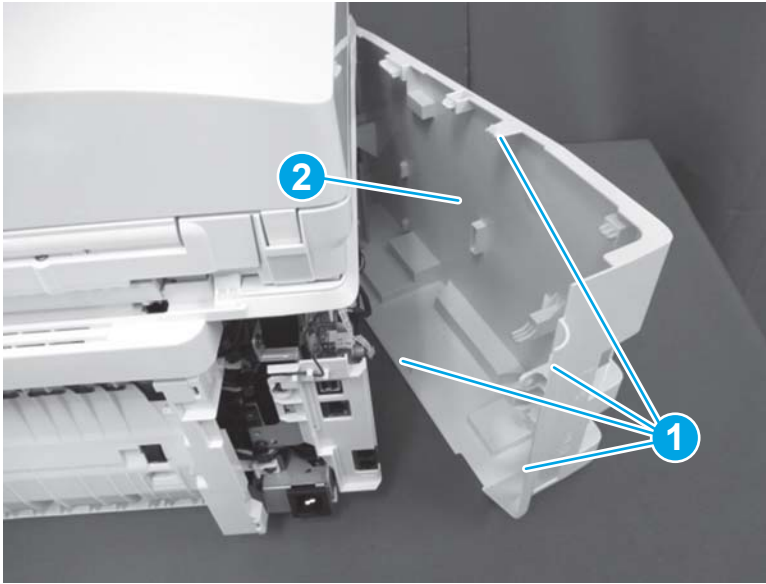
1. Remove one screw (callout 1).

Figure 1-54 Remove one screw (MFP)



2. Release four tabs (callout 1), and then remove the left cover (callout 2).

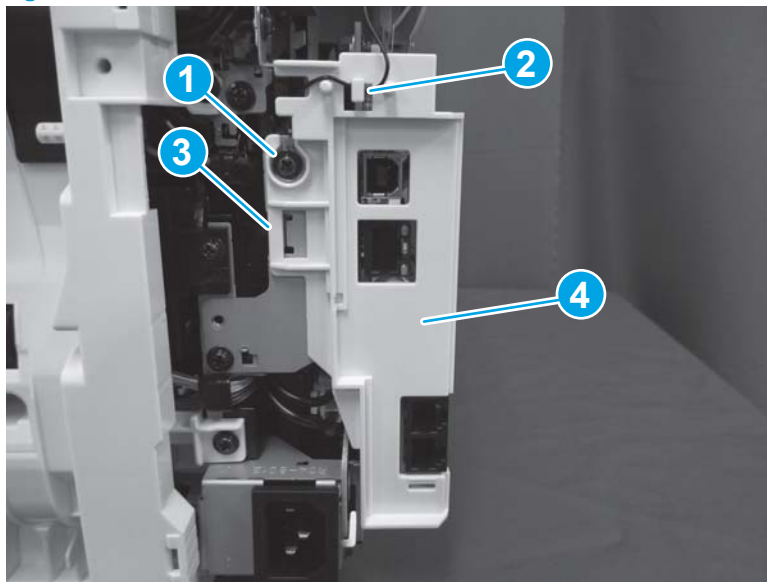
Figure 1-55 Remove the left cover (MFP)



### Step 3: Remove the USB cover

- ▲ Do the following:
  - a. **4-in-1 scanner assembly models only:** Remove one screw (callout 1), and then release one wire harness from the guide (callout 2).
  - b. Release one tab (callout 3), and then remove the USB cover (callout 4).


Figure 1-56 Remove the USB cover (MFP)



### Step 4: Unpack the replacement assembly

1. Dispose of the defective part.

---

 **NOTE:** HP recommends responsible disposal of the defective part.


[www.hp.com/recycle](http://www.hp.com/recycle)


---



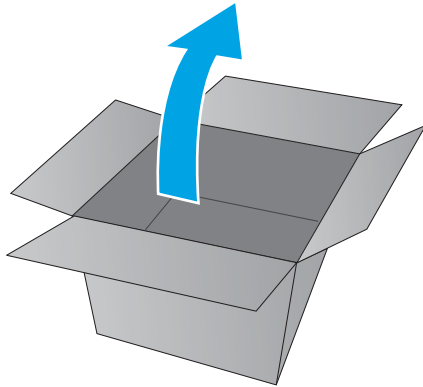
2. Unpack the replacement part from the packaging.

---

 **CAUTION:** If the replacement part is a roller or pad, avoid touching the spongy part of it. Skin oils on the roller or pad can cause paper pickup and/or print-quality problems. HP recommends using disposable gloves when handling rollers or pads or washing your hands or before touching rollers or pads.

 **IMPORTANT:** Make sure that all of the shipping materials (for example shipping tape) are removed from the replacement part prior to installation.

---



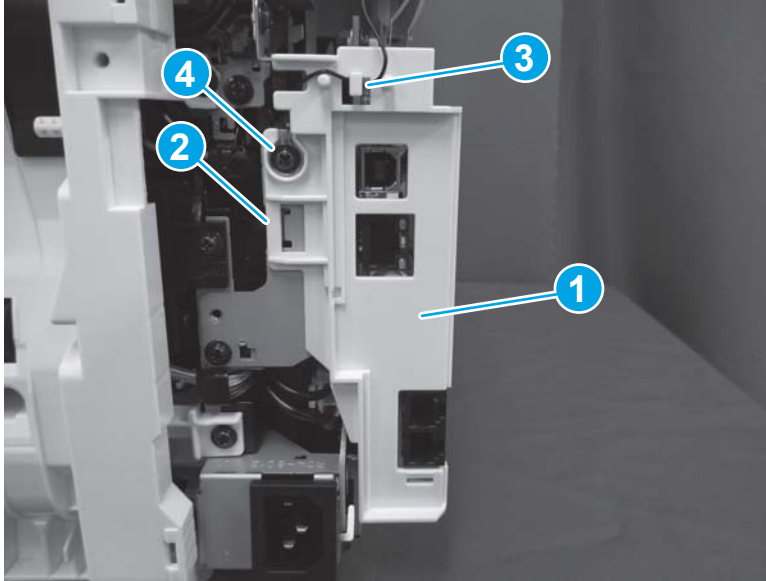
### Step 5: Install the USB cover

▲ Do the following:

- Position the USB cover (callout 1) on the printer, and then make sure that one tab (callout 2) is engaged.

- **4-in-1 scanner assembly models only:** Install one wire harness in the guide (callout 3), and then install one screw (callout 4).

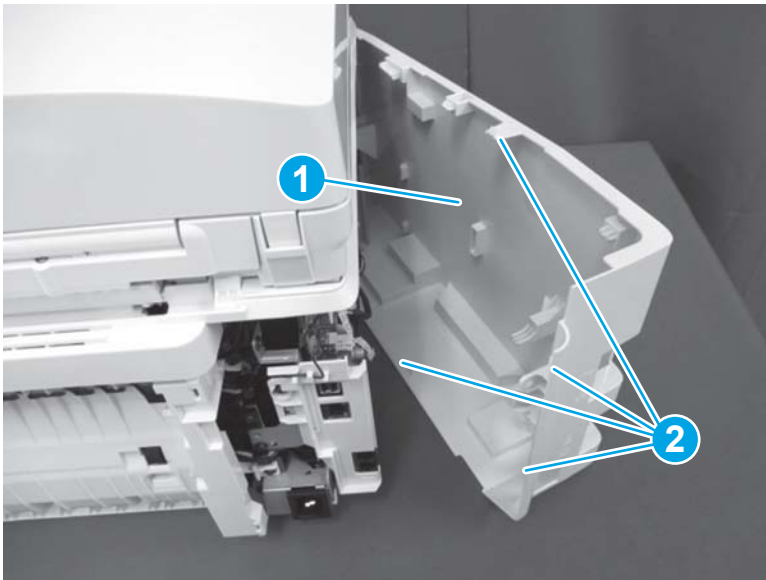
Figure 1-57 Install the USB cover (MFP)



#### Step 6: Install the left cover

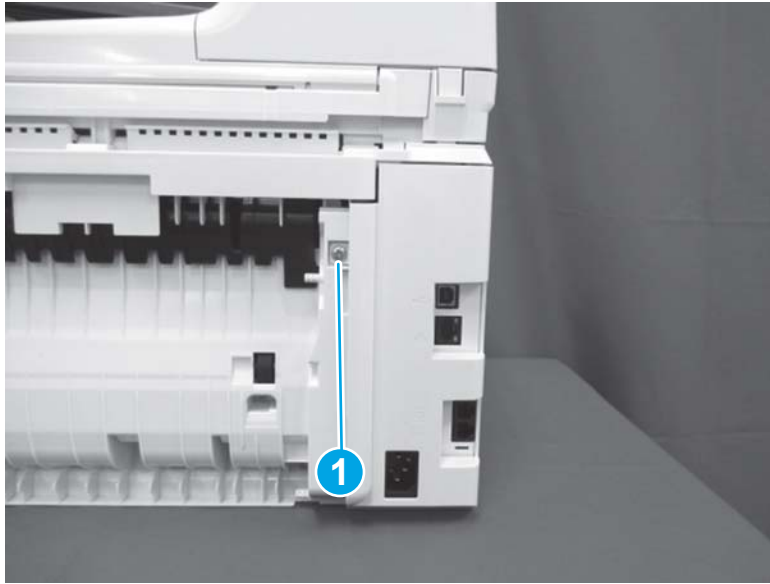
1. Position the left cover (callout 1) on the printer, and then engage four tabs (callout 2).

Figure 1-58 Install the left cover (MFP)



2. Install one screw (callout 1).

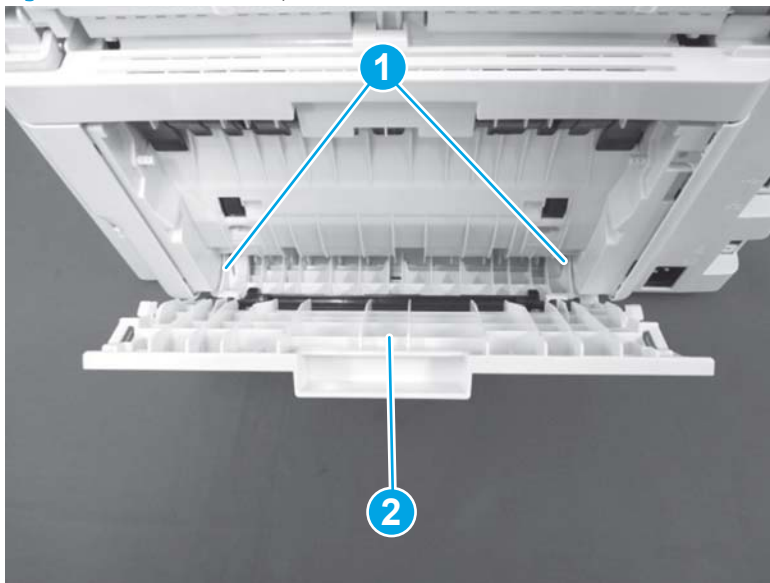
Figure 1-59 Install one screw (MFP)



#### Step 7: Install the duplex door

1. Install two tabs (callout 1) to install the duplex door (callout 2).

Figure 1-60 Install the duplex door



2. Close the duplex door.

## Removal and replacement: Right cover

- [Introduction](#)
- [Step 1: Remove the duplex door](#)
- [Step 2: Remove the left cover \(MFP\)](#)
- [Step 3: Remove the cable cover \(MFP\)](#)
- [Step 4: Remove the 3-in-1 or 4-in-1 scanner assembly \(MFP\)](#)
- [Step 5: Remove the right cover](#)
- [Step 6: Unpack the replacement assembly](#)
- [Step 7: Install the right cover](#)
- [Step 8: Install the 3-in-1 or 4-in-1 scanner assembly \(MFP\)](#)
- [Step 9: Install the cable cover \(MFP\)](#)
- [Step 10: Install the left cover \(MFP\)](#)
- [Step 11: Install the duplex door](#)


### Introduction

This document provides the procedures to remove and replace the right cover.

### Before performing service

#### Turn the printer power off

- Disconnect the power cable.

 **WARNING!** To avoid damage to the printer, turn the printer off, wait 30 seconds, and then remove the power cable before attempting to service the printer.

Use the table below to identify the correct part number for your printer. To order the part, go to [www.hp.com/buy/parts](http://www.hp.com/buy/parts).

---

#### Right cover part numbers

---

RC4-8058-000CN	Right cover (SFP)
RC4-8067-000CN	Right cover (MFP)

---

### Required tools

- #2 Phillips screwdriver with a magnetic tip.



## After performing service

### Turn the printer power on

- Connect the power cable.
- Use the power switch to turn the power on.

### Post service test

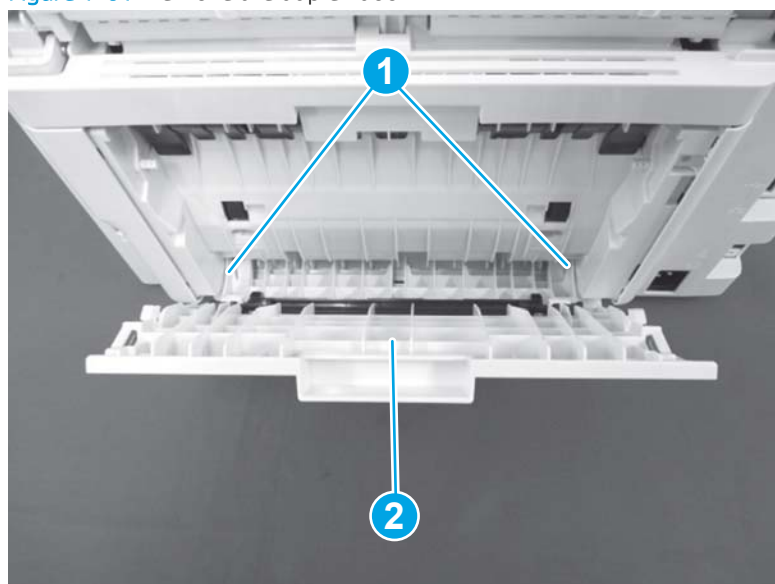
Make sure that the printer initializes to a **Ready** state.

**MFP only:** Verify that the document feeder and the flatbed scanner are correctly functioning (copy a page).

### Step 1: Remove the duplex door

1. Open the duplex door.
2. Use a small flat-blade screwdriver to release two tabs (callout 1), and then remove the duplex door (callout 2).

Figure 1-61 Remove the duplex door

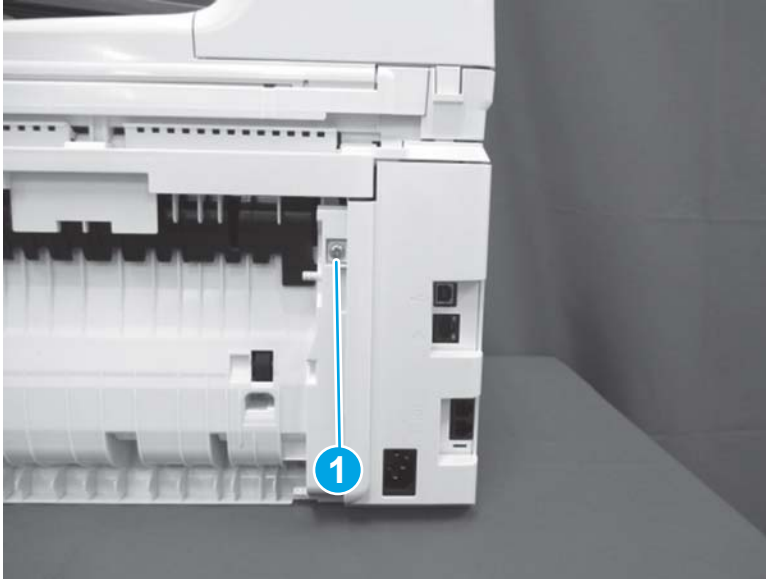


### Step 2: Remove the left cover (MFP)

 **NOTE:** This step is for the MFP printers. For the SFP printers, skip this step and go to [Step 5: Remove the right cover on page 72](#).

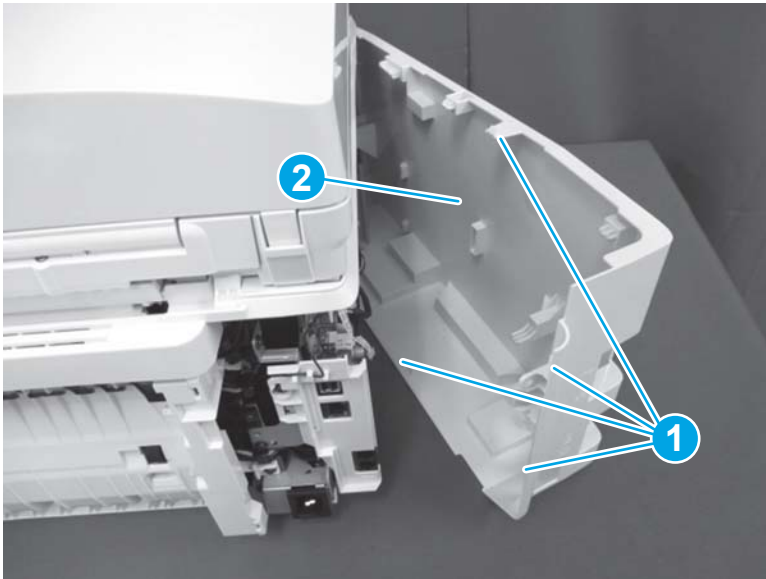
1. Remove one screw (callout 1).

Figure 1-62 Remove one screw (MFP)



2. Release four tabs (callout 1), and then remove the left cover (callout 2).

Figure 1-63 Remove the left cover (MFP)



### Step 3: Remove the cable cover (MFP)

 **NOTE:** This step is for the MFP printers. For the SFP printers, skip this step and go to [Step 5: Remove the right cover on page 72](#).

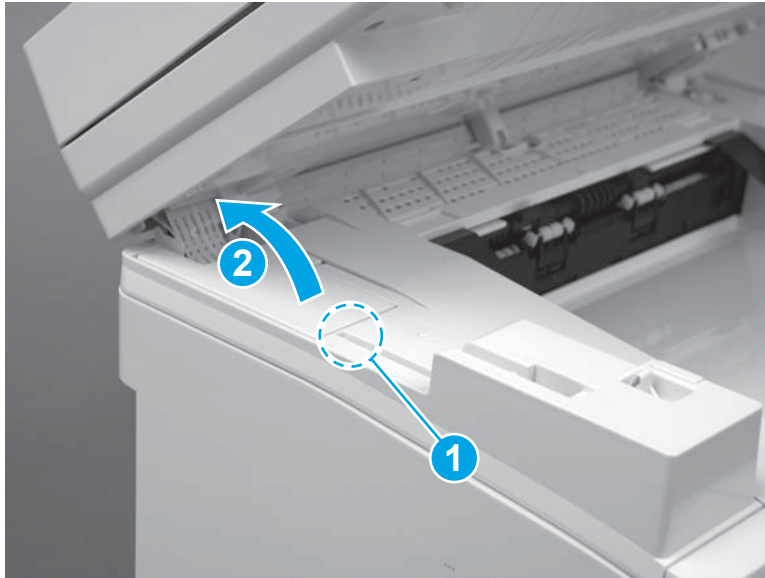
1. Open the scanner assembly.

Figure 1-64 Open the scanner assembly



2. Use a small flat-blade screw driver to release one tab (callout 1), and then remove the cable cover (callout 2).

Figure 1-65 Remove the cable cover (MFP)




#### Step 4: Remove the 3-in-1 or 4-in-1 scanner assembly (MFP)

---

 **NOTE:** This step is for the MFP printers. For the SFP printers, skip this step and go to [Step 5: Remove the right cover on page 72](#).

---

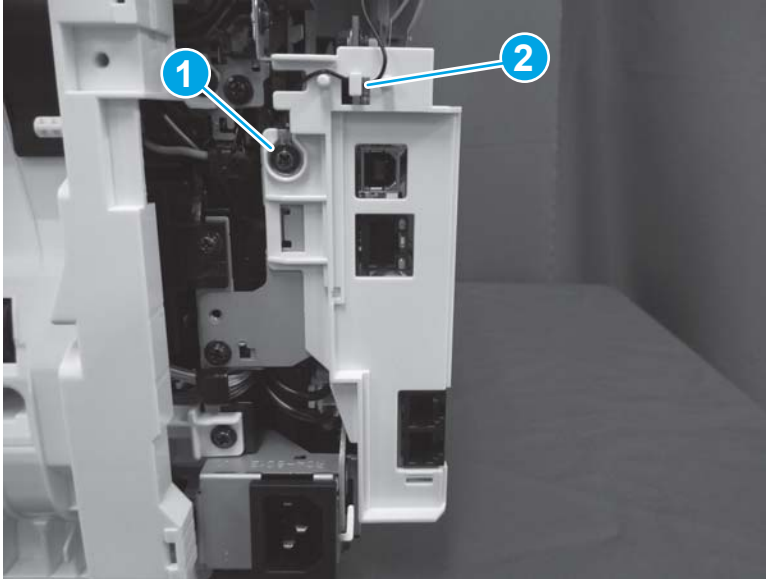
 **NOTE:** The 4-in-1 scanner assembly supports the document feeder. The 3-in-1 scanner assembly does not support the document feeder.

The figures in this procedure show a 4-in-1 printer. However, the procedure is correct for 3-in-1 printers.

---

1. **4-in-1 models only:** Remove one screw (callout 1), and then release the ground wire from the retainer (callout 2).

Figure 1-66 Release the ground wire (4-in-1 models)

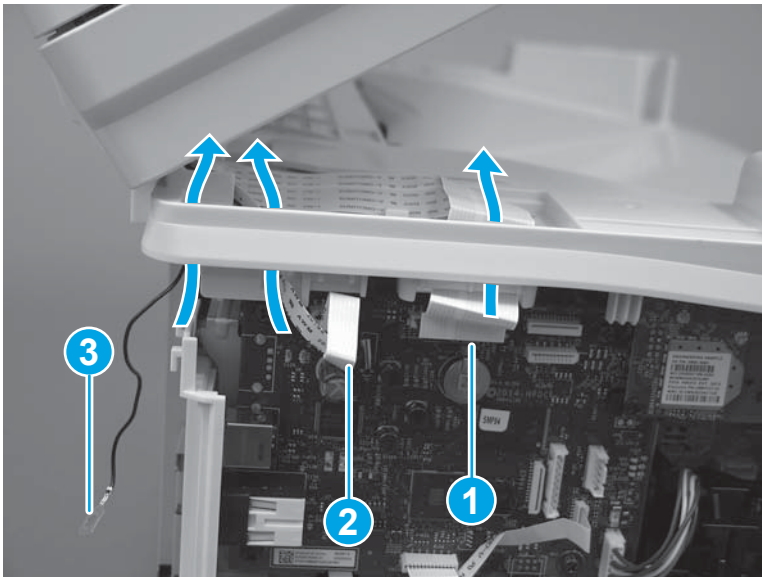


2. **4-in-1 models only:** Disconnect two flat cables (callouts 1/2), and then pass the flat cables and the ground wire (callout 3) up through the opening in the chassis.

**3-in-1 models only:** Disconnect one flat cable (callout 1), and then pass the flat cable through the opening in the chassis.

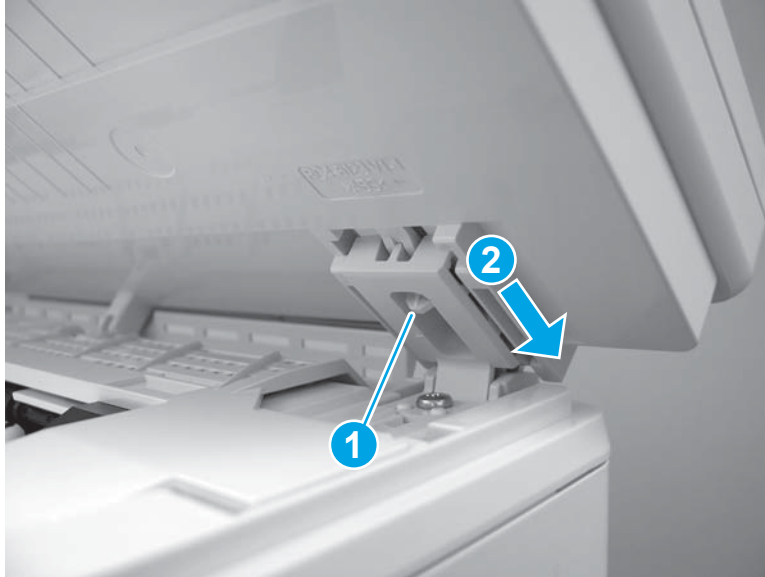
 **NOTE:** The 3-in-1 model does not have the small flat cable (callout 2) or a ground wire (callout 3).

Figure 1-67 Disconnect flat cable(s)



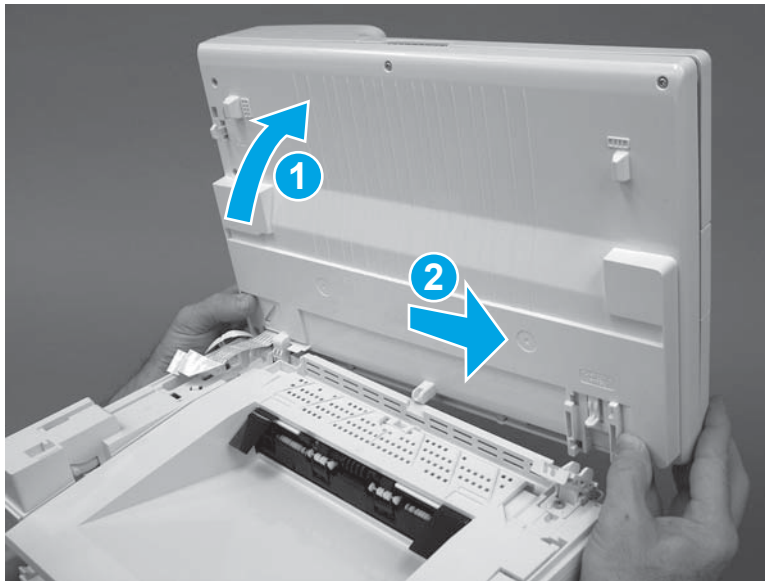
3. Release one tab (callout 1), and then push the right side of the scanner assembly toward the rear of the printer to release the right hinge (callout 2).

Figure 1-68 Release the right hinge



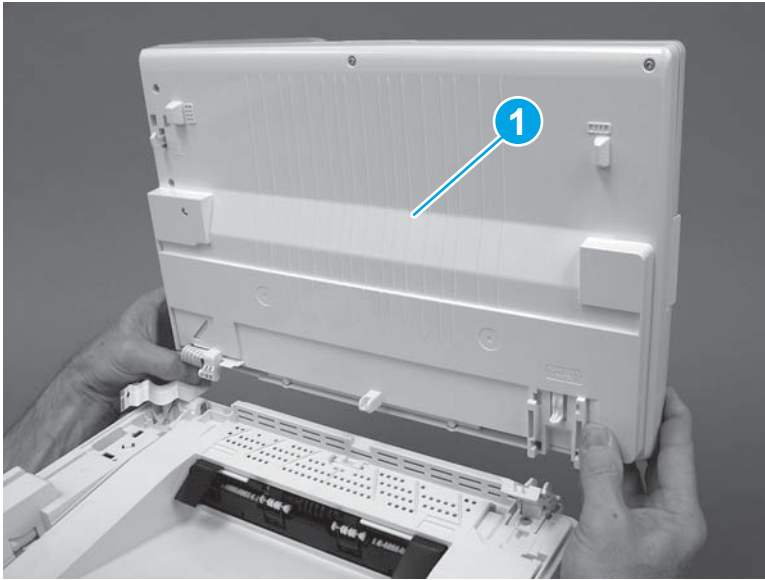
4. Rotate the scanner assembly towards the rear of the printer (callout 1), and then slide the scanner assembly toward the right side of the printer to release the left hinge (callout 2).

Figure 1-69 Release the left hinge



5. Remove the scanner assembly (callout 1).

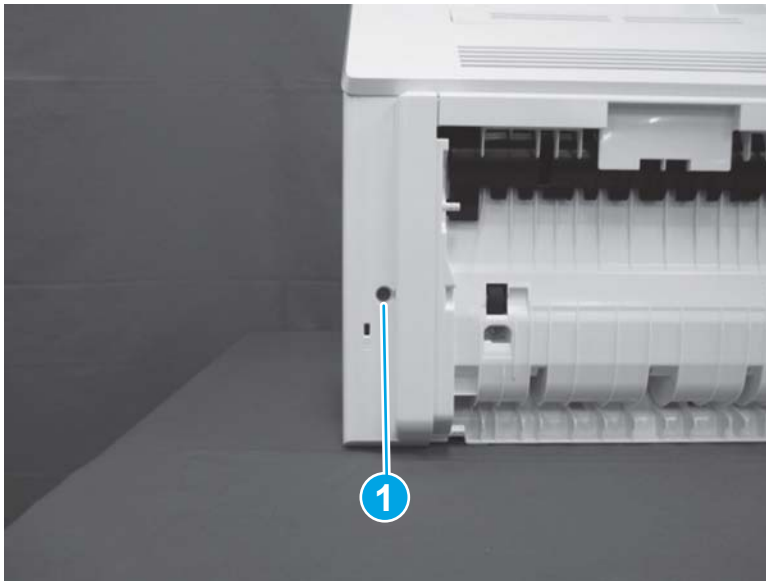
**Figure 1-70** Remove the scanner assembly



#### Step 5: Remove the right cover

1. SFP: Do the following.
  - a. Remove one screw (callout 1).

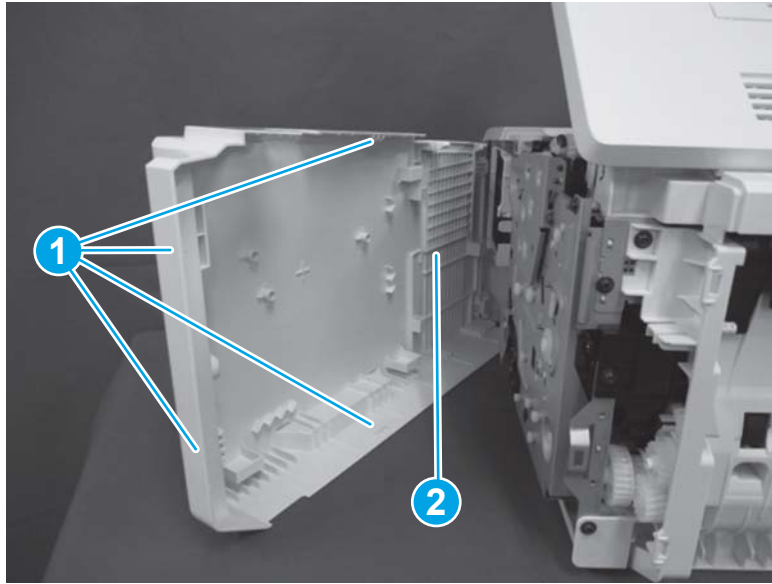
**Figure 1-71** Remove one screw (SFP)



- b. Open the cartridge door.

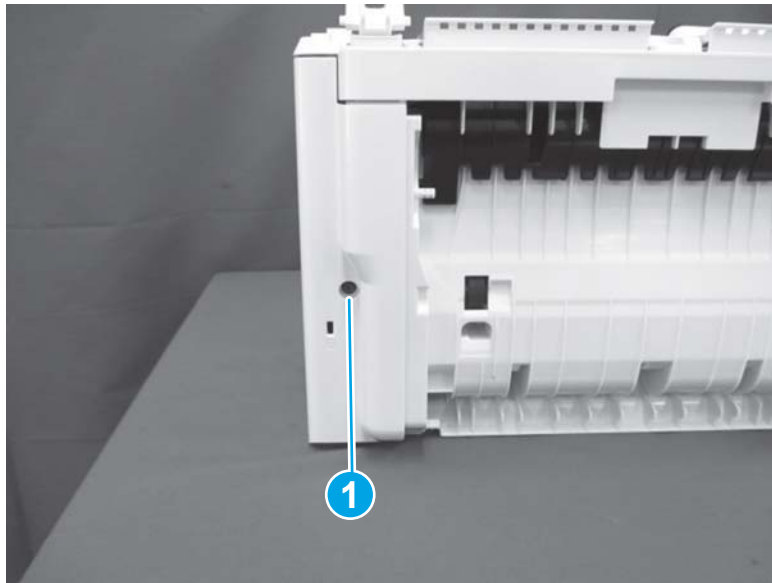
- c. Release four tabs (callout 1), and then remove the right cover (callout 2).

Figure 1-72 Remove the right cover (SFP)



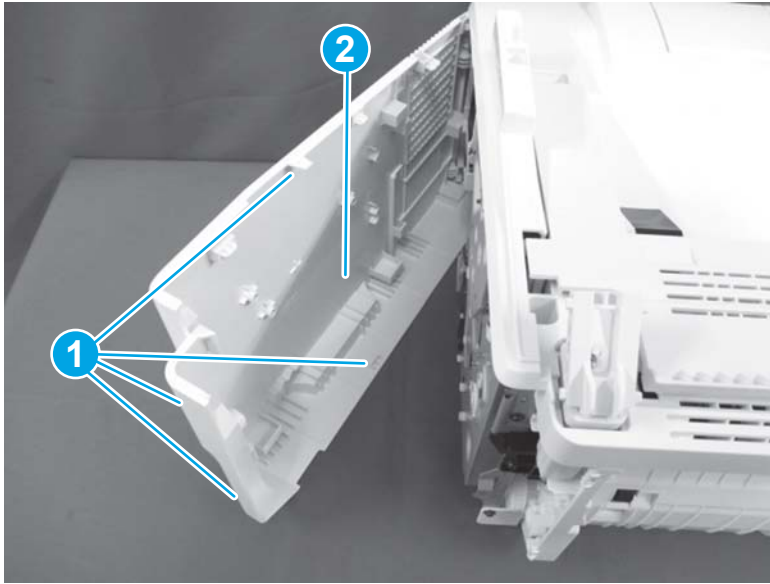
- 2. MFP: Do the following.
  - a. Remove one screw (callout 1).

Figure 1-73 Remove one screw (MFP)




- b. Release four tabs (callout 1), and then remove the right cover (callout 2).

Figure 1-74 Remove the right cover (MFP)



#### Step 6: Unpack the replacement assembly

1. Dispose of the defective part.

 **NOTE:** HP recommends responsible disposal of the defective part.

[www.hp.com/recycle](http://www.hp.com/recycle)

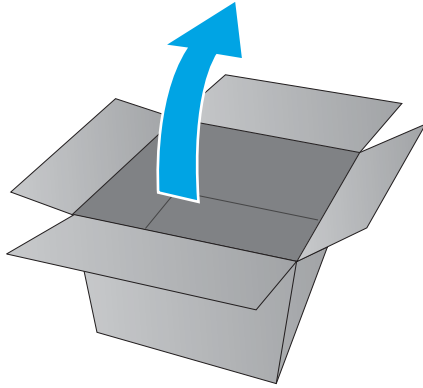




2. Unpack the replacement part from the packaging.

**⚠ CAUTION:** If the replacement part is a roller or pad, avoid touching the spongy part of it. Skin oils on the roller or pad can cause paper pickup and/or print-quality problems. HP recommends using disposable gloves when handling rollers or pads or washing your hands or before touching rollers or pads.

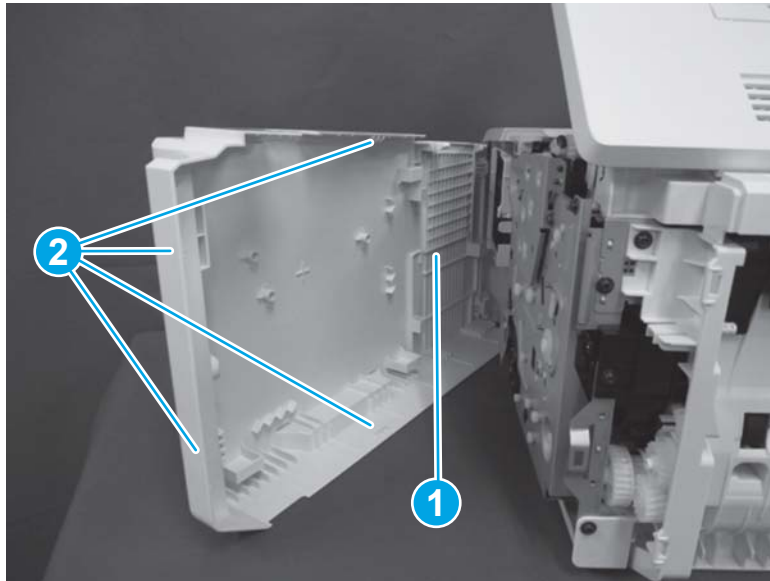
**📋 IMPORTANT:** Make sure that all of the shipping materials (for example shipping tape) are removed from the replacement part prior to installation.



### Step 7: Install the right cover

1. **SFP:** Do the following.
  - a. Open the cartridge door.
  - b. Position the right cover (callout 1) on the printer, and then engage four tabs (callout 2).

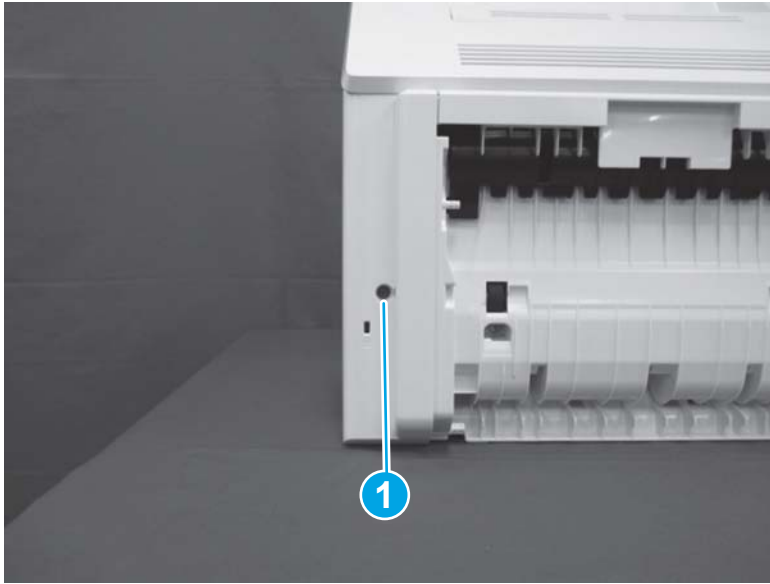
**Figure 1-75** Install the right cover (SFP)



- c. Close the cartridge door.

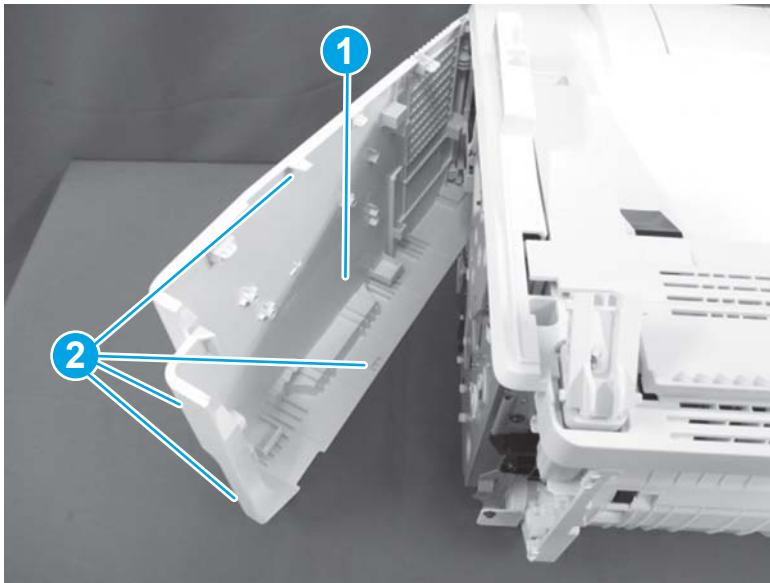
- d. Install one screw (callout 1).

Figure 1-76 Install one screw (SFP)



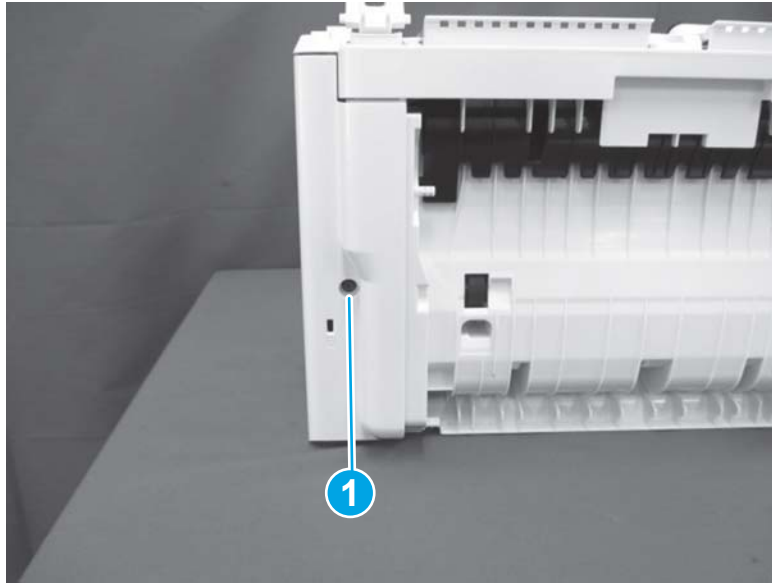
- 2. **MFP:** Do the following.
  - a. Position the right cover (callout 1) on the printer, and then engage four tabs (callout 2).

Figure 1-77 Install the right cover (MFP)



- b. Install one screw (callout 1).

**Figure 1-78** Install one screw (MFP)




#### Step 8: Install the 3-in-1 or 4-in-1 scanner assembly (MFP)

---

 **NOTE:** This step is for the MFP printers. For the SFP printers, skip this step and go to [Step 11: Install the duplex door on page 81](#).

---

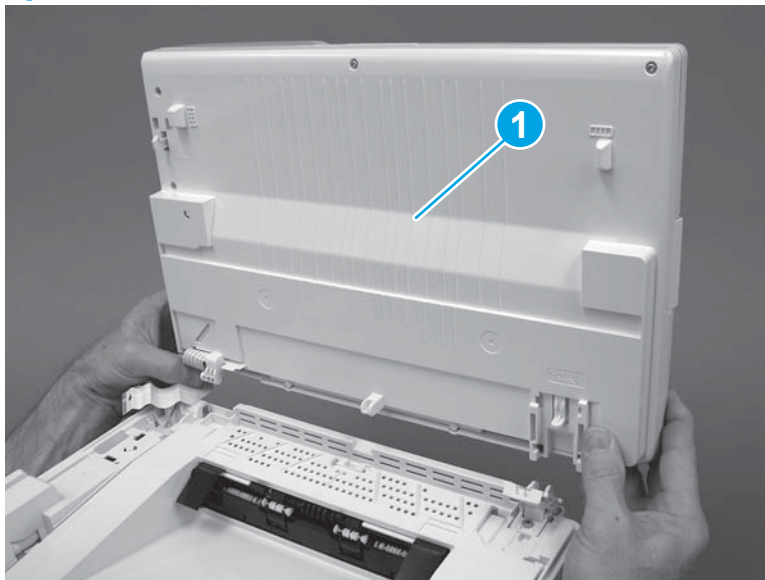
 **NOTE:** The 4-in-1 scanner assembly supports the document feeder. The 3-in-1 scanner assembly does not support the document feeder.

The figures in this procedure show a 4-in-1 printer. However, the procedure is correct for 3-in-1 printers.

---

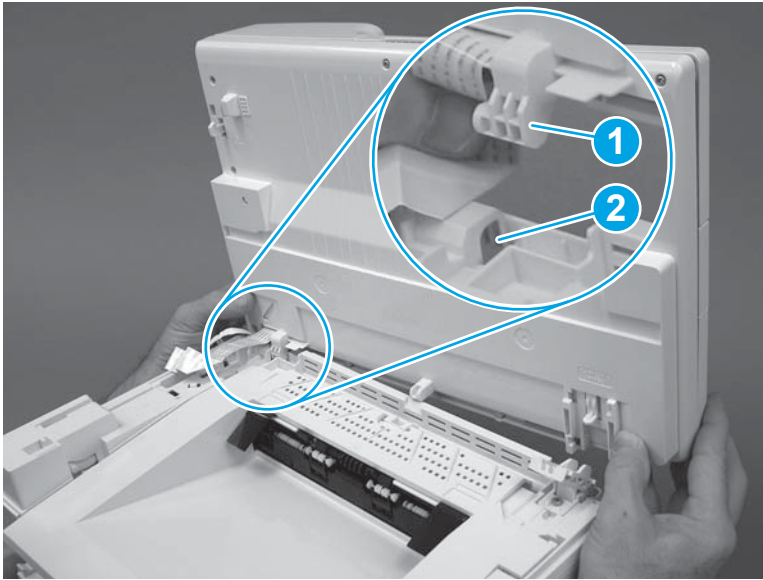
1. Position the scanner assembly (callout 1) near the printer.

**Figure 1-79** Install the scanner assembly (MFP)



- Engage the left hinge (callout 1) with the top cover (callout 2).

**Figure 1-80** Engage the left hinge (MFP)



- Push the right side of the scanner assembly toward the front of the printer to engage the right hinge (callout 1). Make sure that the tab (callout 2) snaps into place.

**Figure 1-81** Engage the right hinge (MFP)



4. **4-in-1 models only:** Pass the flat cables (callouts 1/2) and the ground wire (callout 3) through the openings in the chassis, and then connect the two flat cables.

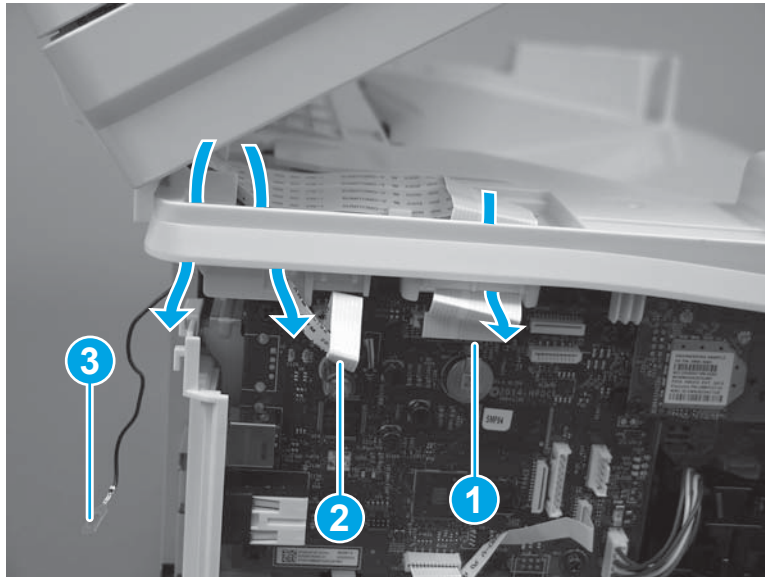
**3-in-1 models only:** Pass the flat cable (callout 1) through the opening in the chassis, and then connect one flat cable.

---

 **NOTE:** The 3-in-1 model does not have the small flat cable (callout 2) or a ground wire (callout 3).

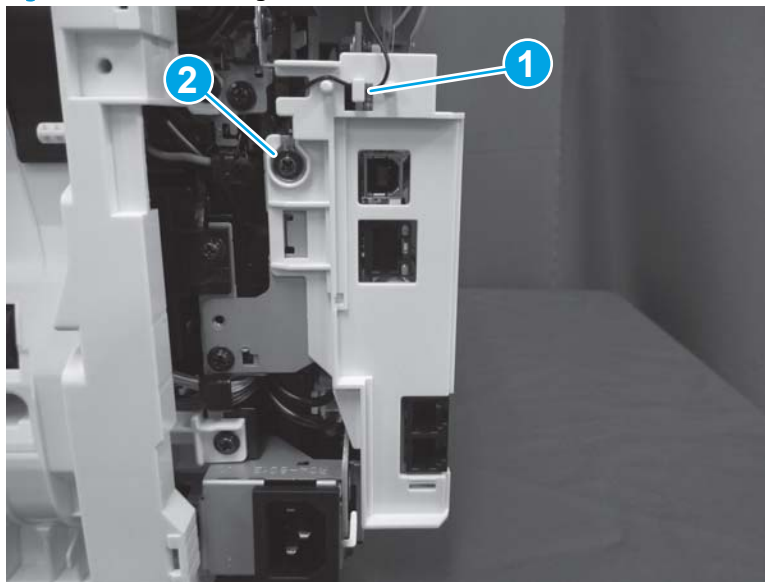
---

Figure 1-82 Connect flat cable(s)



5. **4-in-1 models only:** Install the ground wire in the retainer (callout 1), and then install one screw (callout 2).

Figure 1-83 Install the ground wire (4-in-1 models)



#### Step 9: Install the cable cover (MFP)

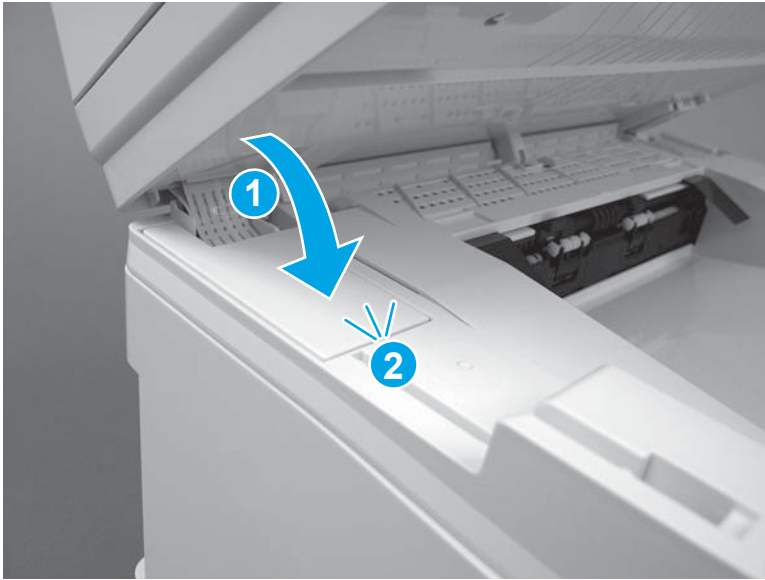
---

 **NOTE:** This step is for the MFP printers. For the SFP printers, skip this step and go to [Step 11: Install the duplex door on page 81](#).

---

1. Install the cable cover (callout 1), on the printer, and then push down to engage one tab (callout 2).

Figure 1-84 Install the cable cover (MFP)



2. Close the scanner assembly.

Figure 1-85 Close the scanner assembly

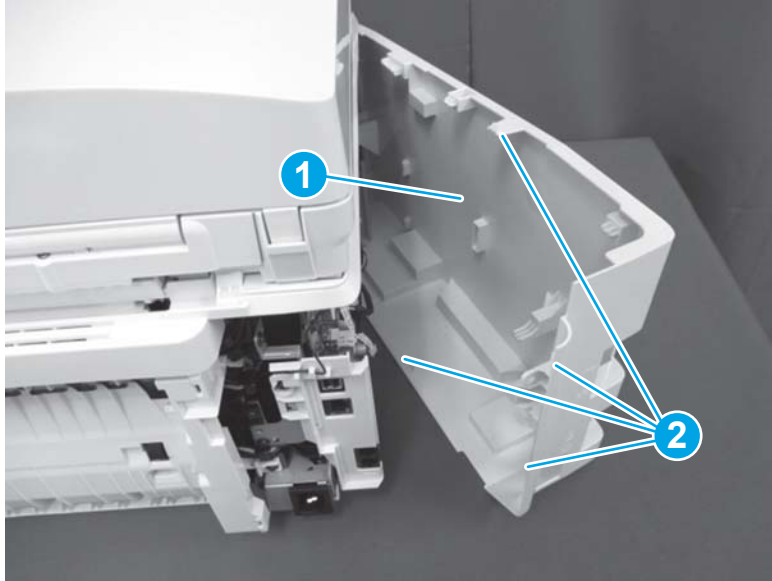


### Step 10: Install the left cover (MFP)

 **NOTE:** This step is for the MFP printers. For the SFP printers, skip this step and go to [Step 11: Install the duplex door on page 81](#).

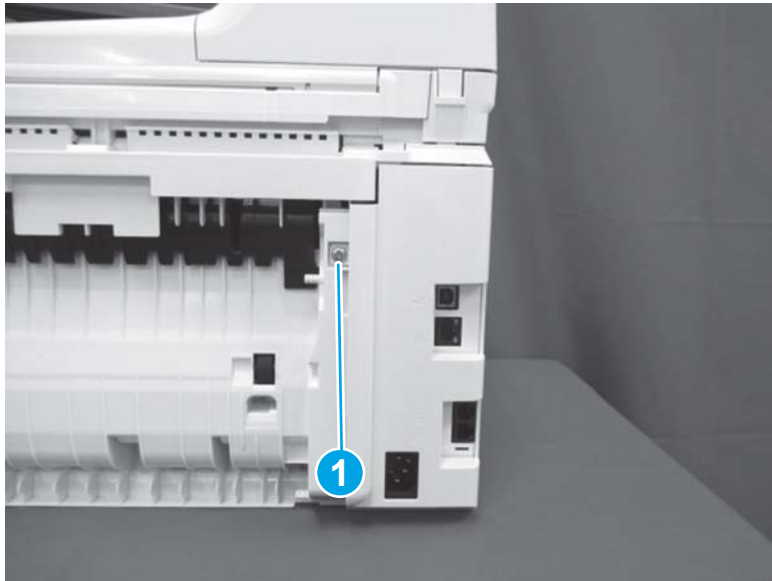
1. Position the left cover (callout 1) on the printer, and then engage four tabs (callout 2).

Figure 1-86 Install the left cover (MFP)



2. Install one screw (callout 1).

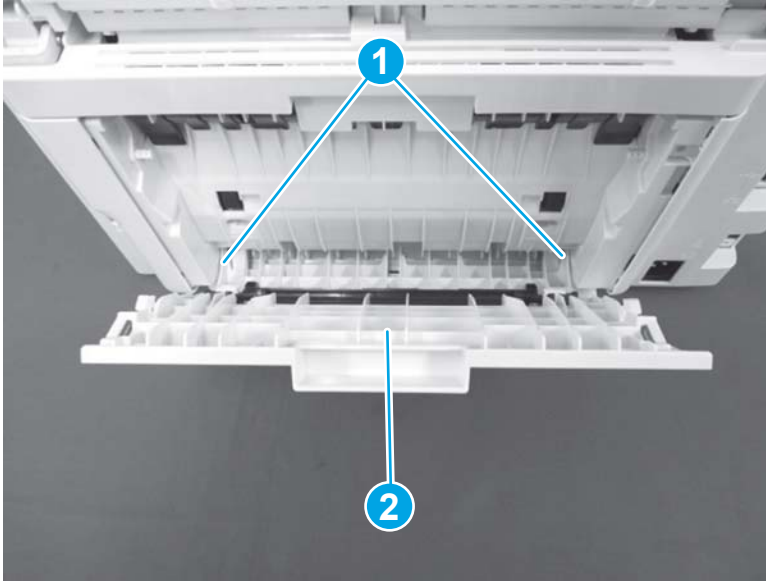
Figure 1-87 Install one screw (MFP)



### Step 11: Install the duplex door

1. Install two tabs (callout 1) to install the duplex door (callout 2).

Figure 1-88 Install the duplex door



2. Close the duplex door.



## Removal and replacement: Cartridge door

- [Introduction](#)
- [Step 1: Remove the duplex door](#)
- [Step 2: Remove the left cover](#)
- [Step 3: Remove the cable cover \(MFP\)](#)
- [Step 4: Remove the 3-in-1 or 4-in-1 scanner assembly \(MFP\)](#)
- [Step 5: Remove the right cover](#)
- [Step 6: Remove the cartridge door](#)
- [Step 7: Unpack the replacement assembly](#)
- [Step 8: Install the cartridge door](#)
- [Step 9: Install the right cover](#)
- [Step 10: Install the 3-in-1 or 4-in-1 scanner assembly \(MFP\)](#)
- [Step 11: Install the cable cover \(MFP\)](#)
- [Step 12: Install the left cover](#)
- [Step 13: Install the duplex door](#)

### Introduction

This document provides the procedures to remove and replace the cartridge door.

### Before performing service

#### Turn the printer power off

- Disconnect the power cable.

**⚠ WARNING!** To avoid damage to the printer, turn the printer off, wait 30 seconds, and then remove the power cable before attempting to service the printer.

Use the table below to identify the correct part number for your printer. To order the part, go to [www.hp.com/buy/parts](http://www.hp.com/buy/parts).

Cartridge door part numbers	
RL2-5011-000CN	Cartridge door (M203)
RL2-5018-000CN	Cartridge door (M206)
RL2-5012-000CN	Cartridge door (MFP)

### Required tools

- #2 Phillips screwdriver with a magnetic tip.
- Small flat-blade screwdriver

## After performing service

### Turn the printer power on

- Connect the power cable.
- Use the power switch to turn the power on.

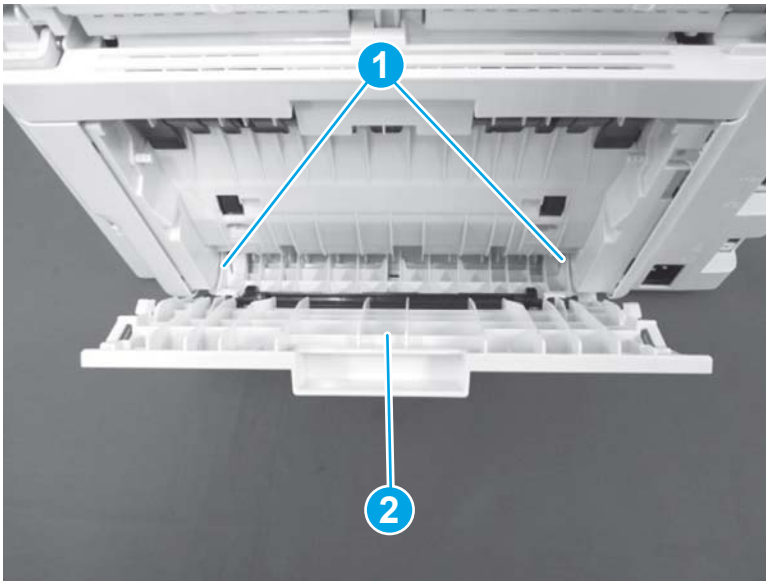
### Post service test

**MFP:** Verify that the document feeder and the flatbed scanner are correctly functioning (copy a page).

### Step 1: Remove the duplex door

1. Open the duplex door.
2. Use a small flat-blade screwdriver to release two tabs (callout 1), and then remove the duplex door (callout 2).

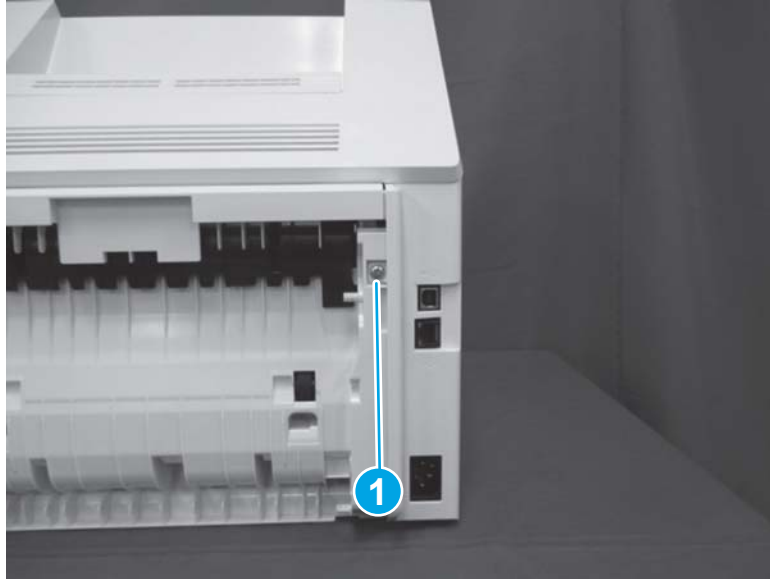
**Figure 1-89** Remove the duplex door



### Step 2: Remove the left cover

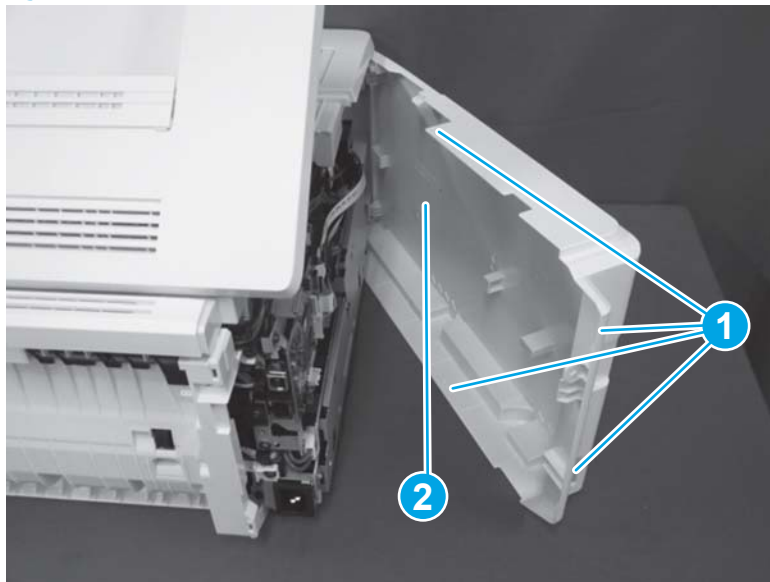
1. **SFP:** Do the following.
  - a. Remove one screw (callout 1).

Figure 1-90 Remove one screw (SFP)



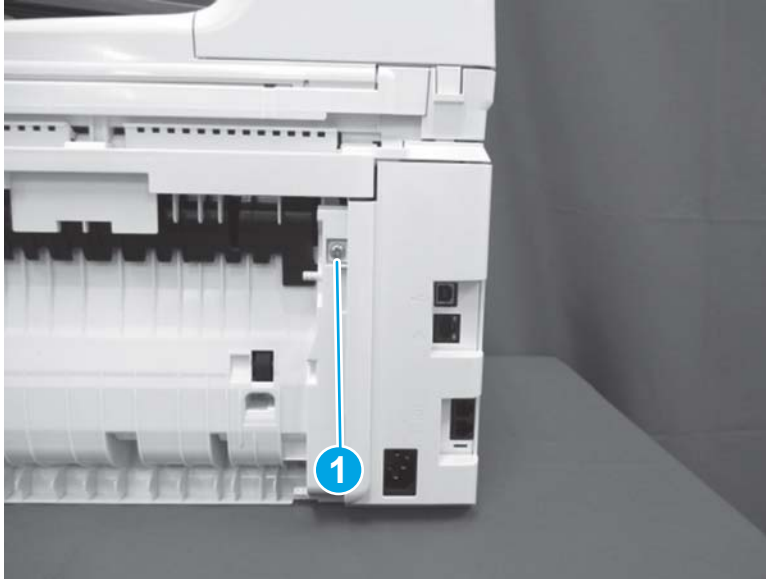
- b. Open the cartridge door.
- c. Release four tabs (callout 1), and then remove the left cover (callout 2).

Figure 1-91 Remove the left cover (SFP)



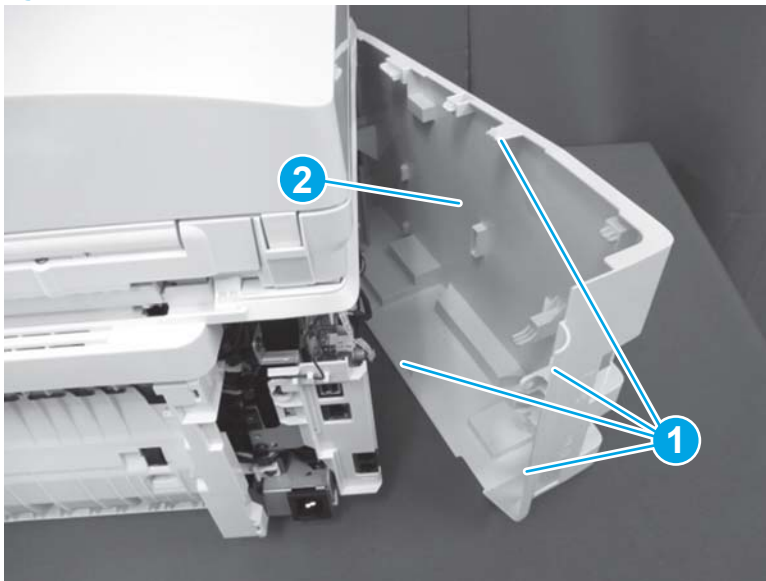
- 2. MFP: Do the following.
  - a. Remove one screw (callout 1).

Figure 1-92 Remove one screw (MFP)



- b. Release four tabs (callout 1), and then remove the left cover (callout 2).

Figure 1-93 Remove the left cover (MFP)



### Step 3: Remove the cable cover (MFP)

 **NOTE:** This step is for the MFP printers. For the SFP printers, skip this step and go to [Step 5: Remove the right cover on page 90](#).

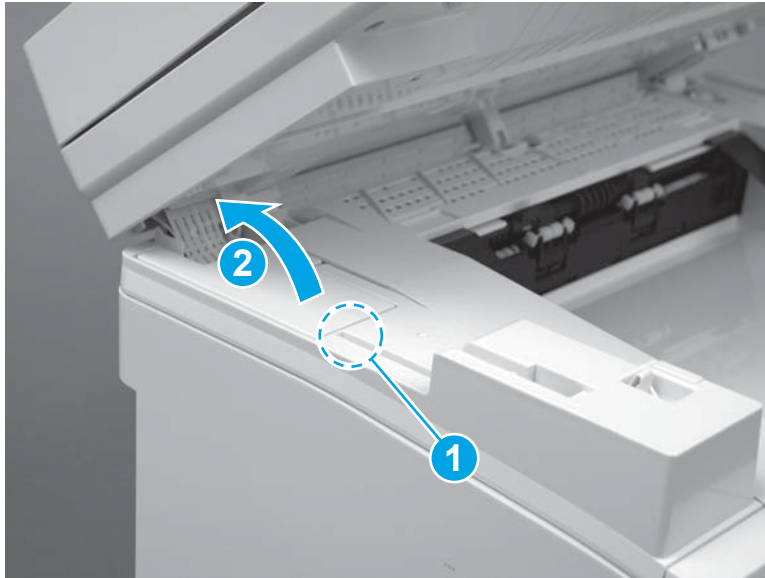
1. Open the scanner assembly.

Figure 1-94 Open the scanner assembly




2. Use a small flat-blade screw driver to release one tab (callout 1), and then remove the cable cover (callout 2).

Figure 1-95 Remove the cable cover (MFP)



#### Step 4: Remove the 3-in-1 or 4-in-1 scanner assembly (MFP)

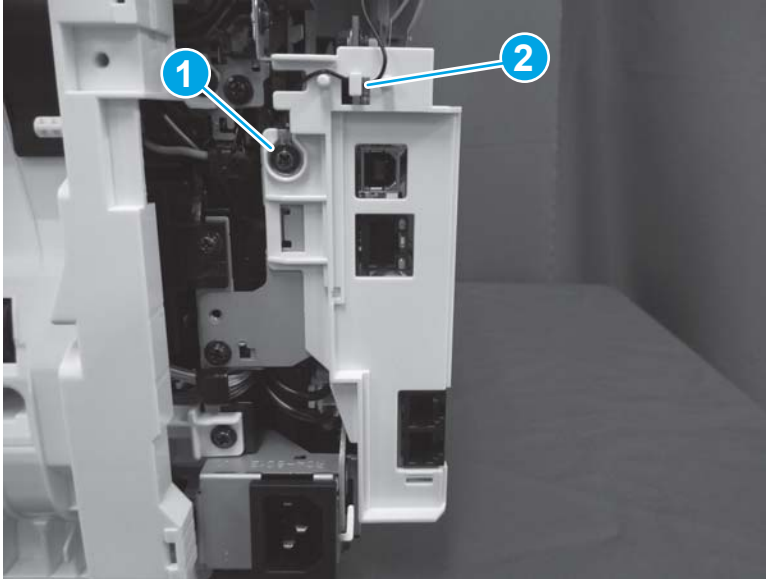
 **NOTE:** This step is for the MFP printers. For the SFP printers, skip this step and go to [Step 5: Remove the right cover on page 90](#).

 **NOTE:** The 4-in-1 scanner assembly supports the document feeder. The 3-in-1 scanner assembly does not support the document feeder.

The figures in this procedure show a 4-in-1 printer. However, the procedure is correct for 3-in-1 printers.

1. **4-in-1 models only:** Remove one screw (callout 1), and then release the ground wire from the retainer (callout 2).

Figure 1-96 Release the ground wire (4-in-1 models)

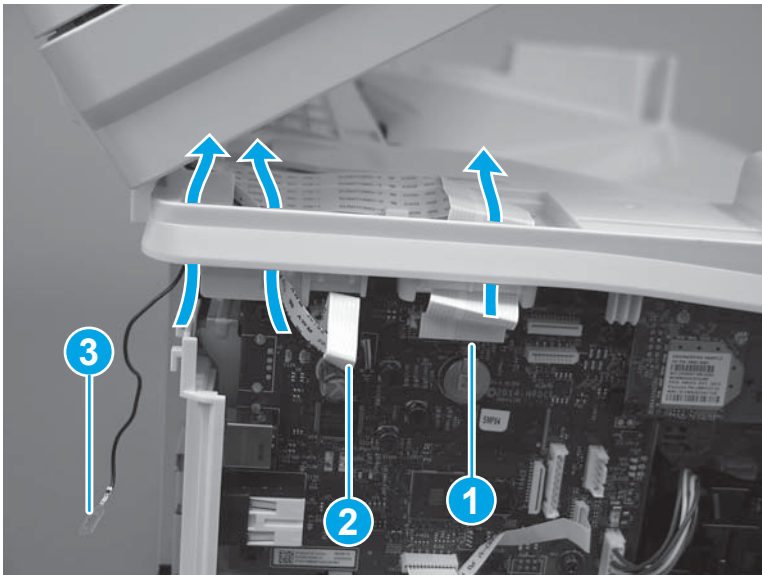


2. **4-in-1 models only:** Disconnect two flat cables (callouts 1/2), and then pass the flat cables and the ground wire (callout 3) up through the opening in the chassis.

**3-in-1 models only:** Disconnect one flat cable (callout 1), and then pass the flat cable through the opening in the chassis.

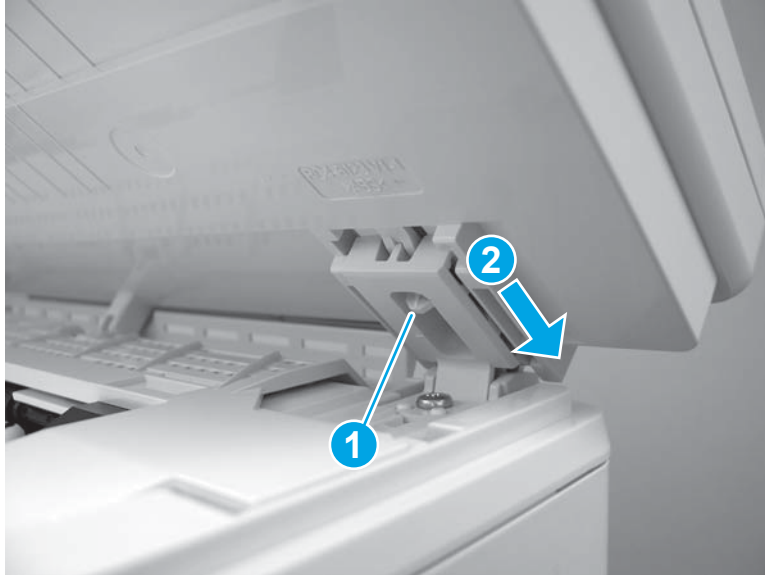
 **NOTE:** The 3-in-1 model does not have the small flat cable (callout 2) or a ground wire (callout 3).

Figure 1-97 Disconnect flat cable(s)



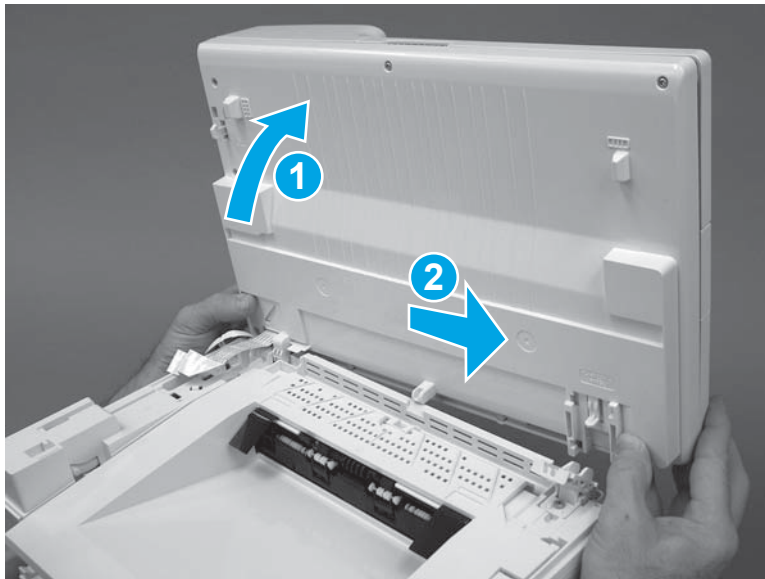
3. Release one tab (callout 1), and then push the right side of the scanner assembly toward the rear of the printer to release the right hinge (callout 2).

Figure 1-98 Release the right hinge



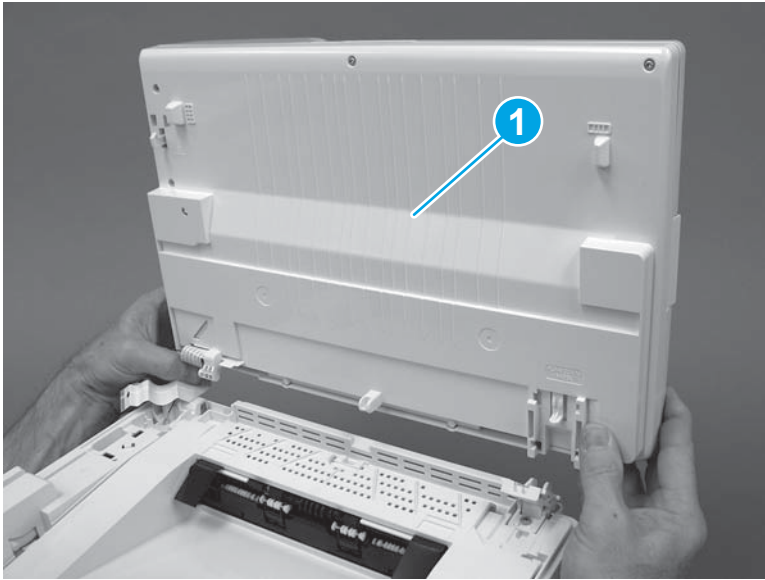
4. Rotate the scanner assembly towards the rear of the printer (callout 1), and then slide the scanner assembly toward the right side of the printer to release the left hinge (callout 2).

Figure 1-99 Release the left hinge



5. Remove the scanner assembly (callout 1).

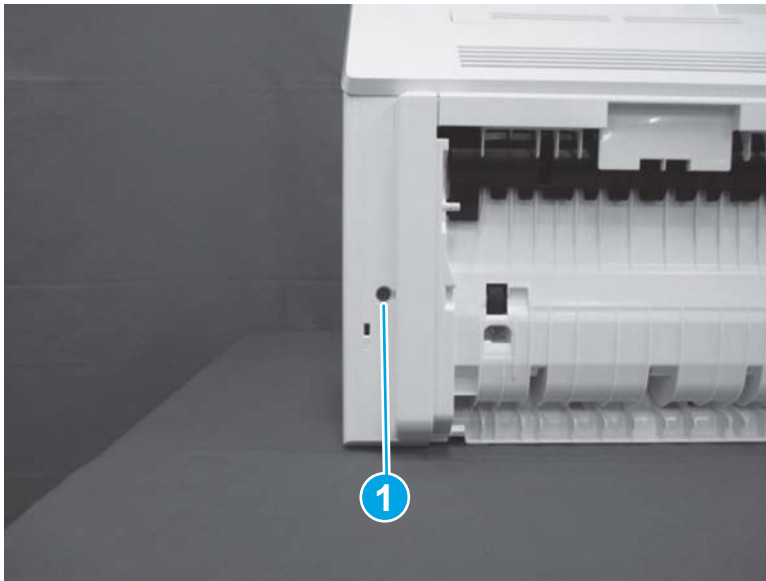
**Figure 1-100** Remove the scanner assembly



#### Step 5: Remove the right cover

1. SFP: Do the following.
  - a. Remove one screw (callout 1).

**Figure 1-101** Remove one screw (SFP)

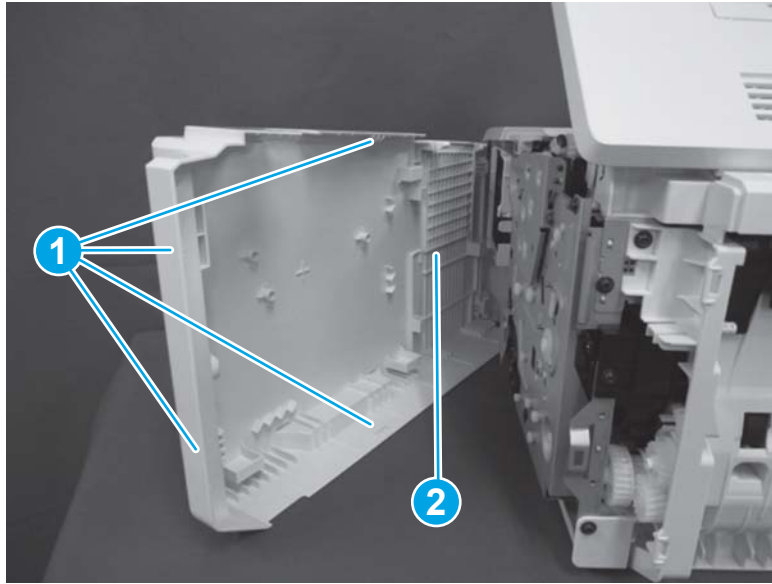


- b. Open the cartridge door.



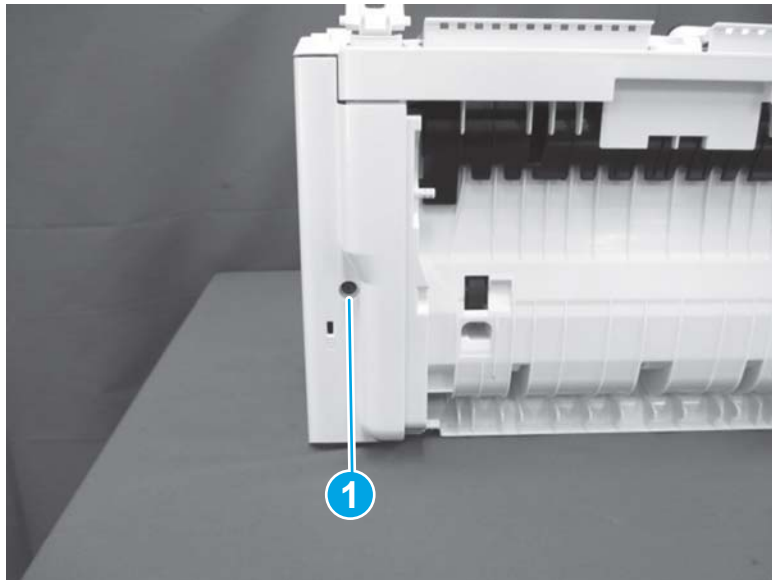
- c. Release four tabs (callout 1), and then remove the right cover (callout 2).

Figure 1-102 Remove the right cover (SFP)



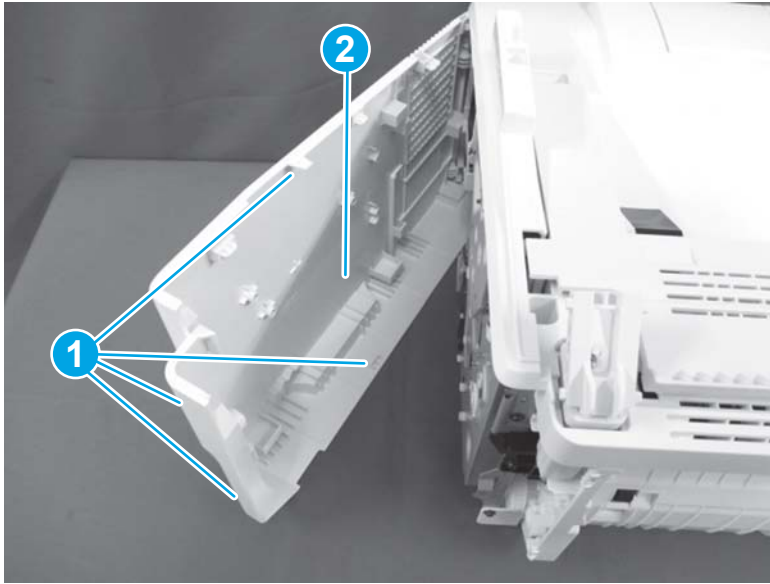
- 2. MFP: Do the following.
  - a. Remove one screw (callout 1).

Figure 1-103 Remove one screw (MFP)



- b. Release four tabs (callout 1), and then remove the right cover (callout 2).

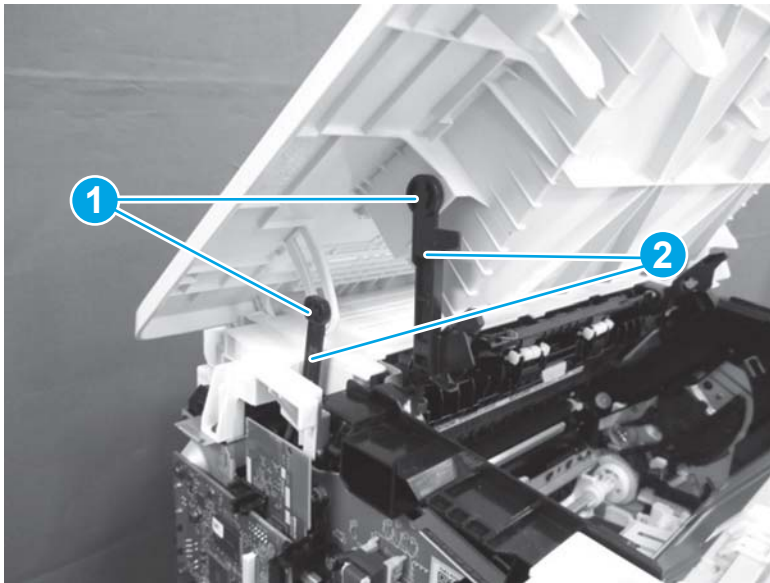
Figure 1-104 Remove the right cover (MFP)



#### Step 6: Remove the cartridge door

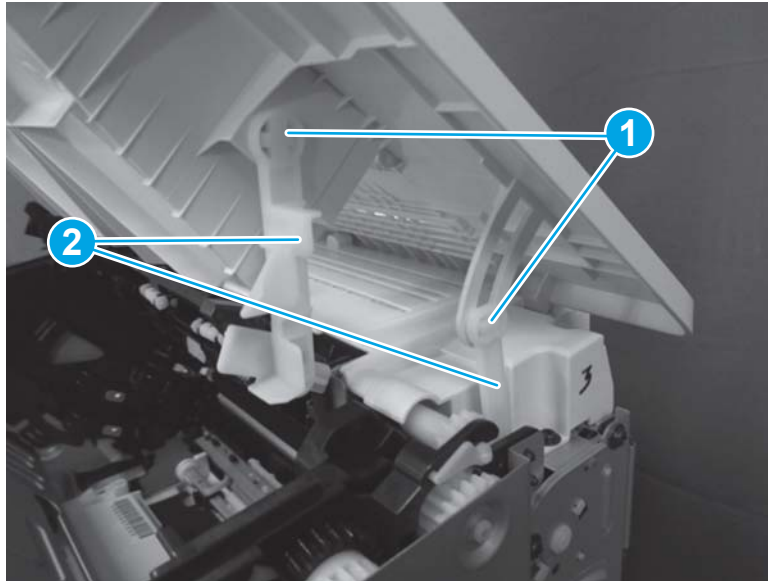
1. **SFP:** Do the following.
  - a. Open the cartridge door. On the left side of the printer, release two tabs (callout 1), and then disconnect two link arms (callout 2).

Figure 1-105 Disconnect left link arms (SFP)



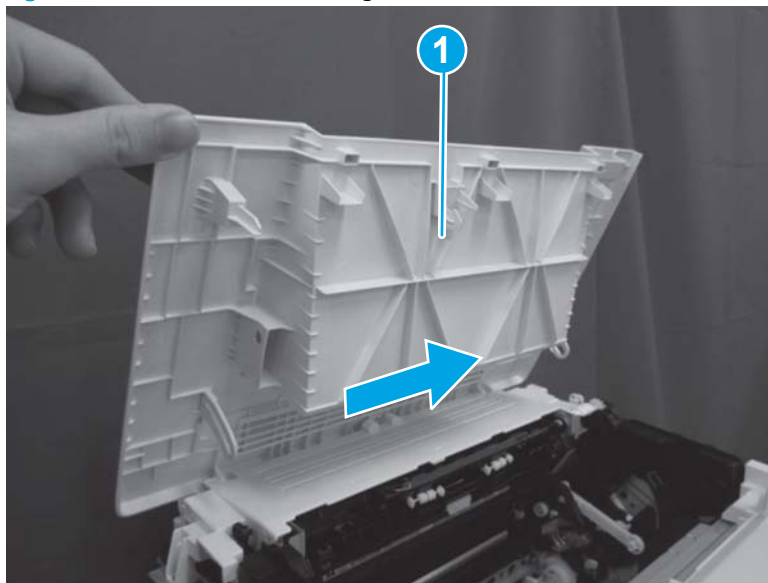
- b. On the right side of the printer, release two tabs (callout 1), and then disconnect two link arms (callout 2).

**Figure 1-106** Disconnect right link arms (SFP)



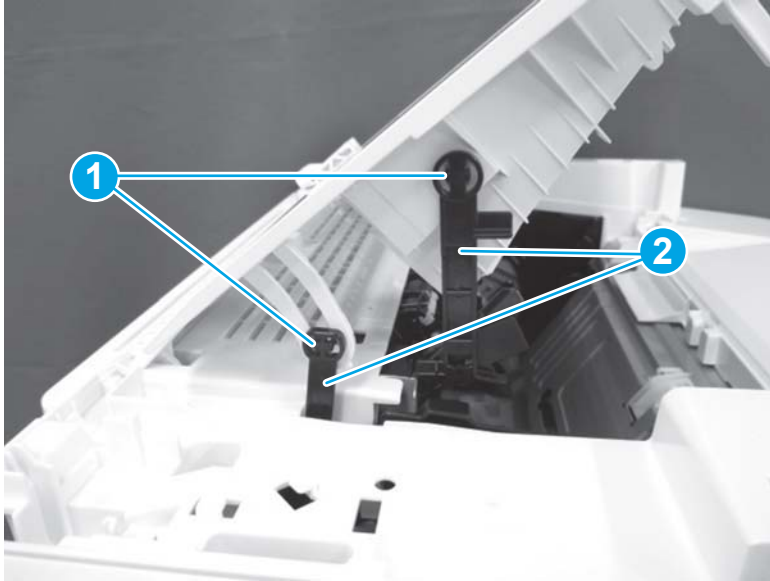
- c. Fully open the cartridge door (callout 1), and then slide it towards the right-side of the printer to remove it.

**Figure 1-107** Remove the cartridge door (SFP)



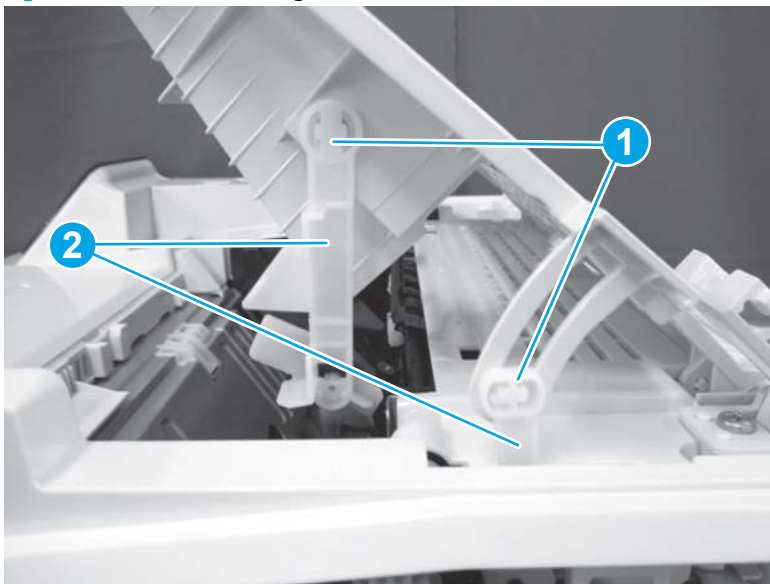
- 2. **MFP:** Do the following.
  - a. Open the cartridge door. On the left side of the printer, release two tabs (callout 1), and then disconnect two link arms (callout 2).

Figure 1-108 Disconnect left link arms (MFP)



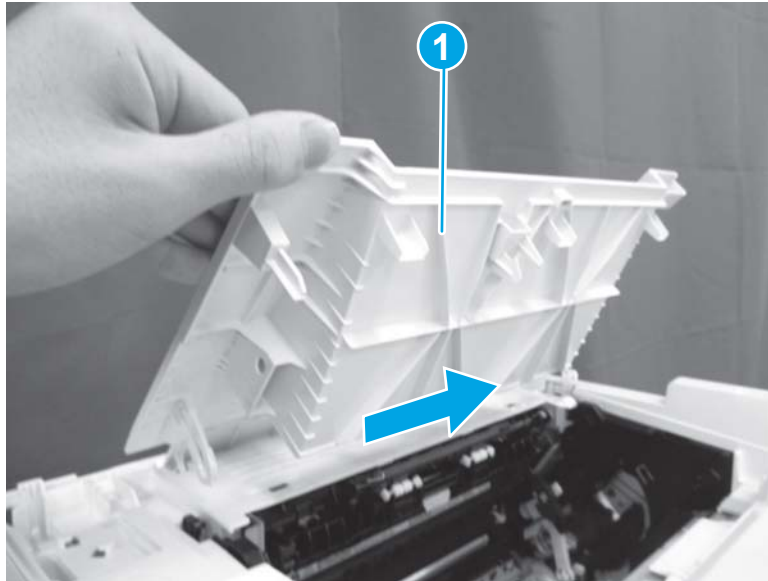
- b. On the right side of the printer, release two tabs (callout 1), and then disconnect two link arms (callout 2).

Figure 1-109 Disconnect right link arms (MFP)



- c. Fully open the cartridge door (callout 1), and then slide it towards the right-side of the printer to remove it.

**Figure 1-110** Remove the cartridge door (MFP)



#### Step 7: Unpack the replacement assembly

1. Dispose of the defective part.

---

 **NOTE:** HP recommends responsible disposal of the defective part.

[www.hp.com/recycle](http://www.hp.com/recycle)

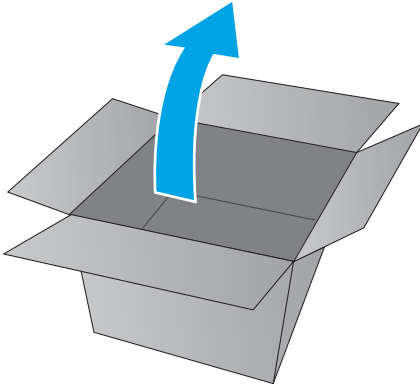
---



2. Unpack the replacement part from the packaging.

**⚠ CAUTION:** If the replacement part is a roller or pad, avoid touching the spongy part of it. Skin oils on the roller or pad can cause paper pickup and/or print-quality problems. HP recommends using disposable gloves when handling rollers or pads or washing your hands or before touching rollers or pads.

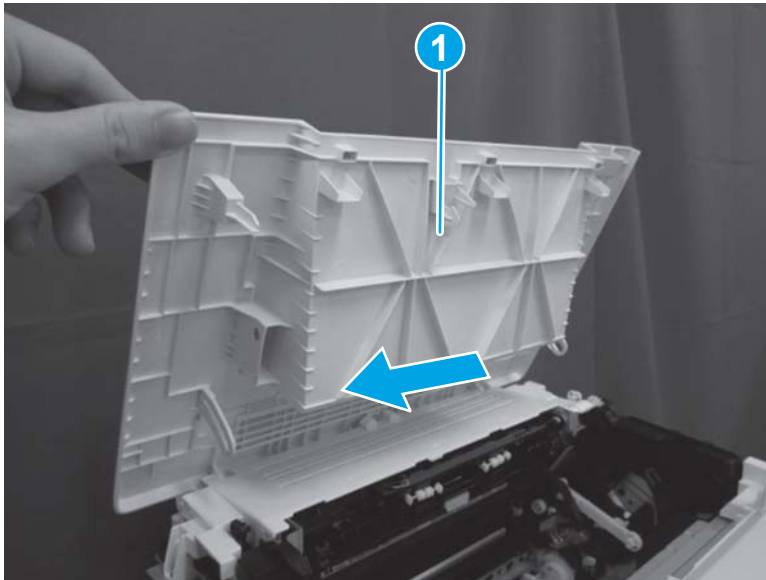
**📄 IMPORTANT:** Make sure that all of the shipping materials (for example shipping tape) are removed from the replacement part prior to installation.



### Step 8: Install the cartridge door

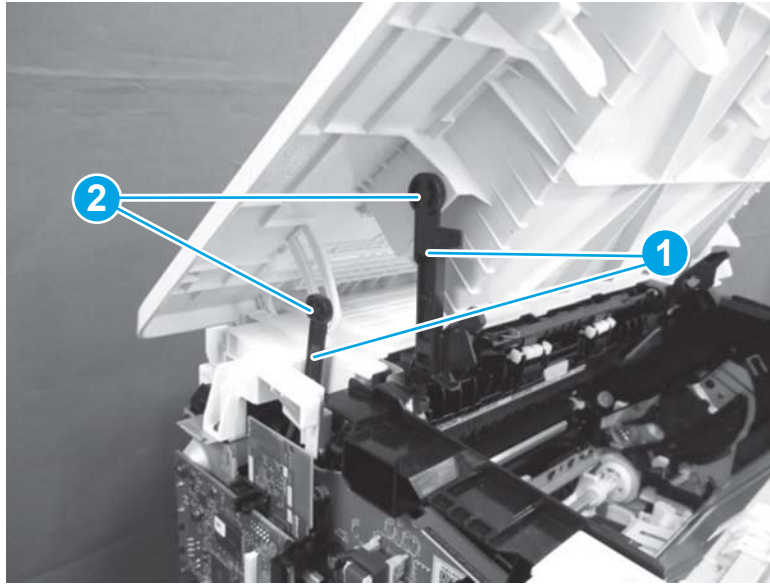
1. **SFP:** Do the following.
  - a. Position the cartridge door (callout 1) on the printer, and then slide it toward the left-side of the printer to install it.

**Figure 1-111** Install the cartridge door (SFP)



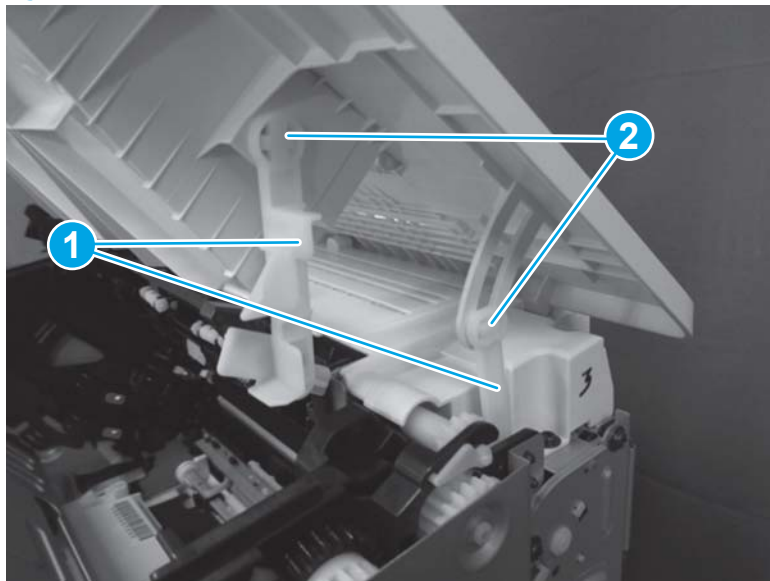
- b. On the left side of the printer, position two link arms (callout 1), and then engage two tabs (callout 2).

**Figure 1-112** Connect left link arms (SFP)



- c. On the right side of the printer, position two link arms (callout 1), and then engage two tabs (callout 2).

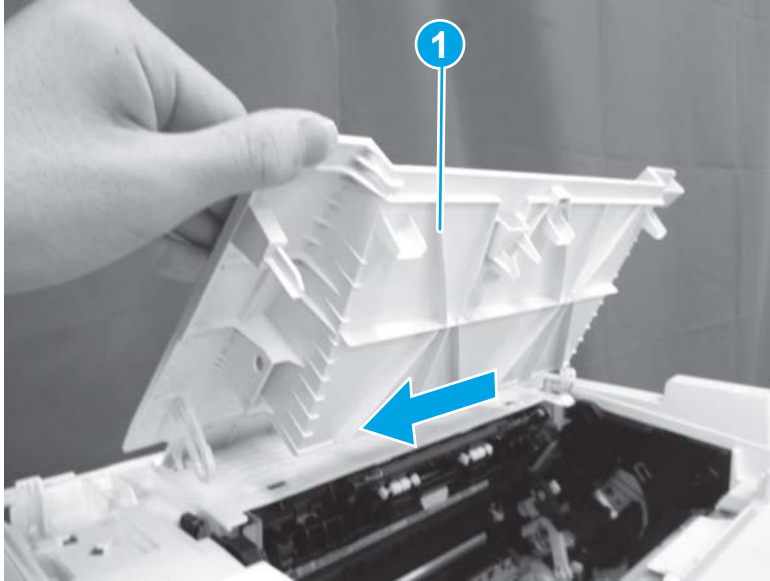
**Figure 1-113** Connect right link arms (SFP)



2. **MFP:** Do the following.
  - a. Position the cartridge door (callout 1) on the printer, and then slide it toward the left-side of the printer to install it.

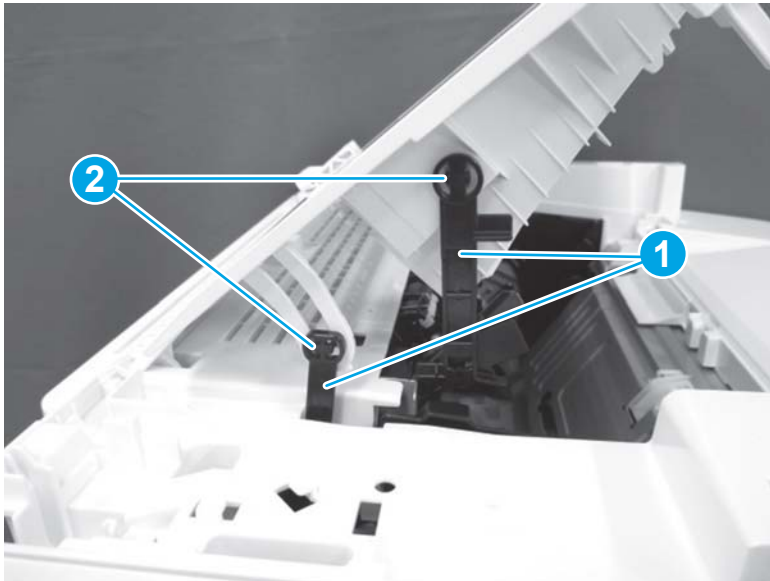


Figure 1-114 Install the cartridge door (MFP)



- b. On the left side of the printer, position two link arms (callout 1), and then engage two tabs (callout 2).

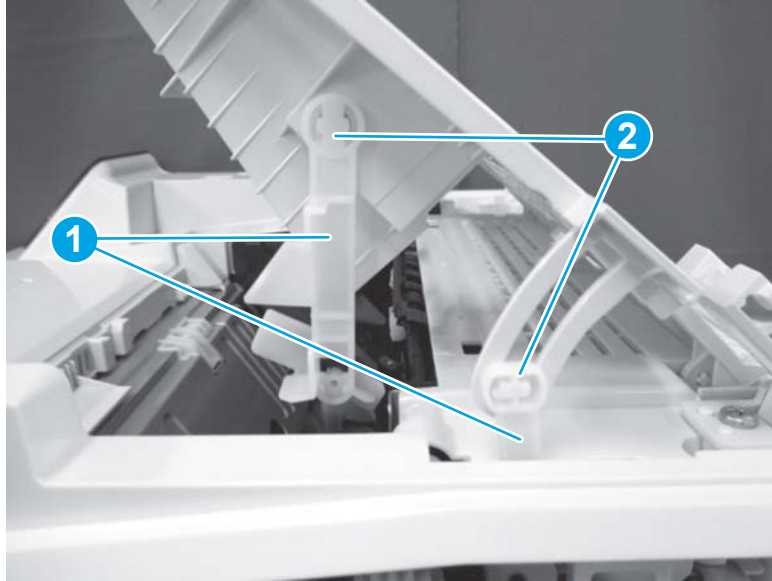
Figure 1-115 Connect left link arms (MFP)





- c. On the right side of the printer, position two link arms (callout 1), and then engage two tabs (callout 2).

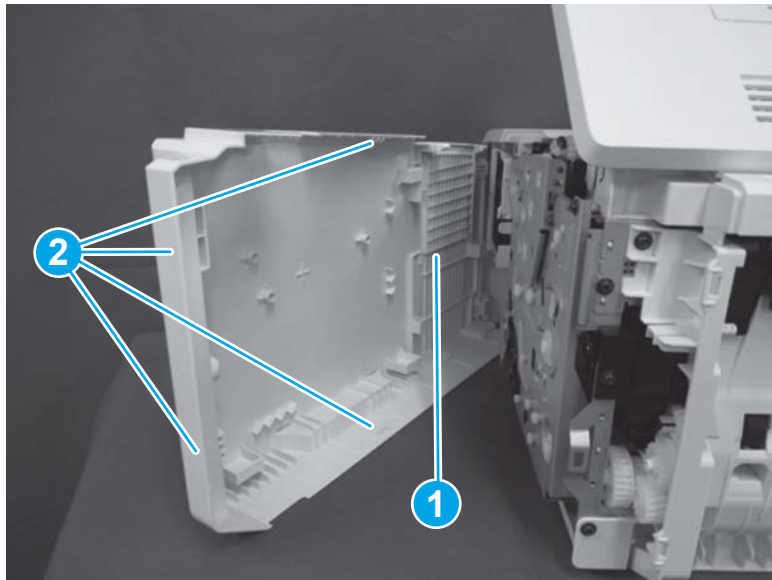
**Figure 1-116** Connect right link arms (MFP)



#### Step 9: Install the right cover

1. **SFP:** Do the following.
  - a. Open the cartridge door.
  - b. Position the right cover (callout 1) on the printer, and then engage four tabs (callout 2).

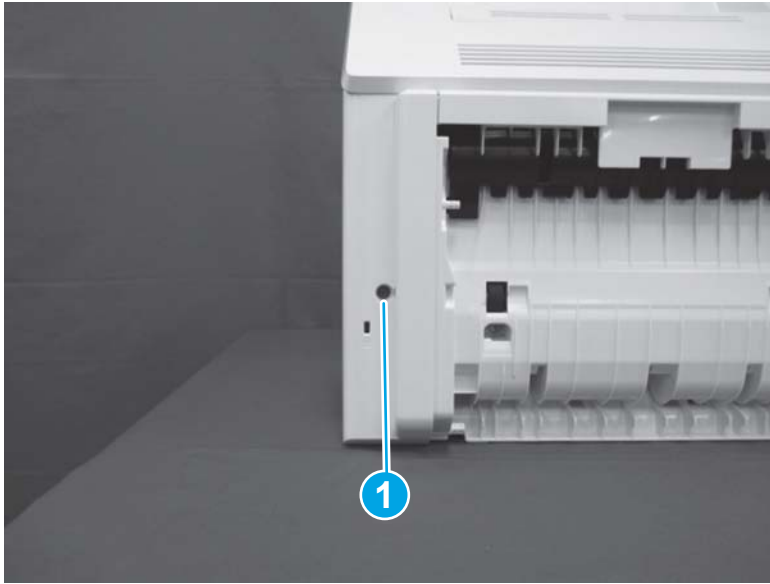
**Figure 1-117** Install the right cover (SFP)



- c. Close the cartridge door.

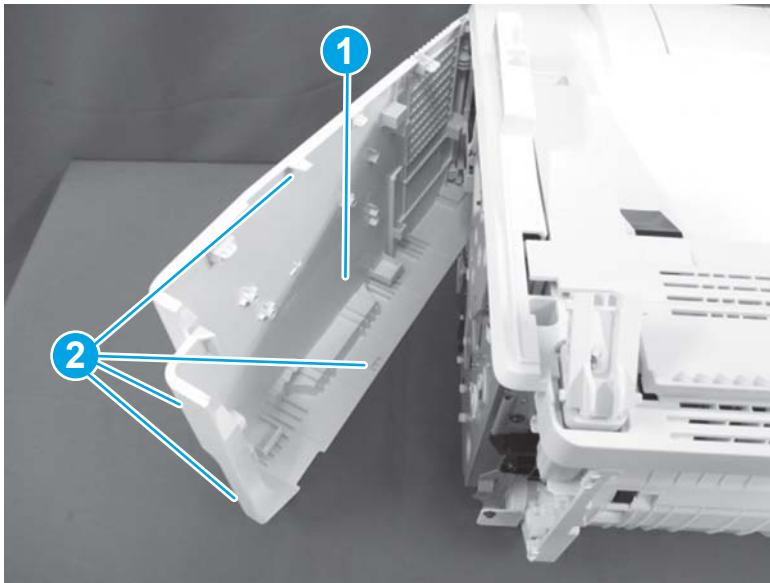
- d. Install one screw (callout 1).

Figure 1-118 Install one screw (SFP)



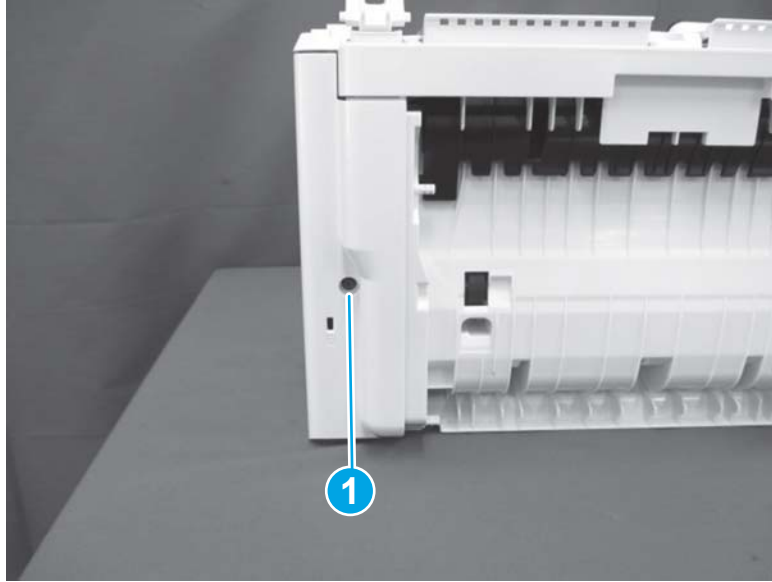
- 2. MFP: Do the following.
  - a. Position the right cover (callout 1) on the printer, and then engage four tabs (callout 2).

Figure 1-119 Install the right cover (MFP)




- b. Install one screw (callout 1).

**Figure 1-120** Install one screw (MFP)



#### Step 10: Install the 3-in-1 or 4-in-1 scanner assembly (MFP)

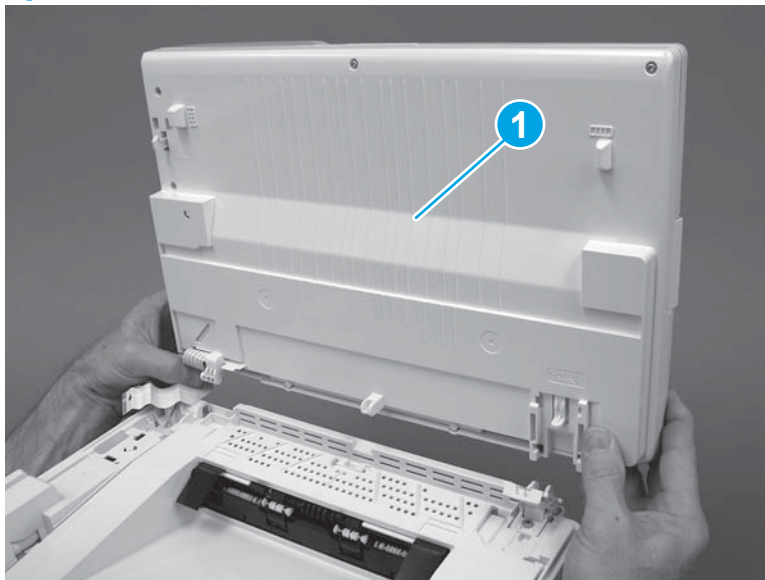
 **NOTE:** This step is for the MFP printers. For the SFP printers, skip this step and go to [Step 12: Install the left cover on page 104](#).

 **NOTE:** The 4-in-1 scanner assembly supports the document feeder. The 3-in-1 scanner assembly does not support the document feeder.

The figures in this procedure show a 4-in-1 printer. However, the procedure is correct for 3-in-1 printers.

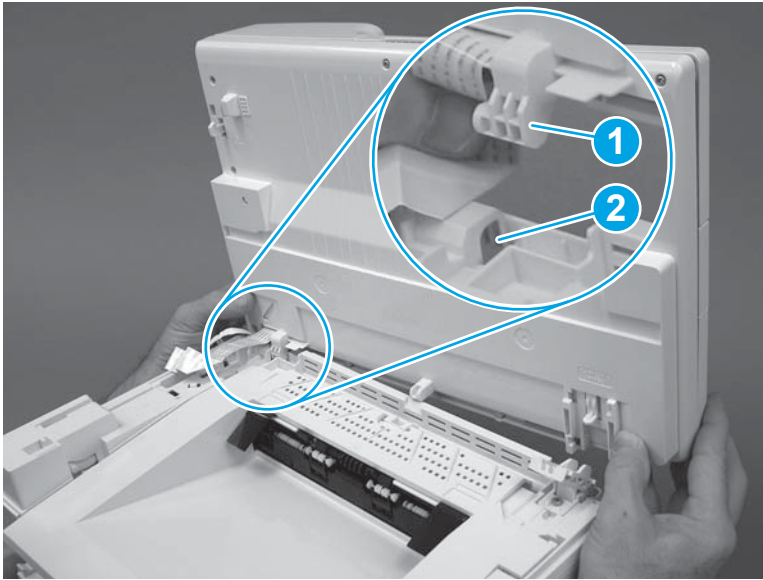
1. Position the scanner assembly (callout 1) near the printer.

**Figure 1-121** Install the scanner assembly (MFP)



- Engage the left hinge (callout 1) with the top cover (callout 2).

**Figure 1-122** Engage the left hinge (MFP)



- Push the right side of the scanner assembly toward the front of the printer to engage the right hinge (callout 1). Make sure that the tab (callout 2) snaps into place.

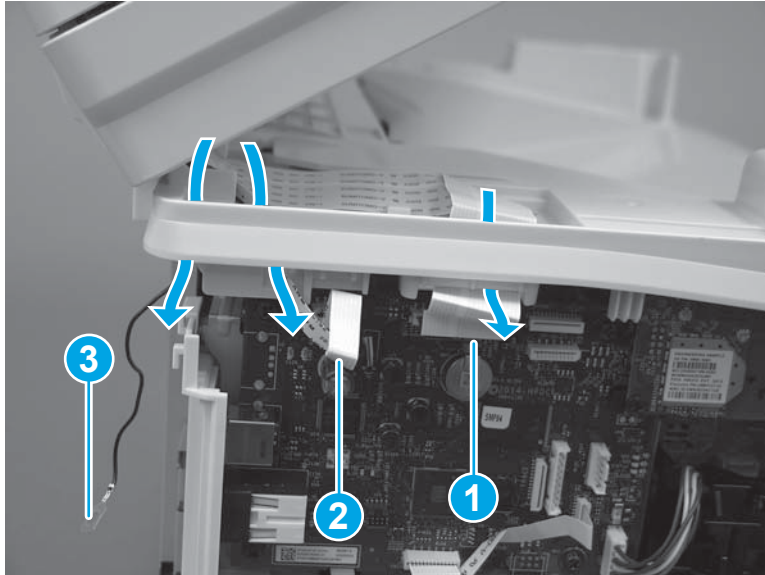
**Figure 1-123** Engage the right hinge (MFP)



- 4-in-1 models only:** Pass the flat cables (callouts 1/2) and the ground wire (callout 3) through the openings in the chassis, and then connect the two flat cables.
- 3-in-1 models only:** Pass the flat cable (callout 1) through the opening in the chassis, and then connect one flat cable.

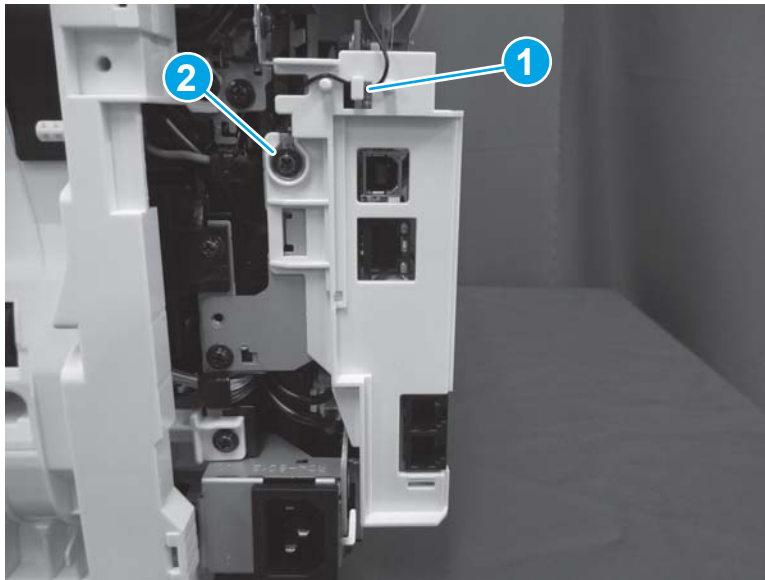
 **NOTE:** The 3-in-1 model does not have the small flat cable (callout 2) or a ground wire (callout 3).

**Figure 1-124** Connect flat cable(s)



- 4-in-1 models only:** Install the ground wire in the retainer (callout 1), and then install one screw (callout 2).

**Figure 1-125** Install the ground wire (4-in-1 models)

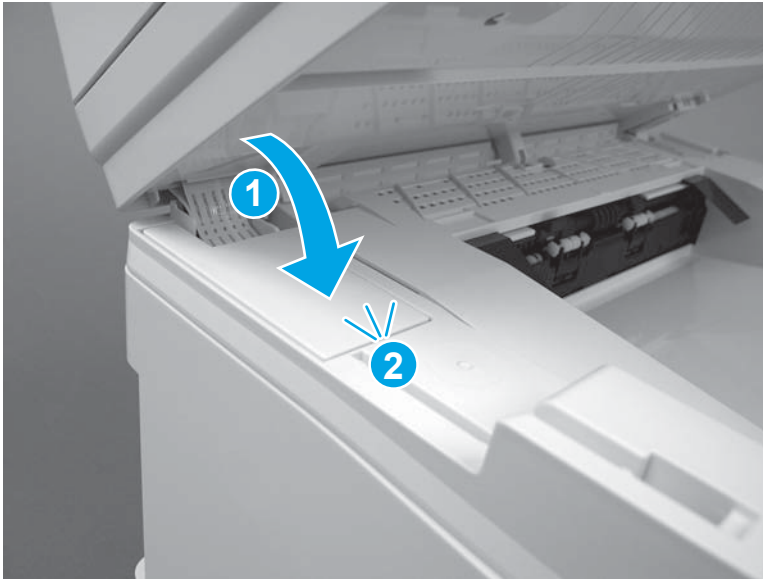


#### Step 11: Install the cable cover (MFP)

 **NOTE:** This step is for the MFP printers. For the SFP printers, skip this step and go to [Step 12: Install the left cover on page 104](#).

1. Install the cable cover (callout 1), on the printer, and then push down to engage one tab (callout 2).

**Figure 1-126** Install the cable cover (MFP)



2. Close the scanner assembly.

**Figure 1-127** Close the scanner assembly

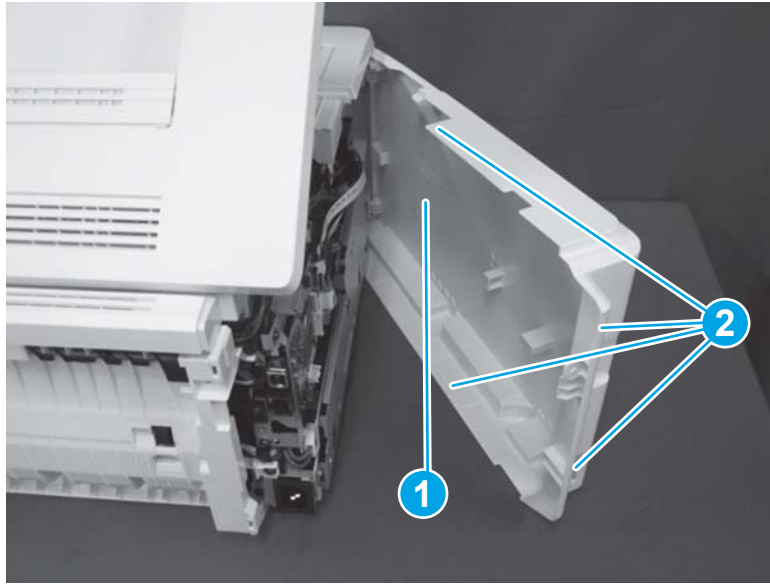


### Step 12: Install the left cover

1. **SFP:** Do the following.
  - a. Open the cartridge door.

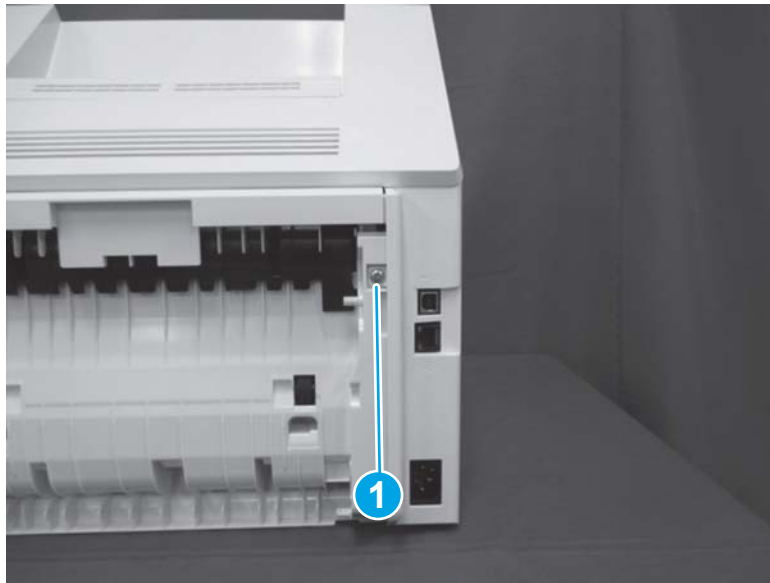
- b. Position the left cover (callout 1) on the printer, and then engage four tabs (callout 2).

**Figure 1-128** Install the left cover (SFP)



- c. Close the cartridge door.
- d. Install one screw (callout 1).

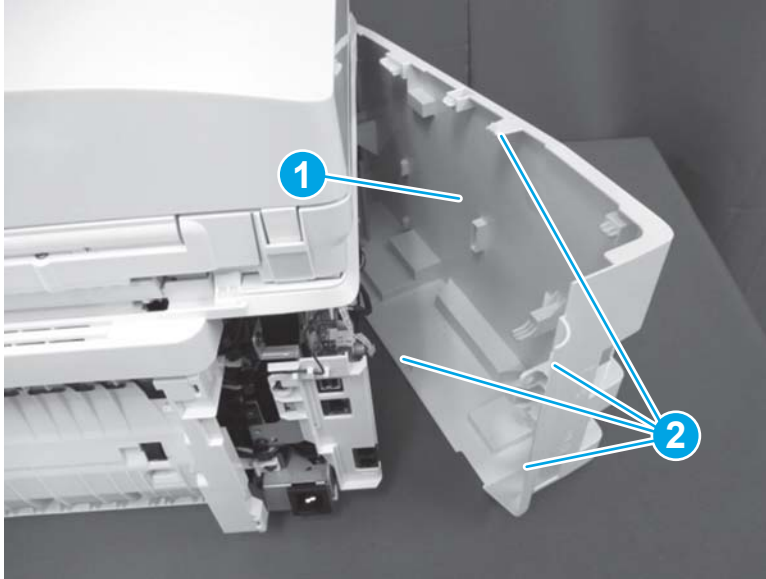
**Figure 1-129** Install one screw (SFP)



- 2. **MFP:** Do the following.
  - a. Position the left cover (callout 1) on the printer, and then engage four tabs (callout 2).

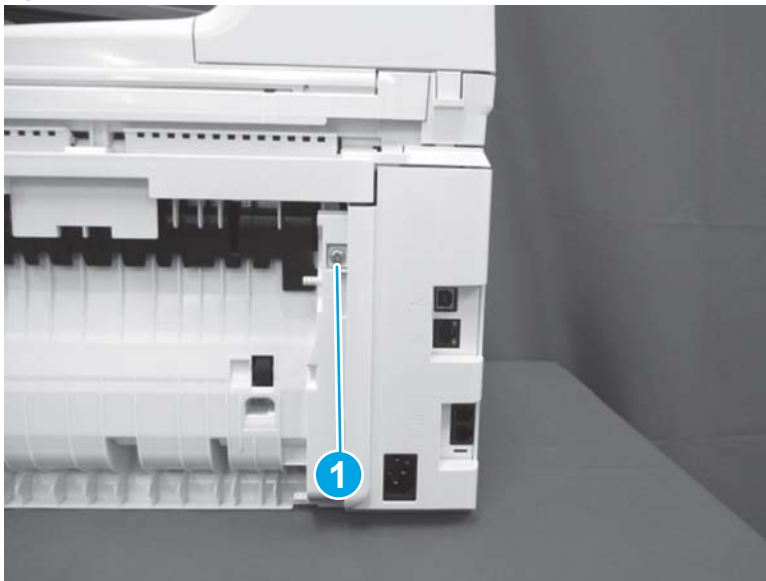


Figure 1-130 Install the left cover (MFP)



- b. Install one screw (callout 1).

Figure 1-131 Install one screw (MFP)

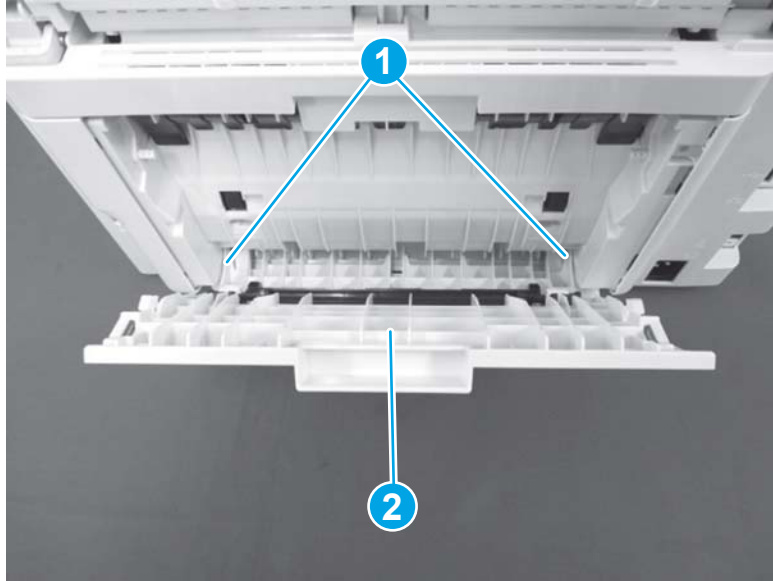


### Step 13: Install the duplex door

- 1. Install two tabs (callout 1) to install the duplex door (callout 2).



Figure 1-132 Install the duplex door



2. Close the duplex door.

## Removal and replacement: Top front cover

- [Introduction](#)
- [Step 1: Remove the duplex door](#)
- [Step 2: Remove the left cover](#)
- [Step 3: Remove the cable cover \(MFP\)](#)
- [Step 4: Remove the 3-in-1 or 4-in-1 scanner assembly \(MFP\)](#)
- [Step 5: Remove the right cover](#)
- [Step 6: Remove the top front cover](#)
- [Step 7: Remove the control panel \(SFP\)](#)
- [Step 8: Remove the control panel \(MFP\)](#)
- [Step 9: Unpack the replacement assembly](#)
- [Step 10: Install the control panel \(MFP\)](#)
- [Step 11: Install the control panel \(SFP\)](#)
- [Step 12: Install the top front cover](#)
- [Step 13: Install the right cover](#)
- [Step 14: Install the 3-in-1 or 4-in-1 scanner assembly \(MFP\)](#)
- [Step 15: Install the cable cover \(MFP\)](#)
- [Step 16: Install the left cover](#)
- [Step 17: Install the duplex door](#)

### Introduction


This document provides the procedures to remove and replace the top front cover.

### Before performing service

#### Turn the printer power off

- Disconnect the power cable.

---

 **WARNING!** To avoid damage to the printer, turn the printer off, wait 30 seconds, and then remove the power cable before attempting to service the printer.

---

Use the table below to identify the correct part number for your printer. To order the part, go to [www.hp.com/buy/parts](http://www.hp.com/buy/parts).

---

Top front cover part numbers	
RM2-0822-000CN	Top front cover (M203dn) network
RM2-0823-000CN	Top front cover (M203dw) WiFi
RM2-2083-000CN	Top front cover (M206dn) network
RM2-2082-000CN	Top front cover (M203) no control panel
RM2-2084-000CN	Top front cover (M206) no control panel
RM2-2087-000CN	Top front cover (MFP) with NFC
RM2-0834-000CN	Top front cover (MFP) without NFC

---

### Required tools

- #2 Phillips screwdriver with a magnetic tip.
- Small flat-blade screwdriver

### After performing service

#### Turn the printer power on

- Connect the power cable.
- Use the power switch to turn the power on.

### Post service test

Verify that the control panel functions correctly.

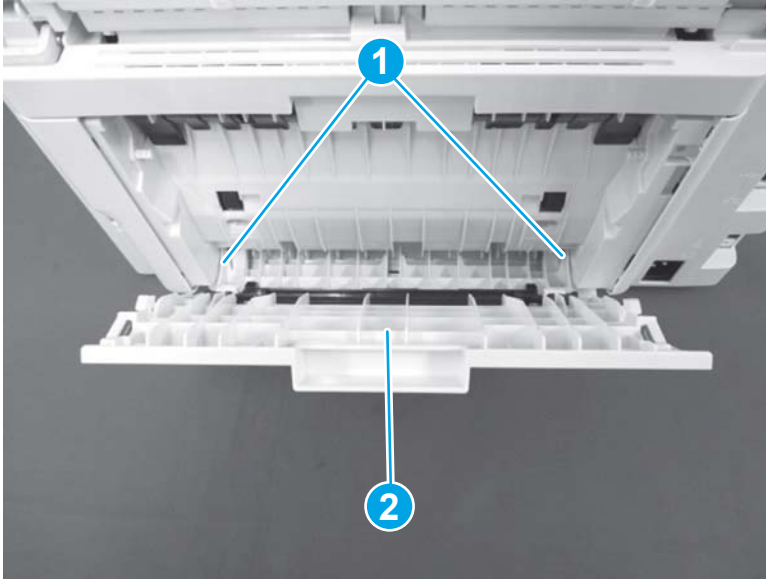
**MFP only:** Verify that the document feeder and the flatbed scanner are correctly functioning (copy a page).

### Step 1: Remove the duplex door

1. Open the duplex door.

2. Use a small flat-blade screwdriver to release two tabs (callout 1), and then remove the duplex door (callout 2).

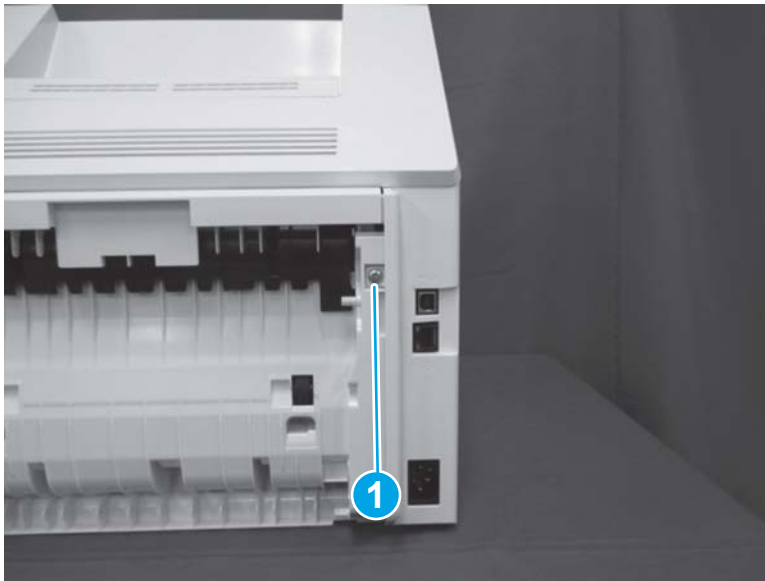
**Figure 1-133** Remove the duplex door



#### Step 2: Remove the left cover

1. **SFP:** Do the following.
  - a. Remove one screw (callout 1).

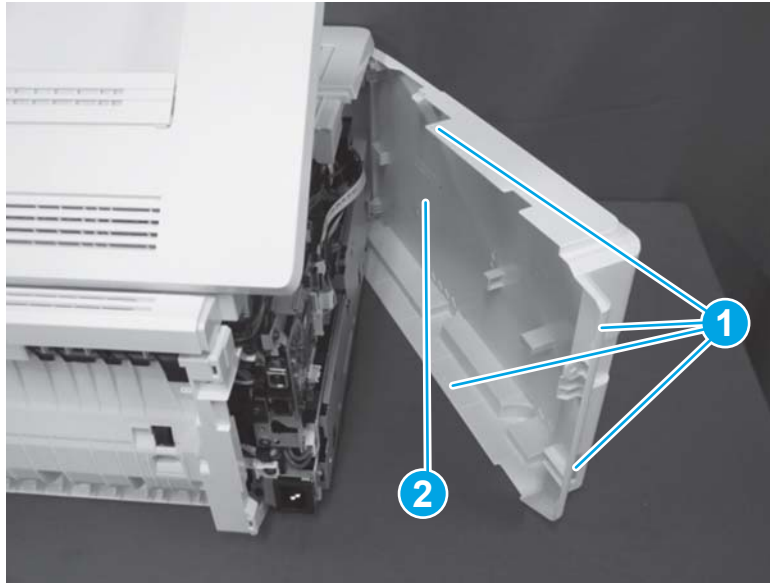
**Figure 1-134** Remove one screw (SFP)



- b. Open the cartridge door.

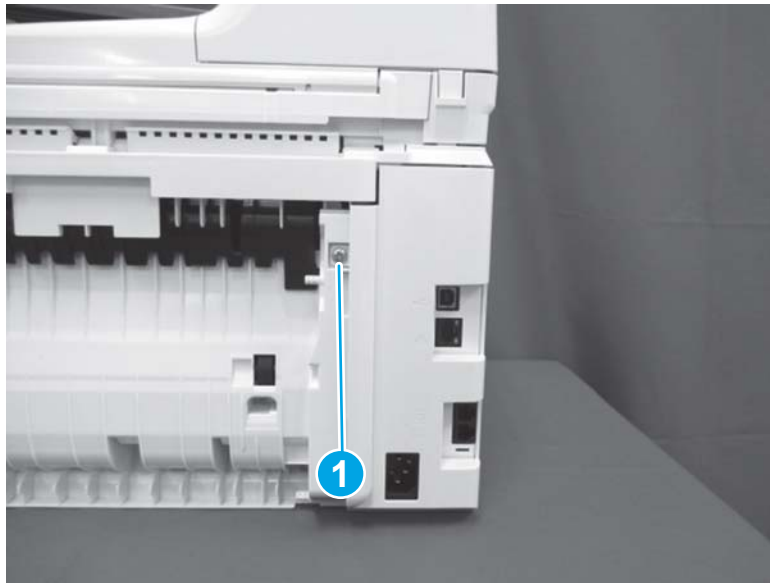
- c. Release four tabs (callout 1), and then remove the left cover (callout 2).

Figure 1-135 Remove the left cover (SFP)



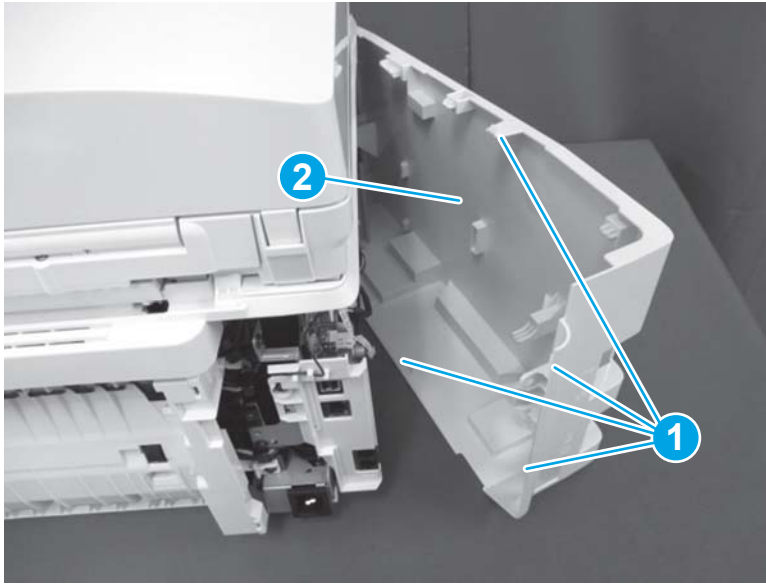
- 2. MFP: Do the following.
  - a. Remove one screw (callout 1).

Figure 1-136 Remove one screw (MFP)



- b. Release four tabs (callout 1), and then remove the left cover (callout 2).

**Figure 1-137** Remove the left cover (MFP)



### Step 3: Remove the cable cover (MFP)

 **NOTE:** This step is for the MFP printers. For the SFP printers, skip this step and go to [Step 5: Remove the right cover on page 115](#).

1. Open the scanner assembly.

**Figure 1-138** Open the scanner assembly




2. Use a small flat-blade screw driver to release one tab (callout 1), and then remove the cable cover (callout 2).

**Figure 1-139** Remove the cable cover (MFP)



#### Step 4: Remove the 3-in-1 or 4-in-1 scanner assembly (MFP)

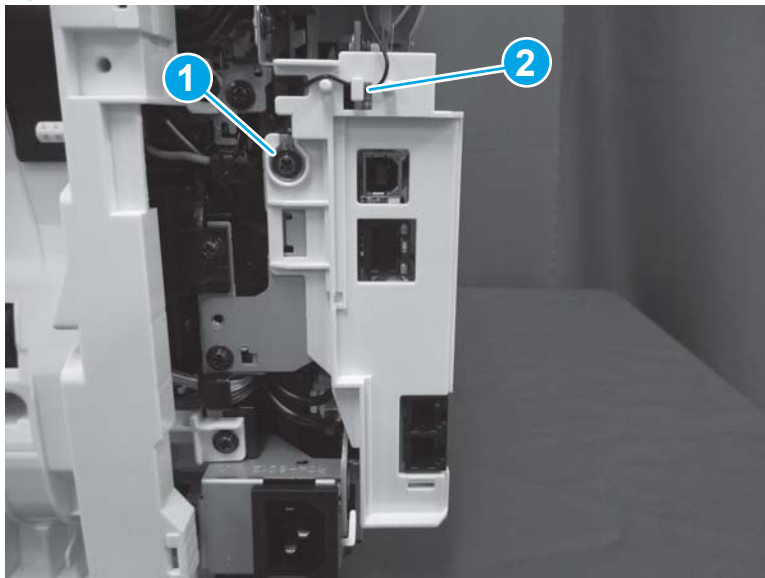
 **NOTE:** This step is for the MFP printers. For the SFP printers, skip this step and go to [Step 5: Remove the right cover on page 115](#).

 **NOTE:** The 4-in-1 scanner assembly supports the document feeder. The 3-in-1 scanner assembly does not support the document feeder.

The figures in this procedure show a 4-in-1 printer. However, the procedure is correct for 3-in-1 printers.

1. **4-in-1 models only:** Remove one screw (callout 1), and then release the ground wire from the retainer (callout 2).

**Figure 1-140** Release the ground wire (4-in-1 models)

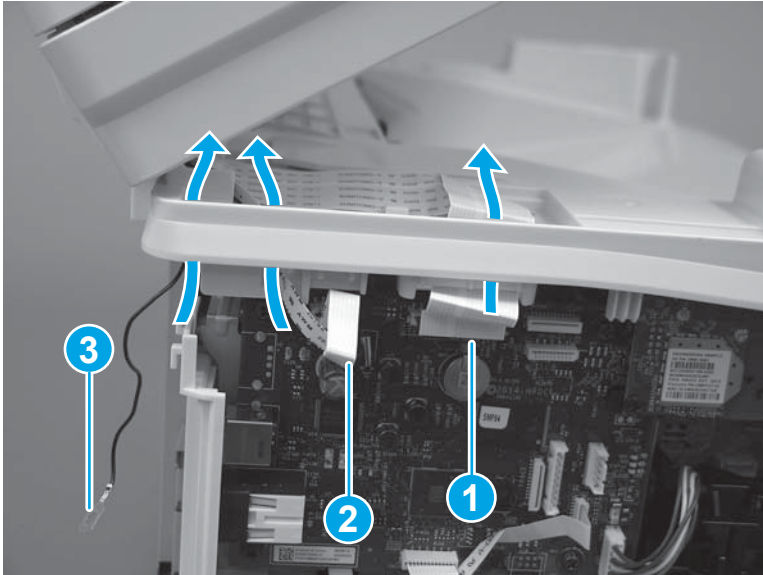


2. **4-in-1 models only:** Disconnect two flat cables (callouts 1/2), and then pass the flat cables and the ground wire (callout 3) up through the opening in the chassis.

**3-in-1 models only:** Disconnect one flat cable (callout 1), and then pass the flat cable through the opening in the chassis.

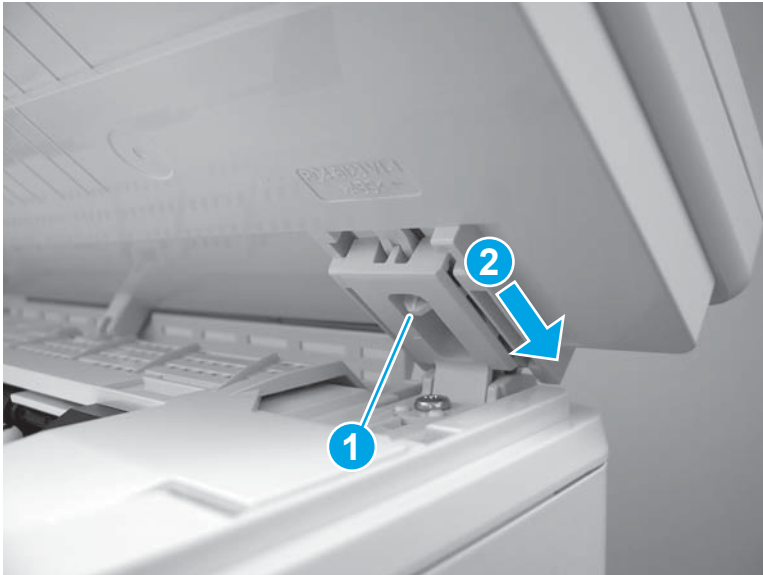
 **NOTE:** The 3-in-1 model does not have the small flat cable (callout 2) or a ground wire (callout 3).

**Figure 1-141** Disconnect flat cable(s)



3. Release one tab (callout 1), and then push the right side of the scanner assembly toward the rear of the printer to release the right hinge (callout 2).

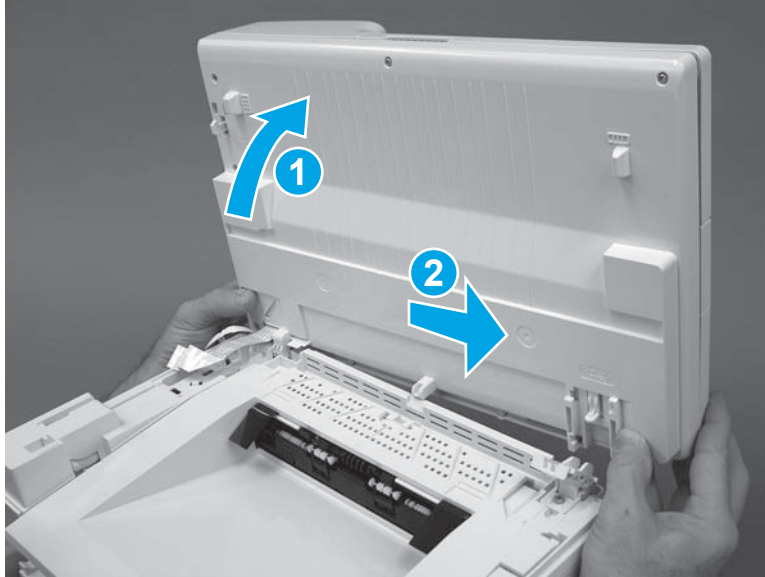
**Figure 1-142** Release the right hinge





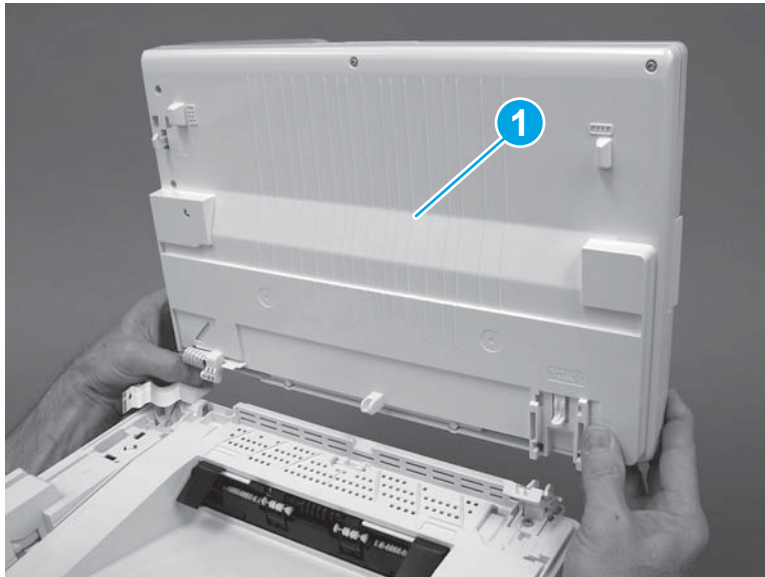
4. Rotate the scanner assembly towards the rear of the printer (callout 1), and then slide the scanner assembly toward the right side of the printer to release the left hinge (callout 2).

Figure 1-143 Release the left hinge



5. Remove the scanner assembly (callout 1).

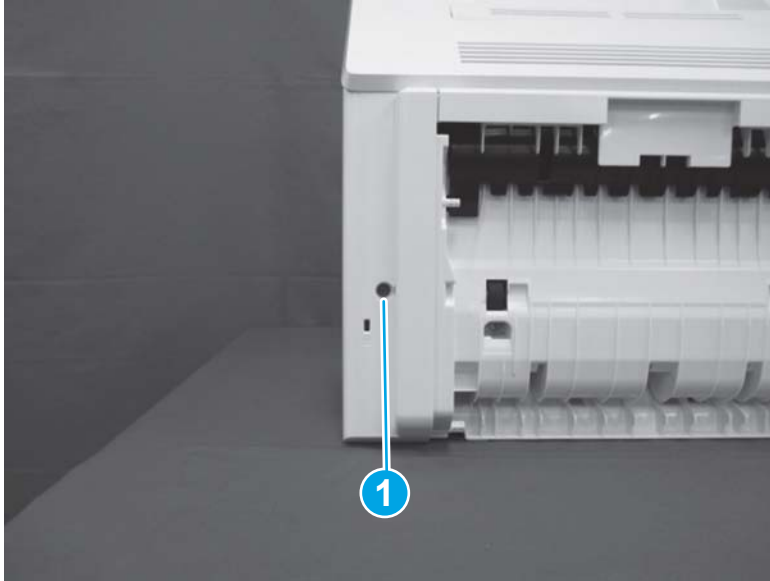
Figure 1-144 Remove the scanner assembly



#### Step 5: Remove the right cover

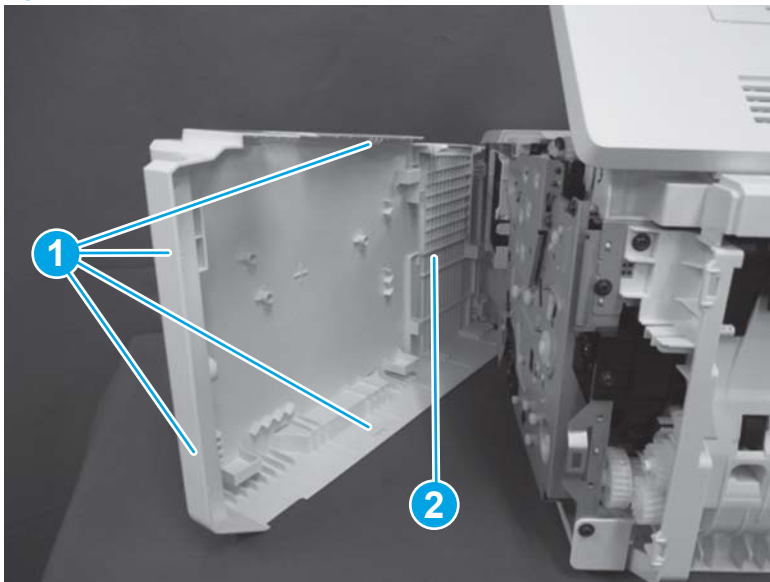
1. SFP: Do the following.
  - a. Remove one screw (callout 1).

Figure 1-145 Remove one screw (SFP)



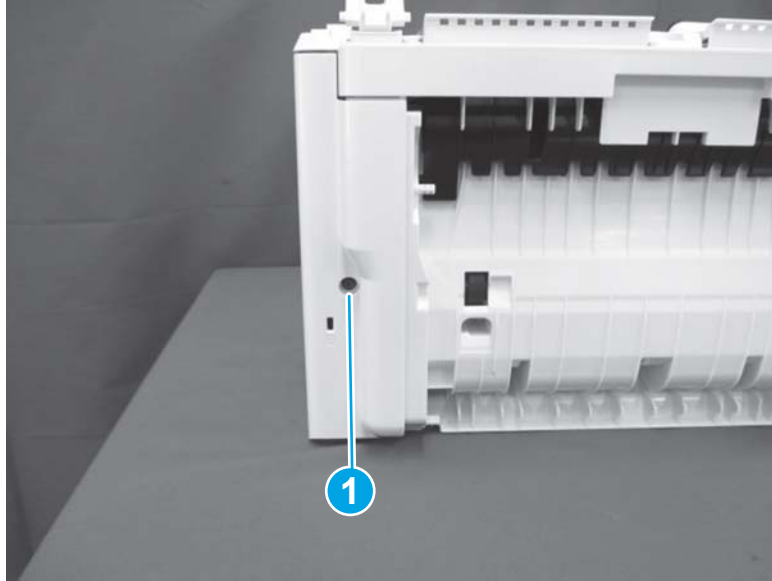
- b. Open the cartridge door.
- c. Release four tabs (callout 1), and then remove the right cover (callout 2).

Figure 1-146 Remove the right cover (SFP)



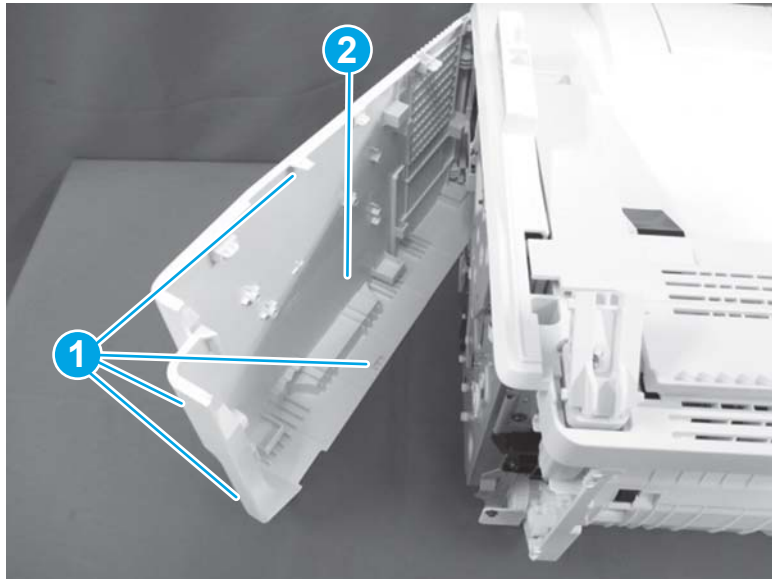
- 2. **MFP:** Do the following.
  - a. Remove one screw (callout 1).

Figure 1-147 Remove one screw (MFP)



- b. Release four tabs (callout 1), and then remove the right cover (callout 2).

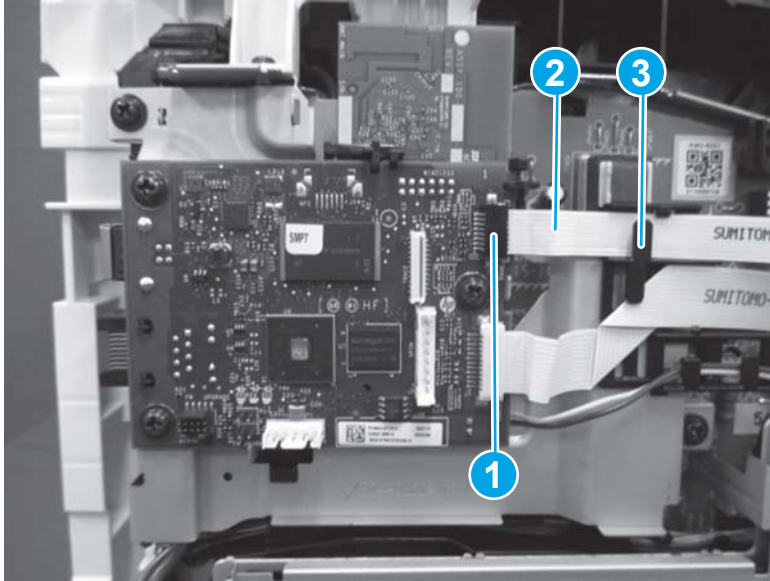
Figure 1-148 Remove the right cover (MFP)



#### Step 6: Remove the top front cover

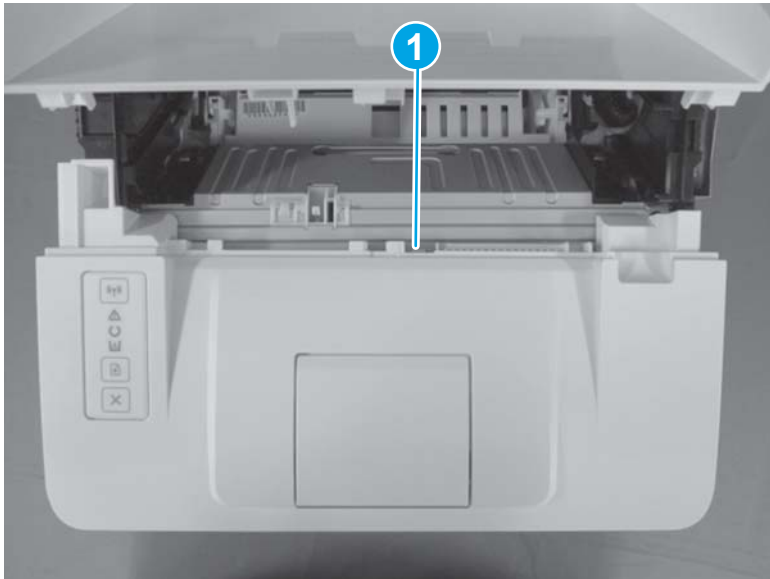
1. SFP: Do the following.
  - a. Disconnect one connector (callout 1) on the formatter, and then release the cable (callout 2) from the cable guide (callout 3).

Figure 1-149 Disconnect one connector



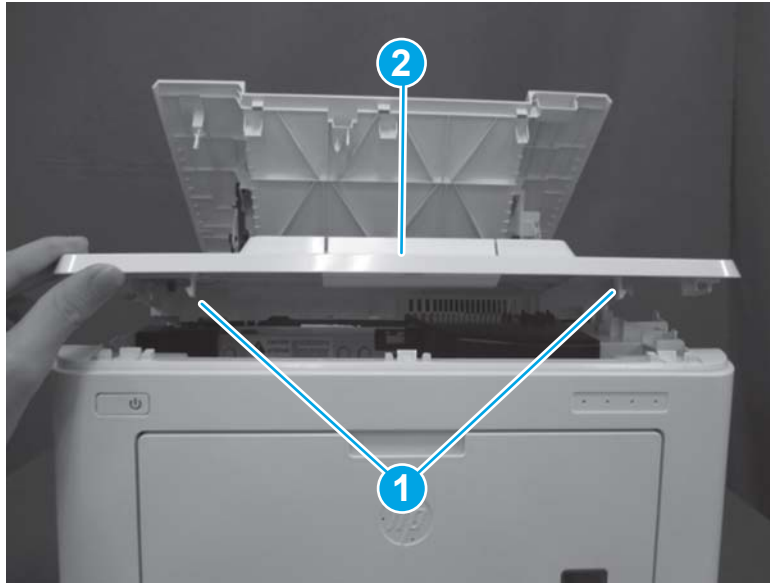
- b. Open the cartridge door, and then release one tab (callout 1) on the top of the cover.

Figure 1-150 Release one tab



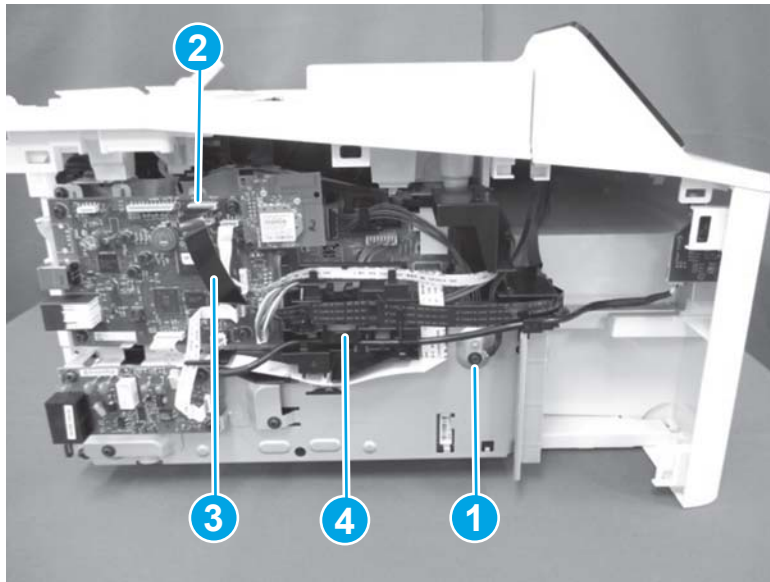
- c. Release two tabs (callout 1), and then remove the top front cover (callout 2).

Figure 1-151 Release two tabs and remove the cover



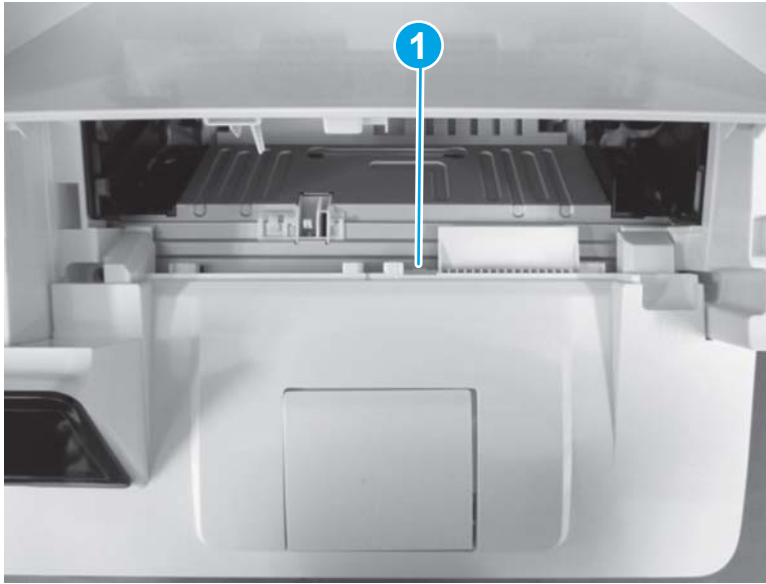
- 2. MFP: Do the following.
  - a. Remove one screw (callout 1) to release one cable. Disconnect one connector (callout 2), and then remove the cable (callout 3) from the cable guide (callout 4).

Figure 1-152 Disconnect connector and release cable



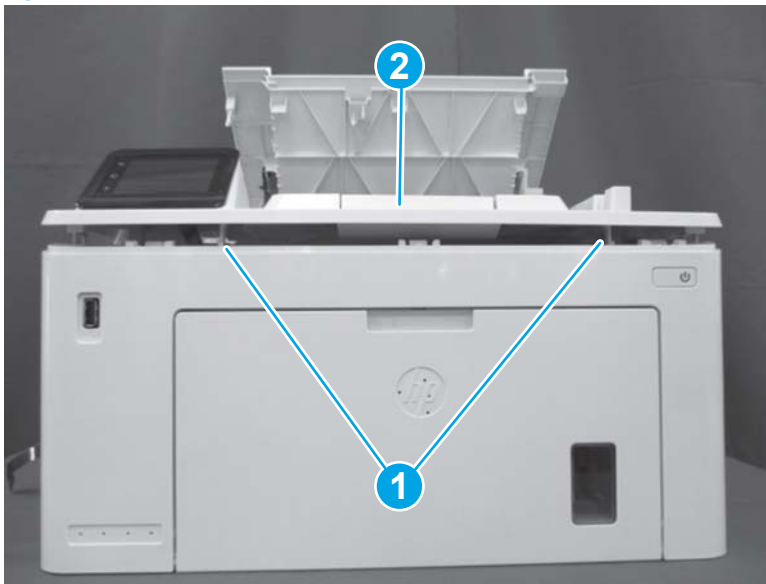
- b. Open the cartridge door, and then release one tab (callout 1).

Figure 1-153 Release one tab



- c. Release two tabs (callout 1), and then remove the top front cover (callout 2).

Figure 1-154 Release two tabs and remove the cover



### Step 7: Remove the control panel (SFP)

 **NOTE:** Follow these instructions if the control panel will be moved from the old part to the new part.

 **NOTE:** This step is for the SFP printers. For the MFP printers, skip this step and go to [Step 8: Remove the control panel \(MFP\) on page 121](#).

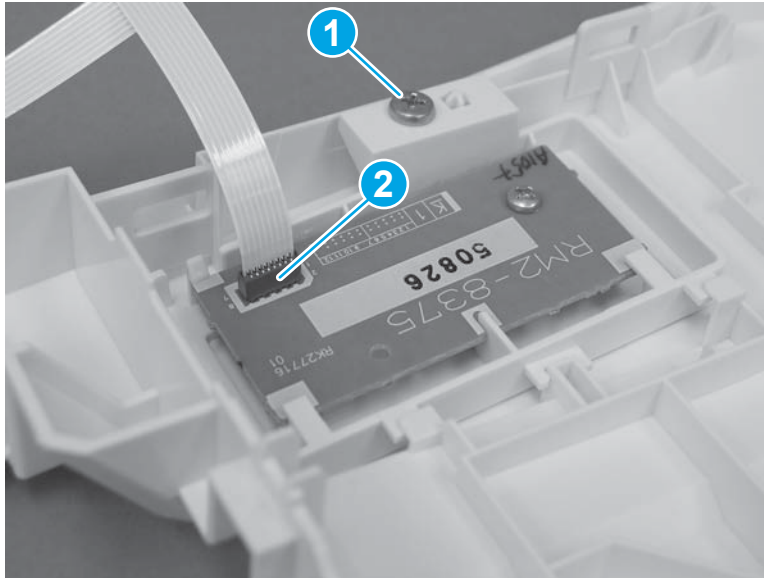
---

**CAUTION:**  ESD-sensitive part.

---

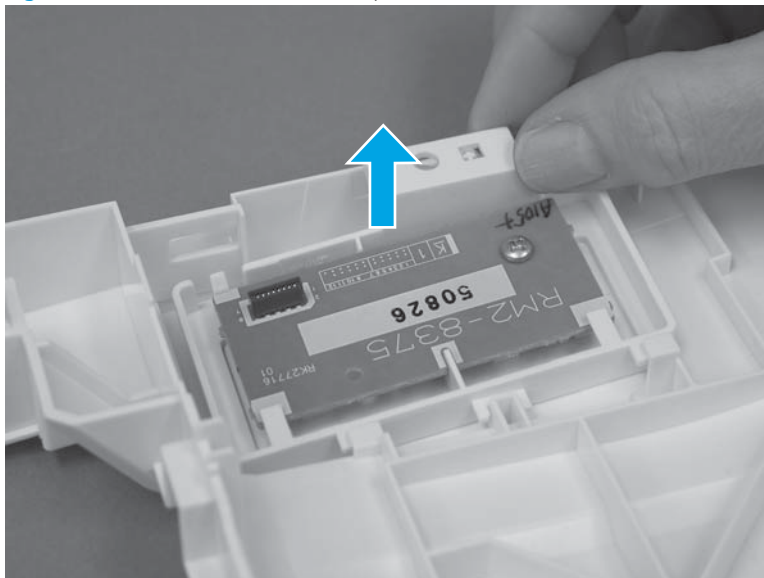
1. On the back side of the top front cover, remove one screw (callout 1), and then disconnect one connector (callout 2).

**Figure 1-155** Remove screw and disconnect connector (SFP)



2. Lift the control panel up to remove it.

**Figure 1-156** Remove the control panel (SFP)



#### Step 8: Remove the control panel (MFP)

---

 **NOTE:** Follow these instructions if the control panel will be moved from the old part to the new part.

 **NOTE:** This step is for the MFP printers. For the SFP printers, skip this step and go to [Step 9: Unpack the replacement assembly on page 122](#).

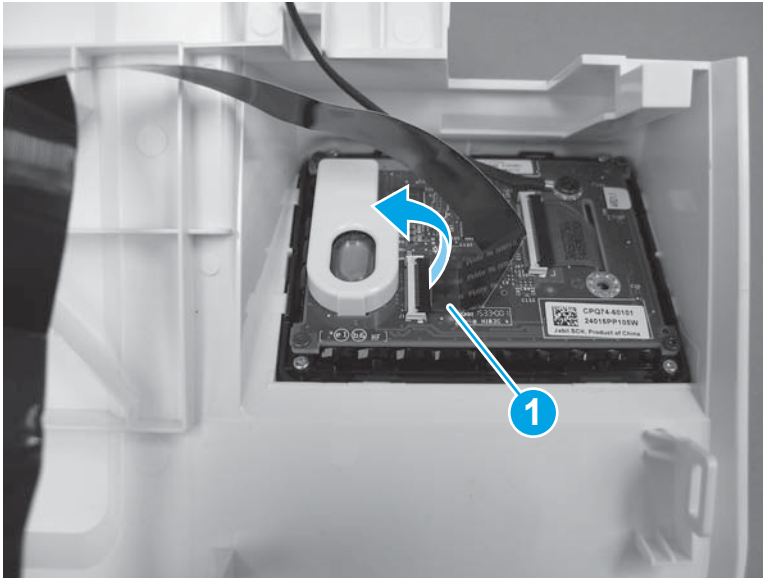
---



**CAUTION:**  ESD-sensitive part.

1. On the back of the top front cover, lift up on the latch on the connector (callout 1) to release the flat cable.

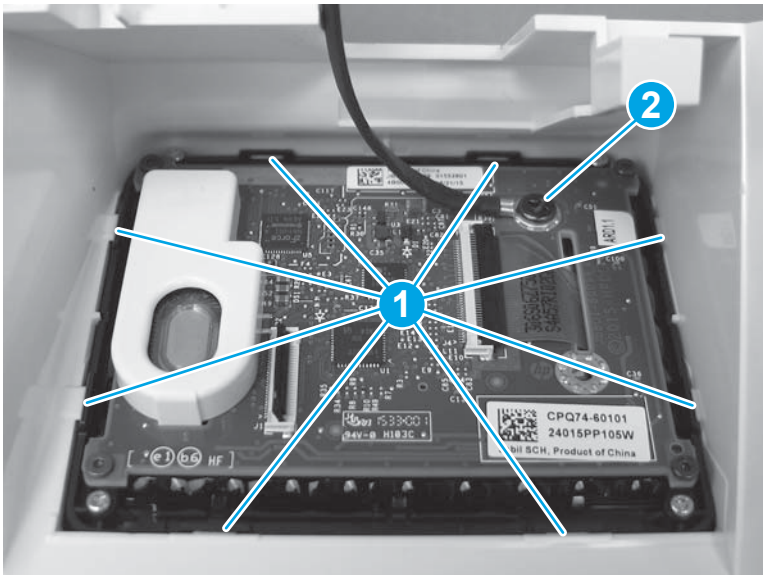
**Figure 1-157** Disconnect one connector (MFP)



2. Carefully release six tabs (callout 1) and lift the control panel away from the top front cover. Remove one screw (callout 2) to release the grounding cable.

**CAUTION:** Be careful when releasing the tabs on the control panel. They are fragile and easily broken.

**Figure 1-158** Remove the control panel (MFP)




### Step 9: Unpack the replacement assembly

1. Dispose of the defective part.



---

 **NOTE:** HP recommends responsible disposal of the defective part.


[www.hp.com/recycle](http://www.hp.com/recycle)


---



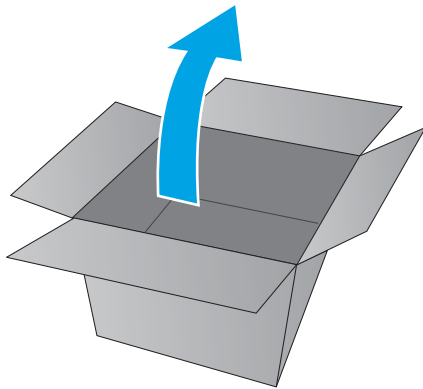
2. Unpack the replacement part from the packaging.

---

 **CAUTION:** If the replacement part is a roller or pad, avoid touching the spongy part of it. Skin oils on the roller or pad can cause paper pickup and/or print-quality problems. HP recommends using disposable gloves when handling rollers or pads or washing your hands or before touching rollers or pads.


 **IMPORTANT:** Make sure that all of the shipping materials (for example shipping tape) are removed from the replacement part prior to installation.

---



### Step 10: Install the control panel (MFP)

---

 **NOTE:** Follow these instructions if the control panel was removed from the old part to transfer to the new part.

 **NOTE:** This step is for the MFP printers. For the SFP printers, skip this step and go to [Step 11: Install the control panel \(SFP\) on page 124](#).


---

 **CAUTION:**  ESD-sensitive part.

---

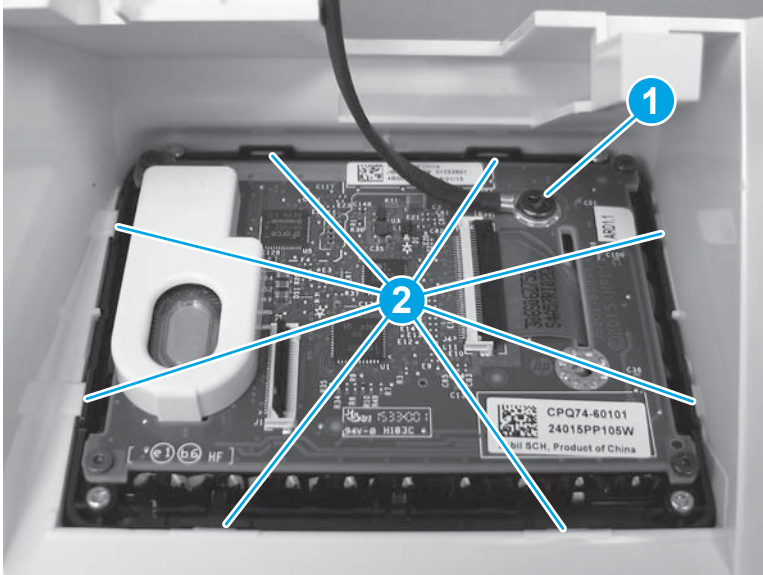
1. Install one screw (callout 1) to secure the grounding cable to the control panel. Position the control panel in the top front cover, and then install six tabs (callout 2).

---

 **CAUTION:** Be careful when installing the tabs on the control panel. They are fragile and easily broken.

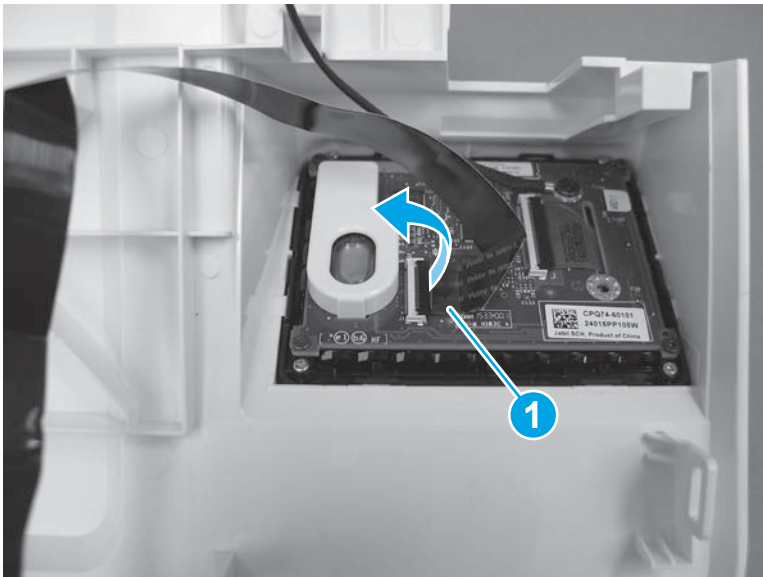
---

Figure 1-159 Install the control panel (MFP)




2. Lift up on the latch on the connector (callout 1) to install the flat cable, and then lower the latch to secure the cable.

Figure 1-160 Install the cable (MFP)



### Step 11: Install the control panel (SFP)

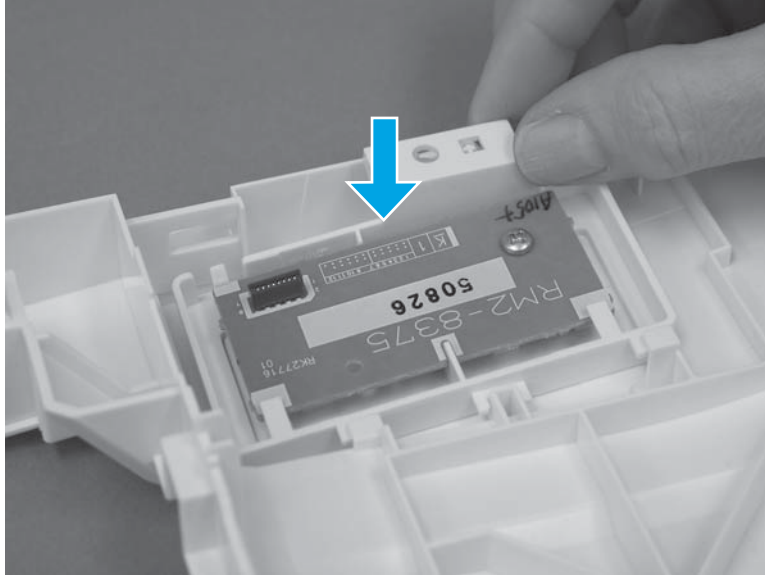
 **NOTE:** Follow these instructions if the control panel was removed from the old part to transfer to the new part.

 **NOTE:** This step is for the SFP printers. For the MFP printers, skip this step and go to [Step 12: Install the top front cover on page 125](#).

 **CAUTION:**  ESD-sensitive part.

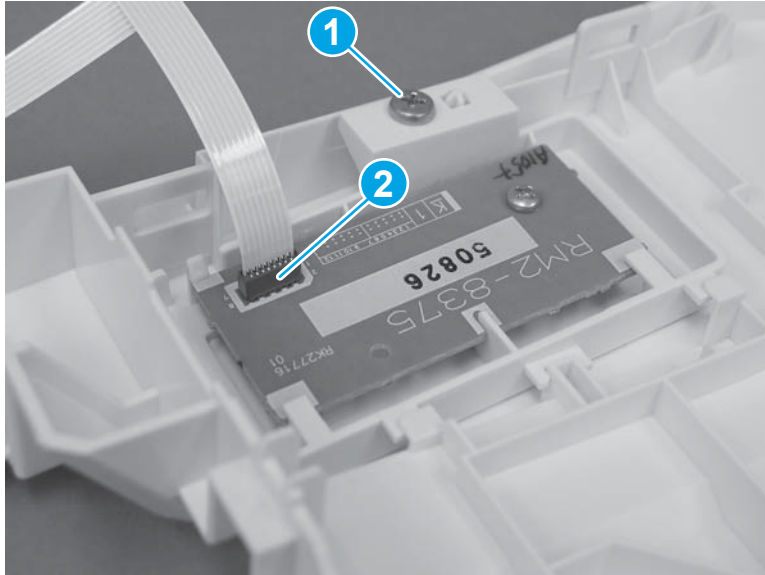
1. Position the control panel on the top front cover.

Figure 1-161 Position the control panel (SFP)



2. Install one screw (callout 1), and then connect the flat cable (callout 2).

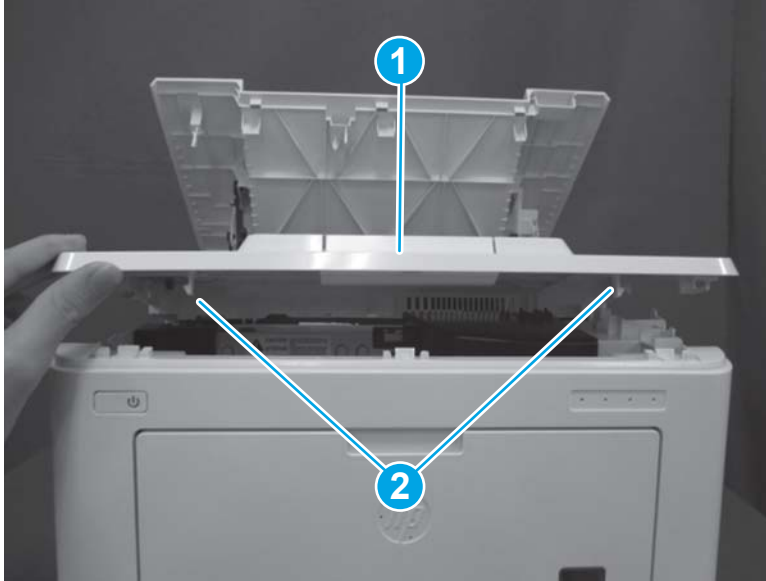
Figure 1-162 Install the screw and cable



### Step 12: Install the top front cover

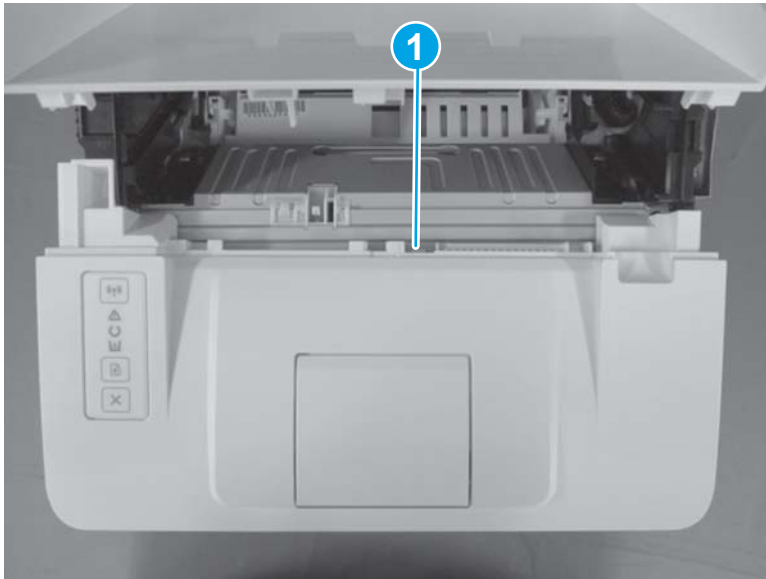
1. **SFP:** Do the following.
  - a. Position the top front cover (callout 1) on the printer and install two tabs (callout 2).

Figure 1-163 Install two tabs



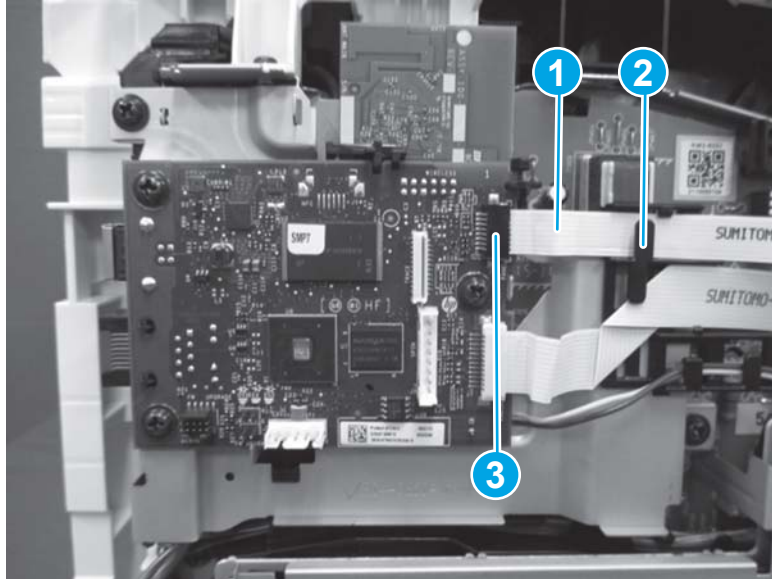
- b. On the top of the cover, install one tab (callout 1).

Figure 1-164 Install one tab



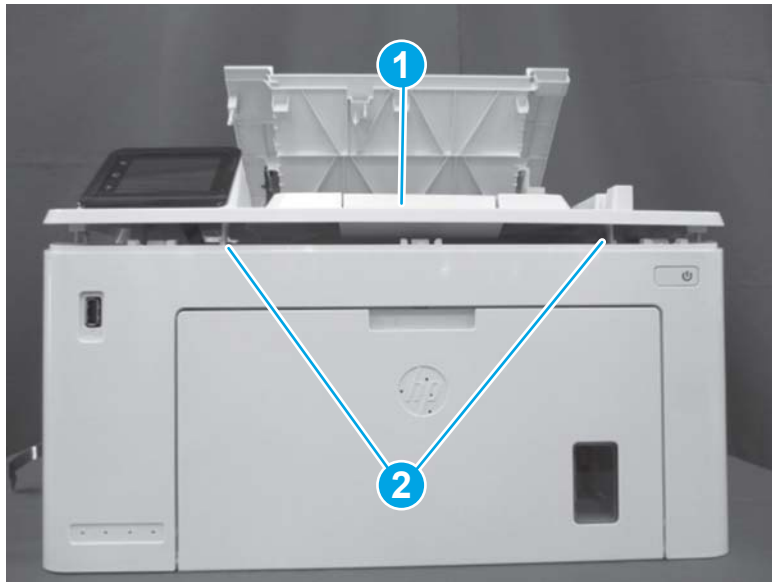
- c. Install the cable (callout 1) in the guide (callout 2), and then connect one connector (callout 3) on the formatter.

Figure 1-165 Connect one connector



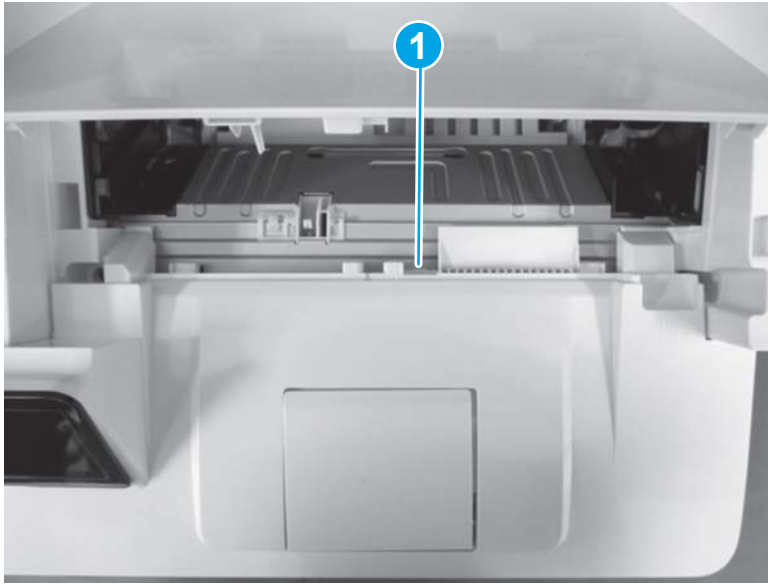
2. MFP: Do the following.
  - a. Position the top front cover (callout 1) on the printer, and then install two tabs (callout 2).

Figure 1-166 Install two tabs



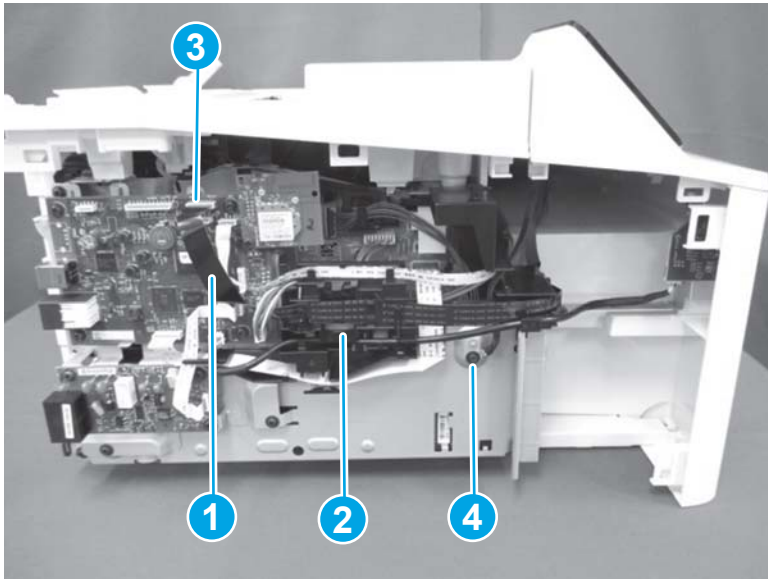
- b. Install one tab (callout 1).

Figure 1-167 Install one tab



- c. Install the cable (callout 1) in the cable guide (callout 2), and then connect one connector (callout 3). Install one screw (callout 4) to secure the grounding cable.

Figure 1-168 Install one connector and grounding cable

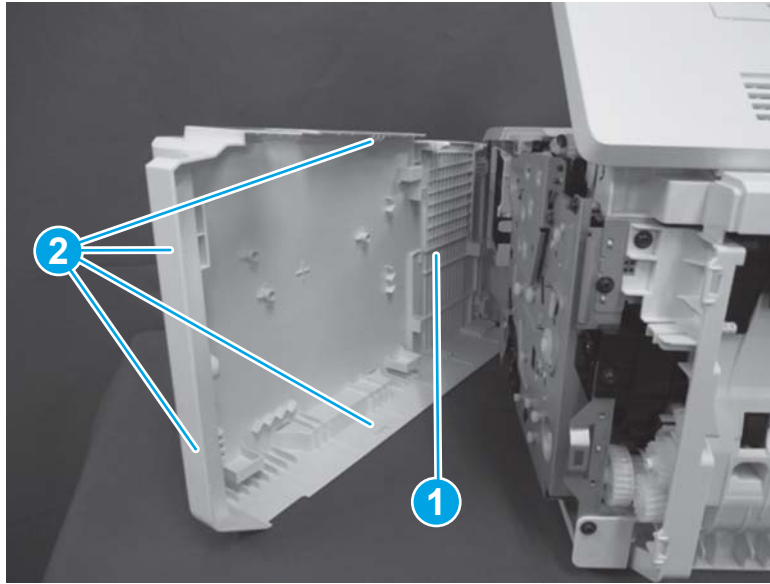


### Step 13: Install the right cover

1. SFP: Do the following.
  - a. Open the cartridge door.

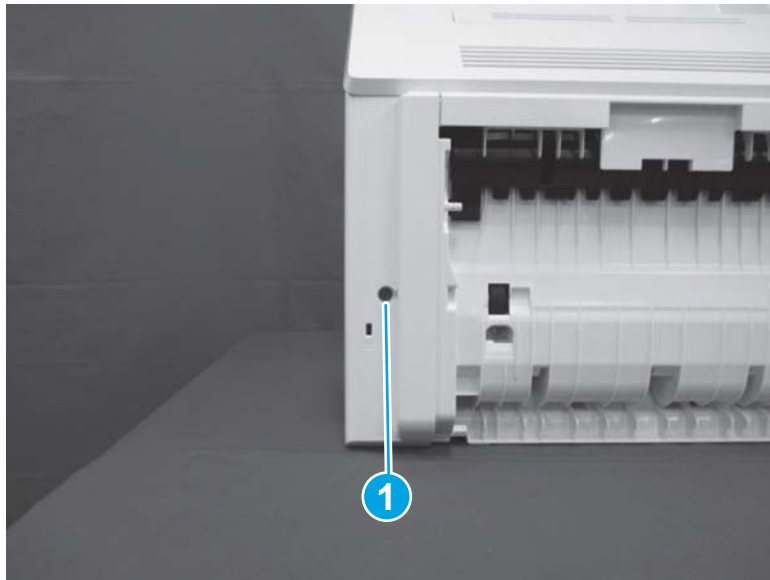
- b. Position the right cover (callout 1) on the printer, and then engage four tabs (callout 2).

**Figure 1-169** Install the right cover (SFP)



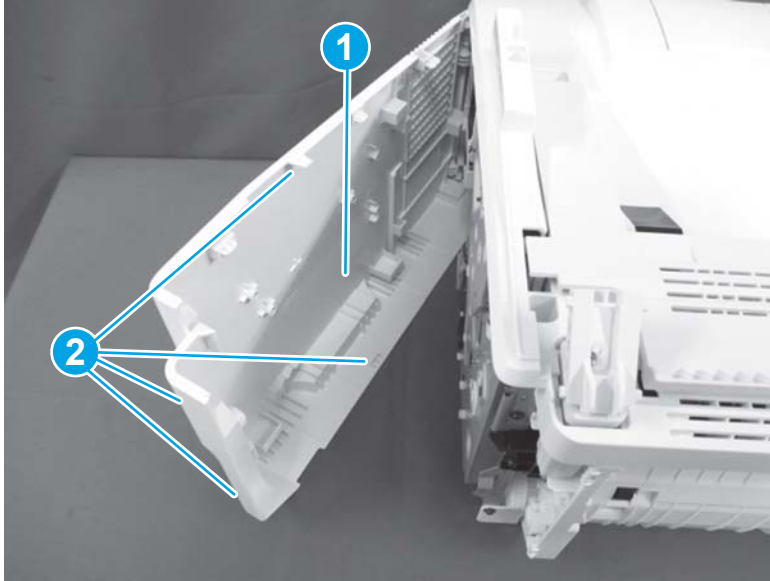
- c. Close the cartridge door.
- d. Install one screw (callout 1).

**Figure 1-170** Install one screw (SFP)



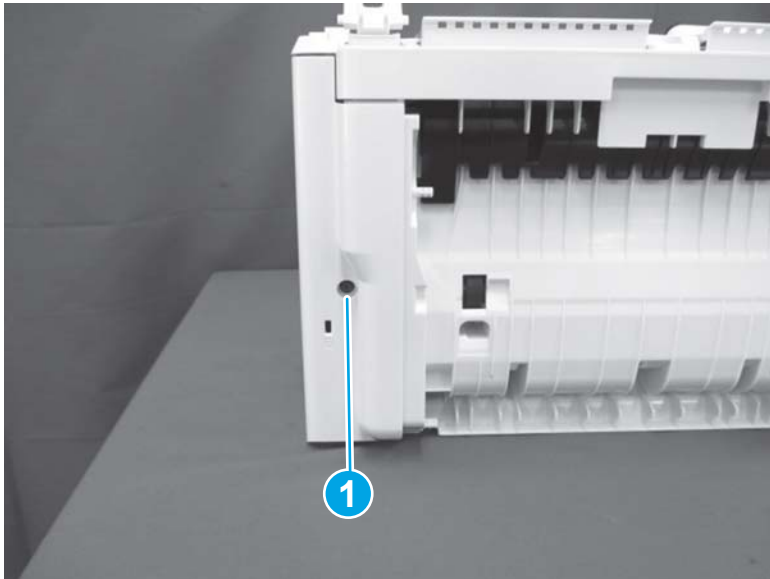
2. **MFP:** Do the following.
  - a. Position the right cover (callout 1) on the printer, and then engage four tabs (callout 2).

Figure 1-171 Install the right cover (MFP)




- b. Install one screw (callout 1).

Figure 1-172 Install one screw (MFP)



#### Step 14: Install the 3-in-1 or 4-in-1 scanner assembly (MFP)

 **NOTE:** This step is for the MFP printers. For the SFP printers, skip this step and go to [Step 16: Install the left cover on page 134](#).

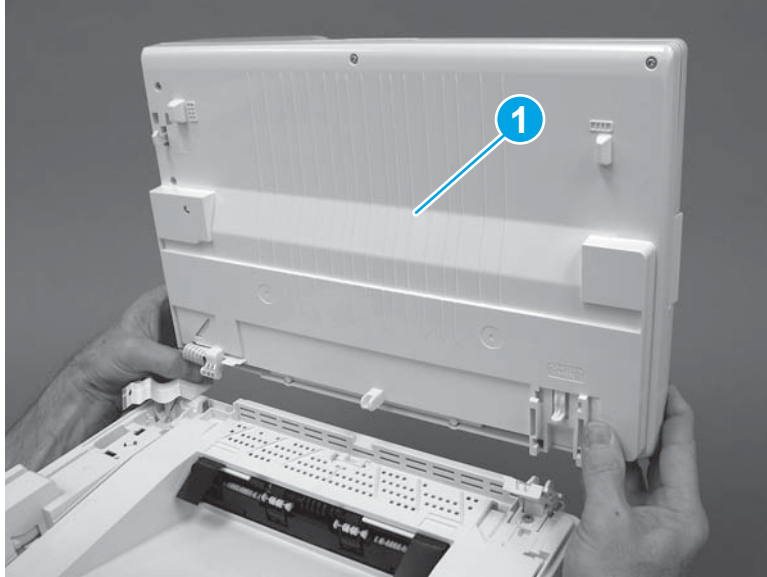
 **NOTE:** The 4-in-1 scanner assembly supports the document feeder. The 3-in-1 scanner assembly does not support the document feeder.

The figures in this procedure show a 4-in-1 printer. However, the procedure is correct for 3-in-1 printers.

1. Position the scanner assembly (callout 1) near the printer.

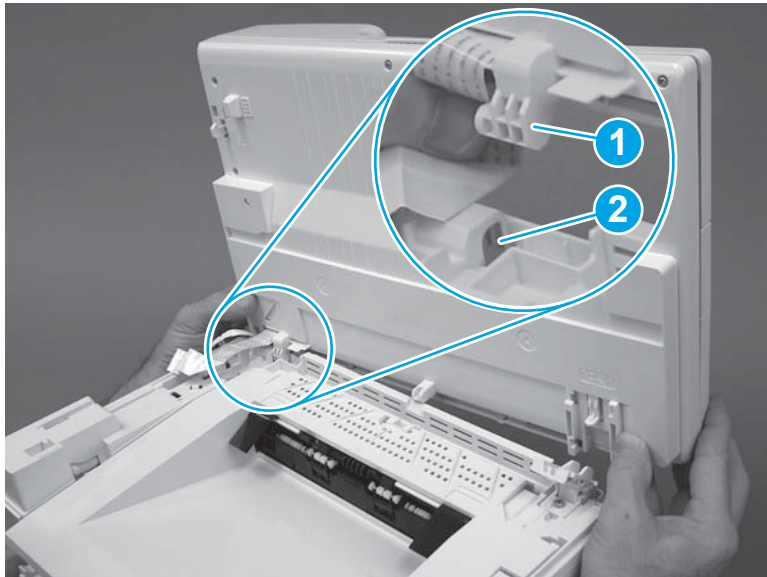


Figure 1-173 Install the scanner assembly (MFP)



2. Engage the left hinge (callout 1) with the top cover (callout 2).

Figure 1-174 Engage the left hinge (MFP)



3. Push the right side of the scanner assembly toward the front of the printer to engage the right hinge (callout 1). Make sure that the tab (callout 2) snaps into place.

**Figure 1-175** Engage the right hinge (MFP)

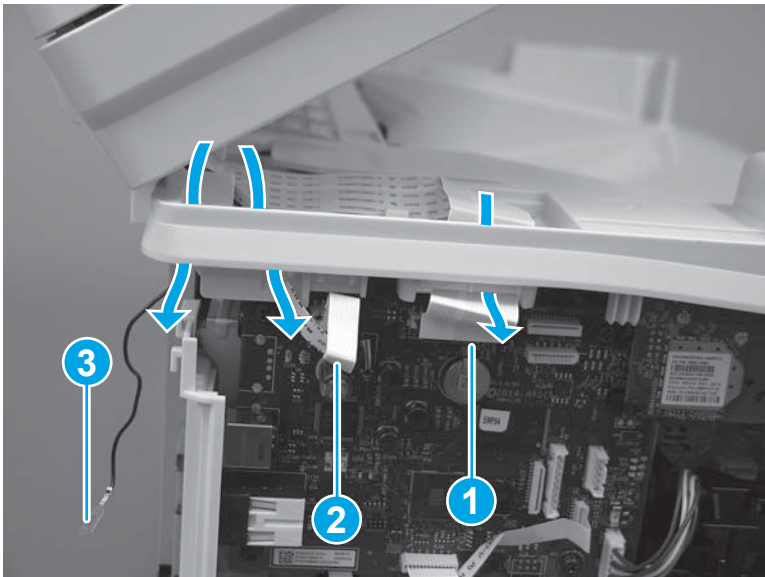


4. **4-in-1 models only:** Pass the flat cables (callouts 1/2) and the ground wire (callout 3) through the openings in the chassis, and then connect the two flat cables.

**3-in-1 models only:** Pass the flat cable (callout 1) through the opening in the chassis, and then connect one flat cable.

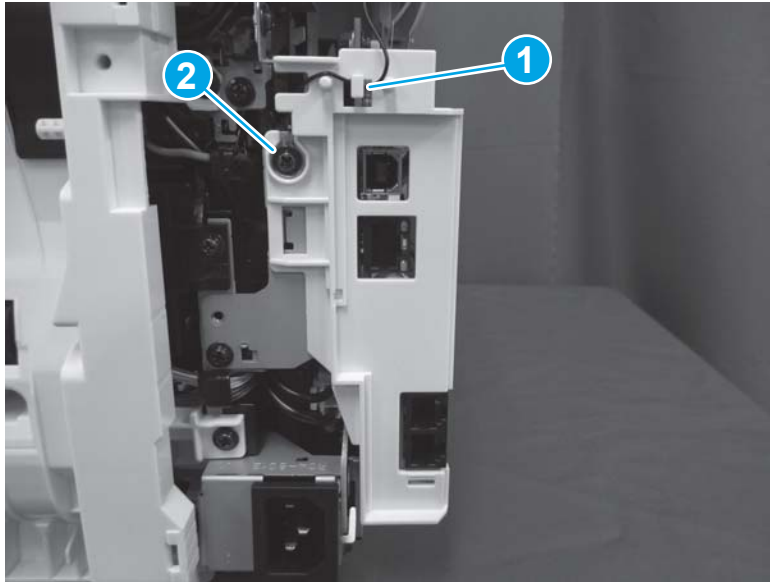
 **NOTE:** The 3-in-1 model does not have the small flat cable (callout 2) or a ground wire (callout 3).

**Figure 1-176** Connect flat cable(s)



5. **4-in-1 models only:** Install the ground wire in the retainer (callout 1), and then install one screw (callout 2).

**Figure 1-177** Install the ground wire (4-in-1 models)

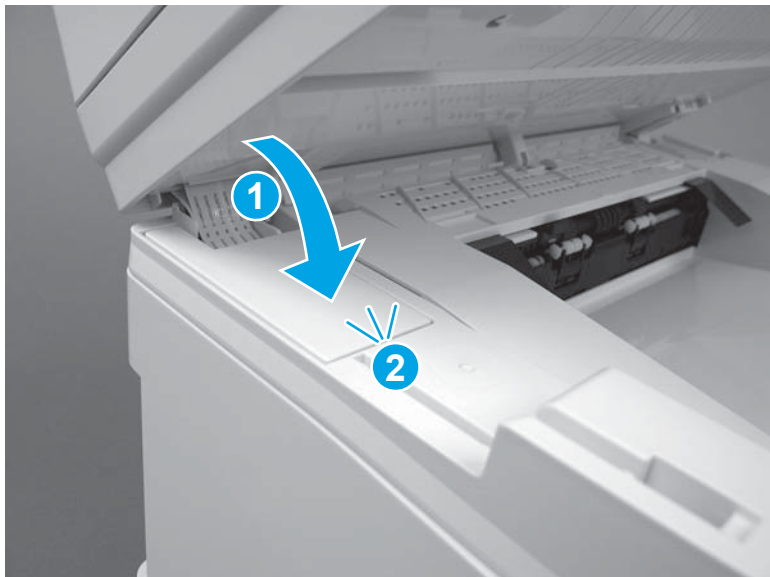


#### Step 15: Install the cable cover (MFP)

 **NOTE:** This step is for the MFP printers. For the SFP printers, skip this step and go to [Step 16: Install the left cover on page 134](#).

1. Install the cable cover (callout 1), on the printer, and then push down to engage one tab (callout 2).

**Figure 1-178** Install the cable cover (MFP)



2. Close the scanner assembly.

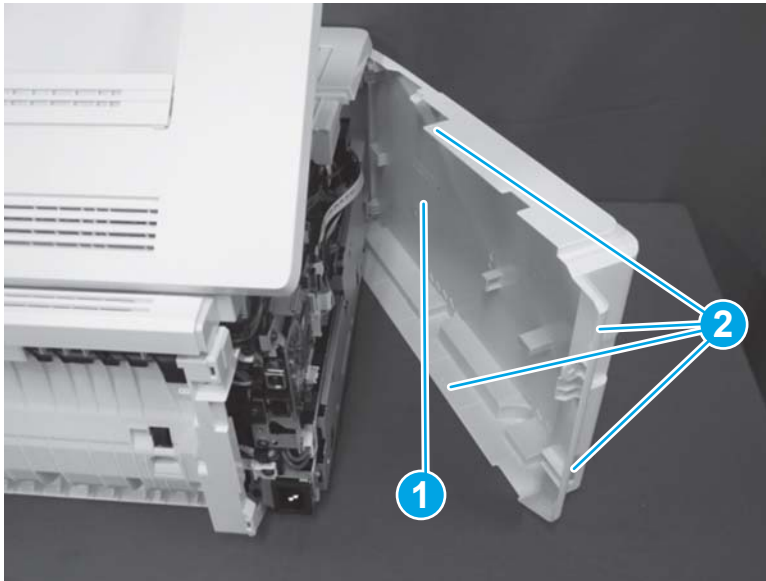
**Figure 1-179** Close the scanner assembly



#### Step 16: Install the left cover

1. SFP: Do the following.
  - a. Open the cartridge door.
  - b. Position the left cover (callout 1) on the printer, and then engage four tabs (callout 2).

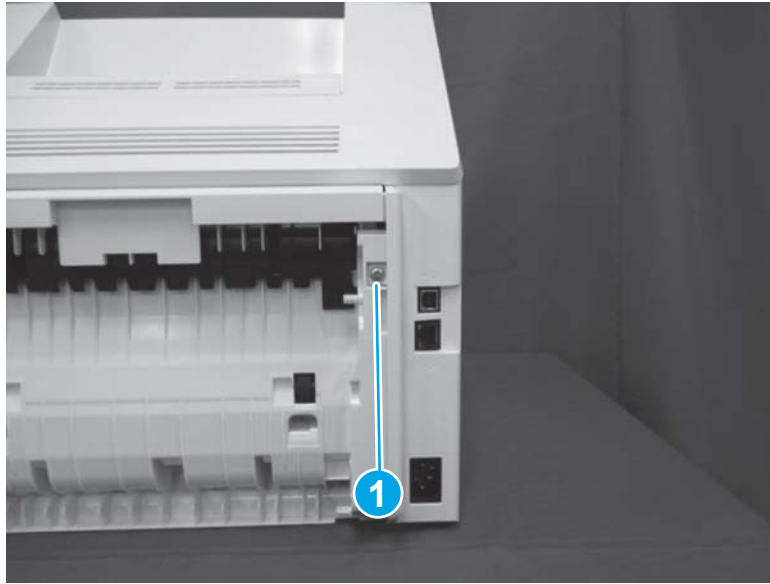
**Figure 1-180** Install the left cover (SFP)



- c. Close the cartridge door.

- d. Install one screw (callout 1).

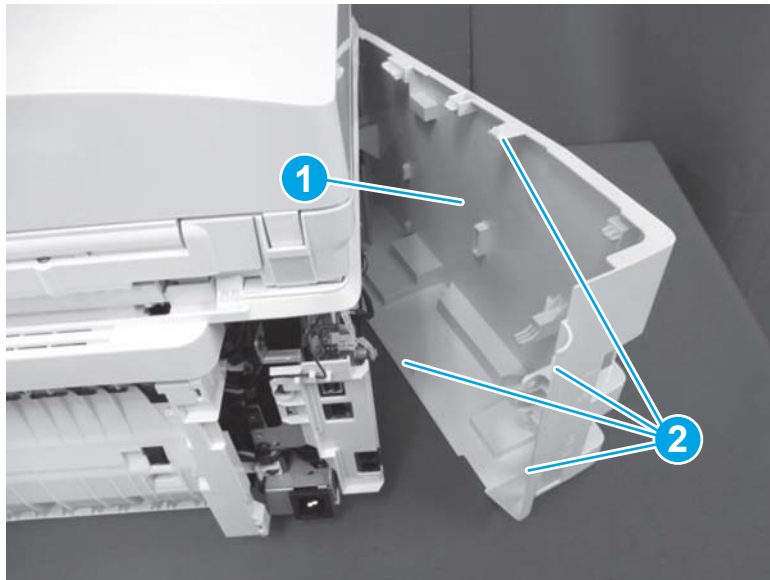
Figure 1-181 Install one screw (SFP)



- 2. MFP: Do the following.

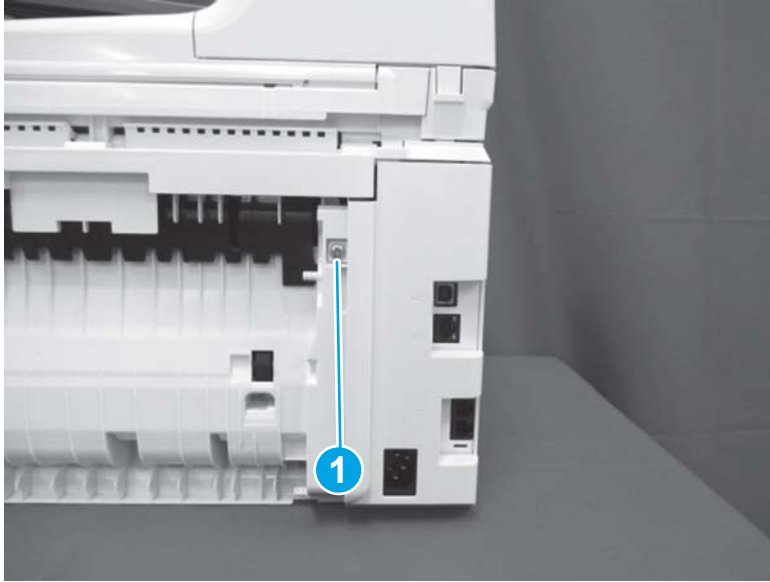
- a. Position the left cover (callout 1) on the printer, and then engage four tabs (callout 2).

Figure 1-182 Install the left cover (MFP)



- b. Install one screw (callout 1).

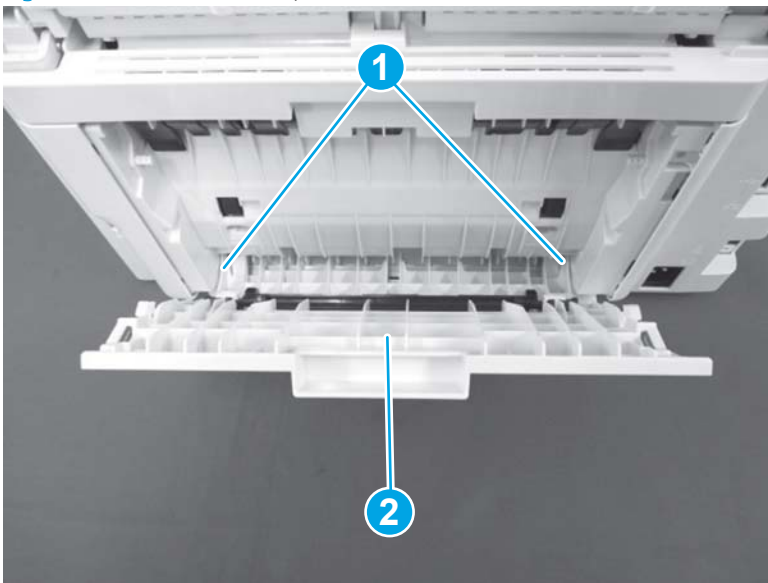
Figure 1-183 Install one screw (MFP)



#### Step 17: Install the duplex door

1. Install two tabs (callout 1) to install the duplex door (callout 2).

Figure 1-184 Install the duplex door



2. Close the duplex door.

## Removal and replacement: Front cover

- [Introduction](#)
- [Step 1: Remove the multipurpose cover](#)
- [Step 2: Remove the duplex door](#)
- [Step 3: Remove the left cover](#)
- [Step 4: Remove the cable cover \(MFP\)](#)
- [Step 5: Remove the 3-in-1 or 4-in-1 scanner assembly \(MFP\)](#)
- [Step 6: Remove the right cover](#)
- [Step 7: Remove the top front cover](#)
- [Step 8: Remove the front cover](#)
- [Step 9: Unpack the replacement assembly](#)
- [Step 10: Install the front cover](#)
- [Step 11: Install the top front cover](#)
- [Step 12: Install the right cover](#)
- [Step 13: Install the 3-in-1 or 4-in-1 scanner assembly \(MFP\)](#)
- [Step 14: Install the cable cover \(MFP\)](#)
- [Step 15: Install the left cover](#)
- [Step 16: Install the duplex door](#)
- [Step 17: Install the multipurpose cover](#)

### Introduction


This document provides the procedures to remove and replace the front cover.

### Before performing service

#### Turn the printer power off

- Disconnect the power cable.

---

 **WARNING!** To avoid damage to the printer, turn the printer off, wait 30 seconds, and then remove the power cable before attempting to service the printer.

---

Use the table below to identify the correct part number for your printer. To order the part, go to [www.hp.com/buy/parts](http://www.hp.com/buy/parts).

---

#### Front cover part numbers

---

RM2-0816-000CN	Front cover (SFP)
RC4-8059-000CN	Front cover (SFP) no power switch
RM2-0827-000CN	Front cover (MFP) with NFC and USB port
RM2-0826-000CN	Front cover (MFP) without NFC and USB port
RC4-8068-000CN	Front cover (MFP) no power switch

---

#### Required tools

- #2 Phillips screwdriver with a magnetic tip.
- Small flat-blade screwdriver

#### After performing service

##### Turn the printer power on

- Connect the power cable.
- Use the power switch to turn the power on.

#### Post service test

**MFP:** Verify that the document feeder and the flatbed scanner are correctly functioning (copy a page).

#### Step 1: Remove the multipurpose cover

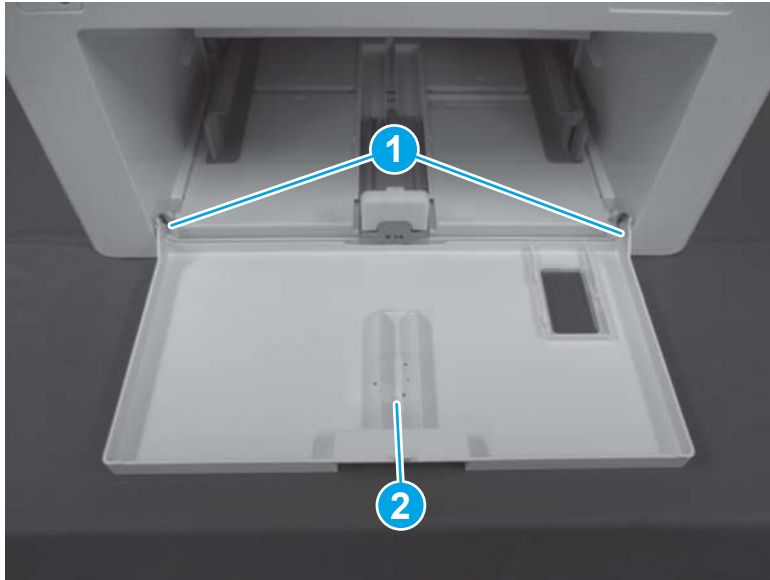
1. Open the multipurpose cover.



2. **SFP:** Release two bosses (callout 1), and then remove the cover (callout 2).

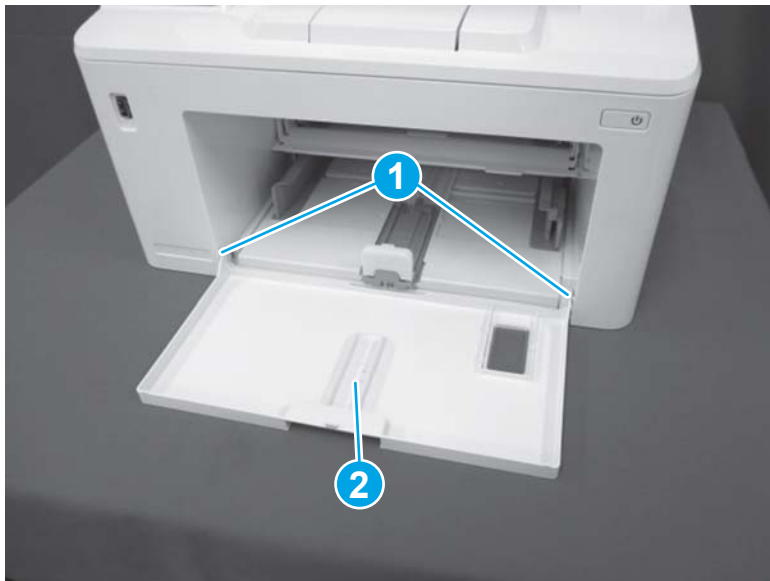
 **TIP:** It might be easier to remove the cover if the right boss is released first, and then lower the right-side of the cover to release the left-side boss.

**Figure 1-185** Remove the multipurpose cover (SFP)



3. **MFP:** Release two bosses (callout 1), and then remove the cover (callout 2).

**Figure 1-186** Remove the multipurpose cover (MFP)

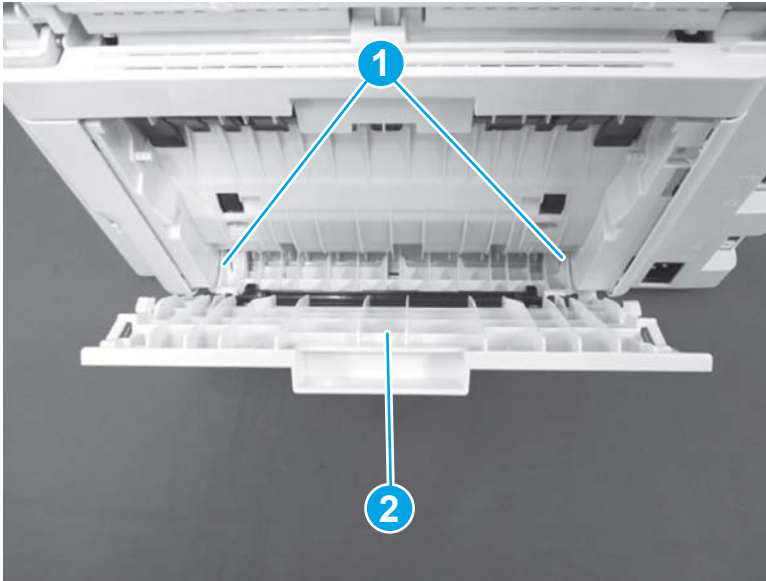


## Step 2: Remove the duplex door

1. Open the duplex door.

2. Use a small flat-blade screwdriver to release two tabs (callout 1), and then remove the duplex door (callout 2).

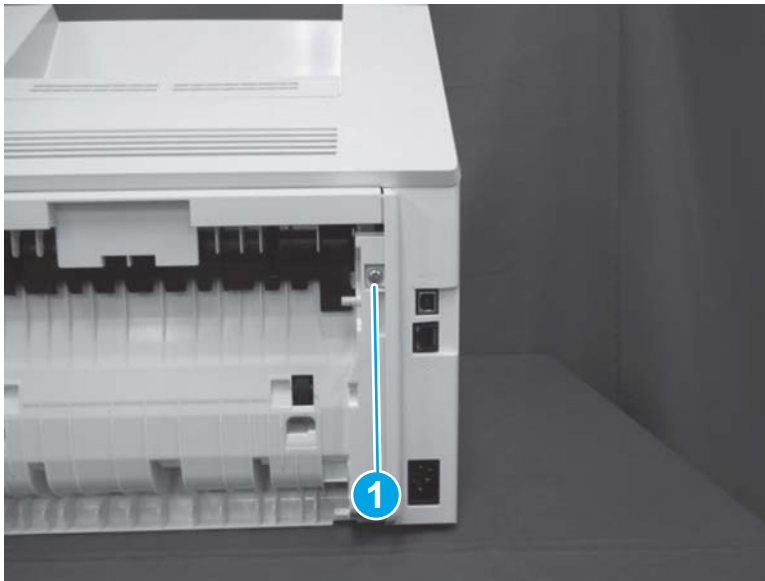
**Figure 1-187** Remove the duplex door



### Step 3: Remove the left cover

1. **SFP:** Do the following.
  - a. Remove one screw (callout 1).

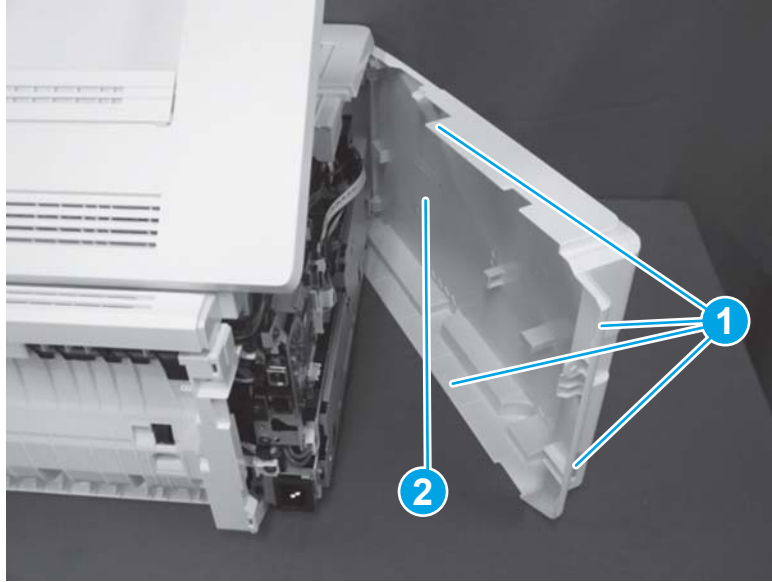
**Figure 1-188** Remove one screw (SFP)



- b. Open the cartridge door.

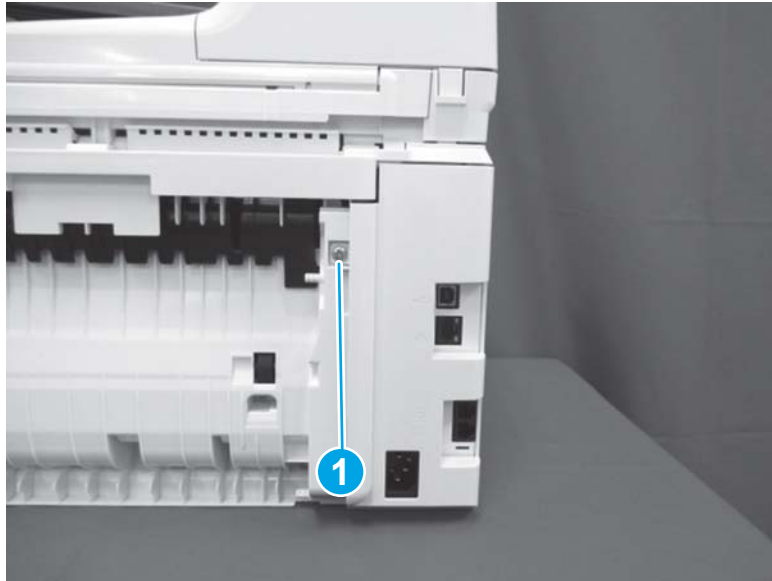
- c. Release four tabs (callout 1), and then remove the left cover (callout 2).

Figure 1-189 Remove the left cover (SFP)



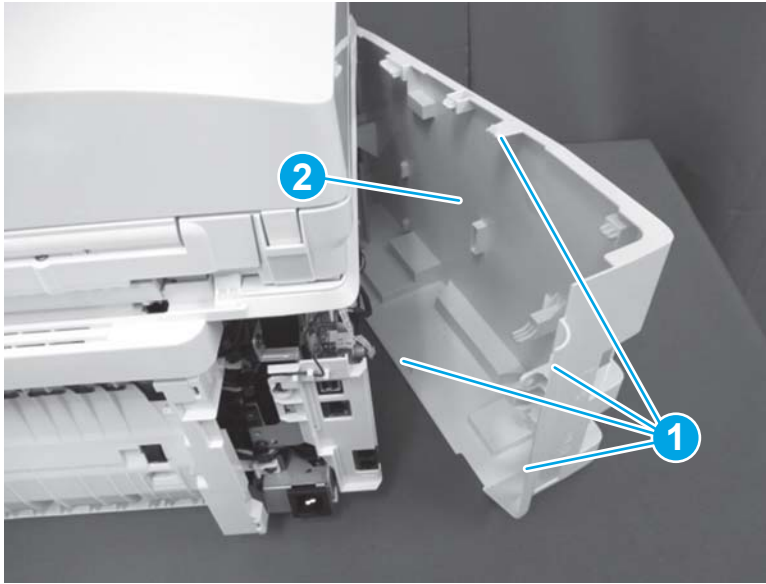
- 2. MFP: Do the following.
  - a. Remove one screw (callout 1).

Figure 1-190 Remove one screw (MFP)



- b. Release four tabs (callout 1), and then remove the left cover (callout 2).

**Figure 1-191** Remove the left cover (MFP)



#### Step 4: Remove the cable cover (MFP)



**NOTE:** This step is for the MFP printers. For the SFP printers, skip this step and go to [Step 6: Remove the right cover on page 145](#).

1. Open the scanner assembly.

**Figure 1-192** Open the scanner assembly




2. Use a small flat-blade screw driver to release one tab (callout 1), and then remove the cable cover (callout 2).

**Figure 1-193** Remove the cable cover (MFP)



#### Step 5: Remove the 3-in-1 or 4-in-1 scanner assembly (MFP)

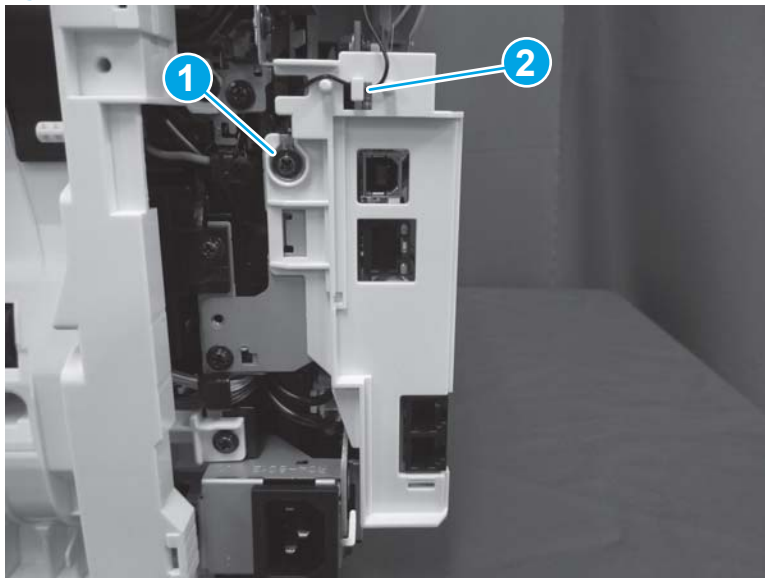
 **NOTE:** This step is for the MFP printers. For the SFP printers, skip this step and go to [Step 6: Remove the right cover on page 145](#).

 **NOTE:** The 4-in-1 scanner assembly supports the document feeder. The 3-in-1 scanner assembly does not support the document feeder.

The figures in this procedure show a 4-in-1 printer. However, the procedure is correct for 3-in-1 printers.

1. **4-in-1 models only:** Remove one screw (callout 1), and then release the ground wire from the retainer (callout 2).

**Figure 1-194** Release the ground wire (4-in-1 models)

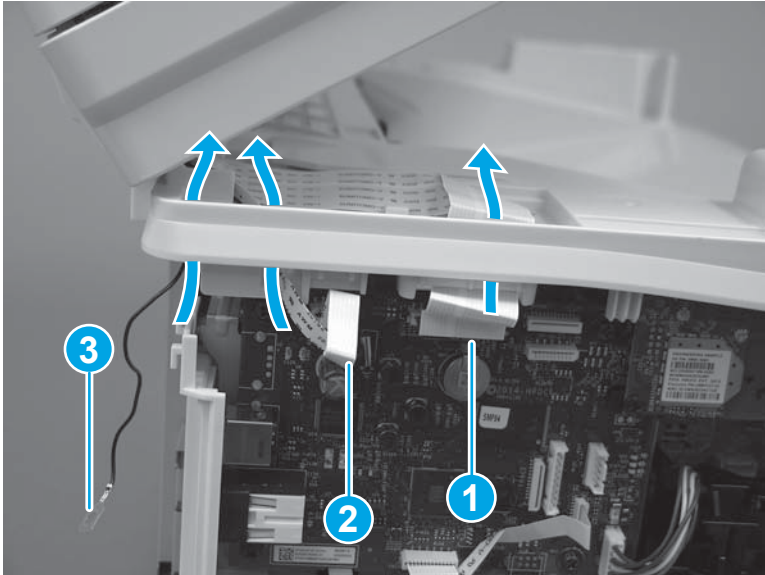


2. **4-in-1 models only:** Disconnect two flat cables (callouts 1/2), and then pass the flat cables and the ground wire (callout 3) up through the opening in the chassis.

**3-in-1 models only:** Disconnect one flat cable (callout 1), and then pass the flat cable through the opening in the chassis.

 **NOTE:** The 3-in-1 model does not have the small flat cable (callout 2) or a ground wire (callout 3).

**Figure 1-195** Disconnect flat cable(s)



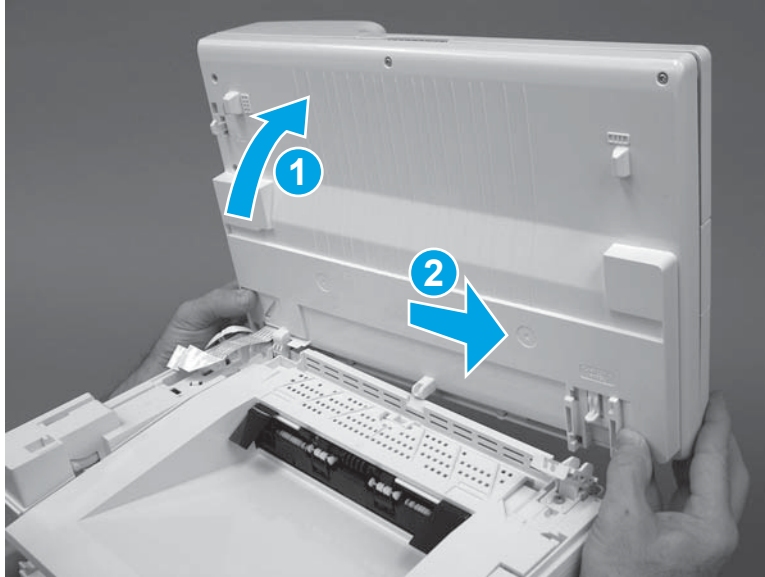
3. Release one tab (callout 1), and then push the right side of the scanner assembly toward the rear of the printer to release the right hinge (callout 2).

**Figure 1-196** Release the right hinge



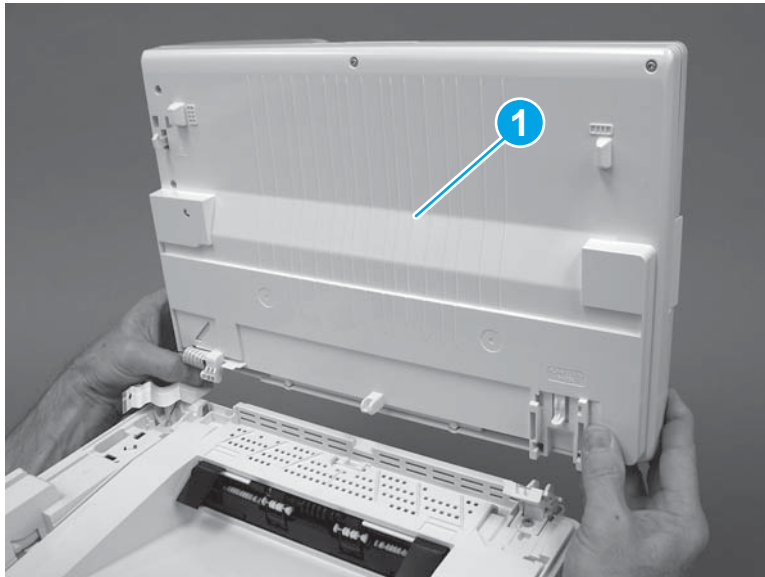
4. Rotate the scanner assembly towards the rear of the printer (callout 1), and then slide the scanner assembly toward the right side of the printer to release the left hinge (callout 2).

Figure 1-197 Release the left hinge



5. Remove the scanner assembly (callout 1).

Figure 1-198 Remove the scanner assembly

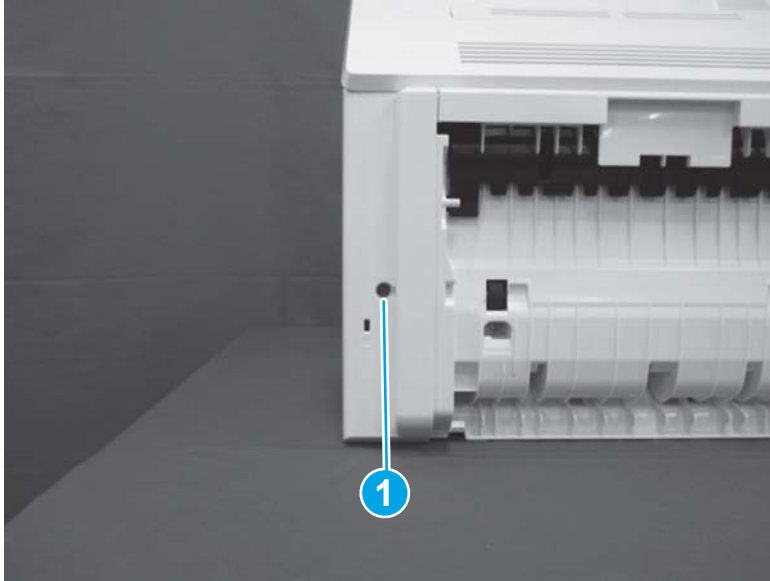


#### Step 6: Remove the right cover

1. SFP: Do the following.
  - a. Remove one screw (callout 1).

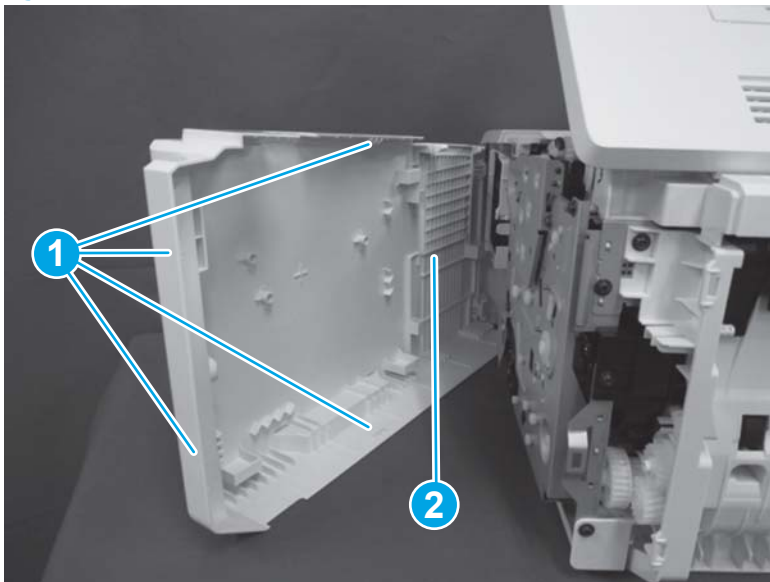


Figure 1-199 Remove one screw (SFP)



- b. Open the cartridge door.
- c. Release four tabs (callout 1), and then remove the right cover (callout 2).

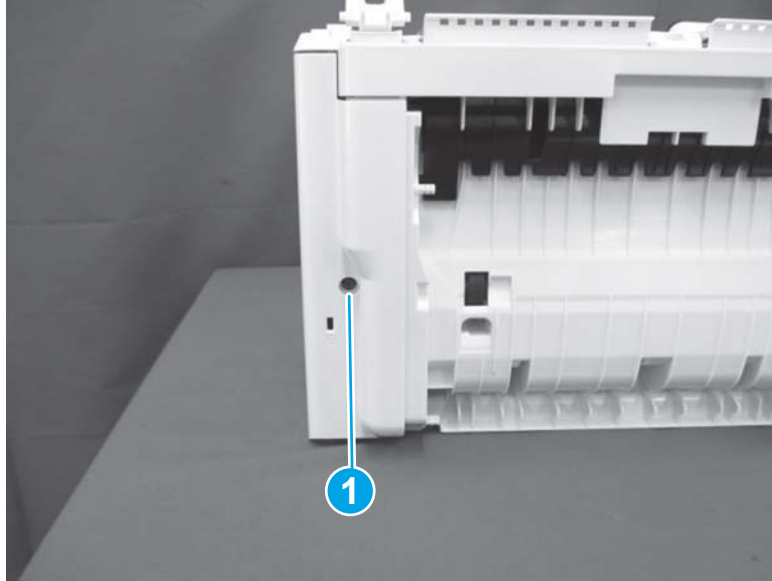
Figure 1-200 Remove the right cover (SFP)



- 2. **MFP:** Do the following.
  - a. Remove one screw (callout 1).

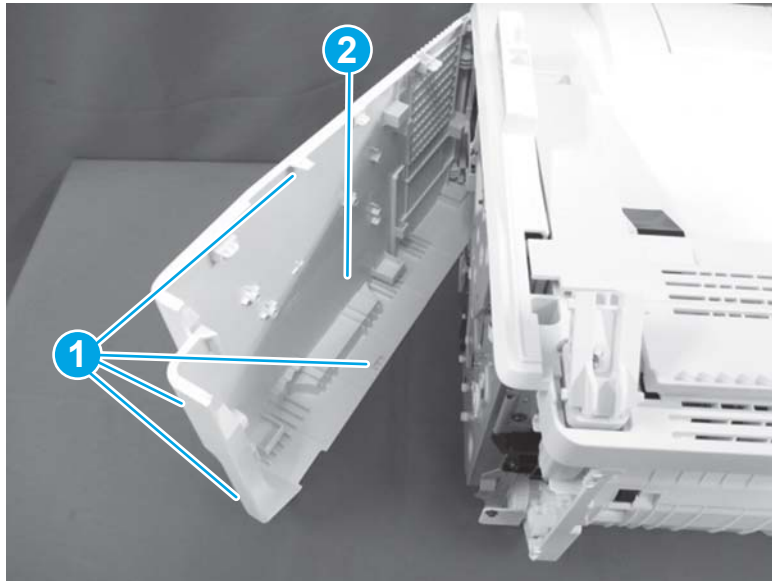


Figure 1-201 Remove one screw (MFP)



- b. Release four tabs (callout 1), and then remove the right cover (callout 2).

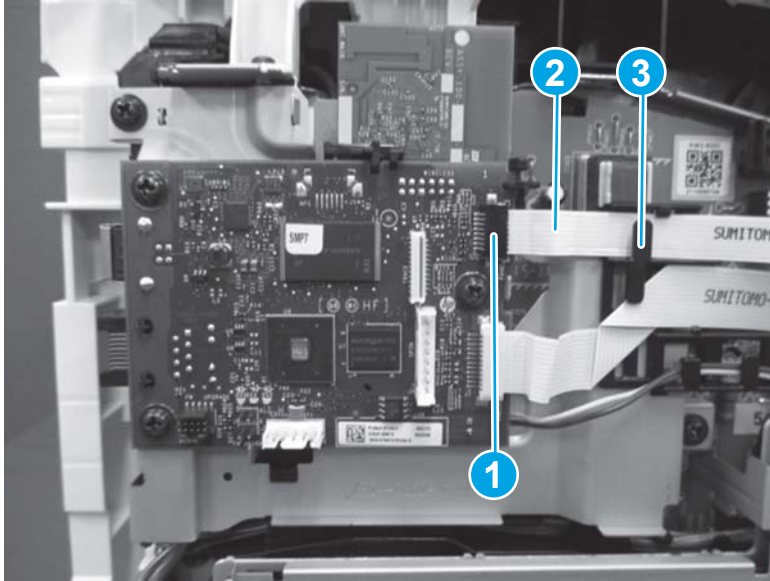
Figure 1-202 Remove the right cover (MFP)



### Step 7: Remove the top front cover

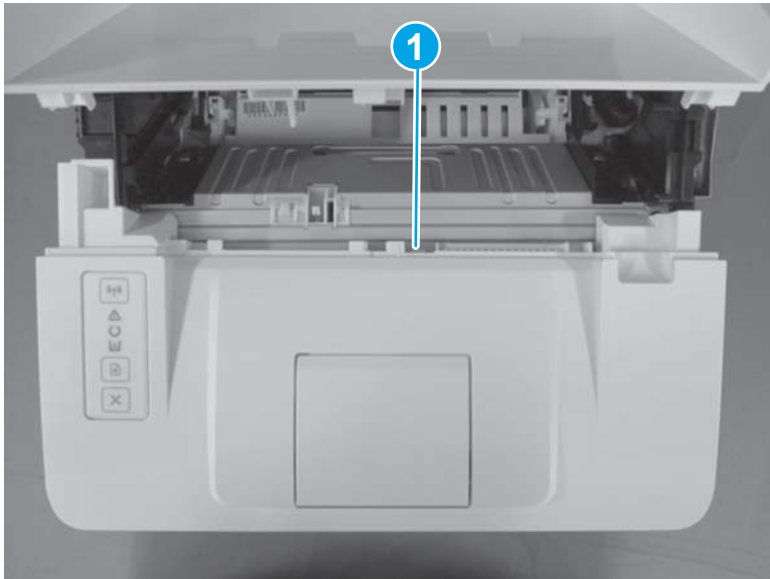
- 1. SFP: Do the following.
  - a. Disconnect one connector (callout 1) on the formatter, and then release the cable (callout 2) from the cable guide (callout 3).

Figure 1-203 Disconnect one connector



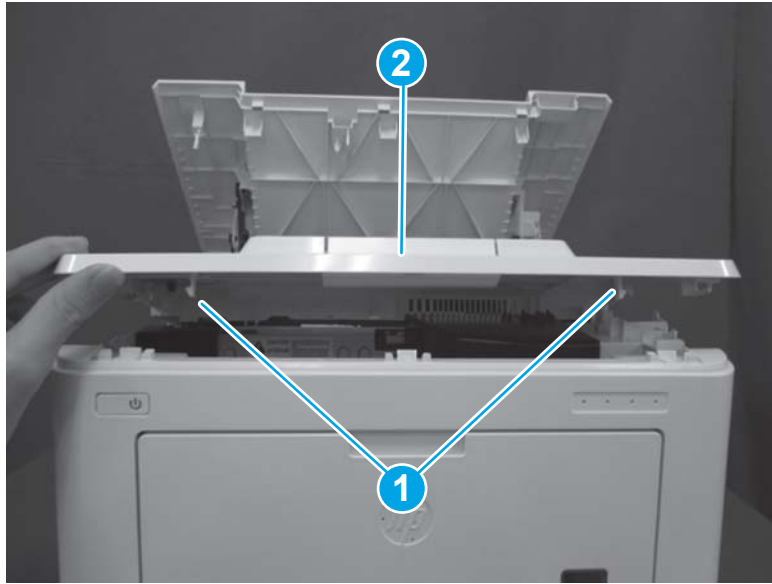
- b. Open the cartridge door, and then release one tab (callout 1) on the top of the cover.

Figure 1-204 Release one tab



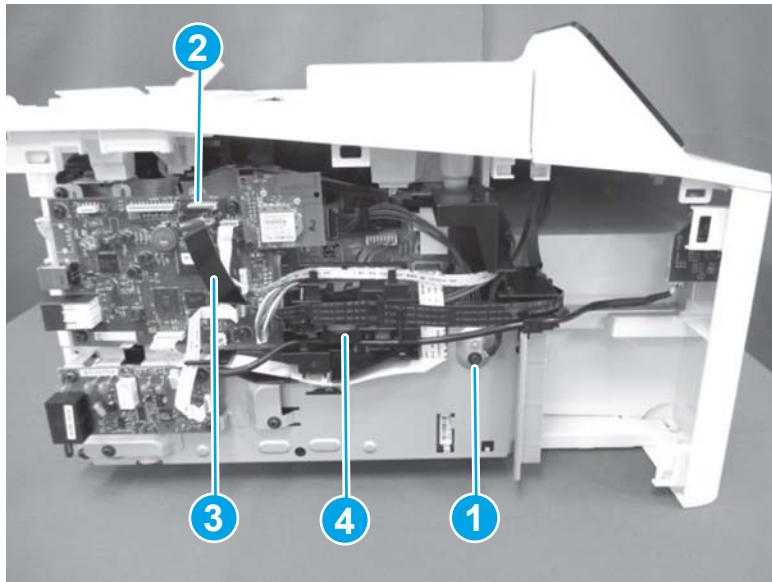
- c. Release two tabs (callout 1), and then remove the top front cover (callout 2).

Figure 1-205 Release two tabs and remove the cover



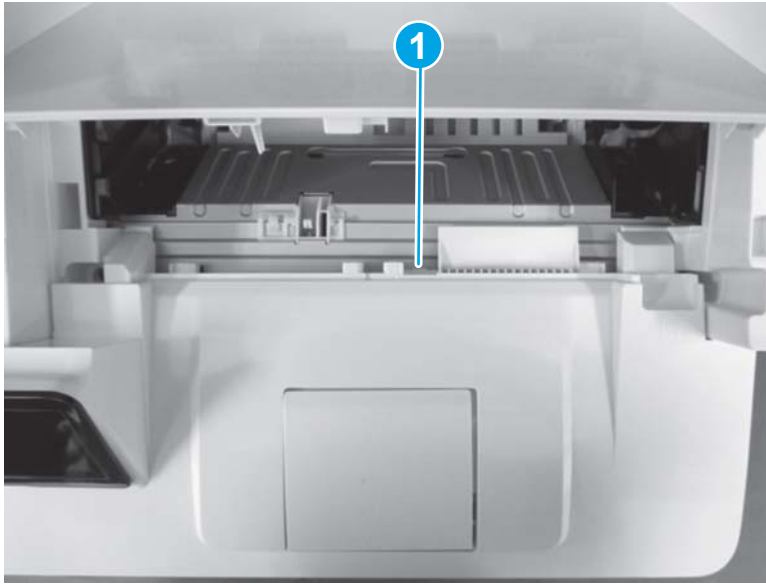
- 2. MFP: Do the following.
  - a. Remove one screw (callout 1) to release one cable. Disconnect one connector (callout 2), and then remove the cable (callout 3) from the cable guide (callout 4).

Figure 1-206 Disconnect connector and release cable



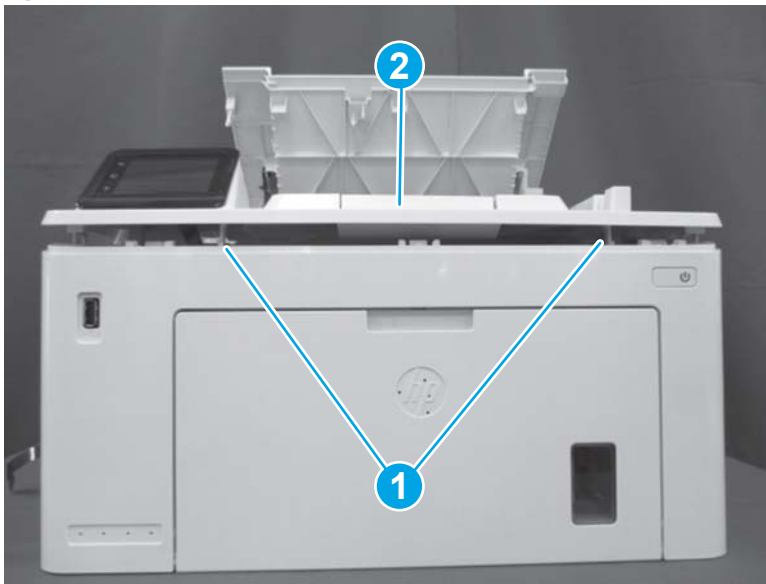
- b. Open the cartridge door, and then release one tab (callout 1).

Figure 1-207 Release one tab



- c. Release two tabs (callout 1), and then remove the top front cover (callout 2).

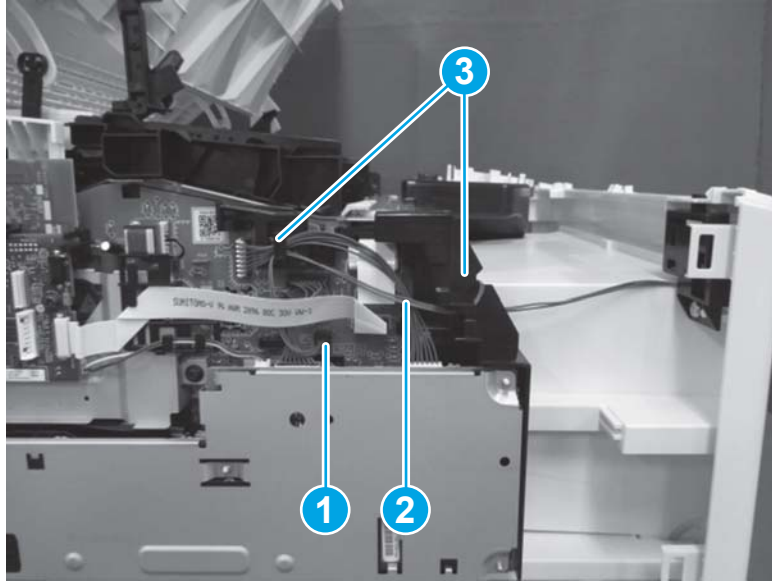
Figure 1-208 Release two tabs and remove the cover



### Step 8: Remove the front cover

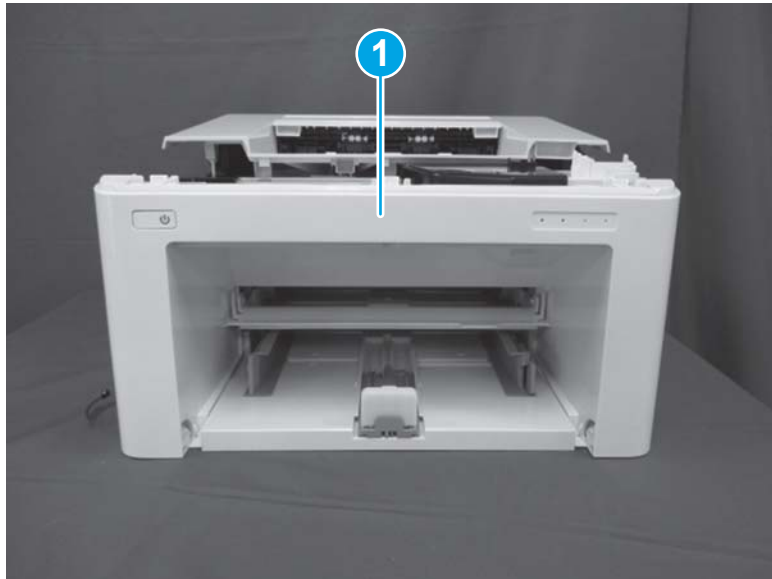
- 1. **SFP:** Do the following.
  - a. Disconnect one connector (callout 1), and then remove the cable (callout 2) from the cable guide (callout 3).

Figure 1-209 Disconnect connector (SFP)



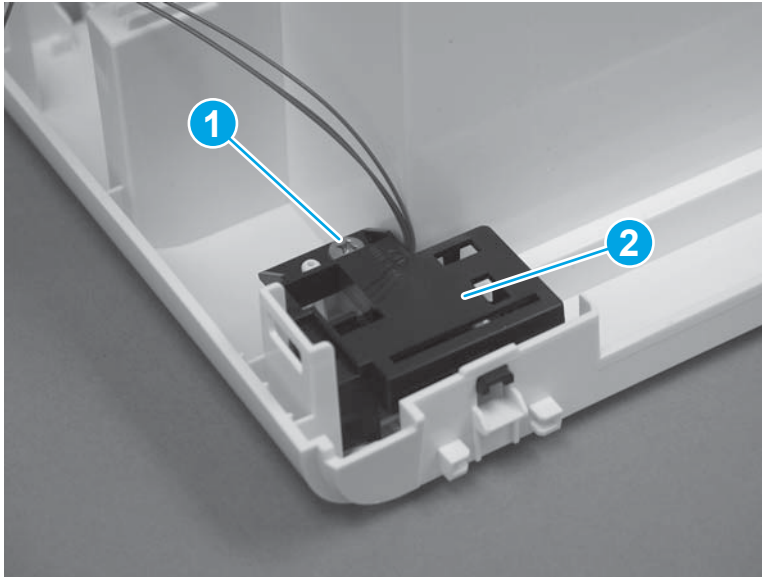
- b. Slide the front cover (callout 1) away from the printer to remove it.

Figure 1-210 Remove the front cover (SFP)



- c. If replacing the front cover, remove one screw (callout 1), and then remove the power switch assembly (callout 2). Save the power switch for installation on the replacement front cover.

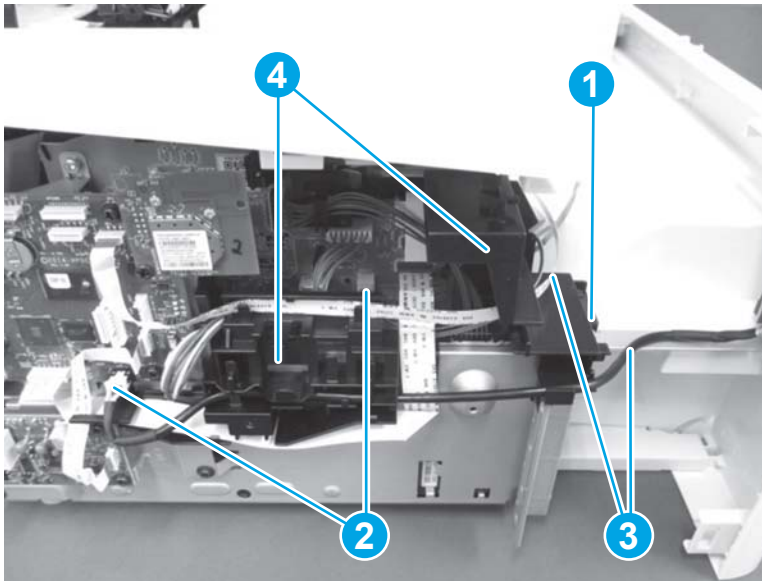
**Figure 1-211** Remove the power switch assembly (SFP)



2. **MFP:** Do the following.

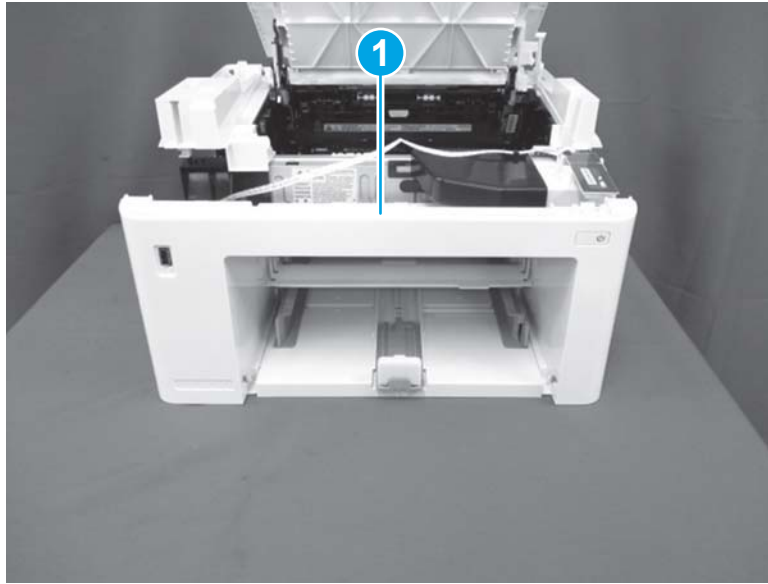
- a. Remove one screw (callout 1). Disconnect two connectors (callout 2), and then release the cables (callout 3) from the cable guide (callout 4).

**Figure 1-212** Disconnect connectors (MFP)



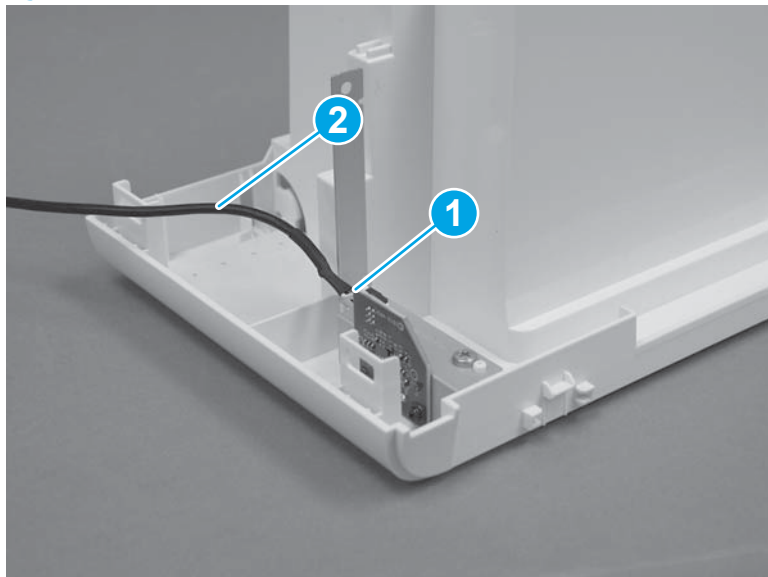
- b. Slide the front cover (callout 1) away from the printer to remove it.

Figure 1-213 Remove the front cover (MFP)



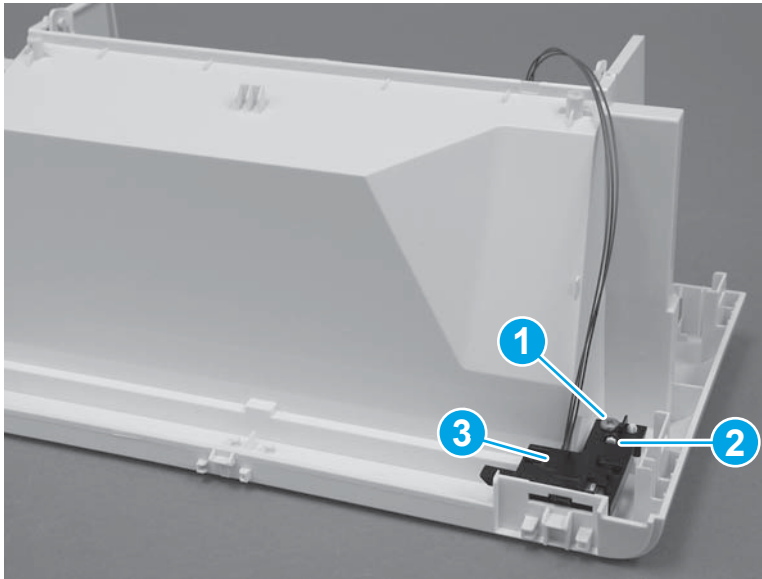
- c. If replacing the front cover and it contains a walkup USB port, disconnect one connector (callout 1) to release the cable (callout 2). Connect this cable to the replacement front cover.

Figure 1-214 Disconnect one connector



- d. If replacing the front cover, remove one screw (callout 1), release one tab (callout 2), and then remove the power switch assembly (callout 3). Save the power switch for installation on the replacement front cover.

**Figure 1-215** Remove the power switch assembly (MFP)



#### Step 9: Unpack the replacement assembly

1. Dispose of the defective part.

---

 **NOTE:** HP recommends responsible disposal of the defective part.

[www.hp.com/recycle](http://www.hp.com/recycle)

---

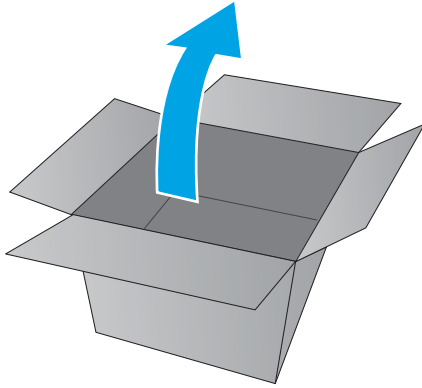




2. Unpack the replacement part from the packaging.

**⚠ CAUTION:** If the replacement part is a roller or pad, avoid touching the spongy part of it. Skin oils on the roller or pad can cause paper pickup and/or print-quality problems. HP recommends using disposable gloves when handling rollers or pads or washing your hands or before touching rollers or pads.

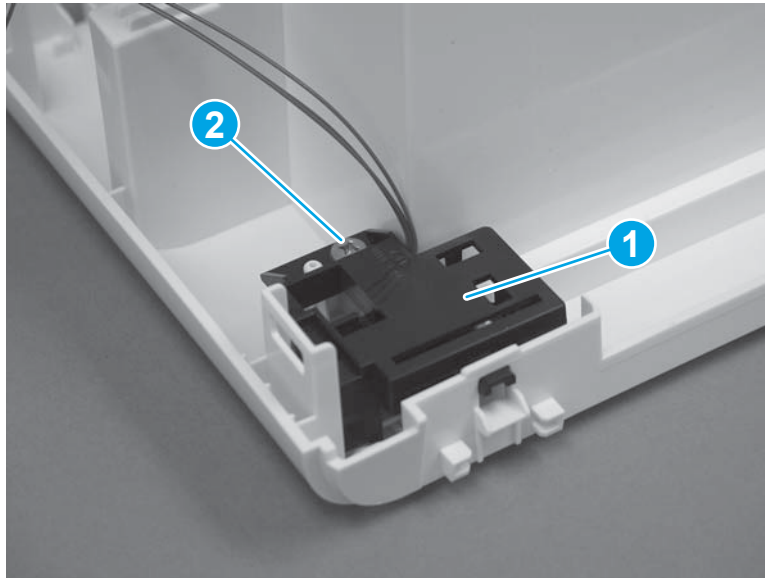
**📋 IMPORTANT:** Make sure that all of the shipping materials (for example shipping tape) are removed from the replacement part prior to installation.



#### Step 10: Install the front cover

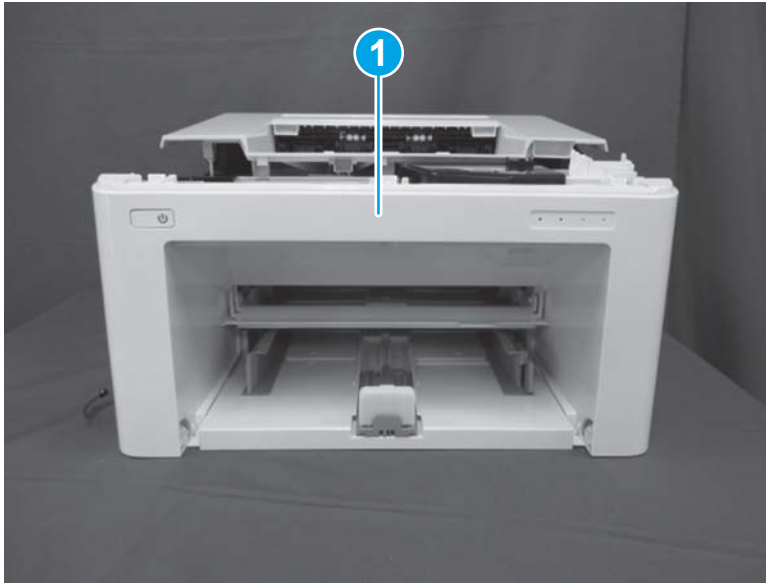
1. **SFP:** Do the following.
  - a. If replacing the front cover, position the power switch assembly (callout 1) removed from the previous part onto the replacement front cover, and then install one screw (callout 2).

**Figure 1-216** Install the power switch assembly (SFP)



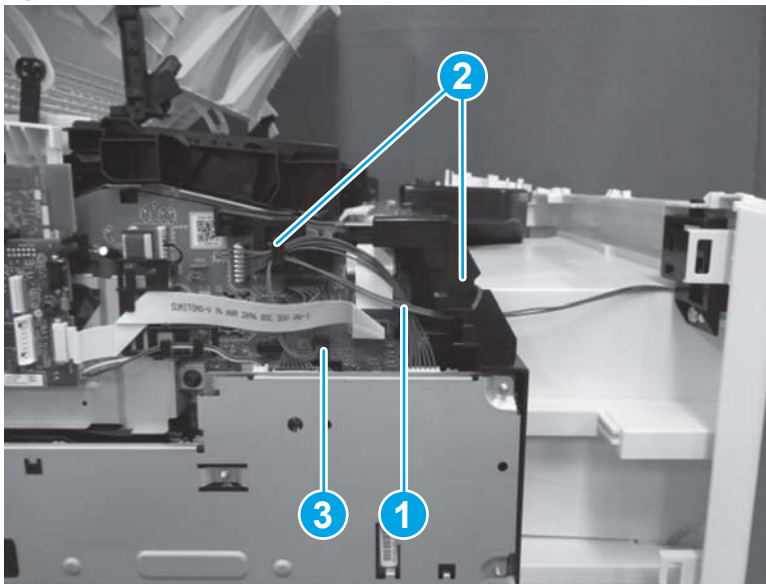
- b. Slide the front cover (callout 1) toward the printer to install it.

Figure 1-217 Install the front cover (SFP)



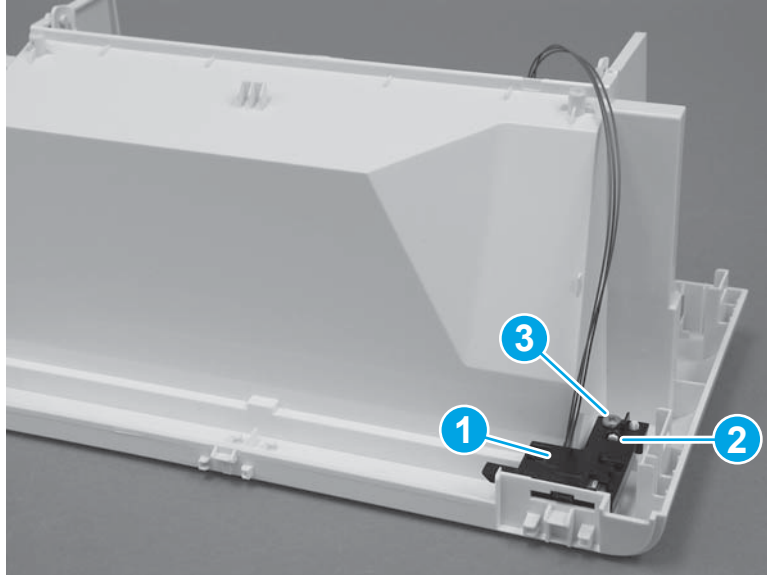
- c. Install the cable (callout 1) in the cable guide (callout 2), and then connect one connector (callout 3).

Figure 1-218 Connect the connector (SFP)



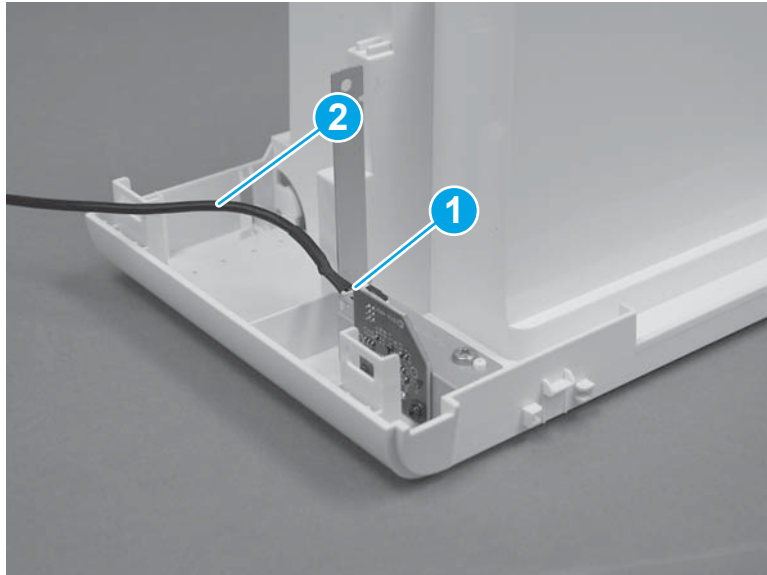
- 2. **MFP:** Do the following.
  - a. If replacing the front cover, position the power switch assembly (callout 1) removed from the previous part onto the replacement front cover. Engage one tab (callout 2), and then install one screw (callout 3).

Figure 1-219 Install the power switch assembly (MFP)



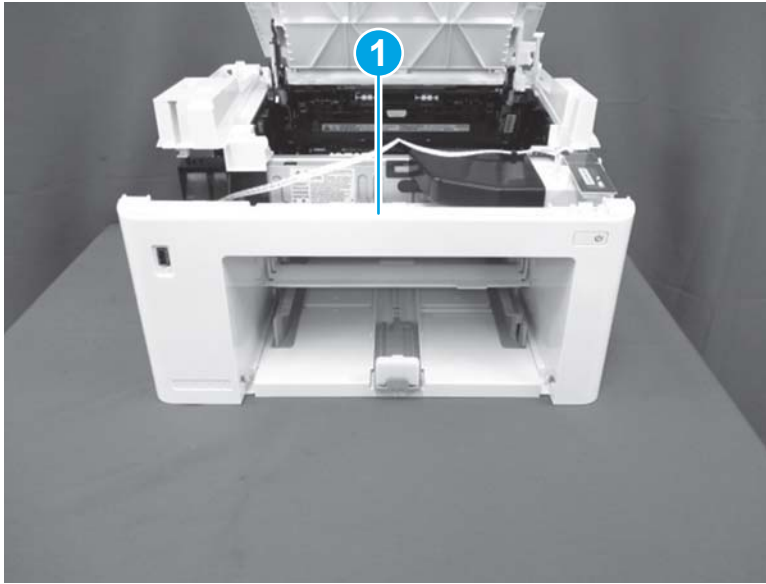
- b. If replacing the front cover and the previous part contained a walkup USB port, connect one connector (callout 1) to install the cable (callout 2) from the previous part.

Figure 1-220 Connect one connector



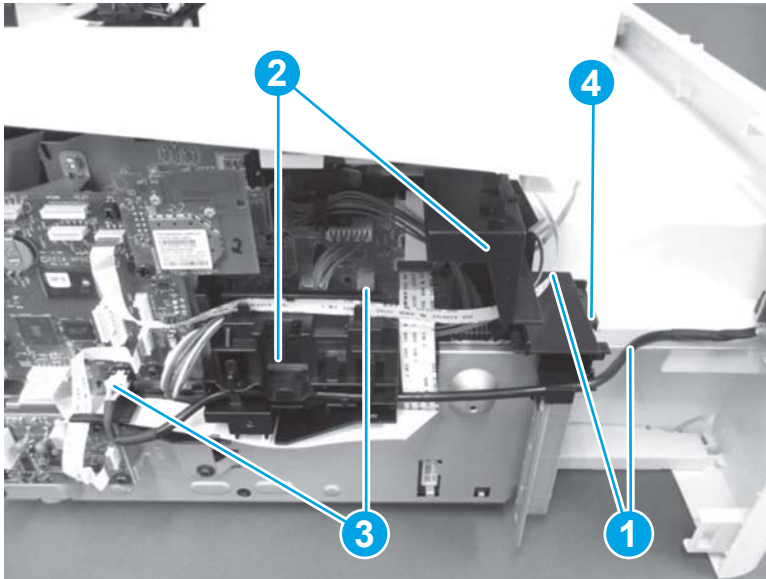
- c. Slide the front cover (callout 1) toward the printer to install it.

**Figure 1-221** Install the front cover (MFP)



- d. Install the cables (callout 1) in the cable guides (callout 2), and then connect two connectors (callout 3). Install one screw (callout 4).

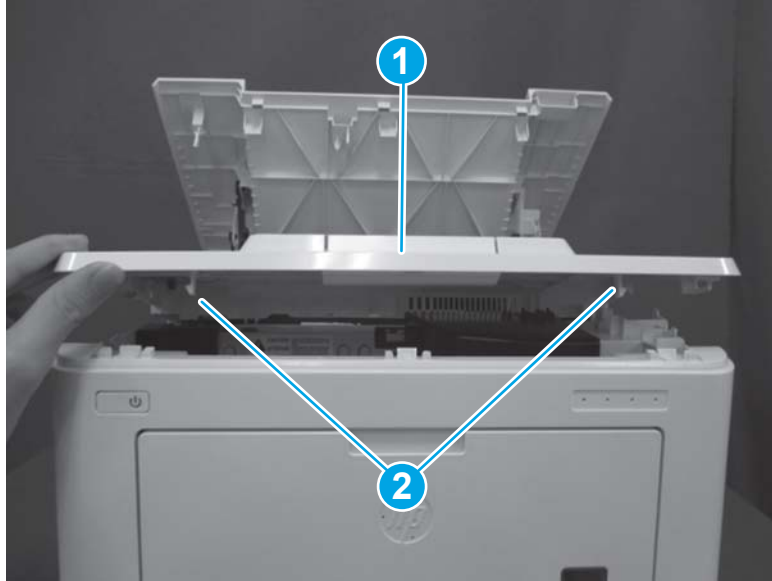
**Figure 1-222** Connect two connectors (MFP)



### Step 11: Install the top front cover

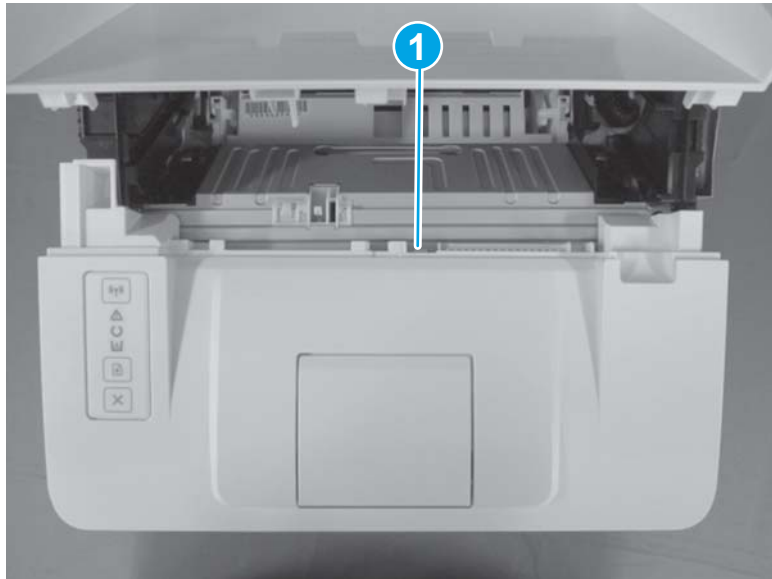
1. **SFP:** Do the following.
  - a. Position the top front cover (callout 1) on the printer and install two tabs (callout 2).

Figure 1-223 Install two tabs



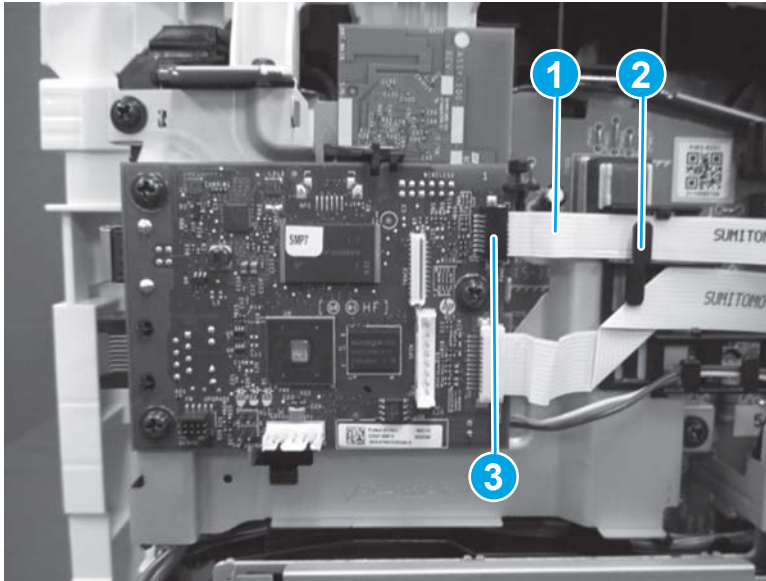
- b. On the top of the cover, install one tab (callout 1).

Figure 1-224 Install one tab



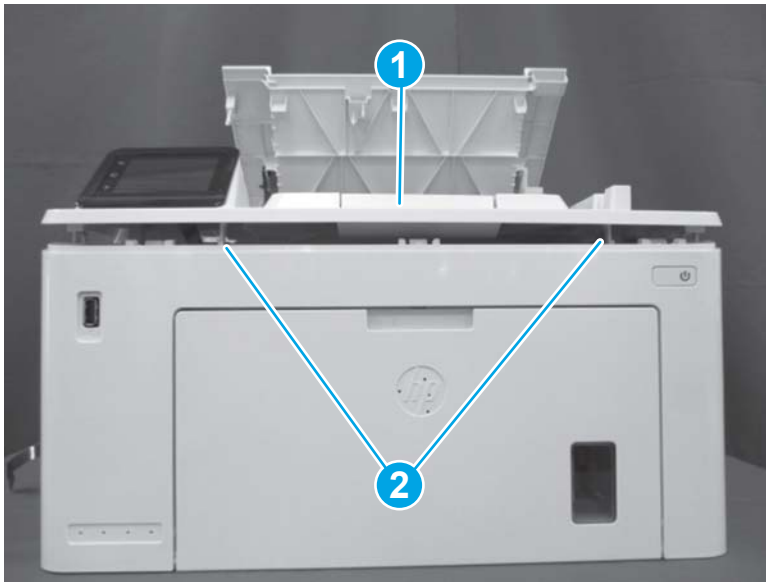
- c. Install the cable (callout 1) in the guide (callout 2), and then connect one connector (callout 3) on the formatter.

Figure 1-225 Connect one connector



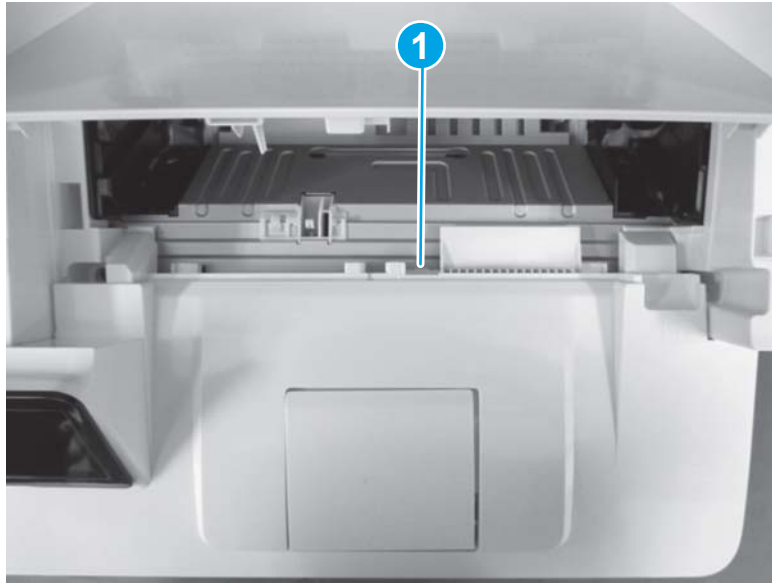
2. **MFP:** Do the following.
  - a. Position the top front cover (callout 1) on the printer, and then install two tabs (callout 2).

Figure 1-226 Install two tabs



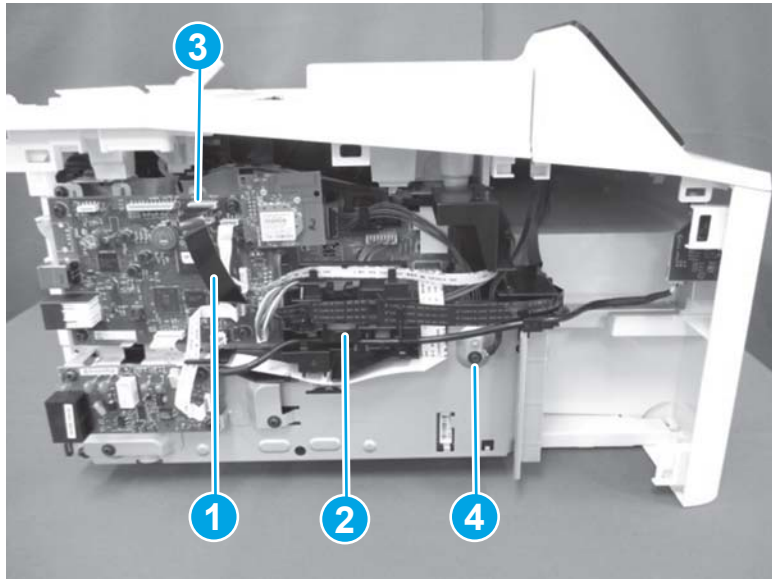
- b. Install one tab (callout 1).

Figure 1-227 Install one tab



- c. Install the cable (callout 1) in the cable guide (callout 2), and then connect one connector (callout 3). Install one screw (callout 4) to secure the grounding cable.

Figure 1-228 Install one connector and grounding cable

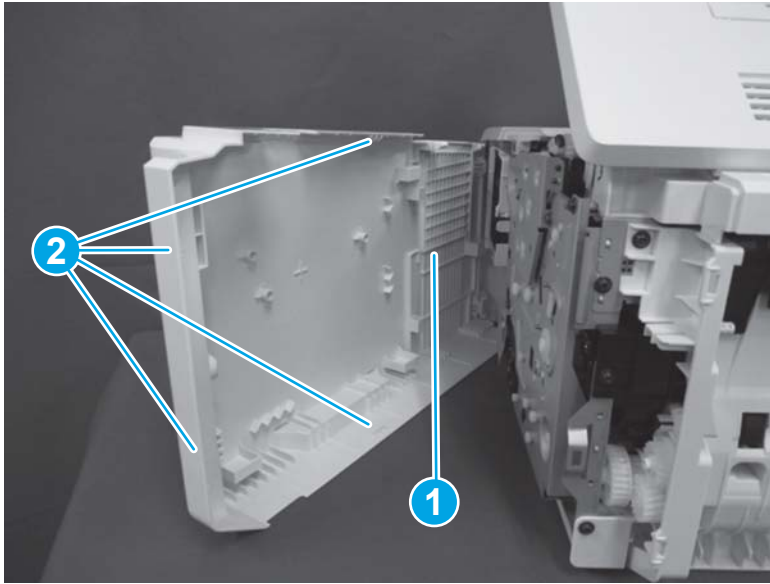


### Step 12: Install the right cover

1. **SFP:** Do the following.
  - a. Open the cartridge door.

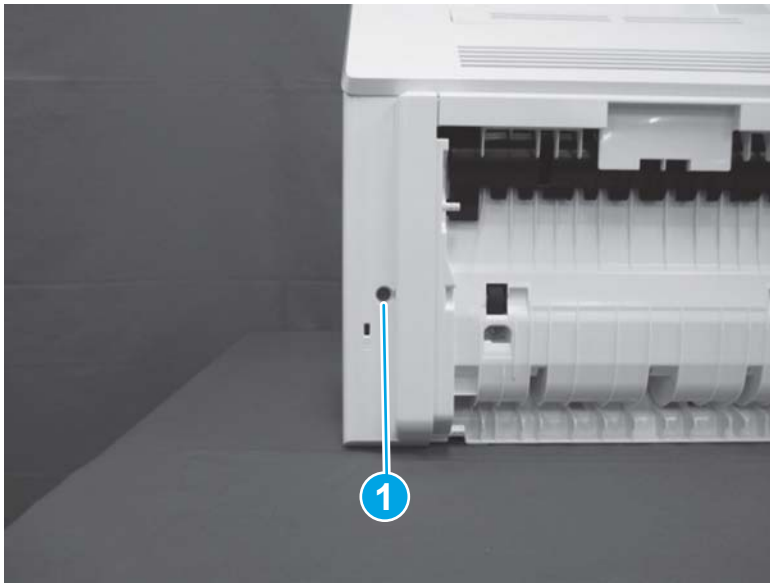
- b. Position the right cover (callout 1) on the printer, and then engage four tabs (callout 2).

**Figure 1-229** Install the right cover (SFP)



- c. Close the cartridge door.
- d. Install one screw (callout 1).

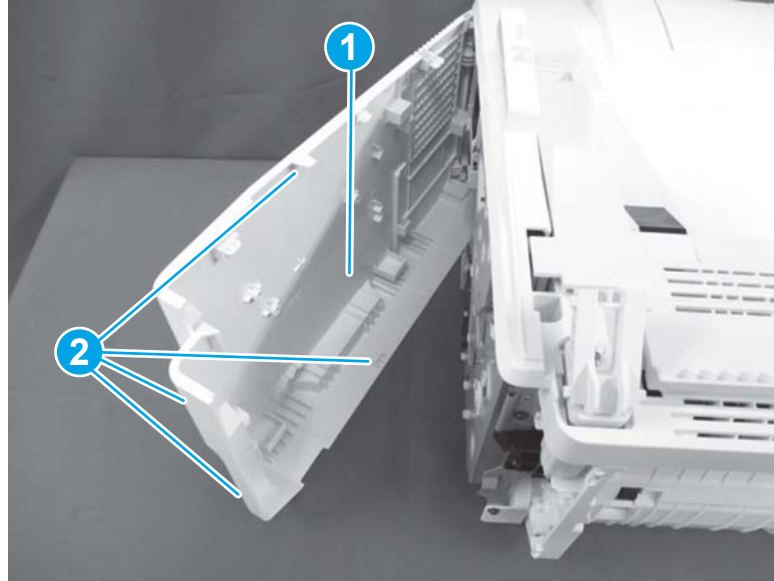
**Figure 1-230** Install one screw (SFP)



2. **MFP:** Do the following.
  - a. Position the right cover (callout 1) on the printer, and then engage four tabs (callout 2).

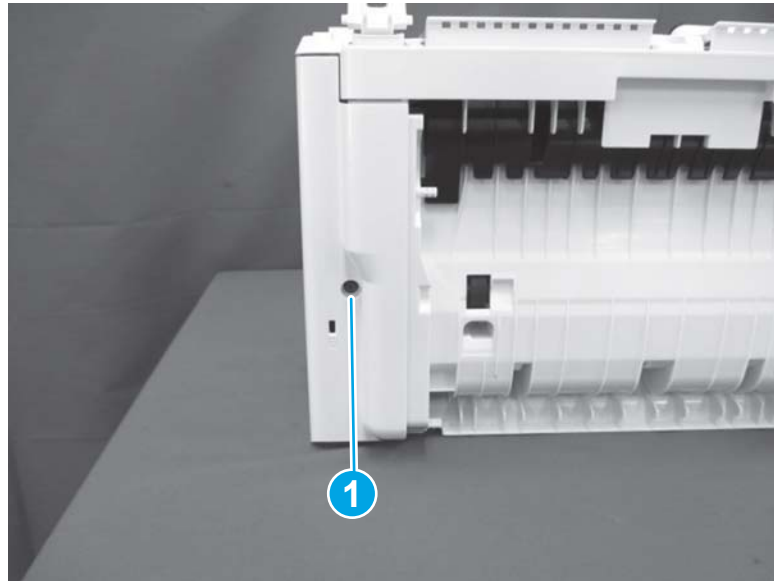


Figure 1-231 Install the right cover (MFP)



- b. Install one screw (callout 1).

Figure 1-232 Install one screw (MFP)




### Step 13: Install the 3-in-1 or 4-in-1 scanner assembly (MFP)

---

 **NOTE:** This step is for the MFP printers. For the SFP printers, skip this step and go to [Step 15: Install the left cover on page 167](#).

---

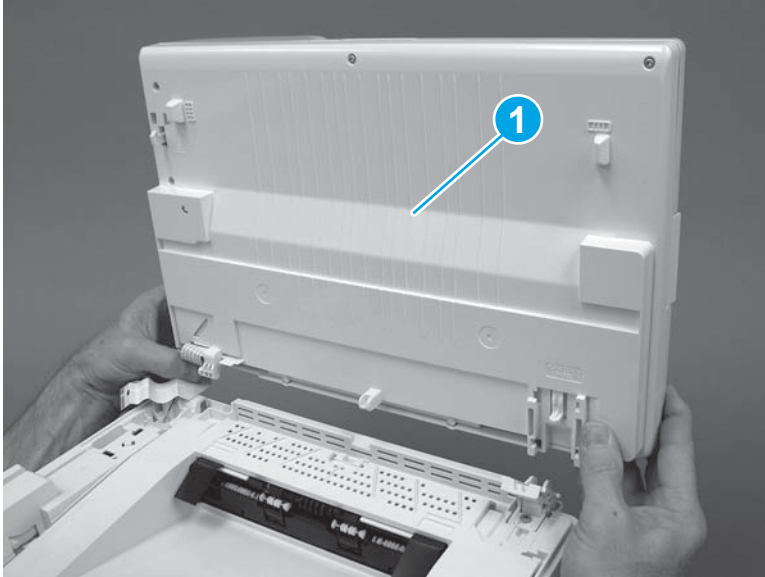
 **NOTE:** The 4-in-1 scanner assembly supports the document feeder. The 3-in-1 scanner assembly does not support the document feeder.

The figures in this procedure show a 4-in-1 printer. However, the procedure is correct for 3-in-1 printers.

---

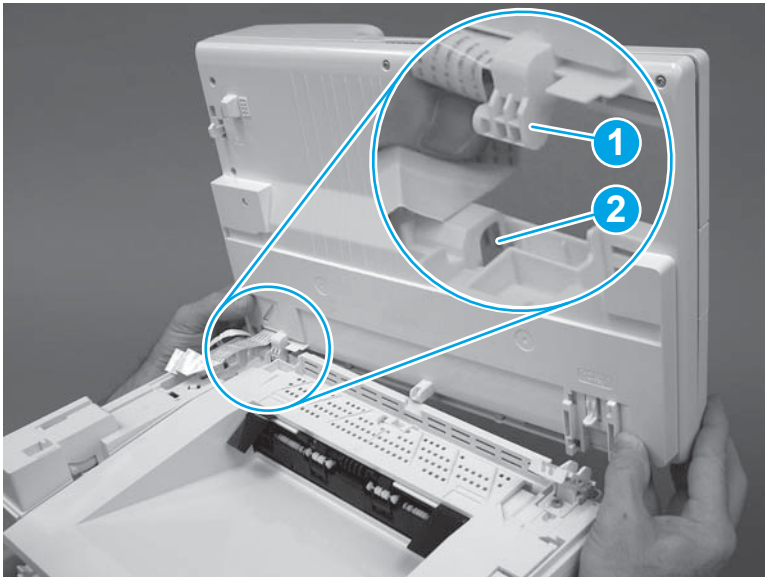
1. Position the scanner assembly (callout 1) near the printer.

Figure 1-233 Install the scanner assembly (MFP)



2. Engage the left hinge (callout 1) with the top cover (callout 2).

Figure 1-234 Engage the left hinge (MFP)



3. Push the right side of the scanner assembly toward the front of the printer to engage the right hinge (callout 1). Make sure that the tab (callout 2) snaps into place.

Figure 1-235 Engage the right hinge (MFP)



4. **4-in-1 models only:** Pass the flat cables (callouts 1/2) and the ground wire (callout 3) through the openings in the chassis, and then connect the two flat cables.

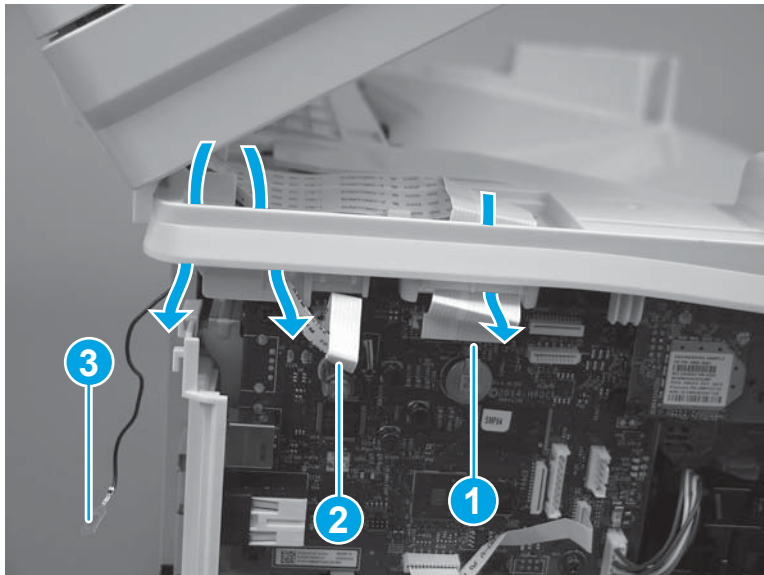
**3-in-1 models only:** Pass the flat cable (callout 1) through the opening in the chassis, and then connect one flat cable.

---

 **NOTE:** The 3-in-1 model does not have the small flat cable (callout 2) or a ground wire (callout 3).

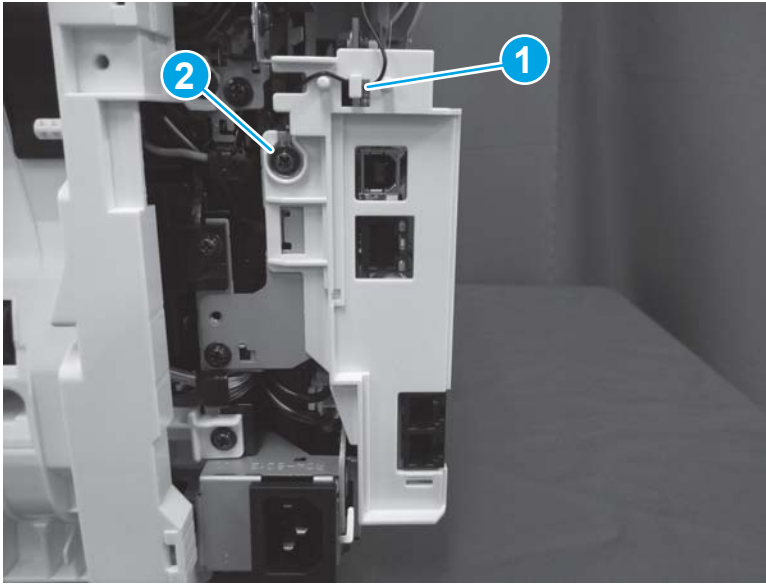
---

Figure 1-236 Connect flat cable(s)



5. **4-in-1 models only:** Install the ground wire in the retainer (callout 1), and then install one screw (callout 2).

**Figure 1-237** Install the ground wire (4-in-1 models)

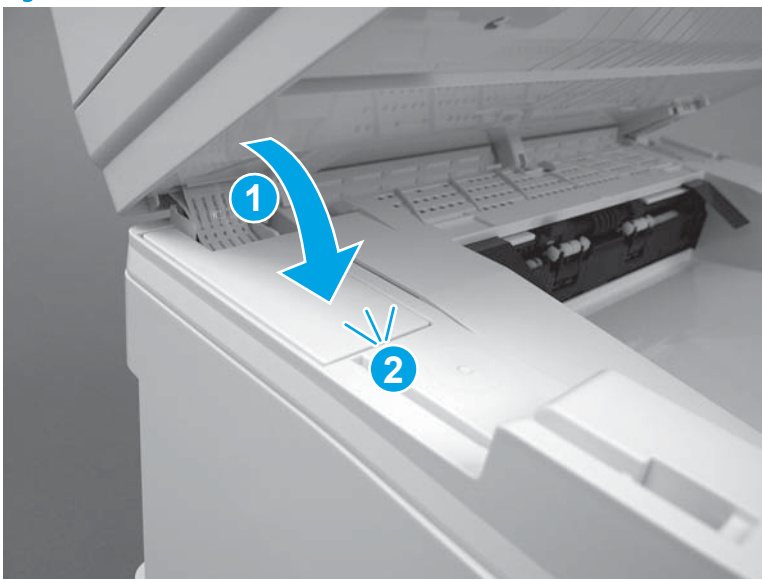


#### Step 14: Install the cable cover (MFP)

 **NOTE:** This step is for the MFP printers. For the SFP printers, skip this step and go to [Step 15: Install the left cover on page 167](#).

1. Install the cable cover (callout 1), on the printer, and then push down to engage one tab (callout 2).

**Figure 1-238** Install the cable cover (MFP)



2. Close the scanner assembly.

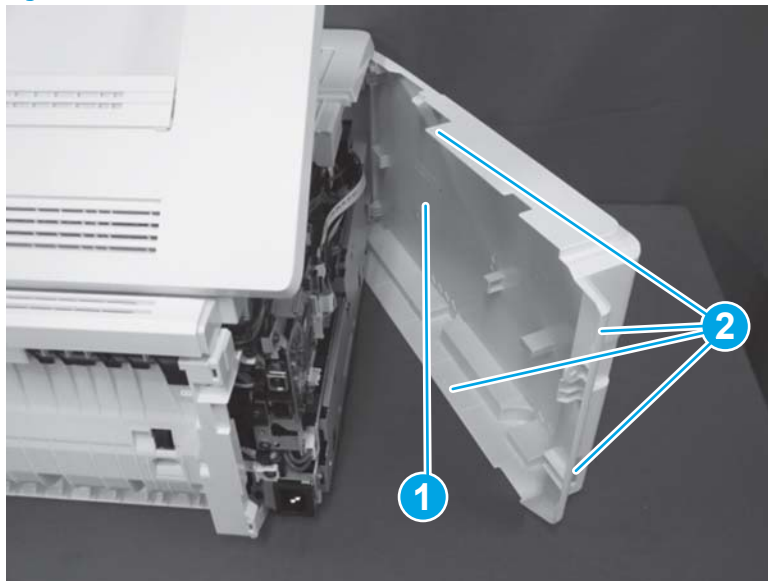
**Figure 1-239** Close the scanner assembly



#### Step 15: Install the left cover

1. SFP: Do the following.
  - a. Open the cartridge door.
  - b. Position the left cover (callout 1) on the printer, and then engage four tabs (callout 2).

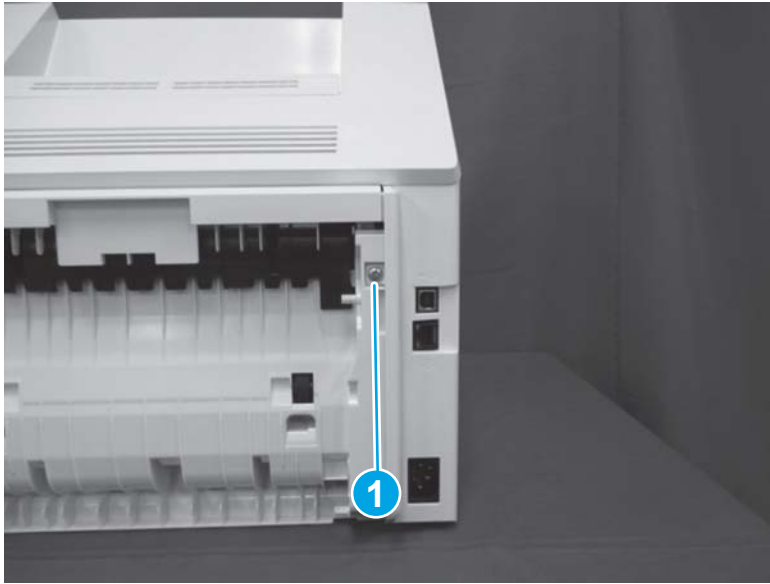
**Figure 1-240** Install the left cover (SFP)



- c. Close the cartridge door.

- d. Install one screw (callout 1).

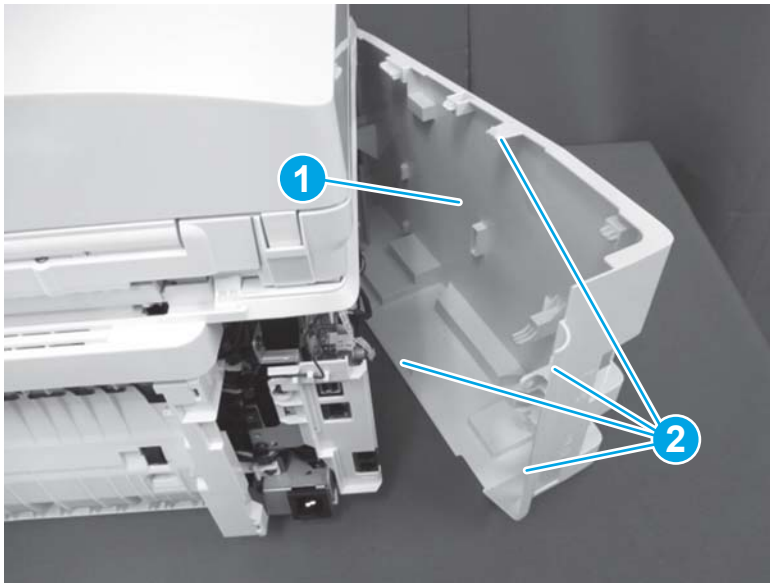
Figure 1-241 Install one screw (SFP)



- 2. MFP: Do the following.

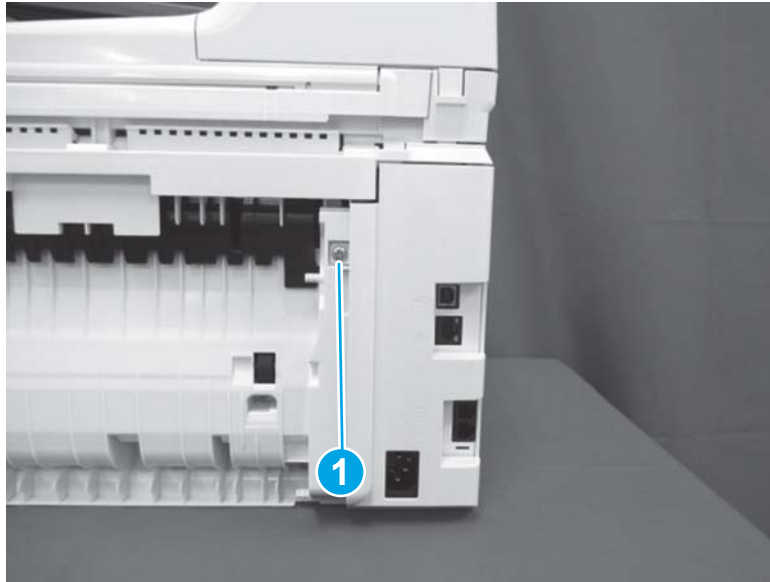
- a. Position the left cover (callout 1) on the printer, and then engage four tabs (callout 2).

Figure 1-242 Install the left cover (MFP)



- b. Install one screw (callout 1).

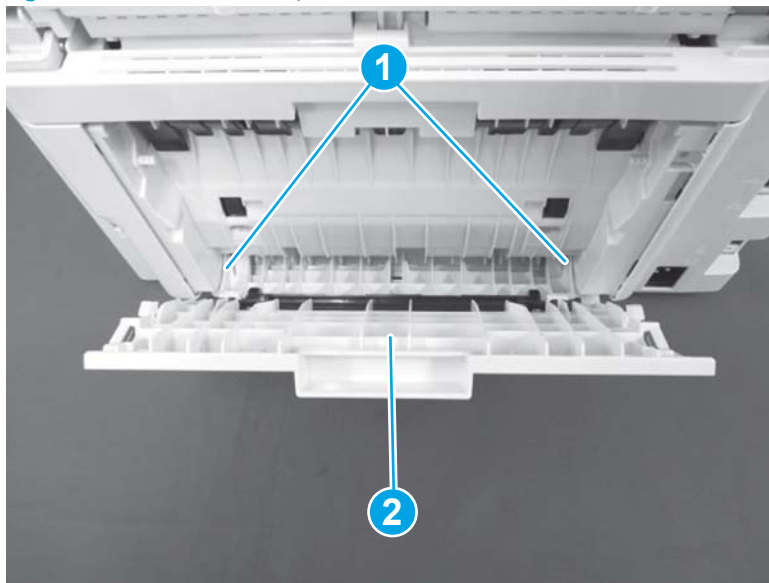
Figure 1-243 Install one screw (MFP)



#### Step 16: Install the duplex door

1. Install two tabs (callout 1) to install the duplex door (callout 2).

Figure 1-244 Install the duplex door



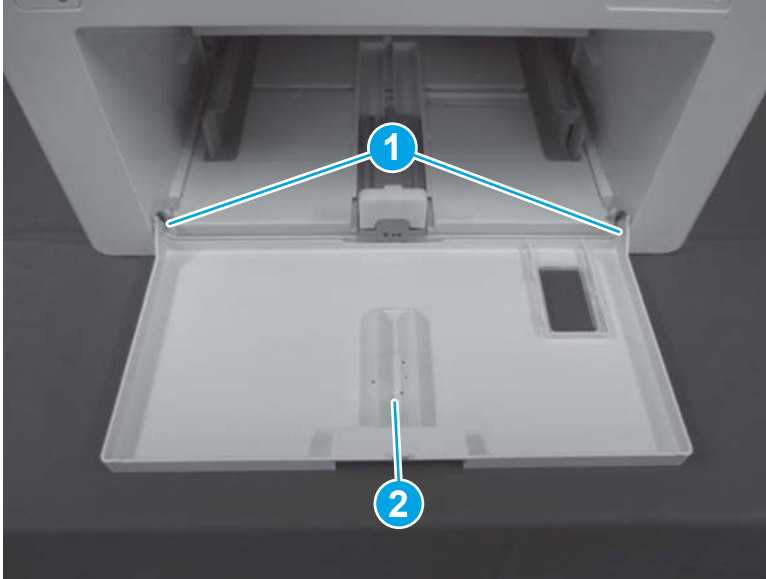
2. Close the duplex door.

#### Step 17: Install the multipurpose cover

1. SFP: Engage two bosses (callout 1), to install the cover (callout 2).

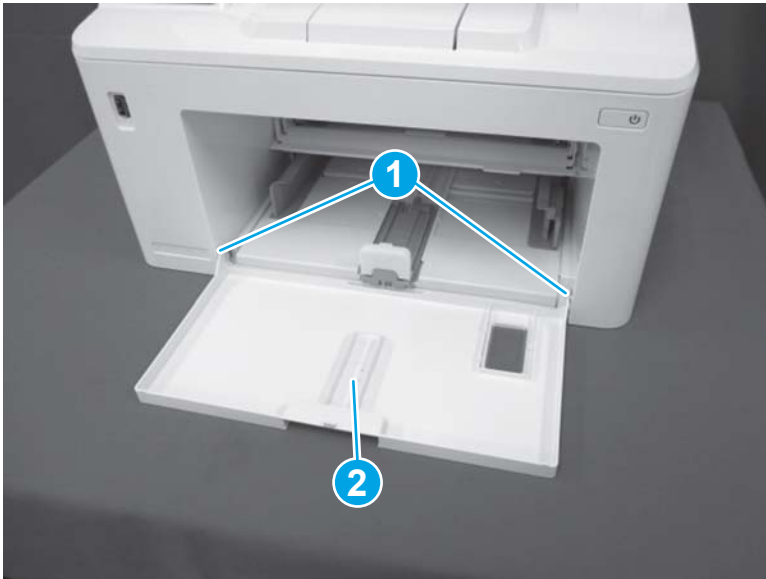


Figure 1-245 Install the multipurpose cover (SFP)



2. **MFP:** Engage two bosses (callout 1) to install the cover (callout 2).

Figure 1-246 Install the multipurpose cover (MFP)



3. Close the multipurpose cover.



## Removal and replacement: Top rear cover (SFP)

- [Introduction](#)
- [Step 1: Remove the duplex door](#)
- [Step 2: Remove the left cover](#)
- [Step 3: Remove the right cover](#)
- [Step 4: Remove the cartridge door](#)
- [Step 5: Remove the top rear cover](#)
- [Step 6: Unpack the replacement assembly](#)
- [Step 7: Install the top rear cover](#)
- [Step 8: Install the cartridge door](#)
- [Step 9: Install the right cover](#)
- [Step 10: Install the left cover](#)
- [Step 11: Install the duplex door](#)

### Introduction

This document provides the procedures to remove and replace the top rear cover.

### Before performing service

#### Turn the printer power off

- Disconnect the power cable.

**⚠ WARNING!** To avoid damage to the printer, turn the printer off, wait 30 seconds, and then remove the power cable before attempting to service the printer.

Use the table below to identify the correct part number for your printer. To order the part, go to [www.hp.com/buy/parts](http://www.hp.com/buy/parts).

Top rear cover part number	
RC4-8057-000CN	Top rear cover (SFP)

### Required tools

- #2 Phillips screwdriver with a magnetic tip.
- Small flat-blade screwdriver

## After performing service

### Turn the printer power on

- Connect the power cable.
- Use the power switch to turn the power on.

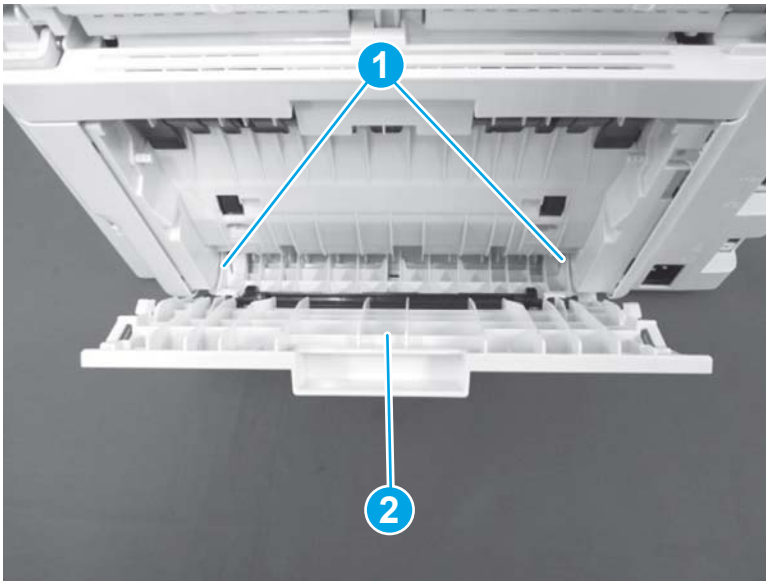
### Post service test

There is no post service test for this assembly.

### Step 1: Remove the duplex door

1. Open the duplex door.
2. Use a small flat-blade screwdriver to release two tabs (callout 1), and then remove the duplex door (callout 2).

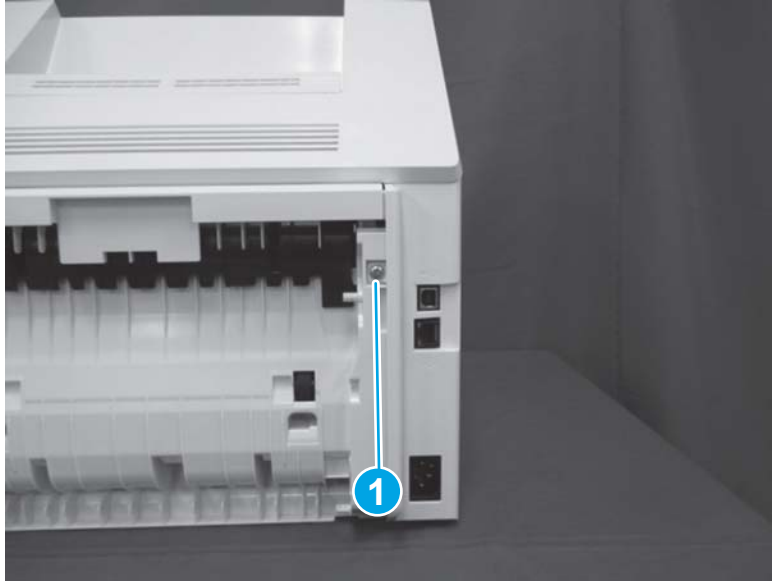
Figure 1-247 Remove the duplex door



### Step 2: Remove the left cover

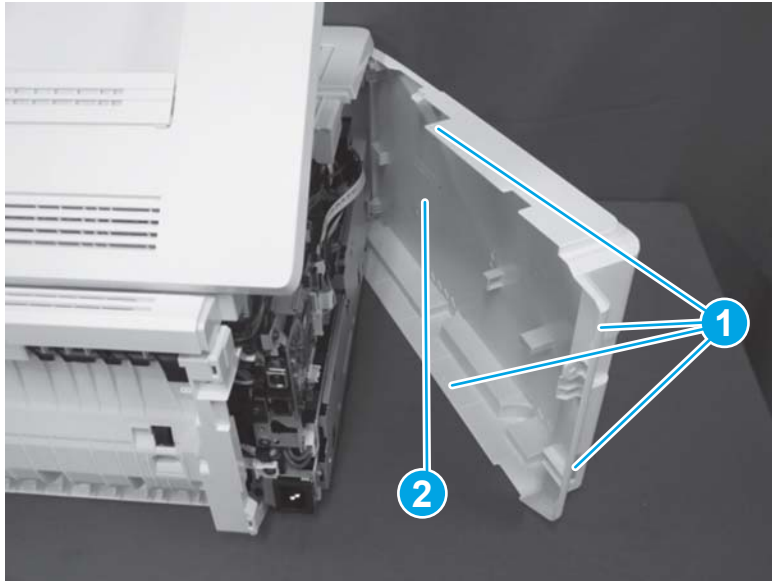
1. Remove one screw (callout 1).

Figure 1-248 Remove one screw (SFP)



2. Open the cartridge door.
3. Release four tabs (callout 1), and then remove the left cover (callout 2).

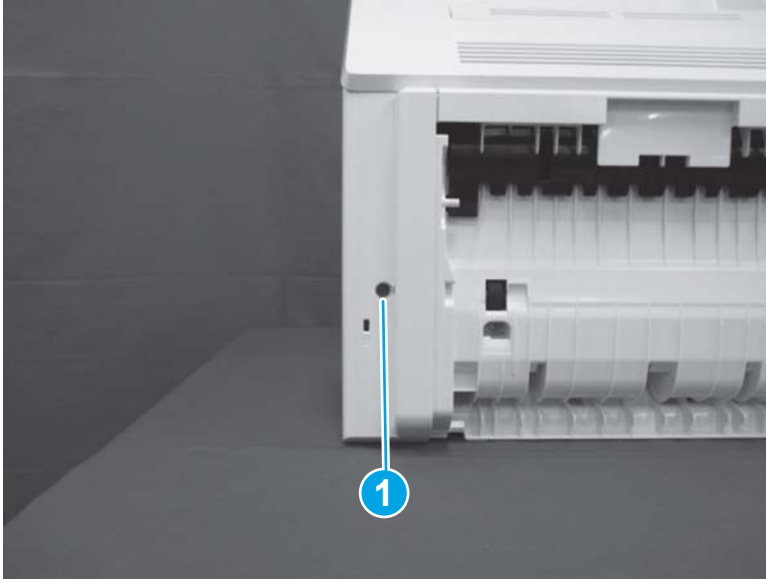
Figure 1-249 Remove the left cover (SFP)



### Step 3: Remove the right cover

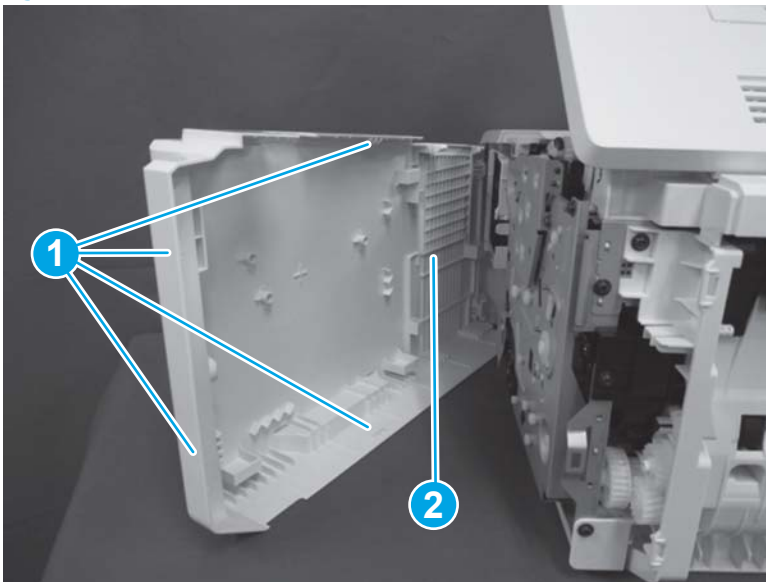
1. Remove one screw (callout 1).

Figure 1-250 Remove one screw (SFP)



2. Open the cartridge door.
3. Release four tabs (callout 1), and then remove the right cover (callout 2).

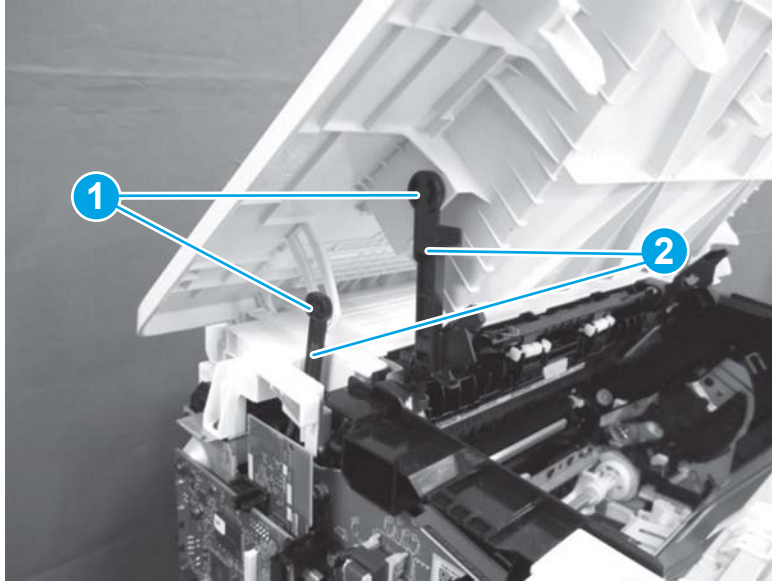
Figure 1-251 Remove the right cover (SFP)



#### Step 4: Remove the cartridge door

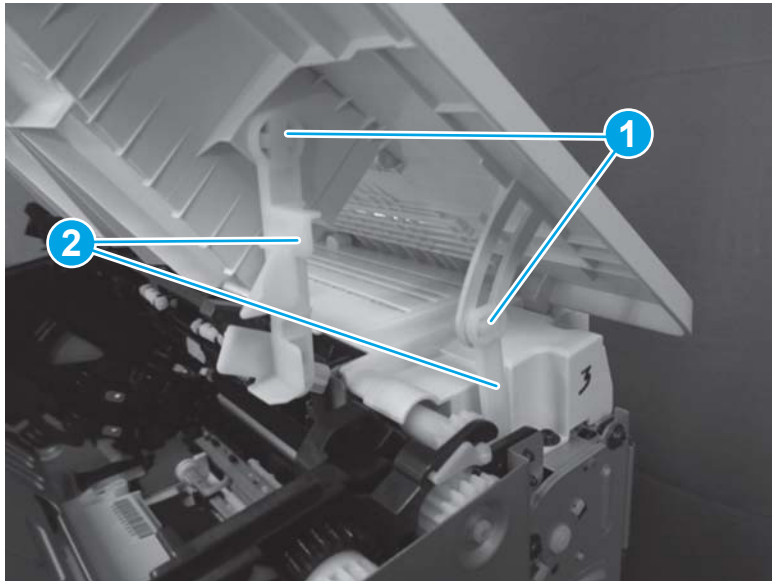
1. Open the cartridge door. On the left side of the printer, release two tabs (callout 1), and then disconnect two link arms (callout 2).

Figure 1-252 Disconnect left link arms (SFP)



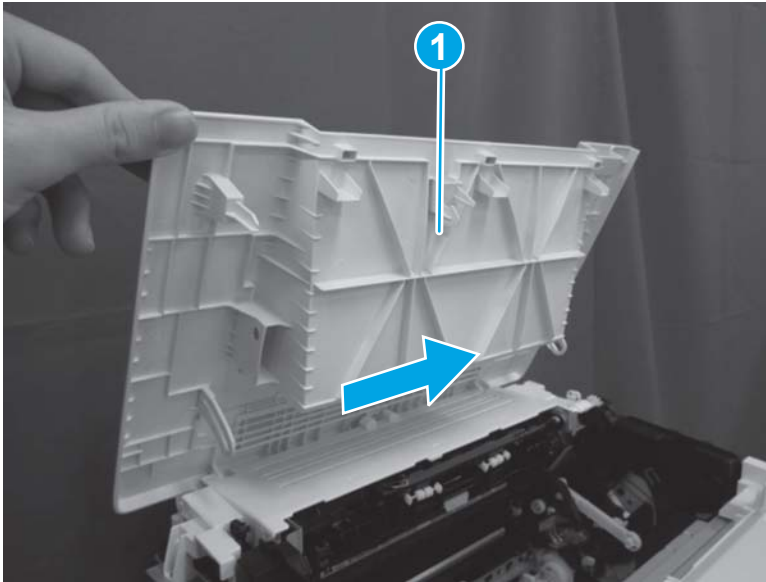
2. On the right side of the printer, release two tabs (callout 1), and then disconnect two link arms (callout 2).

Figure 1-253 Disconnect right link arms (SFP)



3. Fully open the cartridge door (callout 1), and then slide it towards the right-side of the printer to remove it.

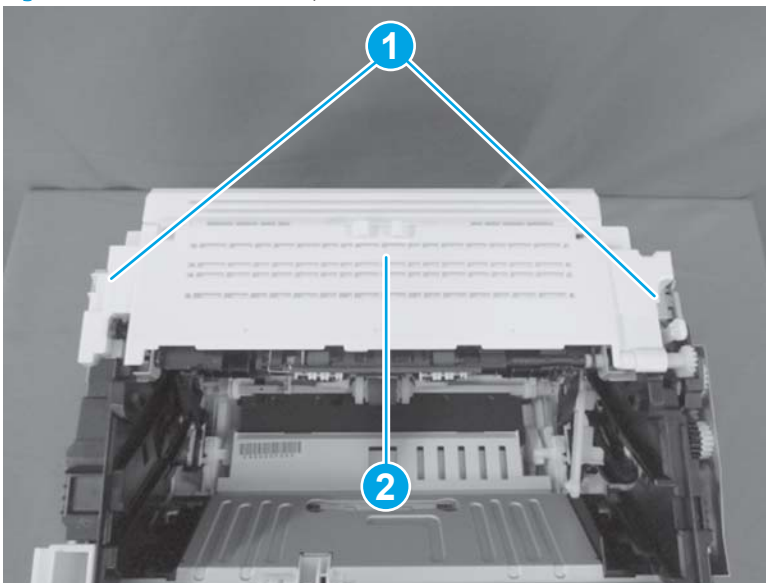
Figure 1-254 Remove the cartridge door (SFP)



#### Step 5: Remove the top rear cover

- ▲ Remove two screws (callout 1), and then remove the top rear cover (callout 2).

Figure 1-255 Remove the top rear cover (SFP)



#### Step 6: Unpack the replacement assembly

1. Dispose of the defective part.

 **NOTE:** HP recommends responsible disposal of the defective part.

[www.hp.com/recycle](http://www.hp.com/recycle)



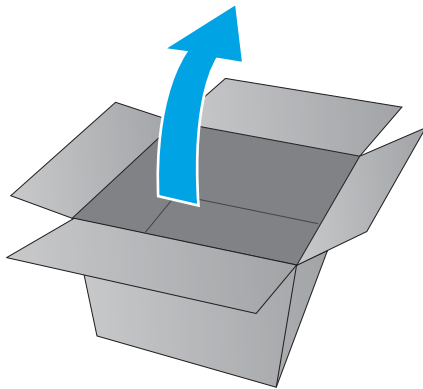
2. Unpack the replacement part from the packaging.

---

**⚠ CAUTION:** If the replacement part is a roller or pad, avoid touching the spongy part of it. Skin oils on the roller or pad can cause paper pickup and/or print-quality problems. HP recommends using disposable gloves when handling rollers or pads or washing your hands or before touching rollers or pads.

**📋 IMPORTANT:** Make sure that all of the shipping materials (for example shipping tape) are removed from the replacement part prior to installation.

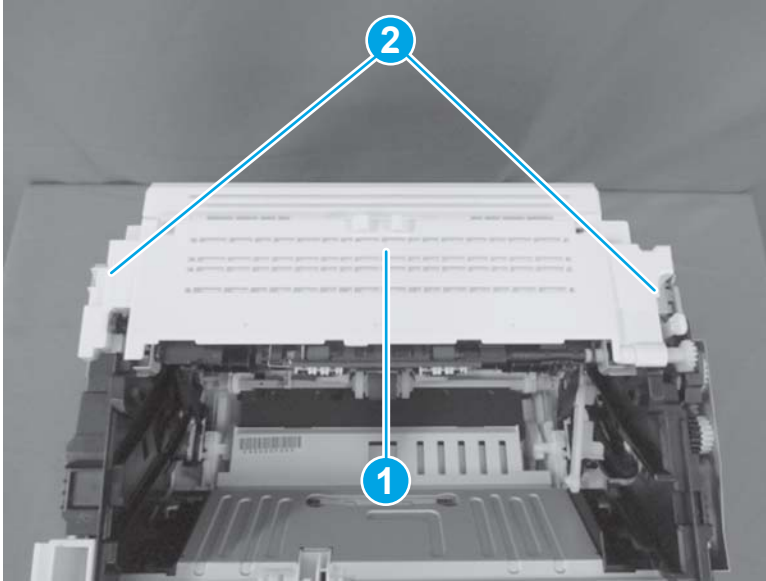
---



### Step 7: Install the top rear cover

- ▲ Position the top cover (callout 1) on the printer, and then install two screws (callout 2).

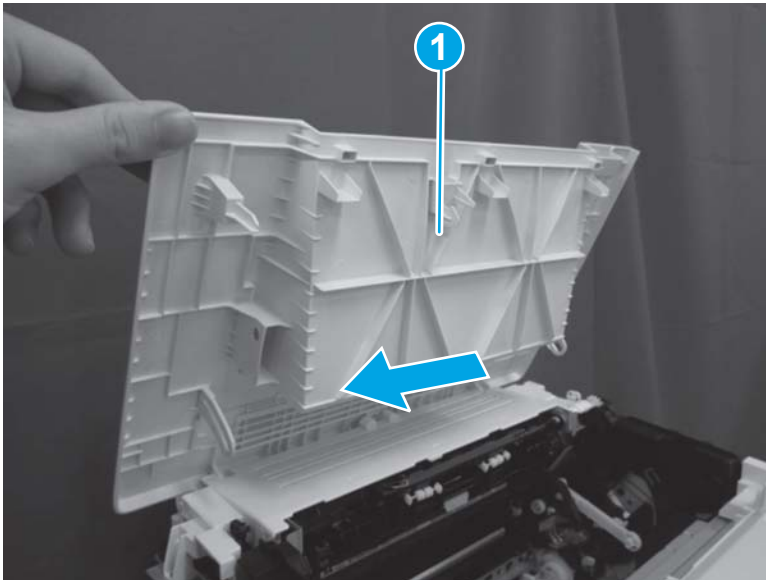
Figure 1-256 Install the top rear cover (SFP)



#### Step 8: Install the cartridge door

1. Position the cartridge door (callout 1) on the printer, and then slide it toward the left-side of the printer to install it.

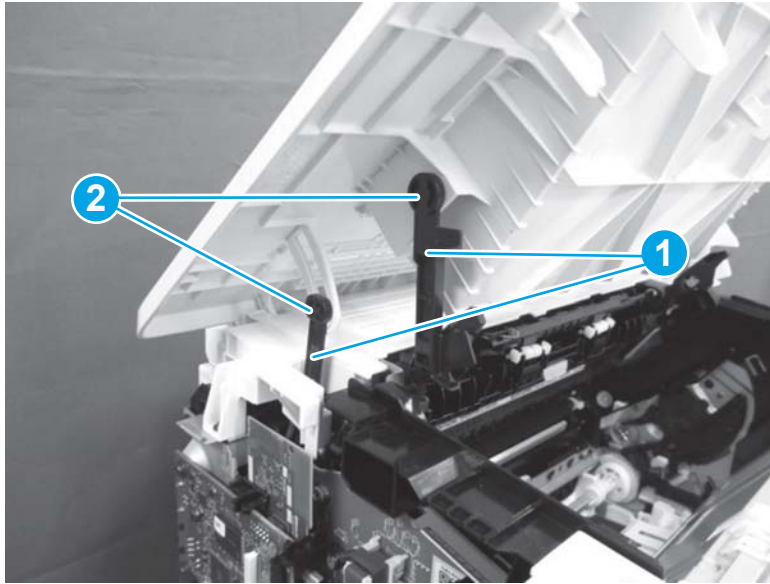
Figure 1-257 Install the cartridge door (SFP)





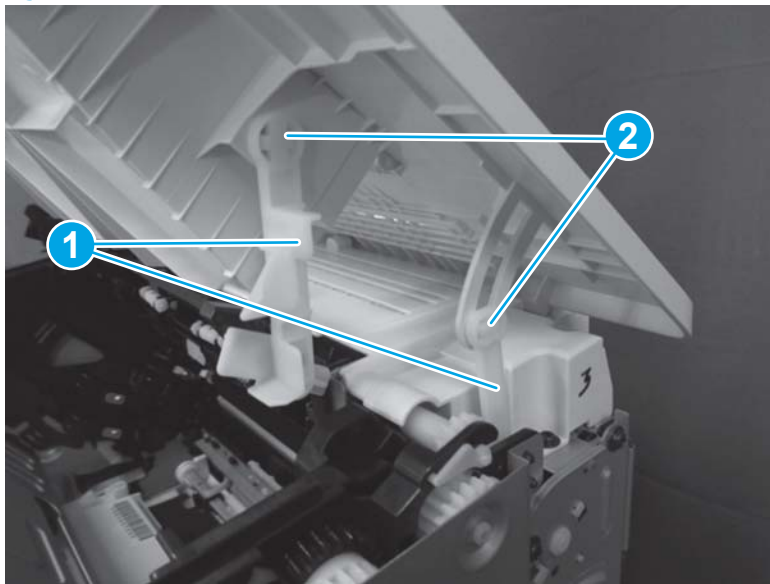
2. On the left side of the printer, position two link arms (callout 1), and then engage two tabs (callout 2).

Figure 1-258 Connect left link arms (SFP)



3. On the right side of the printer, position two link arms (callout 1), and then engage two tabs (callout 2).

Figure 1-259 Connect right link arms (SFP)

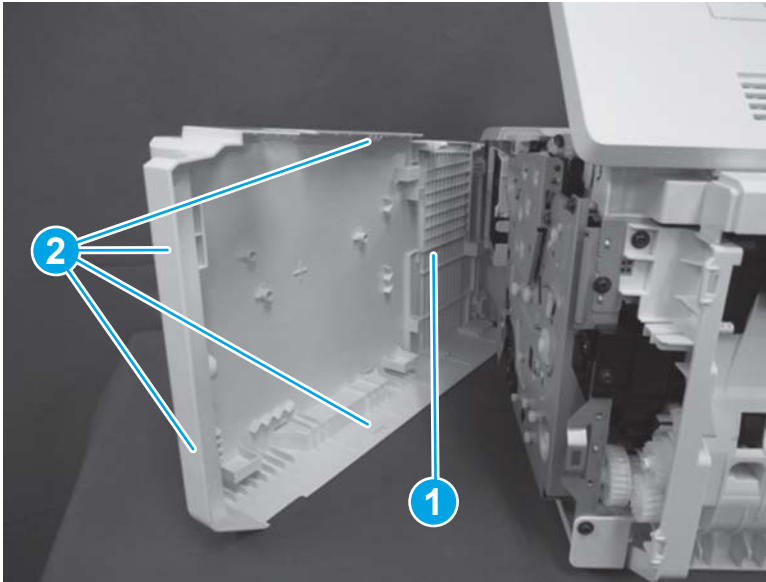


### Step 9: Install the right cover

1. Open the cartridge door.

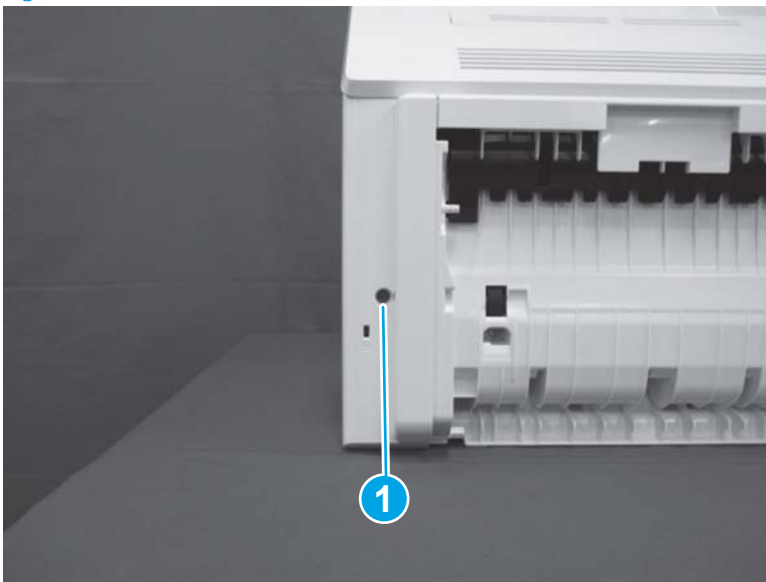
2. Position the right cover (callout 1) on the printer, and then engage four tabs (callout 2).

**Figure 1-260** Install the right cover (SFP)



3. Close the cartridge door.
4. Install one screw (callout 1).

**Figure 1-261** Install one screw (SFP)

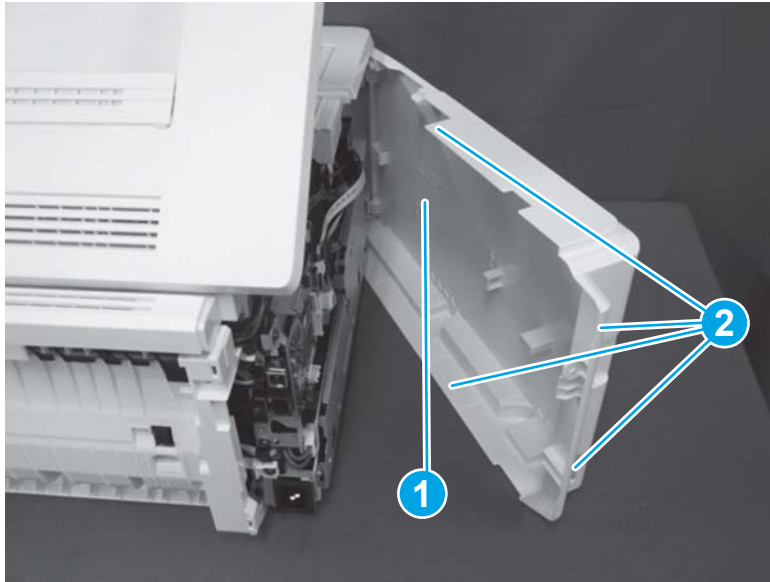


#### Step 10: Install the left cover

1. Open the cartridge door.

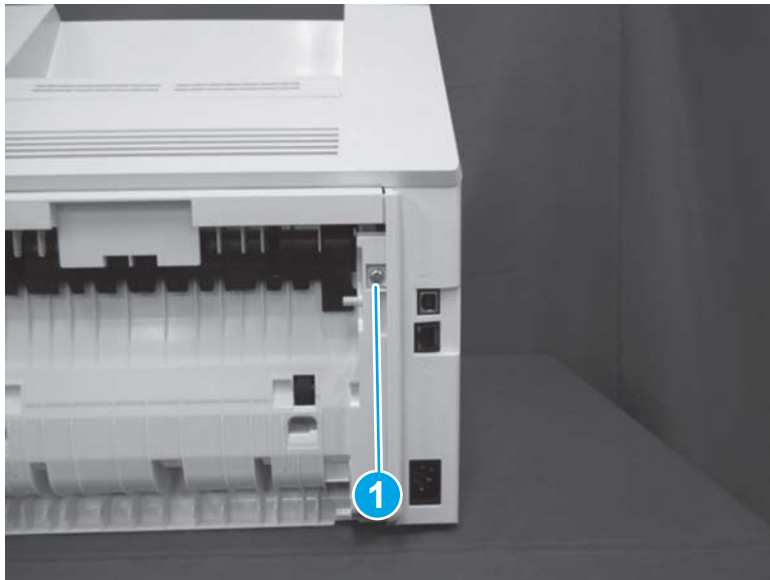
2. Position the left cover (callout 1) on the printer, and then engage four tabs (callout 2).

Figure 1-262 Install the left cover (SFP)



3. Close the cartridge door.
4. Install one screw (callout 1).

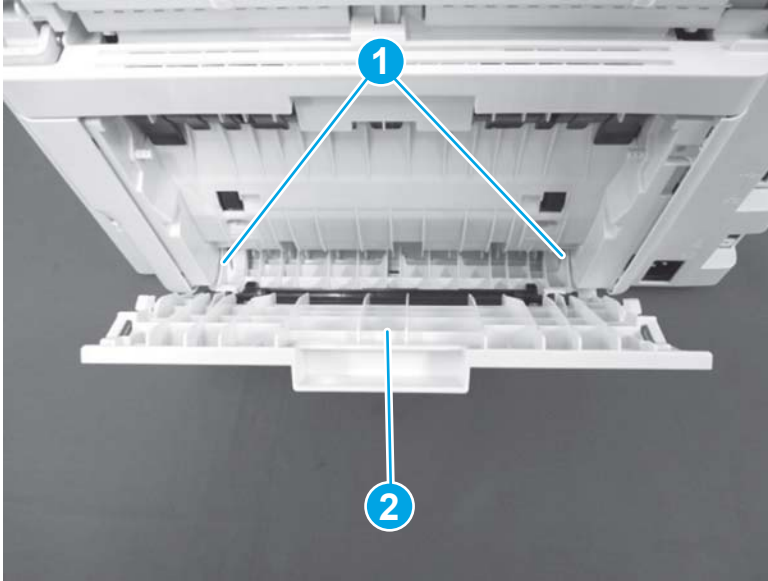
Figure 1-263 Install one screw (SFP)



### Step 11: Install the duplex door

1. Install two tabs (callout 1) to install the duplex door (callout 2).

Figure 1-264 Install the duplex door



2. Close the duplex door.

## Removal and replacement: Hinge assembly (MFP)

- [Introduction](#)
- [Step 1: Remove the duplex door](#)
- [Step 2: Remove the left cover](#)
- [Step 3: Remove the cable cover](#)
- [Step 4: Remove the 3-in-1 or 4-in-1 scanner assembly](#)
- [Step 5: Remove the right cover](#)
- [Step 6: Remove the hinge assembly](#)
- [Step 7: Unpack the replacement assembly](#)
- [Step 8: Install the hinge assembly](#)
- [Step 9: Install the right cover](#)
- [Step 10: Install the 3-in-1 or 4-in-1 scanner assembly](#)
- [Step 11: Install the cable cover](#)
- [Step 12: Install the left cover](#)
- [Step 13: Install the duplex door](#)


### Introduction

This document provides the procedures to remove and replace the hinge assembly (MFP).

### Before performing service

#### Turn the printer power off

- Disconnect the power cable.

 **WARNING!** To avoid damage to the printer, turn the printer off, wait 30 seconds, and then remove the power cable before attempting to service the printer.

Use the table below to identify the correct part number for your printer. To order the part, go to [www.hp.com/buy/parts](http://www.hp.com/buy/parts).

Hinge assembly (MFP) part number	
RM2-1182-000CN	Hinge assembly (MFP)

### Required tools

- #2 Phillips screwdriver with a magnetic tip.
- Small flat-blade screwdriver

## After performing service

### Turn the printer power on

- Connect the power cable.
- Use the power switch to turn the power on.

### Post service test

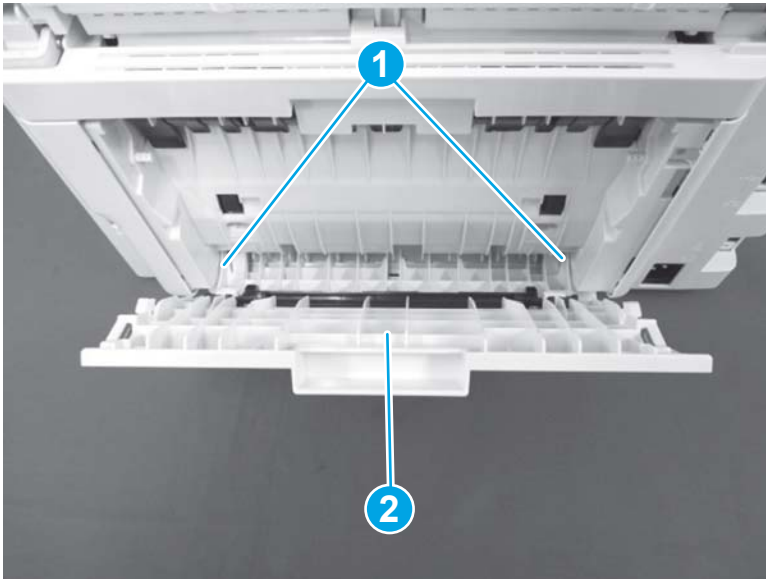
Make sure that 4-in-1 or 3-in-1 scanner assembly opens and closes correctly.

Verify that the document feeder and the flatbed scanner are correctly functioning (copy a page).

### Step 1: Remove the duplex door

1. Open the duplex door.
2. Use a small flat-blade screwdriver to release two tabs (callout 1), and then remove the duplex door (callout 2).

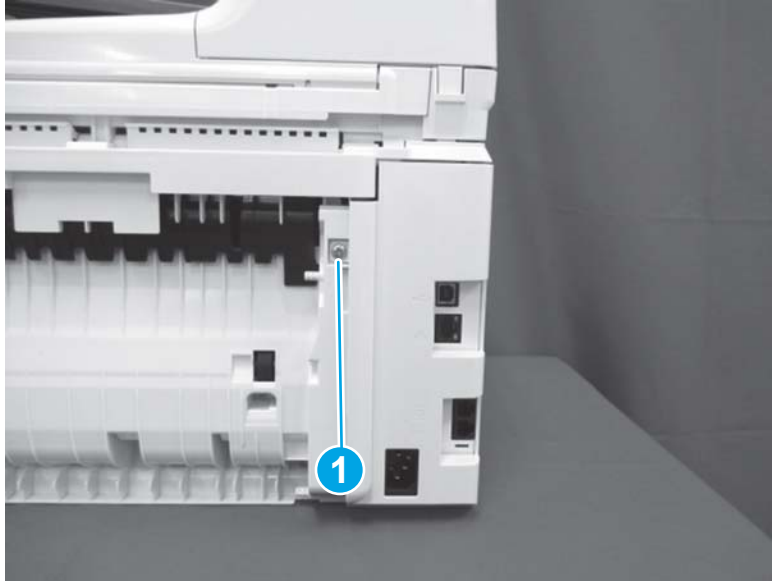
**Figure 1-265** Remove the duplex door



### Step 2: Remove the left cover

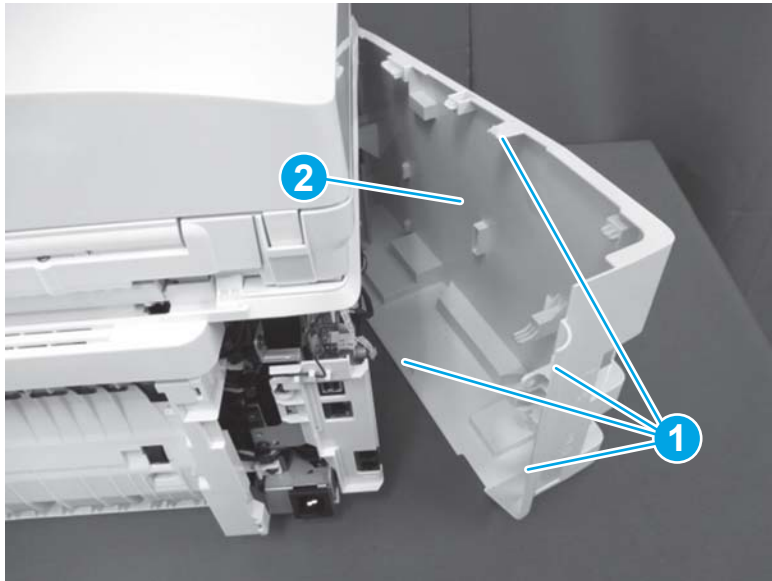
1. Remove one screw (callout 1).

Figure 1-266 Remove one screw (MFP)



2. Release four tabs (callout 1), and then remove the left cover (callout 2).

Figure 1-267 Remove the left cover (MFP)



### Step 3: Remove the cable cover

1. Open the scanner assembly.

Figure 1-268 Open the scanner assembly




2. Use a small flat-blade screw driver to release one tab (callout 1), and then remove the cable cover (callout 2).

Figure 1-269 Remove the cable cover (MFP)



#### Step 4: Remove the 3-in-1 or 4-in-1 scanner assembly

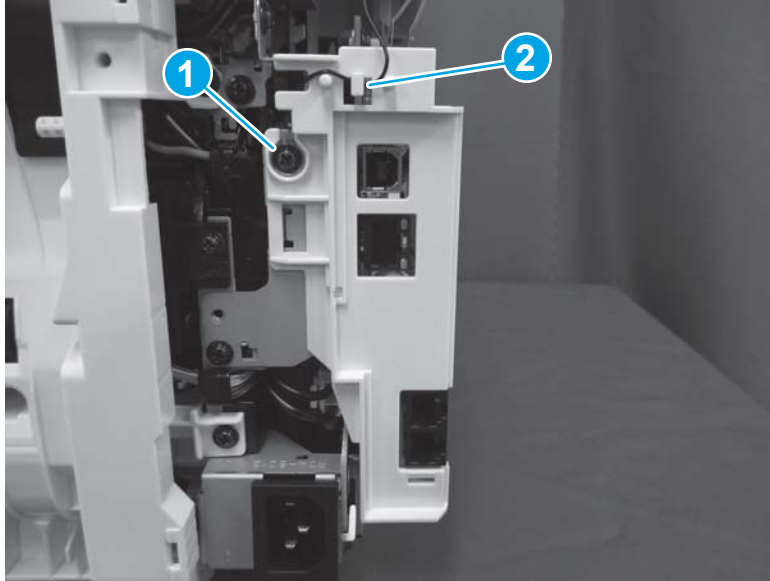
 **NOTE:** The 4-in-1 scanner assembly supports the document feeder. The 3-in-1 scanner assembly does not support the document feeder.

The figures in this procedure show a 4-in-1 printer. However, the procedure is correct for 3-in-1 printers.

1. **4-in-1 models only:** Remove one screw (callout 1), and then release the ground wire from the retainer (callout 2).



Figure 1-270 Release the ground wire (4-in-1 models)

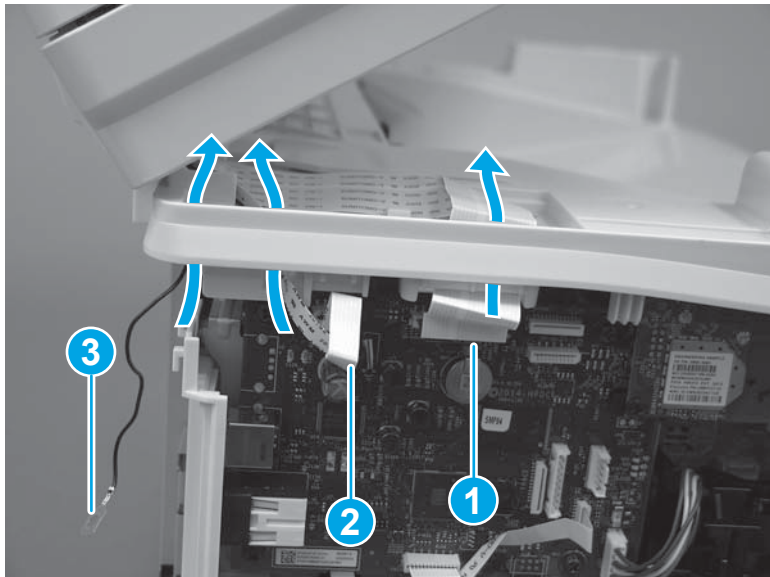


2. **4-in-1 models only:** Disconnect two flat cables (callouts 1/2), and then pass the flat cables and the ground wire (callout 3) up through the opening in the chassis.

**3-in-1 models only:** Disconnect one flat cable (callout 1), and then pass the flat cable through the opening in the chassis.

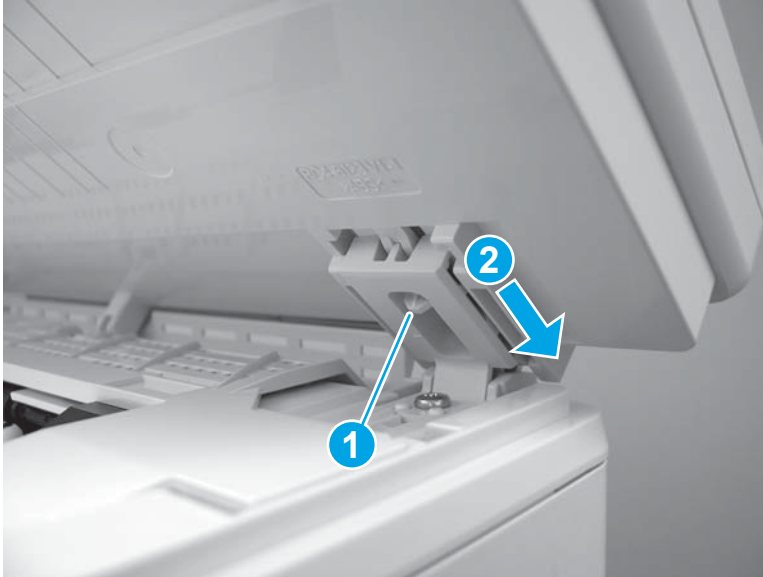
 **NOTE:** The 3-in-1 model does not have the small flat cable (callout 2) or a ground wire (callout 3).

Figure 1-271 Disconnect flat cable(s)



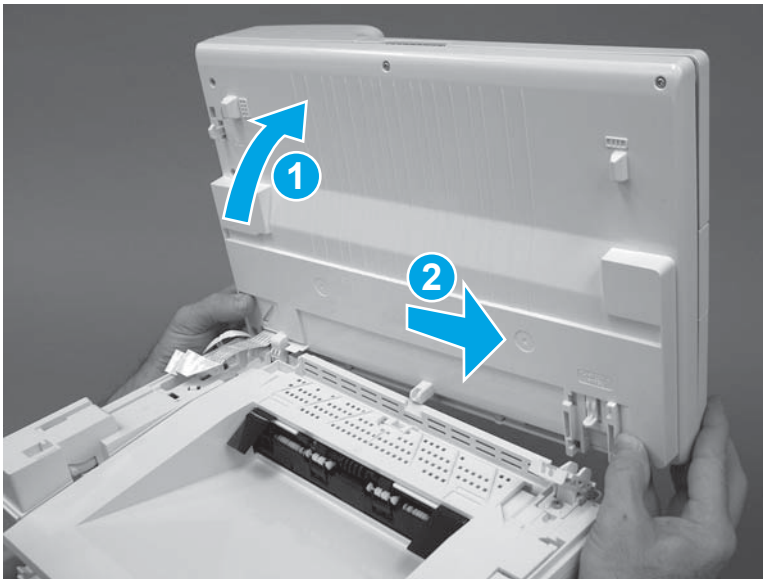
3. Release one tab (callout 1), and then push the right side of the scanner assembly toward the rear of the printer to release the right hinge (callout 2).

Figure 1-272 Release the right hinge



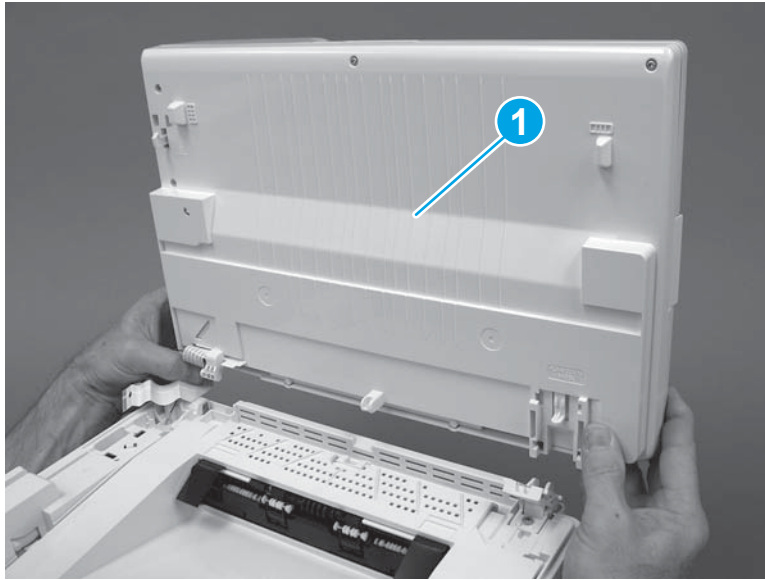
4. Rotate the scanner assembly towards the rear of the printer (callout 1), and then slide the scanner assembly toward the right side of the printer to release the left hinge (callout 2).

Figure 1-273 Release the left hinge



5. Remove the scanner assembly (callout 1).

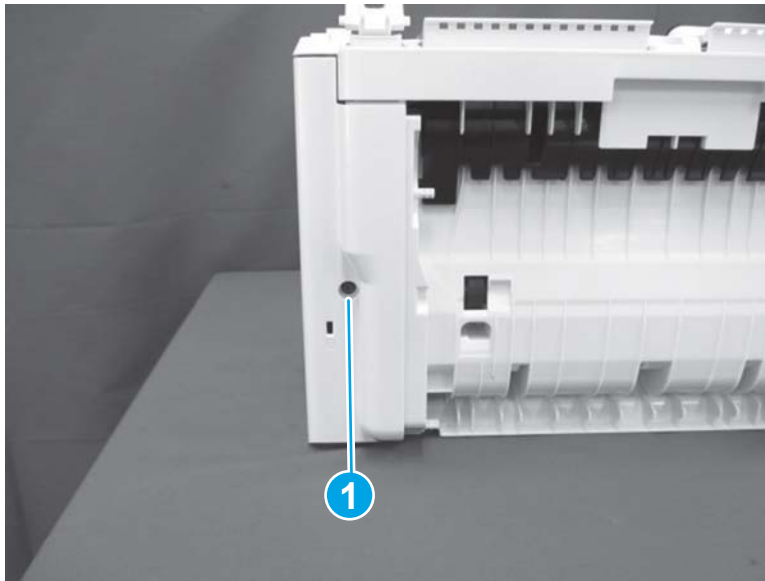
Figure 1-274 Remove the scanner assembly



#### Step 5: Remove the right cover

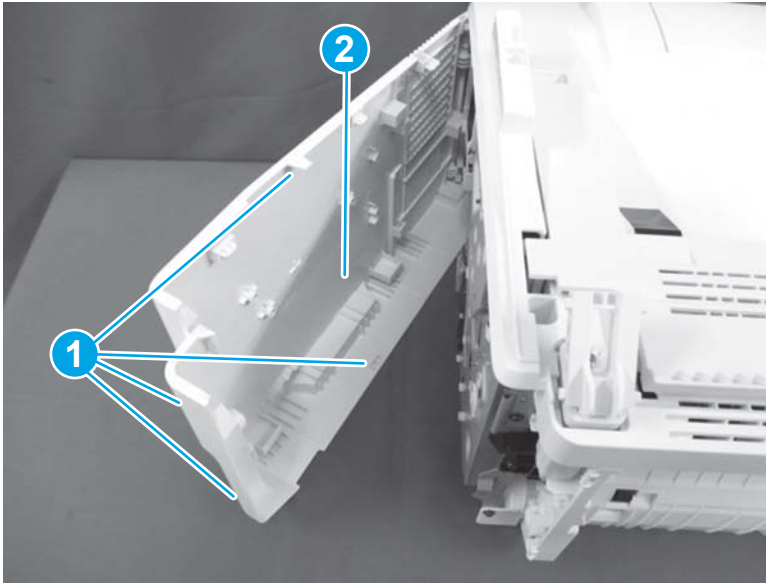
1. Remove one screw (callout 1).

Figure 1-275 Remove one screw (MFP)



2. Release four tabs (callout 1), and then remove the right cover (callout 2).

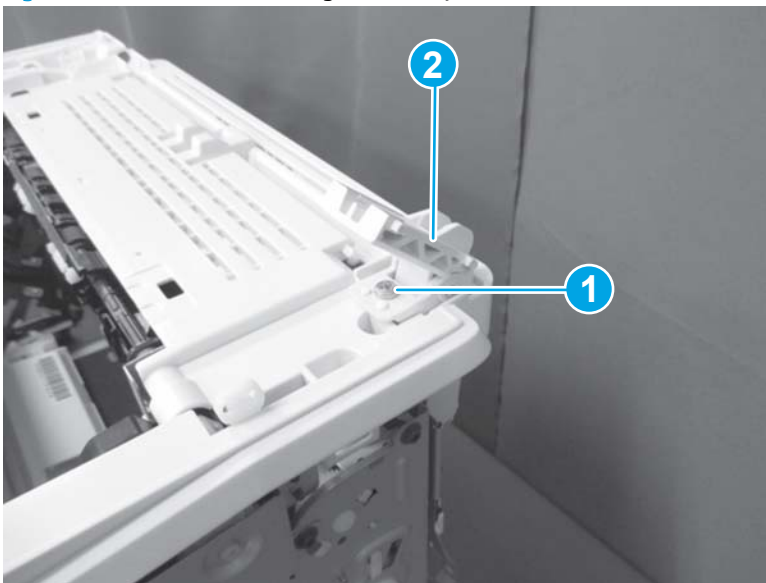
Figure 1-276 Remove the right cover (MFP)



#### Step 6: Remove the hinge assembly

- ▲ Remove one screw (callout 1), and then remove the hinge assembly (callout 2).

Figure 1-277 Remove the hinge assembly (MFP)



#### Step 7: Unpack the replacement assembly

1. Dispose of the defective part.

 **NOTE:** HP recommends responsible disposal of the defective part.

[www.hp.com/recycle](http://www.hp.com/recycle)



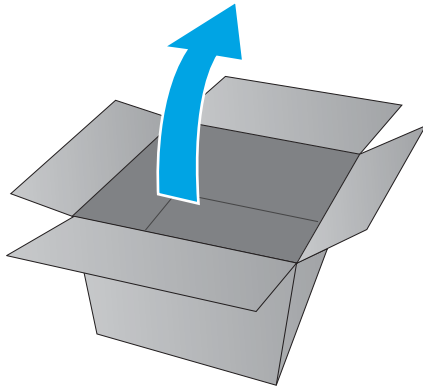
2. Unpack the replacement part from the packaging.

---

**⚠ CAUTION:** If the replacement part is a roller or pad, avoid touching the spongy part of it. Skin oils on the roller or pad can cause paper pickup and/or print-quality problems. HP recommends using disposable gloves when handling rollers or pads or washing your hands or before touching rollers or pads.

**📋 IMPORTANT:** Make sure that all of the shipping materials (for example shipping tape) are removed from the replacement part prior to installation.

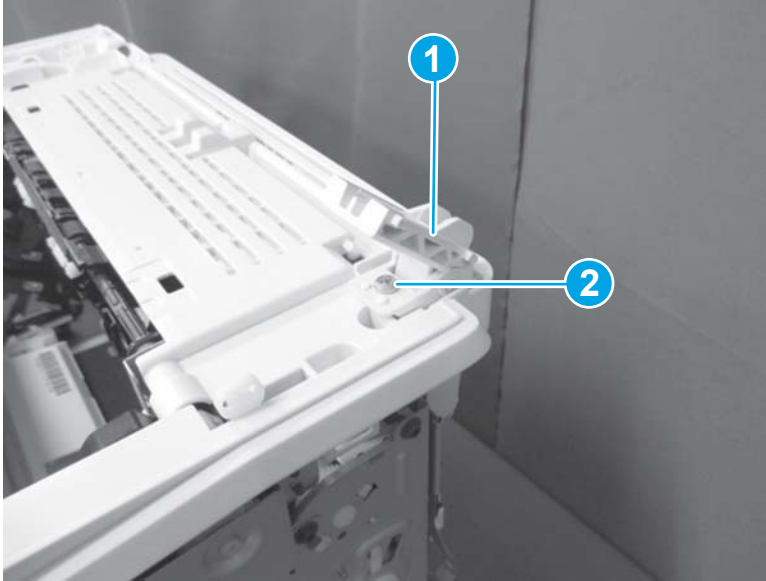
---



### Step 8: Install the hinge assembly

- ▲ Position the hinge assembly (callout 1) on the printer, and then install one screw (callout 2).

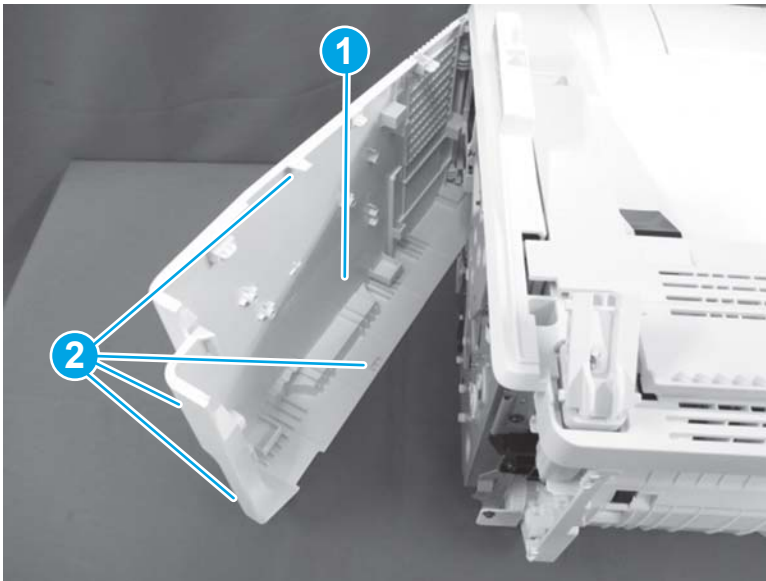
Figure 1-278 Install the hinge assembly (MFP)



Step 9: Install the right cover

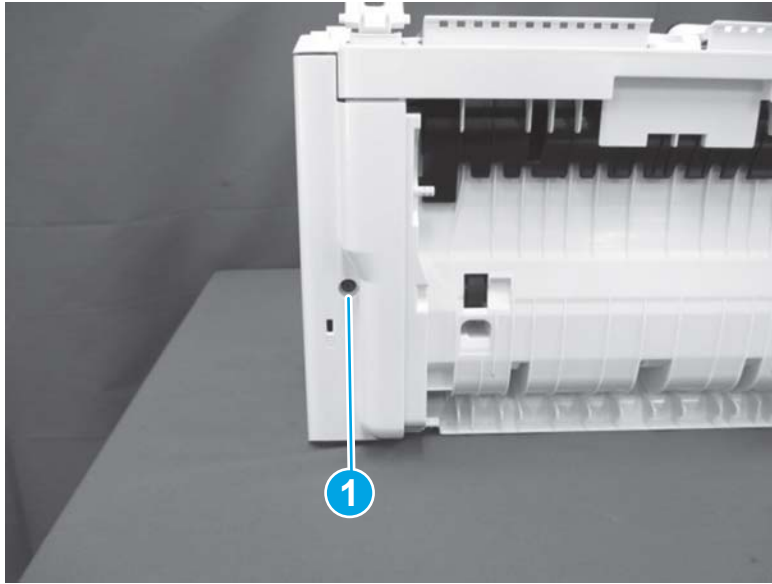
1. Position the right cover (callout 1) on the printer, and then engage four tabs (callout 2).

Figure 1-279 Install the right cover (MFP)




2. Install one screw (callout 1).

Figure 1-280 Install one screw (MFP)



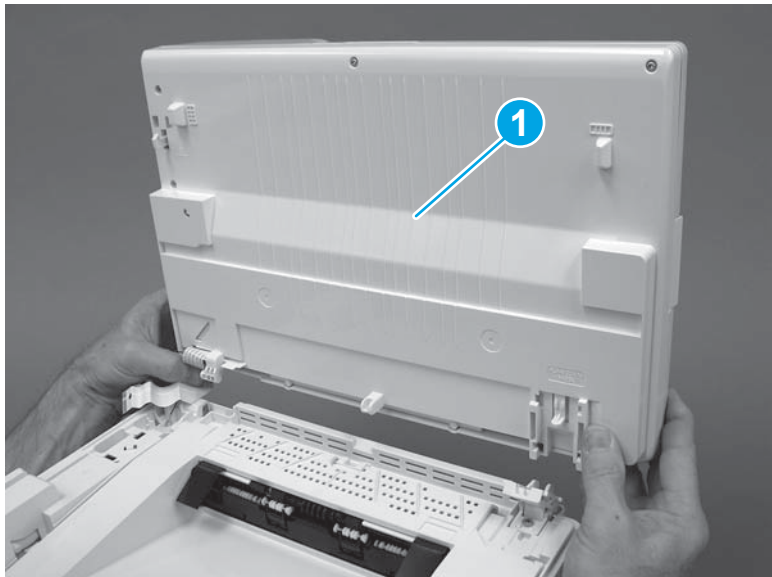
#### Step 10: Install the 3-in-1 or 4-in-1 scanner assembly

 **NOTE:** The 4-in-1 scanner assembly supports the document feeder. The 3-in-1 scanner assembly does not support the document feeder.

The figures in this procedure show a 4-in-1 printer. However, the procedure is correct for 3-in-1 printers.

1. Position the scanner assembly (callout 1) near the printer.

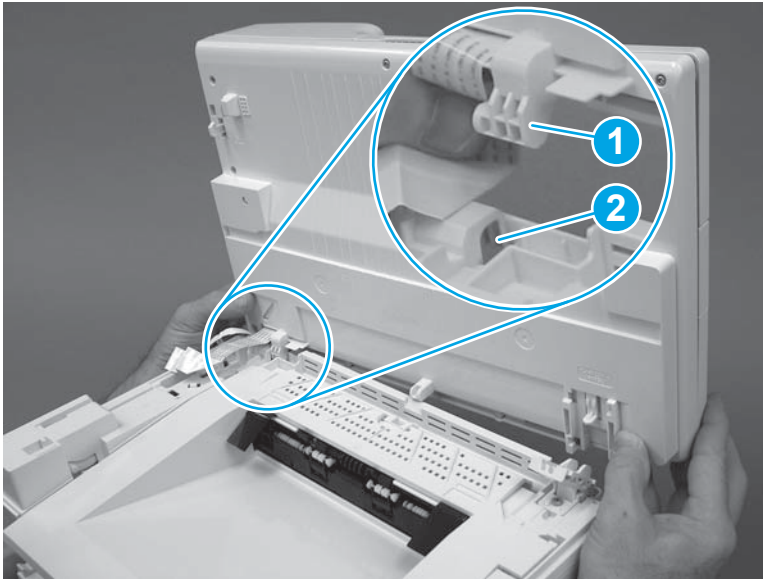
Figure 1-281 Install the scanner assembly (MFP)





- Engage the left hinge (callout 1) with the top cover (callout 2).

**Figure 1-282** Engage the left hinge (MFP)



- Push the right side of the scanner assembly toward the front of the printer to engage the right hinge (callout 1). Make sure that the tab (callout 2) snaps into place.

**Figure 1-283** Engage the right hinge (MFP)



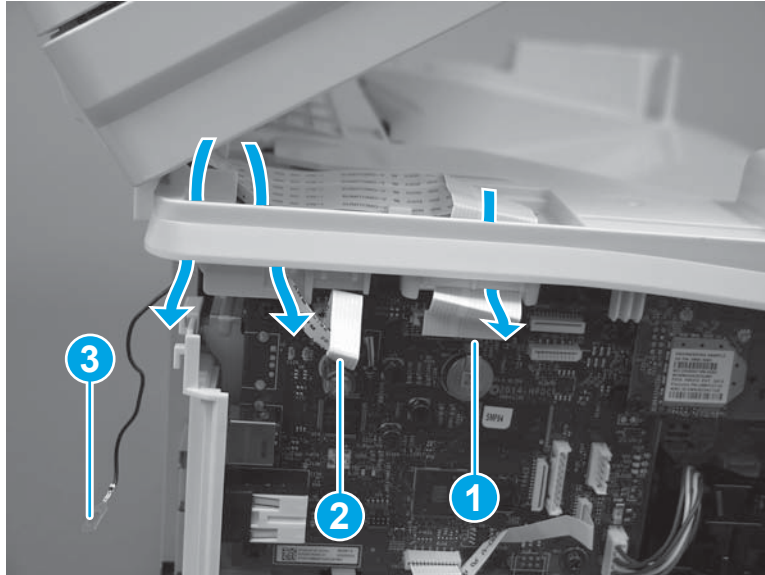


4. **4-in-1 models only:** Pass the flat cables (callouts 1/2) and the ground wire (callout 3) through the openings in the chassis, and then connect the two flat cables.

**3-in-1 models only:** Pass the flat cable (callout 1) through the opening in the chassis, and then connect one flat cable.

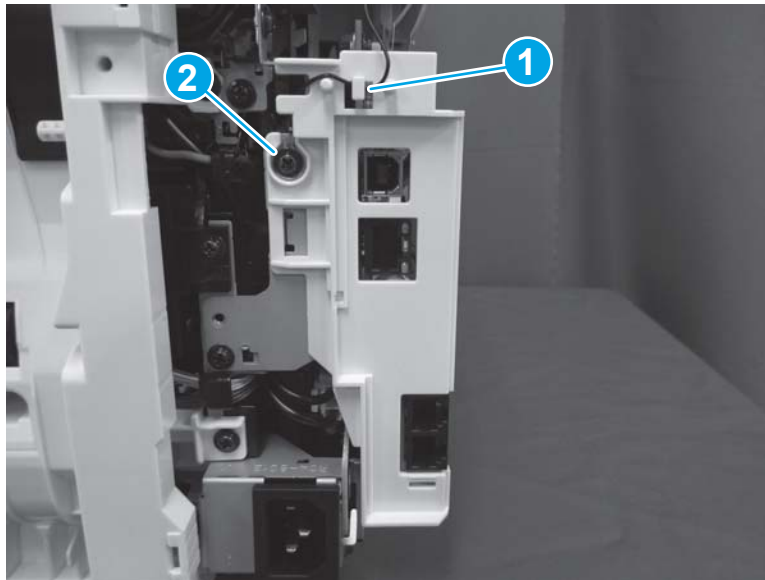
 **NOTE:** The 3-in-1 model does not have the small flat cable (callout 2) or a ground wire (callout 3).

Figure 1-284 Connect flat cable(s)



5. **4-in-1 models only:** Install the ground wire in the retainer (callout 1), and then install one screw (callout 2).

Figure 1-285 Install the ground wire (4-in-1 models)



### Step 11: Install the cable cover

1. Install the cable cover (callout 1), on the printer, and then push down to engage one tab (callout 2).

Figure 1-286 Install the cable cover (MFP)



2. Close the scanner assembly.

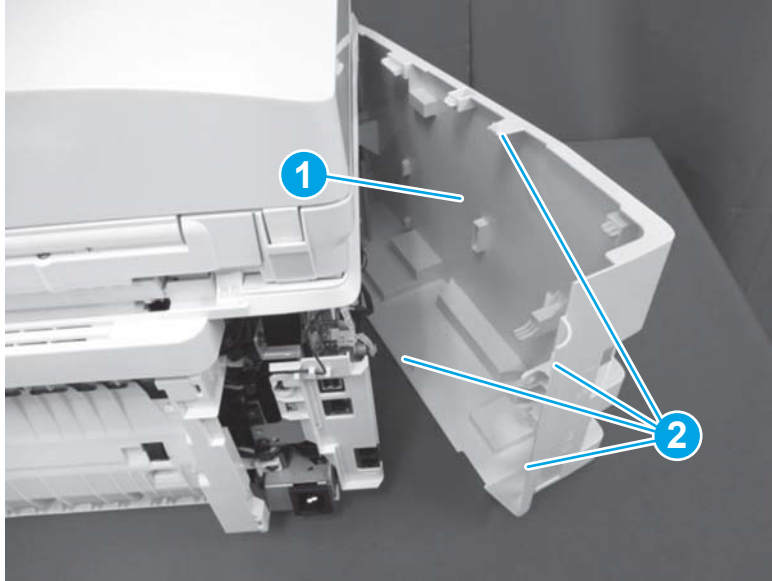
Figure 1-287 Close the scanner assembly



### Step 12: Install the left cover

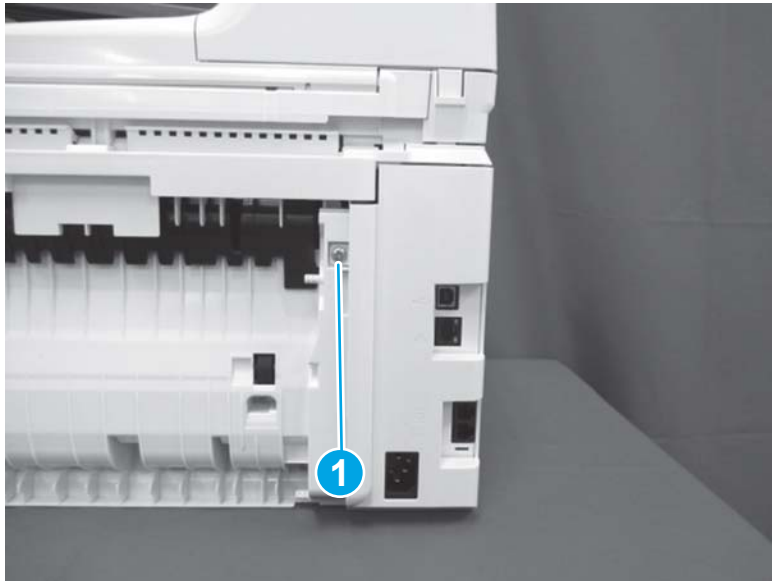
1. Position the left cover (callout 1) on the printer, and then engage four tabs (callout 2).

Figure 1-288 Install the left cover (MFP)



2. Install one screw (callout 1).

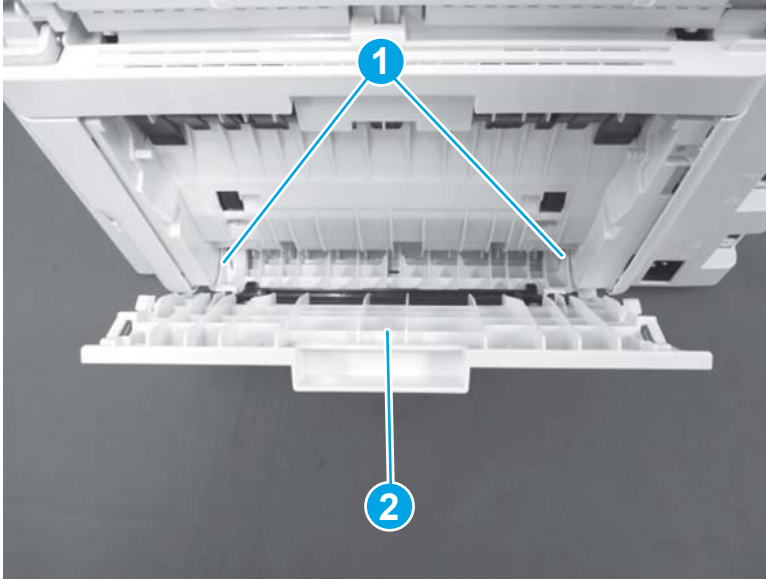
Figure 1-289 Install one screw (MFP)



### Step 13: Install the duplex door

1. Install two tabs (callout 1) to install the duplex door (callout 2).

Figure 1-290 Install the duplex door



2. Close the duplex door.

## Removal and replacement: Top cover (MFP)

- [Introduction](#)
- [Step 1: Remove the duplex door](#)
- [Step 2: Remove the left cover](#)
- [Step 3: Remove the cable cover](#)
- [Step 4: Remove the 3-in-1 or 4-in-1 scanner assembly](#)
- [Step 5: Remove the right cover](#)
- [Step 6: Remove the hinge assembly](#)
- [Step 7: Remove the cartridge door](#)
- [Step 8: Remove the top front cover](#)
- [Step 9: Remove the multipurpose cover](#)
- [Step 10: Remove the front cover](#)
- [Step 11: Remove the top cover](#)
- [Step 12: Unpack the replacement assembly](#)
- [Step 13: Install the top cover](#)
- [Step 14: Install the front cover](#)
- [Step 15: Install the multipurpose cover](#)
- [Step 16: Install the top front cover](#)
- [Step 17: Install the cartridge door](#)
- [Step 18: Install the hinge assembly](#)
- [Step 19: Install the right cover](#)
- [Step 20: Install the 3-in-1 or 4-in-1 scanner assembly](#)
- [Step 21: Install the cable cover](#)
- [Step 22: Install the left cover](#)
- [Step 23: Install the duplex door](#)

### Introduction

This document provides the procedures to remove and replace the top cover.

### Before performing service

#### Turn the printer power off

- Disconnect the power cable.

**⚠ WARNING!** To avoid damage to the printer, turn the printer off, wait 30 seconds, and then remove the power cable before attempting to service the printer.

Use the table below to identify the correct part number for your printer. To order the part, go to [www.hp.com/buy/parts](http://www.hp.com/buy/parts).

Top cover part number	
RL2-2927-000CN	Top cover (MFP)

### Required tools

- #2 Phillips screwdriver with a magnetic tip.
- Small flat-blade screwdriver

### After performing service

#### Turn the printer power on

- Connect the power cable.
- Use the power switch to turn the power on.

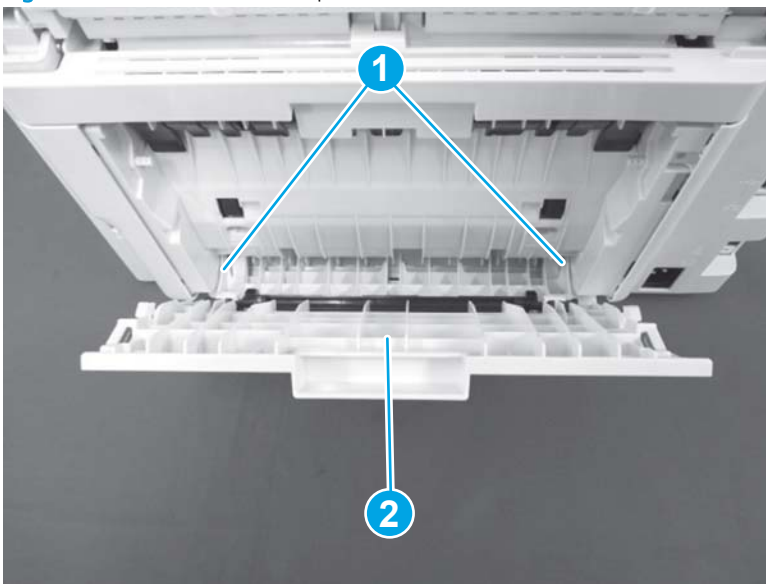
### Post service test

Verify that the document feeder and the flatbed scanner are correctly functioning (copy a page).

### Step 1: Remove the duplex door

1. Open the duplex door.
2. Use a small flat-blade screwdriver to release two tabs (callout 1), and then remove the duplex door (callout 2).

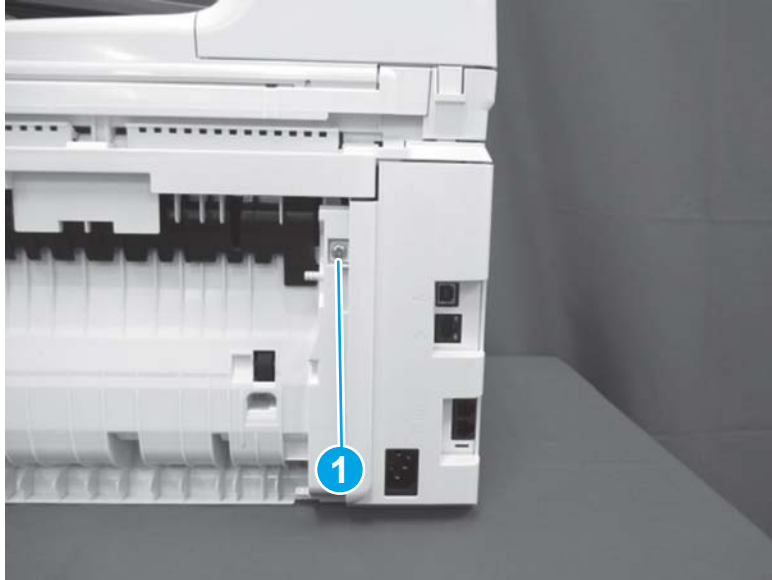
**Figure 1-291** Remove the duplex door



## Step 2: Remove the left cover

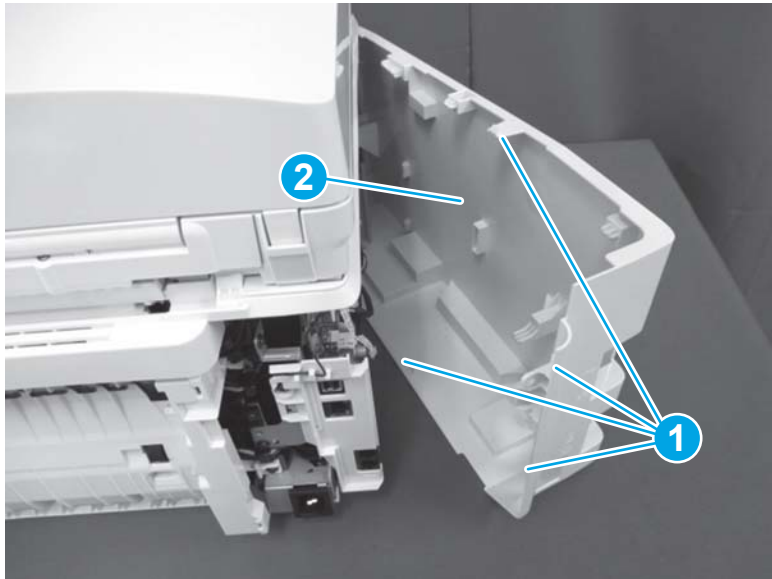
1. Remove one screw (callout 1).

Figure 1-292 Remove one screw (MFP)



2. Release four tabs (callout 1), and then remove the left cover (callout 2).

Figure 1-293 Remove the left cover (MFP)



## Step 3: Remove the cable cover

1. Open the scanner assembly.

Figure 1-294 Open the scanner assembly




2. Use a small flat-blade screw driver to release one tab (callout 1), and then remove the cable cover (callout 2).

Figure 1-295 Remove the cable cover (MFP)



#### Step 4: Remove the 3-in-1 or 4-in-1 scanner assembly

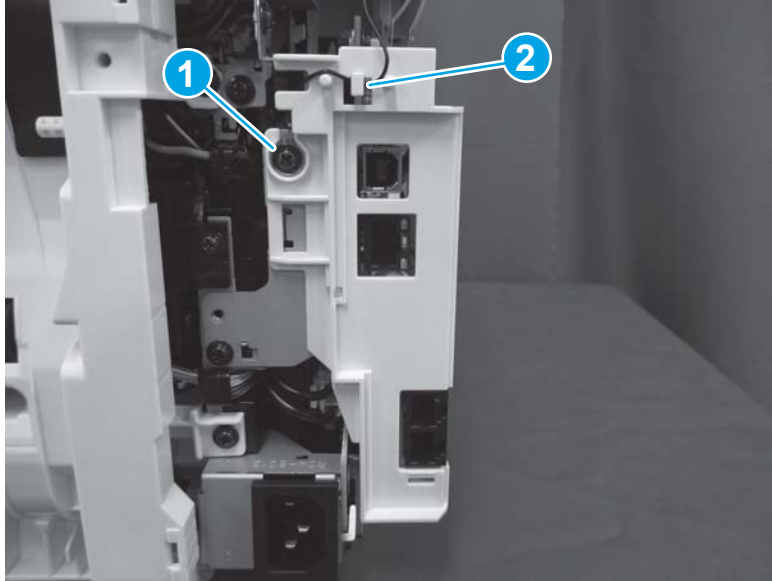
 **NOTE:** The 4-in-1 scanner assembly supports the document feeder. The 3-in-1 scanner assembly does not support the document feeder.

The figures in this procedure show a 4-in-1 printer. However, the procedure is correct for 3-in-1 printers.

1. **4-in-1 models only:** Remove one screw (callout 1), and then release the ground wire from the retainer (callout 2).



Figure 1-296 Release the ground wire (4-in-1 models)

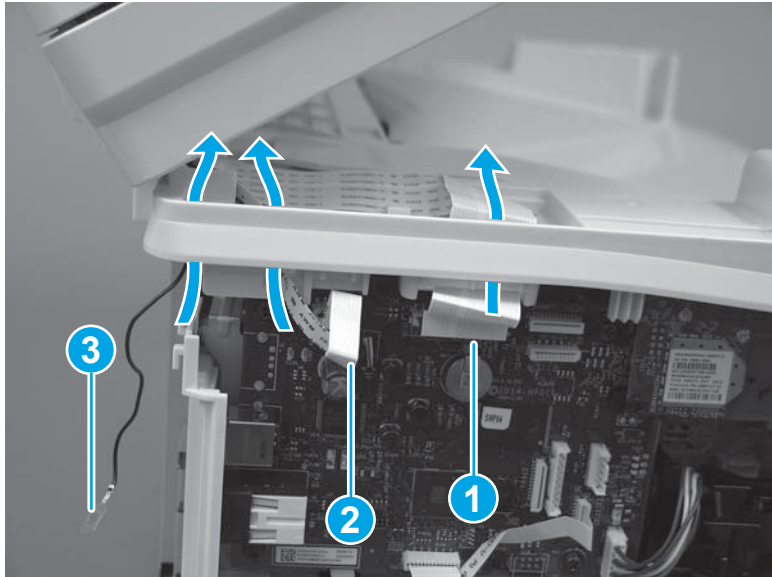


2. **4-in-1 models only:** Disconnect two flat cables (callouts 1/2), and then pass the flat cables and the ground wire (callout 3) up through the opening in the chassis.

**3-in-1 models only:** Disconnect one flat cable (callout 1), and then pass the flat cable through the opening in the chassis.

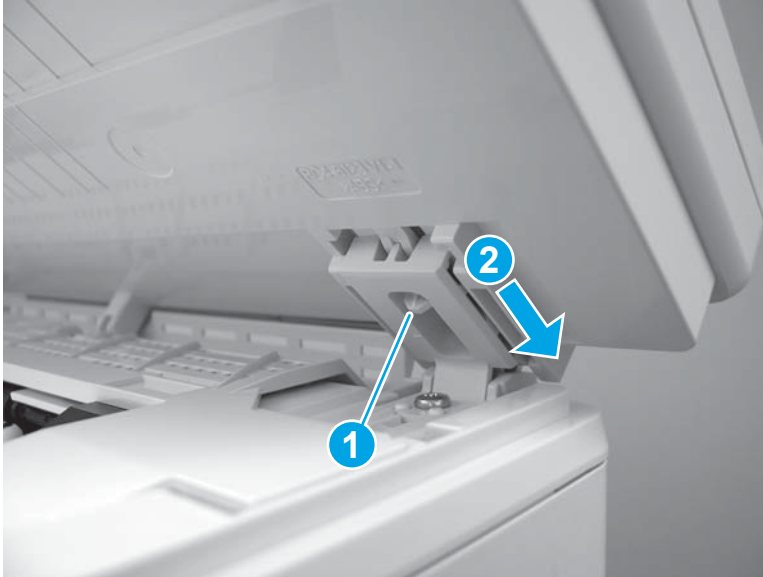
 **NOTE:** The 3-in-1 model does not have the small flat cable (callout 2) or a ground wire (callout 3).

Figure 1-297 Disconnect flat cable(s)



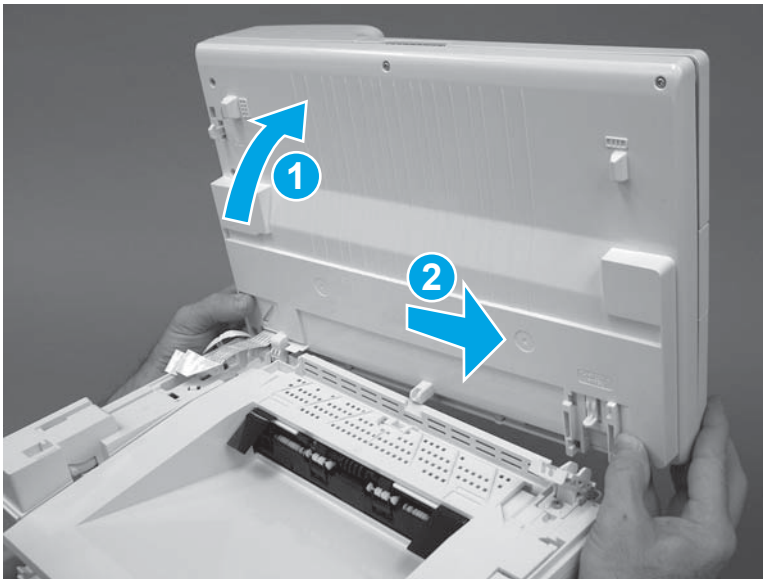
3. Release one tab (callout 1), and then push the right side of the scanner assembly toward the rear of the printer to release the right hinge (callout 2).

Figure 1-298 Release the right hinge



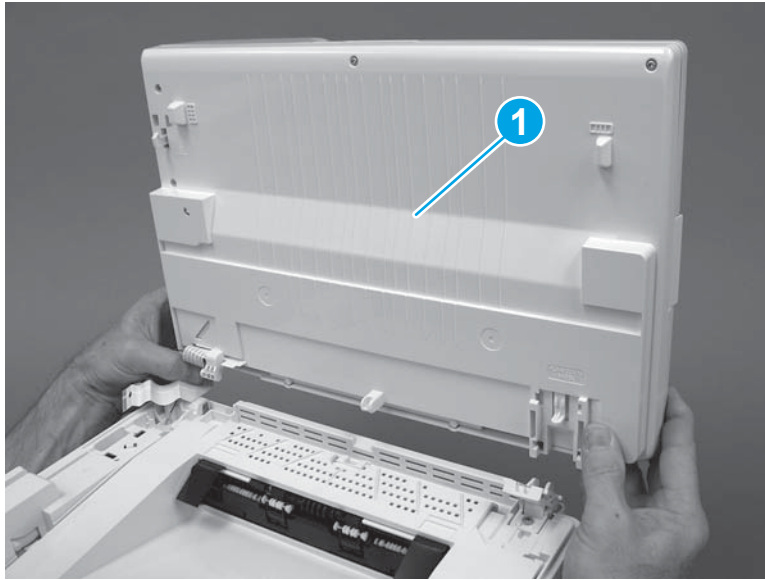
4. Rotate the scanner assembly towards the rear of the printer (callout 1), and then slide the scanner assembly toward the right side of the printer to release the left hinge (callout 2).

Figure 1-299 Release the left hinge



5. Remove the scanner assembly (callout 1).

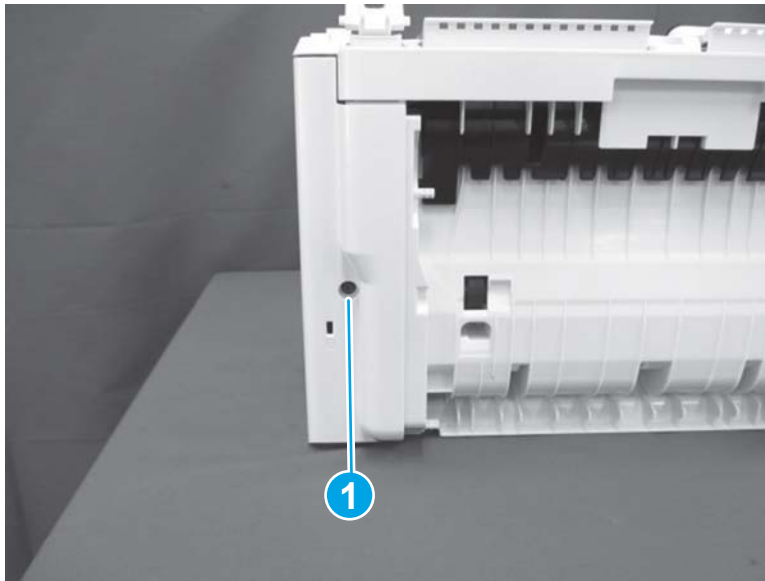
Figure 1-300 Remove the scanner assembly



#### Step 5: Remove the right cover

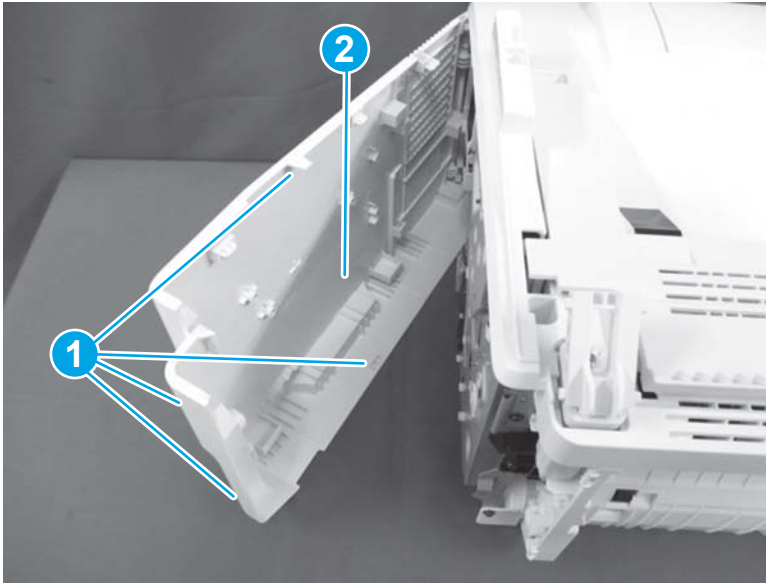
1. Remove one screw (callout 1).

Figure 1-301 Remove one screw (MFP)



2. Release four tabs (callout 1), and then remove the right cover (callout 2).

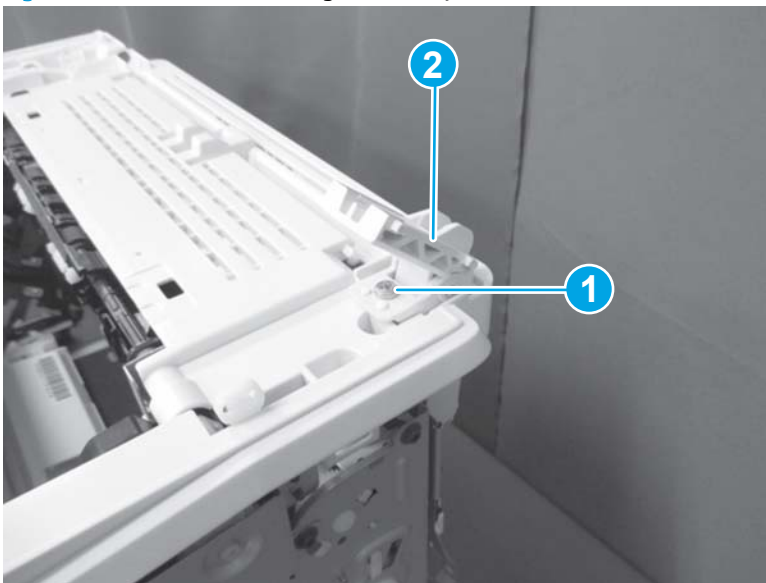
Figure 1-302 Remove the right cover (MFP)



#### Step 6: Remove the hinge assembly

- ▲ Remove one screw (callout 1), and then remove the hinge assembly (callout 2).

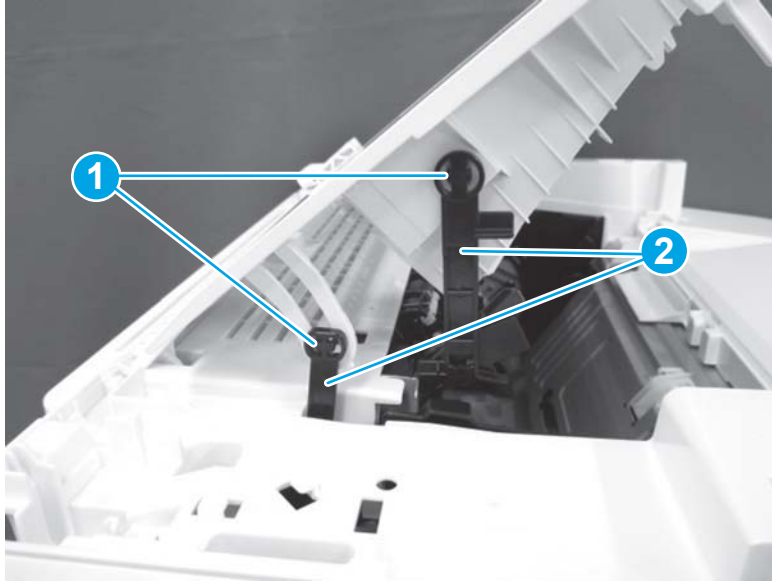
Figure 1-303 Remove the hinge assembly (MFP)



#### Step 7: Remove the cartridge door

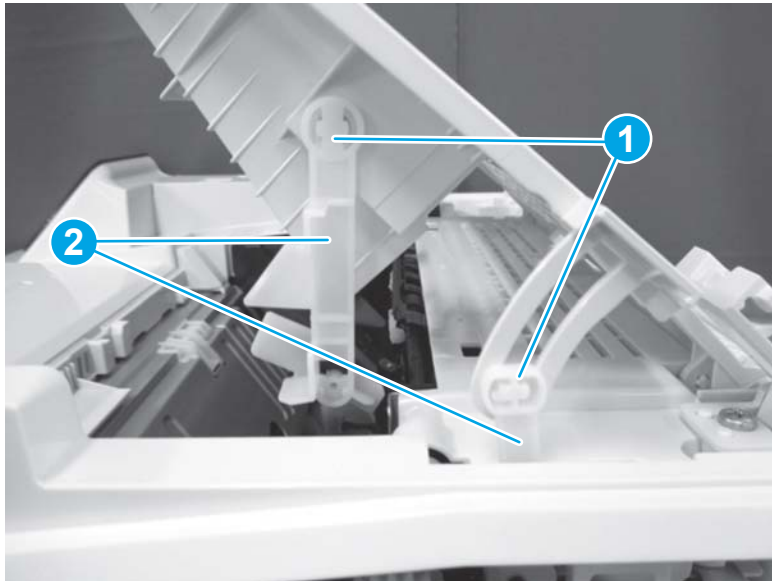
1. Open the cartridge door. On the left side of the printer, release two tabs (callout 1), and then disconnect two link arms (callout 2).

Figure 1-304 Disconnect left link arms (MFP)



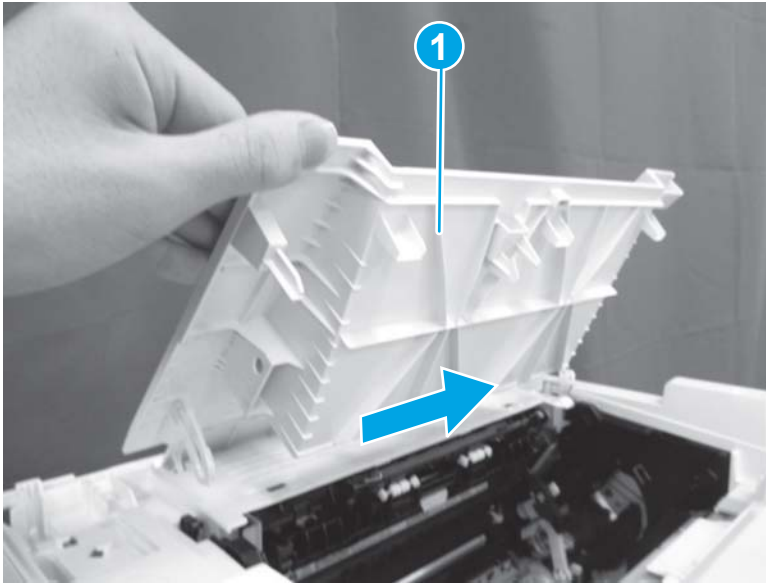
2. On the right side of the printer, release two tabs (callout 1), and then disconnect two link arms (callout 2).

Figure 1-305 Disconnect right link arms (MFP)



3. Fully open the cartridge door (callout 1), and then slide it towards the right-side of the printer to remove it.

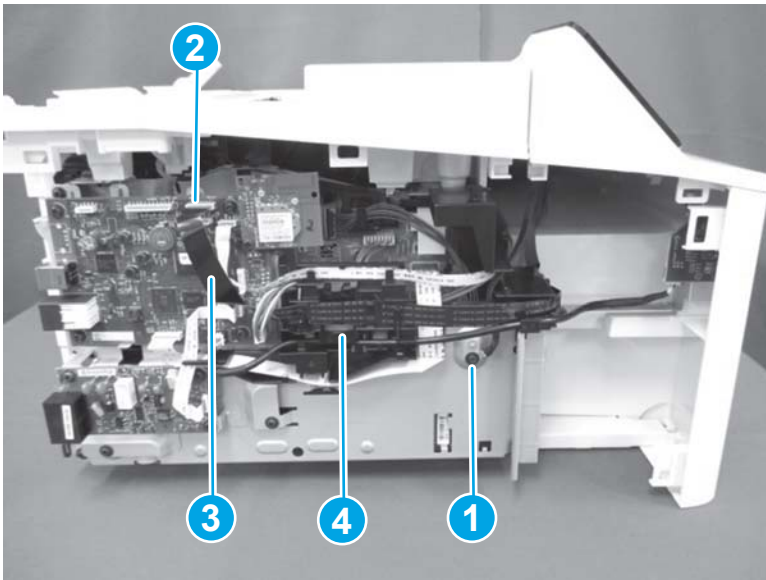
**Figure 1-306** Remove the cartridge door (MFP)



#### Step 8: Remove the top front cover

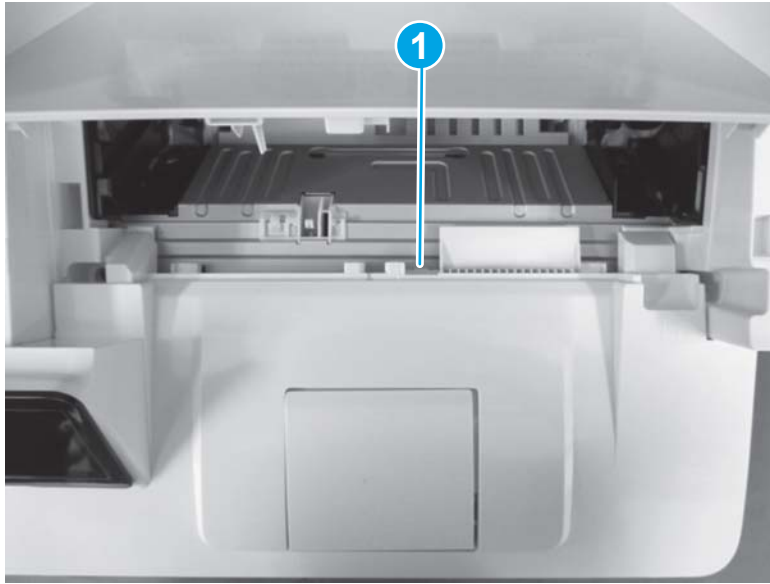
1. Remove one screw (callout 1) to release one cable. Disconnect one connector (callout 2), and then remove the cable (callout 3) from the cable guide (callout 4).

**Figure 1-307** Disconnect connector and release cable (MFP)



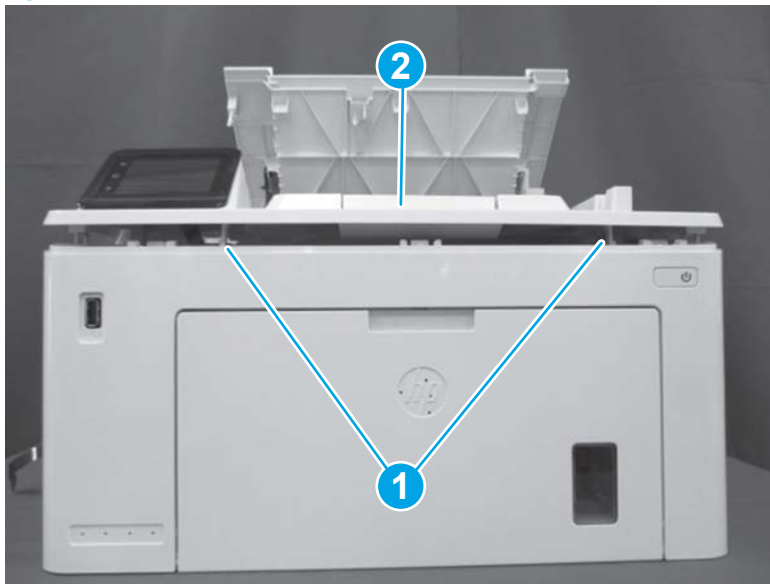
2. Open the cartridge door, and then release one tab (callout 1).

Figure 1-308 Release one tab (MFP)



3. Release two tabs (callout 1), and then remove the top front cover (callout 2).

Figure 1-309 Release two tabs and remove the cover (MFP)



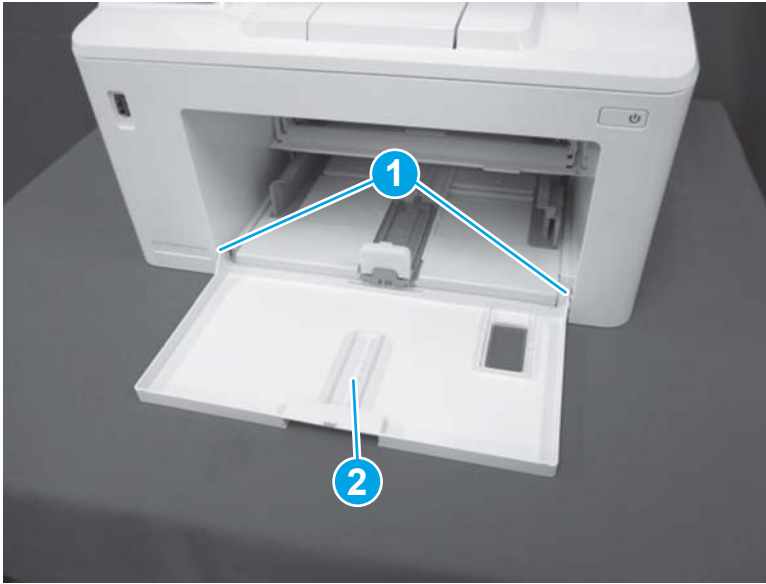
### Step 9: Remove the multipurpose cover

1. Open the multipurpose cover.



2. Release two bosses (callout 1), and then remove the cover (callout 2).

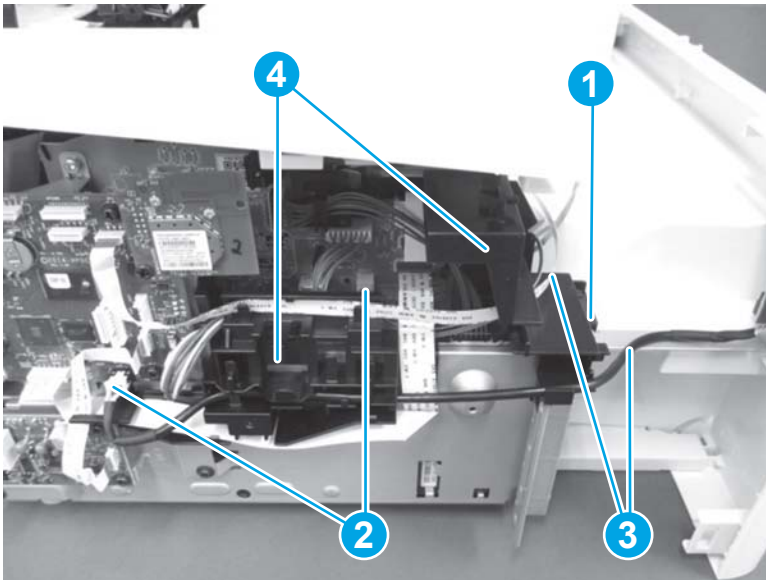
**Figure 1-310** Remove the multipurpose cover (MFP)



#### Step 10: Remove the front cover

1. Remove one screw (callout 1). Disconnect two connectors (callout 2), and then release the cables (callout 3) from the cable guide (callout 4).

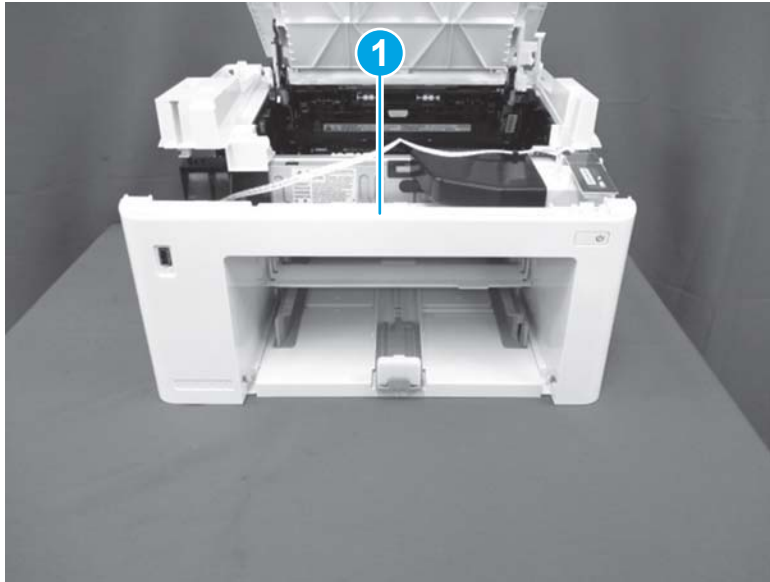
**Figure 1-311** Disconnect connectors (MFP)





2. Slide the front cover (callout 1) away from the printer to remove it.

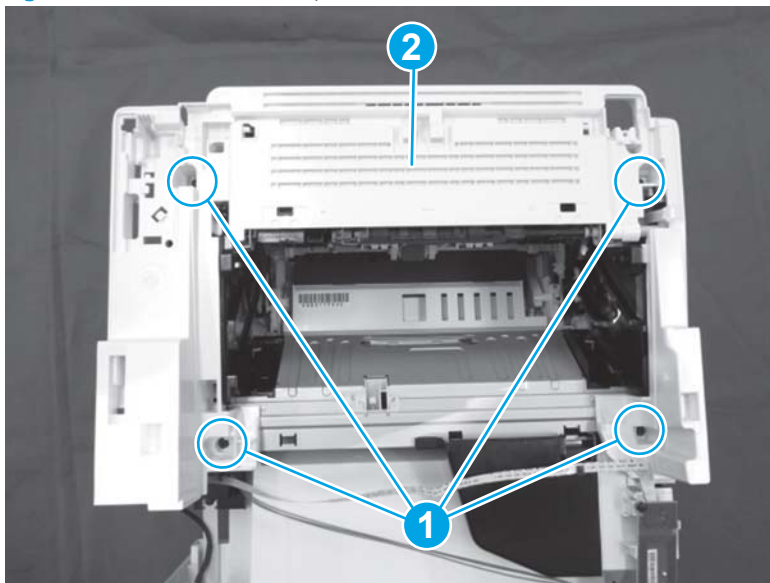
Figure 1-312 Remove the front cover (MFP)



### Step 11: Remove the top cover

- ▲ Remove four screws (callout 1), and then remove the top cover (callout 2).

Figure 1-313 Remove the top cover



### Step 12: Unpack the replacement assembly

1. Dispose of the defective part.

 **NOTE:** HP recommends responsible disposal of the defective part.

[www.hp.com/recycle](http://www.hp.com/recycle)



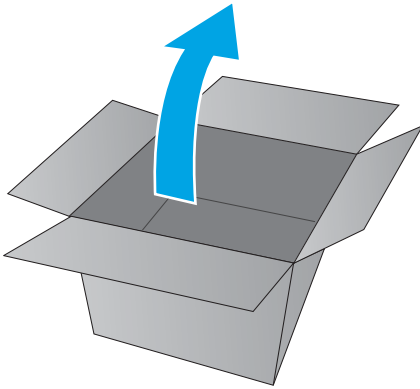
2. Unpack the replacement part from the packaging.

---

**⚠ CAUTION:** If the replacement part is a roller or pad, avoid touching the spongy part of it. Skin oils on the roller or pad can cause paper pickup and/or print-quality problems. HP recommends using disposable gloves when handling rollers or pads or washing your hands or before touching rollers or pads.

**📄 IMPORTANT:** Make sure that all of the shipping materials (for example shipping tape) are removed from the replacement part prior to installation.

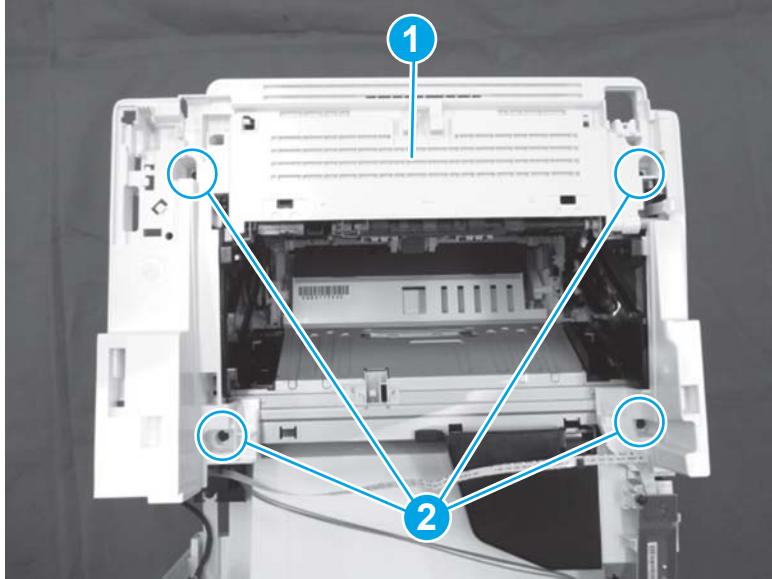
---



### Step 13: Install the top cover

- ▲ Position the top cover (callout 1) on the printer, and then install four screws (callout 2).

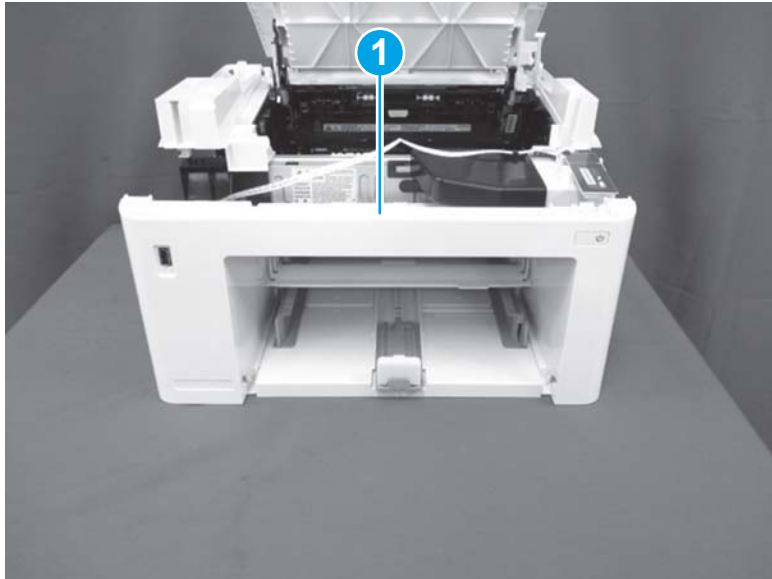
Figure 1-314 Install the top cover



Step 14: Install the front cover

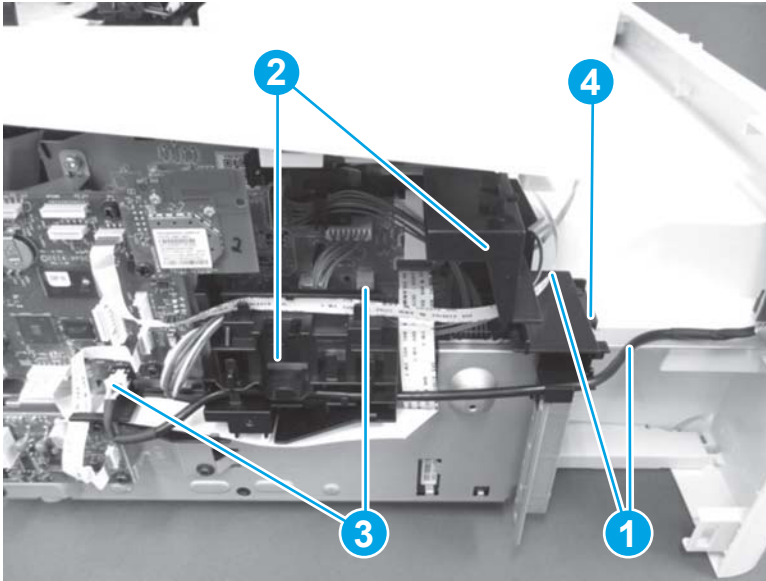
1. Slide the front cover (callout 1) toward the printer to install it.

Figure 1-315 Install the front cover (MFP)



2. Install the cables (callout 1) in the cable guides (callout 2), and then connect two connectors (callout 3). Install one screw (callout 4).

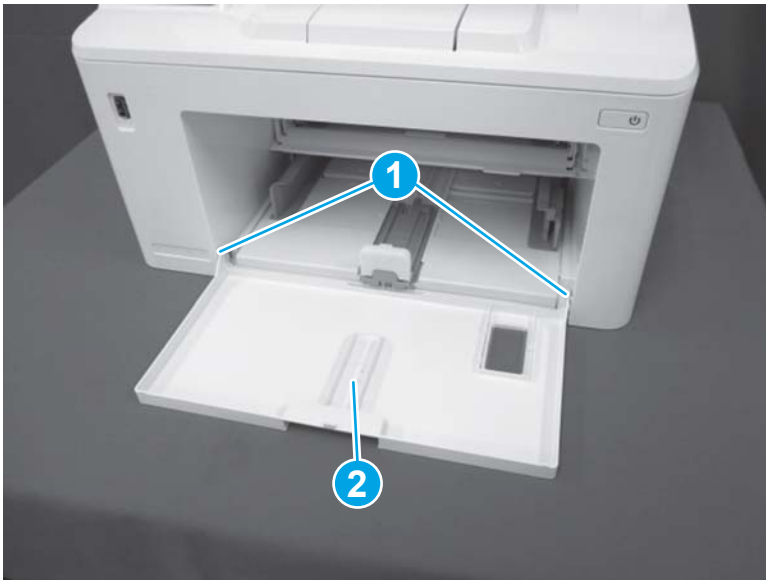
**Figure 1-316** Connect two connectors (MFP)



#### Step 15: Install the multipurpose cover

1. Engage two bosses (callout 1) to install the cover (callout 2).

**Figure 1-317** Install the multipurpose cover (MFP)

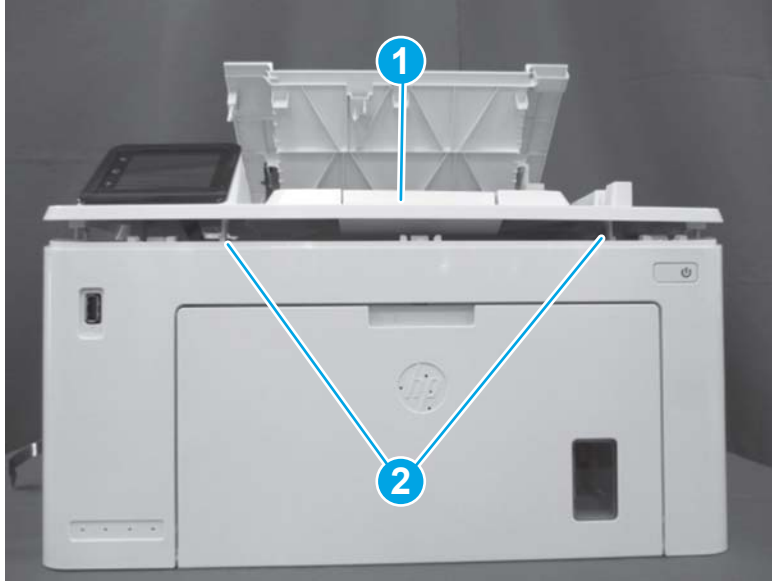


2. Close the multipurpose cover.

#### Step 16: Install the top front cover

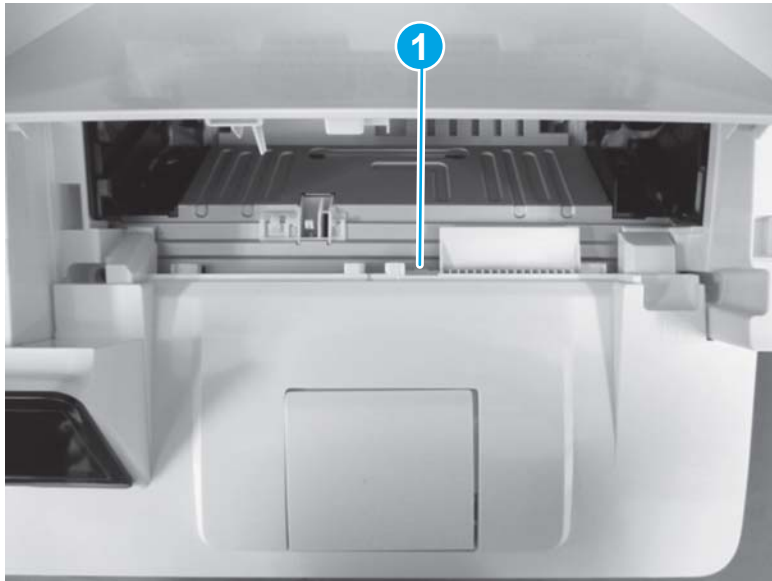
1. Position the top front cover (callout 1) on the printer, and then install two tabs (callout 2).

Figure 1-318 Install two tabs (MFP)



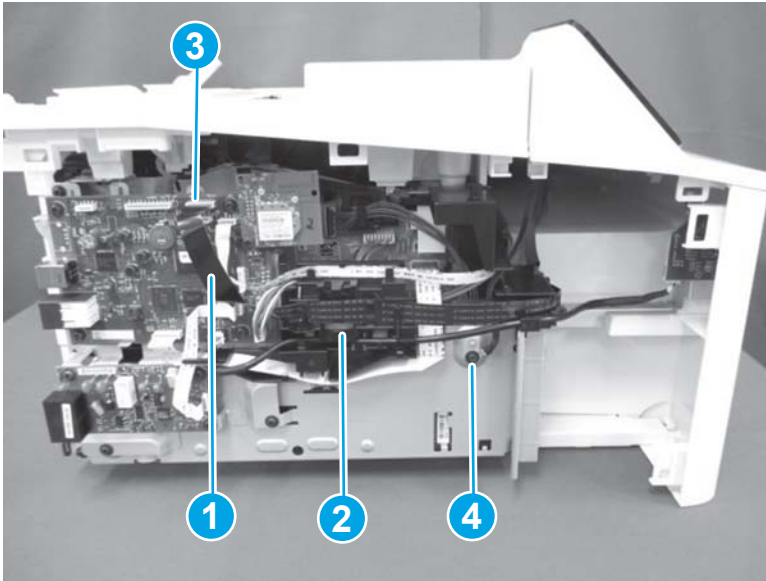
2. Install one tab (callout 1).

Figure 1-319 Install one tab (MFP)



3. Install the cable (callout 1) in the cable guide (callout 2), and then connect one connector (callout 3). Install one screw (callout 4) to secure the grounding cable.

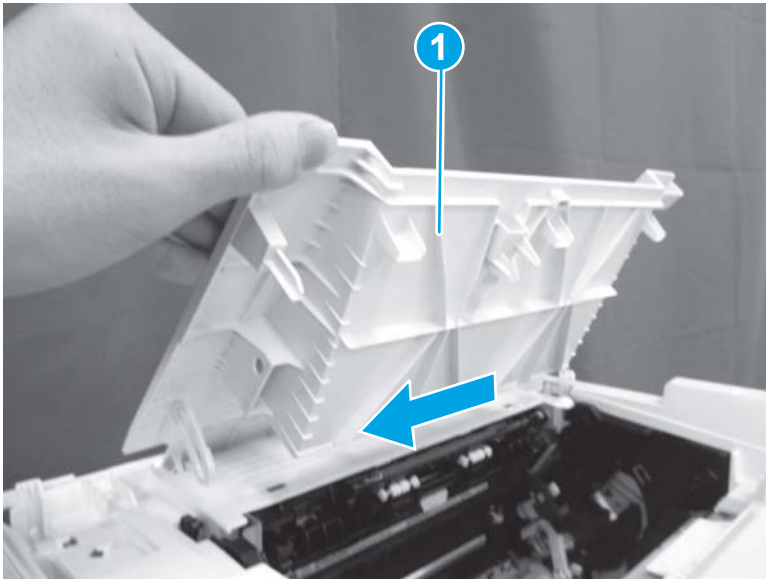
Figure 1-320 Install one connector and grounding cable (MFP)



#### Step 17: Install the cartridge door

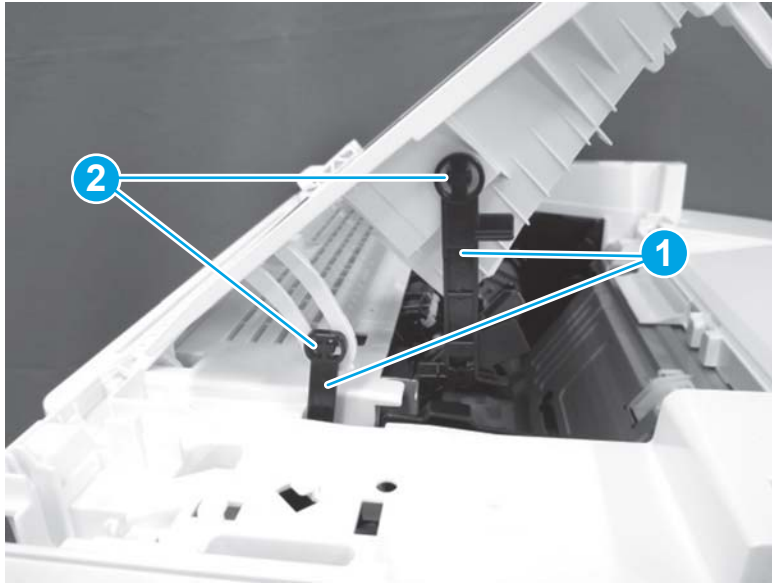
1. Position the cartridge door (callout 1) on the printer, and then slide it toward the left-side of the printer to install it.

Figure 1-321 Install the cartridge door (MFP)



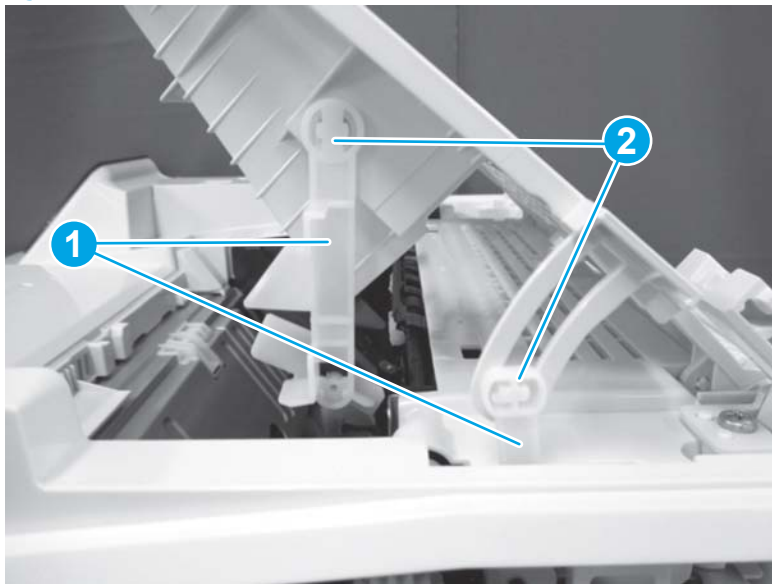
2. On the left side of the printer, position two link arms (callout 1), and then engage two tabs (callout 2).

Figure 1-322 Connect left link arms (MFP)



3. On the right side of the printer, position two link arms (callout 1), and then engage two tabs (callout 2).

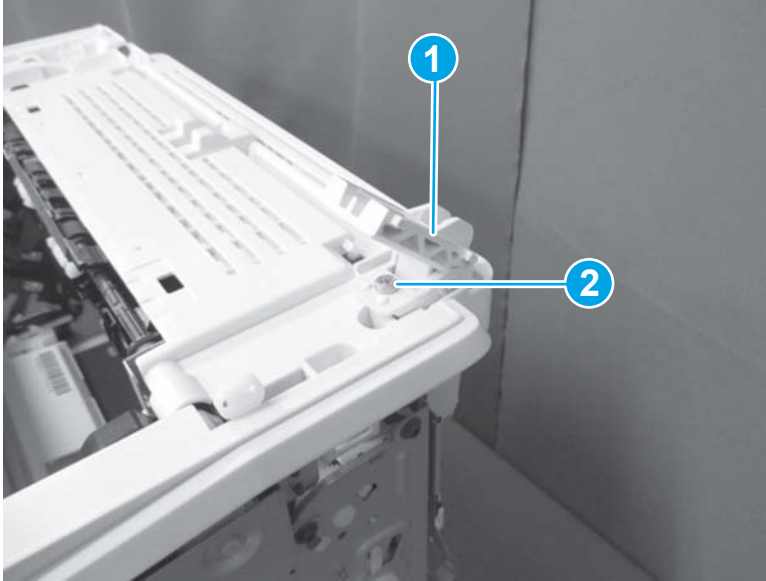
Figure 1-323 Disconnect right link arms (MFP)



### Step 18: Install the hinge assembly

- ▲ Position the hinge assembly (callout 1) on the printer, and then install one screw (callout 2).

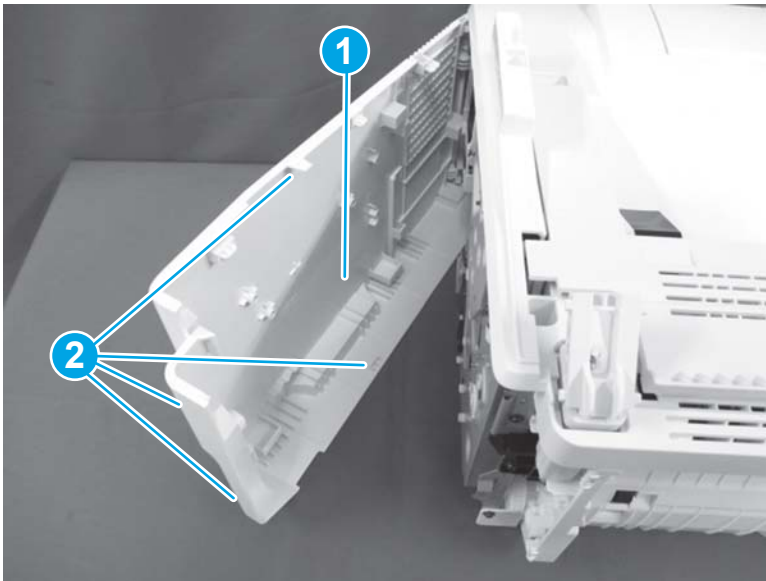
Figure 1-324 Install the hinge assembly (MFP)



Step 19: Install the right cover

1. Position the right cover (callout 1) on the printer, and then engage four tabs (callout 2).

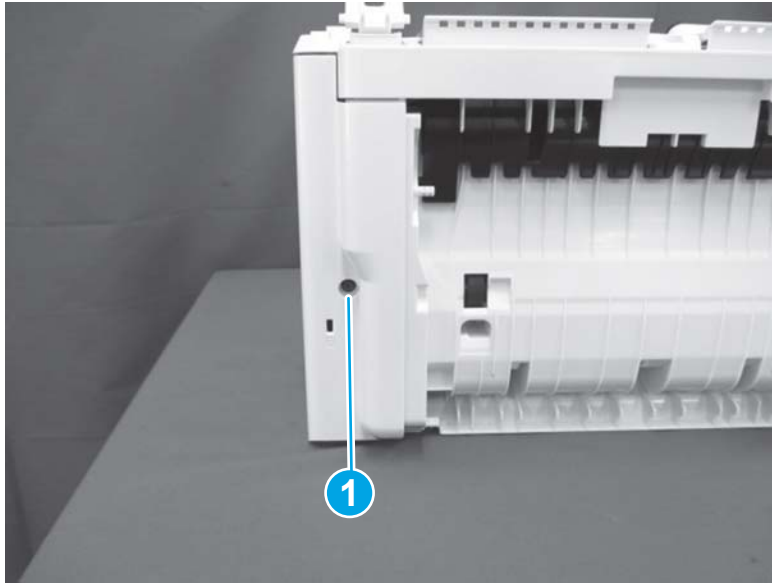
Figure 1-325 Install the right cover (MFP)






2. Install one screw (callout 1).

Figure 1-326 Install one screw (MFP)



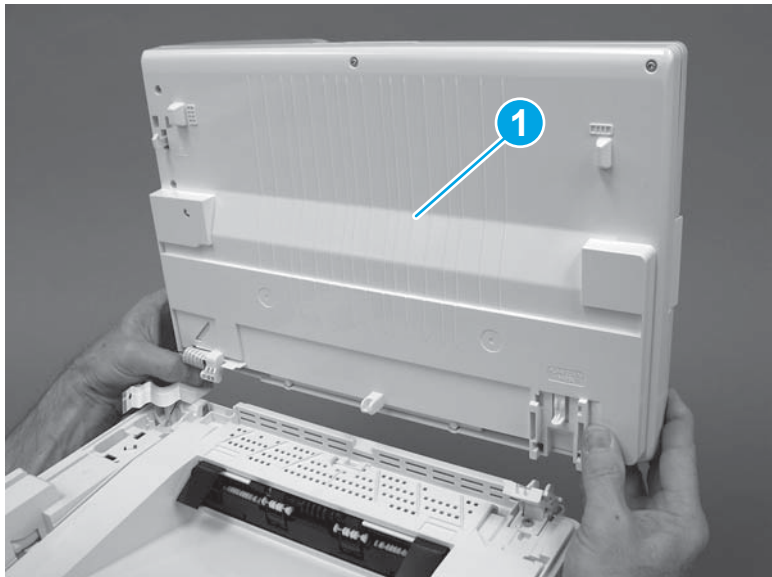
#### Step 20: Install the 3-in-1 or 4-in-1 scanner assembly

 **NOTE:** The 4-in-1 scanner assembly supports the document feeder. The 3-in-1 scanner assembly does not support the document feeder.

The figures in this procedure show a 4-in-1 printer. However, the procedure is correct for 3-in-1 printers.

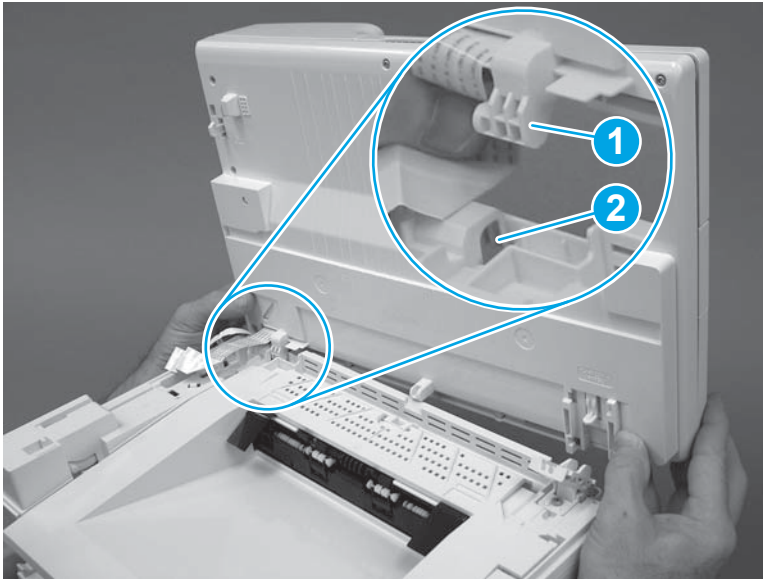
1. Position the scanner assembly (callout 1) near the printer.

Figure 1-327 Install the scanner assembly (MFP)



- Engage the left hinge (callout 1) with the top cover (callout 2).

**Figure 1-328** Engage the left hinge (MFP)



- Push the right side of the scanner assembly toward the front of the printer to engage the right hinge (callout 1). Make sure that the tab (callout 2) snaps into place.

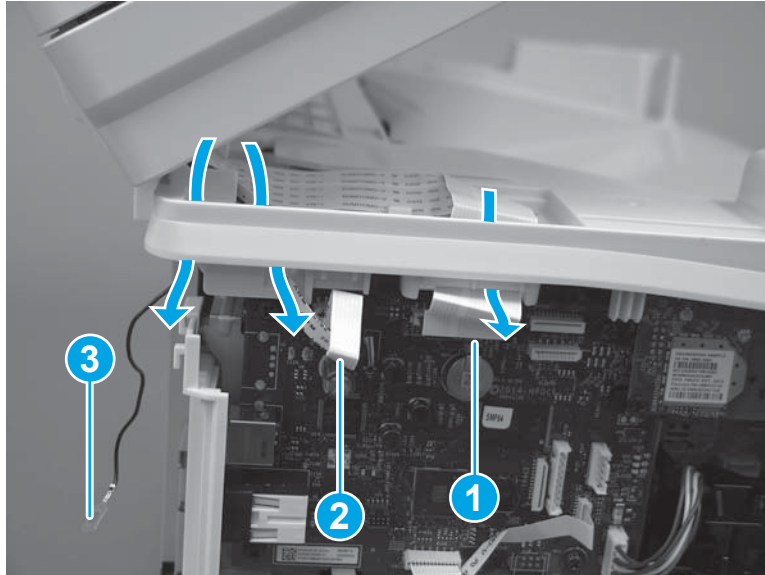
**Figure 1-329** Engage the right hinge (MFP)



- 4-in-1 models only:** Pass the flat cables (callouts 1/2) and the ground wire (callout 3) through the openings in the chassis, and then connect the two flat cables.
- 3-in-1 models only:** Pass the flat cable (callout 1) through the opening in the chassis, and then connect one flat cable.

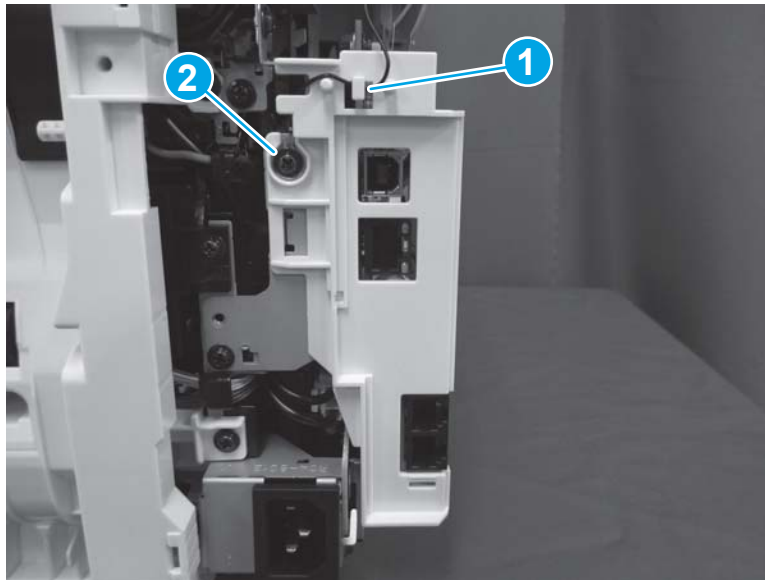
 **NOTE:** The 3-in-1 model does not have the small flat cable (callout 2) or a ground wire (callout 3).

**Figure 1-330** Connect flat cable(s)



- 4-in-1 models only:** Install the ground wire in the retainer (callout 1), and then install one screw (callout 2).

**Figure 1-331** Install the ground wire (4-in-1 models)



#### Step 21: Install the cable cover

- Install the cable cover (callout 1), on the printer, and then push down to engage one tab (callout 2).

Figure 1-332 Install the cable cover (MFP)



2. Close the scanner assembly.

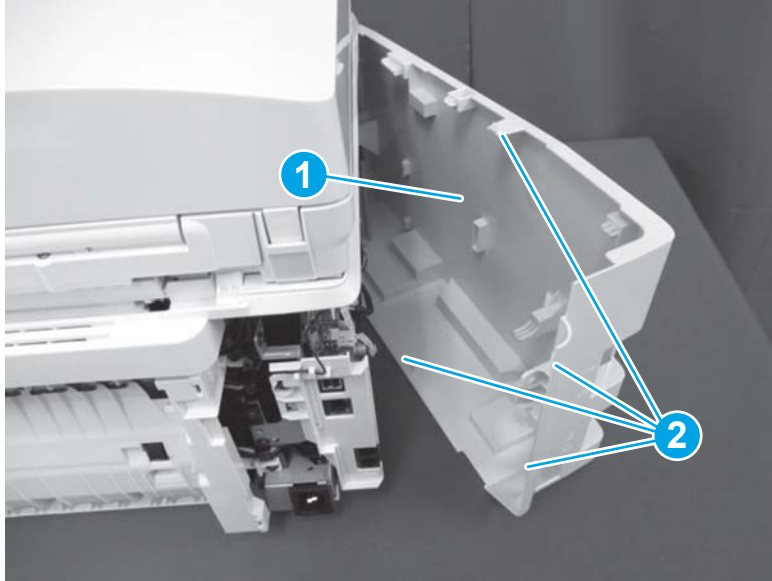
Figure 1-333 Close the scanner assembly



### Step 22: Install the left cover

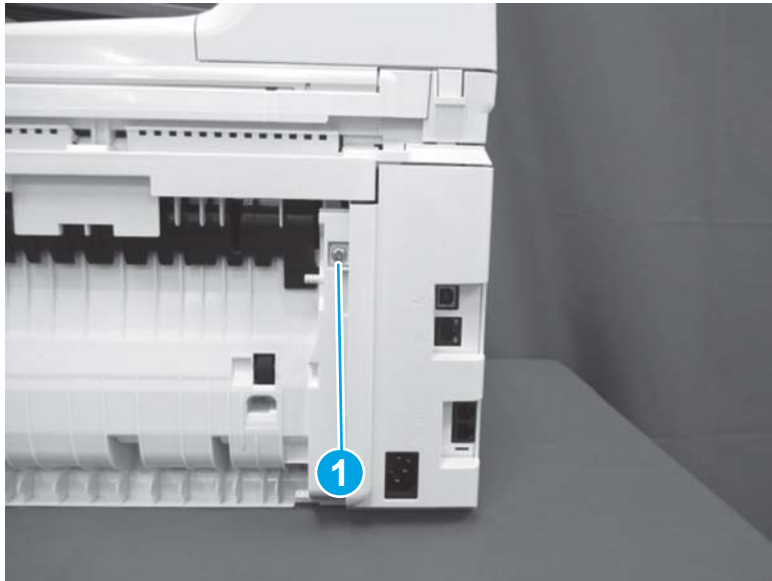
1. Position the left cover (callout 1) on the printer, and then engage four tabs (callout 2).

Figure 1-334 Install the left cover (MFP)



2. Install one screw (callout 1).

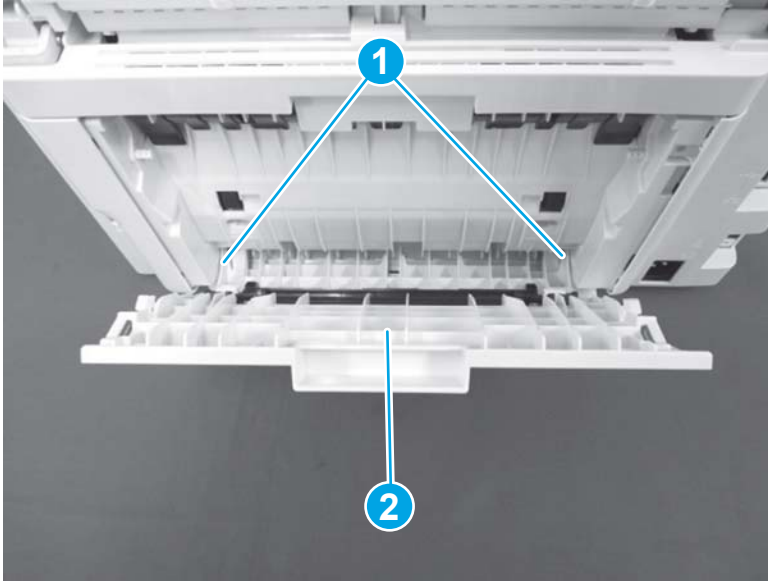
Figure 1-335 Install one screw (MFP)



### Step 23: Install the duplex door

1. Install two tabs (callout 1) to install the duplex door (callout 2).

Figure 1-336 Install the duplex door



2. Close the duplex door.

## Removal and replacement: Control panel (SFP)

- [Introduction](#)
- [Step 1: Remove the duplex door](#)
- [Step 2: Remove the left cover](#)
- [Step 3: Remove the right cover](#)
- [Step 4: Remove the top front cover](#)
- [Step 5: Remove the control panel](#)
- [Step 6: Unpack the replacement assembly](#)
- [Step 7: Install the control panel](#)
- [Step 8: Install the top front cover](#)
- [Step 9: Install the right cover](#)
- [Step 10: Install the left cover](#)
- [Step 11: Install the duplex door](#)

### Introduction


This document provides the procedures to remove and replace the control panel (SFP).

### Before performing service



#### Turn the printer power off

- Disconnect the power cable.

---

 **WARNING!** To avoid damage to the printer, turn the printer off, wait 30 seconds, and then remove the power cable before attempting to service the printer.

---

 **CAUTION:**  This part contains components that are electrostatic discharge (ESD) sensitive. To reduce the possibility of ESD damage, always touch the sheet-metal chassis to ground yourself before touching an ESD sensitive part.

---

Use the table below to identify the correct part number for your printer. To order the part, go to [www.hp.com/buy/parts](http://www.hp.com/buy/parts).

---

Control panel (SFP) part numbers	
RM2-0824-000CN	Control panel (M203d/dn)
RM2-0825-000CN	Control panel (M203dw)
RM2-2085-000CN	Control panel (M206dn)

---

### Required tools

- #2 Phillips screwdriver with a magnetic tip.

## After performing service

### Turn the printer power on

- Connect the power cable.
- Use the power switch to turn the power on.

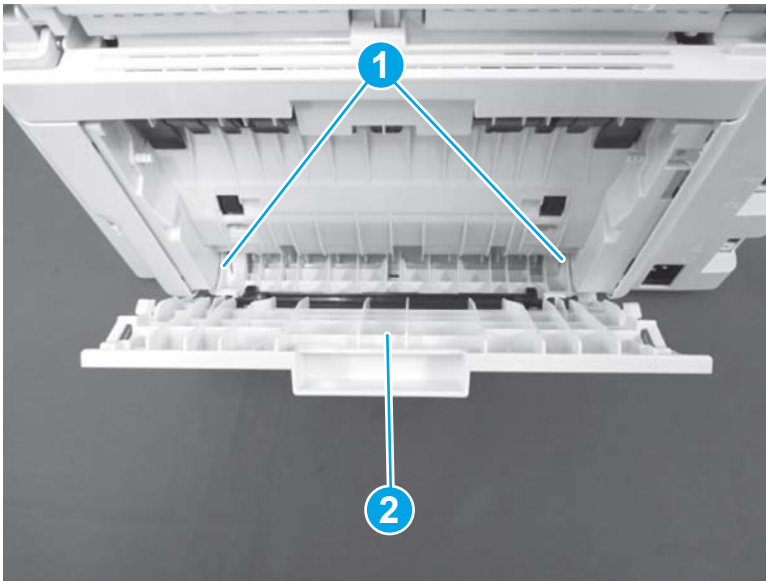
### Post service test

Verify that the control panel is functioning.

### Step 1: Remove the duplex door

1. Open the duplex door.
2. Use a small flat-blade screwdriver to release two tabs (callout 1), and then remove the duplex door (callout 2).

**Figure 1-337** Remove the duplex door

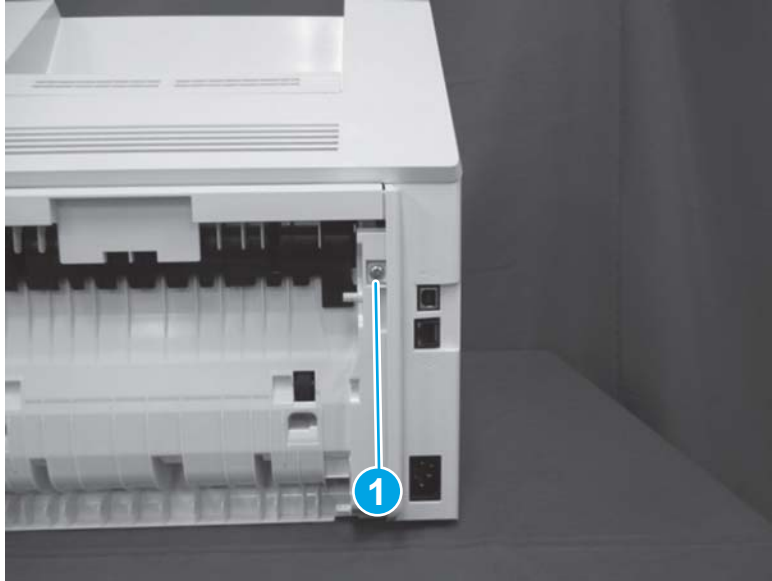


### Step 2: Remove the left cover

1. Remove one screw (callout 1).

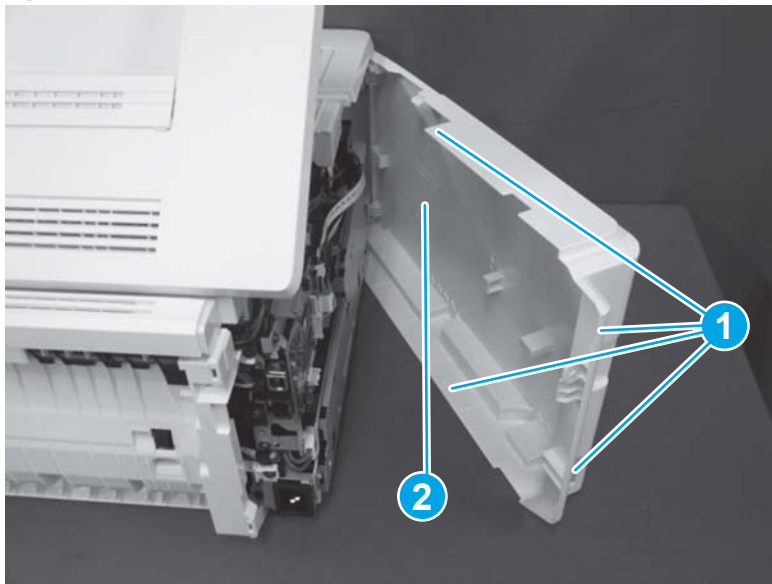


Figure 1-338 Remove one screw (SFP)



2. Open the cartridge door.
3. Release four tabs (callout 1), and then remove the left cover (callout 2).

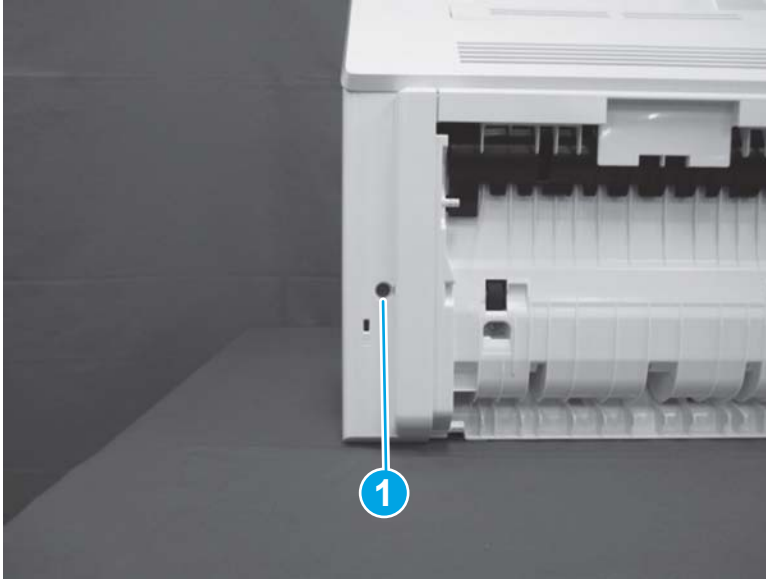
Figure 1-339 Remove the left cover (SFP)



### Step 3: Remove the right cover

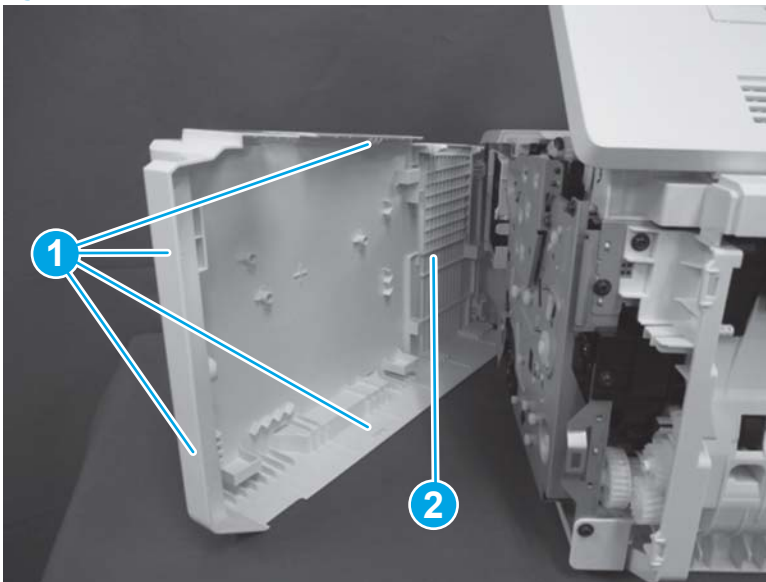
1. Remove one screw (callout 1).

Figure 1-340 Remove one screw (SFP)



2. Open the cartridge door.
3. Release four tabs (callout 1), and then remove the right cover (callout 2).

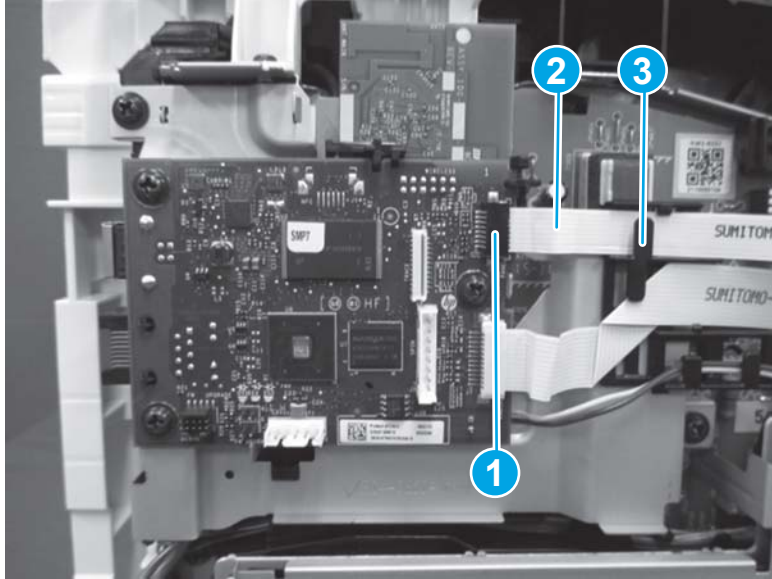
Figure 1-341 Remove the right cover (SFP)



#### Step 4: Remove the top front cover

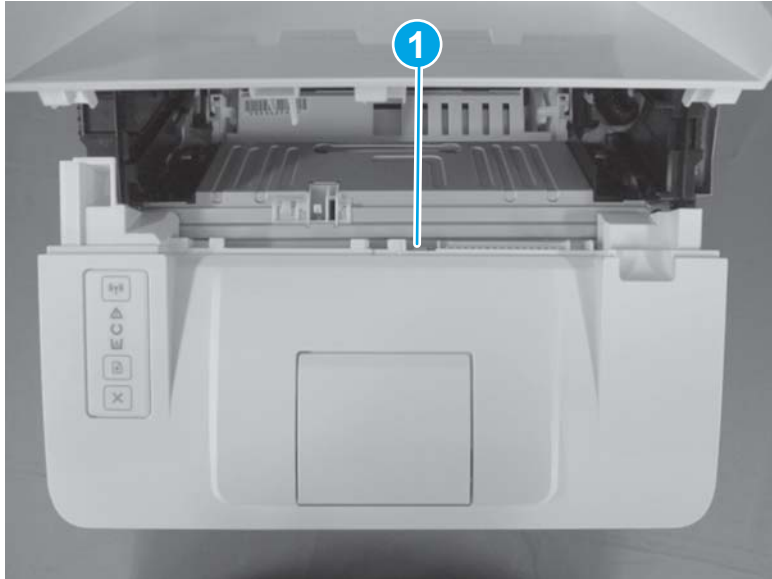
1. Disconnect one connector (callout 1) on the formatter, and then release the cable (callout 2) from the cable guide (callout 3).

Figure 1-342 Disconnect one connector (SFP)



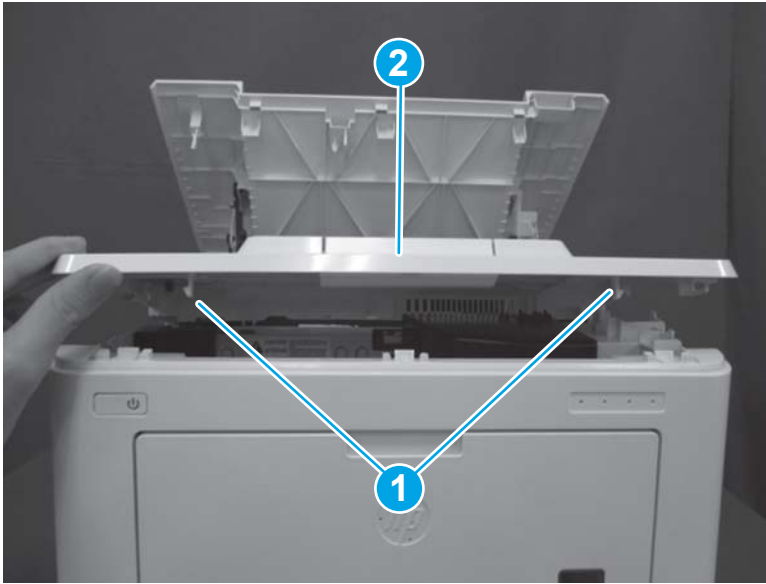
2. Open the cartridge door, and then release one tab (callout 1) on the top of the cover.

Figure 1-343 Release one tab (SFP)



3. Release two tabs (callout 1), and then remove the top front cover (callout 2).

Figure 1-344 Release two tabs and remove the cover (SFP)



#### Step 5: Remove the control panel

 **CAUTION:**  ESD-sensitive part.

1. On the back side of the top front cover, remove one screw (callout 1) and disconnect one connector (callout 2).


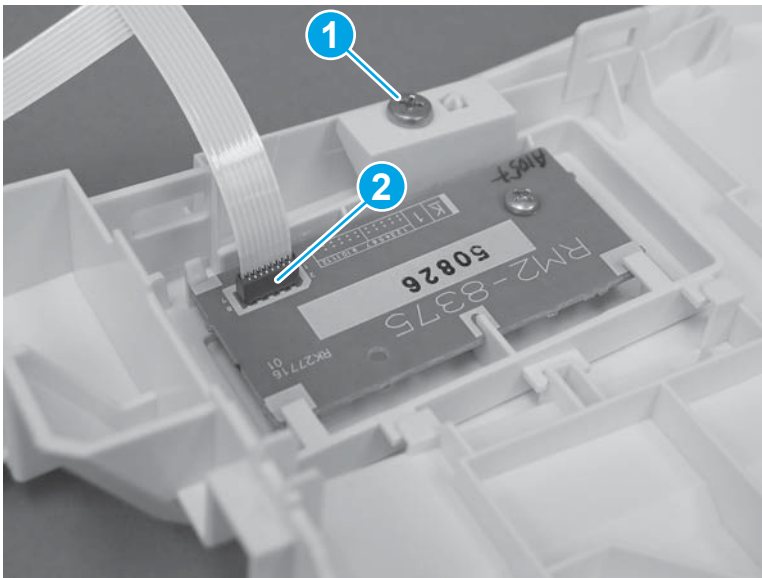
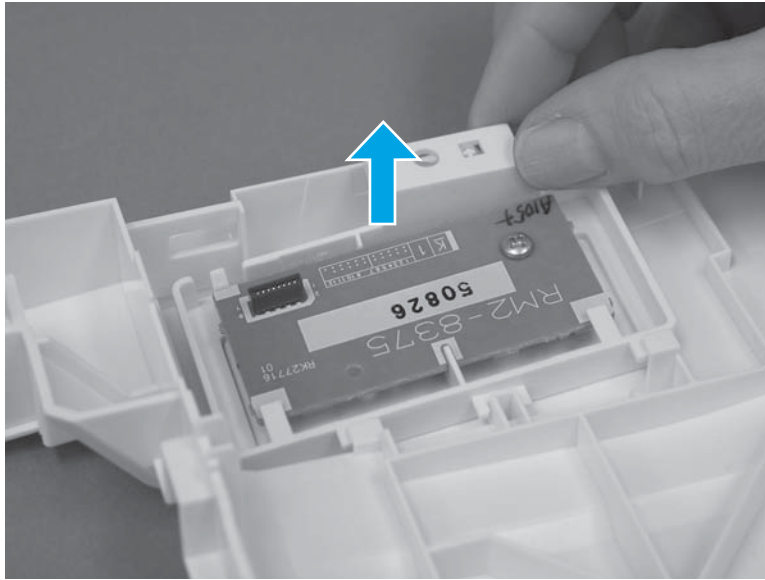
 **NOTE:** Save the flat cable for installation on the replacement part.

Figure 1-345 Remove screw and disconnect connector (SFP)



2. Lift the control panel up to remove it.

**Figure 1-346** Remove the control panel (SFP)



#### Step 6: Unpack the replacement assembly

1. Dispose of the defective part.

 **NOTE:** HP recommends responsible disposal of the defective part.

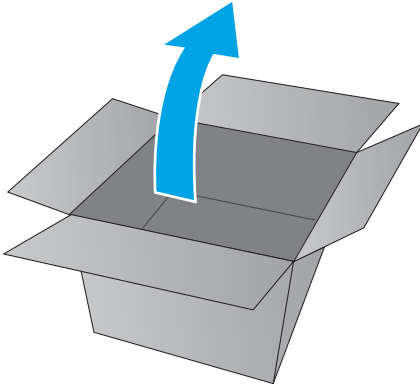
[www.hp.com/recycle](http://www.hp.com/recycle)



2. Unpack the replacement part from the packaging.

**⚠ CAUTION:** If the replacement part is a roller or pad, avoid touching the spongy part of it. Skin oils on the roller or pad can cause paper pickup and/or print-quality problems. HP recommends using disposable gloves when handling rollers or pads or washing your hands or before touching rollers or pads.

**📄 IMPORTANT:** Make sure that all of the shipping materials (for example shipping tape) are removed from the replacement part prior to installation.

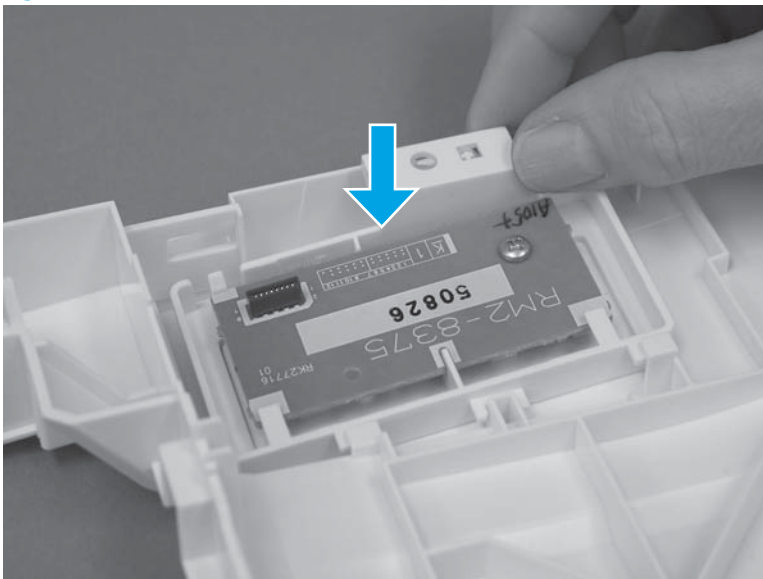


### Step 7: Install the control panel

**⚠ CAUTION:**  ESD-sensitive part.

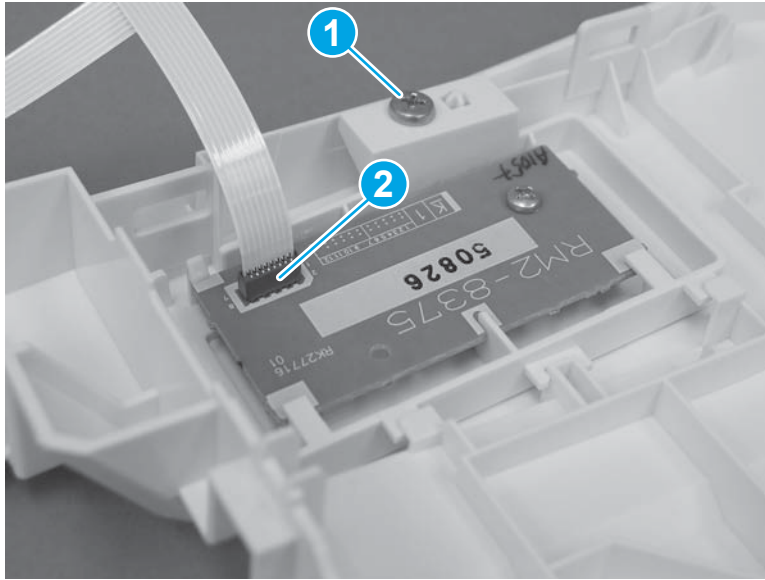
1. Position the control panel on the top front cover.

**Figure 1-347** Position the control panel (SFP)



2. Install one screw (callout 1), and then connect the flat cable (callout 2) removed from the previous part.

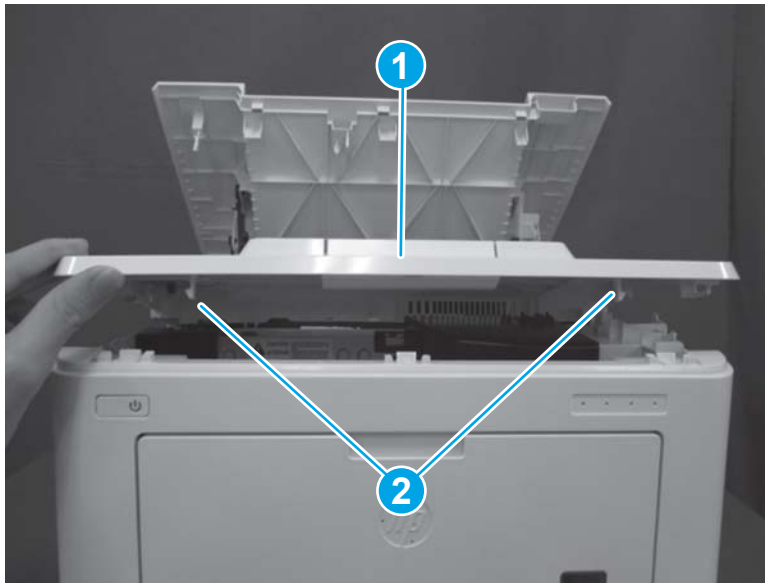
Figure 1-348 Install the screw and cable



#### Step 8: Install the top front cover

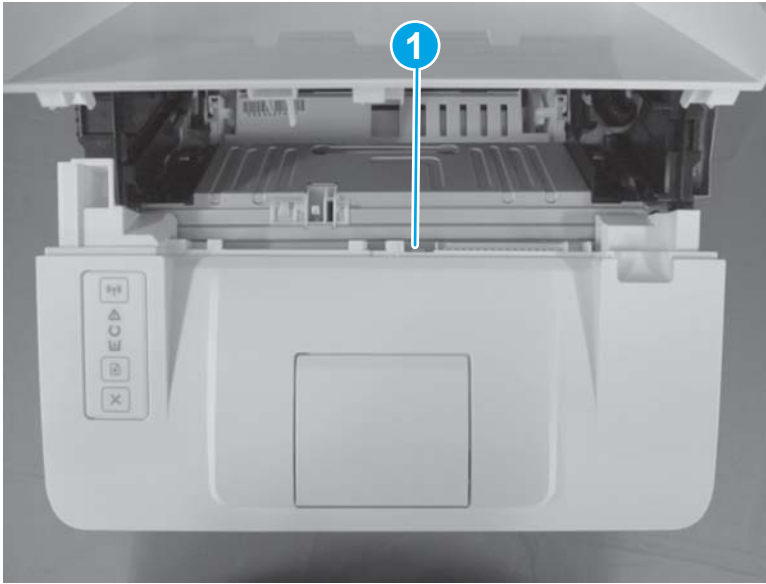
1. Position the top front cover (callout 1) on the printer and install two tabs (callout 2).

Figure 1-349 Install two tabs (SFP)



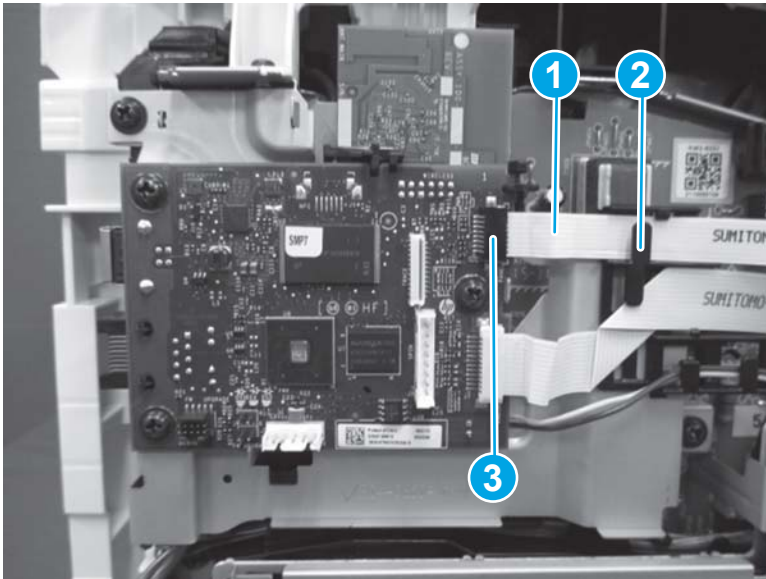
2. On the top of the cover, install one tab (callout 1).

Figure 1-350 Install one tab.(SFP)



3. Install the cable (callout 1) in the guide (callout 2), and then connect one connector (callout 3) on the formatter.

Figure 1-351 Connect one connector.(SFP)



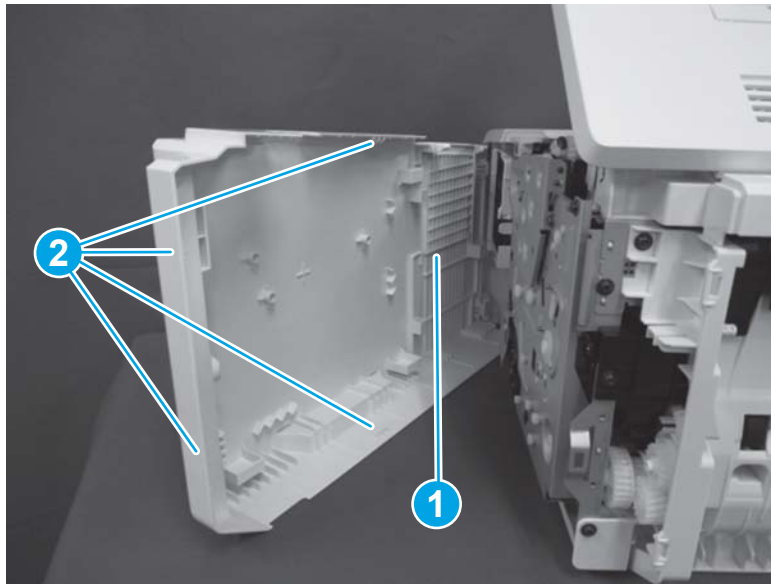
### Step 9: Install the right cover

1. Open the cartridge door.



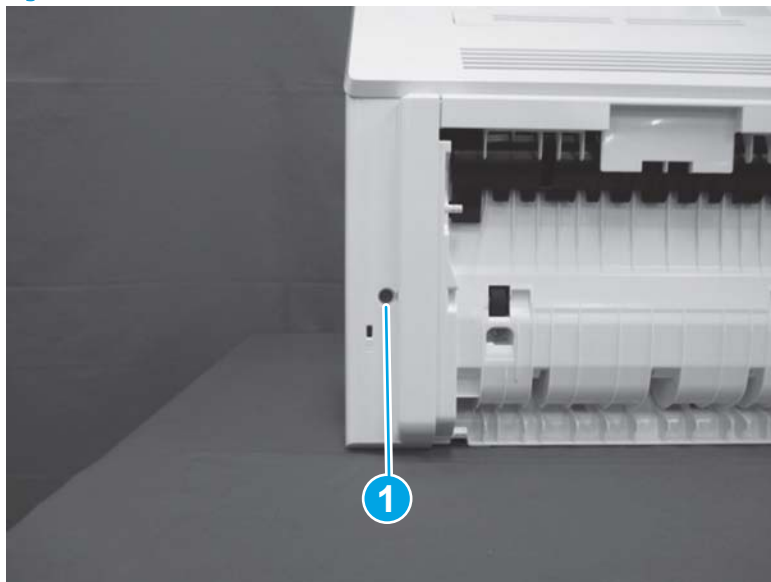
2. Position the right cover (callout 1) on the printer, and then engage four tabs (callout 2).

Figure 1-352 Install the right cover (SFP)



3. Close the cartridge door.
4. Install one screw (callout 1).

Figure 1-353 Install one screw (SFP)

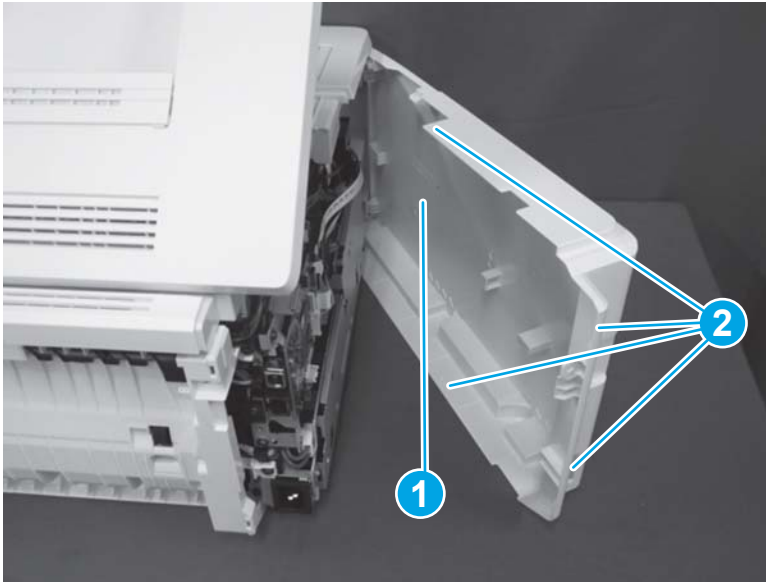


#### Step 10: Install the left cover

1. Open the cartridge door.

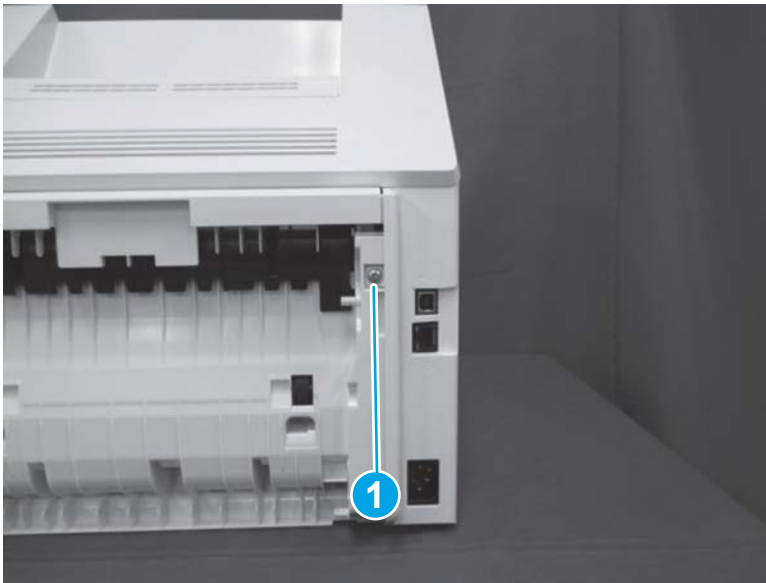
2. Position the left cover (callout 1) on the printer, and then engage four tabs (callout 2).

Figure 1-354 Install the left cover (SFP)



3. Close the cartridge door.
4. Install one screw (callout 1).

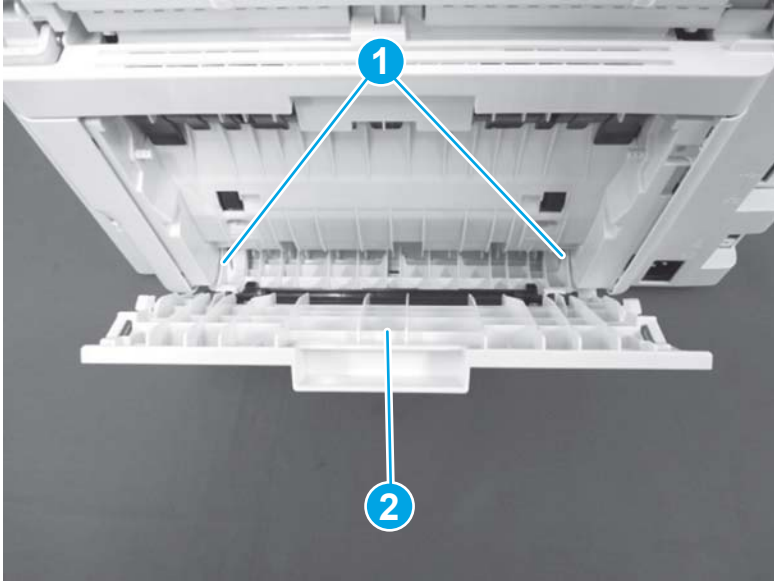
Figure 1-355 Install one screw (SFP)



### Step 11: Install the duplex door

1. Install two tabs (callout 1) to install the duplex door (callout 2).

Figure 1-356 Install the duplex door



- 2. Close the duplex door.

## Removal and replacement: Control panel (M227fdw, M230fdw)

- [Introduction](#)
- [Step 1: Remove the duplex door](#)
- [Step 2: Remove the left cover](#)
- [Step 3: Remove the cable cover](#)
- [Step 4: Remove the 3-in-1 or 4-in-1 scanner assembly](#)
- [Step 5: Remove the right cover](#)
- [Step 6: Remove the top front cover](#)
- [Step 7: Remove the control panel](#)
- [Step 8: Unpack the replacement assembly](#)
- [Step 9: Install the control panel](#)
- [Step 10: Install the top front cover](#)
- [Step 11: Install the right cover](#)
- [Step 12: Install the 3-in-1 or 4-in-1 scanner assembly](#)
- [Step 13: Install the cable cover](#)
- [Step 14: Install the left cover](#)
- [Step 15: Install the duplex door](#)

### Introduction

This document provides the procedures to remove and replace the control panel (MFP).



**NOTE:** A touchscreen printer model is shown in this procedure. However the instructions are valid for all printer models.

---

### Before performing service

#### Turn the printer power off


- Disconnect the power cable.



**WARNING!** To avoid damage to the printer, turn the printer off, wait 30 seconds, and then remove the power cable before attempting to service the printer.

---



**CAUTION:**  This part contains components that are electrostatic discharge (ESD) sensitive. To reduce the possibility of ESD damage, always touch the sheet-metal chassis to ground yourself before touching an ESD sensitive part.

---

Use the table below to identify the correct part number for your printer. To order the part, go to [www.hp.com/buy/parts](http://www.hp.com/buy/parts).

---

**Control panel (MFP) part numbers**

---

G3Q74-60103

Control panel (M227fdw/M230fdw) touchscreen

---

**Required tools**

- #2 Phillips screwdriver with a magnetic tip.
- Small flat-blade screwdriver

**After performing service****Turn the printer power on**

- Connect the power cable.
- Use the power switch to turn the power on.

**Post service test**

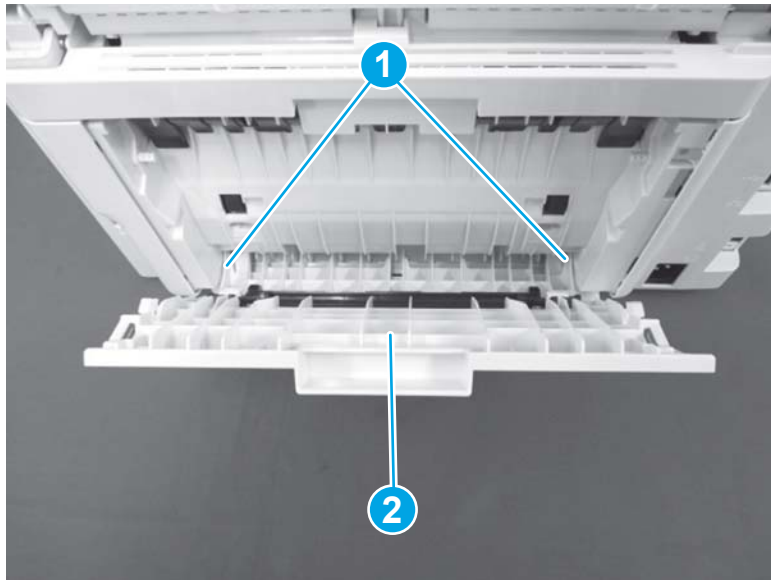
Verify that the document feeder and the flatbed scanner are correctly functioning (copy a page).

Verify that the control panel is correctly functioning.

**Step 1: Remove the duplex door**

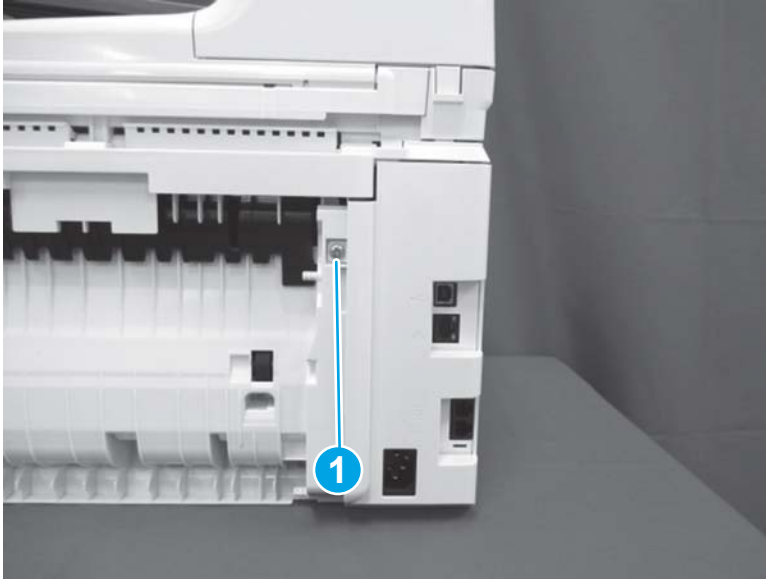
1. Open the duplex door.
2. Use a small flat-blade screwdriver to release two tabs (callout 1), and then remove the duplex door (callout 2).

**Figure 1-357** Remove the duplex door

**Step 2: Remove the left cover**

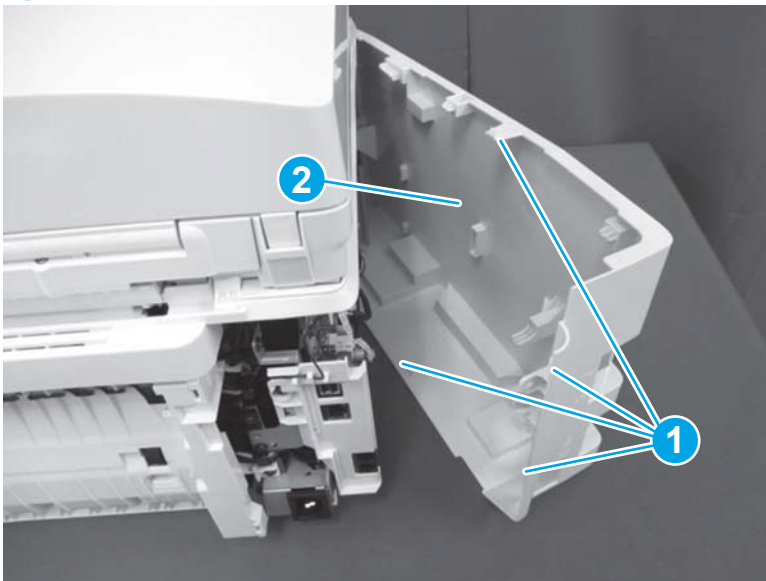
1. Remove one screw (callout 1).

Figure 1-358 Remove one screw (MFP)



2. Release four tabs (callout 1), and then remove the left cover (callout 2).

Figure 1-359 Remove the left cover (MFP)



### Step 3: Remove the cable cover

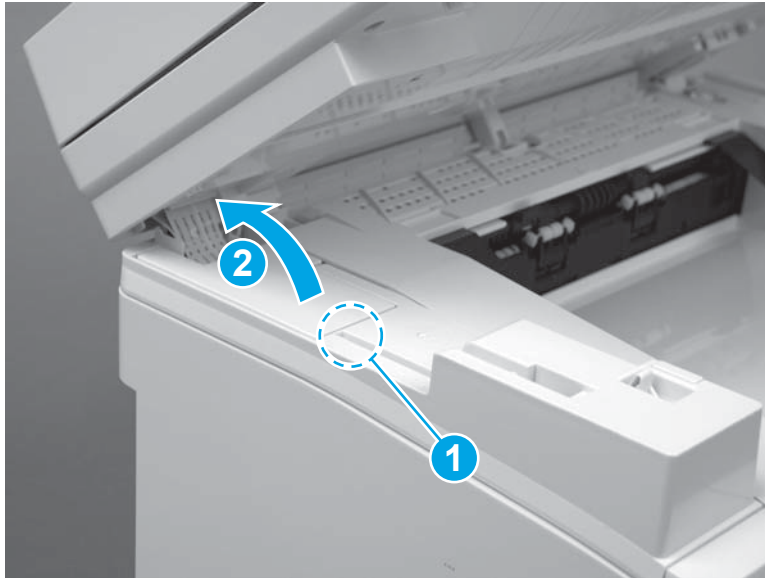
1. Open the scanner assembly.

Figure 1-360 Open the scanner assembly




2. Use a small flat-blade screw driver to release one tab (callout 1), and then remove the cable cover (callout 2).

Figure 1-361 Remove the cable cover (MFP)



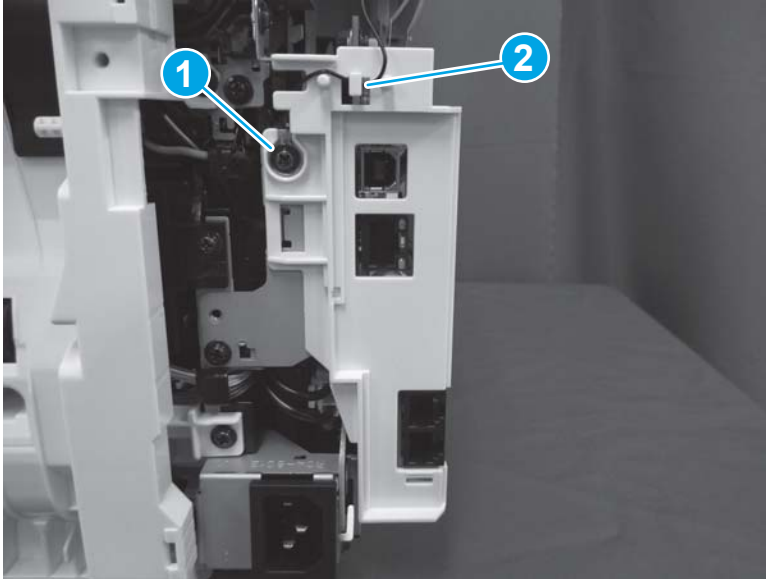
#### Step 4: Remove the 3-in-1 or 4-in-1 scanner assembly

 **NOTE:** The 4-in-1 scanner assembly supports the document feeder. The 3-in-1 scanner assembly does not support the document feeder.

The figures in this procedure show a 4-in-1 printer. However, the procedure is correct for 3-in-1 printers.

1. **4-in-1 models only:** Remove one screw (callout 1), and then release the ground wire from the retainer (callout 2).

Figure 1-362 Release the ground wire (4-in-1 models)

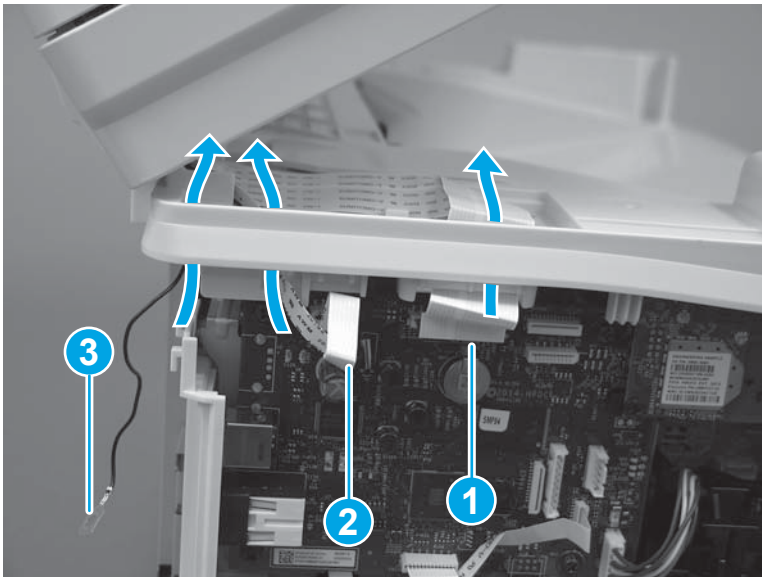


2. **4-in-1 models only:** Disconnect two flat cables (callouts 1/2), and then pass the flat cables and the ground wire (callout 3) up through the opening in the chassis.

**3-in-1 models only:** Disconnect one flat cable (callout 1), and then pass the flat cable through the opening in the chassis.

 **NOTE:** The 3-in-1 model does not have the small flat cable (callout 2) or a ground wire (callout 3).

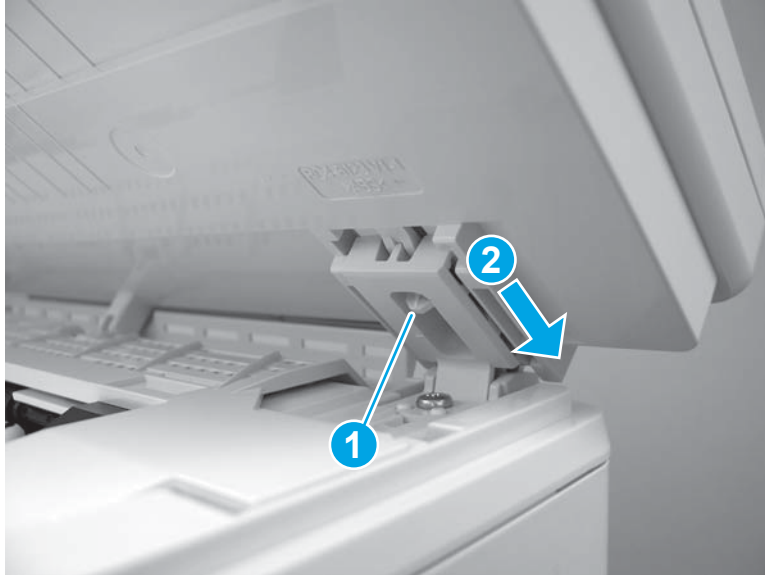
Figure 1-363 Disconnect flat cable(s)





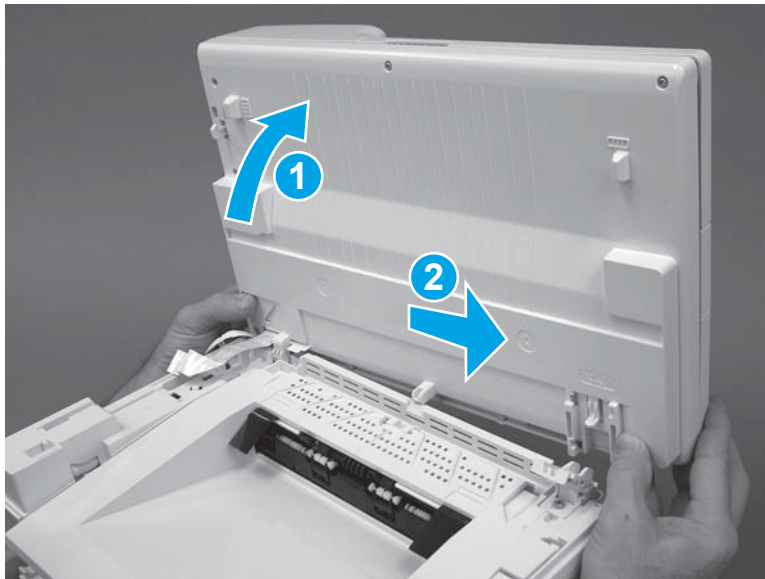
3. Release one tab (callout 1), and then push the right side of the scanner assembly toward the rear of the printer to release the right hinge (callout 2).

Figure 1-364 Release the right hinge



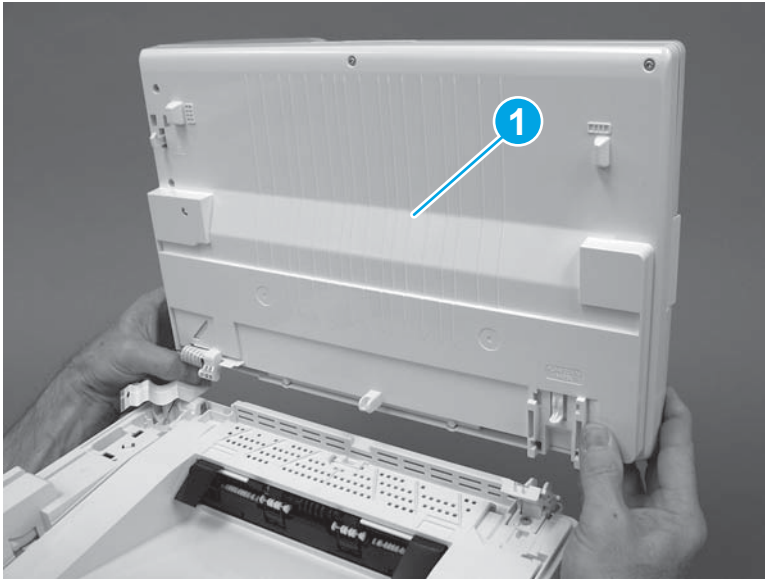
4. Rotate the scanner assembly towards the rear of the printer (callout 1), and then slide the scanner assembly toward the right side of the printer to release the left hinge (callout 2).

Figure 1-365 Release the left hinge



5. Remove the scanner assembly (callout 1).

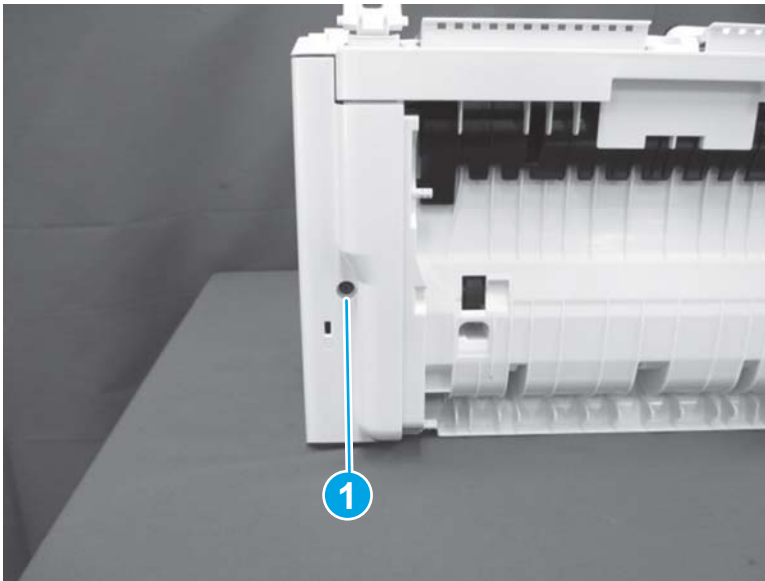
Figure 1-366 Remove the scanner assembly



#### Step 5: Remove the right cover

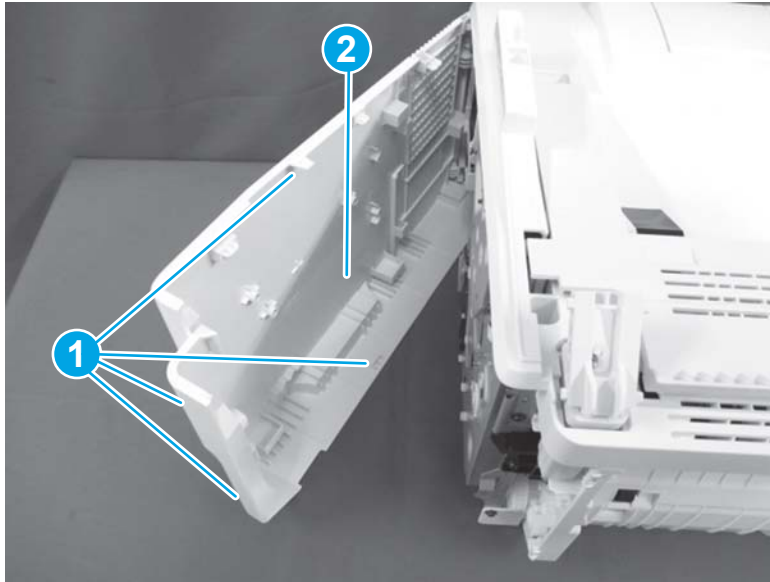
1. Remove one screw (callout 1).

Figure 1-367 Remove one screw (MFP)



2. Release four tabs (callout 1), and then remove the right cover (callout 2).

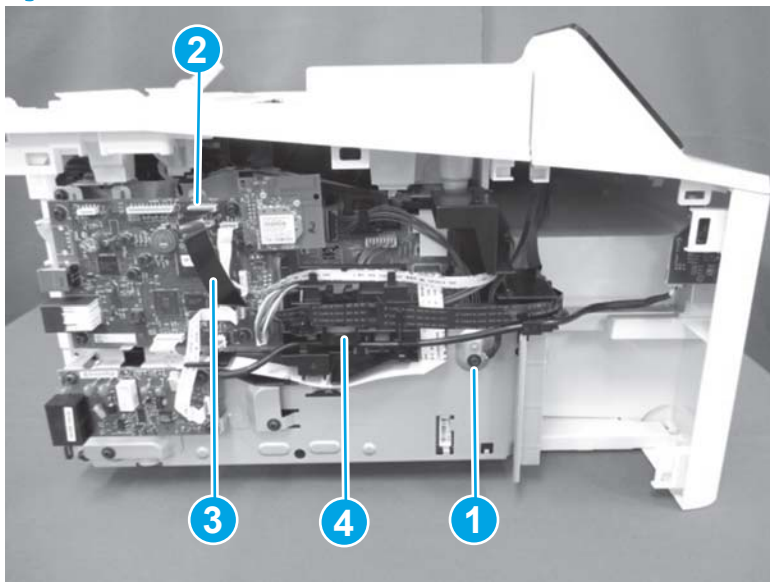
Figure 1-368 Remove the right cover (MFP)



#### Step 6: Remove the top front cover

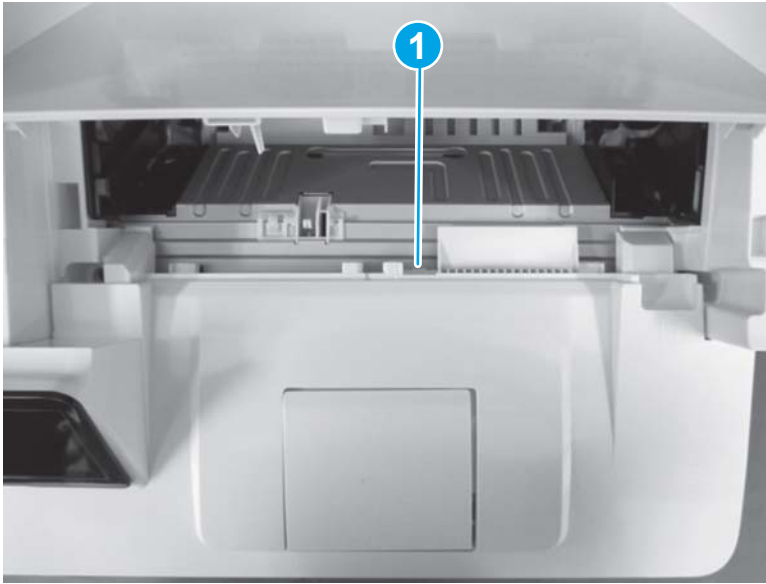
1. Remove one screw (callout 1) to release one cable. Disconnect one connector (callout 2), and then remove the cable (callout 3) from the cable guide (callout 4).

Figure 1-369 Disconnect connector and release cable (MFP)



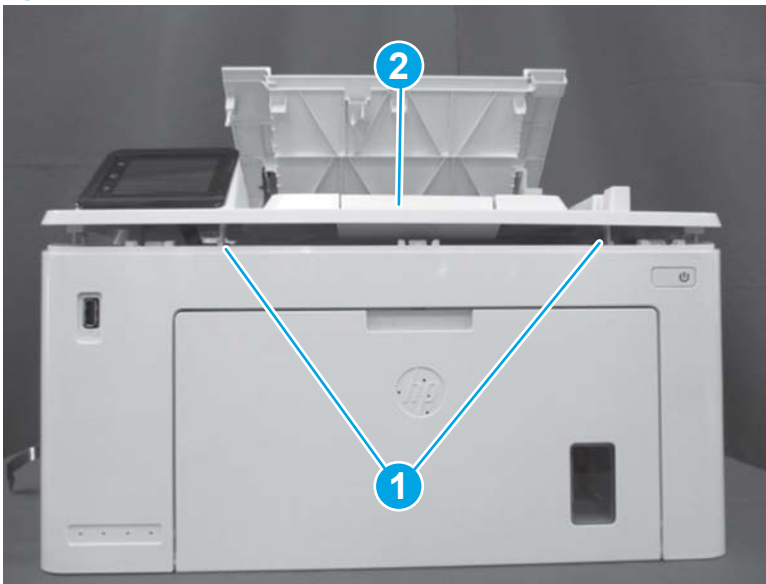
2. Open the cartridge door, and then release one tab (callout 1).

Figure 1-370 Release one tab (MFP)



3. Release two tabs (callout 1), and then remove the top front cover (callout 2).

Figure 1-371 Release two tabs and remove the cover (MFP)




### Step 7: Remove the control panel

---

 **CAUTION:**  ESD-sensitive part.

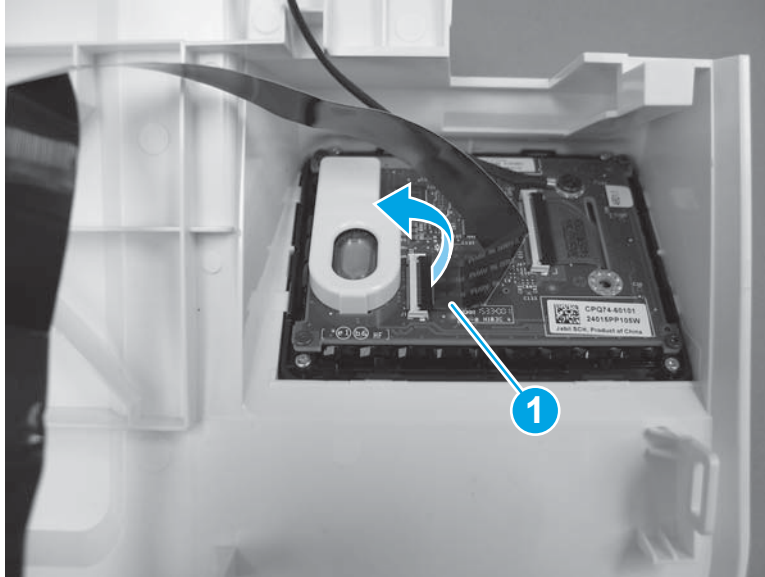
---

1. On the back of the top front cover, lift up on the latch on the connector (callout 1) to release the flat cable.


 **NOTE:** Save this cable to install on the replacement part.

---

Figure 1-372 Disconnect one connector (MFP)



2. Carefully release six tabs (callout 1) and lift the control panel away from the top front cover. Remove one screw (callout 2) to release the grounding cable.

 **NOTE:** Save this cable to install on the replacement part.


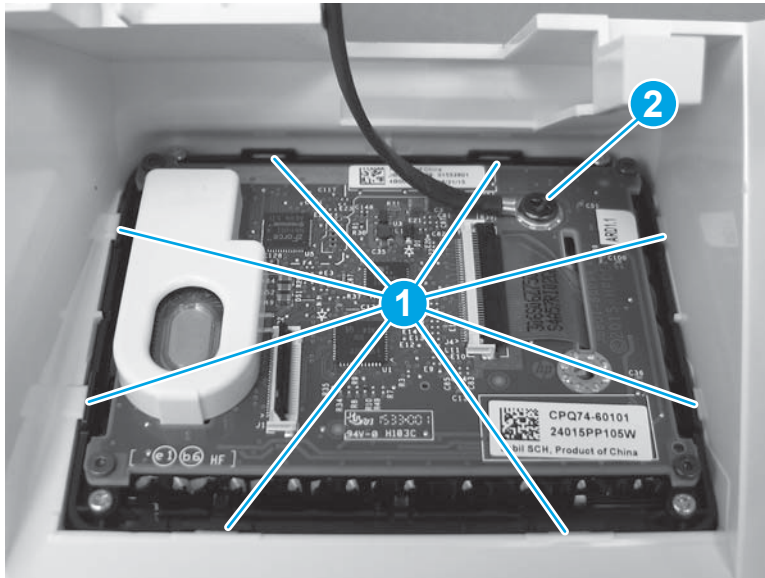

 **CAUTION:** Be careful when releasing the tabs on the control panel. They are fragile and easily broken.

Figure 1-373 Remove the control panel (MFP)




### Step 8: Unpack the replacement assembly

 **NOTE:** Remove the protective plastic film from the replacement control panel (if present).

1. Dispose of the defective part.

---

 **NOTE:** HP recommends responsible disposal of the defective part.


[www.hp.com/recycle](http://www.hp.com/recycle)

---



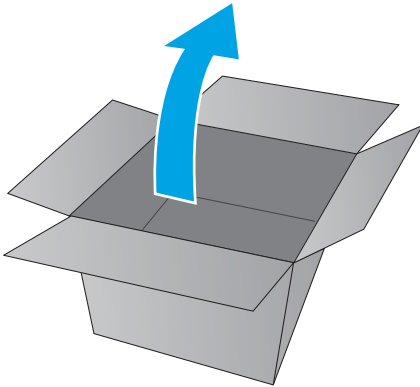
2. Unpack the replacement part from the packaging.

---

 **CAUTION:** If the replacement part is a roller or pad, avoid touching the spongy part of it. Skin oils on the roller or pad can cause paper pickup and/or print-quality problems. HP recommends using disposable gloves when handling rollers or pads or washing your hands or before touching rollers or pads.

 **IMPORTANT:** Make sure that all of the shipping materials (for example shipping tape) are removed from the replacement part prior to installation.

---



### Step 9: Install the control panel


---

 **CAUTION:**  ESD-sensitive part.

---

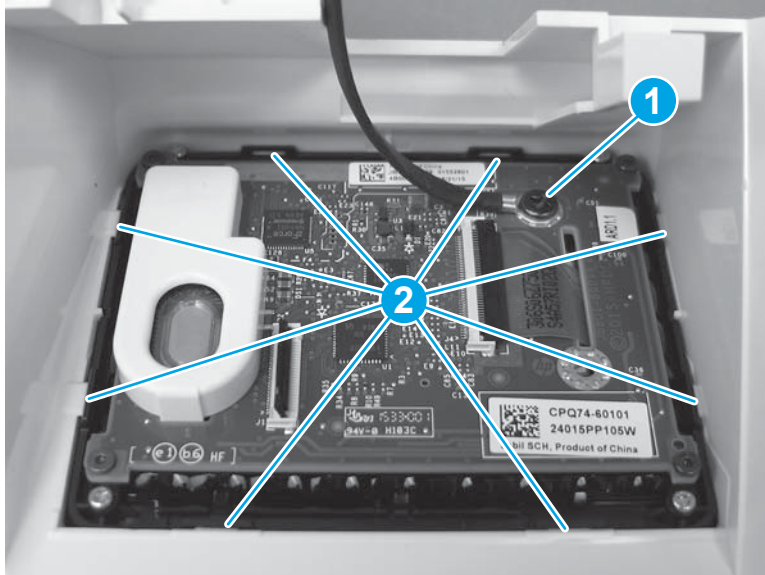
1. Install one screw (callout 1) to secure the grounding cable from the previous part on the replacement control panel. Position the control panel in the top front cover and install six tabs (callout 2).

---

 **CAUTION:** Be careful when installing the tabs on the control panel. They are fragile and easily broken.

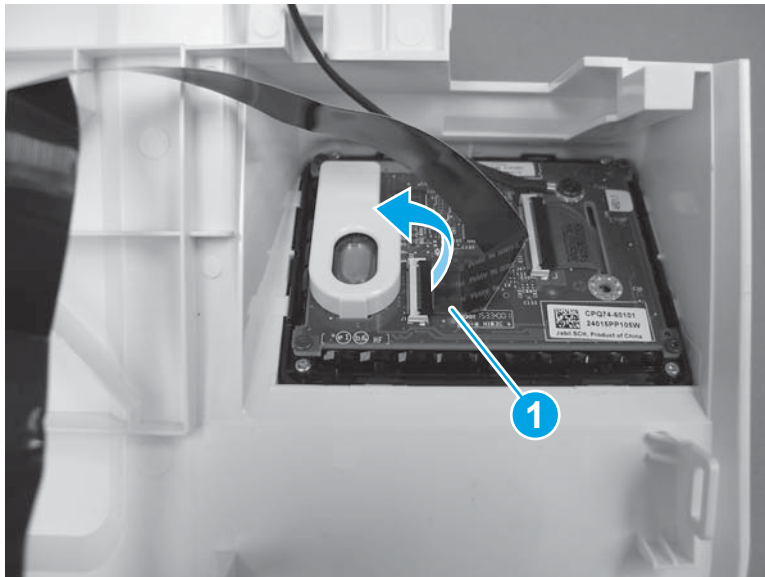
---

Figure 1-374 Install the control panel (MFP)



2. Lift up on the latch on the connector (callout 1) to install the flat cable from the previous part, and then lower the latch to secure the cable.

Figure 1-375 Install the cable (MFP)

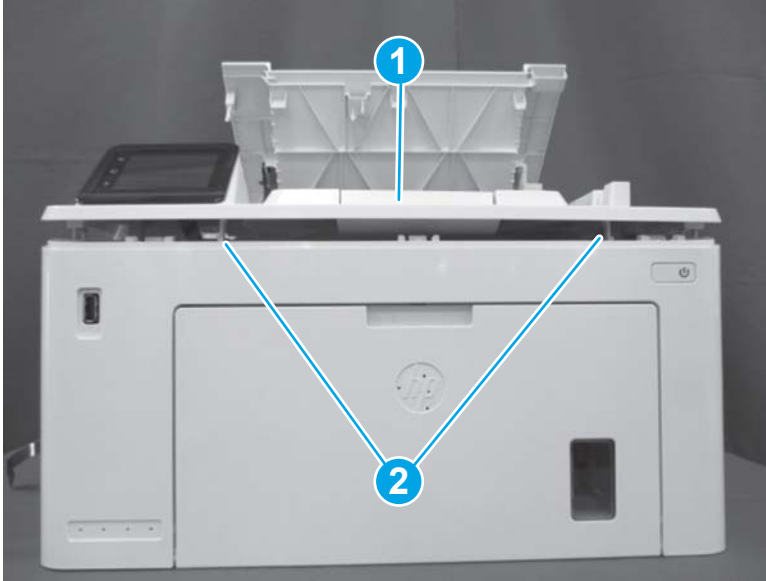


### Step 10: Install the top front cover

1. Position the top front cover (callout 1) on the printer, and then install two tabs (callout 2).

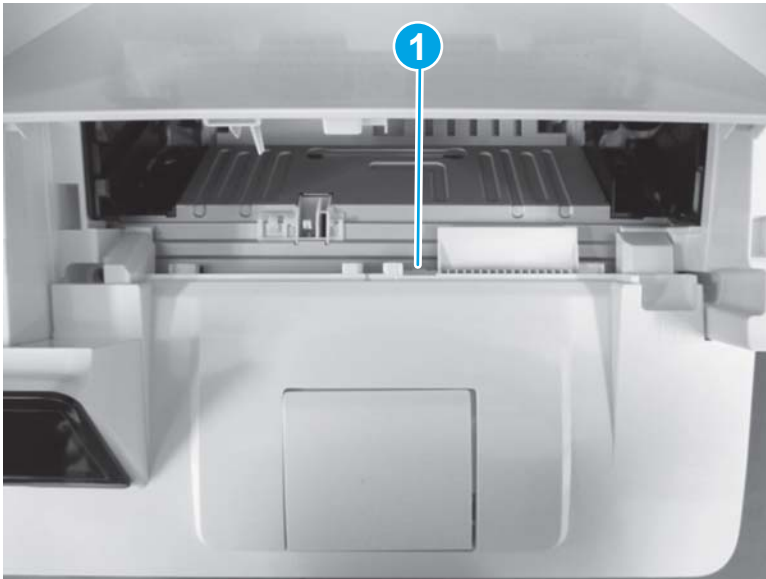


Figure 1-376 Install two tabs (MFP)



2. Install one tab (callout 1).

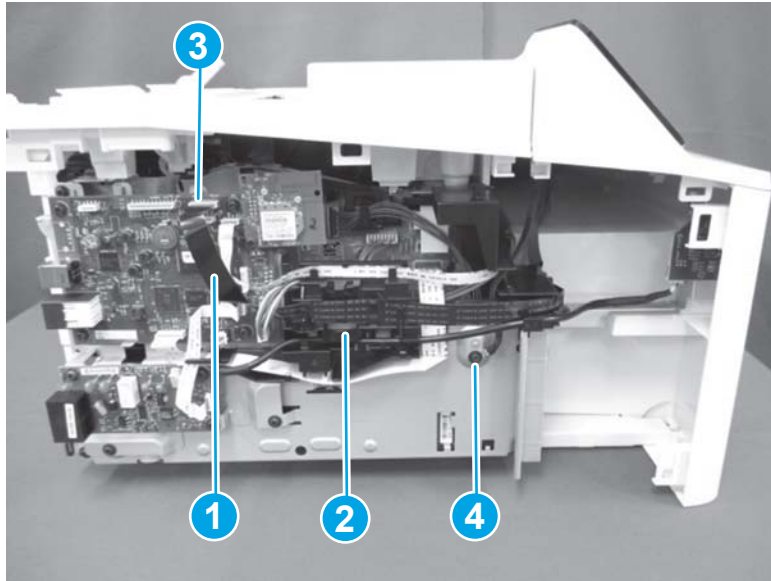
Figure 1-377 Install one tab (MFP)





3. Install the cable (callout 1) in the cable guide (callout 2), and then connect one connector (callout 3). Install one screw (callout 4) to secure the grounding cable.

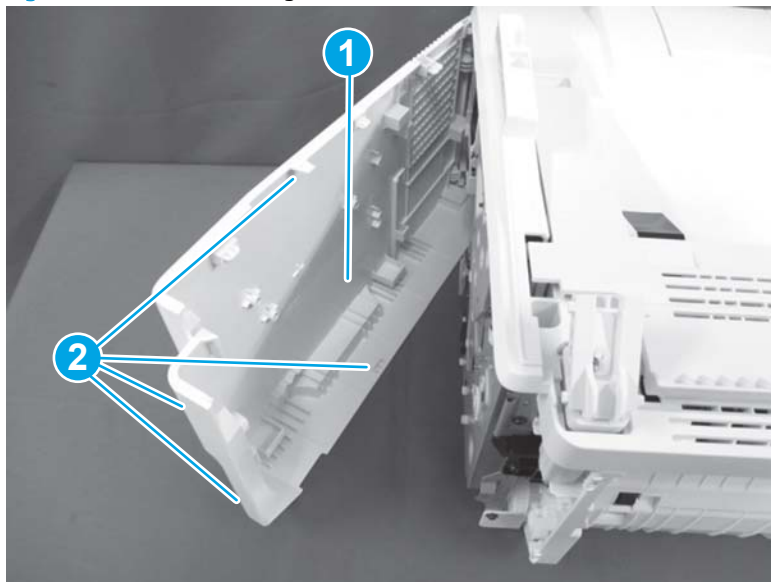
Figure 1-378 Install one connector and grounding cable (MFP)



#### Step 11: Install the right cover

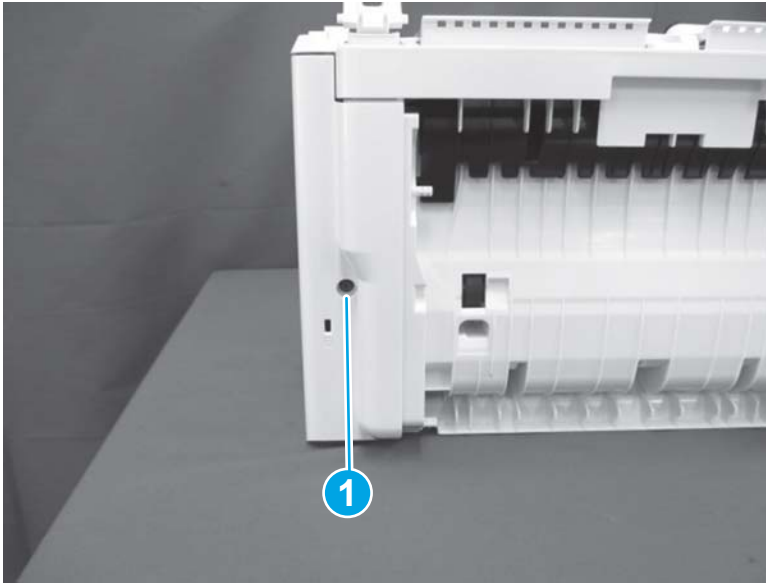
1. Position the right cover (callout 1) on the printer, and then engage four tabs (callout 2).

Figure 1-379 Install the right cover (MFP)




2. Install one screw (callout 1).

**Figure 1-380** Install one screw (MFP)



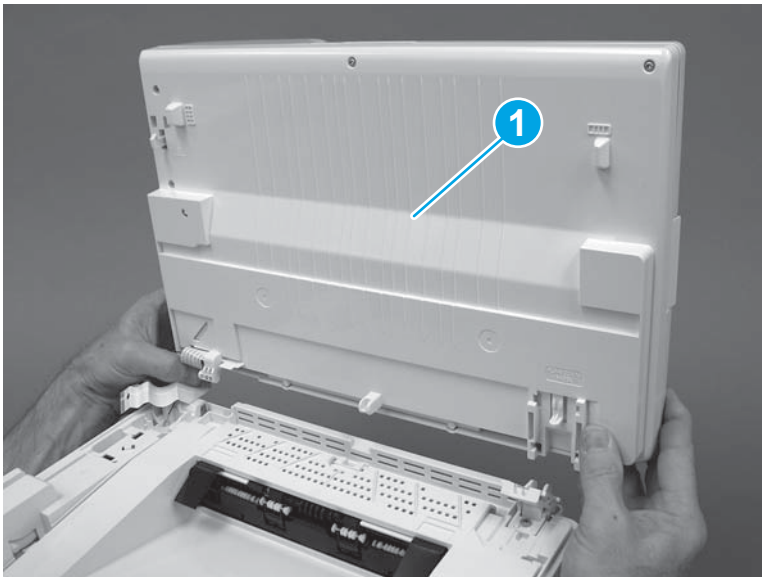
### Step 12: Install the 3-in-1 or 4-in-1 scanner assembly

 **NOTE:** The 4-in-1 scanner assembly supports the document feeder. The 3-in-1 scanner assembly does not support the document feeder.

The figures in this procedure show a 4-in-1 printer. However, the procedure is correct for 3-in-1 printers.

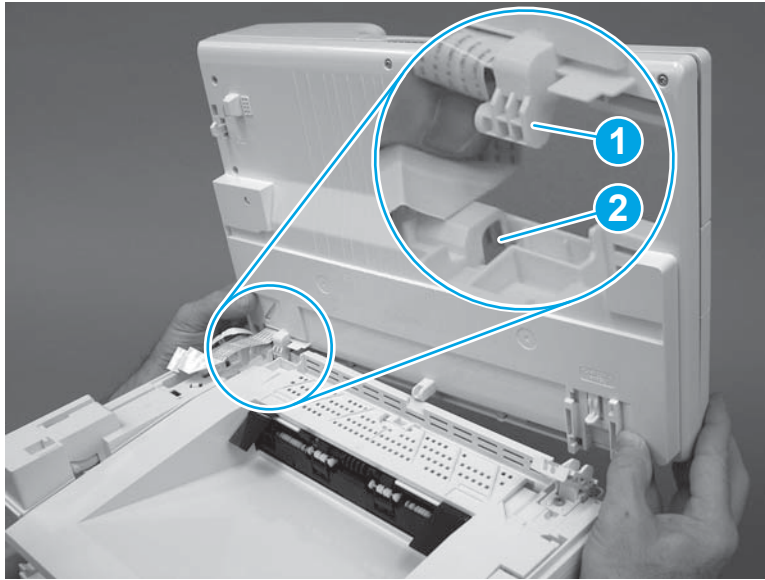
1. Position the scanner assembly (callout 1) near the printer.

**Figure 1-381** Install the scanner assembly (MFP)



- Engage the left hinge (callout 1) with the top cover (callout 2).

Figure 1-382 Engage the left hinge (MFP)



- Push the right side of the scanner assembly toward the front of the printer to engage the right hinge (callout 1). Make sure that the tab (callout 2) snaps into place.

Figure 1-383 Engage the right hinge (MFP)

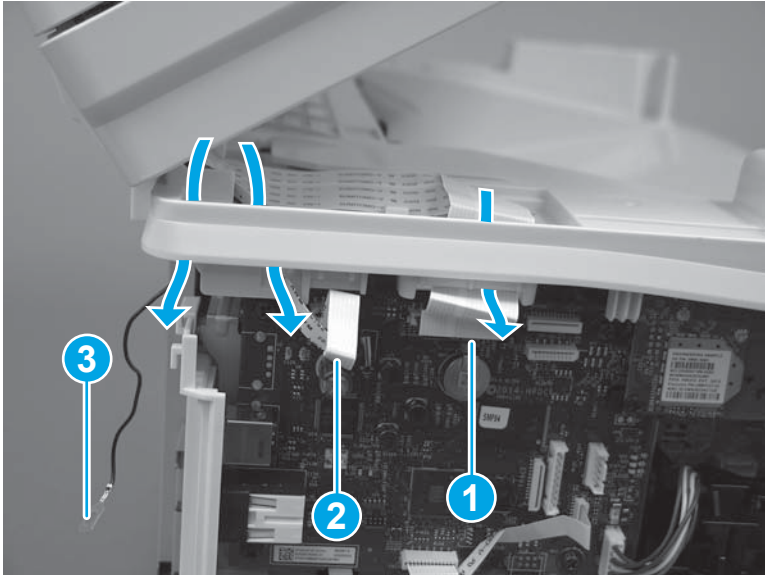


4. **4-in-1 models only:** Pass the flat cables (callouts 1/2) and the ground wire (callout 3) through the openings in the chassis, and then connect the two flat cables.

**3-in-1 models only:** Pass the flat cable (callout 1) through the opening in the chassis, and then connect one flat cable.

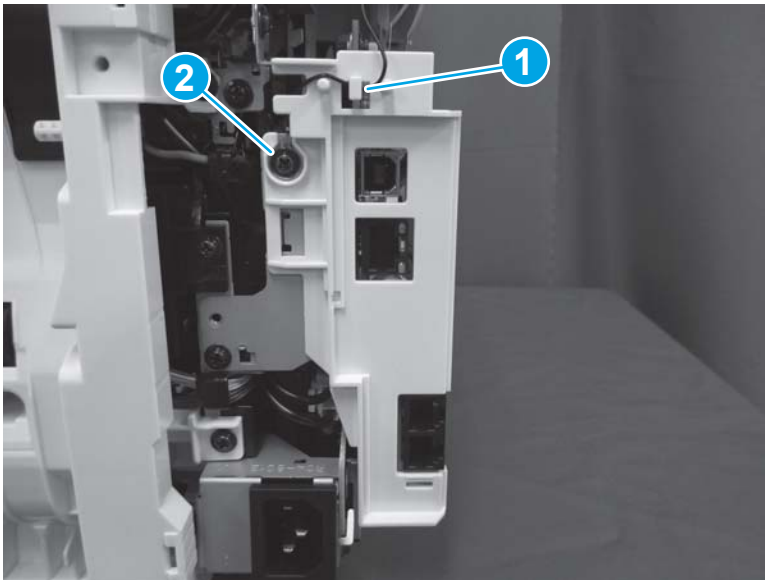
 **NOTE:** The 3-in-1 model does not have the small flat cable (callout 2) or a ground wire (callout 3).

**Figure 1-384** Connect flat cable(s)



5. **4-in-1 models only:** Install the ground wire in the retainer (callout 1), and then install one screw (callout 2).

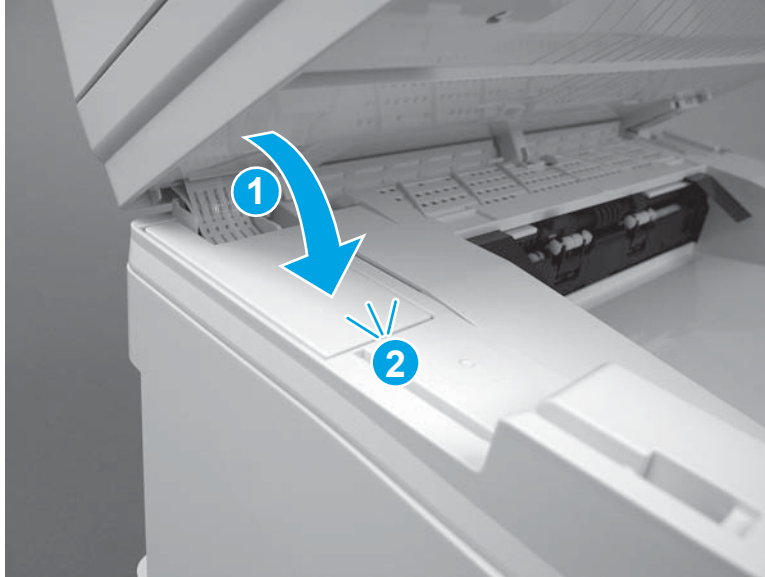
**Figure 1-385** Install the ground wire (4-in-1 models)



### Step 13: Install the cable cover

1. Install the cable cover (callout 1), on the printer, and then push down to engage one tab (callout 2).

Figure 1-386 Install the cable cover (MFP)



2. Close the scanner assembly.

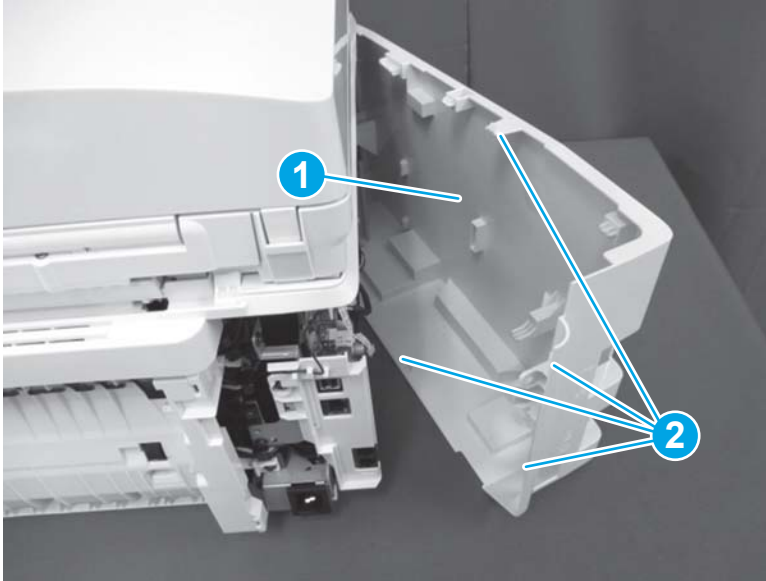
Figure 1-387 Close the scanner assembly



#### Step 14: Install the left cover

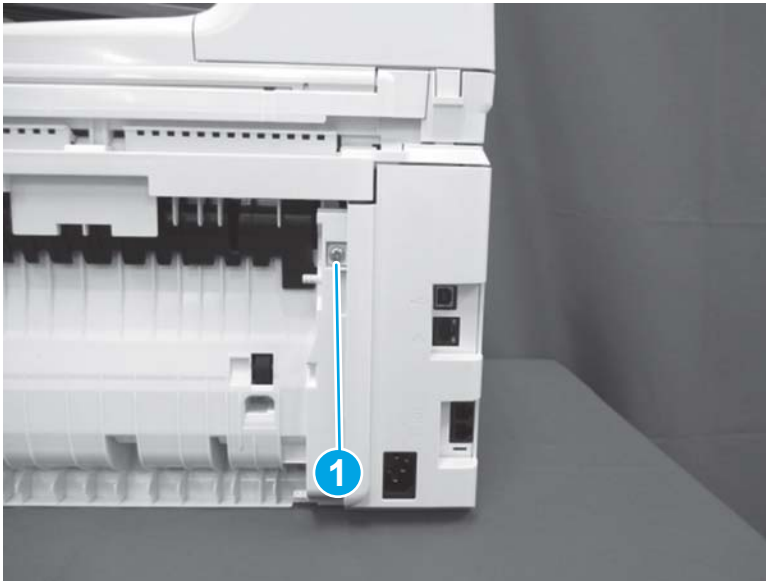
1. Position the left cover (callout 1) on the printer, and then engage four tabs (callout 2).

Figure 1-388 Install the left cover (MFP)



2. Install one screw (callout 1).

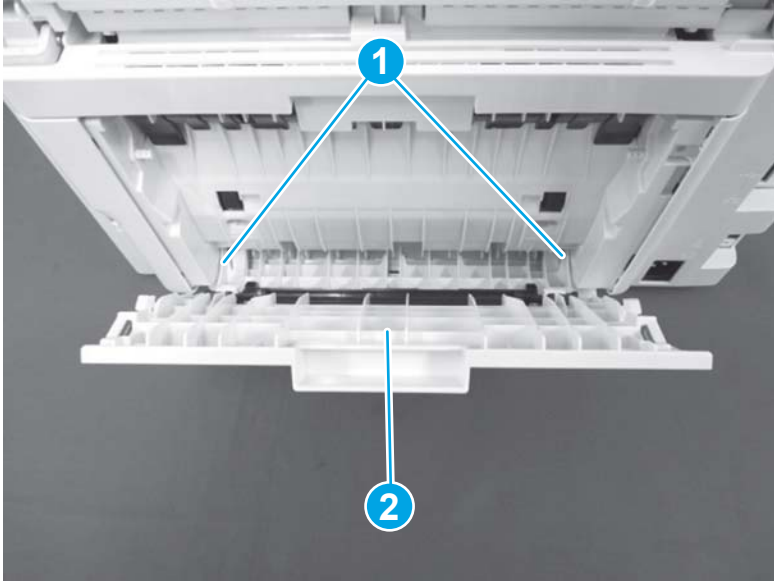
Figure 1-389 Install one screw (MFP)



### Step 15: Install the duplex door

1. Install two tabs (callout 1) to install the duplex door (callout 2).

Figure 1-390 Install the duplex door



- 2. Close the duplex door.

## Removal and replacement: Control panel and frame adapter (M227d/sdn/fdn, M230sdn)

- [Introduction](#)
- [Step 1: Remove the duplex door](#)
- [Step 2: Remove the left cover](#)
- [Step 3: Remove the control panel and frame adapter](#)
- [Step 4: Unpack the replacement assembly](#)
- [Step 5: Install the control panel and frame adapter](#)
- [Step 6: Install the left cover](#)
- [Step 7: Install the duplex door](#)


### Introduction

This document provides the procedures to remove and replace the control panel and frame adapter for the M227d/sdn/fdn and M230 sdn models.

### Before performing service

#### Turn the printer power off

- Disconnect the power cable.

 **WARNING!** To avoid damage to the printer, turn the printer off, wait 30 seconds, and then remove the power cable before attempting to service the printer.

Use the table below to identify the correct part number for your printer. To order the part, go to [www.hp.com/buy/parts](http://www.hp.com/buy/parts).

---

#### Control panel and frame adapter part numbers

---

G3Q74-60101	Control panel (M227d/sdn) 2-line LCD
G3Q76-60101	Control panel (M230sdn) 2-line LCD
G3Q79-60102	Control panel (M227fdn) 2-line LCD
RC4-8125-000CN	Control panel frame adapter (M227 d/sdn/fdn, M230 sdn)

---

### Required tools

- #2 Phillips screwdriver with a magnetic tip.
- Small flat-blade screwdriver

### After performing service

#### Turn the printer power on

- Connect the power cable.
- Use the power switch to turn the power on.



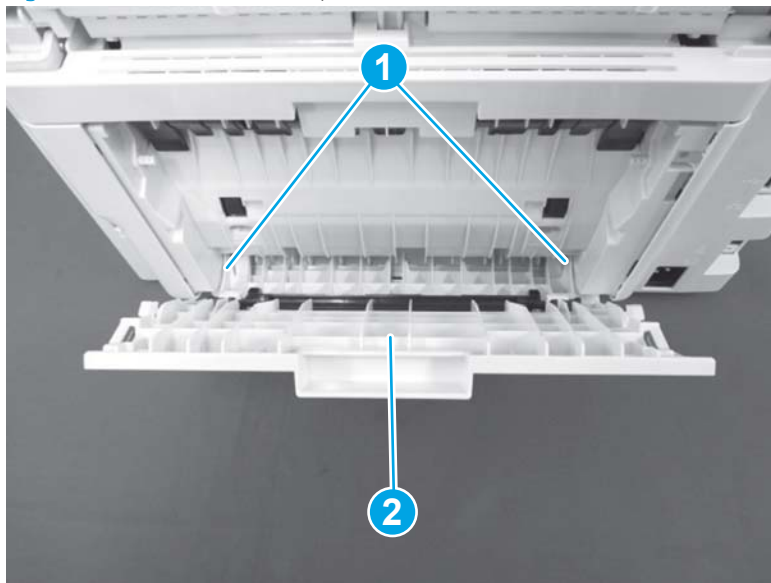
## Post service test

Verify that the control panel is correctly functioning.

### Step 1: Remove the duplex door

1. Open the duplex door.
2. Use a small flat-blade screwdriver to release two tabs (callout 1), and then remove the duplex door (callout 2).

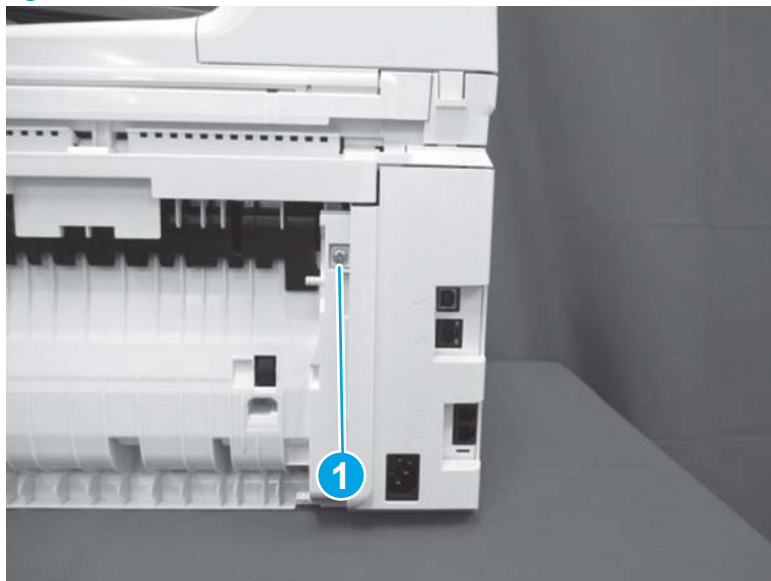
Figure 1-391 Remove the duplex door



### Step 2: Remove the left cover

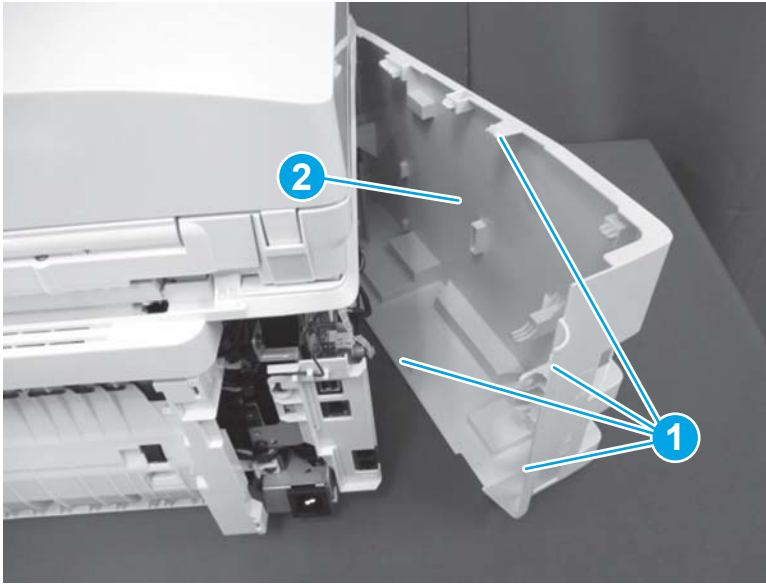
1. Remove one screw (callout 1).

Figure 1-392 Remove one screw (MFP)



2. Release four tabs (callout 1), and then remove the left cover (callout 2).

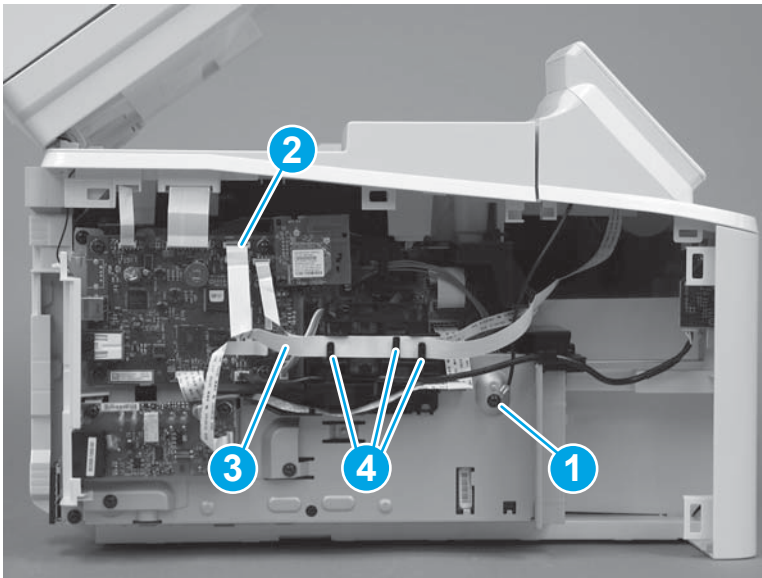
**Figure 1-393** Remove the left cover (MFP)



### Step 3: Remove the control panel and frame adapter

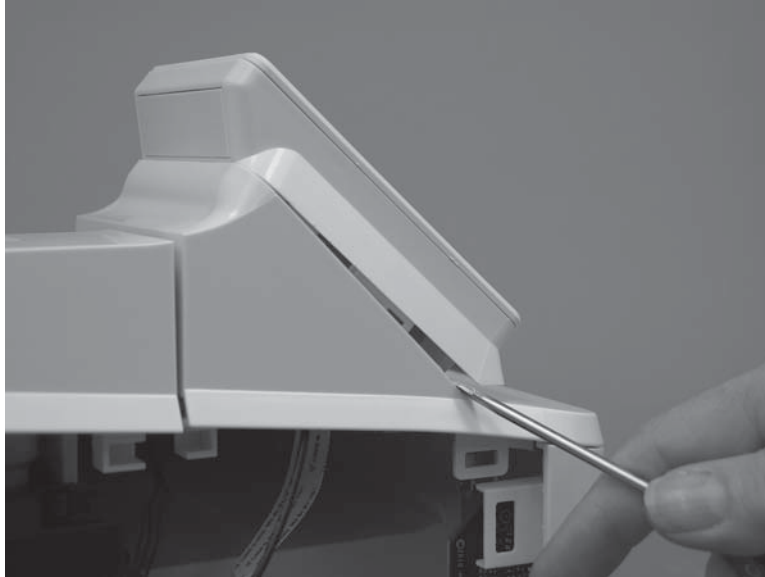
1. Remove one screw (callout 1) to release one cable. Disconnect one connector (callout 2), and then remove the cable (callout 3) from the cable guide (callout 4).

**Figure 1-394** Disconnect connector and release cable



2. Use a small flat-blade screwdriver to release eight tabs around the edge of the control panel frame adapter.

**Figure 1-395** Release eight tabs



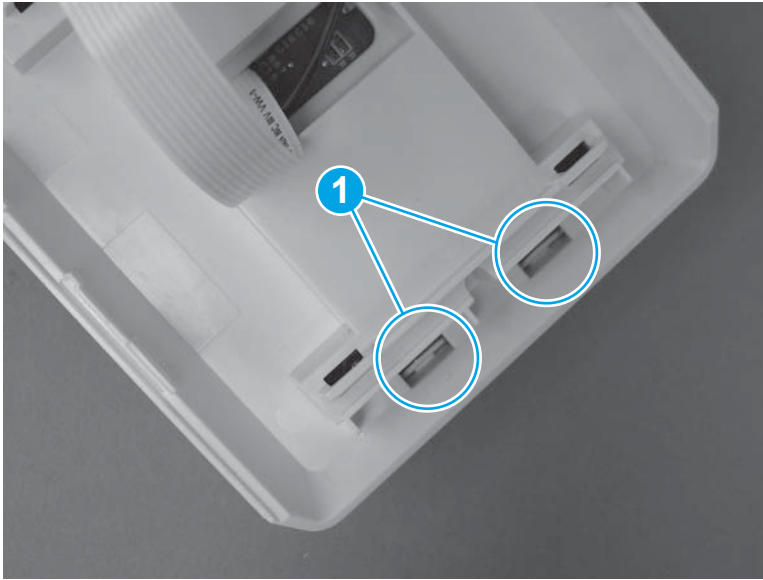
3. Lift the control panel and frame adapter away from the printer.

**Figure 1-396** Remove the control panel and frame adapter



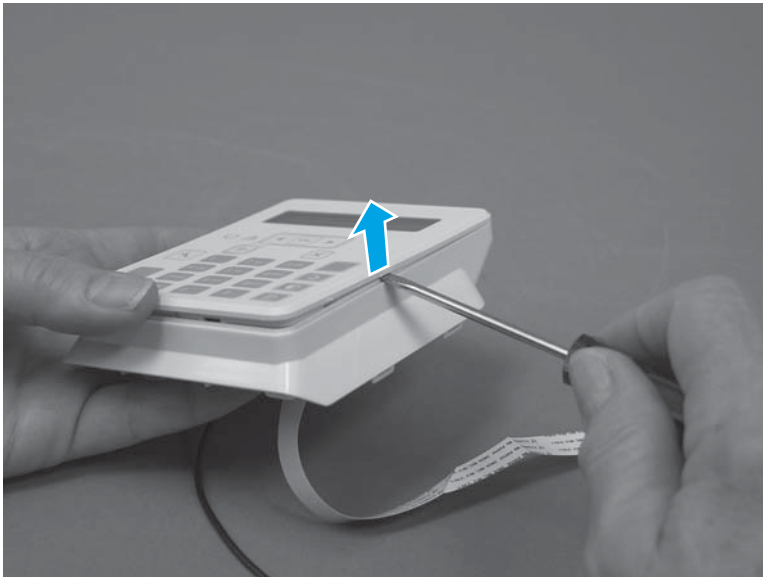
4. Release two tabs (callout 1) on the back of the frame adapter.

**Figure 1-397** Release two tabs



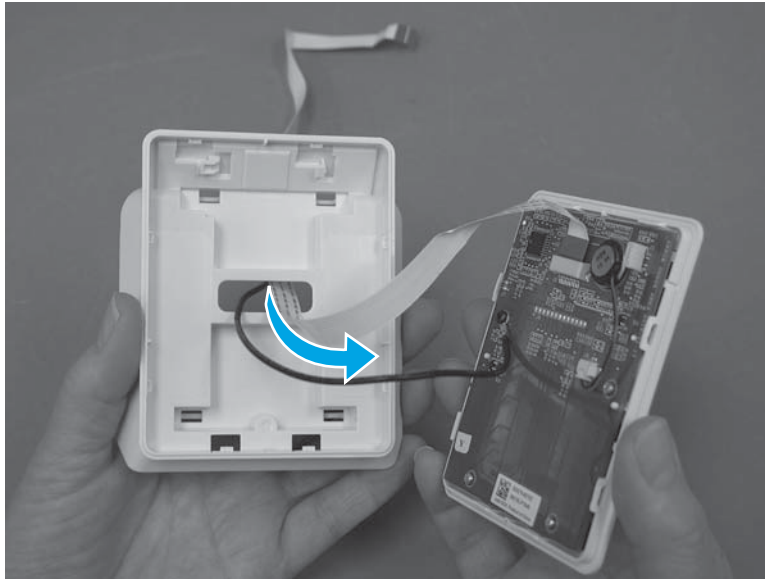
5. Use a small flat-blade screwdriver to carefully release the tabs around the edges of the control panel to separate it from the frame adapter.

**Figure 1-398** Release the control panel



6. Release the control panel cables through the opening in the frame adapter.

**Figure 1-399** Release the control panel cables



#### Step 4: Unpack the replacement assembly

1. Dispose of the defective part.

 **NOTE:** HP recommends responsible disposal of the defective part.

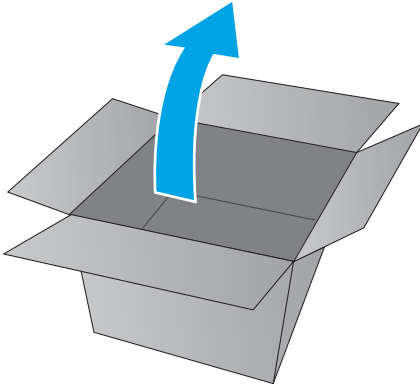
<http://www8.hp.com/us/en/hp-information/environment/product-recycling.html>



2. Unpack the replacement part from the packaging.

**⚠ CAUTION:** If the replacement part is a roller or pad, avoid touching the spongy part of it. Skin oils on the roller or pad can cause paper pickup and/or print-quality problems. HP recommends using disposable gloves when handling rollers or pads or washing your hands or before touching rollers or pads.

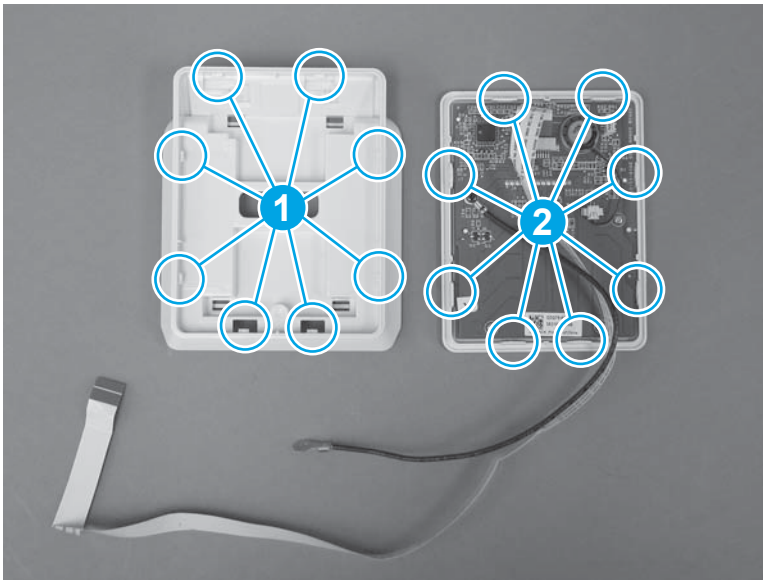
**📄 IMPORTANT:** Make sure that all of the shipping materials (for example shipping tape) are removed from the replacement part prior to installation.



#### Step 5: Install the control panel and frame adapter

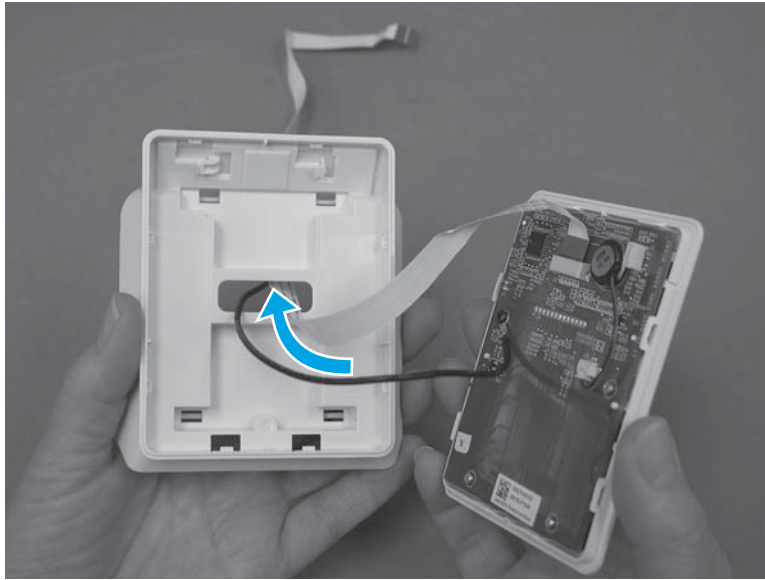
1. Note the location of the tabs (callout 1) on the frame adapter and the corresponding slots (callout 2) in the control panel.

**Figure 1-400** Note the tab and slot locations



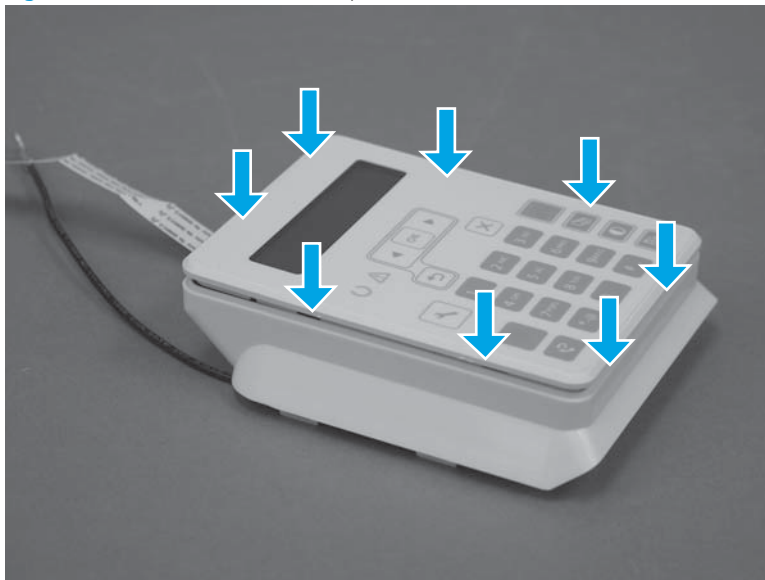
2. Feed the control panel cables through the opening in the frame adapter.

Figure 1-401 Install the control panel cables



3. Position the control panel on the frame adapter, and then press along the edges to engage eight tabs.

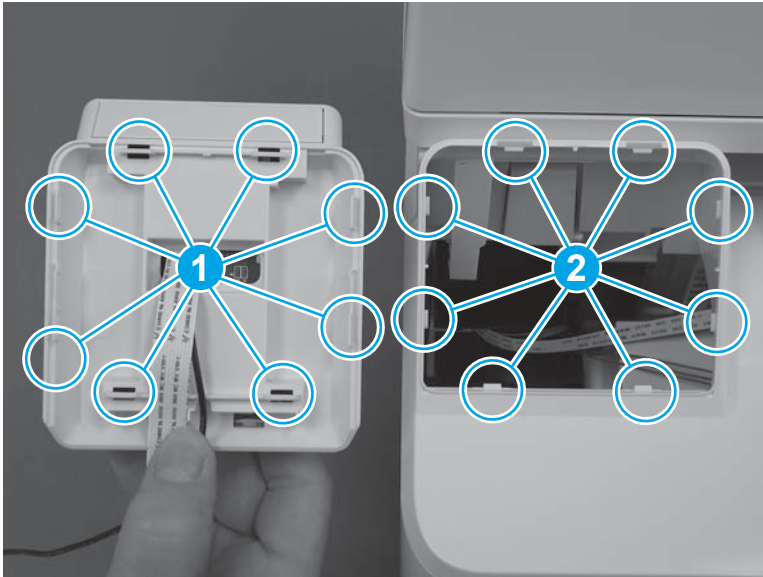
Figure 1-402 Install the control panel





4. Note the location of the slots (callout 1) in the frame adapter and the corresponding tabs (callout 2) on the printer.

**Figure 1-403** Note the tab and slot locations



5. Feed the cables through the opening in the printer.

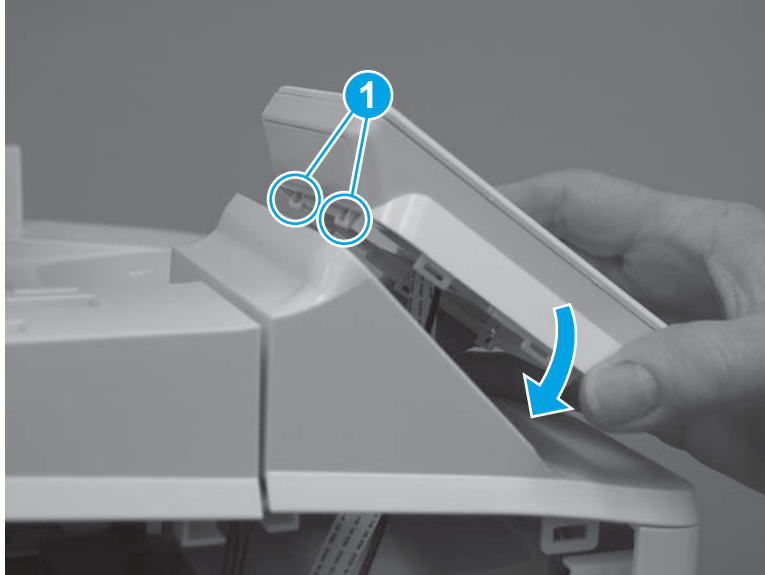
**Figure 1-404** Position the control panel and frame adapter





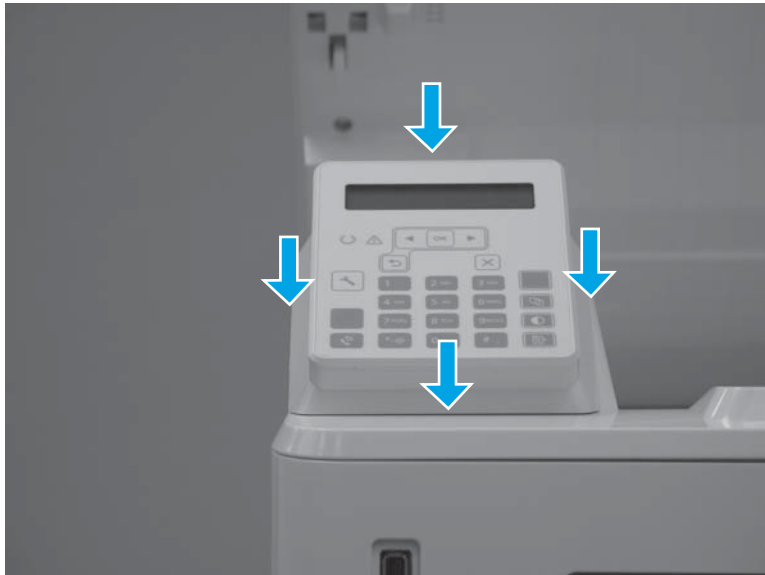
6. Position the slots (callout 1) on the top of the frame adapter over the tabs in the printer. Rotate the frame adapter down into position.

Figure 1-405 Position the frame adapter



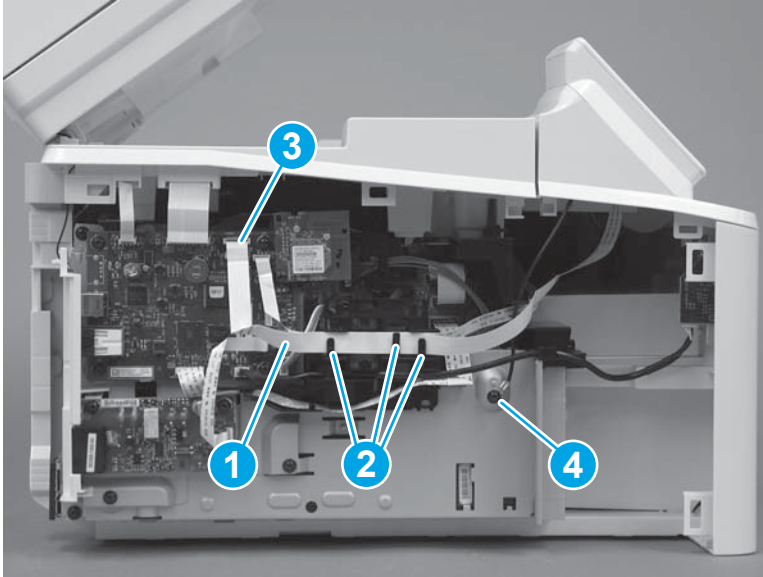
7. Press down along all the edges of the frame adapter to seat the eight tabs.

Figure 1-406 Install the control panel and frame adapter



8. Install the cable (callout 1) in the cable guide (callout 2), and then connect one connector (callout 3). Install one screw (callout 4) to secure the grounding cable.

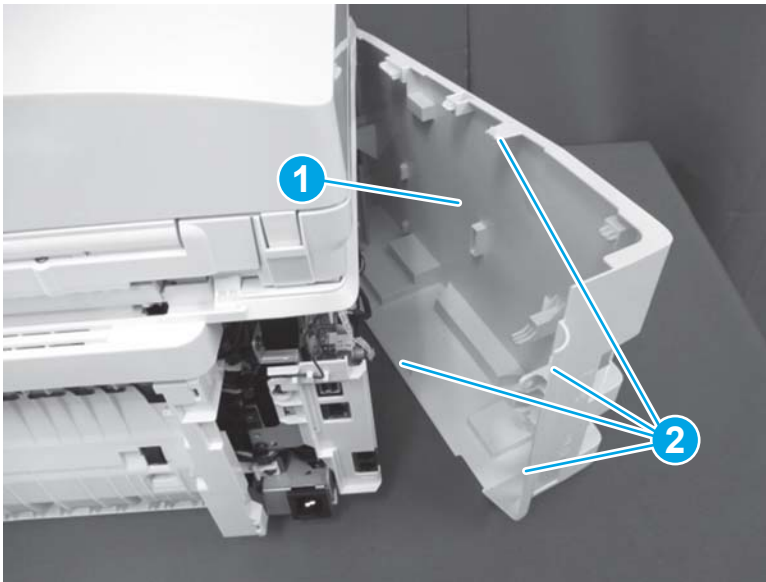
**Figure 1-407** Install one connector and grounding cable



#### Step 6: Install the left cover

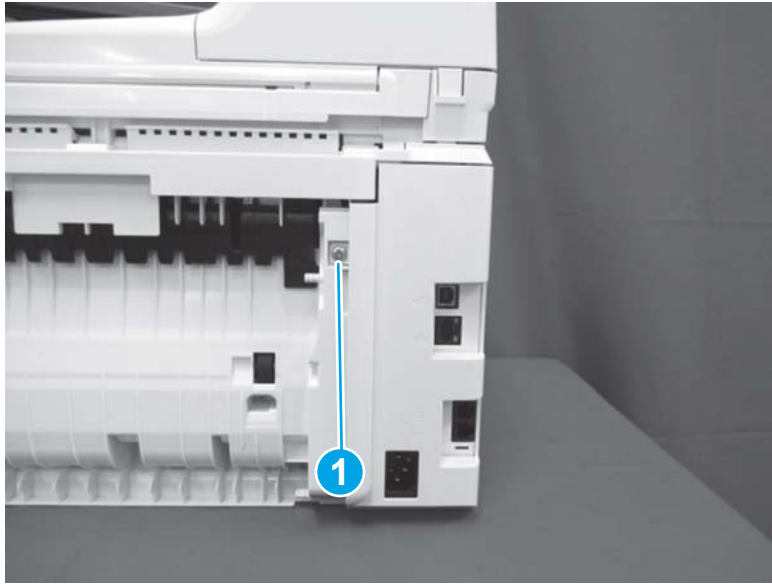
1. Position the left cover (callout 1) on the printer, and then engage four tabs (callout 2).

**Figure 1-408** Install the left cover (MFP)



2. Install one screw (callout 1).

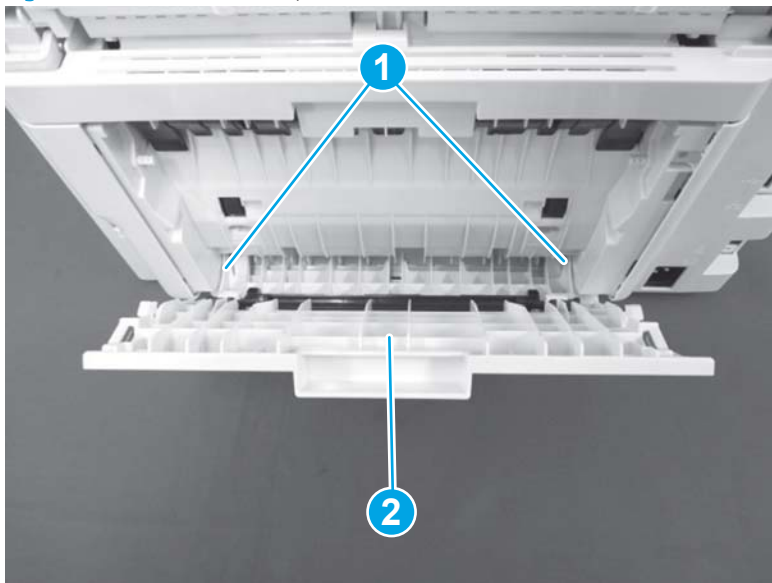
Figure 1-409 Install one screw (MFP)



#### Step 7: Install the duplex door

1. Install two tabs (callout 1) to install the duplex door (callout 2).

Figure 1-410 Install the duplex door



2. Close the duplex door.

## Removal and replacement: Document feeder and scanner

- [Removal and replacement: Document feeder \(MFP\)](#)
- [Removal and replacement: Document feeder input tray \(MFP\)](#)
- [Removal and replacement: Document feeder top cover \(MFP\)](#)
- [Removal and replacement: Document feeder pre-pick arm \(MFP\)](#)
- [Removal and replacement: Document feeder core assembly \(MFP\)](#)
- [Removal and replacement: 3-in-1 or 4-in-1 scanner assembly \(MFP\)](#)

## Removal and replacement: Document feeder (MFP)

- [Introduction](#)
- [Step 1: Remove the duplex door](#)
- [Step 2: Remove the left cover](#)
- [Step 3: Remove the cable cover](#)
- [Step 4: Remove the 4-in-1 scanner assembly](#)
- [Step 5: Remove the document feeder](#)
- [Step 6: Unpack the replacement assembly](#)
- [Step 7: Install the document feeder](#)
- [Step 8: Install the 4-in-1 scanner assembly](#)
- [Step 9: Install the cable cover](#)
- [Step 10: Install the left cover](#)
- [Step 11: Install the duplex door](#)


### Introduction

This document provides the procedures to remove and replace the document feeder (MFP).

### Before performing service

#### Turn the printer power off

- Disconnect the power cable.

 **WARNING!** To avoid damage to the printer, turn the printer off, wait 30 seconds, and then remove the power cable before attempting to service the printer.

Use the table below to identify the correct part number for your printer. To order the part, go to [www.hp.com/buy/parts](http://www.hp.com/buy/parts).

Document feeder part number	
RM2-1179-000CN	Document feeder (M227)
RM2-1664-000CN	Document feeder (M230)

### Required tools

- No special tools are needed to remove or install this assembly.

## After performing service

### Turn the printer power on

- Connect the power cable.
- Use the power switch to turn the power on.

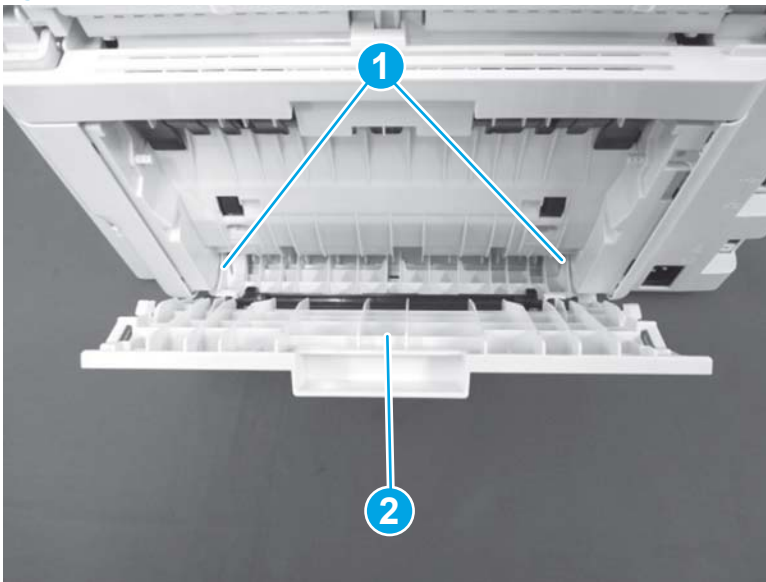
### Post service test

Process a copy job using the document feeder input tray as the source tray and make sure that the page correctly feeds.

### Step 1: Remove the duplex door

1. Open the duplex door.
2. Use a small flat-blade screwdriver to release two tabs (callout 1), and then remove the duplex door (callout 2).

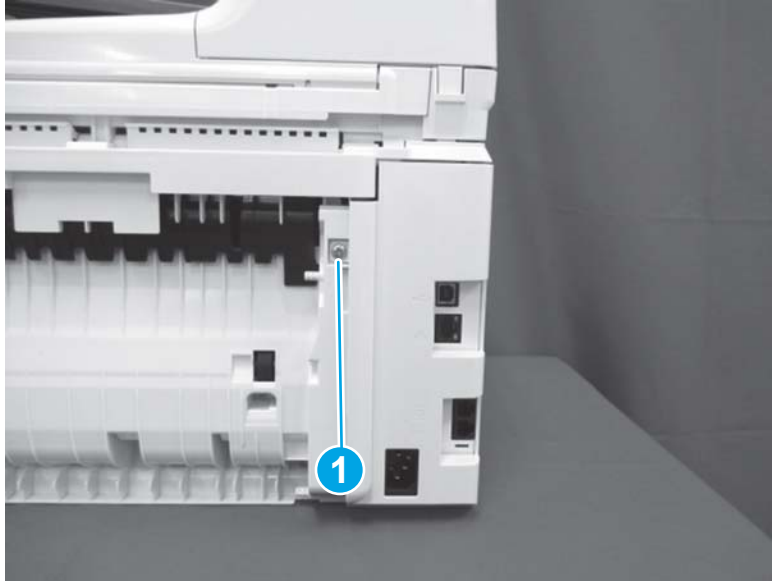
**Figure 1-411** Remove the duplex door



### Step 2: Remove the left cover

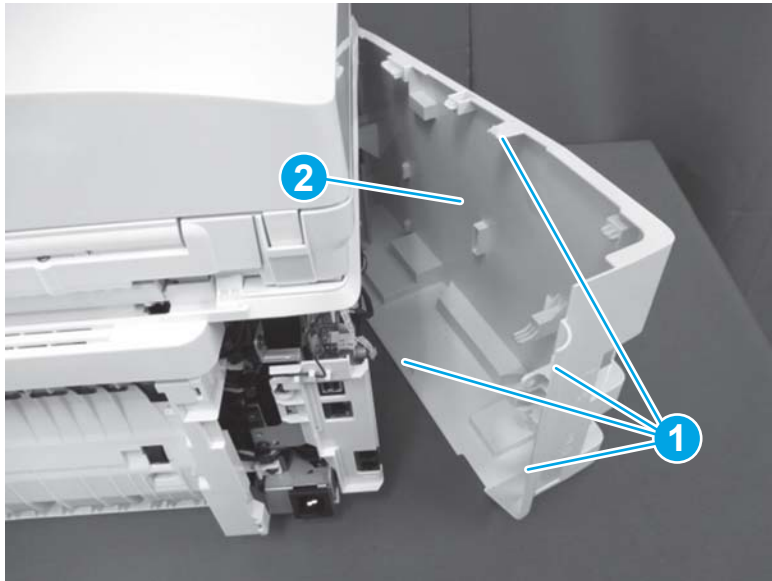
1. Remove one screw (callout 1).

Figure 1-412 Remove one screw (MFP)



2. Release four tabs (callout 1), and then remove the left cover (callout 2).

Figure 1-413 Remove the left cover (MFP)



### Step 3: Remove the cable cover

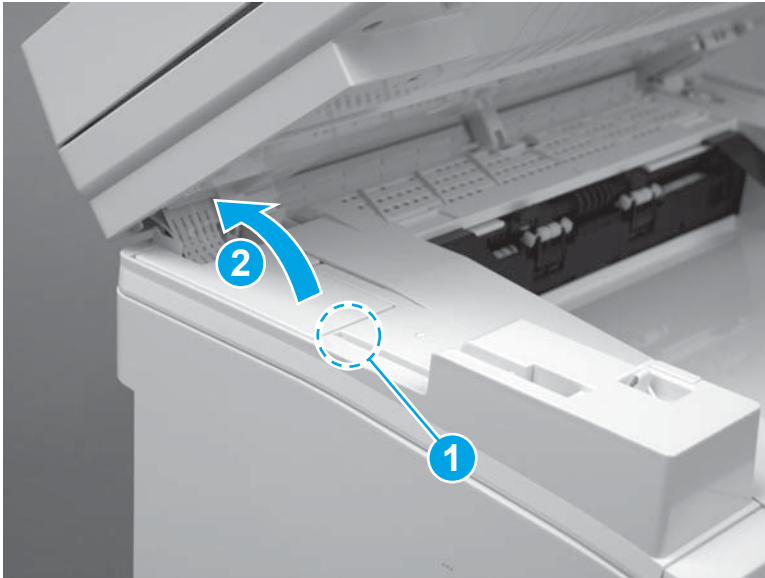
1. Open the scanner assembly.

Figure 1-414 Open the scanner assembly



2. Use a small flat-blade screw driver to release one tab (callout 1), and then remove the cable cover (callout 2).

Figure 1-415 Remove the cable cover (MFP)

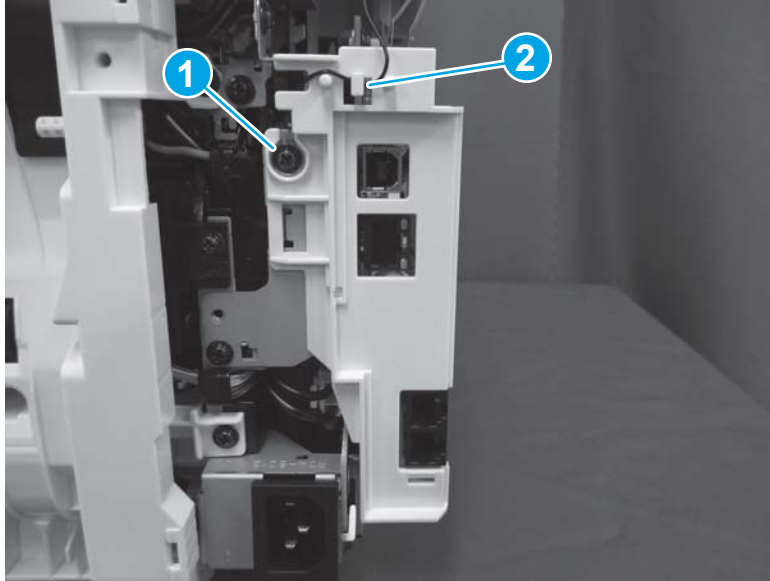


#### Step 4: Remove the 4-in-1 scanner assembly

1. Remove one screw (callout 1), and then release the ground wire from the retainer (callout 2).

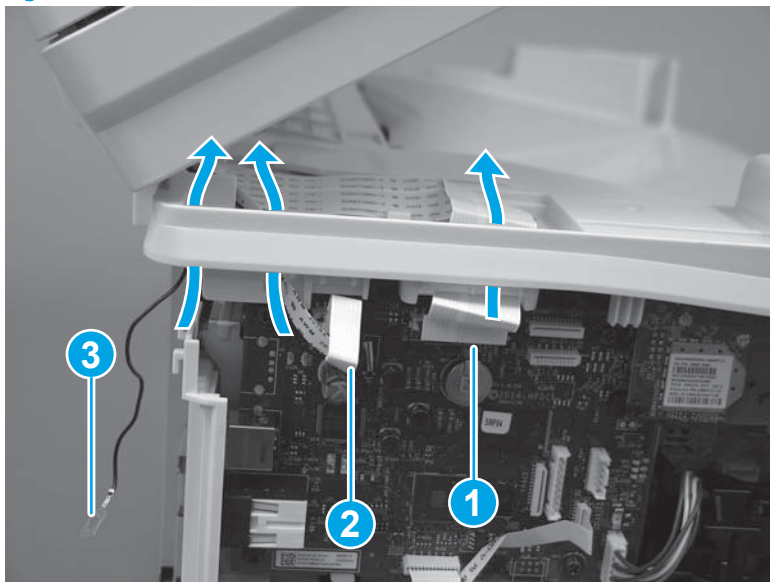


Figure 1-416 Release the ground wire (4-in-1 models)



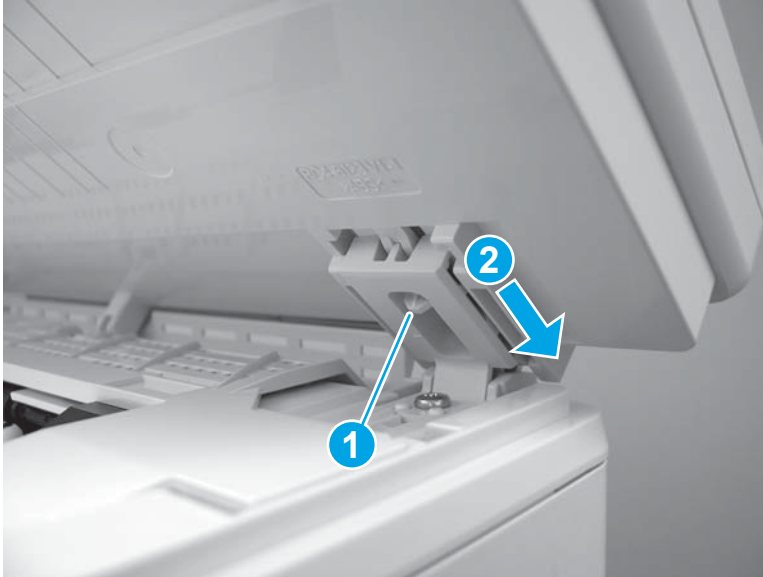
2. Disconnect two flat cables (callouts 1/2), and then pass the flat cables and the ground wire (callout 3) up through the opening in the chassis.

Figure 1-417 Disconnect flat cable(s)



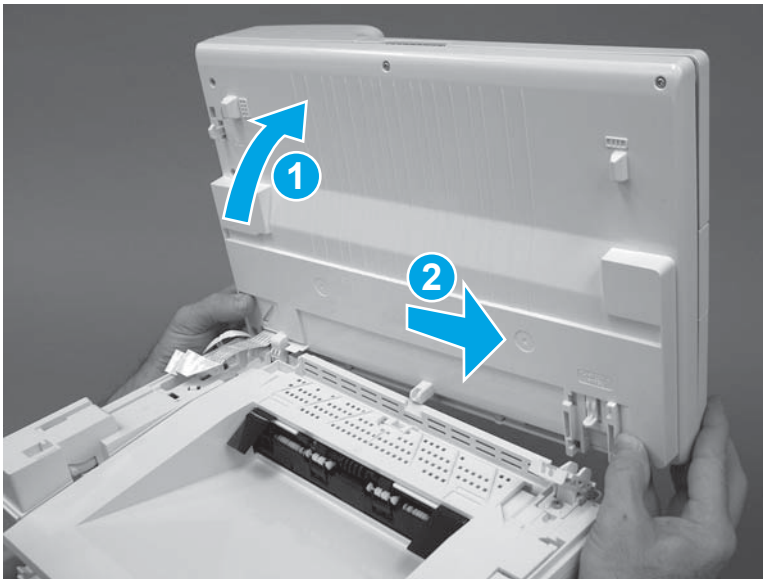
3. Release one tab (callout 1), and then push the right side of the scanner assembly toward the rear of the printer to release the right hinge (callout 2).

Figure 1-418 Release the right hinge



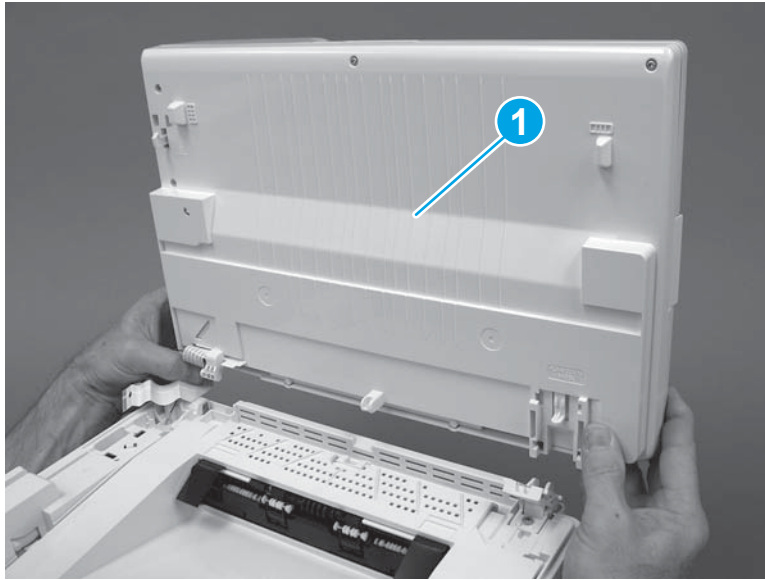
4. Rotate the scanner assembly towards the rear of the printer (callout 1), and then slide the scanner assembly toward the right side of the printer to release the left hinge (callout 2).

Figure 1-419 Release the left hinge



5. Remove the scanner assembly (callout 1).

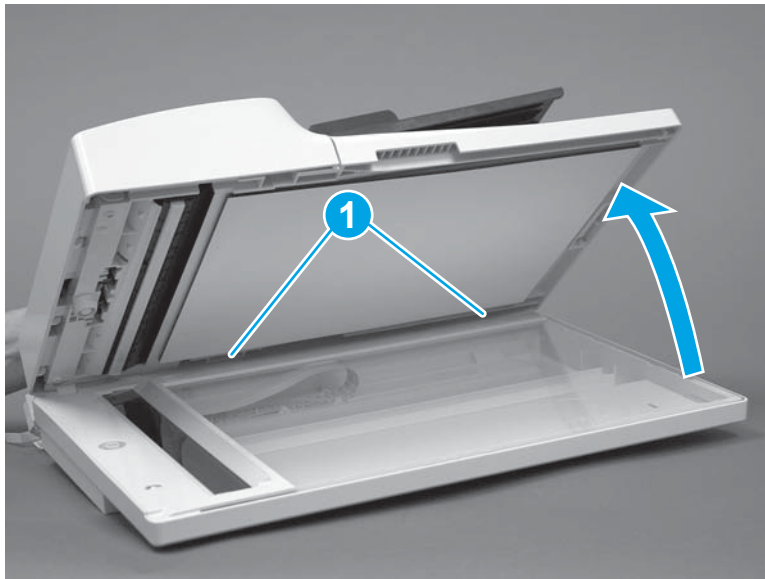
Figure 1-420 Remove the scanner assembly



#### Step 5: Remove the document feeder

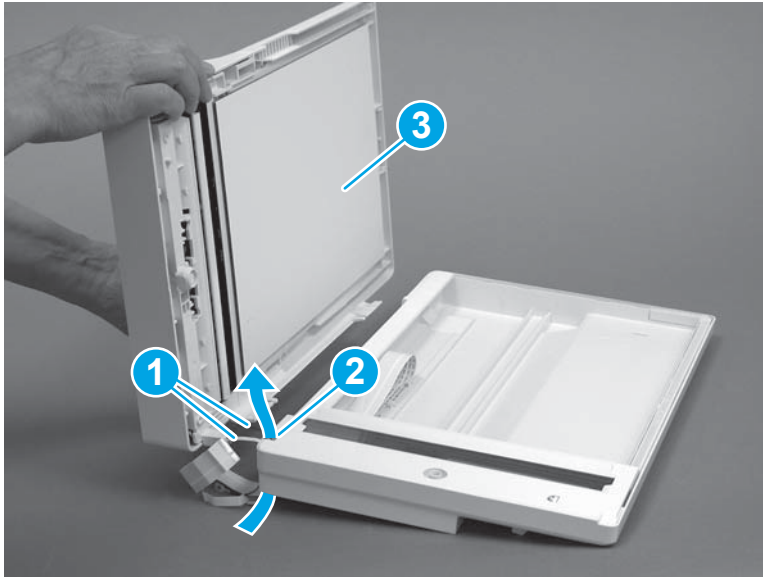
1. Partially open the document feeder, and then press back to release two tabs (callout 1).

Figure 1-421 Release two tabs




2. Release the cables (callout 1) through the opening in the scanner (callout 2), and then remove the document feeder (callout 3).

Figure 1-422 Remove the document feeder



#### Step 6: Unpack the replacement assembly

1. Dispose of the defective part.

 **NOTE:** HP recommends responsible disposal of the defective part.

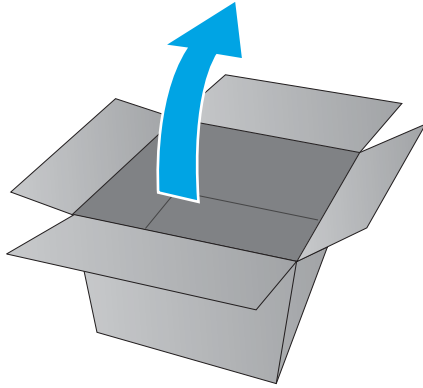
[www.hp.com/recycle](http://www.hp.com/recycle)



2. Unpack the replacement part from the packaging.

**⚠ CAUTION:** If the replacement part is a roller or pad, avoid touching the spongy part of it. Skin oils on the roller or pad can cause paper pickup and/or print-quality problems. HP recommends using disposable gloves when handling rollers or pads or washing your hands or before touching rollers or pads.

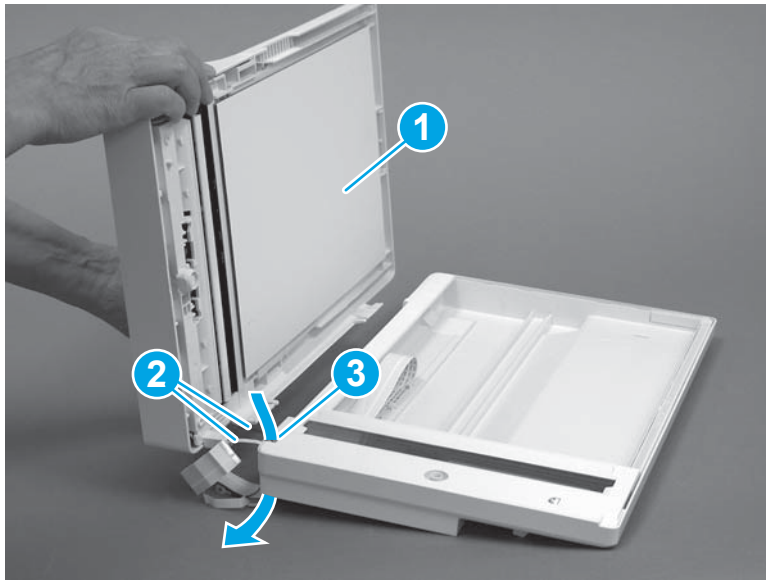
**📋 IMPORTANT:** Make sure that all of the shipping materials (for example shipping tape) are removed from the replacement part prior to installation.



### Step 7: Install the document feeder

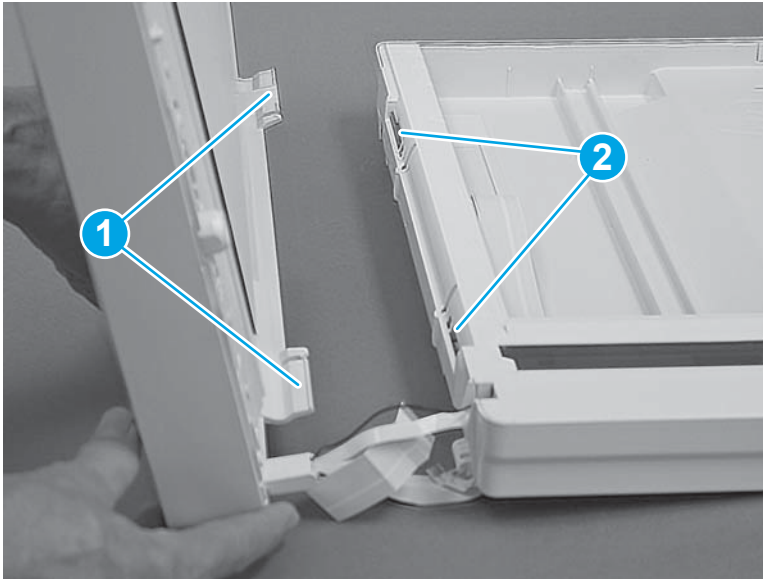
1. Position the document feeder (callout 1) near the scanner, and then install the cables (callout 2) through the opening in the scanner (callout 3).

**Figure 1-423** Install the document feeder cables



2. Position the tabs (callout 1) on the document feeder in the slots (callout 2) in the scanner.

Figure 1-424 Position the document feeder



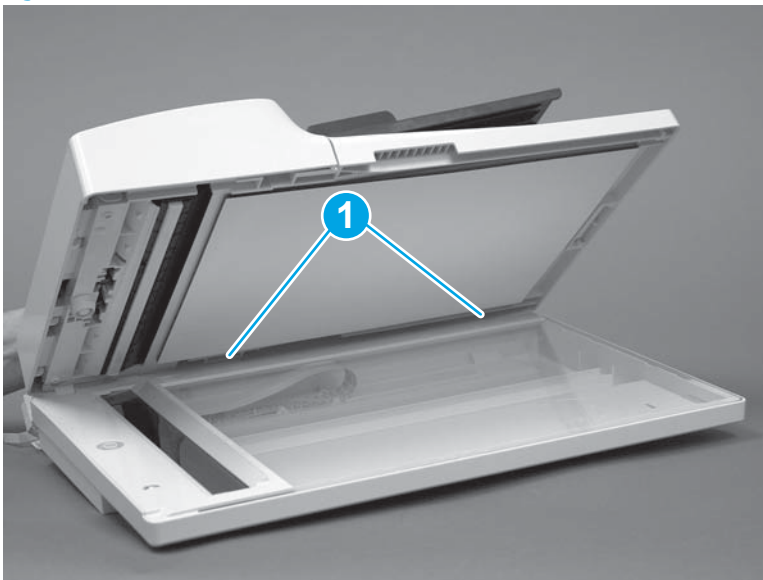
3. Partially lower the document feeder, and then press the document feeder toward the scanner to install two tabs (callout 1).

---

 **NOTE:** Make sure that the tabs snap into place.

---

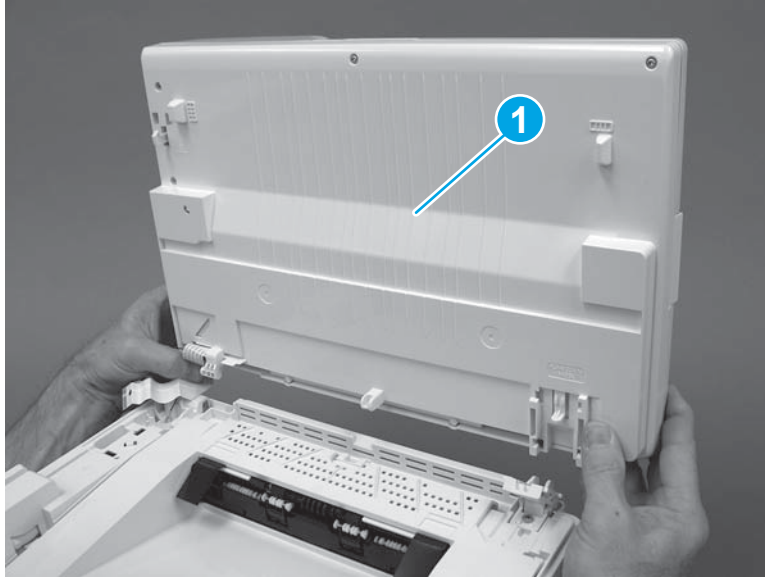
Figure 1-425 Install the document feeder



### Step 8: Install the 4-in-1 scanner assembly

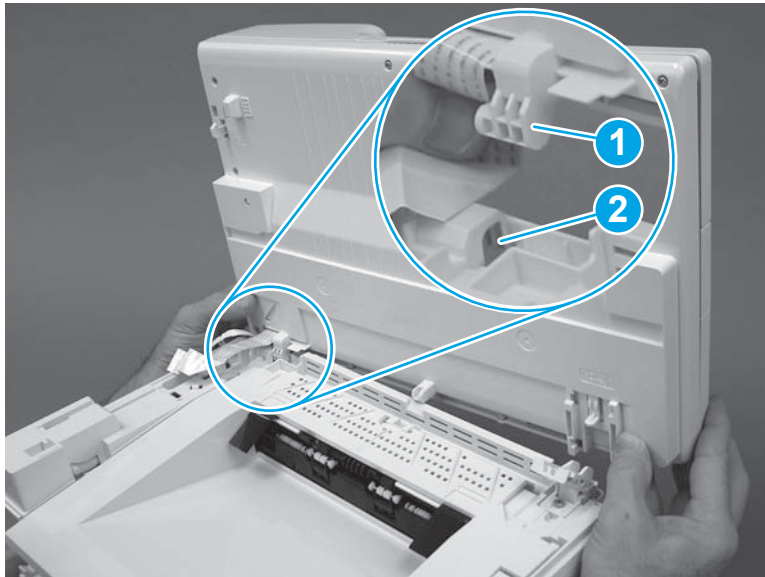
1. Position the scanner assembly (callout 1) near the printer.

Figure 1-426 Install the scanner assembly (MFP)



2. Engage the left hinge (callout 1) with the top cover (callout 2).

Figure 1-427 Engage the left hinge (MFP)





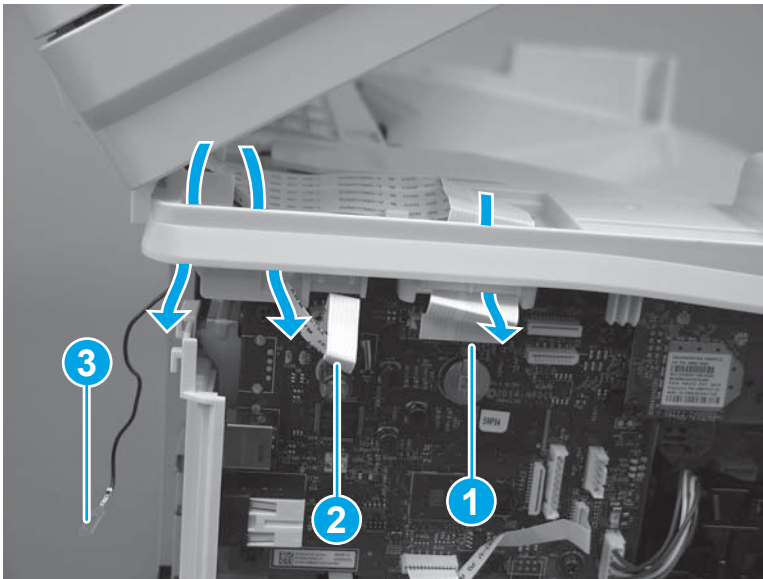
3. Push the right side of the scanner assembly toward the front of the printer to engage the right hinge (callout 1). Make sure that the tab (callout 2) snaps into place.

Figure 1-428 Engage the right hinge (MFP)



4. Pass the flat cables (callouts 1/2) and the ground wire (callout 3) through the openings in the chassis, and then connect the two flat cables.

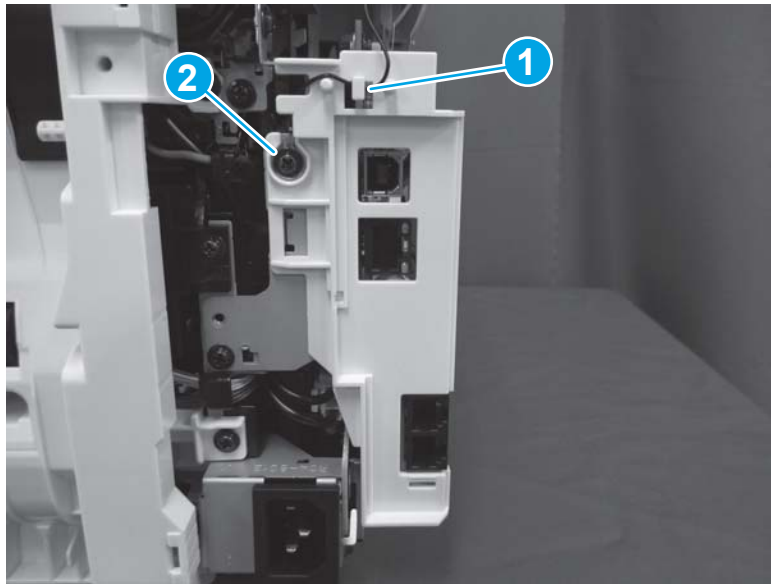
Figure 1-429 Connect flat cable(s)





5. Install the ground wire in the retainer (callout 1), and then install one screw (callout 2).

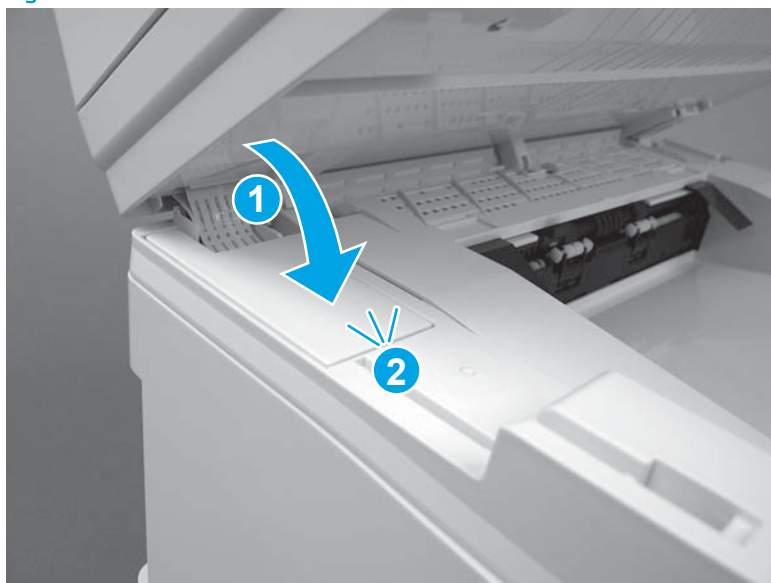
Figure 1-430 Install the ground wire (4-in-1 models)



#### Step 9: Install the cable cover

1. Install the cable cover (callout 1), on the printer, and then push down to engage one tab (callout 2).

Figure 1-431 Install the cable cover (MFP)



2. Close the scanner assembly.

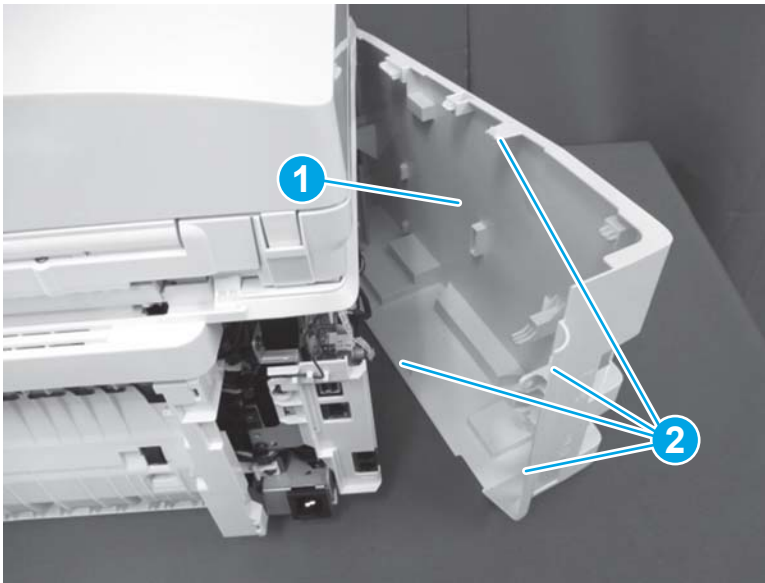
Figure 1-432 Close the scanner assembly



#### Step 10: Install the left cover

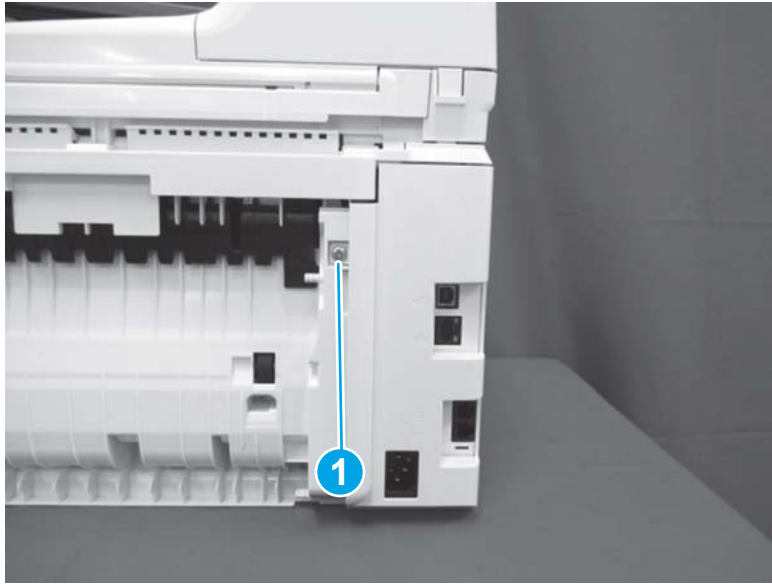
1. Position the left cover (callout 1) on the printer, and then engage four tabs (callout 2).

Figure 1-433 Install the left cover (MFP)



2. Install one screw (callout 1).

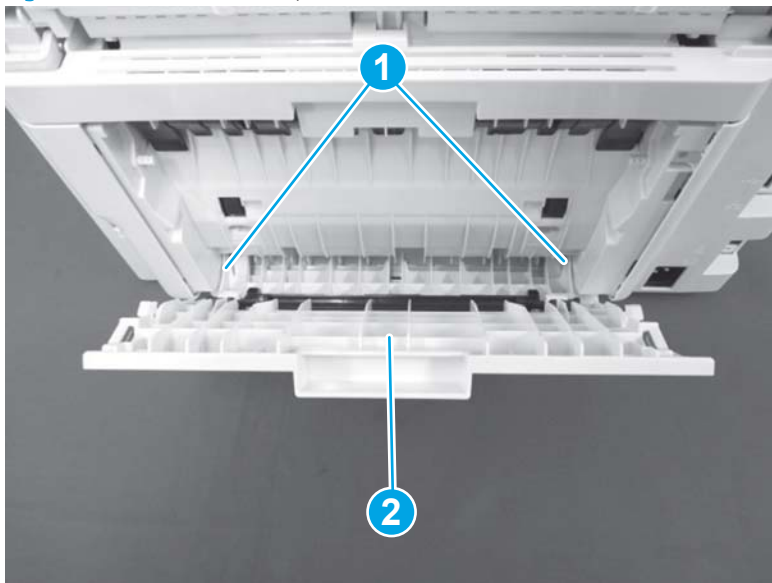
Figure 1-434 Install one screw (MFP)



#### Step 11: Install the duplex door

1. Install two tabs (callout 1) to install the duplex door (callout 2).

Figure 1-435 Install the duplex door



2. Close the duplex door.

## Removal and replacement: Document feeder input tray (MFP)

- [Introduction](#)
- [Step 1: Remove the document feeder input tray](#)
- [Step 2: Unpack the replacement assembly](#)
- [Step 3: Install the document feeder input tray](#)

### Introduction


This document provides the procedures to remove and replace the document feeder input tray (MFP).

### Before performing service

#### Turn the printer power off

- Disconnect the power cable.

---

 **WARNING!** To avoid damage to the printer, turn the printer off, wait 30 seconds, and then remove the power cable before attempting to service the printer.

---

Use the table below to identify the correct part number for your printer. To order the part, go to [www.hp.com/buy/parts](http://www.hp.com/buy/parts).

---

Document feeder input tray part number	
RM2-1181-000CN	Document feeder input tray (M227)
RM2-1665-000CN	Document feeder input tray (M230)

---

### Required tools

- No special tools are needed to remove or install this assembly.

### After performing service

#### Turn the printer power on

- Connect the power cable.
- Use the power switch to turn the power on.

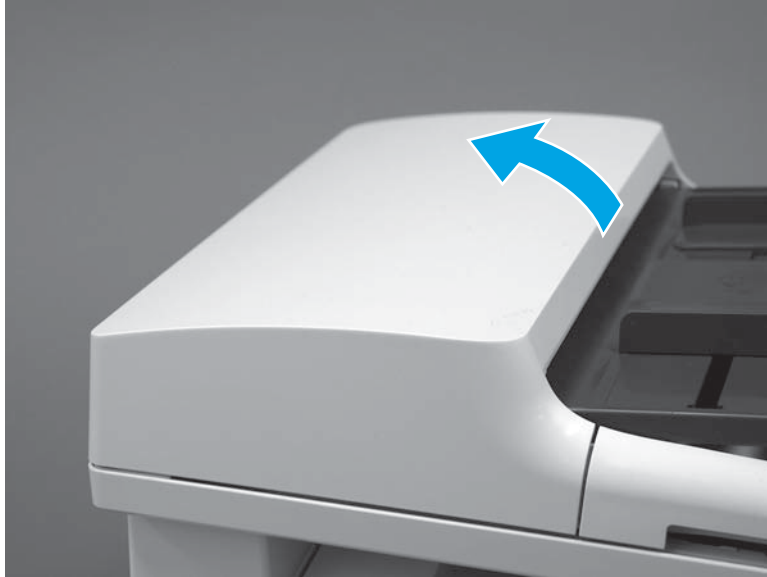
### Post service test

Process a copy job using the document feeder input tray as the source tray and make sure that the page correctly feeds.

### Step 1: Remove the document feeder input tray

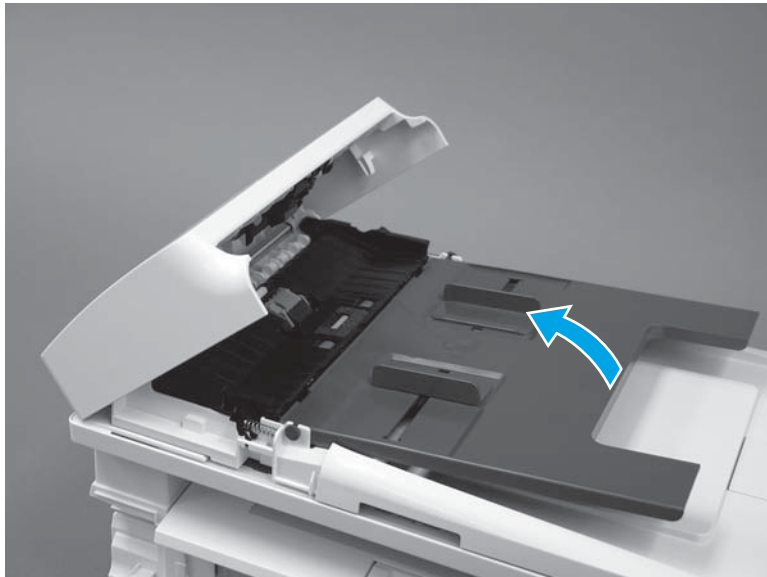
1. Fully open the document feeder top cover.

Figure 1-436 Open the document feeder top cover



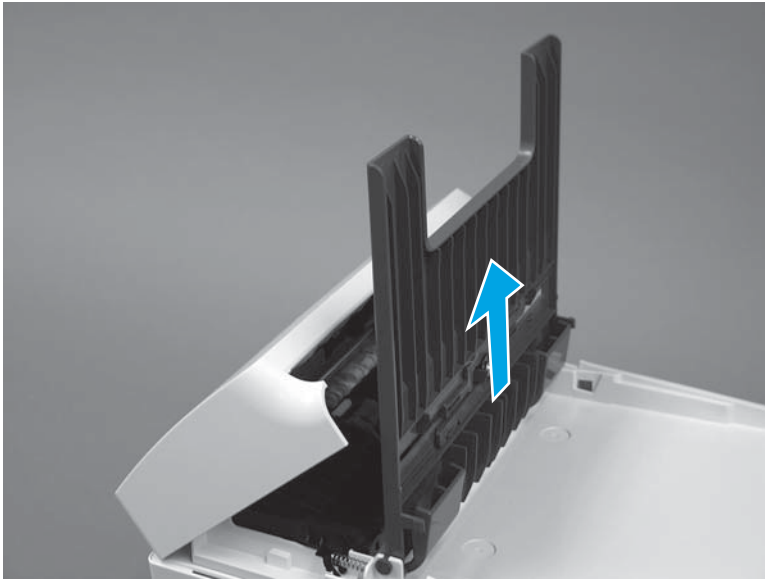
2. Raise the input tray until it is perpendicular to the printer.

Figure 1-437 Raise the input tray



3. Pull the input tray straight up and off of the printer to remove it.

**Figure 1-438** Remove the document feeder input tray



### Step 2: Unpack the replacement assembly

1. Dispose of the defective part.

 **NOTE:** HP recommends responsible disposal of the defective part.

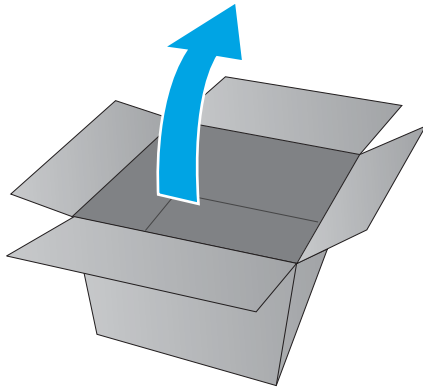
[www.hp.com/recycle](http://www.hp.com/recycle)



2. Unpack the replacement part from the packaging.

**⚠ CAUTION:** If the replacement part is a roller or pad, avoid touching the spongy part of it. Skin oils on the roller or pad can cause paper pickup and/or print-quality problems. HP recommends using disposable gloves when handling rollers or pads or washing your hands or before touching rollers or pads.

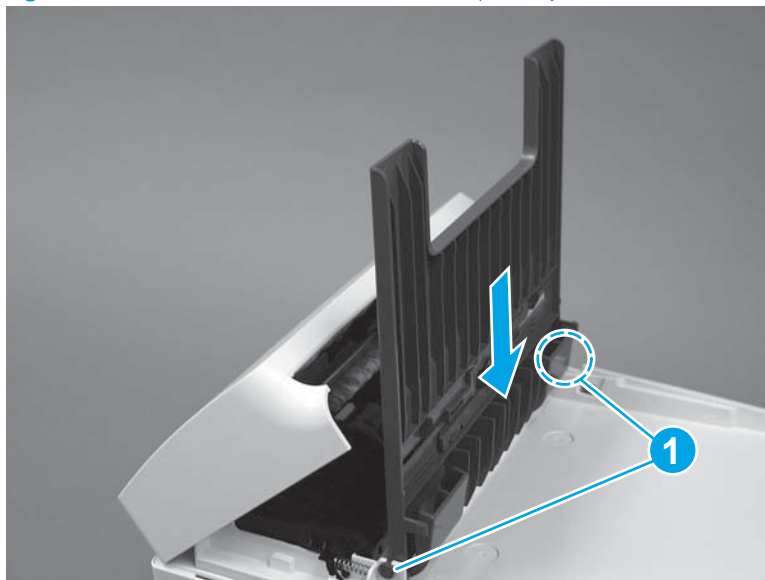
**📋 IMPORTANT:** Make sure that all of the shipping materials (for example shipping tape) are removed from the replacement part prior to installation.



### Step 3: Install the document feeder input tray

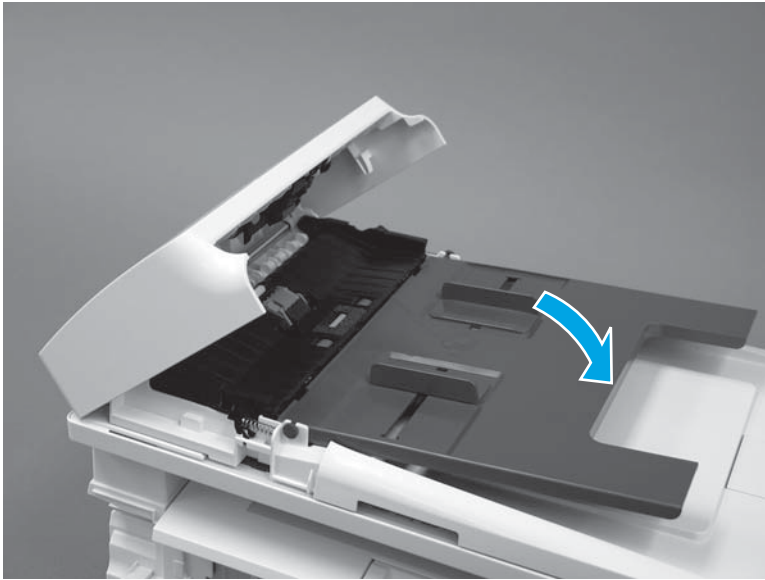
1. With the input tray positioned perpendicular to the printer, align the front and back hinge pins with the mounting slots (callout 1), and then push the tray straight down to install it.

**Figure 1-439** Install the document feeder input tray



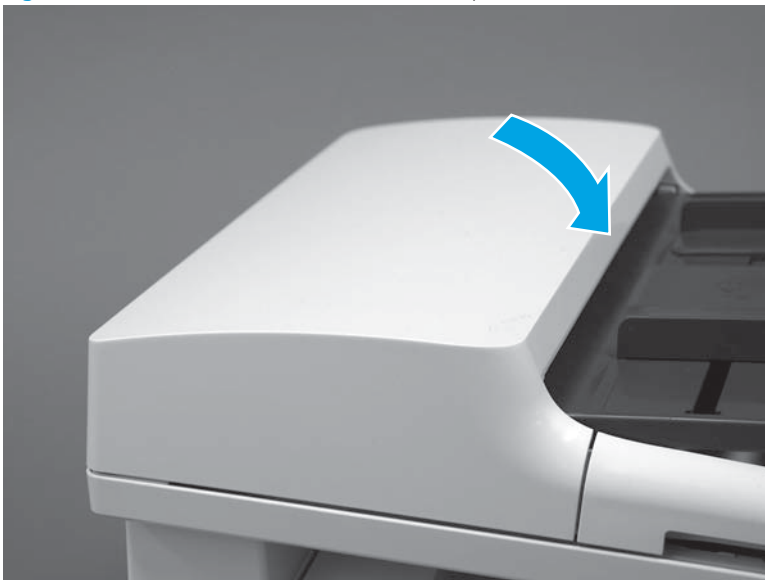
2. Lower the input tray.

**Figure 1-440** Lower the input tray



3. Close the document feeder top cover.

**Figure 1-441** Close the document feeder top cover





## Removal and replacement: Document feeder top cover (MFP)

- [Introduction](#)
- [Step 1: Remove the document feeder top cover](#)
- [Step 2: Unpack the replacement assembly](#)
- [Step 3: Install the document feeder top cover](#)

### Introduction

This document provides the procedures to remove and replace the document feeder top cover (MFP).

### Before performing service

#### Turn the printer power off

- Disconnect the power cable.

**⚠ WARNING!** To avoid damage to the printer, turn the printer off, wait 30 seconds, and then remove the power cable before attempting to service the printer.

Use the table below to identify the correct part number for your printer. To order the part, go to [www.hp.com/buy/parts](http://www.hp.com/buy/parts).

Document feeder top cover part number	
RM2-1180-000CN	Document feeder top cover (MFP)

### Required tools

- No special tools are needed to remove or install this assembly.

### After performing service

#### Turn the printer power on

- Connect the power cable.
- Use the power switch to turn the power on.

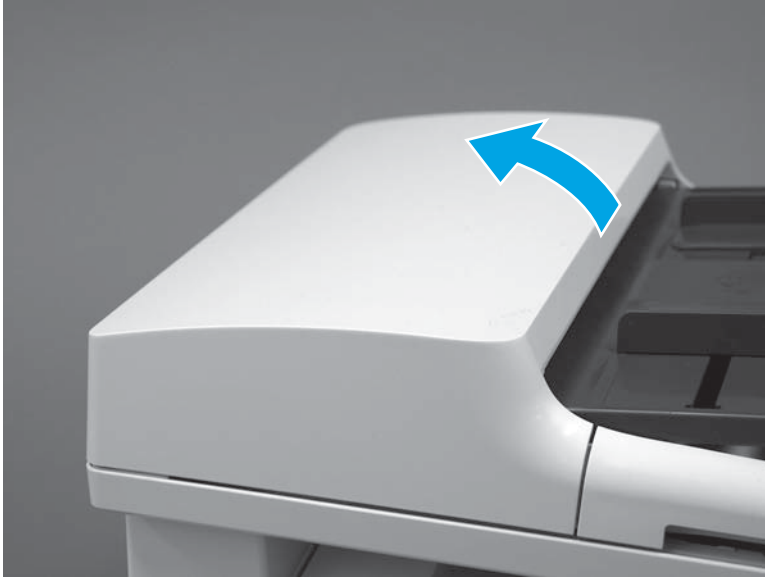
### Post service test

Process a copy job using the document feeder input tray as the source tray and make sure that the page correctly feeds.

### Step 1: Remove the document feeder top cover

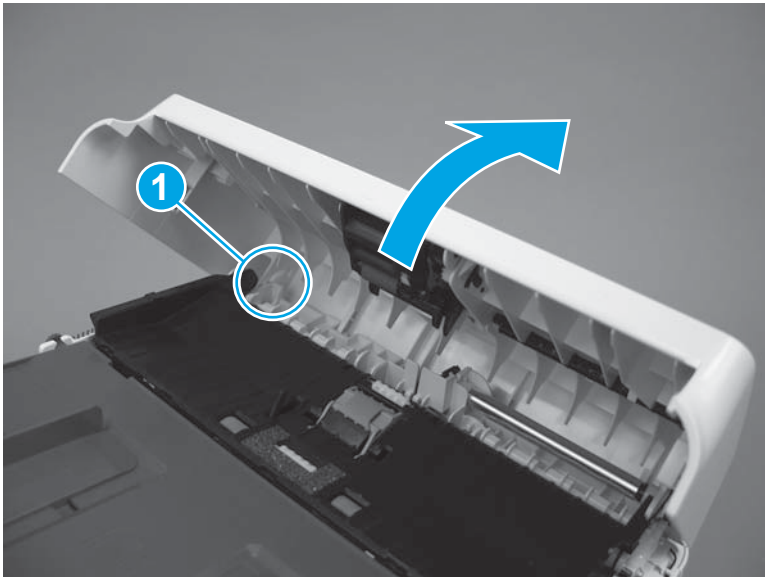
1. Fully open the document feeder top cover.

Figure 1-442 Open the document feeder top cover



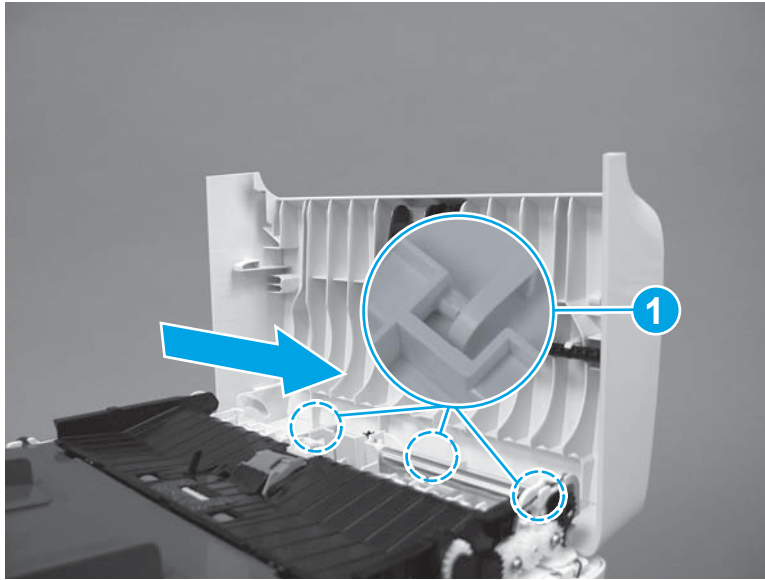
2. Release one tab (callout 1), and then continue to raise the top cover.

Figure 1-443 Release one tab



3. Slide the top cover as shown below to release three hinge pins (callout 1), and then remove the cover.

Figure 1-444 Remove the document feeder top cover



### Step 2: Unpack the replacement assembly

1. Dispose of the defective part.

 **NOTE:** HP recommends responsible disposal of the defective part.

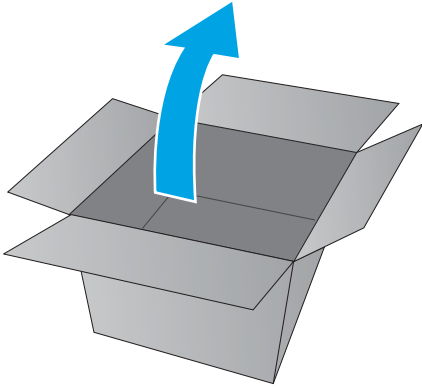
[www.hp.com/recycle](http://www.hp.com/recycle)



2. Unpack the replacement part from the packaging.

**⚠ CAUTION:** If the replacement part is a roller or pad, avoid touching the spongy part of it. Skin oils on the roller or pad can cause paper pickup and/or print-quality problems. HP recommends using disposable gloves when handling rollers or pads or washing your hands or before touching rollers or pads.

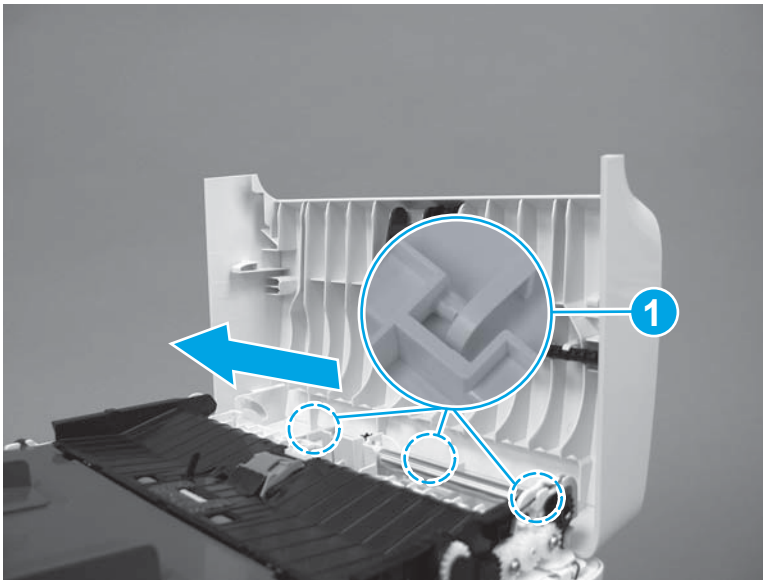
**📄 IMPORTANT:** Make sure that all of the shipping materials (for example shipping tape) are removed from the replacement part prior to installation.



### Step 3: Install the document feeder top cover

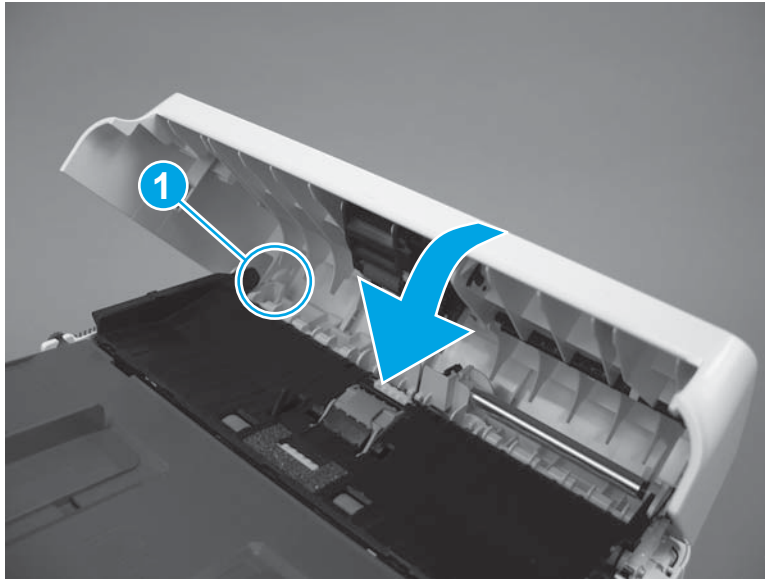
1. Position the top cover on the document feeder, align three hinge pins (callout 1), and then slide the top cover as shown below to install it.

**Figure 1-445** Install the document feeder top cover



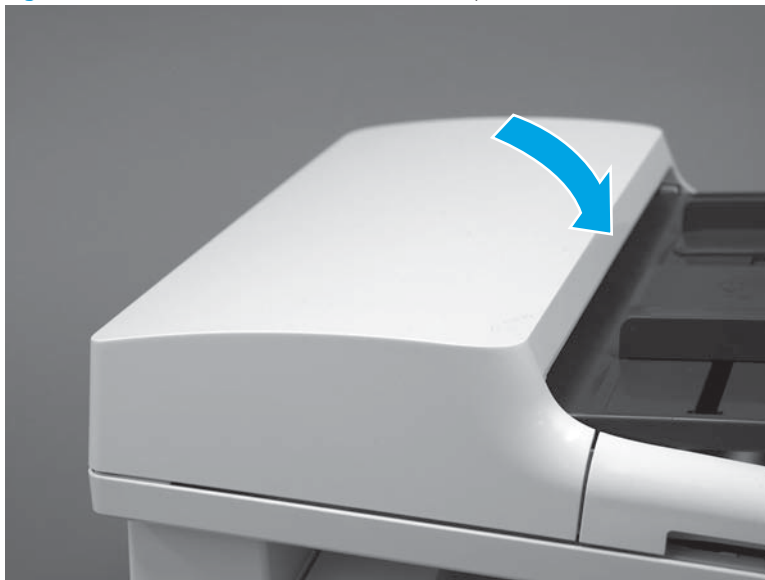
2. Lower the top cover to engage one tab (callout 1).

Figure 1-446 Engage one tab



3. Close the document feeder top cover.

Figure 1-447 Close the document feeder top cover



## Removal and replacement: Document feeder pre-pick arm (MFP)

- [Introduction](#)
- [Step 1: Remove the document feeder top cover](#)
- [Step 2: Remove the document feeder pre-pick arm](#)
- [Step 3: Unpack the replacement assembly](#)
- [Step 4: Install the document feeder pre-pick arm](#)
- [Step 5: Install the document feeder top cover](#)

### Introduction


This document provides the procedures to remove and replace the document feeder pickup roller (MFP).

### Before performing service

#### Turn the printer power off

- Disconnect the power cable.

---

 **WARNING!** To avoid damage to the printer, turn the printer off, wait 30 seconds, and then remove the power cable before attempting to service the printer.

---

Use the table below to identify the correct part number for your printer. To order the part, go to [www.hp.com/buy/parts](http://www.hp.com/buy/parts).

Document feeder pickup roller part number	
RM2-1187-000CN	Document feeder pre-pick arm (MFP)

### Required tools

- No special tools are needed to remove or install this assembly.

### After performing service

#### Turn the printer power on

- Connect the power cable.
- Use the power switch to turn the power on.

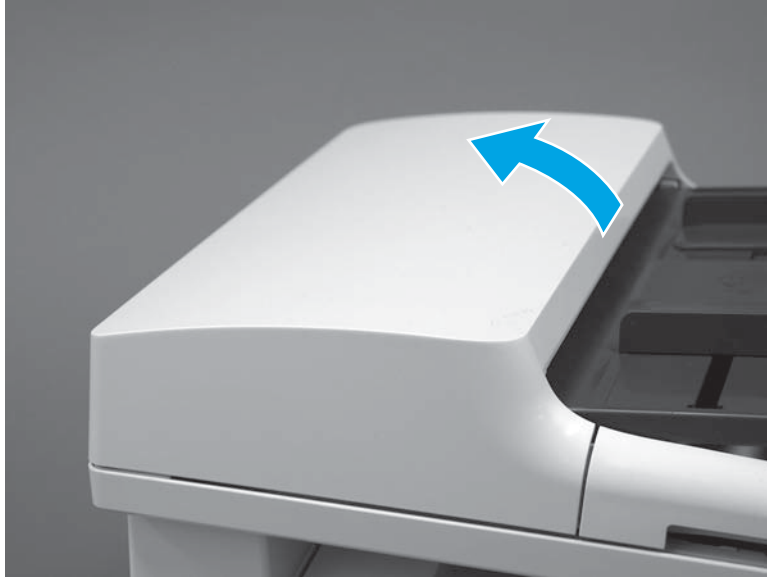
### Post service test

Process a copy job using the document feeder input tray as the source tray and make sure that the page correctly feeds.

### Step 1: Remove the document feeder top cover

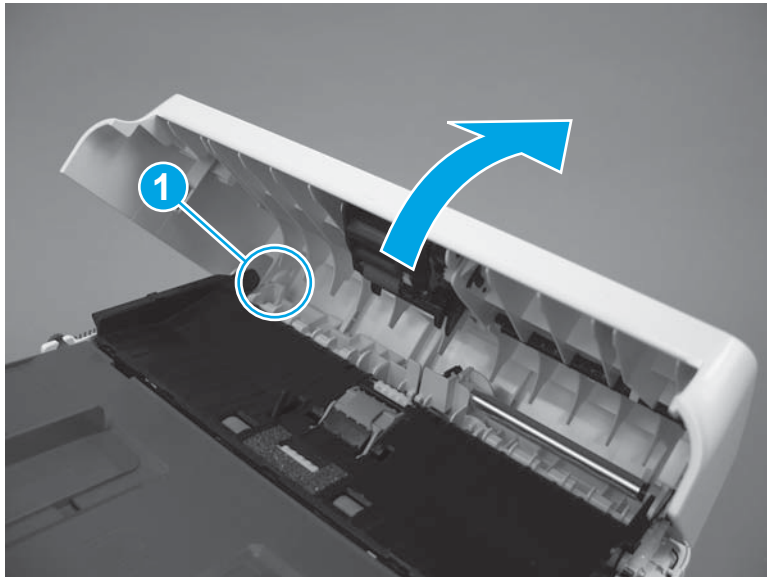
1. Fully open the document feeder top cover.

Figure 1-448 Open the document feeder top cover



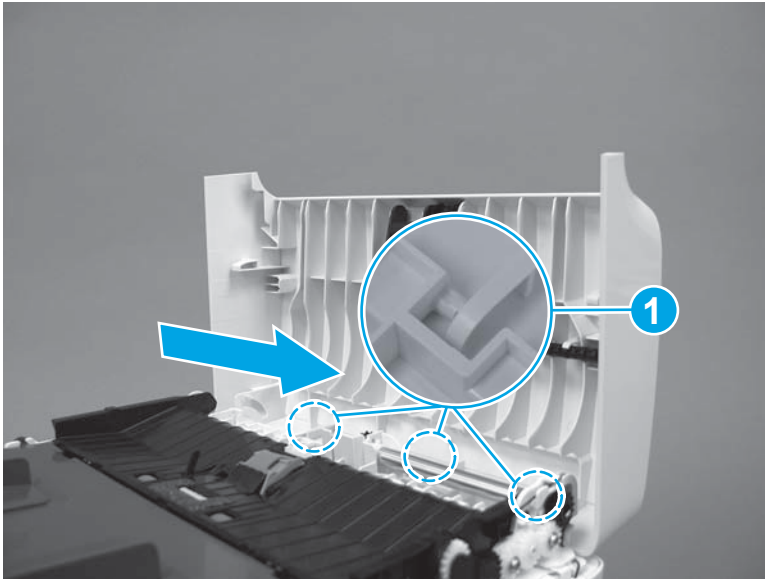
2. Release one tab (callout 1), and then continue to raise the top cover.

Figure 1-449 Release one tab



3. Slide the top cover as shown below to release three hinge pins (callout 1), and then remove the cover.

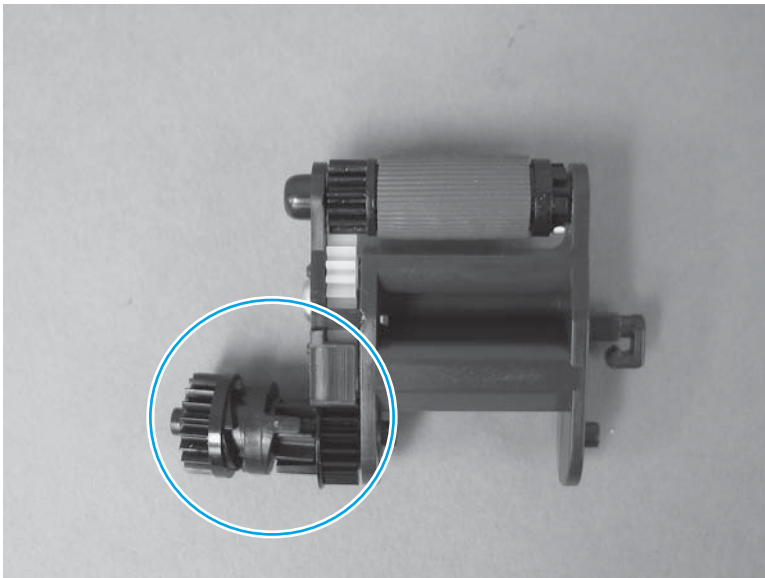
**Figure 1-450** Remove the document feeder top cover



#### Step 2: Remove the document feeder pre-pick arm

1. Before proceeding, take note of how the document feeder pre-pick arm drive gear is installed on the assembly.

**Figure 1-451** Note the pre-pick arm drive gear

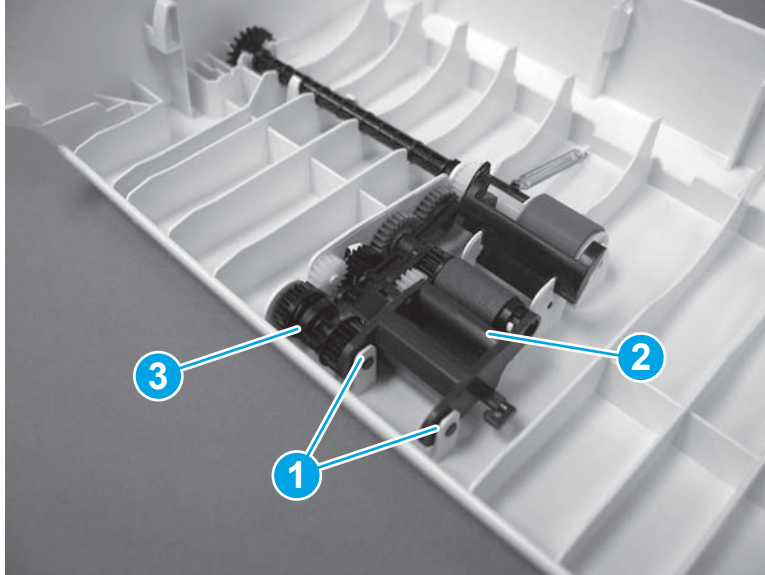




2. Inside the document feeder top cover, release two tabs (callout 1), and then remove the pre-pick arm assembly (callout 2).

**⚠ CAUTION:** The pre-pick arm drive gear (callout 3) is not captive. Do not lose the gear when handling the assembly.

**Figure 1-452** Remove the document feeder pre-pick arm



### Step 3: Unpack the replacement assembly

1. Dispose of the defective part.

**📄 NOTE:** HP recommends responsible disposal of the defective part.

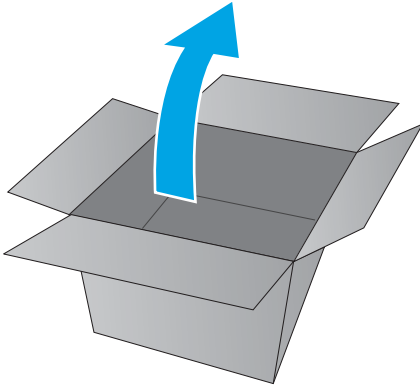
[www.hp.com/recycle](http://www.hp.com/recycle)



2. Unpack the replacement part from the packaging.

**⚠ CAUTION:** If the replacement part is a roller or pad, avoid touching the spongy part of it. Skin oils on the roller or pad can cause paper pickup and/or print-quality problems. HP recommends using disposable gloves when handling rollers or pads or washing your hands or before touching rollers or pads.

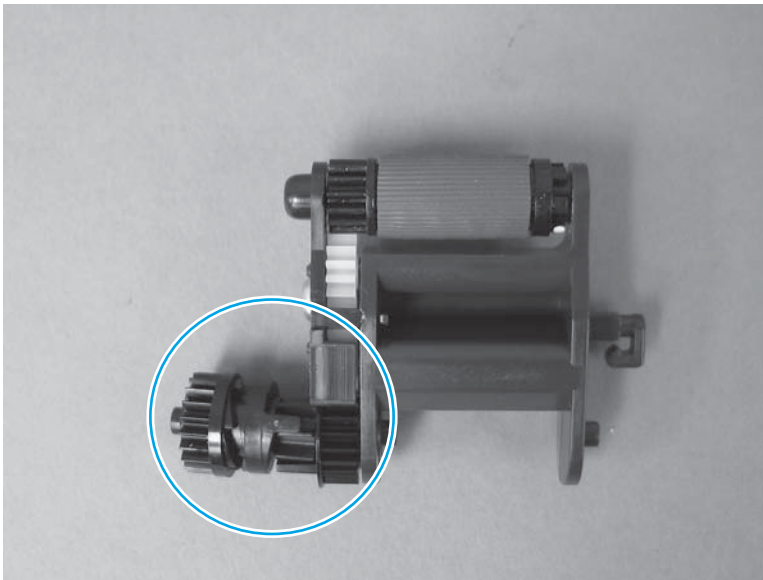
**📄 IMPORTANT:** Make sure that all of the shipping materials (for example shipping tape) are removed from the replacement part prior to installation.



#### Step 4: Install the document feeder pre-pick arm

1. If the document feeder pre-pick arm drive gear is dislodged when handling the assembly, use the figure below to reinstall it.

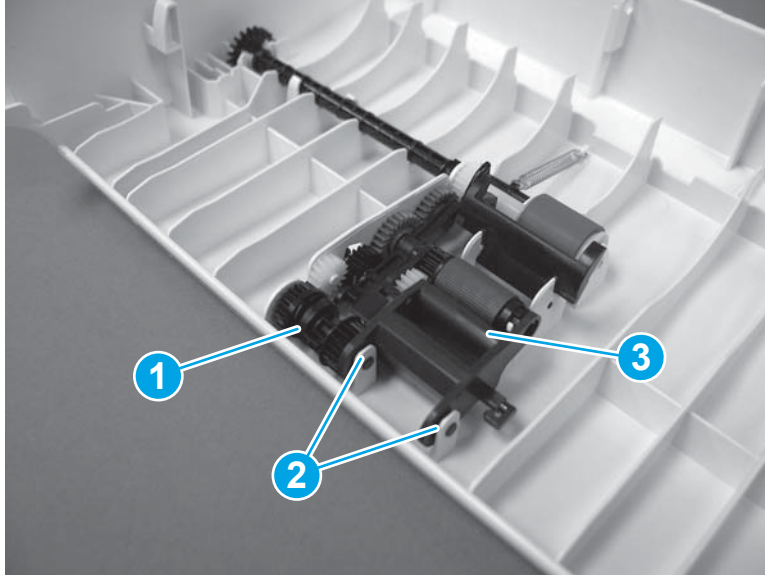
**Figure 1-453** Pre-pick arm drive gear



2. Inside the document feeder top cover, engage the pre-pick arm drive gear (callout 1), and then engage two tabs (callout 2) on the assembly with the holders on the top cover to install the assembly (callout 3).

**⚠ CAUTION:** The pre-pick arm drive gear (callout 1) is not captive. Do not lose the gear when handling the assembly.

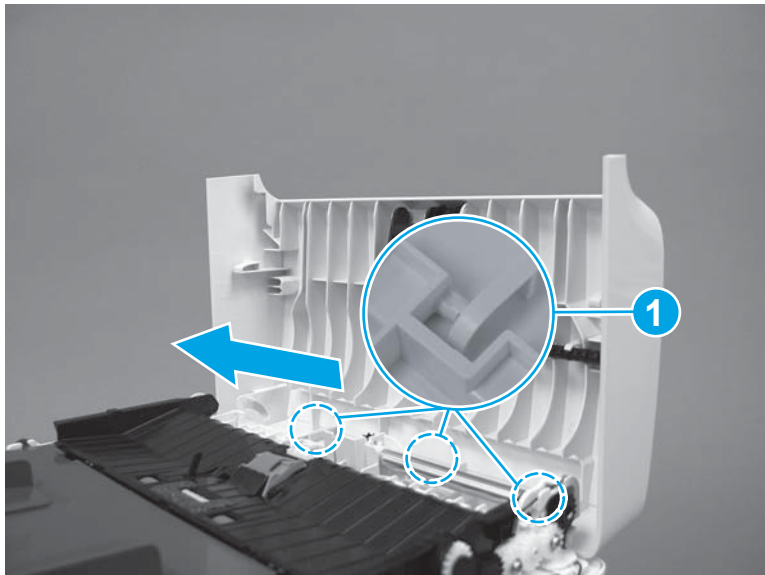
**Figure 1-454** Install the document feeder pre-pick arm



#### Step 5: Install the document feeder top cover

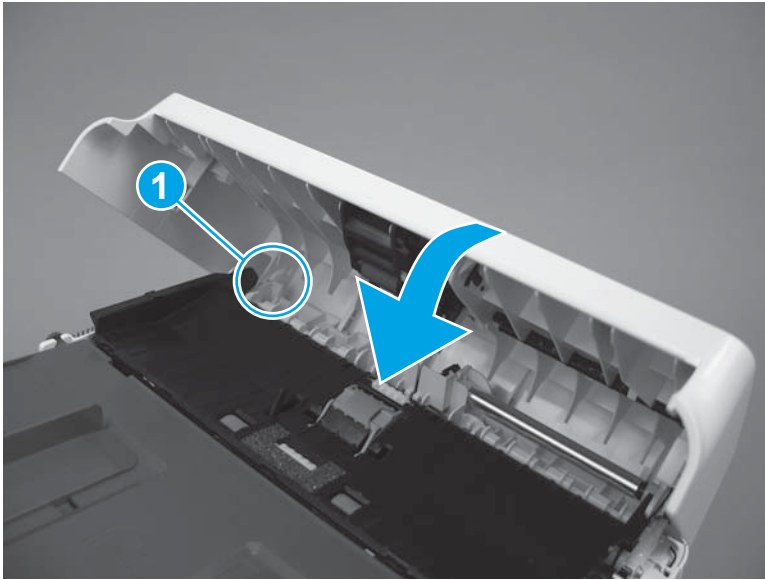
1. Position the top cover on the document feeder, align three hinge pins (callout 1), and then slide the top cover as shown below to install it.

**Figure 1-455** Install the document feeder top cover



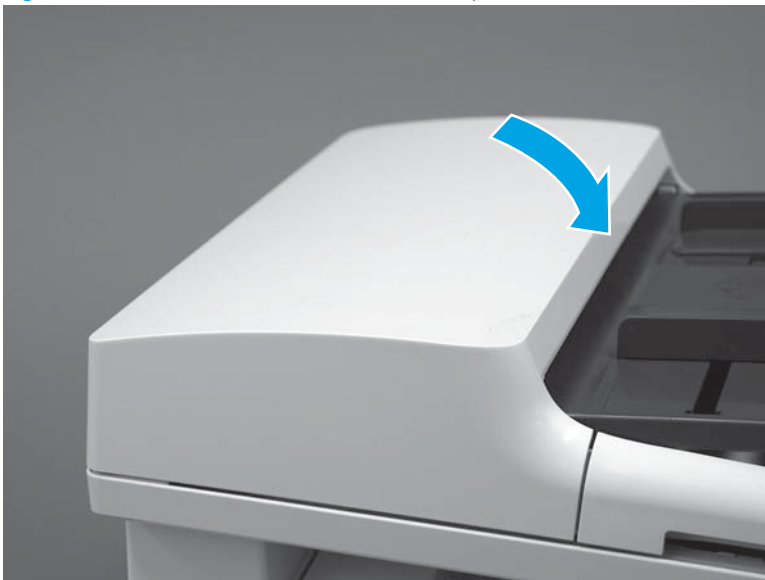
2. Lower the top cover to engage one tab (callout 1).

Figure 1-456 Engage one tab



3. Close the document feeder top cover.

Figure 1-457 Close the document feeder top cover



## Removal and replacement: Document feeder core assembly (MFP)

- [Introduction](#)
- [Step 1: Remove the duplex door](#)
- [Step 2: Remove the left cover](#)
- [Step 3: Remove the cable cover](#)
- [Step 4: Remove the 4-in-1 scanner assembly](#)
- [Step 5: Remove the document feeder top cover](#)
- [Step 6: Remove the document feeder core assembly](#)
- [Step 7: Unpack the replacement assembly](#)
- [Step 8: Install the document feeder core assembly](#)
- [Step 9: Install the document feeder top cover](#)
- [Step 10: Install the 4-in-1 scanner assembly](#)
- [Step 11: Install the cable cover](#)
- [Step 12: Install the left cover](#)
- [Step 13: Install the duplex door](#)

### Introduction

This document provides the procedures to remove and replace the document feeder core assembly (MFP).

### Before performing service

#### Turn the printer power off

- Disconnect the power cable.

**⚠ WARNING!** To avoid damage to the printer, turn the printer off, wait 30 seconds, and then remove the power cable before attempting to service the printer.

Use the table below to identify the correct part number for your printer. To order the part, go to [www.hp.com/buy/parts](http://www.hp.com/buy/parts).

Document feeder core assembly part number	
RM2-1184-000CN	Document feeder core assembly (MFP)

### Required tools

- No special tools are needed to remove or install this assembly.

## After performing service

### Turn the printer power on

- Connect the power cable.
- Use the power switch to turn the power on.

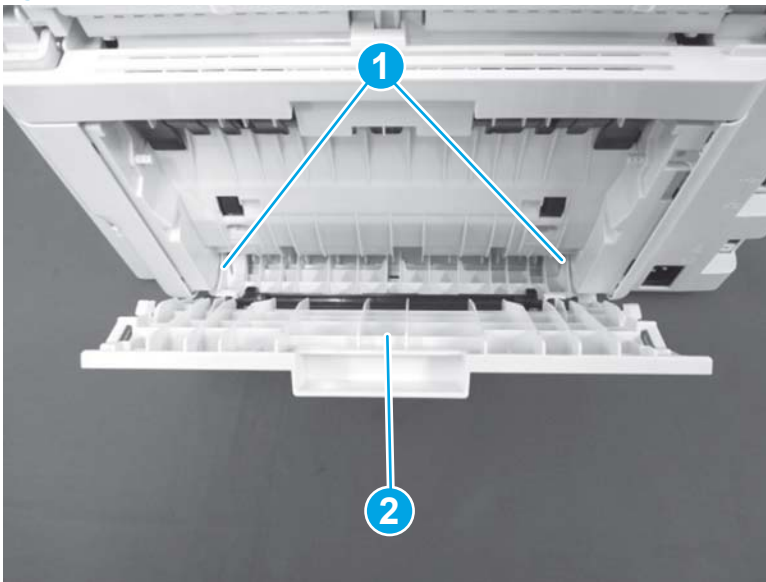
### Post service test

Process a copy job using the document feeder input tray as the source tray and make sure that the page correctly feeds.

### Step 1: Remove the duplex door

1. Open the duplex door.
2. Use a small flat-blade screwdriver to release two tabs (callout 1), and then remove the duplex door (callout 2).

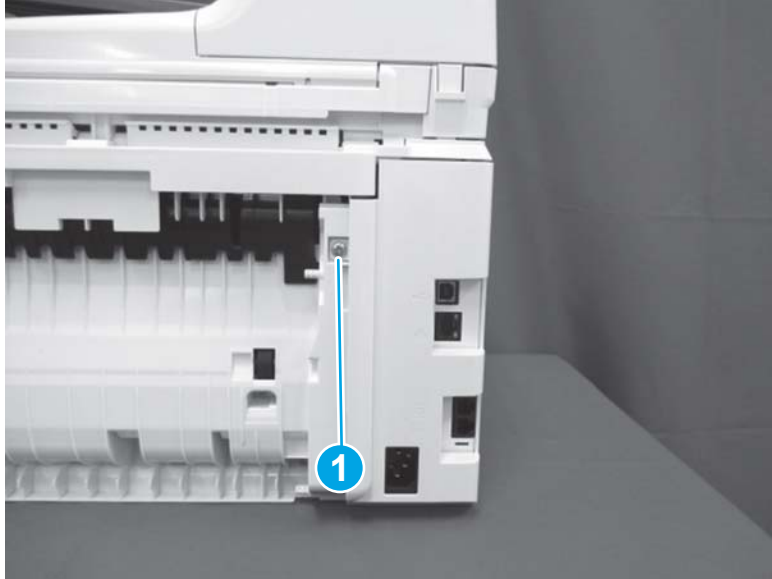
**Figure 1-458** Remove the duplex door



### Step 2: Remove the left cover

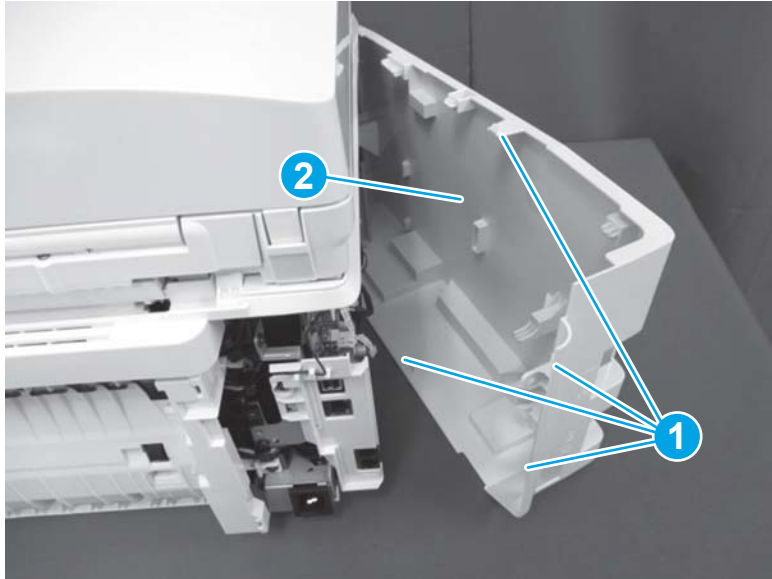
1. Remove one screw (callout 1).

Figure 1-459 Remove one screw (MFP)



2. Release four tabs (callout 1), and then remove the left cover (callout 2).

Figure 1-460 Remove the left cover (MFP)



### Step 3: Remove the cable cover

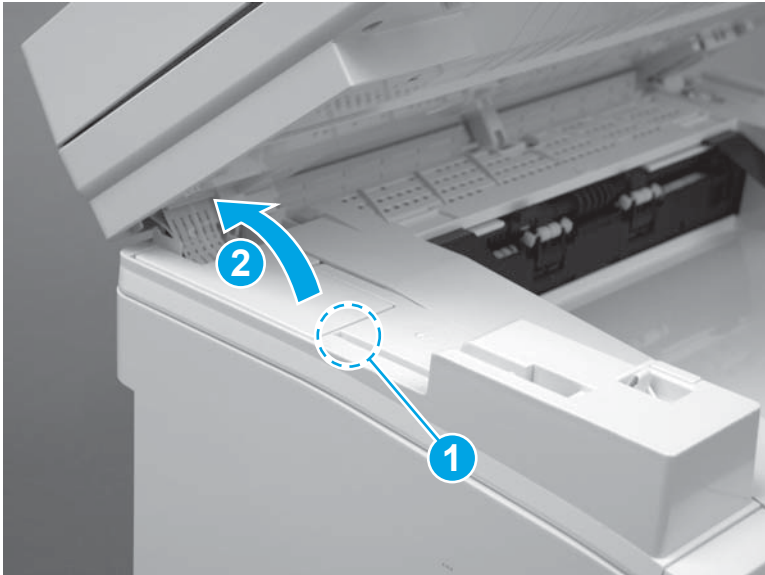
1. Open the scanner assembly.

**Figure 1-461** Open the scanner assembly



2. Use a small flat-blade screw driver to release one tab (callout 1), and then remove the cable cover (callout 2).

**Figure 1-462** Remove the cable cover (MFP)

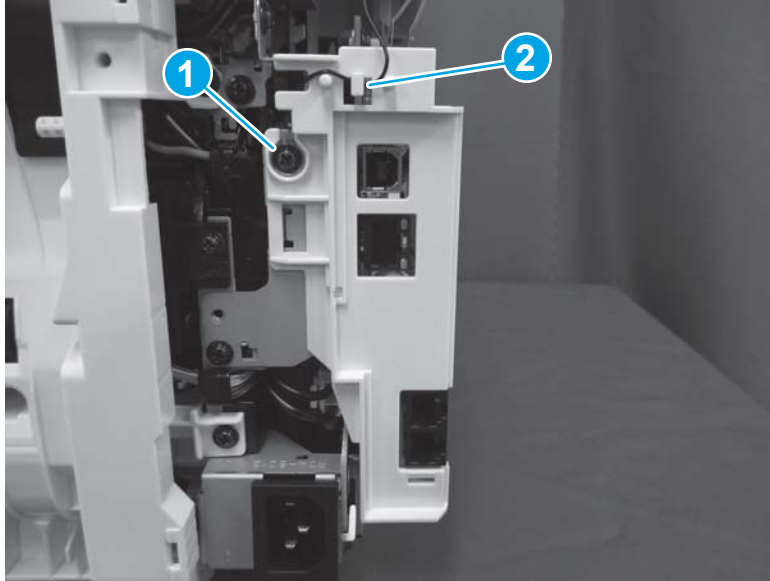


**Step 4: Remove the 4-in-1 scanner assembly**

1. Remove one screw (callout 1), and then release the ground wire from the retainer (callout 2).

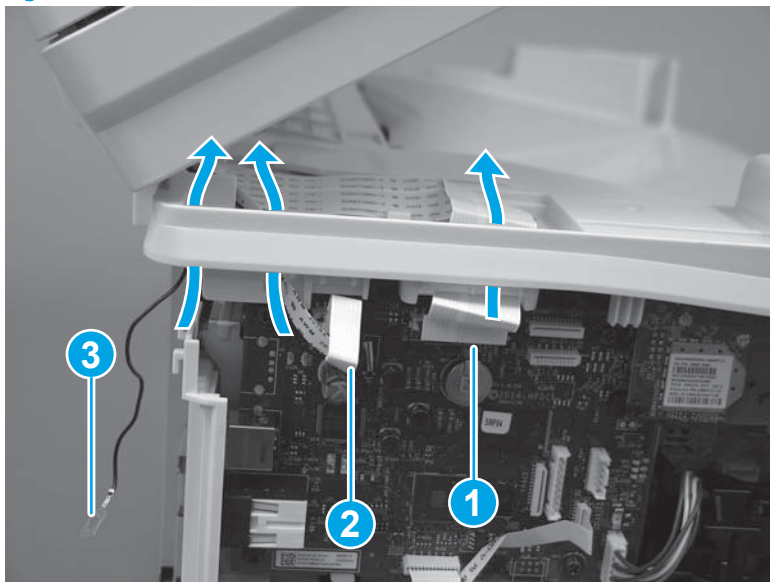


Figure 1-463 Release the ground wire (4-in-1 models)



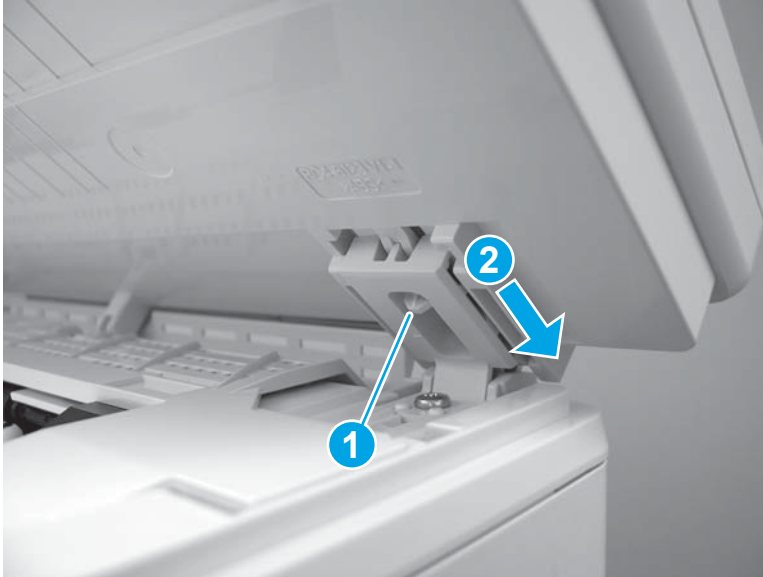
2. Disconnect two flat cables (callouts 1/2), and then pass the flat cables and the ground wire (callout 3) up through the opening in the chassis.

Figure 1-464 Disconnect flat cable(s)



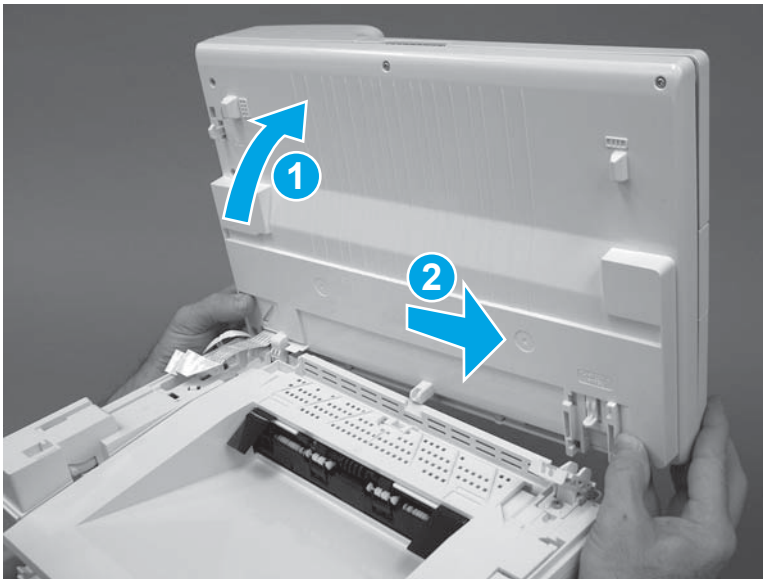
3. Release one tab (callout 1), and then push the right side of the scanner assembly toward the rear of the printer to release the right hinge (callout 2).

Figure 1-465 Release the right hinge



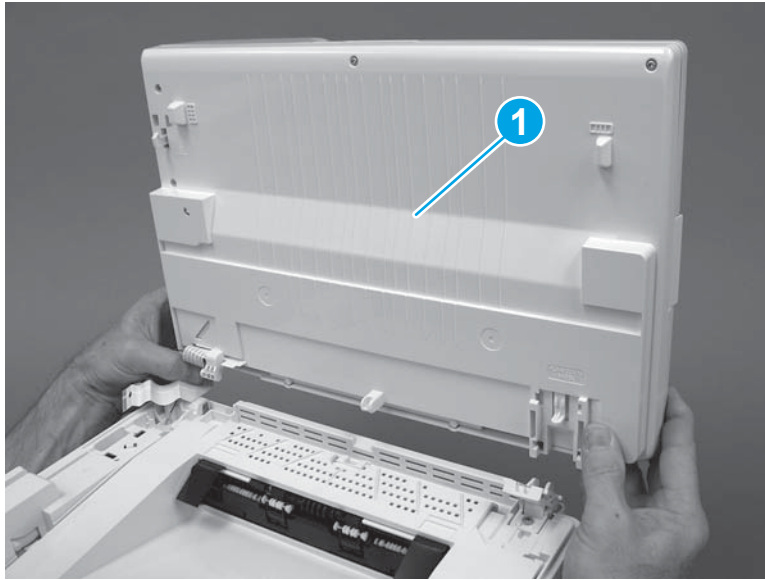
4. Rotate the scanner assembly towards the rear of the printer (callout 1), and then slide the scanner assembly toward the right side of the printer to release the left hinge (callout 2).

Figure 1-466 Release the left hinge



5. Remove the scanner assembly (callout 1).

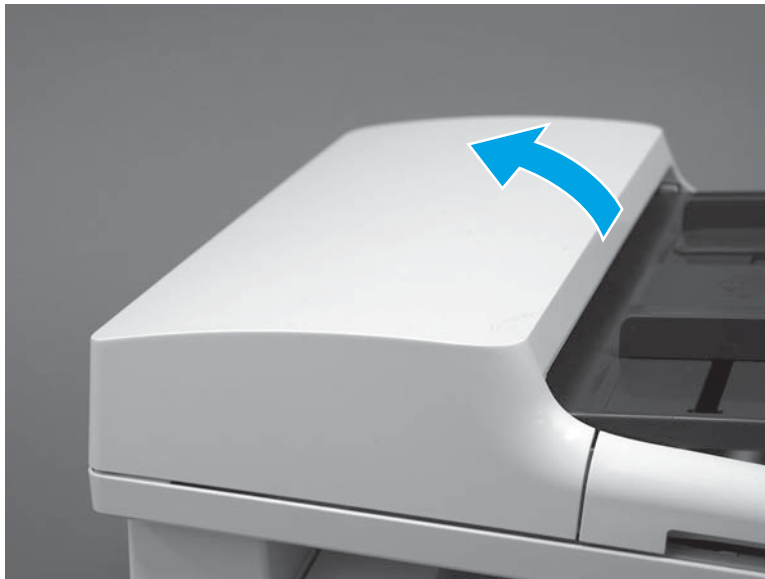
Figure 1-467 Remove the scanner assembly



#### Step 5: Remove the document feeder top cover

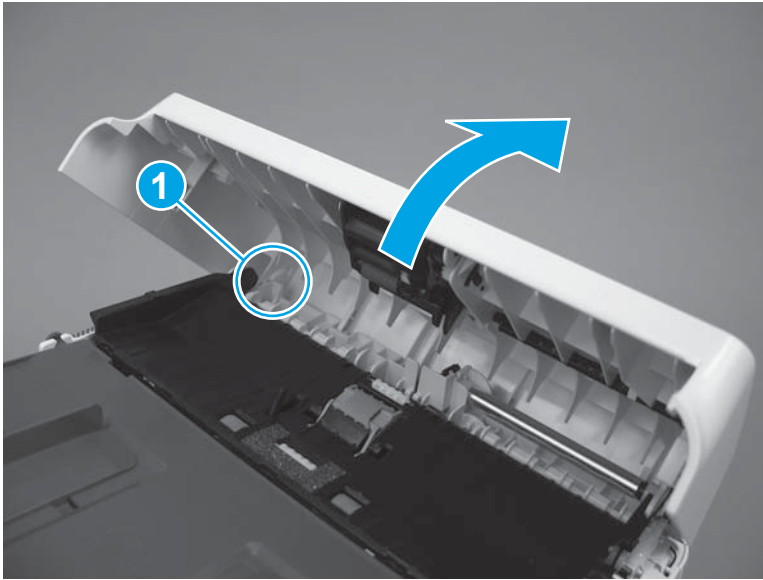
1. Fully open the document feeder top cover.

Figure 1-468 Open the document feeder top cover



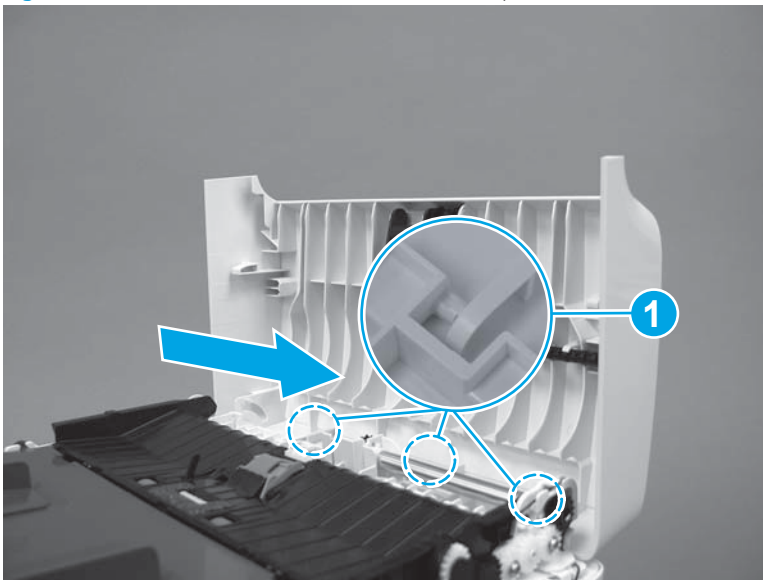
2. Release one tab (callout 1), and then continue to raise the top cover.

Figure 1-469 Release one tab



3. Slide the top cover as shown below to release three hinge pins (callout 1), and then remove the cover.

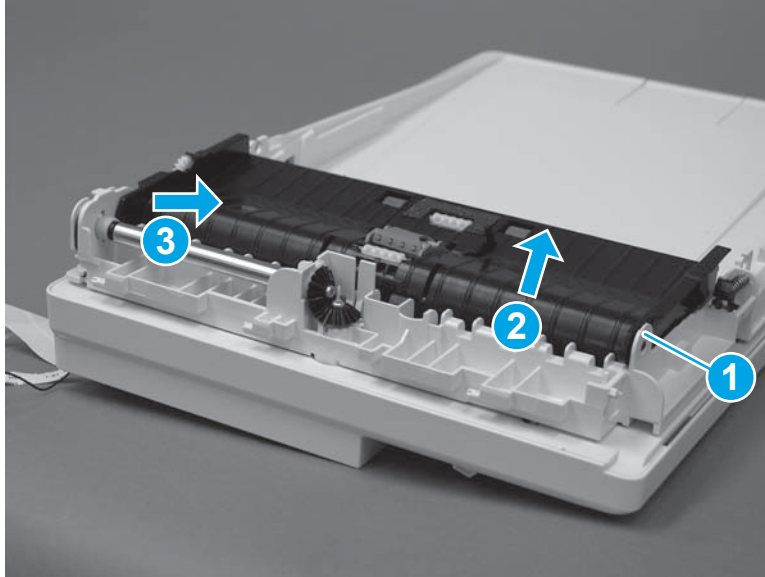
Figure 1-470 Remove the document feeder top cover



#### Step 6: Remove the document feeder core assembly

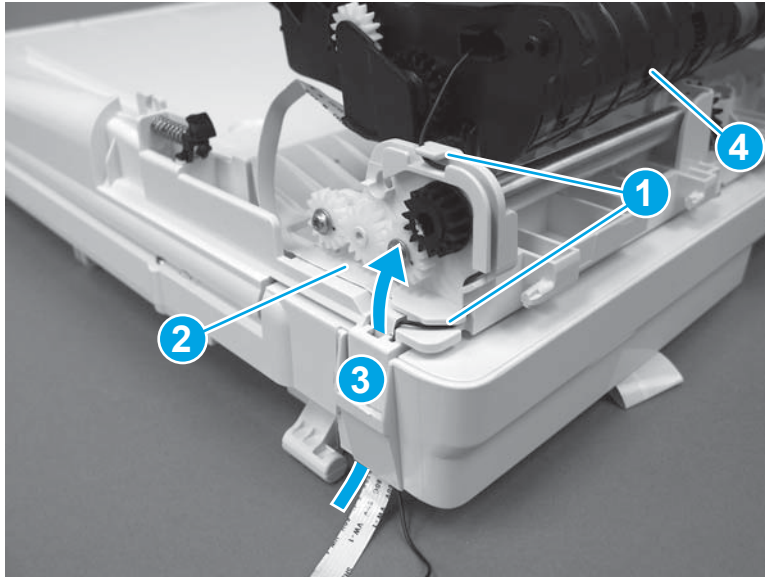
1. Release one tab (callout 1), slightly lift up the core assembly (callout 2), and then slide the assembly as shown below (callout 3) to release it.

Figure 1-471 Release the document feeder core assembly



2. Release the wire harness from the guide (callout 1), release the flat cable two-sided tape (callout 2), and then thread the wire harness and flat cable through the opening in the hinge (callout 3) while removing the core assembly (callout 4).

Figure 1-472 Remove the document feeder core assembly



### Step 7: Unpack the replacement assembly

1. Dispose of the defective part.

 **NOTE:** HP recommends responsible disposal of the defective part.

[www.hp.com/recycle](http://www.hp.com/recycle)



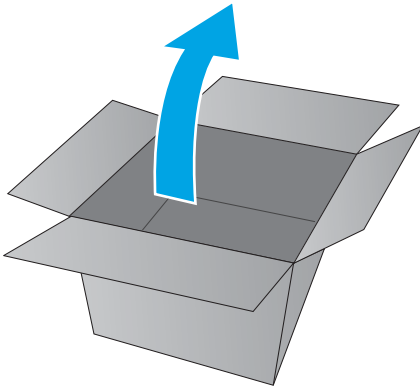
2. Unpack the replacement part from the packaging.

---

**⚠ CAUTION:** If the replacement part is a roller or pad, avoid touching the spongy part of it. Skin oils on the roller or pad can cause paper pickup and/or print-quality problems. HP recommends using disposable gloves when handling rollers or pads or washing your hands or before touching rollers or pads.

**📋 IMPORTANT:** Make sure that all of the shipping materials (for example shipping tape) are removed from the replacement part prior to installation.

---



### Step 8: Install the document feeder core assembly

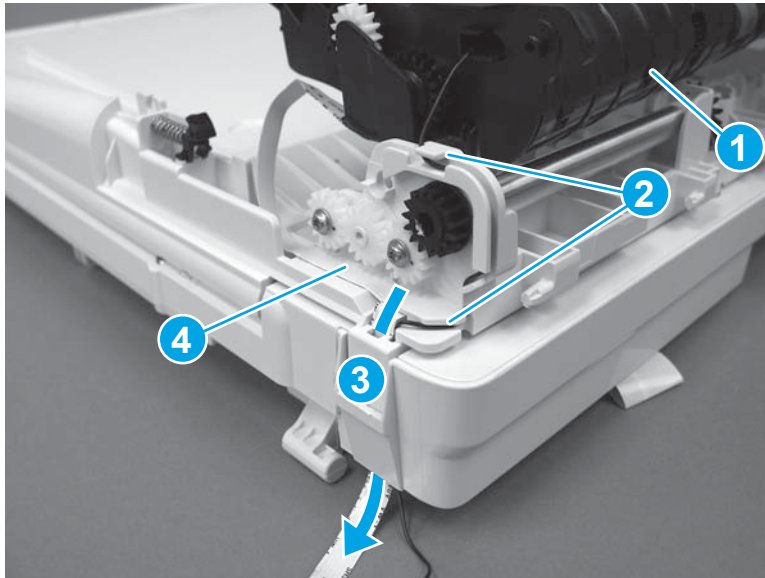
1. Position the core assembly (callout 1) near the document feeder, install the wire harness in the guide (callout 2), and then thread the wire harness and flat cable through the opening in the hinge (callout 3).

---

**📋 NOTE:** Push down on the flat cable two-sided tape (callout 4) to fasten it to the document feeder.

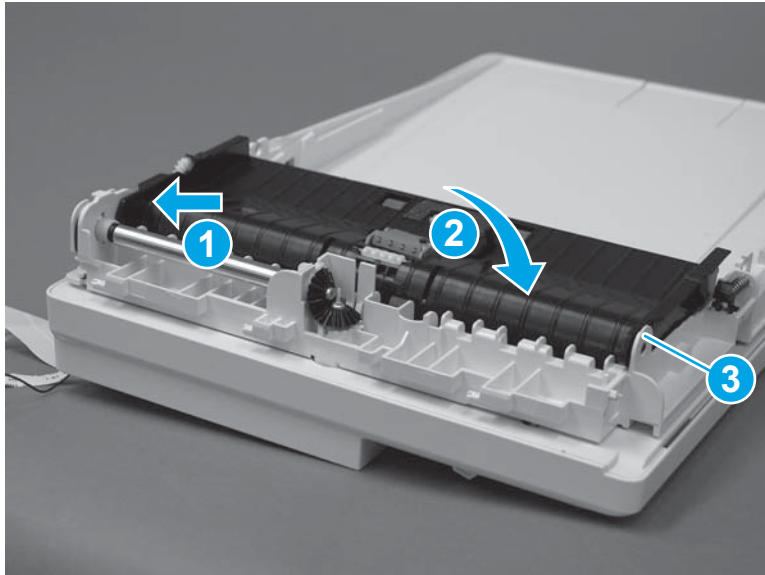
---

Figure 1-473 Install the document feeder wire harness and flat cable



2. Seat the pin on the gear end of the core assembly in the holder (callout 1), carefully lower the assembly into place (callout 2), and then engage one tab (callout 3) to install the assembly.

Figure 1-474 Install the document feeder core assembly

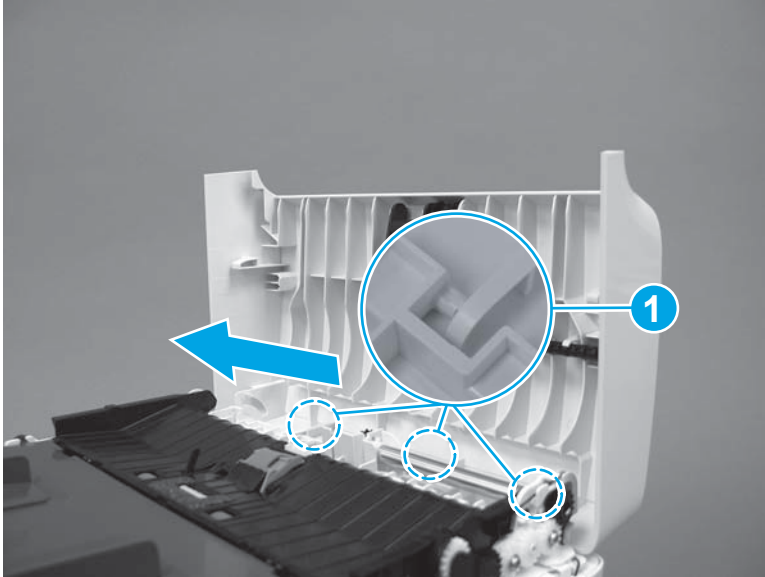


#### Step 9: Install the document feeder top cover

1. Position the top cover on the document feeder, align three hinge pins (callout 1), and then slide the top cover as shown below to install it.

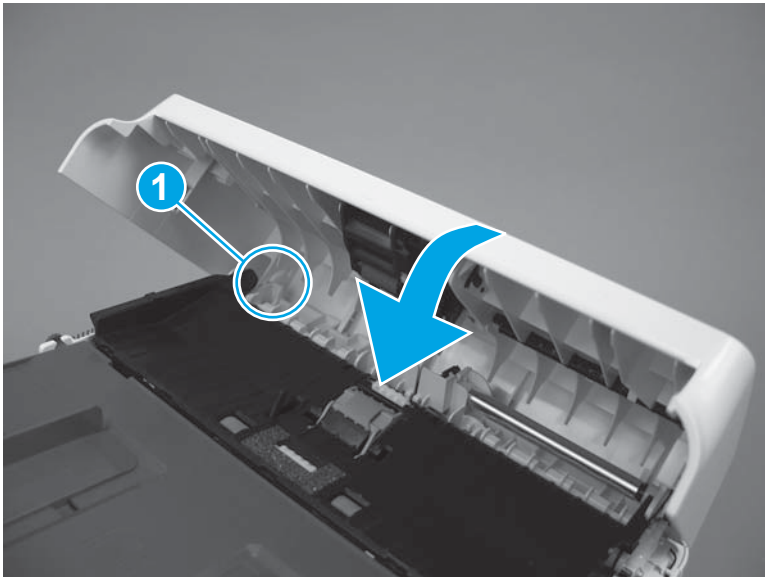


Figure 1-475 Install the document feeder top cover



2. Lower the top cover to engage one tab (callout 1).

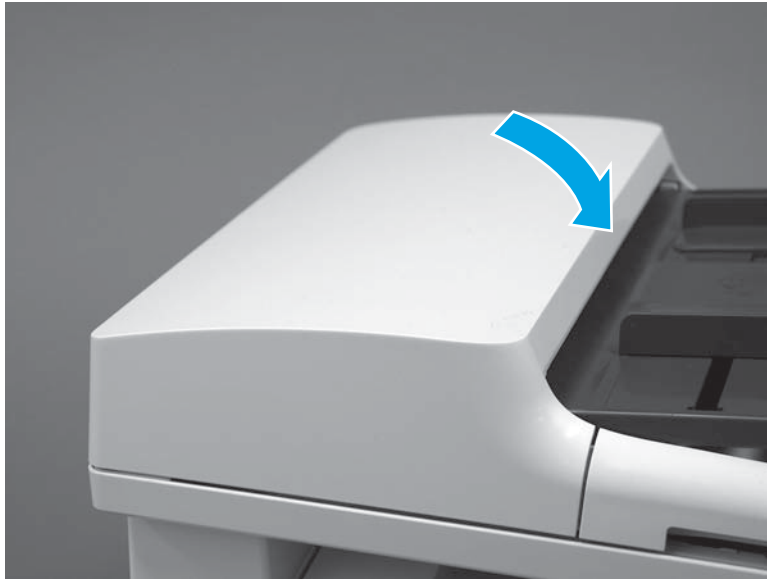
Figure 1-476 Engage one tab





3. Close the document feeder top cover.

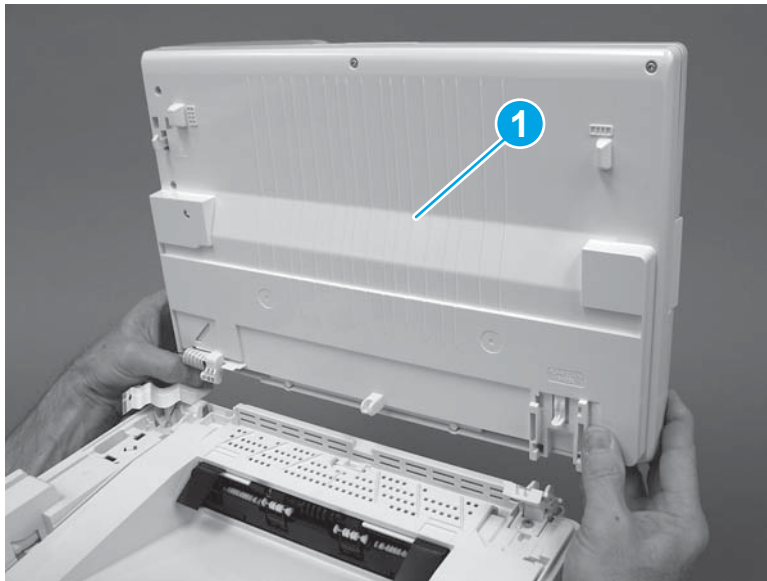
Figure 1-477 Close the document feeder top cover



#### Step 10: Install the 4-in-1 scanner assembly

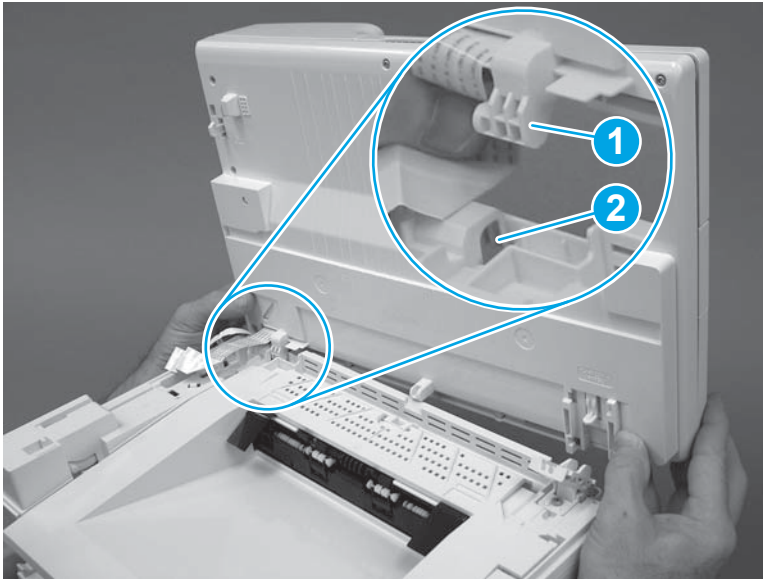
1. Position the scanner assembly (callout 1) near the printer.

Figure 1-478 Install the scanner assembly (MFP)



- Engage the left hinge (callout 1) with the top cover (callout 2).

Figure 1-479 Engage the left hinge (MFP)



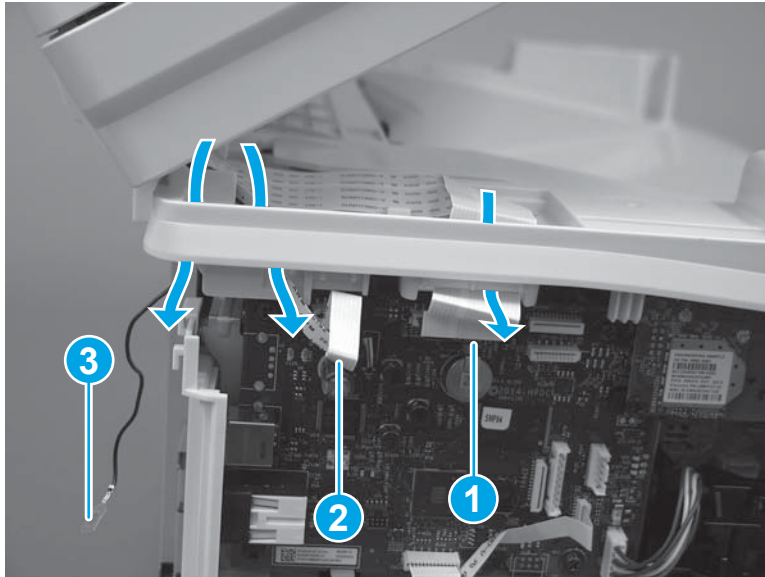
- Push the right side of the scanner assembly toward the front of the printer to engage the right hinge (callout 1). Make sure that the tab (callout 2) snaps into place.

Figure 1-480 Engage the right hinge (MFP)



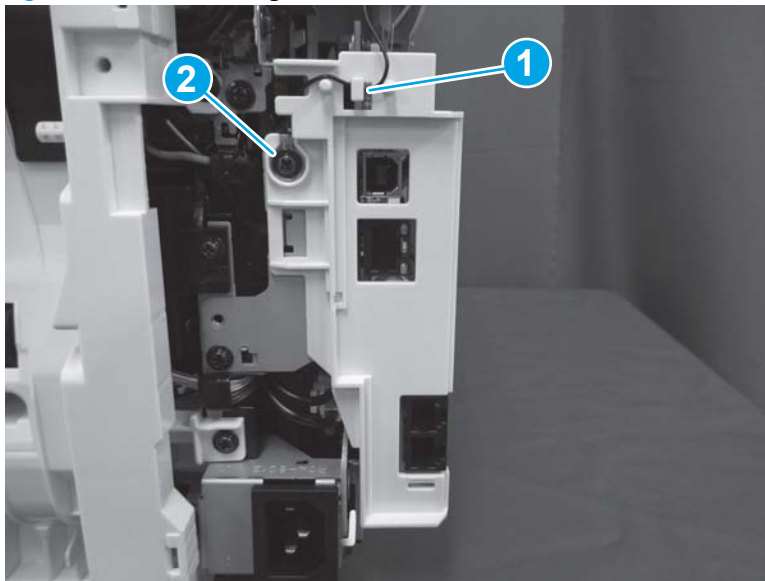
4. Pass the flat cables (callouts 1/2) and the ground wire (callout 3) through the openings in the chassis, and then connect the two flat cables.

Figure 1-481 Connect flat cable(s)



5. Install the ground wire in the retainer (callout 1), and then install one screw (callout 2).

Figure 1-482 Install the ground wire (4-in-1 models)



### Step 11: Install the cable cover

1. Install the cable cover (callout 1), on the printer, and then push down to engage one tab (callout 2).

Figure 1-483 Install the cable cover (MFP)



2. Close the scanner assembly.

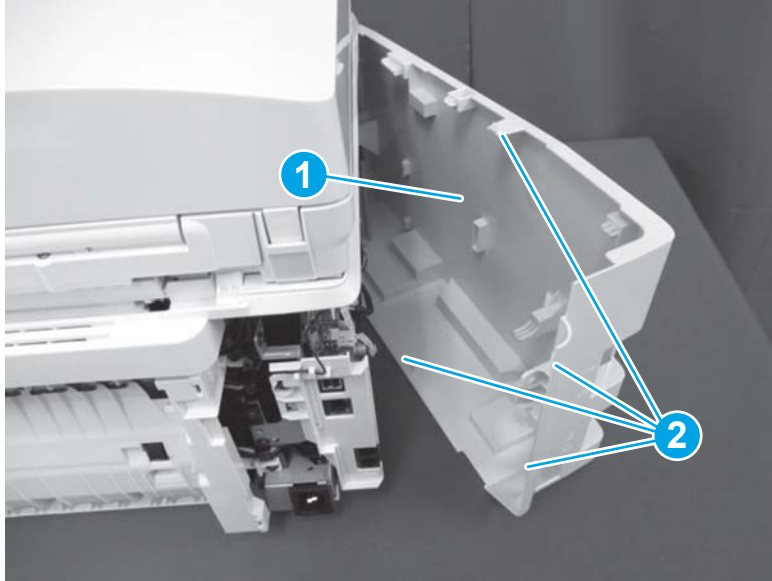
Figure 1-484 Close the scanner assembly



### Step 12: Install the left cover

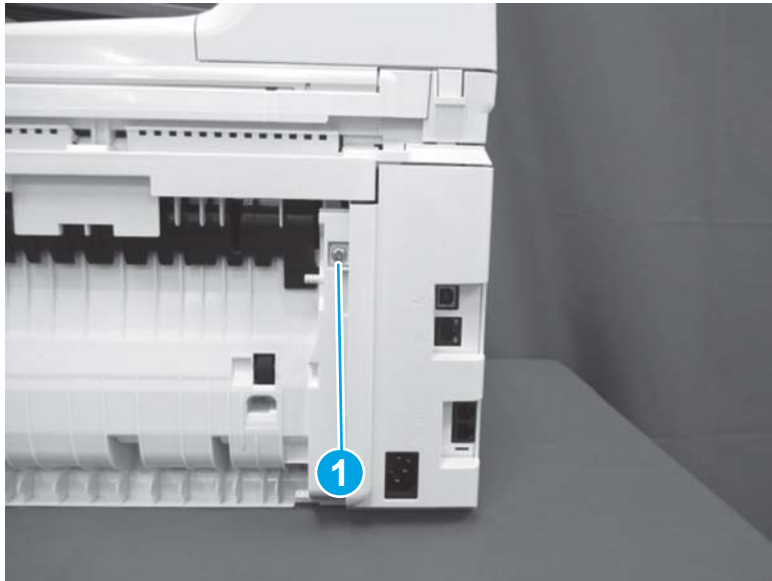
1. Position the left cover (callout 1) on the printer, and then engage four tabs (callout 2).

Figure 1-485 Install the left cover (MFP)



2. Install one screw (callout 1).

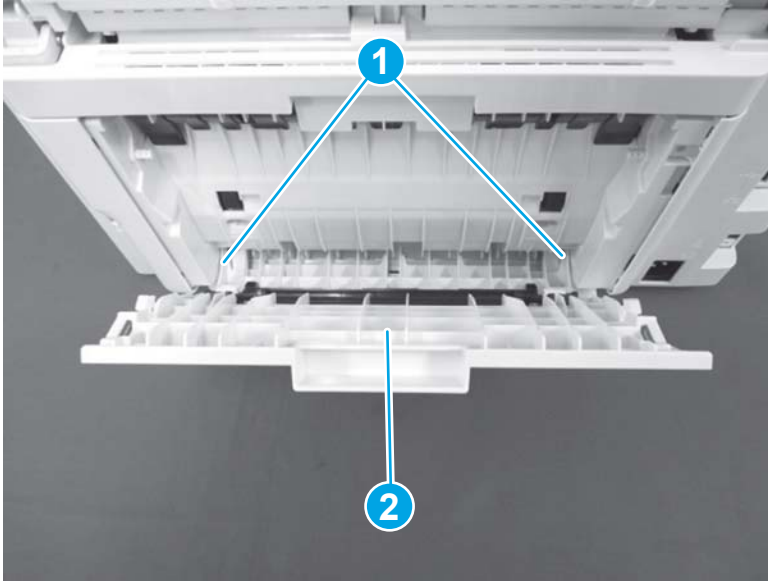
Figure 1-486 Install one screw (MFP)



### Step 13: Install the duplex door

1. Install two tabs (callout 1) to install the duplex door (callout 2).


Figure 1-487 Install the duplex door



2. Close the duplex door.

## Removal and replacement: 3-in-1 or 4-in-1 scanner assembly (MFP)

---

 **NOTE:** The 4-in-1 scanner assembly supports the document feeder. The 3-in-1 scanner assembly does not support the document feeder.

The figures in this procedure show a 4-in-1 printer. However, the procedure is correct for 3-in-1 printers.

---

- [Introduction](#)
- [Step 1: Remove the duplex door](#)
- [Step 2: Remove the left cover](#)
- [Step 3: Remove the cable cover](#)
- [Step 4: Remove the 3-in-1 or the 4-in-1 scanner assembly](#)
- [Step 5: Remove the document feeder \(4-in-1 models only\)](#)
- [Step 6: Unpack the replacement assembly](#)
- [Step 7: Install the document feeder \(4-in-1 models only\)](#)
- [Step 8: Install the 3-in-1 or the 4-in-1 scanner assembly](#)
- [Step 9: Install the cable cover](#)
- [Step 10: Install the left cover](#)
- [Step 11: Install the duplex door](#)


### Introduction

This document provides the procedures to remove and replace the 3-in-1 and the 4-in-1 scanner assemblies.

### Before performing service

#### Turn the printer power off

- Disconnect the power cable.

 **WARNING!** To avoid damage to the printer, turn the printer off, wait 30 seconds, and then remove the power cable before attempting to service the printer.

---

Use the table below to identify the correct part number for your printer. To order the part, go to [www.hp.com/buy/parts](http://www.hp.com/buy/parts).

---

3-in-1 and 4-in-1 scanner assemblies part numbers	
RM2-6983-000CN	3-in-1 scanner assembly
RM2-6989-000CN	4-in-1 scanner assembly

---

### Required tools

- #2 Phillips screwdriver with a magnetic tip.
- Small flat-blade screwdriver.

## After performing service

### Turn the printer power on

- Connect the power cable.
- Use the power switch to turn the power on.

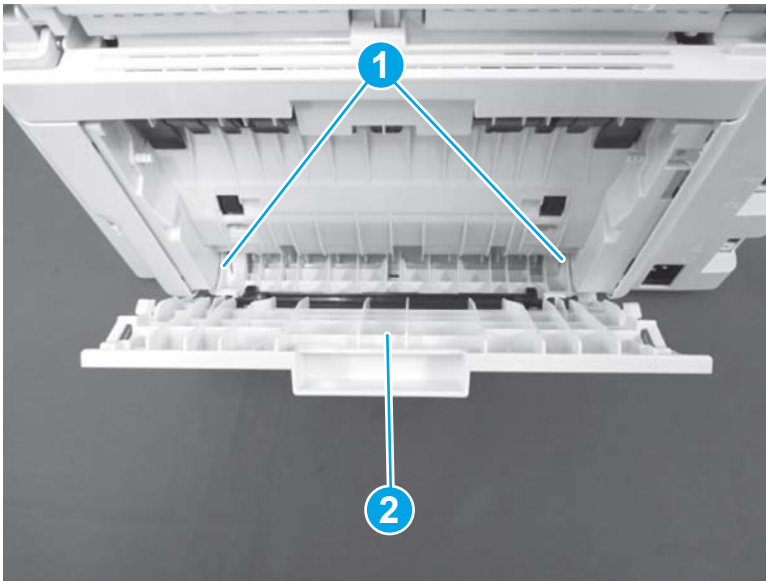
### Post service test

Verify that the document feeder and the flatbed scanner are correctly functioning (copy a page).

### Step 1: Remove the duplex door

1. Open the duplex door.
2. Use a small flat-blade screwdriver to release two tabs (callout 1), and then remove the duplex door (callout 2).

**Figure 1-488** Remove the duplex door

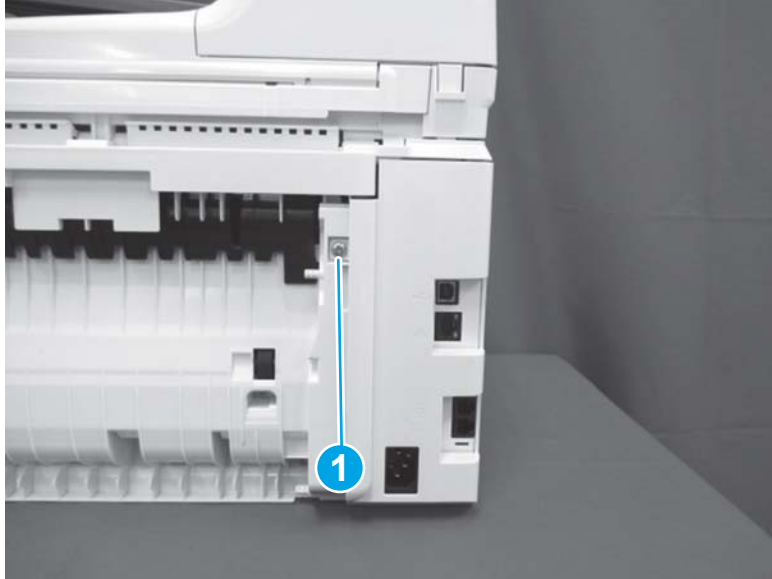


### Step 2: Remove the left cover

1. Remove one screw (callout 1).

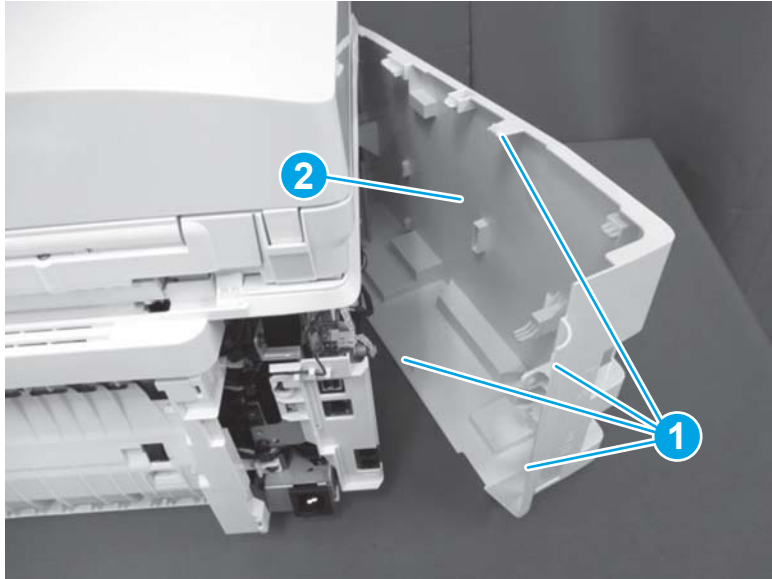


Figure 1-489 Remove one screw (MFP)



2. Release four tabs (callout 1), and then remove the left cover (callout 2).

Figure 1-490 Remove the left cover (MFP)



### Step 3: Remove the cable cover

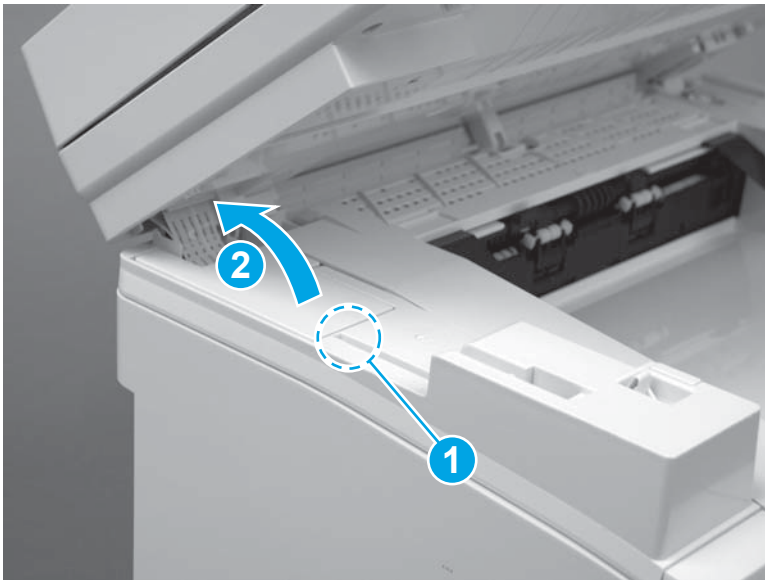
1. Open the scanner assembly.

Figure 1-491 Open the scanner assembly




2. Use a small flat-blade screw driver to release one tab (callout 1), and then remove the cable cover (callout 2).

Figure 1-492 Remove the cable cover (MFP)



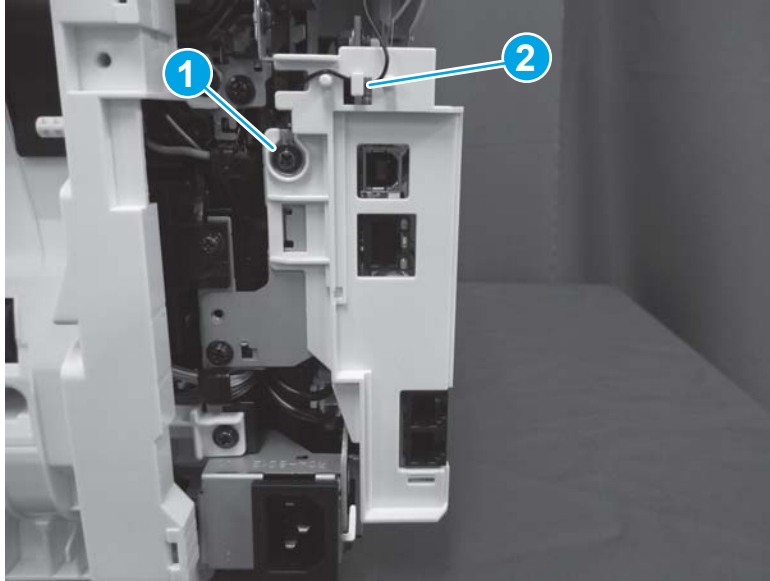
#### Step 4: Remove the 3-in-1 or the 4-in-1 scanner assembly

 **NOTE:** The 4-in-1 scanner assembly supports the document feeder. The 3-in-1 scanner assembly does not support the document feeder.

The figures in this procedure show a 4-in-1 printer. However, the procedure is correct for 3-in-1 printers.

1. **4-in-1 models only:** Remove one screw (callout 1), and then release the ground wire from the retainer (callout 2).

Figure 1-493 Release the ground wire (4-in-1 models)

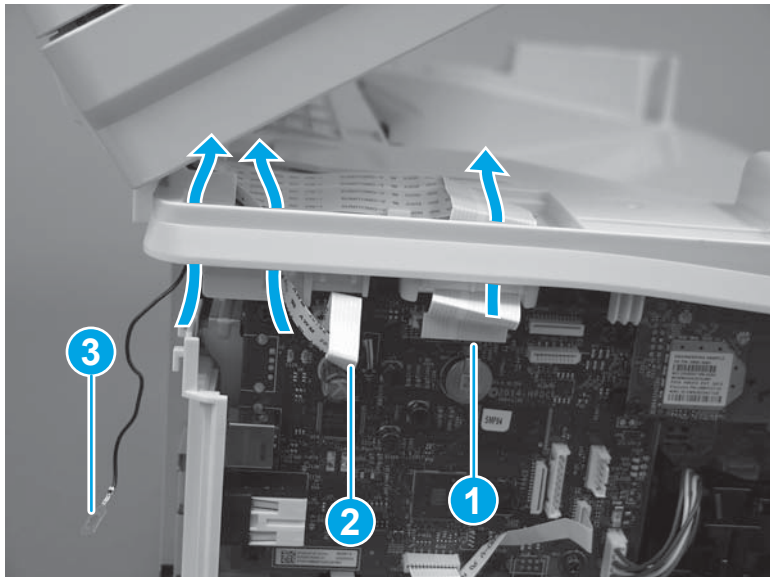


2. **4-in-1 models only:** Disconnect two flat cables (callouts 1/2), and then pass the flat cables and the ground wire (callout 3) up through the opening in the chassis.

**3-in-1 models only:** Disconnect one flat cable (callout 1), and then pass the flat cable through the opening in the chassis.

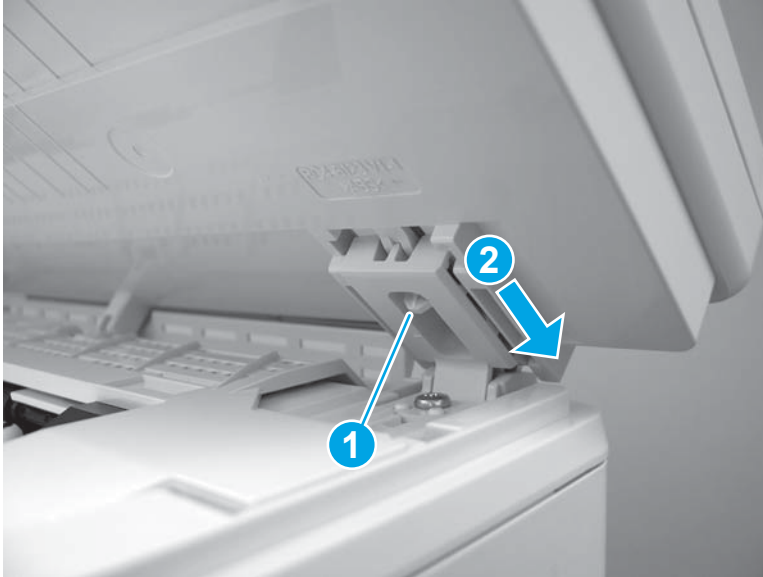
 **NOTE:** The 3-in-1 model does not have the small flat cable (callout 2) or a ground wire (callout 3).

Figure 1-494 Disconnect flat cable(s)



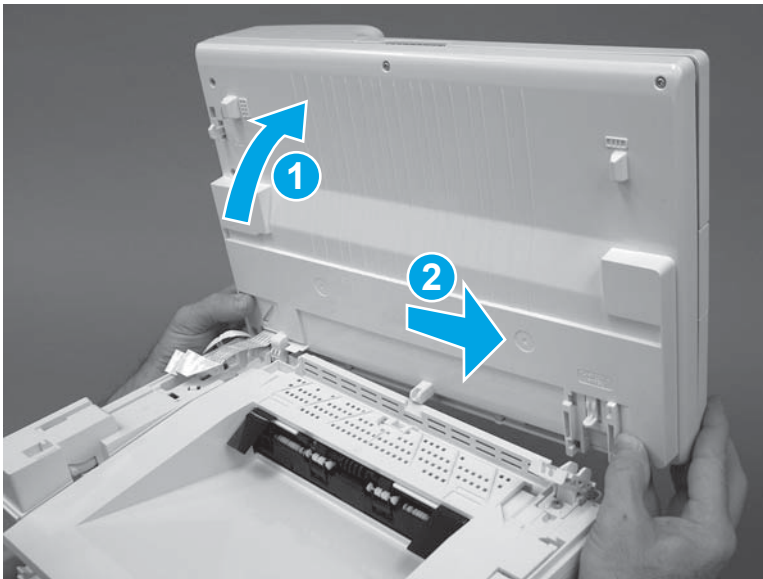
3. Release one tab (callout 1), and then push the right side of the scanner assembly toward the rear of the printer to release the right hinge (callout 2).

Figure 1-495 Release the right hinge



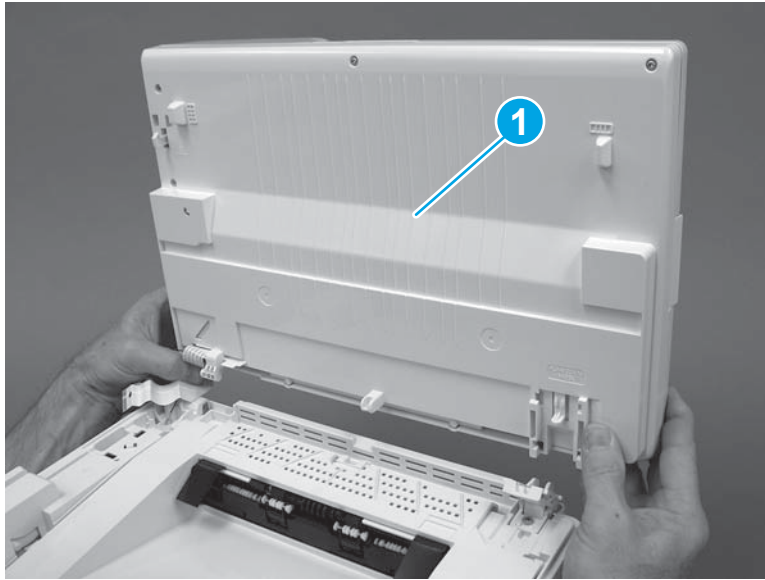
4. Rotate the scanner assembly towards the rear of the printer (callout 1), and then slide the scanner assembly toward the right side of the printer to release the left hinge (callout 2).

Figure 1-496 Release the left hinge



5. Remove the scanner assembly (callout 1).

Figure 1-497 Remove the scanner assembly

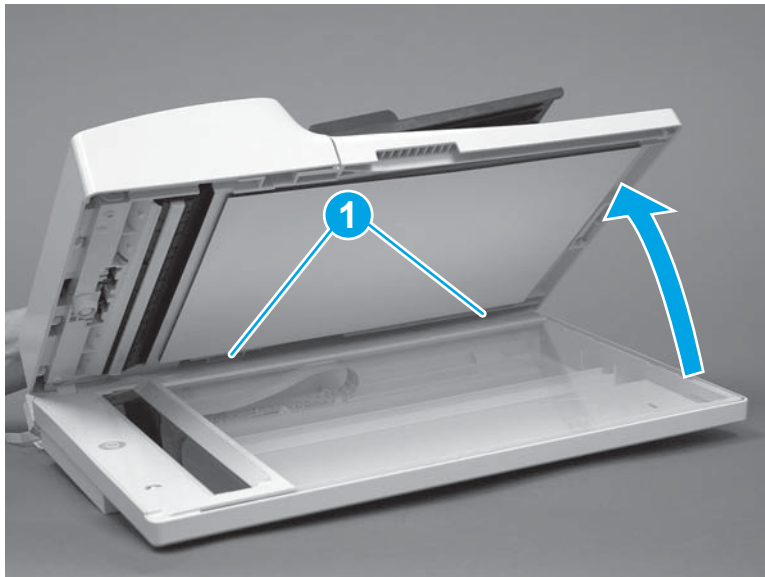


6. **3-in-1 models only:** Remove the document lid.

Step 5: Remove the document feeder (4-in-1 models only)

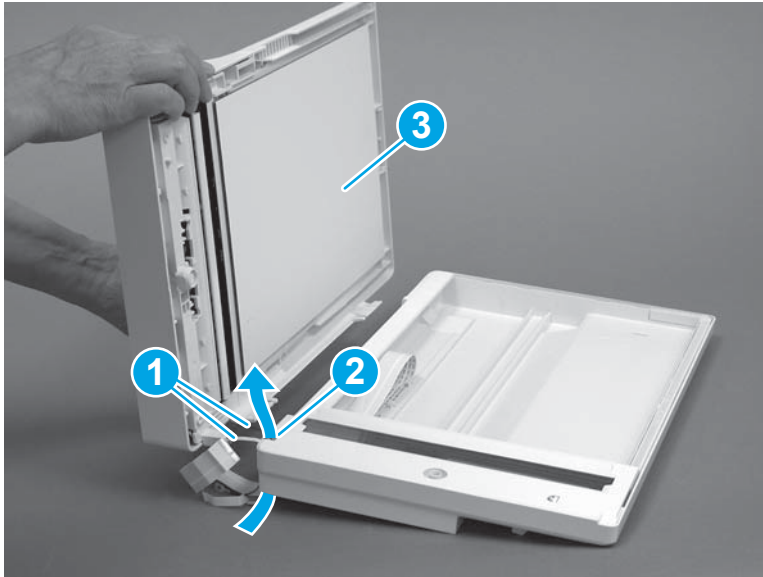
1. Partially open the document feeder, and then press back to release two tabs (callout 1).

Figure 1-498 Release two tabs




2. Release the cables (callout 1) through the opening in the scanner (callout 2), and then remove the document feeder (callout 3).

Figure 1-499 Remove the document feeder



#### Step 6: Unpack the replacement assembly

1. Dispose of the defective part.

 **NOTE:** HP recommends responsible disposal of the defective part.

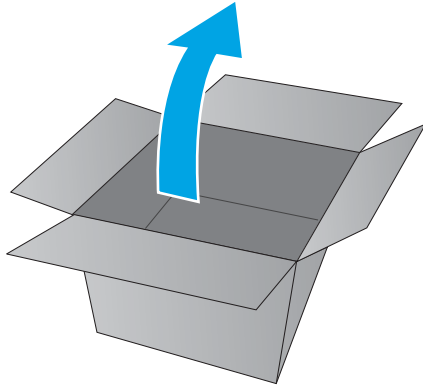
[www.hp.com/recycle](http://www.hp.com/recycle)



2. Unpack the replacement part from the packaging.

**⚠ CAUTION:** If the replacement part is a roller or pad, avoid touching the spongy part of it. Skin oils on the roller or pad can cause paper pickup and/or print-quality problems. HP recommends using disposable gloves when handling rollers or pads or washing your hands or before touching rollers or pads.

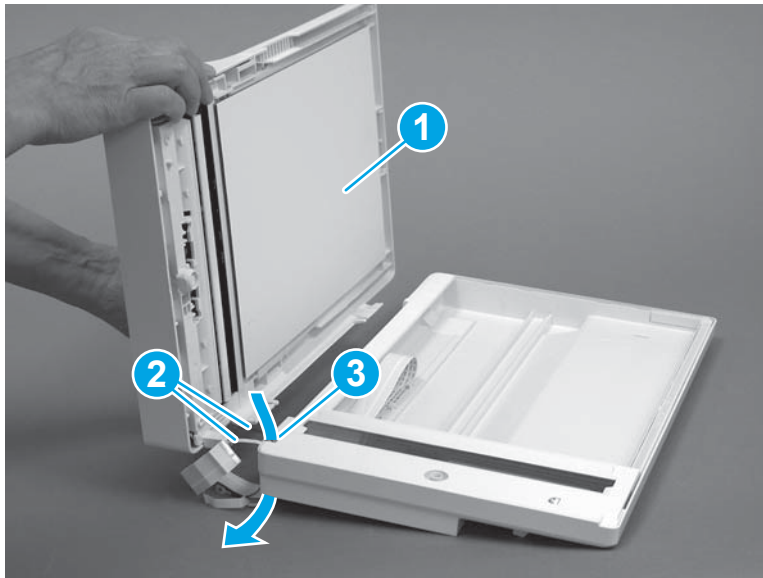
**📋 IMPORTANT:** Make sure that all of the shipping materials (for example shipping tape) are removed from the replacement part prior to installation.



#### Step 7: Install the document feeder (4-in-1 models only)

1. Position the document feeder (callout 1) near the scanner, and then install the cables (callout 2) through the opening in the scanner (callout 3).

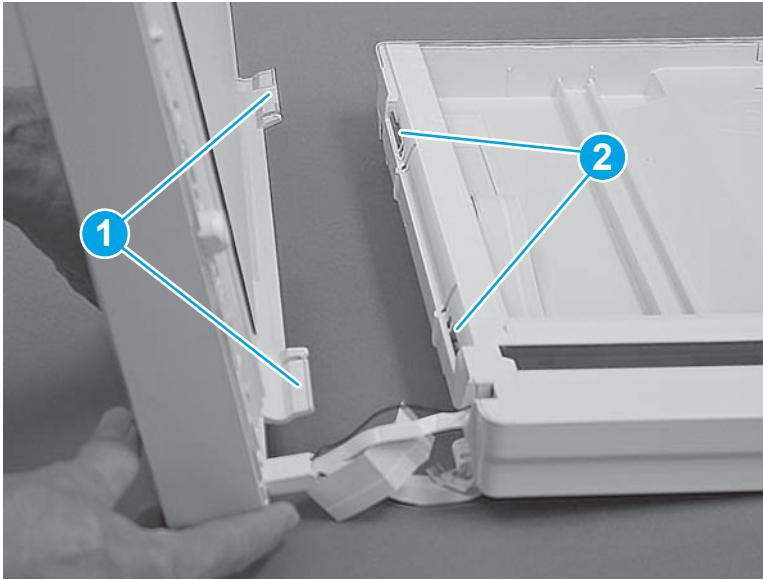
**Figure 1-500** Install the document feeder cables





2. Position the tabs (callout 1) on the document feeder in the slots (callout 2) in the scanner.

**Figure 1-501** Position the document feeder



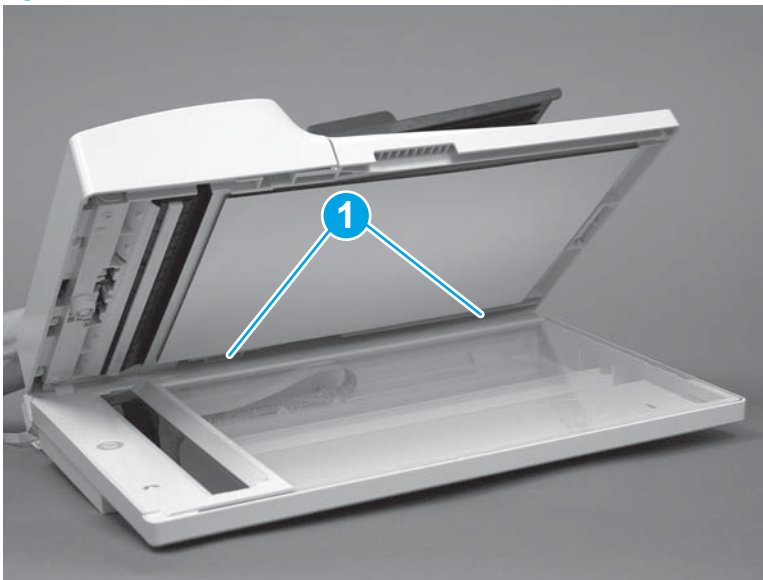
3. Partially lower the document feeder, and then press the document feeder toward the scanner to install two tabs (callout 1).

---

 **NOTE:** Make sure that the tabs snap into place.


---

**Figure 1-502** Install the document feeder



### Step 8: Install the 3-in-1 or the 4-in-1 scanner assembly

---

 **NOTE:** The 4-in-1 scanner assembly supports the document feeder. The 3-in-1 scanner assembly does not support the document feeder.

---

The figures in this procedure show a 4-in-1 printer. However, the procedure is correct for 3-in-1 printers.

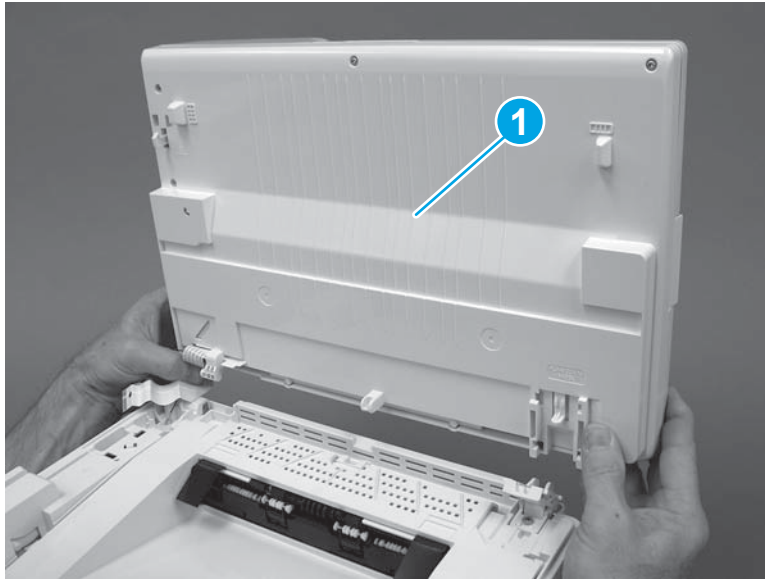
---

1. **3-in-1 models only:** Install the document lid.



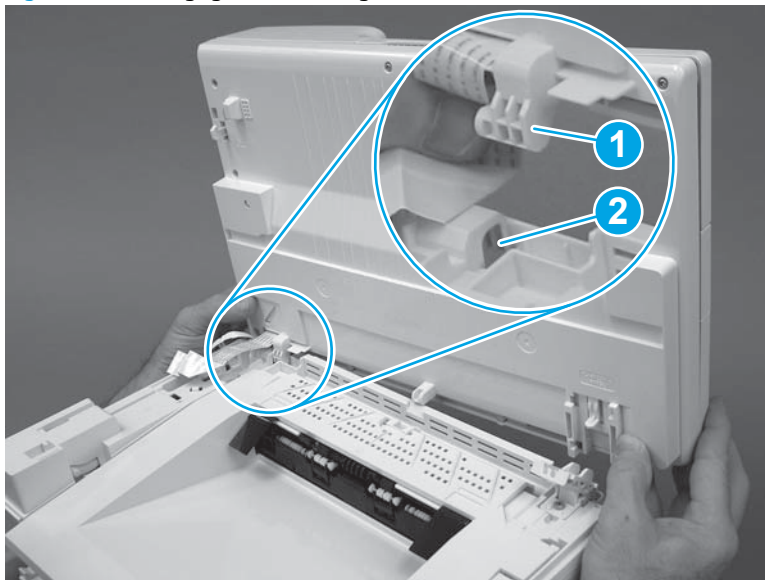
2. Position the scanner assembly (callout 1) near the printer.

**Figure 1-503** Install the scanner assembly (MFP)



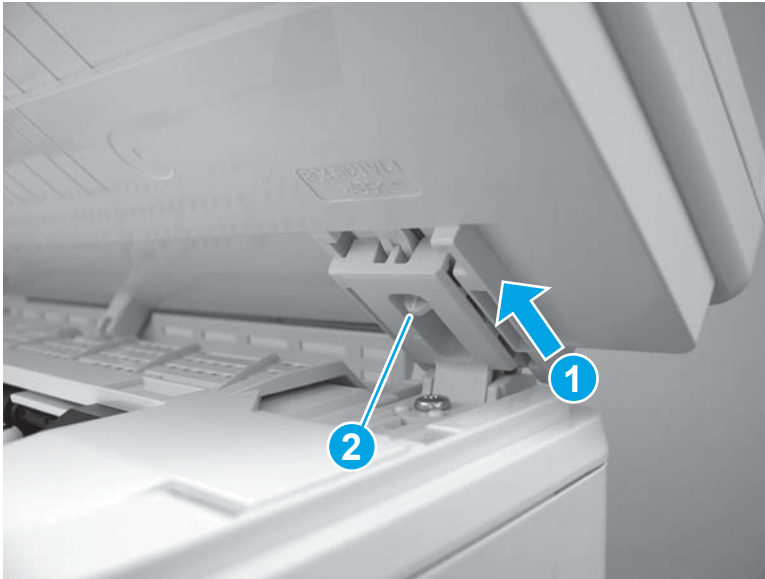
3. Engage the left hinge (callout 1) with the top cover (callout 2).

**Figure 1-504** Engage the left hinge (MFP)



4. Push the right side of the scanner assembly toward the front of the printer to engage the right hinge (callout 1). Make sure that the tab (callout 2) snaps into place.

**Figure 1-505** Engage the right hinge (MFP)



5. **4-in-1 models only:** Pass the flat cables (callouts 1/2) and the ground wire (callout 3) through the openings in the chassis, and then connect the two flat cables.

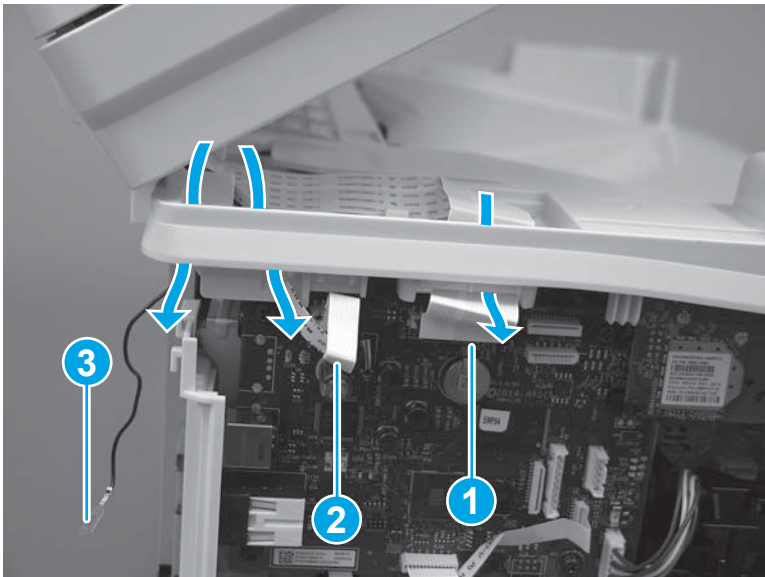
**3-in-1 models only:** Pass the flat cable (callout 1) through the opening in the chassis, and then connect one flat cable.

---

 **NOTE:** The 3-in-1 model does not have the small flat cable (callout 2) or a ground wire (callout 3).

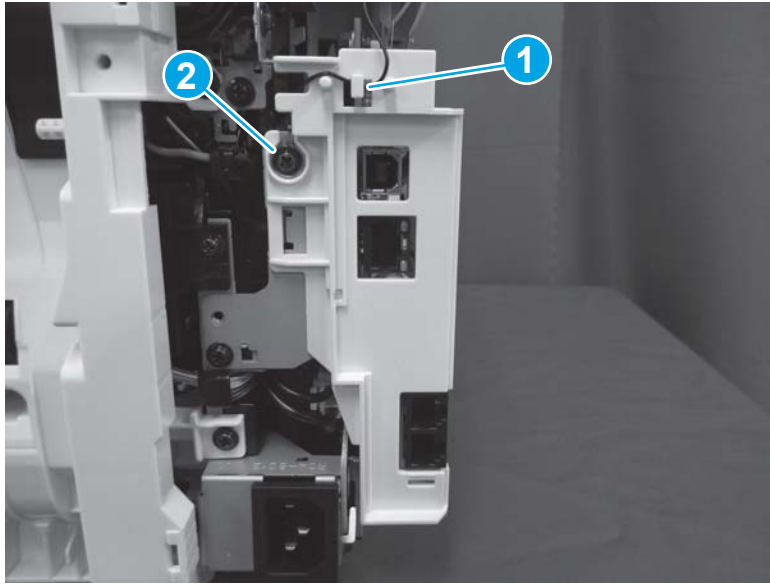
---

**Figure 1-506** Connect flat cable(s)



6. **4-in-1 models only:** Install the ground wire in the retainer (callout 1), and then install one screw (callout 2).

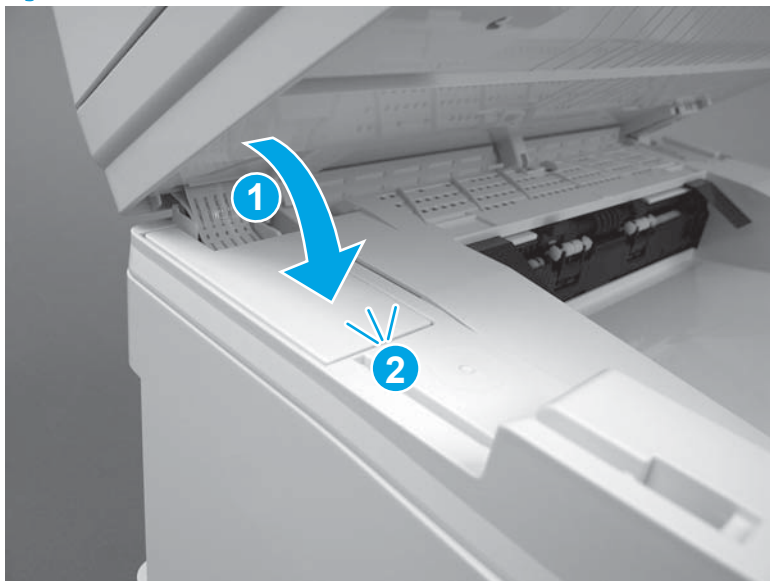
Figure 1-507 Install the ground wire (4-in-1 models)



#### Step 9: Install the cable cover

1. Install the cable cover (callout 1), on the printer, and then push down to engage one tab (callout 2).

Figure 1-508 Install the cable cover (MFP)



2. Close the scanner assembly.

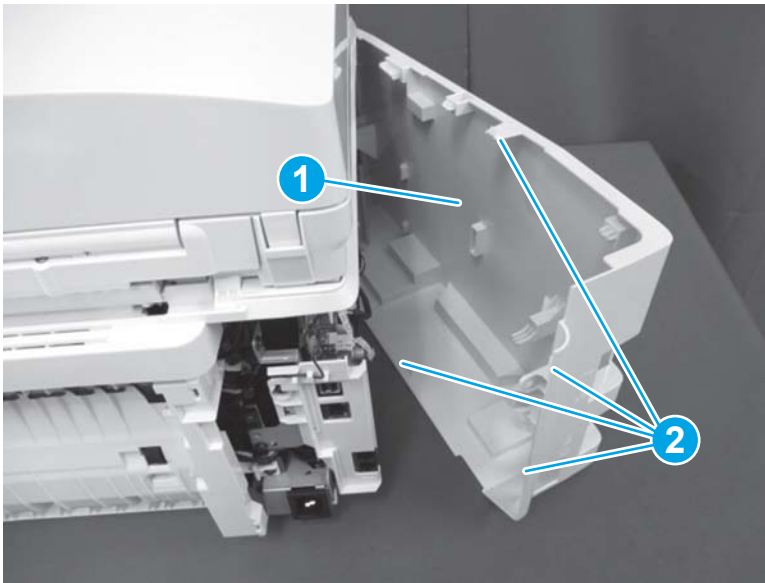
Figure 1-509 Close the scanner assembly



#### Step 10: Install the left cover

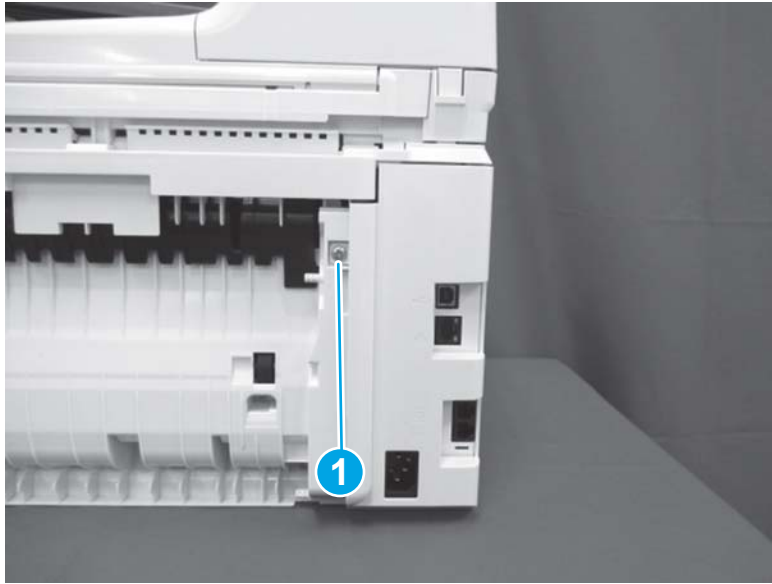
1. Position the left cover (callout 1) on the printer, and then engage four tabs (callout 2).

Figure 1-510 Install the left cover (MFP)



2. Install one screw (callout 1).

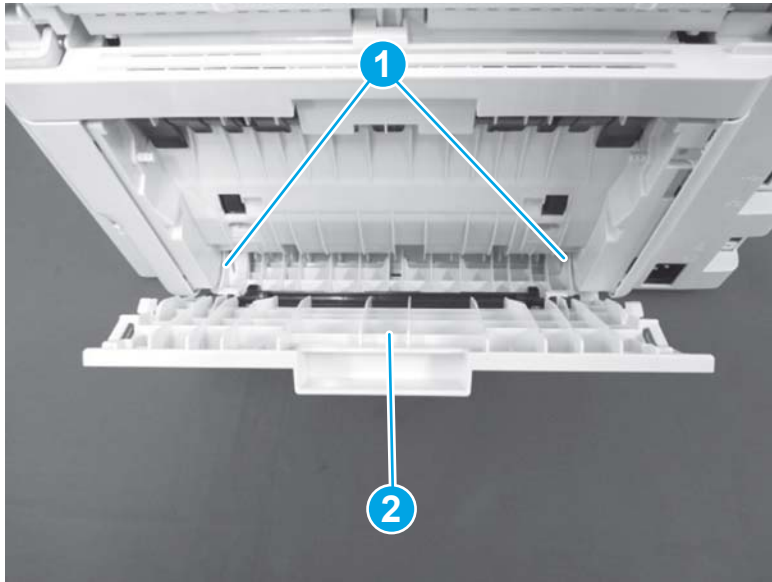
Figure 1-511 Install one screw (MFP)



#### Step 11: Install the duplex door

1. Install two tabs (callout 1) to install the duplex door (callout 2).

Figure 1-512 Install the duplex door



2. Close the duplex door.

## Removal and replacement: Internal parts and assemblies

- [Removal and replacement: Transfer roller](#)
- [Removal and replacement: Separation pad assembly](#)
- [Removal and replacement: Formatter PCA](#)
- [Removal and replacement: Wireless PCA](#)
- [Removal and replacement: Flat flexible cable \(engine controller PCA to formatter PCA\)](#)
- [Removal and replacement: Flat flexible cable \(fax PCA; MFP\)](#)
- [Removal and replacement: Flat flexible cable \(control panel; SFP\)](#)
- [Removal and replacement: Near field communication \(NFC\) PCA \(MFP\)](#)
- [Removal and replacement: Fan](#)
- [Removal and replacement: Power button cap and power button PCA](#)
- [Removal and replacement: Developer alienation solenoid](#)
- [Removal and replacement: Motor PCA](#)
- [Removal and replacement: Laser scanner](#)
- [Removal and replacement: Flat flexible cable \(laser scanner\)](#)
- [Removal and replacement: Flat flexible cable \(motor PCA\)](#)
- [Removal and replacement: Duplex paper feed assembly](#)
- [Removal and replacement: Environmental sensor](#)
- [Removal and replacement: Low-voltage power supply \(LVPS\)](#)
- [Removal and replacement: Engine controller PCA](#)
- [Removal and replacement: Transfer assembly](#)
- [Removal and replacement: Fuser and fixing film assembly](#)
- [Removal and replacement: Delivery sensor](#)
- [Removal and replacement: Paper pickup sensor](#)
- [Removal and replacement: Fax PCA \(MFP fax models\)](#)

## Removal and replacement: Transfer roller

- [Introduction](#)
- [Step 1: Remove the roller](#)
- [Step 2: Unpack the replacement assembly](#)
- [Step 3: Install the roller](#)

### Introduction

This document provides the procedures to remove and replace the transfer roller.

### Before performing service

#### Turn the printer power off

- Disconnect the power cable.

**⚠ WARNING!** To avoid damage to the printer, turn the printer off, wait 30 seconds, and then remove the power cable before attempting to service the printer.

Use the table below to identify the correct part number for your printer. To order the part, go to [www.hp.com/buy/parts](http://www.hp.com/buy/parts).

Transfer roller part number	
RM2-1660-000CN	Transfer roller

### Required tools

- No special tools are needed to remove or install this assembly.

### After performing service

#### Turn the printer power on

- Connect the power cable.
- Use the power switch to turn the power on.

### Post service test

Send a print job from the host computer (or print a configuration report). Verify that a page prints.

### Step 1: Remove the roller

1. **MFP only:** Open the scanner assembly.

Figure 1-513 Open the scanner assembly



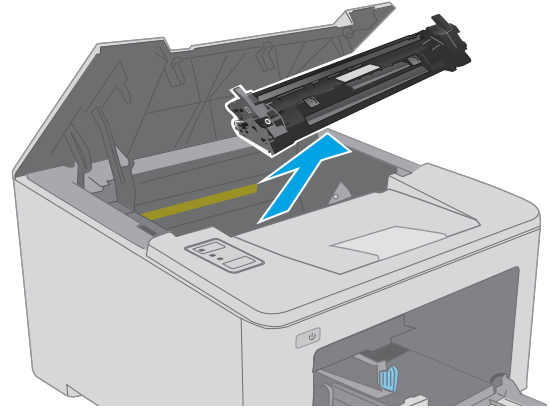
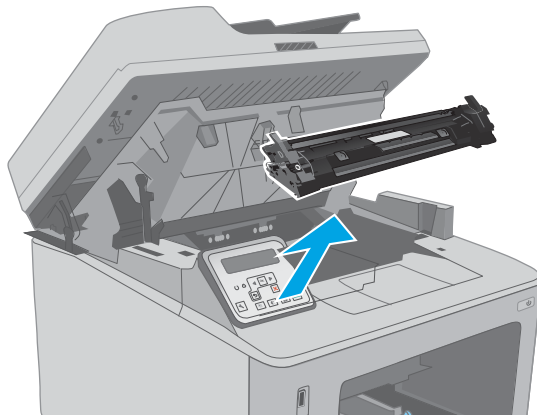
2. Open the cartridge door.

Figure 1-514 Open the cartridge door

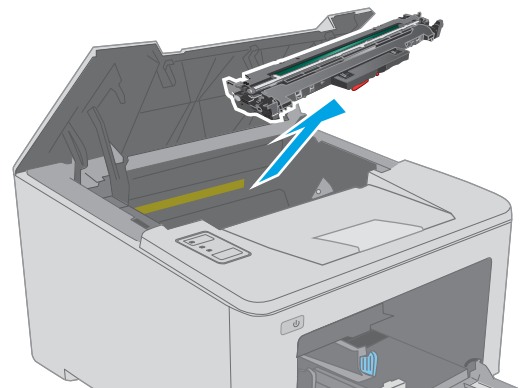
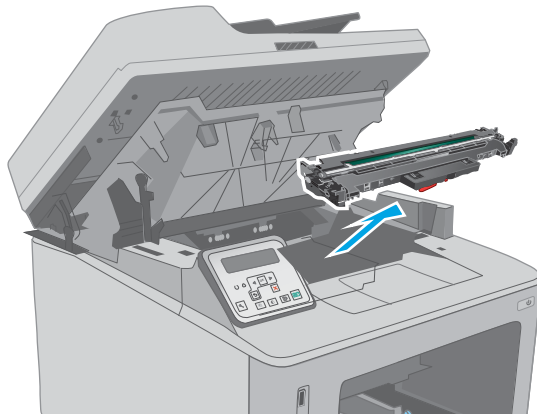




3. Temporarily remove the toner cartridge from the printer.

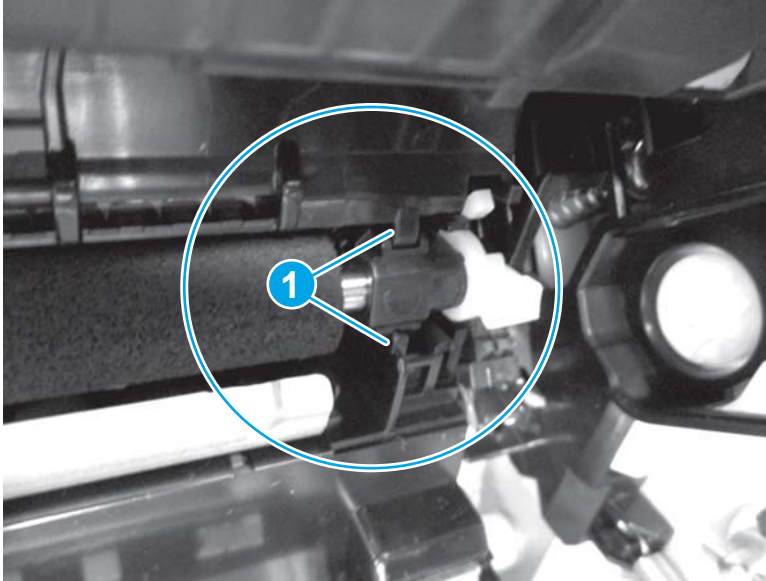


4. Temporarily remove the imaging drum from the printer.



5. Before proceeding, take note of the location of the roller collar tabs (callout 1) on the right end of the transfer roller shaft.

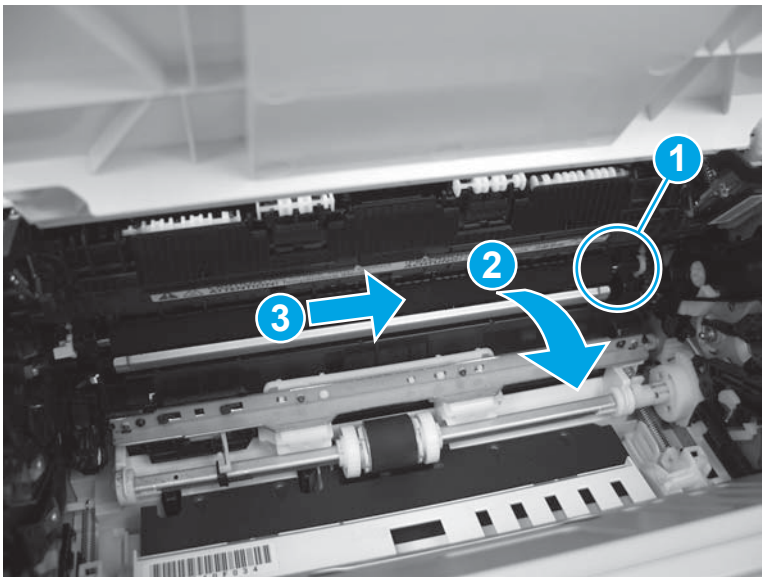
Figure 1-515 Transfer roller right collar tabs



6. Pinch two tabs on the right-side roller collar (callout 1), rotate the right end of the roller away from the printer (callout 2), and then slide the roller to the right (callout 3) to remove it.

**⚠ CAUTION:** The right-side transfer roller collar is not captive. Do not lose the collar or drop it into the printer when handling the roller.

Figure 1-516 Remove the transfer roller



### Step 2: Unpack the replacement assembly

1. Dispose of the defective part.

---

 **NOTE:** HP recommends responsible disposal of the defective part.


[www.hp.com/recycle](http://www.hp.com/recycle)

---



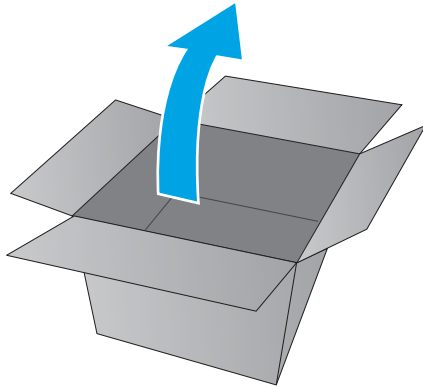
2. Unpack the replacement part from the packaging.

---

 **CAUTION:** If the replacement part is a roller or pad, avoid touching the spongy part of it. Skin oils on the roller or pad can cause paper pickup and/or print-quality problems. HP recommends using disposable gloves when handling rollers or pads or washing your hands or before touching rollers or pads.


 **IMPORTANT:** Make sure that all of the shipping materials (for example shipping tape) are removed from the replacement part prior to installation.

---



### Step 3: Install the roller

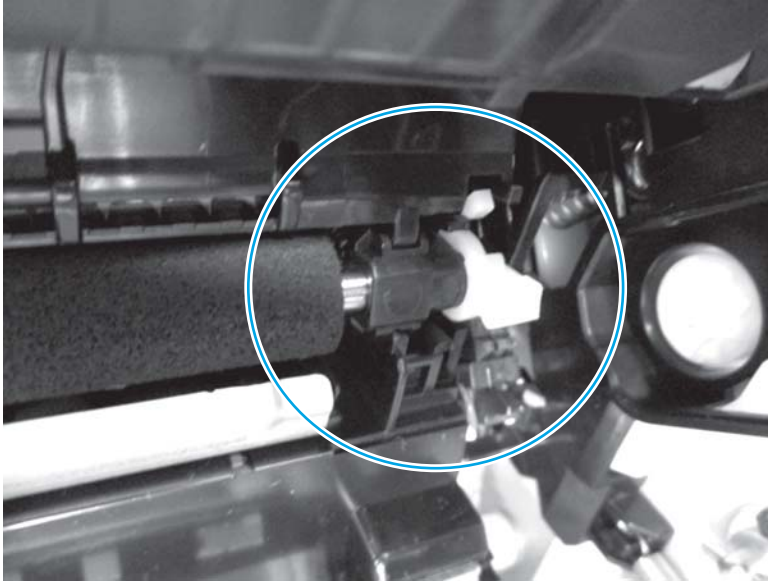
---

 **CAUTION:** Do not touch the gray spongy portion of the replacement roller. Skin oils on the roller can cause print quality or paper handling problems.

---

1. Before proceeding, take note of the correct installation of the roller collar on the right end of the transfer roller shaft.

Figure 1-517 Transfer roller right collar



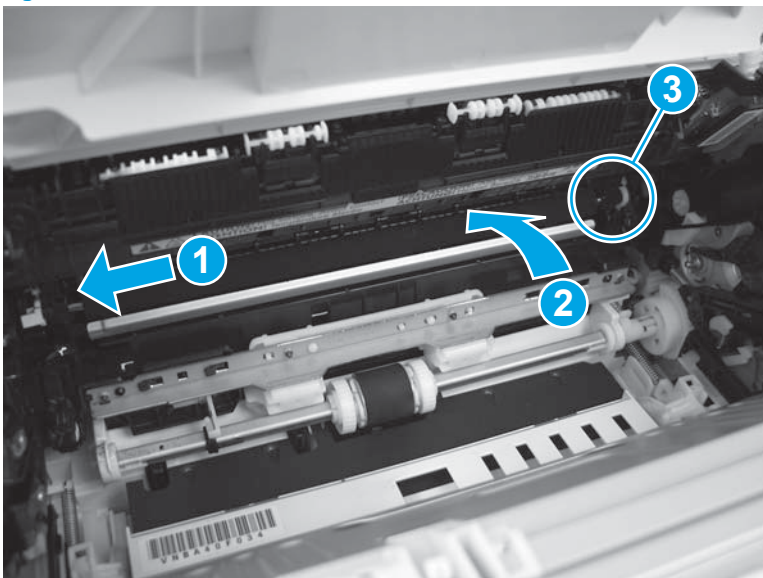
2. Position the left end of the replacement transfer roller in the left-side roller collar (callout 1), and then push on the right end of the roller (callout 2) to engage the right-side roller collar (callout 3). An audible click is heard when the tabs snap into place.

---

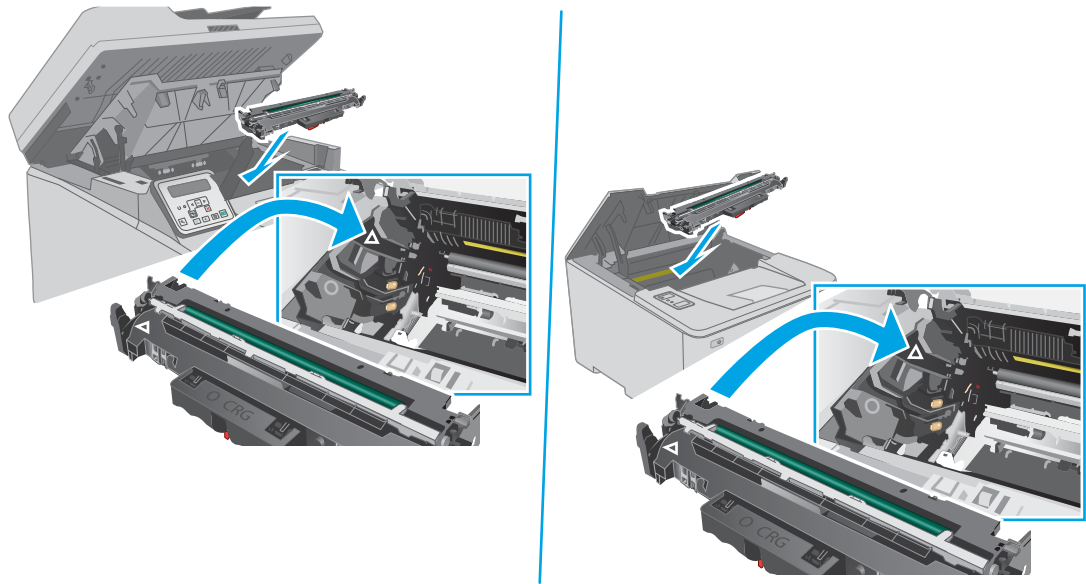
**⚠ CAUTION:** Make sure that the tabs on the roller collar (callout 3) are fully seated.

---

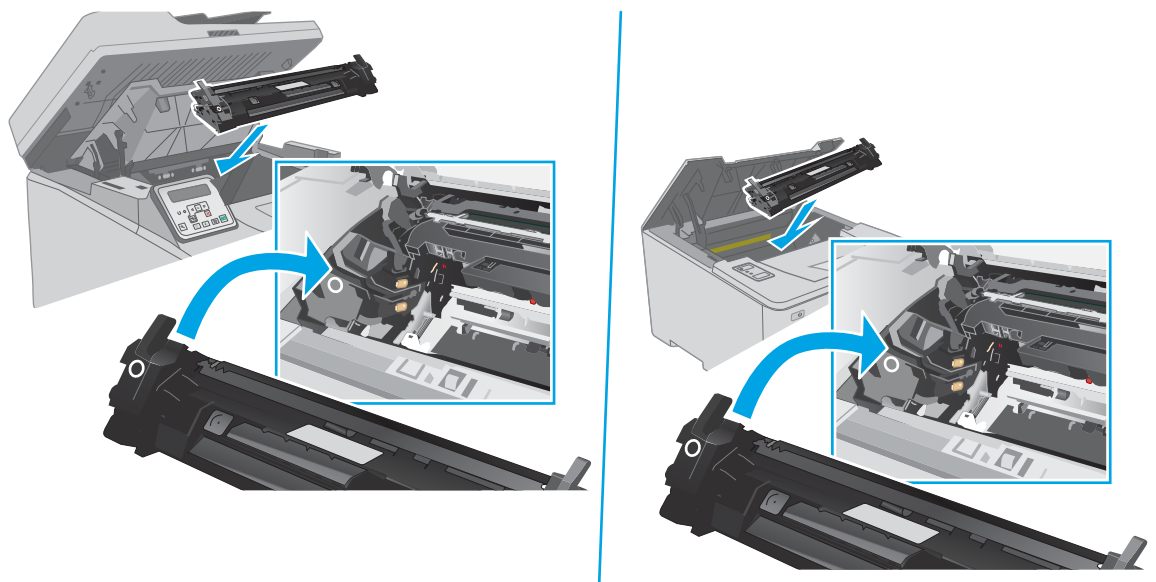
Figure 1-518 Install the roller



3. Align the imaging drum with the tracks inside the printer, and install the imaging drum until it is firmly seated.



4. Align the toner cartridge with the tracks inside the printer, and install the toner cartridge until it is firmly seated.



5. Close the cartridge door.

Figure 1-519 Close the cartridge door



6. **MFP only:** Close the scanner assembly.

Figure 1-520 Close the scanner assembly



## Removal and replacement: Separation pad assembly

- [Introduction](#)
- [Step 1: Remove the separation pad assembly](#)
- [Step 2: Unpack the replacement assembly](#)
- [Step 3: Install the separation pad assembly](#)

### Introduction

This document provides the procedures to remove and replace the separation pad assembly.

### Before performing service

#### Turn the printer power off

- Disconnect the power cable.

---

**⚠ WARNING!** To avoid damage to the printer, turn the printer off, wait 30 seconds, and then remove the power cable before attempting to service the printer.

---

Use the table below to identify the correct part number for your printer. To order the part, go to [www.hp.com/buy/parts](http://www.hp.com/buy/parts).

---

Separation pad assembly part number	
RM2-0812-000CN	Separation pad assembly

---

### Required tools

- #2 Phillips screwdriver with a magnetic tip.

### After performing service

#### Turn the printer power on

- Connect the power cable.
- Use the power switch to turn the power on.

### Post service test

Send a print job from the host computer (or print a configuration report). Verify that a page prints.

### Step 1: Remove the separation pad assembly

1. Turn the printer over to rest on the duplex door with the front of the printer facing up. Remove two screws (callout 1).

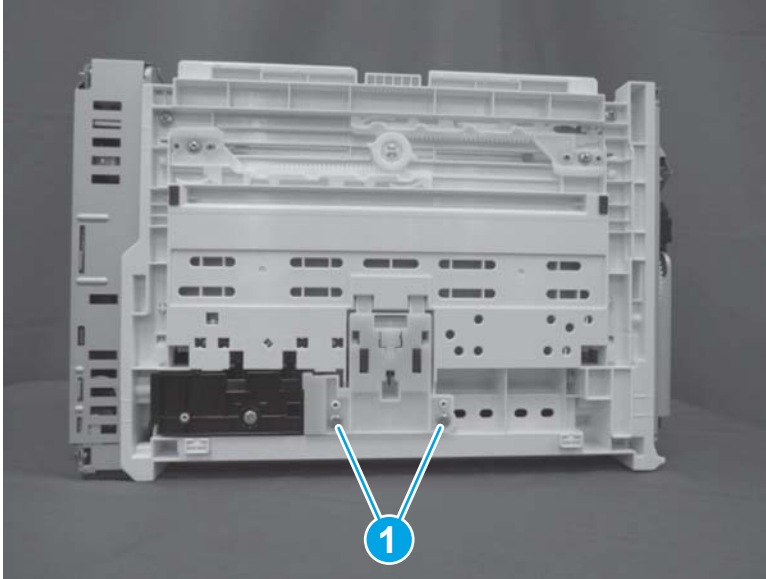
---

**⚠ CAUTION: MFP only:** The 3-in-1 and 4-in-1 scanner assemblies are not captive and can suddenly open when the printer is turned over.

---

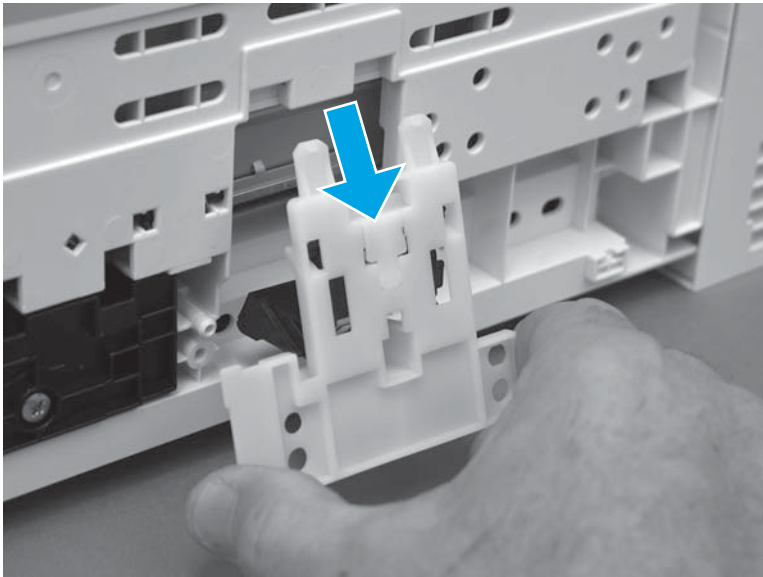


Figure 1-521 Remove two screws



2. Remove the separation pad assembly.

Figure 1-522 Remove the separation pad



## Step 2: Unpack the replacement assembly

1. Dispose of the defective part.

 **NOTE:** HP recommends responsible disposal of the defective part.

[www.hp.com/recycle](http://www.hp.com/recycle)





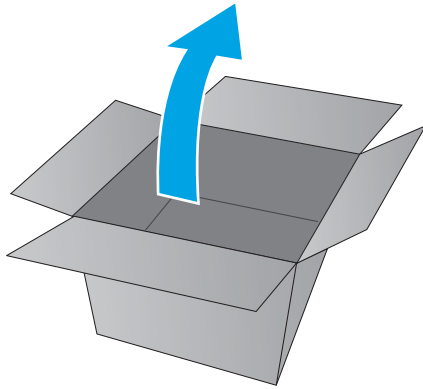
2. Unpack the replacement part from the packaging.

---

**⚠ CAUTION:** If the replacement part is a roller or pad, avoid touching the spongy part of it. Skin oils on the roller or pad can cause paper pickup and/or print-quality problems. HP recommends using disposable gloves when handling rollers or pads or washing your hands or before touching rollers or pads.

**📋 IMPORTANT:** Make sure that all of the shipping materials (for example shipping tape) are removed from the replacement part prior to installation.

---



### Step 3: Install the separation pad assembly

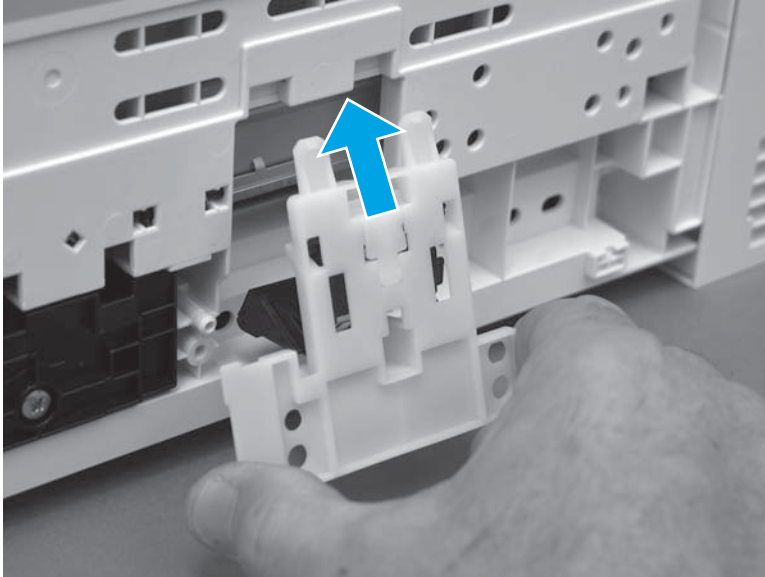
---

**⚠ CAUTION:** Do not touch the gray spongy portion of the replacement pad. Skin oils on the pad can cause paper handling problems.

---

1. Position the replacement separation pad assembly on the printer.

Figure 1-523 Install the separation pad



2. Install two screws (callout 1).

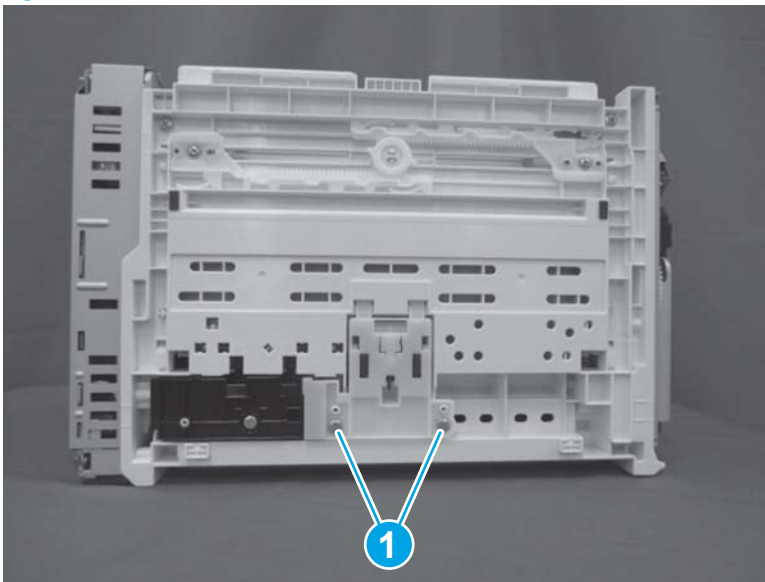
Return the printer to the normal position.

---

**⚠ CAUTION: MFP only:** The 3-in-1 and 4-in-1 scanner assemblies are not captive and can suddenly open when the printer is turned over.

---

Figure 1-524 Install two screws



## Removal and replacement: Formatter PCA

- [Introduction](#)
- [Step 1: Remove the duplex door](#)
- [Step 2: Remove the left cover](#)
- [Step 3: Remove the formatter PCA](#)
- [Step 4: Remove the wireless PCA and holder \(wireless models only\)](#)
- [Step 5: Unpack the replacement assembly](#)
- [Step 6: Install the wireless PCA and holder \(wireless models only\)](#)
- [Step 7: Install the formatter PCA](#)
- [Step 8: Install the left cover](#)
- [Step 9: Install the duplex door](#)

### Introduction


This document provides the procedures to remove and replace the formatter PCA.

### Before performing service



#### Turn the printer power off

- Disconnect the power cable.

---

 **WARNING!** To avoid damage to the printer, turn the printer off, wait 30 seconds, and then remove the power cable before attempting to service the printer.

---

 **CAUTION:**  This part contains components that are electrostatic discharge (ESD) sensitive. To reduce the possibility of ESD damage, always touch the sheet-metal chassis to ground yourself before touching an ESD sensitive part.

---

Use the table below to identify the correct part number for your printer. To order the part, go to [www.hp.com/buy/parts](http://www.hp.com/buy/parts).

---

Formatter PCA part numbers	
G3Q47-60001	Formatter PCA (SFP)
G3Q50-60001	Formatter PCA (SFP) wireless model
G3Q74-60001	Formatter PCA (MFP 3-in-1)
G3Q75-60001	Formatter PCA (MFP 4-in-1)

---

### Required tools

- #2 Phillips screwdriver with a magnetic tip.

## After performing service

### Turn the printer power on

- Connect the power cable.
- Use the power switch to turn the power on.

### Post service test

Verify that the printer reaches the **Ready** state.

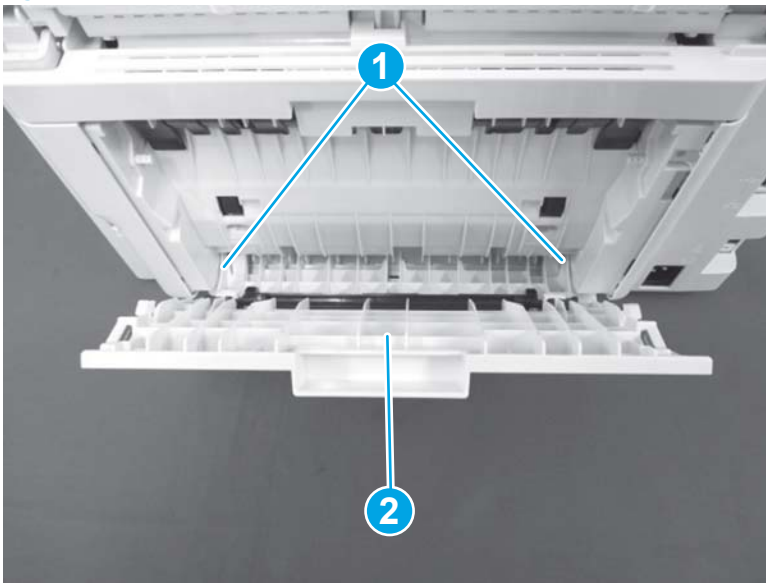
Send a print job from the host computer to the printer (or print a configuration page). Verify that a page prints.

**Wireless models only:** Send a wireless print job to the printer. Verify that a page prints.

### Step 1: Remove the duplex door

1. Open the duplex door.
2. Use a small flat-blade screwdriver to release two tabs (callout 1), and then remove the duplex door (callout 2).

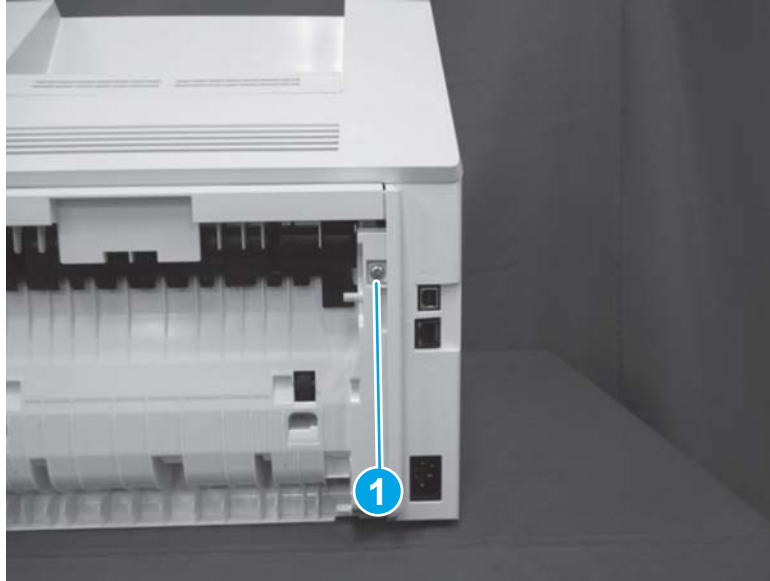
**Figure 1-525** Remove the duplex door



### Step 2: Remove the left cover

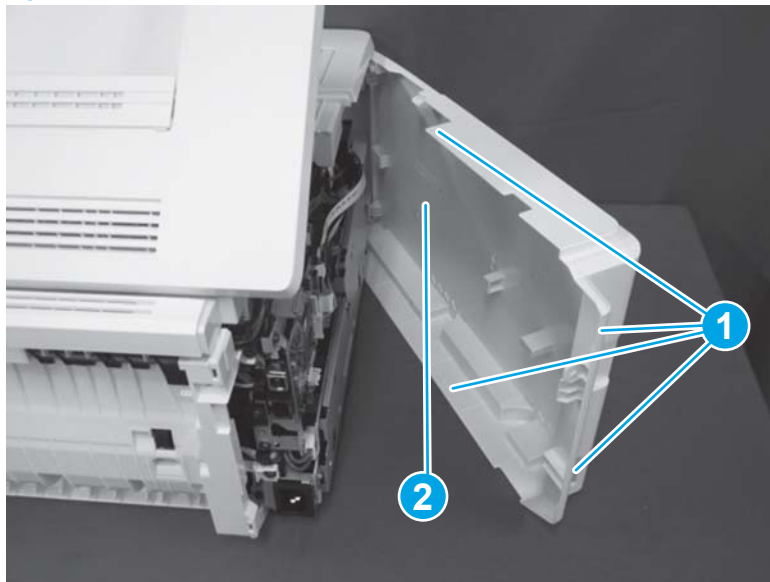
1. **SFP:** Do the following.
  - a. Remove one screw (callout 1).

Figure 1-526 Remove one screw (SFP)



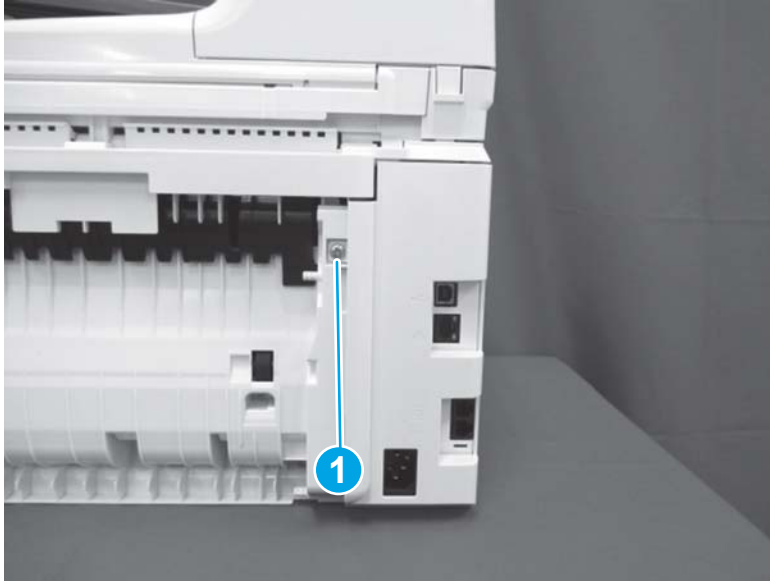
- b. Open the cartridge door.
- c. Release four tabs (callout 1), and then remove the left cover (callout 2).

Figure 1-527 Remove the left cover (SFP)



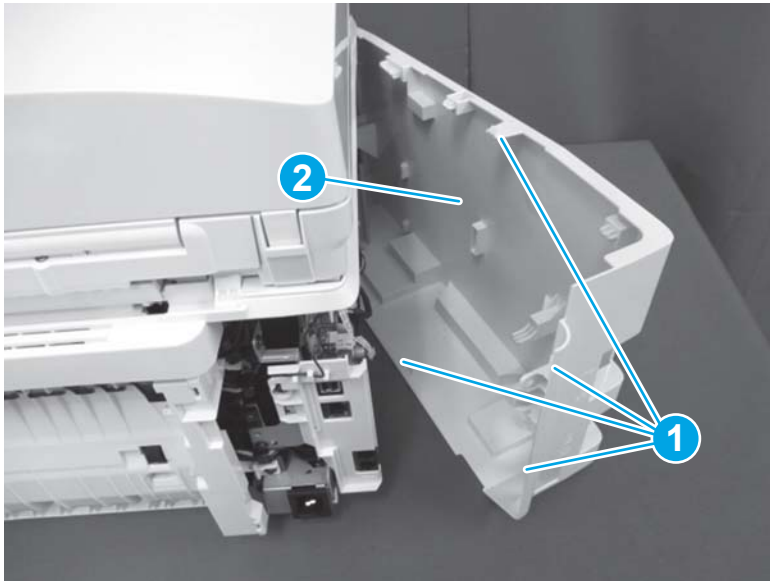
- 2. MFP: Do the following.
  - a. Remove one screw (callout 1).

Figure 1-528 Remove one screw (MFP)



- b. Release four tabs (callout 1), and then remove the left cover (callout 2).

Figure 1-529 Remove the left cover (MFP)



### Step 3: Remove the formatter PCA

---

 **NOTE:** The figures below show the wireless card installed on the formatter. The procedures are also correct for non-wireless models.

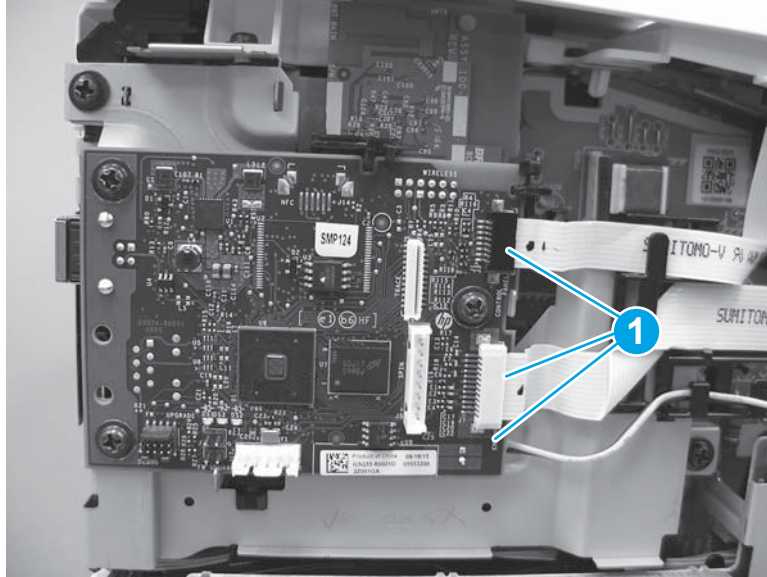
---

 **CAUTION:**  ESD-sensitive part.

---

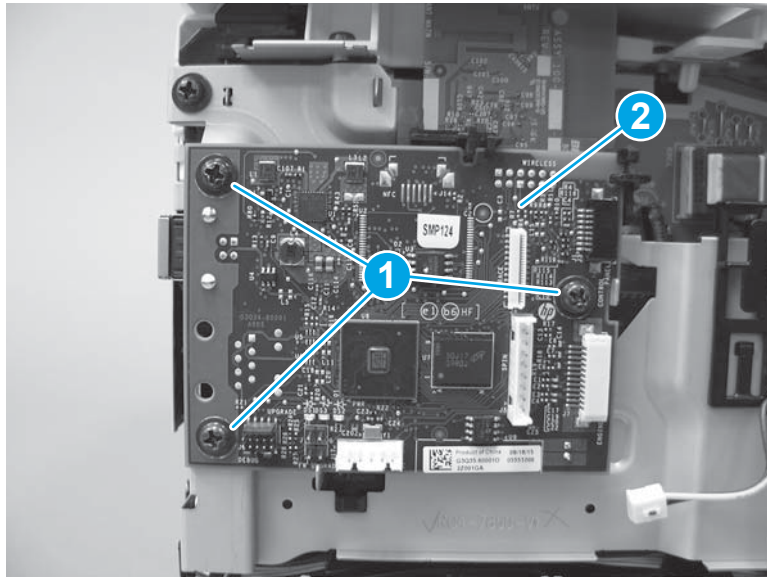
1. **SFP:** Do the following.
  - a. Disconnect two flat cables and one connector (callout 1).

Figure 1-530 Disconnect two flat cables and one connector (SFP)



- b. Remove three screws (callout 1), and then remove the formatter PCA (callout 2).

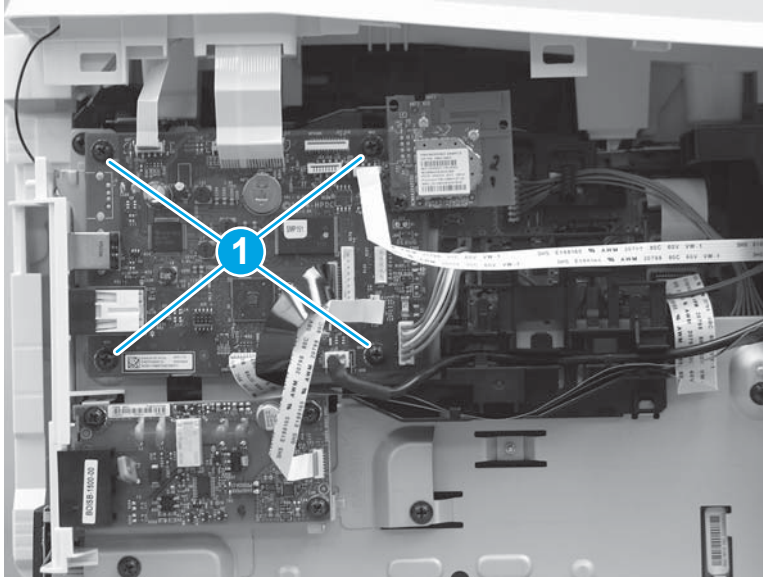
Figure 1-531 Remove the formatter PCA (SFP)



- 2. MFP: Do the following.
  - ▲ Disconnect all of the connectors on the formatter PCA. Remove four screws (callout 1), and then remove the formatter PCA.



Figure 1-532 Remove the formatter PCA (MFP)

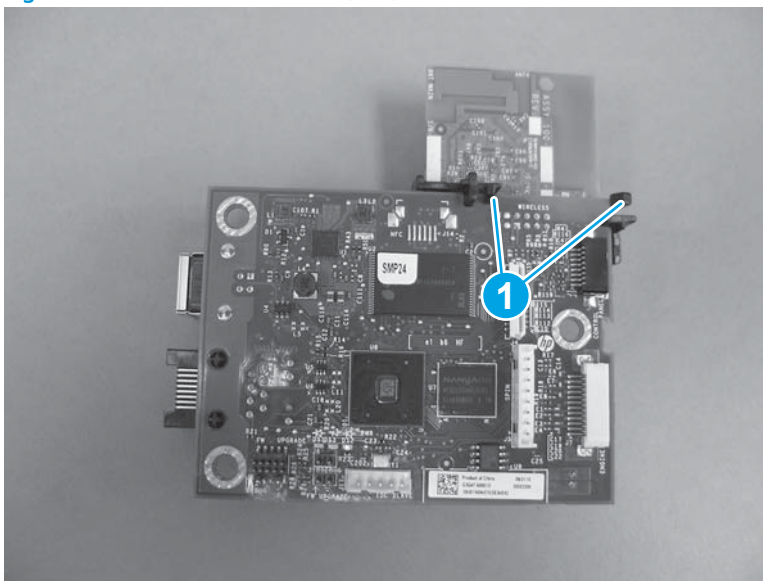


Step 4: Remove the wireless PCA and holder (wireless models only)

 **CAUTION:**  ESD-sensitive part.

1. SFP: Do the following.
  - a. Release two tabs (callout 1).

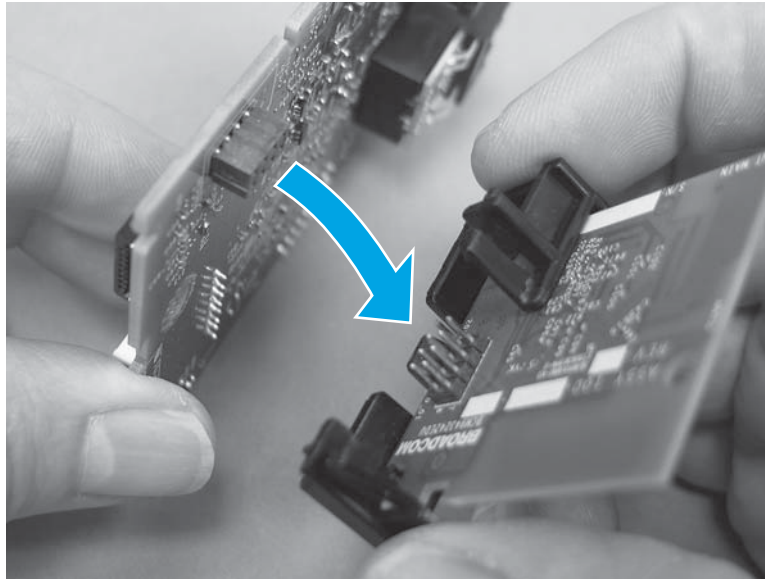
Figure 1-533 Release two tabs (SFP)





- b. Carefully pull the wireless PCA away from the formatter.

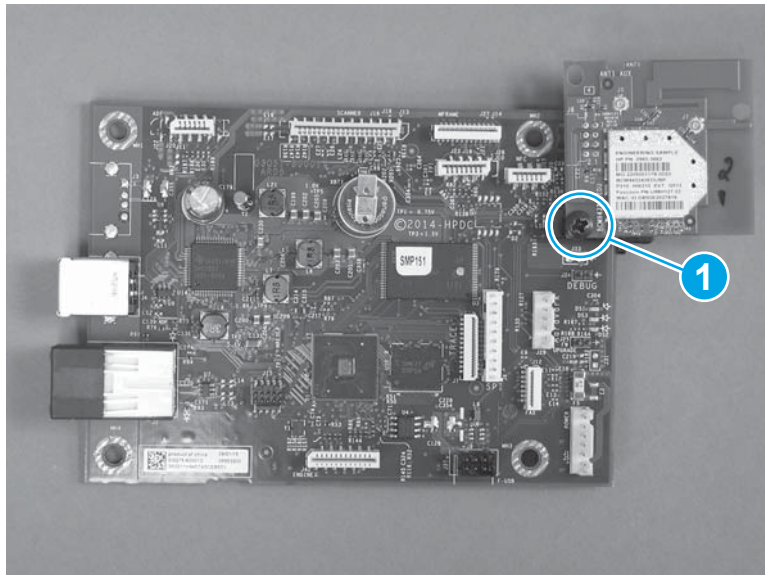
**Figure 1-534** Remove the wireless PCA and holder (SFP)



2. MFP: Do the following.

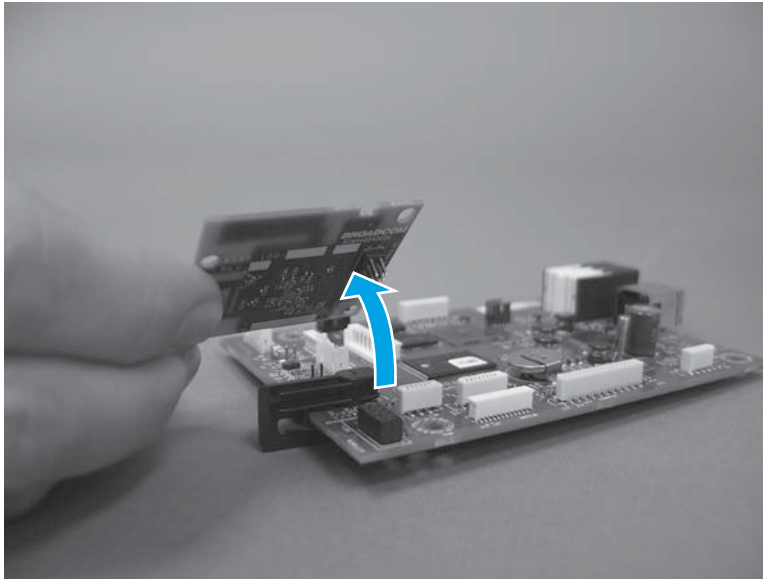
- a. Remove one screw (callout 1).

**Figure 1-535** Remove one screw (MFP)




- b. Carefully pull the wireless PCA away from the formatter.

**Figure 1-536** Remove the wireless card (MFP)



#### Step 5: Unpack the replacement assembly

1. Dispose of the defective part.

 **NOTE:** HP recommends responsible disposal of the defective part.

[www.hp.com/recycle](http://www.hp.com/recycle)



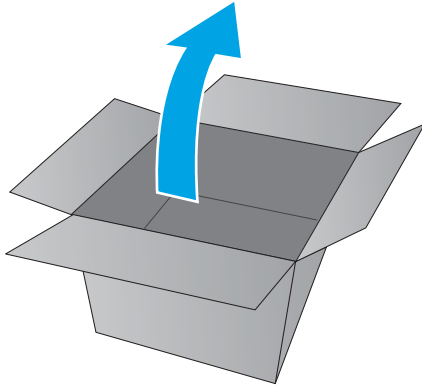
2. Unpack the replacement part from the packaging.

---

**⚠ CAUTION:** If the replacement part is a roller or pad, avoid touching the spongy part of it. Skin oils on the roller or pad can cause paper pickup and/or print-quality problems. HP recommends using disposable gloves when handling rollers or pads or washing your hands or before touching rollers or pads.

**📋 IMPORTANT:** Make sure that all of the shipping materials (for example shipping tape) are removed from the replacement part prior to installation.

---



#### Step 6: Install the wireless PCA and holder (wireless models only)

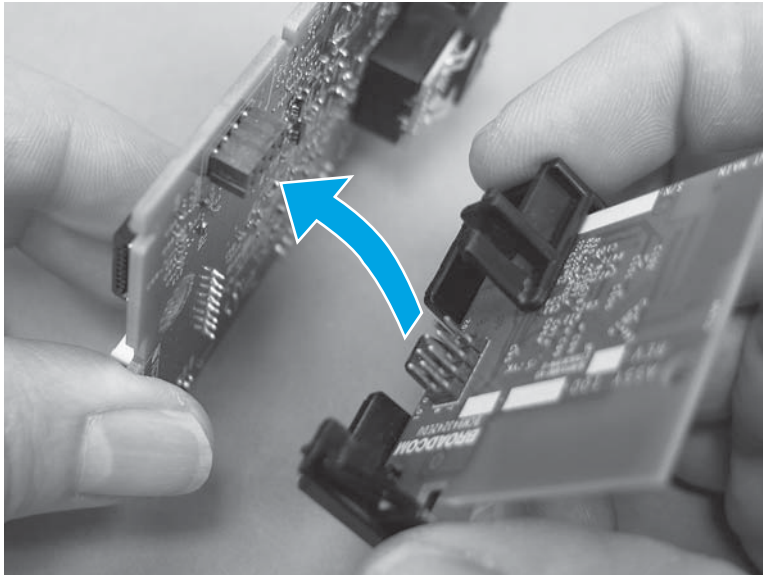
---

**⚠ CAUTION:**  ESD-sensitive part.

---

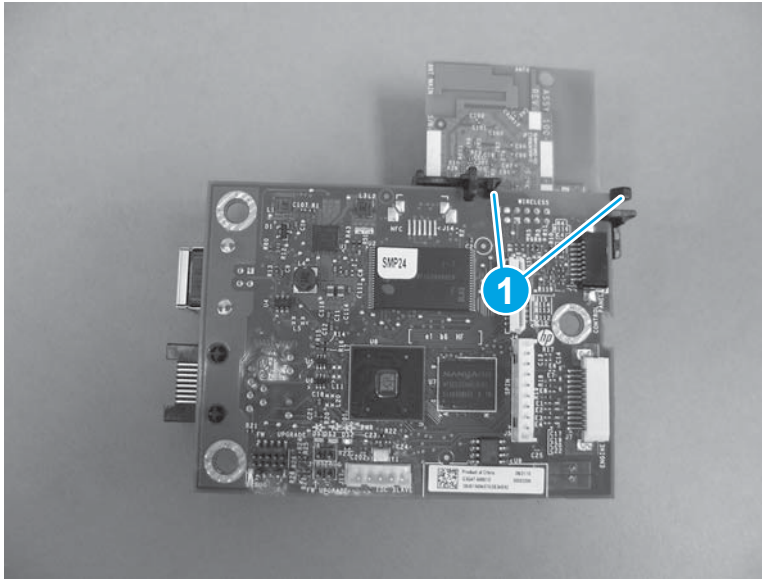
1. **SFP:** Do the following.
  - a. Install the wireless PCA on the back of the formatter.

**Figure 1-537** Install the wireless PCA (SFP)



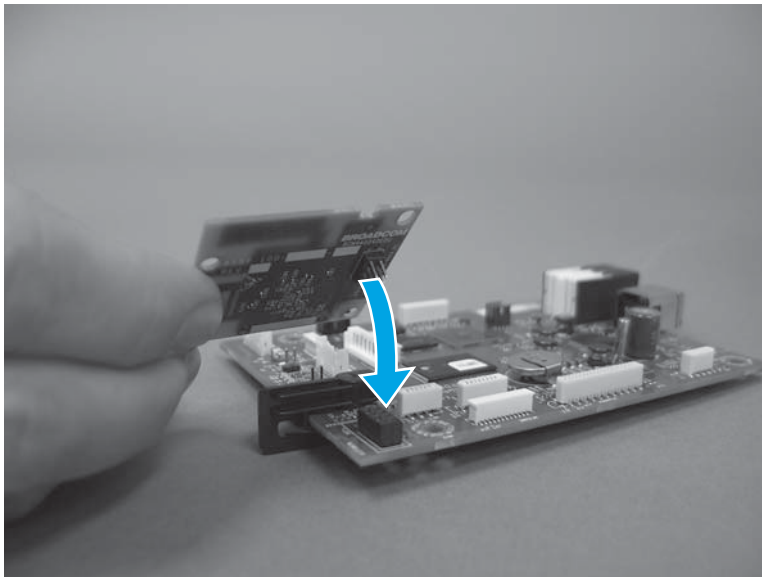
- b. Make sure that two tabs (callout 1) snap into place.

**Figure 1-538** Check two tabs (SFP)



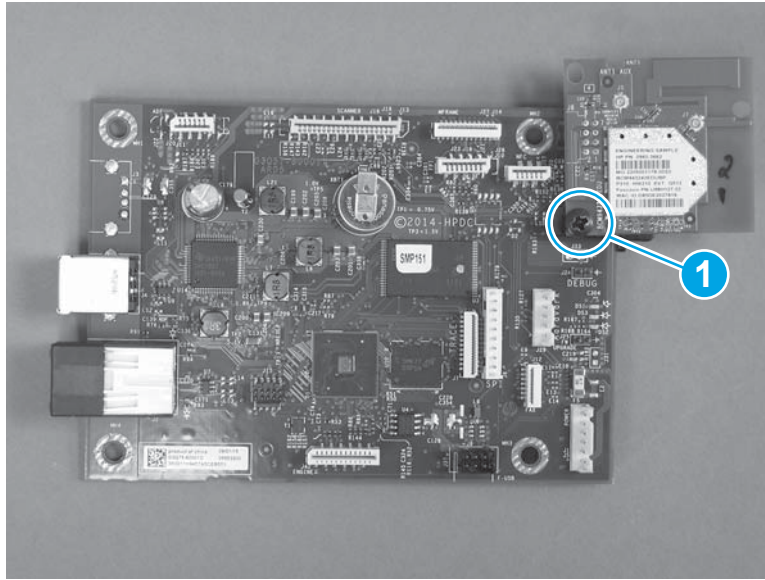
2. **MFP:** Do the following.
  - a. Install the wireless PCA on the front of the formatter.

**Figure 1-539** Install the wireless PCA (MFP)



- b. Install one screw (callout 1).

Figure 1-540 Install one screw (MFP)



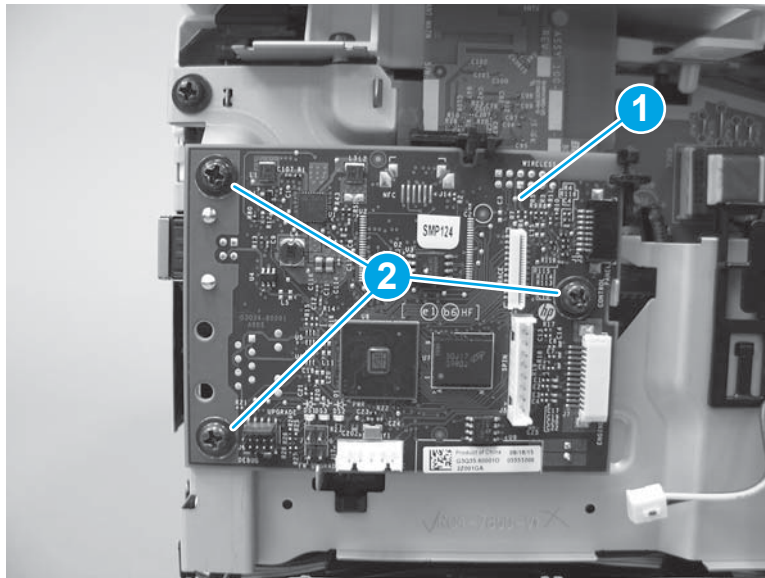
### Step 7: Install the formatter PCA

 **NOTE:** The figures below show the wireless card installed on the formatter. The procedures are also correct for non-wireless models.

 **CAUTION:**  ESD-sensitive part.

1. **SFP:** Do the following.
  - a. Position the formatter PCA (callout 1) on the printer, and then install three screws (callout 2).

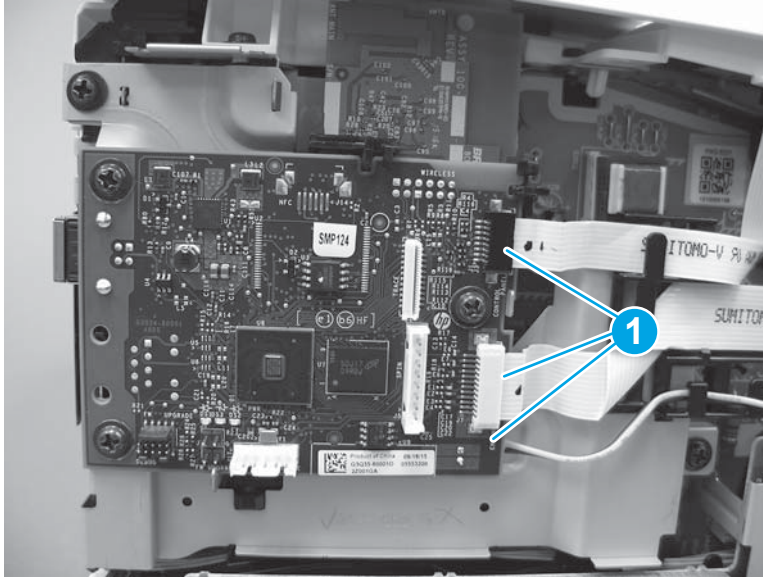
Figure 1-541 Install the formatter PCA (SFP)





- b. Connect two flat cables and one connector (callout 1).

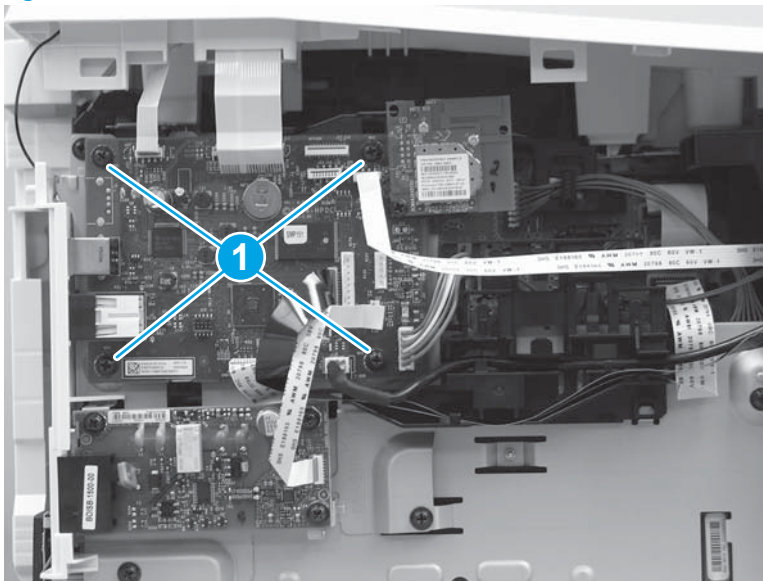
**Figure 1-542** Connect two flat cables and one connector (SFP)



2. **MFP:** Do the following.

- ▲ Position the formatter PCA on the printer, and then install four screws (callout 1). Connect all of the connectors on the formatter.

**Figure 1-543** Install the formatter PCA (MFP)

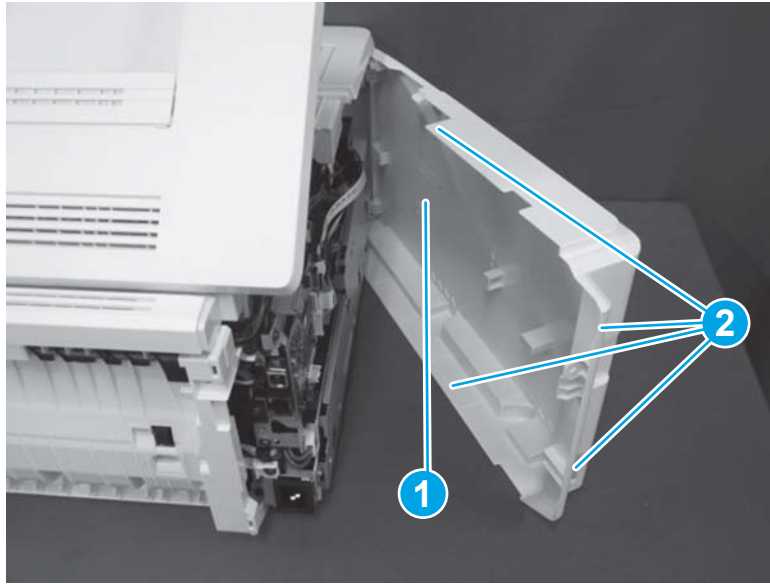


### Step 8: Install the left cover

1. **SFP:** Do the following.
  - a. Open the cartridge door.

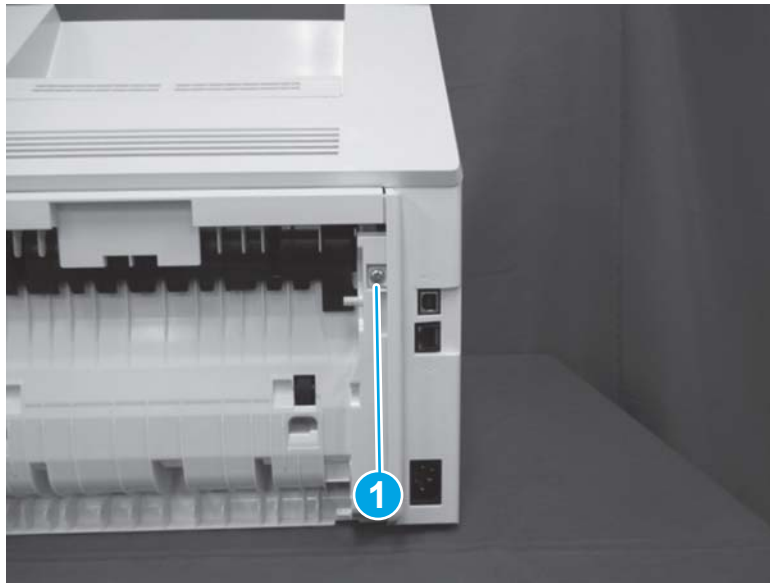
- b. Position the left cover (callout 1) on the printer, and then engage four tabs (callout 2).

**Figure 1-544** Install the left cover (SFP)



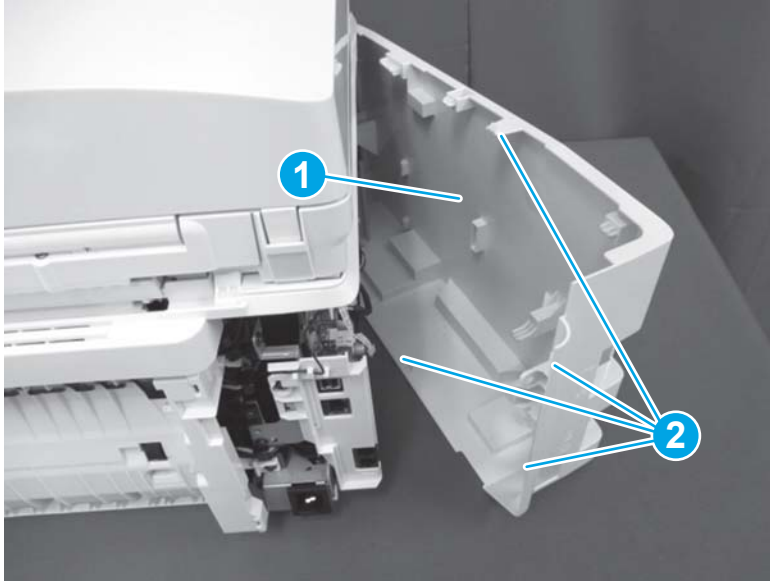
- c. Close the cartridge door.
- d. Install one screw (callout 1).

**Figure 1-545** Install one screw (SFP)



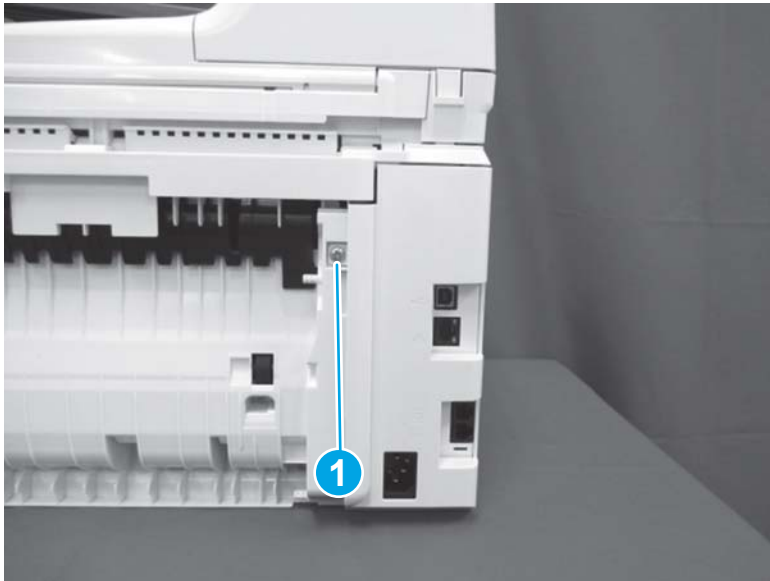
- 2. **MFP:** Do the following.
  - a. Position the left cover (callout 1) on the printer, and then engage four tabs (callout 2).

Figure 1-546 Install the left cover (MFP)



- b. Install one screw (callout 1).

Figure 1-547 Install one screw (MFP)

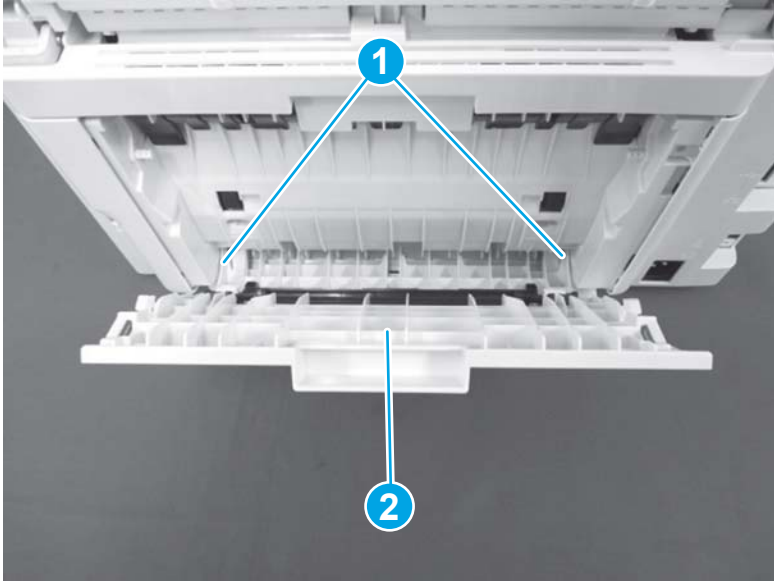


### Step 9: Install the duplex door

- 1. Install two tabs (callout 1) to install the duplex door (callout 2).



Figure 1-548 Install the duplex door



- 2. Close the duplex door.

## Removal and replacement: Wireless PCA

- [Introduction](#)
- [Step 1: Remove the duplex door](#)
- [Step 2: Remove the left cover](#)
- [Step 3: Remove the formatter](#)
- [Step 4: Remove the wireless PCA](#)
- [Step 5: Unpack the replacement assembly](#)
- [Step 6: Install the wireless PCA](#)
- [Step 7: Install the formatter](#)
- [Step 8: Install the left cover](#)
- [Step 9: Install the duplex door](#)

### Introduction


This document provides the procedures to remove and replace the wireless PCA and holder.

### Before performing service



#### Turn the printer power off

- Disconnect the power cable.

---

 **WARNING!** To avoid damage to the printer, turn the printer off, wait 30 seconds, and then remove the power cable before attempting to service the printer.

---

 **CAUTION:**  This part contains components that are electrostatic discharge (ESD) sensitive. To reduce the possibility of ESD damage, always touch the sheet-metal chassis to ground yourself before touching an ESD sensitive part.

---

Use the table below to identify the correct part number for your printer. To order the part, go to [www.hp.com/buy/parts](http://www.hp.com/buy/parts).

---

Wireless PCA part number	
0960-3662	Wireless PCA

---

### Required tools

- #2 Phillips screwdriver with a magnetic tip.

### After performing service

#### Turn the printer power on

- Connect the power cable.
- Use the power switch to turn the power on.

## Post service test

Verify that the printer reaches the **Ready** state.

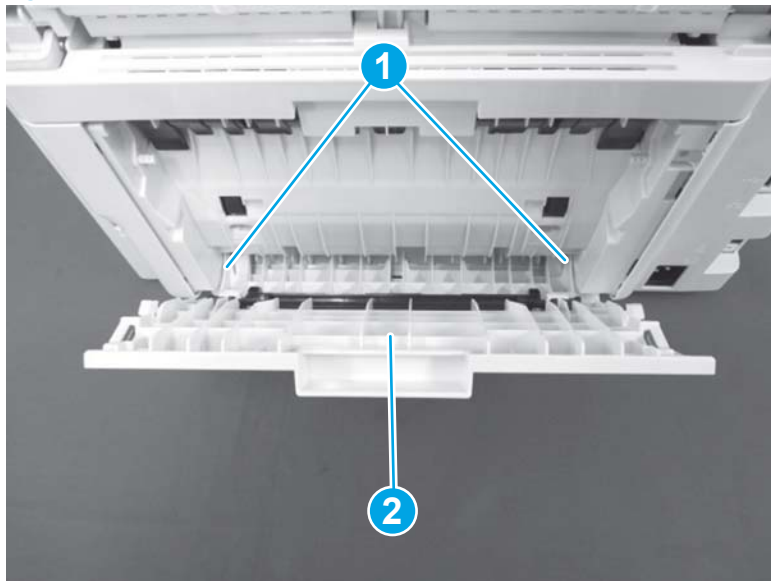
Send a print job from the host computer to the printer (or print a configuration page). Verify that a page prints.

Send a wireless print job to the printer. Verify that a page prints.

## Step 1: Remove the duplex door

1. Open the duplex door.
2. Use a small flat-blade screwdriver to release two tabs (callout 1), and then remove the duplex door (callout 2).

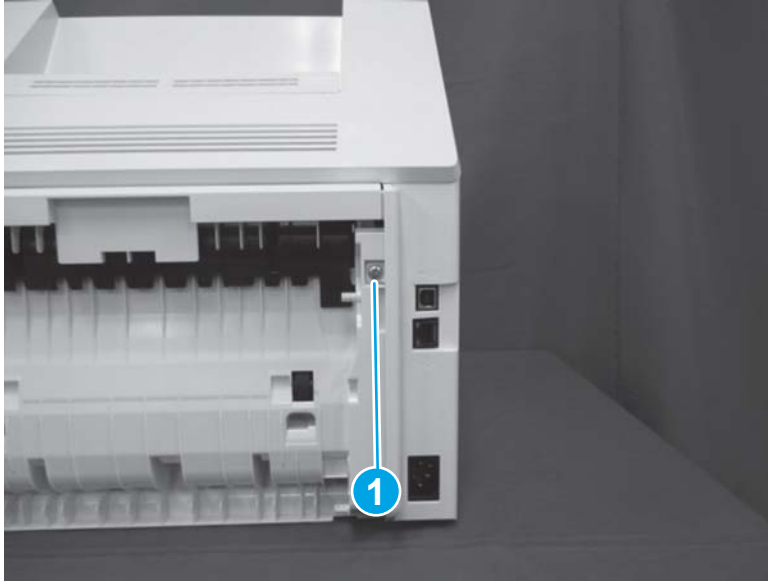
Figure 1-549 Remove the duplex door



## Step 2: Remove the left cover

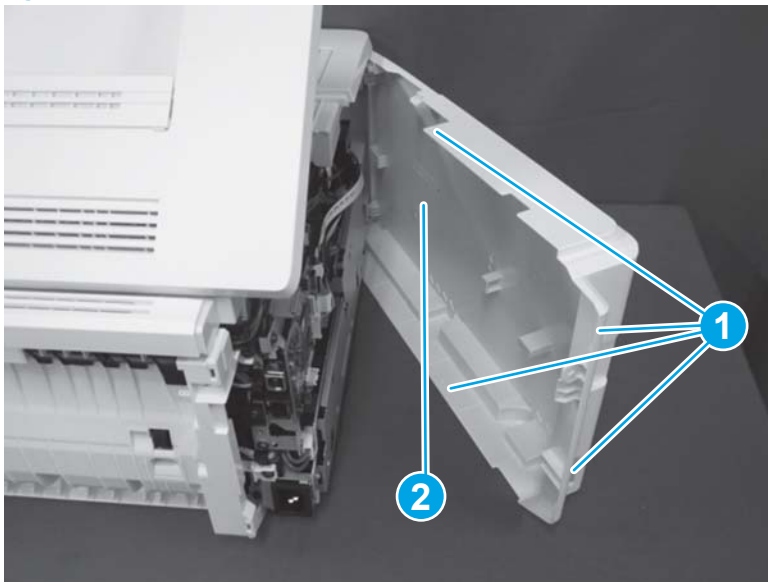
1. **SFP:** Do the following.
  - a. Remove one screw (callout 1).

Figure 1-550 Remove one screw (SFP)



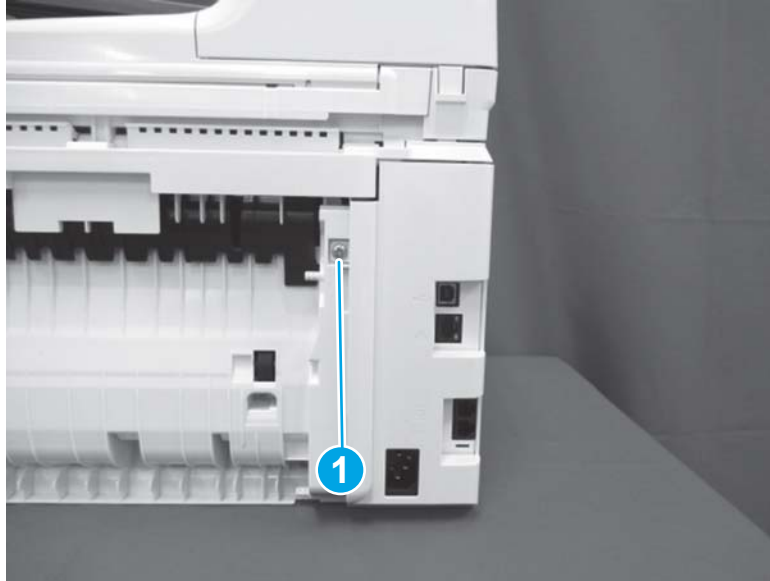
- b. Open the cartridge door.
- c. Release four tabs (callout 1), and then remove the left cover (callout 2).

Figure 1-551 Remove the left cover (SFP)



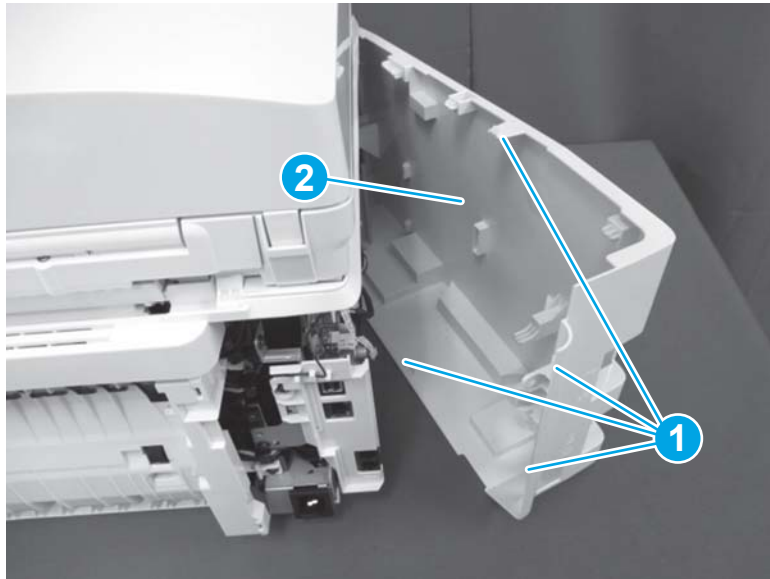
- 2. **MFP:** Do the following.
  - a. Remove one screw (callout 1).

Figure 1-552 Remove one screw (MFP)



- b. Release four tabs (callout 1), and then remove the left cover (callout 2).

Figure 1-553 Remove the left cover (MFP)



### Step 3: Remove the formatter

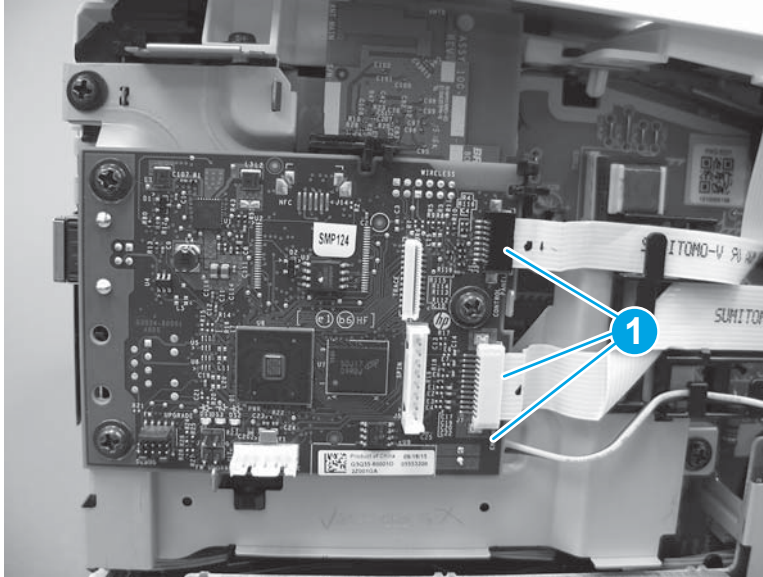
---

 **CAUTION:**  ESD-sensitive part.

---

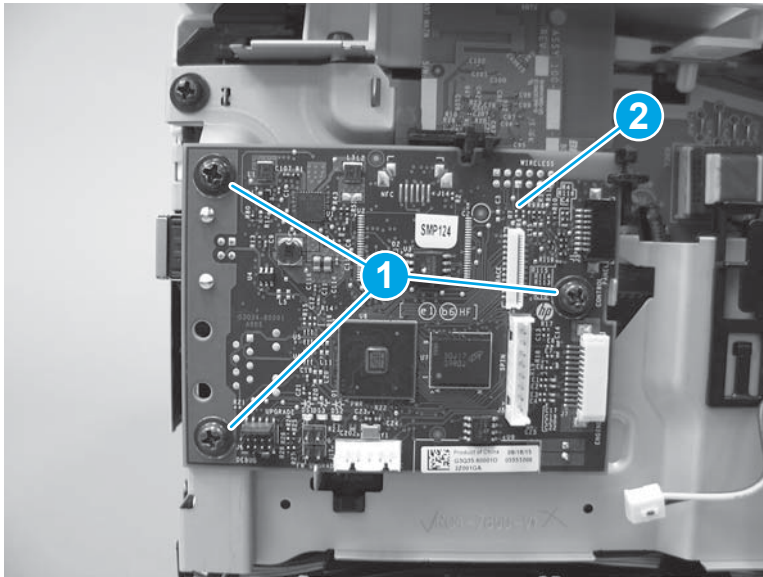
1. SFP: Do the following.
  - a. Disconnect two flat cables and one connector (callout 1).

Figure 1-554 Disconnect two flat cables and one connector (SFP)



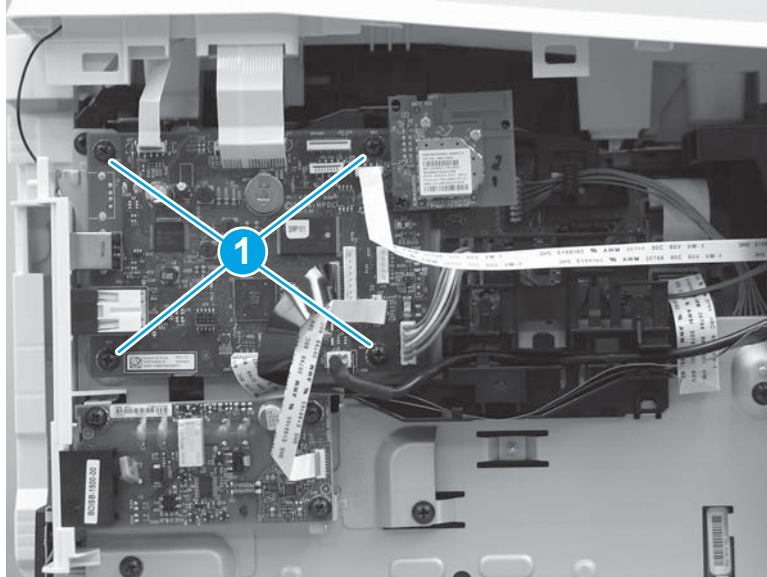
- b. Remove three screws (callout 1), and then remove the formatter PCA (callout 2).

Figure 1-555 Remove the formatter PCA (SFP)



- 2. **MFP:** Do the following.
  - ▲ Disconnect all of the connectors on the formatter PCA. Remove four screws (callout 1), and then remove the formatter PCA.

Figure 1-556 Remove the formatter PCA (MFP)

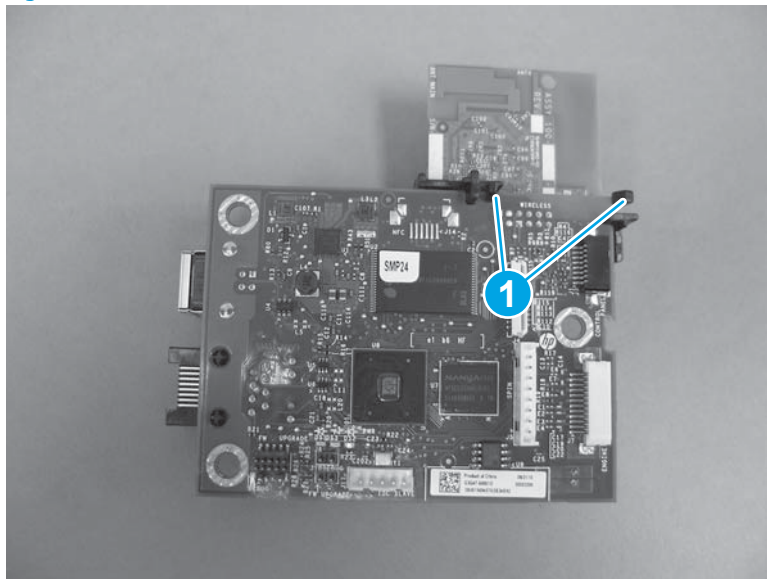


#### Step 4: Remove the wireless PCA

 **CAUTION:**  ESD-sensitive part.

1. SFP: Do the following.
  - a. Release two tabs (callout 1).

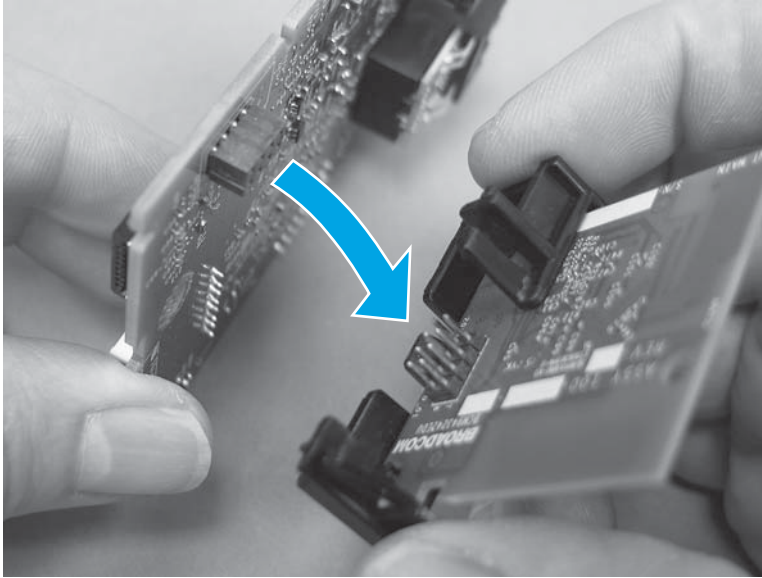
Figure 1-557 Release two tabs (SFP)





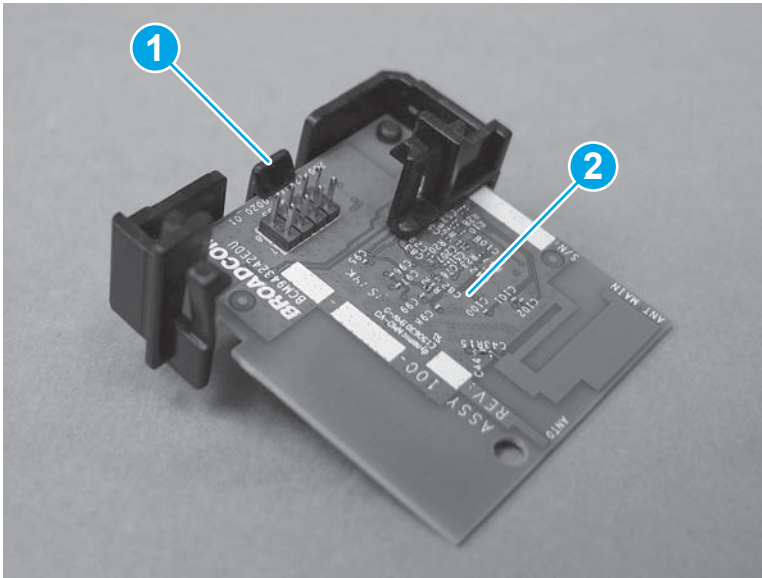
- b. Carefully pull the wireless PCA away from the formatter.

**Figure 1-558** Remove the wireless PCA and holder (SFP)



- c. Release one tab (callout 1), and then remove the wireless PCA (callout 2) from the holder.

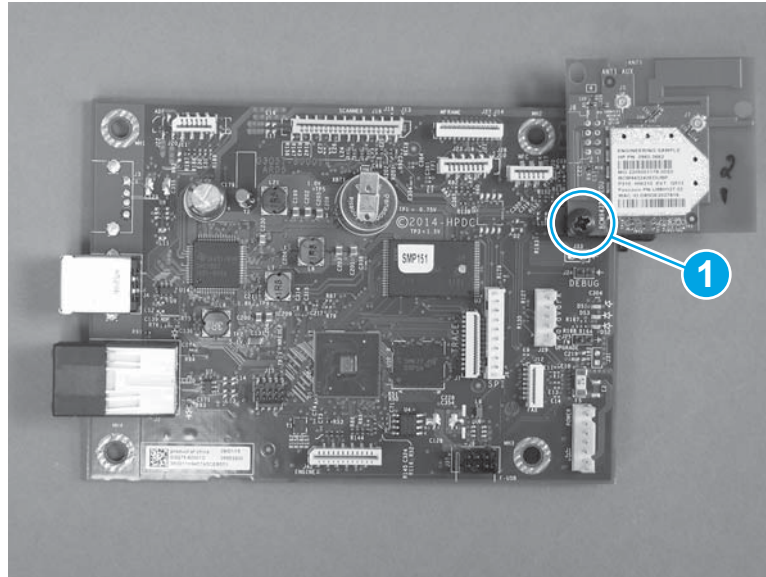
**Figure 1-559** Remove the wireless PCA



- 2. **MFP:** Do the following.
  - a. Remove one screw (callout 1).

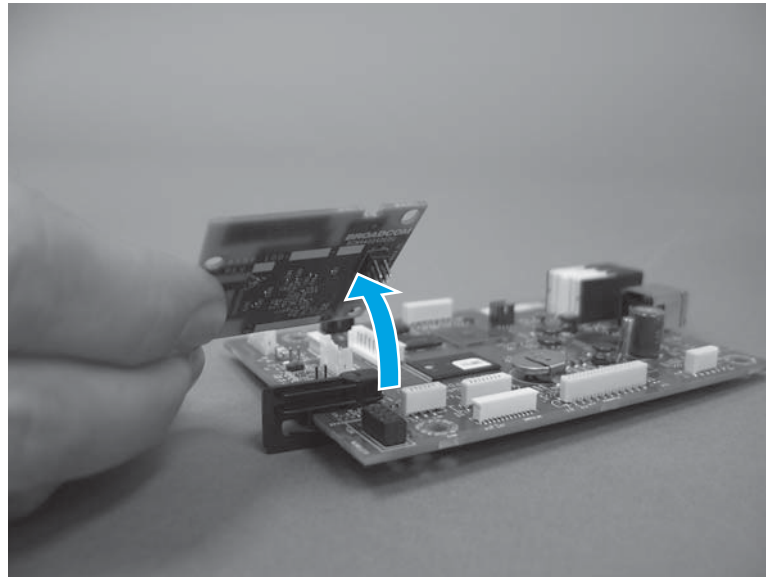


Figure 1-560 Remove one screw (MFP)



- b. Carefully pull the wireless PCA away from the formatter.

Figure 1-561 Remove the wireless card (MFP)



### Step 5: Unpack the replacement assembly

1. Dispose of the defective part.

---

 **NOTE:** HP recommends responsible disposal of the defective part.

[www.hp.com/recycle](http://www.hp.com/recycle)

---



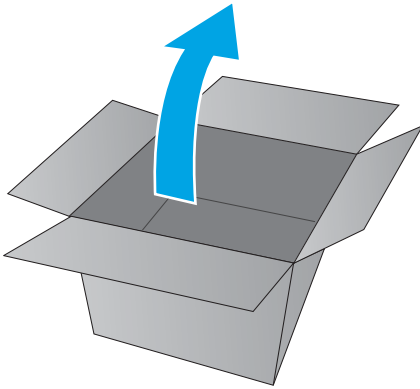
2. Unpack the replacement part from the packaging.

---

**⚠ CAUTION:** If the replacement part is a roller or pad, avoid touching the spongy part of it. Skin oils on the roller or pad can cause paper pickup and/or print-quality problems. HP recommends using disposable gloves when handling rollers or pads or washing your hands or before touching rollers or pads.

**📋 IMPORTANT:** Make sure that all of the shipping materials (for example shipping tape) are removed from the replacement part prior to installation.

---



### Step 6: Install the wireless PCA

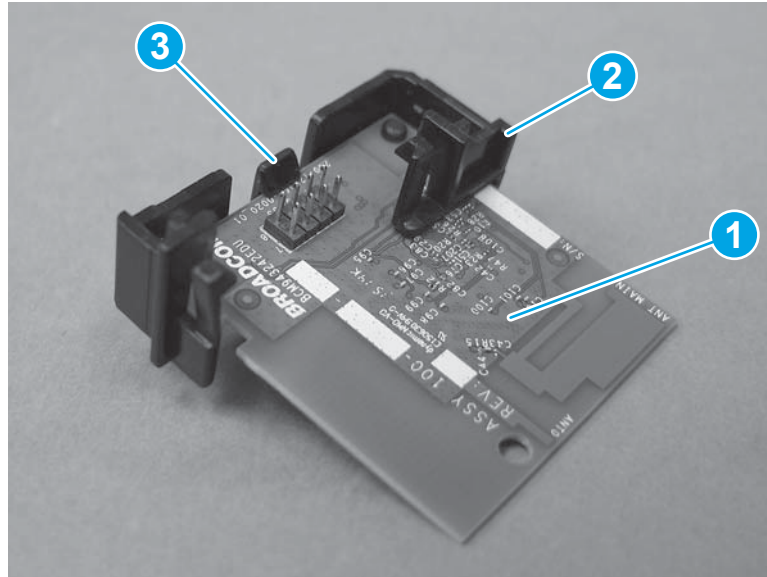
---

**⚠ CAUTION:**  ESD-sensitive part.

---

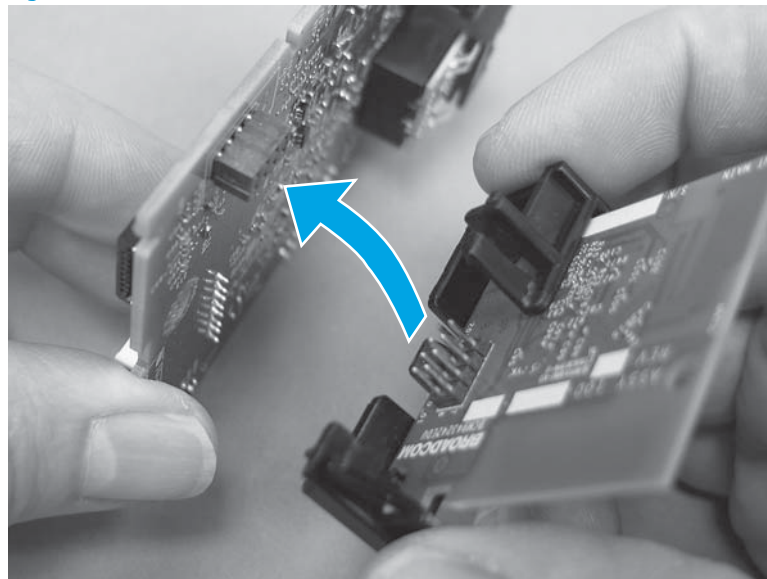
1. **SFP:** Do the following.
  - a. Position the wireless PCA (callout 1) in the holder (callout 2). Make sure that the tab (callout 3) snaps into place.

Figure 1-562 Install the wireless PCA in the holder



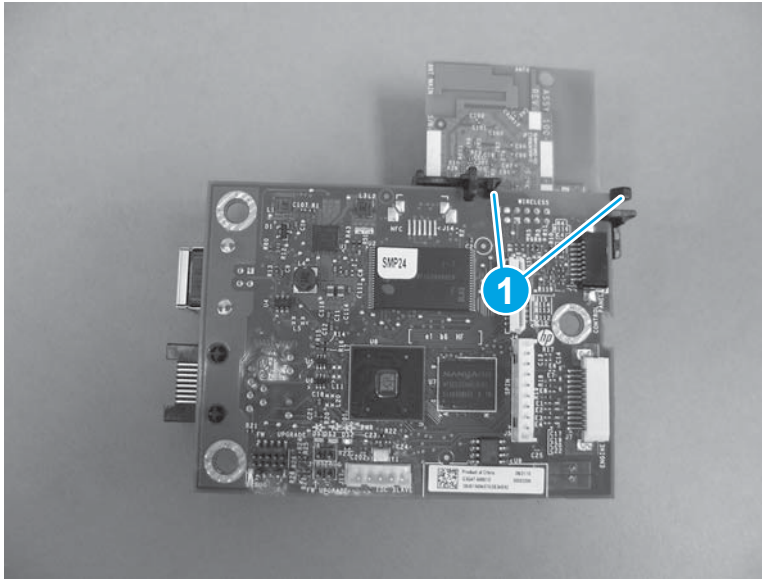
- b. Install the wireless PCA on the back of the formatter.

Figure 1-563 Install the wireless PCA (SFP)



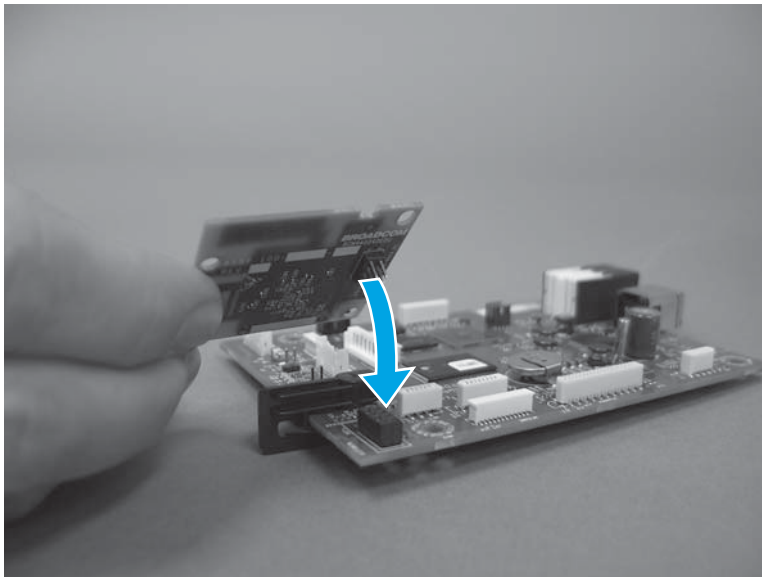
- c. Make sure that two tabs (callout 1) snap into place.

**Figure 1-564** Check two tabs (SFP)



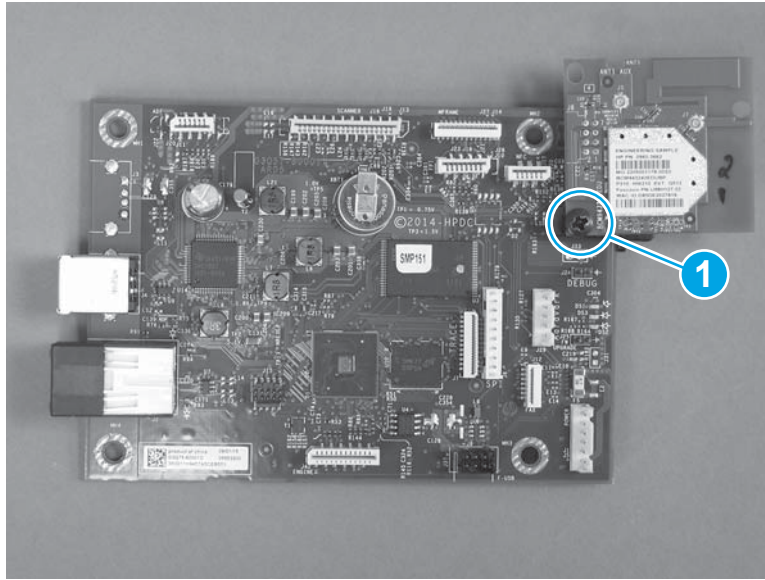
2. **MFP:** Do the following.
  - a. Install the wireless PCA on the front of the formatter.

**Figure 1-565** Install the wireless PCA (MFP)



- b. Install one screw (callout 1).

**Figure 1-566** Install one screw (MFP)

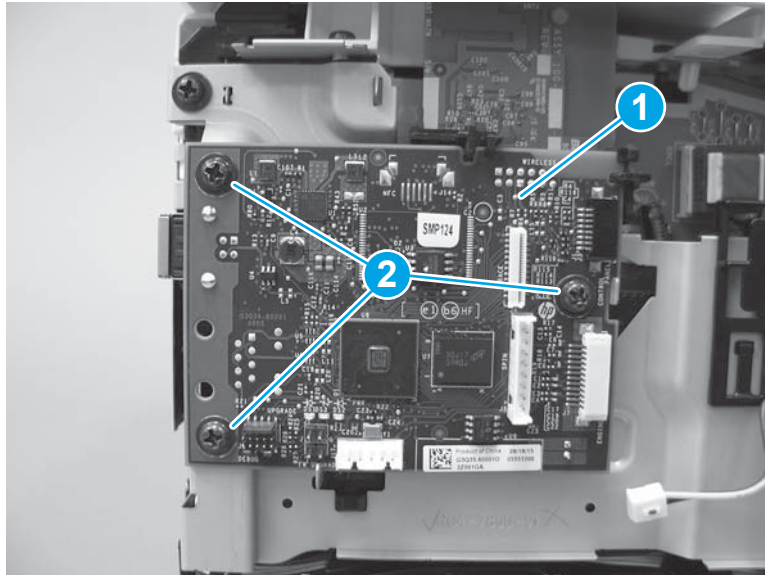


### Step 7: Install the formatter

**CAUTION:**  ESD-sensitive part.

1. **SFP:** Do the following.
  - a. Position the formatter PCA (callout 1) on the printer, and then install three screws (callout 2).

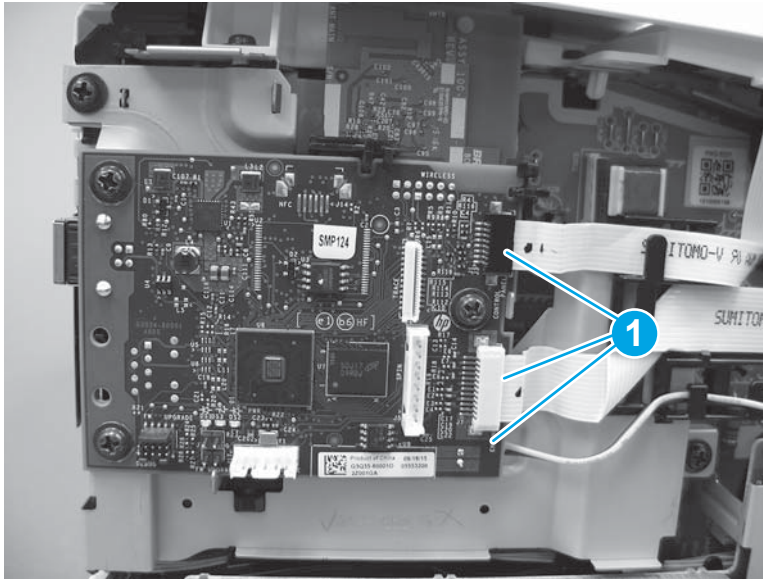
**Figure 1-567** Install the formatter PCA (SFP)





- b. Connect two flat cables and one connector (callout 1).

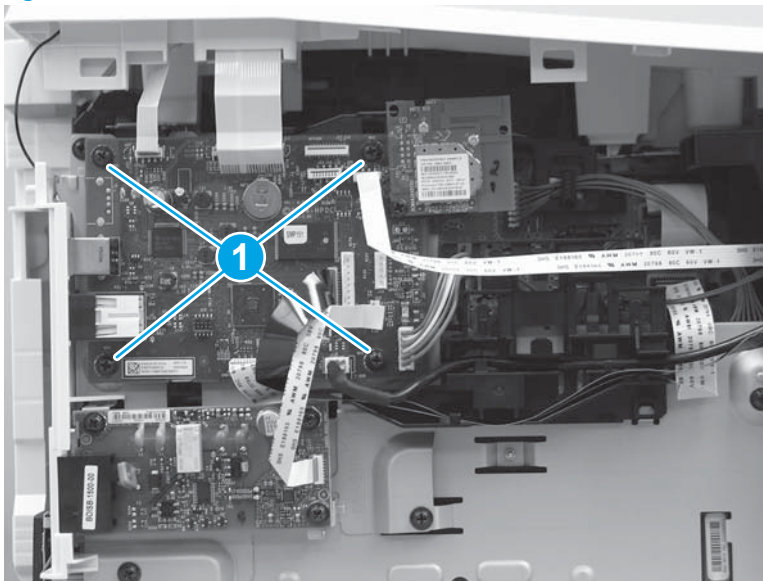
**Figure 1-568** Connect two flat cables and one connector (SFP)



2. **MFP:** Do the following.

- ▲ Position the formatter PCA on the printer, and then install four screws (callout 1). Connect all of the connectors on the formatter.

**Figure 1-569** Install the formatter PCA (MFP)

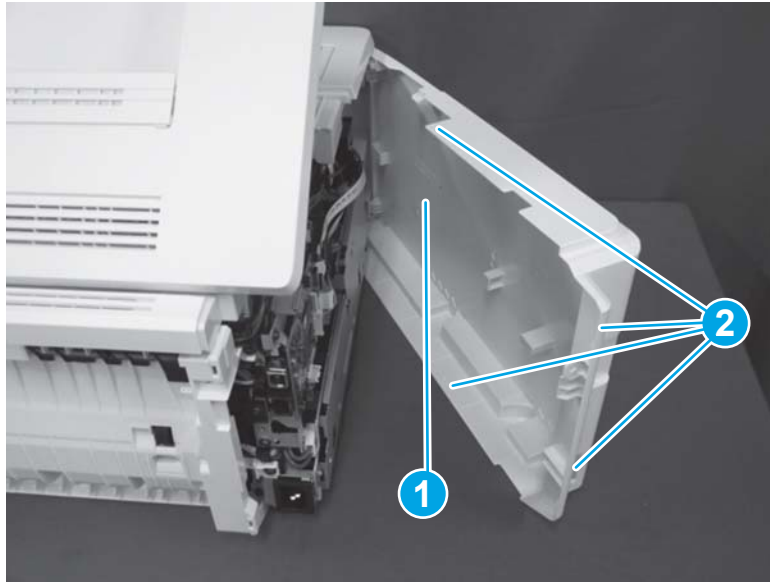


### Step 8: Install the left cover

1. **SFP:** Do the following.
  - a. Open the cartridge door.

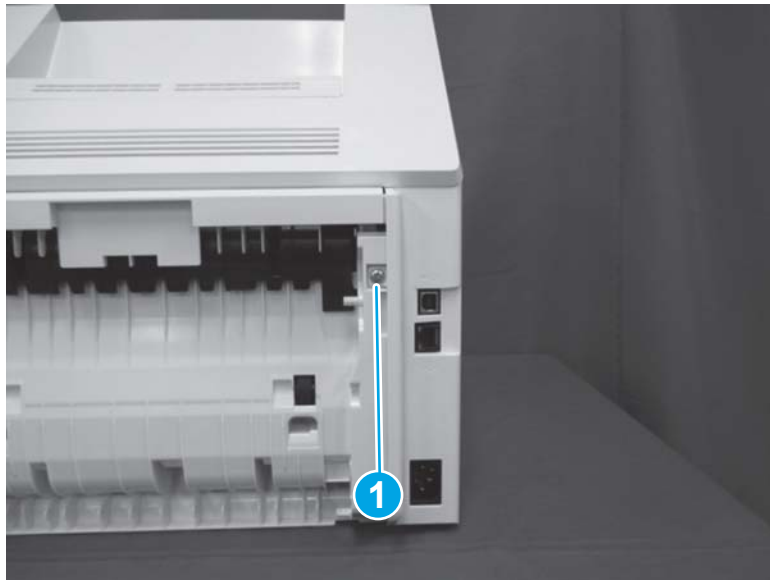
- b. Position the left cover (callout 1) on the printer, and then engage four tabs (callout 2).

**Figure 1-570** Install the left cover (SFP)



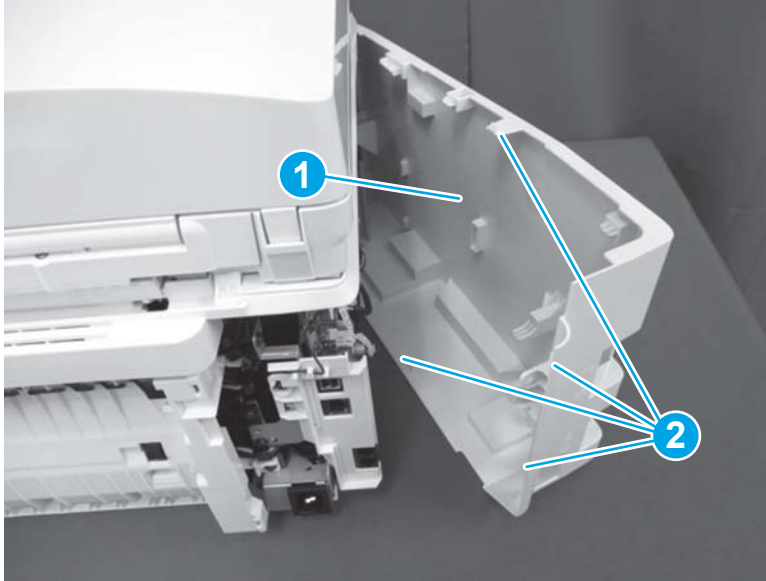
- c. Close the cartridge door.
- d. Install one screw (callout 1).

**Figure 1-571** Install one screw (SFP)



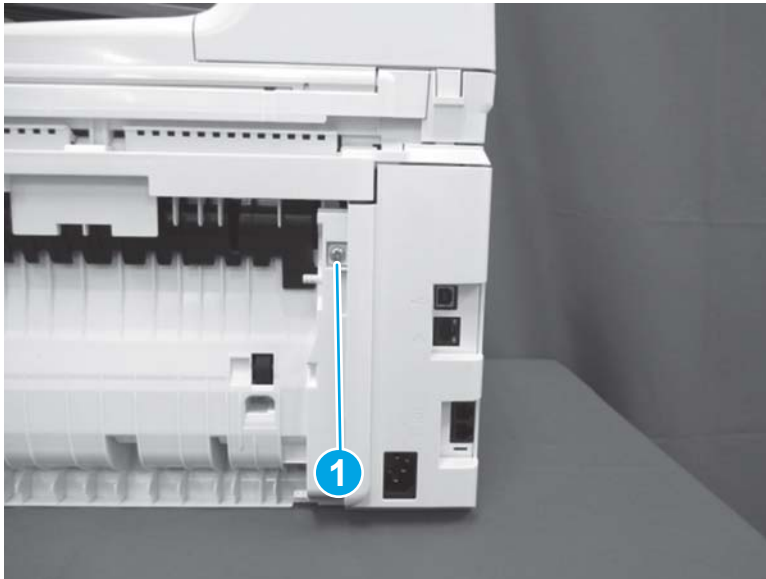
- 2. **MFP:** Do the following.
  - a. Position the left cover (callout 1) on the printer, and then engage four tabs (callout 2).

Figure 1-572 Install the left cover (MFP)



- b. Install one screw (callout 1).

Figure 1-573 Install one screw (MFP)

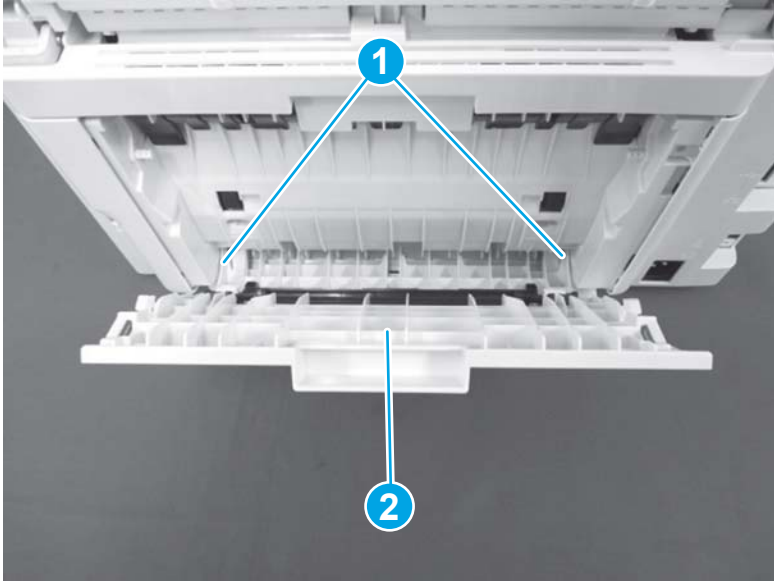


### Step 9: Install the duplex door

- 1. Install two tabs (callout 1) to install the duplex door (callout 2).



Figure 1-574 Install the duplex door



- 2. Close the duplex door.

## Removal and replacement: Flat flexible cable (engine controller PCA to formatter PCA)

- [Introduction](#)
- [Step 1: Remove the duplex door](#)
- [Step 2: Remove the left cover](#)
- [Step 3: Remove the flat flexible cable](#)
- [Step 4: Unpack the replacement assembly](#)
- [Step 5: Install the flat flexible cable](#)
- [Step 6: Install the left cover](#)
- [Step 7: Install the duplex door](#)


### Introduction

This document provides the procedures to remove and replace the flat flexible cable between the engine controller PCA and the formatter PCA.

### Before performing service

#### Turn the printer power off

- Disconnect the power cable.

 **WARNING!** To avoid damage to the printer, turn the printer off, wait 30 seconds, and then remove the power cable before attempting to service the printer.

Use the table below to identify the correct part number for your printer. To order the part, go to [www.hp.com/buy/parts](http://www.hp.com/buy/parts).

---

#### Flat flexible cable (engine controller PCA to formatter PCA) part numbers

---

RK2-8416-000CN	Flat flexible cable (SFP; engine controller PCA to formatter PCA)
RK2-8419-000CN	Flat flexible cable (MFP; engine controller PCA to formatter PCA)

---

### Required tools

- #2 Phillips screwdriver with a magnetic tip.

### After performing service

#### Turn the printer power on

- Connect the power cable.
- Use the power switch to turn the power on.

### Post service test

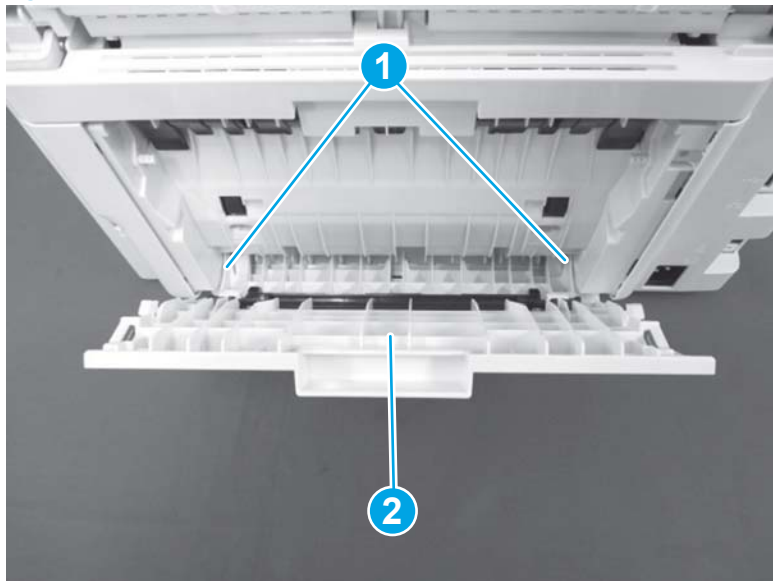
Verify that the printer reaches the **Ready** state.

Send a print job from the host computer to the printer (or print a configuration page). Verify that a page prints.

### Step 1: Remove the duplex door

1. Open the duplex door.
2. Use a small flat-blade screwdriver to release two tabs (callout 1), and then remove the duplex door (callout 2).

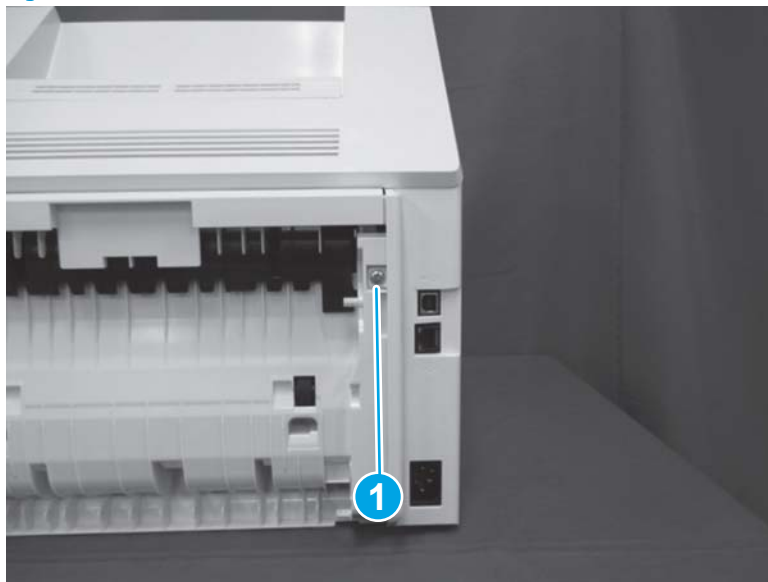
Figure 1-575 Remove the duplex door



### Step 2: Remove the left cover

1. SFP: Do the following.
  - a. Remove one screw (callout 1).

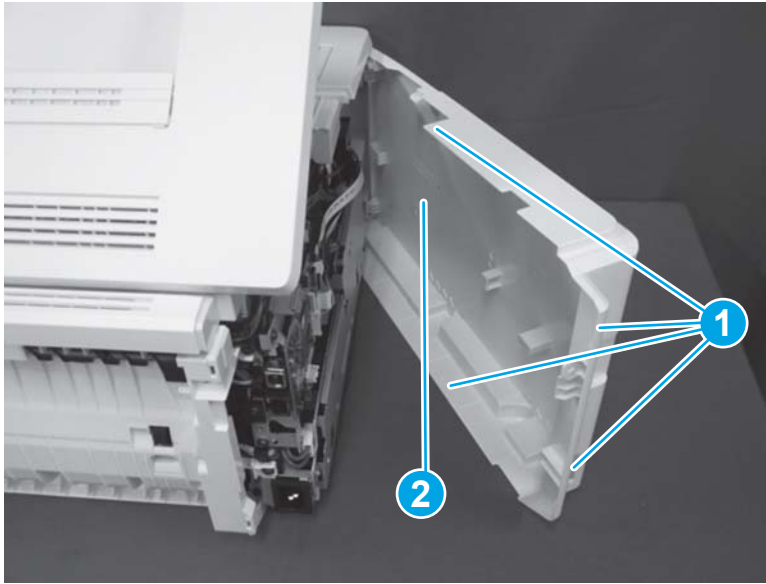
Figure 1-576 Remove one screw (SFP)



- b. Open the cartridge door.

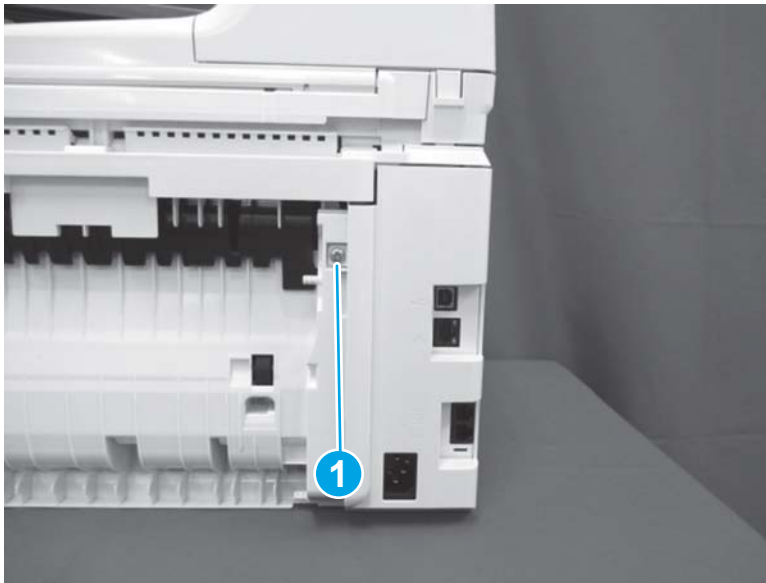
- c. Release four tabs (callout 1), and then remove the left cover (callout 2).

Figure 1-577 Remove the left cover (SFP)



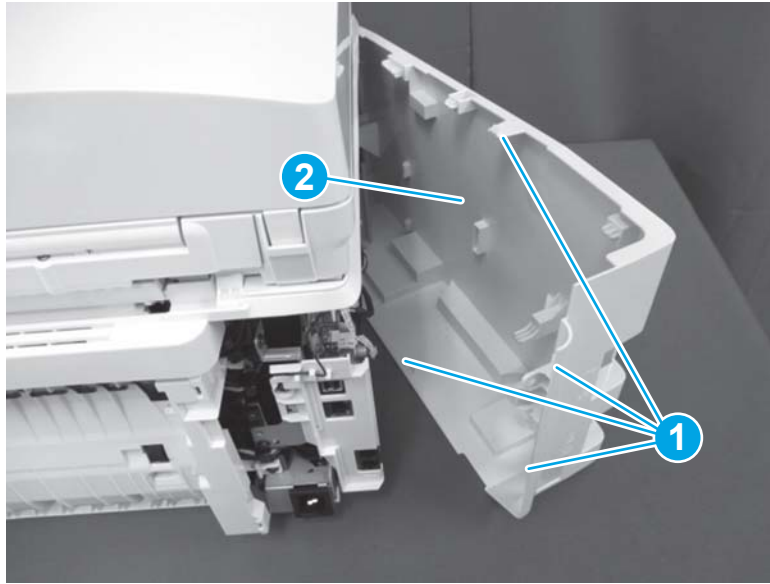
2. **MFP:** Do the following.
  - a. Remove one screw (callout 1).

Figure 1-578 Remove one screw (MFP)



- b. Release four tabs (callout 1), and then remove the left cover (callout 2).

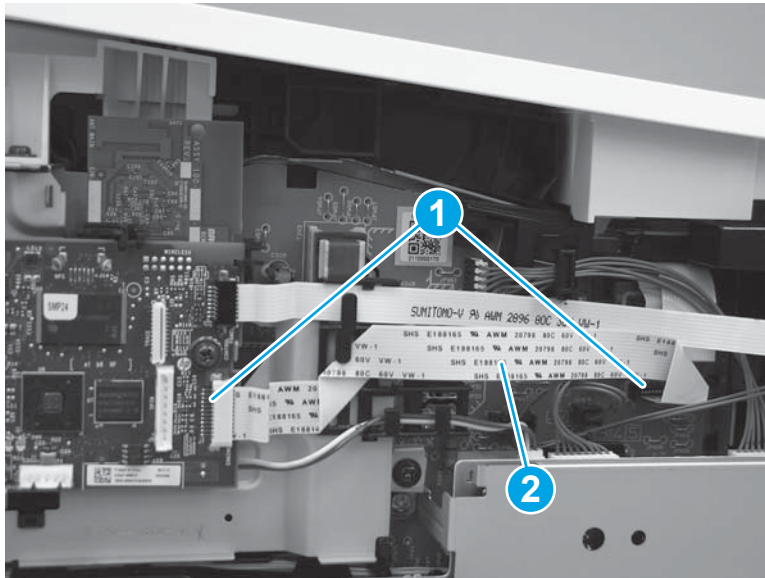
Figure 1-579 Remove the left cover (MFP)



### Step 3: Remove the flat flexible cable

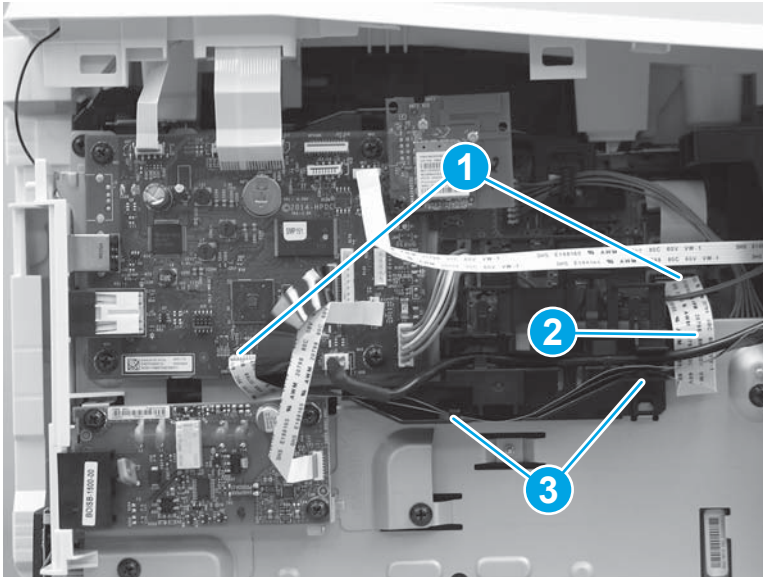
- 1. **SFP:** Disconnect two connectors (callout 1), and then remove the flat flexible cable (callout 2).

Figure 1-580 Remove the flat flexible cable (SFP)




2. **MFP:** Disconnect two connectors (callout 1). Remove the cable (callout 2) from the guides (callout 3), and then remove the cable.

**Figure 1-581** Remove the flat flexible cable (MFP)



#### Step 4: Unpack the replacement assembly

1. Dispose of the defective part.

 **NOTE:** HP recommends responsible disposal of the defective part.

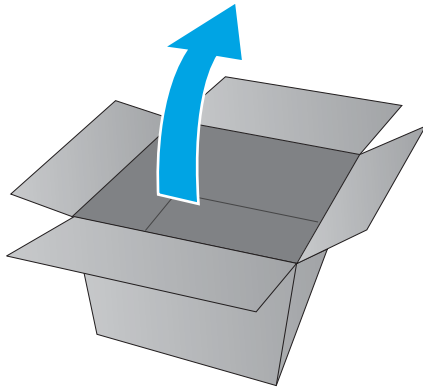
[www.hp.com/recycle](http://www.hp.com/recycle)



2. Unpack the replacement part from the packaging.

**⚠ CAUTION:** If the replacement part is a roller or pad, avoid touching the spongy part of it. Skin oils on the roller or pad can cause paper pickup and/or print-quality problems. HP recommends using disposable gloves when handling rollers or pads or washing your hands or before touching rollers or pads.

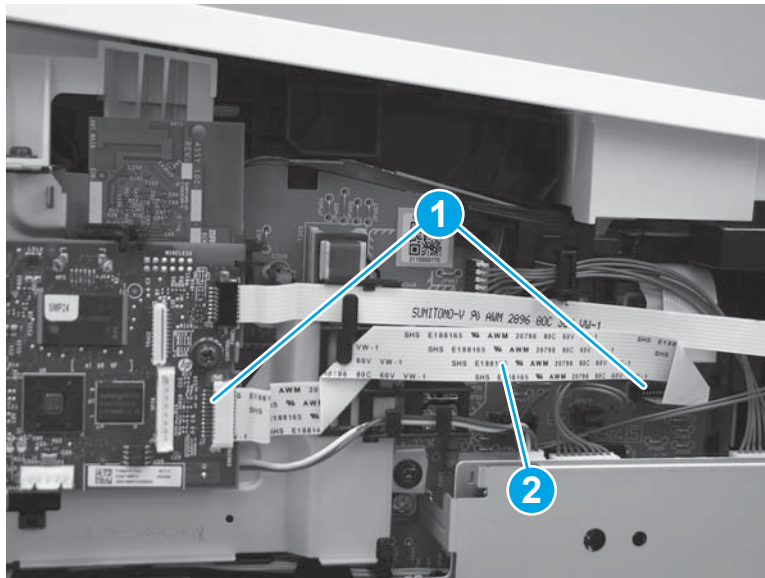
**📄 IMPORTANT:** Make sure that all of the shipping materials (for example shipping tape) are removed from the replacement part prior to installation.



### Step 5: Install the flat flexible cable

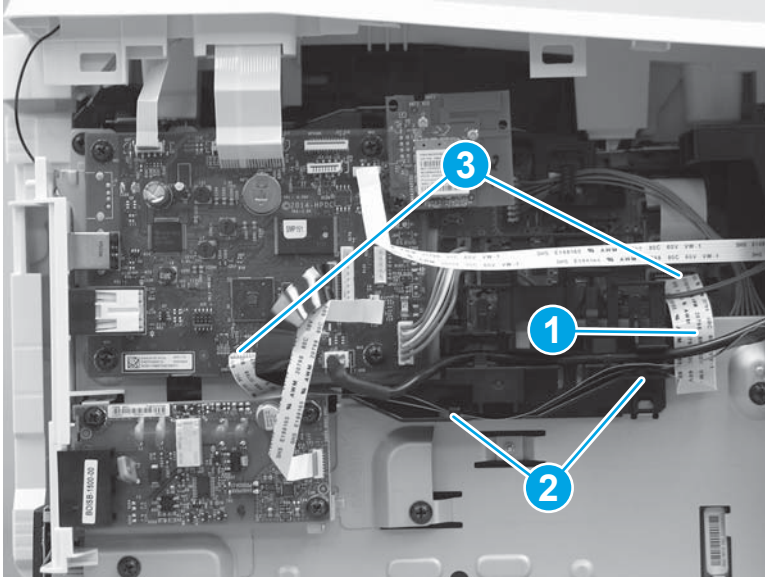
1. **SFP:** Connect two connectors (callout 1) to install the flat flexible cable (callout 2).

**Figure 1-582** Install the flat flexible cable (SFP)



2. **MFP:** Position the flat flexible cable (callout 1) in the guides (callout 2), and then connect two connectors (callout 3).

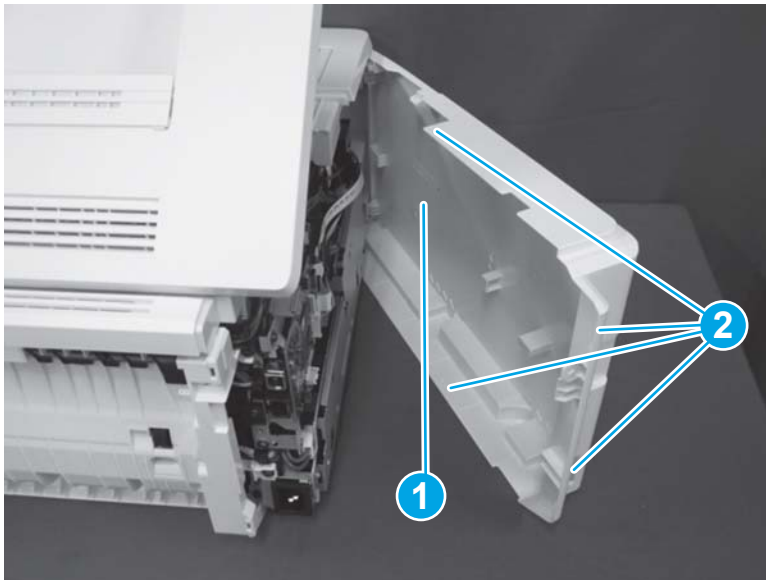
**Figure 1-583** Install the flat flexible cable (MFP)



#### Step 6: Install the left cover

1. **SFP:** Do the following.
  - a. Open the cartridge door.
  - b. Position the left cover (callout 1) on the printer, and then engage four tabs (callout 2).

**Figure 1-584** Install the left cover (SFP)

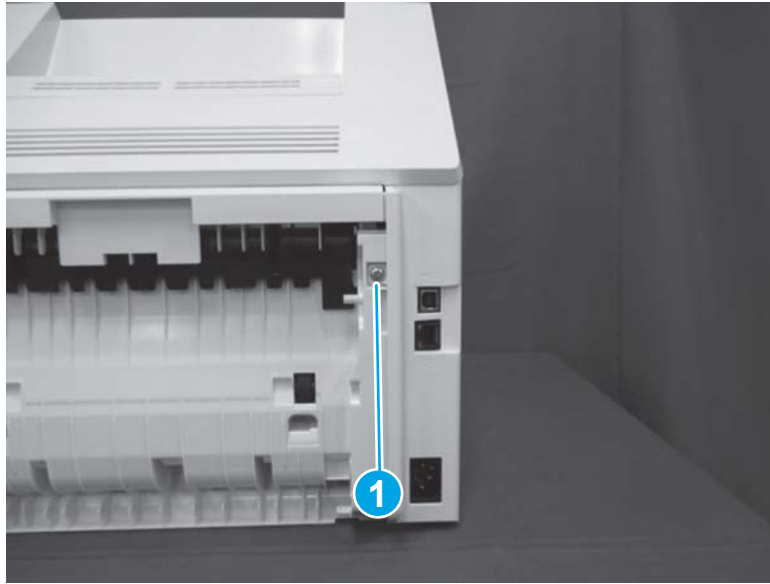


- c. Close the cartridge door.



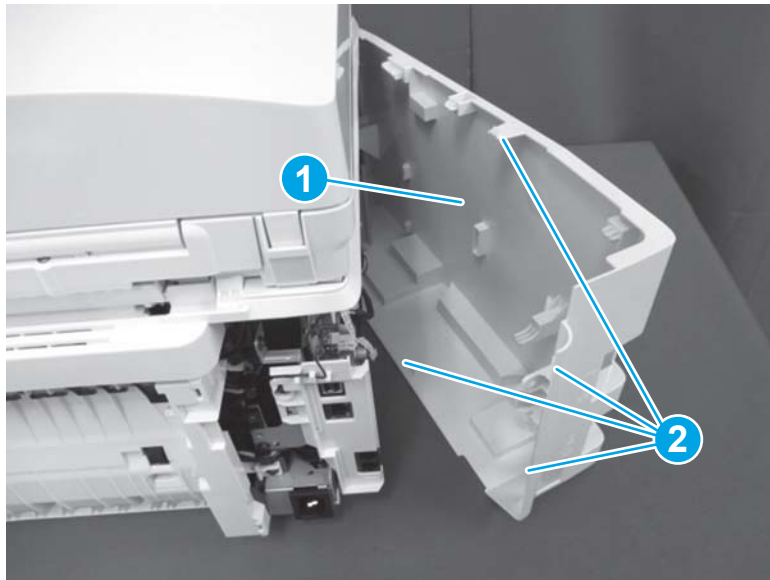
- d. Install one screw (callout 1).

Figure 1-585 Install one screw (SFP)



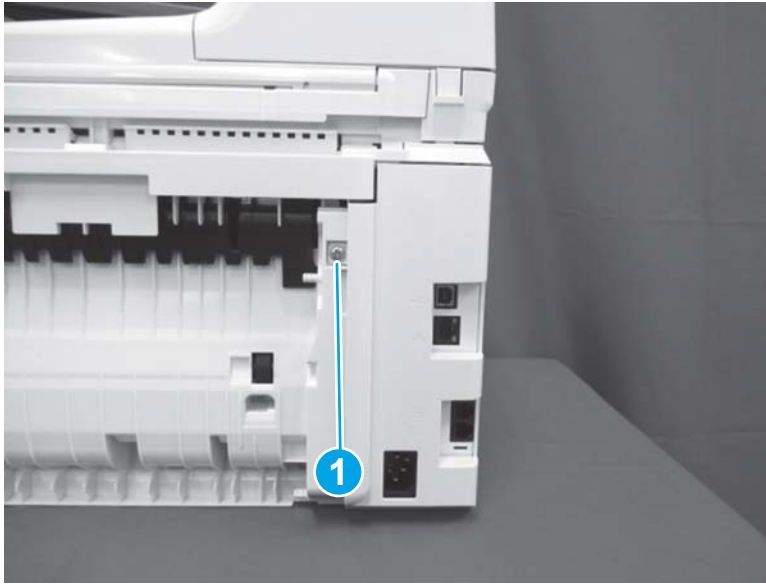
- 2. MFP: Do the following.
  - a. Position the left cover (callout 1) on the printer, and then engage four tabs (callout 2).

Figure 1-586 Install the left cover (MFP)



- b. Install one screw (callout 1).

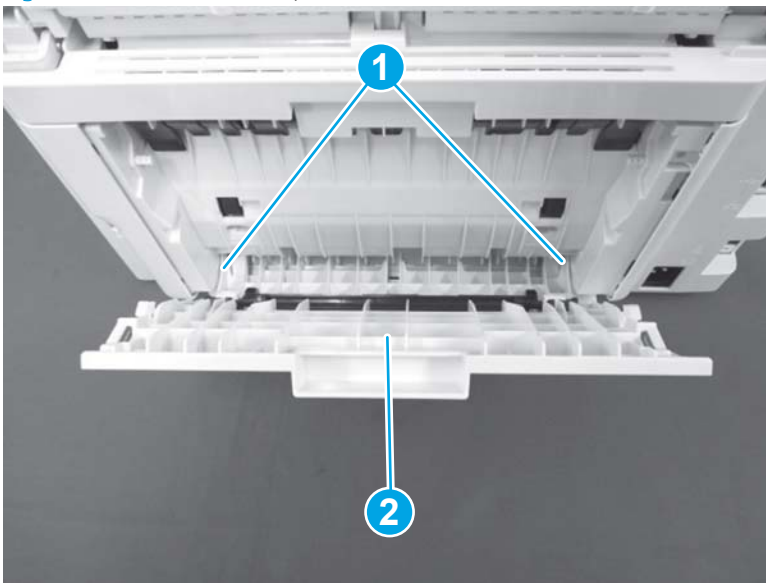
Figure 1-587 Install one screw (MFP)



#### Step 7: Install the duplex door

1. Install two tabs (callout 1) to install the duplex door (callout 2).

Figure 1-588 Install the duplex door



2. Close the duplex door.

## Removal and replacement: Flat flexible cable (fax PCA; MFP)

- [Introduction](#)
- [Step 1: Remove the duplex door](#)
- [Step 2: Remove the left cover](#)
- [Step 3: Remove the flat flexible cable](#)
- [Step 4: Unpack the replacement assembly](#)
- [Step 5: Install the flat flexible cable](#)
- [Step 6: Install the left cover](#)
- [Step 7: Install the duplex door](#)

### Introduction

This document provides the procedures to remove and replace the flat flexible cable between the fax PCA and the formatter PCA.

### Before performing service

#### Turn the printer power off

- Disconnect the power cable.

**⚠ WARNING!** To avoid damage to the printer, turn the printer off, wait 30 seconds, and then remove the power cable before attempting to service the printer.

Use the table below to identify the correct part number for your printer. To order the part, go to [www.hp.com/buy/parts](http://www.hp.com/buy/parts).

Flat flexible cable , fax PCA (MFP) part number	
RK2-8440-000CN	Flat flexible cable, fax PCA (MFP)

### Required tools

- #2 Phillips screwdriver with a magnetic tip.

### After performing service

#### Turn the printer power on

- Connect the power cable.
- Use the power switch to turn the power on.

### Post service test

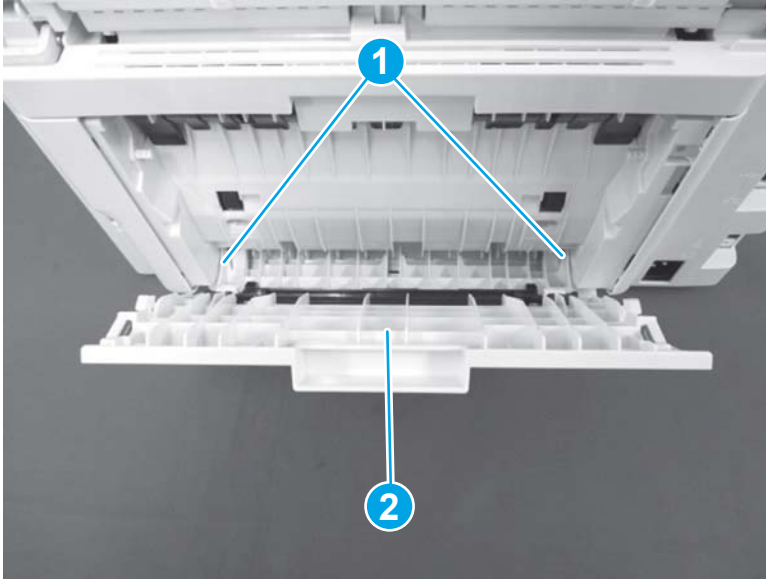
Send a test fax job from the printer. Verify that the fax is successfully sent and received.

### Step 1: Remove the duplex door

1. Open the duplex door.

2. Use a small flat-blade screwdriver to release two tabs (callout 1), and then remove the duplex door (callout 2).

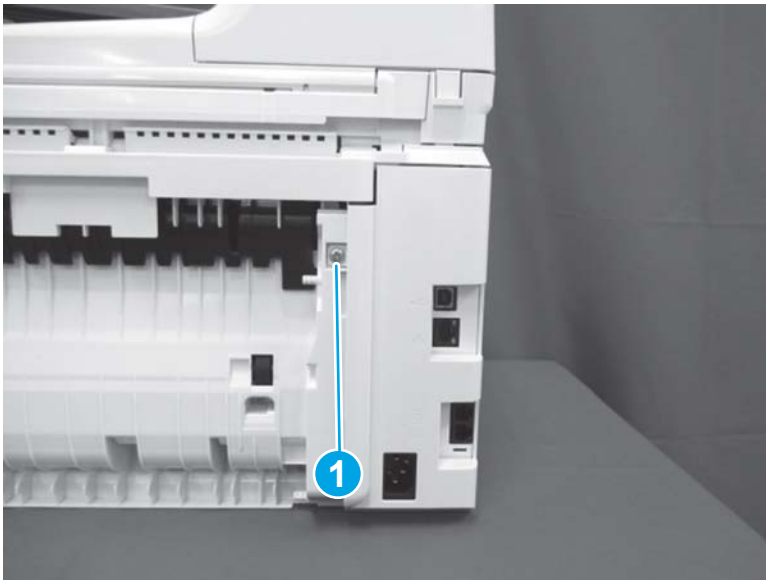
Figure 1-589 Remove the duplex door



#### Step 2: Remove the left cover

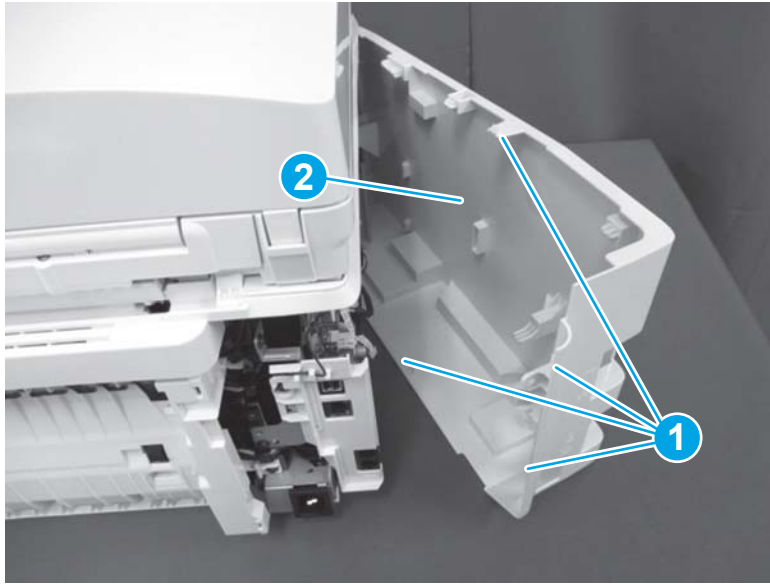
1. Remove one screw (callout 1).

Figure 1-590 Remove one screw (MFP)



2. Release four tabs (callout 1), and then remove the left cover (callout 2).

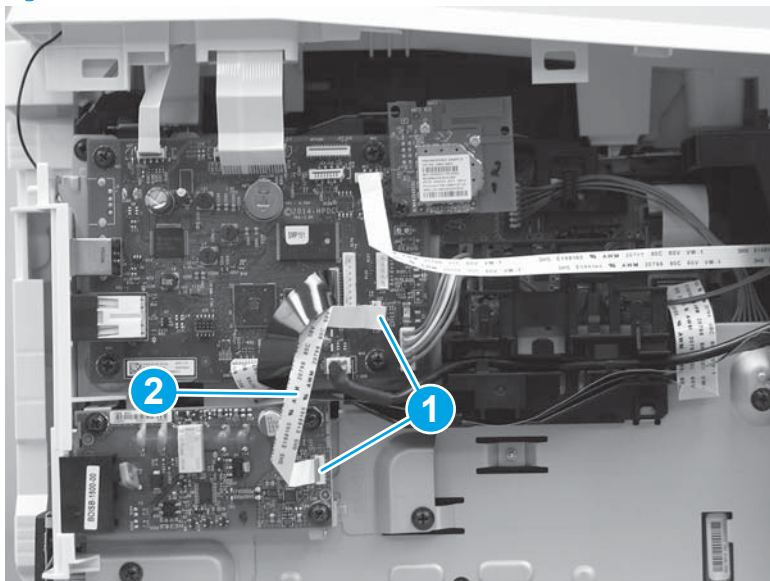
**Figure 1-591** Remove the left cover (MFP)



### Step 3: Remove the flat flexible cable

- ▲ Disconnect two connectors (callout 1), and then remove the flat flexible cable (callout 2).

**Figure 1-592** Remove the flat flexible cable (MFP)



### Step 4: Unpack the replacement assembly

1. Dispose of the defective part.

 **NOTE:** HP recommends responsible disposal of the defective part.

[www.hp.com/recycle](http://www.hp.com/recycle)



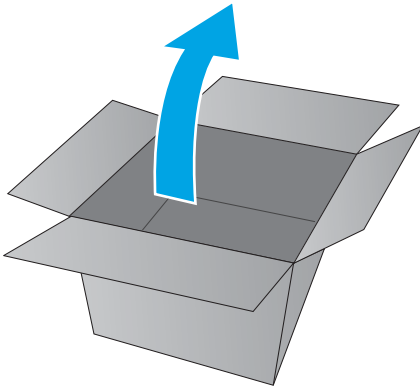
2. Unpack the replacement part from the packaging.

---

**⚠ CAUTION:** If the replacement part is a roller or pad, avoid touching the spongy part of it. Skin oils on the roller or pad can cause paper pickup and/or print-quality problems. HP recommends using disposable gloves when handling rollers or pads or washing your hands or before touching rollers or pads.

**📄 IMPORTANT:** Make sure that all of the shipping materials (for example shipping tape) are removed from the replacement part prior to installation.

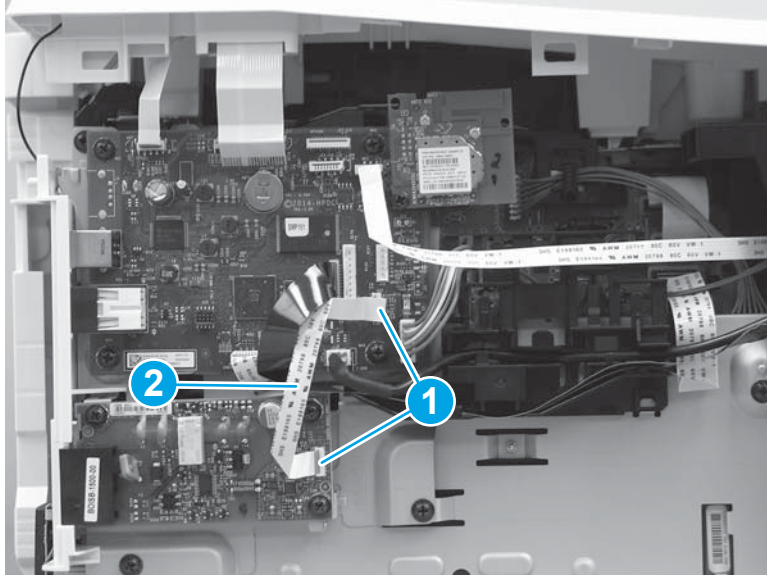
---



### Step 5: Install the flat flexible cable

- ▲ Connect two connectors (callout 1) to install the flat flexible cable (callout 2).

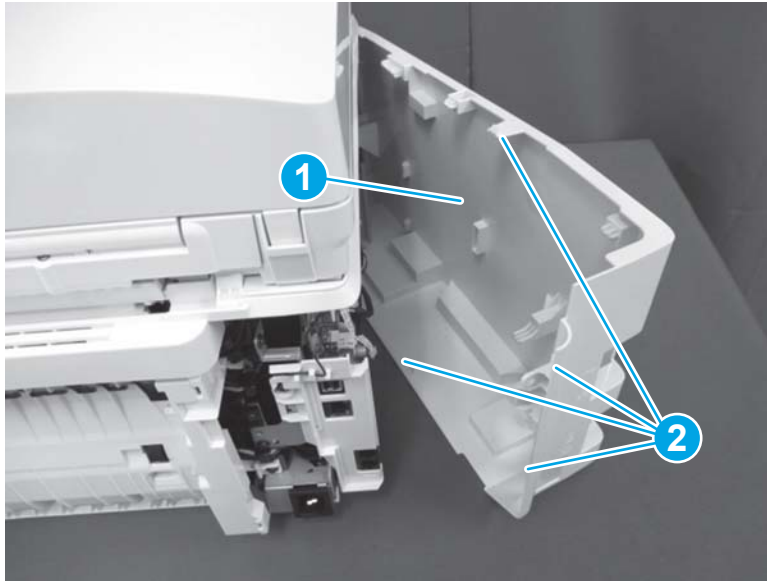
Figure 1-593 Install the fax flat flexible cable (MFP)



Step 6: Install the left cover

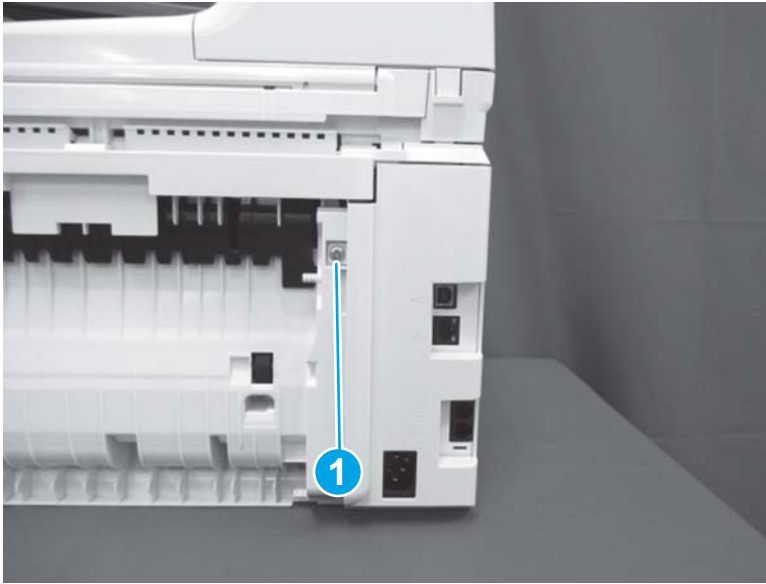
1. Position the left cover (callout 1) on the printer, and then engage four tabs (callout 2).

Figure 1-594 Install the left cover (MFP)



2. Install one screw (callout 1).

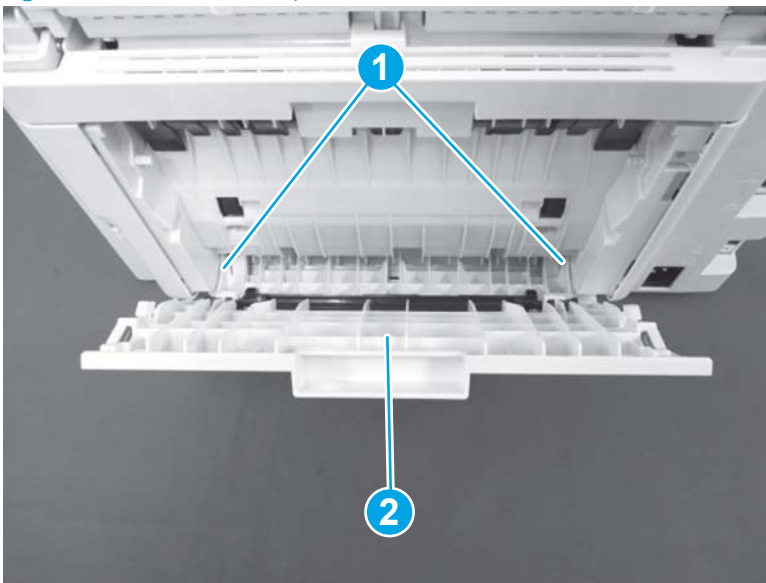
Figure 1-595 Install one screw (MFP)



#### Step 7: Install the duplex door

1. Install two tabs (callout 1) to install the duplex door (callout 2).

Figure 1-596 Install the duplex door



2. Close the duplex door.



## Removal and replacement: Flat flexible cable (control panel; SFP)

- [Introduction](#)
- [Step 1: Remove the duplex door](#)
- [Step 2: Remove the left cover](#)
- [Step 3: Remove the right cover](#)
- [Step 4: Remove the top front cover](#)
- [Step 5: Remove the flat flexible cable](#)
- [Step 6: Unpack the replacement assembly](#)
- [Step 7: Install the flat flexible cable](#)
- [Step 8: Install the top front cover](#)
- [Step 9: Install the right cover](#)
- [Step 10: Install the left cover](#)
- [Step 11: Install the duplex door](#)

### Introduction

This document provides the procedures to remove and replace the flat flexible cable between the SFP control panel and the formatter PCA.

### Before performing service

#### Turn the printer power off

- Disconnect the power cable.

**⚠ WARNING!** To avoid damage to the printer, turn the printer off, wait 30 seconds, and then remove the power cable before attempting to service the printer.

Use the table below to identify the correct part number for your printer. To order the part, go to [www.hp.com/buy/parts](http://www.hp.com/buy/parts).

Flat flexible cable, control panel (SFP) part number	
RK2-8522-000CN	Flat flexible cable, control panel (SFP)

### Required tools

- #2 Phillips screwdriver with a magnetic tip.

### After performing service

#### Turn the printer power on

- Connect the power cable.
- Use the power switch to turn the power on.

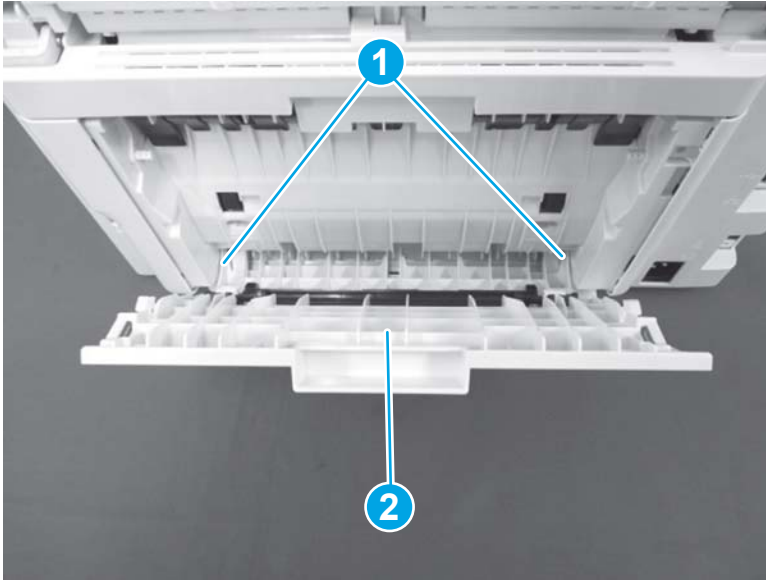
## Post service test

Verify that the control panel is functioning.

### Step 1: Remove the duplex door

1. Open the duplex door.
2. Use a small flat-blade screwdriver to release two tabs (callout 1), and then remove the duplex door (callout 2).

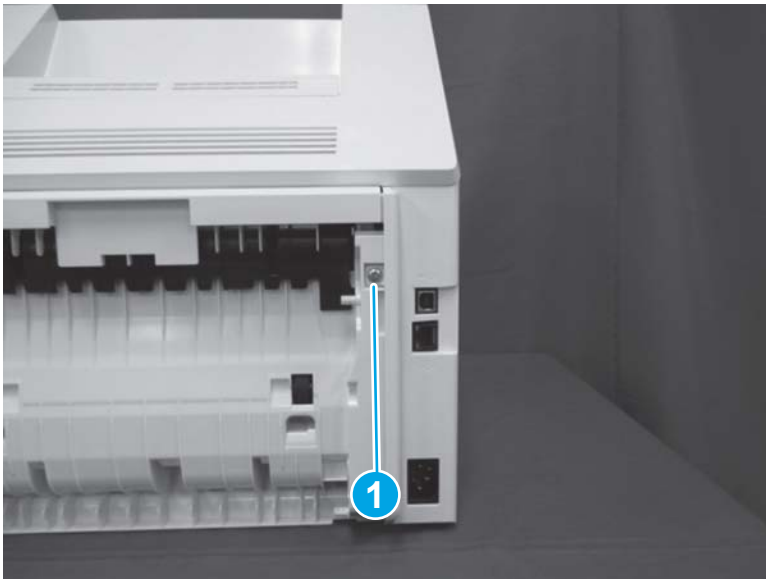
Figure 1-597 Remove the duplex door



### Step 2: Remove the left cover

1. Remove one screw (callout 1).

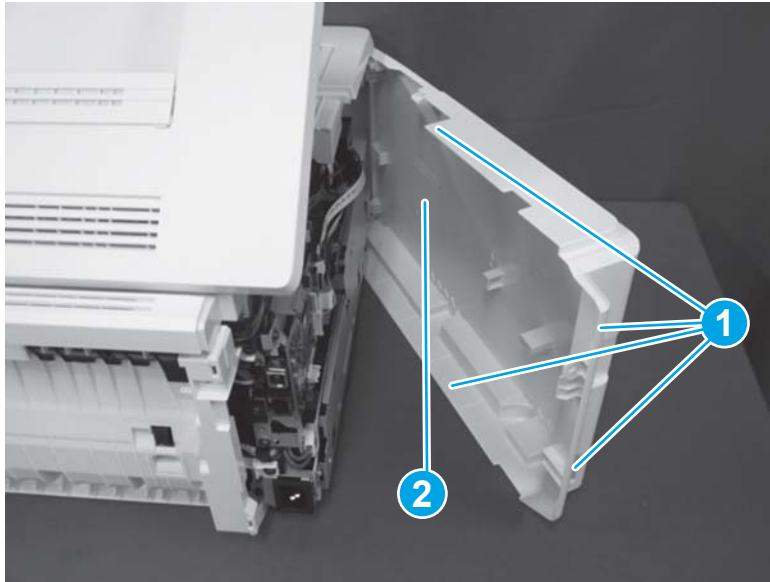
Figure 1-598 Remove one screw (SFP)



2. Open the cartridge door.

3. Release four tabs (callout 1), and then remove the left cover (callout 2).

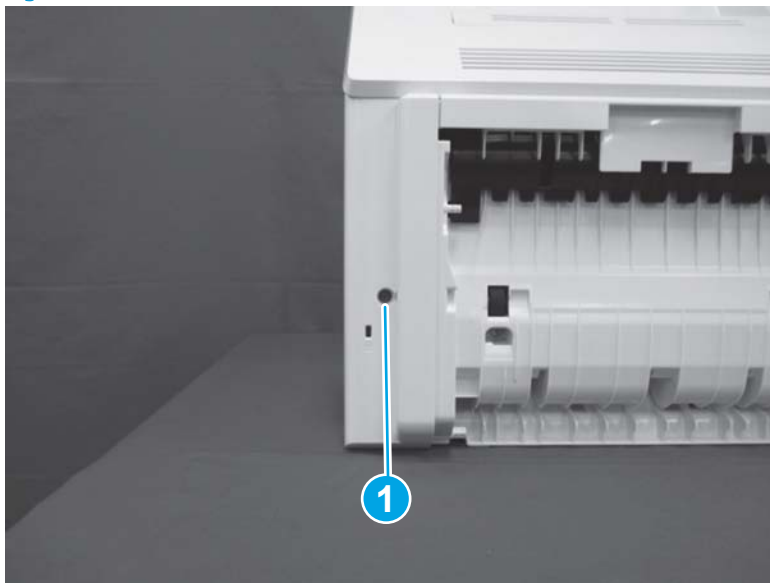
Figure 1-599 Remove the left cover (SFP)



### Step 3: Remove the right cover

1. Remove one screw (callout 1).

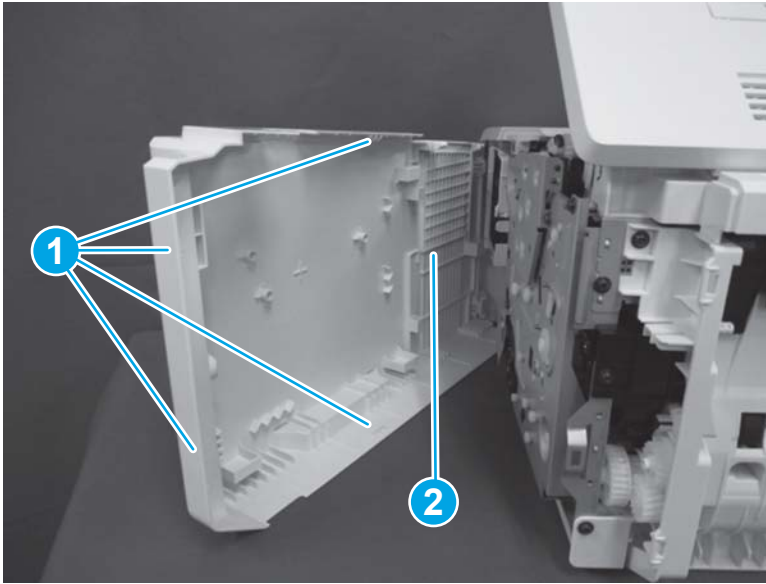
Figure 1-600 Remove one screw (SFP)



2. Open the cartridge door.

3. Release four tabs (callout 1), and then remove the right cover (callout 2).

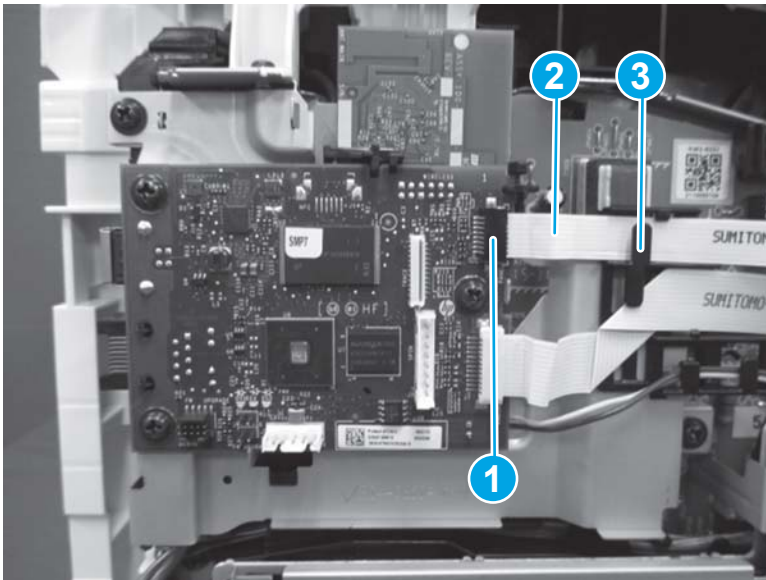
Figure 1-601 Remove the right cover (SFP)



#### Step 4: Remove the top front cover

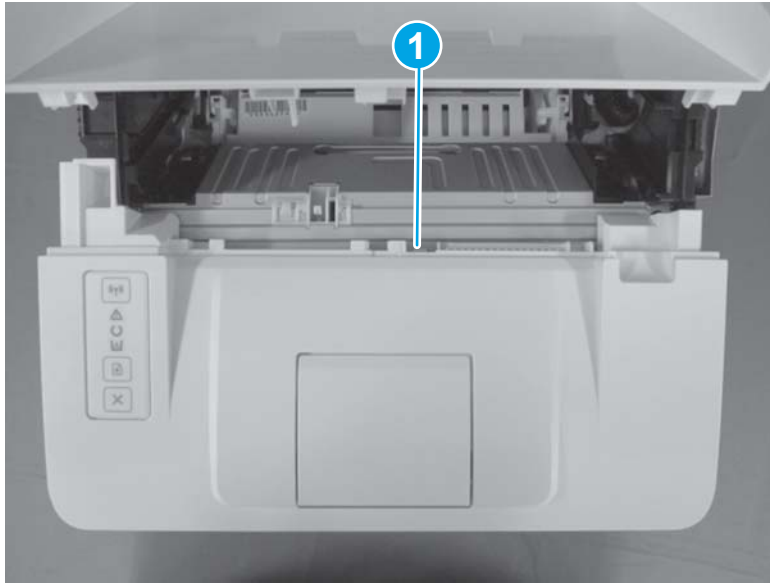
1. Disconnect one connector (callout 1) on the formatter, and then release the cable (callout 2) from the cable guide (callout 3).

Figure 1-602 Disconnect one connector (SFP)



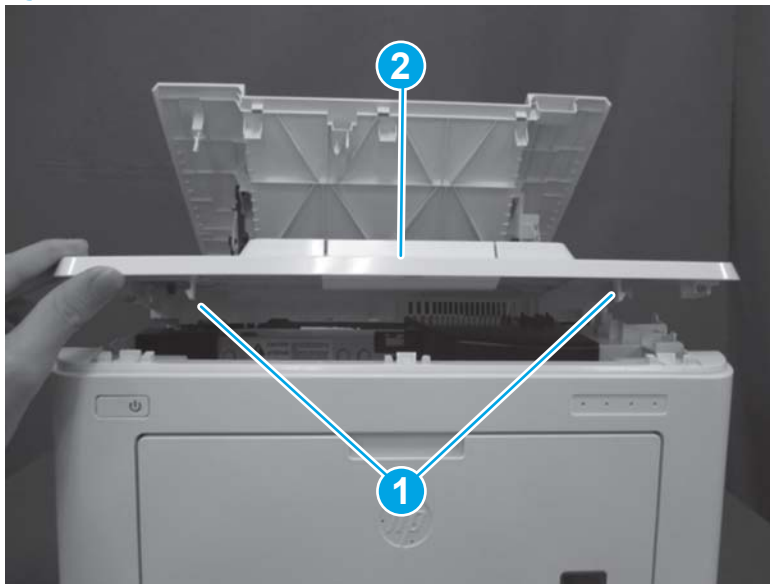
2. Open the cartridge door, and then release one tab (callout 1) on the top of the cover.

Figure 1-603 Release one tab (SFP)



3. Release two tabs (callout 1), and then remove the top front cover (callout 2).

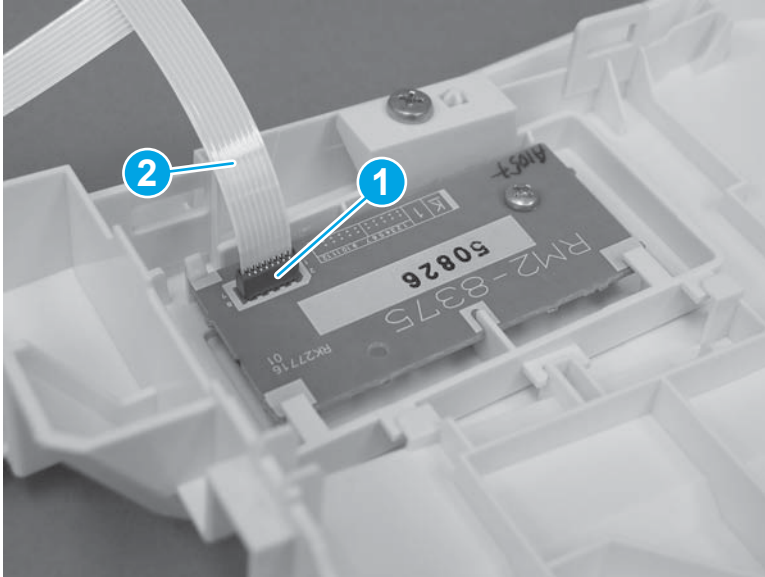
Figure 1-604 Release two tabs and remove the cover (SFP)



#### Step 5: Remove the flat flexible cable


- ▲ On the back side of the top front cover, disconnect one connector (callout 1), and then remove the flat flexible cable (callout 2).

Figure 1-605 Remove the flat flexible cable (SFP)



#### Step 6: Unpack the replacement assembly

1. Dispose of the defective part.

 **NOTE:** HP recommends responsible disposal of the defective part.

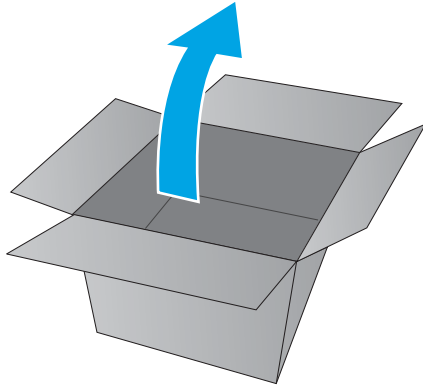
[www.hp.com/recycle](http://www.hp.com/recycle)



2. Unpack the replacement part from the packaging.

**⚠ CAUTION:** If the replacement part is a roller or pad, avoid touching the spongy part of it. Skin oils on the roller or pad can cause paper pickup and/or print-quality problems. HP recommends using disposable gloves when handling rollers or pads or washing your hands or before touching rollers or pads.

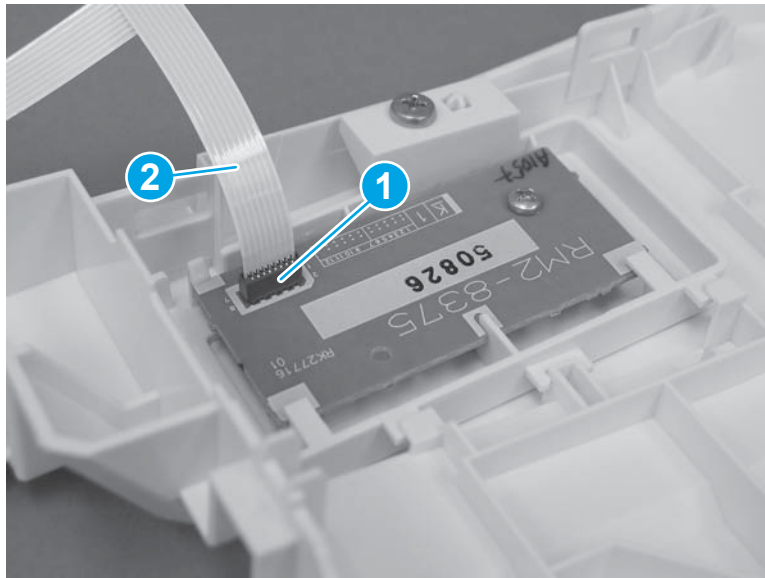
**📋 IMPORTANT:** Make sure that all of the shipping materials (for example shipping tape) are removed from the replacement part prior to installation.



### Step 7: Install the flat flexible cable

- ▲ Connect one connector (callout 1) to install the flat flexible cable (callout 2).

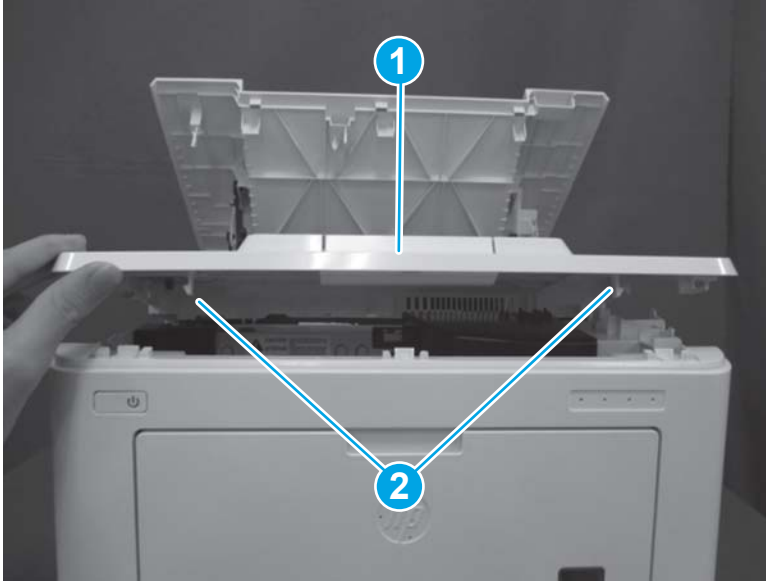
Figure 1-606 Install the flat flexible cable (SFP)



### Step 8: Install the top front cover

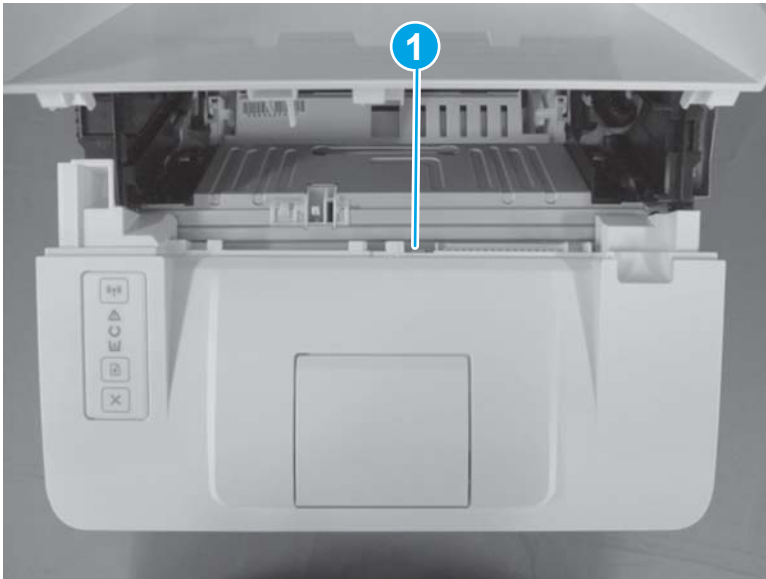
1. Position the top front cover (callout 1) on the printer and install two tabs (callout 2).

Figure 1-607 Install two tabs (SFP)



2. On the top of the cover, install one tab (callout 1).

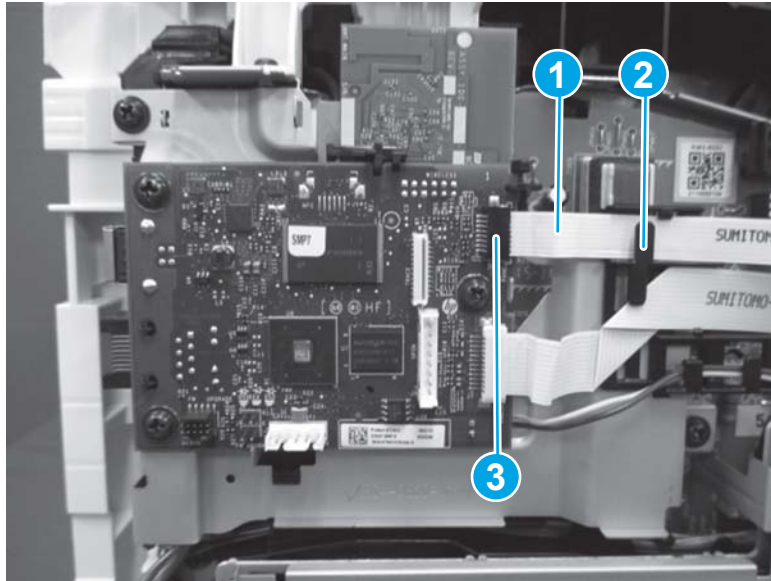
Figure 1-608 Install one tab.(SFP)





3. Install the cable (callout 1) in the guide (callout 2), and then connect one connector (callout 3) on the formatter.

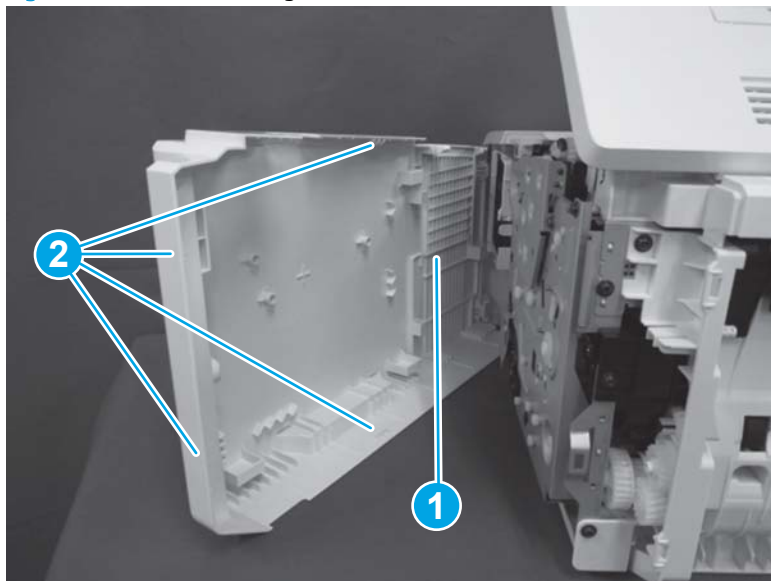
Figure 1-609 Connect one connector.(SFP)



#### Step 9: Install the right cover

1. Open the cartridge door.
2. Position the right cover (callout 1) on the printer, and then engage four tabs (callout 2).

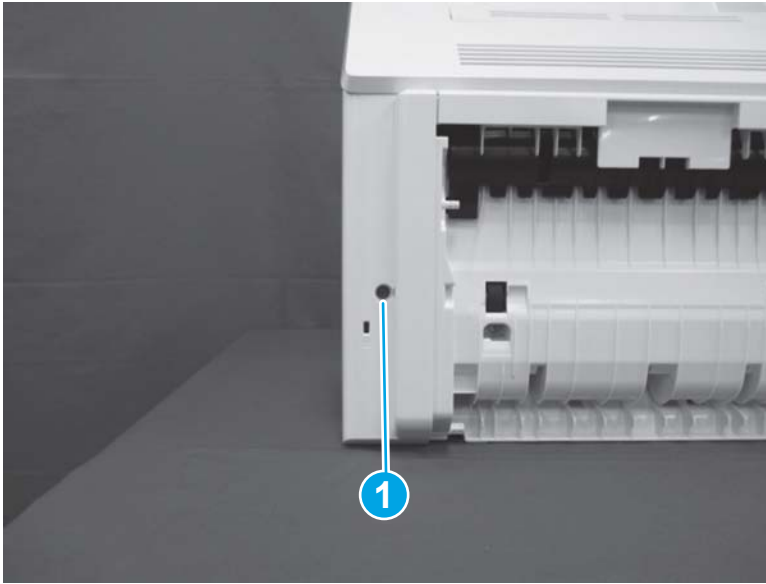
Figure 1-610 Install the right cover (SFP)



3. Close the cartridge door.

4. Install one screw (callout 1).

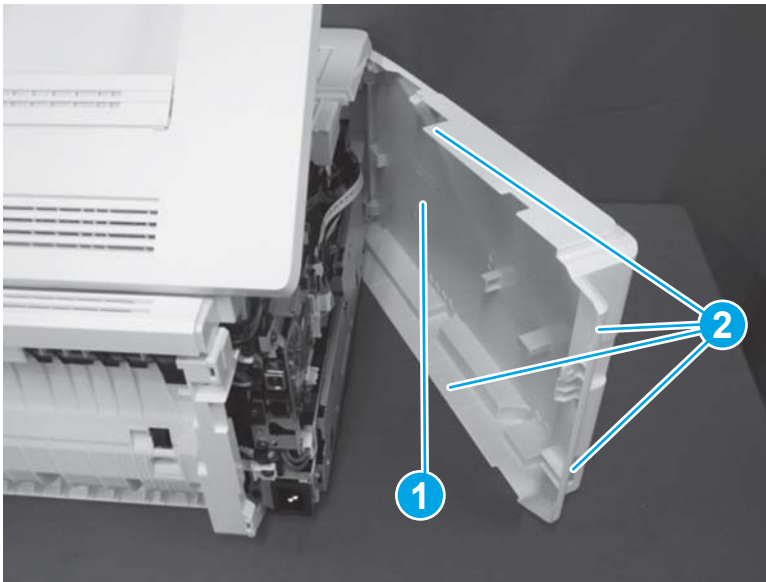
Figure 1-611 Install one screw (SFP)



#### Step 10: Install the left cover

1. Open the cartridge door.
2. Position the left cover (callout 1) on the printer, and then engage four tabs (callout 2).

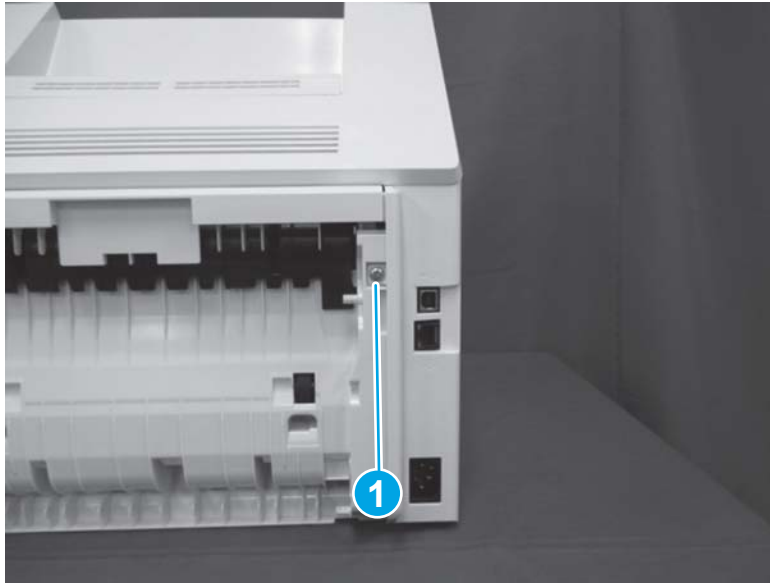
Figure 1-612 Install the left cover (SFP)



3. Close the cartridge door.

4. Install one screw (callout 1).

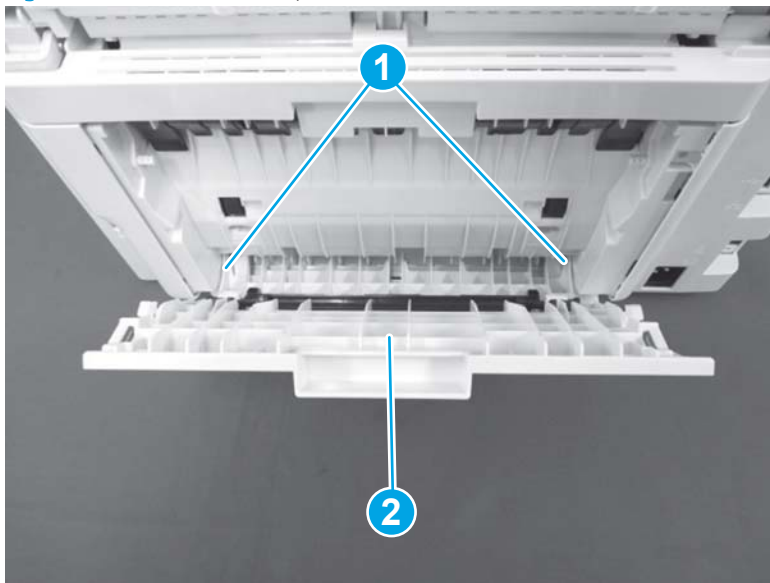
Figure 1-613 Install one screw (SFP)



#### Step 11: Install the duplex door

1. Install two tabs (callout 1) to install the duplex door (callout 2).

Figure 1-614 Install the duplex door



2. Close the duplex door.

## Removal and replacement: Near field communication (NFC) PCA (MFP)

- [Introduction](#)
- [Step 1: Remove the duplex door](#)
- [Step 2: Remove the left cover](#)
- [Step 3: Remove the cable cover](#)
- [Step 4: Remove the 3-in-1 or 4-in-1 scanner assembly](#)
- [Step 5: Remove the right cover](#)
- [Step 6: Remove the top front cover](#)
- [Step 7: Remove the NFC PCA](#)
- [Step 8: Unpack the replacement assembly](#)
- [Step 9: Install the NFC PCA](#)
- [Step 10: Install the top front cover](#)
- [Step 11: Install the right cover](#)
- [Step 12: Install the 3-in-1 or 4-in-1 scanner assembly](#)
- [Step 13: Install the cable cover](#)
- [Step 14: Install the left cover](#)
- [Step 15: Install the duplex door](#)

### Introduction


This document provides the procedures to remove and replace the near field communication (NFC) PCA.

### Before performing service



#### Turn the printer power off

- Disconnect the power cable.

---

 **WARNING!** To avoid damage to the printer, turn the printer off, wait 30 seconds, and then remove the power cable before attempting to service the printer.

---

 **CAUTION:**  This part contains components that are electrostatic discharge (ESD) sensitive. To reduce the possibility of ESD damage, always touch the sheet-metal chassis to ground yourself before touching an ESD sensitive part.

---

Use the table below to identify the correct part number for your printer. To order the part, go to [www.hp.com/buy/parts](http://www.hp.com/buy/parts).

---

NFC PCA part number
---------------------

---

B4K93-60001
-------------

---

NFC PCA
---------

---

### Required tools

- #2 Phillips screwdriver with a magnetic tip.

### After performing service

#### Turn the printer power on

- Connect the power cable.
- Use the power switch to turn the power on.

### Post service test

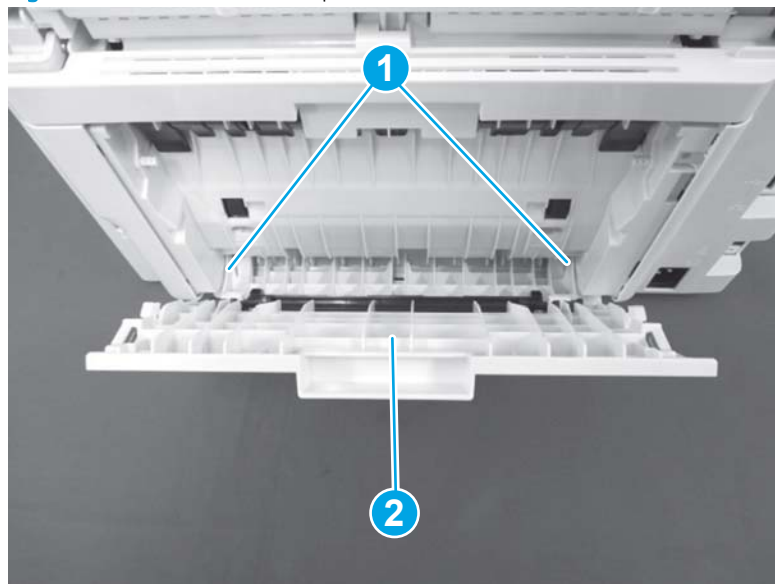
**MFP only:** Verify that the document feeder and the flatbed scanner are correctly functioning (copy a page).

Send an NFC print job to the printer. Verify that a page prints.

### Step 1: Remove the duplex door

1. Open the duplex door.
2. Use a small flat-blade screwdriver to release two tabs (callout 1), and then remove the duplex door (callout 2).

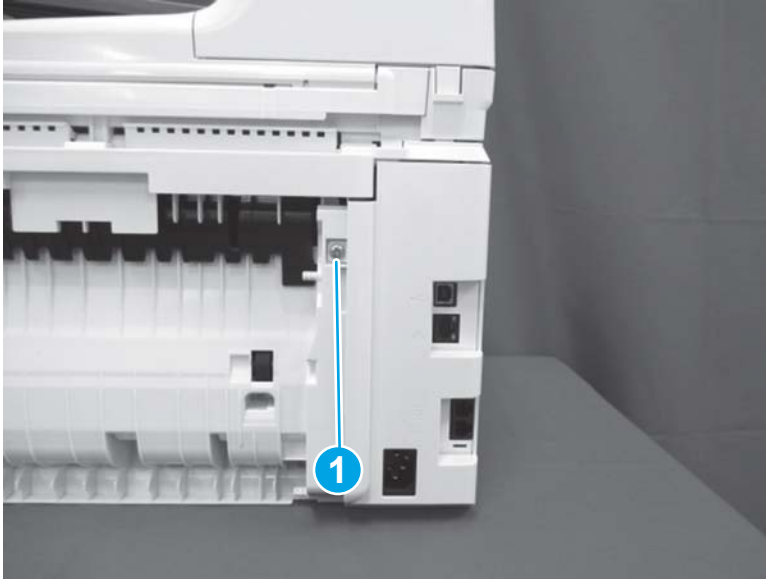
Figure 1-615 Remove the duplex door



### Step 2: Remove the left cover

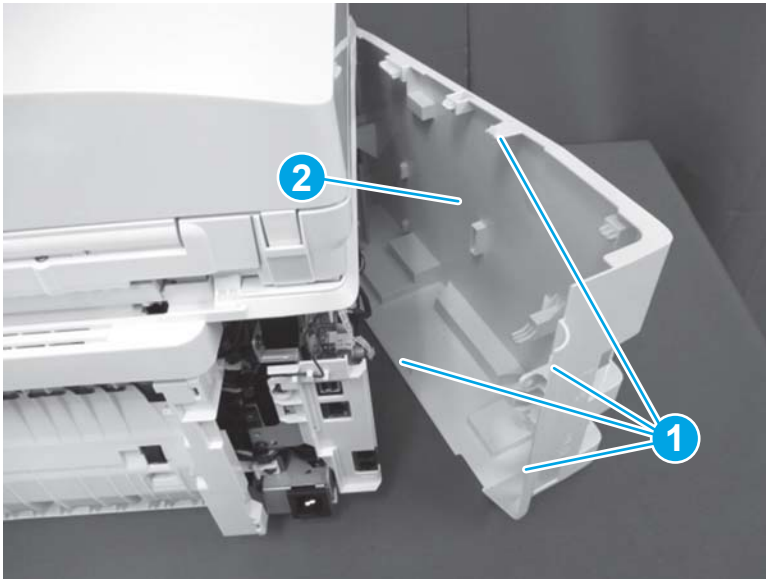
1. Remove one screw (callout 1).

Figure 1-616 Remove one screw (MFP)



2. Release four tabs (callout 1), and then remove the left cover (callout 2).

Figure 1-617 Remove the left cover (MFP)



### Step 3: Remove the cable cover

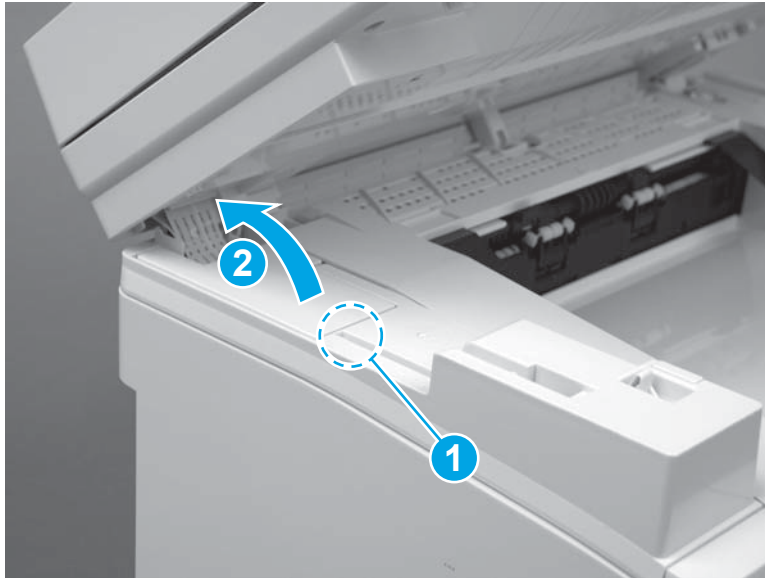
1. Open the scanner assembly.

Figure 1-618 Open the scanner assembly




2. Use a small flat-blade screw driver to release one tab (callout 1), and then remove the cable cover (callout 2).

Figure 1-619 Remove the cable cover (MFP)



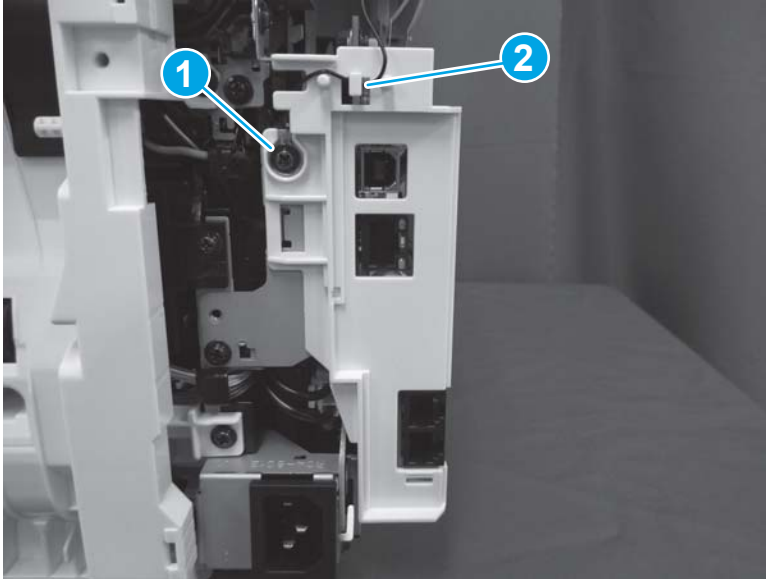
#### Step 4: Remove the 3-in-1 or 4-in-1 scanner assembly

 **NOTE:** The 4-in-1 scanner assembly supports the document feeder. The 3-in-1 scanner assembly does not support the document feeder.

The figures in this procedure show a 4-in-1 printer. However, the procedure is correct for 3-in-1 printers.

1. **4-in-1 models only:** Remove one screw (callout 1), and then release the ground wire from the retainer (callout 2).

Figure 1-620 Release the ground wire (4-in-1 models)

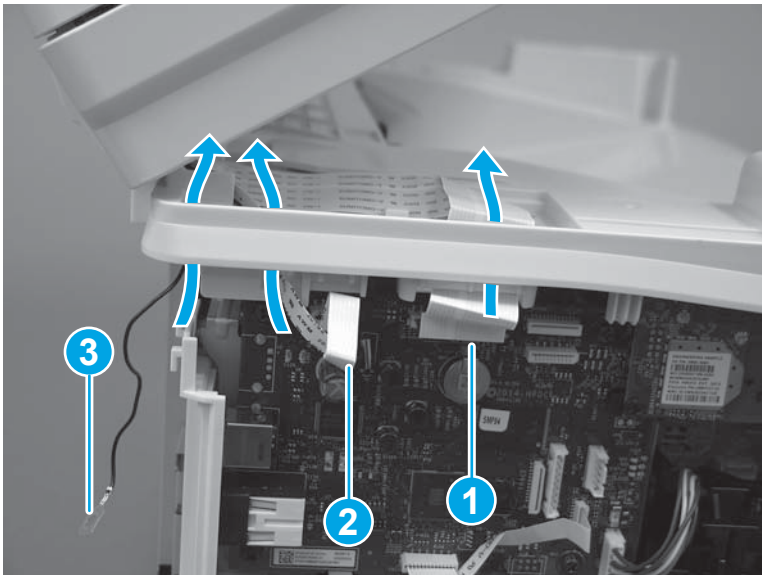


2. **4-in-1 models only:** Disconnect two flat cables (callouts 1/2), and then pass the flat cables and the ground wire (callout 3) up through the opening in the chassis.

**3-in-1 models only:** Disconnect one flat cable (callout 1), and then pass the flat cable through the opening in the chassis.

 **NOTE:** The 3-in-1 model does not have the small flat cable (callout 2) or a ground wire (callout 3).

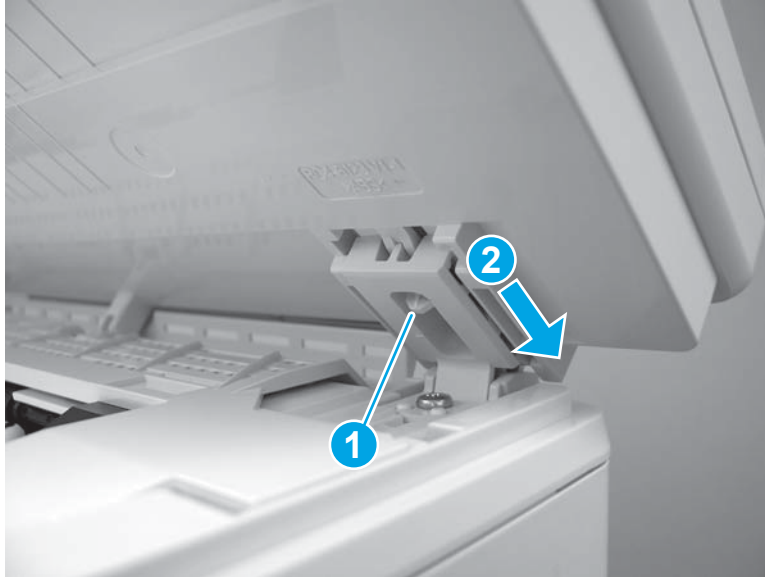
Figure 1-621 Disconnect flat cable(s)





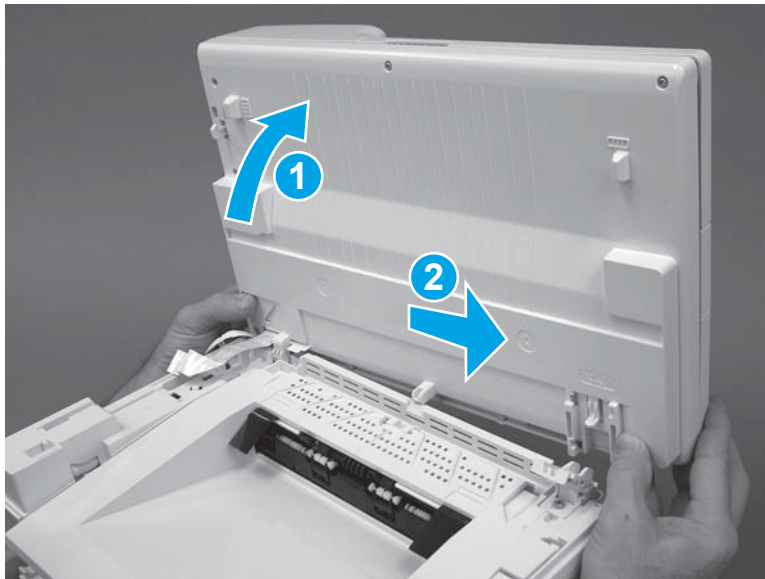
3. Release one tab (callout 1), and then push the right side of the scanner assembly toward the rear of the printer to release the right hinge (callout 2).

Figure 1-622 Release the right hinge



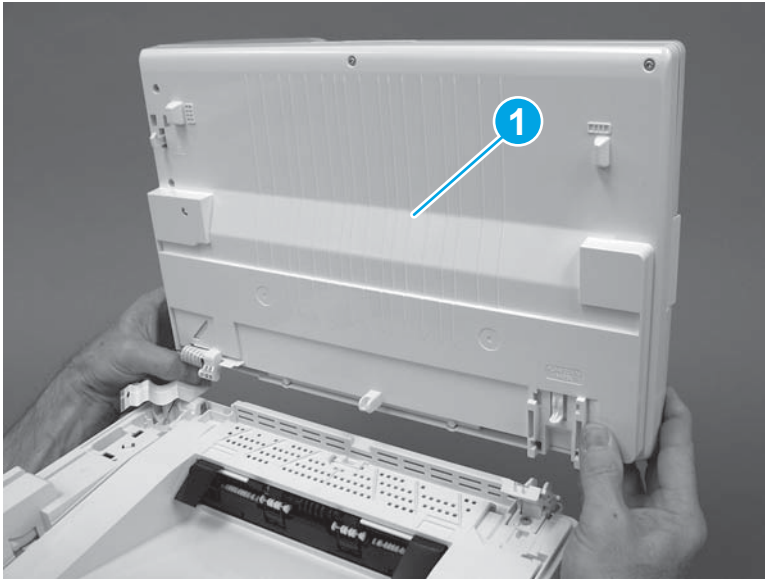
4. Rotate the scanner assembly towards the rear of the printer (callout 1), and then slide the scanner assembly toward the right side of the printer to release the left hinge (callout 2).

Figure 1-623 Release the left hinge



5. Remove the scanner assembly (callout 1).

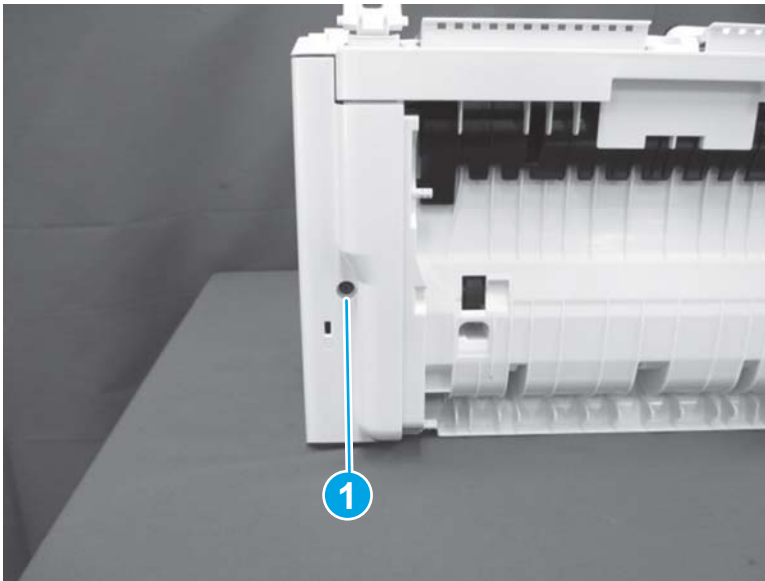
Figure 1-624 Remove the scanner assembly



#### Step 5: Remove the right cover

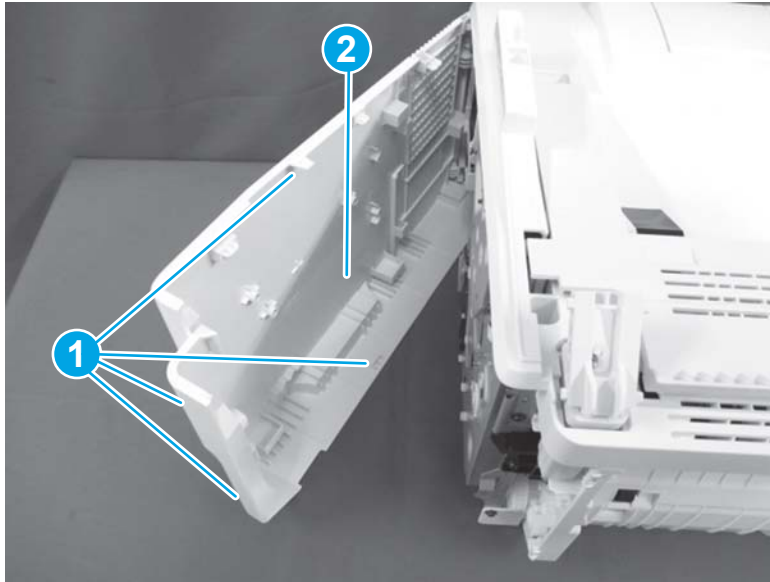
1. Remove one screw (callout 1).

Figure 1-625 Remove one screw (MFP)



2. Release four tabs (callout 1), and then remove the right cover (callout 2).

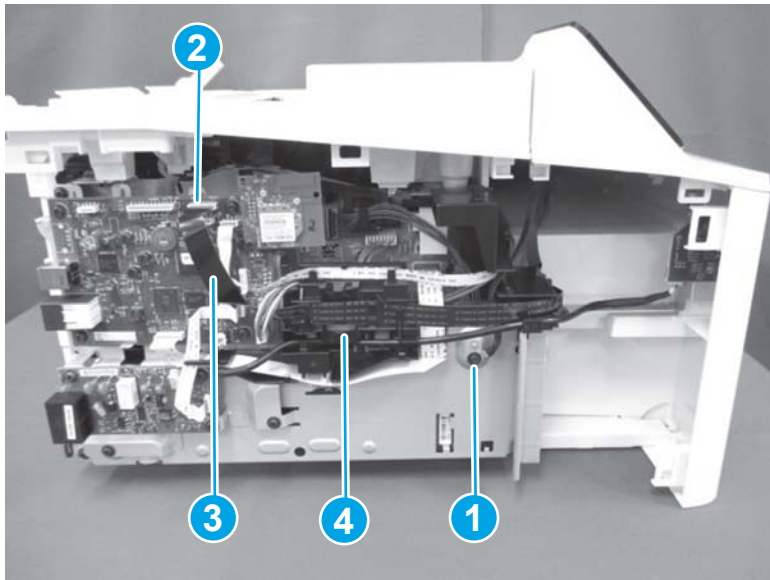
Figure 1-626 Remove the right cover (MFP)



#### Step 6: Remove the top front cover

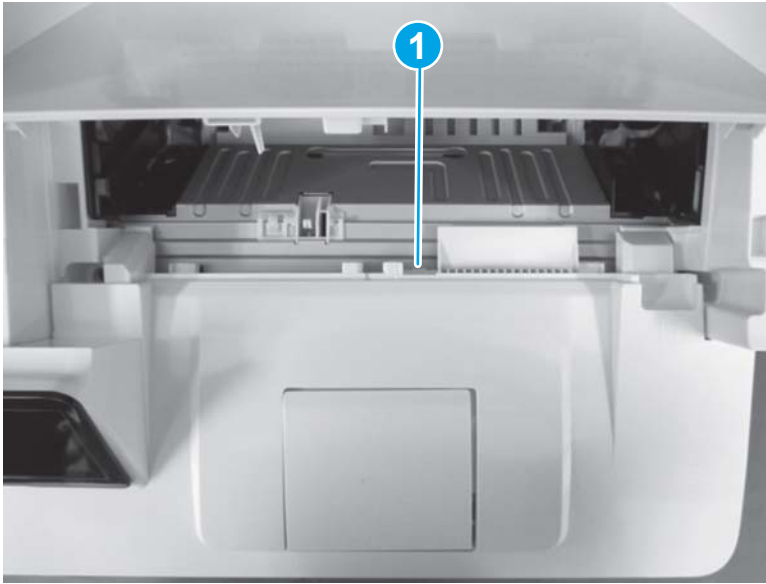
1. Remove one screw (callout 1) to release one cable. Disconnect one connector (callout 2), and then remove the cable (callout 3) from the cable guide (callout 4).

Figure 1-627 Disconnect connector and release cable (MFP)



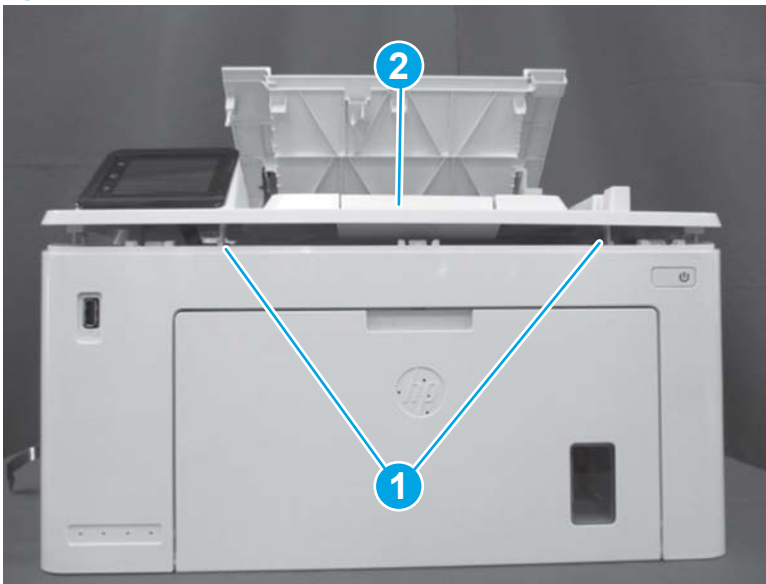
2. Open the cartridge door, and then release one tab (callout 1).

Figure 1-628 Release one tab (MFP)



3. Release two tabs (callout 1), and then remove the top front cover (callout 2).

Figure 1-629 Release two tabs and remove the cover (MFP)



### Step 7: Remove the NFC PCA

---

 **CAUTION:**  ESD-sensitive part.

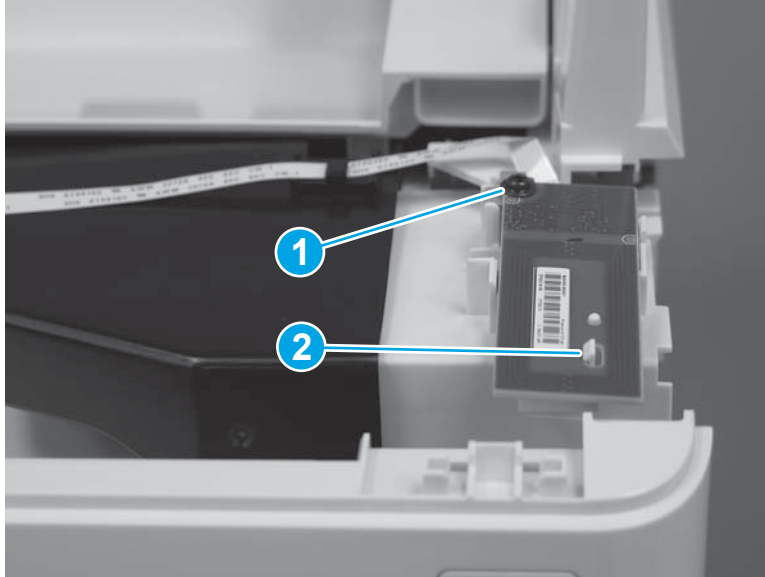
---

1. Remove one screw (callout 1), and then release one tab (callout 2).

 **CAUTION:** The part is still attached to the printer by a flat cable.

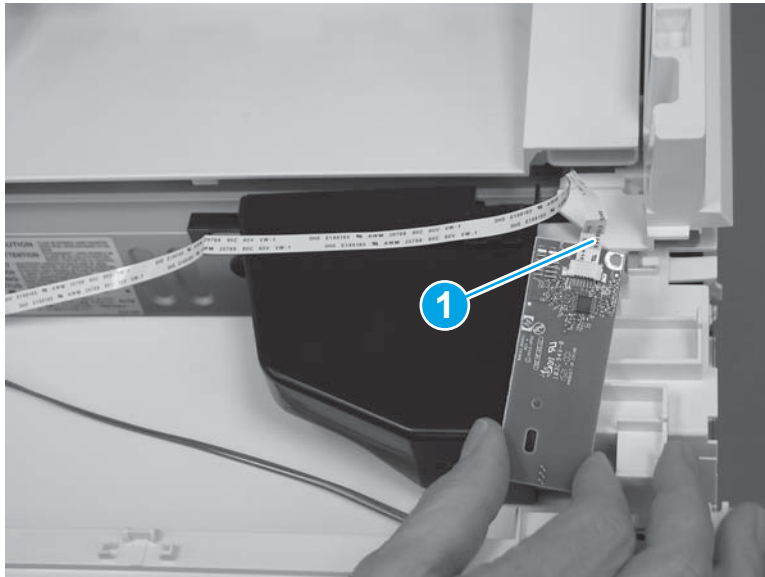
---

Figure 1-630 Remove one screw and release one tab (MFP)




2. Disconnect one connector (callout 1) on the back of the PCA, and then remove the NFC PCA.

Figure 1-631 Remove the NFC PCA (MFP)



### Step 8: Unpack the replacement assembly

1. Dispose of the defective part.

 **NOTE:** HP recommends responsible disposal of the defective part.

[www.hp.com/recycle](http://www.hp.com/recycle)



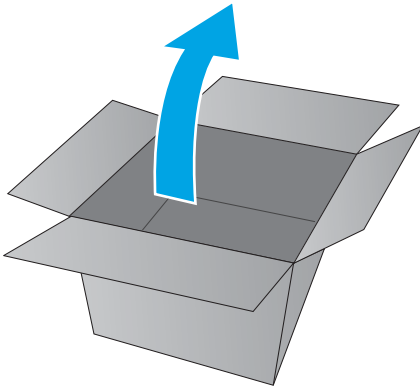
2. Unpack the replacement part from the packaging.

---

**⚠ CAUTION:** If the replacement part is a roller or pad, avoid touching the spongy part of it. Skin oils on the roller or pad can cause paper pickup and/or print-quality problems. HP recommends using disposable gloves when handling rollers or pads or washing your hands or before touching rollers or pads.

**📝 IMPORTANT:** Make sure that all of the shipping materials (for example shipping tape) are removed from the replacement part prior to installation.

---



### Step 9: Install the NFC PCA

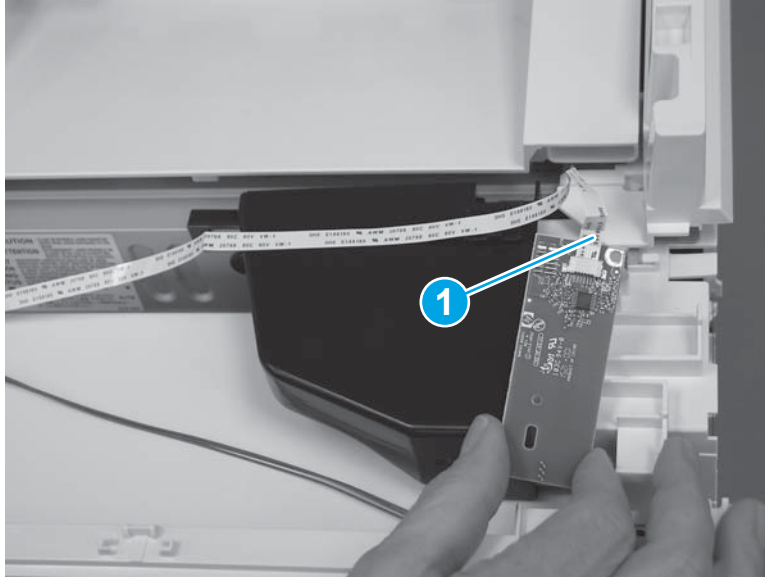
---

**⚠ CAUTION:**  ESD-sensitive part.

---

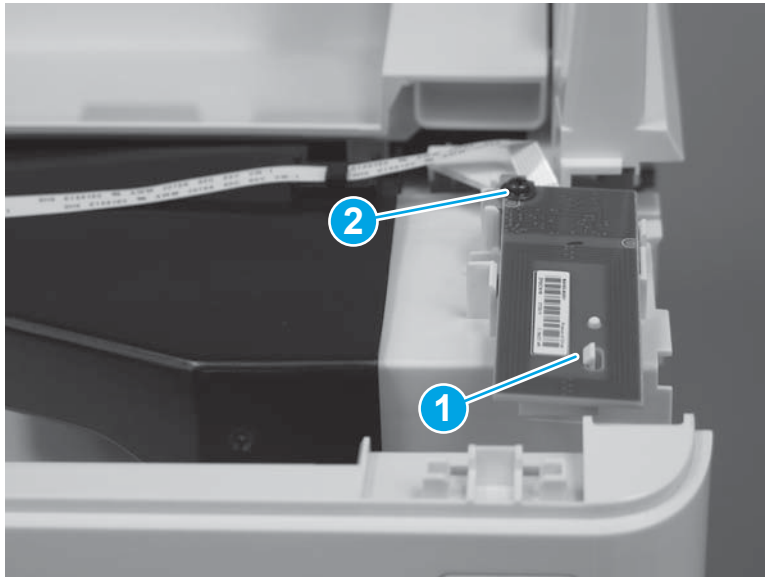
1. Connect one connector (callout 1) on the back of the PCA.

Figure 1-632 Connect one connector (MFP)



2. Install one tab (callout 1), and then install one screw (callout 2).

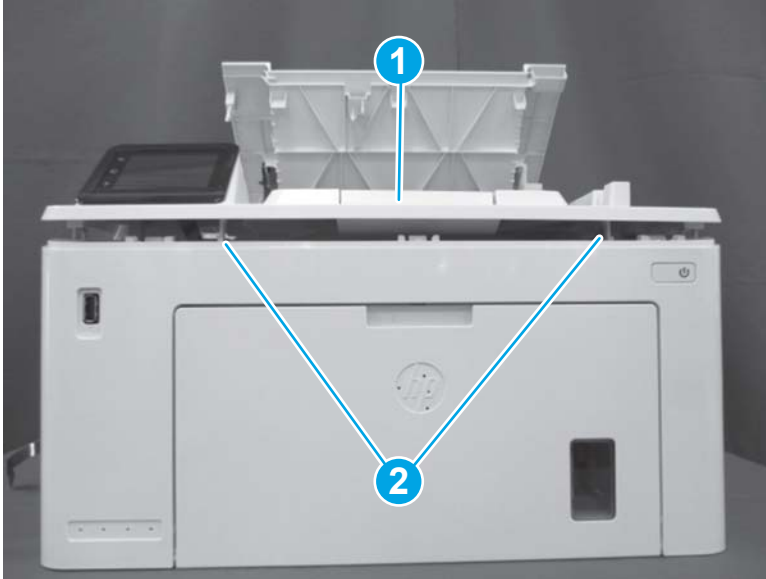
Figure 1-633 Install the tab and screw (MFP)



#### Step 10: Install the top front cover

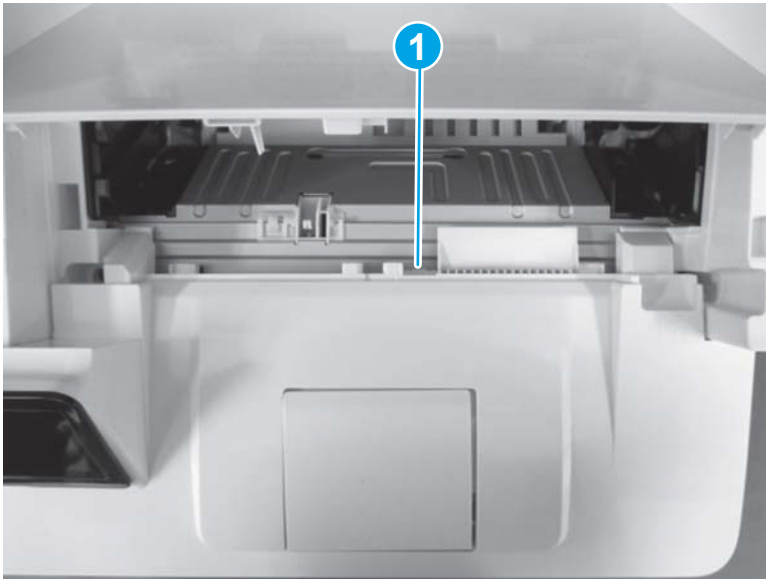
1. Position the top front cover (callout 1) on the printer, and then install two tabs (callout 2).

Figure 1-634 Install two tabs (MFP)



2. Install one tab (callout 1).

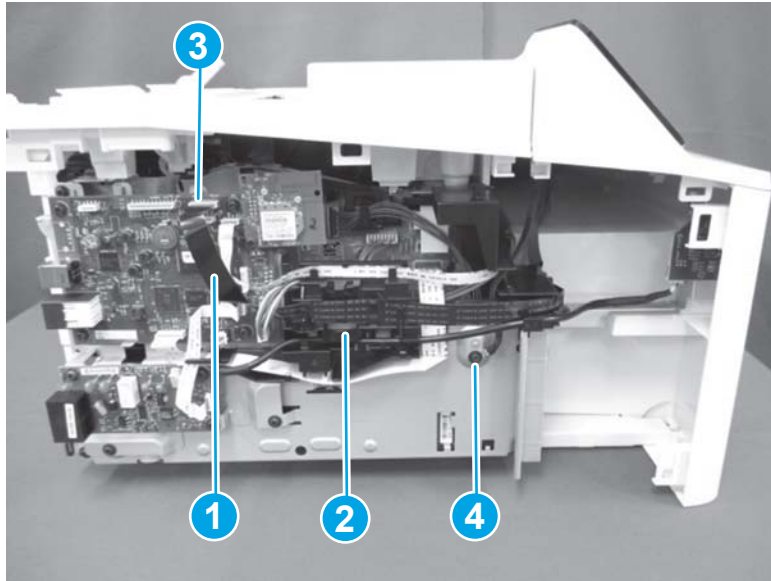
Figure 1-635 Install one tab (MFP)





3. Install the cable (callout 1) in the cable guide (callout 2), and then connect one connector (callout 3). Install one screw (callout 4) to secure the grounding cable.

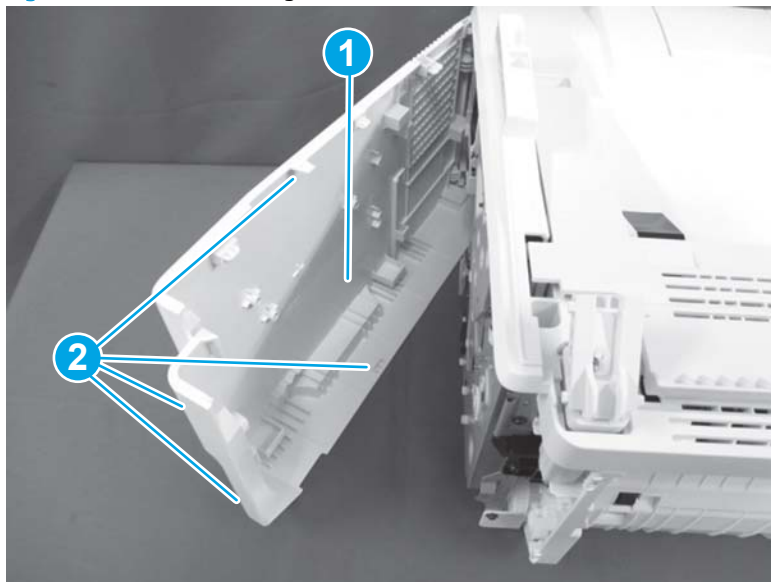
Figure 1-636 Install one connector and grounding cable (MFP)



#### Step 11: Install the right cover

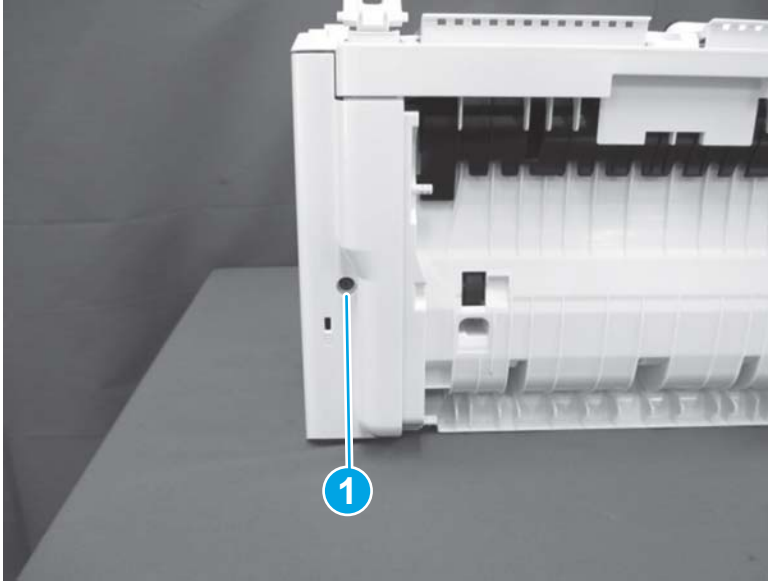
1. Position the right cover (callout 1) on the printer, and then engage four tabs (callout 2).

Figure 1-637 Install the right cover (MFP)




2. Install one screw (callout 1).

**Figure 1-638** Install one screw (MFP)



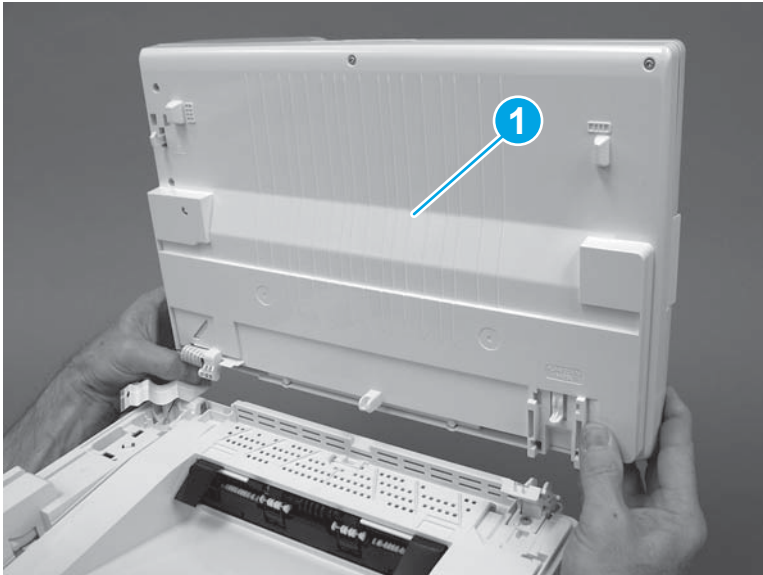
### Step 12: Install the 3-in-1 or 4-in-1 scanner assembly

 **NOTE:** The 4-in-1 scanner assembly supports the document feeder. The 3-in-1 scanner assembly does not support the document feeder.

The figures in this procedure show a 4-in-1 printer. However, the procedure is correct for 3-in-1 printers.

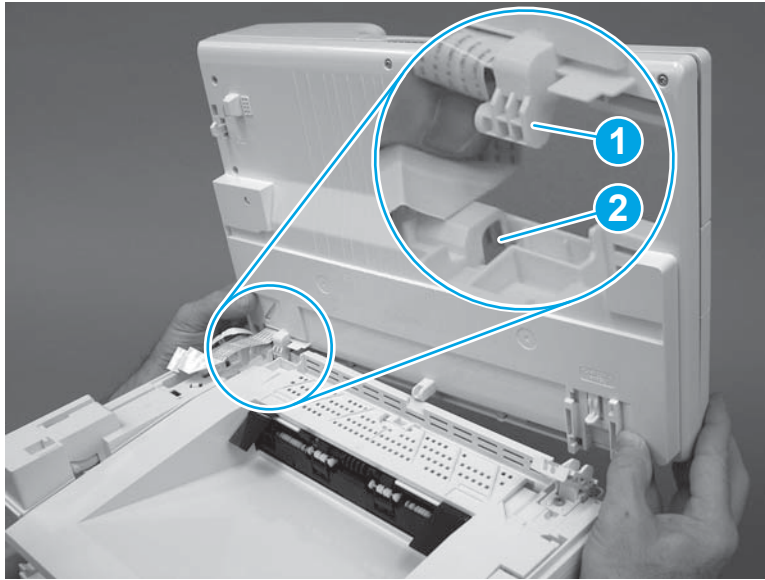
1. Position the scanner assembly (callout 1) near the printer.

**Figure 1-639** Install the scanner assembly (MFP)



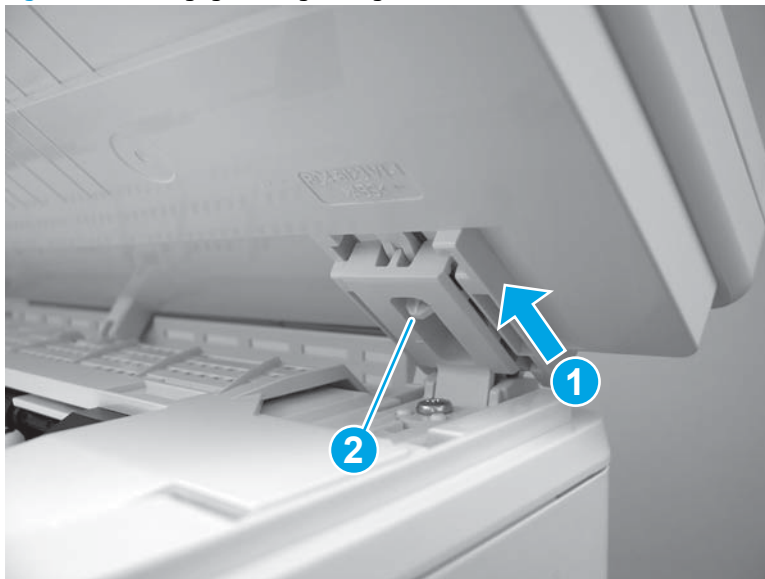
2. Engage the left hinge (callout 1) with the top cover (callout 2).

Figure 1-640 Engage the left hinge (MFP)



3. Push the right side of the scanner assembly toward the front of the printer to engage the right hinge (callout 1). Make sure that the tab (callout 2) snaps into place.

Figure 1-641 Engage the right hinge (MFP)

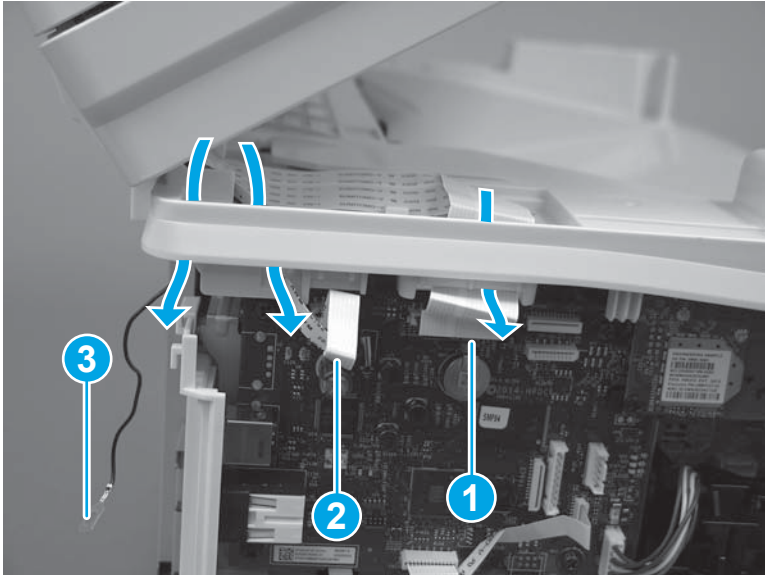


4. **4-in-1 models only:** Pass the flat cables (callouts 1/2) and the ground wire (callout 3) through the openings in the chassis, and then connect the two flat cables.

**3-in-1 models only:** Pass the flat cable (callout 1) through the opening in the chassis, and then connect one flat cable.

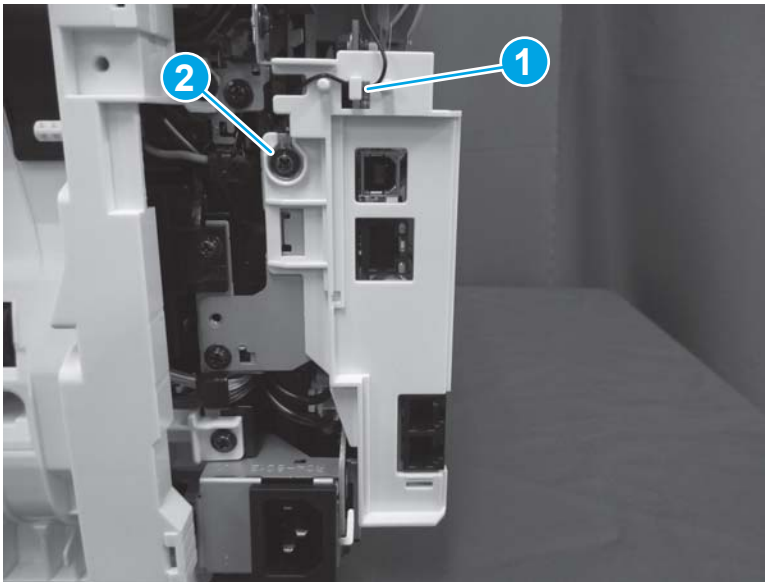
 **NOTE:** The 3-in-1 model does not have the small flat cable (callout 2) or a ground wire (callout 3).

**Figure 1-642** Connect flat cable(s)



5. **4-in-1 models only:** Install the ground wire in the retainer (callout 1), and then install one screw (callout 2).

**Figure 1-643** Install the ground wire (4-in-1 models)



### Step 13: Install the cable cover

1. Install the cable cover (callout 1), on the printer, and then push down to engage one tab (callout 2).

Figure 1-644 Install the cable cover (MFP)



2. Close the scanner assembly.

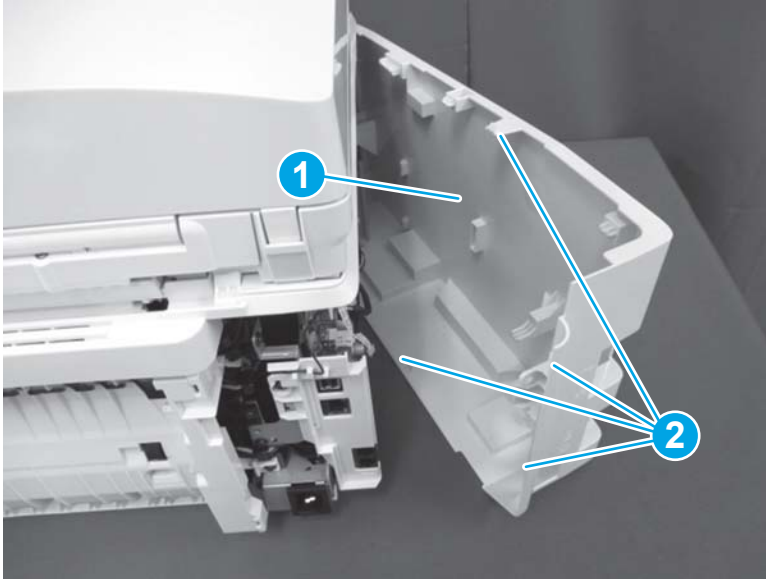
Figure 1-645 Close the scanner assembly



#### Step 14: Install the left cover

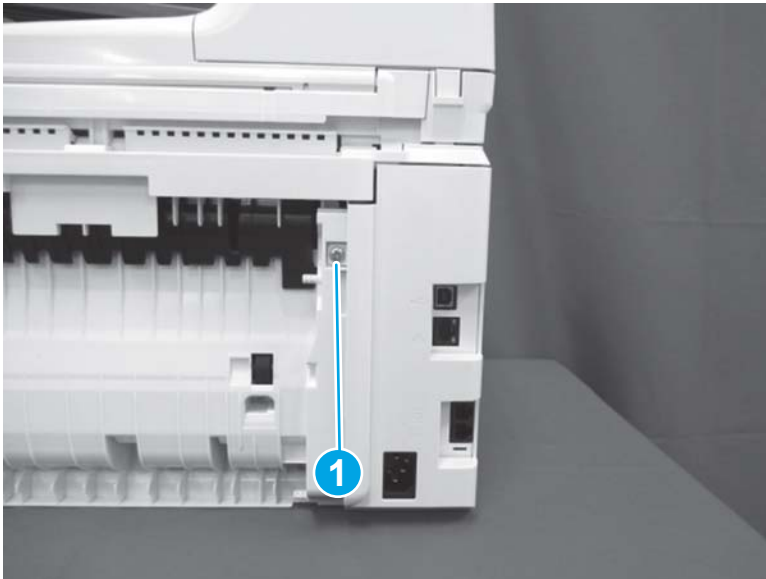
1. Position the left cover (callout 1) on the printer, and then engage four tabs (callout 2).

Figure 1-646 Install the left cover (MFP)



2. Install one screw (callout 1).

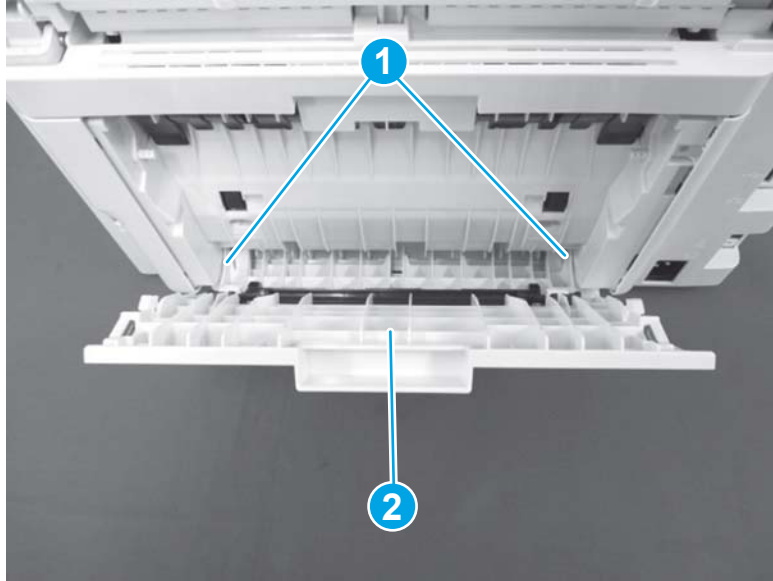
Figure 1-647 Install one screw (MFP)



### Step 15: Install the duplex door

1. Install two tabs (callout 1) to install the duplex door (callout 2).

Figure 1-648 Install the duplex door



2. Close the duplex door.

## Removal and replacement: Fan

- [Introduction](#)
- [Step 1: Remove the duplex door](#)
- [Step 2: Remove the left cover](#)
- [Step 3: Remove the cable cover \(MFP\)](#)
- [Step 4: Remove the 3-in-1 or 4-in-1 scanner assembly \(MFP\)](#)
- [Step 5: Remove the right cover](#)
- [Step 6: Remove the top front cover](#)
- [Step 7: Remove the fan](#)
- [Step 8: Unpack the replacement assembly](#)
- [Step 9: Install the fan](#)
- [Step 10: Install the top front cover](#)
- [Step 11: Install the right cover](#)
- [Step 12: Install the 3-in-1 or 4-in-1 scanner assembly \(MFP\)](#)
- [Step 13: Install the cable cover \(MFP\)](#)
- [Step 14: Install the left cover](#)
- [Step 15: Install the duplex door](#)


## Introduction

This document provides the procedures to remove and replace the fan.

## Before performing service

### Turn the printer power off

- Disconnect the power cable.

 **WARNING!** To avoid damage to the printer, turn the printer off, wait 30 seconds, and then remove the power cable before attempting to service the printer.

Use the table below to identify the correct part number for your printer. To order the part, go to [www.hp.com/buy/parts](http://www.hp.com/buy/parts).

Fan part number	
RK2-1378-000CN	Fan

## Required tools

- #2 Phillips screwdriver with a magnetic tip.



## After performing service

### Turn the printer power on

- Connect the power cable.
- Use the power switch to turn the power on.

### Post service test

Verify that the printer reaches the **Ready** state.

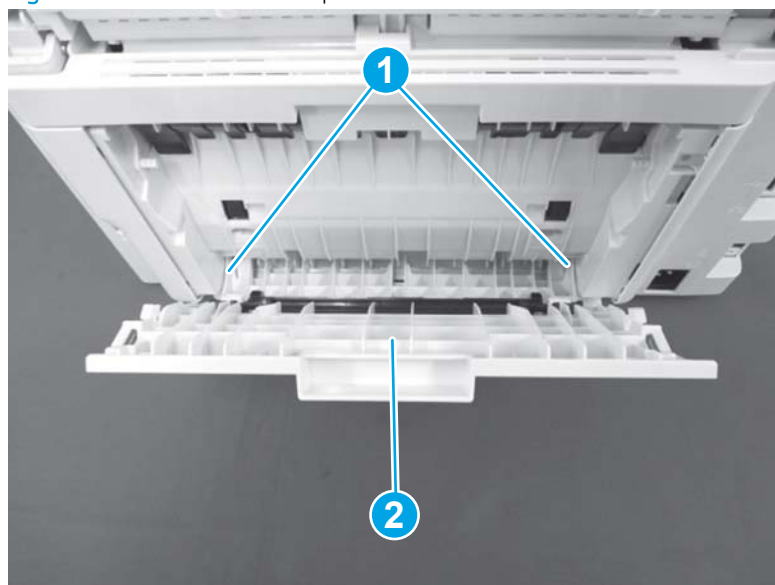
**MFP only:** Verify that the document feeder and the flatbed scanner are correctly functioning (copy a page).

Send a print job from the host computer to the printer (or print a configuration page). Verify that a page prints.

### Step 1: Remove the duplex door

1. Open the duplex door.
2. Use a small flat-blade screwdriver to release two tabs (callout 1), and then remove the duplex door (callout 2).

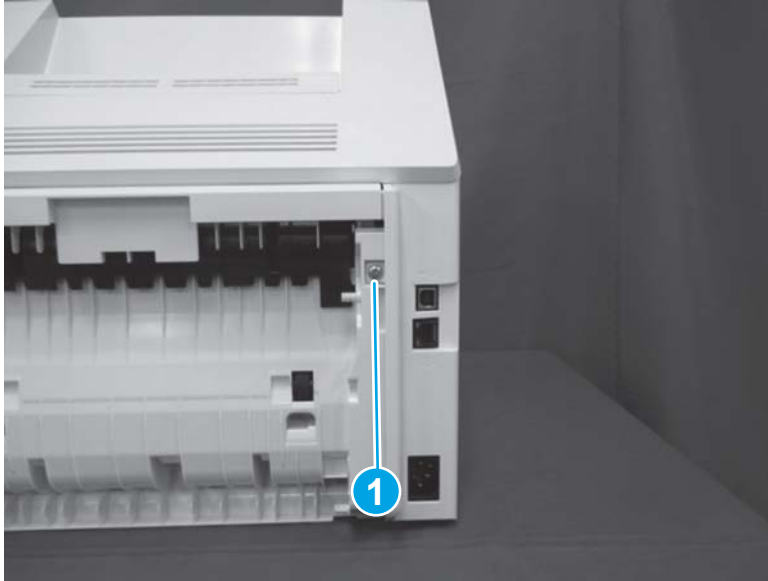
Figure 1-649 Remove the duplex door



### Step 2: Remove the left cover

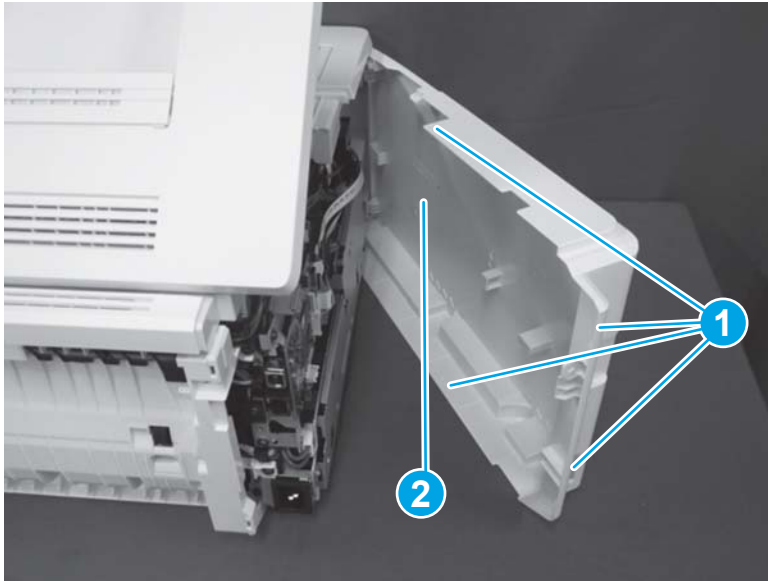
1. **SFP:** Do the following.
  - a. Remove one screw (callout 1).

Figure 1-650 Remove one screw (SFP)



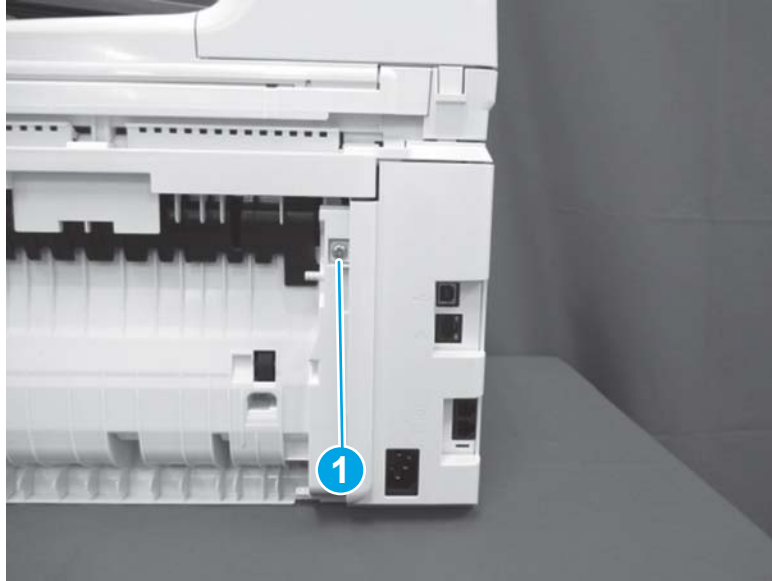
- b. Open the cartridge door.
- c. Release four tabs (callout 1), and then remove the left cover (callout 2).

Figure 1-651 Remove the left cover (SFP)



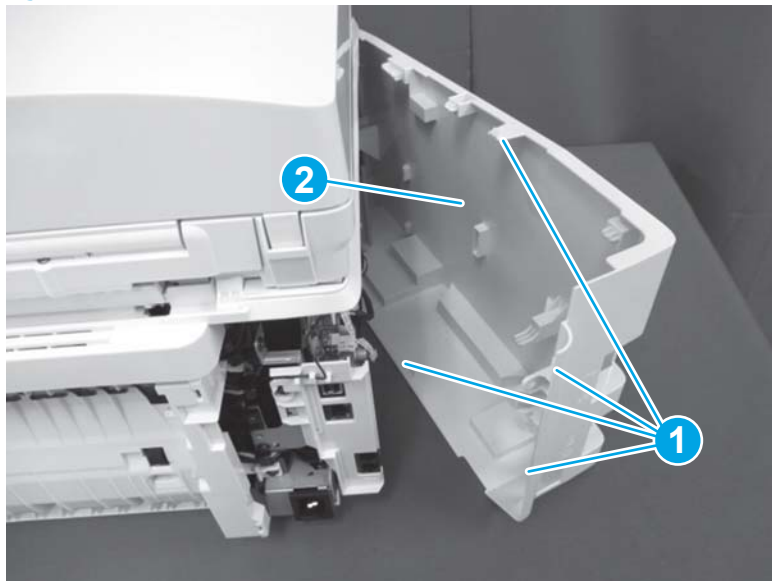
- 2. **MFP:** Do the following.
  - a. Remove one screw (callout 1).

Figure 1-652 Remove one screw (MFP)



- b. Release four tabs (callout 1), and then remove the left cover (callout 2).

Figure 1-653 Remove the left cover (MFP)



### Step 3: Remove the cable cover (MFP)

 **NOTE:** This step is for the MFP printers. For the SFP printers, skip this step and go to [Step 5: Remove the right cover on page 433](#).

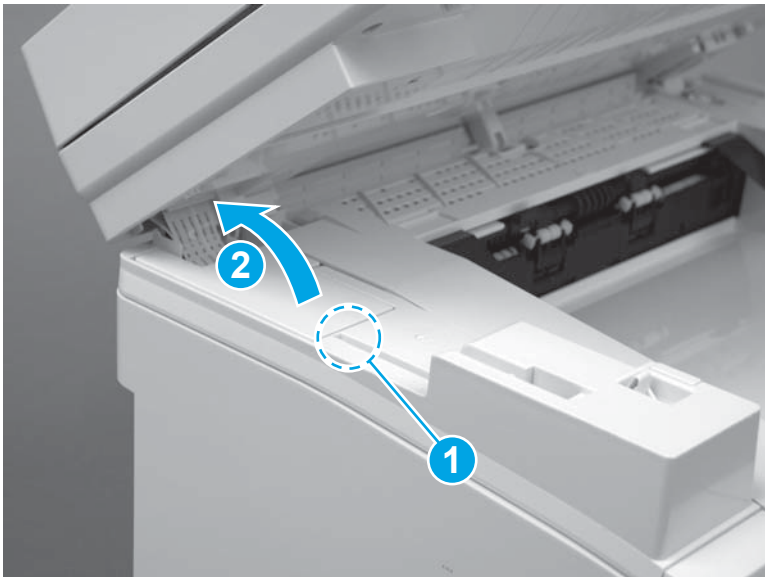
1. Open the scanner assembly.

Figure 1-654 Open the scanner assembly




2. Use a small flat-blade screw driver to release one tab (callout 1), and then remove the cable cover (callout 2).

Figure 1-655 Remove the cable cover (MFP)



#### Step 4: Remove the 3-in-1 or 4-in-1 scanner assembly (MFP)

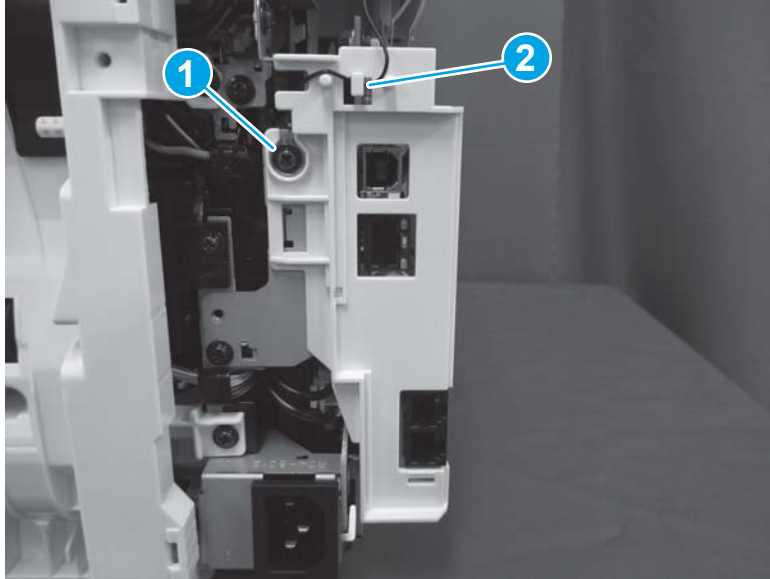
 **NOTE:** This step is for the MFP printers. For the SFP printers, skip this step and go to [Step 5: Remove the right cover on page 433](#).

 **NOTE:** The 4-in-1 scanner assembly supports the document feeder. The 3-in-1 scanner assembly does not support the document feeder.

The figures in this procedure show a 4-in-1 printer. However, the procedure is correct for 3-in-1 printers.

1. **4-in-1 models only:** Remove one screw (callout 1), and then release the ground wire from the retainer (callout 2).

Figure 1-656 Release the ground wire (4-in-1 models)

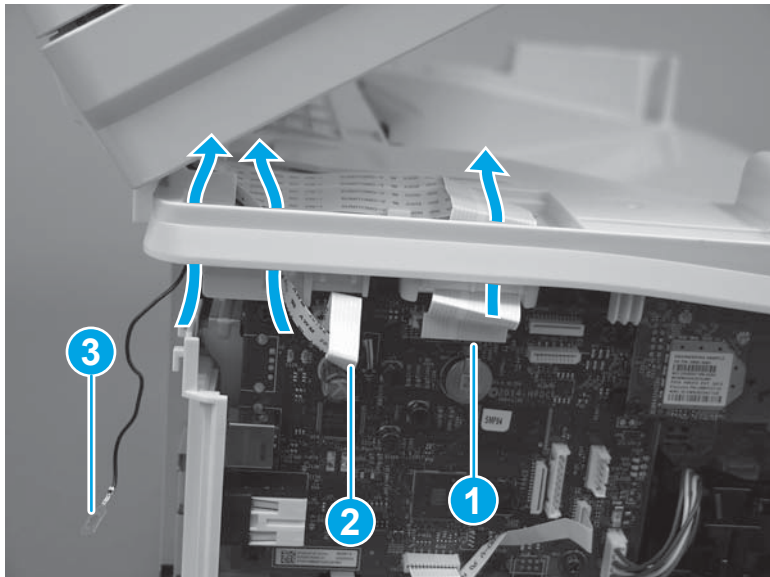


2. **4-in-1 models only:** Disconnect two flat cables (callouts 1/2), and then pass the flat cables and the ground wire (callout 3) up through the opening in the chassis.

**3-in-1 models only:** Disconnect one flat cable (callout 1), and then pass the flat cable through the opening in the chassis.

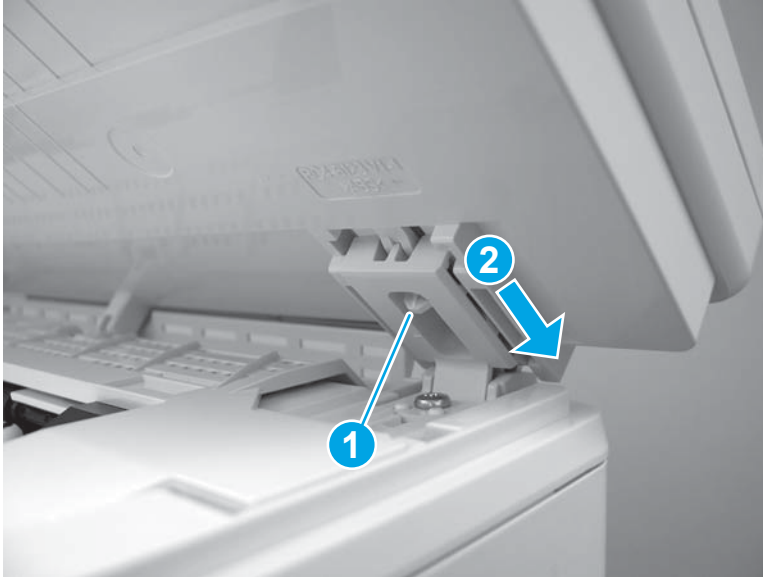
 **NOTE:** The 3-in-1 model does not have the small flat cable (callout 2) or a ground wire (callout 3).

Figure 1-657 Disconnect flat cable(s)



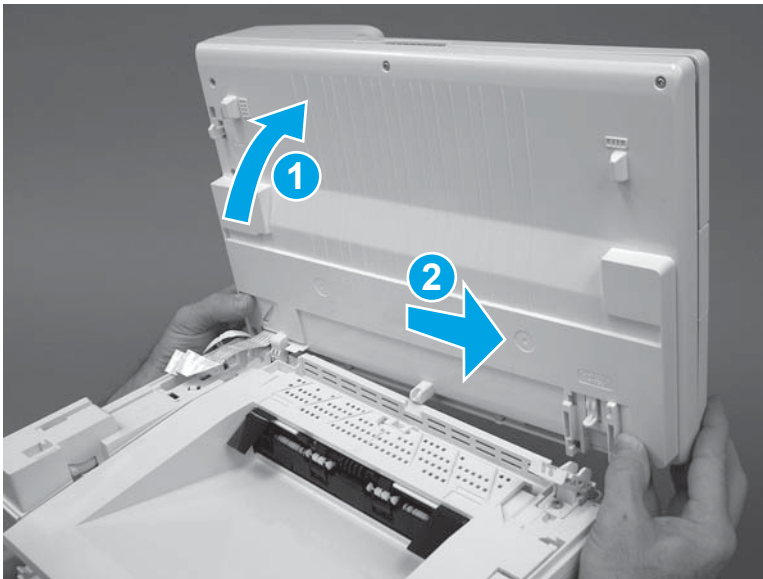
3. Release one tab (callout 1), and then push the right side of the scanner assembly toward the rear of the printer to release the right hinge (callout 2).

Figure 1-658 Release the right hinge



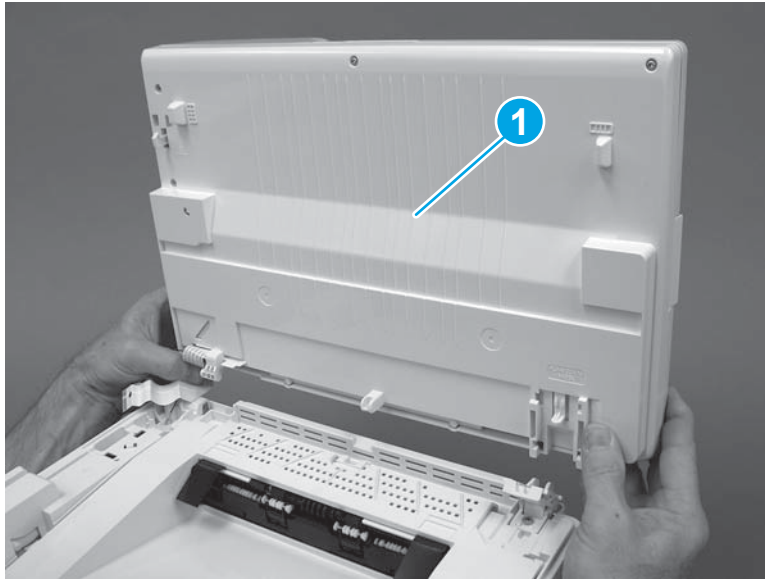
4. Rotate the scanner assembly towards the rear of the printer (callout 1), and then slide the scanner assembly toward the right side of the printer to release the left hinge (callout 2).

Figure 1-659 Release the left hinge



5. Remove the scanner assembly (callout 1).

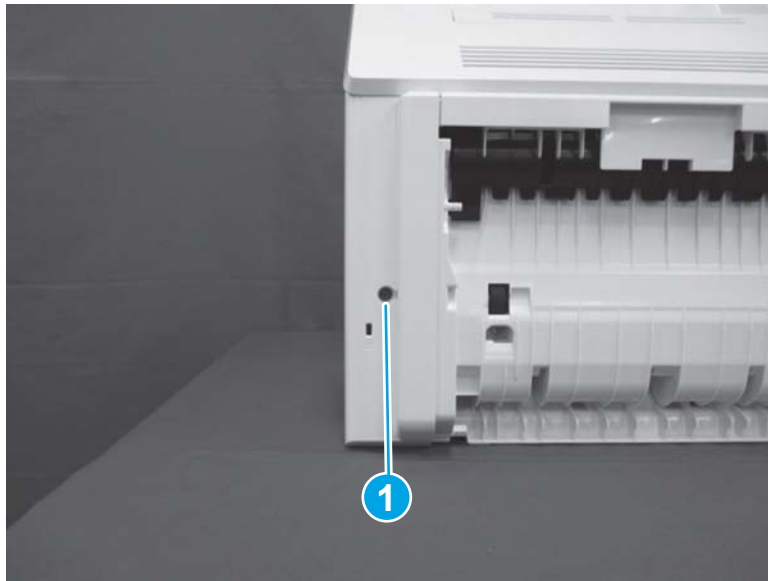
Figure 1-660 Remove the scanner assembly



#### Step 5: Remove the right cover

1. SFP: Do the following.
  - a. Remove one screw (callout 1).

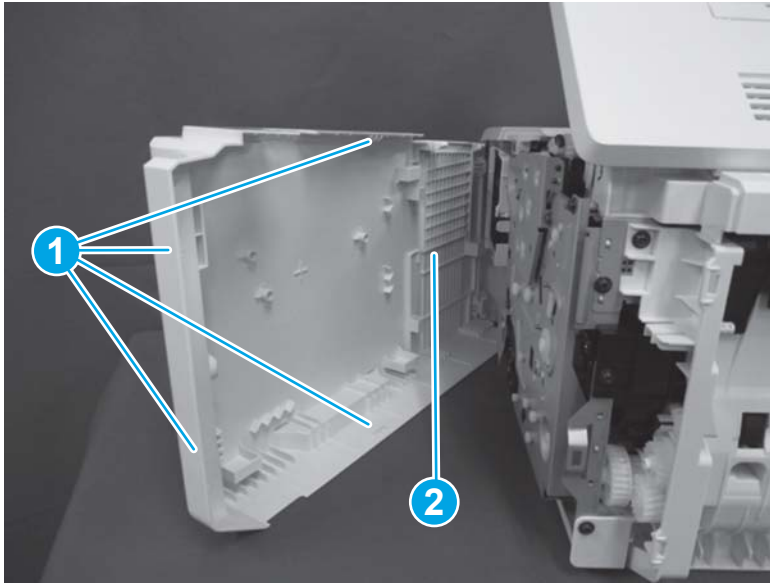
Figure 1-661 Remove one screw (SFP)



- b. Open the cartridge door.

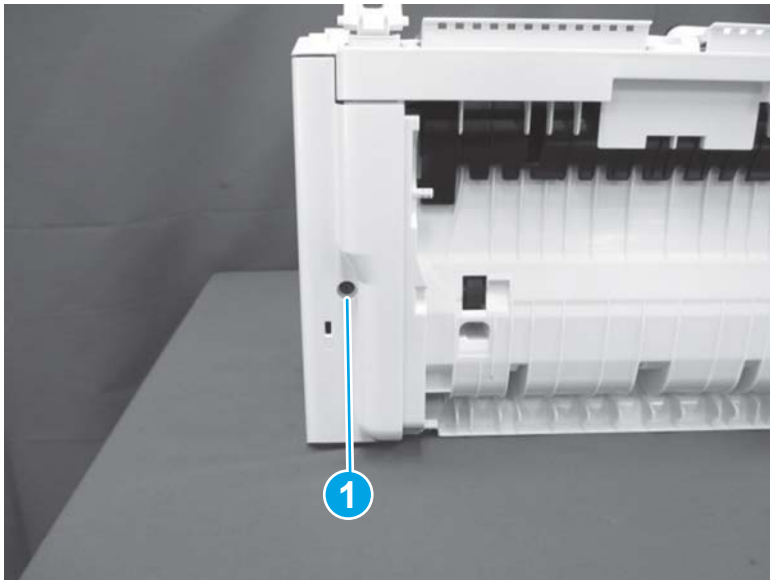
- c. Release four tabs (callout 1), and then remove the right cover (callout 2).

Figure 1-662 Remove the right cover (SFP)



2. MFP: Do the following.
  - a. Remove one screw (callout 1).

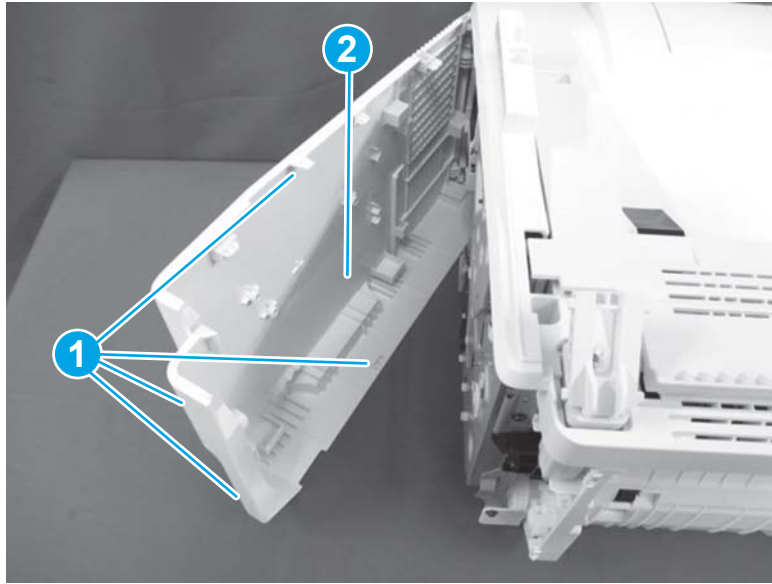
Figure 1-663 Remove one screw (MFP)





- b. Release four tabs (callout 1), and then remove the right cover (callout 2).

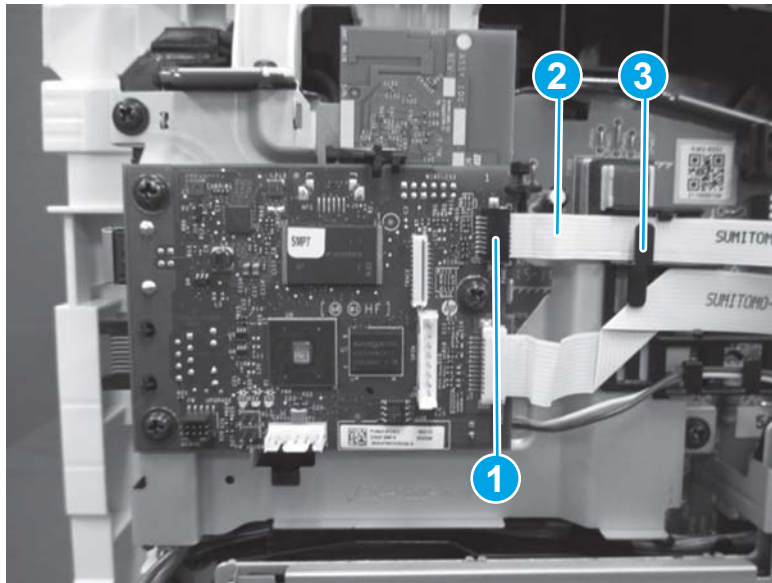
Figure 1-664 Remove the right cover (MFP)



### Step 6: Remove the top front cover

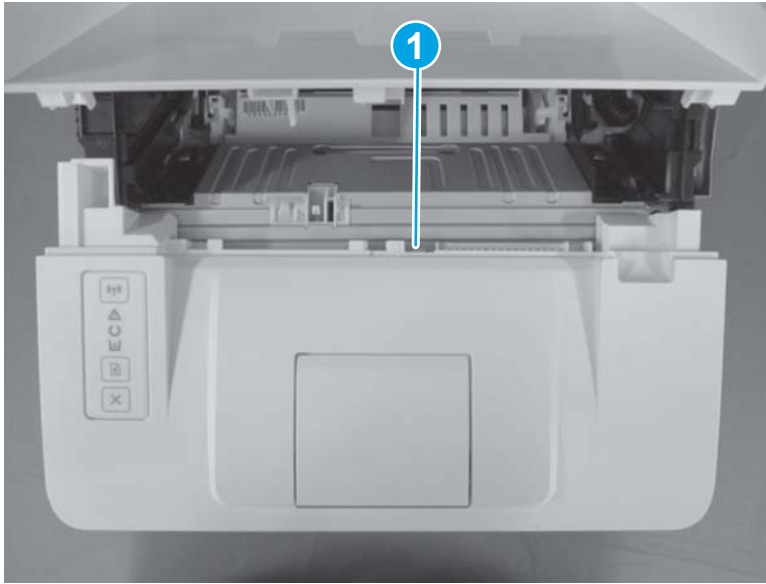
- 1. SFP: Do the following.
  - a. Disconnect one connector (callout 1) on the formatter, and then release the cable (callout 2) from the cable guide (callout 3).

Figure 1-665 Disconnect one connector



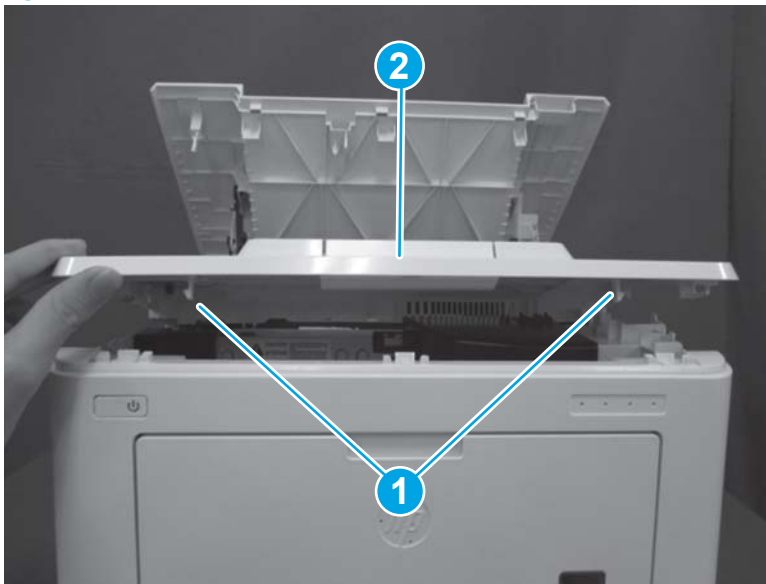
- b. Open the cartridge door, and then release one tab (callout 1) on the top of the cover.

Figure 1-666 Release one tab



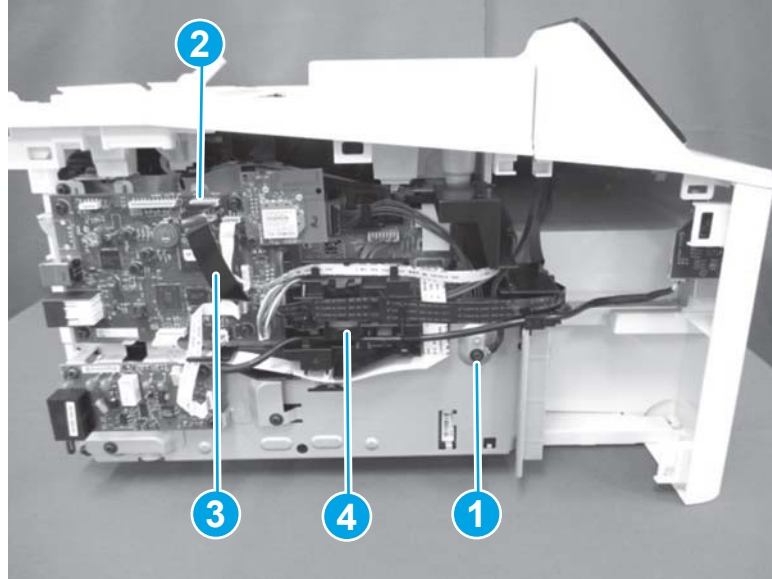
- c. Release two tabs (callout 1), and then remove the top front cover (callout 2).

Figure 1-667 Release two tabs and remove the cover



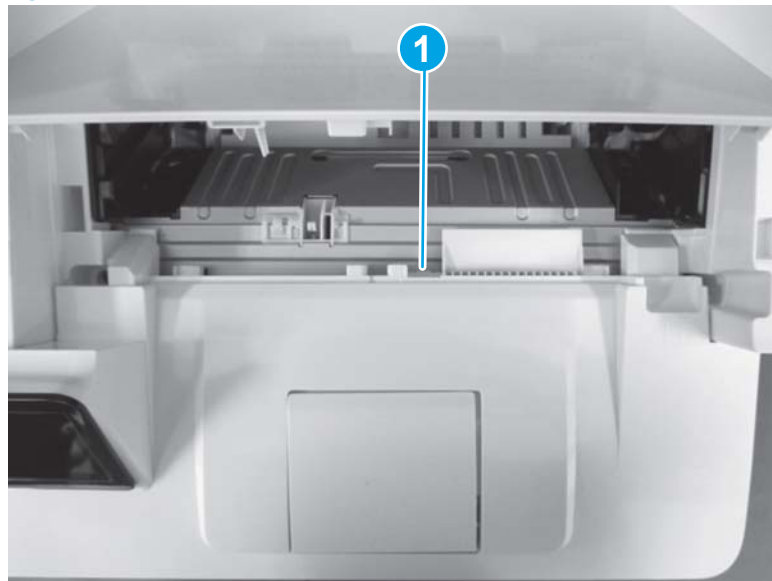
- 2. **MFP:** Do the following.
  - a. Remove one screw (callout 1) to release one cable. Disconnect one connector (callout 2), and then remove the cable (callout 3) from the cable guide (callout 4).

Figure 1-668 Disconnect connector and release cable



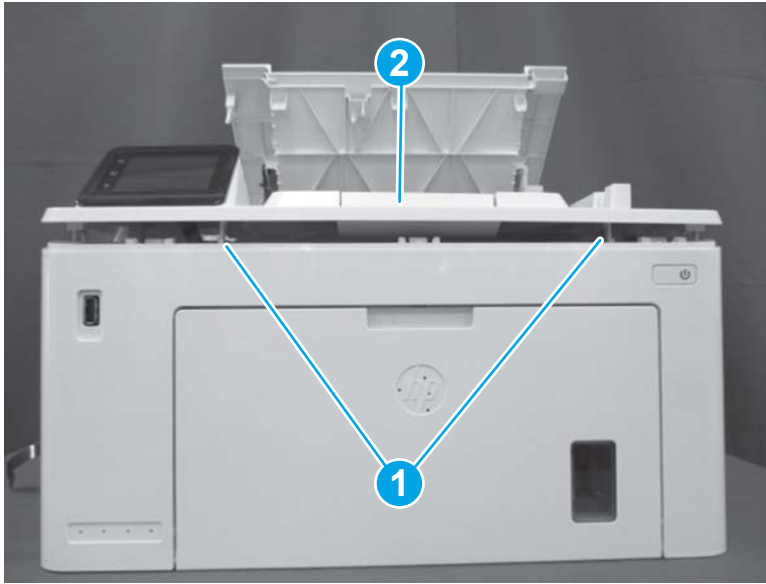
- b. Open the cartridge door, and then release one tab (callout 1).

Figure 1-669 Release one tab



- c. Release two tabs (callout 1), and then remove the top front cover (callout 2).

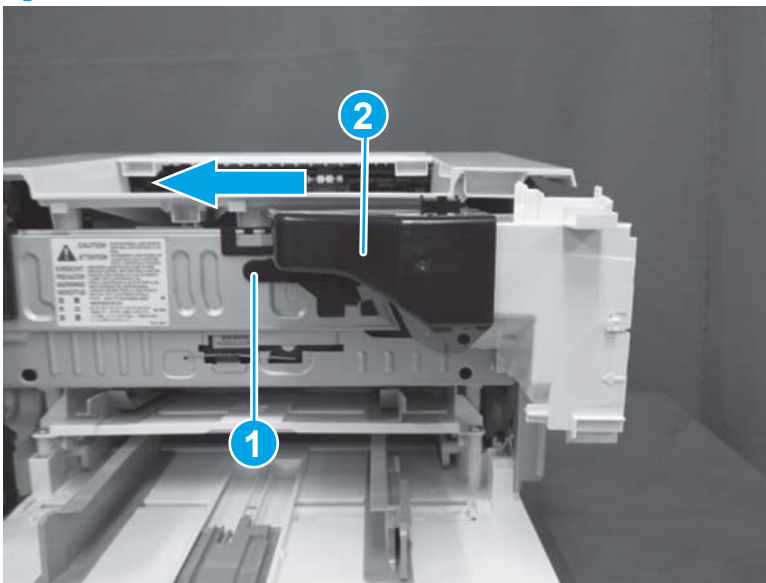
Figure 1-670 Release two tabs and remove the cover



#### Step 7: Remove the fan

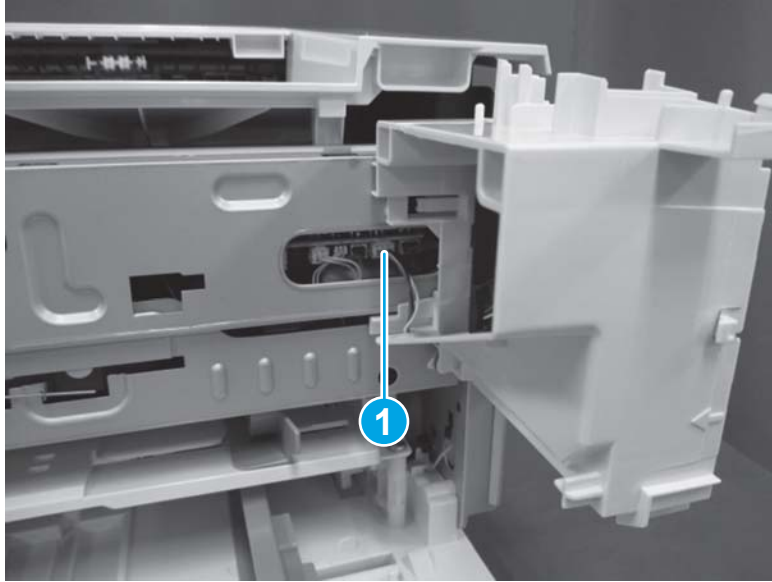
1. Release one boss (callout 1), and then slide the fan duct (callout 2) to the left to remove it.

Figure 1-671 Remove the fan duct



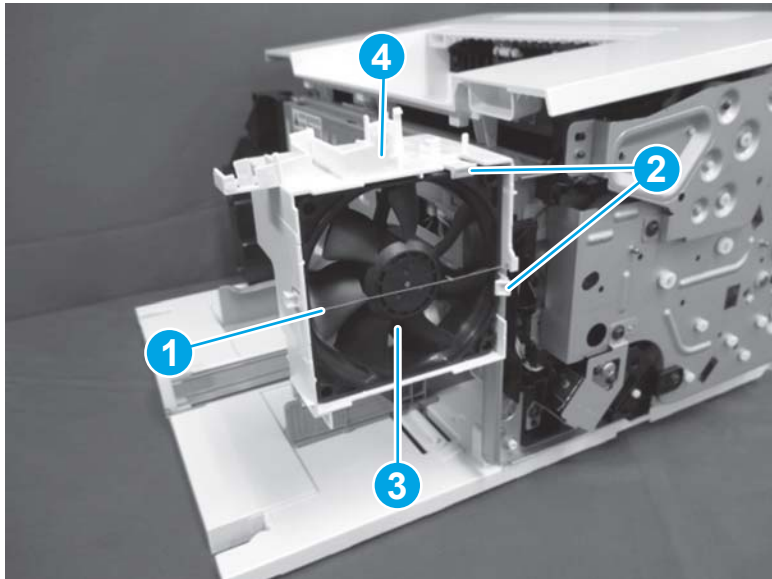
2. Disconnect one connector.

Figure 1-672 Disconnect one connector



3. Remove one spring across the front of the fan (callout 1), release two tabs (callout 2), and then remove the fan (callout 3) from the fan holder (callout 4).

Figure 1-673 Remove the fan



### Step 8: Unpack the replacement assembly

1. Dispose of the defective part.

 **NOTE:** HP recommends responsible disposal of the defective part.

[www.hp.com/recycle](http://www.hp.com/recycle)



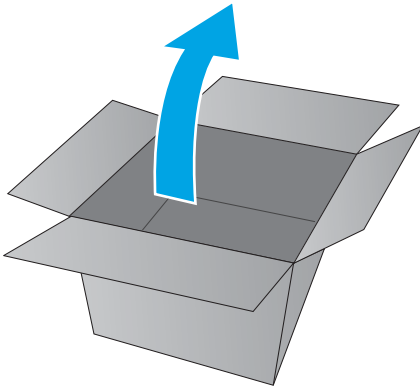
2. Unpack the replacement part from the packaging.

---

**⚠ CAUTION:** If the replacement part is a roller or pad, avoid touching the spongy part of it. Skin oils on the roller or pad can cause paper pickup and/or print-quality problems. HP recommends using disposable gloves when handling rollers or pads or washing your hands or before touching rollers or pads.

**📄 IMPORTANT:** Make sure that all of the shipping materials (for example shipping tape) are removed from the replacement part prior to installation.

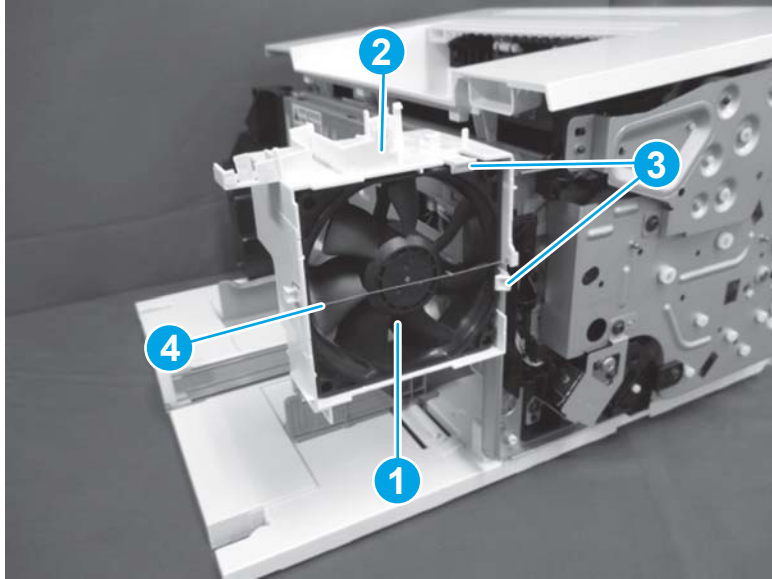
---



### Step 9: Install the fan

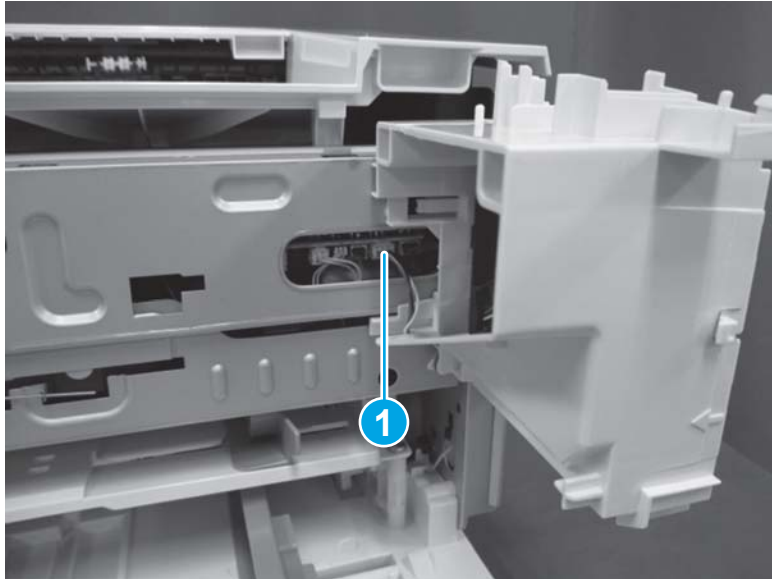
1. Install the fan (callout 1) in the fan holder (callout 2). Make sure two tabs (callout 3) snap into place, and then install one spring (callout 4) across the front of the fan.

Figure 1-674 Install the fan



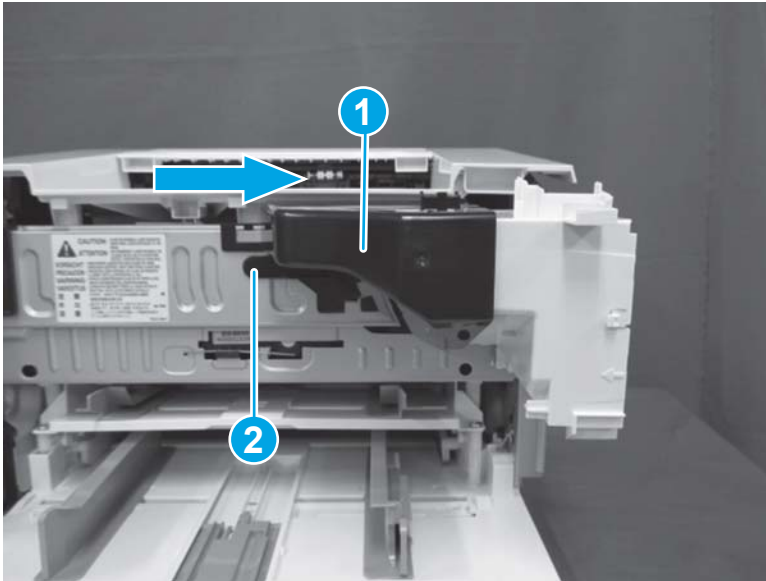
2. Connect one connector (callout 1).

Figure 1-675 Connect one connector



3. Position the fan duct (callout 1) on the printer, and then slide it to the right to install it. Make sure that the boss (callout 2) snaps into place.

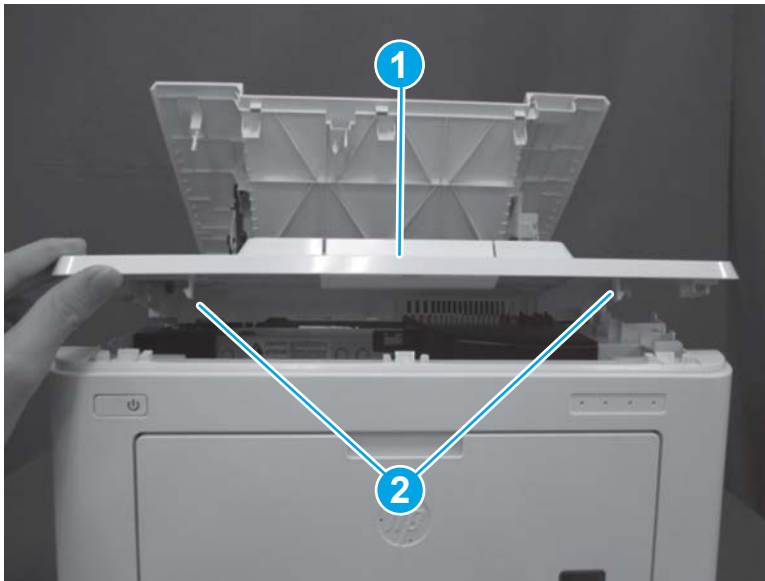
Figure 1-676 Install the fan duct



#### Step 10: Install the top front cover

1. SFP: Do the following.
  - a. Position the top front cover (callout 1) on the printer and install two tabs (callout 2).

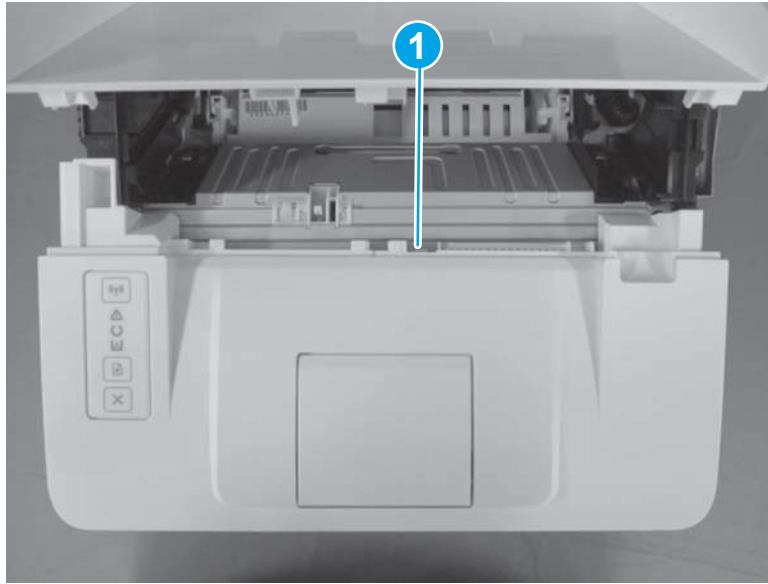
Figure 1-677 Install two tabs





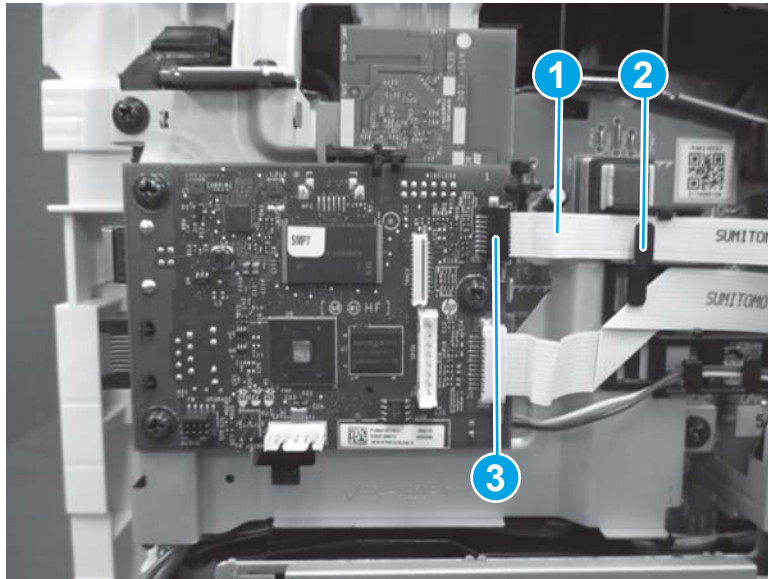
- b. On the top of the cover, install one tab (callout 1).

Figure 1-678 Install one tab



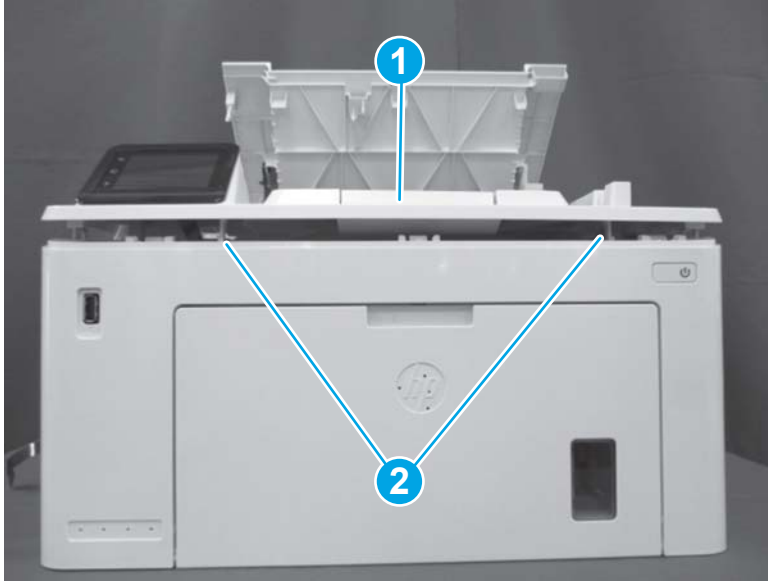
- c. Install the cable (callout 1) in the guide (callout 2), and then connect one connector (callout 3) on the formatter.

Figure 1-679 Connect one connector



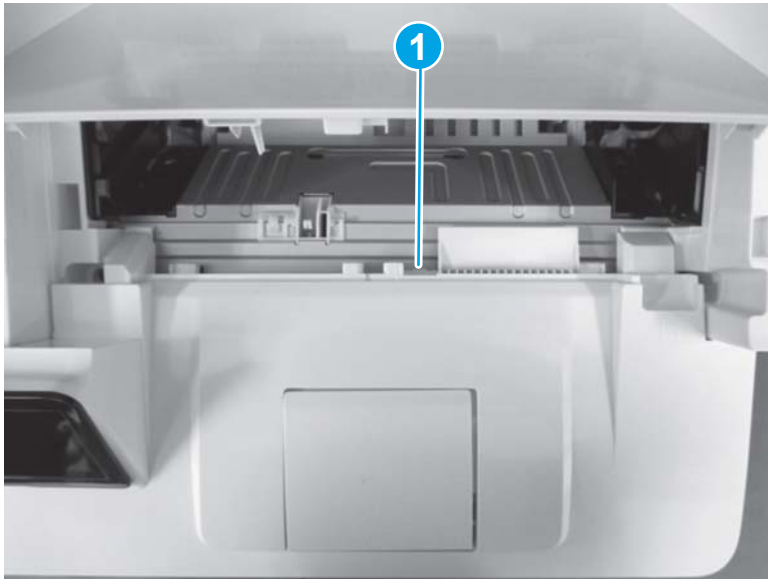
- 2. MFP: Do the following.
  - a. Position the top front cover (callout 1) on the printer, and then install two tabs (callout 2).

Figure 1-680 Install two tabs



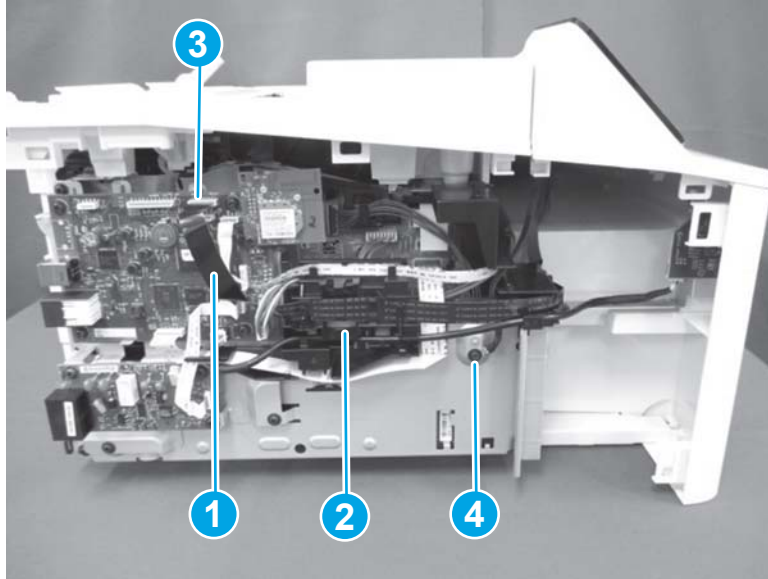
- b. Install one tab (callout 1).

Figure 1-681 Install one tab



- c. Install the cable (callout 1) in the cable guide (callout 2), and then connect one connector (callout 3). Install one screw (callout 4) to secure the grounding cable.

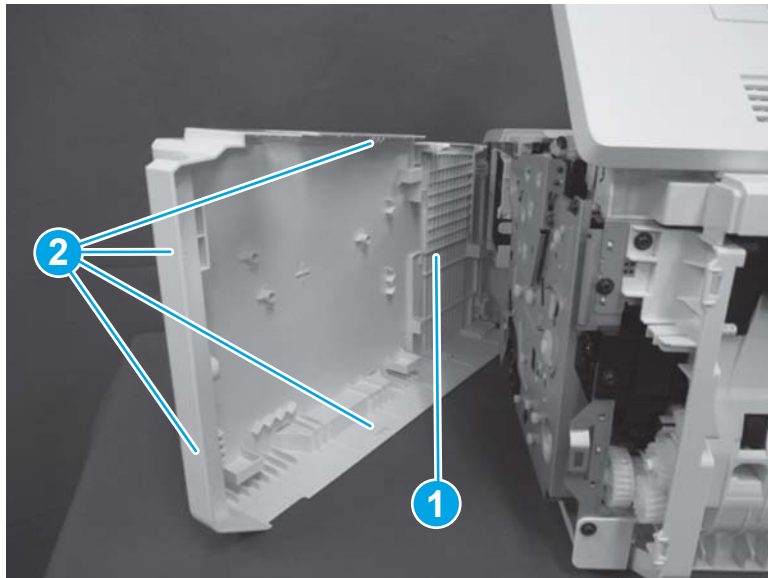
**Figure 1-682** Install one connector and grounding cable



### Step 11: Install the right cover

1. **SFP:** Do the following.
  - a. Open the cartridge door.
  - b. Position the right cover (callout 1) on the printer, and then engage four tabs (callout 2).

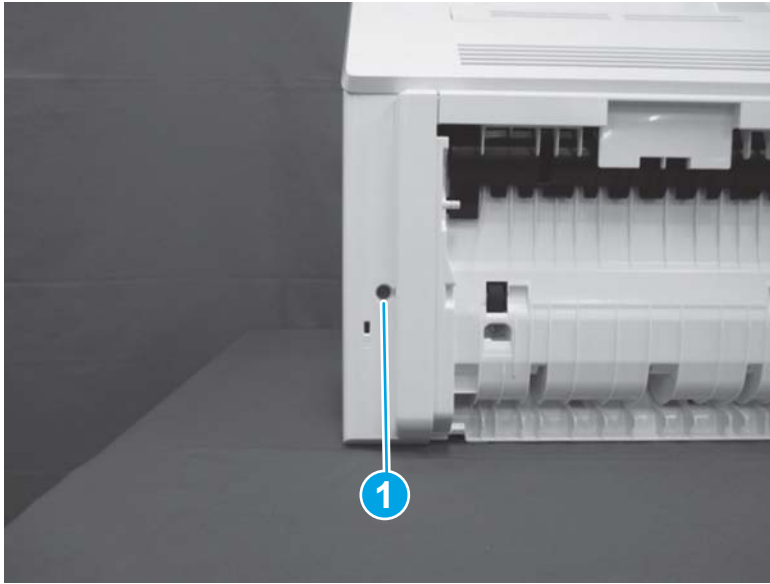
**Figure 1-683** Install the right cover (SFP)



- c. Close the cartridge door.

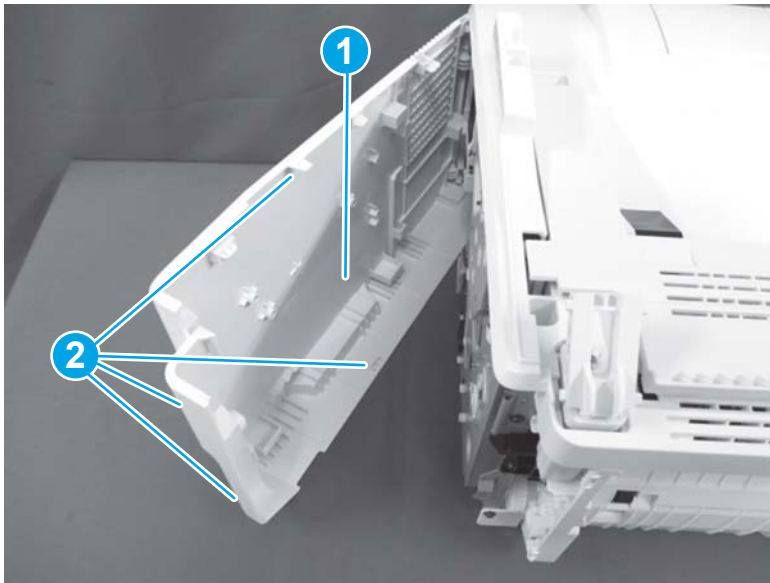
- d. Install one screw (callout 1).

Figure 1-684 Install one screw (SFP)



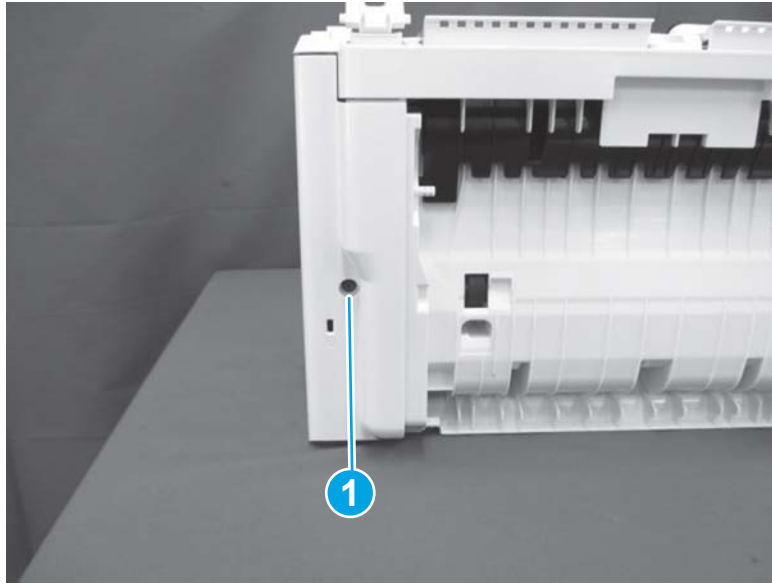
- 2. **MFP:** Do the following.
  - a. Position the right cover (callout 1) on the printer, and then engage four tabs (callout 2).

Figure 1-685 Install the right cover (MFP)



- b. Install one screw (callout 1).

**Figure 1-686** Install one screw (MFP)




#### Step 12: Install the 3-in-1 or 4-in-1 scanner assembly (MFP)

---

 **NOTE:** This step is for the MFP printers. For the SFP printers, skip this step and go to [Step 14: Install the left cover on page 450](#).

---

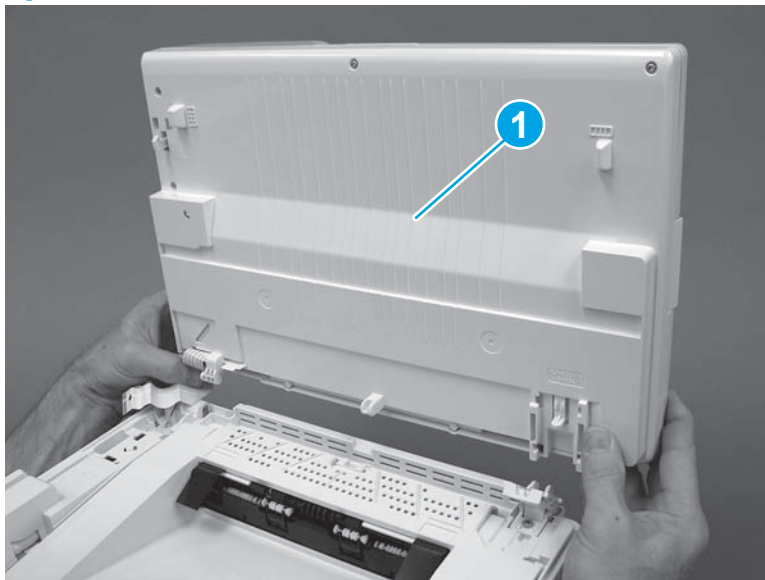
 **NOTE:** The 4-in-1 scanner assembly supports the document feeder. The 3-in-1 scanner assembly does not support the document feeder.

The figures in this procedure show a 4-in-1 printer. However, the procedure is correct for 3-in-1 printers.

---

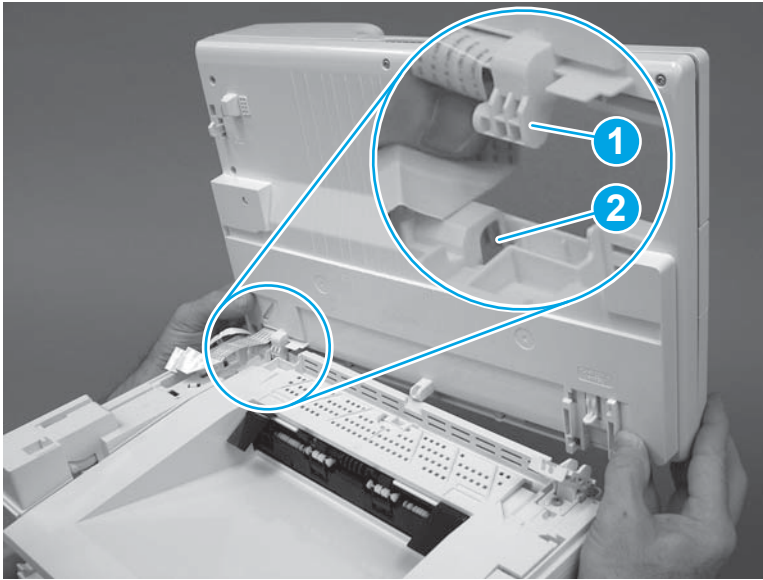
1. Position the scanner assembly (callout 1) near the printer.

**Figure 1-687** Install the scanner assembly (MFP)



- Engage the left hinge (callout 1) with the top cover (callout 2).

**Figure 1-688** Engage the left hinge (MFP)



- Push the right side of the scanner assembly toward the front of the printer to engage the right hinge (callout 1). Make sure that the tab (callout 2) snaps into place.

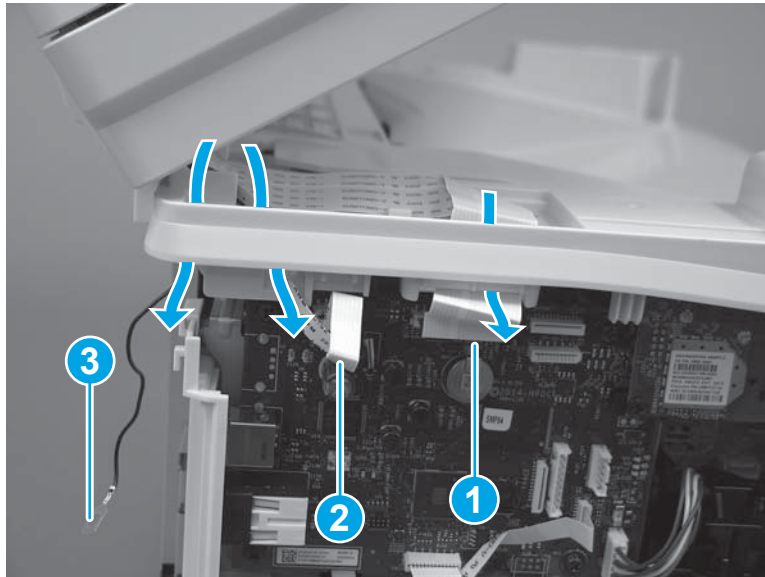
**Figure 1-689** Engage the right hinge (MFP)



- 4-in-1 models only:** Pass the flat cables (callouts 1/2) and the ground wire (callout 3) through the openings in the chassis, and then connect the two flat cables.
- 3-in-1 models only:** Pass the flat cable (callout 1) through the opening in the chassis, and then connect one flat cable.

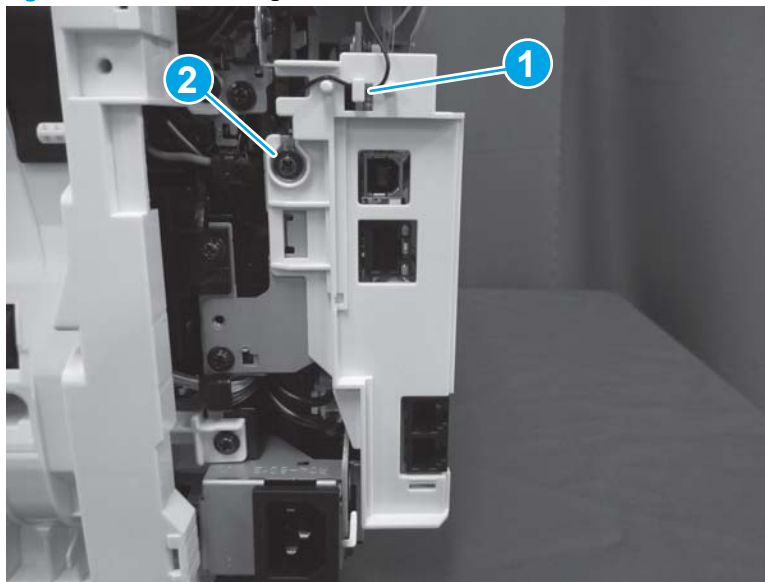
 **NOTE:** The 3-in-1 model does not have the small flat cable (callout 2) or a ground wire (callout 3).

**Figure 1-690** Connect flat cable(s)



- 4-in-1 models only:** Install the ground wire in the retainer (callout 1), and then install one screw (callout 2).

**Figure 1-691** Install the ground wire (4-in-1 models)



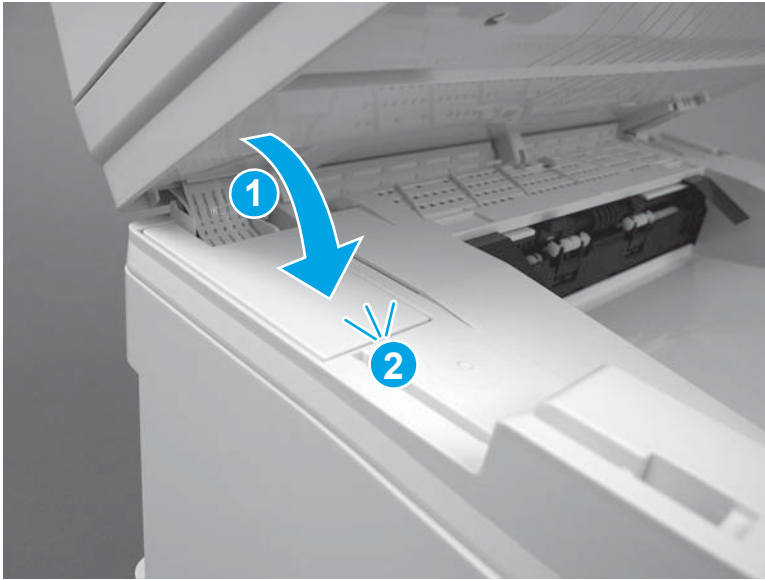
### Step 13: Install the cable cover (MFP)

 **NOTE:** This step is for the MFP printers. For the SFP printers, skip this step and go to [Step 14: Install the left cover on page 450](#).



1. Install the cable cover (callout 1), on the printer, and then push down to engage one tab (callout 2).

Figure 1-692 Install the cable cover (MFP)



2. Close the scanner assembly.

Figure 1-693 Close the scanner assembly



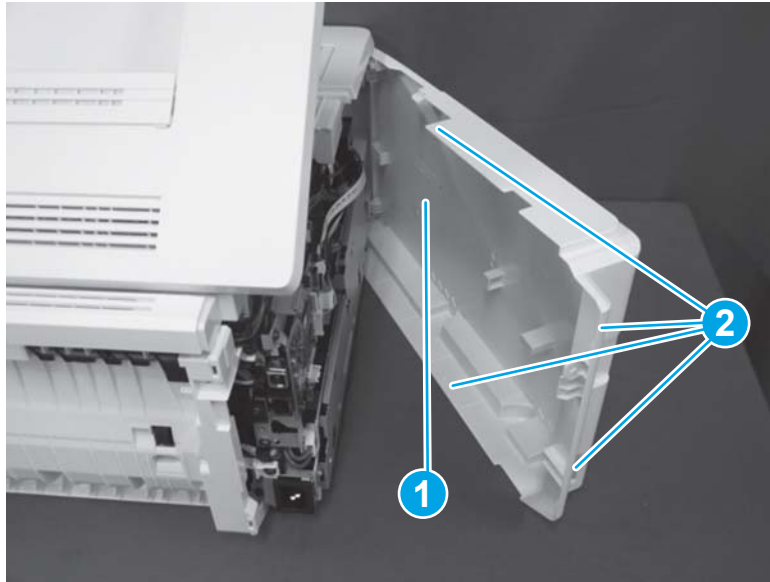
#### Step 14: Install the left cover

1. **SFP:** Do the following.
  - a. Open the cartridge door.



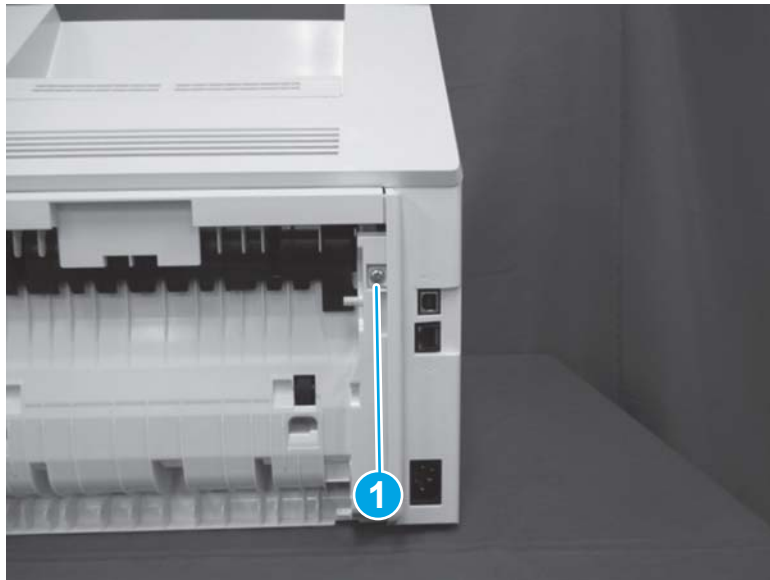
- b. Position the left cover (callout 1) on the printer, and then engage four tabs (callout 2).

**Figure 1-694** Install the left cover (SFP)



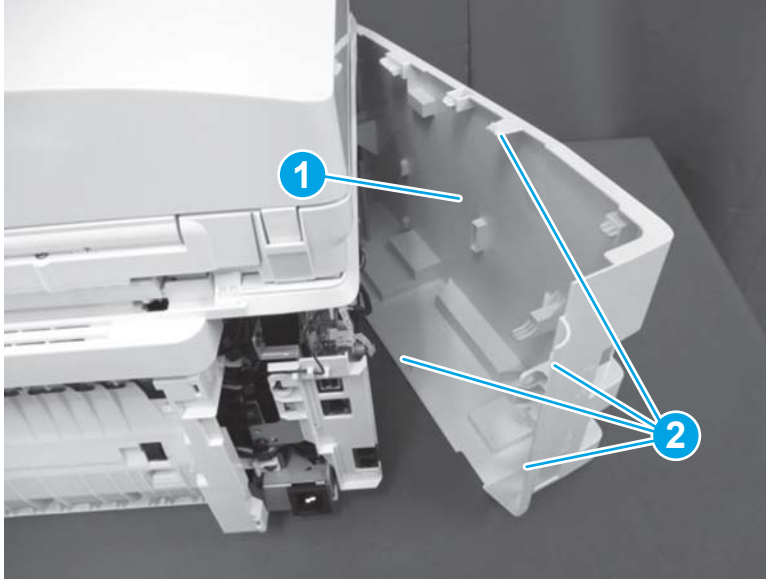
- c. Close the cartridge door.
- d. Install one screw (callout 1).

**Figure 1-695** Install one screw (SFP)



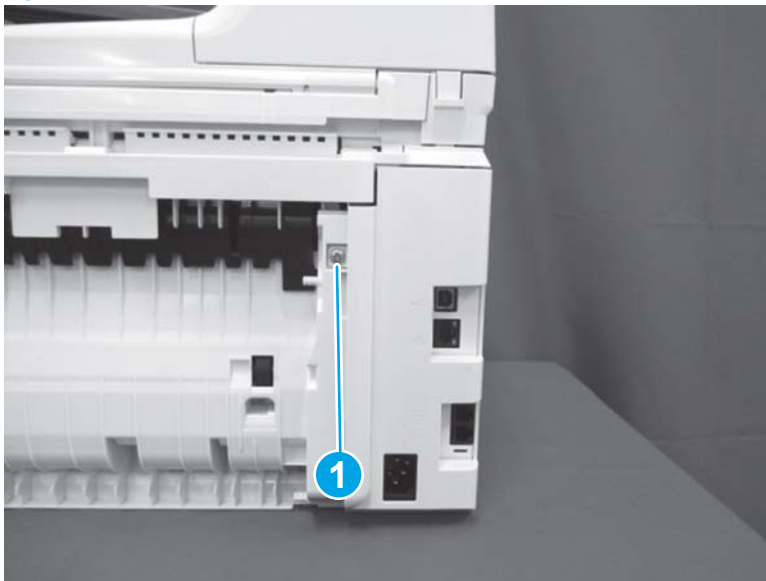
- 2. **MFP:** Do the following.
  - a. Position the left cover (callout 1) on the printer, and then engage four tabs (callout 2).

Figure 1-696 Install the left cover (MFP)



- b. Install one screw (callout 1).

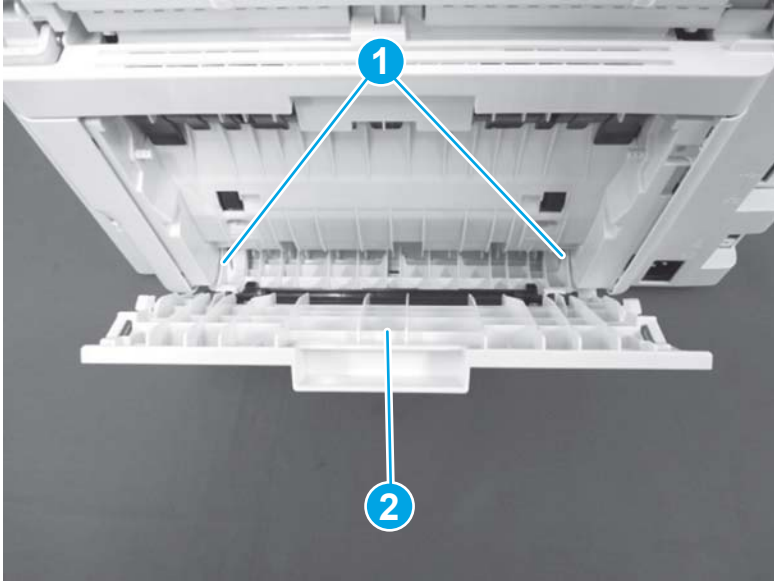
Figure 1-697 Install one screw (MFP)



### Step 15: Install the duplex door

1. Install two tabs (callout 1) to install the duplex door (callout 2).

Figure 1-698 Install the duplex door



- 2. Close the duplex door.

## Removal and replacement: Power button cap and power button PCA

- [Introduction](#)
- [Step 1: Remove the multipurpose cover](#)
- [Step 2: Remove the duplex door](#)
- [Step 3: Remove the left cover](#)
- [Step 4: Remove the cable cover \(MFP\)](#)
- [Step 5: Remove the 3-in-1 or 4-in-1 scanner assembly \(MFP\)](#)
- [Step 6: Remove the right cover](#)
- [Step 7: Remove the top front cover](#)
- [Step 8: Remove the front cover](#)
- [Step 9: Remove the power switch button and the power switch PCA \(SFP\)](#)
- [Step 10: Remove the power switch button and the power switch PCA \(MFP\)](#)
- [Step 11: Unpack the replacement assembly](#)
- [Step 12: Install the power switch button and the power switch PCA \(SFP\)](#)
- [Step 13: Install the power switch button and the power switch PCA \(MFP\)](#)
- [Step 14: Install the front cover](#)
- [Step 15: Install the top front cover](#)
- [Step 16: Install the right cover](#)
- [Step 17: Install the 3-in-1 or 4-in-1 scanner assembly \(MFP\)](#)
- [Step 18: Install the cable cover \(MFP\)](#)
- [Step 19: Install the left cover](#)
- [Step 20: Install the duplex door](#)
- [Step 21: Install the multipurpose cover](#)

### Introduction


This document provides the procedures to remove and replace the power button cap and switch.

### Before performing service

#### Turn the printer power off


- Disconnect the power cable.

---

 **WARNING!** To avoid damage to the printer, turn the printer off, wait 30 seconds, and then remove the power cable before attempting to service the printer.

---



**CAUTION:**  This part contains components that are electrostatic discharge (ESD) sensitive. To reduce the possibility of ESD damage, always touch the sheet-metal chassis to ground yourself before touching an ESD sensitive part.

Use the table below to identify the correct part number for your printer. To order the part, go to [www.hp.com/buy/parts](http://www.hp.com/buy/parts).

Power button cap and switch part numbers	
RL2-1664-000CN	Power switch button (SFP)
RL2-1661-000CN	Power switch button (MFP)
RM2-8273-000CN	Power switch PCA

### Required tools

- #2 Phillips screwdriver with a magnetic tip.
- Small flat-blade screwdriver

### After performing service

#### Turn the printer power on

- Connect the power cable.
- Use the power switch to turn the power on.

### Post service test

Verify that the printer powers on and reaches the **Ready** state.

**MFP only:** Verify that the document feeder and the flatbed scanner are correctly functioning (copy a page).

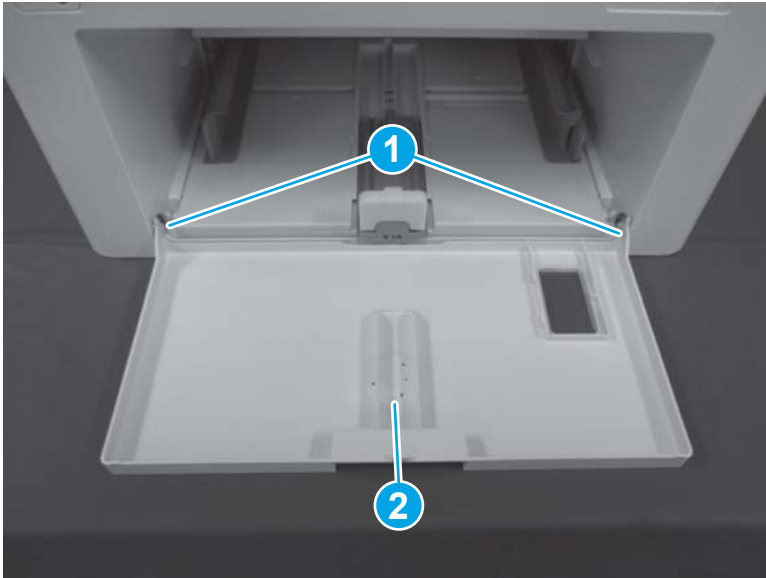
### Step 1: Remove the multipurpose cover

1. Open the multipurpose cover.

2. **SFP:** Release two bosses (callout 1), and then remove the cover (callout 2).

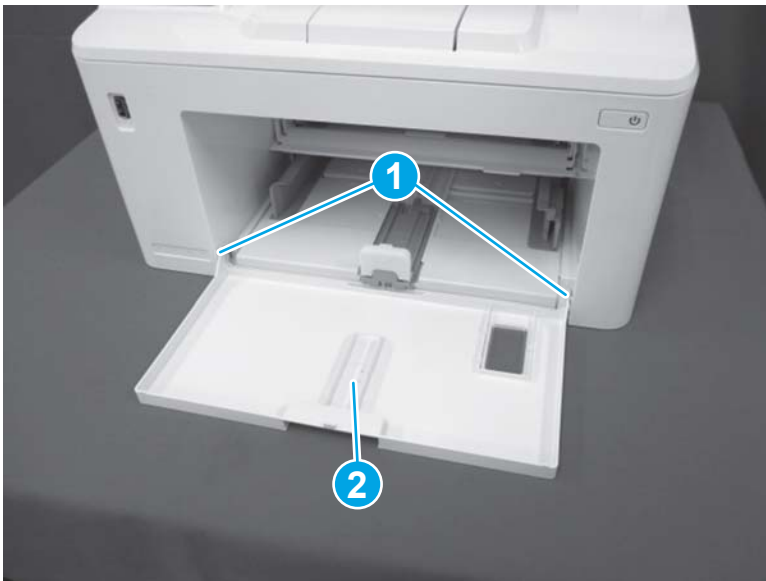
 **TIP:** It might be easier to remove the cover if the right boss is released first, and then lower the right-side of the cover to release the left-side boss.

**Figure 1-699** Remove the multipurpose cover (SFP)



3. **MFP:** Release two bosses (callout 1), and then remove the cover (callout 2).

**Figure 1-700** Remove the multipurpose cover (MFP)

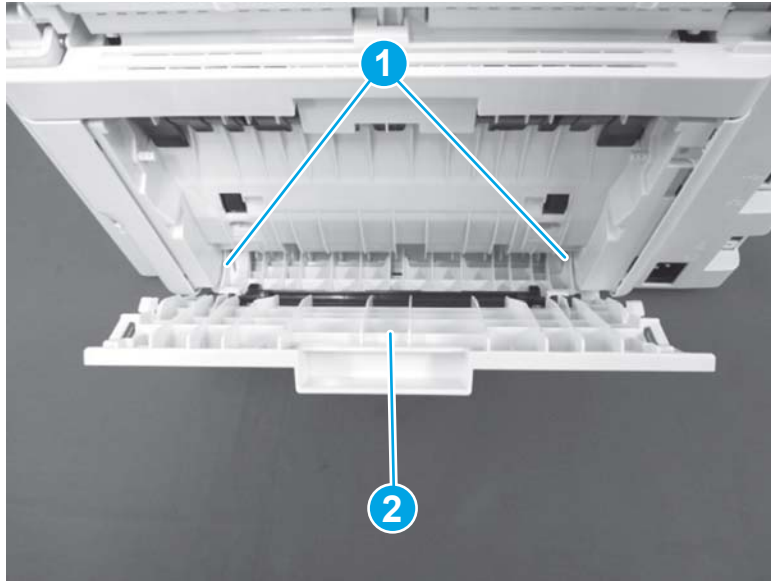


### Step 2: Remove the duplex door

1. Open the duplex door.

2. Use a small flat-blade screwdriver to release two tabs (callout 1), and then remove the duplex door (callout 2).

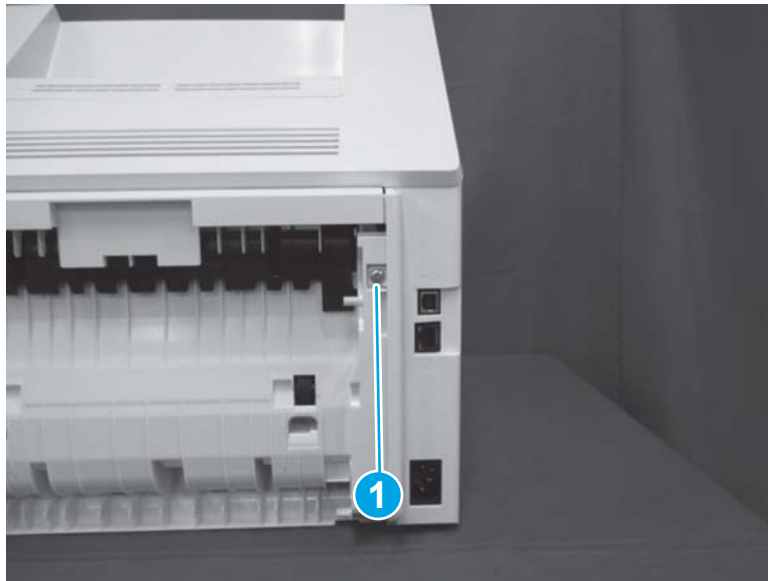
Figure 1-701 Remove the duplex door



### Step 3: Remove the left cover

1. **SFP:** Do the following.
  - a. Remove one screw (callout 1).

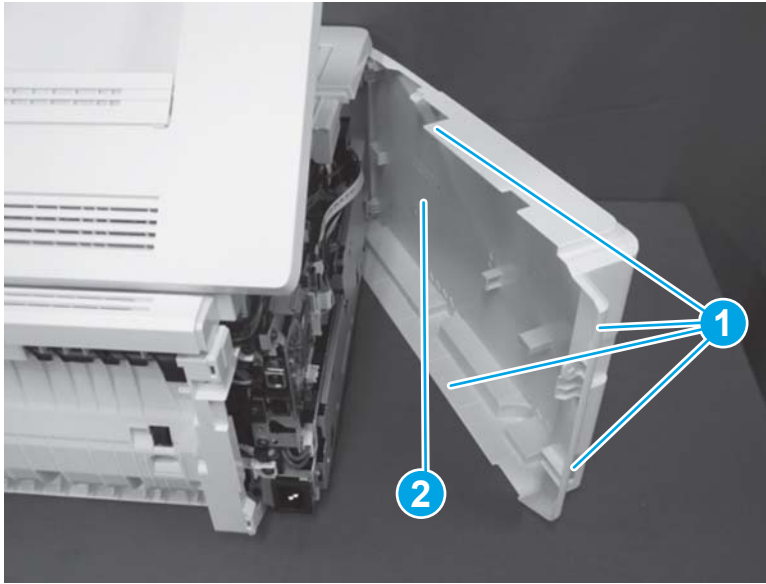
Figure 1-702 Remove one screw (SFP)



- b. Open the cartridge door.

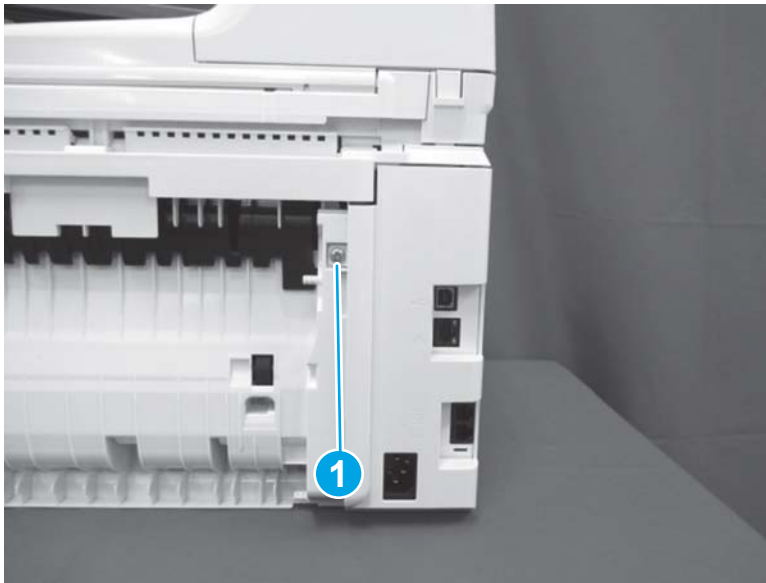
- c. Release four tabs (callout 1), and then remove the left cover (callout 2).

**Figure 1-703** Remove the left cover (SFP)



2. **MFP:** Do the following.
  - a. Remove one screw (callout 1).

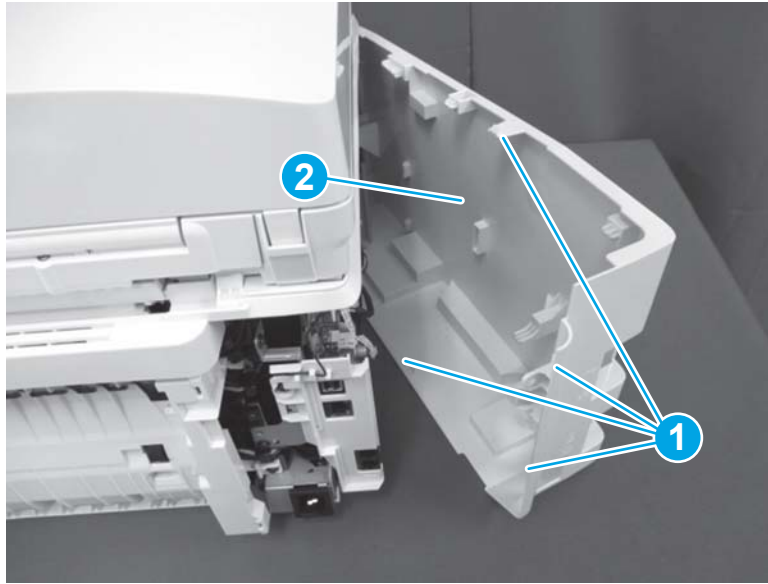
**Figure 1-704** Remove one screw (MFP)





- b. Release four tabs (callout 1), and then remove the left cover (callout 2).

**Figure 1-705** Remove the left cover (MFP)



#### Step 4: Remove the cable cover (MFP)

 **NOTE:** This step is for the MFP printers. For the SFP printers, skip this step and go to [Step 6: Remove the right cover on page 462](#).

1. Open the scanner assembly.

**Figure 1-706** Open the scanner assembly




2. Use a small flat-blade screw driver to release one tab (callout 1), and then remove the cable cover (callout 2).

**Figure 1-707** Remove the cable cover (MFP)



#### Step 5: Remove the 3-in-1 or 4-in-1 scanner assembly (MFP)

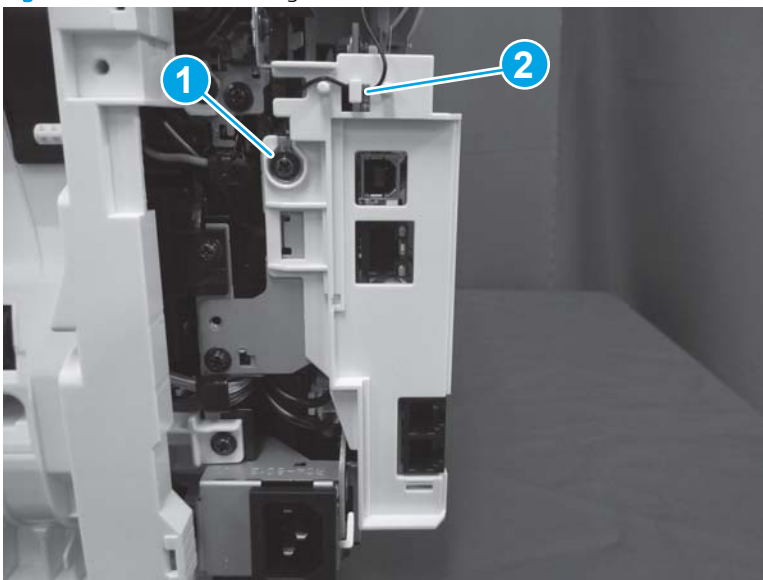
 **NOTE:** This step is for the MFP printers. For the SFP printers, skip this step and go to [Step 6: Remove the right cover on page 462](#).

 **NOTE:** The 4-in-1 scanner assembly supports the document feeder. The 3-in-1 scanner assembly does not support the document feeder.

The figures in this procedure show a 4-in-1 printer. However, the procedure is correct for 3-in-1 printers.

1. **4-in-1 models only:** Remove one screw (callout 1), and then release the ground wire from the retainer (callout 2).

**Figure 1-708** Release the ground wire (4-in-1 models)

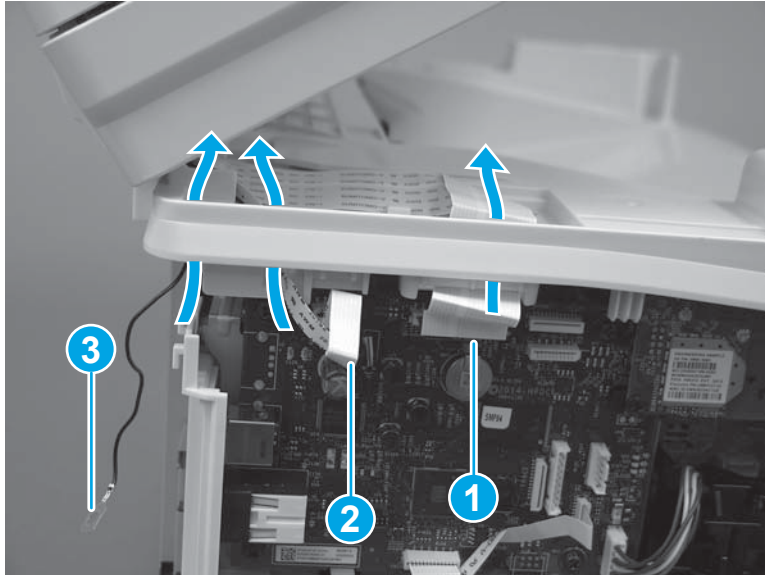


2. **4-in-1 models only:** Disconnect two flat cables (callouts 1/2), and then pass the flat cables and the ground wire (callout 3) up through the opening in the chassis.

**3-in-1 models only:** Disconnect one flat cable (callout 1), and then pass the flat cable through the opening in the chassis.

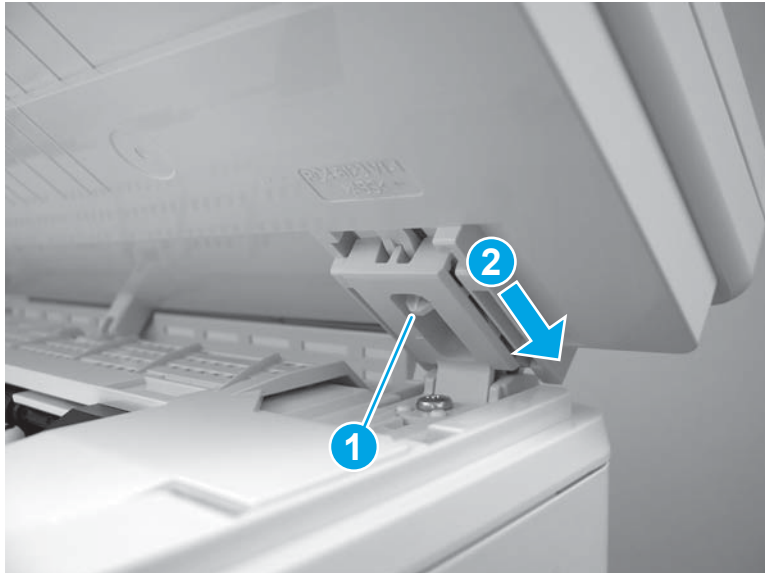
 **NOTE:** The 3-in-1 model does not have the small flat cable (callout 2) or a ground wire (callout 3).

**Figure 1-709** Disconnect flat cable(s)



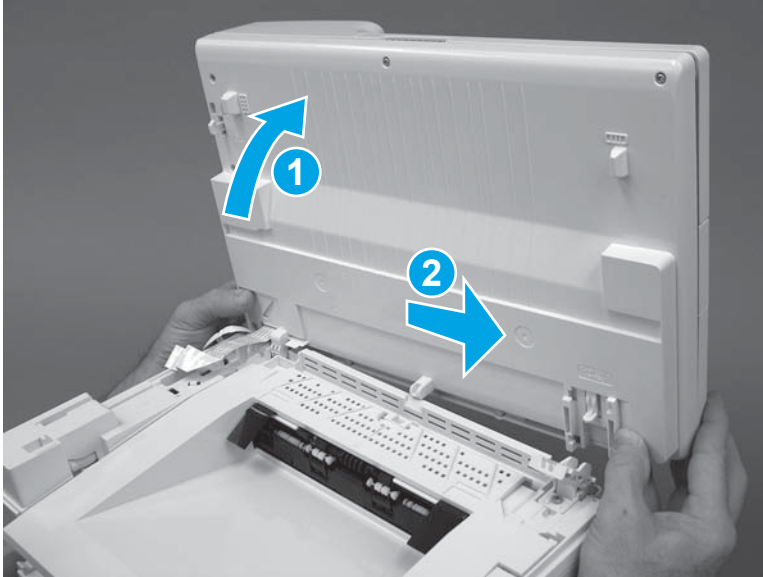
3. Release one tab (callout 1), and then push the right side of the scanner assembly toward the rear of the printer to release the right hinge (callout 2).

**Figure 1-710** Release the right hinge



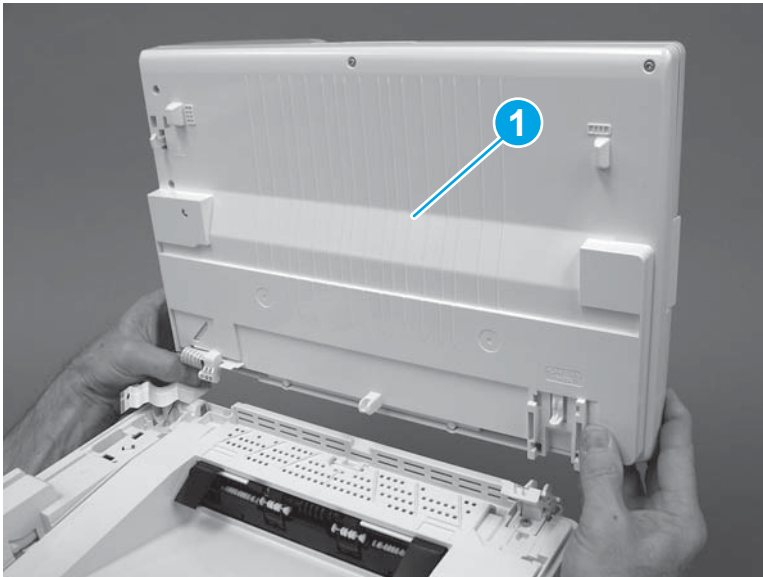
4. Rotate the scanner assembly towards the rear of the printer (callout 1), and then slide the scanner assembly toward the right side of the printer to release the left hinge (callout 2).

Figure 1-711 Release the left hinge



5. Remove the scanner assembly (callout 1).

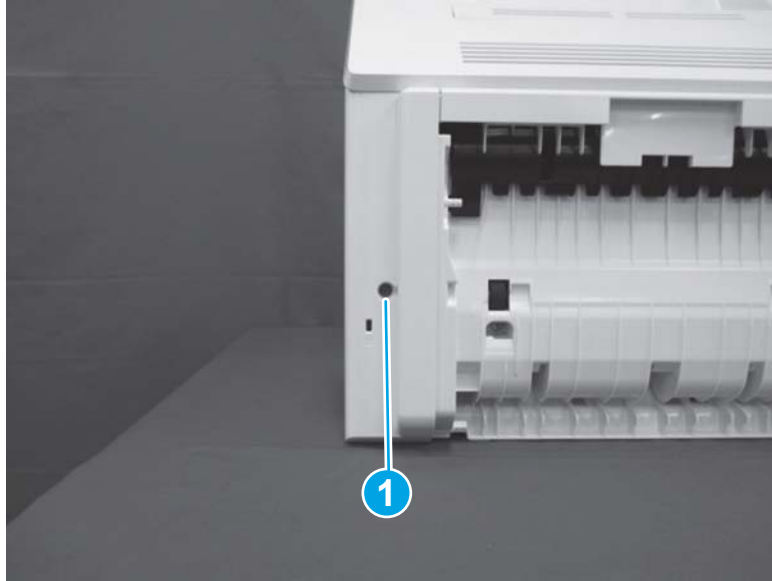
Figure 1-712 Remove the scanner assembly



#### Step 6: Remove the right cover

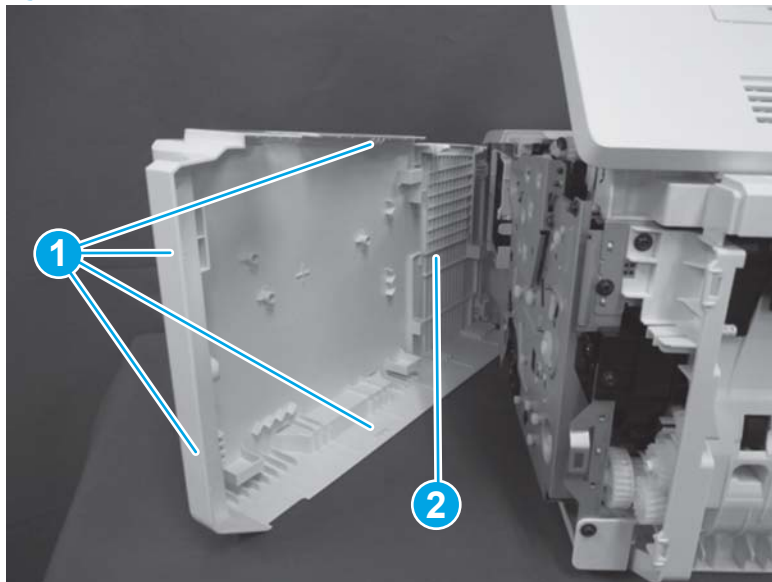
1. **SFP:** Do the following.
  - a. Remove one screw (callout 1).

Figure 1-713 Remove one screw (SFP)



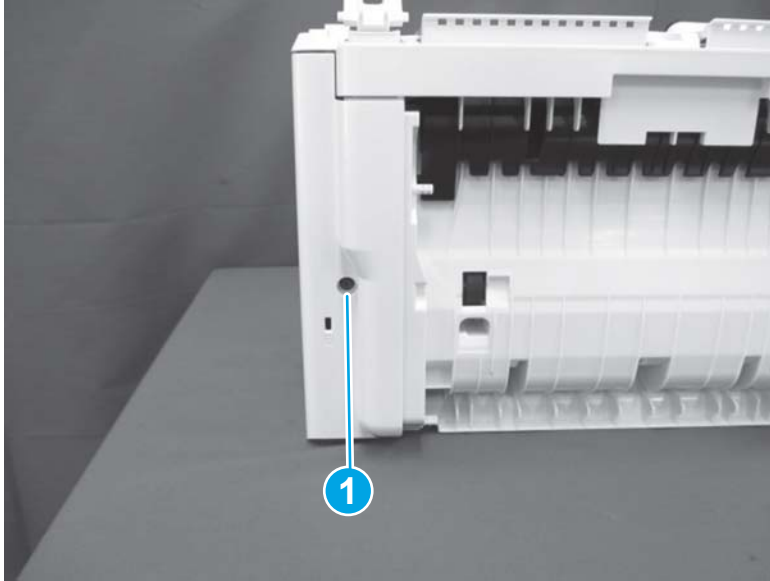
- b. Open the cartridge door.
- c. Release four tabs (callout 1), and then remove the right cover (callout 2).

Figure 1-714 Remove the right cover (SFP)



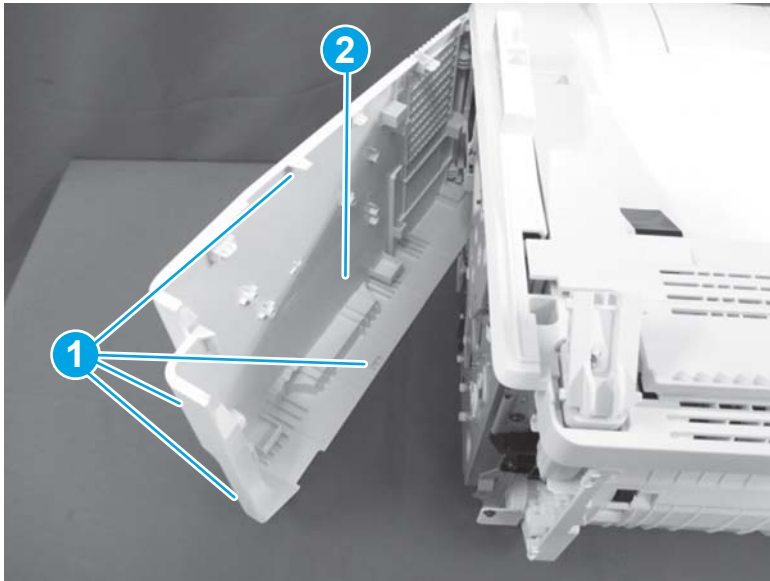
- 2. MFP: Do the following.
  - a. Remove one screw (callout 1).

Figure 1-715 Remove one screw (MFP)



- b. Release four tabs (callout 1), and then remove the right cover (callout 2).

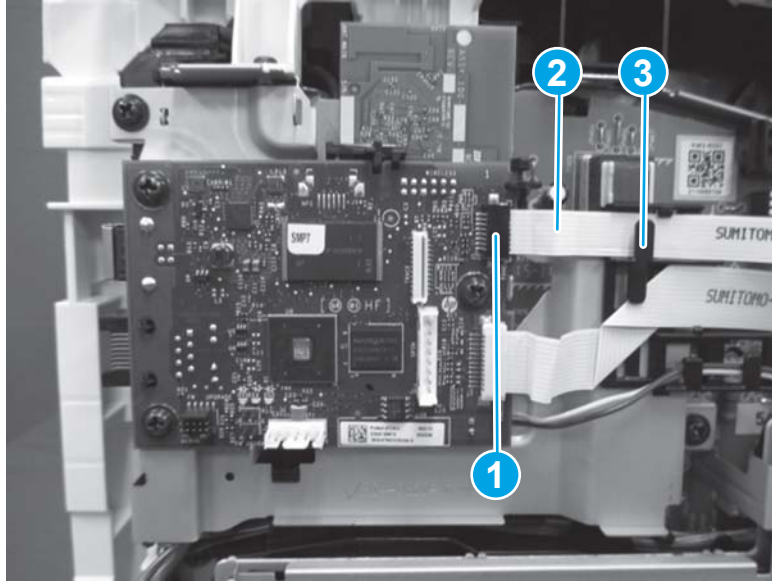
Figure 1-716 Remove the right cover (MFP)



#### Step 7: Remove the top front cover

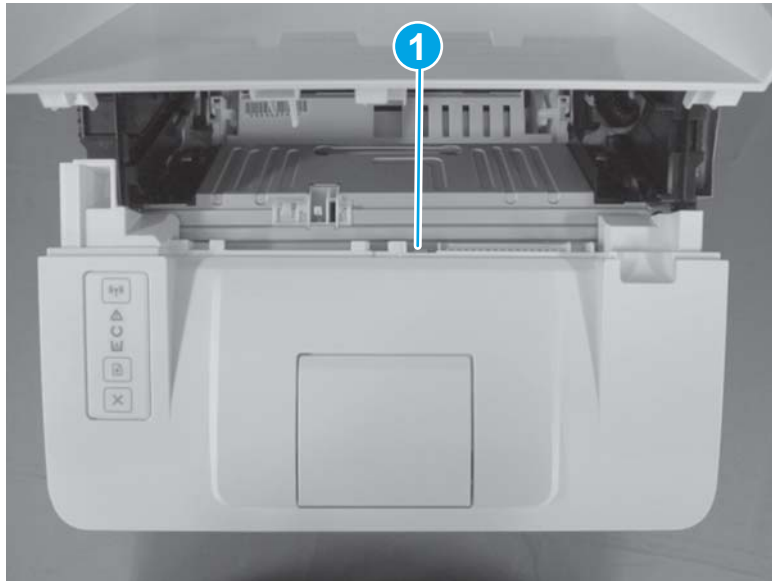
1. **SFP:** Do the following.
  - a. Disconnect one connector (callout 1) on the formatter, and then release the cable (callout 2) from the cable guide (callout 3).

Figure 1-717 Disconnect one connector



- b. Open the cartridge door, and then release one tab (callout 1) on the top of the cover.

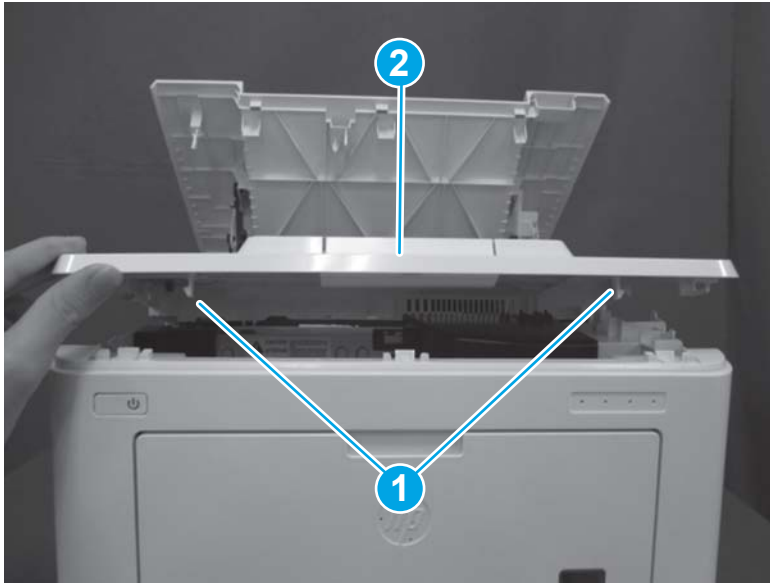
Figure 1-718 Release one tab





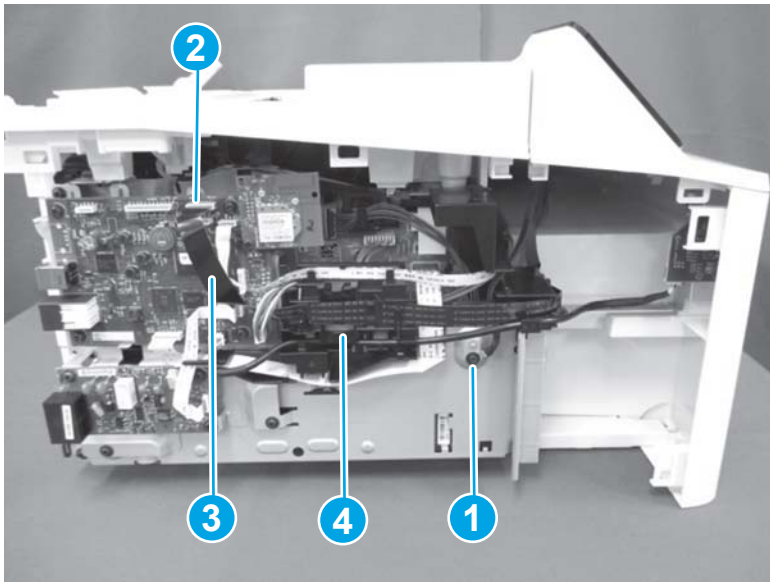
- c. Release two tabs (callout 1), and then remove the top front cover (callout 2).

Figure 1-719 Release two tabs and remove the cover



- 2. MFP: Do the following.
  - a. Remove one screw (callout 1) to release one cable. Disconnect one connector (callout 2), and then remove the cable (callout 3) from the cable guide (callout 4).

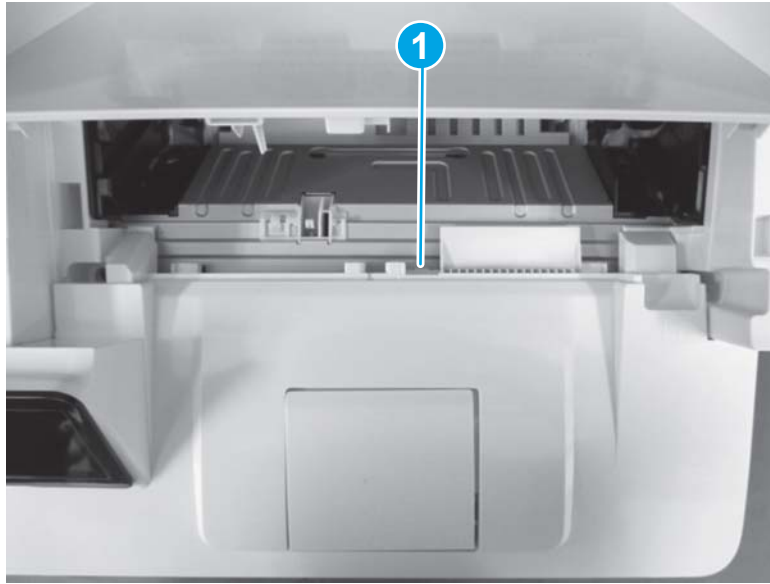
Figure 1-720 Disconnect connector and release cable





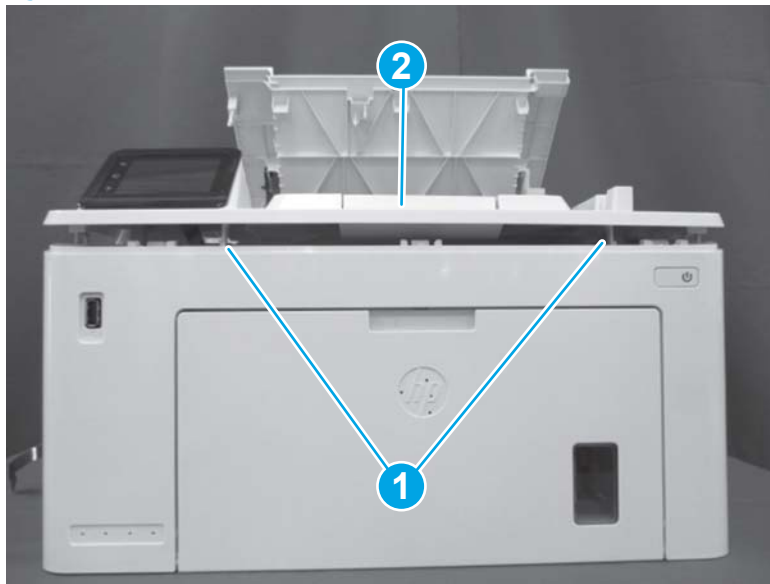
- b. Open the cartridge door, and then release one tab (callout 1).

Figure 1-721 Release one tab



- c. Release two tabs (callout 1), and then remove the top front cover (callout 2).

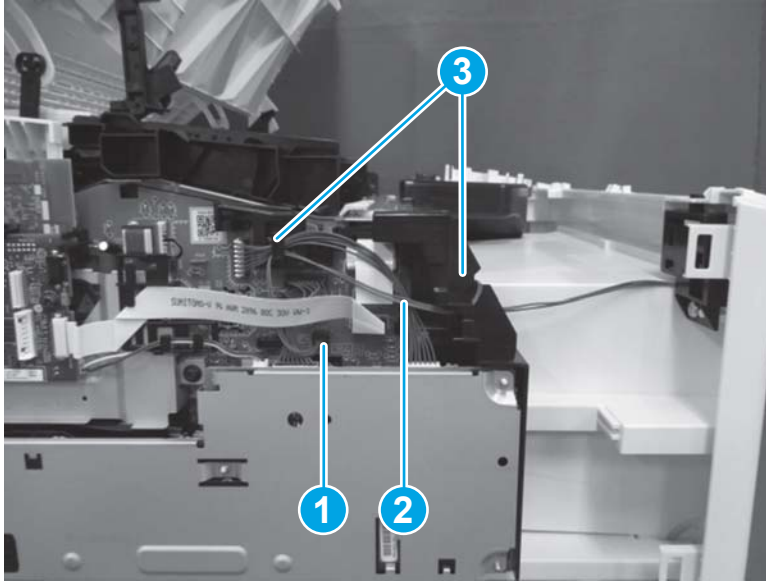
Figure 1-722 Release two tabs and remove the cover



### Step 8: Remove the front cover

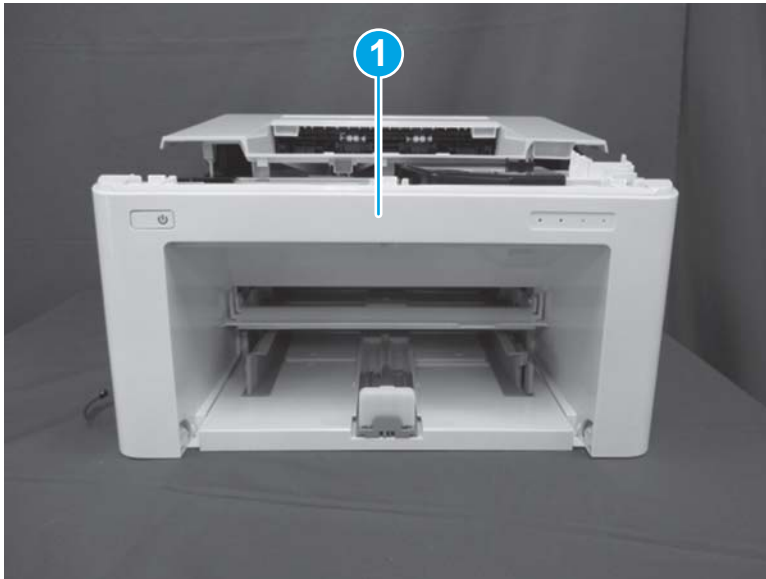
1. **SFP:** Do the following.
  - a. Disconnect one connector (callout 1), and then remove the cable (callout 2) from the cable guide (callout 3).

Figure 1-723 Disconnect connector (SFP)



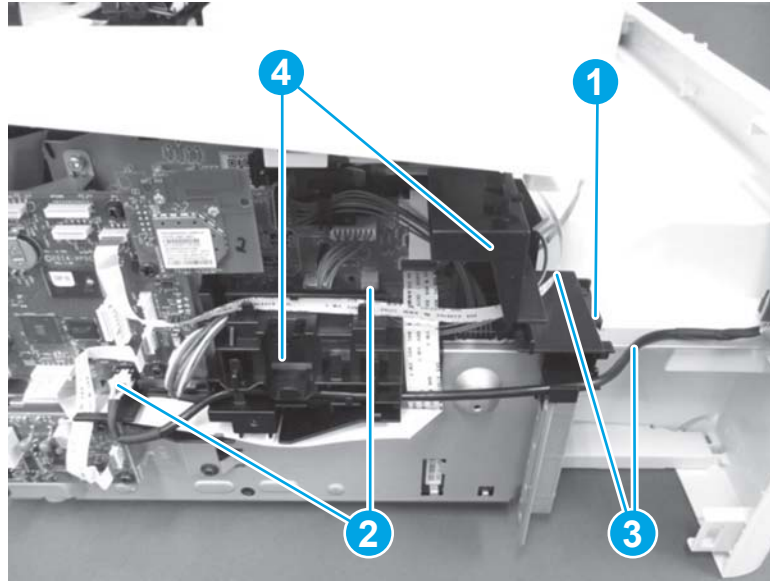
- b. Slide the front cover (callout 1) away from the printer to remove it.

Figure 1-724 Remove the front cover (SFP)



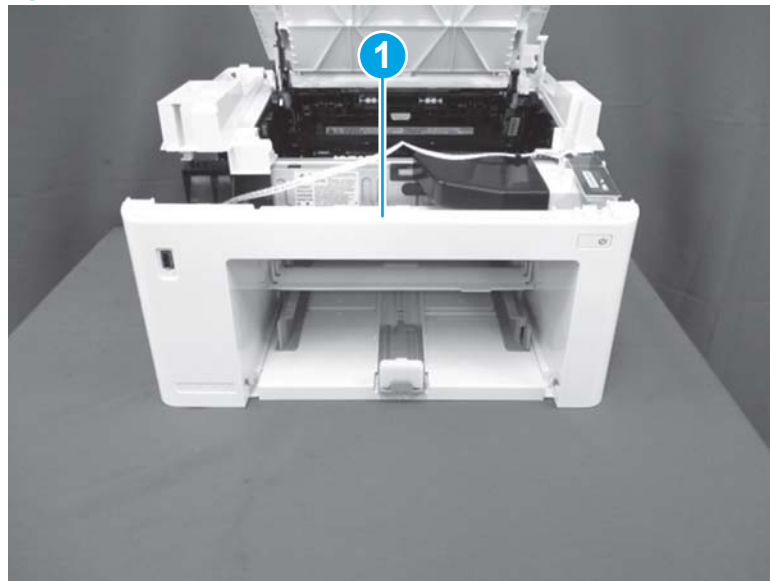
- 2. **MFP:** Do the following.
  - a. Remove one screw (callout 1). Disconnect two connectors (callout 2), and then release the cables (callout 3) from the cable guide (callout 4).

Figure 1-725 Disconnect connectors (MFP)



- b. Slide the front cover (callout 1) away from the printer to remove it.

Figure 1-726 Remove the front cover (MFP)



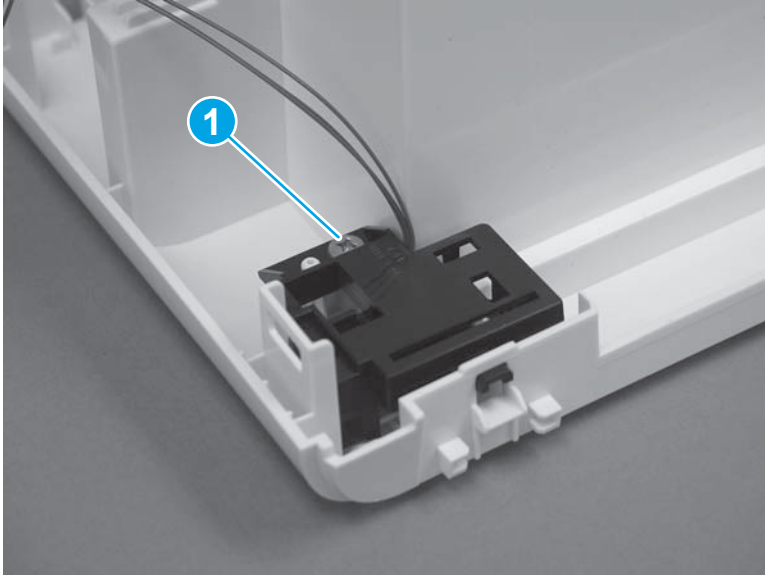
### Step 9: Remove the power switch button and the power switch PCA (SFP)

 **NOTE:** This step is for the SFP printer. For the MFP printers, skip this step and go to [Step 10: Remove the power switch button and the power switch PCA \(MFP\) on page 472.](#)

 **CAUTION:**  ESD-sensitive part.

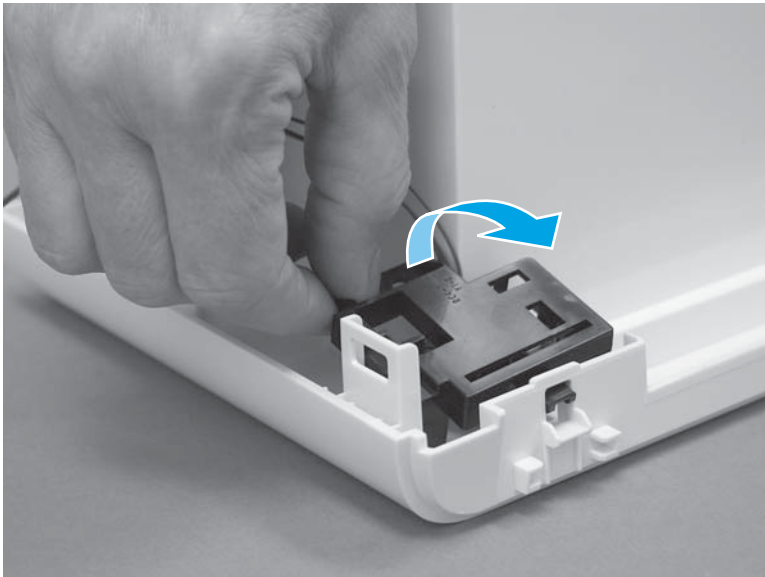
1. Remove one screw (callout 1).

Figure 1-727 Remove one screw



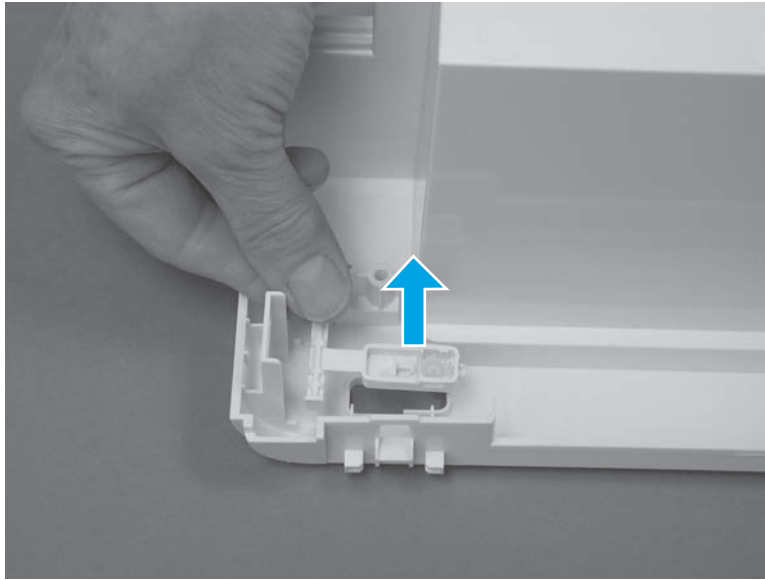
2. Rotate the power switch assembly up to remove it.

Figure 1-728 Remove the power switch assembly (SFP)



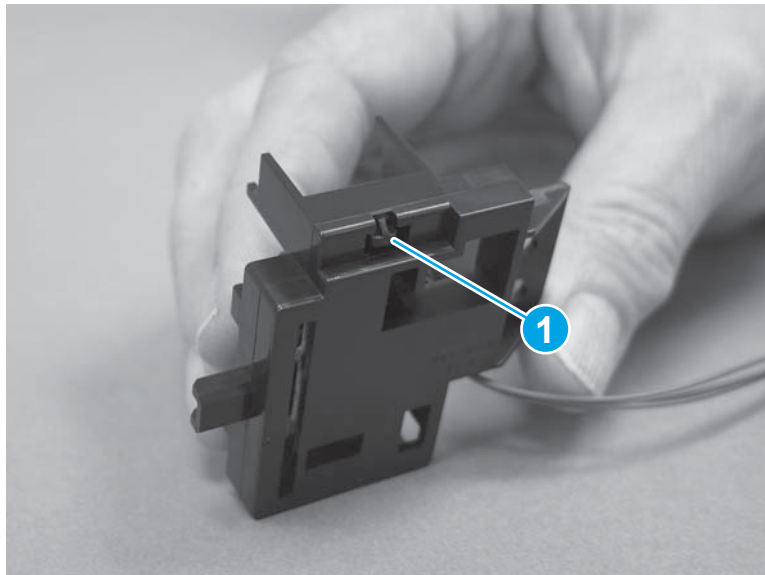
3. **Optional step:** If replacing the power switch button, lift the button up to remove it from the front cover.

Figure 1-729 Remove the power switch button (SFP)



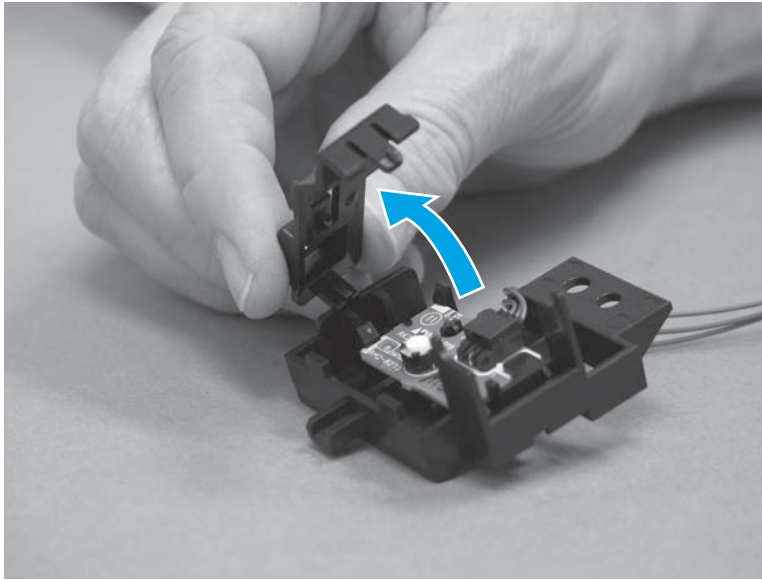
4. **Optional step:** If replacing the power switch PCA, do the following:
  - a. Release one tab (callout 1) on the power switch assembly.

Figure 1-730 Release one tab



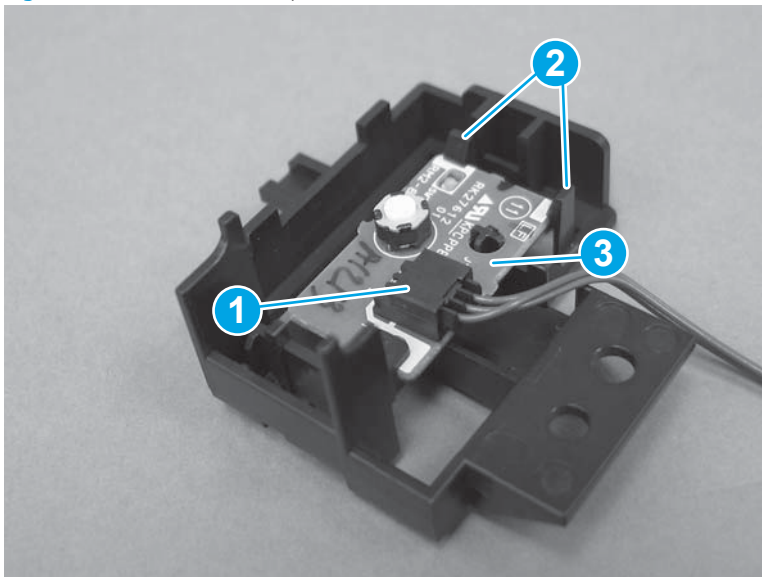
- b. Remove the cover.

Figure 1-731 Remove the cover



- c. Disconnect one connector (callout 1), release two tabs (callout 2), and then remove the power switch PCA (callout 3).

Figure 1-732 Remove the power switch PCA



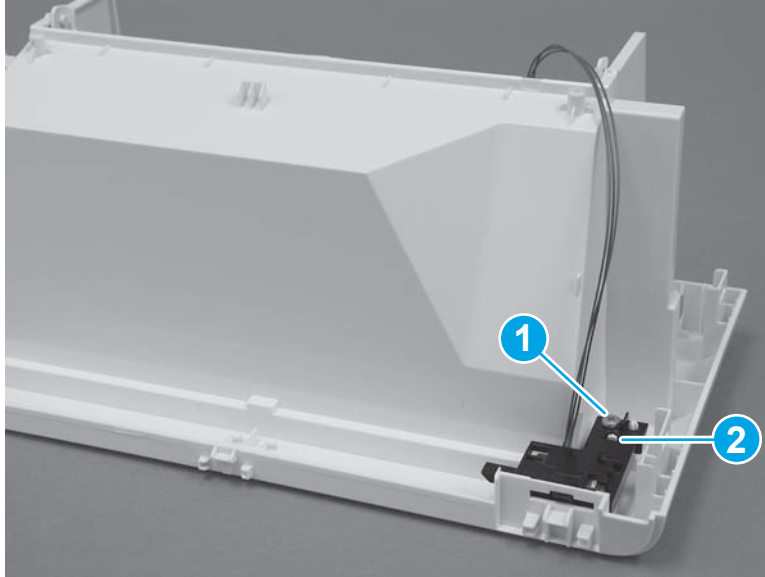
#### Step 10: Remove the power switch button and the power switch PCA (MFP)

 **NOTE:** This step is for the MFP printer. For the SFP printers, skip this step and go to [Step 11: Unpack the replacement assembly on page 474](#).

 **CAUTION:**  ESD-sensitive part.

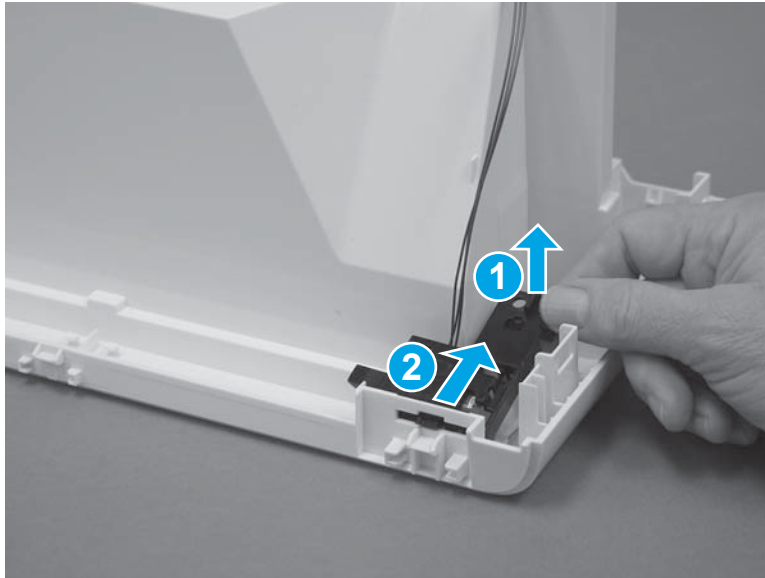
1. Remove one screw (callout 1), and then release one tab (callout 2).

Figure 1-733 Remove one screw and release one tab



2. Lift the end of the power switch assembly (callout 1), and then pull it away from the front cover (callout 2) to remove it

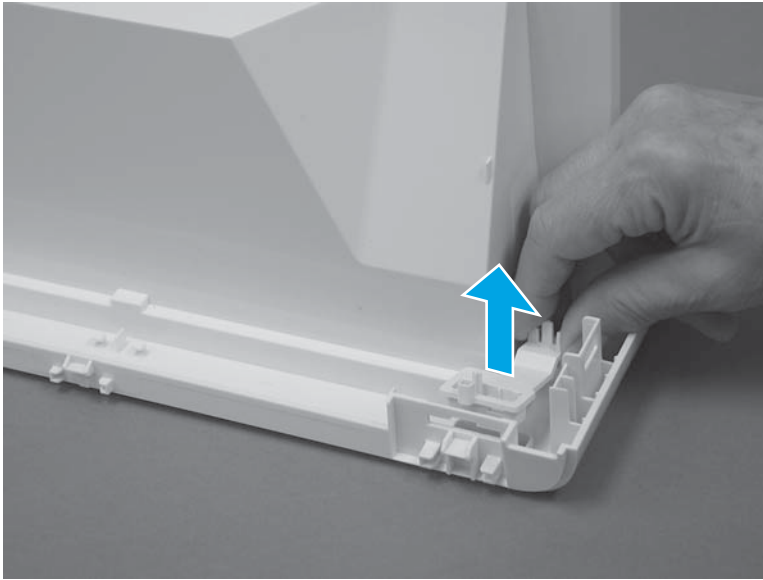
Figure 1-734 Remove the power switch assembly (MFP)





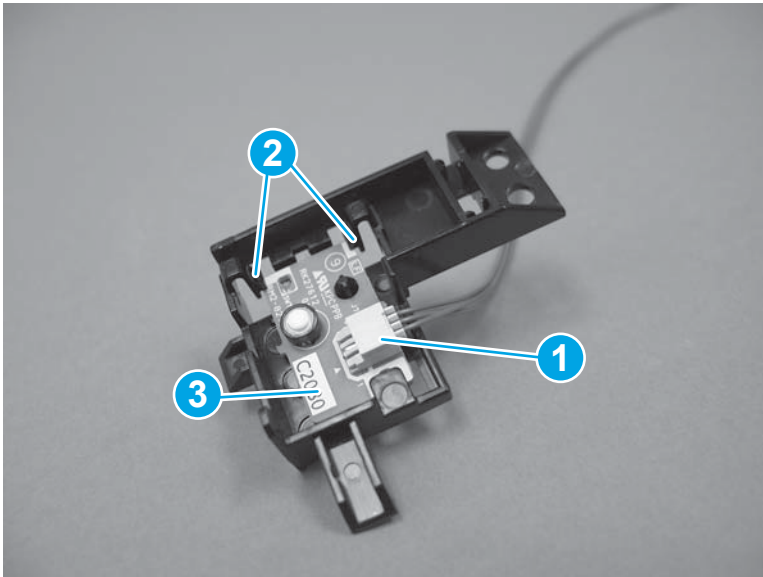
3. **Optional step:** If replacing the power switch button, lift the button up to remove it from the front cover.

**Figure 1-735** Remove the power switch button (MFP)



4. **Optional step:** If replacing the power switch PCA, disconnect one connector (callout 1), release two tabs (callout 2), and then remove the power switch PCA (callout 3).

**Figure 1-736** Remove the power switch PCA (MFP)



### Step 11: Unpack the replacement assembly

1. Dispose of the defective part.



**NOTE:** HP recommends responsible disposal of the defective part.

[www.hp.com/recycle](http://www.hp.com/recycle)





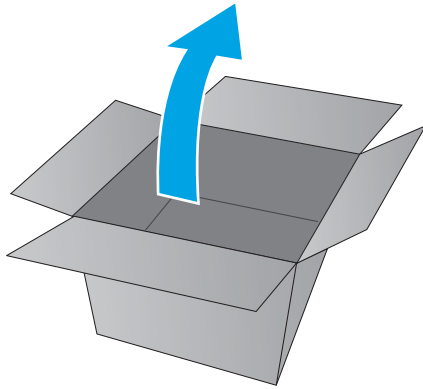
2. Unpack the replacement part from the packaging.

---

**⚠ CAUTION:** If the replacement part is a roller or pad, avoid touching the spongy part of it. Skin oils on the roller or pad can cause paper pickup and/or print-quality problems. HP recommends using disposable gloves when handling rollers or pads or washing your hands or before touching rollers or pads.

**📋 IMPORTANT:** Make sure that all of the shipping materials (for example shipping tape) are removed from the replacement part prior to installation.

---



### Step 12: Install the power switch button and the power switch PCA (SFP)

---

**📋 NOTE:** This step is for the SFP printer. For the MFP printers, skip this step and go to [Step 13: Install the power switch button and the power switch PCA \(MFP\) on page 478](#).

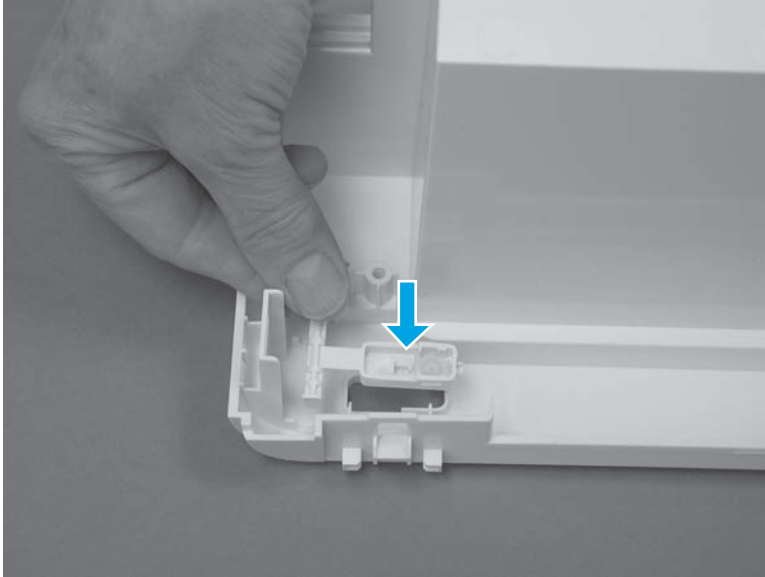
---

**⚠ CAUTION:**  ESD-sensitive part.

---

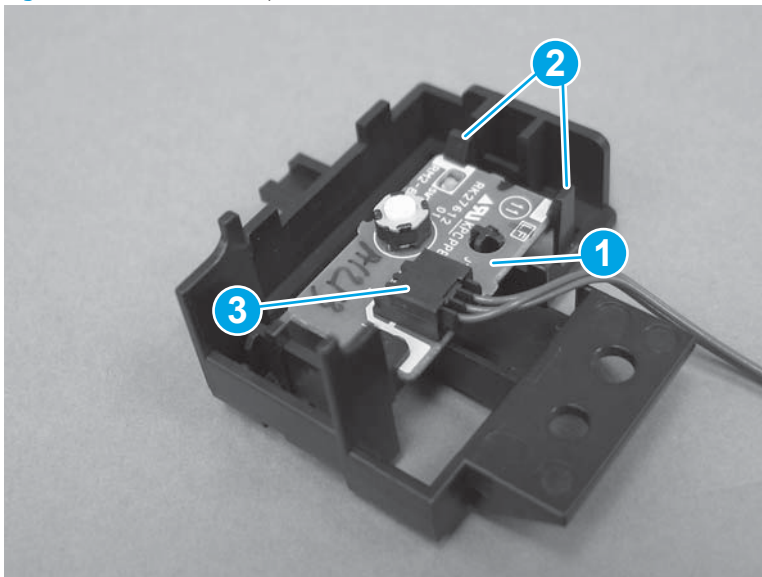
1. **Optional step:** If replacing the power switch button, position the button in the front cover.

Figure 1-737 Install the power switch button (SFP)



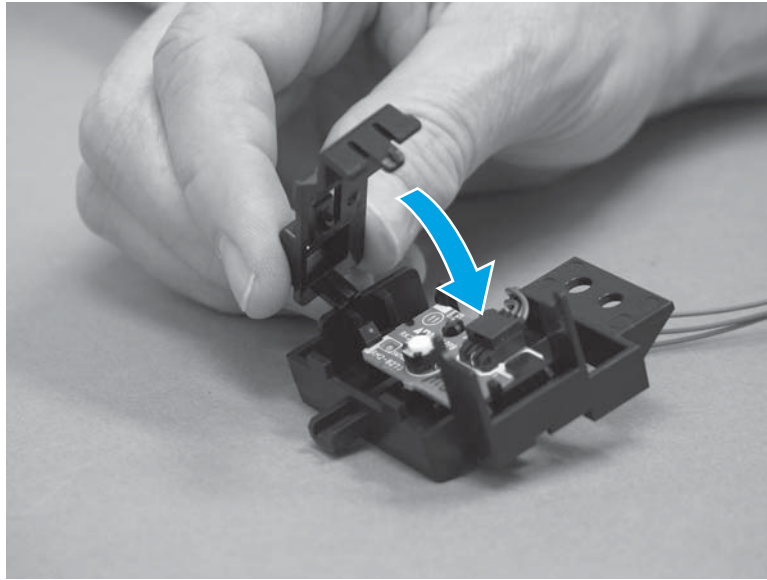
2. **Optional step:** If replacing the power switch PCA, do the following:
  - a. Position the power switch PCA (callout 1) on the holder. Install two tabs (callout 2), and then connect one connector (callout 3).

Figure 1-738 Install the power switch PCA



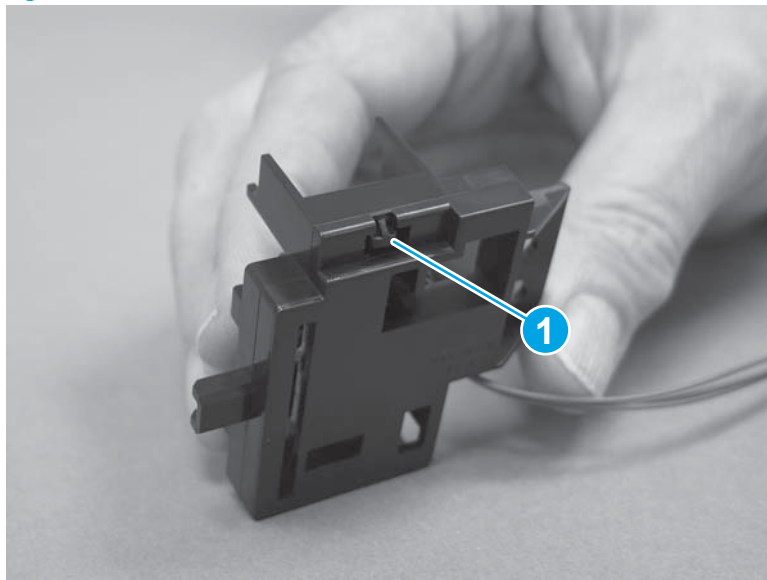
- b. Install the cover.

Figure 1-739 Install the cover



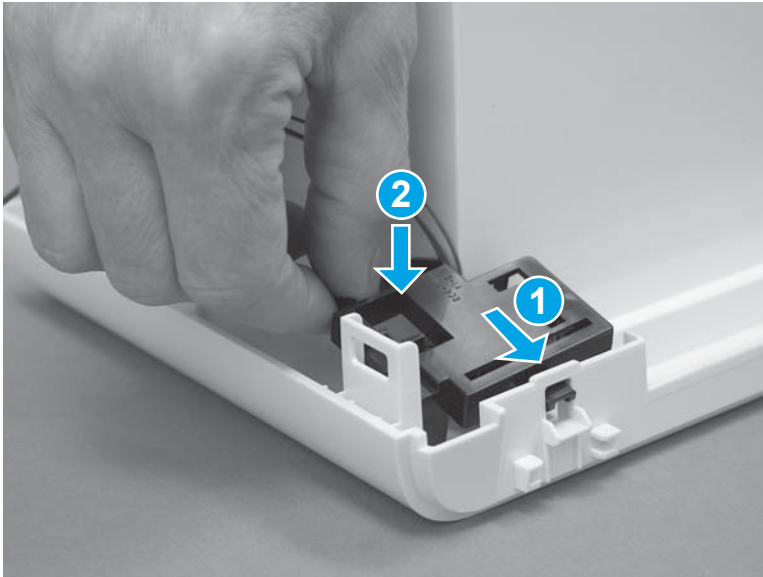
- c. Make sure that the tab (callout 1) snaps into place.

Figure 1-740 Install one tab



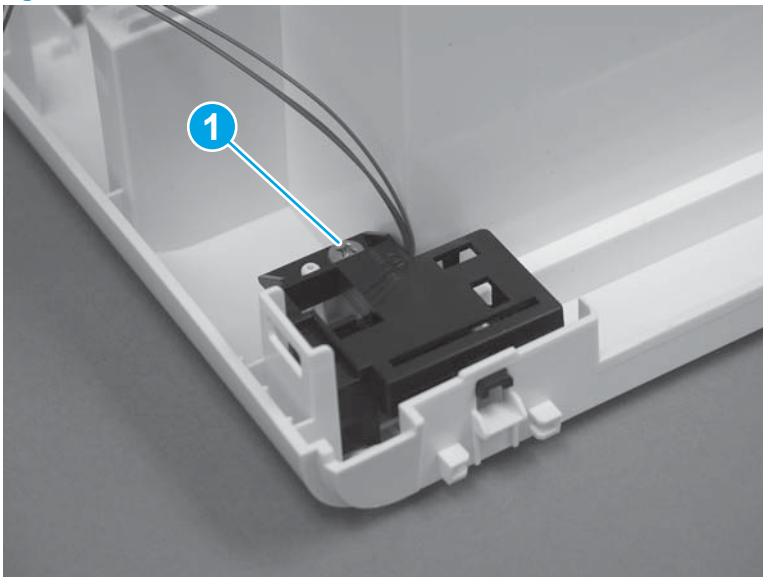
3. Position the end of the power switch assembly in the front cover (callout 1), and then lower the assembly into position (callout 2).

**Figure 1-741** Install the power switch assembly (SFP)




4. Install one screw (callout 1).

**Figure 1-742** Install one screw



### Step 13: Install the power switch button and the power switch PCA (MFP)

---

 **NOTE:** This step is for the MFP printer. For the SFP printers, skip this step and go to [Step 14: Install the front cover on page 480](#).

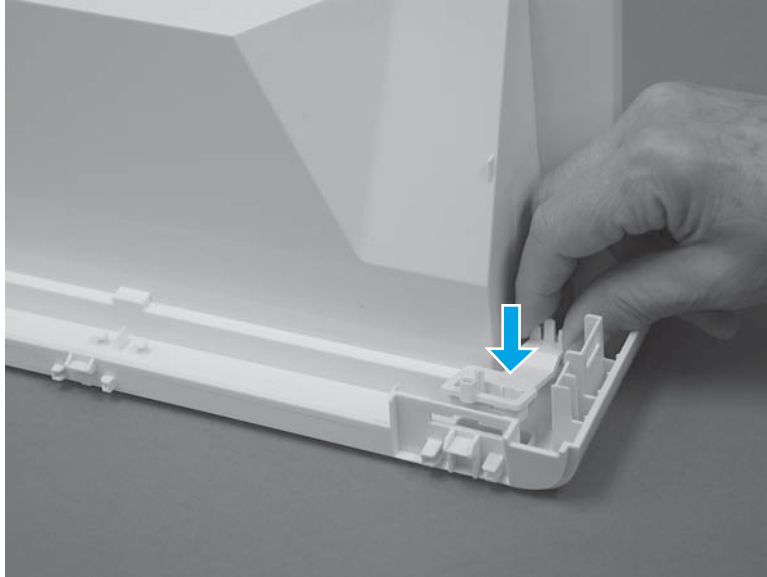
---

 **CAUTION:**  ESD-sensitive part.

---

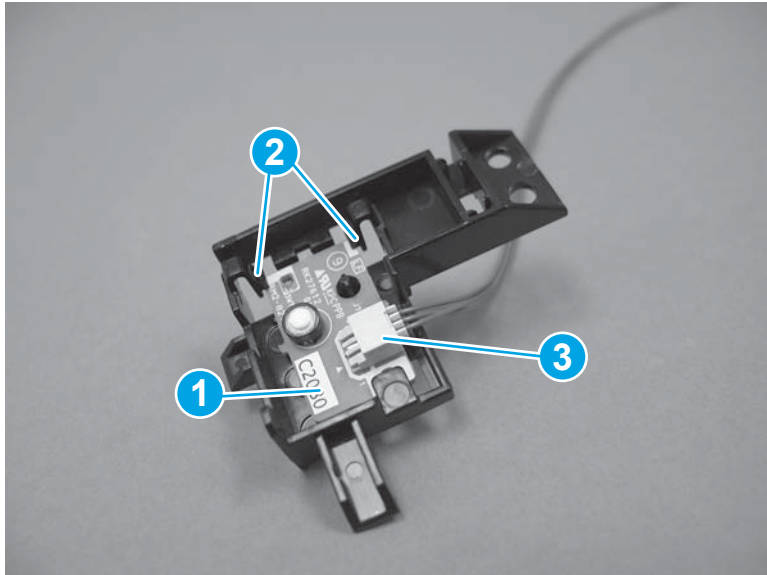
1. **Optional step:** If replacing the power switch button, lower the button into the front cover.

Figure 1-743 Install the power switch button (MFP)



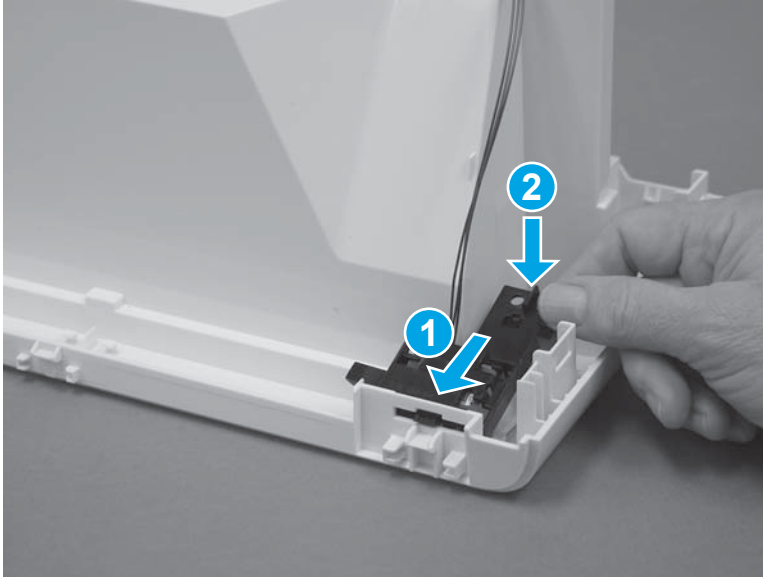
2. **Optional step:** If replacing the power switch PCA, position the power switch PCA (callout 1) on the holder. Install two tabs (callout 2), and then connect one connector (callout 3).

Figure 1-744 Install the power switch PCA (MFP)



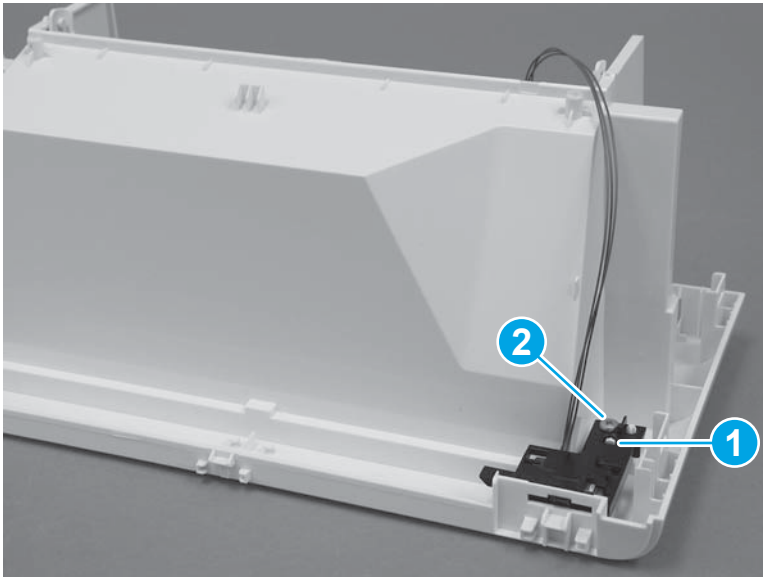
3. Position the end of the power switch assembly in the front cover (callout 1), and then lower the assembly into position (callout 2).

**Figure 1-745** Install the power switch assembly (MFP)



4. Engage one tab (callout 1), and then install one screw (callout 2).

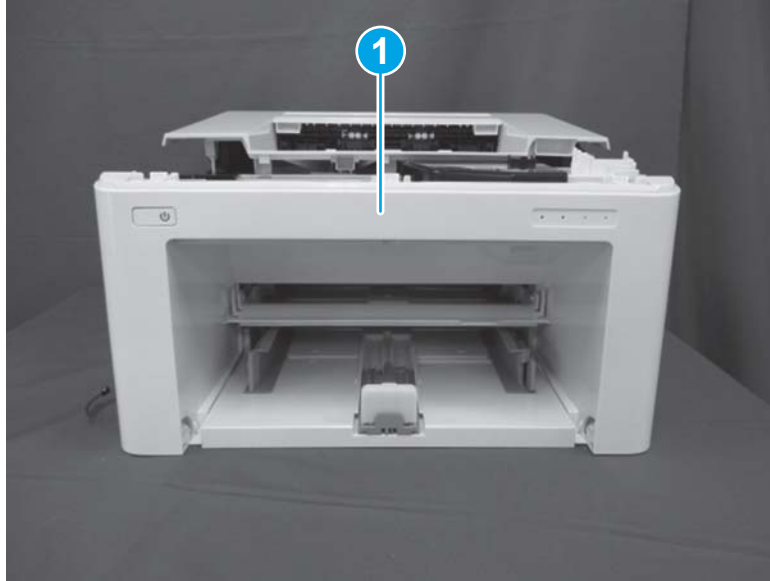
**Figure 1-746** Install one tab and one screw



#### Step 14: Install the front cover

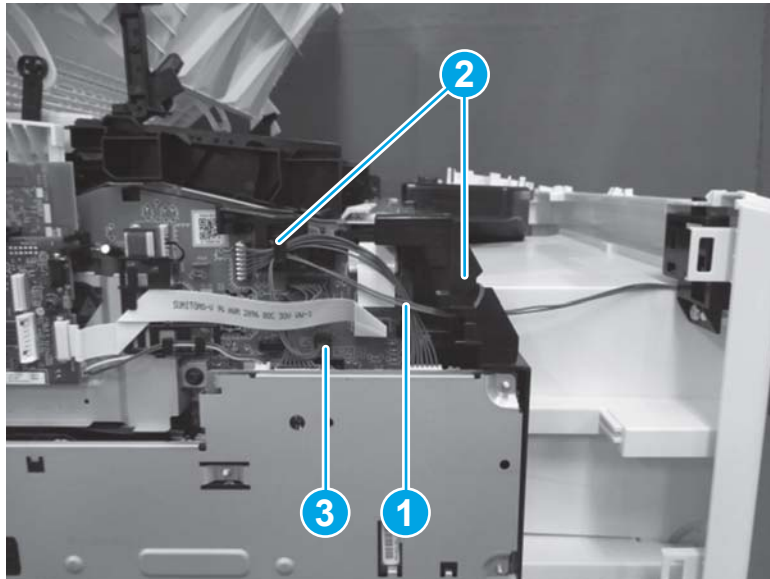
1. **SFP:** Do the following.
  - a. Slide the front cover (callout 1) toward the printer to install it.

Figure 1-747 Install the front cover (SFP)



- b. Install the cable (callout 1) in the cable guide (callout 2), and then connect one connector (callout 3).

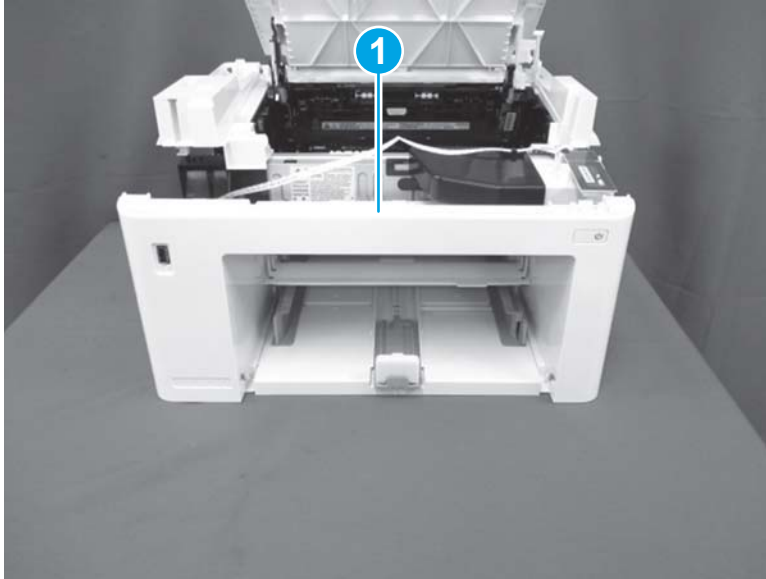
Figure 1-748 Connect the connector (SFP)



- 2. MFP: Do the following.
  - a. Slide the front cover (callout 1) toward the printer to install it.

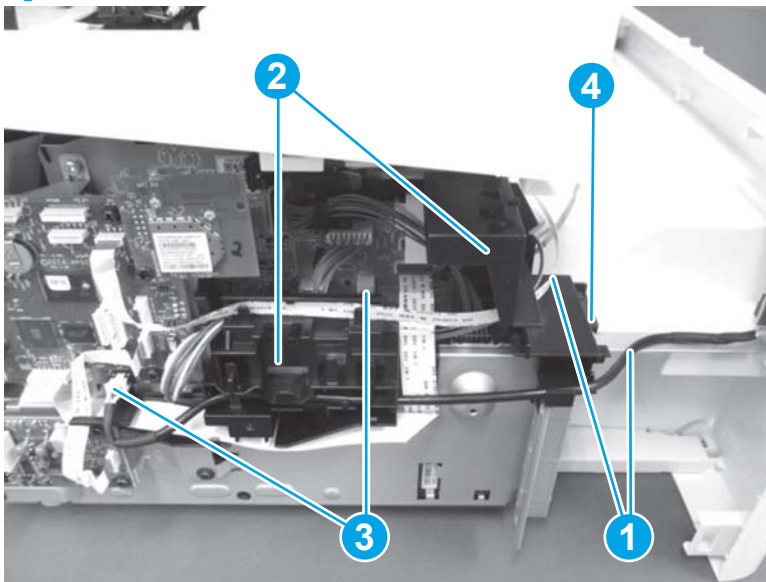


Figure 1-749 Install the front cover (MFP)



- b. Install the cables (callout 1) in the cable guides (callout 2), and then connect two connectors (callout 3). Install one screw (callout 4).

Figure 1-750 Connect two connectors (MFP)

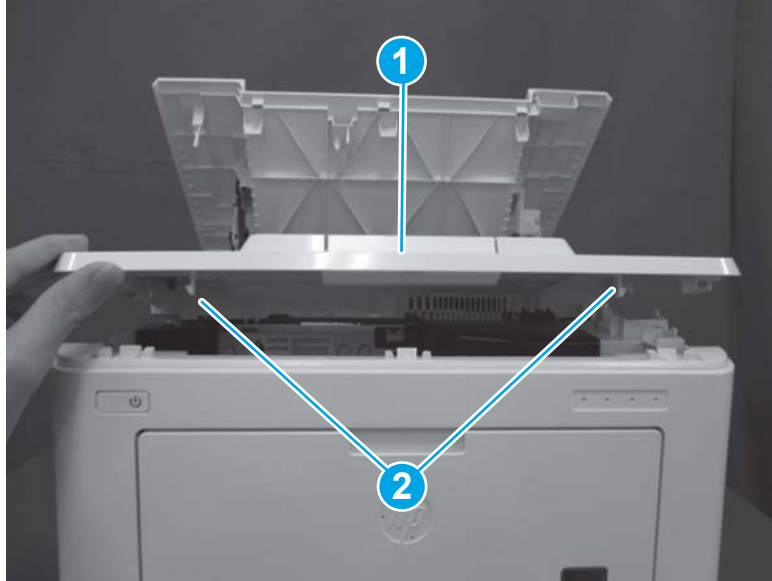


#### Step 15: Install the top front cover

1. SFP: Do the following.
  - a. Position the top front cover (callout 1) on the printer and install two tabs (callout 2).

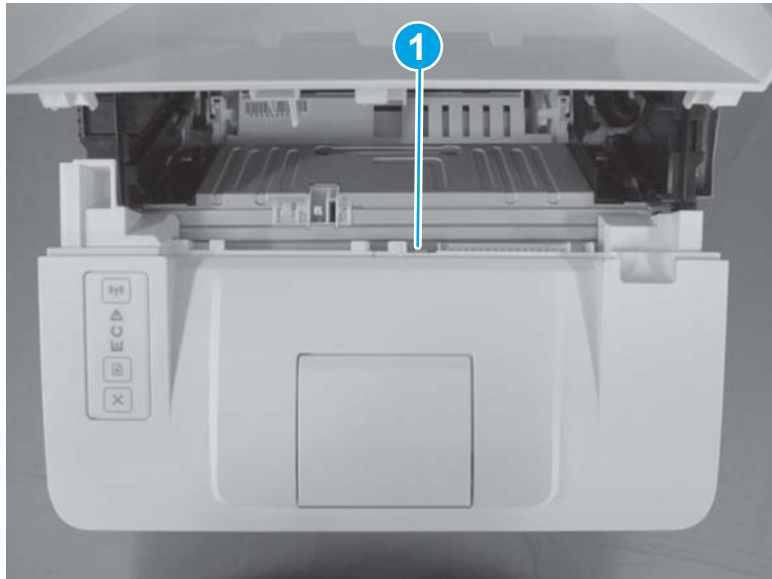


Figure 1-751 Install two tabs



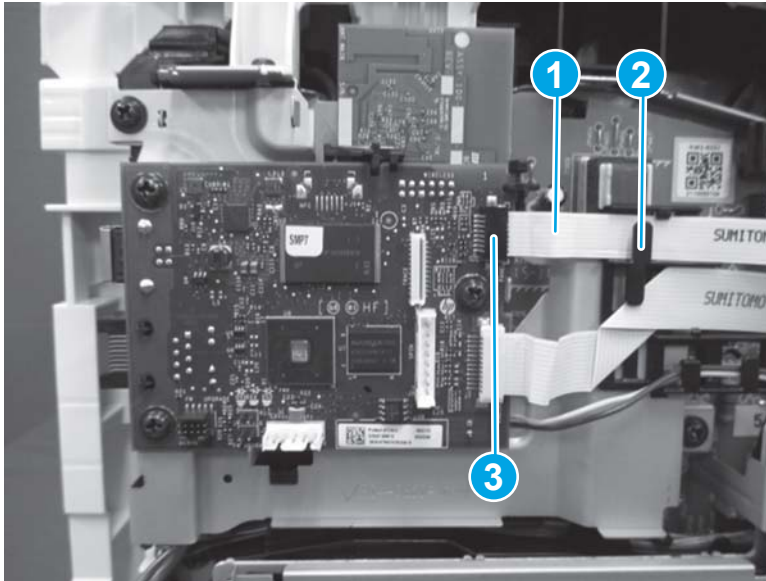
- b. On the top of the cover, install one tab (callout 1).

Figure 1-752 Install one tab



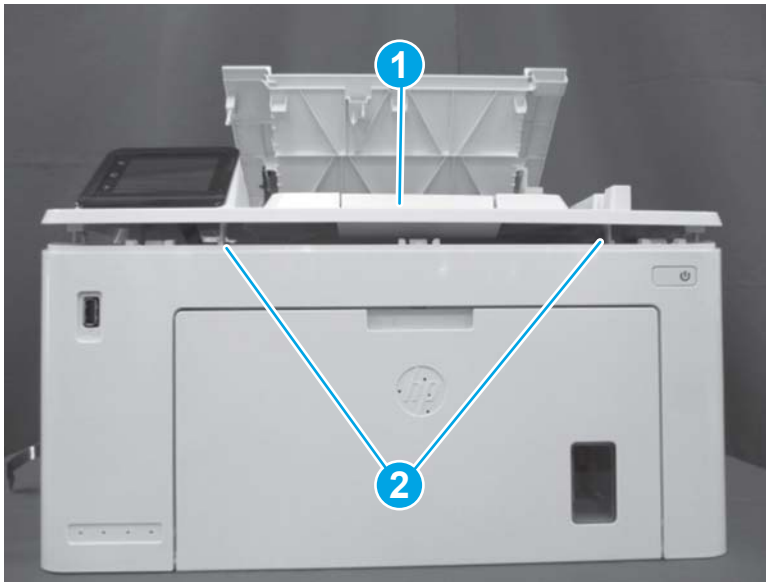
- c. Install the cable (callout 1) in the guide (callout 2), and then connect one connector (callout 3) on the formatter.

Figure 1-753 Connect one connector



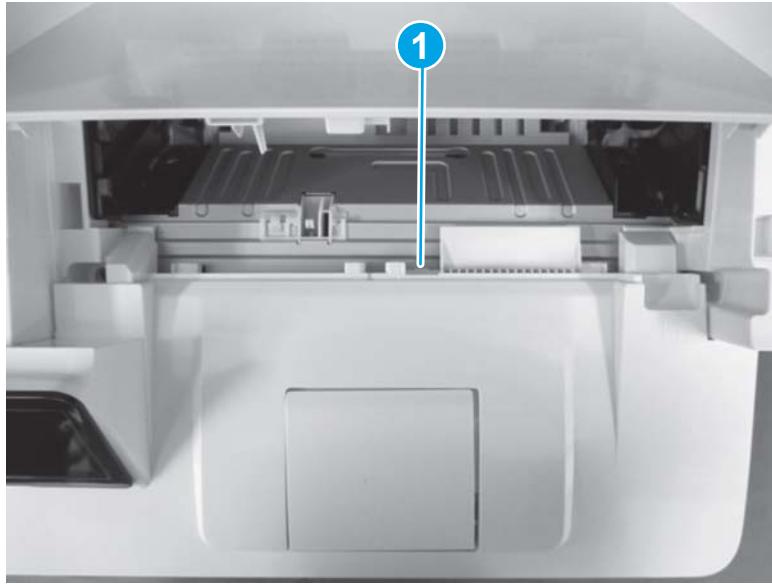
2. **MFP:** Do the following.
  - a. Position the top front cover (callout 1) on the printer, and then install two tabs (callout 2).

Figure 1-754 Install two tabs



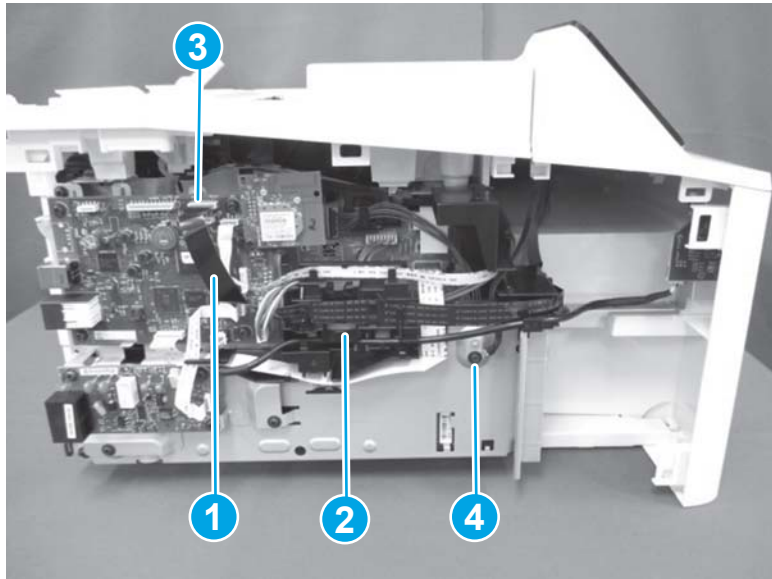
- b. Install one tab (callout 1).

**Figure 1-755** Install one tab



- c. Install the cable (callout 1) in the cable guide (callout 2), and then connect one connector (callout 3). Install one screw (callout 4) to secure the grounding cable.

**Figure 1-756** Install one connector and grounding cable

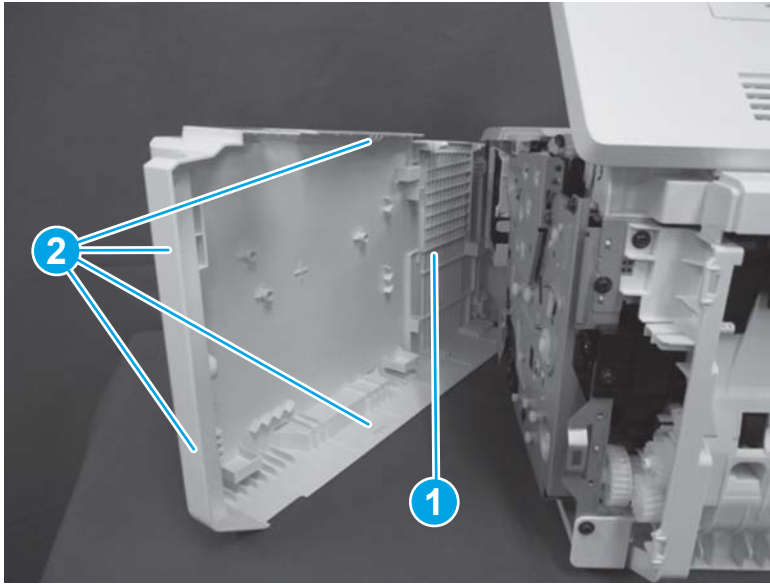


### Step 16: Install the right cover

1. **SFP:** Do the following.
  - a. Open the cartridge door.

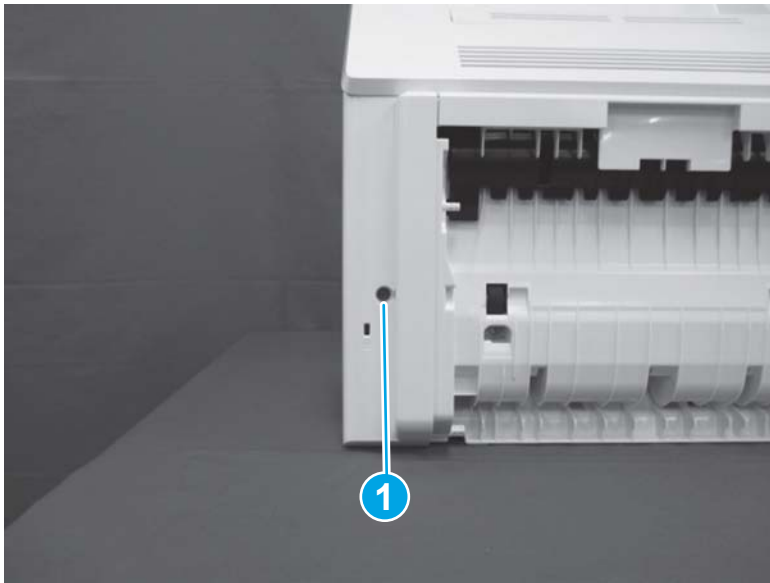
- b. Position the right cover (callout 1) on the printer, and then engage four tabs (callout 2).

Figure 1-757 Install the right cover (SFP)



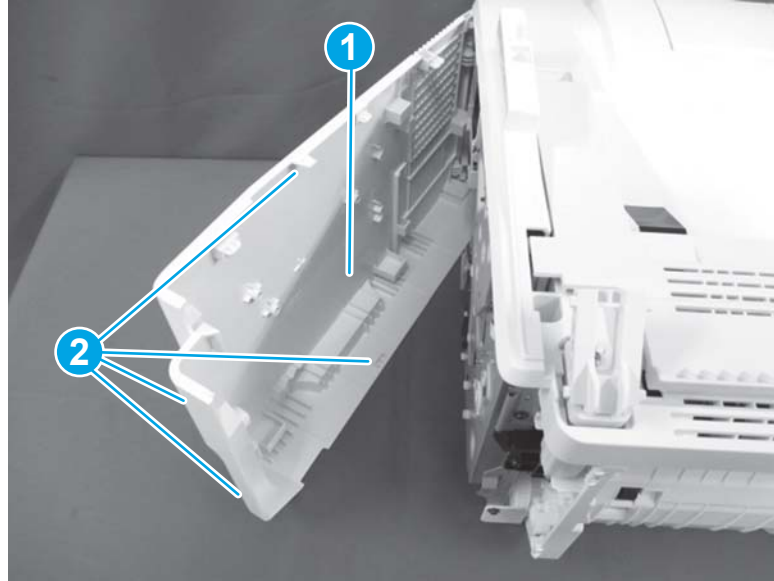
- c. Close the cartridge door.
- d. Install one screw (callout 1).

Figure 1-758 Install one screw (SFP)



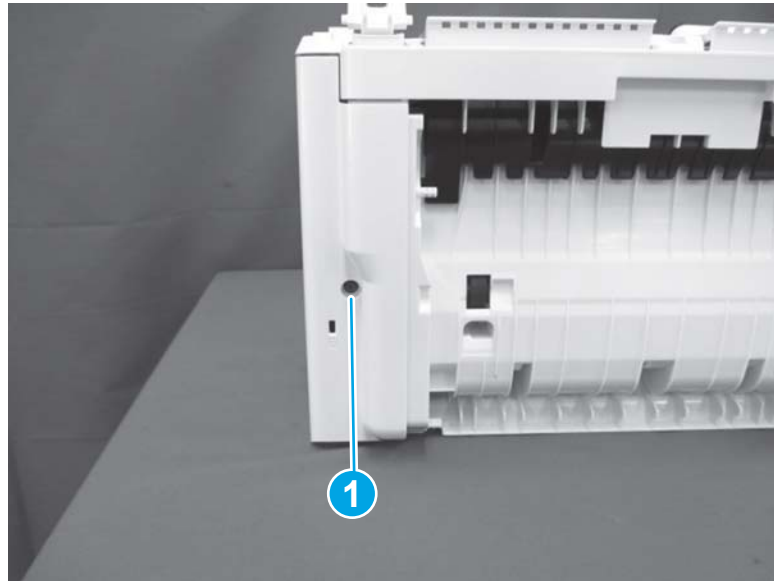
- 2. **MFP:** Do the following.
  - a. Position the right cover (callout 1) on the printer, and then engage four tabs (callout 2).

Figure 1-759 Install the right cover (MFP)




- b. Install one screw (callout 1).

Figure 1-760 Install one screw (MFP)



### Step 17: Install the 3-in-1 or 4-in-1 scanner assembly (MFP)

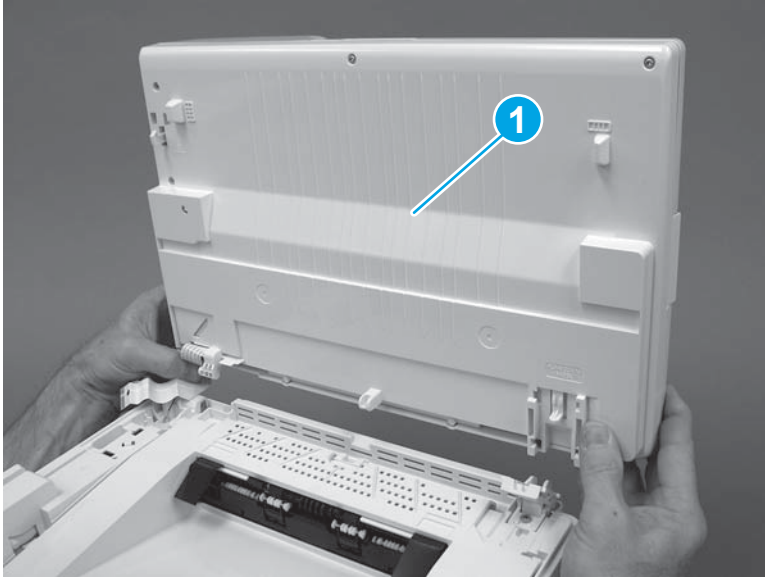
 **NOTE:** This step is for the MFP printers. For the SFP printers, skip this step and go to [Step 19: Install the left cover on page 491](#).

 **NOTE:** The 4-in-1 scanner assembly supports the document feeder. The 3-in-1 scanner assembly does not support the document feeder.

The figures in this procedure show a 4-in-1 printer. However, the procedure is correct for 3-in-1 printers.

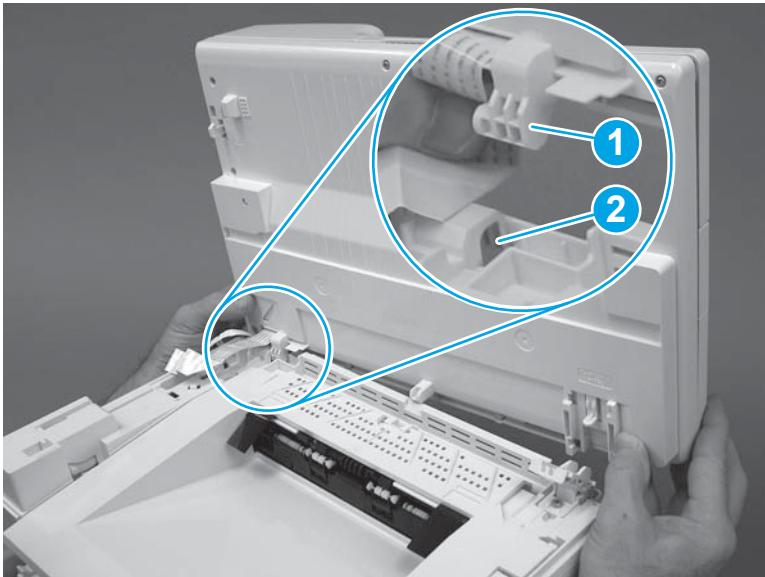
1. Position the scanner assembly (callout 1) near the printer.

Figure 1-761 Install the scanner assembly (MFP)



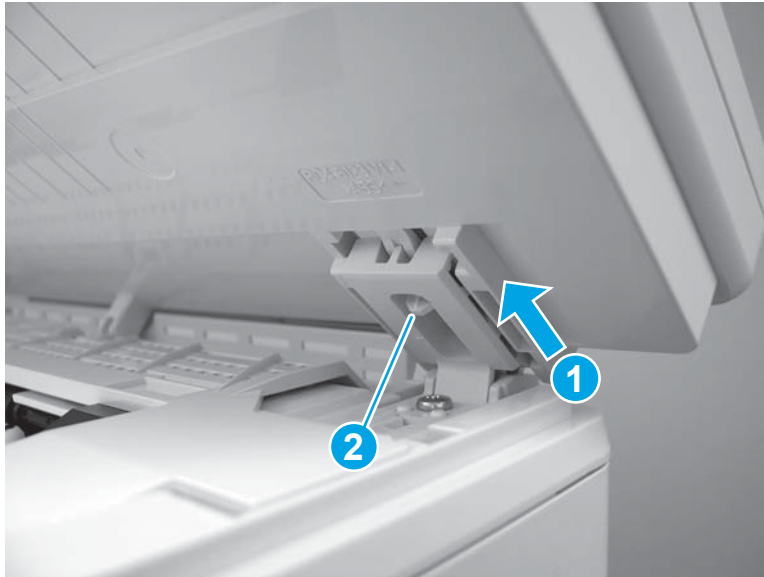
2. Engage the left hinge (callout 1) with the top cover (callout 2).

Figure 1-762 Engage the left hinge (MFP)



3. Push the right side of the scanner assembly toward the front of the printer to engage the right hinge (callout 1). Make sure that the tab (callout 2) snaps into place.

**Figure 1-763** Engage the right hinge (MFP)



4. **4-in-1 models only:** Pass the flat cables (callouts 1/2) and the ground wire (callout 3) through the openings in the chassis, and then connect the two flat cables.

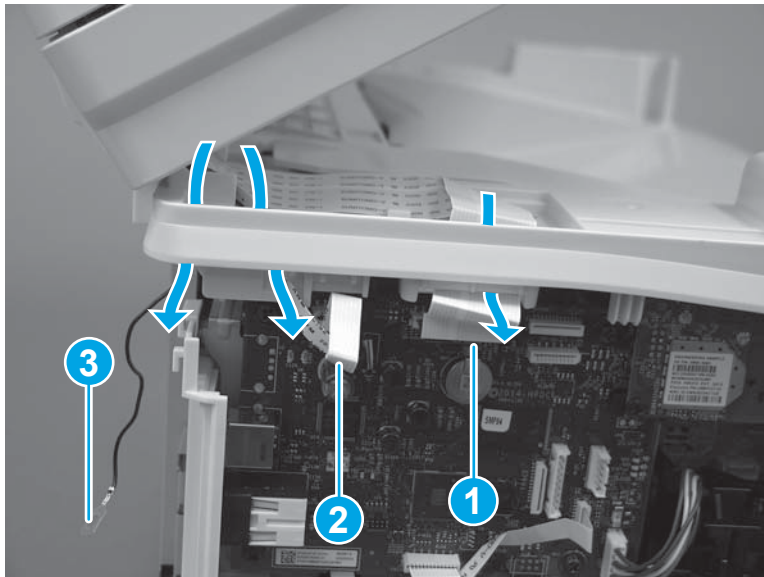
**3-in-1 models only:** Pass the flat cable (callout 1) through the opening in the chassis, and then connect one flat cable.

---

 **NOTE:** The 3-in-1 model does not have the small flat cable (callout 2) or a ground wire (callout 3).

---

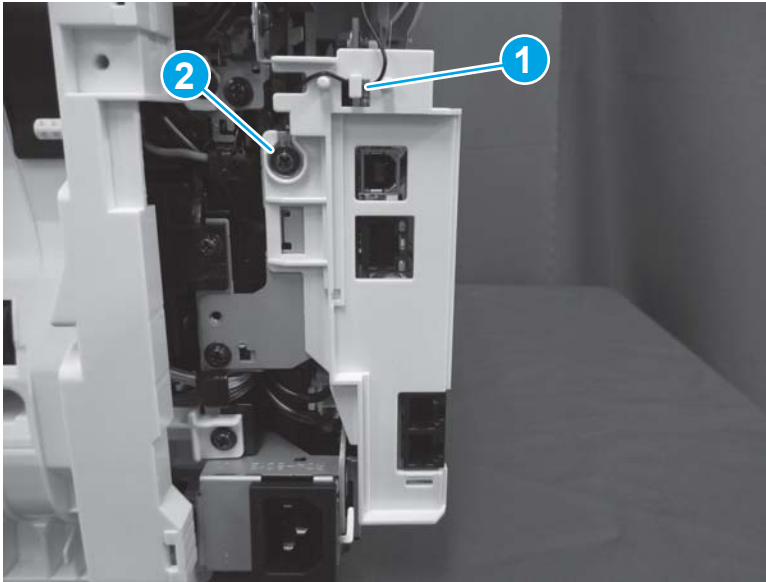
**Figure 1-764** Connect flat cable(s)





5. **4-in-1 models only:** Install the ground wire in the retainer (callout 1), and then install one screw (callout 2).

**Figure 1-765** Install the ground wire (4-in-1 models)

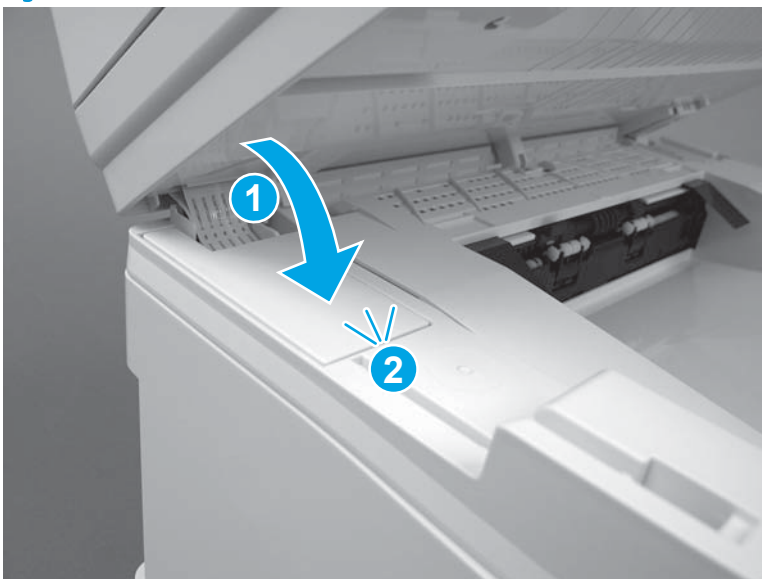


#### Step 18: Install the cable cover (MFP)

 **NOTE:** This step is for the MFP printers. For the SFP printers, skip this step and go to [Step 19: Install the left cover on page 491](#).

1. Install the cable cover (callout 1), on the printer, and then push down to engage one tab (callout 2).

**Figure 1-766** Install the cable cover (MFP)





2. Close the scanner assembly.

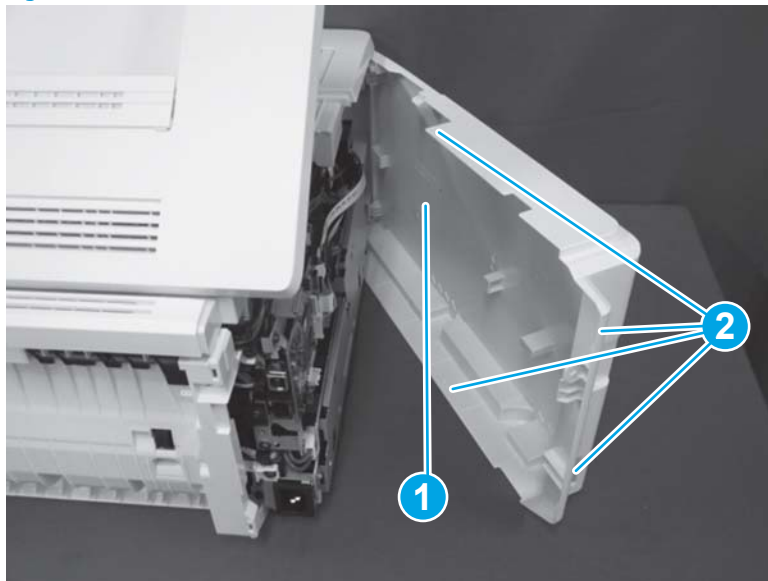
**Figure 1-767** Close the scanner assembly



#### Step 19: Install the left cover

1. SFP: Do the following.
  - a. Open the cartridge door.
  - b. Position the left cover (callout 1) on the printer, and then engage four tabs (callout 2).

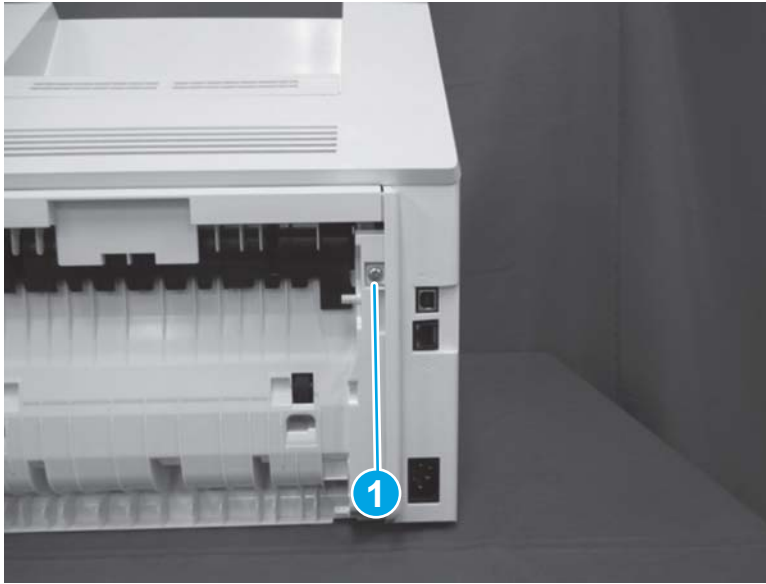
**Figure 1-768** Install the left cover (SFP)



- c. Close the cartridge door.

- d. Install one screw (callout 1).

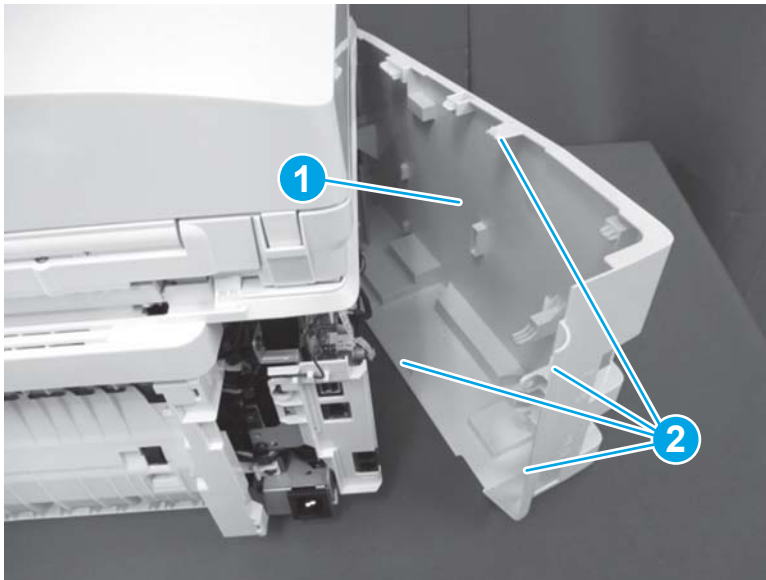
Figure 1-769 Install one screw (SFP)



- 2. MFP: Do the following.

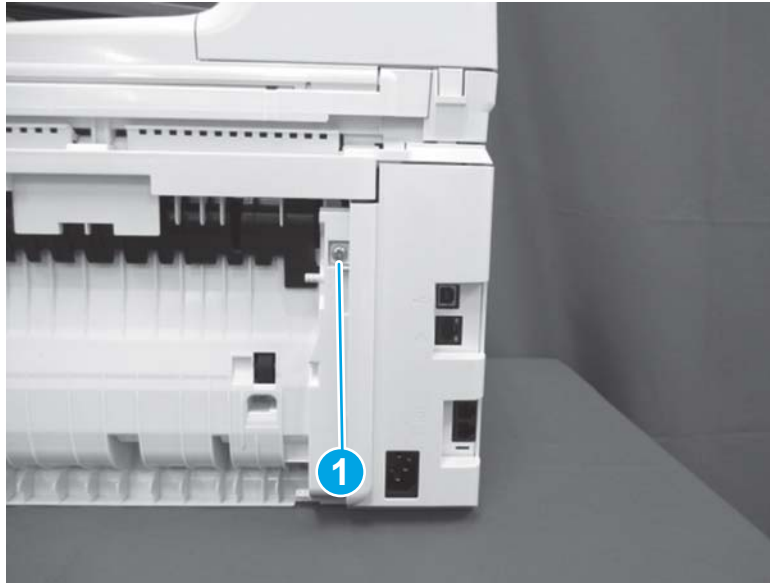
- a. Position the left cover (callout 1) on the printer, and then engage four tabs (callout 2).

Figure 1-770 Install the left cover (MFP)



- b. Install one screw (callout 1).

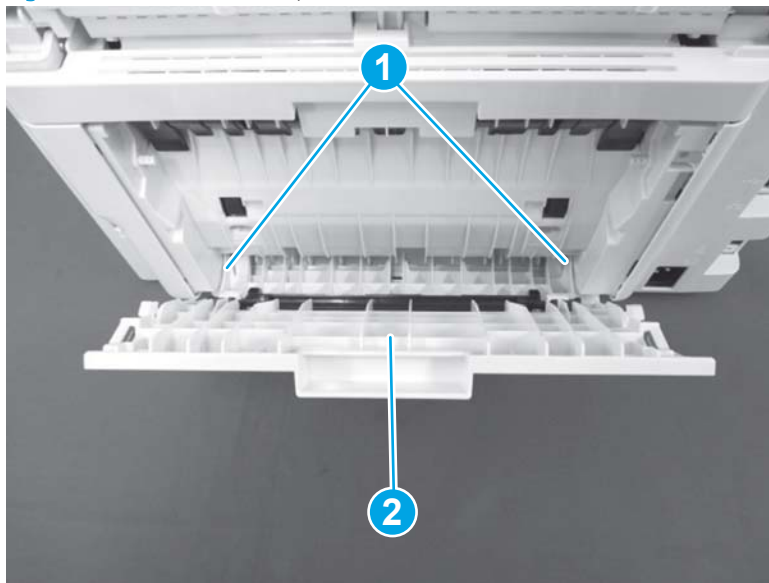
**Figure 1-771** Install one screw (MFP)



#### Step 20: Install the duplex door

1. Install two tabs (callout 1) to install the duplex door (callout 2).

**Figure 1-772** Install the duplex door

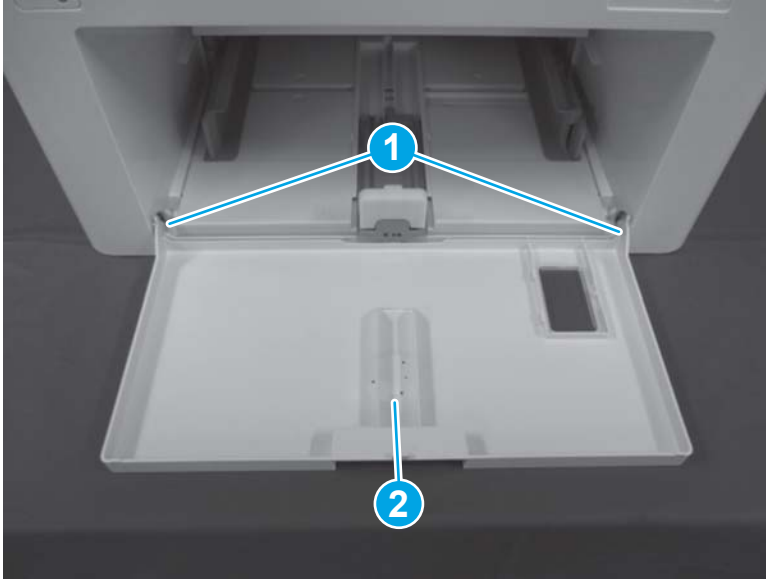


2. Close the duplex door.

#### Step 21: Install the multipurpose cover

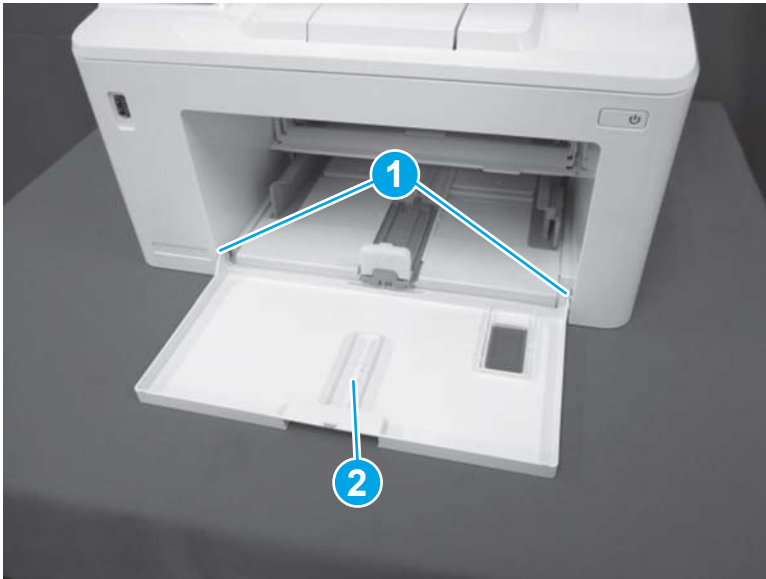
1. **SFP:** Engage two bosses (callout 1), to install the cover (callout 2).

Figure 1-773 Install the multipurpose cover (SFP)



2. **MFP:** Engage two bosses (callout 1) to install the cover (callout 2).

Figure 1-774 Install the multipurpose cover (MFP)



3. Close the multipurpose cover.

## Removal and replacement: Developer alienation solenoid

- [Introduction](#)
- [Step 1: Remove the multipurpose cover](#)
- [Step 2: Remove the duplex door](#)
- [Step 3: Remove the left cover](#)
- [Step 4: Remove the cable cover \(MFP\)](#)
- [Step 5: Remove the 3-in-1 or 4-in-1 scanner assembly \(MFP\)](#)
- [Step 6: Remove the right cover](#)
- [Step 7: Remove the top front cover](#)
- [Step 8: Remove the front cover](#)
- [Step 9: Remove the hinge assembly \(MFP\)](#)
- [Step 10: Remove the cartridge door \(MFP\)](#)
- [Step 11: Remove the top cover \(MFP\)](#)
- [Step 12: Remove the laser scanner cover](#)
- [Step 13: Remove the developer alienation solenoid](#)
- [Step 14: Unpack the replacement assembly](#)
- [Step 15: Install the developer alienation solenoid](#)
- [Step 16: Install the laser scanner cover](#)
- [Step 17: Install the top cover \(MFP\)](#)
- [Step 18: Install the cartridge door \(MFP\)](#)
- [Step 19: Install the hinge assembly \(MFP\)](#)
- [Step 20: Install the front cover](#)
- [Step 21: Install the top front cover](#)
- [Step 22: Install the right cover](#)
- [Step 23: Install the 3-in-1 or 4-in-1 scanner assembly \(MFP\)](#)
- [Step 24: Install the cable cover \(MFP\)](#)
- [Step 25: Install the left cover](#)
- [Step 26: Install the duplex door](#)
- [Step 27: Install the multipurpose cover](#)

### Introduction


This document provides the procedures to remove and replace the developer alienation solenoid.

## Before performing service

### Turn the printer power off

- Disconnect the power cable.

---

 **WARNING!** To avoid damage to the printer, turn the printer off, wait 30 seconds, and then remove the power cable before attempting to service the printer.

---

Use the table below to identify the correct part number for your printer. To order the part, go to [www.hp.com/buy/parts](http://www.hp.com/buy/parts).

---

Developer alienation solenoid part number	
RK2-7601-000CN	Developer alienation solenoid

---

### Required tools

- #2 Phillips screwdriver with a magnetic tip.
- Small flat-blade screwdriver

### After performing service

#### Turn the printer power on

- Connect the power cable.
- Use the power switch to turn the power on.

### Post service test

Verify that the printer reaches the **Ready** state.


**MFP only:** Verify that the document feeder and the flatbed scanner are correctly functioning (copy a page).

Send a print job from the host computer to the printer (or print a configuration page). Verify that a page prints.

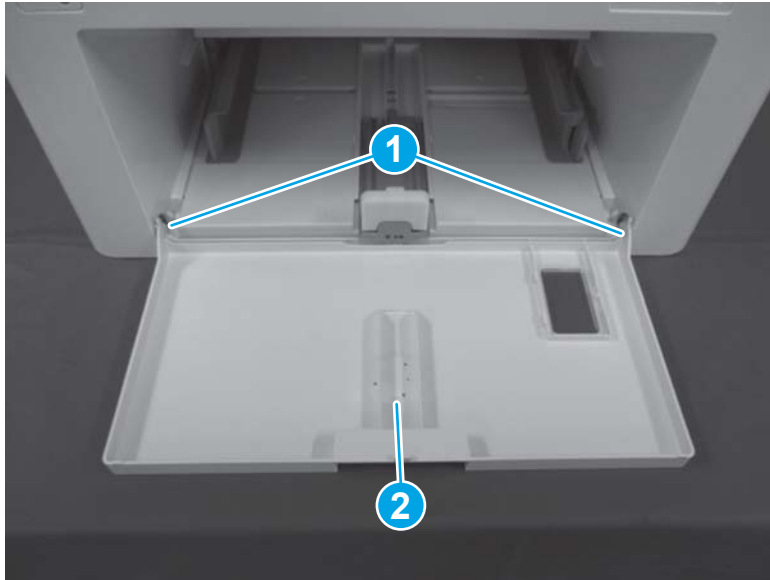
### Step 1: Remove the multipurpose cover

1. Open the multipurpose cover.

2. **SFP:** Release two bosses (callout 1), and then remove the cover (callout 2).

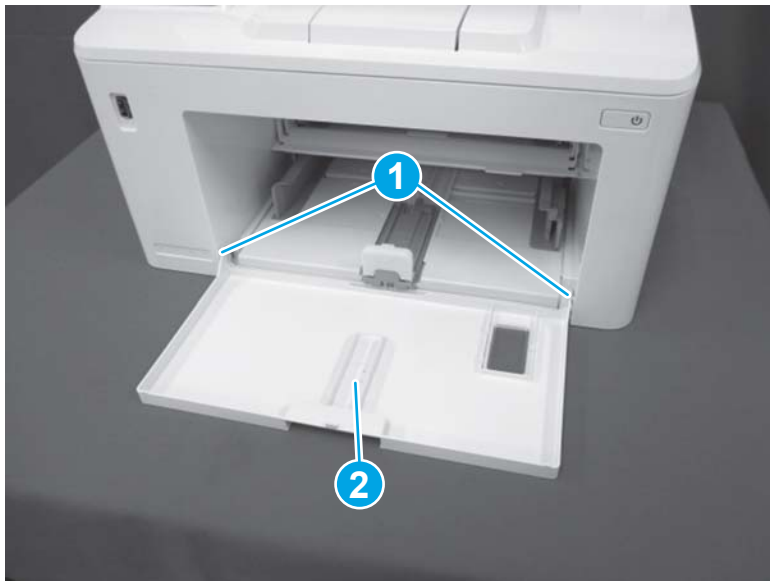
 **TIP:** It might be easier to remove the cover if the right boss is released first, and then lower the right-side of the cover to release the left-side boss.

**Figure 1-775** Remove the multipurpose cover (SFP)



3. **MFP:** Release two bosses (callout 1), and then remove the cover (callout 2).

**Figure 1-776** Remove the multipurpose cover (MFP)

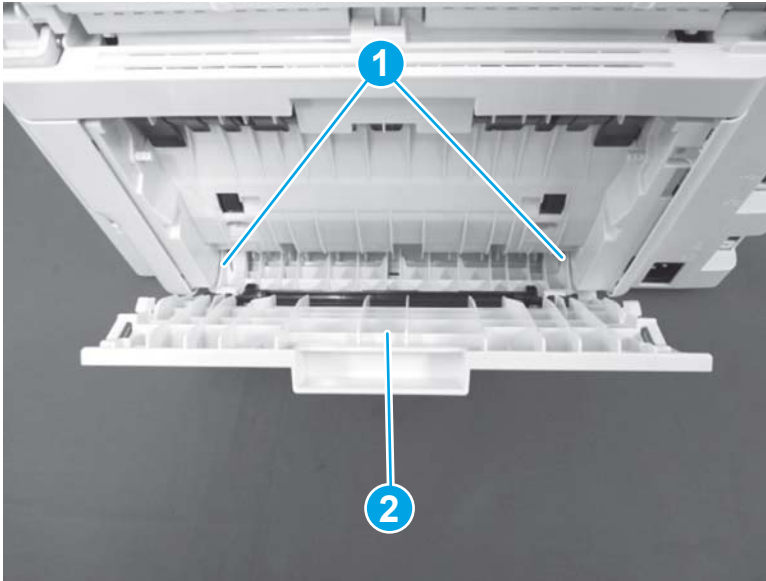


## Step 2: Remove the duplex door

1. Open the duplex door.

2. Use a small flat-blade screwdriver to release two tabs (callout 1), and then remove the duplex door (callout 2).

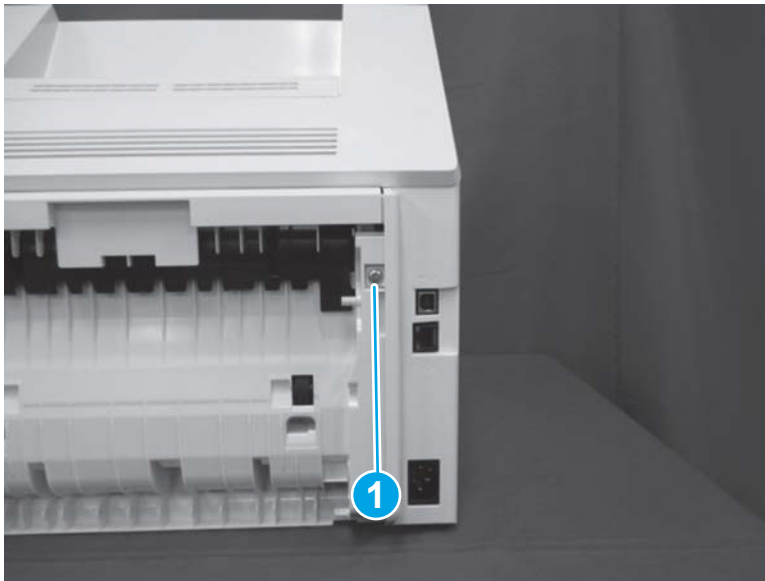
**Figure 1-777** Remove the duplex door



### Step 3: Remove the left cover

1. **SFP:** Do the following.
  - a. Remove one screw (callout 1).

**Figure 1-778** Remove one screw (SFP)

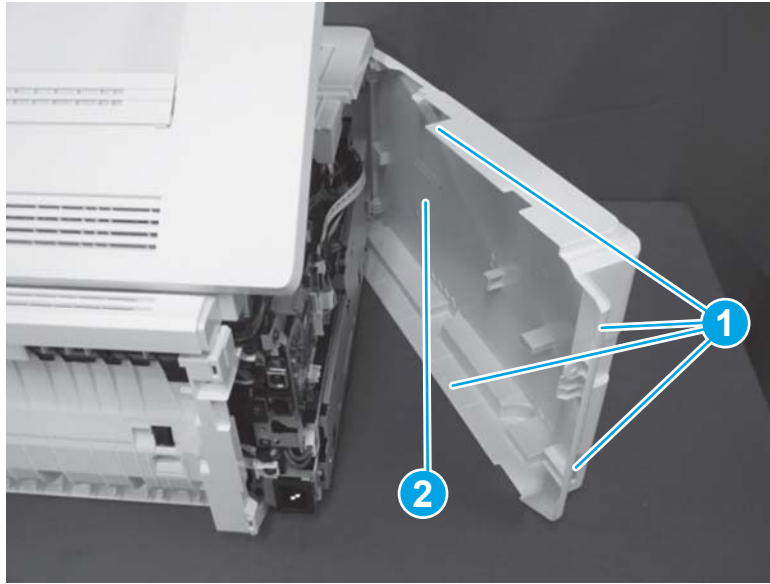


- b. Open the cartridge door.



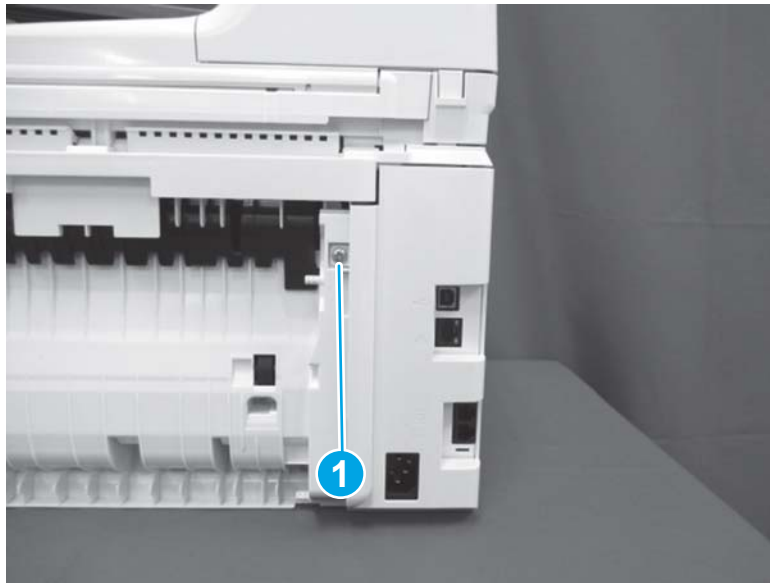
- c. Release four tabs (callout 1), and then remove the left cover (callout 2).

Figure 1-779 Remove the left cover (SFP)



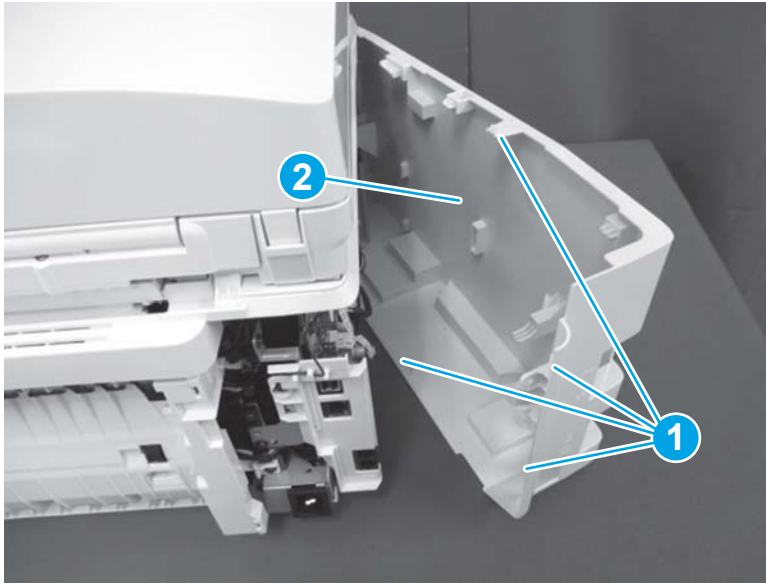
- 2. MFP: Do the following.
  - a. Remove one screw (callout 1).

Figure 1-780 Remove one screw (MFP)



- b. Release four tabs (callout 1), and then remove the left cover (callout 2).

**Figure 1-781** Remove the left cover (MFP)



#### Step 4: Remove the cable cover (MFP)



**NOTE:** This step is for the MFP printers. For the SFP printers, skip this step and go to [Step 6: Remove the right cover on page 503](#).

1. Open the scanner assembly.

**Figure 1-782** Open the scanner assembly




2. Use a small flat-blade screw driver to release one tab (callout 1), and then remove the cable cover (callout 2).

**Figure 1-783** Remove the cable cover (MFP)



#### Step 5: Remove the 3-in-1 or 4-in-1 scanner assembly (MFP)

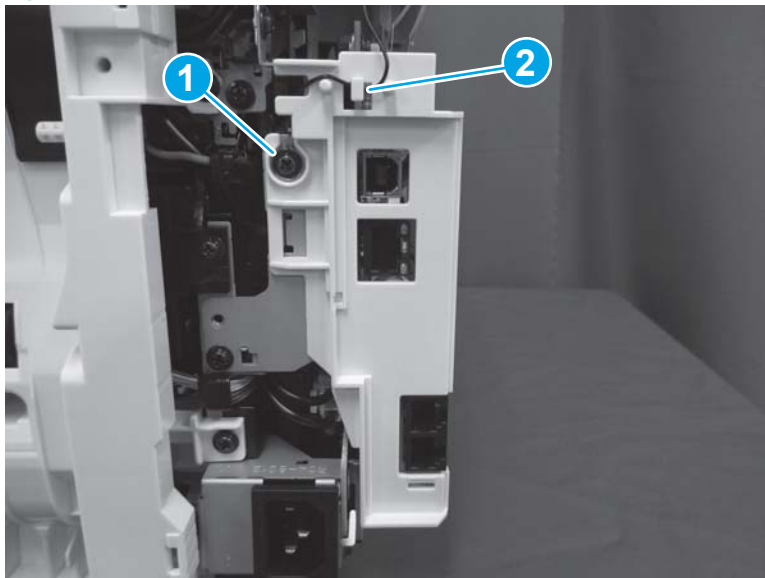
 **NOTE:** This step is for the MFP printers. For the SFP printers, skip this step and go to [Step 6: Remove the right cover on page 503](#).

 **NOTE:** The 4-in-1 scanner assembly supports the document feeder. The 3-in-1 scanner assembly does not support the document feeder.

The figures in this procedure show a 4-in-1 printer. However, the procedure is correct for 3-in-1 printers.

1. **4-in-1 models only:** Remove one screw (callout 1), and then release the ground wire from the retainer (callout 2).

**Figure 1-784** Release the ground wire (4-in-1 models)

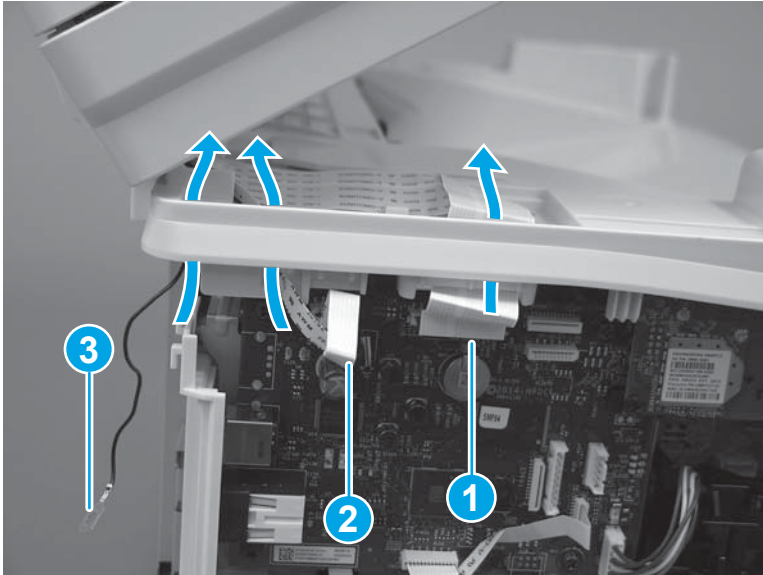


2. **4-in-1 models only:** Disconnect two flat cables (callouts 1/2), and then pass the flat cables and the ground wire (callout 3) up through the opening in the chassis.

**3-in-1 models only:** Disconnect one flat cable (callout 1), and then pass the flat cable through the opening in the chassis.

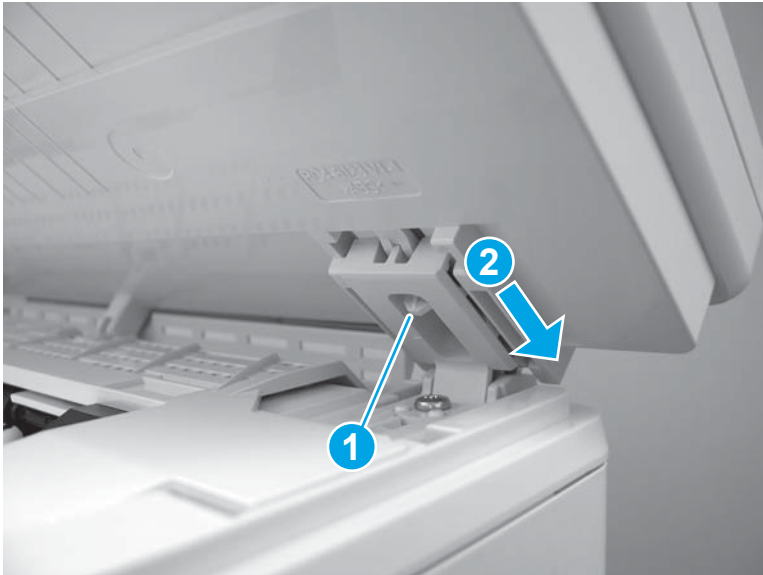
 **NOTE:** The 3-in-1 model does not have the small flat cable (callout 2) or a ground wire (callout 3).

**Figure 1-785** Disconnect flat cable(s)



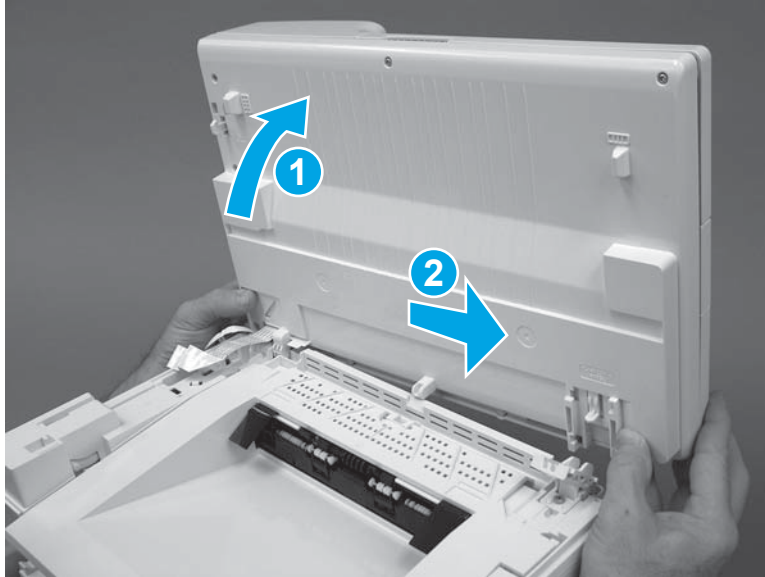
3. Release one tab (callout 1), and then push the right side of the scanner assembly toward the rear of the printer to release the right hinge (callout 2).

**Figure 1-786** Release the right hinge



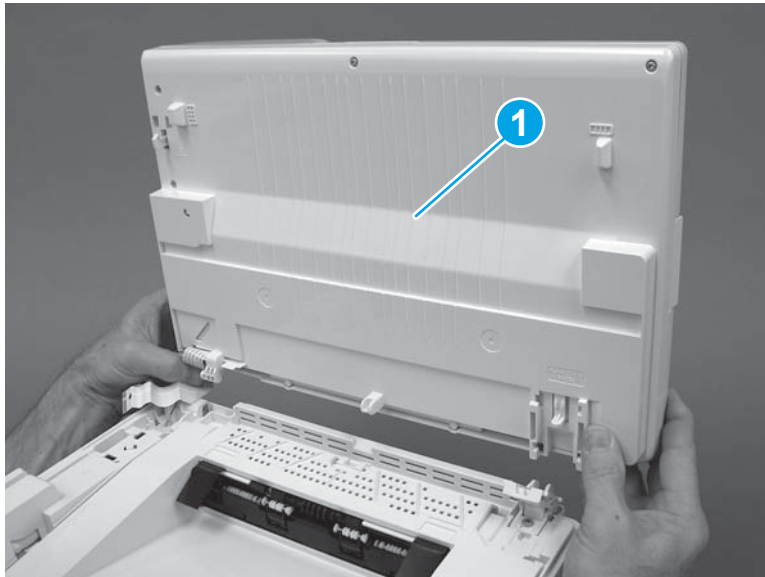
4. Rotate the scanner assembly towards the rear of the printer (callout 1), and then slide the scanner assembly toward the right side of the printer to release the left hinge (callout 2).

Figure 1-787 Release the left hinge



5. Remove the scanner assembly (callout 1).

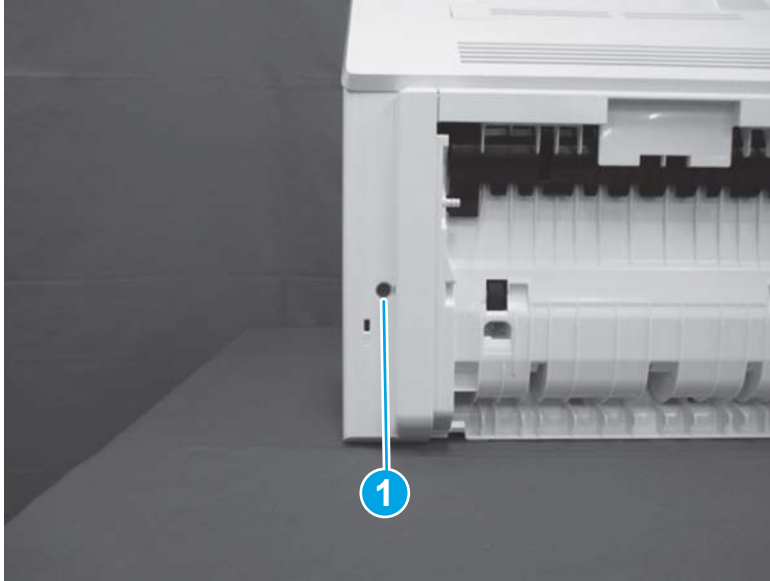
Figure 1-788 Remove the scanner assembly



#### Step 6: Remove the right cover

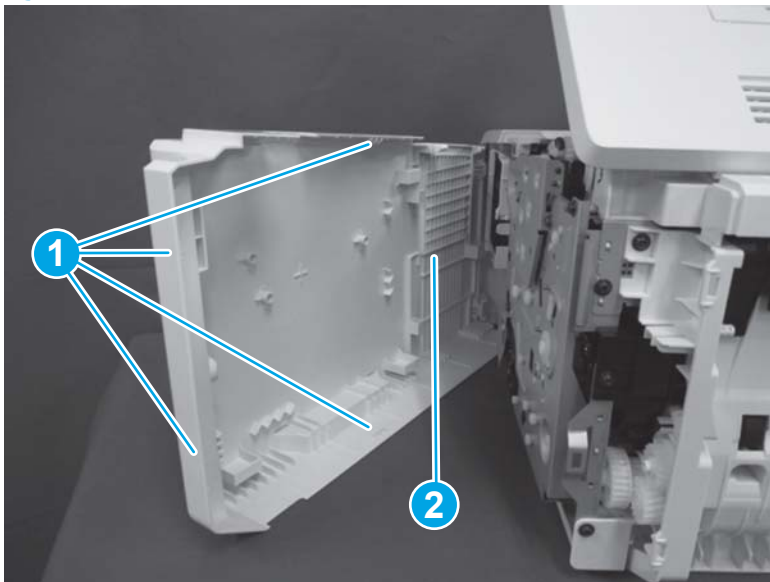
1. SFP: Do the following.
  - a. Remove one screw (callout 1).

Figure 1-789 Remove one screw (SFP)



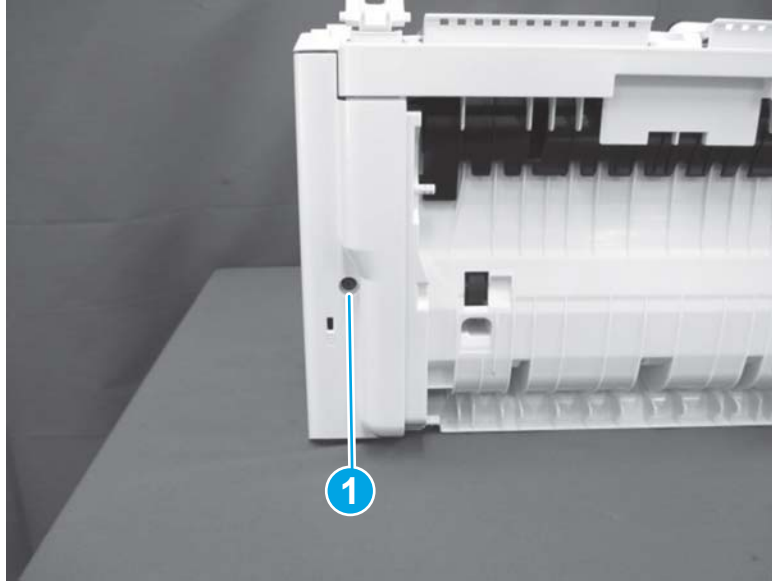
- b. Open the cartridge door.
- c. Release four tabs (callout 1), and then remove the right cover (callout 2).

Figure 1-790 Remove the right cover (SFP)



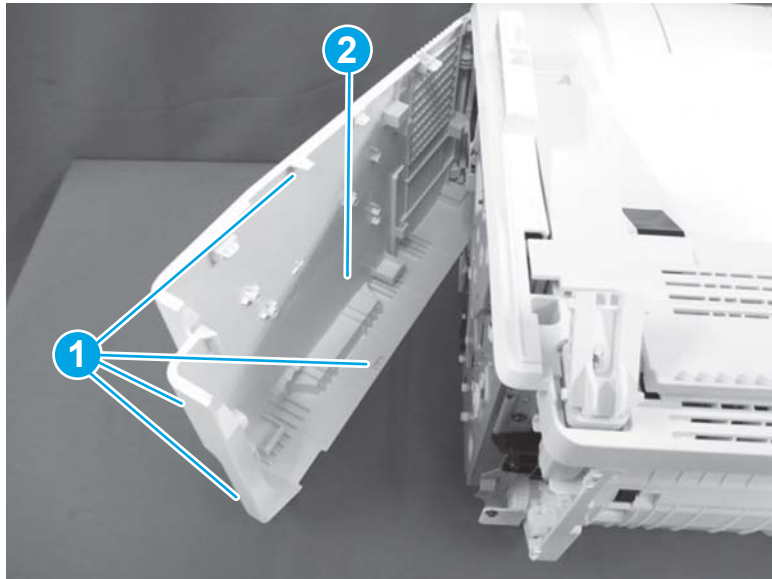
- 2. **MFP:** Do the following.
  - a. Remove one screw (callout 1).

Figure 1-791 Remove one screw (MFP)



- b. Release four tabs (callout 1), and then remove the right cover (callout 2).

Figure 1-792 Remove the right cover (MFP)

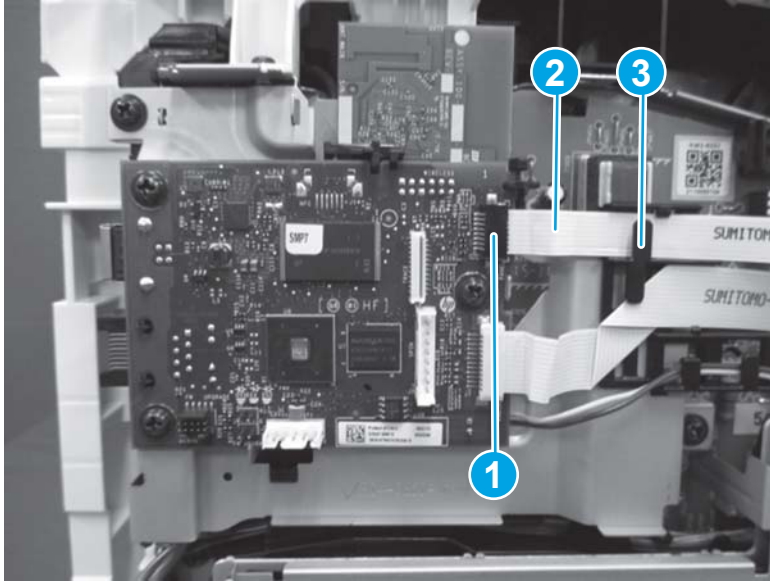


#### Step 7: Remove the top front cover

1. SFP: Do the following.
  - a. Disconnect one connector (callout 1) on the formatter, and then release the cable (callout 2) from the cable guide (callout 3).

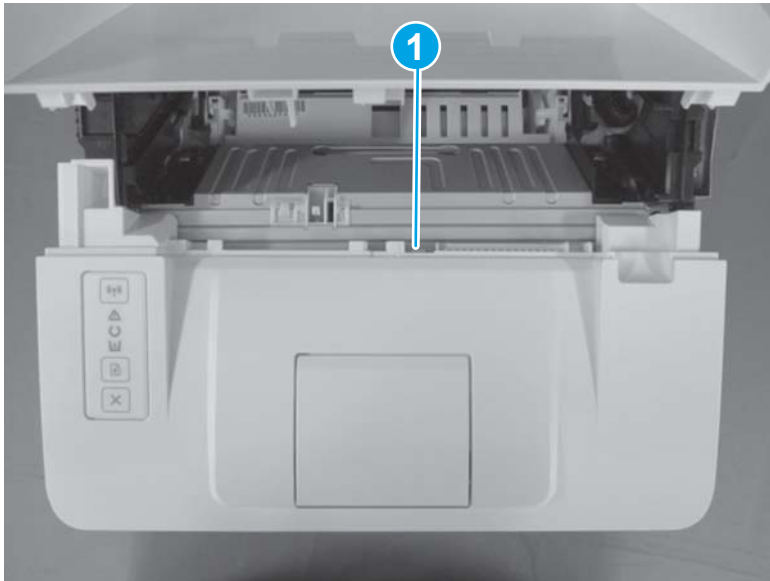


Figure 1-793 Disconnect one connector



- b. Open the cartridge door, and then release one tab (callout 1) on the top of the cover.

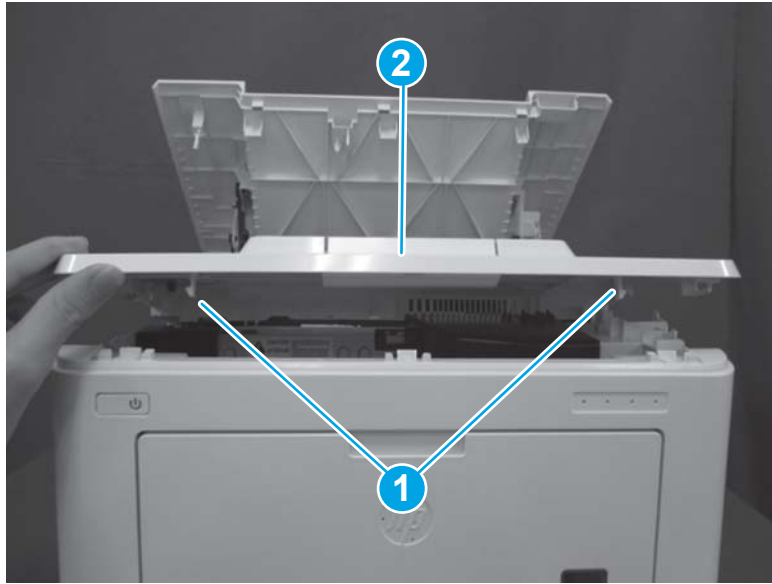
Figure 1-794 Release one tab





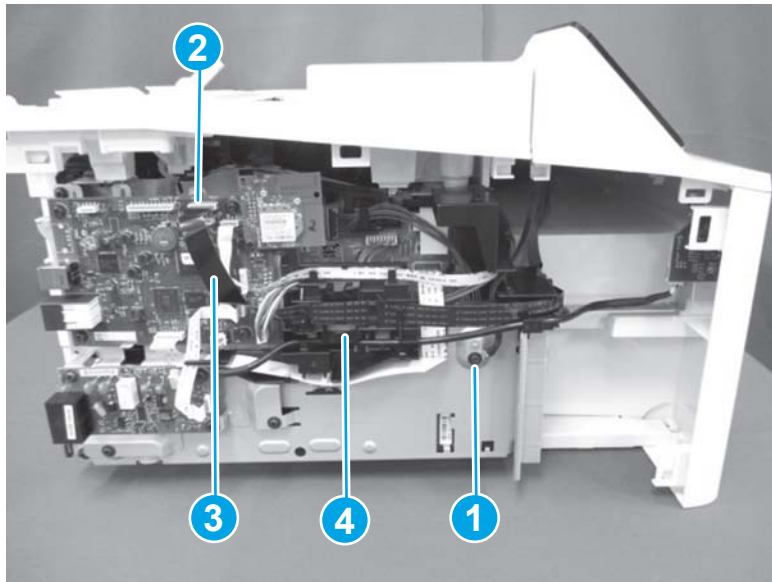
- c. Release two tabs (callout 1), and then remove the top front cover (callout 2).

**Figure 1-795** Release two tabs and remove the cover



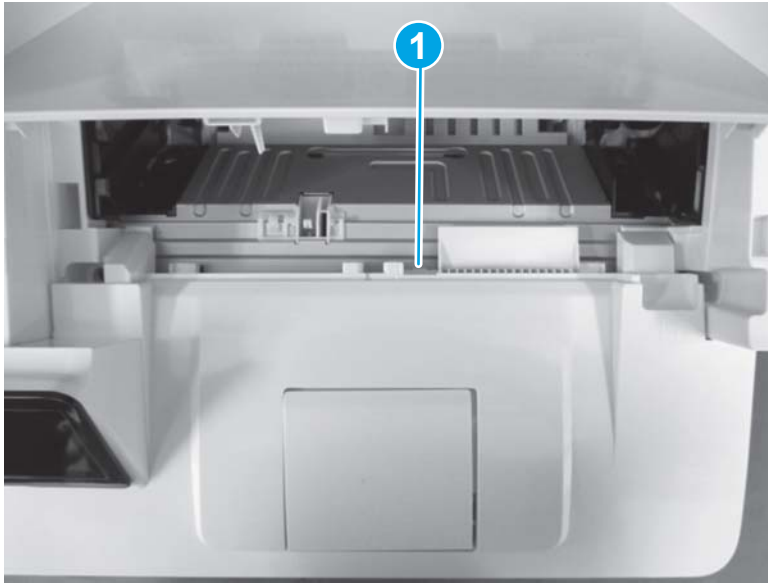
2. MFP: Do the following.
  - a. Remove one screw (callout 1) to release one cable. Disconnect one connector (callout 2), and then remove the cable (callout 3) from the cable guide (callout 4).

**Figure 1-796** Disconnect connector and release cable



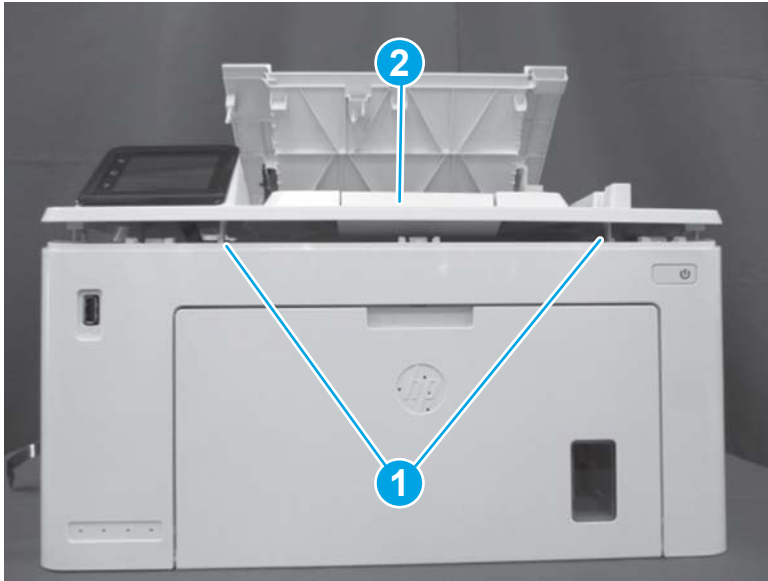
- b. Open the cartridge door, and then release one tab (callout 1).

Figure 1-797 Release one tab



- c. Release two tabs (callout 1), and then remove the top front cover (callout 2).

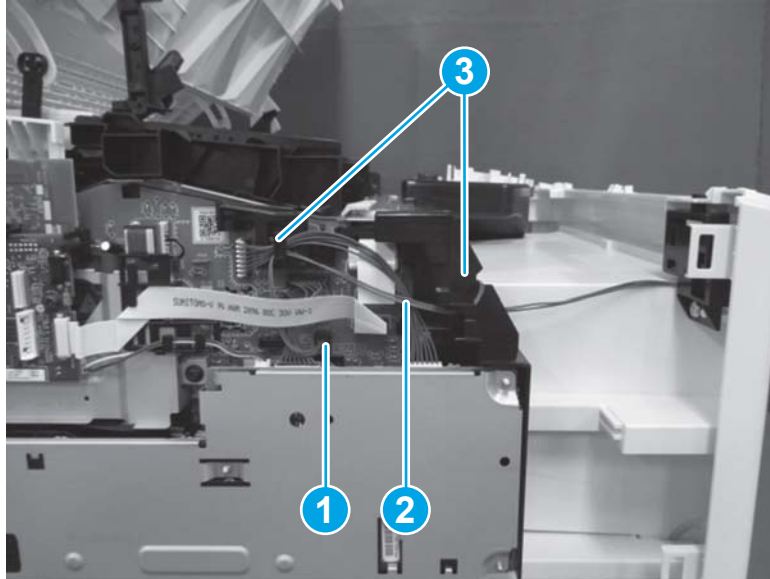
Figure 1-798 Release two tabs and remove the cover



### Step 8: Remove the front cover

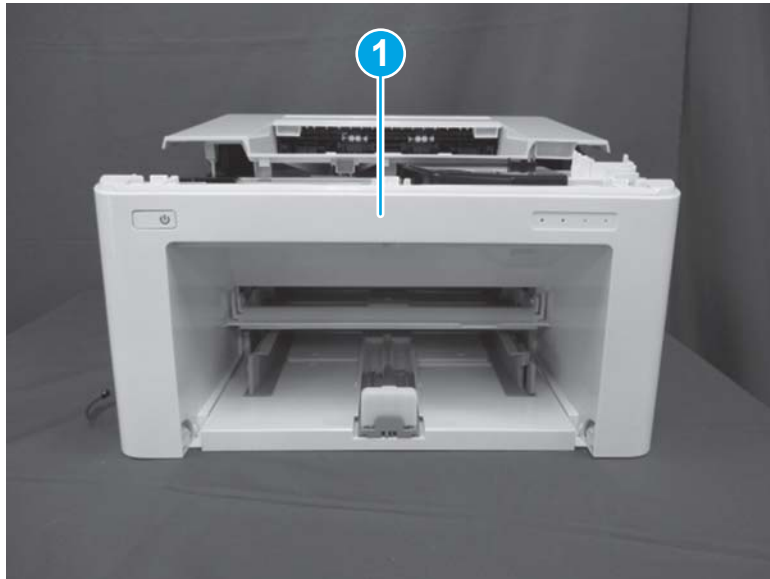
1. **SFP:** Do the following.
  - a. Disconnect one connector (callout 1), and then remove the cable (callout 2) from the cable guide (callout 3).

Figure 1-799 Disconnect connector (SFP)



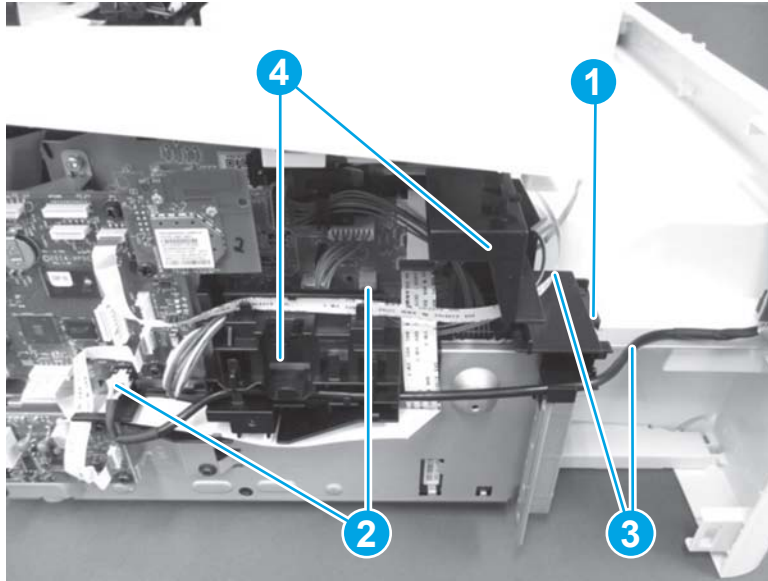
- b. Slide the front cover (callout 1) away from the printer to remove it.

Figure 1-800 Remove the front cover (SFP)



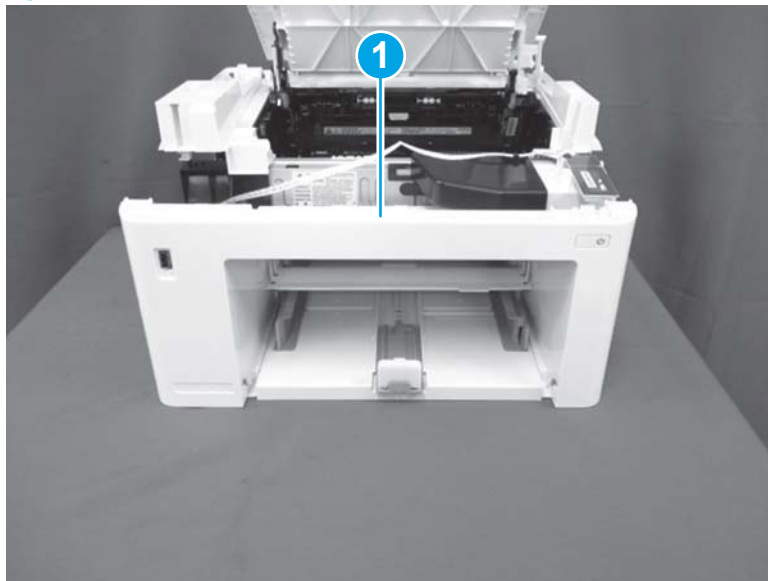
- 2. MFP: Do the following.
  - a. Remove one screw (callout 1). Disconnect two connectors (callout 2), and then release the cables (callout 3) from the cable guide (callout 4).

Figure 1-801 Disconnect connectors (MFP)



- b. Slide the front cover (callout 1) away from the printer to remove it.

Figure 1-802 Remove the front cover (MFP)

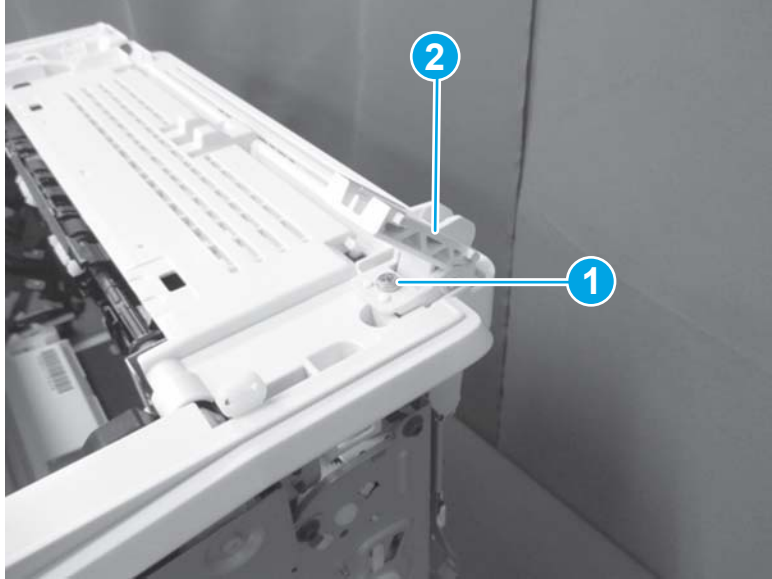


### Step 9: Remove the hinge assembly (MFP)

 **NOTE:** This step is for the MFP printers. For the SFP printers, skip this step and go to [Step 13: Remove the developer alienation solenoid on page 518.](#)

- ▲ Remove one screw (callout 1), and then remove the hinge assembly (callout 2).

Figure 1-803 Remove the hinge assembly (MFP)

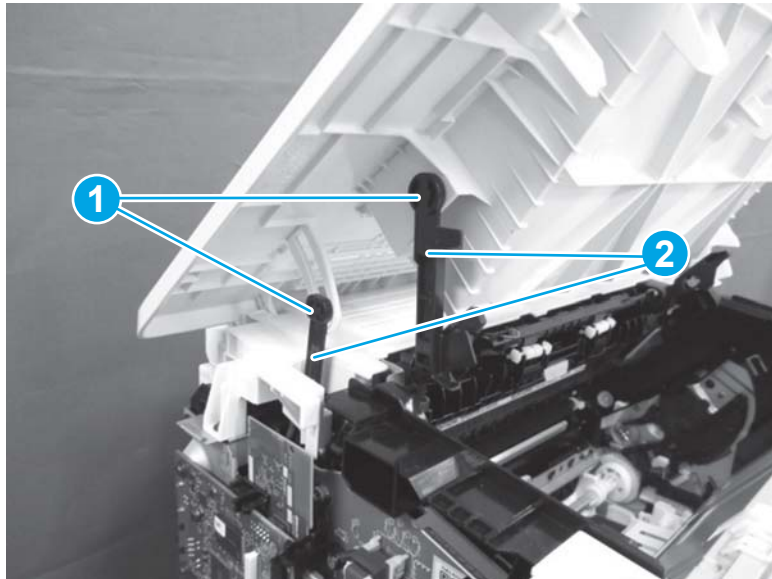


#### Step 10: Remove the cartridge door (MFP)

 **NOTE:** This step is for the MFP printers. For the SFP printers, skip this step and go to [Step 13: Remove the developer alienation solenoid on page 518](#).

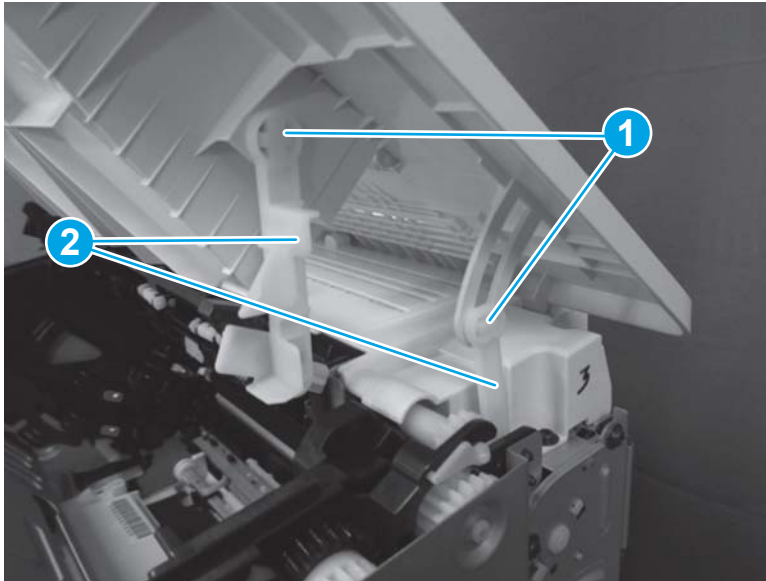
1. **SFP:** Do the following.
  - a. Open the cartridge door. On the left side of the printer, release two tabs (callout 1), and then disconnect two link arms (callout 2).

Figure 1-804 Disconnect left link arms (SFP)



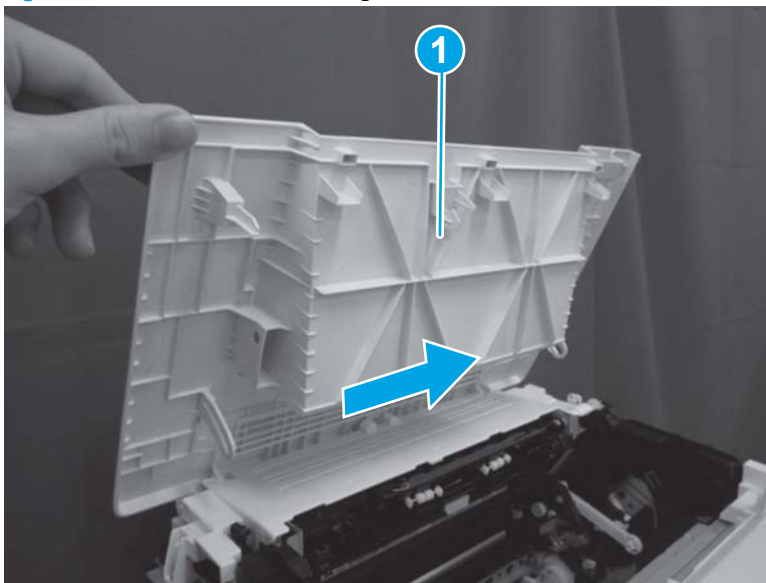
- b. On the right side of the printer, release two tabs (callout 1), and then disconnect two link arms (callout 2).

**Figure 1-805** Disconnect right link arms (SFP)



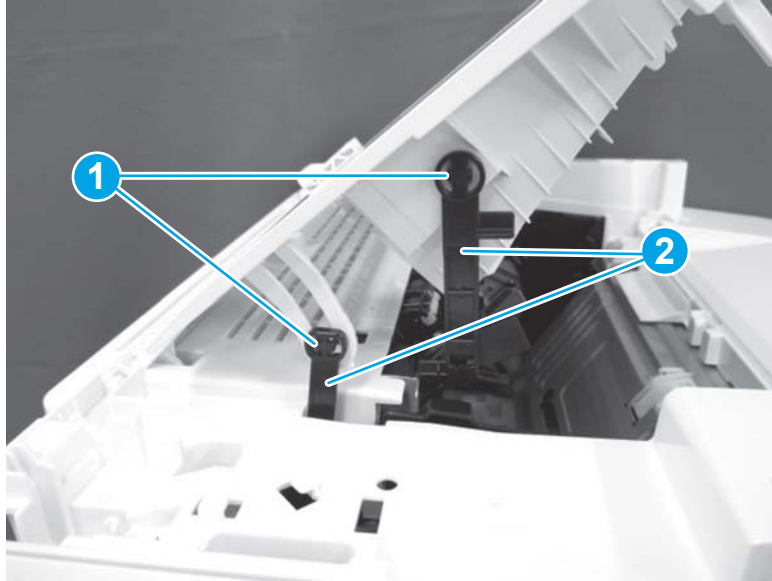
- c. Fully open the cartridge door (callout 1), and then slide it towards the right-side of the printer to remove it.

**Figure 1-806** Remove the cartridge door (SFP)



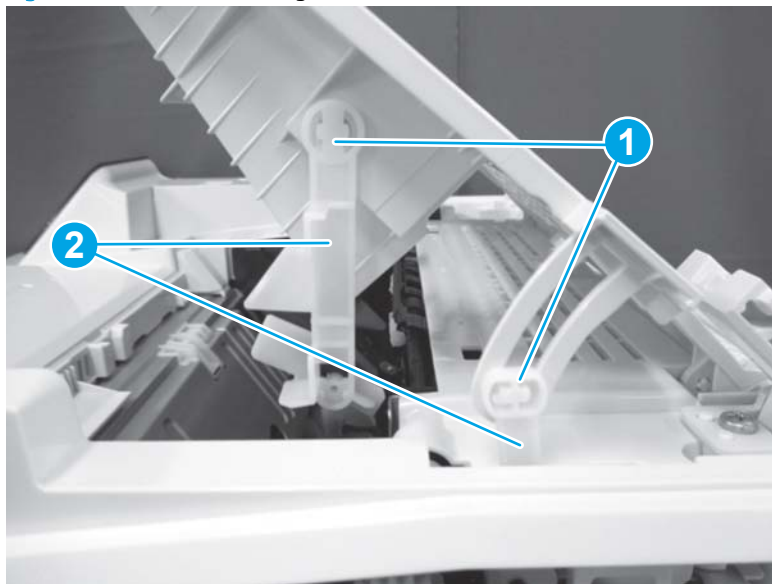
2. **MFP:** Do the following.
  - a. Open the cartridge door. On the left side of the printer, release two tabs (callout 1), and then disconnect two link arms (callout 2).

Figure 1-807 Disconnect left link arms (MFP)



- b. On the right side of the printer, release two tabs (callout 1), and then disconnect two link arms (callout 2).

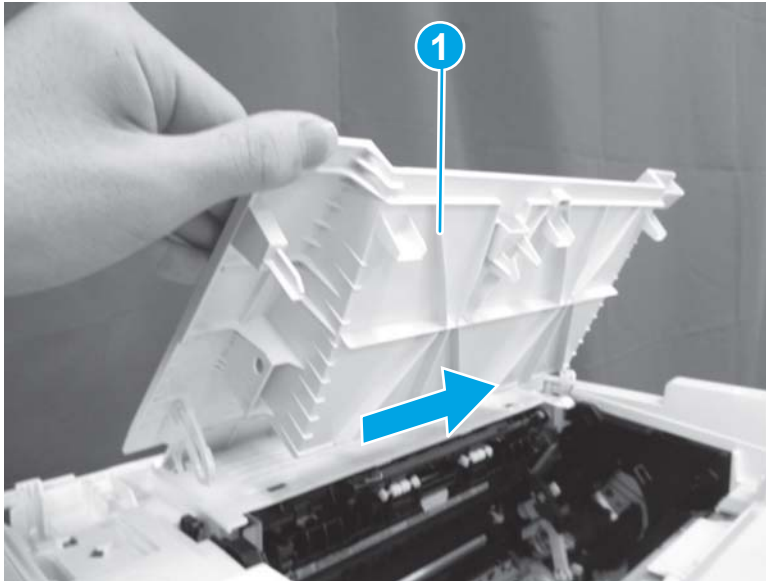
Figure 1-808 Disconnect right link arms (MFP)





- c. Fully open the cartridge door (callout 1), and then slide it towards the right-side of the printer to remove it.

**Figure 1-809** Remove the cartridge door (MFP)

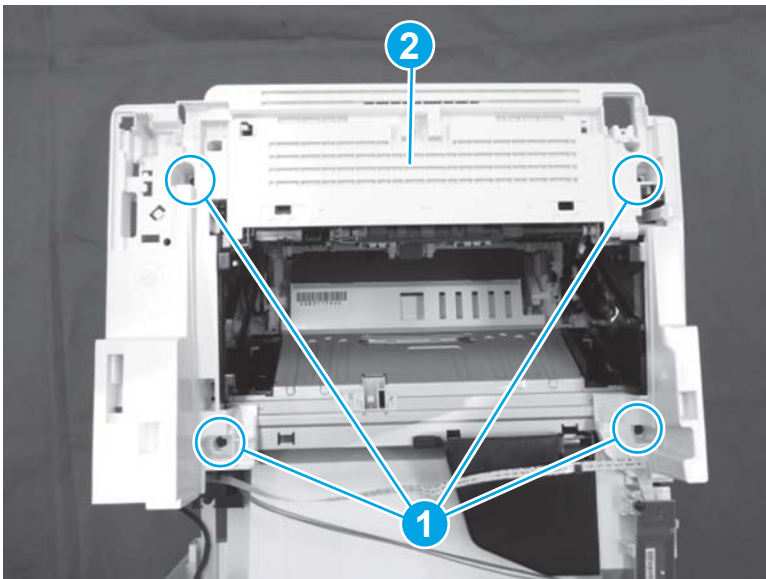


#### Step 11: Remove the top cover (MFP)

 **NOTE:** This step is for the MFP printers. For the SFP printers, skip this step and go to [Step 13: Remove the developer alienation solenoid on page 518](#).

- ▲ Remove four screws (callout 1), and then remove the top cover (callout 2).

**Figure 1-810** Remove the top cover

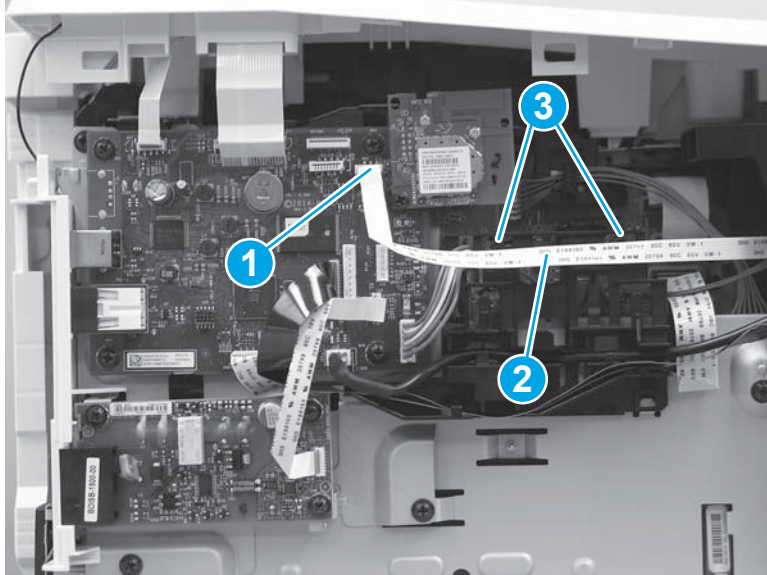


#### Step 12: Remove the laser scanner cover

1. **MFP only:** Disconnect one connector (callout 1), and then remove the cable (callout 2) from the guide (callout 3).

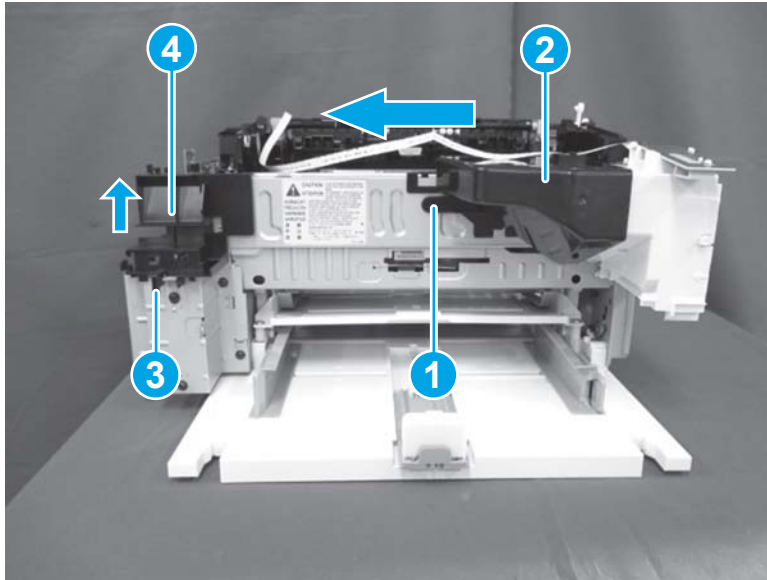


Figure 1-811 Disconnect one connector (MFP)



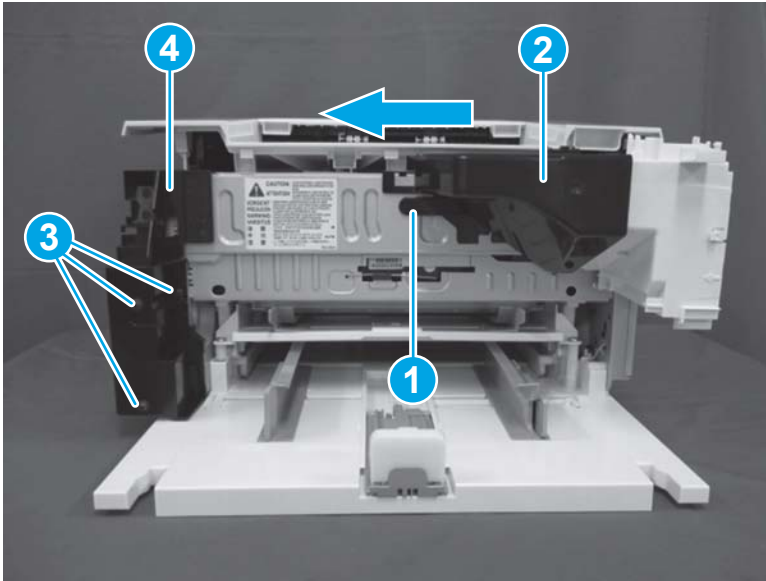
2. **MFP only:** Release one boss (callout 1), and then slide the fan duct (callout 2) to the left to remove it. Release one tab (callout 3), and then slide the inner cover (callout 4) up to remove it.

Figure 1-812 Remove the fan duct and cover (MFP)



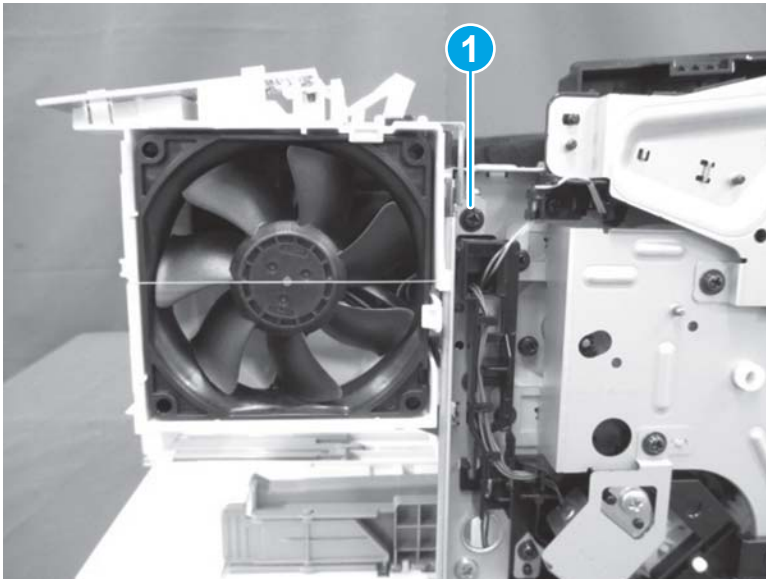
3. **SFP only:** Release one boss (callout 1), and then slide the fan duct (callout 2) to the left to remove it. Remove three screws (callout 3), and then remove the inner cover (callout 4).

Figure 1-813 Remove the fan duct and cover (SFP)



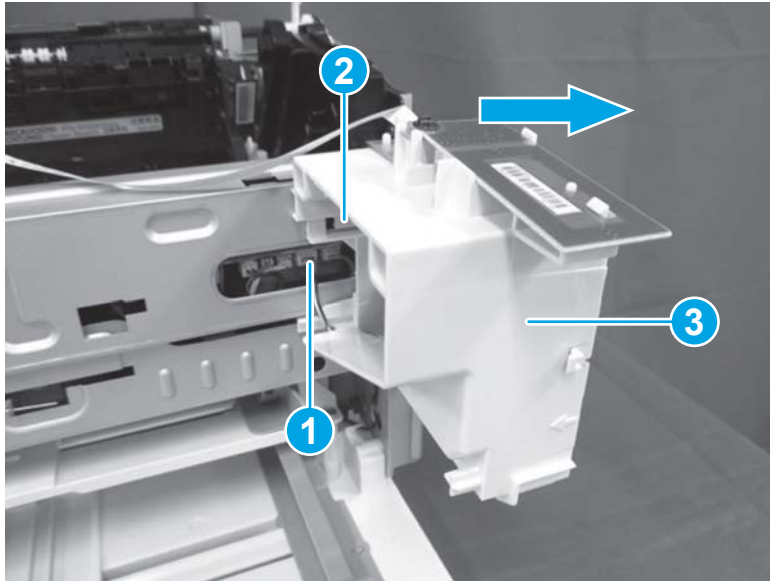
4. **MFP only:** Remove one screw (callout 1).

Figure 1-814 Remove one screw



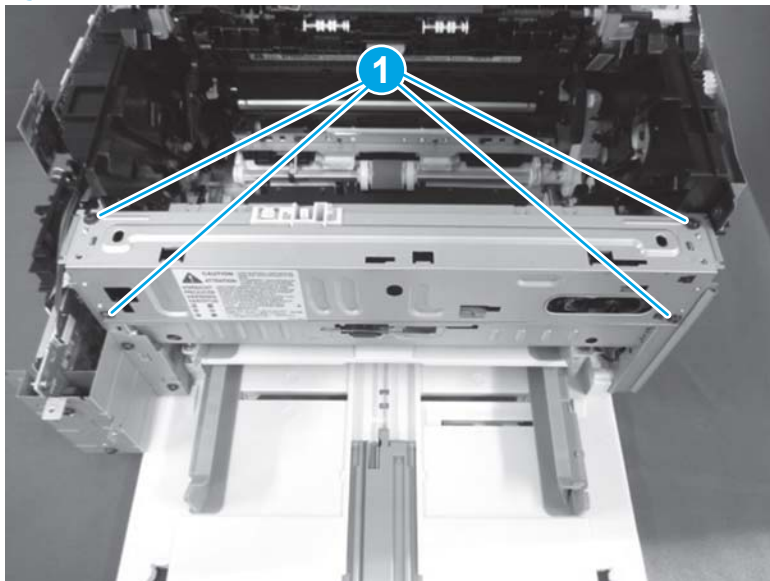
5. Disconnect one connector (callout 1), release one tab (callout 2), and then slide the fan holder (callout 3) to the right to remove it.

Figure 1-815 Remove the fan holder



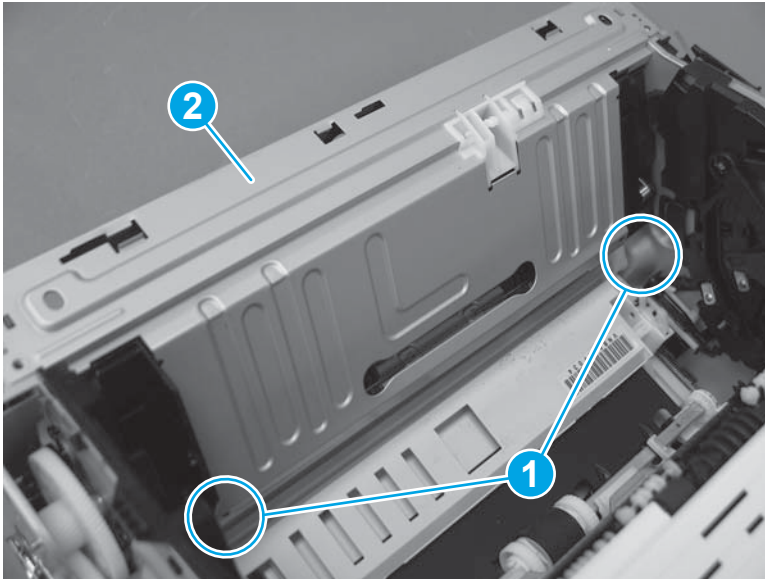
6. Remove four screws (callout 1).

Figure 1-816 Remove four screws



7. Release two tabs (callout 1), and then remove the laser scanner cover (callout 2).

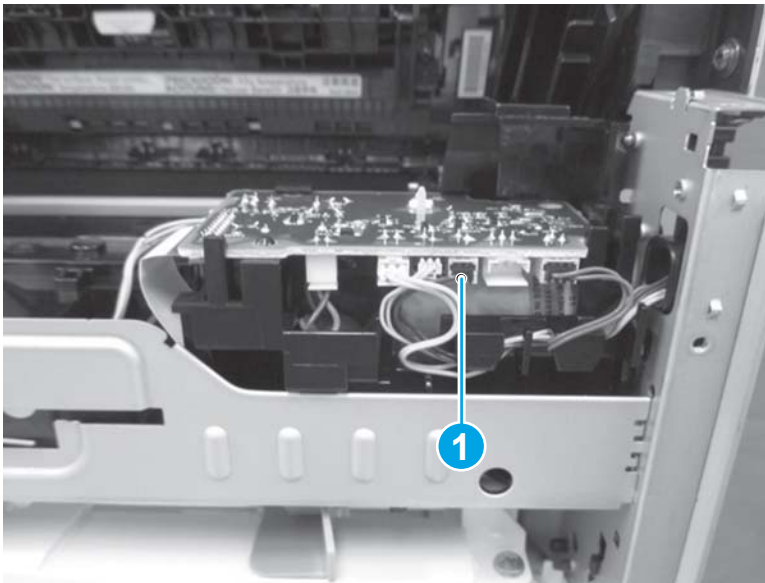
**Figure 1-817** Remove the laser scanner cover



### Step 13: Remove the developer alienation solenoid

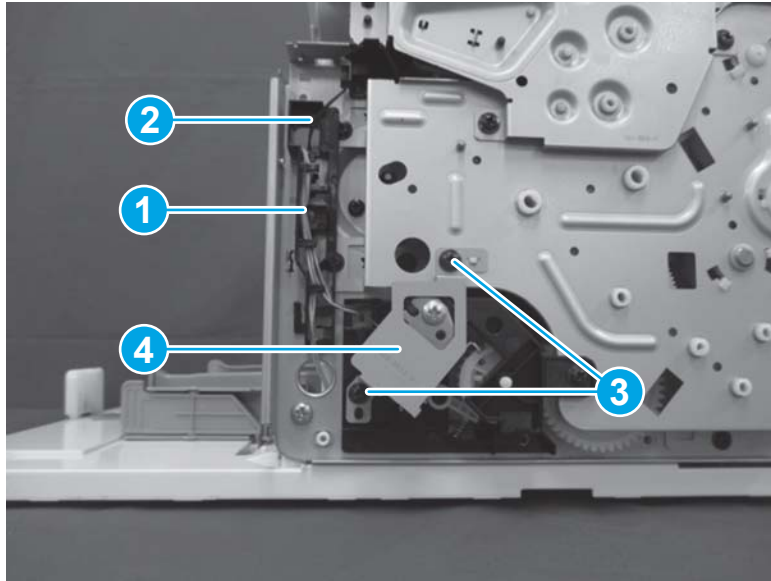
1. Disconnect one connector (callout 1).

**Figure 1-818** Disconnect one connector



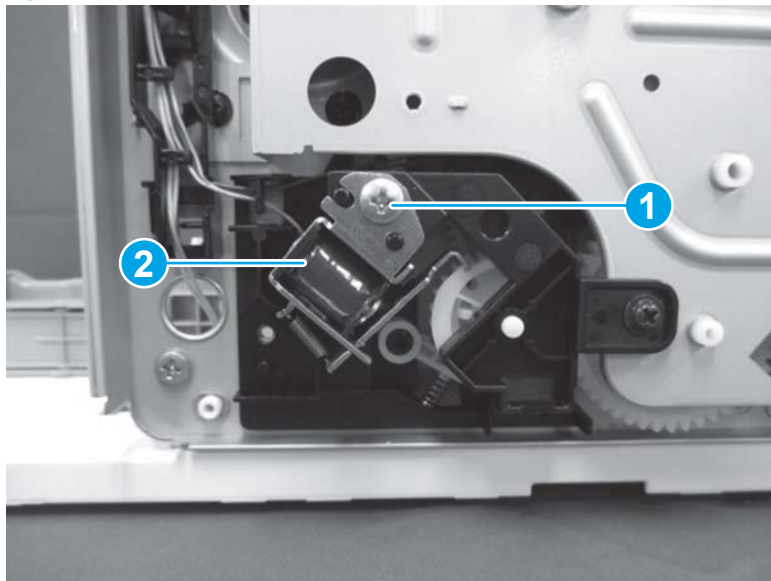
2. Remove the cable (callout 1) from the cable guide (callout 2). Remove two screws (callout 3), and then remove the plate (callout 4).

Figure 1-819 Remove two screws and the plate



3. Remove one screw (callout 1), and then remove the developer alienation solenoid (callout 2).

Figure 1-820 Remove the developer alienation solenoid



#### Step 14: Unpack the replacement assembly

1. Dispose of the defective part.

 **NOTE:** HP recommends responsible disposal of the defective part.

[www.hp.com/recycle](http://www.hp.com/recycle)



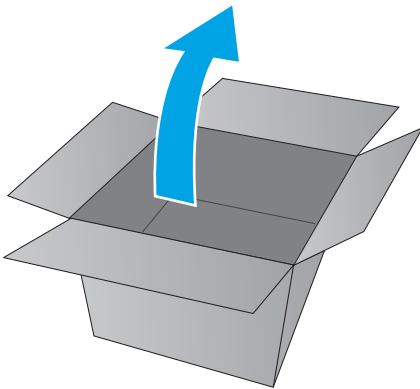
2. Unpack the replacement part from the packaging.

---

**⚠ CAUTION:** If the replacement part is a roller or pad, avoid touching the spongy part of it. Skin oils on the roller or pad can cause paper pickup and/or print-quality problems. HP recommends using disposable gloves when handling rollers or pads or washing your hands or before touching rollers or pads.

**📄 IMPORTANT:** Make sure that all of the shipping materials (for example shipping tape) are removed from the replacement part prior to installation.

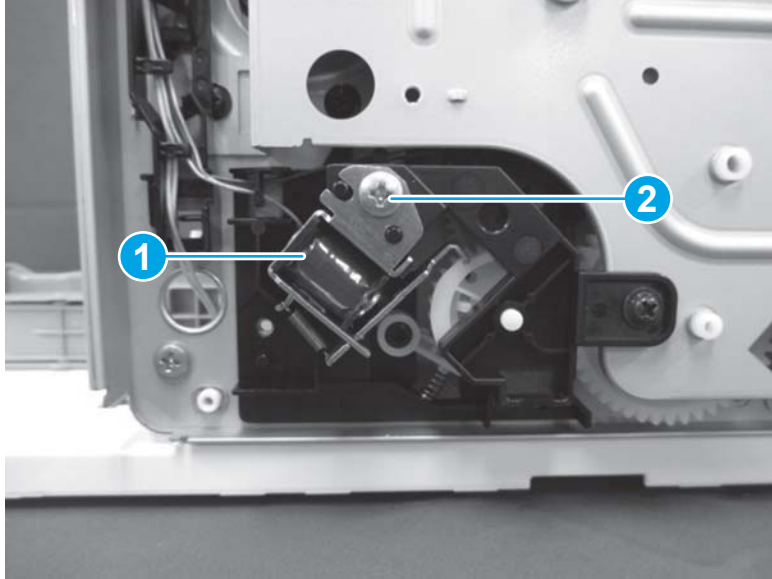
---



### Step 15: Install the developer alienation solenoid

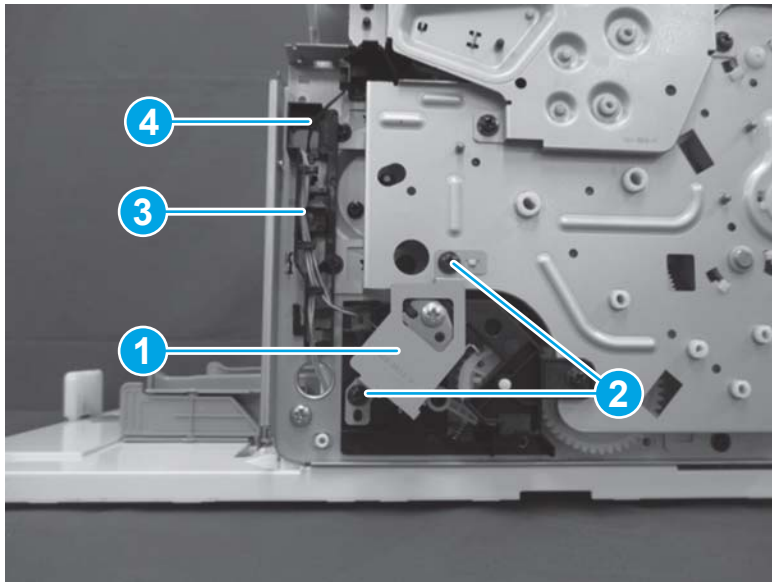
1. Position the developer alienation solenoid (callout 1) on the printer, and then install one screw (callout 2).

Figure 1-821 Install the developer alienation solenoid



2. Position the plate (callout 1) on the printer, and then install two screws (callout 2). Position the cable (callout 3) in the cable guide (callout 4).

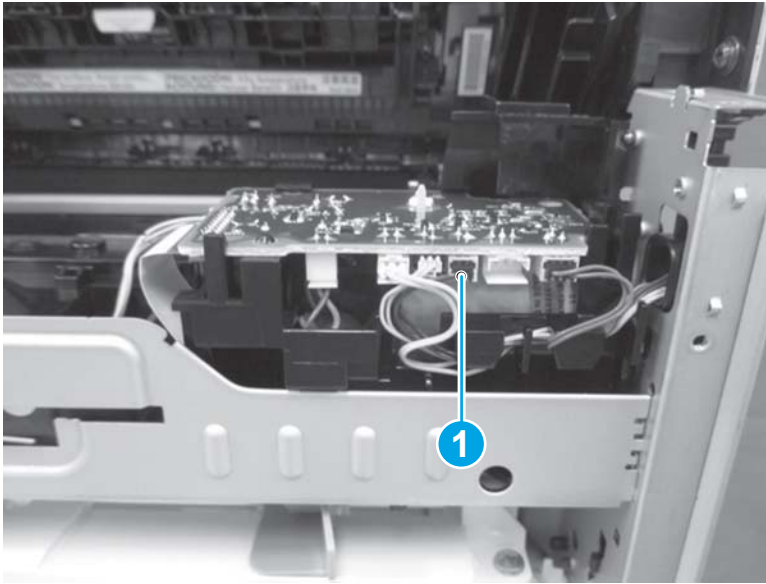
Figure 1-822 Install the duplex switchback assembly





3. Connect one connector (callout 1).

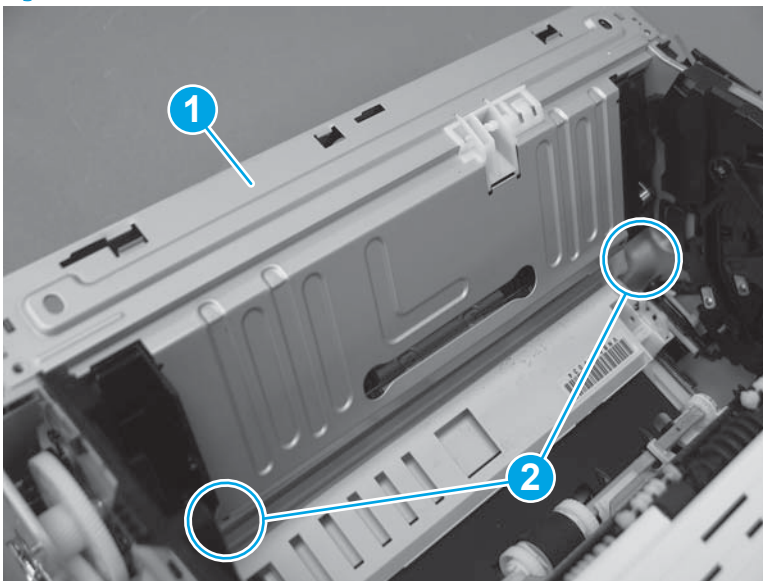
Figure 1-823 Connect one connector



#### Step 16: Install the laser scanner cover

1. Install the laser scanner cover (callout 1). Make sure that the two tabs (callout 2) are engaged.

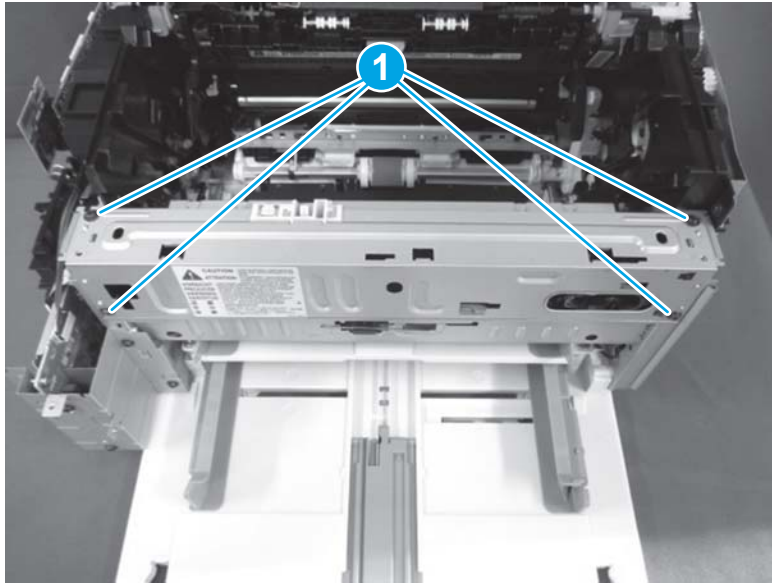
Figure 1-824 Install the laser scanner cover





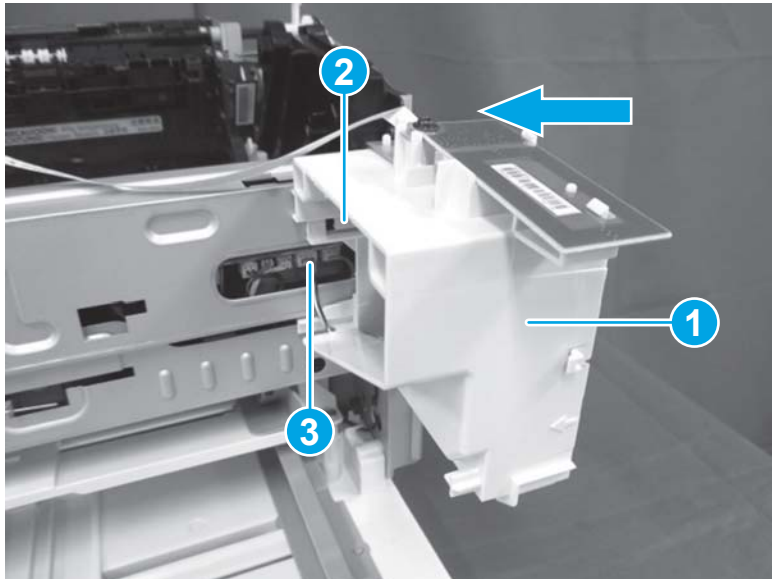
2. Install four screws (callout 1).

Figure 1-825 Install the laser scanner cover



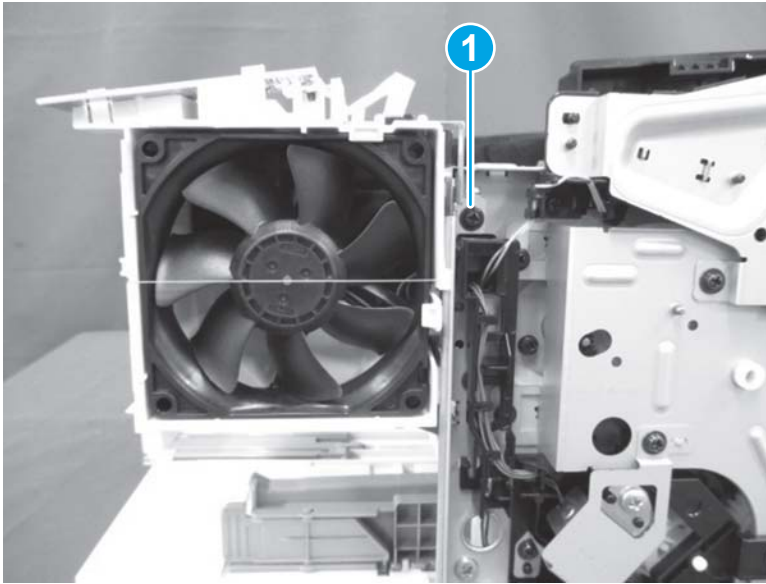
3. Slide the fan holder (callout 1) to the left onto the printer to engage one tab (callout 2), and then connect one connector (callout 3).

Figure 1-826 Install the fan holder



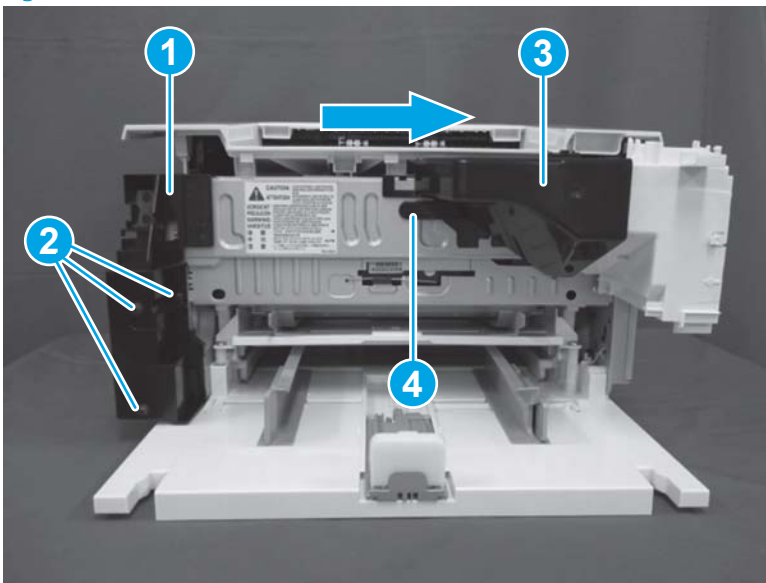
4. **MFP only:** Install one screw (callout 1).

Figure 1-827 Install one screw



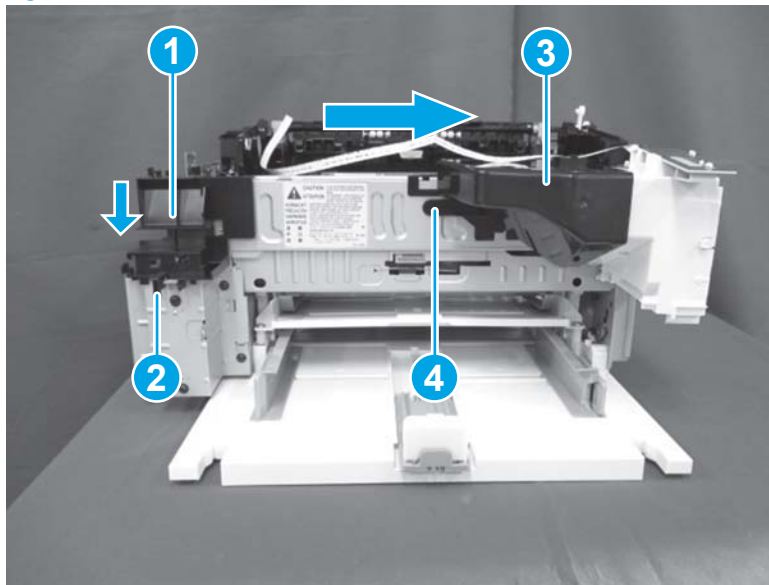
5. **SFP only:** Position the inner cover (callout 1) on the printer, and then install three screws (callout 2). Slide the fan duct (callout 3) to the right to install it on the printer. Make sure that the boss (callout 4) snaps into place.

Figure 1-828 Install the fan duct and cover (SFP)



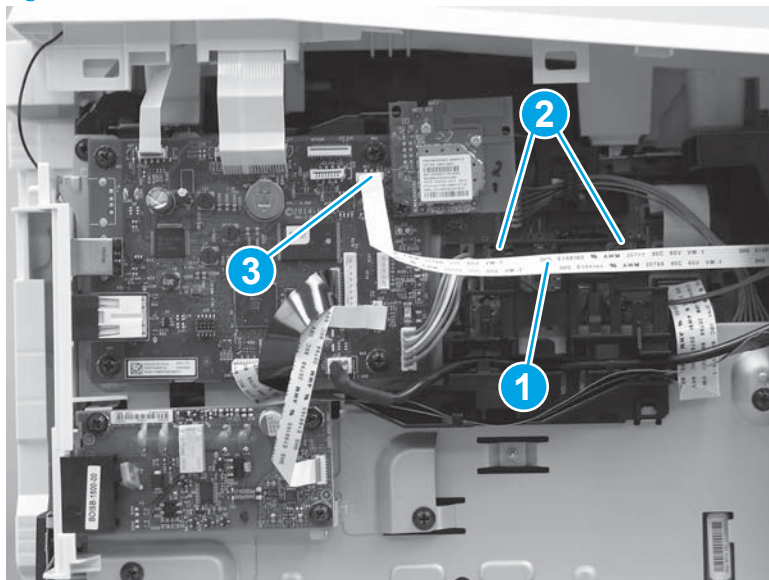
6. **MFP only:** Slide the inner cover (callout 1) down onto the printer until the tab (callout 2) snaps into place. Slide the fan duct (callout 3) to the right to install it on the printer. Make sure that the boss (callout 4) snaps into place.

Figure 1-829 Install the fan duct and cover (MFP)



7. **MFP only:** Position the cable (callout 1) in the guides (callout 2), and then connect one connector (callout 3).

Figure 1-830 Connect one connector

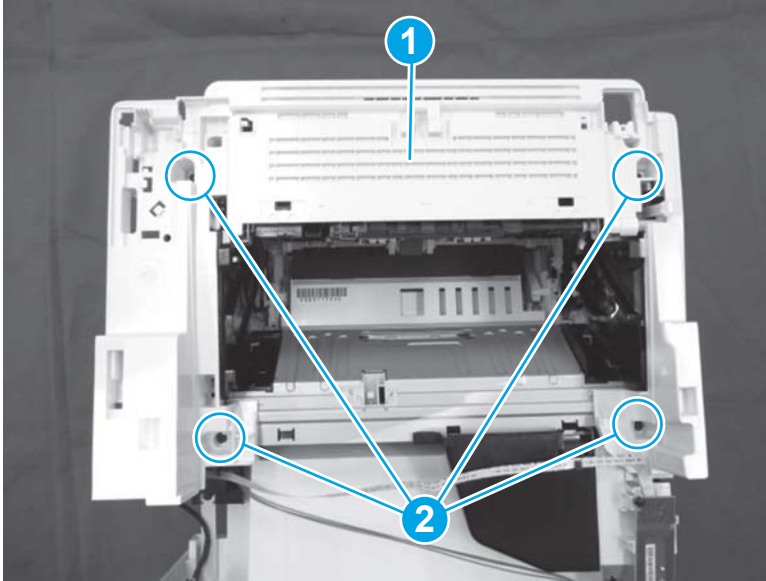


### Step 17: Install the top cover (MFP)

 **NOTE:** This step is for the MFP printers. For the SFP printers, skip this step and go to [Step 16: Install the laser scanner cover on page 522](#).

- ▲ Position the top cover (callout 1) on the printer, and then install four screws (callout 2).

Figure 1-831 Install the top cover

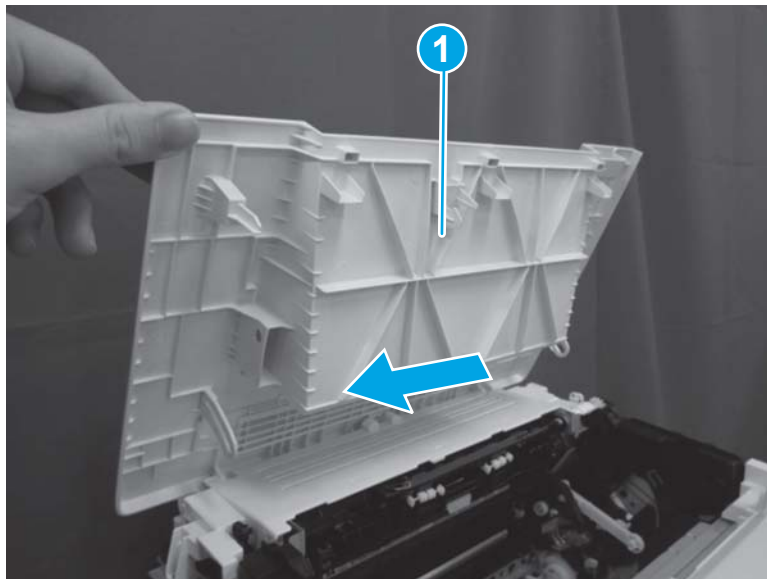


### Step 18: Install the cartridge door (MFP)

 **NOTE:** This step is for the MFP printers. For the SFP printers, skip this step and go to [Step 16: Install the laser scanner cover on page 522](#).

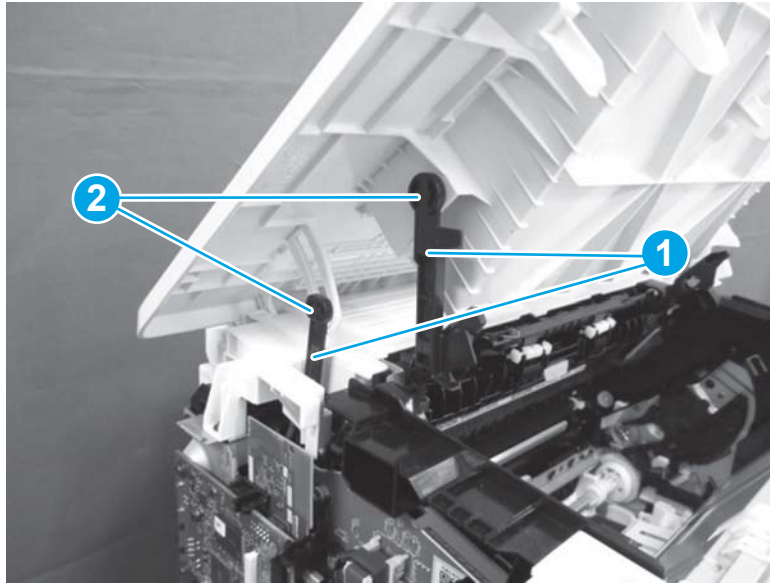
1. SFP: Do the following.
  - a. Position the cartridge door (callout 1) on the printer, and then slide it toward the left-side of the printer to install it.

Figure 1-832 Install the cartridge door (SFP)



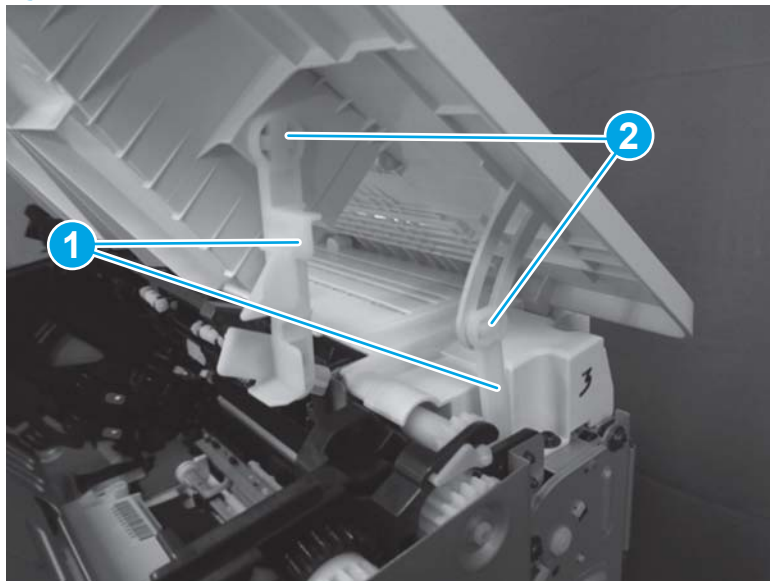
- b. On the left side of the printer, position two link arms (callout 1), and then engage two tabs (callout 2).

Figure 1-833 Connect left link arms (SFP)



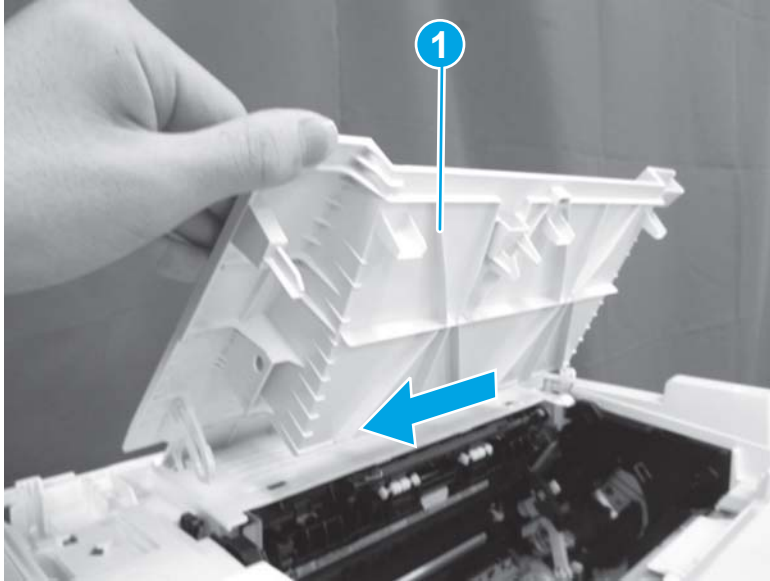
- c. On the right side of the printer, position two link arms (callout 1), and then engage two tabs (callout 2).

Figure 1-834 Connect right link arms (SFP)



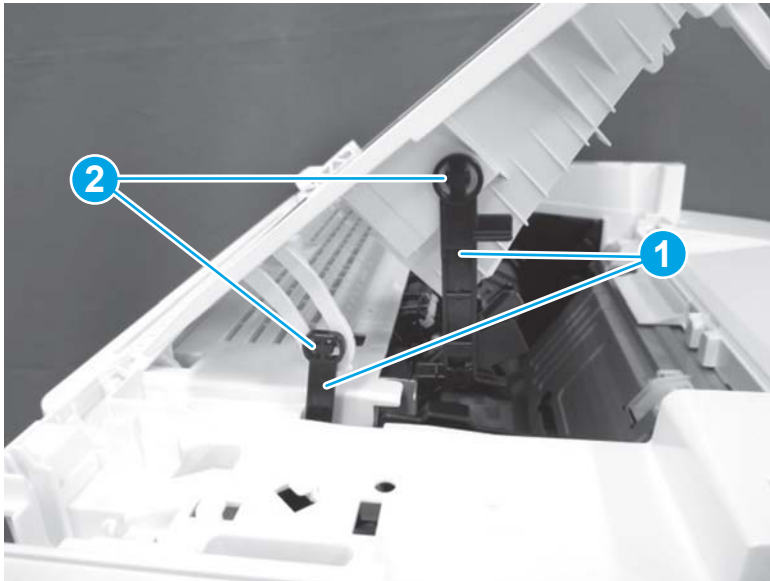
- 2. MFP: Do the following.
  - a. Position the cartridge door (callout 1) on the printer, and then slide it toward the left-side of the printer to install it.

Figure 1-835 Install the cartridge door (MFP)



- b. On the left side of the printer, position two link arms (callout 1), and then engage two tabs (callout 2).

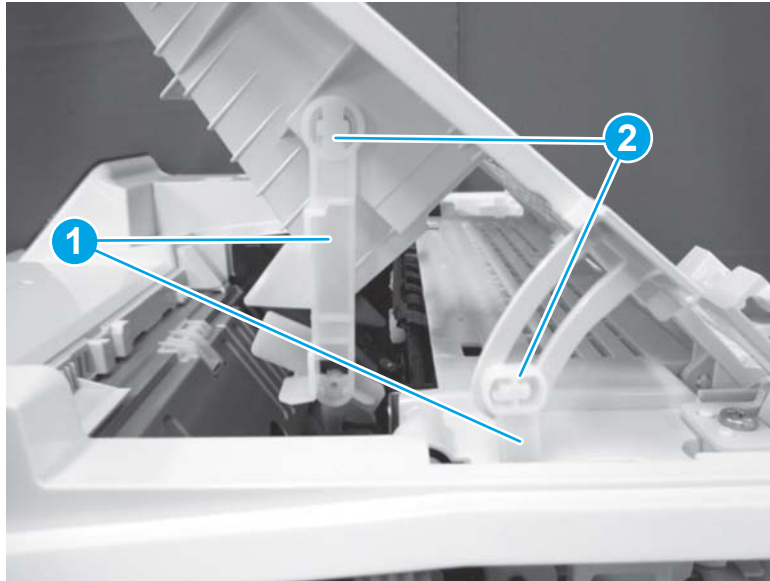
Figure 1-836 Connect left link arms (MFP)





- c. On the right side of the printer, position two link arms (callout 1), and then engage two tabs (callout 2).

**Figure 1-837** Connect right link arms (MFP)

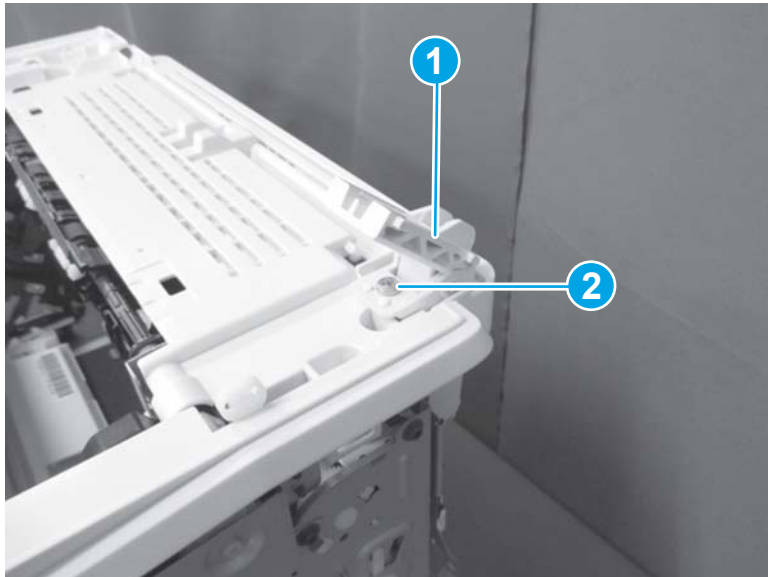


#### Step 19: Install the hinge assembly (MFP)

 **NOTE:** This step is for the MFP printers. For the SFP printers, skip this step and go to [Step 16: Install the laser scanner cover on page 522](#).

- ▲ Position the hinge assembly (callout 1) on the printer, and then install one screw (callout 2).

**Figure 1-838** Install the hinge assembly (MFP)



#### Step 20: Install the front cover

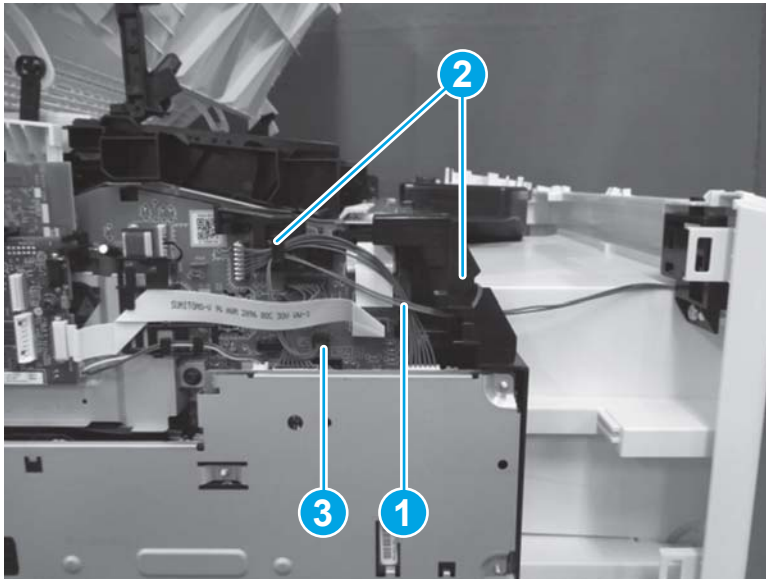
1. **SFP:** Do the following.
  - a. Slide the front cover (callout 1) toward the printer to install it.

Figure 1-839 Install the front cover (SFP)



- b. Install the cable (callout 1) in the cable guide (callout 2), and then connect one connector (callout 3).

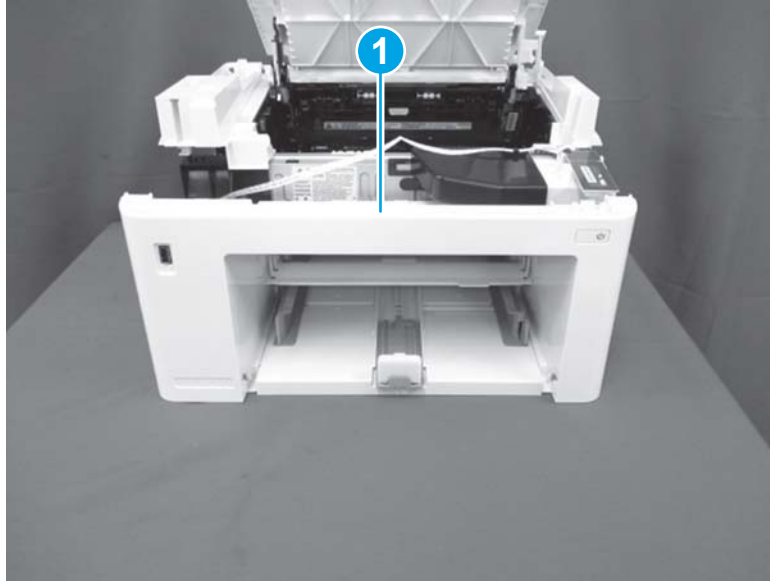
Figure 1-840 Connect the connector (SFP)



- 2. **MFP:** Do the following.
  - a. Slide the front cover (callout 1) toward the printer to install it.

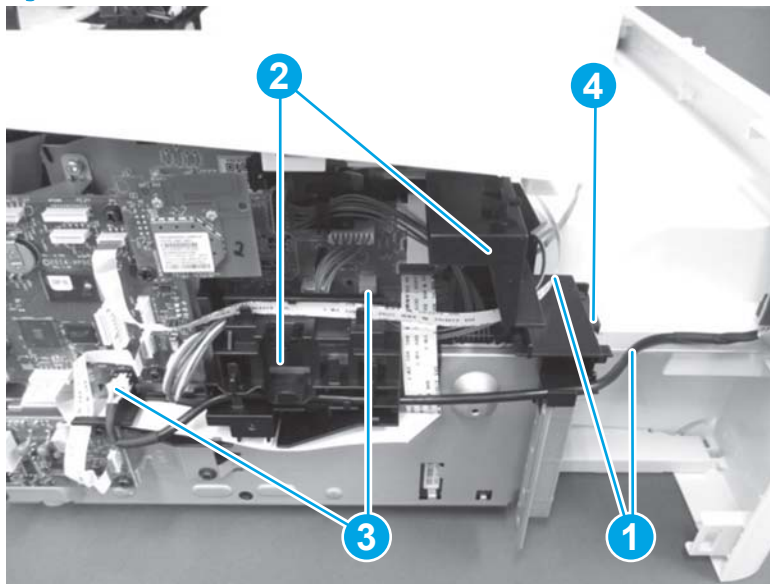


Figure 1-841 Install the front cover (MFP)



- b. Install the cables (callout 1) in the cable guides (callout 2), and then connect two connectors (callout 3). Install one screw (callout 4).

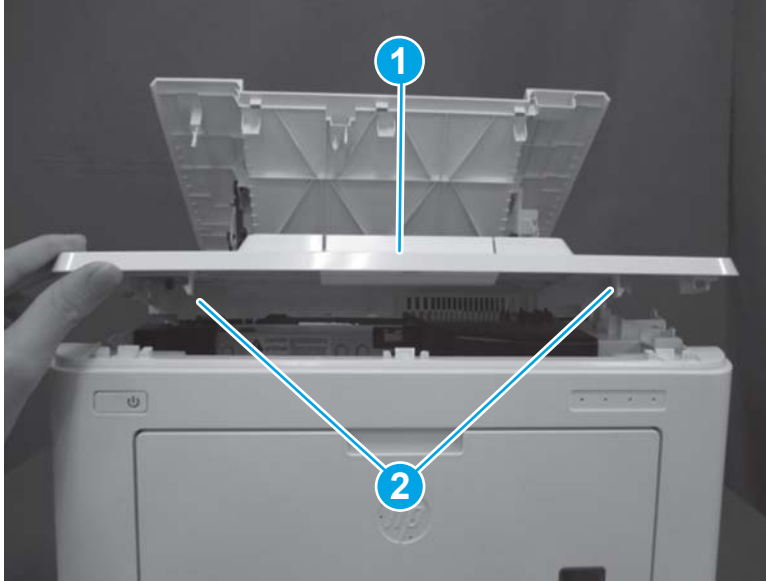
Figure 1-842 Connect two connectors (MFP)



### Step 21: Install the top front cover

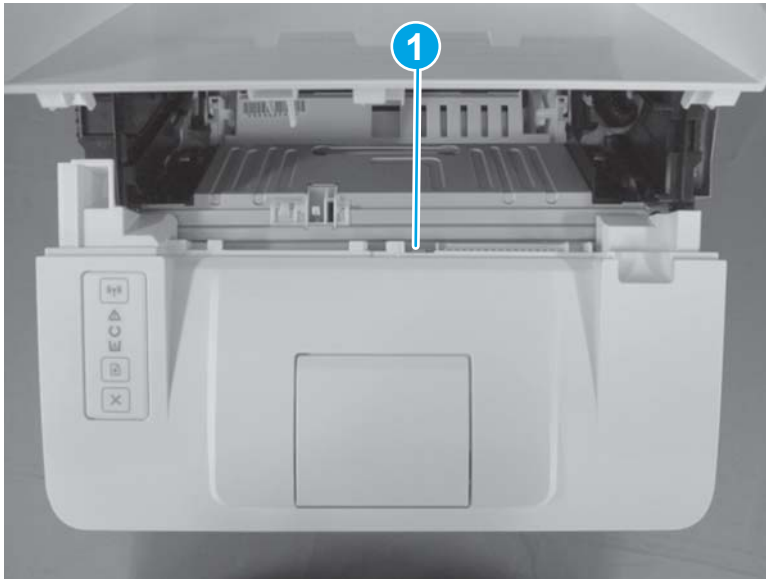
1. SFP: Do the following.
  - a. Position the top front cover (callout 1) on the printer and install two tabs (callout 2).

Figure 1-843 Install two tabs



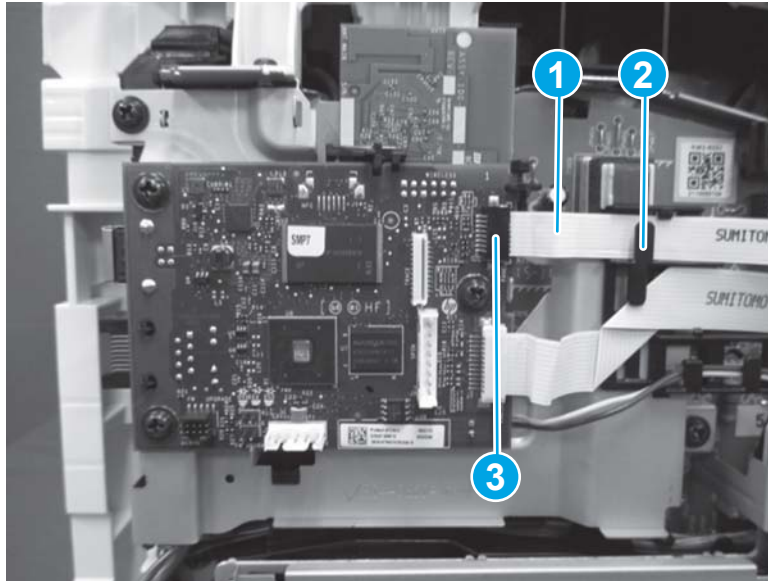
- b. On the top of the cover, install one tab (callout 1).

Figure 1-844 Install one tab



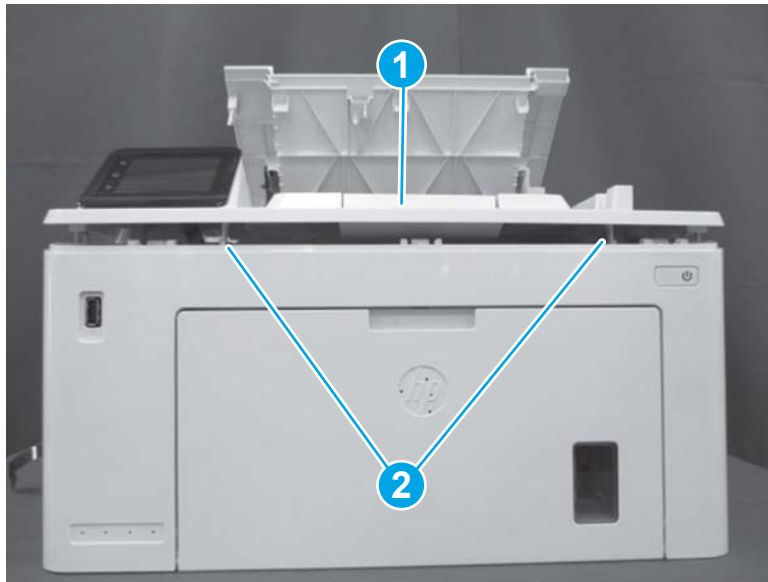
- c. Install the cable (callout 1) in the guide (callout 2), and then connect one connector (callout 3) on the formatter.

Figure 1-845 Connect one connector



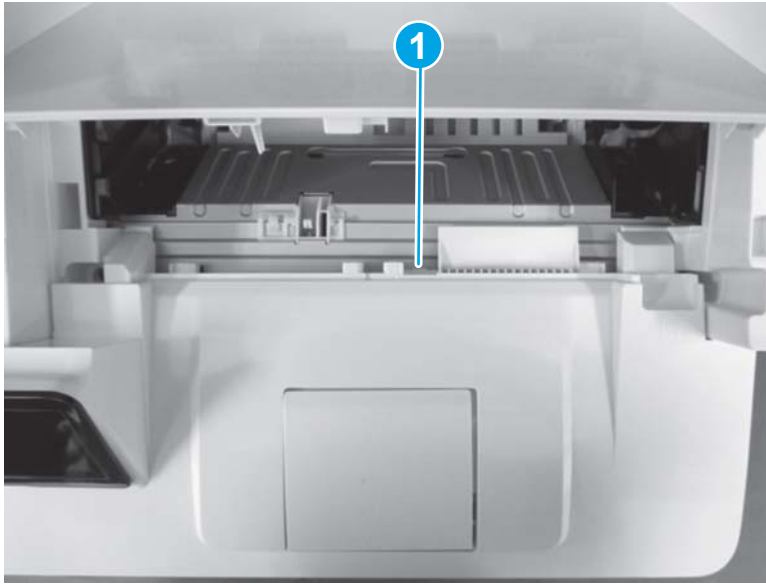
2. MFP: Do the following.
  - a. Position the top front cover (callout 1) on the printer, and then install two tabs (callout 2).

Figure 1-846 Install two tabs



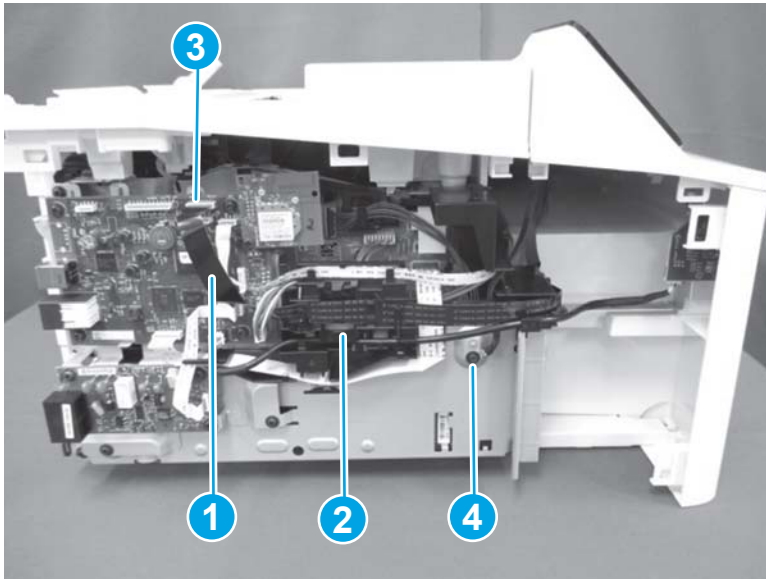
- b. Install one tab (callout 1).

Figure 1-847 Install one tab



- c. Install the cable (callout 1) in the cable guide (callout 2), and then connect one connector (callout 3). Install one screw (callout 4) to secure the grounding cable.

Figure 1-848 Install one connector and grounding cable

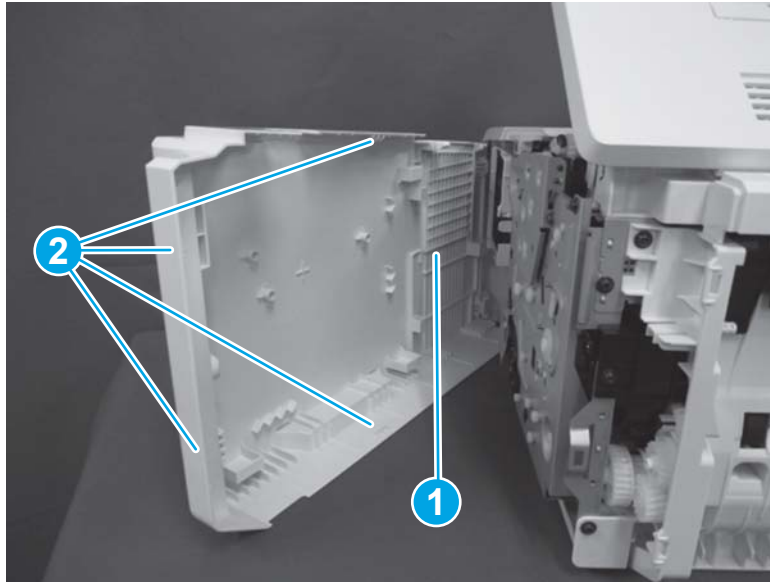


### Step 22: Install the right cover

1. **SFP:** Do the following.
  - a. Open the cartridge door.

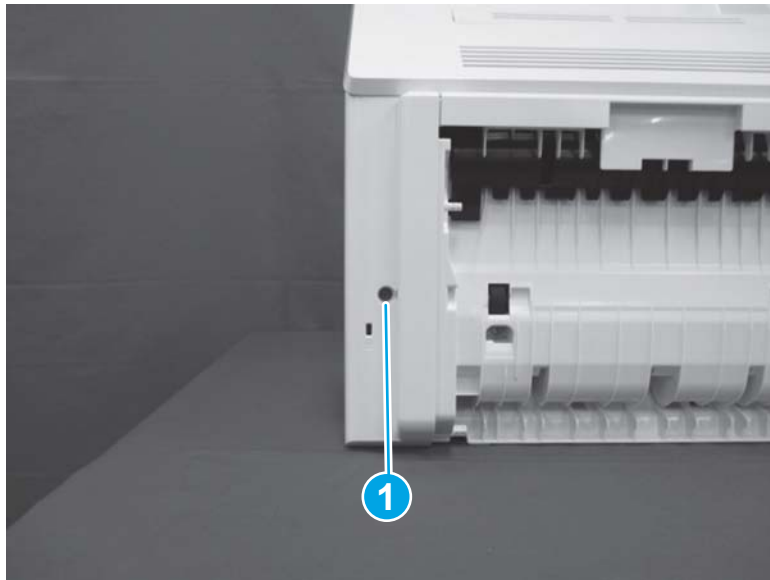
- b. Position the right cover (callout 1) on the printer, and then engage four tabs (callout 2).

**Figure 1-849** Install the right cover (SFP)



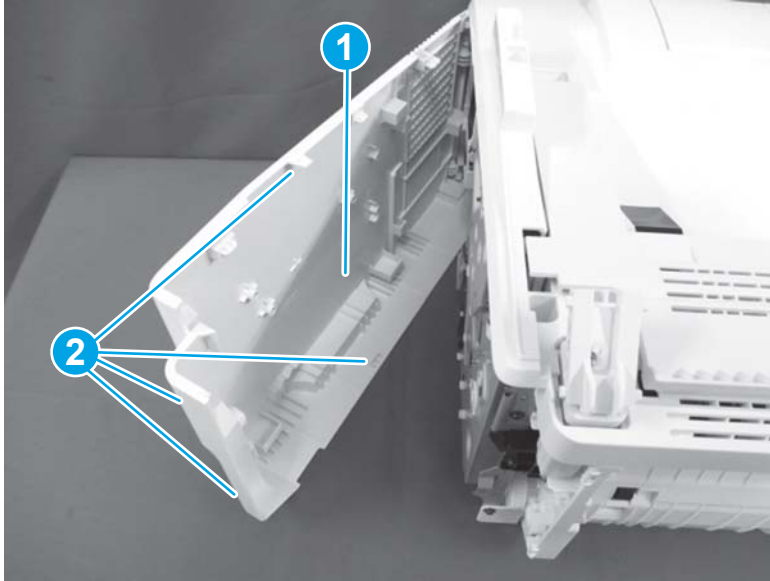
- c. Close the cartridge door.
- d. Install one screw (callout 1).

**Figure 1-850** Install one screw (SFP)



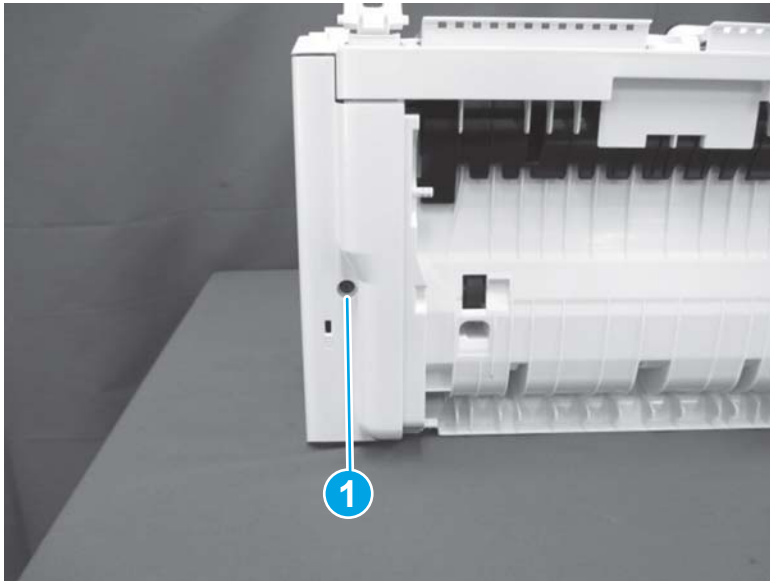
2. **MFP:** Do the following.
  - a. Position the right cover (callout 1) on the printer, and then engage four tabs (callout 2).

Figure 1-851 Install the right cover (MFP)




- b. Install one screw (callout 1).

Figure 1-852 Install one screw (MFP)



### Step 23: Install the 3-in-1 or 4-in-1 scanner assembly (MFP)

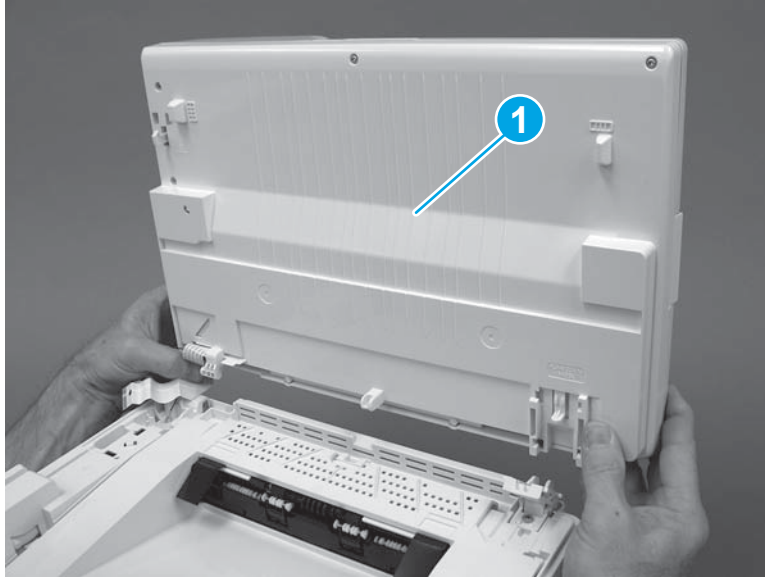
 **NOTE:** This step is for the MFP printers. For the SFP printers, skip this step and go to [Step 25: Install the left cover on page 540](#).

 **NOTE:** The 4-in-1 scanner assembly supports the document feeder. The 3-in-1 scanner assembly does not support the document feeder.

The figures in this procedure show a 4-in-1 printer. However, the procedure is correct for 3-in-1 printers.

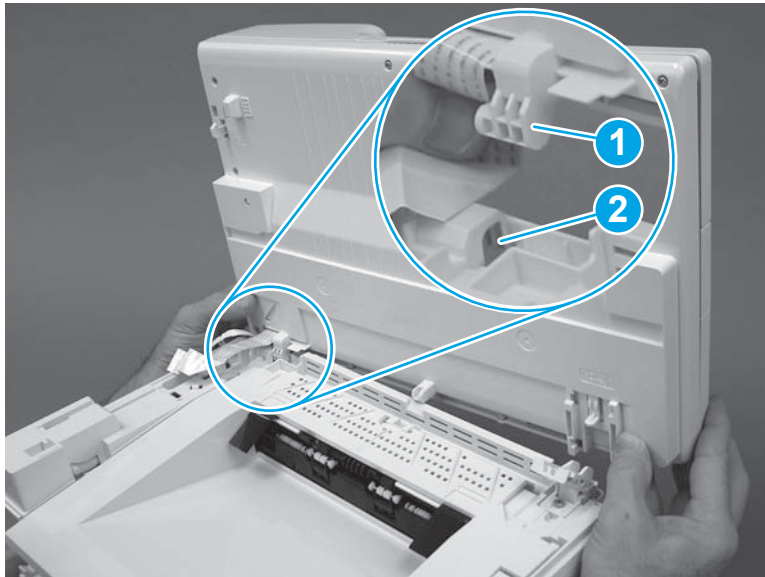
1. Position the scanner assembly (callout 1) near the printer.

Figure 1-853 Install the scanner assembly (MFP)



2. Engage the left hinge (callout 1) with the top cover (callout 2).

Figure 1-854 Engage the left hinge (MFP)





3. Push the right side of the scanner assembly toward the front of the printer to engage the right hinge (callout 1). Make sure that the tab (callout 2) snaps into place.

**Figure 1-855** Engage the right hinge (MFP)



4. **4-in-1 models only:** Pass the flat cables (callouts 1/2) and the ground wire (callout 3) through the openings in the chassis, and then connect the two flat cables.

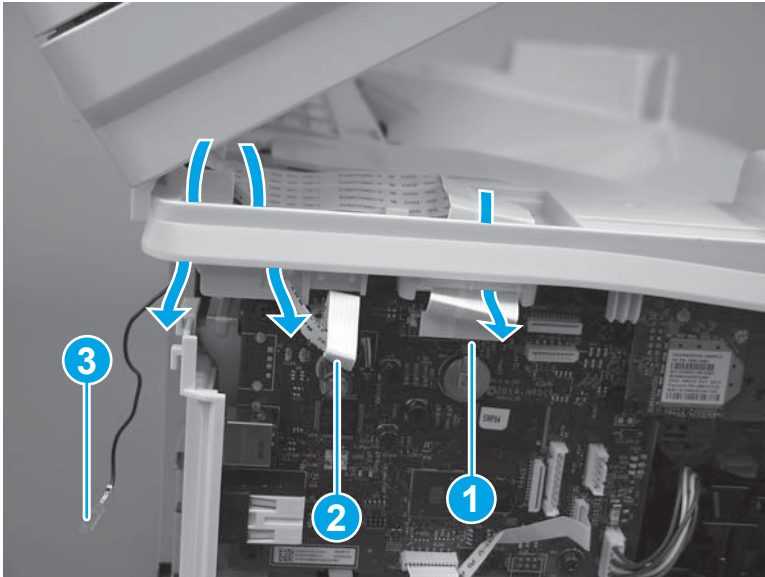
**3-in-1 models only:** Pass the flat cable (callout 1) through the opening in the chassis, and then connect one flat cable.

---

 **NOTE:** The 3-in-1 model does not have the small flat cable (callout 2) or a ground wire (callout 3).

---

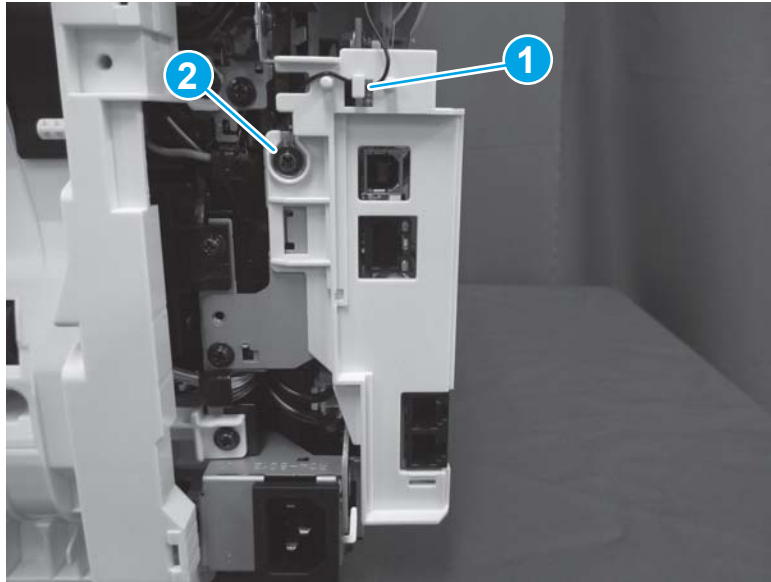
**Figure 1-856** Connect flat cable(s)





5. **4-in-1 models only:** Install the ground wire in the retainer (callout 1), and then install one screw (callout 2).

**Figure 1-857** Install the ground wire (4-in-1 models)

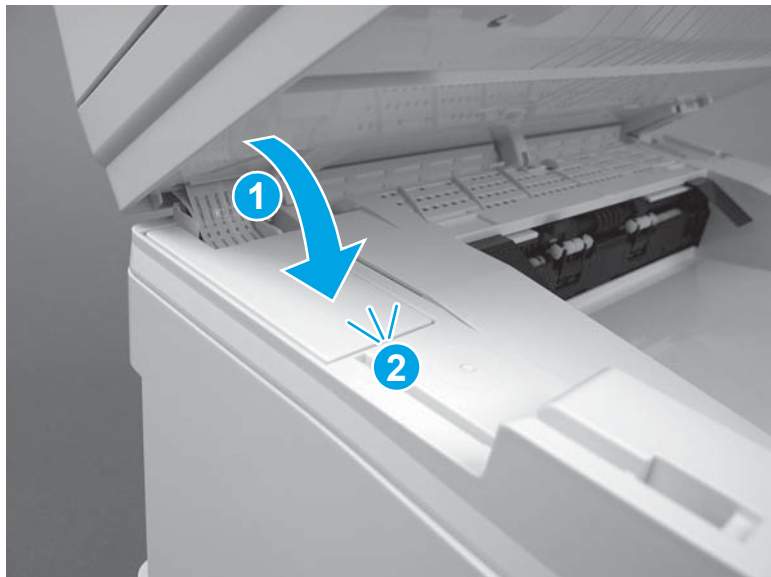


#### Step 24: Install the cable cover (MFP)

 **NOTE:** This step is for the MFP printers. For the SFP printers, skip this step and go to [Step 25: Install the left cover on page 540](#).

1. Install the cable cover (callout 1), on the printer, and then push down to engage one tab (callout 2).

**Figure 1-858** Install the cable cover (MFP)



2. Close the scanner assembly.

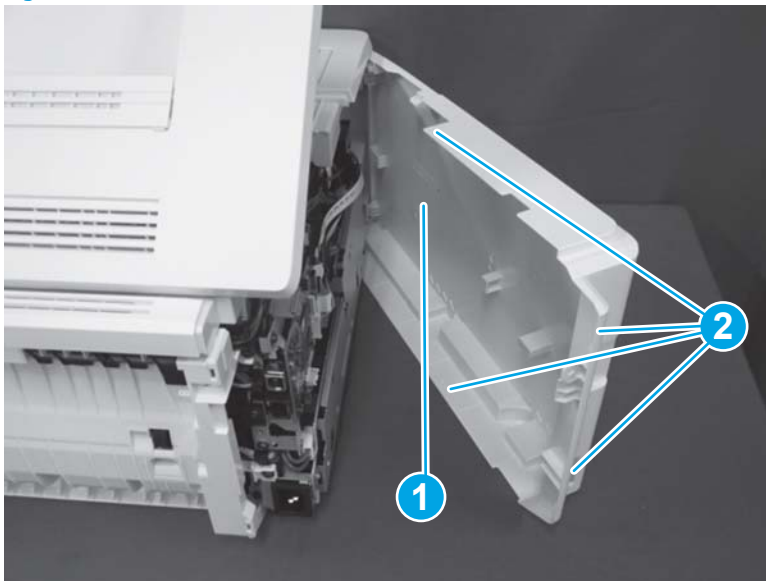
**Figure 1-859** Close the scanner assembly



### Step 25: Install the left cover

1. SFP: Do the following.
  - a. Open the cartridge door.
  - b. Position the left cover (callout 1) on the printer, and then engage four tabs (callout 2).

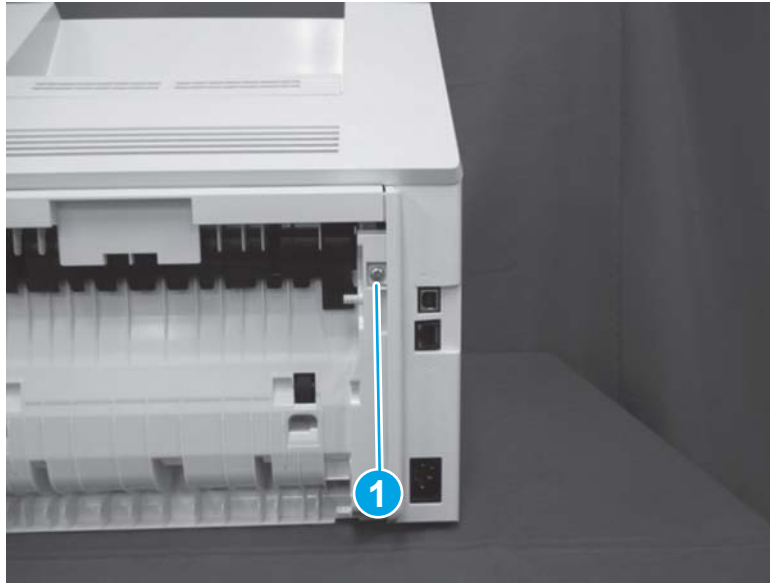
**Figure 1-860** Install the left cover (SFP)



- c. Close the cartridge door.

- d. Install one screw (callout 1).

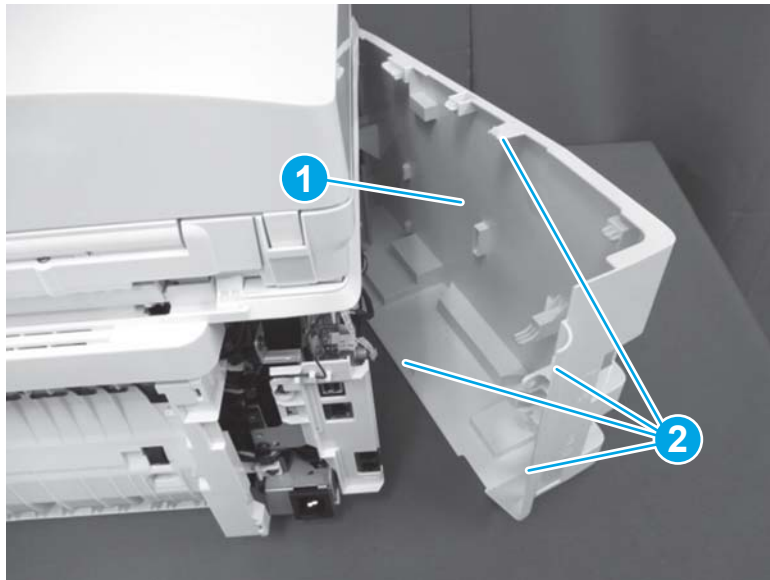
Figure 1-861 Install one screw (SFP)



2. MFP: Do the following.

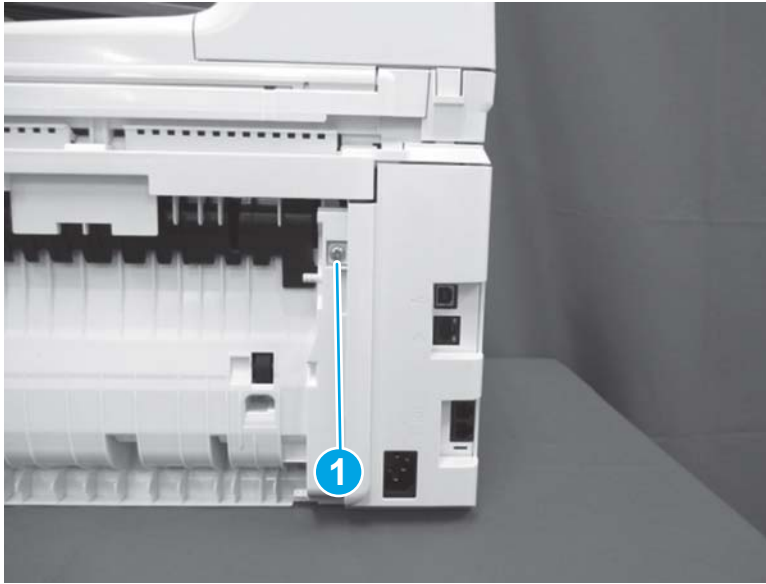
- a. Position the left cover (callout 1) on the printer, and then engage four tabs (callout 2).

Figure 1-862 Install the left cover (MFP)



- b. Install one screw (callout 1).

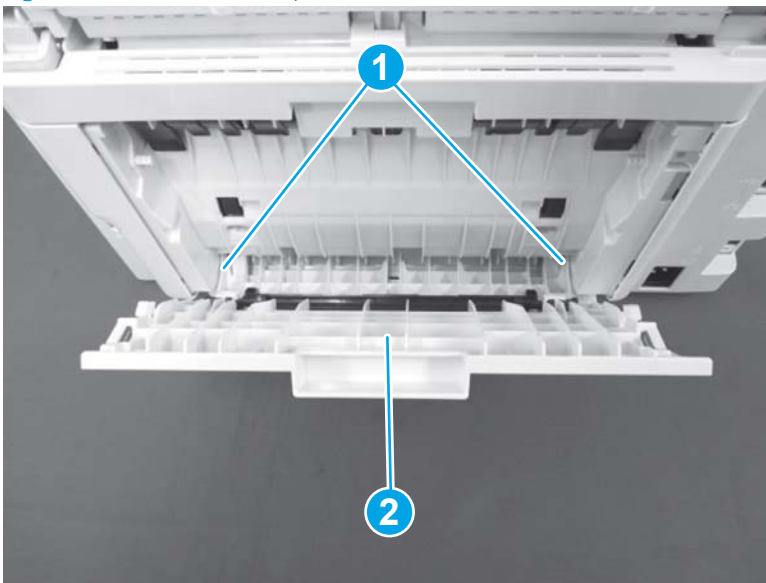
Figure 1-863 Install one screw (MFP)



#### Step 26: Install the duplex door

1. Install two tabs (callout 1) to install the duplex door (callout 2).

Figure 1-864 Install the duplex door

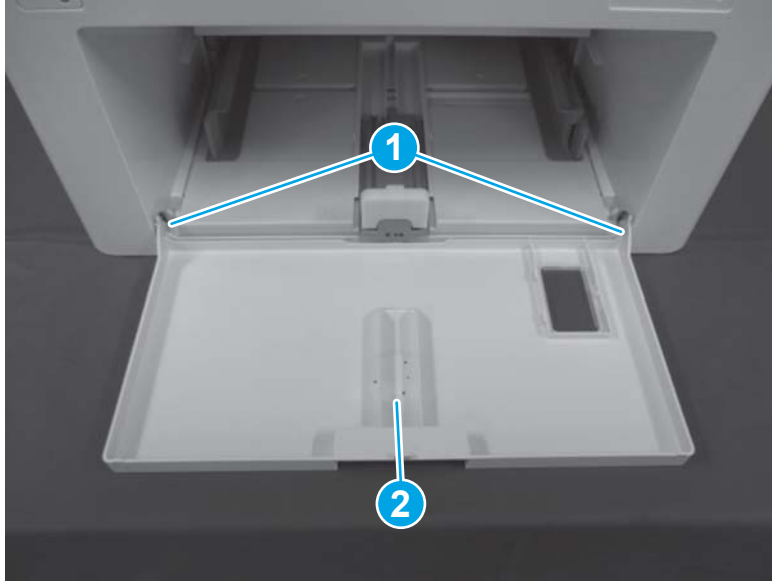


2. Close the duplex door.

#### Step 27: Install the multipurpose cover

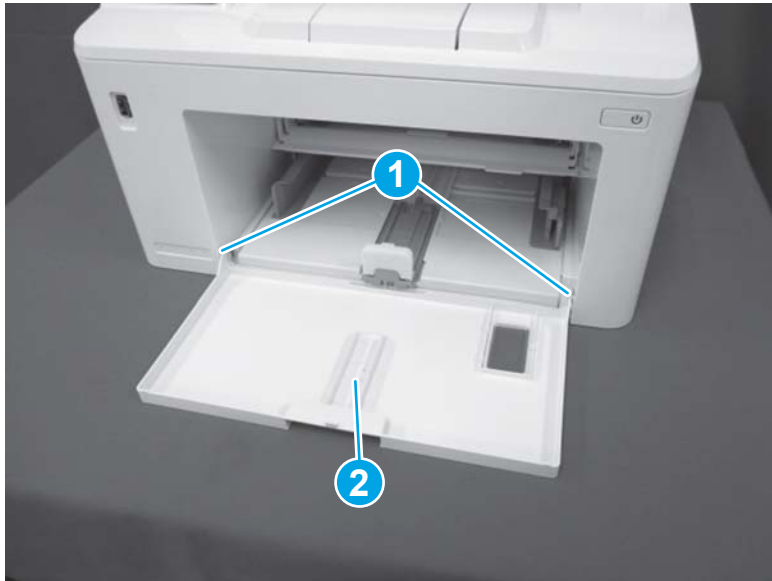
1. **SFP:** Engage two bosses (callout 1), to install the cover (callout 2).

Figure 1-865 Install the multipurpose cover (SFP)



2. MFP: Engage two bosses (callout 1) to install the cover (callout 2).

Figure 1-866 Install the multipurpose cover (MFP)



3. Close the multipurpose cover.

## Removal and replacement: Motor PCA

- [Introduction](#)
- [Step 1: Remove the multipurpose cover](#)
- [Step 2: Remove the duplex door](#)
- [Step 3: Remove the left cover](#)
- [Step 4: Remove the cable cover \(MFP\)](#)
- [Step 5: Remove the 3-in-1 or 4-in-1 scanner assembly \(MFP\)](#)
- [Step 6: Remove the right cover](#)
- [Step 7: Remove the top front cover](#)
- [Step 8: Remove the front cover](#)
- [Step 9: Remove the hinge assembly \(MFP\)](#)
- [Step 10: Remove the cartridge door \(MFP\)](#)
- [Step 11: Remove the top cover \(MFP\)](#)
- [Step 12: Remove the laser scanner cover](#)
- [Step 13: Remove the motor PCA](#)
- [Step 14: Unpack the replacement assembly](#)
- [Step 15: Install the motor PCA](#)
- [Step 16: Install the laser scanner cover](#)
- [Step 17: Install the top cover \(MFP\)](#)
- [Step 18: Install the cartridge door \(MFP\)](#)
- [Step 19: Install the hinge assembly \(MFP\)](#)
- [Step 20: Install the front cover](#)
- [Step 21: Install the top front cover](#)
- [Step 22: Install the right cover](#)
- [Step 23: Install the 3-in-1 or 4-in-1 scanner assembly \(MFP\)](#)
- [Step 24: Install the cable cover \(MFP\)](#)
- [Step 25: Install the left cover](#)
- [Step 26: Install the duplex door](#)
- [Step 27: Install the multipurpose cover](#)

### Introduction


This document provides the procedures to remove and replace the motor PCA.

## Before performing service



### Turn the printer power off

- Disconnect the power cable.

---

 **WARNING!** To avoid damage to the printer, turn the printer off, wait 30 seconds, and then remove the power cable before attempting to service the printer.

---

 **CAUTION:**  This part contains components that are electrostatic discharge (ESD) sensitive. To reduce the possibility of ESD damage, always touch the sheet-metal chassis to ground yourself before touching an ESD sensitive part.

---

Use the table below to identify the correct part number for your printer. To order the part, go to [www.hp.com/buy/parts](http://www.hp.com/buy/parts).

---

Motor PCA part number	
RM2-8351-000CN	Motor PCA

---

### Required tools

- #2 Phillips screwdriver with a magnetic tip.
- Small flat-blade screwdriver

### After performing service

#### Turn the printer power on

- Connect the power cable.
- Use the power switch to turn the power on.

#### Post service test

**MFP:** Verify that the document feeder and the flatbed scanner are correctly functioning (copy a page).

Send a print job from the host computer (or print a configuration report). Verify that the page prints.

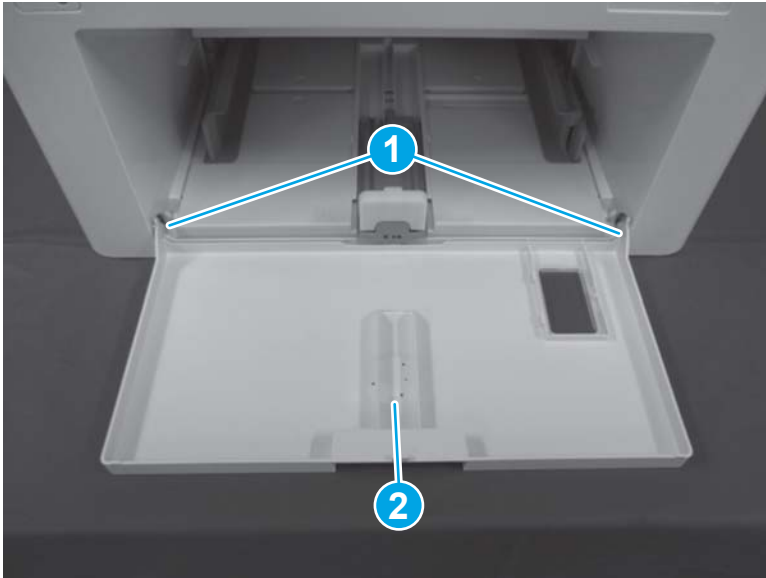
### Step 1: Remove the multipurpose cover

1. Open the multipurpose cover.

2. **SFP:** Release two bosses (callout 1), and then remove the cover (callout 2).

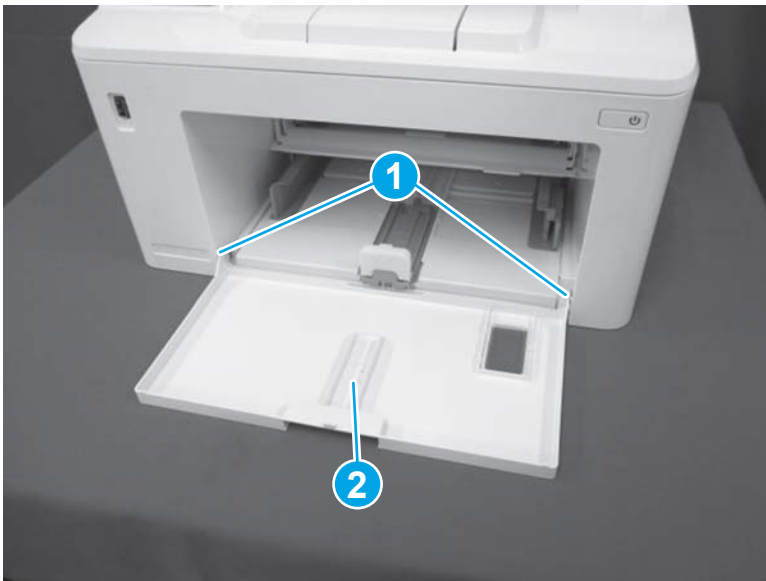
 **TIP:** It might be easier to remove the cover if the right boss is released first, and then lower the right-side of the cover to release the left-side boss.

**Figure 1-867** Remove the multipurpose cover (SFP)



3. **MFP:** Release two bosses (callout 1), and then remove the cover (callout 2).

**Figure 1-868** Remove the multipurpose cover (MFP)



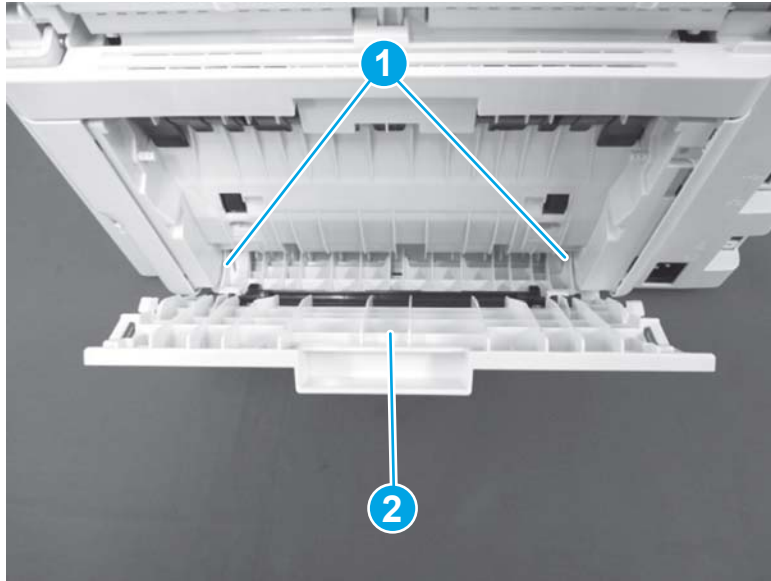
## Step 2: Remove the duplex door

1. Open the duplex door.



2. Use a small flat-blade screwdriver to release two tabs (callout 1), and then remove the duplex door (callout 2).

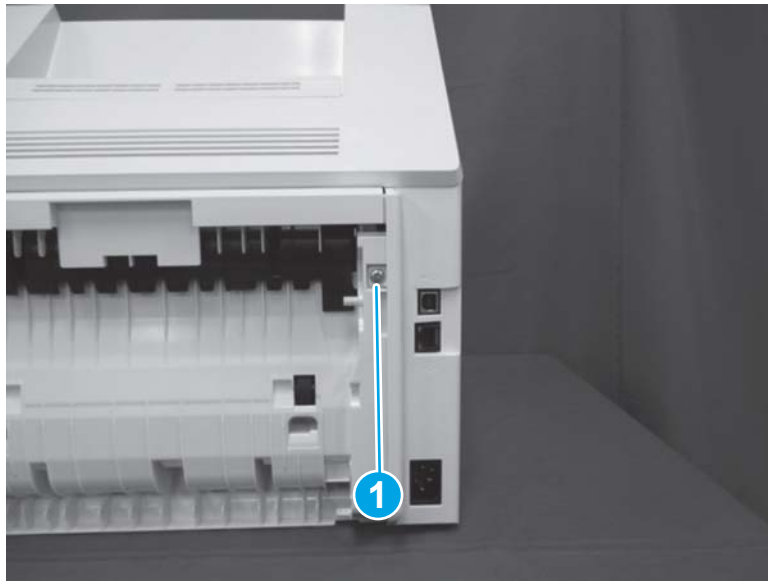
Figure 1-869 Remove the duplex door



### Step 3: Remove the left cover

1. SFP: Do the following.
  - a. Remove one screw (callout 1).

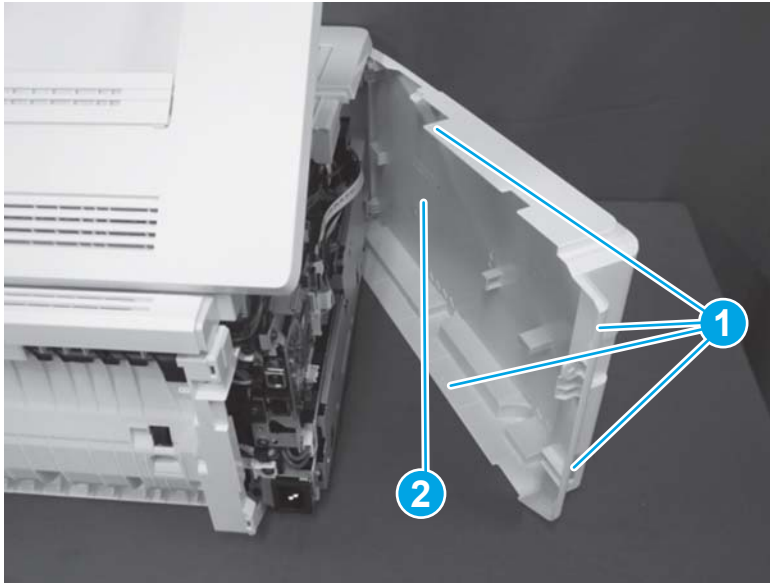
Figure 1-870 Remove one screw (SFP)



- b. Open the cartridge door.

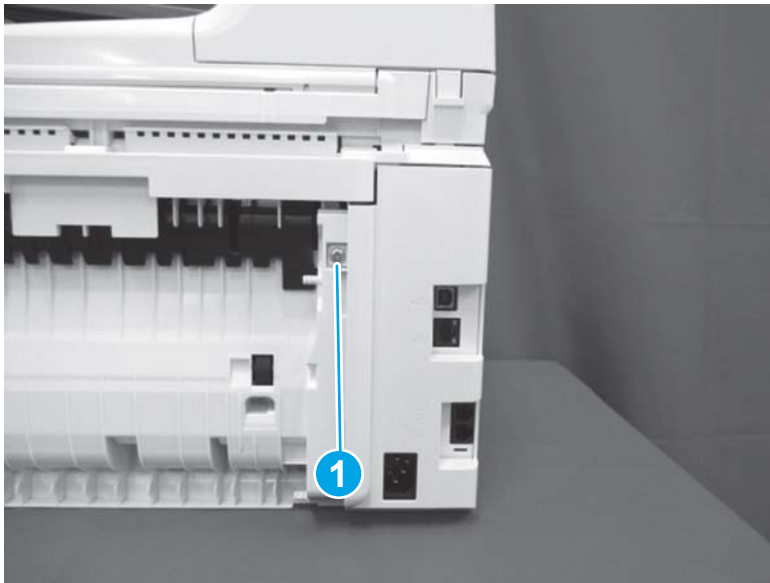
- c. Release four tabs (callout 1), and then remove the left cover (callout 2).

Figure 1-871 Remove the left cover (SFP)



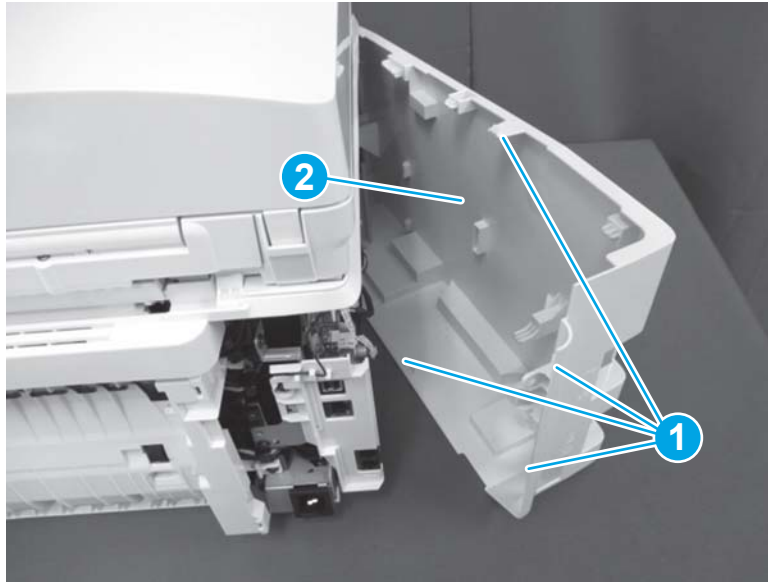
- 2. MFP: Do the following.
  - a. Remove one screw (callout 1).

Figure 1-872 Remove one screw (MFP)



- b. Release four tabs (callout 1), and then remove the left cover (callout 2).

**Figure 1-873** Remove the left cover (MFP)



#### Step 4: Remove the cable cover (MFP)

 **NOTE:** This step is for the MFP printers. For the SFP printers, skip this step and go to [Step 6: Remove the right cover on page 552](#).

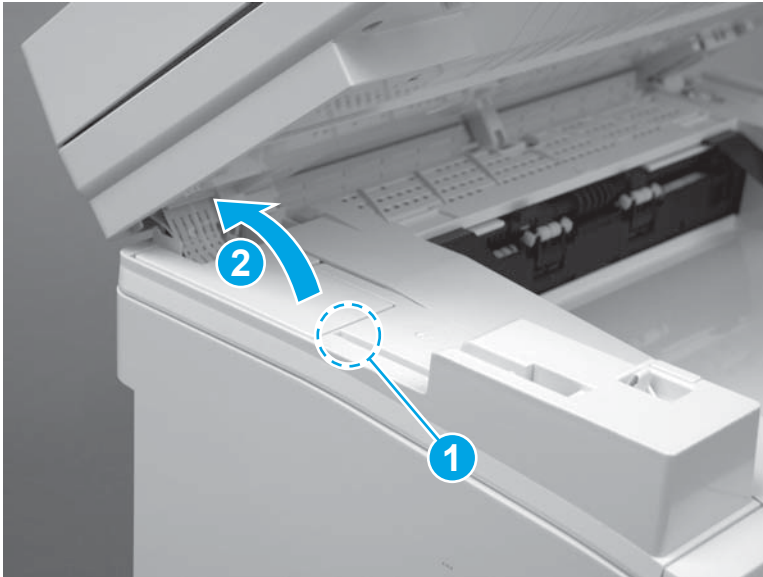
1. Open the scanner assembly.

**Figure 1-874** Open the scanner assembly




2. Use a small flat-blade screw driver to release one tab (callout 1), and then remove the cable cover (callout 2).

**Figure 1-875** Remove the cable cover (MFP)



#### Step 5: Remove the 3-in-1 or 4-in-1 scanner assembly (MFP)

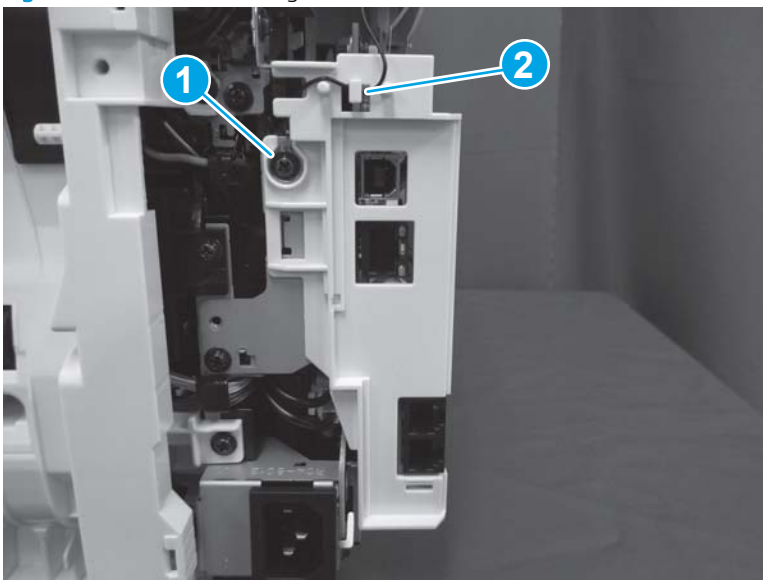
 **NOTE:** This step is for the MFP printers. For the SFP printers, skip this step and go to [Step 6: Remove the right cover on page 552](#).

 **NOTE:** The 4-in-1 scanner assembly supports the document feeder. The 3-in-1 scanner assembly does not support the document feeder.

The figures in this procedure show a 4-in-1 printer. However, the procedure is correct for 3-in-1 printers.

1. **4-in-1 models only:** Remove one screw (callout 1), and then release the ground wire from the retainer (callout 2).

**Figure 1-876** Release the ground wire (4-in-1 models)

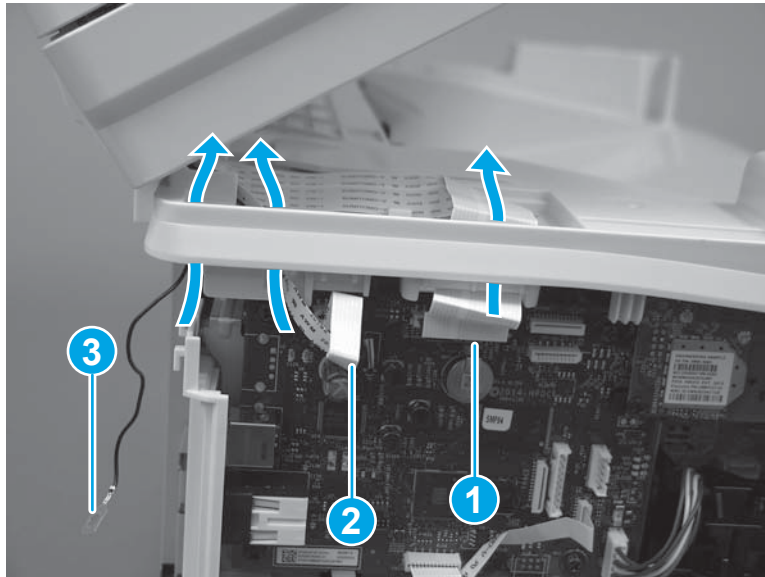


2. **4-in-1 models only:** Disconnect two flat cables (callouts 1/2), and then pass the flat cables and the ground wire (callout 3) up through the opening in the chassis.

**3-in-1 models only:** Disconnect one flat cable (callout 1), and then pass the flat cable through the opening in the chassis.

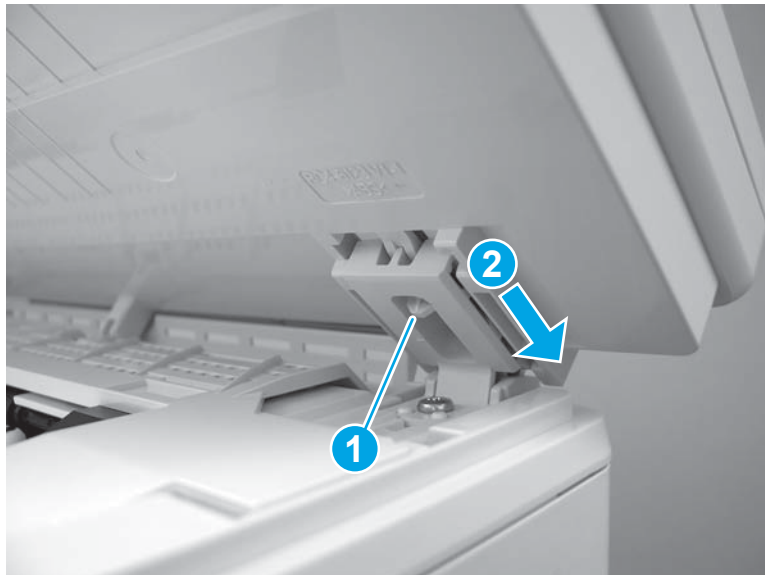
 **NOTE:** The 3-in-1 model does not have the small flat cable (callout 2) or a ground wire (callout 3).

Figure 1-877 Disconnect flat cable(s)



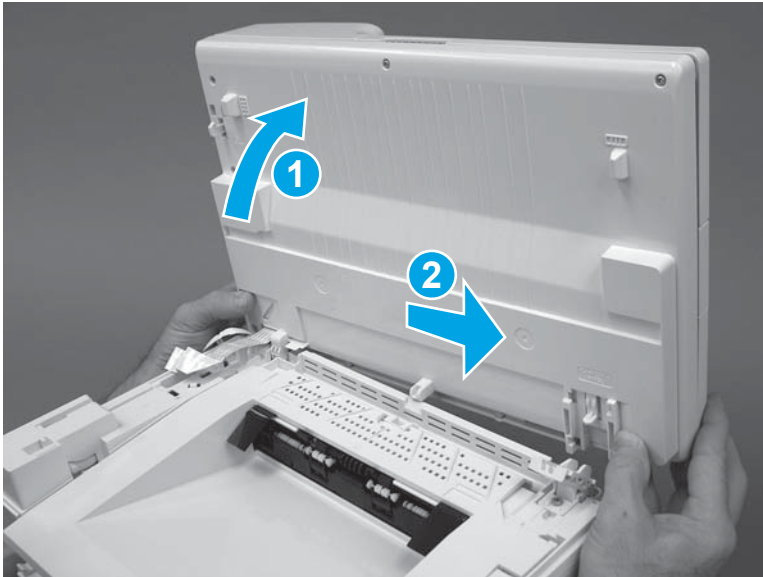
3. Release one tab (callout 1), and then push the right side of the scanner assembly toward the rear of the printer to release the right hinge (callout 2).

Figure 1-878 Release the right hinge



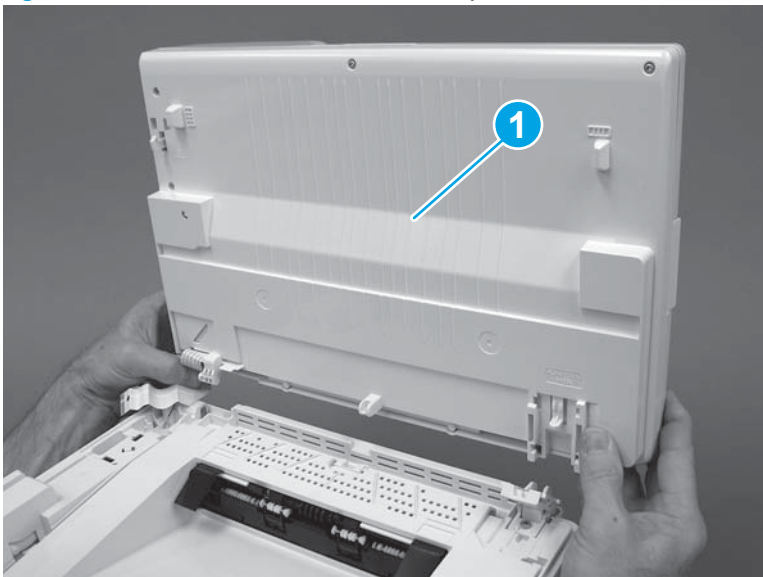
4. Rotate the scanner assembly towards the rear of the printer (callout 1), and then slide the scanner assembly toward the right side of the printer to release the left hinge (callout 2).

Figure 1-879 Release the left hinge



5. Remove the scanner assembly (callout 1).

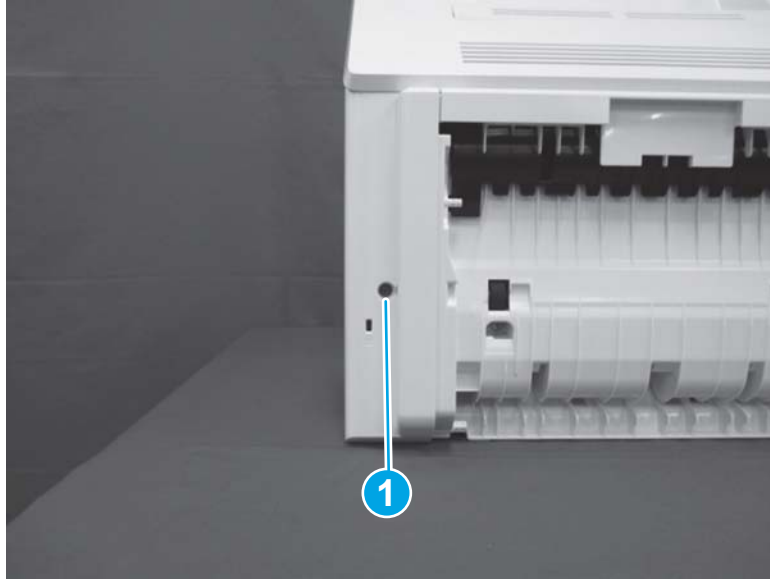
Figure 1-880 Remove the scanner assembly



#### Step 6: Remove the right cover

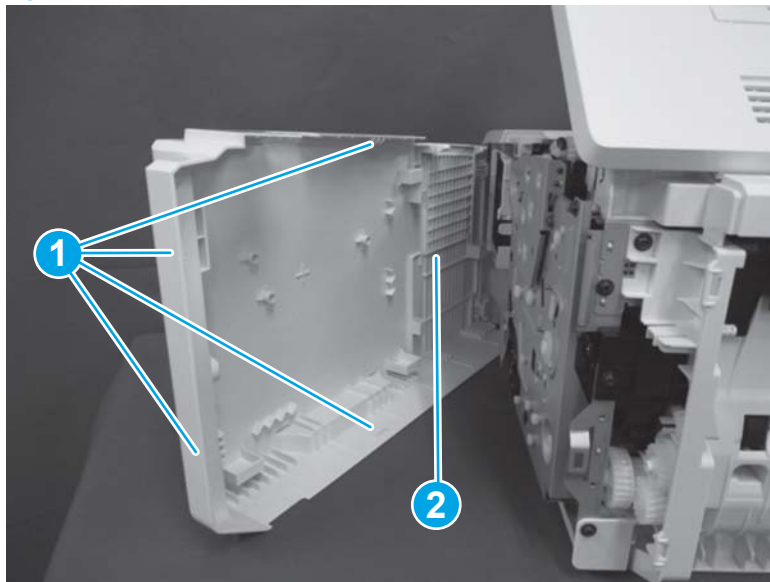
1. **SFP:** Do the following.
  - a. Remove one screw (callout 1).

Figure 1-881 Remove one screw (SFP)



- b. Open the cartridge door.
- c. Release four tabs (callout 1), and then remove the right cover (callout 2).

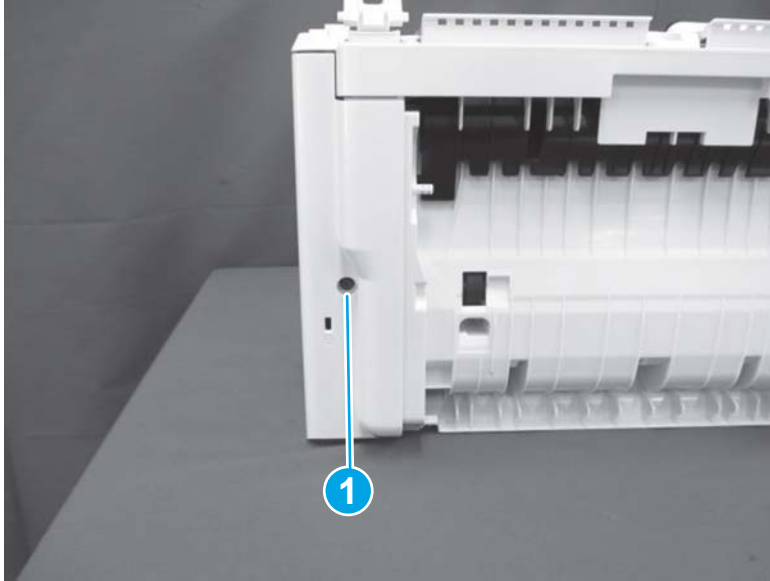
Figure 1-882 Remove the right cover (SFP)



- 2. MFP: Do the following.
  - a. Remove one screw (callout 1).

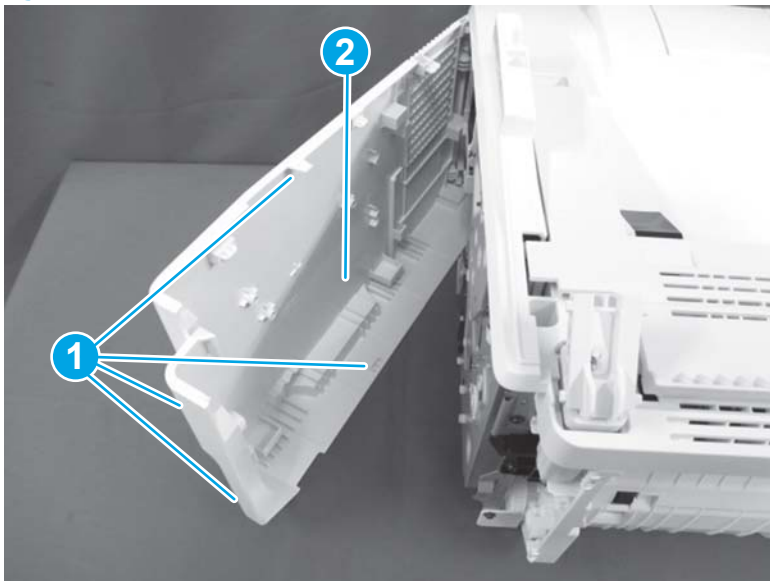


Figure 1-883 Remove one screw (MFP)



- b. Release four tabs (callout 1), and then remove the right cover (callout 2).

Figure 1-884 Remove the right cover (MFP)

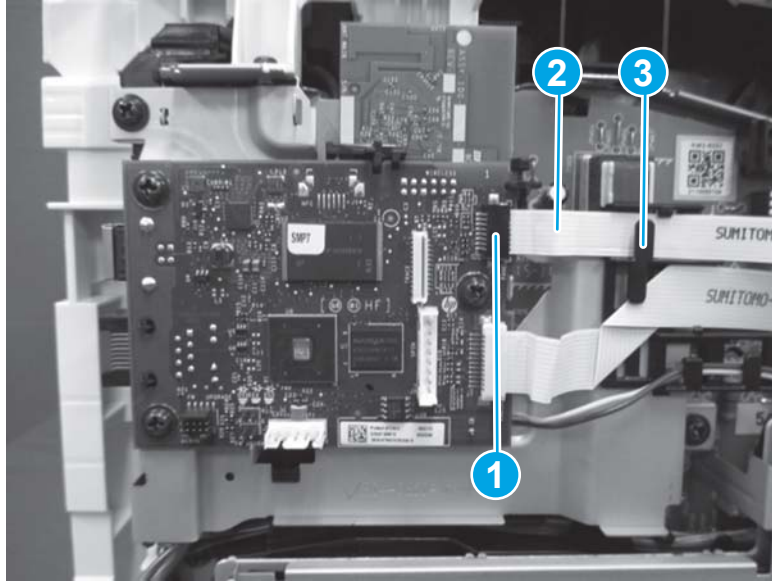


#### Step 7: Remove the top front cover

1. **SFP:** Do the following.
  - a. Disconnect one connector (callout 1) on the formatter, and then release the cable (callout 2) from the cable guide (callout 3).

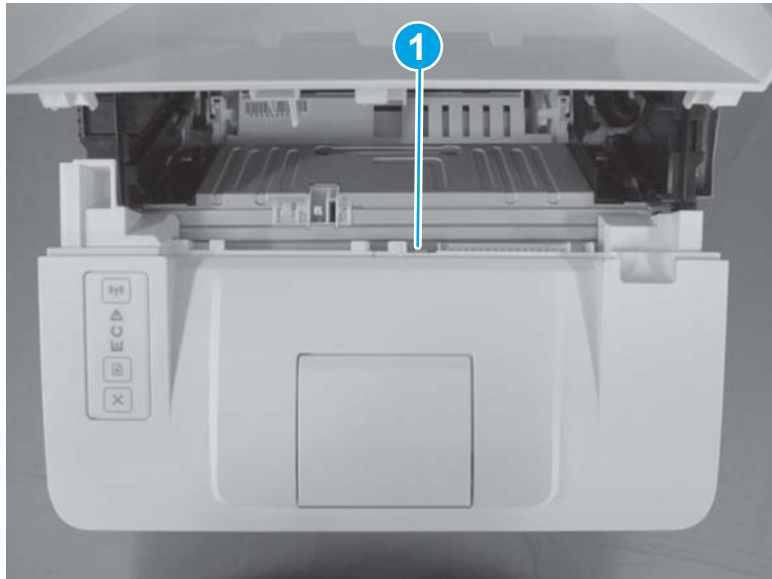


Figure 1-885 Disconnect one connector



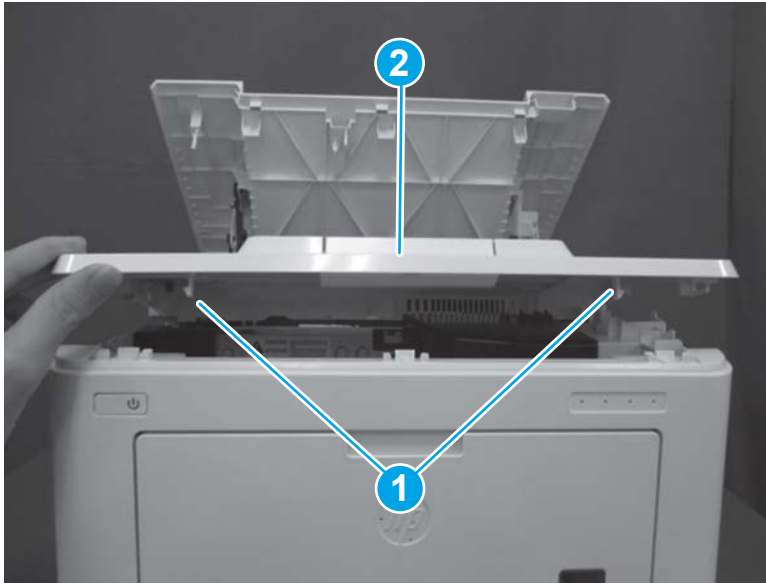
- b. Open the cartridge door, and then release one tab (callout 1) on the top of the cover.

Figure 1-886 Release one tab



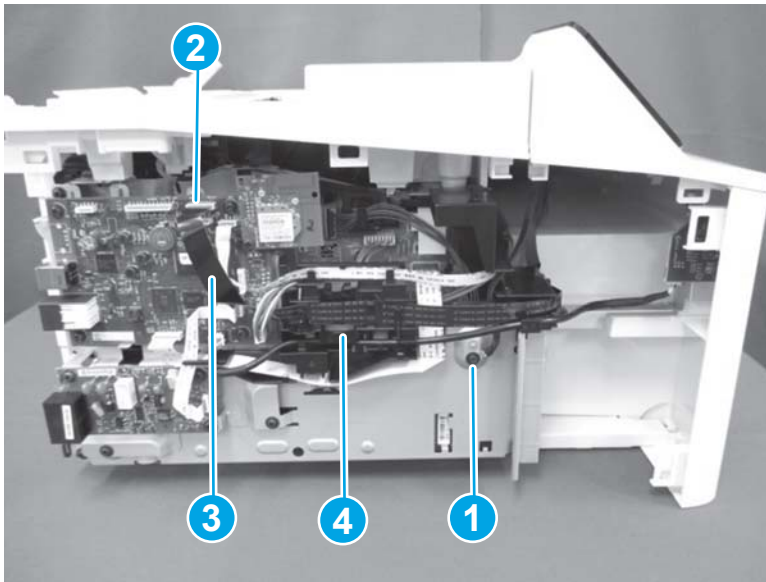
- c. Release two tabs (callout 1), and then remove the top front cover (callout 2).

Figure 1-887 Release two tabs and remove the cover



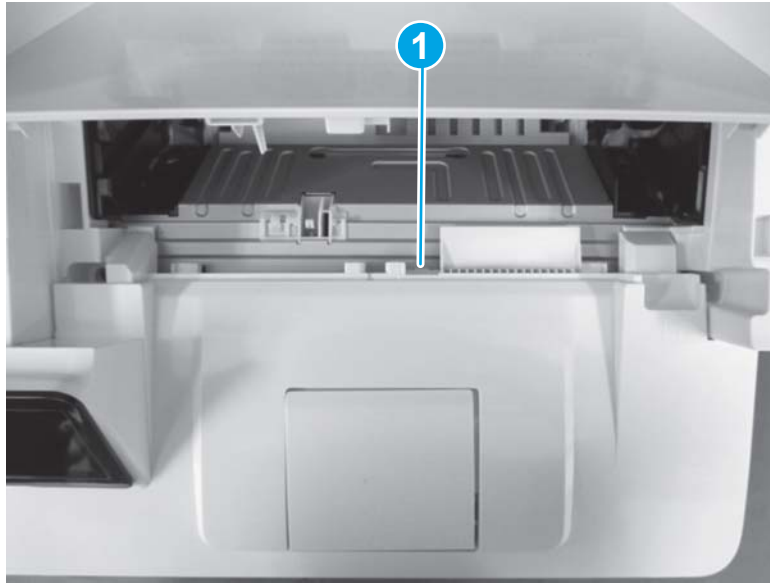
2. **MFP:** Do the following.
  - a. Remove one screw (callout 1) to release one cable. Disconnect one connector (callout 2), and then remove the cable (callout 3) from the cable guide (callout 4).

Figure 1-888 Disconnect connector and release cable



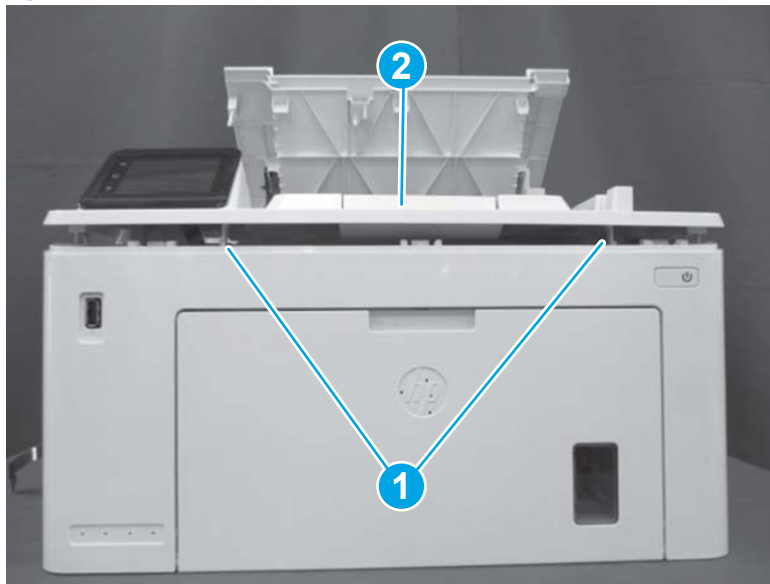
- b. Open the cartridge door, and then release one tab (callout 1).

Figure 1-889 Release one tab



- c. Release two tabs (callout 1), and then remove the top front cover (callout 2).

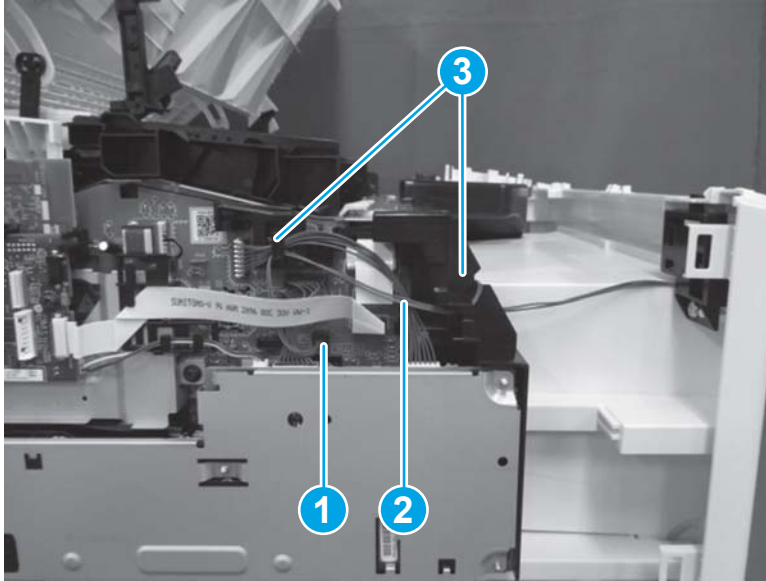
Figure 1-890 Release two tabs and remove the cover



### Step 8: Remove the front cover

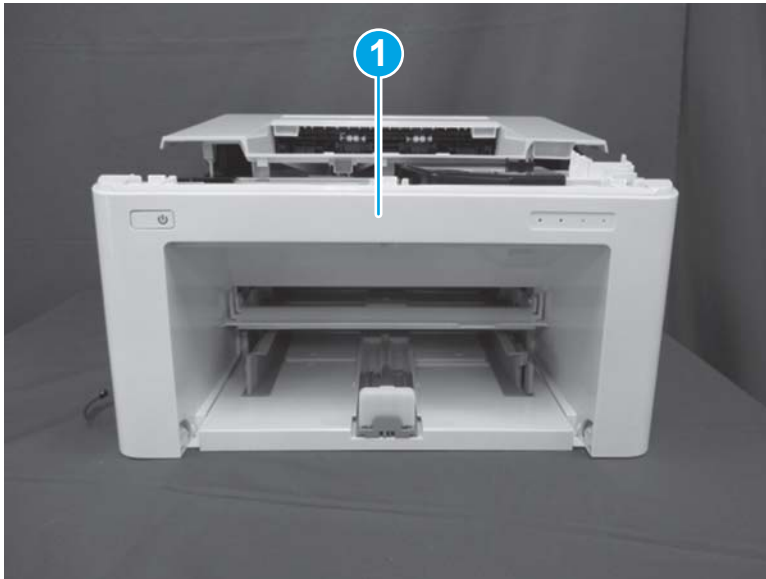
1. **SFP:** Do the following.
  - a. Disconnect one connector (callout 1), and then remove the cable (callout 2) from the cable guide (callout 3).

Figure 1-891 Disconnect connector (SFP)



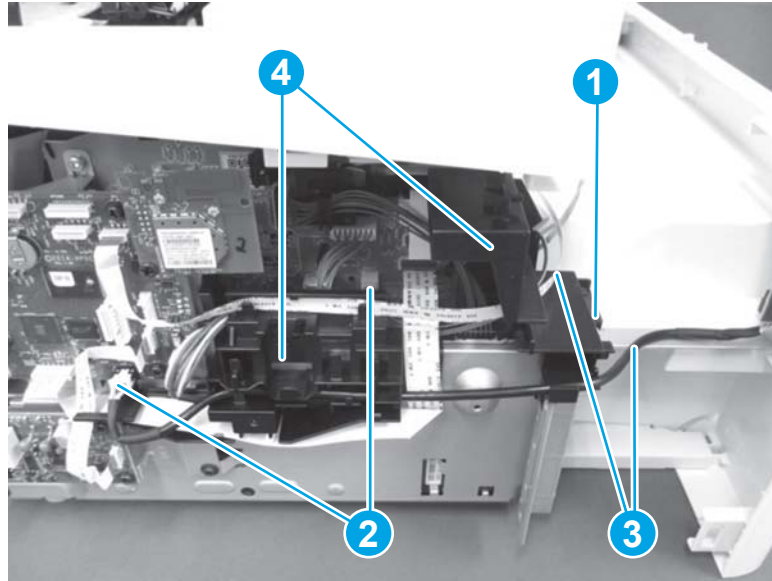
- b. Slide the front cover (callout 1) away from the printer to remove it.

Figure 1-892 Remove the front cover (SFP)



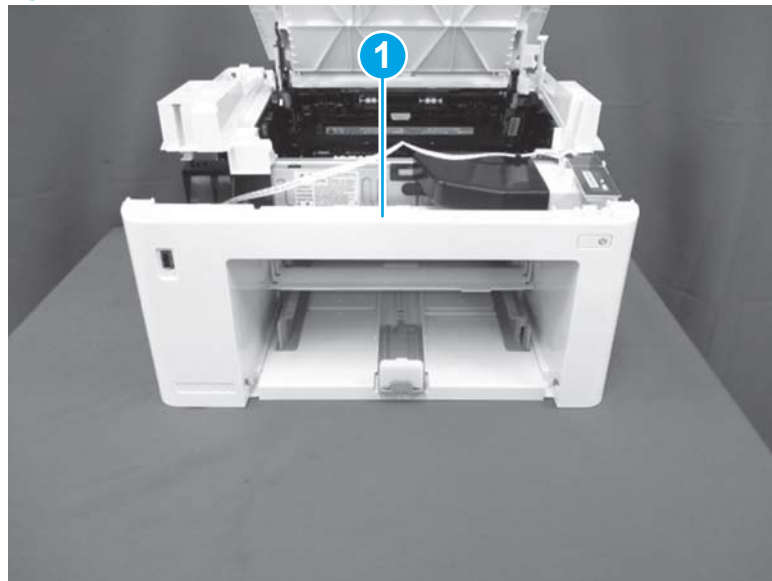
- 2. **MFP:** Do the following.
  - a. Remove one screw (callout 1). Disconnect two connectors (callout 2), and then release the cables (callout 3) from the cable guide (callout 4).

Figure 1-893 Disconnect connectors (MFP)



- b. Slide the front cover (callout 1) away from the printer to remove it.

Figure 1-894 Remove the front cover (MFP)

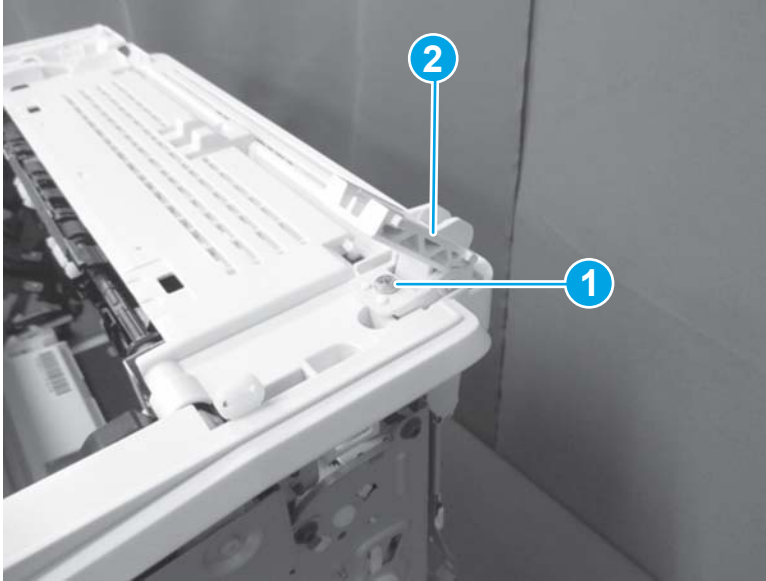


### Step 9: Remove the hinge assembly (MFP)

 **NOTE:** This step is for the MFP printers. For the SFP printers, skip this step and go to [Step 13: Remove the motor PCA on page 567](#).

- ▲ Remove one screw (callout 1), and then remove the hinge assembly (callout 2).

**Figure 1-895** Remove the hinge assembly (MFP)

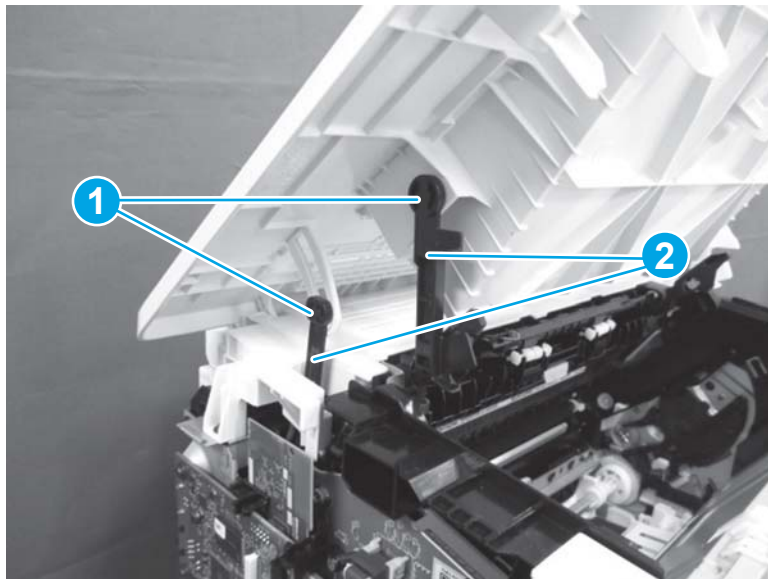


### Step 10: Remove the cartridge door (MFP)

 **NOTE:** This step is for the MFP printers. For the SFP printers, skip this step and go to [Step 13: Remove the motor PCA on page 567](#).

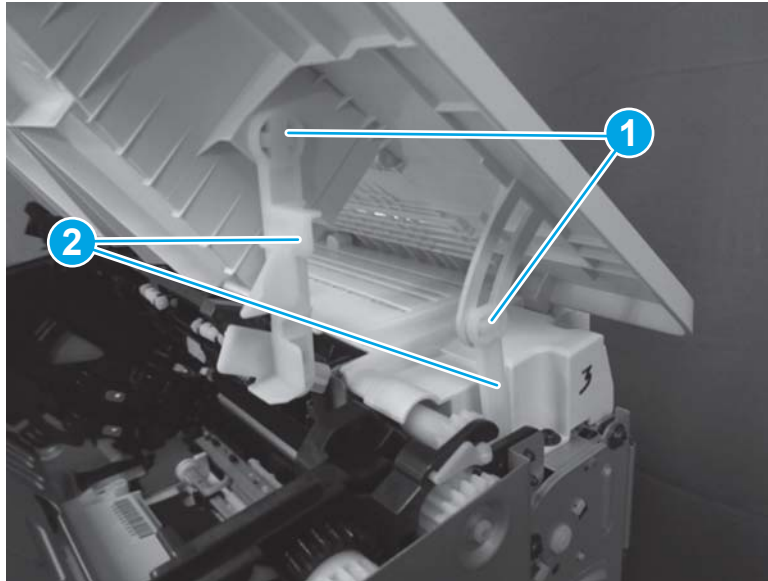
1. SFP: Do the following.
  - a. Open the cartridge door. On the left side of the printer, release two tabs (callout 1), and then disconnect two link arms (callout 2).

**Figure 1-896** Disconnect left link arms (SFP)



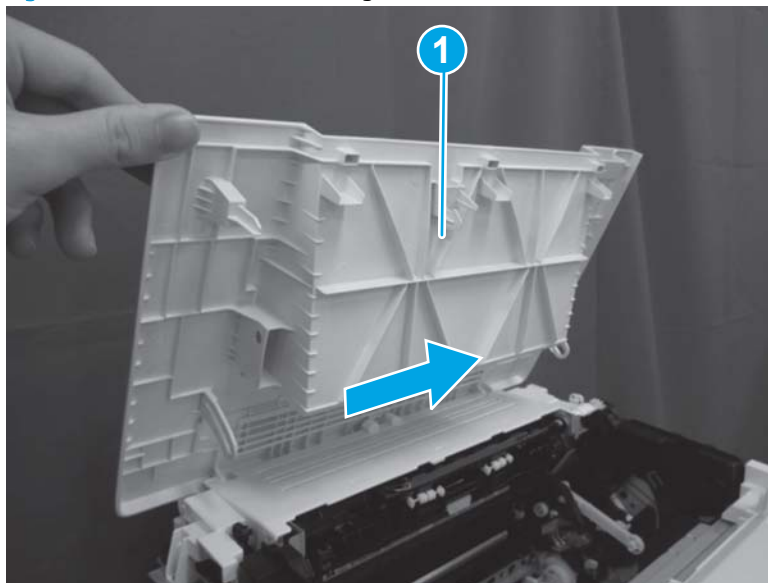
- b. On the right side of the printer, release two tabs (callout 1), and then disconnect two link arms (callout 2).

**Figure 1-897** Disconnect right link arms (SFP)



- c. Fully open the cartridge door (callout 1), and then slide it towards the right-side of the printer to remove it.

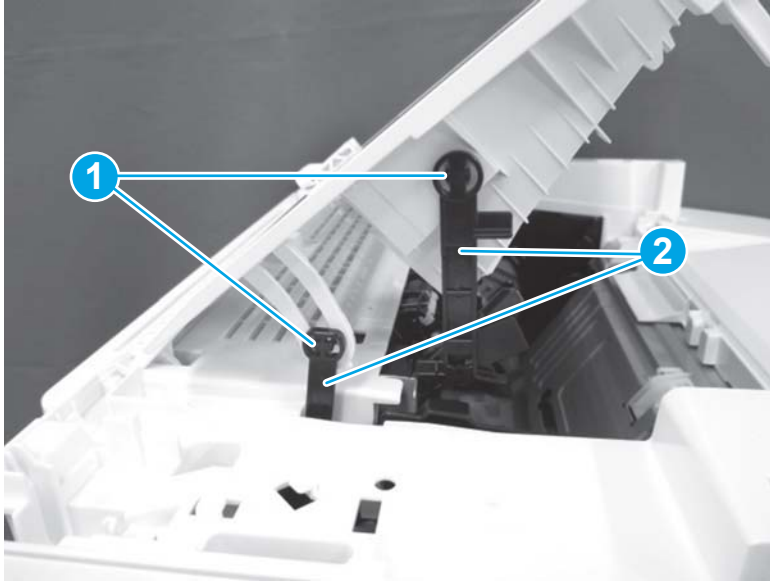
**Figure 1-898** Remove the cartridge door (SFP)



- 2. **MFP:** Do the following.
  - a. Open the cartridge door. On the left side of the printer, release two tabs (callout 1), and then disconnect two link arms (callout 2).

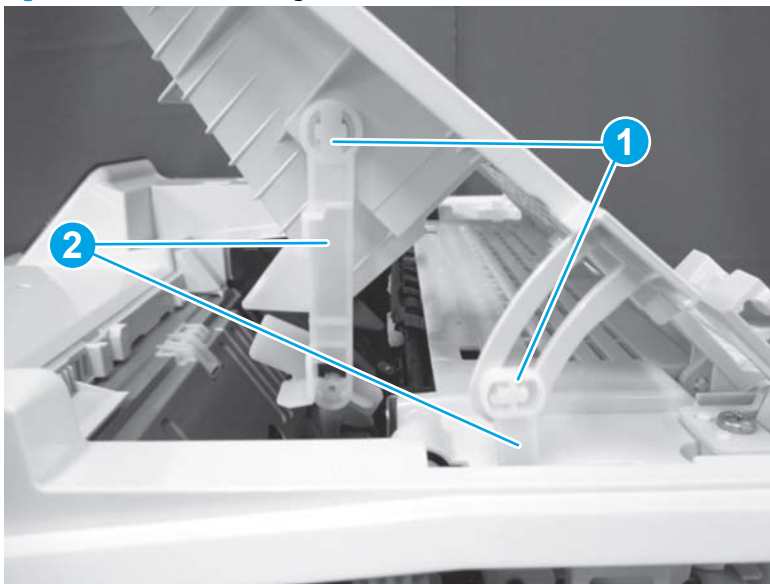


Figure 1-899 Disconnect left link arms (MFP)



- b. On the right side of the printer, release two tabs (callout 1), and then disconnect two link arms (callout 2).

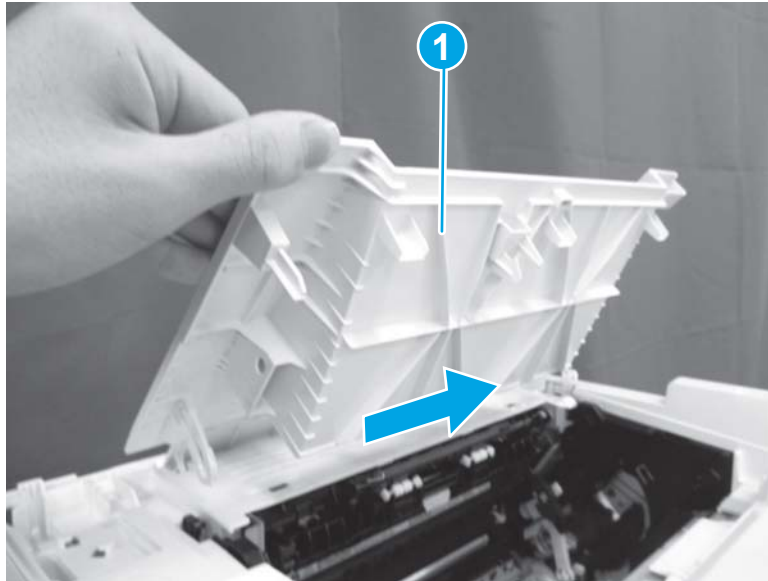
Figure 1-900 Disconnect right link arms (MFP)





- c. Fully open the cartridge door (callout 1), and then slide it towards the right-side of the printer to remove it.

**Figure 1-901** Remove the cartridge door (MFP)

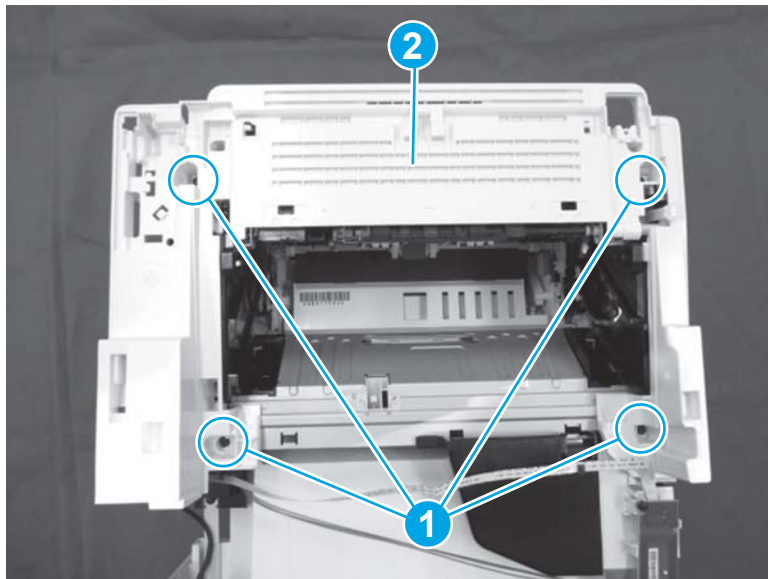


### Step 11: Remove the top cover (MFP)

 **NOTE:** This step is for the MFP printers. For the SFP printers, skip this step and go to [Step 13: Remove the motor PCA on page 567](#).

- ▲ Remove four screws (callout 1), and then remove the top cover (callout 2).

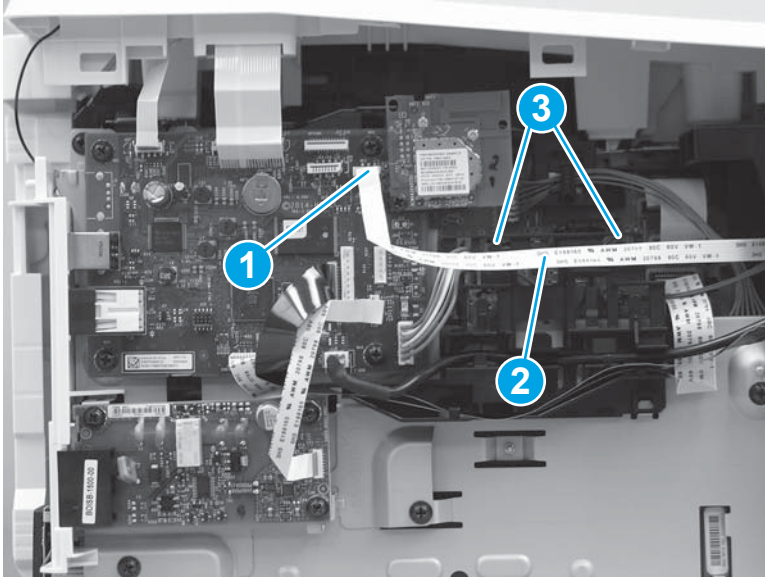
**Figure 1-902** Remove the top cover



### Step 12: Remove the laser scanner cover

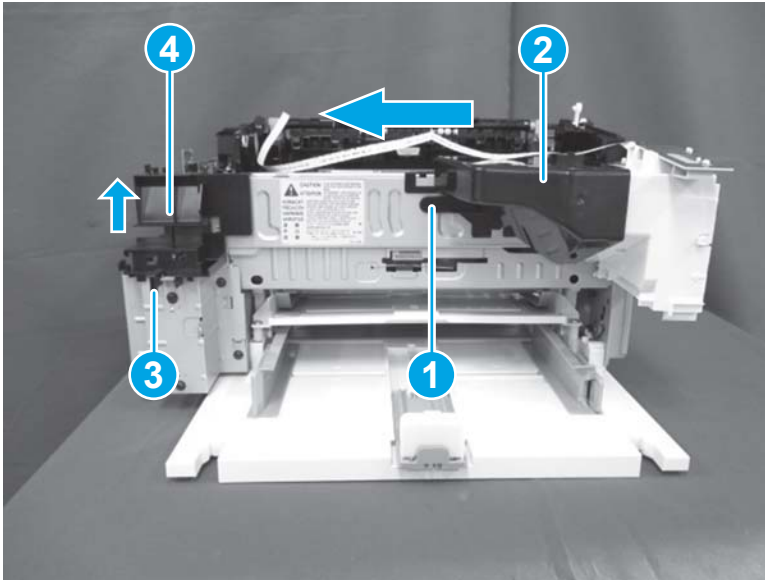
1. **MFP only:** Disconnect one connector (callout 1), and then remove the cable (callout 2) from the guide (callout 3).

Figure 1-903 Disconnect one connector (MFP)



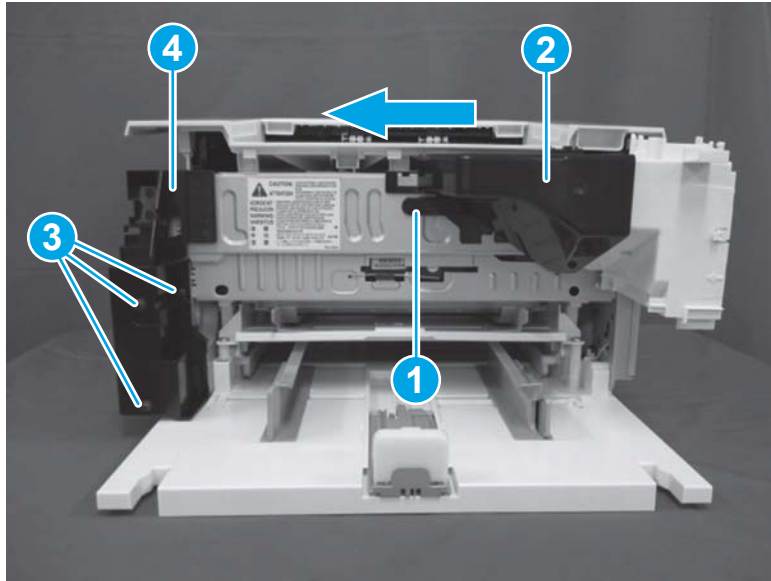
2. **MFP only:** Release one boss (callout 1), and then slide the fan duct (callout 2) to the left to remove it. Release one tab (callout 3), and then slide the inner cover (callout 4) up to remove it.

Figure 1-904 Remove the fan duct and cover (MFP)



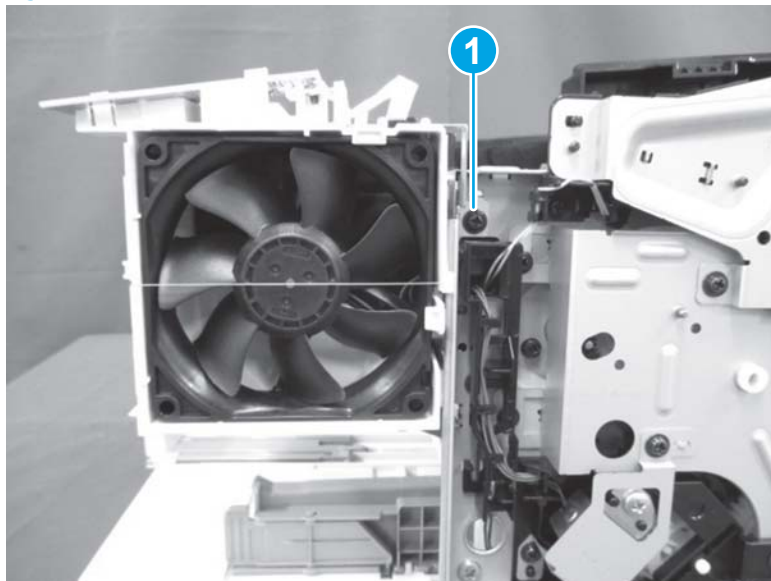
3. **SFP only:** Release one boss (callout 1), and then slide the fan duct (callout 2) to the left to remove it. Remove three screws (callout 3), and then remove the inner cover (callout 4).

Figure 1-905 Remove the fan duct and cover (SFP)



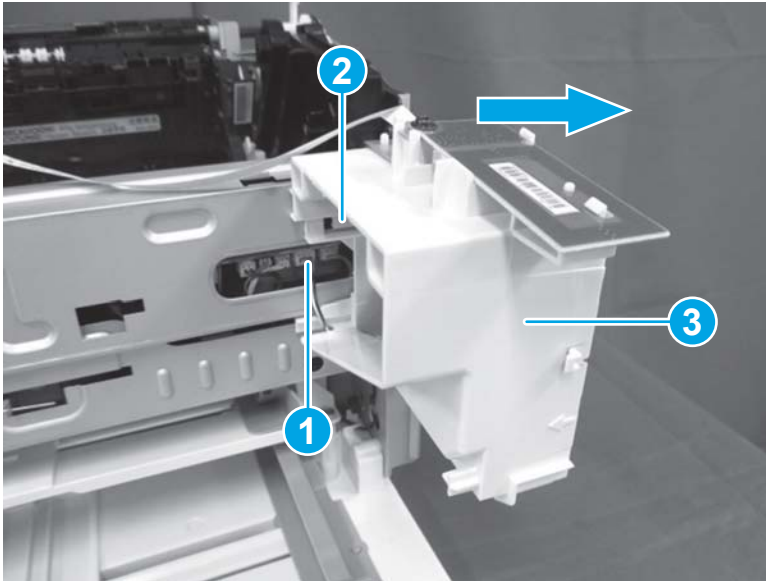
4. **MFP only:** Remove one screw (callout 1).

Figure 1-906 Remove one screw



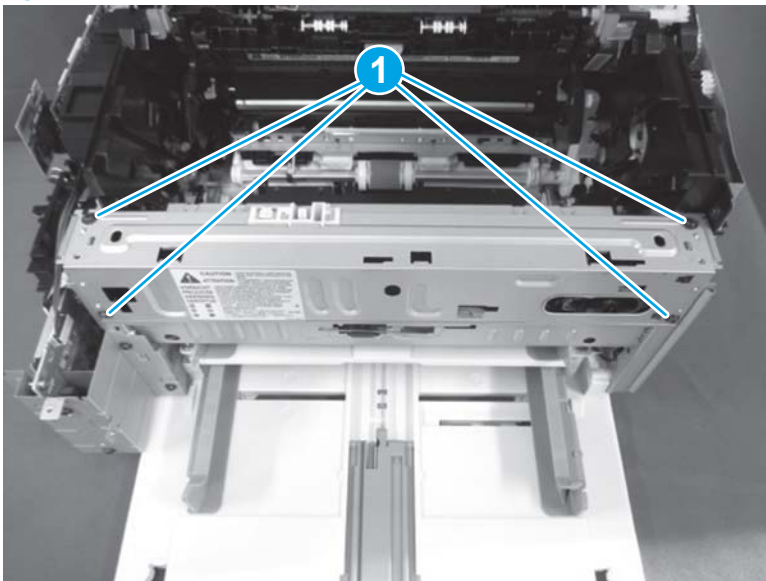
5. Disconnect one connector (callout 1), release one tab (callout 2), and then slide the fan holder (callout 3) to the right to remove it.

Figure 1-907 Remove the fan holder



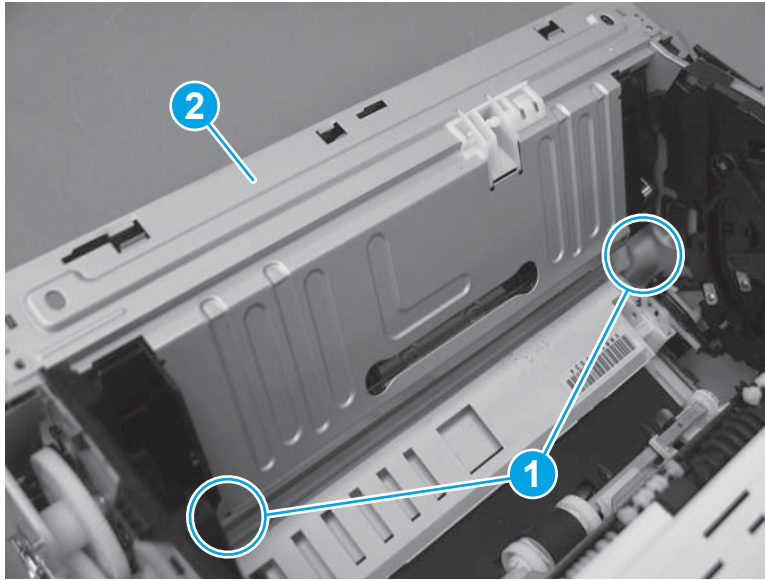
6. Remove four screws (callout 1).

Figure 1-908 Remove four screws



7. Release two tabs (callout 1), and then remove the laser scanner cover (callout 2).

Figure 1-909 Remove the laser scanner cover

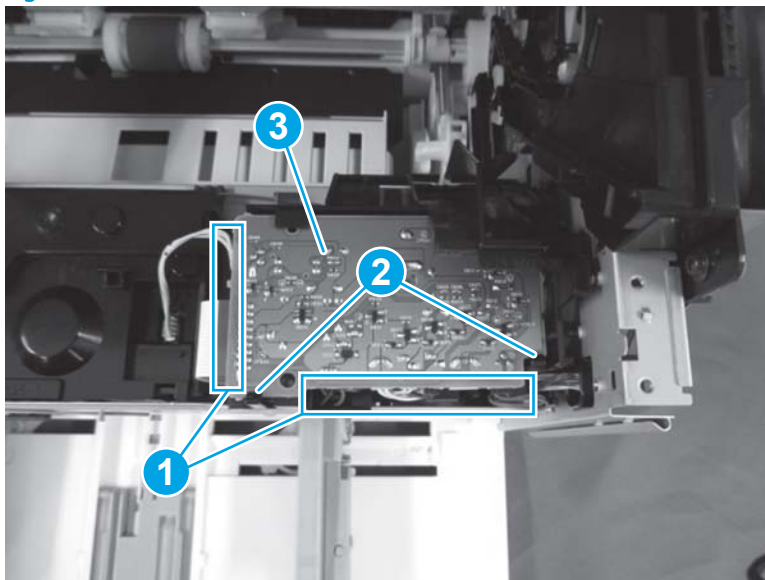


### Step 13: Remove the motor PCA

**CAUTION:**  ESD-sensitive part.

- ▲ Disconnect one flat cable and six connectors (callout 1). Release two tabs (callout 2), and then remove the motor PCA (callout 3).


Figure 1-910 Remove the motor PCA



### Step 14: Unpack the replacement assembly

1. Dispose of the defective part.

---

 **NOTE:** HP recommends responsible disposal of the defective part.


[www.hp.com/recycle](http://www.hp.com/recycle)

---



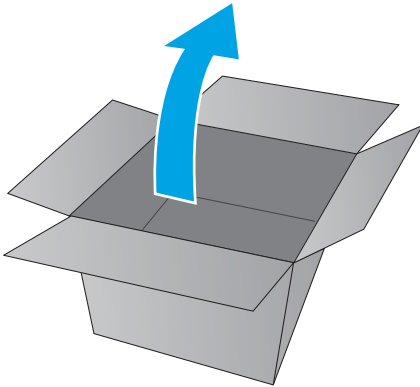
2. Unpack the replacement part from the packaging.

---

 **CAUTION:** If the replacement part is a roller or pad, avoid touching the spongy part of it. Skin oils on the roller or pad can cause paper pickup and/or print-quality problems. HP recommends using disposable gloves when handling rollers or pads or washing your hands or before touching rollers or pads.

 **IMPORTANT:** Make sure that all of the shipping materials (for example shipping tape) are removed from the replacement part prior to installation.

---



### Step 15: Install the motor PCA

---

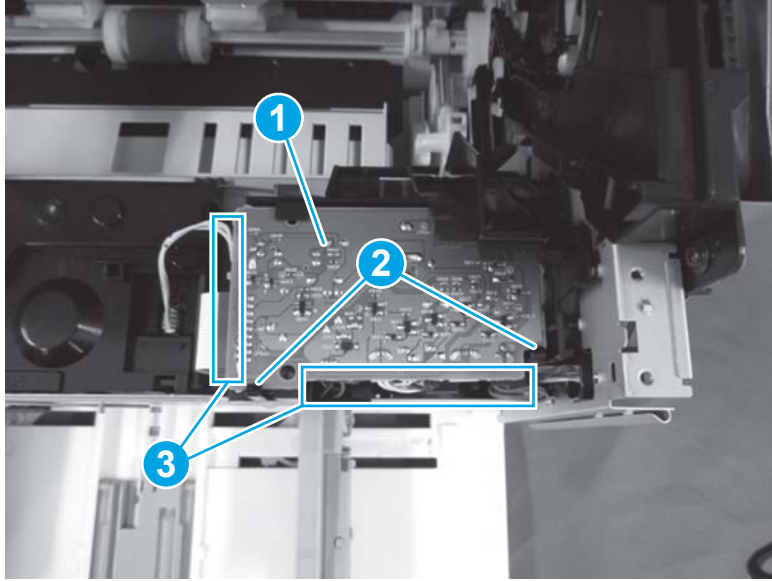
 **CAUTION:**  ESD-sensitive part.

---

- ▲ Position the motor PCA (callout 1) on the printer, and then engage two tabs (callout 2). Connect one flat cable and six connectors (callout 3).



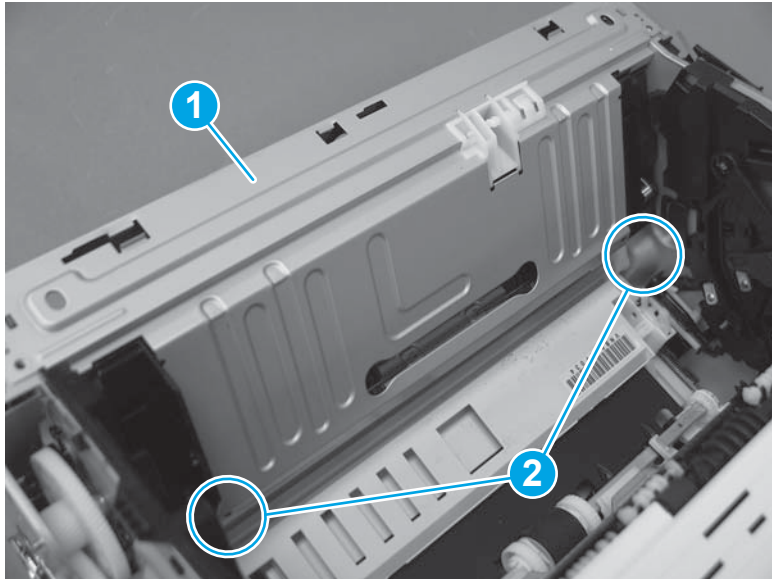
Figure 1-911 Install the motor PCA



Step 16: Install the laser scanner cover

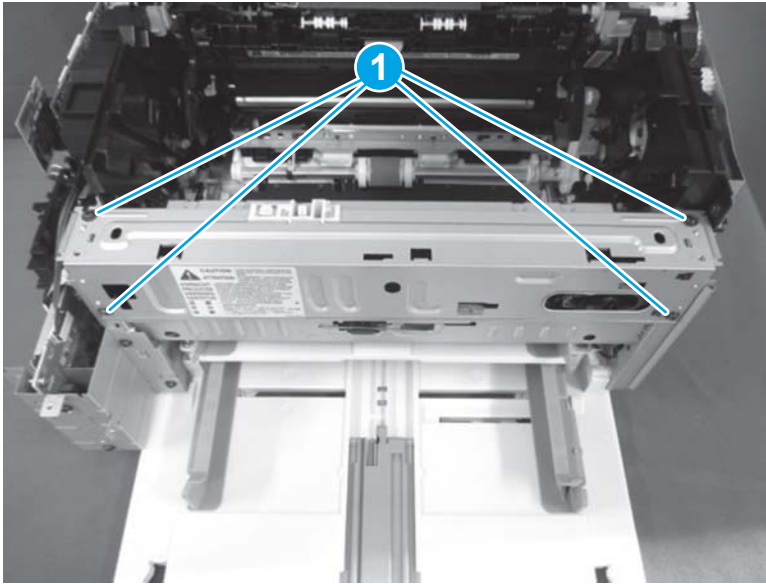
1. Install the laser scanner cover (callout 1). Make sure that the two tabs (callout 2) are engaged.

Figure 1-912 Install the laser scanner cover



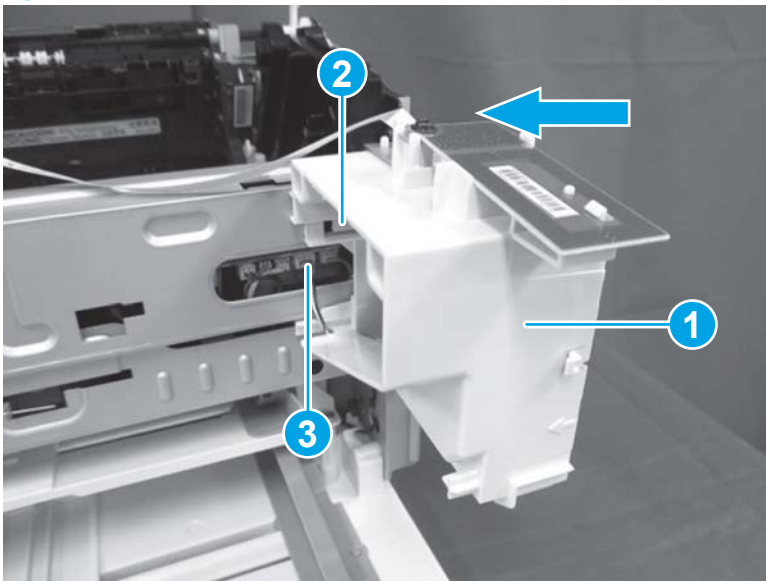
2. Install four screws (callout 1).

Figure 1-913 Install the laser scanner cover



3. Slide the fan holder (callout 1) to the left onto the printer to engage one tab (callout 2), and then connect one connector (callout 3).

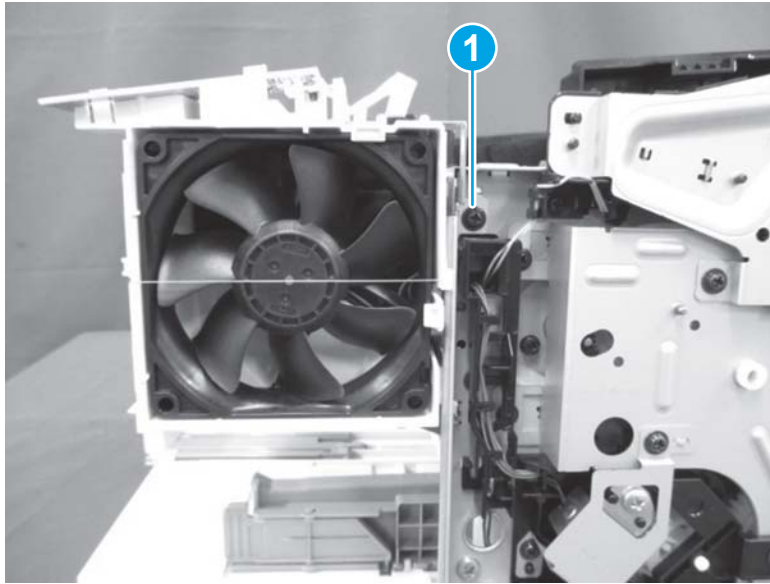
Figure 1-914 Install the fan holder





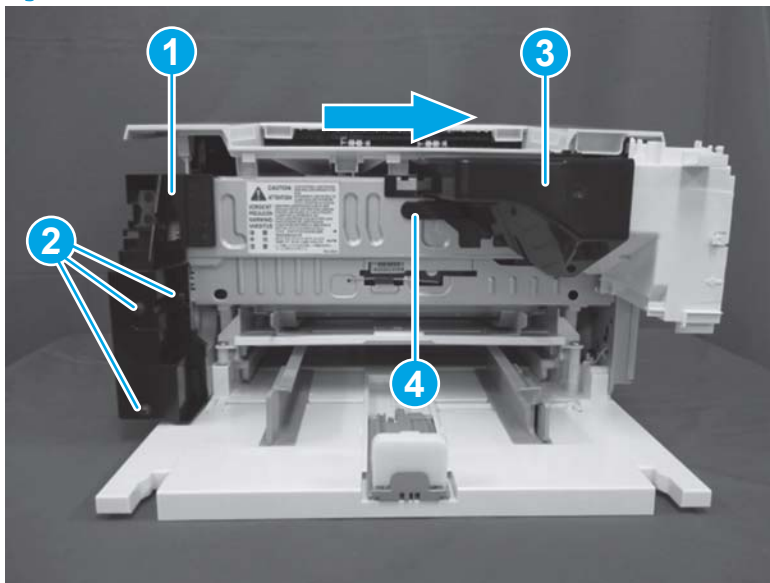
4. **MFP only:** Install one screw (callout 1).

Figure 1-915 Install one screw



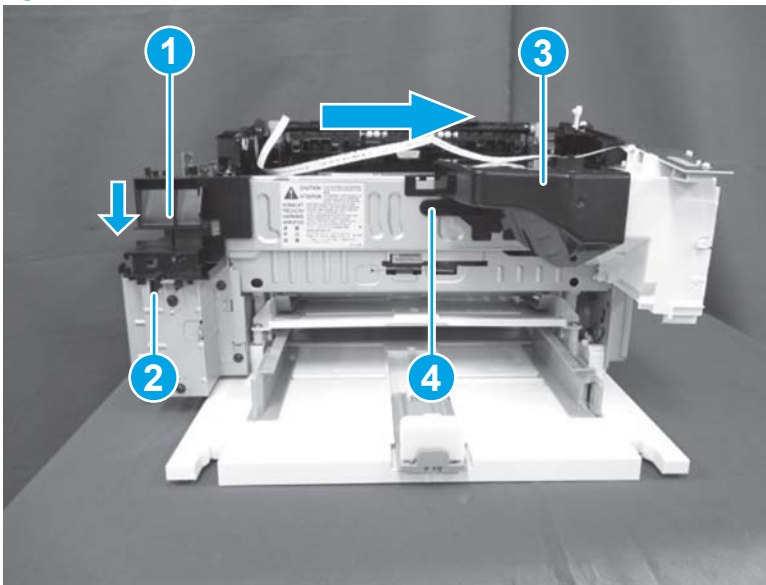
5. **SFP only:** Position the inner cover (callout 1) on the printer, and then install three screws (callout 2). Slide the fan duct (callout 3) to the right to install it on the printer. Make sure that the boss (callout 4) snaps into place.

Figure 1-916 Install the fan duct and cover (SFP)



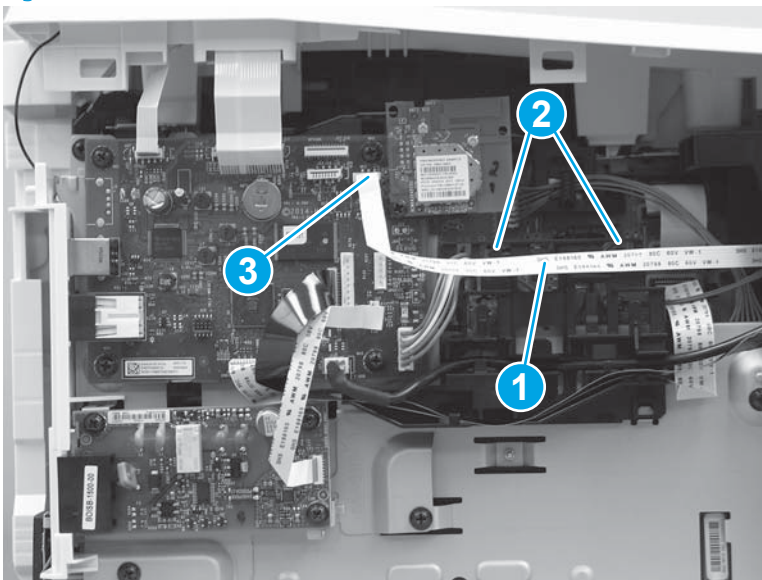
6. **MFP only:** Slide the inner cover (callout 1) down onto the printer until the tab (callout 2) snaps into place. Slide the fan duct (callout 3) to the right to install it on the printer. Make sure that the boss (callout 4) snaps into place.

Figure 1-917 Install the fan duct and cover (MFP)



7. **MFP only:** Position the cable (callout 1) in the guides (callout 2), and then connect one connector (callout 3).

Figure 1-918 Connect one connector

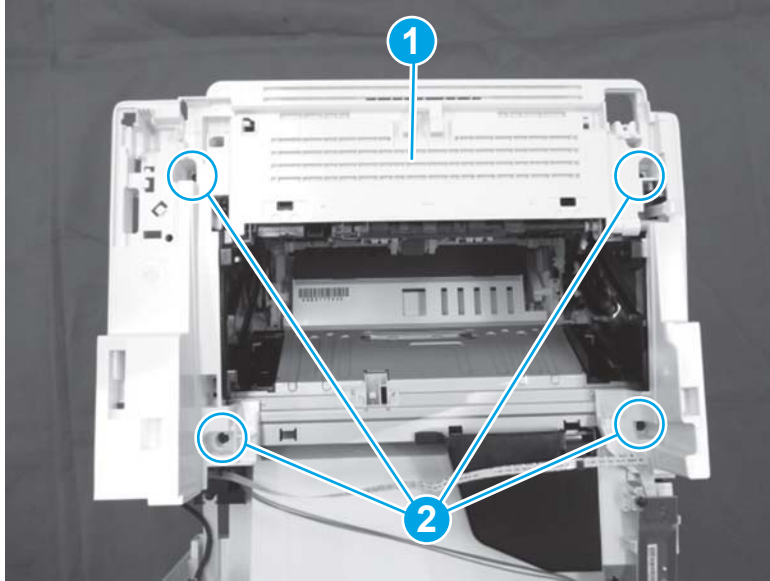


### Step 17: Install the top cover (MFP)

 **NOTE:** This step is for the MFP printers. For the SFP printers, skip this step and go to [Step 16: Install the laser scanner cover on page 569](#).

- ▲ Position the top cover (callout 1) on the printer, and then install four screws (callout 2).

Figure 1-919 Install the top cover

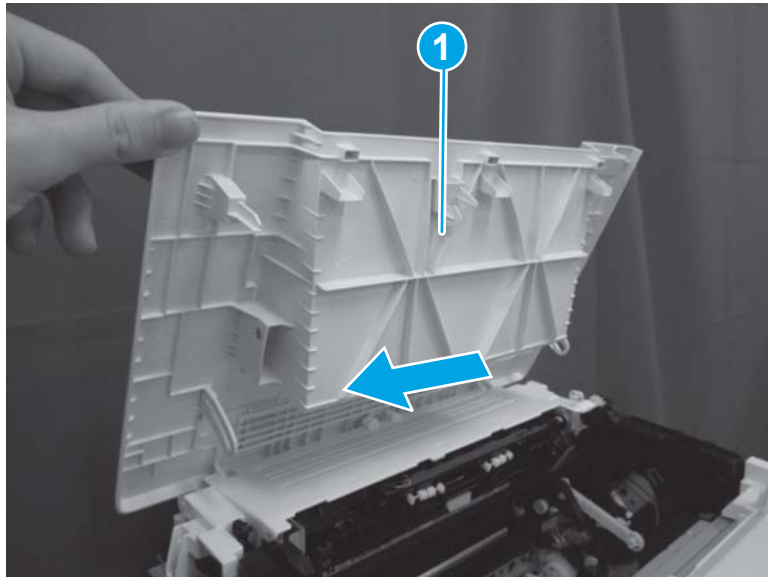


Step 18: Install the cartridge door (MFP)

 **NOTE:** This step is for the MFP printers. For the SFP printers, skip this step and go to [Step 16: Install the laser scanner cover on page 569](#).

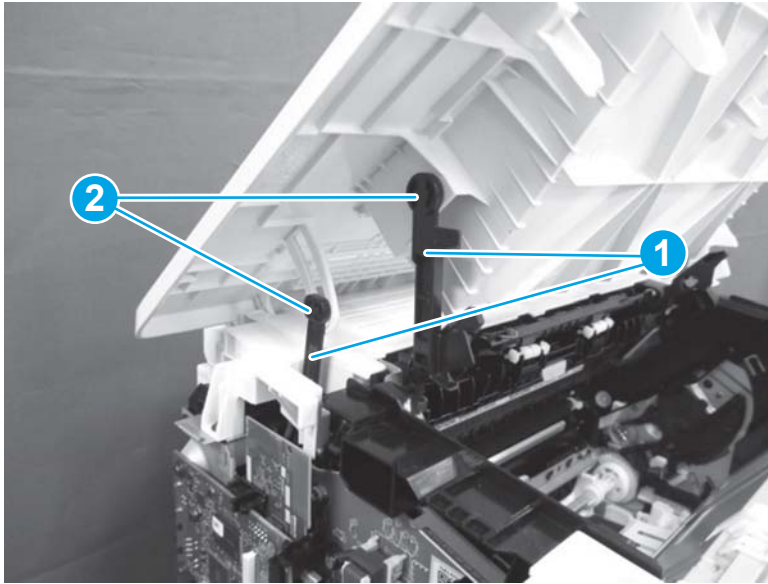
1. **SFP:** Do the following.
  - a. Position the cartridge door (callout 1) on the printer, and then slide it toward the left-side of the printer to install it.

Figure 1-920 Install the cartridge door (SFP)



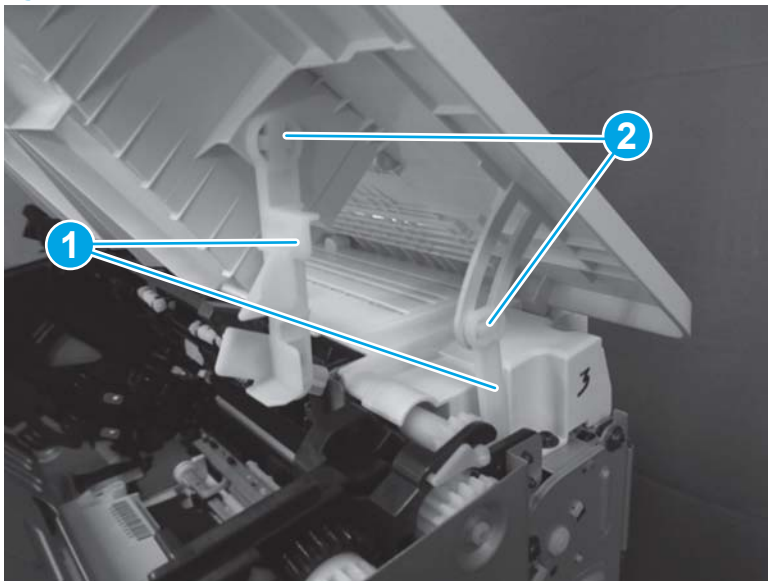
- b. On the left side of the printer, position two link arms (callout 1), and then engage two tabs (callout 2).

**Figure 1-921** Connect left link arms (SFP)



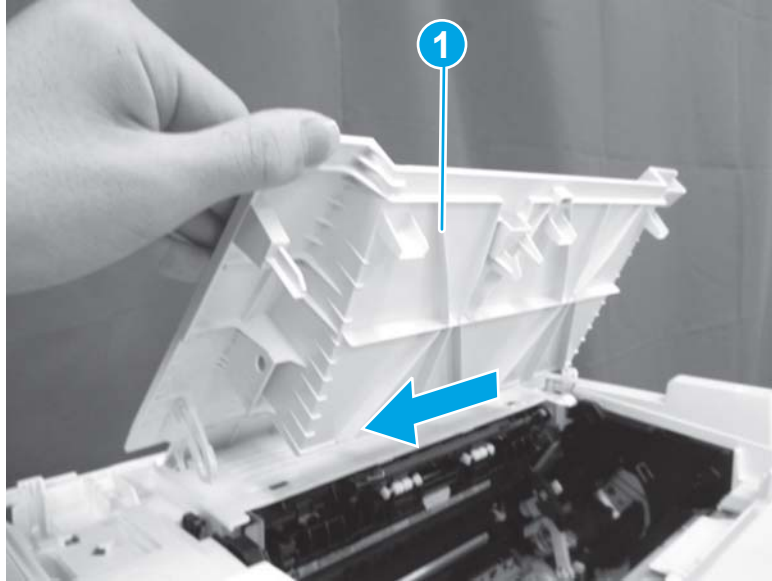
- c. On the right side of the printer, position two link arms (callout 1), and then engage two tabs (callout 2).

**Figure 1-922** Connect right link arms (SFP)



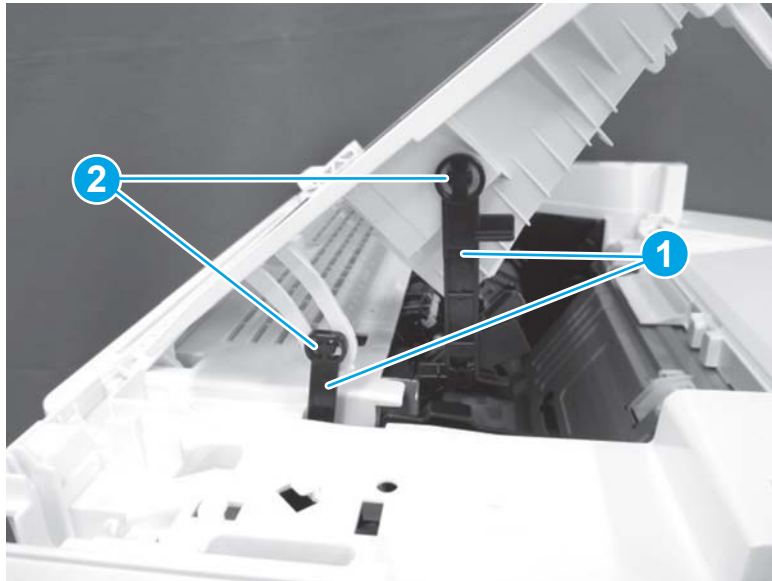
2. **MFP:** Do the following.
  - a. Position the cartridge door (callout 1) on the printer, and then slide it toward the left-side of the printer to install it.

Figure 1-923 Install the cartridge door (MFP)



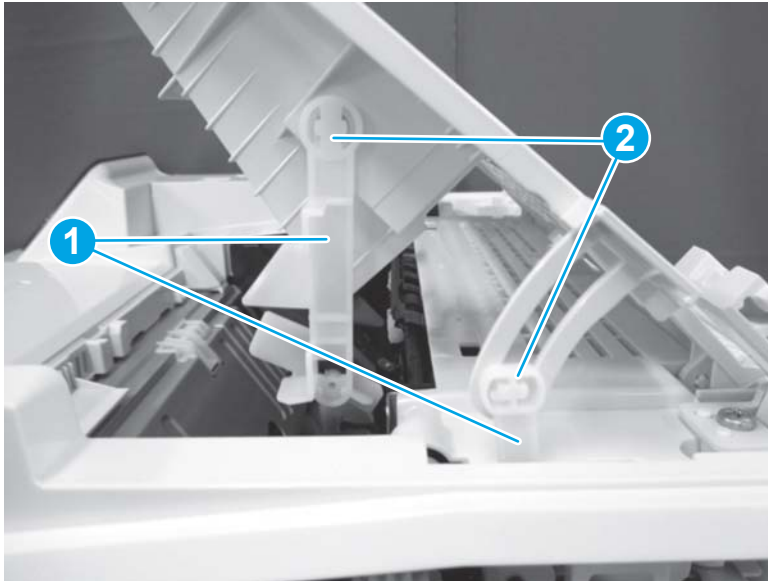
- b. On the left side of the printer, position two link arms (callout 1), and then engage two tabs (callout 2).

Figure 1-924 Connect left link arms (MFP)



- c. On the right side of the printer, position two link arms (callout 1), and then engage two tabs (callout 2).

**Figure 1-925** Connect right link arms (MFP)

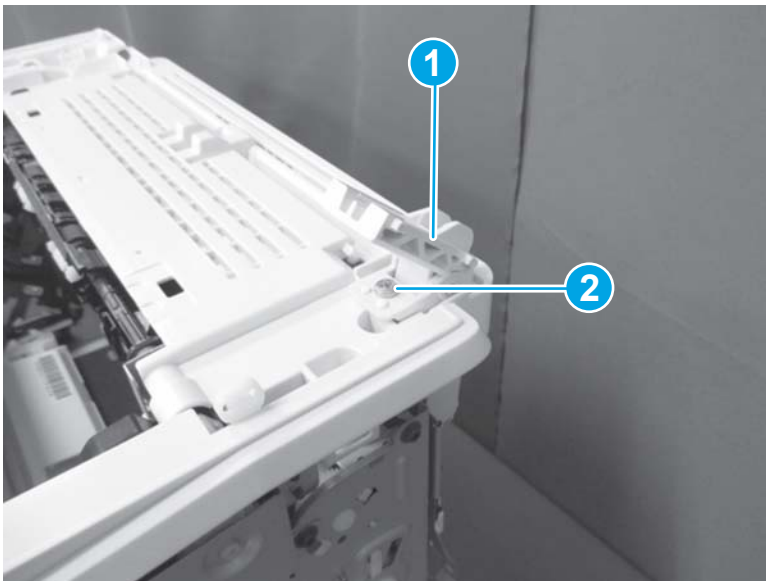


#### Step 19: Install the hinge assembly (MFP)

 **NOTE:** This step is for the MFP printers. For the SFP printers, skip this step and go to [Step 16: Install the laser scanner cover on page 569](#).

- ▲ Position the hinge assembly (callout 1) on the printer, and then install one screw (callout 2).

**Figure 1-926** Install the hinge assembly (MFP)

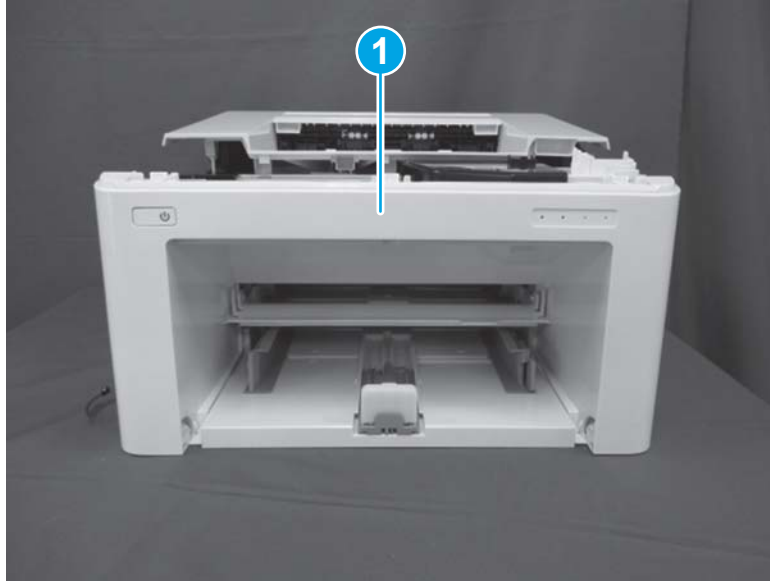


#### Step 20: Install the front cover

1. **SFP:** Do the following.
  - a. Slide the front cover (callout 1) toward the printer to install it.

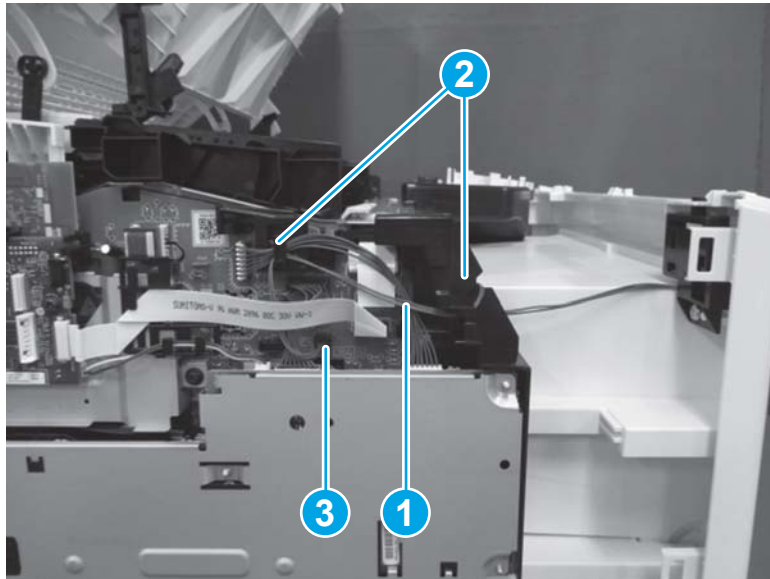


Figure 1-927 Install the front cover (SFP)



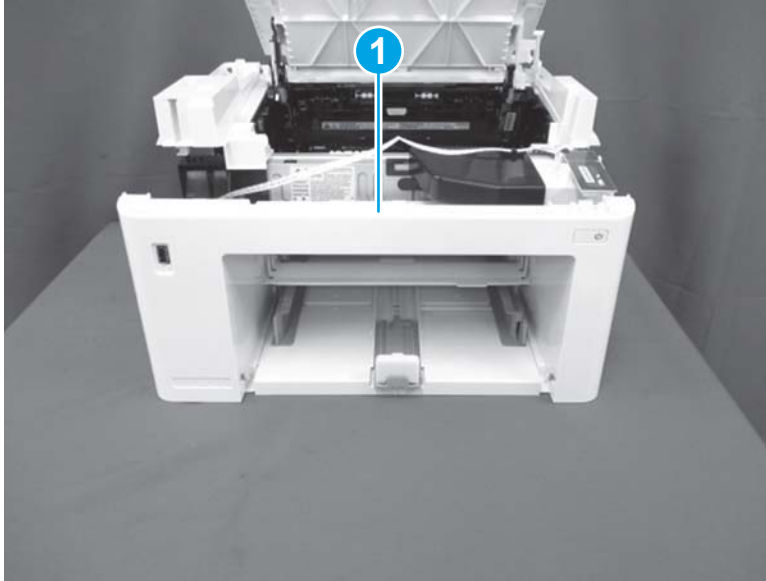
- b. Install the cable (callout 1) in the cable guide (callout 2), and then connect one connector (callout 3).

Figure 1-928 Connect the connector (SFP)



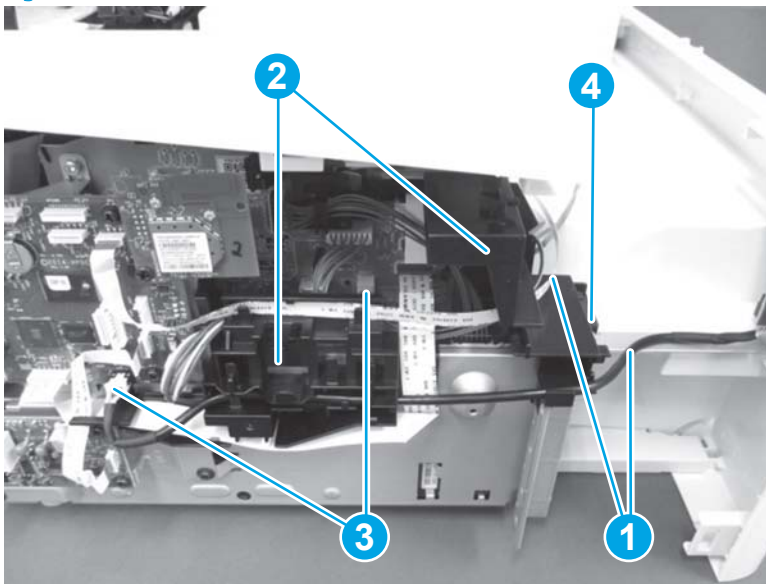
2. MFP: Do the following.
  - a. Slide the front cover (callout 1) toward the printer to install it.

Figure 1-929 Install the front cover (MFP)



- b. Install the cables (callout 1) in the cable guides (callout 2), and then connect two connectors (callout 3). Install one screw (callout 4).

Figure 1-930 Connect two connectors (MFP)

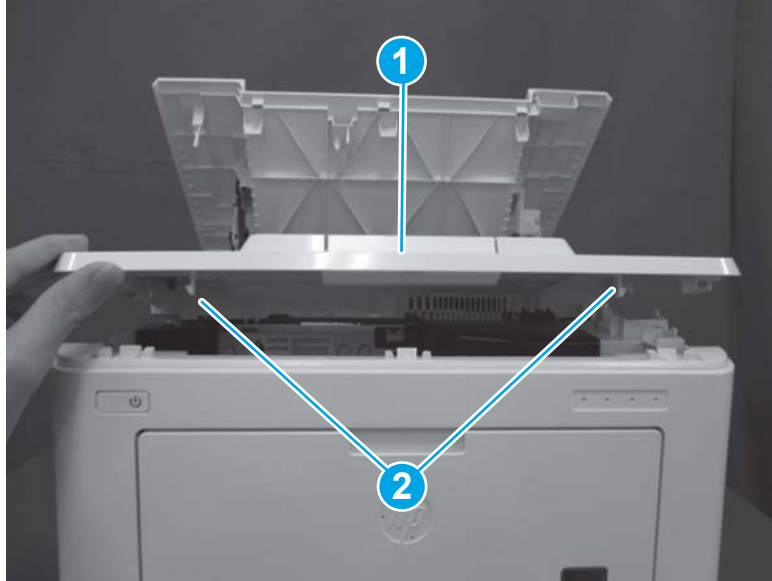


#### Step 21: Install the top front cover

1. SFP: Do the following.
  - a. Position the top front cover (callout 1) on the printer and install two tabs (callout 2).

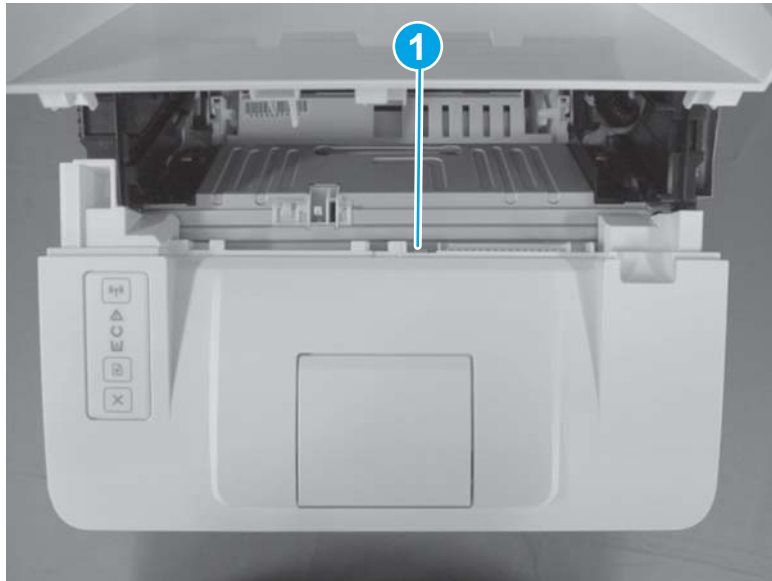


Figure 1-931 Install two tabs



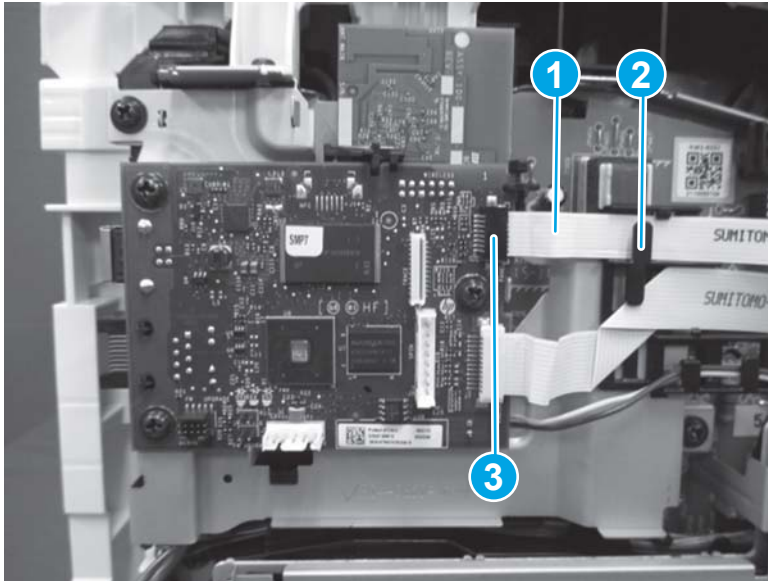
- b. On the top of the cover, install one tab (callout 1).

Figure 1-932 Install one tab



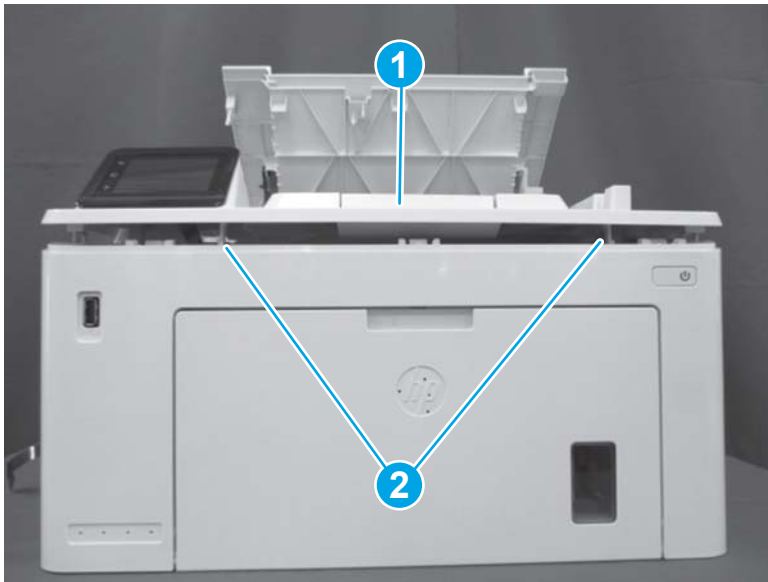
- c. Install the cable (callout 1) in the guide (callout 2), and then connect one connector (callout 3) on the formatter.

Figure 1-933 Connect one connector



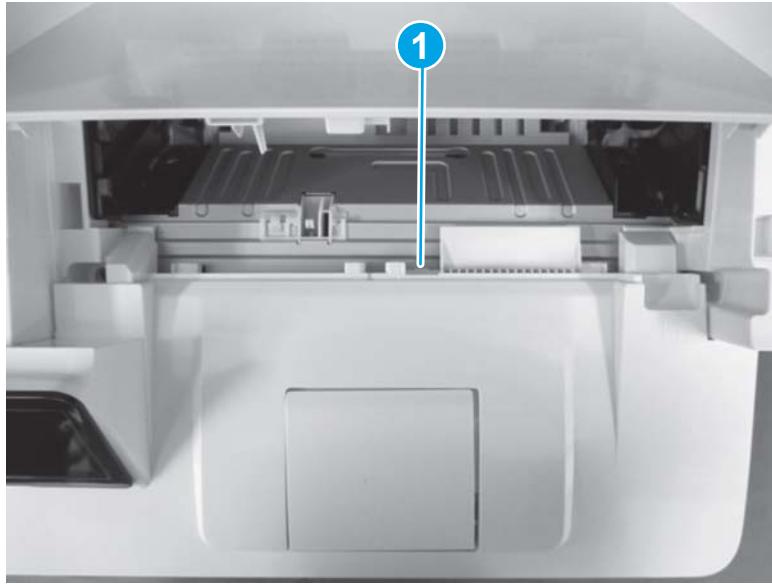
2. **MFP:** Do the following.
  - a. Position the top front cover (callout 1) on the printer, and then install two tabs (callout 2).

Figure 1-934 Install two tabs



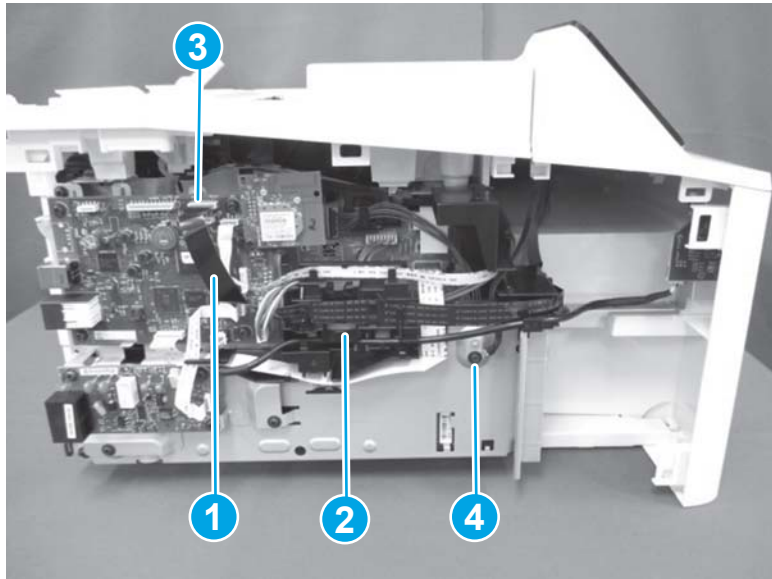
- b. Install one tab (callout 1).

**Figure 1-935** Install one tab



- c. Install the cable (callout 1) in the cable guide (callout 2), and then connect one connector (callout 3). Install one screw (callout 4) to secure the grounding cable.

**Figure 1-936** Install one connector and grounding cable

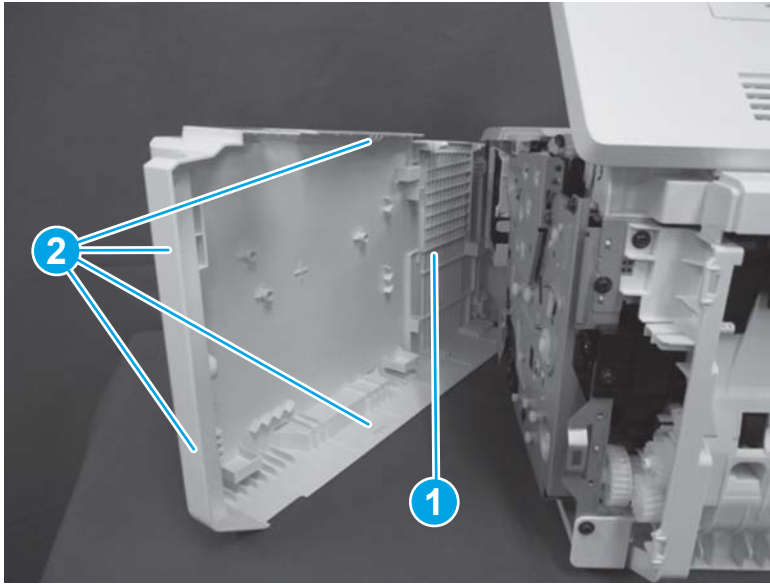


### Step 22: Install the right cover

1. **SFP:** Do the following.
  - a. Open the cartridge door.

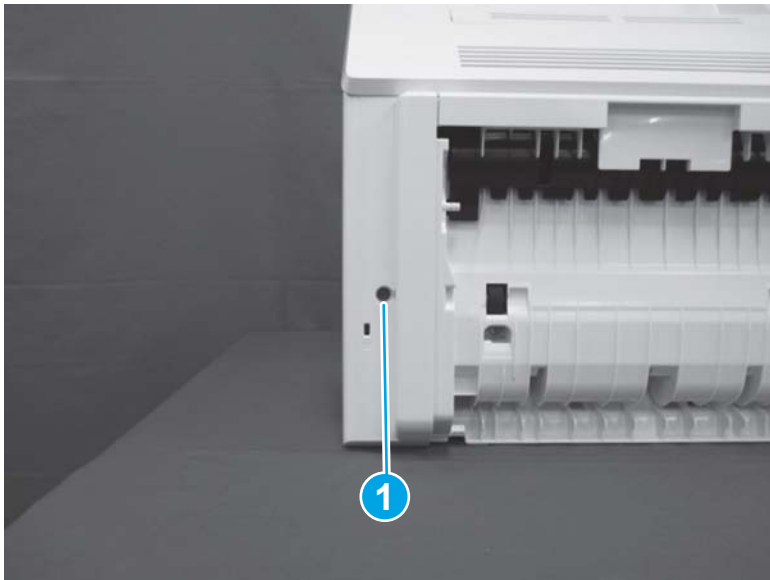
- b. Position the right cover (callout 1) on the printer, and then engage four tabs (callout 2).

Figure 1-937 Install the right cover (SFP)



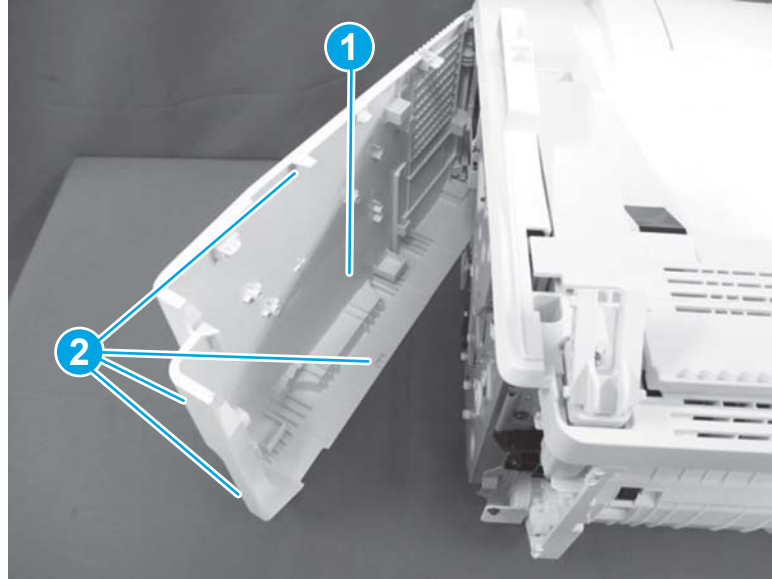
- c. Close the cartridge door.
- d. Install one screw (callout 1).

Figure 1-938 Install one screw (SFP)



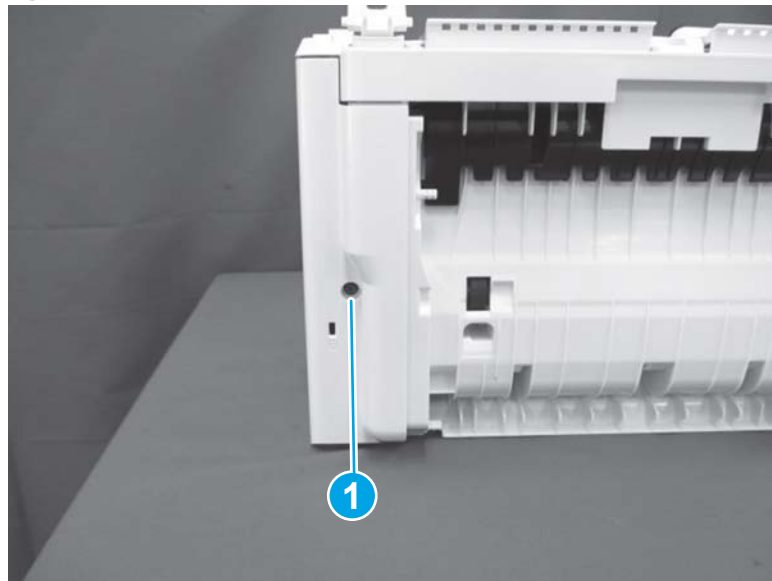
- 2. **MFP:** Do the following.
  - a. Position the right cover (callout 1) on the printer, and then engage four tabs (callout 2).

Figure 1-939 Install the right cover (MFP)



- b. Install one screw (callout 1).

Figure 1-940 Install one screw (MFP)




### Step 23: Install the 3-in-1 or 4-in-1 scanner assembly (MFP)

---

 **NOTE:** This step is for the MFP printers. For the SFP printers, skip this step and go to [Step 25: Install the left cover on page 587](#).

---

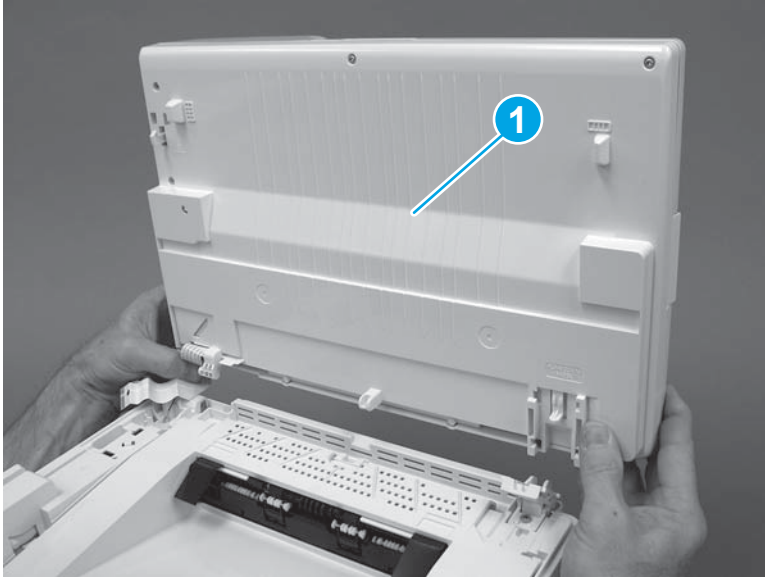
 **NOTE:** The 4-in-1 scanner assembly supports the document feeder. The 3-in-1 scanner assembly does not support the document feeder.

The figures in this procedure show a 4-in-1 printer. However, the procedure is correct for 3-in-1 printers.

---

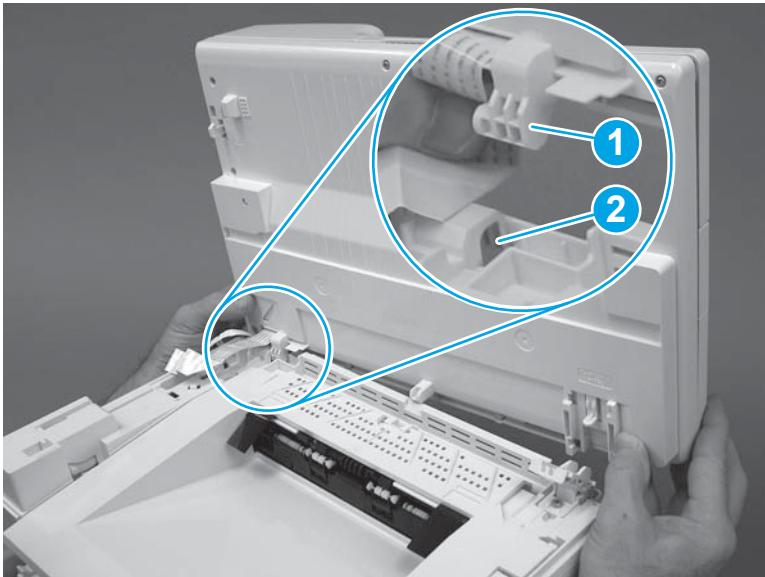
1. Position the scanner assembly (callout 1) near the printer.

Figure 1-941 Install the scanner assembly (MFP)



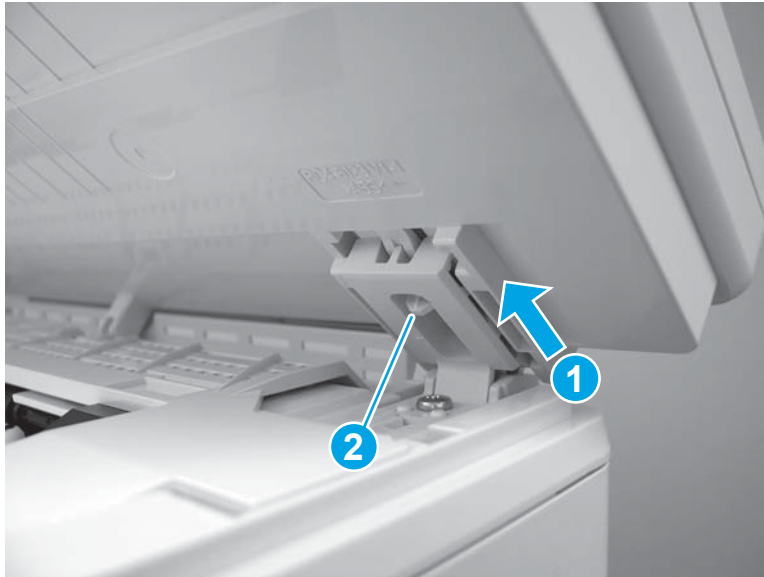
2. Engage the left hinge (callout 1) with the top cover (callout 2).

Figure 1-942 Engage the left hinge (MFP)



3. Push the right side of the scanner assembly toward the front of the printer to engage the right hinge (callout 1). Make sure that the tab (callout 2) snaps into place.

Figure 1-943 Engage the right hinge (MFP)



4. **4-in-1 models only:** Pass the flat cables (callouts 1/2) and the ground wire (callout 3) through the openings in the chassis, and then connect the two flat cables.

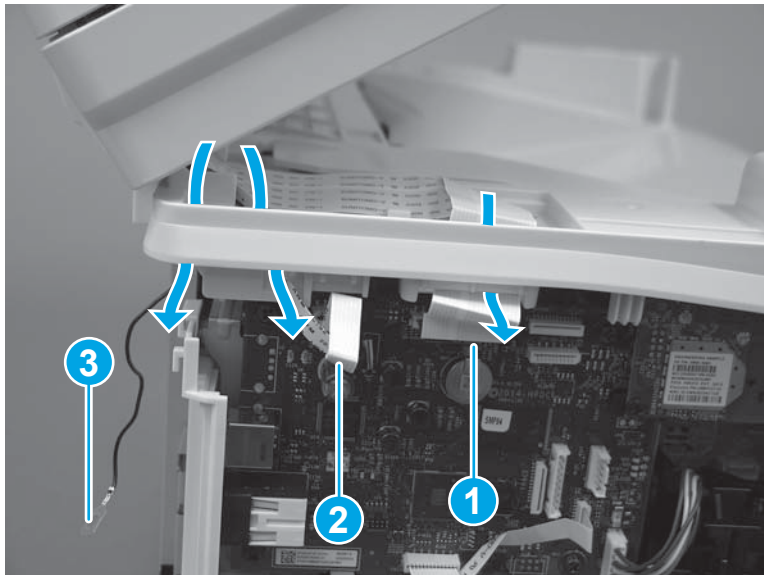
**3-in-1 models only:** Pass the flat cable (callout 1) through the opening in the chassis, and then connect one flat cable.

---

 **NOTE:** The 3-in-1 model does not have the small flat cable (callout 2) or a ground wire (callout 3).

---

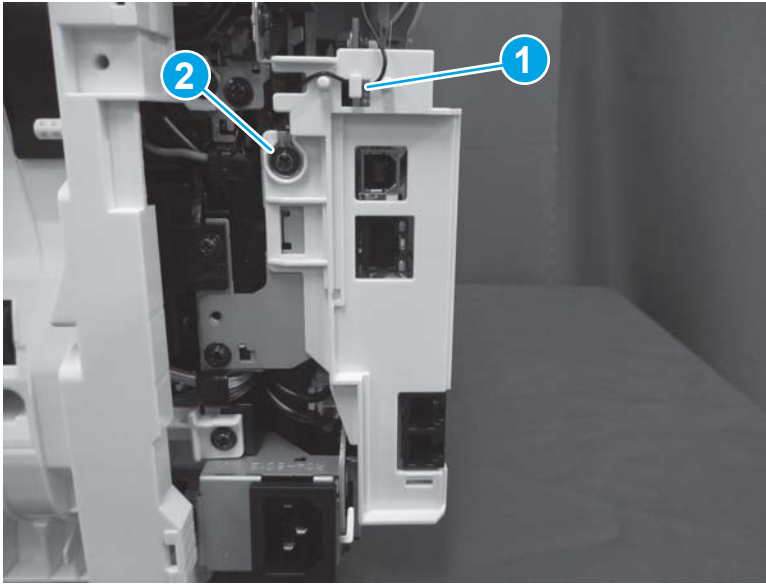
Figure 1-944 Connect flat cable(s)





5. **4-in-1 models only:** Install the ground wire in the retainer (callout 1), and then install one screw (callout 2).

**Figure 1-945** Install the ground wire (4-in-1 models)

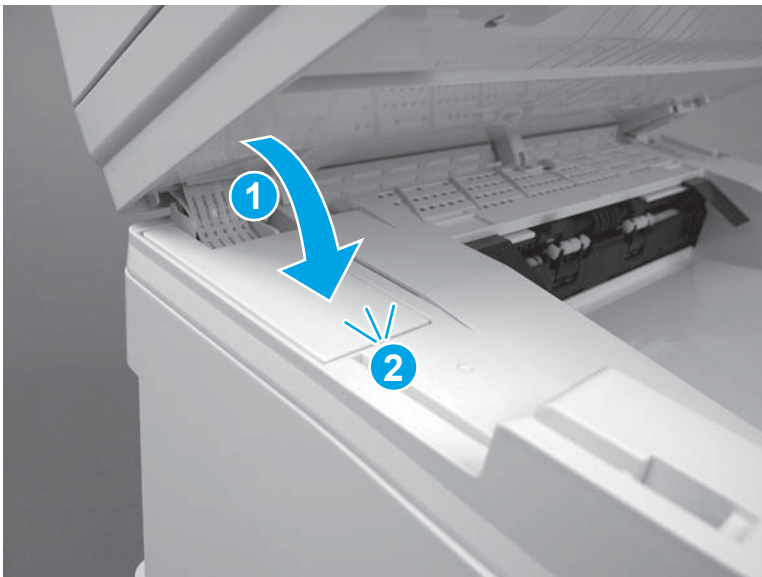


#### Step 24: Install the cable cover (MFP)

 **NOTE:** This step is for the MFP printers. For the SFP printers, skip this step and go to [Step 25: Install the left cover on page 587](#).

1. Install the cable cover (callout 1), on the printer, and then push down to engage one tab (callout 2).

**Figure 1-946** Install the cable cover (MFP)





2. Close the scanner assembly.

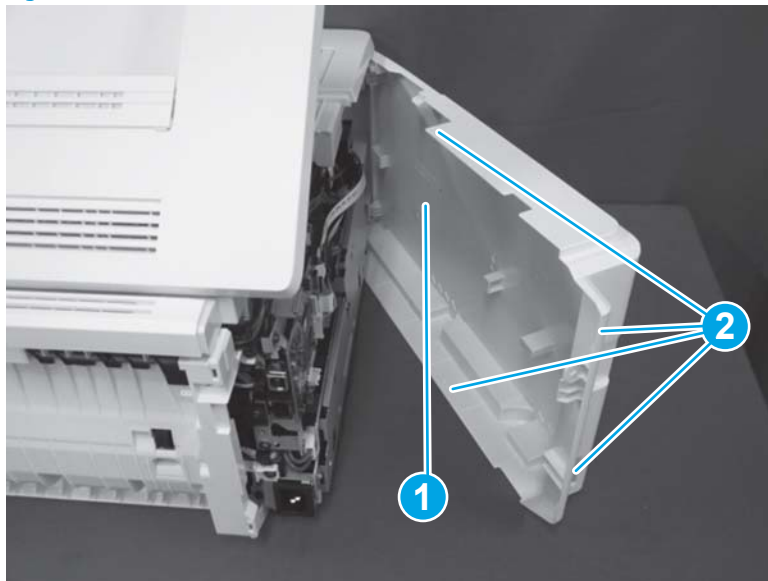
**Figure 1-947** Close the scanner assembly



#### Step 25: Install the left cover

1. SFP: Do the following.
  - a. Open the cartridge door.
  - b. Position the left cover (callout 1) on the printer, and then engage four tabs (callout 2).

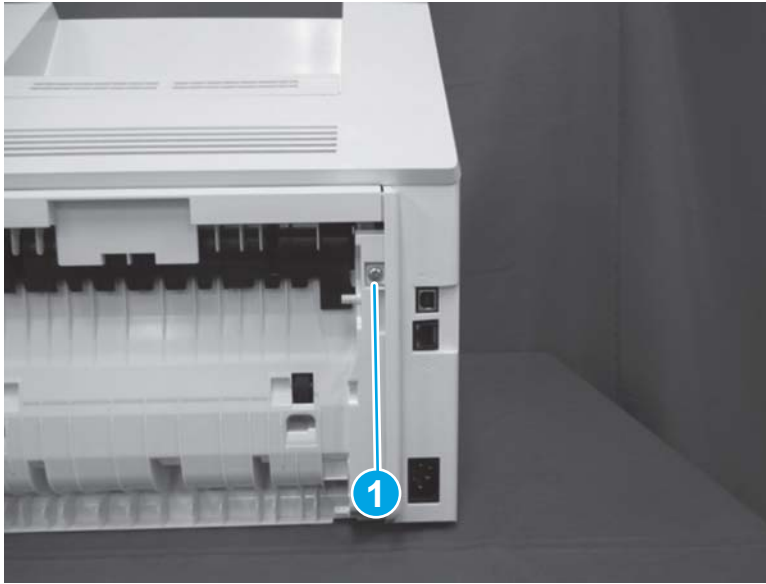
**Figure 1-948** Install the left cover (SFP)



- c. Close the cartridge door.

- d. Install one screw (callout 1).

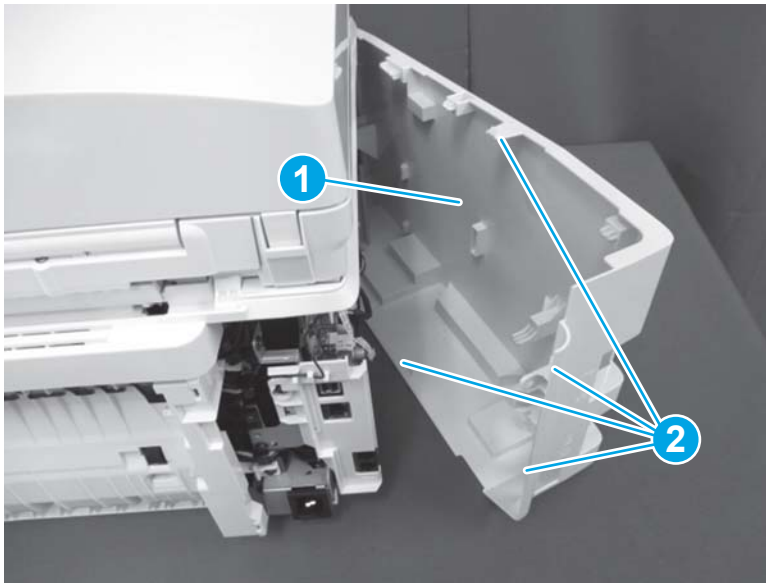
Figure 1-949 Install one screw (SFP)



- 2. MFP: Do the following.

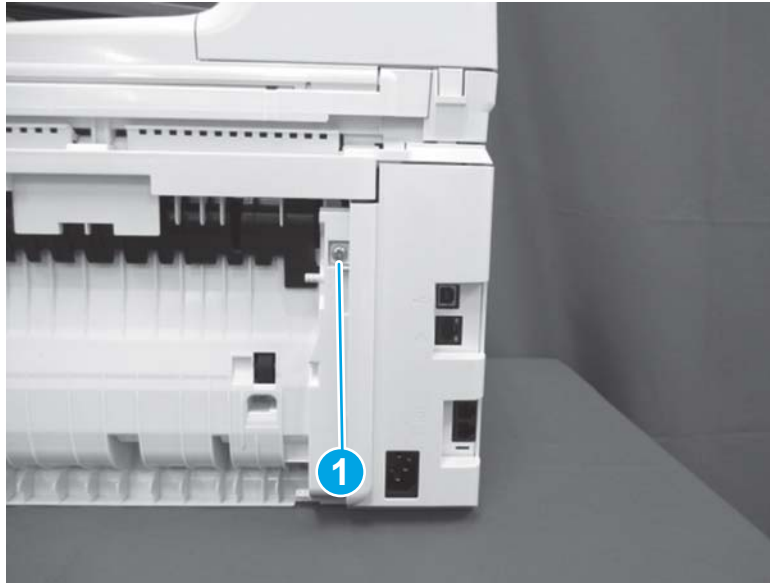
- a. Position the left cover (callout 1) on the printer, and then engage four tabs (callout 2).

Figure 1-950 Install the left cover (MFP)



- b. Install one screw (callout 1).

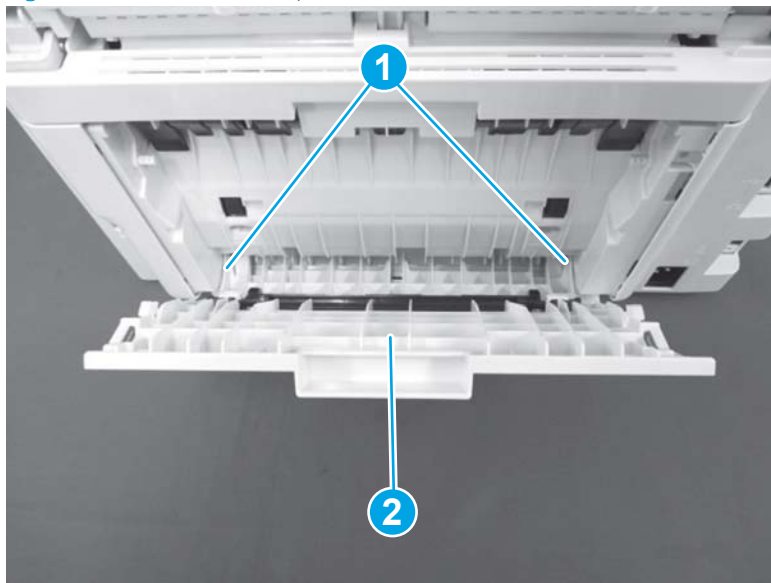
**Figure 1-951** Install one screw (MFP)



#### Step 26: Install the duplex door

1. Install two tabs (callout 1) to install the duplex door (callout 2).

**Figure 1-952** Install the duplex door

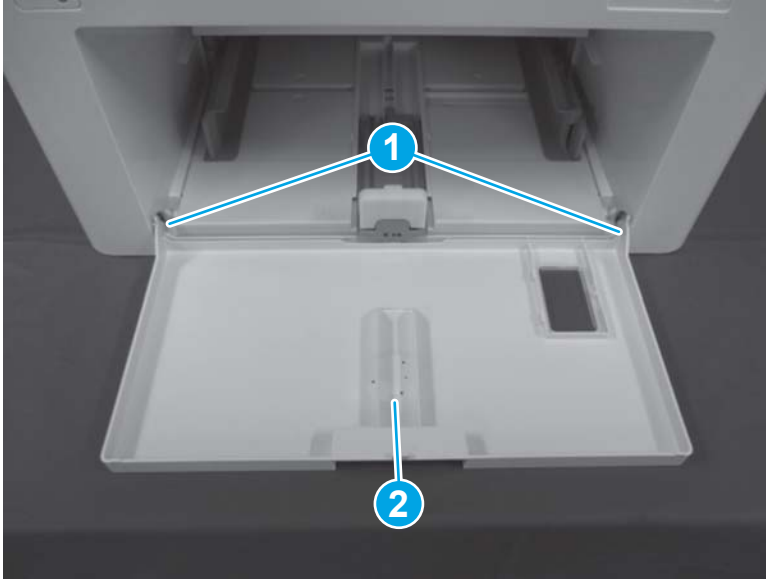


2. Close the duplex door.

#### Step 27: Install the multipurpose cover

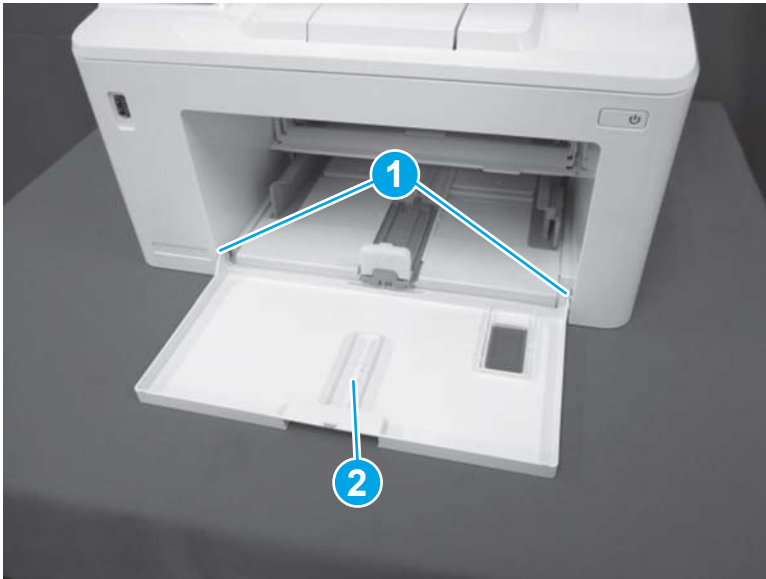
1. **SFP:** Engage two bosses (callout 1), to install the cover (callout 2).

Figure 1-953 Install the multipurpose cover (SFP)



2. **MFP:** Engage two bosses (callout 1) to install the cover (callout 2).

Figure 1-954 Install the multipurpose cover (MFP)



3. Close the multipurpose cover.

## Removal and replacement: Laser scanner

- [Introduction](#)
- [Step 1: Remove the multipurpose cover](#)
- [Step 2: Remove the duplex door](#)
- [Step 3: Remove the left cover](#)
- [Step 4: Remove the cable cover \(MFP\)](#)
- [Step 5: Remove the 3-in-1 or 4-in-1 scanner assembly \(MFP\)](#)
- [Step 6: Remove the right cover](#)
- [Step 7: Remove the top front cover](#)
- [Step 8: Remove the front cover](#)
- [Step 9: Remove the hinge assembly \(MFP\)](#)
- [Step 10: Remove the cartridge door \(MFP\)](#)
- [Step 11: Remove the top cover \(MFP\)](#)
- [Step 12: Remove the laser scanner cover](#)
- [Step 13: Remove the laser scanner assembly](#)
- [Step 14: Unpack the replacement assembly](#)
- [Step 15: Install the laser scanner assembly](#)
- [Step 16: Install the laser scanner cover](#)
- [Step 17: Install the top cover \(MFP\)](#)
- [Step 18: Install the cartridge door \(MFP\)](#)
- [Step 19: Install the hinge assembly \(MFP\)](#)
- [Step 20: Install the front cover](#)
- [Step 21: Install the top front cover](#)
- [Step 22: Install the right cover](#)
- [Step 23: Install the 3-in-1 or 4-in-1 scanner assembly \(MFP\)](#)
- [Step 24: Install the cable cover \(MFP\)](#)
- [Step 25: Install the left cover](#)
- [Step 26: Install the duplex door](#)
- [Step 27: Install the multipurpose cover](#)

### Introduction

This document provides the procedures to remove and replace the laser scanner.

## Before performing service

### Turn the printer power off

- Disconnect the power cable.

---

**⚠ WARNING!** To avoid damage to the printer, turn the printer off, wait 30 seconds, and then remove the power cable before attempting to service the printer.

---

Use the table below to identify the correct part number for your printer. To order the part, go to [www.hp.com/buy/parts](http://www.hp.com/buy/parts).

---

Laser scanner part number	
RM2-6911-000CN	Laser scanner

---

### Required tools

- #2 Phillips screwdriver with a magnetic tip.
- Small flat-blade screwdriver

### After performing service

#### Turn the printer power on

- Connect the power cable.
- Use the power switch to turn the power on.

### Post service test


**MFP:** Verify that the document feeder and the flatbed scanner are correctly functioning (copy a page).

Send a print job from the host computer (or print a configuration report). Verify that the page prints.

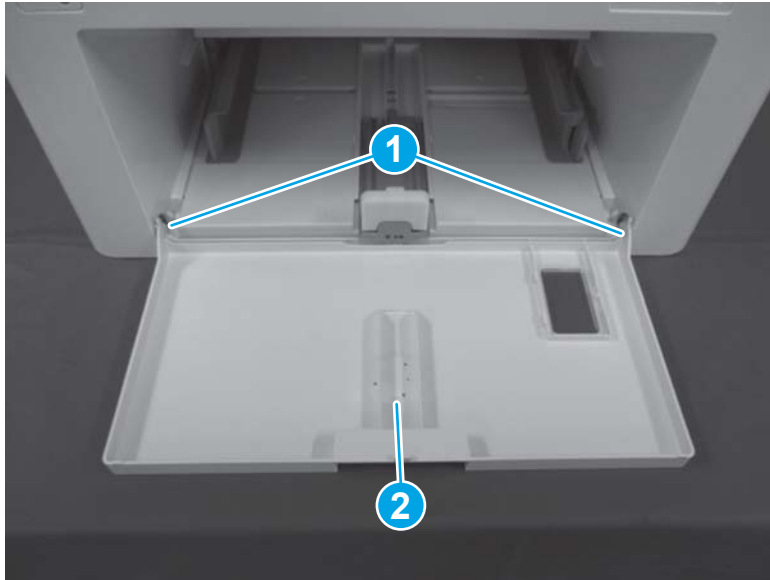
### Step 1: Remove the multipurpose cover

1. Open the multipurpose cover.

2. **SFP:** Release two bosses (callout 1), and then remove the cover (callout 2).

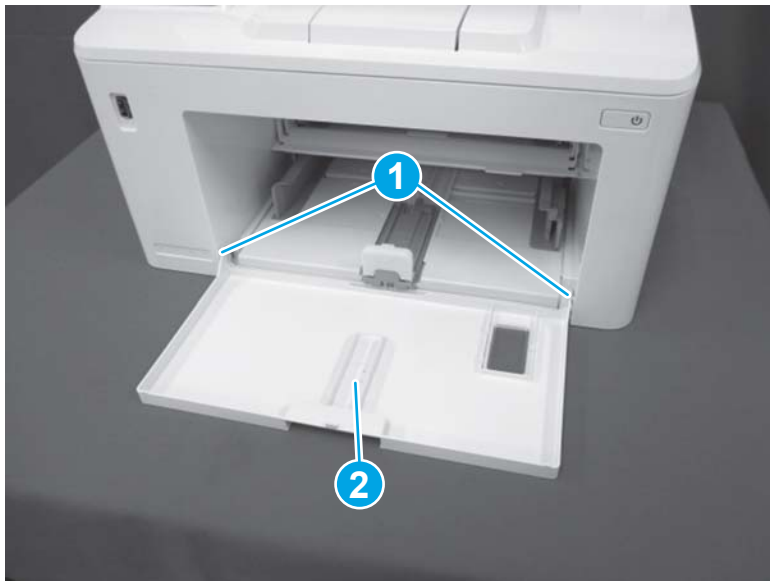
 **TIP:** It might be easier to remove the cover if the right boss is released first, and then lower the right-side of the cover to release the left-side boss.

**Figure 1-955** Remove the multipurpose cover (SFP)



3. **MFP:** Release two bosses (callout 1), and then remove the cover (callout 2).

**Figure 1-956** Remove the multipurpose cover (MFP)

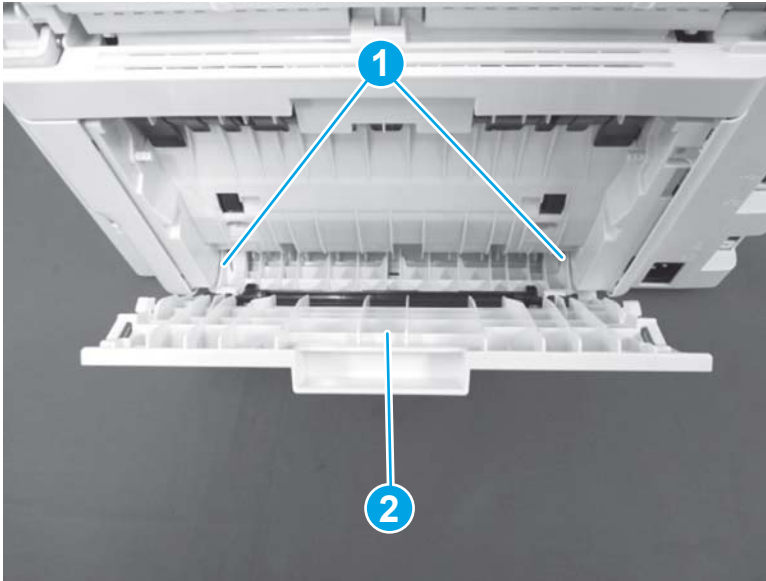


## Step 2: Remove the duplex door

1. Open the duplex door.

2. Use a small flat-blade screwdriver to release two tabs (callout 1), and then remove the duplex door (callout 2).

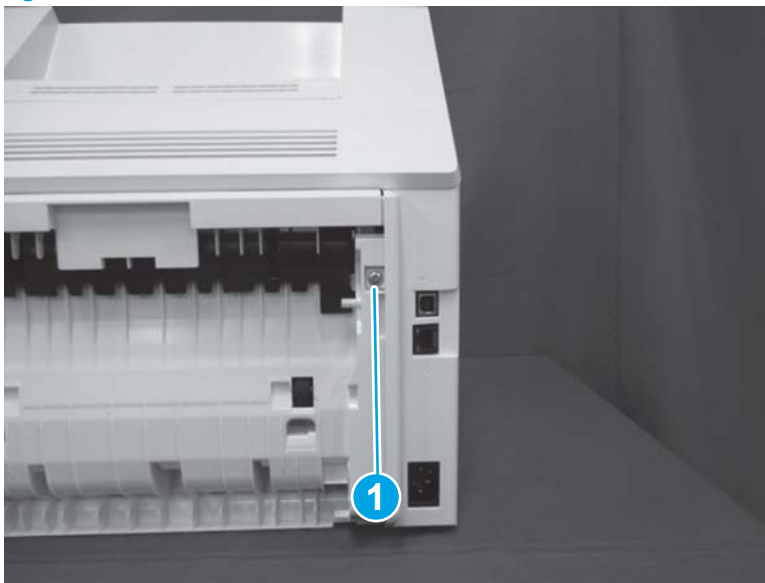
**Figure 1-957** Remove the duplex door



### Step 3: Remove the left cover

1. **SFP:** Do the following.
  - a. Remove one screw (callout 1).

**Figure 1-958** Remove one screw (SFP)

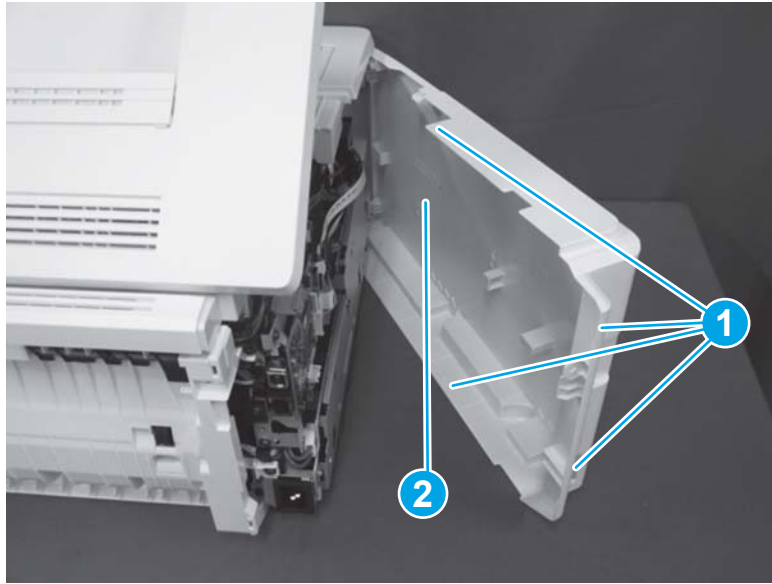


- b. Open the cartridge door.



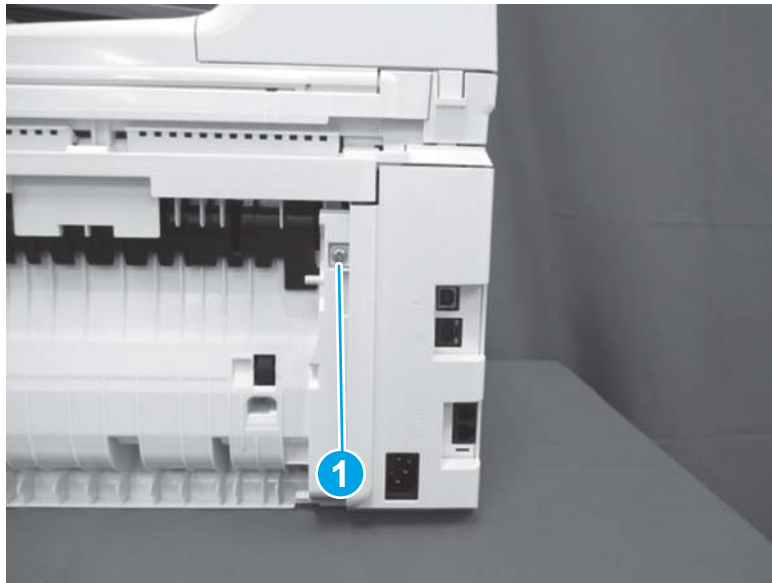
- c. Release four tabs (callout 1), and then remove the left cover (callout 2).

Figure 1-959 Remove the left cover (SFP)



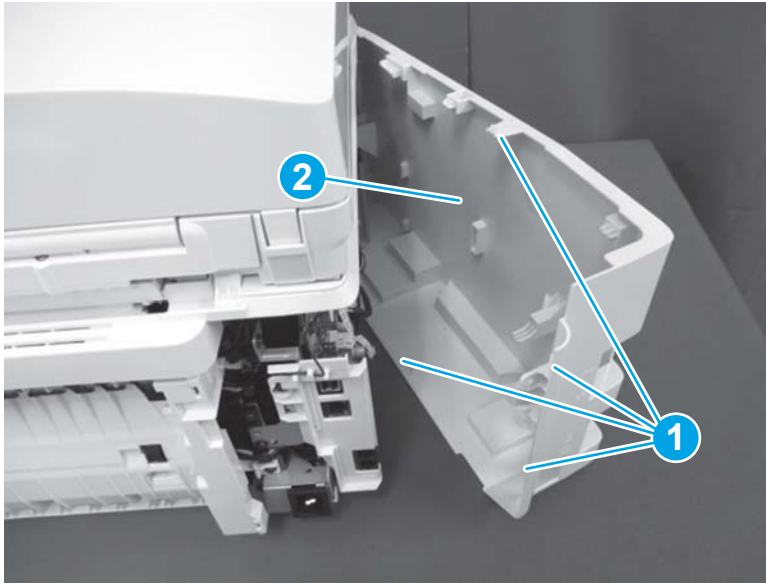
- 2. MFP: Do the following.
  - a. Remove one screw (callout 1).

Figure 1-960 Remove one screw (MFP)



- b. Release four tabs (callout 1), and then remove the left cover (callout 2).

**Figure 1-961** Remove the left cover (MFP)



#### Step 4: Remove the cable cover (MFP)

 **NOTE:** This step is for the MFP printers. For the SFP printers, skip this step and go to [Step 6: Remove the right cover on page 599](#).

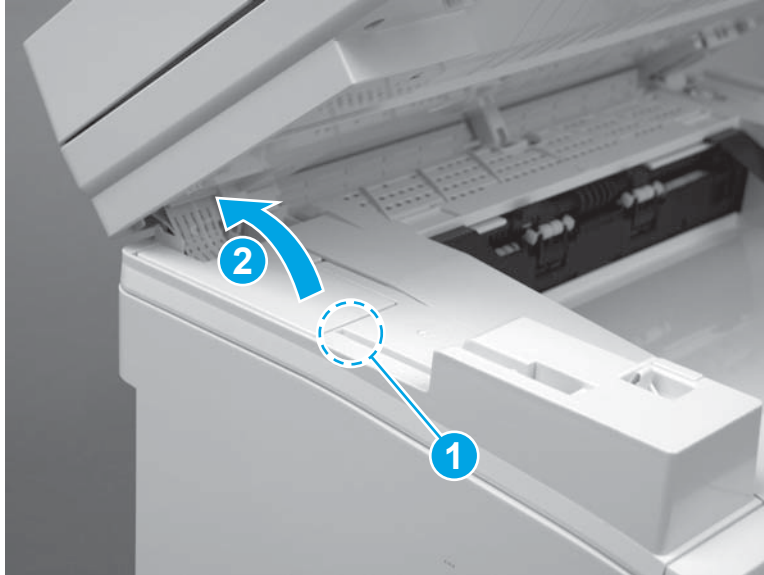
1. Open the scanner assembly.

**Figure 1-962** Open the scanner assembly




2. Use a small flat-blade screw driver to release one tab (callout 1), and then remove the cable cover (callout 2).

**Figure 1-963** Remove the cable cover (MFP)



#### Step 5: Remove the 3-in-1 or 4-in-1 scanner assembly (MFP)

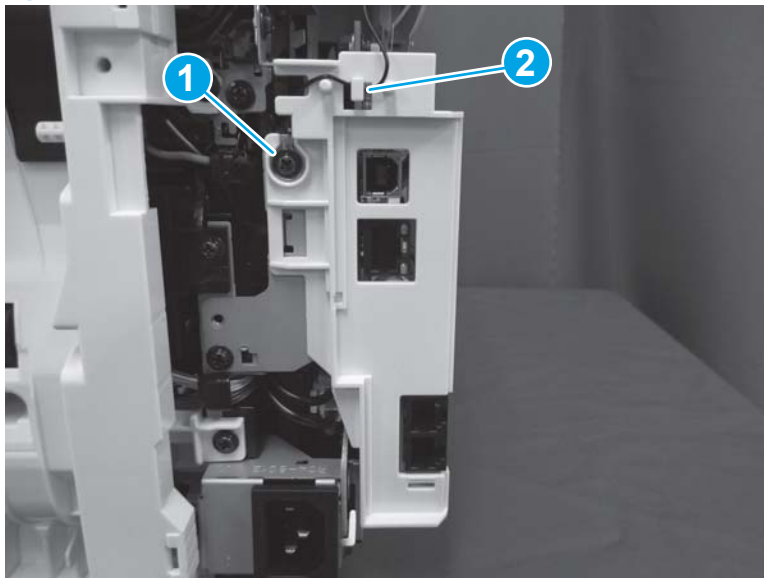
 **NOTE:** This step is for the MFP printers. For the SFP printers, skip this step and go to [Step 6: Remove the right cover on page 599](#).

 **NOTE:** The 4-in-1 scanner assembly supports the document feeder. The 3-in-1 scanner assembly does not support the document feeder.

The figures in this procedure show a 4-in-1 printer. However, the procedure is correct for 3-in-1 printers.

1. **4-in-1 models only:** Remove one screw (callout 1), and then release the ground wire from the retainer (callout 2).

**Figure 1-964** Release the ground wire (4-in-1 models)

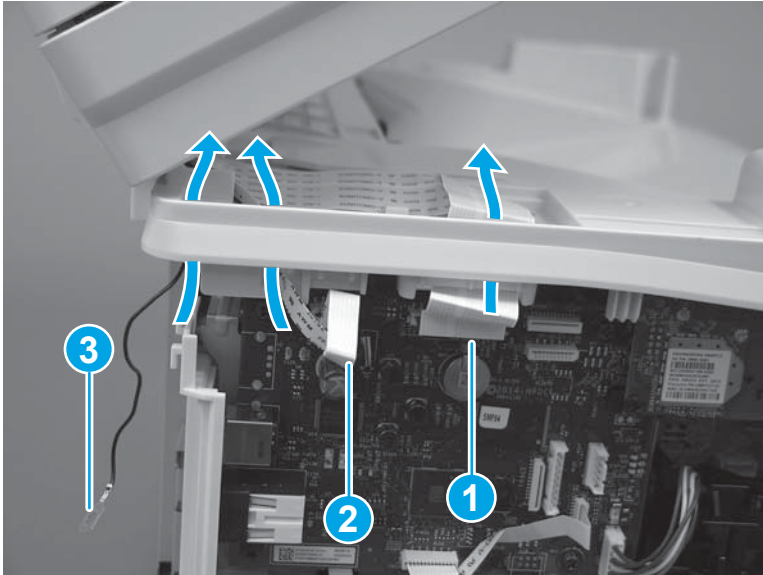


2. **4-in-1 models only:** Disconnect two flat cables (callouts 1/2), and then pass the flat cables and the ground wire (callout 3) up through the opening in the chassis.

**3-in-1 models only:** Disconnect one flat cable (callout 1), and then pass the flat cable through the opening in the chassis.

 **NOTE:** The 3-in-1 model does not have the small flat cable (callout 2) or a ground wire (callout 3).

**Figure 1-965** Disconnect flat cable(s)



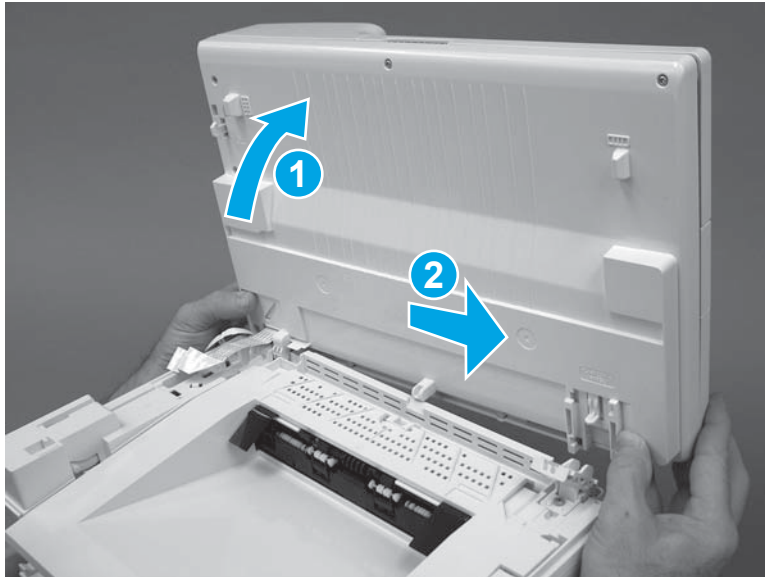
3. Release one tab (callout 1), and then push the right side of the scanner assembly toward the rear of the printer to release the right hinge (callout 2).

**Figure 1-966** Release the right hinge



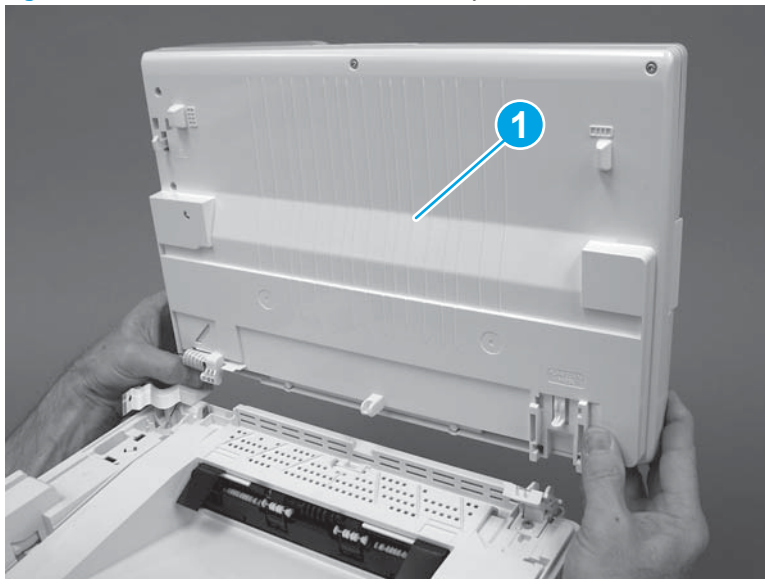
4. Rotate the scanner assembly towards the rear of the printer (callout 1), and then slide the scanner assembly toward the right side of the printer to release the left hinge (callout 2).

Figure 1-967 Release the left hinge



5. Remove the scanner assembly (callout 1).

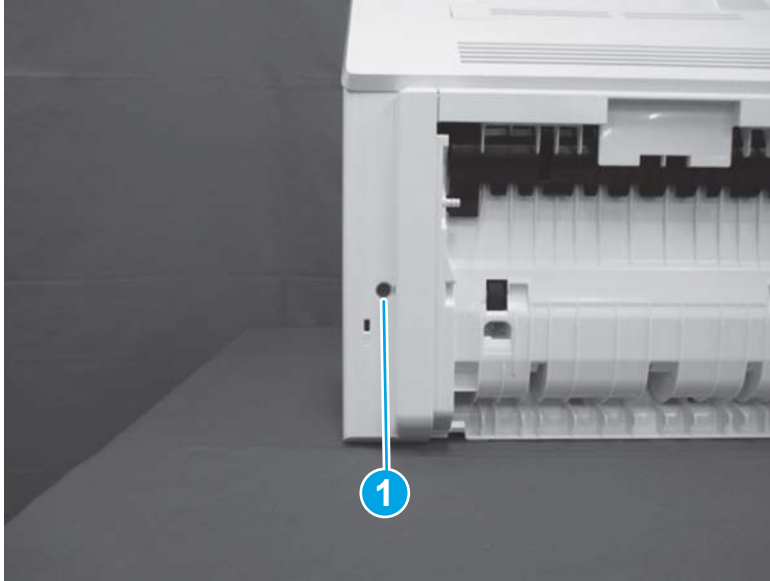
Figure 1-968 Remove the scanner assembly



#### Step 6: Remove the right cover

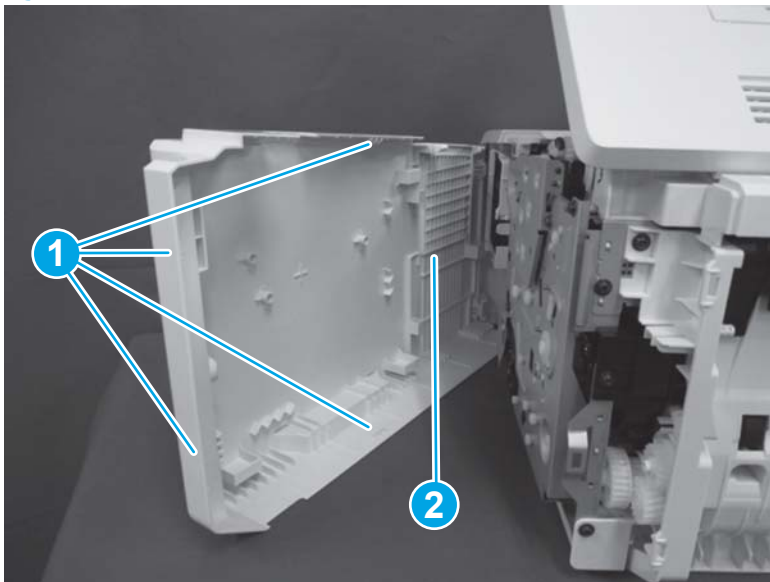
1. SFP: Do the following.
  - a. Remove one screw (callout 1).

Figure 1-969 Remove one screw (SFP)



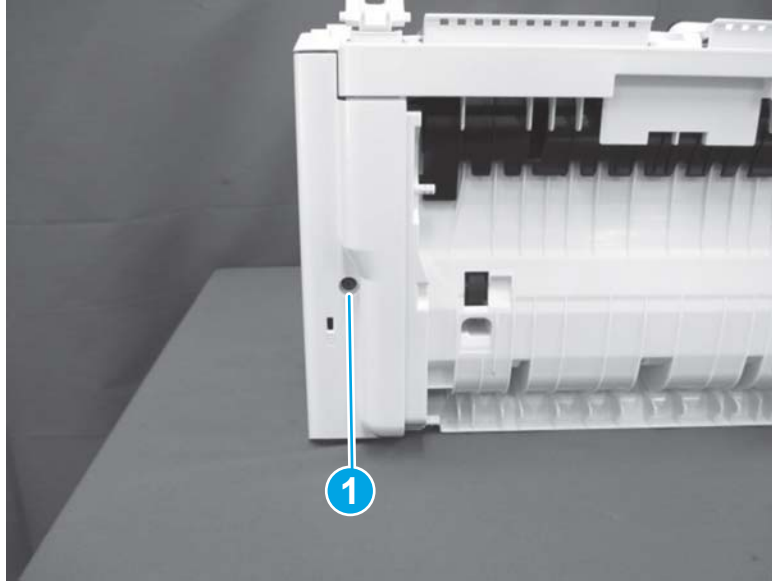
- b. Open the cartridge door.
- c. Release four tabs (callout 1), and then remove the right cover (callout 2).

Figure 1-970 Remove the right cover (SFP)



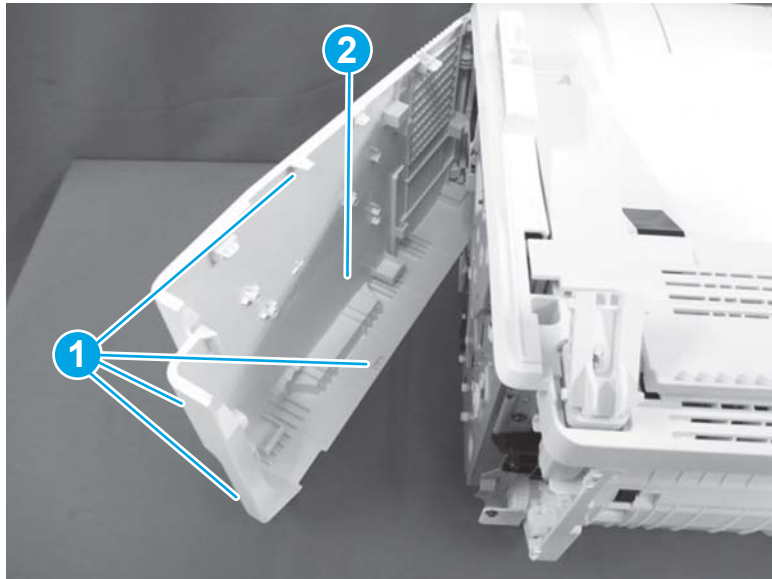
- 2. **MFP:** Do the following.
  - a. Remove one screw (callout 1).

Figure 1-971 Remove one screw (MFP)



- b. Release four tabs (callout 1), and then remove the right cover (callout 2).

Figure 1-972 Remove the right cover (MFP)

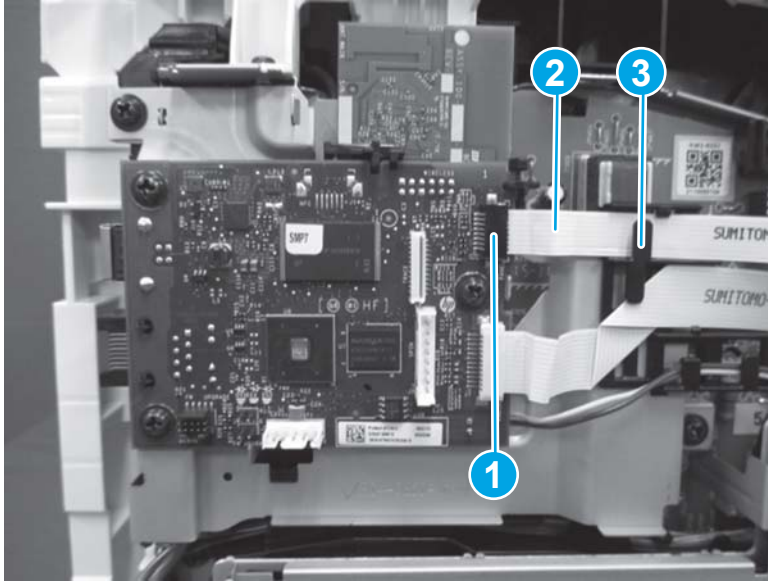


#### Step 7: Remove the top front cover

- 1. SFP: Do the following.
  - a. Disconnect one connector (callout 1) on the formatter, and then release the cable (callout 2) from the cable guide (callout 3).



Figure 1-973 Disconnect one connector



- b. Open the cartridge door, and then release one tab (callout 1) on the top of the cover.

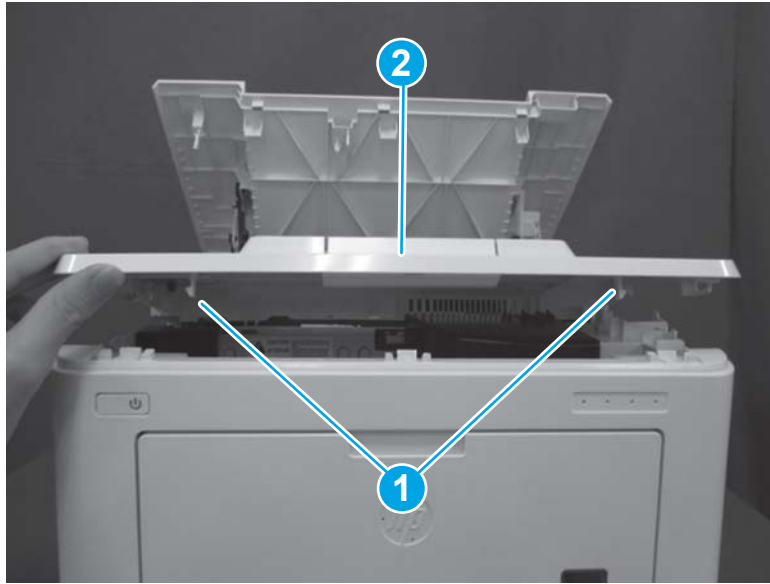
Figure 1-974 Release one tab





- c. Release two tabs (callout 1), and then remove the top front cover (callout 2).

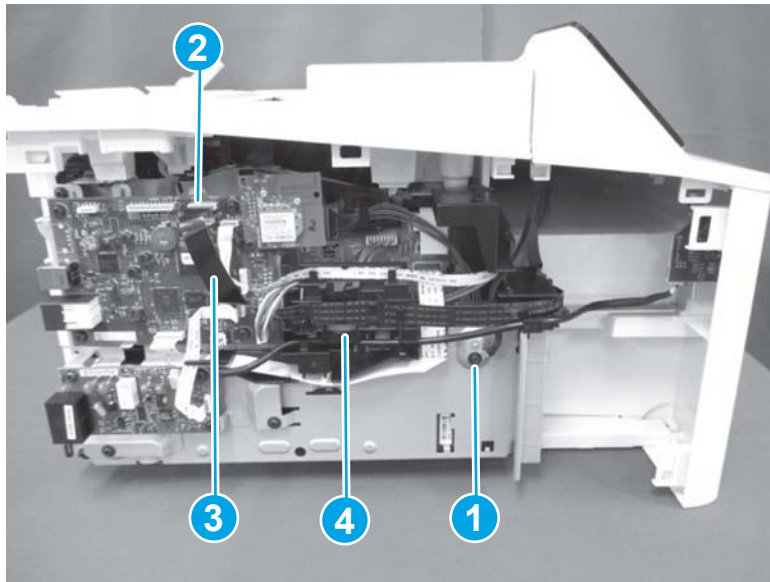
Figure 1-975 Release two tabs and remove the cover



- 2. MFP: Do the following.

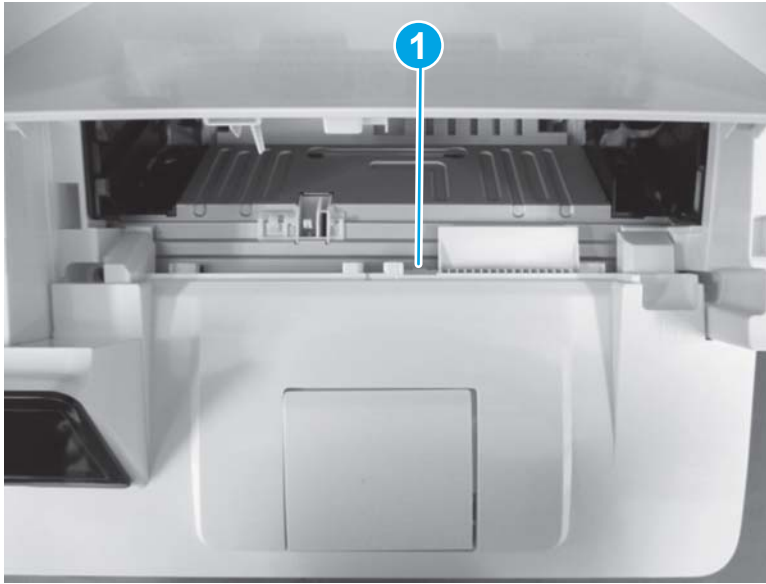
- a. Remove one screw (callout 1) to release one cable. Disconnect one connector (callout 2), and then remove the cable (callout 3) from the cable guide (callout 4).

Figure 1-976 Disconnect connector and release cable



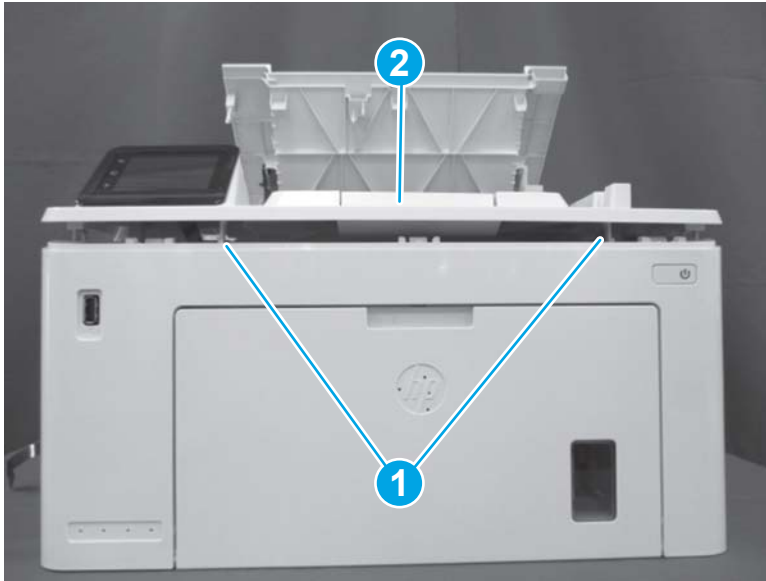
- b. Open the cartridge door, and then release one tab (callout 1).

Figure 1-977 Release one tab



- c. Release two tabs (callout 1), and then remove the top front cover (callout 2).

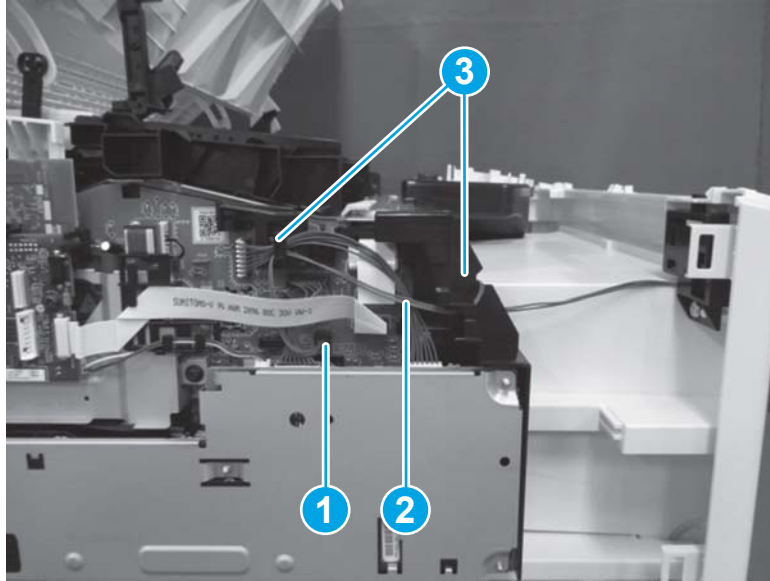
Figure 1-978 Release two tabs and remove the cover



### Step 8: Remove the front cover

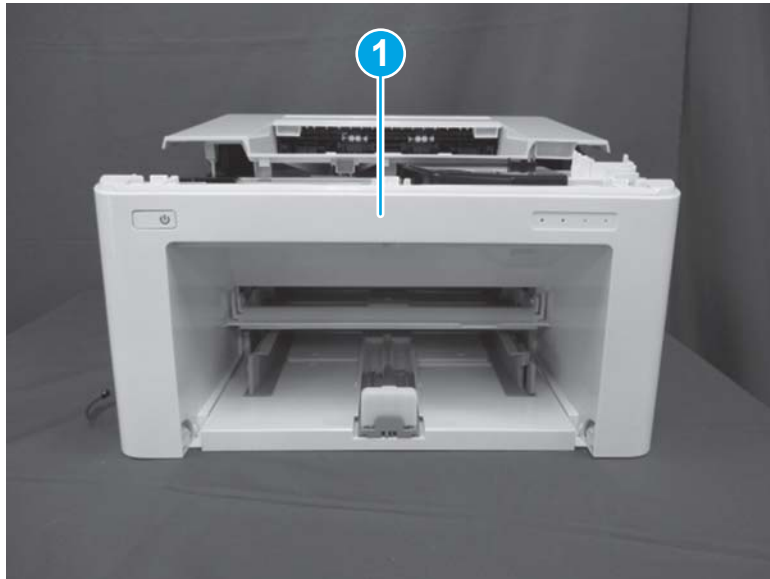
1. **SFP:** Do the following.
  - a. Disconnect one connector (callout 1), and then remove the cable (callout 2) from the cable guide (callout 3).

Figure 1-979 Disconnect connector (SFP)



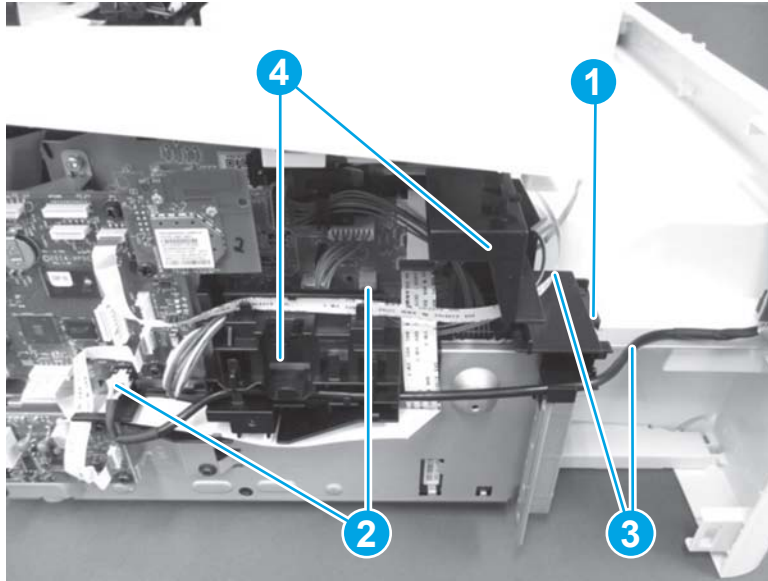
- b. Slide the front cover (callout 1) away from the printer to remove it.

Figure 1-980 Remove the front cover (SFP)



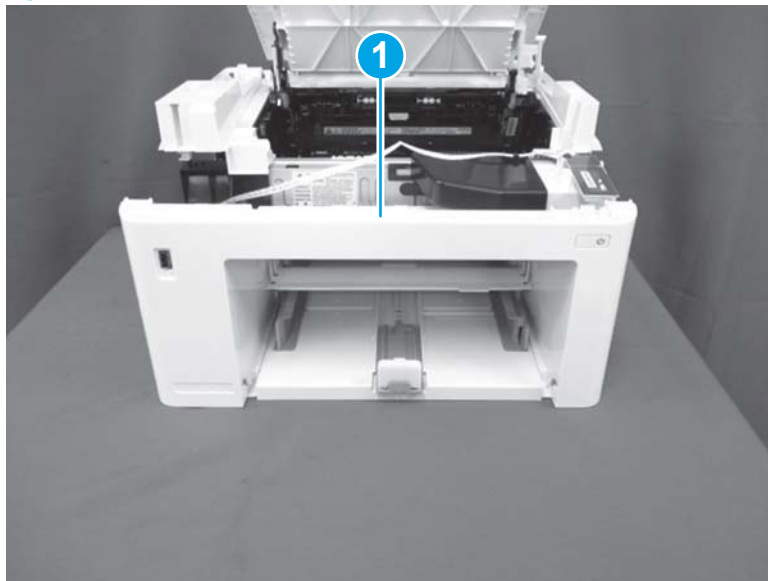
- 2. MFP: Do the following.
  - a. Remove one screw (callout 1). Disconnect two connectors (callout 2), and then release the cables (callout 3) from the cable guide (callout 4).

Figure 1-981 Disconnect connectors (MFP)



- b. Slide the front cover (callout 1) away from the printer to remove it.

Figure 1-982 Remove the front cover (MFP)

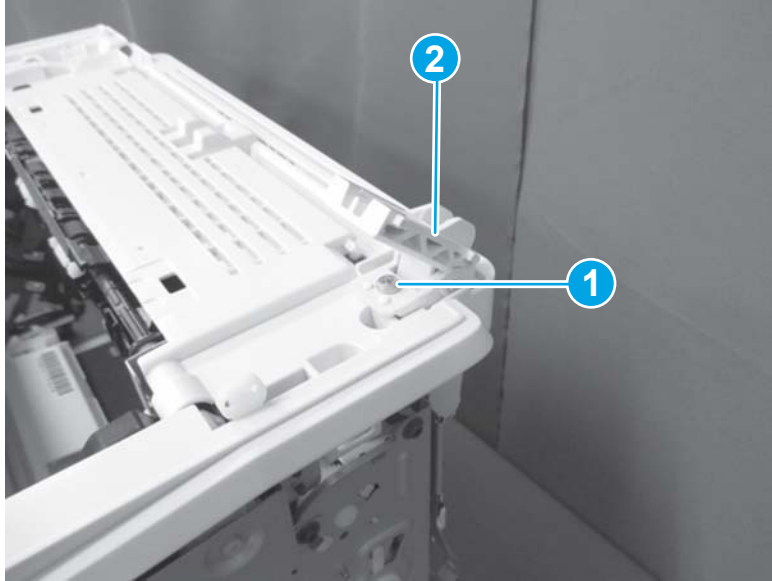


### Step 9: Remove the hinge assembly (MFP)

 **NOTE:** This step is for the MFP printers. For the SFP printers, skip this step and go to [Step 13: Remove the laser scanner assembly on page 614](#).

- ▲ Remove one screw (callout 1), and then remove the hinge assembly (callout 2).

Figure 1-983 Remove the hinge assembly (MFP)

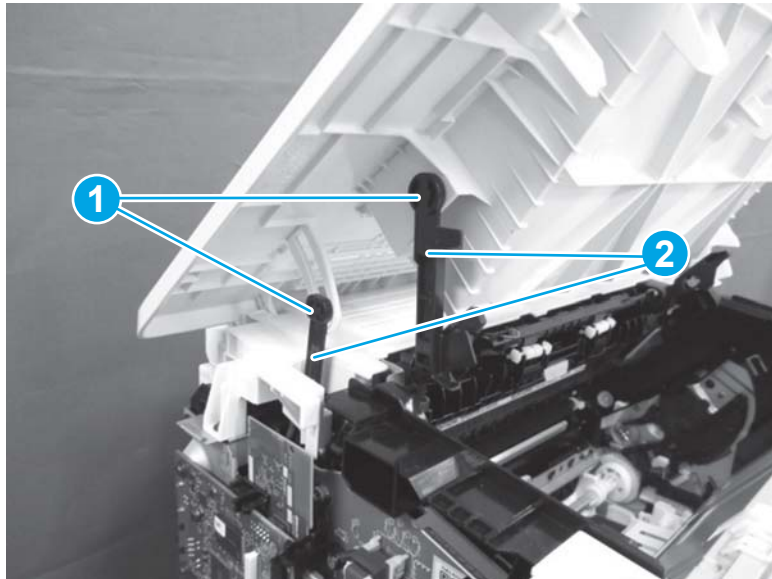


### Step 10: Remove the cartridge door (MFP)

 **NOTE:** This step is for the MFP printers. For the SFP printers, skip this step and go to [Step 13: Remove the laser scanner assembly on page 614](#).

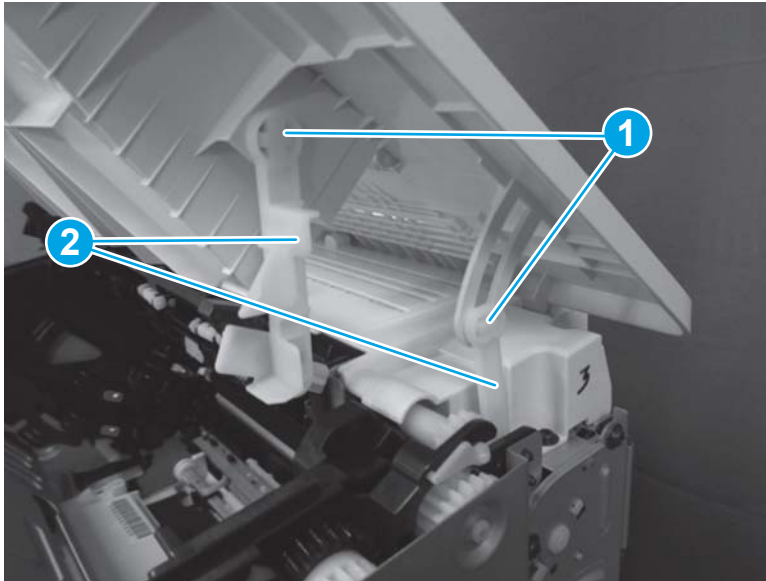
1. **SFP:** Do the following.
  - a. Open the cartridge door. On the left side of the printer, release two tabs (callout 1), and then disconnect two link arms (callout 2).

Figure 1-984 Disconnect left link arms (SFP)



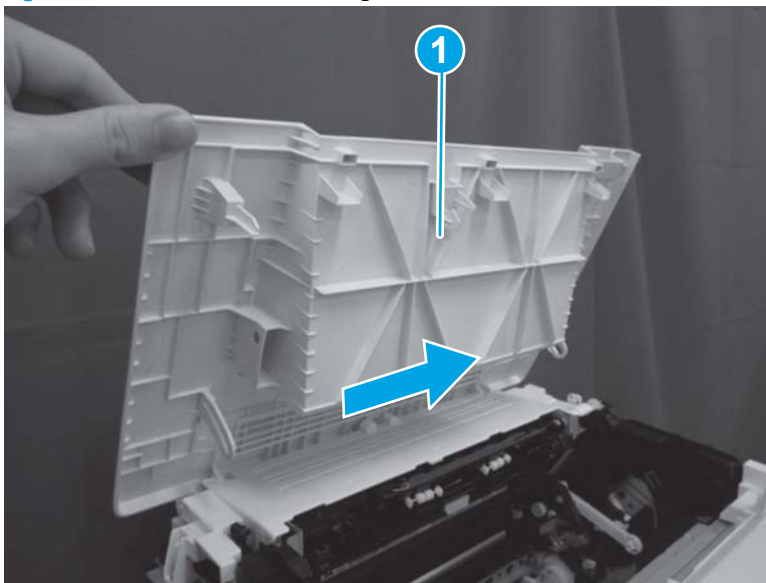
- b. On the right side of the printer, release two tabs (callout 1), and then disconnect two link arms (callout 2).

**Figure 1-985** Disconnect right link arms (SFP)



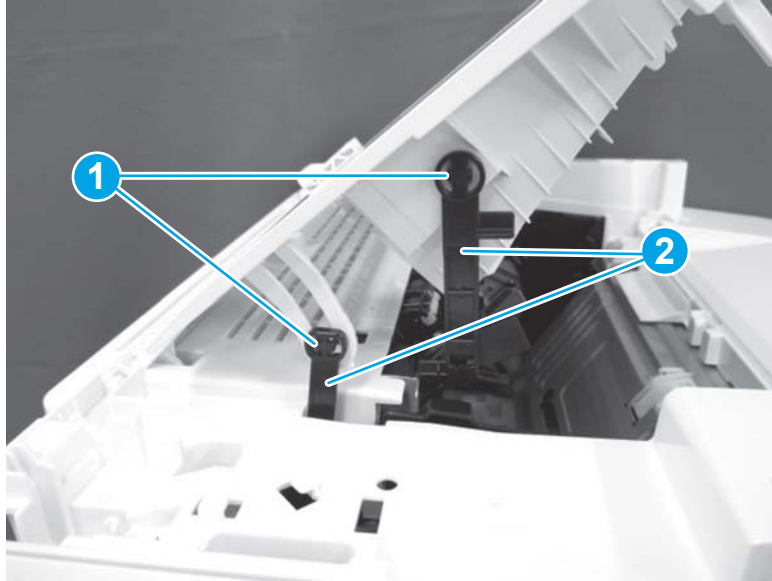
- c. Fully open the cartridge door (callout 1), and then slide it towards the right-side of the printer to remove it.

**Figure 1-986** Remove the cartridge door (SFP)



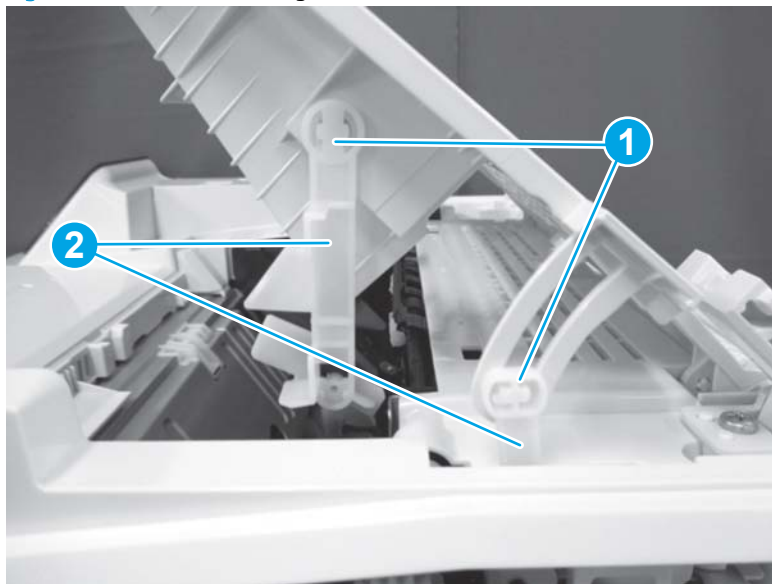
2. **MFP:** Do the following.
  - a. Open the cartridge door. On the left side of the printer, release two tabs (callout 1), and then disconnect two link arms (callout 2).

Figure 1-987 Disconnect left link arms (MFP)



- b. On the right side of the printer, release two tabs (callout 1), and then disconnect two link arms (callout 2).

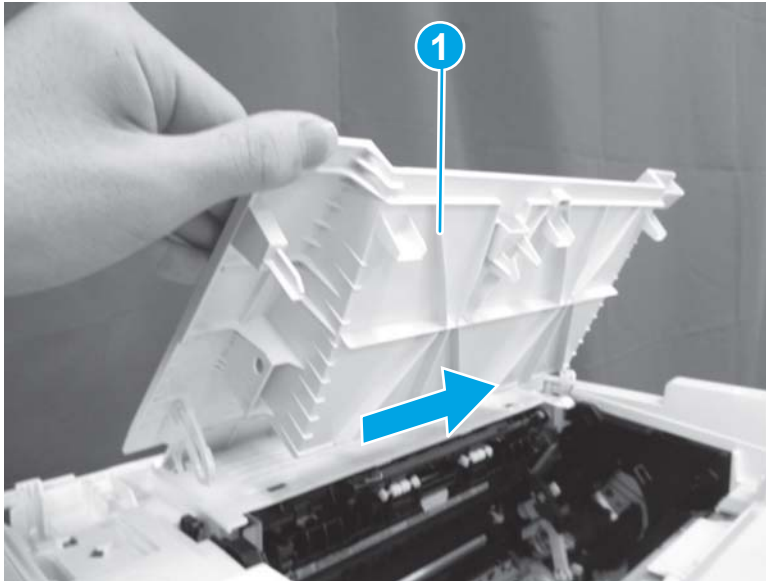
Figure 1-988 Disconnect right link arms (MFP)





- c. Fully open the cartridge door (callout 1), and then slide it towards the right-side of the printer to remove it.

**Figure 1-989** Remove the cartridge door (MFP)

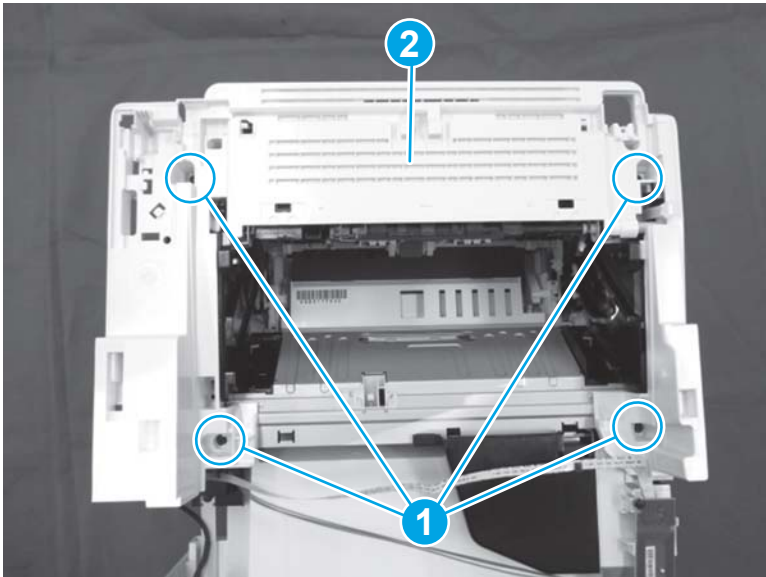


#### Step 11: Remove the top cover (MFP)

 **NOTE:** This step is for the MFP printers. For the SFP printers, skip this step and go to [Step 13: Remove the laser scanner assembly on page 614](#).

- ▲ Remove four screws (callout 1), and then remove the top cover (callout 2).

**Figure 1-990** Remove the top cover

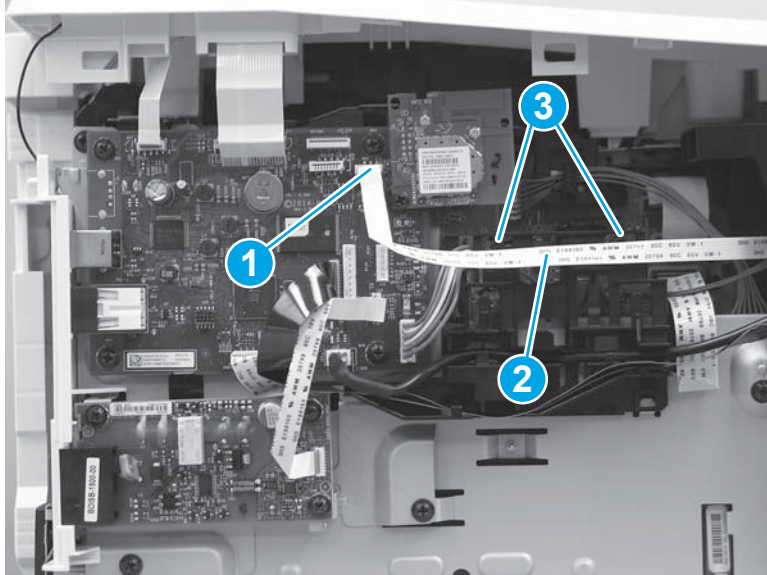


#### Step 12: Remove the laser scanner cover

1. **MFP only:** Disconnect one connector (callout 1), and then remove the cable (callout 2) from the guide (callout 3).

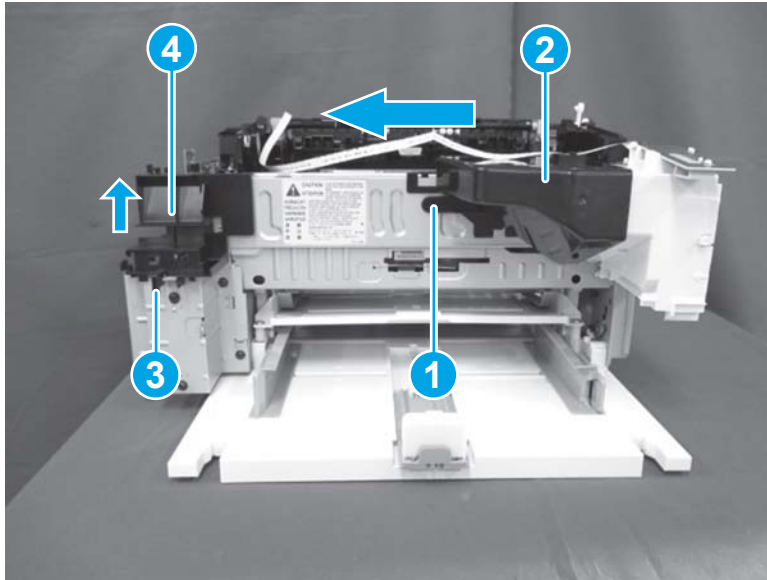


Figure 1-991 Disconnect one connector (MFP)



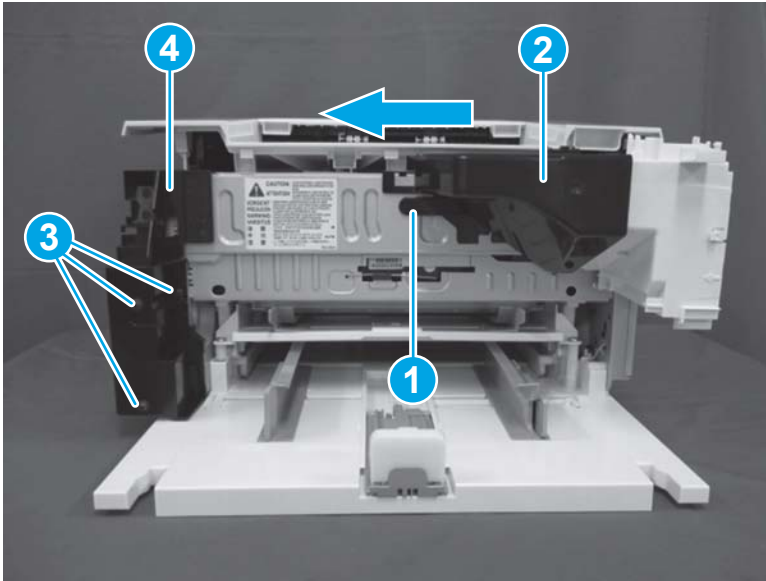
2. **MFP only:** Release one boss (callout 1), and then slide the fan duct (callout 2) to the left to remove it. Release one tab (callout 3), and then slide the inner cover (callout 4) up to remove it.

Figure 1-992 Remove the fan duct and cover (MFP)



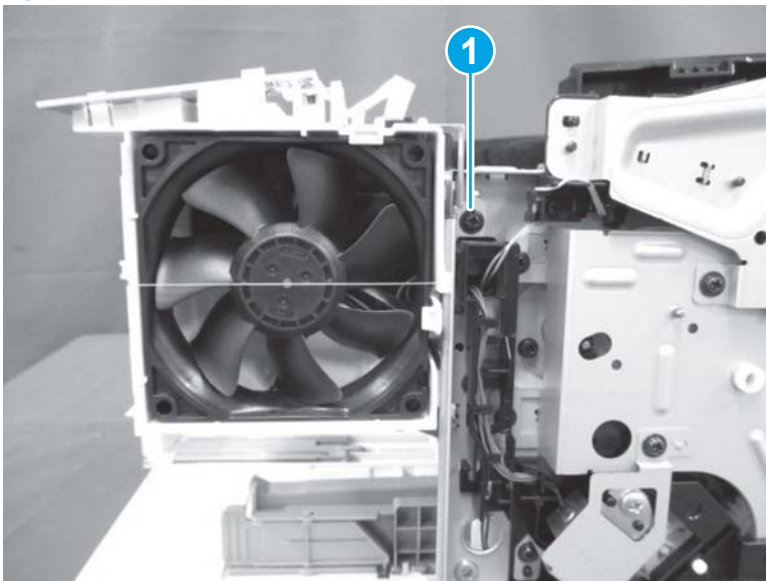
3. **SFP only:** Release one boss (callout 1), and then slide the fan duct (callout 2) to the left to remove it. Remove three screws (callout 3), and then remove the inner cover (callout 4).

Figure 1-993 Remove the fan duct and cover (SFP)



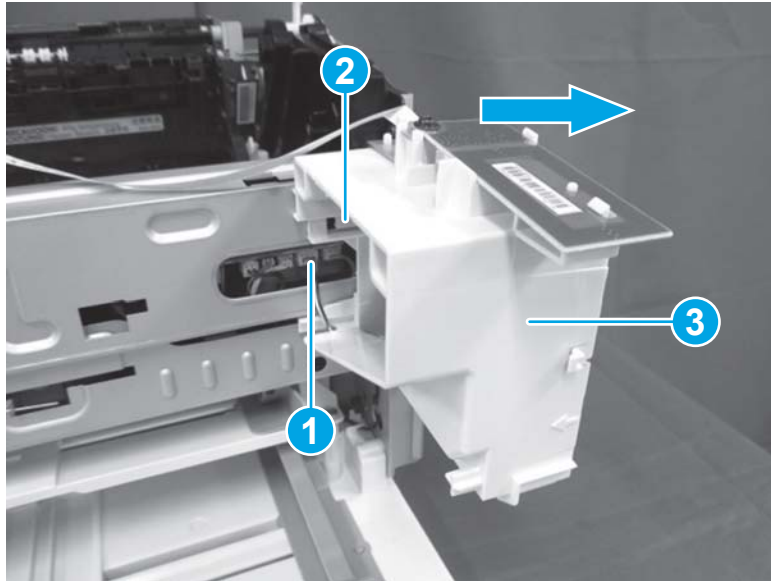
4. **MFP only:** Remove one screw (callout 1).

Figure 1-994 Remove one screw



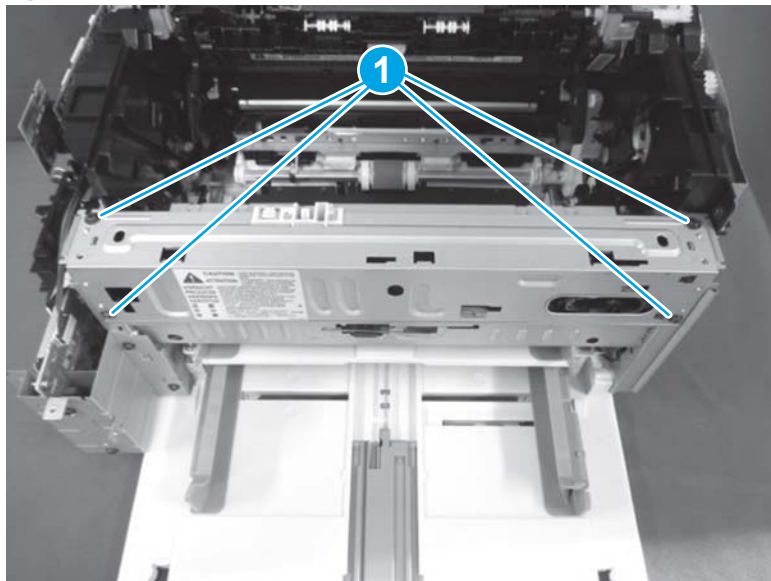
5. Disconnect one connector (callout 1), release one tab (callout 2), and then slide the fan holder (callout 3) to the right to remove it.

Figure 1-995 Remove the fan holder



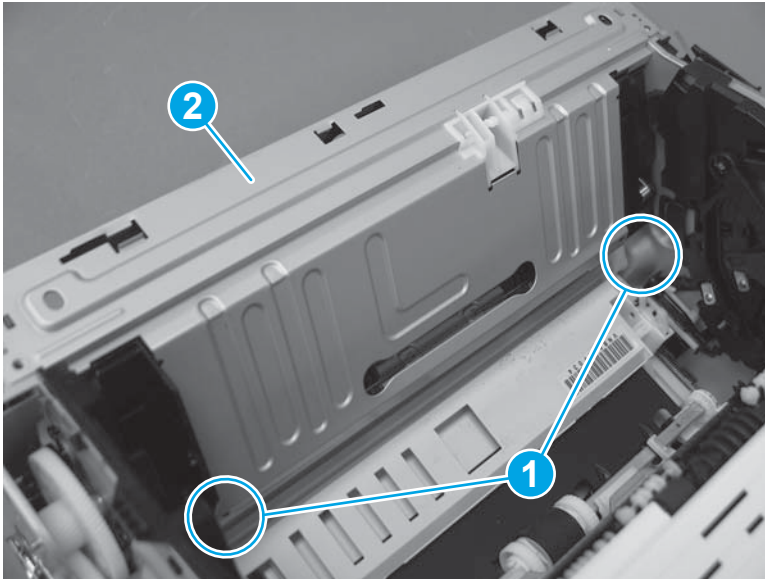
6. Remove four screws (callout 1).

Figure 1-996 Remove four screws



7. Release two tabs (callout 1), and then remove the laser scanner cover (callout 2).

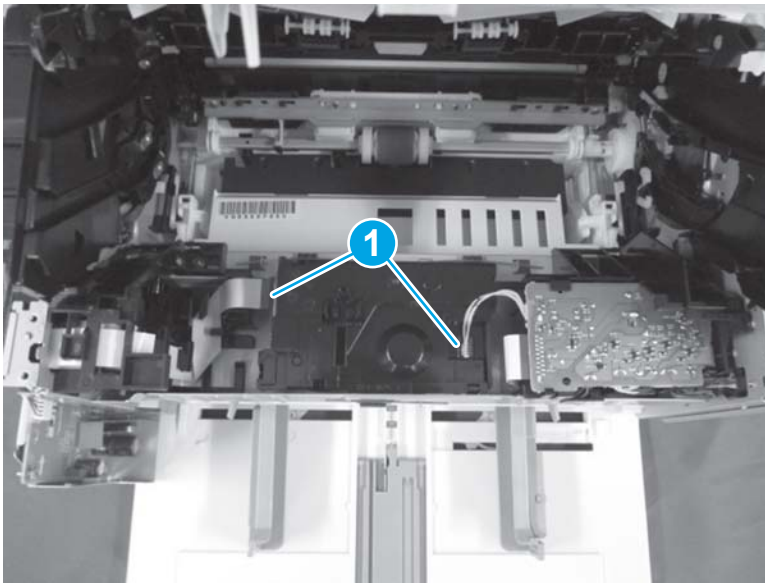
Figure 1-997 Remove the laser scanner cover



### Step 13: Remove the laser scanner assembly

1. Disconnect one flat cable and one connector (callout 1).

Figure 1-998 Disconnect two connectors



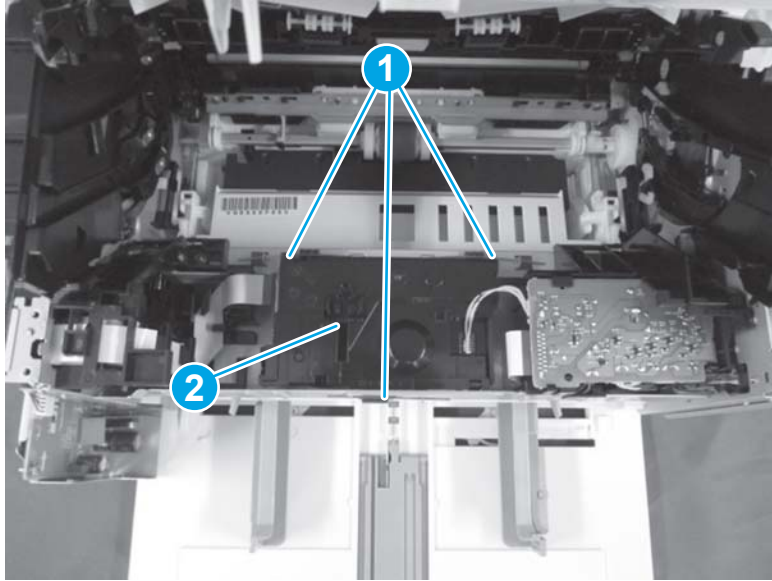
2. Release three springs (callout 1), and then remove the laser scanner (callout 2).

---

**⚠ CAUTION:** The springs are not captive. Do not drop them into the printer or lose them when they are released.

---

Figure 1-999 Release three springs



#### Step 14: Unpack the replacement assembly

1. Dispose of the defective part.

---

**📝 NOTE:** HP recommends responsible disposal of the defective part.

[www.hp.com/recycle](http://www.hp.com/recycle)

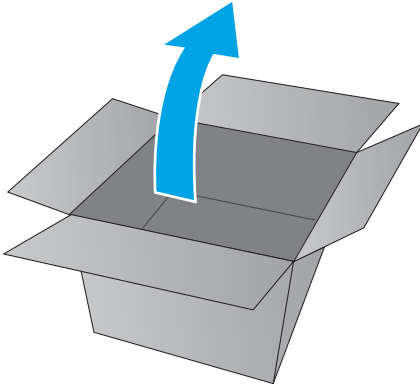
---



2. Unpack the replacement part from the packaging.

**⚠ CAUTION:** If the replacement part is a roller or pad, avoid touching the spongy part of it. Skin oils on the roller or pad can cause paper pickup and/or print-quality problems. HP recommends using disposable gloves when handling rollers or pads or washing your hands or before touching rollers or pads.

**📄 IMPORTANT:** Make sure that all of the shipping materials (for example shipping tape) are removed from the replacement part prior to installation.

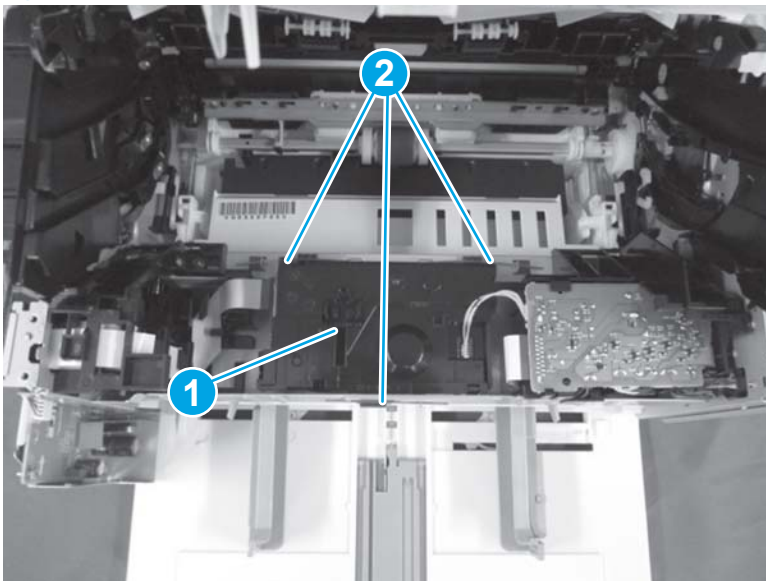


### Step 15: Install the laser scanner assembly

1. Position the laser scanner (callout 1) in the printer, and then engage three springs (callout 2).

**⚠ CAUTION:** The springs are not captive. Do not drop them into the printer or lose them when they are engaged.

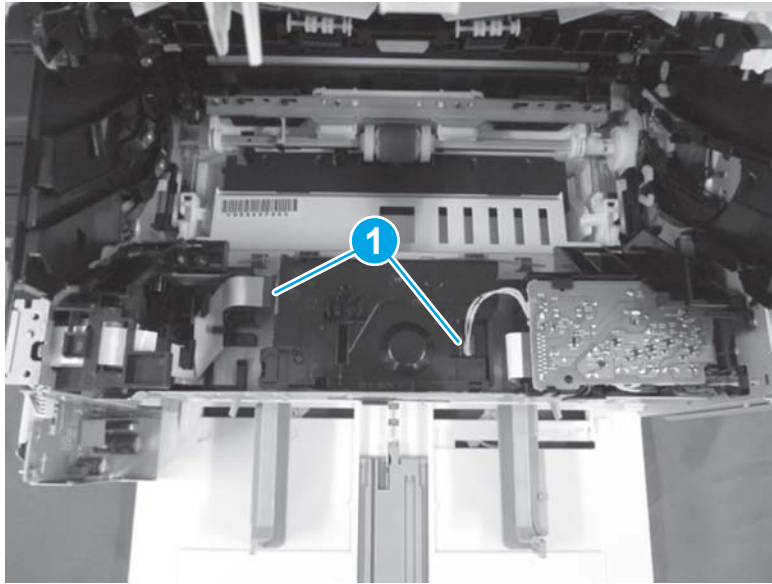
Figure 1-1000 Install the laser scanner





2. Connect one flat cable and one connector (callout 1).

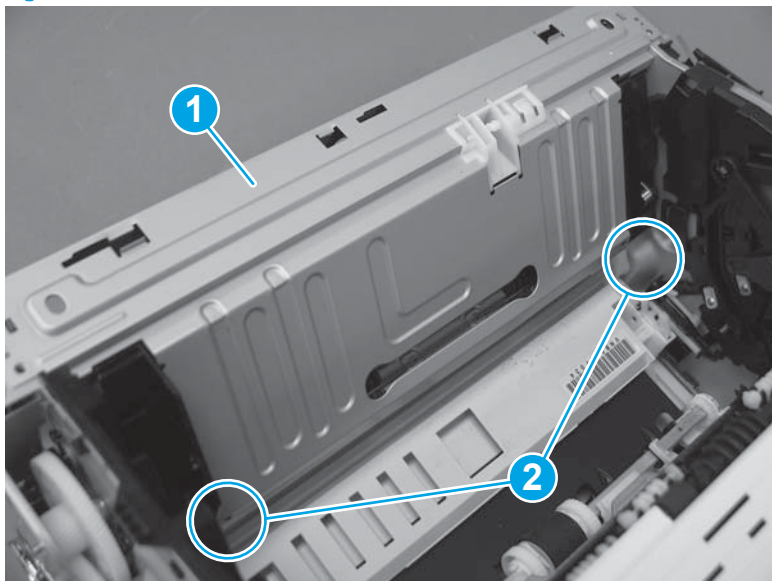
Figure 1-1001 Connect two connectors



#### Step 16: Install the laser scanner cover

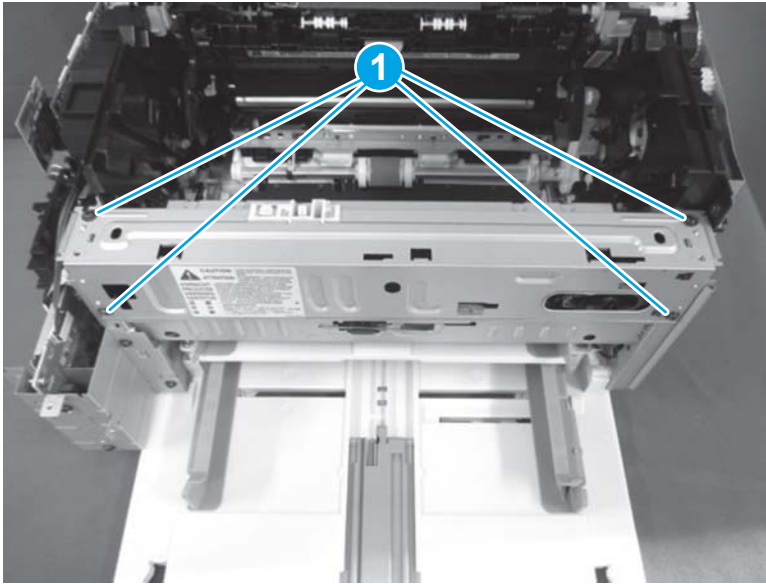
1. Install the laser scanner cover (callout 1). Make sure that the two tabs (callout 2) are engaged.

Figure 1-1002 Install the laser scanner cover



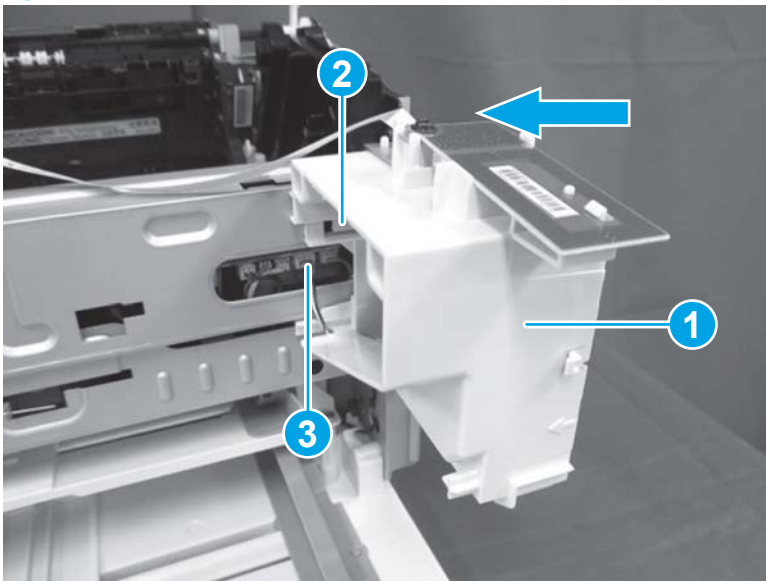
2. Install four screws (callout 1).

Figure 1-1003 Install the laser scanner cover



3. Slide the fan holder (callout 1) to the left onto the printer to engage one tab (callout 2), and then connect one connector (callout 3).

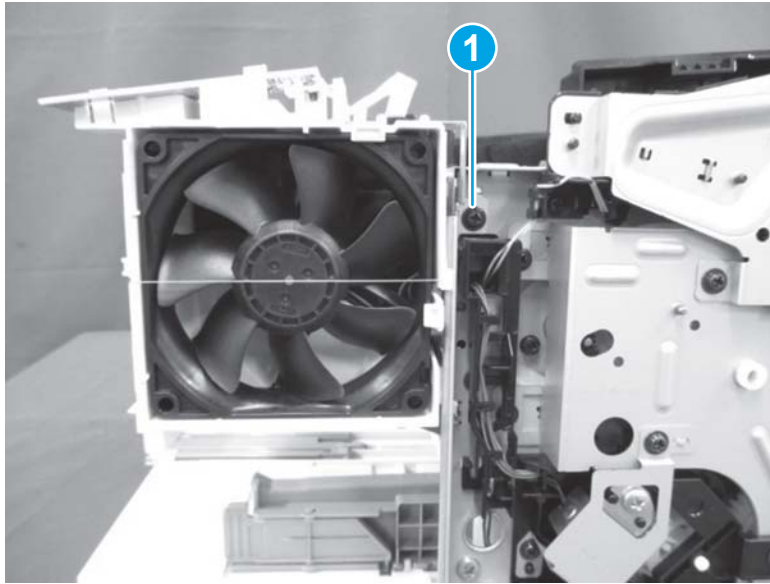
Figure 1-1004 Install the fan holder





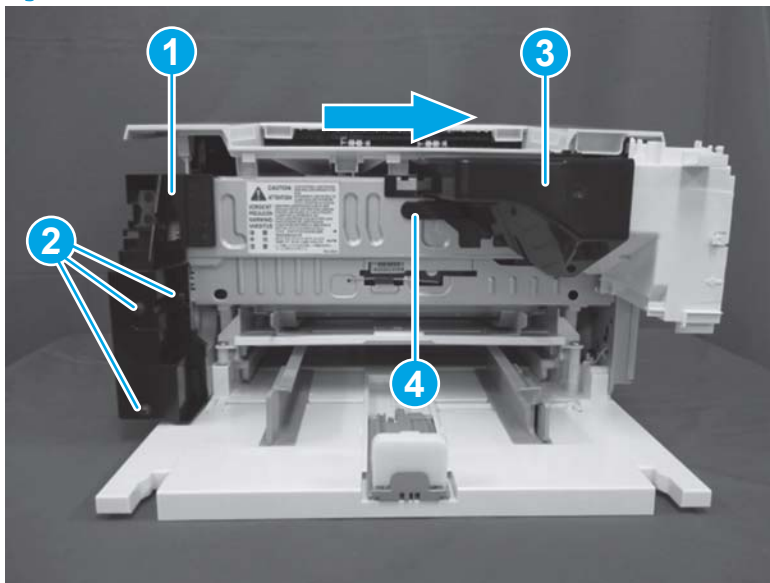
4. **MFP only:** Install one screw (callout 1).

Figure 1-1005 Install one screw



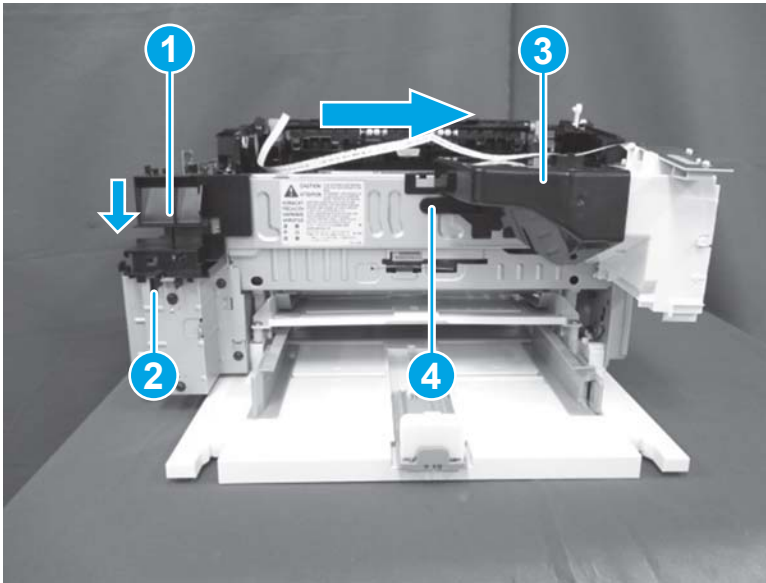
5. **SFP only:** Position the inner cover (callout 1) on the printer, and then install three screws (callout 2). Slide the fan duct (callout 3) to the right to install it on the printer. Make sure that the boss (callout 4) snaps into place.

Figure 1-1006 Install the fan duct and cover (SFP)



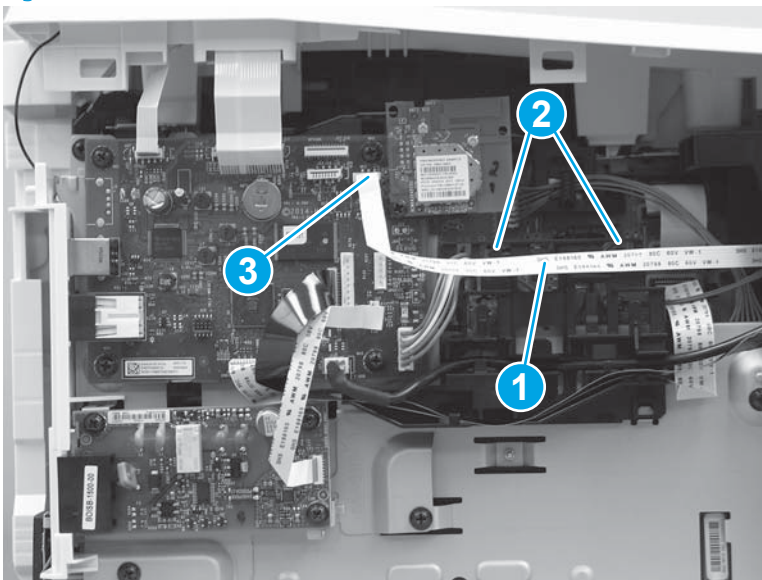
- MFP only:** Slide the inner cover (callout 1) down onto the printer until the tab (callout 2) snaps into place. Slide the fan duct (callout 3) to the right to install it on the printer. Make sure that the boss (callout 4) snaps into place.

Figure 1-1007 Install the fan duct and cover (MFP)



- MFP only:** Position the cable (callout 1) in the guides (callout 2), and then connect one connector (callout 3).

Figure 1-1008 Connect one connector

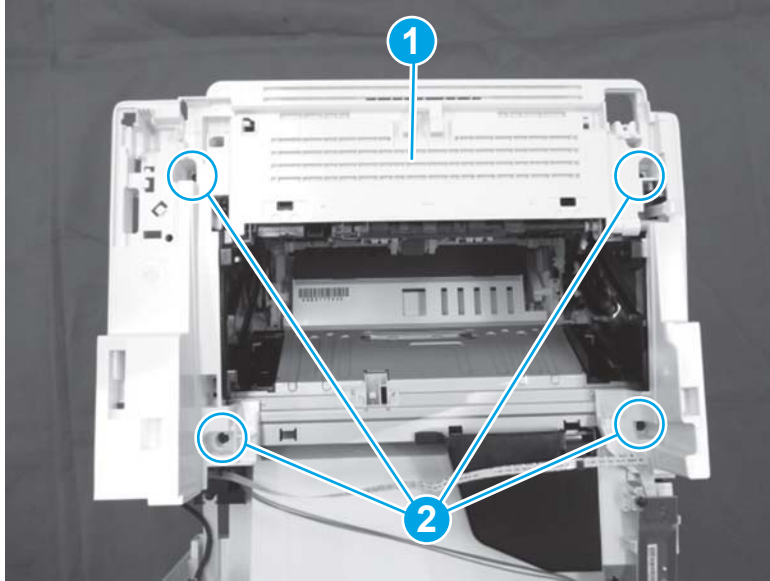


### Step 17: Install the top cover (MFP)

 **NOTE:** This step is for the MFP printers. For the SFP printers, skip this step and go to [Step 16: Install the laser scanner cover on page 617](#).

- ▲ Position the top cover (callout 1) on the printer, and then install four screws (callout 2).

Figure 1-1009 Install the top cover

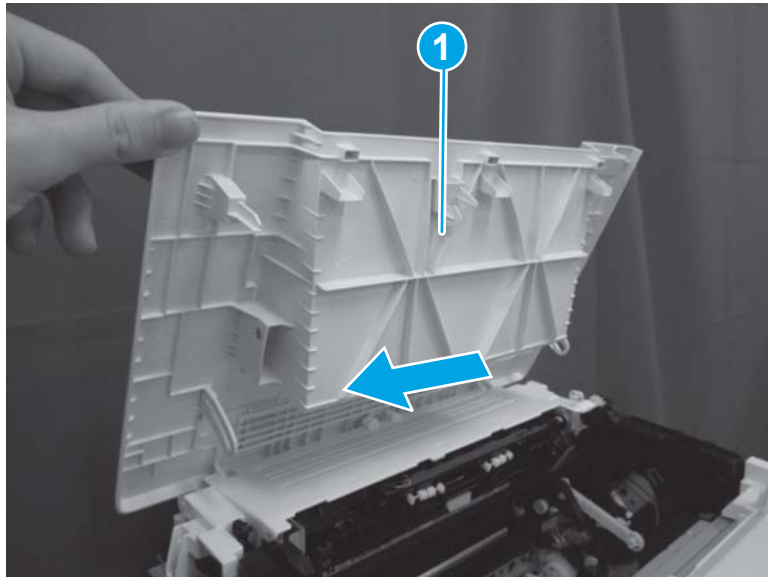


Step 18: Install the cartridge door (MFP)

 **NOTE:** This step is for the MFP printers. For the SFP printers, skip this step and go to [Step 16: Install the laser scanner cover on page 617](#).

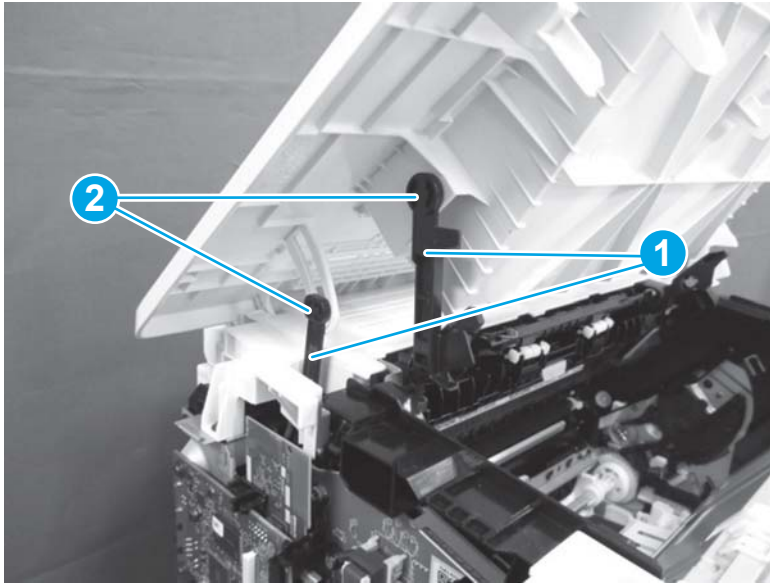
1. **SFP:** Do the following.
  - a. Position the cartridge door (callout 1) on the printer, and then slide it toward the left-side of the printer to install it.

Figure 1-1010 Install the cartridge door (SFP)



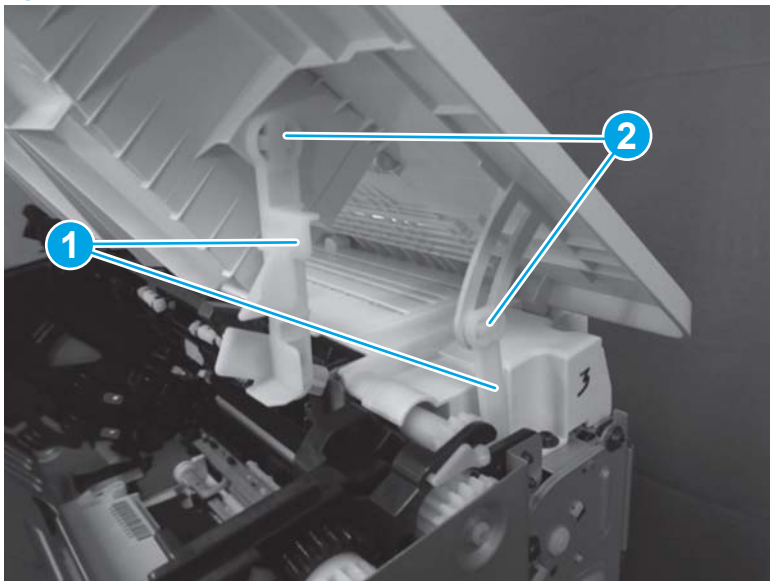
- b. On the left side of the printer, position two link arms (callout 1), and then engage two tabs (callout 2).

Figure 1-1011 Connect left link arms (SFP)



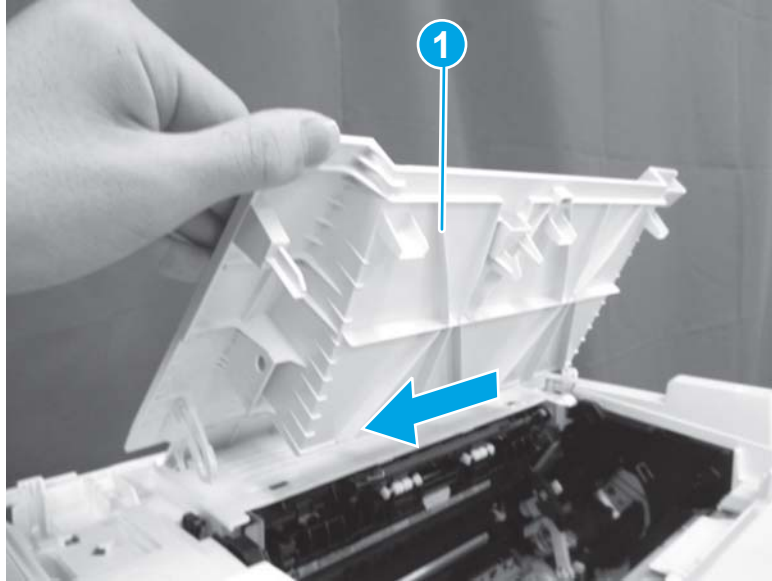
- c. On the right side of the printer, position two link arms (callout 1), and then engage two tabs (callout 2).

Figure 1-1012 Connect right link arms (SFP)



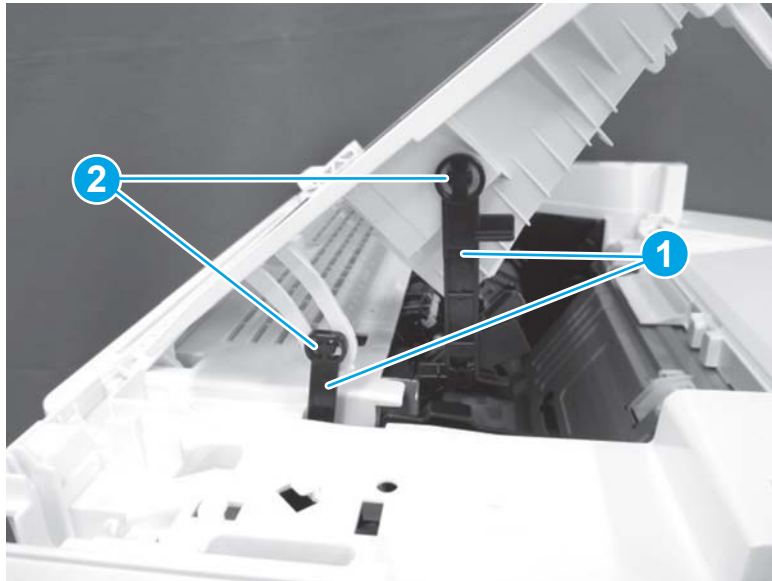
2. **MFP:** Do the following.
  - a. Position the cartridge door (callout 1) on the printer, and then slide it toward the left-side of the printer to install it.

Figure 1-1013 Install the cartridge door (MFP)



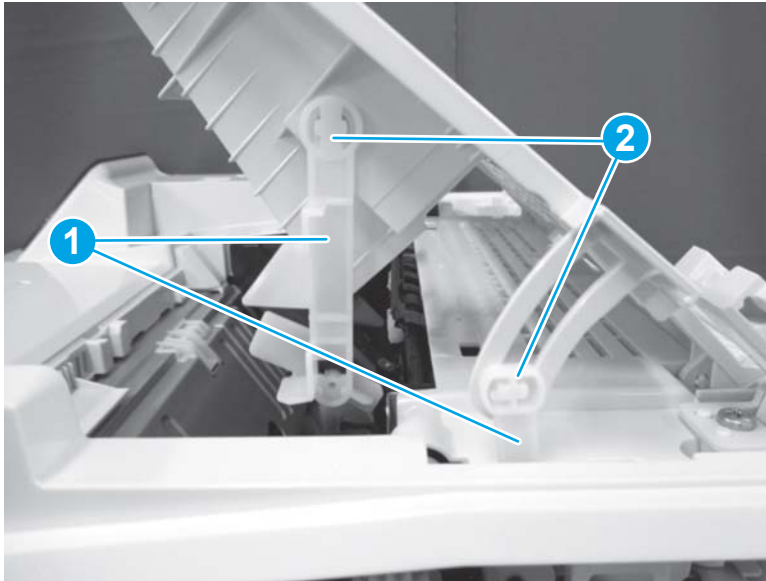
- b. On the left side of the printer, position two link arms (callout 1), and then engage two tabs (callout 2).

Figure 1-1014 Connect left link arms (MFP)



- c. On the right side of the printer, position two link arms (callout 1), and then engage two tabs (callout 2).

**Figure 1-1015** Connect right link arms (MFP)

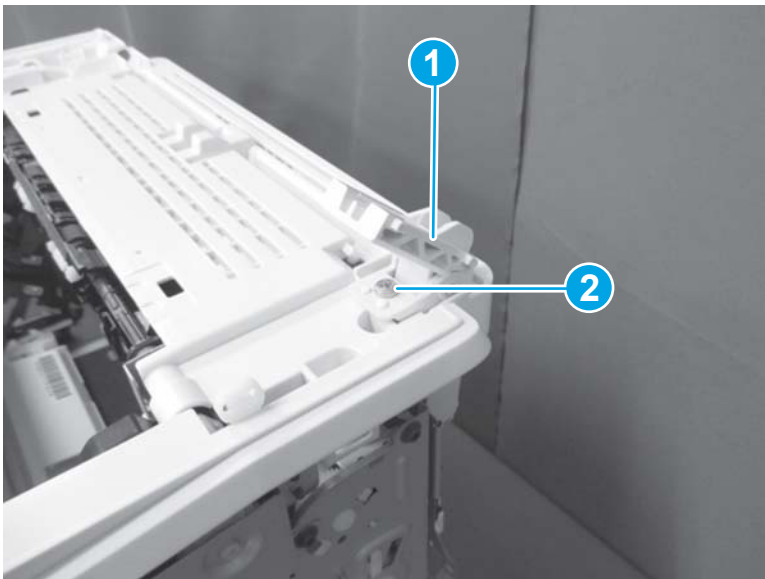


#### Step 19: Install the hinge assembly (MFP)

 **NOTE:** This step is for the MFP printers. For the SFP printers, skip this step and go to [Step 16: Install the laser scanner cover on page 617](#).

- ▲ Position the hinge assembly (callout 1) on the printer, and then install one screw (callout 2).

**Figure 1-1016** Install the hinge assembly (MFP)

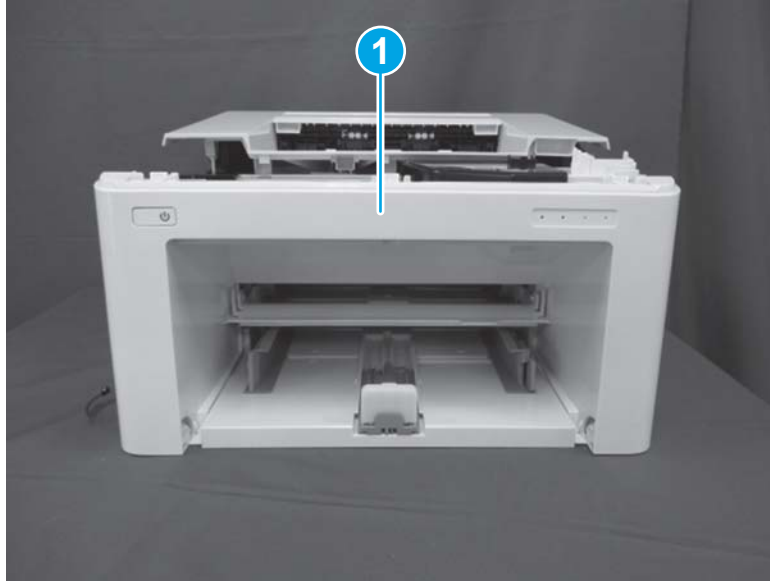


#### Step 20: Install the front cover

1. **SFP:** Do the following.
  - a. Slide the front cover (callout 1) toward the printer to install it.

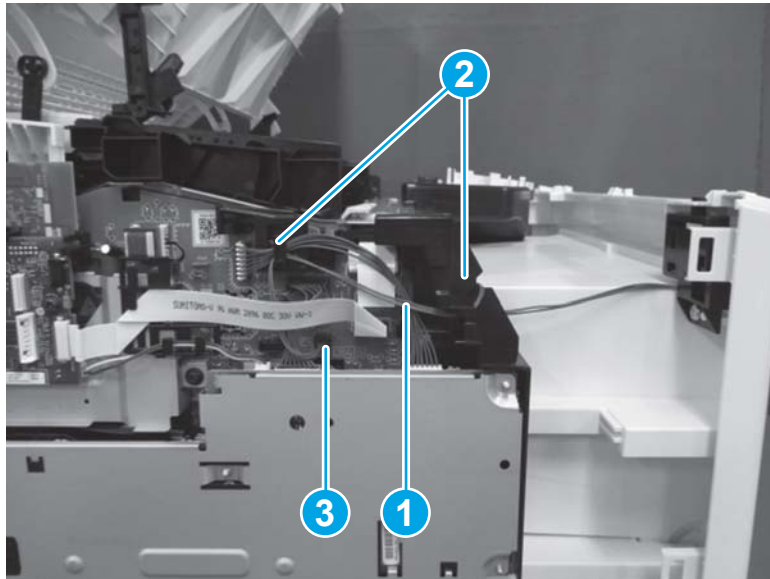


**Figure 1-1017** Install the front cover (SFP)



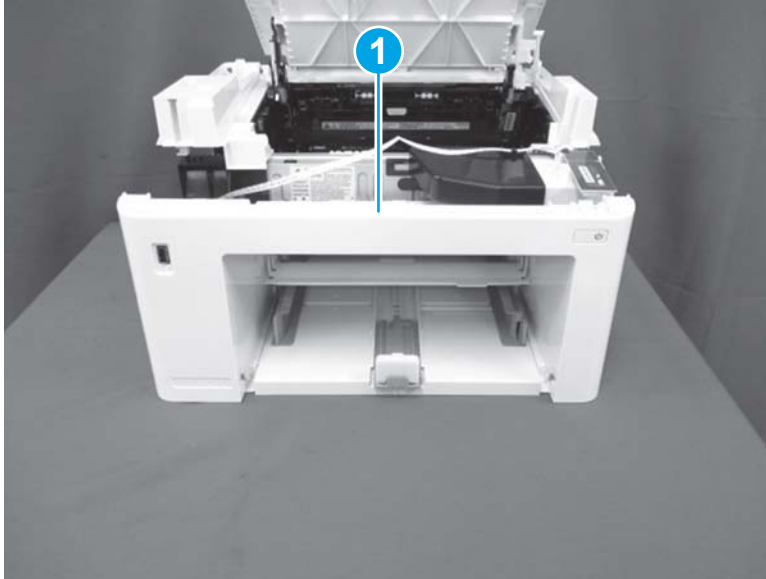
- b. Install the cable (callout 1) in the cable guide (callout 2), and then connect one connector (callout 3).

**Figure 1-1018** Connect the connector (SFP)



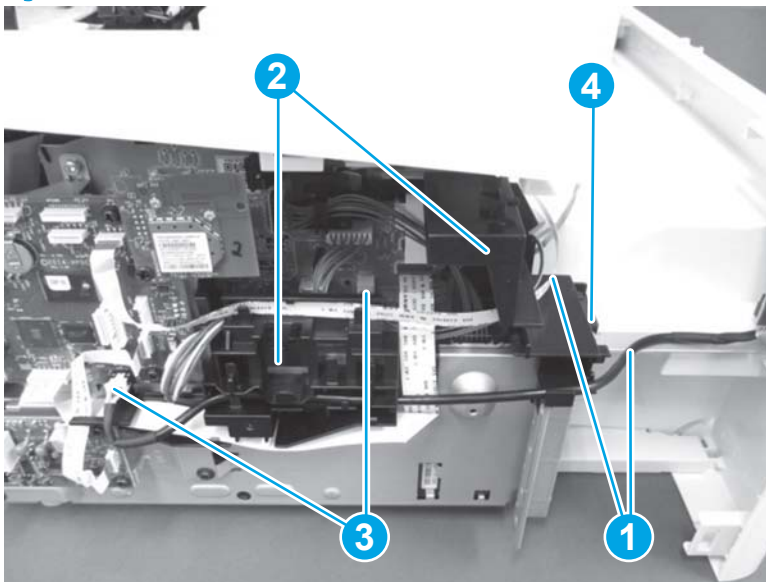
- 2. **MFP:** Do the following.
  - a. Slide the front cover (callout 1) toward the printer to install it.

Figure 1-1019 Install the front cover (MFP)



- b. Install the cables (callout 1) in the cable guides (callout 2), and then connect two connectors (callout 3). Install one screw (callout 4).

Figure 1-1020 Connect two connectors (MFP)

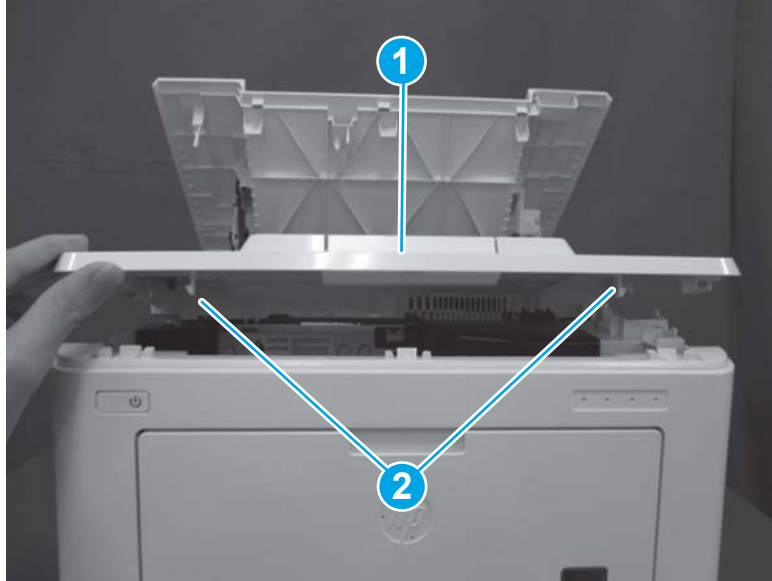


#### Step 21: Install the top front cover

1. SFP: Do the following.
  - a. Position the top front cover (callout 1) on the printer and install two tabs (callout 2).

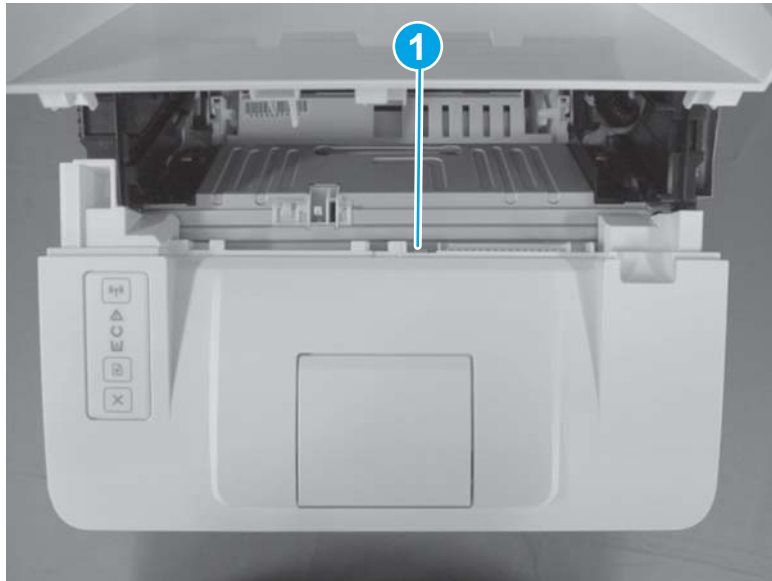


Figure 1-1021 Install two tabs



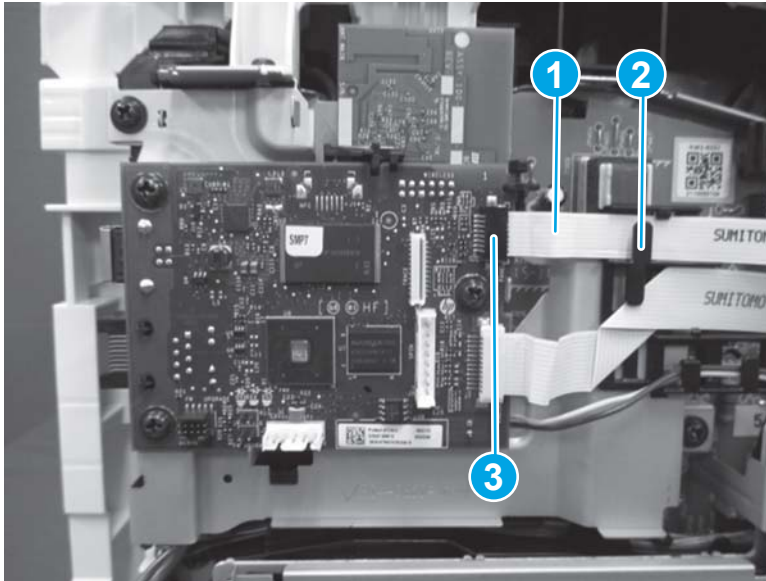
- b. On the top of the cover, install one tab (callout 1).

Figure 1-1022 Install one tab



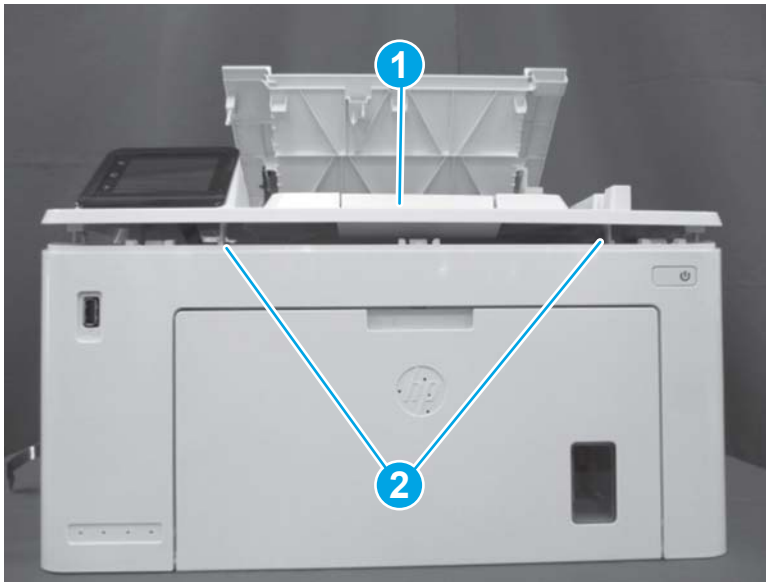
- c. Install the cable (callout 1) in the guide (callout 2), and then connect one connector (callout 3) on the formatter.

Figure 1-1023 Connect one connector



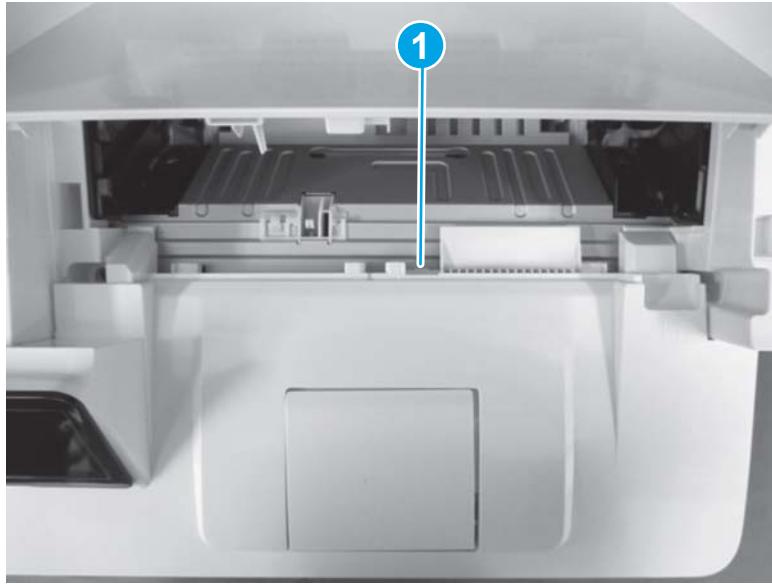
2. **MFP:** Do the following.
  - a. Position the top front cover (callout 1) on the printer, and then install two tabs (callout 2).

Figure 1-1024 Install two tabs



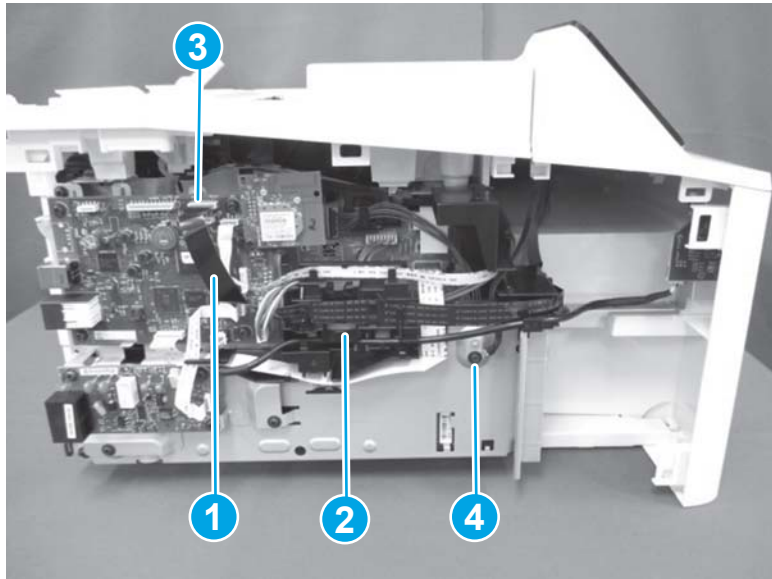
- b. Install one tab (callout 1).

**Figure 1-1025** Install one tab



- c. Install the cable (callout 1) in the cable guide (callout 2), and then connect one connector (callout 3). Install one screw (callout 4) to secure the grounding cable.

**Figure 1-1026** Install one connector and grounding cable

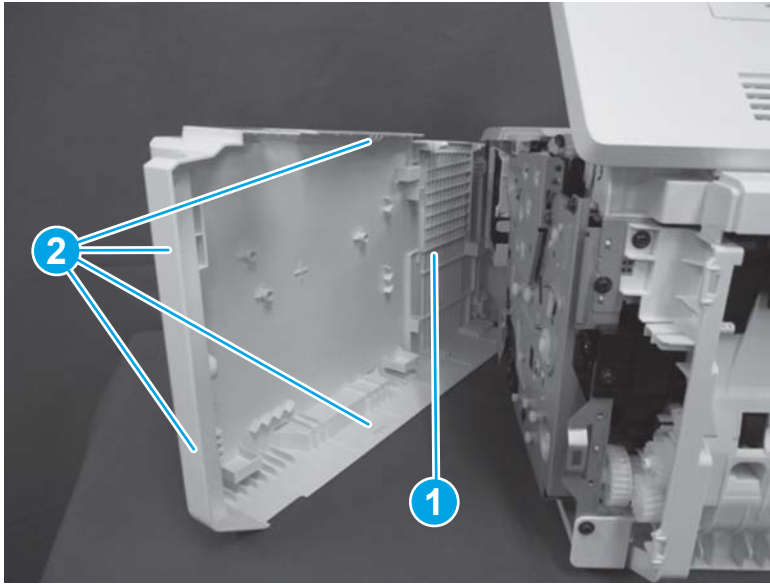


### Step 22: Install the right cover

1. **SFP:** Do the following.
  - a. Open the cartridge door.

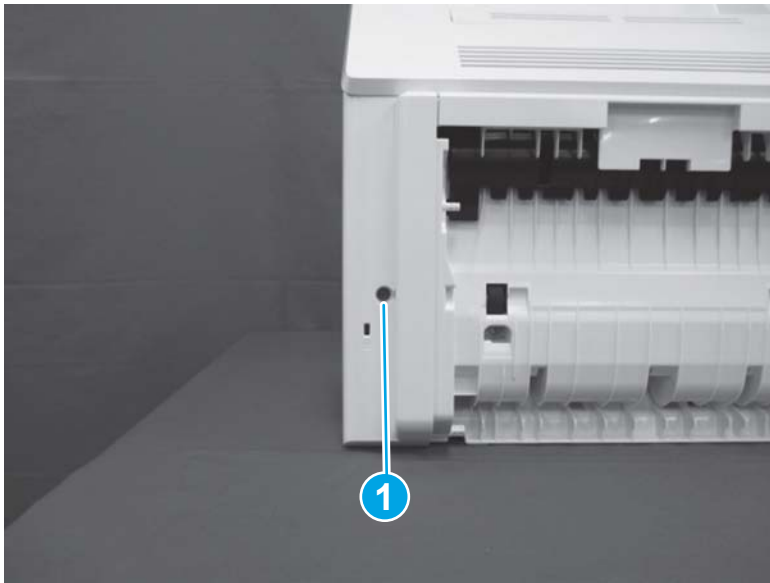
- b. Position the right cover (callout 1) on the printer, and then engage four tabs (callout 2).

Figure 1-1027 Install the right cover (SFP)



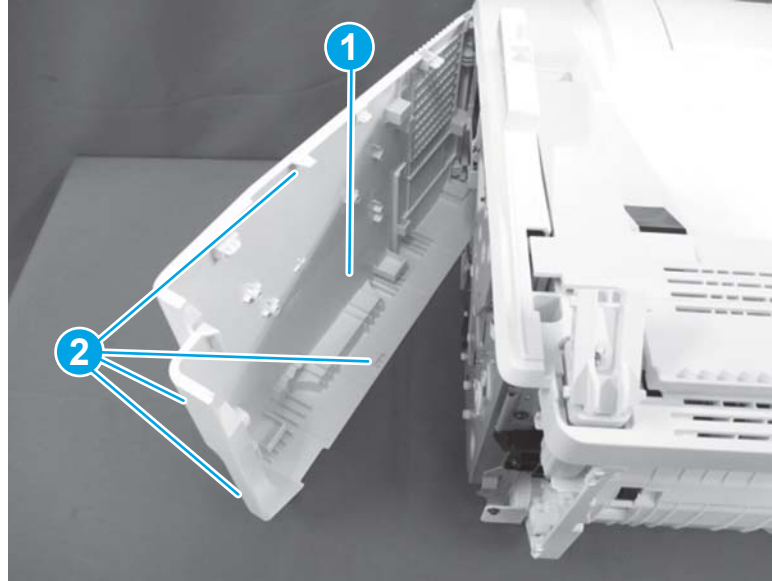
- c. Close the cartridge door.
- d. Install one screw (callout 1).

Figure 1-1028 Install one screw (SFP)



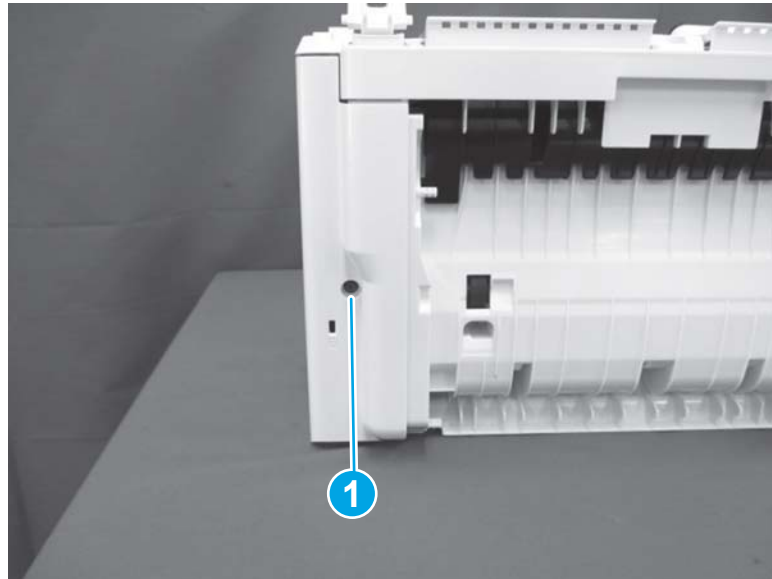
- 2. **MFP:** Do the following.
  - a. Position the right cover (callout 1) on the printer, and then engage four tabs (callout 2).

Figure 1-1029 Install the right cover (MFP)



- b. Install one screw (callout 1).

Figure 1-1030 Install one screw (MFP)




### Step 23: Install the 3-in-1 or 4-in-1 scanner assembly (MFP)

---

 **NOTE:** This step is for the MFP printers. For the SFP printers, skip this step and go to [Step 25: Install the left cover on page 635](#).

---

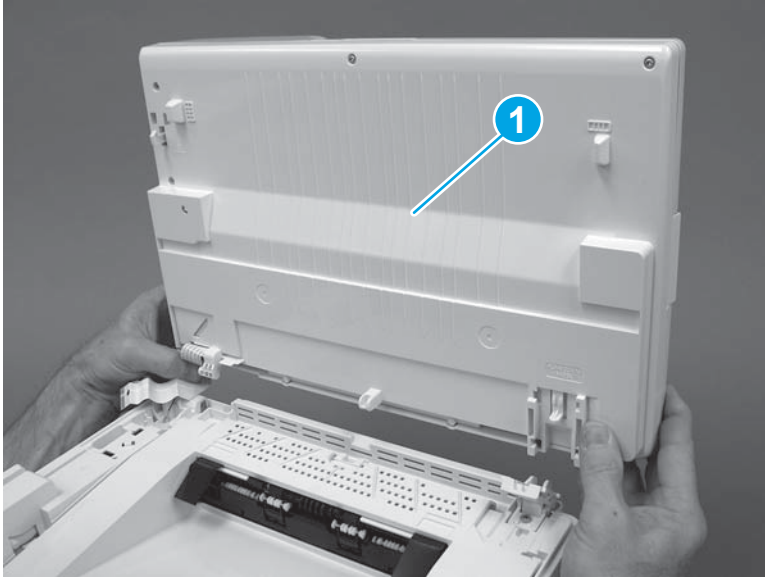
 **NOTE:** The 4-in-1 scanner assembly supports the document feeder. The 3-in-1 scanner assembly does not support the document feeder.

The figures in this procedure show a 4-in-1 printer. However, the procedure is correct for 3-in-1 printers.

---

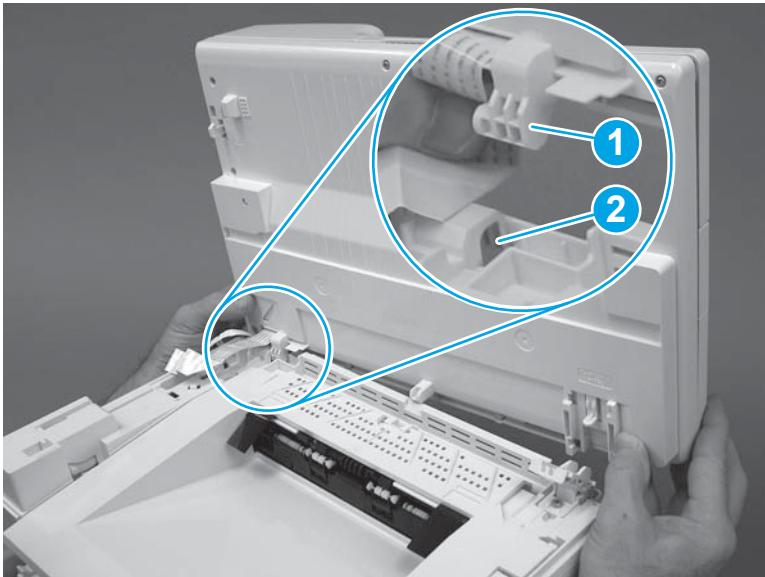
1. Position the scanner assembly (callout 1) near the printer.

Figure 1-1031 Install the scanner assembly (MFP)



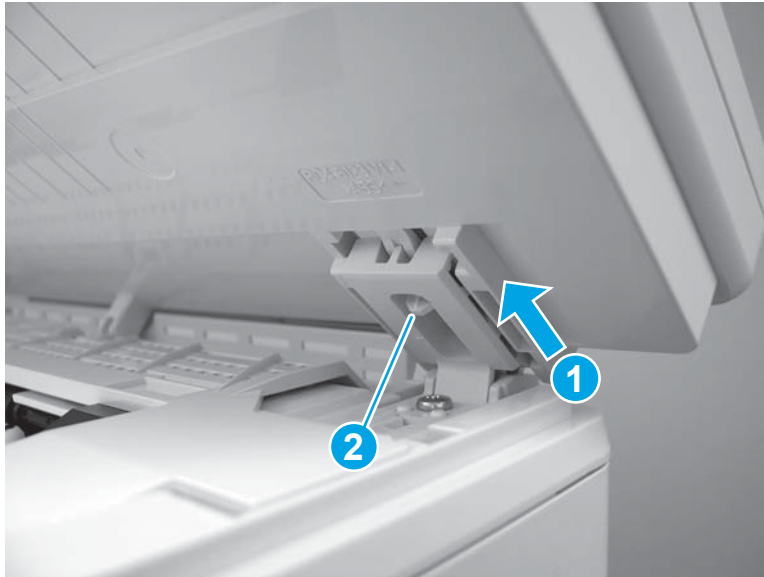
2. Engage the left hinge (callout 1) with the top cover (callout 2).

Figure 1-1032 Engage the left hinge (MFP)



3. Push the right side of the scanner assembly toward the front of the printer to engage the right hinge (callout 1). Make sure that the tab (callout 2) snaps into place.

Figure 1-1033 Engage the right hinge (MFP)



4. **4-in-1 models only:** Pass the flat cables (callouts 1/2) and the ground wire (callout 3) through the openings in the chassis, and then connect the two flat cables.

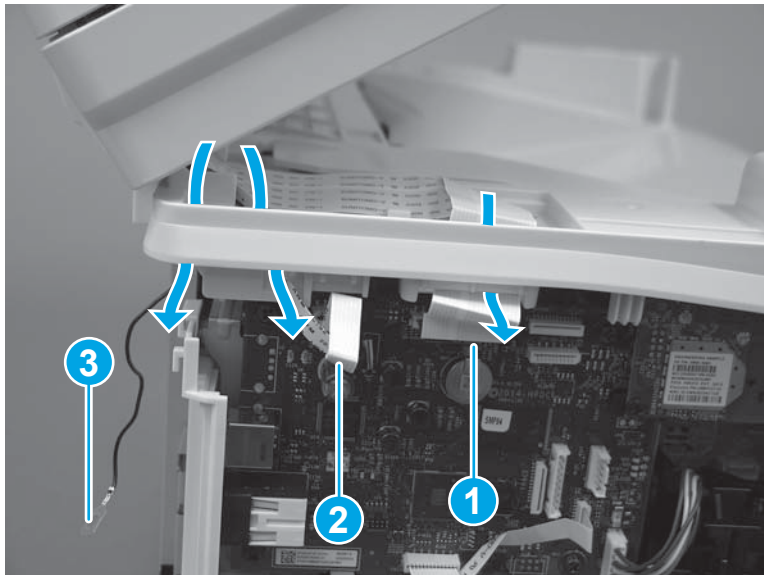
**3-in-1 models only:** Pass the flat cable (callout 1) through the opening in the chassis, and then connect one flat cable.

---

 **NOTE:** The 3-in-1 model does not have the small flat cable (callout 2) or a ground wire (callout 3).

---

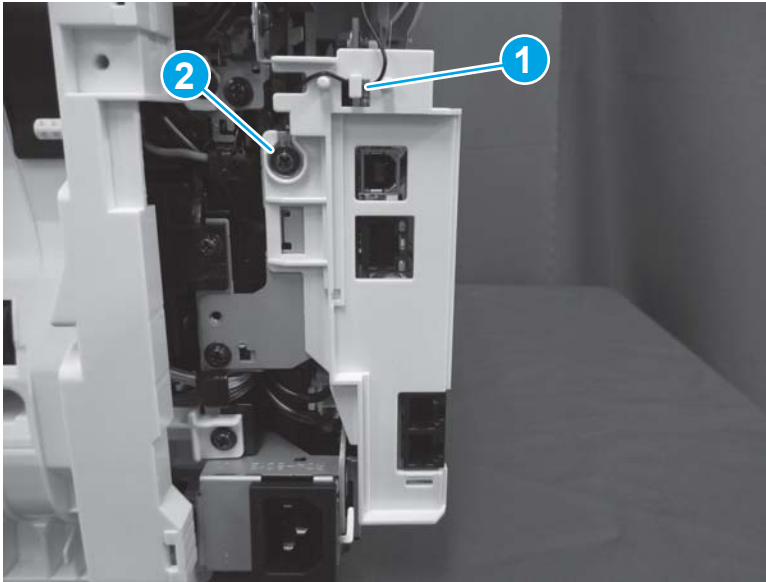
Figure 1-1034 Connect flat cable(s)





5. **4-in-1 models only:** Install the ground wire in the retainer (callout 1), and then install one screw (callout 2).

**Figure 1-1035** Install the ground wire (4-in-1 models)

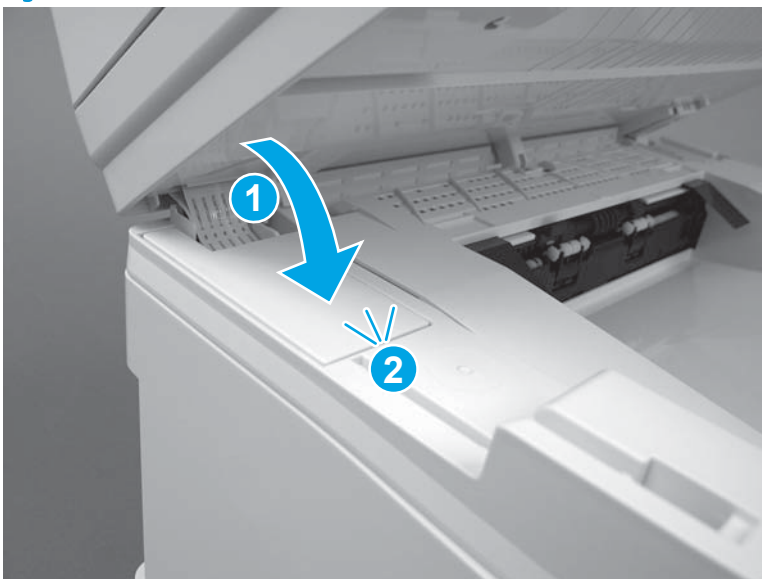


#### Step 24: Install the cable cover (MFP)

 **NOTE:** This step is for the MFP printers. For the SFP printers, skip this step and go to [Step 25: Install the left cover on page 635](#).

1. Install the cable cover (callout 1), on the printer, and then push down to engage one tab (callout 2).

**Figure 1-1036** Install the cable cover (MFP)





2. Close the scanner assembly.

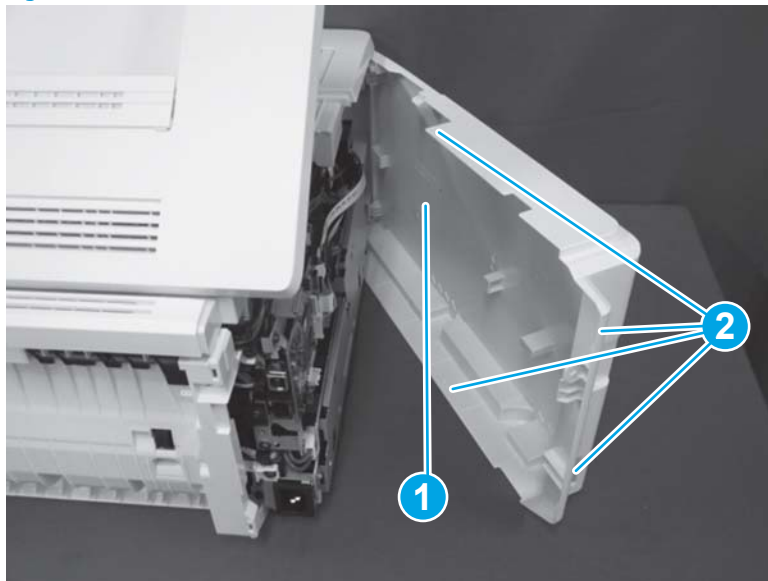
**Figure 1-1037** Close the scanner assembly



#### Step 25: Install the left cover

1. SFP: Do the following.
  - a. Open the cartridge door.
  - b. Position the left cover (callout 1) on the printer, and then engage four tabs (callout 2).

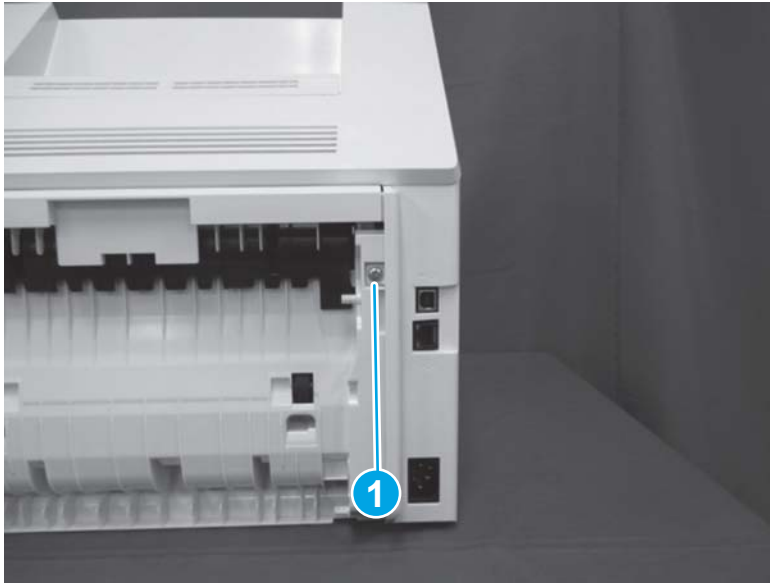
**Figure 1-1038** Install the left cover (SFP)



- c. Close the cartridge door.

- d. Install one screw (callout 1).

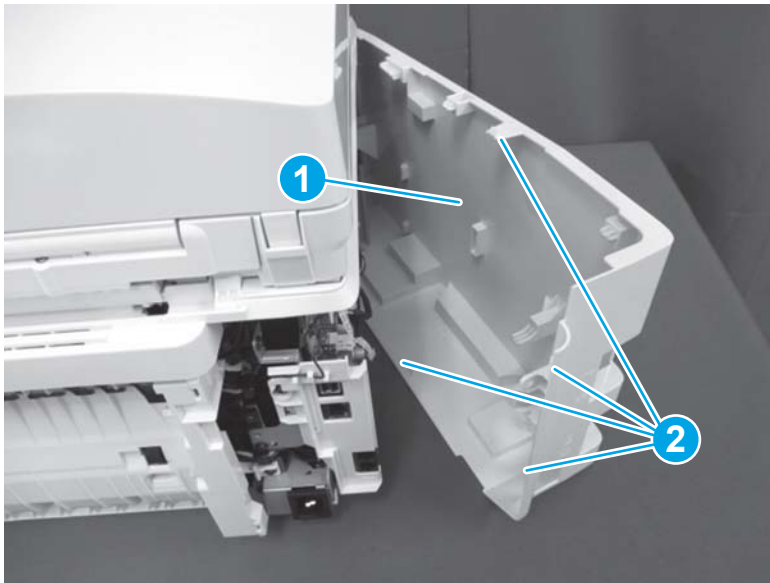
Figure 1-1039 Install one screw (SFP)



- 2. MFP: Do the following.

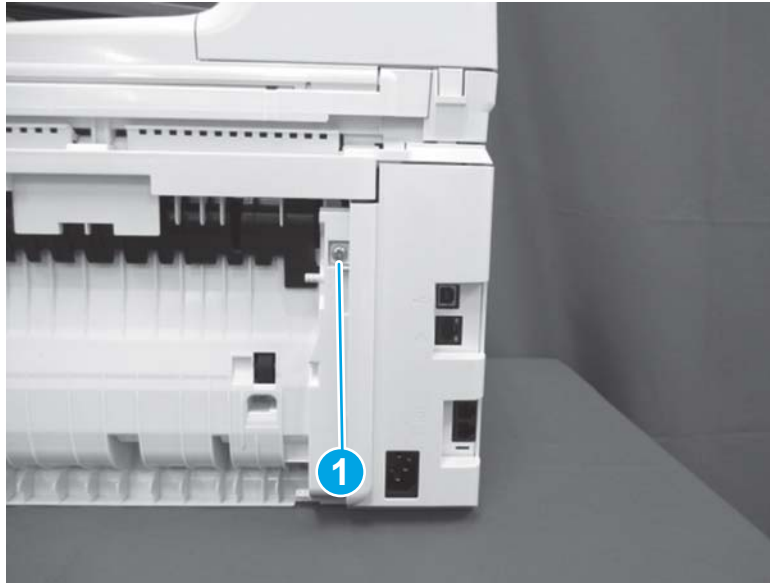
- a. Position the left cover (callout 1) on the printer, and then engage four tabs (callout 2).

Figure 1-1040 Install the left cover (MFP)



- b. Install one screw (callout 1).

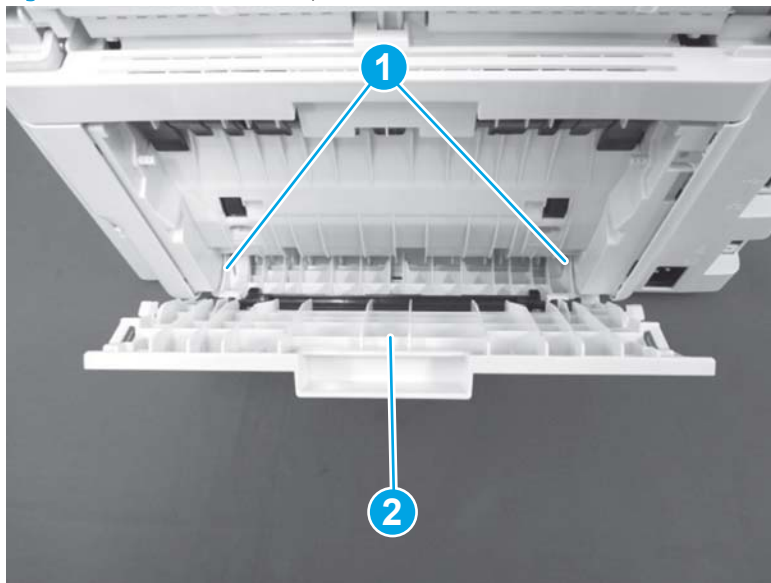
**Figure 1-1041** Install one screw (MFP)



#### Step 26: Install the duplex door

1. Install two tabs (callout 1) to install the duplex door (callout 2).

**Figure 1-1042** Install the duplex door

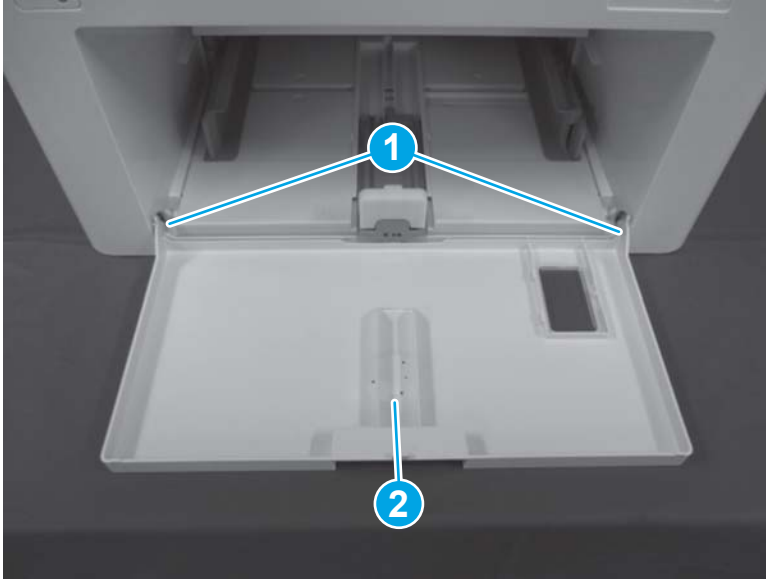


2. Close the duplex door.

#### Step 27: Install the multipurpose cover

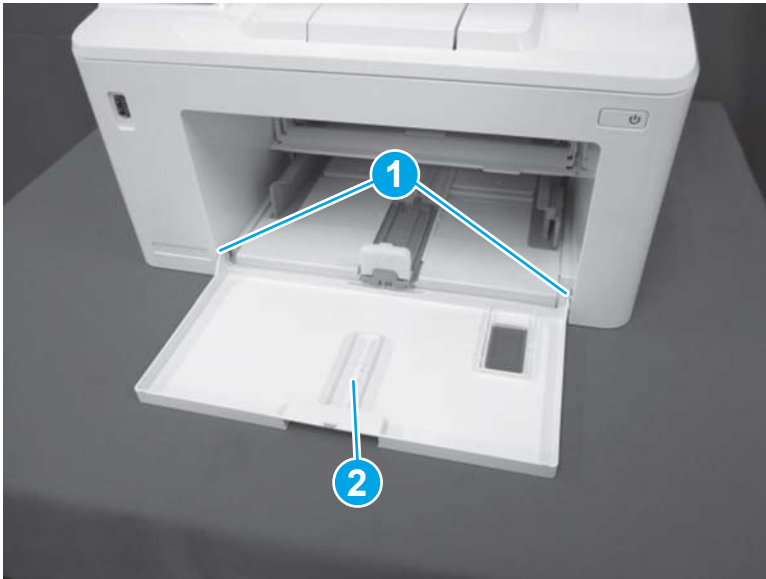
1. **SFP:** Engage two bosses (callout 1), to install the cover (callout 2).

Figure 1-1043 Install the multipurpose cover (SFP)



2. **MFP:** Engage two bosses (callout 1) to install the cover (callout 2).

Figure 1-1044 Install the multipurpose cover (MFP)



3. Close the multipurpose cover.

## Removal and replacement: Flat flexible cable (laser scanner)

- [Introduction](#)
- [Step 1: Remove the multipurpose cover](#)
- [Step 2: Remove the duplex door](#)
- [Step 3: Remove the left cover](#)
- [Step 4: Remove the cable cover \(MFP\)](#)
- [Step 5: Remove the 3-in-1 or 4-in-1 scanner assembly \(MFP\)](#)
- [Step 6: Remove the right cover](#)
- [Step 7: Remove the top front cover](#)
- [Step 8: Remove the front cover](#)
- [Step 9: Remove the hinge assembly \(MFP\)](#)
- [Step 10: Remove the cartridge door \(MFP\)](#)
- [Step 11: Remove the top cover \(MFP\)](#)
- [Step 12: Remove the laser scanner cover](#)
- [Step 13: Remove the flat flexible cable](#)
- [Step 14: Unpack the replacement assembly](#)
- [Step 15: Install the flat flexible cable](#)
- [Step 16: Install the laser scanner cover](#)
- [Step 17: Install the top cover \(MFP\)](#)
- [Step 18: Install the cartridge door \(MFP\)](#)
- [Step 19: Install the hinge assembly \(MFP\)](#)
- [Step 20: Install the front cover](#)
- [Step 21: Install the top front cover](#)
- [Step 22: Install the right cover](#)
- [Step 23: Install the 3-in-1 or 4-in-1 scanner assembly \(MFP\)](#)
- [Step 24: Install the cable cover \(MFP\)](#)
- [Step 25: Install the left cover](#)
- [Step 26: Install the duplex door](#)
- [Step 27: Install the multipurpose cover](#)

### Introduction

This document provides the procedures to remove and replace the flat flexible cable between the engine controller PCA and the laser scanner.

## Before performing service

### Turn the printer power off

- Disconnect the power cable.

---

**⚠ WARNING!** To avoid damage to the printer, turn the printer off, wait 30 seconds, and then remove the power cable before attempting to service the printer.

---

Use the table below to identify the correct part number for your printer. To order the part, go to [www.hp.com/buy/parts](http://www.hp.com/buy/parts).

---

Flat flexible cable (laser scanner) part number	
---	--

---

RK2-8510-000CN
----------------

---

Flat flexible cable (laser scanner)
-------------------------------------

---

### Required tools

- #2 Phillips screwdriver with a magnetic tip.
- Small flat-blade screwdriver

### After performing service

#### Turn the printer power on

- Connect the power cable.
- Use the power switch to turn the power on.

### Post service test


**MFP:** Verify that the document feeder and the flatbed scanner are correctly functioning (copy a page).

Send a print job from the host computer (or print a configuration report). Verify that the page prints.

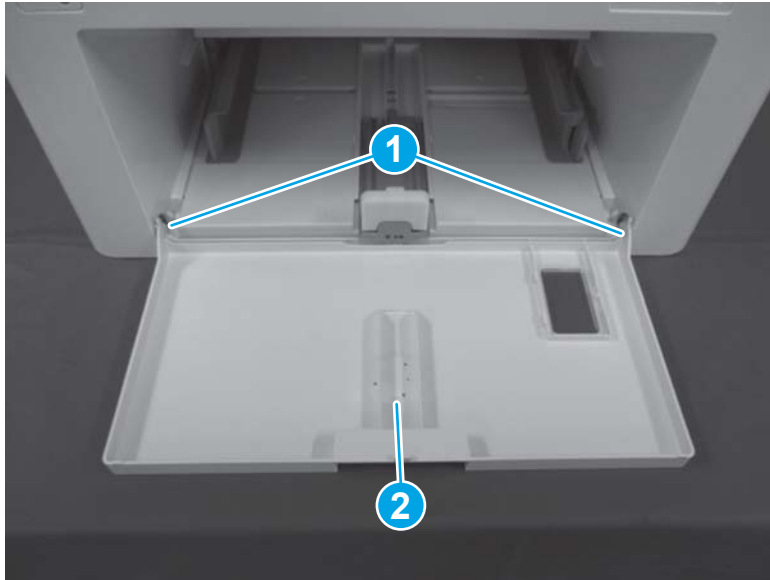
### Step 1: Remove the multipurpose cover

1. Open the multipurpose cover.

2. **SFP:** Release two bosses (callout 1), and then remove the cover (callout 2).

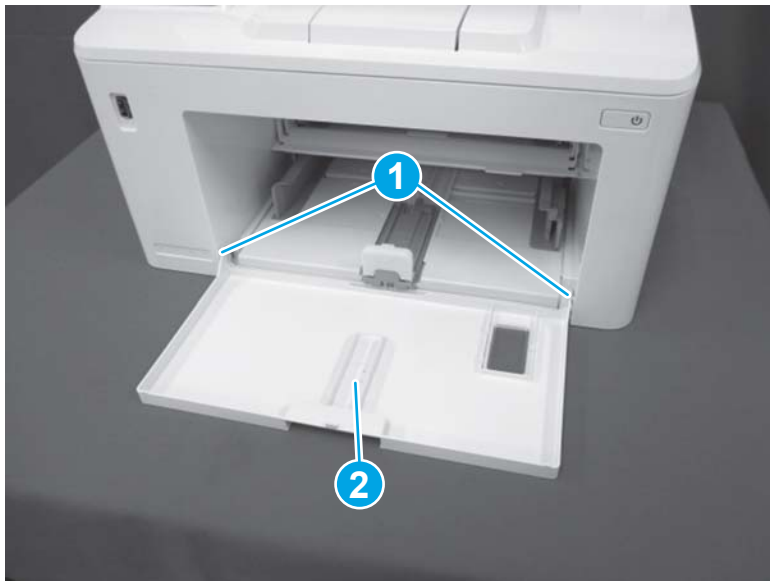
 **TIP:** It might be easier to remove the cover if the right boss is released first, and then lower the right-side of the cover to release the left-side boss.

**Figure 1-1045** Remove the multipurpose cover (SFP)



3. **MFP:** Release two bosses (callout 1), and then remove the cover (callout 2).

**Figure 1-1046** Remove the multipurpose cover (MFP)

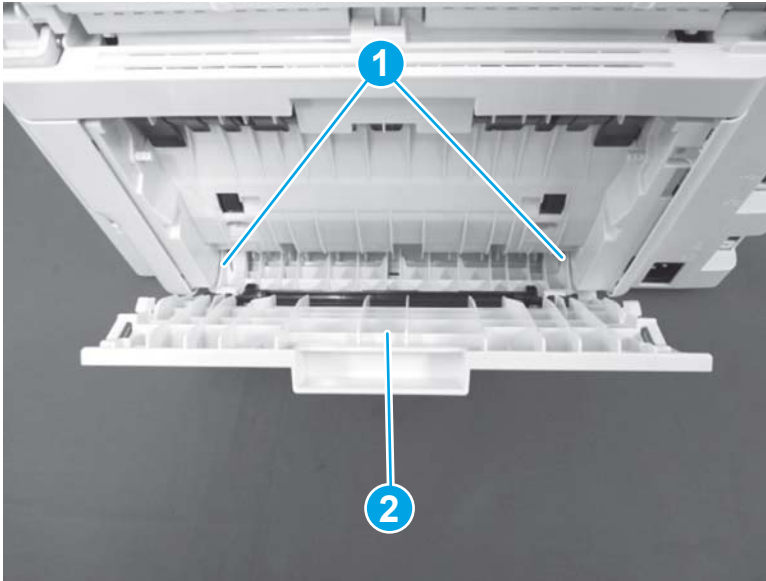


## Step 2: Remove the duplex door

1. Open the duplex door.

2. Use a small flat-blade screwdriver to release two tabs (callout 1), and then remove the duplex door (callout 2).

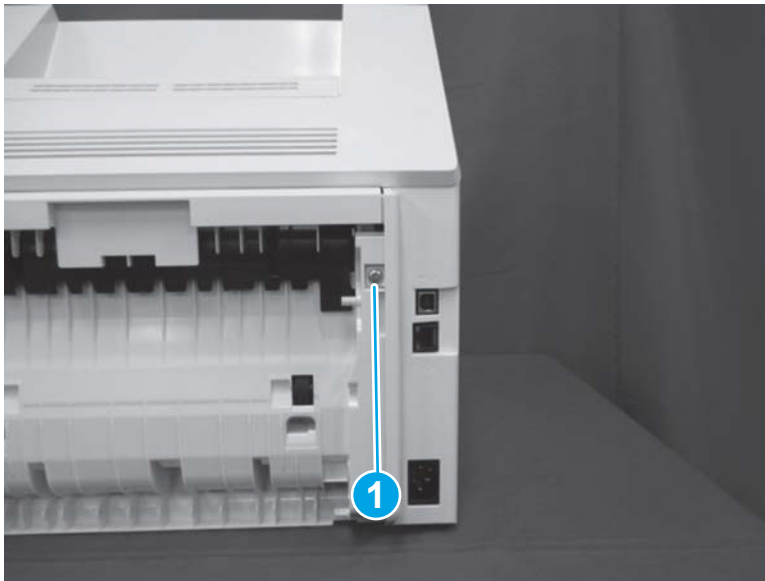
**Figure 1-1047** Remove the duplex door



### Step 3: Remove the left cover

1. **SFP:** Do the following.
  - a. Remove one screw (callout 1).

**Figure 1-1048** Remove one screw (SFP)

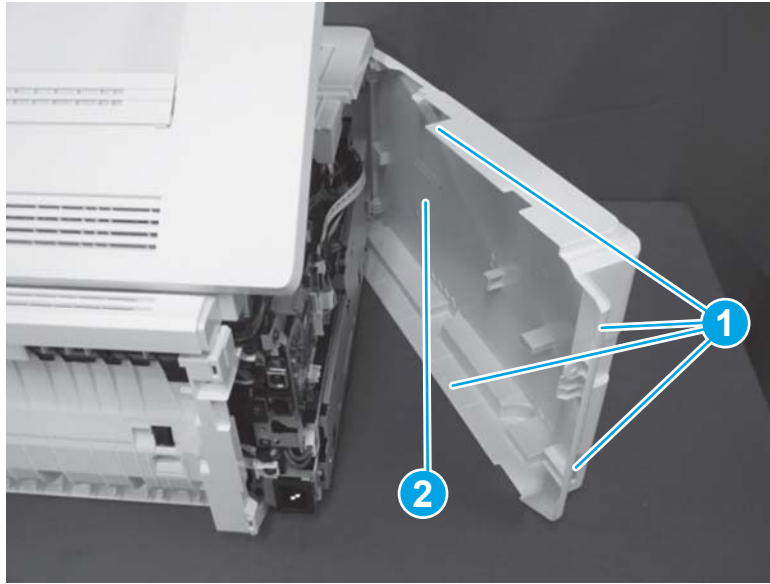


- b. Open the cartridge door.



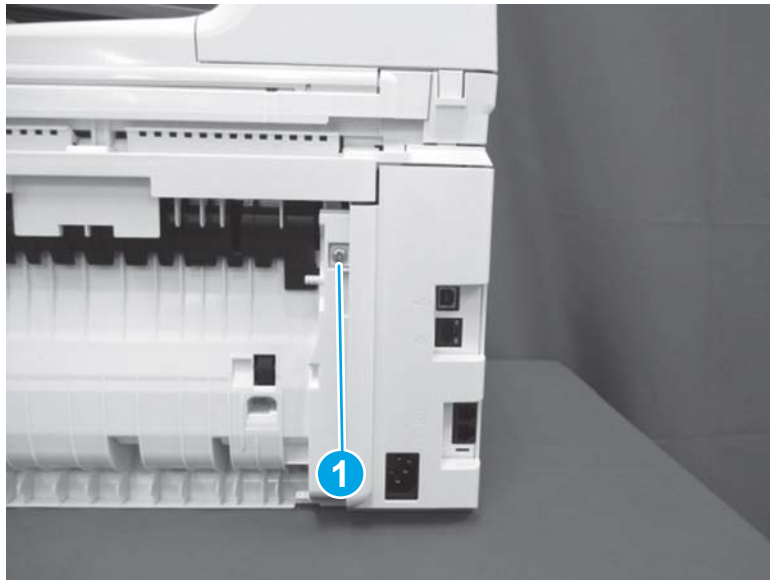
- c. Release four tabs (callout 1), and then remove the left cover (callout 2).

Figure 1-1049 Remove the left cover (SFP)



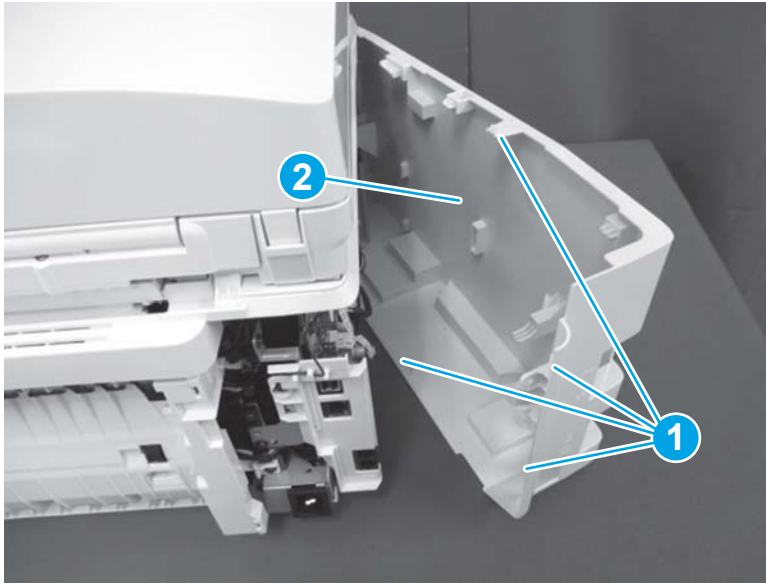
- 2. MFP: Do the following.
  - a. Remove one screw (callout 1).

Figure 1-1050 Remove one screw (MFP)




- b. Release four tabs (callout 1), and then remove the left cover (callout 2).

Figure 1-1051 Remove the left cover (MFP)



#### Step 4: Remove the cable cover (MFP)

 **NOTE:** This step is for the MFP printers. For the SFP printers, skip this step and go to [Step 6: Remove the right cover on page 647](#).

1. Open the scanner assembly.

Figure 1-1052 Open the scanner assembly




2. Use a small flat-blade screw driver to release one tab (callout 1), and then remove the cable cover (callout 2).

**Figure 1-1053** Remove the cable cover (MFP)



#### Step 5: Remove the 3-in-1 or 4-in-1 scanner assembly (MFP)

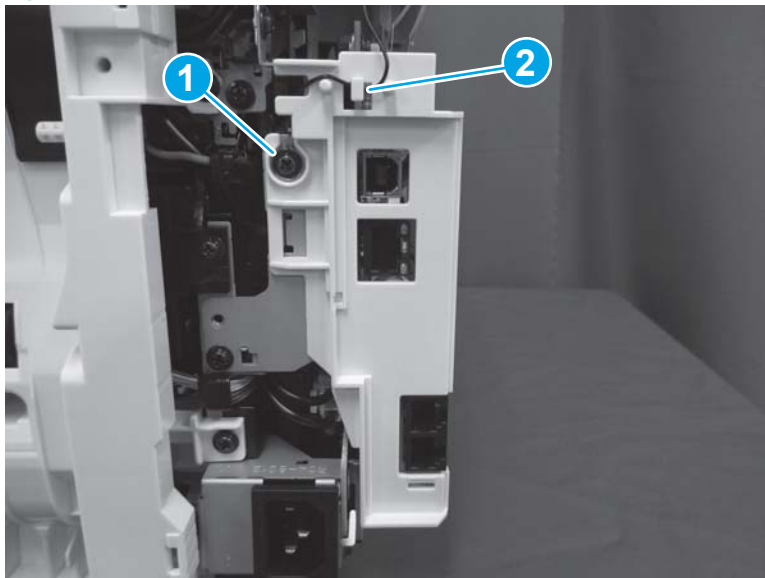
 **NOTE:** This step is for the MFP printers. For the SFP printers, skip this step and go to [Step 6: Remove the right cover on page 647](#).

 **NOTE:** The 4-in-1 scanner assembly supports the document feeder. The 3-in-1 scanner assembly does not support the document feeder.

The figures in this procedure show a 4-in-1 printer. However, the procedure is correct for 3-in-1 printers.

1. **4-in-1 models only:** Remove one screw (callout 1), and then release the ground wire from the retainer (callout 2).

**Figure 1-1054** Release the ground wire (4-in-1 models)

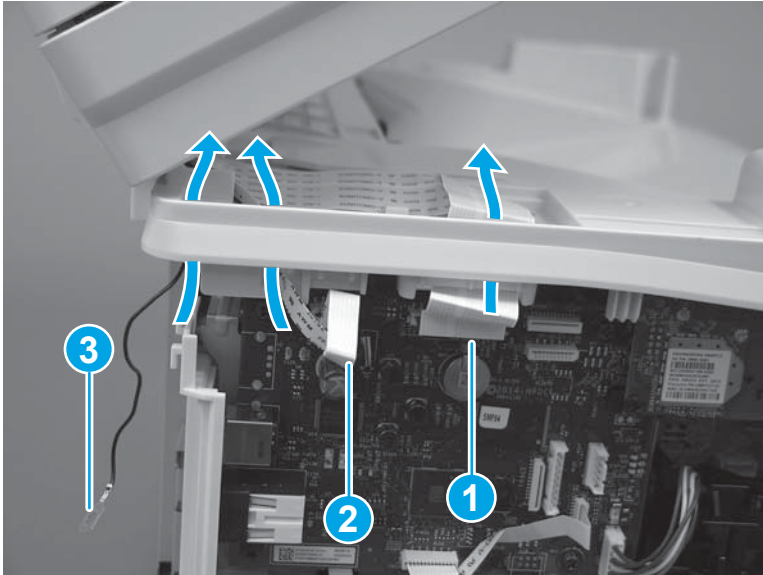


2. **4-in-1 models only:** Disconnect two flat cables (callouts 1/2), and then pass the flat cables and the ground wire (callout 3) up through the opening in the chassis.

**3-in-1 models only:** Disconnect one flat cable (callout 1), and then pass the flat cable through the opening in the chassis.

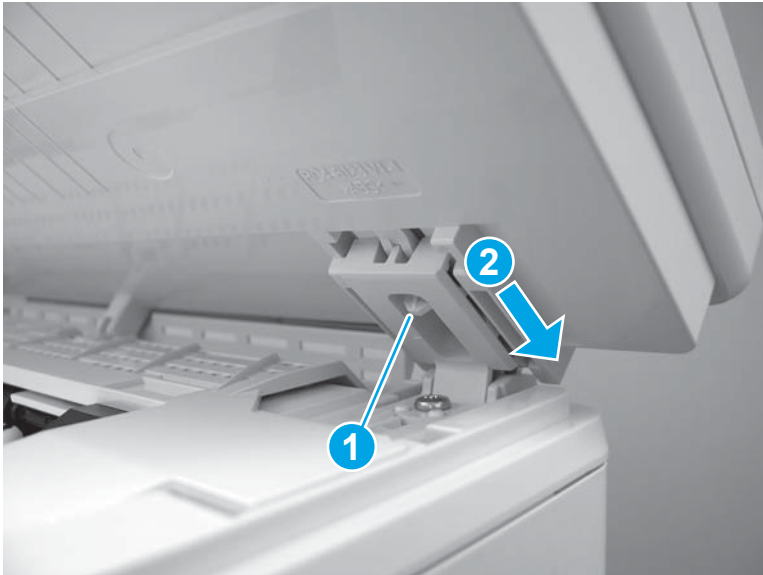
 **NOTE:** The 3-in-1 model does not have the small flat cable (callout 2) or a ground wire (callout 3).

**Figure 1-1055** Disconnect flat cable(s)



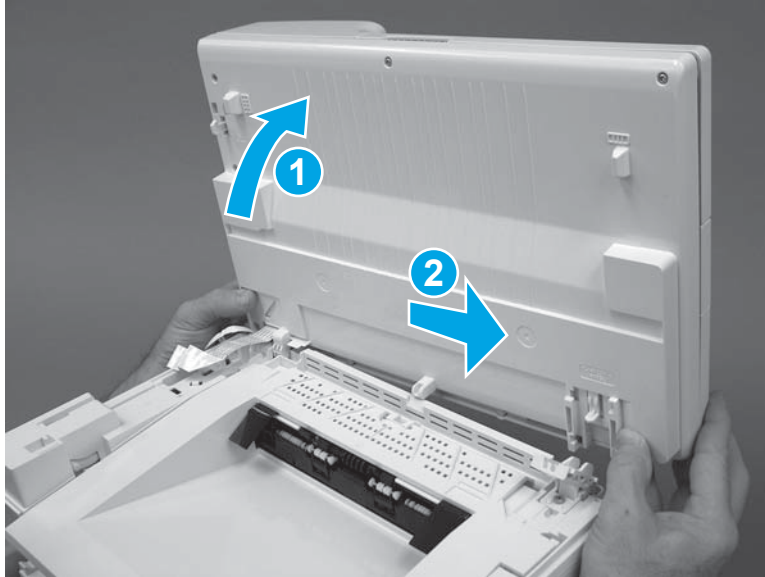
3. Release one tab (callout 1), and then push the right side of the scanner assembly toward the rear of the printer to release the right hinge (callout 2).

**Figure 1-1056** Release the right hinge



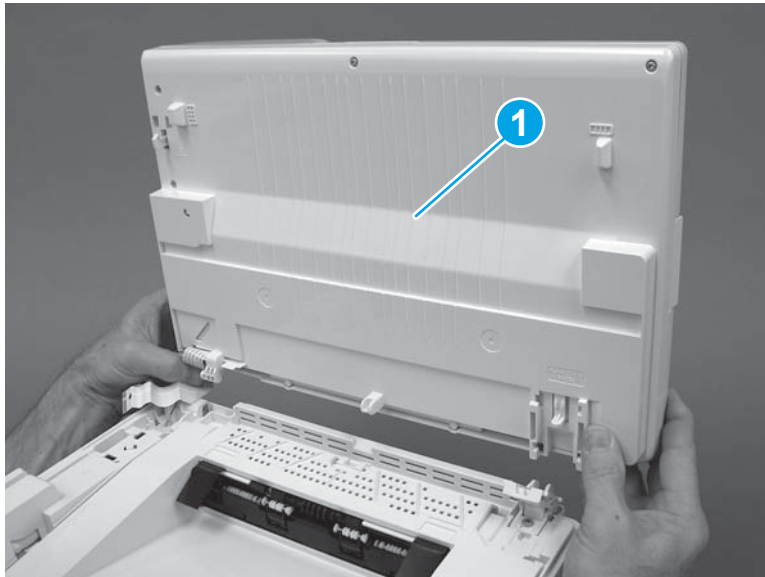
4. Rotate the scanner assembly towards the rear of the printer (callout 1), and then slide the scanner assembly toward the right side of the printer to release the left hinge (callout 2).

Figure 1-1057 Release the left hinge



5. Remove the scanner assembly (callout 1).

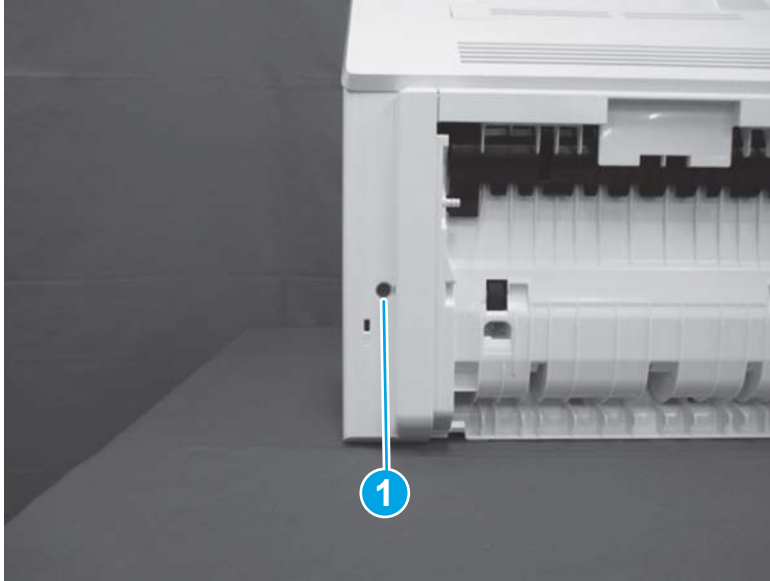
Figure 1-1058 Remove the scanner assembly



#### Step 6: Remove the right cover

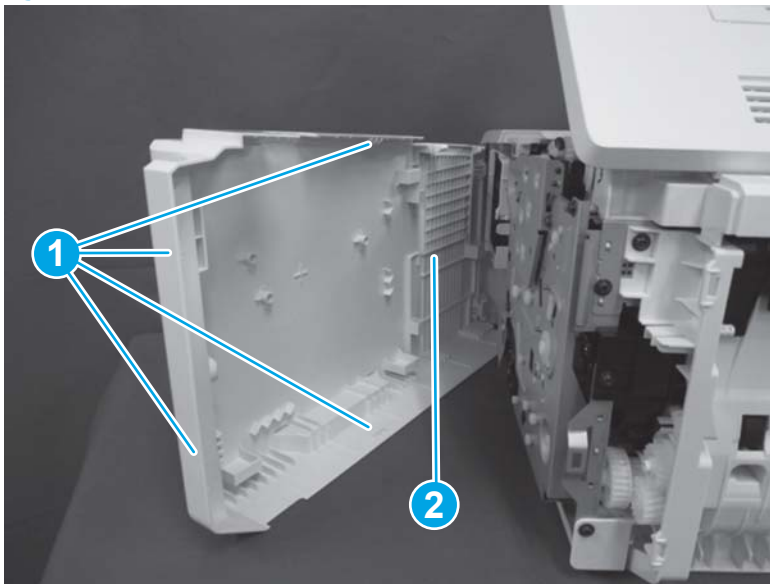
1. SFP: Do the following.
  - a. Remove one screw (callout 1).

Figure 1-1059 Remove one screw (SFP)



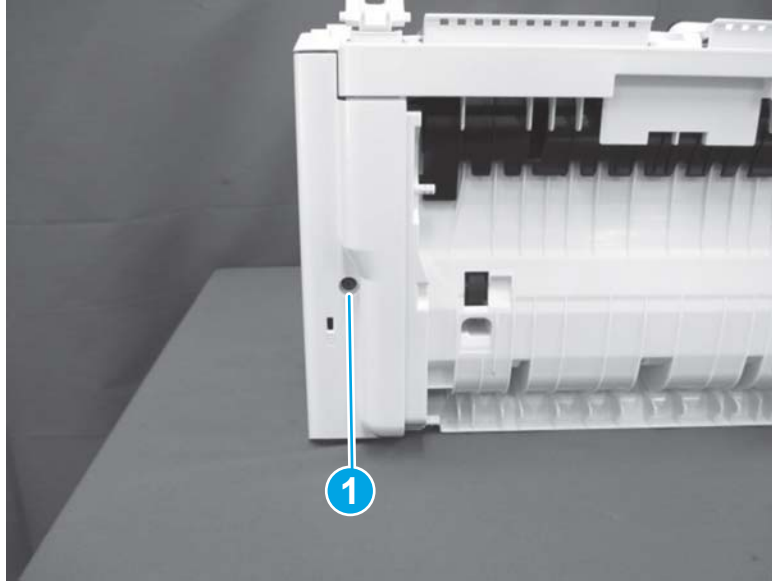
- b. Open the cartridge door.
- c. Release four tabs (callout 1), and then remove the right cover (callout 2).

Figure 1-1060 Remove the right cover (SFP)



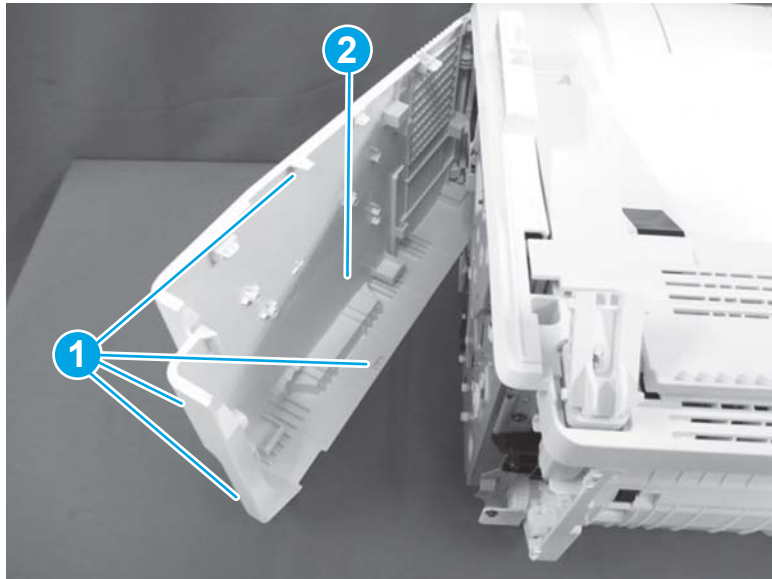
- 2. **MFP:** Do the following.
  - a. Remove one screw (callout 1).

Figure 1-1061 Remove one screw (MFP)



- b. Release four tabs (callout 1), and then remove the right cover (callout 2).

Figure 1-1062 Remove the right cover (MFP)

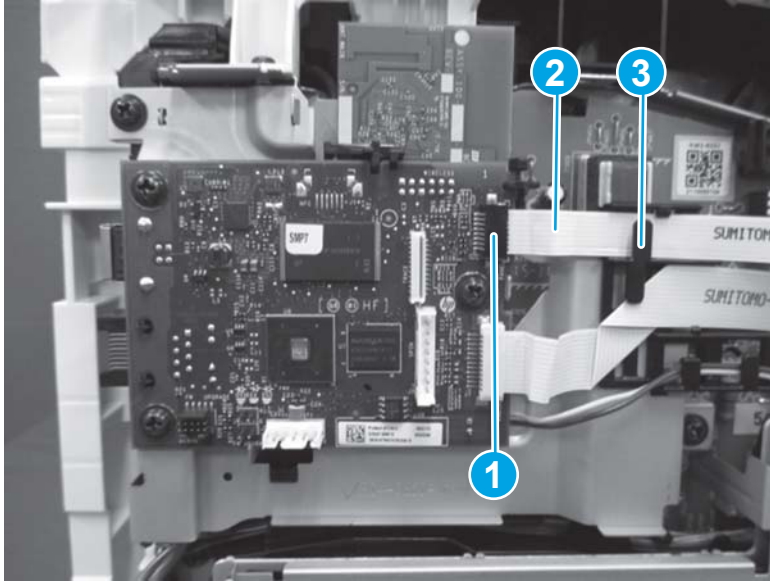


#### Step 7: Remove the top front cover

- 1. SFP: Do the following.
  - a. Disconnect one connector (callout 1) on the formatter, and then release the cable (callout 2) from the cable guide (callout 3).

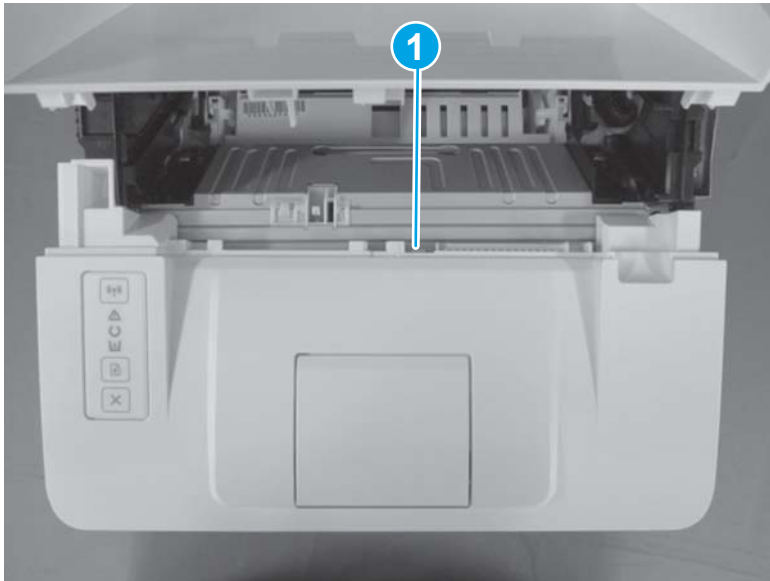


Figure 1-1063 Disconnect one connector



- b. Open the cartridge door, and then release one tab (callout 1) on the top of the cover.

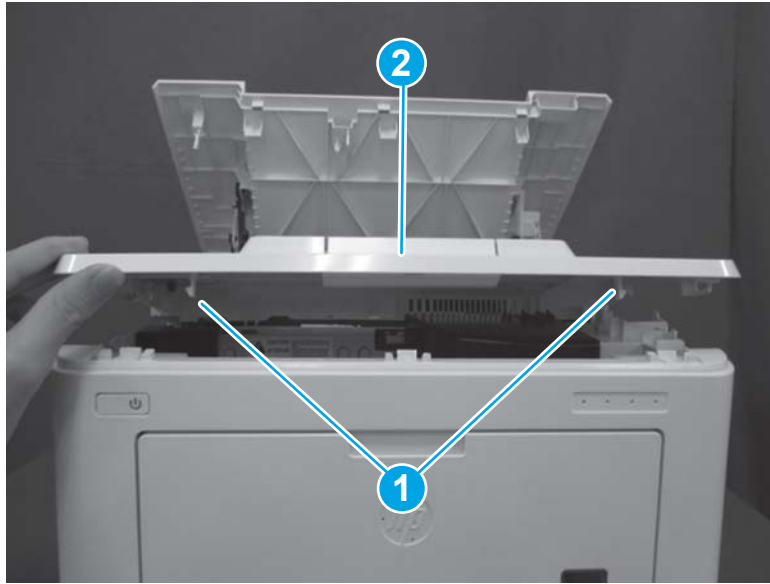
Figure 1-1064 Release one tab





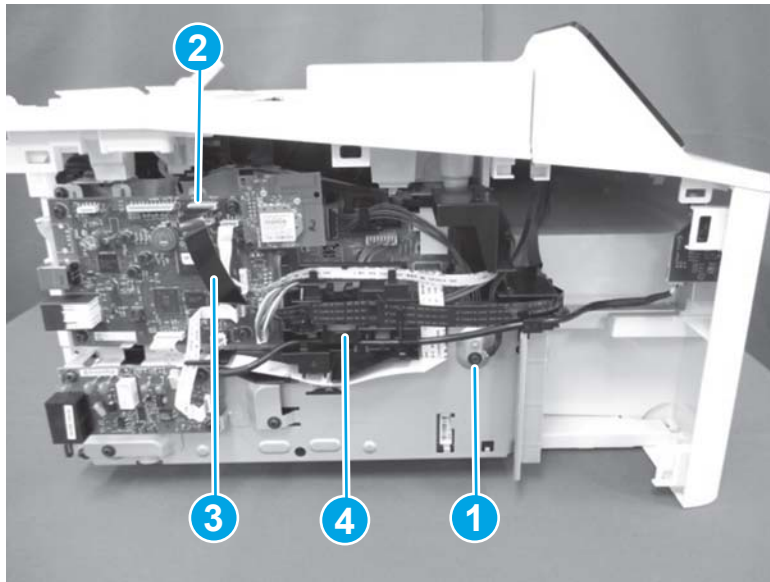
- c. Release two tabs (callout 1), and then remove the top front cover (callout 2).

**Figure 1-1065** Release two tabs and remove the cover



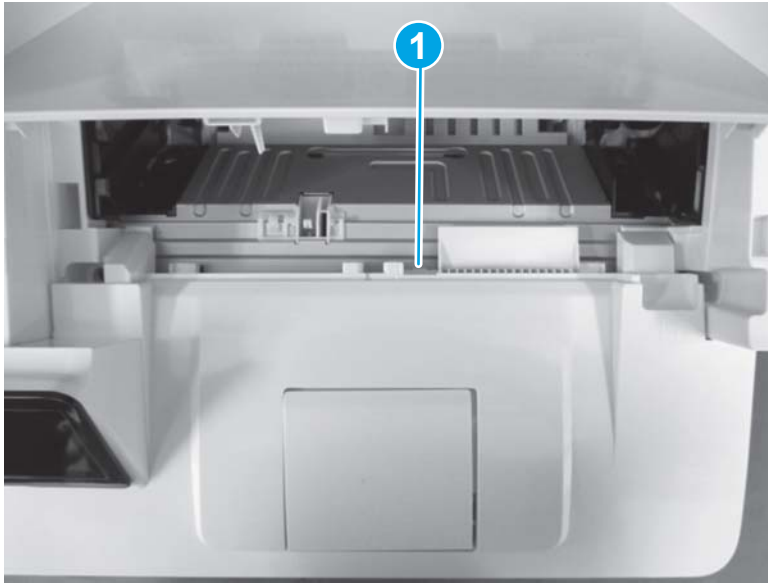
2. MFP: Do the following.
  - a. Remove one screw (callout 1) to release one cable. Disconnect one connector (callout 2), and then remove the cable (callout 3) from the cable guide (callout 4).

**Figure 1-1066** Disconnect connector and release cable



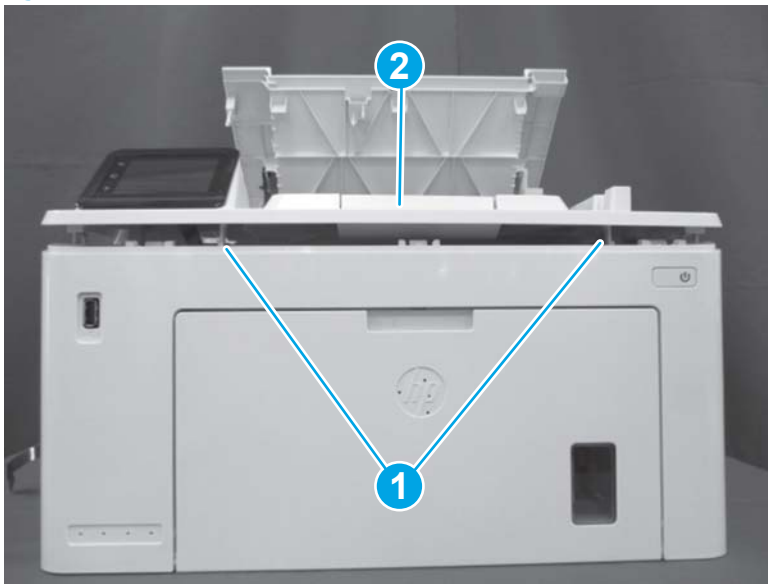
- b. Open the cartridge door, and then release one tab (callout 1).

Figure 1-1067 Release one tab



- c. Release two tabs (callout 1), and then remove the top front cover (callout 2).

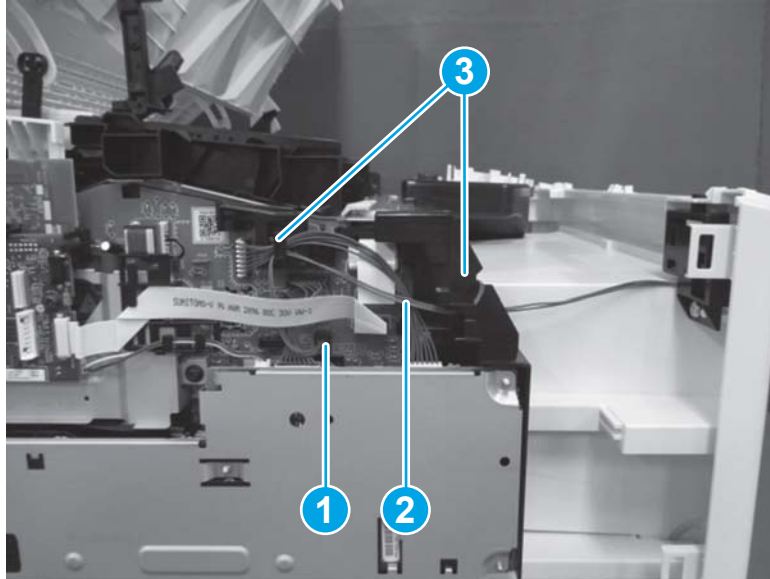
Figure 1-1068 Release two tabs and remove the cover



### Step 8: Remove the front cover

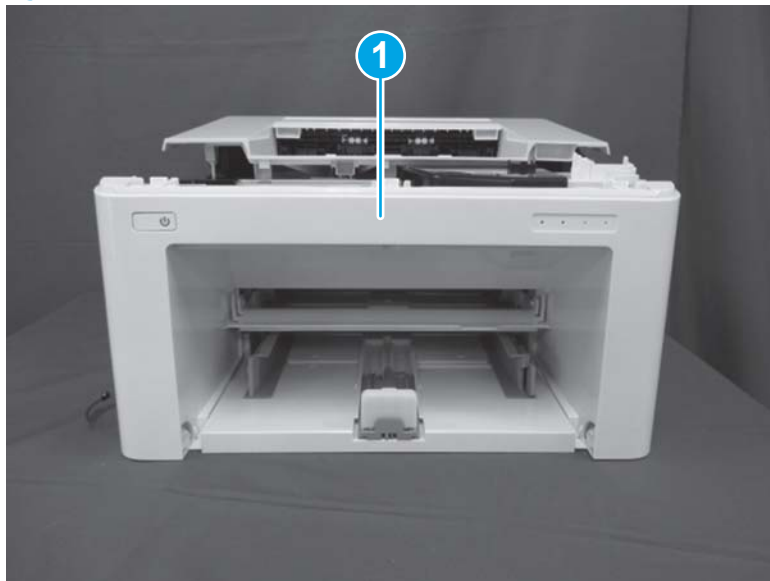
1. **SFP:** Do the following.
  - a. Disconnect one connector (callout 1), and then remove the cable (callout 2) from the cable guide (callout 3).

Figure 1-1069 Disconnect connector (SFP)



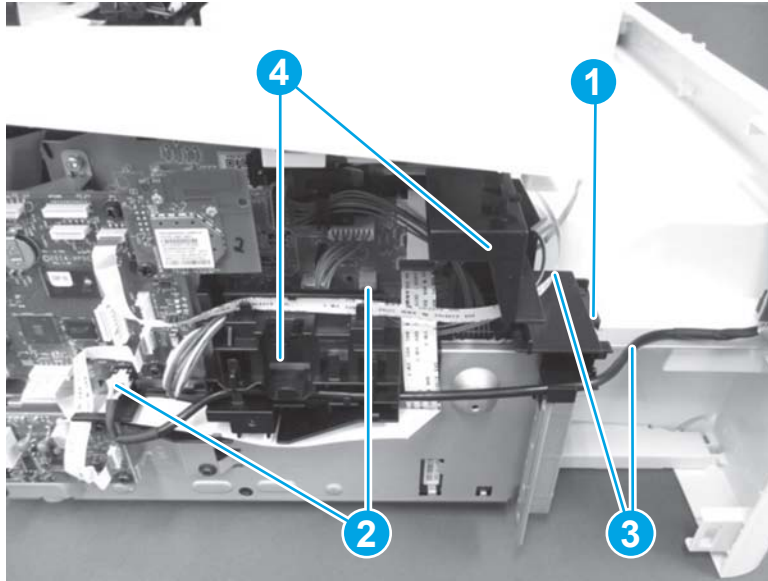
- b. Slide the front cover (callout 1) away from the printer to remove it.

Figure 1-1070 Remove the front cover (SFP)



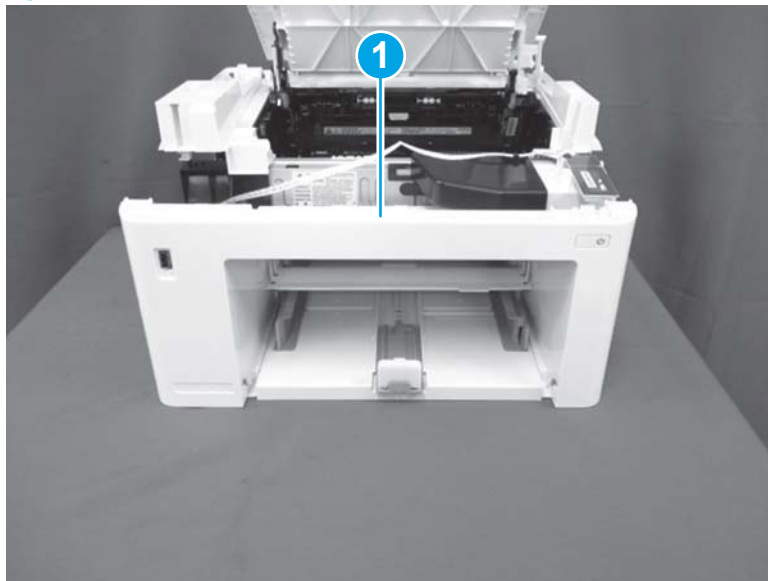
- 2. MFP: Do the following.
  - a. Remove one screw (callout 1). Disconnect two connectors (callout 2), and then release the cables (callout 3) from the cable guide (callout 4).

Figure 1-1071 Disconnect connectors (MFP)



- b. Slide the front cover (callout 1) away from the printer to remove it.

Figure 1-1072 Remove the front cover (MFP)

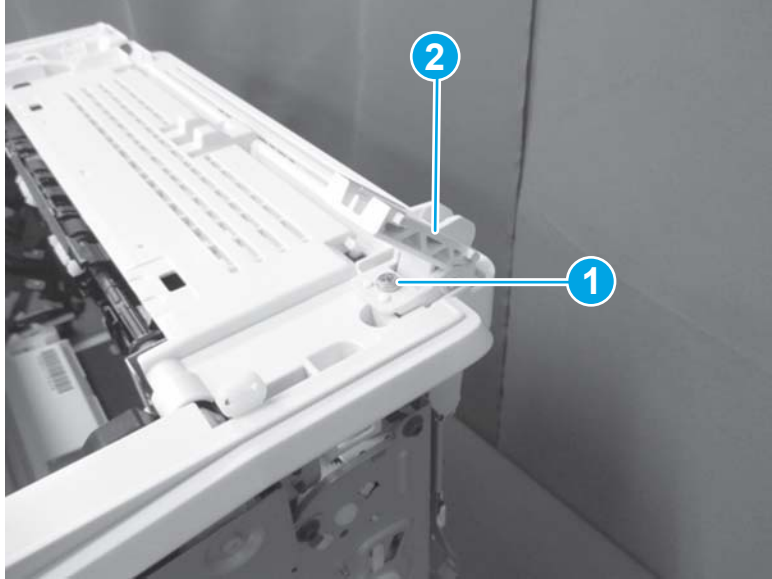


### Step 9: Remove the hinge assembly (MFP)

 **NOTE:** This step is for the MFP printers. For the SFP printers, skip this step and go to [Step 13: Remove the flat flexible cable on page 662](#).

- ▲ Remove one screw (callout 1), and then remove the hinge assembly (callout 2).

Figure 1-1073 Remove the hinge assembly (MFP)

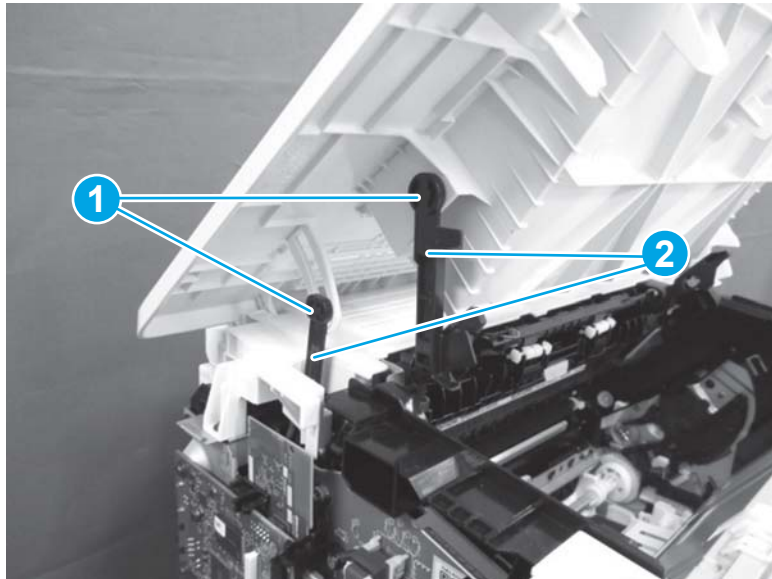


### Step 10: Remove the cartridge door (MFP)

 **NOTE:** This step is for the MFP printers. For the SFP printers, skip this step and go to [Step 13: Remove the flat flexible cable on page 662](#).

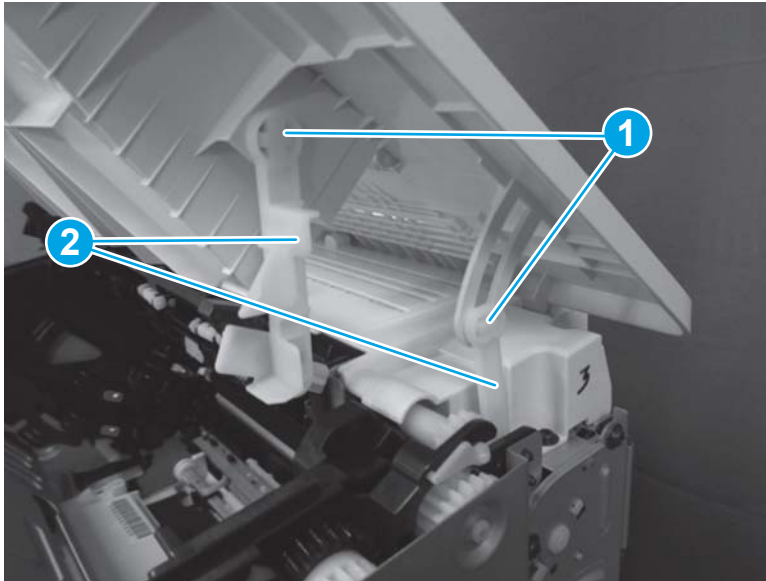
1. **SFP:** Do the following.
  - a. Open the cartridge door. On the left side of the printer, release two tabs (callout 1), and then disconnect two link arms (callout 2).

Figure 1-1074 Disconnect left link arms (SFP)



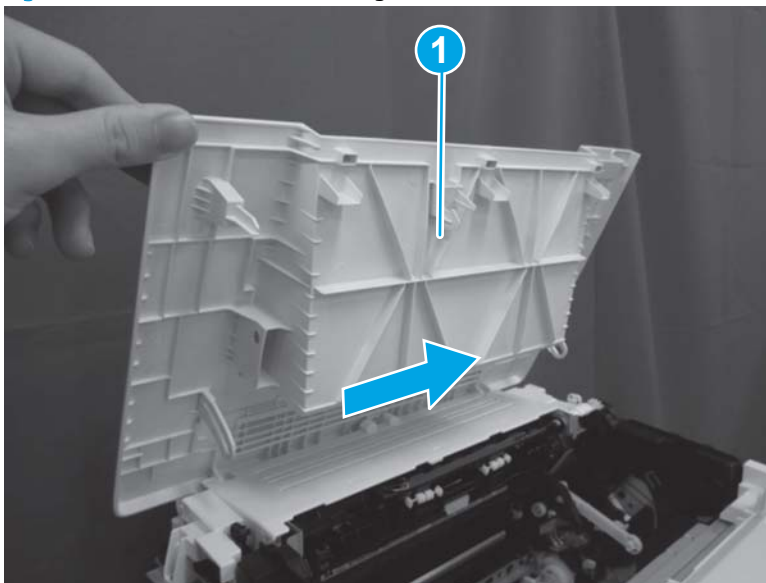
- b. On the right side of the printer, release two tabs (callout 1), and then disconnect two link arms (callout 2).

**Figure 1-1075** Disconnect right link arms (SFP)



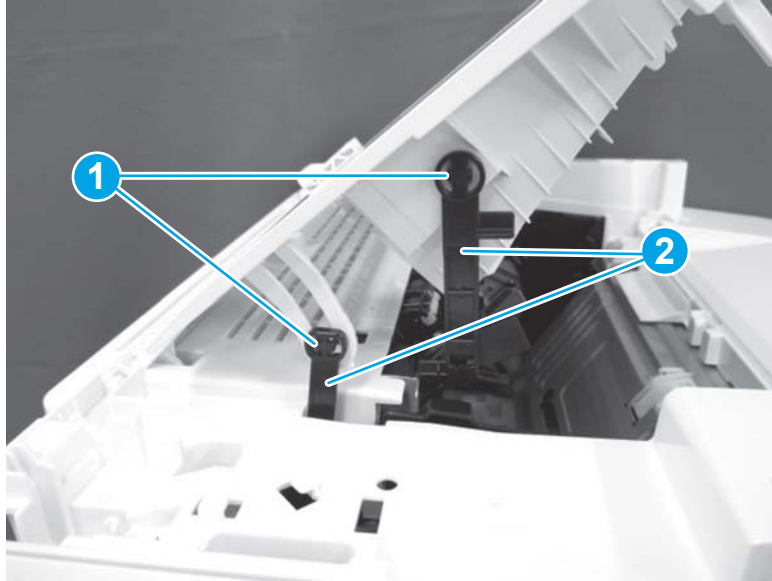
- c. Fully open the cartridge door (callout 1), and then slide it towards the right-side of the printer to remove it.

**Figure 1-1076** Remove the cartridge door (SFP)



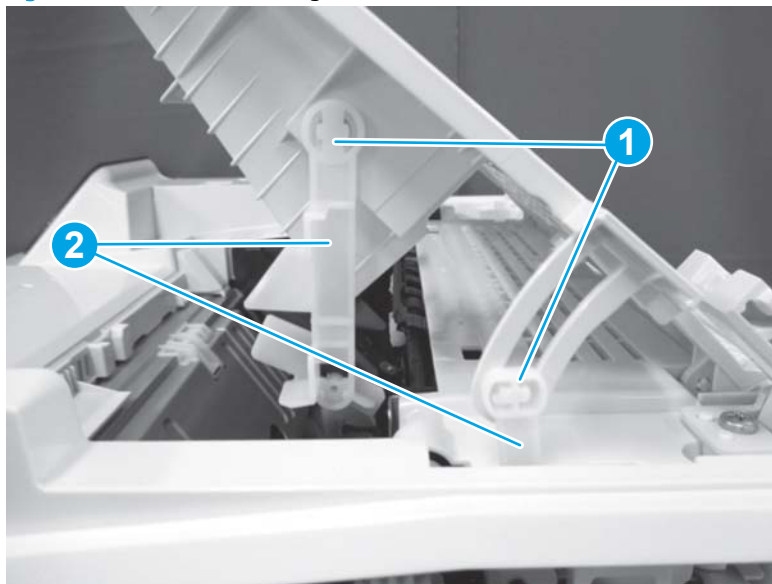
2. **MFP:** Do the following.
  - a. Open the cartridge door. On the left side of the printer, release two tabs (callout 1), and then disconnect two link arms (callout 2).

Figure 1-1077 Disconnect left link arms (MFP)



- b. On the right side of the printer, release two tabs (callout 1), and then disconnect two link arms (callout 2).

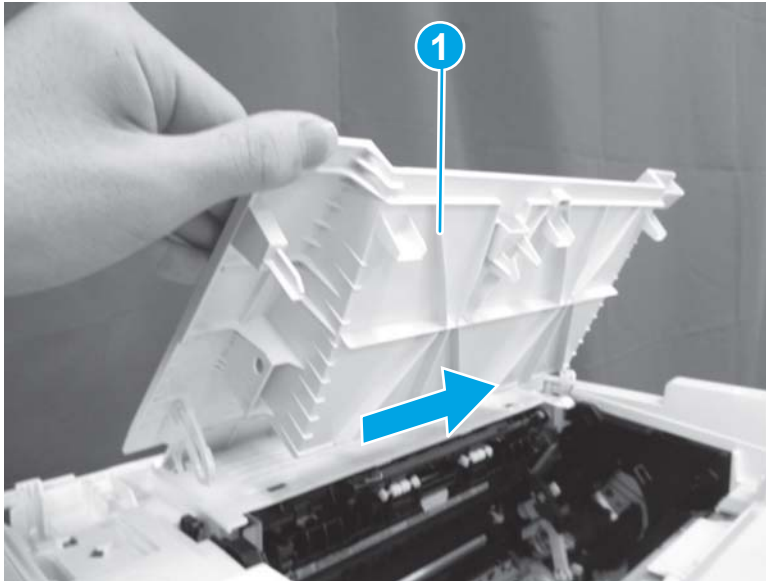
Figure 1-1078 Disconnect right link arms (MFP)





- c. Fully open the cartridge door (callout 1), and then slide it towards the right-side of the printer to remove it.

Figure 1-1079 Remove the cartridge door (MFP)

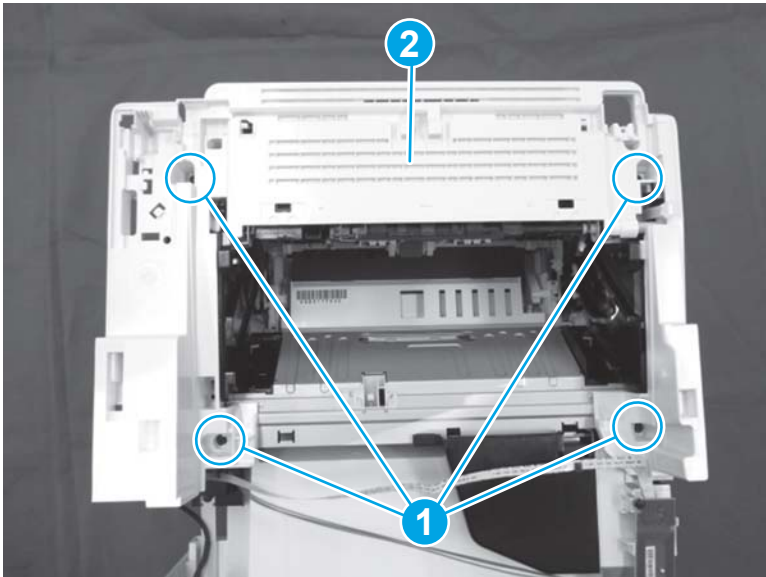


### Step 11: Remove the top cover (MFP)

 **NOTE:** This step is for the MFP printers. For the SFP printers, skip this step and go to [Step 13: Remove the flat flexible cable on page 662](#).

- ▲ Remove four screws (callout 1), and then remove the top cover (callout 2).

Figure 1-1080 Remove the top cover

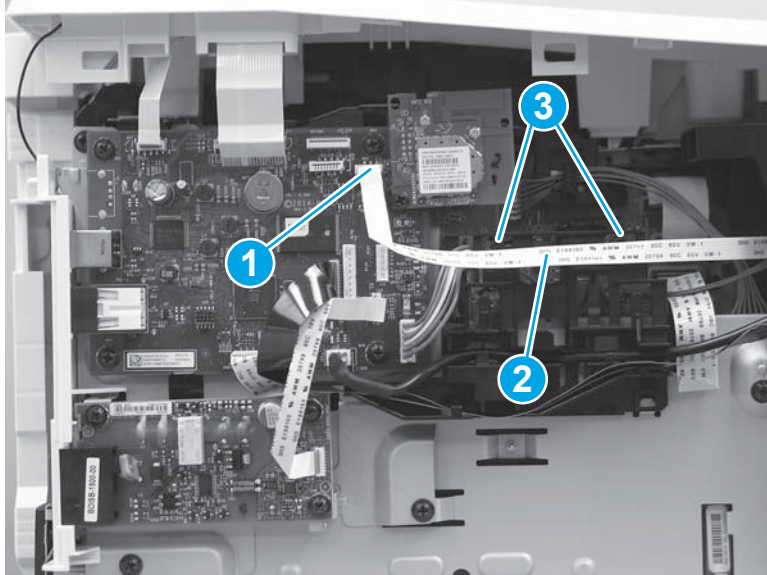


### Step 12: Remove the laser scanner cover

1. **MFP only:** Disconnect one connector (callout 1), and then remove the cable (callout 2) from the guide (callout 3).

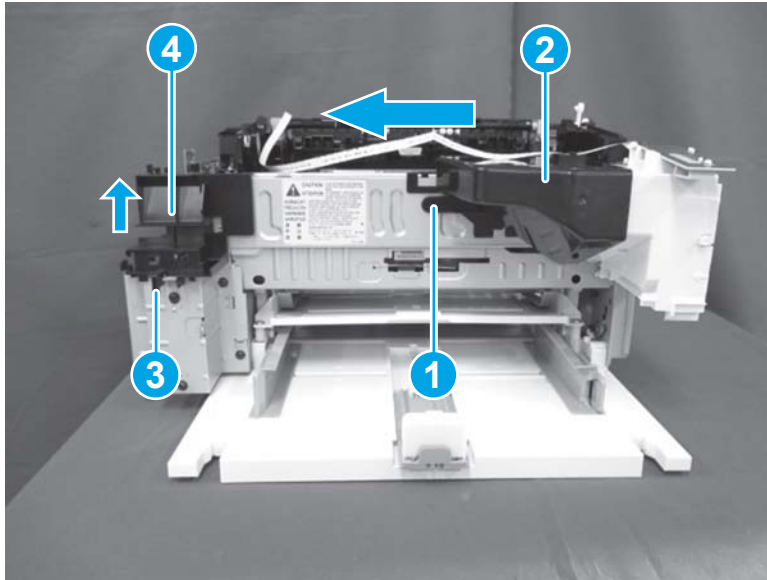


Figure 1-1081 Disconnect one connector (MFP)



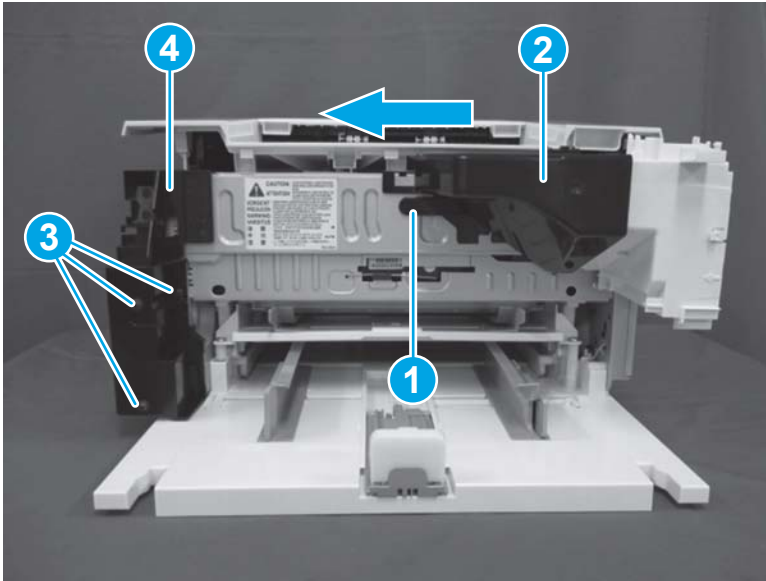
2. **MFP only:** Release one boss (callout 1), and then slide the fan duct (callout 2) to the left to remove it. Release one tab (callout 3), and then slide the inner cover (callout 4) up to remove it.

Figure 1-1082 Remove the fan duct and cover (MFP)



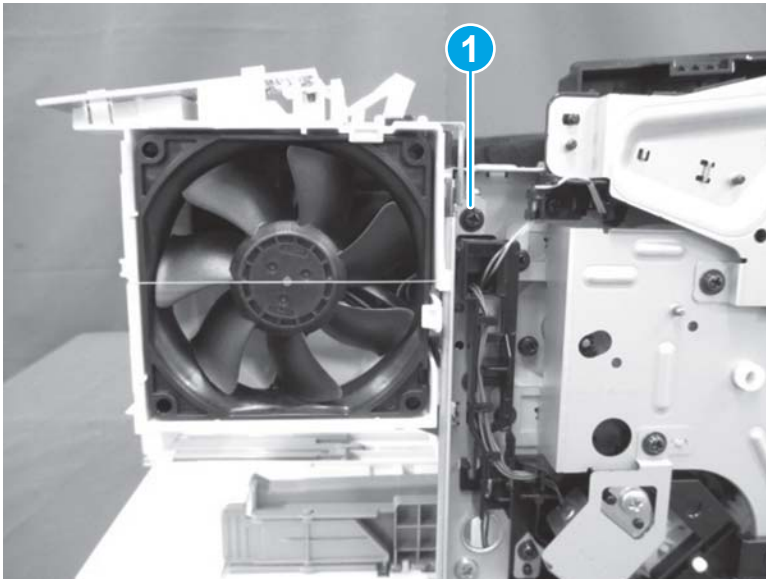
3. **SFP only:** Release one boss (callout 1), and then slide the fan duct (callout 2) to the left to remove it. Remove three screws (callout 3), and then remove the inner cover (callout 4).

Figure 1-1083 Remove the fan duct and cover (SFP)



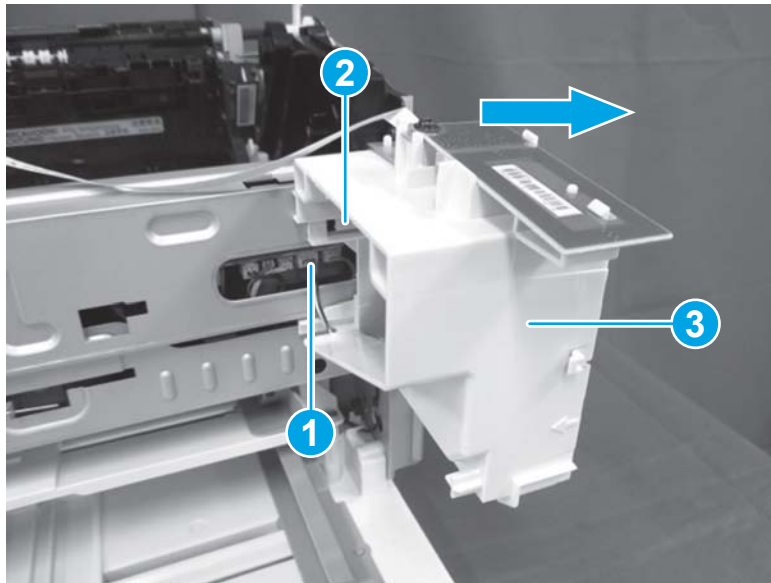
4. **MFP only:** Remove one screw (callout 1).

Figure 1-1084 Remove one screw



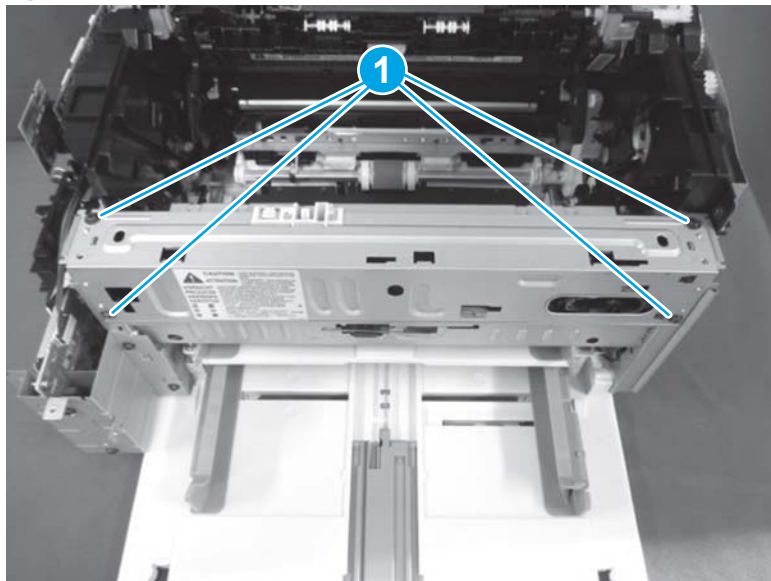
5. Disconnect one connector (callout 1), release one tab (callout 2), and then slide the fan holder (callout 3) to the right to remove it.

Figure 1-1085 Remove the fan holder



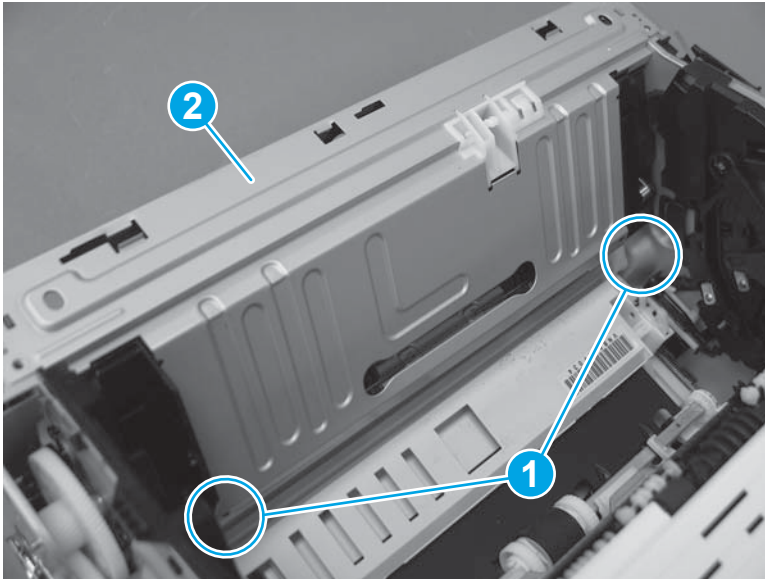
6. Remove four screws (callout 1).

Figure 1-1086 Remove four screws



7. Release two tabs (callout 1), and then remove the laser scanner cover (callout 2).

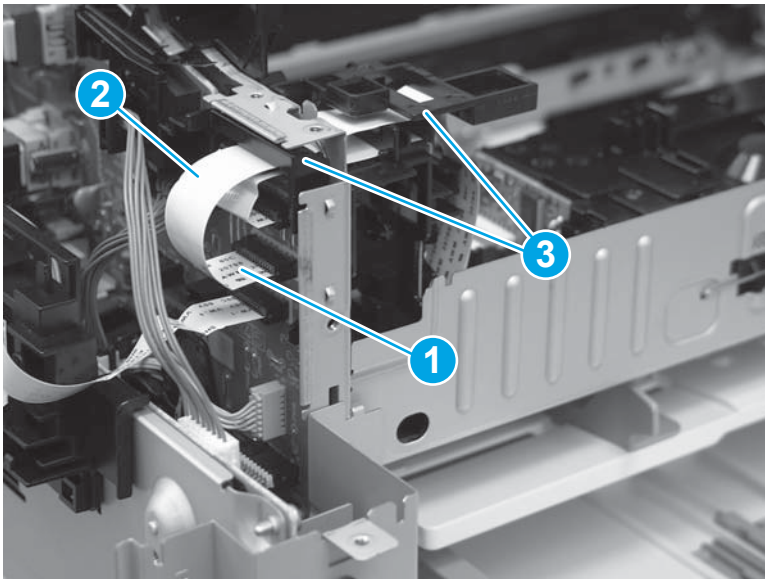
Figure 1-1087 Remove the laser scanner cover



### Step 13: Remove the flat flexible cable

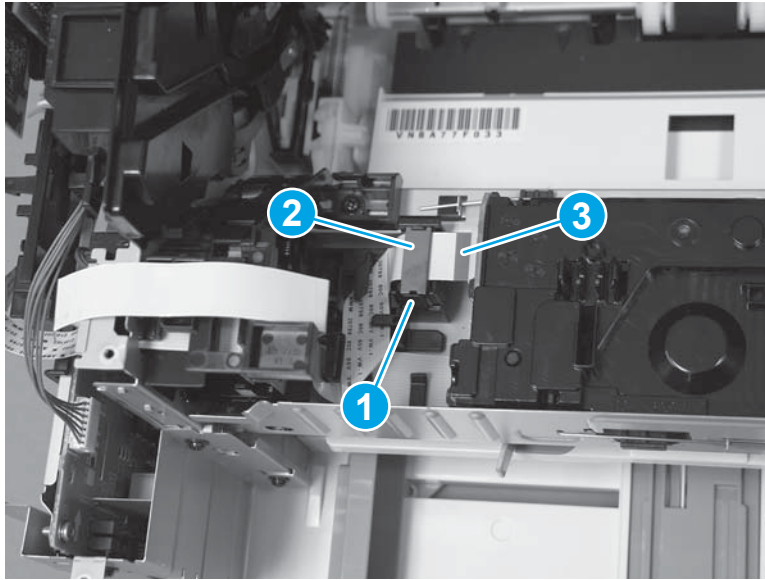
1. Disconnect one connector (callout 1), and then remove the cable (callout 2) from the guides (callout 3).

Figure 1-1088 Disconnect one connector



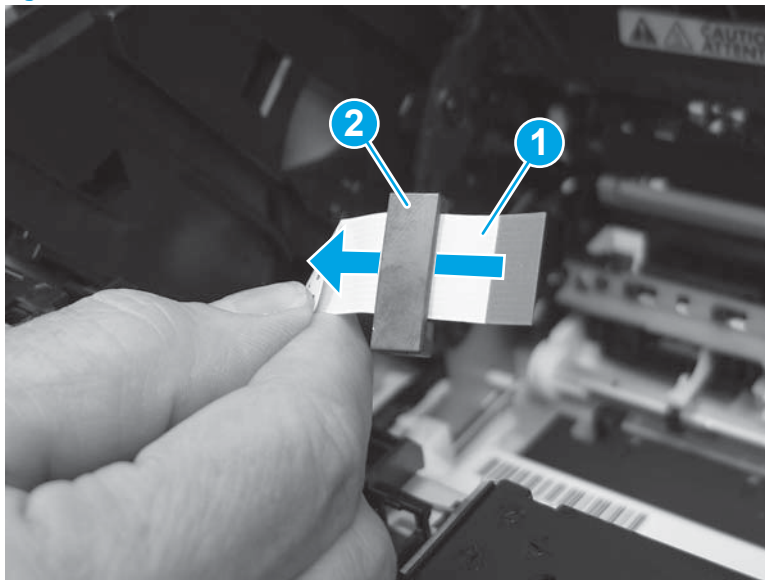
2. Release one tab (callout 1) to release the ferrite (callout 2), and then disconnect one connector (callout 3).

**Figure 1-1089** Release the ferrite and disconnect one connector



3. Remove the cable (callout 1) from the ferrite (callout 2).

**Figure 1-1090** Remove the cable from the ferrite



#### Step 14: Unpack the replacement assembly

1. Dispose of the defective part.

 **NOTE:** HP recommends responsible disposal of the defective part.

[www.hp.com/recycle](http://www.hp.com/recycle)



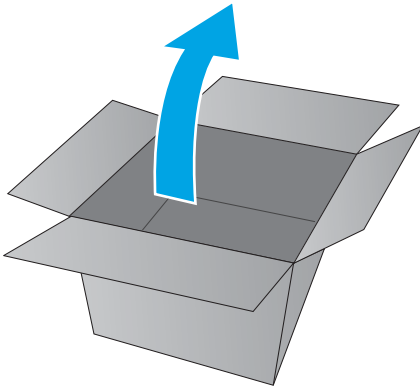
2. Unpack the replacement part from the packaging.

---

**⚠ CAUTION:** If the replacement part is a roller or pad, avoid touching the spongy part of it. Skin oils on the roller or pad can cause paper pickup and/or print-quality problems. HP recommends using disposable gloves when handling rollers or pads or washing your hands or before touching rollers or pads.

**📄 IMPORTANT:** Make sure that all of the shipping materials (for example shipping tape) are removed from the replacement part prior to installation.

---

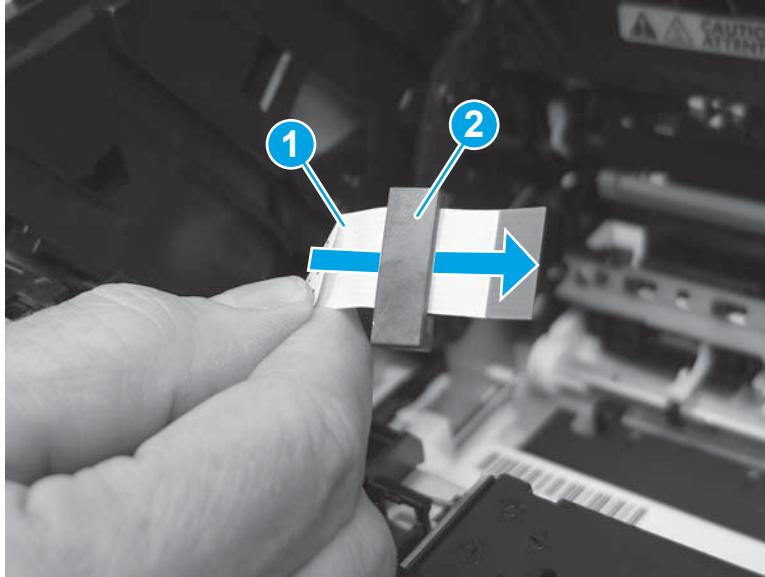


### Step 15: Install the flat flexible cable

1. Install the cable (callout 1) in the ferrite (callout 2).

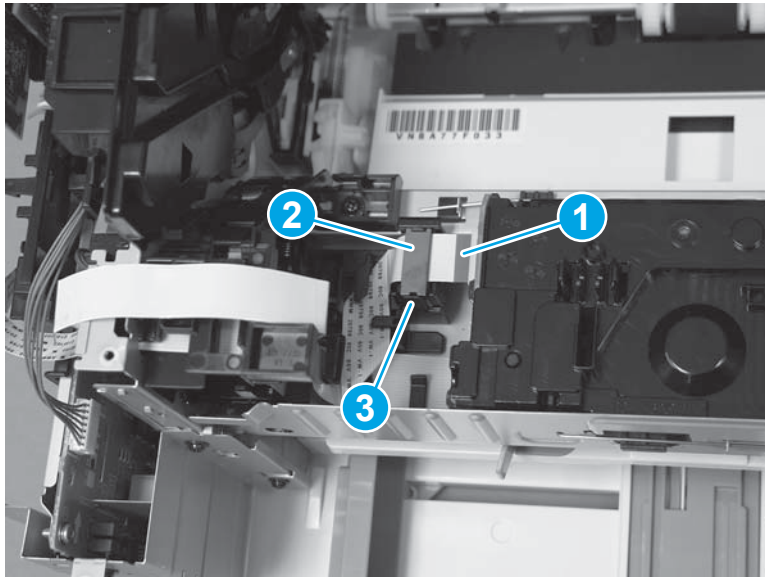


Figure 1-1091 Install the cable in the ferrite



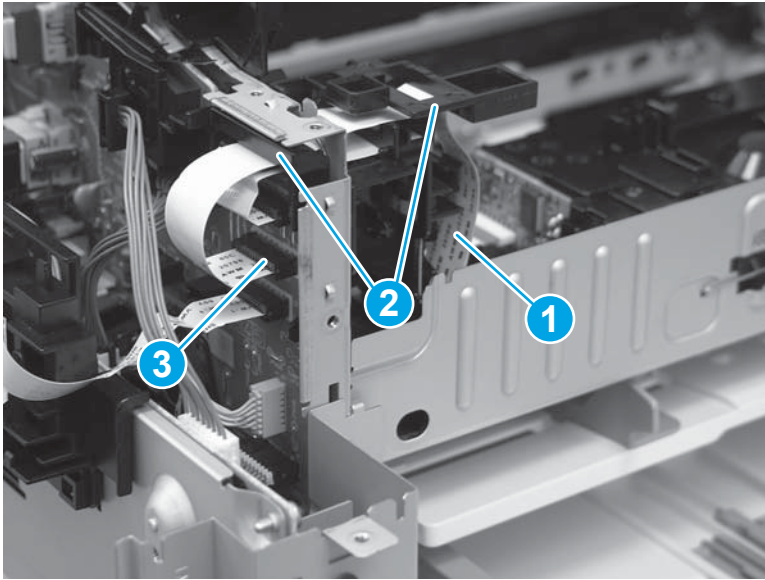
2. Connect one connector (callout 1), and then install the ferrite (callout 2), under the tab (callout 3).

Figure 1-1092 Connect one connector and install the ferrite



3. Install the cable (callout 1) in the cable guides (callout 2), and then connect one connector (callout 3).

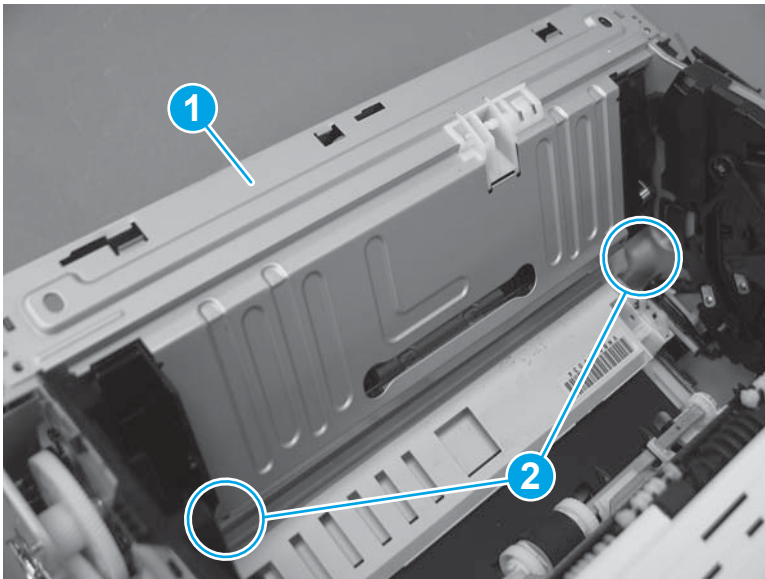
Figure 1-1093 Connect one connector



#### Step 16: Install the laser scanner cover

1. Install the laser scanner cover (callout 1). Make sure that the two tabs (callout 2) are engaged.

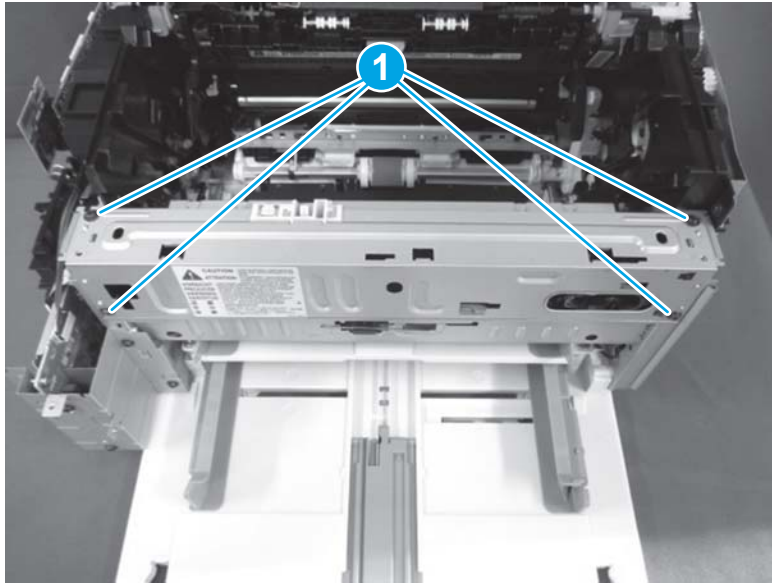
Figure 1-1094 Install the laser scanner cover





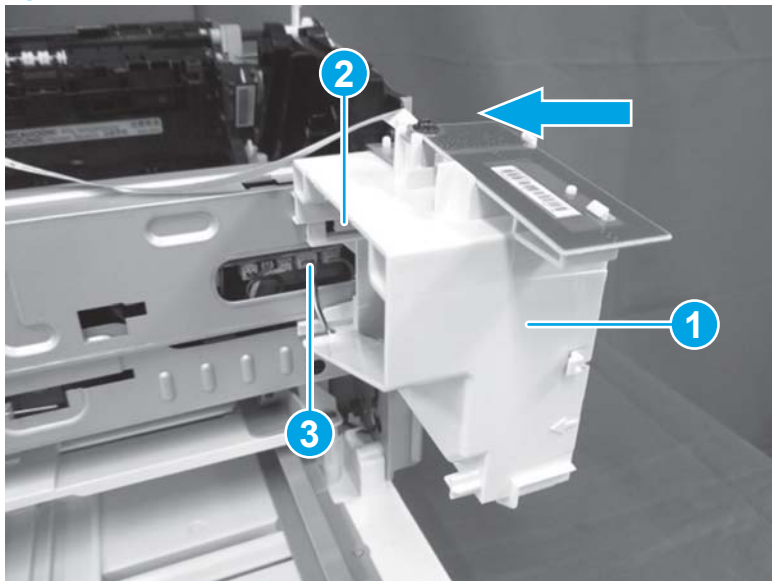
2. Install four screws (callout 1).

Figure 1-1095 Install the laser scanner cover



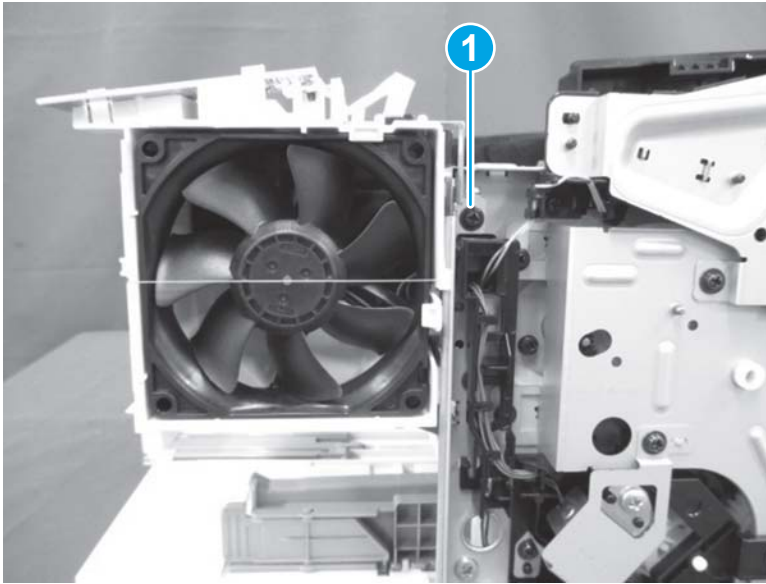
3. Slide the fan holder (callout 1) to the left onto the printer to engage one tab (callout 2), and then connect one connector (callout 3).

Figure 1-1096 Install the fan holder



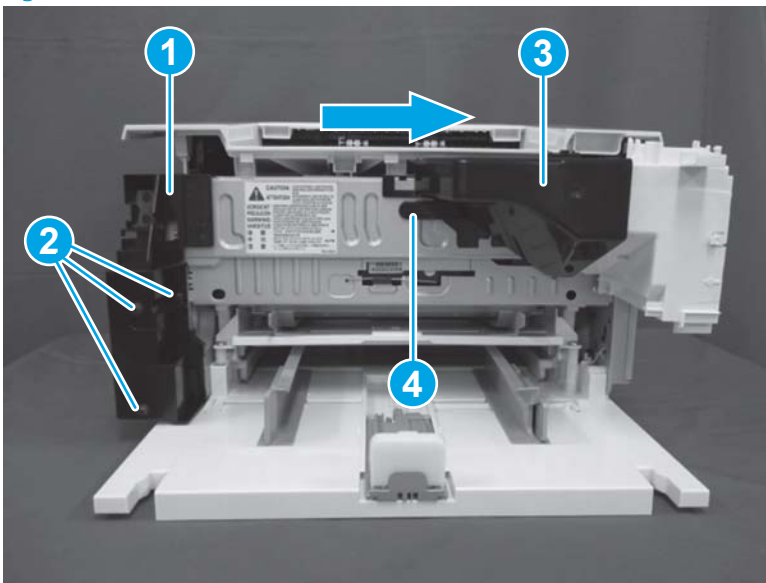
4. **MFP only:** Install one screw (callout 1).

Figure 1-1097 Install one screw



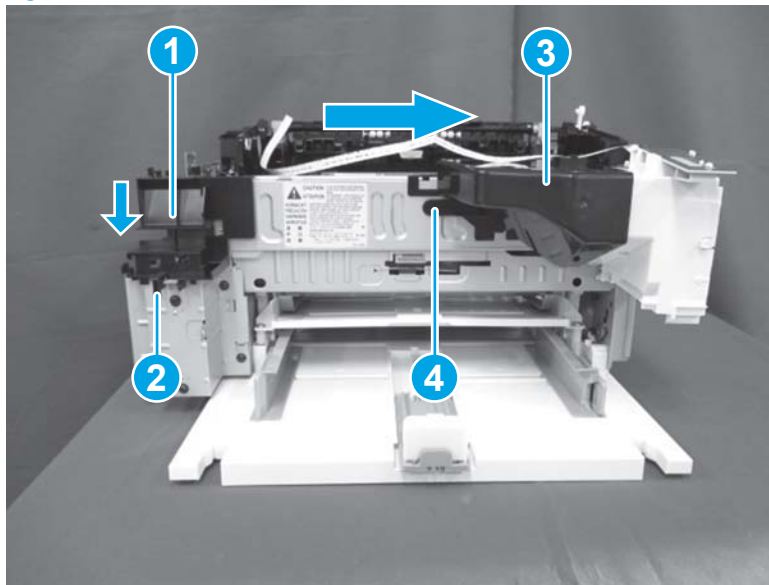
5. **SFP only:** Position the inner cover (callout 1) on the printer, and then install three screws (callout 2). Slide the fan duct (callout 3) to the right to install it on the printer. Make sure that the boss (callout 4) snaps into place.

Figure 1-1098 Install the fan duct and cover (SFP)



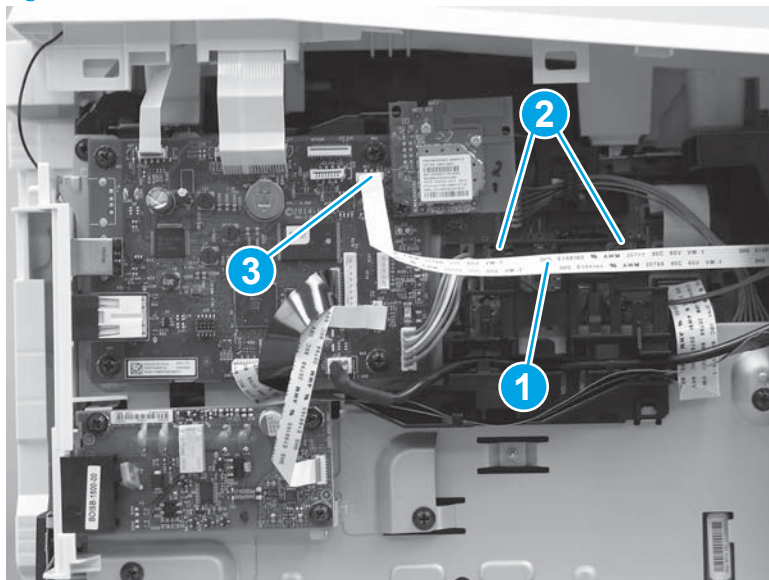
6. **MFP only:** Slide the inner cover (callout 1) down onto the printer until the tab (callout 2) snaps into place. Slide the fan duct (callout 3) to the right to install it on the printer. Make sure that the boss (callout 4) snaps into place.

Figure 1-1099 Install the fan duct and cover (MFP)



7. **MFP only:** Position the cable (callout 1) in the guides (callout 2), and then connect one connector (callout 3).

Figure 1-1100 Connect one connector

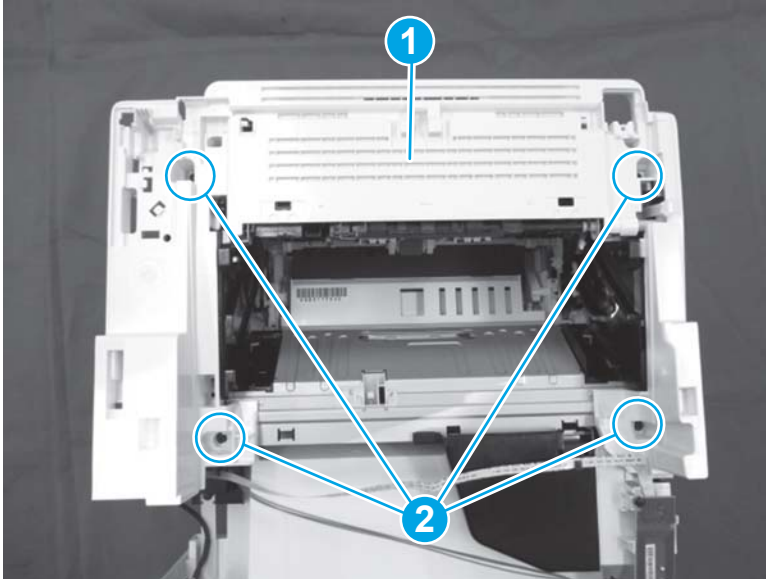


### Step 17: Install the top cover (MFP)

 **NOTE:** This step is for the MFP printers. For the SFP printers, skip this step and go to [Step 16: Install the laser scanner cover on page 666](#).

- ▲ Position the top cover (callout 1) on the printer, and then install four screws (callout 2).

Figure 1-1101 Install the top cover

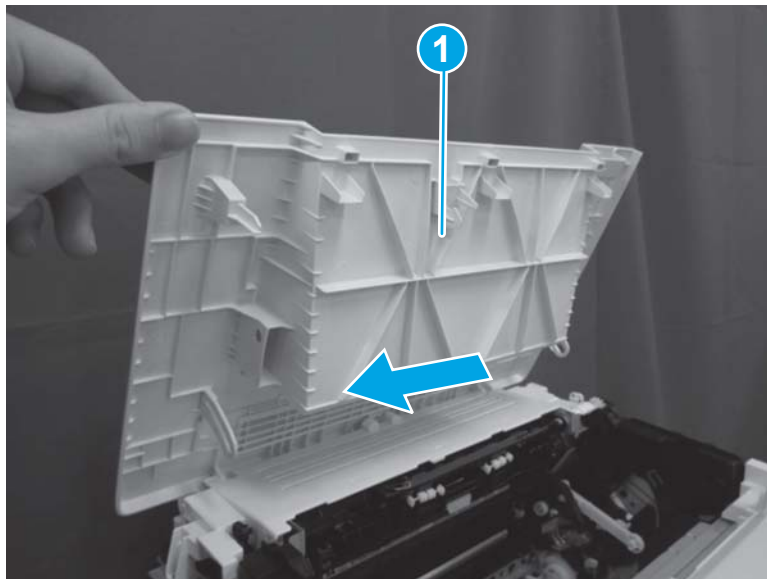


### Step 18: Install the cartridge door (MFP)

 **NOTE:** This step is for the MFP printers. For the SFP printers, skip this step and go to [Step 16: Install the laser scanner cover on page 666](#).

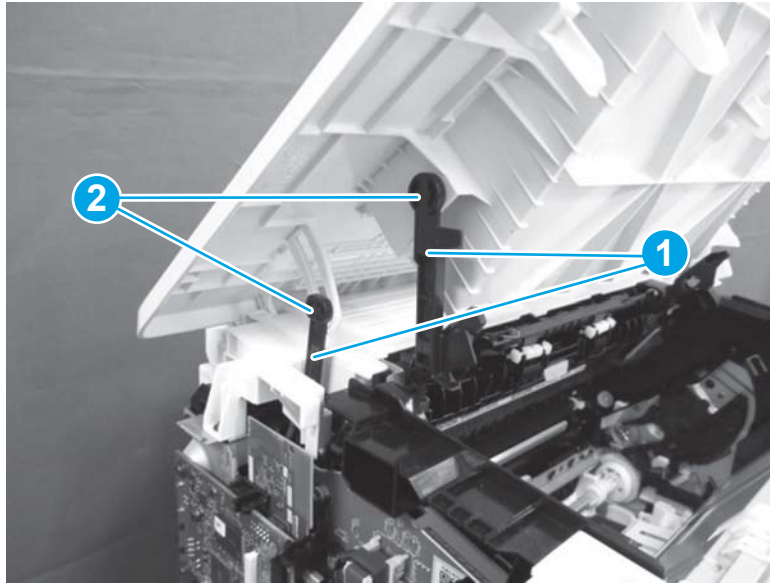
1. SFP: Do the following.
  - a. Position the cartridge door (callout 1) on the printer, and then slide it toward the left-side of the printer to install it.

Figure 1-1102 Install the cartridge door (SFP)



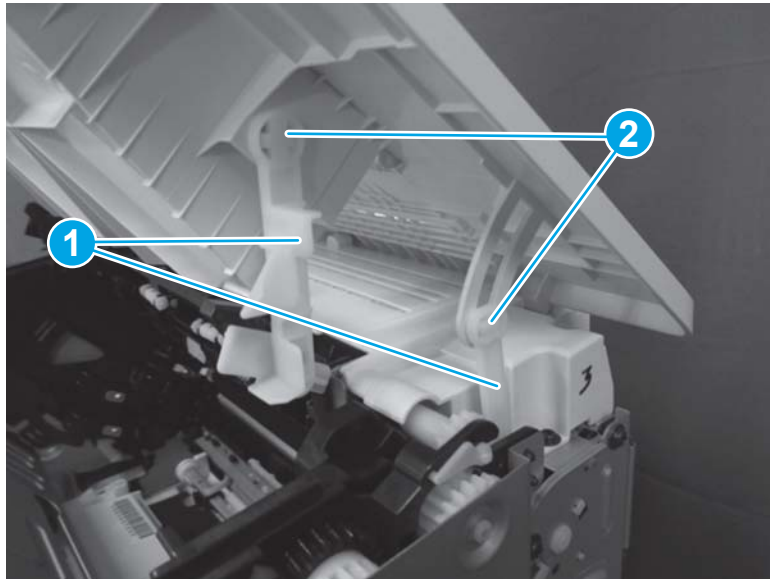
- b. On the left side of the printer, position two link arms (callout 1), and then engage two tabs (callout 2).

**Figure 1-1103** Connect left link arms (SFP)



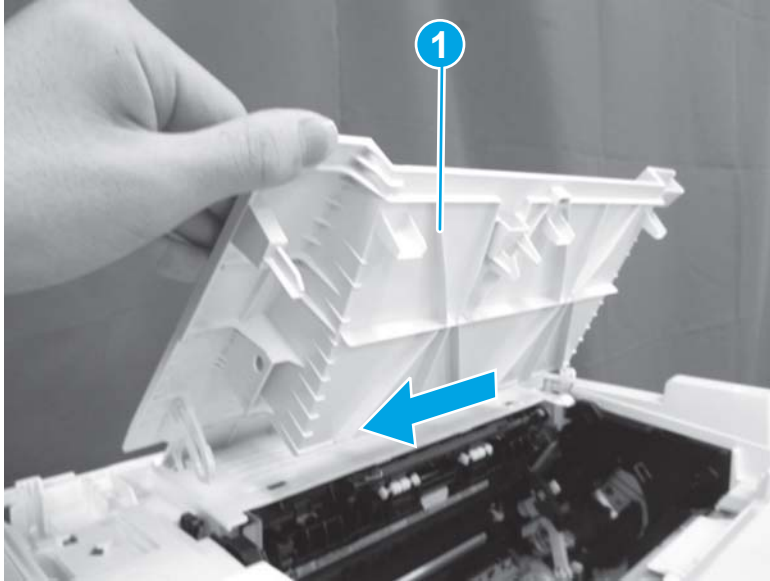
- c. On the right side of the printer, position two link arms (callout 1), and then engage two tabs (callout 2).

**Figure 1-1104** Connect right link arms (SFP)



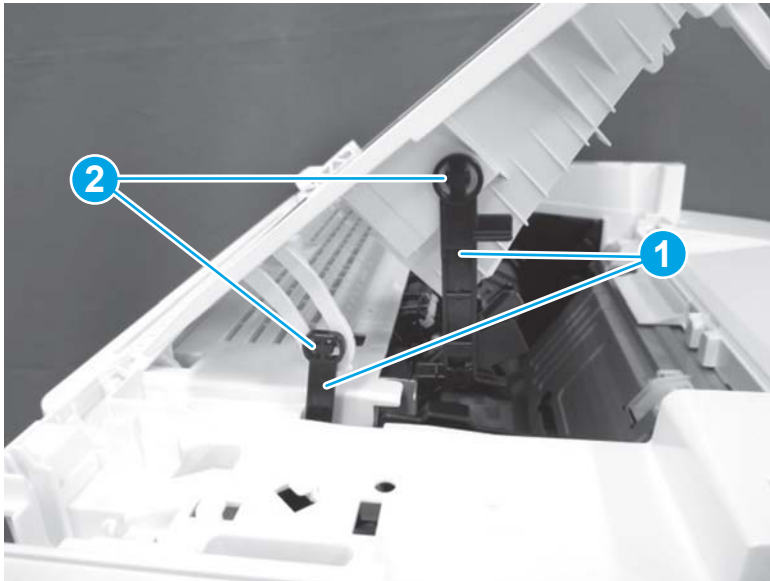
2. **MFP:** Do the following.
  - a. Position the cartridge door (callout 1) on the printer, and then slide it toward the left-side of the printer to install it.

Figure 1-1105 Install the cartridge door (MFP)



- b. On the left side of the printer, position two link arms (callout 1), and then engage two tabs (callout 2).

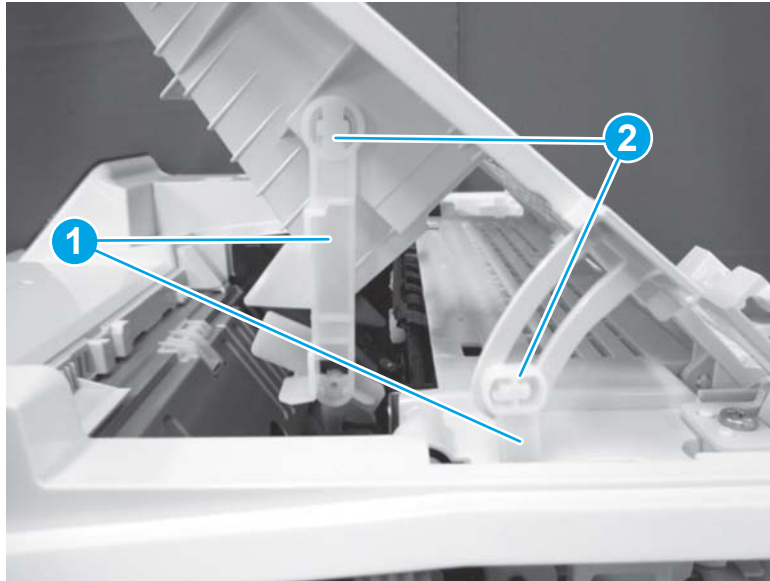
Figure 1-1106 Connect left link arms (MFP)





- c. On the right side of the printer, position two link arms (callout 1), and then engage two tabs (callout 2).

**Figure 1-1107** Connect right link arms (MFP)

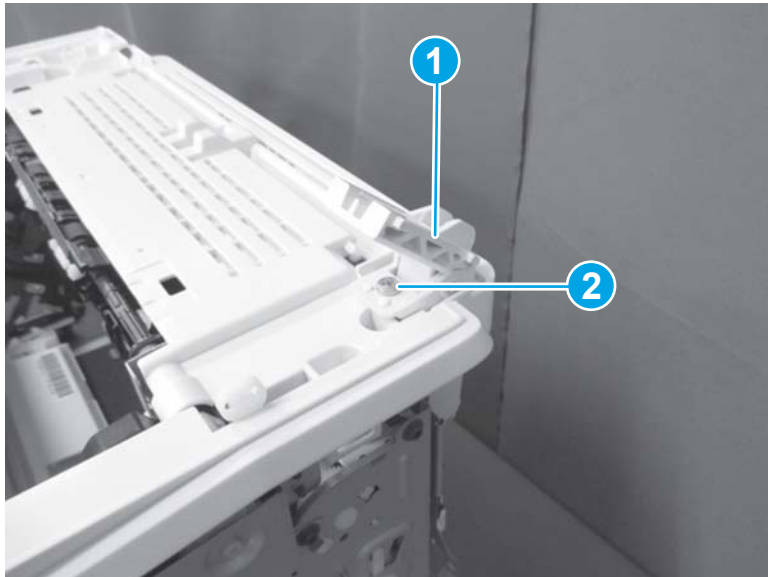


#### Step 19: Install the hinge assembly (MFP)

 **NOTE:** This step is for the MFP printers. For the SFP printers, skip this step and go to [Step 16: Install the laser scanner cover on page 666](#).

- ▲ Position the hinge assembly (callout 1) on the printer, and then install one screw (callout 2).

**Figure 1-1108** Install the hinge assembly (MFP)



#### Step 20: Install the front cover

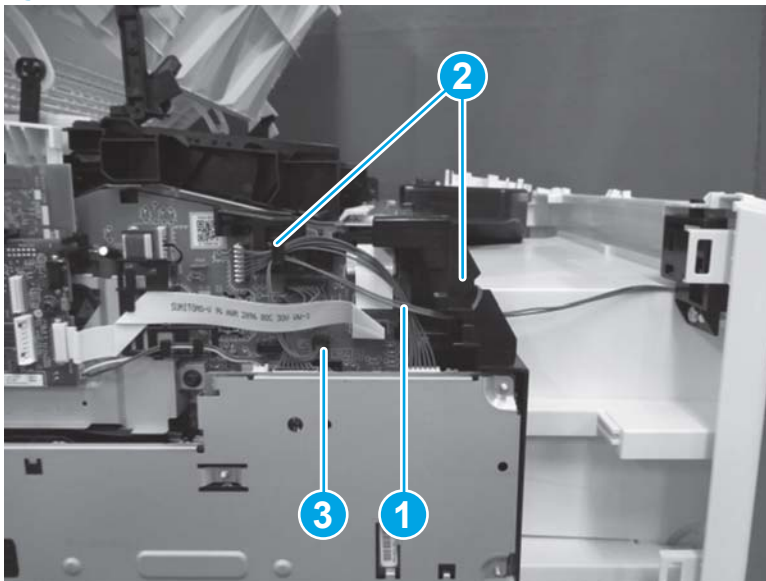
1. **SFP:** Do the following.
  - a. Slide the front cover (callout 1) toward the printer to install it.

Figure 1-1109 Install the front cover (SFP)



- b. Install the cable (callout 1) in the cable guide (callout 2), and then connect one connector (callout 3).

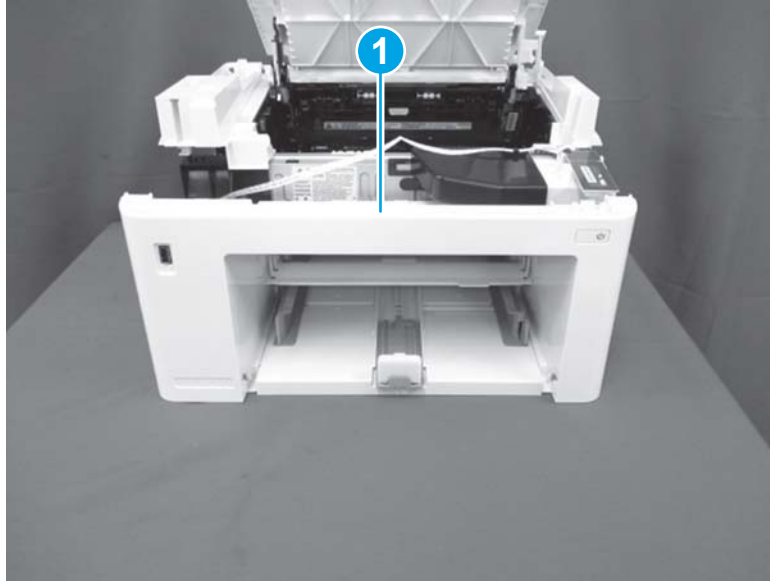
Figure 1-1110 Connect the connector (SFP)



- 2. **MFP:** Do the following.
  - a. Slide the front cover (callout 1) toward the printer to install it.

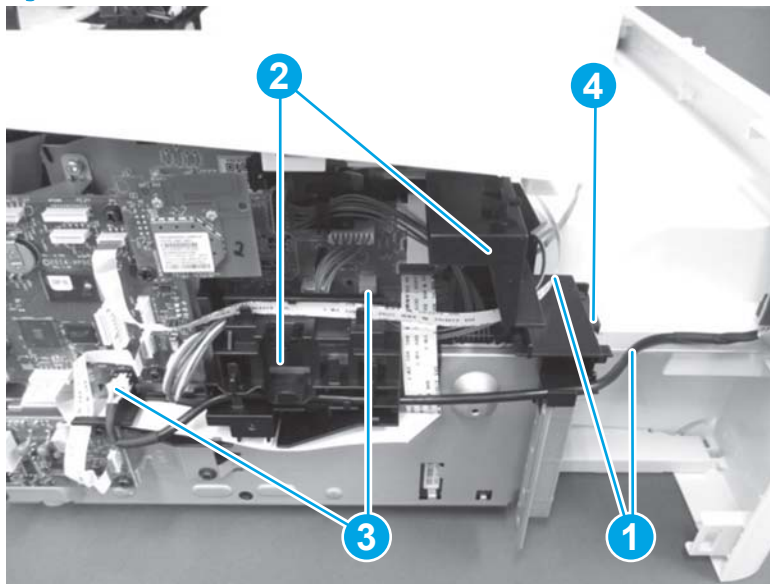


Figure 1-1111 Install the front cover (MFP)



- b. Install the cables (callout 1) in the cable guides (callout 2), and then connect two connectors (callout 3). Install one screw (callout 4).

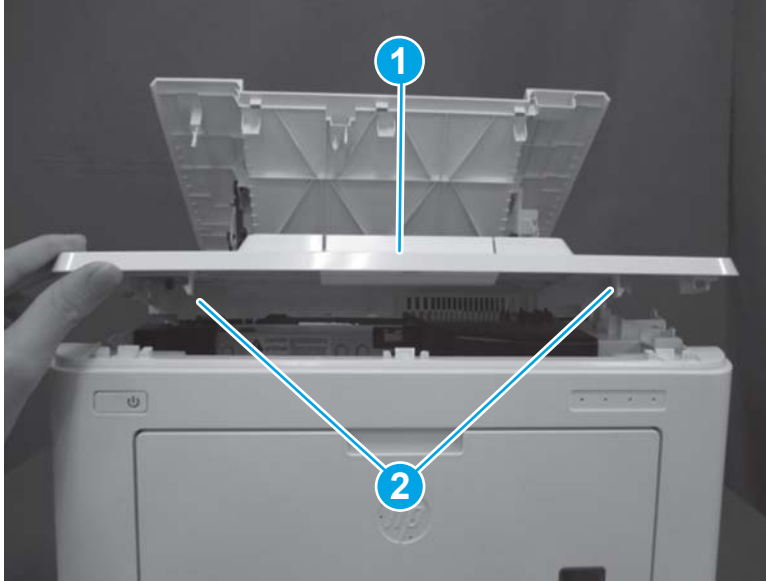
Figure 1-1112 Connect two connectors (MFP)



### Step 21: Install the top front cover

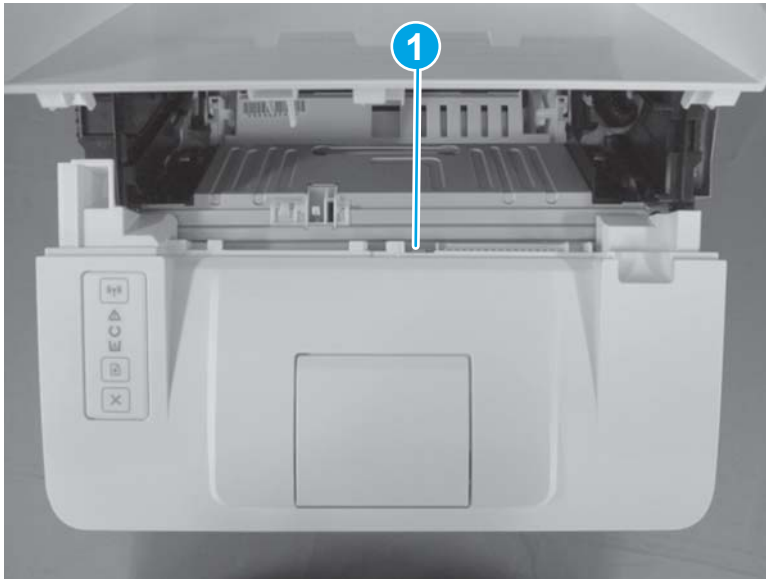
1. SFP: Do the following.
  - a. Position the top front cover (callout 1) on the printer and install two tabs (callout 2).

Figure 1-1113 Install two tabs



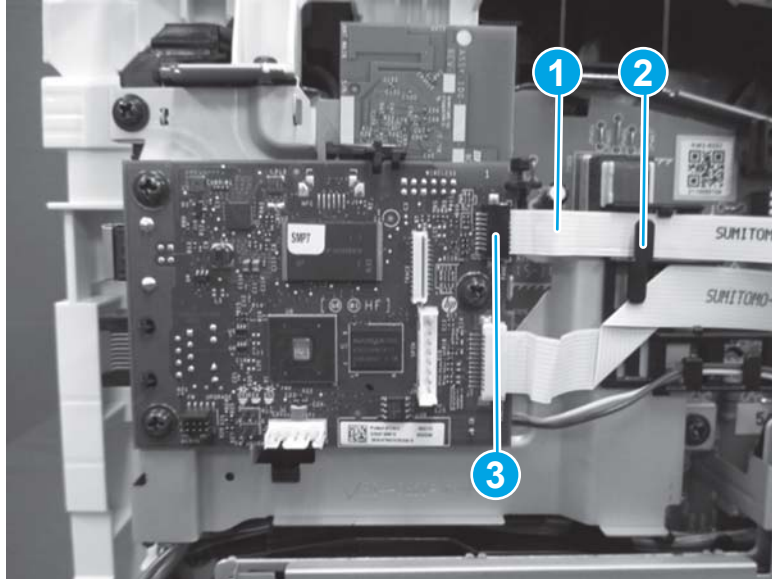
- b. On the top of the cover, install one tab (callout 1).

Figure 1-1114 Install one tab



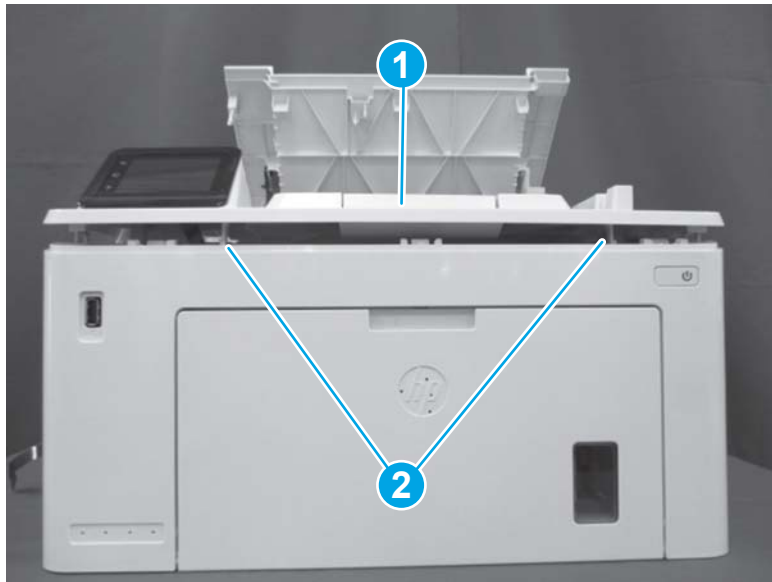
- c. Install the cable (callout 1) in the guide (callout 2), and then connect one connector (callout 3) on the formatter.

Figure 1-1115 Connect one connector



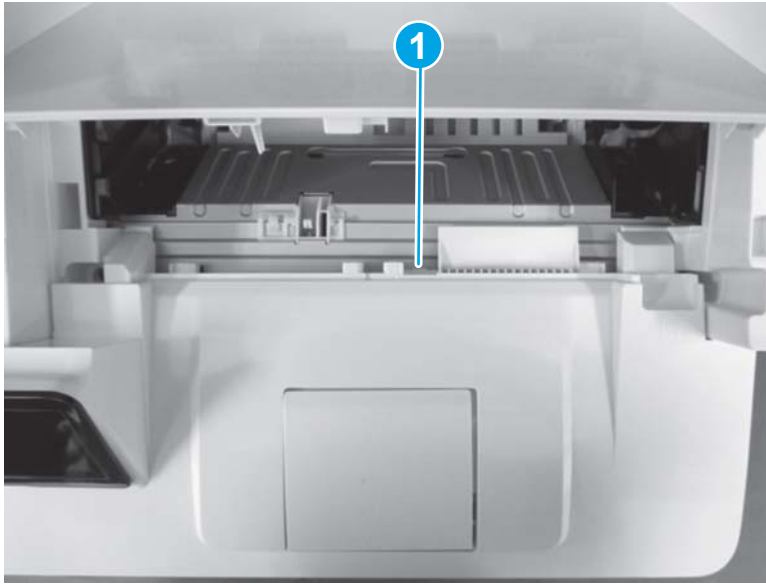
- 2. MFP: Do the following.
  - a. Position the top front cover (callout 1) on the printer, and then install two tabs (callout 2).

Figure 1-1116 Install two tabs



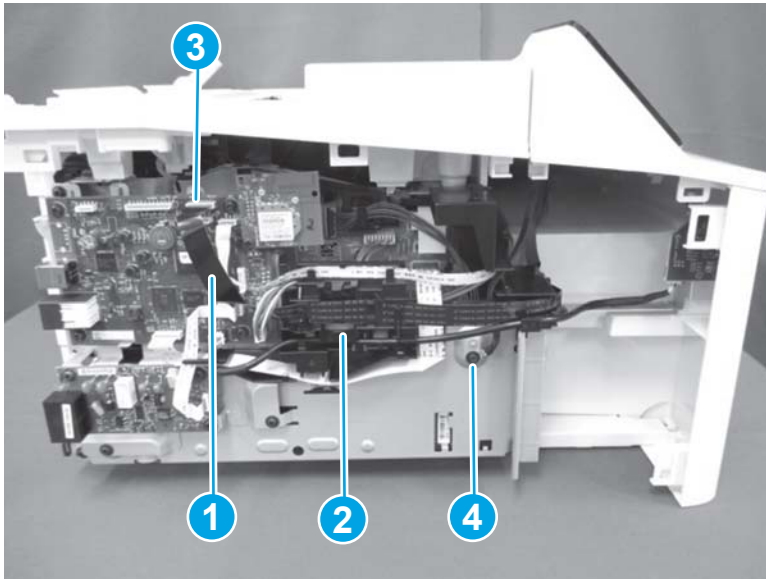
- b. Install one tab (callout 1).

Figure 1-1117 Install one tab



- c. Install the cable (callout 1) in the cable guide (callout 2), and then connect one connector (callout 3). Install one screw (callout 4) to secure the grounding cable.

Figure 1-1118 Install one connector and grounding cable

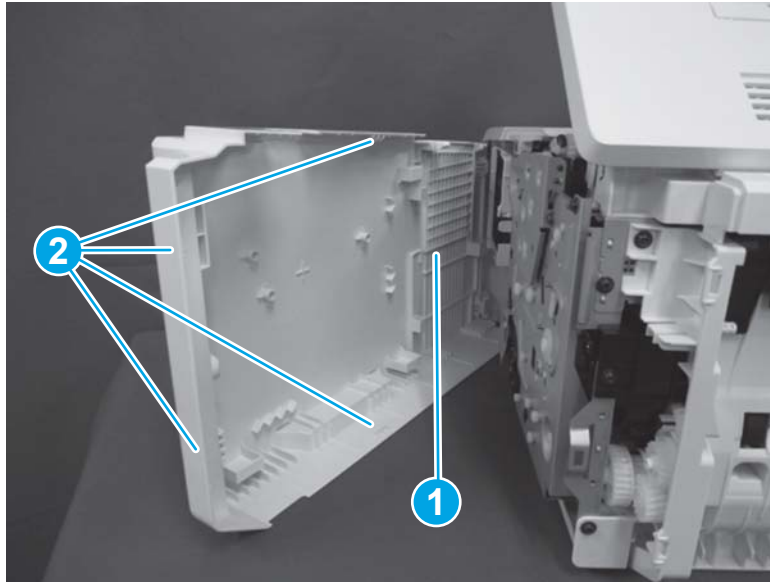


### Step 22: Install the right cover

1. **SFP:** Do the following.
  - a. Open the cartridge door.

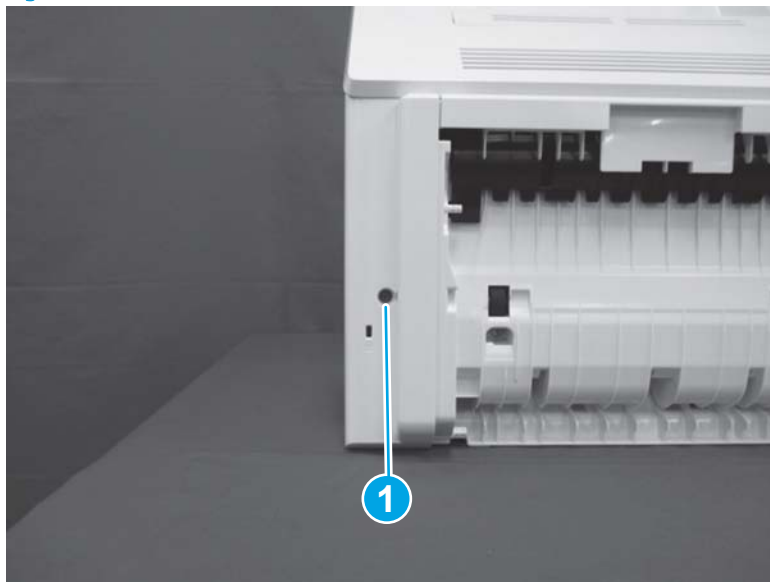
- b. Position the right cover (callout 1) on the printer, and then engage four tabs (callout 2).

**Figure 1-1119** Install the right cover (SFP)



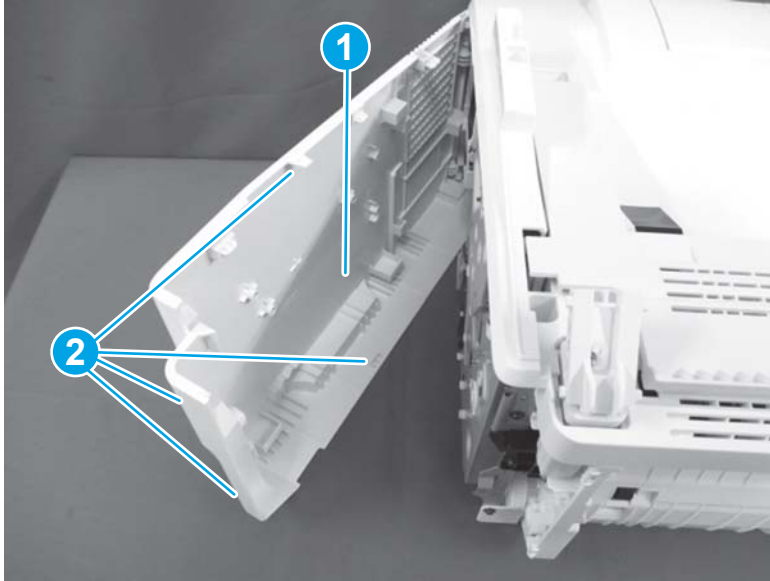
- c. Close the cartridge door.
- d. Install one screw (callout 1).

**Figure 1-1120** Install one screw (SFP)



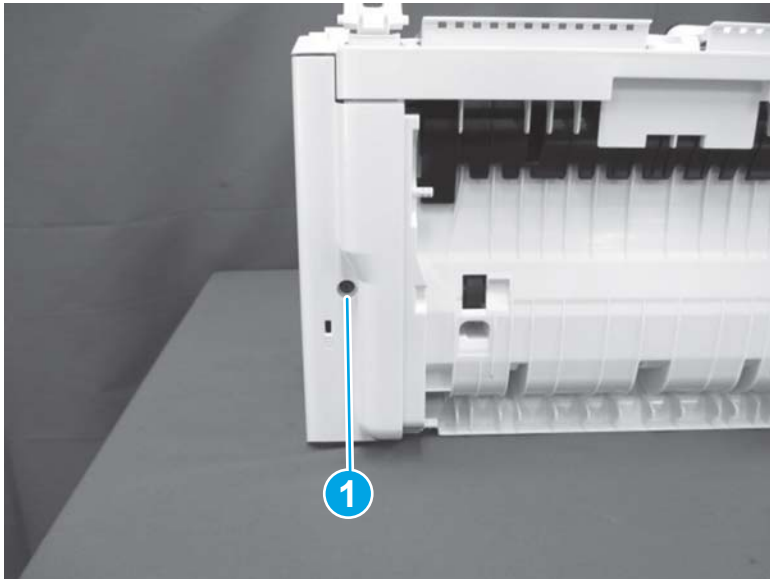
2. **MFP:** Do the following.
  - a. Position the right cover (callout 1) on the printer, and then engage four tabs (callout 2).

Figure 1-1121 Install the right cover (MFP)




- b. Install one screw (callout 1).

Figure 1-1122 Install one screw (MFP)



### Step 23: Install the 3-in-1 or 4-in-1 scanner assembly (MFP)

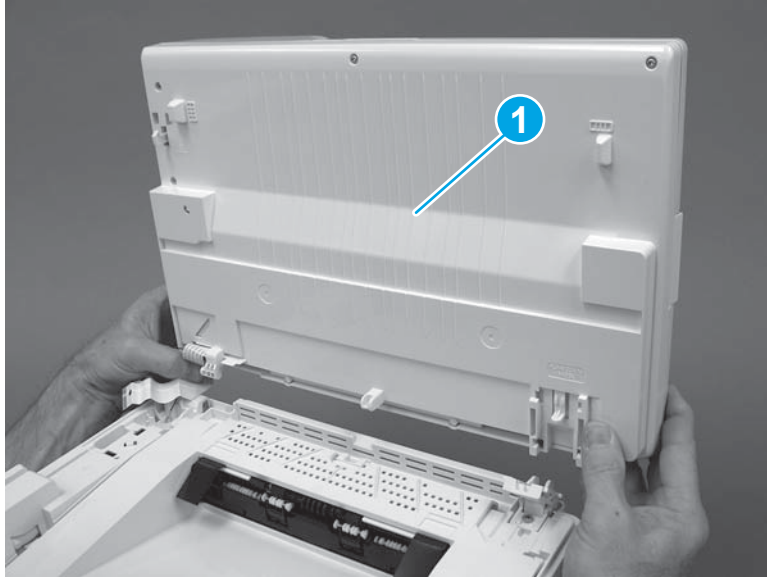
 **NOTE:** This step is for the MFP printers. For the SFP printers, skip this step and go to [Step 25: Install the left cover on page 684](#).

 **NOTE:** The 4-in-1 scanner assembly supports the document feeder. The 3-in-1 scanner assembly does not support the document feeder.

The figures in this procedure show a 4-in-1 printer. However, the procedure is correct for 3-in-1 printers.

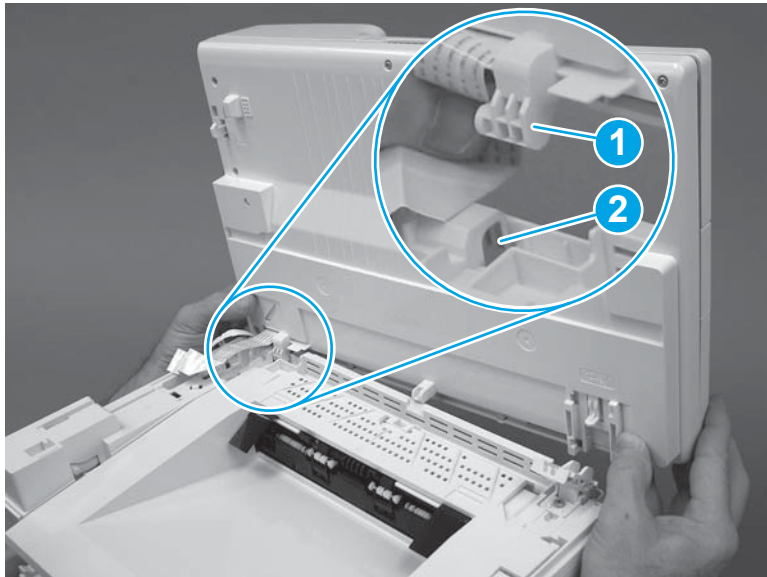
1. Position the scanner assembly (callout 1) near the printer.

Figure 1-1123 Install the scanner assembly (MFP)



2. Engage the left hinge (callout 1) with the top cover (callout 2).

Figure 1-1124 Engage the left hinge (MFP)





3. Push the right side of the scanner assembly toward the front of the printer to engage the right hinge (callout 1). Make sure that the tab (callout 2) snaps into place.

Figure 1-1125 Engage the right hinge (MFP)

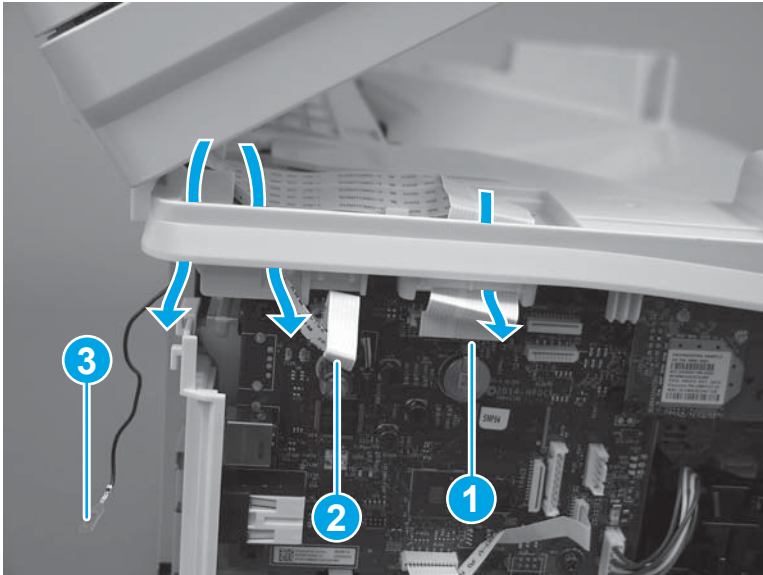


4. **4-in-1 models only:** Pass the flat cables (callouts 1/2) and the ground wire (callout 3) through the openings in the chassis, and then connect the two flat cables.

**3-in-1 models only:** Pass the flat cable (callout 1) through the opening in the chassis, and then connect one flat cable.

 **NOTE:** The 3-in-1 model does not have the small flat cable (callout 2) or a ground wire (callout 3).

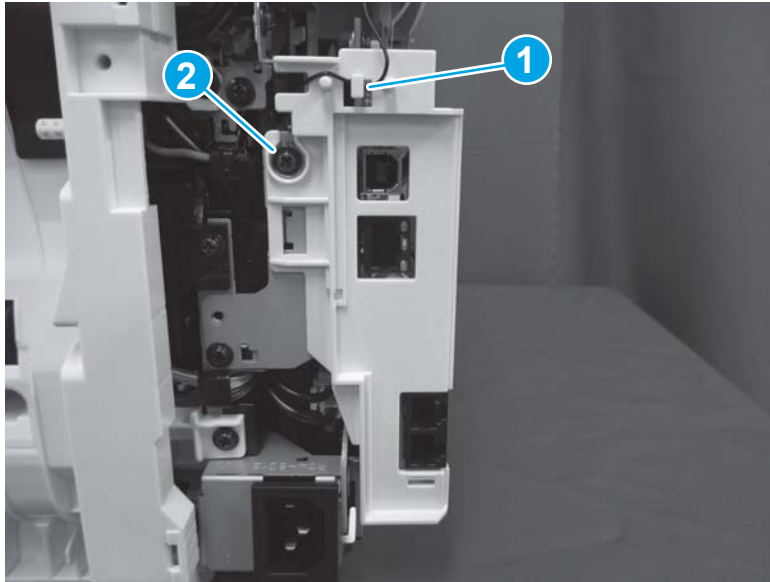
Figure 1-1126 Connect flat cable(s)





5. **4-in-1 models only:** Install the ground wire in the retainer (callout 1), and then install one screw (callout 2).

**Figure 1-1127** Install the ground wire (4-in-1 models)

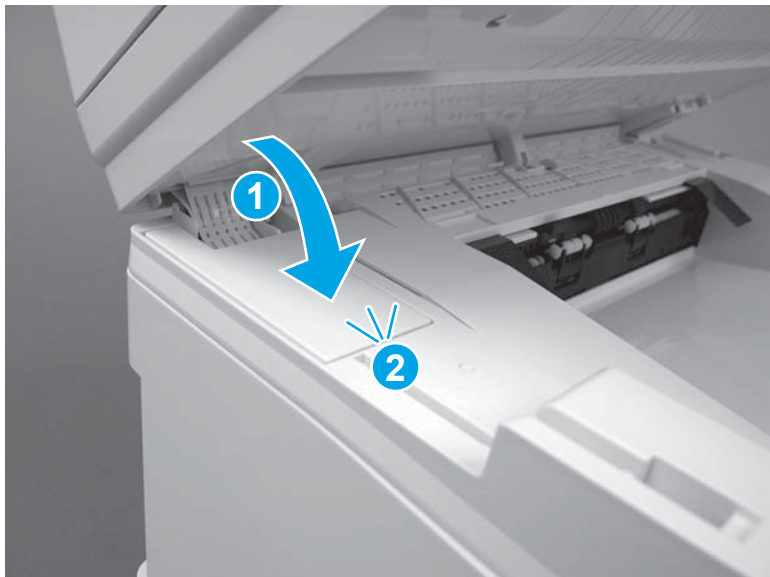


#### Step 24: Install the cable cover (MFP)

 **NOTE:** This step is for the MFP printers. For the SFP printers, skip this step and go to [Step 25: Install the left cover on page 684](#).

1. Install the cable cover (callout 1), on the printer, and then push down to engage one tab (callout 2).

**Figure 1-1128** Install the cable cover (MFP)



2. Close the scanner assembly.

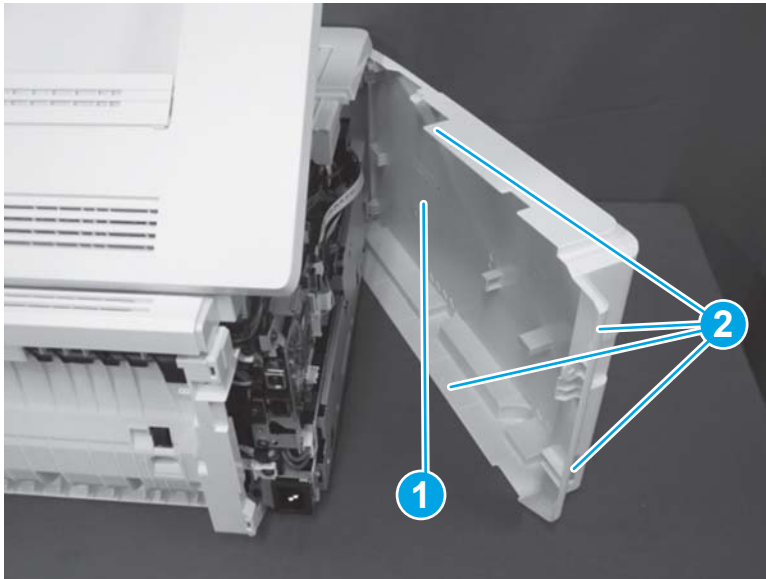
**Figure 1-1129** Close the scanner assembly



#### Step 25: Install the left cover

1. SFP: Do the following.
  - a. Open the cartridge door.
  - b. Position the left cover (callout 1) on the printer, and then engage four tabs (callout 2).

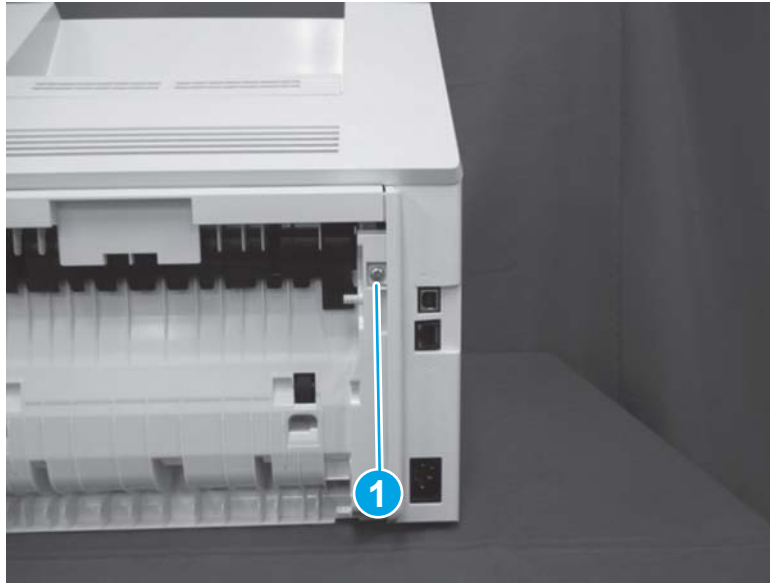
**Figure 1-1130** Install the left cover (SFP)



- c. Close the cartridge door.

- d. Install one screw (callout 1).

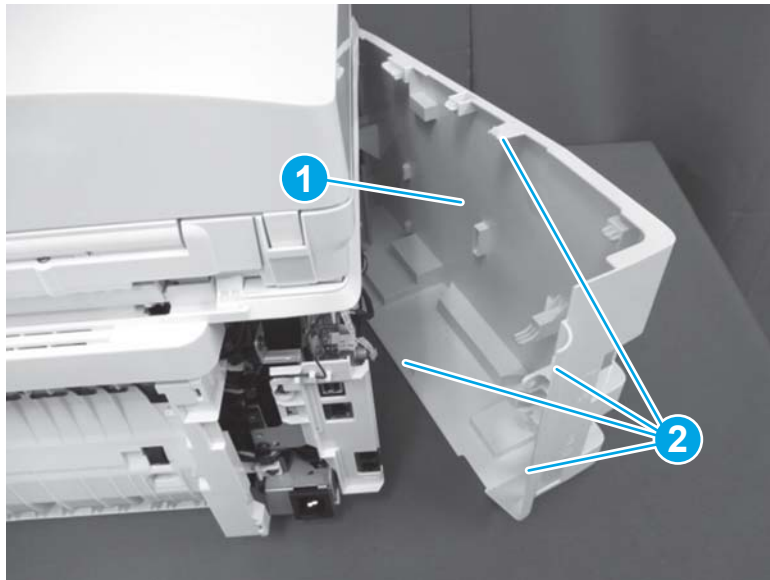
Figure 1-1131 Install one screw (SFP)



- 2. MFP: Do the following.

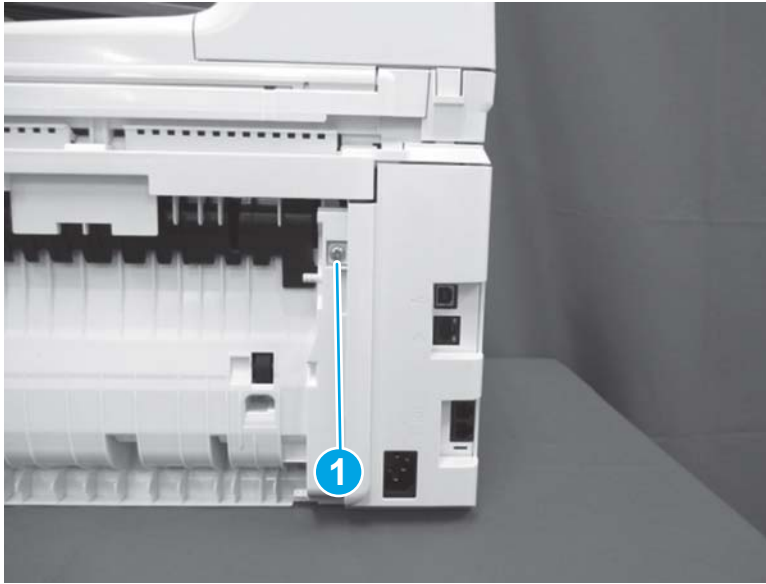
- a. Position the left cover (callout 1) on the printer, and then engage four tabs (callout 2).

Figure 1-1132 Install the left cover (MFP)



- b. Install one screw (callout 1).

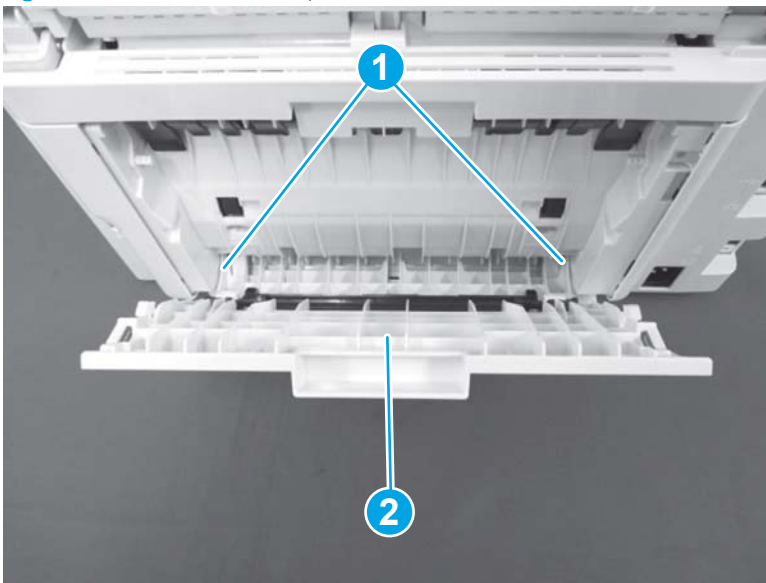
Figure 1-1133 Install one screw (MFP)



#### Step 26: Install the duplex door

1. Install two tabs (callout 1) to install the duplex door (callout 2).

Figure 1-1134 Install the duplex door

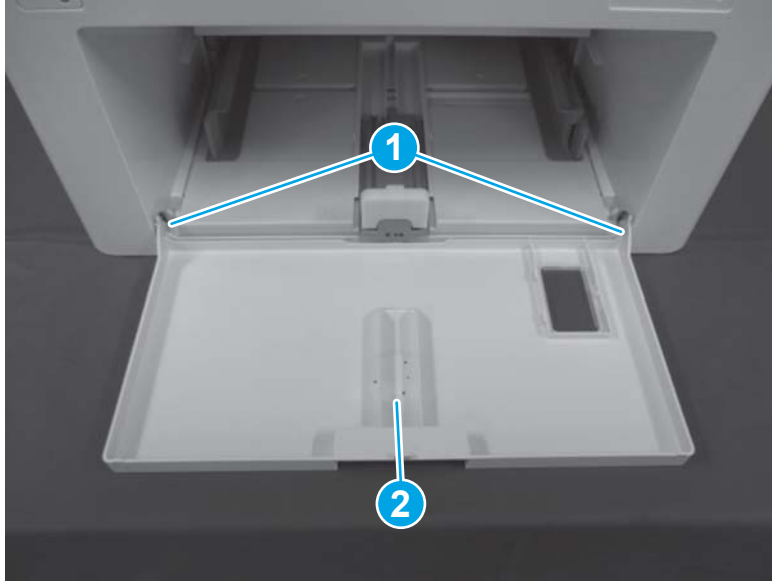


2. Close the duplex door.

#### Step 27: Install the multipurpose cover

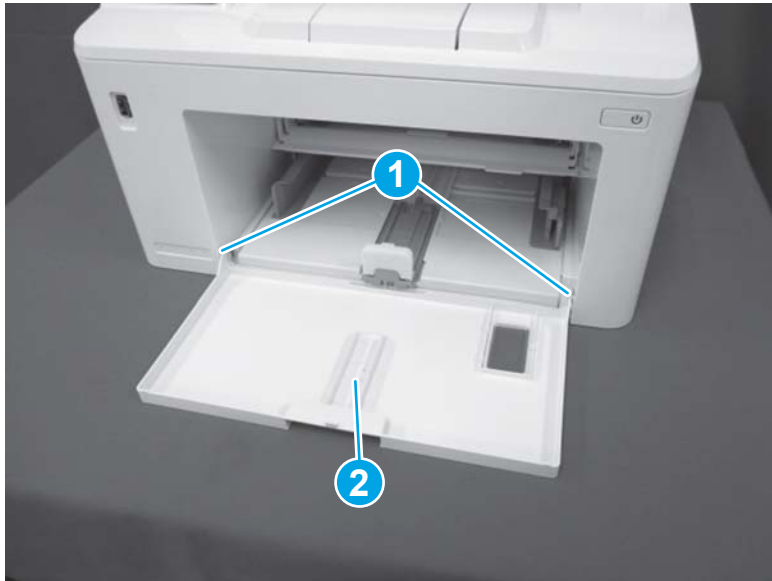
1. **SFP:** Engage two bosses (callout 1), to install the cover (callout 2).

Figure 1-1135 Install the multipurpose cover (SFP)



2. MFP: Engage two bosses (callout 1) to install the cover (callout 2).

Figure 1-1136 Install the multipurpose cover (MFP)



3. Close the multipurpose cover.

## Removal and replacement: Flat flexible cable (motor PCA)

- [Introduction](#)
- [Step 1: Remove the multipurpose cover](#)
- [Step 2: Remove the duplex door](#)
- [Step 3: Remove the left cover](#)
- [Step 4: Remove the cable cover \(MFP\)](#)
- [Step 5: Remove the 3-in-1 or 4-in-1 scanner assembly \(MFP\)](#)
- [Step 6: Remove the right cover](#)
- [Step 7: Remove the top front cover](#)
- [Step 8: Remove the front cover](#)
- [Step 9: Remove the hinge assembly \(MFP\)](#)
- [Step 10: Remove the cartridge door \(MFP\)](#)
- [Step 11: Remove the top cover \(MFP\)](#)
- [Step 12: Remove the laser scanner cover](#)
- [Step 13: Remove the flat flexible cable \(laser scanner\)](#)
- [Step 14: Remove the laser scanner](#)
- [Step 15: Remove the flat flexible cable](#)
- [Step 16: Unpack the replacement assembly](#)
- [Step 17: Install the flat flexible cable](#)
- [Step 18: Install the laser scanner](#)
- [Step 19: Install the flat flexible cable \(laser scanner\)](#)
- [Step 20: Install the laser scanner cover](#)
- [Step 21: Install the top cover \(MFP\)](#)
- [Step 22: Install the cartridge door \(MFP\)](#)
- [Step 23: Install the hinge assembly \(MFP\)](#)
- [Step 24: Install the front cover](#)
- [Step 25: Install the top front cover](#)
- [Step 26: Install the right cover](#)
- [Step 27: Install the 3-in-1 or 4-in-1 scanner assembly \(MFP\)](#)
- [Step 28: Install the cable cover \(MFP\)](#)
- [Step 29: Install the left cover](#)

- [Step 30: Install the duplex door](#)
- [Step 31: Install the multipurpose cover](#)

## Introduction

This document provides the procedures to remove and replace the flat flexible cable between the engine controller PCA and the motor PCA.

## Before performing service

### Turn the printer power off

- Disconnect the power cable.

**⚠ WARNING!** To avoid damage to the printer, turn the printer off, wait 30 seconds, and then remove the power cable before attempting to service the printer.

Use the table below to identify the correct part number for your printer. To order the part, go to [www.hp.com/buy/parts](http://www.hp.com/buy/parts).

Flat flexible cable (motor PCA) part number	
RK2-8513-000CN	Flat flexible cable (motor PCA)

## Required tools

- #2 Phillips screwdriver with a magnetic tip.
- Small flat-blade screwdriver

## After performing service

### Turn the printer power on

- Connect the power cable.
- Use the power switch to turn the power on.

## Post service test

**MFP:** Verify that the document feeder and the flatbed scanner are correctly functioning (copy a page).

Send a print job from the host computer (or print a configuration report). Verify that the page prints.

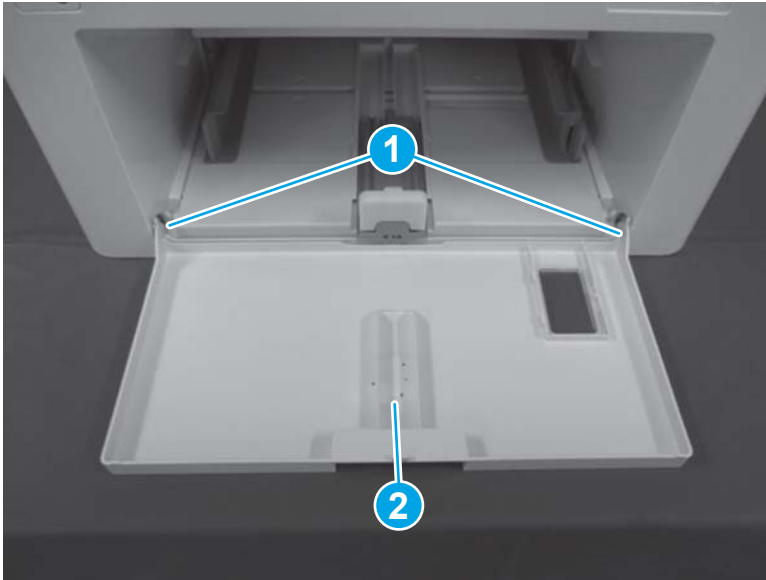
## Step 1: Remove the multipurpose cover

1. Open the multipurpose cover.

2. **SFP:** Release two bosses (callout 1), and then remove the cover (callout 2).

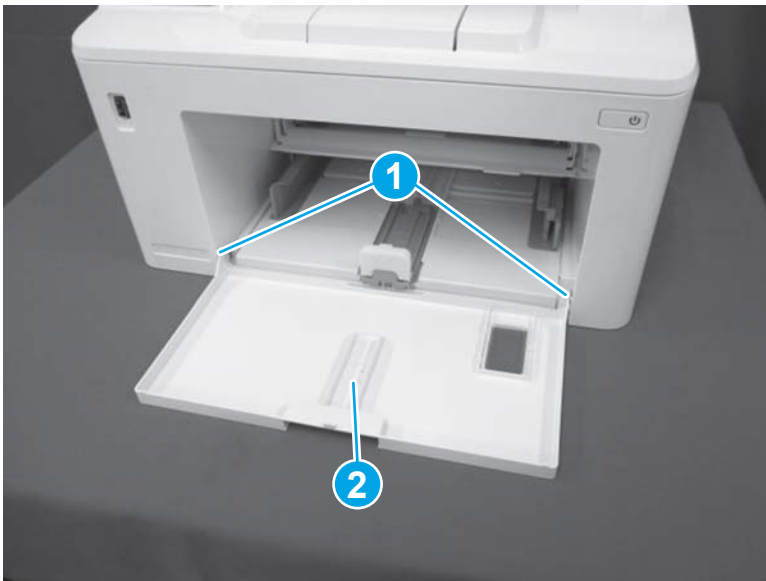
 **TIP:** It might be easier to remove the cover if the right boss is released first, and then lower the right-side of the cover to release the left-side boss.

**Figure 1-1137** Remove the multipurpose cover (SFP)



3. **MFP:** Release two bosses (callout 1), and then remove the cover (callout 2).

**Figure 1-1138** Remove the multipurpose cover (MFP)



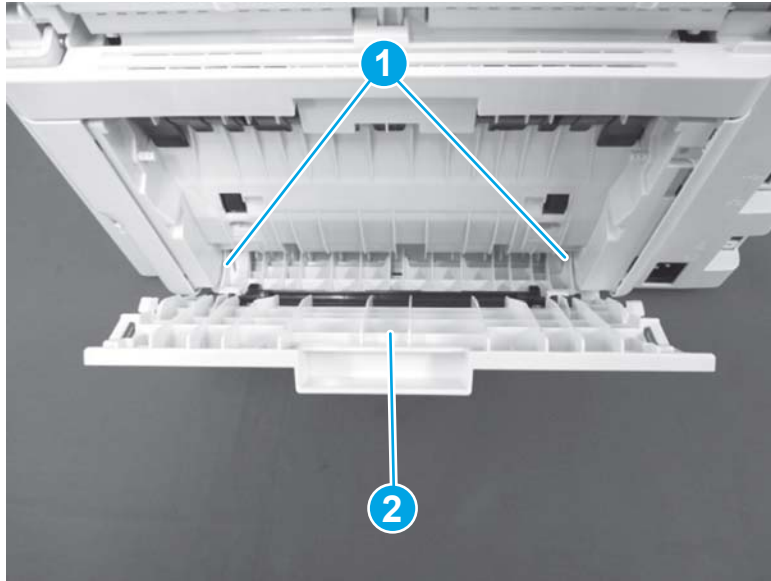
## Step 2: Remove the duplex door

1. Open the duplex door.



2. Use a small flat-blade screwdriver to release two tabs (callout 1), and then remove the duplex door (callout 2).

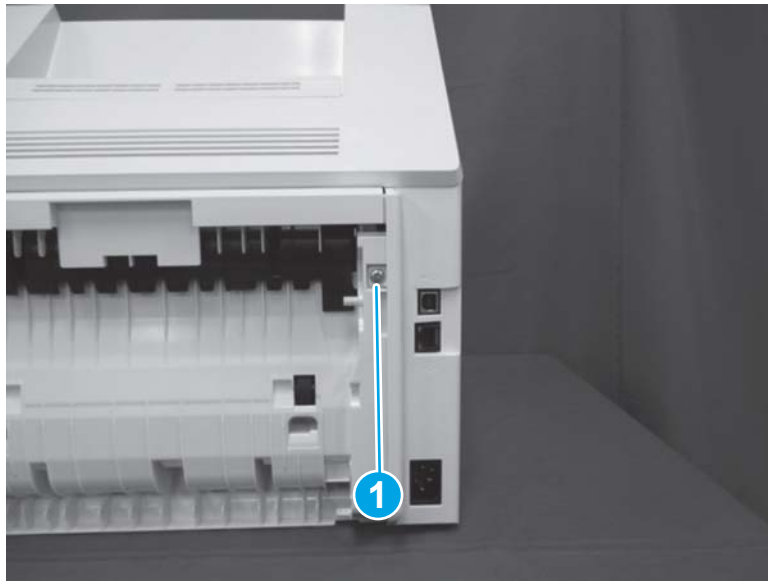
**Figure 1-1139** Remove the duplex door



### Step 3: Remove the left cover

1. **SFP:** Do the following.
  - a. Remove one screw (callout 1).

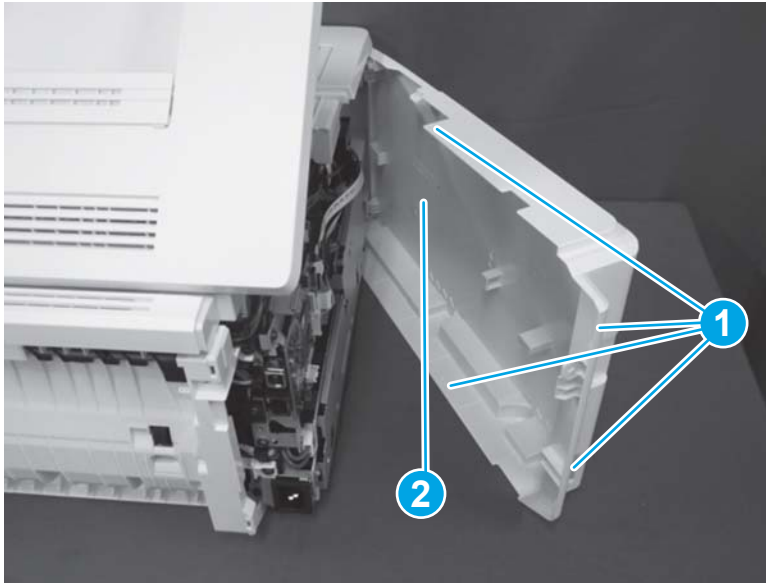
**Figure 1-1140** Remove one screw (SFP)



- b. Open the cartridge door.

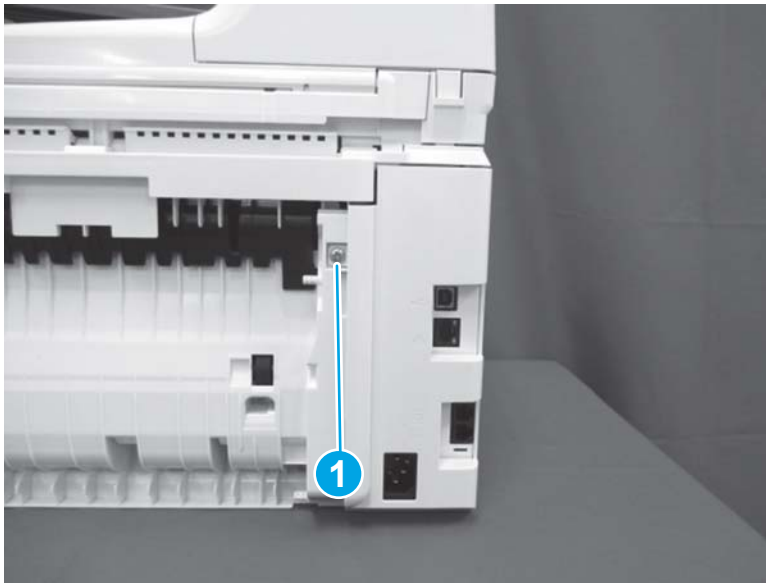
- c. Release four tabs (callout 1), and then remove the left cover (callout 2).

Figure 1-1141 Remove the left cover (SFP)



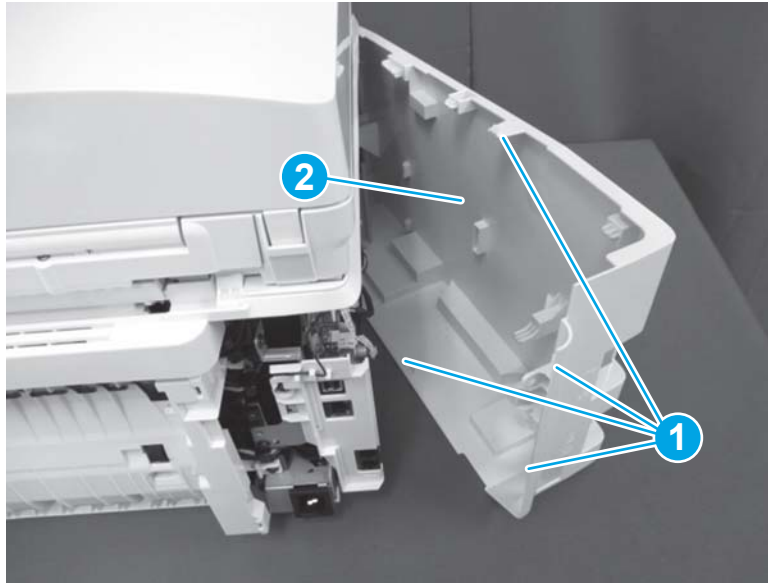
- 2. **MFP:** Do the following.
  - a. Remove one screw (callout 1).

Figure 1-1142 Remove one screw (MFP)



- b. Release four tabs (callout 1), and then remove the left cover (callout 2).

**Figure 1-1143** Remove the left cover (MFP)



#### Step 4: Remove the cable cover (MFP)

 **NOTE:** This step is for the MFP printers. For the SFP printers, skip this step and go to [Step 6: Remove the right cover on page 696](#).

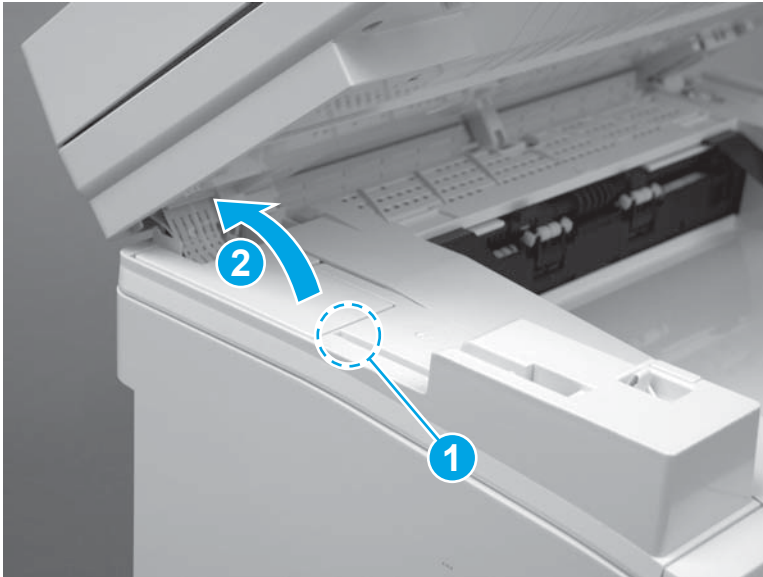
1. Open the scanner assembly.

**Figure 1-1144** Open the scanner assembly




2. Use a small flat-blade screw driver to release one tab (callout 1), and then remove the cable cover (callout 2).

**Figure 1-1145** Remove the cable cover (MFP)



#### Step 5: Remove the 3-in-1 or 4-in-1 scanner assembly (MFP)

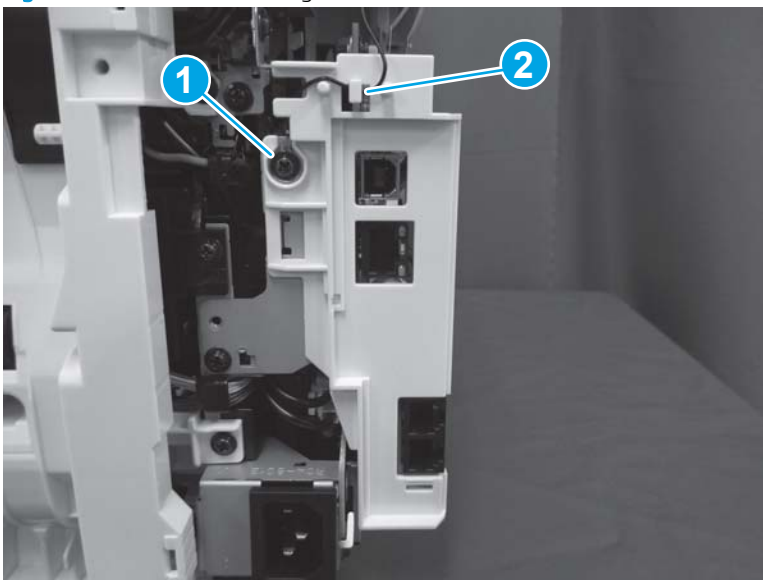
 **NOTE:** This step is for the MFP printers. For the SFP printers, skip this step and go to [Step 6: Remove the right cover on page 696](#).

 **NOTE:** The 4-in-1 scanner assembly supports the document feeder. The 3-in-1 scanner assembly does not support the document feeder.

The figures in this procedure show a 4-in-1 printer. However, the procedure is correct for 3-in-1 printers.

1. **4-in-1 models only:** Remove one screw (callout 1), and then release the ground wire from the retainer (callout 2).

**Figure 1-1146** Release the ground wire (4-in-1 models)

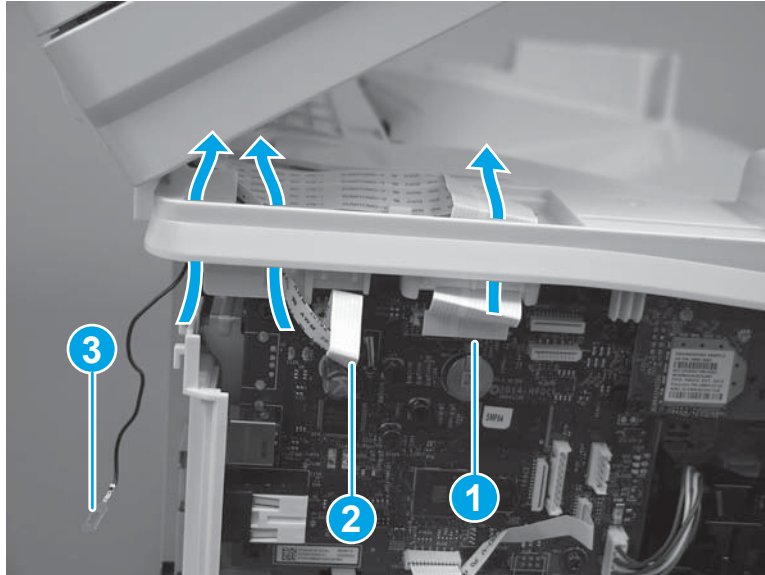


2. **4-in-1 models only:** Disconnect two flat cables (callouts 1/2), and then pass the flat cables and the ground wire (callout 3) up through the opening in the chassis.

**3-in-1 models only:** Disconnect one flat cable (callout 1), and then pass the flat cable through the opening in the chassis.

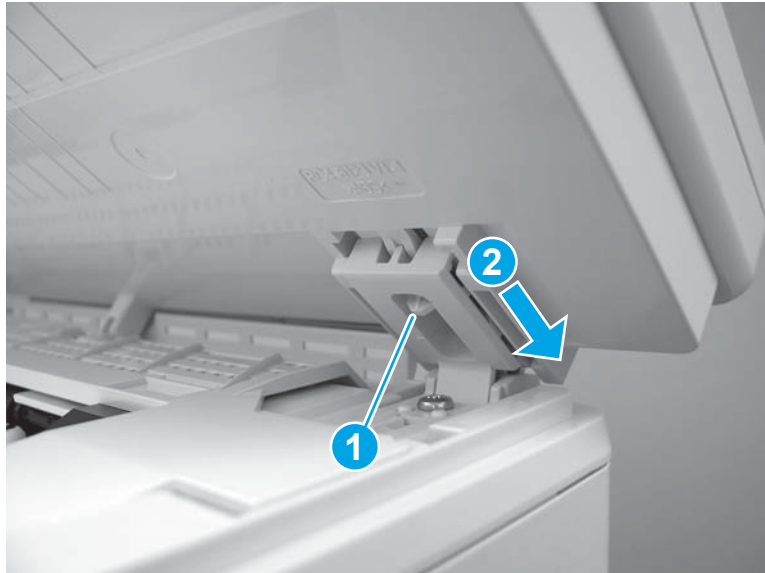
 **NOTE:** The 3-in-1 model does not have the small flat cable (callout 2) or a ground wire (callout 3).

**Figure 1-1147** Disconnect flat cable(s)



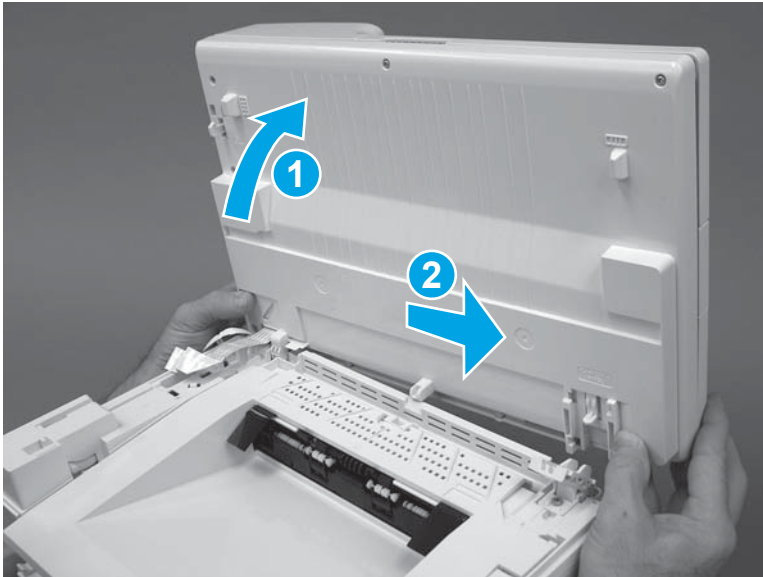
3. Release one tab (callout 1), and then push the right side of the scanner assembly toward the rear of the printer to release the right hinge (callout 2).

**Figure 1-1148** Release the right hinge



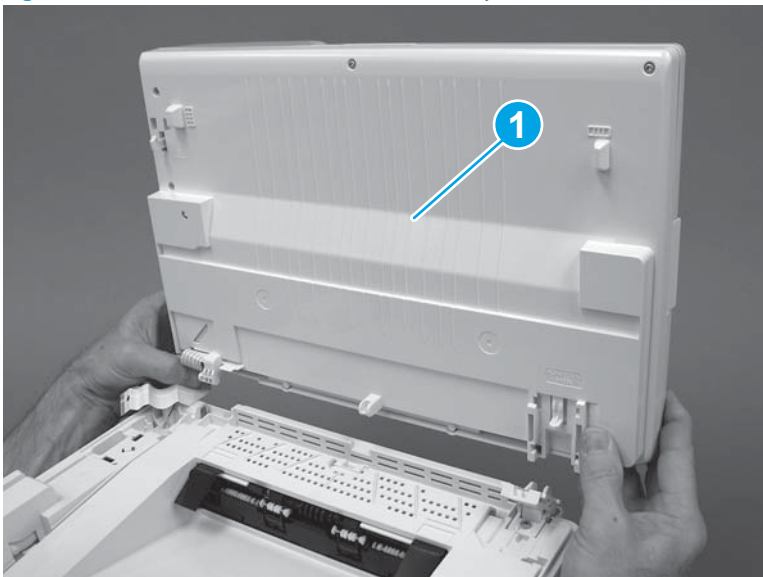
4. Rotate the scanner assembly towards the rear of the printer (callout 1), and then slide the scanner assembly toward the right side of the printer to release the left hinge (callout 2).

Figure 1-1149 Release the left hinge



5. Remove the scanner assembly (callout 1).

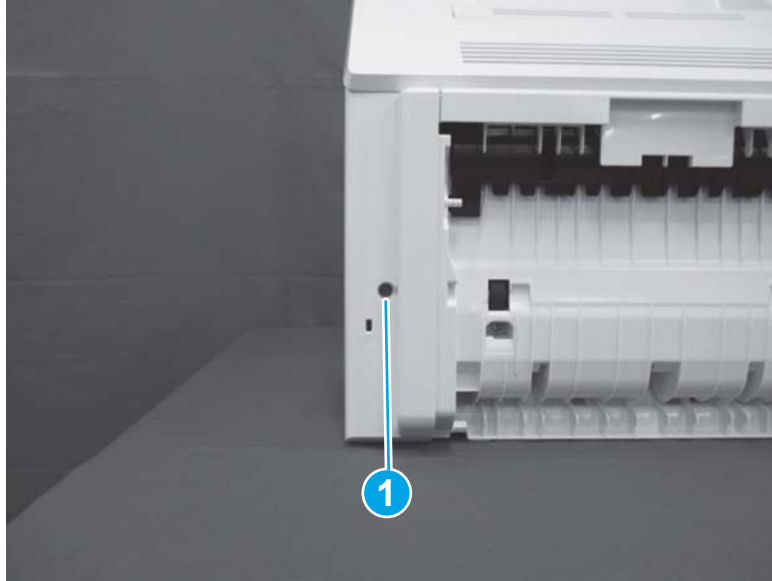
Figure 1-1150 Remove the scanner assembly



#### Step 6: Remove the right cover

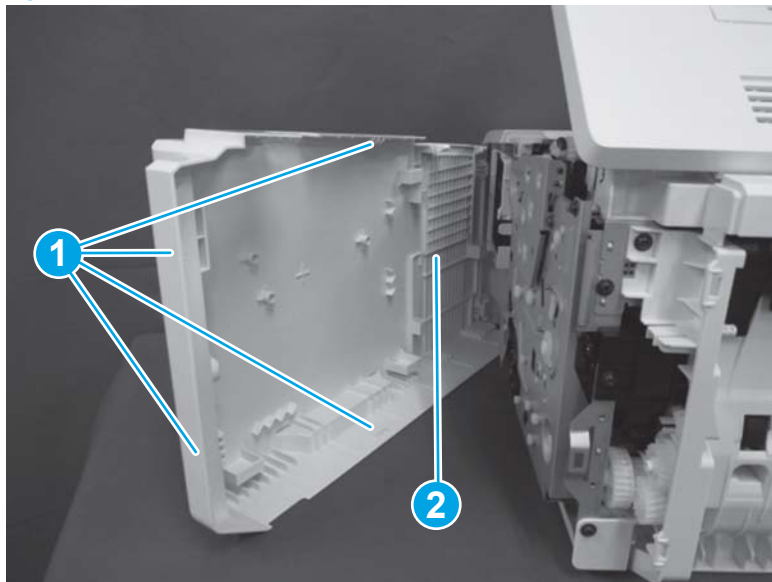
1. **SFP:** Do the following.
  - a. Remove one screw (callout 1).

Figure 1-1151 Remove one screw (SFP)



- b. Open the cartridge door.
- c. Release four tabs (callout 1), and then remove the right cover (callout 2).

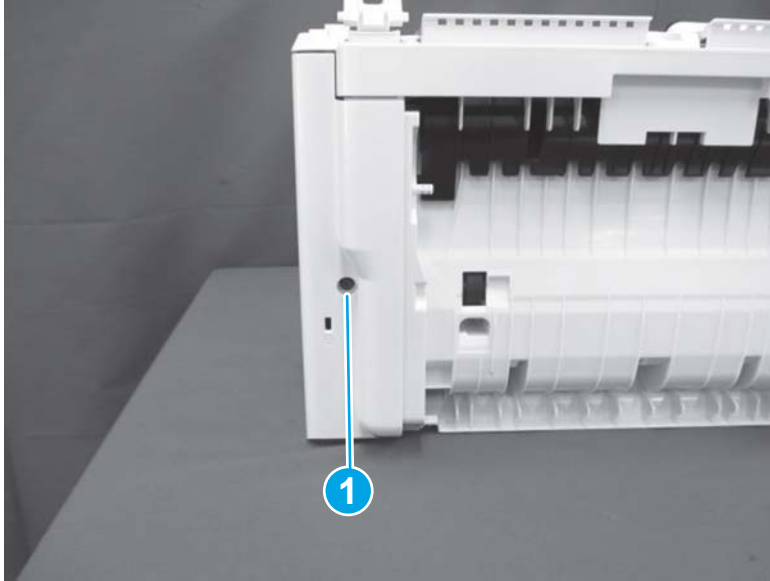
Figure 1-1152 Remove the right cover (SFP)



- 2. MFP: Do the following.
  - a. Remove one screw (callout 1).

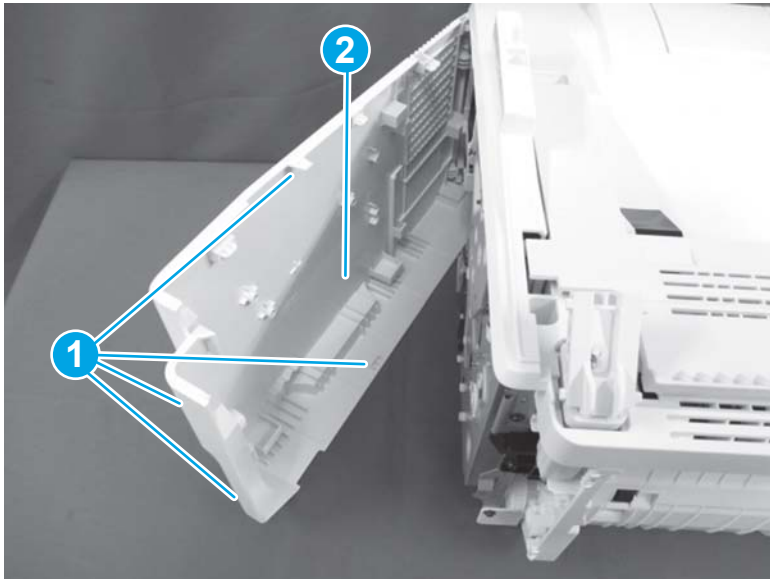


Figure 1-1153 Remove one screw (MFP)



- b. Release four tabs (callout 1), and then remove the right cover (callout 2).

Figure 1-1154 Remove the right cover (MFP)

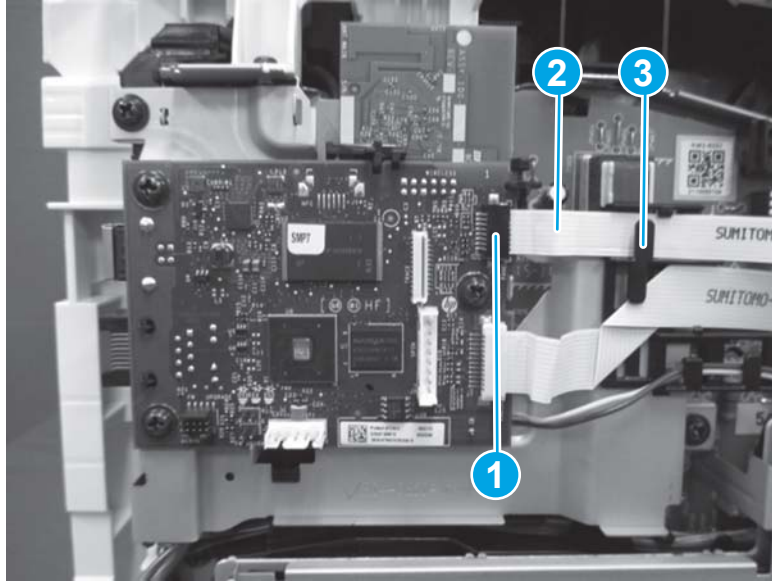


#### Step 7: Remove the top front cover

1. **SFP:** Do the following.
  - a. Disconnect one connector (callout 1) on the formatter, and then release the cable (callout 2) from the cable guide (callout 3).

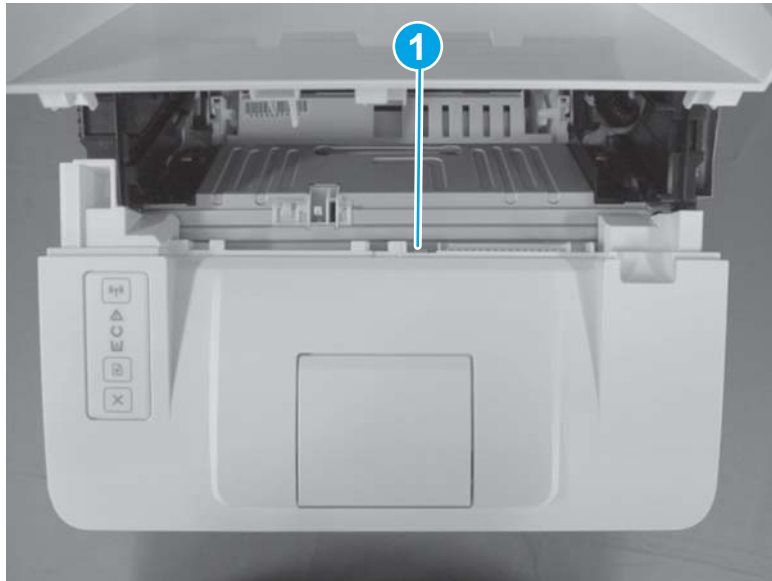


Figure 1-1155 Disconnect one connector



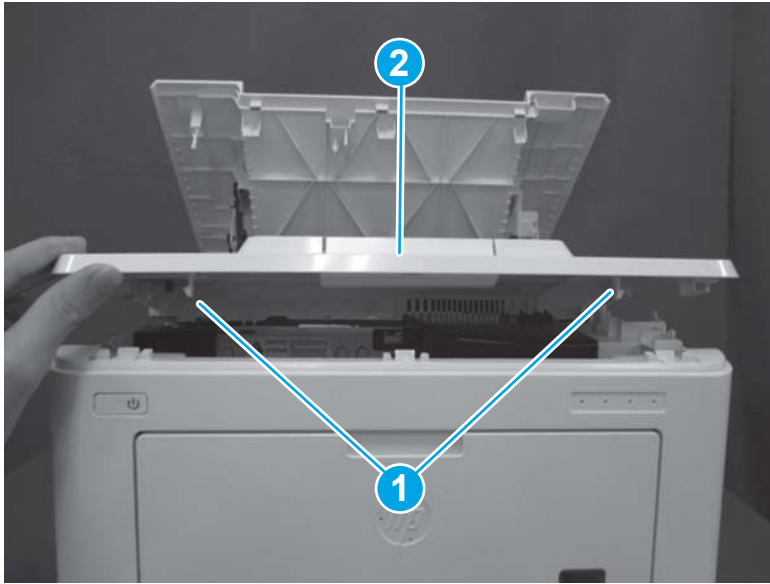
- b. Open the cartridge door, and then release one tab (callout 1) on the top of the cover.

Figure 1-1156 Release one tab



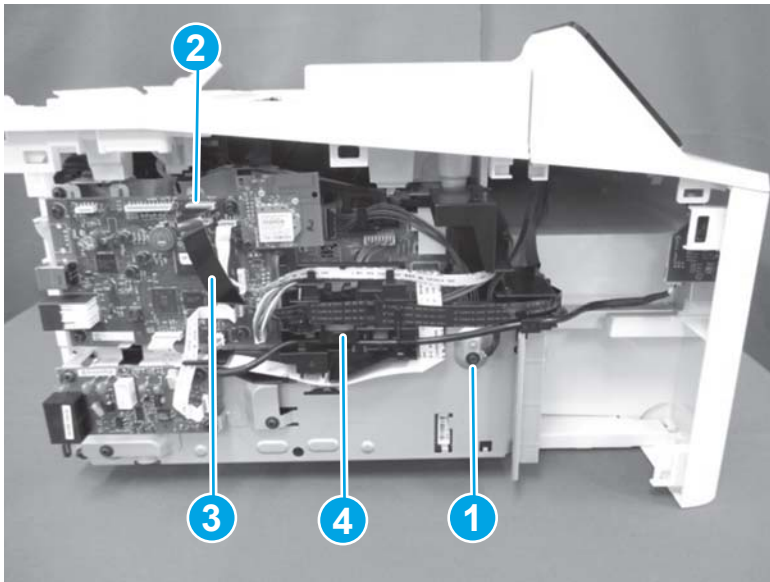
- c. Release two tabs (callout 1), and then remove the top front cover (callout 2).

Figure 1-1157 Release two tabs and remove the cover



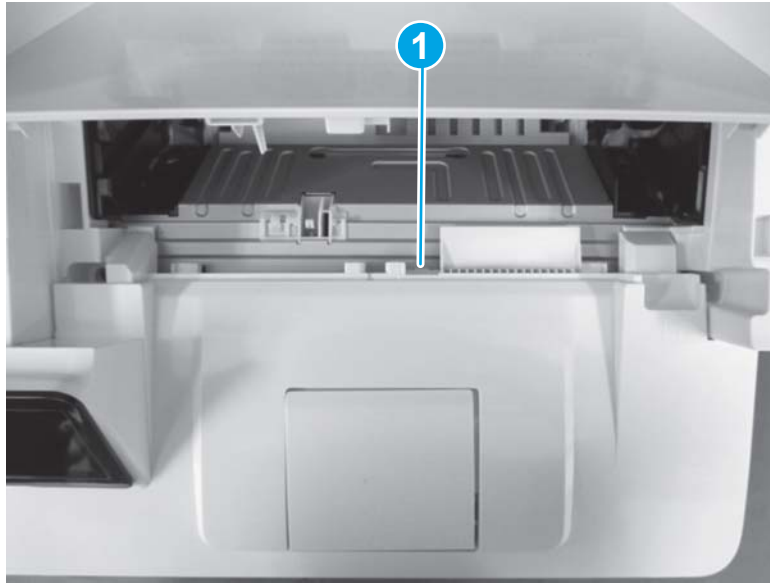
- 2. **MFP:** Do the following.
  - a. Remove one screw (callout 1) to release one cable. Disconnect one connector (callout 2), and then remove the cable (callout 3) from the cable guide (callout 4).

Figure 1-1158 Disconnect connector and release cable



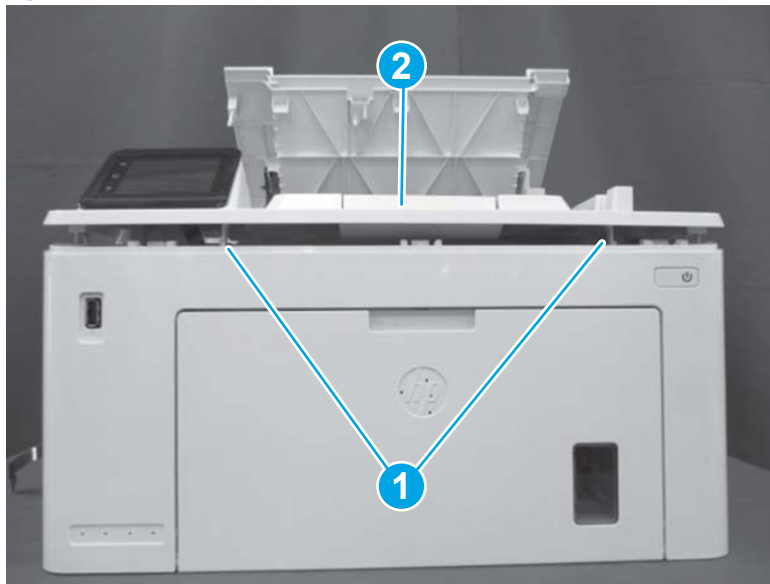
- b. Open the cartridge door, and then release one tab (callout 1).

Figure 1-1159 Release one tab



- c. Release two tabs (callout 1), and then remove the top front cover (callout 2).

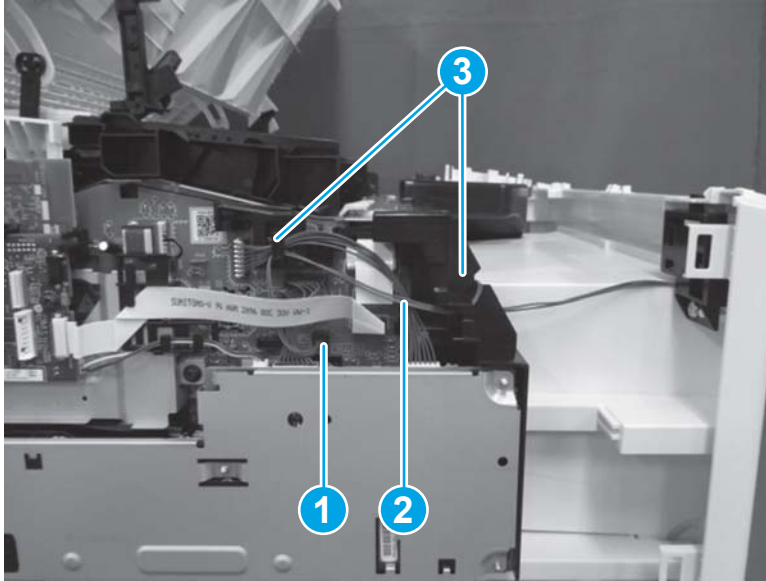
Figure 1-1160 Release two tabs and remove the cover



### Step 8: Remove the front cover

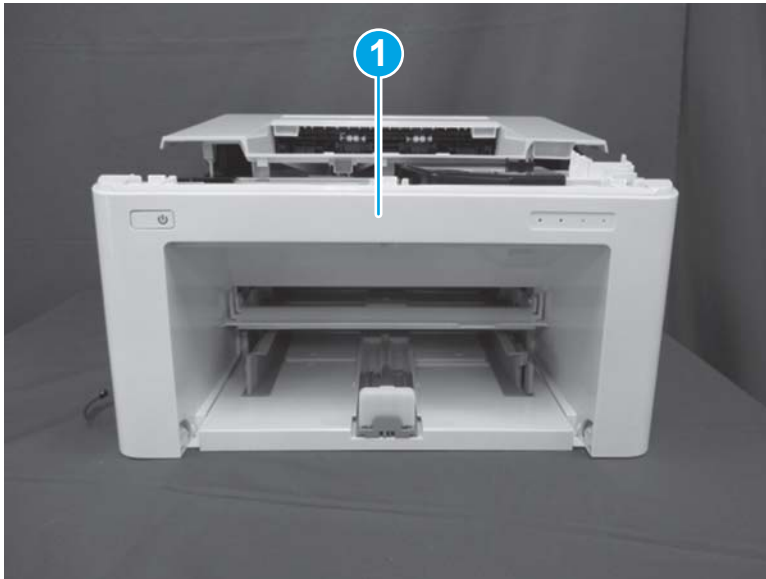
1. **SFP:** Do the following.
  - a. Disconnect one connector (callout 1), and then remove the cable (callout 2) from the cable guide (callout 3).

Figure 1-1161 Disconnect connector (SFP)



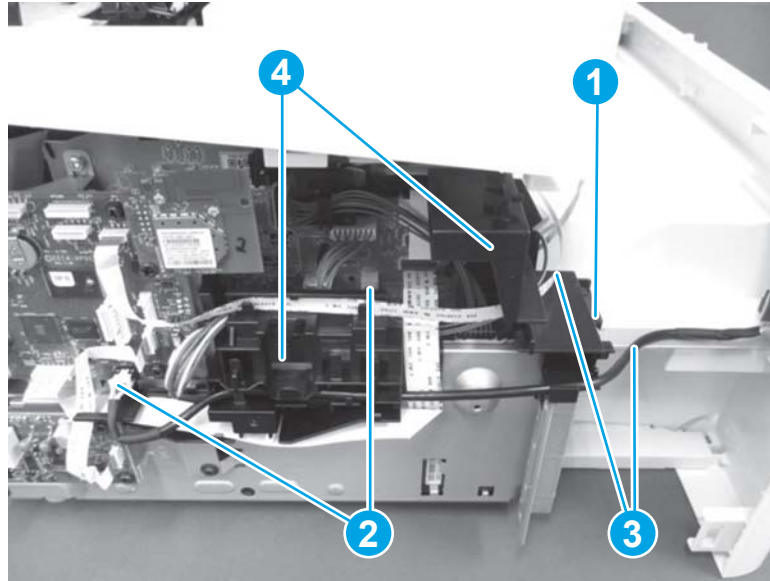
- b. Slide the front cover (callout 1) away from the printer to remove it.

Figure 1-1162 Remove the front cover (SFP)



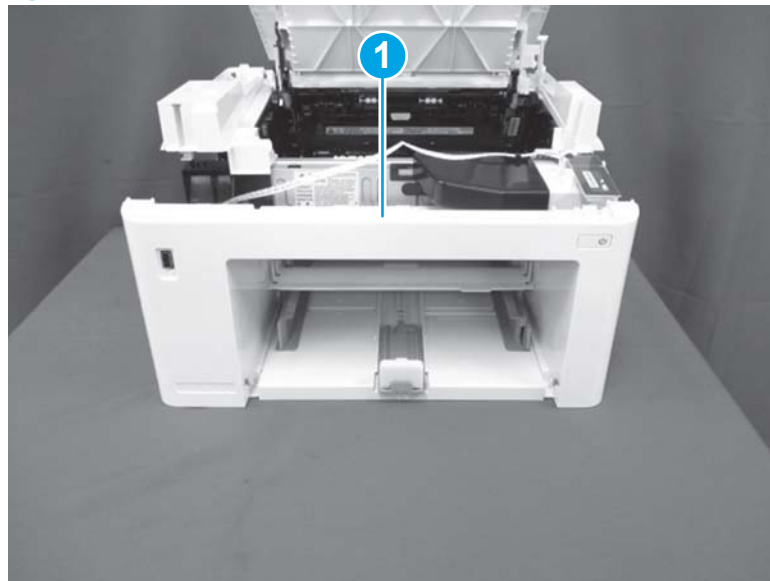
- 2. **MFP:** Do the following.
  - a. Remove one screw (callout 1). Disconnect two connectors (callout 2), and then release the cables (callout 3) from the cable guide (callout 4).

Figure 1-1163 Disconnect connectors (MFP)



- b. Slide the front cover (callout 1) away from the printer to remove it.

Figure 1-1164 Remove the front cover (MFP)

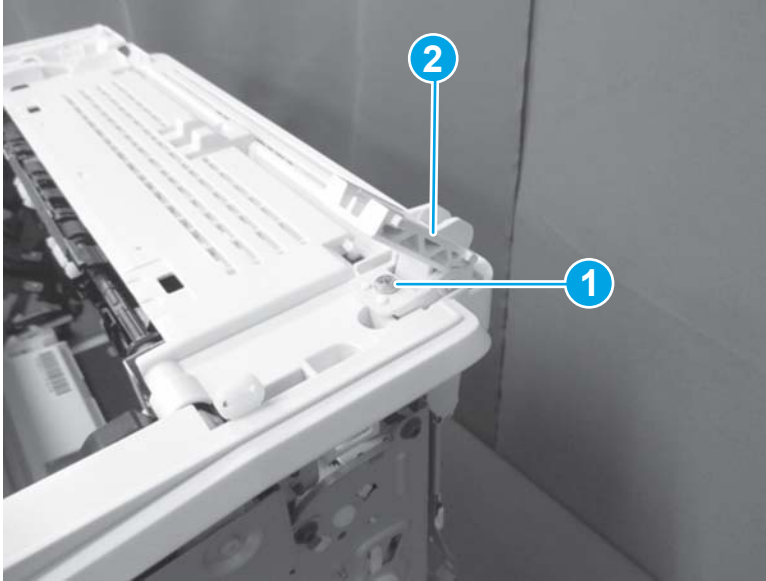


### Step 9: Remove the hinge assembly (MFP)


 **NOTE:** This step is for the MFP printers. For the SFP printers, skip this step and go to [Step 13: Remove the flat flexible cable \(laser scanner\) on page 711.](#)

- ▲ Remove one screw (callout 1), and then remove the hinge assembly (callout 2).

Figure 1-1165 Remove the hinge assembly (MFP)

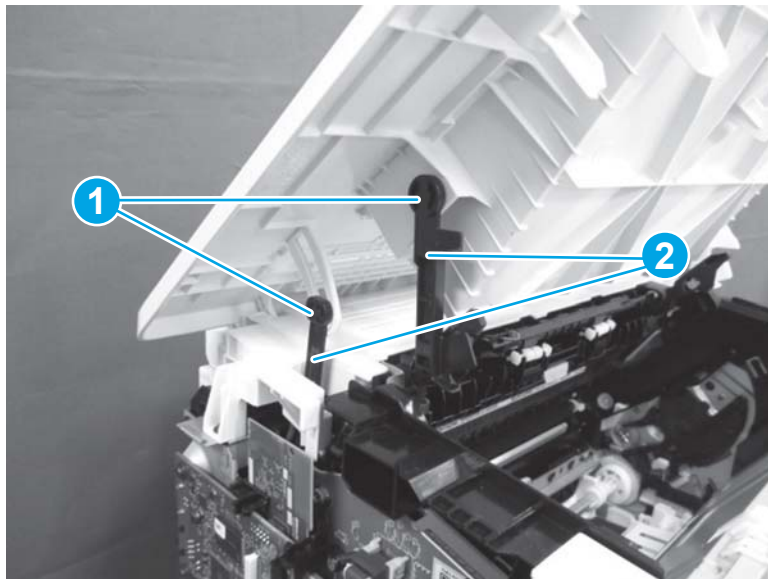


#### Step 10: Remove the cartridge door (MFP)

 **NOTE:** This step is for the MFP printers. For the SFP printers, skip this step and go to [Step 13: Remove the flat flexible cable \(laser scanner\) on page 711](#).

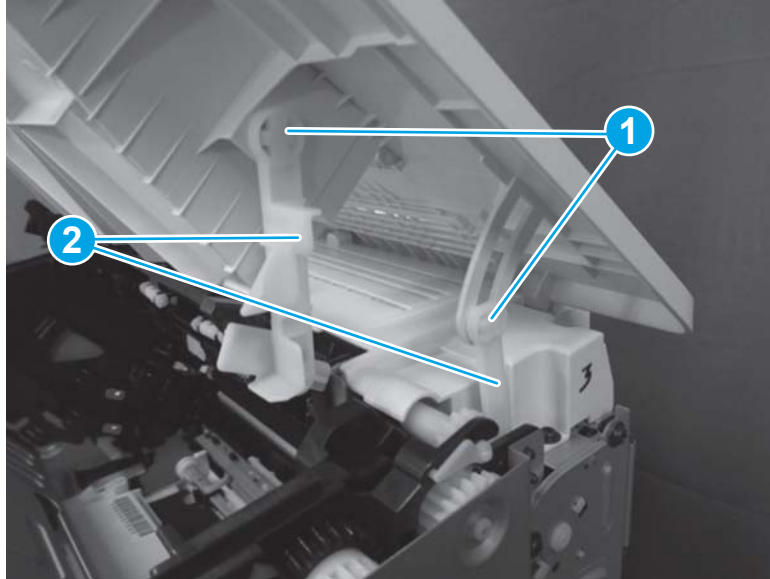
1. SFP: Do the following.
  - a. Open the cartridge door. On the left side of the printer, release two tabs (callout 1), and then disconnect two link arms (callout 2).

Figure 1-1166 Disconnect left link arms (SFP)



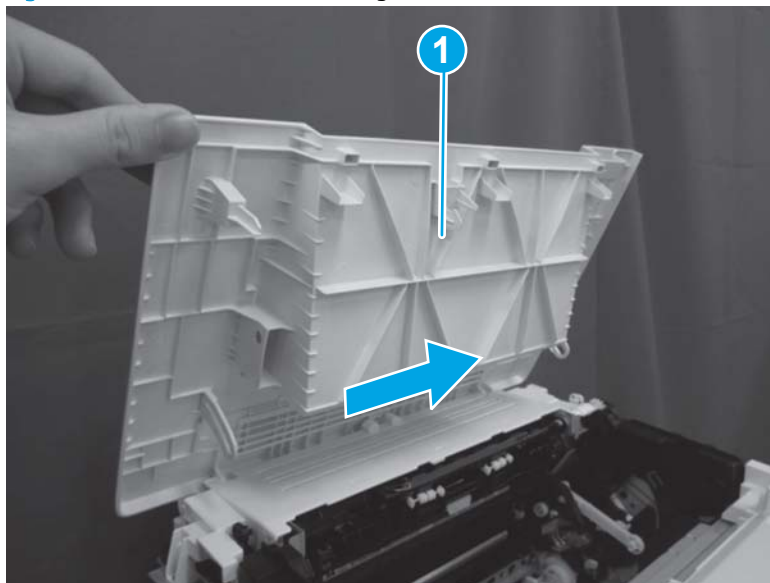
- b. On the right side of the printer, release two tabs (callout 1), and then disconnect two link arms (callout 2).

**Figure 1-1167** Disconnect right link arms (SFP)



- c. Fully open the cartridge door (callout 1), and then slide it towards the right-side of the printer to remove it.

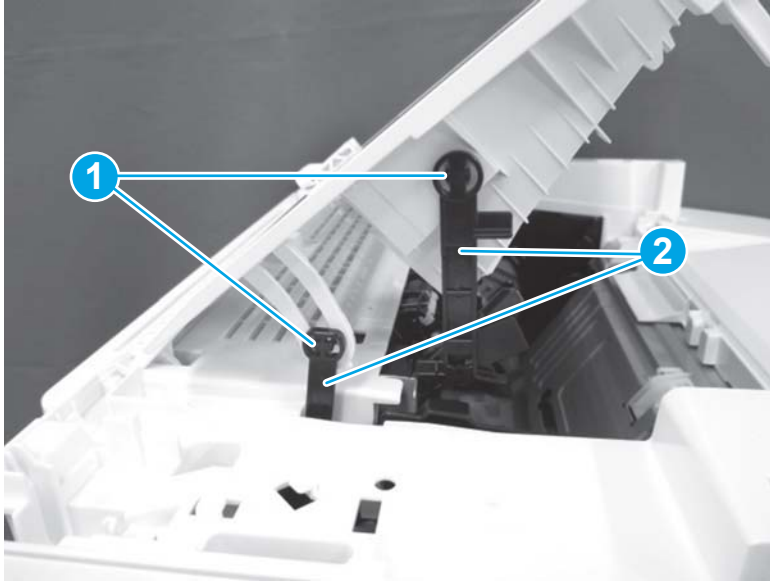
**Figure 1-1168** Remove the cartridge door (SFP)



- 2. **MFP:** Do the following.
  - a. Open the cartridge door. On the left side of the printer, release two tabs (callout 1), and then disconnect two link arms (callout 2).

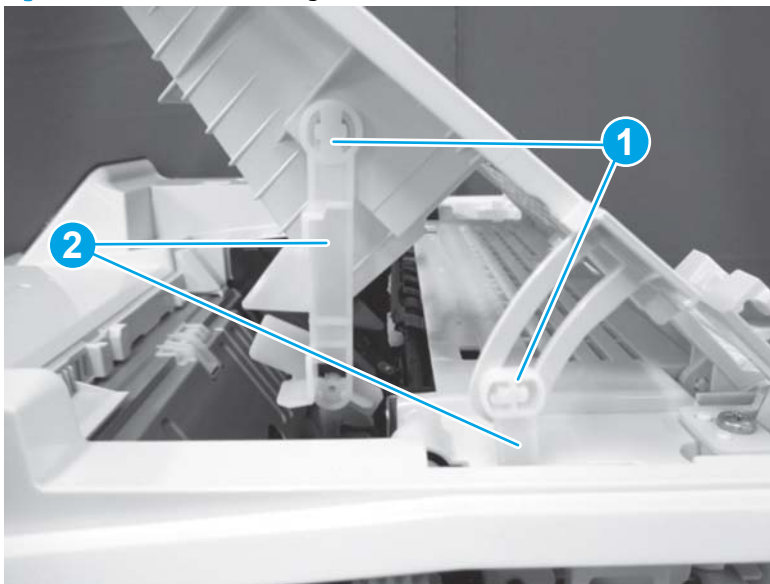


Figure 1-1169 Disconnect left link arms (MFP)



- b. On the right side of the printer, release two tabs (callout 1), and then disconnect two link arms (callout 2).

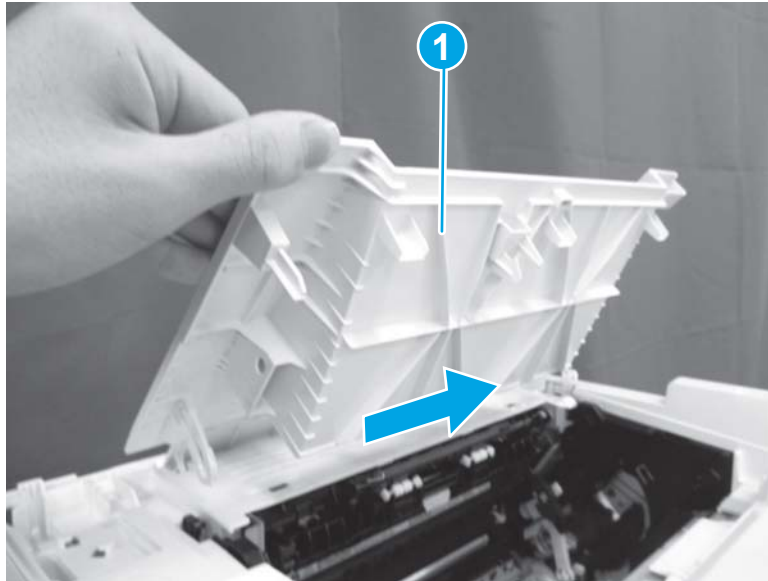
Figure 1-1170 Disconnect right link arms (MFP)





- c. Fully open the cartridge door (callout 1), and then slide it towards the right-side of the printer to remove it.

**Figure 1-1171** Remove the cartridge door (MFP)

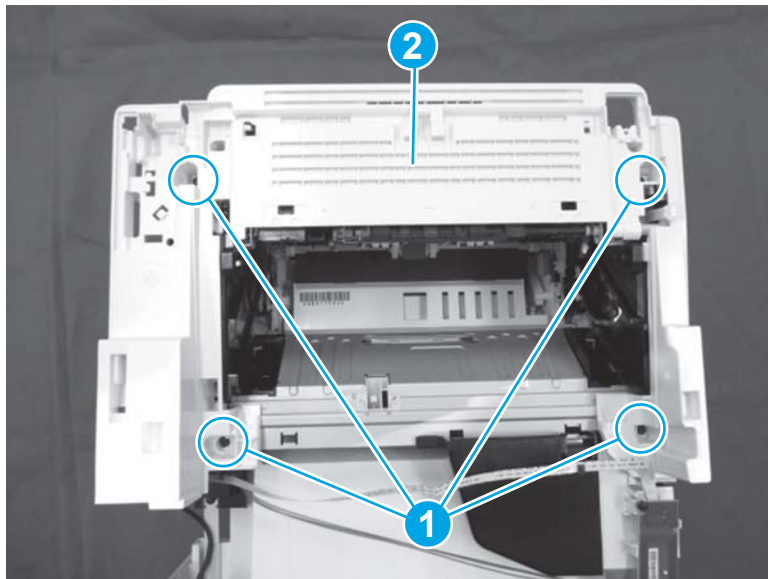


### Step 11: Remove the top cover (MFP)

 **NOTE:** This step is for the MFP printers. For the SFP printers, skip this step and go to [Step 13: Remove the flat flexible cable \(laser scanner\) on page 711](#).

- ▲ Remove four screws (callout 1), and then remove the top cover (callout 2).

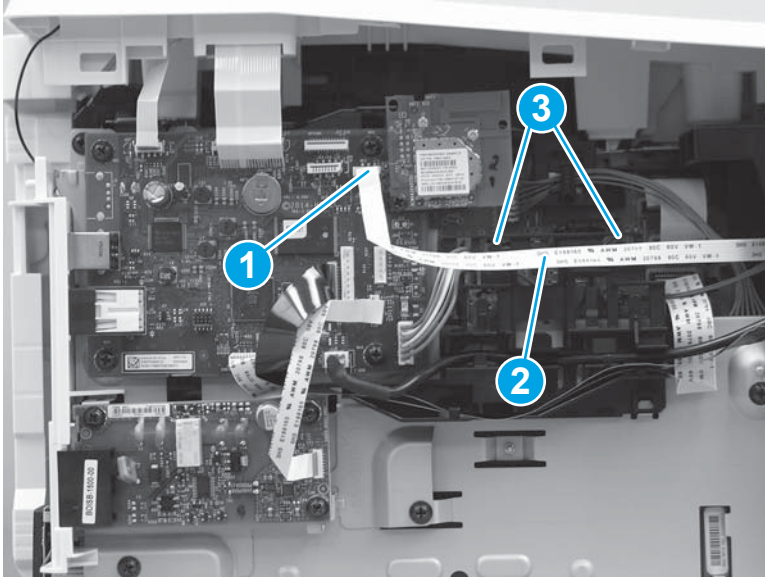
**Figure 1-1172** Remove the top cover



### Step 12: Remove the laser scanner cover

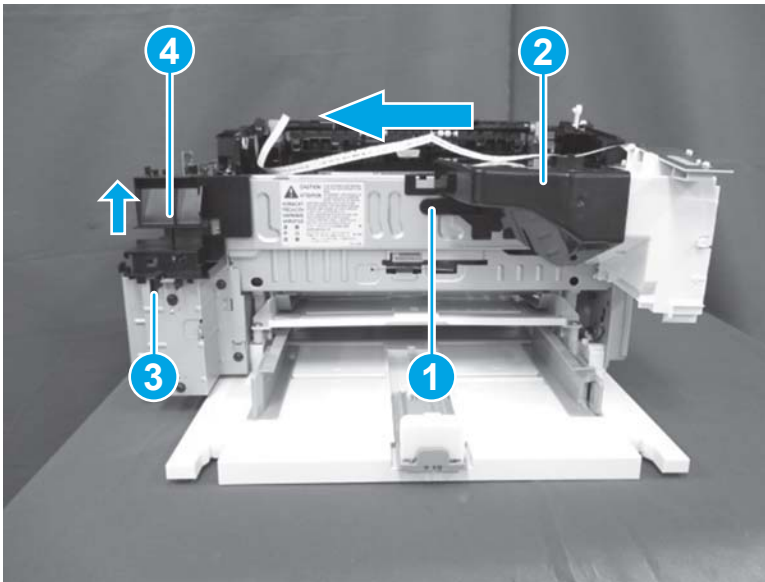
1. **MFP only:** Disconnect one connector (callout 1), and then remove the cable (callout 2) from the guide (callout 3).

Figure 1-1173 Disconnect one connector (MFP)



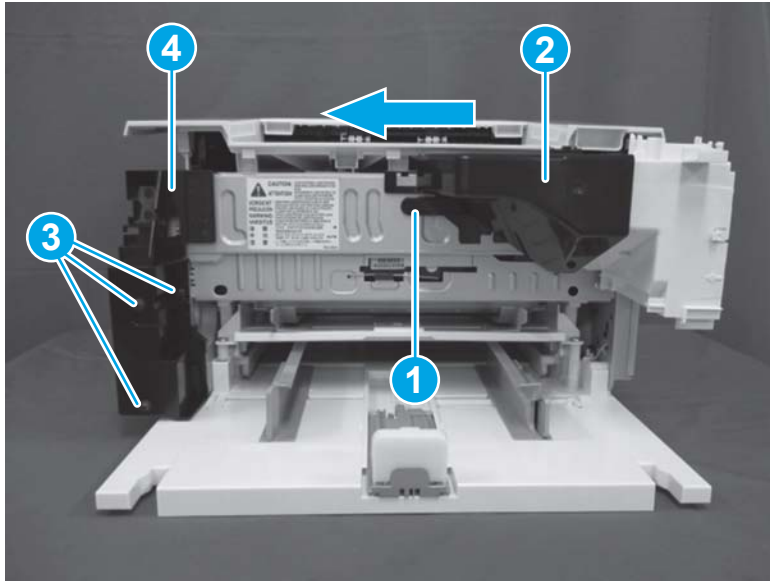
2. **MFP only:** Release one boss (callout 1), and then slide the fan duct (callout 2) to the left to remove it. Release one tab (callout 3), and then slide the inner cover (callout 4) up to remove it.

Figure 1-1174 Remove the fan duct and cover (MFP)



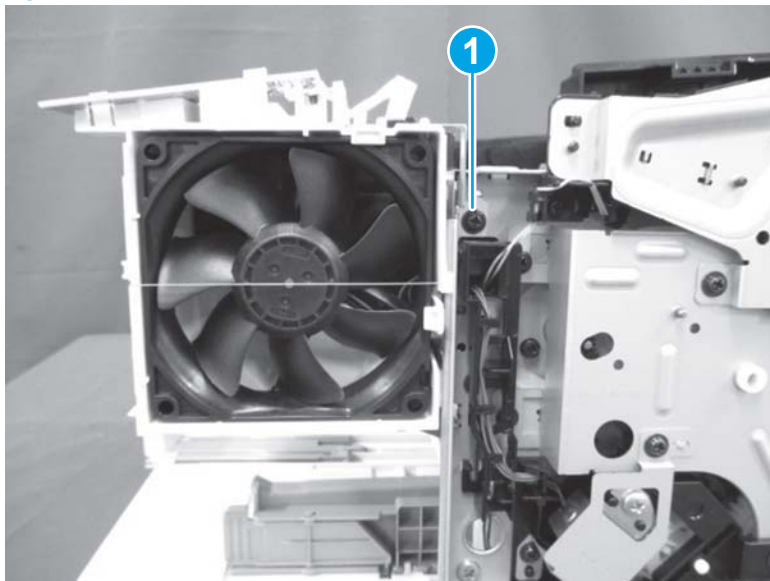
3. **SFP only:** Release one boss (callout 1), and then slide the fan duct (callout 2) to the left to remove it. Remove three screws (callout 3), and then remove the inner cover (callout 4).

Figure 1-1175 Remove the fan duct and cover (SFP)



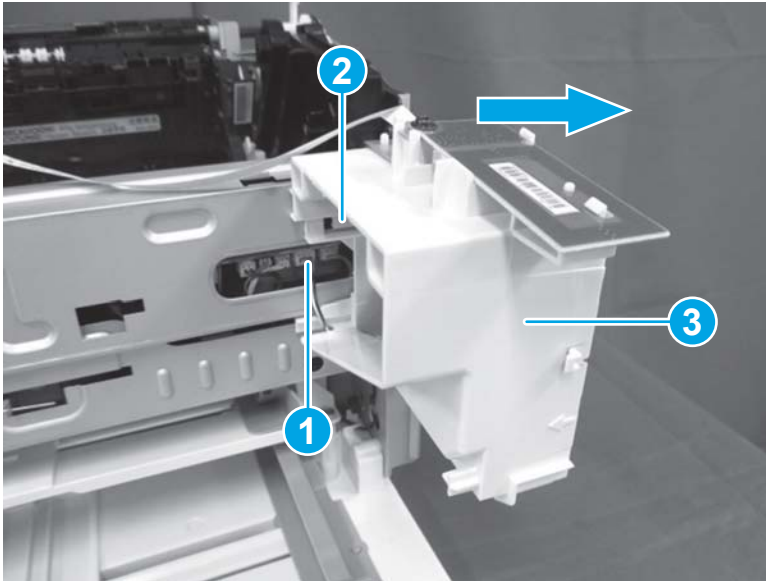
4. **MFP only:** Remove one screw (callout 1).

Figure 1-1176 Remove one screw



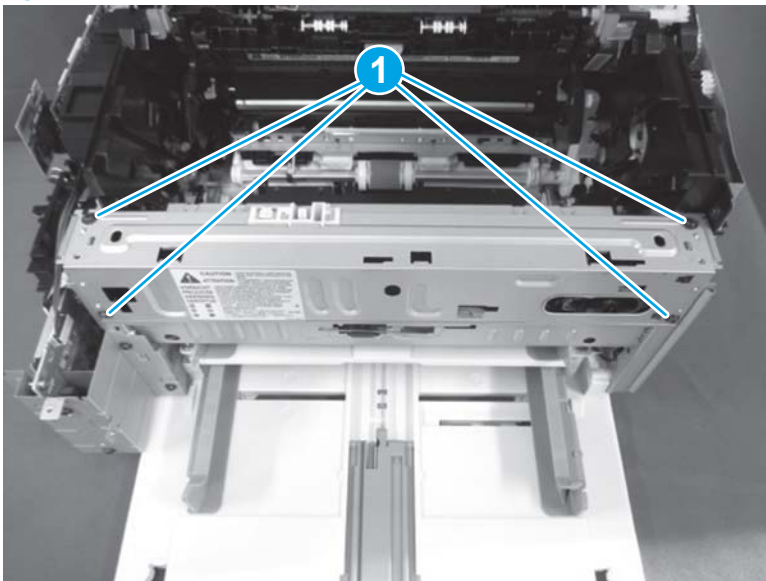
5. Disconnect one connector (callout 1), release one tab (callout 2), and then slide the fan holder (callout 3) to the right to remove it.

Figure 1-1177 Remove the fan holder



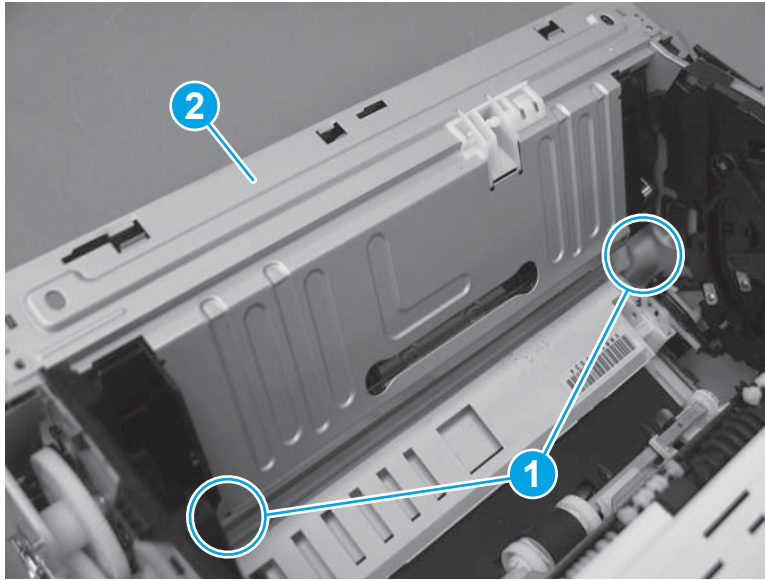
6. Remove four screws (callout 1).

Figure 1-1178 Remove four screws



7. Release two tabs (callout 1), and then remove the laser scanner cover (callout 2).

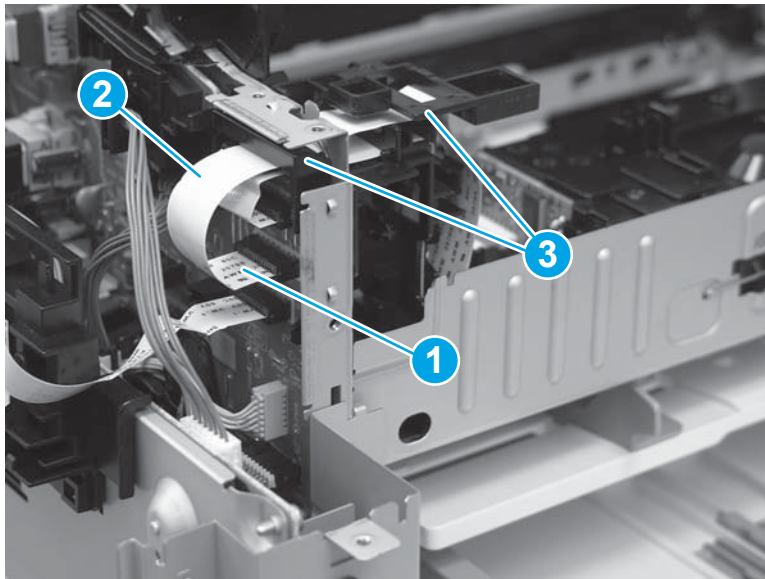
Figure 1-1179 Remove the laser scanner cover



### Step 13: Remove the flat flexible cable (laser scanner)

1. Disconnect one connector (callout 1), and then remove the cable (callout 2) from the guides (callout 3).

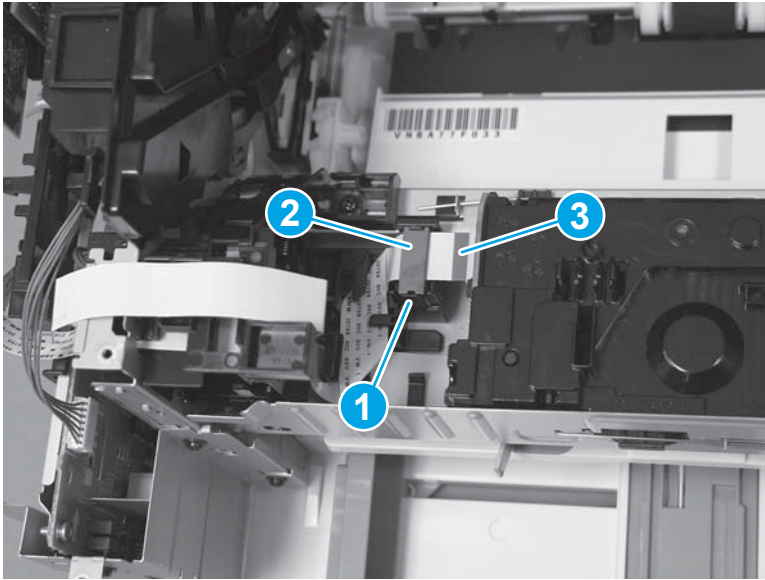
Figure 1-1180 Disconnect one connector





2. Release one tab (callout 1) to release the ferrite (callout 2), and then disconnect one connector (callout 3).

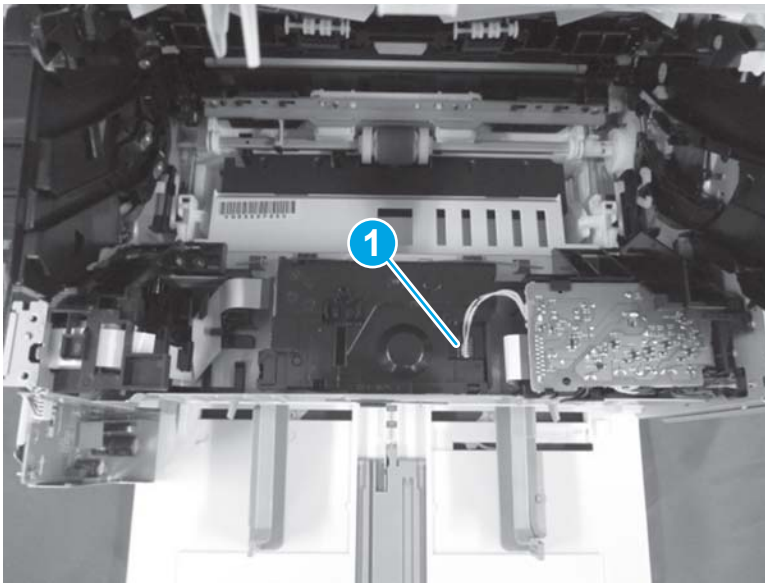
**Figure 1-1181** Release the ferrite and disconnect one connector



#### Step 14: Remove the laser scanner

1. Disconnect one connector (callout 1).

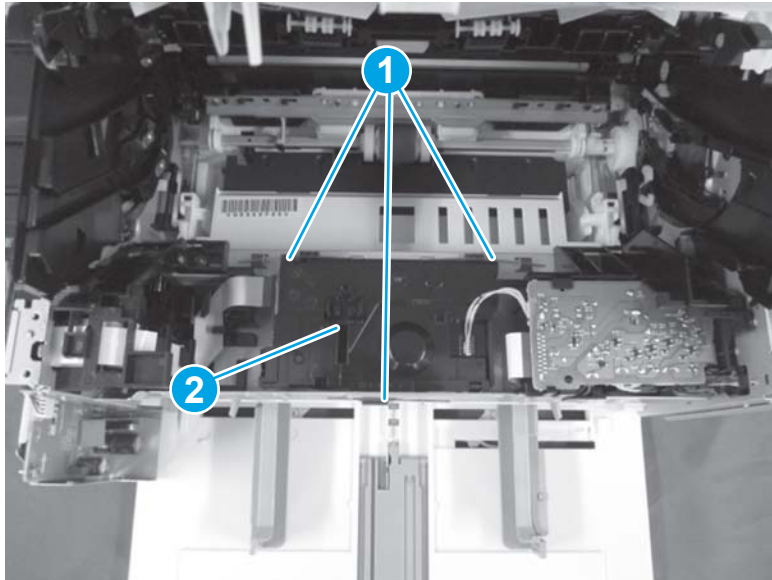
**Figure 1-1182** Disconnect one connector



2. Release three springs (callout 1), and then remove the laser scanner (callout 2).

**CAUTION:** The springs are not captive. Do not drop them into the printer or lose them when they are released.

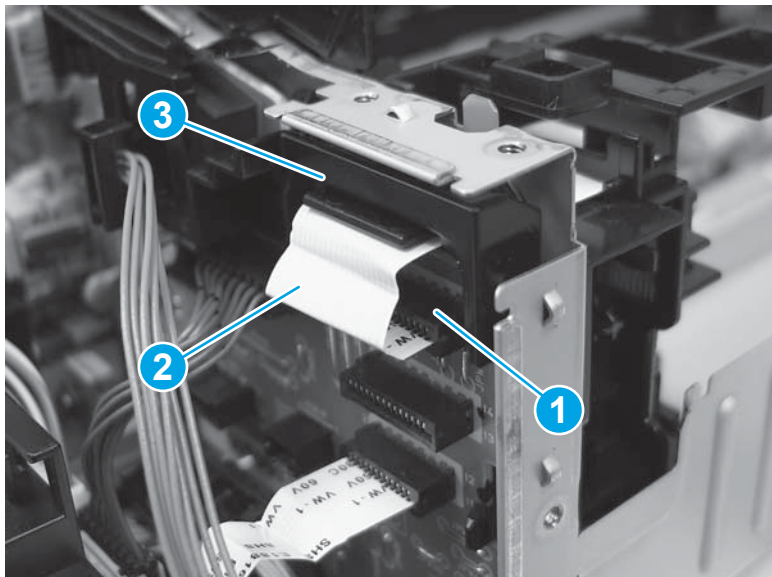
Figure 1-1183 Release three springs



#### Step 15: Remove the flat flexible cable

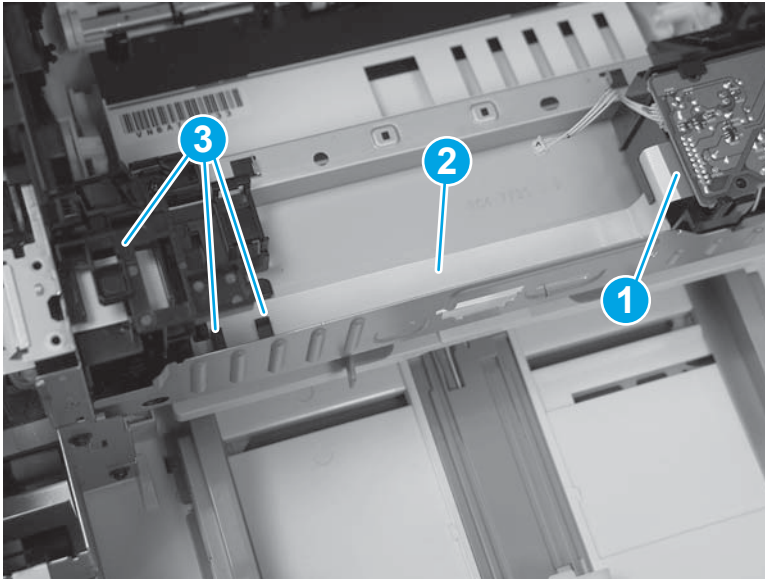
1. Disconnect one connector (callout 1), and then remove the cable (callout 2) from the guide (callout 3).

Figure 1-1184 Disconnect one connector




2. Disconnect one connector (callout 1), and then remove the cable (callout 2) from the guides (callout 3).

Figure 1-1185 Disconnect one connector



#### Step 16: Unpack the replacement assembly

1. Dispose of the defective part.

 **NOTE:** HP recommends responsible disposal of the defective part.

[www.hp.com/recycle](http://www.hp.com/recycle)

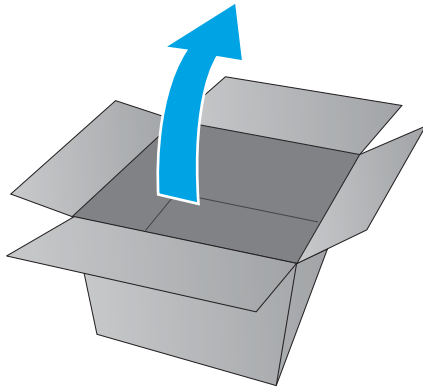




2. Unpack the replacement part from the packaging.

**⚠ CAUTION:** If the replacement part is a roller or pad, avoid touching the spongy part of it. Skin oils on the roller or pad can cause paper pickup and/or print-quality problems. HP recommends using disposable gloves when handling rollers or pads or washing your hands or before touching rollers or pads.

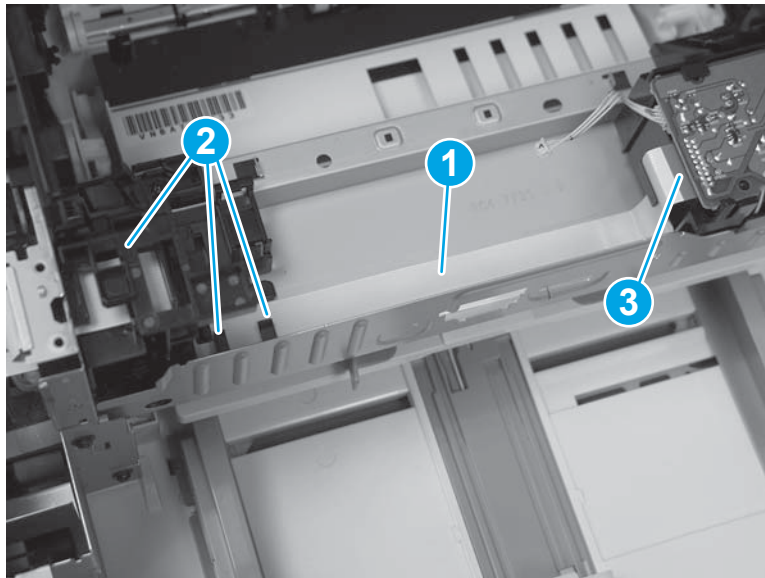
**📋 IMPORTANT:** Make sure that all of the shipping materials (for example shipping tape) are removed from the replacement part prior to installation.



### Step 17: Install the flat flexible cable

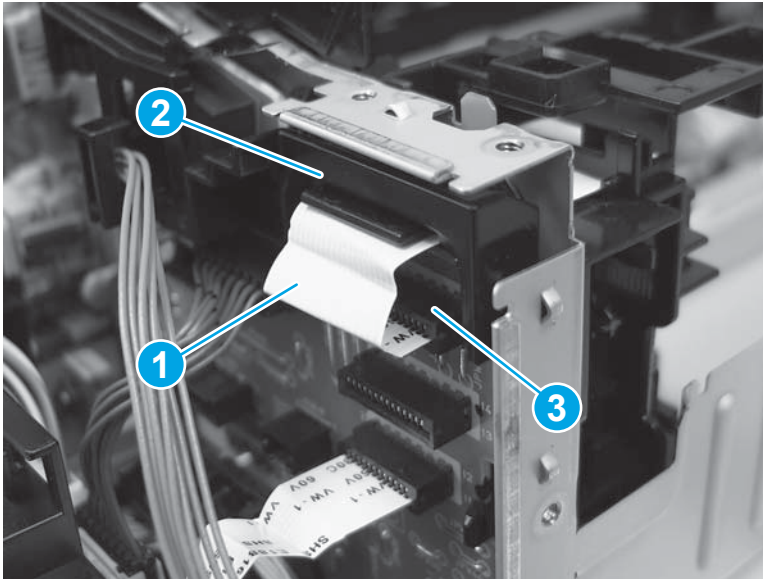
1. Install the cable (callout 1) in the guides (callout 2), and then connect one connector (callout 3).

**Figure 1-1186** Connect one connector



2. Install the cable (callout 1) in the guide (callout 2), and then connect one connector (callout 3).

Figure 1-1187 Connect one connector

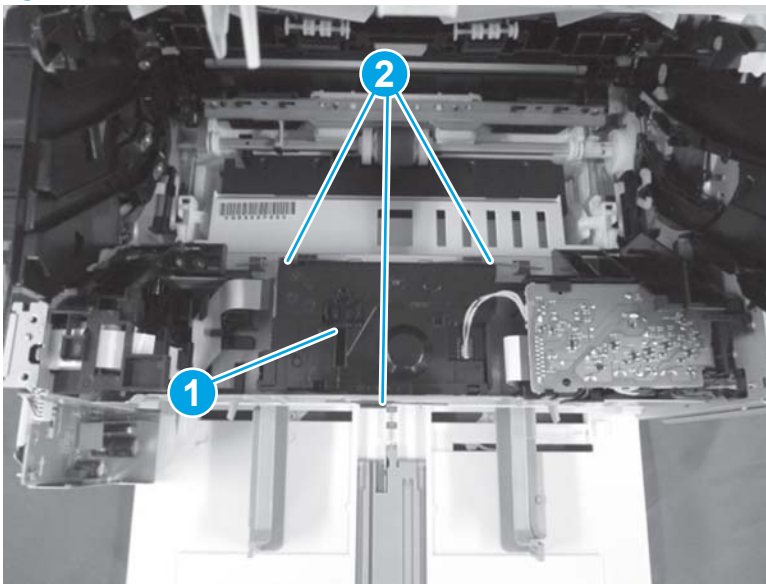


#### Step 18: Install the laser scanner

1. Position the laser scanner (callout 1) in the printer, and then engage three springs (callout 2).

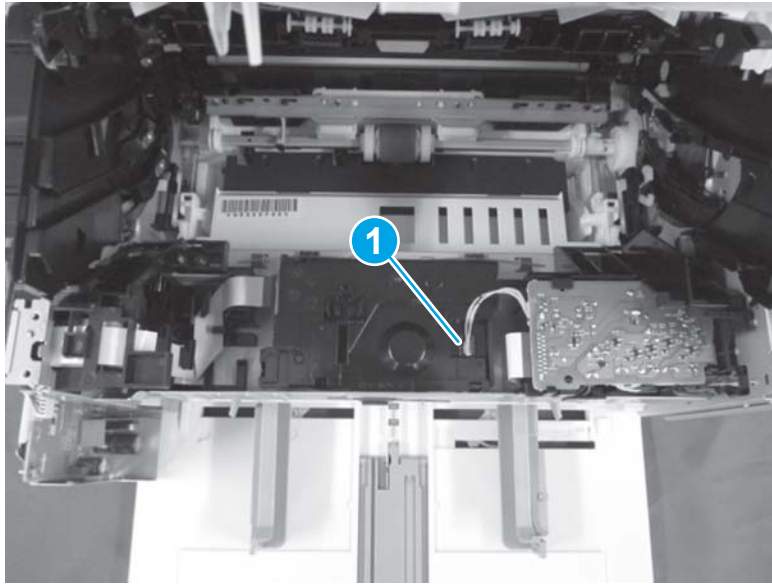
**⚠ CAUTION:** The springs are not captive. Do not drop them into the printer or lose them when they are engaged.

Figure 1-1188 Install the laser scanner



2. Connect one connector (callout 1).

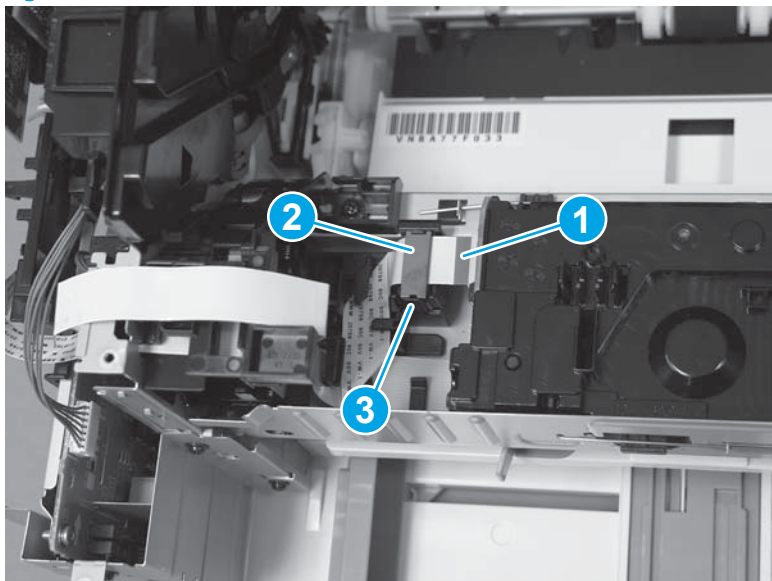
Figure 1-1189 Connect one connector



#### Step 19: Install the flat flexible cable (laser scanner)

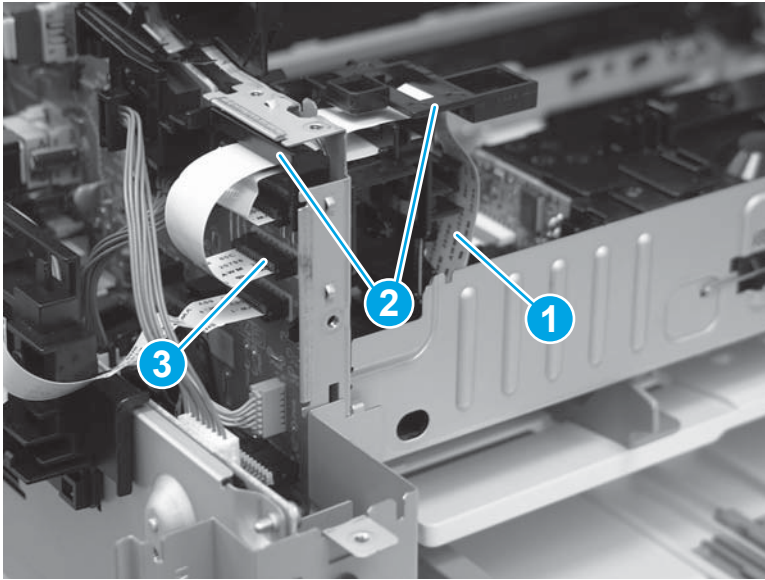
1. Connect one connector (callout 1), and then install the ferrite (callout 2), under the tab (callout 3).

Figure 1-1190 Connect one connector and install the ferrite



2. Install the cable (callout 1) in the cable guides (callout 2), and then connect one connector (callout 3).

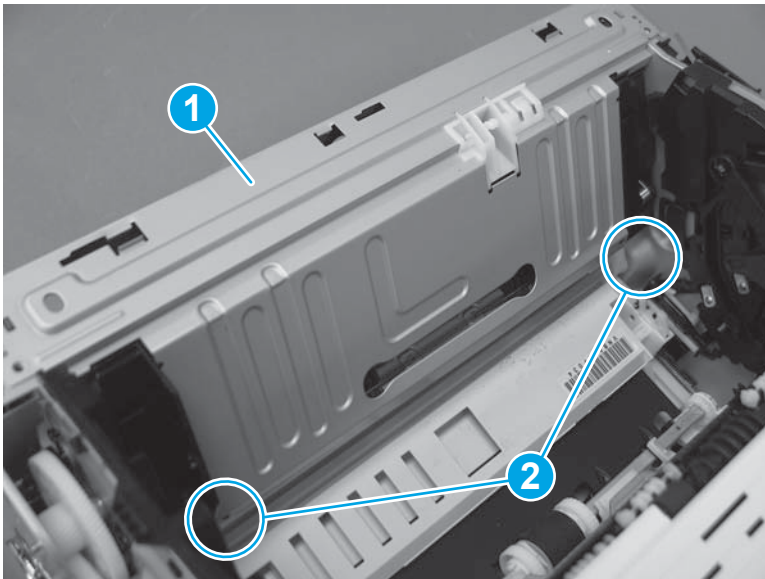
Figure 1-1191 Connect one connector



#### Step 20: Install the laser scanner cover

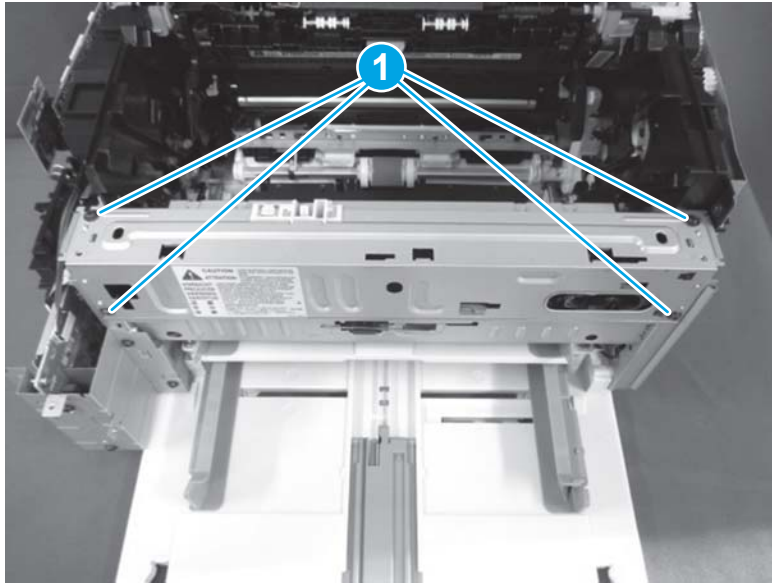
1. Install the laser scanner cover (callout 1). Make sure that the two tabs (callout 2) are engaged.

Figure 1-1192 Install the laser scanner cover



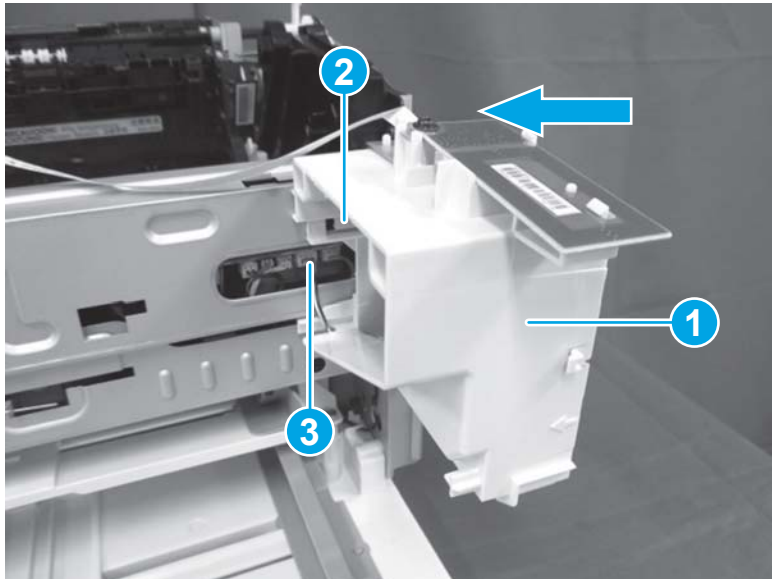
2. Install four screws (callout 1).

Figure 1-1193 Install the laser scanner cover



3. Slide the fan holder (callout 1) to the left onto the printer to engage one tab (callout 2), and then connect one connector (callout 3).

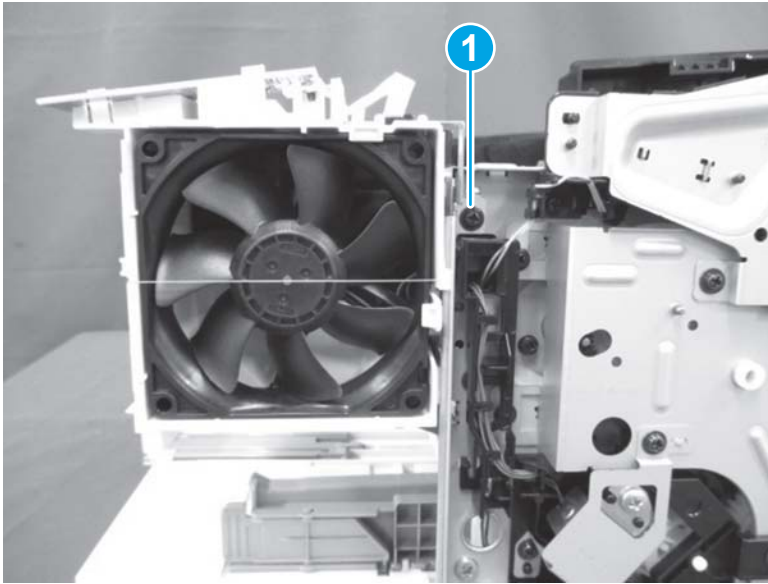
Figure 1-1194 Install the fan holder





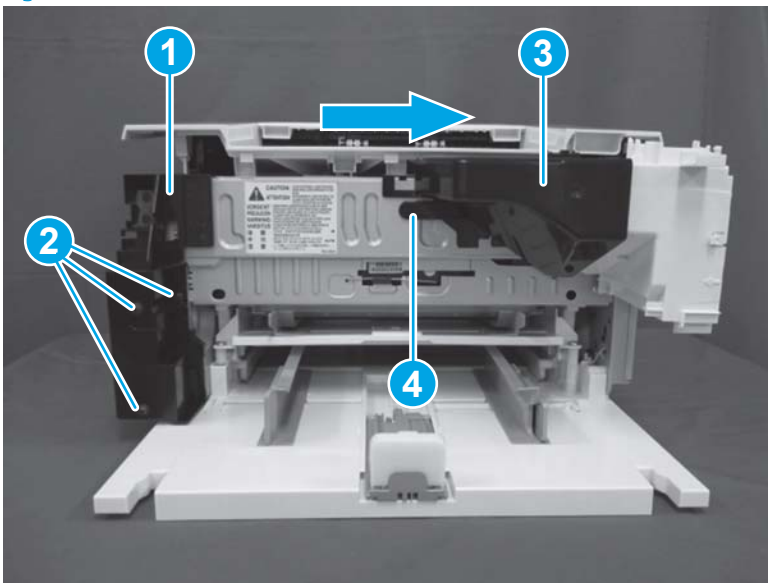
4. **MFP only:** Install one screw (callout 1).

Figure 1-1195 Install one screw



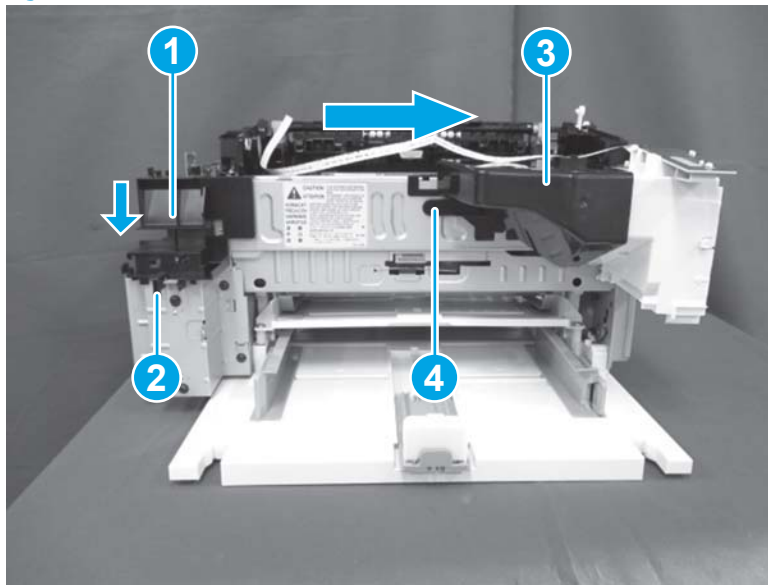
5. **SFP only:** Position the inner cover (callout 1) on the printer, and then install three screws (callout 2). Slide the fan duct (callout 3) to the right to install it on the printer. Make sure that the boss (callout 4) snaps into place.

Figure 1-1196 Install the fan duct and cover (SFP)



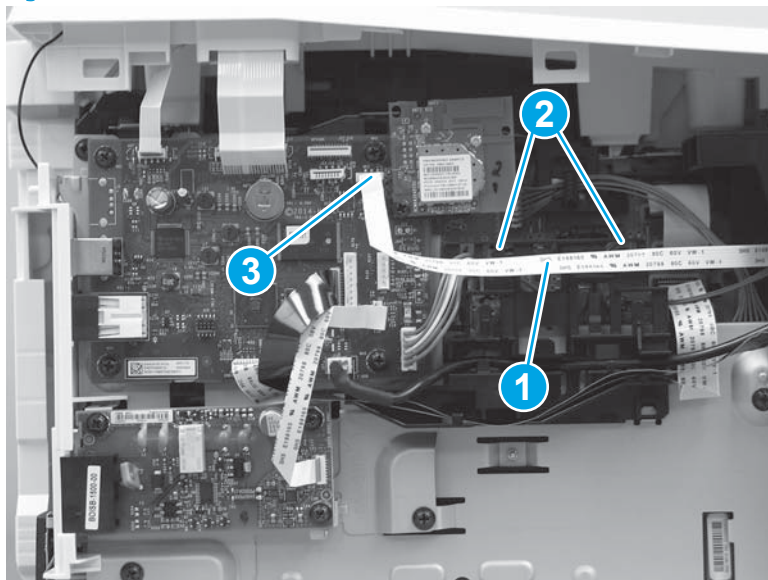
6. **MFP only:** Slide the inner cover (callout 1) down onto the printer until the tab (callout 2) snaps into place. Slide the fan duct (callout 3) to the right to install it on the printer. Make sure that the boss (callout 4) snaps into place.

Figure 1-1197 Install the fan duct and cover (MFP)



7. **MFP only:** Position the cable (callout 1) in the guides (callout 2), and then connect one connector (callout 3).

Figure 1-1198 Connect one connector

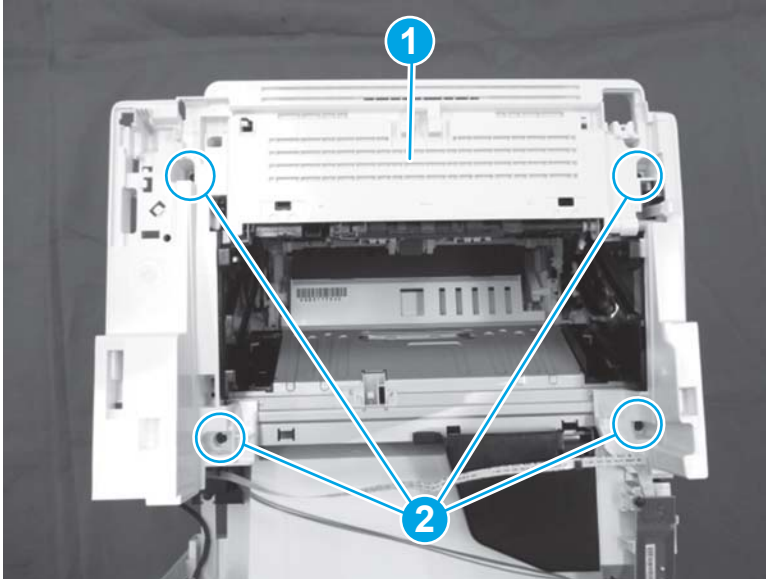


### Step 21: Install the top cover (MFP)

 **NOTE:** This step is for the MFP printers. For the SFP printers, skip this step and go to [Step 20: Install the laser scanner cover on page 718](#).

- ▲ Position the top cover (callout 1) on the printer, and then install four screws (callout 2).

Figure 1-1199 Install the top cover

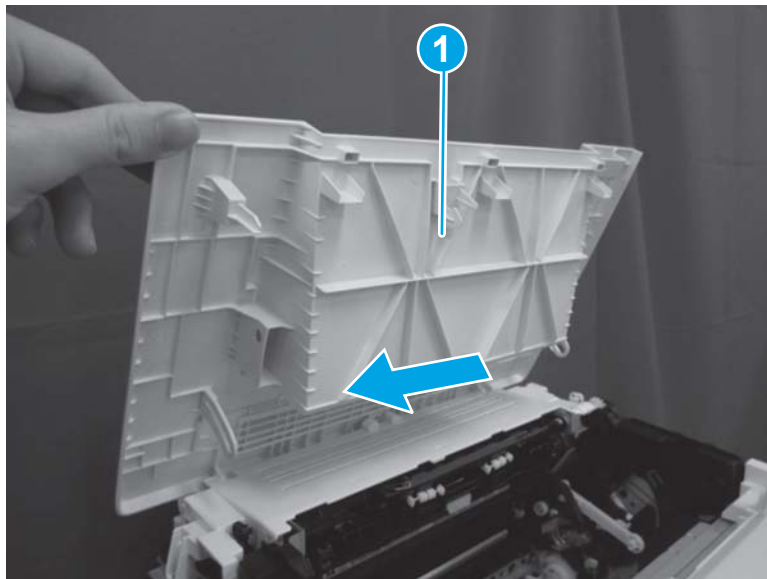


### Step 22: Install the cartridge door (MFP)

 **NOTE:** This step is for the MFP printers. For the SFP printers, skip this step and go to [Step 20: Install the laser scanner cover on page 718](#).

1. SFP: Do the following.
  - a. Position the cartridge door (callout 1) on the printer, and then slide it toward the left-side of the printer to install it.

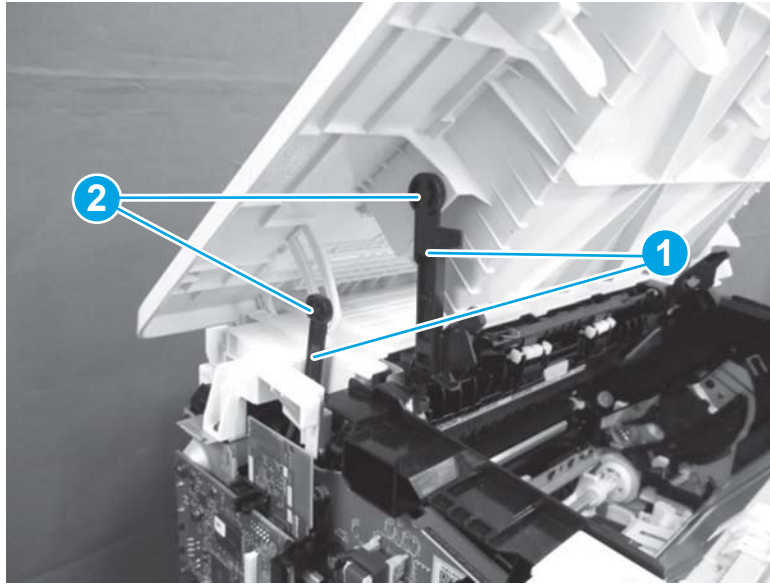
Figure 1-1200 Install the cartridge door (SFP)





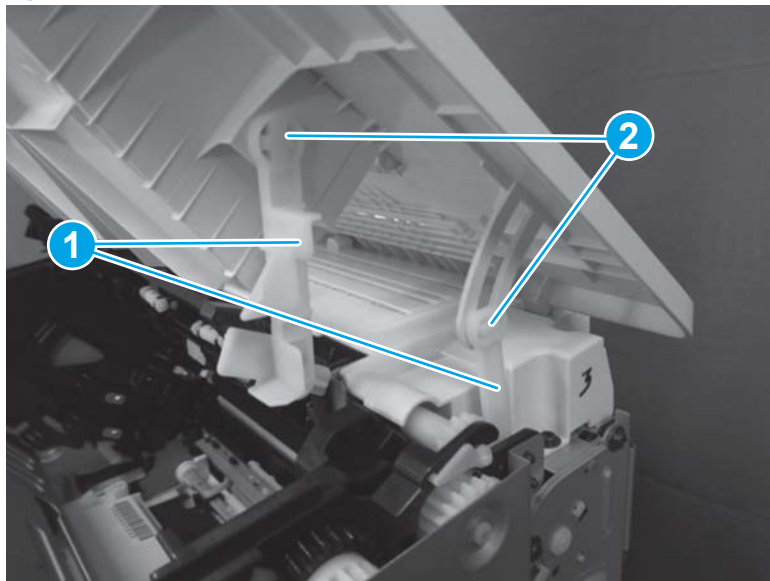
- b. On the left side of the printer, position two link arms (callout 1), and then engage two tabs (callout 2).

Figure 1-1201 Connect left link arms (SFP)



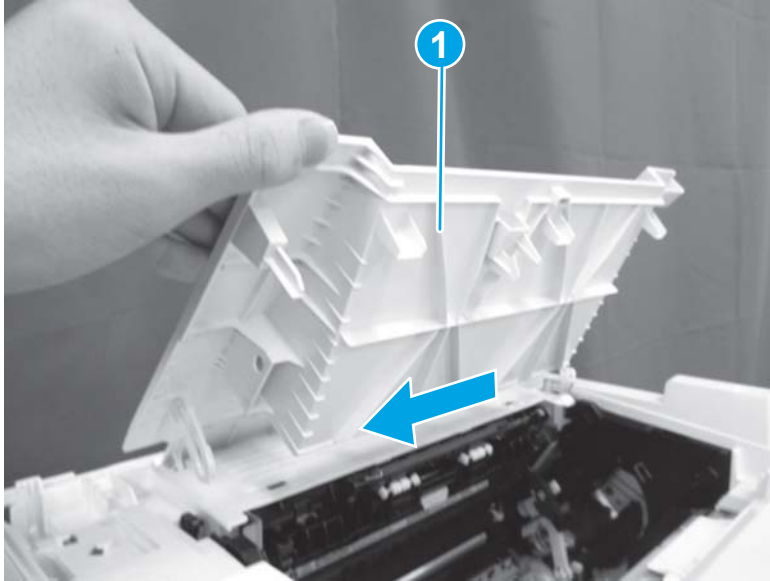
- c. On the right side of the printer, position two link arms (callout 1), and then engage two tabs (callout 2).

Figure 1-1202 Connect right link arms (SFP)



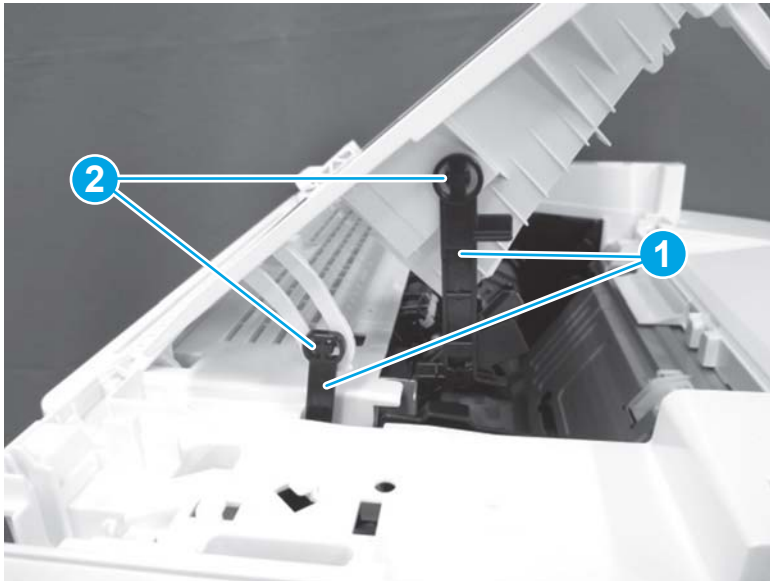
- 2. MFP: Do the following.
  - a. Position the cartridge door (callout 1) on the printer, and then slide it toward the left-side of the printer to install it.

Figure 1-1203 Install the cartridge door (MFP)



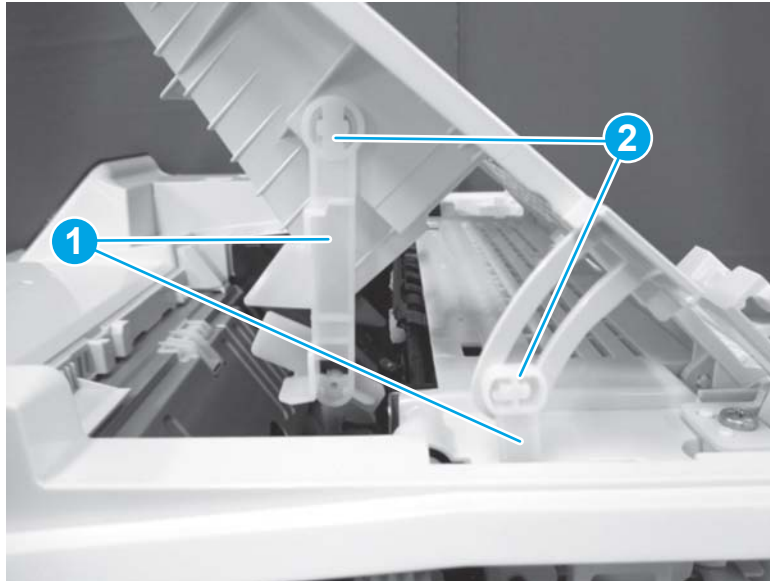
- b. On the left side of the printer, position two link arms (callout 1), and then engage two tabs (callout 2).

Figure 1-1204 Connect left link arms (MFP)




- c. On the right side of the printer, position two link arms (callout 1), and then engage two tabs (callout 2).

**Figure 1-1205** Connect right link arms (MFP)

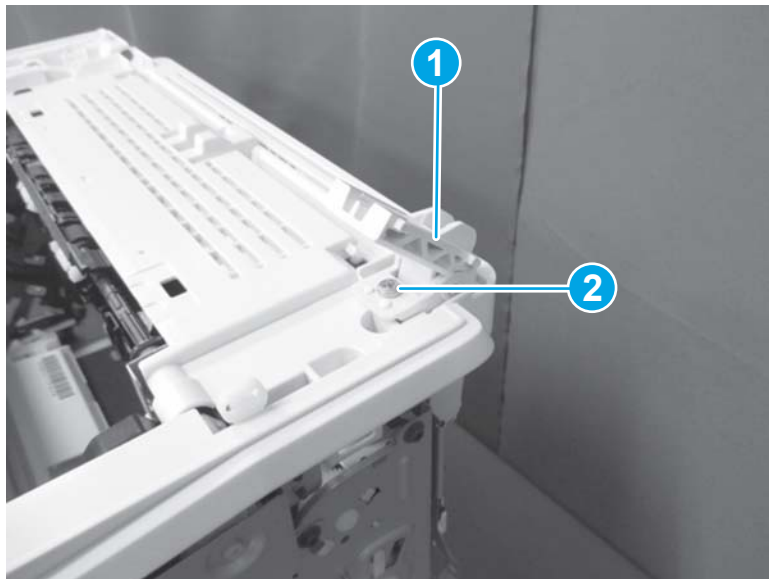


### Step 23: Install the hinge assembly (MFP)

 **NOTE:** This step is for the MFP printers. For the SFP printers, skip this step and go to [Step 20: Install the laser scanner cover on page 718](#).

- ▲ Position the hinge assembly (callout 1) on the printer, and then install one screw (callout 2).

**Figure 1-1206** Install the hinge assembly (MFP)



### Step 24: Install the front cover

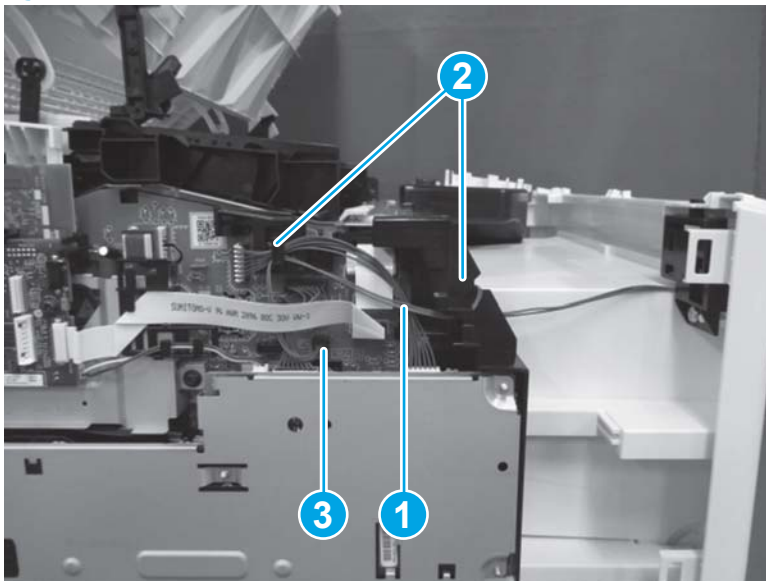
1. **SFP:** Do the following.
  - a. Slide the front cover (callout 1) toward the printer to install it.

Figure 1-1207 Install the front cover (SFP)



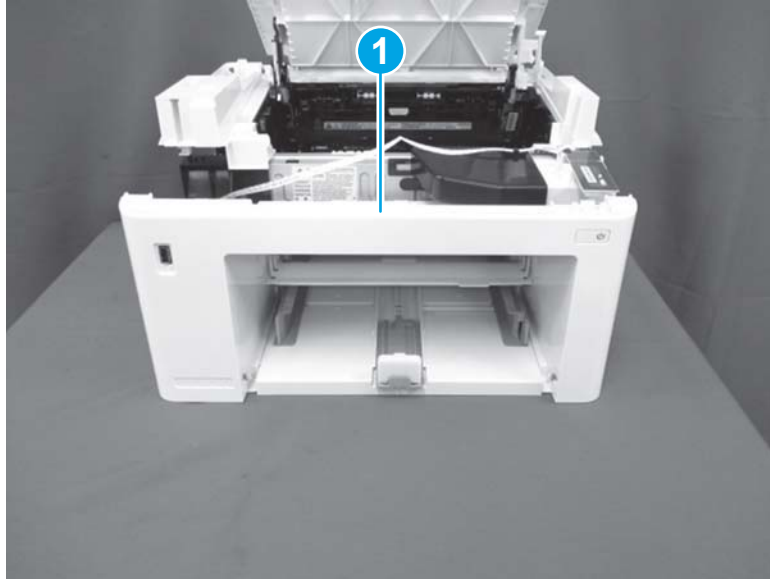
- b. Install the cable (callout 1) in the cable guide (callout 2), and then connect one connector (callout 3).

Figure 1-1208 Connect the connector (SFP)



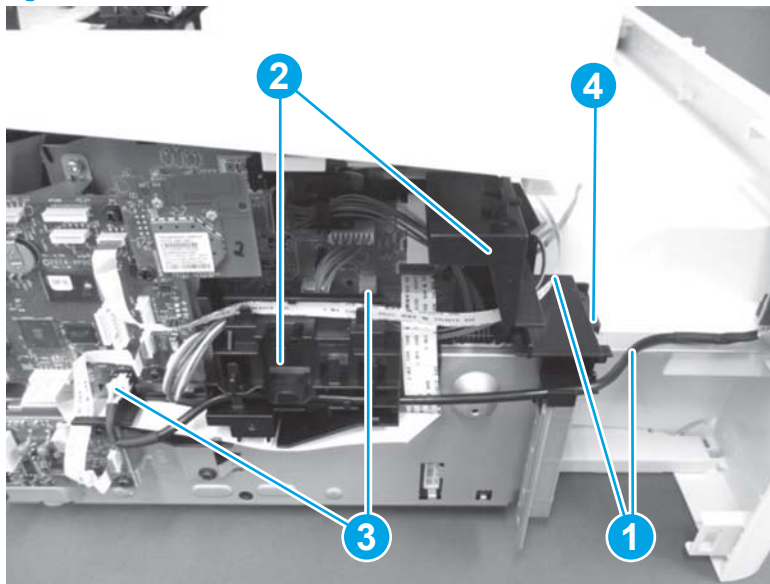
- 2. **MFP:** Do the following.
  - a. Slide the front cover (callout 1) toward the printer to install it.

Figure 1-1209 Install the front cover (MFP)



- b. Install the cables (callout 1) in the cable guides (callout 2), and then connect two connectors (callout 3). Install one screw (callout 4).

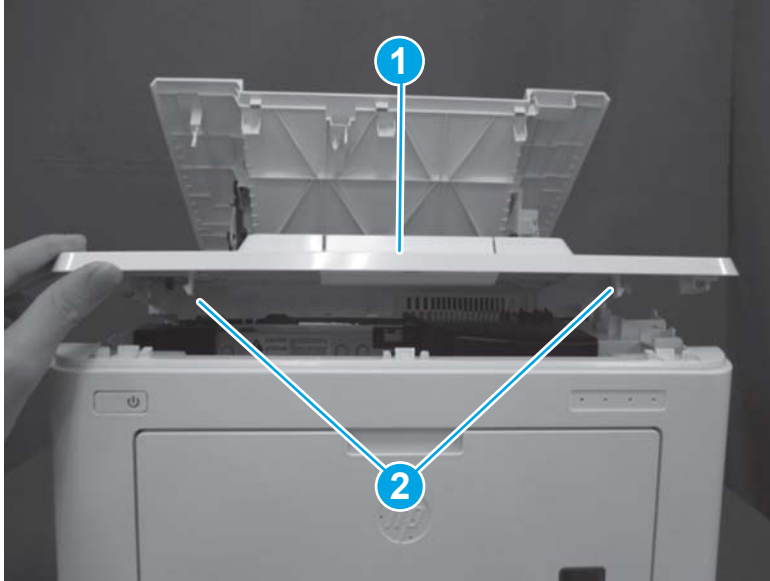
Figure 1-1210 Connect two connectors (MFP)



#### Step 25: Install the top front cover

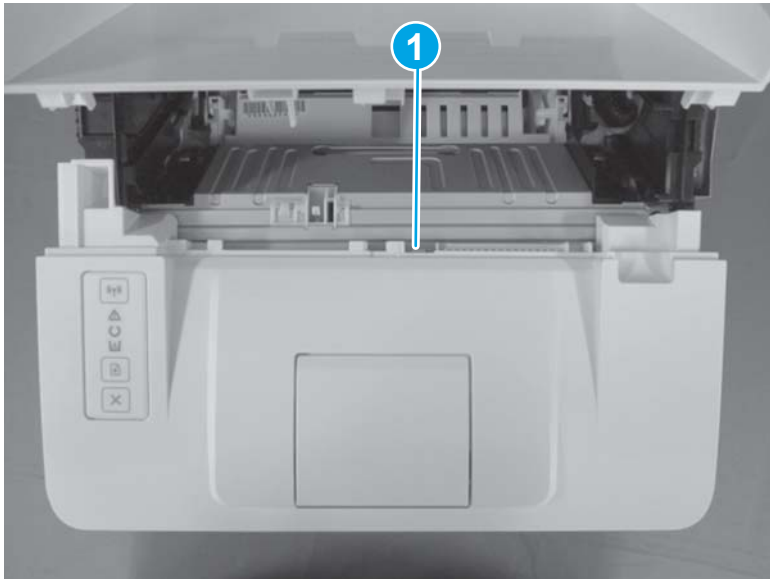
1. SFP: Do the following.
  - a. Position the top front cover (callout 1) on the printer and install two tabs (callout 2).

Figure 1-1211 Install two tabs



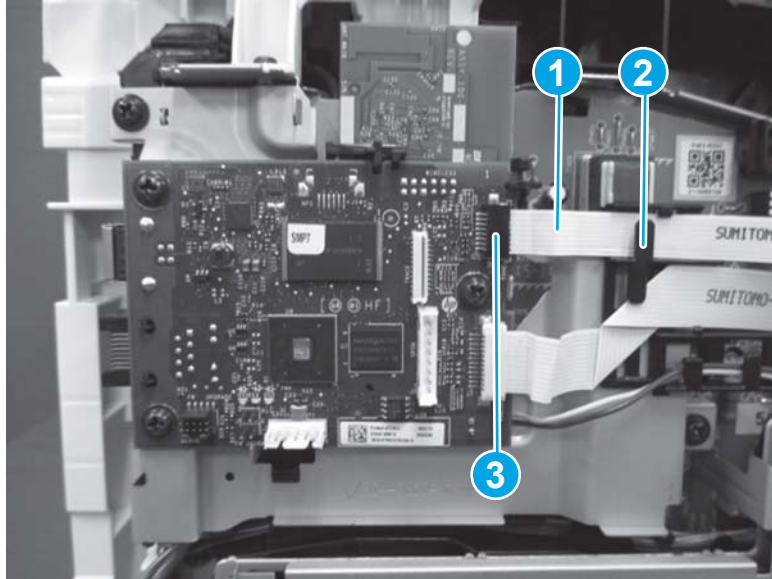
- b. On the top of the cover, install one tab (callout 1).

Figure 1-1212 Install one tab



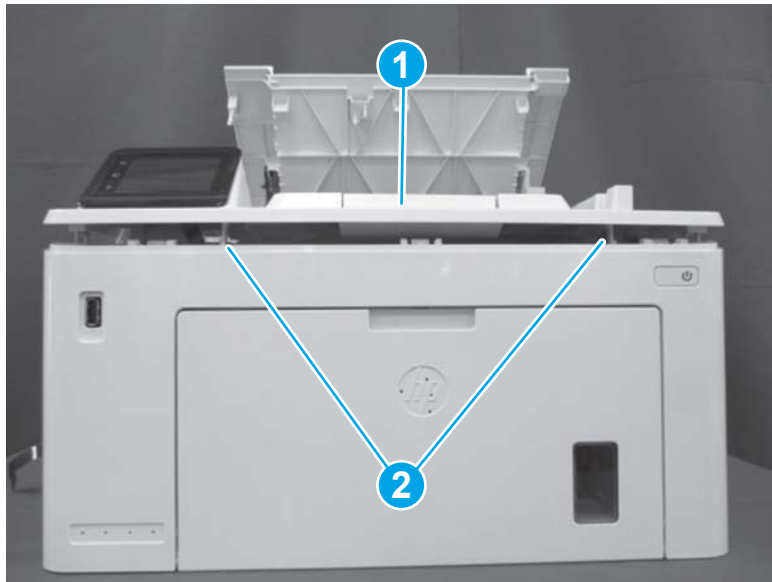
- c. Install the cable (callout 1) in the guide (callout 2), and then connect one connector (callout 3) on the formatter.

Figure 1-1213 Connect one connector



- 2. MFP: Do the following.
  - a. Position the top front cover (callout 1) on the printer, and then install two tabs (callout 2).

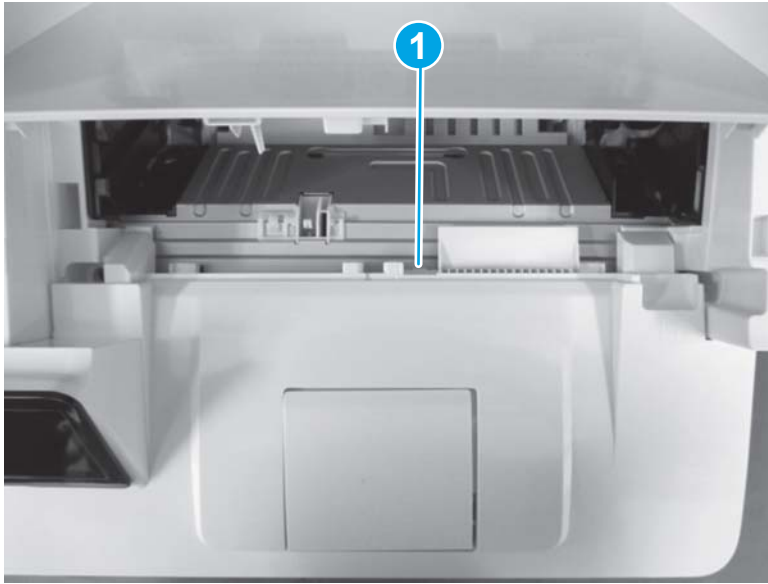
Figure 1-1214 Install two tabs





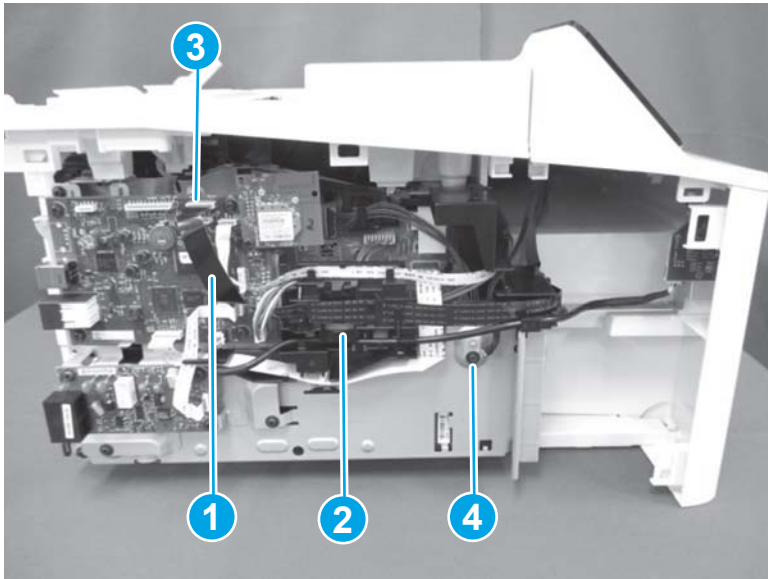
- b. Install one tab (callout 1).

Figure 1-1215 Install one tab



- c. Install the cable (callout 1) in the cable guide (callout 2), and then connect one connector (callout 3). Install one screw (callout 4) to secure the grounding cable.

Figure 1-1216 Install one connector and grounding cable



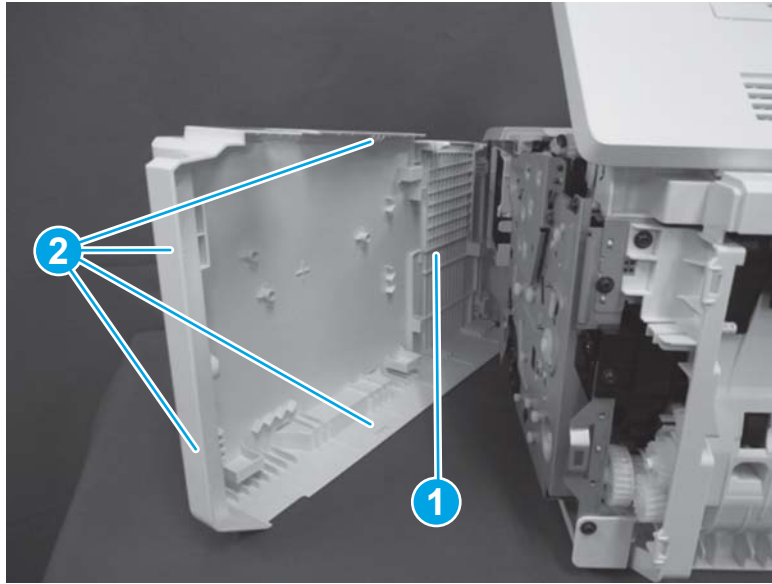
### Step 26: Install the right cover

1. **SFP:** Do the following.
  - a. Open the cartridge door.



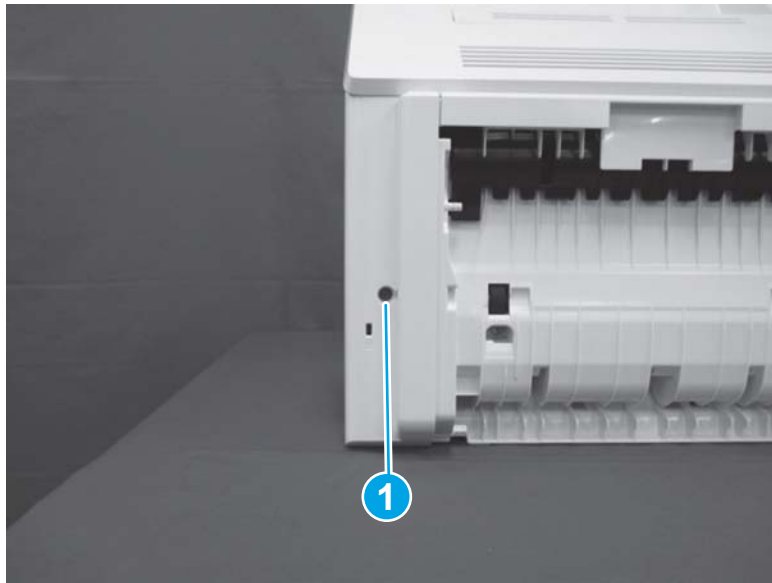
- b. Position the right cover (callout 1) on the printer, and then engage four tabs (callout 2).

**Figure 1-1217** Install the right cover (SFP)



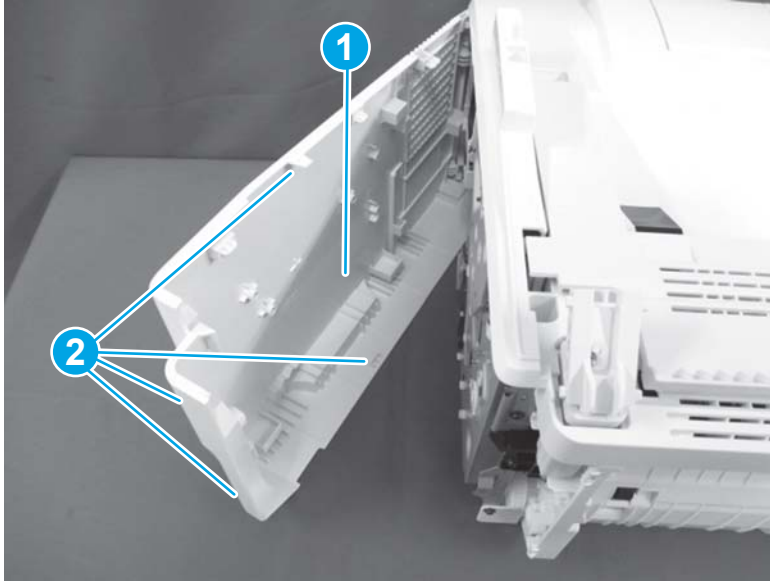
- c. Close the cartridge door.
- d. Install one screw (callout 1).

**Figure 1-1218** Install one screw (SFP)



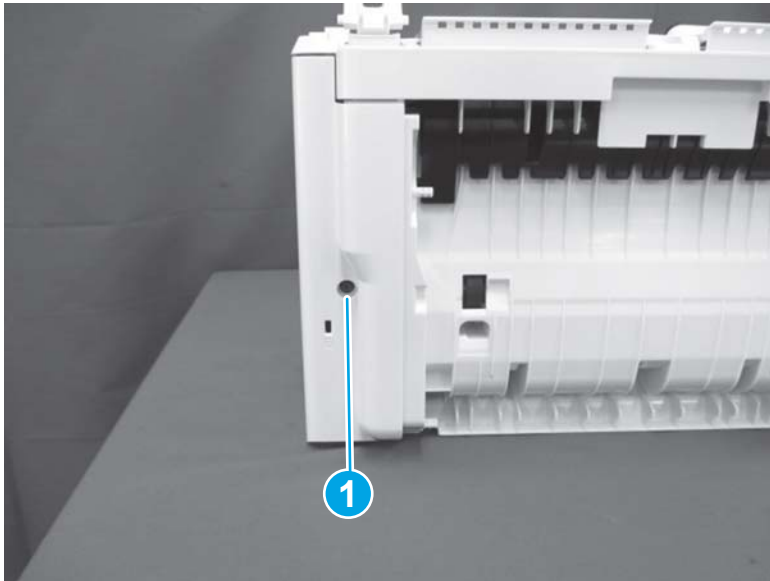
- 2. **MFP:** Do the following.
  - a. Position the right cover (callout 1) on the printer, and then engage four tabs (callout 2).

Figure 1-1219 Install the right cover (MFP)



- b. Install one screw (callout 1).

Figure 1-1220 Install one screw (MFP)




### Step 27: Install the 3-in-1 or 4-in-1 scanner assembly (MFP)

---

 **NOTE:** This step is for the MFP printers. For the SFP printers, skip this step and go to [Step 29: Install the left cover on page 736](#).

---

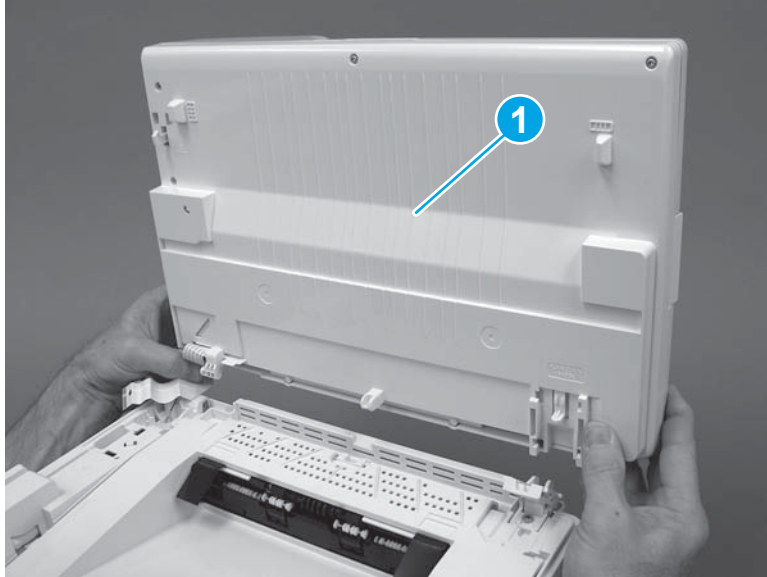
 **NOTE:** The 4-in-1 scanner assembly supports the document feeder. The 3-in-1 scanner assembly does not support the document feeder.

The figures in this procedure show a 4-in-1 printer. However, the procedure is correct for 3-in-1 printers.

---

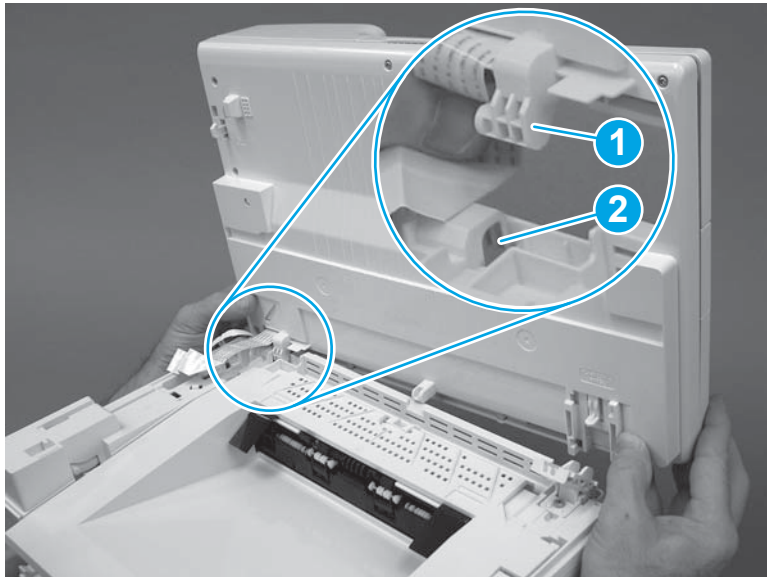
1. Position the scanner assembly (callout 1) near the printer.

Figure 1-1221 Install the scanner assembly (MFP)



2. Engage the left hinge (callout 1) with the top cover (callout 2).

Figure 1-1222 Engage the left hinge (MFP)



3. Push the right side of the scanner assembly toward the front of the printer to engage the right hinge (callout 1). Make sure that the tab (callout 2) snaps into place.

Figure 1-1223 Engage the right hinge (MFP)

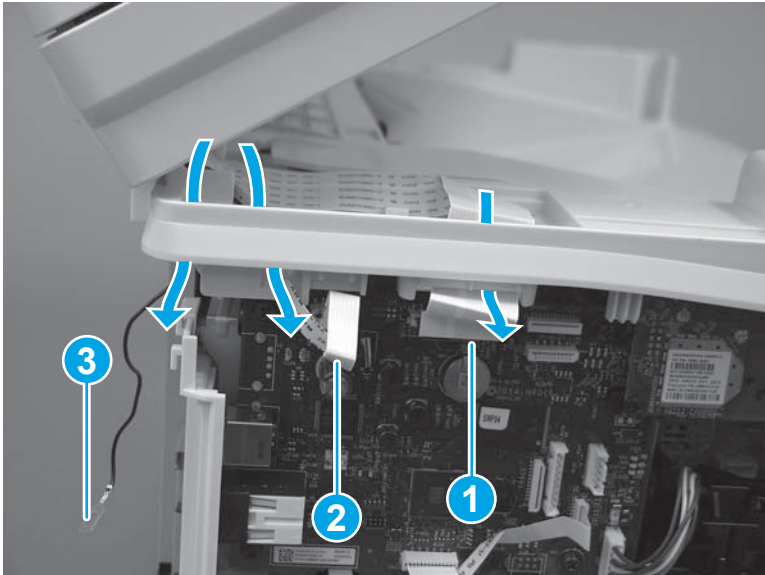


4. **4-in-1 models only:** Pass the flat cables (callouts 1/2) and the ground wire (callout 3) through the openings in the chassis, and then connect the two flat cables.

**3-in-1 models only:** Pass the flat cable (callout 1) through the opening in the chassis, and then connect one flat cable.

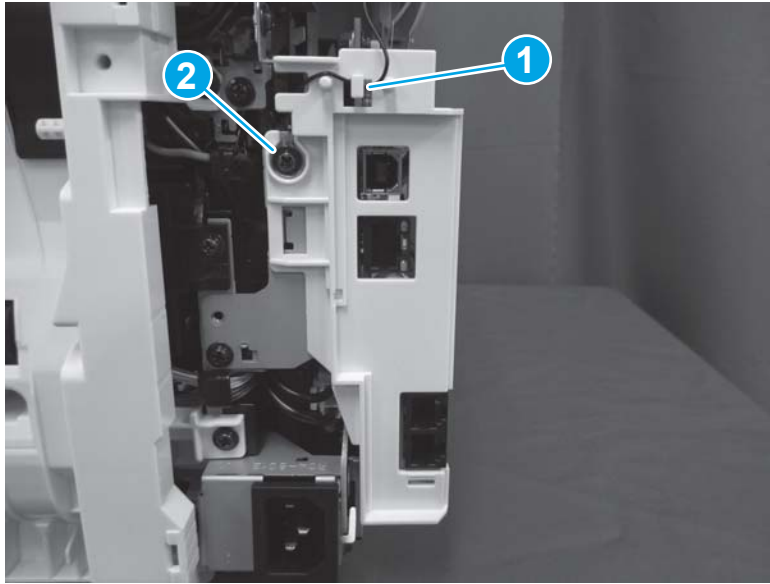
 **NOTE:** The 3-in-1 model does not have the small flat cable (callout 2) or a ground wire (callout 3).

Figure 1-1224 Connect flat cable(s)



5. **4-in-1 models only:** Install the ground wire in the retainer (callout 1), and then install one screw (callout 2).

**Figure 1-1225** Install the ground wire (4-in-1 models)

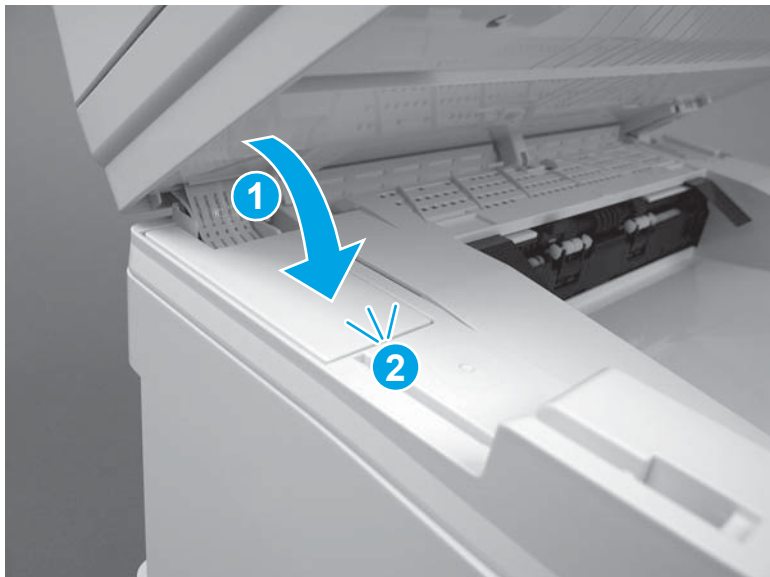


#### Step 28: Install the cable cover (MFP)

 **NOTE:** This step is for the MFP printers. For the SFP printers, skip this step and go to [Step 29: Install the left cover on page 736](#).

1. Install the cable cover (callout 1), on the printer, and then push down to engage one tab (callout 2).

**Figure 1-1226** Install the cable cover (MFP)



2. Close the scanner assembly.

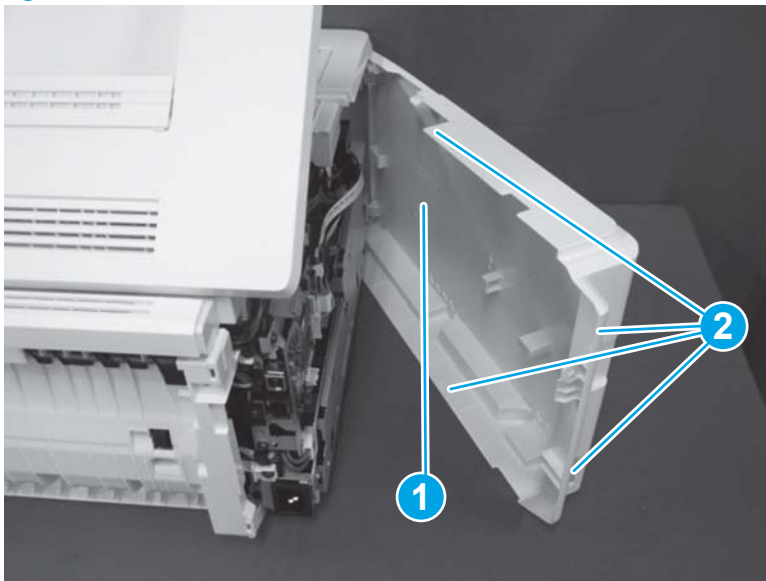
**Figure 1-1227** Close the scanner assembly



### Step 29: Install the left cover

1. SFP: Do the following.
  - a. Open the cartridge door.
  - b. Position the left cover (callout 1) on the printer, and then engage four tabs (callout 2).

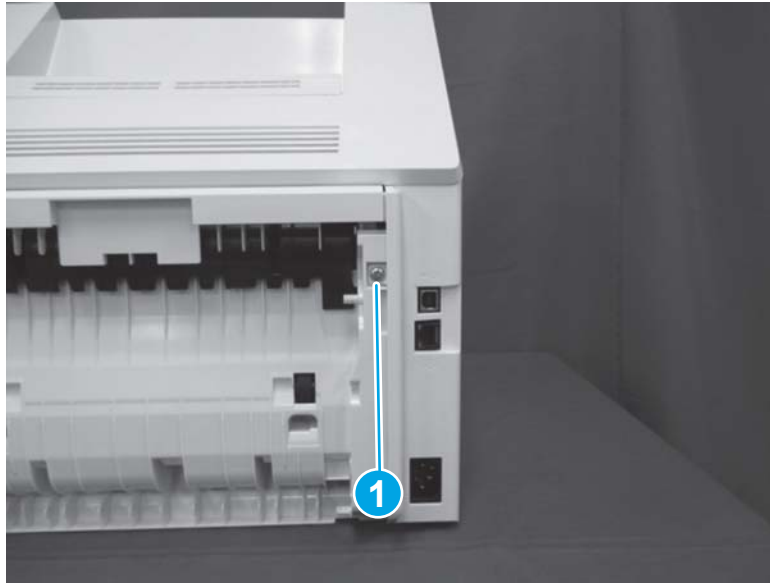
**Figure 1-1228** Install the left cover (SFP)



- c. Close the cartridge door.

- d. Install one screw (callout 1).

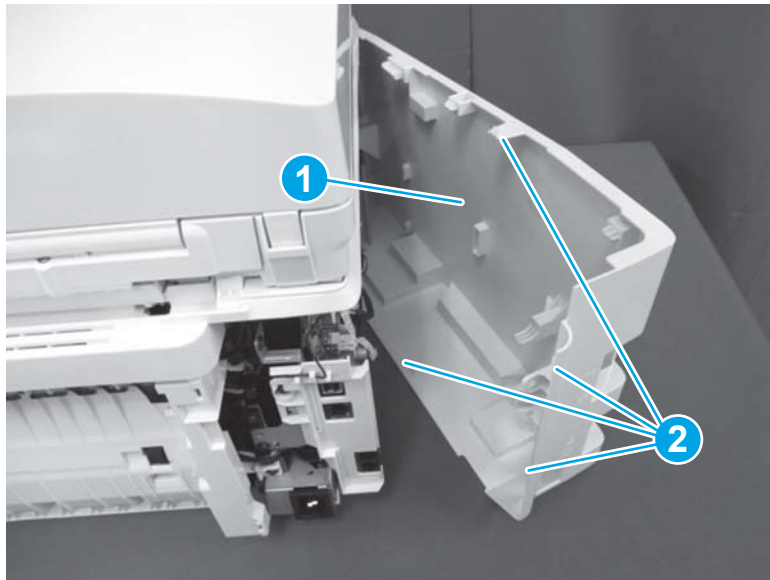
Figure 1-1229 Install one screw (SFP)



- 2. MFP: Do the following.

- a. Position the left cover (callout 1) on the printer, and then engage four tabs (callout 2).

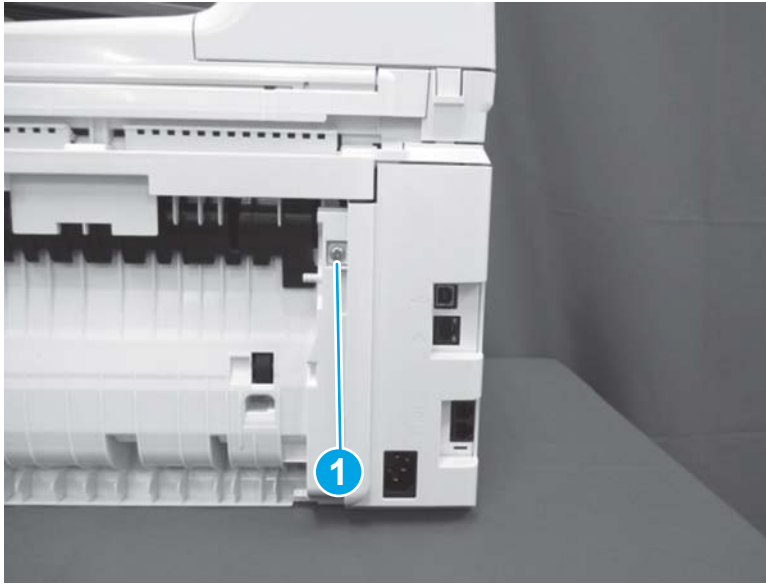
Figure 1-1230 Install the left cover (MFP)





- b. Install one screw (callout 1).

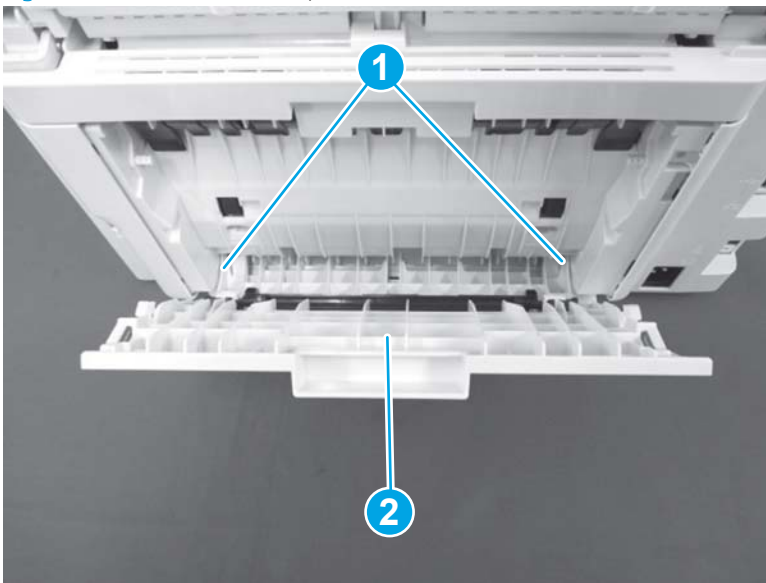
Figure 1-1231 Install one screw (MFP)



### Step 30: Install the duplex door

1. Install two tabs (callout 1) to install the duplex door (callout 2).

Figure 1-1232 Install the duplex door



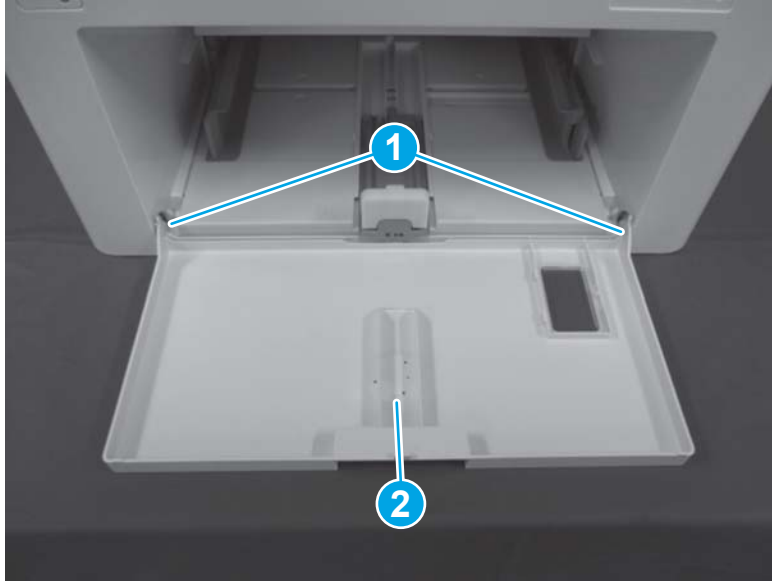
2. Close the duplex door.

### Step 31: Install the multipurpose cover

1. **SFP:** Engage two bosses (callout 1), to install the cover (callout 2).

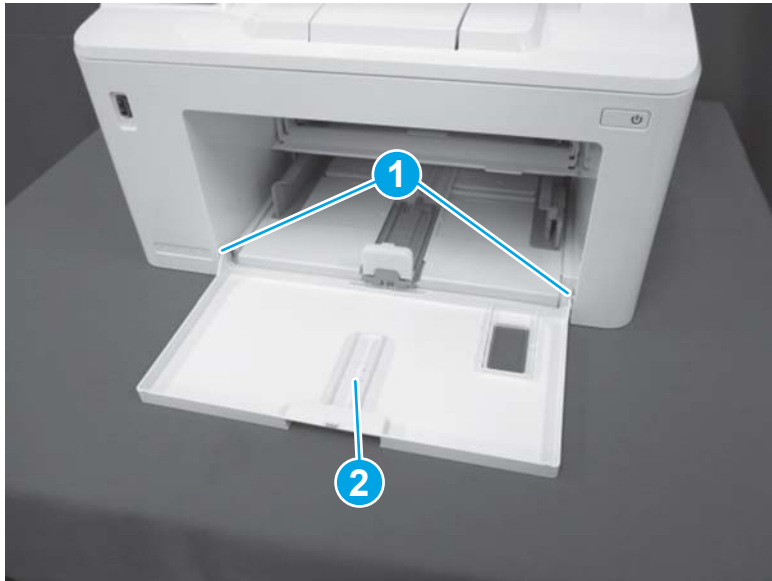


Figure 1-1233 Install the multipurpose cover (SFP)



2. MFP: Engage two bosses (callout 1) to install the cover (callout 2).

Figure 1-1234 Install the multipurpose cover (MFP)



3. Close the multipurpose cover.

## Removal and replacement: Duplex paper feed assembly

- [Introduction](#)
- [Step 1: Remove the multipurpose cover](#)
- [Step 2: Remove the duplex door](#)
- [Step 3: Remove the left cover](#)
- [Step 4: Remove the cable cover \(MFP\)](#)
- [Step 5: Remove the 3-in-1 or 4-in-1 scanner assembly \(MFP\)](#)
- [Step 6: Remove the right cover](#)
- [Step 7: Remove the top front cover](#)
- [Step 8: Remove the front cover](#)
- [Step 9: Remove the hinge assembly \(MFP\)](#)
- [Step 10: Remove the cartridge door](#)
- [Step 11: Remove the top cover \(MFP\)](#)
- [Step 12: Remove the top rear cover \(SFP\)](#)
- [Step 13: Remove the duplex paper feed assembly](#)
- [Step 14: Unpack the replacement assembly](#)
- [Step 15: Install the duplex paper feed assembly](#)
- [Step 16: Install the top rear cover \(SFP\)](#)
- [Step 17: Install the top cover \(MFP\)](#)
- [Step 18: Install the cartridge door](#)
- [Step 19: Install the hinge assembly \(MFP\)](#)
- [Step 20: Install the front cover](#)
- [Step 21: Install the top front cover](#)
- [Step 22: Install the right cover](#)
- [Step 23: Install the 3-in-1 or 4-in-1 scanner assembly \(MFP\)](#)
- [Step 24: Install the cable cover \(MFP\)](#)
- [Step 25: Install the left cover](#)
- [Step 26: Install the duplex door](#)
- [Step 27: Install the multipurpose cover](#)


### Introduction

This document provides the procedures to remove and replace the duplex paper feed assembly.

## Before performing service

### Turn the printer power off

- Disconnect the power cable.

 **WARNING!** To avoid damage to the printer, turn the printer off, wait 30 seconds, and then remove the power cable before attempting to service the printer.

Use the table below to identify the correct part number for your printer. To order the part, go to [www.hp.com/buy/parts](http://www.hp.com/buy/parts).

Duplex paper feed assembly part number	
RM2-2086-000CN	Duplex paper feed assembly

### Required tools

- #2 Phillips screwdriver with a magnetic tip.

### After performing service

#### Turn the printer power on

- Connect the power cable.
- Use the power switch to turn the power on.

### Post service test

**MFP only:** Verify that the document feeder and the flatbed scanner are correctly functioning (copy a page).

Process a duplex print job. Make sure that the output page correctly prints on both sides.

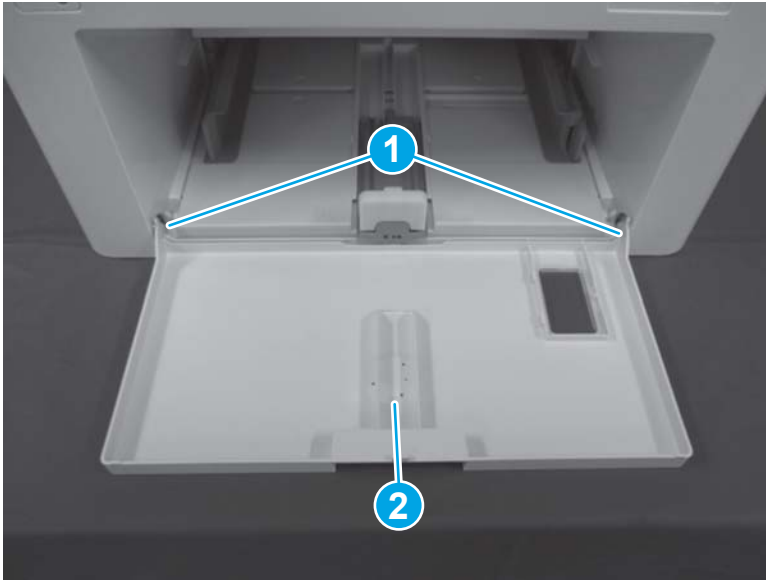
### Step 1: Remove the multipurpose cover

1. Open the multipurpose cover.

2. **SFP:** Release two bosses (callout 1), and then remove the cover (callout 2).

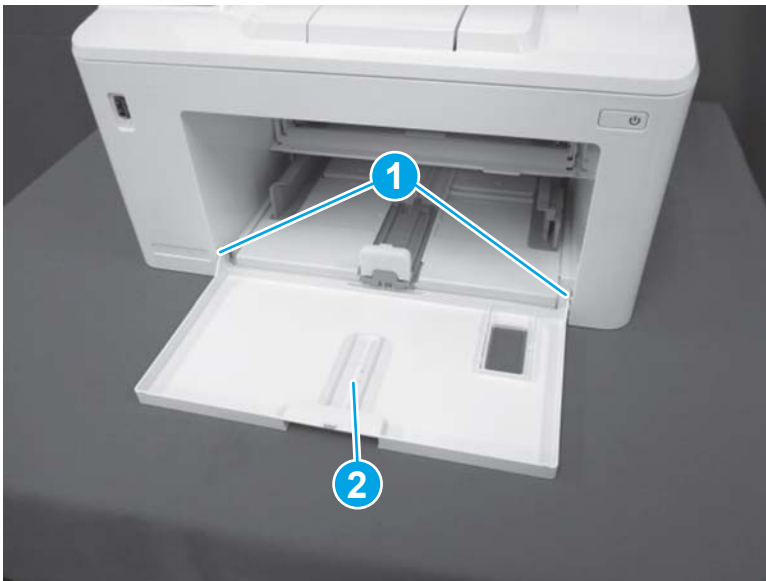
 **TIP:** It might be easier to remove the cover if the right boss is released first, and then lower the right-side of the cover to release the left-side boss.

**Figure 1-1235** Remove the multipurpose cover (SFP)



3. **MFP:** Release two bosses (callout 1), and then remove the cover (callout 2).

**Figure 1-1236** Remove the multipurpose cover (MFP)

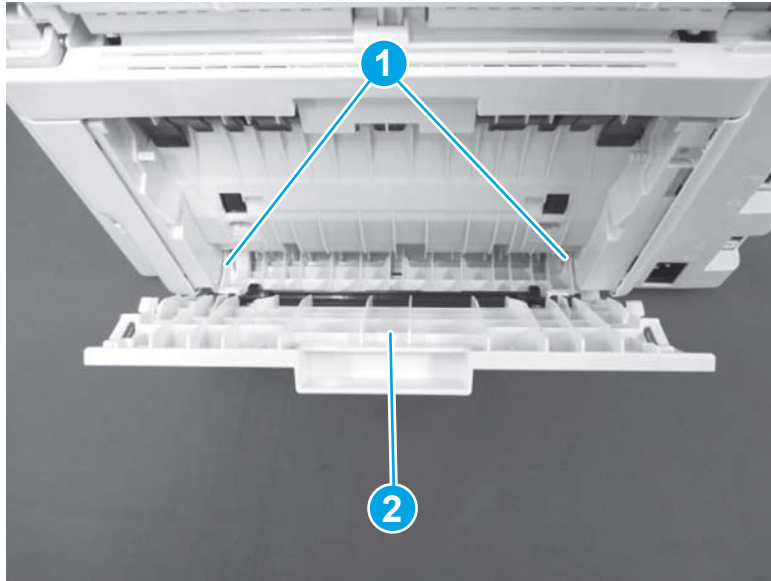


## Step 2: Remove the duplex door

1. Open the duplex door.

2. Use a small flat-blade screwdriver to release two tabs (callout 1), and then remove the duplex door (callout 2).

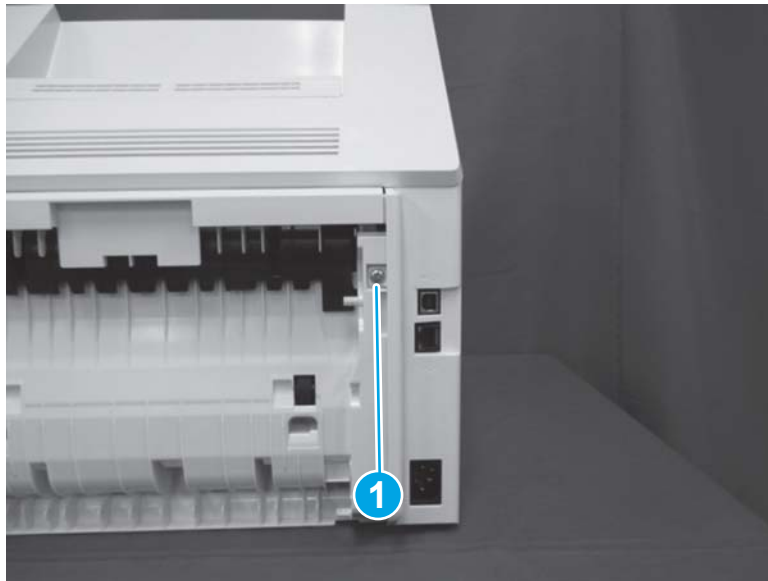
Figure 1-1237 Remove the duplex door



### Step 3: Remove the left cover

1. **SFP:** Do the following.
  - a. Remove one screw (callout 1).

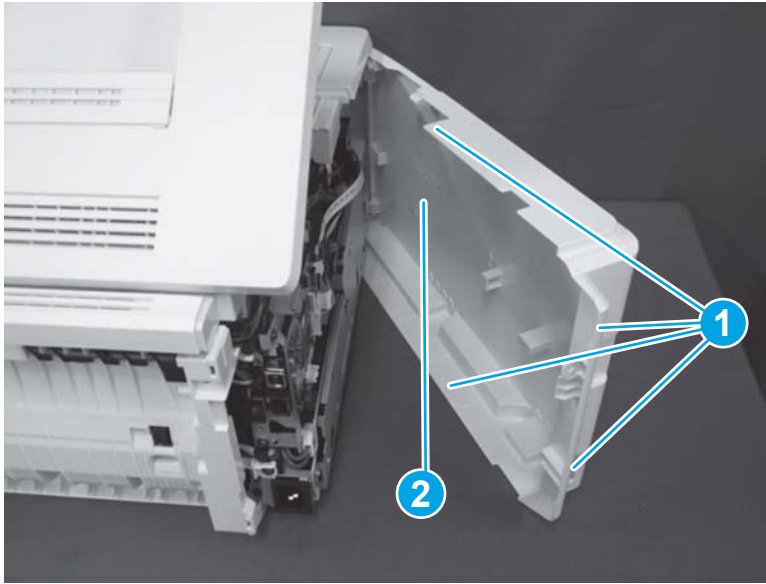
Figure 1-1238 Remove one screw (SFP)



- b. Open the cartridge door.

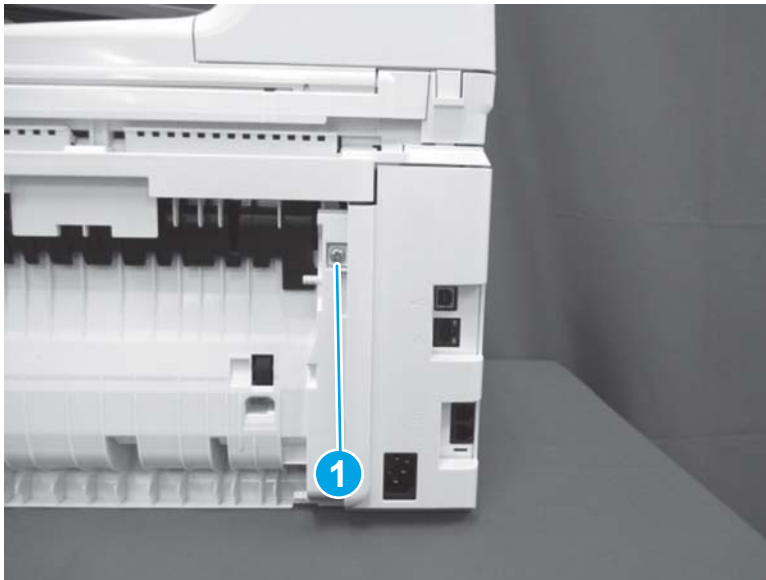
- c. Release four tabs (callout 1), and then remove the left cover (callout 2).

Figure 1-1239 Remove the left cover (SFP)



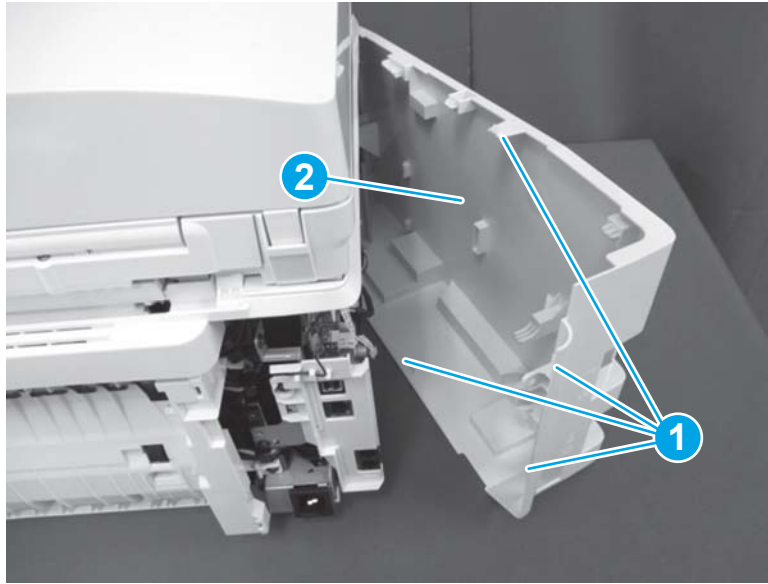
2. **MFP:** Do the following.
  - a. Remove one screw (callout 1).

Figure 1-1240 Remove one screw (MFP)



- b. Release four tabs (callout 1), and then remove the left cover (callout 2).

**Figure 1-1241** Remove the left cover (MFP)



#### Step 4: Remove the cable cover (MFP)

 **NOTE:** This step is for the MFP printers. For the SFP printers, skip this step and go to [Step 6: Remove the right cover on page 748](#).

1. Open the scanner assembly.

**Figure 1-1242** Open the scanner assembly




2. Use a small flat-blade screw driver to release one tab (callout 1), and then remove the cable cover (callout 2).

**Figure 1-1243** Remove the cable cover (MFP)



#### Step 5: Remove the 3-in-1 or 4-in-1 scanner assembly (MFP)

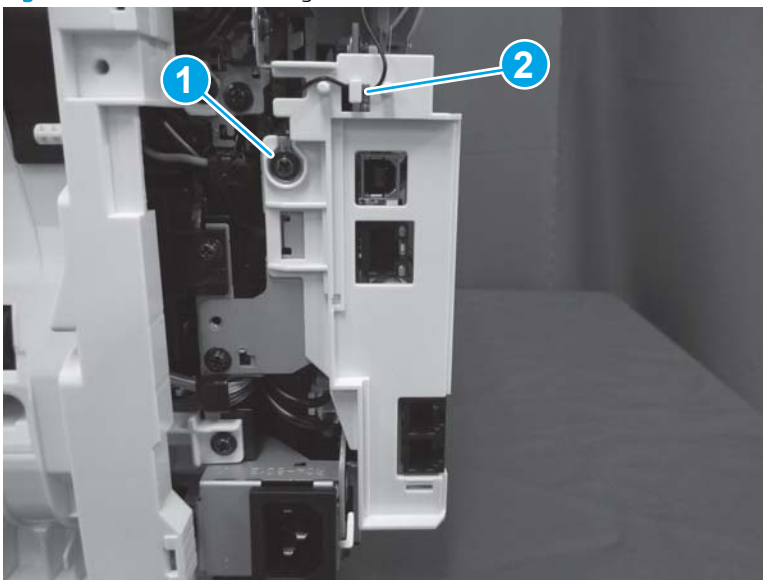
 **NOTE:** This step is for the MFP printers. For the SFP printers, skip this step and go to [Step 6: Remove the right cover on page 748](#).

 **NOTE:** The 4-in-1 scanner assembly supports the document feeder. The 3-in-1 scanner assembly does not support the document feeder.

The figures in this procedure show a 4-in-1 printer. However, the procedure is correct for 3-in-1 printers.

1. **4-in-1 models only:** Remove one screw (callout 1), and then release the ground wire from the retainer (callout 2).

**Figure 1-1244** Release the ground wire (4-in-1 models)



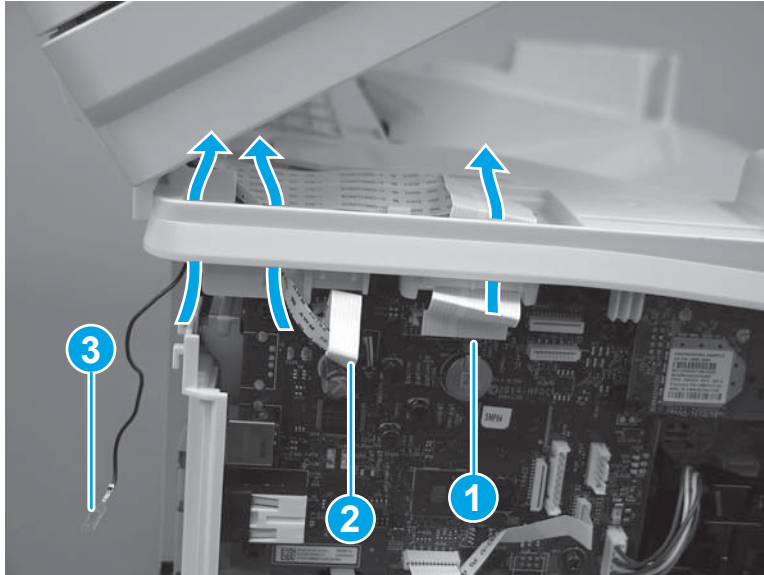


2. **4-in-1 models only:** Disconnect two flat cables (callouts 1/2), and then pass the flat cables and the ground wire (callout 3) up through the opening in the chassis.

**3-in-1 models only:** Disconnect one flat cable (callout 1), and then pass the flat cable through the opening in the chassis.

 **NOTE:** The 3-in-1 model does not have the small flat cable (callout 2) or a ground wire (callout 3).

**Figure 1-1245** Disconnect flat cable(s)



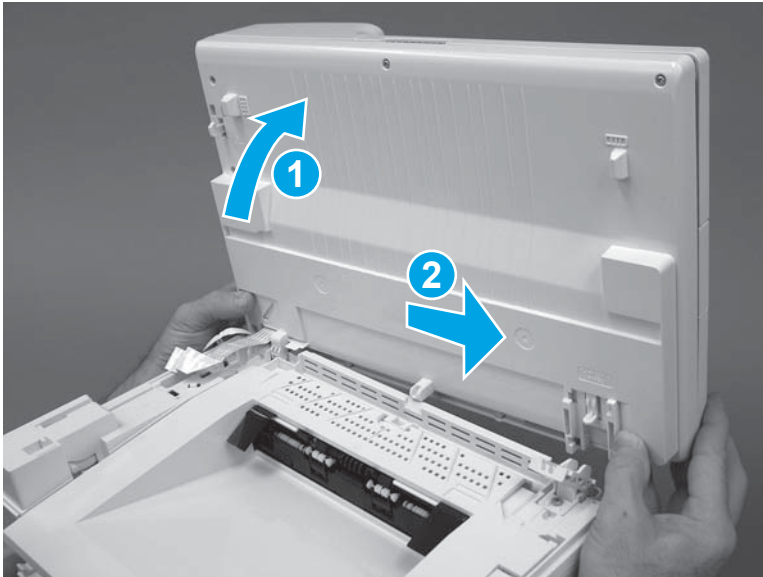
3. Release one tab (callout 1), and then push the right side of the scanner assembly toward the rear of the printer to release the right hinge (callout 2).

**Figure 1-1246** Release the right hinge



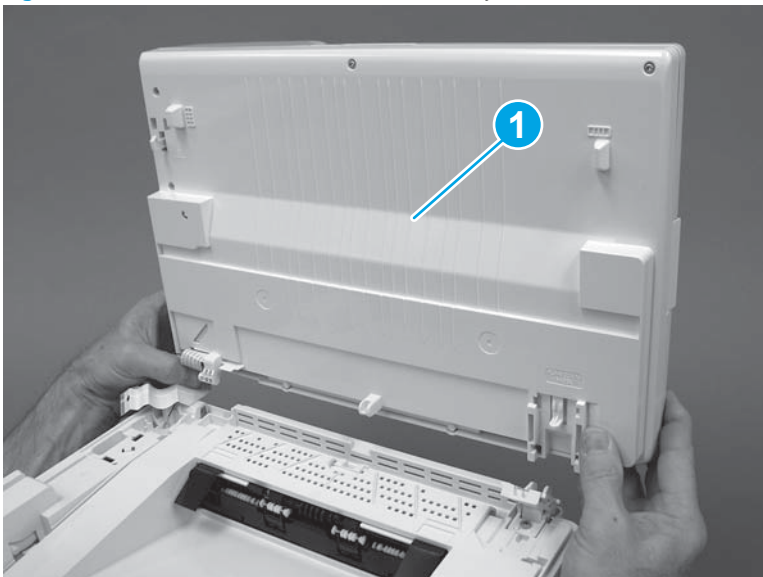
4. Rotate the scanner assembly towards the rear of the printer (callout 1), and then slide the scanner assembly toward the right side of the printer to release the left hinge (callout 2).

Figure 1-1247 Release the left hinge



5. Remove the scanner assembly (callout 1).

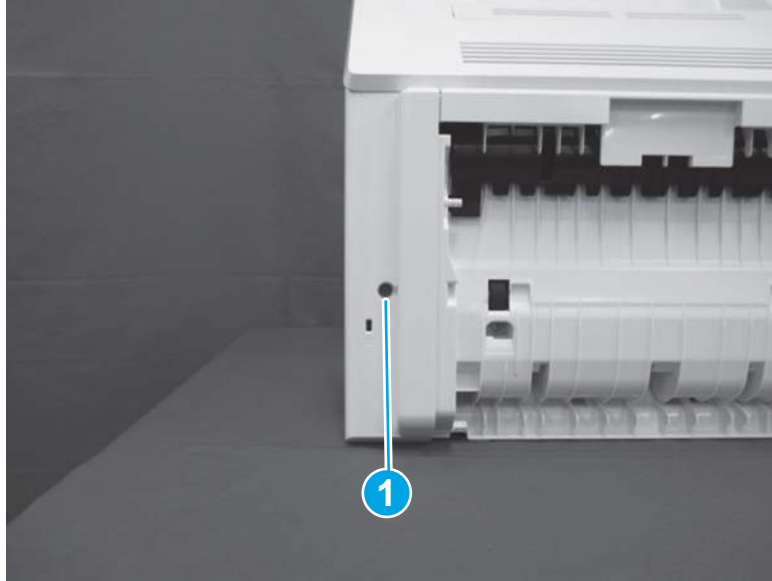
Figure 1-1248 Remove the scanner assembly



#### Step 6: Remove the right cover

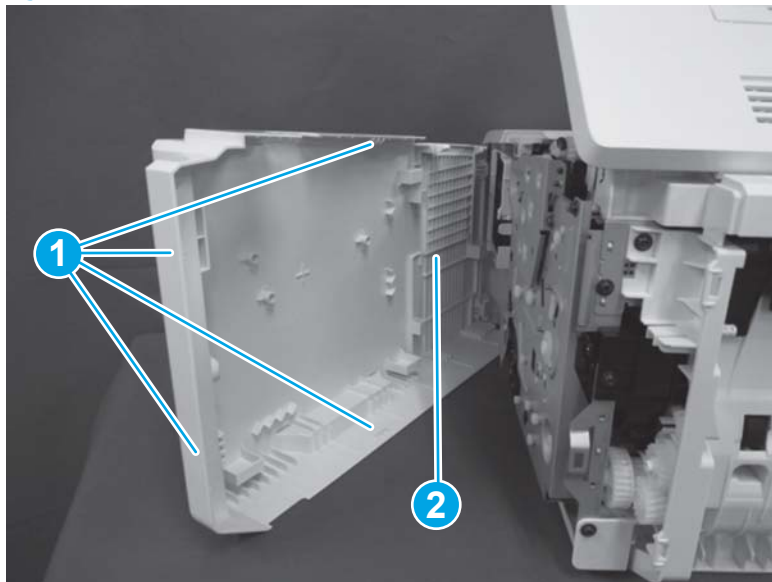
1. **SFP:** Do the following.
  - a. Remove one screw (callout 1).

Figure 1-1249 Remove one screw (SFP)



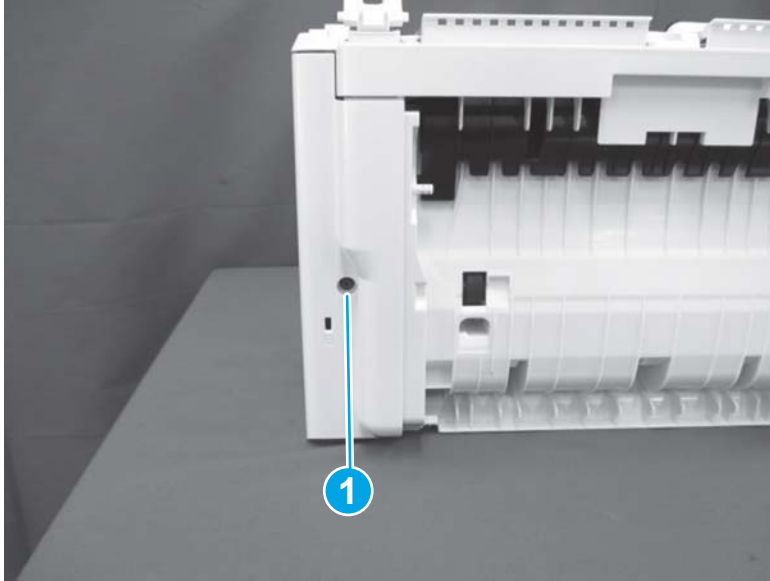
- b. Open the cartridge door.
- c. Release four tabs (callout 1), and then remove the right cover (callout 2).

Figure 1-1250 Remove the right cover (SFP)



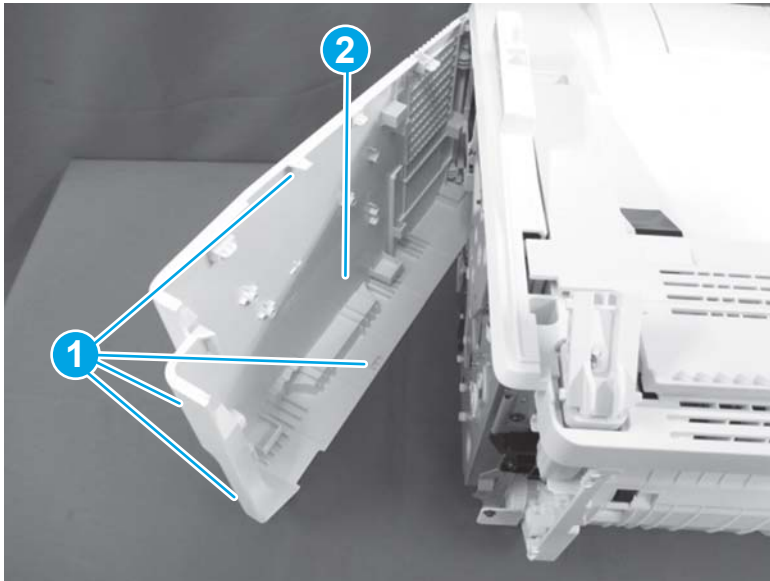
- 2. MFP: Do the following.
  - a. Remove one screw (callout 1).

Figure 1-1251 Remove one screw (MFP)



- b. Release four tabs (callout 1), and then remove the right cover (callout 2).

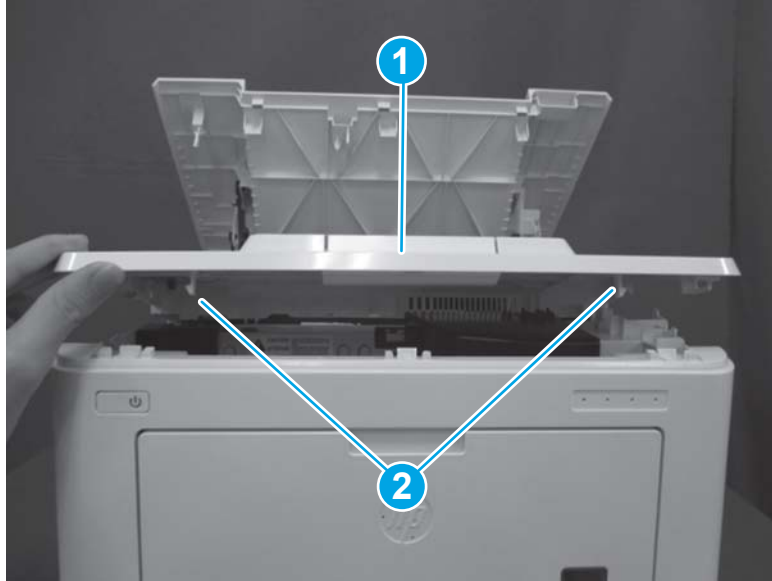
Figure 1-1252 Remove the right cover (MFP)



#### Step 7: Remove the top front cover

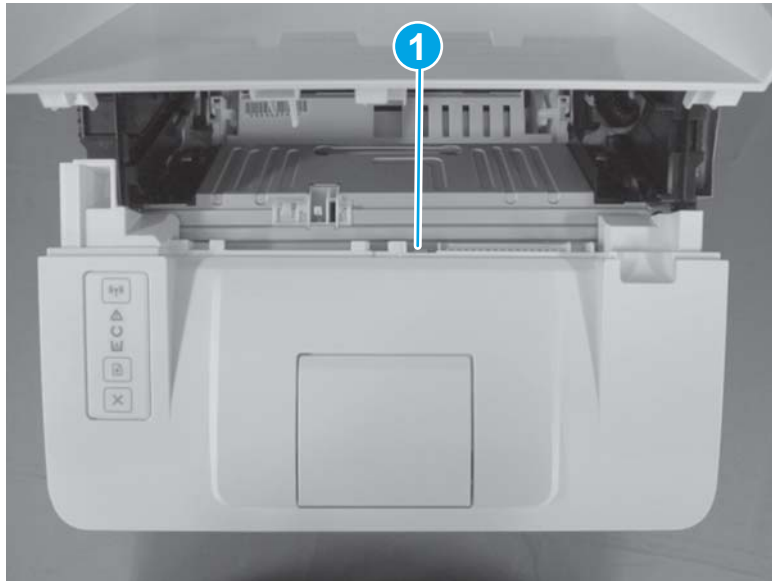
1. **SFP:** Do the following.
  - a. Position the top front cover (callout 1) on the printer and install two tabs (callout 2).

Figure 1-1253 Install two tabs



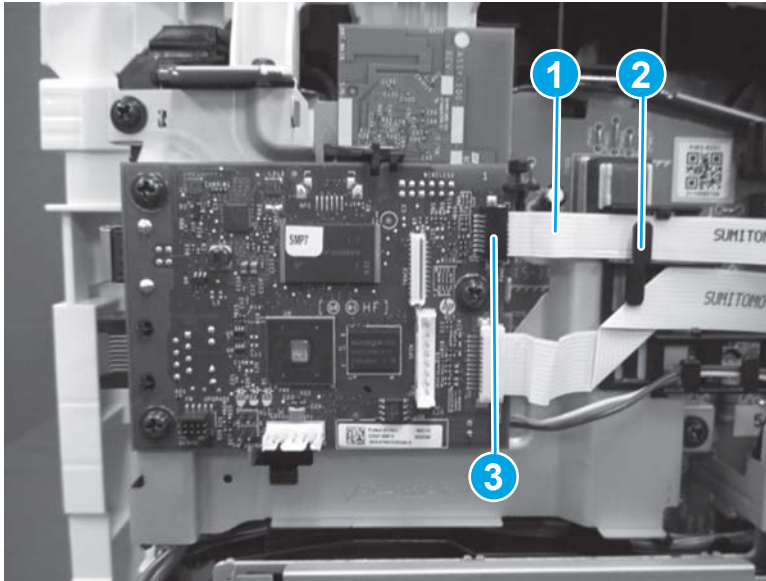
- b. On the top of the cover, install one tab (callout 1).

Figure 1-1254 Install one tab



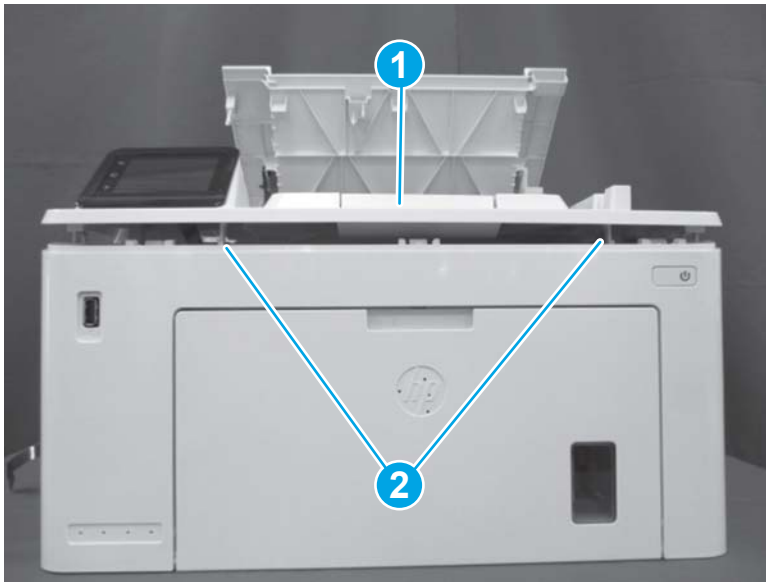
- c. Install the cable (callout 1) in the guide (callout 2), and then connect one connector (callout 3) on the formatter.

Figure 1-1255 Connect one connector



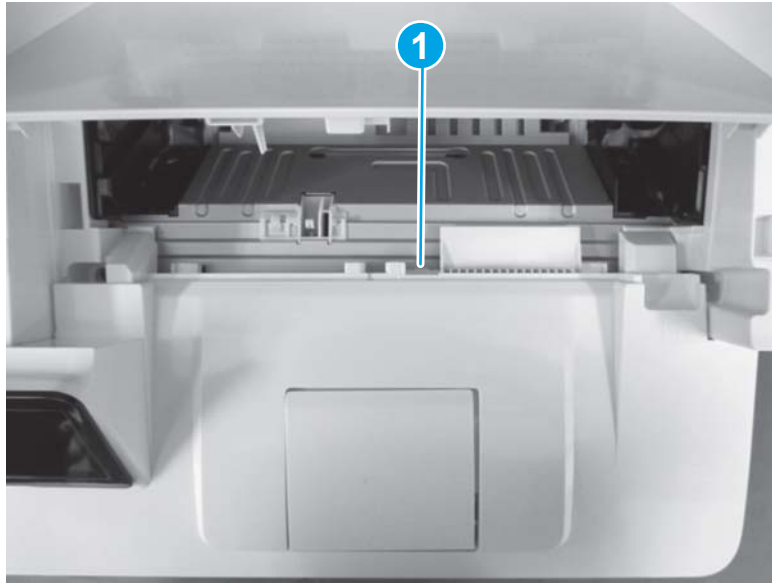
2. **MFP:** Do the following.
  - a. Position the top front cover (callout 1) on the printer, and then install two tabs (callout 2).

Figure 1-1256 Install two tabs



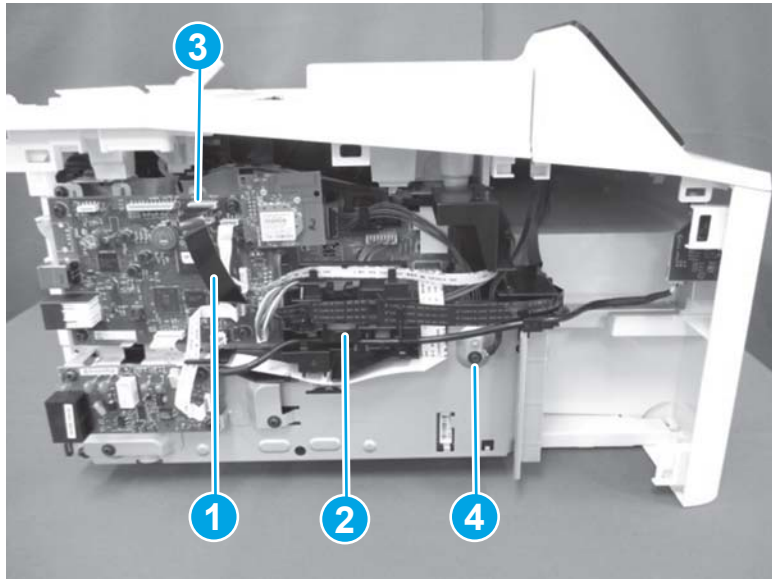
- b. Install one tab (callout 1).

**Figure 1-1257** Install one tab



- c. Install the cable (callout 1) in the cable guide (callout 2), and then connect one connector (callout 3). Install one screw (callout 4) to secure the grounding cable.

**Figure 1-1258** Install one connector and grounding cable

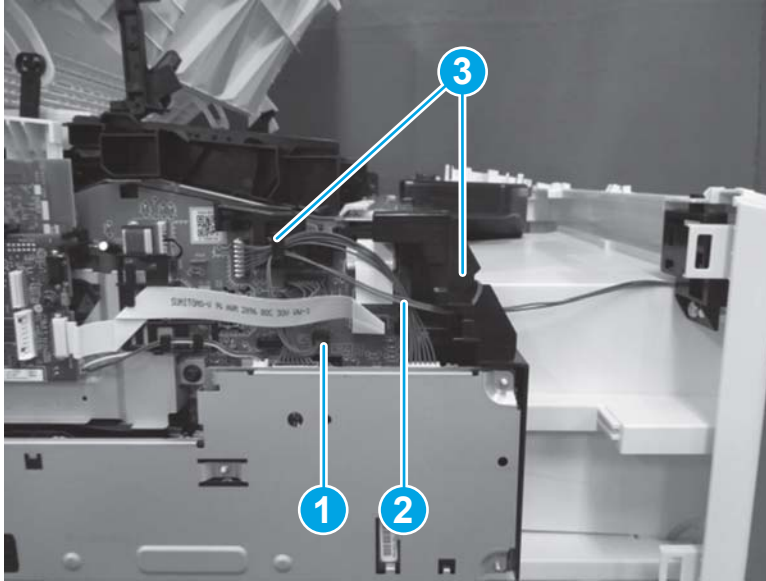


### Step 8: Remove the front cover

1. **SFP:** Do the following.
  - a. Disconnect one connector (callout 1), and then remove the cable (callout 2) from the cable guide (callout 3).

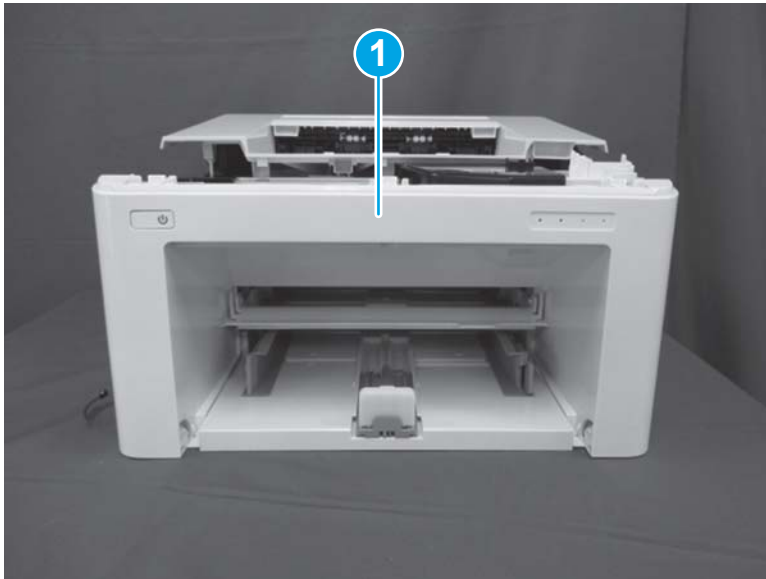


Figure 1-1259 Disconnect connector (SFP)



- b. Slide the front cover (callout 1) away from the printer to remove it.

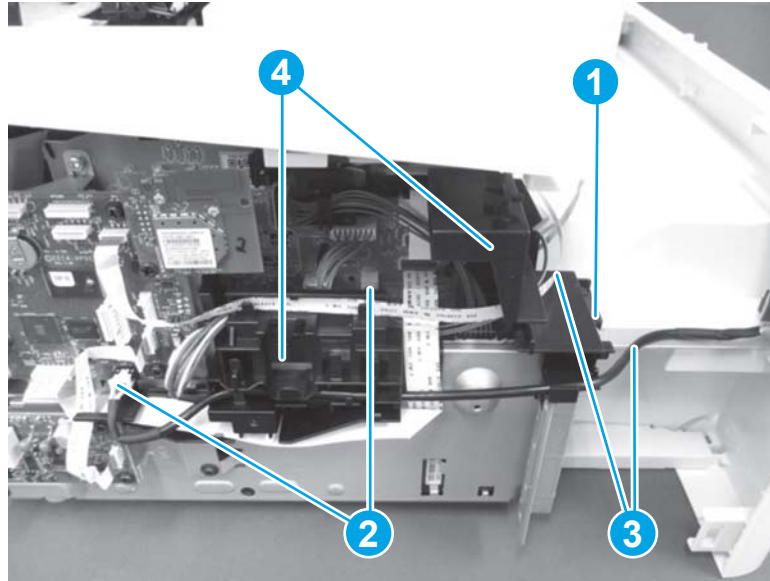
Figure 1-1260 Remove the front cover (SFP)



- 2. **MFP:** Do the following.
  - a. Remove one screw (callout 1). Disconnect two connectors (callout 2), and then release the cables (callout 3) from the cable guide (callout 4).

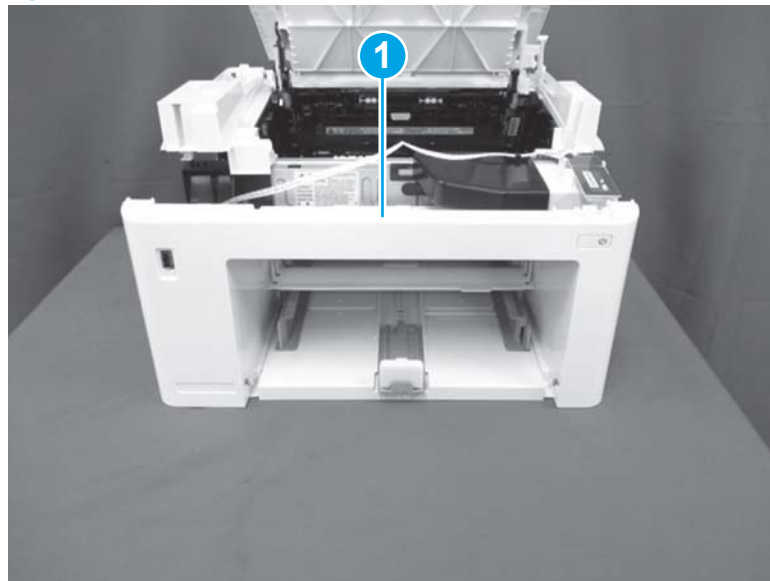


Figure 1-1261 Disconnect connectors (MFP)



- b. Slide the front cover (callout 1) away from the printer to remove it.

Figure 1-1262 Remove the front cover (MFP)

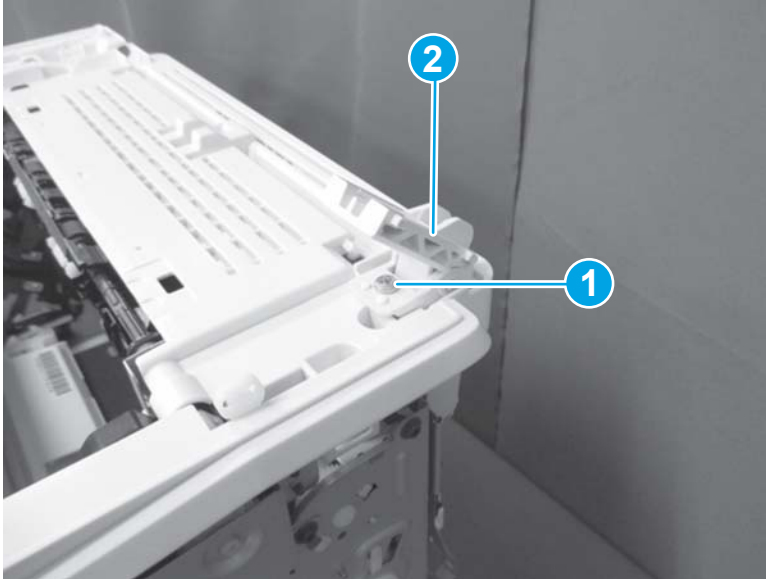


### Step 9: Remove the hinge assembly (MFP)

 **NOTE:** This step is for the MFP printers. For the SFP printers, skip this step and go to [Step 10: Remove the cartridge door on page 756.](#)

- ▲ Remove one screw (callout 1), and then remove the hinge assembly (callout 2).

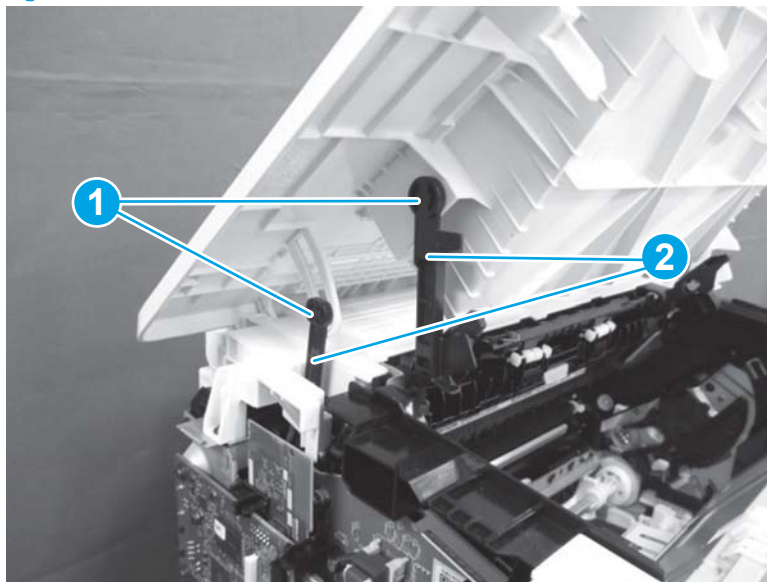
Figure 1-1263 Remove the hinge assembly (MFP)



Step 10: Remove the cartridge door

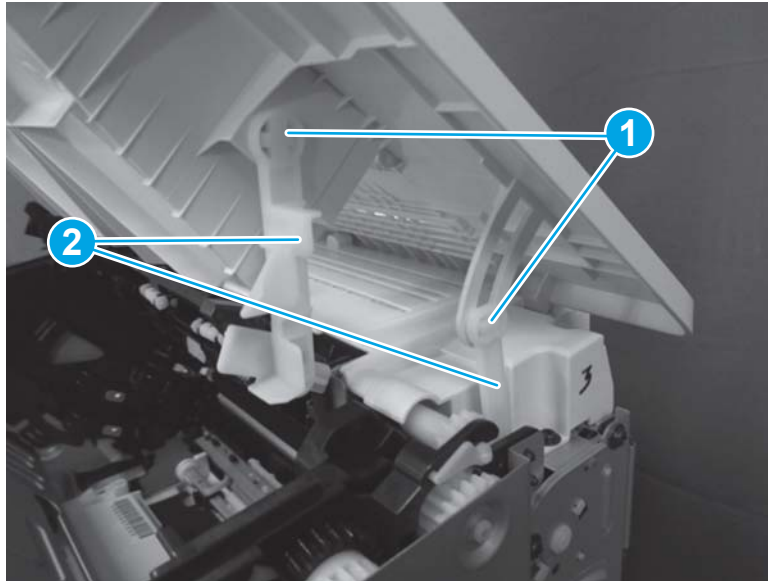
1. SFP: Do the following.
  - a. Open the cartridge door. On the left side of the printer, release two tabs (callout 1), and then disconnect two link arms (callout 2).

Figure 1-1264 Disconnect left link arms (SFP)



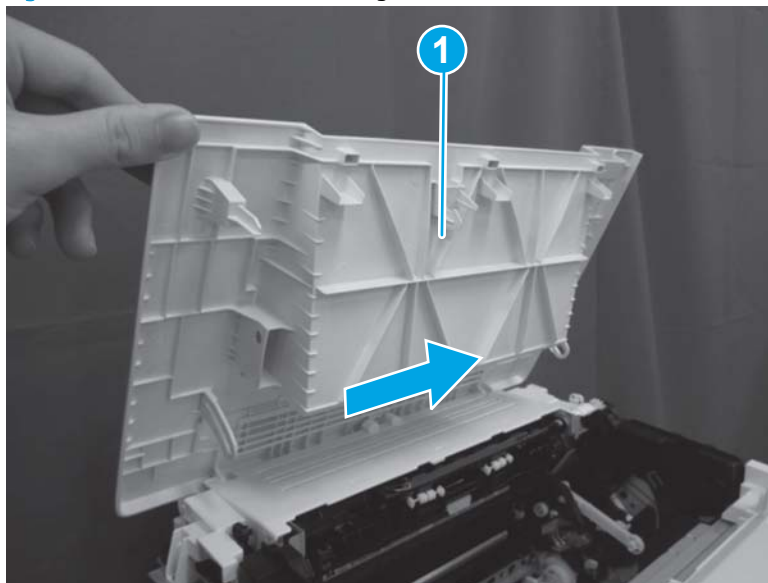
- b. On the right side of the printer, release two tabs (callout 1), and then disconnect two link arms (callout 2).

**Figure 1-1265** Disconnect right link arms (SFP)



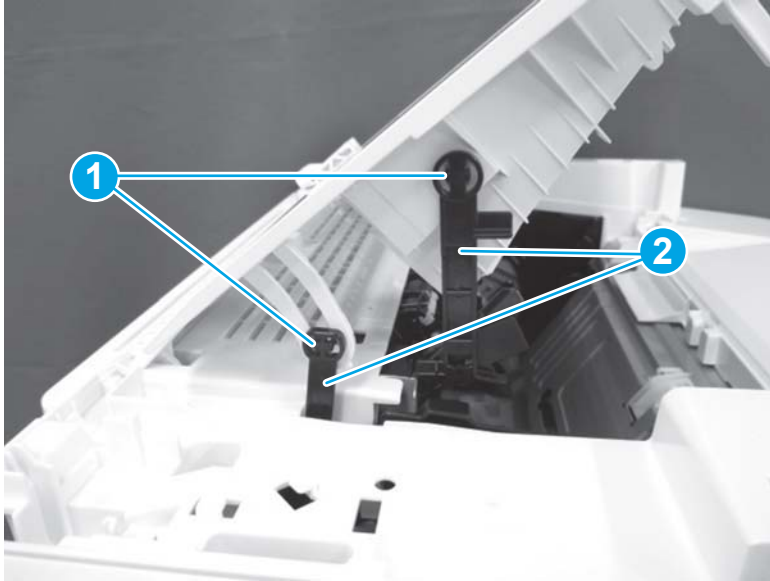
- c. Fully open the cartridge door (callout 1), and then slide it towards the right-side of the printer to remove it.

**Figure 1-1266** Remove the cartridge door (SFP)



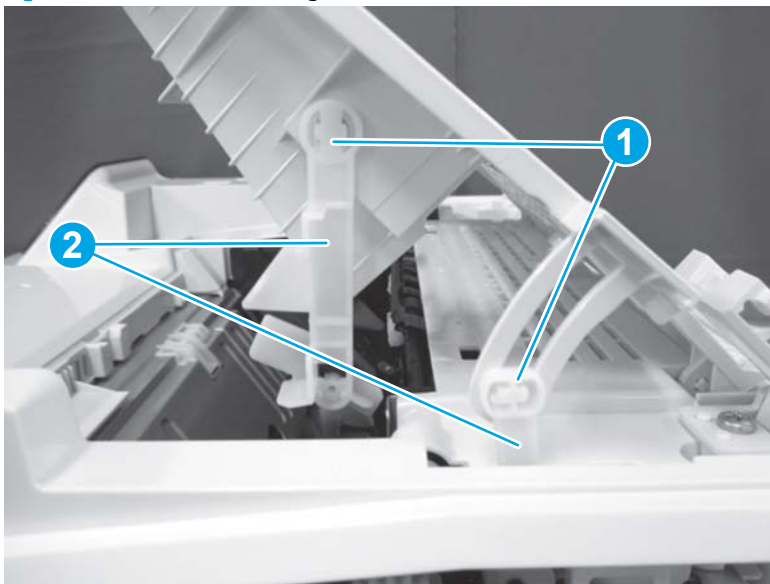
2. **MFP:** Do the following.
  - a. Open the cartridge door. On the left side of the printer, release two tabs (callout 1), and then disconnect two link arms (callout 2).

Figure 1-1267 Disconnect left link arms (MFP)



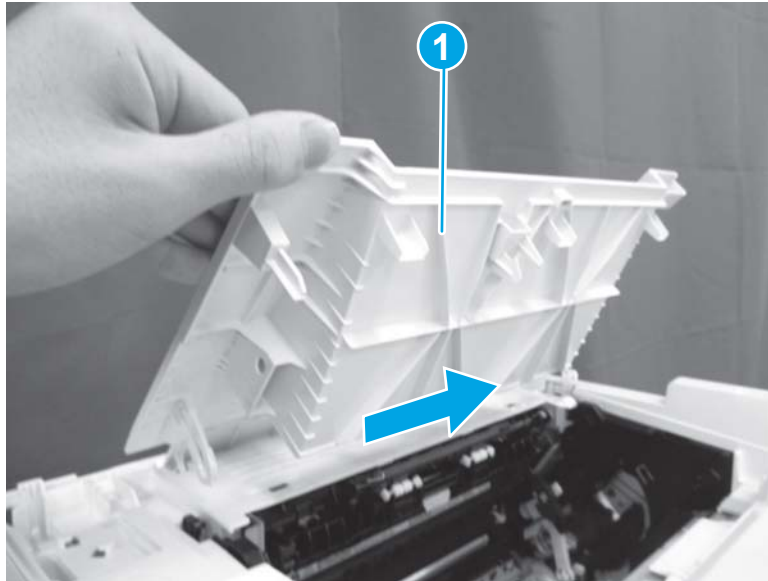
- b. On the right side of the printer, release two tabs (callout 1), and then disconnect two link arms (callout 2).

Figure 1-1268 Disconnect right link arms (MFP)



- c. Fully open the cartridge door (callout 1), and then slide it towards the right-side of the printer to remove it.

**Figure 1-1269** Remove the cartridge door (MFP)

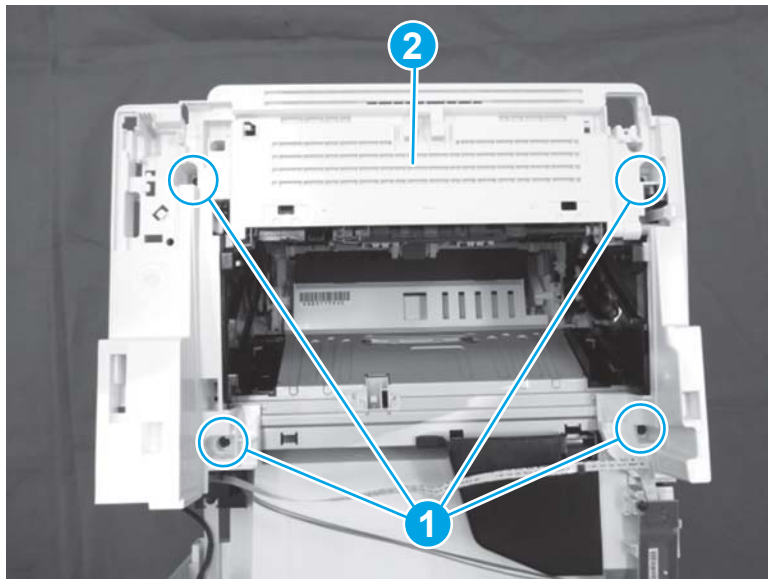


#### Step 11: Remove the top cover (MFP)


 **NOTE:** This step is for the MFP printers. For the SFP printers, skip this step and go to [Step 12: Remove the top rear cover \(SFP\) on page 759](#).

- ▲ Remove four screws (callout 1), and then remove the top cover (callout 2).

**Figure 1-1270** Remove the top cover

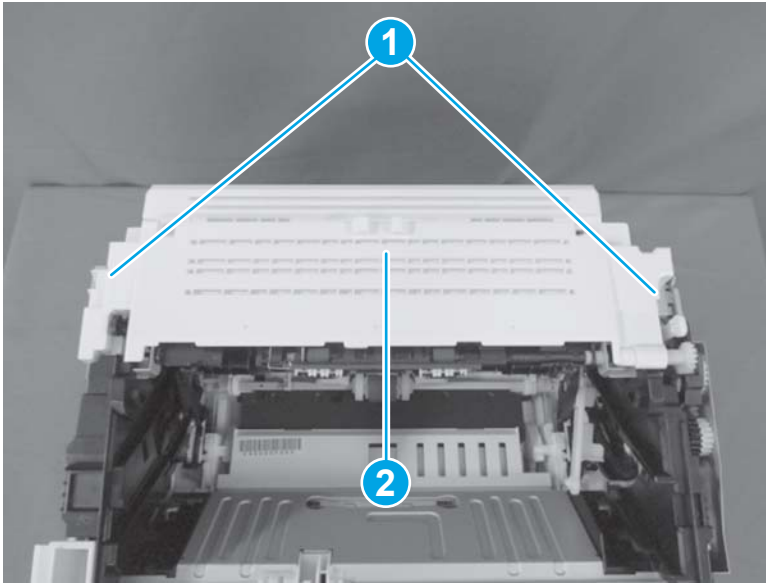


#### Step 12: Remove the top rear cover (SFP)

 **NOTE:** This step is for the SFP printers. For the MFP printers, skip this step and go to [Step 13: Remove the duplex paper feed assembly on page 760](#).

- ▲ Remove two screws (callout 1), and then remove the top rear cover (callout 2).

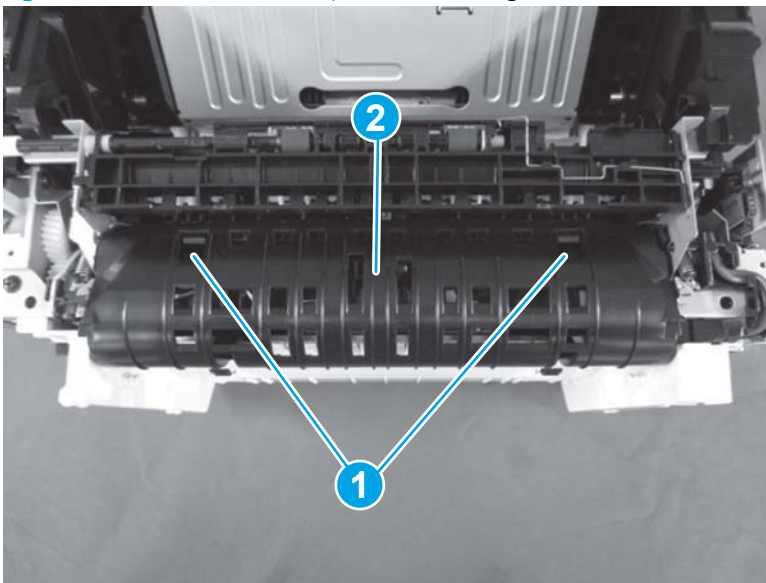
Figure 1-1271 Remove the top rear cover (SFP)



### Step 13: Remove the duplex paper feed assembly

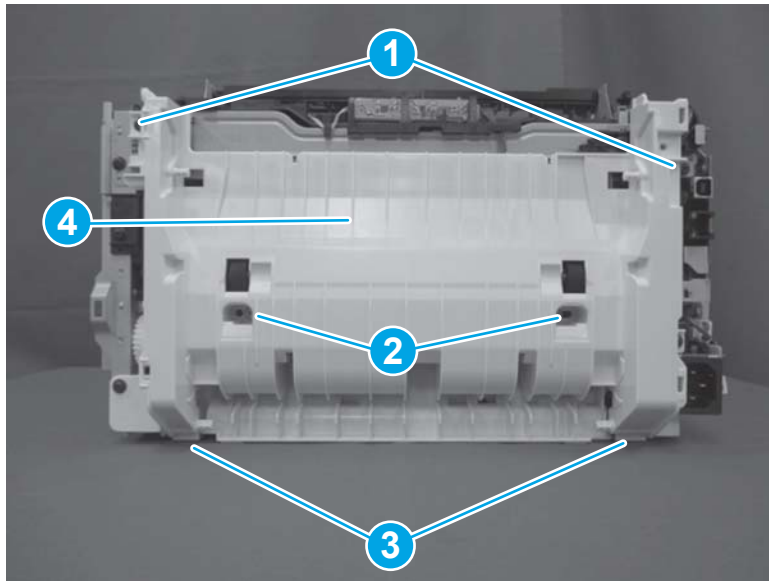
1. Release two tabs (callout 1), and then remove the duplex switchback guide (callout 2).

Figure 1-1272 Remove the duplex switchback guide




2. Remove two M3 screws (callout 1), and then remove two M4 screws (callout 2). Release two tabs (callout 3), and then remove the duplex paper feed assembly (callout 4).

Figure 1-1273 Remove the duplex feed assembly



#### Step 14: Unpack the replacement assembly

1. Dispose of the defective part.

 **NOTE:** HP recommends responsible disposal of the defective part.

[www.hp.com/recycle](http://www.hp.com/recycle)

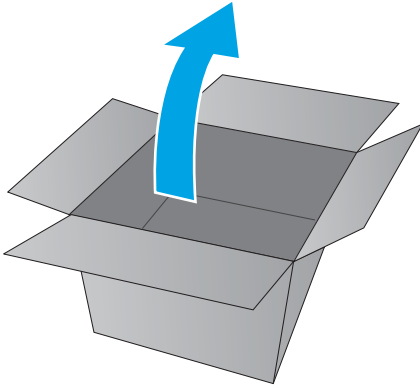




2. Unpack the replacement part from the packaging.

**⚠ CAUTION:** If the replacement part is a roller or pad, avoid touching the spongy part of it. Skin oils on the roller or pad can cause paper pickup and/or print-quality problems. HP recommends using disposable gloves when handling rollers or pads or washing your hands or before touching rollers or pads.

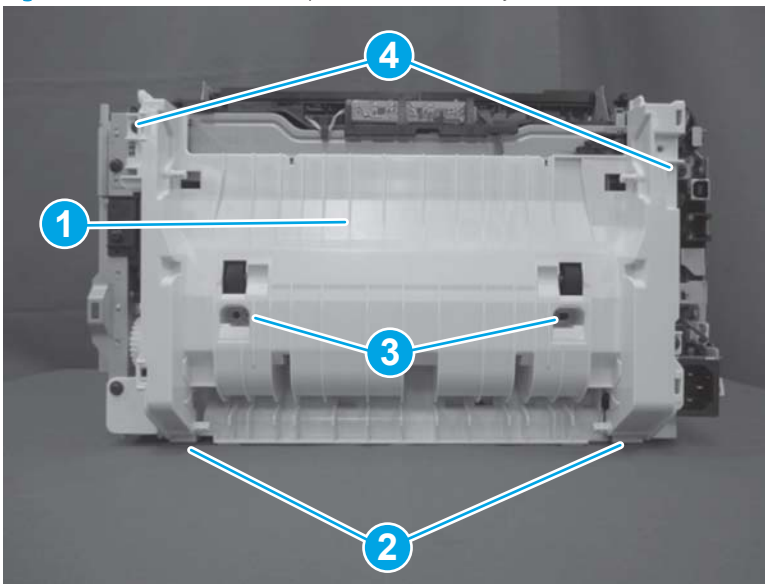
**📄 IMPORTANT:** Make sure that all of the shipping materials (for example shipping tape) are removed from the replacement part prior to installation.



#### Step 15: Install the duplex paper feed assembly

1. Position the duplex paper feed assembly (callout 1) on the printer, and then install two tabs (callout 2). Install two M4 screws (callout 3), and then install two M3 screws (callout 4).

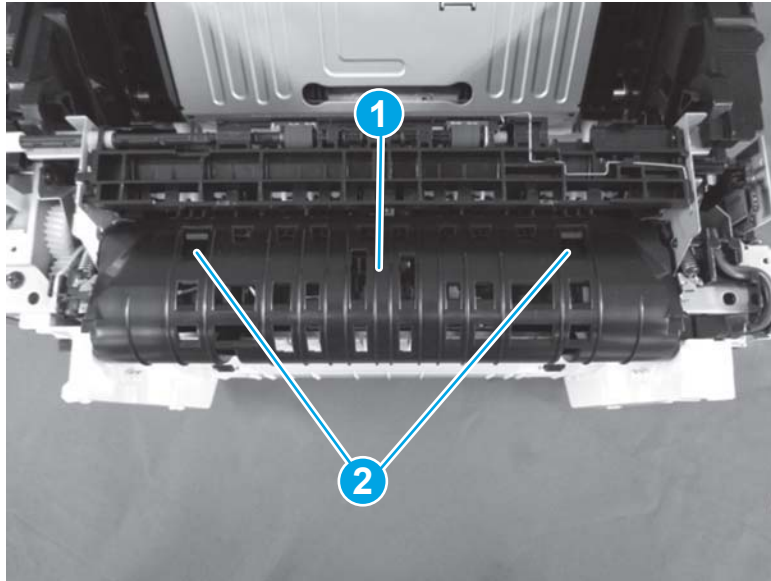
**Figure 1-1274** Install the duplex feed assembly





2. Position the duplex switchback guide (callout 1) on the printer, and then engage two tabs (callout 2) to install it.

**Figure 1-1275** Install the duplex switchback guide

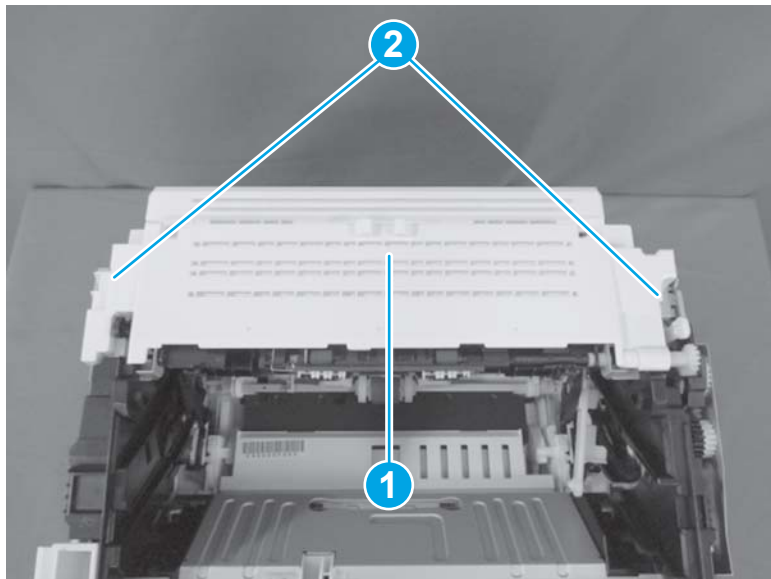


#### Step 16: Install the top rear cover (SFP)

 **NOTE:** This step is for the SFP printers. For the MFP printers, skip this step and go to [Step 18: Install the cartridge door on page 764](#).

- ▲ Position the top cover (callout 1) on the printer, and then install two screws (callout 2).

**Figure 1-1276** Install the top rear cover (SFP)

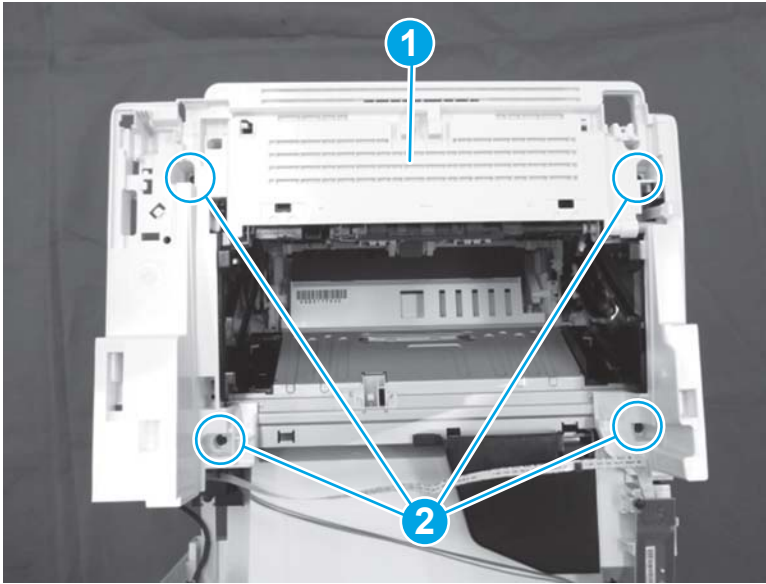


#### Step 17: Install the top cover (MFP)

 **NOTE:** This step is for the MFP printers. For the SFP printers, skip this step and go to [Step 18: Install the cartridge door on page 764](#).

- ▲ Position the top cover (callout 1) on the printer, and then install four screws (callout 2).

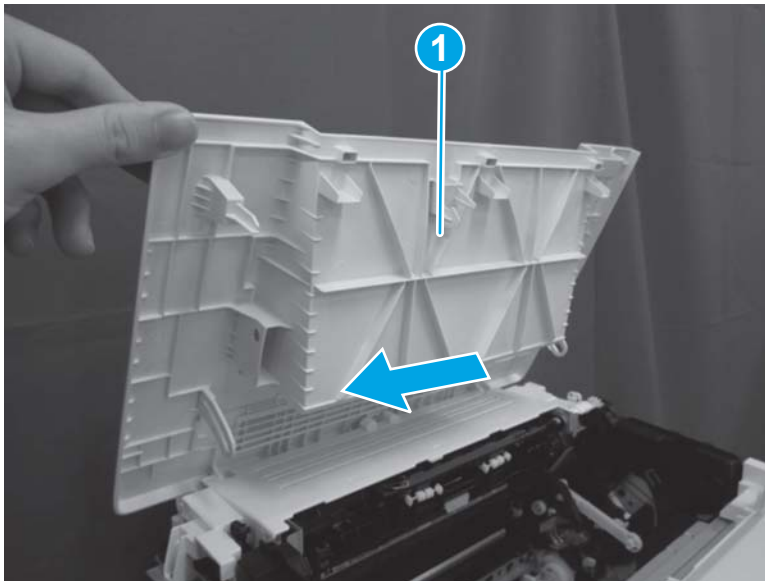
Figure 1-1277 Install the top cover



### Step 18: Install the cartridge door

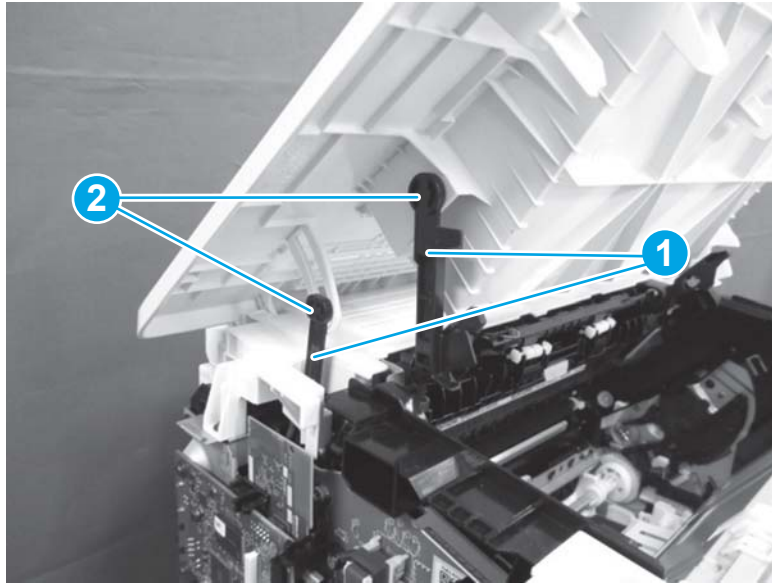
1. **SFP:** Do the following.
  - a. Position the cartridge door (callout 1) on the printer, and then slide it toward the left-side of the printer to install it.

Figure 1-1278 Install the cartridge door (SFP)



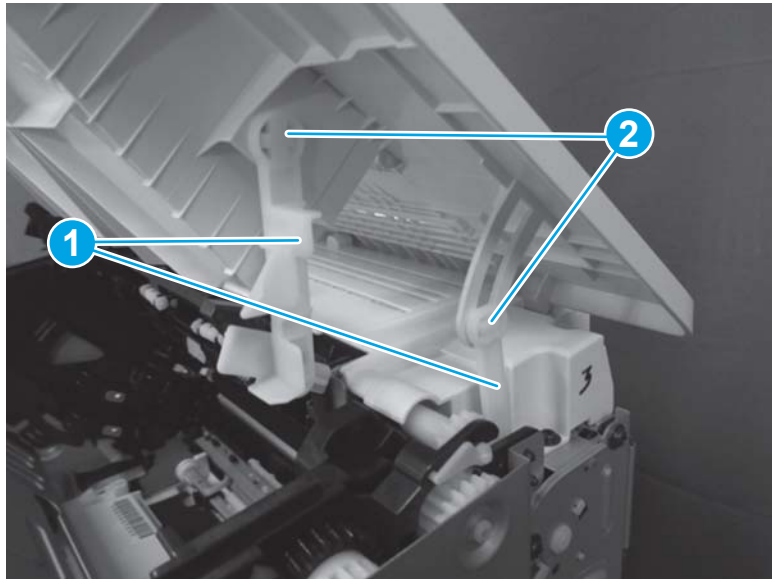
- b. On the left side of the printer, position two link arms (callout 1), and then engage two tabs (callout 2).

Figure 1-1279 Connect left link arms (SFP)



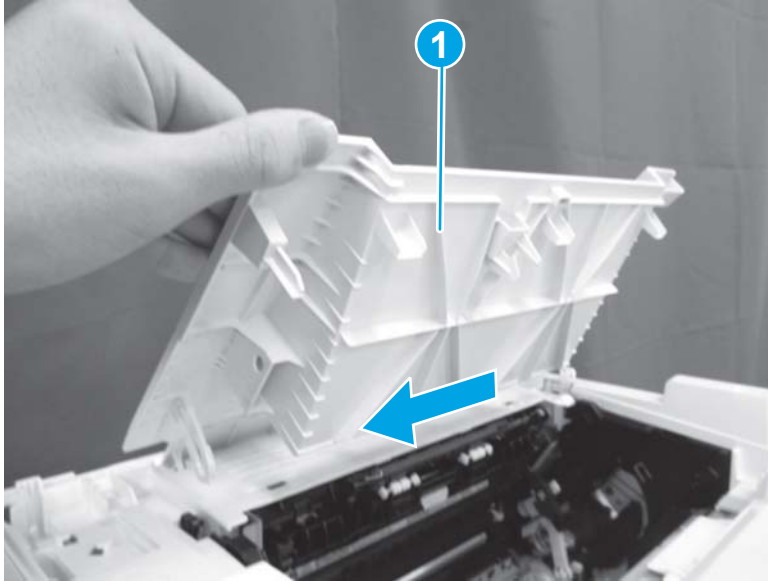
- c. On the right side of the printer, position two link arms (callout 1), and then engage two tabs (callout 2).

Figure 1-1280 Connect right link arms (SFP)



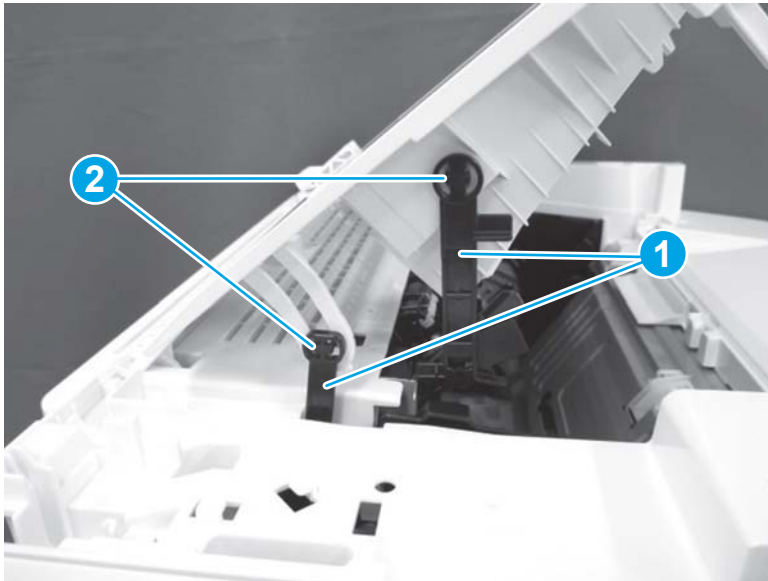
- 2. MFP: Do the following.
  - a. Position the cartridge door (callout 1) on the printer, and then slide it toward the left-side of the printer to install it.

Figure 1-1281 Install the cartridge door (MFP)



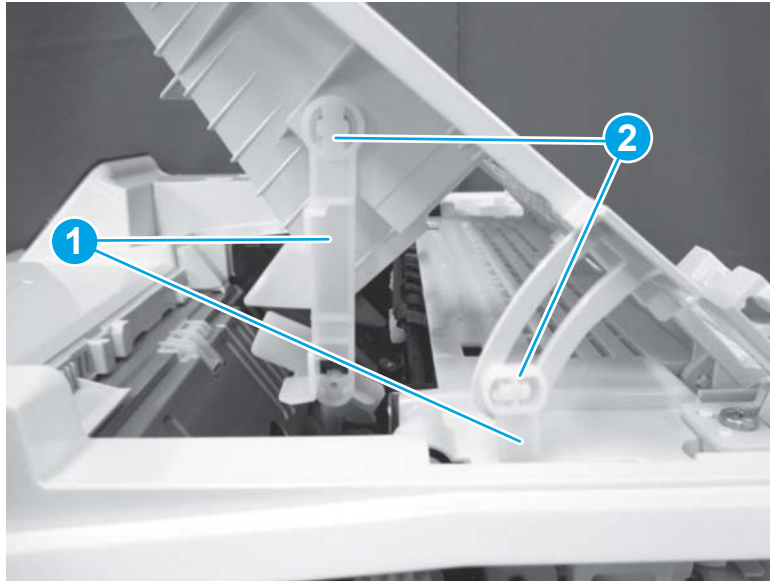
- b. On the left side of the printer, position two link arms (callout 1), and then engage two tabs (callout 2).

Figure 1-1282 Connect left link arms (MFP)




- c. On the right side of the printer, position two link arms (callout 1), and then engage two tabs (callout 2).

**Figure 1-1283** Connect right link arms (MFP)

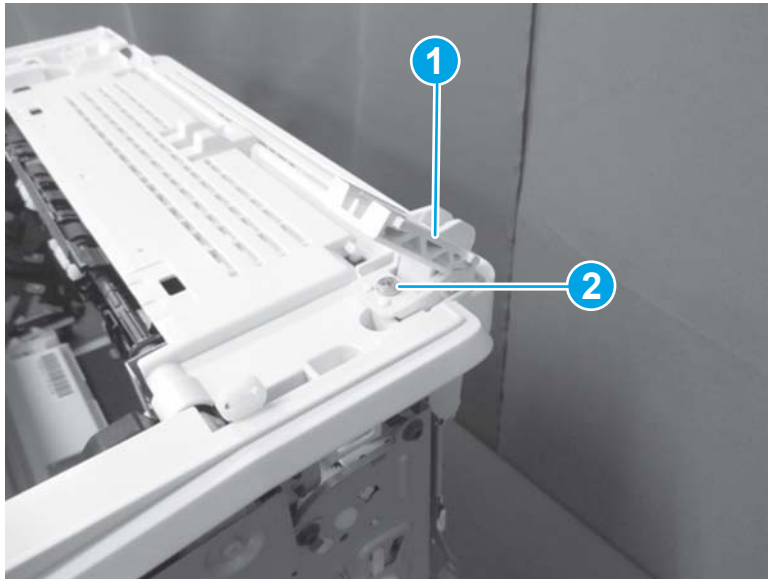


#### Step 19: Install the hinge assembly (MFP)

 **NOTE:** This step is for the MFP printers. For the SFP printers, skip this step and go to [Step 20: Install the front cover on page 767](#).

- ▲ Position the hinge assembly (callout 1) on the printer, and then install one screw (callout 2).

**Figure 1-1284** Install the hinge assembly (MFP)



#### Step 20: Install the front cover

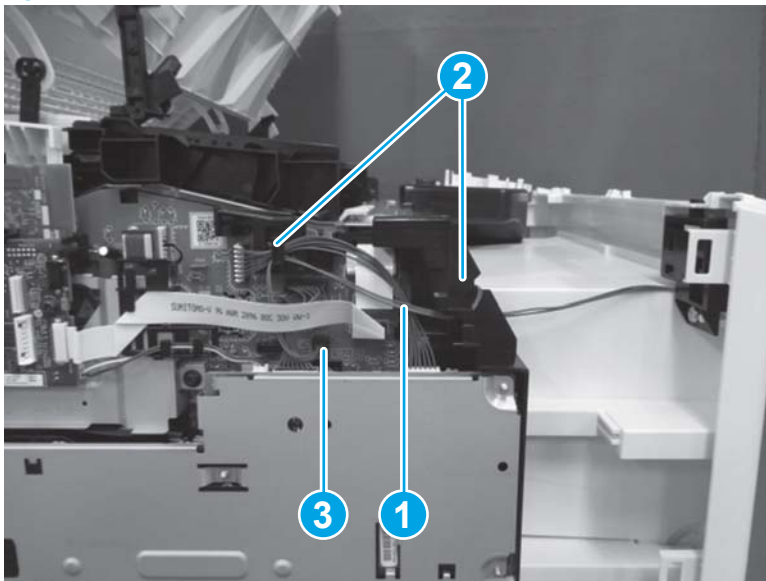
1. **SFP:** Do the following.
  - a. Slide the front cover (callout 1) toward the printer to install it.

Figure 1-1285 Install the front cover (SFP)



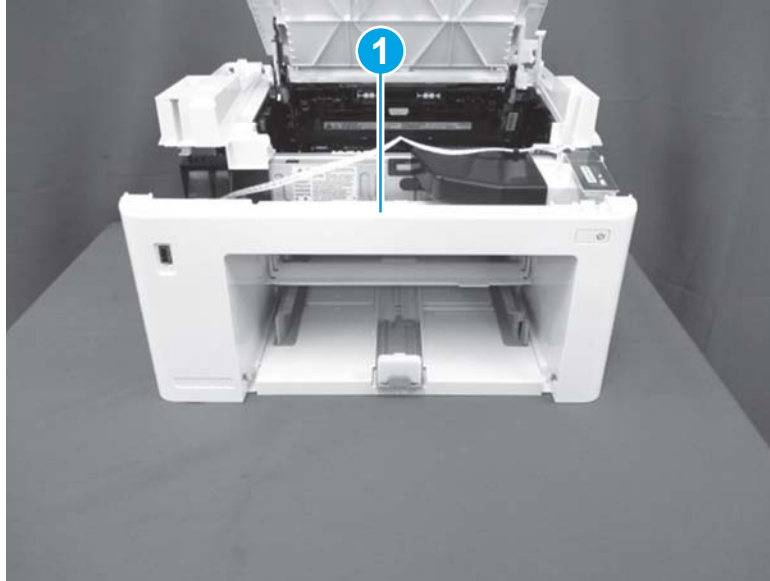
- b. Install the cable (callout 1) in the cable guide (callout 2), and then connect one connector (callout 3).

Figure 1-1286 Connect the connector (SFP)



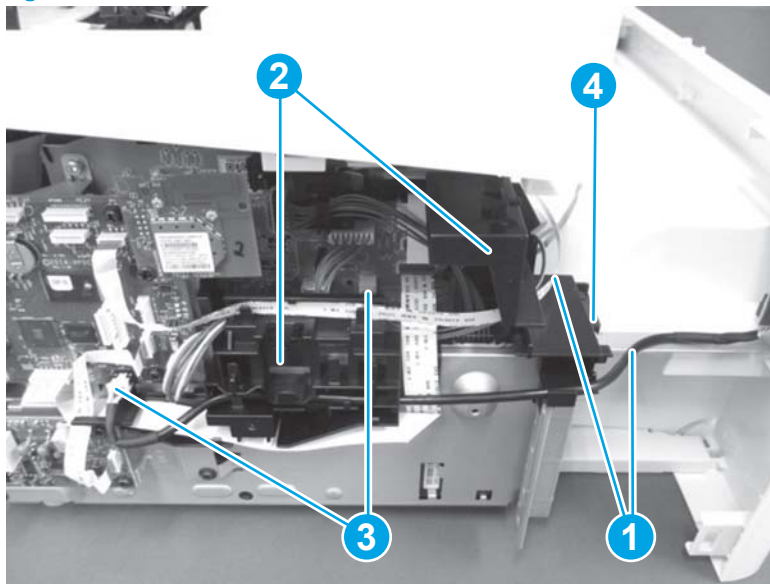
- 2. **MFP:** Do the following.
  - a. Slide the front cover (callout 1) toward the printer to install it.

Figure 1-1287 Install the front cover (MFP)



- b. Install the cables (callout 1) in the cable guides (callout 2), and then connect two connectors (callout 3). Install one screw (callout 4).

Figure 1-1288 Connect two connectors (MFP)

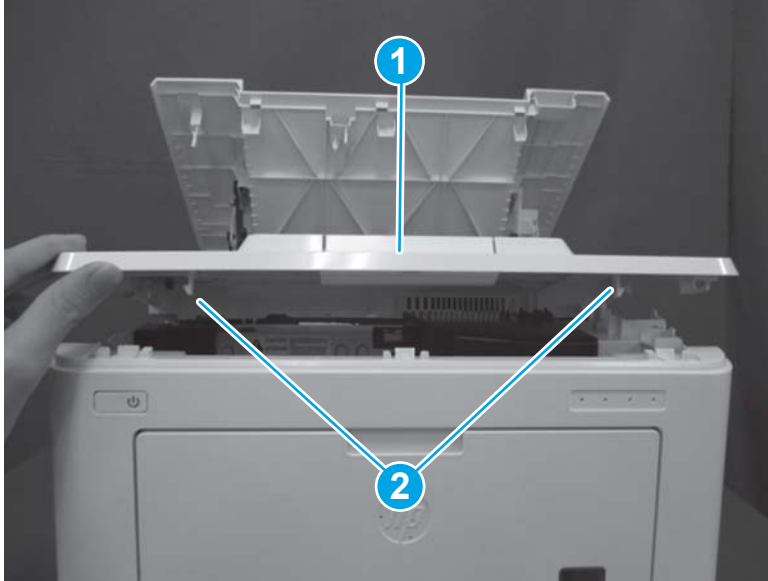


### Step 21: Install the top front cover

1. SFP: Do the following.
  - a. Position the top front cover (callout 1) on the printer and install two tabs (callout 2).



Figure 1-1289 Install two tabs



- b. On the top of the cover, install one tab (callout 1).

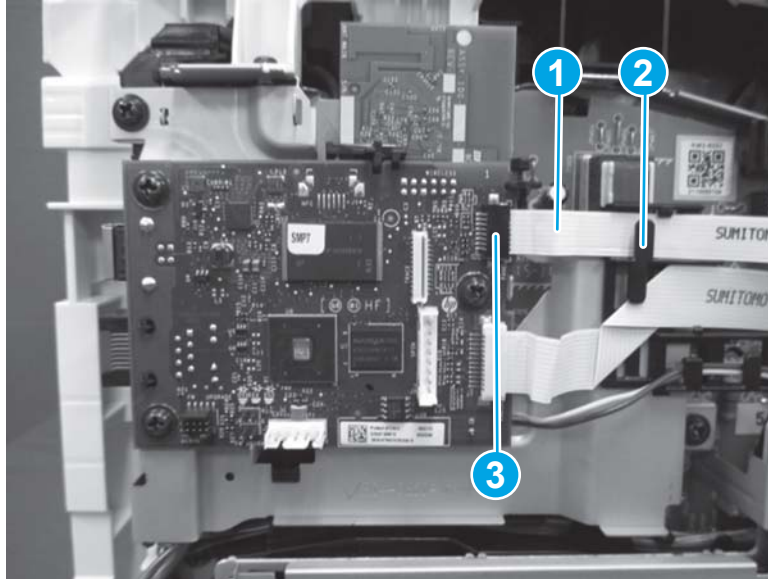
Figure 1-1290 Install one tab





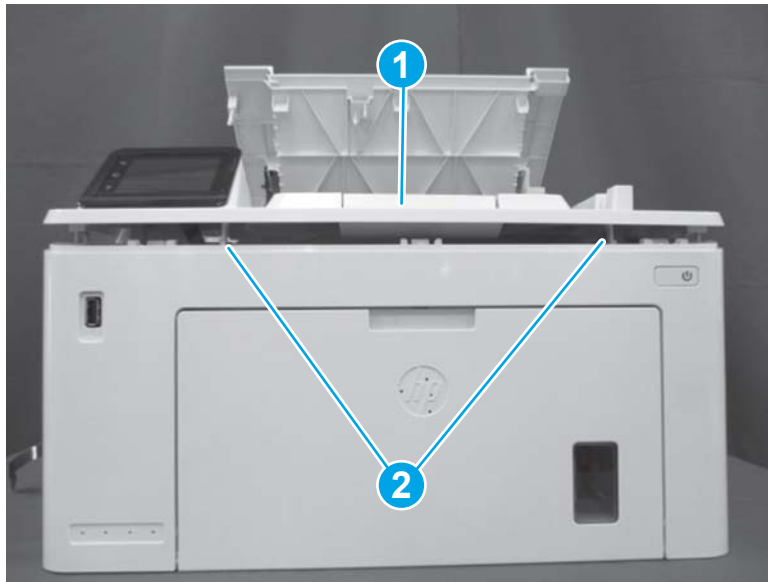
- c. Install the cable (callout 1) in the guide (callout 2), and then connect one connector (callout 3) on the formatter.

Figure 1-1291 Connect one connector



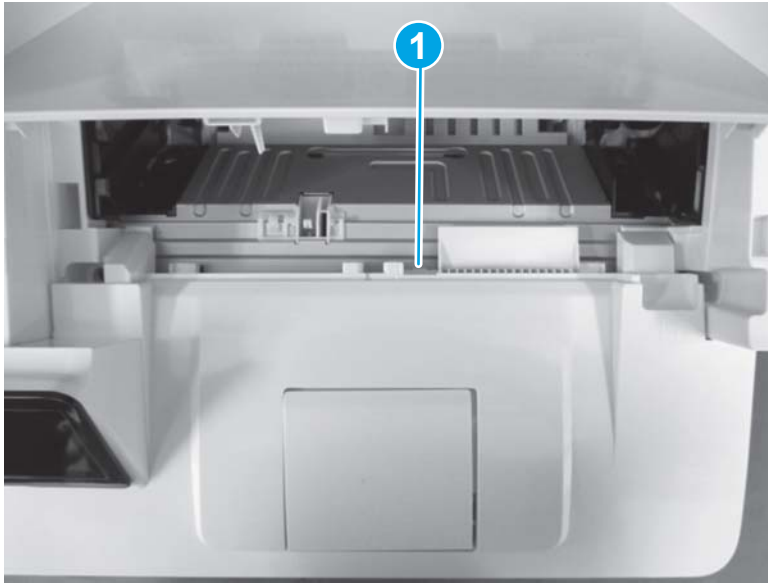
- 2. MFP: Do the following.
  - a. Position the top front cover (callout 1) on the printer, and then install two tabs (callout 2).

Figure 1-1292 Install two tabs



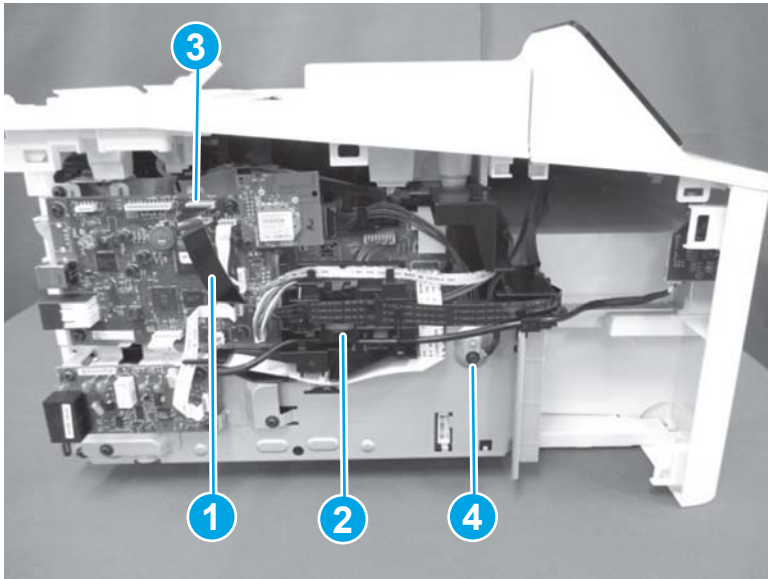
- b. Install one tab (callout 1).

Figure 1-1293 Install one tab



- c. Install the cable (callout 1) in the cable guide (callout 2), and then connect one connector (callout 3). Install one screw (callout 4) to secure the grounding cable.

Figure 1-1294 Install one connector and grounding cable

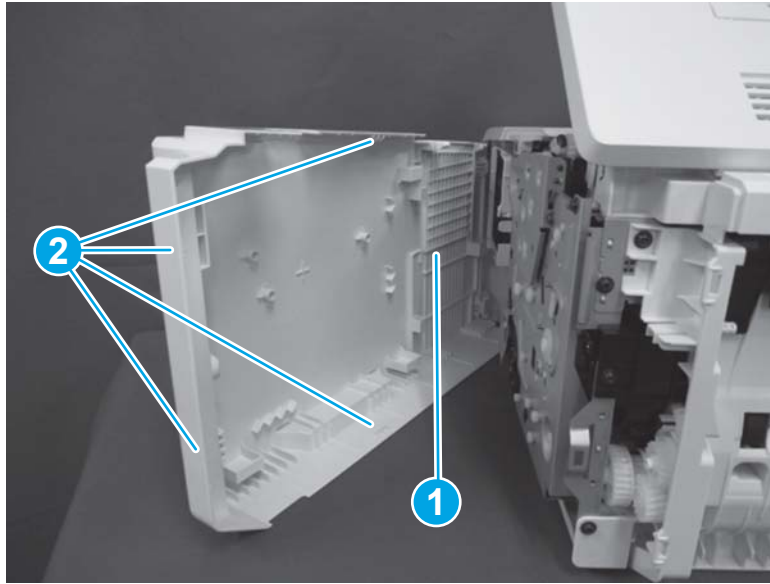


### Step 22: Install the right cover

1. SFP: Do the following.
  - a. Open the cartridge door.

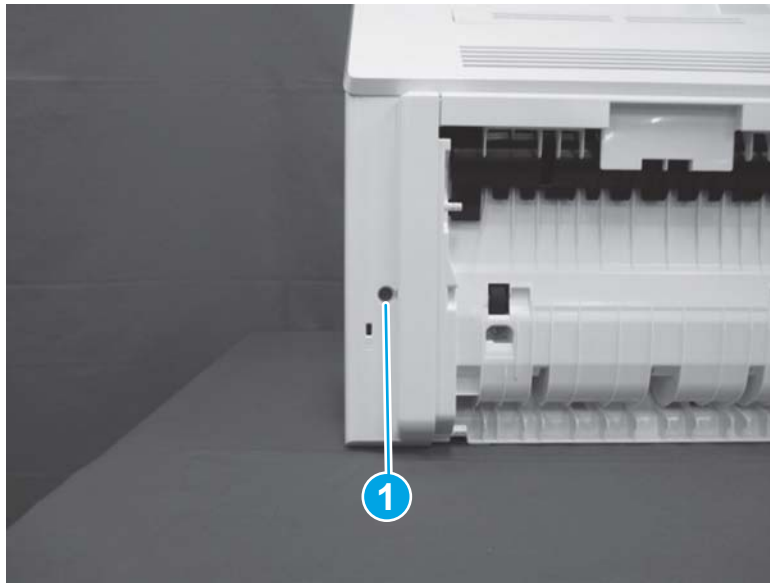
- b. Position the right cover (callout 1) on the printer, and then engage four tabs (callout 2).

**Figure 1-1295** Install the right cover (SFP)



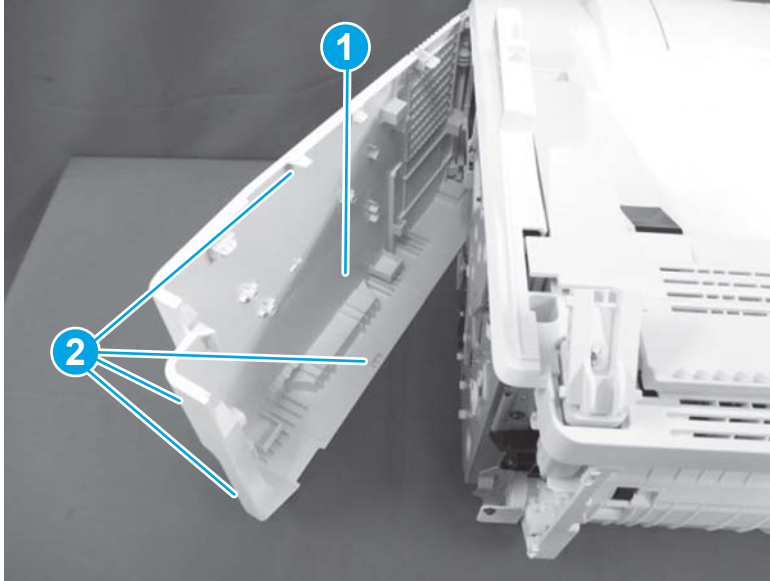
- c. Close the cartridge door.
- d. Install one screw (callout 1).

**Figure 1-1296** Install one screw (SFP)



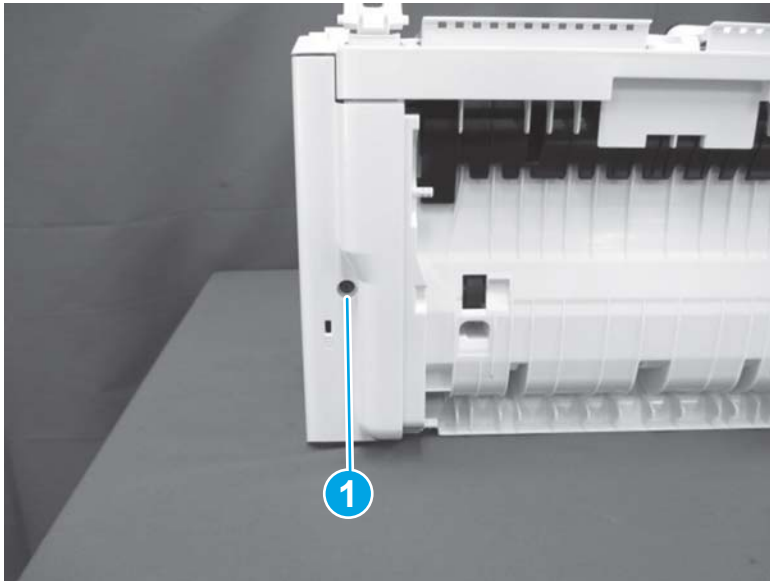
- 2. **MFP:** Do the following.
  - a. Position the right cover (callout 1) on the printer, and then engage four tabs (callout 2).

Figure 1-1297 Install the right cover (MFP)




- b. Install one screw (callout 1).

Figure 1-1298 Install one screw (MFP)



### Step 23: Install the 3-in-1 or 4-in-1 scanner assembly (MFP)

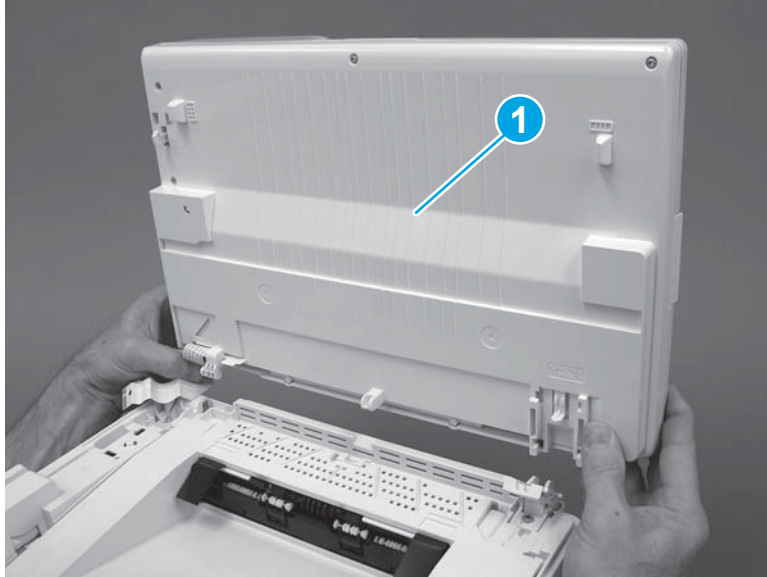
 **NOTE:** This step is for the MFP printers. For the SFP printers, skip this step and go to [Step 25: Install the left cover on page 778](#).

 **NOTE:** The 4-in-1 scanner assembly supports the document feeder. The 3-in-1 scanner assembly does not support the document feeder.

The figures in this procedure show a 4-in-1 printer. However, the procedure is correct for 3-in-1 printers.

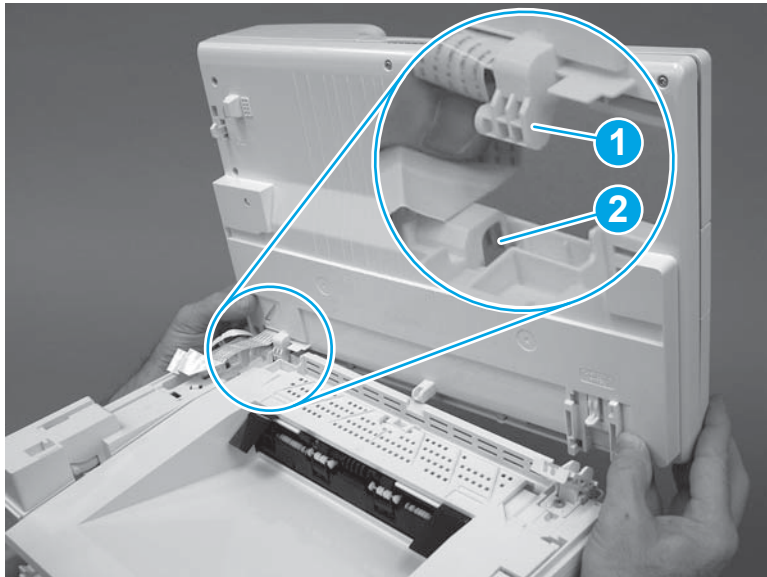
1. Position the scanner assembly (callout 1) near the printer.

Figure 1-1299 Install the scanner assembly (MFP)



2. Engage the left hinge (callout 1) with the top cover (callout 2).

Figure 1-1300 Engage the left hinge (MFP)



3. Push the right side of the scanner assembly toward the front of the printer to engage the right hinge (callout 1). Make sure that the tab (callout 2) snaps into place.

**Figure 1-1301** Engage the right hinge (MFP)

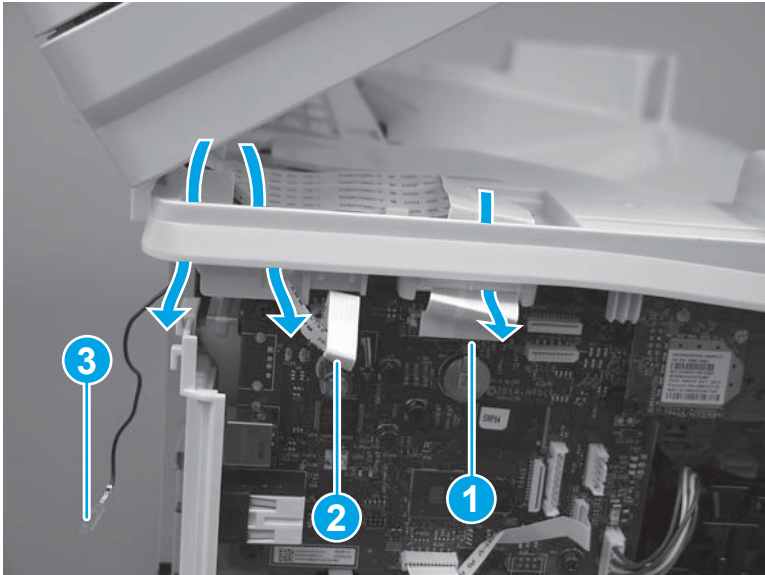


4. **4-in-1 models only:** Pass the flat cables (callouts 1/2) and the ground wire (callout 3) through the openings in the chassis, and then connect the two flat cables.

**3-in-1 models only:** Pass the flat cable (callout 1) through the opening in the chassis, and then connect one flat cable.

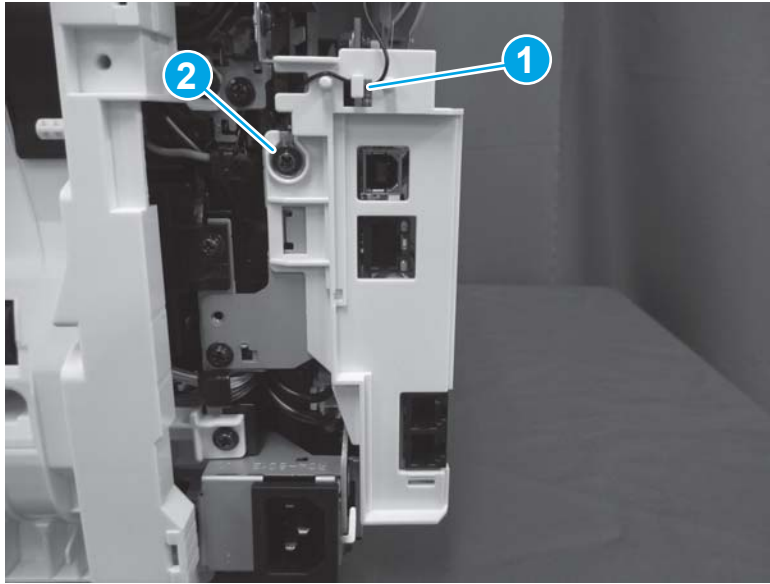
 **NOTE:** The 3-in-1 model does not have the small flat cable (callout 2) or a ground wire (callout 3).

**Figure 1-1302** Connect flat cable(s)



5. **4-in-1 models only:** Install the ground wire in the retainer (callout 1), and then install one screw (callout 2).

**Figure 1-1303** Install the ground wire (4-in-1 models)

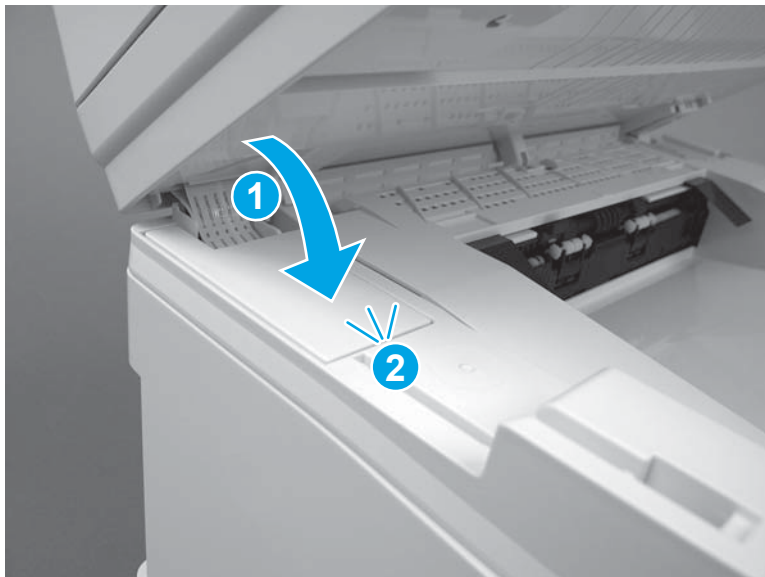


#### Step 24: Install the cable cover (MFP)

 **NOTE:** This step is for the MFP printers. For the SFP printers, skip this step and go to [Step 25: Install the left cover on page 778](#).

1. Install the cable cover (callout 1), on the printer, and then push down to engage one tab (callout 2).

**Figure 1-1304** Install the cable cover (MFP)





2. Close the scanner assembly.

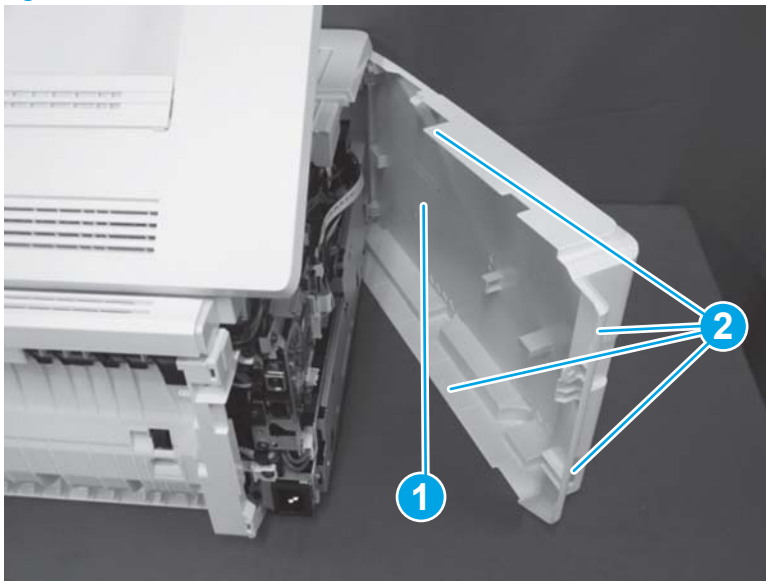
**Figure 1-1305** Close the scanner assembly



#### Step 25: Install the left cover

1. SFP: Do the following.
  - a. Open the cartridge door.
  - b. Position the left cover (callout 1) on the printer, and then engage four tabs (callout 2).

**Figure 1-1306** Install the left cover (SFP)

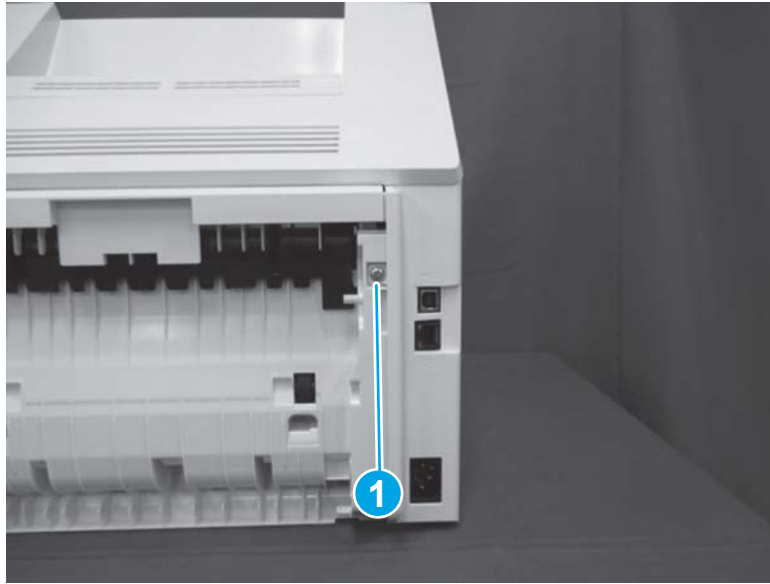


- c. Close the cartridge door.



- d. Install one screw (callout 1).

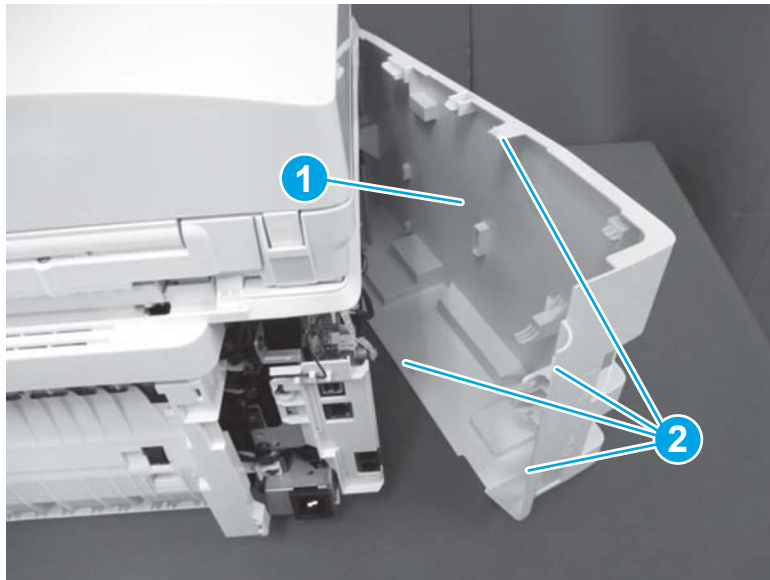
Figure 1-1307 Install one screw (SFP)



- 2. MFP: Do the following.

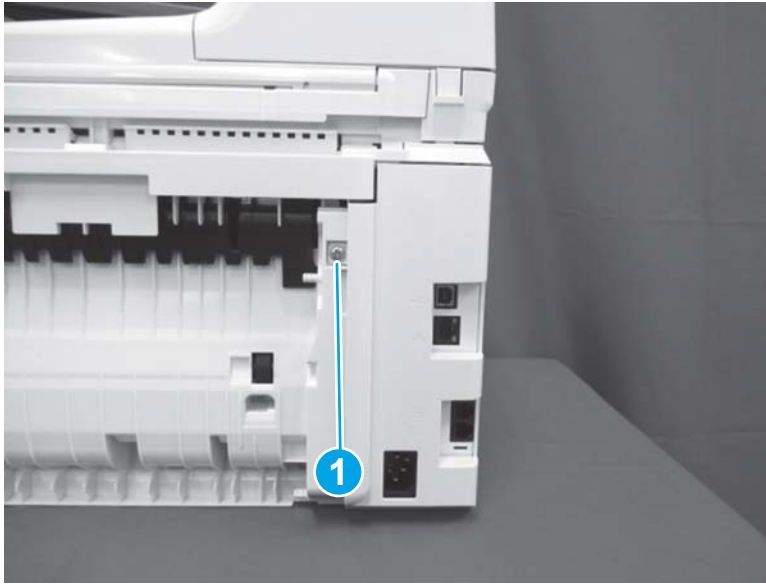
- a. Position the left cover (callout 1) on the printer, and then engage four tabs (callout 2).

Figure 1-1308 Install the left cover (MFP)



- b. Install one screw (callout 1).

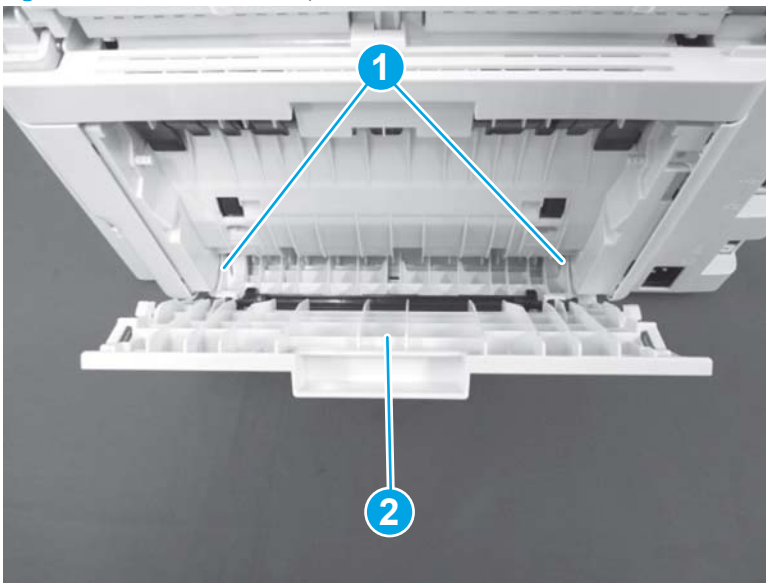
Figure 1-1309 Install one screw (MFP)



#### Step 26: Install the duplex door

1. Install two tabs (callout 1) to install the duplex door (callout 2).

Figure 1-1310 Install the duplex door

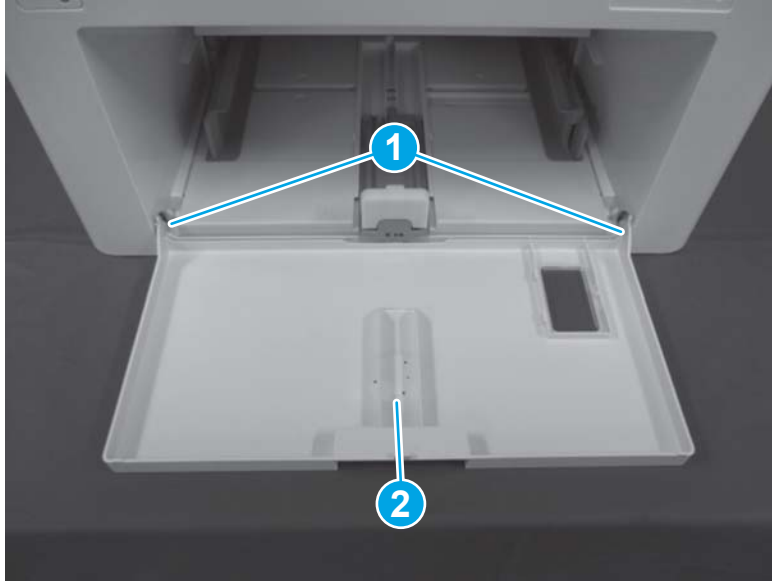


2. Close the duplex door.

#### Step 27: Install the multipurpose cover

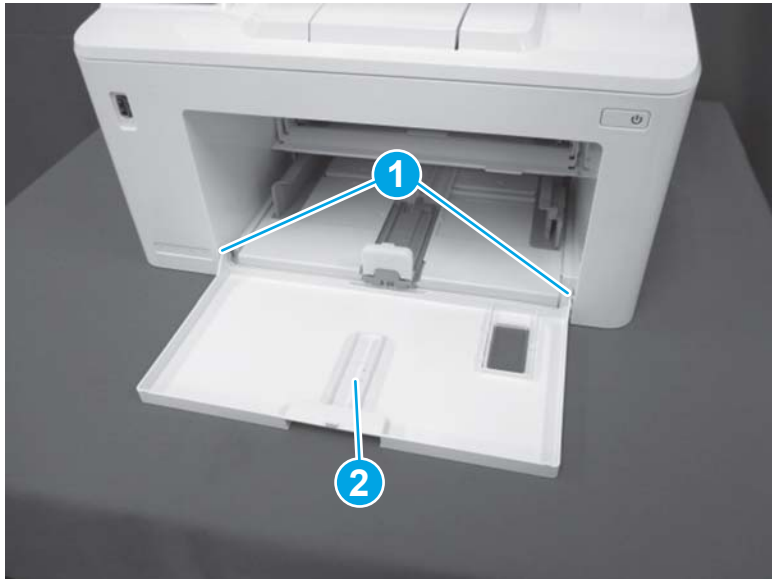
1. **SFP:** Engage two bosses (callout 1), to install the cover (callout 2).

Figure 1-1311 Install the multipurpose cover (SFP)



2. MFP: Engage two bosses (callout 1) to install the cover (callout 2).

Figure 1-1312 Install the multipurpose cover (MFP)



3. Close the multipurpose cover.

## Removal and replacement: Environmental sensor

- [Introduction](#)
- [Step 1: Remove the multipurpose cover](#)
- [Step 2: Remove the duplex door](#)
- [Step 3: Remove the left cover](#)
- [Step 4: Remove the cable cover \(MFP\)](#)
- [Step 5: Remove the 3-in-1 or 4-in-1 scanner assembly \(MFP\)](#)
- [Step 6: Remove the right cover](#)
- [Step 7: Remove the top front cover](#)
- [Step 8: Remove the front cover](#)
- [Step 9: Remove the hinge assembly \(MFP\)](#)
- [Step 10: Remove the cartridge door](#)
- [Step 11: Remove the top cover \(MFP\)](#)
- [Step 12: Remove the top rear cover \(SFP\)](#)
- [Step 13: Remove the duplex paper feed assembly](#)
- [Step 14: Remove the separation pad assembly](#)
- [Step 15: Remove the environmental sensor](#)
- [Step 16: Unpack the replacement assembly](#)
- [Step 17: Install the environmental sensor](#)
- [Step 18: Install the separation pad](#)
- [Step 19: Install the duplex paper feed assembly](#)
- [Step 20: Install the top rear cover \(SFP\)](#)
- [Step 21: Install the top cover \(MFP\)](#)
- [Step 22: Install the cartridge door](#)
- [Step 23: Install the hinge assembly \(MFP\)](#)
- [Step 24: Install the front cover](#)
- [Step 25: Install the top front cover](#)
- [Step 26: Install the right cover](#)
- [Step 27: Install the 3-in-1 or 4-in-1 scanner assembly \(MFP\)](#)
- [Step 28: Install the cable cover \(MFP\)](#)
- [Step 29: Install the left cover](#)

- [Step 30: Install the duplex door](#)
- [Step 31: Install the multipurpose cover](#)

## Introduction


This document provides the procedures to remove and replace the environmental sensor.

## Before performing service



### Turn the printer power off

- Disconnect the power cable.

---

 **WARNING!** To avoid damage to the printer, turn the printer off, wait 30 seconds, and then remove the power cable before attempting to service the printer.

---

 **CAUTION:**  This part contains components that are electrostatic discharge (ESD) sensitive. To reduce the possibility of ESD damage, always touch the sheet-metal chassis to ground yourself before touching an ESD sensitive part.

---

Use the table below to identify the correct part number for your printer. To order the part, go to [www.hp.com/buy/parts](http://www.hp.com/buy/parts).

Environmental sensor part number	
RM2-8376-000CN	Environmental sensor

## Required tools

- #2 Phillips screwdriver with a magnetic tip.

## After performing service

### Turn the printer power on

- Connect the power cable.
- Use the power switch to turn the power on.

## Post service test

**MFP only:** Verify that the document feeder and the flatbed scanner are correctly functioning (copy a page).

Send a print job from the host computer (or print a configuration report). Verify that a page prints.

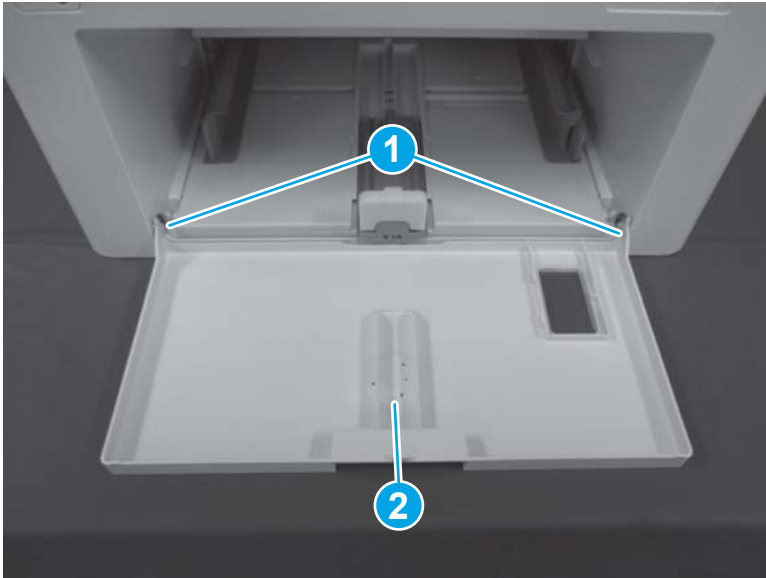
## Step 1: Remove the multipurpose cover

1. Open the multipurpose cover.

2. **SFP:** Release two bosses (callout 1), and then remove the cover (callout 2).

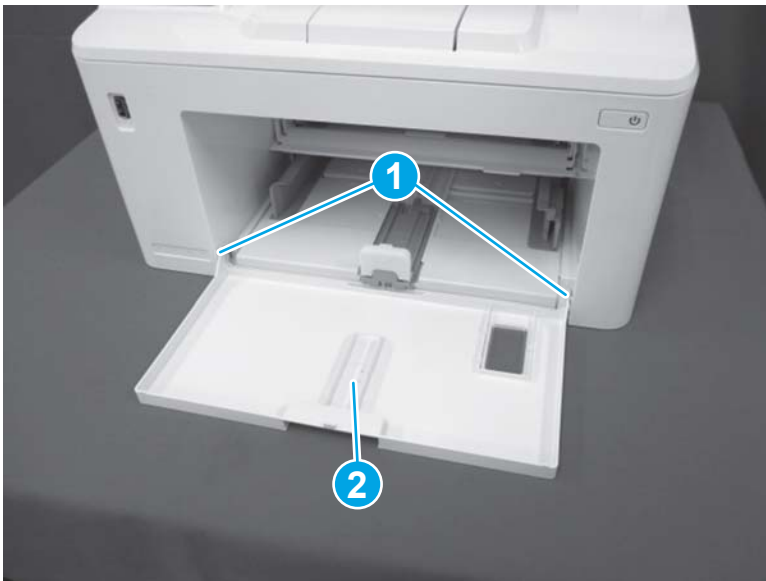
 **TIP:** It might be easier to remove the cover if the right boss is released first, and then lower the right-side of the cover to release the left-side boss.

**Figure 1-1313** Remove the multipurpose cover (SFP)



3. **MFP:** Release two bosses (callout 1), and then remove the cover (callout 2).

**Figure 1-1314** Remove the multipurpose cover (MFP)

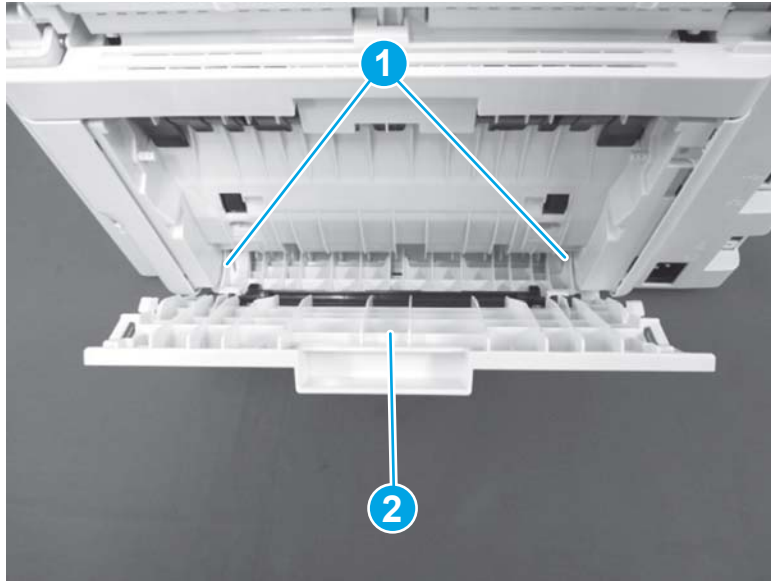


## Step 2: Remove the duplex door

1. Open the duplex door.

2. Use a small flat-blade screwdriver to release two tabs (callout 1), and then remove the duplex door (callout 2).

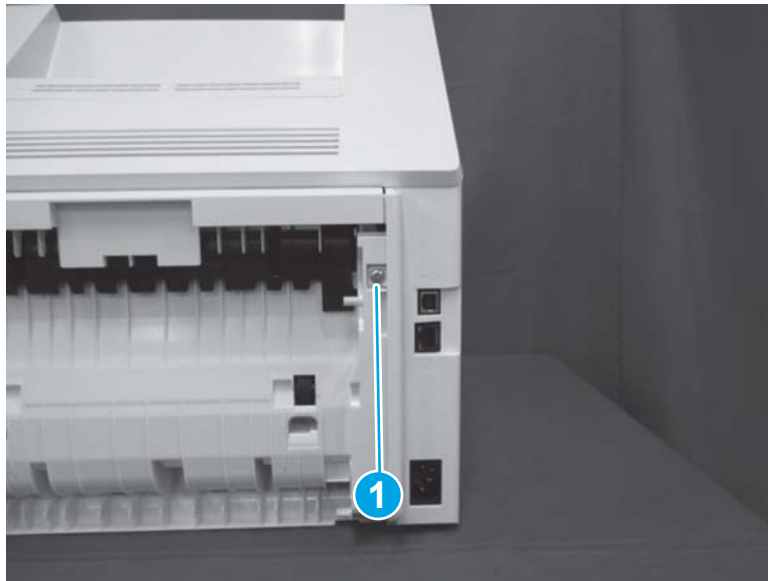
**Figure 1-1315** Remove the duplex door



### Step 3: Remove the left cover

1. **SFP:** Do the following.
  - a. Remove one screw (callout 1).

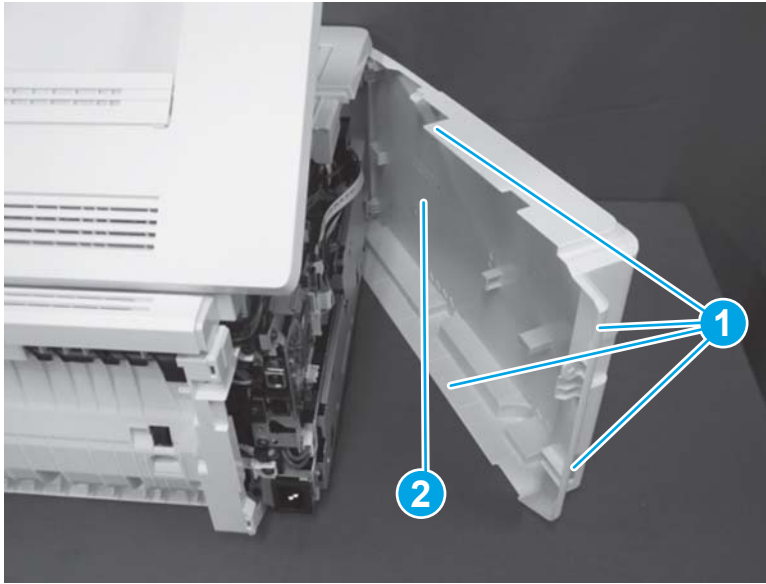
**Figure 1-1316** Remove one screw (SFP)



- b. Open the cartridge door.

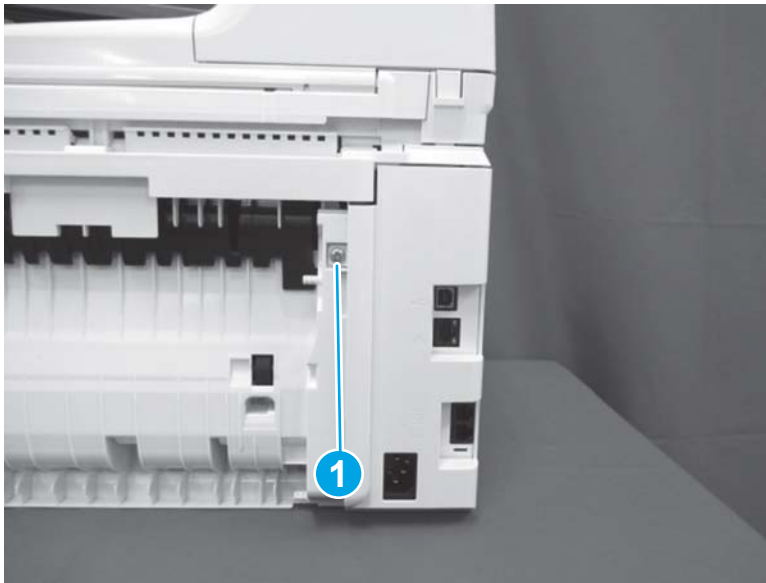
- c. Release four tabs (callout 1), and then remove the left cover (callout 2).

Figure 1-1317 Remove the left cover (SFP)



- 2. MFP: Do the following.
  - a. Remove one screw (callout 1).

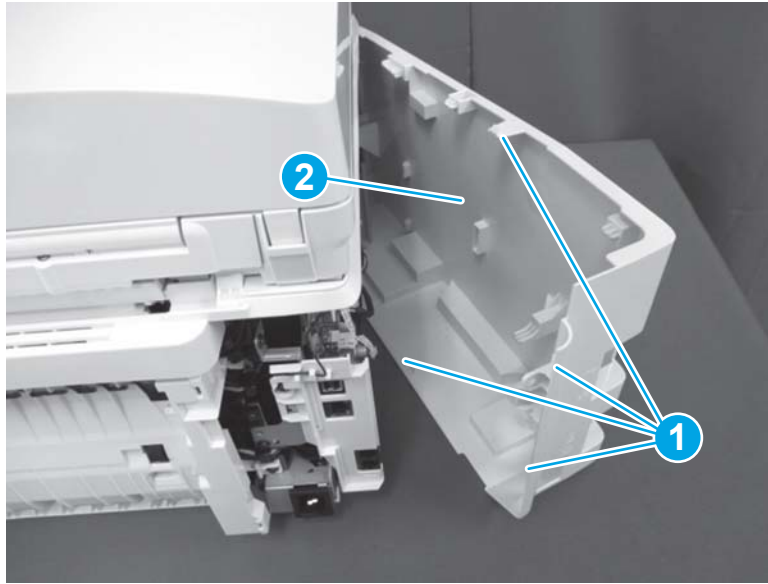
Figure 1-1318 Remove one screw (MFP)





- b. Release four tabs (callout 1), and then remove the left cover (callout 2).

**Figure 1-1319** Remove the left cover (MFP)



#### Step 4: Remove the cable cover (MFP)

 **NOTE:** This step is for the MFP printers. For the SFP printers, skip this step and go to [Step 6: Remove the right cover on page 790](#).

1. Open the scanner assembly.

**Figure 1-1320** Open the scanner assembly




2. Use a small flat-blade screw driver to release one tab (callout 1), and then remove the cable cover (callout 2).

**Figure 1-1321** Remove the cable cover (MFP)



#### Step 5: Remove the 3-in-1 or 4-in-1 scanner assembly (MFP)

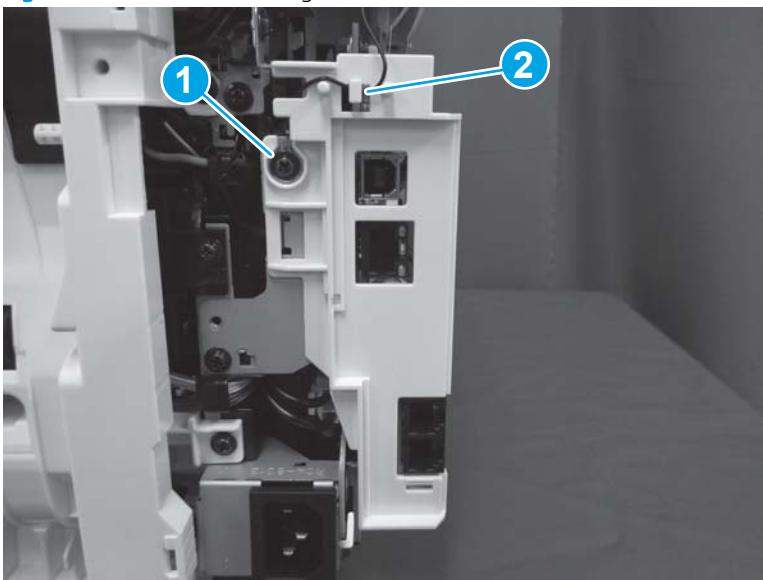
 **NOTE:** This step is for the MFP printers. For the SFP printers, skip this step and go to [Step 6: Remove the right cover on page 790](#).

 **NOTE:** The 4-in-1 scanner assembly supports the document feeder. The 3-in-1 scanner assembly does not support the document feeder.

The figures in this procedure show a 4-in-1 printer. However, the procedure is correct for 3-in-1 printers.

1. **4-in-1 models only:** Remove one screw (callout 1), and then release the ground wire from the retainer (callout 2).

**Figure 1-1322** Release the ground wire (4-in-1 models)

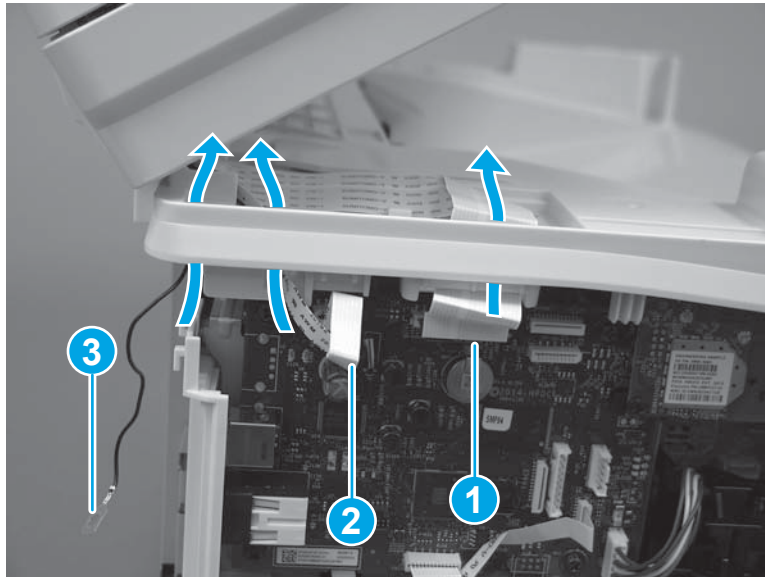


2. **4-in-1 models only:** Disconnect two flat cables (callouts 1/2), and then pass the flat cables and the ground wire (callout 3) up through the opening in the chassis.

**3-in-1 models only:** Disconnect one flat cable (callout 1), and then pass the flat cable through the opening in the chassis.

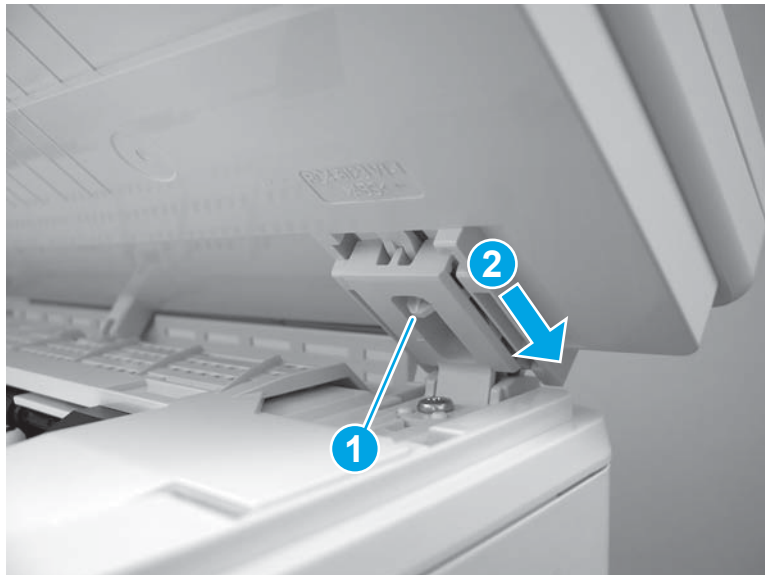
 **NOTE:** The 3-in-1 model does not have the small flat cable (callout 2) or a ground wire (callout 3).

**Figure 1-1323** Disconnect flat cable(s)



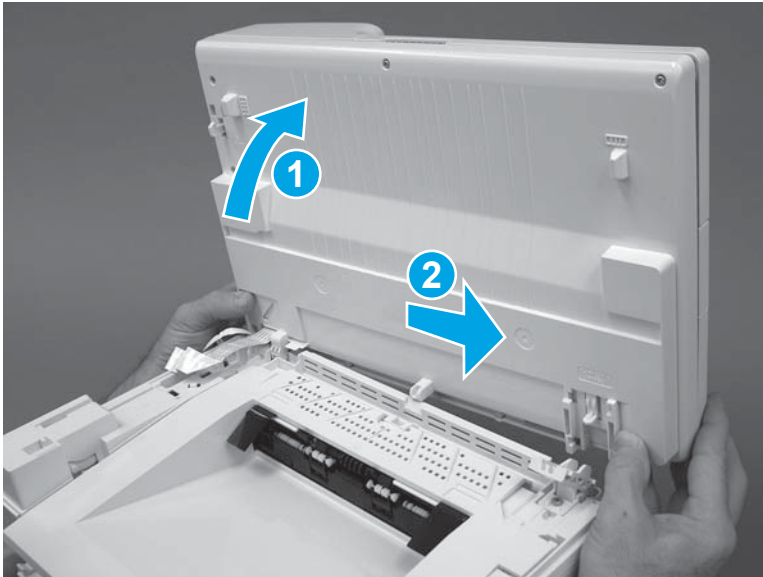
3. Release one tab (callout 1), and then push the right side of the scanner assembly toward the rear of the printer to release the right hinge (callout 2).

**Figure 1-1324** Release the right hinge



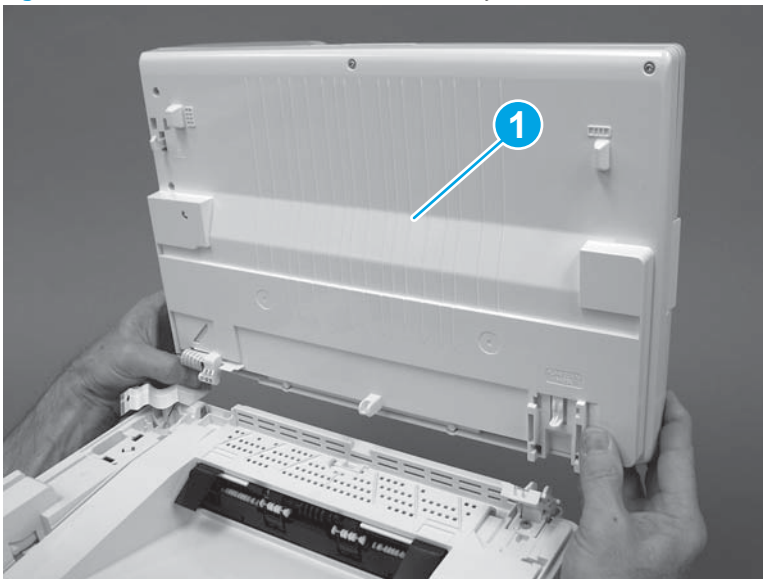
4. Rotate the scanner assembly towards the rear of the printer (callout 1), and then slide the scanner assembly toward the right side of the printer to release the left hinge (callout 2).

Figure 1-1325 Release the left hinge



5. Remove the scanner assembly (callout 1).

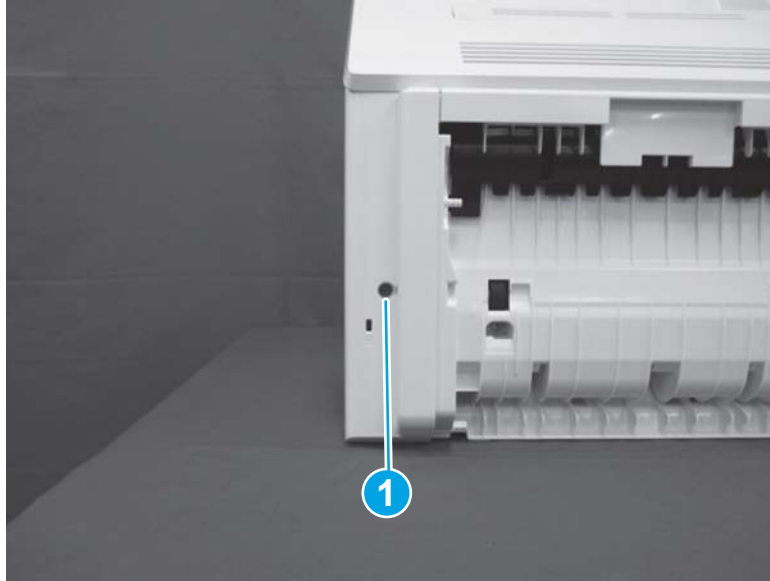
Figure 1-1326 Remove the scanner assembly



#### Step 6: Remove the right cover

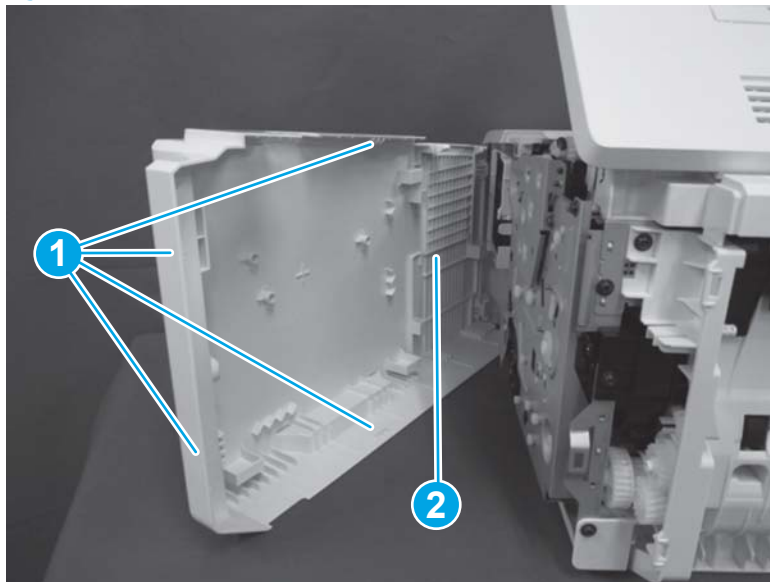
1. SFP: Do the following.
  - a. Remove one screw (callout 1).

Figure 1-1327 Remove one screw (SFP)



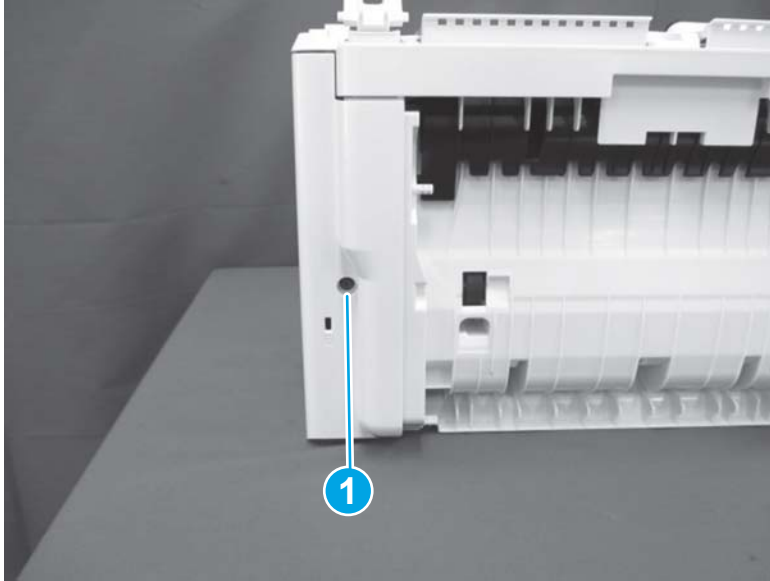
- b. Open the cartridge door.
- c. Release four tabs (callout 1), and then remove the right cover (callout 2).

Figure 1-1328 Remove the right cover (SFP)



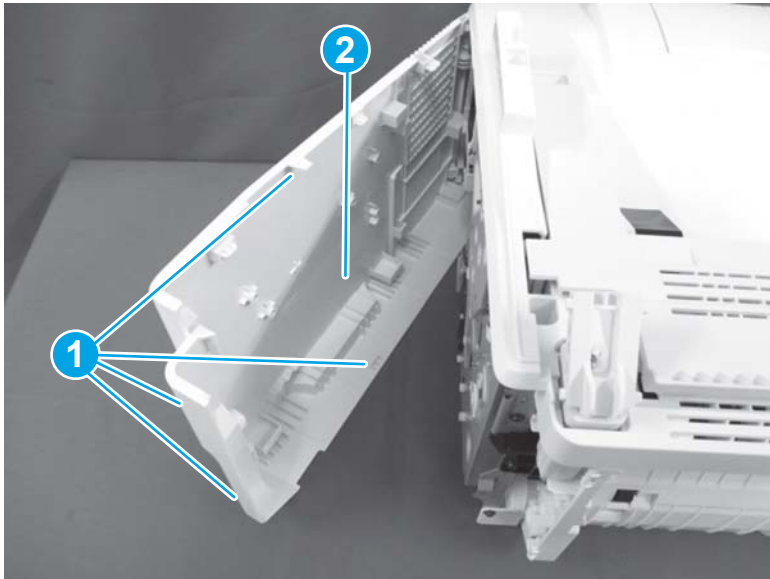
- 2. MFP: Do the following.
  - a. Remove one screw (callout 1).

Figure 1-1329 Remove one screw (MFP)



- b. Release four tabs (callout 1), and then remove the right cover (callout 2).

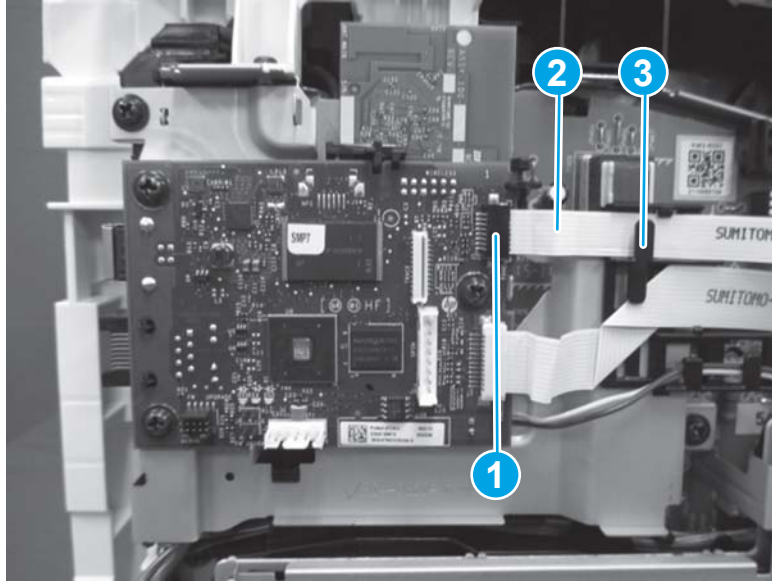
Figure 1-1330 Remove the right cover (MFP)



#### Step 7: Remove the top front cover

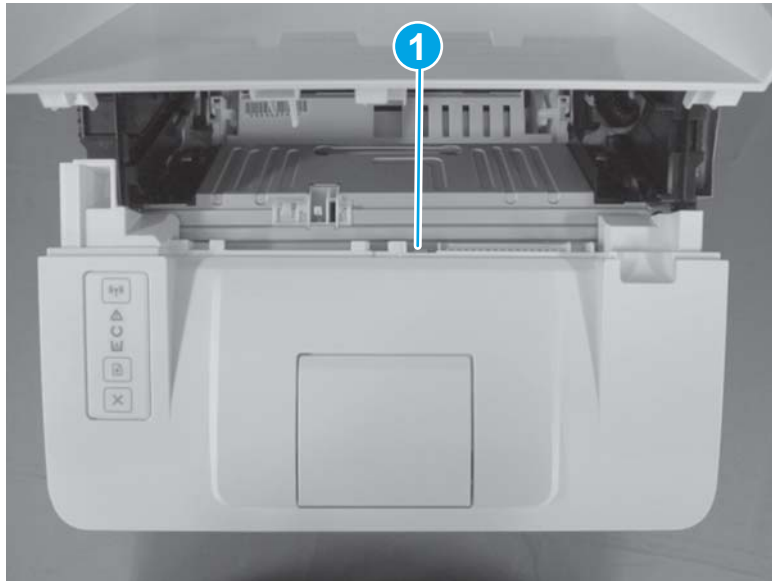
1. **SFP:** Do the following.
  - a. Disconnect one connector (callout 1) on the formatter, and then release the cable (callout 2) from the cable guide (callout 3).

Figure 1-1331 Disconnect one connector



- b. Open the cartridge door, and then release one tab (callout 1) on the top of the cover.

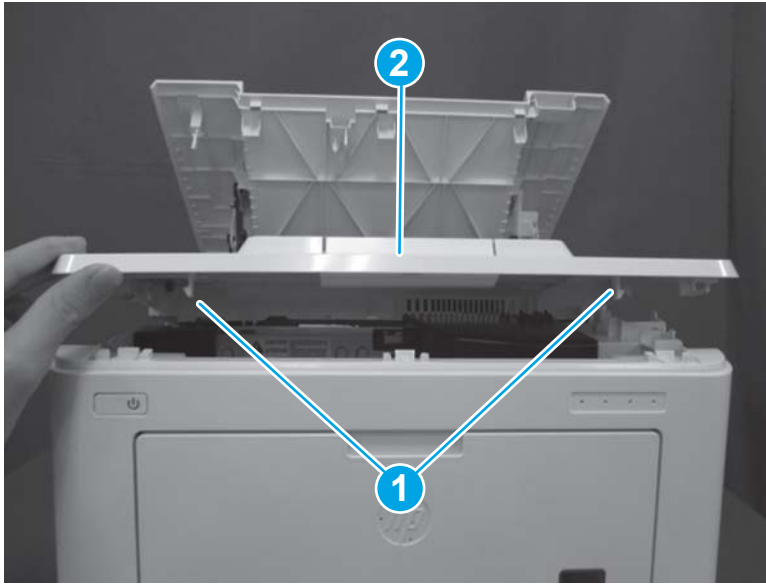
Figure 1-1332 Release one tab





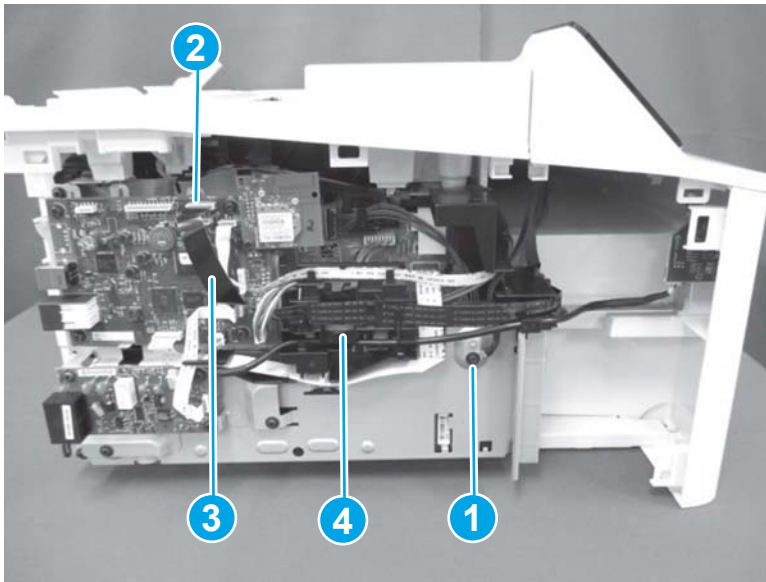
- c. Release two tabs (callout 1), and then remove the top front cover (callout 2).

Figure 1-1333 Release two tabs and remove the cover



- 2. **MFP:** Do the following.
  - a. Remove one screw (callout 1) to release one cable. Disconnect one connector (callout 2), and then remove the cable (callout 3) from the cable guide (callout 4).

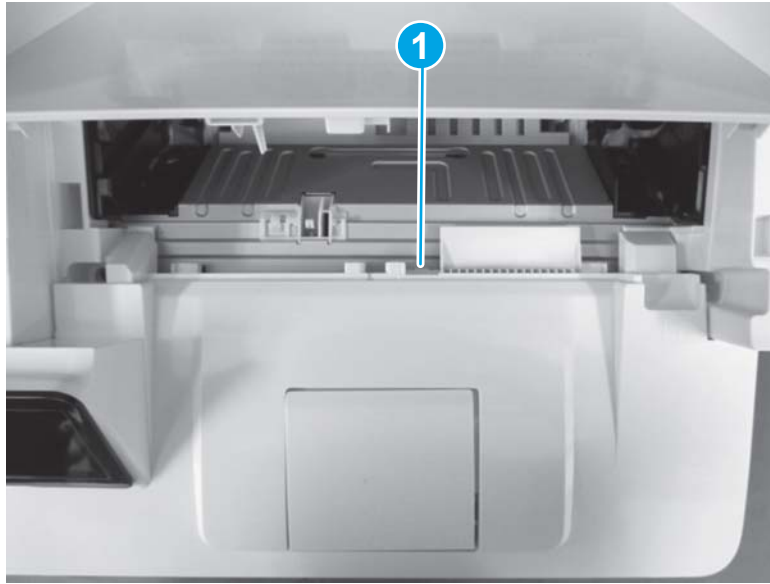
Figure 1-1334 Disconnect connector and release cable





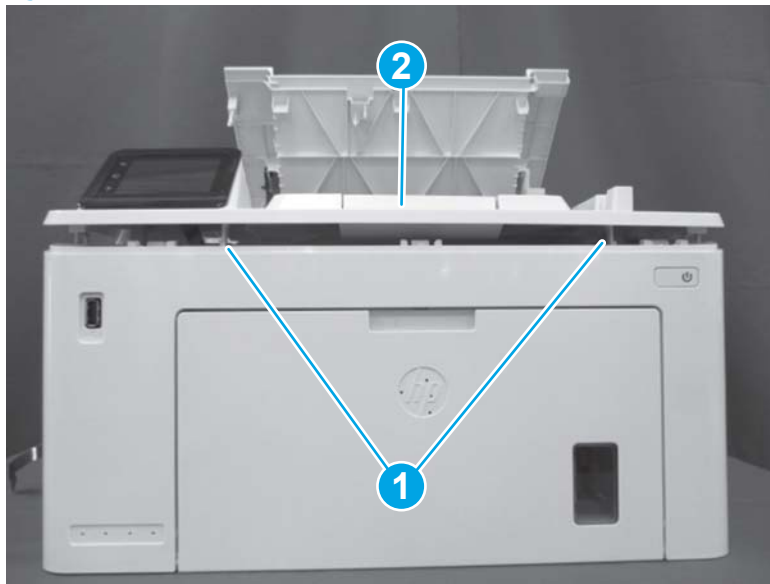
- b. Open the cartridge door, and then release one tab (callout 1).

Figure 1-1335 Release one tab



- c. Release two tabs (callout 1), and then remove the top front cover (callout 2).

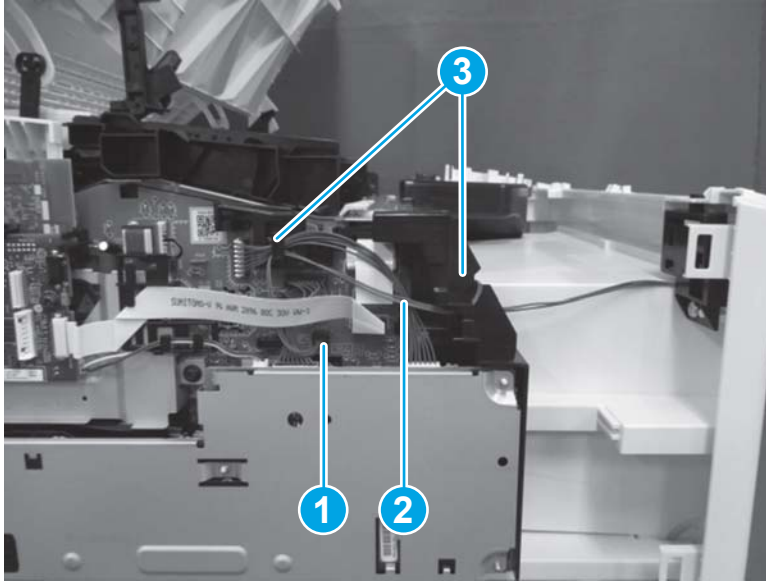
Figure 1-1336 Release two tabs and remove the cover



### Step 8: Remove the front cover

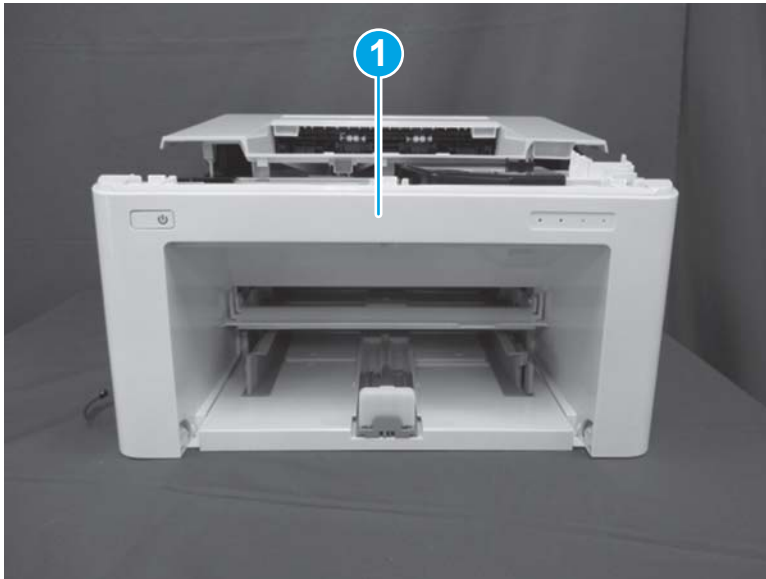
- 1. **SFP:** Do the following.
  - a. Disconnect one connector (callout 1), and then remove the cable (callout 2) from the cable guide (callout 3).

Figure 1-1337 Disconnect connector (SFP)



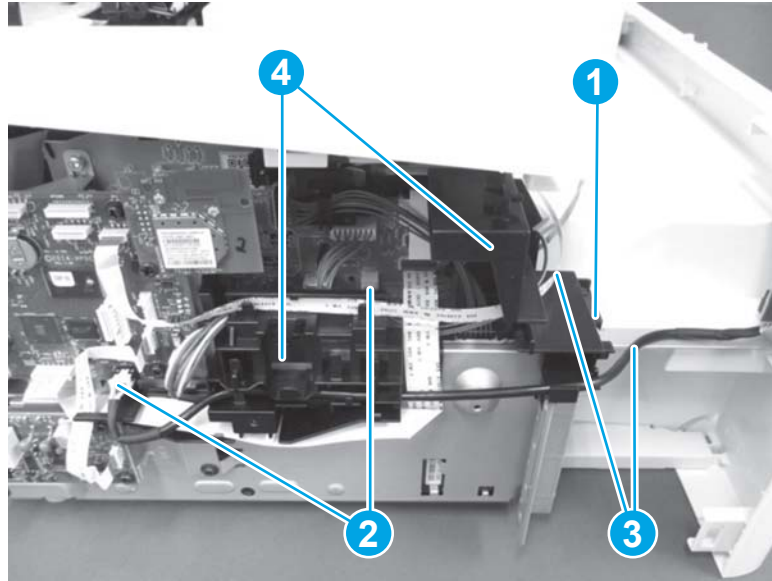
- b. Slide the front cover (callout 1) away from the printer to remove it.

Figure 1-1338 Remove the front cover (SFP)



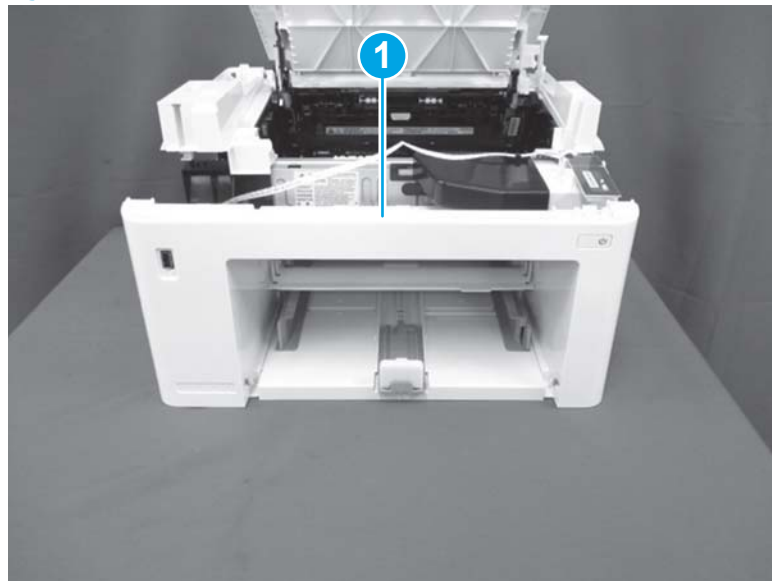
- 2. **MFP:** Do the following.
  - a. Remove one screw (callout 1). Disconnect two connectors (callout 2), and then release the cables (callout 3) from the cable guide (callout 4).

Figure 1-1339 Disconnect connectors (MFP)



- b. Slide the front cover (callout 1) away from the printer to remove it.

Figure 1-1340 Remove the front cover (MFP)

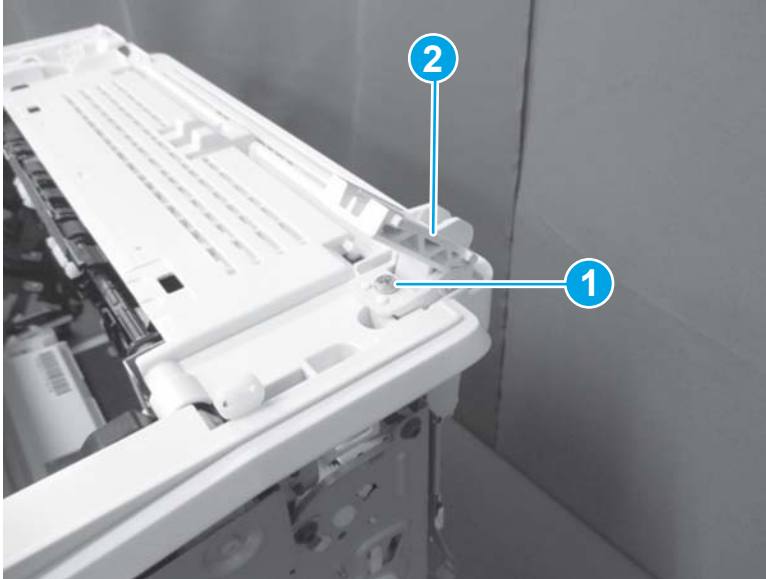


### Step 9: Remove the hinge assembly (MFP)

 **NOTE:** This step is for the MFP printers. For the SFP printers, skip this step and go to [Step 10: Remove the cartridge door on page 798.](#)

- ▲ Remove one screw (callout 1), and then remove the hinge assembly (callout 2).

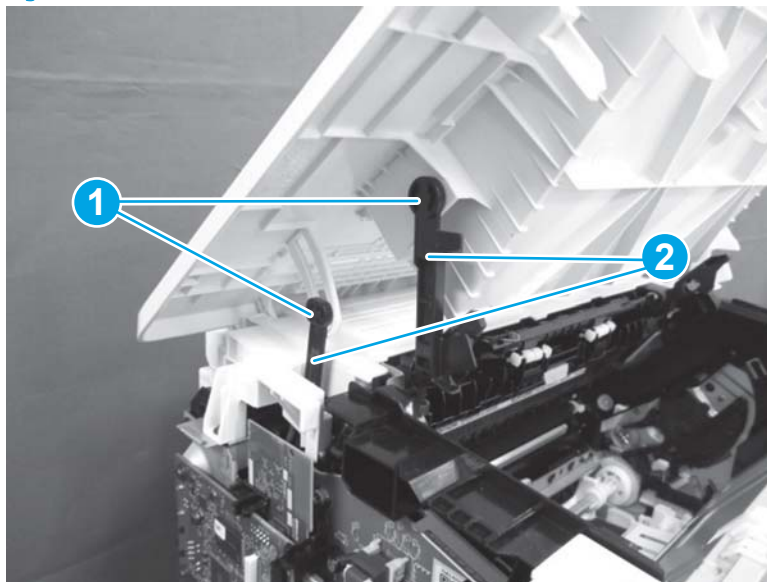
Figure 1-1341 Remove the hinge assembly (MFP)



Step 10: Remove the cartridge door

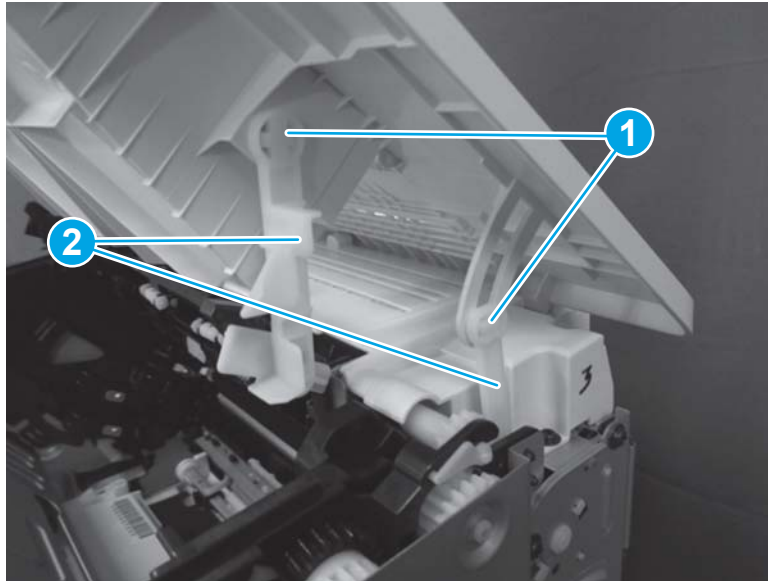
1. SFP: Do the following.
  - a. Open the cartridge door. On the left side of the printer, release two tabs (callout 1), and then disconnect two link arms (callout 2).

Figure 1-1342 Disconnect left link arms (SFP)



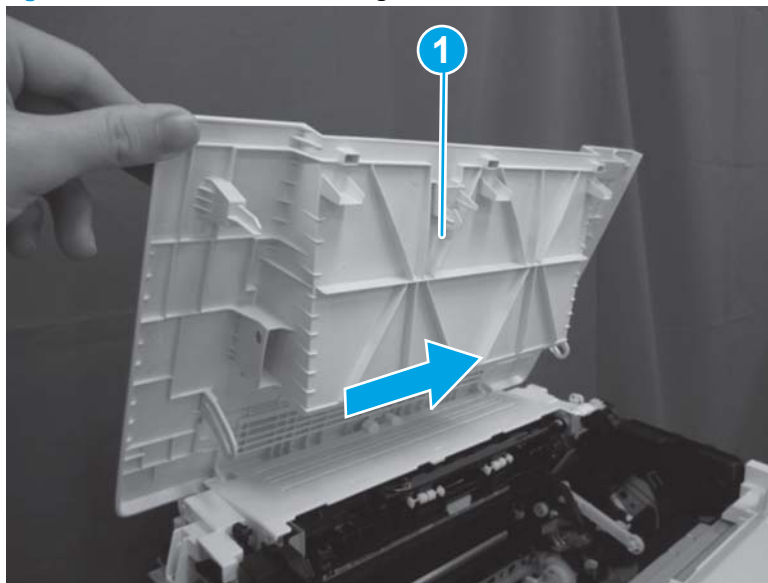
- b. On the right side of the printer, release two tabs (callout 1), and then disconnect two link arms (callout 2).

**Figure 1-1343** Disconnect right link arms (SFP)



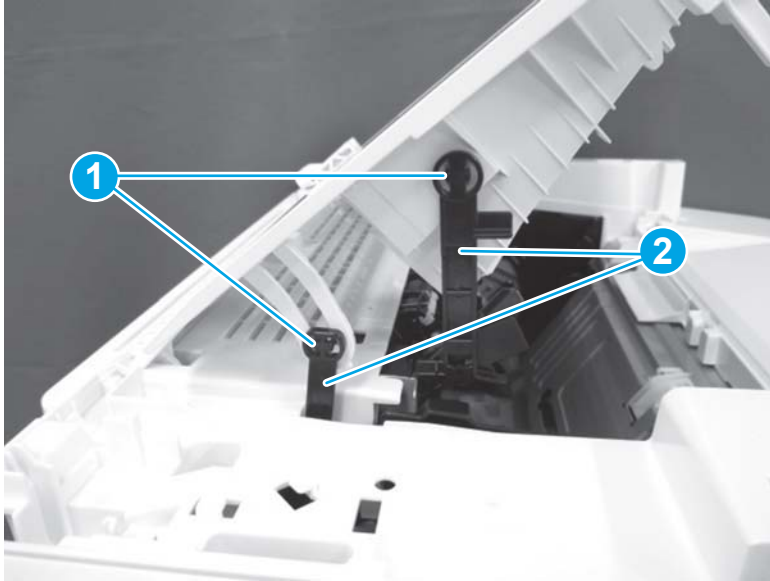
- c. Fully open the cartridge door (callout 1), and then slide it towards the right-side of the printer to remove it.

**Figure 1-1344** Remove the cartridge door (SFP)



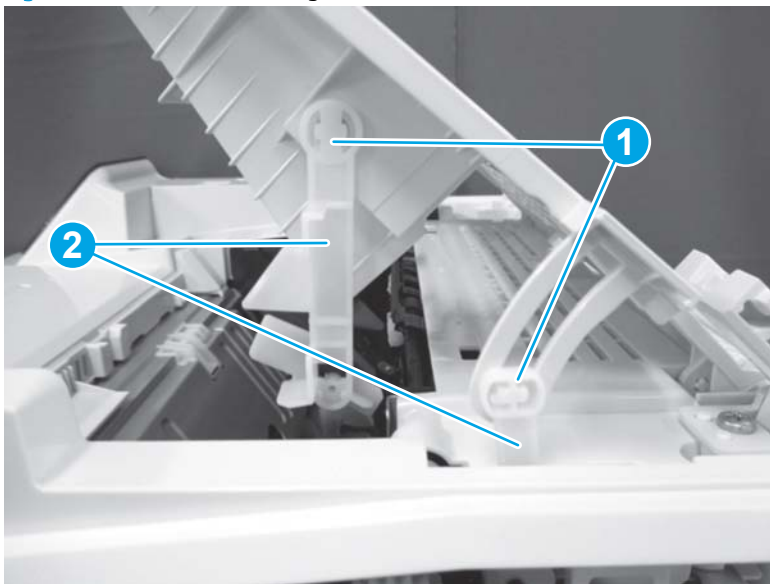
2. **MFP:** Do the following.
  - a. Open the cartridge door. On the left side of the printer, release two tabs (callout 1), and then disconnect two link arms (callout 2).

Figure 1-1345 Disconnect left link arms (MFP)



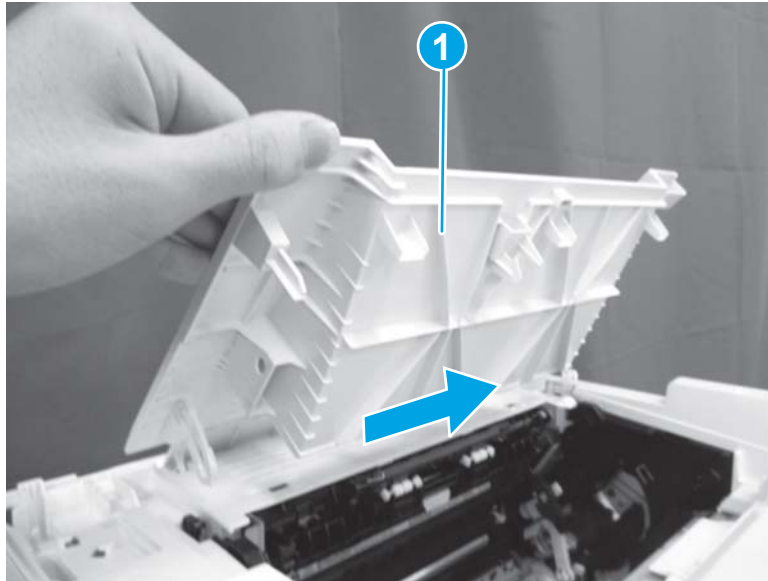
- b. On the right side of the printer, release two tabs (callout 1), and then disconnect two link arms (callout 2).

Figure 1-1346 Disconnect right link arms (MFP)



- c. Fully open the cartridge door (callout 1), and then slide it towards the right-side of the printer to remove it.

**Figure 1-1347** Remove the cartridge door (MFP)

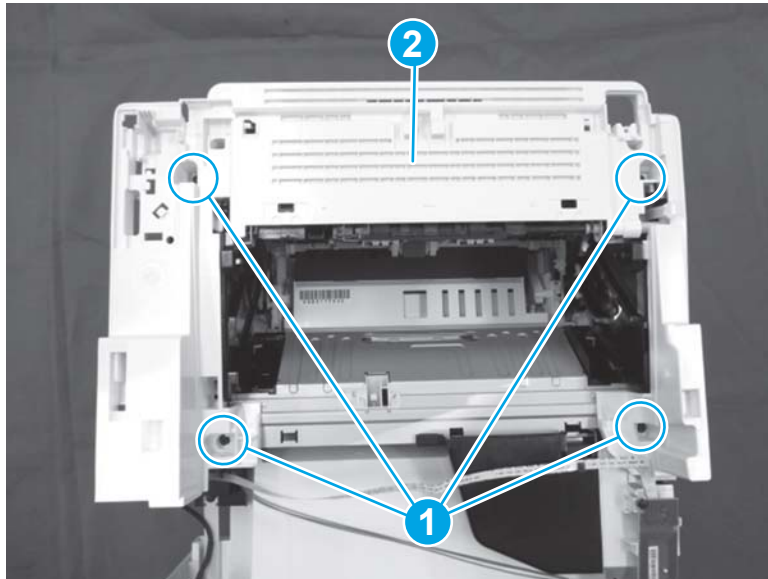


#### Step 11: Remove the top cover (MFP)


 **NOTE:** This step is for the MFP printers. For the SFP printers, skip this step and go to [Step 13: Remove the duplex paper feed assembly on page 802.](#)

- ▲ Remove four screws (callout 1), and then remove the top cover (callout 2).

**Figure 1-1348** Remove the top cover



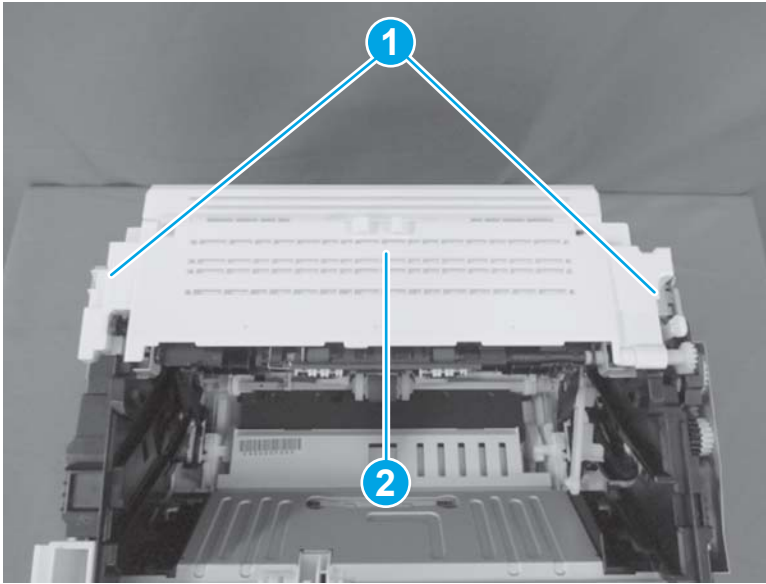
#### Step 12: Remove the top rear cover (SFP)

 **NOTE:** This step is for the SFP printers. For the MFP printers, skip this step and go to [Step 13: Remove the duplex paper feed assembly on page 802.](#)



- ▲ Remove two screws (callout 1), and then remove the top rear cover (callout 2).

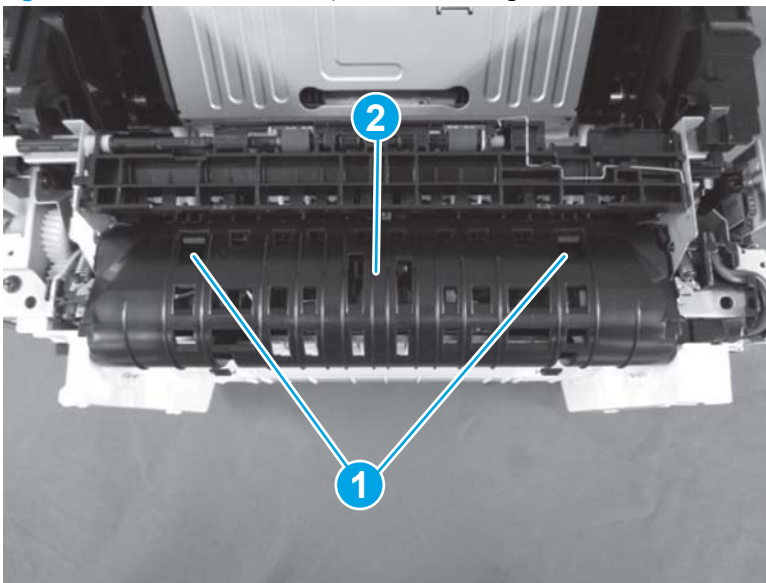
Figure 1-1349 Remove the top rear cover (SFP)



### Step 13: Remove the duplex paper feed assembly

1. Release two tabs (callout 1), and then remove the duplex switchback guide (callout 2).

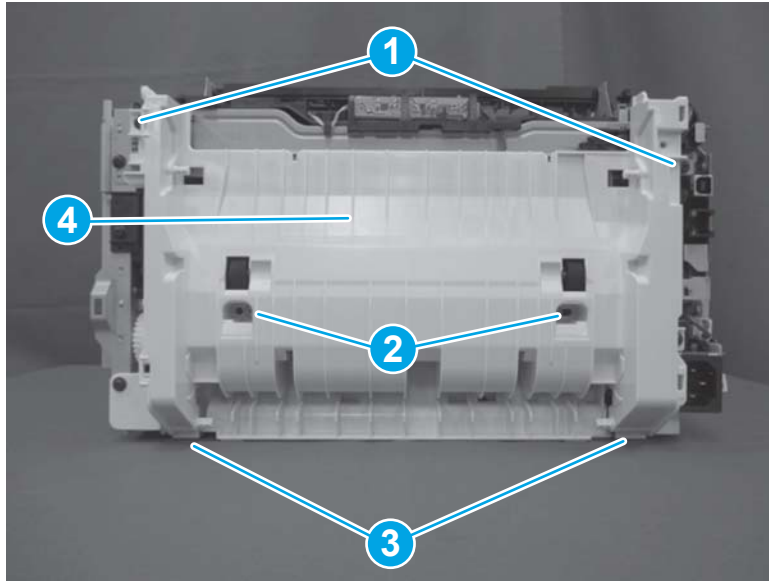
Figure 1-1350 Remove the duplex switchback guide





2. Remove two M3 screws (callout 1), and then remove two M4 screws (callout 2). Release two tabs (callout 3), and then remove the duplex paper feed assembly (callout 4).

Figure 1-1351 Remove the duplex feed assembly

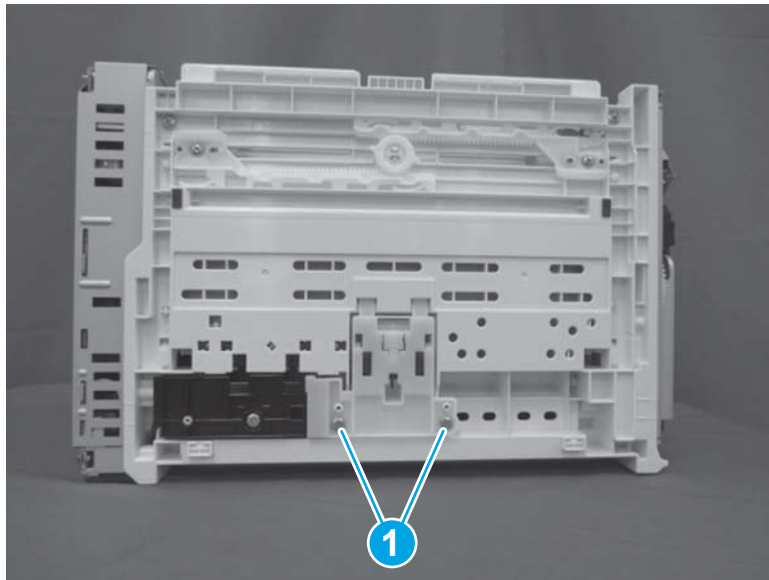


#### Step 14: Remove the separation pad assembly

1. Turn the printer over to rest on the duplex door with the front of the printer facing up. Remove two screws (callout 1).

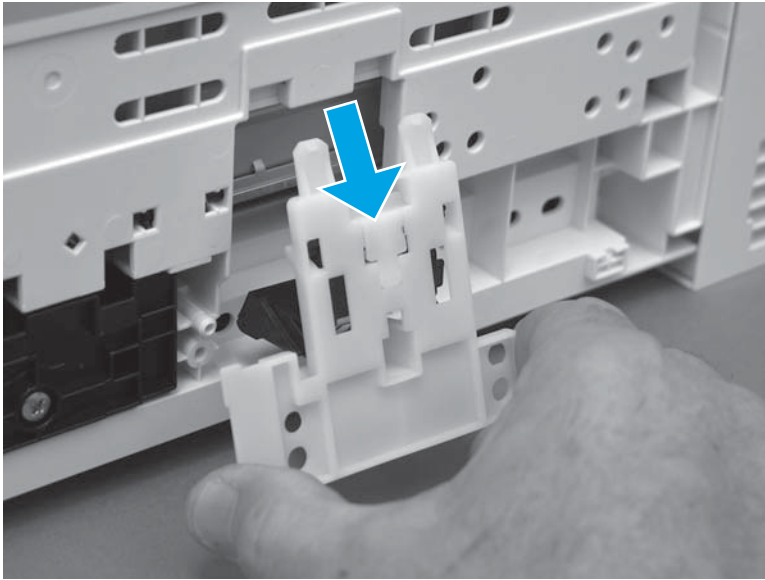
**⚠ CAUTION: MFP only:** The 3-in-1 and 4-in-1 scanner assemblies are not captive and can suddenly open when the printer is turned over.

Figure 1-1352 Remove two screws



2. Remove the separation pad assembly.

Figure 1-1353 Remove the separation pad

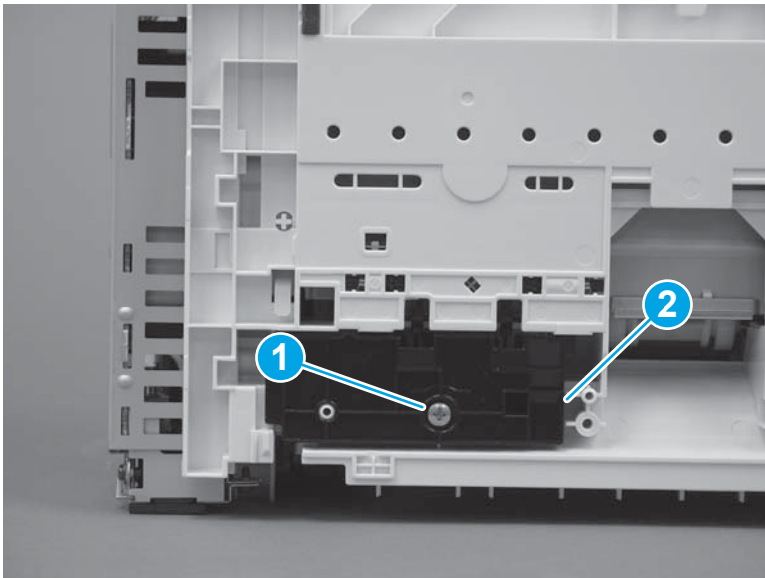


#### Step 15: Remove the environmental sensor

 **CAUTION:**  ESD-sensitive part.

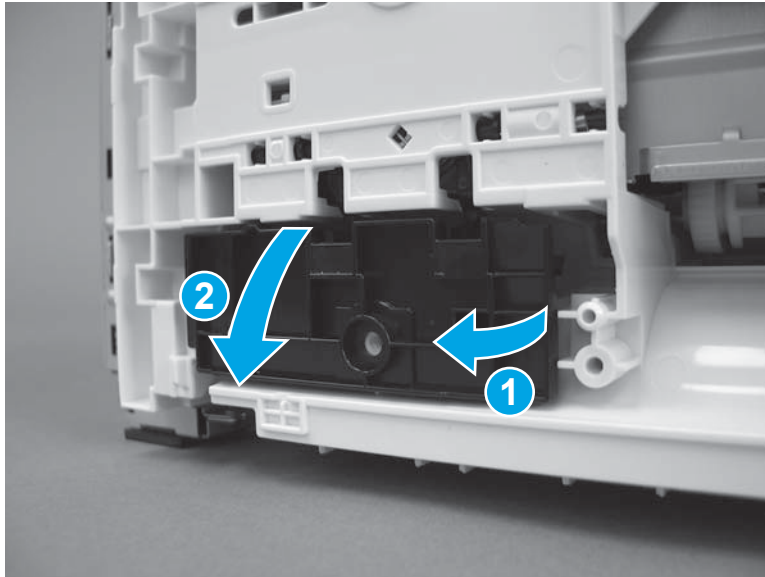
1. With the front of the printer still facing upward, remove one screw (callout 1), and then release one tab (callout 2).

Figure 1-1354 Remove one screw and release tab



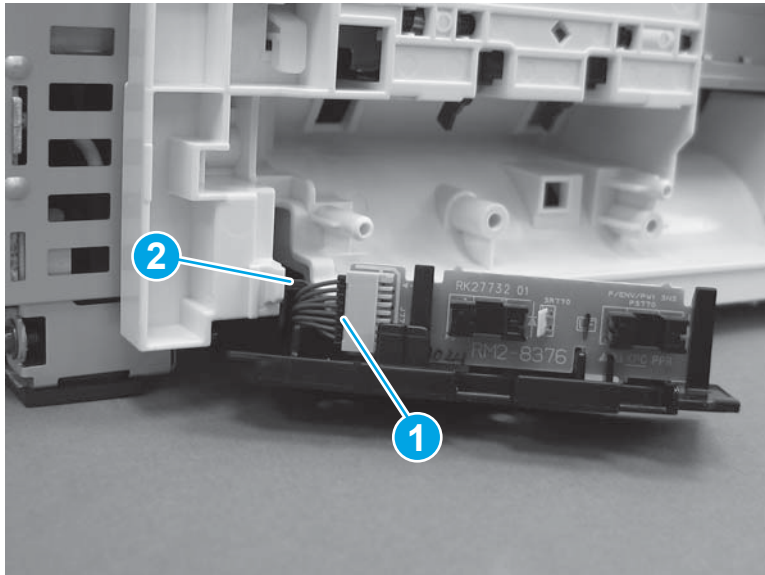
2. Rotate the right side of the sensor holder away from the printer (callout 1), and then rotate the top of the sensor holder down (callout 2).

Figure 1-1355 Rotate the sensor holder



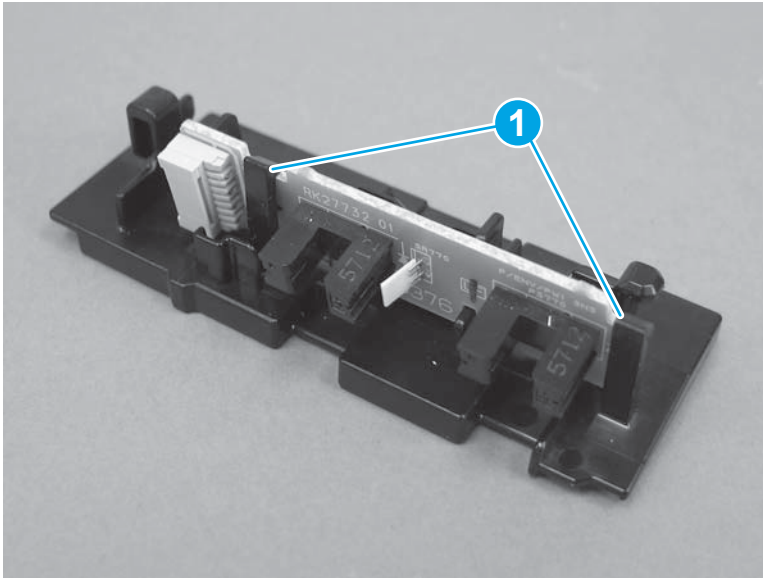
3. Disconnect one connector (callout 1), and then release the cable from the cable guide (callout 2).

Figure 1-1356 Disconnect one connector



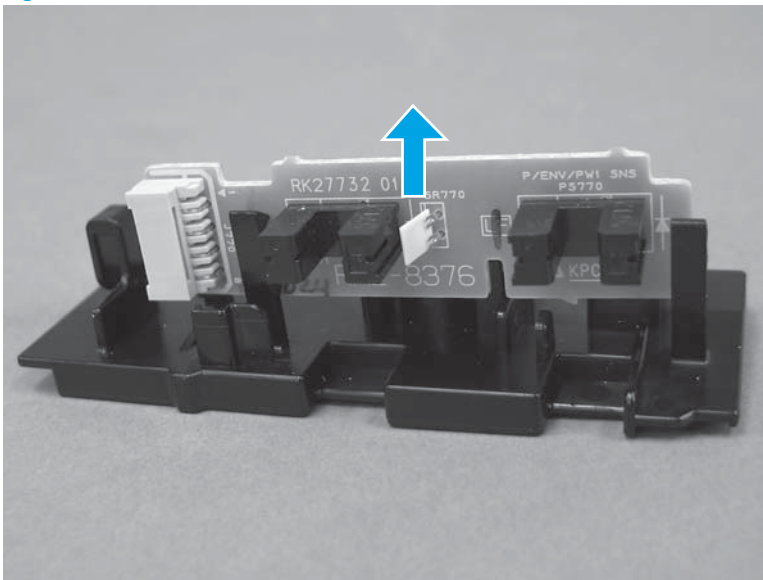
4. Release two tabs (callout 1).

Figure 1-1357 Release two tabs




5. Remove the environmental sensor from the holder.

Figure 1-1358 Remove the environmental sensor



#### Step 16: Unpack the replacement assembly

1. Dispose of the defective part.

 **NOTE:** HP recommends responsible disposal of the defective part.

[www.hp.com/recycle](http://www.hp.com/recycle)



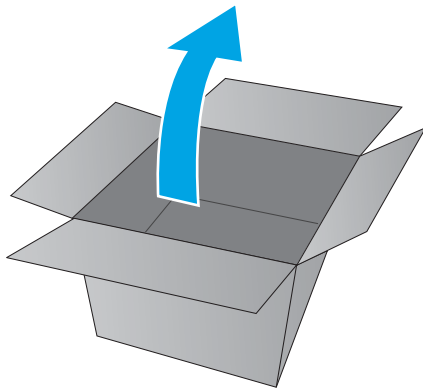
2. Unpack the replacement part from the packaging.

---

**⚠ CAUTION:** If the replacement part is a roller or pad, avoid touching the spongy part of it. Skin oils on the roller or pad can cause paper pickup and/or print-quality problems. HP recommends using disposable gloves when handling rollers or pads or washing your hands or before touching rollers or pads.

**📋 IMPORTANT:** Make sure that all of the shipping materials (for example shipping tape) are removed from the replacement part prior to installation.

---



### Step 17: Install the environmental sensor

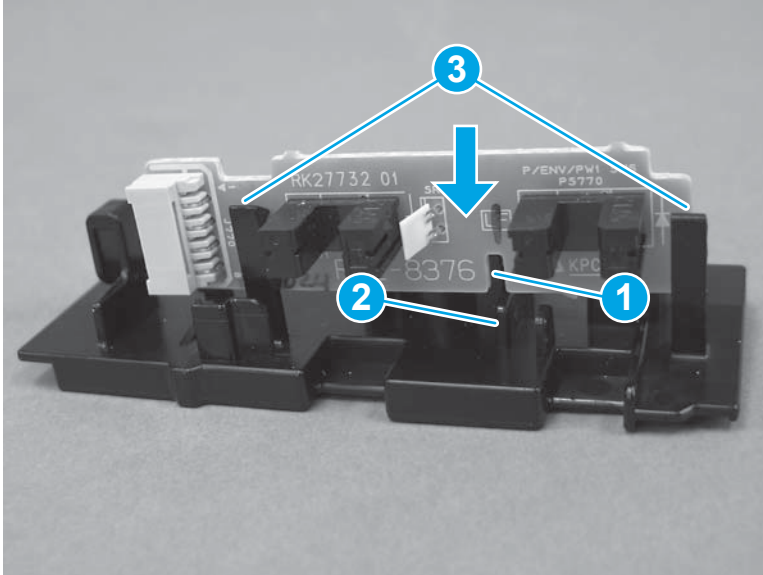
---

**⚠ CAUTION:**  ESD-sensitive part.

---

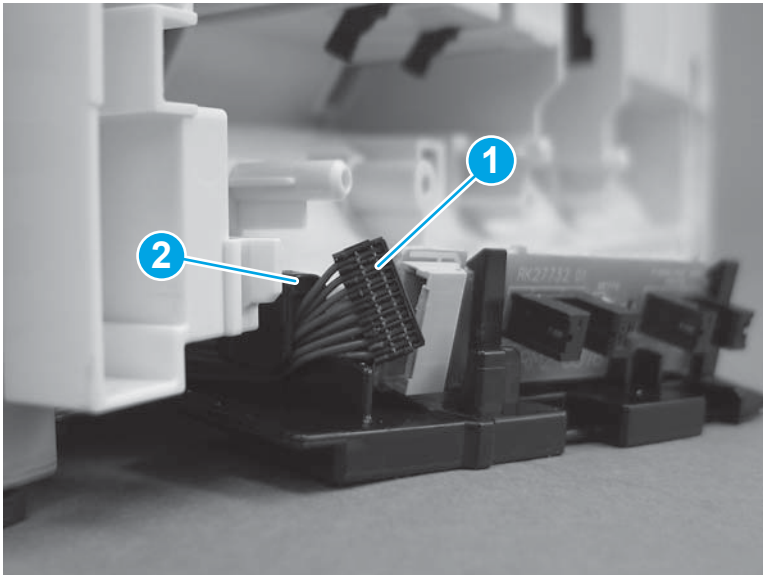
1. Install the environmental sensor in the holder. Align the slot (callout 1) in the environmental sensor over the tab (callout 2) on the holder, and then press down until two tabs (callout 3) snap into place over the sensor.

Figure 1-1359 Install the sensor in the holder



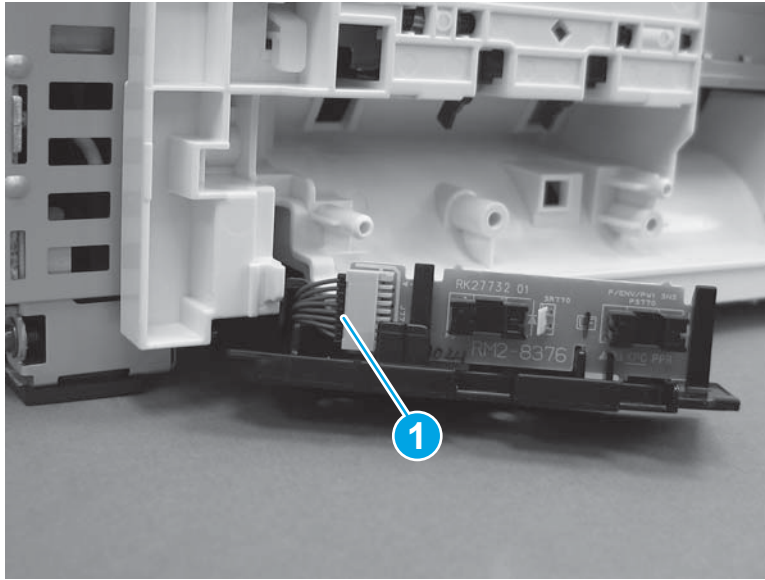
2. Install the cable (callout 1) into the guide (callout 2).

Figure 1-1360 Install the cable in the guide



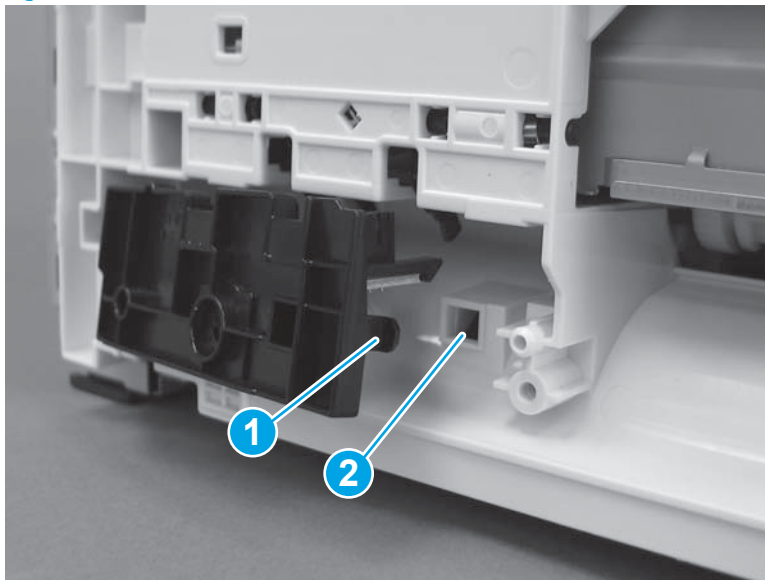
3. Connect one connector (callout 1).

Figure 1-1361 Connect one connector



4. Install the tab (callout 1) on the sensor holder into the slot (callout 2) in the printer.

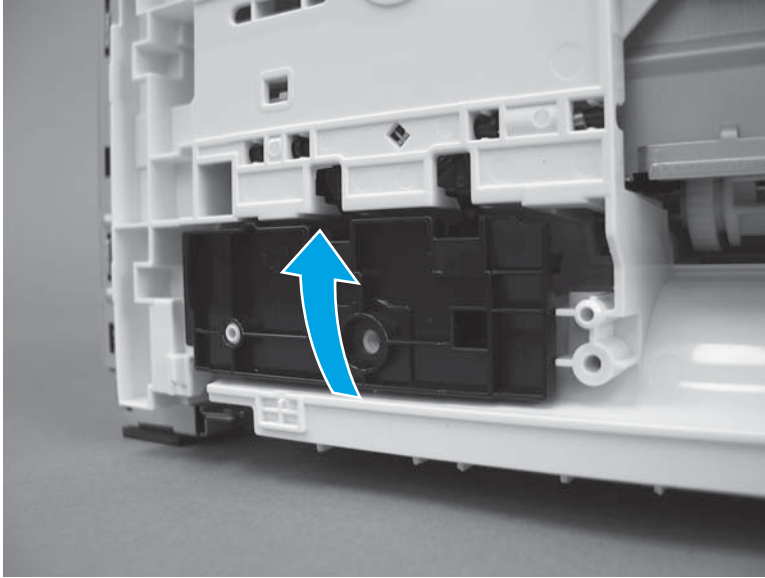
Figure 1-1362 Install one tab





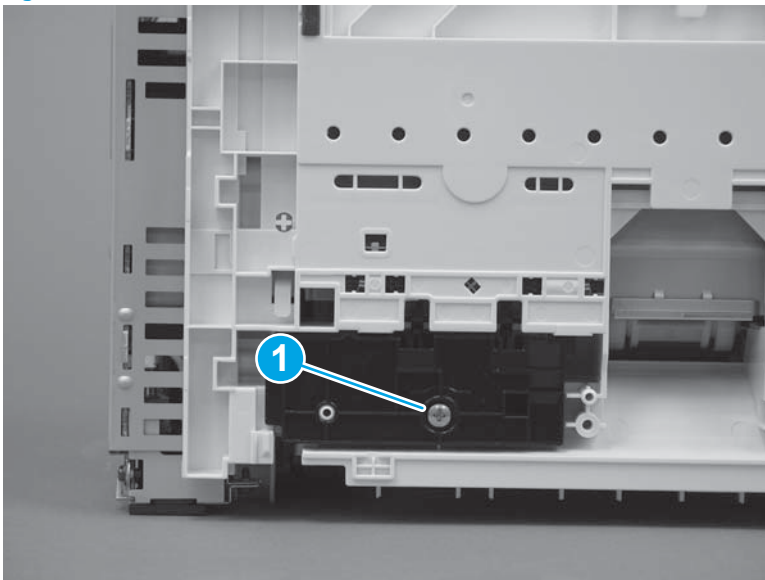
5. Rotate the sensor holder up into position.

Figure 1-1363 Install the sensor holder



6. Install one screw (callout 1).

Figure 1-1364 Install one screw



### Step 18: Install the separation pad

---

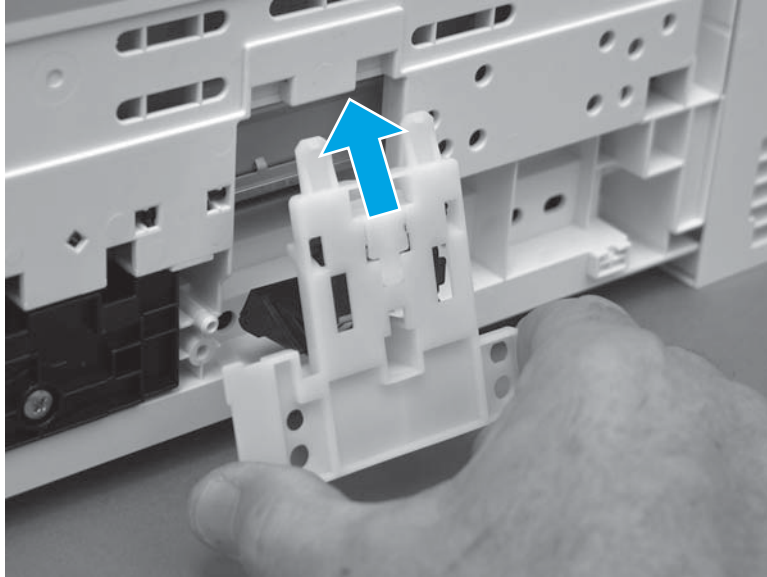
**⚠ CAUTION:** Do not touch the gray spongy portion of the replacement pad. Skin oils on the pad can cause paper handling problems.

---

1. Position the replacement separation pad assembly on the printer.



Figure 1-1365 Install the separation pad



2. Install two screws (callout 1).

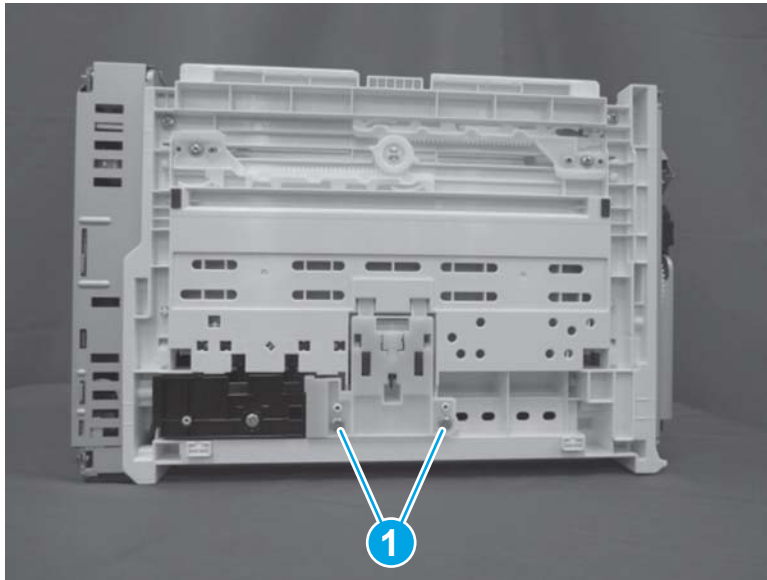
Return the printer to the normal position.

---

**⚠ CAUTION: MFP only:** The 3-in-1 and 4-in-1 scanner assemblies are not captive and can suddenly open when the printer is turned over.

---

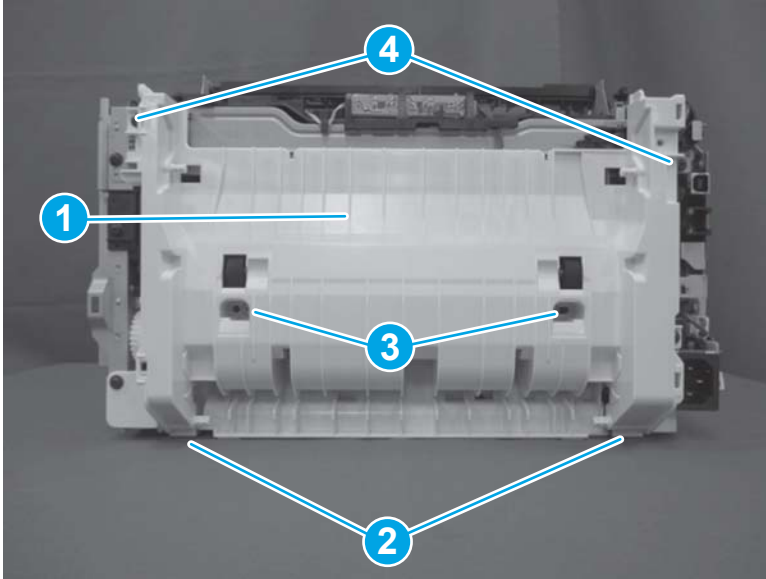
Figure 1-1366 Install two screws



### Step 19: Install the duplex paper feed assembly

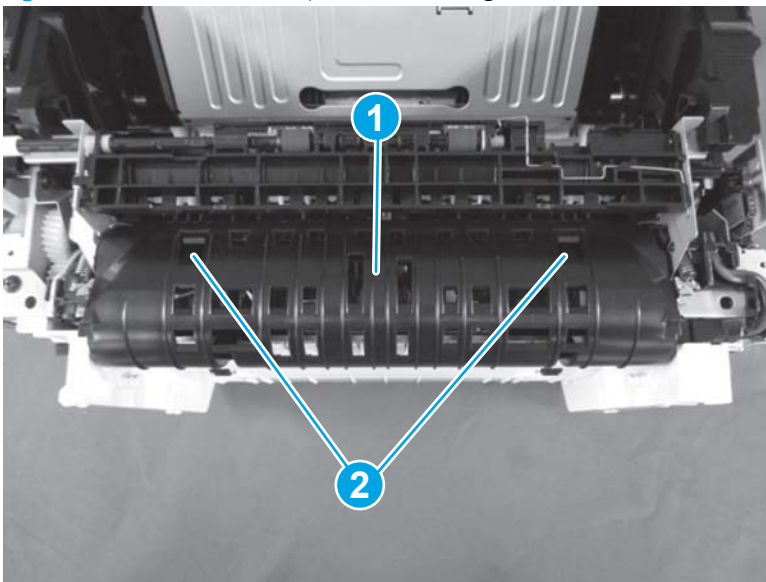
1. Position the duplex paper feed assembly (callout 1) on the printer, and then install two tabs (callout 2). Install two M4 screws (callout 3), and then install two M3 screws (callout 4).

Figure 1-1367 Install the duplex feed assembly



2. Position the duplex switchback guide (callout 1) on the printer, and then engage two tabs (callout 2) to install it.

Figure 1-1368 Install the duplex switchback guide

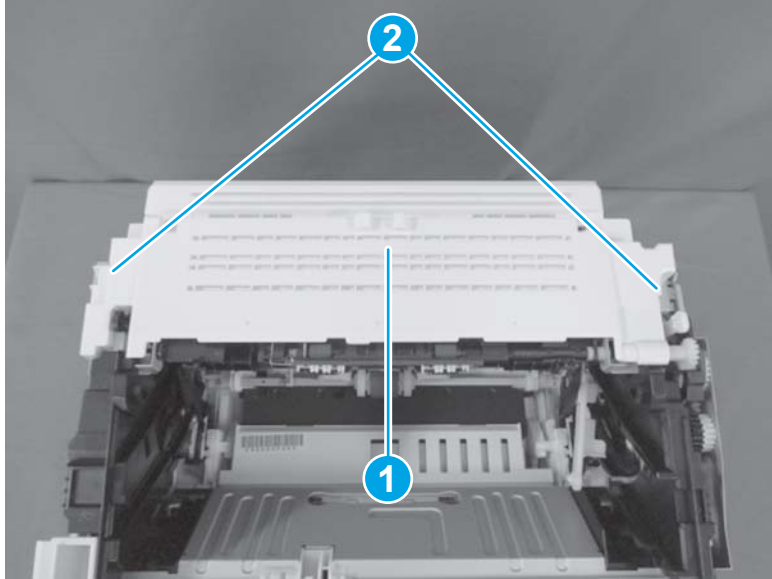


#### Step 20: Install the top rear cover (SFP)

 **NOTE:** This step is for the SFP printers. For the MFP printers, skip this step and go to [Step 22: Install the cartridge door on page 813](#).

- ▲ Position the top cover (callout 1) on the printer, and then install two screws (callout 2).

Figure 1-1369 Install the top rear cover (SFP)

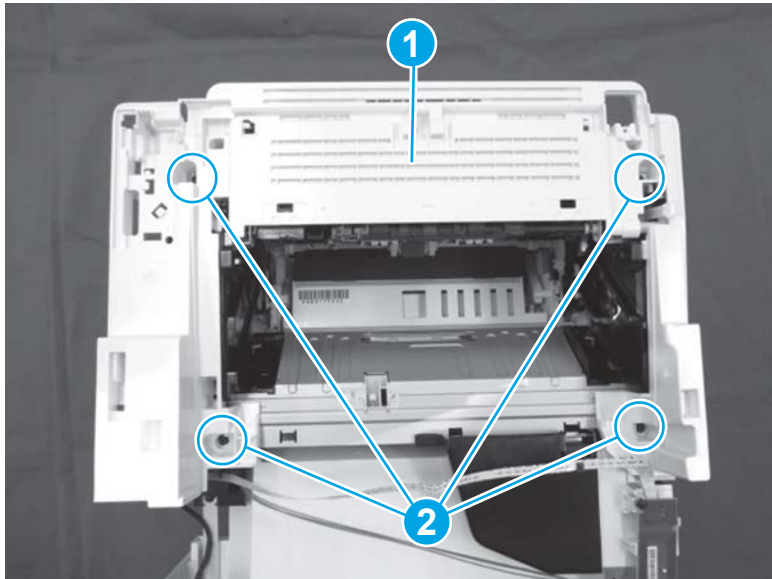


### Step 21: Install the top cover (MFP)

 **NOTE:** This step is for the MFP printers. For the SFP printers, skip this step and go to [Step 22: Install the cartridge door on page 813](#).

- ▲ Position the top cover (callout 1) on the printer, and then install four screws (callout 2).

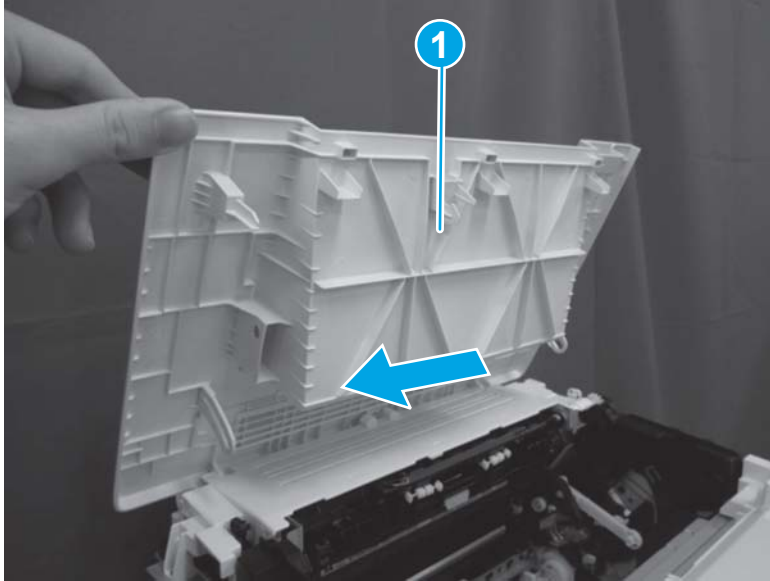
Figure 1-1370 Install the top cover



### Step 22: Install the cartridge door

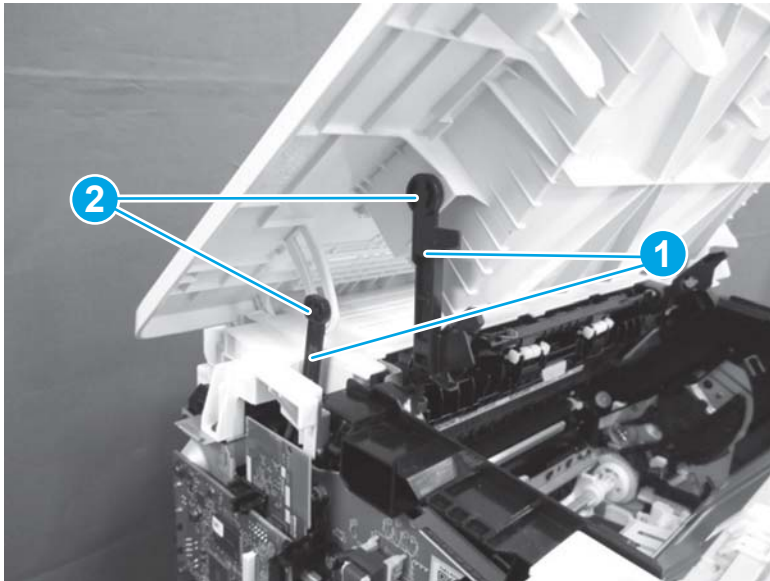
1. **SFP:** Do the following.
  - a. Position the cartridge door (callout 1) on the printer, and then slide it toward the left-side of the printer to install it.

Figure 1-1371 Install the cartridge door (SFP)



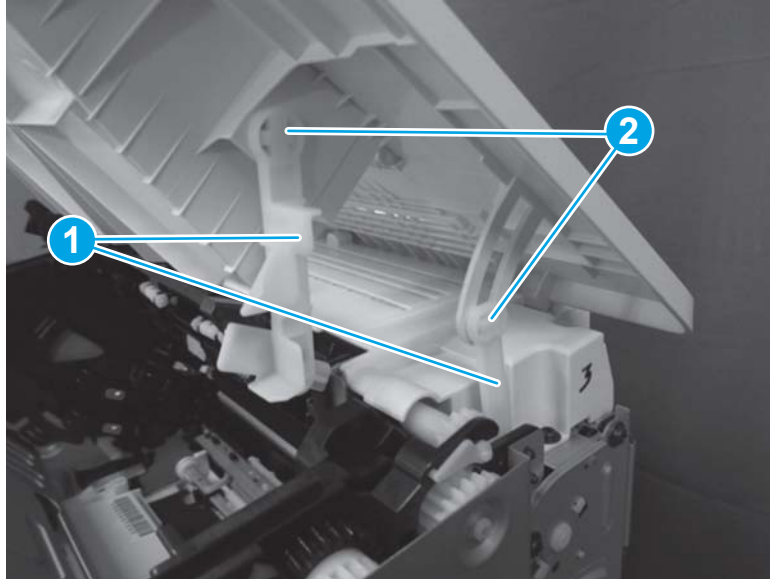
- b. On the left side of the printer, position two link arms (callout 1), and then engage two tabs (callout 2).

Figure 1-1372 Connect left link arms (SFP)



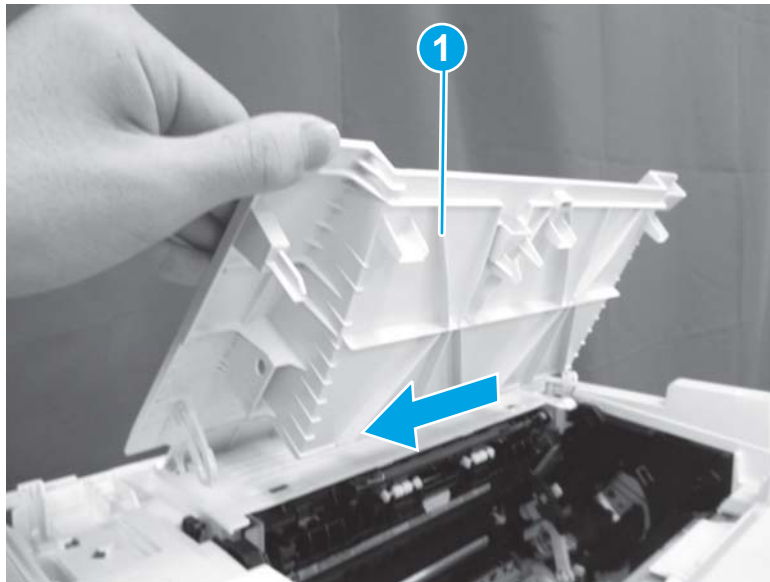
- c. On the right side of the printer, position two link arms (callout 1), and then engage two tabs (callout 2).

**Figure 1-1373** Connect right link arms (SFP)



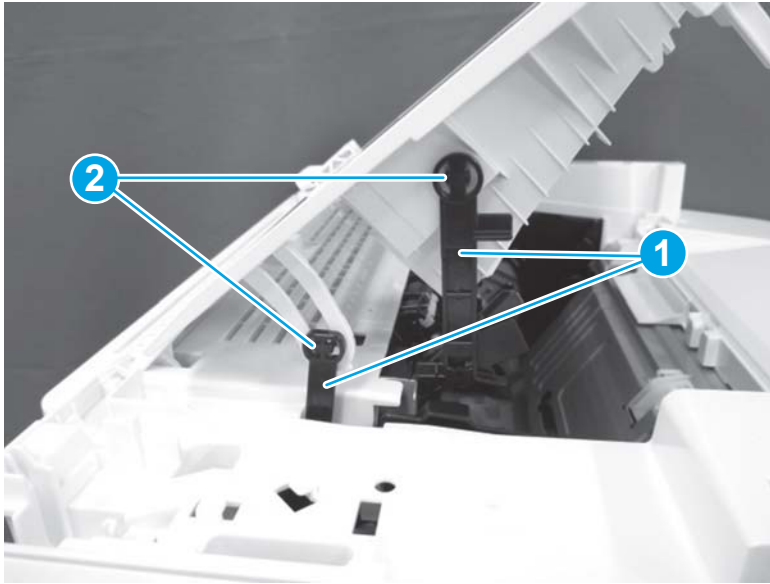
2. MFP: Do the following.
  - a. Position the cartridge door (callout 1) on the printer, and then slide it toward the left-side of the printer to install it.

**Figure 1-1374** Install the cartridge door (MFP)



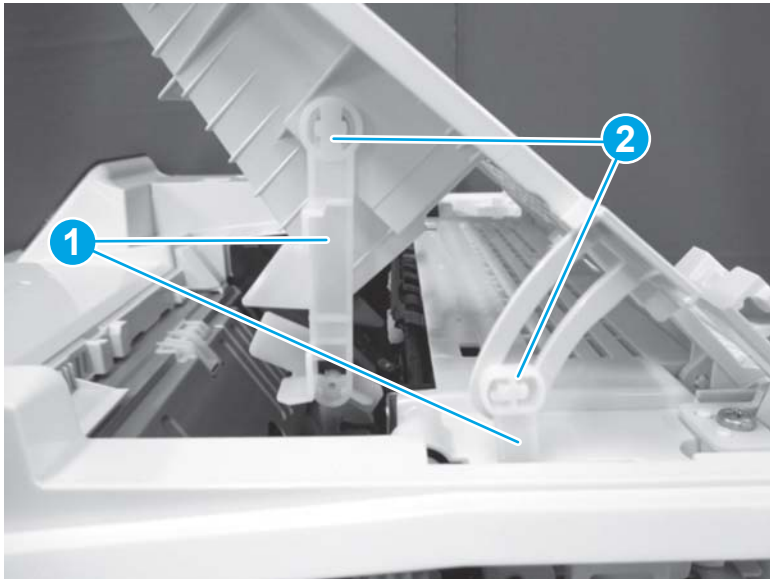
- b. On the left side of the printer, position two link arms (callout 1), and then engage two tabs (callout 2).

Figure 1-1375 Connect left link arms (MFP)




- c. On the right side of the printer, position two link arms (callout 1), and then engage two tabs (callout 2).

Figure 1-1376 Connect right link arms (MFP)

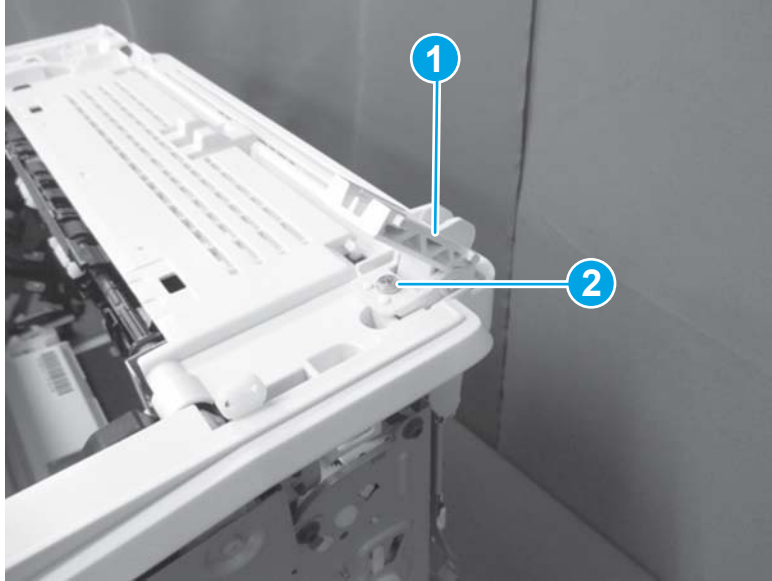


### Step 23: Install the hinge assembly (MFP)

 **NOTE:** This step is for the MFP printers. For the SFP printers, skip this step and go to [Step 24: Install the front cover on page 817](#).

- ▲ Position the hinge assembly (callout 1) on the printer, and then install one screw (callout 2).

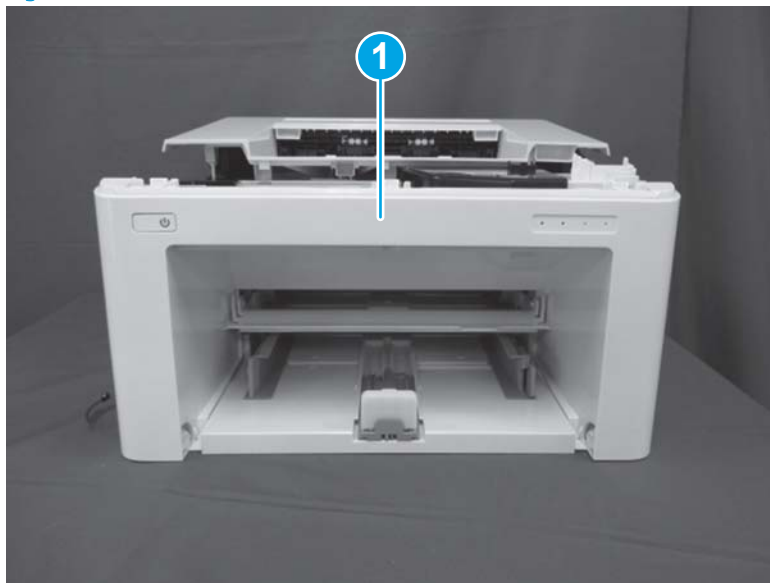
Figure 1-1377 Install the hinge assembly (MFP)



Step 24: Install the front cover

1. SFP: Do the following.
  - a. Slide the front cover (callout 1) toward the printer to install it.

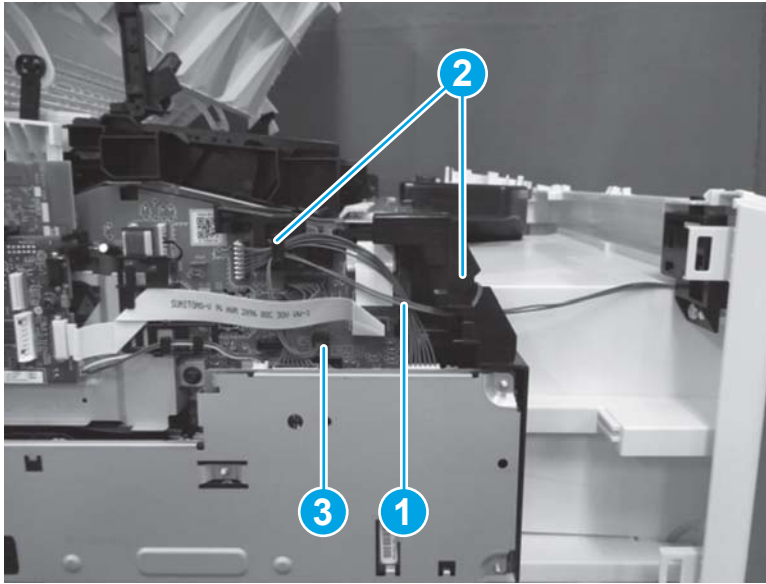
Figure 1-1378 Install the front cover (SFP)





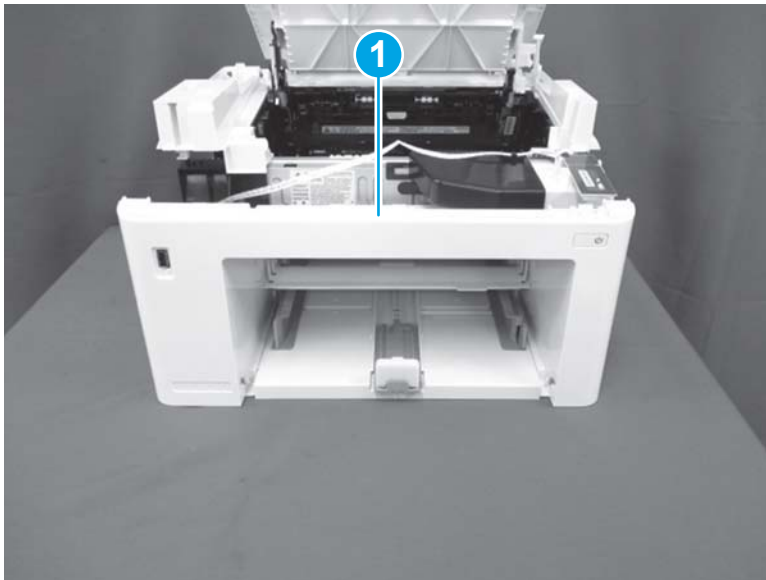
- b. Install the cable (callout 1) in the cable guide (callout 2), and then connect one connector (callout 3).

Figure 1-1379 Connect the connector (SFP)



- 2. **MFP:** Do the following.
  - a. Slide the front cover (callout 1) toward the printer to install it.

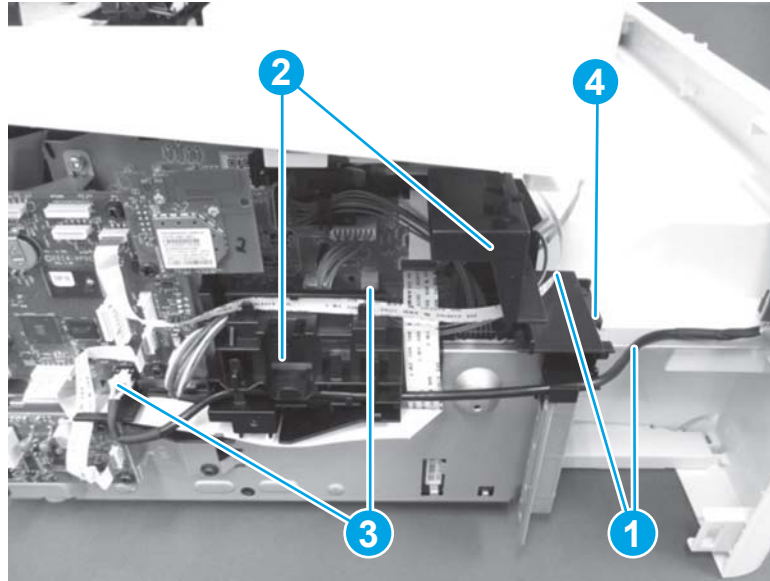
Figure 1-1380 Install the front cover (MFP)





- b. Install the cables (callout 1) in the cable guides (callout 2), and then connect two connectors (callout 3). Install one screw (callout 4).

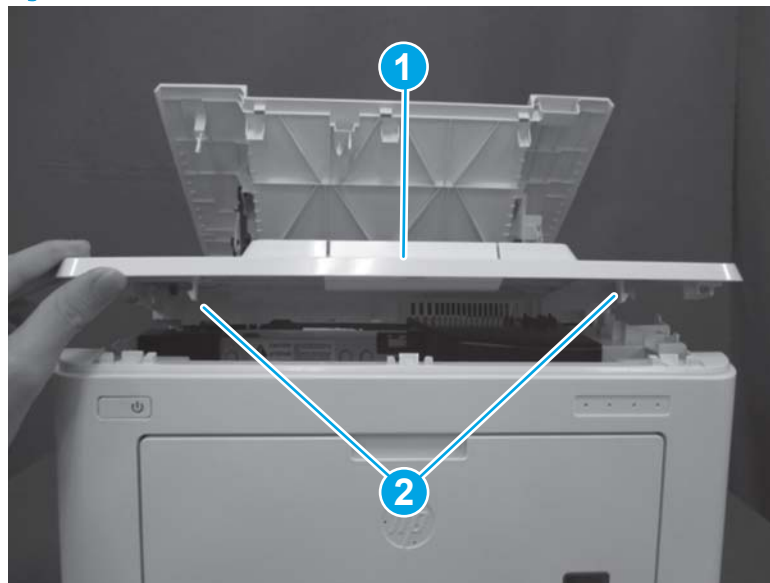
**Figure 1-1381** Connect two connectors (MFP)



#### Step 25: Install the top front cover

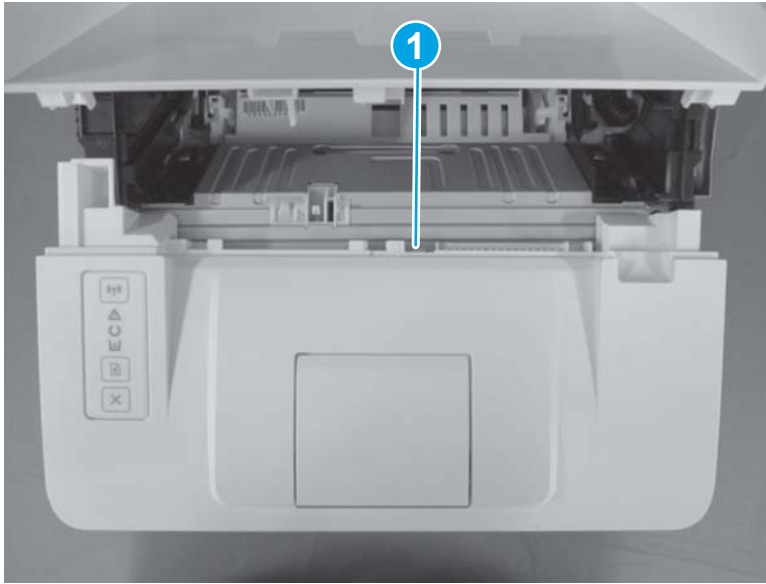
1. **SFP:** Do the following.
  - a. Position the top front cover (callout 1) on the printer and install two tabs (callout 2).

**Figure 1-1382** Install two tabs



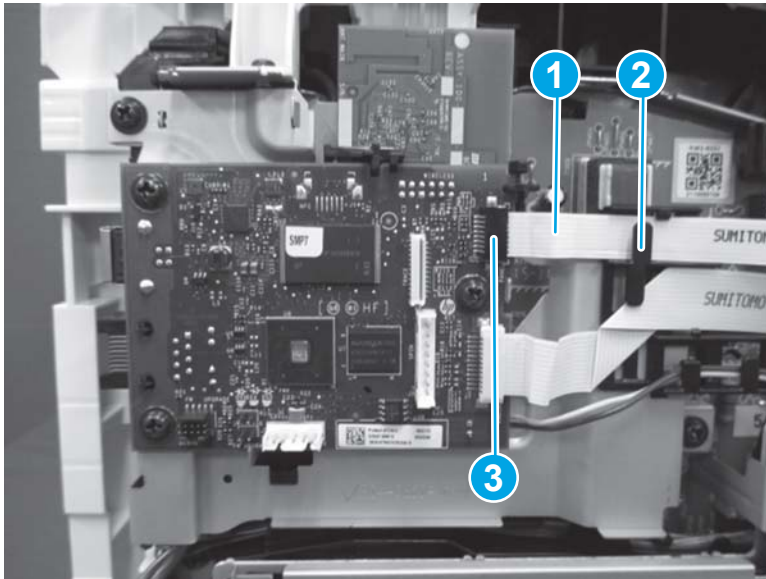
- b. On the top of the cover, install one tab (callout 1).

Figure 1-1383 Install one tab



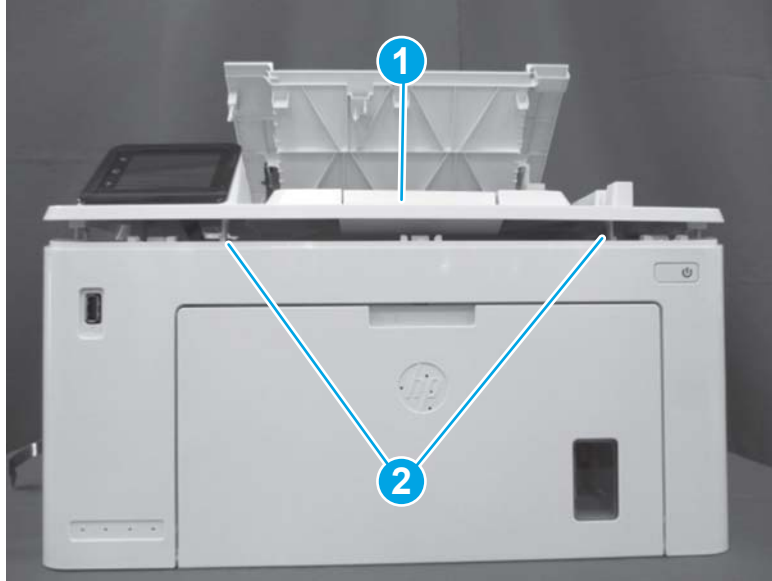
- c. Install the cable (callout 1) in the guide (callout 2), and then connect one connector (callout 3) on the formatter.

Figure 1-1384 Connect one connector



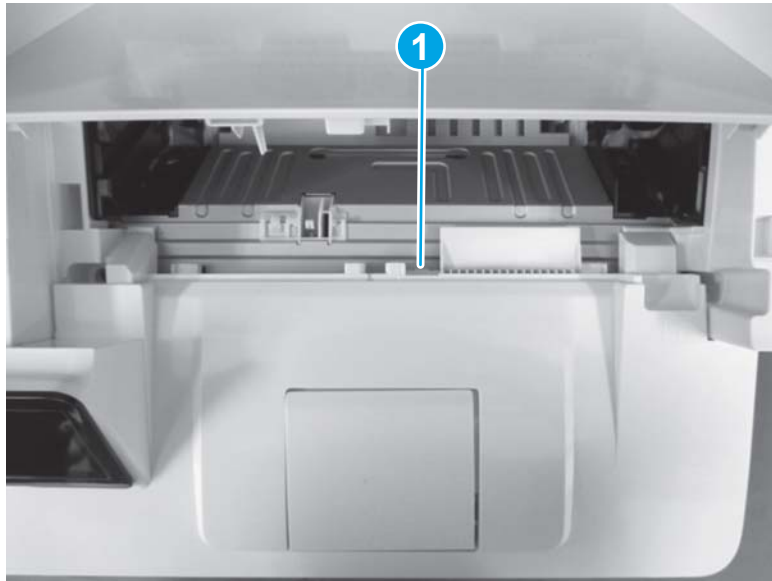
- 2. **MFP:** Do the following.
  - a. Position the top front cover (callout 1) on the printer, and then install two tabs (callout 2).

Figure 1-1385 Install two tabs



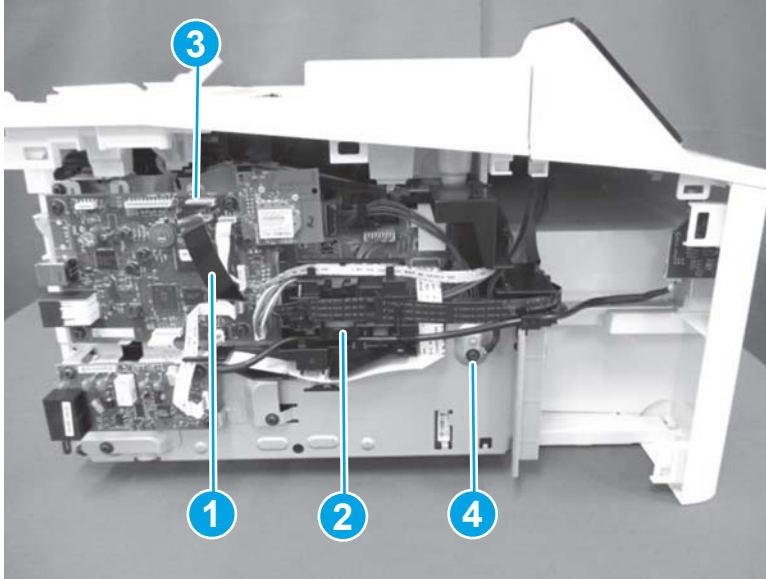
- b. Install one tab (callout 1).

Figure 1-1386 Install one tab



- c. Install the cable (callout 1) in the cable guide (callout 2), and then connect one connector (callout 3). Install one screw (callout 4) to secure the grounding cable.

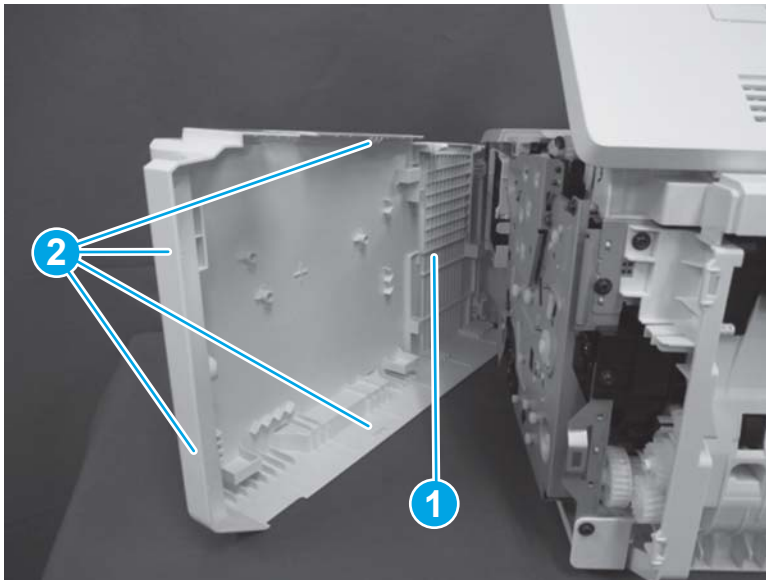
**Figure 1-1387** Install one connector and grounding cable



#### Step 26: Install the right cover

1. **SFP:** Do the following.
  - a. Open the cartridge door.
  - b. Position the right cover (callout 1) on the printer, and then engage four tabs (callout 2).

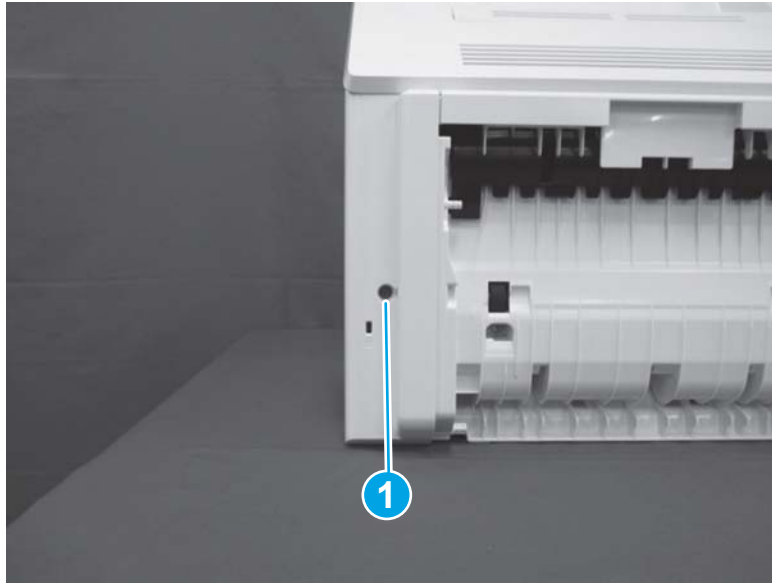
**Figure 1-1388** Install the right cover (SFP)



- c. Close the cartridge door.

- d. Install one screw (callout 1).

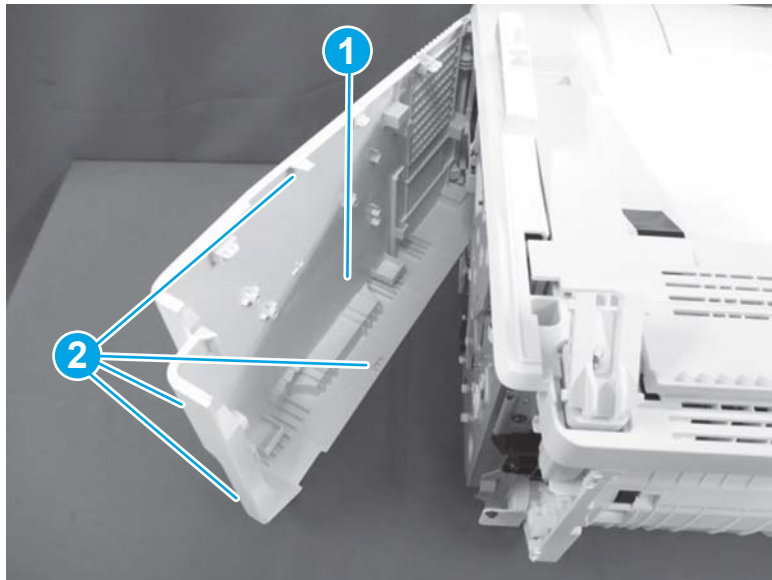
**Figure 1-1389** Install one screw (SFP)



- 2. MFP: Do the following.

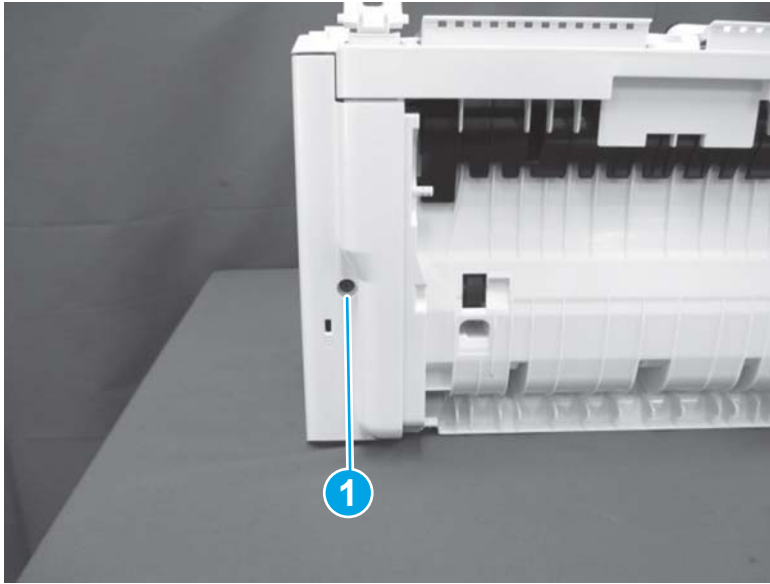
- a. Position the right cover (callout 1) on the printer, and then engage four tabs (callout 2).

**Figure 1-1390** Install the right cover (MFP)



- b. Install one screw (callout 1).

**Figure 1-1391** Install one screw (MFP)




#### Step 27: Install the 3-in-1 or 4-in-1 scanner assembly (MFP)

---

 **NOTE:** This step is for the MFP printers. For the SFP printers, skip this step and go to [Step 29: Install the left cover on page 827](#).

---

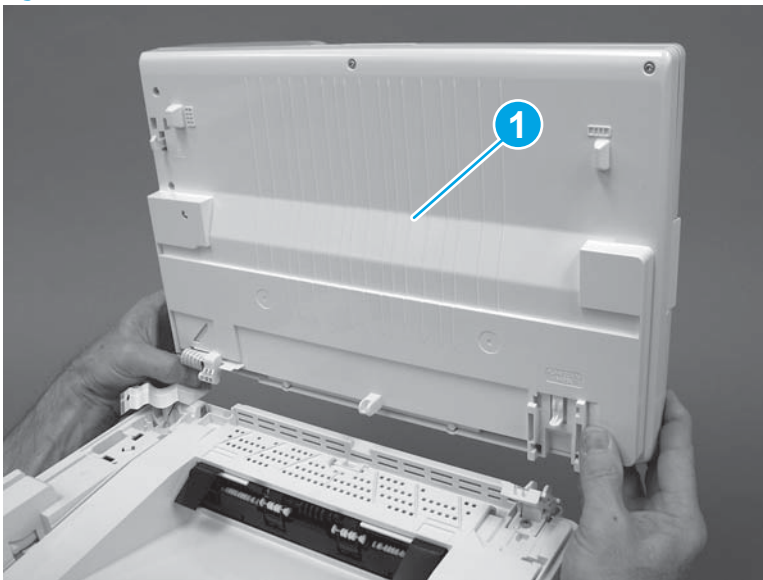
 **NOTE:** The 4-in-1 scanner assembly supports the document feeder. The 3-in-1 scanner assembly does not support the document feeder.

The figures in this procedure show a 4-in-1 printer. However, the procedure is correct for 3-in-1 printers.

---

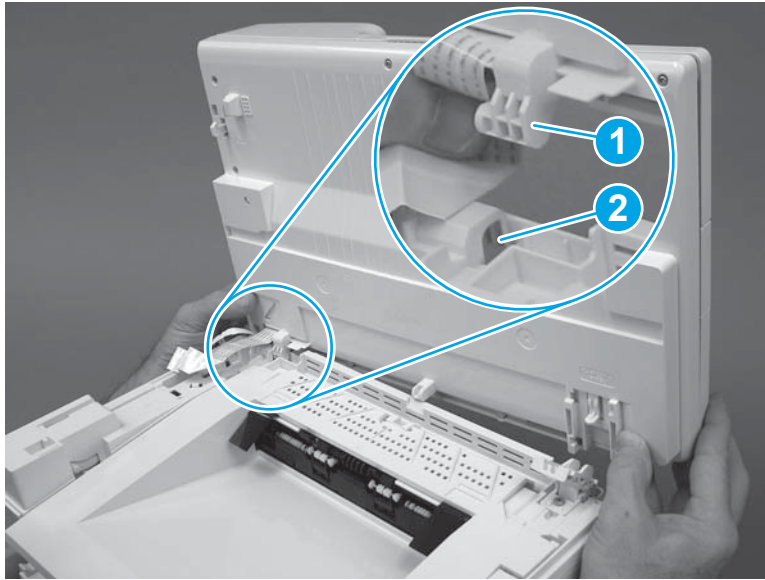
1. Position the scanner assembly (callout 1) near the printer.

**Figure 1-1392** Install the scanner assembly (MFP)



- Engage the left hinge (callout 1) with the top cover (callout 2).

**Figure 1-1393** Engage the left hinge (MFP)



- Push the right side of the scanner assembly toward the front of the printer to engage the right hinge (callout 1). Make sure that the tab (callout 2) snaps into place.

**Figure 1-1394** Engage the right hinge (MFP)





4. **4-in-1 models only:** Pass the flat cables (callouts 1/2) and the ground wire (callout 3) through the openings in the chassis, and then connect the two flat cables.

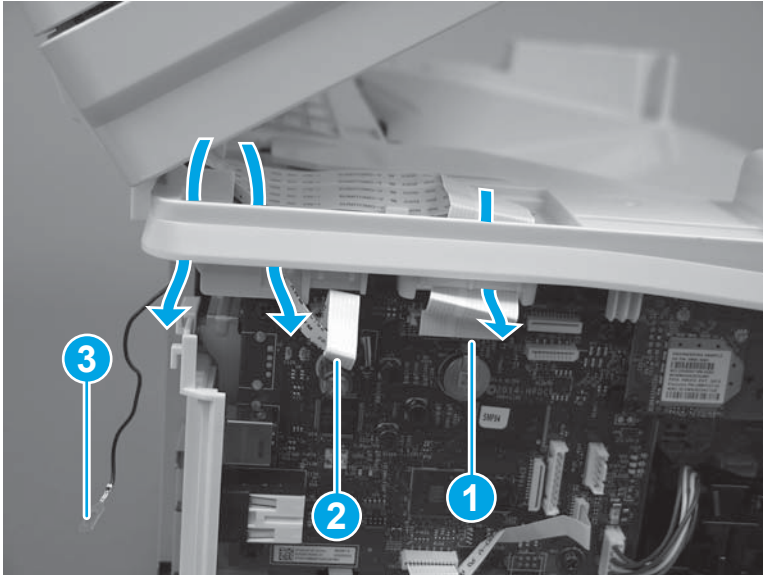
**3-in-1 models only:** Pass the flat cable (callout 1) through the opening in the chassis, and then connect one flat cable.

---

 **NOTE:** The 3-in-1 model does not have the small flat cable (callout 2) or a ground wire (callout 3).

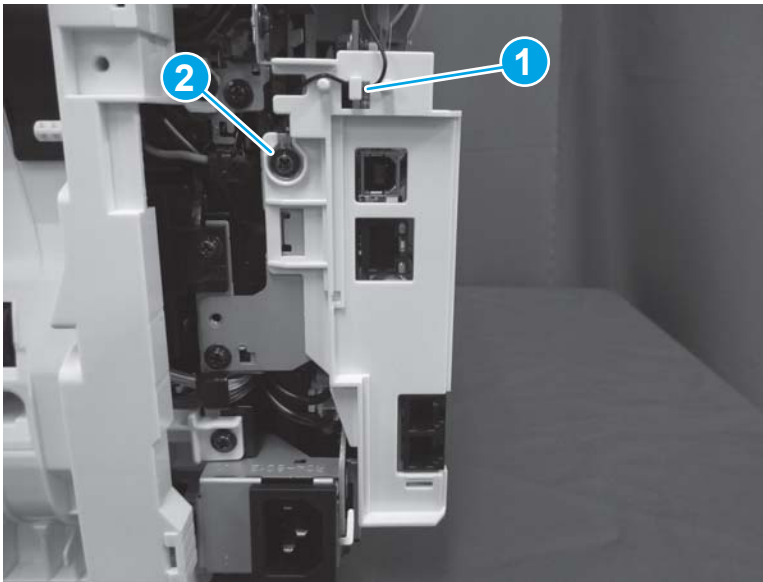
---

**Figure 1-1395** Connect flat cable(s)



5. **4-in-1 models only:** Install the ground wire in the retainer (callout 1), and then install one screw (callout 2).

**Figure 1-1396** Install the ground wire (4-in-1 models)



#### Step 28: Install the cable cover (MFP)

---

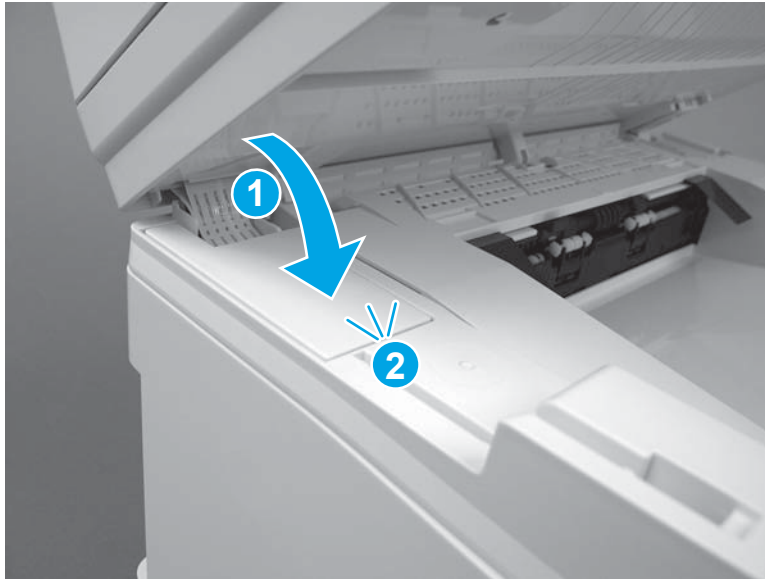
 **NOTE:** This step is for the MFP printers. For the SFP printers, skip this step and go to [Step 29: Install the left cover on page 827](#).

---



1. Install the cable cover (callout 1), on the printer, and then push down to engage one tab (callout 2).

Figure 1-1397 Install the cable cover (MFP)



2. Close the scanner assembly.

Figure 1-1398 Close the scanner assembly

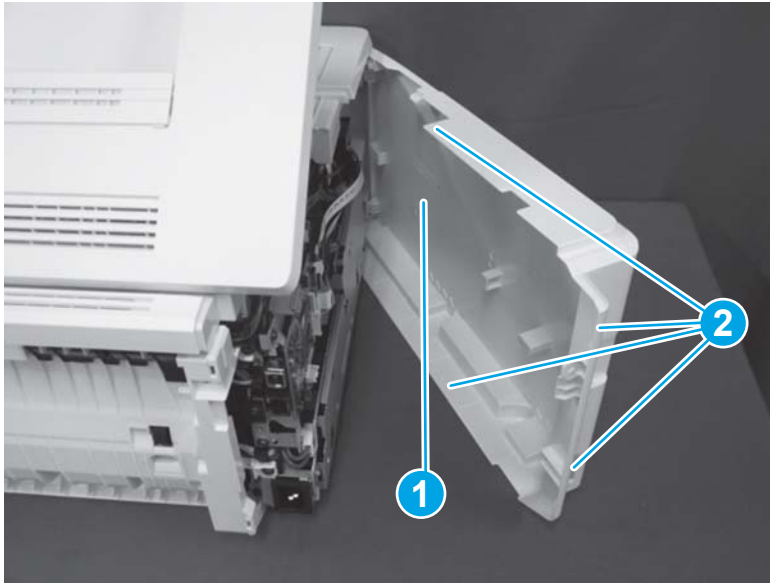


### Step 29: Install the left cover

1. SFP: Do the following.
  - a. Open the cartridge door.

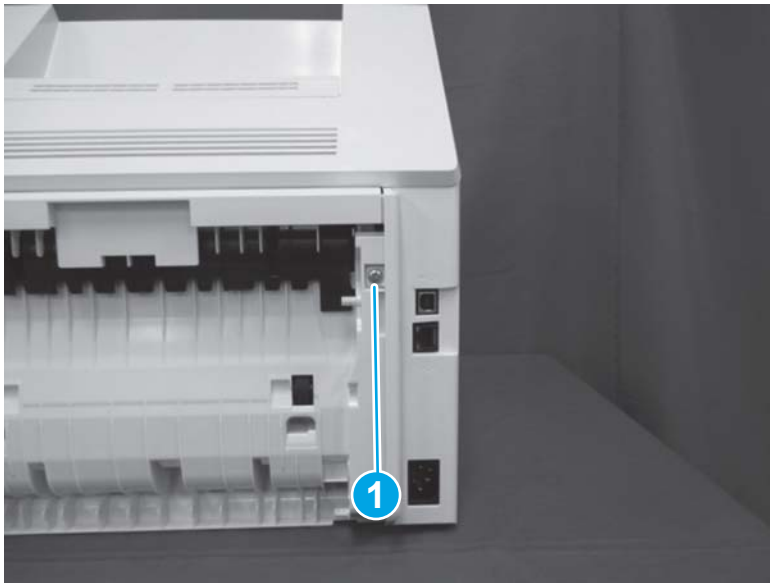
- b. Position the left cover (callout 1) on the printer, and then engage four tabs (callout 2).

Figure 1-1399 Install the left cover (SFP)



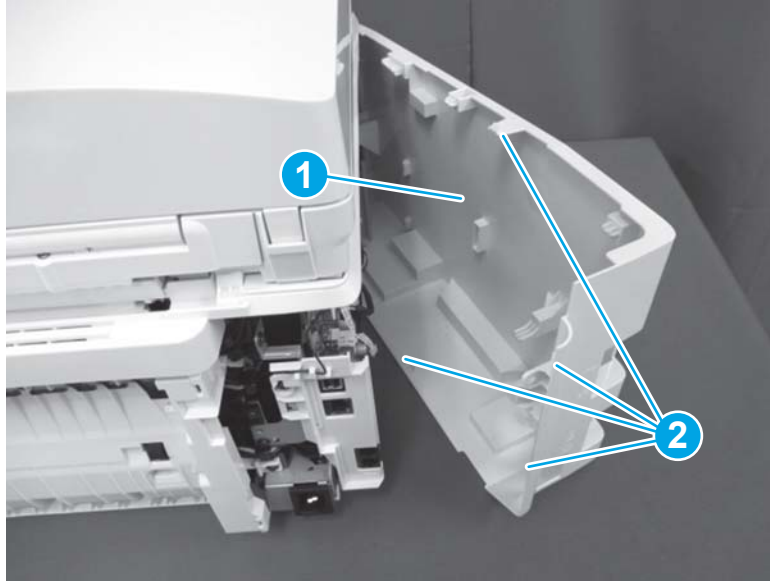
- c. Close the cartridge door.
- d. Install one screw (callout 1).

Figure 1-1400 Install one screw (SFP)



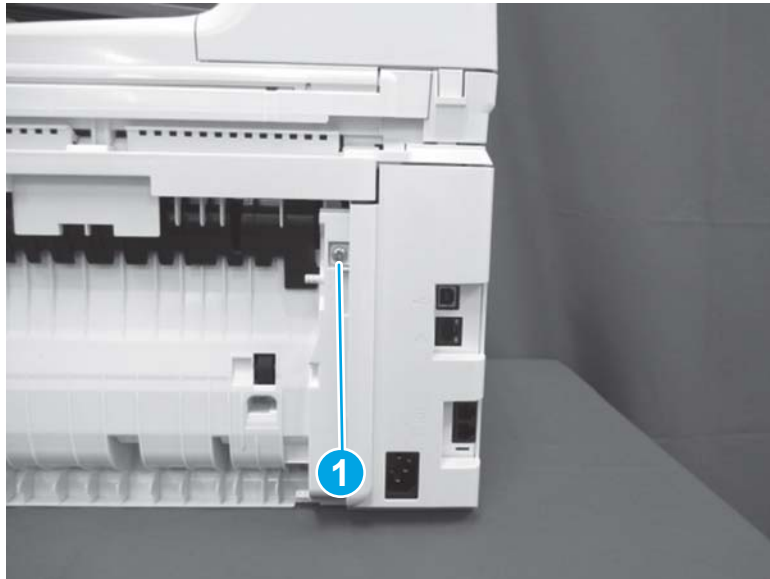
- 2. **MFP:** Do the following.
  - a. Position the left cover (callout 1) on the printer, and then engage four tabs (callout 2).

Figure 1-1401 Install the left cover (MFP)



- b. Install one screw (callout 1).

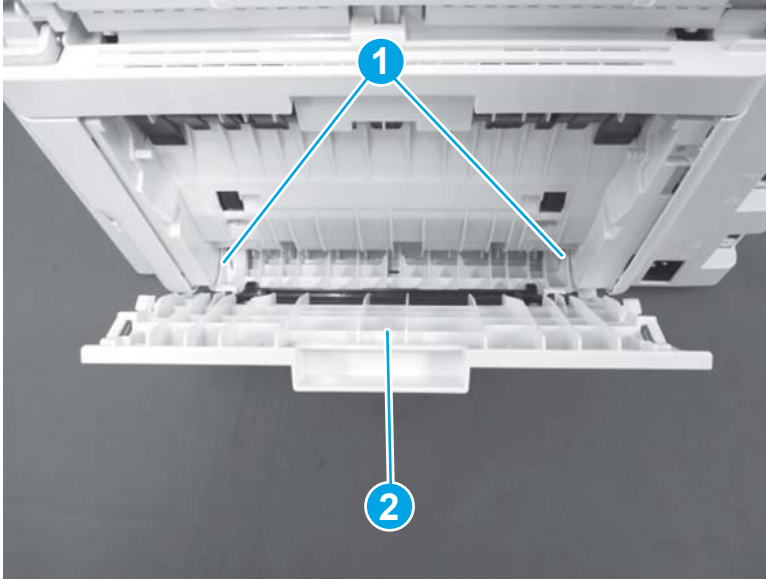
Figure 1-1402 Install one screw (MFP)



### Step 30: Install the duplex door

- 1. Install two tabs (callout 1) to install the duplex door (callout 2).

Figure 1-1403 Install the duplex door

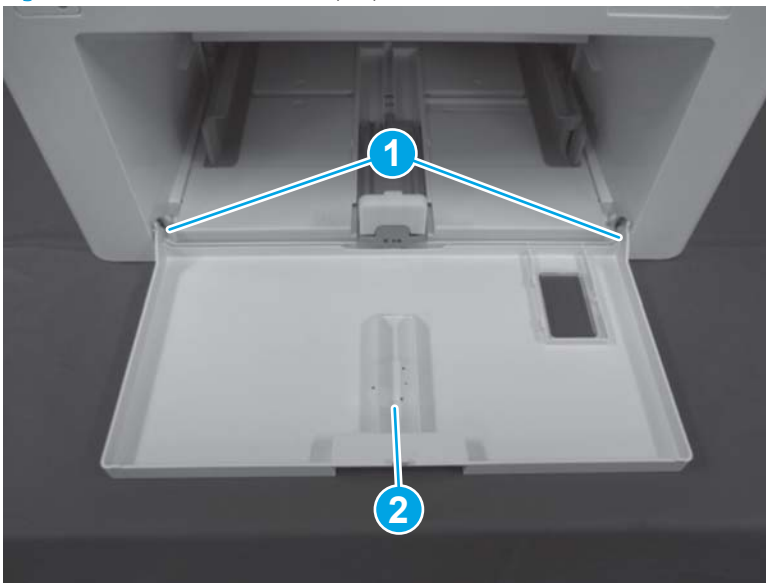


2. Close the duplex door.

Step 31: Install the multipurpose cover

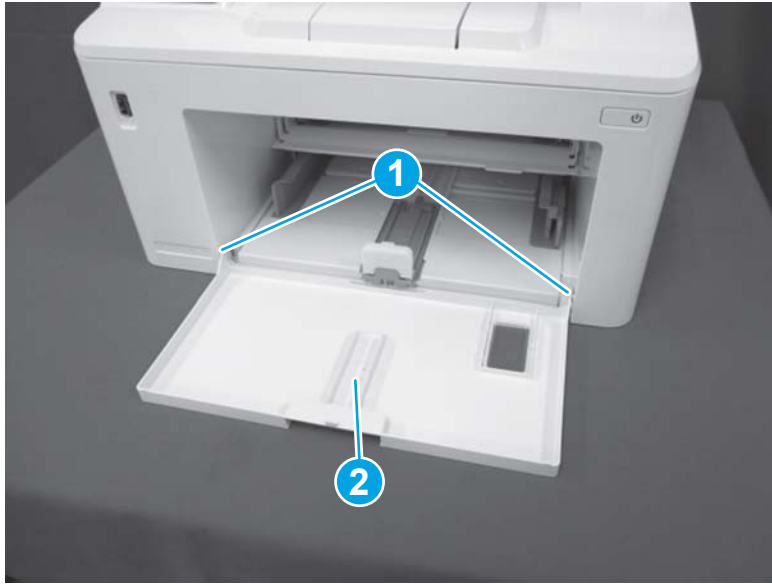
1. **SFP:** Engage two bosses (callout 1), to install the cover (callout 2).

Figure 1-1404 Install the multipurpose cover (SFP)



2. MFP: Engage two bosses (callout 1) to install the cover (callout 2).

Figure 1-1405 Install the multipurpose cover (MFP)



3. Close the multipurpose cover.

## Removal and replacement: Low-voltage power supply (LVPS)

- [Introduction](#)
- [Step 1: Remove the multipurpose cover](#)
- [Step 2: Remove the duplex door](#)
- [Step 3: Remove the left cover](#)
- [Step 4: Remove the cable cover \(MFP\)](#)
- [Step 5: Remove the 3-in-1 or 4-in-1 scanner assembly \(MFP\)](#)
- [Step 6: Remove the right cover](#)
- [Step 7: Remove the USB cover](#)
- [Step 8: Remove the top front cover](#)
- [Step 9: Remove the front cover](#)
- [Step 10: Remove the hinge assembly \(MFP\)](#)
- [Step 11: Remove the cartridge door](#)
- [Step 12: Remove the top cover \(MFP\)](#)
- [Step 13: Remove the top rear cover \(SFP\)](#)
- [Step 14: Remove the duplex paper feed assembly](#)
- [Step 15: Remove the formatter PCA \(MFP\)](#)
- [Step 16: Remove the low-voltage power supply \(LVPS\)](#)
- [Step 17: Unpack the replacement assembly](#)
- [Step 18: Install the LVPS](#)
- [Step 19: Install the formatter PCA](#)
- [Step 20: Install the duplex paper feed assembly](#)
- [Step 21: Install the top rear cover \(SFP\)](#)
- [Step 22: Install the top cover \(MFP\)](#)
- [Step 23: Install the cartridge door](#)
- [Step 24: Install the hinge assembly \(MFP\)](#)
- [Step 25: Install the front cover](#)
- [Step 26: Install the top front cover](#)
- [Step 27: Install the USB cover](#)
- [Step 28: Install the right cover](#)
- [Step 29: Install the 3-in-1 or 4-in-1 scanner assembly \(MFP\)](#)

- [Step 30: Install the cable cover \(MFP\)](#)
- [Step 31: Install the left cover](#)
- [Step 32: Install the duplex door](#)
- [Step 33: Install the multipurpose cover](#)

## Introduction


This document provides the procedures to remove and replace the low-voltage power supply (LVPS).

## Before performing service



### Turn the printer power off

- Disconnect the power cable.

---

 **WARNING!** To avoid damage to the printer, turn the printer off, wait 30 seconds, and then remove the power cable before attempting to service the printer.

---

 **CAUTION:**  This part contains components that are electrostatic discharge (ESD) sensitive. To reduce the possibility of ESD damage, always touch the sheet-metal chassis to ground yourself before touching an ESD sensitive part.

---

Use the table below to identify the correct part number for your printer. To order the part, go to [www.hp.com/buy/parts](http://www.hp.com/buy/parts).

Low-voltage power supply (LVPS) part numbers	
RM2-0837-000CN	LVPS 110-127V (SFP)
RM2-0839-000CN	LVPS 220-240V China (SFP)
RM2-0838-000CN	LVPS 220-240V Except China (SFP)
RM2-0840-000CN	LVPS 110-127V (MFP)
RM2-0842-000CN	LVPS 220-240V China (MFP)
RM2-0841-000CN	LVPS 220-240V Except China (MFP)

## Required tools

- #2 Phillips screwdriver with a magnetic tip.
- Small flat-blade screwdriver

## After performing service

### Turn the printer power on

- Connect the power cable.
- Use the power switch to turn the power on.

## Post service test

**MFP only:** Verify that the document feeder and the flatbed scanner are correctly functioning (copy a page).

Send a print job from the host computer to the printer (or print a configuration page). Verify that a page prints.

### Step 1: Remove the multipurpose cover

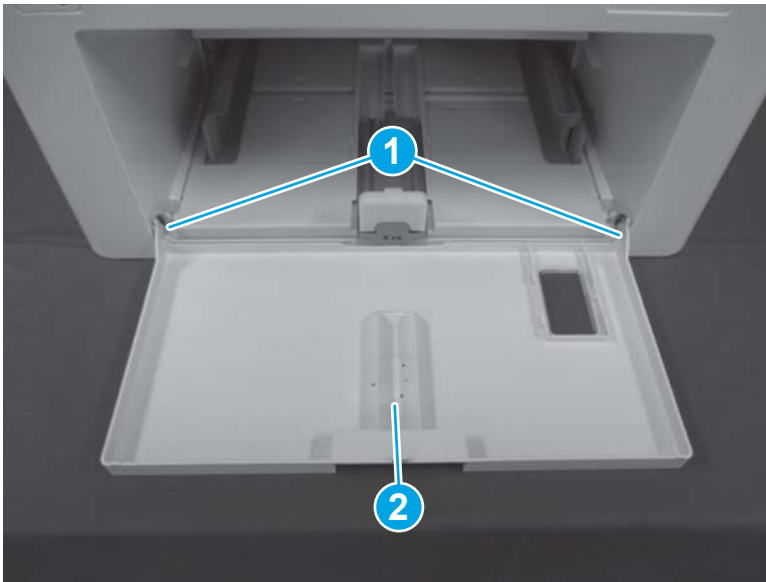
1. Open the multipurpose cover.
2. **SFP:** Release two bosses (callout 1), and then remove the cover (callout 2).

---

 **TIP:** It might be easier to remove the cover if the right boss is released first, and then lower the right-side of the cover to release the left-side boss.

---

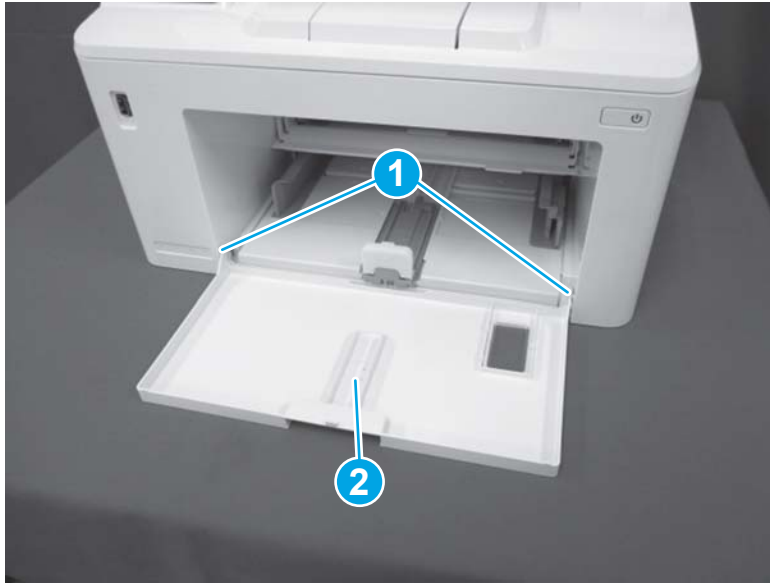
**Figure 1-1406** Remove the multipurpose cover (SFP)





3. **MFP:** Release two bosses (callout 1), and then remove the cover (callout 2).

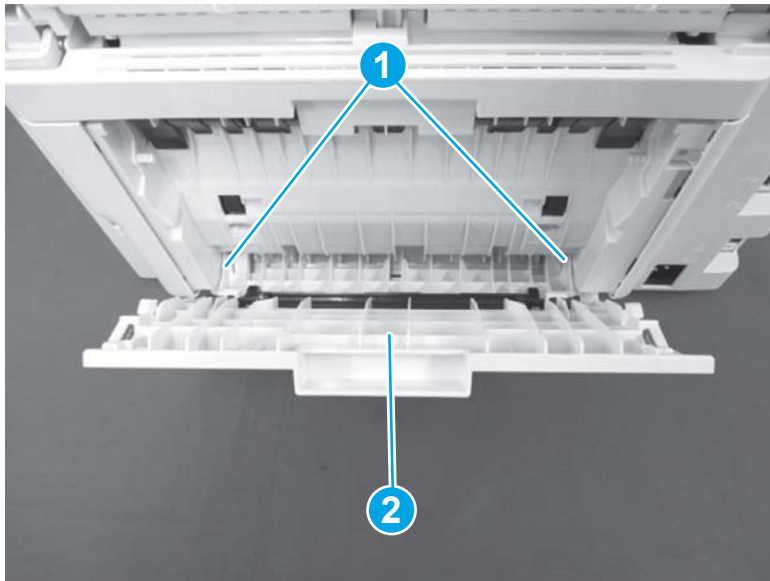
**Figure 1-1407** Remove the multipurpose cover (MFP)



### Step 2: Remove the duplex door

1. Open the duplex door.
2. Use a small flat-blade screwdriver to release two tabs (callout 1), and then remove the duplex door (callout 2).

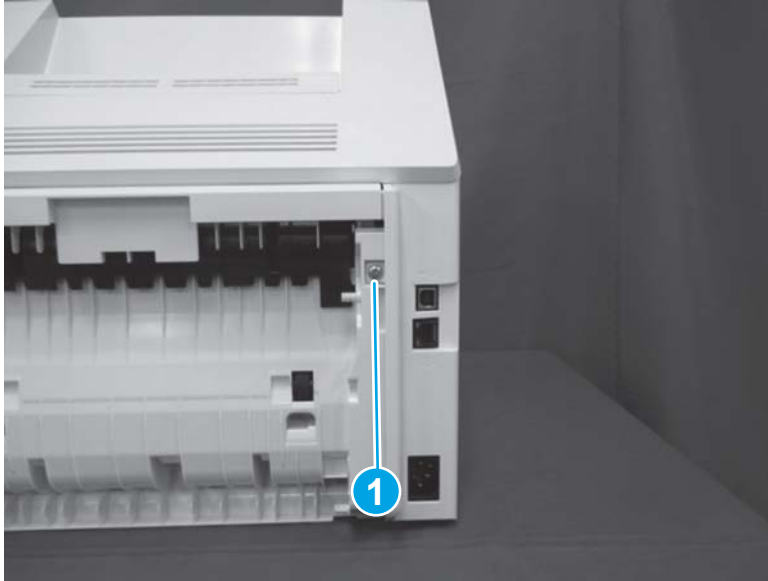
**Figure 1-1408** Remove the duplex door



### Step 3: Remove the left cover

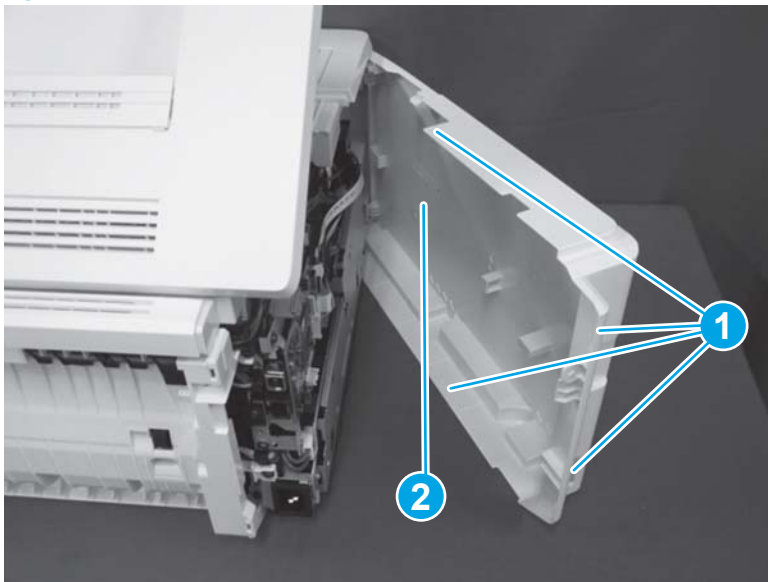
1. **SFP:** Do the following.
  - a. Remove one screw (callout 1).

Figure 1-1409 Remove one screw (SFP)



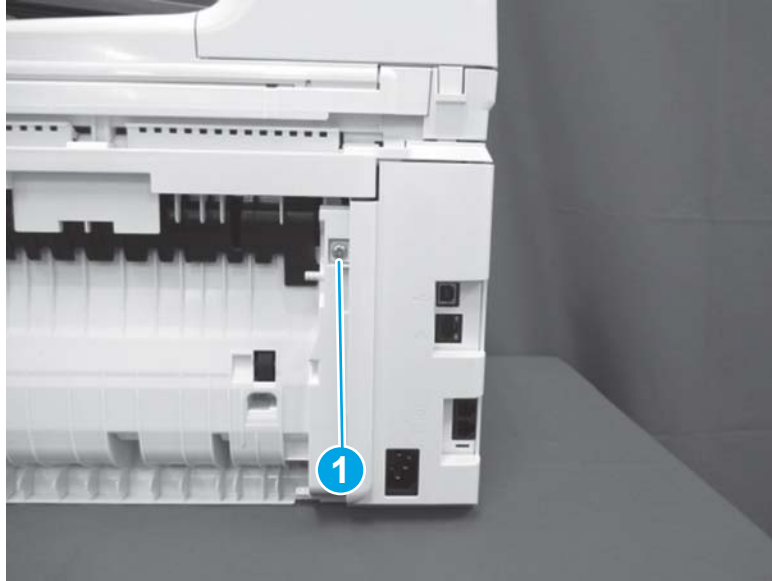
- b. Open the cartridge door.
- c. Release four tabs (callout 1), and then remove the left cover (callout 2).

Figure 1-1410 Remove the left cover (SFP)



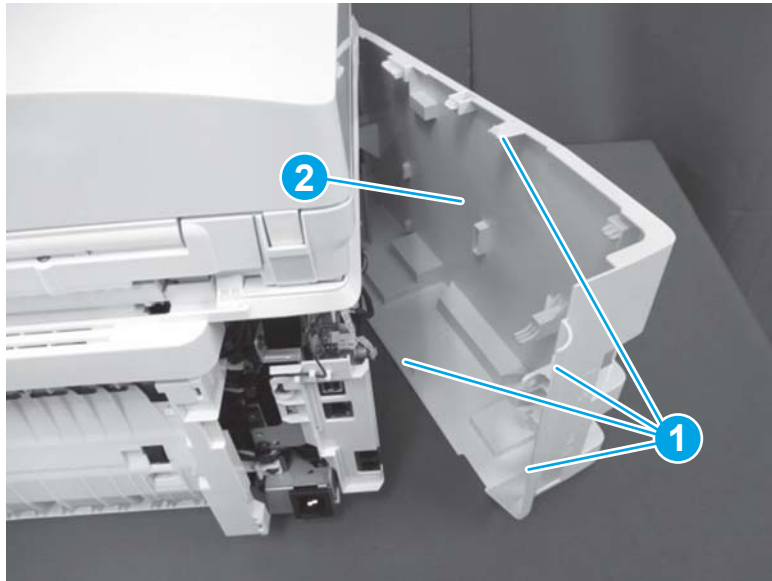
- 2. **MFP:** Do the following.
  - a. Remove one screw (callout 1).

Figure 1-1411 Remove one screw (MFP)



- b. Release four tabs (callout 1), and then remove the left cover (callout 2).

Figure 1-1412 Remove the left cover (MFP)



#### Step 4: Remove the cable cover (MFP)

 **NOTE:** This step is for the MFP printers. For the SFP printers, skip this step and go to [Step 6: Remove the right cover on page 841](#).

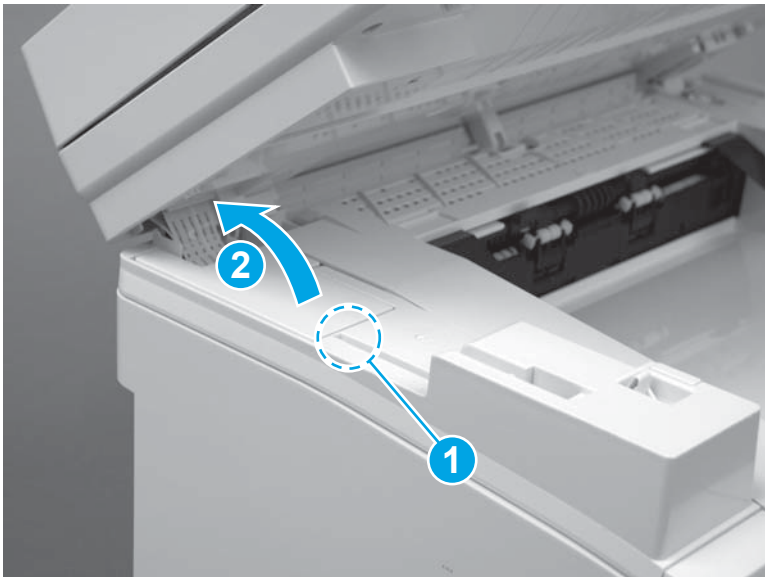
1. Open the scanner assembly.

Figure 1-1413 Open the scanner assembly




2. Use a small flat-blade screw driver to release one tab (callout 1), and then remove the cable cover (callout 2).

Figure 1-1414 Remove the cable cover (MFP)



#### Step 5: Remove the 3-in-1 or 4-in-1 scanner assembly (MFP)

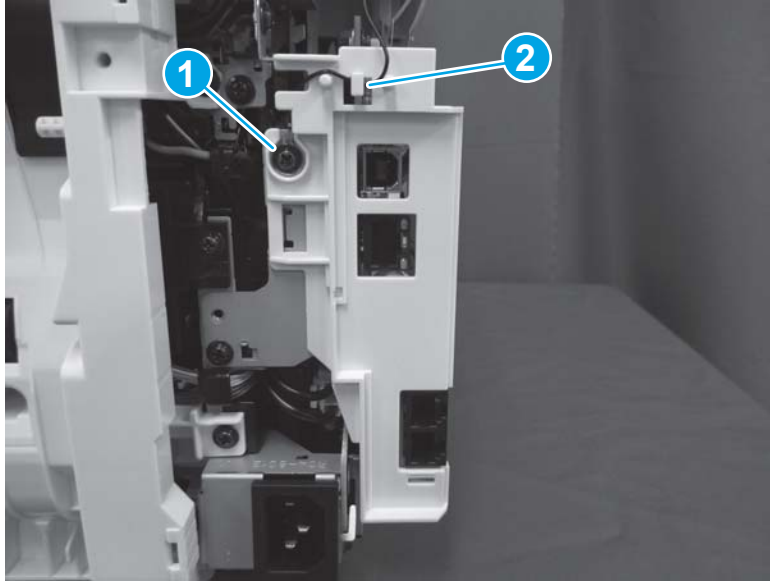
 **NOTE:** This step is for the MFP printers. For the SFP printers, skip this step and go to [Step 6: Remove the right cover on page 841](#).

 **NOTE:** The 4-in-1 scanner assembly supports the document feeder. The 3-in-1 scanner assembly does not support the document feeder.

The figures in this procedure show a 4-in-1 printer. However, the procedure is correct for 3-in-1 printers.

1. **4-in-1 models only:** Remove one screw (callout 1), and then release the ground wire from the retainer (callout 2).

Figure 1-1415 Release the ground wire (4-in-1 models)

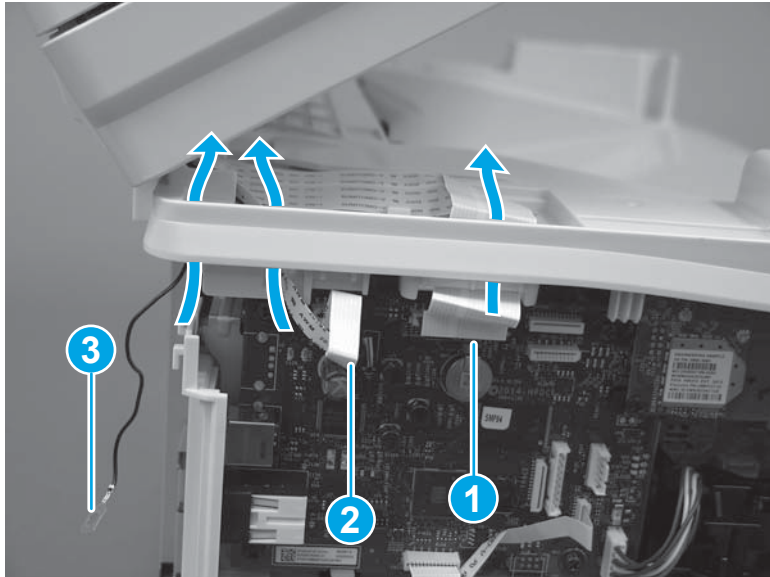


2. **4-in-1 models only:** Disconnect two flat cables (callouts 1/2), and then pass the flat cables and the ground wire (callout 3) up through the opening in the chassis.

**3-in-1 models only:** Disconnect one flat cable (callout 1), and then pass the flat cable through the opening in the chassis.

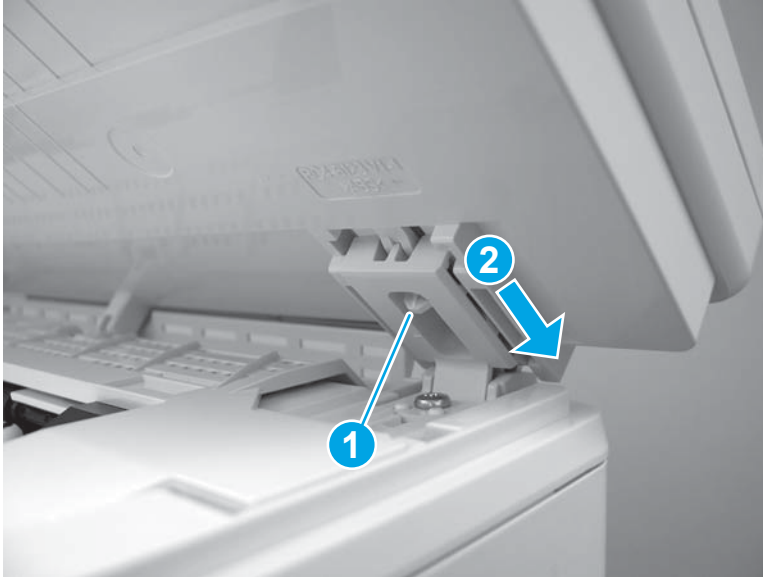
 **NOTE:** The 3-in-1 model does not have the small flat cable (callout 2) or a ground wire (callout 3).

Figure 1-1416 Disconnect flat cable(s)



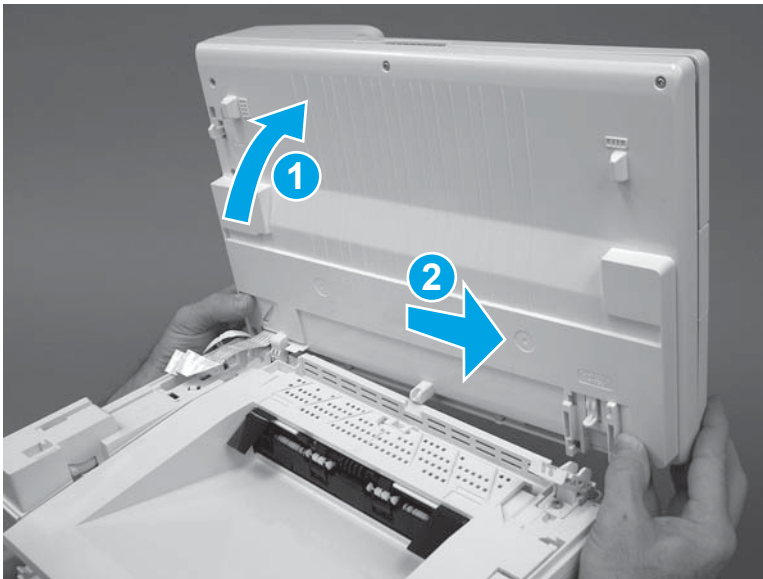
3. Release one tab (callout 1), and then push the right side of the scanner assembly toward the rear of the printer to release the right hinge (callout 2).

Figure 1-1417 Release the right hinge



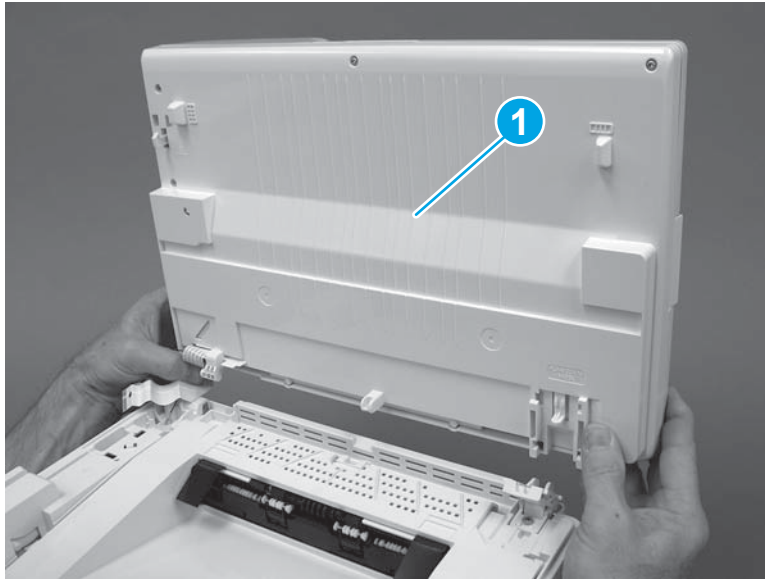
4. Rotate the scanner assembly towards the rear of the printer (callout 1), and then slide the scanner assembly toward the right side of the printer to release the left hinge (callout 2).

Figure 1-1418 Release the left hinge



5. Remove the scanner assembly (callout 1).

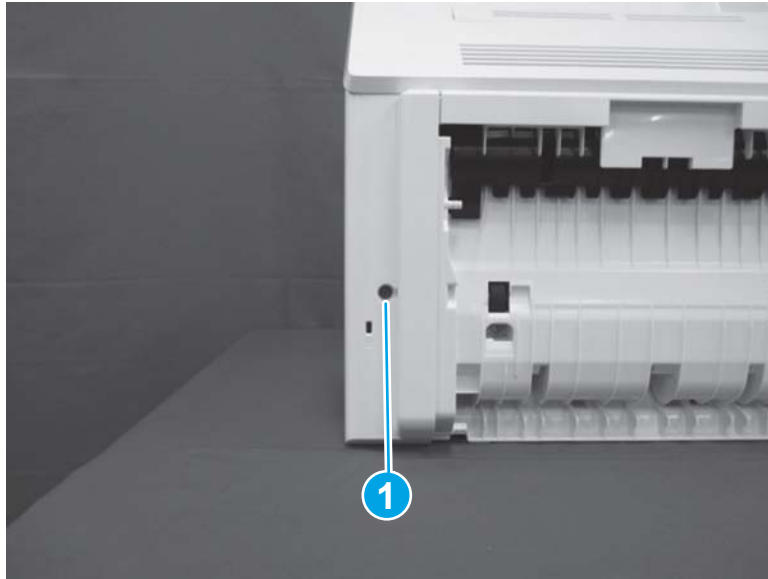
Figure 1-1419 Remove the scanner assembly



#### Step 6: Remove the right cover

1. SFP: Do the following.
  - a. Remove one screw (callout 1).

Figure 1-1420 Remove one screw (SFP)

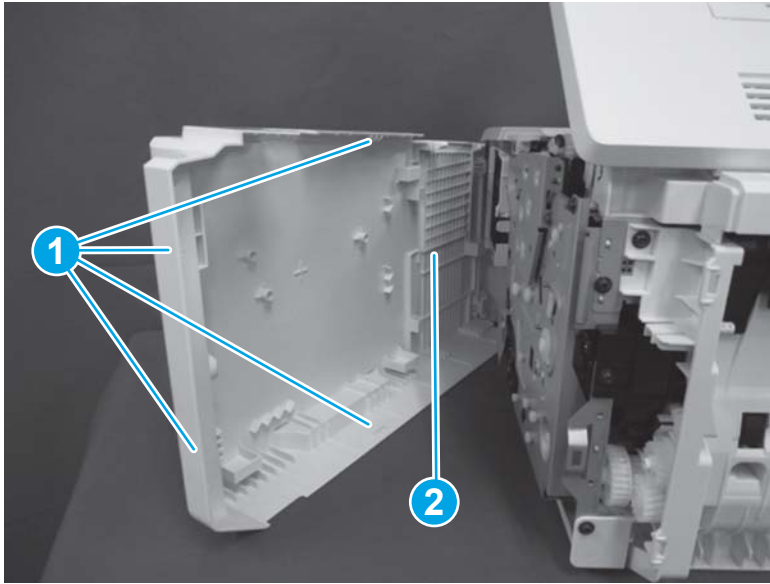


- b. Open the cartridge door.



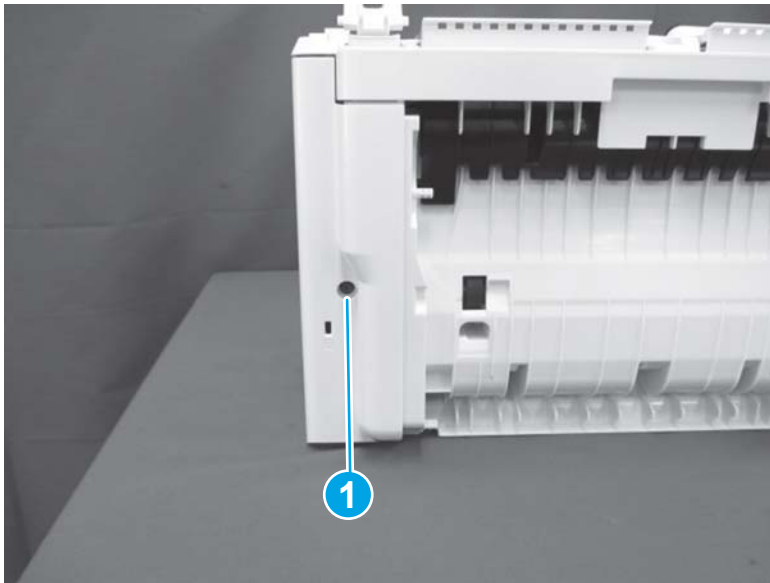
- c. Release four tabs (callout 1), and then remove the right cover (callout 2).

Figure 1-1421 Remove the right cover (SFP)



2. MFP: Do the following.
  - a. Remove one screw (callout 1).

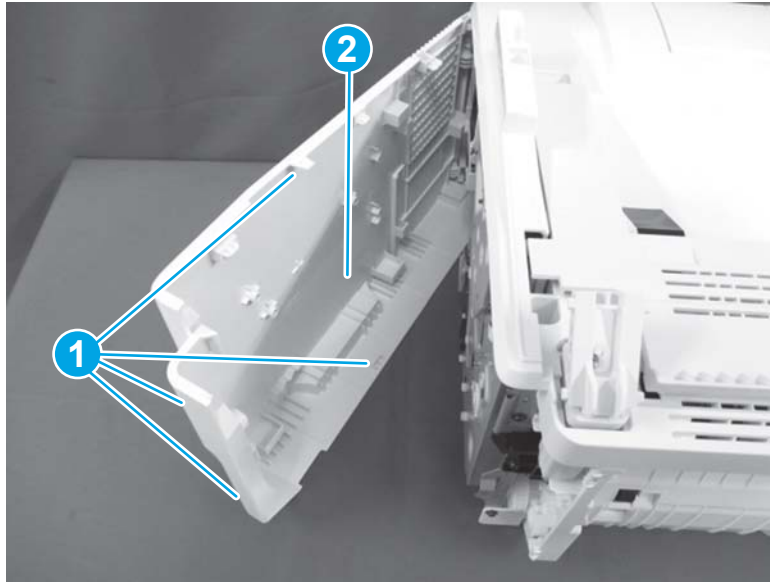
Figure 1-1422 Remove one screw (MFP)





- b. Release four tabs (callout 1), and then remove the right cover (callout 2).

Figure 1-1423 Remove the right cover (MFP)

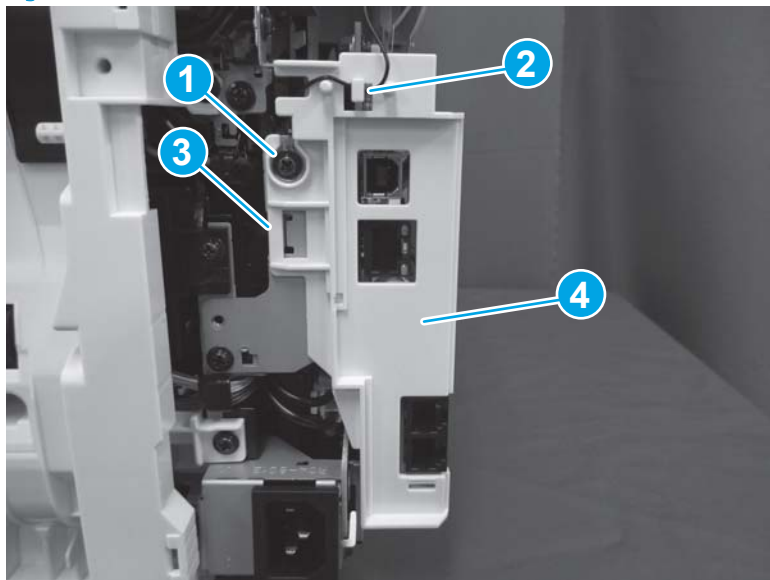


#### Step 7: Remove the USB cover

- ▲ Do the following:

- a. **4-in-1 scanner assembly models only:** Remove one screw (callout 1), and then release one wire harness from the guide (callout 2).
- b. Release one tab (callout 3), and then remove the USB cover (callout 4).

Figure 1-1424 Remove the USB cover (MFP)

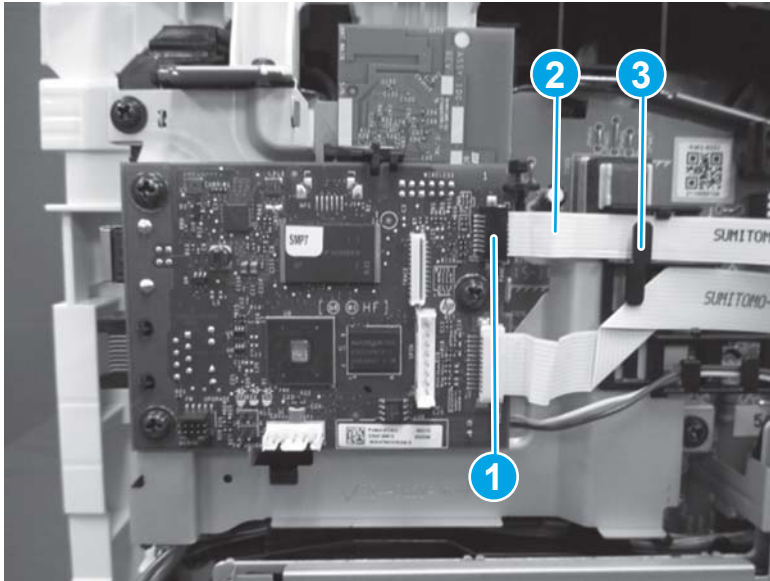


#### Step 8: Remove the top front cover

1. **SFP:** Do the following.

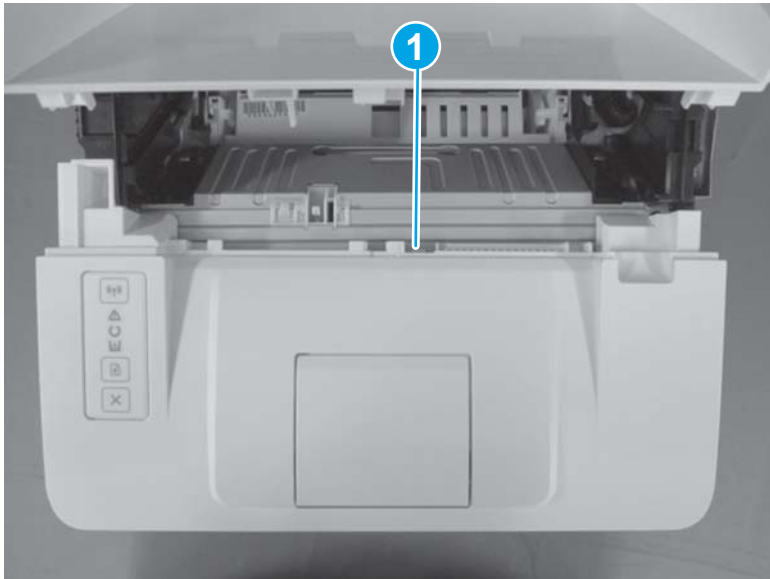
- a. Disconnect one connector (callout 1) on the formatter, and then release the cable (callout 2) from the cable guide (callout 3).

Figure 1-1425 Disconnect one connector



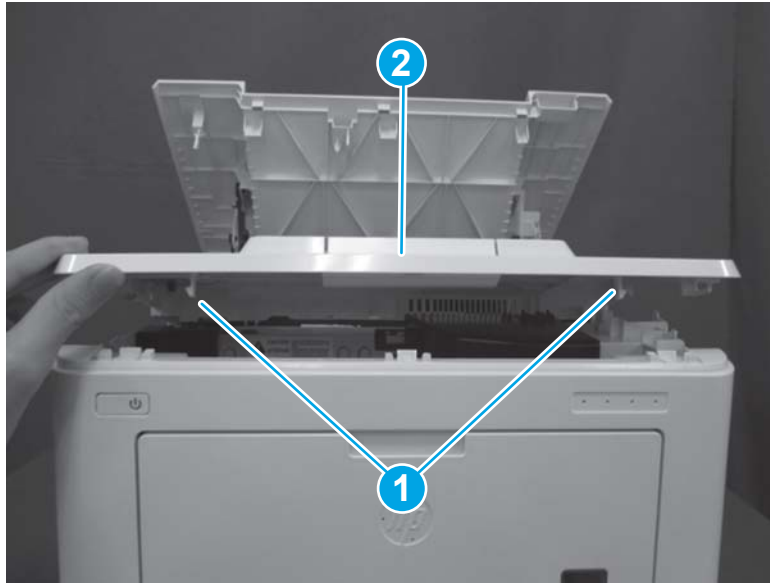
- b. Open the cartridge door, and then release one tab (callout 1) on the top of the cover.

Figure 1-1426 Release one tab



- c. Release two tabs (callout 1), and then remove the top front cover (callout 2).

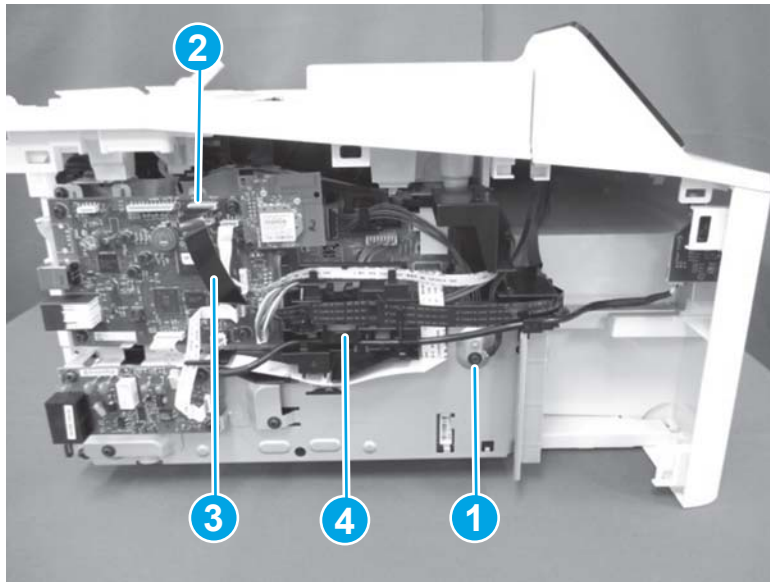
Figure 1-1427 Release two tabs and remove the cover



- 2. MFP: Do the following.

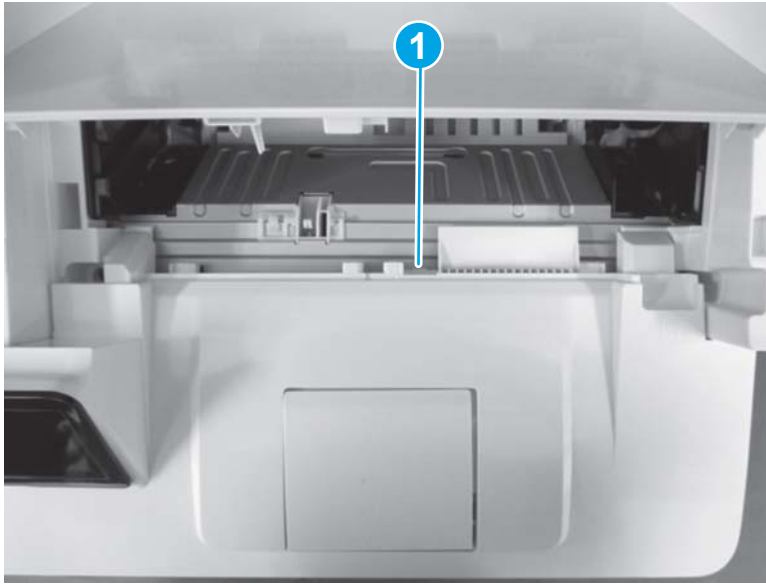
- a. Remove one screw (callout 1) to release one cable. Disconnect one connector (callout 2), and then remove the cable (callout 3) from the cable guide (callout 4).

Figure 1-1428 Disconnect connector and release cable



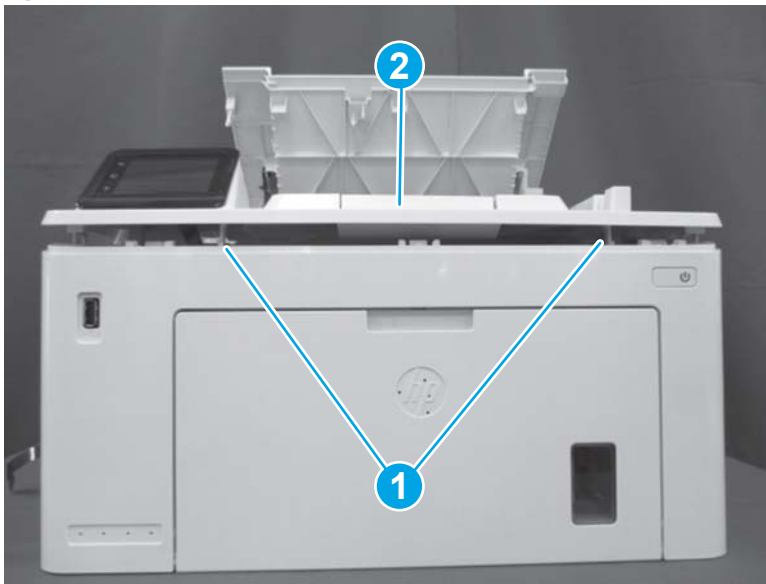
- b. Open the cartridge door, and then release one tab (callout 1).

Figure 1-1429 Release one tab



- c. Release two tabs (callout 1), and then remove the top front cover (callout 2).

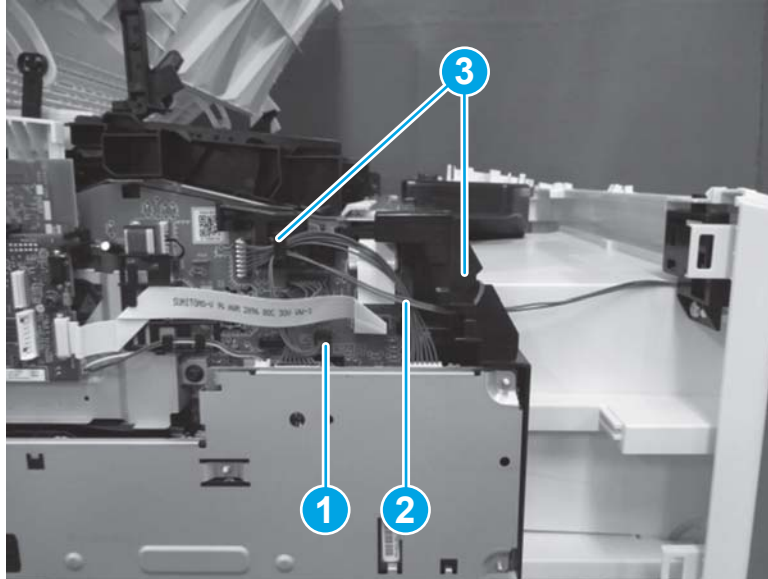
Figure 1-1430 Release two tabs and remove the cover



### Step 9: Remove the front cover

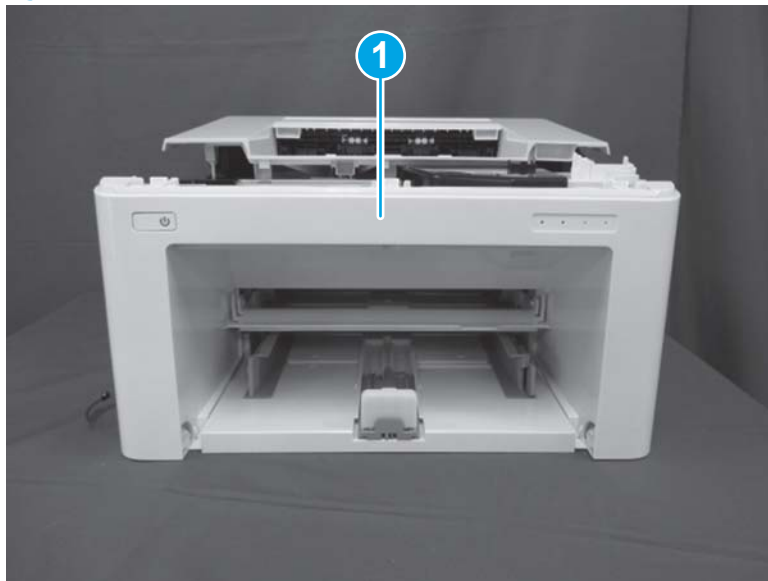
1. **SFP:** Do the following.
  - a. Disconnect one connector (callout 1), and then remove the cable (callout 2) from the cable guide (callout 3).

Figure 1-1431 Disconnect connector (SFP)



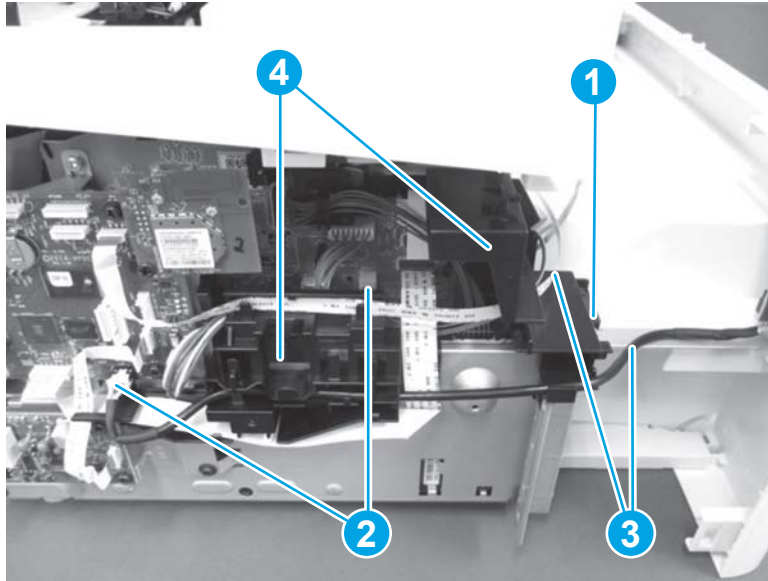
- b. Slide the front cover (callout 1) away from the printer to remove it.

Figure 1-1432 Remove the front cover (SFP)



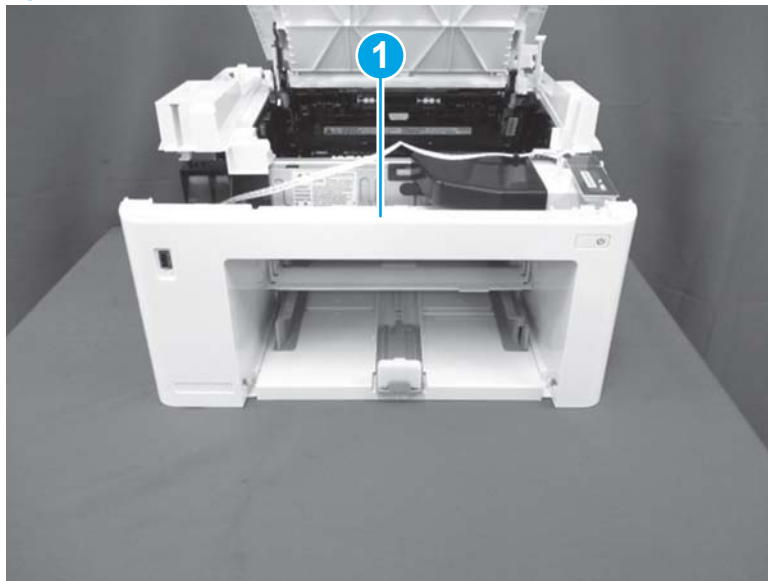
- 2. **MFP:** Do the following.
  - a. Remove one screw (callout 1). Disconnect two connectors (callout 2), and then release the cables (callout 3) from the cable guide (callout 4).

Figure 1-1433 Disconnect connectors (MFP)



- b. Slide the front cover (callout 1) away from the printer to remove it.

Figure 1-1434 Remove the front cover (MFP)

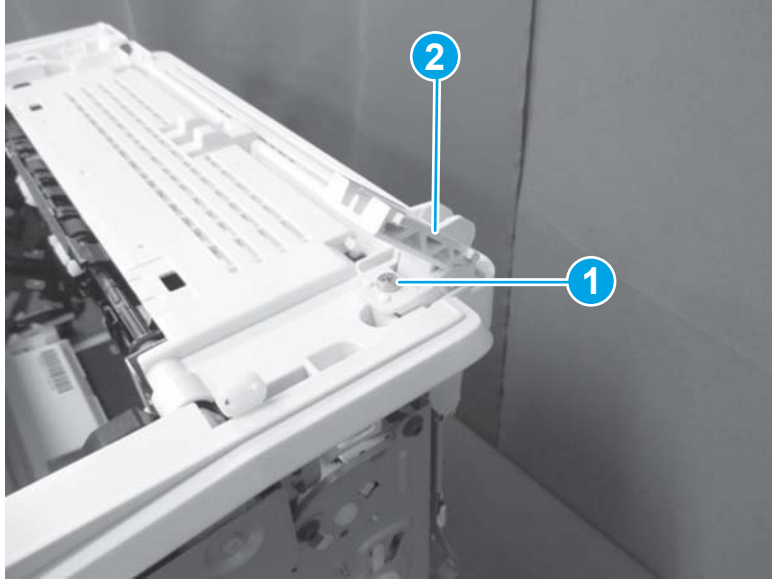


### Step 10: Remove the hinge assembly (MFP)

 **NOTE:** This step is for the MFP printers. For the SFP printers, skip this step and go to [Step 11: Remove the cartridge door on page 849.](#)

- ▲ Remove one screw (callout 1), and then remove the hinge assembly (callout 2).

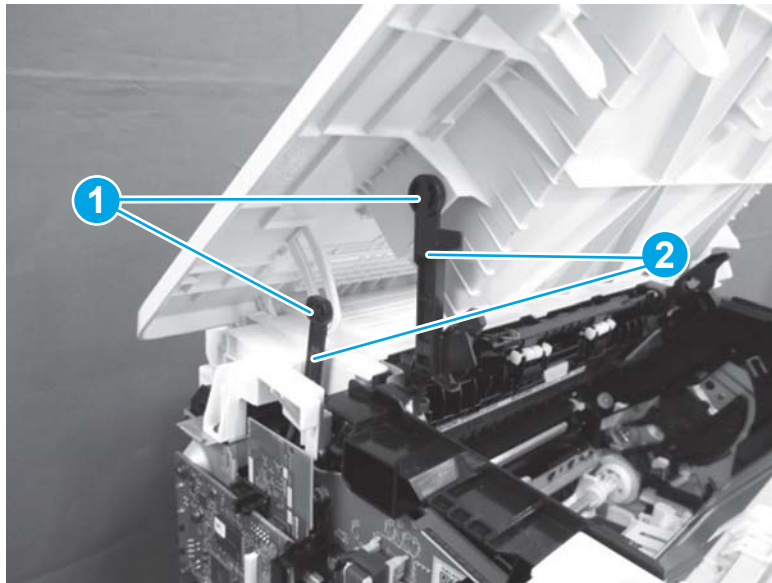
Figure 1-1435 Remove the hinge assembly (MFP)



### Step 11: Remove the cartridge door

1. SFP: Do the following.
  - a. Open the cartridge door. On the left side of the printer, release two tabs (callout 1), and then disconnect two link arms (callout 2).

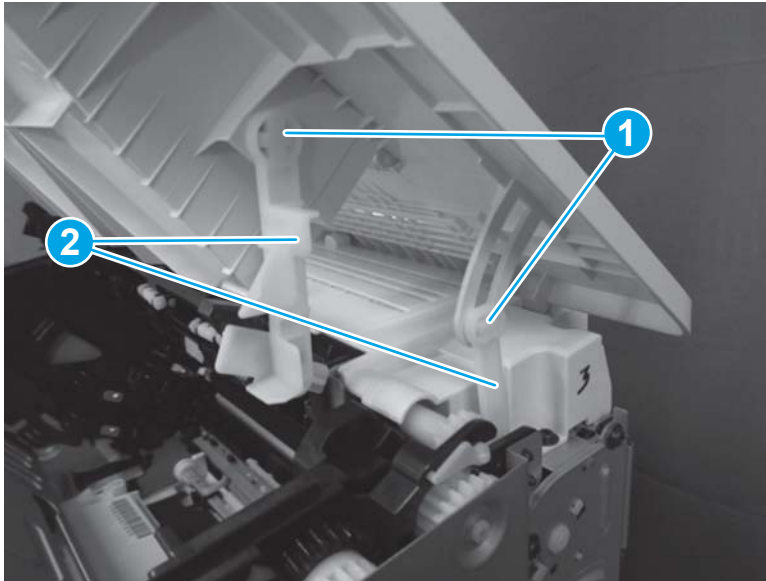
Figure 1-1436 Disconnect left link arms (SFP)





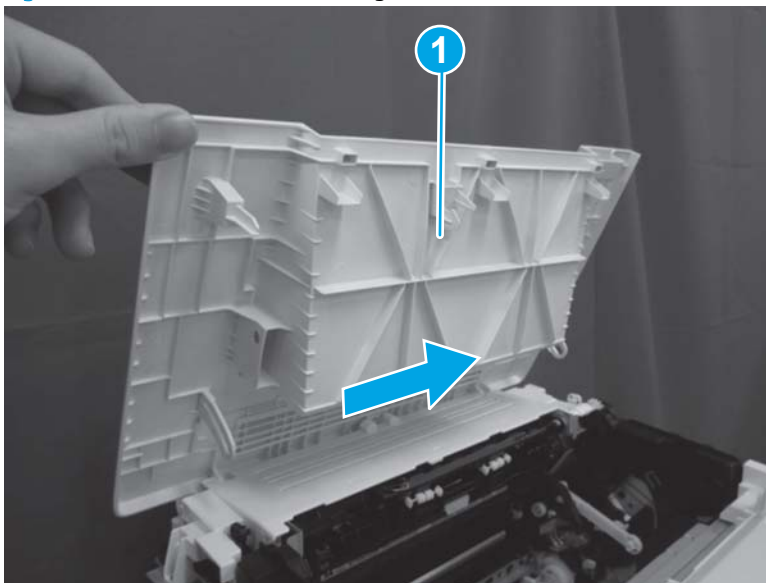
- b. On the right side of the printer, release two tabs (callout 1), and then disconnect two link arms (callout 2).

**Figure 1-1437** Disconnect right link arms (SFP)



- c. Fully open the cartridge door (callout 1), and then slide it towards the right-side of the printer to remove it.

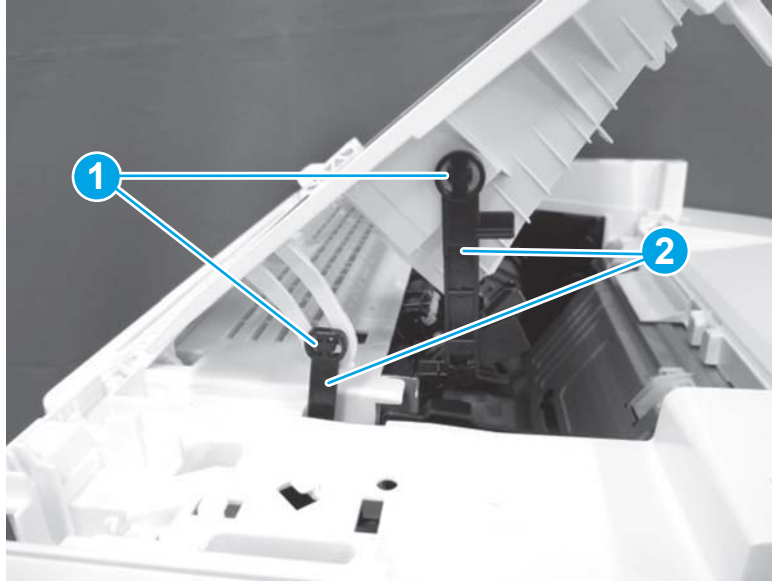
**Figure 1-1438** Remove the cartridge door (SFP)



2. **MFP:** Do the following.
  - a. Open the cartridge door. On the left side of the printer, release two tabs (callout 1), and then disconnect two link arms (callout 2).

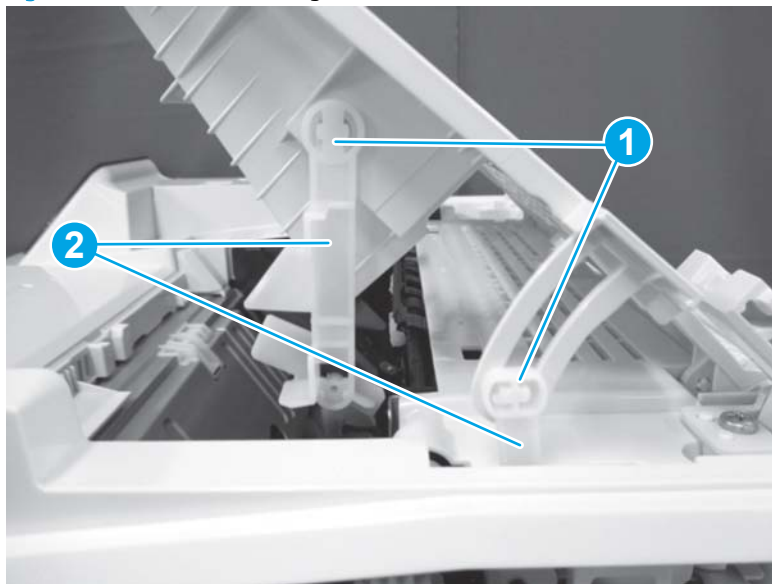


Figure 1-1439 Disconnect left link arms (MFP)



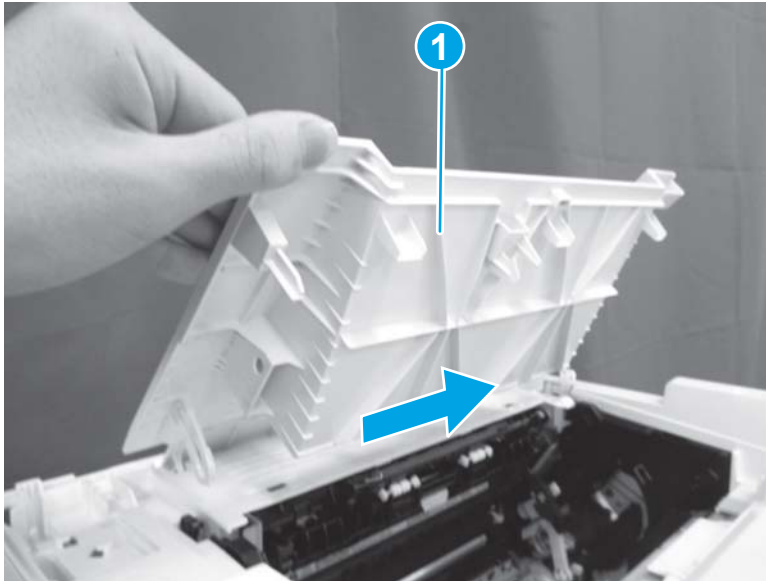
- b. On the right side of the printer, release two tabs (callout 1), and then disconnect two link arms (callout 2).

Figure 1-1440 Disconnect right link arms (MFP)



- c. Fully open the cartridge door (callout 1), and then slide it towards the right-side of the printer to remove it.

Figure 1-1441 Remove the cartridge door (MFP)

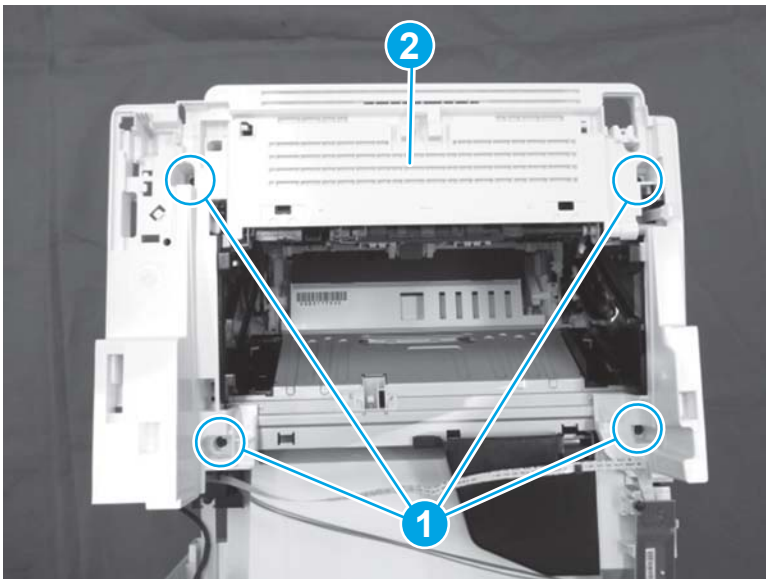


#### Step 12: Remove the top cover (MFP)


 **NOTE:** This step is for the MFP printers. For the SFP printers, skip this step and go to [Step 14: Remove the duplex paper feed assembly on page 853](#).

- ▲ Remove four screws (callout 1), and then remove the top cover (callout 2).

Figure 1-1442 Remove the top cover

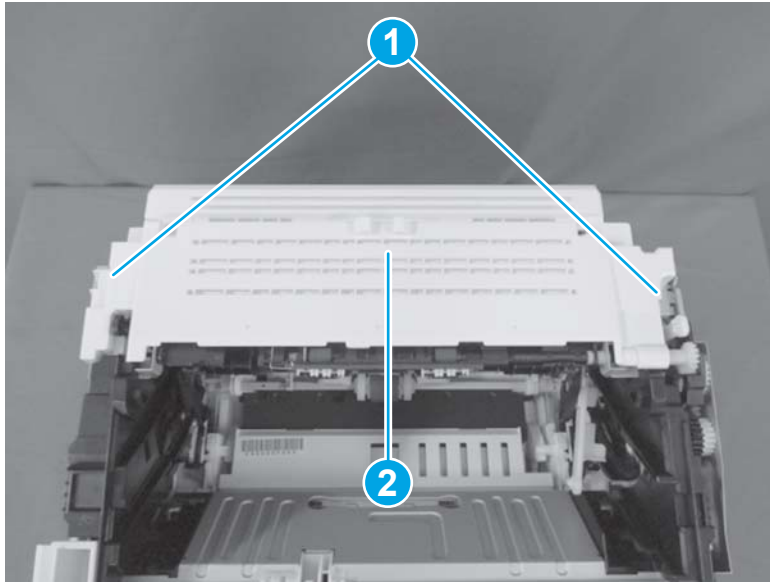


#### Step 13: Remove the top rear cover (SFP)

 **NOTE:** This step is for the SFP printers. For the MFP printers, skip this step and go to [Step 14: Remove the duplex paper feed assembly on page 853](#).

- ▲ Remove two screws (callout 1), and then remove the top rear cover (callout 2).

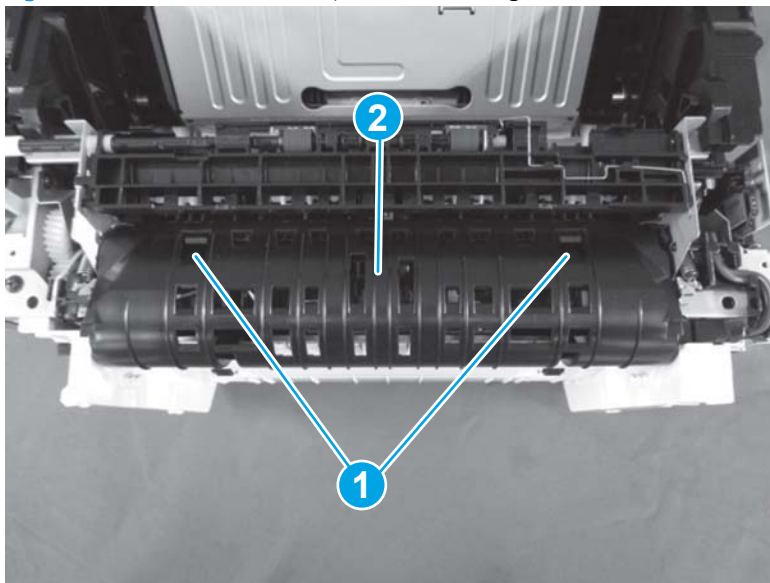
Figure 1-1443 Remove the top rear cover (SFP)



#### Step 14: Remove the duplex paper feed assembly

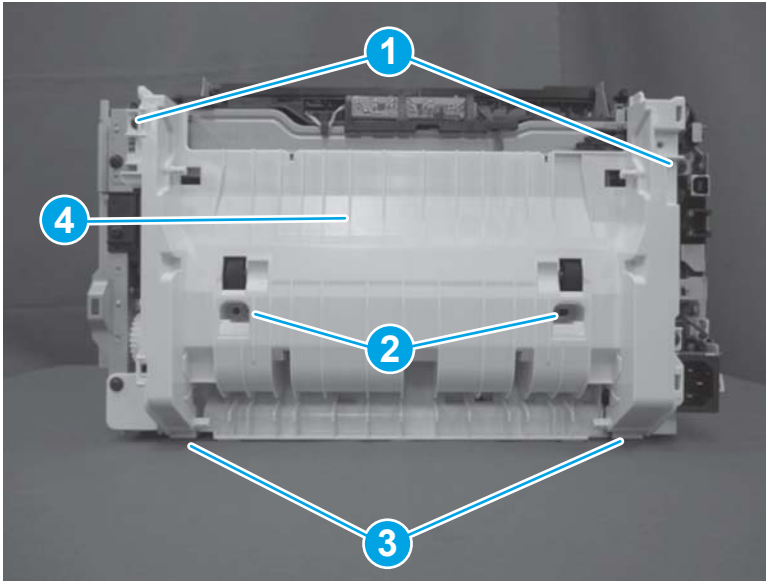
1. Release two tabs (callout 1), and then remove the duplex switchback guide (callout 2).

Figure 1-1444 Remove the duplex switchback guide



2. Remove two M3 screws (callout 1), and then remove two M4 screws (callout 2). Release two tabs (callout 3), and then remove the duplex paper feed assembly (callout 4).

Figure 1-1445 Remove the duplex feed assembly



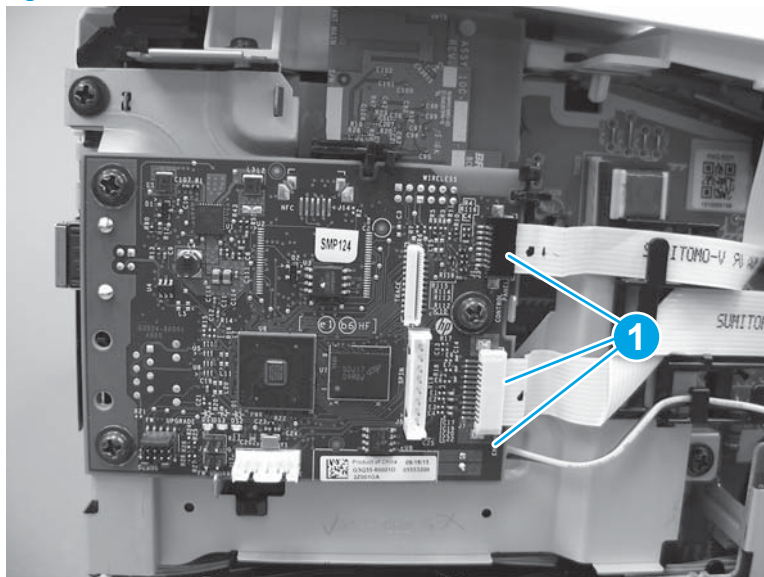
### Step 15: Remove the formatter PCA (MFP)

 **NOTE:** This step is for the MFP printers. For the SFP printers, skip this step and go to [Step 16: Remove the low-voltage power supply \(LVPS\) on page 855](#).

 **CAUTION:**  ESD-sensitive part.

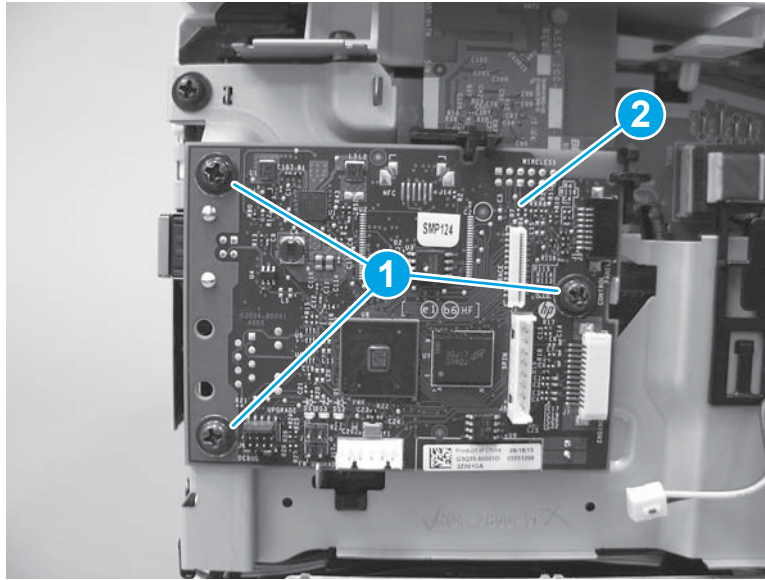
1. **SFP:** Do the following.
  - a. Disconnect two flat cables and one connector (callout 1).

Figure 1-1446 Disconnect two flat cables and one connector (SFP)



- b. Remove three screws (callout 1), and then remove the formatter PCA (callout 2).

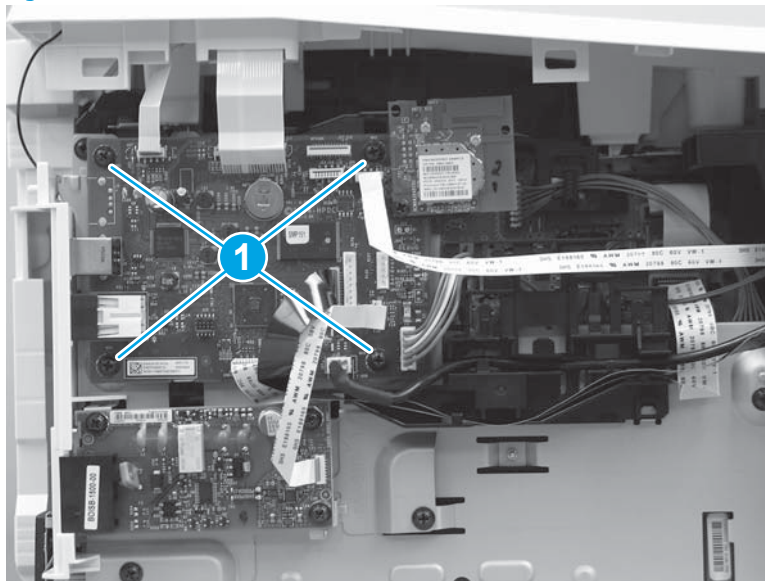
**Figure 1-1447** Remove the formatter PCA (SFP)



2. MFP: Do the following.

- ▲ Disconnect all of the connectors on the formatter PCA. Remove four screws (callout 1), and then remove the formatter PCA.

**Figure 1-1448** Remove the formatter PCA (MFP)



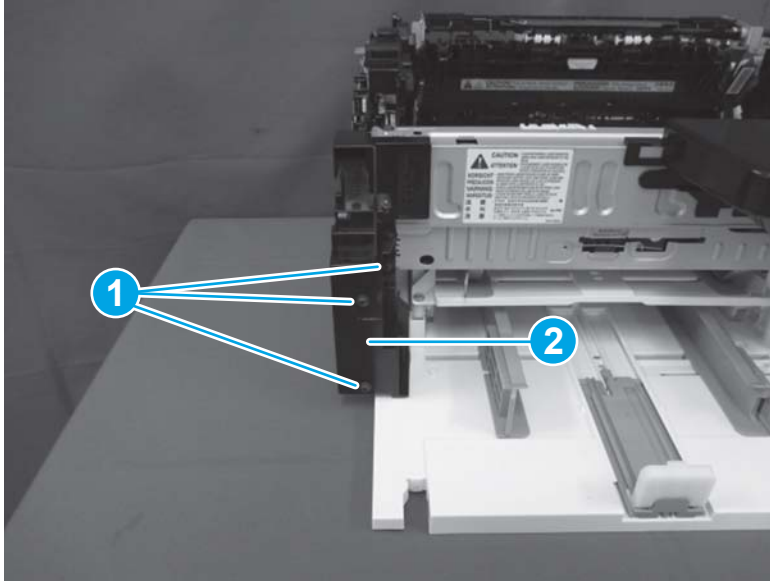
## Step 16: Remove the low-voltage power supply (LVPS)

 **CAUTION:**  ESD-sensitive part.

1. SFP: Do the following.
  - a. Remove three screws (callout 1), and then remove the inner cover (callout 2).

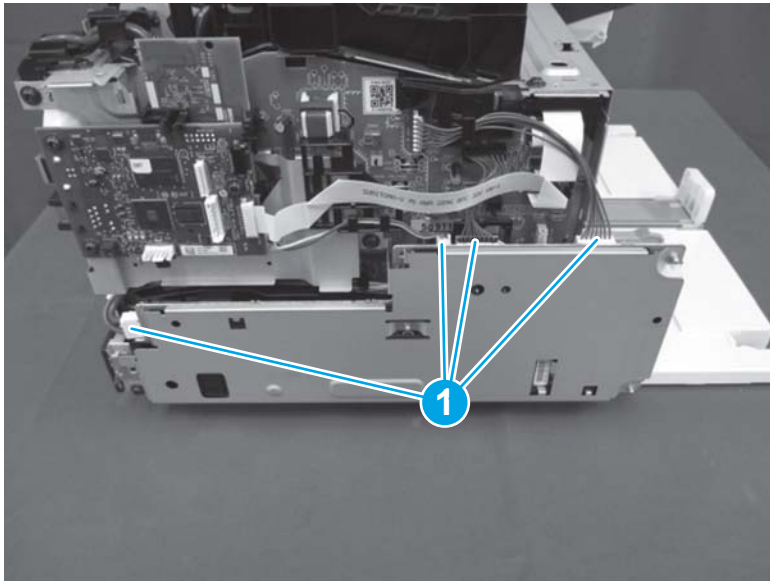


Figure 1-1449 Remove three screws and a cover (SFP)



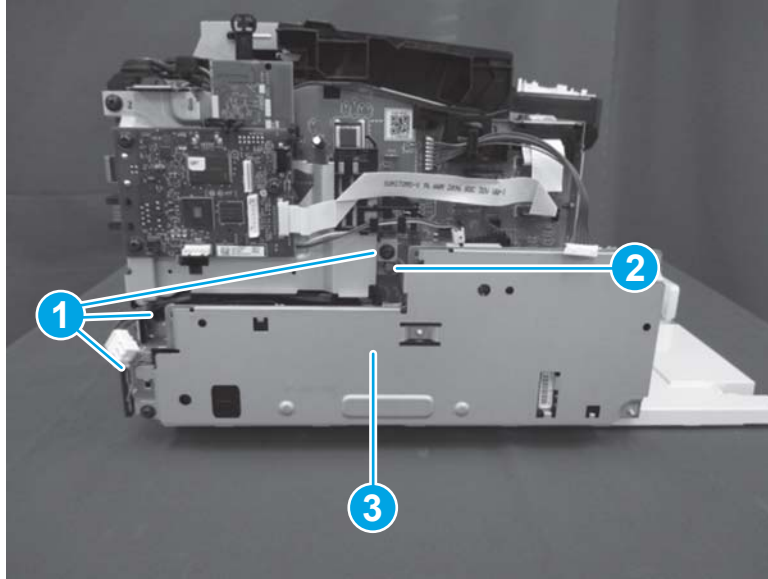
- b. Disconnect four connectors (callout 1).

Figure 1-1450 Disconnect four connectors (SFP)



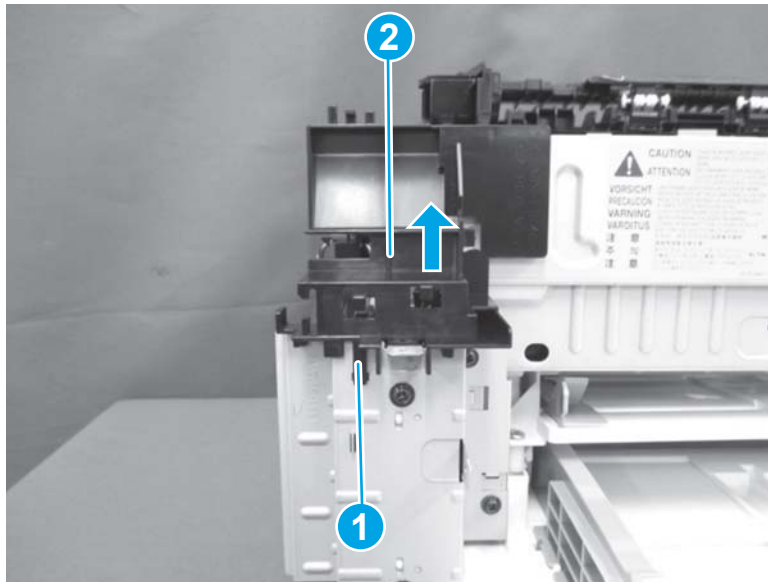
- c. Remove three screws (callout 1), remove one ground screw (callout 2), and then remove the LVPS (callout 3).

**Figure 1-1451** Remove the LVPS (SFP)



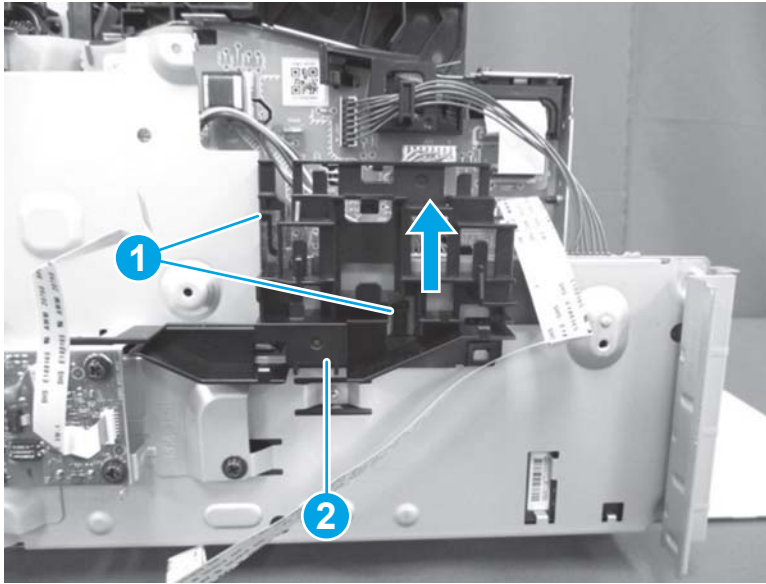
2. MFP: Do the following.
  - a. Release one tab (callout 1), and then slide the inner cover (callout 2) up to remove it.

**Figure 1-1452** Remove the inner cover (MFP)



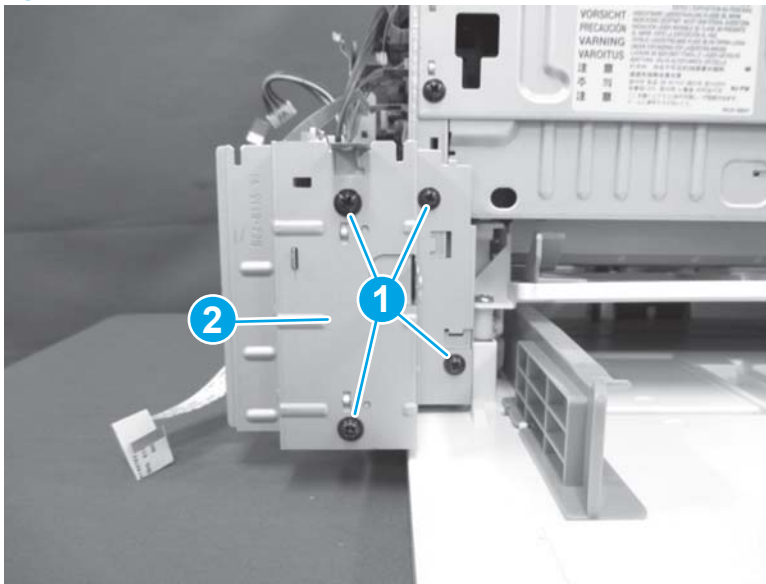
- b. Release two tabs (callout 1), and then slide the guide (callout 2) up to remove it.

Figure 1-1453 Remove the guide (MFP)



- c. Remove four screws (callout 1), and then remove the sheet-metal plate (callout 2).

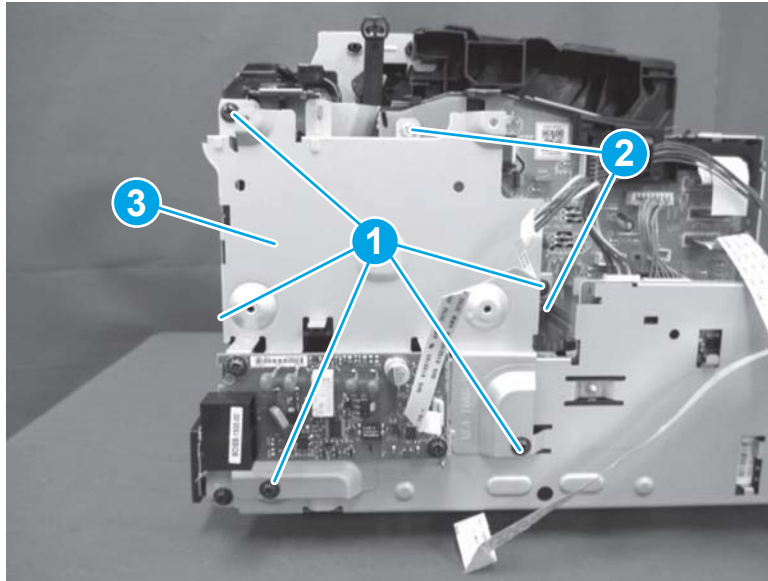
Figure 1-1454 Remove the plate (MFP)





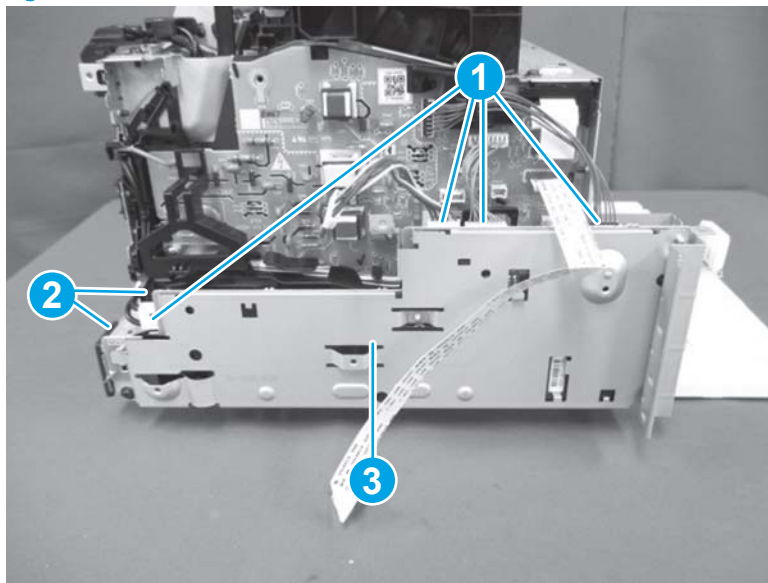
- d. Remove five screws (callout 1), remove two ground screws (callout 2), and then remove the sheet-metal support plate (callout 3).

**Figure 1-1455** Remove the support plate (MFP)



- e. Disconnect four connectors (callout 1), remove two screws (callout 2), and then remove the LVPS (callout 3).

**Figure 1-1456** Remove the LVPS (MFP)



### Step 17: Unpack the replacement assembly

1. Dispose of the defective part.

 **NOTE:** HP recommends responsible disposal of the defective part.

[www.hp.com/recycle](http://www.hp.com/recycle)



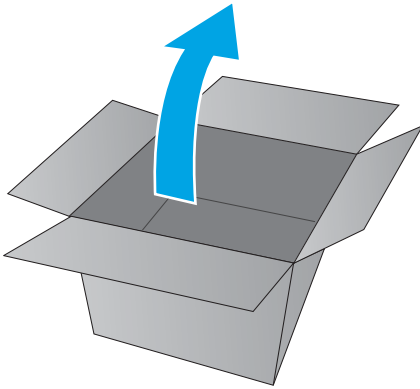
2. Unpack the replacement part from the packaging.

---

**⚠ CAUTION:** If the replacement part is a roller or pad, avoid touching the spongy part of it. Skin oils on the roller or pad can cause paper pickup and/or print-quality problems. HP recommends using disposable gloves when handling rollers or pads or washing your hands or before touching rollers or pads.

**📋 IMPORTANT:** Make sure that all of the shipping materials (for example shipping tape) are removed from the replacement part prior to installation.

---



### Step 18: Install the LVPS

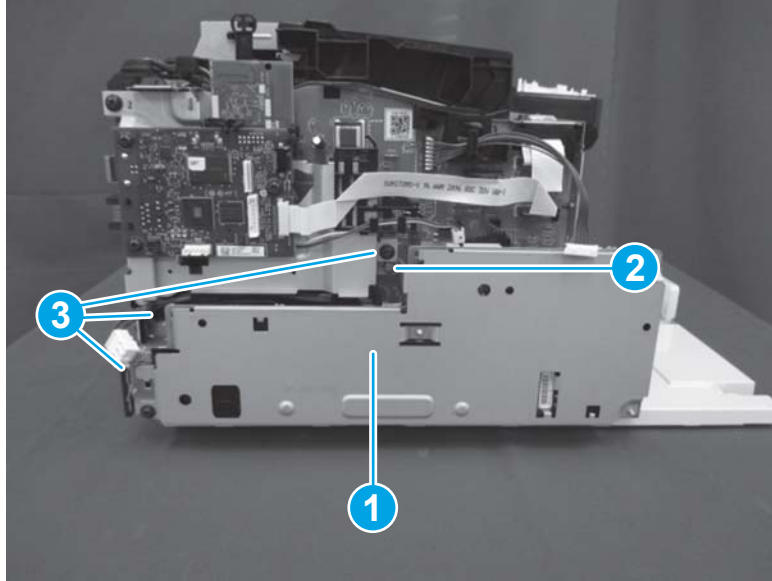
---

**⚠ CAUTION:**  ESD-sensitive part.

---

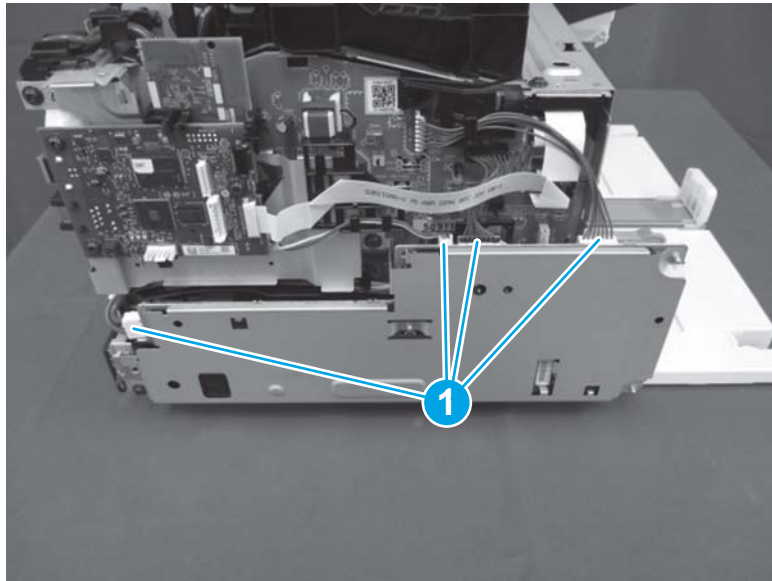
1. **MFP:** Do the following.
  - a. Position the LVPS on the printer (callout 1), install one ground screw (callout 2), and then install three screws (callout 3).

Figure 1-1457 Install the LVPS (SFP)



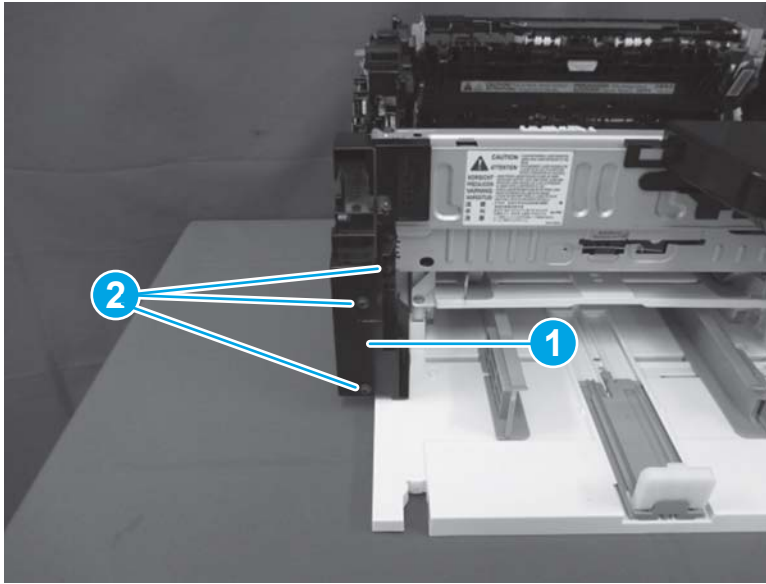
- b. Connect four connectors (callout 1).

Figure 1-1458 Connect four connectors (SFP)



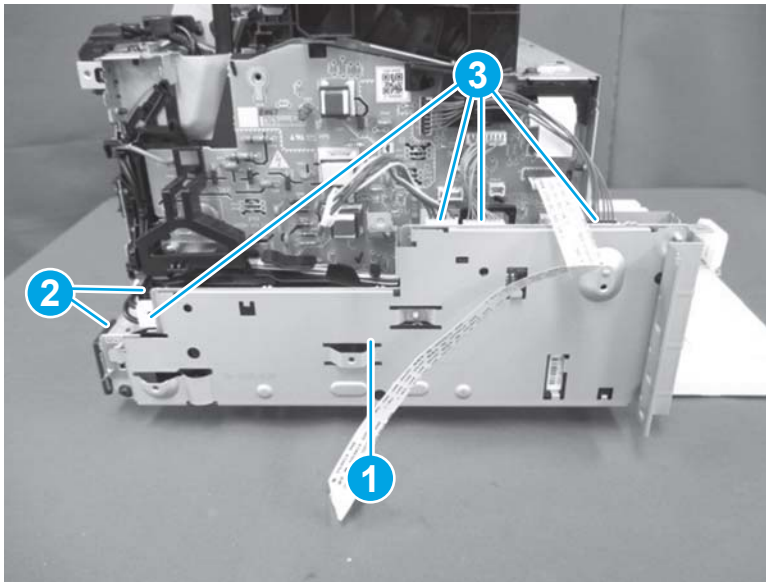
- c. Position the inner cover (callout 1) on the printer, and then Install three screws (callout 2).

**Figure 1-1459** Install the inner cover (SFP)



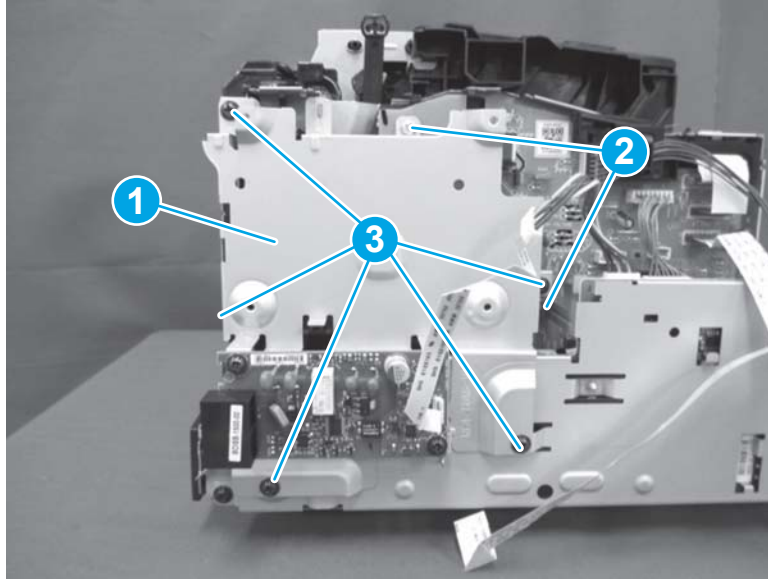
2. **MFP:** Do the following.
  - a. Position the LVPS on the printer (callout 1), install two screws (callout 2), and then connect four connectors (callout 3).

**Figure 1-1460** Install the LVPS (MFP)



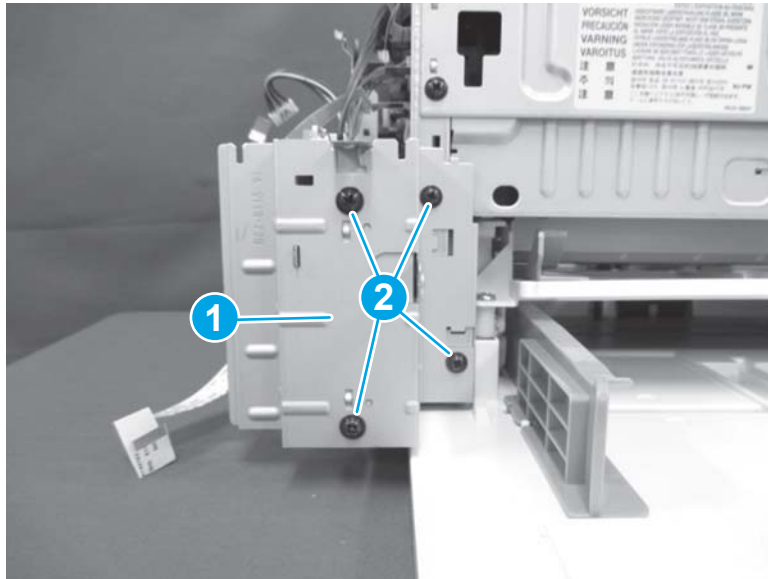
- b. Position the sheet-metal support plate (callout 1) on the printer, install two ground screws (callout 2), and then install five screws (callout 3).

**Figure 1-1461** Install the support plate (MFP)



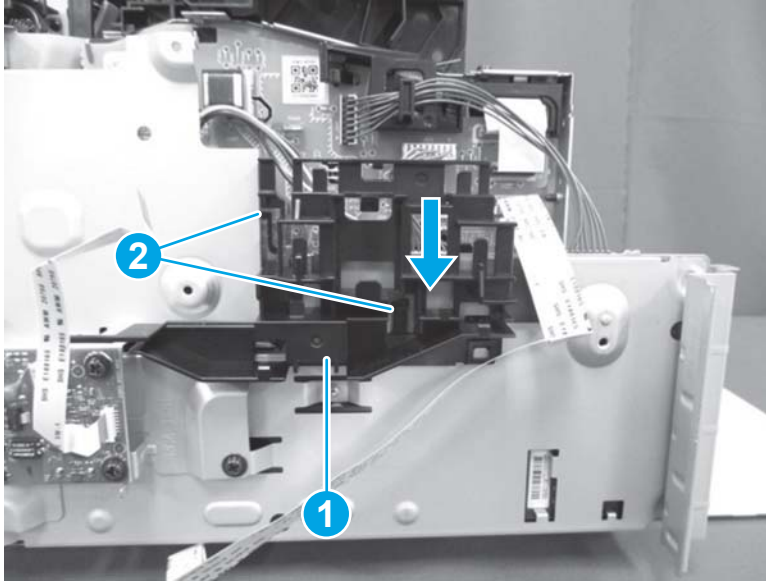
- c. Position the sheet-metal plate (callout 1) on the printer, and then install four screws (callout 2).

**Figure 1-1462** Install the plate (MFP)



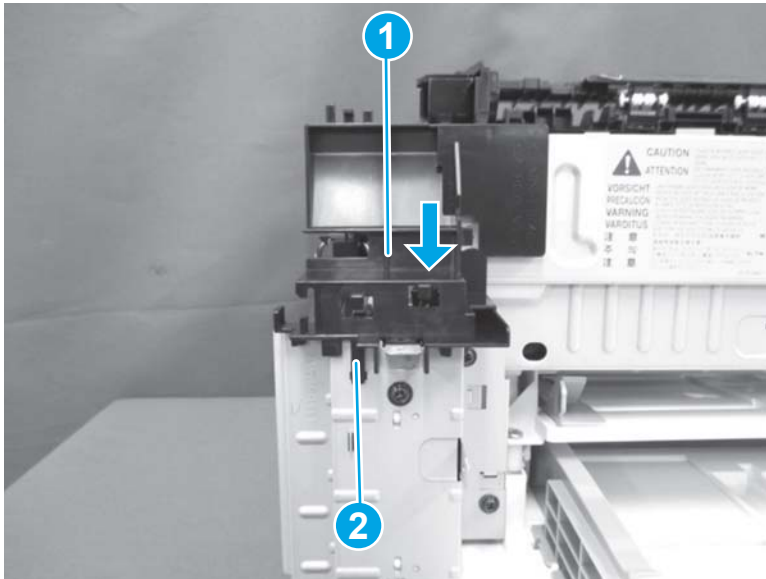
- d. Position the guide (callout 1) on the printer, and then push down to install it. Make sure that the two tabs (callout 2) snap into place.

Figure 1-1463 Install the guide (MFP)



- e. Position the inner cover (callout 1) on the printer, and then slide it down to engage one tab (callout 2).

Figure 1-1464 Install the inner cover (MFP)



### Step 19: Install the formatter PCA

---

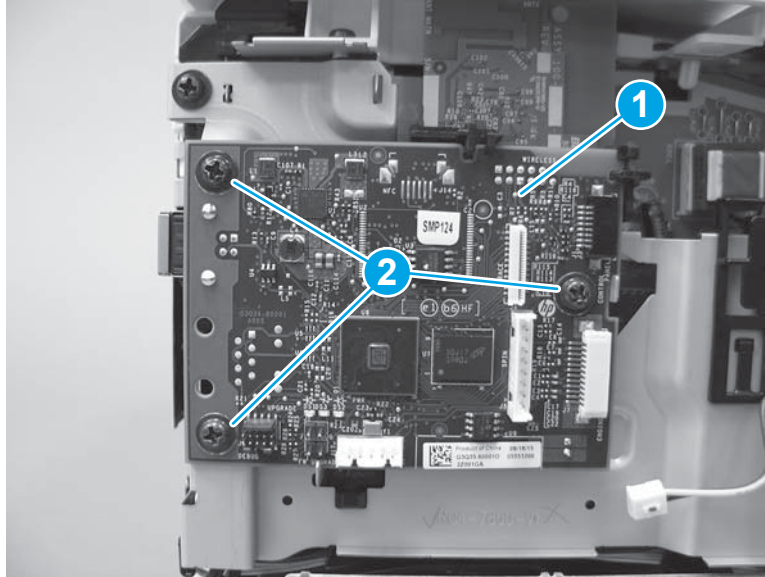
 **CAUTION:**  ESD-sensitive part.

---

1. **SFP:** Do the following.
  - a. Position the formatter PCA (callout 1) on the printer, and then install three screws (callout 2).

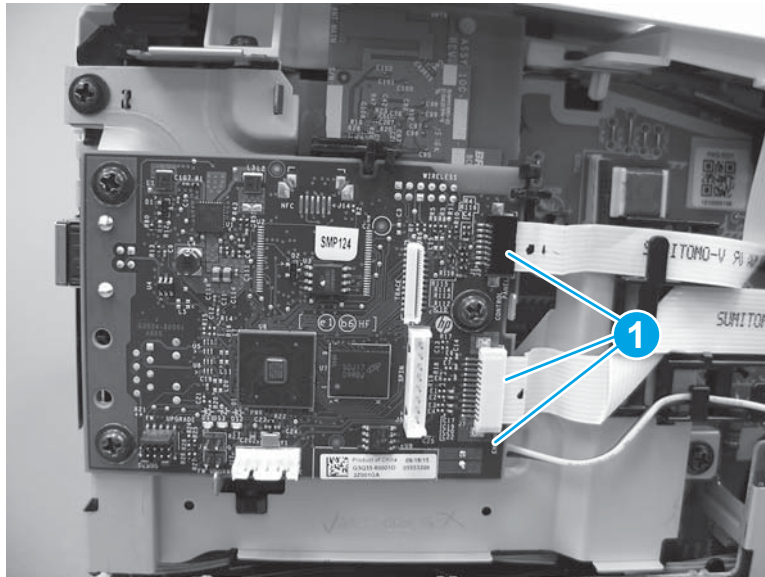


Figure 1-1465 Install the formatter PCA (SFP)



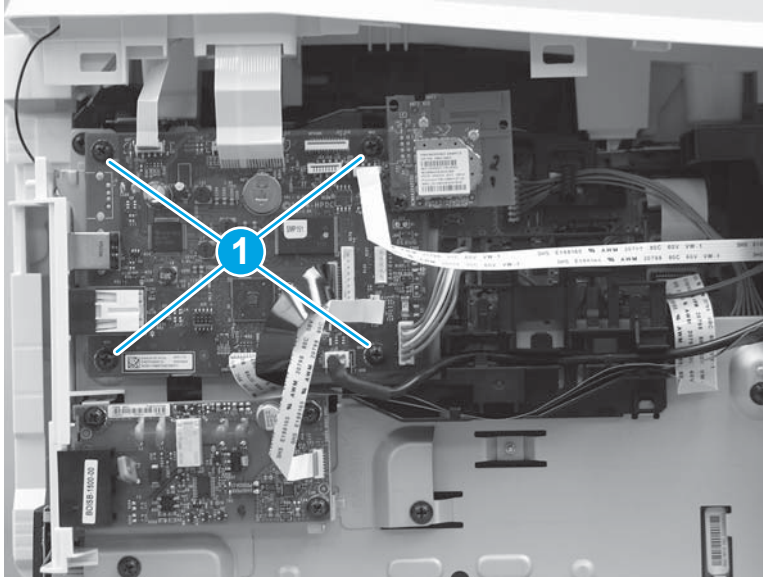
- b. Connect two flat cables and one connector (callout 1).

Figure 1-1466 Connect two flat cables and one connector (SFP)



- 2. MFP: Do the following.
  - ▲ Position the formatter PCA on the printer, and then install four screws (callout 1). Connect all of the connectors on the formatter.

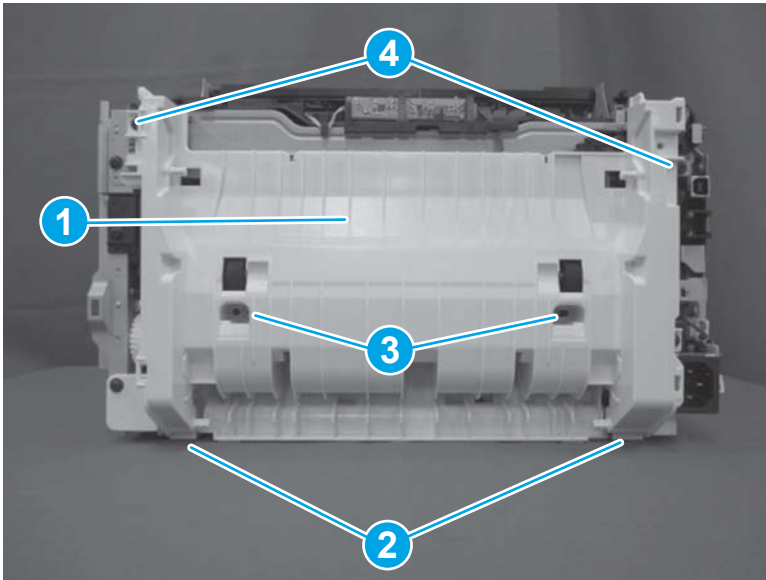
Figure 1-1467 Install the formatter PCA (MFP)



#### Step 20: Install the duplex paper feed assembly

1. Position the duplex paper feed assembly (callout 1) on the printer, and then install two tabs (callout 2). Install two M4 screws (callout 3), and then install two M3 screws (callout 4).

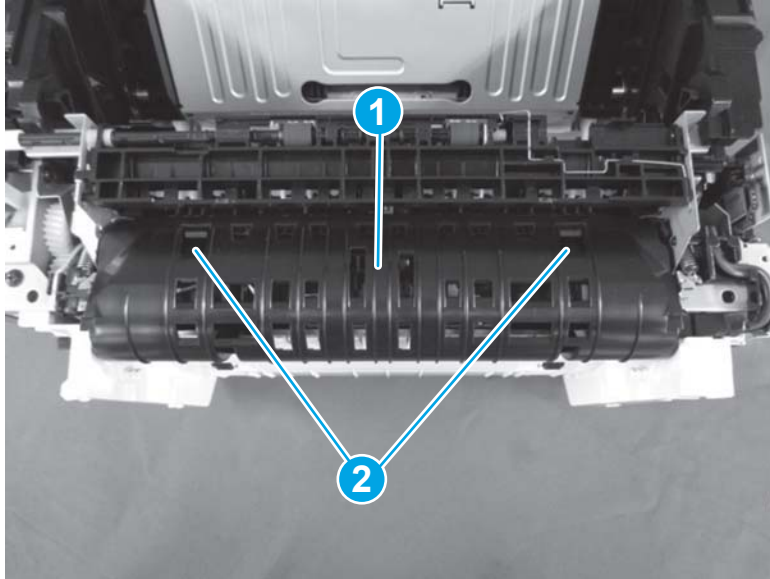
Figure 1-1468 Install the duplex feed assembly





2. Position the duplex switchback guide (callout 1) on the printer, and then engage two tabs (callout 2) to install it.

**Figure 1-1469** Install the duplex switchback guide

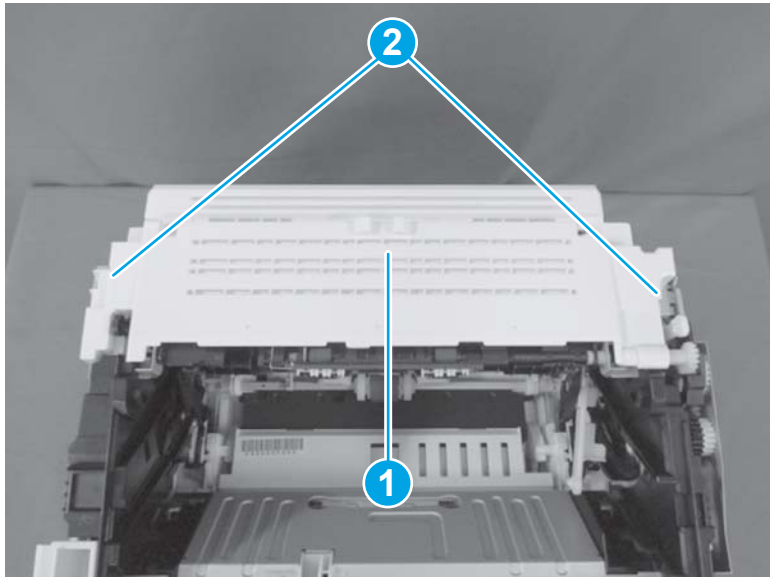


#### Step 21: Install the top rear cover (SFP)

 **NOTE:** This step is for the SFP printers. For the MFP printers, skip this step and go to [Step 23: Install the cartridge door on page 868](#).

- ▲ Position the top cover (callout 1) on the printer, and then install two screws (callout 2).

**Figure 1-1470** Install the top rear cover (SFP)

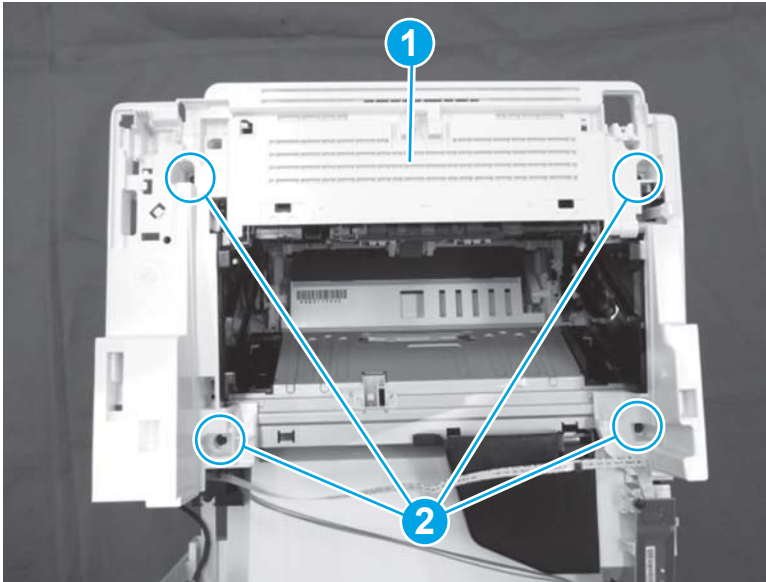


#### Step 22: Install the top cover (MFP)

 **NOTE:** This step is for the MFP printers. For the SFP printers, skip this step and go to [Step 23: Install the cartridge door on page 868](#).

- ▲ Position the top cover (callout 1) on the printer, and then install four screws (callout 2).

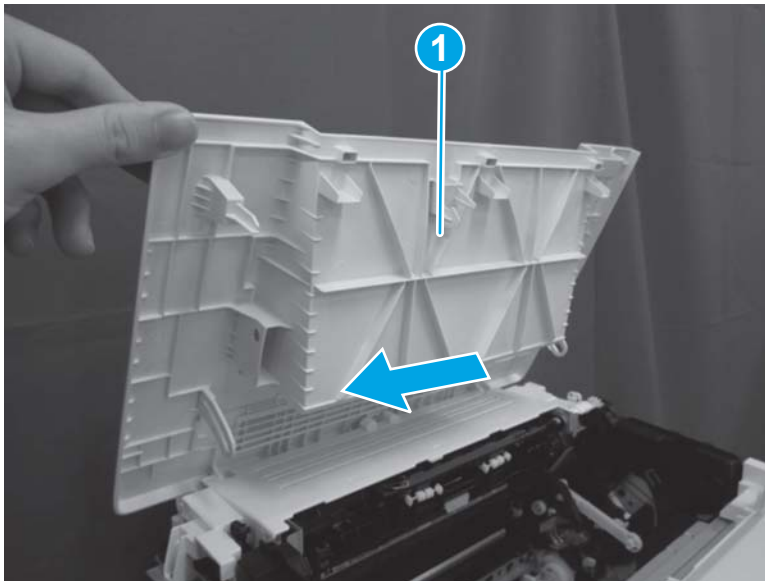
Figure 1-1471 Install the top cover



### Step 23: Install the cartridge door

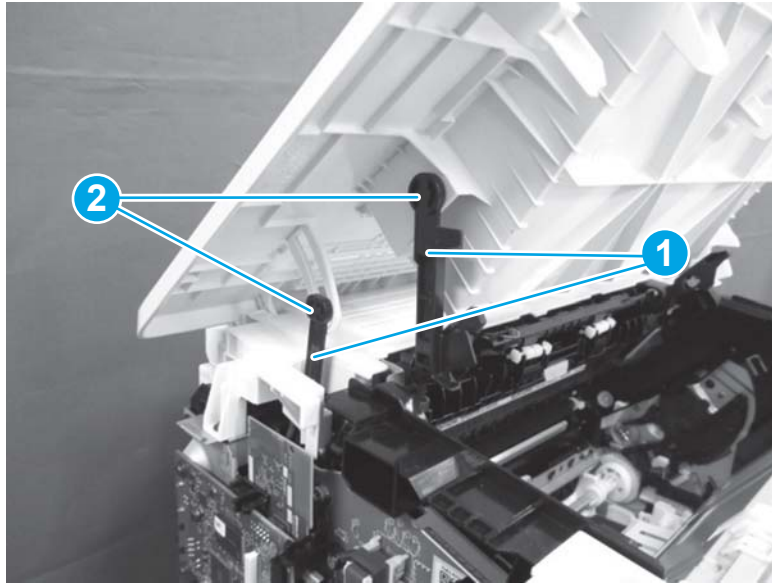
1. **SFP:** Do the following.
  - a. Position the cartridge door (callout 1) on the printer, and then slide it toward the left-side of the printer to install it.

Figure 1-1472 Install the cartridge door (SFP)



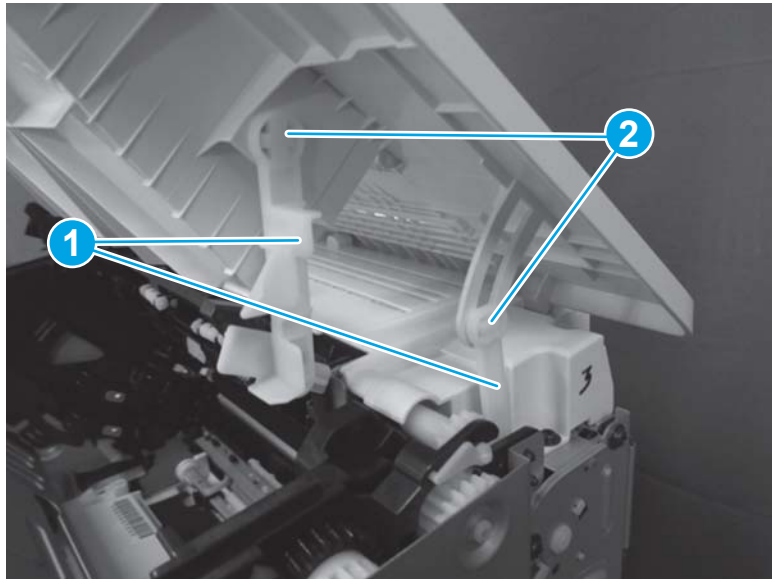
- b. On the left side of the printer, position two link arms (callout 1), and then engage two tabs (callout 2).

Figure 1-1473 Connect left link arms (SFP)



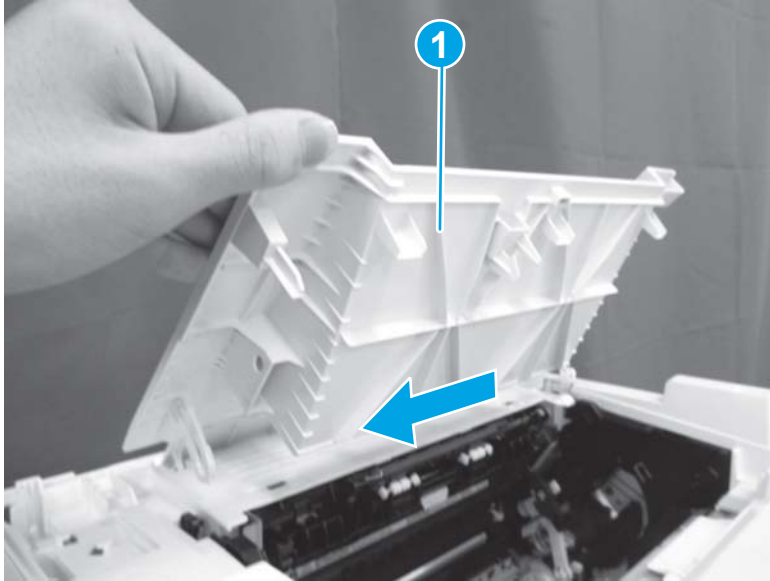
- c. On the right side of the printer, position two link arms (callout 1), and then engage two tabs (callout 2).

Figure 1-1474 Connect right link arms (SFP)



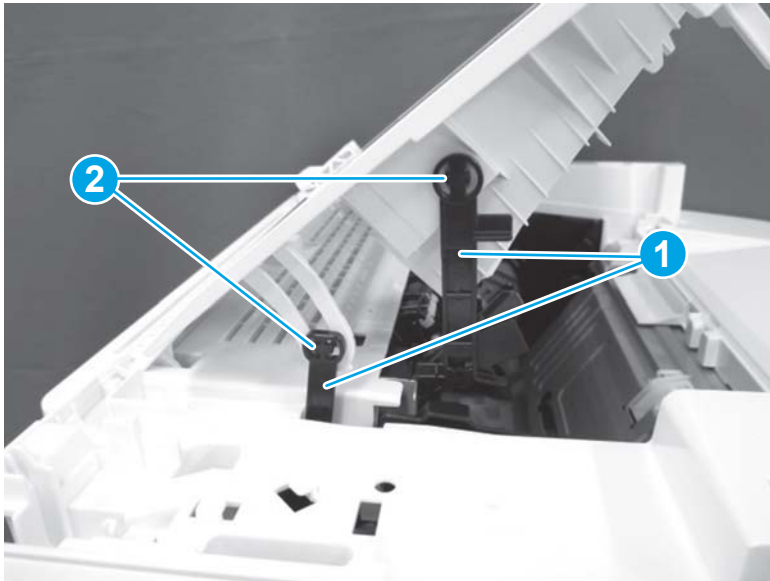
- 2. MFP: Do the following.
  - a. Position the cartridge door (callout 1) on the printer, and then slide it toward the left-side of the printer to install it.

Figure 1-1475 Install the cartridge door (MFP)



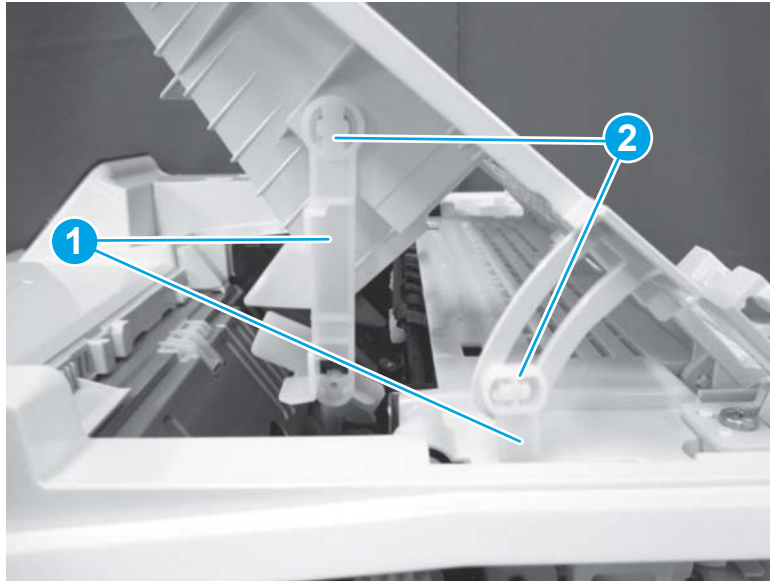
- b. On the left side of the printer, position two link arms (callout 1), and then engage two tabs (callout 2).

Figure 1-1476 Connect left link arms (MFP)



- c. On the right side of the printer, position two link arms (callout 1), and then engage two tabs (callout 2).

**Figure 1-1477** Connect right link arms (MFP)

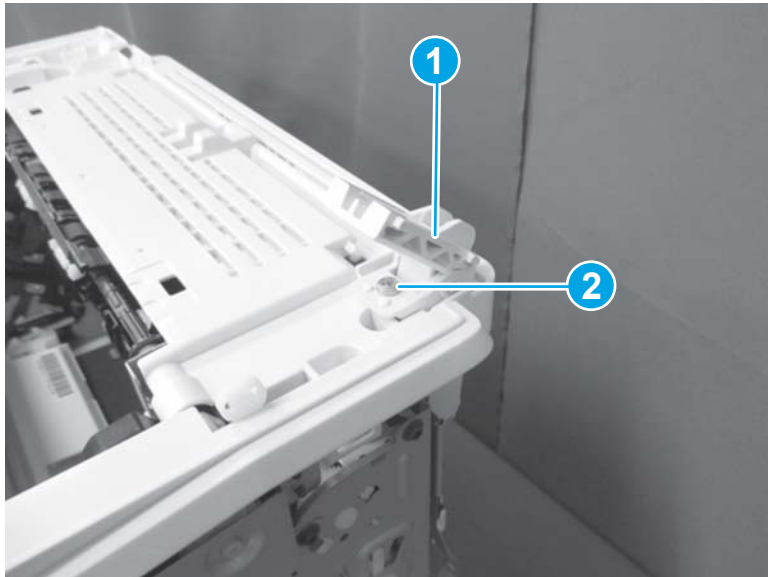


#### Step 24: Install the hinge assembly (MFP)

 **NOTE:** This step is for the MFP printers. For the SFP printers, skip this step and go to [Step 25: Install the front cover on page 871](#).

- ▲ Position the hinge assembly (callout 1) on the printer, and then install one screw (callout 2).

**Figure 1-1478** Install the hinge assembly (MFP)



#### Step 25: Install the front cover

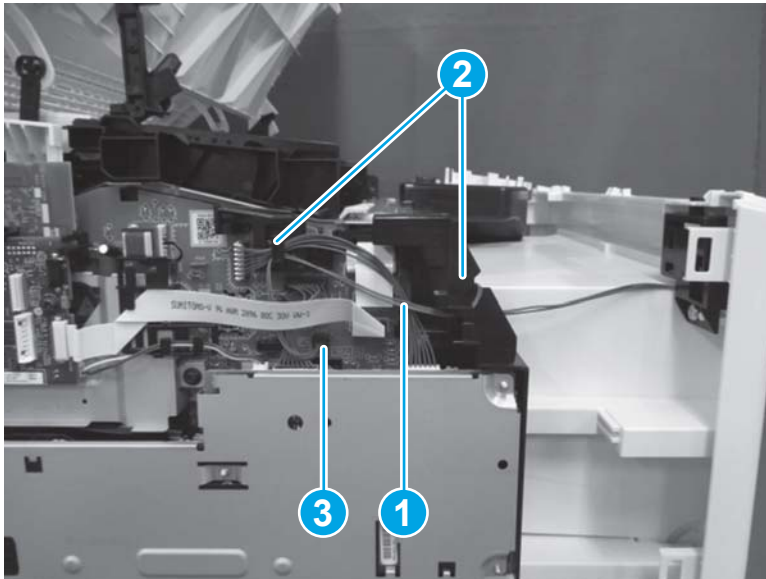
1. **SFP:** Do the following.
  - a. Slide the front cover (callout 1) toward the printer to install it.

Figure 1-1479 Install the front cover (SFP)



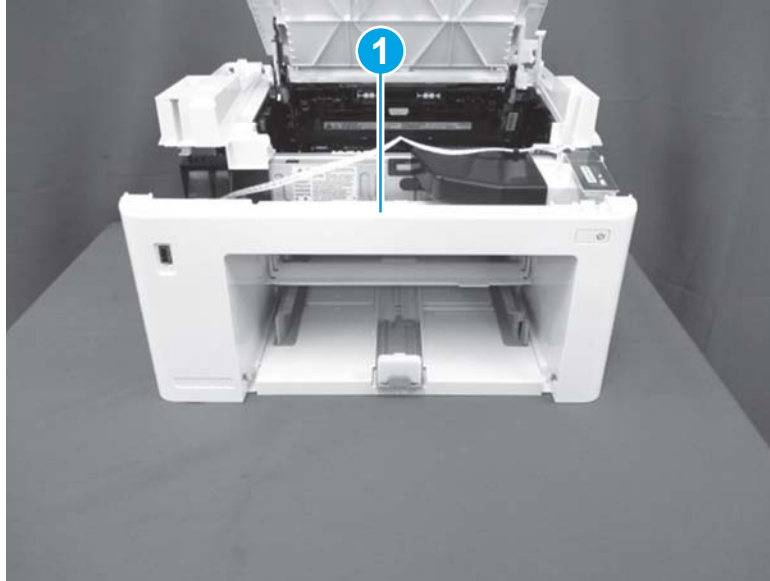
- b. Install the cable (callout 1) in the cable guide (callout 2), and then connect one connector (callout 3).

Figure 1-1480 Connect the connector (SFP)



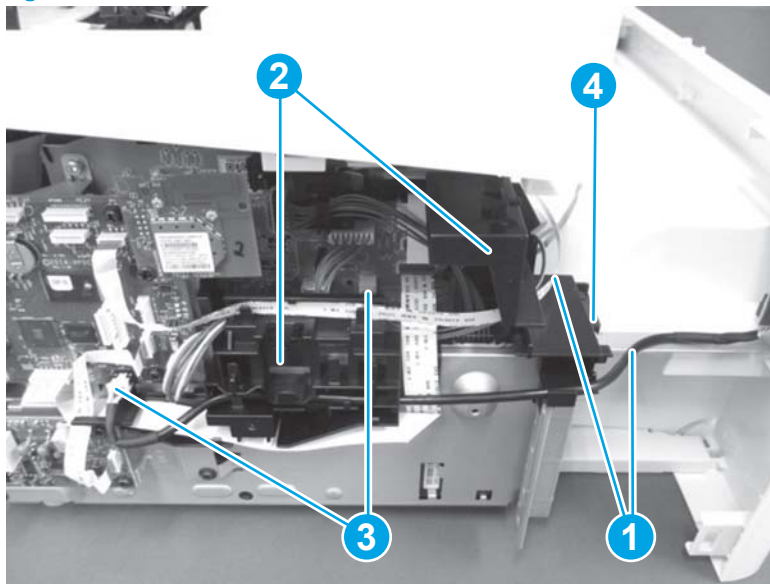
- 2. **MFP:** Do the following.
  - a. Slide the front cover (callout 1) toward the printer to install it.

Figure 1-1481 Install the front cover (MFP)



- b. Install the cables (callout 1) in the cable guides (callout 2), and then connect two connectors (callout 3). Install one screw (callout 4).

Figure 1-1482 Connect two connectors (MFP)

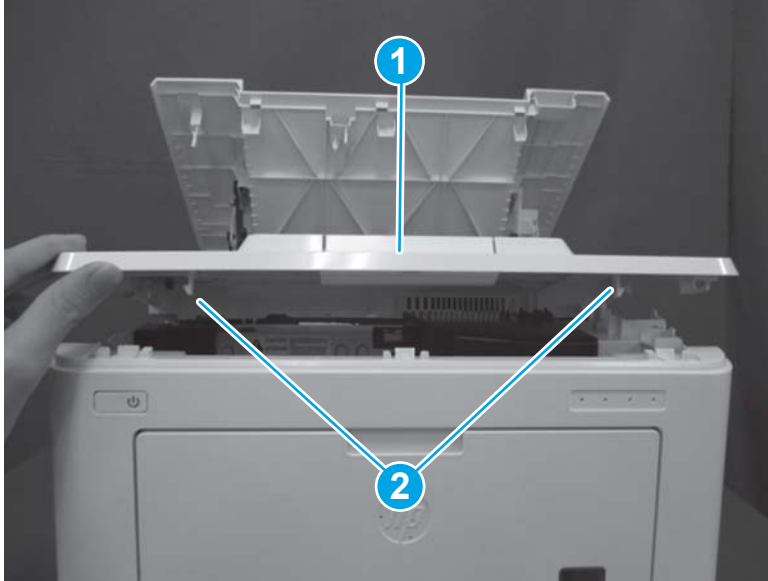


#### Step 26: Install the top front cover

1. SFP: Do the following.
  - a. Position the top front cover (callout 1) on the printer and install two tabs (callout 2).

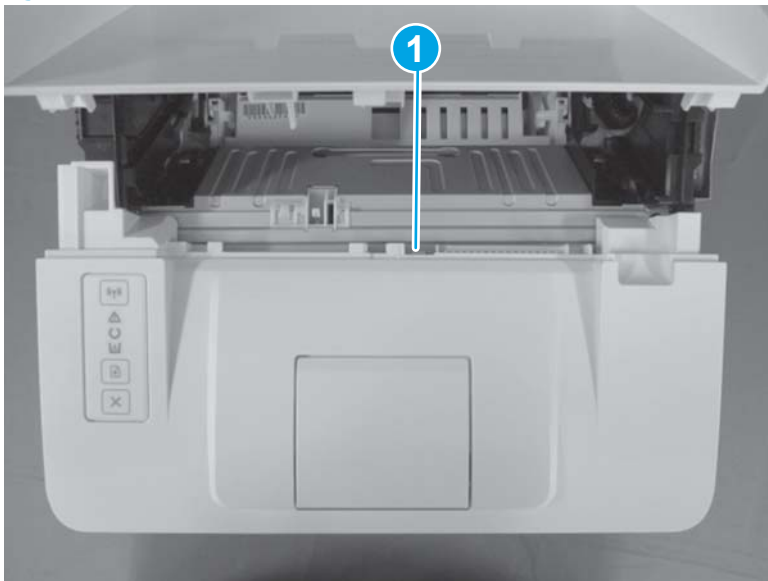


Figure 1-1483 Install two tabs



- b. On the top of the cover, install one tab (callout 1).

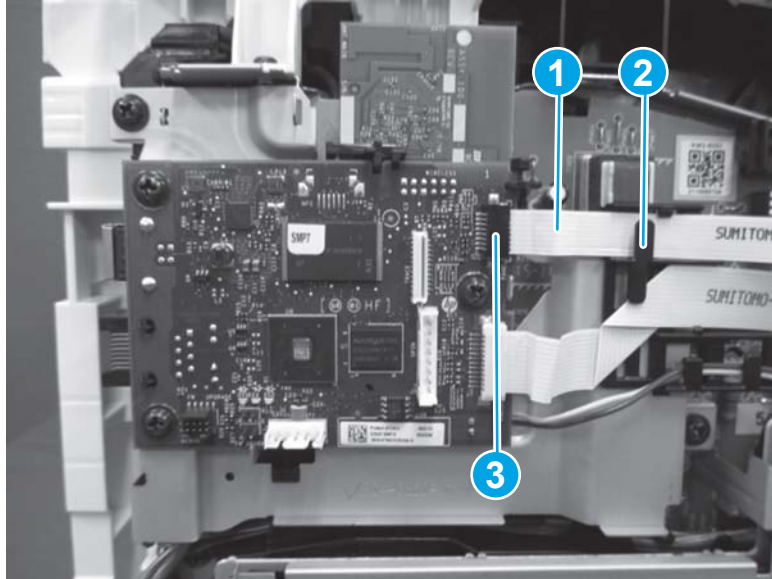
Figure 1-1484 Install one tab





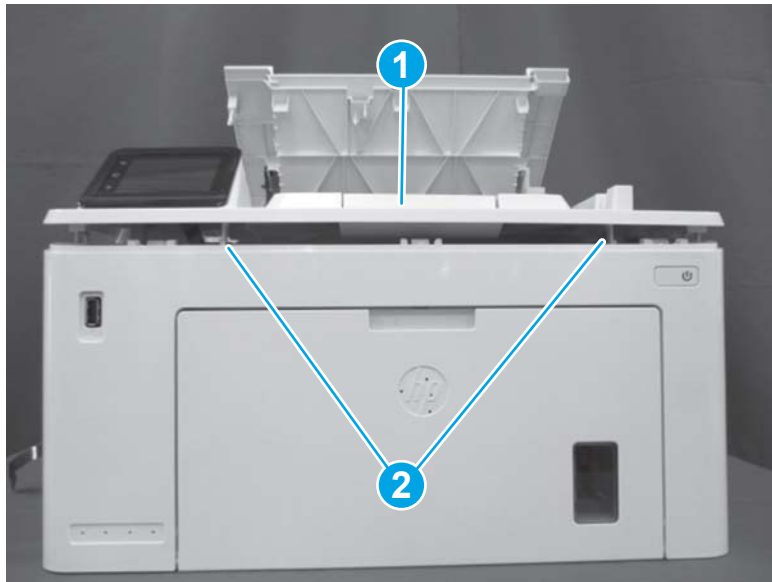
- c. Install the cable (callout 1) in the guide (callout 2), and then connect one connector (callout 3) on the formatter.

Figure 1-1485 Connect one connector



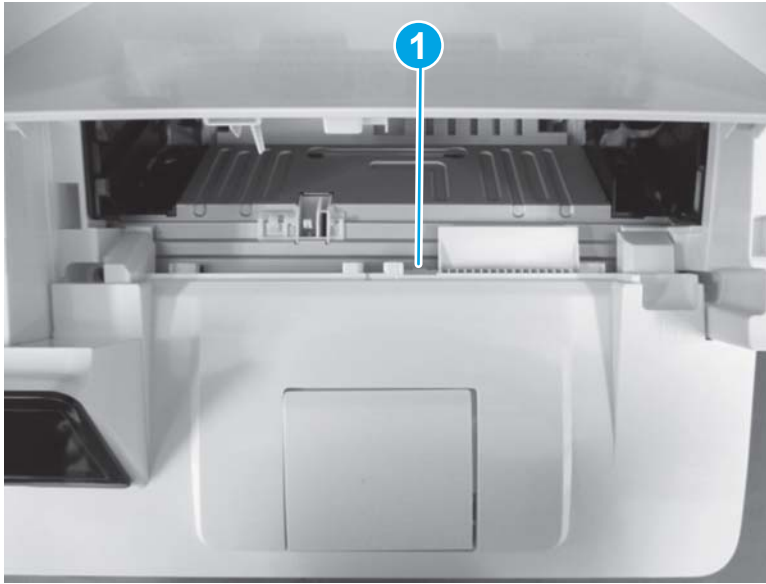
2. MFP: Do the following.
  - a. Position the top front cover (callout 1) on the printer, and then install two tabs (callout 2).

Figure 1-1486 Install two tabs



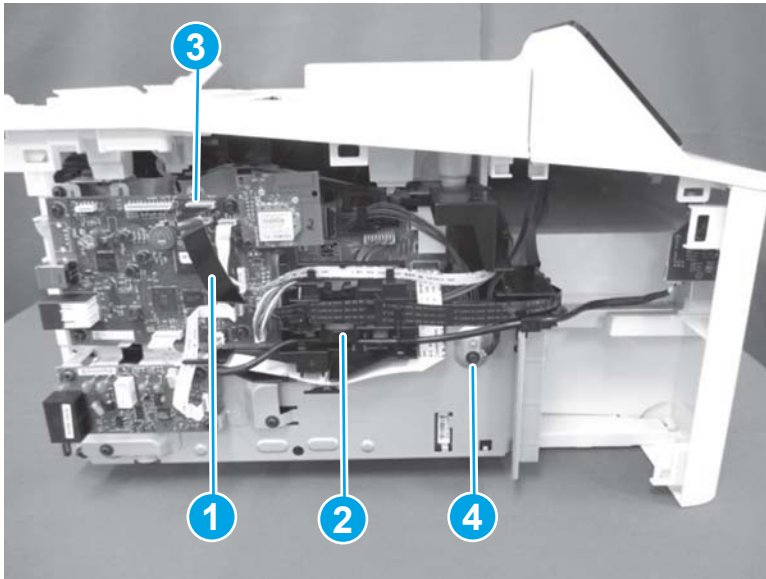
- b. Install one tab (callout 1).

Figure 1-1487 Install one tab



- c. Install the cable (callout 1) in the cable guide (callout 2), and then connect one connector (callout 3). Install one screw (callout 4) to secure the grounding cable.

Figure 1-1488 Install one connector and grounding cable

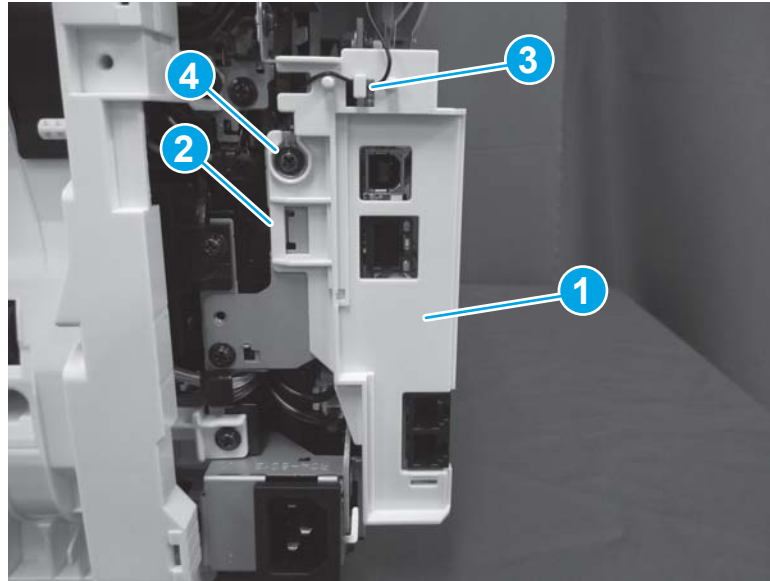


### Step 27: Install the USB cover

- ▲ Do the following:
  - Position the USB cover (callout 1) on the printer, and then make sure that one tab (callout 2) is engaged.

- **4-in-1 scanner assembly models only:** Install one wire harness in the guide (callout 3), and then install one screw (callout 4).

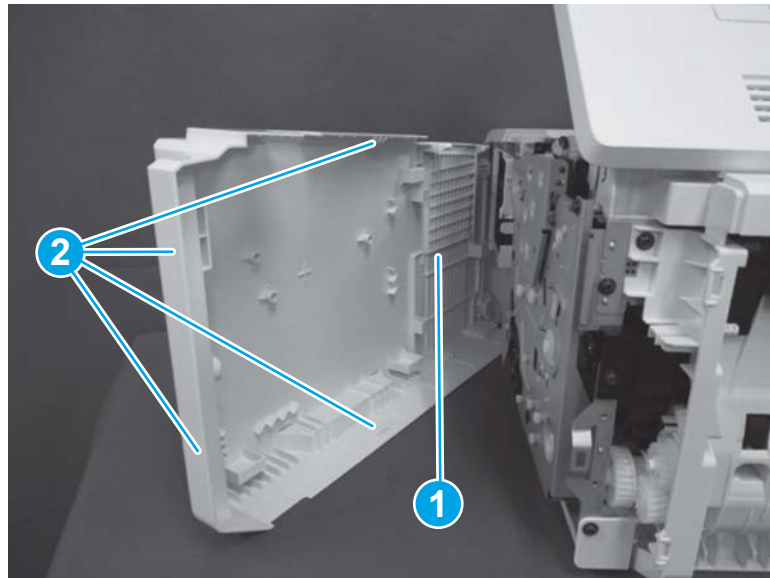
**Figure 1-1489** Install the USB cover (MFP)



### Step 28: Install the right cover

1. **SFP:** Do the following.
  - a. Open the cartridge door.
  - b. Position the right cover (callout 1) on the printer, and then engage four tabs (callout 2).

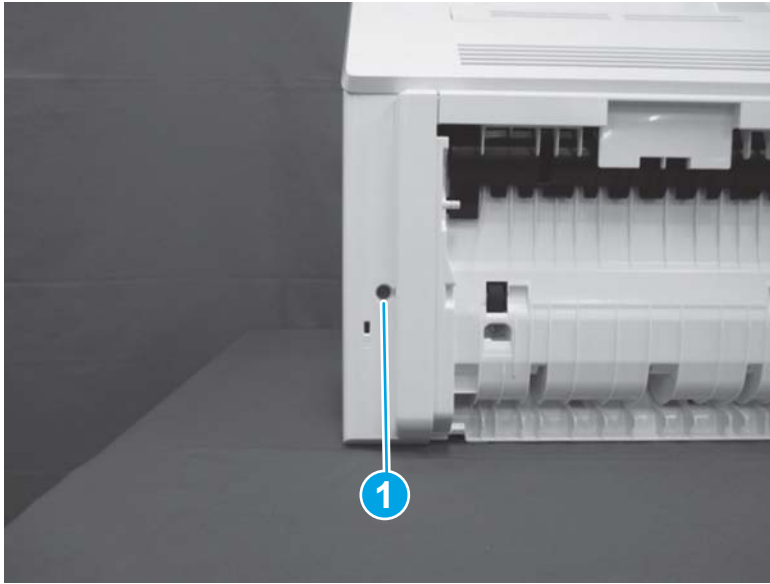
**Figure 1-1490** Install the right cover (SFP)



- c. Close the cartridge door.

- d. Install one screw (callout 1).

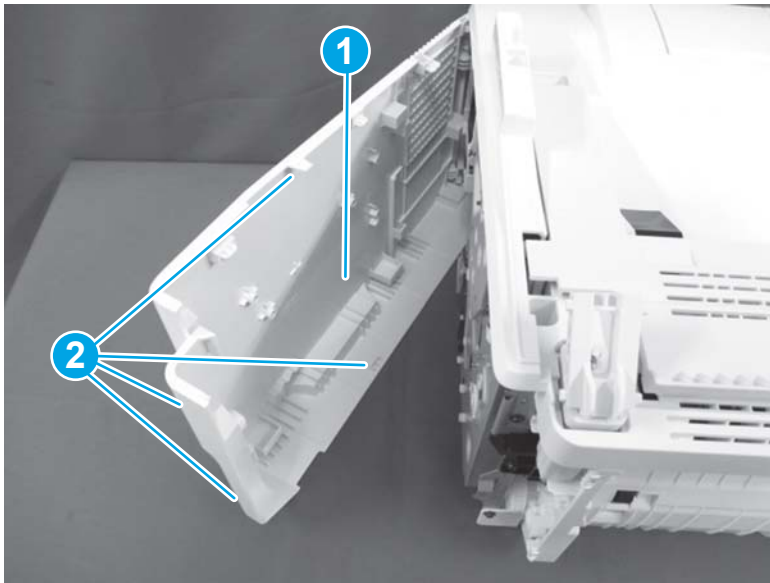
Figure 1-1491 Install one screw (SFP)



2. MFP: Do the following.

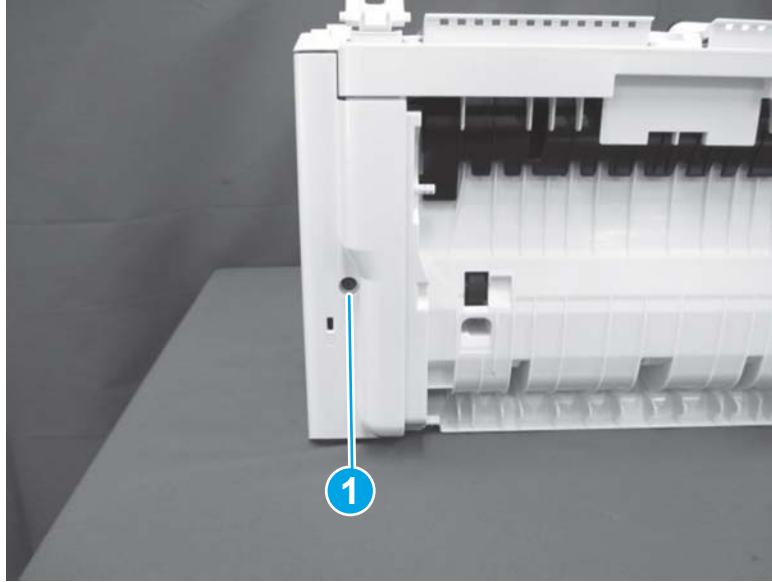
- a. Position the right cover (callout 1) on the printer, and then engage four tabs (callout 2).

Figure 1-1492 Install the right cover (MFP)



- b. Install one screw (callout 1).

**Figure 1-1493** Install one screw (MFP)




#### Step 29: Install the 3-in-1 or 4-in-1 scanner assembly (MFP)

---

 **NOTE:** This step is for the MFP printers. For the SFP printers, skip this step and go to [Step 31: Install the left cover on page 882](#).

---

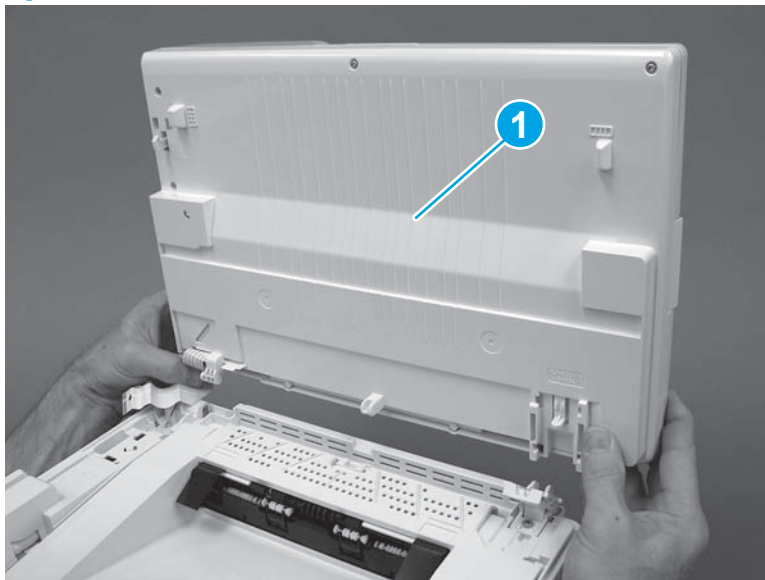
 **NOTE:** The 4-in-1 scanner assembly supports the document feeder. The 3-in-1 scanner assembly does not support the document feeder.

The figures in this procedure show a 4-in-1 printer. However, the procedure is correct for 3-in-1 printers.

---

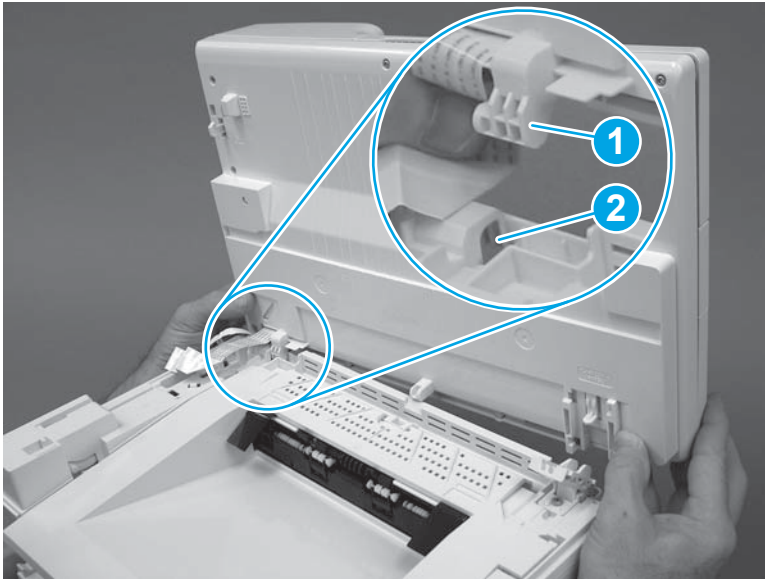
1. Position the scanner assembly (callout 1) near the printer.

**Figure 1-1494** Install the scanner assembly (MFP)



- Engage the left hinge (callout 1) with the top cover (callout 2).

Figure 1-1495 Engage the left hinge (MFP)



- Push the right side of the scanner assembly toward the front of the printer to engage the right hinge (callout 1). Make sure that the tab (callout 2) snaps into place.

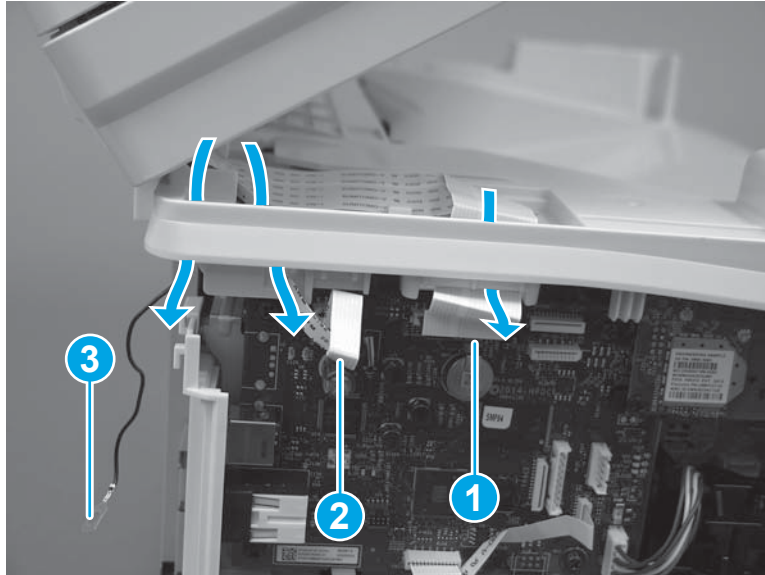
Figure 1-1496 Engage the right hinge (MFP)



- 4-in-1 models only:** Pass the flat cables (callouts 1/2) and the ground wire (callout 3) through the openings in the chassis, and then connect the two flat cables.
- 3-in-1 models only:** Pass the flat cable (callout 1) through the opening in the chassis, and then connect one flat cable.

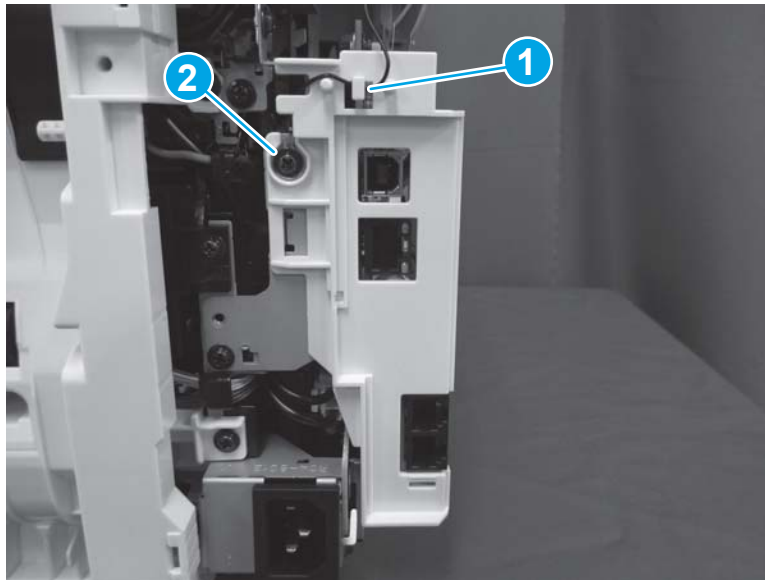
 **NOTE:** The 3-in-1 model does not have the small flat cable (callout 2) or a ground wire (callout 3).

**Figure 1-1497** Connect flat cable(s)



- 4-in-1 models only:** Install the ground wire in the retainer (callout 1), and then install one screw (callout 2).

**Figure 1-1498** Install the ground wire (4-in-1 models)



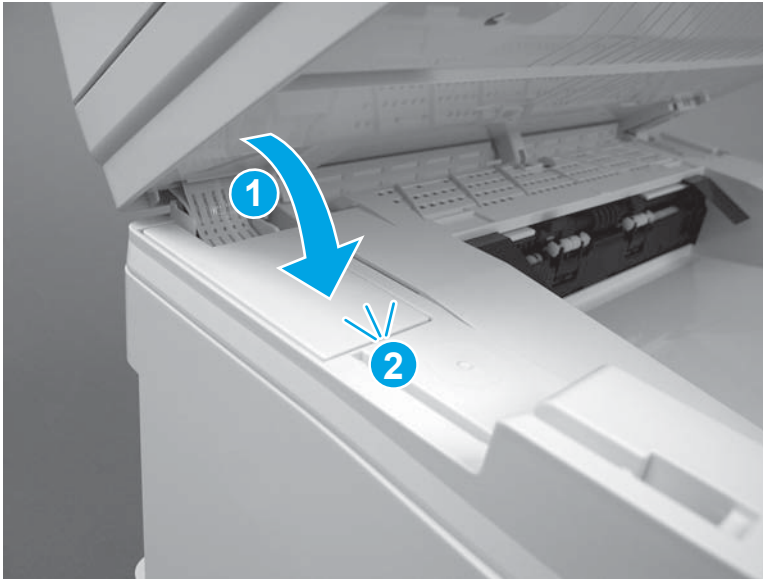
### Step 30: Install the cable cover (MFP)

 **NOTE:** This step is for the MFP printers. For the SFP printers, skip this step and go to [Step 31: Install the left cover on page 882](#).



1. Install the cable cover (callout 1), on the printer, and then push down to engage one tab (callout 2).

Figure 1-1499 Install the cable cover (MFP)



2. Close the scanner assembly.

Figure 1-1500 Close the scanner assembly



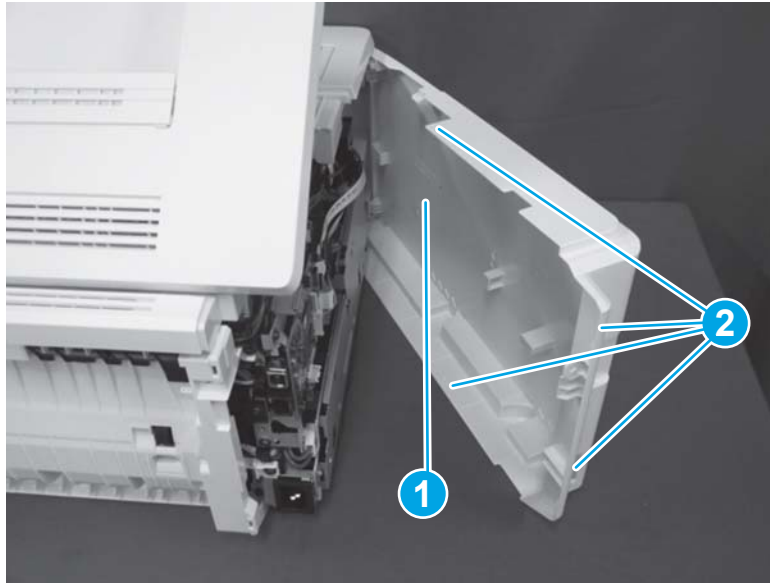
### Step 31: Install the left cover

1. **SFP:** Do the following.
  - a. Open the cartridge door.



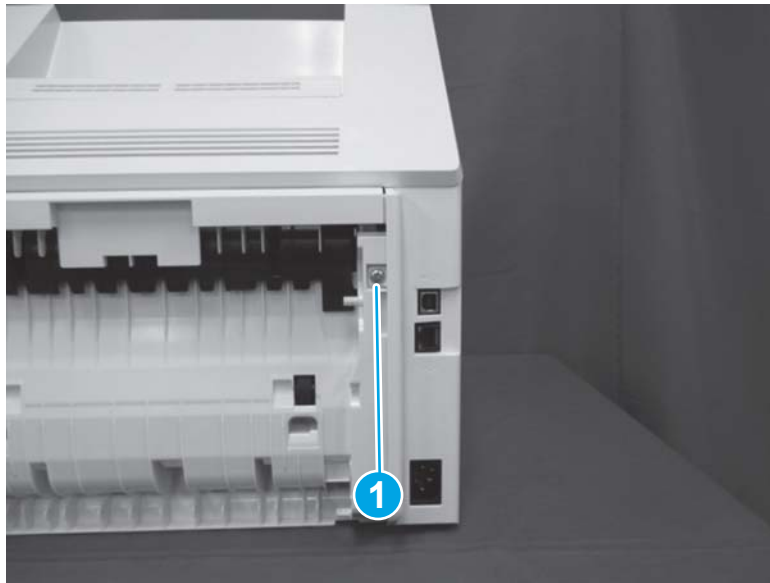
- b. Position the left cover (callout 1) on the printer, and then engage four tabs (callout 2).

**Figure 1-1501** Install the left cover (SFP)



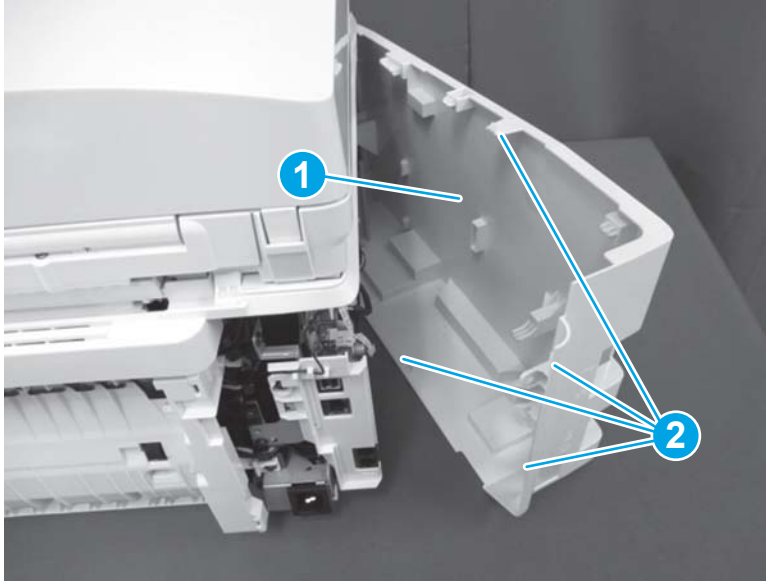
- c. Close the cartridge door.
- d. Install one screw (callout 1).

**Figure 1-1502** Install one screw (SFP)



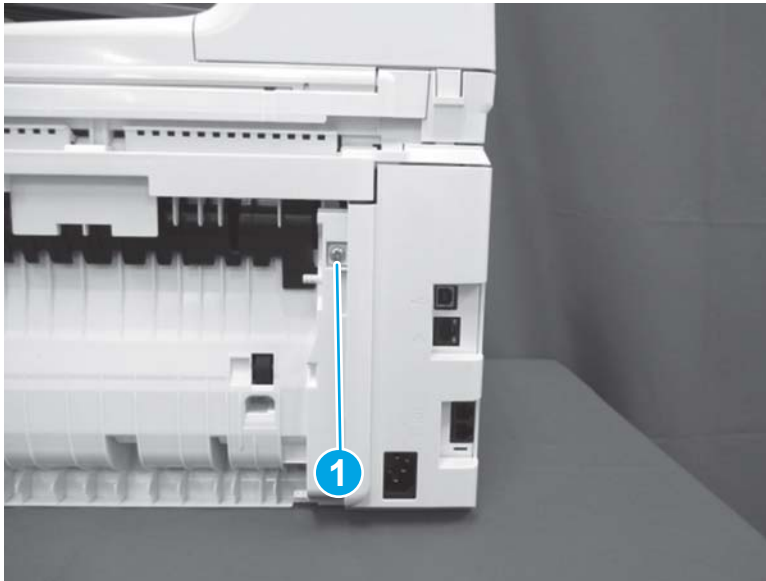
- 2. **MFP:** Do the following.
  - a. Position the left cover (callout 1) on the printer, and then engage four tabs (callout 2).

Figure 1-1503 Install the left cover (MFP)



- b. Install one screw (callout 1).

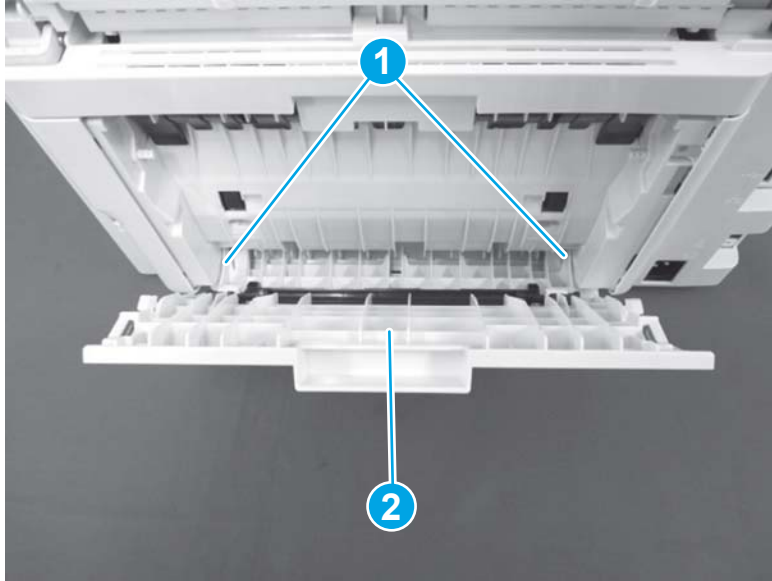
Figure 1-1504 Install one screw (MFP)



### Step 32: Install the duplex door

- 1. Install two tabs (callout 1) to install the duplex door (callout 2).

Figure 1-1505 Install the duplex door

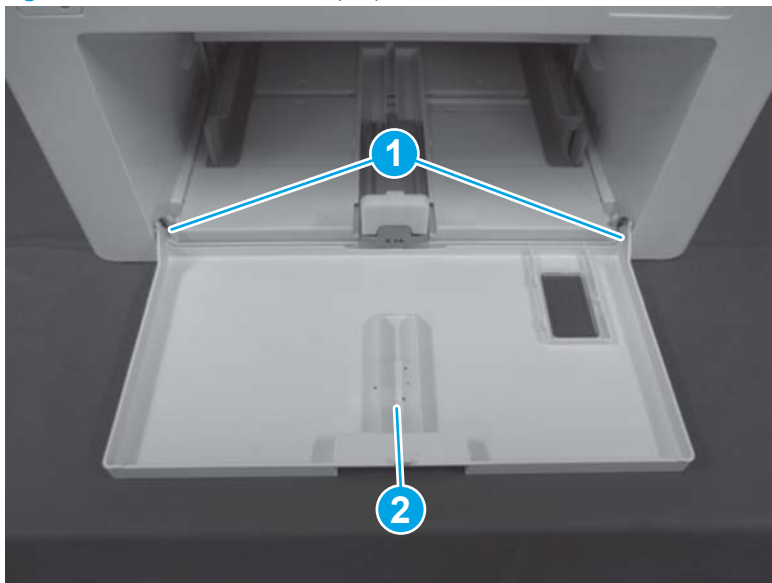


2. Close the duplex door.

**Step 33: Install the multipurpose cover**

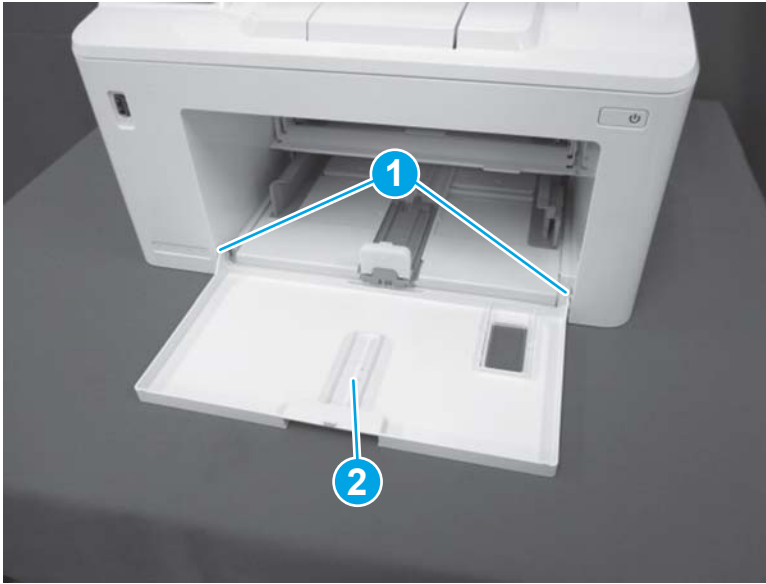
1. **SFP:** Engage two bosses (callout 1), to install the cover (callout 2).

Figure 1-1506 Install the multipurpose cover (SFP)



2. **MFP:** Engage two bosses (callout 1) to install the cover (callout 2).

**Figure 1-1507** Install the multipurpose cover (MFP)



3. Close the multipurpose cover.

## Removal and replacement: Engine controller PCA

- [Introduction](#)
- [Step 1: Remove the multipurpose cover](#)
- [Step 2: Remove the duplex door](#)
- [Step 3: Remove the left cover](#)
- [Step 4: Remove the cable cover \(MFP\)](#)
- [Step 5: Remove the 3-in-1 or 4-in-1 scanner assembly \(MFP\)](#)
- [Step 6: Remove the right cover](#)
- [Step 7: Remove the USB cover](#)
- [Step 8: Remove the top front cover](#)
- [Step 9: Remove the front cover](#)
- [Step 10: Remove the hinge assembly \(MFP\)](#)
- [Step 11: Remove the cartridge door](#)
- [Step 12: Remove the top cover \(MFP\)](#)
- [Step 13: Remove the top rear cover \(SFP\)](#)
- [Step 14: Remove the duplex paper feed assembly](#)
- [Step 15: Remove the formatter PCA \(MFP\)](#)
- [Step 16: Remove the low-voltage power supply \(LVPS\)](#)
- [Step 17: Remove the engine controller PCA](#)
- [Step 18: Unpack the replacement assembly](#)
- [Step 19: Install the engine controller PCA](#)
- [Step 20: Install the LVPS](#)
- [Step 21: Install the formatter PCA](#)
- [Step 22: Install the duplex paper feed assembly](#)
- [Step 23: Install the top rear cover \(SFP\)](#)
- [Step 24: Install the top cover \(MFP\)](#)
- [Step 25: Install the cartridge door](#)
- [Step 26: Install the hinge assembly \(MFP\)](#)
- [Step 27: Install the front cover](#)
- [Step 28: Install the top front cover](#)
- [Step 29: Install the USB cover](#)

- [Step 30: Install the right cover](#)
- [Step 31: Install the 3-in-1 or 4-in-1 scanner assembly \(MFP\)](#)
- [Step 32: Install the cable cover \(MFP\)](#)
- [Step 33: Install the left cover](#)
- [Step 34: Install the duplex door](#)
- [Step 35: Install the multipurpose cover](#)

## Introduction


This document provides the procedures to remove and replace the engine controller PCA.

## Before performing service



### Turn the printer power off

- Disconnect the power cable.

---

 **WARNING!** To avoid damage to the printer, turn the printer off, wait 30 seconds, and then remove the power cable before attempting to service the printer.

---

 **CAUTION:**  This part contains components that are electrostatic discharge (ESD) sensitive. To reduce the possibility of ESD damage, always touch the sheet-metal chassis to ground yourself before touching an ESD sensitive part.

---

Use the table below to identify the correct part number for your printer. To order the part, go to [www.hp.com/buy/parts](http://www.hp.com/buy/parts).

Engine controller PCA part number	
RM2-8334-000CN	Engine controller PCA

## Required tools

- #2 Phillips screwdriver with a magnetic tip.
- Small flat-blade screwdriver

## After performing service

### Turn the printer power on

- Connect the power cable.
- Use the power switch to turn the power on.


## Post service test

**MFP only:** Verify that the document feeder and the flatbed scanner are correctly functioning (copy a page).

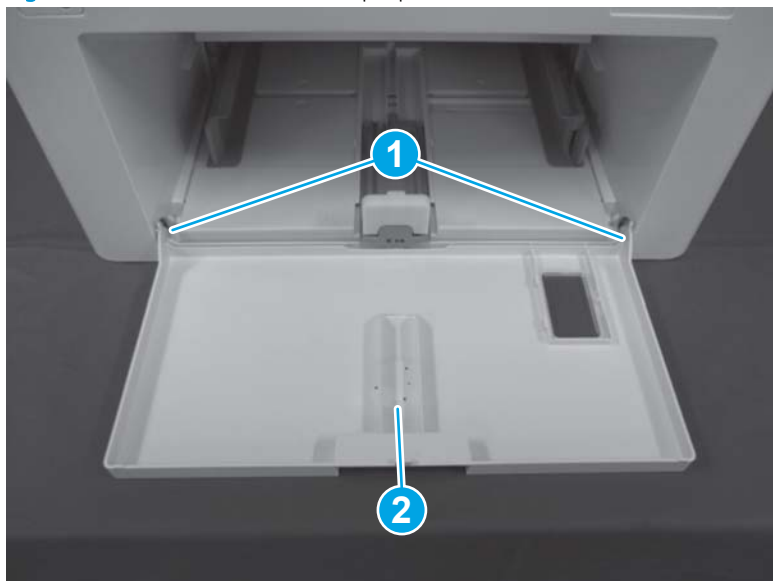
Send a print job from the host computer to the printer (or print a configuration page). Verify that a page prints.

### Step 1: Remove the multipurpose cover

1. Open the multipurpose cover.
2. **SFP:** Release two bosses (callout 1), and then remove the cover (callout 2).

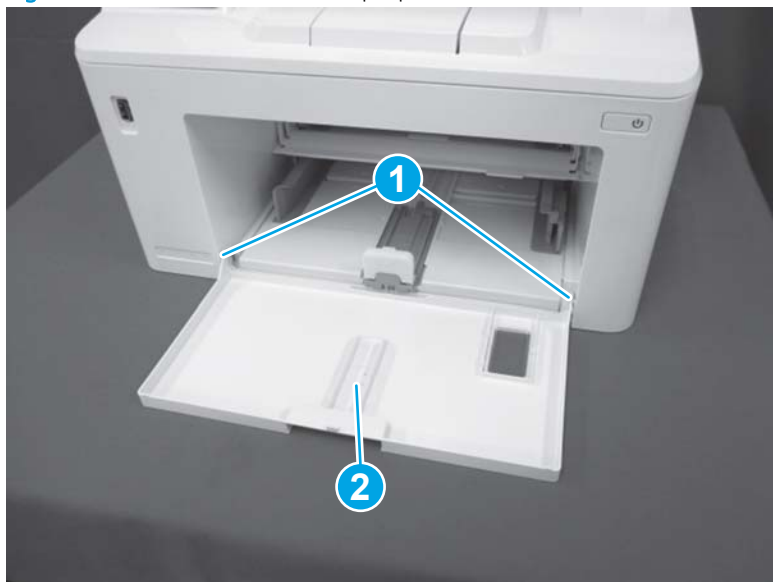
 **TIP:** It might be easier to remove the cover if the right boss is released first, and then lower the right-side of the cover to release the left-side boss.

**Figure 1-1508** Remove the multipurpose cover (SFP)



3. **MFP:** Release two bosses (callout 1), and then remove the cover (callout 2).

**Figure 1-1509** Remove the multipurpose cover (MFP)

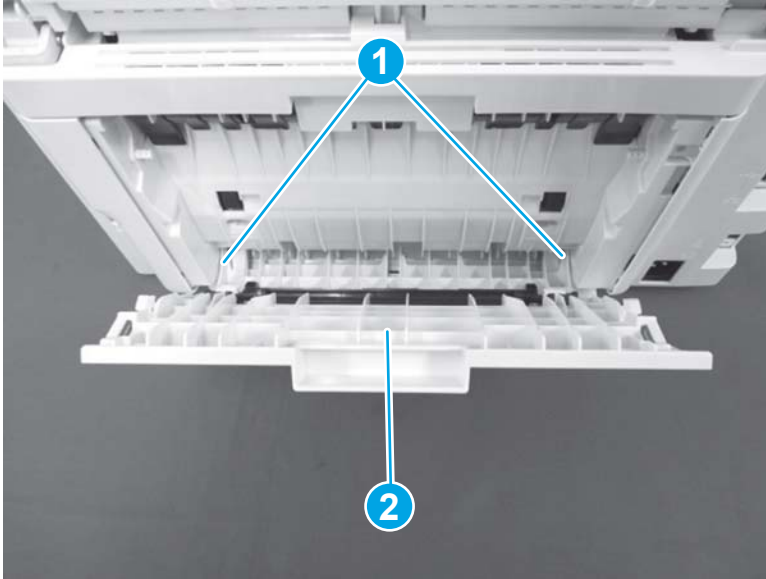


### Step 2: Remove the duplex door

1. Open the duplex door.

2. Use a small flat-blade screwdriver to release two tabs (callout 1), and then remove the duplex door (callout 2).

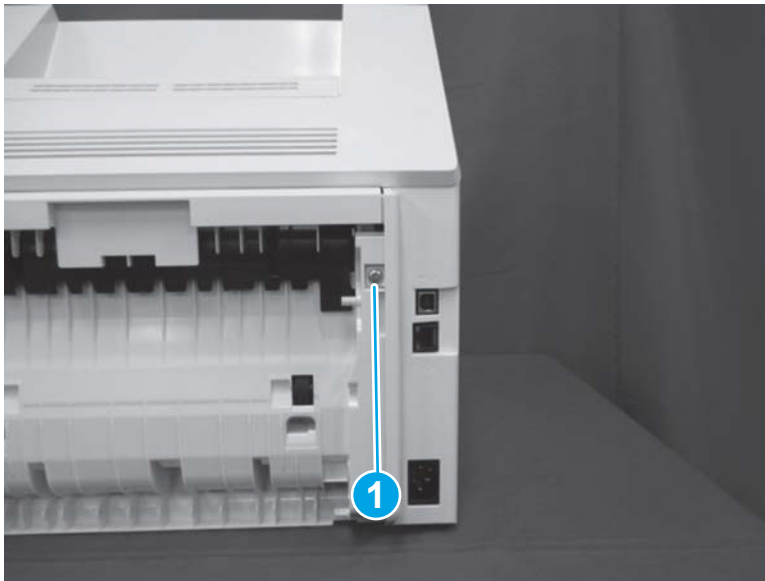
**Figure 1-1510** Remove the duplex door



### Step 3: Remove the left cover

1. **SFP:** Do the following.
  - a. Remove one screw (callout 1).

**Figure 1-1511** Remove one screw (SFP)

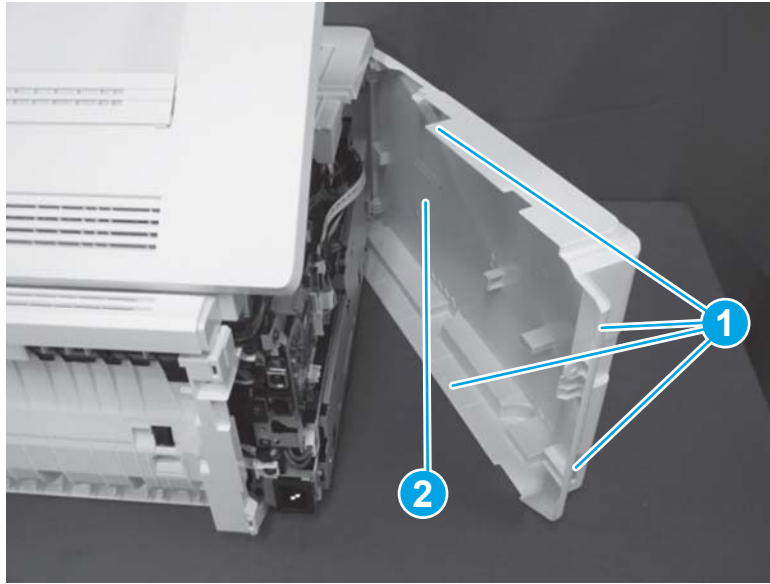


- b. Open the cartridge door.



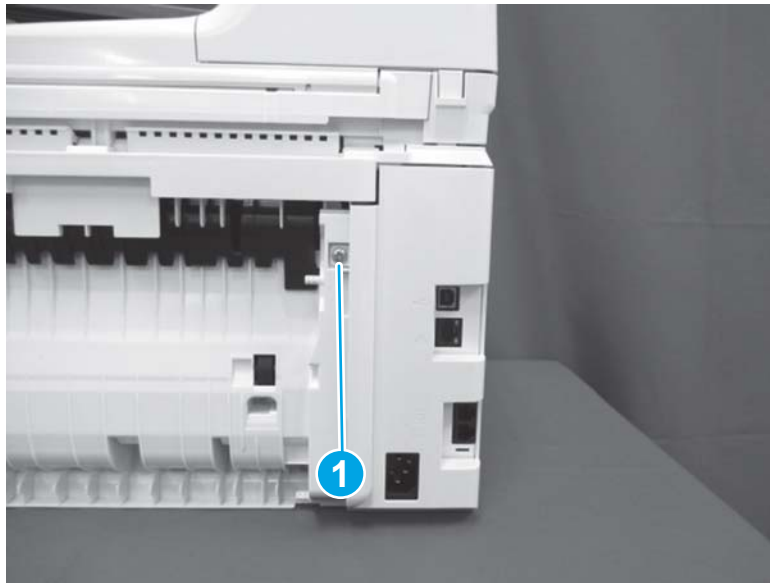
- c. Release four tabs (callout 1), and then remove the left cover (callout 2).

Figure 1-1512 Remove the left cover (SFP)



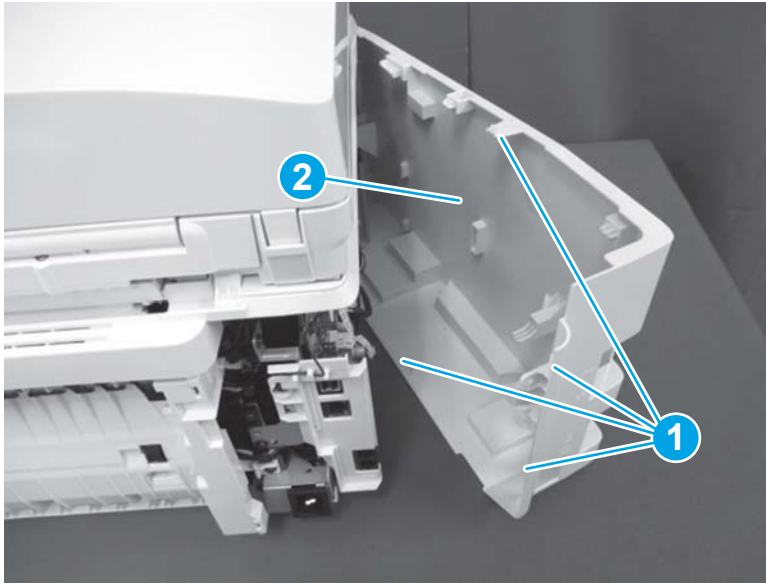
- 2. MFP: Do the following.
  - a. Remove one screw (callout 1).

Figure 1-1513 Remove one screw (MFP)



- b. Release four tabs (callout 1), and then remove the left cover (callout 2).

Figure 1-1514 Remove the left cover (MFP)



#### Step 4: Remove the cable cover (MFP)

 **NOTE:** This step is for the MFP printers. For the SFP printers, skip this step and go to [Step 6: Remove the right cover on page 895](#).

1. Open the scanner assembly.

Figure 1-1515 Open the scanner assembly




2. Use a small flat-blade screw driver to release one tab (callout 1), and then remove the cable cover (callout 2).

**Figure 1-1516** Remove the cable cover (MFP)



#### Step 5: Remove the 3-in-1 or 4-in-1 scanner assembly (MFP)

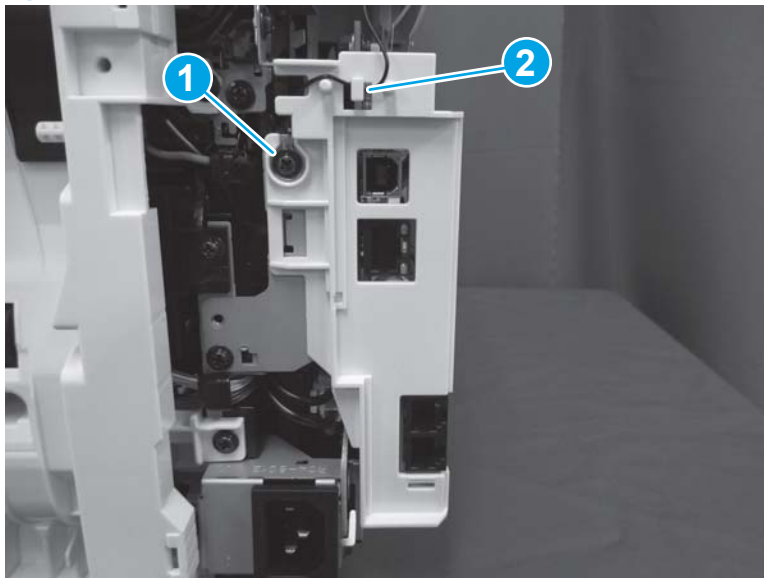
 **NOTE:** This step is for the MFP printers. For the SFP printers, skip this step and go to [Step 6: Remove the right cover on page 895](#).

 **NOTE:** The 4-in-1 scanner assembly supports the document feeder. The 3-in-1 scanner assembly does not support the document feeder.

The figures in this procedure show a 4-in-1 printer. However, the procedure is correct for 3-in-1 printers.

1. **4-in-1 models only:** Remove one screw (callout 1), and then release the ground wire from the retainer (callout 2).

**Figure 1-1517** Release the ground wire (4-in-1 models)

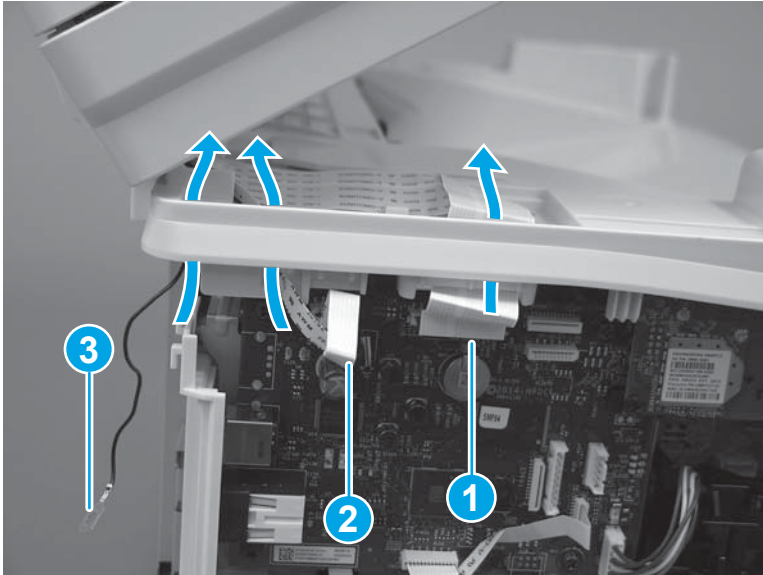


2. **4-in-1 models only:** Disconnect two flat cables (callouts 1/2), and then pass the flat cables and the ground wire (callout 3) up through the opening in the chassis.

**3-in-1 models only:** Disconnect one flat cable (callout 1), and then pass the flat cable through the opening in the chassis.

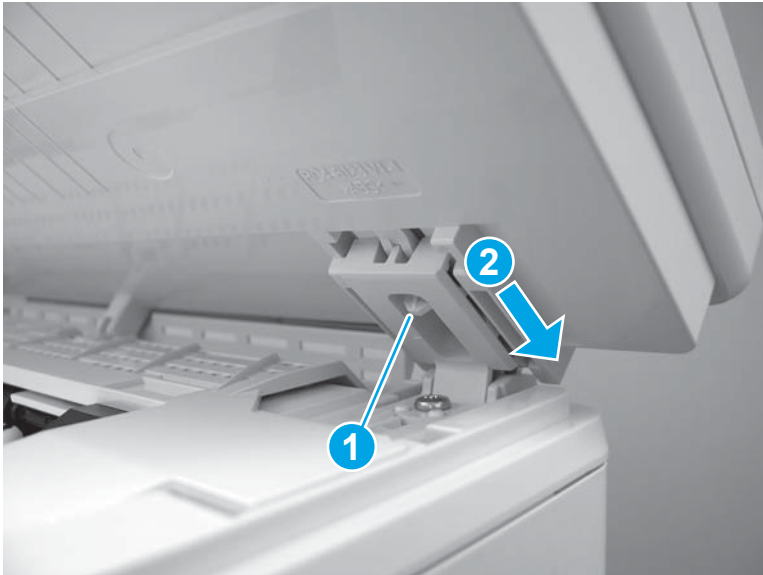
 **NOTE:** The 3-in-1 model does not have the small flat cable (callout 2) or a ground wire (callout 3).

**Figure 1-1518** Disconnect flat cable(s)



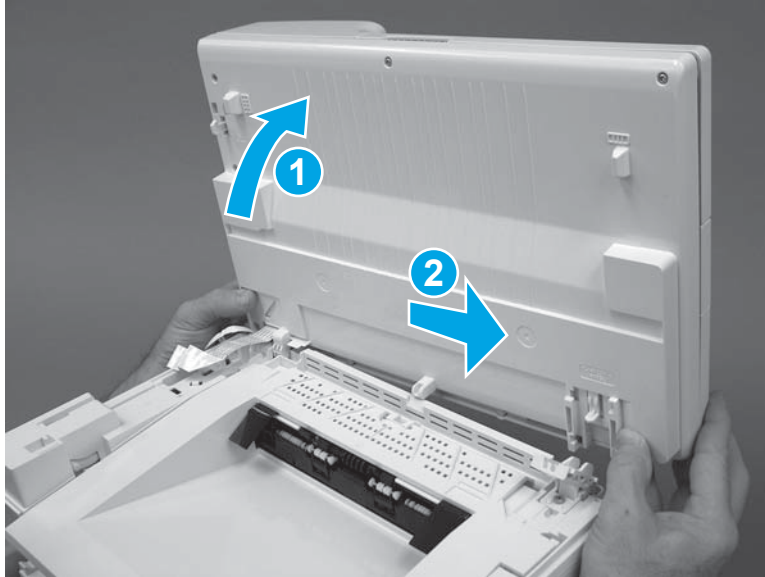
3. Release one tab (callout 1), and then push the right side of the scanner assembly toward the rear of the printer to release the right hinge (callout 2).

**Figure 1-1519** Release the right hinge



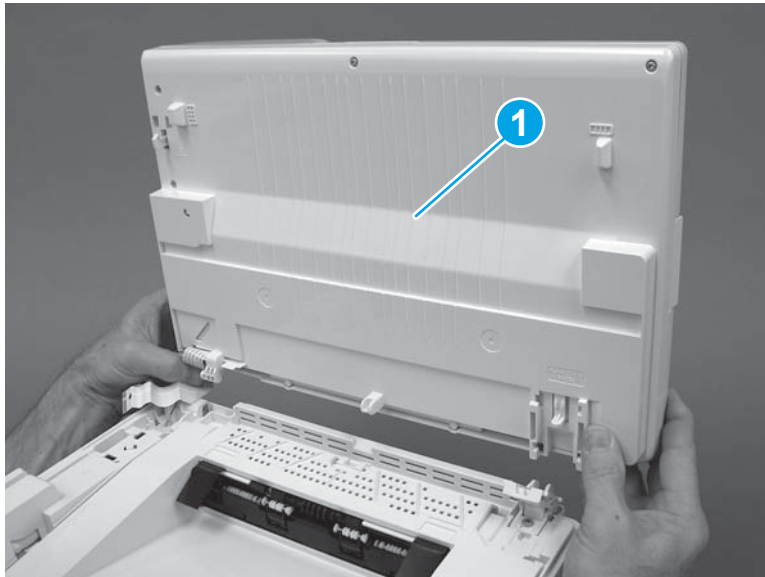
4. Rotate the scanner assembly towards the rear of the printer (callout 1), and then slide the scanner assembly toward the right side of the printer to release the left hinge (callout 2).

Figure 1-1520 Release the left hinge



5. Remove the scanner assembly (callout 1).

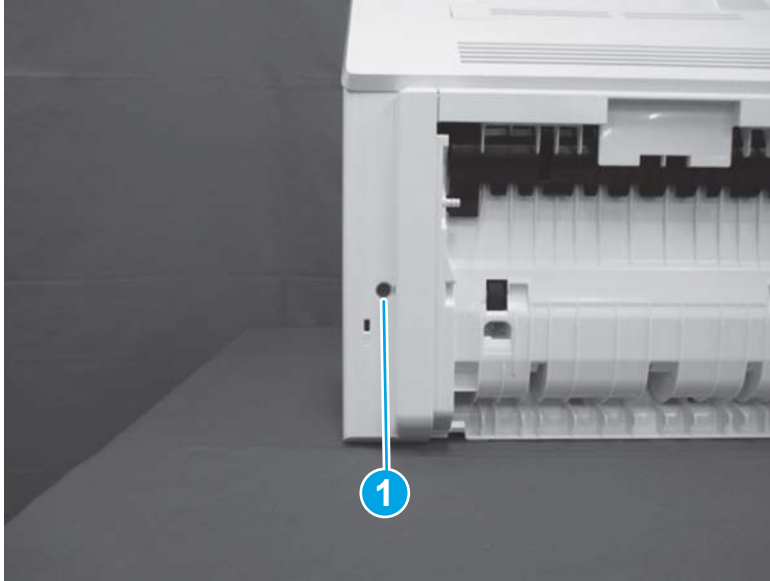
Figure 1-1521 Remove the scanner assembly



#### Step 6: Remove the right cover

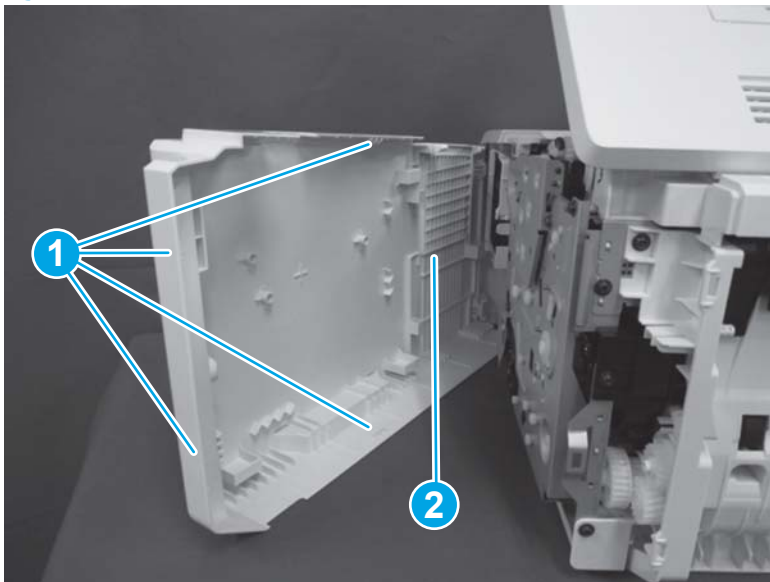
1. SFP: Do the following.
  - a. Remove one screw (callout 1).

Figure 1-1522 Remove one screw (SFP)



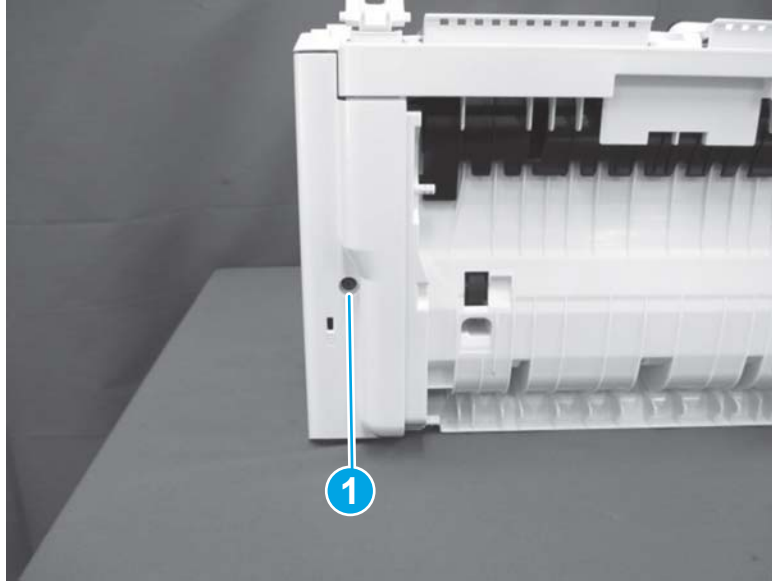
- b. Open the cartridge door.
- c. Release four tabs (callout 1), and then remove the right cover (callout 2).

Figure 1-1523 Remove the right cover (SFP)



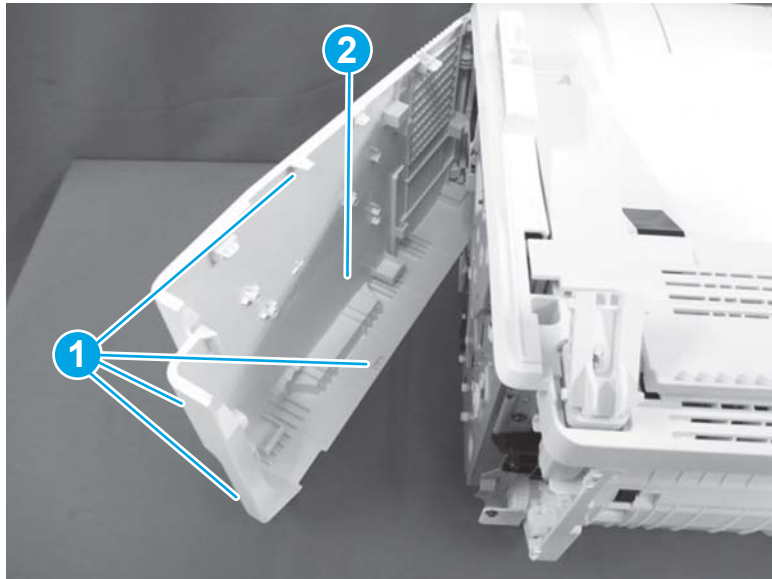
- 2. **MFP:** Do the following.
  - a. Remove one screw (callout 1).

Figure 1-1524 Remove one screw (MFP)



- b. Release four tabs (callout 1), and then remove the right cover (callout 2).

Figure 1-1525 Remove the right cover (MFP)



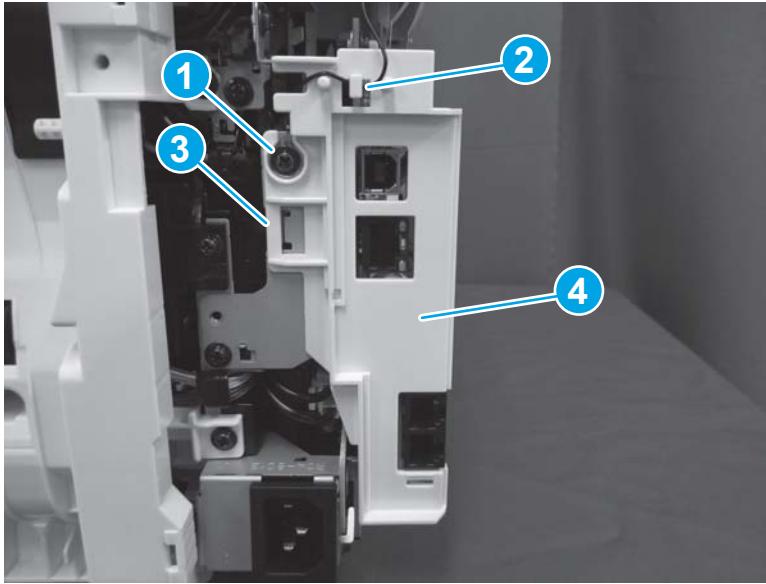
#### Step 7: Remove the USB cover

- ▲ Do the following:
  - a. **4-in-1 scanner assembly models only:** Remove one screw (callout 1), and then release one wire harness from the guide (callout 2).



- b. Release one tab (callout 3), and then remove the USB cover (callout 4).

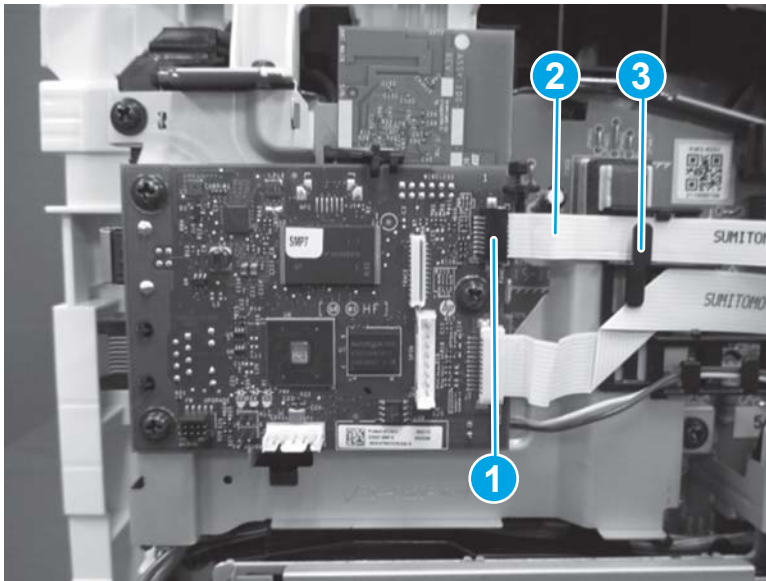
Figure 1-1526 Remove the USB cover (MFP)



#### Step 8: Remove the top front cover

1. SFP: Do the following.
  - a. Disconnect one connector (callout 1) on the formatter, and then release the cable (callout 2) from the cable guide (callout 3).

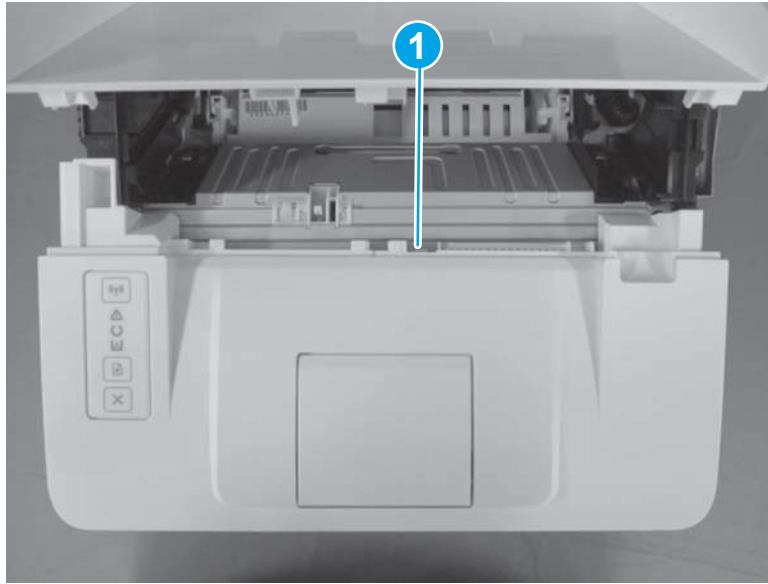
Figure 1-1527 Disconnect one connector





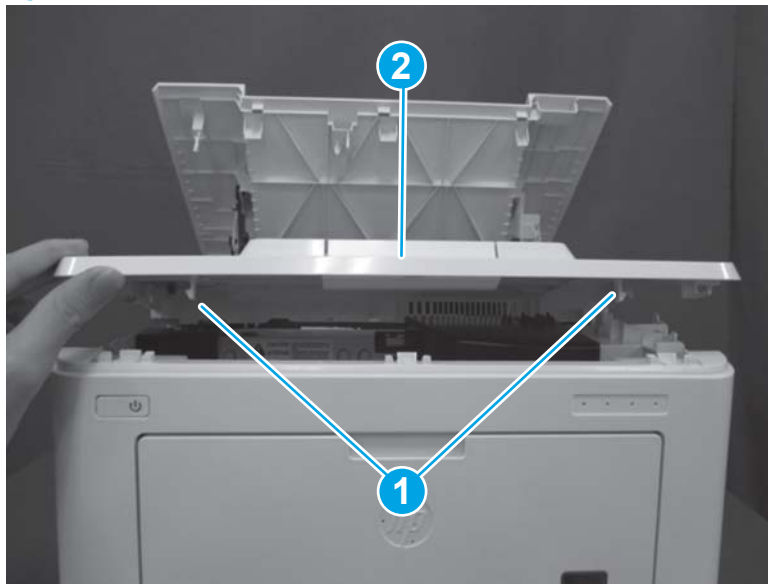
- b. Open the cartridge door, and then release one tab (callout 1) on the top of the cover.

Figure 1-1528 Release one tab



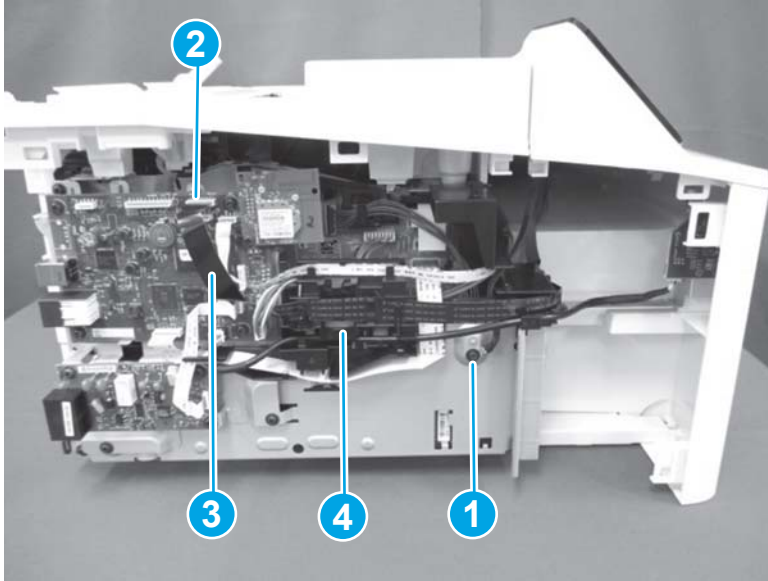
- c. Release two tabs (callout 1), and then remove the top front cover (callout 2).

Figure 1-1529 Release two tabs and remove the cover



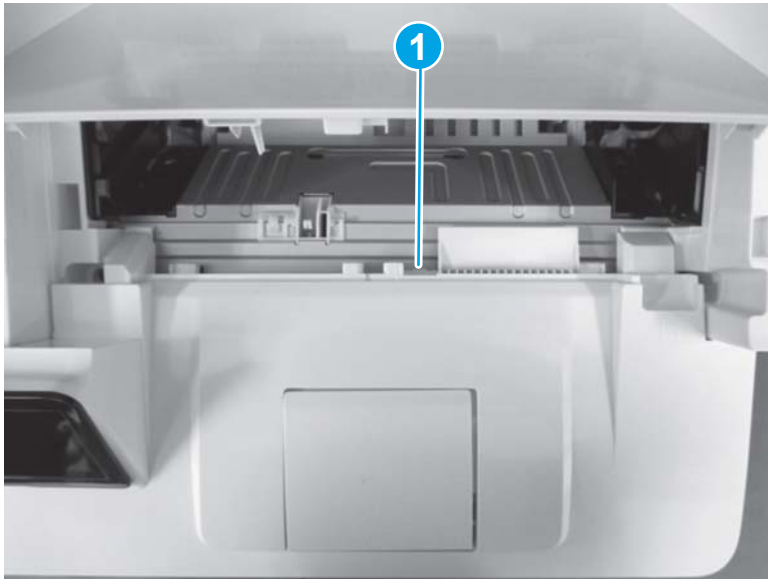
- 2. MFP: Do the following.
  - a. Remove one screw (callout 1) to release one cable. Disconnect one connector (callout 2), and then remove the cable (callout 3) from the cable guide (callout 4).

Figure 1-1530 Disconnect connector and release cable



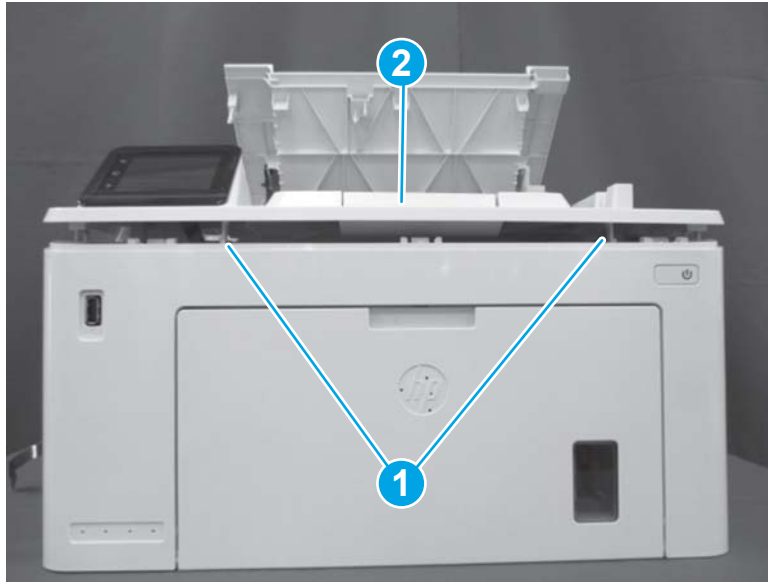
- b. Open the cartridge door, and then release one tab (callout 1).

Figure 1-1531 Release one tab



- c. Release two tabs (callout 1), and then remove the top front cover (callout 2).

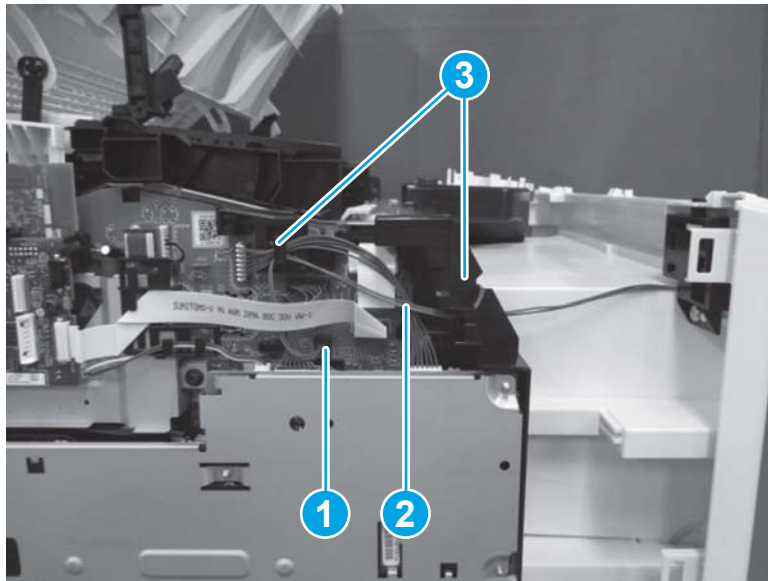
**Figure 1-1532** Release two tabs and remove the cover



### Step 9: Remove the front cover

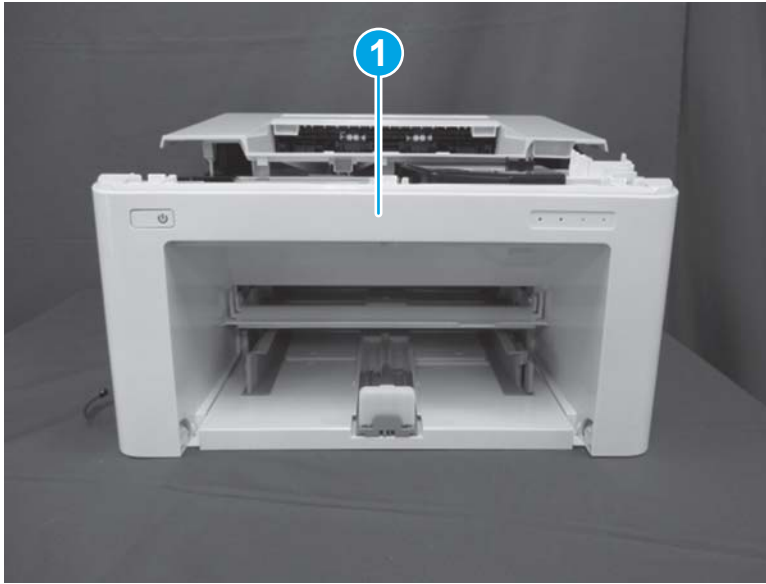
1. **SFP:** Do the following.
  - a. Disconnect one connector (callout 1), and then remove the cable (callout 2) from the cable guide (callout 3).

**Figure 1-1533** Disconnect connector (SFP)



- b. Slide the front cover (callout 1) away from the printer to remove it.

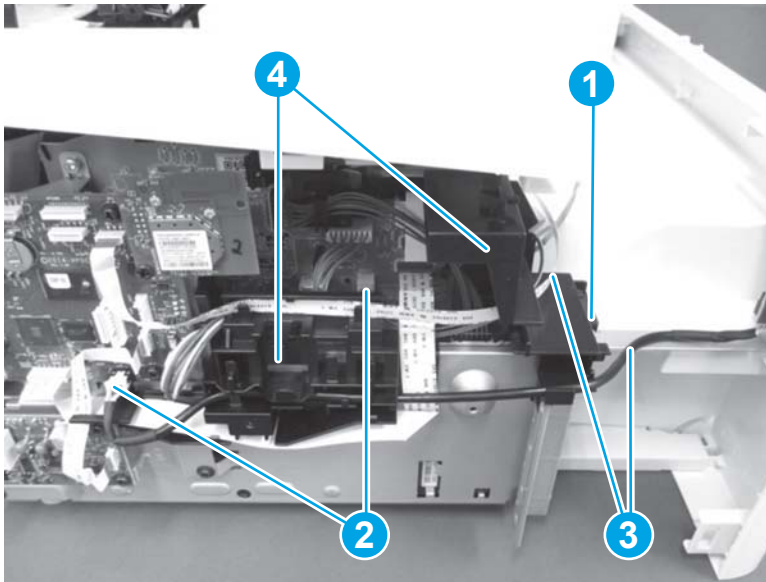
Figure 1-1534 Remove the front cover (SFP)



- 2. **MFP:** Do the following.

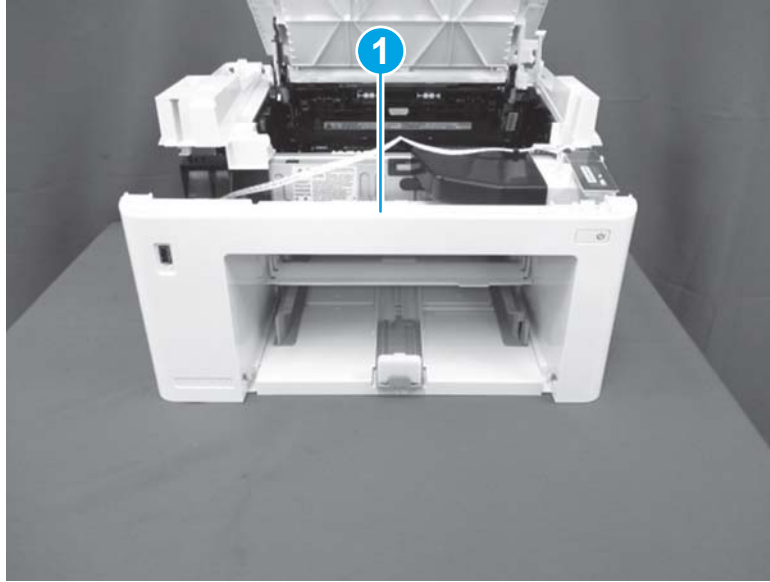
- a. Remove one screw (callout 1). Disconnect two connectors (callout 2), and then release the cables (callout 3) from the cable guide (callout 4).

Figure 1-1535 Disconnect connectors (MFP)



- b. Slide the front cover (callout 1) away from the printer to remove it.

**Figure 1-1536** Remove the front cover (MFP)

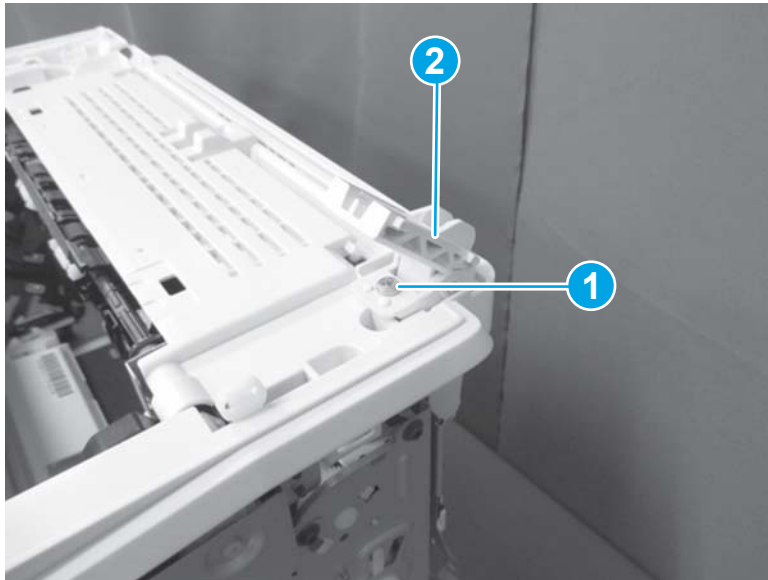


#### Step 10: Remove the hinge assembly (MFP)

 **NOTE:** This step is for the MFP printers. For the SFP printers, skip this step and go to [Step 11: Remove the cartridge door on page 903](#).

- ▲ Remove one screw (callout 1), and then remove the hinge assembly (callout 2).

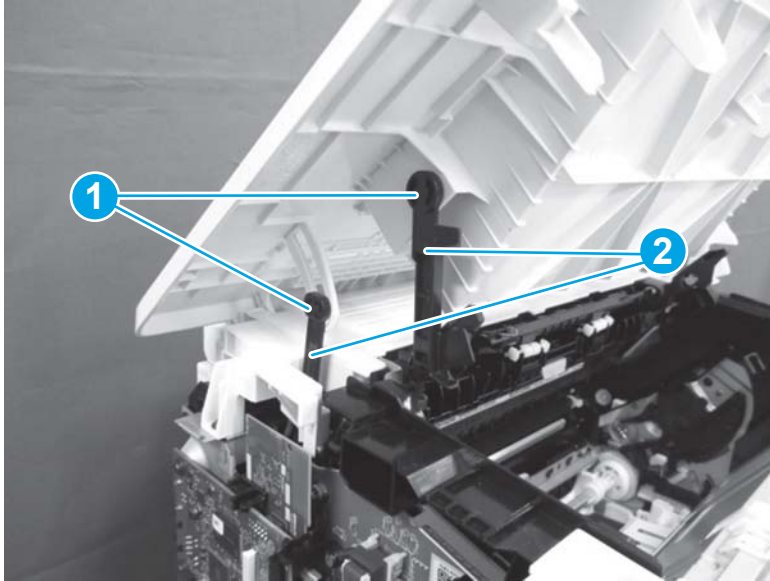
**Figure 1-1537** Remove the hinge assembly (MFP)



#### Step 11: Remove the cartridge door

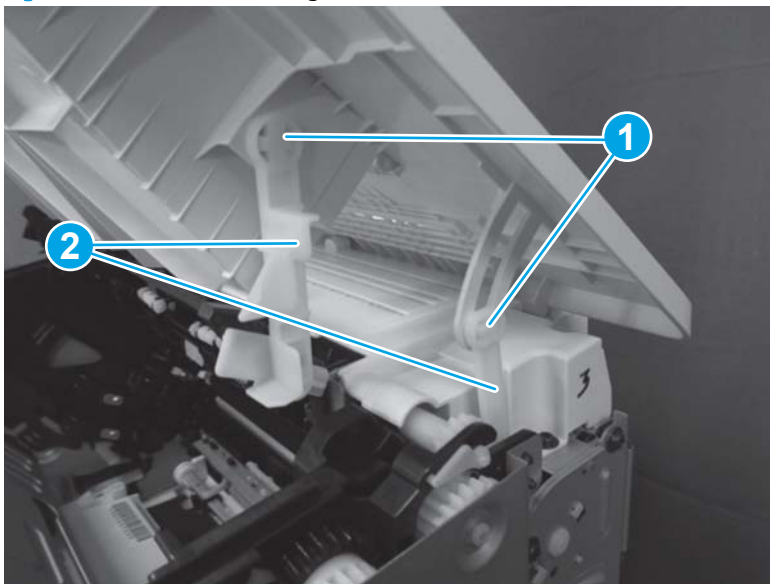
1. **SFP:** Do the following.
  - a. Open the cartridge door. On the left side of the printer, release two tabs (callout 1), and then disconnect two link arms (callout 2).

Figure 1-1538 Disconnect left link arms (SFP)



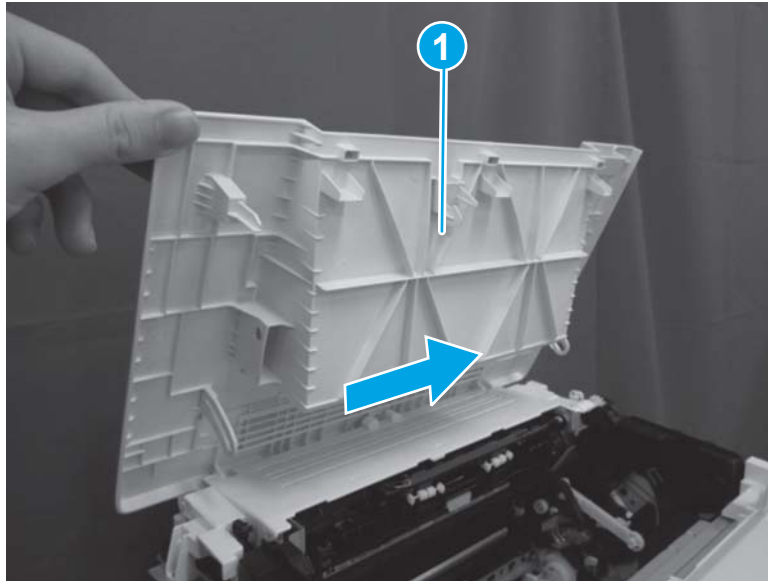
- b. On the right side of the printer, release two tabs (callout 1), and then disconnect two link arms (callout 2).

Figure 1-1539 Disconnect right link arms (SFP)



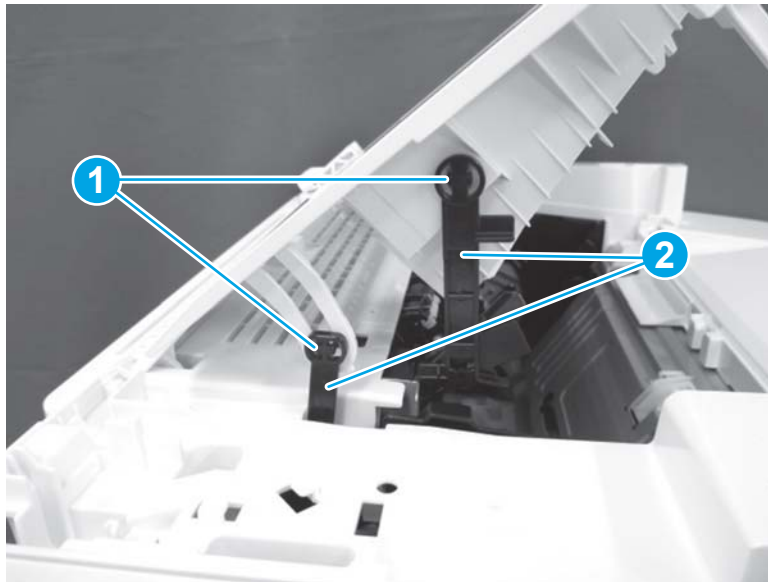
- c. Fully open the cartridge door (callout 1), and then slide it towards the right-side of the printer to remove it.

**Figure 1-1540** Remove the cartridge door (SFP)



2. MFP: Do the following.
  - a. Open the cartridge door. On the left side of the printer, release two tabs (callout 1), and then disconnect two link arms (callout 2).

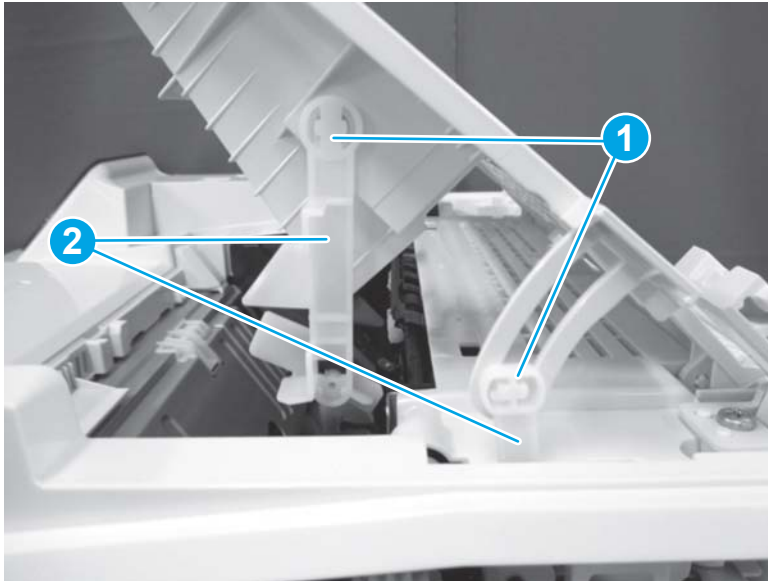
**Figure 1-1541** Disconnect left link arms (MFP)





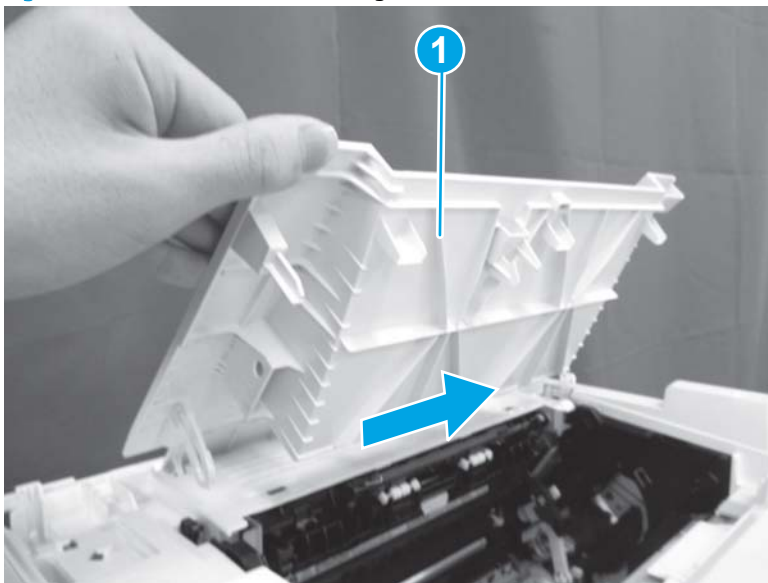
- b. On the right side of the printer, release two tabs (callout 1), and then disconnect two link arms (callout 2).

Figure 1-1542 Disconnect right link arms (MFP)



- c. Fully open the cartridge door (callout 1), and then slide it towards the right-side of the printer to remove it.

Figure 1-1543 Remove the cartridge door (MFP)



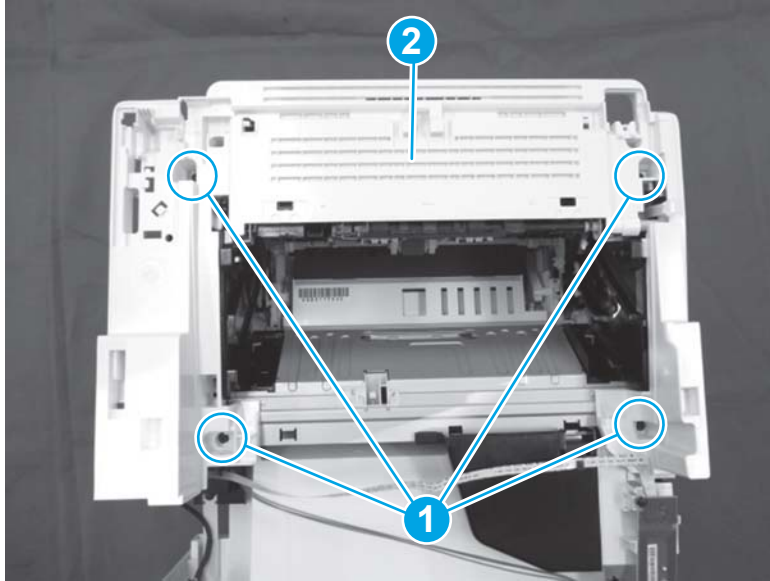
### Step 12: Remove the top cover (MFP)

 **NOTE:** This step is for the MFP printers. For the SFP printers, skip this step and go to [Step 14: Remove the duplex paper feed assembly on page 907](#).


- ▲ Remove four screws (callout 1), and then remove the top cover (callout 2).



Figure 1-1544 Remove the top cover

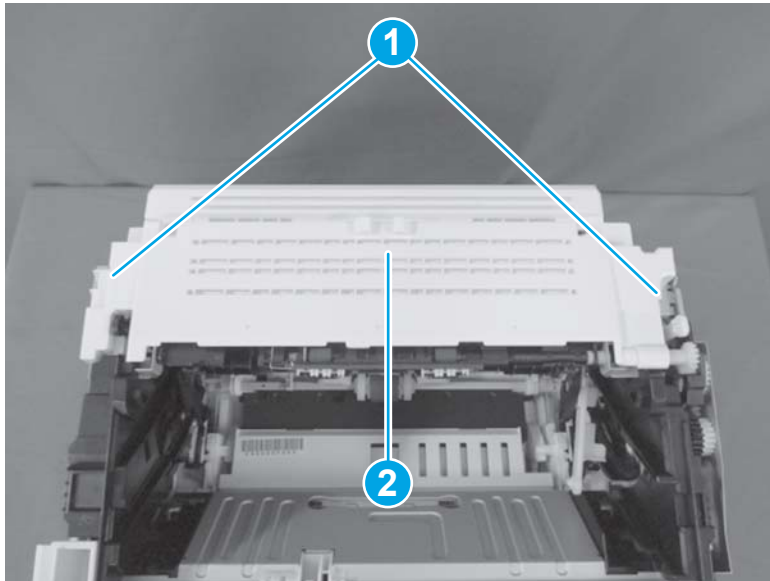


### Step 13: Remove the top rear cover (SFP)

 **NOTE:** This step is for the SFP printers. For the MFP printers, skip this step and go to [Step 14: Remove the duplex paper feed assembly on page 907](#).

- ▲ Remove two screws (callout 1), and then remove the top rear cover (callout 2).

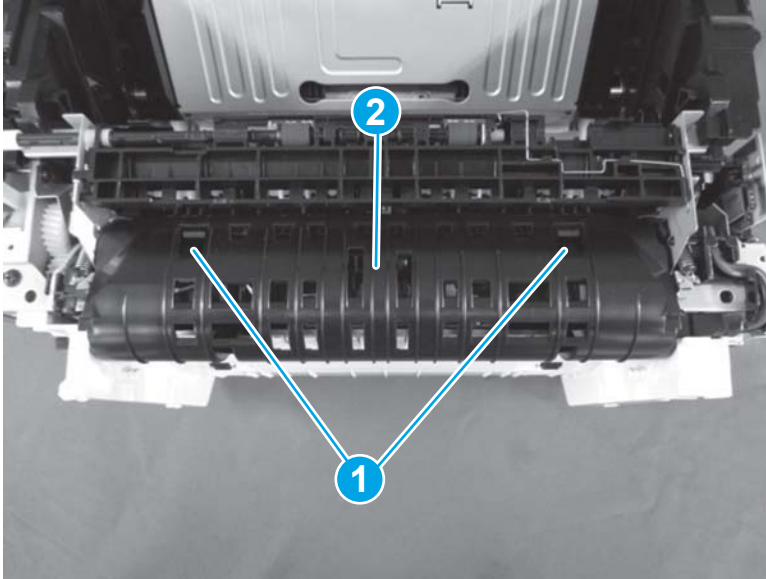
Figure 1-1545 Remove the top rear cover (SFP)



### Step 14: Remove the duplex paper feed assembly

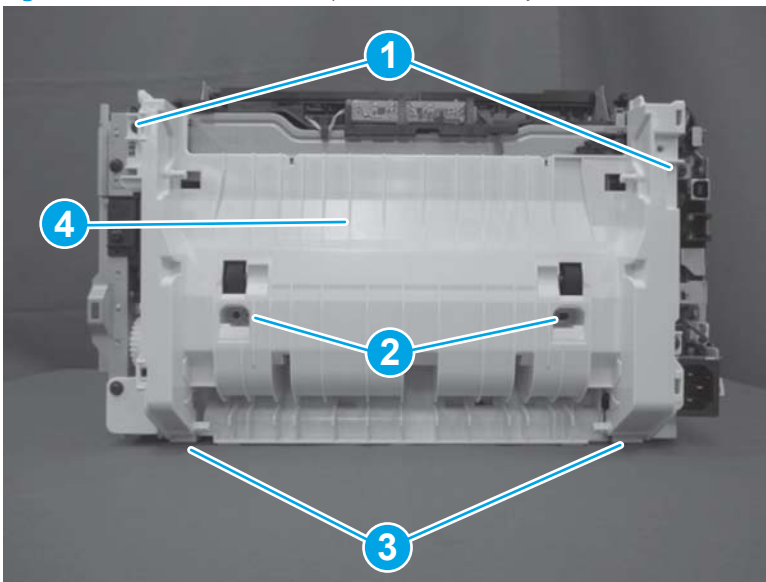
1. Release two tabs (callout 1), and then remove the duplex switchback guide (callout 2).

Figure 1-1546 Remove the duplex switchback guide



2. Remove two M3 screws (callout 1), and then remove two M4 screws (callout 2). Release two tabs (callout 3), and then remove the duplex paper feed assembly (callout 4).

Figure 1-1547 Remove the duplex feed assembly



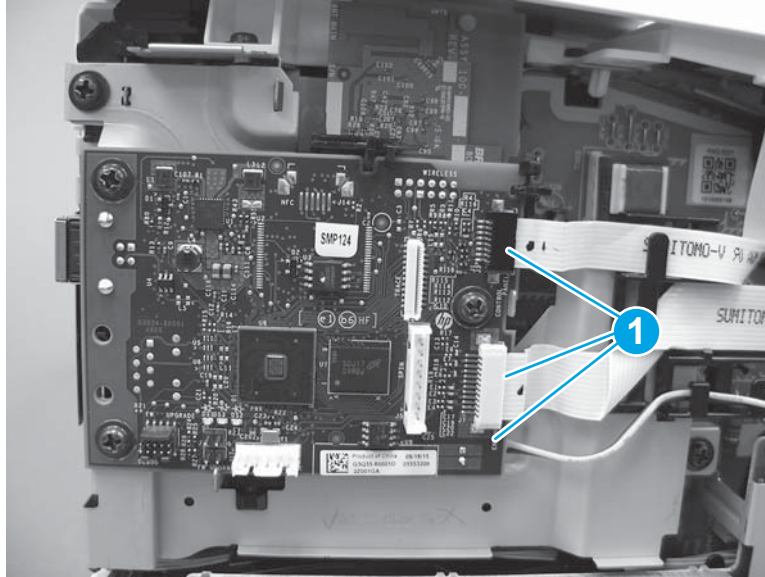
### Step 15: Remove the formatter PCA (MFP)

 **NOTE:** This step is for the MFP printers. For the SFP printers, skip this step and go to [Step 16: Remove the low-voltage power supply \(LVPS\) on page 910.](#)

 **CAUTION:**  ESD-sensitive part.

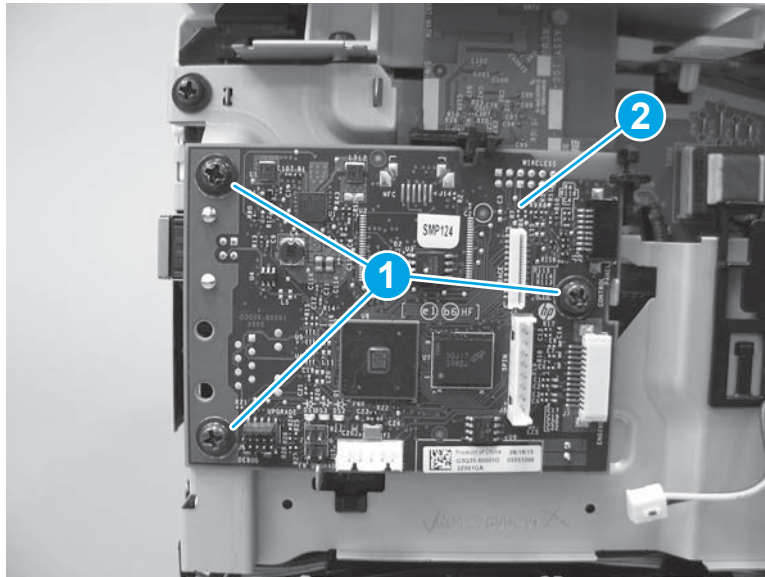
1. **SFP:** Do the following.
  - a. Disconnect two flat cables and one connector (callout 1).

Figure 1-1548 Disconnect two flat cables and one connector (SFP)



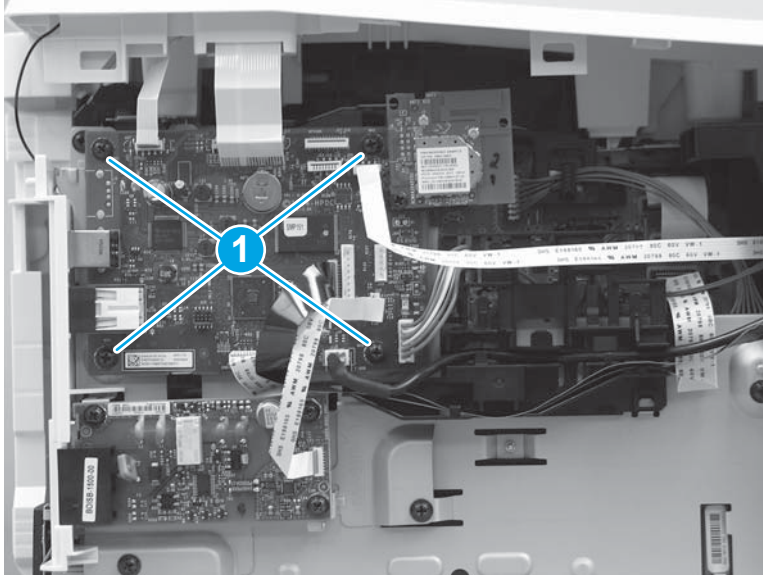
- b. Remove three screws (callout 1), and then remove the formatter PCA (callout 2).

Figure 1-1549 Remove the formatter PCA (SFP)



- 2. MFP: Do the following.
  - ▲ Disconnect all of the connectors on the formatter PCA. Remove four screws (callout 1), and then remove the formatter PCA.

Figure 1-1550 Remove the formatter PCA (MFP)

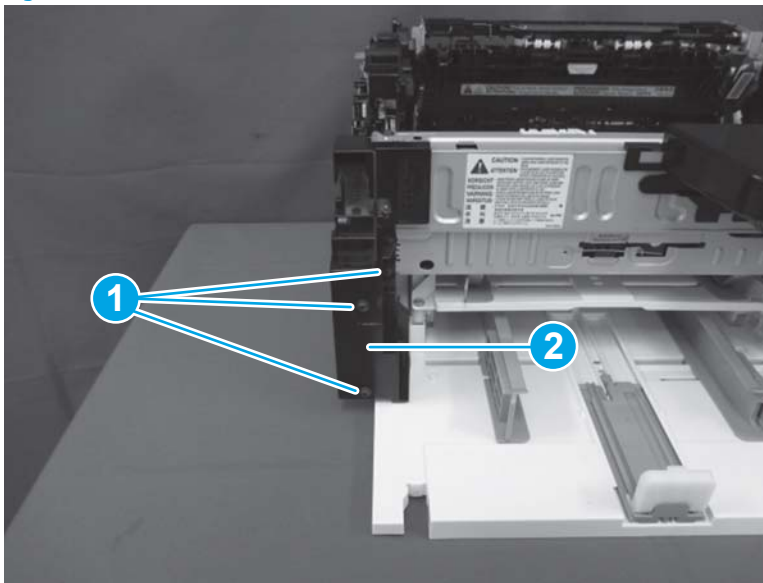


Step 16: Remove the low-voltage power supply (LVPS)

 **CAUTION:**  ESD-sensitive part.

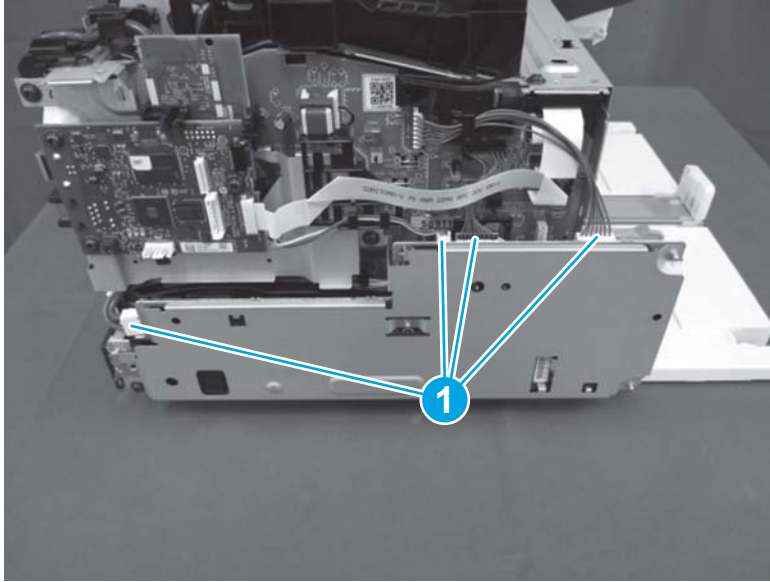
1. SFP: Do the following.
  - a. Remove three screws (callout 1), and then remove the inner cover (callout 2).

Figure 1-1551 Remove three screws and a cover (SFP)



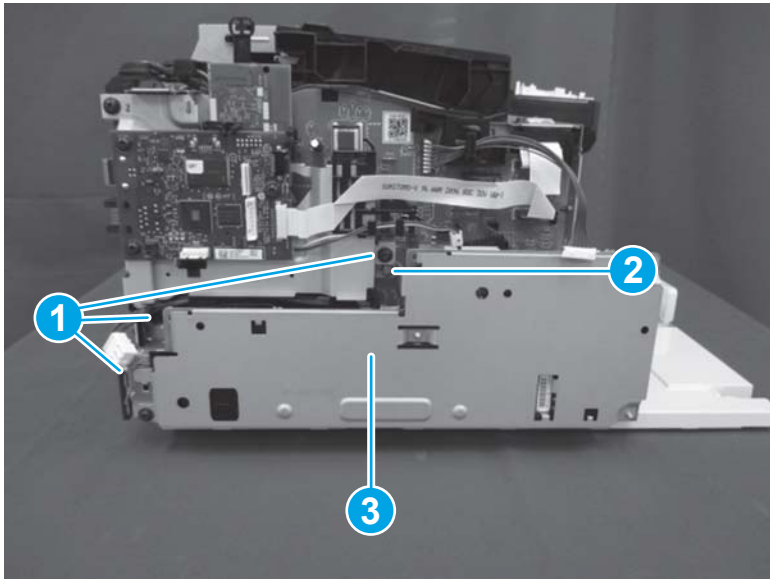
- b. Disconnect four connectors (callout 1).

**Figure 1-1552** Disconnect four connectors (SFP)



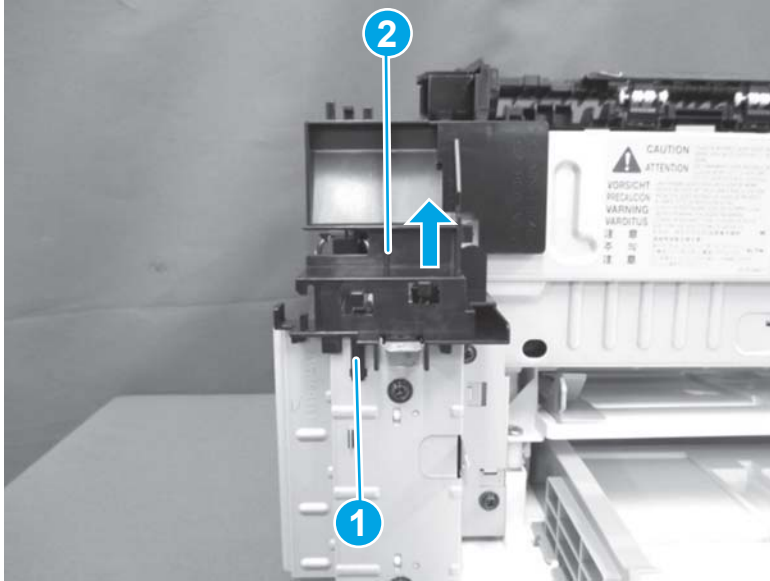
- c. Remove three screws (callout 1), remove one ground screw (callout 2), and then remove the LVPS (callout 3).

**Figure 1-1553** Remove the LVPS (SFP)



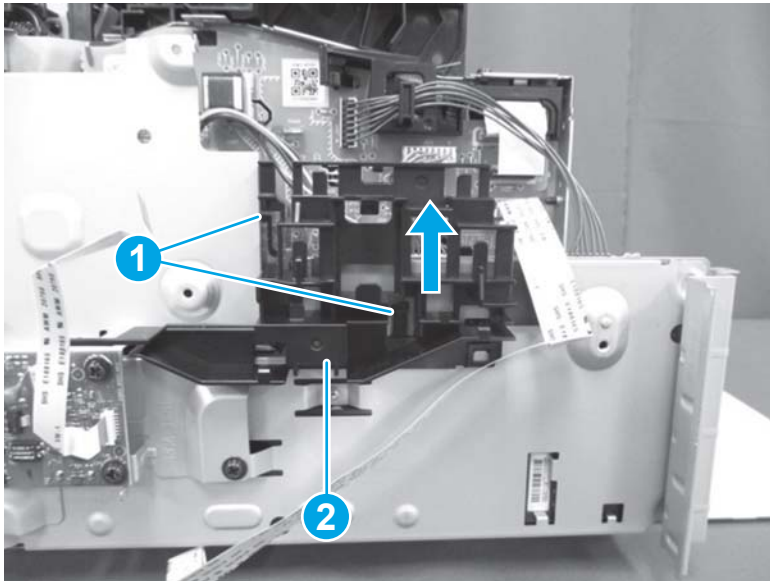
- 2. **MFP:** Do the following.
  - a. Release one tab (callout 1), and then slide the inner cover (callout 2) up to remove it.

Figure 1-1554 Remove the inner cover (MFP)



- b. Release two tabs (callout 1), and then slide the guide (callout 2) up to remove it.

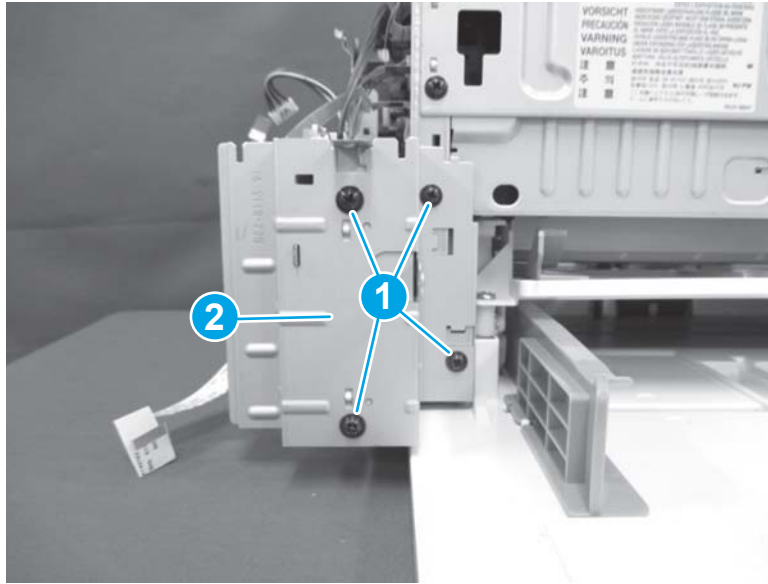
Figure 1-1555 Remove the guide (MFP)





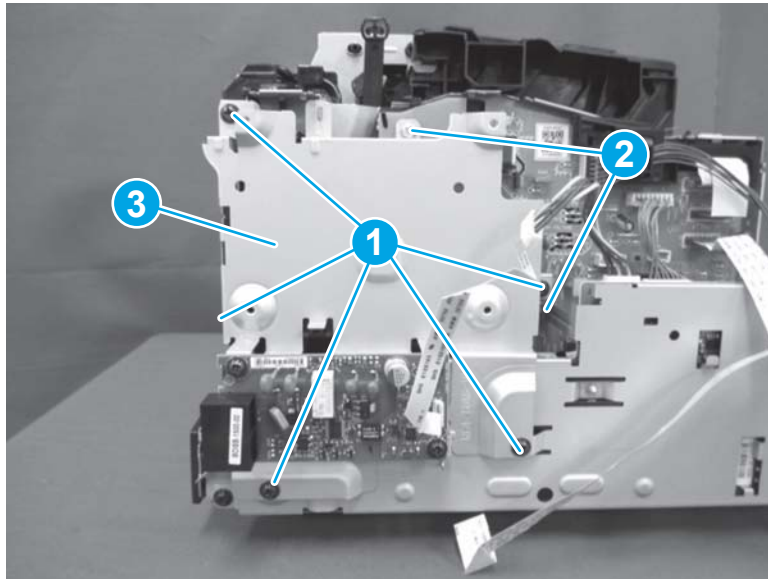
- c. Remove four screws (callout 1), and then remove the sheet-metal plate (callout 2).

Figure 1-1556 Remove the plate (MFP)



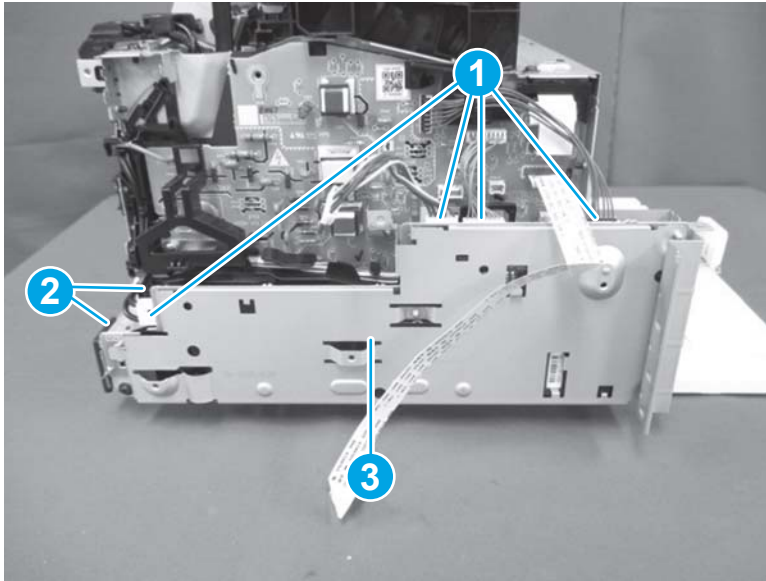
- d. Remove five screws (callout 1), remove two ground screws (callout 2), and then remove the sheet-metal support plate (callout 3).

Figure 1-1557 Remove the support plate (MFP)



- e. Disconnect four connectors (callout 1), remove two screws (callout 2), and then remove the LVPS (callout 3).

Figure 1-1558 Remove the LVPS (MFP)

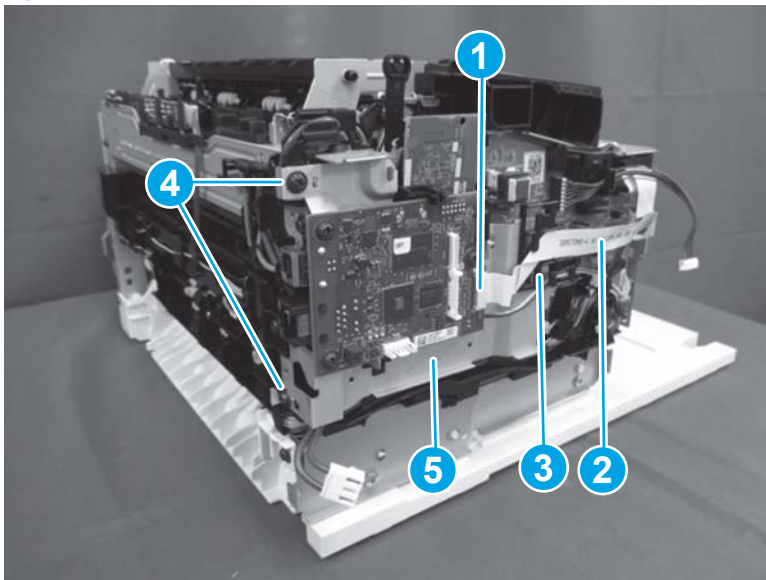


#### Step 17: Remove the engine controller PCA

 **CAUTION:**  ESD-sensitive part.


1. **SFP:** Do the following.
  - a. Disconnect one connector (callout 1), and then remove the flat cable (callout 2) from the guide (callout 3). Remove two screws (callout 4), and then remove the support plate (callout 5).

Figure 1-1559 Remove the support plate (SFP)

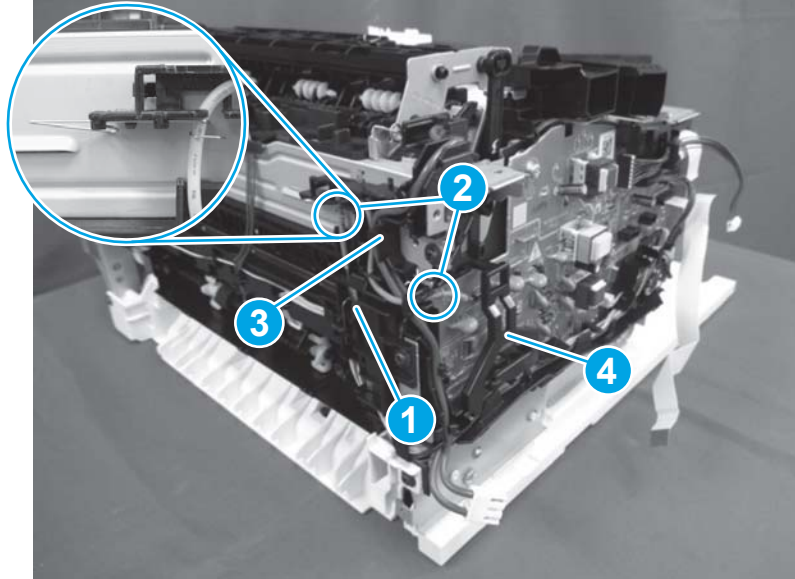




- b. Disconnect one connector (callout 1), release the wire harness from the springs (callout 2) and the guides (callout 3), and then remove the supporter (callout 4).

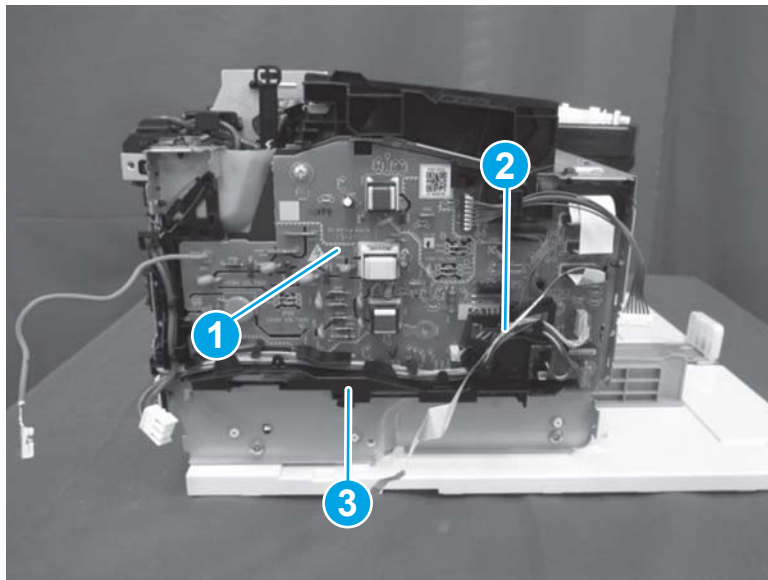
 **NOTE:** The engine controller PCA ground wire must be released from two springs (callout 2). Twist the wire around the springs to release it.

**Figure 1-1560** Disconnect one connector and remove the support (SFP)



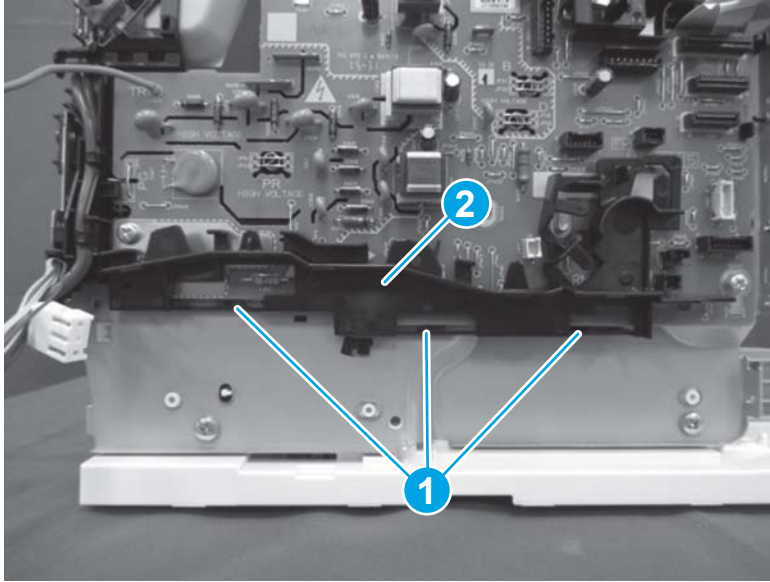
- c. Disconnect all connectors on the engine controller PCA (callout 1), and then release the wire harness (callout 2) from the guide (callout 3).

**Figure 1-1561** Disconnect all connectors on the engine controller PCA (SFP)



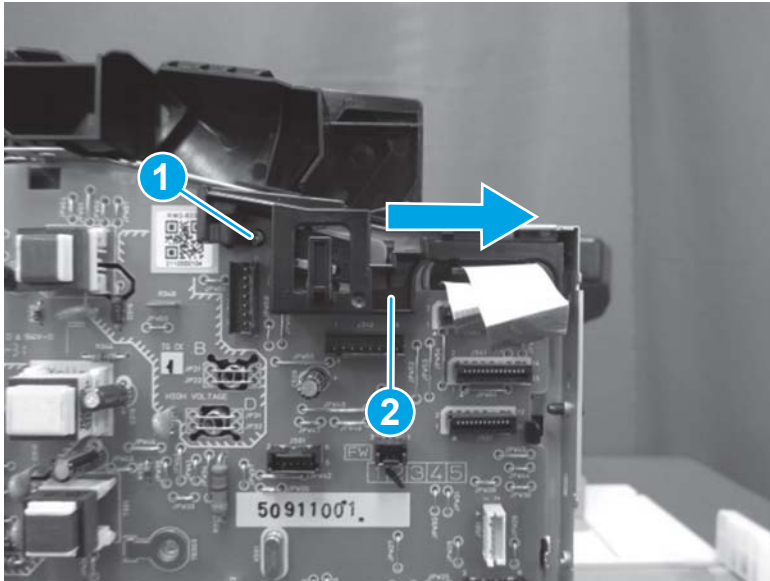
- d. Release three tabs (callout 1), and then remove the guide (callout 2).

Figure 1-1562 Remove the guide (SFP)



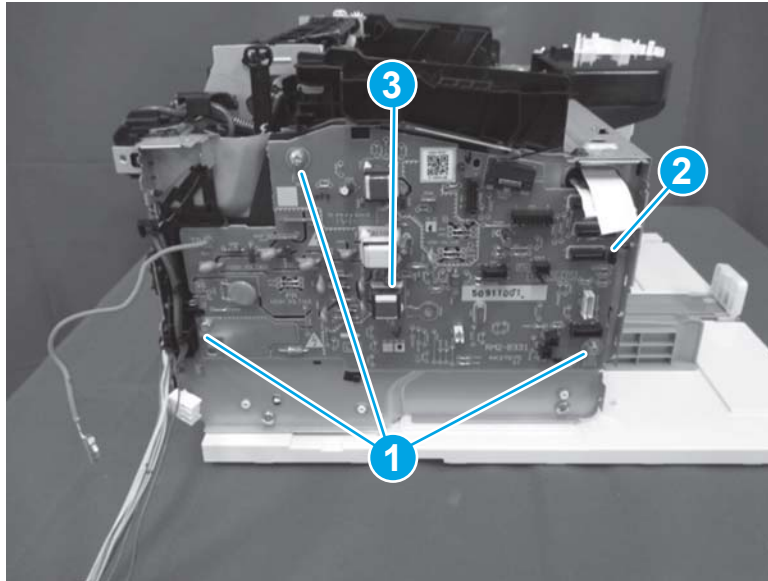
- e. Release one boss (callout 1), and then slide the guide (callout 2) to the right to remove it.

Figure 1-1563 Remove the guide (SFP)




- f. Remove three screws (callout 1), release one tab (callout 2), and then remove the engine controller PCA (callout 3).

**Figure 1-1564** Remove the engine controller PCA (SFP)

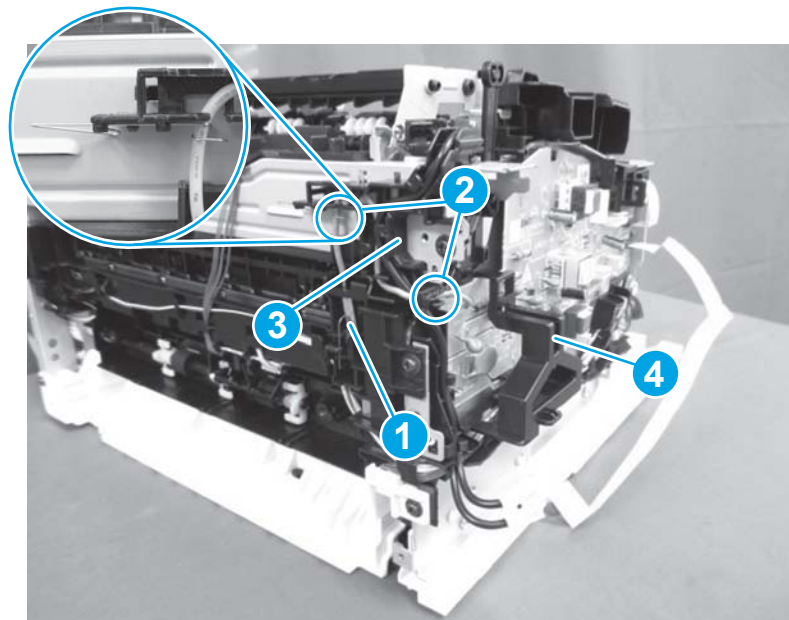


2. MFP: Do the following.

- a. Disconnect one connector (callout 1), release the wire harness from the springs (callout 2) and the guide (callout 3), and then remove the supporter (callout 4).

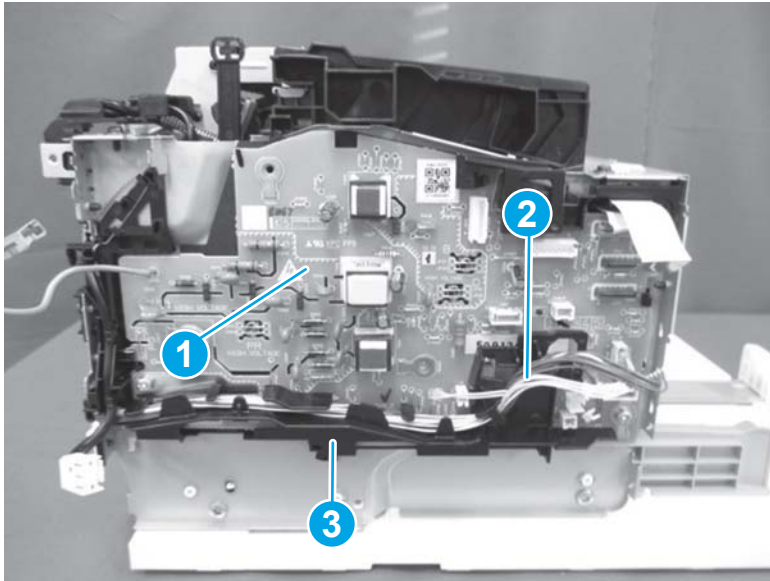
 **NOTE:** The engine controller PCA ground wire must be released from two springs (callout 2). Twist the wire around the springs to release it.

**Figure 1-1565** Disconnect one connector and remove the support (MFP)



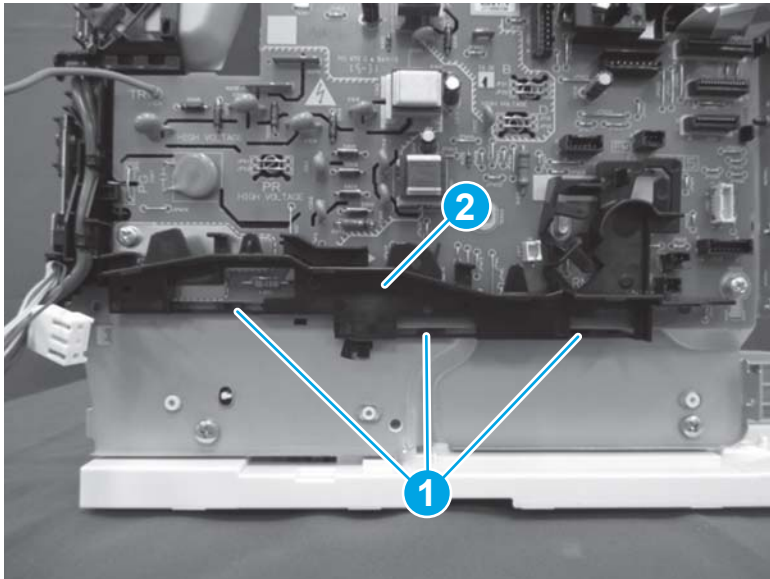
- b. Disconnect all connectors on the engine controller PCA (callout 1), and then release the wire harness (callout 2) from the guide (callout 3).

Figure 1-1566 Disconnect all connectors on the engine controller PCA (MFP)



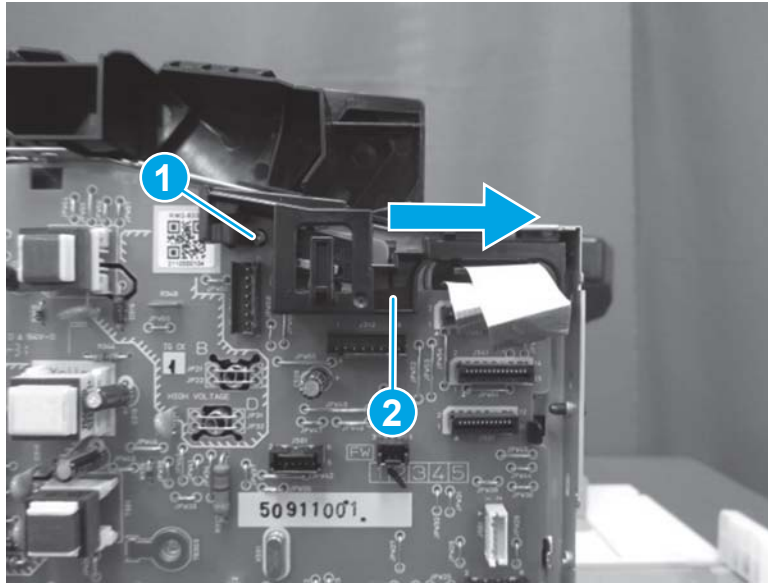
- c. Release three tabs (callout 1), and then remove the guide (callout 2).

Figure 1-1567 Remove the guide (MFP)



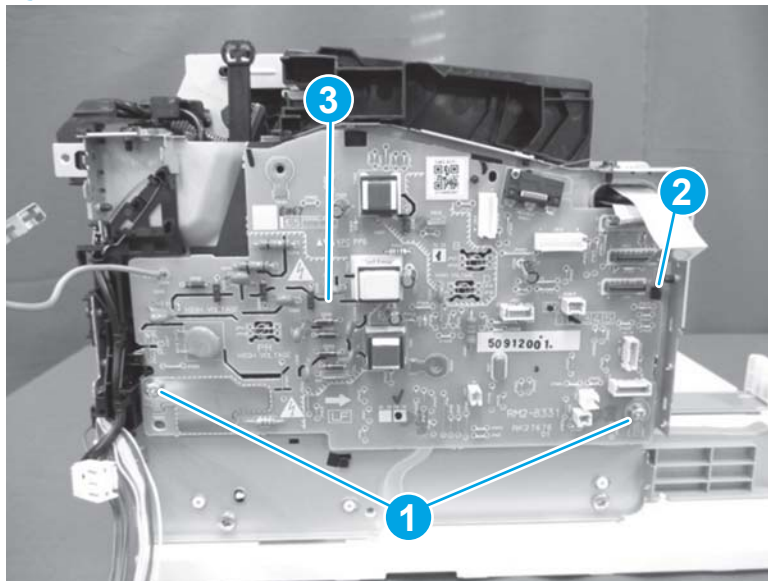
- d. Release one boss (callout 1), and then slide the guide (callout 2) to the right to remove it.

**Figure 1-1568** Remove the guide (MFP)



- e. Remove two screws (callout 1), release one tab (callout 2), and then remove the engine controller PCA (callout 3).

**Figure 1-1569** Remove the engine controller PCA (MFP)



### Step 18: Unpack the replacement assembly

1. Dispose of the defective part.

 **NOTE:** HP recommends responsible disposal of the defective part.

[www.hp.com/recycle](http://www.hp.com/recycle)



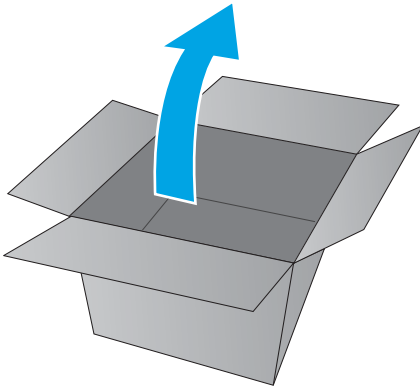
2. Unpack the replacement part from the packaging.

---

**⚠ CAUTION:** If the replacement part is a roller or pad, avoid touching the spongy part of it. Skin oils on the roller or pad can cause paper pickup and/or print-quality problems. HP recommends using disposable gloves when handling rollers or pads or washing your hands or before touching rollers or pads.

**📄 IMPORTANT:** Make sure that all of the shipping materials (for example shipping tape) are removed from the replacement part prior to installation.

---



### Step 19: Install the engine controller PCA

---

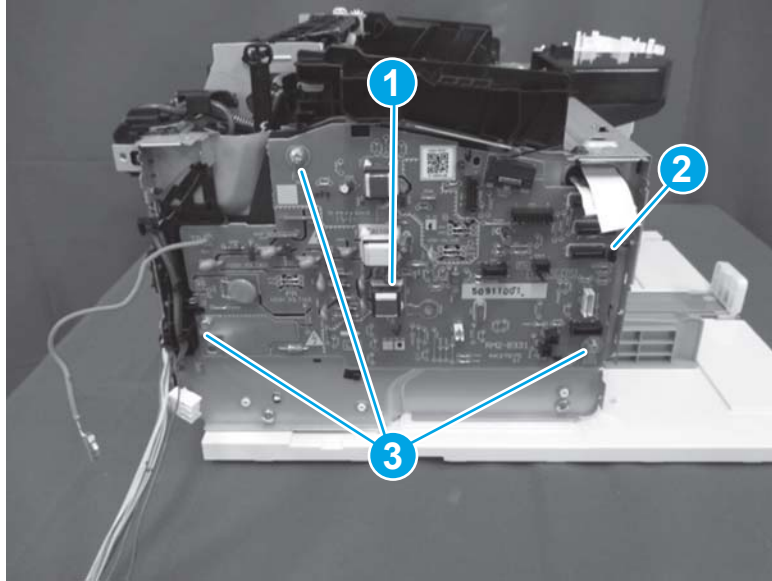
**⚠ CAUTION:**  ESD-sensitive part.

---

1. **SFP:** Do the following.
  - a. Position the engine controller PCA (callout 1) on the printer, engage one tab (callout 2), and then install three screws (callout 3).

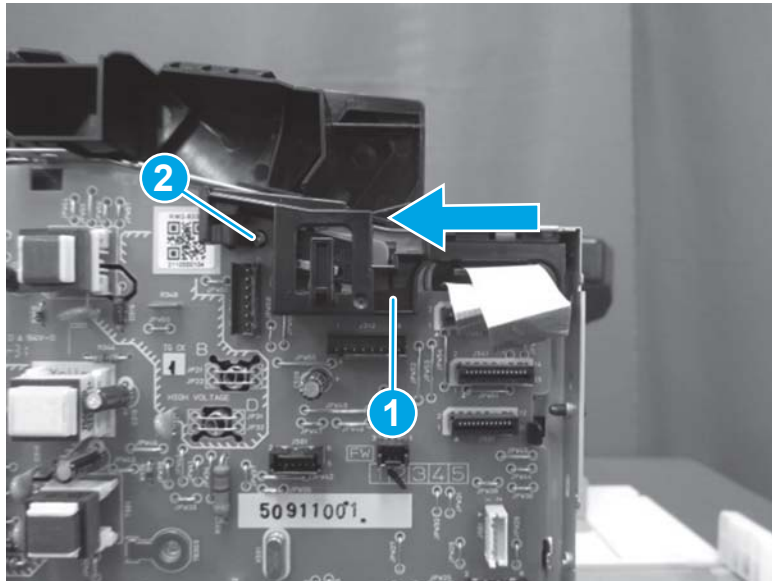


Figure 1-1570 Install the engine controller PCA (SFP)



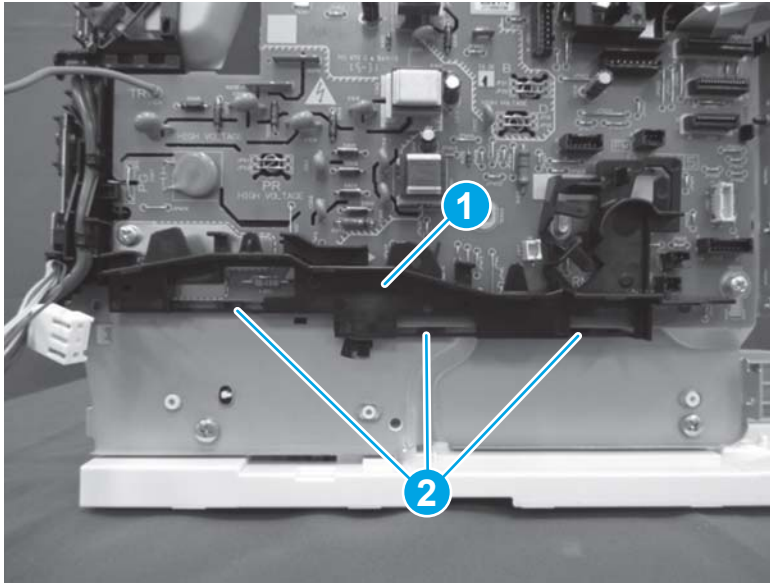
- b. Slide the guide (callout 1) to the left to install it, and then engage one boss (callout 2).

Figure 1-1571 Install the guide (SFP)



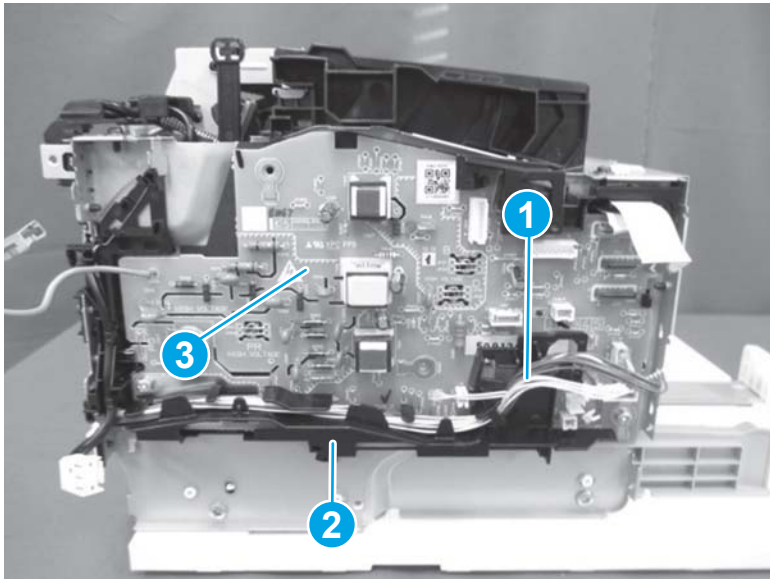
- c. Position the guide (callout 1), on the printer, and then engage three tabs (callout 2).

Figure 1-1572 Install the guide (SFP)




- d. Install the wire harness (callout 1) in the guide (callout 2), and then connect all connectors on the engine controller PCA (callout 3).

Figure 1-1573 Connect all connectors on the engine controller PCA (SFP)

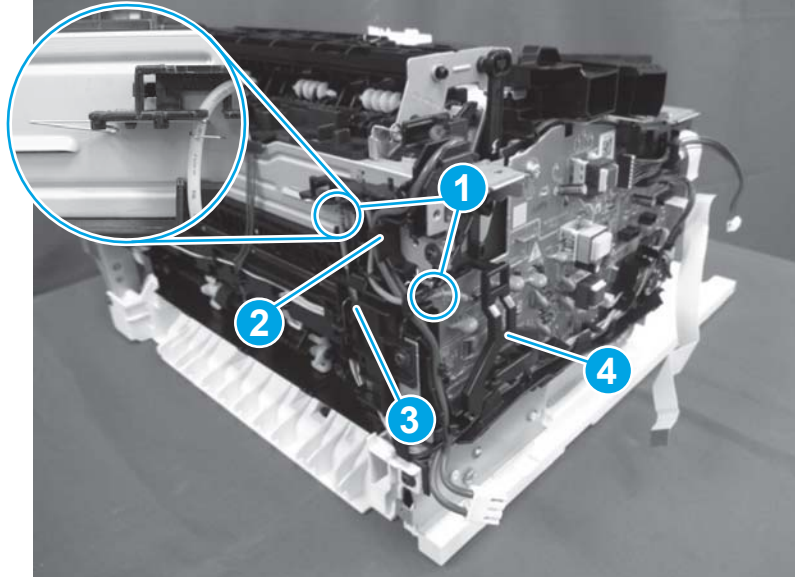




- e. Install the wire harness in the springs (callout 1), and in the guide (callout 2). Connect one connector (callout 3), and then install the supporter (callout 4).

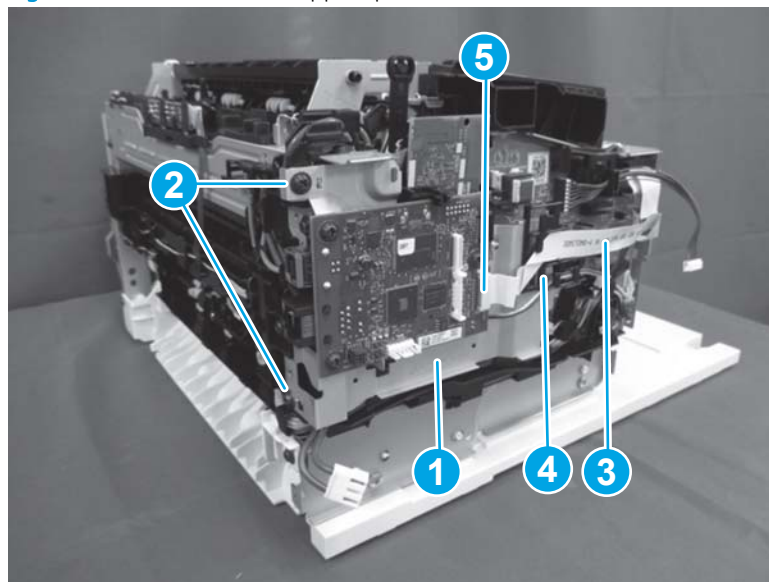
 **NOTE:** The engine controller PCA ground wire must be installed in two springs (callout 1. Twist the wire around the springs to install it.

**Figure 1-1574** Connect one connector and install the support (SFP)



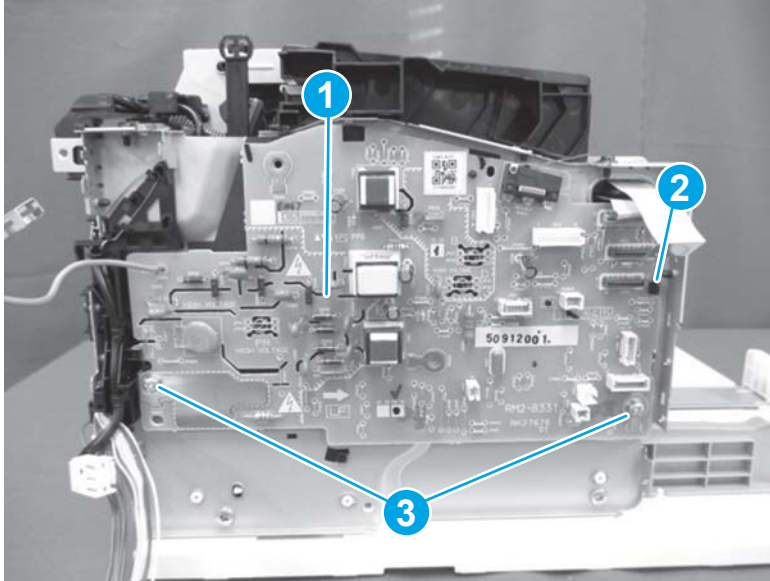
- f. Position the support plate (callout 1), on the printer, install two screws (callout 2), install the flat cable (callout 3) in the guide (callout 4), and then connect one connector (callout 5).

**Figure 1-1575** Install the support plate (SFP)



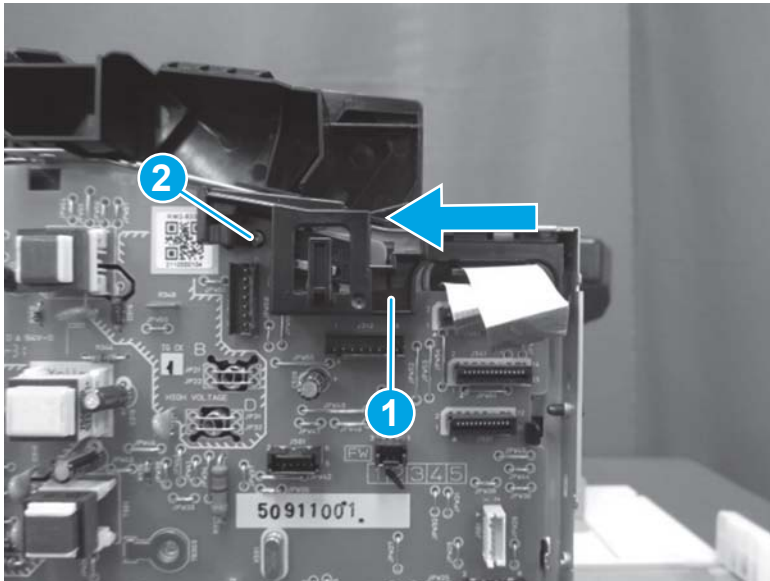
- 2. **MFP:** Do the following.
  - a. Position the engine controller PCA (callout 1) on the printer, engage one tab (callout 2), and then install two screws (callout 3).

Figure 1-1576 Install the engine controller PCA (MFP)



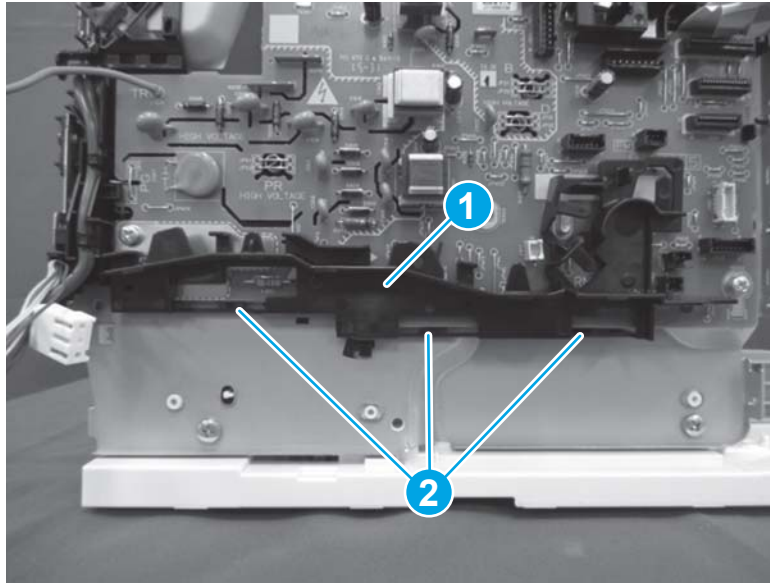
- b. Slide the guide (callout 1) to the left to install it, and then engage one boss (callout 2).

Figure 1-1577 Install the guide (MFP)



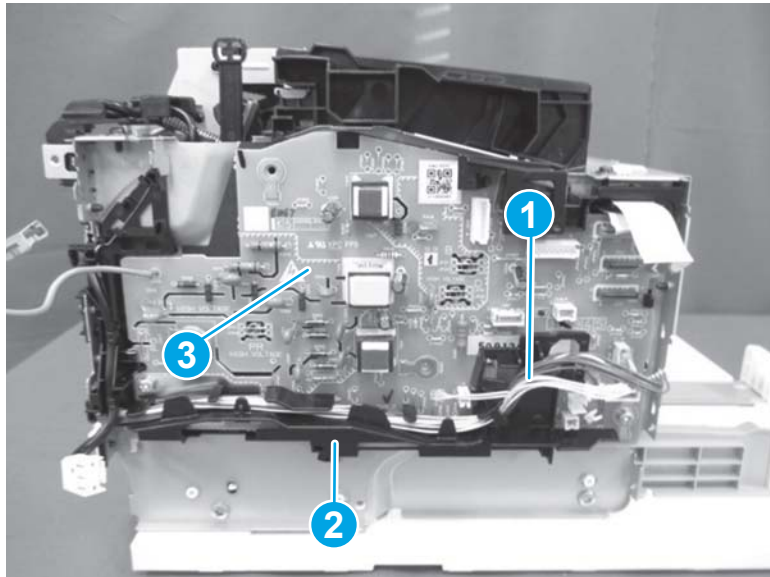
- c. Position the guide (callout 1), on the printer, and then engage three tabs (callout 2).

Figure 1-1578 Install the guide (MFP)




- d. Install the wire harness (callout 1) in the guide (callout 2), and then connect all connectors on the engine controller PCA (callout 3).

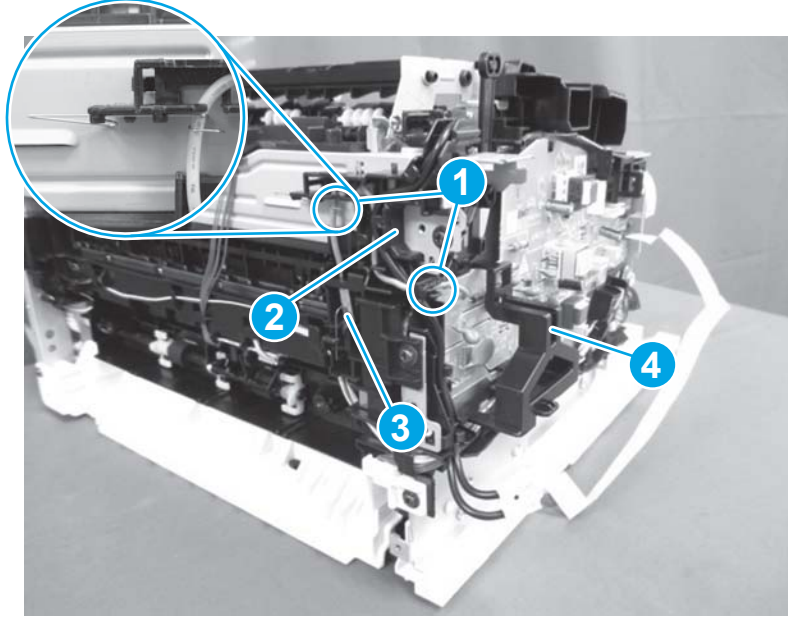
Figure 1-1579 Connect all connectors on the engine controller PCA (MFP)



- e. Install the wire harness in the springs (callout 1), and in the guide (callout 2). Connect one connector (callout 3), and then install the supporter (callout 4).

 **NOTE:** The engine controller PCA ground wire must be installed in two springs (callout 1). Twist the wire around the springs to install it.

**Figure 1-1580** Connect one connector and install the support (MFP)

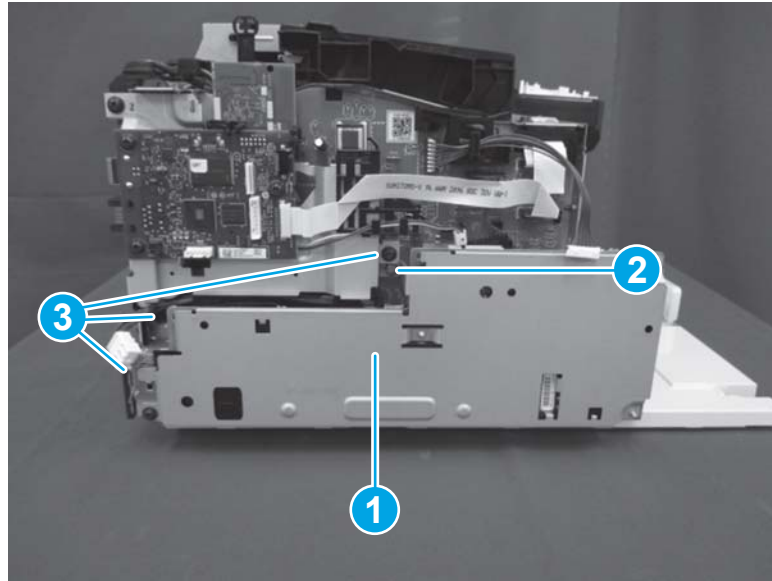


## Step 20: Install the LVPS

 **CAUTION:**  ESD-sensitive part.

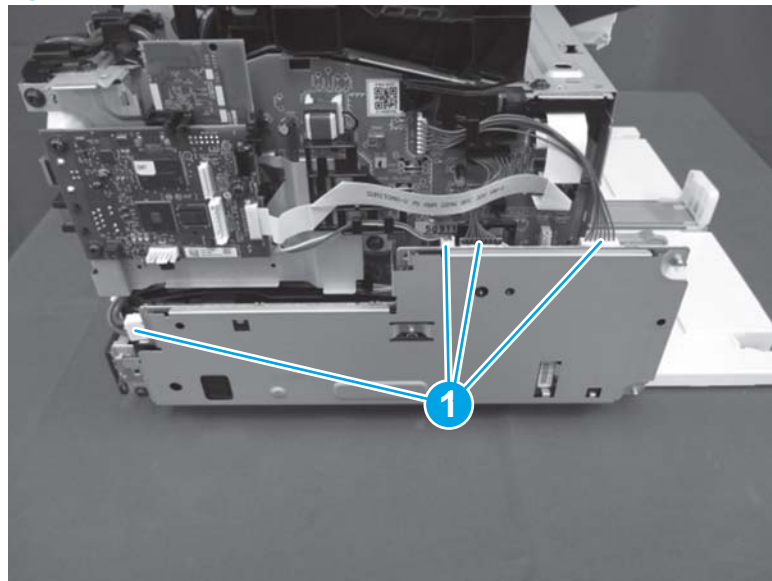
1. **MFP:** Do the following.
  - a. Position the LVPS on the printer (callout 1), install one ground screw (callout 2), and then install three screws (callout 3).

Figure 1-1581 Install the LVPS (SFP)



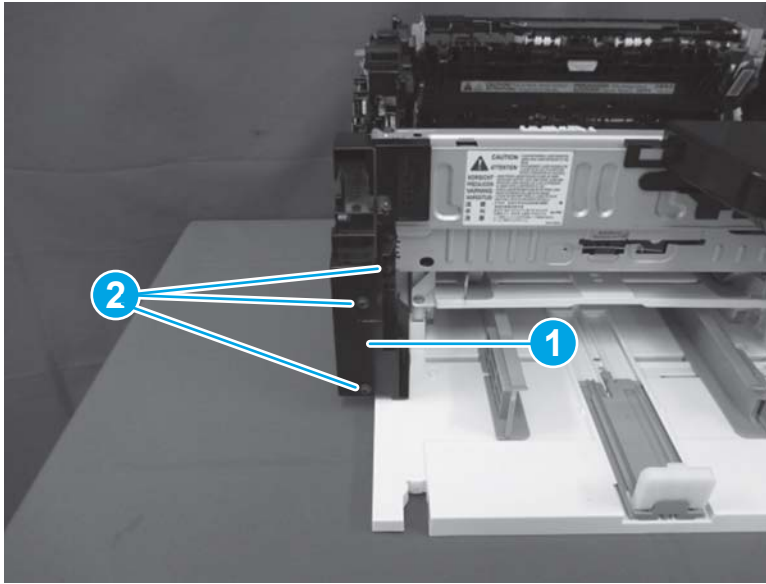
- b. Connect four connectors (callout 1).

Figure 1-1582 Connect four connectors (SFP)



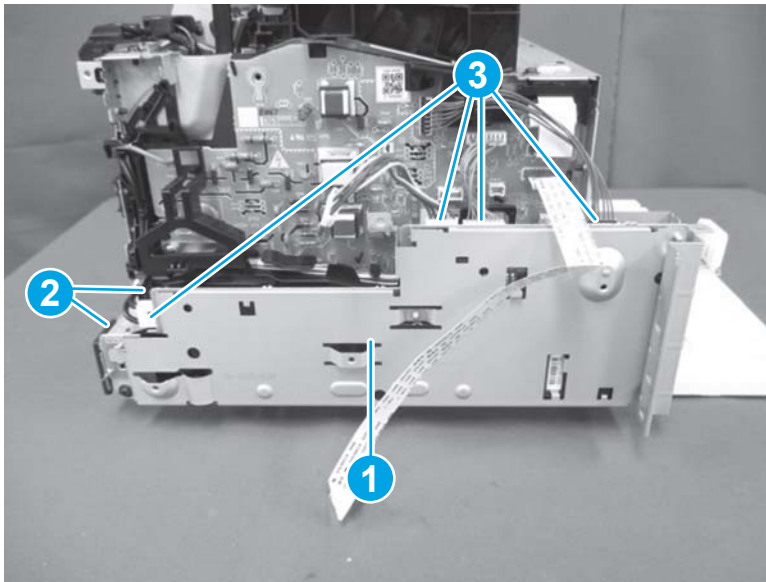
- c. Position the inner cover (callout 1) on the printer, and then Install three screws (callout 2).

**Figure 1-1583** Install the inner cover (SFP)



2. **MFP:** Do the following.
  - a. Position the LVPS on the printer (callout 1), install two screws (callout 2), and then connect four connectors (callout 3).

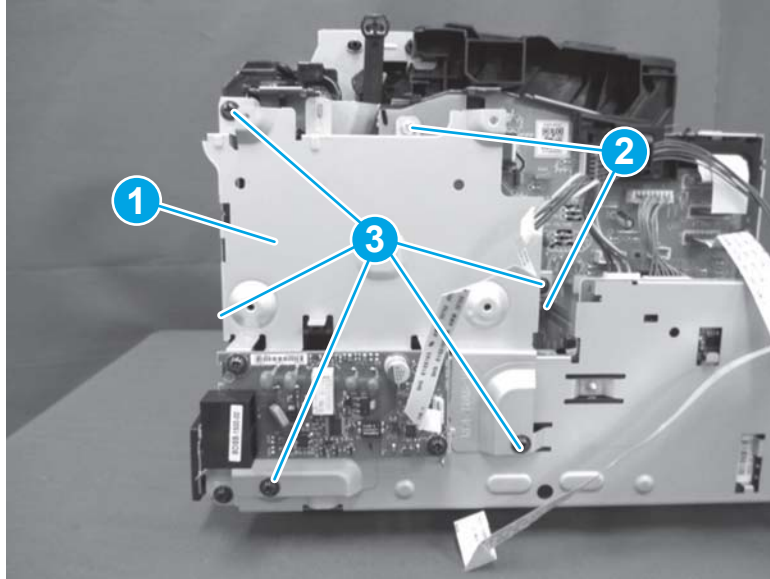
**Figure 1-1584** Install the LVPS (MFP)





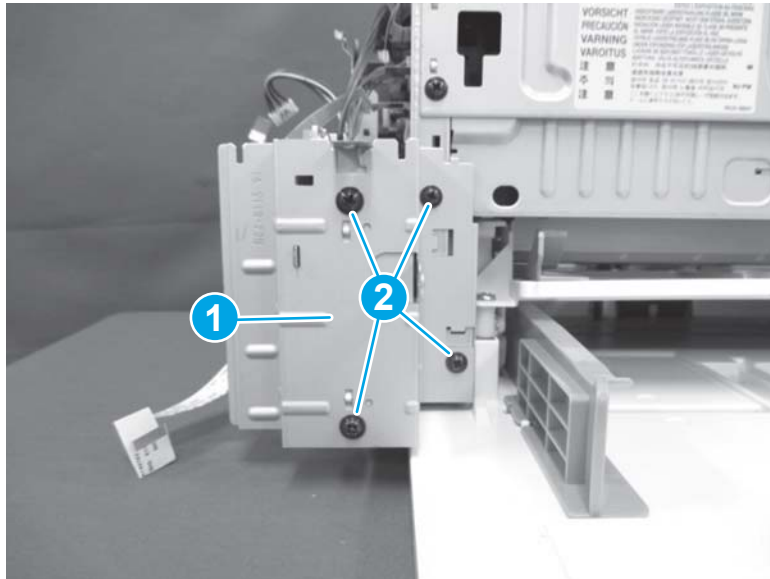
- b. Position the sheet-metal support plate (callout 1) on the printer, install two ground screws (callout 2), and then install five screws (callout 3).

**Figure 1-1585** Install the support plate (MFP)



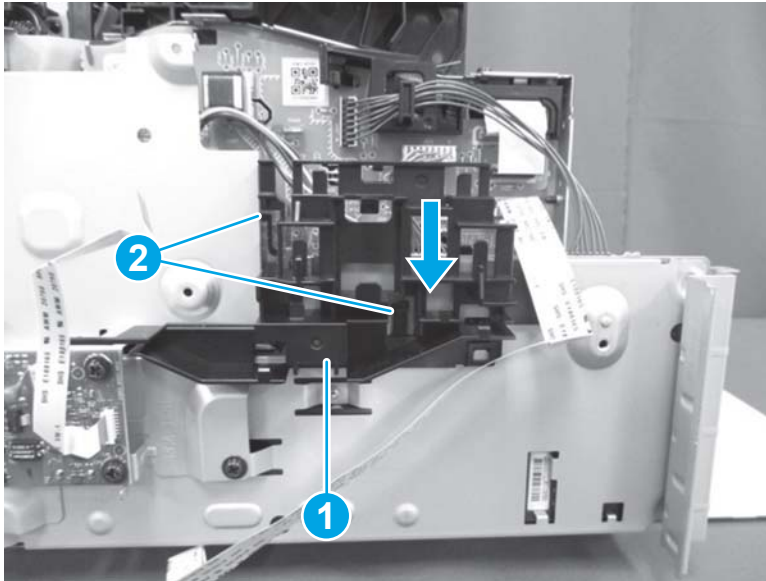
- c. Position the sheet-metal plate (callout 1) on the printer, and then install four screws (callout 2).

**Figure 1-1586** Install the plate (MFP)



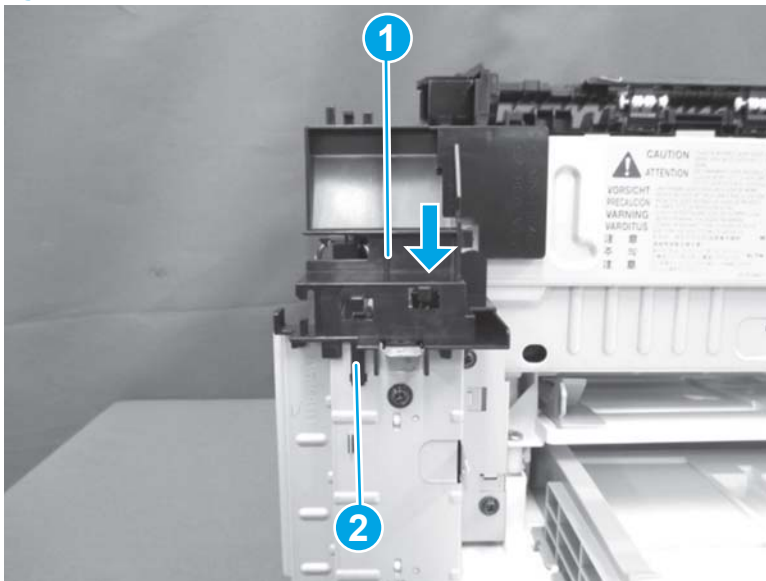
- d. Position the guide (callout 1) on the printer, and then push down to install it. Make sure that the two tabs (callout 2) snap into place.

Figure 1-1587 Install the guide (MFP)



- e. Position the inner cover (callout 1) on the printer, and then slide it down to engage one tab (callout 2).

Figure 1-1588 Install the inner cover (MFP)



### Step 21: Install the formatter PCA

---

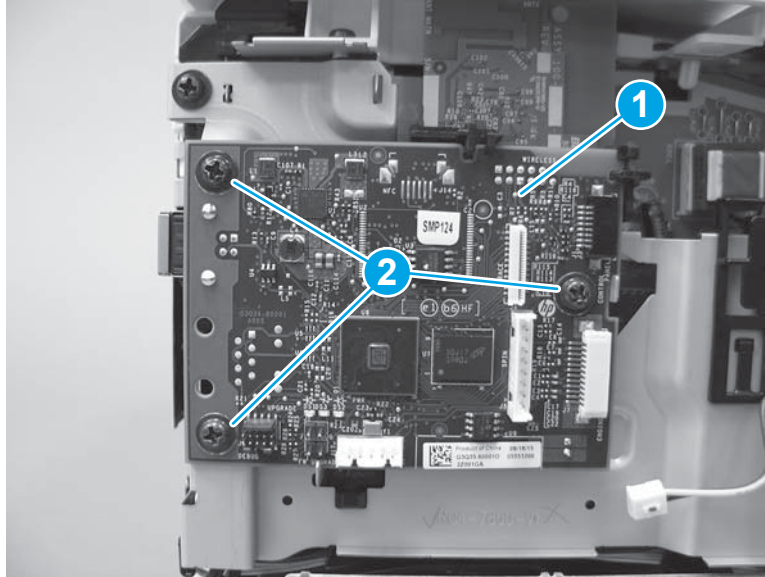
 **CAUTION:**  ESD-sensitive part.

---

1. **SFP:** Do the following.
  - a. Position the formatter PCA (callout 1) on the printer, and then install three screws (callout 2).

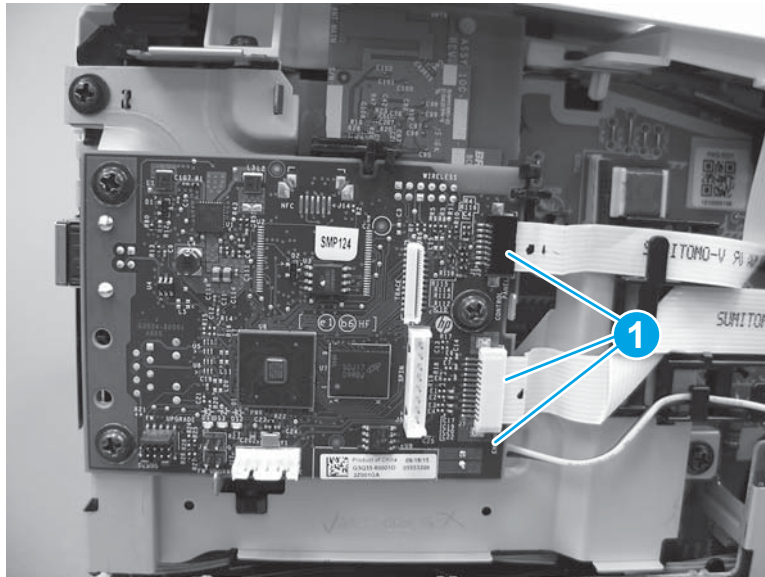


Figure 1-1589 Install the formatter PCA (SFP)



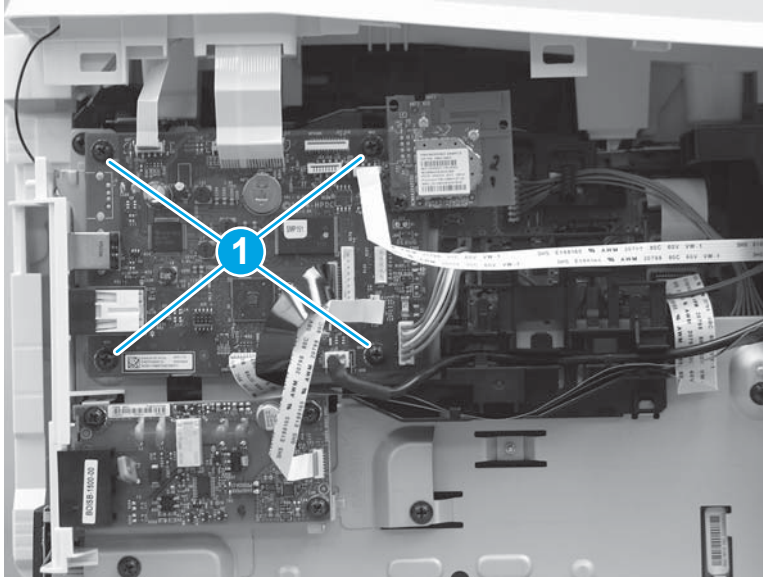
- b. Connect two flat cables and one connector (callout 1).

Figure 1-1590 Connect two flat cables and one connector (SFP)



- 2. MFP: Do the following.
  - ▲ Position the formatter PCA on the printer, and then install four screws (callout 1). Connect all of the connectors on the formatter.

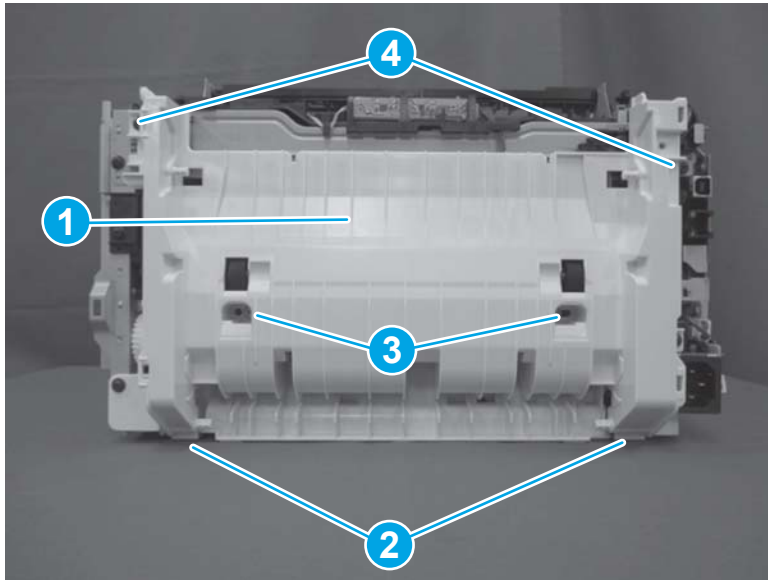
Figure 1-1591 Install the formatter PCA (MFP)



### Step 22: Install the duplex paper feed assembly

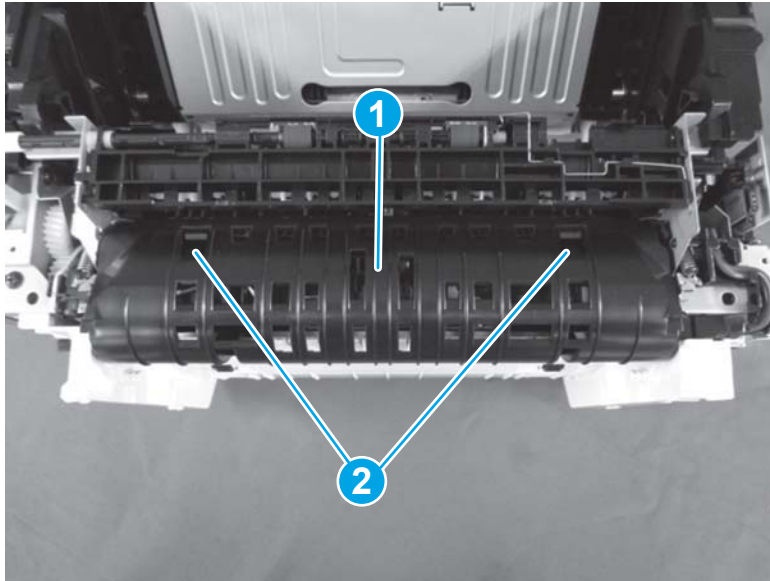
1. Position the duplex paper feed assembly (callout 1) on the printer, and then install two tabs (callout 2). Install two M4 screws (callout 3), and then install two M3 screws (callout 4).

Figure 1-1592 Install the duplex feed assembly



2. Position the duplex switchback guide (callout 1) on the printer, and then engage two tabs (callout 2) to install it.

**Figure 1-1593** Install the duplex switchback guide

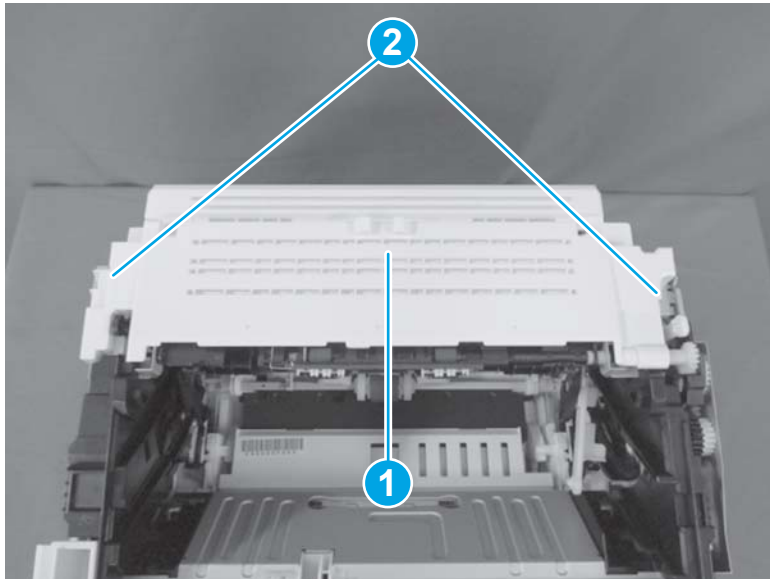


### Step 23: Install the top rear cover (SFP)

 **NOTE:** This step is for the SFP printers. For the MFP printers, skip this step and go to [Step 25: Install the cartridge door on page 934](#).

- ▲ Position the top cover (callout 1) on the printer, and then install two screws (callout 2).

**Figure 1-1594** Install the top rear cover (SFP)

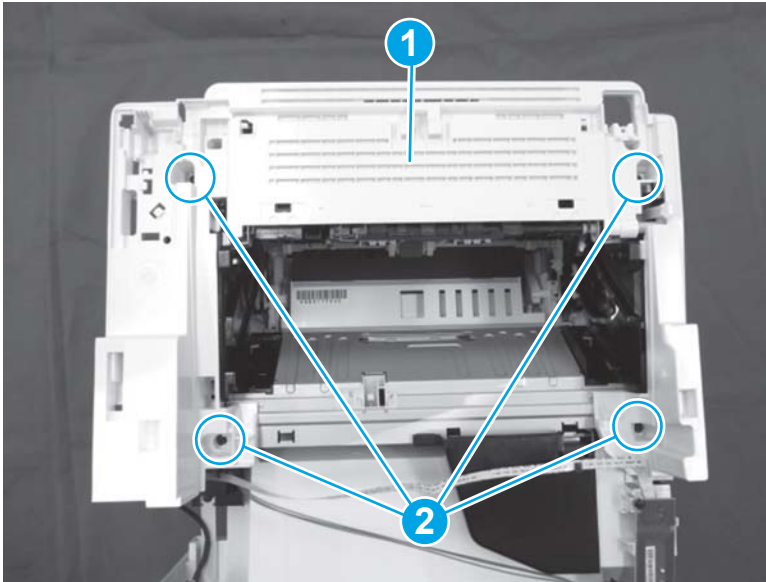


### Step 24: Install the top cover (MFP)

 **NOTE:** This step is for the MFP printers. For the SFP printers, skip this step and go to [Step 25: Install the cartridge door on page 934](#).

- ▲ Position the top cover (callout 1) on the printer, and then install four screws (callout 2).

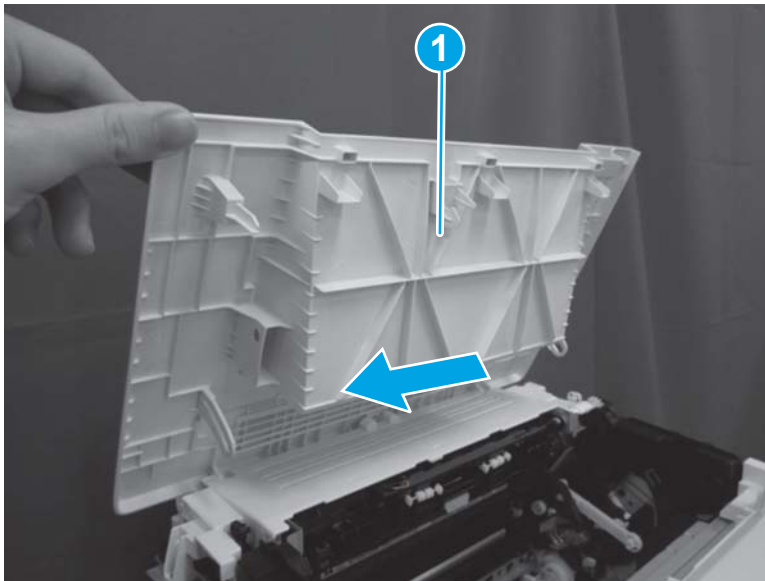
Figure 1-1595 Install the top cover



### Step 25: Install the cartridge door

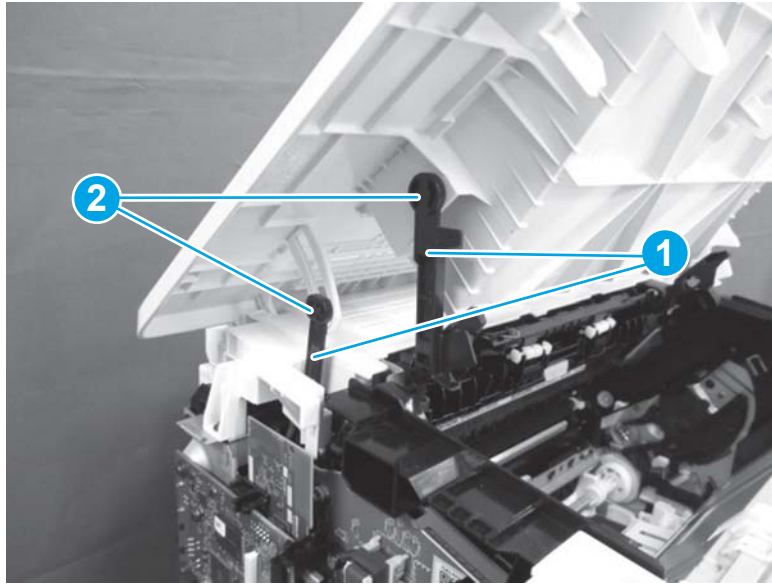
1. **SFP:** Do the following.
  - a. Position the cartridge door (callout 1) on the printer, and then slide it toward the left-side of the printer to install it.

Figure 1-1596 Install the cartridge door (SFP)



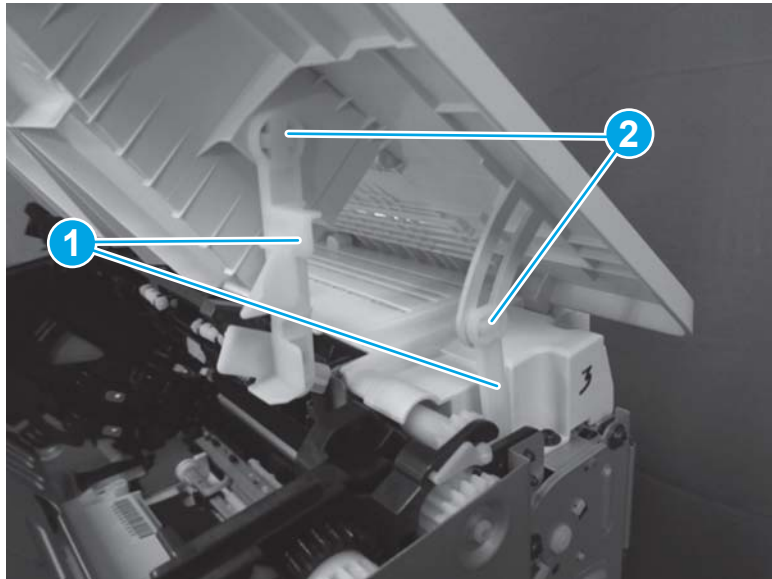
- b. On the left side of the printer, position two link arms (callout 1), and then engage two tabs (callout 2).

Figure 1-1597 Connect left link arms (SFP)



- c. On the right side of the printer, position two link arms (callout 1), and then engage two tabs (callout 2).

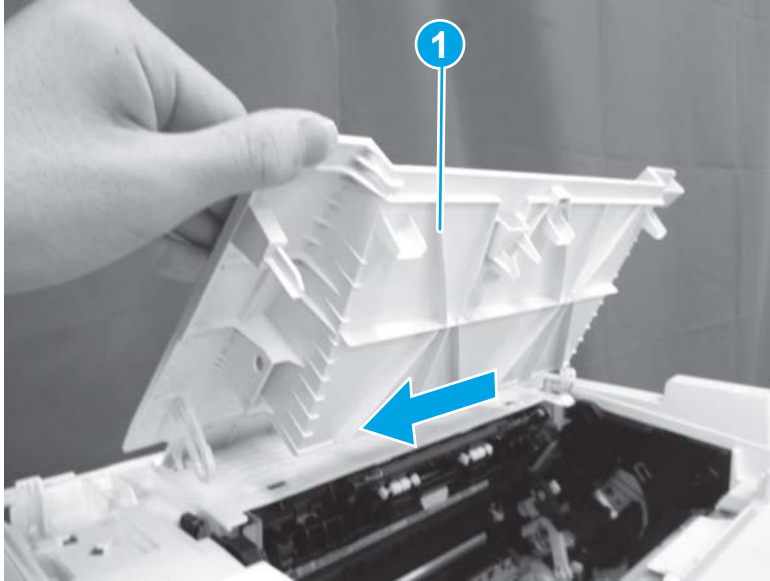
Figure 1-1598 Connect right link arms (SFP)



- 2. MFP: Do the following.
  - a. Position the cartridge door (callout 1) on the printer, and then slide it toward the left-side of the printer to install it.

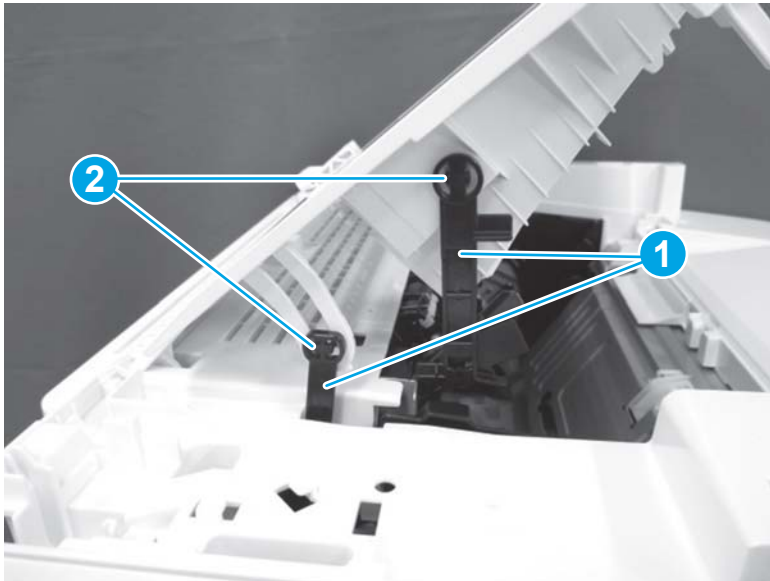


Figure 1-1599 Install the cartridge door (MFP)



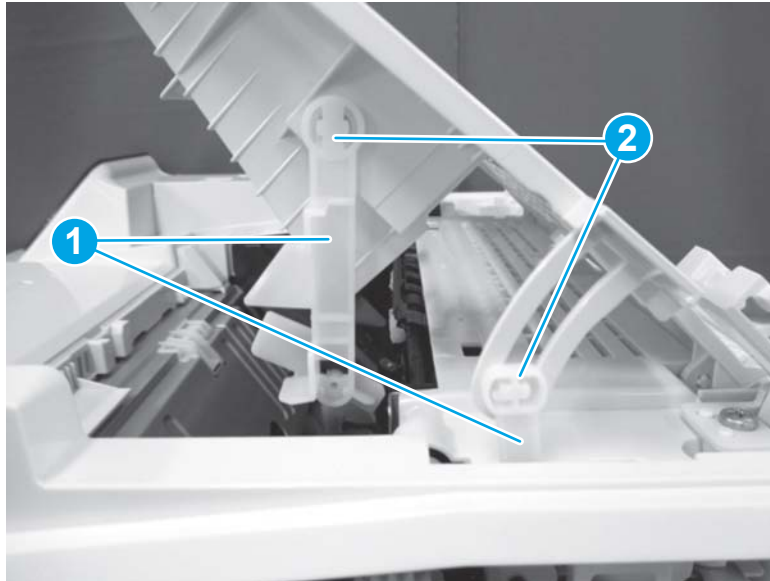
- b. On the left side of the printer, position two link arms (callout 1), and then engage two tabs (callout 2).

Figure 1-1600 Connect left link arms (MFP)



- c. On the right side of the printer, position two link arms (callout 1), and then engage two tabs (callout 2).

**Figure 1-1601** Connect right link arms (MFP)

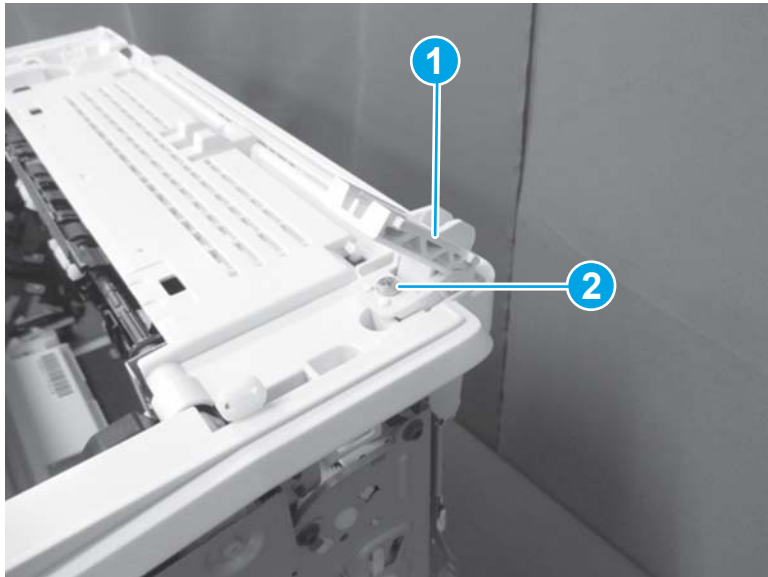


#### Step 26: Install the hinge assembly (MFP)

 **NOTE:** This step is for the MFP printers. For the SFP printers, skip this step and go to [Step 27: Install the front cover on page 937](#).

- ▲ Position the hinge assembly (callout 1) on the printer, and then install one screw (callout 2).

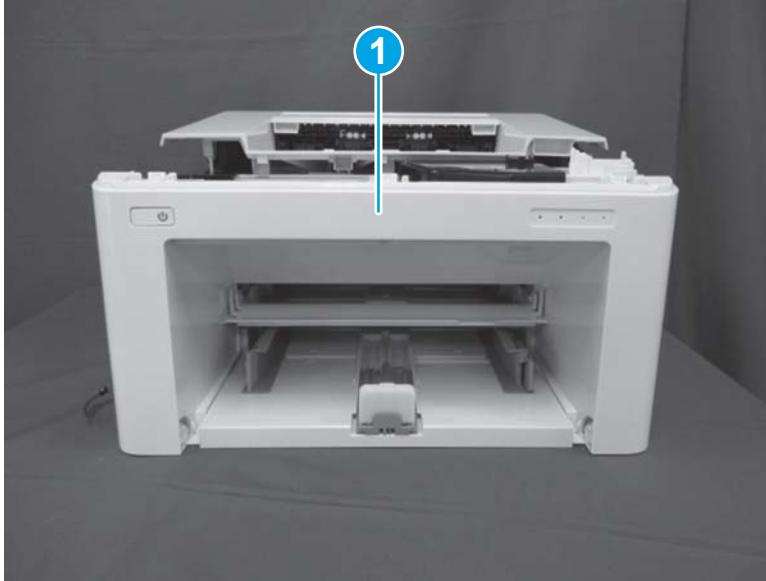
**Figure 1-1602** Install the hinge assembly (MFP)



#### Step 27: Install the front cover

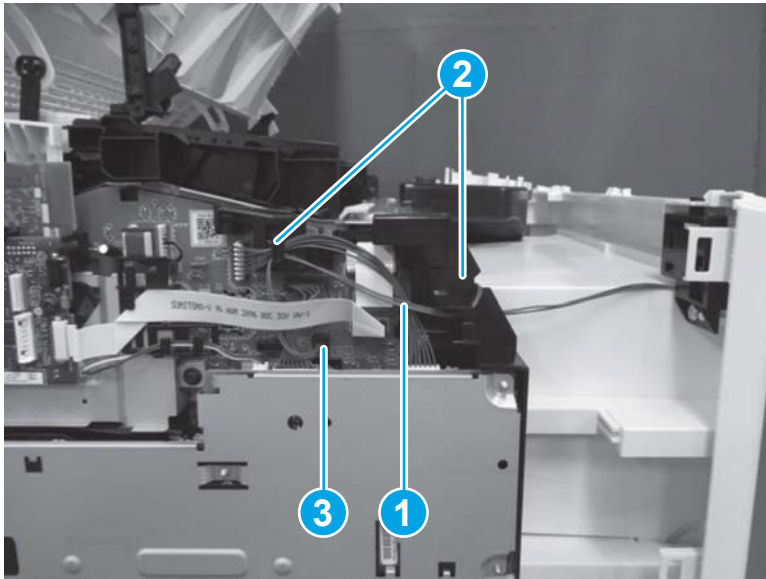
1. **SFP:** Do the following.
  - a. Slide the front cover (callout 1) toward the printer to install it.

Figure 1-1603 Install the front cover (SFP)



- b. Install the cable (callout 1) in the cable guide (callout 2), and then connect one connector (callout 3).

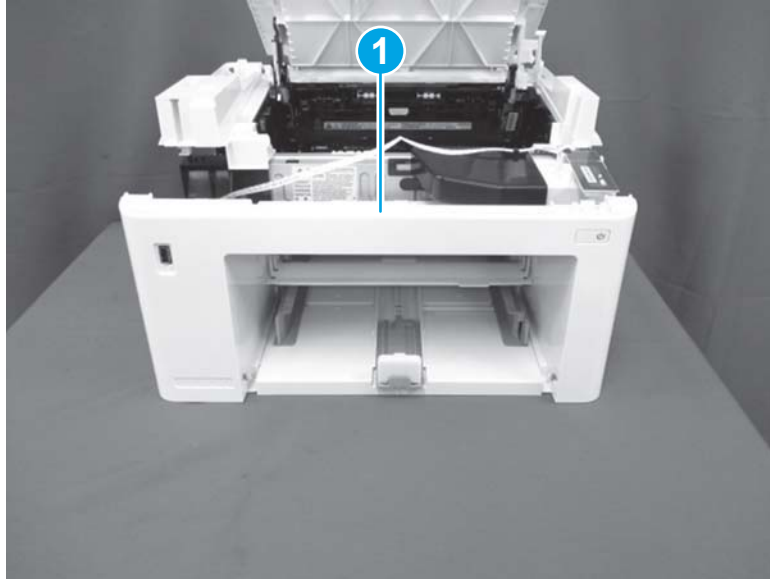
Figure 1-1604 Connect the connector (SFP)



- 2. **MFP:** Do the following.
  - a. Slide the front cover (callout 1) toward the printer to install it.

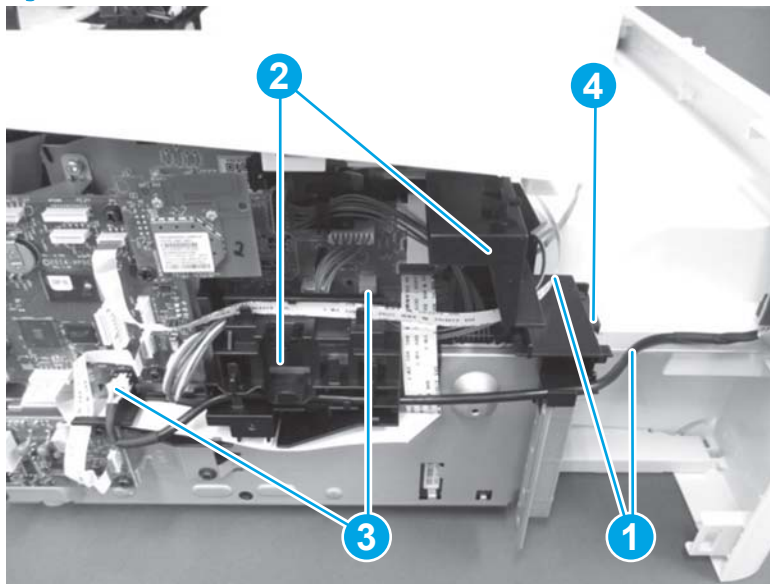


Figure 1-1605 Install the front cover (MFP)



- b. Install the cables (callout 1) in the cable guides (callout 2), and then connect two connectors (callout 3). Install one screw (callout 4).

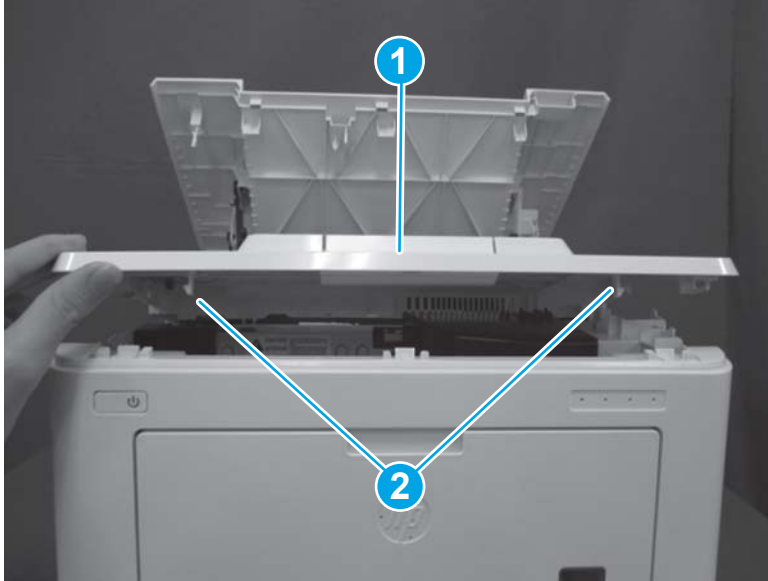
Figure 1-1606 Connect two connectors (MFP)



### Step 28: Install the top front cover

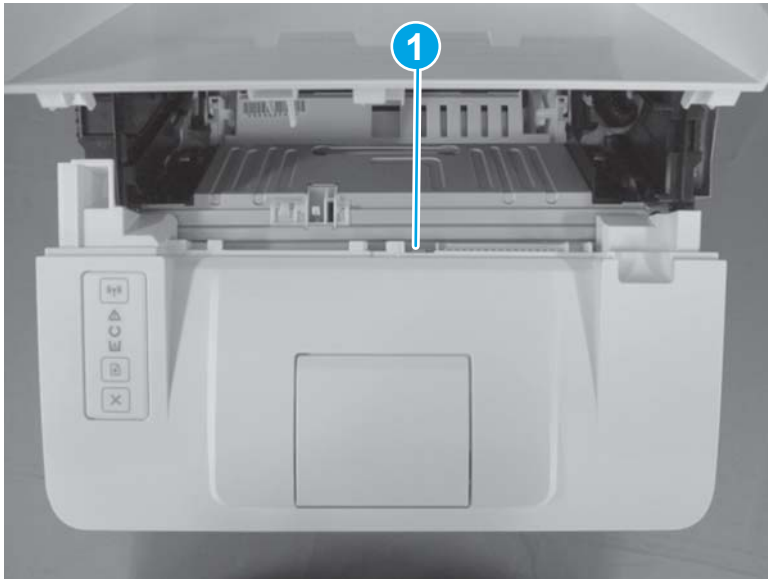
1. SFP: Do the following.
  - a. Position the top front cover (callout 1) on the printer and install two tabs (callout 2).

Figure 1-1607 Install two tabs



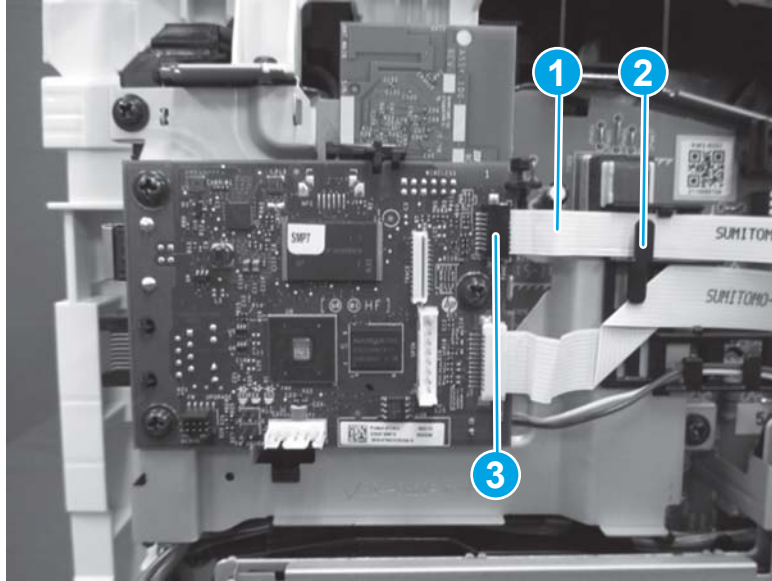
- b. On the top of the cover, install one tab (callout 1).

Figure 1-1608 Install one tab



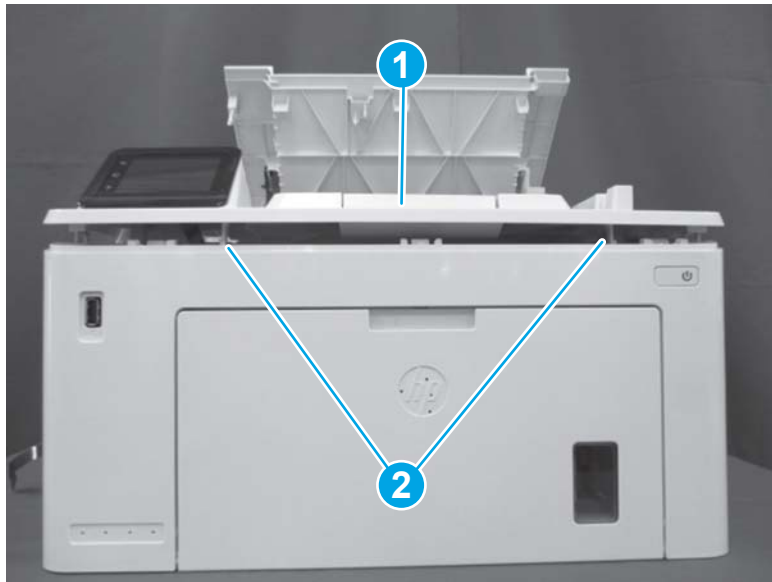
- c. Install the cable (callout 1) in the guide (callout 2), and then connect one connector (callout 3) on the formatter.

Figure 1-1609 Connect one connector



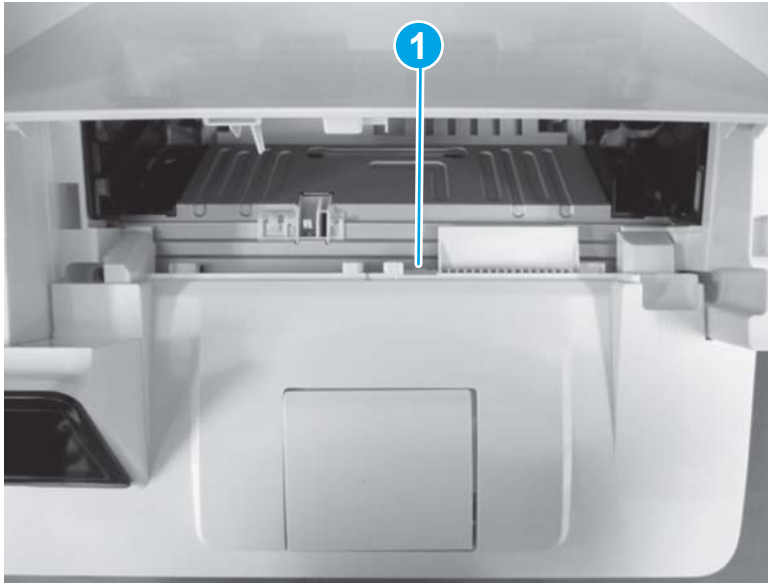
- 2. MFP: Do the following.
  - a. Position the top front cover (callout 1) on the printer, and then install two tabs (callout 2).

Figure 1-1610 Install two tabs



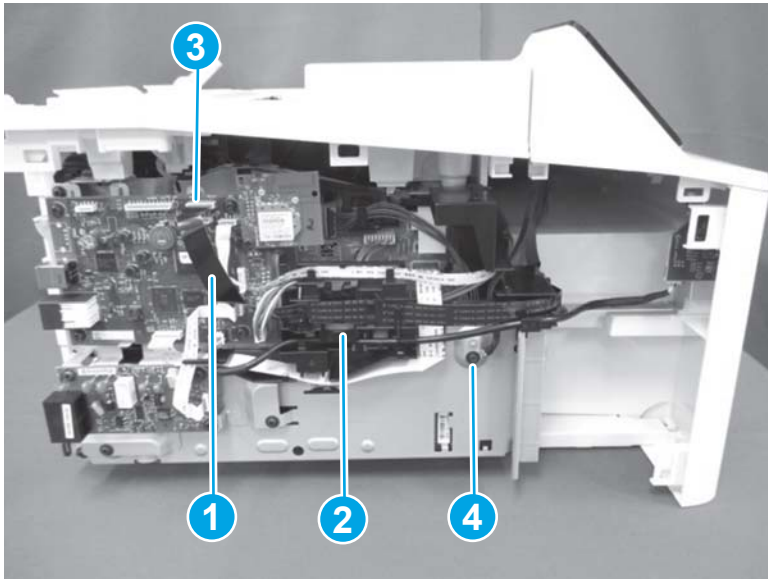
- b. Install one tab (callout 1).

Figure 1-1611 Install one tab



- c. Install the cable (callout 1) in the cable guide (callout 2), and then connect one connector (callout 3). Install one screw (callout 4) to secure the grounding cable.

Figure 1-1612 Install one connector and grounding cable



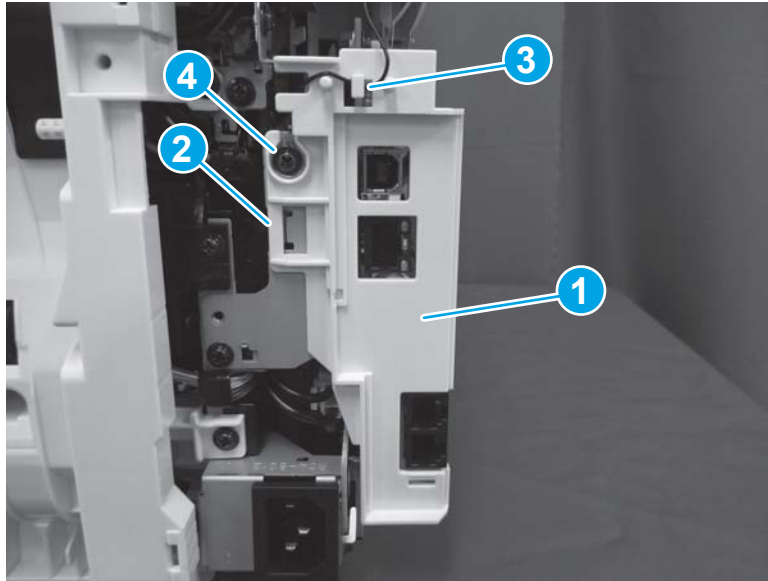
### Step 29: Install the USB cover

- ▲ Do the following:

- Position the USB cover (callout 1) on the printer, and then make sure that one tab (callout 2) is engaged.

- **4-in-1 scanner assembly models only:** Install one wire harness in the guide (callout 3), and then install one screw (callout 4).

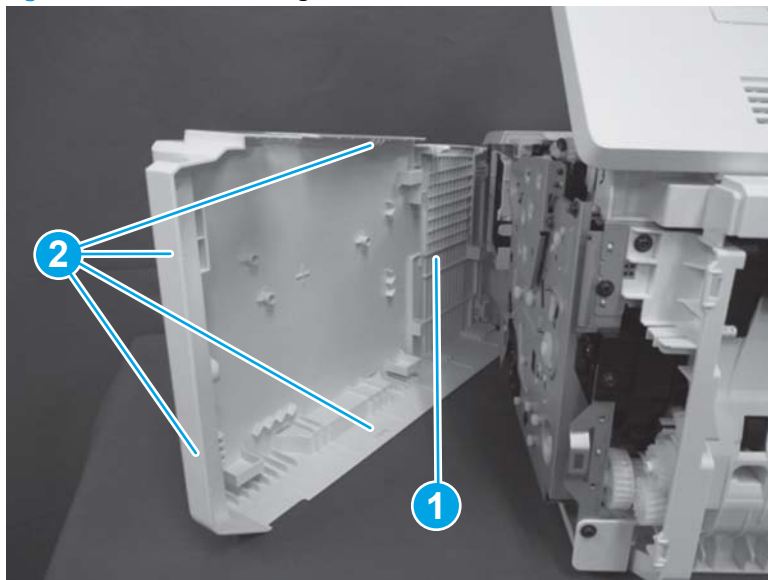
**Figure 1-1613** Install the USB cover (MFP)



### Step 30: Install the right cover

1. **SFP:** Do the following.
  - a. Open the cartridge door.
  - b. Position the right cover (callout 1) on the printer, and then engage four tabs (callout 2).

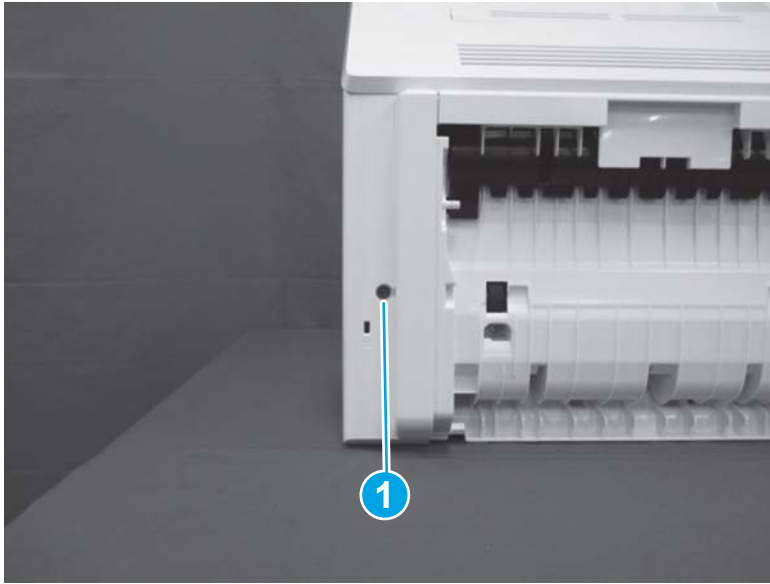
**Figure 1-1614** Install the right cover (SFP)



- c. Close the cartridge door.

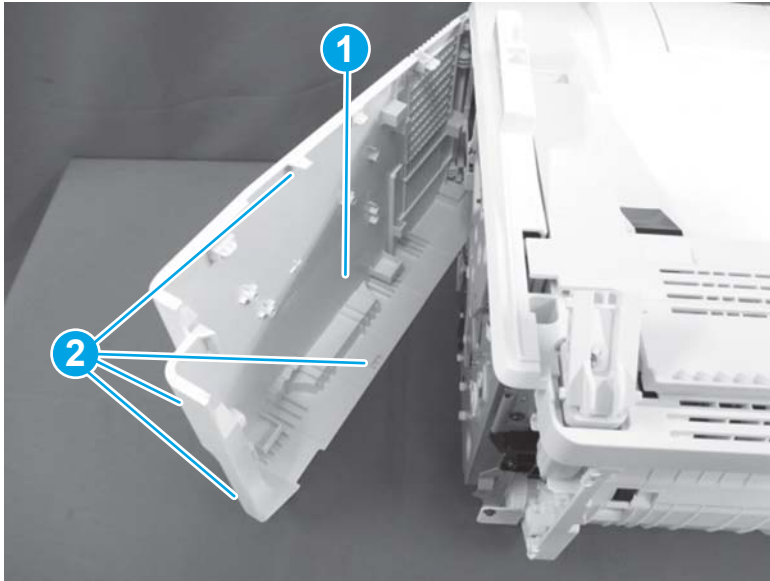
- d. Install one screw (callout 1).

Figure 1-1615 Install one screw (SFP)



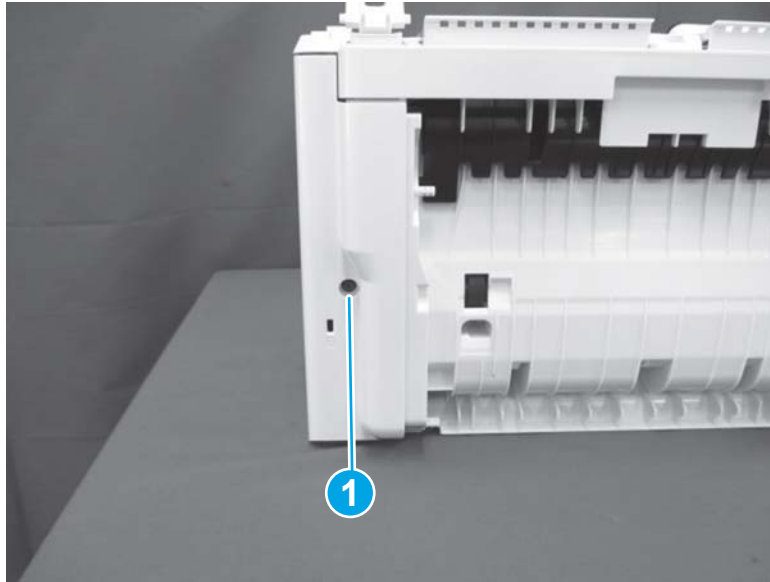
2. MFP: Do the following.
  - a. Position the right cover (callout 1) on the printer, and then engage four tabs (callout 2).

Figure 1-1616 Install the right cover (MFP)



- b. Install one screw (callout 1).

**Figure 1-1617** Install one screw (MFP)




### Step 31: Install the 3-in-1 or 4-in-1 scanner assembly (MFP)

---

 **NOTE:** This step is for the MFP printers. For the SFP printers, skip this step and go to [Step 33: Install the left cover on page 948](#).

---

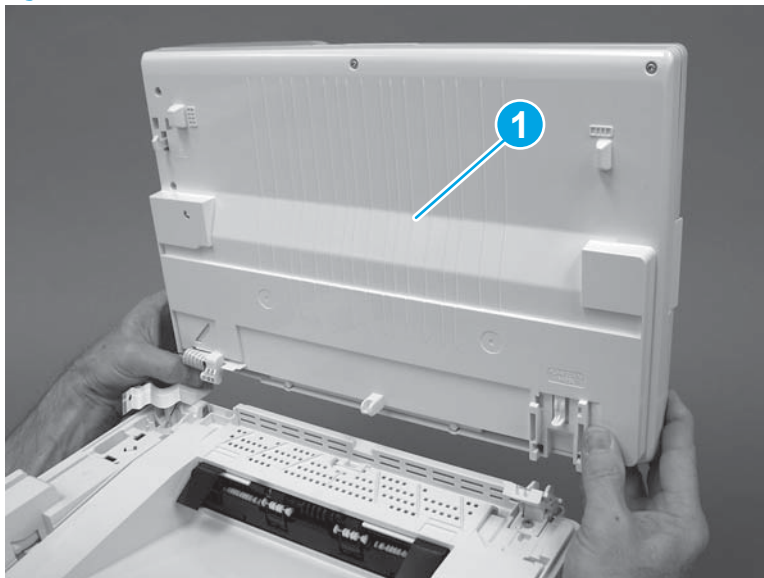
 **NOTE:** The 4-in-1 scanner assembly supports the document feeder. The 3-in-1 scanner assembly does not support the document feeder.

The figures in this procedure show a 4-in-1 printer. However, the procedure is correct for 3-in-1 printers.

---

1. Position the scanner assembly (callout 1) near the printer.

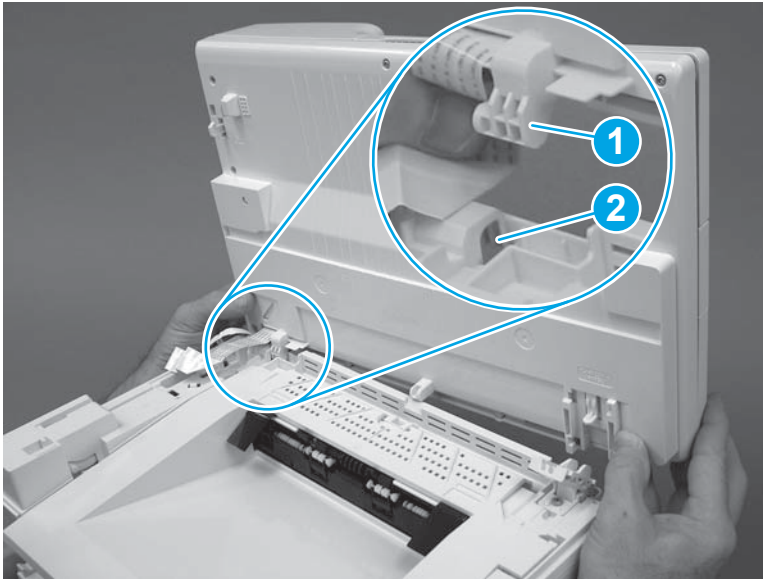
**Figure 1-1618** Install the scanner assembly (MFP)





- Engage the left hinge (callout 1) with the top cover (callout 2).

**Figure 1-1619** Engage the left hinge (MFP)



- Push the right side of the scanner assembly toward the front of the printer to engage the right hinge (callout 1). Make sure that the tab (callout 2) snaps into place.

**Figure 1-1620** Engage the right hinge (MFP)

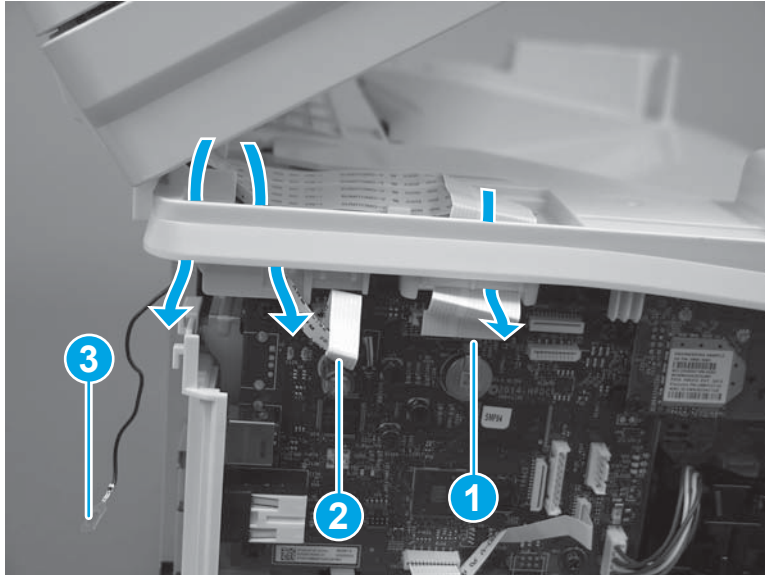




- 4-in-1 models only:** Pass the flat cables (callouts 1/2) and the ground wire (callout 3) through the openings in the chassis, and then connect the two flat cables.
- 3-in-1 models only:** Pass the flat cable (callout 1) through the opening in the chassis, and then connect one flat cable.

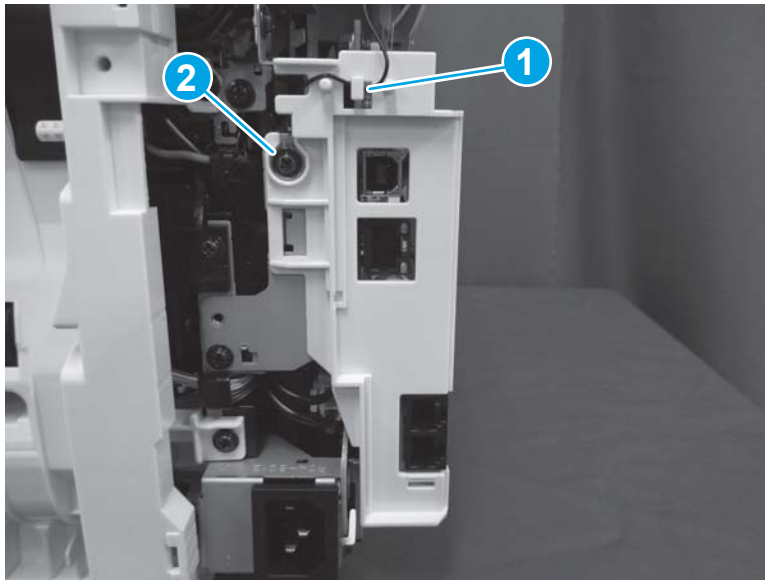
 **NOTE:** The 3-in-1 model does not have the small flat cable (callout 2) or a ground wire (callout 3).

**Figure 1-1621** Connect flat cable(s)



- 4-in-1 models only:** Install the ground wire in the retainer (callout 1), and then install one screw (callout 2).

**Figure 1-1622** Install the ground wire (4-in-1 models)

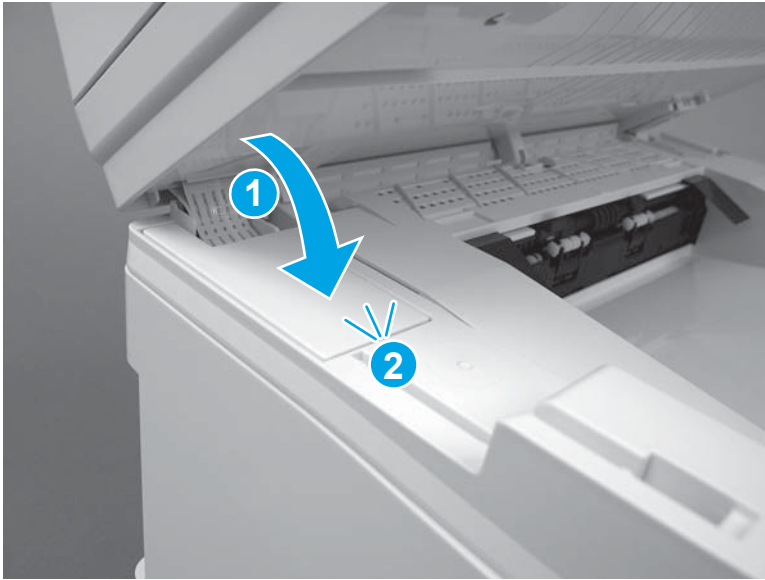


### Step 32: Install the cable cover (MFP)

 **NOTE:** This step is for the MFP printers. For the SFP printers, skip this step and go to [Step 33: Install the left cover on page 948](#).

1. Install the cable cover (callout 1), on the printer, and then push down to engage one tab (callout 2).

Figure 1-1623 Install the cable cover (MFP)



2. Close the scanner assembly.

Figure 1-1624 Close the scanner assembly

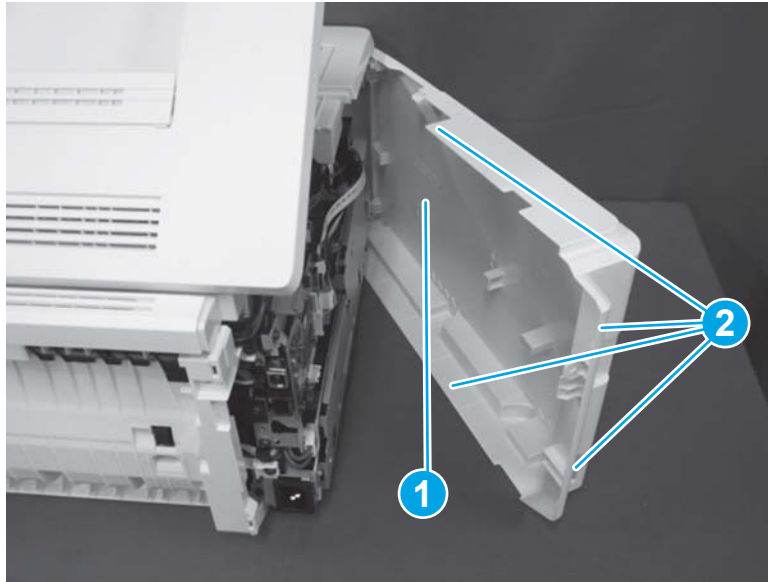


### Step 33: Install the left cover

1. **SFP:** Do the following.
  - a. Open the cartridge door.

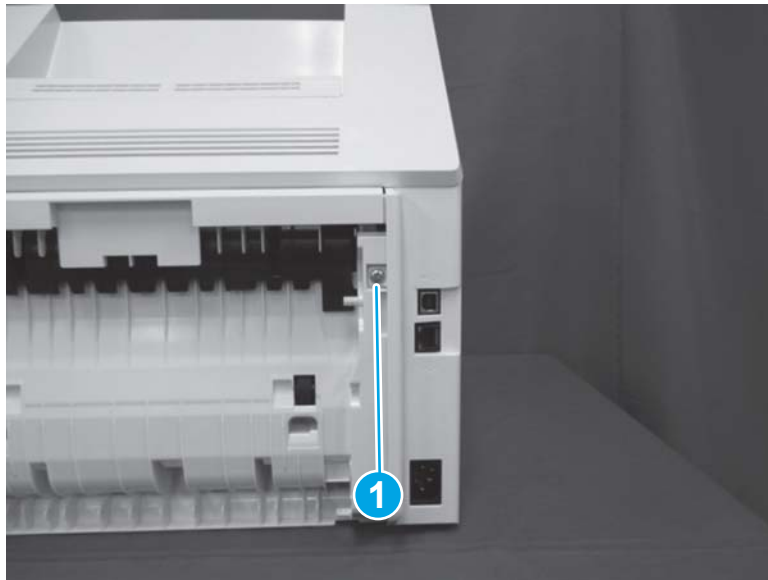
- b. Position the left cover (callout 1) on the printer, and then engage four tabs (callout 2).

**Figure 1-1625** Install the left cover (SFP)



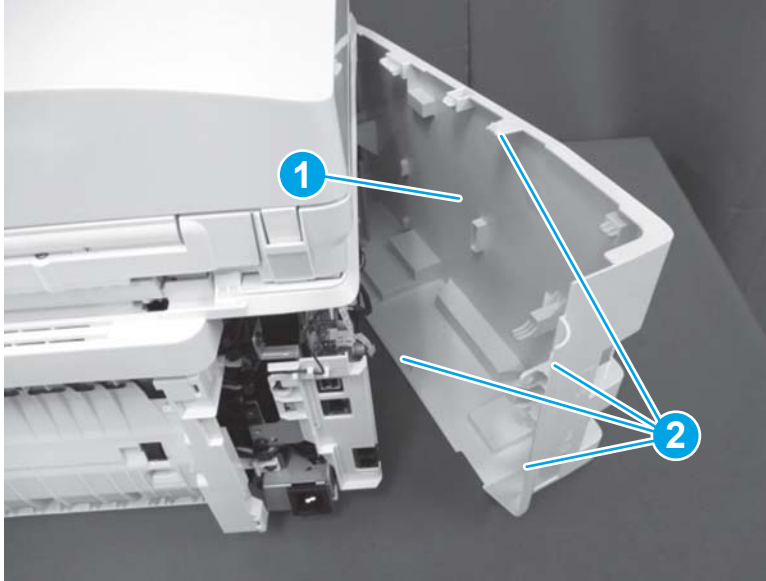
- c. Close the cartridge door.
- d. Install one screw (callout 1).

**Figure 1-1626** Install one screw (SFP)



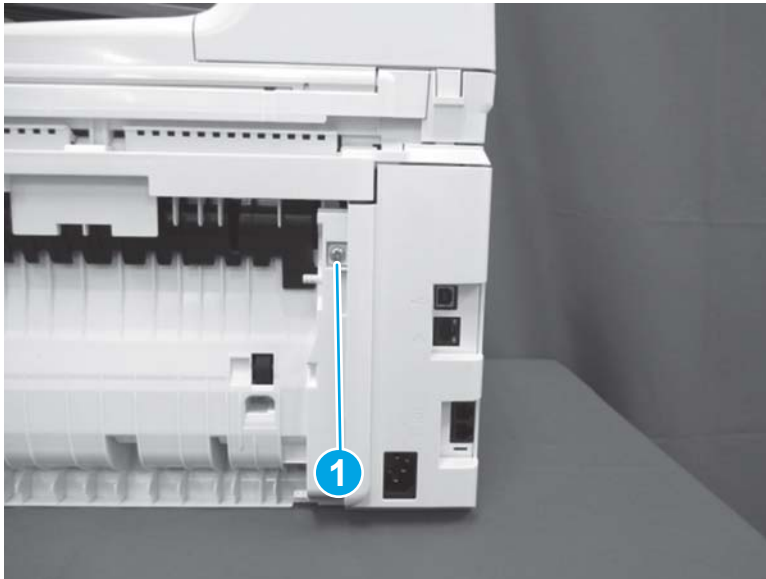
- 2. **MFP:** Do the following.
  - a. Position the left cover (callout 1) on the printer, and then engage four tabs (callout 2).

Figure 1-1627 Install the left cover (MFP)



- b. Install one screw (callout 1).

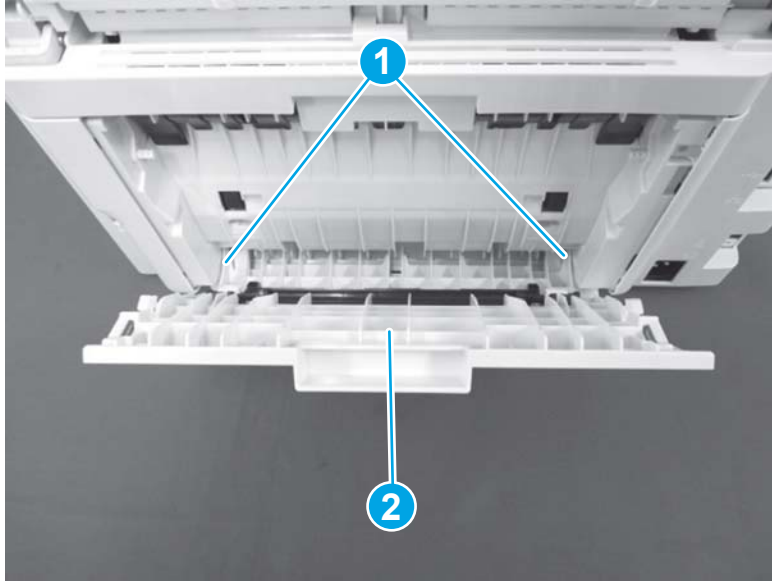
Figure 1-1628 Install one screw (MFP)



#### Step 34: Install the duplex door

- 1. Install two tabs (callout 1) to install the duplex door (callout 2).

Figure 1-1629 Install the duplex door

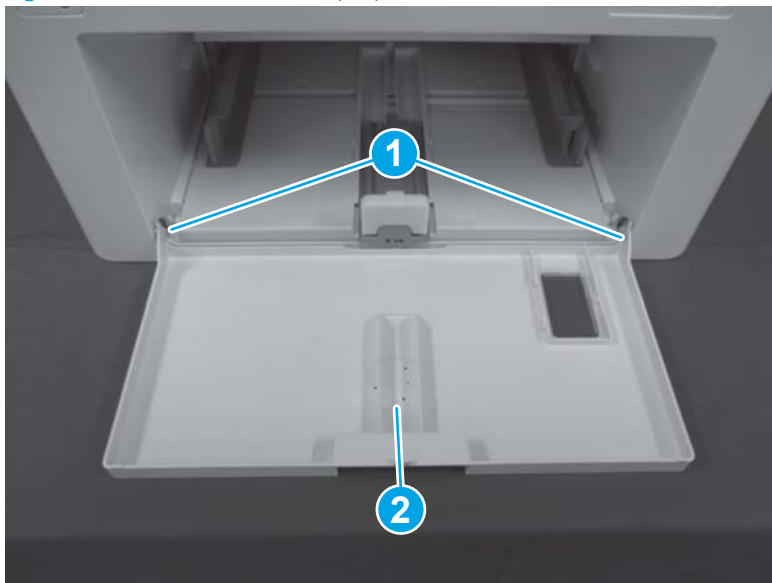


2. Close the duplex door.

#### Step 35: Install the multipurpose cover

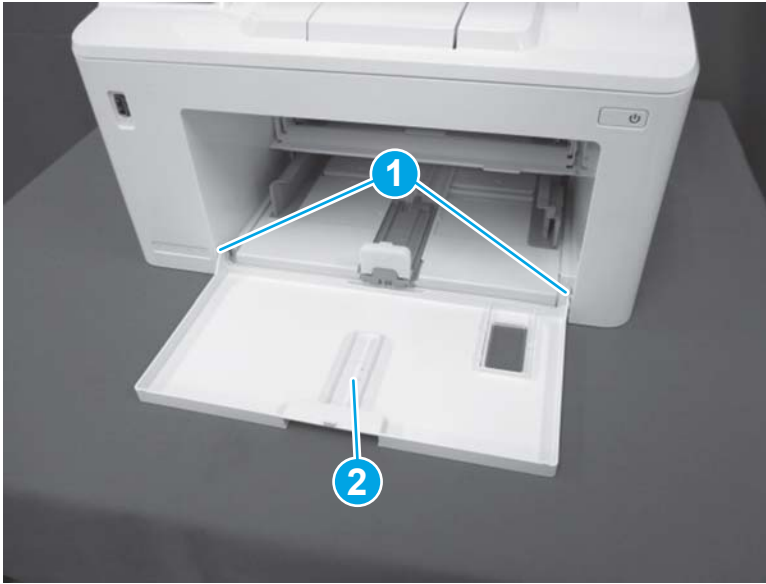
1. **SFP:** Engage two bosses (callout 1), to install the cover (callout 2).

Figure 1-1630 Install the multipurpose cover (SFP)



2. **MFP:** Engage two bosses (callout 1) to install the cover (callout 2).

**Figure 1-1631** Install the multipurpose cover (MFP)



3. Close the multipurpose cover.

## Removal and replacement: Transfer assembly

- [Introduction](#)
- [Step 1: Remove the multipurpose cover](#)
- [Step 2: Remove the duplex door](#)
- [Step 3: Remove the left cover](#)
- [Step 4: Remove the cable cover \(MFP\)](#)
- [Step 5: Remove the 3-in-1 or 4-in-1 scanner assembly \(MFP\)](#)
- [Step 6: Remove the right cover](#)
- [Step 7: Remove the USB cover](#)
- [Step 8: Remove the top front cover](#)
- [Step 9: Remove the front cover](#)
- [Step 10: Remove the hinge assembly \(MFP\)](#)
- [Step 11: Remove the cartridge door](#)
- [Step 12: Remove the top cover \(MFP\)](#)
- [Step 13: Remove the top rear cover \(SFP\)](#)
- [Step 14: Remove the duplex paper feed assembly](#)
- [Step 15: Remove the low-voltage power supply \(LVPS\)](#)
- [Step 16: Remove the transfer assembly](#)
- [Step 17: Unpack the replacement assembly](#)
- [Step 18: Install the transfer assembly](#)
- [Step 19: Install the LVPS](#)
- [Step 20: Install the duplex paper feed assembly](#)
- [Step 21: Install the top rear cover \(SFP\)](#)
- [Step 22: Install the top cover \(MFP\)](#)
- [Step 23: Install the cartridge door](#)
- [Step 24: Install the hinge assembly \(MFP\)](#)
- [Step 25: Install the front cover](#)
- [Step 26: Install the top front cover](#)
- [Step 27: Install the USB cover](#)
- [Step 28: Install the right cover](#)
- [Step 29: Install the 3-in-1 or 4-in-1 scanner assembly \(MFP\)](#)

- [Step 30: Install the cable cover \(MFP\)](#)
- [Step 31: Install the left cover](#)
- [Step 32: Install the duplex door](#)
- [Step 33: Install the multipurpose cover](#)

## Introduction


This document provides the procedures to remove and replace the transfer assembly.

## Before performing service

### Turn the printer power off

- Disconnect the power cable.

---

 **WARNING!** To avoid damage to the printer, turn the printer off, wait 30 seconds, and then remove the power cable before attempting to service the printer.

---

Use the table below to identify the correct part number for your printer. To order the part, go to [www.hp.com/buy/parts](http://www.hp.com/buy/parts).

Transfer assembly part number	
RM2-0843-000CN	Transfer assembly

## Required tools

- #2 Phillips screwdriver with a magnetic tip.
- Small flat-blade screwdriver

## After performing service

### Turn the printer power on

- Connect the power cable.
- Use the power switch to turn the power on.

## Post service test

**MFP only:** Verify that the document feeder and the flatbed scanner are correctly functioning (copy a page).

Send a print job from the host computer to the printer (or print a configuration page). Verify that a page prints.

## Step 1: Remove the multipurpose cover

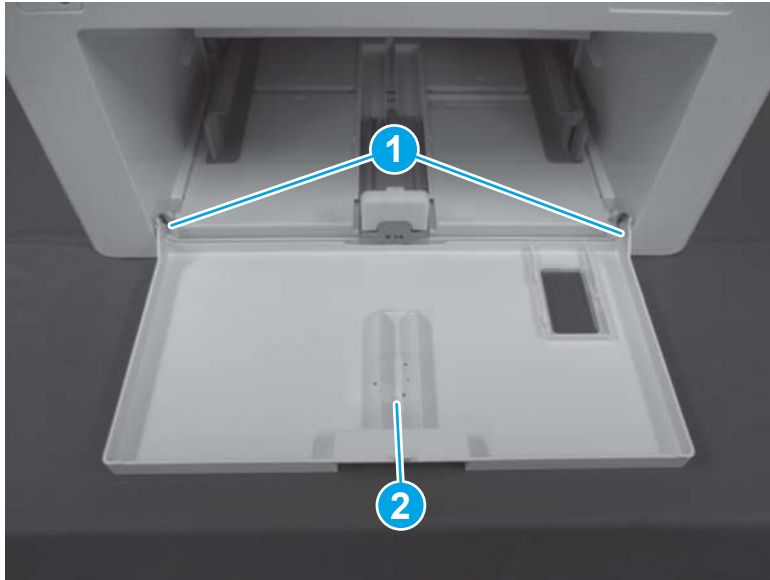
1. Open the multipurpose cover.



2. **SFP:** Release two bosses (callout 1), and then remove the cover (callout 2).

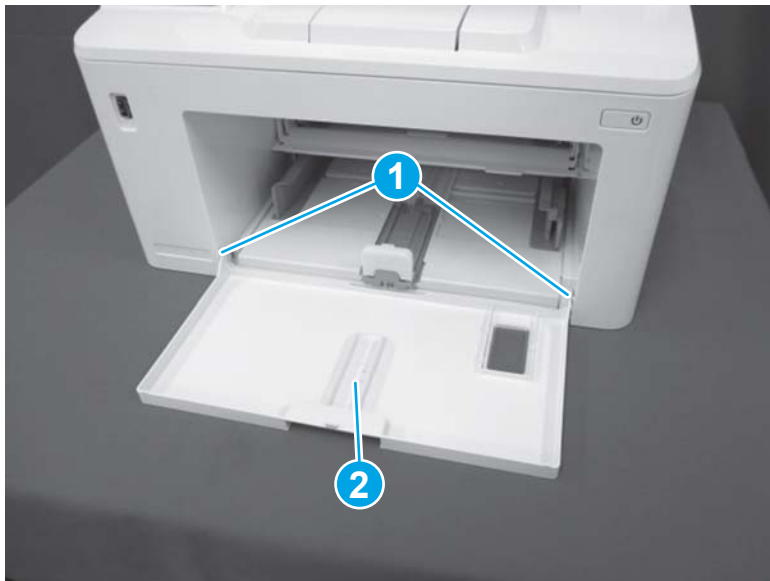
 **TIP:** It might be easier to remove the cover if the right boss is released first, and then lower the right-side of the cover to release the left-side boss.

**Figure 1-1632** Remove the multipurpose cover (SFP)



3. **MFP:** Release two bosses (callout 1), and then remove the cover (callout 2).

**Figure 1-1633** Remove the multipurpose cover (MFP)

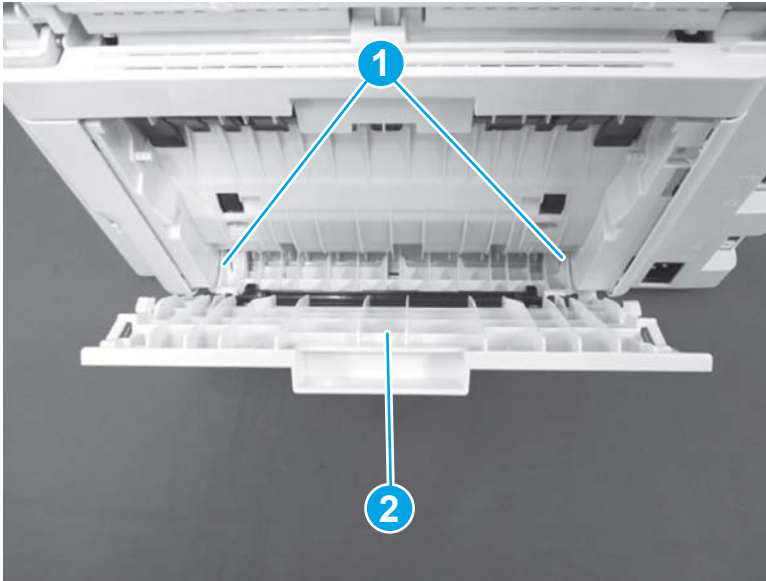


## Step 2: Remove the duplex door

1. Open the duplex door.

2. Use a small flat-blade screwdriver to release two tabs (callout 1), and then remove the duplex door (callout 2).

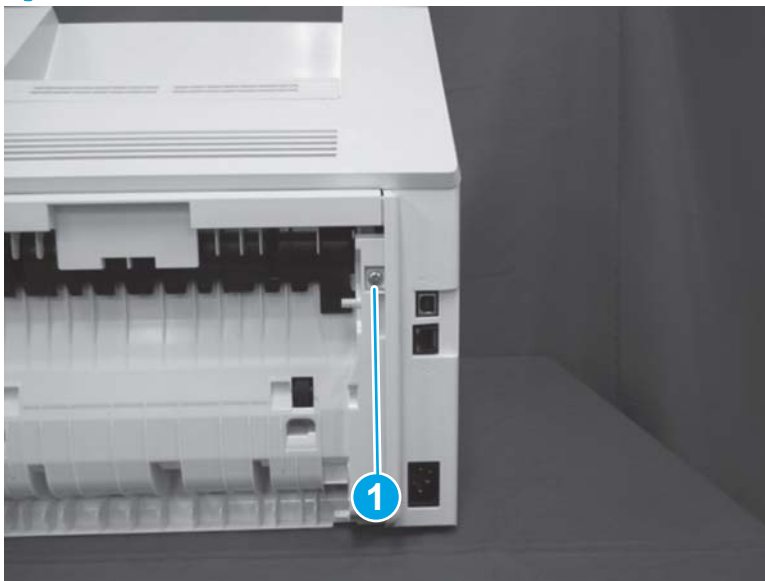
**Figure 1-1634** Remove the duplex door



### Step 3: Remove the left cover

1. **SFP:** Do the following.
  - a. Remove one screw (callout 1).

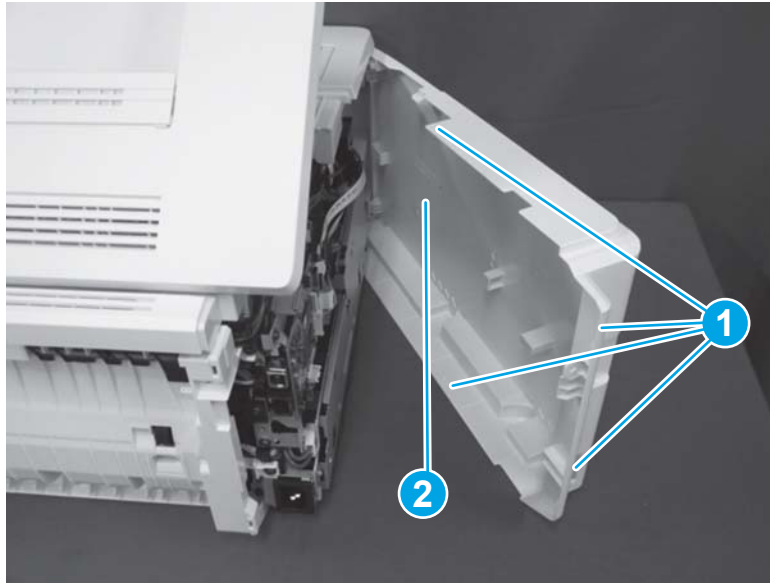
**Figure 1-1635** Remove one screw (SFP)



- b. Open the cartridge door.

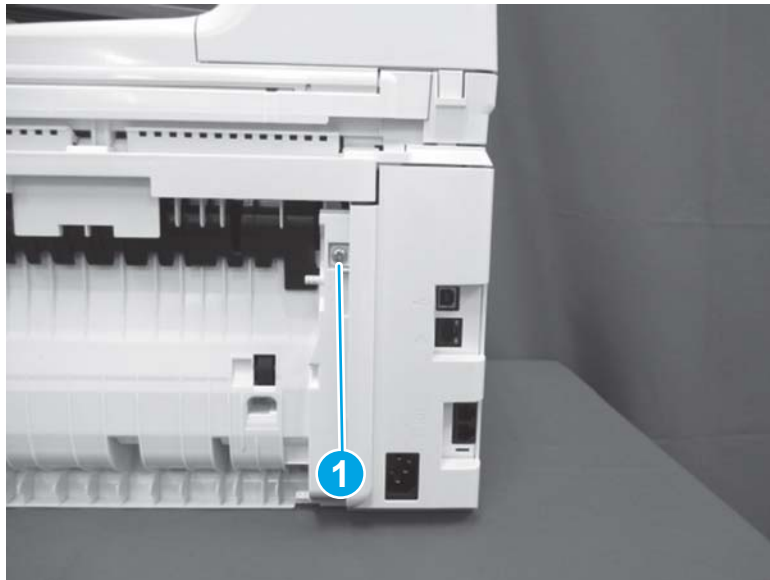
- c. Release four tabs (callout 1), and then remove the left cover (callout 2).

Figure 1-1636 Remove the left cover (SFP)



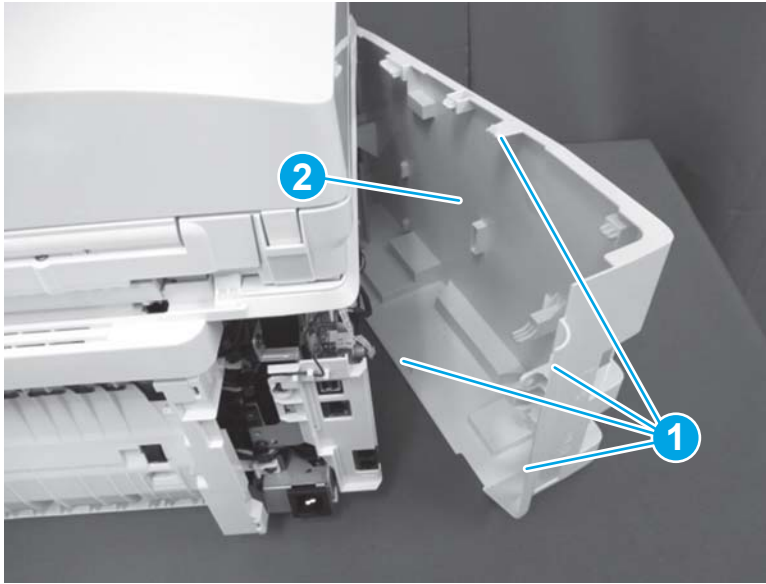
- 2. MFP: Do the following.
  - a. Remove one screw (callout 1).

Figure 1-1637 Remove one screw (MFP)



- b. Release four tabs (callout 1), and then remove the left cover (callout 2).

**Figure 1-1638** Remove the left cover (MFP)



#### Step 4: Remove the cable cover (MFP)

 **NOTE:** This step is for the MFP printers. For the SFP printers, skip this step and go to [Step 6: Remove the right cover on page 961](#).

1. Open the scanner assembly.

**Figure 1-1639** Open the scanner assembly




2. Use a small flat-blade screw driver to release one tab (callout 1), and then remove the cable cover (callout 2).

**Figure 1-1640** Remove the cable cover (MFP)



#### Step 5: Remove the 3-in-1 or 4-in-1 scanner assembly (MFP)

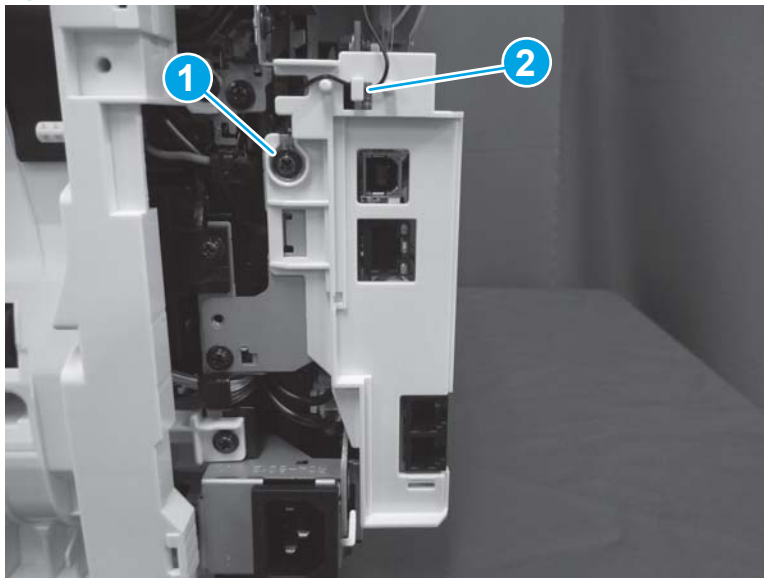
 **NOTE:** This step is for the MFP printers. For the SFP printers, skip this step and go to [Step 6: Remove the right cover on page 961](#).

 **NOTE:** The 4-in-1 scanner assembly supports the document feeder. The 3-in-1 scanner assembly does not support the document feeder.

The figures in this procedure show a 4-in-1 printer. However, the procedure is correct for 3-in-1 printers.

1. **4-in-1 models only:** Remove one screw (callout 1), and then release the ground wire from the retainer (callout 2).

**Figure 1-1641** Release the ground wire (4-in-1 models)

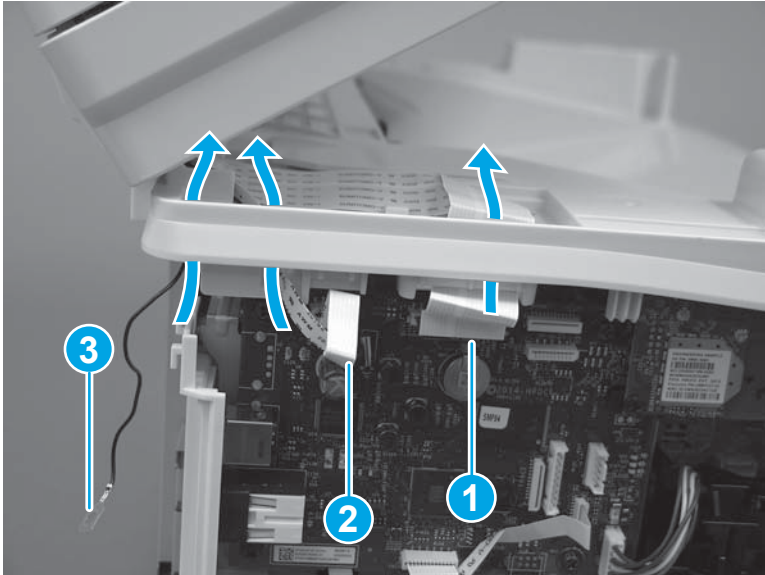


2. **4-in-1 models only:** Disconnect two flat cables (callouts 1/2), and then pass the flat cables and the ground wire (callout 3) up through the opening in the chassis.

**3-in-1 models only:** Disconnect one flat cable (callout 1), and then pass the flat cable through the opening in the chassis.

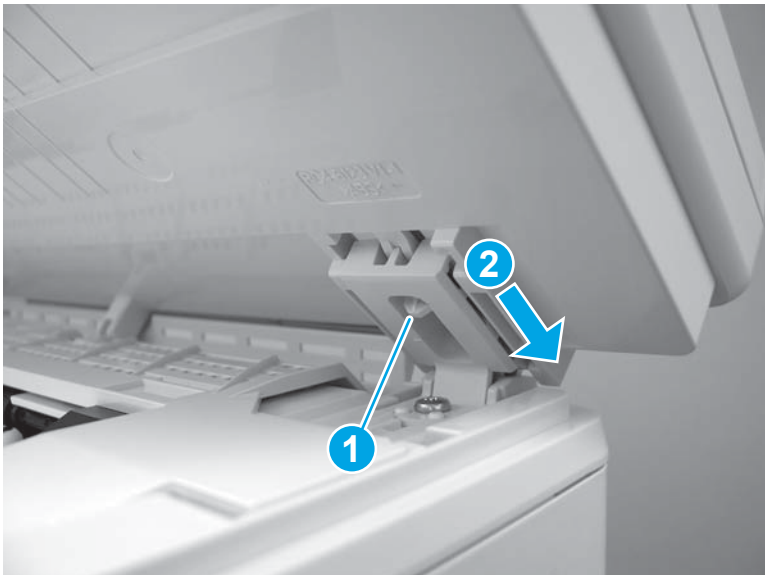
 **NOTE:** The 3-in-1 model does not have the small flat cable (callout 2) or a ground wire (callout 3).

**Figure 1-1642** Disconnect flat cable(s)



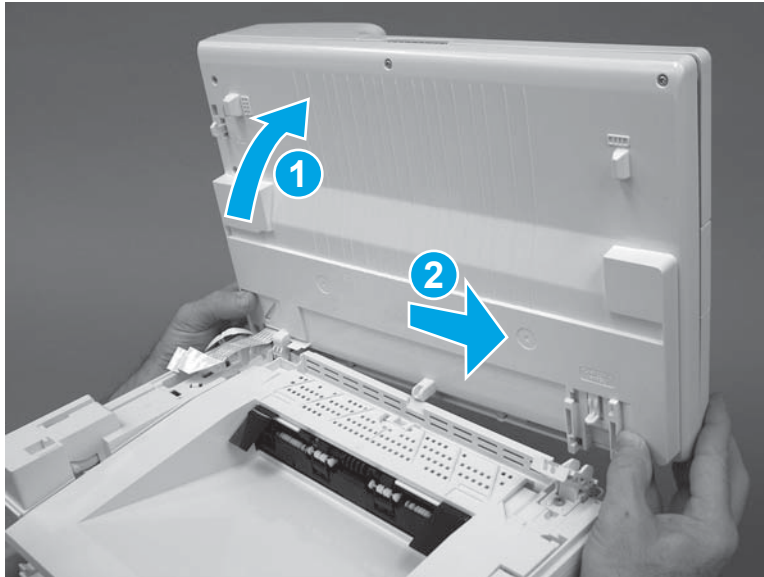
3. Release one tab (callout 1), and then push the right side of the scanner assembly toward the rear of the printer to release the right hinge (callout 2).

**Figure 1-1643** Release the right hinge



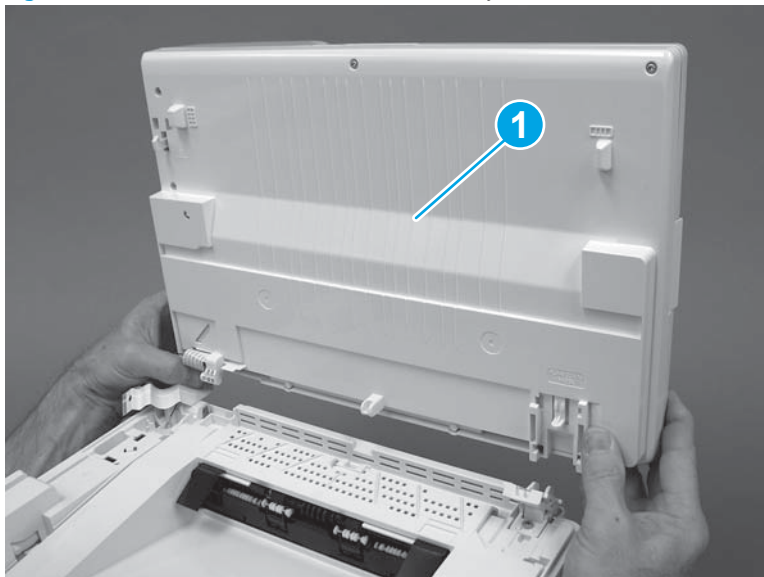
4. Rotate the scanner assembly towards the rear of the printer (callout 1), and then slide the scanner assembly toward the right side of the printer to release the left hinge (callout 2).

Figure 1-1644 Release the left hinge



5. Remove the scanner assembly (callout 1).

Figure 1-1645 Remove the scanner assembly

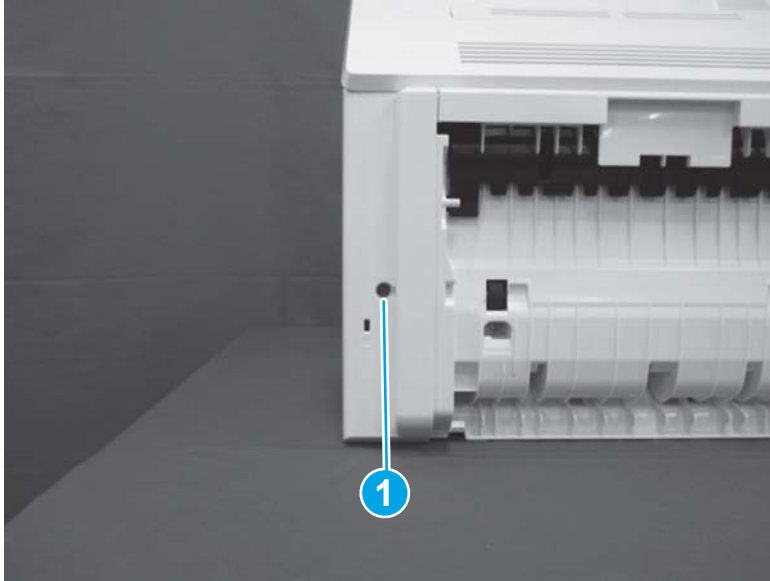


#### Step 6: Remove the right cover

1. SFP: Do the following.
  - a. Remove one screw (callout 1).

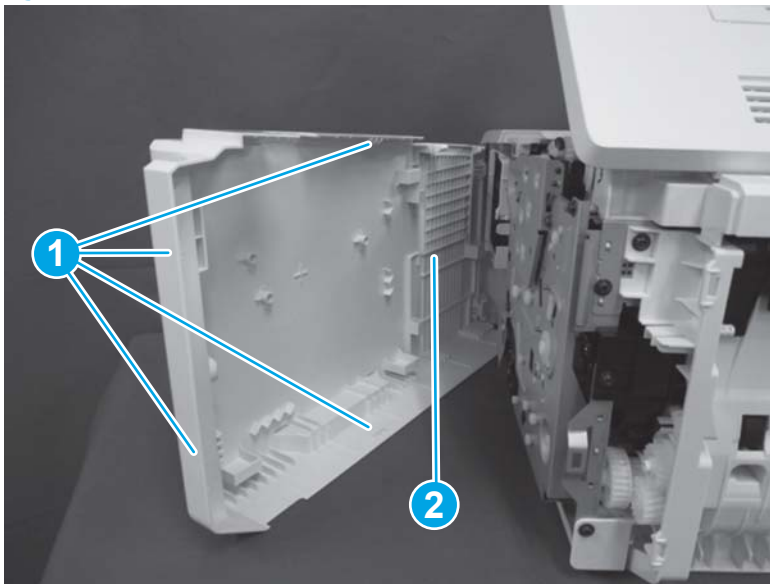


Figure 1-1646 Remove one screw (SFP)



- b. Open the cartridge door.
- c. Release four tabs (callout 1), and then remove the right cover (callout 2).

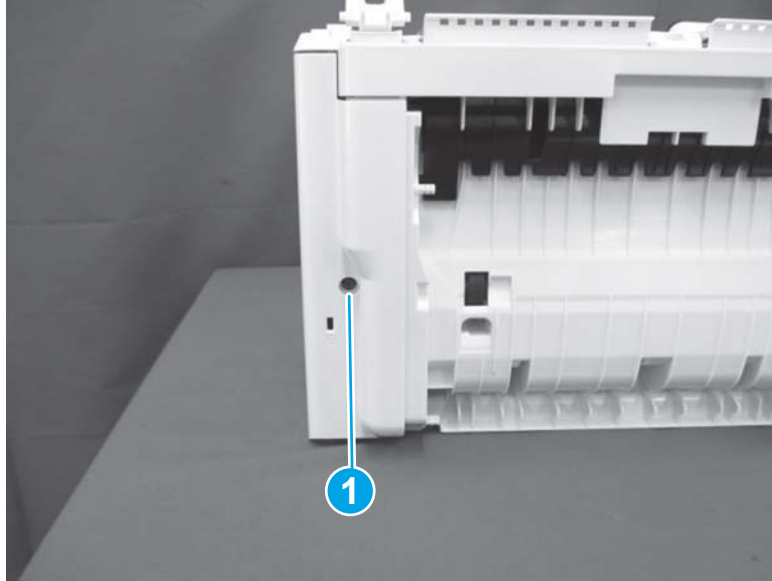
Figure 1-1647 Remove the right cover (SFP)



- 2. **MFP:** Do the following.
  - a. Remove one screw (callout 1).

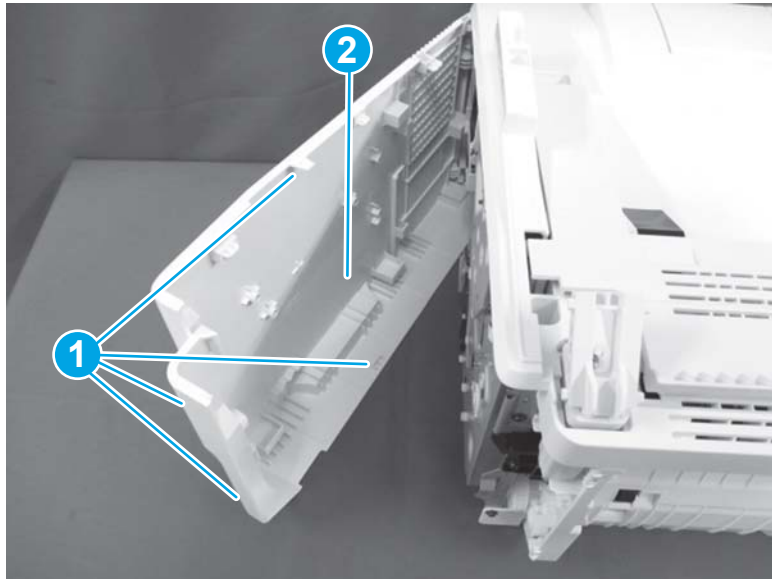


Figure 1-1648 Remove one screw (MFP)



- b. Release four tabs (callout 1), and then remove the right cover (callout 2).

Figure 1-1649 Remove the right cover (MFP)

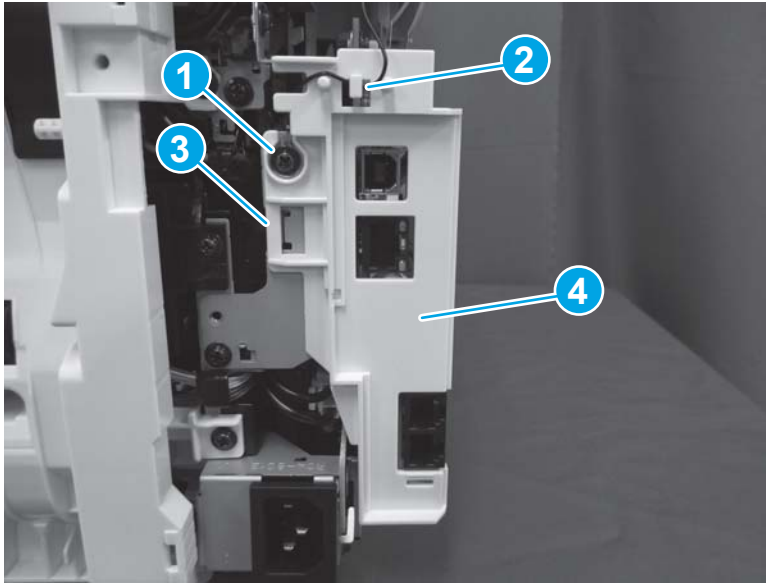


#### Step 7: Remove the USB cover

- ▲ Do the following:
  - a. **4-in-1 scanner assembly models only:** Remove one screw (callout 1), and then release one wire harness from the guide (callout 2).

- b. Release one tab (callout 3), and then remove the USB cover (callout 4).

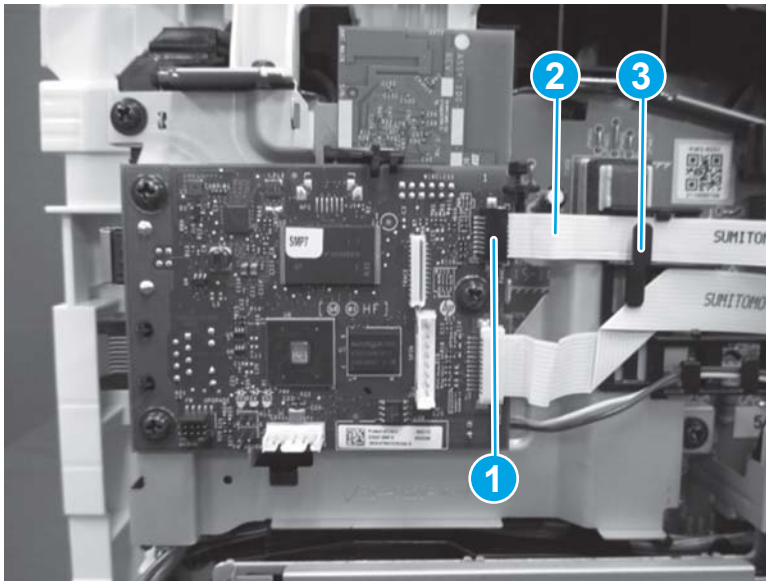
Figure 1-1650 Remove the USB cover (MFP)



#### Step 8: Remove the top front cover

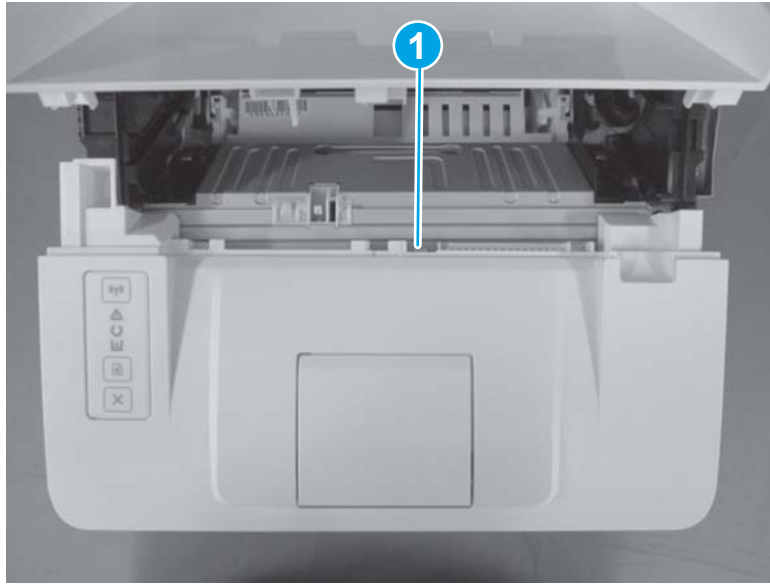
- 1. SFP: Do the following.
  - a. Disconnect one connector (callout 1) on the formatter, and then release the cable (callout 2) from the cable guide (callout 3).

Figure 1-1651 Disconnect one connector



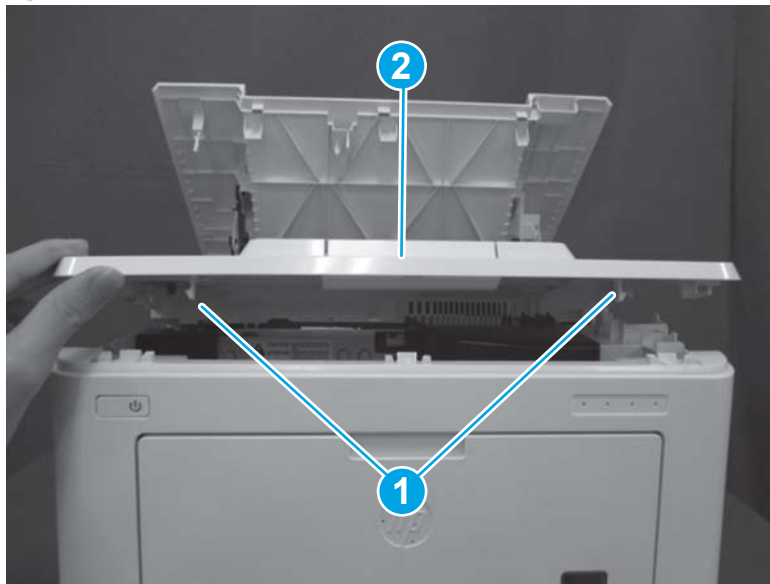
- b. Open the cartridge door, and then release one tab (callout 1) on the top of the cover.

Figure 1-1652 Release one tab



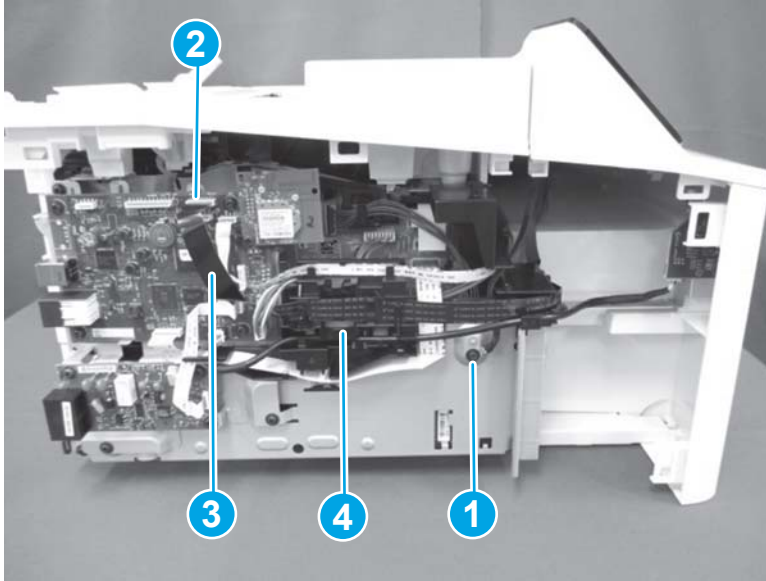
- c. Release two tabs (callout 1), and then remove the top front cover (callout 2).

Figure 1-1653 Release two tabs and remove the cover



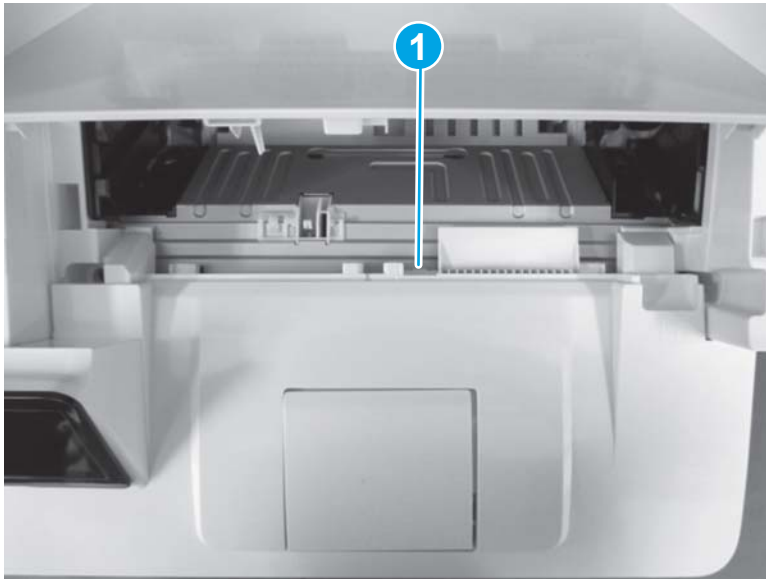
- 2. MFP: Do the following.
  - a. Remove one screw (callout 1) to release one cable. Disconnect one connector (callout 2), and then remove the cable (callout 3) from the cable guide (callout 4).

Figure 1-1654 Disconnect connector and release cable



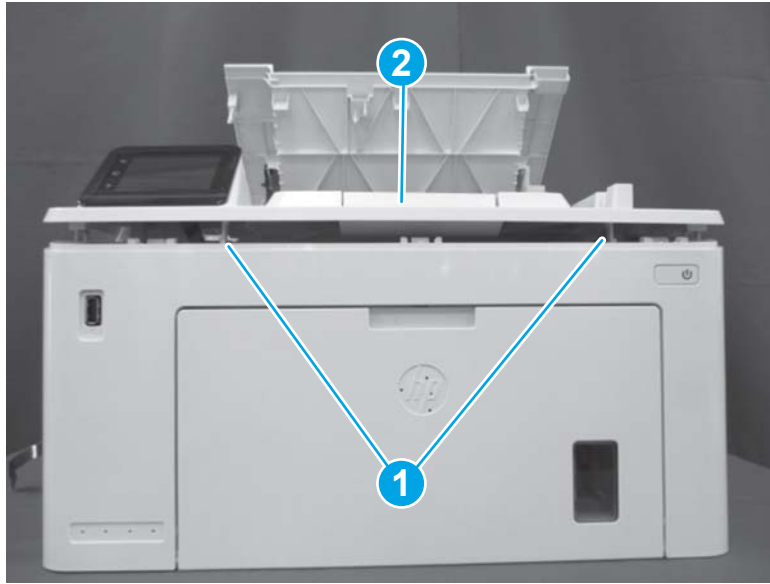
- b. Open the cartridge door, and then release one tab (callout 1).

Figure 1-1655 Release one tab



- c. Release two tabs (callout 1), and then remove the top front cover (callout 2).

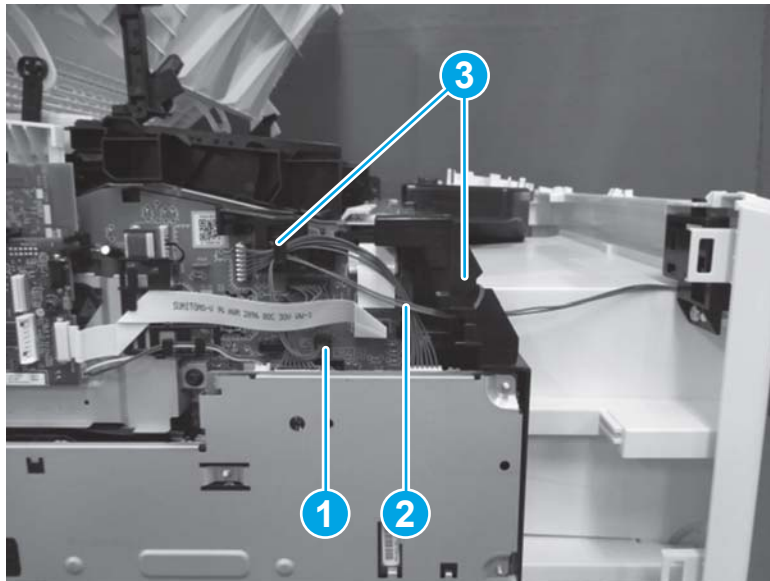
Figure 1-1656 Release two tabs and remove the cover



### Step 9: Remove the front cover

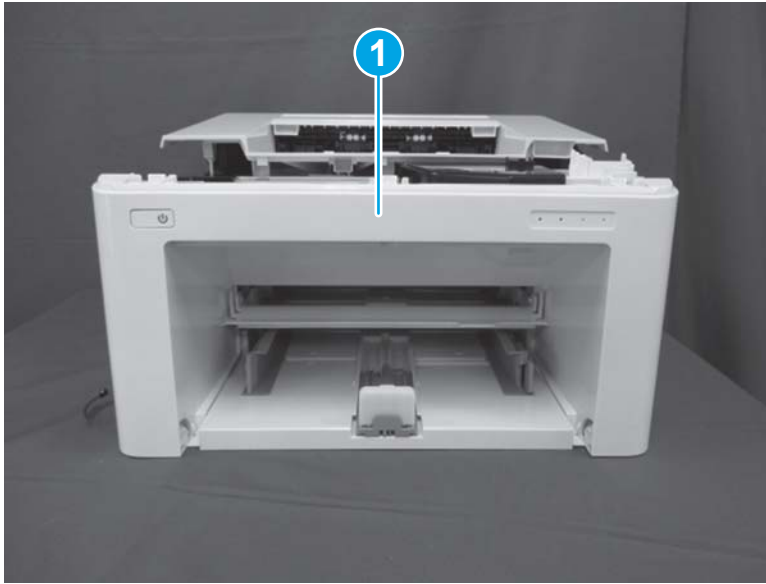
- 1. **SFP:** Do the following.
  - a. Disconnect one connector (callout 1), and then remove the cable (callout 2) from the cable guide (callout 3).

Figure 1-1657 Disconnect connector (SFP)



- b. Slide the front cover (callout 1) away from the printer to remove it.

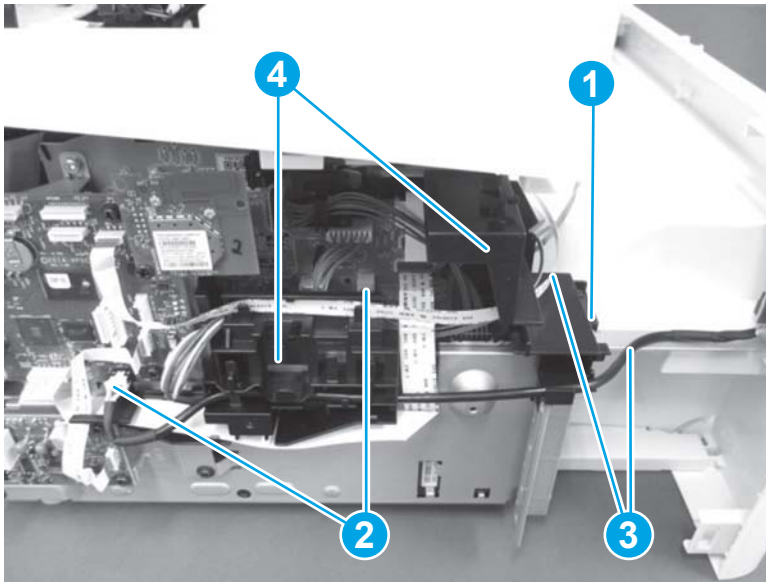
Figure 1-1658 Remove the front cover (SFP)



- 2. MFP: Do the following.

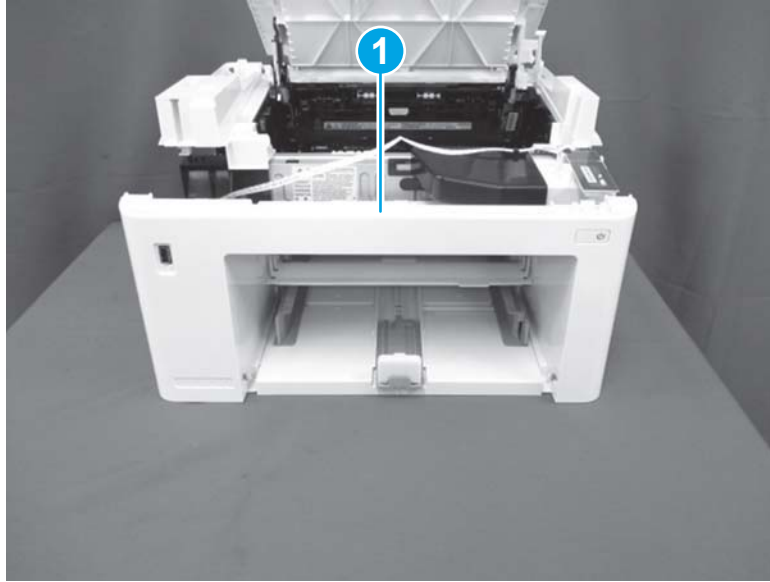
- a. Remove one screw (callout 1). Disconnect two connectors (callout 2), and then release the cables (callout 3) from the cable guide (callout 4).

Figure 1-1659 Disconnect connectors (MFP)



- b. Slide the front cover (callout 1) away from the printer to remove it.

**Figure 1-1660** Remove the front cover (MFP)

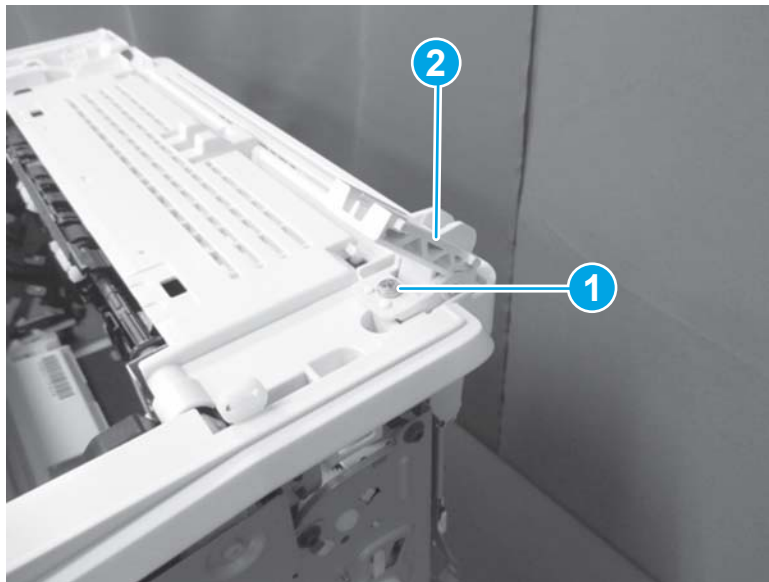


#### Step 10: Remove the hinge assembly (MFP)

 **NOTE:** This step is for the MFP printers. For the SFP printers, skip this step and go to [Step 11: Remove the cartridge door on page 969](#).

- ▲ Remove one screw (callout 1), and then remove the hinge assembly (callout 2).

**Figure 1-1661** Remove the hinge assembly (MFP)

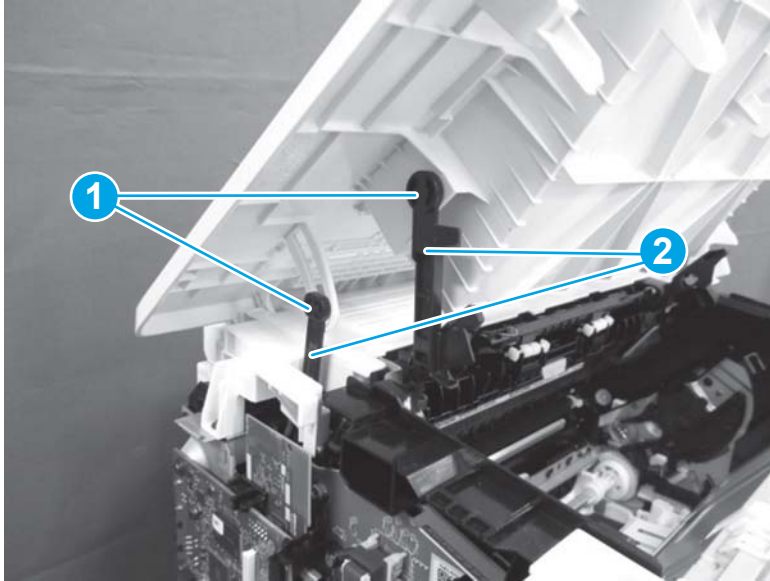


#### Step 11: Remove the cartridge door

1. **SFP:** Do the following.
  - a. Open the cartridge door. On the left side of the printer, release two tabs (callout 1), and then disconnect two link arms (callout 2).

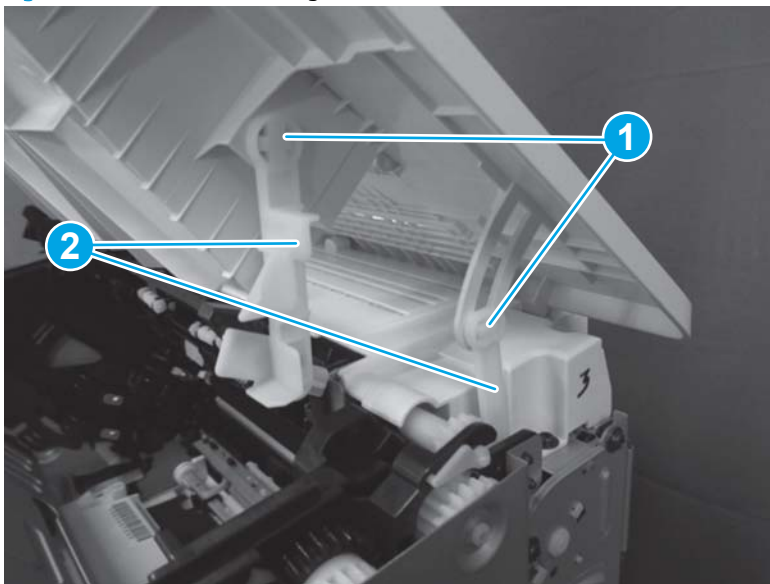


Figure 1-1662 Disconnect left link arms (SFP)



- b. On the right side of the printer, release two tabs (callout 1), and then disconnect two link arms (callout 2).

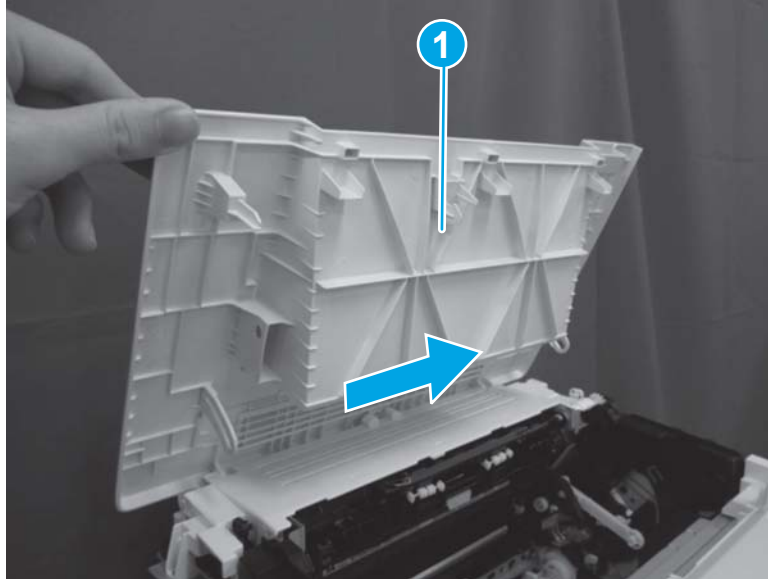
Figure 1-1663 Disconnect right link arms (SFP)





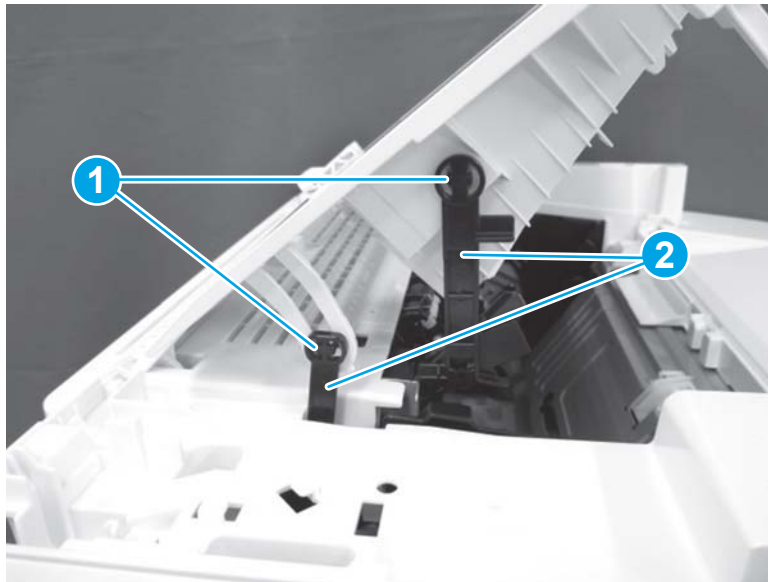
- c. Fully open the cartridge door (callout 1), and then slide it towards the right-side of the printer to remove it.

**Figure 1-1664** Remove the cartridge door (SFP)



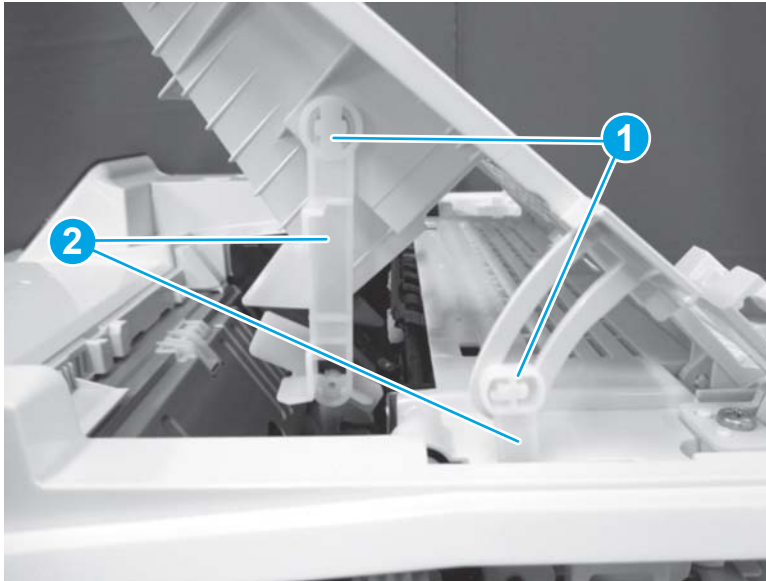
- 2. MFP: Do the following.
  - a. Open the cartridge door. On the left side of the printer, release two tabs (callout 1), and then disconnect two link arms (callout 2).

**Figure 1-1665** Disconnect left link arms (MFP)



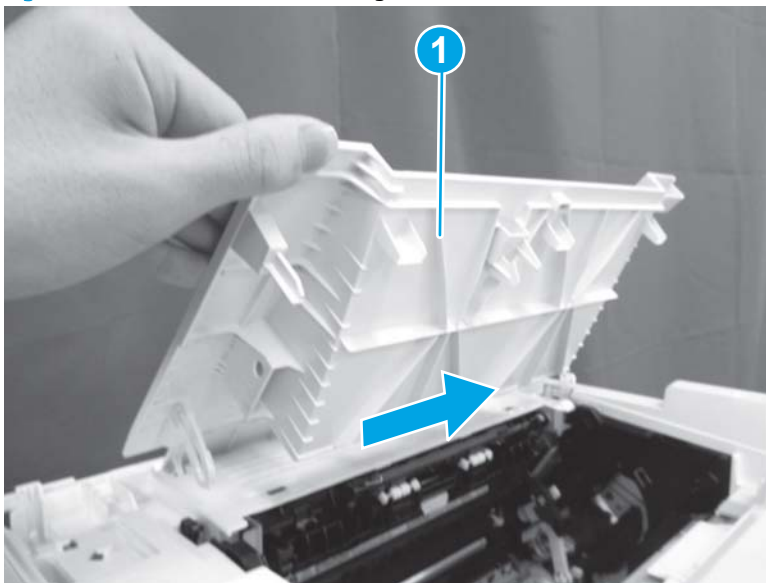
- b. On the right side of the printer, release two tabs (callout 1), and then disconnect two link arms (callout 2).

Figure 1-1666 Disconnect right link arms (MFP)



- c. Fully open the cartridge door (callout 1), and then slide it towards the right-side of the printer to remove it.

Figure 1-1667 Remove the cartridge door (MFP)

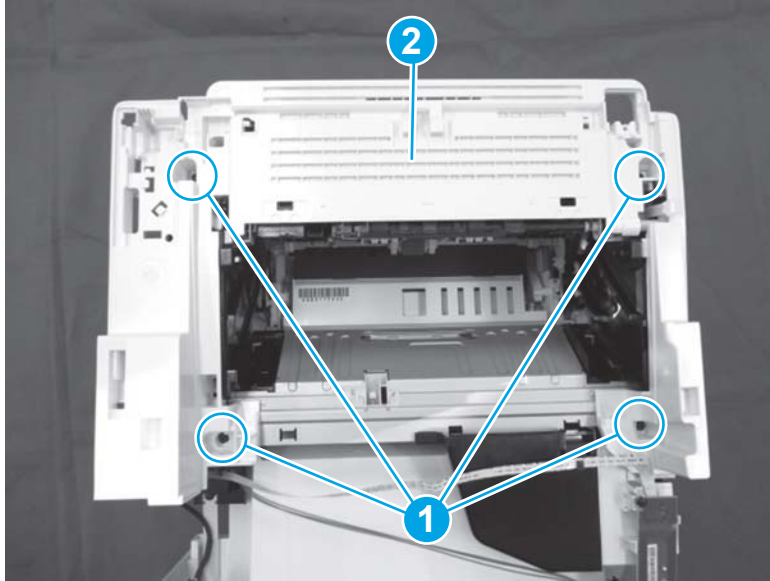


### Step 12: Remove the top cover (MFP)


 **NOTE:** This step is for the MFP printers. For the SFP printers, skip this step and go to [Step 14: Remove the duplex paper feed assembly on page 973](#).

- ▲ Remove four screws (callout 1), and then remove the top cover (callout 2).

Figure 1-1668 Remove the top cover

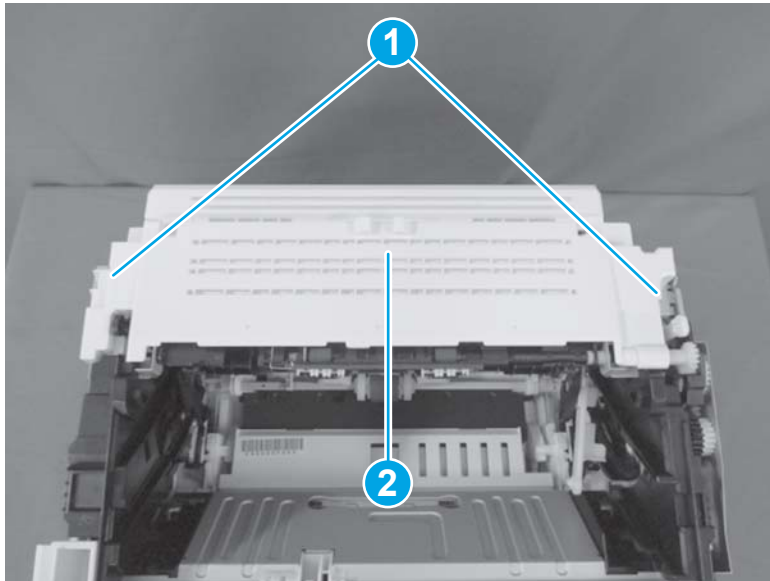


### Step 13: Remove the top rear cover (SFP)

 **NOTE:** This step is for the SFP printers. For the MFP printers, skip this step and go to [Step 14: Remove the duplex paper feed assembly on page 973](#).

- ▲ Remove two screws (callout 1), and then remove the top rear cover (callout 2).

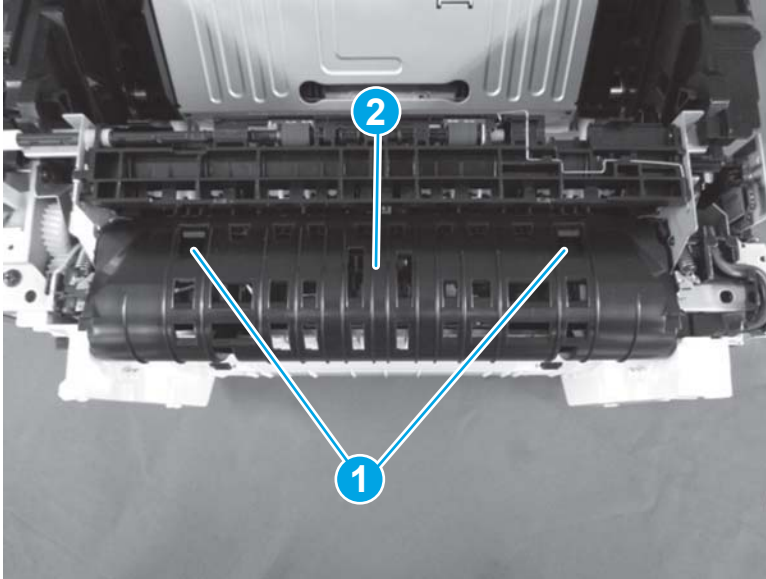
Figure 1-1669 Remove the top rear cover (SFP)



### Step 14: Remove the duplex paper feed assembly

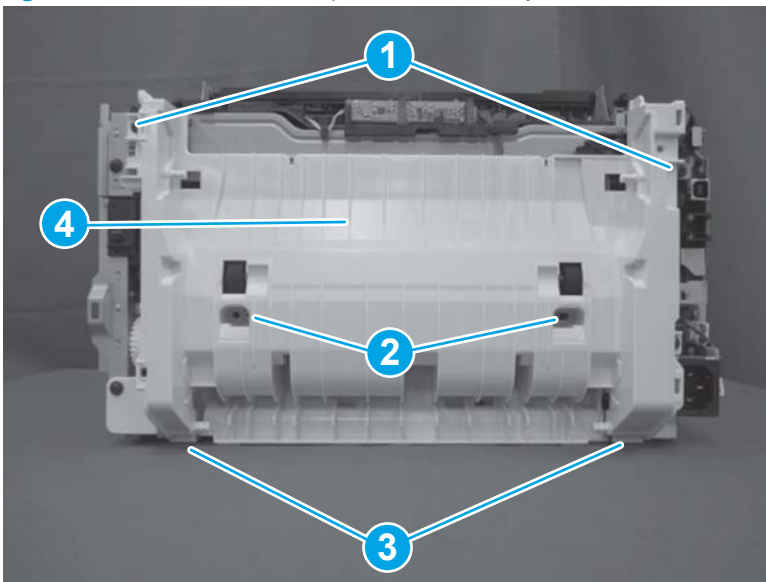
1. Release two tabs (callout 1), and then remove the duplex switchback guide (callout 2).

Figure 1-1670 Remove the duplex switchback guide



2. Remove two M3 screws (callout 1), and then remove two M4 screws (callout 2). Release two tabs (callout 3), and then remove the duplex paper feed assembly (callout 4).

Figure 1-1671 Remove the duplex feed assembly

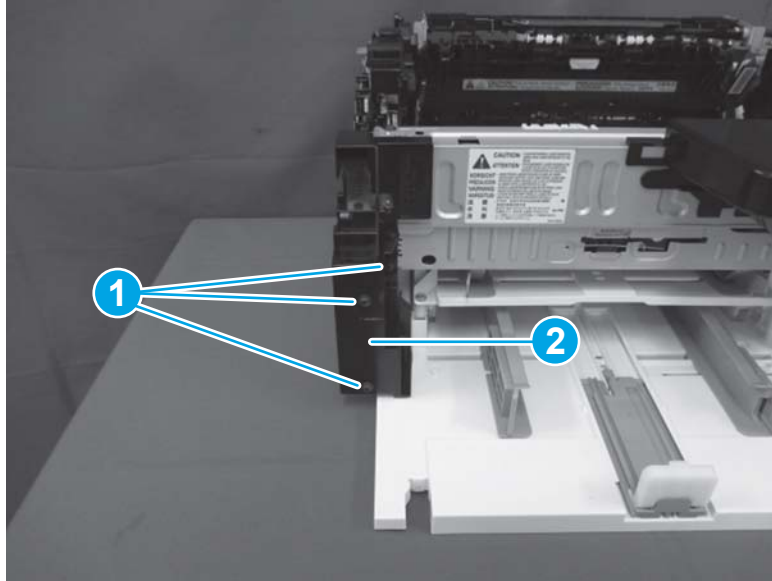


### Step 15: Remove the low-voltage power supply (LVPS)

 **CAUTION:**  ESD-sensitive part.

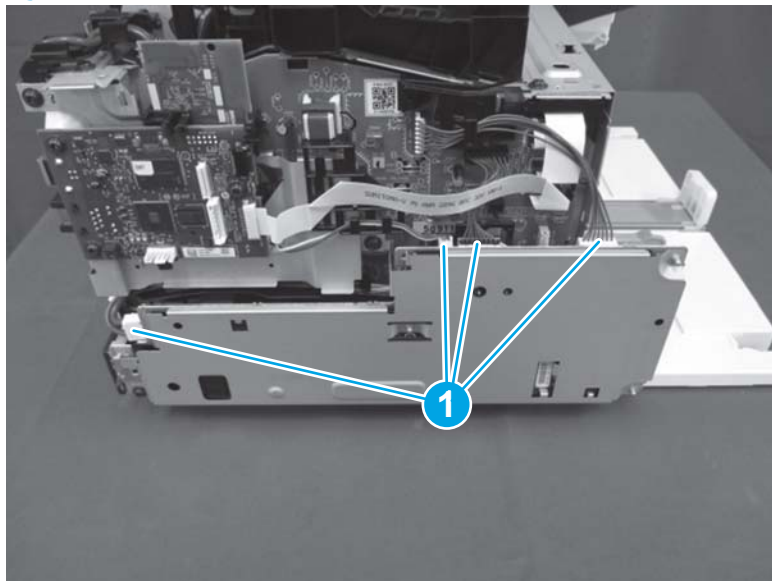
1. **SFP:** Do the following.
  - a. Remove three screws (callout 1), and then remove the inner cover (callout 2).

Figure 1-1672 Remove three screws and a cover (SFP)



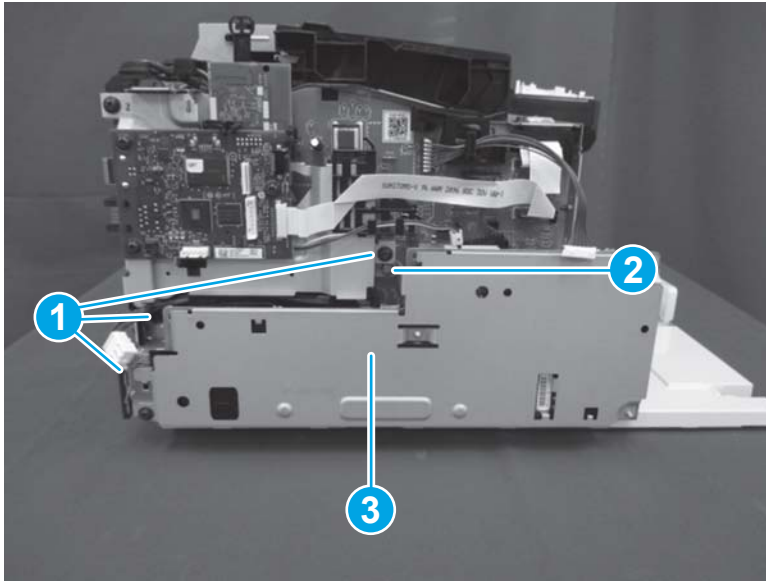
- b. Disconnect four connectors (callout 1).

Figure 1-1673 Disconnect four connectors (SFP)



- c. Remove three screws (callout 1), remove one ground screw (callout 2), and then remove the LVPS (callout 3).

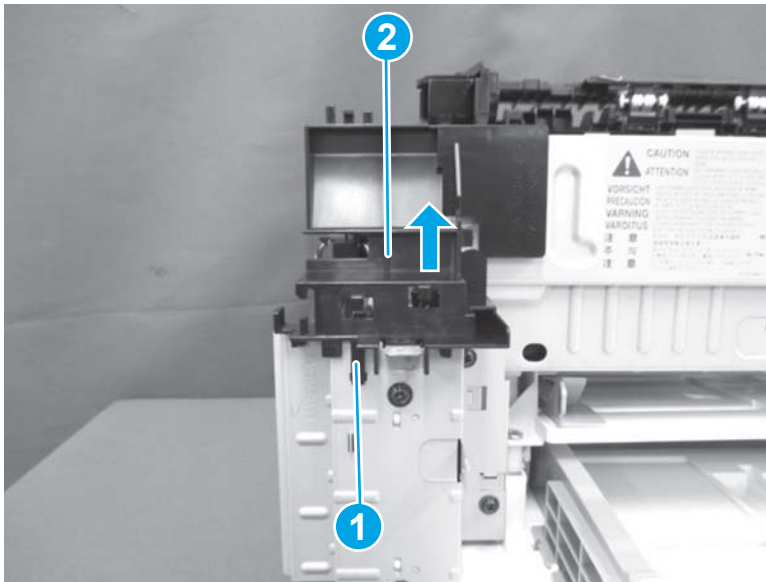
Figure 1-1674 Remove the LVPS (SFP)



2. MFP: Do the following.

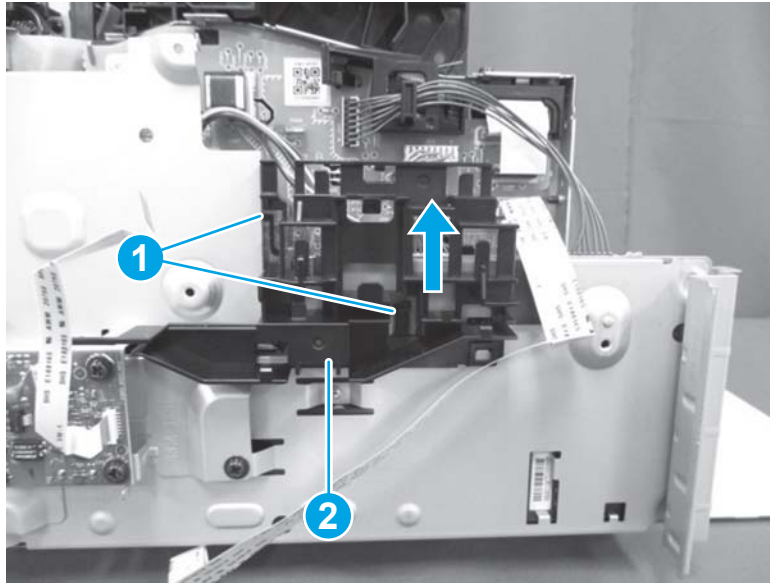
- a. Release one tab (callout 1), and then slide the inner cover (callout 2) up to remove it.

Figure 1-1675 Remove the inner cover (MFP)



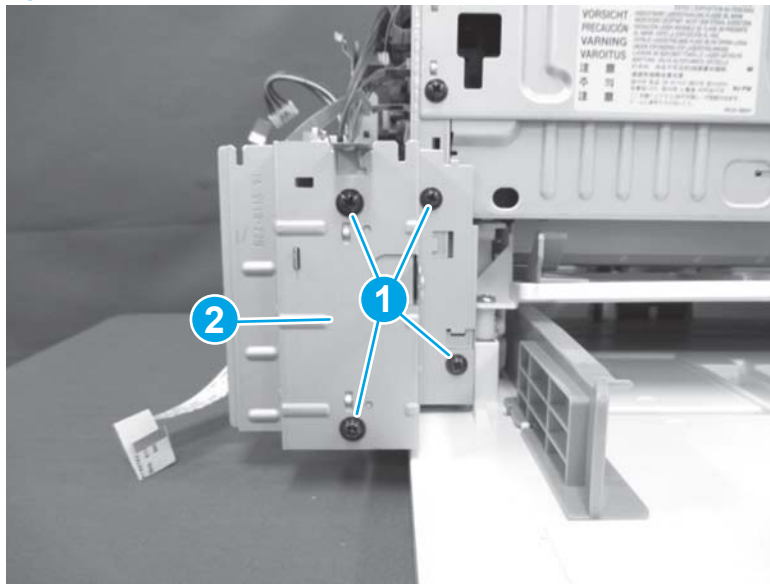
- b. Release two tabs (callout 1), and then slide the guide (callout 2) up to remove it.

Figure 1-1676 Remove the guide (MFP)



- c. Remove four screws (callout 1), and then remove the sheet-metal plate (callout 2).

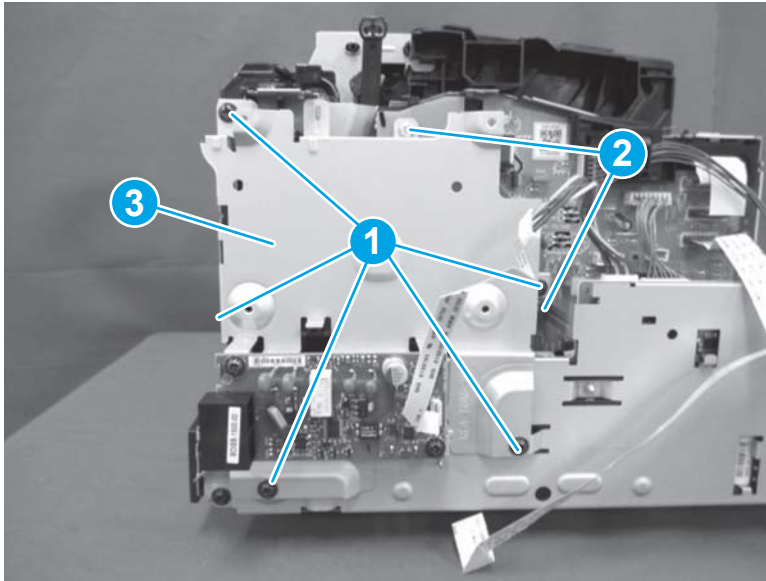
Figure 1-1677 Remove the plate (MFP)





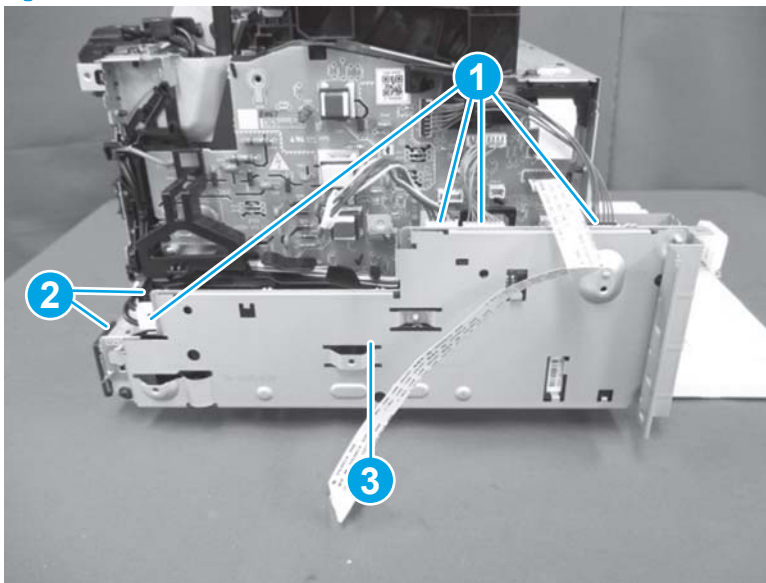
- d. Remove five screws (callout 1), remove two ground screws (callout 2), and then remove the sheet-metal support plate (callout 3).

Figure 1-1678 Remove the support plate (MFP)



- e. Disconnect four connectors (callout 1), remove two screws (callout 2), and then remove the LVPS (callout 3).

Figure 1-1679 Remove the LVPS (MFP)

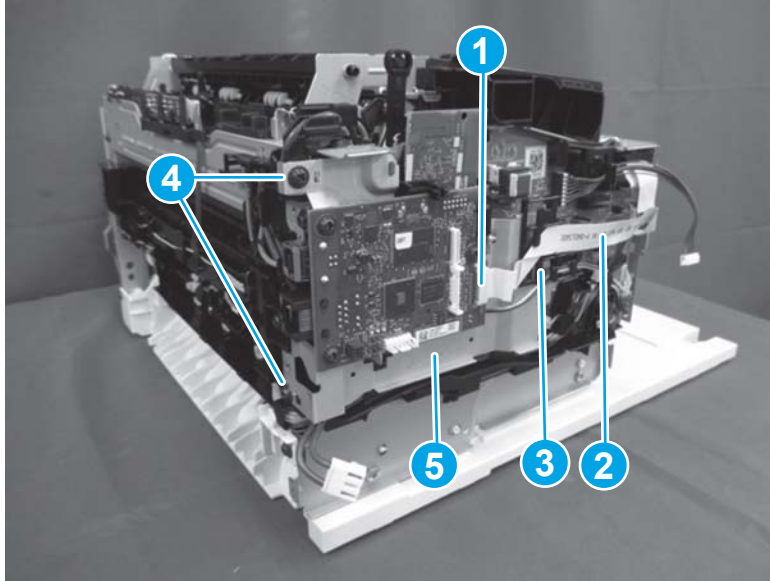


### Step 16: Remove the transfer assembly

1. **SFP only:** Disconnect one connector (callout 1), and then remove the flat cable (callout 2) from the guide (callout 3). Remove two screws (callout 4), and then remove the support plate (callout 5).

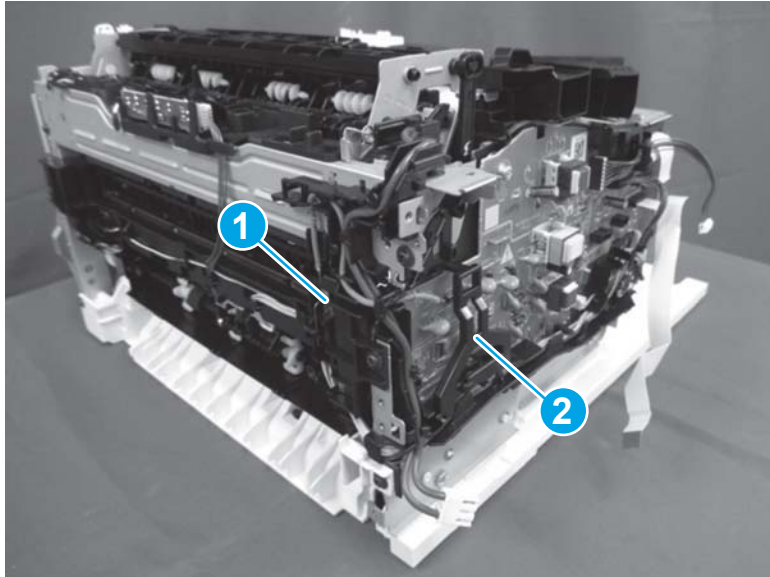


Figure 1-1680 Remove the support plate (SFP)



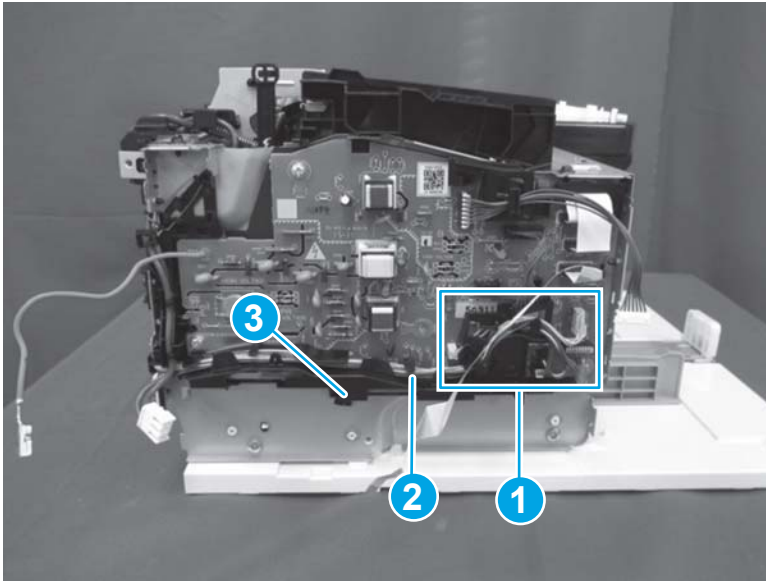
2. Disconnect one connector (callout 1), and then remove the black-plastic support bracket (callout 2).

Figure 1-1681 Disconnect one connector and remove the support bracket



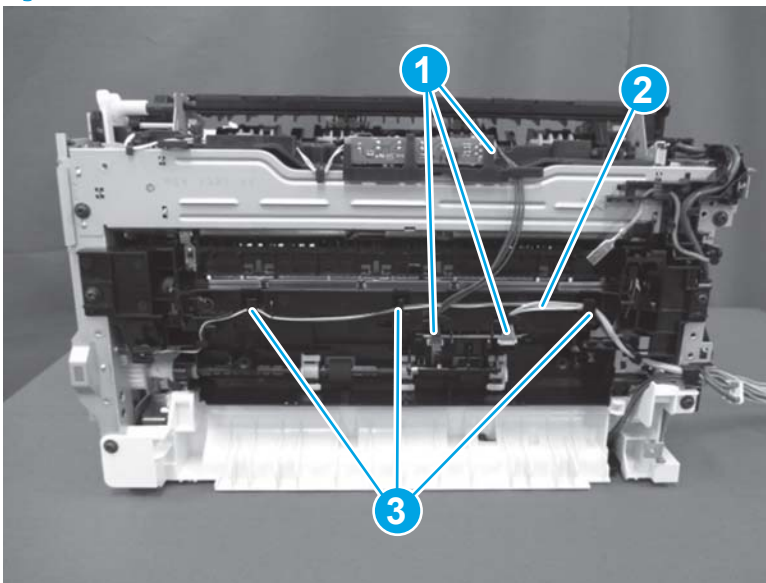
3. Disconnect connectors J311, J561, J563, J581, and J582 (callout 1) from the engine controller PCA, and then remove the wire harnesses (callout 2) from the guide (callout 3).

Figure 1-1682 Disconnect five connectors



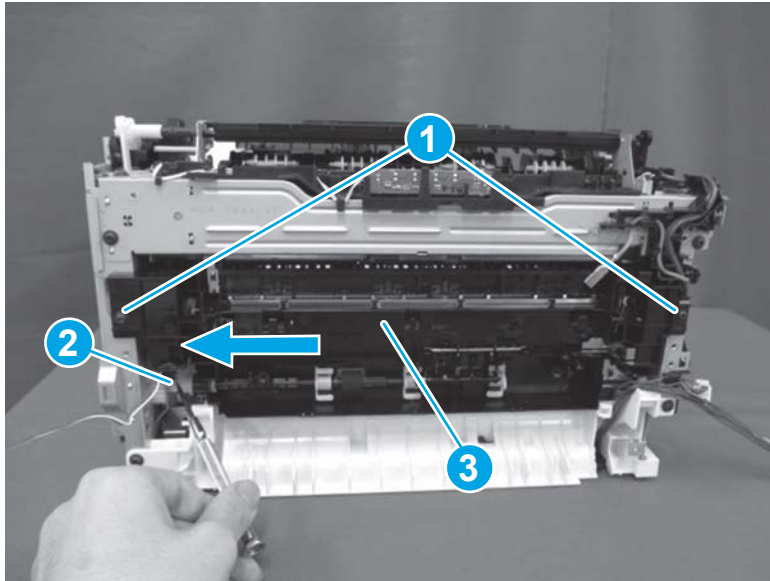
4. Disconnect three connectors (callout 1), and then remove the wire harnesses (callout 2) from the guide (callout 3).

Figure 1-1683 Disconnect three connectors



5. Remove two screws (callout 1), use a small flat-blade screwdriver to move the cam (callout 2) as indicated in the figure below (arrow), and then remove the transfer assembly (callout 3).

Figure 1-1684 Remove the transfer assembly



#### Step 17: Unpack the replacement assembly

1. Dispose of the defective part.

 **NOTE:** HP recommends responsible disposal of the defective part.

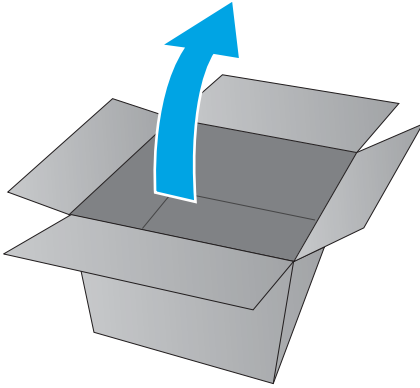
[www.hp.com/recycle](http://www.hp.com/recycle)



2. Unpack the replacement part from the packaging.

**⚠ CAUTION:** If the replacement part is a roller or pad, avoid touching the spongy part of it. Skin oils on the roller or pad can cause paper pickup and/or print-quality problems. HP recommends using disposable gloves when handling rollers or pads or washing your hands or before touching rollers or pads.

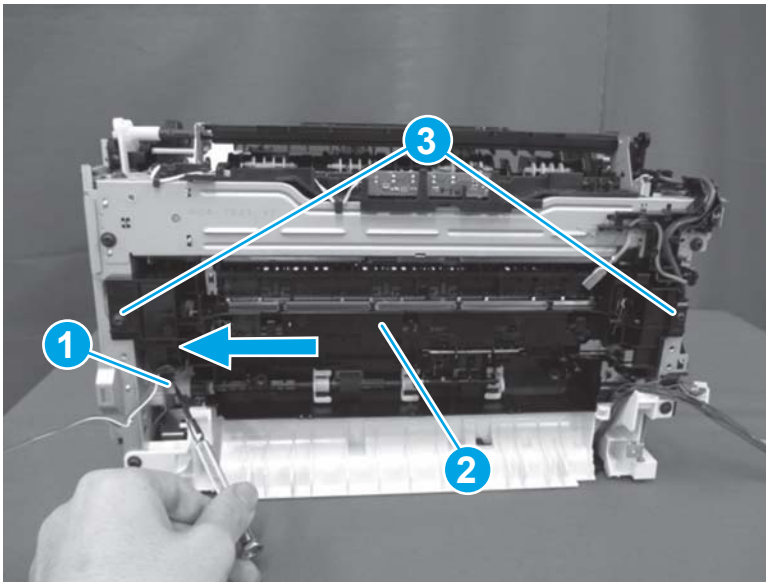
**📄 IMPORTANT:** Make sure that all of the shipping materials (for example shipping tape) are removed from the replacement part prior to installation.



### Step 18: Install the transfer assembly

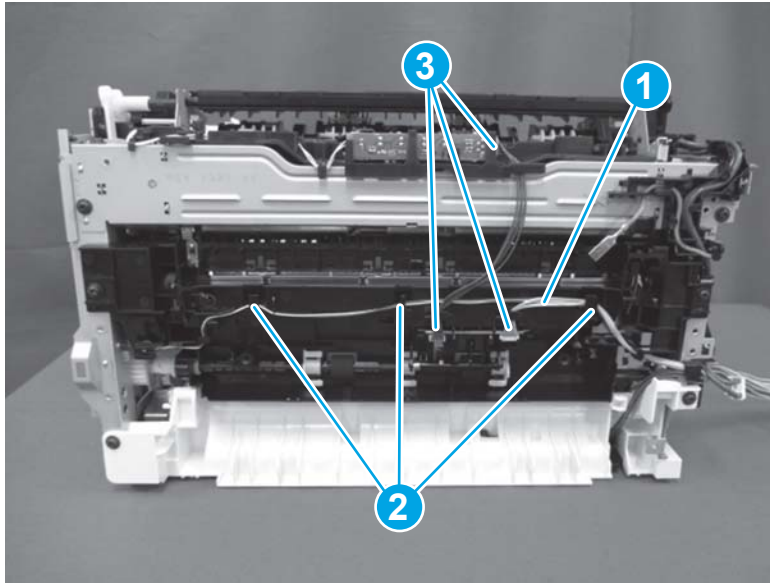
1. Use a small flat-blade screwdriver to move the cam (callout 1) as indicated in the figure below (arrow), install the transfer assembly (callout 2) on the printer, and then install two screws (callout 3).

Figure 1-1685 Install the transfer assembly



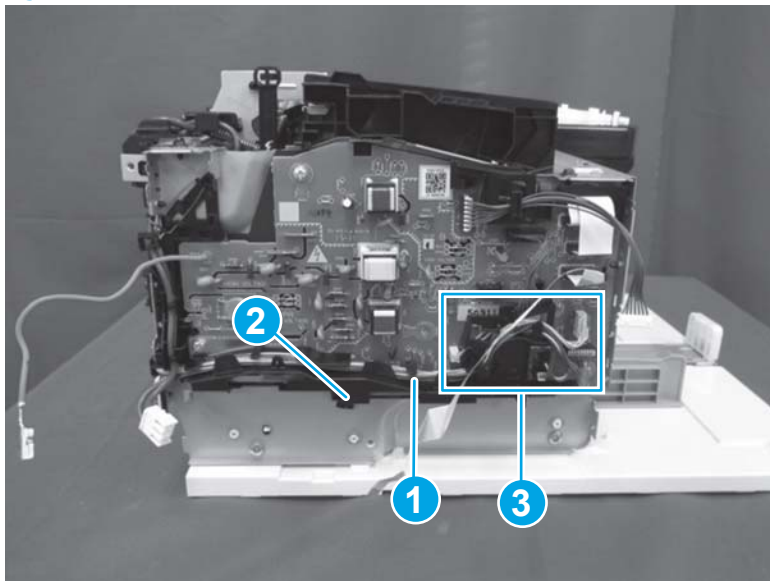
2. Install the wire harnesses (callout 1) in the guide (callout 2), and then connect three connectors (callout 3).

Figure 1-1686 Connect three connectors



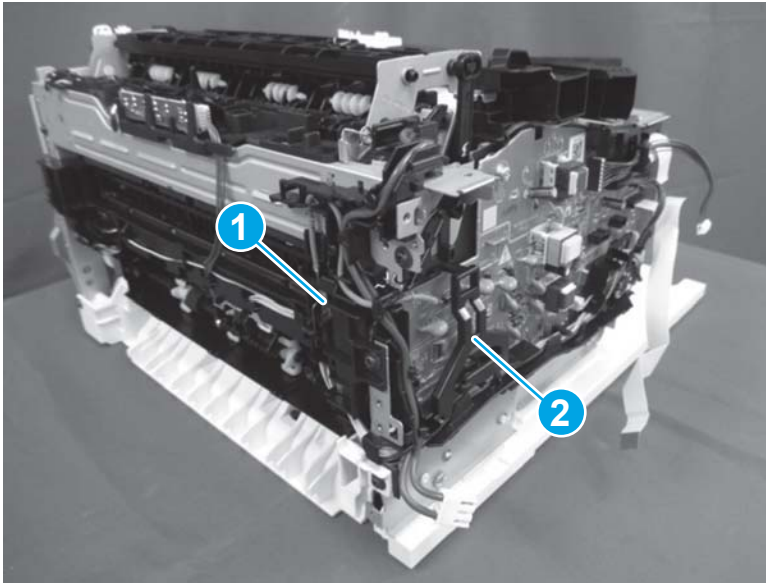
3. Install the wire harnesses (callout 1) in the guide (callout 2), and then connect connectors J311, J561, J563, J581, and J582 (callout 3) on the engine controller PCA.

Figure 1-1687 Connect five connectors



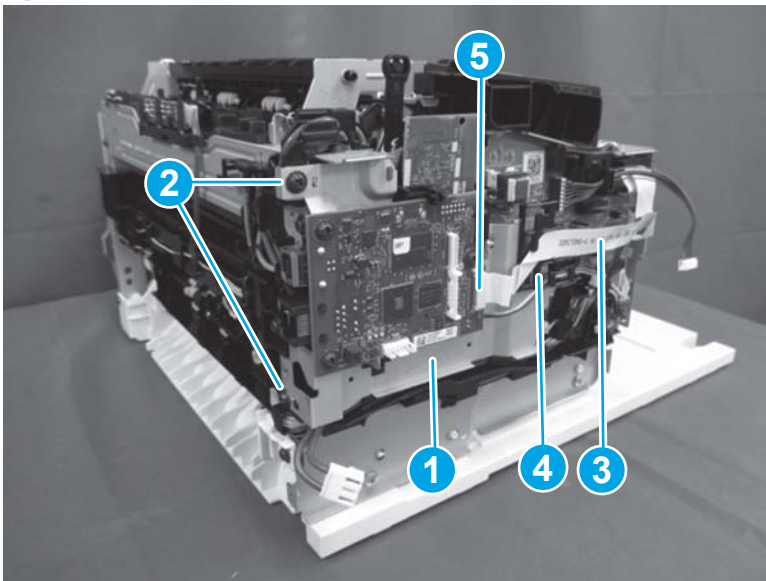
4. Connect one connector (callout 1), and then install the black-plastic support bracket (callout 2).

Figure 1-1688 Connect one connector and install the support bracket



5. **SFP only:** Position the support plate (callout 1), on the printer, install two screws (callout 2), install the flat cable (callout 3) in the guide (callout 4), and then connect one connector (callout 5).

Figure 1-1689 Install the support plate (SFP)



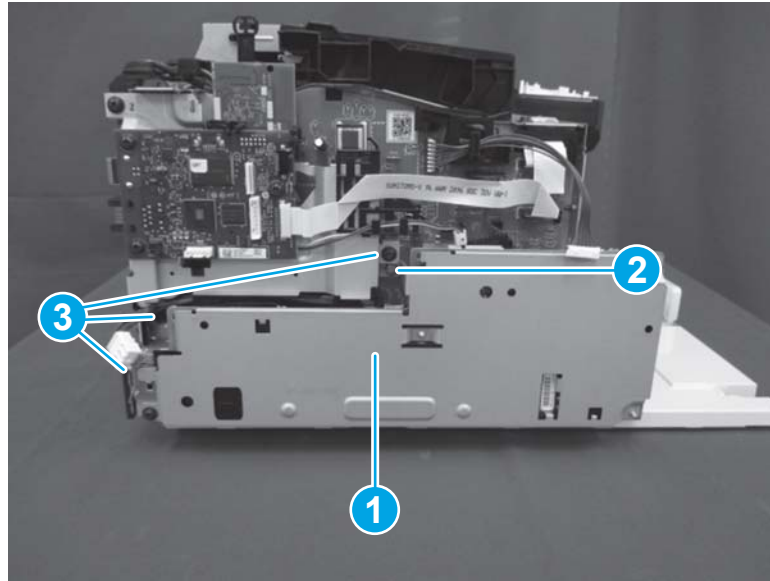
### Step 19: Install the LVPS

 **CAUTION:**  ESD-sensitive part.

1. **MFP:** Do the following.
  - a. Position the LVPS on the printer (callout 1), install one ground screw (callout 2), and then install three screws (callout 3).

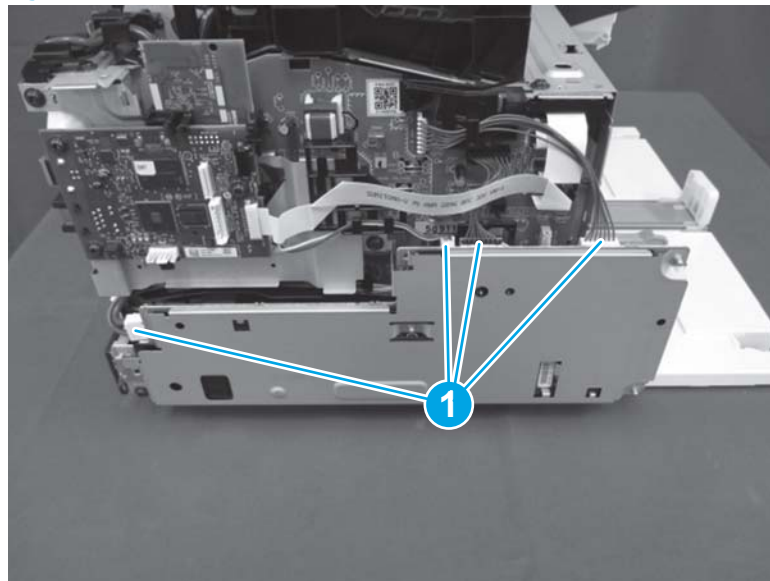


Figure 1-1690 Install the LVPS (SFP)



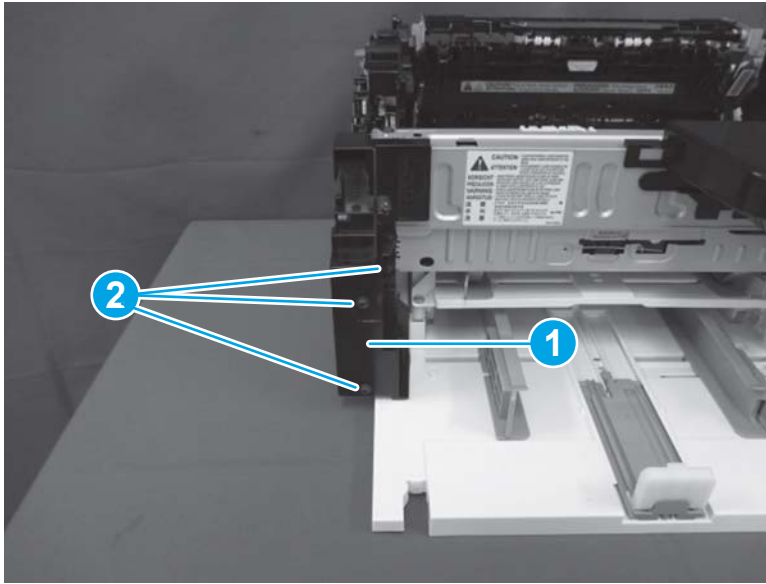
- b. Connect four connectors (callout 1).

Figure 1-1691 Connect four connectors (SFP)



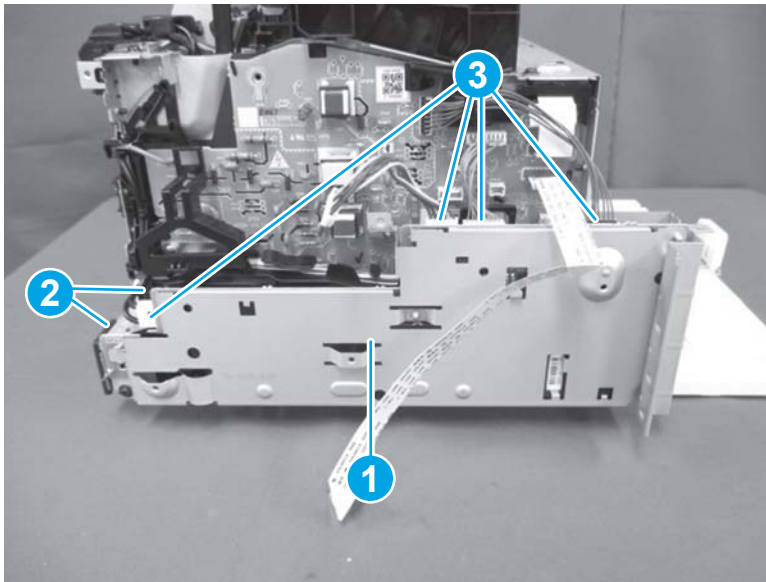
- c. Position the inner cover (callout 1) on the printer, and then Install three screws (callout 2).

**Figure 1-1692** Install the inner cover (SFP)



2. **MFP:** Do the following.
  - a. Position the LVPS on the printer (callout 1), install two screws (callout 2), and then connect four connectors (callout 3).

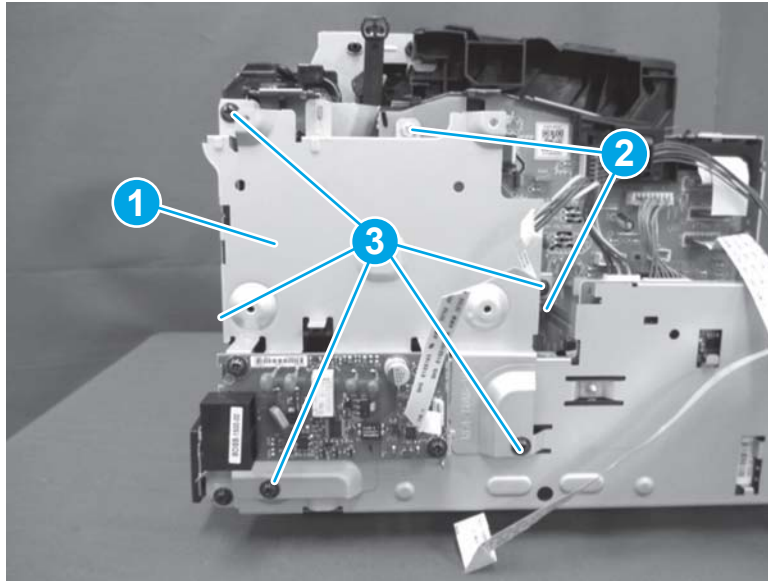
**Figure 1-1693** Install the LVPS (MFP)





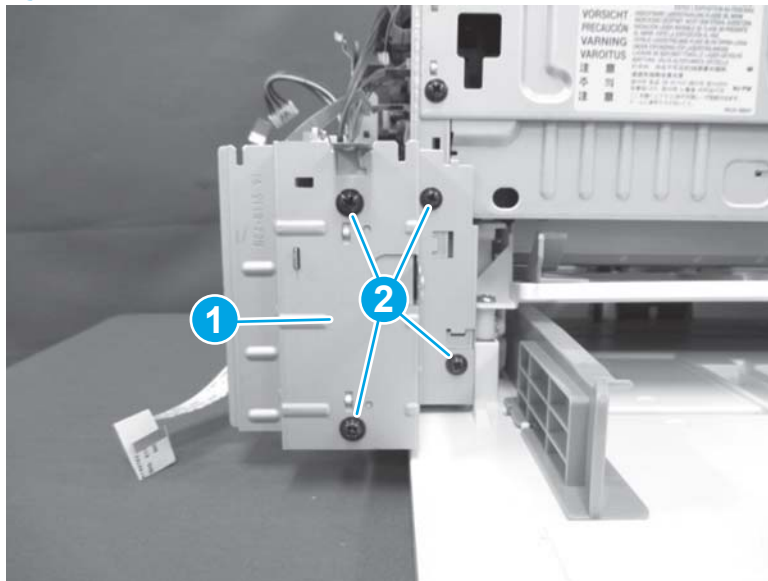
- b. Position the sheet-metal support plate (callout 1) on the printer, install two ground screws (callout 2), and then install five screws (callout 3).

**Figure 1-1694** Install the support plate (MFP)



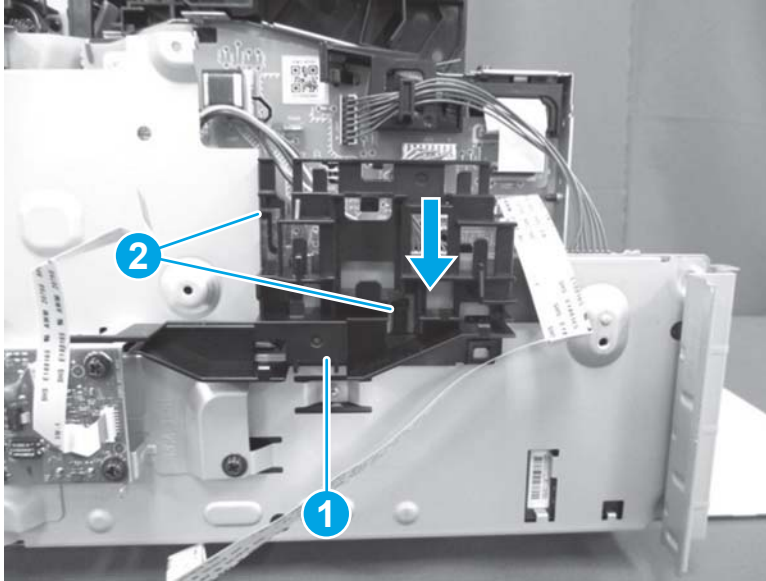
- c. Position the sheet-metal plate (callout 1) on the printer, and then install four screws (callout 2).

**Figure 1-1695** Install the plate (MFP)



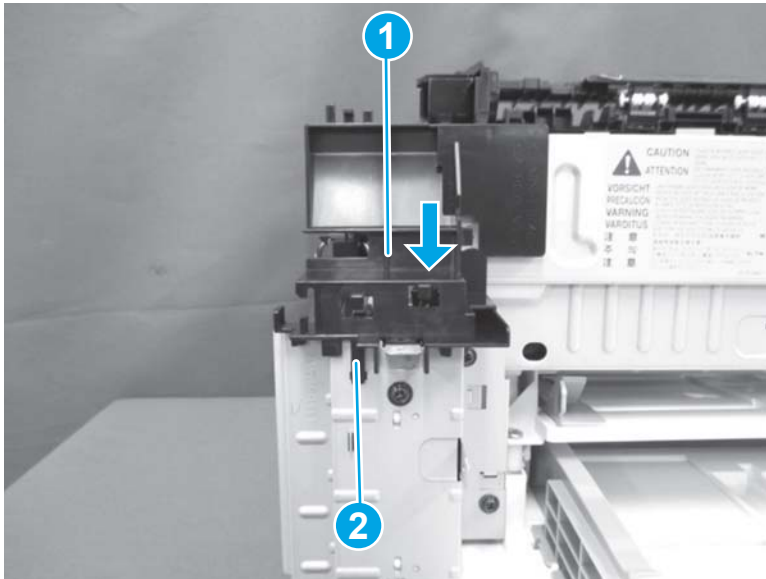
- d. Position the guide (callout 1) on the printer, and then push down to install it. Make sure that the two tabs (callout 2) snap into place.

Figure 1-1696 Install the guide (MFP)



- e. Position the inner cover (callout 1) on the printer, and then slide it down to engage one tab (callout 2).

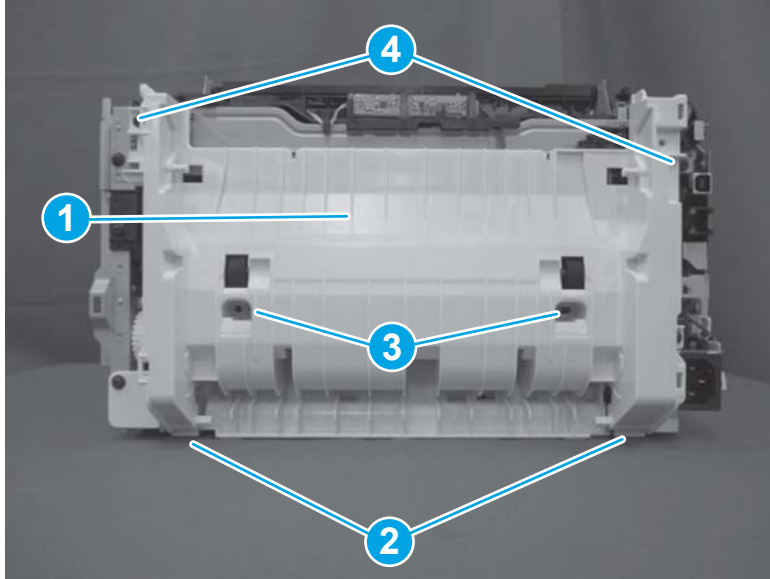
Figure 1-1697 Install the inner cover (MFP)



### Step 20: Install the duplex paper feed assembly

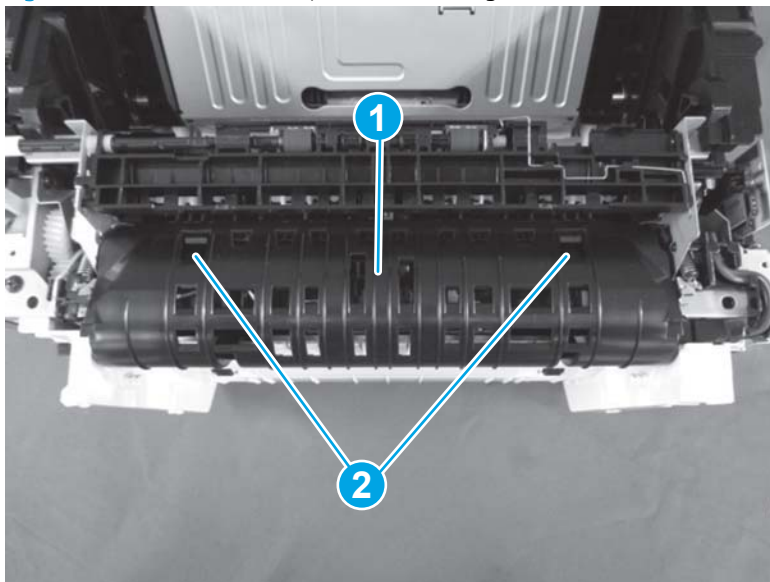
1. Position the duplex paper feed assembly (callout 1) on the printer, and then install two tabs (callout 2). Install two M4 screws (callout 3), and then install two M3 screws (callout 4).

Figure 1-1698 Install the duplex feed assembly



2. Position the duplex switchback guide (callout 1) on the printer, and then engage two tabs (callout 2) to install it.

Figure 1-1699 Install the duplex switchback guide



### Step 21: Install the top rear cover (SFP)

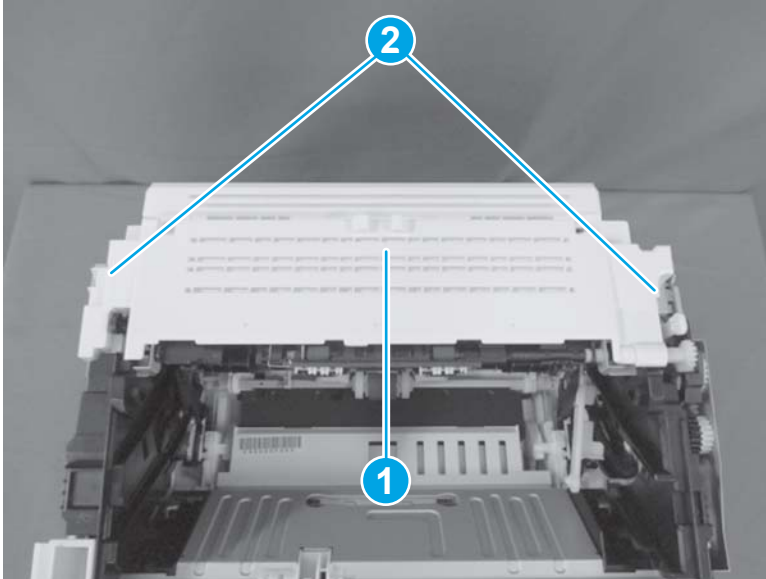
---

 **NOTE:** This step is for the SFP printers. For the MFP printers, skip this step and go to [Step 23: Install the cartridge door on page 990](#).

---

- ▲ Position the top cover (callout 1) on the printer, and then install two screws (callout 2).

Figure 1-1700 Install the top rear cover (SFP)

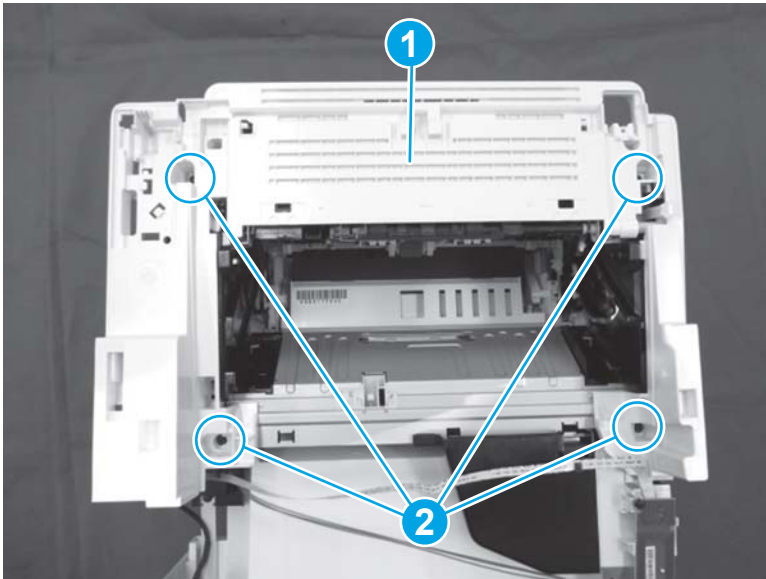


### Step 22: Install the top cover (MFP)

 **NOTE:** This step is for the MFP printers. For the SFP printers, skip this step and go to [Step 23: Install the cartridge door on page 990](#).

- ▲ Position the top cover (callout 1) on the printer, and then install four screws (callout 2).

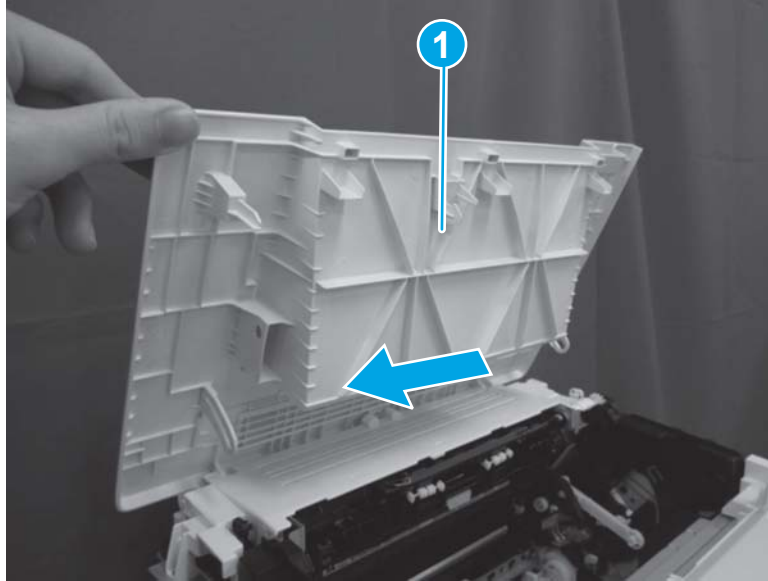
Figure 1-1701 Install the top cover



### Step 23: Install the cartridge door

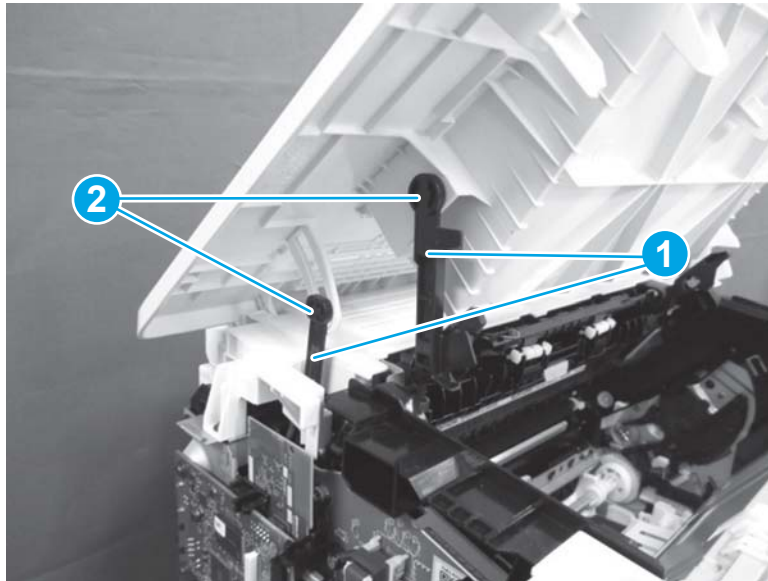
1. **SFP:** Do the following.
  - a. Position the cartridge door (callout 1) on the printer, and then slide it toward the left-side of the printer to install it.

Figure 1-1702 Install the cartridge door (SFP)



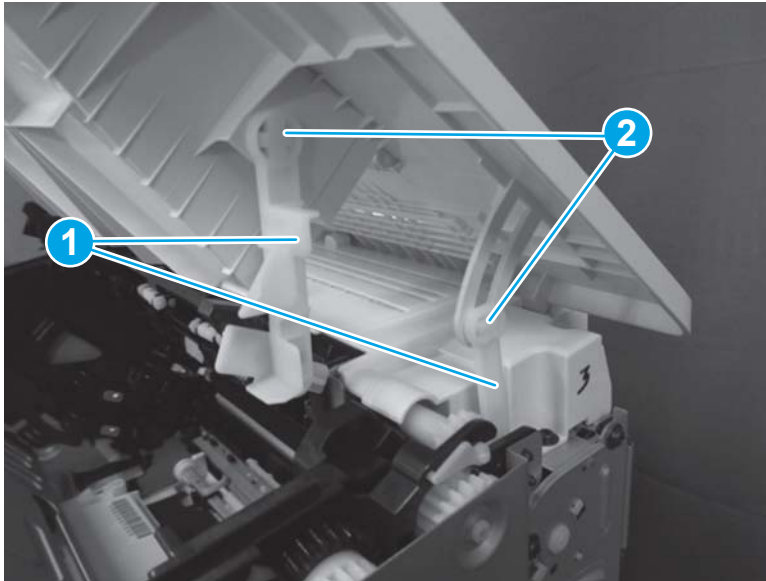
- b. On the left side of the printer, position two link arms (callout 1), and then engage two tabs (callout 2).

Figure 1-1703 Connect left link arms (SFP)



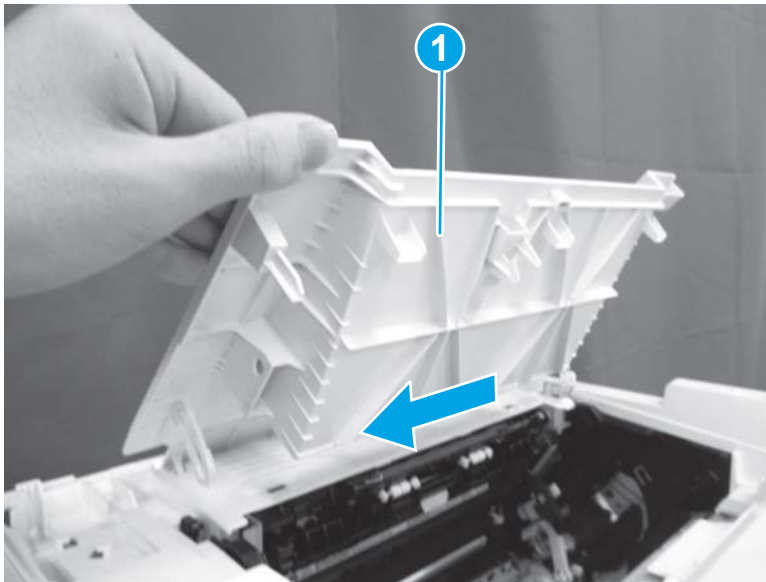
- c. On the right side of the printer, position two link arms (callout 1), and then engage two tabs (callout 2).

**Figure 1-1704** Connect right link arms (SFP)



2. **MFP:** Do the following.
  - a. Position the cartridge door (callout 1) on the printer, and then slide it toward the left-side of the printer to install it.

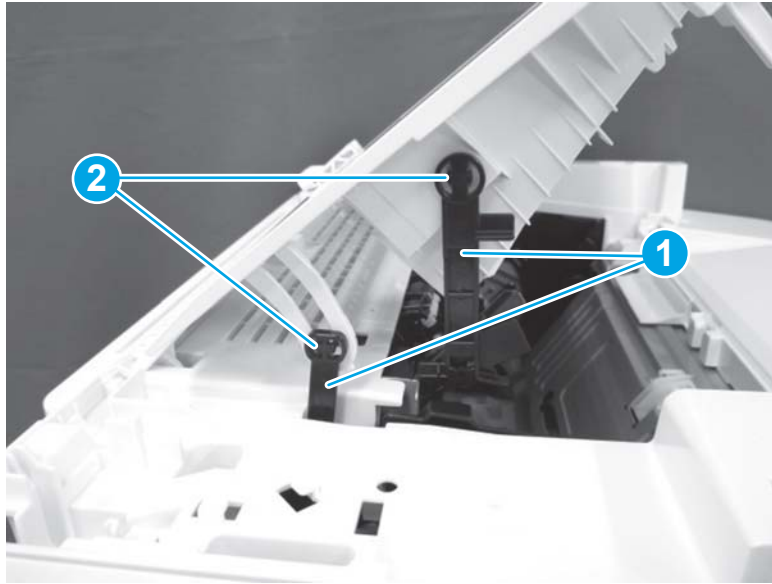
**Figure 1-1705** Install the cartridge door (MFP)





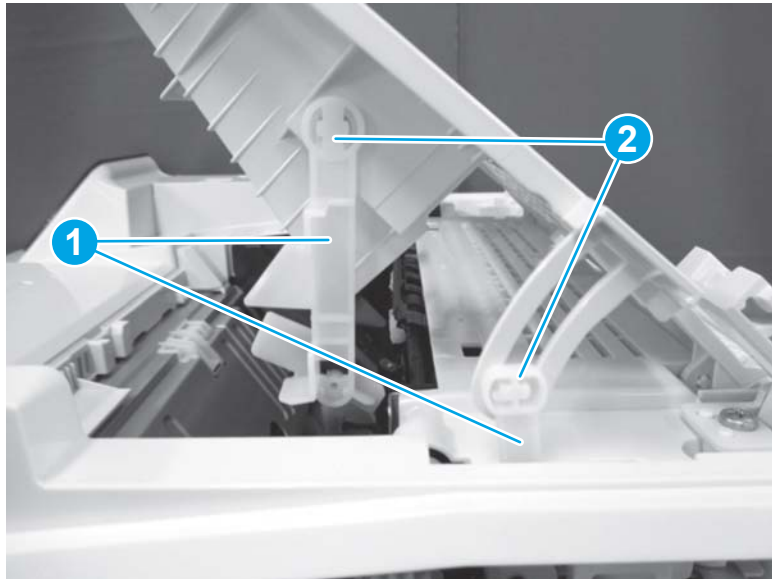
- b. On the left side of the printer, position two link arms (callout 1), and then engage two tabs (callout 2).

**Figure 1-1706** Connect left link arms (MFP)



- c. On the right side of the printer, position two link arms (callout 1), and then engage two tabs (callout 2).

**Figure 1-1707** Connect right link arms (MFP)

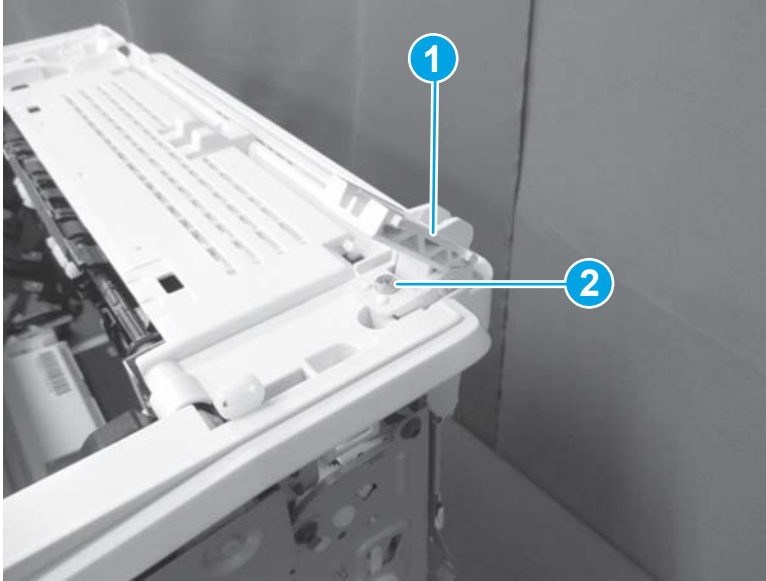


#### Step 24: Install the hinge assembly (MFP)

 **NOTE:** This step is for the MFP printers. For the SFP printers, skip this step and go to [Step 25: Install the front cover on page 994](#).

- ▲ Position the hinge assembly (callout 1) on the printer, and then install one screw (callout 2).

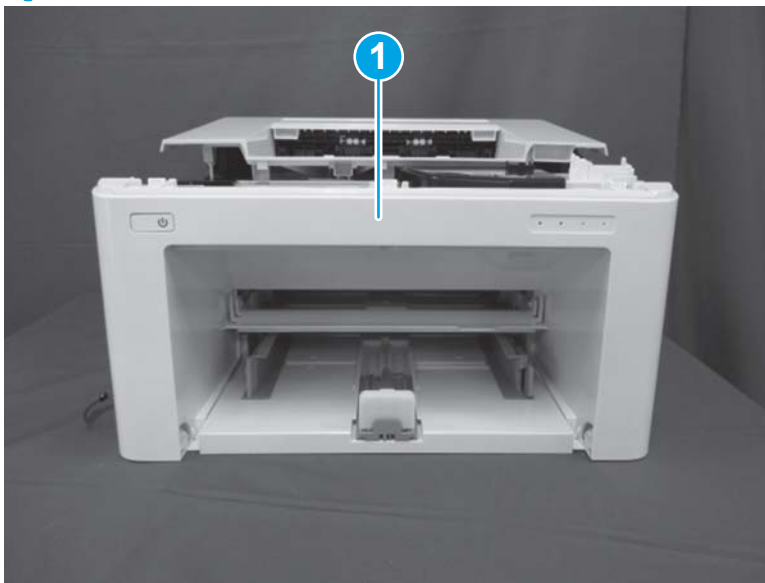
Figure 1-1708 Install the hinge assembly (MFP)



Step 25: Install the front cover

1. SFP: Do the following.
  - a. Slide the front cover (callout 1) toward the printer to install it.

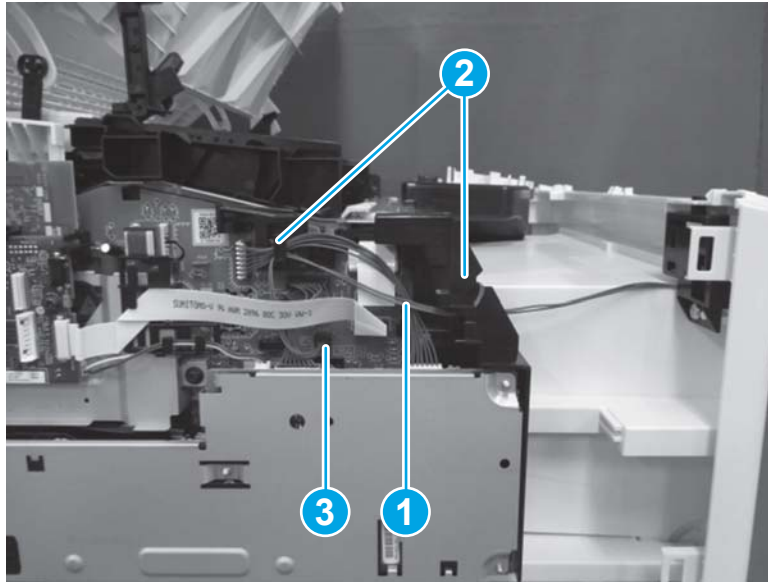
Figure 1-1709 Install the front cover (SFP)





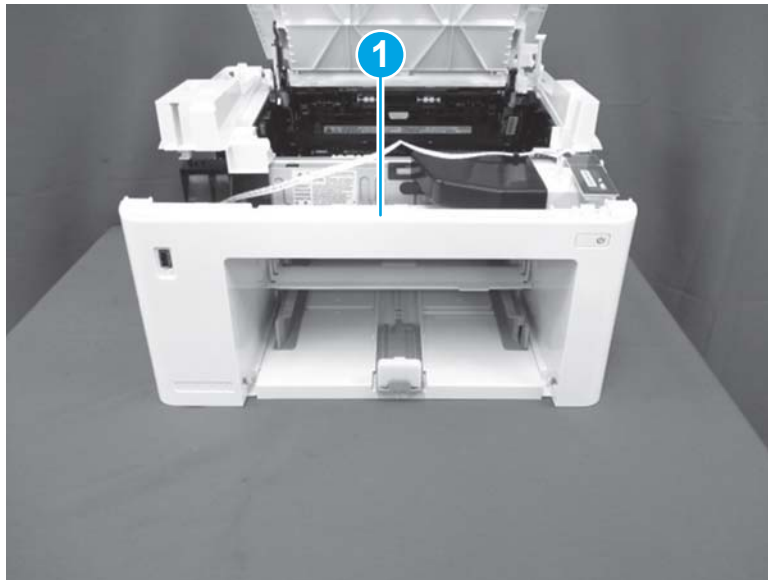
- b. Install the cable (callout 1) in the cable guide (callout 2), and then connect one connector (callout 3).

**Figure 1-1710** Connect the connector (SFP)



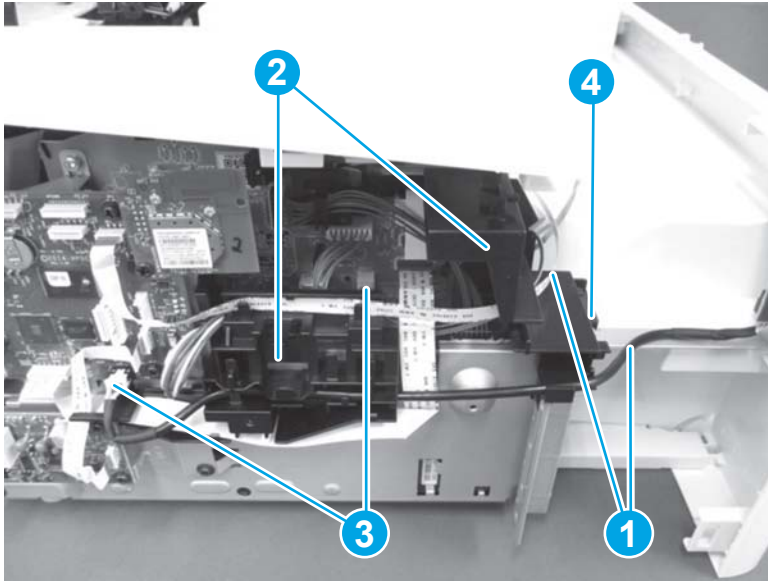
2. MFP: Do the following.
  - a. Slide the front cover (callout 1) toward the printer to install it.

**Figure 1-1711** Install the front cover (MFP)



- b. Install the cables (callout 1) in the cable guides (callout 2), and then connect two connectors (callout 3). Install one screw (callout 4).

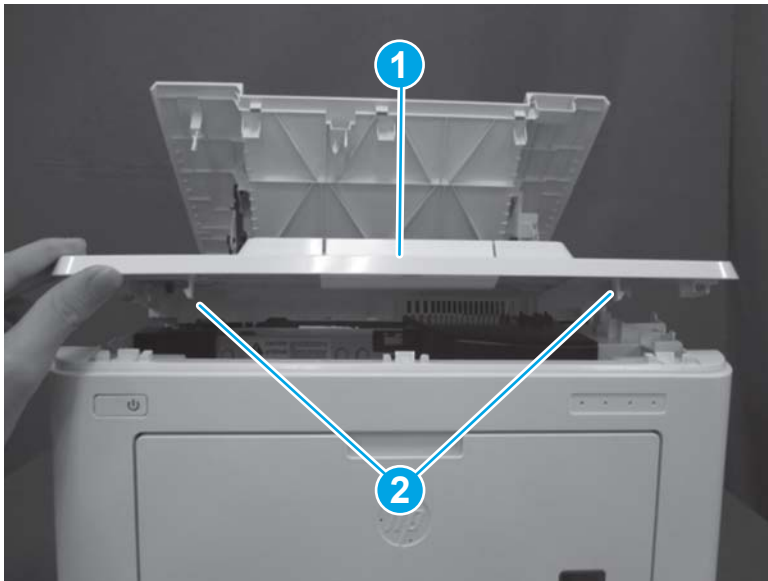
Figure 1-1712 Connect two connectors (MFP)



#### Step 26: Install the top front cover

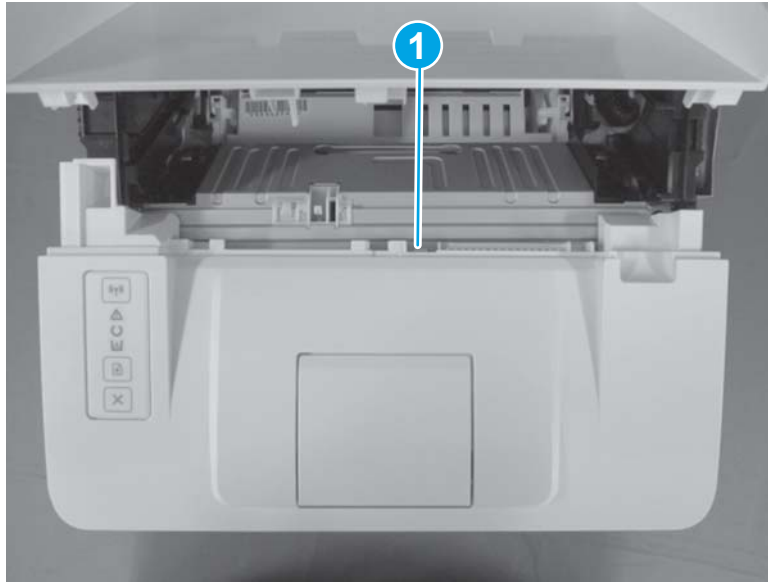
1. SFP: Do the following.
  - a. Position the top front cover (callout 1) on the printer and install two tabs (callout 2).

Figure 1-1713 Install two tabs



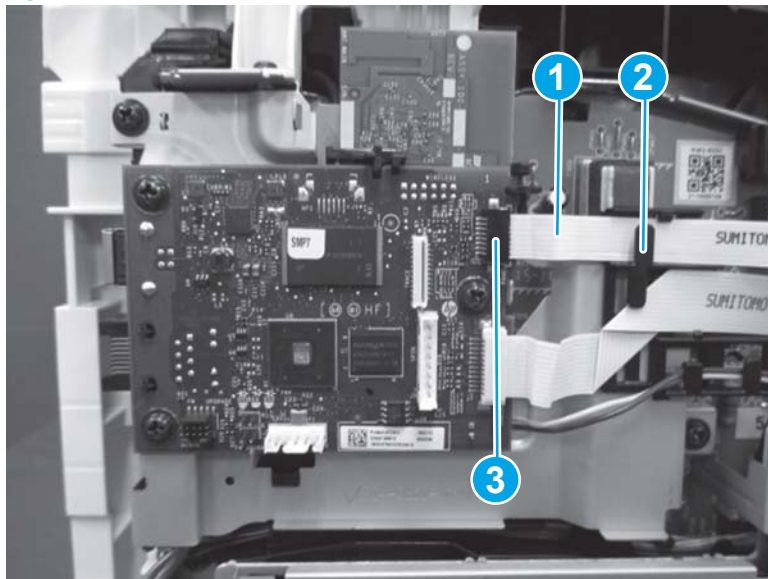
- b. On the top of the cover, install one tab (callout 1).

Figure 1-1714 Install one tab



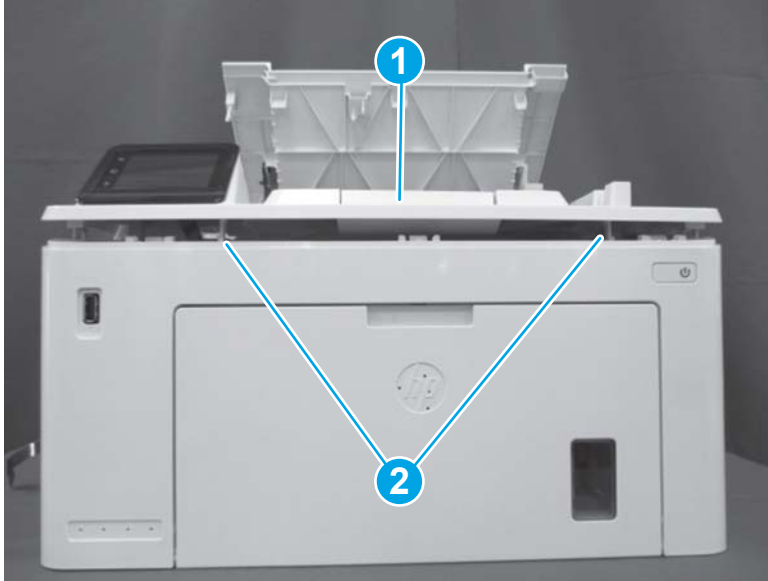
- c. Install the cable (callout 1) in the guide (callout 2), and then connect one connector (callout 3) on the formatter.

Figure 1-1715 Connect one connector



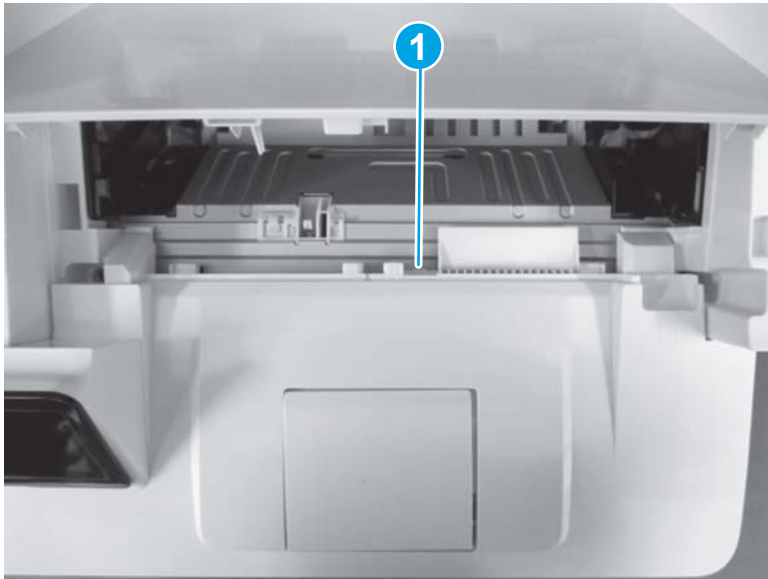
2. MFP: Do the following.
  - a. Position the top front cover (callout 1) on the printer, and then install two tabs (callout 2).

Figure 1-1716 Install two tabs



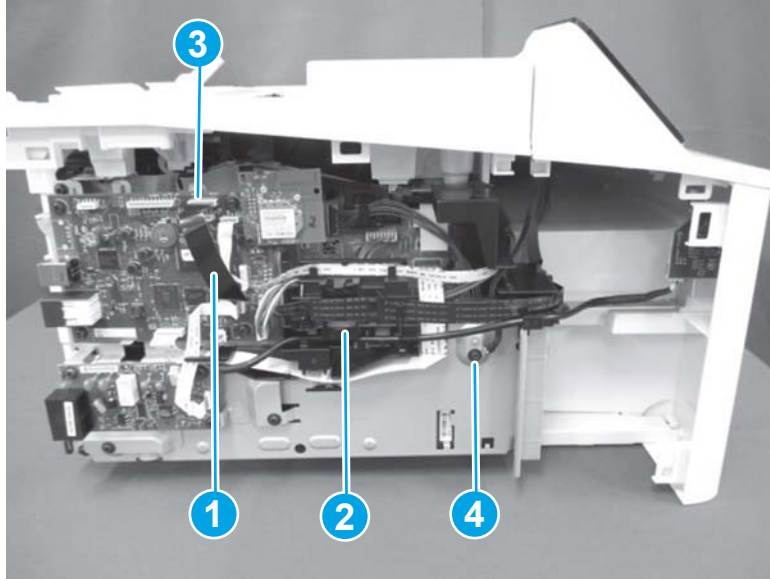
- b. Install one tab (callout 1).

Figure 1-1717 Install one tab



- c. Install the cable (callout 1) in the cable guide (callout 2), and then connect one connector (callout 3). Install one screw (callout 4) to secure the grounding cable.

**Figure 1-1718** Install one connector and grounding cable

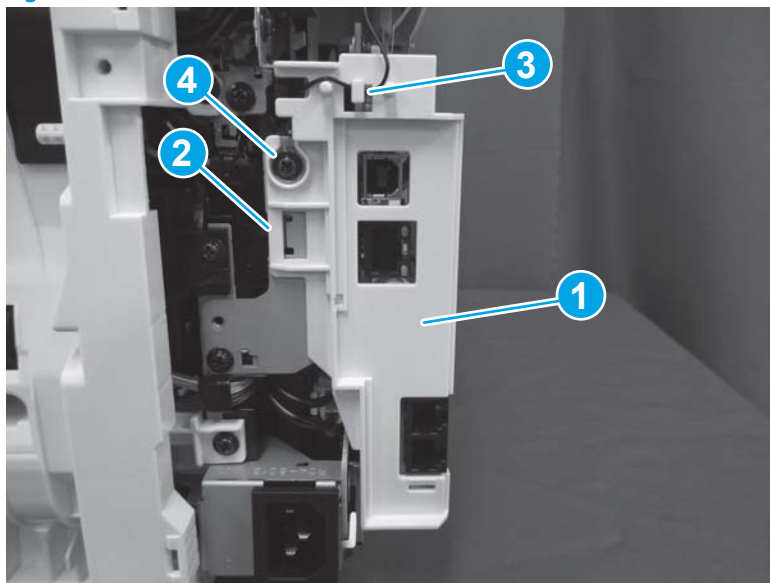


#### Step 27: Install the USB cover

- ▲ Do the following:

- Position the USB cover (callout 1) on the printer, and then make sure that one tab (callout 2) is engaged.
- **4-in-1 scanner assembly models only:** Install one wire harness in the guide (callout 3), and then install one screw (callout 4).

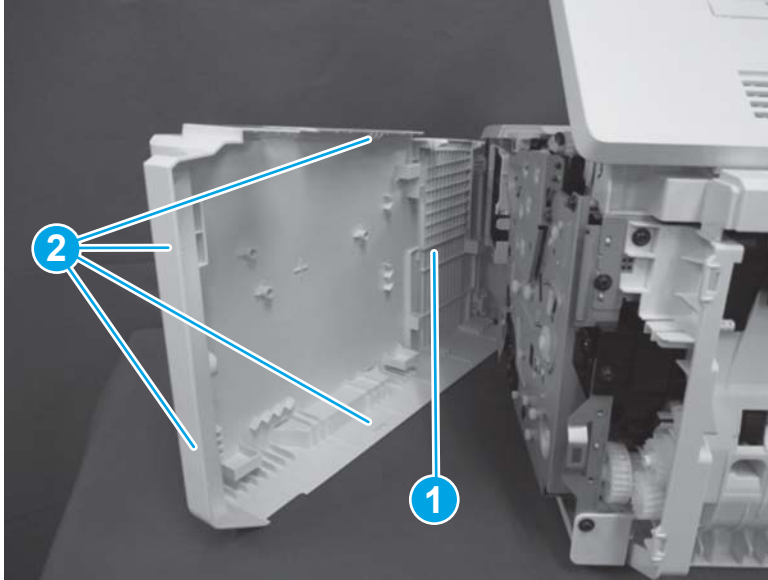
**Figure 1-1719** Install the USB cover (MFP)



## Step 28: Install the right cover

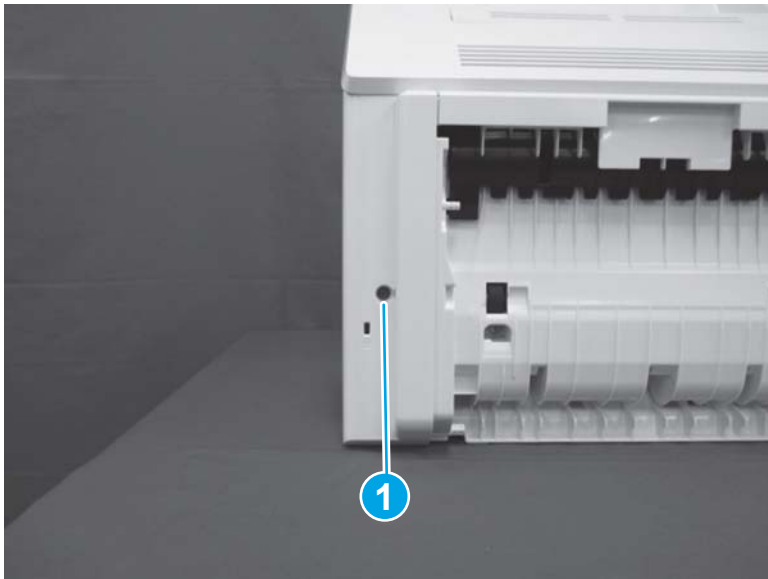
1. **SFP:** Do the following.
  - a. Open the cartridge door.
  - b. Position the right cover (callout 1) on the printer, and then engage four tabs (callout 2).

**Figure 1-1720** Install the right cover (SFP)



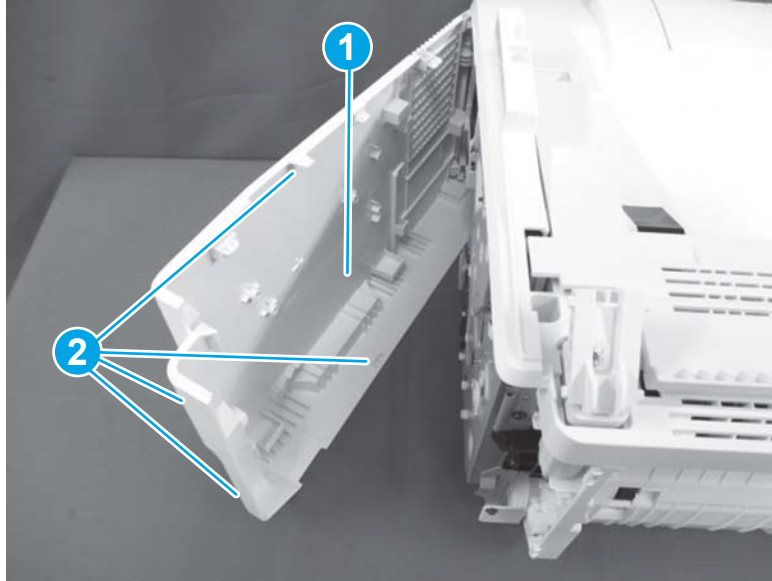
- c. Close the cartridge door.
- d. Install one screw (callout 1).

**Figure 1-1721** Install one screw (SFP)



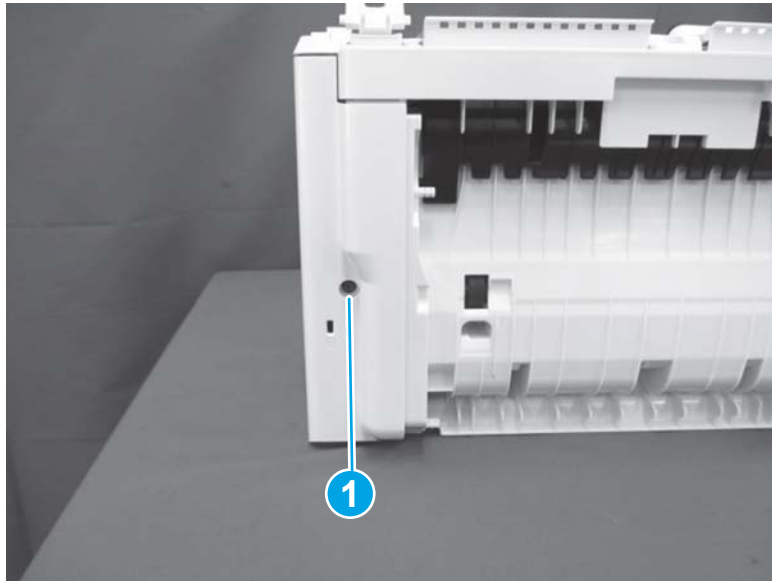
2. **MFP:** Do the following.
  - a. Position the right cover (callout 1) on the printer, and then engage four tabs (callout 2).

Figure 1-1722 Install the right cover (MFP)



- b. Install one screw (callout 1).

Figure 1-1723 Install one screw (MFP)




### Step 29: Install the 3-in-1 or 4-in-1 scanner assembly (MFP)

---

 **NOTE:** This step is for the MFP printers. For the SFP printers, skip this step and go to [Step 31: Install the left cover on page 1005](#).

---

 **NOTE:** The 4-in-1 scanner assembly supports the document feeder. The 3-in-1 scanner assembly does not support the document feeder.

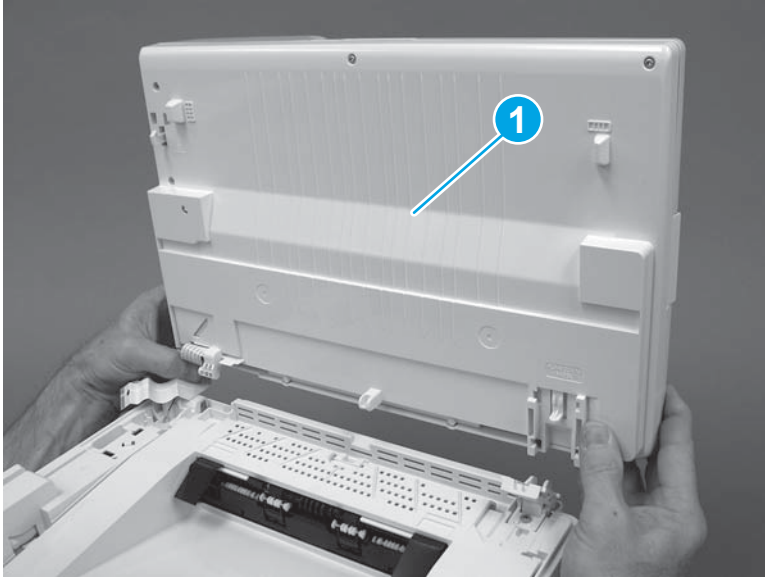
The figures in this procedure show a 4-in-1 printer. However, the procedure is correct for 3-in-1 printers.

---

1. Position the scanner assembly (callout 1) near the printer.

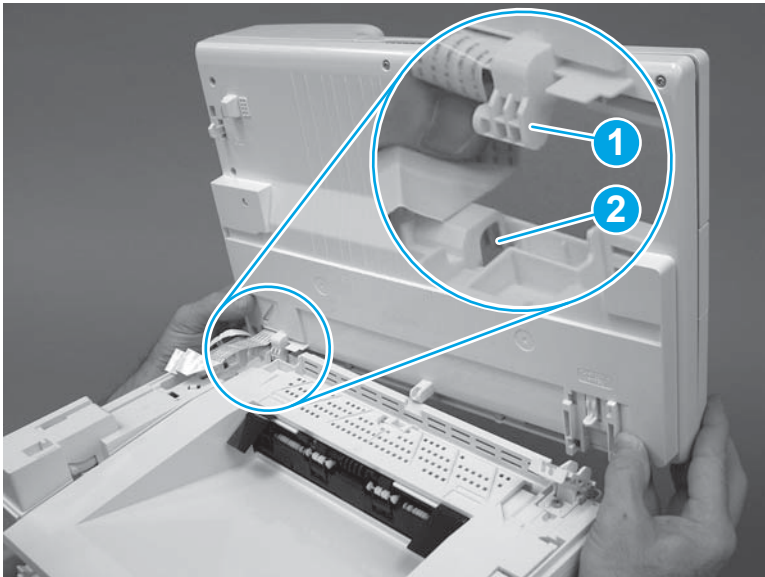


Figure 1-1724 Install the scanner assembly (MFP)



2. Engage the left hinge (callout 1) with the top cover (callout 2).

Figure 1-1725 Engage the left hinge (MFP)





3. Push the right side of the scanner assembly toward the front of the printer to engage the right hinge (callout 1). Make sure that the tab (callout 2) snaps into place.

Figure 1-1726 Engage the right hinge (MFP)



4. **4-in-1 models only:** Pass the flat cables (callouts 1/2) and the ground wire (callout 3) through the openings in the chassis, and then connect the two flat cables.

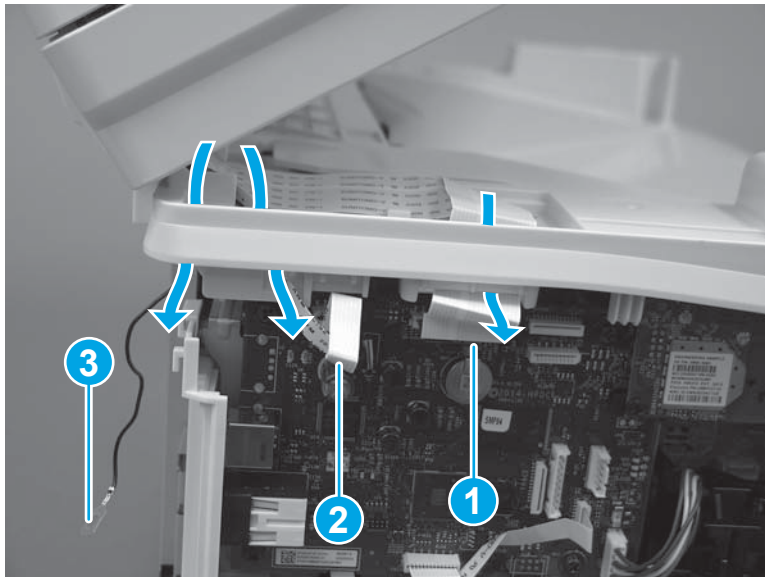
**3-in-1 models only:** Pass the flat cable (callout 1) through the opening in the chassis, and then connect one flat cable.

---

 **NOTE:** The 3-in-1 model does not have the small flat cable (callout 2) or a ground wire (callout 3).

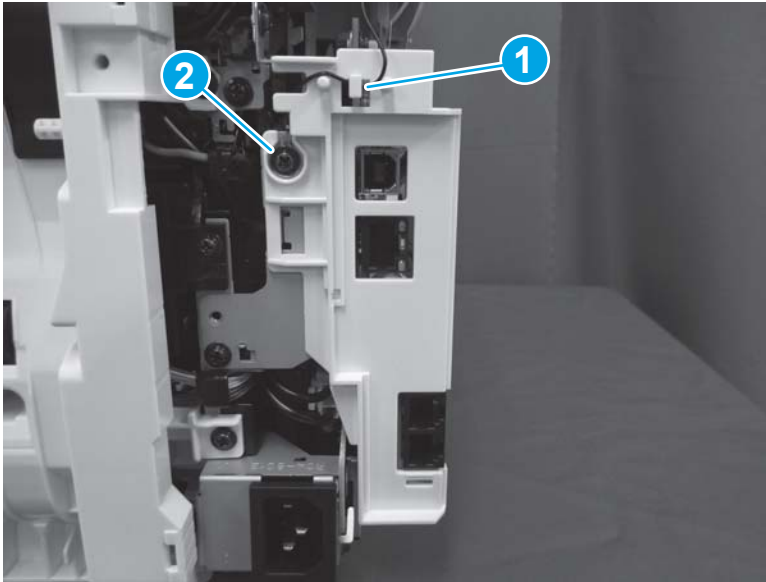
---

Figure 1-1727 Connect flat cable(s)



5. **4-in-1 models only:** Install the ground wire in the retainer (callout 1), and then install one screw (callout 2).

**Figure 1-1728** Install the ground wire (4-in-1 models)

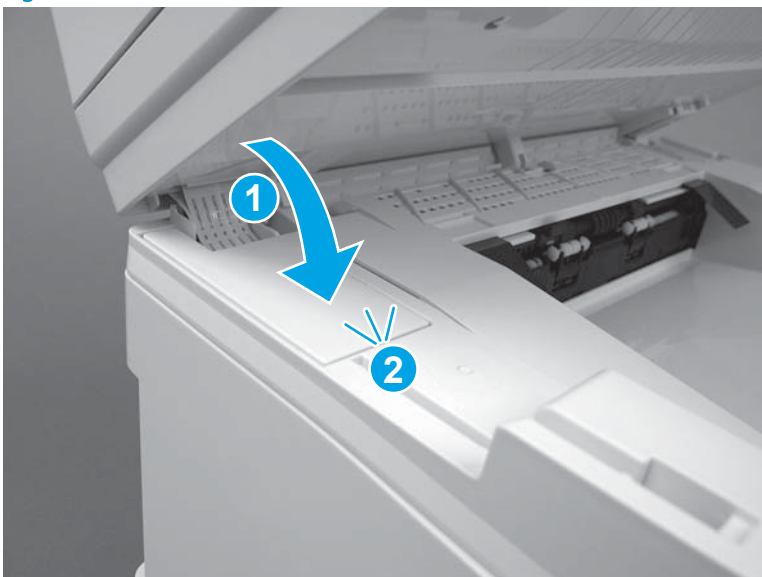


### Step 30: Install the cable cover (MFP)

 **NOTE:** This step is for the MFP printers. For the SFP printers, skip this step and go to [Step 31: Install the left cover on page 1005](#).

1. Install the cable cover (callout 1), on the printer, and then push down to engage one tab (callout 2).

**Figure 1-1729** Install the cable cover (MFP)



2. Close the scanner assembly.

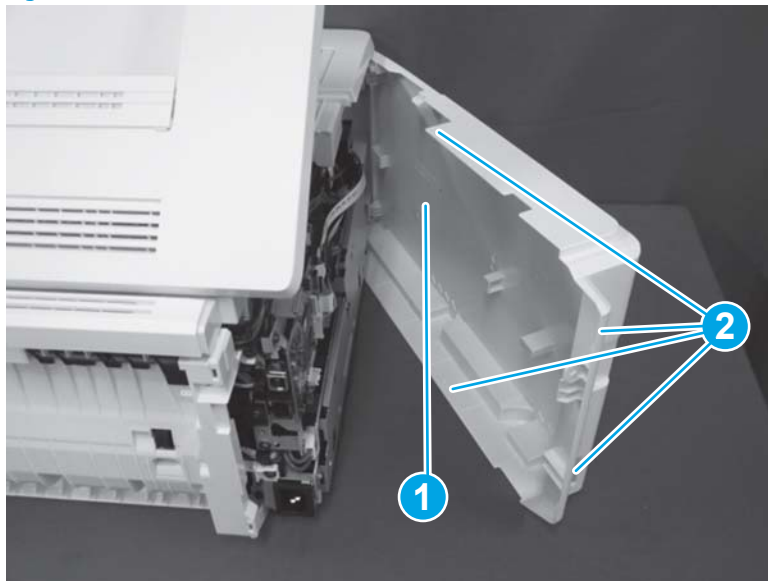
**Figure 1-1730** Close the scanner assembly



### Step 31: Install the left cover

1. SFP: Do the following.
  - a. Open the cartridge door.
  - b. Position the left cover (callout 1) on the printer, and then engage four tabs (callout 2).

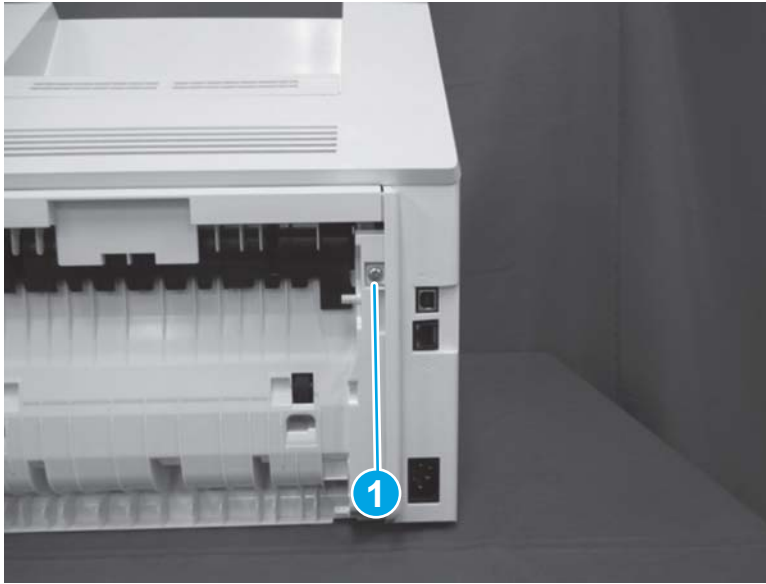
**Figure 1-1731** Install the left cover (SFP)



- c. Close the cartridge door.

- d. Install one screw (callout 1).

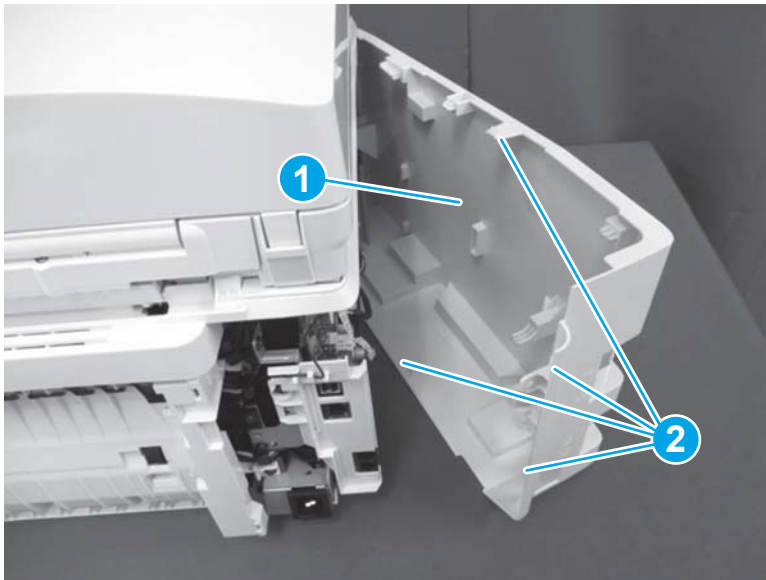
Figure 1-1732 Install one screw (SFP)



- 2. MFP: Do the following.

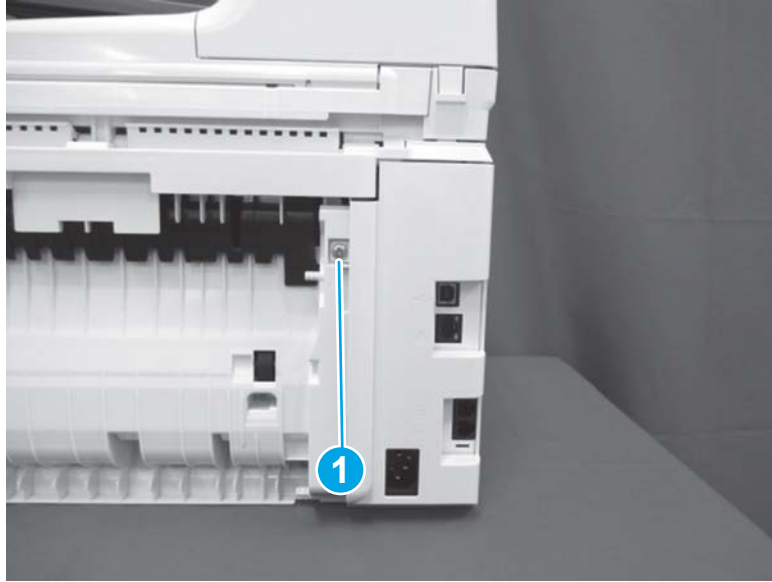
- a. Position the left cover (callout 1) on the printer, and then engage four tabs (callout 2).

Figure 1-1733 Install the left cover (MFP)



- b. Install one screw (callout 1).

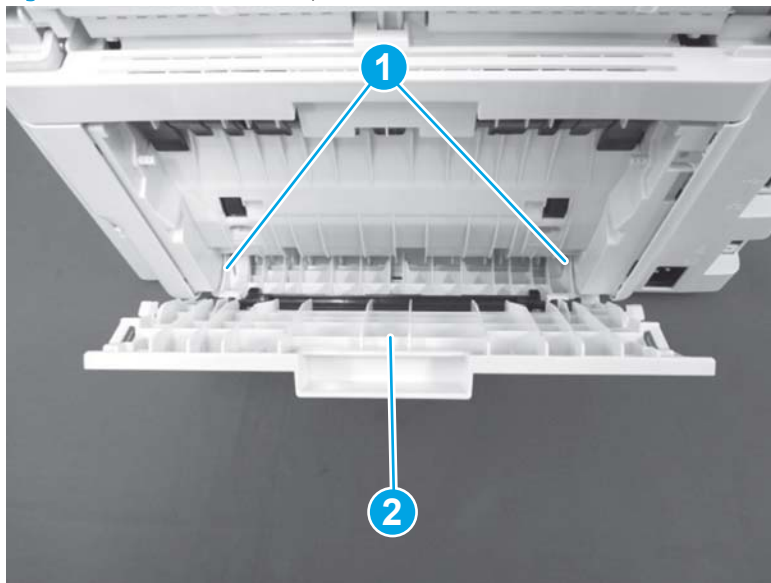
Figure 1-1734 Install one screw (MFP)



### Step 32: Install the duplex door

1. Install two tabs (callout 1) to install the duplex door (callout 2).

Figure 1-1735 Install the duplex door

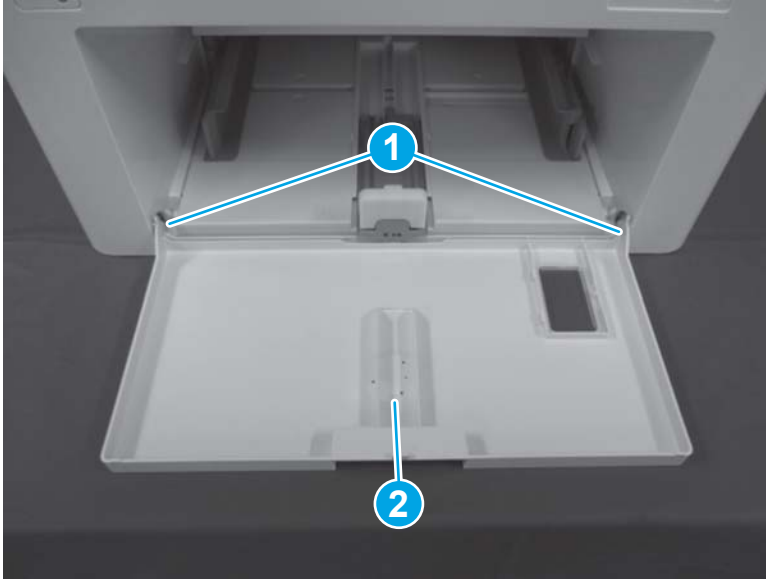


2. Close the duplex door.

### Step 33: Install the multipurpose cover

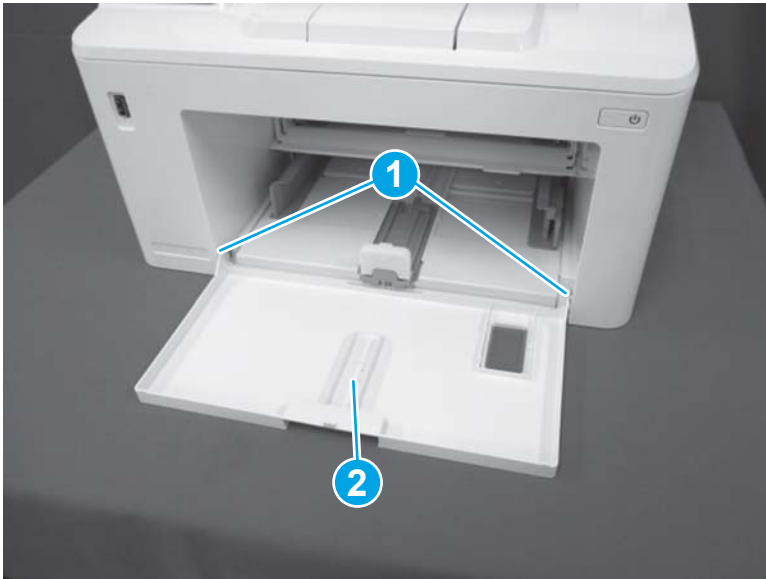
1. SFP: Engage two bosses (callout 1), to install the cover (callout 2).

Figure 1-1736 Install the multipurpose cover (SFP)



2. **MFP:** Engage two bosses (callout 1) to install the cover (callout 2).

Figure 1-1737 Install the multipurpose cover (MFP)



3. Close the multipurpose cover.

## Removal and replacement: Fuser and fixing film assembly

- [Introduction](#)
- [Step 1: Remove the multipurpose cover](#)
- [Step 2: Remove the duplex door](#)
- [Step 3: Remove the left cover](#)
- [Step 4: Remove the cable cover \(MFP\)](#)
- [Step 5: Remove the 3-in-1 or 4-in-1 scanner assembly \(MFP\)](#)
- [Step 6: Remove the right cover](#)
- [Step 7: Remove the USB cover](#)
- [Step 8: Remove the top front cover](#)
- [Step 9: Remove the front cover](#)
- [Step 10: Remove the hinge assembly \(MFP\)](#)
- [Step 11: Remove the cartridge door](#)
- [Step 12: Remove the top cover \(MFP\)](#)
- [Step 13: Remove the top rear cover \(SFP\)](#)
- [Step 14: Remove the duplex paper feed assembly](#)
- [Step 15: Remove the low-voltage power supply \(LVPS\)](#)
- [Step 16: Remove the transfer assembly](#)
- [Step 17: Remove the fuser](#)
- [Step 18: Remove the fixing film assembly](#)
- [Step 19: Unpack the replacement assembly](#)
- [Step 20: Install the fixing film assembly](#)
- [Step 21: Install the fuser](#)
- [Step 22: Install the transfer assembly](#)
- [Step 23: Install the LVPS](#)
- [Step 24: Install the duplex paper feed assembly](#)
- [Step 25: Install the top rear cover \(SFP\)](#)
- [Step 26: Install the top cover \(MFP\)](#)
- [Step 27: Install the cartridge door](#)
- [Step 28: Install the hinge assembly \(MFP\)](#)
- [Step 29: Install the front cover](#)

- [Step 30: Install the top front cover](#)
- [Step 31: Install the USB cover](#)
- [Step 32: Install the right cover](#)
- [Step 33: Install the 3-in-1 or 4-in-1 scanner assembly \(MFP\)](#)
- [Step 34: Install the cable cover \(MFP\)](#)
- [Step 35: Install the left cover](#)
- [Step 36: Install the duplex door](#)
- [Step 37: Install the multipurpose cover](#)

## Introduction


This document provides the procedures to remove and replace the fuser and fixing film assembly.

## Before performing service

### Turn the printer power off

- Disconnect the power cable.

---

 **WARNING!** To avoid damage to the printer, turn the printer off, wait 30 seconds, and then remove the power cable before attempting to service the printer.

---

Use the table below to identify the correct part number for your printer. To order the part, go to [www.hp.com/buy/parts](http://www.hp.com/buy/parts).

Fuser and fixing film assembly part number	
RM2-0805-000CN	Fuser assembly (110–127V) <sup>1</sup>
RM2-0806-000CN	Fuser assembly (220–240V) <sup>1</sup>
RM2-0814-000CN	Fixing film assembly (110–127V)
RM2-0815-000CN	Fixing film assembly (220–240V)

<sup>1</sup> The fuser assembly includes the fuser, fixing film assembly, and the delivery sensor PCA.

## Required tools

- #2 Phillips screwdriver with a magnetic tip.
- Small flat-blade screwdriver

## After performing service

### Turn the printer power on

- Connect the power cable.
- Use the power switch to turn the power on.



## Post service test

**MFP:** Verify that the document feeder and the flatbed scanner are correctly functioning (copy a page).

Send a print job from the host computer (or print a configuration report). Verify that the page prints.

### Step 1: Remove the multipurpose cover

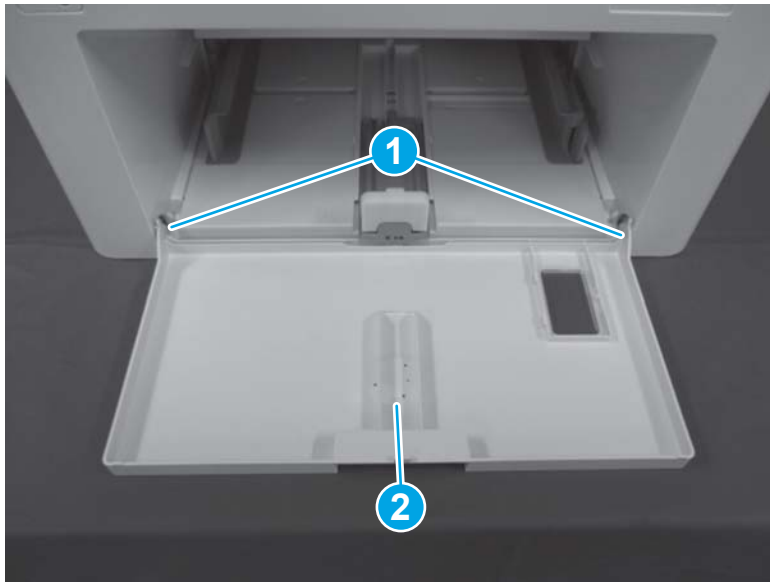
1. Open the multipurpose cover.
2. **SFP:** Release two bosses (callout 1), and then remove the cover (callout 2).

---

**TIP:** It might be easier to remove the cover if the right boss is released first, and then lower the right-side of the cover to release the left-side boss.

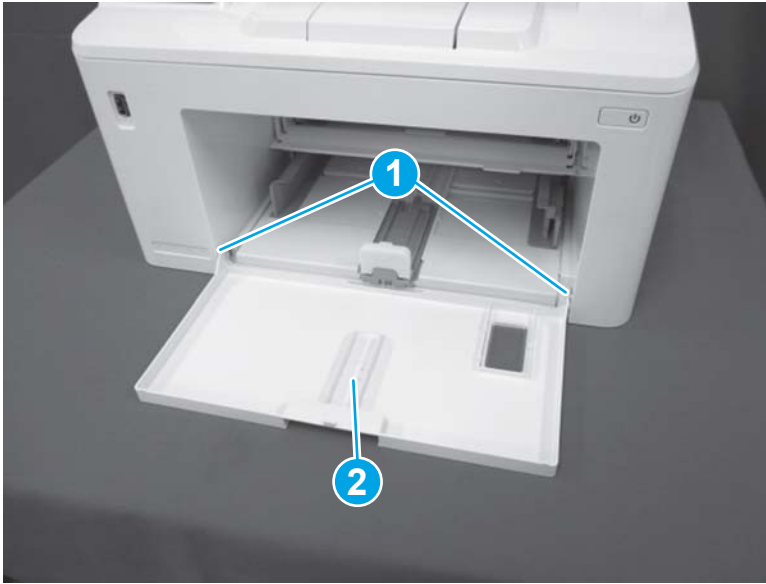
---

**Figure 1-1738** Remove the multipurpose cover (SFP)



3. **MFP:** Release two bosses (callout 1), and then remove the cover (callout 2).

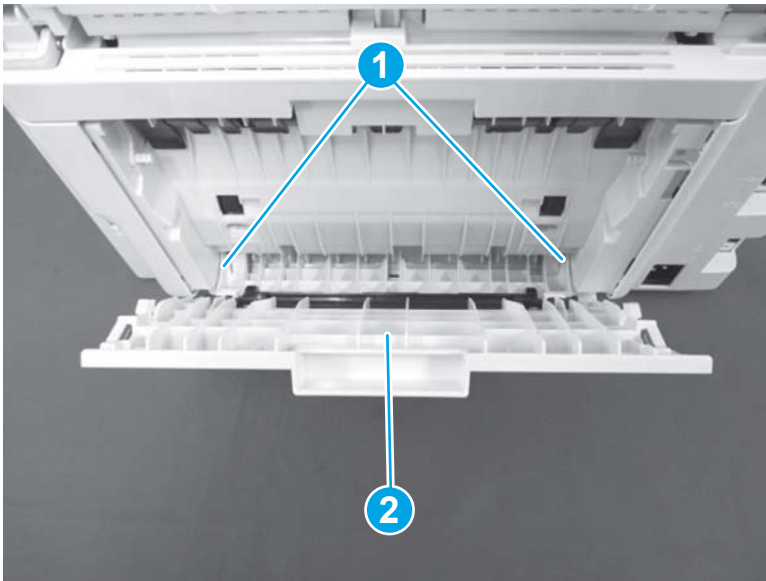
**Figure 1-1739** Remove the multipurpose cover (MFP)



#### Step 2: Remove the duplex door

1. Open the duplex door.
2. Use a small flat-blade screwdriver to release two tabs (callout 1), and then remove the duplex door (callout 2).

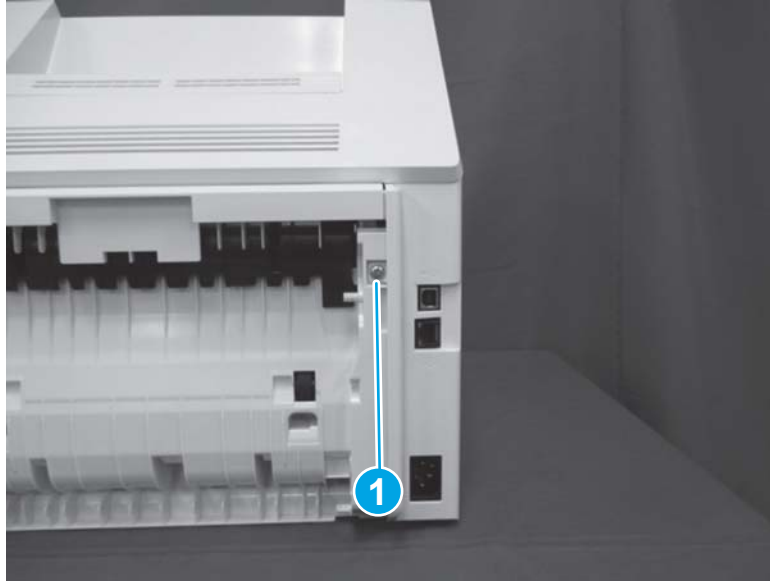
**Figure 1-1740** Remove the duplex door



#### Step 3: Remove the left cover

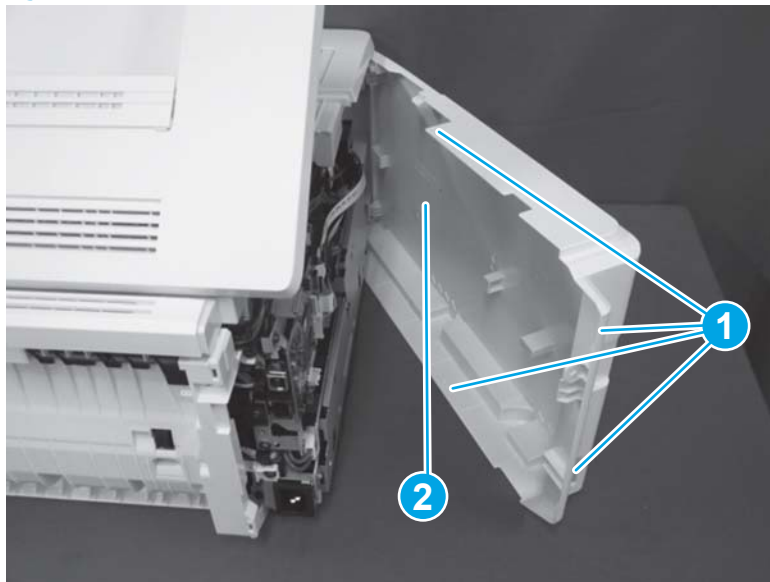
1. **SFP:** Do the following.
  - a. Remove one screw (callout 1).

Figure 1-1741 Remove one screw (SFP)



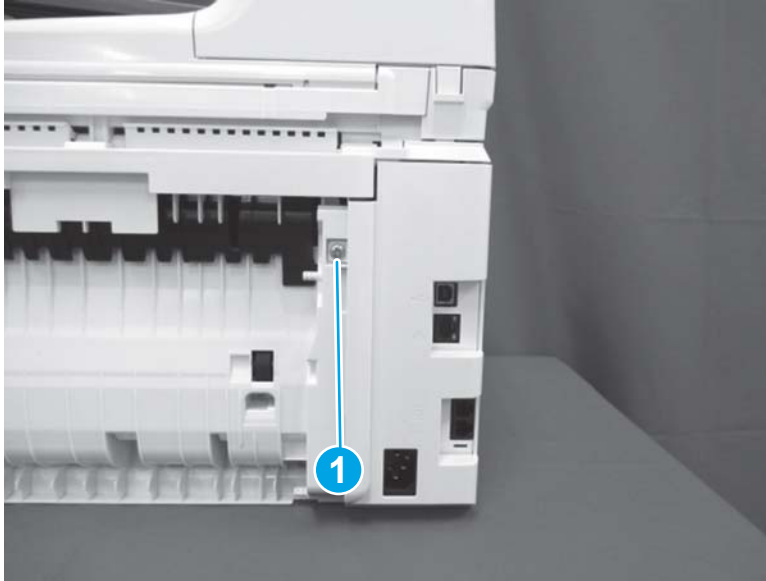
- b. Open the cartridge door.
- c. Release four tabs (callout 1), and then remove the left cover (callout 2).

Figure 1-1742 Remove the left cover (SFP)



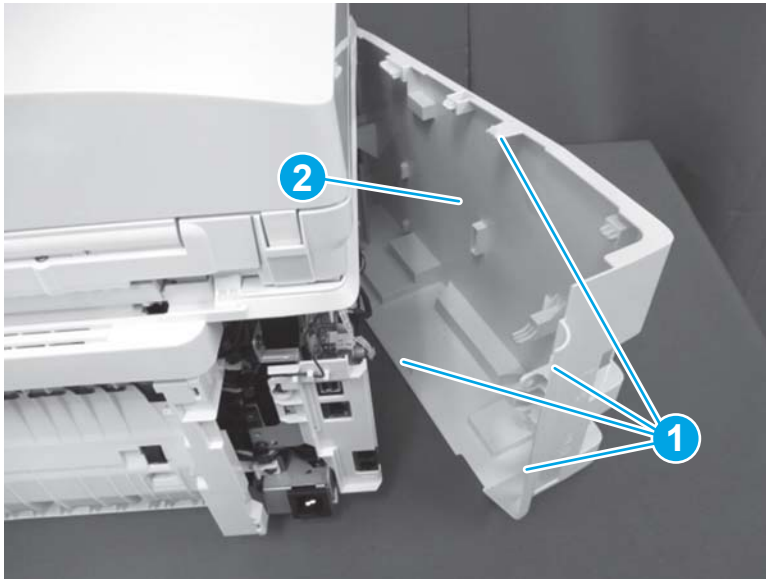
- 2. MFP: Do the following.
  - a. Remove one screw (callout 1).

Figure 1-1743 Remove one screw (MFP)



- b. Release four tabs (callout 1), and then remove the left cover (callout 2).

Figure 1-1744 Remove the left cover (MFP)



#### Step 4: Remove the cable cover (MFP)



**NOTE:** This step is for the MFP printers. For the SFP printers, skip this step and go to [Step 6: Remove the right cover on page 1018](#).

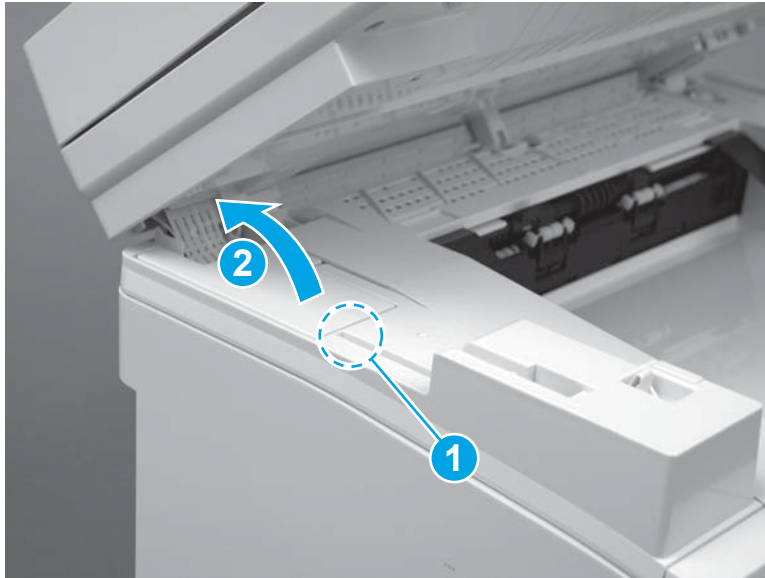
1. Open the scanner assembly.

Figure 1-1745 Open the scanner assembly




2. Use a small flat-blade screw driver to release one tab (callout 1), and then remove the cable cover (callout 2).

Figure 1-1746 Remove the cable cover (MFP)



#### Step 5: Remove the 3-in-1 or 4-in-1 scanner assembly (MFP)

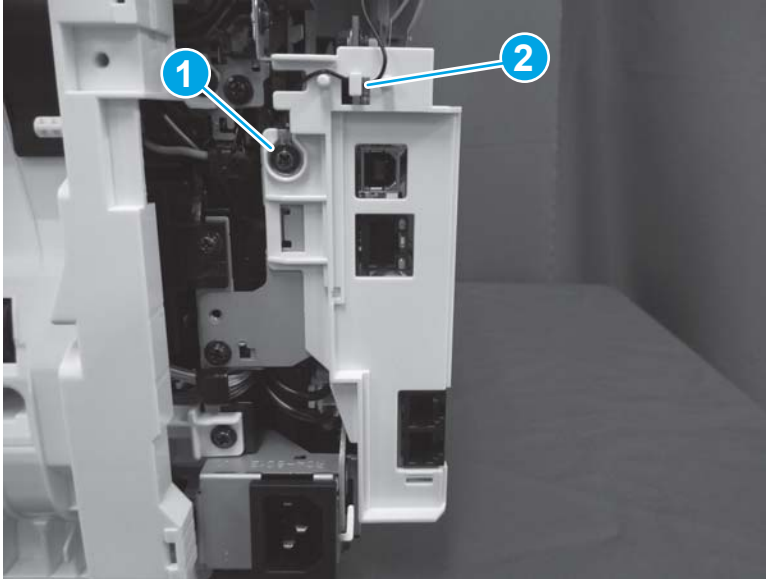
 **NOTE:** This step is for the MFP printers. For the SFP printers, skip this step and go to [Step 6: Remove the right cover on page 1018](#).

 **NOTE:** The 4-in-1 scanner assembly supports the document feeder. The 3-in-1 scanner assembly does not support the document feeder.

The figures in this procedure show a 4-in-1 printer. However, the procedure is correct for 3-in-1 printers.

1. **4-in-1 models only:** Remove one screw (callout 1), and then release the ground wire from the retainer (callout 2).

Figure 1-1747 Release the ground wire (4-in-1 models)

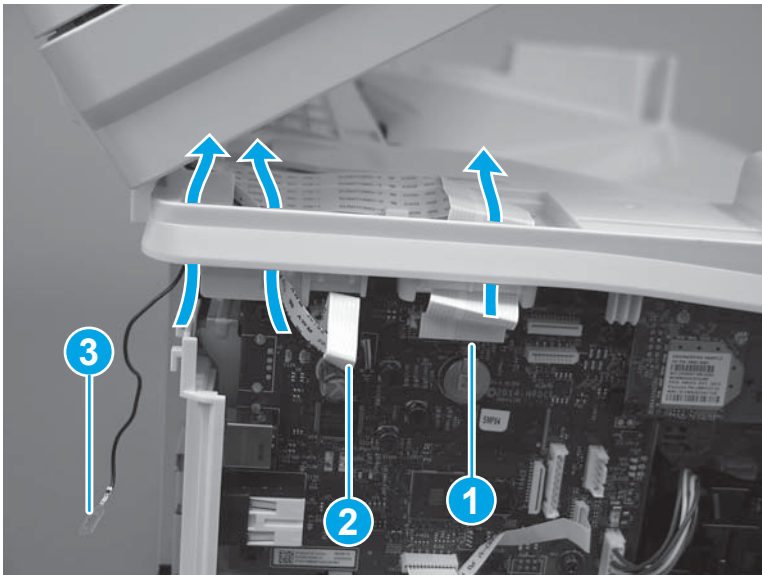


2. **4-in-1 models only:** Disconnect two flat cables (callouts 1/2), and then pass the flat cables and the ground wire (callout 3) up through the opening in the chassis.

**3-in-1 models only:** Disconnect one flat cable (callout 1), and then pass the flat cable through the opening in the chassis.

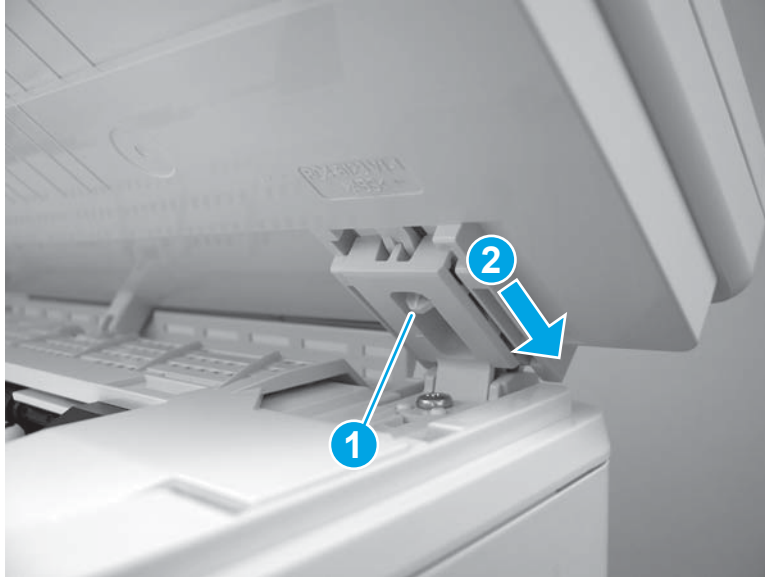
 **NOTE:** The 3-in-1 model does not have the small flat cable (callout 2) or a ground wire (callout 3).

Figure 1-1748 Disconnect flat cable(s)



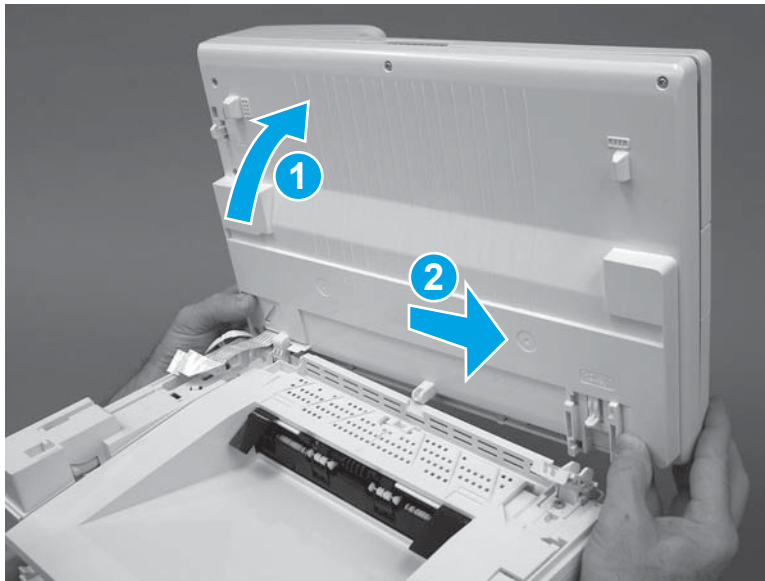
3. Release one tab (callout 1), and then push the right side of the scanner assembly toward the rear of the printer to release the right hinge (callout 2).

Figure 1-1749 Release the right hinge



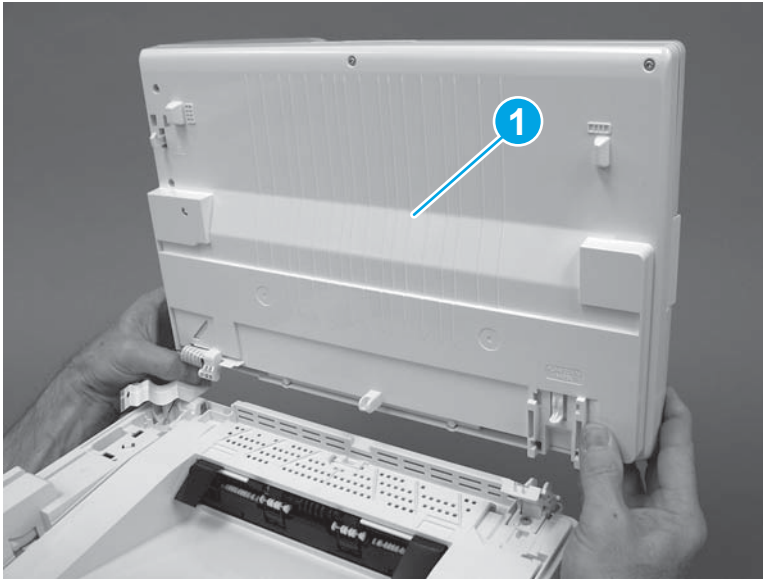
4. Rotate the scanner assembly towards the rear of the printer (callout 1), and then slide the scanner assembly toward the right side of the printer to release the left hinge (callout 2).

Figure 1-1750 Release the left hinge



5. Remove the scanner assembly (callout 1).

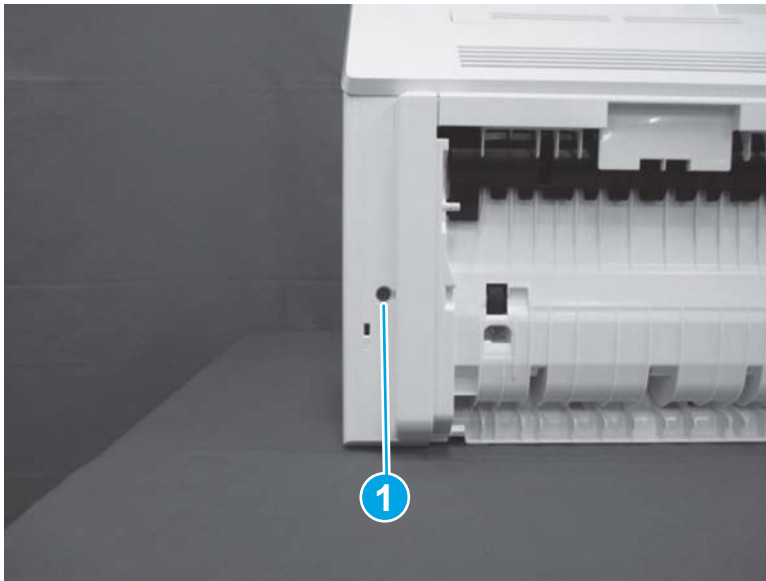
**Figure 1-1751** Remove the scanner assembly



#### Step 6: Remove the right cover

1. SFP: Do the following.
  - a. Remove one screw (callout 1).

**Figure 1-1752** Remove one screw (SFP)

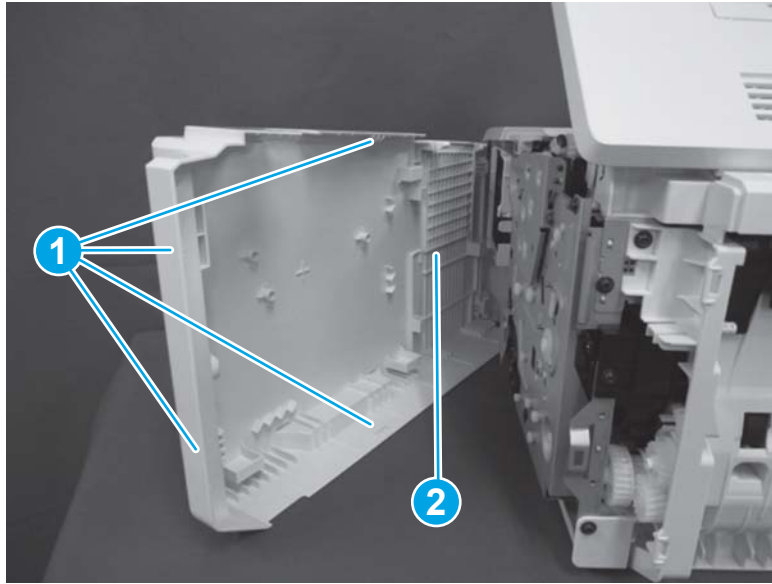


- b. Open the cartridge door.



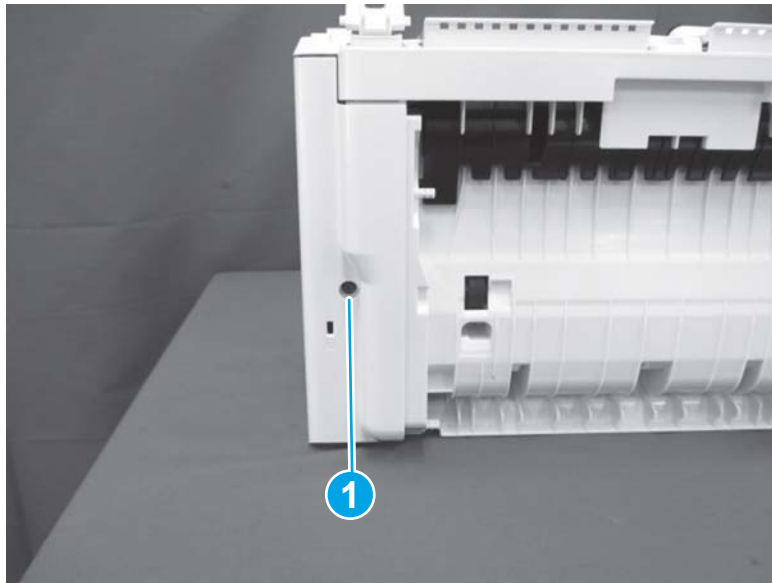
- c. Release four tabs (callout 1), and then remove the right cover (callout 2).

**Figure 1-1753** Remove the right cover (SFP)



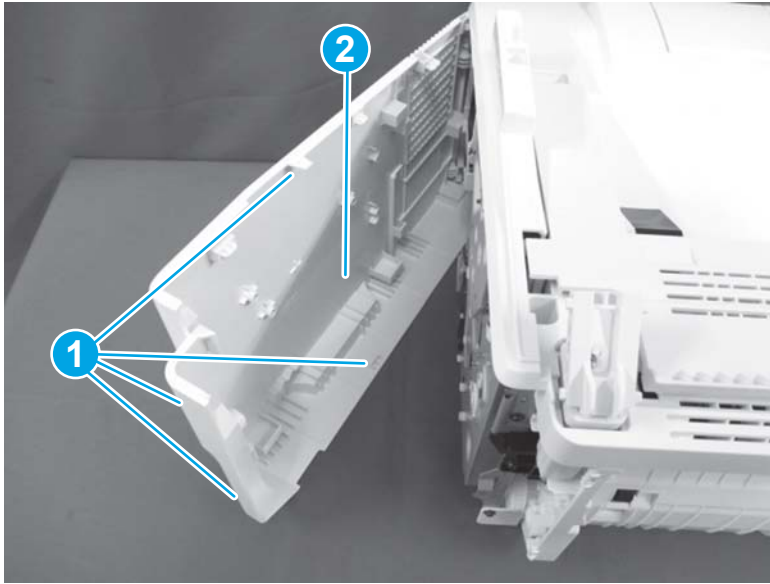
2. MFP: Do the following.
  - a. Remove one screw (callout 1).

**Figure 1-1754** Remove one screw (MFP)



- b. Release four tabs (callout 1), and then remove the right cover (callout 2).

Figure 1-1755 Remove the right cover (MFP)

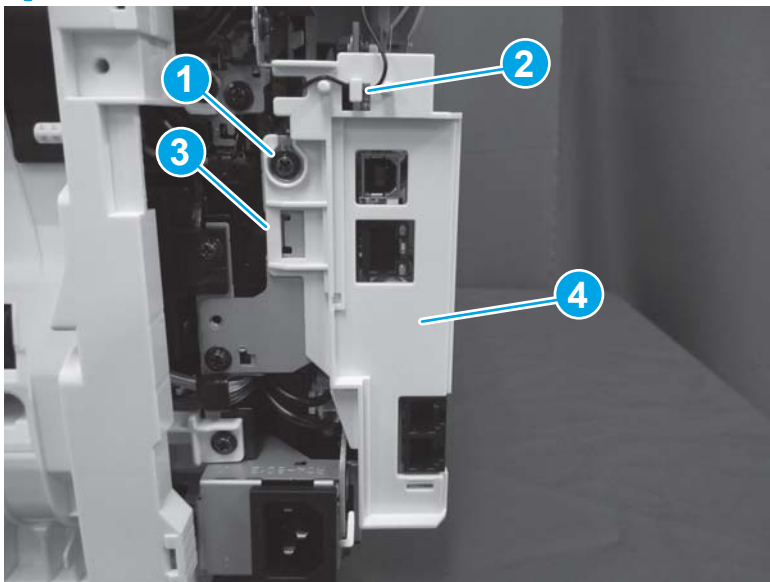


#### Step 7: Remove the USB cover

- ▲ Do the following:

- a. **4-in-1 scanner assembly models only:** Remove one screw (callout 1), and then release one wire harness from the guide (callout 2).
- b. Release one tab (callout 3), and then remove the USB cover (callout 4).

Figure 1-1756 Remove the USB cover (MFP)

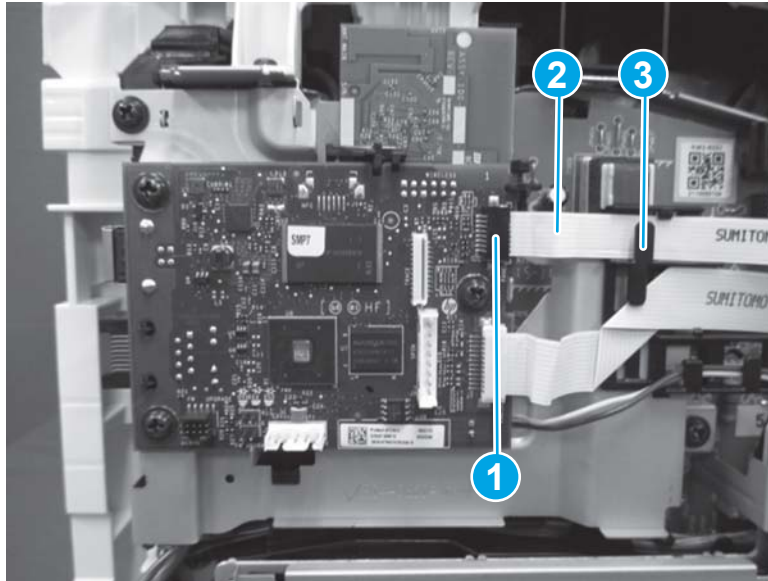


#### Step 8: Remove the top front cover

1. **SFP:** Do the following.

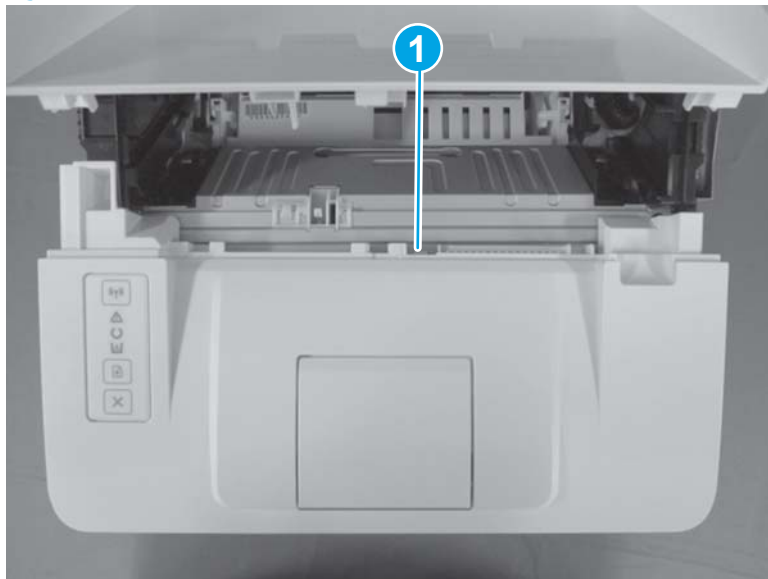
- a. Disconnect one connector (callout 1) on the formatter, and then release the cable (callout 2) from the cable guide (callout 3).

Figure 1-1757 Disconnect one connector



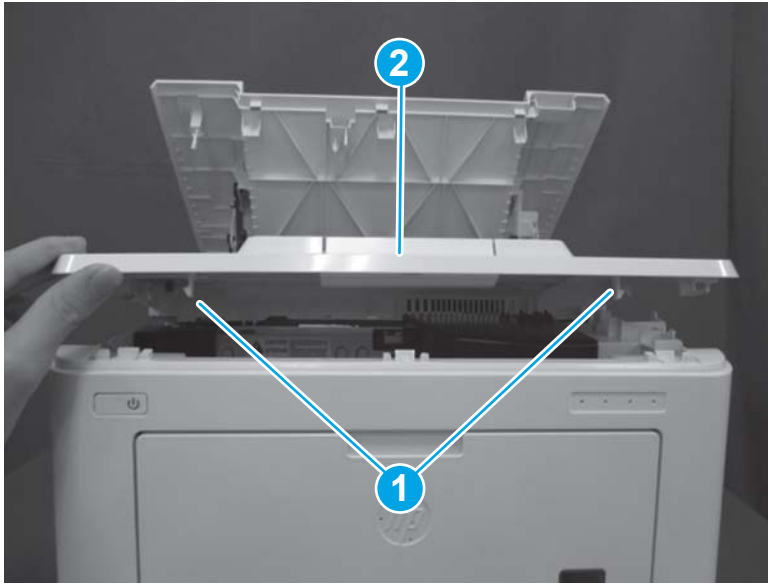
- b. Open the cartridge door, and then release one tab (callout 1) on the top of the cover.

Figure 1-1758 Release one tab



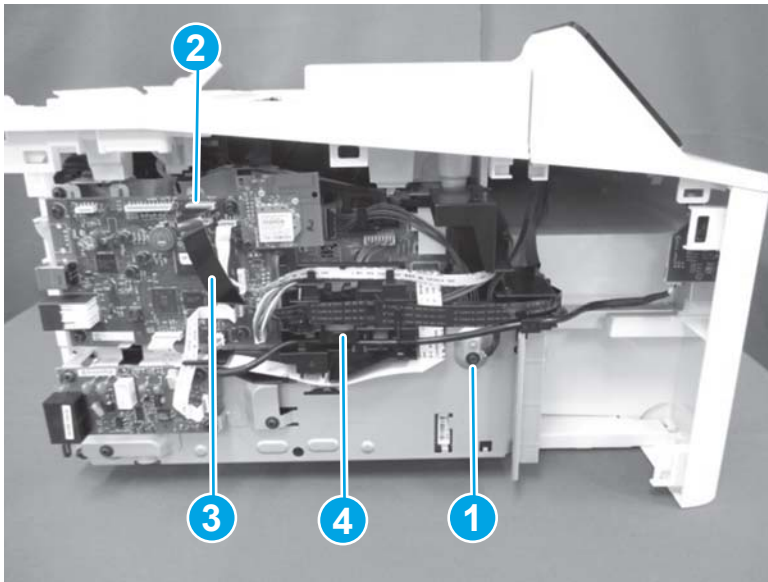
- c. Release two tabs (callout 1), and then remove the top front cover (callout 2).

Figure 1-1759 Release two tabs and remove the cover



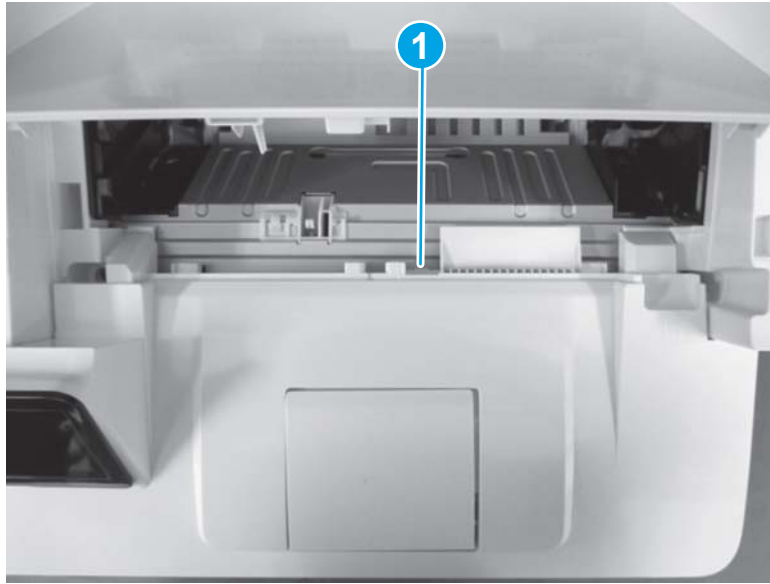
- 2. MFP: Do the following.
  - a. Remove one screw (callout 1) to release one cable. Disconnect one connector (callout 2), and then remove the cable (callout 3) from the cable guide (callout 4).

Figure 1-1760 Disconnect connector and release cable



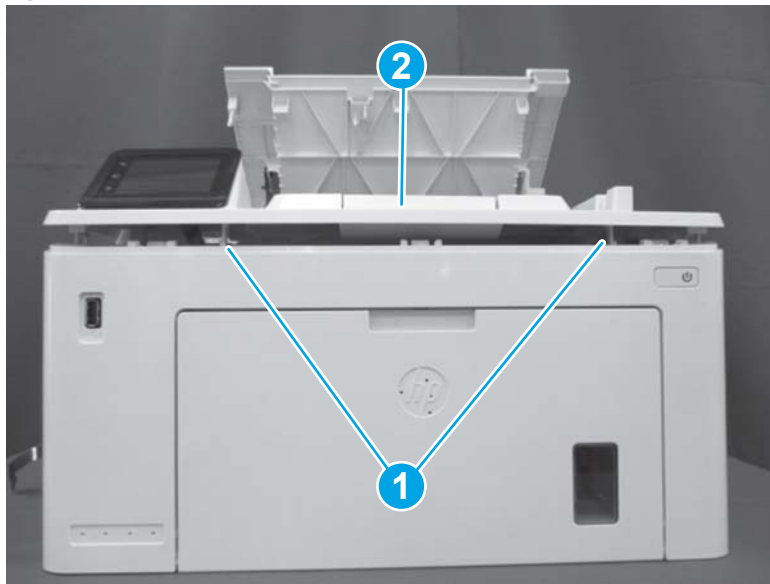
- b. Open the cartridge door, and then release one tab (callout 1).

**Figure 1-1761** Release one tab



- c. Release two tabs (callout 1), and then remove the top front cover (callout 2).

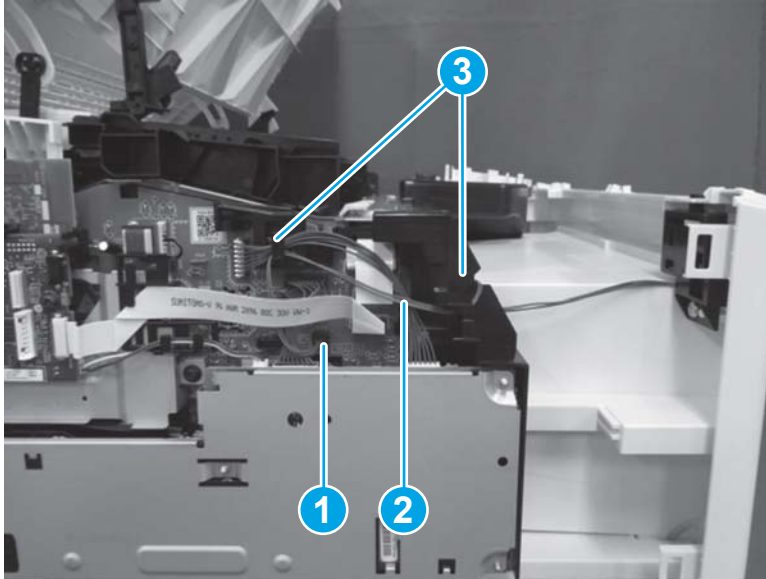
**Figure 1-1762** Release two tabs and remove the cover



### Step 9: Remove the front cover

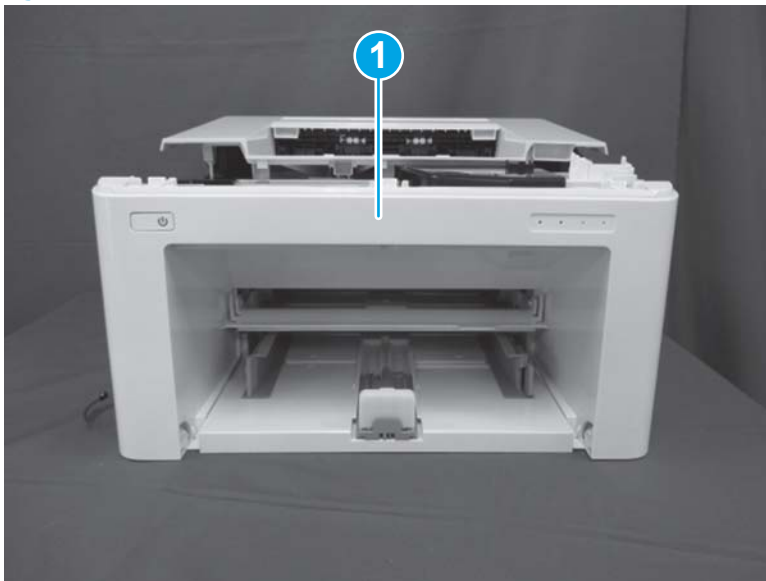
1. **SFP:** Do the following.
  - a. Disconnect one connector (callout 1), and then remove the cable (callout 2) from the cable guide (callout 3).

Figure 1-1763 Disconnect connector (SFP)



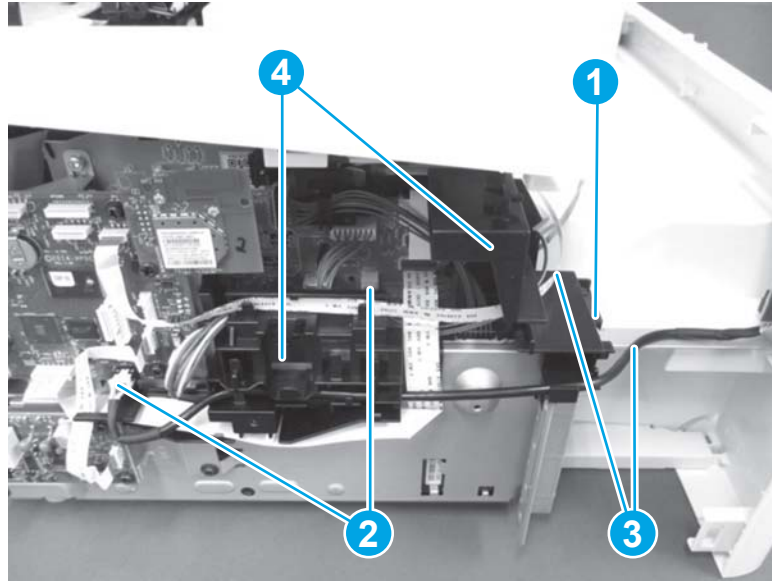
- b. Slide the front cover (callout 1) away from the printer to remove it.

Figure 1-1764 Remove the front cover (SFP)



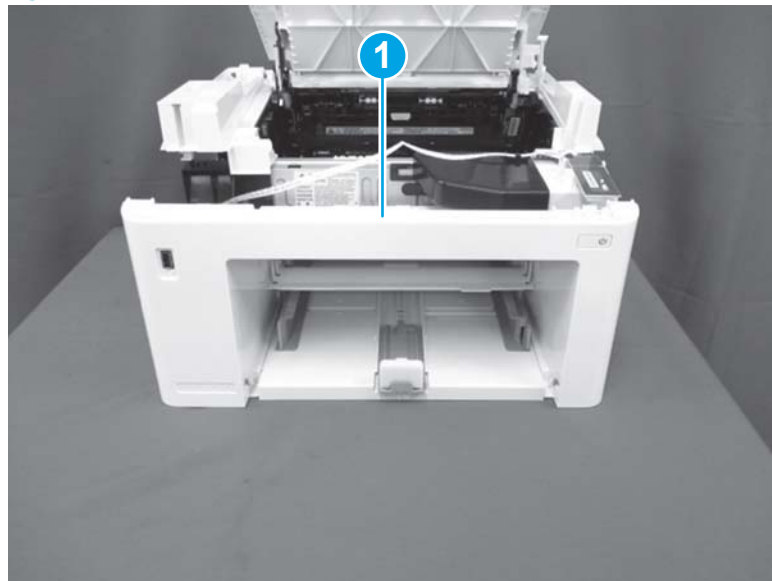
- 2. **MFP:** Do the following.
  - a. Remove one screw (callout 1). Disconnect two connectors (callout 2), and then release the cables (callout 3) from the cable guide (callout 4).

Figure 1-1765 Disconnect connectors (MFP)



- b. Slide the front cover (callout 1) away from the printer to remove it.

Figure 1-1766 Remove the front cover (MFP)



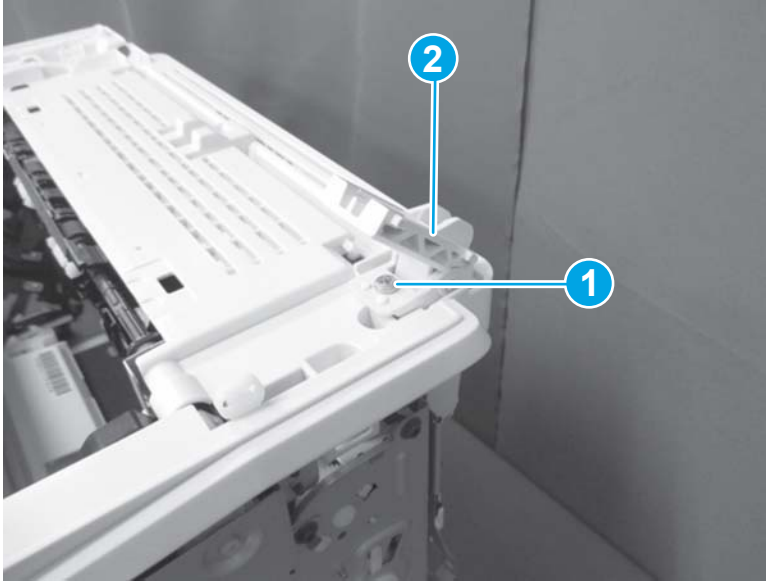
#### Step 10: Remove the hinge assembly (MFP)

 **NOTE:** This step is for the MFP printers. For the SFP printers, skip this step and go to [Step 11: Remove the cartridge door on page 1026](#).

- ▲ Remove one screw (callout 1), and then remove the hinge assembly (callout 2).



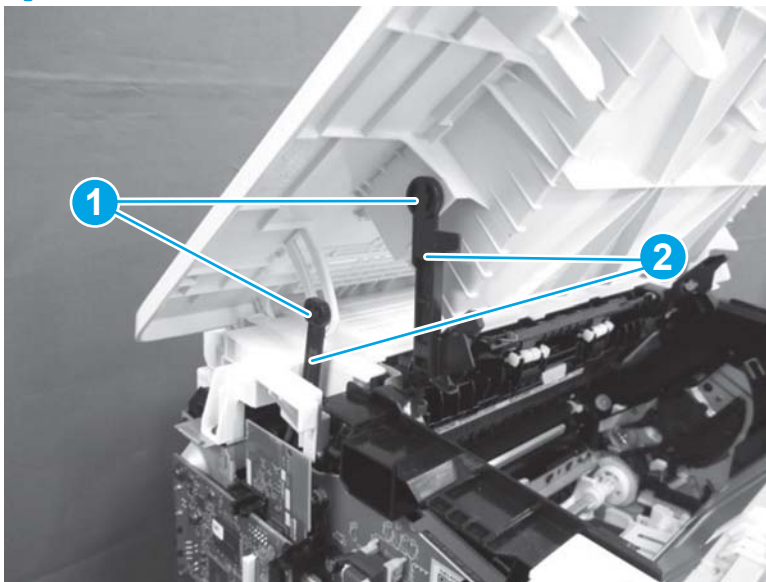
Figure 1-1767 Remove the hinge assembly (MFP)



### Step 11: Remove the cartridge door

1. SFP: Do the following.
  - a. Open the cartridge door. On the left side of the printer, release two tabs (callout 1), and then disconnect two link arms (callout 2).

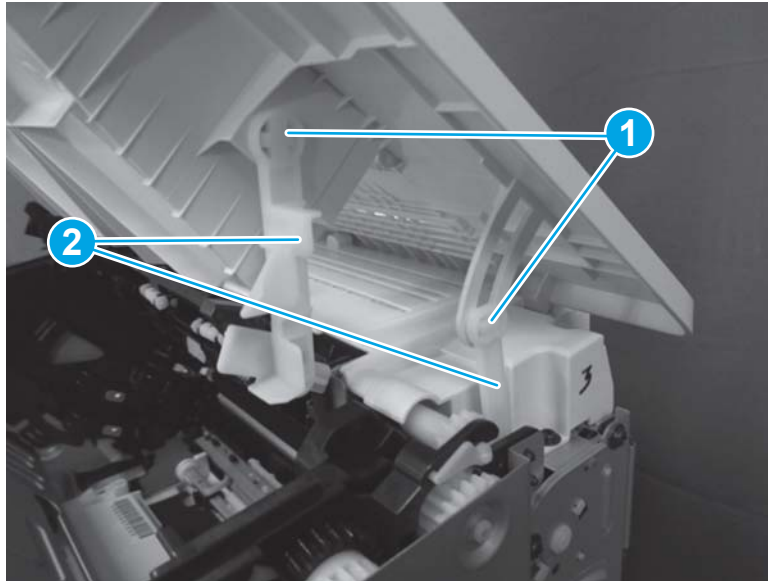
Figure 1-1768 Disconnect left link arms (SFP)





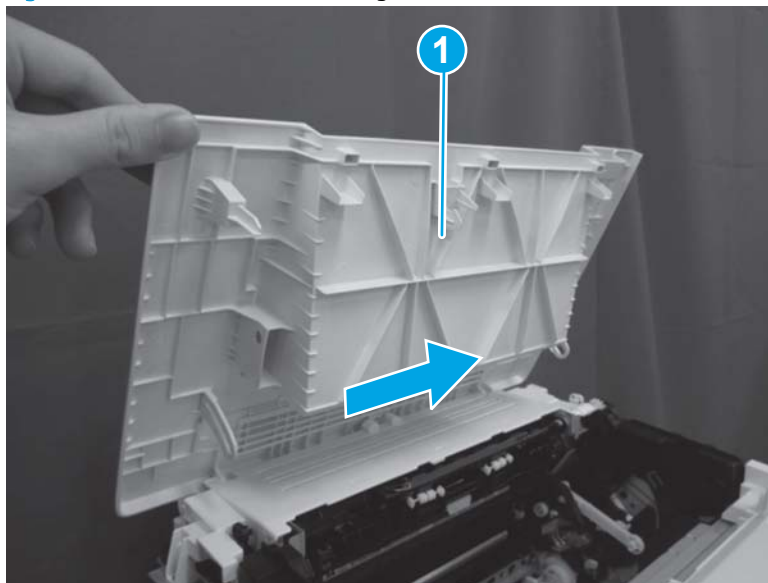
- b. On the right side of the printer, release two tabs (callout 1), and then disconnect two link arms (callout 2).

**Figure 1-1769** Disconnect right link arms (SFP)



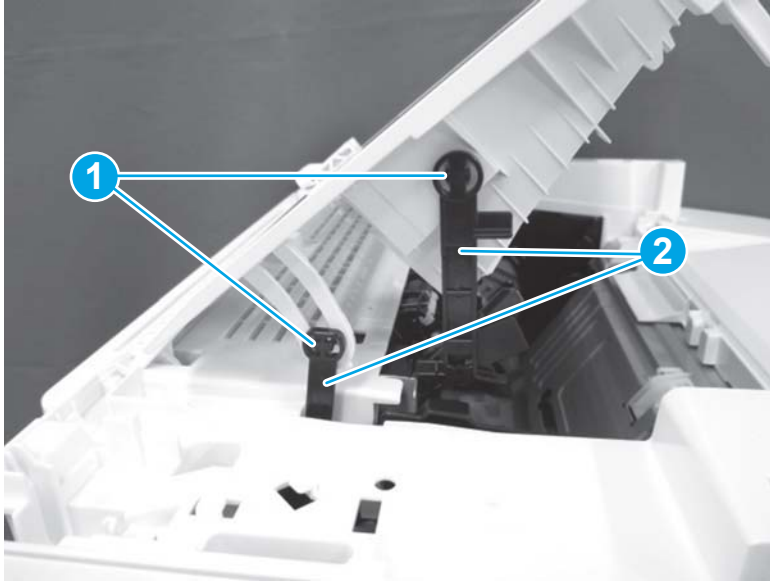
- c. Fully open the cartridge door (callout 1), and then slide it towards the right-side of the printer to remove it.

**Figure 1-1770** Remove the cartridge door (SFP)



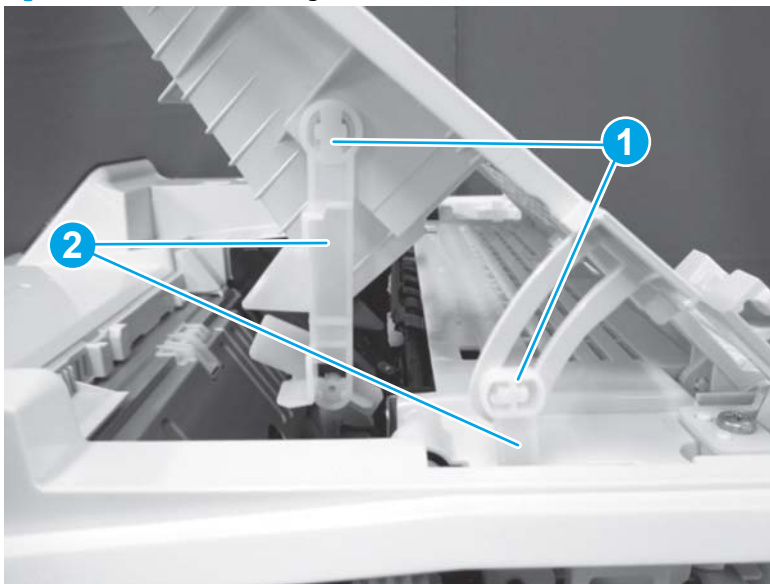
2. **MFP:** Do the following.
  - a. Open the cartridge door. On the left side of the printer, release two tabs (callout 1), and then disconnect two link arms (callout 2).

Figure 1-1771 Disconnect left link arms (MFP)



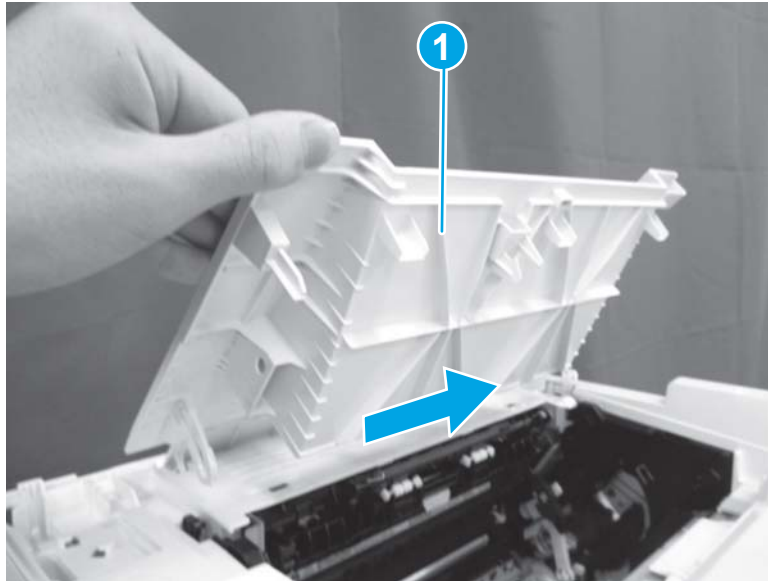
- b. On the right side of the printer, release two tabs (callout 1), and then disconnect two link arms (callout 2).

Figure 1-1772 Disconnect right link arms (MFP)



- c. Fully open the cartridge door (callout 1), and then slide it towards the right-side of the printer to remove it.

**Figure 1-1773** Remove the cartridge door (MFP)

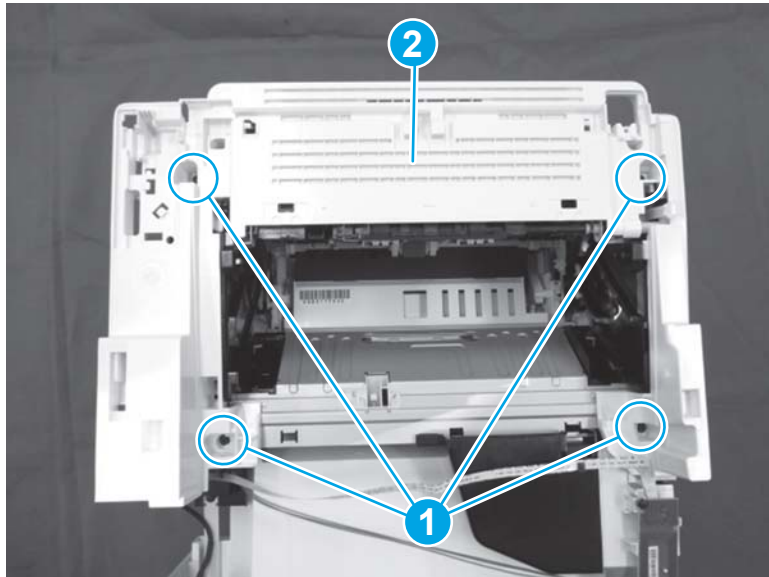


#### Step 12: Remove the top cover (MFP)


 **NOTE:** This step is for the MFP printers. For the SFP printers, skip this step and go to [Step 14: Remove the duplex paper feed assembly on page 1030](#).

- ▲ Remove four screws (callout 1), and then remove the top cover (callout 2).

**Figure 1-1774** Remove the top cover

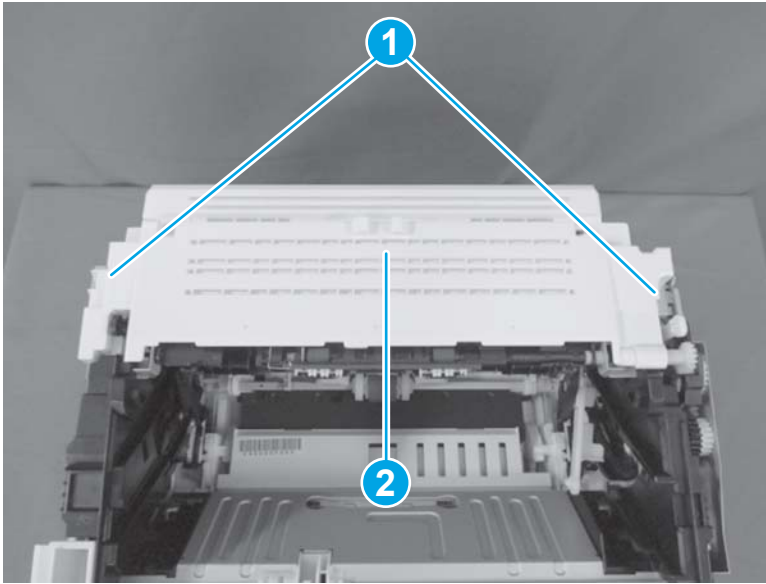


#### Step 13: Remove the top rear cover (SFP)

 **NOTE:** This step is for the SFP printers. For the MFP printers, skip this step and go to [Step 14: Remove the duplex paper feed assembly on page 1030](#).

- ▲ Remove two screws (callout 1), and then remove the top rear cover (callout 2).

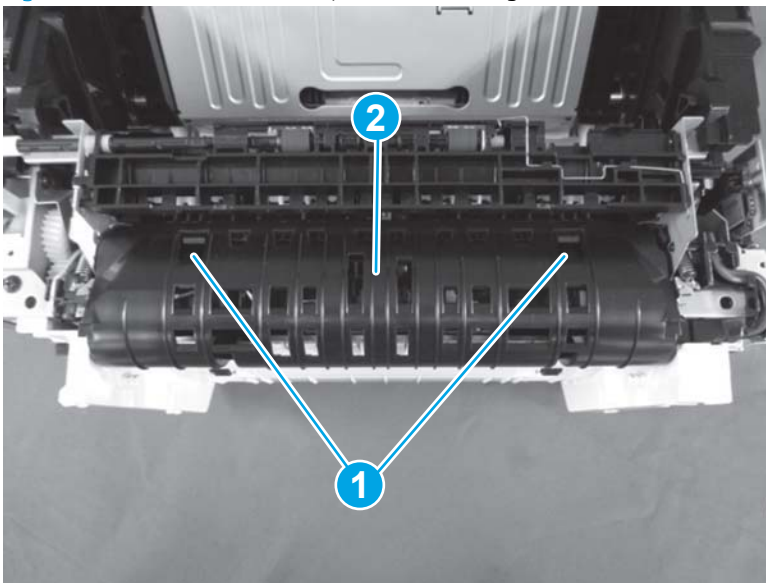
Figure 1-1775 Remove the top rear cover (SFP)



#### Step 14: Remove the duplex paper feed assembly

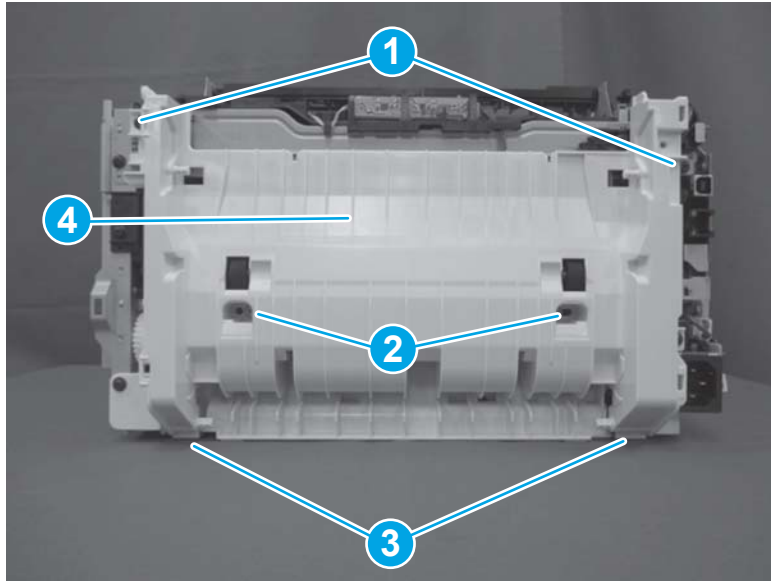
1. Release two tabs (callout 1), and then remove the duplex switchback guide (callout 2).

Figure 1-1776 Remove the duplex switchback guide



2. Remove two M3 screws (callout 1), and then remove two M4 screws (callout 2). Release two tabs (callout 3), and then remove the duplex paper feed assembly (callout 4).

Figure 1-1777 Remove the duplex feed assembly

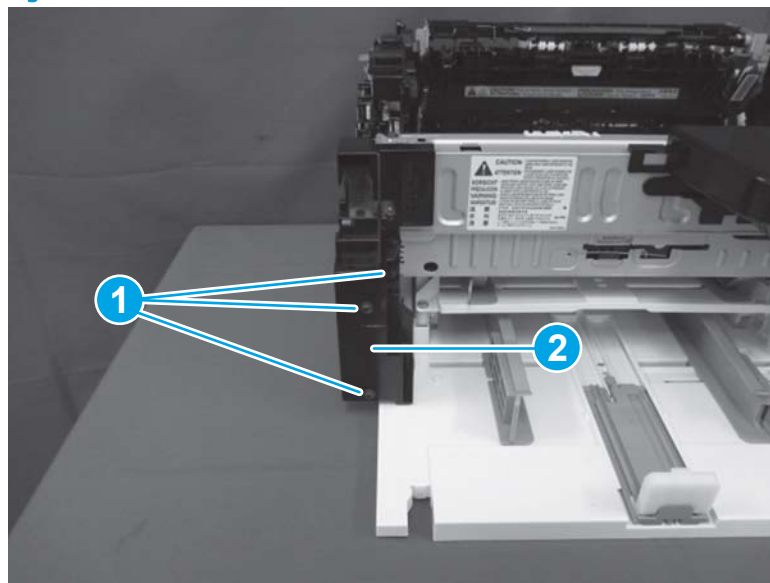


#### Step 15: Remove the low-voltage power supply (LVPS)

 **CAUTION:**  ESD-sensitive part.

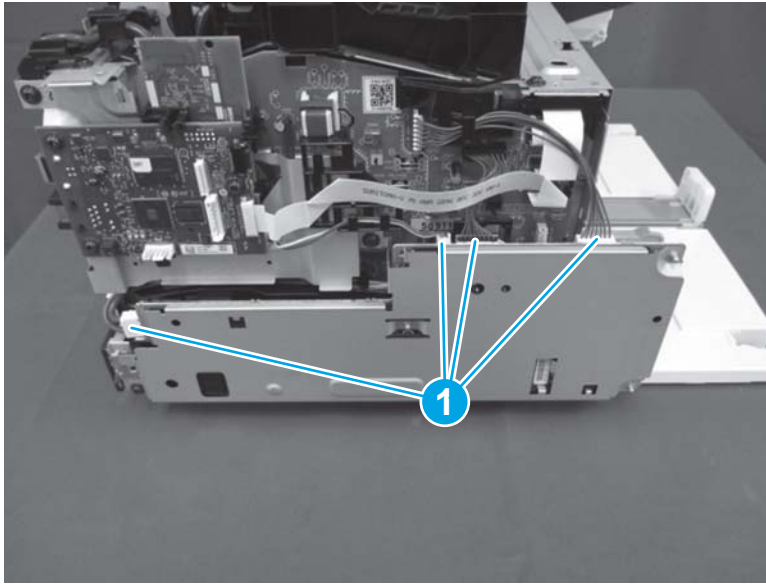
1. **SFP:** Do the following.
  - a. Remove three screws (callout 1), and then remove the inner cover (callout 2).

Figure 1-1778 Remove three screws and a cover (SFP)



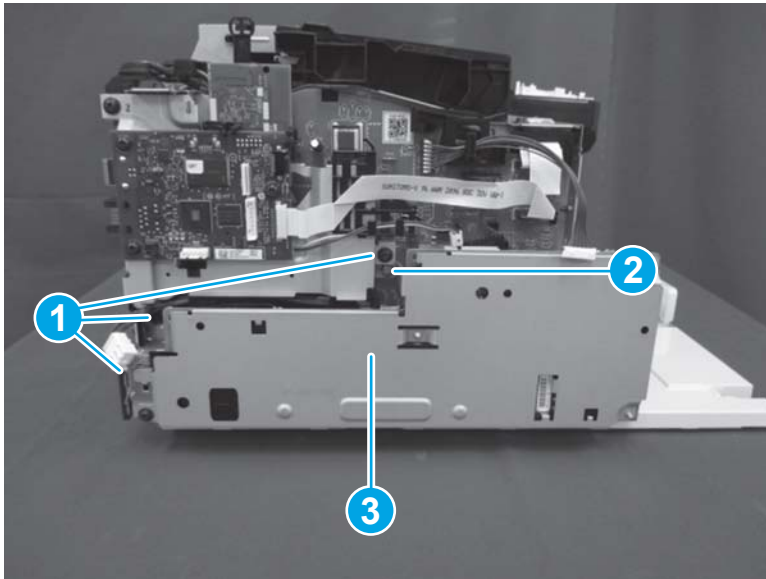
- b. Disconnect four connectors (callout 1).

Figure 1-1779 Disconnect four connectors (SFP)



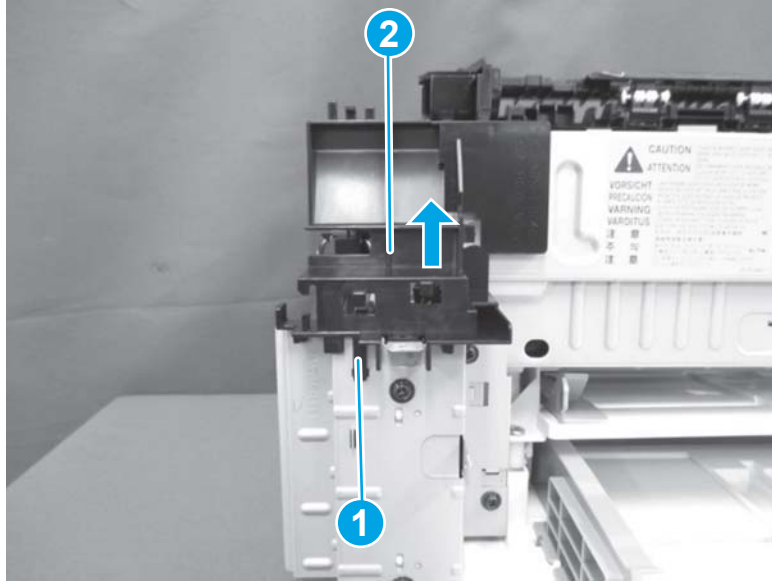
- c. Remove three screws (callout 1), remove one ground screw (callout 2), and then remove the LVPS (callout 3).

Figure 1-1780 Remove the LVPS (SFP)



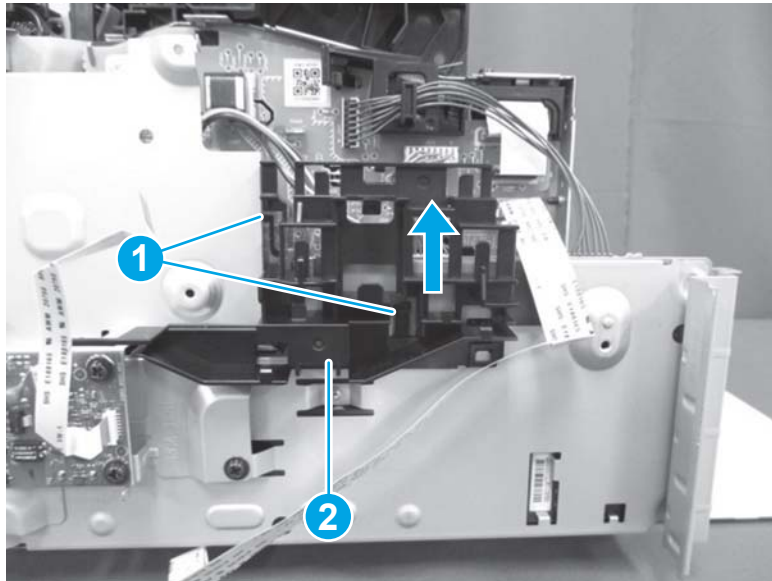
- 2. **MFP:** Do the following.
  - a. Release one tab (callout 1), and then slide the inner cover (callout 2) up to remove it.

Figure 1-1781 Remove the inner cover (MFP)



- b. Release two tabs (callout 1), and then slide the guide (callout 2) up to remove it.

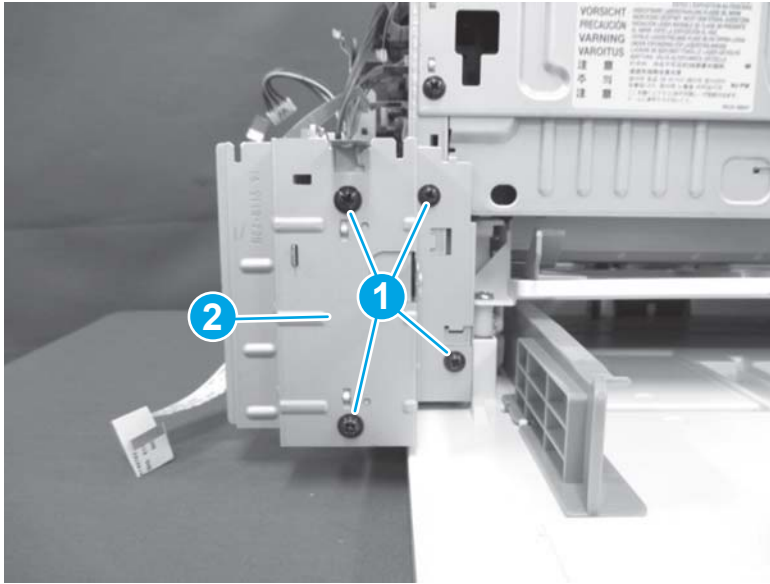
Figure 1-1782 Remove the guide (MFP)





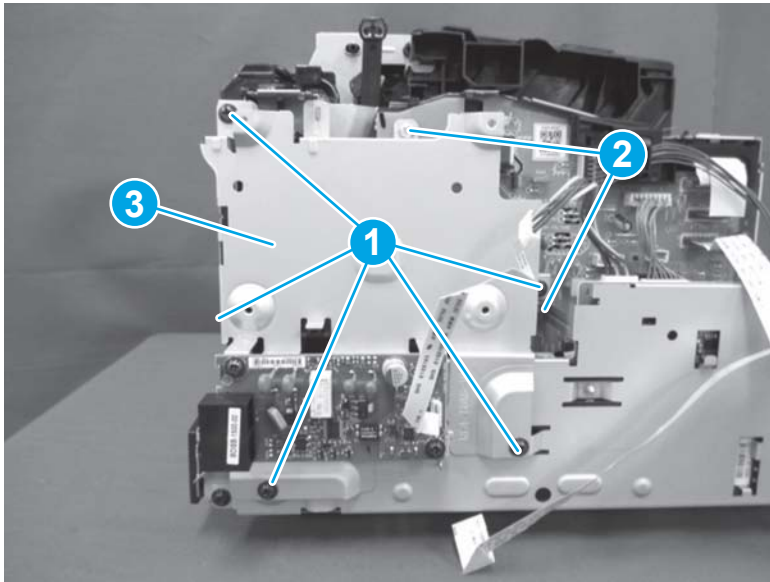
- c. Remove four screws (callout 1), and then remove the sheet-metal plate (callout 2).

Figure 1-1783 Remove the plate (MFP)



- d. Remove five screws (callout 1), remove two ground screws (callout 2), and then remove the sheet-metal support plate (callout 3).

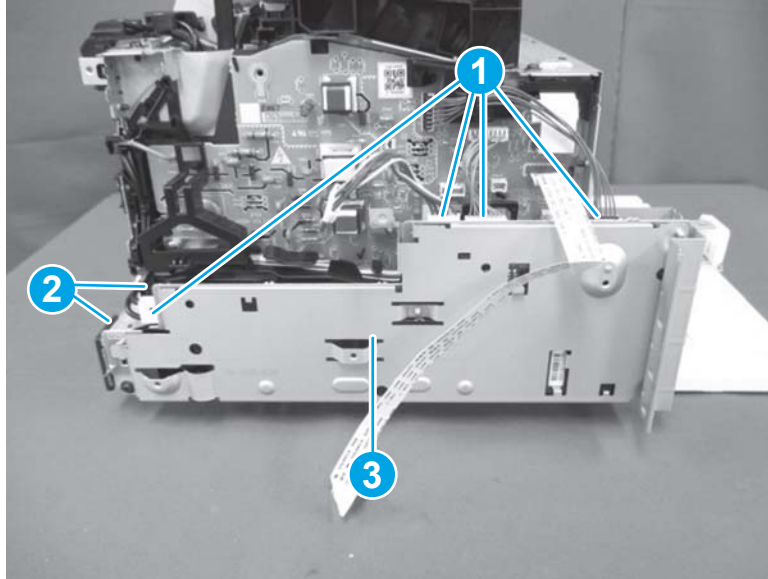
Figure 1-1784 Remove the support plate (MFP)





- e. Disconnect four connectors (callout 1), remove two screws (callout 2), and then remove the LVPS (callout 3).

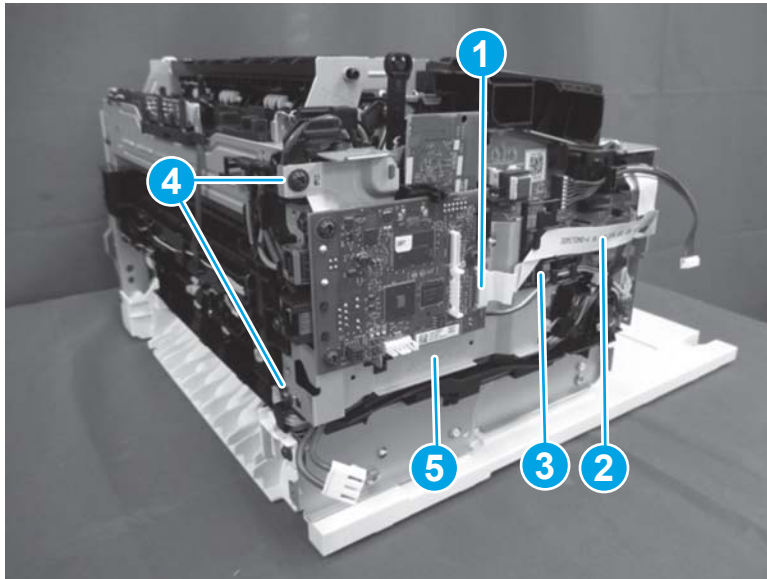
Figure 1-1785 Remove the LVPS (MFP)



#### Step 16: Remove the transfer assembly

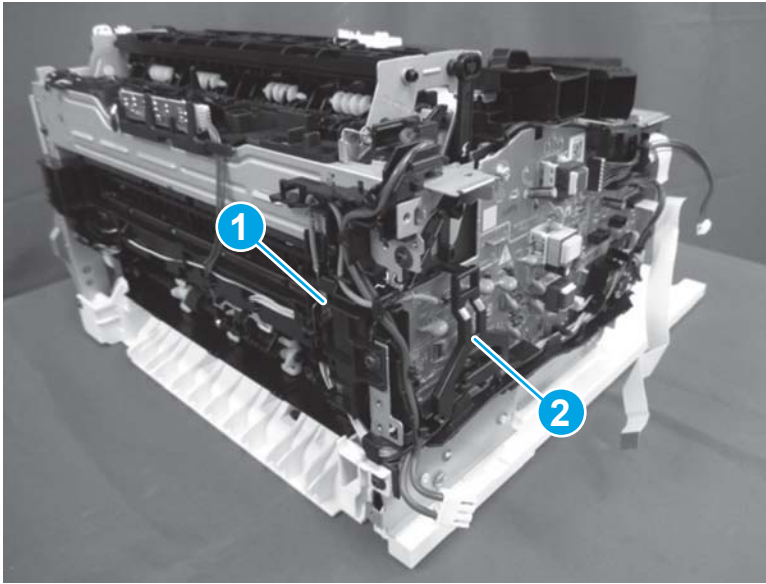
1. **SFP only:** Disconnect one connector (callout 1), and then remove the flat cable (callout 2) from the guide (callout 3). Remove two screws (callout 4), and then remove the support plate (callout 5).

Figure 1-1786 Remove the support plate (SFP)



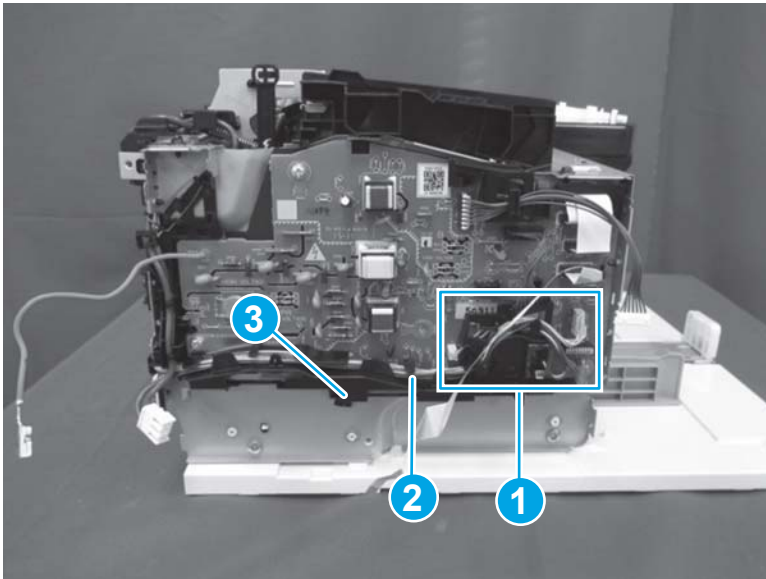
2. Disconnect one connector (callout 1), and then remove the black-plastic support bracket (callout 2).

Figure 1-1787 Disconnect one connector and remove the support bracket



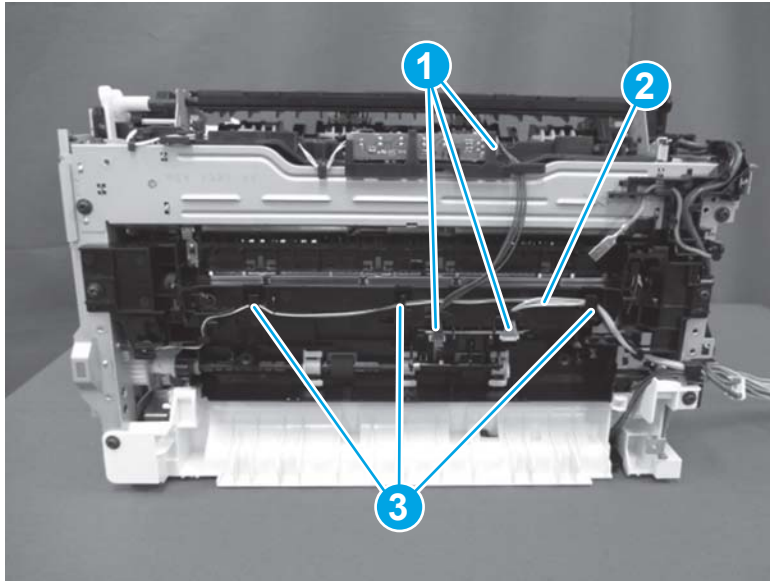
3. Disconnect connectors J311, J561, J563, J581, and J582 (callout 1) from the engine controller PCA, and then remove the wire harnesses (callout 2) from the guide (callout 3).

Figure 1-1788 Disconnect five connectors



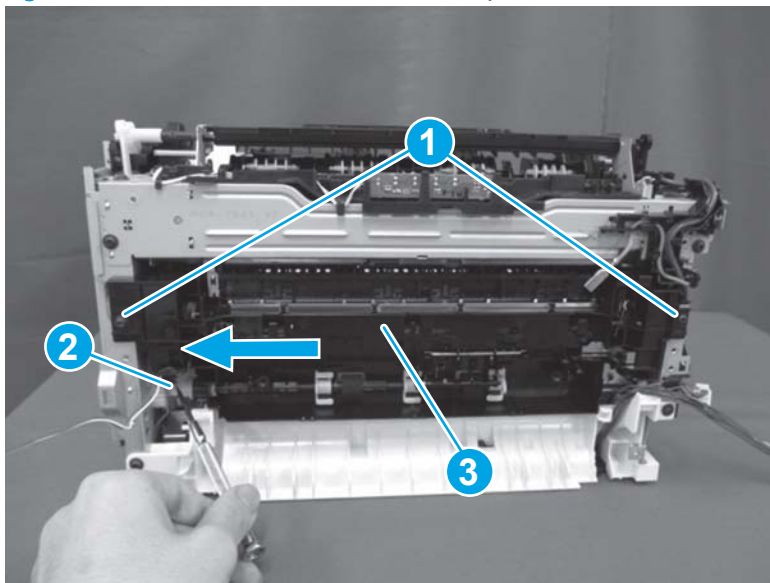
4. Disconnect three connectors (callout 1), and then remove the wire harnesses (callout 2) from the guide (callout 3).

Figure 1-1789 Disconnect three connectors



5. Remove two screws (callout 1), use a small flat-blade screwdriver to move the cam (callout 2) as indicated in the figure below (arrow), and then remove the transfer assembly (callout 3).


Figure 1-1790 Remove the transfer assembly



### Step 17: Remove the fuser

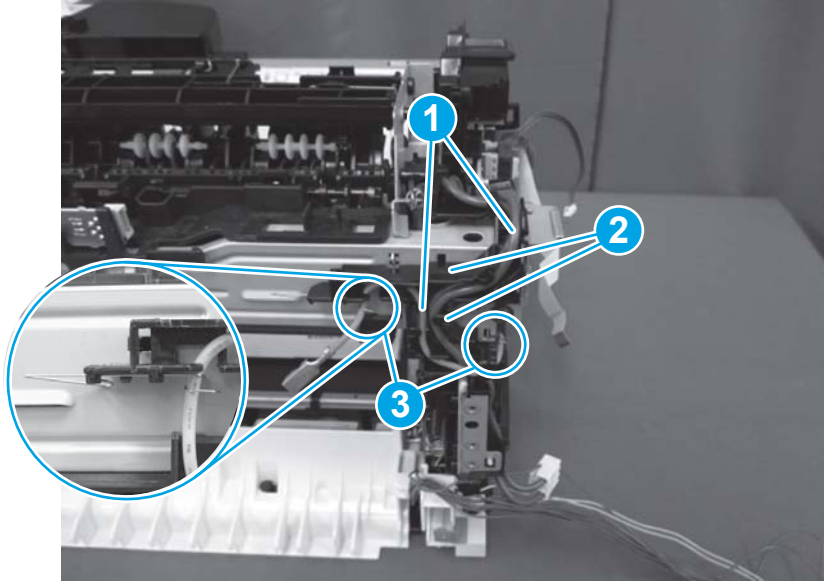
1. Release the cables (callout 1) from the guide (callout 2).

---

 **NOTE:** The engine controller PCA ground wire must be released from two springs (callout 3). Twist the wire around the springs to release it.

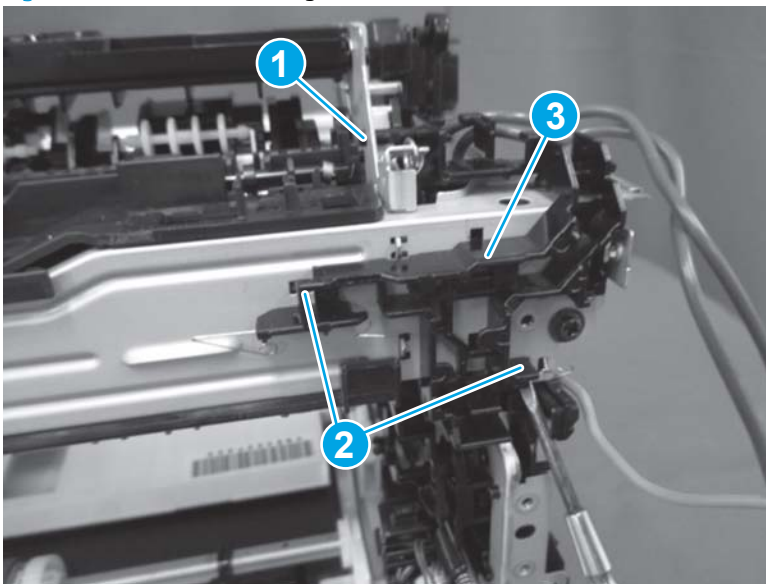
---

Figure 1-1791 Release the cables



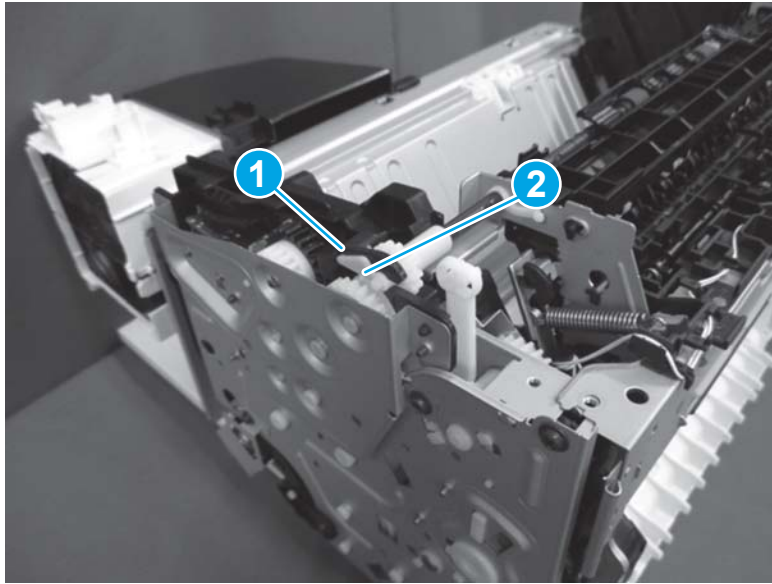
2. Release one boss (callout 1), release two tabs (callout 2), and then slide the guide (callout 3) upward to remove it.

Figure 1-1792 Remove the guide



3. Release one boss (callout 1), and then remove the bushing (callout 2).

Figure 1-1793 Remove the bushing



4. Remove four screws (callout 1), release one spring (callout 2) from the fuser chassis, and then remove the fuser (callout 3).


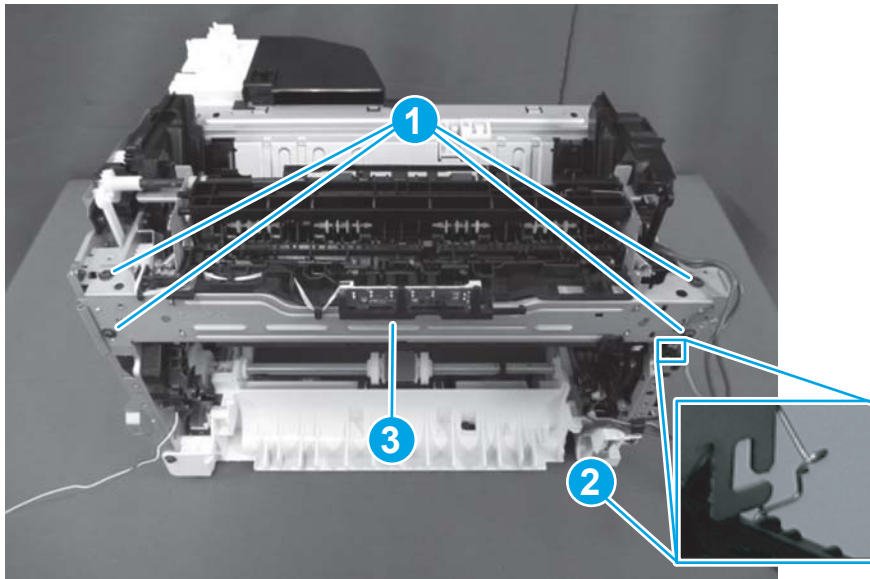

 **NOTE:** The spring (callout 2) might already have been unhooked when the engine controller ground wire was released. This spring is easily dislodged when removing the fuser. Do not lose this spring.

Figure 1-1794 Remove the fuser

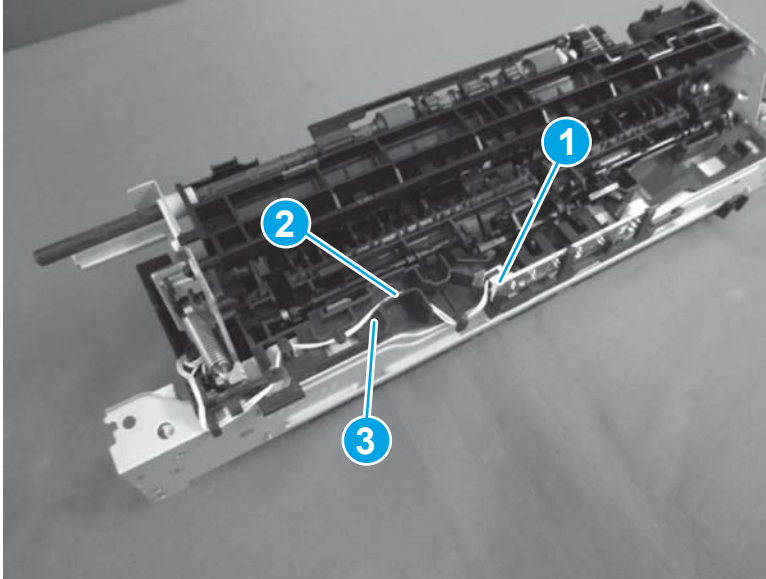


### Step 18: Remove the fixing film assembly

 **NOTE:** Optional step: If the fixing film assembly is not being replaced, skip this step and go to [Step 19: Unpack the replacement assembly on page 1041](#)

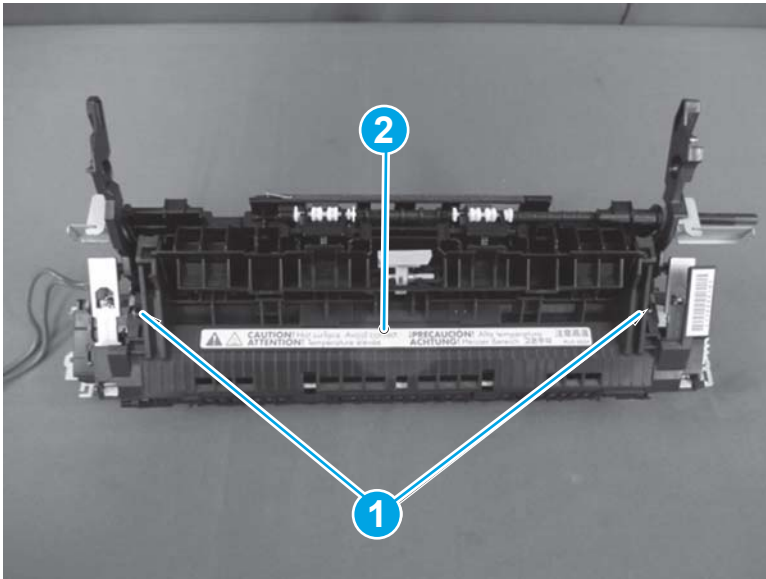
1. Disconnect one connector (callout 1), and then remove the cable (callout 2) from the guide (callout 3).

Figure 1-1795 Disconnect one connector



2. Remove two screws (callout 1), and then remove the fuser cover (callout 2).

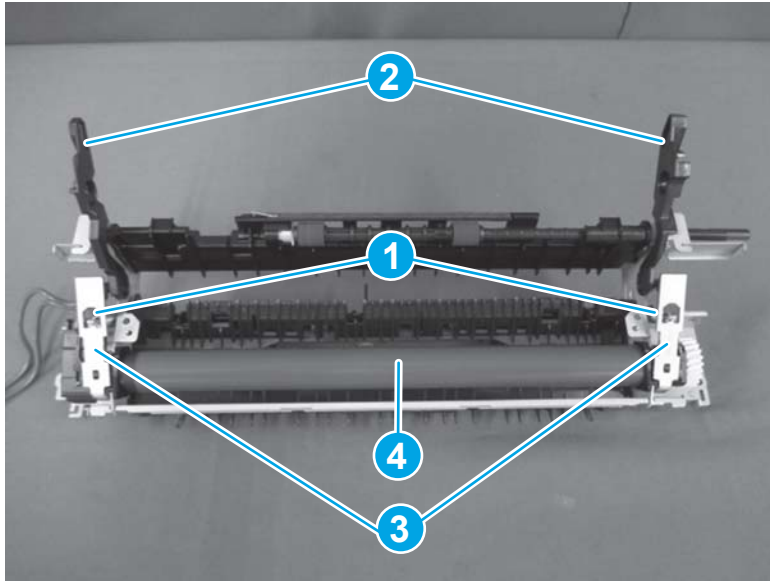
Figure 1-1796 Remove the fuser cover





3. Release two springs (callout 1), remove two pressure release levers (callout 2), remove two pressure plates (callout 3), and then remove the fuser film (callout 4).

Figure 1-1797 Remove the fuser film



#### Step 19: Unpack the replacement assembly

1. Dispose of the defective part.

 **NOTE:** HP recommends responsible disposal of the defective part.

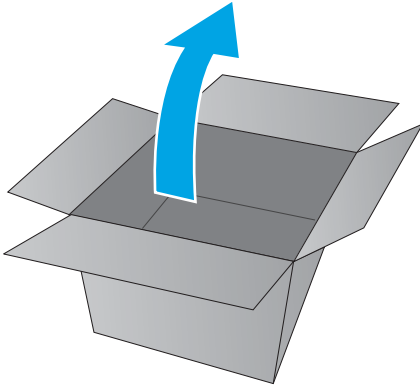
[www.hp.com/recycle](http://www.hp.com/recycle)



2. Unpack the replacement part from the packaging.

**⚠ CAUTION:** If the replacement part is a roller or pad, avoid touching the spongy part of it. Skin oils on the roller or pad can cause paper pickup and/or print-quality problems. HP recommends using disposable gloves when handling rollers or pads or washing your hands or before touching rollers or pads.

**📝 IMPORTANT:** Make sure that all of the shipping materials (for example shipping tape) are removed from the replacement part prior to installation.

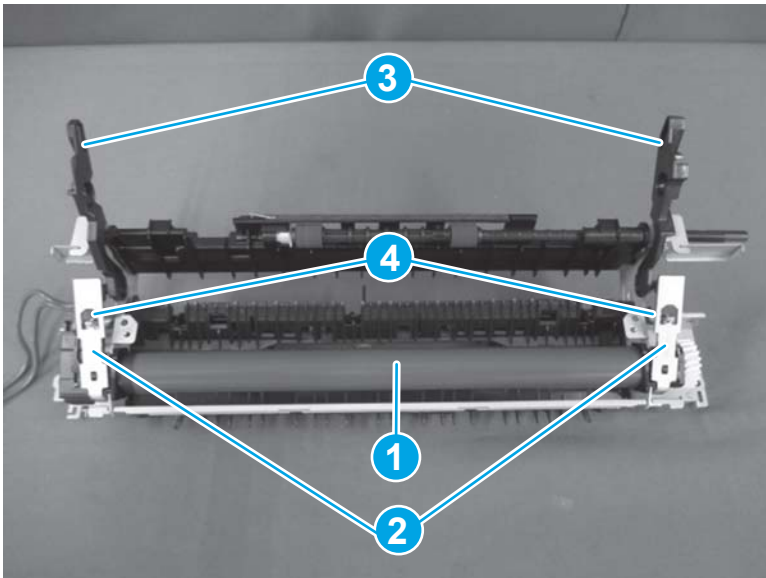


### Step 20: Install the fixing film assembly

**📝 NOTE:** Optional step: If the fixing film assembly is not being replaced, skip this step and go to [Step 21: Install the fuser on page 1043](#)

1. Position the fuser film in the fuser (callout 1), install two pressure plates (callout 2), install two pressure release levers (callout 3), and then engage two springs (callout 4).

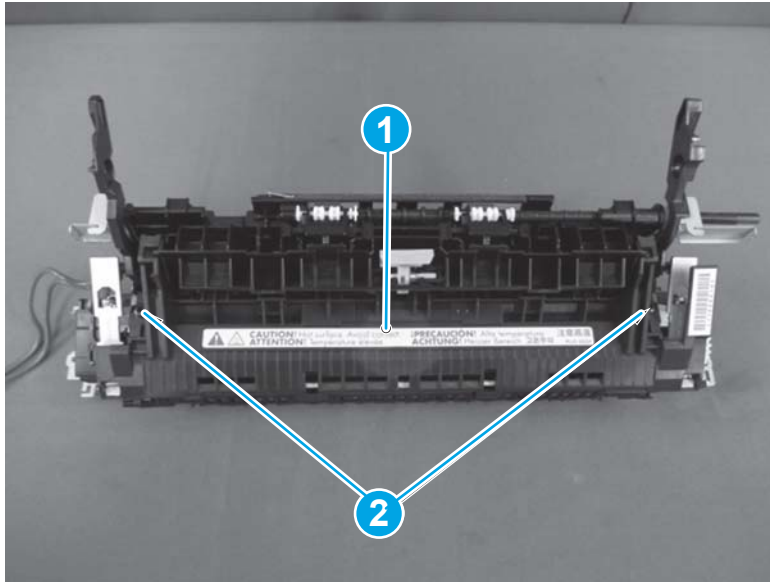
**Figure 1-1798** Install the fuser film





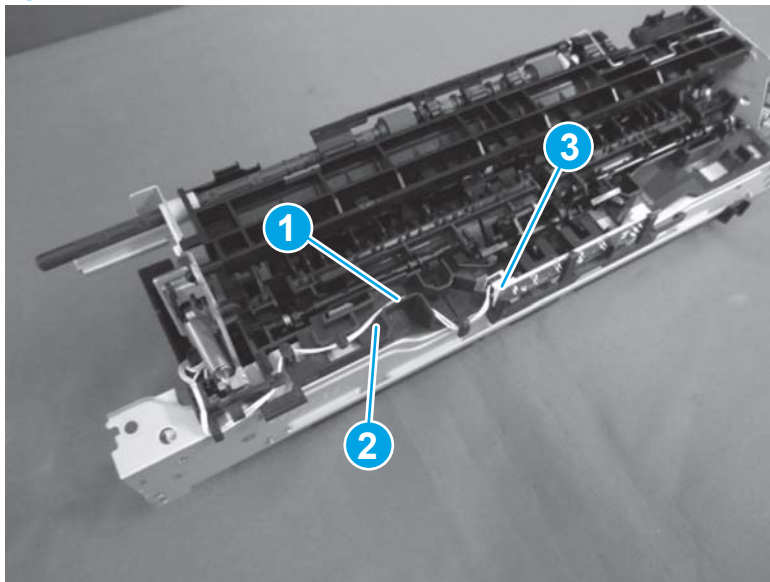
2. Install the fuser cover (callout 1), and then install two screws (callout 2).

Figure 1-1799 Install the fuser cover



3. Install the cable (callout 1) in the guide (callout 2), and then connect one connector (callout 3).

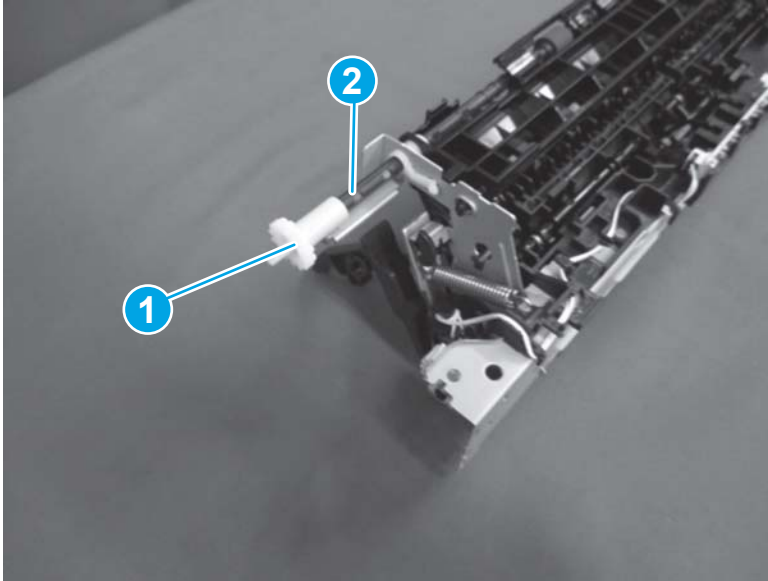
Figure 1-1800 Connect one connector



### Step 21: Install the fuser

1. The gear (callout 1) is not captive on the shaft (callout 2). If the gear falls off, reattach it to the shaft as shown before installing the fuser.

Figure 1-1801 Gear location



2. Position the fuser (callout 1) on the printer, hook one spring (callout 2) onto the fuser chassis, and then install four screws (callout 3).


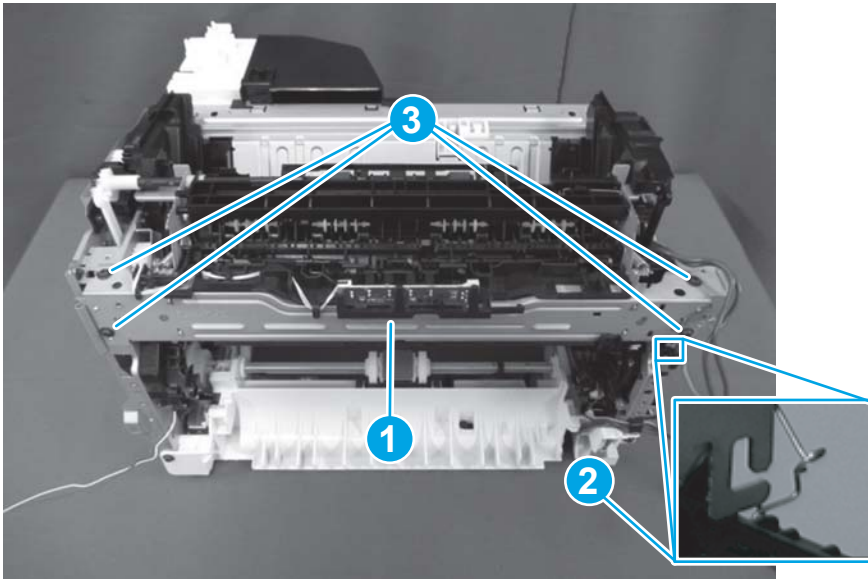
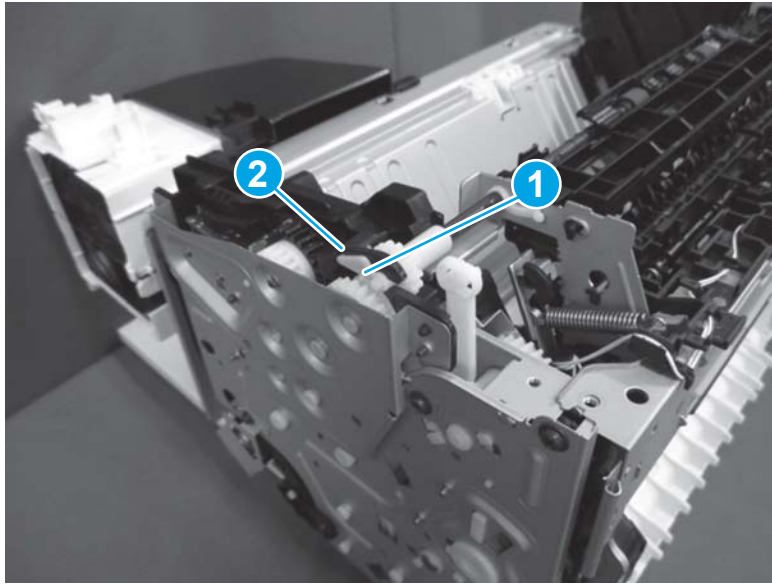
 **NOTE:** The spring (callout 2) is easily dislodged when installing the fuser. Do not lose this spring.

Figure 1-1802 Install the fuser



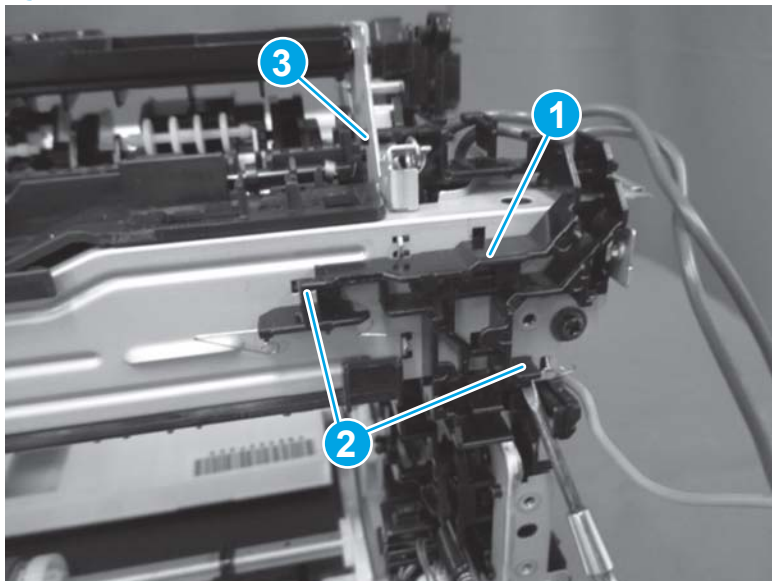
3. Position the bushing (callout 1) on the fuser, and then engage one boss (callout 2).

Figure 1-1803 Install the bushing





4. Position the guide (callout 1) on the printer, engage two tabs (callout 2), and then engage one boss (callout 3).

Figure 1-1804 Install the guide

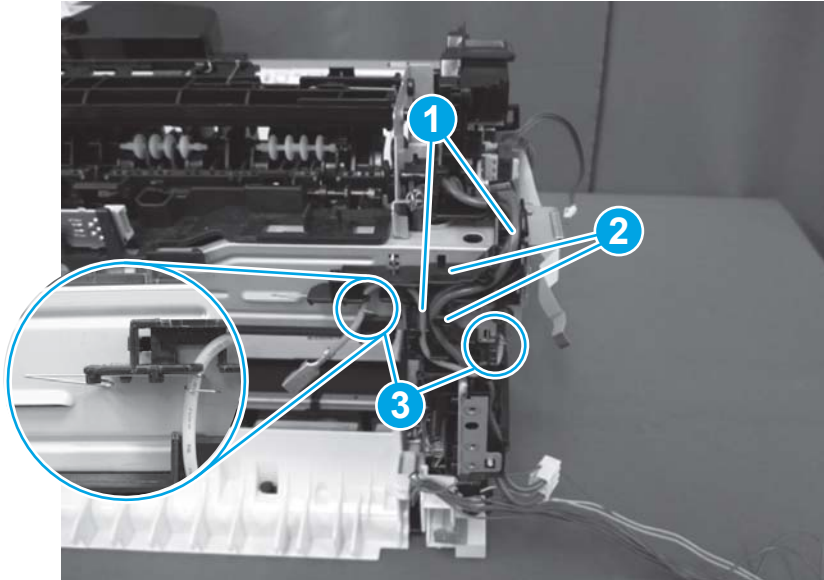


5. Install the cables (callout 1) in the guide (callout 2).

 **NOTE:** The engine controller PCA ground wire must be installed in two springs (callout 3). Twist the wire around the springs to install it.

 **Reinstallation tip:** Install the fuser power wire first, so that the engine controller ground wire will pass over it in the guide (not under).

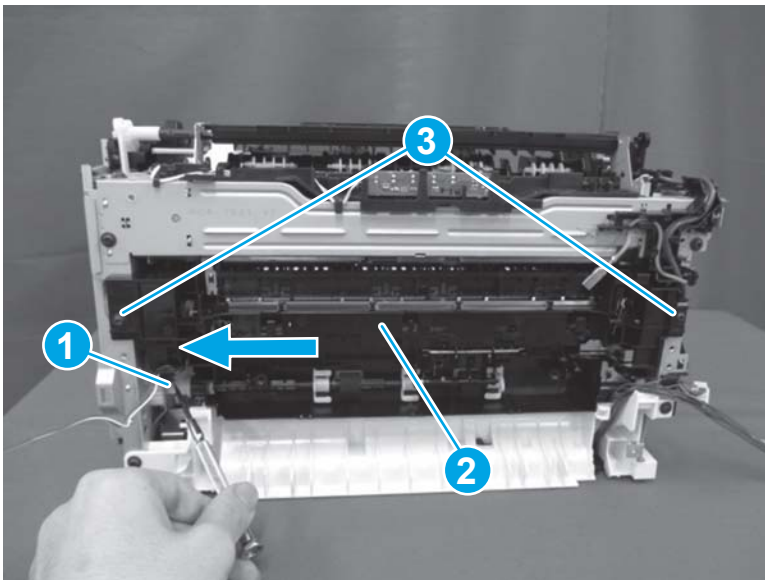
**Figure 1-1805** Install the cables



#### Step 22: Install the transfer assembly

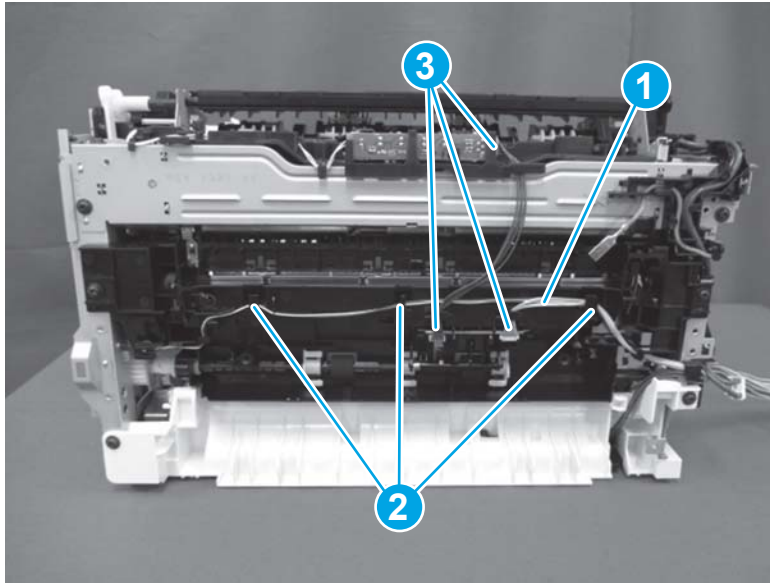
1. Use a small flat-blade screwdriver to move the cam (callout 1) as indicated in the figure below (arrow), install the transfer assembly (callout 2) on the printer, and then install two screws (callout 3).

**Figure 1-1806** Install the transfer assembly



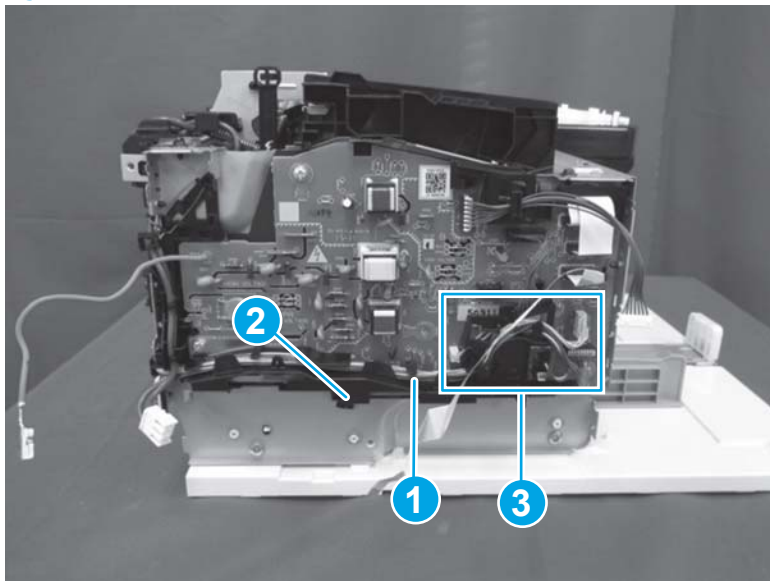
2. Install the wire harnesses (callout 1) in the guide (callout 2), and then connect three connectors (callout 3).

Figure 1-1807 Connect three connectors



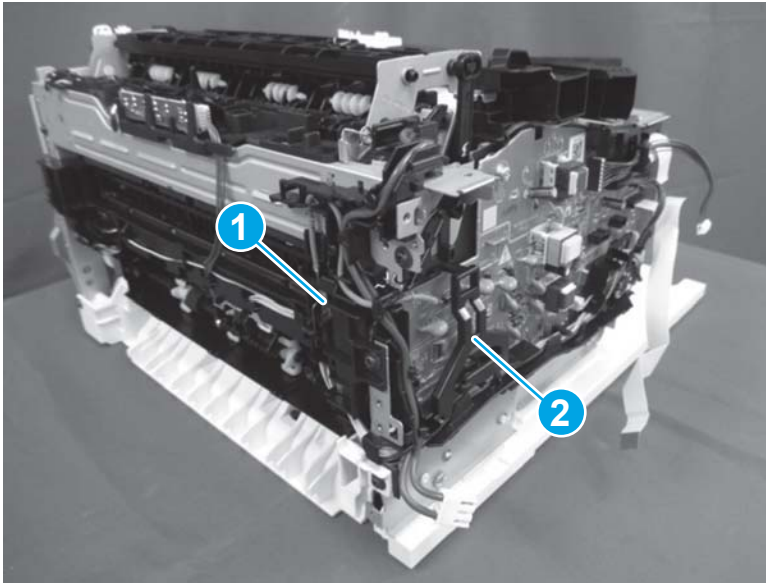
3. Install the wire harnesses (callout 1) in the guide (callout 2), and then connect connectors J311, J561, J563, J581, and J582 (callout 3) on the engine controller PCA.

Figure 1-1808 Connect five connectors



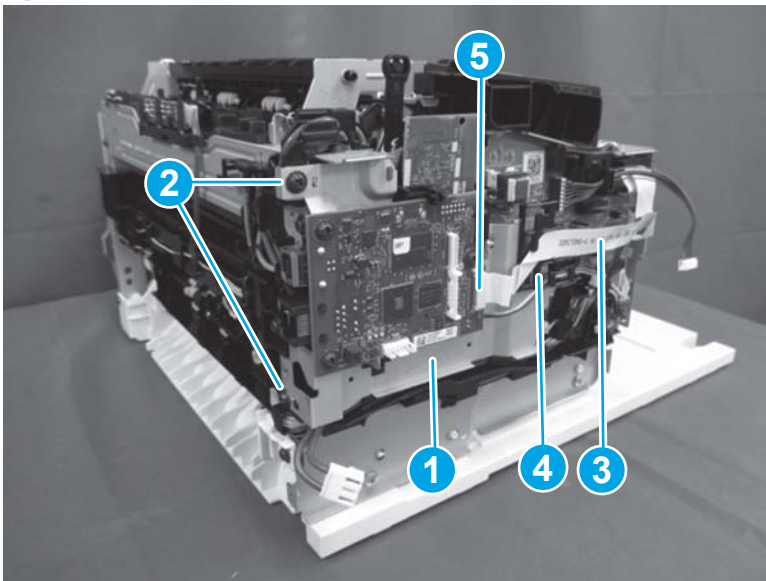
4. Connect one connector (callout 1), and then install the black-plastic support bracket (callout 2).

Figure 1-1809 Connect one connector and install the support bracket



5. **SFP only:** Position the support plate (callout 1), on the printer, install two screws (callout 2), install the flat cable (callout 3) in the guide (callout 4), and then connect one connector (callout 5).

Figure 1-1810 Install the support plate (SFP)



### Step 23: Install the LVPS

---

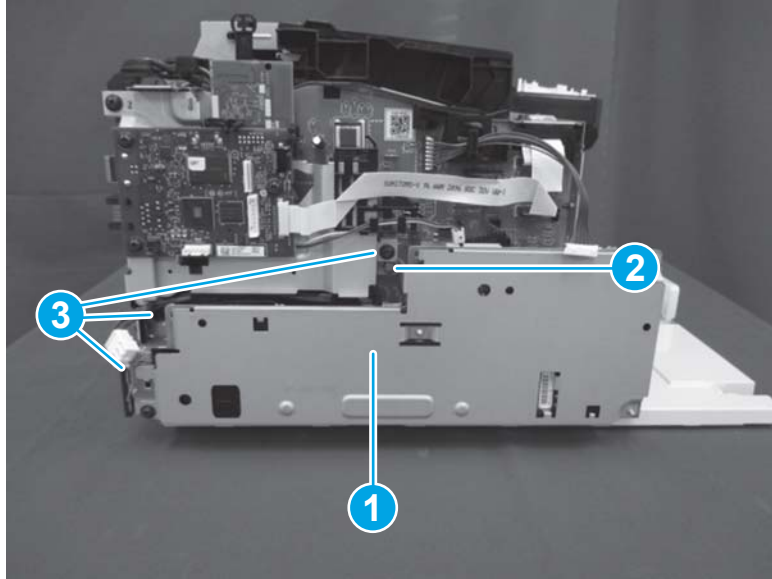
 **CAUTION:**  ESD-sensitive part.

---

1. **MFP:** Do the following.
  - a. Position the LVPS on the printer (callout 1), install one ground screw (callout 2), and then install three screws (callout 3).

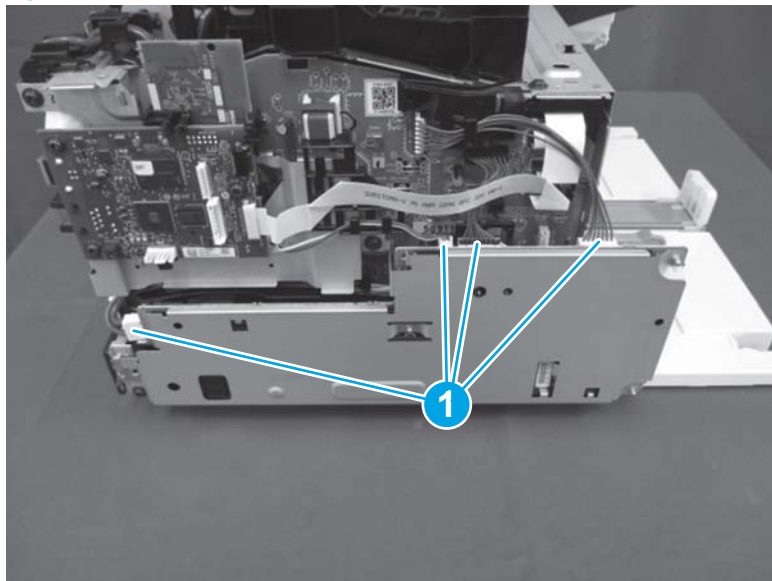


Figure 1-1811 Install the LVPS (SFP)



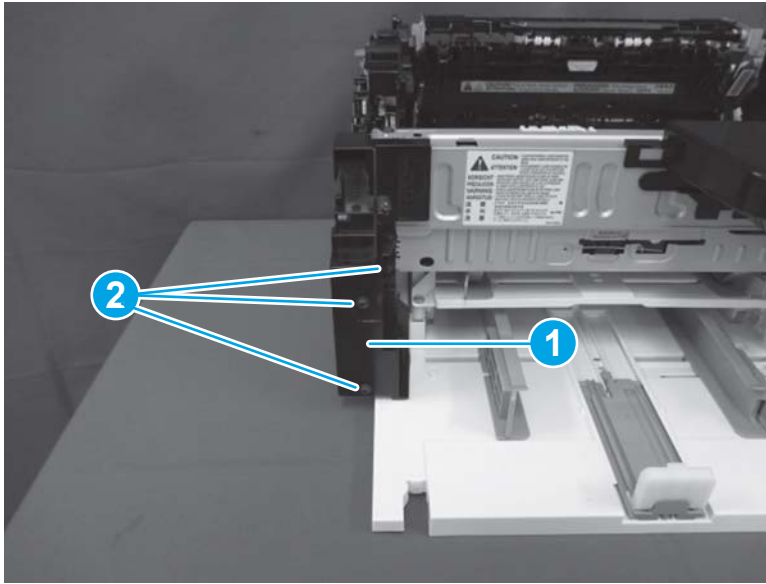
- b. Connect four connectors (callout 1).

Figure 1-1812 Connect four connectors (SFP)



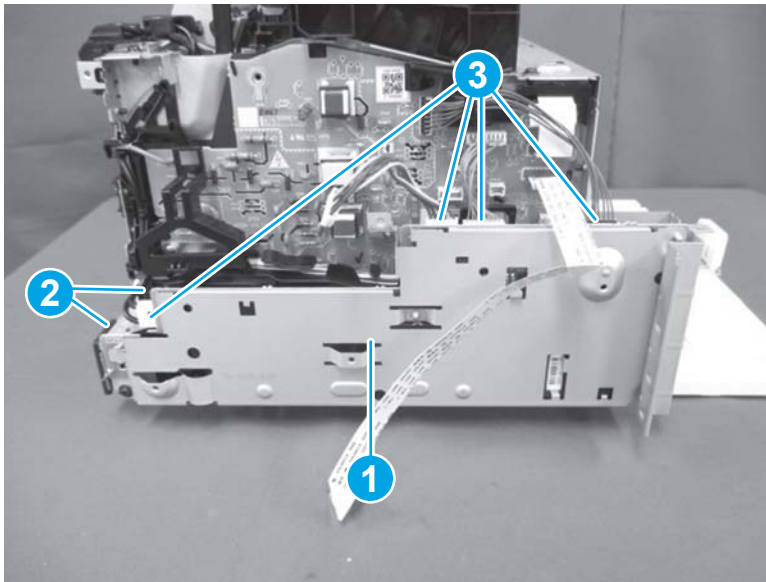
- c. Position the inner cover (callout 1) on the printer, and then Install three screws (callout 2).

**Figure 1-1813** Install the inner cover (SFP)



2. **MFP:** Do the following.
  - a. Position the LVPS on the printer (callout 1), install two screws (callout 2), and then connect four connectors (callout 3).

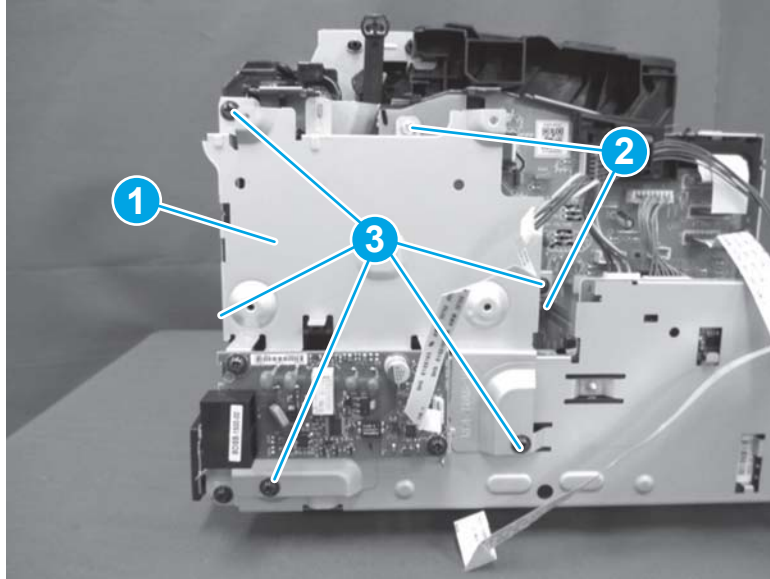
**Figure 1-1814** Install the LVPS (MFP)





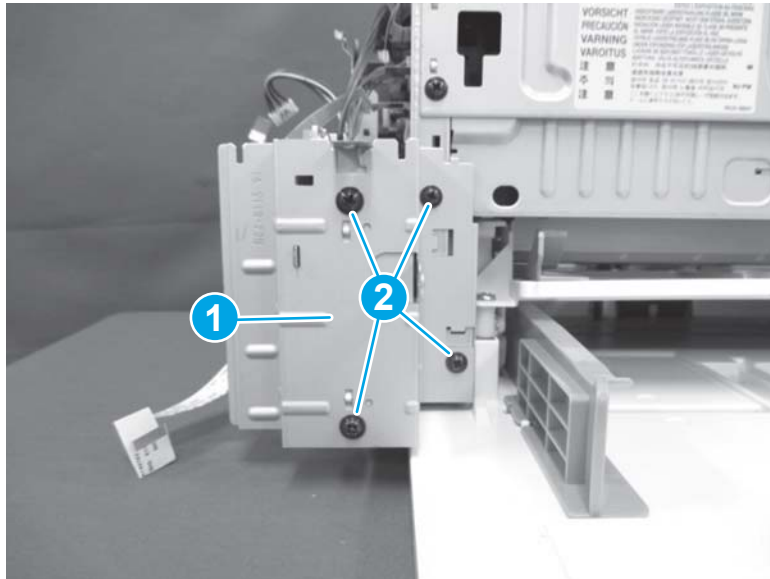
- b. Position the sheet-metal support plate (callout 1) on the printer, install two ground screws (callout 2), and then install five screws (callout 3).

**Figure 1-1815** Install the support plate (MFP)



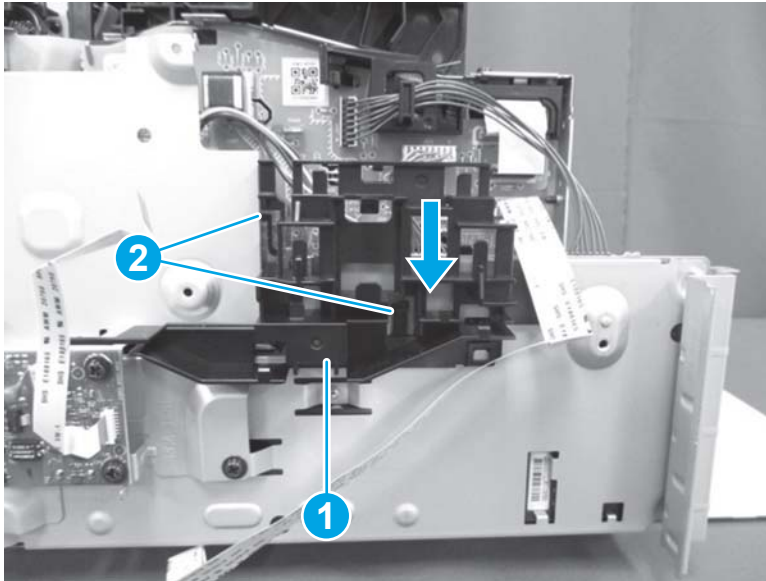
- c. Position the sheet-metal plate (callout 1) on the printer, and then install four screws (callout 2).

**Figure 1-1816** Install the plate (MFP)



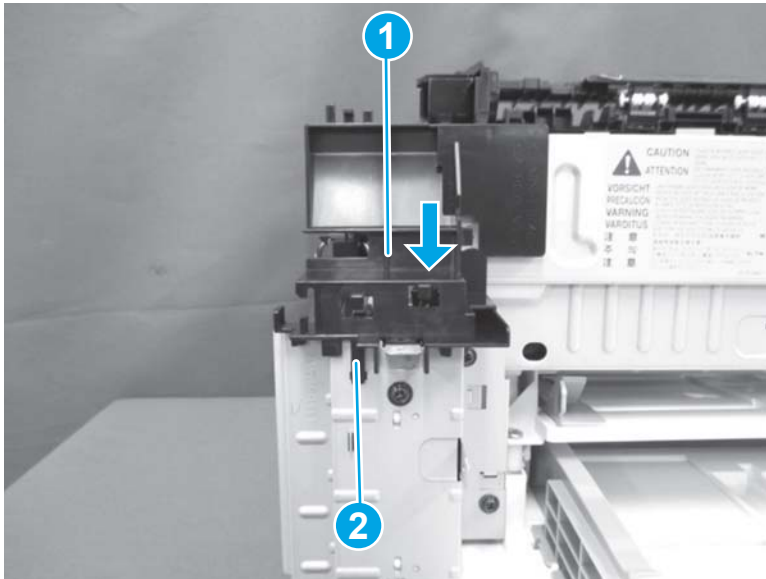
- d. Position the guide (callout 1) on the printer, and then push down to install it. Make sure that the two tabs (callout 2) snap into place.

Figure 1-1817 Install the guide (MFP)



- e. Position the inner cover (callout 1) on the printer, and then slide it down to engage one tab (callout 2).

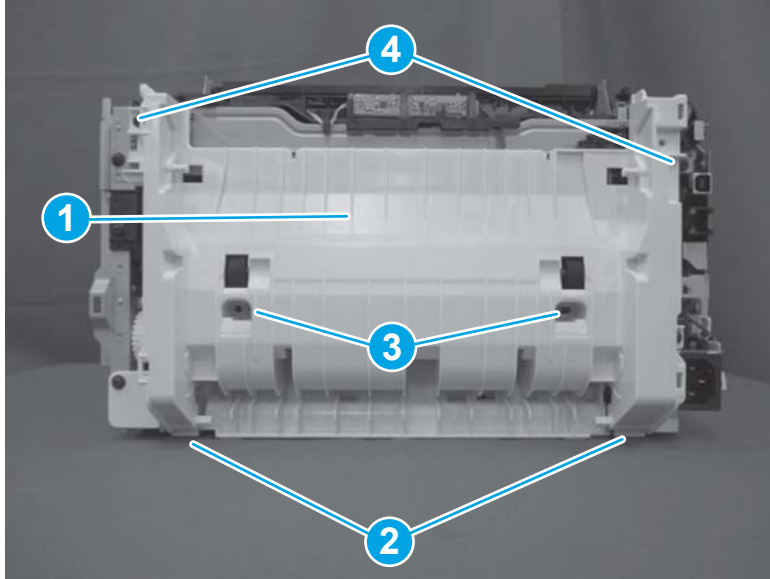
Figure 1-1818 Install the inner cover (MFP)



#### Step 24: Install the duplex paper feed assembly

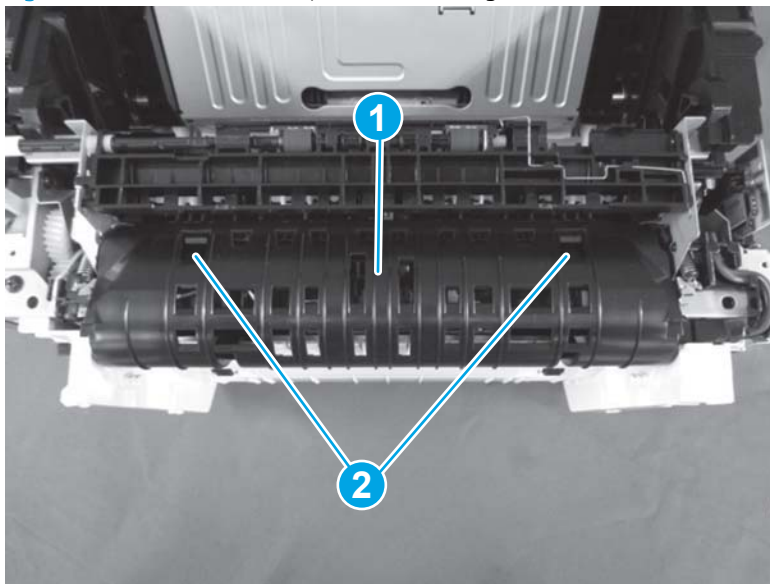
1. Position the duplex paper feed assembly (callout 1) on the printer, and then install two tabs (callout 2). Install two M4 screws (callout 3), and then install two M3 screws (callout 4).

Figure 1-1819 Install the duplex feed assembly



2. Position the duplex switchback guide (callout 1) on the printer, and then engage two tabs (callout 2) to install it.

Figure 1-1820 Install the duplex switchback guide

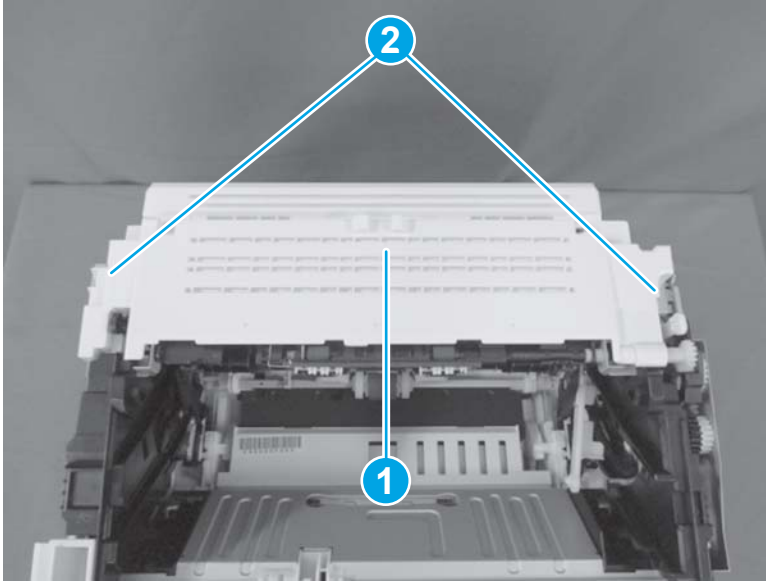


#### Step 25: Install the top rear cover (SFP)

 **NOTE:** This step is for the SFP printers. For the MFP printers, skip this step and go to [Step 27: Install the cartridge door on page 1054](#).

- ▲ Position the top cover (callout 1) on the printer, and then install two screws (callout 2).

Figure 1-1821 Install the top rear cover (SFP)

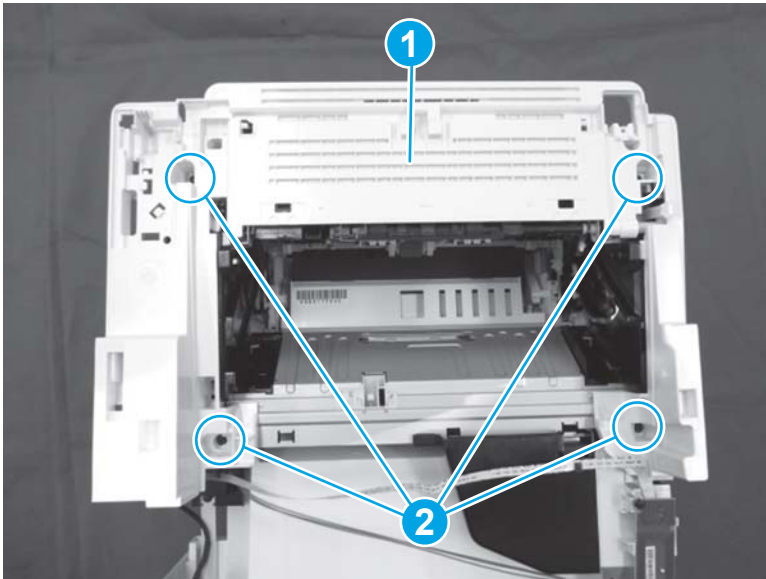


### Step 26: Install the top cover (MFP)

 **NOTE:** This step is for the MFP printers. For the SFP printers, skip this step and go to [Step 27: Install the cartridge door on page 1054](#).

- ▲ Position the top cover (callout 1) on the printer, and then install four screws (callout 2).

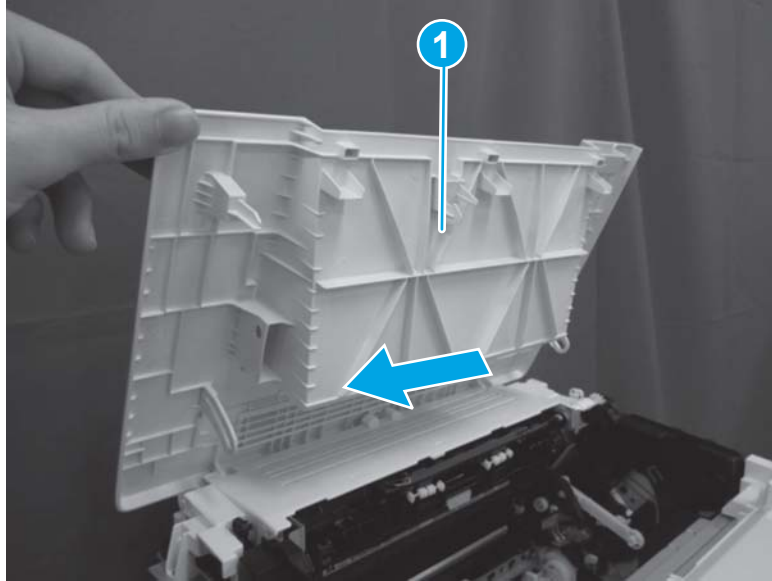
Figure 1-1822 Install the top cover



### Step 27: Install the cartridge door

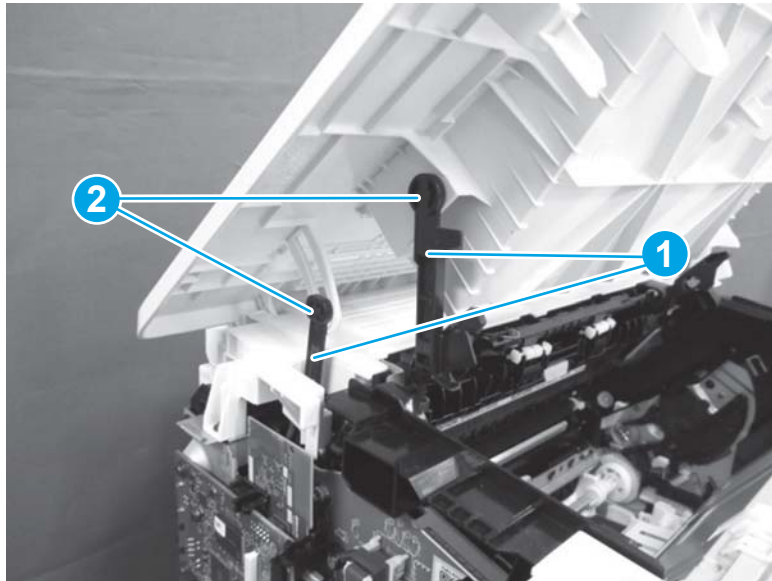
1. **SFP:** Do the following.
  - a. Position the cartridge door (callout 1) on the printer, and then slide it toward the left-side of the printer to install it.

Figure 1-1823 Install the cartridge door (SFP)



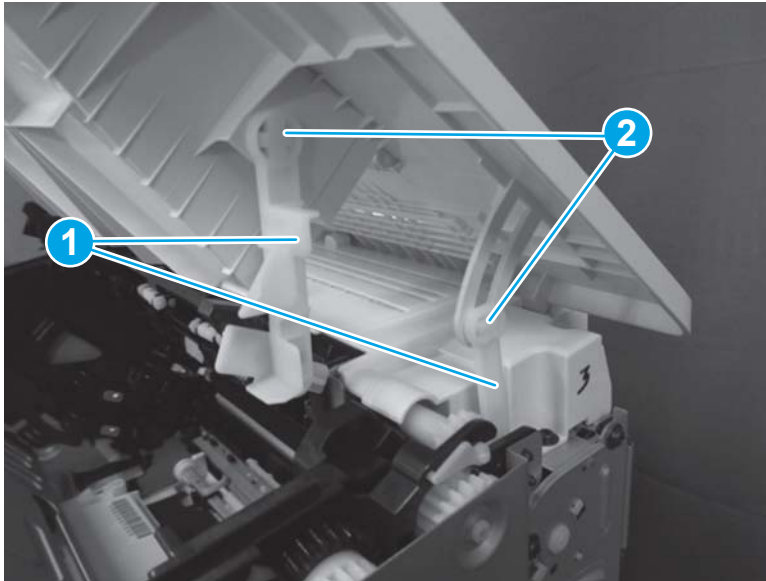
- b. On the left side of the printer, position two link arms (callout 1), and then engage two tabs (callout 2).

Figure 1-1824 Connect left link arms (SFP)



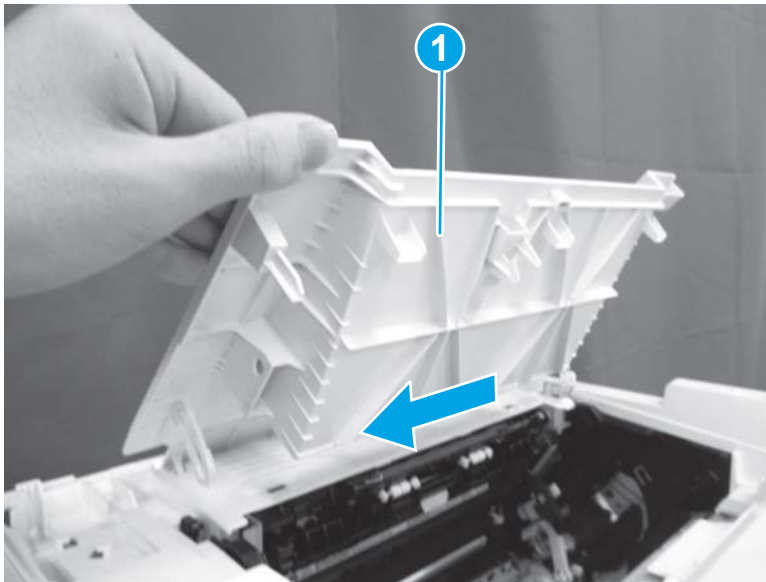
- c. On the right side of the printer, position two link arms (callout 1), and then engage two tabs (callout 2).

**Figure 1-1825** Connect right link arms (SFP)



2. **MFP:** Do the following.
  - a. Position the cartridge door (callout 1) on the printer, and then slide it toward the left-side of the printer to install it.

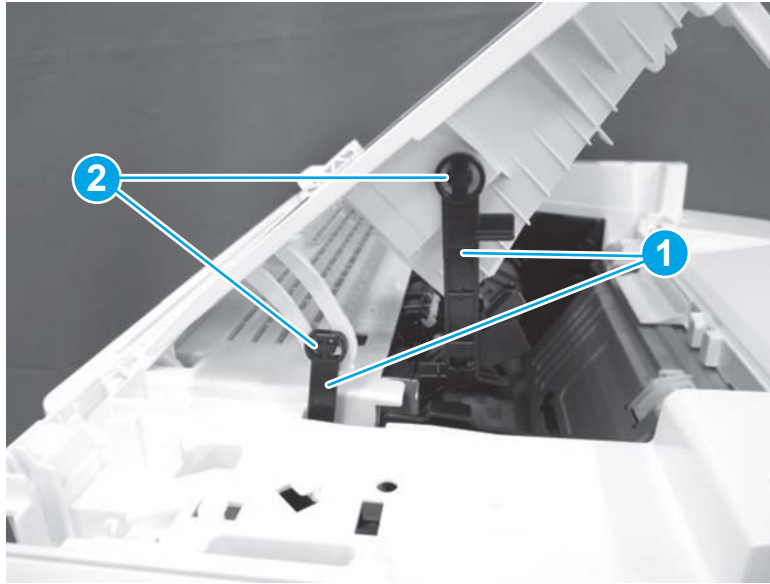
**Figure 1-1826** Install the cartridge door (MFP)





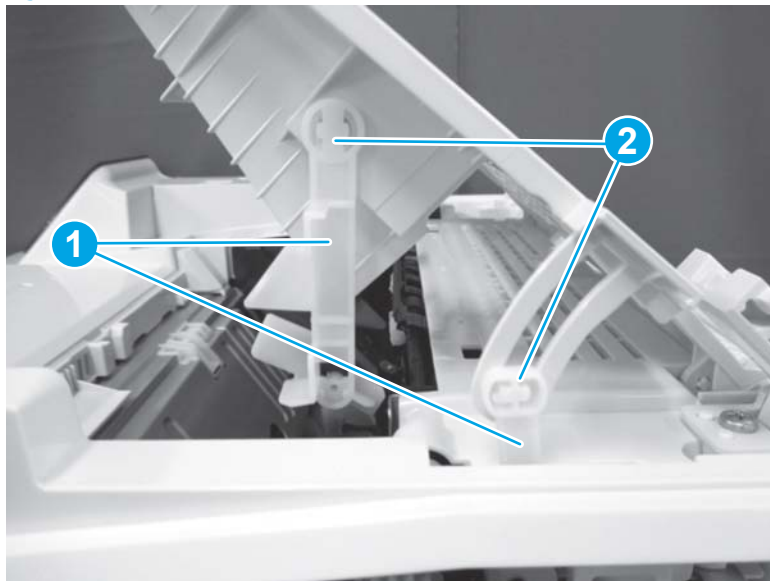
- b. On the left side of the printer, position two link arms (callout 1), and then engage two tabs (callout 2).

**Figure 1-1827** Connect left link arms (MFP)



- c. On the right side of the printer, position two link arms (callout 1), and then engage two tabs (callout 2).

**Figure 1-1828** Connect right link arms (MFP)

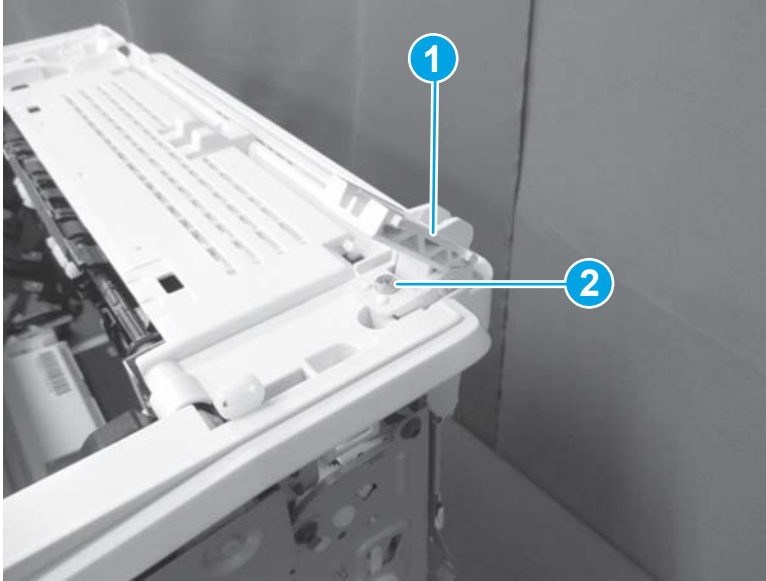


### Step 28: Install the hinge assembly (MFP)

 **NOTE:** This step is for the MFP printers. For the SFP printers, skip this step and go to [Step 29: Install the front cover on page 1058](#).

- ▲ Position the hinge assembly (callout 1) on the printer, and then install one screw (callout 2).

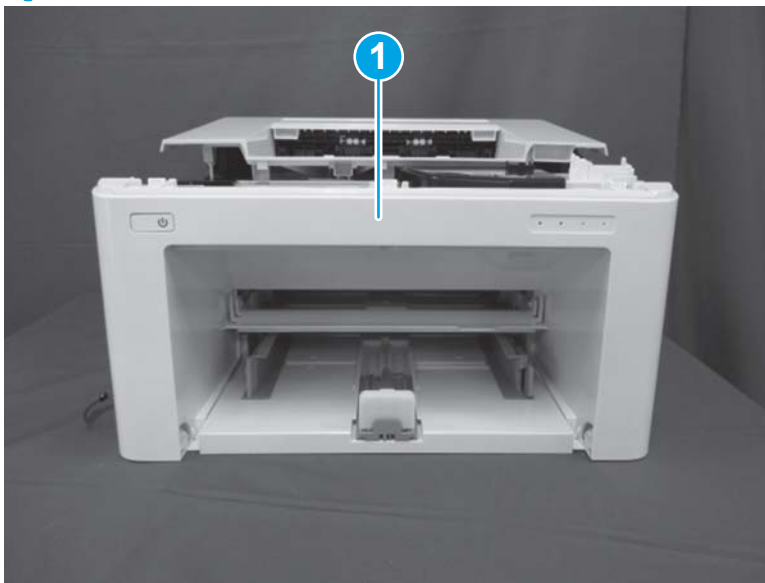
Figure 1-1829 Install the hinge assembly (MFP)



Step 29: Install the front cover

1. SFP: Do the following.
  - a. Slide the front cover (callout 1) toward the printer to install it.

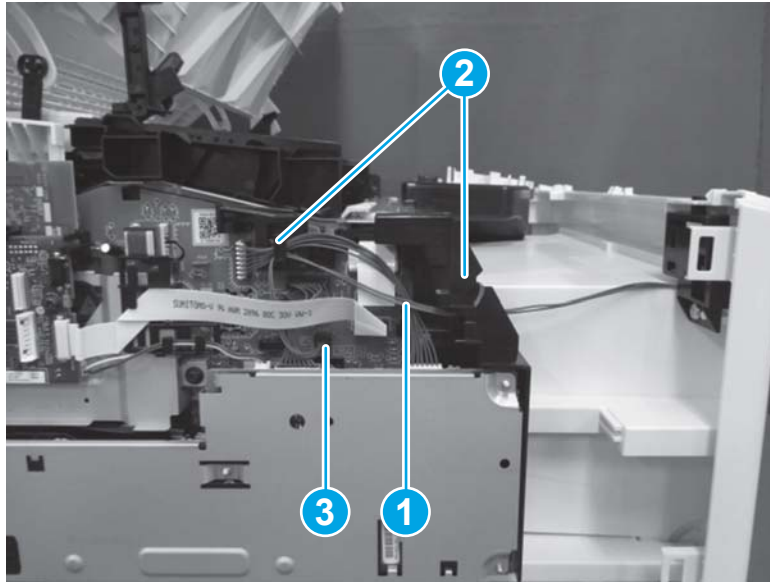
Figure 1-1830 Install the front cover (SFP)





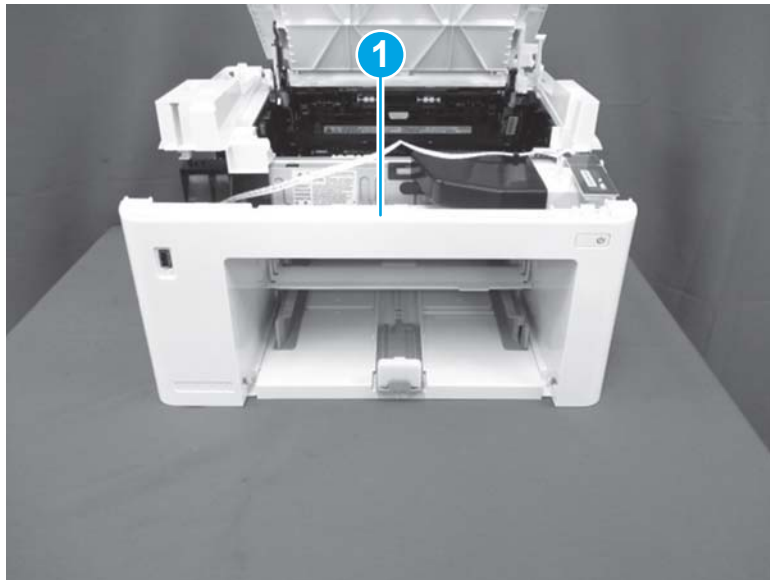
- b. Install the cable (callout 1) in the cable guide (callout 2), and then connect one connector (callout 3).

**Figure 1-1831** Connect the connector (SFP)



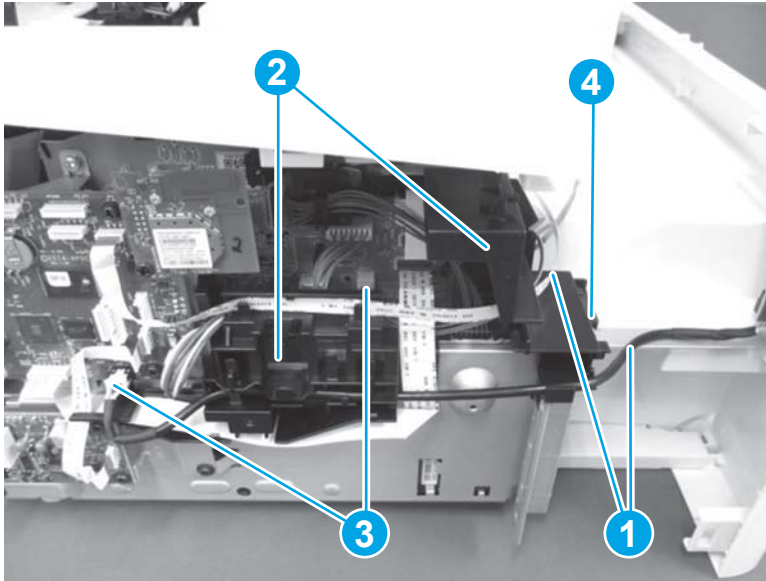
2. MFP: Do the following.
  - a. Slide the front cover (callout 1) toward the printer to install it.

**Figure 1-1832** Install the front cover (MFP)



- b. Install the cables (callout 1) in the cable guides (callout 2), and then connect two connectors (callout 3). Install one screw (callout 4).

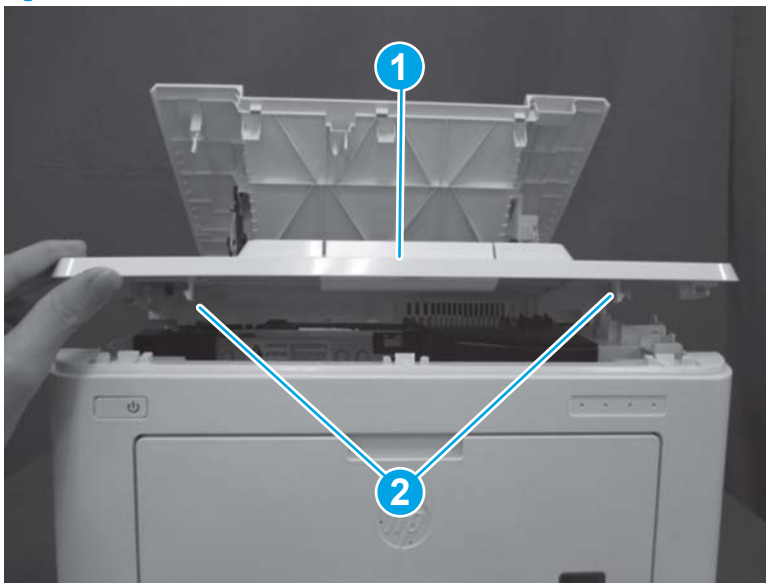
Figure 1-1833 Connect two connectors (MFP)



### Step 30: Install the top front cover

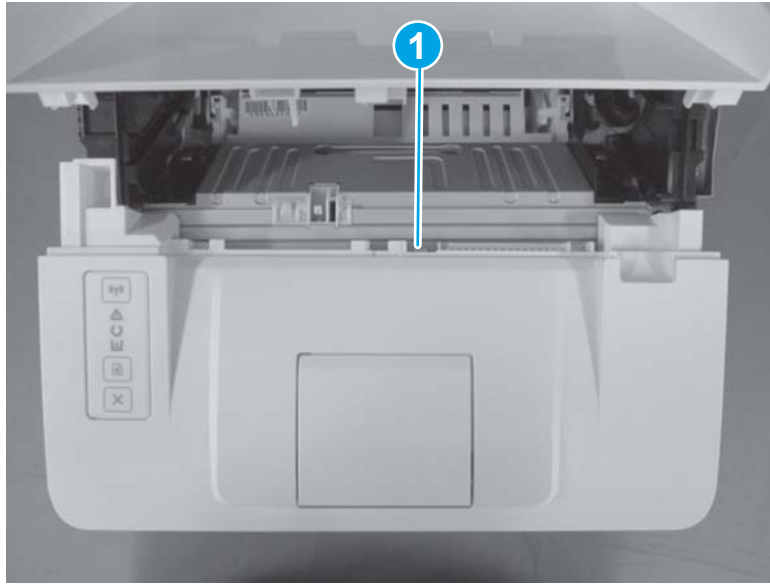
1. SFP: Do the following.
  - a. Position the top front cover (callout 1) on the printer and install two tabs (callout 2).

Figure 1-1834 Install two tabs



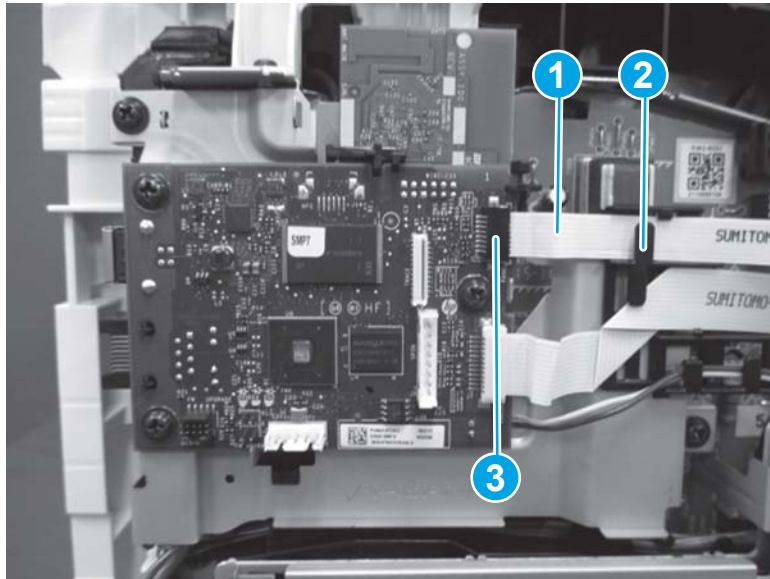
- b. On the top of the cover, install one tab (callout 1).

Figure 1-1835 Install one tab



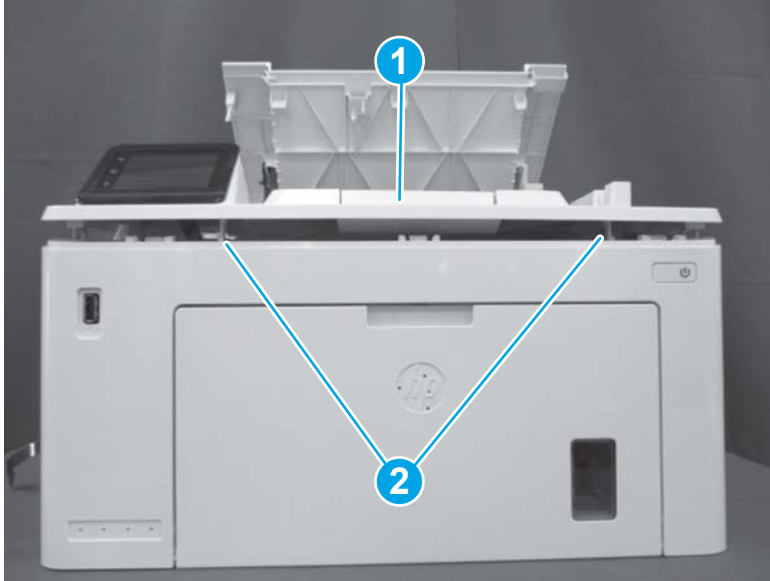
- c. Install the cable (callout 1) in the guide (callout 2), and then connect one connector (callout 3) on the formatter.

Figure 1-1836 Connect one connector



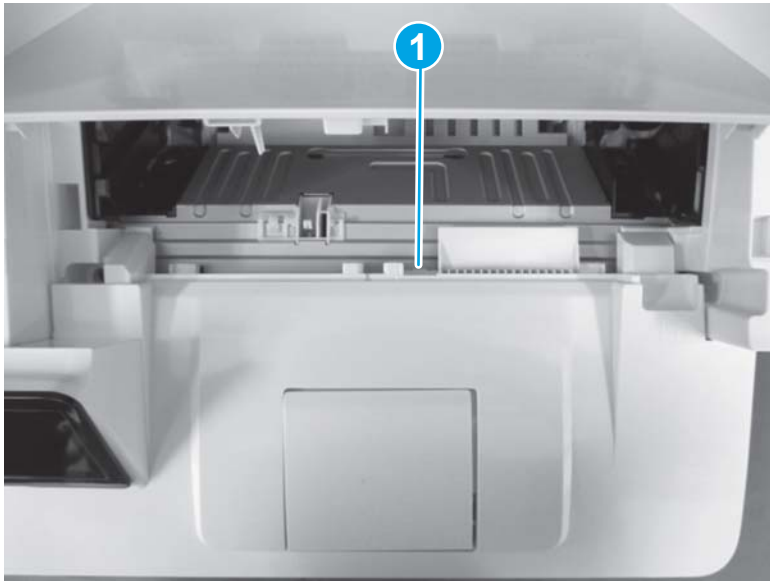
- 2. MFP: Do the following.
  - a. Position the top front cover (callout 1) on the printer, and then install two tabs (callout 2).

Figure 1-1837 Install two tabs



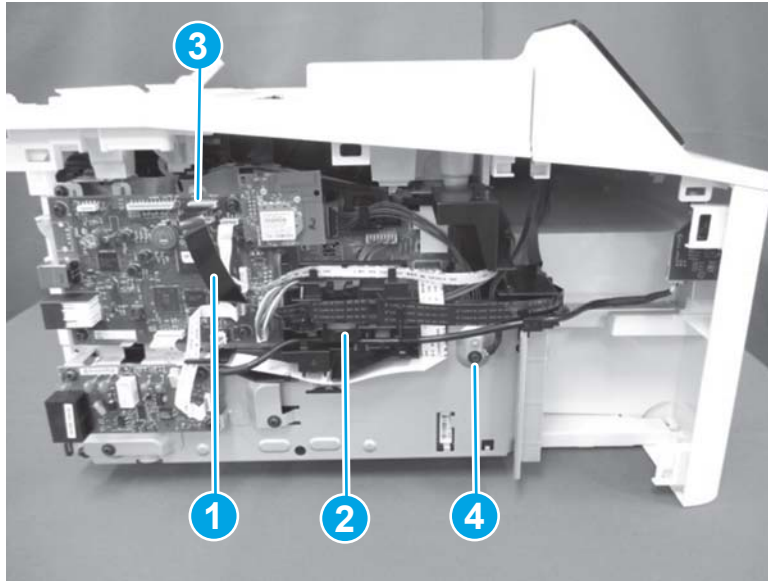
- b. Install one tab (callout 1).

Figure 1-1838 Install one tab



- c. Install the cable (callout 1) in the cable guide (callout 2), and then connect one connector (callout 3). Install one screw (callout 4) to secure the grounding cable.

**Figure 1-1839** Install one connector and grounding cable

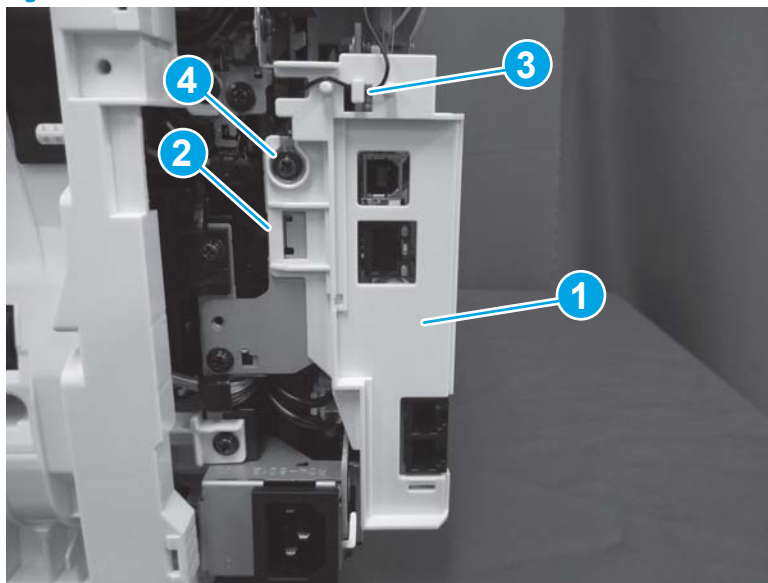


### Step 31: Install the USB cover

- ▲ Do the following:

- Position the USB cover (callout 1) on the printer, and then make sure that one tab (callout 2) is engaged.
- **4-in-1 scanner assembly models only:** Install one wire harness in the guide (callout 3), and then install one screw (callout 4).

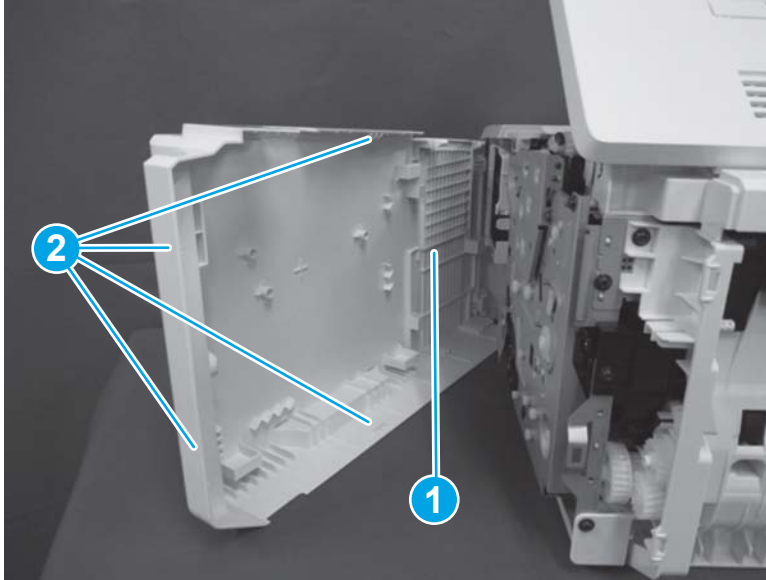
**Figure 1-1840** Install the USB cover (MFP)



## Step 32: Install the right cover

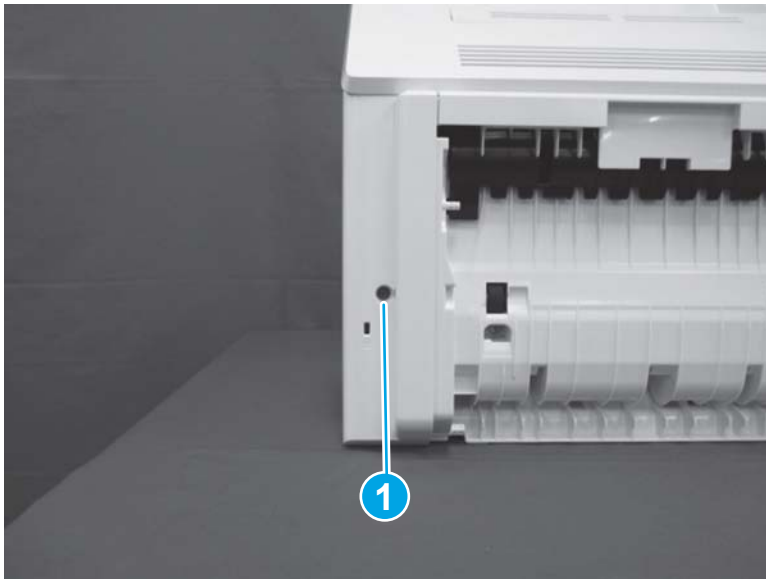
1. **SFP:** Do the following.
  - a. Open the cartridge door.
  - b. Position the right cover (callout 1) on the printer, and then engage four tabs (callout 2).

**Figure 1-1841** Install the right cover (SFP)



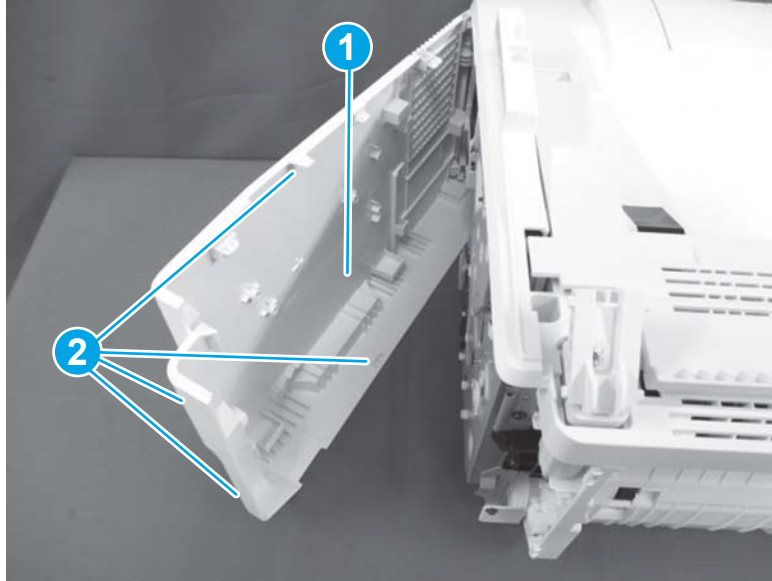
- c. Close the cartridge door.
- d. Install one screw (callout 1).

**Figure 1-1842** Install one screw (SFP)



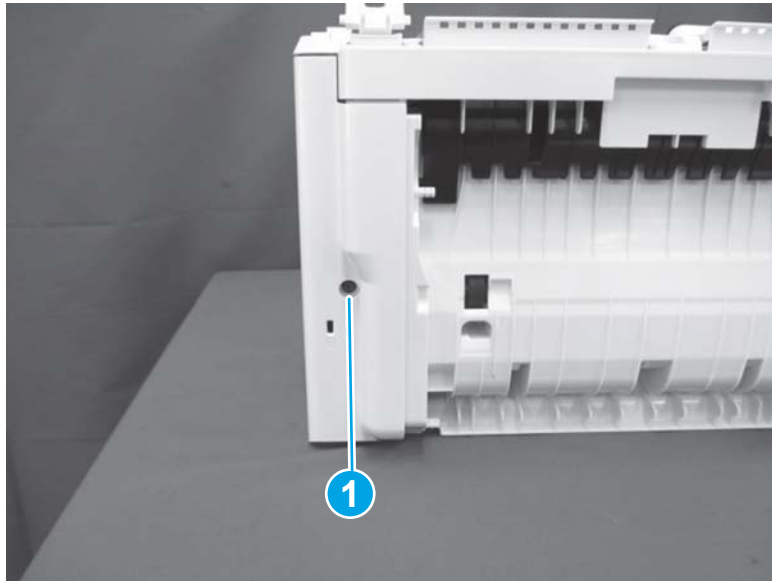
2. **MFP:** Do the following.
  - a. Position the right cover (callout 1) on the printer, and then engage four tabs (callout 2).

Figure 1-1843 Install the right cover (MFP)




- b. Install one screw (callout 1).

Figure 1-1844 Install one screw (MFP)



### Step 33: Install the 3-in-1 or 4-in-1 scanner assembly (MFP)

 **NOTE:** This step is for the MFP printers. For the SFP printers, skip this step and go to [Step 35: Install the left cover on page 1069](#).

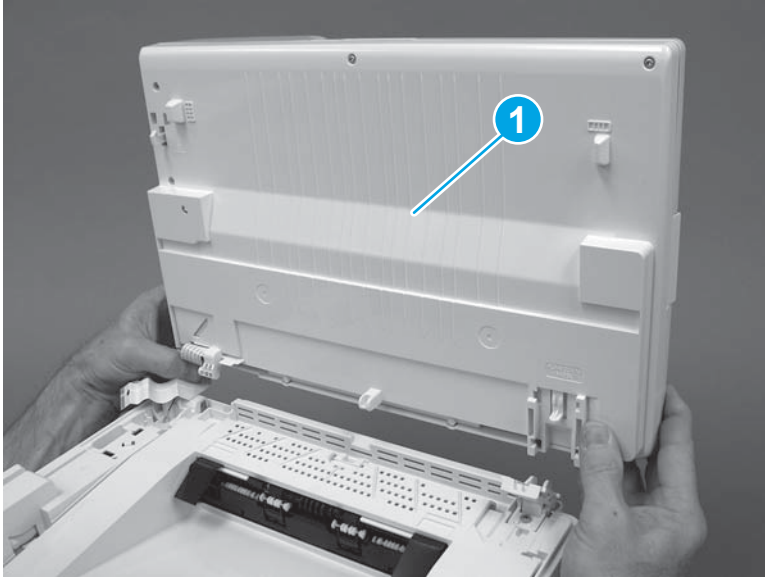
 **NOTE:** The 4-in-1 scanner assembly supports the document feeder. The 3-in-1 scanner assembly does not support the document feeder.

The figures in this procedure show a 4-in-1 printer. However, the procedure is correct for 3-in-1 printers.

1. Position the scanner assembly (callout 1) near the printer.

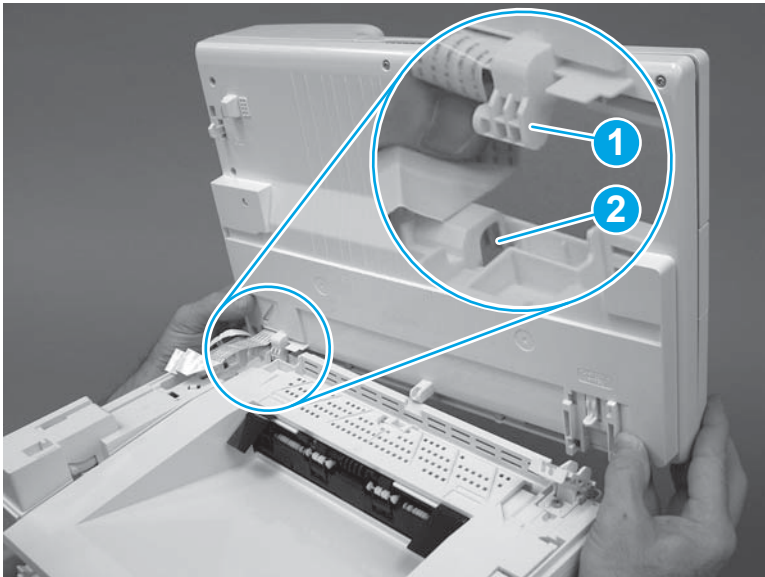


Figure 1-1845 Install the scanner assembly (MFP)



2. Engage the left hinge (callout 1) with the top cover (callout 2).

Figure 1-1846 Engage the left hinge (MFP)





3. Push the right side of the scanner assembly toward the front of the printer to engage the right hinge (callout 1). Make sure that the tab (callout 2) snaps into place.

Figure 1-1847 Engage the right hinge (MFP)

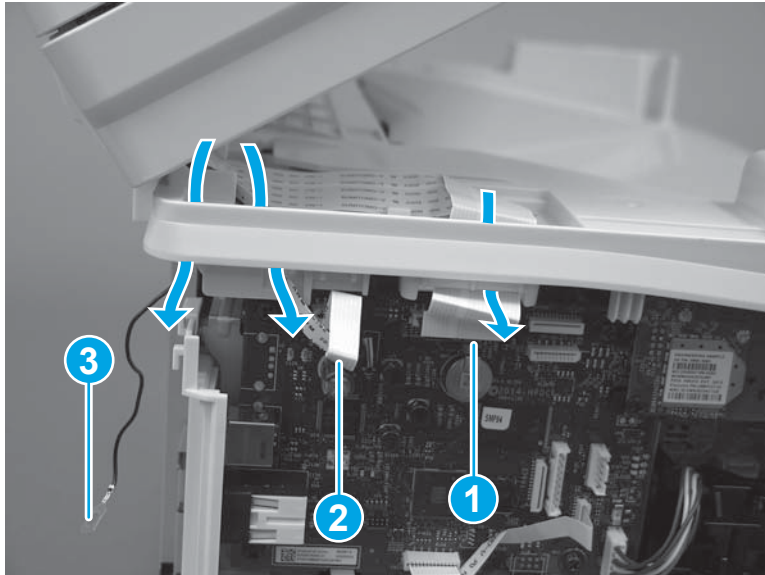


4. **4-in-1 models only:** Pass the flat cables (callouts 1/2) and the ground wire (callout 3) through the openings in the chassis, and then connect the two flat cables.

**3-in-1 models only:** Pass the flat cable (callout 1) through the opening in the chassis, and then connect one flat cable.

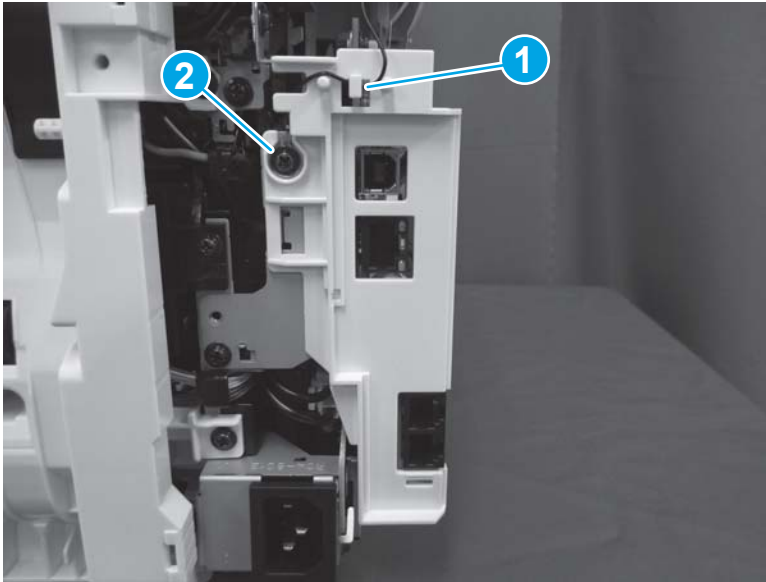
 **NOTE:** The 3-in-1 model does not have the small flat cable (callout 2) or a ground wire (callout 3).

Figure 1-1848 Connect flat cable(s)



5. **4-in-1 models only:** Install the ground wire in the retainer (callout 1), and then install one screw (callout 2).

**Figure 1-1849** Install the ground wire (4-in-1 models)

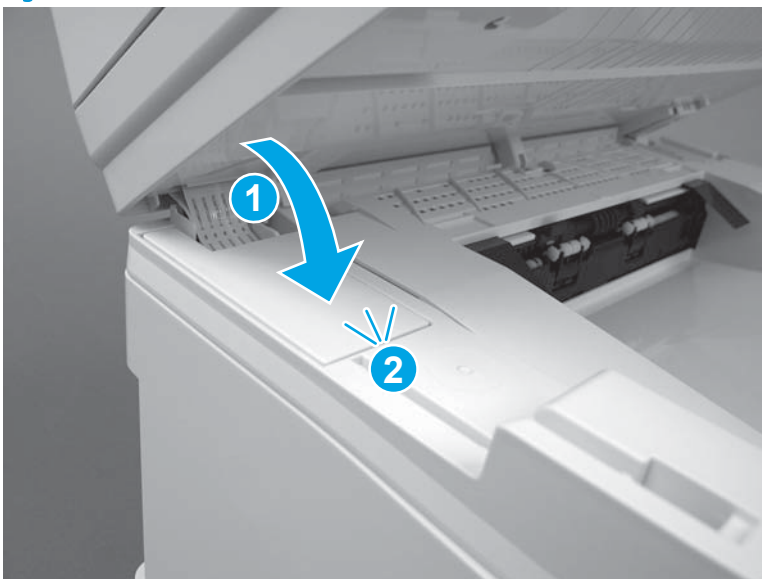


#### Step 34: Install the cable cover (MFP)

 **NOTE:** This step is for the MFP printers. For the SFP printers, skip this step and go to [Step 35: Install the left cover on page 1069](#).

1. Install the cable cover (callout 1), on the printer, and then push down to engage one tab (callout 2).

**Figure 1-1850** Install the cable cover (MFP)



2. Close the scanner assembly.

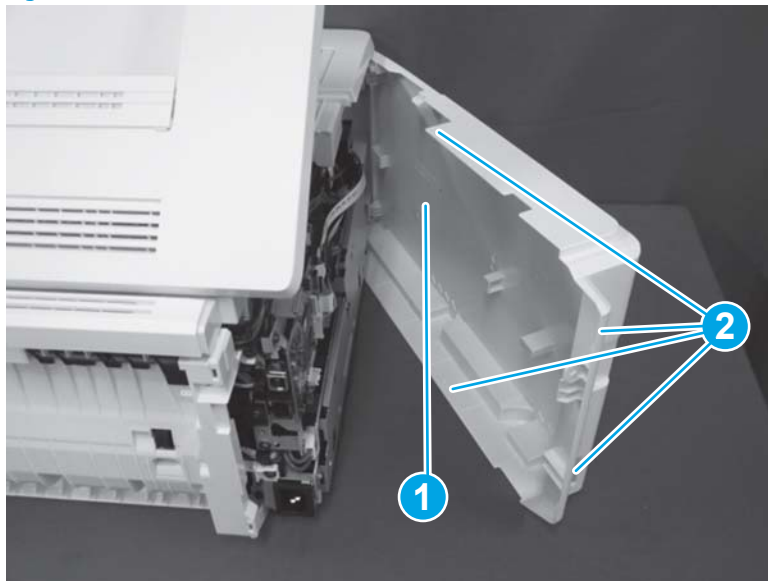
**Figure 1-1851** Close the scanner assembly



### Step 35: Install the left cover

1. SFP: Do the following.
  - a. Open the cartridge door.
  - b. Position the left cover (callout 1) on the printer, and then engage four tabs (callout 2).

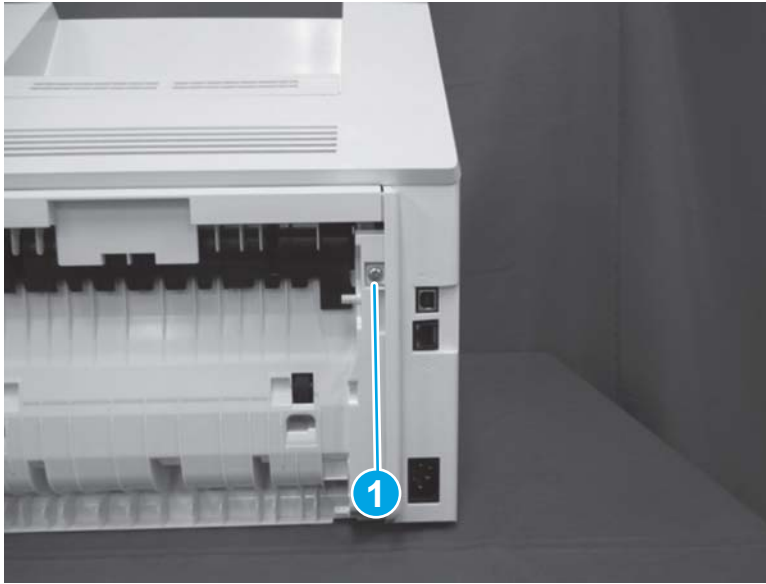
**Figure 1-1852** Install the left cover (SFP)



- c. Close the cartridge door.

- d. Install one screw (callout 1).

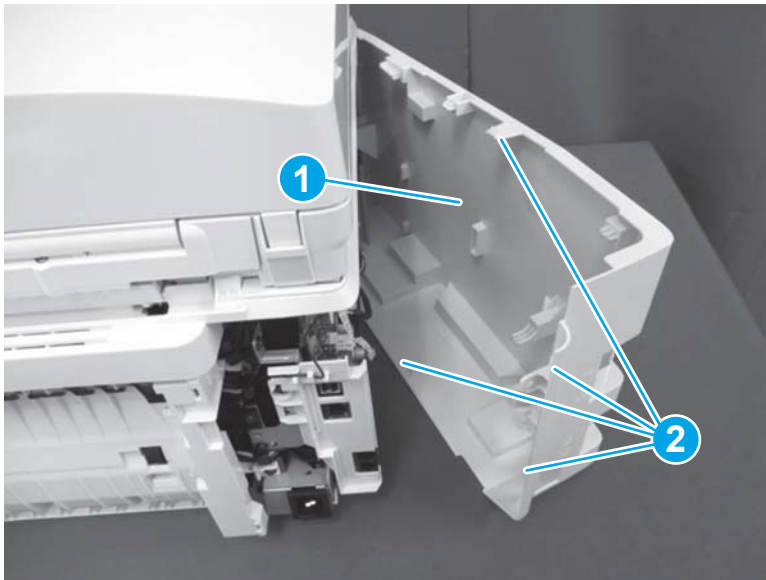
Figure 1-1853 Install one screw (SFP)



- 2. MFP: Do the following.

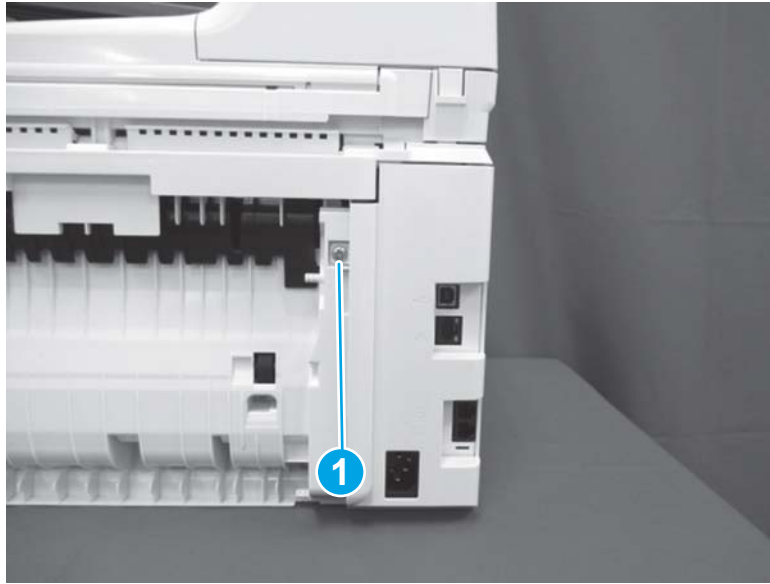
- a. Position the left cover (callout 1) on the printer, and then engage four tabs (callout 2).

Figure 1-1854 Install the left cover (MFP)



- b. Install one screw (callout 1).

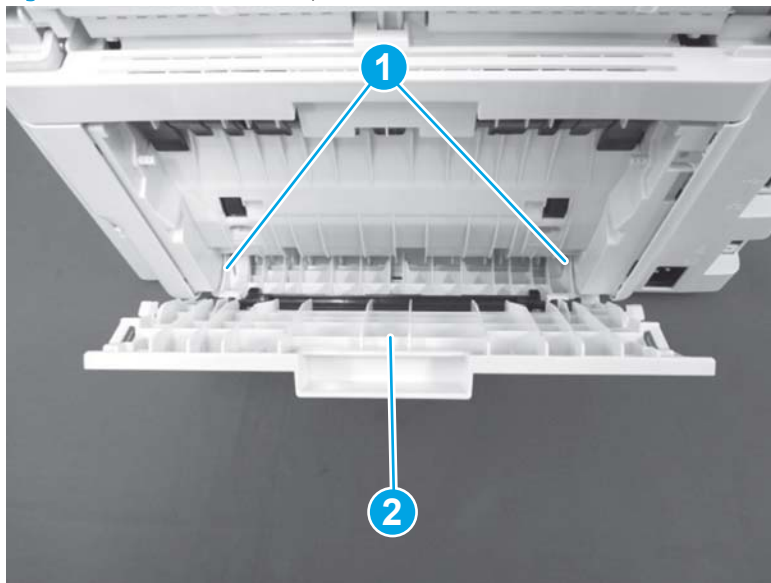
**Figure 1-1855** Install one screw (MFP)



### Step 36: Install the duplex door

1. Install two tabs (callout 1) to install the duplex door (callout 2).

**Figure 1-1856** Install the duplex door

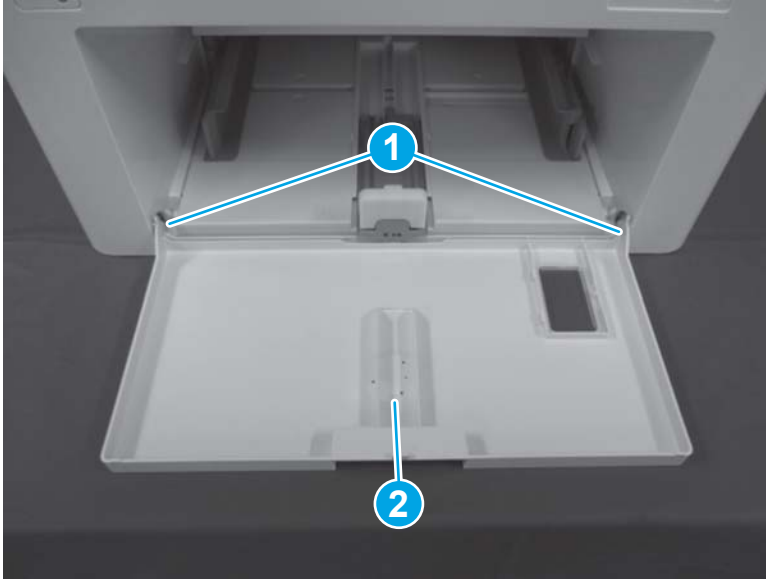


2. Close the duplex door.

### Step 37: Install the multipurpose cover

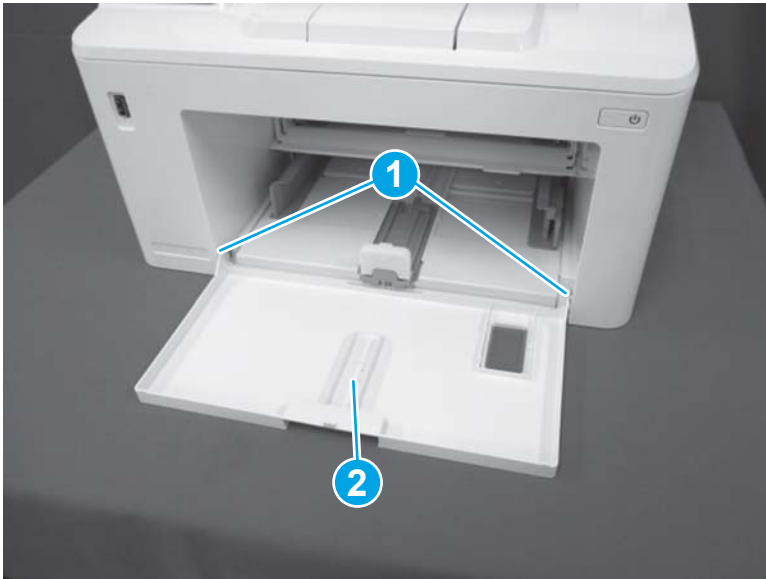
1. **SFP:** Engage two bosses (callout 1), to install the cover (callout 2).

Figure 1-1857 Install the multipurpose cover (SFP)



2. **MFP:** Engage two bosses (callout 1) to install the cover (callout 2).

Figure 1-1858 Install the multipurpose cover (MFP)



3. Close the multipurpose cover.

## Removal and replacement: Delivery sensor

- [Introduction](#)
- [Step 1: Remove the multipurpose cover](#)
- [Step 2: Remove the duplex door](#)
- [Step 3: Remove the left cover](#)
- [Step 4: Remove the cable cover \(MFP\)](#)
- [Step 5: Remove the 3-in-1 or 4-in-1 scanner assembly \(MFP\)](#)
- [Step 6: Remove the right cover](#)
- [Step 7: Remove the top front cover](#)
- [Step 8: Remove the front cover](#)
- [Step 9: Remove the hinge assembly \(MFP\)](#)
- [Step 10: Remove the cartridge door](#)
- [Step 11: Remove the top cover \(MFP\)](#)
- [Step 12: Remove the top rear cover \(SFP\)](#)
- [Step 13: Remove the duplex paper feed assembly](#)
- [Step 14: Remove the delivery sensor](#)
- [Step 15: Unpack the replacement assembly](#)
- [Step 16: Install the delivery sensor](#)
- [Step 17: Install the duplex paper feed assembly](#)
- [Step 18: Install the top rear cover \(SFP\)](#)
- [Step 19: Install the top cover \(MFP\)](#)
- [Step 20: Install the cartridge door](#)
- [Step 21: Install the hinge assembly \(MFP\)](#)
- [Step 22: Install the front cover](#)
- [Step 23: Install the top front cover](#)
- [Step 24: Install the right cover](#)
- [Step 25: Install the 3-in-1 or 4-in-1 scanner assembly \(MFP\)](#)
- [Step 26: Install the cable cover \(MFP\)](#)
- [Step 27: Install the left cover](#)
- [Step 28: Install the duplex door](#)
- [Step 29: Install the multipurpose cover](#)

## Introduction



This document provides the procedures to remove and replace the delivery sensor.

## Before performing service

### Turn the printer power off

- Disconnect the power cable.

 **WARNING!** To avoid damage to the printer, turn the printer off, wait 30 seconds, and then remove the power cable before attempting to service the printer.

 **CAUTION:**  This part contains components that are electrostatic discharge (ESD) sensitive. To reduce the possibility of ESD damage, always touch the sheet-metal chassis to ground yourself before touching an ESD sensitive part.

Use the table below to identify the correct part number for your printer. To order the part, go to [www.hp.com/buy/parts](http://www.hp.com/buy/parts).

Delivery sensor part number	
RM2-8378-000CN	Delivery sensor

## Required tools

- #2 Phillips screwdriver with a magnetic tip.
- Small flat-blade screwdriver

## After performing service

### Turn the printer power on

- Connect the power cable.
- Use the power switch to turn the power on.

## Post service test

**MFP:** Verify that the document feeder and the flatbed scanner are correctly functioning (copy a page).

Send a print job from the host computer (or print a configuration report). Verify that the page prints.

## Step 1: Remove the multipurpose cover

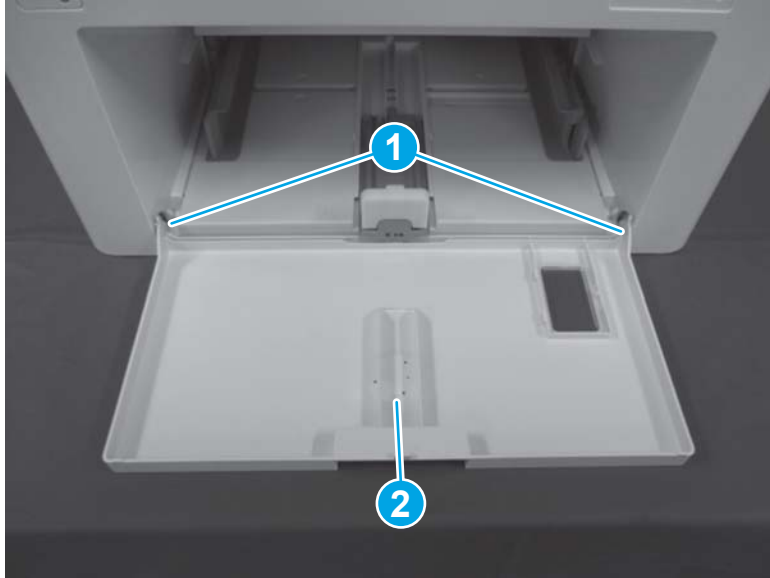
1. Open the multipurpose cover.



2. **SFP:** Release two bosses (callout 1), and then remove the cover (callout 2).

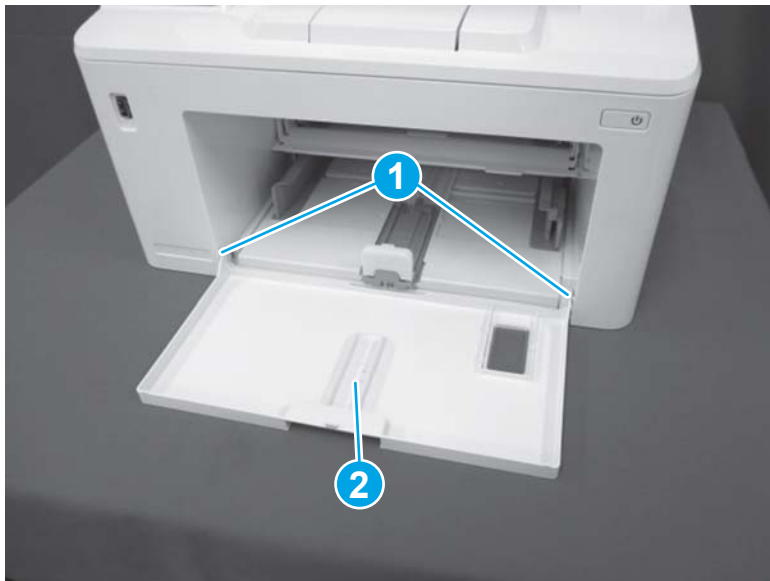
 **TIP:** It might be easier to remove the cover if the right boss is released first, and then lower the right-side of the cover to release the left-side boss.

**Figure 1-1859** Remove the multipurpose cover (SFP)



3. **MFP:** Release two bosses (callout 1), and then remove the cover (callout 2).

**Figure 1-1860** Remove the multipurpose cover (MFP)

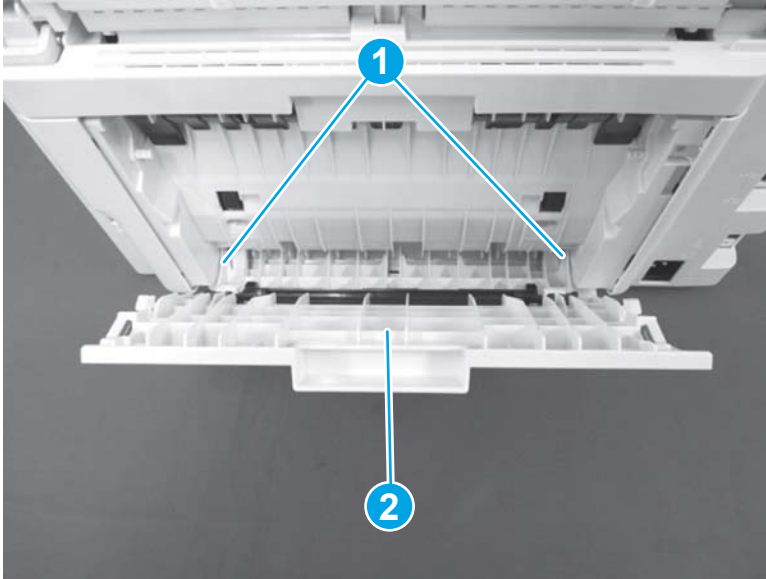


## Step 2: Remove the duplex door

1. Open the duplex door.

2. Use a small flat-blade screwdriver to release two tabs (callout 1), and then remove the duplex door (callout 2).

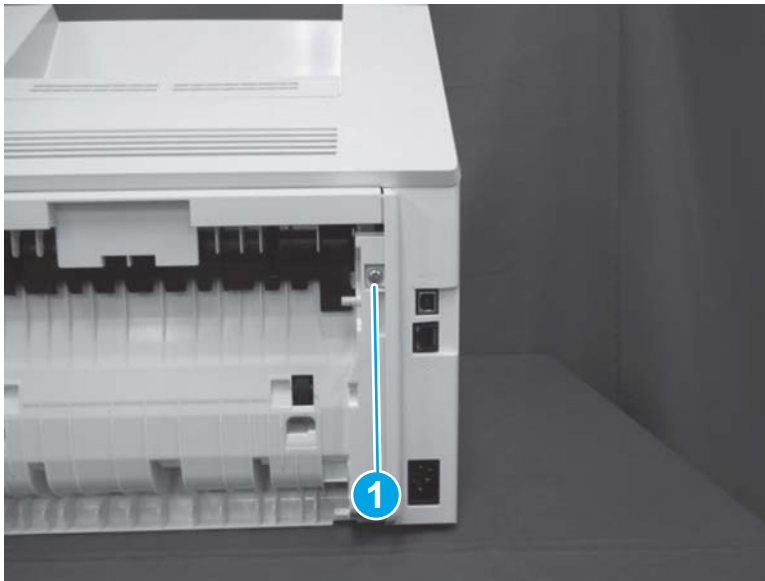
Figure 1-1861 Remove the duplex door



### Step 3: Remove the left cover

1. **SFP:** Do the following.
  - a. Remove one screw (callout 1).

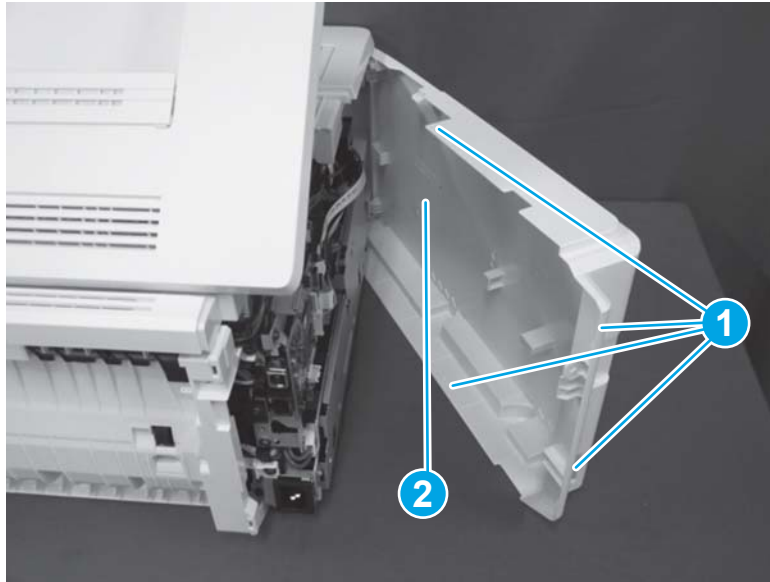
Figure 1-1862 Remove one screw (SFP)



- b. Open the cartridge door.

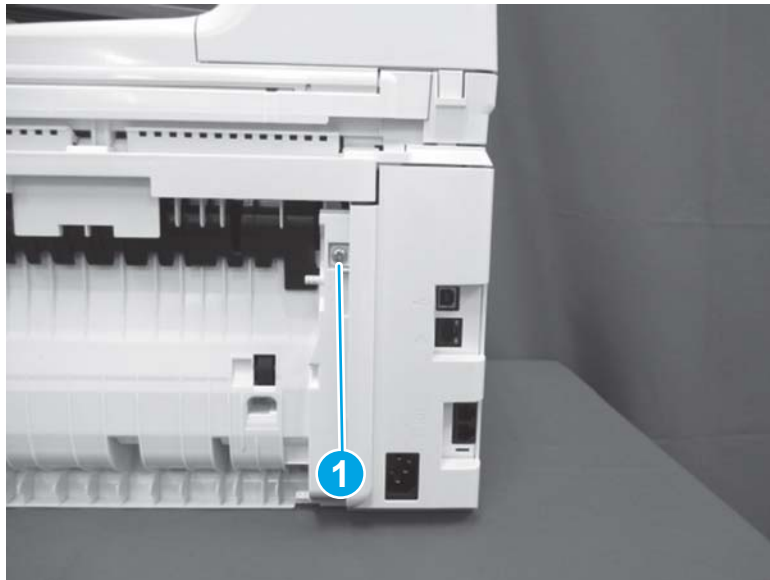
- c. Release four tabs (callout 1), and then remove the left cover (callout 2).

**Figure 1-1863** Remove the left cover (SFP)



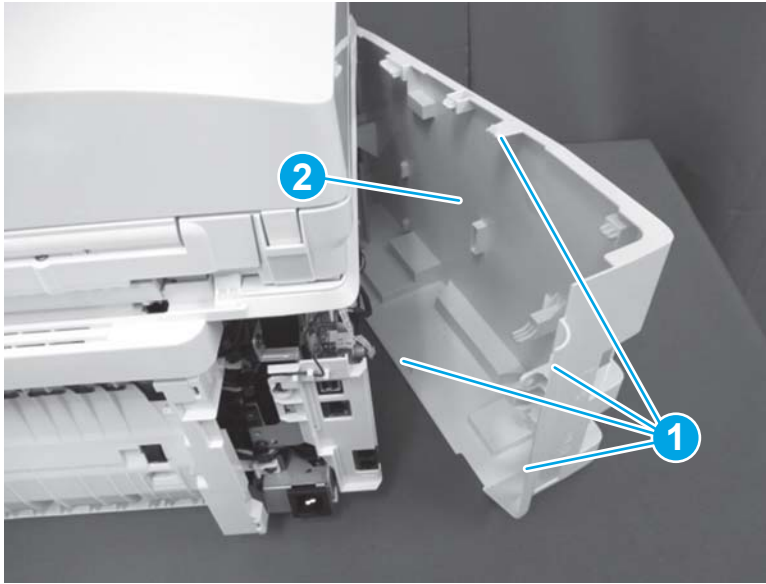
- 2. MFP: Do the following.
  - a. Remove one screw (callout 1).

**Figure 1-1864** Remove one screw (MFP)



- b. Release four tabs (callout 1), and then remove the left cover (callout 2).

**Figure 1-1865** Remove the left cover (MFP)



#### Step 4: Remove the cable cover (MFP)

 **NOTE:** This step is for the MFP printers. For the SFP printers, skip this step and go to [Step 6: Remove the right cover on page 1081](#).

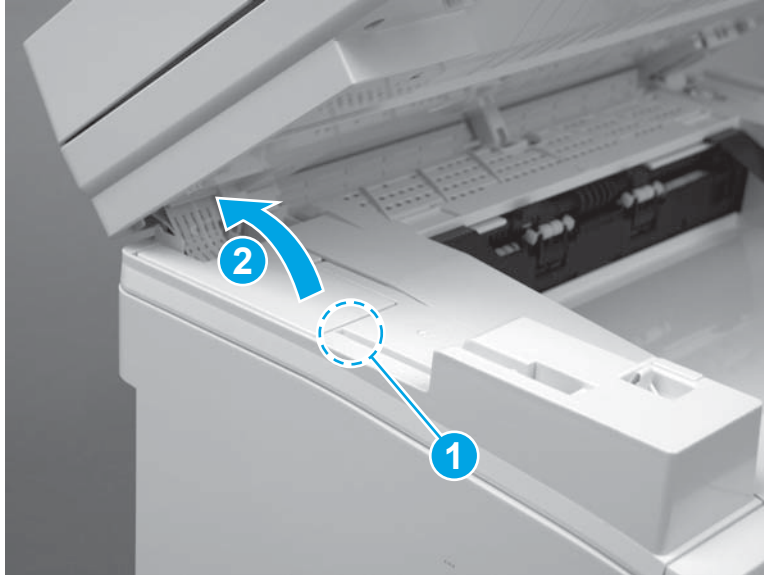
1. Open the scanner assembly.

**Figure 1-1866** Open the scanner assembly




2. Use a small flat-blade screw driver to release one tab (callout 1), and then remove the cable cover (callout 2).

**Figure 1-1867** Remove the cable cover (MFP)



#### Step 5: Remove the 3-in-1 or 4-in-1 scanner assembly (MFP)

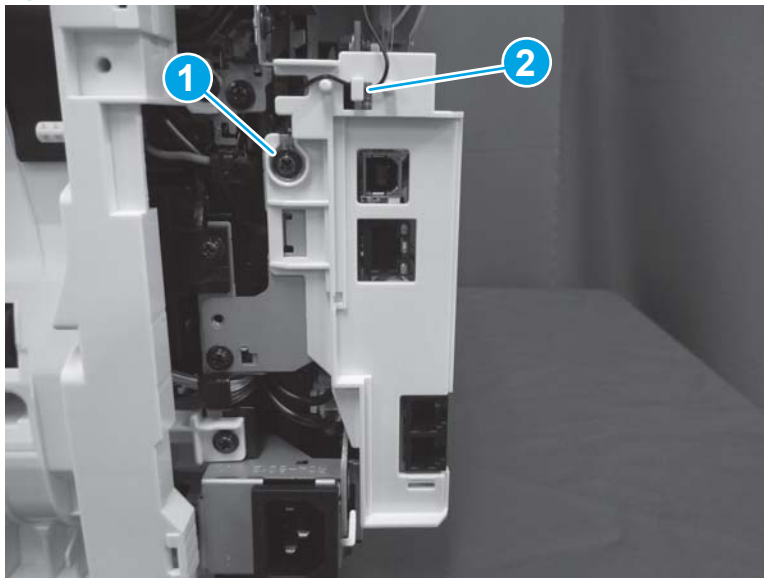
 **NOTE:** This step is for the MFP printers. For the SFP printers, skip this step and go to [Step 6: Remove the right cover on page 1081](#).

 **NOTE:** The 4-in-1 scanner assembly supports the document feeder. The 3-in-1 scanner assembly does not support the document feeder.

The figures in this procedure show a 4-in-1 printer. However, the procedure is correct for 3-in-1 printers.

1. **4-in-1 models only:** Remove one screw (callout 1), and then release the ground wire from the retainer (callout 2).

**Figure 1-1868** Release the ground wire (4-in-1 models)

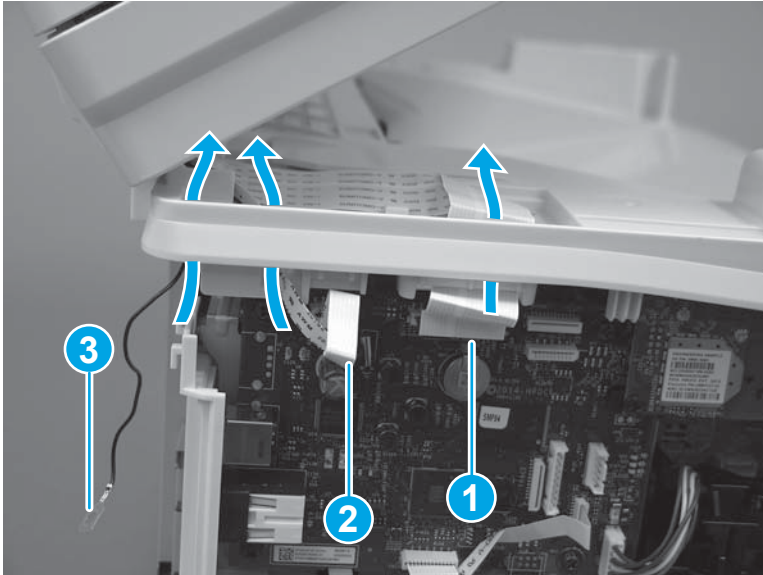


2. **4-in-1 models only:** Disconnect two flat cables (callouts 1/2), and then pass the flat cables and the ground wire (callout 3) up through the opening in the chassis.

**3-in-1 models only:** Disconnect one flat cable (callout 1), and then pass the flat cable through the opening in the chassis.

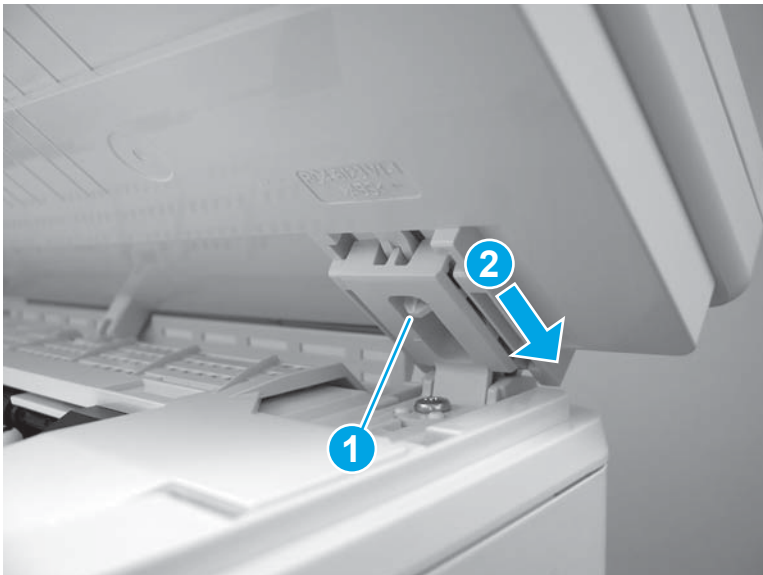
 **NOTE:** The 3-in-1 model does not have the small flat cable (callout 2) or a ground wire (callout 3).

**Figure 1-1869** Disconnect flat cable(s)



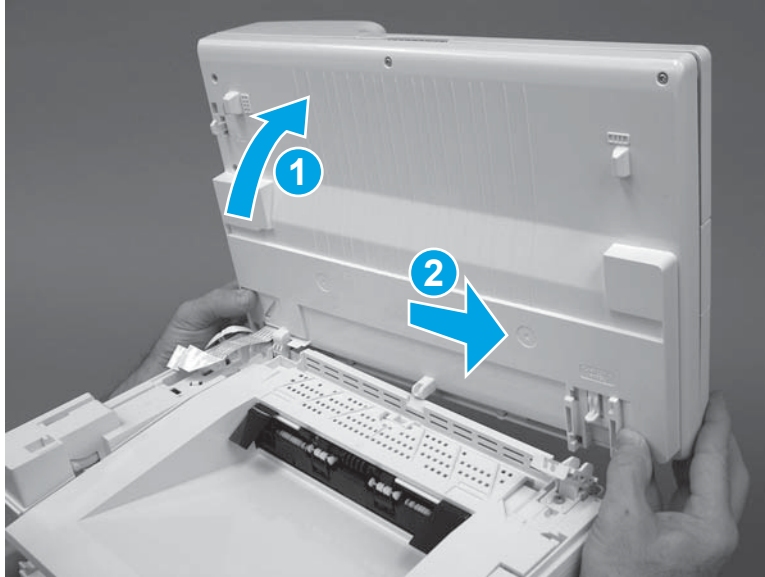
3. Release one tab (callout 1), and then push the right side of the scanner assembly toward the rear of the printer to release the right hinge (callout 2).

**Figure 1-1870** Release the right hinge



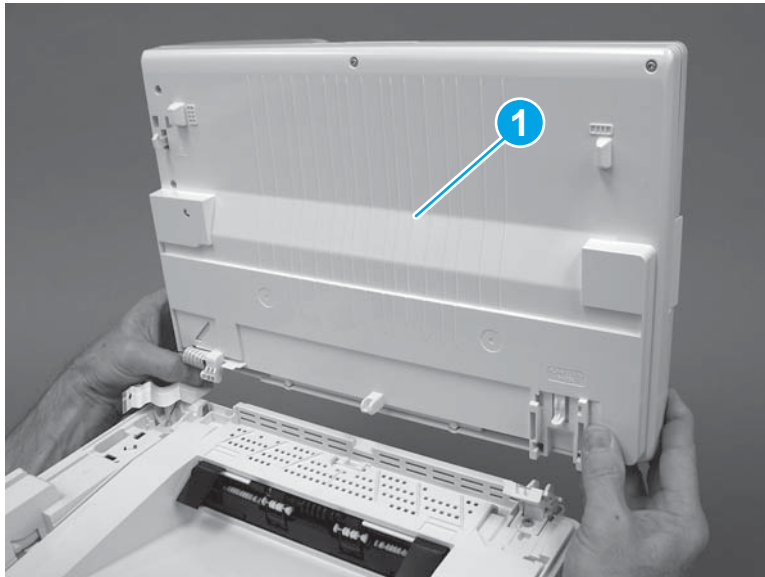
4. Rotate the scanner assembly towards the rear of the printer (callout 1), and then slide the scanner assembly toward the right side of the printer to release the left hinge (callout 2).

Figure 1-1871 Release the left hinge



5. Remove the scanner assembly (callout 1).

Figure 1-1872 Remove the scanner assembly

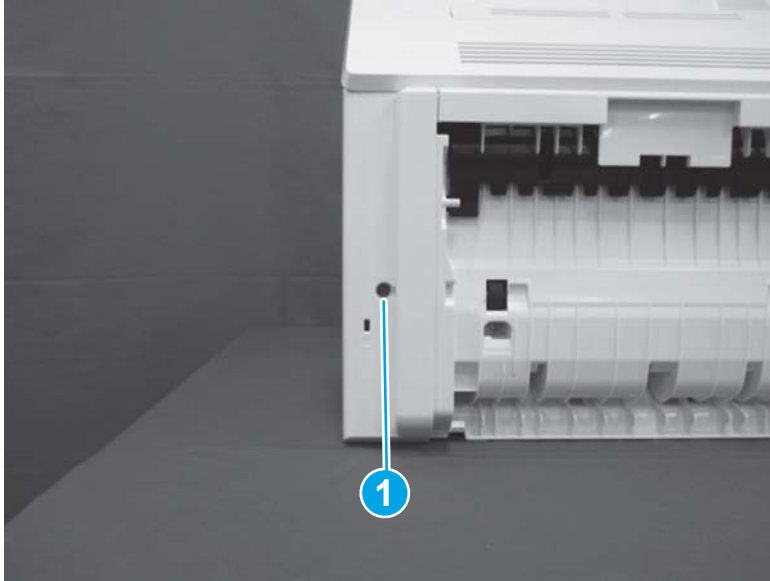


#### Step 6: Remove the right cover

1. SFP: Do the following.
  - a. Remove one screw (callout 1).

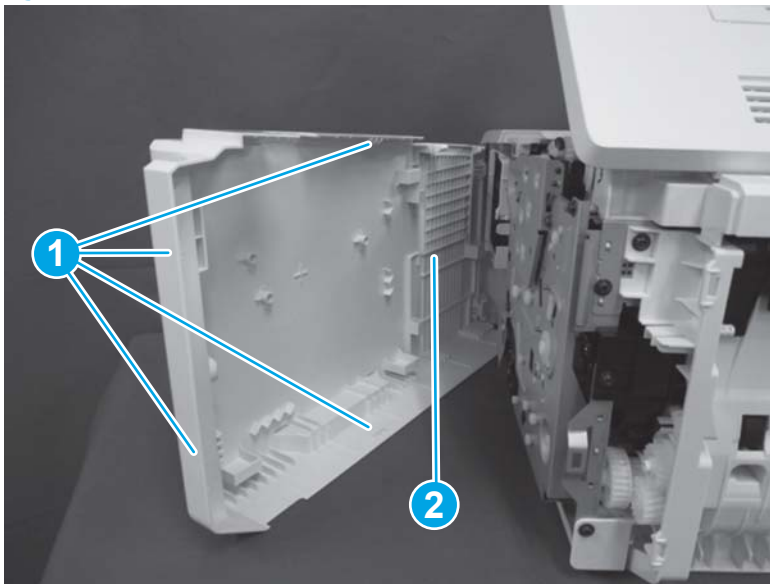


Figure 1-1873 Remove one screw (SFP)



- b. Open the cartridge door.
- c. Release four tabs (callout 1), and then remove the right cover (callout 2).

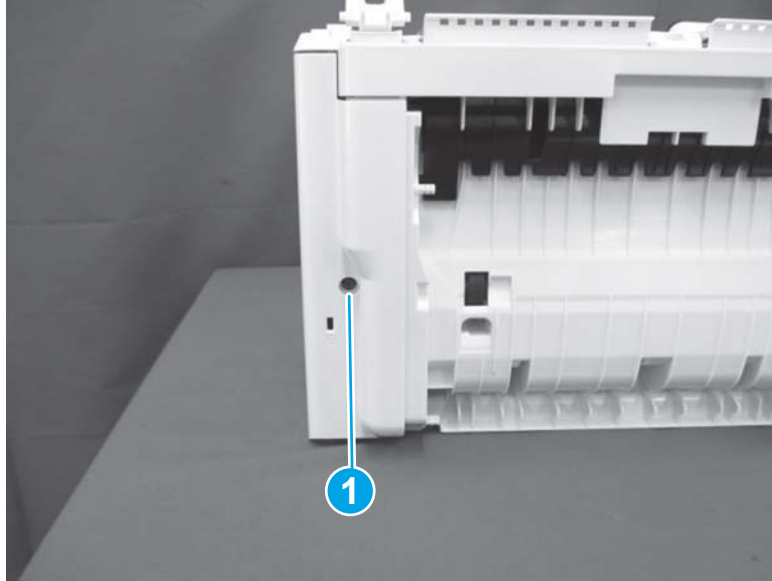
Figure 1-1874 Remove the right cover (SFP)



- 2. **MFP:** Do the following.
  - a. Remove one screw (callout 1).

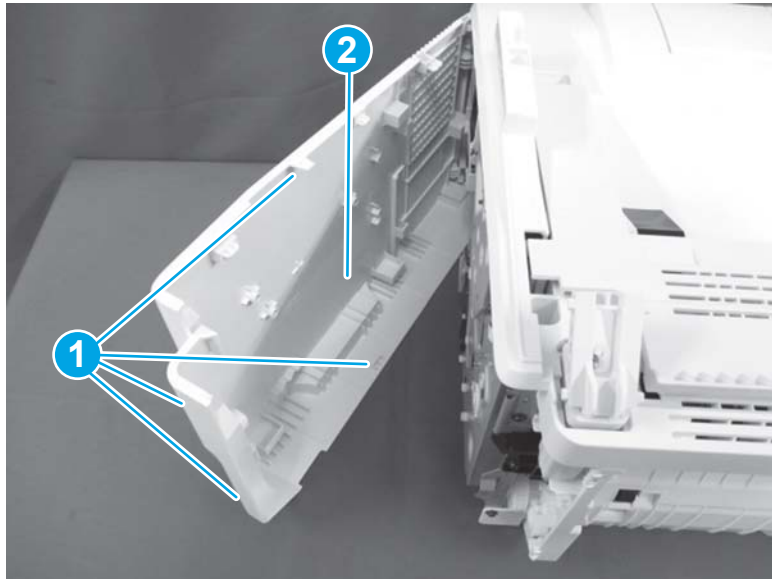


Figure 1-1875 Remove one screw (MFP)



- b. Release four tabs (callout 1), and then remove the right cover (callout 2).

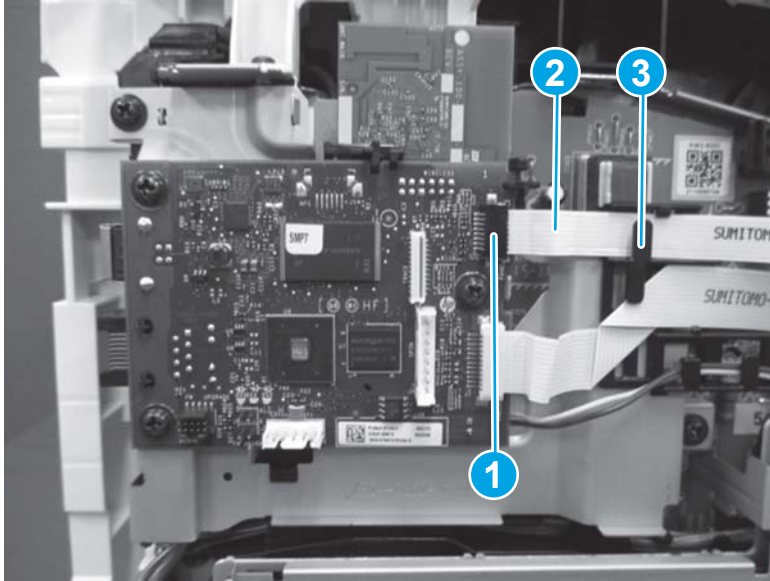
Figure 1-1876 Remove the right cover (MFP)



#### Step 7: Remove the top front cover

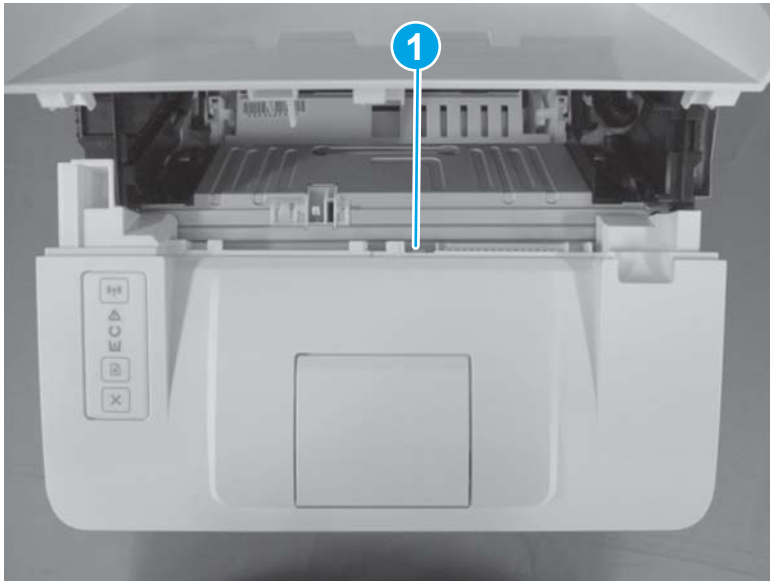
1. SFP: Do the following.
  - a. Disconnect one connector (callout 1) on the formatter, and then release the cable (callout 2) from the cable guide (callout 3).

Figure 1-1877 Disconnect one connector



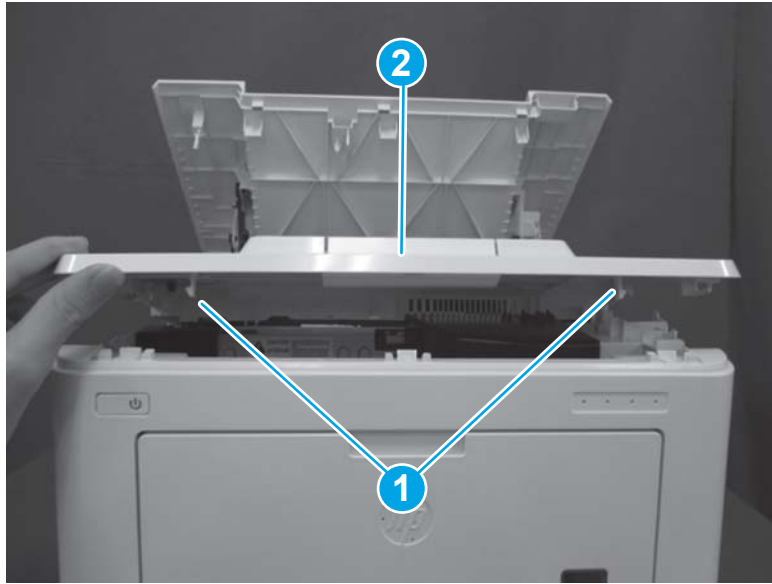
- b. Open the cartridge door, and then release one tab (callout 1) on the top of the cover.

Figure 1-1878 Release one tab



- c. Release two tabs (callout 1), and then remove the top front cover (callout 2).

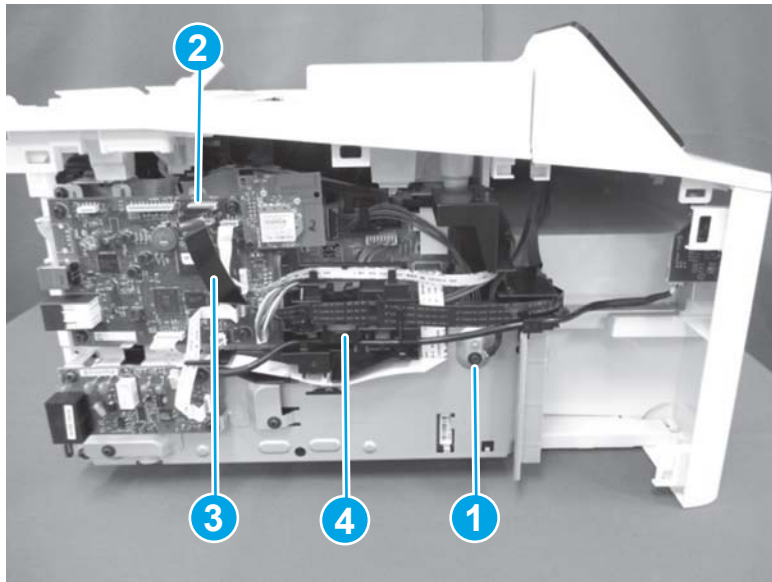
**Figure 1-1879** Release two tabs and remove the cover



2. MFP: Do the following.

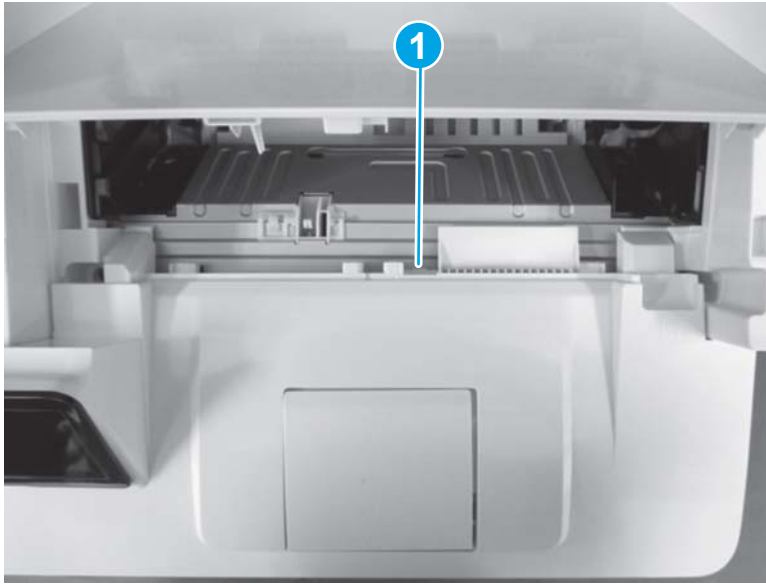
- a. Remove one screw (callout 1) to release one cable. Disconnect one connector (callout 2), and then remove the cable (callout 3) from the cable guide (callout 4).

**Figure 1-1880** Disconnect connector and release cable



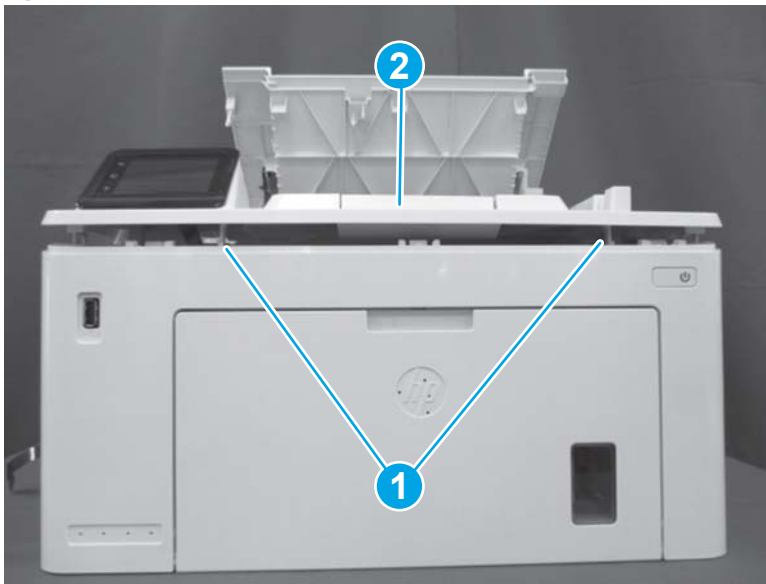
- b. Open the cartridge door, and then release one tab (callout 1).

Figure 1-1881 Release one tab



- c. Release two tabs (callout 1), and then remove the top front cover (callout 2).

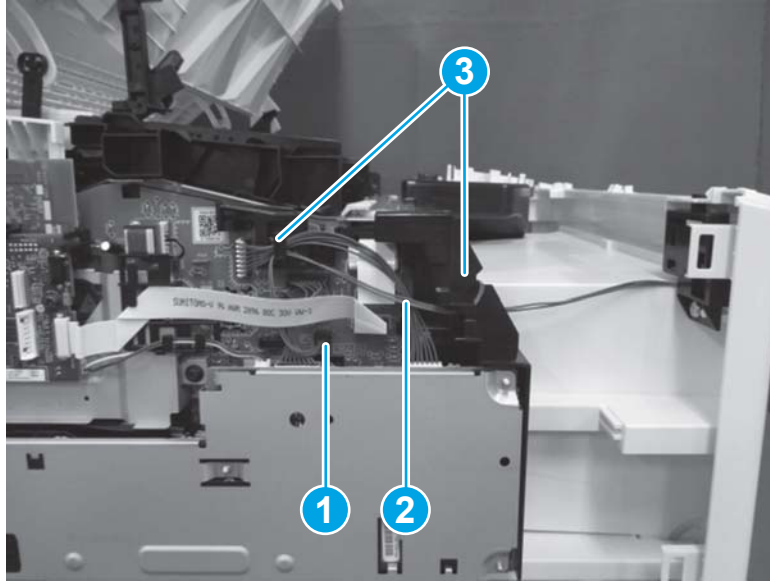
Figure 1-1882 Release two tabs and remove the cover



### Step 8: Remove the front cover

1. **SFP:** Do the following.
  - a. Disconnect one connector (callout 1), and then remove the cable (callout 2) from the cable guide (callout 3).

Figure 1-1883 Disconnect connector (SFP)



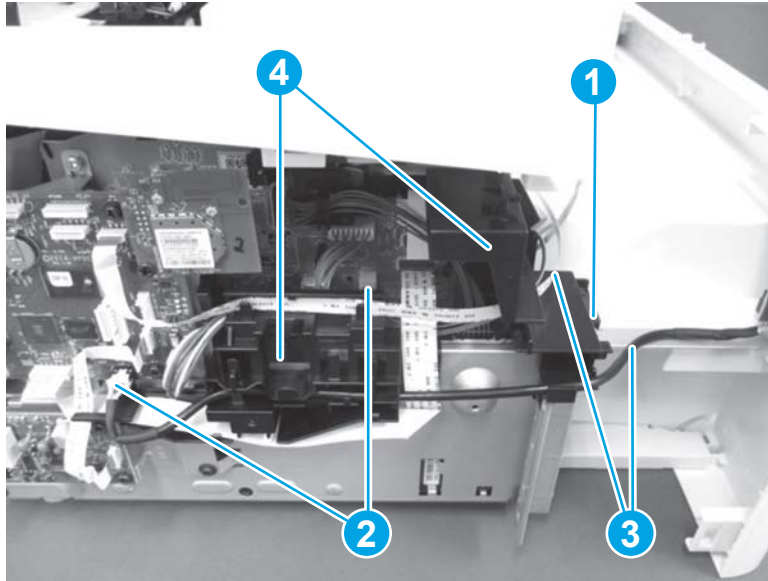
- b. Slide the front cover (callout 1) away from the printer to remove it.

Figure 1-1884 Remove the front cover (SFP)



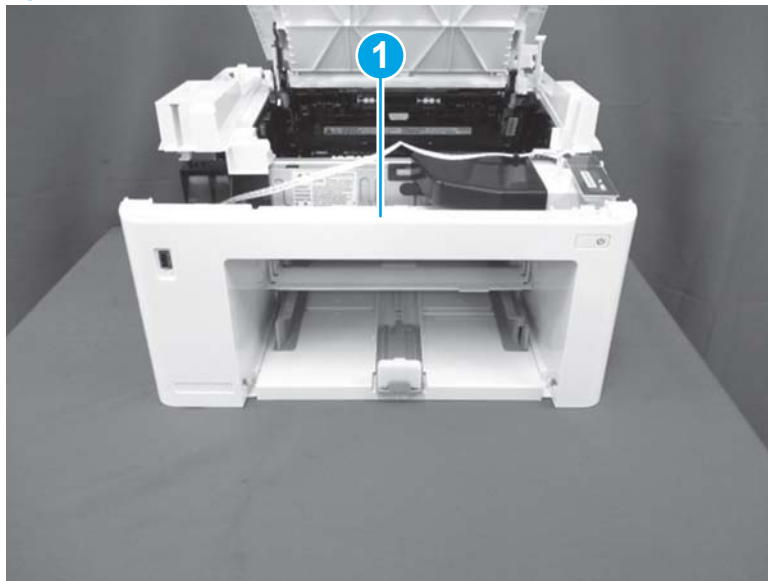
- 2. MFP: Do the following.
  - a. Remove one screw (callout 1). Disconnect two connectors (callout 2), and then release the cables (callout 3) from the cable guide (callout 4).

Figure 1-1885 Disconnect connectors (MFP)



- b. Slide the front cover (callout 1) away from the printer to remove it.

Figure 1-1886 Remove the front cover (MFP)

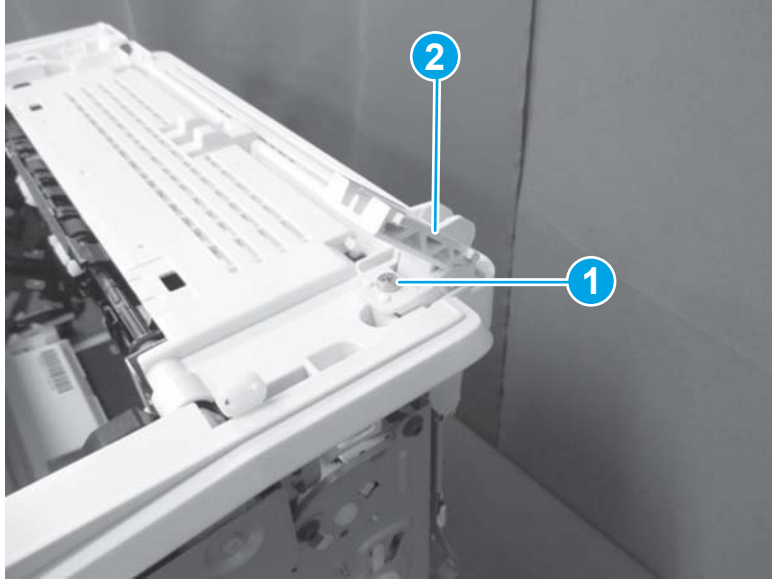


### Step 9: Remove the hinge assembly (MFP)

 **NOTE:** This step is for the MFP printers. For the SFP printers, skip this step and go to [Step 10: Remove the cartridge door on page 1089](#).

- ▲ Remove one screw (callout 1), and then remove the hinge assembly (callout 2).

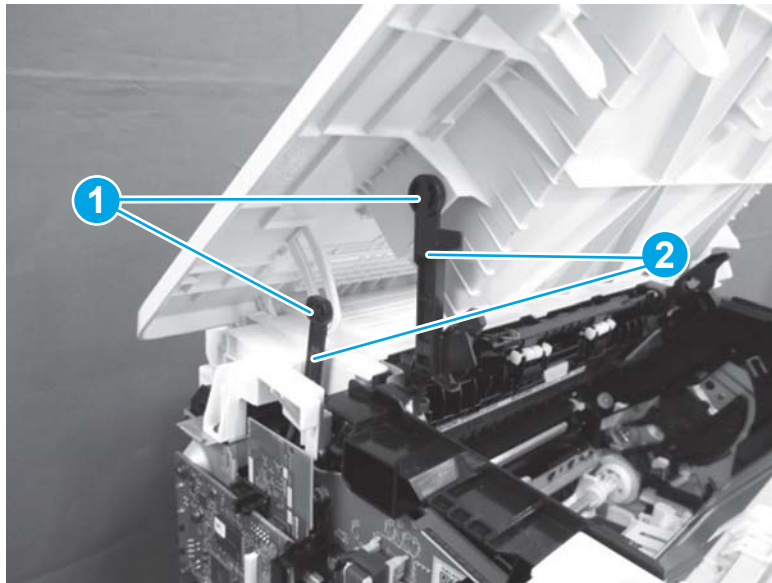
Figure 1-1887 Remove the hinge assembly (MFP)



#### Step 10: Remove the cartridge door

1. SFP: Do the following.
  - a. Open the cartridge door. On the left side of the printer, release two tabs (callout 1), and then disconnect two link arms (callout 2).

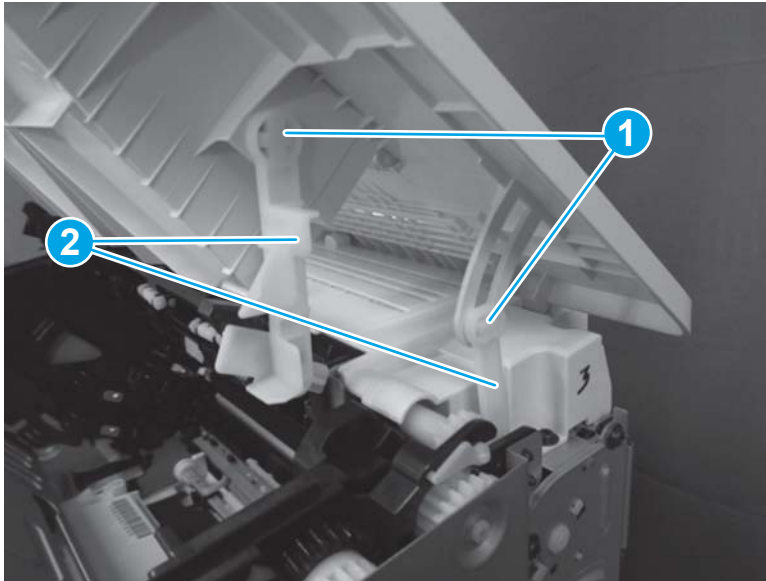
Figure 1-1888 Disconnect left link arms (SFP)





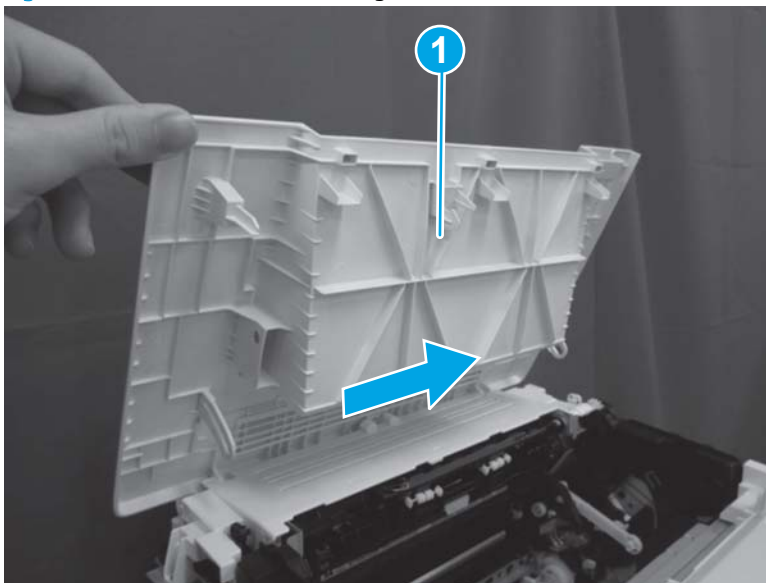
- b. On the right side of the printer, release two tabs (callout 1), and then disconnect two link arms (callout 2).

**Figure 1-1889** Disconnect right link arms (SFP)



- c. Fully open the cartridge door (callout 1), and then slide it towards the right-side of the printer to remove it.

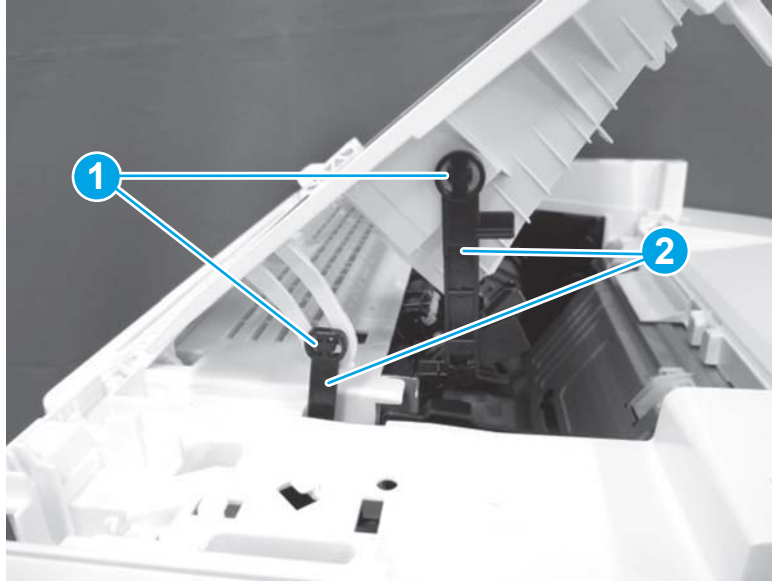
**Figure 1-1890** Remove the cartridge door (SFP)



2. **MFP:** Do the following.
  - a. Open the cartridge door. On the left side of the printer, release two tabs (callout 1), and then disconnect two link arms (callout 2).

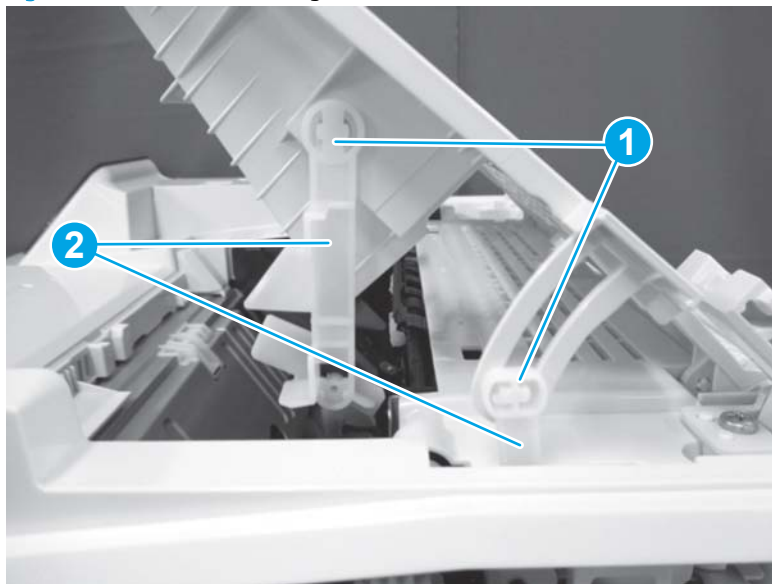


Figure 1-1891 Disconnect left link arms (MFP)



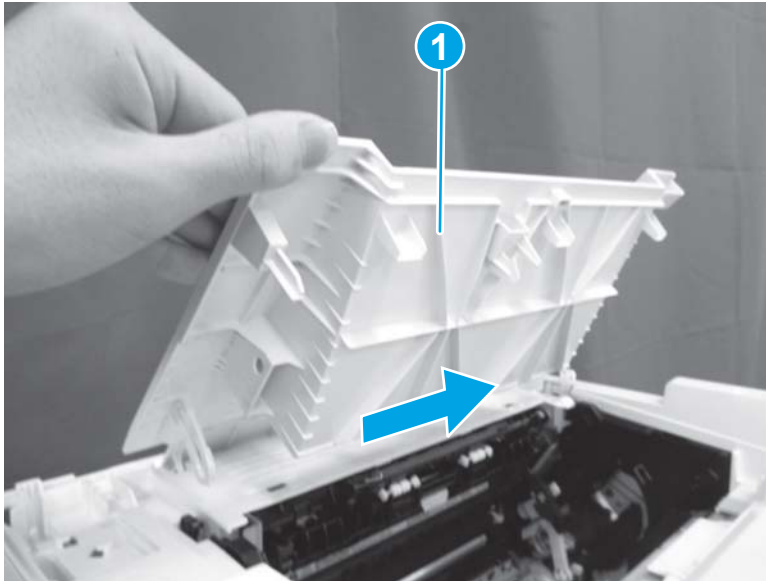
- b. On the right side of the printer, release two tabs (callout 1), and then disconnect two link arms (callout 2).

Figure 1-1892 Disconnect right link arms (MFP)



- c. Fully open the cartridge door (callout 1), and then slide it towards the right-side of the printer to remove it.

**Figure 1-1893** Remove the cartridge door (MFP)

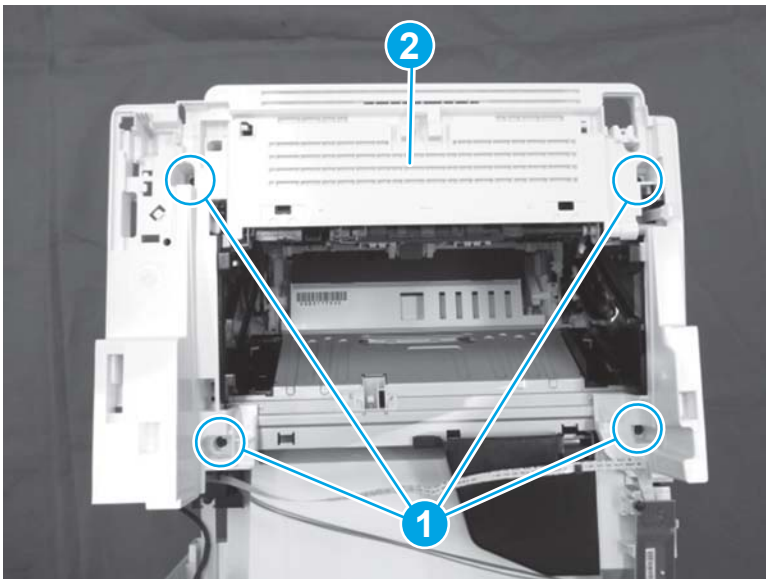


#### Step 11: Remove the top cover (MFP)


 **NOTE:** This step is for the MFP printers. For the SFP printers, skip this step and go to [Step 13: Remove the duplex paper feed assembly on page 1093](#).

- ▲ Remove four screws (callout 1), and then remove the top cover (callout 2).

**Figure 1-1894** Remove the top cover

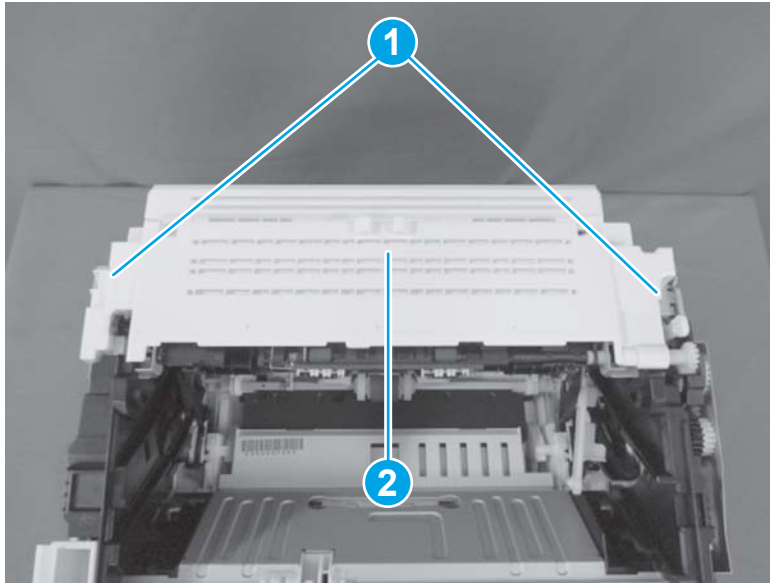


#### Step 12: Remove the top rear cover (SFP)

 **NOTE:** This step is for the SFP printers. For the MFP printers, skip this step and go to [Step 13: Remove the duplex paper feed assembly on page 1093](#).

- ▲ Remove two screws (callout 1), and then remove the top rear cover (callout 2).

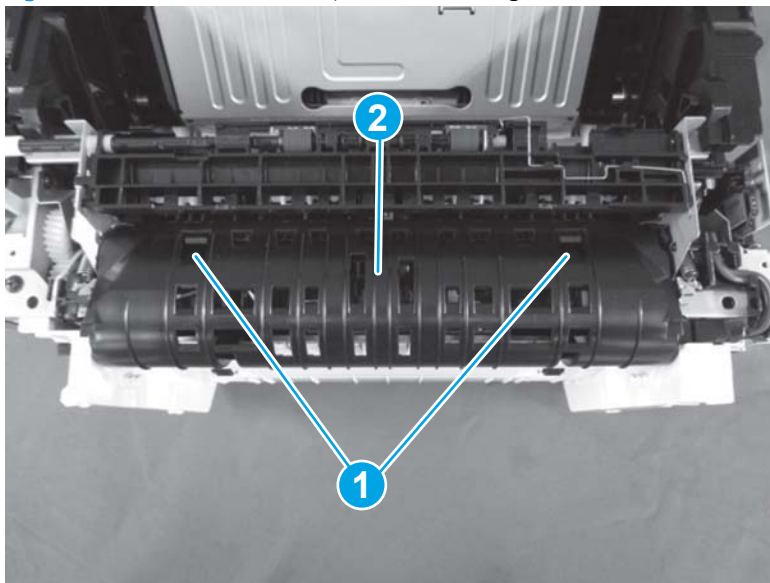
Figure 1-1895 Remove the top rear cover (SFP)



### Step 13: Remove the duplex paper feed assembly

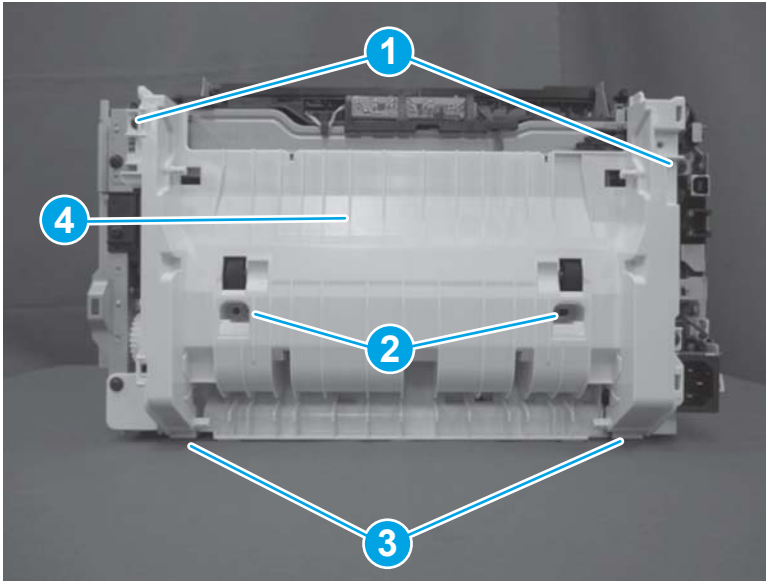
1. Release two tabs (callout 1), and then remove the duplex switchback guide (callout 2).

Figure 1-1896 Remove the duplex switchback guide



2. Remove two M3 screws (callout 1), and then remove two M4 screws (callout 2). Release two tabs (callout 3), and then remove the duplex paper feed assembly (callout 4).

Figure 1-1897 Remove the duplex feed assembly

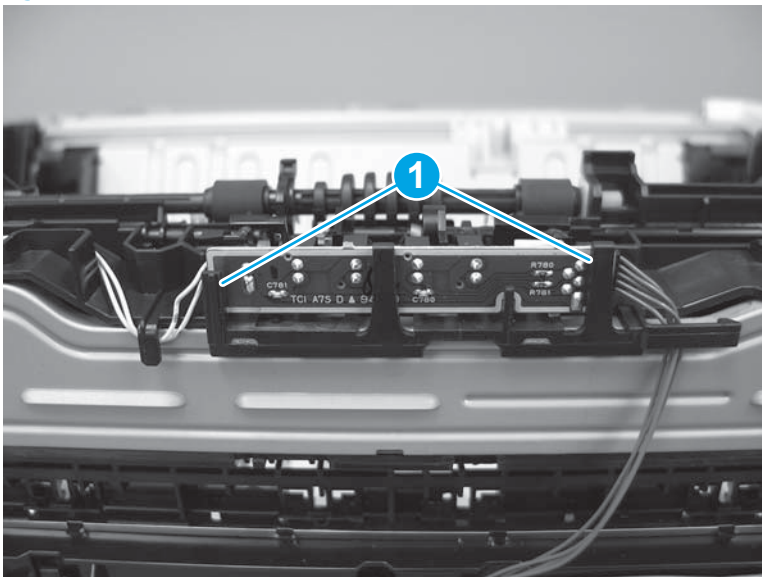


#### Step 14: Remove the delivery sensor

 **CAUTION:**  ESD-sensitive part.

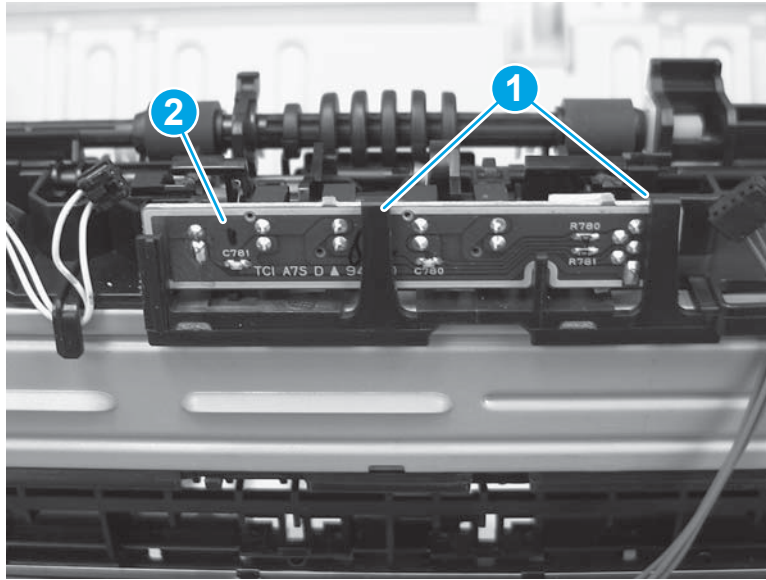
1. At the rear of the printer, on top of the fuser, disconnect two connectors (callout 1).

Figure 1-1898 Disconnect two connectors



2. Release two tabs (callout 1), and then remove the delivery sensor (callout 2).

Figure 1-1899 Remove the delivery sensor



#### Step 15: Unpack the replacement assembly

1. Dispose of the defective part.

 **NOTE:** HP recommends responsible disposal of the defective part.

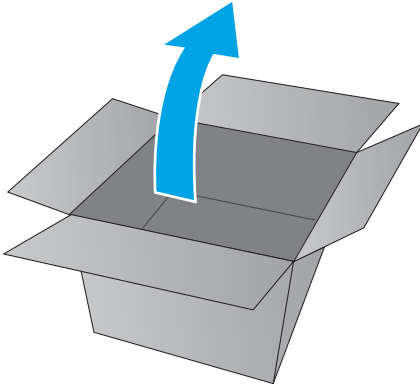
[www.hp.com/recycle](http://www.hp.com/recycle)



2. Unpack the replacement part from the packaging.

**⚠ CAUTION:** If the replacement part is a roller or pad, avoid touching the spongy part of it. Skin oils on the roller or pad can cause paper pickup and/or print-quality problems. HP recommends using disposable gloves when handling rollers or pads or washing your hands or before touching rollers or pads.

**📄 IMPORTANT:** Make sure that all of the shipping materials (for example shipping tape) are removed from the replacement part prior to installation.

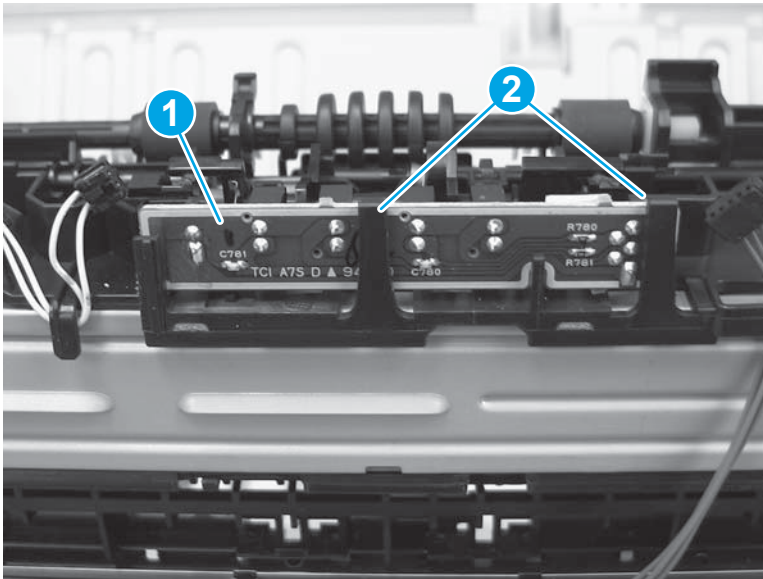


#### Step 16: Install the delivery sensor

**⚠ CAUTION:**  ESD-sensitive part.

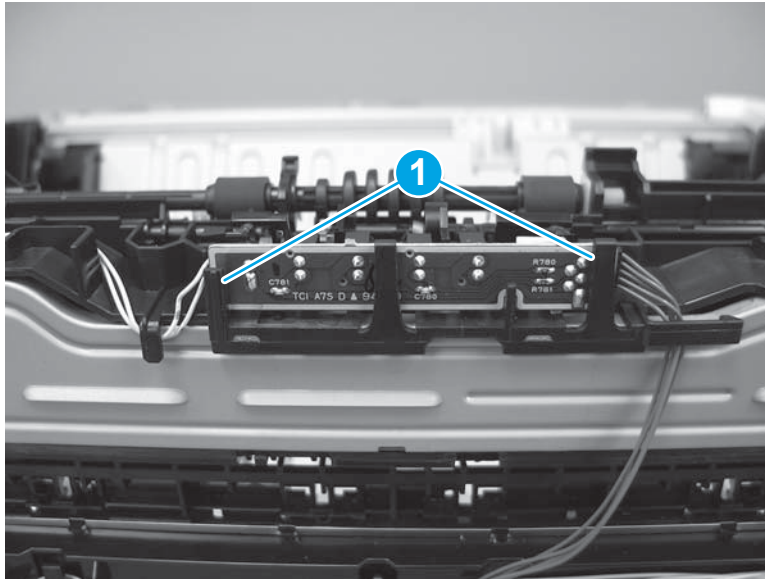
1. Install the delivery sensor in the holder (callout 1), and then engage two tabs (callout 2).

**Figure 1-1900** Install the delivery sensor



2. Connect two connectors (callout 1).

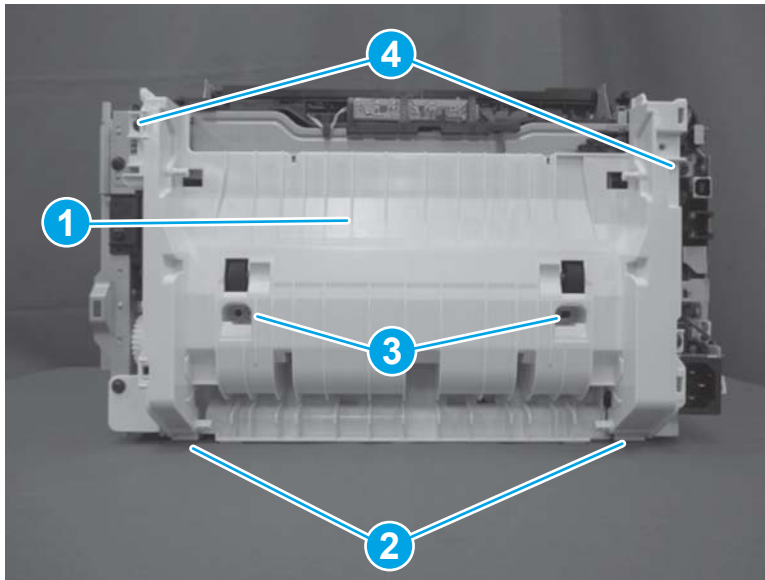
Figure 1-1901 Connect two connectors



#### Step 17: Install the duplex paper feed assembly

1. Position the duplex paper feed assembly (callout 1) on the printer, and then install two tabs (callout 2). Install two M4 screws (callout 3), and then install two M3 screws (callout 4).

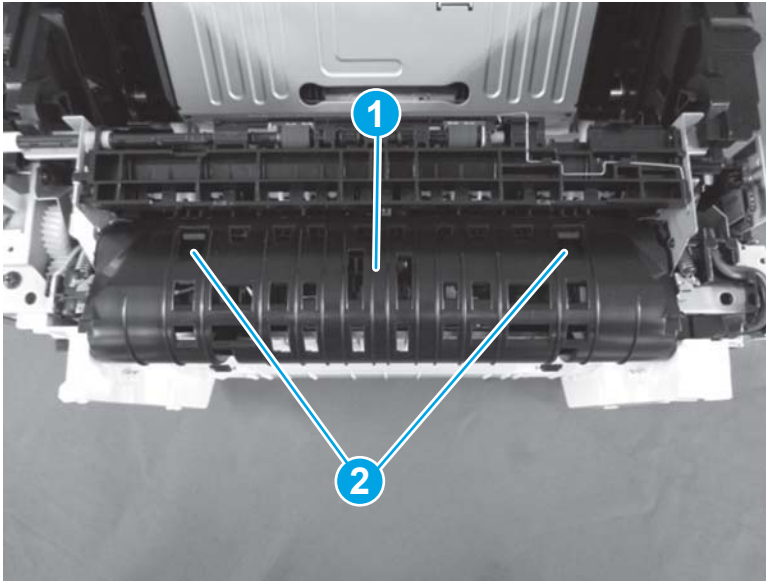
Figure 1-1902 Install the duplex feed assembly





2. Position the duplex switchback guide (callout 1) on the printer, and then engage two tabs (callout 2) to install it.

**Figure 1-1903** Install the duplex switchback guide

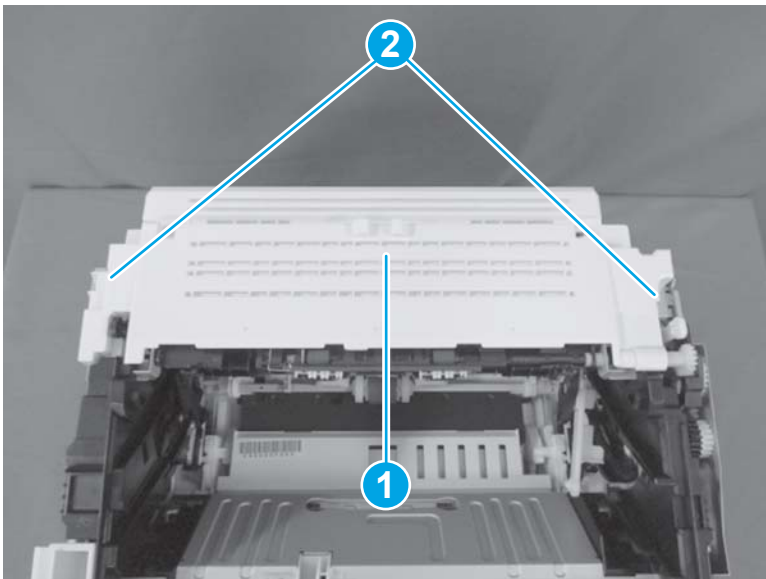


#### Step 18: Install the top rear cover (SFP)

 **NOTE:** This step is for the SFP printers. For the MFP printers, skip this step and go to [Step 20: Install the cartridge door on page 1099](#).

- ▲ Position the top cover (callout 1) on the printer, and then install two screws (callout 2).

**Figure 1-1904** Install the top rear cover (SFP)



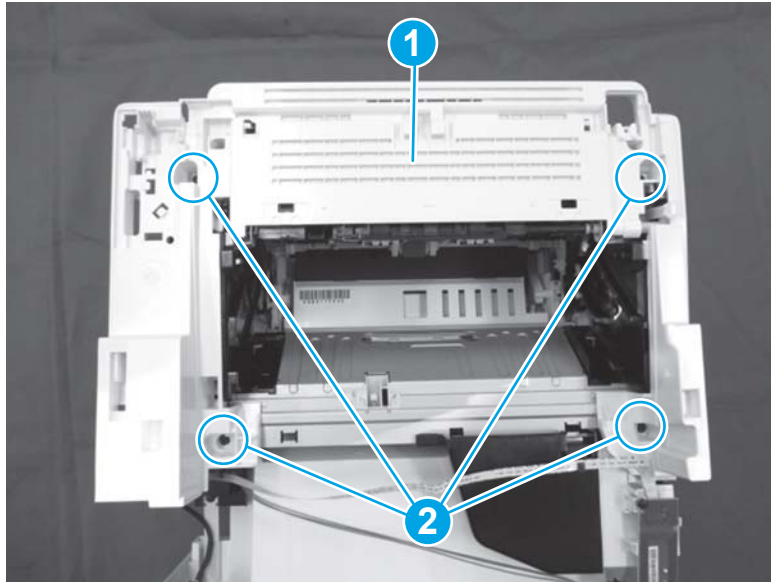
#### Step 19: Install the top cover (MFP)

 **NOTE:** This step is for the MFP printers. For the SFP printers, skip this step and go to [Step 20: Install the cartridge door on page 1099](#).



- ▲ Position the top cover (callout 1) on the printer, and then install four screws (callout 2).

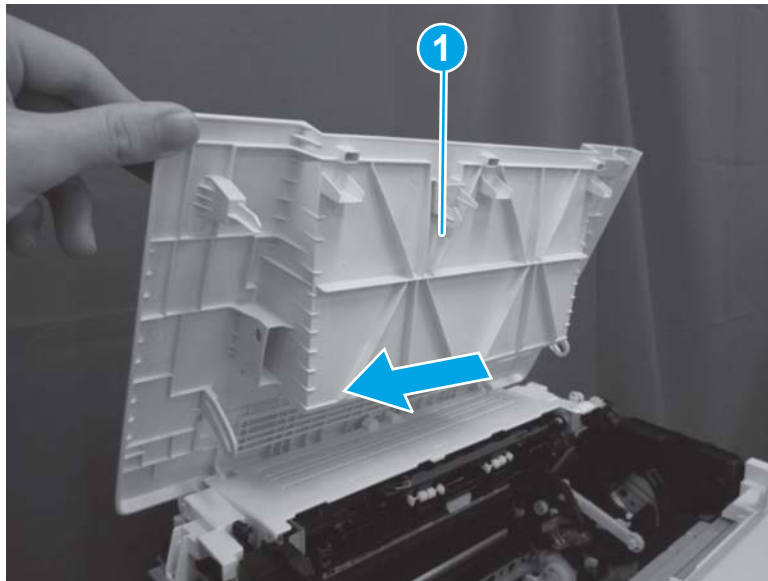
Figure 1-1905 Install the top cover



#### Step 20: Install the cartridge door

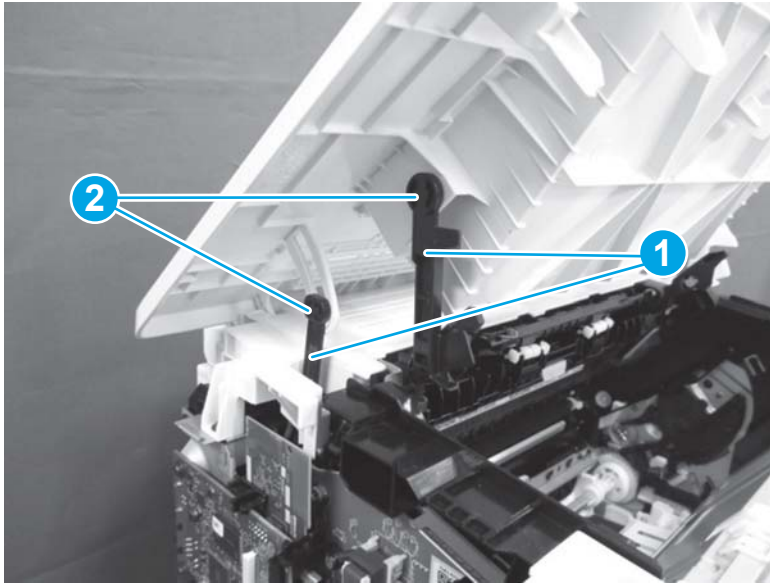
1. **SFP:** Do the following.
  - a. Position the cartridge door (callout 1) on the printer, and then slide it toward the left-side of the printer to install it.

Figure 1-1906 Install the cartridge door (SFP)



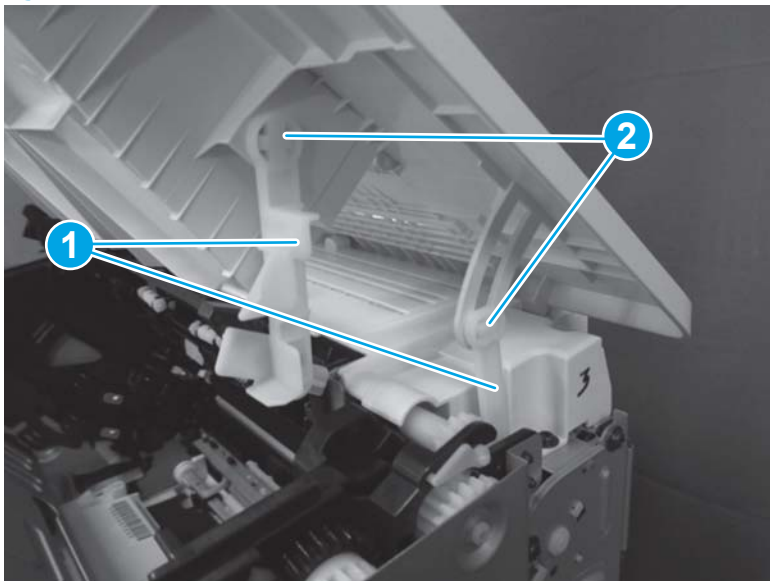
- b. On the left side of the printer, position two link arms (callout 1), and then engage two tabs (callout 2).

Figure 1-1907 Connect left link arms (SFP)



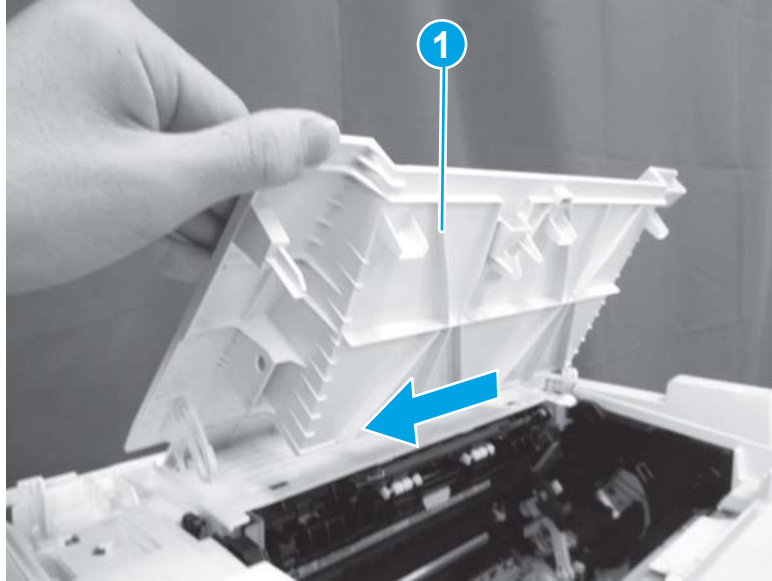
- c. On the right side of the printer, position two link arms (callout 1), and then engage two tabs (callout 2).

Figure 1-1908 Connect right link arms (SFP)



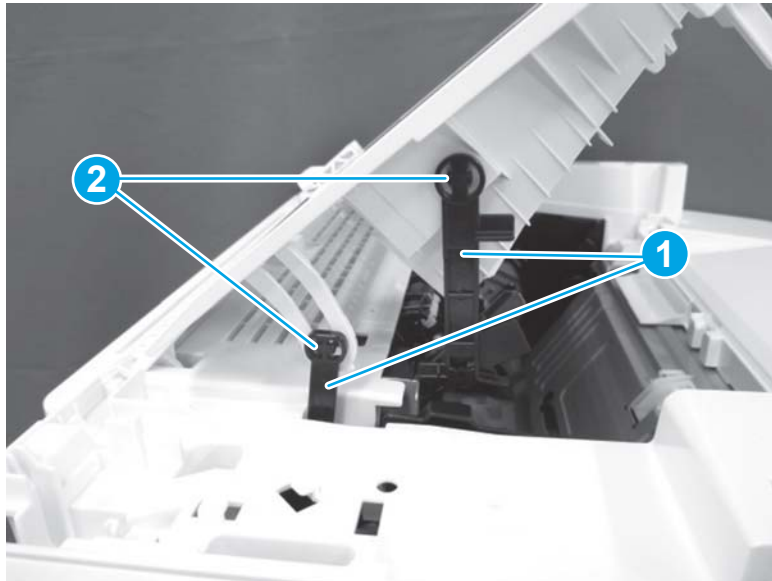
2. **MFP:** Do the following.
  - a. Position the cartridge door (callout 1) on the printer, and then slide it toward the left-side of the printer to install it.

Figure 1-1909 Install the cartridge door (MFP)



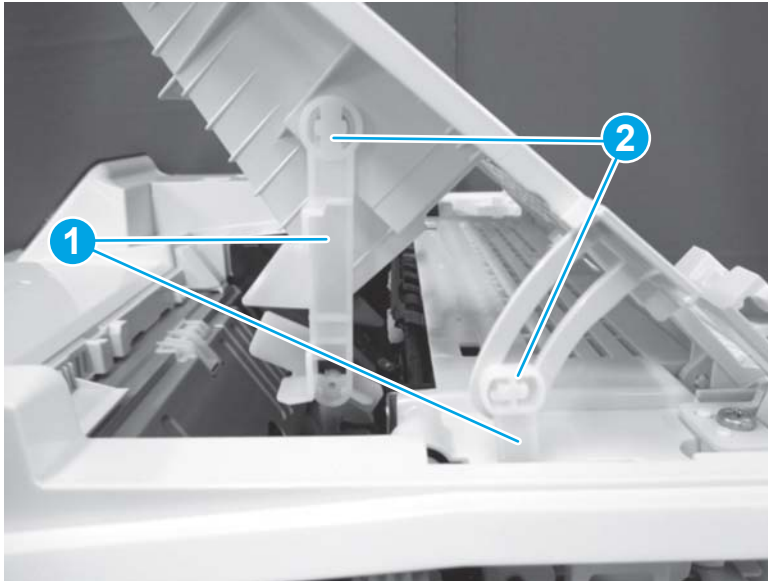
- b. On the left side of the printer, position two link arms (callout 1), and then engage two tabs (callout 2).

Figure 1-1910 Connect left link arms (MFP)



- c. On the right side of the printer, position two link arms (callout 1), and then engage two tabs (callout 2).

**Figure 1-1911** Connect right link arms (MFP)

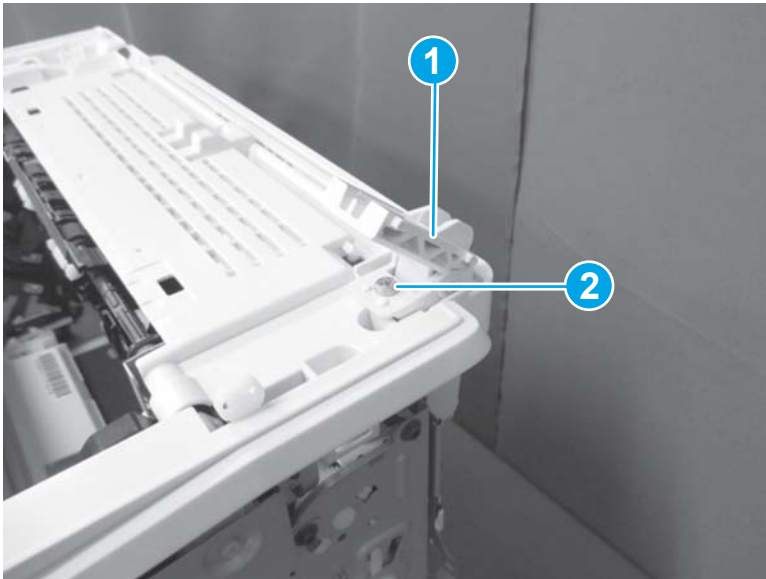


#### Step 21: Install the hinge assembly (MFP)

 **NOTE:** This step is for the MFP printers. For the SFP printers, skip this step and go to [Step 22: Install the front cover on page 1102](#).

- ▲ Position the hinge assembly (callout 1) on the printer, and then install one screw (callout 2).

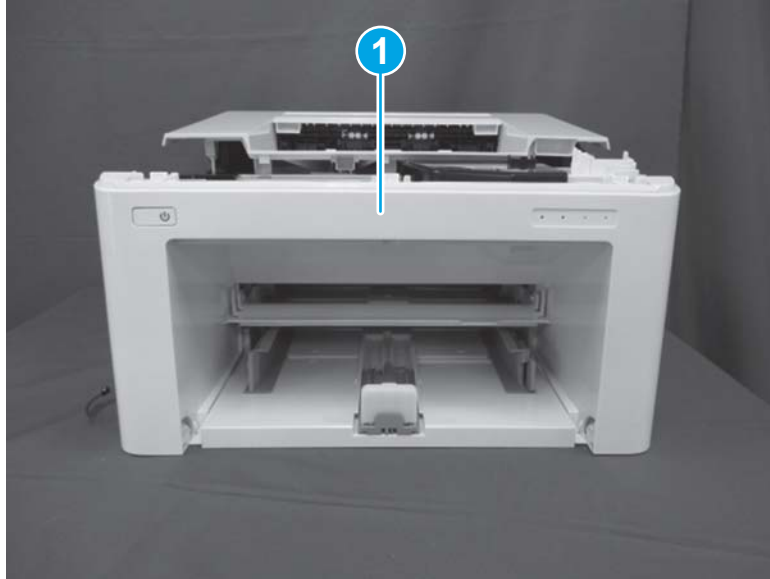
**Figure 1-1912** Install the hinge assembly (MFP)



#### Step 22: Install the front cover

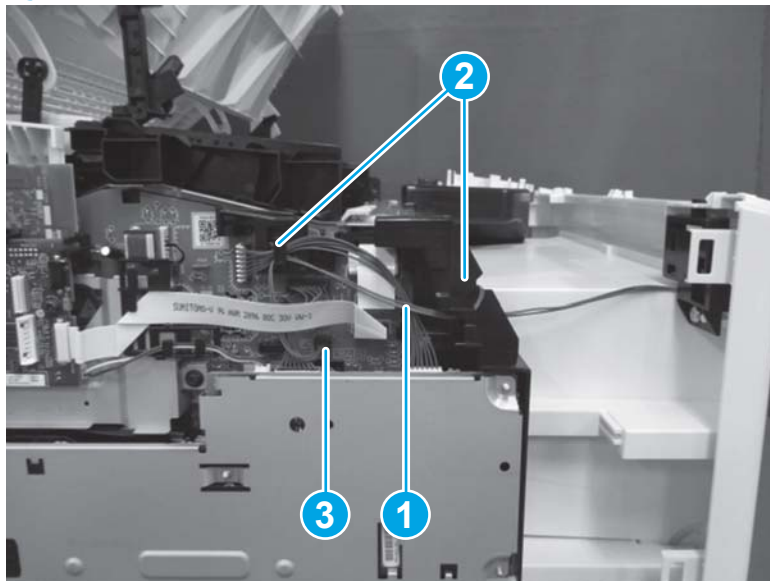
1. **SFP:** Do the following.
  - a. Slide the front cover (callout 1) toward the printer to install it.

**Figure 1-1913** Install the front cover (SFP)



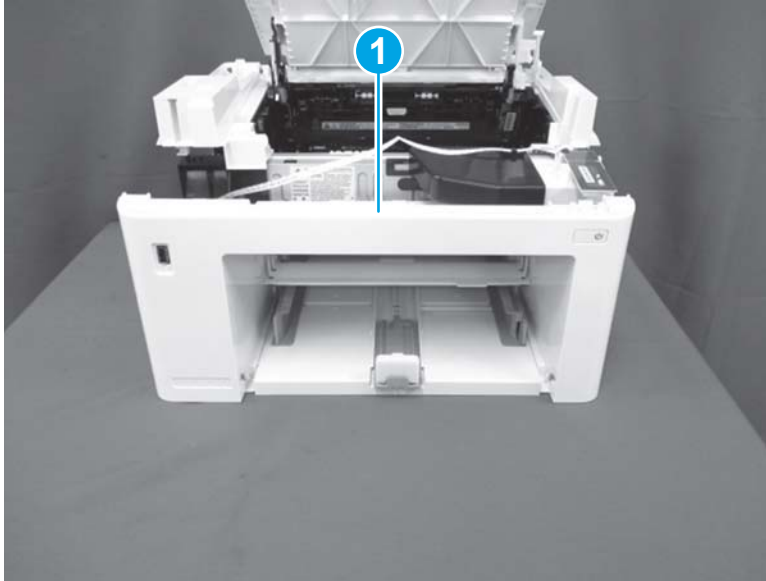
- b. Install the cable (callout 1) in the cable guide (callout 2), and then connect one connector (callout 3).

**Figure 1-1914** Connect the connector (SFP)



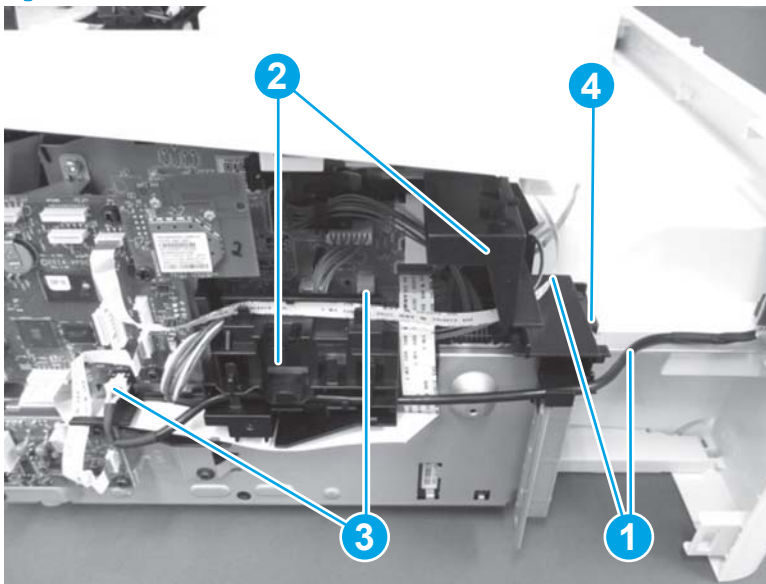
- 2. **MFP:** Do the following.
  - a. Slide the front cover (callout 1) toward the printer to install it.

Figure 1-1915 Install the front cover (MFP)



- b. Install the cables (callout 1) in the cable guides (callout 2), and then connect two connectors (callout 3). Install one screw (callout 4).

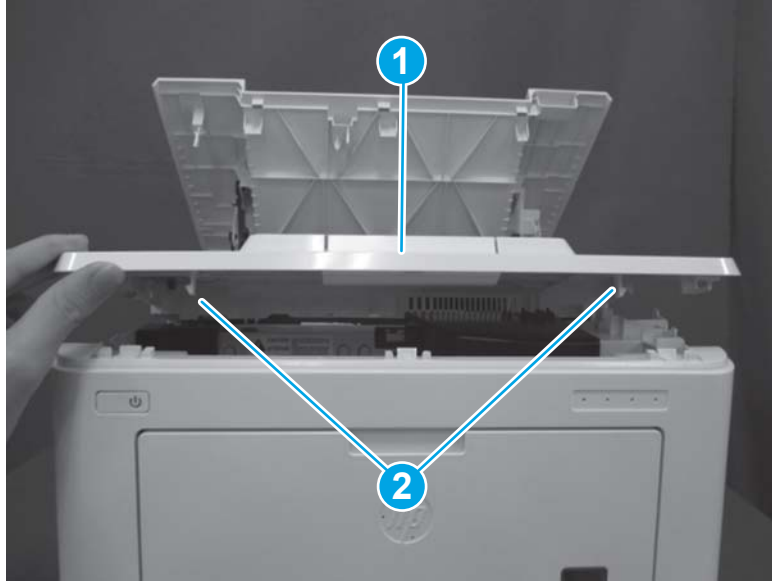
Figure 1-1916 Connect two connectors (MFP)



### Step 23: Install the top front cover

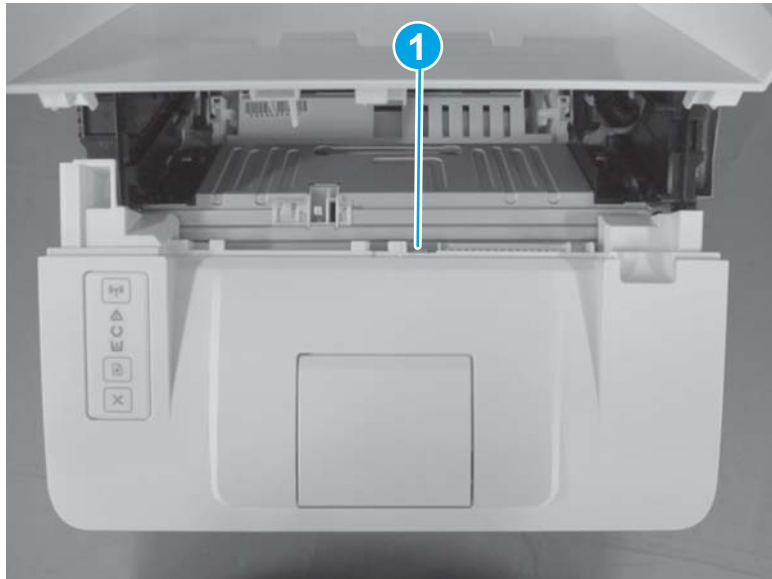
1. **SFP:** Do the following.
  - a. Position the top front cover (callout 1) on the printer and install two tabs (callout 2).

Figure 1-1917 Install two tabs



- b. On the top of the cover, install one tab (callout 1).

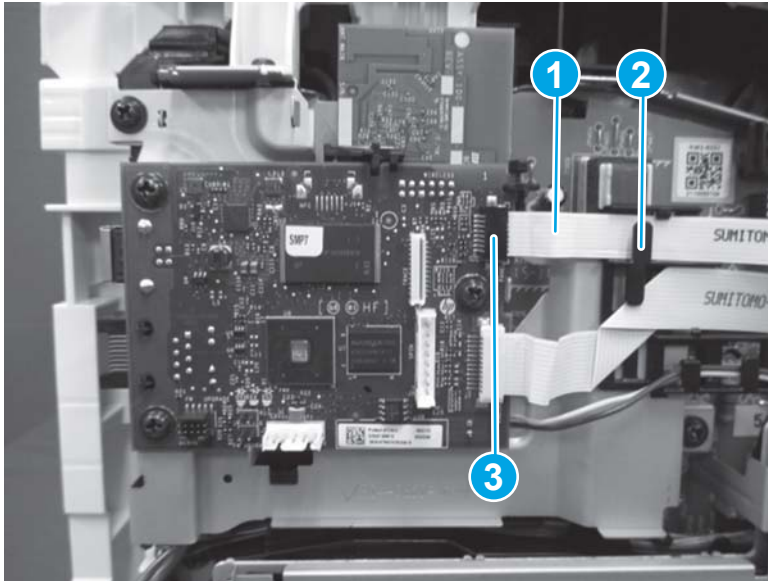
Figure 1-1918 Install one tab





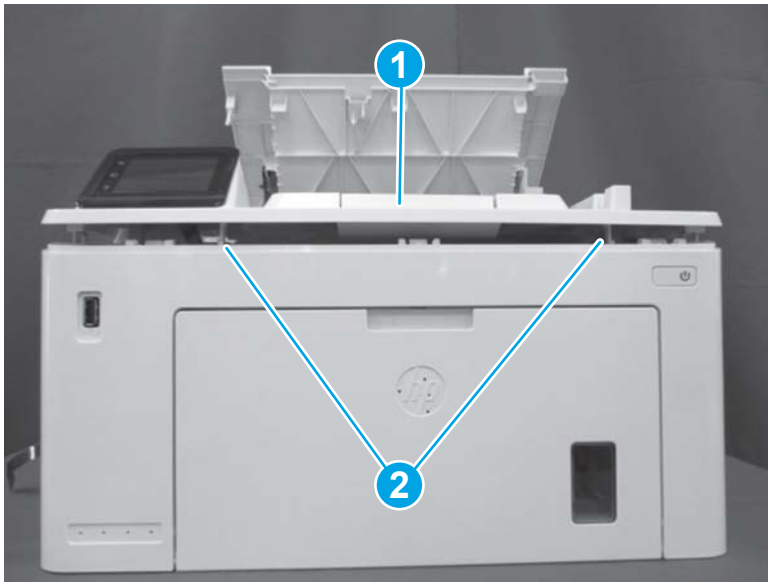
- c. Install the cable (callout 1) in the guide (callout 2), and then connect one connector (callout 3) on the formatter.

Figure 1-1919 Connect one connector



2. **MFP:** Do the following.
  - a. Position the top front cover (callout 1) on the printer, and then install two tabs (callout 2).

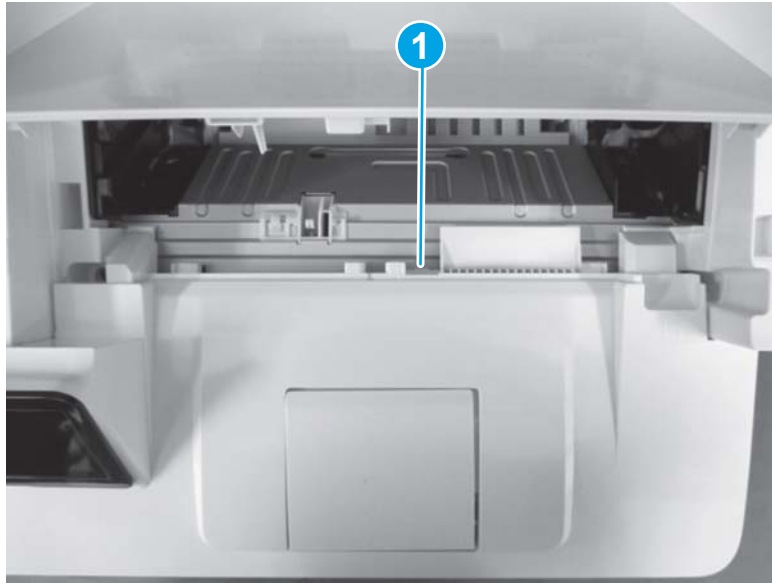
Figure 1-1920 Install two tabs





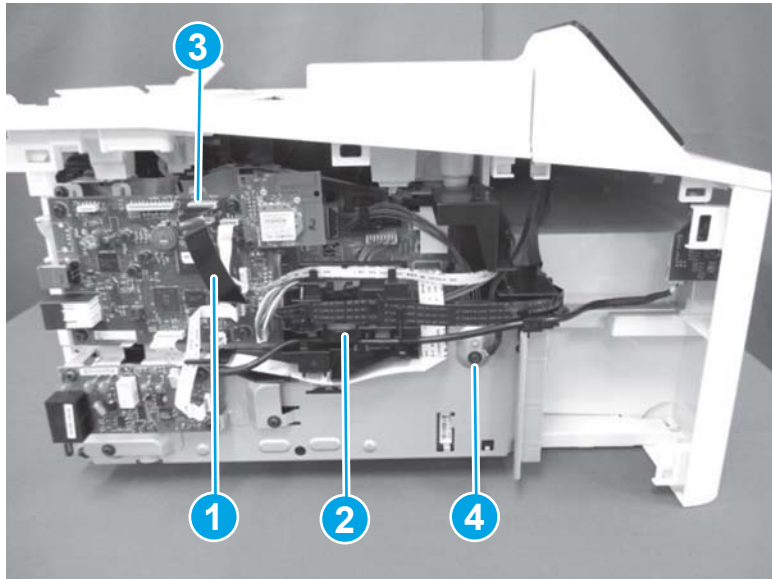
- b. Install one tab (callout 1).

**Figure 1-1921** Install one tab



- c. Install the cable (callout 1) in the cable guide (callout 2), and then connect one connector (callout 3). Install one screw (callout 4) to secure the grounding cable.

**Figure 1-1922** Install one connector and grounding cable

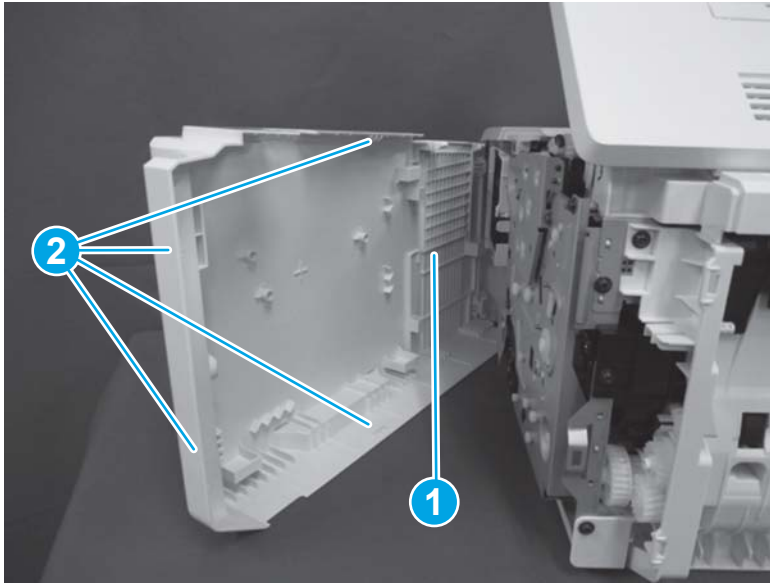


#### Step 24: Install the right cover

1. **SFP:** Do the following.
  - a. Open the cartridge door.

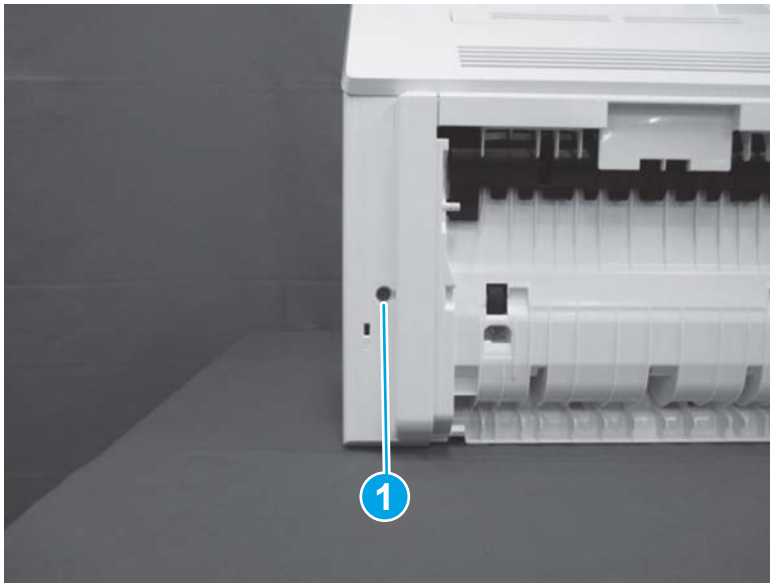
- b. Position the right cover (callout 1) on the printer, and then engage four tabs (callout 2).

Figure 1-1923 Install the right cover (SFP)



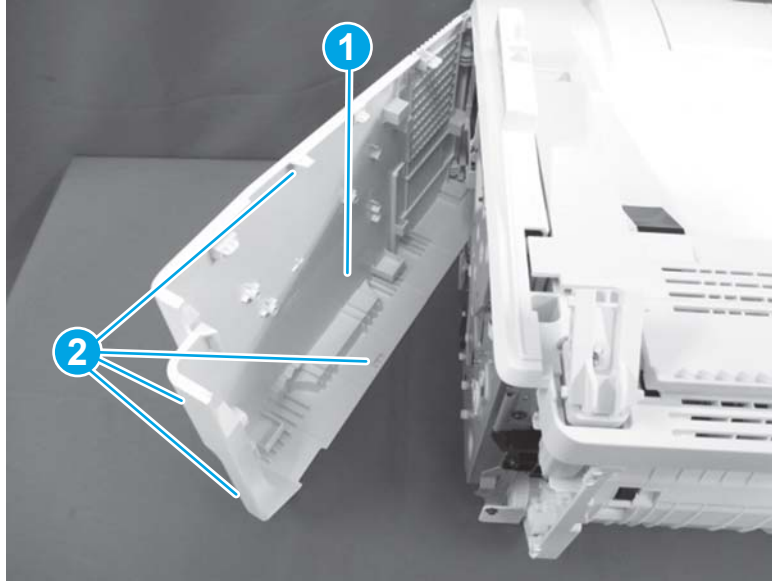
- c. Close the cartridge door.
- d. Install one screw (callout 1).

Figure 1-1924 Install one screw (SFP)



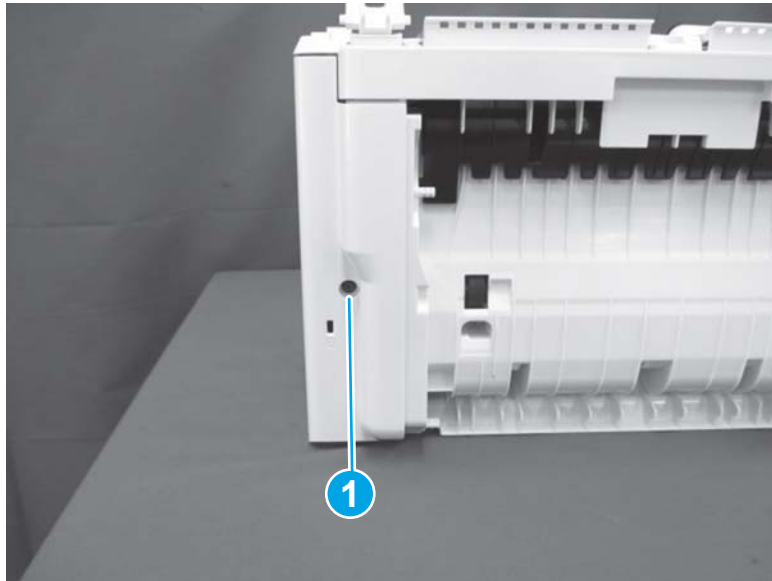
- 2. **MFP:** Do the following.
  - a. Position the right cover (callout 1) on the printer, and then engage four tabs (callout 2).

Figure 1-1925 Install the right cover (MFP)



- b. Install one screw (callout 1).

Figure 1-1926 Install one screw (MFP)




#### Step 25: Install the 3-in-1 or 4-in-1 scanner assembly (MFP)

---

 **NOTE:** This step is for the MFP printers. For the SFP printers, skip this step and go to [Step 27: Install the left cover on page 1113](#).

---

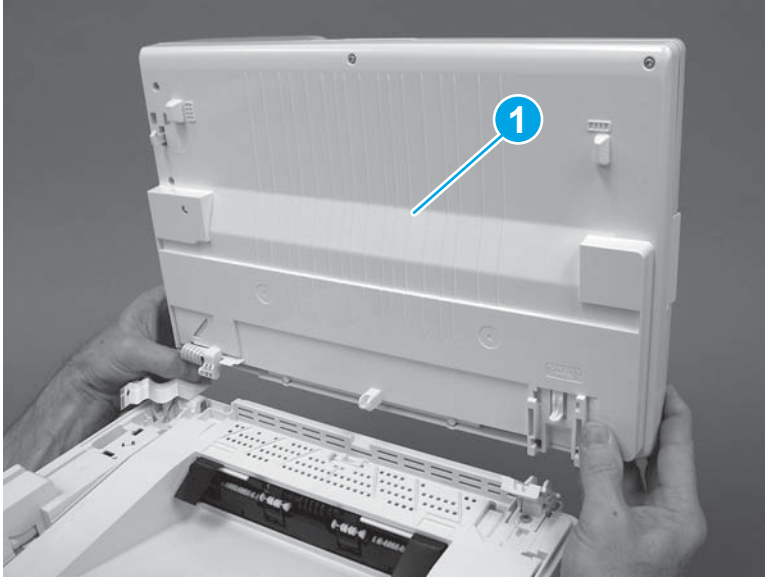
 **NOTE:** The 4-in-1 scanner assembly supports the document feeder. The 3-in-1 scanner assembly does not support the document feeder.

The figures in this procedure show a 4-in-1 printer. However, the procedure is correct for 3-in-1 printers.

---

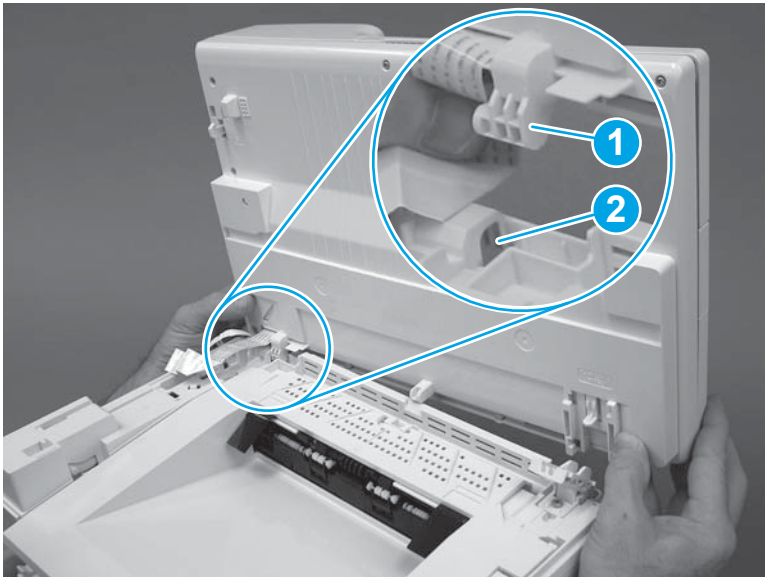
1. Position the scanner assembly (callout 1) near the printer.

Figure 1-1927 Install the scanner assembly (MFP)



2. Engage the left hinge (callout 1) with the top cover (callout 2).

Figure 1-1928 Engage the left hinge (MFP)



3. Push the right side of the scanner assembly toward the front of the printer to engage the right hinge (callout 1). Make sure that the tab (callout 2) snaps into place.

Figure 1-1929 Engage the right hinge (MFP)

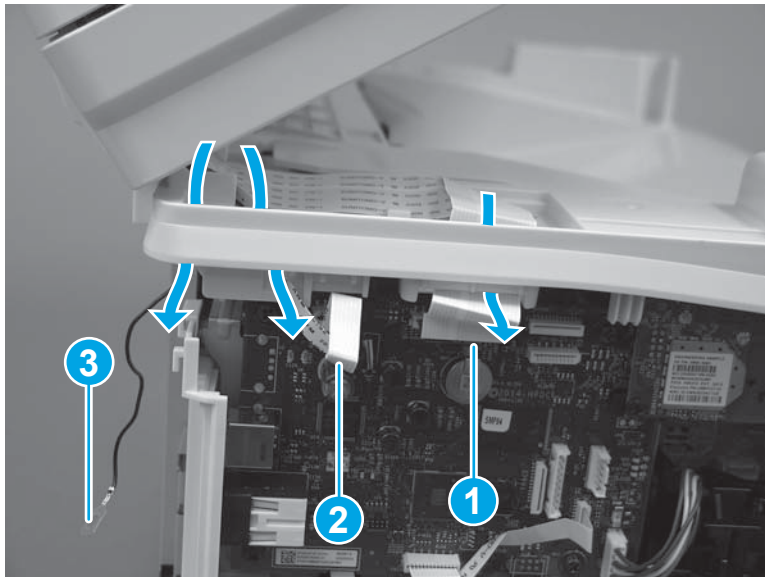


4. **4-in-1 models only:** Pass the flat cables (callouts 1/2) and the ground wire (callout 3) through the openings in the chassis, and then connect the two flat cables.

**3-in-1 models only:** Pass the flat cable (callout 1) through the opening in the chassis, and then connect one flat cable.

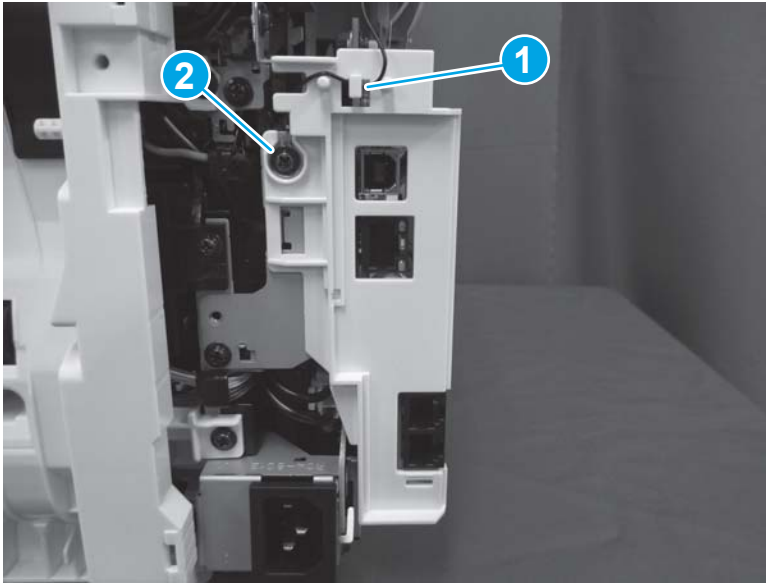
 **NOTE:** The 3-in-1 model does not have the small flat cable (callout 2) or a ground wire (callout 3).

Figure 1-1930 Connect flat cable(s)



5. **4-in-1 models only:** Install the ground wire in the retainer (callout 1), and then install one screw (callout 2).

**Figure 1-1931** Install the ground wire (4-in-1 models)

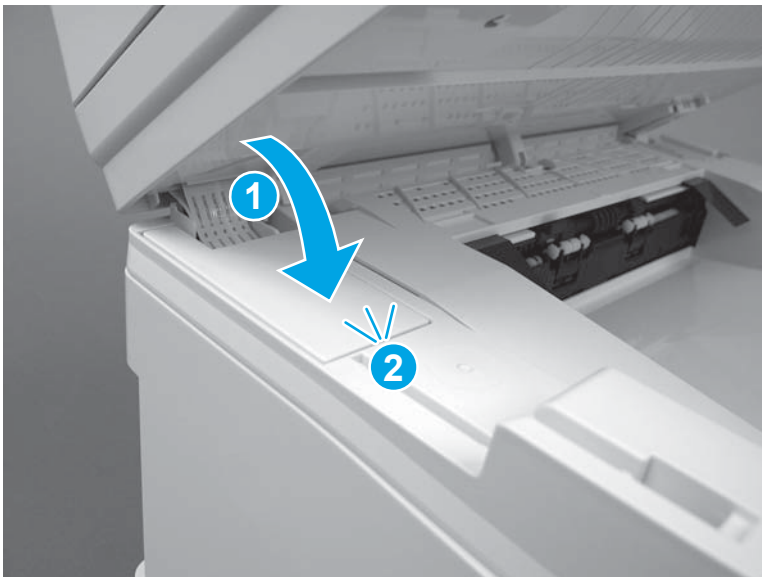


#### Step 26: Install the cable cover (MFP)

 **NOTE:** This step is for the MFP printers. For the SFP printers, skip this step and go to [Step 27: Install the left cover on page 1113](#).

1. Install the cable cover (callout 1), on the printer, and then push down to engage one tab (callout 2).

**Figure 1-1932** Install the cable cover (MFP)



2. Close the scanner assembly.

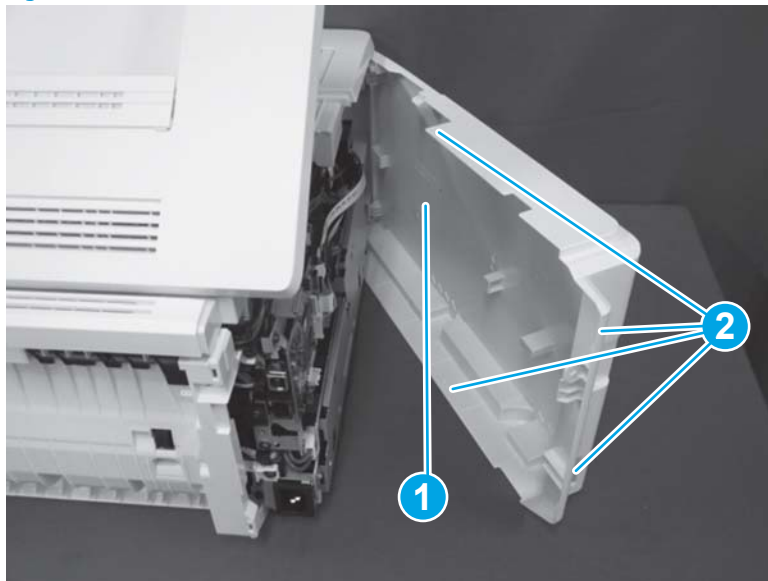
**Figure 1-1933** Close the scanner assembly



#### Step 27: Install the left cover

1. SFP: Do the following.
  - a. Open the cartridge door.
  - b. Position the left cover (callout 1) on the printer, and then engage four tabs (callout 2).

**Figure 1-1934** Install the left cover (SFP)

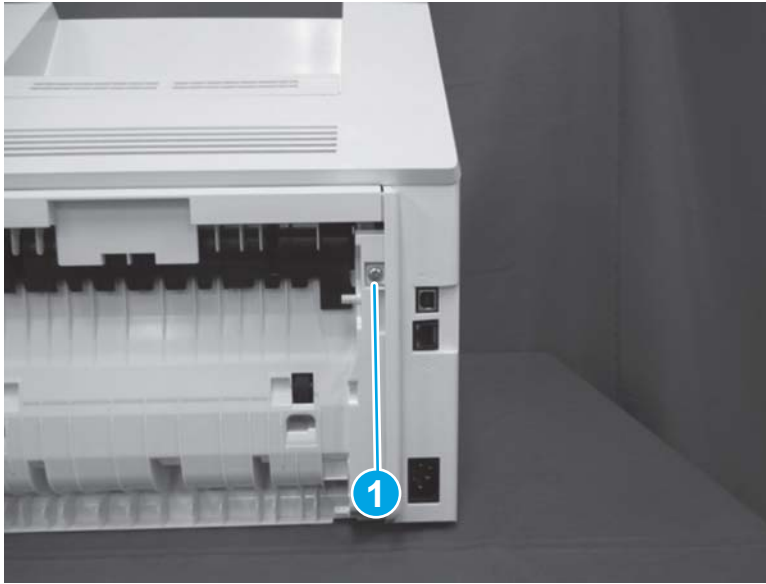


- c. Close the cartridge door.



- d. Install one screw (callout 1).

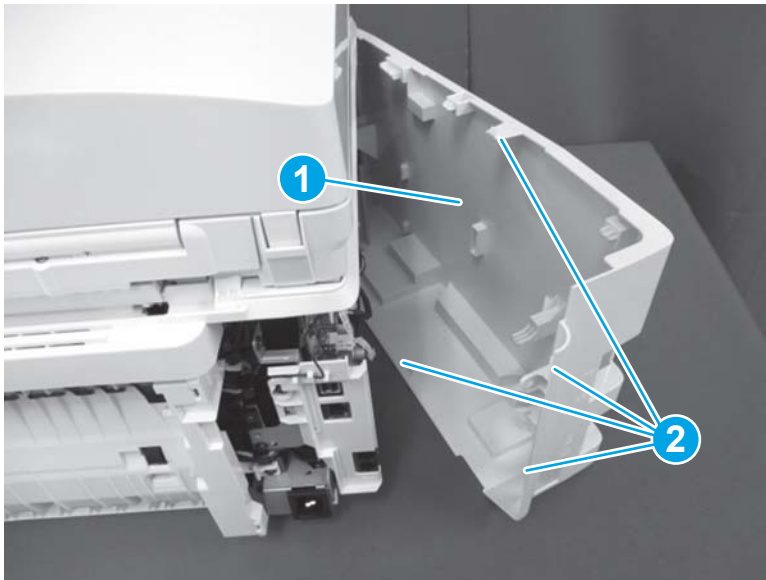
Figure 1-1935 Install one screw (SFP)



- 2. MFP: Do the following.

- a. Position the left cover (callout 1) on the printer, and then engage four tabs (callout 2).

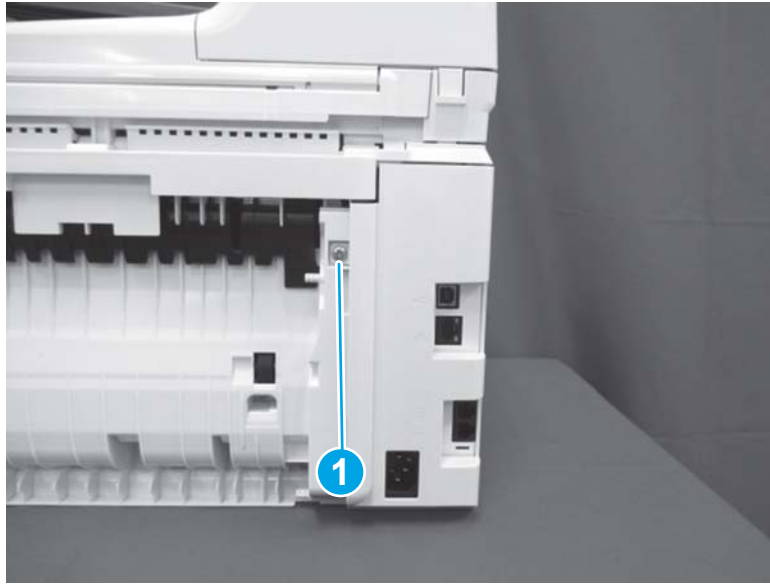
Figure 1-1936 Install the left cover (MFP)





- b. Install one screw (callout 1).

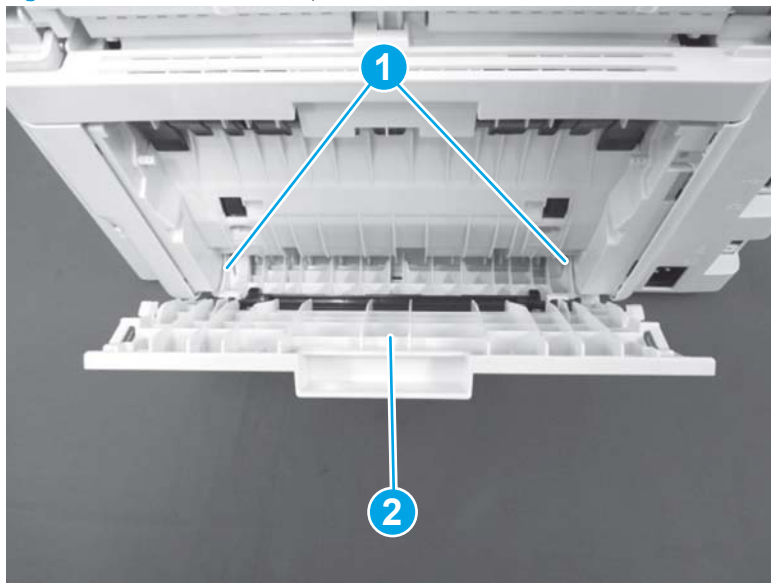
**Figure 1-1937** Install one screw (MFP)



#### Step 28: Install the duplex door

1. Install two tabs (callout 1) to install the duplex door (callout 2).

**Figure 1-1938** Install the duplex door

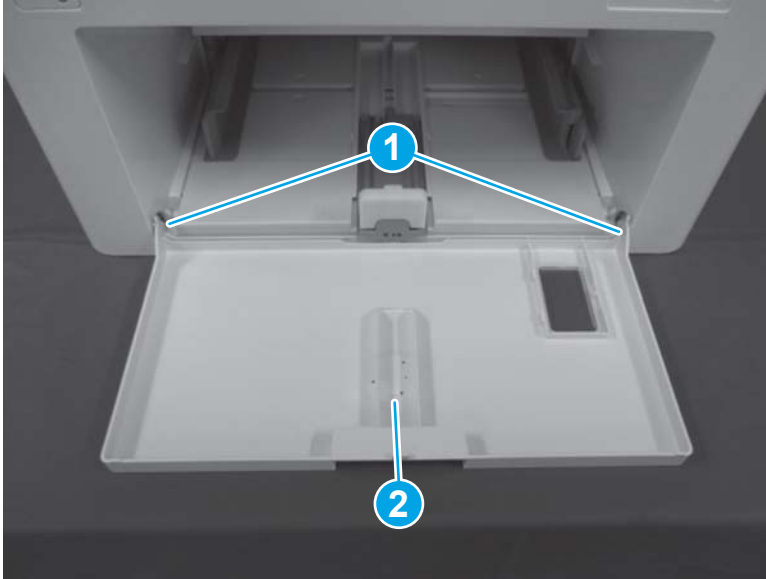


2. Close the duplex door.

#### Step 29: Install the multipurpose cover

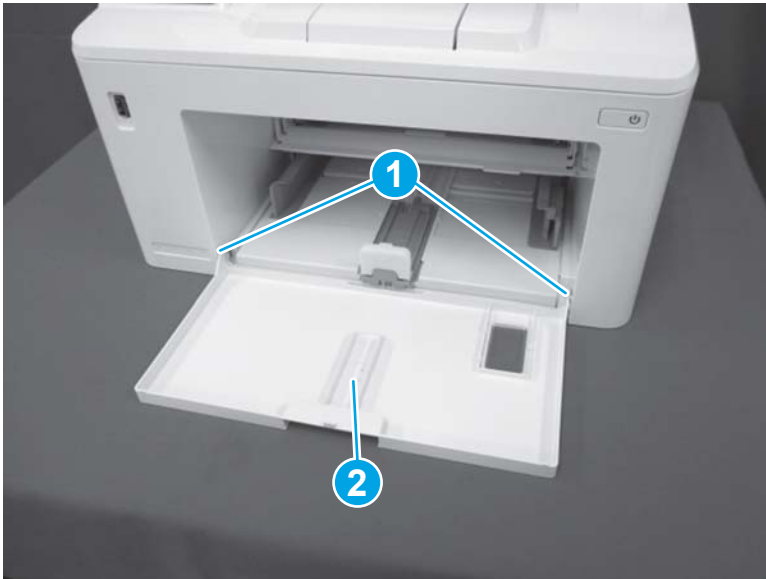
1. **SFP:** Engage two bosses (callout 1), to install the cover (callout 2).

Figure 1-1939 Install the multipurpose cover (SFP)



2. **MFP:** Engage two bosses (callout 1) to install the cover (callout 2).

Figure 1-1940 Install the multipurpose cover (MFP)



3. Close the multipurpose cover.

## Removal and replacement: Paper pickup sensor

- [Introduction](#)
- [Step 1: Remove the multipurpose cover](#)
- [Step 2: Remove the duplex door](#)
- [Step 3: Remove the left cover](#)
- [Step 4: Remove the cable cover \(MFP\)](#)
- [Step 5: Remove the 3-in-1 or 4-in-1 scanner assembly \(MFP\)](#)
- [Step 6: Remove the right cover](#)
- [Step 7: Remove the top front cover](#)
- [Step 8: Remove the front cover](#)
- [Step 9: Remove the hinge assembly \(MFP\)](#)
- [Step 10: Remove the cartridge door](#)
- [Step 11: Remove the top cover \(MFP\)](#)
- [Step 12: Remove the top rear cover \(SFP\)](#)
- [Step 13: Remove the duplex paper feed assembly](#)
- [Step 14: Remove the paper pickup sensor](#)
- [Step 15: Unpack the replacement assembly](#)
- [Step 16: Install the paper pickup sensor](#)
- [Step 17: Install the duplex paper feed assembly](#)
- [Step 18: Install the top rear cover \(SFP\)](#)
- [Step 19: Install the top cover \(MFP\)](#)
- [Step 20: Install the cartridge door](#)
- [Step 21: Install the hinge assembly \(MFP\)](#)
- [Step 22: Install the front cover](#)
- [Step 23: Install the top front cover](#)
- [Step 24: Install the right cover](#)
- [Step 25: Install the 3-in-1 or 4-in-1 scanner assembly \(MFP\)](#)
- [Step 26: Install the cable cover \(MFP\)](#)
- [Step 27: Install the left cover](#)
- [Step 28: Install the duplex door](#)
- [Step 29: Install the multipurpose cover](#)


## Introduction



This document provides the procedures to remove and replace the paper pickup sensor.

## Before performing service

### Turn the printer power off

- Disconnect the power cable.

 **WARNING!** To avoid damage to the printer, turn the printer off, wait 30 seconds, and then remove the power cable before attempting to service the printer.

 **CAUTION:**  This part contains components that are electrostatic discharge (ESD) sensitive. To reduce the possibility of ESD damage, always touch the sheet-metal chassis to ground yourself before touching an ESD sensitive part.

Use the table below to identify the correct part number for your printer. To order the part, go to [www.hp.com/buy/parts](http://www.hp.com/buy/parts).

Paper pickup sensor part number	
RM2-8377-000CN	Paper pickup sensor

## Required tools

- #2 Phillips screwdriver with a magnetic tip.
- Small flat-blade screwdriver

## After performing service

### Turn the printer power on

- Connect the power cable.
- Use the power switch to turn the power on.

## Post service test


**MFP:** Verify that the document feeder and the flatbed scanner are correctly functioning (copy a page).

Send a print job from the host computer (or print a configuration report). Verify that the page prints.

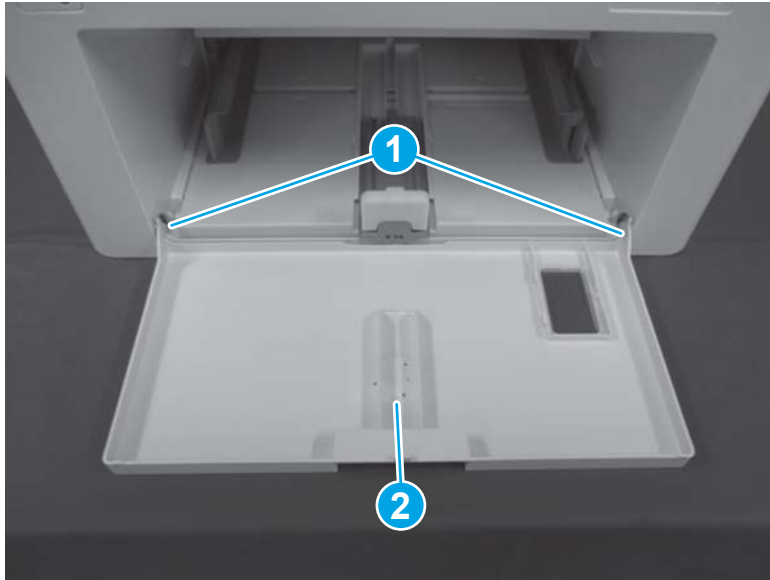
## Step 1: Remove the multipurpose cover

1. Open the multipurpose cover.

2. **SFP:** Release two bosses (callout 1), and then remove the cover (callout 2).

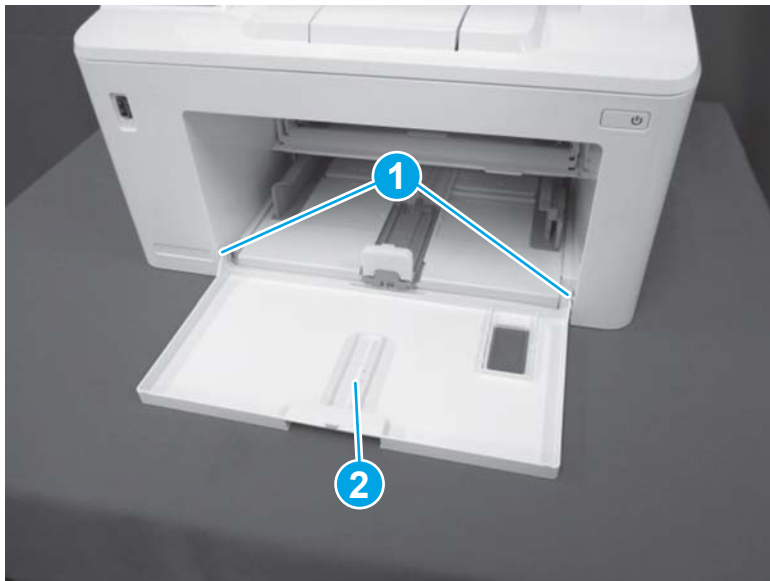
 **TIP:** It might be easier to remove the cover if the right boss is released first, and then lower the right-side of the cover to release the left-side boss.

**Figure 1-1941** Remove the multipurpose cover (SFP)



3. **MFP:** Release two bosses (callout 1), and then remove the cover (callout 2).

**Figure 1-1942** Remove the multipurpose cover (MFP)

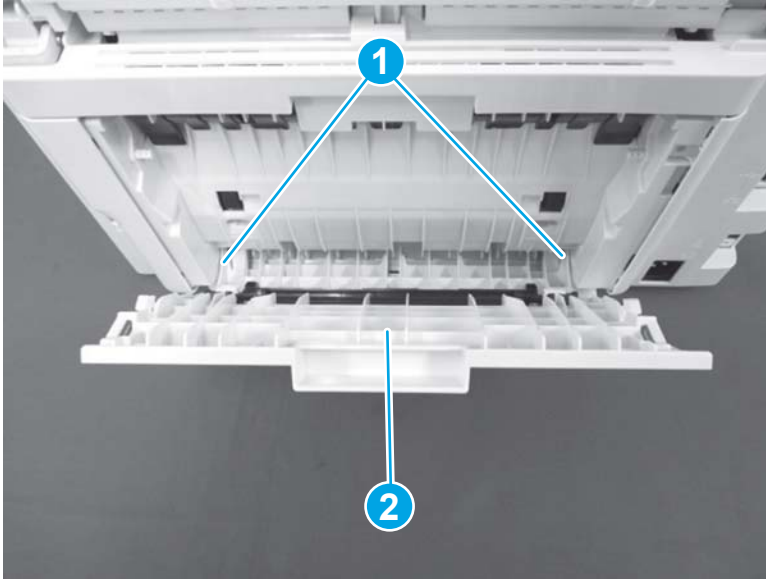


## Step 2: Remove the duplex door

1. Open the duplex door.

2. Use a small flat-blade screwdriver to release two tabs (callout 1), and then remove the duplex door (callout 2).

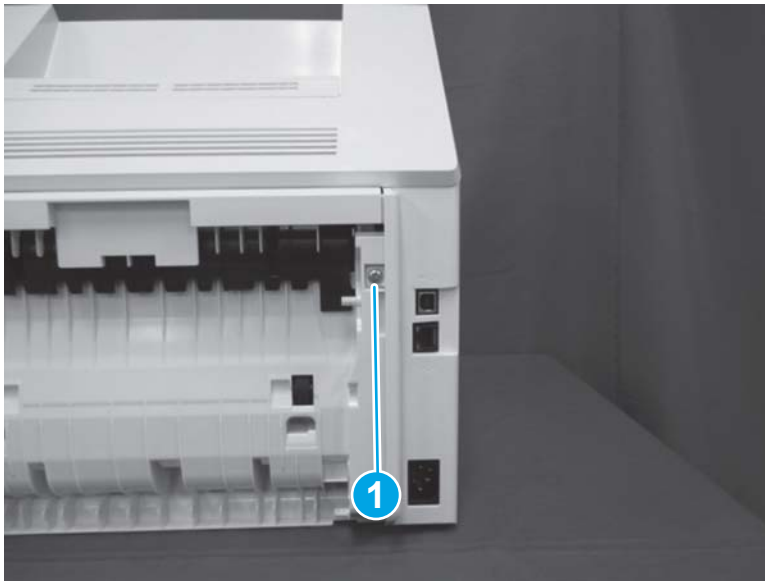
**Figure 1-1943** Remove the duplex door



### Step 3: Remove the left cover

1. **SFP:** Do the following.
  - a. Remove one screw (callout 1).

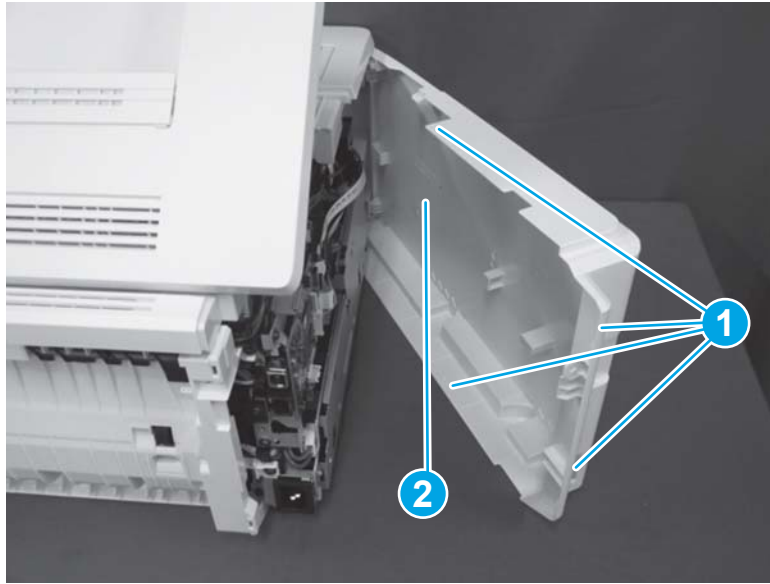
**Figure 1-1944** Remove one screw (SFP)



- b. Open the cartridge door.

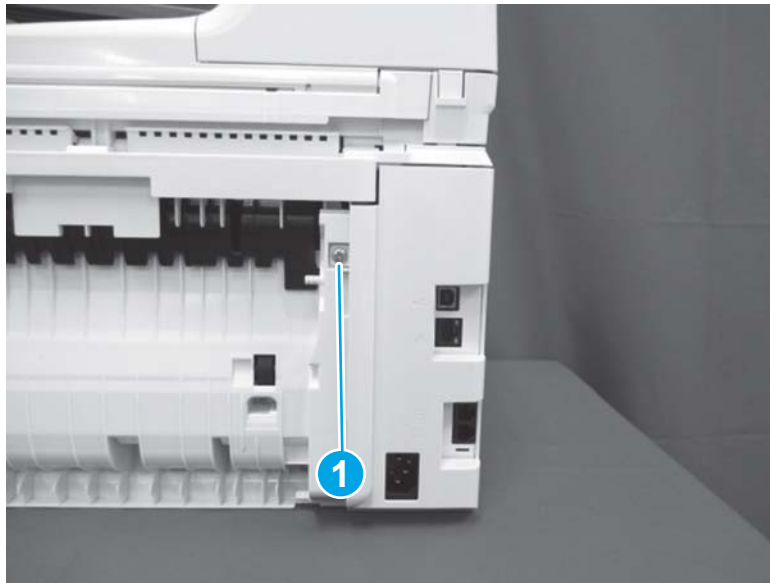
- c. Release four tabs (callout 1), and then remove the left cover (callout 2).

Figure 1-1945 Remove the left cover (SFP)



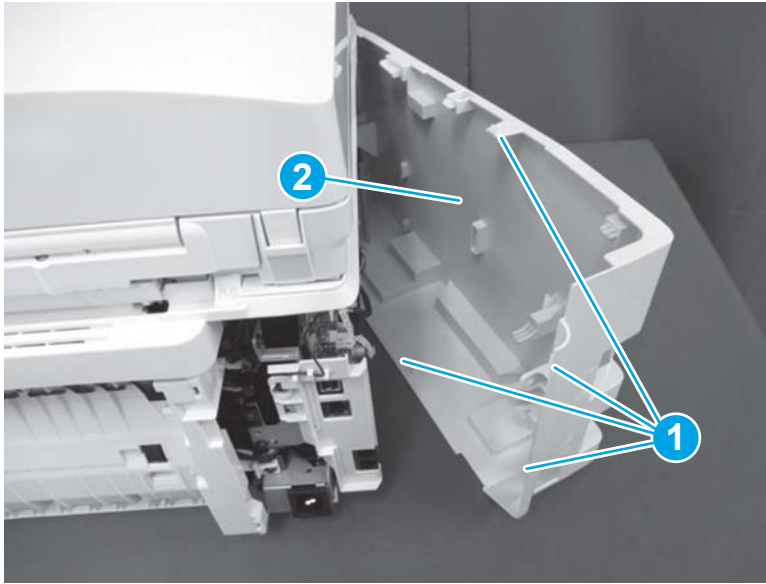
- 2. MFP: Do the following.
  - a. Remove one screw (callout 1).

Figure 1-1946 Remove one screw (MFP)



- b. Release four tabs (callout 1), and then remove the left cover (callout 2).

Figure 1-1947 Remove the left cover (MFP)



#### Step 4: Remove the cable cover (MFP)



**NOTE:** This step is for the MFP printers. For the SFP printers, skip this step and go to [Step 6: Remove the right cover on page 1125](#).

1. Open the scanner assembly.

Figure 1-1948 Open the scanner assembly






2. Use a small flat-blade screw driver to release one tab (callout 1), and then remove the cable cover (callout 2).

**Figure 1-1949** Remove the cable cover (MFP)



#### Step 5: Remove the 3-in-1 or 4-in-1 scanner assembly (MFP)

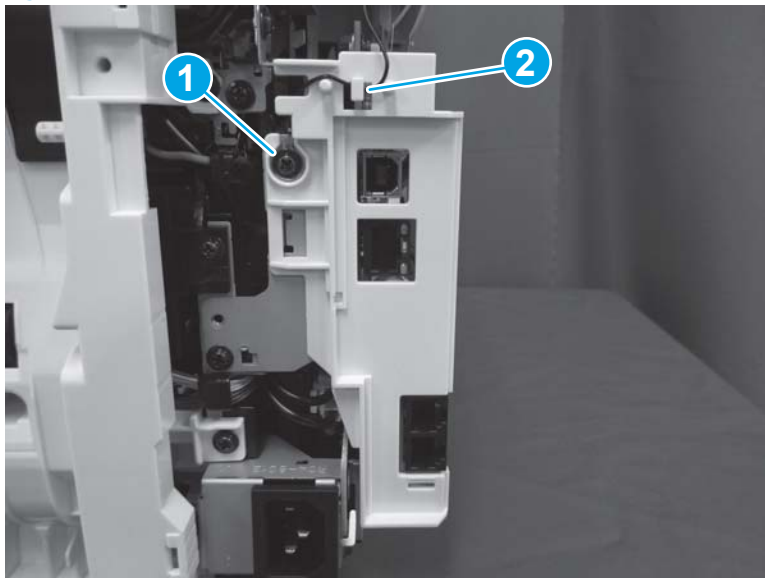
 **NOTE:** This step is for the MFP printers. For the SFP printers, skip this step and go to [Step 6: Remove the right cover on page 1125](#).

 **NOTE:** The 4-in-1 scanner assembly supports the document feeder. The 3-in-1 scanner assembly does not support the document feeder.

The figures in this procedure show a 4-in-1 printer. However, the procedure is correct for 3-in-1 printers.

1. **4-in-1 models only:** Remove one screw (callout 1), and then release the ground wire from the retainer (callout 2).

**Figure 1-1950** Release the ground wire (4-in-1 models)

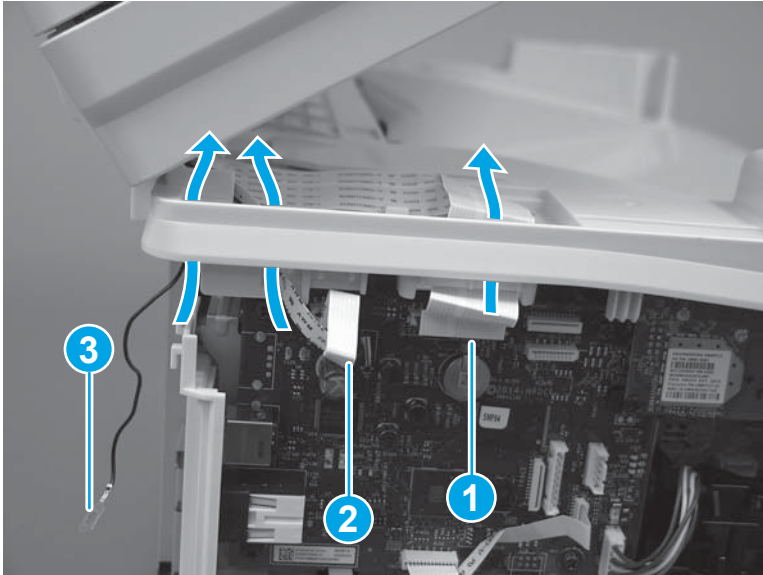


2. **4-in-1 models only:** Disconnect two flat cables (callouts 1/2), and then pass the flat cables and the ground wire (callout 3) up through the opening in the chassis.

**3-in-1 models only:** Disconnect one flat cable (callout 1), and then pass the flat cable through the opening in the chassis.

 **NOTE:** The 3-in-1 model does not have the small flat cable (callout 2) or a ground wire (callout 3).

**Figure 1-1951** Disconnect flat cable(s)



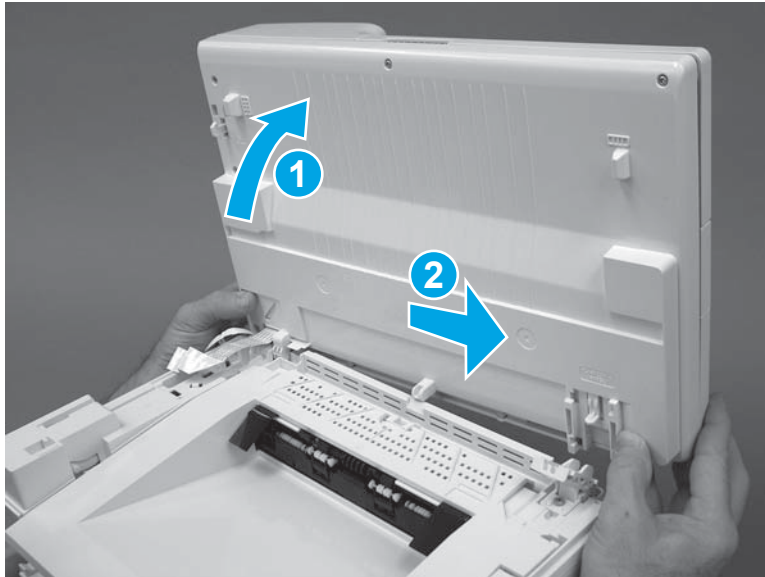
3. Release one tab (callout 1), and then push the right side of the scanner assembly toward the rear of the printer to release the right hinge (callout 2).

**Figure 1-1952** Release the right hinge



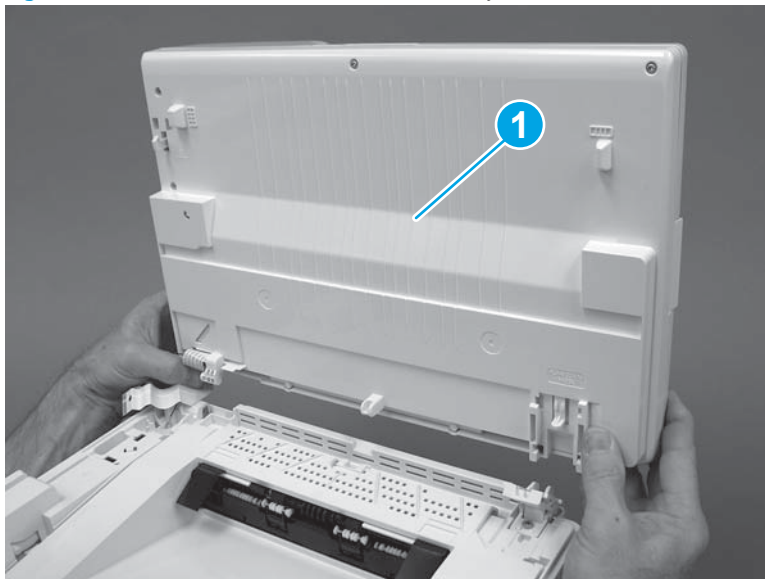
4. Rotate the scanner assembly towards the rear of the printer (callout 1), and then slide the scanner assembly toward the right side of the printer to release the left hinge (callout 2).

Figure 1-1953 Release the left hinge



5. Remove the scanner assembly (callout 1).

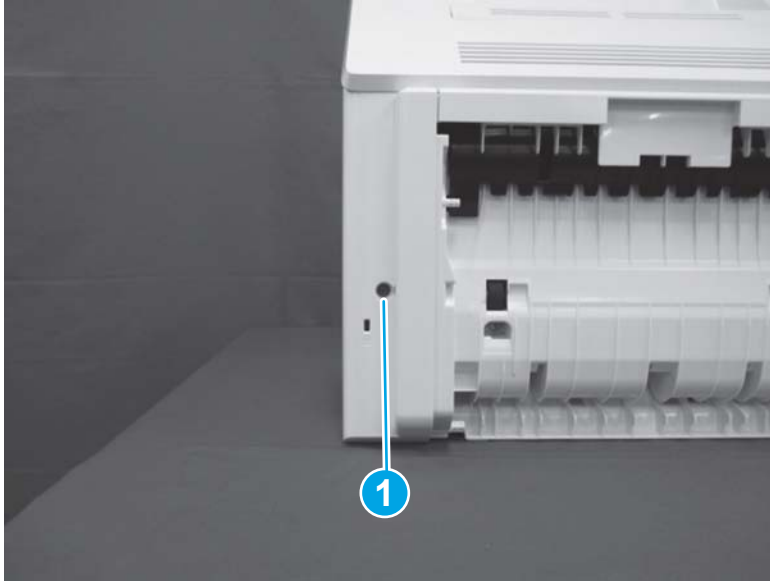
Figure 1-1954 Remove the scanner assembly



#### Step 6: Remove the right cover

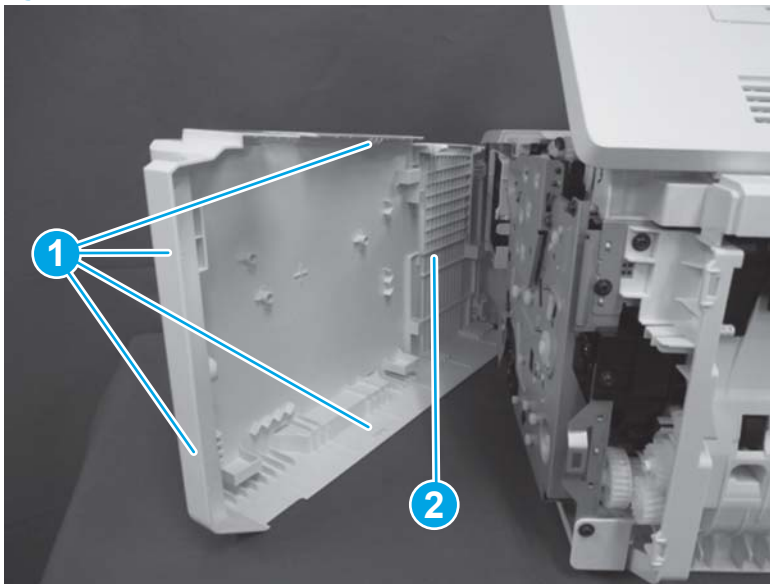
1. SFP: Do the following.
  - a. Remove one screw (callout 1).

Figure 1-1955 Remove one screw (SFP)



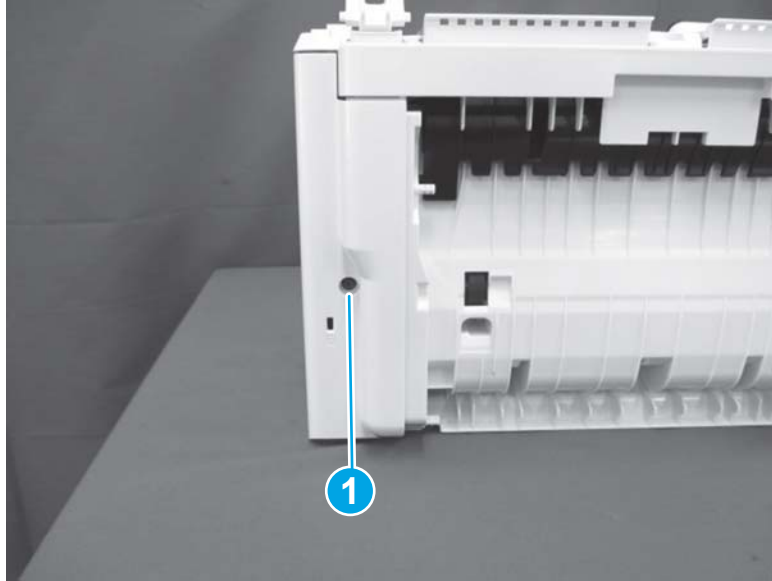
- b. Open the cartridge door.
- c. Release four tabs (callout 1), and then remove the right cover (callout 2).

Figure 1-1956 Remove the right cover (SFP)



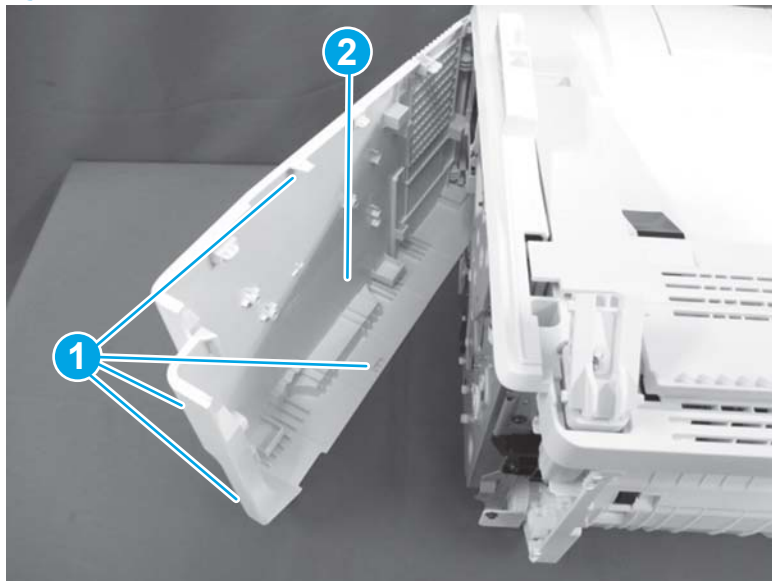
- 2. **MFP:** Do the following.
  - a. Remove one screw (callout 1).

Figure 1-1957 Remove one screw (MFP)



- b. Release four tabs (callout 1), and then remove the right cover (callout 2).

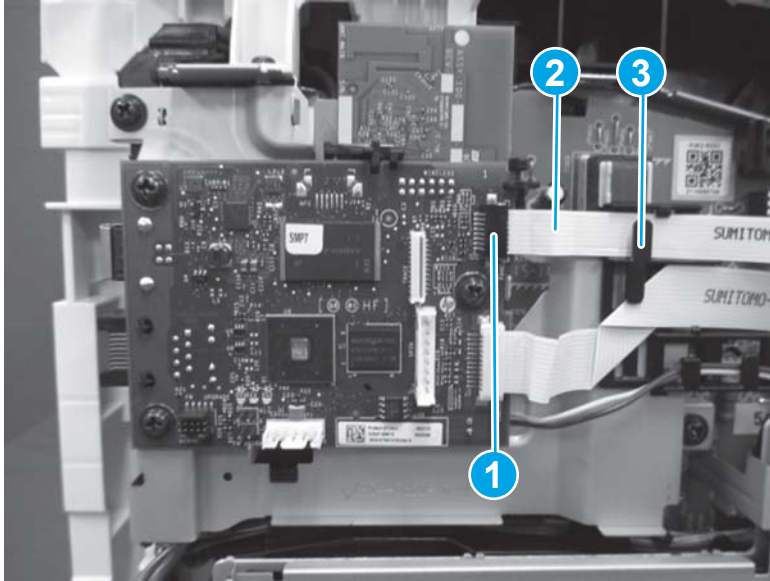
Figure 1-1958 Remove the right cover (MFP)



#### Step 7: Remove the top front cover

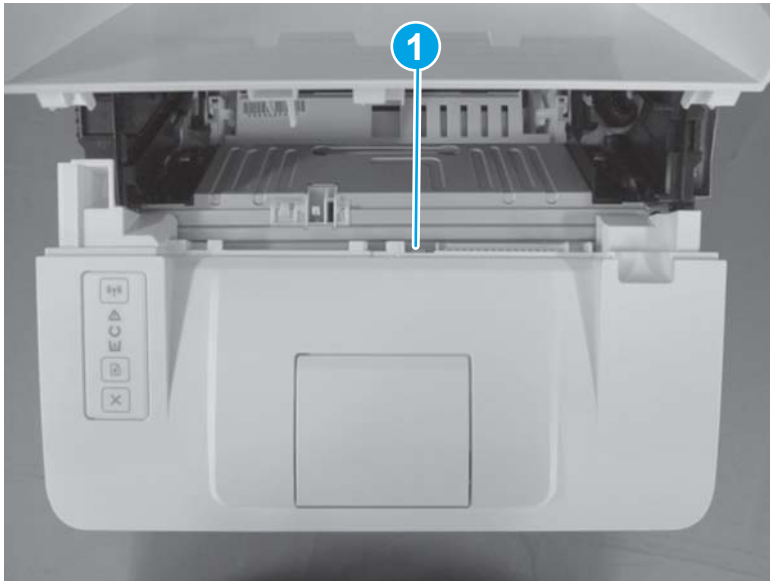
- 1. SFP: Do the following.
  - a. Disconnect one connector (callout 1) on the formatter, and then release the cable (callout 2) from the cable guide (callout 3).

Figure 1-1959 Disconnect one connector



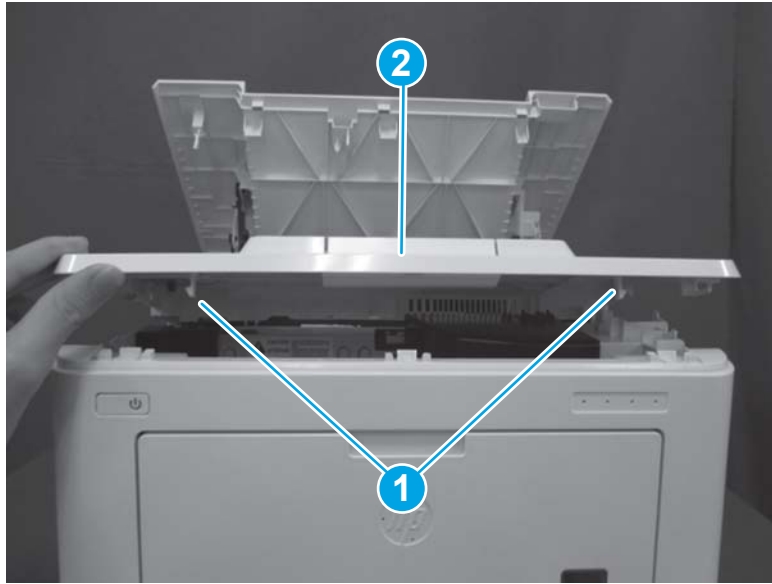
- b. Open the cartridge door, and then release one tab (callout 1) on the top of the cover.

Figure 1-1960 Release one tab



- c. Release two tabs (callout 1), and then remove the top front cover (callout 2).

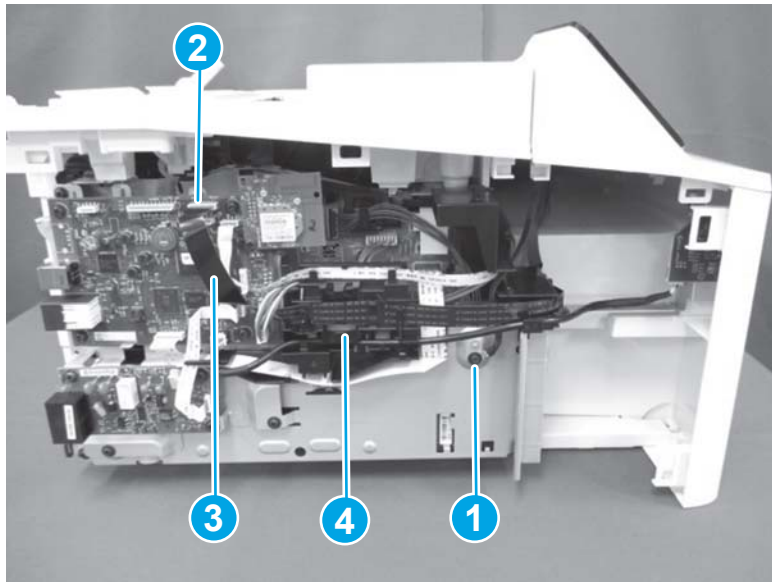
**Figure 1-1961** Release two tabs and remove the cover



2. MFP: Do the following.

- a. Remove one screw (callout 1) to release one cable. Disconnect one connector (callout 2), and then remove the cable (callout 3) from the cable guide (callout 4).

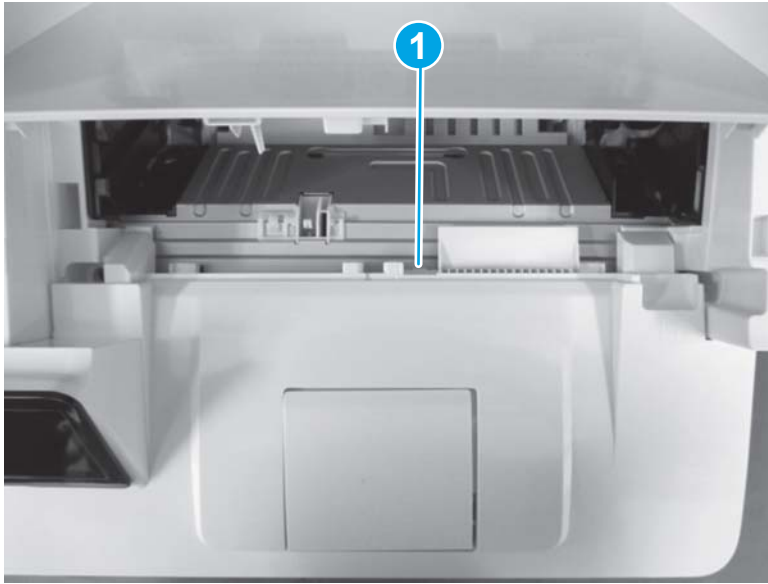
**Figure 1-1962** Disconnect connector and release cable





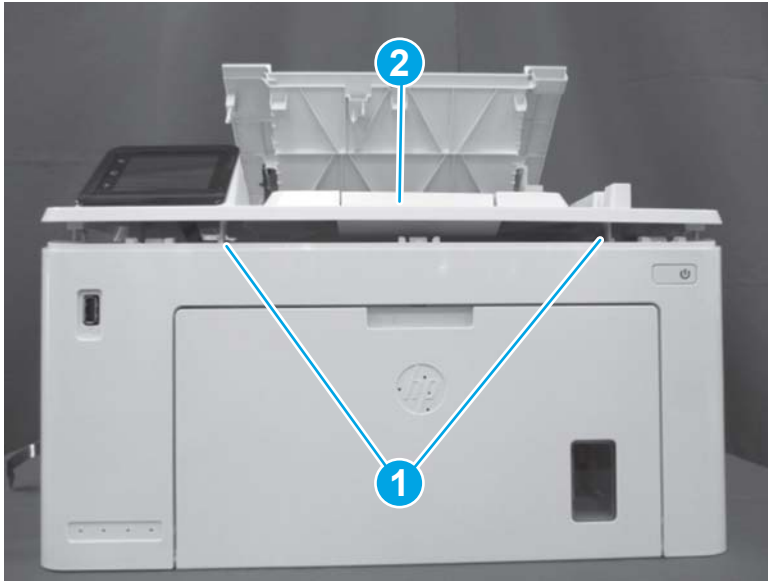
- b. Open the cartridge door, and then release one tab (callout 1).

Figure 1-1963 Release one tab



- c. Release two tabs (callout 1), and then remove the top front cover (callout 2).

Figure 1-1964 Release two tabs and remove the cover

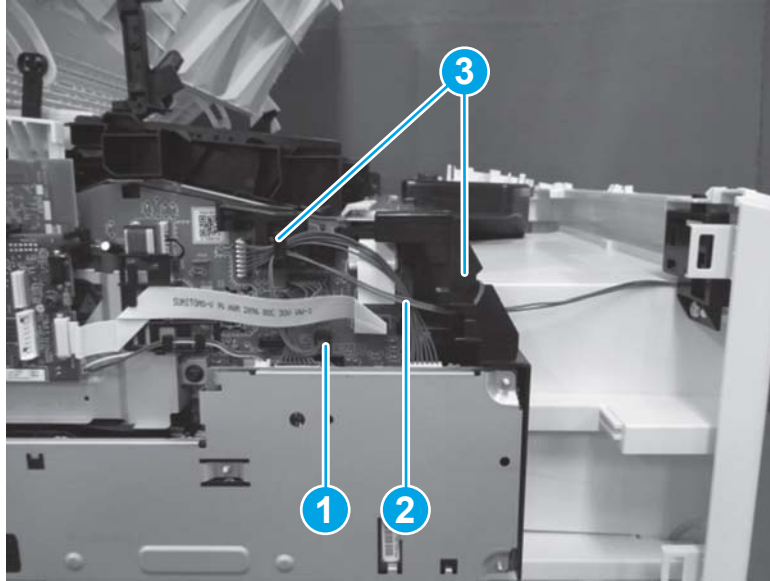


### Step 8: Remove the front cover

- 1. **SFP:** Do the following.
  - a. Disconnect one connector (callout 1), and then remove the cable (callout 2) from the cable guide (callout 3).

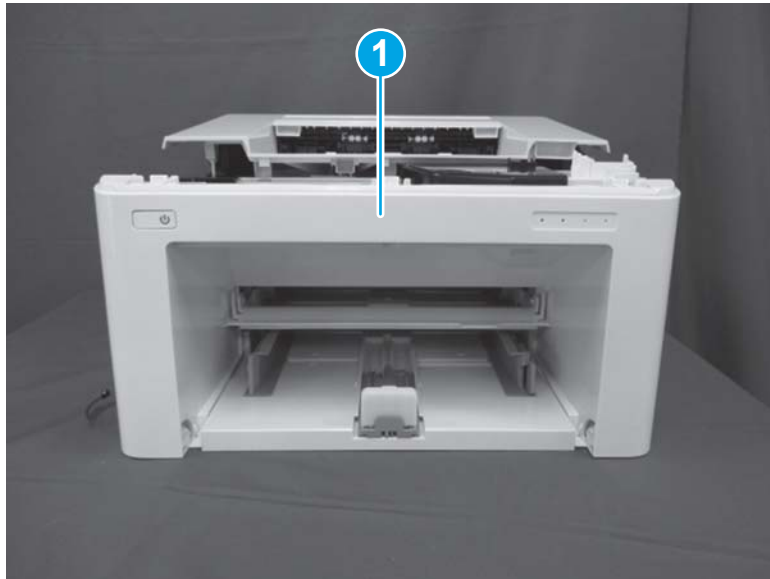


Figure 1-1965 Disconnect connector (SFP)



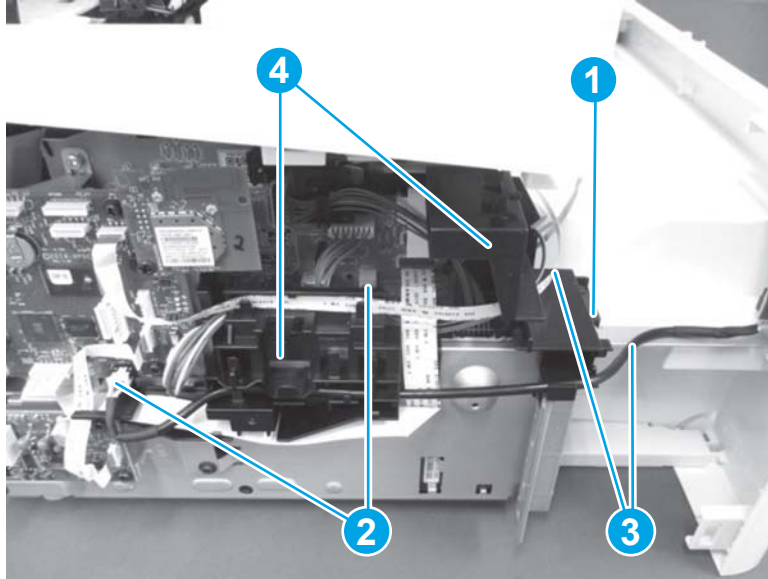
- b. Slide the front cover (callout 1) away from the printer to remove it.

Figure 1-1966 Remove the front cover (SFP)



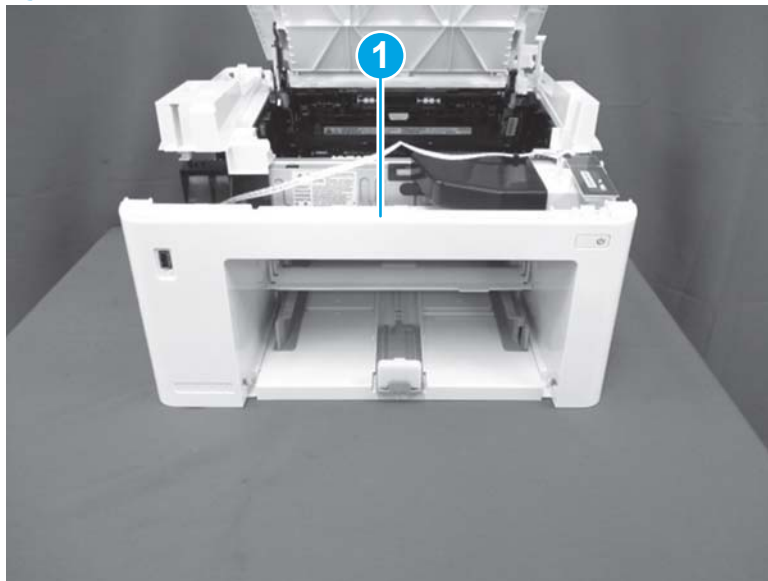
2. **MFP:** Do the following.
  - a. Remove one screw (callout 1). Disconnect two connectors (callout 2), and then release the cables (callout 3) from the cable guide (callout 4).

Figure 1-1967 Disconnect connectors (MFP)



- b. Slide the front cover (callout 1) away from the printer to remove it.

Figure 1-1968 Remove the front cover (MFP)

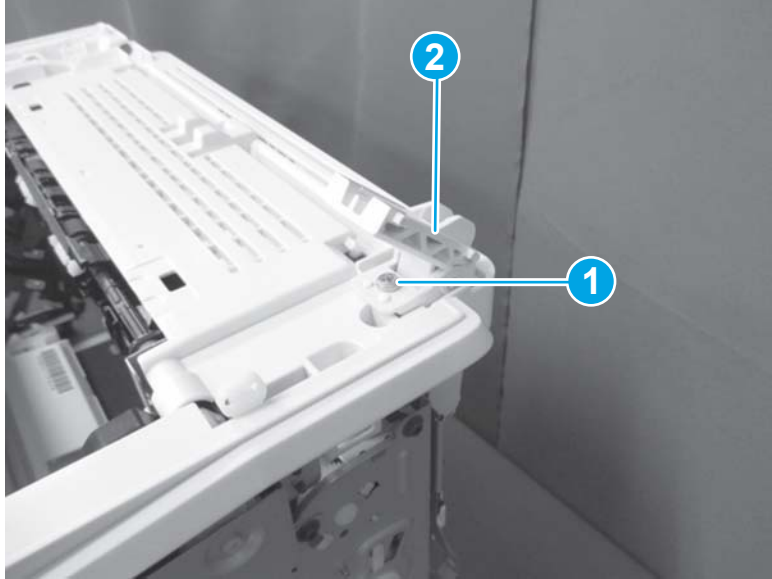


### Step 9: Remove the hinge assembly (MFP)

 **NOTE:** This step is for the MFP printers. For the SFP printers, skip this step and go to [Step 10: Remove the cartridge door on page 1133](#).

- ▲ Remove one screw (callout 1), and then remove the hinge assembly (callout 2).

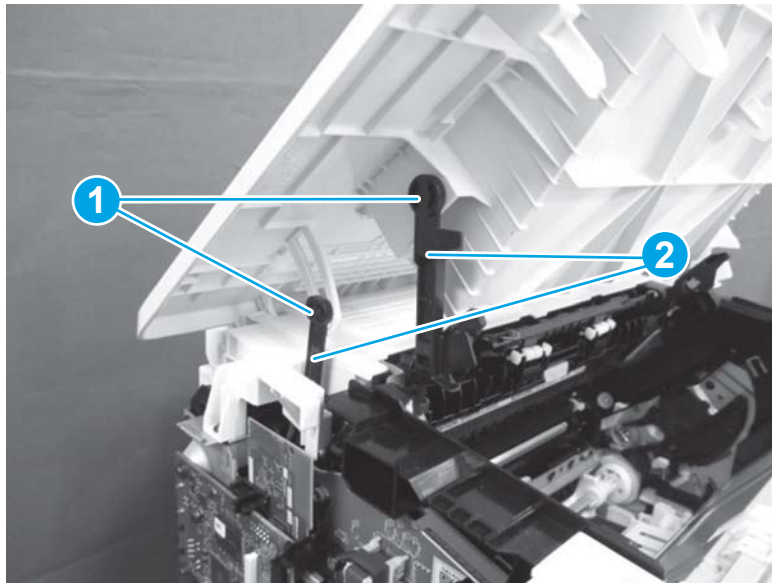
Figure 1-1969 Remove the hinge assembly (MFP)



#### Step 10: Remove the cartridge door

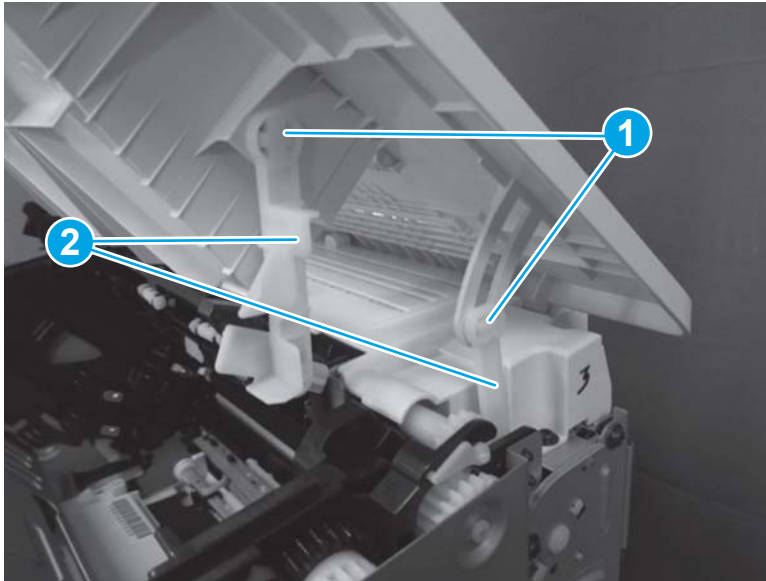
1. SFP: Do the following.
  - a. Open the cartridge door. On the left side of the printer, release two tabs (callout 1), and then disconnect two link arms (callout 2).

Figure 1-1970 Disconnect left link arms (SFP)



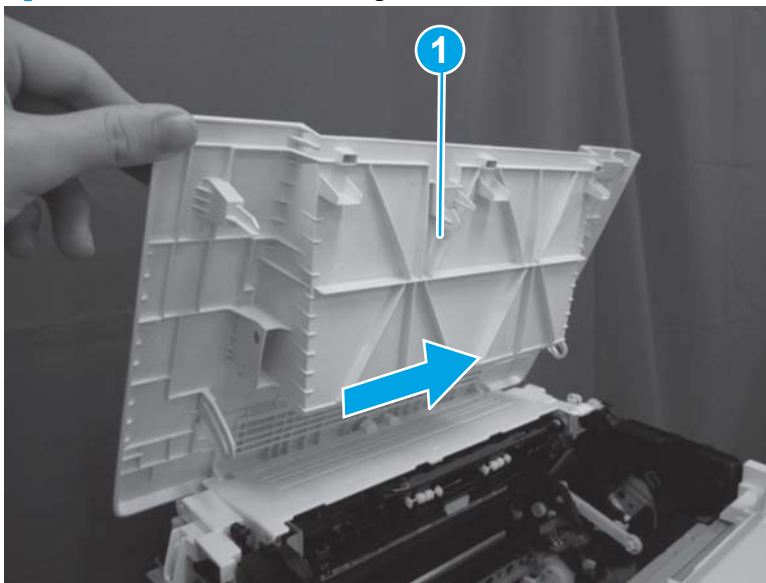
- b. On the right side of the printer, release two tabs (callout 1), and then disconnect two link arms (callout 2).

**Figure 1-1971** Disconnect right link arms (SFP)



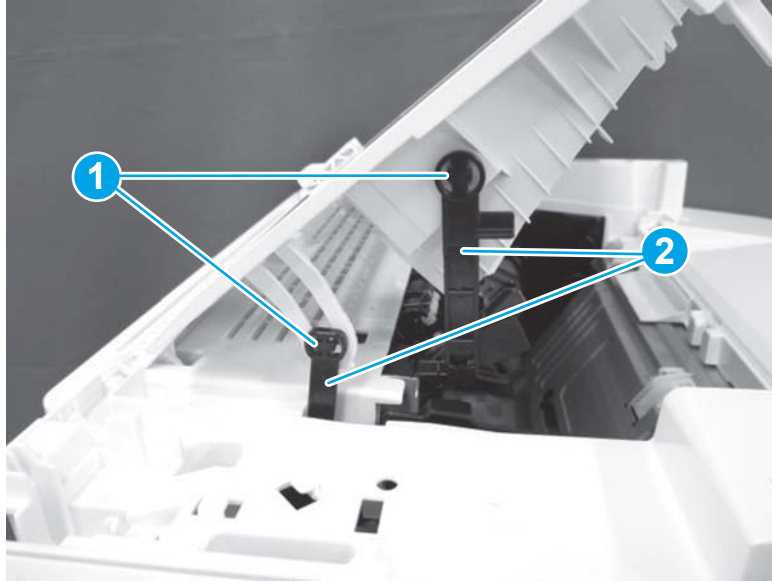
- c. Fully open the cartridge door (callout 1), and then slide it towards the right-side of the printer to remove it.

**Figure 1-1972** Remove the cartridge door (SFP)



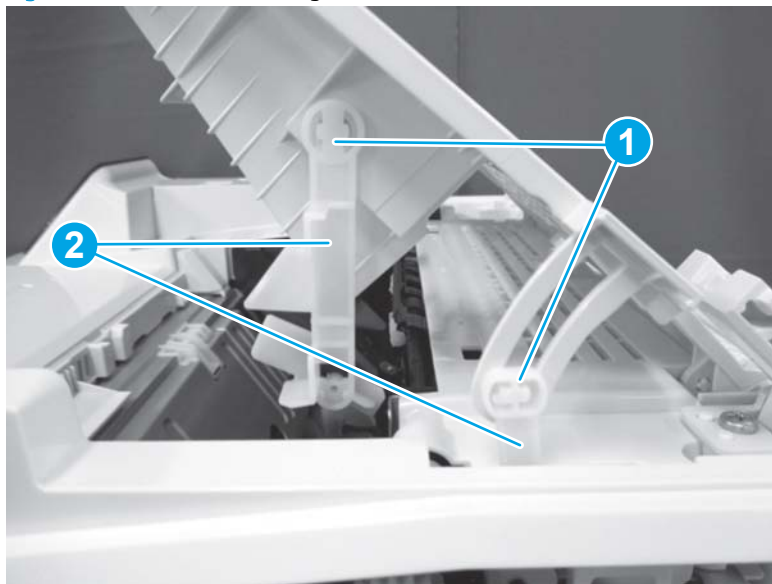
2. **MFP:** Do the following.
  - a. Open the cartridge door. On the left side of the printer, release two tabs (callout 1), and then disconnect two link arms (callout 2).

Figure 1-1973 Disconnect left link arms (MFP)



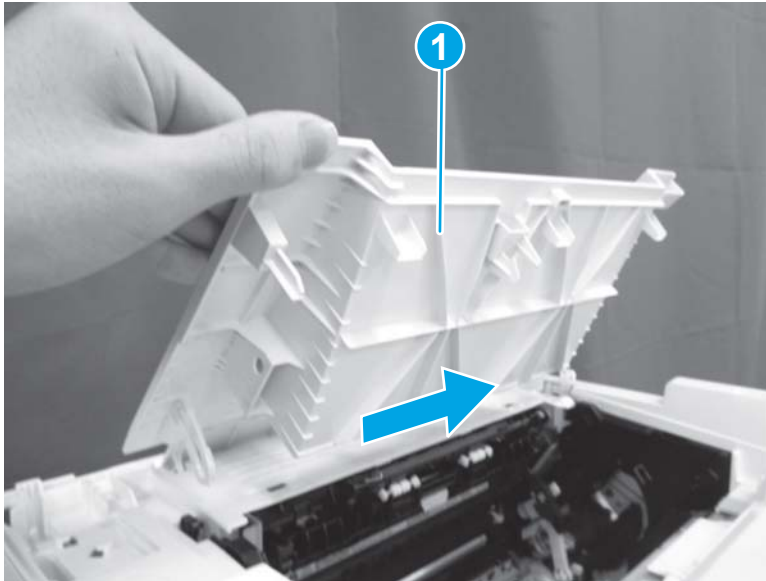
- b. On the right side of the printer, release two tabs (callout 1), and then disconnect two link arms (callout 2).

Figure 1-1974 Disconnect right link arms (MFP)



- c. Fully open the cartridge door (callout 1), and then slide it towards the right-side of the printer to remove it.

Figure 1-1975 Remove the cartridge door (MFP)

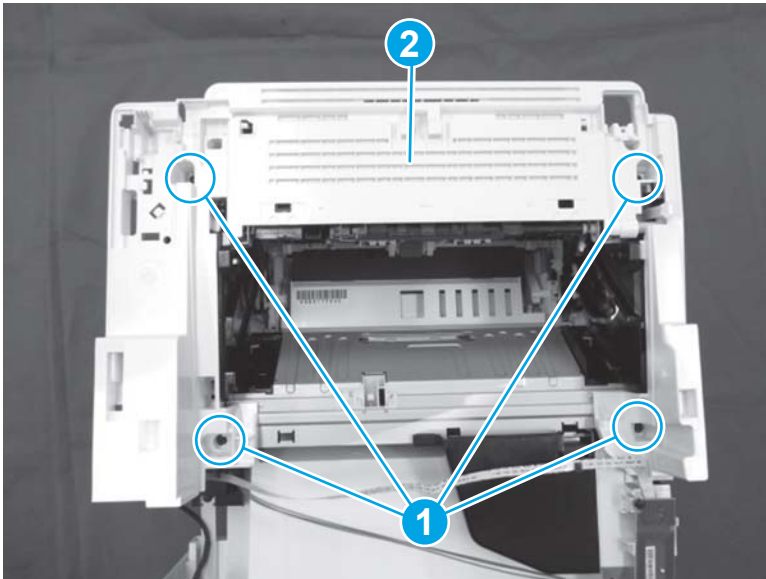


#### Step 11: Remove the top cover (MFP)


 **NOTE:** This step is for the MFP printers. For the SFP printers, skip this step and go to [Step 13: Remove the duplex paper feed assembly on page 1137](#).

- ▲ Remove four screws (callout 1), and then remove the top cover (callout 2).

Figure 1-1976 Remove the top cover

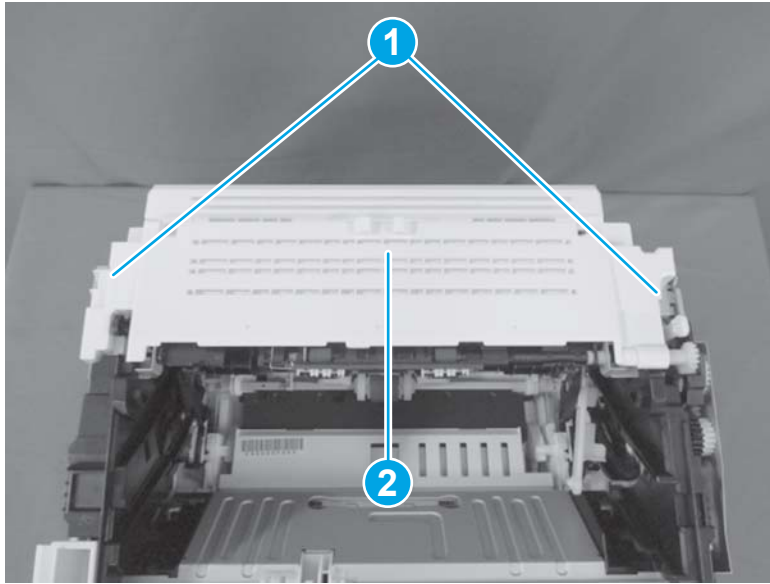


#### Step 12: Remove the top rear cover (SFP)

 **NOTE:** This step is for the SFP printers. For the MFP printers, skip this step and go to [Step 13: Remove the duplex paper feed assembly on page 1137](#).

- ▲ Remove two screws (callout 1), and then remove the top rear cover (callout 2).

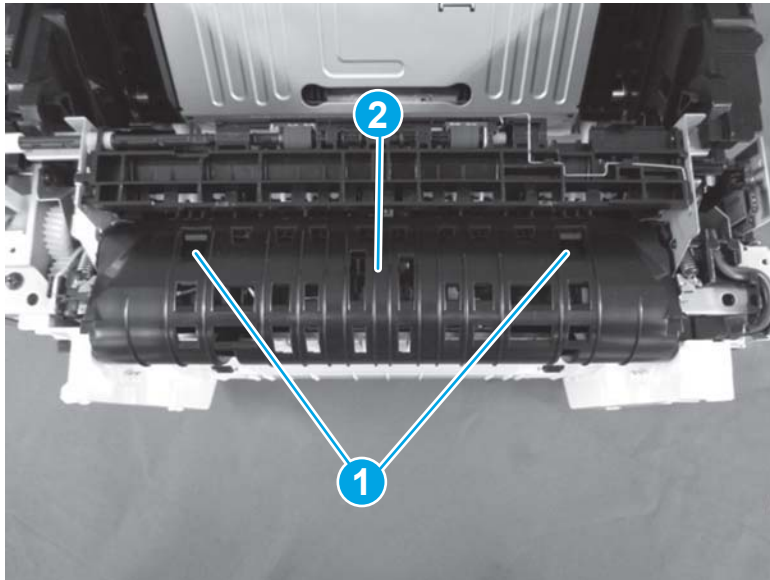
Figure 1-1977 Remove the top rear cover (SFP)



### Step 13: Remove the duplex paper feed assembly

1. Release two tabs (callout 1), and then remove the duplex switchback guide (callout 2).

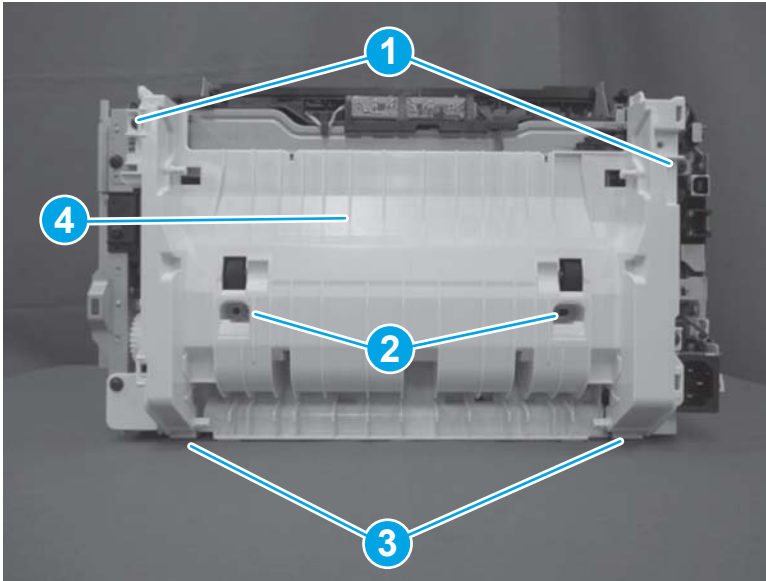
Figure 1-1978 Remove the duplex switchback guide





2. Remove two M3 screws (callout 1), and then remove two M4 screws (callout 2). Release two tabs (callout 3), and then remove the duplex paper feed assembly (callout 4).

Figure 1-1979 Remove the duplex feed assembly

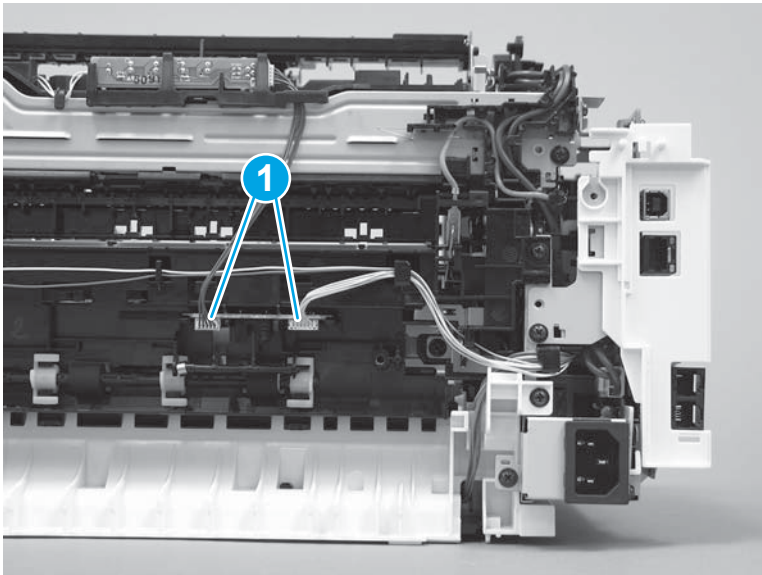


#### Step 14: Remove the paper pickup sensor

 **CAUTION:**  ESD-sensitive part.

1. At the rear of the printer, on the transfer assembly, disconnect two connectors (callout 1).

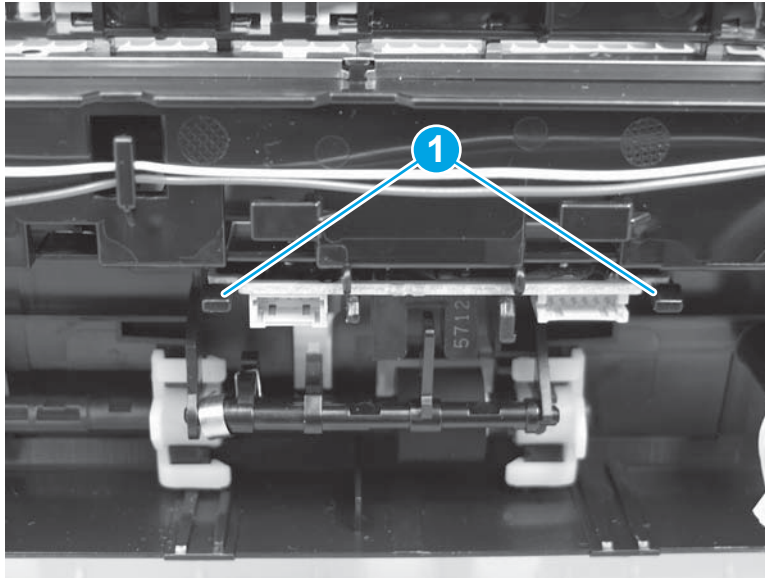
Figure 1-1980 Disconnect two connectors





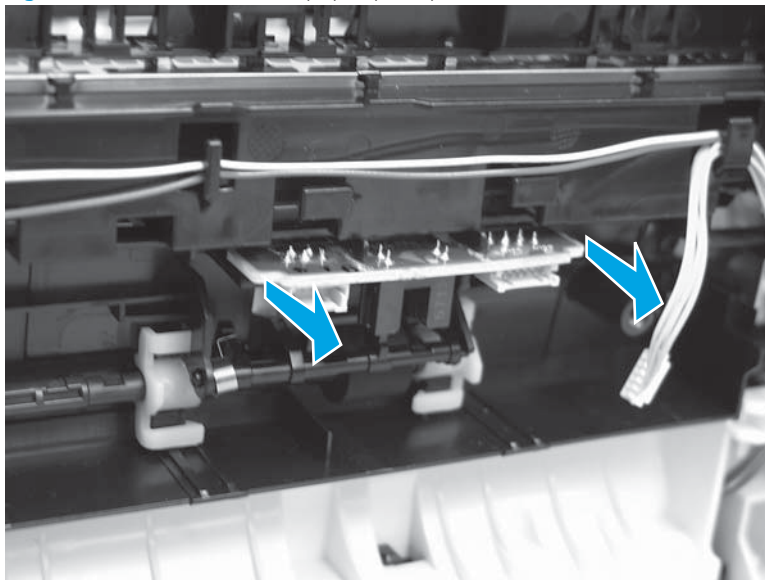
2. Release two tabs (callout 1).

Figure 1-1981 Release two tabs




3. Pull the paper pickup sensor away from the printer to remove it.

Figure 1-1982 Remove the paper pickup sensor



### Step 15: Unpack the replacement assembly

1. Dispose of the defective part.

 **NOTE:** HP recommends responsible disposal of the defective part.

[www.hp.com/recycle](http://www.hp.com/recycle)



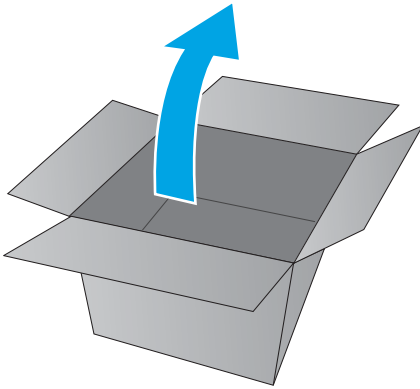
2. Unpack the replacement part from the packaging.

---

**⚠ CAUTION:** If the replacement part is a roller or pad, avoid touching the spongy part of it. Skin oils on the roller or pad can cause paper pickup and/or print-quality problems. HP recommends using disposable gloves when handling rollers or pads or washing your hands or before touching rollers or pads.

**📄 IMPORTANT:** Make sure that all of the shipping materials (for example shipping tape) are removed from the replacement part prior to installation.

---



### Step 16: Install the paper pickup sensor

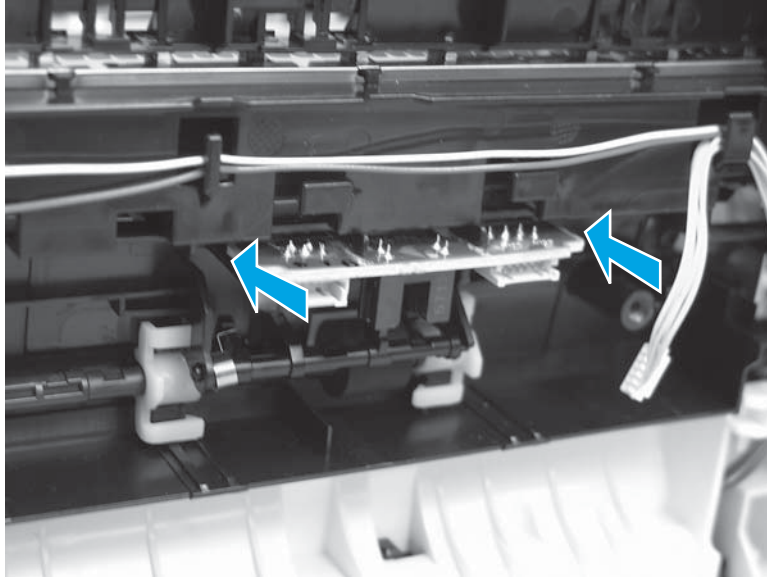
---

**⚠ CAUTION:**  ESD-sensitive part.

---

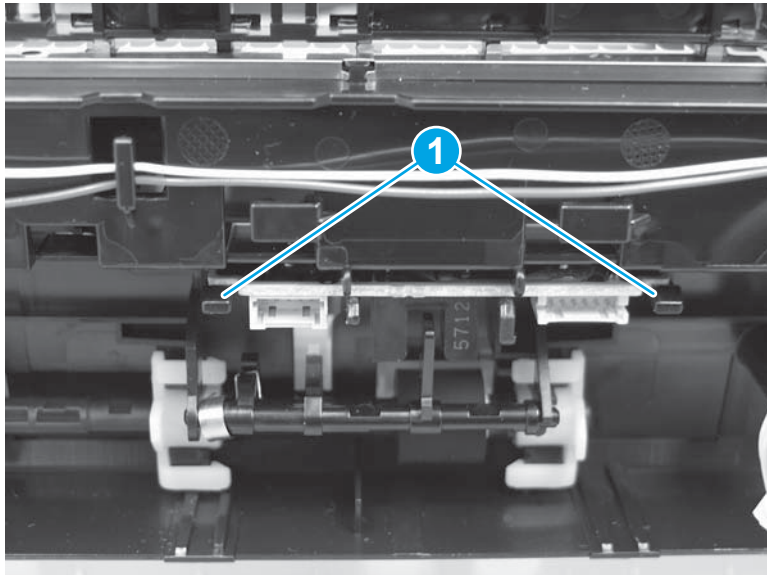
1. Slide the paper pickup sensor into the slot in the printer to install it.

Figure 1-1983 Install the paper pickup sensor



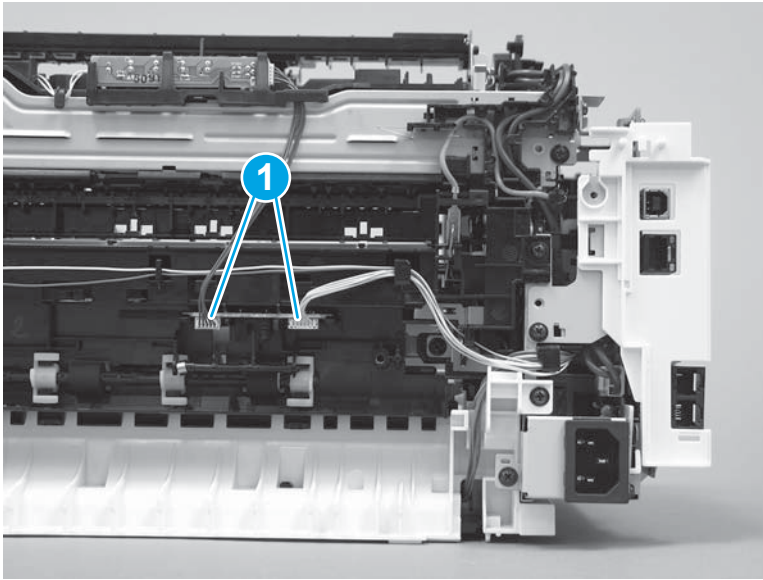
2. Engage two tabs (callout 2).

Figure 1-1984 Engage two tabs



3. Connect two connectors (callout 1).

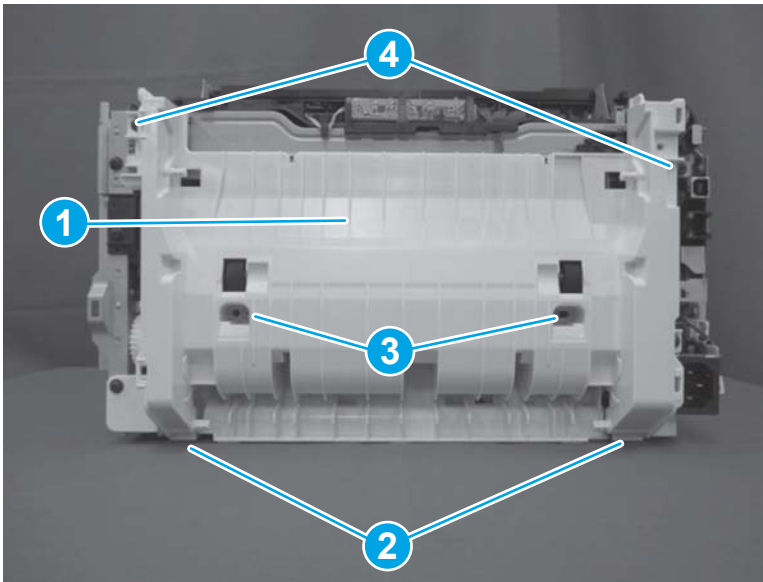
Figure 1-1985 Connect two connectors



#### Step 17: Install the duplex paper feed assembly

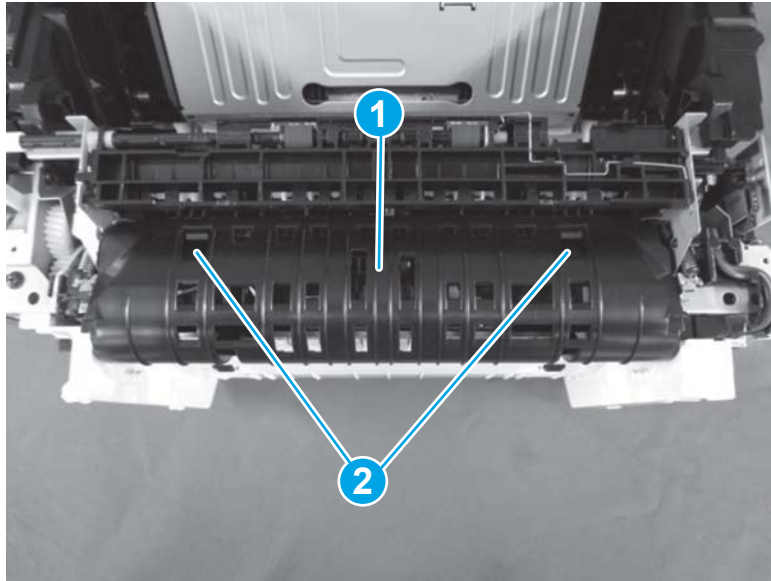
1. Position the duplex paper feed assembly (callout 1) on the printer, and then install two tabs (callout 2). Install two M4 screws (callout 3), and then install two M3 screws (callout 4).

Figure 1-1986 Install the duplex feed assembly



2. Position the duplex switchback guide (callout 1) on the printer, and then engage two tabs (callout 2) to install it.

**Figure 1-1987** Install the duplex switchback guide

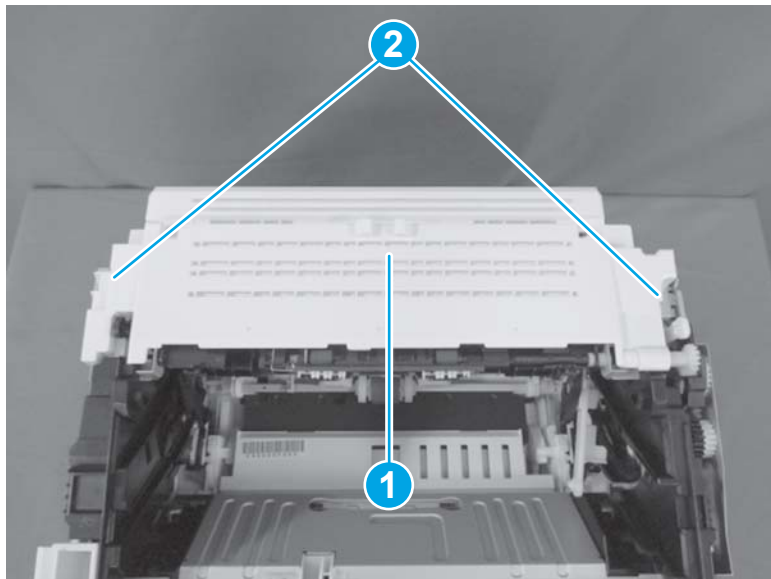


#### Step 18: Install the top rear cover (SFP)

 **NOTE:** This step is for the SFP printers. For the MFP printers, skip this step and go to [Step 20: Install the cartridge door on page 1144](#).

- ▲ Position the top cover (callout 1) on the printer, and then install two screws (callout 2).

**Figure 1-1988** Install the top rear cover (SFP)

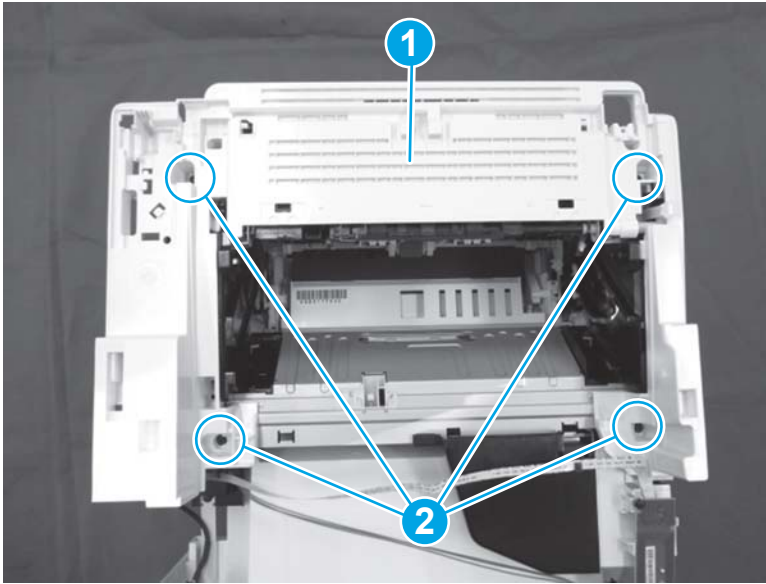


#### Step 19: Install the top cover (MFP)

 **NOTE:** This step is for the MFP printers. For the SFP printers, skip this step and go to [Step 20: Install the cartridge door on page 1144](#).

- ▲ Position the top cover (callout 1) on the printer, and then install four screws (callout 2).

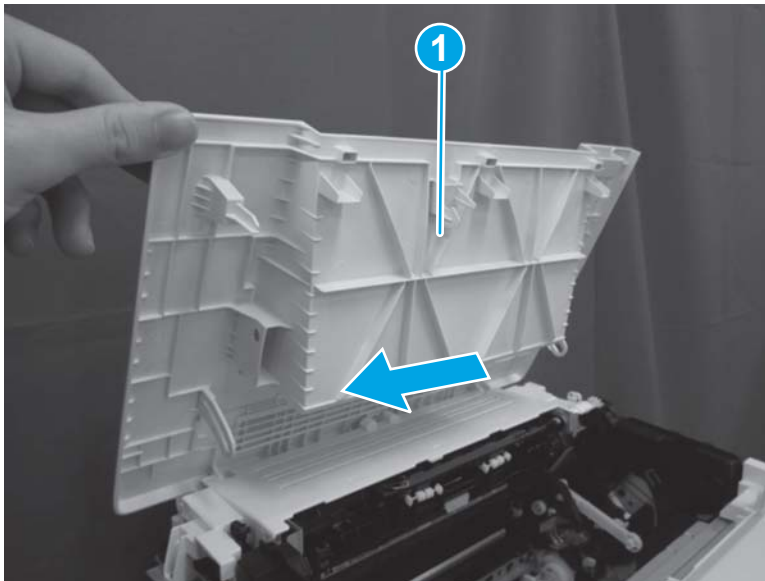
Figure 1-1989 Install the top cover



### Step 20: Install the cartridge door

1. **SFP:** Do the following.
  - a. Position the cartridge door (callout 1) on the printer, and then slide it toward the left-side of the printer to install it.

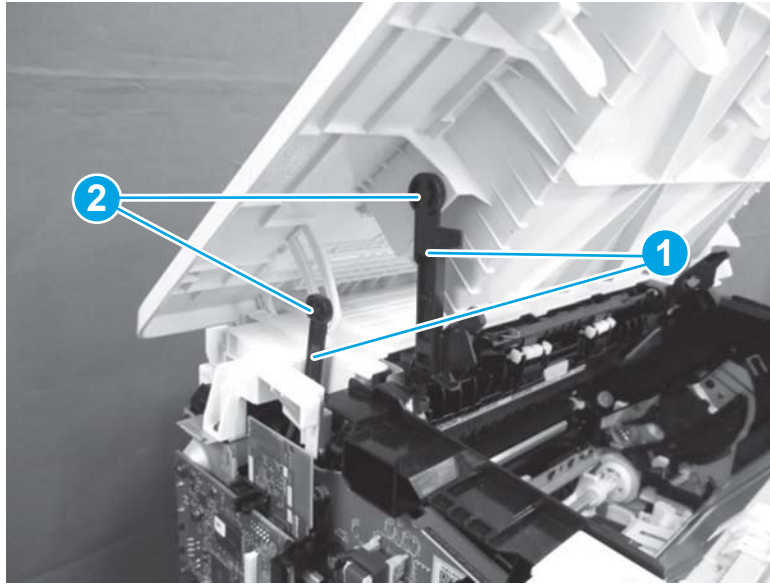
Figure 1-1990 Install the cartridge door (SFP)





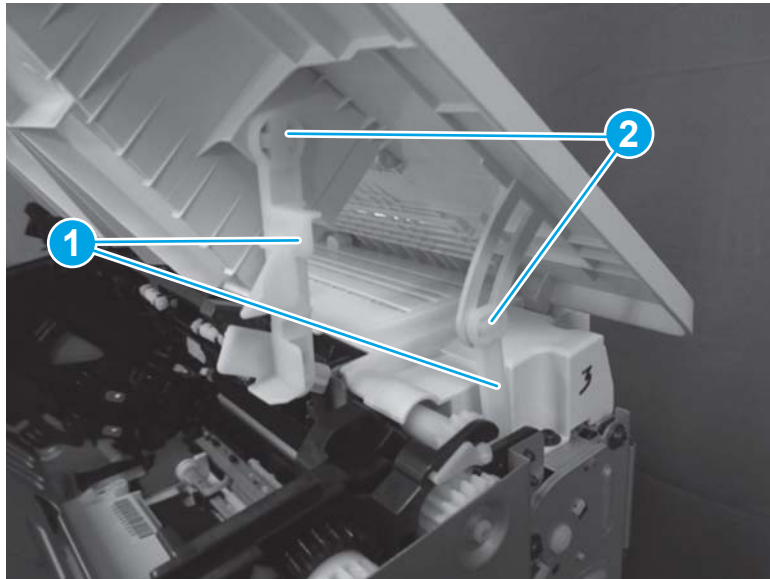
- b. On the left side of the printer, position two link arms (callout 1), and then engage two tabs (callout 2).

Figure 1-1991 Connect left link arms (SFP)



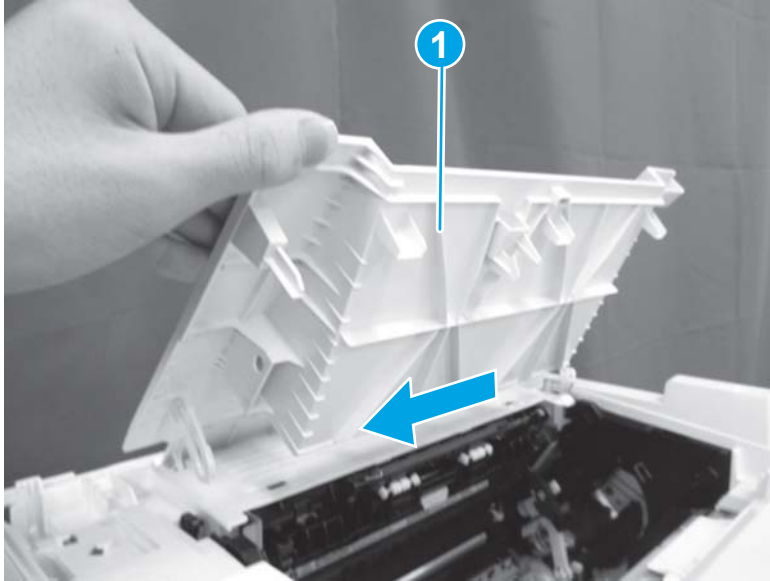
- c. On the right side of the printer, position two link arms (callout 1), and then engage two tabs (callout 2).

Figure 1-1992 Connect right link arms (SFP)



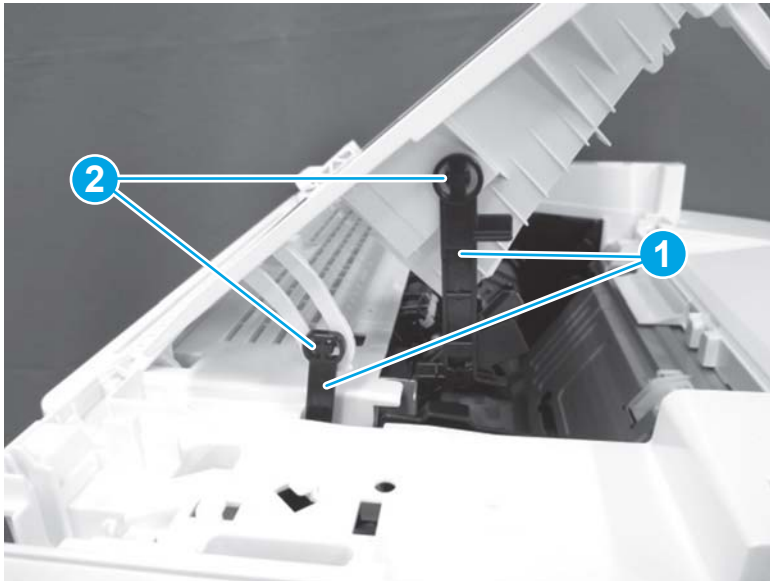
- 2. MFP: Do the following.
  - a. Position the cartridge door (callout 1) on the printer, and then slide it toward the left-side of the printer to install it.

Figure 1-1993 Install the cartridge door (MFP)



- b. On the left side of the printer, position two link arms (callout 1), and then engage two tabs (callout 2).

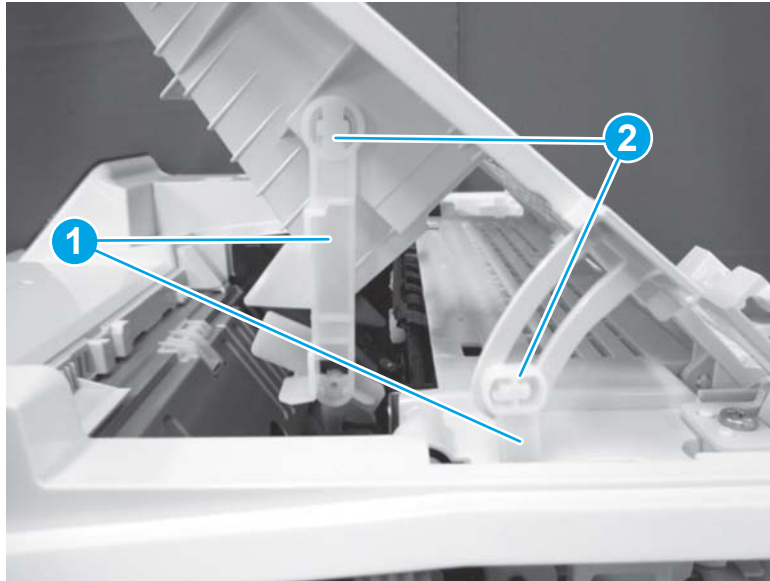
Figure 1-1994 Connect left link arms (MFP)





- c. On the right side of the printer, position two link arms (callout 1), and then engage two tabs (callout 2).

**Figure 1-1995** Connect right link arms (MFP)

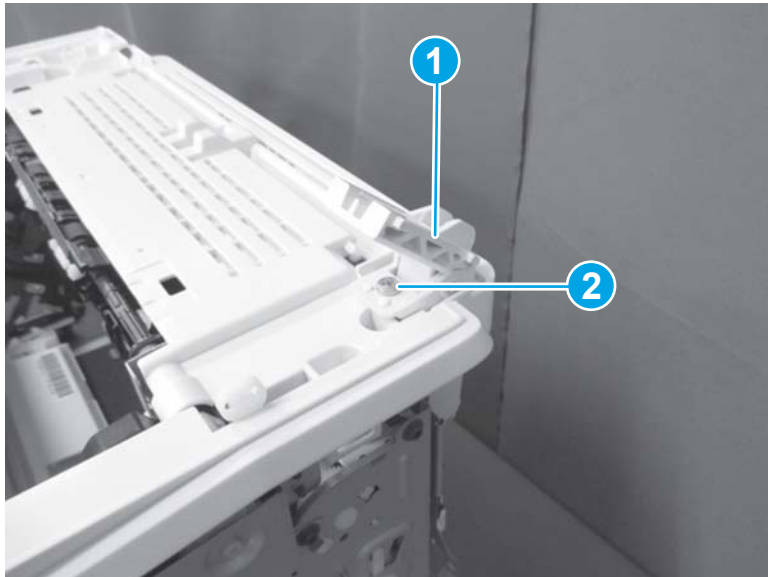


#### Step 21: Install the hinge assembly (MFP)

 **NOTE:** This step is for the MFP printers. For the SFP printers, skip this step and go to [Step 22: Install the front cover on page 1147](#).

- ▲ Position the hinge assembly (callout 1) on the printer, and then install one screw (callout 2).

**Figure 1-1996** Install the hinge assembly (MFP)



#### Step 22: Install the front cover

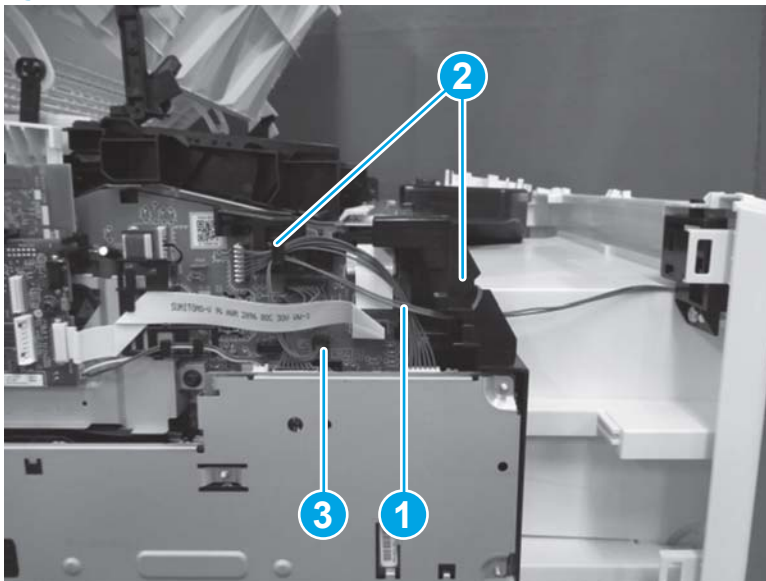
1. **SFP:** Do the following.
  - a. Slide the front cover (callout 1) toward the printer to install it.

Figure 1-1997 Install the front cover (SFP)



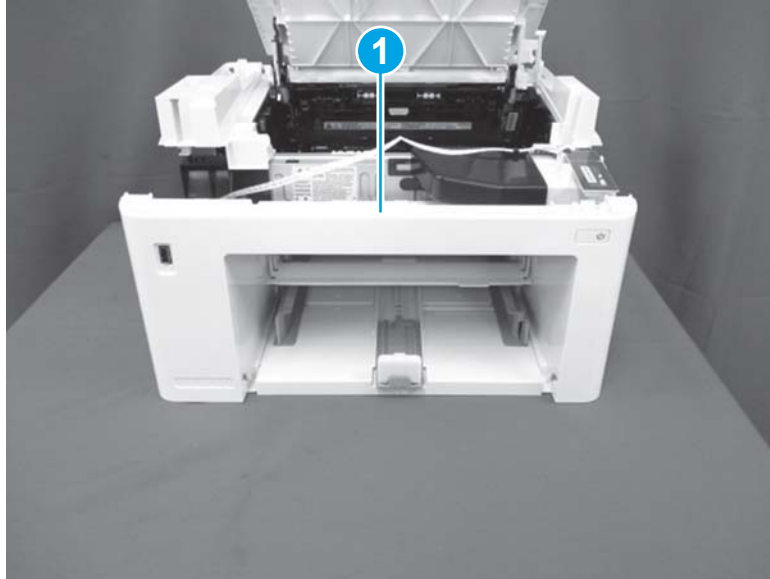
- b. Install the cable (callout 1) in the cable guide (callout 2), and then connect one connector (callout 3).

Figure 1-1998 Connect the connector (SFP)



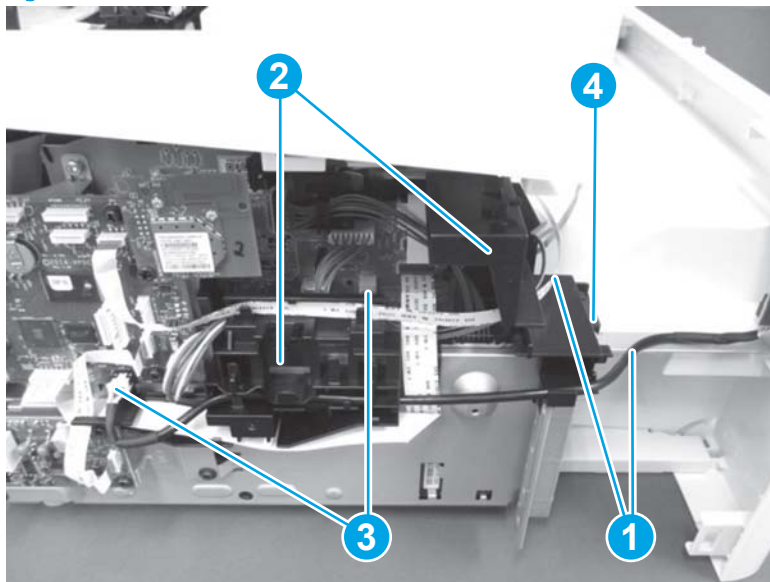
- 2. **MFP:** Do the following.
  - a. Slide the front cover (callout 1) toward the printer to install it.

Figure 1-1999 Install the front cover (MFP)



- b. Install the cables (callout 1) in the cable guides (callout 2), and then connect two connectors (callout 3). Install one screw (callout 4).

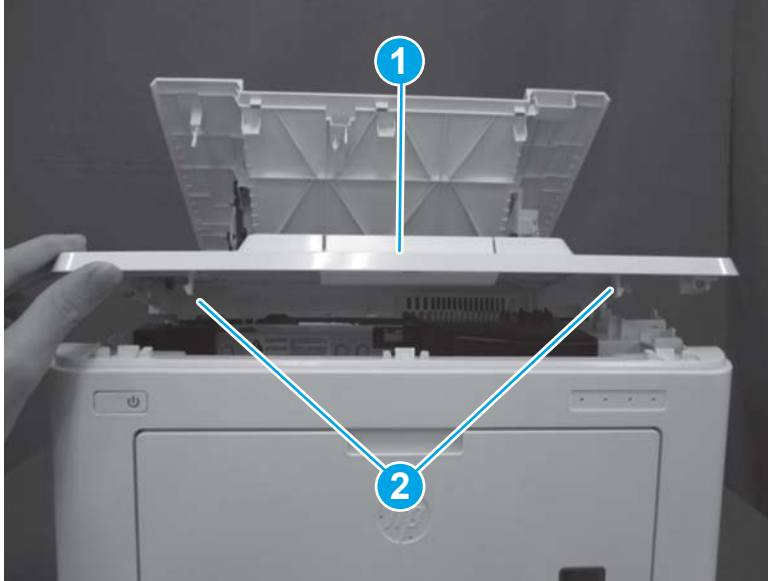
Figure 1-2000 Connect two connectors (MFP)



### Step 23: Install the top front cover

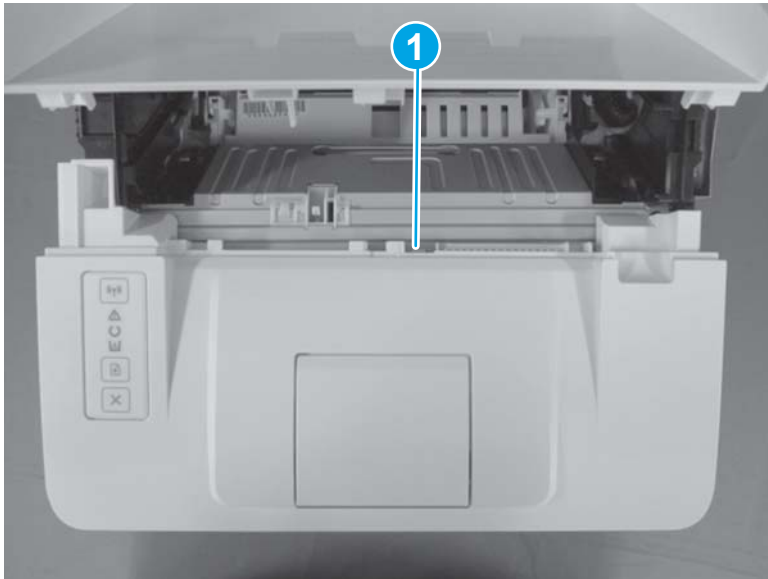
1. SFP: Do the following.
  - a. Position the top front cover (callout 1) on the printer and install two tabs (callout 2).

Figure 1-2001 Install two tabs



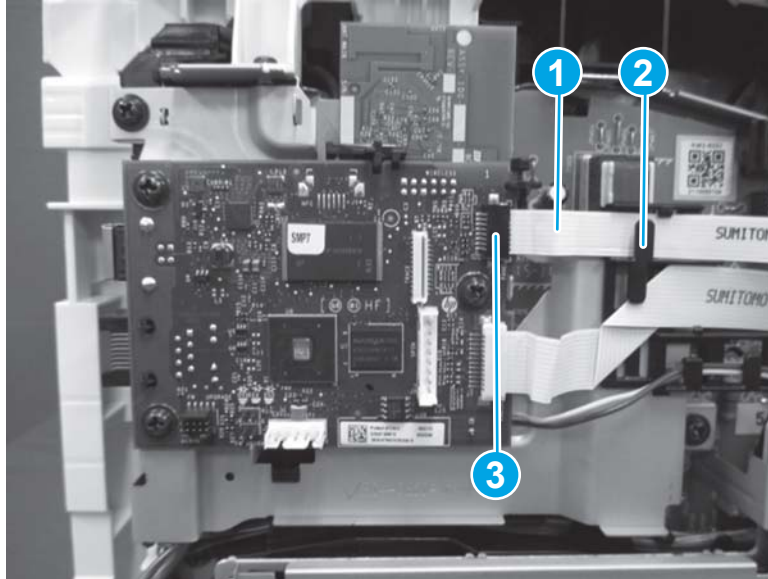
- b. On the top of the cover, install one tab (callout 1).

Figure 1-2002 Install one tab



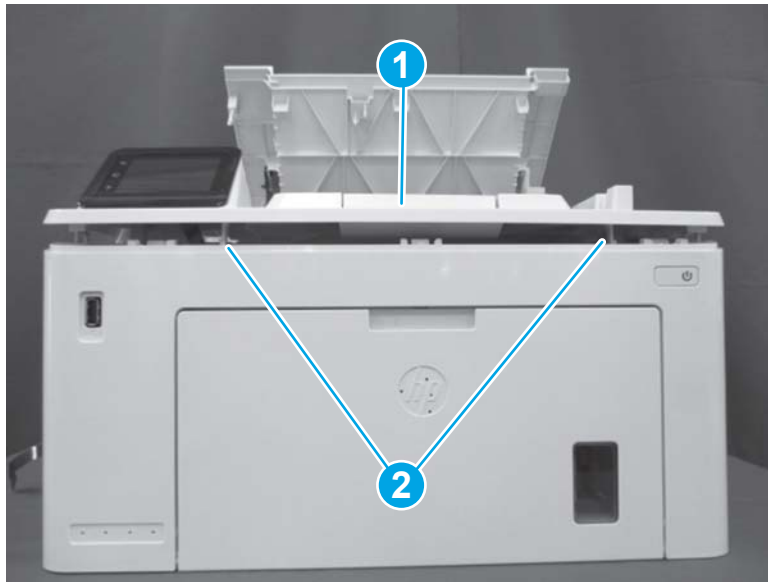
- c. Install the cable (callout 1) in the guide (callout 2), and then connect one connector (callout 3) on the formatter.

Figure 1-2003 Connect one connector



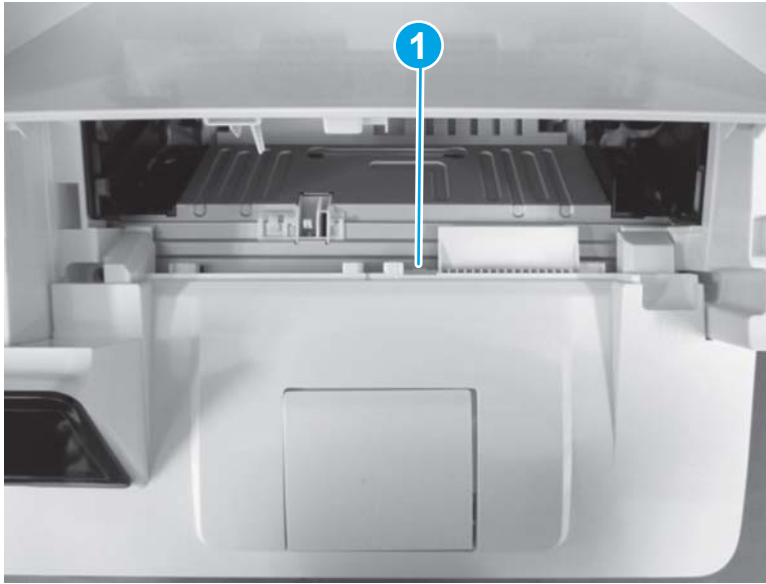
- 2. MFP: Do the following.
  - a. Position the top front cover (callout 1) on the printer, and then install two tabs (callout 2).

Figure 1-2004 Install two tabs



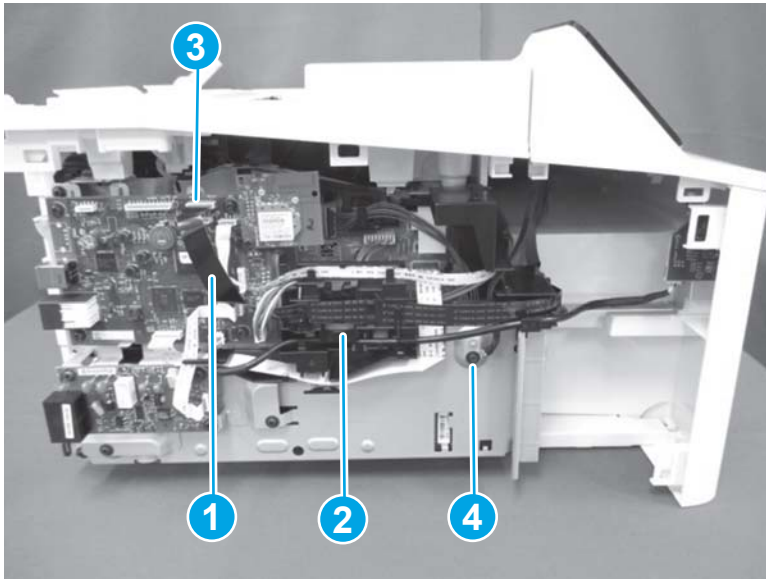
- b. Install one tab (callout 1).

Figure 1-2005 Install one tab



- c. Install the cable (callout 1) in the cable guide (callout 2), and then connect one connector (callout 3). Install one screw (callout 4) to secure the grounding cable.

Figure 1-2006 Install one connector and grounding cable

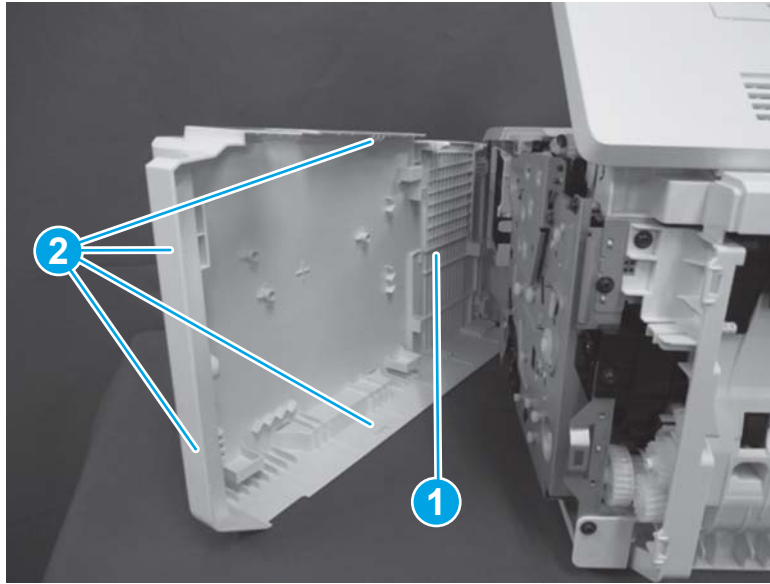


#### Step 24: Install the right cover

1. SFP: Do the following.
  - a. Open the cartridge door.

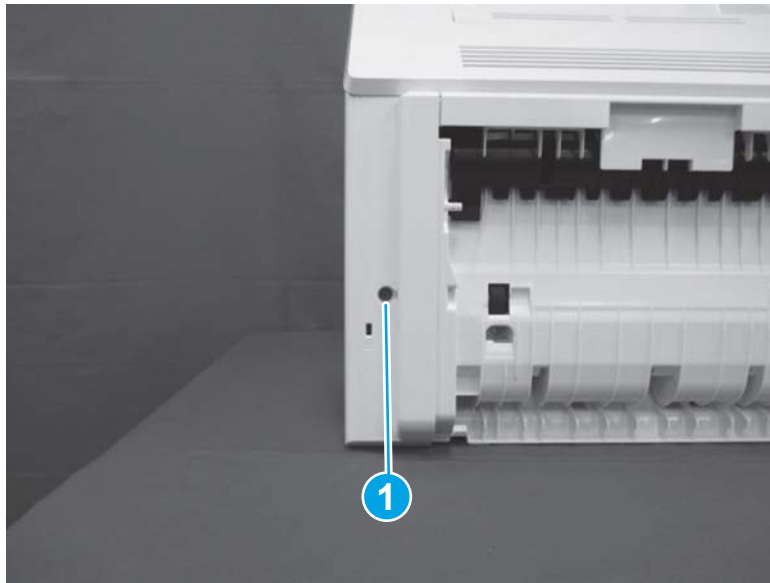
- b. Position the right cover (callout 1) on the printer, and then engage four tabs (callout 2).

**Figure 1-2007** Install the right cover (SFP)



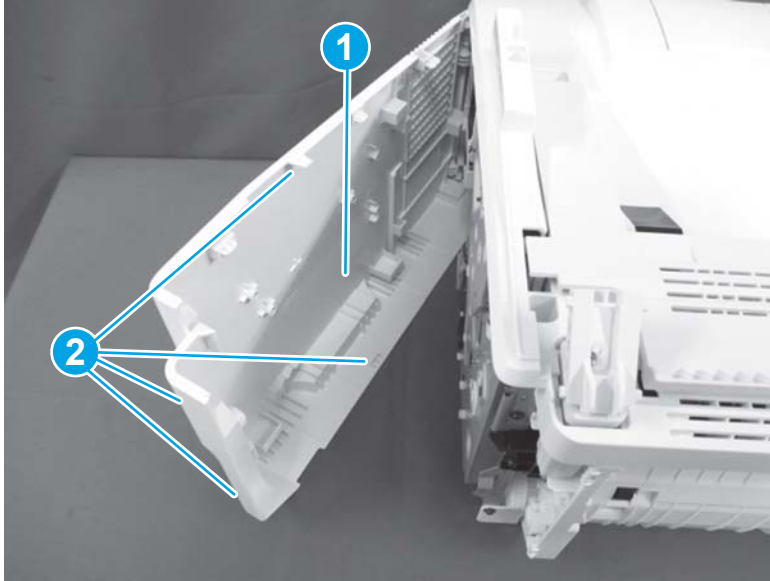
- c. Close the cartridge door.
- d. Install one screw (callout 1).

**Figure 1-2008** Install one screw (SFP)



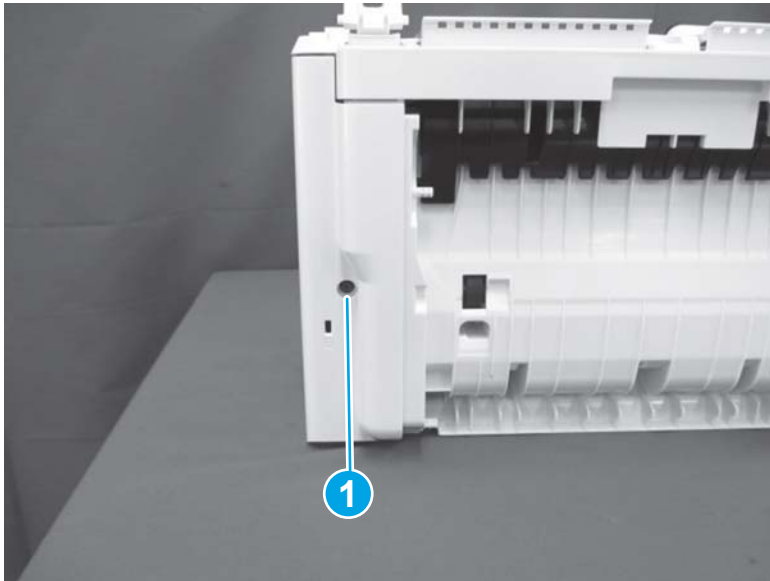
2. **MFP:** Do the following.
  - a. Position the right cover (callout 1) on the printer, and then engage four tabs (callout 2).

Figure 1-2009 Install the right cover (MFP)



- b. Install one screw (callout 1).

Figure 1-2010 Install one screw (MFP)




#### Step 25: Install the 3-in-1 or 4-in-1 scanner assembly (MFP)

---

 **NOTE:** This step is for the MFP printers. For the SFP printers, skip this step and go to [Step 27: Install the left cover on page 1158](#).

---

 **NOTE:** The 4-in-1 scanner assembly supports the document feeder. The 3-in-1 scanner assembly does not support the document feeder.

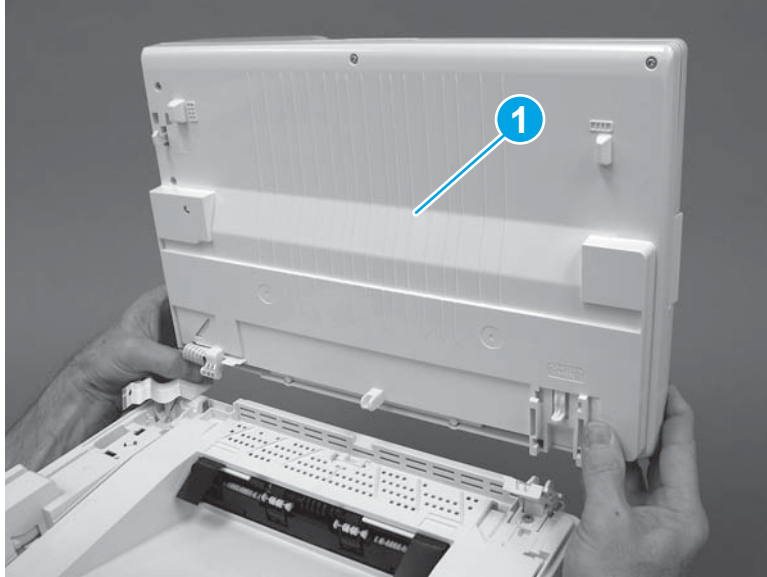
The figures in this procedure show a 4-in-1 printer. However, the procedure is correct for 3-in-1 printers.

---

1. Position the scanner assembly (callout 1) near the printer.

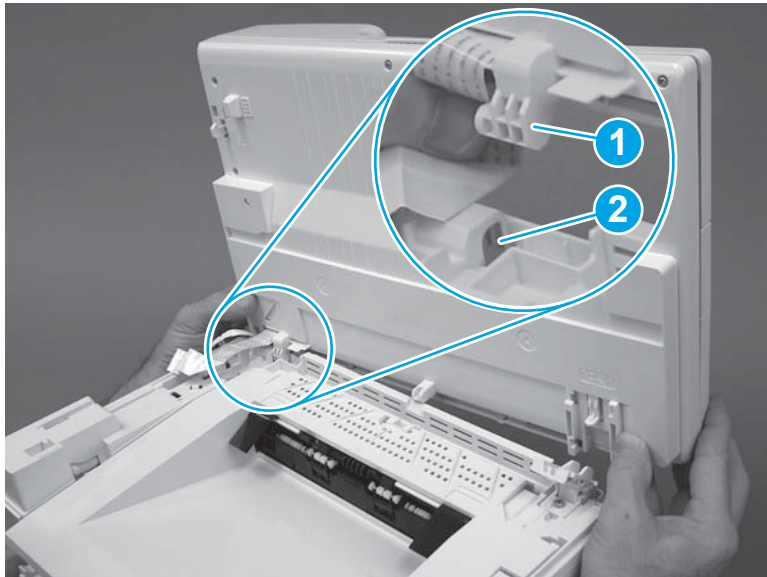


Figure 1-2011 Install the scanner assembly (MFP)



2. Engage the left hinge (callout 1) with the top cover (callout 2).

Figure 1-2012 Engage the left hinge (MFP)



3. Push the right side of the scanner assembly toward the front of the printer to engage the right hinge (callout 1). Make sure that the tab (callout 2) snaps into place.

**Figure 1-2013** Engage the right hinge (MFP)

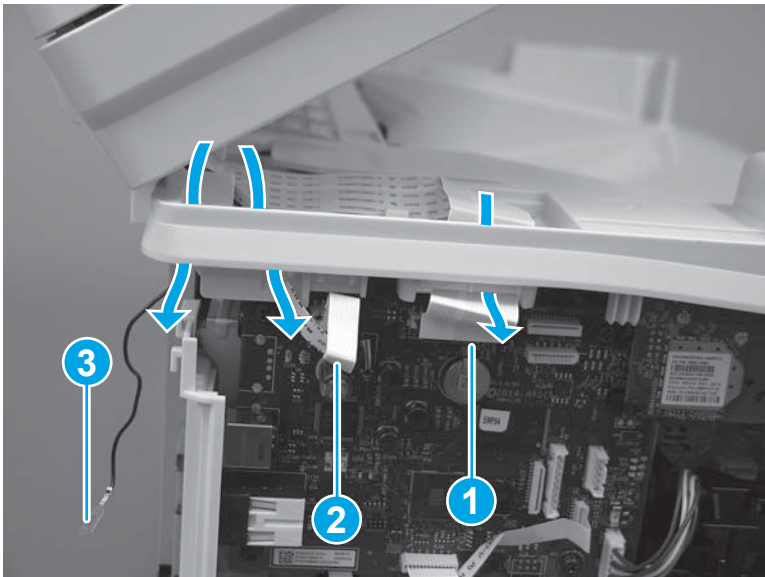


4. **4-in-1 models only:** Pass the flat cables (callouts 1/2) and the ground wire (callout 3) through the openings in the chassis, and then connect the two flat cables.

**3-in-1 models only:** Pass the flat cable (callout 1) through the opening in the chassis, and then connect one flat cable.

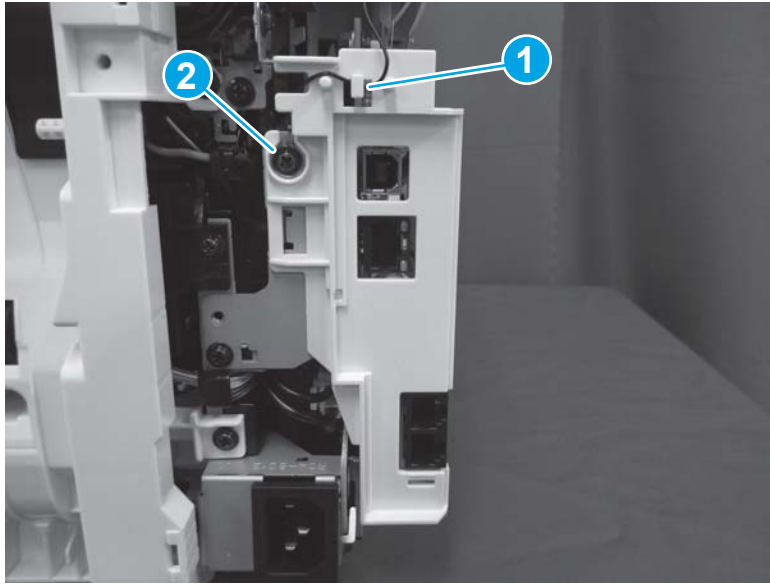
 **NOTE:** The 3-in-1 model does not have the small flat cable (callout 2) or a ground wire (callout 3).

**Figure 1-2014** Connect flat cable(s)



5. **4-in-1 models only:** Install the ground wire in the retainer (callout 1), and then install one screw (callout 2).

**Figure 1-2015** Install the ground wire (4-in-1 models)



#### Step 26: Install the cable cover (MFP)

 **NOTE:** This step is for the MFP printers. For the SFP printers, skip this step and go to [Step 27: Install the left cover on page 1158](#).

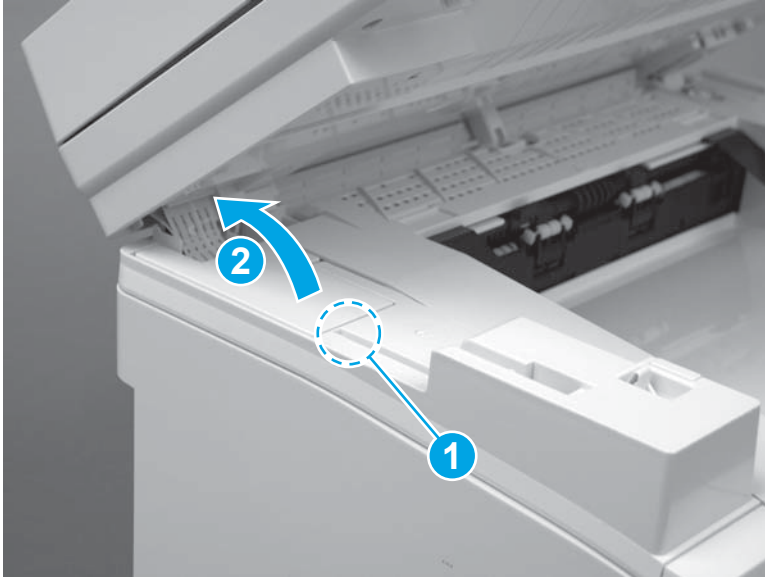
1. Open the scanner assembly.

**Figure 1-2016** Open the scanner assembly



2. Use a small flat-blade screw driver to release one tab (callout 1), and then remove the cable cover (callout 2).

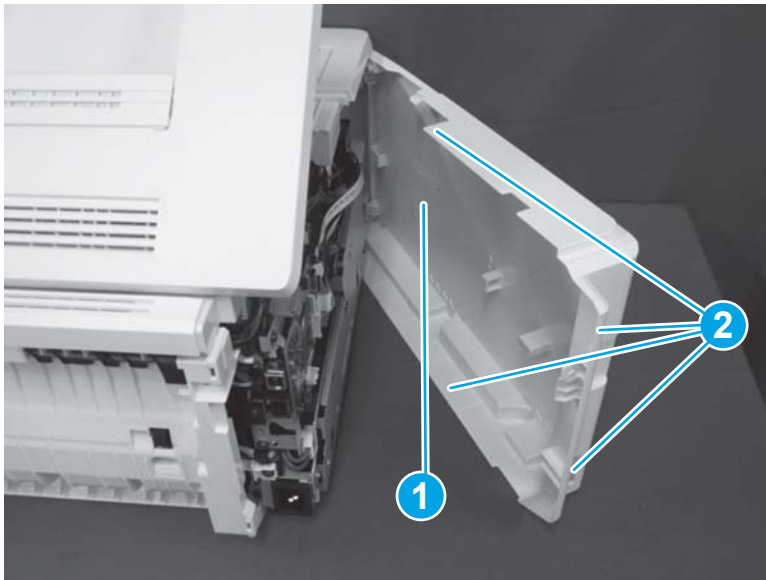
**Figure 1-2017** Remove the cable cover (MFP)



#### Step 27: Install the left cover

1. **SFP:** Do the following.
  - a. Open the cartridge door.
  - b. Position the left cover (callout 1) on the printer, and then engage four tabs (callout 2).

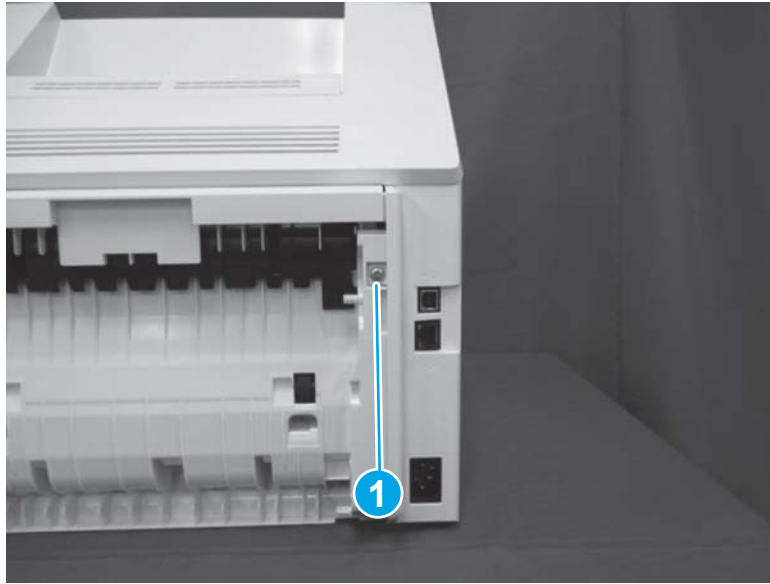
**Figure 1-2018** Install the left cover (SFP)



- c. Close the cartridge door.

- d. Install one screw (callout 1).

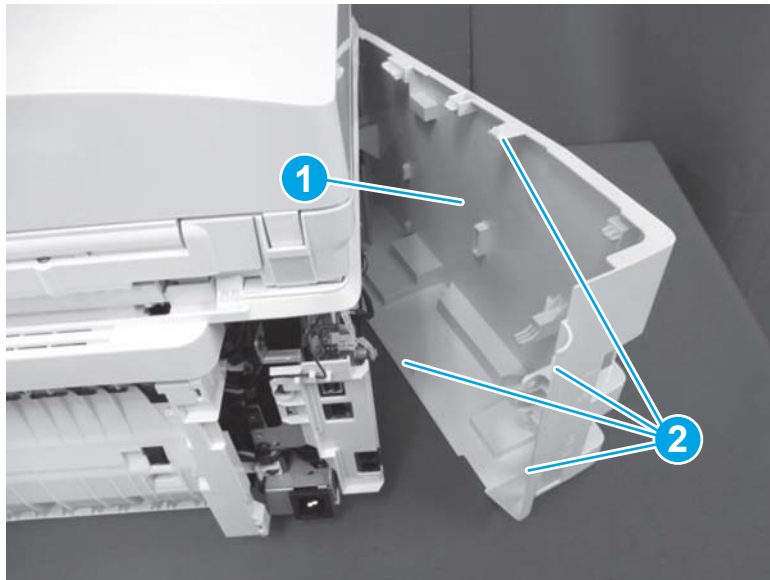
Figure 1-2019 Install one screw (SFP)



2. MFP: Do the following.

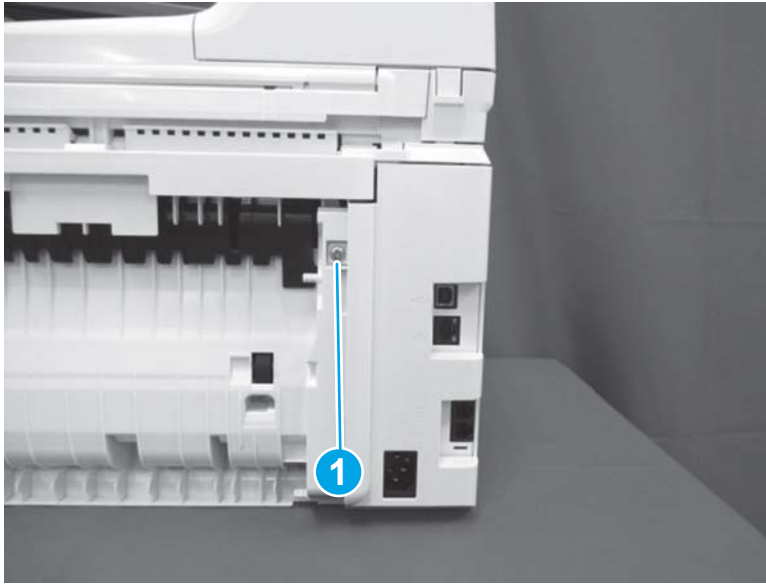
- a. Position the left cover (callout 1) on the printer, and then engage four tabs (callout 2).

Figure 1-2020 Install the left cover (MFP)



- b. Install one screw (callout 1).

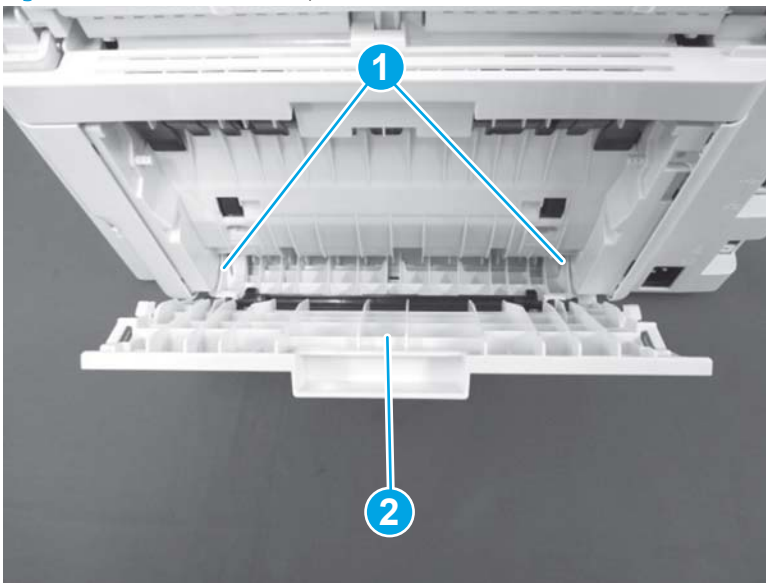
Figure 1-2021 Install one screw (MFP)



#### Step 28: Install the duplex door

1. Install two tabs (callout 1) to install the duplex door (callout 2).

Figure 1-2022 Install the duplex door

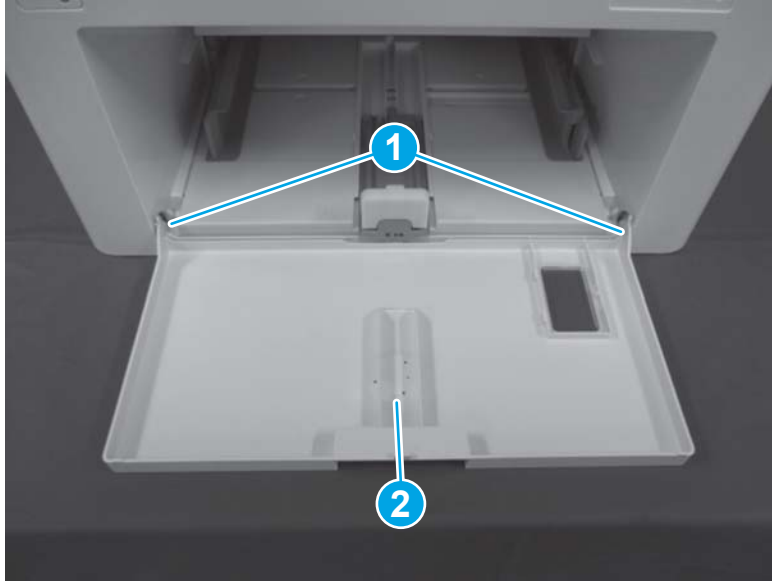


2. Close the duplex door.

#### Step 29: Install the multipurpose cover

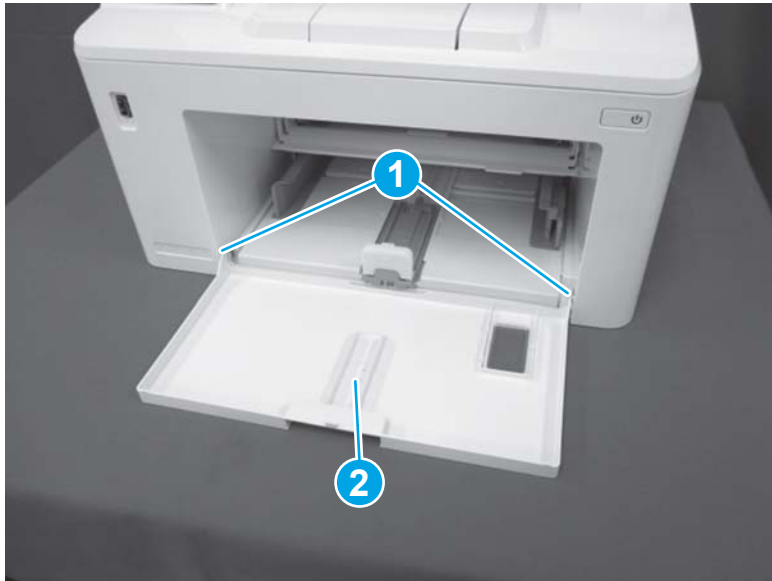
1. **SFP:** Engage two bosses (callout 1), to install the cover (callout 2).

Figure 1-2023 Install the multipurpose cover (SFP)



2. MFP: Engage two bosses (callout 1) to install the cover (callout 2).

Figure 1-2024 Install the multipurpose cover (MFP)



3. Close the multipurpose cover.

## Removal and replacement: Fax PCA (MFP fax models)

- [Introduction](#)
- [Step 1: Remove the duplex door](#)
- [Step 2: Remove the left cover](#)
- [Step 3 Remove the fax PCA](#)
- [Step 4 Unpack the replacement assembly](#)
- [Step 5 Install the fax PCA](#)
- [Step 6 Install the left cover](#)
- [Step 7 Install the duplex door](#)

### Introduction


This document provides the procedures to remove and replace the fax PCA.

### Before performing service



#### Turn the printer power off

- Disconnect the power cable.

---

 **WARNING!** To avoid damage to the printer, turn the printer off, wait 30 seconds, and then remove the power cable before attempting to service the printer.

---

 **CAUTION:**  This part contains components that are electrostatic discharge (ESD) sensitive. To reduce the possibility of ESD damage, always touch the sheet-metal chassis to ground yourself before touching an ESD sensitive part.

---

Use the table below to identify the correct part number for your printer. To order the part, go to [www.hp.com/buy/parts](http://www.hp.com/buy/parts).

---

#### Fax PCA part number

---

G3Q60-60001	Fax PCA (WW)
-------------	--------------

G3Q61-60001	Fax PCA (EU)
-------------	--------------

---

### Required tools

- #2 Phillips screwdriver with a magnetic tip.
- Small flat-blade screwdriver

### After performing service

#### Turn the printer power on

- Connect the power cable.
- Use the power switch to turn the power on.



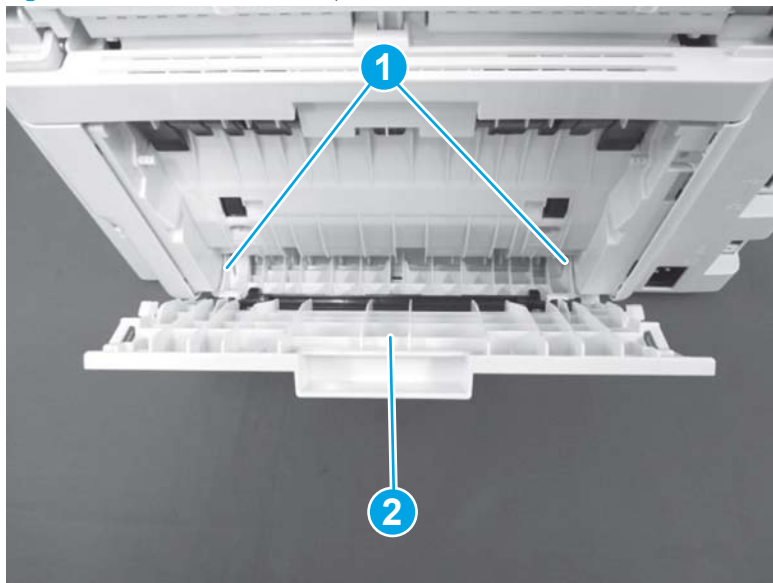
## Post service test

**MFP:** Verify that the document feeder and the flatbed scanner are correctly functioning (copy a page).

### Step 1: Remove the duplex door

1. Open the duplex door.
2. Use a small flat-blade screwdriver to release two tabs (callout 1), and then remove the duplex door (callout 2).

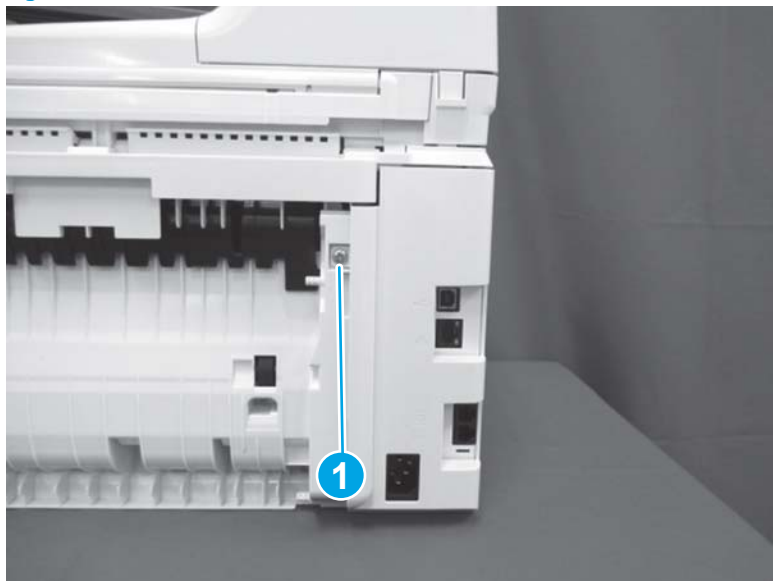
Figure 1-2025 Remove the duplex door



### Step 2: Remove the left cover

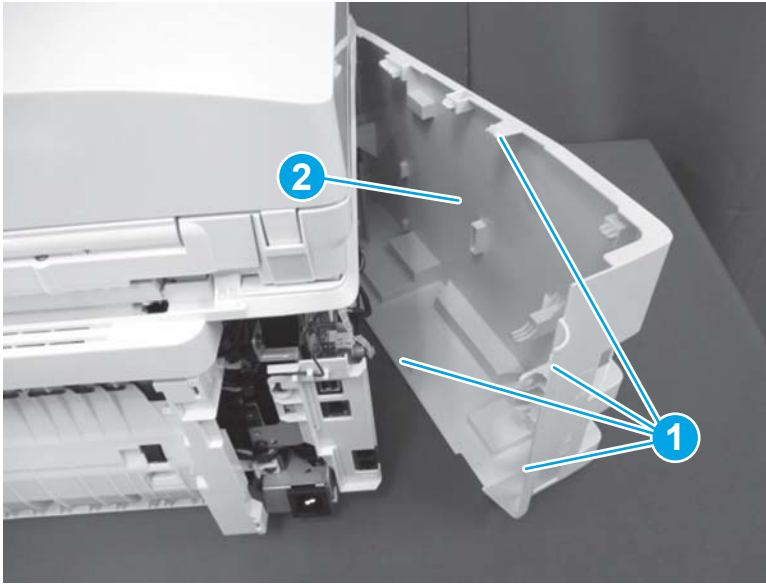
1. Remove one screw (callout 1).

Figure 1-2026 Remove one screw (MFP)



2. Release four tabs (callout 1), and then remove the left cover (callout 2).

Figure 1-2027 Remove the left cover (MFP)

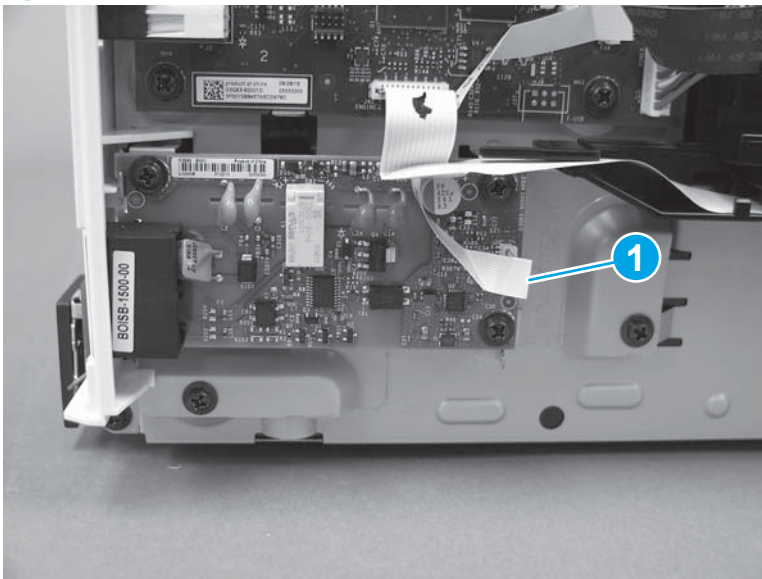


### Step 3 Remove the fax PCA

 **CAUTION:**  ESD-sensitive part.

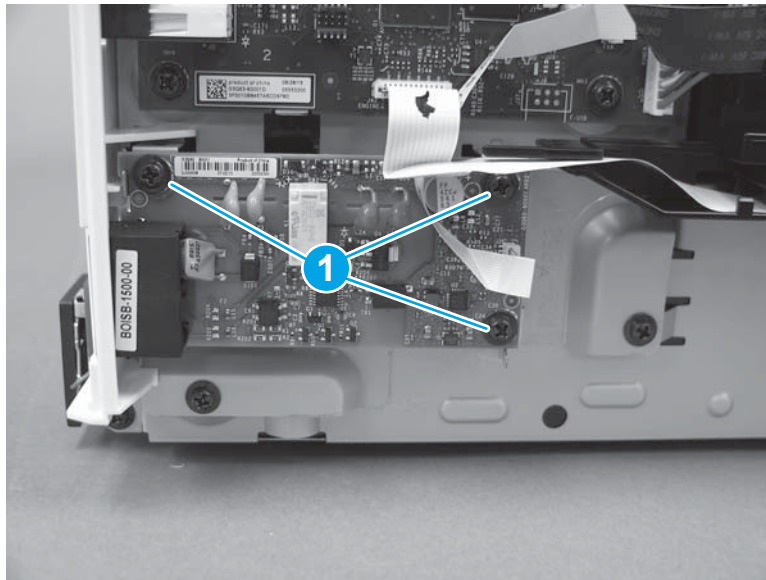
1. Disconnect one flat cable (callout 1).

Figure 1-2028 Disconnect one flat cable



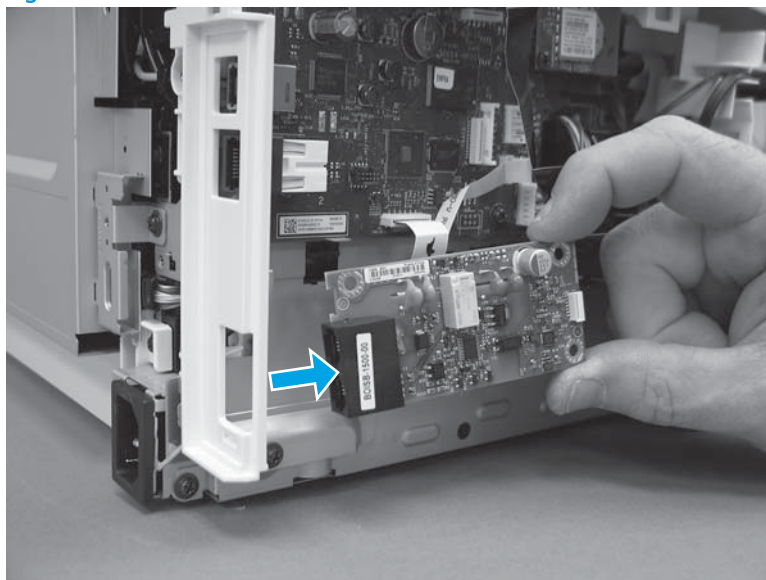
2. Remove three screws (callout 1).

Figure 1-2029 Remove three screws




3. Remove the fax PCA.

Figure 1-2030 Remove the fax PCA



#### Step 4 Unpack the replacement assembly

1. Dispose of the defective part.

 **NOTE:** HP recommends responsible disposal of the defective part.

[www.hp.com/recycle](http://www.hp.com/recycle)



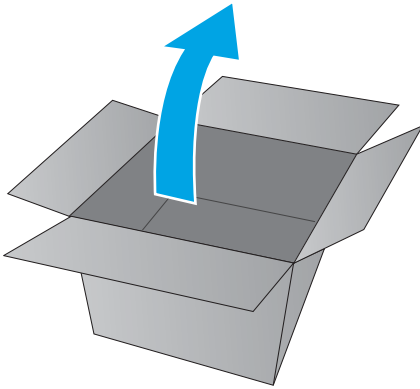
2. Unpack the replacement part from the packaging.

---

**⚠ CAUTION:** If the replacement part is a roller or pad, avoid touching the spongy part of it. Skin oils on the roller or pad can cause paper pickup and/or print-quality problems. HP recommends using disposable gloves when handling rollers or pads or washing your hands or before touching rollers or pads.

**📋 IMPORTANT:** Make sure that all of the shipping materials (for example shipping tape) are removed from the replacement part prior to installation.

---



### Step 5 Install the fax PCA

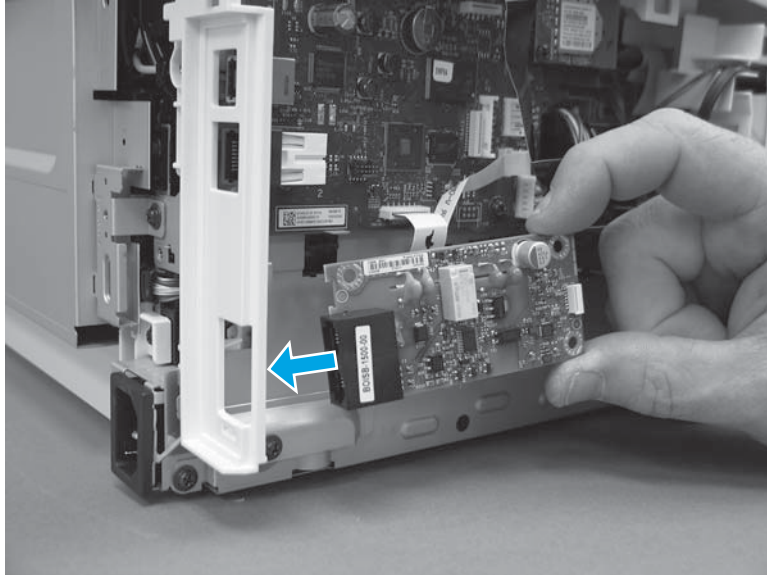
---

**⚠ CAUTION:**  ESD-sensitive part.

---

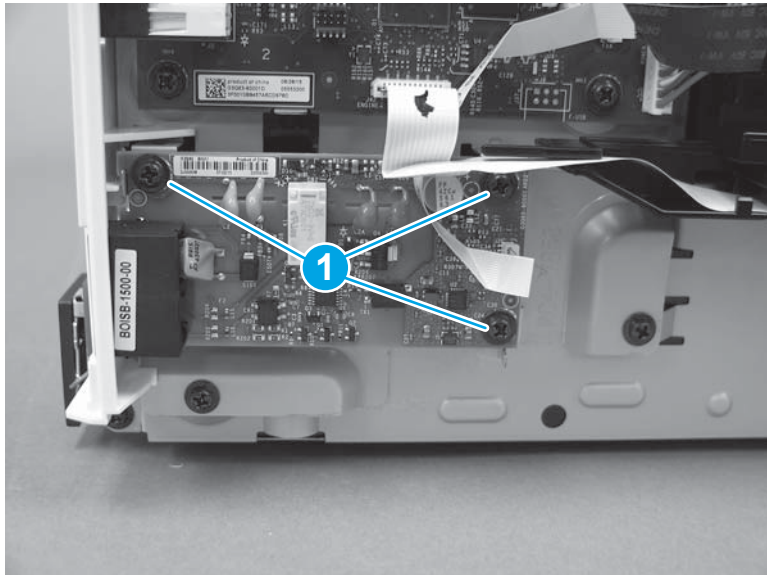
1. Position the fax PCA on the printer.

Figure 1-2031 Install the fax PCA



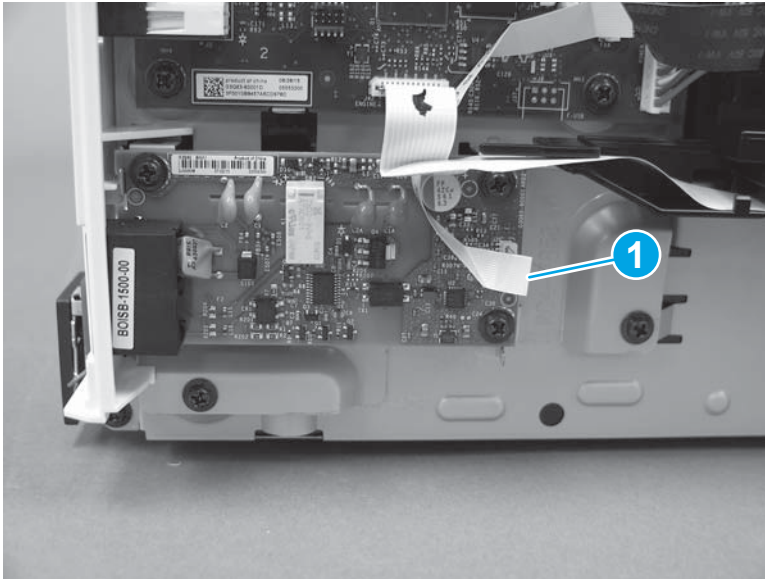
2. Install three screws (callout 1).

Figure 1-2032 Install three screws



3. Connect one flat cable (callout 1).

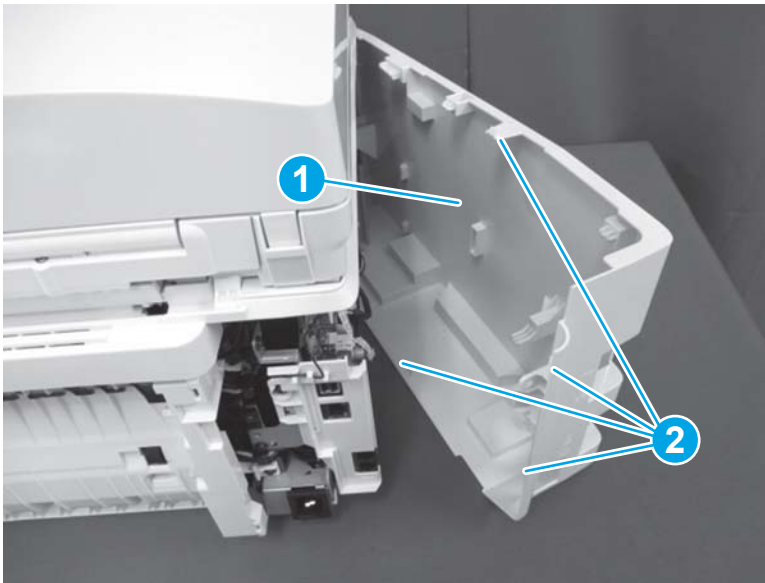
Figure 1-2033 Connect one flat cable (fax models)



#### Step 6 Install the left cover

1. Position the left cover (callout 1) on the printer, and then engage four tabs (callout 2).

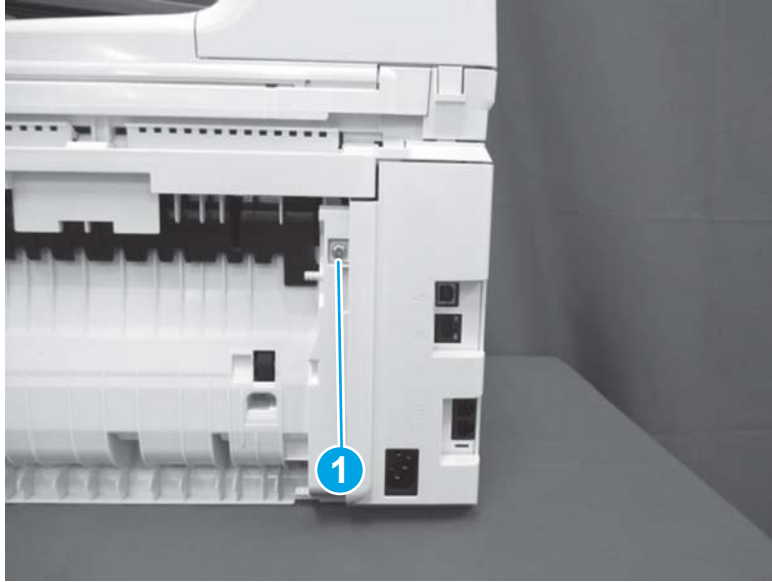
Figure 1-2034 Install the left cover (MFP)





2. Install one screw (callout 1).

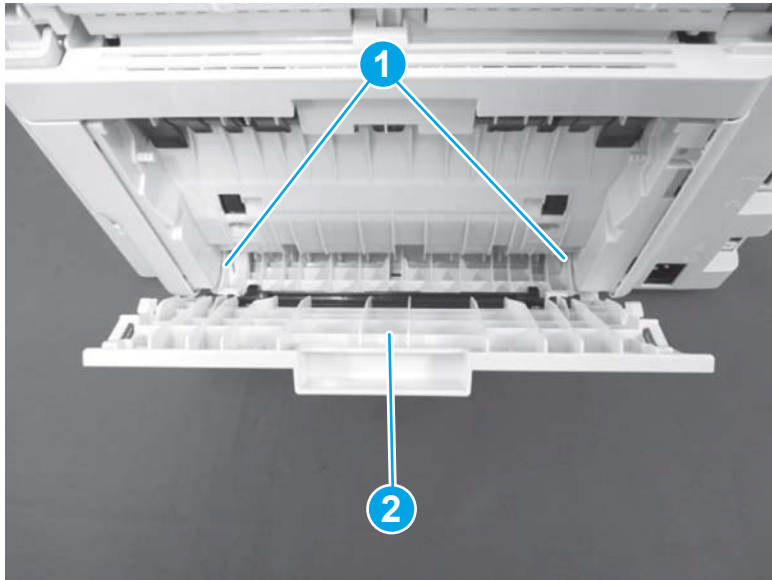
Figure 1-2035 Install one screw (MFP)



#### Step 7 Install the duplex door

1. Install two tabs (callout 1) to install the duplex door (callout 2).

Figure 1-2036 Install the duplex door



2. Close the duplex door.





---

## 2 Parts and diagrams

- [For additional service and support](#)
- [Assembly locations](#)
- [Order parts, accessories, and supplies](#)
- [How to use the parts lists and diagrams](#)
- [3-in-1 and 4-in-1 scanner assemblies](#)
- [Covers](#)
- [Internal components, printer base](#)
- [Alphabetical parts list](#)
- [Numerical parts list](#)

## For additional service and support

HP service personnel, go to the Service Access Work Bench (SAW) at <http://h41302.www4.hp.com/km/saw/home.do>.

Channel partners, go to HP Channel Services Network (CSN) at [www.hp.com/partners/csn](http://www.hp.com/partners/csn).

At these locations, find information on the following topics:

- Install and configure
- Printer specifications
- Up-to-date control panel message (CPMD) troubleshooting
- Solutions for printer issues and emerging issues
- Remove and replace part instructions and videos
- Service advisories
- Warranty and regulatory information

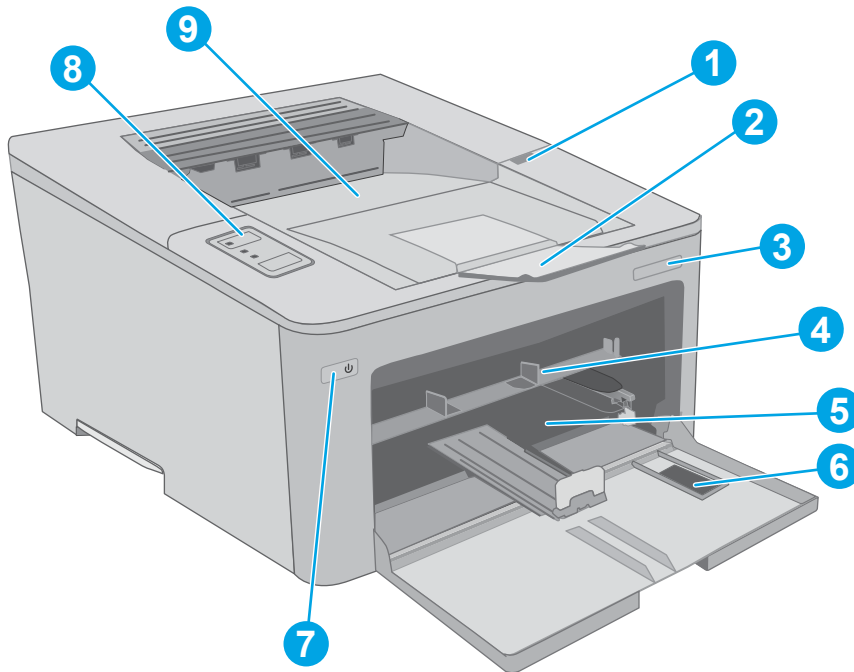
To access HP PartSurfer information from any mobile device, go to <http://partsurfermobile.hp.com/> or scan the Quick Response (QR) code below.



# Assembly locations

## SFP printer views

### Printer front view

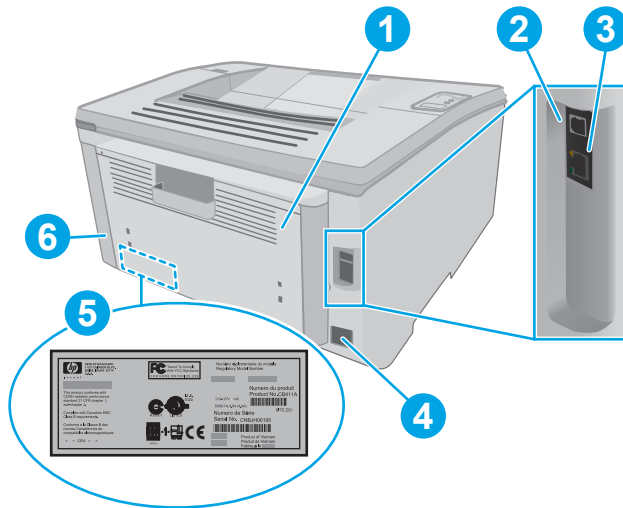


---

1	Toner cartridge door
2	Output bin extension
3	Model name
4	Priority input tray
5	Main input tray
6	Main input tray door
7	Power button
8	Control panel
9	Output bin

---

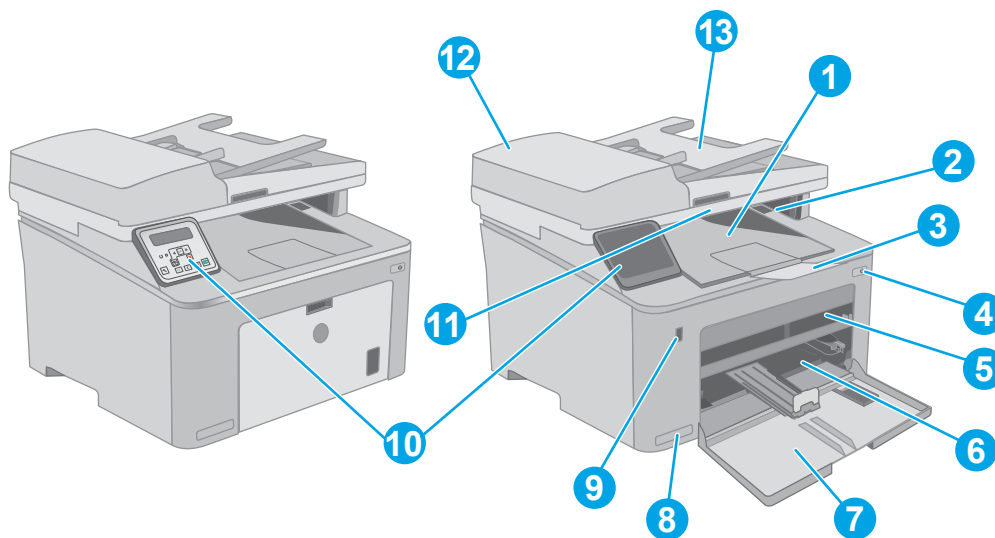
## Printer back view



- |   |  |
|---|--|
| 1 | Rear door (access for clearing jams)   |
| 2 | USB interface port                     |
| 3 | Ethernet port                          |
| 4 | Power connection                       |
| 5 | Serial number and product number label |
| 6 | Slot for cable-type security lock      |

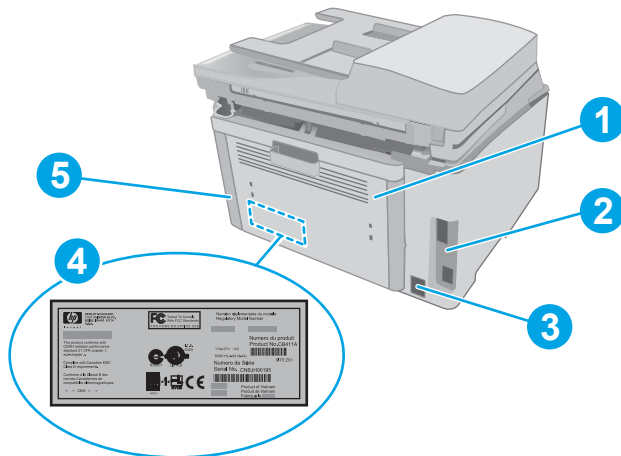
## MFP printer views

### Printer front view



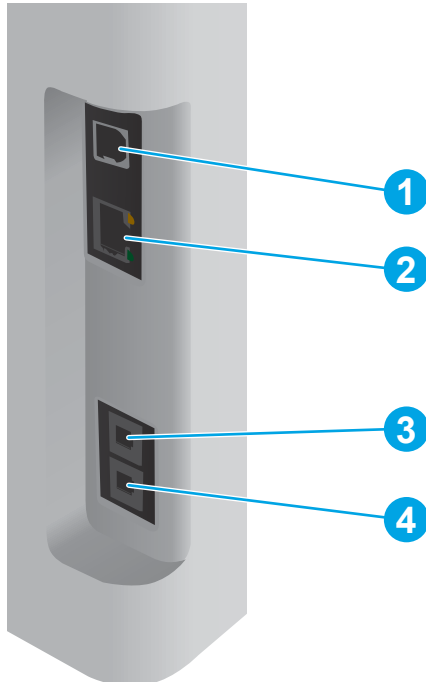
1	Output bin
2	Toner cartridge door
3	Output bin extension
4	Power button
5	Priority input tray
6	Main input tray
7	Main input tray door
8	Model name
9	Walk-up USB port (for printing and scanning without a computer) (Touchscreen models only)
10	Control panel
11	Scanner
12	Document feeder
13	Document feeder input tray

## Printer back view



- 
- |   |  |
|---|--|
| 1 | Rear door (access for clearing jams)                                 |
| 2 | Interface ports  |
| 3 | Power connection   |
| 4 | Serial number and product number label                               |
| 5 | Slot for cable-type security lock (on the rear cover of the printer) |
- 

## Interface ports



- 
- |   |                    |
|---|--------------------|
| 1 | USB interface port |
| 2 | Ethernet port      |
-

---

3 Fax "line in" port (for attaching the fax phone line to the printer)  
(fax models only)

---

4 Telephone "line out" port (for attaching an extension phone, answering machine, or other device)  
(fax models only)

---

# Order parts, accessories, and supplies

## Ordering

Order supplies and paper	<a href="http://www.hp.com/go/suresupply">www.hp.com/go/suresupply</a>
Order genuine HP parts or accessories	<a href="http://www.hp.com/buy/parts">www.hp.com/buy/parts</a>
	or
	<a href="http://partsurfer.hp.com">partsurfer.hp.com</a>
Order through service or support providers	Contact an HP-authorized service or support provider.
Order using the HP Embedded Web Server (EWS)	To access, in a supported web browser on your computer, enter the printer IP address or host name in the address/URL field. The EWS contains a link to the HP SureSupply website, which provides options for purchasing original HP supplies.

## Orderable parts

Not all of the parts shown in the diagrams in this chapter can be ordered. Refer to the table following the diagram or the parts lists at the end of this chapter to determine if a part is orderable.

## Supplies

Following are the part numbers for the supplies available for the printers.

**Table 2-1** Supplies

Item	Description	Cartridge number	Part number
<b>Supplies</b>			
HP 30A Black LaserJet Toner Cartridge	Standard-capacity replacement black toner cartridge	30A	CF230A (new) CF230-67901 (service)
HP 30X Black LaserJet Toner Cartridge	High-capacity replacement black toner cartridge	30x	CF230X (new) CF230-67902 (service)
HP 31A Black LaserJet Toner Cartridge	Extra high-capacity replacement black toner cartridge	31A	CF231A (new) CF231-67901 (service)
HP 32A Original LaserJet Imaging Drum	Imaging drum	32A	CF232A (new) CF232-67901 (service)

## Customer self-repair parts

Customer Self-Repair (CSR) parts are available for many HP LaserJet printers to reduce repair time. More information about the CSR program and benefits can be found at [www.hp.com/go/csr-support](http://www.hp.com/go/csr-support) and [www.hp.com/go/csr-faq](http://www.hp.com/go/csr-faq).




Genuine HP replacement parts can be ordered at [www.hp.com/buy/parts](http://www.hp.com/buy/parts) or by contacting an HP-authorized service or support provider. When ordering, one of the following will be needed: part number, serial number (found on back of printer), printer number, or printer name.


- Parts listed as **Mandatory** self-replacement are to be installed by customers, unless you are willing to pay HP service personnel to perform the repair. For these parts, on-site or return-to-depot support is not provided under the HP printer warranty.
- Parts listed as **Optional** self-replacement can be installed by HP service personnel at your request for no additional charge during the printer warranty period.

Item	Description	Self-replacement options	Part number
Pickup roller	Replacement pickup roller with instruction guide	Mandatory	RL1-2593-000CN
Sheet plate assembly (MFP printers only)	Replacement sheet plate assembly (MFP) with instruction guide	Mandatory	RM2-1185-000CN

## How to use the parts lists and diagrams

The figures in this chapter show the major subassemblies in the printer and their component parts. A parts list table follows each exploded view assembly diagram. Each table lists the item number, the associated part number, and the description of each part. If a part is not listed in the table, then it is not a field replacement unit (FRU).

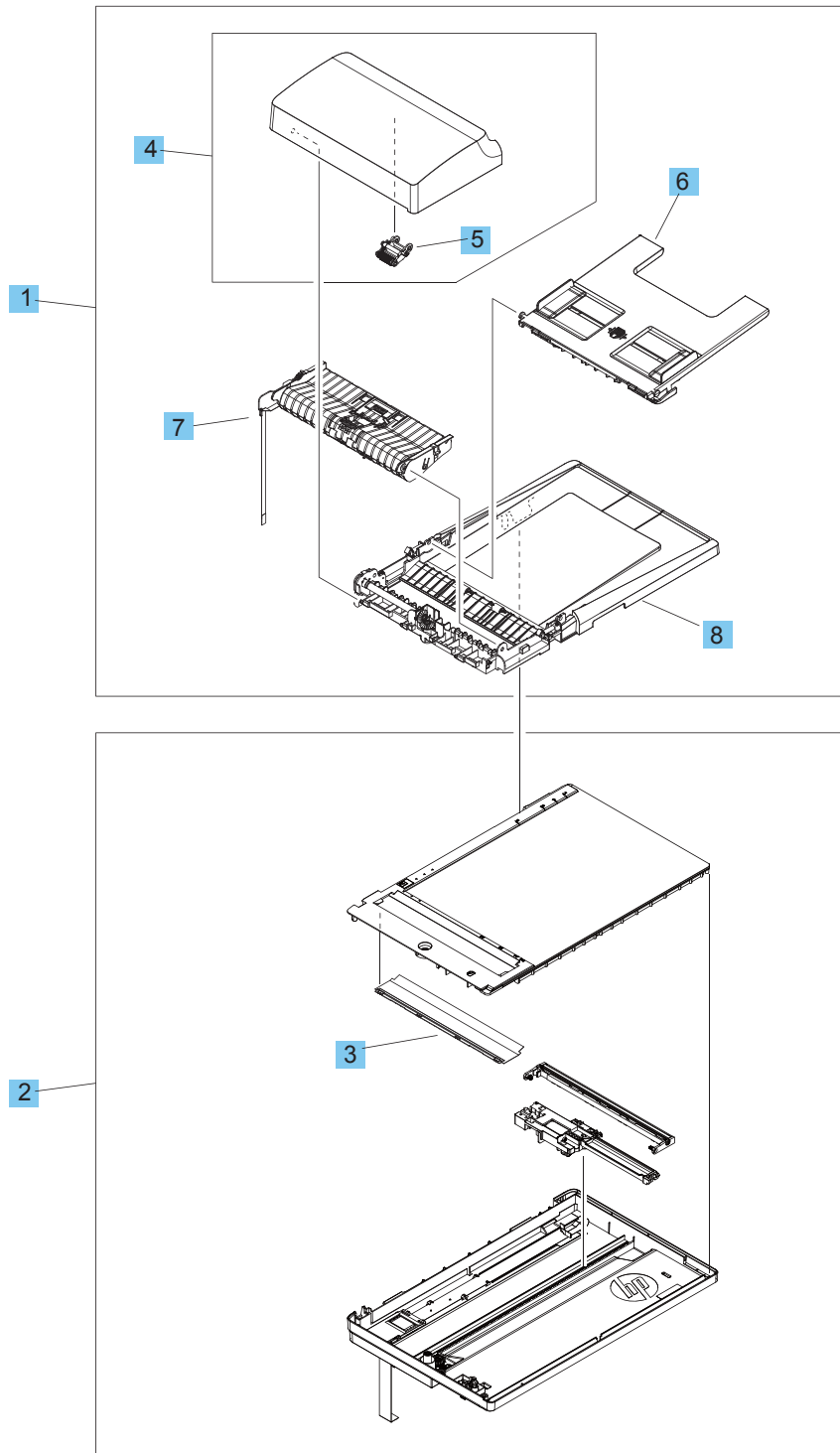
 **CAUTION:** Be sure to order the correct part. When looking for part numbers for electrical components, pay careful attention to the voltage that is listed in the description column. Doing so will ensure that the part number selected is for the correct model.

 **NOTE:** In this manual, the abbreviation “PCA” stands for “printed circuit-board assembly.” Components described as a PCA might consist of a single circuit board or a circuit board plus other parts, such as cables and sensors.

# 3-in-1 and 4-in-1 scanner assemblies

## 4-in-1 scanner assembly

Figure 2-1 4-in-1 scanner assembly

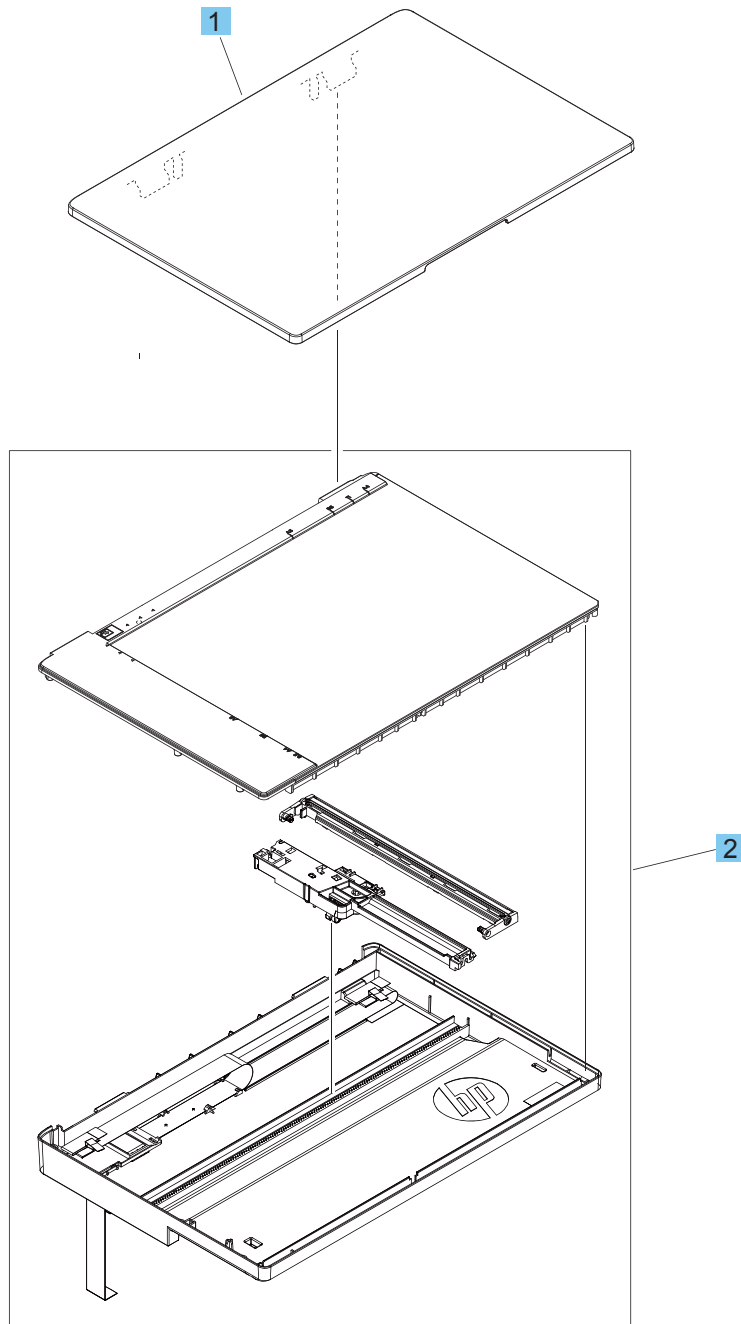


**Table 2-2 4-in-1 scanner assembly**

Ref	Description	Part number	Qty
1	Automatic document feeder (M227)	RM2-1179-000CN	1
1	Automatic document feeder (M230)	RM2-1664-000CN	1
2	4-in-1 scanner assembly	RM2-6989-000CN	1
3	Sheet plate assembly	RM2-1185-000CN	1
4	Cover, document feeder top	RM2-1180-000CN	1
5	Pre-pick arm assembly	RM2-1187-000CN	1
6	Input tray, document feeder (M227)	RM2-1181-000CN	1
6	Input tray, document feeder (M230)	RM2-1665-000CN	1
7	Core assembly, ADF	RM2-1184-000CN	1
8	ADF base	RM2-1183-000CN	1

## 3-in-1 scanner assembly

Figure 2-2 3-in-1 scanner assembly



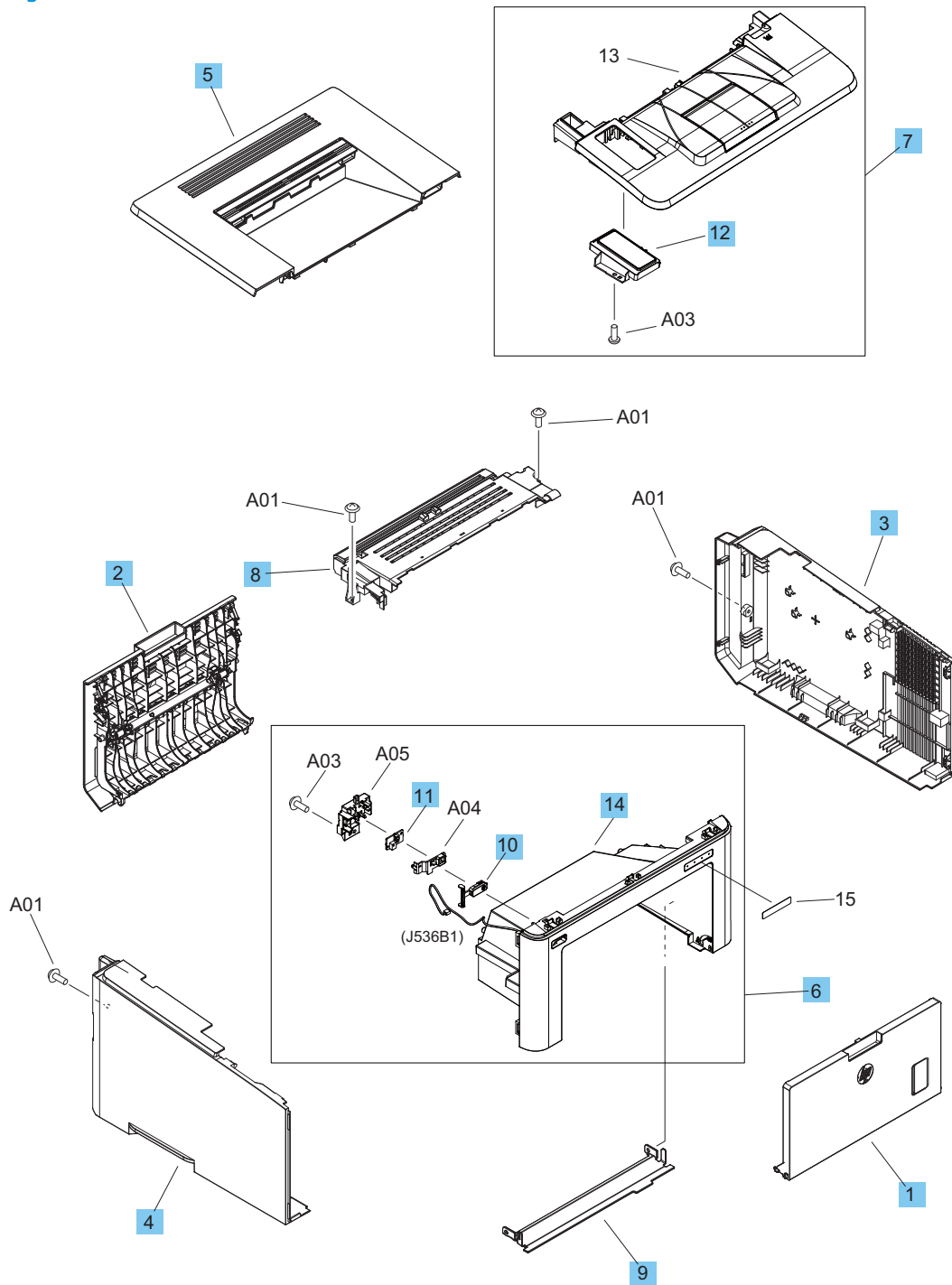
**Table 2-3** 3-in-1 scanner assembly

Ref	Description	Part number	Qty
1	Lid, 3-in-1 scanner assembly	RM2-6982-000CN	1
2	3-in-1 scanner assembly	RM2-6983-000CN	1

# Covers

## Covers (SFP models)

Figure 2-3 Covers (SFP models)

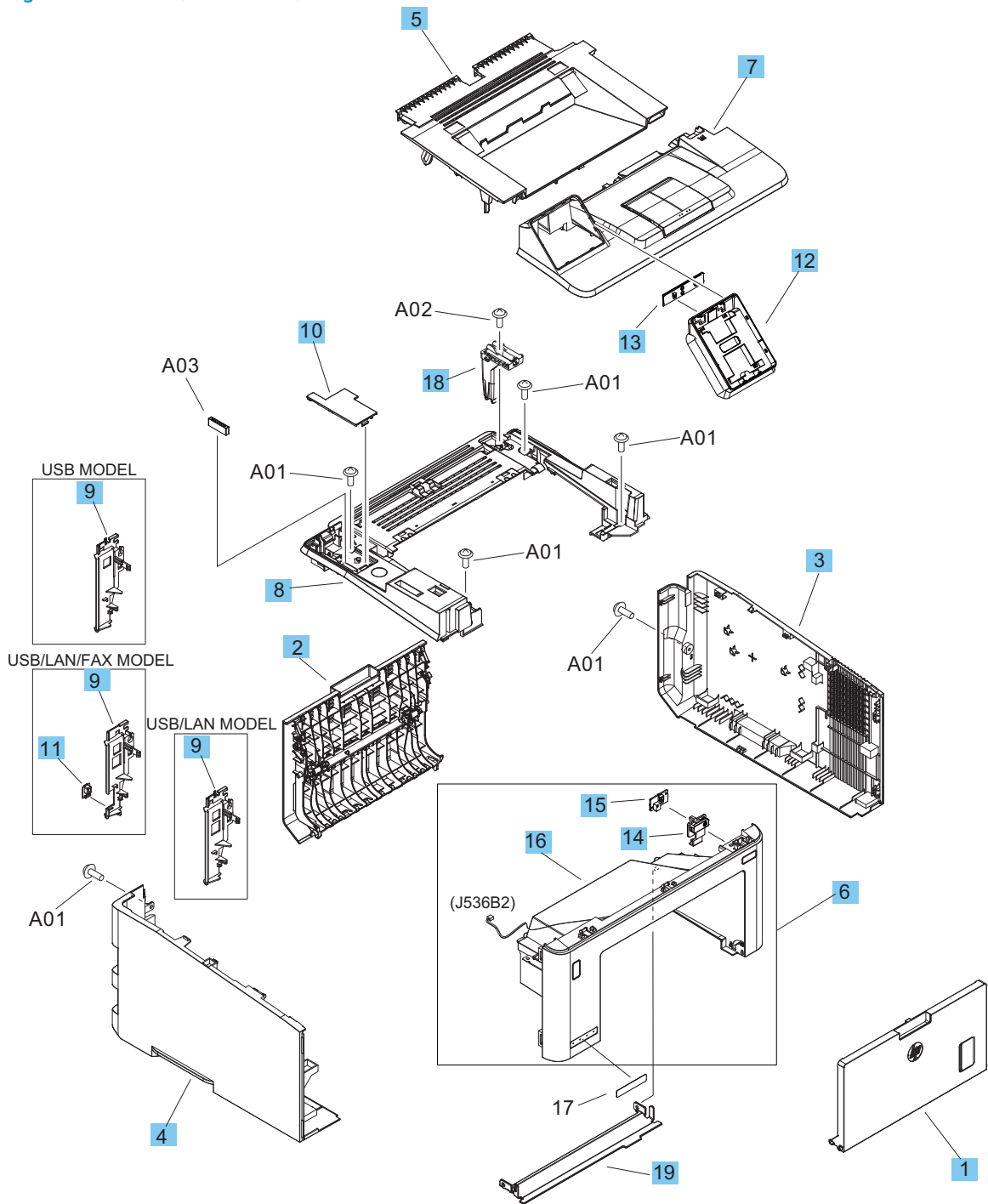


**Table 2-4 Covers (SFP models)**

Ref	Description	Part number	Qty
1	Cover, multipurpose (SFP)	RL2-5015-000CN	1
2	Door, duplexing assembly (SFP)	RM2-0809-000CN	1
3	Cover, right (SFP)	RC4-8058-000CN	1
4	Cover, left (SFP)	RL2-2925-000CN	1
5	Door, cartridge (M203; SFP)	RL2-5011-000CN	1
5	Door, cartridge (M206; SFP)	RL2-5018-000CN	1
6	Cover, front assembly (SFP)	RM2-0816-000CN	1
7	Cover, front top assembly (network model) (M203; SFP)	RM2-0822-000CN	1
7	Cover, front top assembly (wireless model) (M203; SFP)	RM2-0823-000CN	1
7	Cover, front top assembly (no LED) (M203; SFP)	RM2-2082-000CN	1
7	Cover, front top assembly (network model) (M206; SFP)	RM2-2083-000CN	1
7	Cover, front top assembly (no LED) (M206; SFP)	RM2-2084-000CN	1
8	Cover, top rear (SFP)	RC4-8057-000CN	1
9	Guide, feed front (SFP)	RC4-7985-000CN	1
10	Button, switch (SFP)	RL2-1664-000CN	1
11	Switch, power PCA (SFP)	RM2-8273-000CN	1
12	Control panel assembly (non—wireless model) (M203; SFP)	RM2-0824-000CN	1
12	Control panel assembly (wireless model) (M203; SFP)	RM2-0825-000CN	1
12	Control panel assembly (M206; SFP)	RM2-2085-000CN	1
14	Cover, front (no power switch) (SFP)	RC4-8059-000CN	1

# Covers (MFP models)

Figure 2-4 Covers (MFP models)





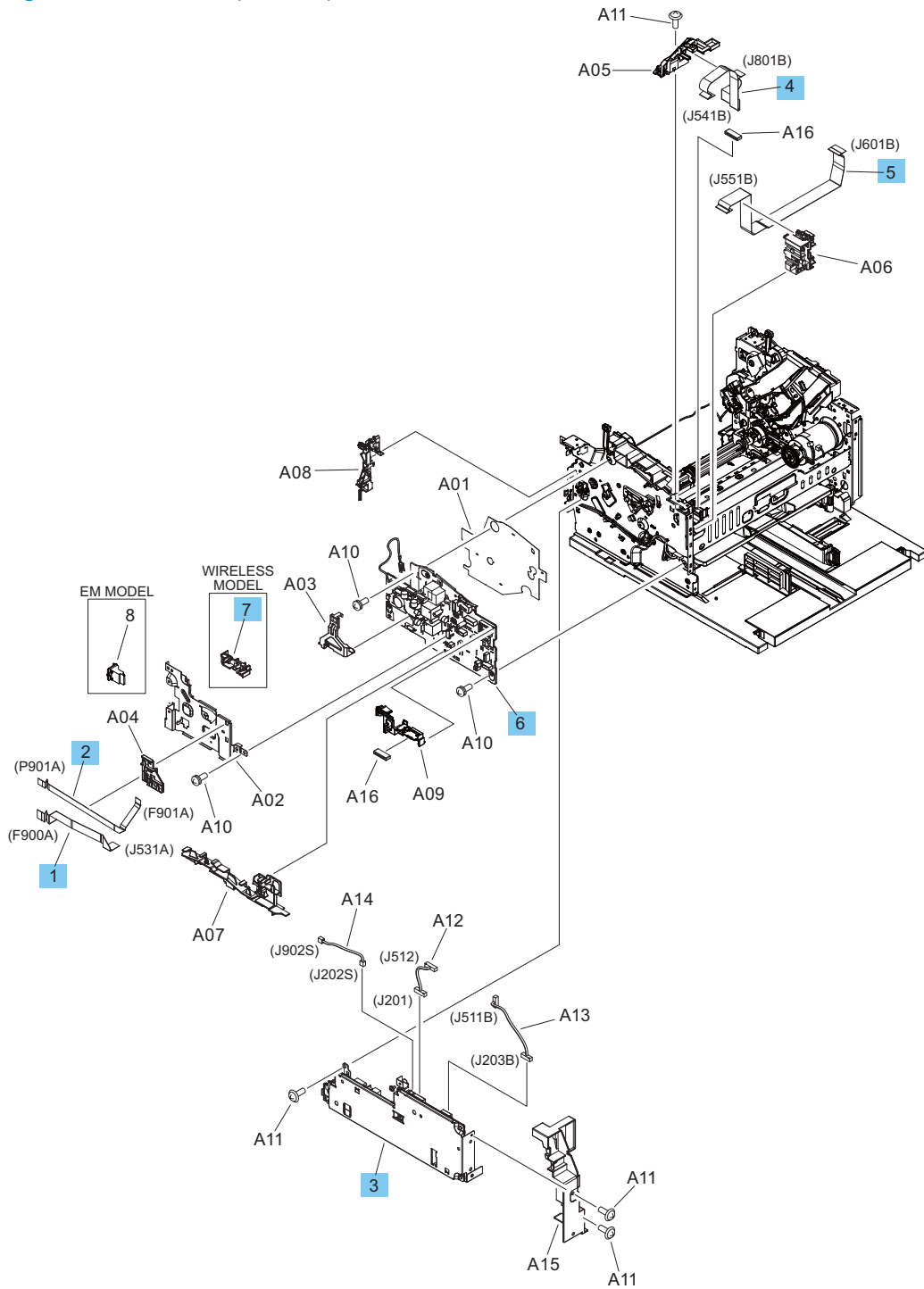
**Table 2-5 Covers (MFP models)**

Ref	Description	Part number	Qty
1	Cover, multipurpose (MFP)	RL2-5015-000CN	1
2	Door, duplexing assembly (MFP)	RM2-0809-000CN	1
3	Cover, right (MFP)	RC4-8067-000CN	1
4	Cover, left (MFP)	RC4-8070-000CN	1
5	Door, cartridge (MFP)	RL2-5012-000CN	1
6	Cover, front (wireless model; USB port) (MFP)	RM2-0827-000CN	1
6	Cover, front (except wireless model; no USB port) (MFP)	RM2-0826-000CN	1
7	Cover, top front assembly (wireless model) (MFP)	RM2-0834-000CN	1
7	Cover, top front assembly (except wireless model) (MFP)	RM2-2087-000CN	1
8	Cover, top (MFP)	RL2-2927-000CN	1
9	Cover, USB (MFP) USB models	RC4-8021-000CN	1
9	Cover, USB (MFP) USB/LAN models	RC4-8020-000CN	1
9	Cover, USB (MFP) USB/LAN/FAX models	RC4-8019-000CN	1
10	Cover, cable (MFP)	RC5-0436-000CN	1
11	Cap, FAX	RC5-0437-000CN	1
12	Frame, control panel (adaptor) (M227d/sdn/fdn, M230sdn)	RC4-8125-000CN	1
13	Cover, frame (MFP)	RC5-3760-000CN	1
14	Button, switch (MFP)	RL2-1661-000CN	1
15	Switch, power PCA (MFP)	RM2-8273-000CN	1
16	Cover, front (no power switch) (MFP)	RC4-8068-000CN	1
18	Hinge assembly (MFP)	RM2-1182-000CN	1
19	Guide, feed front (MFP)	RC4-7985-000CN	1
Not shown	Control panel, 2-Line LCD (M227d/sdn; MFP)	G3Q74-60101	
Not shown	Control panel, 2-Line LCD (M230sdn; MFP)	G3Q76-60101	1
Not shown	Control panel, 2-Line LCD (M230fdn; MFP)	G3Q79-60102	1
Not shown	Control panel, touchscreen (M227fdw, M230fdw; MFP)	G3Q74-60103	1

# Internal components, printer base

## Internal components, printer base (1 of 3; SFP)<sup>1</sup>

Figure 2-5 Internal components, printer base (1 of 3; SFP)



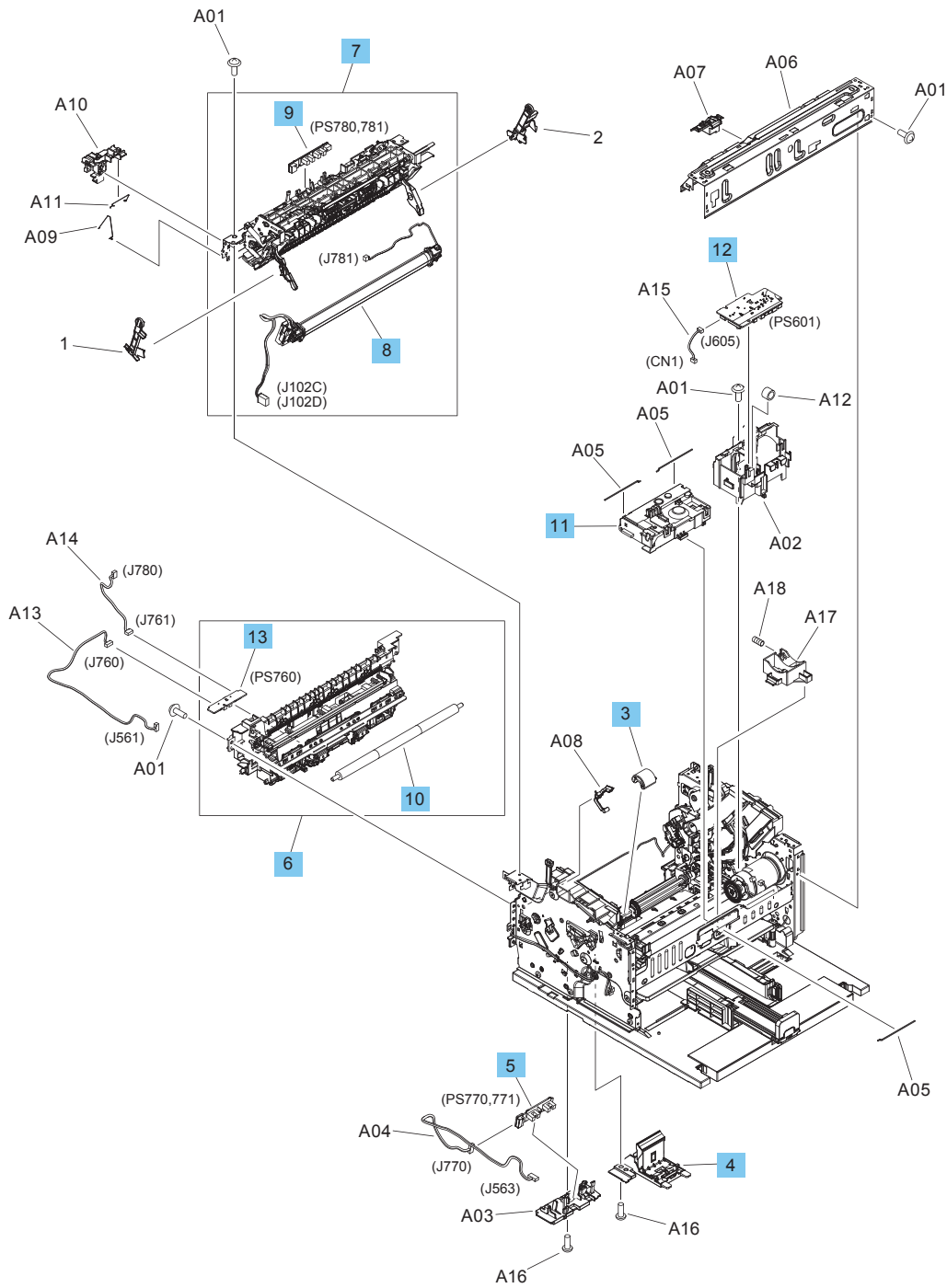
**Table 2-6 Internal components, printer base (1 of 3; SFP)<sup>1</sup>**

Ref	Description	Part number	Qty
1	Cable, flat flexible (SFP)	RK2-8416-000CN	1
2	Cable, flat flexible (SFP)	RK2-8522-000CN	1
3	Low-voltage power supply (LVPS) (110-127V) (SFP)	RM2-0837-000CN	1
3	Low-voltage power supply (LVPS) (220-240V; China) (SFP)	RM2-0839-000CN	1
3	Low-voltage power supply (LVPS) (220-240V; except China) (SFP)	RM2-0838-000CN	1
4	Cable, flat flexible (SFP)	RK2-8510-000CN	1
5	Cable, flat flexible (SFP)	RK2-8513-000CN	1
6	Engine control unit (ECU) PCA (SFP)	RM2-8334-000CN	1
7	Holder, Wi-Fi PCA (SFP)	RC4-7851-000CN	1
Not shown	Formatter assembly (base model; SFP)	G3Q47-60001	1
Not shown	Formatter assembly (wireless model; SFP)	G3Q50-60001	1
Not shown	Wi-Fi PCA (SFP)	0960-3662	1

<sup>1</sup> Some assemblies are common between the SFP printers and the MFP printers. Make sure that the correct part number is used to order assemblies.

# Internal components, printer base (2 of 3; SFP)<sup>1</sup>

Figure 2-6 Internal components, printer base (2 of 3; SFP)



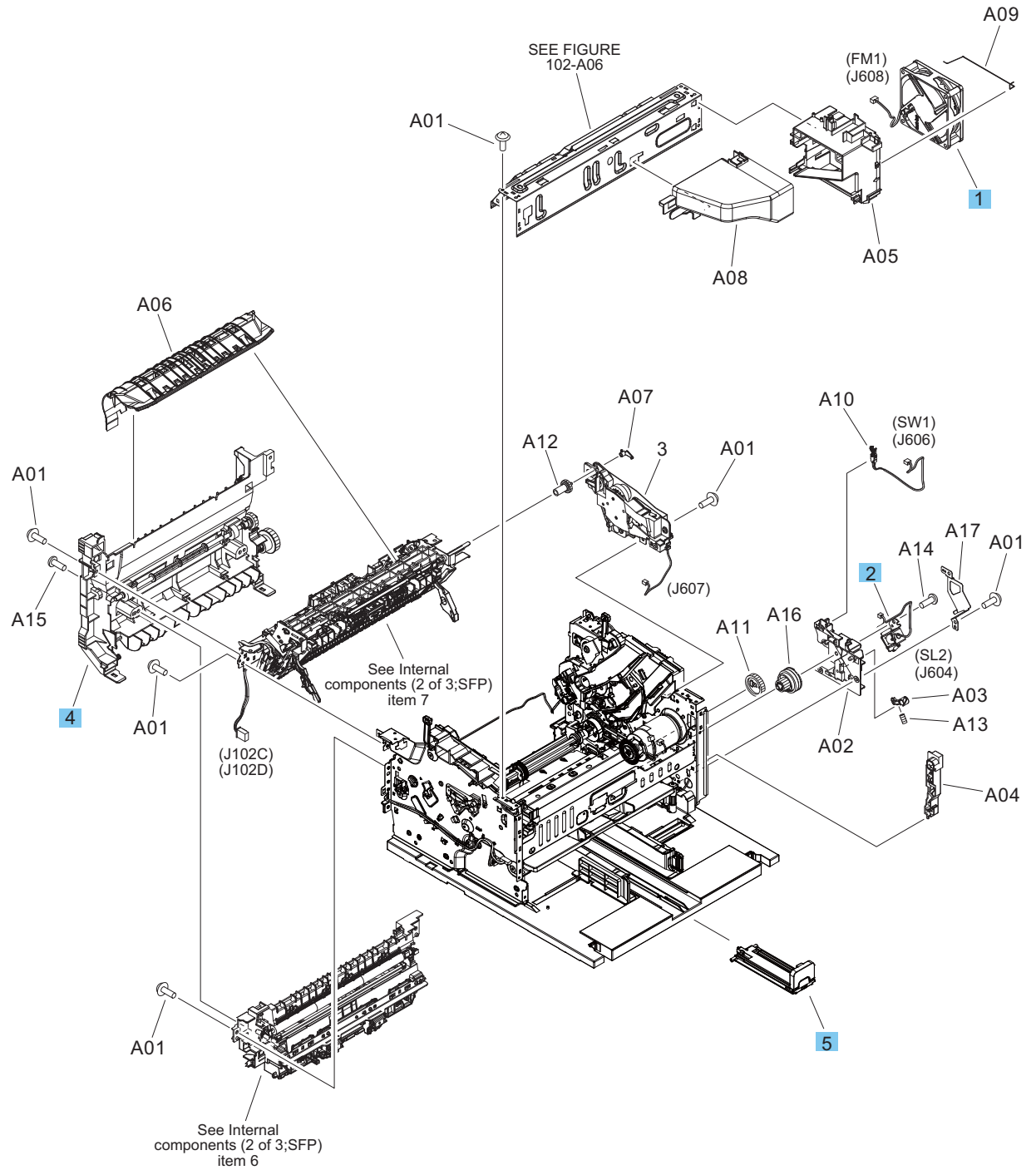
**Table 2-7 Internal components, printer base (2 of 3; SFP)<sup>1</sup>**

Ref	Description	Part number	Qty
3	Roller, paper pickup (SFP)	RL1-2593-000CN	1
4	Pad, separation holder assembly (SFP)	RM2-0812-000CN	1
5	Sensor, environmental PCA (SFP)	RM2-8376-000CN	1
6	Transfer assembly (SFP)	RM2-0843-000CN	1
7	Fixing (fuser) assembly (110-120V) (SFP)	RM2-0805-000CN	1
7	Fixing (fuser) assembly (220-240V) (SFP)	RM2-0806-000CN	1
8	Fixing (fuser) film assembly (110-120V) (SFP)	RM2-0814-000CN	1
8	Fixing (fuser) film assembly (220-240V) (SFP)	RM2-0815-000CN	1
9	Sensor, delivery PCA (SFP)	RM2-8378-000CN	1
10	Roller, transfer (SFP)	RM2-1660-000CN	1
11	Laser scanner assembly (SFP)	RM2-6911-000CN	1
12	Motor PCA (SFP)	RM2-8351-000CN	1
13	Paper pickup sensor PCA assembly (SFP)	RM2-8377-000CN	1

<sup>1</sup> Some assemblies are common between the SFP printers and the MFP printers. Make sure that the correct part number is used to order assemblies.

# Internal components, printer base (3 of 3; SFP)<sup>1</sup>

Figure 2-7 Internal components, printer base (3 of 3; SFP)



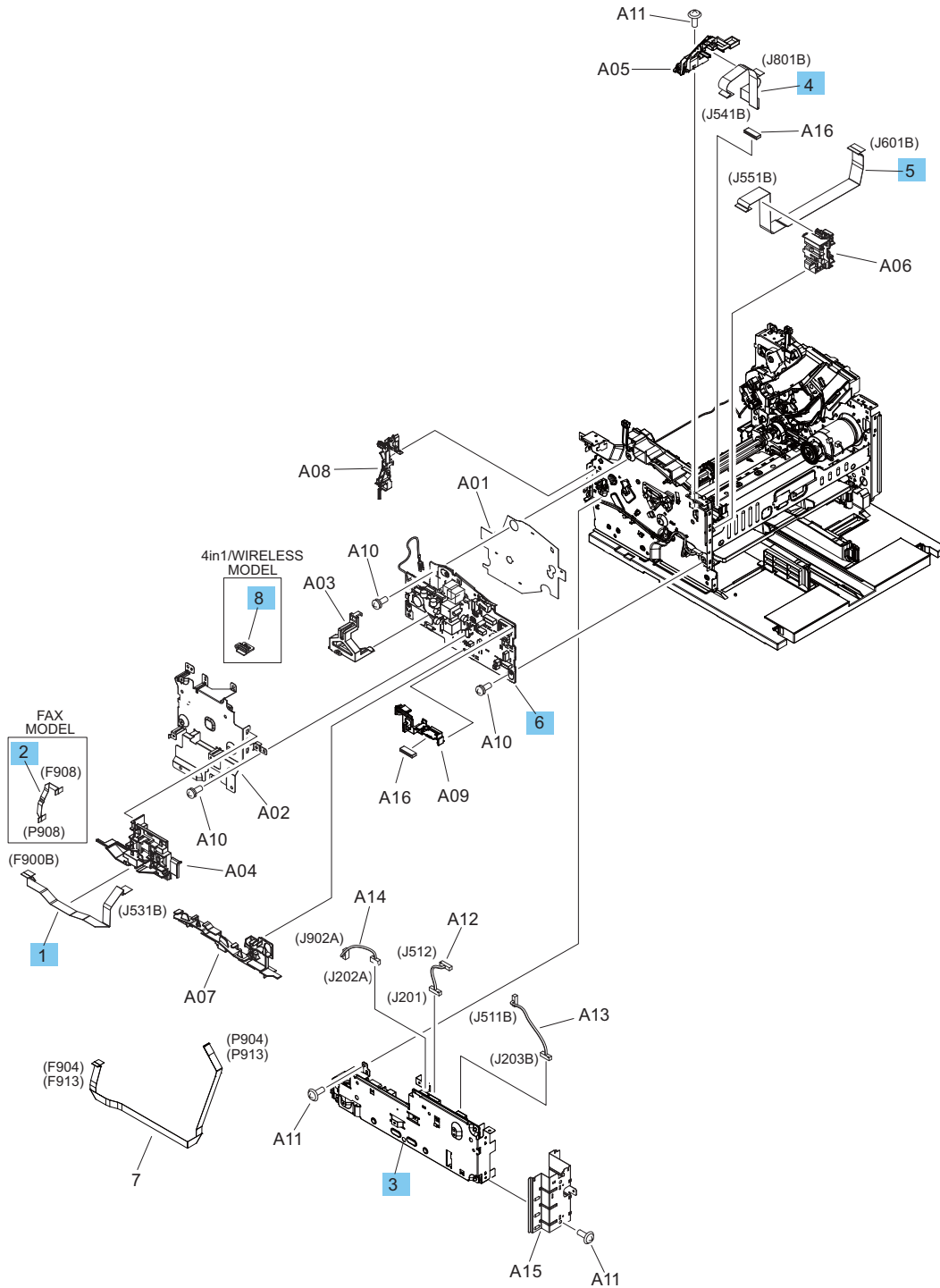
**Table 2-8** Internal components, printer base (3 of 3; SFP)<sup>1</sup>

Ref	Description	Part number	Qty
1	Fan (SFP)	RK2-1378-000CN	1
2	Solenoid (SFP)	RK2-7601-000CN	1
4	Duplex paper feed assembly (SFP)	RM2-2086-000CN	1
5	Guide, end (SFP)	RL2-5016-000CN	1

<sup>1</sup> Some assemblies are common between the SFP printers and the MFP printers. Make sure that the correct part number is used to order assemblies.

# Internal components, printer base (1 of 3; MFP)<sup>1</sup>

Figure 2-8 Internal components, printer base (1 of 3; MFP)





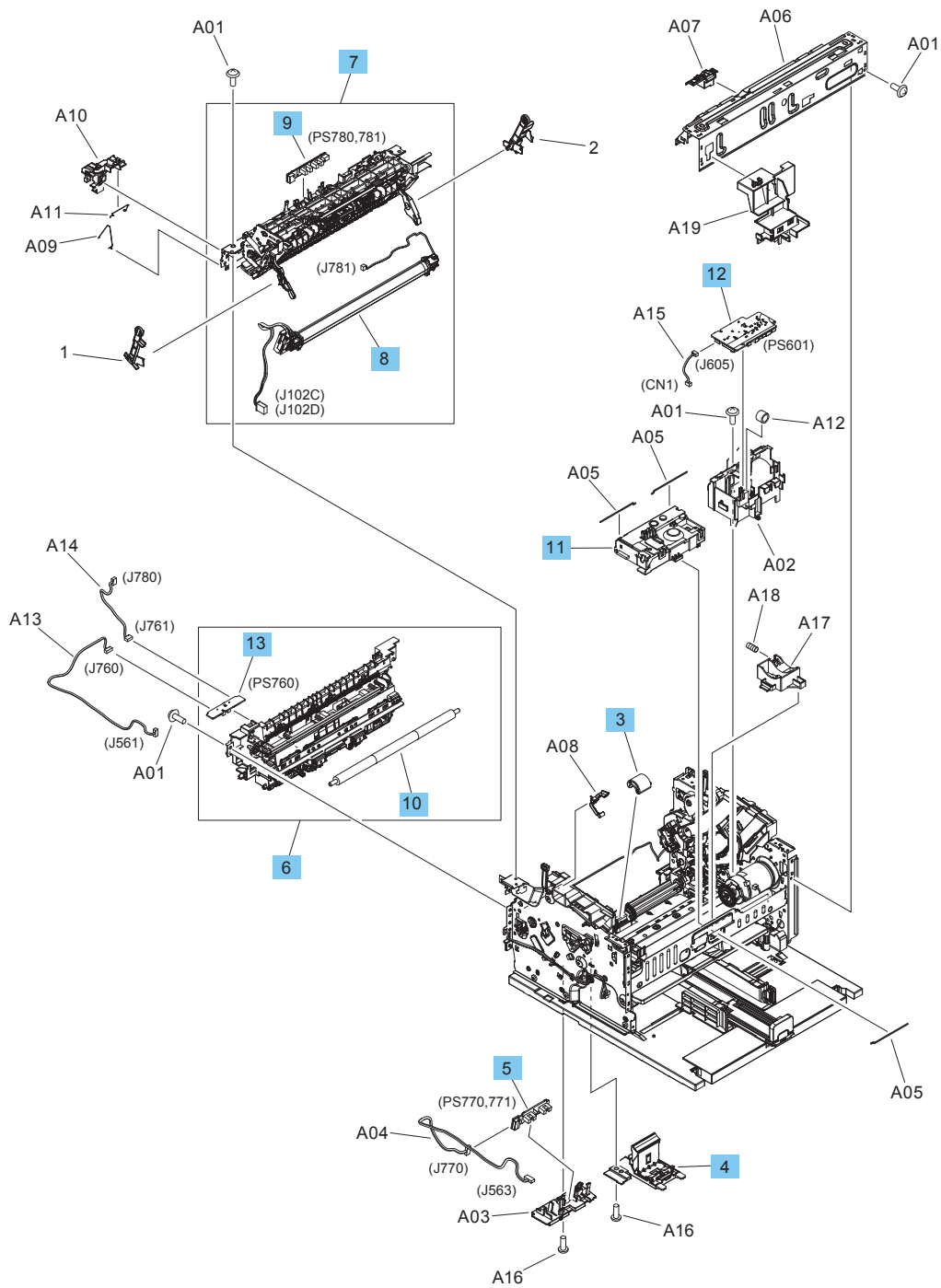
**Table 2-9 Internal components, printer base (1 of 3; MFP)<sup>1</sup>**

Ref	Description	Part number	Qty
1	Cable, flat flexible (MFP)	RK2-8419-000CN	1
2	Cable, flat flexible (USB/LAN/FAX model) (MFP)	RK2-8440-000CN	1
3	Low-voltage power supply (LVPS) (110-127V) (MFP)	RM2-0840-000CN	1
3	Low-voltage power supply (LVPS) (220-240V; China) (MFP)	RM2-0842-000CN	1
3	Low-voltage power supply (LVPS) (220-240V; except China) (MFP)	RM2-0841-000CN	1
4	Cable, flat flexible (MFP)	RK2-8510-000CN	1
5	Cable, flat flexible (MFP)	RK2-8513-000CN	1
6	Engine control unit (ECU) PCA (MFP)	RM2-8334-000CN	1
8	Holder, Wi-Fi PCA (MFP)	RC5-0500-000CN	1
Not shown	Formatter assembly (without Fax; MFP)	G3Q74-60001	1
Not shown	Formatter assembly (with Fax; MFP)	G3Q75-60001	1
Not shown	Wi-Fi board (wireless models only; MFP)	0960-3662	1
Not shown	Fax board (WW) (fax models only; MFP)	G3Q60-60001	1
Not shown	Fax board (EU) (fax models only; MFP)	G3Q61-60001	1
Not shown	PCA, front USB	CF368-60001	1
Not shown	NFC module	BK493-60001	1

<sup>1</sup> Some assemblies are common between the SFP printers and the MFP printers. Make sure that the correct part number is used to order assemblies.

# Internal components, printer base (2 of 3; MFP)<sup>1</sup>

Figure 2-9 Internal components, printer base (2 of 3; MFP)



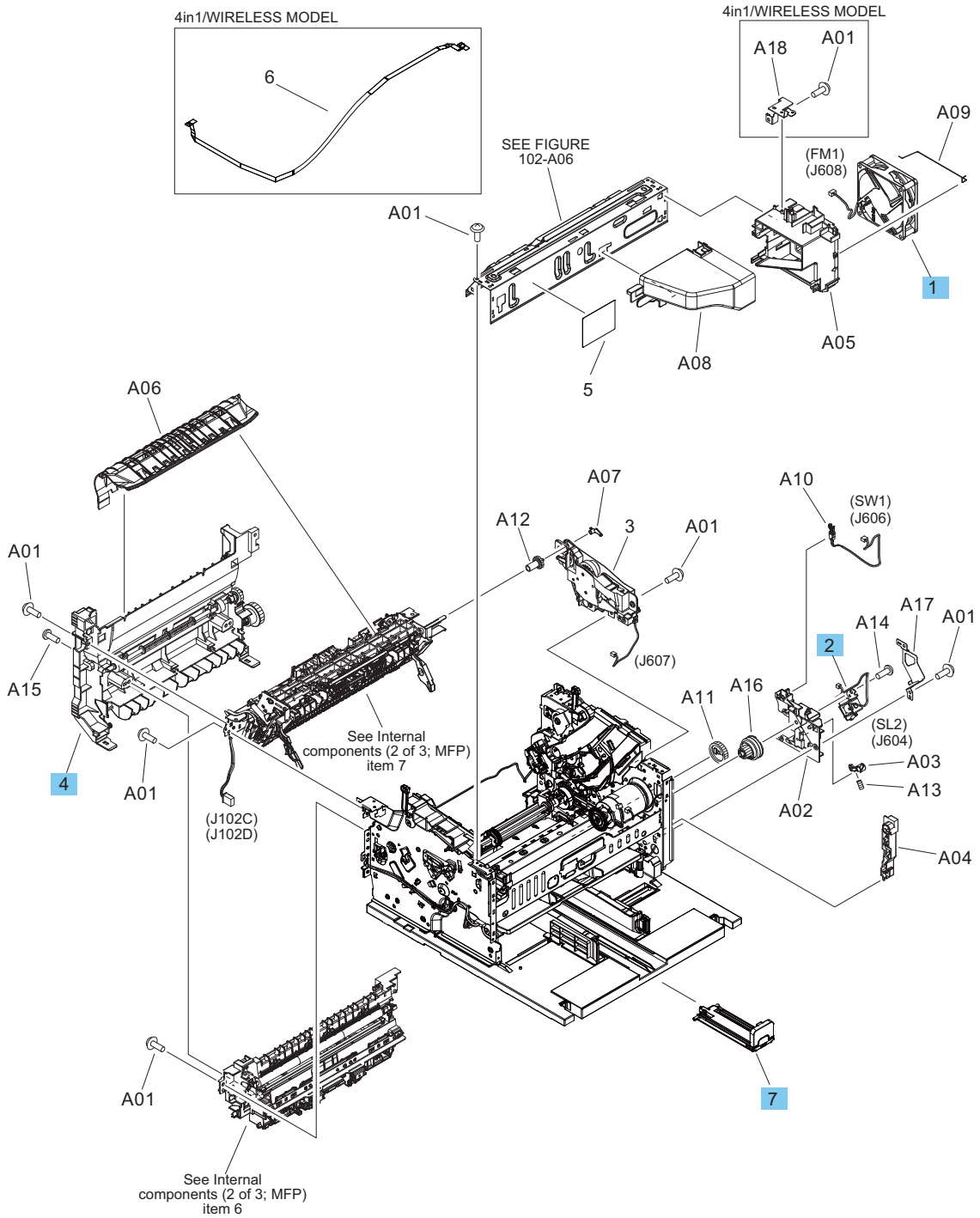
**Table 2-10** Internal components, printer base (2 of 3; MFP)<sup>1</sup>

Ref	Description	Part number	Qty
3	Roller, paper pickup (MFP)	RL1-2593-000CN	1
4	Pad, separation holder assembly (MFP)	RM2-0812-000CN	1
5	Sensor, environmental PCA (MFP)	RM2-8376-000CN	1
6	Transfer assembly (MFP)	RM2-0843-000CN	1
7	Fixing (fuser) assembly (110-120V) (MFP)	RM2-0805-000CN	1
7	Fixing (fuser) assembly (220-240V) (MFP)	RM2-0806-000CN	1
8	Fixing (fuser) film assembly (110-120V) (MFP)	RM2-0814-000CN	1
8	Fixing (fuser) film assembly (220-240V) (MFP)	RM2-0815-000CN	1
9	Sensor, delivery PCA (MFP)	RM2-8378-000CN	1
10	Roller, transfer (MFP)	RM2-1660-000CN	1
11	Laser scanner assembly (MFP)	RM2-6911-000CN	1
12	Motor PCA (MFP)	RM2-8351-000CN	1
13	Paper pickup sensor PCA assembly (MFP)	RM2-8377-0000CN	1

<sup>1</sup> Some assemblies are common between the SFP printers and the MFP printers. Make sure that the correct part number is used to order assemblies.

# Internal components, printer base (3 of 3; MFP)<sup>1</sup>

Figure 2-10 Internal components, printer base (3 of 3; MFP)



**Table 2-11** Internal components, printer base (3 of 3; MFP)<sup>1</sup>

Ref	Description	Part number	Qty
1	Fan (MFP)	RK2-1378-000CN	1
2	Solenoid (MFP)	RK2-7601-000CN	1
4	Duplex paper feed assembly (MFP)	RM2-2086-000CN	1
7	Guide, end (MFP)	RL2-5016-000CN	1

<sup>1</sup> Some assemblies are common between the SFP printers and the MFP printers. Make sure that the correct part number is used to order assemblies.

# Alphabetical parts list

**Table 2-12 Alphabetical parts list**

Description	Part number	Table and page
3-in-1 scanner assembly	RM2-6983-000CN	<a href="#">3-in-1 scanner assembly on page 1183</a>
4-in-1 scanner assembly	RM2-6989-000CN	<a href="#">4-in-1 scanner assembly on page 1181</a>
ADF base	RM2-1183-000CN	<a href="#">4-in-1 scanner assembly on page 1181</a>
Automatic document feeder (M227)	RM2-1179-000CN	<a href="#">4-in-1 scanner assembly on page 1181</a>
Automatic document feeder (M230)	RM2-1664-000CN	<a href="#">4-in-1 scanner assembly on page 1181</a>
Button, switch (MFP)	RL2-1661-000CN	<a href="#">Covers (MFP models) on page 1187</a>
Button, switch (SFP)	RL2-1664-000CN	<a href="#">Covers (SFP models) on page 1185</a>
Cable, flat flexible (MFP)	RK2-8419-000CN	<a href="#">Internal components, printer base (1 of 3; MFP)<sup>1</sup> on page 1195</a>
Cable, flat flexible (MFP)	RK2-8510-000CN	<a href="#">Internal components, printer base (1 of 3; MFP)<sup>1</sup> on page 1195</a>
Cable, flat flexible (MFP)	RK2-8513-000CN	<a href="#">Internal components, printer base (1 of 3; MFP)<sup>1</sup> on page 1195</a>
Cable, flat flexible (SFP)	RK2-8416-000CN	<a href="#">Internal components, printer base (1 of 3; SFP)<sup>1</sup> on page 1189</a>
Cable, flat flexible (SFP)	RK2-8522-000CN	<a href="#">Internal components, printer base (1 of 3; SFP)<sup>1</sup> on page 1189</a>
Cable, flat flexible (SFP)	RK2-8510-000CN	<a href="#">Internal components, printer base (1 of 3; SFP)<sup>1</sup> on page 1189</a>
Cable, flat flexible (SFP)	RK2-8513-000CN	<a href="#">Internal components, printer base (1 of 3; SFP)<sup>1</sup> on page 1189</a>
Cable, flat flexible (USB/LAN/FAX model) (MFP)	RK2-8440-000CN	<a href="#">Internal components, printer base (1 of 3; MFP)<sup>1</sup> on page 1195</a>
Cap, FAX	RC5-0437-000CN	<a href="#">Covers (MFP models) on page 1187</a>
Control panel assembly (M206; SFP)	RM2-2085-000CN	<a href="#">Covers (SFP models) on page 1185</a>
Control panel assembly (non—wireless model) (M203; SFP)	RM2-0824-000CN	<a href="#">Covers (SFP models) on page 1185</a>
Control panel assembly (wireless model) (M203; SFP)	RM2-0825-000CN	<a href="#">Covers (SFP models) on page 1185</a>
Control panel, 2-Line LCD (M227d/sdn; MFP)	G3Q74-60101	<a href="#">Covers (MFP models) on page 1187</a>

**Table 2-12 Alphabetical parts list (continued)**

Description	Part number	Table and page
Control panel, 2-Line LCD (M230fdn; MFP)	G3Q79-60102	<a href="#">Covers (MFP models) on page 1187</a>
Control panel, 2-Line LCD (M230sdn; MFP)	G3Q76-60101	<a href="#">Covers (MFP models) on page 1187</a>
Control panel, touchscreen (M227fdw, M230fdw; MFP)	G3Q74-60103	<a href="#">Covers (MFP models) on page 1187</a>
Core assembly, ADF	RM2-1184-000CN	<a href="#">4-in-1 scanner assembly on page 1181</a>
Cover, cable (MFP)	RC5-0436-000CN	<a href="#">Covers (MFP models) on page 1187</a>
Cover, document feeder top	RM2-1180-000CN	<a href="#">4-in-1 scanner assembly on page 1181</a>
Cover, frame (MFP)	RC5-3760-000CN	<a href="#">Covers (MFP models) on page 1187</a>
Cover, front (except wireless model; no USB port) (MFP)	RM2-0826-000CN	<a href="#">Covers (MFP models) on page 1187</a>
Cover, front (no power switch) (MFP)	RC4-8068-000CN	<a href="#">Covers (MFP models) on page 1187</a>
Cover, front (no power switch) (SFP)	RC4-8059-000CN	<a href="#">Covers (SFP models) on page 1185</a>
Cover, front (wireless model; USB port) (MFP)	RM2-0827-000CN	<a href="#">Covers (MFP models) on page 1187</a>
Cover, front assembly (SFP)	RM2-0816-000CN	<a href="#">Covers (SFP models) on page 1185</a>
Cover, front top assembly (network model) (M203; SFP)	RM2-0822-000CN	<a href="#">Covers (SFP models) on page 1185</a>
Cover, front top assembly (network model) (M206; SFP)	RM2-2083-000CN	<a href="#">Covers (SFP models) on page 1185</a>
Cover, front top assembly (no LED) (M203; SFP)	RM2-2082-000CN	<a href="#">Covers (SFP models) on page 1185</a>
Cover, front top assembly (no LED) (M206; SFP)	RM2-2084-000CN	<a href="#">Covers (SFP models) on page 1185</a>
Cover, front top assembly (wireless model) (M203; SFP)	RM2-0823-000CN	<a href="#">Covers (SFP models) on page 1185</a>
Cover, left (MFP)	RC4-8070-000CN	<a href="#">Covers (MFP models) on page 1187</a>
Cover, left (SFP)	RL2-2925-000CN	<a href="#">Covers (SFP models) on page 1185</a>
Cover, multipurpose (MFP)	RL2-5015-000CN	<a href="#">Covers (MFP models) on page 1187</a>
Cover, multipurpose (SFP)	RL2-5015-000CN	<a href="#">Covers (SFP models) on page 1185</a>

**Table 2-12 Alphabetical parts list (continued)**

Description	Part number	Table and page
Cover, right (MFP)	RC4-8067-000CN	<a href="#">Covers (MFP models) on page 1187</a>
Cover, right (SFP)	RC4-8058-000CN	<a href="#">Covers (SFP models) on page 1185</a>
Cover, top (MFP)	RL2-2927-000CN	<a href="#">Covers (MFP models) on page 1187</a>
Cover, top front assembly (except wireless model) (MFP)	RM2-2087-000CN	<a href="#">Covers (MFP models) on page 1187</a>
Cover, top front assembly (wireless model) (MFP)	RM2-0834-000CN	<a href="#">Covers (MFP models) on page 1187</a>
Cover, top rear (SFP)	RC4-8057-000CN	<a href="#">Covers (SFP models) on page 1185</a>
Cover, USB (MFP) USB models	RC4-8021-000CN	<a href="#">Covers (MFP models) on page 1187</a>
Cover, USB (MFP) USB/LAN models	RC4-8020-000CN	<a href="#">Covers (MFP models) on page 1187</a>
Cover, USB (MFP) USB/LAN/FAX models	RC4-8019-000CN	<a href="#">Covers (MFP models) on page 1187</a>
Door, cartridge (M203; SFP)	RL2-5011-000CN	<a href="#">Covers (SFP models) on page 1185</a>
Door, cartridge (M206; SFP)	RL2-5018-000CN	<a href="#">Covers (SFP models) on page 1185</a>
Door, cartridge (MFP)	RL2-5012-000CN	<a href="#">Covers (MFP models) on page 1187</a>
Door, duplexing assembly (MFP)	RM2-0809-000CN	<a href="#">Covers (MFP models) on page 1187</a>
Door, duplexing assembly (SFP)	RM2-0809-000CN	<a href="#">Covers (SFP models) on page 1185</a>
Duplex paper feed assembly (MFP)	RM2-2086-000CN	<a href="#">Internal components, printer base (3 of 3; MFP)<sup>1</sup> on page 1199</a>
Duplex paper feed assembly (SFP)	RM2-2086-000CN	<a href="#">Internal components, printer base (3 of 3; SFP)<sup>1</sup> on page 1193</a>
Engine control unit (ECU) PCA (MFP)	RM2-8334-000CN	<a href="#">Internal components, printer base (1 of 3; MFP)<sup>1</sup> on page 1195</a>
Engine control unit (ECU) PCA (SFP)	RM2-8334-000CN	<a href="#">Internal components, printer base (1 of 3; SFP)<sup>1</sup> on page 1189</a>
Fan (MFP)	RK2-1378-000CN	<a href="#">Internal components, printer base (3 of 3; MFP)<sup>1</sup> on page 1199</a>
Fan (SFP)	RK2-1378-000CN	<a href="#">Internal components, printer base (3 of 3; SFP)<sup>1</sup> on page 1193</a>
Fax board (EU) (fax models only; MFP)	G3Q61-60001	<a href="#">Internal components, printer base (1 of 3; MFP)<sup>1</sup> on page 1195</a>



**Table 2-12 Alphabetical parts list (continued)**

Description	Part number	Table and page
Fax board (WW) (fax models only; MFP)	G3Q60-60001	<a href="#">Internal components, printer base (1 of 3; MFP)<sup>1</sup> on page 1195</a>
Fixing (fuser) assembly (110-120V) (MFP)	RM2-0805-000CN	<a href="#">Internal components, printer base (2 of 3; MFP)<sup>1</sup> on page 1197</a>
Fixing (fuser) assembly (110-120V) (SFP)	RM2-0805-000CN	<a href="#">Internal components, printer base (2 of 3; SFP)<sup>1</sup> on page 1191</a>
Fixing (fuser) assembly (220-240V) (MFP)	RM2-0806-000CN	<a href="#">Internal components, printer base (2 of 3; MFP)<sup>1</sup> on page 1197</a>
Fixing (fuser) assembly (220-240V) (SFP)	RM2-0806-000CN	<a href="#">Internal components, printer base (2 of 3; SFP)<sup>1</sup> on page 1191</a>
Fixing (fuser) film assembly (110-120V) (MFP)	RM2-0814-000CN	<a href="#">Internal components, printer base (2 of 3; MFP)<sup>1</sup> on page 1197</a>
Fixing (fuser) film assembly (110-120V) (SFP)	RM2-0814-000CN	<a href="#">Internal components, printer base (2 of 3; SFP)<sup>1</sup> on page 1191</a>
Fixing (fuser) film assembly (220-240V) (MFP)	RM2-0815-000CN	<a href="#">Internal components, printer base (2 of 3; MFP)<sup>1</sup> on page 1197</a>
Fixing (fuser) film assembly (220-240V) (SFP)	RM2-0815-000CN	<a href="#">Internal components, printer base (2 of 3; SFP)<sup>1</sup> on page 1191</a>
Formatter assembly (base model; SFP)	G3Q47-60001	<a href="#">Internal components, printer base (1 of 3; SFP)<sup>1</sup> on page 1189</a>
Formatter assembly (wireless model; SFP)	G3Q50-60001	<a href="#">Internal components, printer base (1 of 3; SFP)<sup>1</sup> on page 1189</a>
Formatter assembly (with Fax; MFP)	G3Q75-60001	<a href="#">Internal components, printer base (1 of 3; MFP)<sup>1</sup> on page 1195</a>
Formatter assembly (without Fax; MFP)	G3Q74-60001	<a href="#">Internal components, printer base (1 of 3; MFP)<sup>1</sup> on page 1195</a>
Frame, control panel (adaptor) (M227d/sdn/fdn, M230sdn)	RC4-8125-000CN	<a href="#">Covers (MFP models) on page 1187</a>
Guide, end (MFP)	RL2-5016-000CN	<a href="#">Internal components, printer base (3 of 3; MFP)<sup>1</sup> on page 1199</a>
Guide, end (SFP)	RL2-5016-000CN	<a href="#">Internal components, printer base (3 of 3; SFP)<sup>1</sup> on page 1193</a>
Guide, feed front (MFP)	RC4-7985-000CN	<a href="#">Covers (MFP models) on page 1187</a>
Guide, feed front (SFP)	RC4-7985-000CN	<a href="#">Covers (SFP models) on page 1185</a>
Hinge assembly (MFP)	RM2-1182-000CN	<a href="#">Covers (MFP models) on page 1187</a>
Holder, Wi-Fi PCA (MFP)	RC5-0500-000CN	<a href="#">Internal components, printer base (1 of 3; MFP)<sup>1</sup> on page 1195</a>
Holder, Wi-Fi PCA (SFP)	RC4-7851-000CN	<a href="#">Internal components, printer base (1 of 3; SFP)<sup>1</sup> on page 1189</a>

**Table 2-12 Alphabetical parts list (continued)**

Description	Part number	Table and page
Input tray, document feeder (M227)	RM2-1181-000CN	<a href="#">4-in-1 scanner assembly on page 1181</a>
Input tray, document feeder (M230)	RM2-1665-000CN	<a href="#">4-in-1 scanner assembly on page 1181</a>
Laser scanner assembly (MFP)	RM2-6911-000CN	<a href="#">Internal components, printer base (2 of 3; MFP)<sup>1</sup> on page 1197</a>
Laser scanner assembly (SFP)	RM2-6911-000CN	<a href="#">Internal components, printer base (2 of 3; SFP)<sup>1</sup> on page 1191</a>
Lid, 3-in-1 scanner assembly	RM2-6982-000CN	<a href="#">3-in-1 scanner assembly on page 1183</a>
Low-voltage power supply (LVPS) (110-127V) (MFP)	RM2-0840-000CN	<a href="#">Internal components, printer base (1 of 3; MFP)<sup>1</sup> on page 1195</a>
Low-voltage power supply (LVPS) (110-127V) (SFP)	RM2-0837-000CN	<a href="#">Internal components, printer base (1 of 3; SFP)<sup>1</sup> on page 1189</a>
Low-voltage power supply (LVPS) (220-240V; China) (MFP)	RM2-0842-000CN	<a href="#">Internal components, printer base (1 of 3; MFP)<sup>1</sup> on page 1195</a>
Low-voltage power supply (LVPS) (220-240V; China) (SFP)	RM2-0839-000CN	<a href="#">Internal components, printer base (1 of 3; SFP)<sup>1</sup> on page 1189</a>
Low-voltage power supply (LVPS) (220-240V; except China) (MFP)	RM2-0841-000CN	<a href="#">Internal components, printer base (1 of 3; MFP)<sup>1</sup> on page 1195</a>
Low-voltage power supply (LVPS) (220-240V; except China) (SFP)	RM2-0838-000CN	<a href="#">Internal components, printer base (1 of 3; SFP)<sup>1</sup> on page 1189</a>
Motor PCA (MFP)	RM2-8351-000CN	<a href="#">Internal components, printer base (2 of 3; MFP)<sup>1</sup> on page 1197</a>
Motor PCA (SFP)	RM2-8351-000CN	<a href="#">Internal components, printer base (2 of 3; SFP)<sup>1</sup> on page 1191</a>
NFC module	BK493-60001	<a href="#">Internal components, printer base (1 of 3; MFP)<sup>1</sup> on page 1195</a>
Pad, separation holder assembly (MFP)	RM2-0812-000CN	<a href="#">Internal components, printer base (2 of 3; MFP)<sup>1</sup> on page 1197</a>
Pad, separation holder assembly (SFP)	RM2-0812-000CN	<a href="#">Internal components, printer base (2 of 3; SFP)<sup>1</sup> on page 1191</a>
Paper pickup sensor PCA assembly (MFP)	RM2-8377-000CN	<a href="#">Internal components, printer base (2 of 3; MFP)<sup>1</sup> on page 1197</a>
Paper pickup sensor PCA assembly (SFP)	RM2-8377-000CN	<a href="#">Internal components, printer base (2 of 3; SFP)<sup>1</sup> on page 1191</a>
PCA, front USB	CF368-60001	<a href="#">Internal components, printer base (1 of 3; MFP)<sup>1</sup> on page 1195</a>
Pre-pick arm assembly	RM2-1187-000CN	<a href="#">4-in-1 scanner assembly on page 1181</a>
Roller, paper pickup (MFP)	RL1-2593-000CN	<a href="#">Internal components, printer base (2 of 3; MFP)<sup>1</sup> on page 1197</a>

**Table 2-12** Alphabetical parts list (continued)

Description	Part number	Table and page
Roller, paper pickup (SFP)	RL1-2593-000CN	<a href="#">Internal components, printer base (2 of 3; SFP)<sup>1</sup> on page 1191</a>
Roller, transfer (MFP)	RM2-1660-000CN	<a href="#">Internal components, printer base (2 of 3; MFP)<sup>1</sup> on page 1197</a>
Roller, transfer (SFP)	RM2-1660-000CN	<a href="#">Internal components, printer base (2 of 3; SFP)<sup>1</sup> on page 1191</a>
Sensor, delivery PCA (MFP)	RM2-8378-000CN	<a href="#">Internal components, printer base (2 of 3; MFP)<sup>1</sup> on page 1197</a>
Sensor, delivery PCA (SFP)	RM2-8378-000CN	<a href="#">Internal components, printer base (2 of 3; SFP)<sup>1</sup> on page 1191</a>
Sensor, environmental PCA (MFP)	RM2-8376-000CN	<a href="#">Internal components, printer base (2 of 3; MFP)<sup>1</sup> on page 1197</a>
Sensor, environmental PCA (SFP)	RM2-8376-000CN	<a href="#">Internal components, printer base (2 of 3; SFP)<sup>1</sup> on page 1191</a>
Sheet plate assembly	RM2-1185-000CN	<a href="#">4-in-1 scanner assembly on page 1181</a>
Solenoid (MFP)	RK2-7601-000CN	<a href="#">Internal components, printer base (3 of 3; MFP)<sup>1</sup> on page 1199</a>
Solenoid (SFP)	RK2-7601-000CN	<a href="#">Internal components, printer base (3 of 3; SFP)<sup>1</sup> on page 1193</a>
Switch, power PCA (MFP)	RM2-8273-000CN	<a href="#">Covers (MFP models) on page 1187</a>
Switch, power PCA (SFP)	RM2-8273-000CN	<a href="#">Covers (SFP models) on page 1185</a>
Transfer assembly (MFP)	RM2-0843-000CN	<a href="#">Internal components, printer base (2 of 3; MFP)<sup>1</sup> on page 1197</a>
Transfer assembly (SFP)	RM2-0843-000CN	<a href="#">Internal components, printer base (2 of 3; SFP)<sup>1</sup> on page 1191</a>
Wi-Fi board (wireless models only; MFP)	0960-3662	<a href="#">Internal components, printer base (1 of 3; MFP)<sup>1</sup> on page 1195</a>
Wi-Fi PCA (SFP)	0960-3662	<a href="#">Internal components, printer base (1 of 3; SFP)<sup>1</sup> on page 1189</a>

# Numerical parts list

**Table 2-13 Numerical parts list**

Part number	Description	Table and page
0960-3662	Wi-Fi PCA (SFP)	<a href="#">Internal components, printer base (1 of 3; SFP)<sup>1</sup> on page 1189</a>
0960-3662	Wi-Fi board (wireless models only; MFP)	<a href="#">Internal components, printer base (1 of 3; MFP)<sup>1</sup> on page 1195</a>
BK493-60001	NFC module	<a href="#">Internal components, printer base (1 of 3; MFP)<sup>1</sup> on page 1195</a>
CF368-60001	PCA, front USB	<a href="#">Internal components, printer base (1 of 3; MFP)<sup>1</sup> on page 1195</a>
G3Q47-60001	Formatter assembly (base model; SFP)	<a href="#">Internal components, printer base (1 of 3; SFP)<sup>1</sup> on page 1189</a>
G3Q50-60001	Formatter assembly (wireless model; SFP)	<a href="#">Internal components, printer base (1 of 3; SFP)<sup>1</sup> on page 1189</a>
G3Q60-60001	Fax board (WW) (fax models only; MFP)	<a href="#">Internal components, printer base (1 of 3; MFP)<sup>1</sup> on page 1195</a>
G3Q61-60001	Fax board (EU) (fax models only; MFP)	<a href="#">Internal components, printer base (1 of 3; MFP)<sup>1</sup> on page 1195</a>
G3Q74-60001	Formatter assembly (without Fax; MFP)	<a href="#">Internal components, printer base (1 of 3; MFP)<sup>1</sup> on page 1195</a>
G3Q74-60101	Control panel, 2-Line LCD (M227d/sdn; MFP)	<a href="#">Covers (MFP models) on page 1187</a>
G3Q74-60103	Control panel, touchscreen (M227fdw, M230fdw; MFP)	<a href="#">Covers (MFP models) on page 1187</a>
G3Q75-60001	Formatter assembly (with Fax; MFP)	<a href="#">Internal components, printer base (1 of 3; MFP)<sup>1</sup> on page 1195</a>
G3Q76-60101	Control panel, 2-Line LCD (M230sdn; MFP)	<a href="#">Covers (MFP models) on page 1187</a>
G3Q79-60102	Control panel, 2-Line LCD (M230fdn; MFP)	<a href="#">Covers (MFP models) on page 1187</a>
RC4-7851-000CN	Holder, Wi-Fi PCA (SFP)	<a href="#">Internal components, printer base (1 of 3; SFP)<sup>1</sup> on page 1189</a>
RC4-7985-000CN	Guide, feed front (SFP)	<a href="#">Covers (SFP models) on page 1185</a>
RC4-7985-000CN	Guide, feed front (MFP)	<a href="#">Covers (MFP models) on page 1187</a>
RC4-8019-000CN	Cover, USB (MFP) USB/LAN/FAX models	<a href="#">Covers (MFP models) on page 1187</a>
RC4-8020-000CN	Cover, USB (MFP) USB/LAN models	<a href="#">Covers (MFP models) on page 1187</a>
RC4-8021-000CN	Cover, USB (MFP) USB models	<a href="#">Covers (MFP models) on page 1187</a>

**Table 2-13 Numerical parts list (continued)**

Part number	Description	Table and page
RC4-8057-000CN	Cover, top rear (SFP)	<a href="#">Covers (SFP models) on page 1185</a>
RC4-8058-000CN	Cover, right (SFP)	<a href="#">Covers (SFP models) on page 1185</a>
RC4-8059-000CN	Cover, front (no power switch) (SFP)	<a href="#">Covers (SFP models) on page 1185</a>
RC4-8067-000CN	Cover, right (MFP)	<a href="#">Covers (MFP models) on page 1187</a>
RC4-8068-000CN	Cover, front (no power switch) (MFP)	<a href="#">Covers (MFP models) on page 1187</a>
RC4-8070-000CN	Cover, left (MFP)	<a href="#">Covers (MFP models) on page 1187</a>
RC4-8125-000CN	Frame, control panel (adaptor) (M227d/sdn/fdn, M230sdn)	<a href="#">Covers (MFP models) on page 1187</a>
RC5-0436-000CN	Cover, cable (MFP)	<a href="#">Covers (MFP models) on page 1187</a>
RC5-0437-000CN	Cap, FAX	<a href="#">Covers (MFP models) on page 1187</a>
RC5-0500-000CN	Holder, Wi-Fi PCA (MFP)	<a href="#">Internal components, printer base (1 of 3; MFP)<sup>1</sup> on page 1195</a>
RC5-3760-000CN	Cover, frame (MFP)	<a href="#">Covers (MFP models) on page 1187</a>
RK2-1378-000CN	Fan (SFP)	<a href="#">Internal components, printer base (3 of 3; SFP)<sup>1</sup> on page 1193</a>
RK2-1378-000CN	Fan (MFP)	<a href="#">Internal components, printer base (3 of 3; MFP)<sup>1</sup> on page 1199</a>
RK2-7601-000CN	Solenoid (SFP)	<a href="#">Internal components, printer base (3 of 3; SFP)<sup>1</sup> on page 1193</a>
RK2-7601-000CN	Solenoid (MFP)	<a href="#">Internal components, printer base (3 of 3; MFP)<sup>1</sup> on page 1199</a>
RK2-8416-000CN	Cable, flat flexible (SFP)	<a href="#">Internal components, printer base (1 of 3; SFP)<sup>1</sup> on page 1189</a>
RK2-8419-000CN	Cable, flat flexible (MFP)	<a href="#">Internal components, printer base (1 of 3; MFP)<sup>1</sup> on page 1195</a>
RK2-8440-000CN	Cable, flat flexible (USB/LAN/FAX model) (MFP)	<a href="#">Internal components, printer base (1 of 3; MFP)<sup>1</sup> on page 1195</a>
RK2-8510-000CN	Cable, flat flexible (SFP)	<a href="#">Internal components, printer base (1 of 3; SFP)<sup>1</sup> on page 1189</a>
RK2-8510-000CN	Cable, flat flexible (MFP)	<a href="#">Internal components, printer base (1 of 3; MFP)<sup>1</sup> on page 1195</a>
RK2-8513-000CN	Cable, flat flexible (SFP)	<a href="#">Internal components, printer base (1 of 3; SFP)<sup>1</sup> on page 1189</a>

**Table 2-13 Numerical parts list (continued)**

Part number	Description	Table and page
RK2-8513-000CN	Cable, flat flexible (MFP)	<a href="#">Internal components, printer base (1 of 3; MFP)<sup>1</sup> on page 1195</a>
RK2-8522-000CN	Cable, flat flexible (SFP)	<a href="#">Internal components, printer base (1 of 3; SFP)<sup>1</sup> on page 1189</a>
RL1-2593-000CN	Roller, paper pickup (SFP)	<a href="#">Internal components, printer base (2 of 3; SFP)<sup>1</sup> on page 1191</a>
RL1-2593-000CN	Roller, paper pickup (MFP)	<a href="#">Internal components, printer base (2 of 3; MFP)<sup>1</sup> on page 1197</a>
RL2-1661-000CN	Button, switch (MFP)	<a href="#">Covers (MFP models) on page 1187</a>
RL2-1664-000CN	Button, switch (SFP)	<a href="#">Covers (SFP models) on page 1185</a>
RL2-2925-000CN	Cover, left (SFP)	<a href="#">Covers (SFP models) on page 1185</a>
RL2-2927-000CN	Cover, top (MFP)	<a href="#">Covers (MFP models) on page 1187</a>
RL2-5011-000CN	Door, cartridge (M203; SFP)	<a href="#">Covers (SFP models) on page 1185</a>
RL2-5012-000CN	Door, cartridge (MFP)	<a href="#">Covers (MFP models) on page 1187</a>
RL2-5015-000CN	Cover, multipurpose (SFP)	<a href="#">Covers (SFP models) on page 1185</a>
RL2-5015-000CN	Cover, multipurpose (MFP)	<a href="#">Covers (MFP models) on page 1187</a>
RL2-5016-000CN	Guide, end (SFP)	<a href="#">Internal components, printer base (3 of 3; SFP)<sup>1</sup> on page 1193</a>
RL2-5016-000CN	Guide, end (MFP)	<a href="#">Internal components, printer base (3 of 3; MFP)<sup>1</sup> on page 1199</a>
RL2-5018-000CN	Door, cartridge (M206; SFP)	<a href="#">Covers (SFP models) on page 1185</a>
RM2-0805-000CN	Fixing (fuser) assembly (110-120V) (SFP)	<a href="#">Internal components, printer base (2 of 3; SFP)<sup>1</sup> on page 1191</a>
RM2-0805-000CN	Fixing (fuser) assembly (110-120V) (MFP)	<a href="#">Internal components, printer base (2 of 3; MFP)<sup>1</sup> on page 1197</a>
RM2-0806-000CN	Fixing (fuser) assembly (220-240V) (SFP)	<a href="#">Internal components, printer base (2 of 3; SFP)<sup>1</sup> on page 1191</a>
RM2-0806-000CN	Fixing (fuser) assembly (220-240V) (MFP)	<a href="#">Internal components, printer base (2 of 3; MFP)<sup>1</sup> on page 1197</a>
RM2-0809-000CN	Door, duplexing assembly (SFP)	<a href="#">Covers (SFP models) on page 1185</a>
RM2-0809-000CN	Door, duplexing assembly (MFP)	<a href="#">Covers (MFP models) on page 1187</a>

**Table 2-13 Numerical parts list (continued)**

Part number	Description	Table and page
RM2-0812-000CN	Pad, separation holder assembly (SFP)	<a href="#">Internal components, printer base (2 of 3; SFP)<sup>1</sup> on page 1191</a>
RM2-0812-000CN	Pad, separation holder assembly (MFP)	<a href="#">Internal components, printer base (2 of 3; MFP)<sup>1</sup> on page 1197</a>
RM2-0814-000CN	Fixing (fuser) film assembly (110–120V) (SFP)	<a href="#">Internal components, printer base (2 of 3; SFP)<sup>1</sup> on page 1191</a>
RM2-0814-000CN	Fixing (fuser) film assembly (110–120V) (MFP)	<a href="#">Internal components, printer base (2 of 3; MFP)<sup>1</sup> on page 1197</a>
RM2-0815-000CN	Fixing (fuser) film assembly (220–240V) (SFP)	<a href="#">Internal components, printer base (2 of 3; SFP)<sup>1</sup> on page 1191</a>
RM2-0815-000CN	Fixing (fuser) film assembly (220–240V) (MFP)	<a href="#">Internal components, printer base (2 of 3; MFP)<sup>1</sup> on page 1197</a>
RM2-0816-000CN	Cover, front assembly (SFP)	<a href="#">Covers (SFP models) on page 1185</a>
RM2-0822-000CN	Cover, front top assembly (network model) (M203; SFP)	<a href="#">Covers (SFP models) on page 1185</a>
RM2-0823-000CN	Cover, front top assembly (wireless model) (M203; SFP)	<a href="#">Covers (SFP models) on page 1185</a>
RM2-0824-000CN	Control panel assembly (non—wireless model) (M203; SFP)	<a href="#">Covers (SFP models) on page 1185</a>
RM2-0825-000CN	Control panel assembly (wireless model) (M203; SFP)	<a href="#">Covers (SFP models) on page 1185</a>
RM2-0826-000CN	Cover, front (except wireless model; no USB port) (MFP)	<a href="#">Covers (MFP models) on page 1187</a>
RM2-0827-000CN	Cover, front (wireless model; USB port) (MFP)	<a href="#">Covers (MFP models) on page 1187</a>
RM2-0834-000CN	Cover, top front assembly (wireless model) (MFP)	<a href="#">Covers (MFP models) on page 1187</a>
RM2-0837-000CN	Low-voltage power supply (LVPS) (110–127V) (SFP)	<a href="#">Internal components, printer base (1 of 3; SFP)<sup>1</sup> on page 1189</a>
RM2-0838-000CN	Low-voltage power supply (LVPS) (220–240V; except China) (SFP)	<a href="#">Internal components, printer base (1 of 3; SFP)<sup>1</sup> on page 1189</a>
RM2-0839-000CN	Low-voltage power supply (LVPS) (220–240V; China) (SFP)	<a href="#">Internal components, printer base (1 of 3; SFP)<sup>1</sup> on page 1189</a>
RM2-0840-000CN	Low-voltage power supply (LVPS) (110–127V) (MFP)	<a href="#">Internal components, printer base (1 of 3; MFP)<sup>1</sup> on page 1195</a>
RM2-0841-000CN	Low-voltage power supply (LVPS) (220–240V; except China) (MFP)	<a href="#">Internal components, printer base (1 of 3; MFP)<sup>1</sup> on page 1195</a>
RM2-0842-000CN	Low-voltage power supply (LVPS) (220–240V; China) (MFP)	<a href="#">Internal components, printer base (1 of 3; MFP)<sup>1</sup> on page 1195</a>
RM2-0843-000CN	Transfer assembly (SFP)	<a href="#">Internal components, printer base (2 of 3; SFP)<sup>1</sup> on page 1191</a>

**Table 2-13 Numerical parts list (continued)**

Part number	Description	Table and page
RM2-0843-000CN	Transfer assembly (MFP)	<a href="#">Internal components, printer base (2 of 3; MFP)<sup>1</sup> on page 1197</a>
RM2-1179-000CN	Automatic document feeder (M227)	<a href="#">4-in-1 scanner assembly on page 1181</a>
RM2-1180-000CN	Cover, document feeder top	<a href="#">4-in-1 scanner assembly on page 1181</a>
RM2-1181-000CN	Input tray, document feeder (M227)	<a href="#">4-in-1 scanner assembly on page 1181</a>
RM2-1182-000CN	Hinge assembly (MFP)	<a href="#">Covers (MFP models) on page 1187</a>
RM2-1183-000CN	ADF base	<a href="#">4-in-1 scanner assembly on page 1181</a>
RM2-1184-000CN	Core assembly, ADF	<a href="#">4-in-1 scanner assembly on page 1181</a>
RM2-1185-000CN	Sheet plate assembly	<a href="#">4-in-1 scanner assembly on page 1181</a>
RM2-1187-000CN	Pre-pick arm assembly	<a href="#">4-in-1 scanner assembly on page 1181</a>
RM2-1660-000CN	Roller, transfer (SFP)	<a href="#">Internal components, printer base (2 of 3; SFP)<sup>1</sup> on page 1191</a>
RM2-1660-000CN	Roller, transfer (MFP)	<a href="#">Internal components, printer base (2 of 3; MFP)<sup>1</sup> on page 1197</a>
RM2-1664-000CN	Automatic document feeder (M230)	<a href="#">4-in-1 scanner assembly on page 1181</a>
RM2-1665-000CN	Input tray, document feeder (M230)	<a href="#">4-in-1 scanner assembly on page 1181</a>
RM2-2082-000CN	Cover, front top assembly (no LED) (M203; SFP)	<a href="#">Covers (SFP models) on page 1185</a>
RM2-2083-000CN	Cover, front top assembly (network model) (M206; SFP)	<a href="#">Covers (SFP models) on page 1185</a>
RM2-2084-000CN	Cover, front top assembly (no LED) (M206; SFP)	<a href="#">Covers (SFP models) on page 1185</a>
RM2-2085-000CN	Control panel assembly (M206; SFP)	<a href="#">Covers (SFP models) on page 1185</a>
RM2-2086-000CN	Duplex paper feed assembly (SFP)	<a href="#">Internal components, printer base (3 of 3; SFP)<sup>1</sup> on page 1193</a>
RM2-2086-000CN	Duplex paper feed assembly (MFP)	<a href="#">Internal components, printer base (3 of 3; MFP)<sup>1</sup> on page 1199</a>
RM2-2087-000CN	Cover, top front assembly (except wireless model) (MFP)	<a href="#">Covers (MFP models) on page 1187</a>
RM2-6911-000CN	Laser scanner assembly (SFP)	<a href="#">Internal components, printer base (2 of 3; SFP)<sup>1</sup> on page 1191</a>



**Table 2-13 Numerical parts list (continued)**

Part number	Description	Table and page
RM2-6911-000CN	Laser scanner assembly (MFP)	<a href="#">Internal components, printer base (2 of 3; MFP)<sup>1</sup> on page 1197</a>
RM2-6982-000CN	Lid, 3-in-1 scanner assembly	<a href="#">3-in-1 scanner assembly on page 1183</a>
RM2-6983-000CN	3-in-1 scanner assembly	<a href="#">3-in-1 scanner assembly on page 1183</a>
RM2-6989-000CN	4-in-1 scanner assembly	<a href="#">4-in-1 scanner assembly on page 1181</a>
RM2-8273-000CN	Switch, power PCA (SFP)	<a href="#">Covers (SFP models) on page 1185</a>
RM2-8273-000CN	Switch, power PCA (MFP)	<a href="#">Covers (MFP models) on page 1187</a>
RM2-8334-000CN	Engine control unit (ECU) PCA (SFP)	<a href="#">Internal components, printer base (1 of 3; SFP)<sup>1</sup> on page 1189</a>
RM2-8334-000CN	Engine control unit (ECU) PCA (MFP)	<a href="#">Internal components, printer base (1 of 3; MFP)<sup>1</sup> on page 1195</a>
RM2-8351-000CN	Motor PCA (SFP)	<a href="#">Internal components, printer base (2 of 3; SFP)<sup>1</sup> on page 1191</a>
RM2-8351-000CN	Motor PCA (MFP)	<a href="#">Internal components, printer base (2 of 3; MFP)<sup>1</sup> on page 1197</a>
RM2-8376-000CN	Sensor, environmental PCA (SFP)	<a href="#">Internal components, printer base (2 of 3; SFP)<sup>1</sup> on page 1191</a>
RM2-8376-000CN	Sensor, environmental PCA (MFP)	<a href="#">Internal components, printer base (2 of 3; MFP)<sup>1</sup> on page 1197</a>
RM2-8377-0000CN	Paper pickup sensor PCA assembly (MFP)	<a href="#">Internal components, printer base (2 of 3; MFP)<sup>1</sup> on page 1197</a>
RM2-8377-000CN	Paper pickup sensor PCA assembly (SFP)	<a href="#">Internal components, printer base (2 of 3; SFP)<sup>1</sup> on page 1191</a>
RM2-8378-000CN	Sensor, delivery PCA (SFP)	<a href="#">Internal components, printer base (2 of 3; SFP)<sup>1</sup> on page 1191</a>
RM2-8378-000CN	Sensor, delivery PCA (MFP)	<a href="#">Internal components, printer base (2 of 3; MFP)<sup>1</sup> on page 1197</a>



# Index

## Symbols/Numerics

- 3-in-1 and 4-in-1 scanner assemblies
  - parts lists and diagrams 1180
- 3-in-1 and 4-in-1 scanner assembly (MFP)
  - removing and replacing 321
- 3-in-1 or 4-in-1 scanner assembly (MFP), removing and replacing 321
- 3-in-1 scanner assembly
  - parts lists and diagrams 1180
- 4-in-1 scanner assembly
  - parts lists and diagrams 1180

## A

- after-service checklist 6
- assembly, sheet plate (MFP)
  - removing and replacing 29

## B

- bin, output
  - locating 1173, 1175

## C

- cable cover (MFP)
  - removing and replacing 46
- cable cover (MFP), removing and replacing 46
- cartridge door
  - removing and replacing 83
- cartridge door, removing and replacing 83
- cartridges
  - ordering 1178
  - part numbers 1178
- cautions iii
- checklists
  - preservice 6
- control panel
  - locating 1173, 1175

- control panel (M227fdw, M230fdw)
  - removing and replacing 238
- control panel (M227fdw, M230fdw), removing and replacing 238
- control panel (SFP)
  - removing and replacing 225
- control panel (SFP), removing and replacing 225
- control panel and frame adapter (M227d/sdn/fdn, M230sdn)
  - removing and replacing 258
- control panel and frame adapter (M227d/sdn/fdn, M230sdn), removing and replacing 258
- conventions, document iii
- core assembly, document feeder (MFP)
  - removing and replacing 303
- covers
  - parts lists and diagrams 1184

## D

- delivery sensor
  - removing and replacing 1073
- delivery sensor, removing and replacing 1073
- developer alienation solenoid, removing, and replacing 495
- document conventions iii
- document feeder
  - parts lists and diagrams 1180
- document feeder (MFP)
  - removing and replacing 271
- document feeder (MFP), removing and replacing 271
- document feeder core assembly (MFP)
  - removing and replacing 303

- document feeder core assembly (MFP), removing and replacing 303
- document feeder input tray (MFP)
  - removing and replacing 286
- document feeder input tray (MFP), removing and replacing 286
- document feeder pickup roller (MFP), removing and replacing 296
- document feeder pre-pick arm (MFP)
  - removing and replacing 296
- document feeder top cover (MFP)
  - removing and replacing 291
- document feeder top cover (MFP), removing and replacing 291
- duplex door
  - removing and replacing 50
- duplex door, removing and replacing 50
- duplex paper feed assembly, removing and replacing 740
- duplexer
  - locating 1174, 1176

## E

- electrostatic discharge (ESD) 4
- engine controller PCA
  - removing and replacing 887
- engine controller PCA, removing and replacing 887
- environmental sensor, removing and replacing 782
- ESD electrostatic discharge (ESD) 4

## F

- fan, removing, and replacing 426
- fax printed-circuit board (fax models)
  - removing and replacing 1162

- field-replaceable units (FRUs)
  - replacing 3
- fixing film assembly
  - removing and replacing 1009
- fixing film assembly, removing and replacing 1009
- flat flexible cable (control panel; SFP)
  - removing and replacing 395
- flat flexible cable (control panel; SFP), removing and replacing 395
- flat flexible cable (engine controller PCA to formatter PCA), removing, and replacing 380
- flat flexible cable (fax PCA), removing, and replacing 389
- flat flexible cable (laser scanner), removing, and replacing 639
- flat flexible cable (motor PCA), removing, and replacing 688
- formatter PCA, removing, and replacing 349
- formatter, removing, and replacing 349
- front cover
  - removing and replacing 137
- front cover, removing and replacing 137
- front feed guide
  - removing and replacing 43
- front feed guide, removing and replacing 43
- FRUs (field-replaceable units)
  - replacing 3
- fuser assembly
  - removing and replacing 1009
- fuser assembly, removing and replacing 1009

## H

- hinge assembly (MFP)
  - removing and replacing 183
- hinge assembly (MFP), removing and replacing 183

## I

- imaging drum, removing and replacing 15
- input tray, document feeder (MFP)
  - removing and replacing 286

- input/output cover (MFP)
  - removing and replacing 60
- input/output cover (MFP), removing and replacing 60
- installation 5
  - screws 5
- See also* replacing parts
- interface ports
  - locating 1174, 1176
- internal components, printer
  - parts lists and diagrams 1188

## L

- laser scanner
  - removing and replacing 591
  - warnings for servicing 3
- laser scanner, removing and replacing 591
- left cover
  - removing and replacing 53
- left cover, removing and replacing 53
- low-voltage power supply (LVPS)
  - removing and replacing 832
- low-voltage power supply (LVPS), removing and replacing 832

## M

- maintenance kits
  - part numbers 1178
- motor PCA
  - removing and replacing 544
- motor PCA, removing and replacing 544
- mp tray
  - removing and replacing 36
- multipurpose cover
  - removing and replacing 36
- multipurpose cover, removing and replacing 36

## N

- near field communication (NFC) PCA, removing, and replacing 406
- network port
  - locating 1174, 1176
- NFC PCA, removing, and replacing 406
- notes iii

## O

- on/off button, locating 1173, 1175
- ordering
  - toner cartridges and accessories 1178
- output bin
  - locating 1173, 1175

## P

- pad, separation
  - removing and replacing 345
- paper pickup sensor
  - removing and replacing 1117
- paper pickup sensor, removing and replacing 1117
- paper tray end guide
  - removing and replacing 40
- paper tray end guide, removing and replacing 40
- part numbers
  - replacement parts 1178
  - staple cartridges 1178
  - supplies 1178
  - toner cartridge 1178
  - toner cartridges 1178
- parts lists and diagrams 1171
  - 3-in-1 and 4-in-1 scanner assemblies 1180
  - covers 1184
  - internal components, printer 1188
  - using 1179
- PCA, motor
  - removing and replacing 544
- pickup roller, removing and replacing 22
- post-service tests 6
- power button cap and power button PCA, removing, and replacing 454
- power button cap, removing, and replacing 454
- power button PCA, removing, and replacing 454
- power connection
  - locating 1174, 1176
- power switch, locating 1173, 1175
- pre-pick arm, document feeder (MFP)
  - removing and replacing 296
- preservice checklist 6

print quality  
test 6

## R

rear door  
locating 1174, 1176  
removal strategy  
removing and replacing 3  
removing and replacing  
3-in-1 or 4-in-1 scanner assembly  
(MFP) 321  
cable cover (MFP) 46  
cartridge door 83  
control panel (M227fdw,  
M230fdw) 238  
control panel (SFP) 225  
control panel and frame adapter  
(M227d/sdn/fdn, M230sdn)  
258  
core assembly document feeder  
(MFP) 303  
delivery sensor 1073  
document feeder (MFP) 271  
document feeder core assembly  
(MFP) 303  
document feeder pre-pick arm  
(MFP) 296  
document feeder top cover  
(MFP) 291  
document input tray (MFP) 286  
duplex door 50  
duplex paper feed assembly 740  
engine controller PCA 887  
environmental sensor 782  
fax printed-circuit board (fax  
models) 1162  
fixing film assembly 1009  
flat flexible cable (control panel;  
SFP) 395  
front cover 137  
front feed guide 43  
fuser assembly 1009  
hinge assembly (MFP) 183  
imaging drum 15  
input tray document feeder  
(MFP) 286  
input/output cover (MFP) 60  
laser scanner 591  
left cover 53

low-voltage power supply  
(LVPS) 832  
motor PCA 544  
mp tray 36  
multipurpose cover 36  
paper pickup sensor 1117  
paper tray end guide 40  
pickup roller 22  
pre-pick arm document feeder  
(MFP) 296  
right cover 66  
separation pad assembly 345  
sheet plate assembly(MFP) 29  
toner cartridge 9  
top cover 199  
top cover document feeder  
(MFP) 291  
top front cover 108  
top rear cover 171  
transfer assembly 953  
transfer roller 337  
USB cover (MFP) 60  
removing parts  
after-service checklist 6  
checklists 6  
tools, required 4  
removing, and replacing  
developer alienation solenoid  
495  
fan 426  
flat flexible cable (engine controller  
PCA to formatter PCA) 380  
flat flexible cable (fax PCA) 389  
flat flexible cable (laser scanner)  
639  
flat flexible cable (motor PCA)  
688  
formatter PCA 349  
near field communication (NFC)  
PCA 406  
NFC PCA 406  
power button cap 454  
power button PCA 454  
wireless PCA 364  
replacement parts  
part numbers 1178  
replacing  
parts 3  
replacing parts  
about 3

after-service checklist 6  
screws 5  
tools, required 4  
right cover  
removing and replacing 66  
right cover, removing and replacing  
66  
roller, pickup  
removing and replacing 22  
roller, transfer  
removing and replacing 337

## S

screwdrivers, required 4  
screws  
installing 5  
types of 5  
sensor, delivery  
removing and replacing 1073  
sensor, environmental  
removing and replacing 782  
sensor, paper pickup  
removing and replacing 1117  
separation pad assembly, removing  
and replacing 345  
service and support information v, 2,  
1172  
service approach  
removing and replacing 6  
sheet plate assembly (MFP), removing  
and replacing 29  
staple cartridges  
part numbers 1178  
static, precautions for 4  
supplies  
part numbers 1178

## T

tests  
post-service 6  
print-quality 6  
tips iii  
toner cartridge  
part numbers 1178  
toner cartridge, removing and  
replacing 9  
toner cartridges  
ordering 1178  
part numbers 1178  
tools, required 4

- top cover
  - removing and replacing 199
- top cover, document feeder (MFP)
  - removing and replacing 291
- top cover, removing and replacing 199
- top front cover
  - removing and replacing 108
- top front cover, removing and replacing 108
- top rear cover
  - removing and replacing 171
- top rear cover, removing and replacing 171
- transfer assembly
  - removing and replacing 953
- transfer assembly, removing and replacing 953
- transfer roller, removing and replacing 337
- trays
  - locating 1173, 1175

## U

- USB cover (MFP)
  - removing and replacing 60
- USB cover, removing and replacing 60
- USB port
  - locating 1174, 1176

## W

- walk-up USB port
  - locating 1173, 1175
- warnings iii
- wireless PCA, removing, and replacing 364