



LASERJET PRO 200 COLOR

Repair Manual



M251n



M251nw



HP LaserJet Pro 200 color M251 Series Printer

Repair Manual

Copyright and License

© 2012 Copyright Hewlett-Packard Development Company, L.P.

Reproduction, adaptation, or translation without prior written permission is prohibited, except as allowed under the copyright laws.

The information contained herein is subject to change without notice.

The only warranties for HP products and services are set forth in the express warranty statements accompanying such products and services. Nothing herein should be construed as constituting an additional warranty. HP shall not be liable for technical or editorial errors or omissions contained herein.

Part number: CF146-90961


Edition 1, 9/2012

Trademark Credits


Microsoft®, Windows®, Windows® XP, and Windows Vista® are U.S. registered trademarks of Microsoft Corporation.

ENERGY STAR and the ENERGY STAR mark are registered U.S. marks.

Conventions used in this guide

 **TIP:** Tips provide helpful hints or shortcuts.

 **NOTE:** Notes provide important information to explain a concept or to complete a task.

 **CAUTION:** Cautions indicate procedures that you should follow to avoid losing data or damaging the product.


 **WARNING!** Warnings alert you to specific procedures that you should follow to avoid personal injury, catastrophic loss of data, or extensive damage to the product.

Table of contents

1	Removal and replacement	1
	Removal and replacement strategy	2
	Introduction	2
	Removal and replacement strategy	2
	Electrostatic discharge	2
	Required tools	3
	Types of screws	4
	Service approach	4
	Before performing service	4
	After performing service	5
	Post-service test	5
	Print-quality test	5
	Parts removal order	7
	Removal and replacement procedures	8
	Rollers	8
	Pick roller	8
	Separation roller	10
	Transfer roller	12
	Toner-cartridge drawer	14
	Covers	15
	Right cover	15
	Left cover	18
	Rear right cover	21
	Rear upper cover	22
	Rear door and rear lower cover	23
	Upper cover, LCD control panel products (HP LaserJet Pro 200 color M251n Printer)	26
	Upper cover, touchscreen control panel products (HP LaserJet Pro 200 color M251nw Printer)	28
	LCD control-panel assembly (HP LaserJet Pro 200 color M251n Printer)	31
	Touchscreen control-panel assembly (HP LaserJet Pro 200 color M251nw Printer)	32

USB cover (touchscreen control-panel models)	34
Front-door and front-cover assembly	35
Main assemblies	39
Paper-guide assembly	39
Driver PCA	40
DC controller PCA	44
Special consideration	44
Remove the DC controller PCA	45
Formatter PCA	47
Special consideration	47
Remove the formatter PCA	47
Wireless PCA	50
Main motor	51
Intermediate transfer belt (ITB)	52
Reinstall the ITB	54
High-voltage power supply	56
Low-voltage power supply	59
Fuser power supply	61
Fuser	64
Fan	66

2 Parts and diagrams 69

Order parts by authorized service providers	70
Order replacement parts	70
Related documentation and software	70
Supplies part numbers	70
Service parts	70
Whole-unit replacement part numbers	71
How to use the parts lists and diagrams	72
Assembly locations	73
Base product (no optional trays or accessories)	73
Covers, panels, and doors	76
Internal assemblies	80
Alphabetical parts list	88
Numerical parts list	91

Index 95

List of tables

Table 1-1	Common fasteners	4
Table 2-1	Order parts, accessories, and supplies	70
Table 2-2	Related documentation and software	70
Table 2-3	Supplies part numbers	70
Table 2-4	Service parts	70
Table 2-5	Whole-unit replacement part numbers	71
Table 2-6	LCD model	73
Table 2-7	Touchscreen control-panel model	74
Table 2-8	Covers, panels, and doors—network model	77
Table 2-9	Covers, panels, and doors—network wireless model	79
Table 2-10	Internal components (1 of 4)	81
Table 2-11	Internal components (2 of 4)	83
Table 2-12	Internal components (3 of 4)	85
Table 2-13	Internal components (4 of 4)	87
Table 2-14	Alphabetical parts list	88
Table 2-15	Numerical parts list	91

List of figures

Figure 1-1	Phillips and Pozidriv screwdriver comparison	3
Figure 1-2	Parts-removal order	7
Figure 1-3	Remove the pickup roller	9
Figure 1-4	Remove the separation roller (1 of 2)	10
Figure 1-5	Remove the separation roller (2 of 2)	11
Figure 1-6	Remove the transfer roller (1 of 3)	12
Figure 1-7	Remove the transfer roller (2 of 3)	12
Figure 1-8	Remove the transfer roller (3 of 3)	13
Figure 1-9	Remove the toner-cartridge drawer (1 of 2)	14
Figure 1-10	Remove the toner-cartridge drawer (2 of 2)	14
Figure 1-11	Remove the right cover (1 of 4)	15
Figure 1-12	Remove the right cover (2 of 4)	16
Figure 1-13	Remove the right cover (3 of 4)	16
Figure 1-14	Remove the right cover (4 of 4)	17
Figure 1-15	Remove the left cover (1 of 4)	18
Figure 1-16	Remove the left cover (2 of 4)	19
Figure 1-17	Remove the left cover (3 of 4)	19
Figure 1-18	Remove the left cover (4 of 4)	20
Figure 1-19	Remove the rear right cover	21
Figure 1-20	Remove the rear upper cover	22
Figure 1-21	Remove the rear door and rear lower cover (1 of 5)	23
Figure 1-22	Remove the rear door and rear lower cover (2 of 5)	24
Figure 1-23	Remove the rear door and rear lower cover (3 of 5)	24
Figure 1-24	Remove the rear door and rear lower cover (4 of 5)	25
Figure 1-25	Remove the rear door and rear lower cover (5 of 5)	25
Figure 1-26	Remove the upper cover (1 of 2)	26
Figure 1-27	Remove the upper cover (2 of 2)	27
Figure 1-28	Remove the upper cover (1 of 5)	28
Figure 1-29	Remove the upper cover (2 of 5)	29
Figure 1-30	Remove the upper cover (3 of 5)	29
Figure 1-31	Remove the upper cover (4 of 5)	30
Figure 1-32	Remove the upper cover (5 of 5)	30

Figure 1-33	Remove the control-panel assembly	31
Figure 1-34	Remove the touchscreen control-panel (1 of 2)	32
Figure 1-35	Remove the touchscreen control-panel (2 of 2)	33
Figure 1-36	Remove the USB cover (1 of 2)	34
Figure 1-37	Remove the USB cover (2 of 2)	34
Figure 1-38	Remove the front-door and front-cover assembly (1 of 6)	35
Figure 1-39	Remove the front-door and front-cover assembly (2 of 6)	36
Figure 1-40	Remove the front-door and front-cover assembly (3 of 6)	36
Figure 1-41	Remove the front-door and front-cover assembly (4 of 6)	37
Figure 1-42	Remove the front-door and front-cover assembly (5 of 6)	37
Figure 1-43	Remove the front-door and front-cover assembly (6 of 6)	38
Figure 1-44	Remove the paper-guide assembly (1 of 2)	39
Figure 1-45	Remove the paper-guide assembly (2 of 2)	39
Figure 1-46	Remove the driver PCA (1 of 8)	40
Figure 1-47	Remove the driver PCA (2 of 8)	40
Figure 1-48	Remove the driver PCA (3 of 8)	41
Figure 1-49	Remove the driver PCA (4 of 8)	41
Figure 1-50	Remove the driver PCA (5 of 8)	42
Figure 1-51	Remove the driver PCA (6 of 8)	42
Figure 1-52	Remove the driver PCA (7 of 8)	43
Figure 1-53	Remove the driver PCA (8 of 8)	43
Figure 1-54	Remove the DC controller PCA (1 of 2)	45
Figure 1-55	Remove the DC controller PCA (2 of 2)	46
Figure 1-56	Remove the formatter PCA (1 of 2)	48
Figure 1-57	Remove the formatter PCA (2 of 2)	49
Figure 1-58	Remove the wireless PCA	50
Figure 1-59	Remove the main motor	51
Figure 1-60	Remove the ITB (1 of 3)	52
Figure 1-61	Remove the ITB (2 of 3)	53
Figure 1-62	Remove the ITB (3 of 3)	53
Figure 1-63	Reinstall the ITB (1 of 2)	54
Figure 1-64	Reinstall the ITB (2 of 2)	55
Figure 1-65	Remove the high-voltage power supply (1 of 4)	56
Figure 1-66	Remove the high-voltage power supply (2 of 4)	57
Figure 1-67	Remove the high-voltage power supply (3 of 4)	57
Figure 1-68	Remove the high-voltage power supply (4 of 4)	58
Figure 1-69	Reinstall the power supply (high voltage)	58
Figure 1-70	Remove the low-voltage power supply (1 of 3)	59
Figure 1-71	Remove the low-voltage power supply (2 of 3)	60
Figure 1-72	Remove the low-voltage power supply (3 of 3)	60
Figure 1-73	Remove the fuser power supply (1 of 4)	61

Figure 1-74	Remove the fuser power supply (2 of 4)	62
Figure 1-75	Remove the fuser power supply (3 of 4)	62
Figure 1-76	Remove the fuser power supply (4 of 4)	63
Figure 1-77	Remove the fuser (1 of 3)	64
Figure 1-78	Remove the fuser (2 of 3)	65
Figure 1-79	Remove the fuser (3 of 3)	65
Figure 1-80	Remove the fan (1 of 4)	66
Figure 1-81	Remove the fan (2 of 4)	66
Figure 1-82	Remove the fan (3 of 4)	67
Figure 1-83	Remove the fan (4 of 4)	67
Figure 2-1	LCD control-panel model (HP LaserJet Pro 200 color M251n Printer)	73
Figure 2-2	Touchscreen control-panel model (HP LaserJet Pro 200 color M251nw Printer)	74
Figure 2-3	Covers, panels, and doors—network model	76
Figure 2-4	Covers, panels, and doors—network wireless model	78
Figure 2-5	Internal components (1 of 4)	80
Figure 2-6	Internal components (2 of 4)	82
Figure 2-7	Internal components (3 of 4)	84
Figure 2-8	Internal components (4 of 4)	86

1 Removal and replacement

- [Removal and replacement strategy](#)
- [Service approach](#)
- [Removal and replacement procedures](#)

Removal and replacement strategy

Introduction

This chapter describes the removal and replacement of field-replaceable units (FRUs) only.


Replacing FRUs is generally the reverse of removal. Occasionally, notes and tips are included to provide directions for difficult or critical replacement procedures.

HP does *not* support repairing individual subassemblies or troubleshooting to the component level.

Note the length, diameter, color, type, and location of each screw. Be sure to return each screw to its original location during reassembly.


Incorrectly routed or loose wire harnesses can interfere with other internal components and can become damaged or broken. Frayed or pinched harness wires can be difficult to find. When replacing wire harnesses, always use the provided wire loops, lance points, or wire-harness guides and retainers.


Removal and replacement strategy


 **WARNING!** Turn the product off, wait 5 seconds, and then remove the power cord before attempting to service the product. If this warning is not followed, severe injury can result, in addition to damage to the product. The power must be on for certain functional checks during troubleshooting. However, disconnect the power supply during parts removal.

Never operate or service the product with the protective cover removed from the laser/scanner assembly. The reflected beam, although invisible, can damage your eyes.



The sheet-metal parts can have sharp edges. Be careful when handling sheet-metal parts.

 **CAUTION:** Do not bend or fold the flat flexible cables (FFCs) during removal or installation. Also, do not straighten pre-folds in the FFCs. You *must* fully seat all FFCs in their connectors. Failure to fully seat an FFC into a connector can cause a short circuit in a PCA.

 **NOTE:** To install a self-tapping screw, first turn it counterclockwise to align it with the existing thread pattern, and then carefully turn it clockwise to tighten. Do not overtighten. If a self-tapping screw-hole becomes stripped, repair the screw-hole or replace the affected assembly.

 **TIP:** For clarity, some photos in this chapter show components removed that would not be removed to service the product. If necessary, remove the components listed at the beginning of a procedure before proceeding to service the product.


Electrostatic discharge

 **CAUTION:**  Some parts are sensitive to electrostatic discharge (ESD). Look for the ESD reminder when removing product parts. Always perform service work at an ESD-protected workstation or mat, or use an ESD strap. If an ESD workstation, mat, or strap is not available, ground yourself by touching the sheet-metal chassis *before* touching an ESD-sensitive part.

Protect the ESD-sensitive parts by placing them in ESD pouches when they are out of the product.

Required tools

- #2 Phillips screwdriver with a magnetic tip and a 152 mm (6 in) shaft length
- Precision slotted screwdriver with a 1 mm (0.04 in) blade width

 **NOTE:** This fine-point tool is required to release the front-door pins. The width of the blade must be 2 mm (0.08 in) or less to be able to push the door pins out of the mounting holes.

- Small slotted screwdriver
- Needle-nose pliers
- ESD mat (if one is available)
- Penlight (optional)


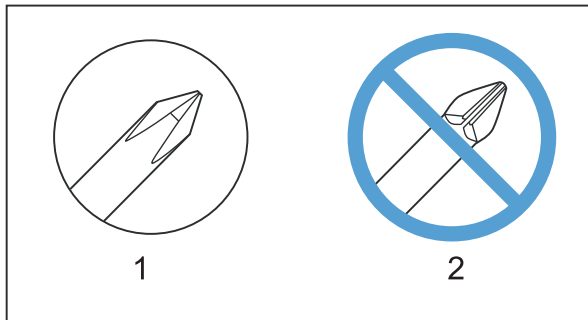
 **CAUTION:** Always use a Phillips screwdriver (callout 1). Do not use a Pozidriv® screwdriver (callout 2) or any motorized screwdriver. These can damage screws or screw threads.

Figure 1-1 Phillips and Pozidriv screwdriver comparison


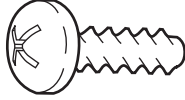

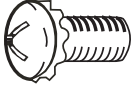



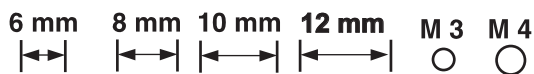
Types of screws

⚠ WARNING! Make sure that components are replaced with the correct screw type. Using the incorrect screw (for example, substituting a long screw for the correct shorter screw) can cause damage to the product or interfere with product operation. Do not mix screws that are removed from one component with the screws that are removed from another component.

📝 NOTE: The screw illustrations in the following table are for reference only. Screws might vary in size and appearance from those shown in this table.

Table 1-1 Common fasteners

Example	Description	Size	Part Number
	Screw, with washer	M3X8	XA9-1420-000CN
		M4X6	XB2-7400-605CN
		M4X12	XA9-1422-000CN
	Screw, tapping, truss head	M4X10	XB4-7401-005CN
		M4X15	XB4-7401-609CN
	Screw, TP	M3X4	XB6-7300-405CN
		M3X6	XB6-7300-605CN
	Screw, D	M3X6	XA9-1670-000CN
		M3X8	XA9-1671-000CN
	Screw, machine	M3X4	XB6-7300-409CN
	Screw, machine, flat head	M3X4	XA9-0679-000CN
	Screw, machine, flanged pan head	M3X6	XB6-7300-805CN



Service approach

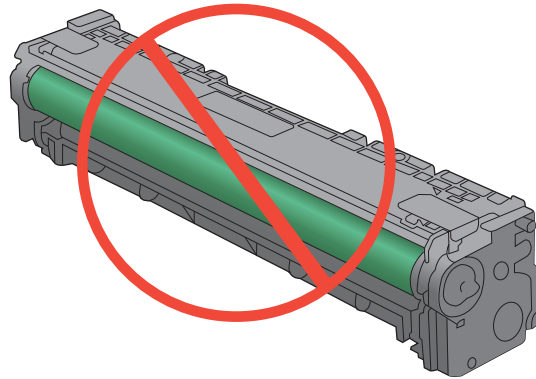
Before performing service

- Remove all paper from the product.
- Turn off the power using the power switch.
- Unplug the power cable and the interface cable or cables.

- Place the product on an ESD workstation or mat, or use an ESD strap (if one is available). If an ESD workstation, mat, or strap is not available, ground yourself by touching the sheet-metal chassis *before* touching an ESD-sensitive part.
- Remove the toner cartridge.

⚠ CAUTION: Do not touch the imaging drum on the bottom of the toner cartridge. Finger prints on the imaging drum can cause print-quality problems.

Do not allow the image drum to contact any surface when the cartridge is set down. Protect the image drum at all times. Dust and debris can stick to the drum and cause print-quality problems.



After performing service

- Plug in the power cable.
- Reinstall the toner cartridge.
- Load paper in the product.

Post-service test

Perform the following test to verify that the repair or replacement was successful.

Print-quality test

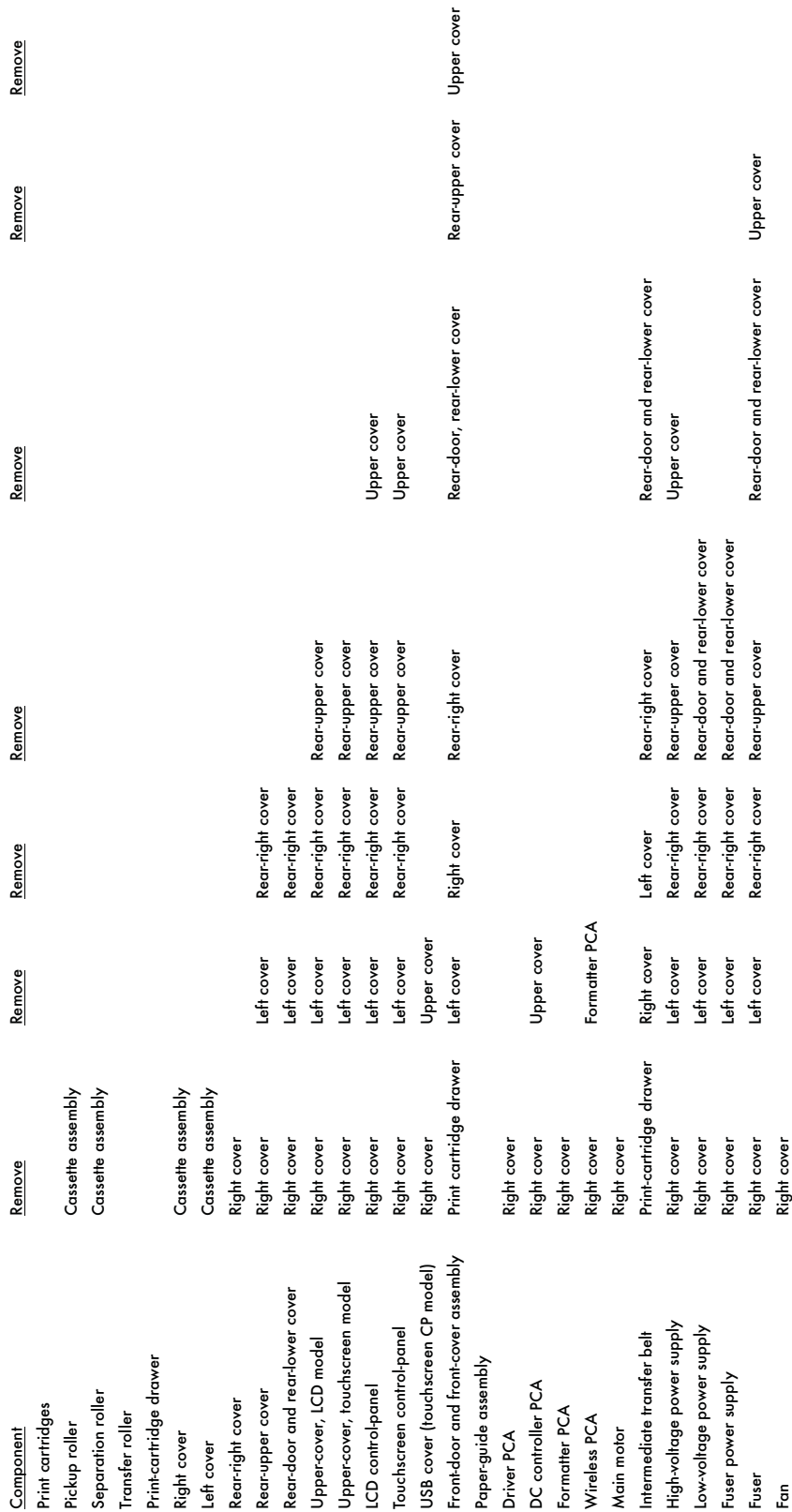
1. Verify that you have completed the necessary reassembly steps.
2. Make sure that the tray contains clean, unmarked paper.
3. Attach the power cord and the interface cable or interface cables, and then turn on the product.
4. Verify that the expected startup sounds occur.
5. Print a configuration page, and then verify that the expected printing sounds occur.
6. Print a demo page, and then verify that the print quality is as expected.

7. Send a print job from the host computer, and then verify that the output meets expectations.
8. Clean the outside of the product with a damp cloth.

Parts removal order

Use the following diagram to determine which parts must be removed before removing other parts.

Figure 1-2 Parts-removal order



Removal and replacement procedures

Rollers

Pick roller

CAUTION: Do not touch the spongy roller surface unless you are going to replace the pick roller. Human skin oils that contact the pick roller can cause paper pickup problems.


1. Use the following procedures to rotate the pick roller into the position required to remove it.

LCD control panel (HP LaserJet Pro 200 color M251n Printer)


- Open the Secondary Service menu by pressing and releasing the Left arrow (◀) and then quickly pressing the **Cancel** button.
- Use the arrow buttons to select **Pick roller**, and then press the **OK** button.
- Press the **OK** button again to confirm that you want the pick roller to rotate.
- Remove the power cord, without turning off the power using the power switch, and then remove the interface cable.

NOTE: If the power to the product is turned off using the power switch, the pick roller will rotate to the parked position.


Touchscreen control panel (HP LaserJet Pro 200 color M251nw Printer)

- Touch the Setup  button.
- Touch the middle of the screen along the left edge (callout 1), and then immediately touch the lower-right corner (callout 2) of the screen.




- When the Home screen appears, touch the Setup  button again.
- Touch the **Secondary Service** button.
- Touch the arrow buttons (at the right or left side of the touchscreen) until the **Pick Roller** button appears.
- Touch the **Pick Roller** button.

- Touch the **OK** button to confirm that you want the pick roller to rotate.
- Remove the power cord, without turning off the power using the power switch, and then remove the interface cable.

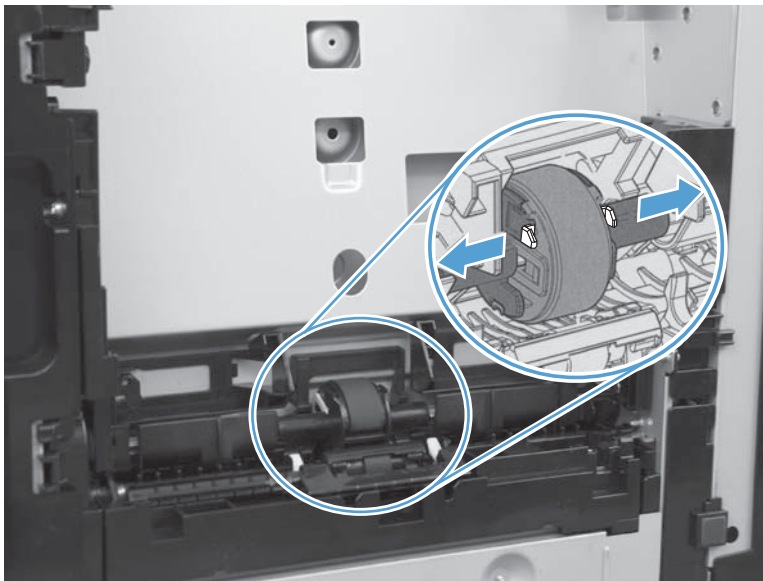
 **NOTE:** If the power to the product is turned off using the power switch, the pick roller will rotate to the parked position.

2. Remove the cassette assembly, and then carefully place the product front-side up.

 **NOTE:** Debris can scratch or damage the back of the product. Before you place the product front-side up, remove any debris from the work surface. If possible, set the product on a clean, dry cloth to prevent scratching and damage.

3. Release the two black plastic locking tabs and remove the pick roller.

Figure 1-3 Remove the pickup roller



Separation roller

CAUTION: Do not touch the spongy roller surface unless you are going to replace the roller. Human skin oils that contact the roller can cause paper pickup problems.

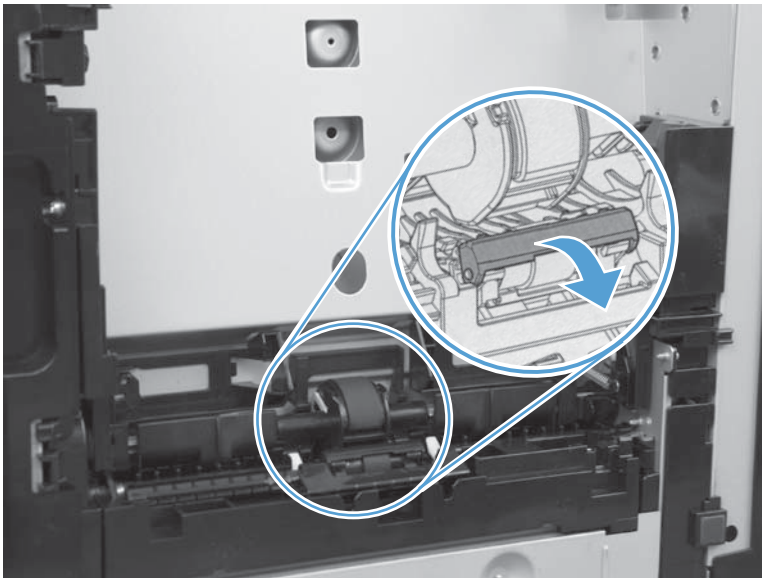
1. Remove cassette (if installed), and then carefully place the product front-side up.

NOTE: Debris can scratch or damage the back of the product. Before you place the product front-side up, remove any debris from the work surface. If possible, set the product on a clean, dry cloth to prevent scratching and damage.

2. Carefully release the roller cover and rotate it down and away from the roller.

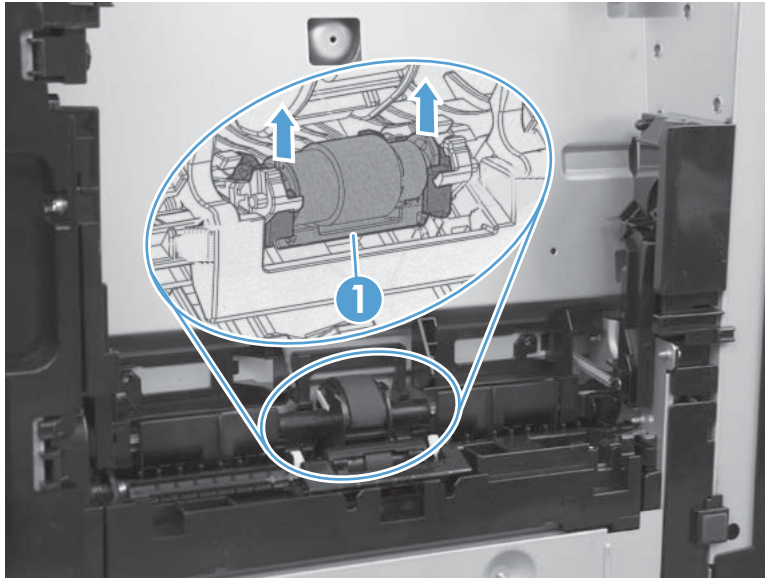
Reinstallation tip Make sure that this cover snaps into place over the roller when the roller and holder are reinstalled.

Figure 1-4 Remove the separation roller (1 of 2)



3. Use a small flat blade screwdriver to gently pry up on the roller and holder assembly (callout 1) to remove the roller and holder assembly.

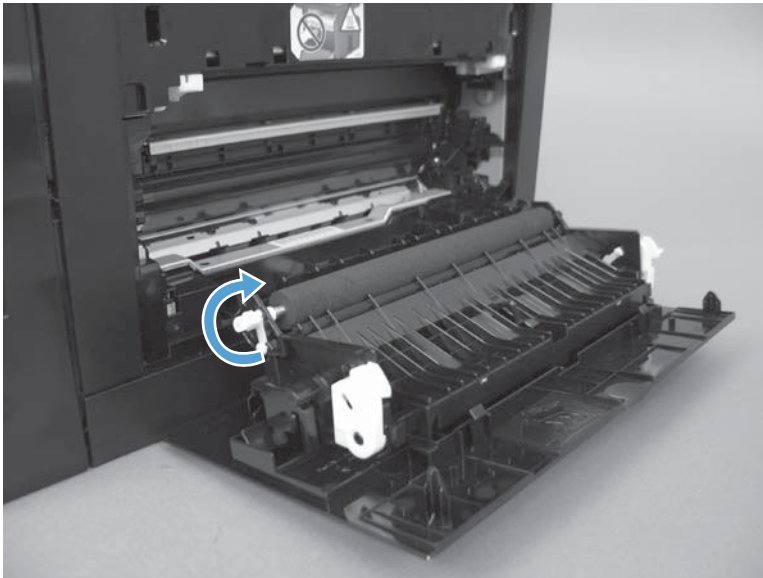
Figure 1-5 Remove the separation roller (2 of 2)



Transfer roller

1. Open the rear door.
2. Release the retainer clip and then rotate it until the pin on the clip aligns with the slot in the mounting bracket.

Figure 1-6 Remove the transfer roller (1 of 3)



3. Remove the clip. Repeat these steps for the remaining retainer clip (located at the opposite end of the roller shaft).


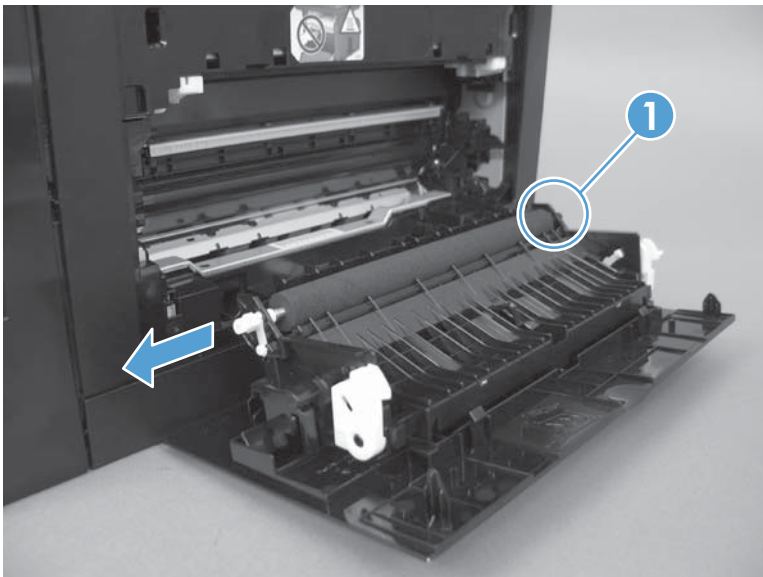
 **TIP:** One of the clips (callout 1) is made from a black conductive plastic. Make sure that the clips are reinstalled on the correct end of the transfer roller.

Figure 1-7 Remove the transfer roller (2 of 3)



4. Slide the roller to one side to disengage the roller shaft from the mounting bracket, and then remove the transfer roller.


⚠ CAUTION: Do not touch the black sponge portion of the roller. Human skin oils that contact the roller can cause print-quality problems.

Figure 1-8 Remove the transfer roller (3 of 3)



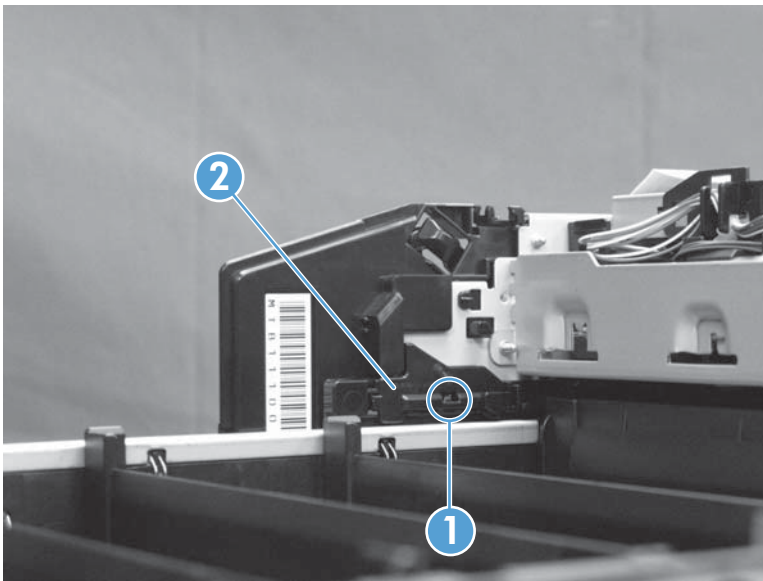
Toner-cartridge drawer

1. Open the front door and pull out the toner-cartridge drawer.

 **TIP:** This step is easier to perform, but not required, with the upper cover removed.

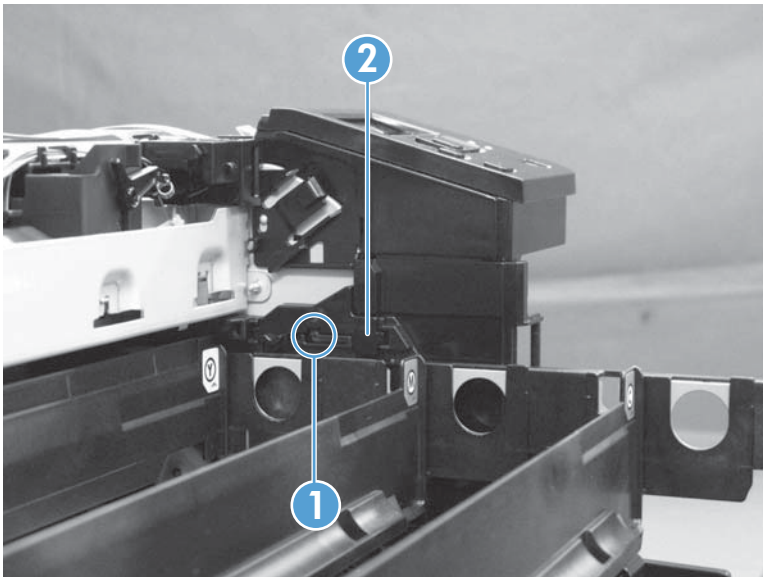
2. Release one tab (callout 1) with a flat blade screwdriver and remove the left cartridge-drawer stop (callout 2).

Figure 1-9 Remove the toner-cartridge drawer (1 of 2)



3. Release one tab (callout 1) with a flat blade screwdriver and remove the right cartridge-drawer stop (callout 2).

Figure 1-10 Remove the toner-cartridge drawer (2 of 2)



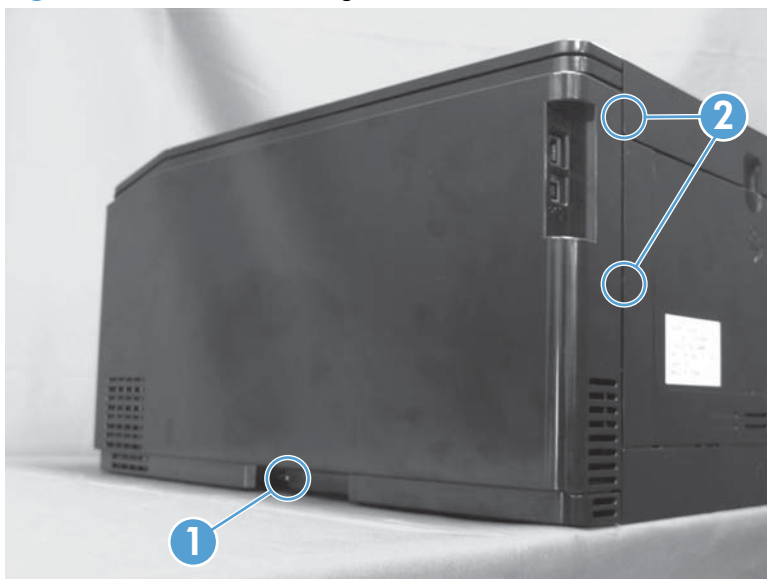
4. Remove the toner-cartridge drawer.

Covers

Right cover

1. Remove cassette assembly.
2. Open the front door.
3. Remove one screw (callout 1) and release two tabs (callout 2) using a flat blade screwdriver.

Figure 1-11 Remove the right cover (1 of 4)



4. Push the right cover (callout 1) from the rear side (callout 2) and slide it away from the product to release one tab (callout 3).

Figure 1-12 Remove the right cover (2 of 4)

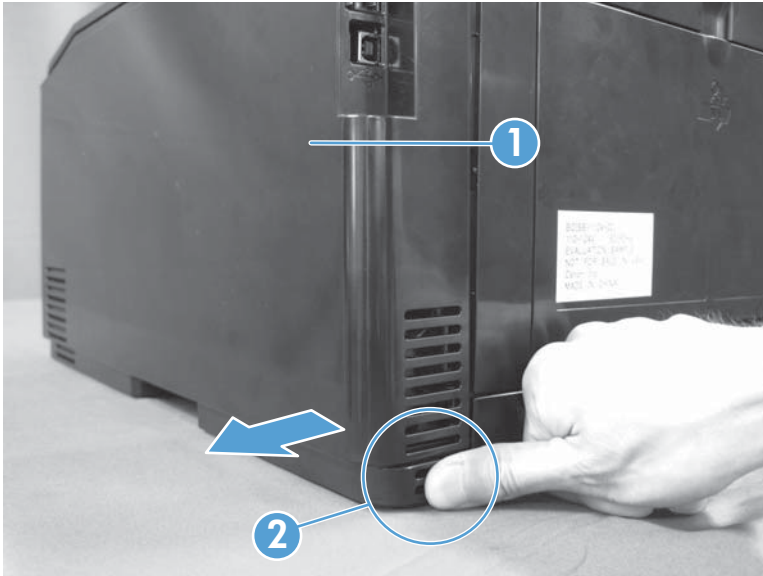
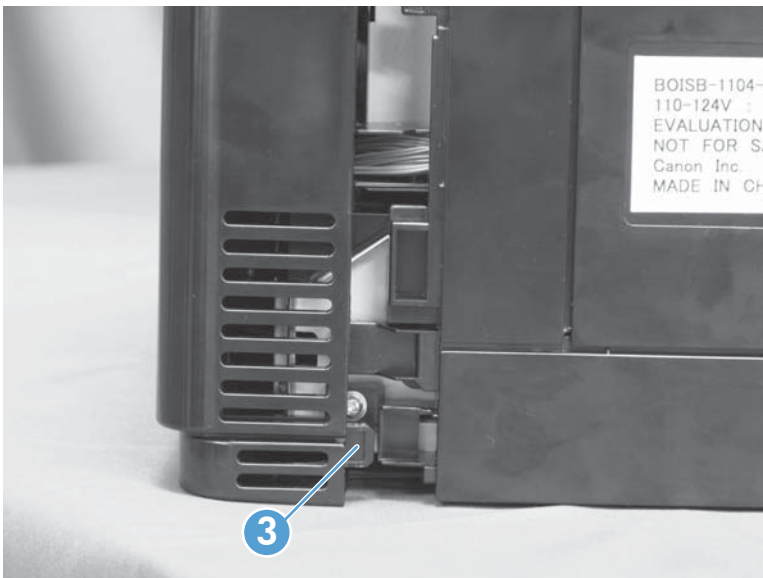
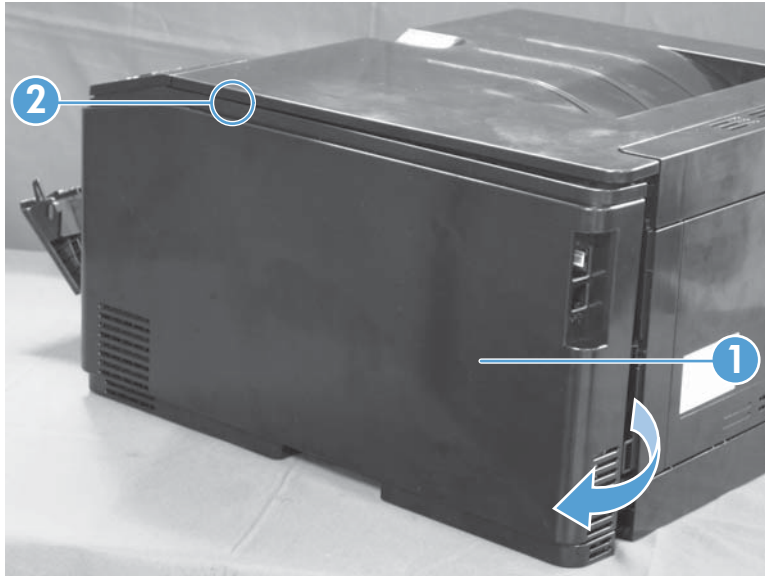


Figure 1-13 Remove the right cover (3 of 4)



5. Push the right cover (callout 1) downward and release one tab (callout 2). Rotate the right cover away from the product and remove it.

Figure 1-14 Remove the right cover (4 of 4)



Left cover

1. Remove the cassette assembly.
2. Open the front door.
3. Remove one screw (callout 1) and release one tab (callout 2) with a flat blade screwdriver.

Figure 1-15 Remove the left cover (1 of 4)



4. Slide the left cover (callout 1) away from the product and release one tab (callout 2).

Figure 1-16 Remove the left cover (2 of 4)

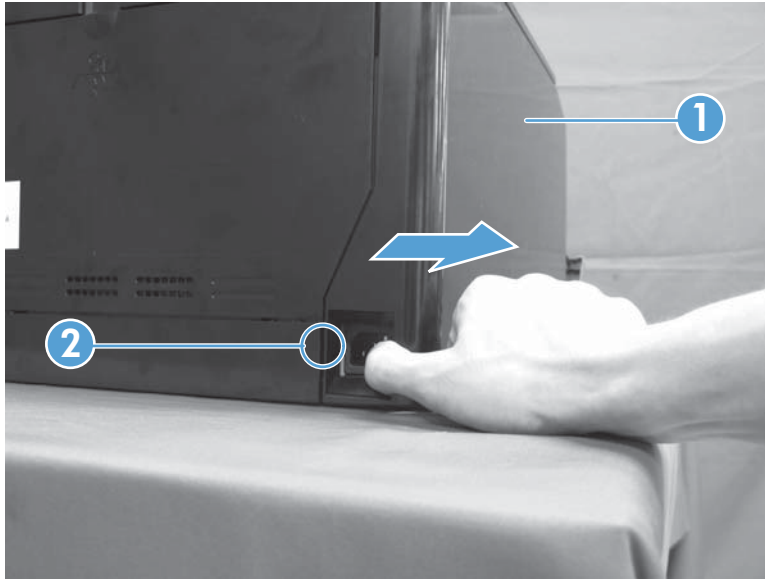
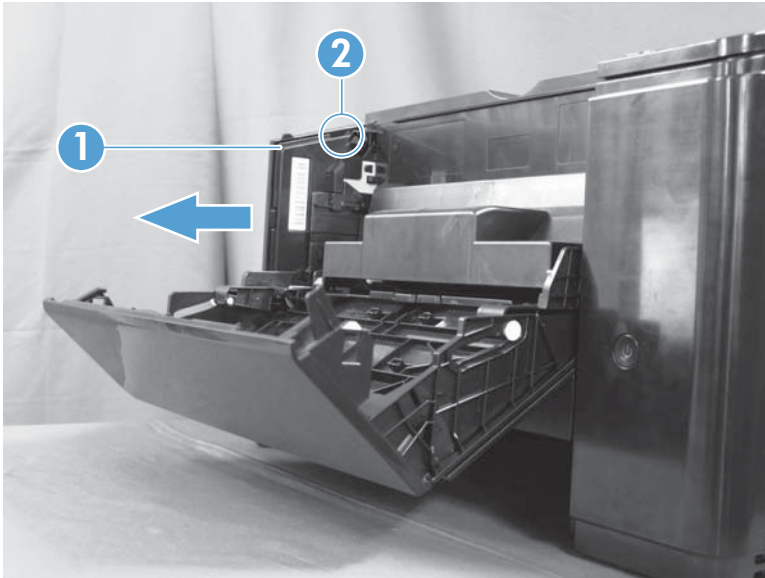


Figure 1-17 Remove the left cover (3 of 4)



5. Hold up the left cover (callout 1) and release one tab (callout 2). Slide the left cover away from the product and remove it.

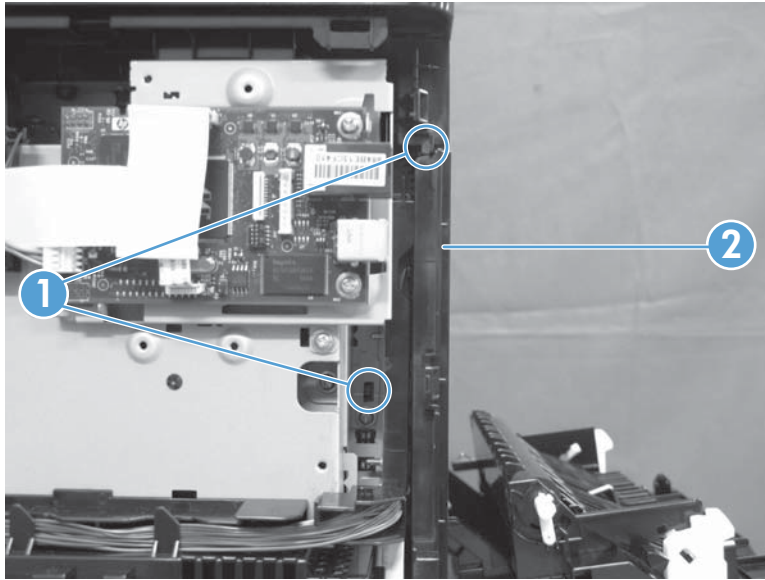
Figure 1-18 Remove the left cover (4 of 4)



Rear right cover

1. Remove the right cover. See [Right cover on page 15](#).
2. Open the rear door.
3. Release two tabs (callout 1) with a precision flat blade screwdriver and remove the rear right cover (callout 2).

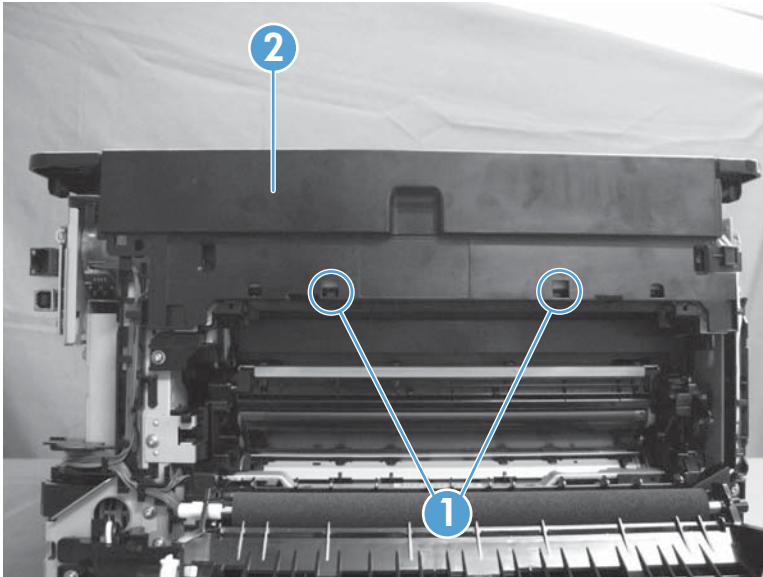
Figure 1-19 Remove the rear right cover



Rear upper cover

1. Remove the following components:
 - Right cover. See [Right cover on page 15](#).
 - Left cover. See [Left cover on page 18](#).
 - Rear right cover. See [Rear right cover on page 21](#).
2. Open the rear door.
3. Use a small flat blade screwdriver to release two tabs (callout 1).

Figure 1-20 Remove the rear upper cover

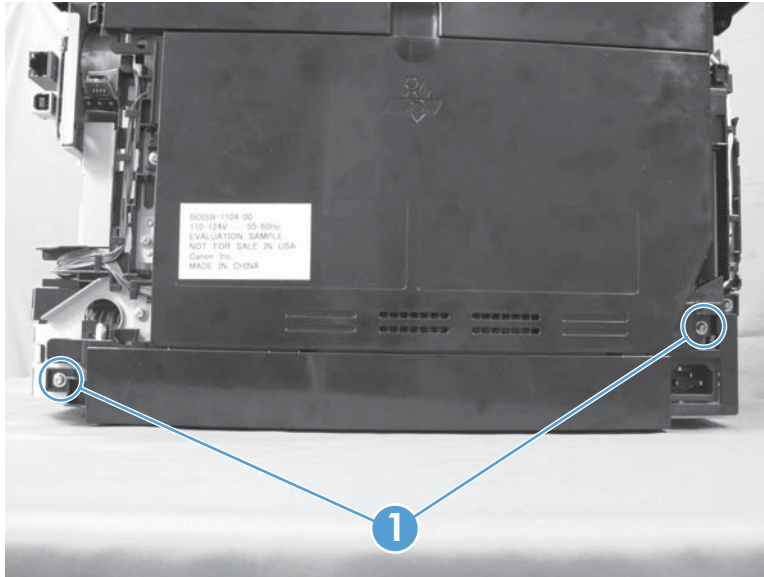


4. Pull the rear upper cover (callout 2) away from the product to remove.

Rear door and rear lower cover

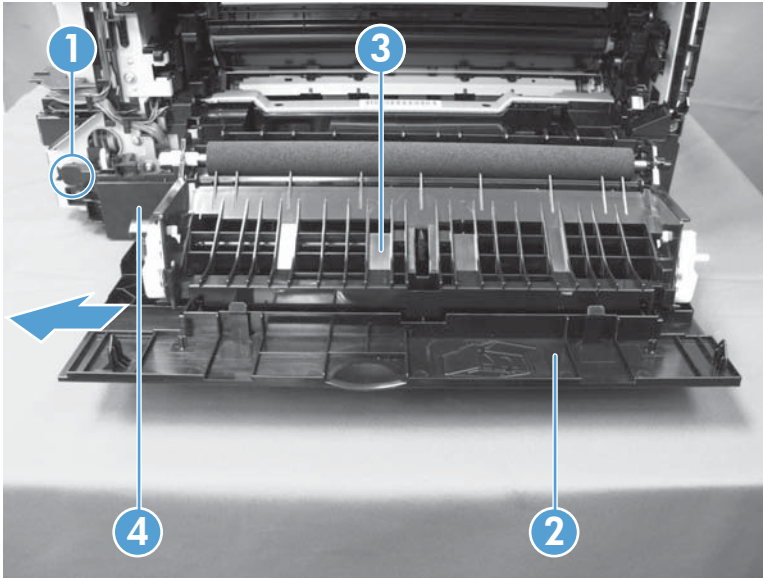
1. Remove the following components:
 - Right cover. See [Right cover on page 15](#).
 - Left cover. See [Left cover on page 18](#).
 - Rear right cover. See [Rear right cover on page 21](#).
2. Remove two screws (callout 1) and open the rear door.

Figure 1-21 Remove the rear door and rear lower cover (1 of 5)



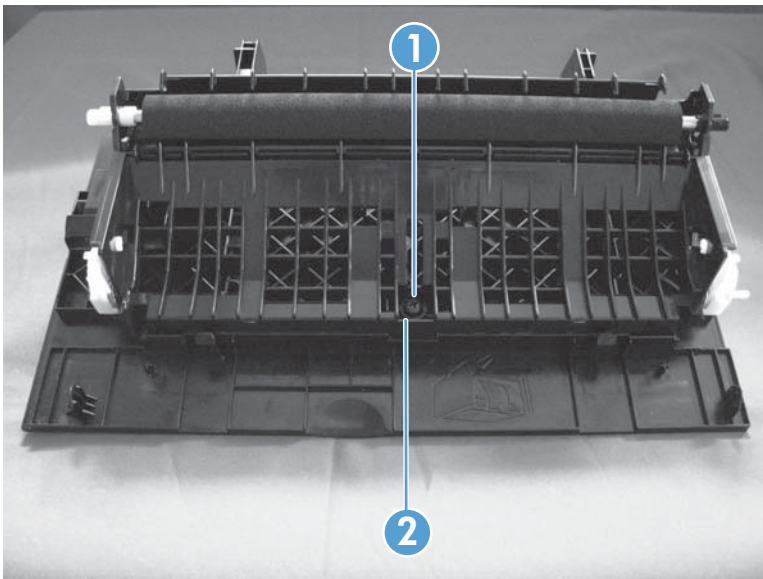
3. Release one locator pin (callout 1) and slide the rear door (callout 2), transfer roller assembly (callout 3) and rear bottom cover (callout 4) together to remove them. Remove the rear bottom cover from the rear door.

Figure 1-22 Remove the rear door and rear lower cover (2 of 5)



4. Remove one screw (callout 1) and the cap (callout 2).

Figure 1-23 Remove the rear door and rear lower cover (3 of 5)



5. Release two tabs (callout 1) and remove the transfer roller assembly (callout 3) from the rear door (callout 2).

Figure 1-24 Remove the rear door and rear lower cover (4 of 5)

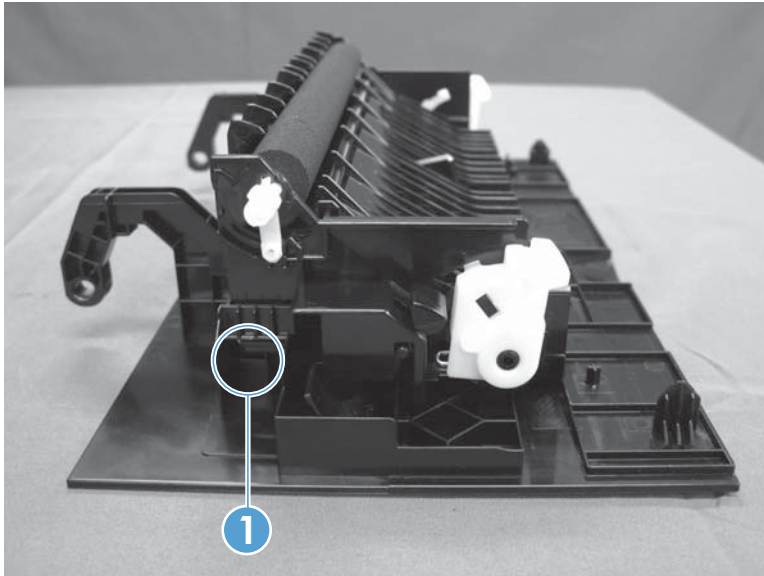
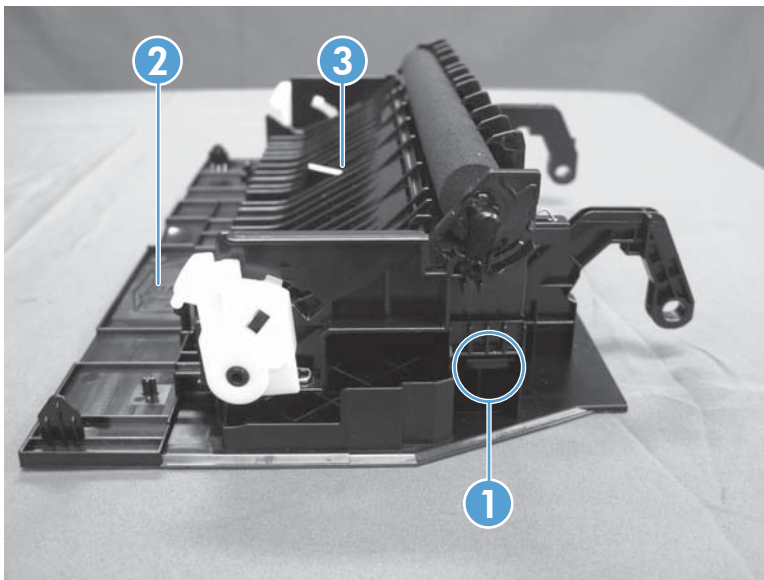


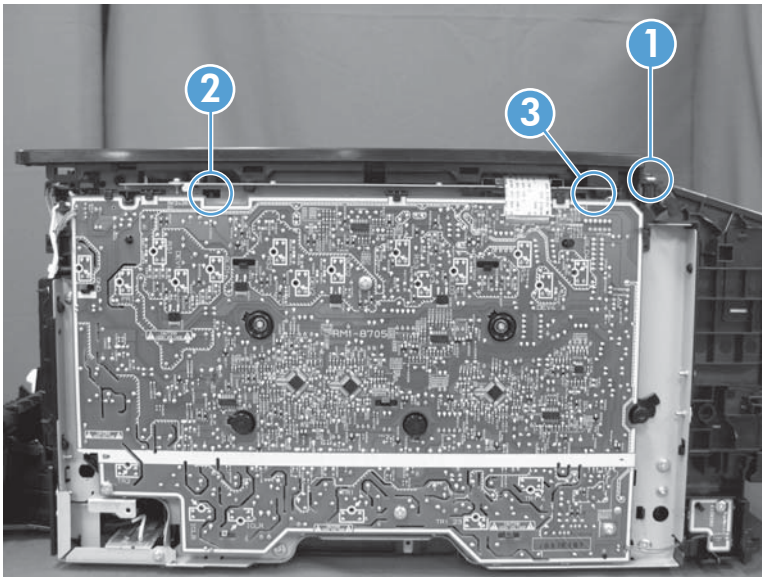
Figure 1-25 Remove the rear door and rear lower cover (5 of 5)



Upper cover, LCD control panel products (HP LaserJet Pro 200 color M251n Printer)

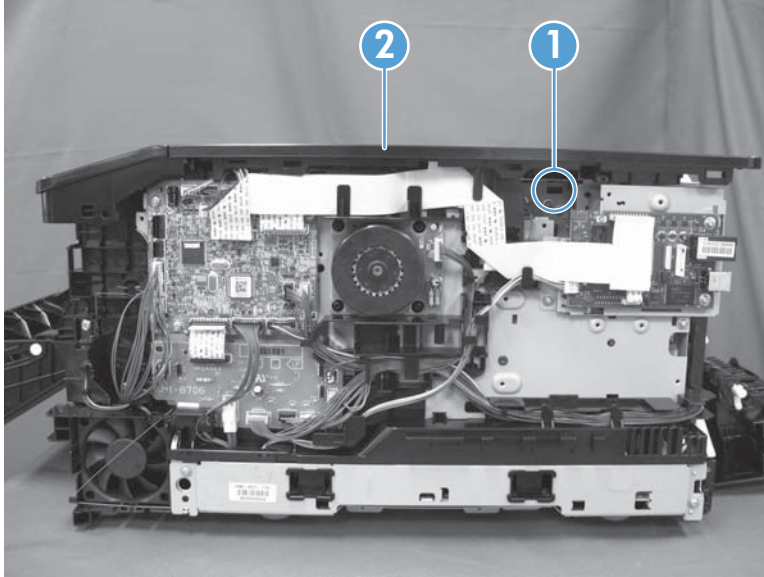
1. Remove the following components:
 - Right cover. See [Right cover on page 15](#).
 - Left cover. See [Left cover on page 18](#).
 - Rear right cover. See [Rear right cover on page 21](#).
 - Rear upper cover. See [Rear upper cover on page 22](#).
2. Partially open the front door.
3. Remove one screw (callout 1), release one tab (callout 2), and release one peg (callout 3).

Figure 1-26 Remove the upper cover (1 of 2)



4. Release one tab (callout 1) and remove the upper cover assembly (callout 2).

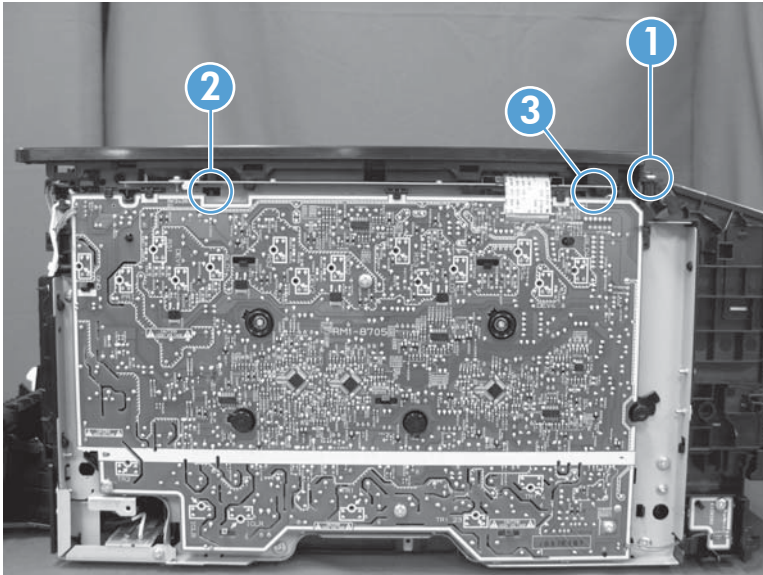
Figure 1-27 Remove the upper cover (2 of 2)



Upper cover, touchscreen control panel products (HP LaserJet Pro 200 color M251nw Printer)

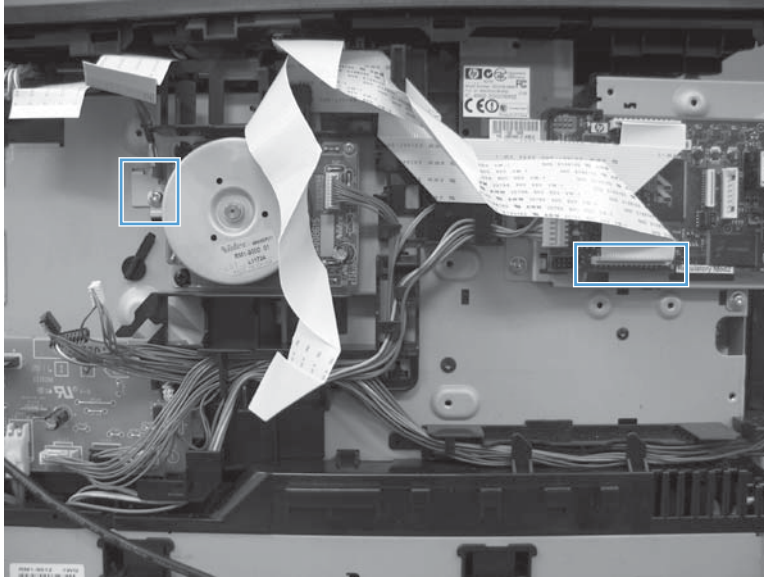
1. Remove the following components:
 - Right cover. See [Right cover on page 15](#).
 - Left cover. See [Left cover on page 18](#).
 - Rear right cover. See [Rear right cover on page 21](#).
 - Rear upper cover. See [Rear upper cover on page 22](#).
2. Partially open the front door.
3. Remove one screw (callout 1), release one tab (callout 2), and release one peg (callout 3).

Figure 1-28 Remove the upper cover (1 of 5)



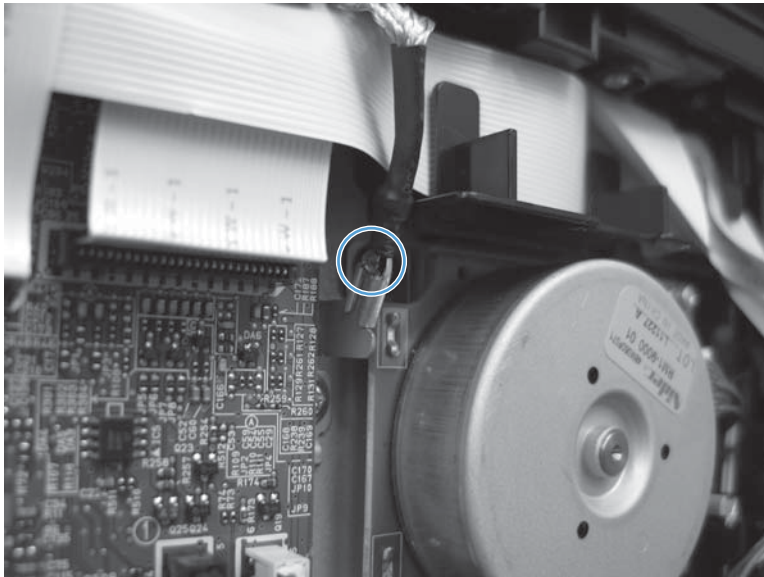
4. Disconnect one FFC on the formatter PCA and remove the grounding strap.

Figure 1-29 Remove the upper cover (2 of 5)



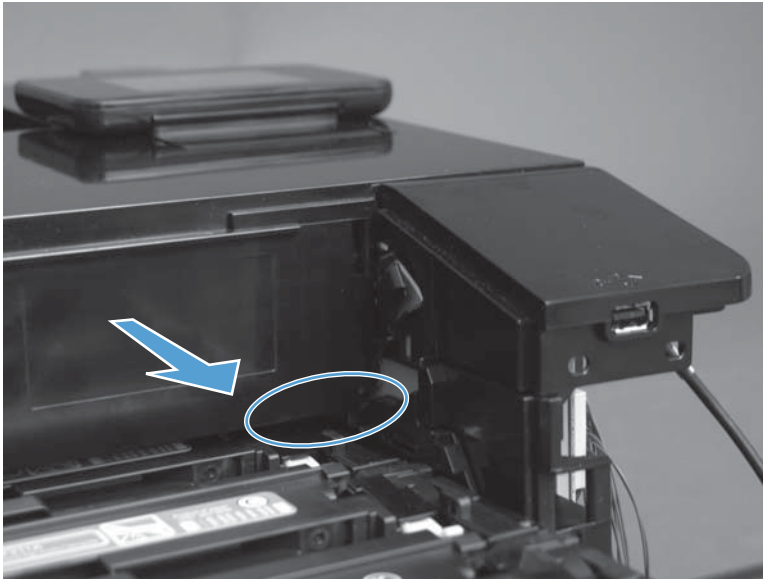
5. Depress the spring latch on the grounding strap to disconnect the grounding strap from the chassis.

Figure 1-30 Remove the upper cover (3 of 5)



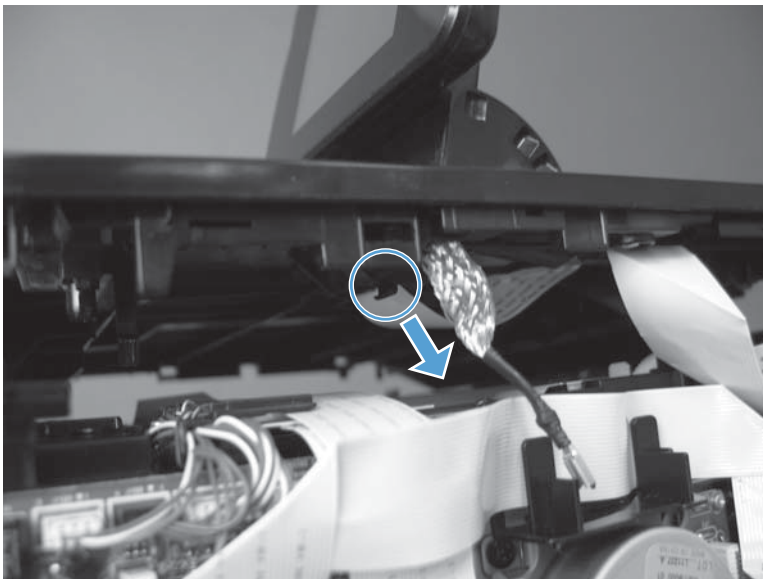
6. Release one tab on the front left of the upper cover.

Figure 1-31 Remove the upper cover (4 of 5)



7. Release one tab beneath the control-panel arm and remove the upper cover.

Figure 1-32 Remove the upper cover (5 of 5)

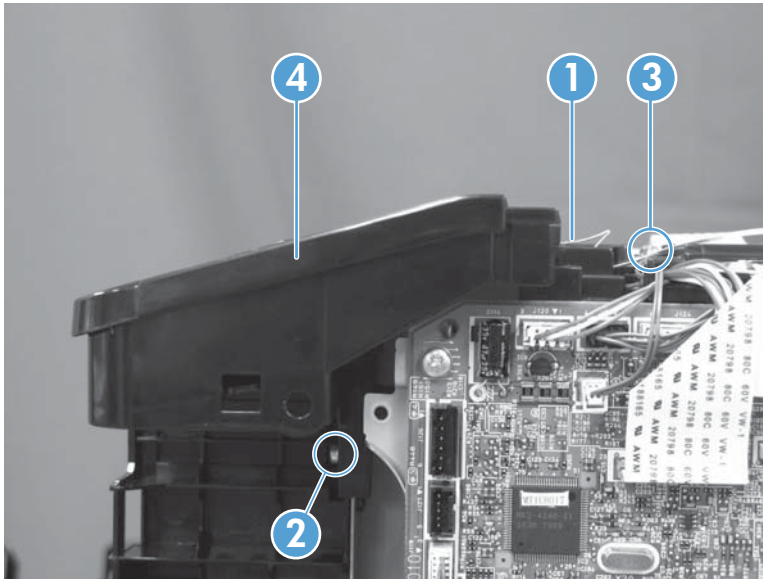


LCD control-panel assembly (HP LaserJet Pro 200 color M251n Printer)

⚠ CAUTION: Do not bend or fold the flat flexible cables (FFCs) during removal or installation. Do not straighten pre-folds in the FFCs. You *must* make sure that all FFCs are fully seated in their connectors. Failure to fully seat an FFC into a connector can cause a short circuit in a PCA.

1. Remove the following components:
 - Right cover. See [Right cover on page 15](#).
 - Left cover. See [Left cover on page 18](#).
 - Rear right cover. See [Rear right cover on page 21](#).
 - Rear upper cover. See [Rear upper cover on page 22](#).
 - Upper cover. See [Upper cover, LCD control panel products \(HP LaserJet Pro 200 color M251n Printer\) on page 26](#).
2. Open the front door.
3. Disconnect one FFC (callout 1), remove one 3x8 screw (callout 2) and one 3x12 screw (callout 3). Remove the control-panel assembly (callout 4).

Figure 1-33 Remove the control-panel assembly



💡 TIP: The control-panel mounting screw (callout 3) is a self-tapping screw. When reinstalling the control-panel module, ensure that you replace this screw in the correct position in the product.

Touchscreen control-panel assembly (HP LaserJet Pro 200 color M251nw Printer)

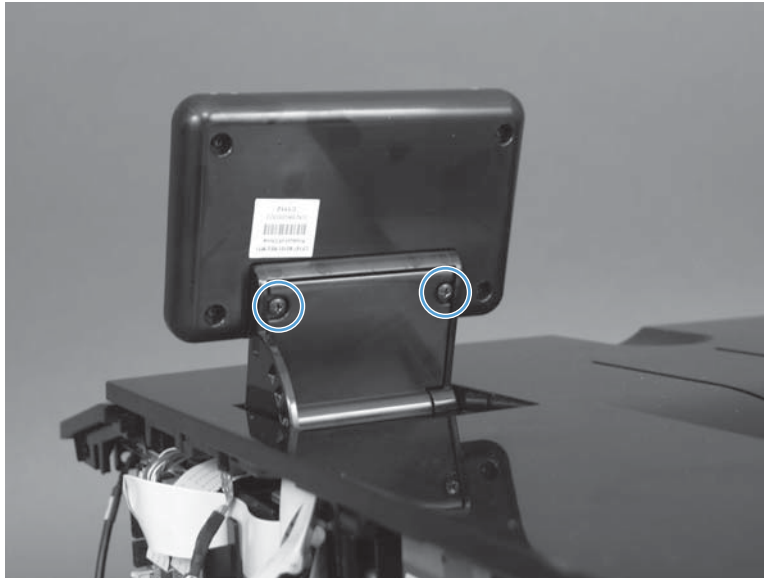
1. Remove the following components:
 - Right cover. See [Right cover on page 15](#).
 - Left cover. See [Left cover on page 18](#).
 - Rear right cover. See [Rear right cover on page 21](#).
 - Rear upper cover. See [Rear upper cover on page 22](#).
 - Upper cover. See [Upper cover, touchscreen control panel products \(HP LaserJet Pro 200 color M251nw Printer\) on page 28](#).
2. Place the upper cover assembly upside down on a flat surface. Carefully separate the adhesive-backed section of the control-panel FFC from the upper cover and remove the FFC from the bracket.

Figure 1-34 Remove the touchscreen control-panel (1 of 2)



3. Remove two screws. Separate the control-panel assembly from the upper cover and carefully feed the control-panel FFC through the opening in the upper cover.

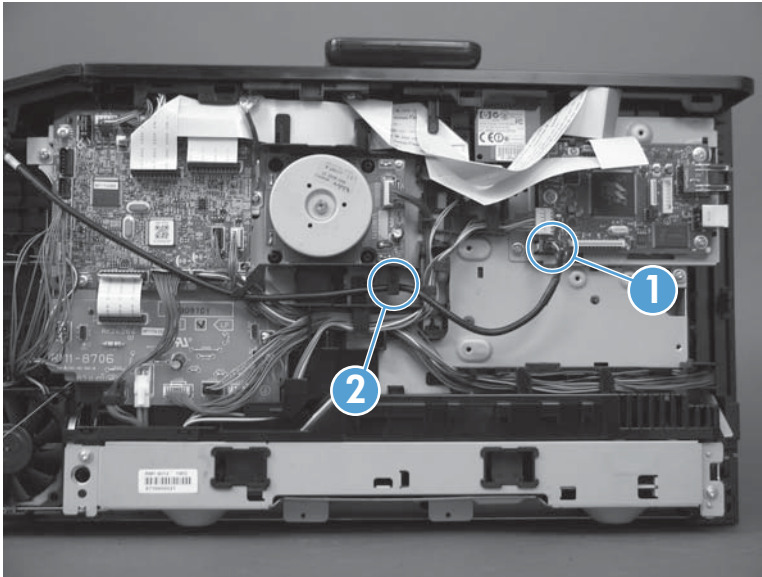
Figure 1-35 Remove the touchscreen control-panel (2 of 2)



USB cover (touchscreen control-panel models)

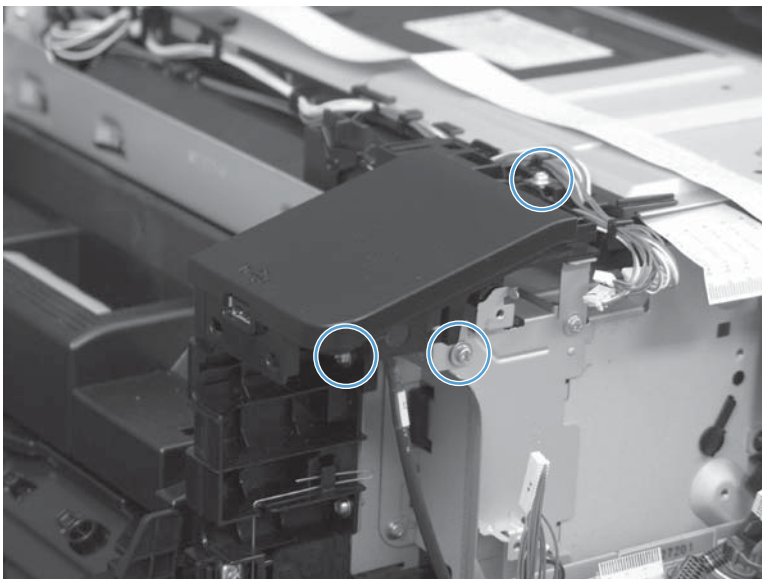
1. Remove the following components:
 - Right cover. See [Right cover on page 15](#).
 - Upper cover. See [Upper cover, LCD control panel products \(HP LaserJet Pro 200 color M251n Printer\) on page 26](#).
2. Disconnect one wire-harness (callout 1) from the formatter PCA and remove the wire-harness from the retainer (callout 2).

Figure 1-36 Remove the USB cover (1 of 2)



3. Remove three screws and remove the USB cover.

Figure 1-37 Remove the USB cover (2 of 2)

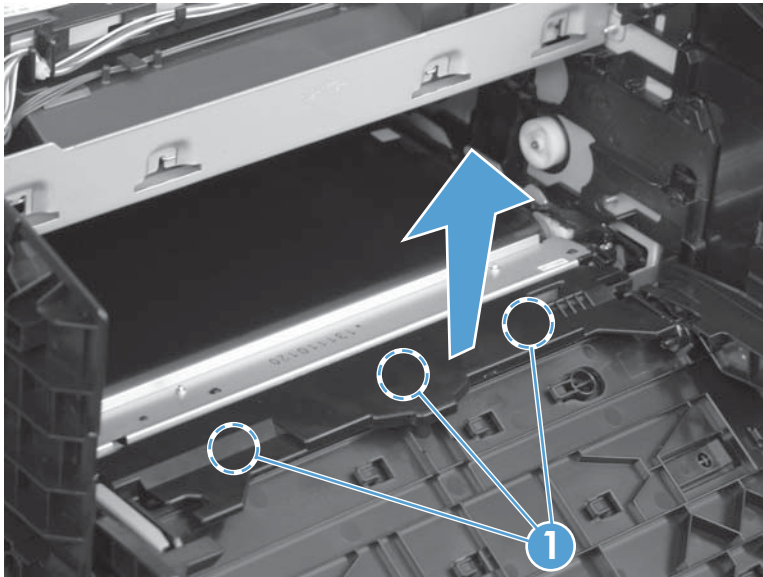


Front-door and front-cover assembly

The front cover assembly is located below the front door.

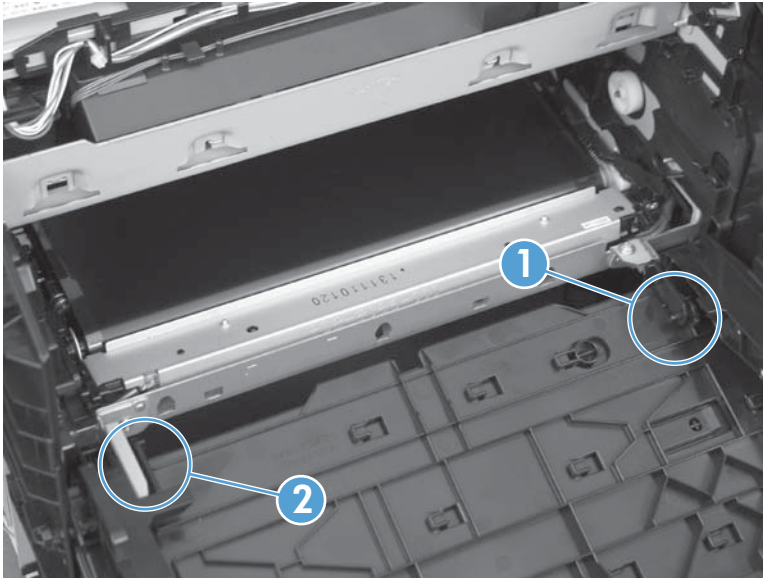
1. Remove the following components:
 - Toner-cartridge drawer. See [Toner-cartridge drawer on page 14](#).
 - Right cover. See [Right cover on page 15](#).
 - Left cover. See [Left cover on page 18](#).
 - Rear right cover. See [Rear right cover on page 21](#).
 - Rear-upper cover. See [Rear upper cover on page 22](#).
 - Rear door and rear lower cover. See [Rear door and rear lower cover on page 23](#).
 - Upper cover. See [Upper cover, LCD control panel products \(HP LaserJet Pro 200 color M251n Printer\) on page 26](#) or [Upper cover, touchscreen control panel products \(HP LaserJet Pro 200 color M251nw Printer\) on page 28](#).
2. Open the front cover assembly.
3. Release three tabs (callout 1) and remove the cartridge tray bottom cover.

Figure 1-38 Remove the front-door and front-cover assembly (1 of 6)



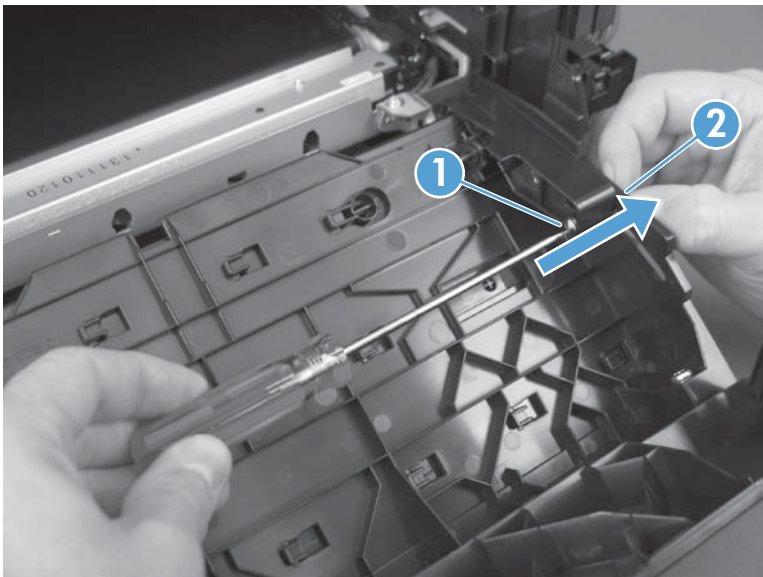
4. Release one peg (callout 1) on the right side of the front cover assembly. Close the front door assembly slightly and release one peg (callout 2) on the left side of the front cover assembly. Then remove the front cover assembly.

Figure 1-39 Remove the front-door and front-cover assembly (2 of 6)



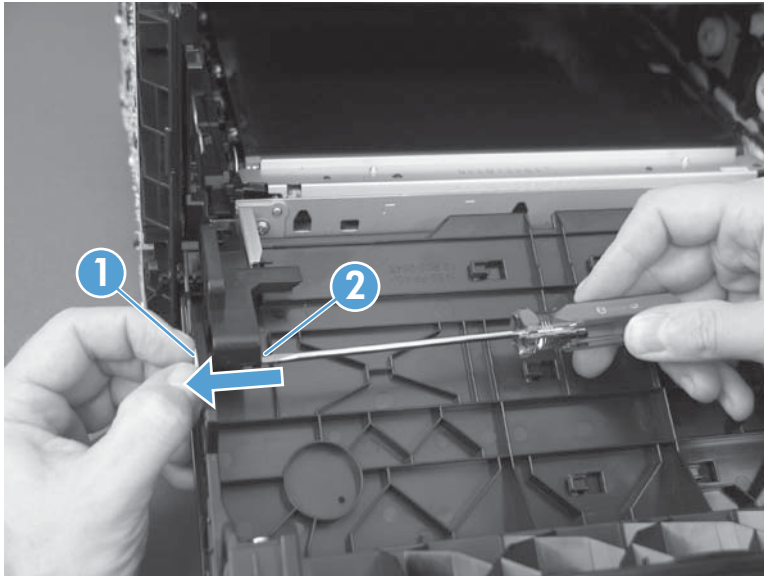
5. Hold up the tab (callout 2) with a precision flat blade screwdriver and then pull out the shaft (callout 1) on the left side of the front door assembly.

Figure 1-40 Remove the front-door and front-cover assembly (3 of 6)



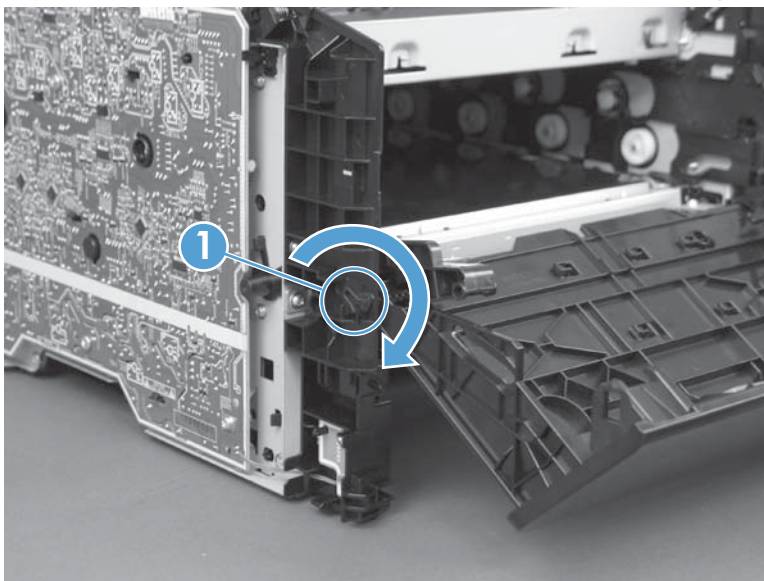
6. Hold up the tab (callout 1) with a precision flat blade screwdriver, and then pull out the shaft (callout 2) on the right side of the front door assembly.

Figure 1-41 Remove the front-door and front-cover assembly (4 of 6)



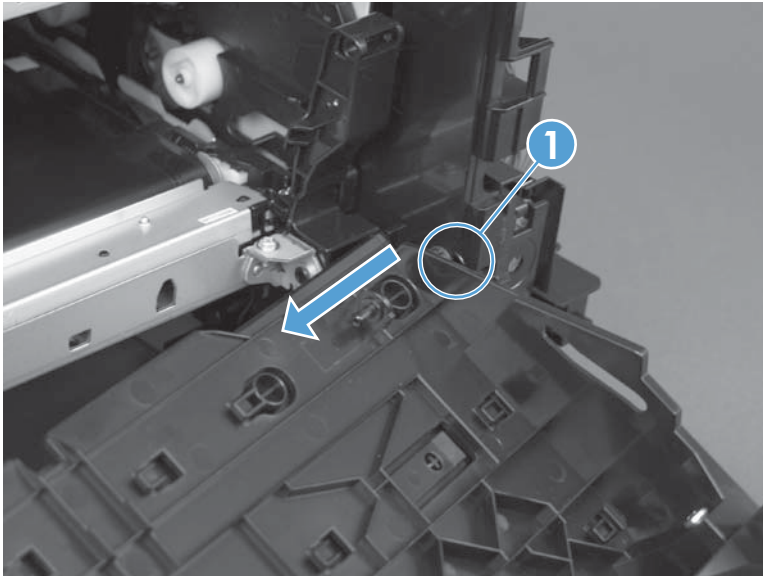
7. Release one tab (callout 1) of the support shaft on the left side of the front door assembly and pull out the support shaft by turning it clockwise.

Figure 1-42 Remove the front-door and front-cover assembly (5 of 6)



8. Release one peg (callout 1) on the right side of the front door assembly. Slide the front door assembly to the left and remove it.

Figure 1-43 Remove the front-door and front-cover assembly (6 of 6)



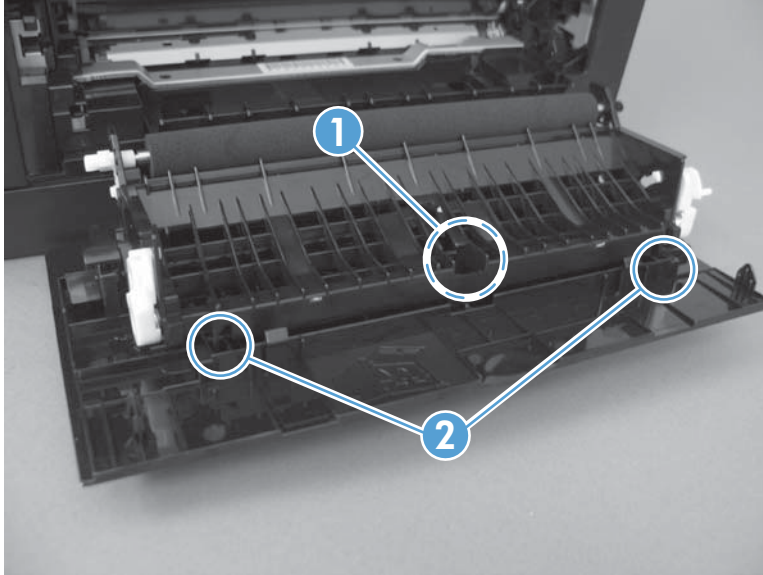
Main assemblies

 **NOTE:** The laser scanner installed in this product is not replaceable.

Paper-guide assembly

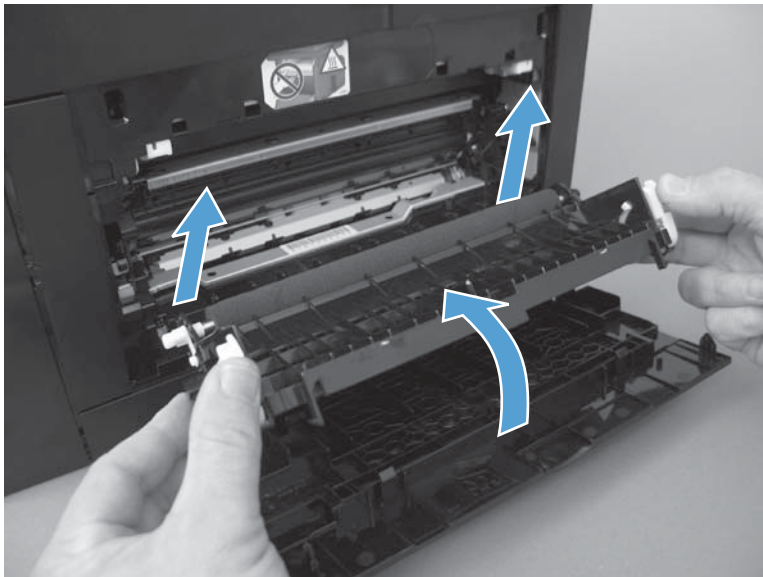
1. Open the rear door.
2. Release one captive screw (callout 1) and release two tabs (callout 2).

Figure 1-44 Remove the paper-guide assembly (1 of 2)



3. Rotate the assembly up and away from the rear door to release it, and then remove the paper-guide assembly.

Figure 1-45 Remove the paper-guide assembly (2 of 2)

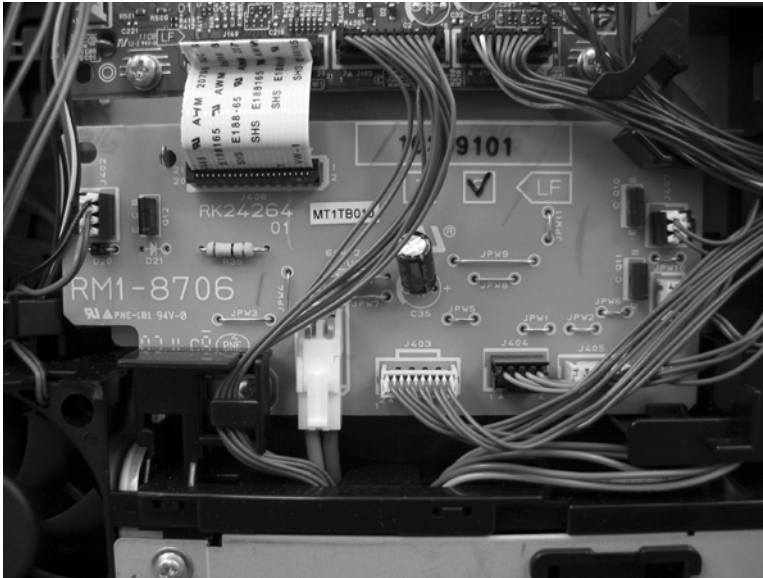


Driver PCA

Remove the driver PCA

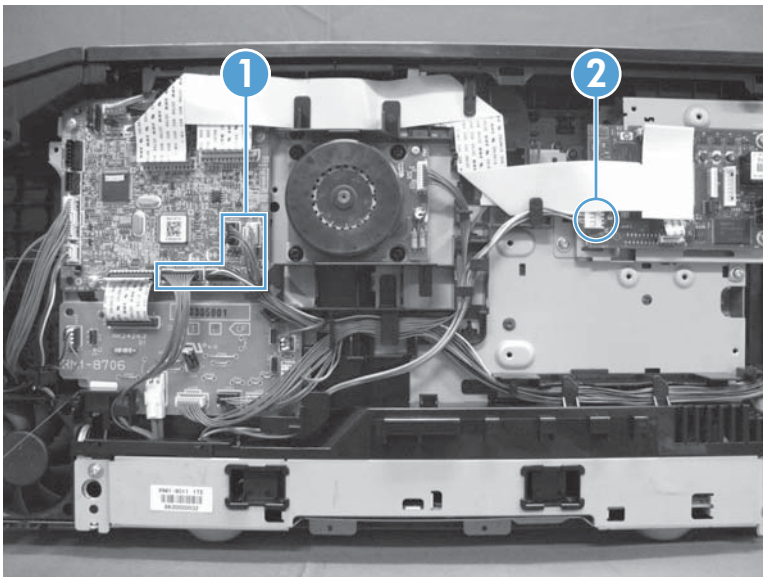
1. Remove the following components:
 - Right cover. See [Right cover on page 15](#).
2. Disconnect the power lead, six wire-harnesses, and one FFC from the driver PCA.

Figure 1-46 Remove the driver PCA (1 of 8)



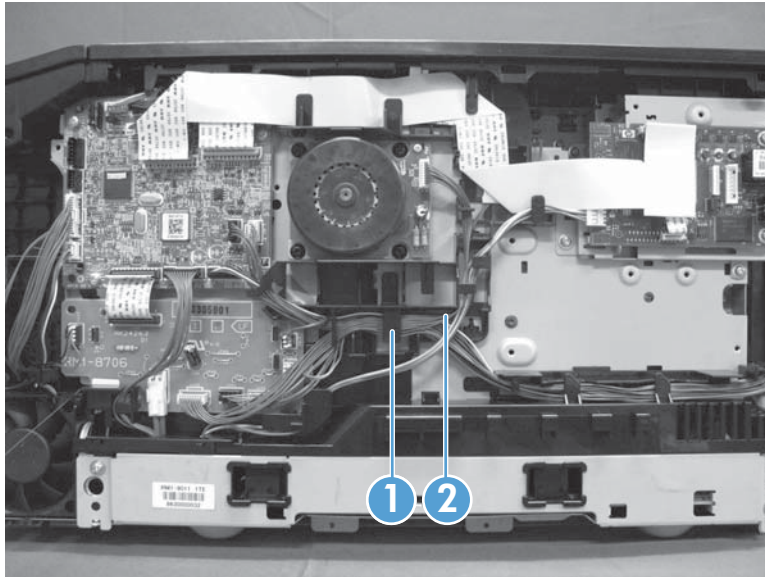
3. Disconnect four connectors (callout 1) on the DC controller assembly and one connector (callout 2) on the formatter PCA.

Figure 1-47 Remove the driver PCA (2 of 8)



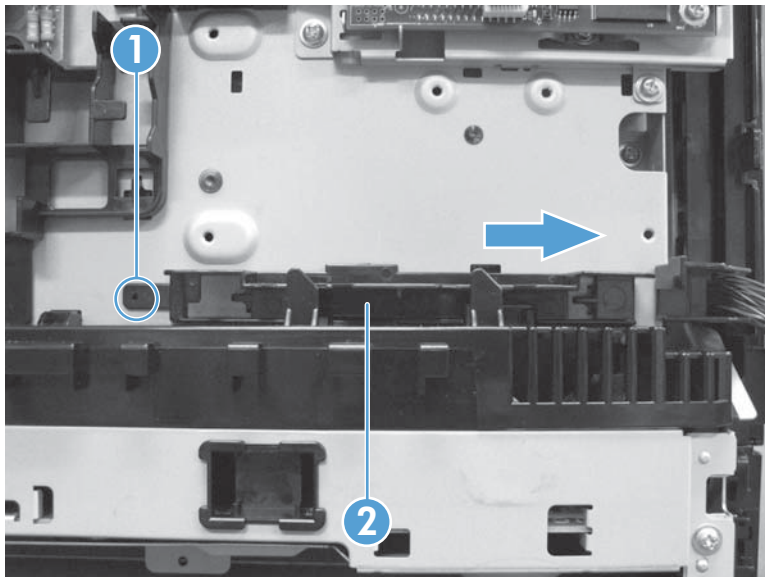
4. Release the cables (callout 1) from the cable guide (callout 2).

Figure 1-48 Remove the driver PCA (3 of 8)



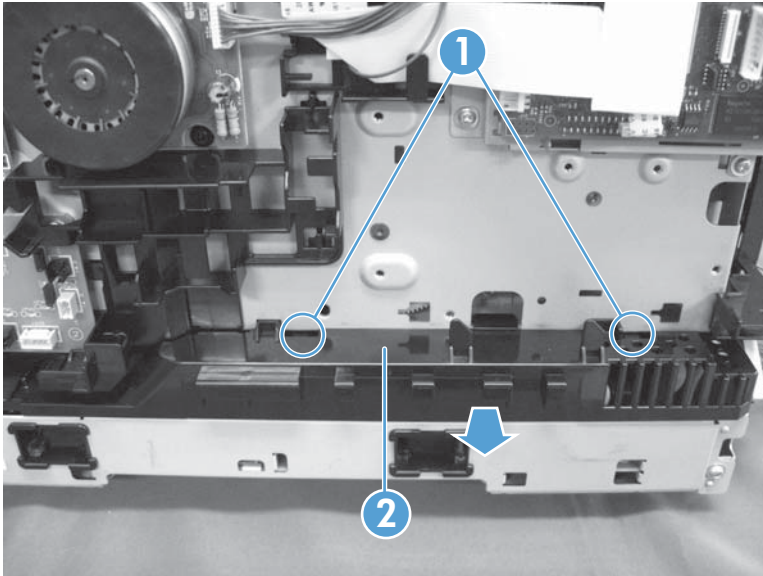
5. Release one tab (callout 1) and slide the cable guide (callout 2) toward the back of the product to remove.

Figure 1-49 Remove the driver PCA (4 of 8)



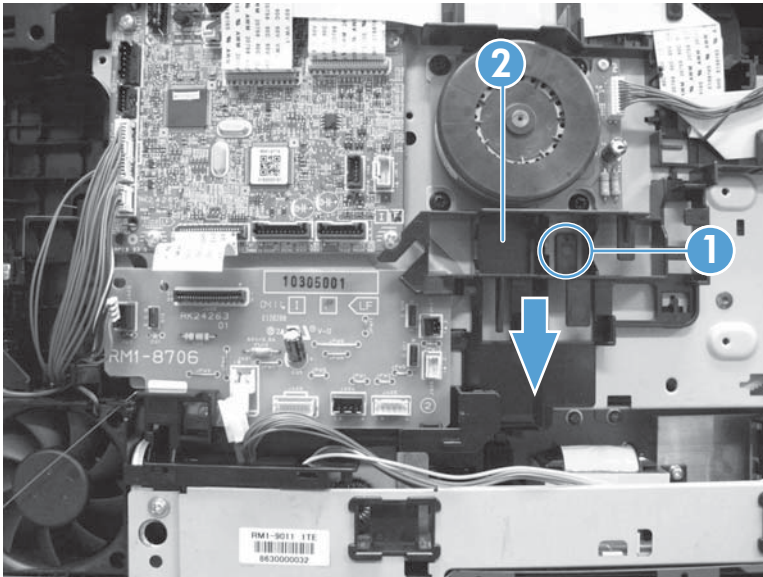
6. Release two tabs (callout 1) and slide the cable guide (callout 2) away from the product to remove.

Figure 1-50 Remove the driver PCA (5 of 8)



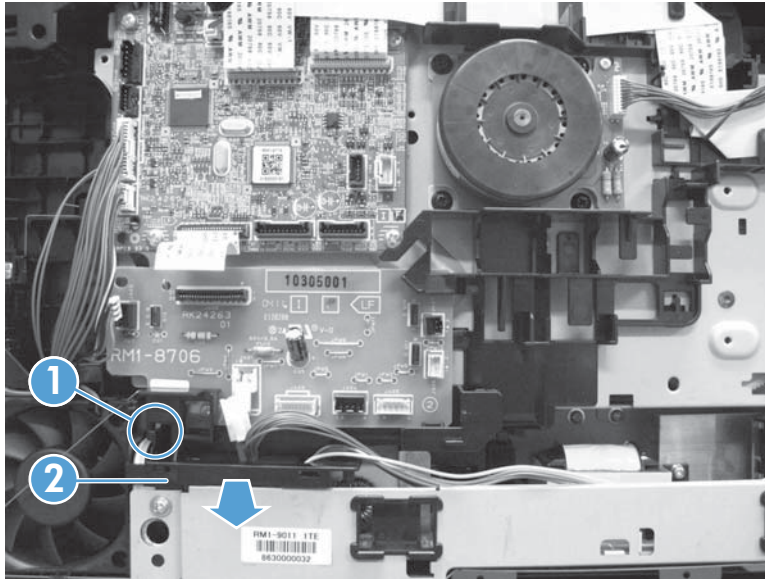
7. Release one tab (callout 1) and slide the cable guide (callout 2) downward to remove.

Figure 1-51 Remove the driver PCA (6 of 8)



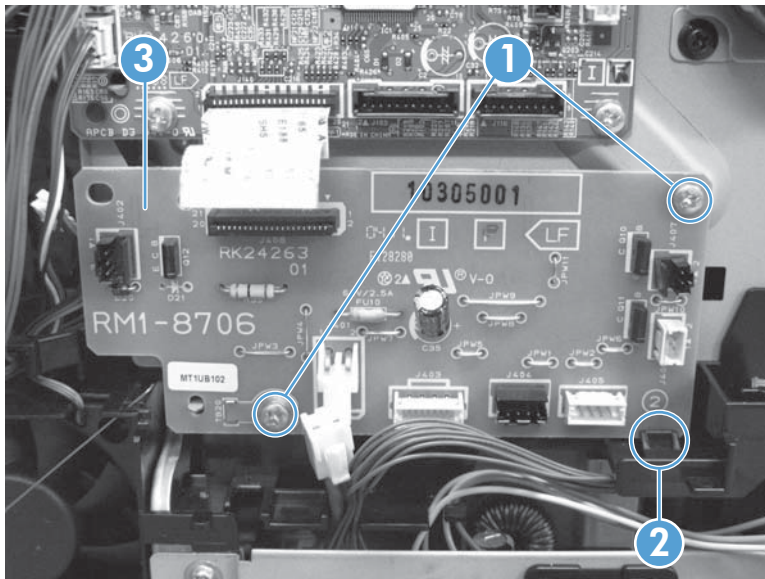
8. Release one tab (callout 1) and slide the cable guide (callout 2) away from the product to remove.

Figure 1-52 Remove the driver PCA (7 of 8)




9. Remove two screws (callout 1). Release one tab (callout 2) and remove the driver PCA (callout 3).

Figure 1-53 Remove the driver PCA (8 of 8)



DC controller PCA

Special consideration

 **WARNING!** Do not install a *replacement* formatter PCA and DC controller PCA at the same time, and then turn the product power on.

The formatter PCA and the DC controller PCA store important product configuration information (NVRAM data) that will be lost if both PCAs are replaced at the same time. When the product power is turned on, the formatter will restore the NVRAM data to a replacement DC controller.


Replacing both the DC controller and the formatter at the same time will result in severe print-quality problems.

Replacing the DC controller PCA before the formatter PCA

Use the following procedure if you need to install a replacement DC controller *and* a replacement formatter PCA.

 **NOTE:** If you are only installing a replacement DC controller PCA, proceed to [DC controller PCA on page 44](#).

1. Install a replacement DC controller PCA.
2. Turn the product power on, and wait for the print-cartridge volume indicators to appear on the control-panel display.

 **NOTE:** This allows important product information to be written to the replacement DC controller PCA.

3. Turn the product power off.
4. Install a replacement formatter PCA. See [Formatter PCA on page 47](#).
5. Turn the product power on.

Remove the DC controller PCA

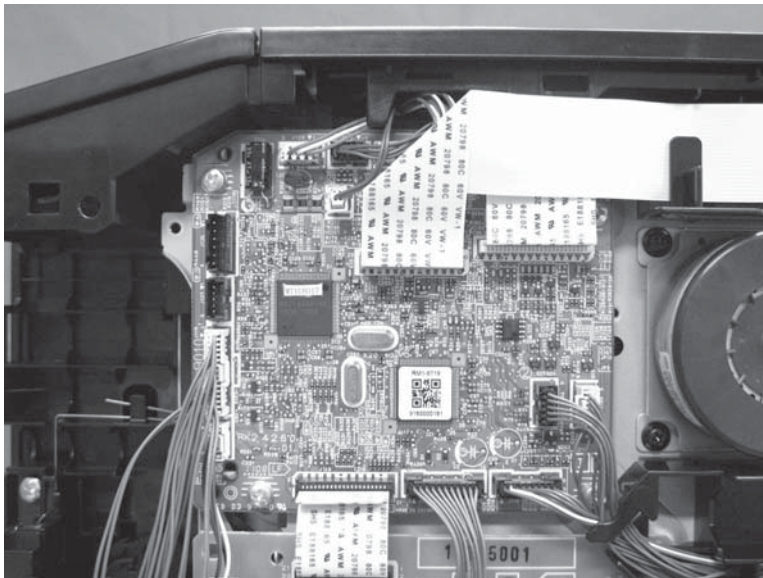
⚠ CAUTION: Do not bend or fold the flat flexible cables (FFCs) during removal or installation. Also, do not straighten pre-folds in the FFCs. You *must* make sure that all FFCs are fully seated in their connectors. Failure to fully seat an FFC into a connector can cause a short circuit in a PCA.

⚠ ESD Some parts are sensitive to electrostatic discharge (ESD). Look for the ESD reminder when removing product parts. Always perform service work at an ESD-protected workstation or mat. If an ESD workstation or mat is not available, ground yourself by touching the sheet-metal chassis *before* touching an ESD-sensitive part.

1. Remove the following components:
 - Right cover. See [Right cover on page 15](#).
 - Upper cover. See [Upper cover, LCD control panel products \(HP LaserJet Pro 200 color M251n Printer\) on page 26](#) or [Upper cover, touchscreen control panel products \(HP LaserJet Pro 200 color M251nw Printer\) on page 28](#).
2. Disconnect all of the FFCs and wire-harness connectors from the DC controller PCA.
 - FFCs: J107, J108, J115, J140
 - wire-harness connectors
 - J103, J104, J105, J109, J116, J119, J120, J124, J126, J127, J130, and J131.

✍ NOTE: J126 and J127 are not used.

Figure 1-54 Remove the DC controller PCA (1 of 2)



3. Remove four screws (callout 1), and then remove the DC controller PCA (callout 2).


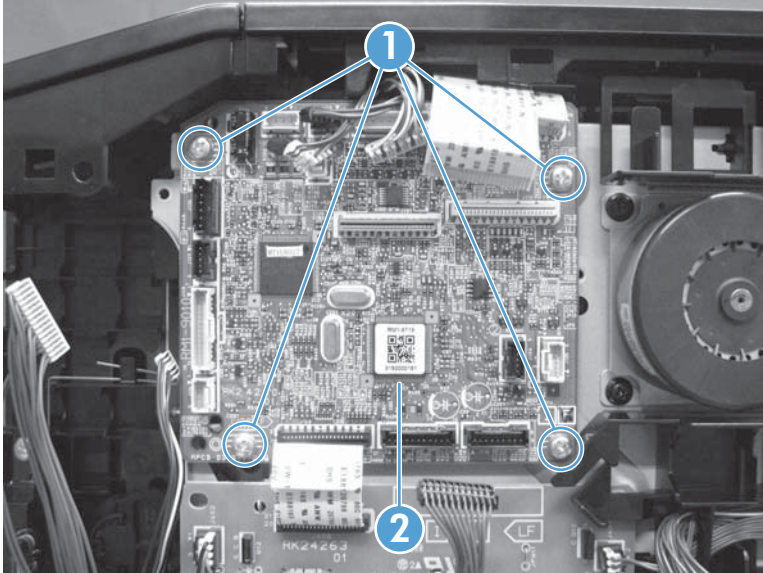

 **NOTE:** These four DC controller PCA fscscrews are ground screws. Make sure that the correct screws are used to reinstall the DC controller PCA.

Figure 1-55 Remove the DC controller PCA (2 of 2)



Formatter PCA

Special consideration


 **WARNING!** Do not install a *replacement* formatter PCA and DC controller PCA at the same time, and then turn the product power on.

The formatter PCA and the DC controller PCA store important product configuration information (NVRAM data) that will be lost if both PCAs are replaced at the same time. When the product power is turned on, the DC controller will restore the NVRAM data on the replacement formatter.


Replacing both the formatter and the DC controller at the same time will result in severe print-quality problems.

Replacing the formatter PCA before the DC controller PCA

Use the following procedure if you need to install a replacement formatter PCA *and* a replacement DC controller.


 **NOTE:** If you are only installing a replacement formatter PCA, proceed to [Remove the formatter PCA on page 47](#).


1. Install a replacement formatter PCA.
2. Turn the product power on, and wait for the print-cartridge volume indicators to appear on the control-panel display.

 **NOTE:** This allows important product information to be written to the replacement formatter PCA.

3. Turn the product power off.
4. Install a replacement DC controller. See [DC controller PCA on page 44](#).
5. Turn the product power on.

Remove the formatter PCA

 **CAUTION:** Do not bend or fold the flat flexible cables (FFCs) during removal or installation. Also, do not straighten pre-folds in the FFCs. You *must* make sure that all FFCs are fully seated in their connectors. Failure to fully seat an FFC into a connector can cause a short circuit in a PCA.

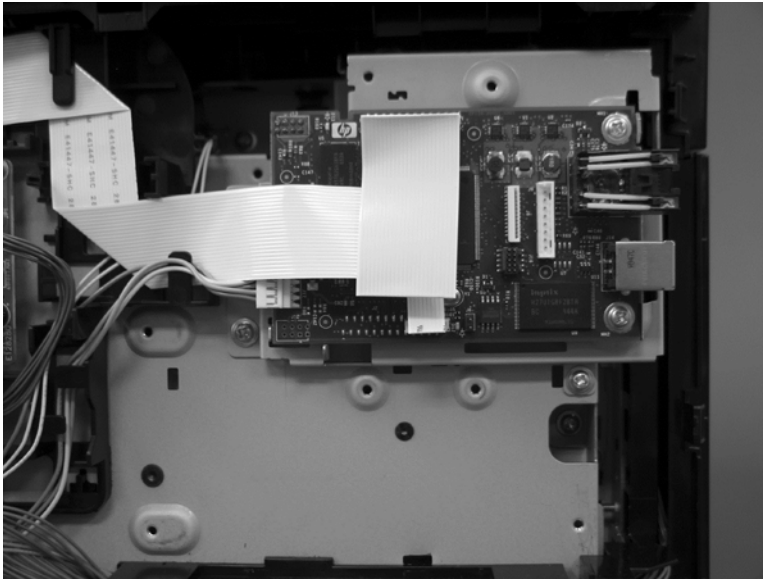
 Some parts are sensitive to electrostatic discharge (ESD). Look for the ESD reminder when removing product parts. Always perform service work at an ESD-protected workstation or mat. If an ESD workstation or mat is not available, ground yourself by touching the sheet-metal chassis *before* touching an ESD-sensitive part.

1. Remove the right cover. See [Right cover on page 15](#).

2. Disconnect all of the FFCs and wire-harness connectors from the formatter PCA.

- FFCs
 - HP LaserJet Pro 200 color M251n Printer: J1, J5
 - HP LaserJet Pro 200 color M251nw Printer: J2, J5
- Wire-harness connectors
 - HP LaserJet Pro 200 color M251n Printer: J17
 - HP LaserJet Pro 200 color M251nw Printer: J12, J17

Figure 1-56 Remove the formatter PCA (1 of 2)



3. Remove three screws and then remove the formatter PCA.


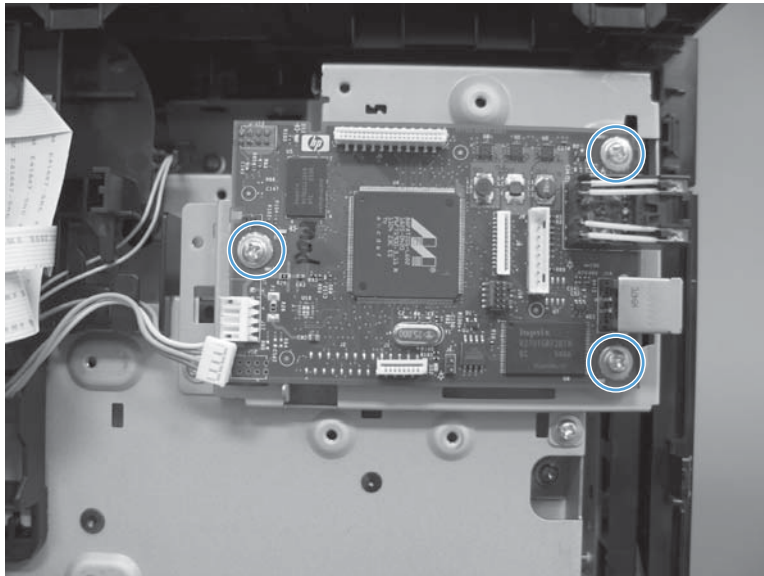
 **NOTE:** On the HP LaserJet Pro 200 color M251nw Printer products, the wireless PCA is attached to the formatter.

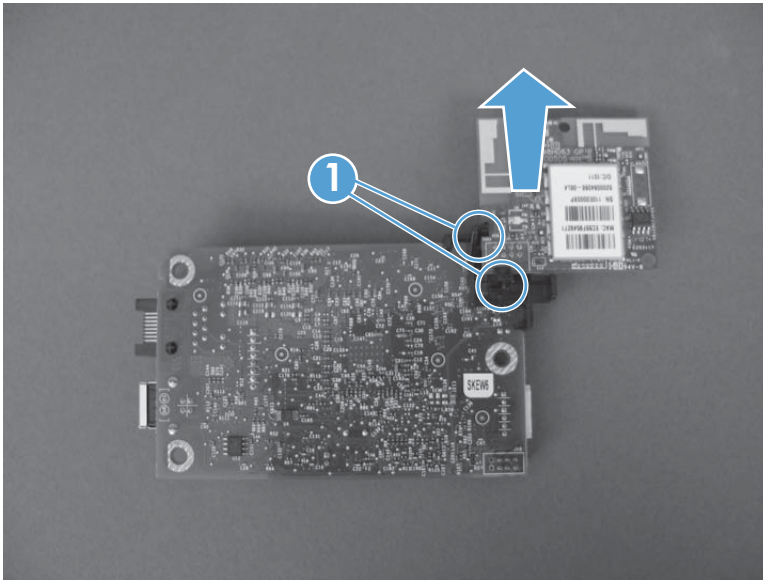
Figure 1-57 Remove the formatter PCA (2 of 2)



Wireless PCA

1. Remove the following components:
 - Right cover. See [Right cover on page 15](#).
 - Formatter PCA. See [Formatter PCA on page 47](#)
2. Release the wireless PCA from the socket on the formatter PCA and remove the wireless PCA.

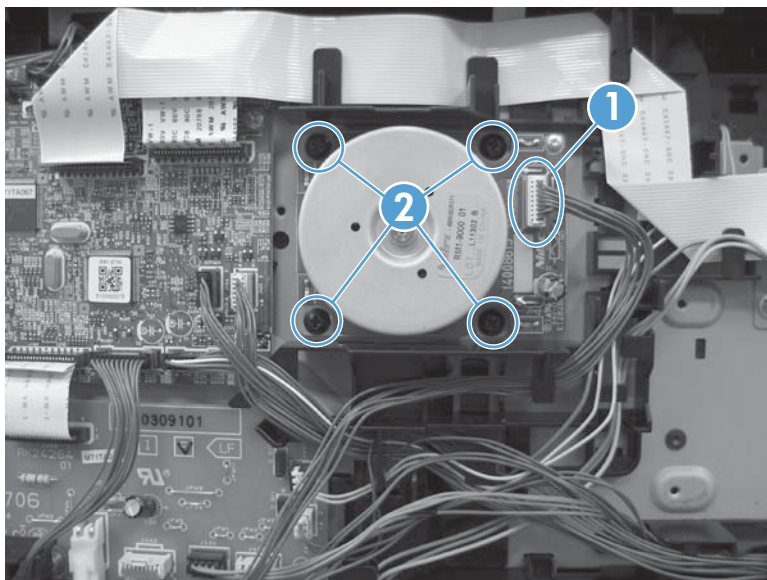
Figure 1-58 Remove the wireless PCA



Main motor

1. Remove the right cover. See [Right cover on page 15](#).
2. Disconnect one wire-harness connector (callout 1), remove four screws (callout 2), and then remove the main motor.

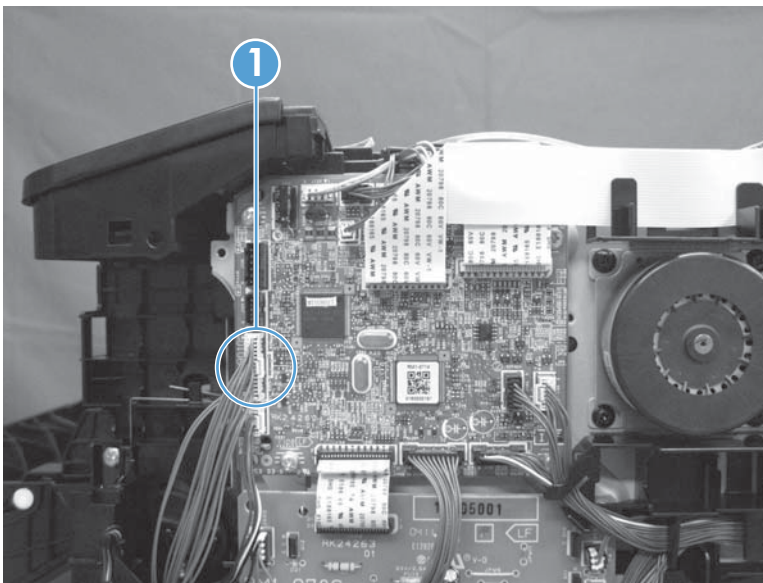
Figure 1-59 Remove the main motor



Intermediate transfer belt (ITB)

1. Remove the following components:
 - Toner-cartridge drawer. See [Toner-cartridge drawer on page 14](#).
 - Right cover. See [Right cover on page 15](#).
 - Left cover. See [Left cover on page 18](#).
 - Rear-right cover. See [Rear right cover on page 21](#).
 - Rear door and rear lower cover. See [Rear door and rear lower cover on page 23](#).
2. Disconnect one connector (callout 1).

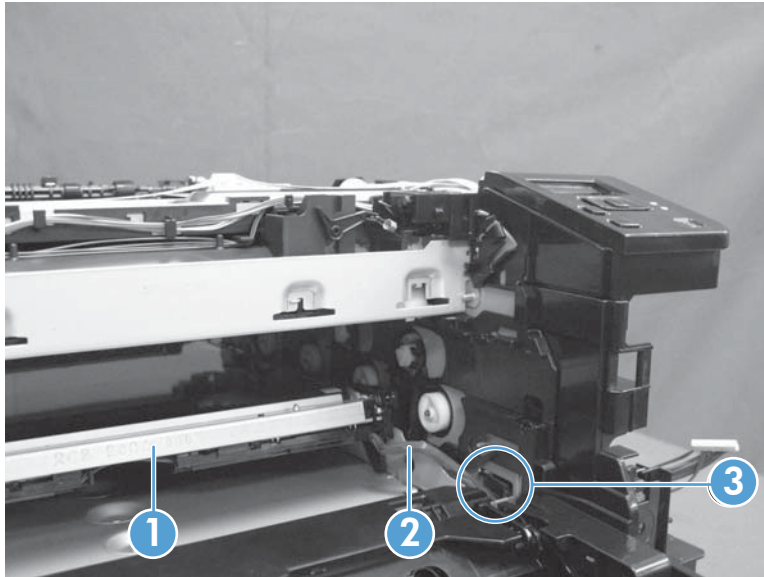
Figure 1-60 Remove the ITB (1 of 3)



3. When disassembling the ITB assembly (callout 1) make sure to release the cable (callout 2) from the guide (callout 3).

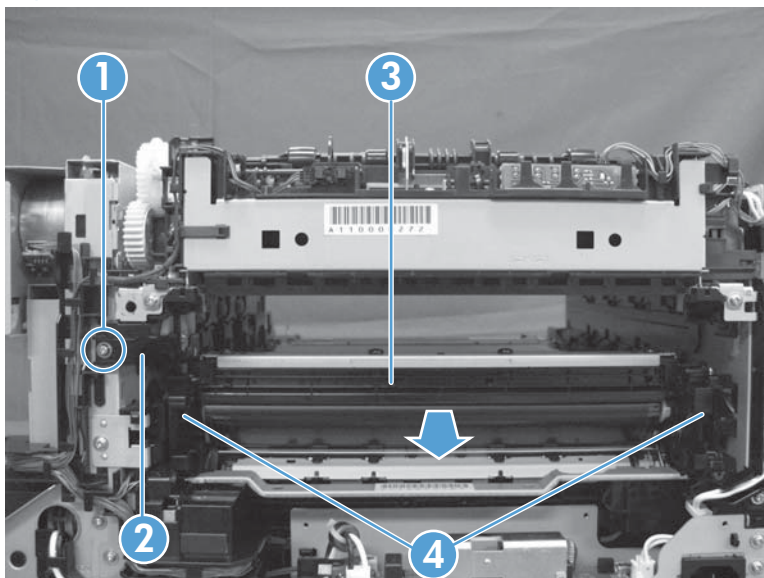
⚠ CAUTION: The cable can be damaged if it is not released from the guide before the ITB is removed from the chassis.

Figure 1-61 Remove the ITB (2 of 3)



4. Remove one screw (callout 1) and the stopper part (callout 2). Lift the ITB assembly (callout 3) slightly by pushing up at the locations shown (callout 4) and then slide the ITB assembly out of the chassis to remove.

Figure 1-62 Remove the ITB (3 of 3)



Reinstall the ITB

Use the following guidelines when you install the ITB.

- **⚠ WARNING!** The lower sheet-metal portion of the ITB frame (callout 1) can be easily bent. Avoid handling the ITB by this part of the sheet-metal frame.

Figure 1-63 Reinstall the ITB (1 of 2)



- When handling the ITB, always hold it using the hard plastic portions of the assembly.
- **⚠ CAUTION:** Avoid touching the black-plastic transfer belt or roller. Human skin oils on the belt or roller can cause print-quality problems.
- Do not let the transfer belt contact hard or sharp objects.
- **⚠ CAUTION:** Scratches, punctures, or other damages to the belt will cause print-quality problems.
- Make sure that the wire-harness is not twisted or pinched after it is passed through the opening in the chassis and that the ITB sits flat in the product.
- **📝 NOTE:** When the toner-cartridge drawer is installed, it should easily slide in and out of the product and not contact any part of the ITB assembly.

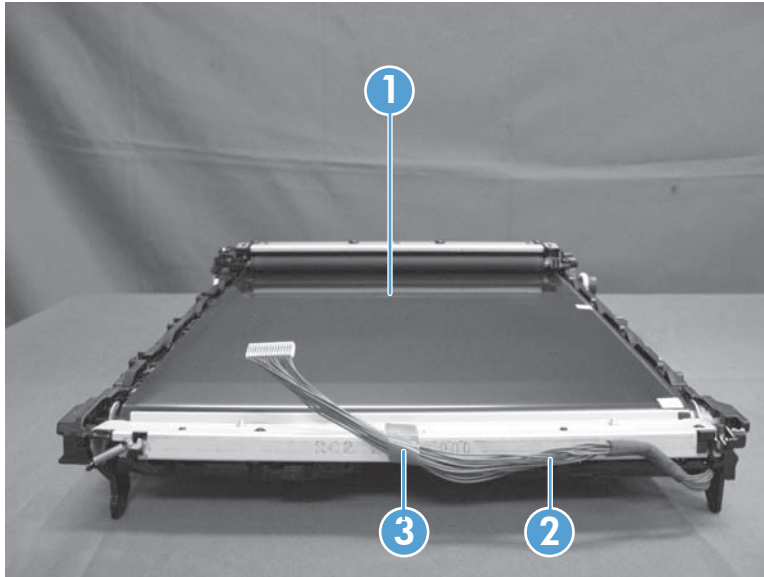
- Tape the wire-harness (callout 2) to the sheet-metal frame (callout 3) so that it will not catch on internal components as the ITB (callout 1) is installed.

With the ITB partially installed, feed the wire-harness through the opening in the chassis. Finish installing the ITB.

⚠ WARNING! Do not place the tape where it can make contact with or adhere to the transfer belt (callout 1). Tape or tape residue on the transfer belt will cause print-quality problems.

📝 NOTE: Remove all of the tape and tape residue after installing the ITB.

Figure 1-64 Reinstall the ITB (2 of 2)

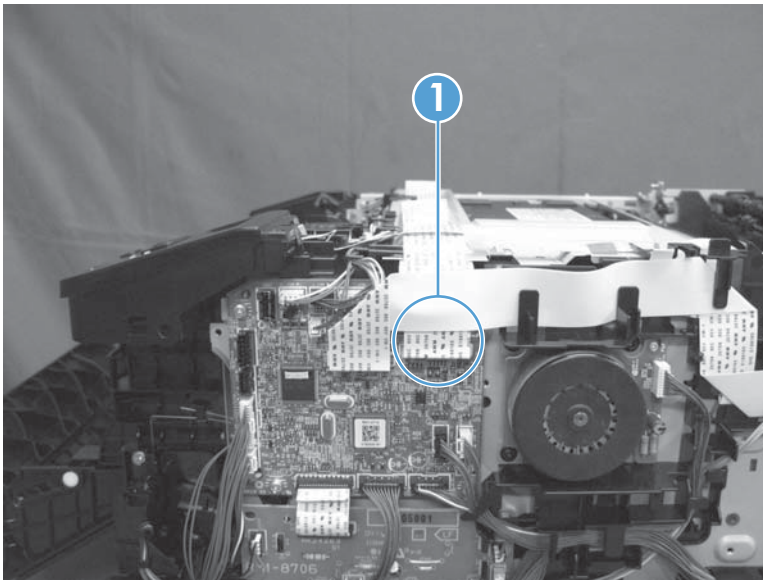


High-voltage power supply

CAUTION: Do not bend or fold the flat flexible cables (FFCs) during removal or installation. Do not straighten pre-folds in the FFCs. You *must* make sure that all FFCs are fully seated in their connectors. Failure to fully seat an FFC into a connector can cause a short circuit in a PCA.

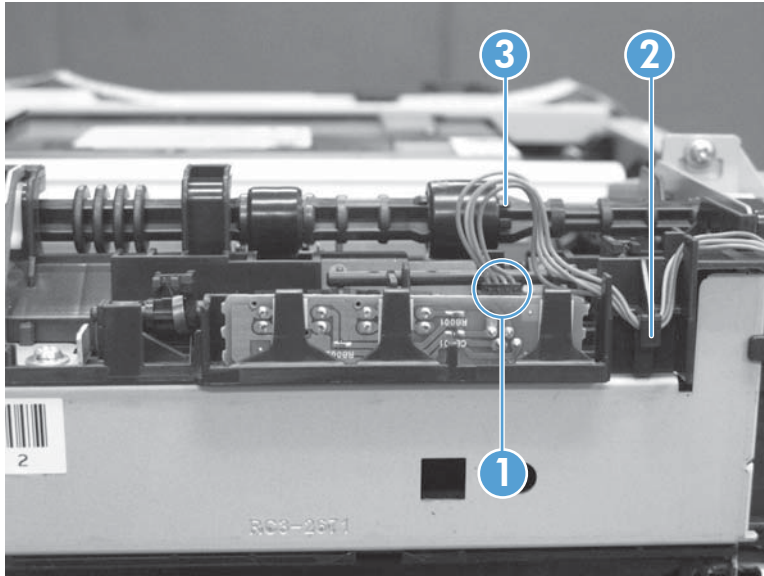
1. Remove the following components:
 - Right cover. See [Right cover on page 15](#).
 - Left cover. See [Left cover on page 18](#).
 - Rear right cover. See [Rear right cover on page 21](#).
 - Rear-upper cover. See [Rear upper cover on page 22](#).
 - Upper cover. See [Upper cover, LCD control panel products \(HP LaserJet Pro 200 color M251n Printer\) on page 26](#) or [Upper cover, touchscreen control panel products \(HP LaserJet Pro 200 color M251nw Printer\) on page 28](#).
2. Disconnect one FFC (callout 1).

Figure 1-65 Remove the high-voltage power supply (1 of 4)



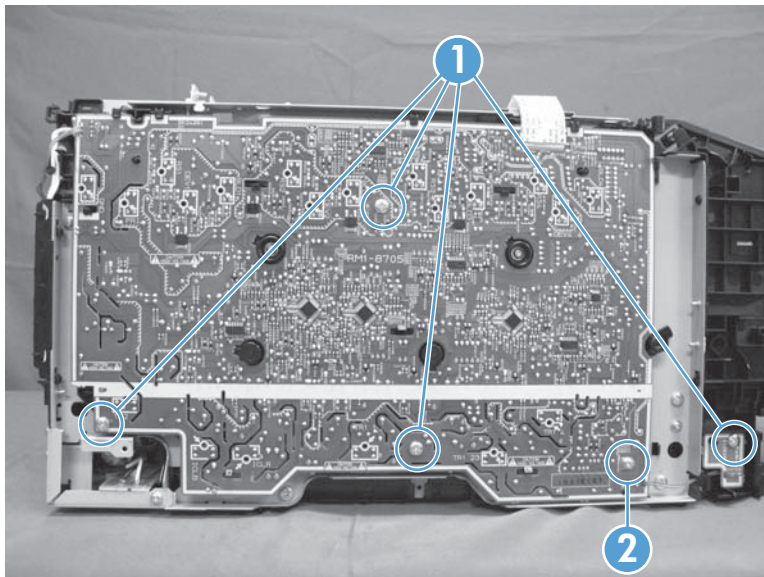
3. Disconnect one connector (callout 1) and release the cables (callout 3) from the cable guide (callout 2) located at the top of the fuser (non-drive side).

Figure 1-66 Remove the high-voltage power supply (2 of 4)



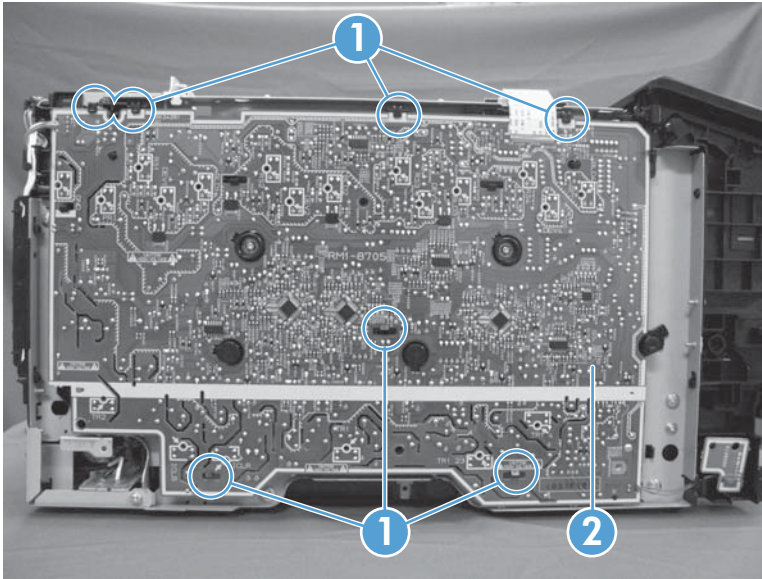
4. Remove four M4 screws (callout 1) and remove one screw with washer (callout 2).

Figure 1-67 Remove the high-voltage power supply (3 of 4)



5. Release seven tabs (callout 1) and remove the high-voltage power supply assembly (callout 2).

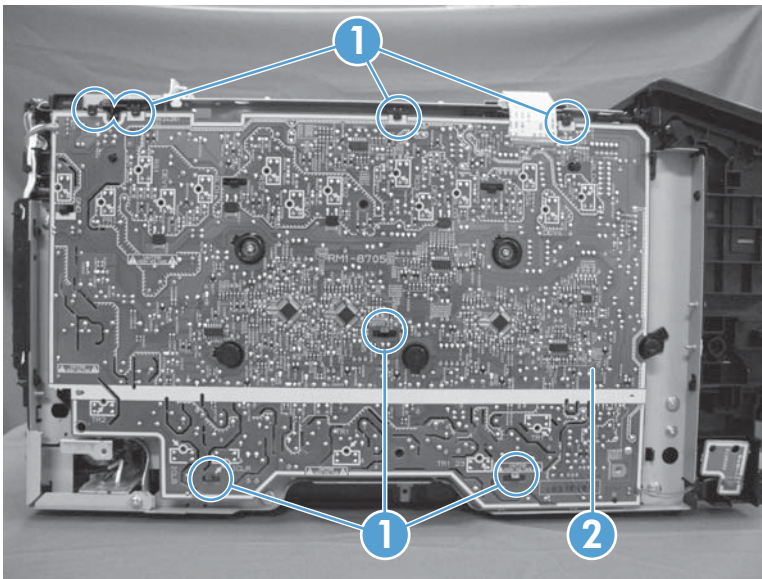
Figure 1-68 Remove the high-voltage power supply (4 of 4)



Reinstall the power supply (high voltage)

- Make sure that the power supply is correctly positioned under the tabs (callout 1) located on the product chassis. If the power supply is not correctly installed, the product will not function correctly and a fuser open error (50.7000) might appear in the event log.

Figure 1-69 Reinstall the power supply (high voltage)

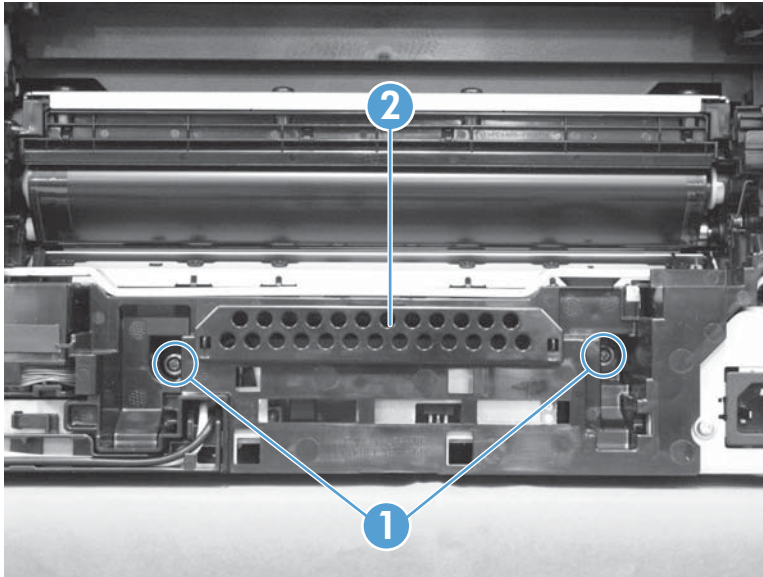


Low-voltage power supply

⚠ CAUTION: Do not bend or fold the flat flexible cables (FFCs) during removal or installation. Also, do not straighten pre-folds in the FFCs. You *must* make sure that all FFCs are fully seated in their connectors. Failure to fully seat an FFC into a connector can cause a short circuit in a PCA.

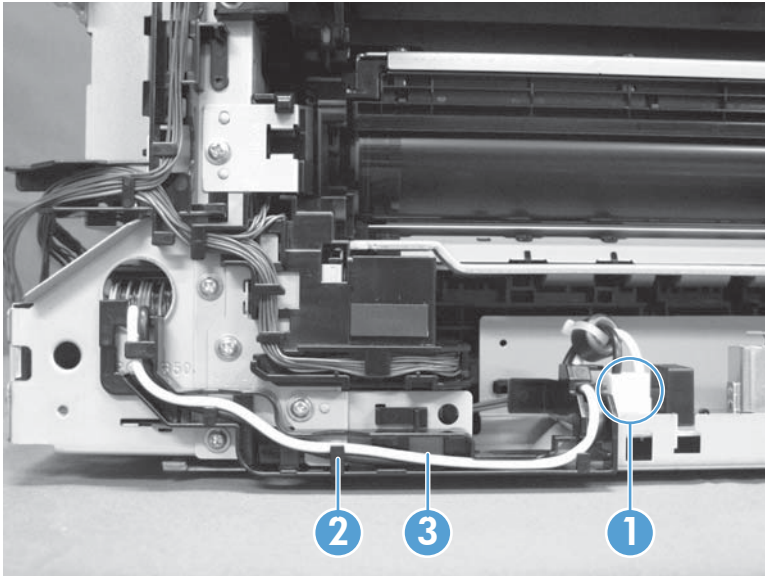
1. Remove the following components:
 - Right cover. See [Right cover on page 15](#).
 - Left cover. See [Left cover on page 18](#).
 - Rear right cover. See [Rear right cover on page 21](#).
 - Rear door and rear lower cover. See [Rear door and rear lower cover on page 23](#).
2. Remove two screws (callout 1) and the fuser power supply cover (callout 2).

Figure 1-70 Remove the low-voltage power supply (1 of 3)



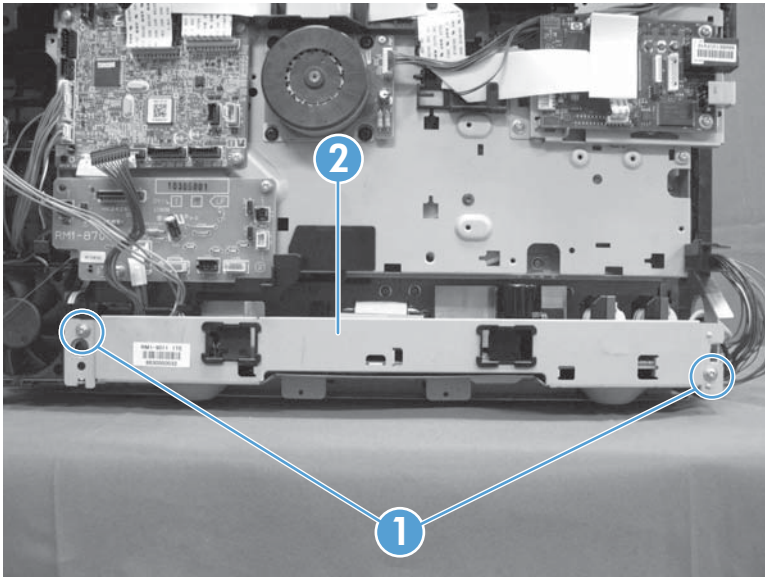
3. Disconnect one connector (callout 1), and release the cable (callout 3) from the cable guide (callout 2).

Figure 1-71 Remove the low-voltage power supply (2 of 3)



4. Remove two screws (callout 1) and the low-voltage power supply assembly (callout 2).

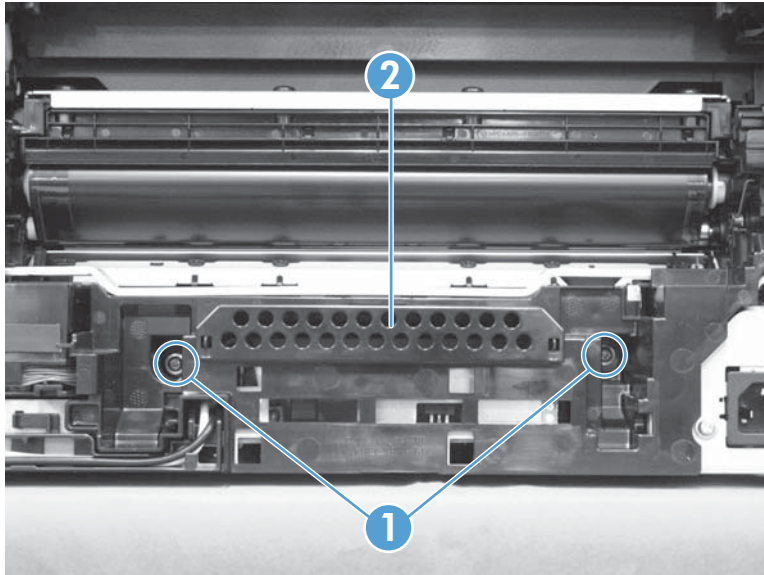
Figure 1-72 Remove the low-voltage power supply (3 of 3)



Fuser power supply

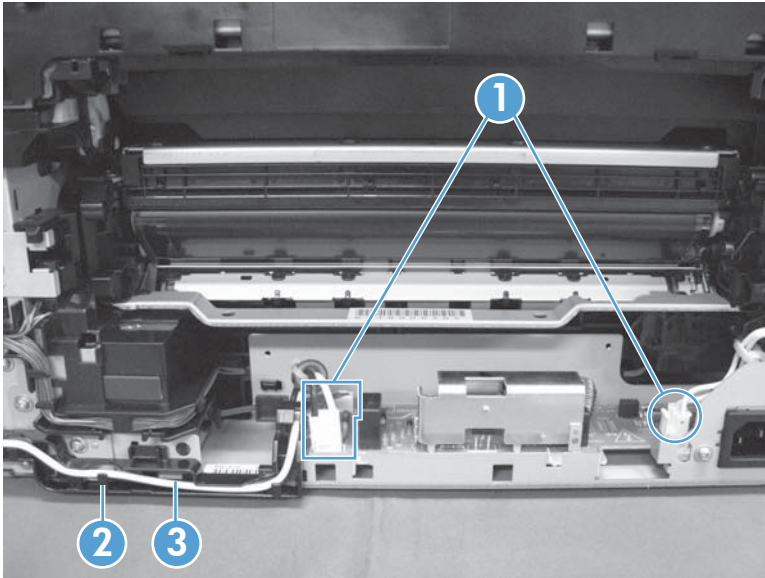
1. Remove the following components:
 - Right cover. See [Right cover on page 15](#).
 - Left cover. See [Left cover on page 18](#).
 - Rear right cover. See [Rear right cover on page 21](#).
 - Rear door and rear lower cover. See [Rear door and rear lower cover on page 23](#).
2. Remove two screws (callout 1) and the fuser power supply cover (callout 2).

Figure 1-73 Remove the fuser power supply (1 of 4)



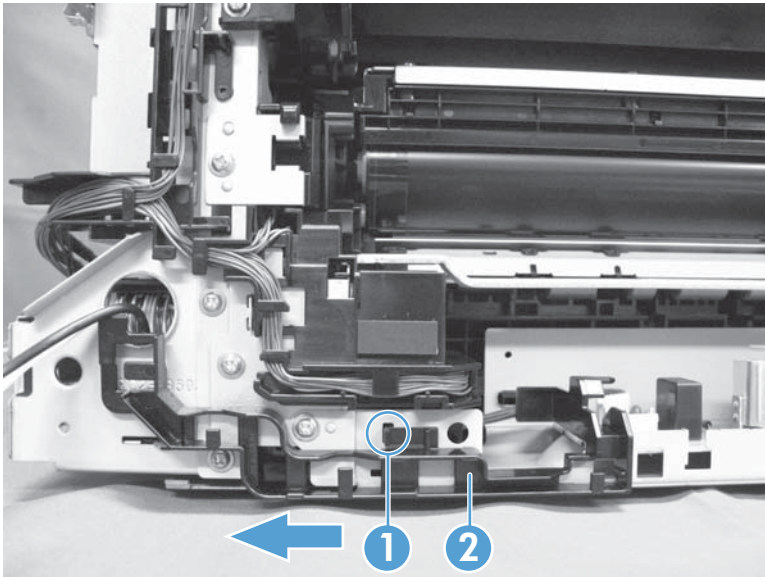
3. Disconnect three connectors (callout 1) and release cables (callout 3) from the cable guide (callout 2).

Figure 1-74 Remove the fuser power supply (2 of 4)



4. Release one tab (callout 1) and slide the cable guide (callout 2) to the left to remove.

Figure 1-75 Remove the fuser power supply (3 of 4)



5. Remove one screw with washer (callout 1). Remove two screws (callout 2) and the fuser power supply assembly (callout 3).


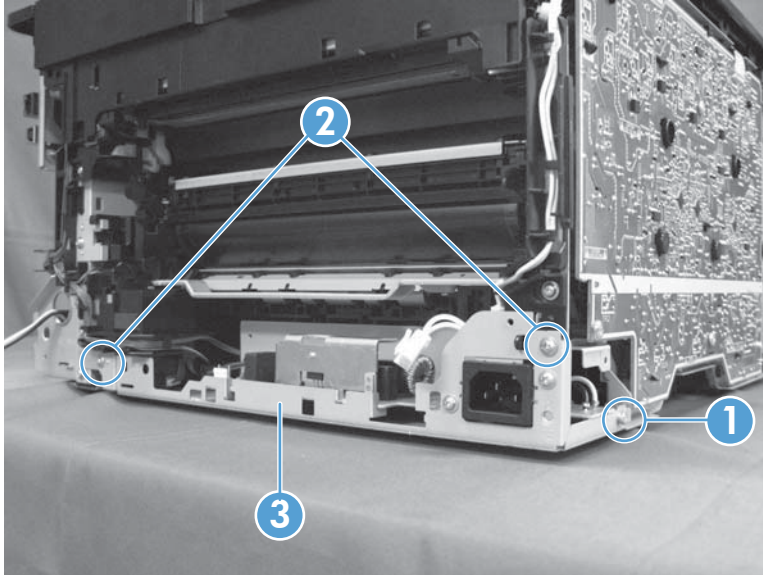
 **NOTE:** The two screws near the power inlet are ground screws. Make sure that these screws are placed in the correct positions when the power supply is reinstalled.

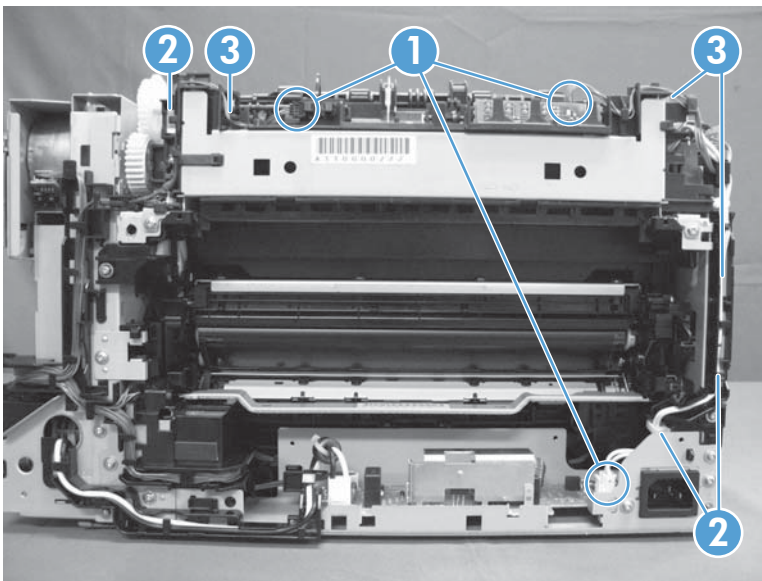
Figure 1-76 Remove the fuser power supply (4 of 4)



Fuser

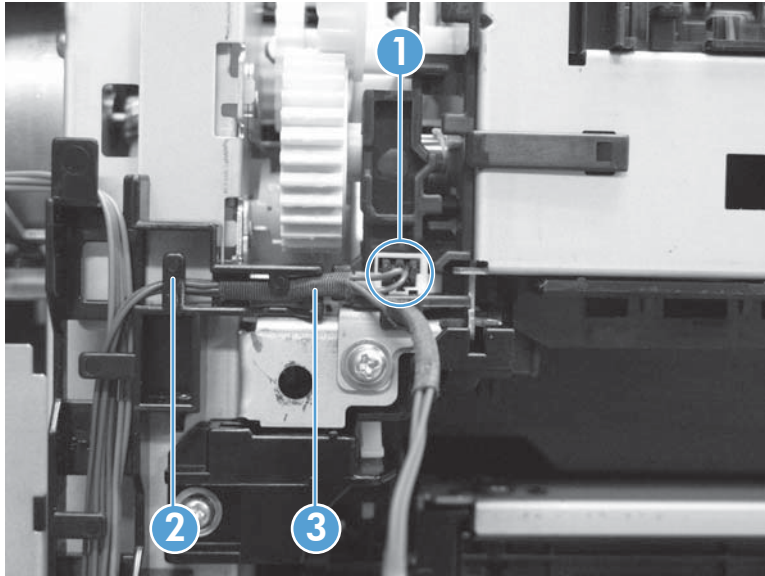
1. Remove the following components:
 - Right cover. See [Right cover on page 15](#).
 - Left cover. See [Left cover on page 18](#).
 - Rear right cover. See [Rear right cover on page 21](#).
 - Rear-upper cover. See [Rear upper cover on page 22](#).
 - Rear door and rear lower cover. See [Rear door and rear lower cover on page 23](#).
 - Upper cover. See [Upper cover, LCD control panel products \(HP LaserJet Pro 200 color M251n Printer\) on page 26](#) or [Upper cover, touchscreen control panel products \(HP LaserJet Pro 200 color M251nw Printer\) on page 28](#).
2. Disconnect three connectors (callout 1). Release the cables (callout 2) from the cable guide (callout 3).

Figure 1-77 Remove the fuser (1 of 3)



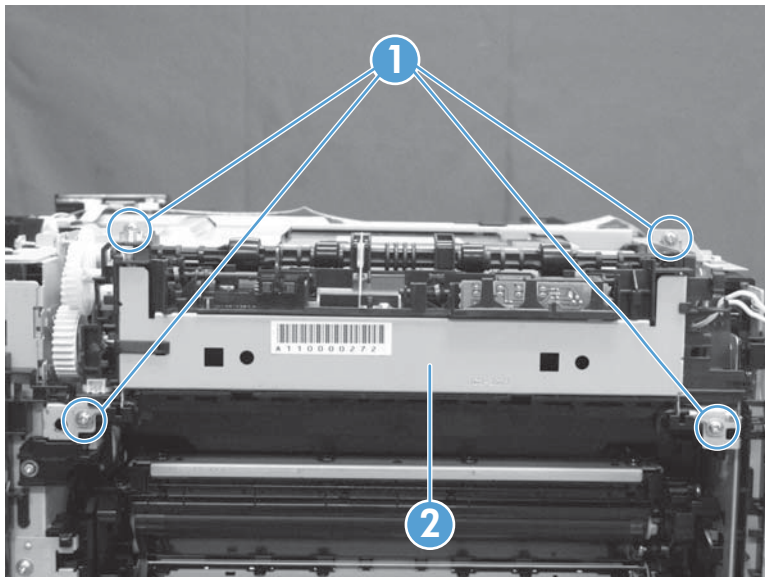
3. Disconnect one connector (callout 1). Release the cables (callout 2) from the cable guide (callout 3).

Figure 1-78 Remove the fuser (2 of 3)



4. Remove four screws (callout 1) and the fuser (callout 2).

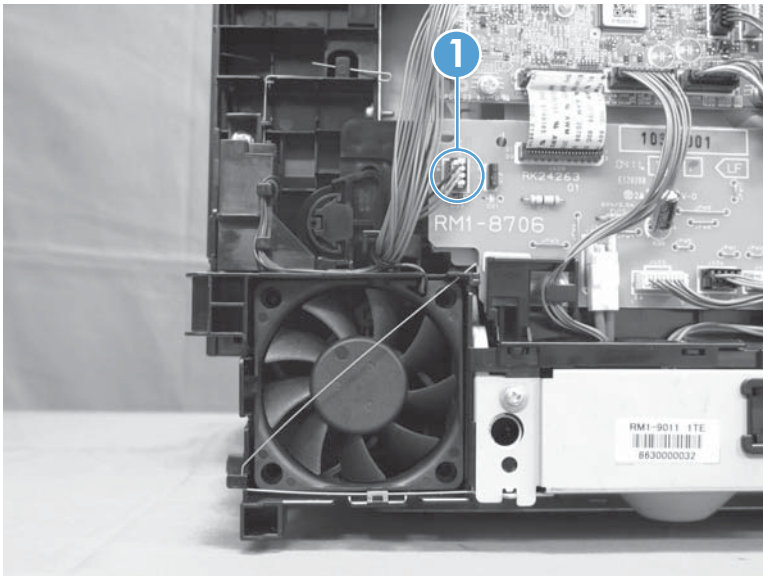
Figure 1-79 Remove the fuser (3 of 3)



Fan

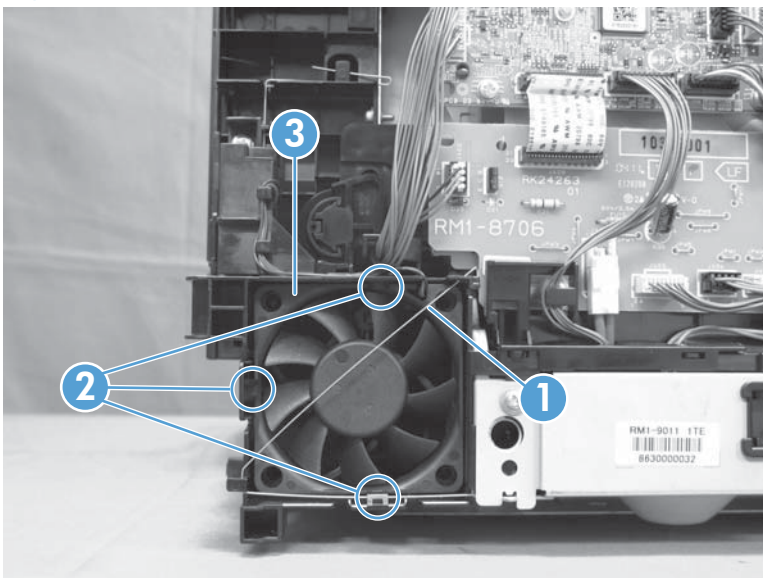
1. Remove the following components:
 - Right cover. See [Right cover on page 15](#).
2. Disconnect one connector (callout 1).

Figure 1-80 Remove the fan (1 of 4)



3. Remove the rod (callout 1), release three tabs (callout 2), and then remove the main fan (callout 3).

Figure 1-81 Remove the fan (2 of 4)



4. Place the end of the rod (callout 1) into the hole (callout 2) on the bottom of the printer when reassembling.

Figure 1-82 Remove the fan (3 of 4)

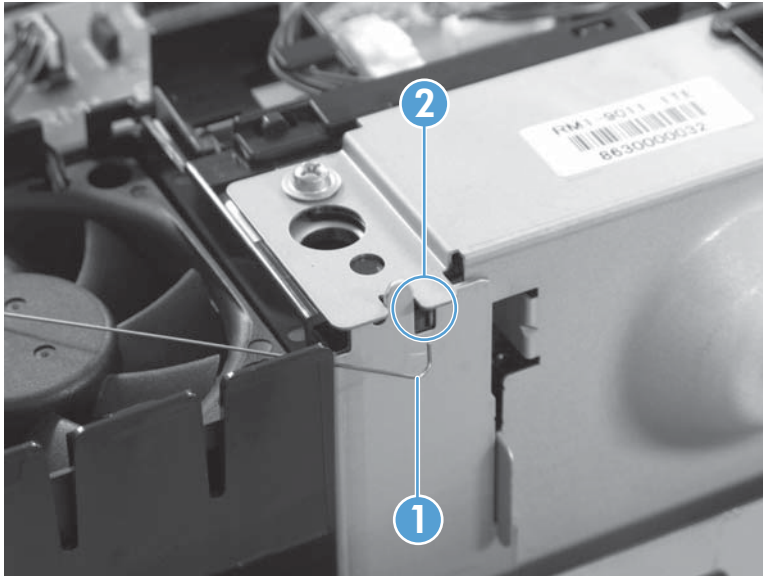
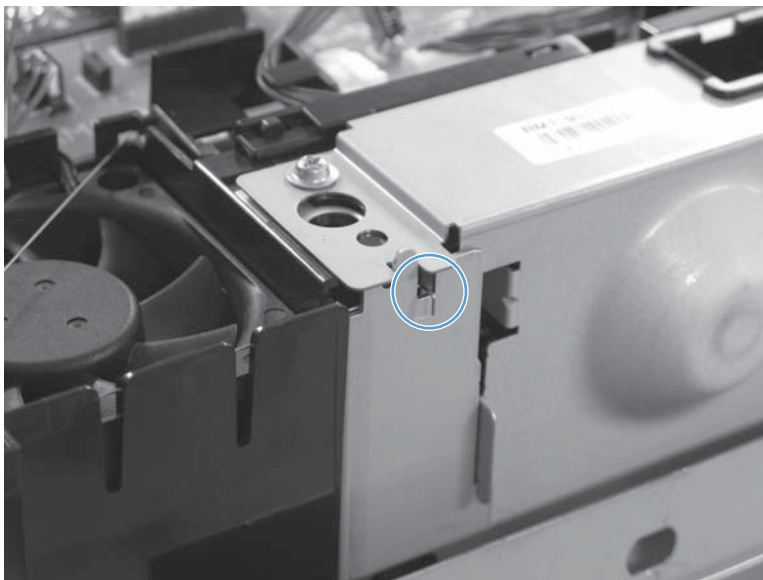


Figure 1-83 Remove the fan (4 of 4)



2 Parts and diagrams



NOTE: In this chapter, part numbers are only listed for available replaceable parts.

- [Order parts by authorized service providers](#)
- [How to use the parts lists and diagrams](#)
- [Assembly locations](#)
- [Covers, panels, and doors](#)
- [Internal assemblies](#)
- [Alphabetical parts list](#)
- [Numerical parts list](#)

Order parts by authorized service providers

Order replacement parts

Table 2-1 Order parts, accessories, and supplies

Order supplies and paper	www.hp.com/go/suresupply
Order genuine HP parts or accessories	www.hp.com/buy/parts
Order through service or support providers	Contact an HP-authorized service or support provider

Related documentation and software

Table 2-2 Related documentation and software

Item	Description	Part number
<i>HP LaserJet Pro 200 color M251 Series Printer User Guide</i>	Product user guide	CF146-90901
<i>HP LaserJet Pro 200 color M251 Series Printer Service Manual</i>	English service manual (this manual)	CF146-90961

Supplies part numbers

Table 2-3 Supplies part numbers

Part	Part number	Type/size
Toner cartridges	CF210-67901	Black toner cartridge with HP ColorSphere toner
	CF211-67901	Cyan toner cartridge with HP ColorSphere toner
	CF212-67901	Yellow toner cartridge with HP ColorSphere toner
	CF213-67901	Magenta toner cartridge with HP ColorSphere toner

Service parts


 **NOTE:** The parts in the following table are not shown in the assembly illustrations in this chapter.

Table 2-4 Service parts

Item	Description	Part number
HP jewel	HP logo	7121-8496
HP nameplate (network model)	Product nameplate	CF146-00002
HP nameplate (network wireless model)	Product nameplate	CF147-00003

Whole-unit replacement part numbers



 **NOTE:** Whole-unit replacement products include the formatter PCA.


Table 2-5 Whole-unit replacement part numbers

Item	Description	Part number
HP LaserJet Pro 200 color M251n Printer	110v WUR NAR/TW	CF146-69055 (exchange)
	220v WUR EMEA	CF146-69056 (exchange)
	220v WUR CN/MY	CF146-69057 (exchange)
	110v WUR BR	CF146-67055 (replacement)
	220v WUR AP/LAR	CF146-67056 (replacement)
	220v WUR CL/AR	CF146-67057 (replacement)
HP LaserJet Pro 200 color M251nw Printer	110v WUR NAR/TW	CF147-69055 (exchange)
	220v WUR EMEA	CF147-69056 (exchange)
	220v WUR CN/MY	CF147-69057 (exchange)
	110v WUR BR	CF147-67055 (replacement)
	220v WUR AP/LAR	CF147-67056 (replacement)
	220v WUR CL/AR	CF147-67057 (replacement)
HP LaserJet Pro 200 color M251n Printer	Formatter	CF152-60001 (replacement)
HP LaserJet Pro 200 color M251nw Printer	Formatter	CF153-60001 (replacement)

How to use the parts lists and diagrams

The figures in this chapter show the major subassemblies in the product and their component parts. A parts list table follows each exploded view assembly diagram. Each table lists the item number, the associated part number, and the description of each part. If a part is not listed in the table, then it is not a field replacement unit (FRU).

 **CAUTION:** Be sure to order the correct part. When looking for part numbers for electrical components, pay careful attention to the voltage that is listed in the description column. Doing so will ensure that the part number selected is for the correct all-in-one model.

 **NOTE:** In this manual, the abbreviation “PCA” stands for “printed circuit board assembly.” Components described as a PCA might consist of a single circuit board or a circuit board plus other parts, such as cables and sensors.

Assembly locations

Base product (no optional trays or accessories)

Figure 2-1 LCD control-panel model (HP LaserJet Pro 200 color M251n Printer)

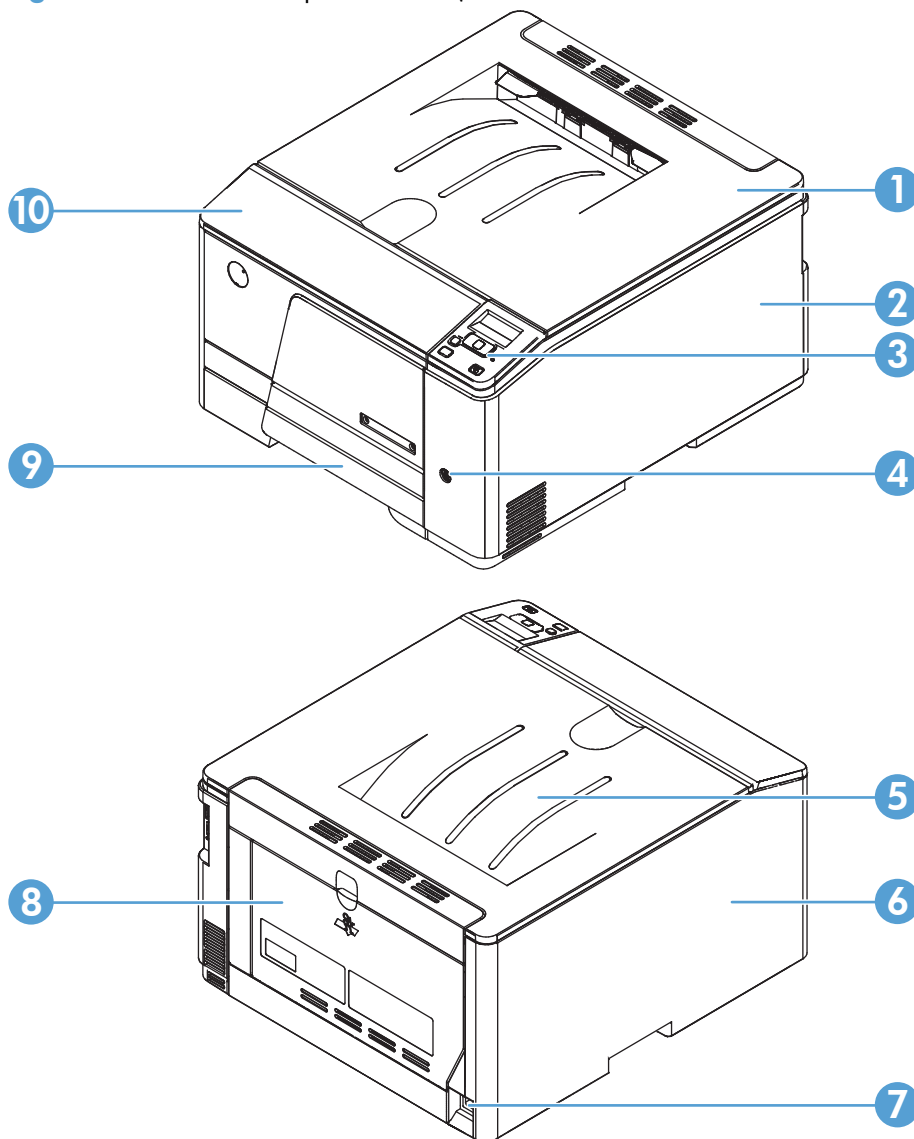


Table 2-6 LCD model

Item	Description	Item	Description
1	Upper cover	6	Left cover
2	Right cover	7	Power receptacle
3	Control panel	8	Rear door
4	Power switch	9	Cassette
5	Output bin	10	Front door

Figure 2-2 Touchscreen control-panel model (HP LaserJet Pro 200 color M251nw Printer)

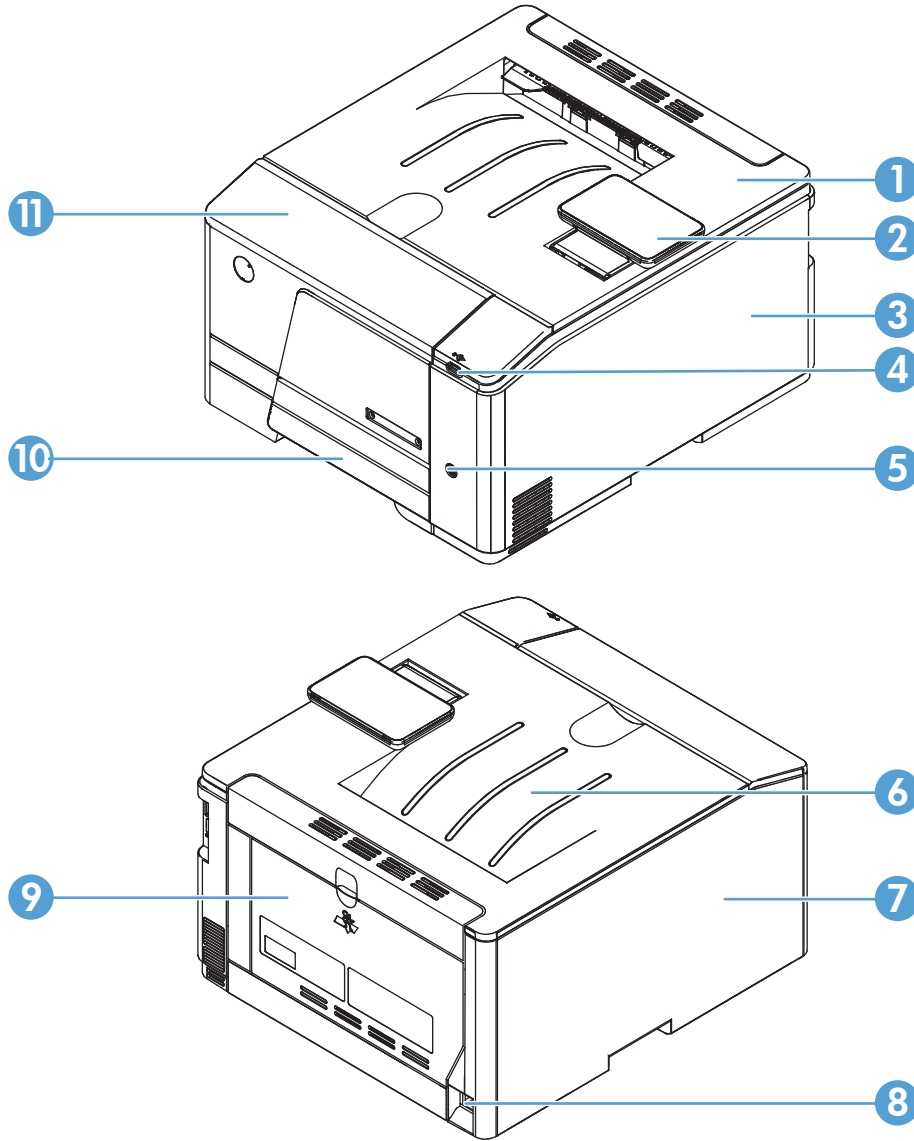


Table 2-7 Touchscreen control-panel model

Item	Description	Item	Description
1	Upper cover	7	Left cover
2	Control panel	8	Power receptacle
3	Right cover	9	Rear door
4	USB port	10	Cassette
5	Power switch	11	Front door
6	Output bin		

Covers, panels, and doors

Figure 2-3 Covers, panels, and doors—network model

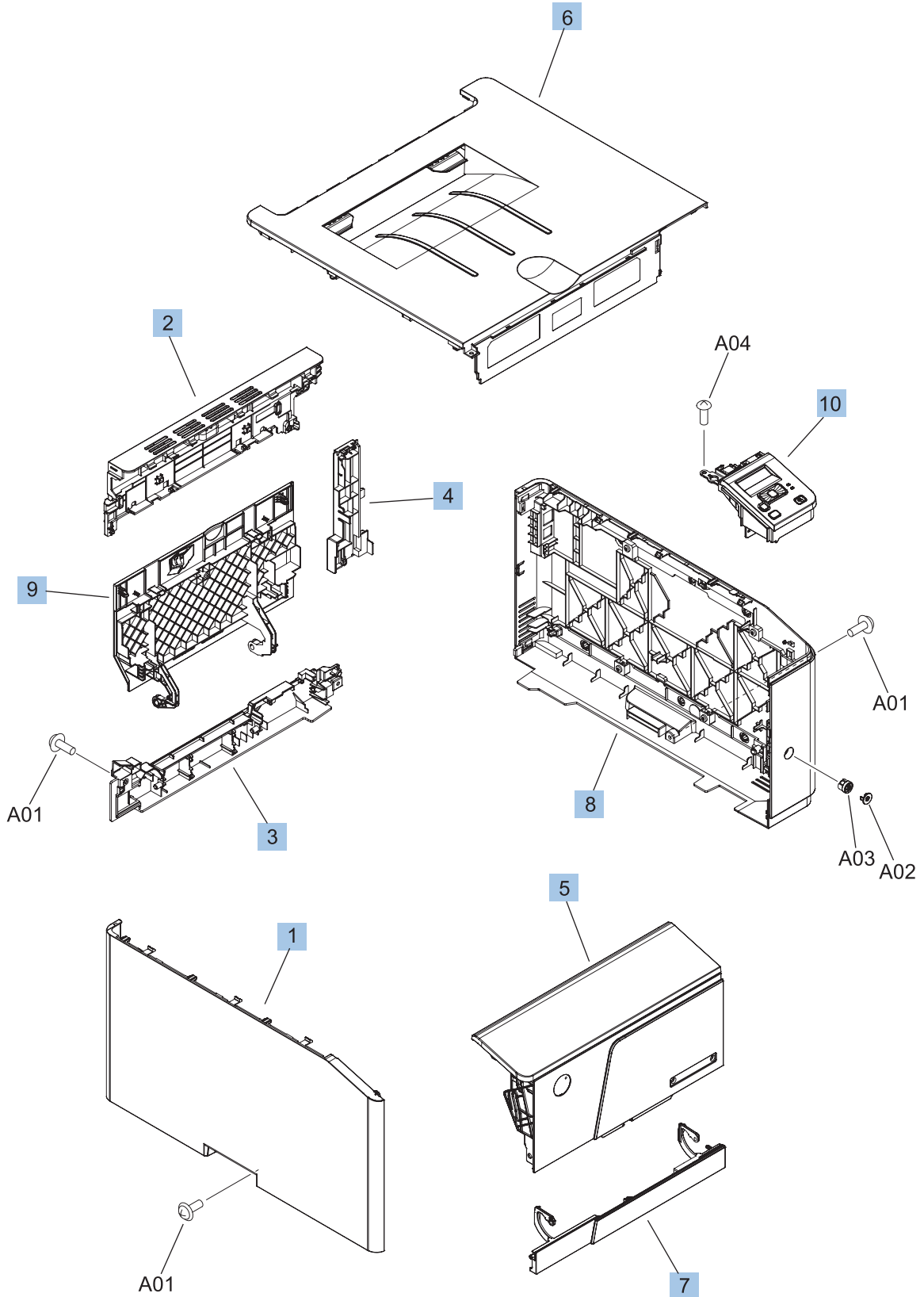


Table 2-8 Covers, panels, and doors—network model

Ref	Description	Part number	Qty
1	Cover, left	RC3-2652-000	1
2	Cover, rear, upper	RC3-2656-000	1
3	Cover, rear, lower	RC3-2658-000	1
4	Cover, rear, right	RC3-2657-000	1
5	Door, front	RM1-8768-000	1
6	Upper cover assembly	RM1-8770-000	1
7	Cover, front	RM1-8769-000	1
8	Right cover assembly	RM1-8771-000	1
9	Door, rear	RC3-2659-000	1
10	Control-panel assembly (network model)	RM1-8788-000	1

Figure 2-4 Covers, panels, and doors—network wireless model

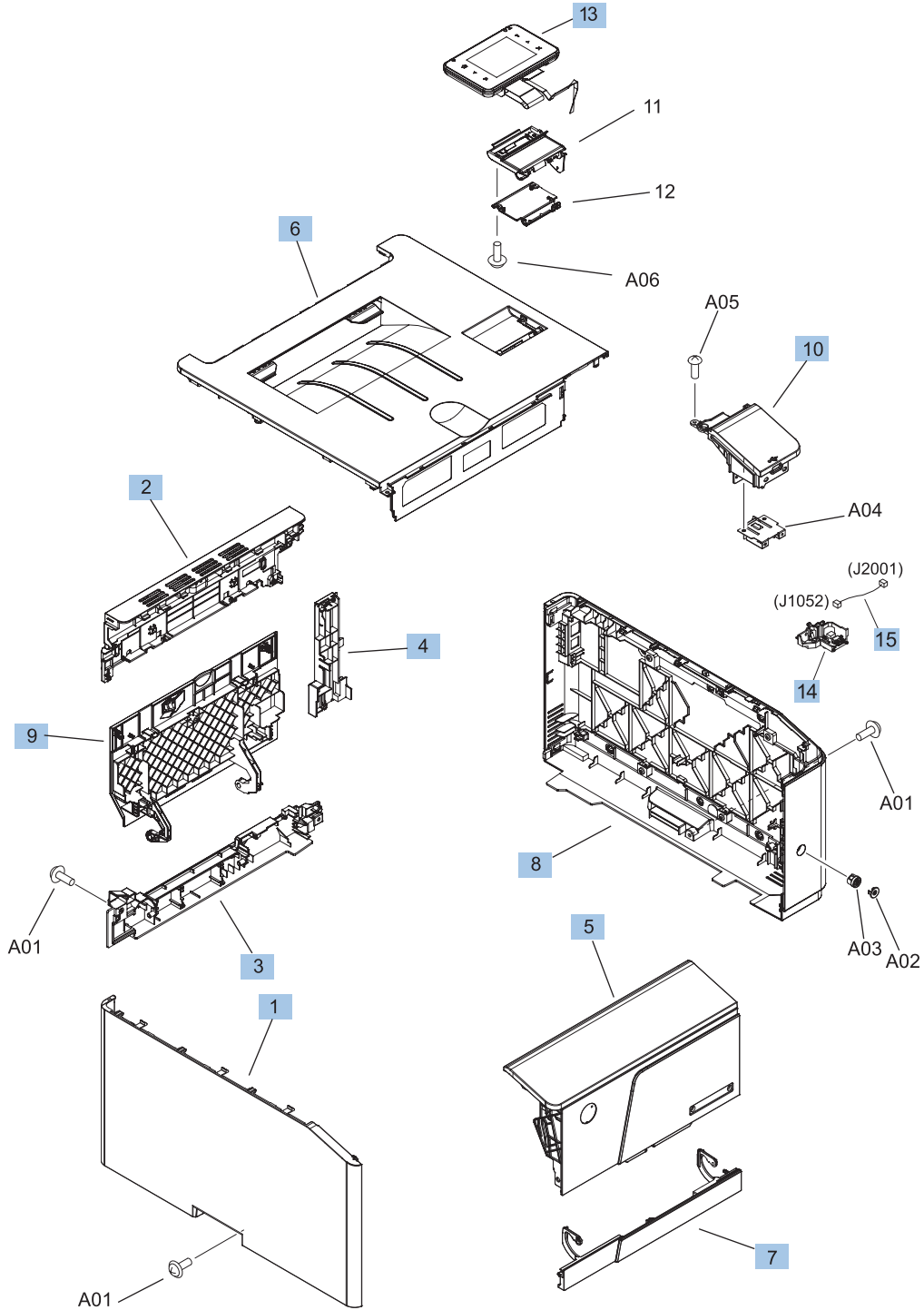


Table 2-9 Covers, panels, and doors—network wireless model

Ref	Description	Part number	Qty
1	Cover, left	RC3-2652-000	1
2	Cover, rear upper	RC3-2656-000	1
3	Cover, rear lower	RC3-2658-000	1
4	Cover, rear right	RC3-2657-000	1
5	Door, front	RM1-8768-000	1
6	Cover, upper	RM1-9327-000	1
7	Cover, front	RM1-8769-000	1
8	Cover, right	RM1-8771-000	1
9	Door, rear	RC3-2659-000	1
10	Cover, USB	RC3-2893-000	1
13	Control panel, wireless network model	CF147-60101	1
14	Walk-up USB PCA	CF368A	1
15	Walk-up USB cable	CF146-60103	1

Internal assemblies

Figure 2-5 Internal components (1 of 4)

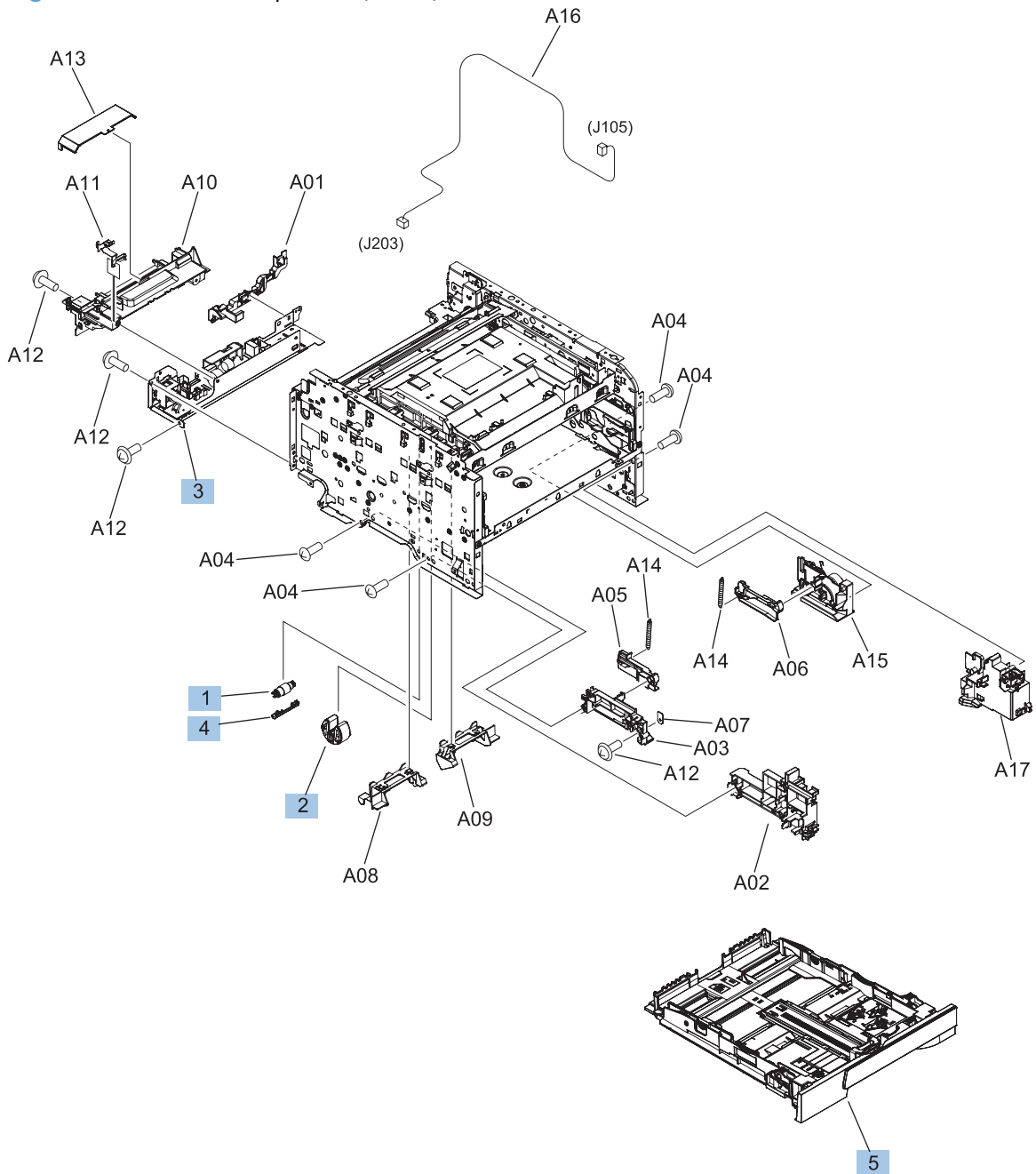


Table 2-10 Internal components (1 of 4)

Ref	Description	Part number	Qty
1	Roller, separation Assembly	RM1-8765-000	1
2	Roller, pickup assembly	RM1-8047-000	1
3	Fuser power supply assembly (220V-240V)	RM1-8710-000	1
3	Fuser power supply assembly (110V-127V)	RM1-8709-000	1
4	Cover, holder	RC2-2014-000	1
5	Cassette assembly	RM1-8772-000	1

Figure 2-6 Internal components (2 of 4)

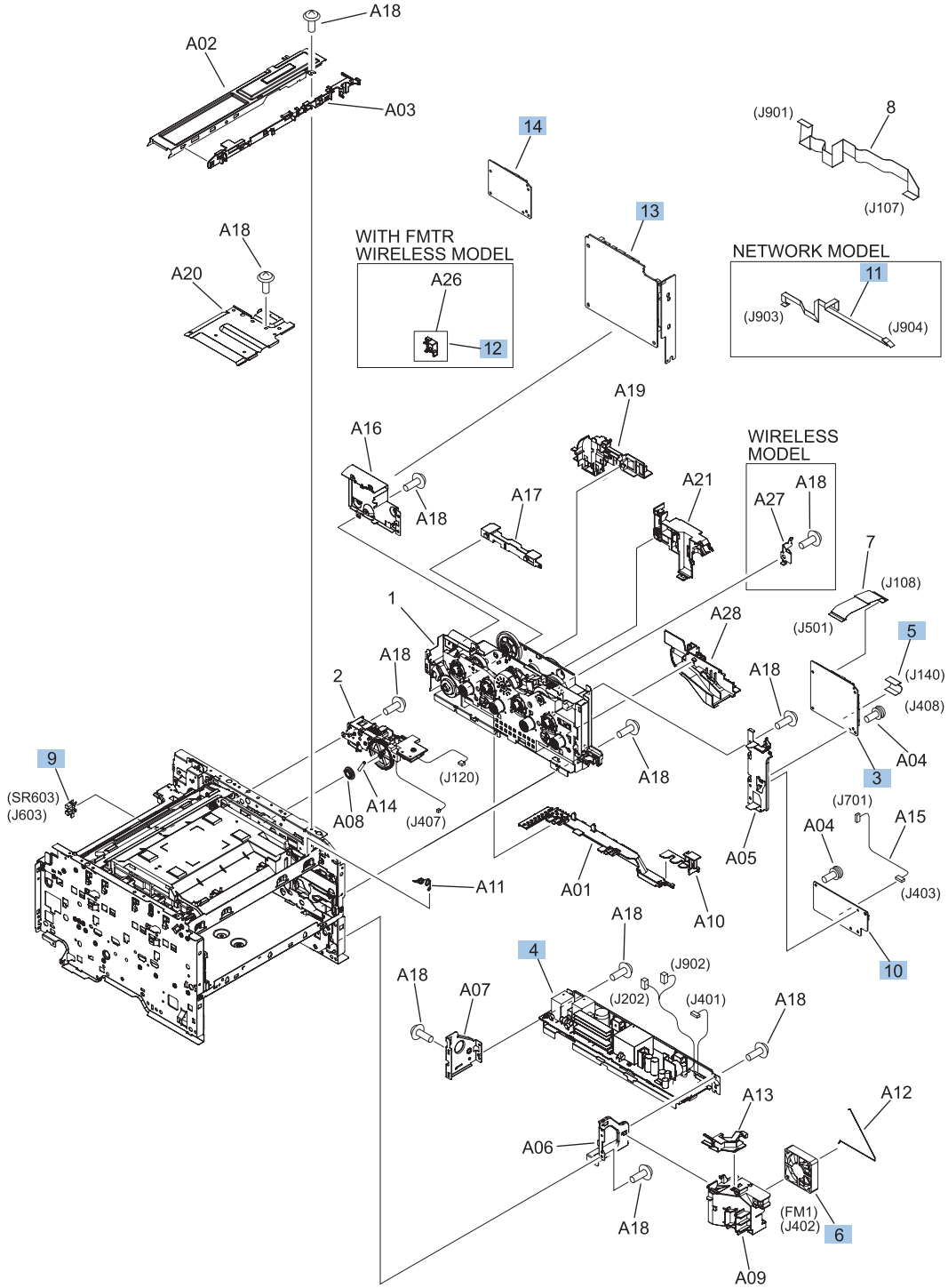


Table 2-11 Internal components (2 of 4)

Ref	Description	Part number	Qty
1	Main drive assembly	RM1-9328-000	1
2	Sub drive assembly	RM1-8785-000	1
3	DC controller PCA	RM1-8704-000	1
4	Low voltage power supply assembly, network model (110V-127V)	RM1-9011-000	1
4	Low voltage power supply assembly, network model (220V-240V)	RM1-9013-000	1
4	Low voltage power supply assembly, network wireless model (110V-127V)	RM1-9012-000	1
4	Low voltage power supply assembly, network wireless model (220V-240V)	RM1-9014-000	1
5	Cable, flexible flat (base, network model)	RK2-4540-000	1
6	Fan	RK2-4255-000	1
10	PCA, driver assembly	RM1-8706-000	1
11	Cable, flexible flat (network model)	RK2-4546-000	1
12	Bracket, wireless	RC3-2746-000	
13	Formatter PCA (network model)	CF152-60001	1
13	Formatter, (network wireless model)	CF153-60001	1
14	Wireless PCA	1150-7940	1

Figure 2-7 Internal components (3 of 4)

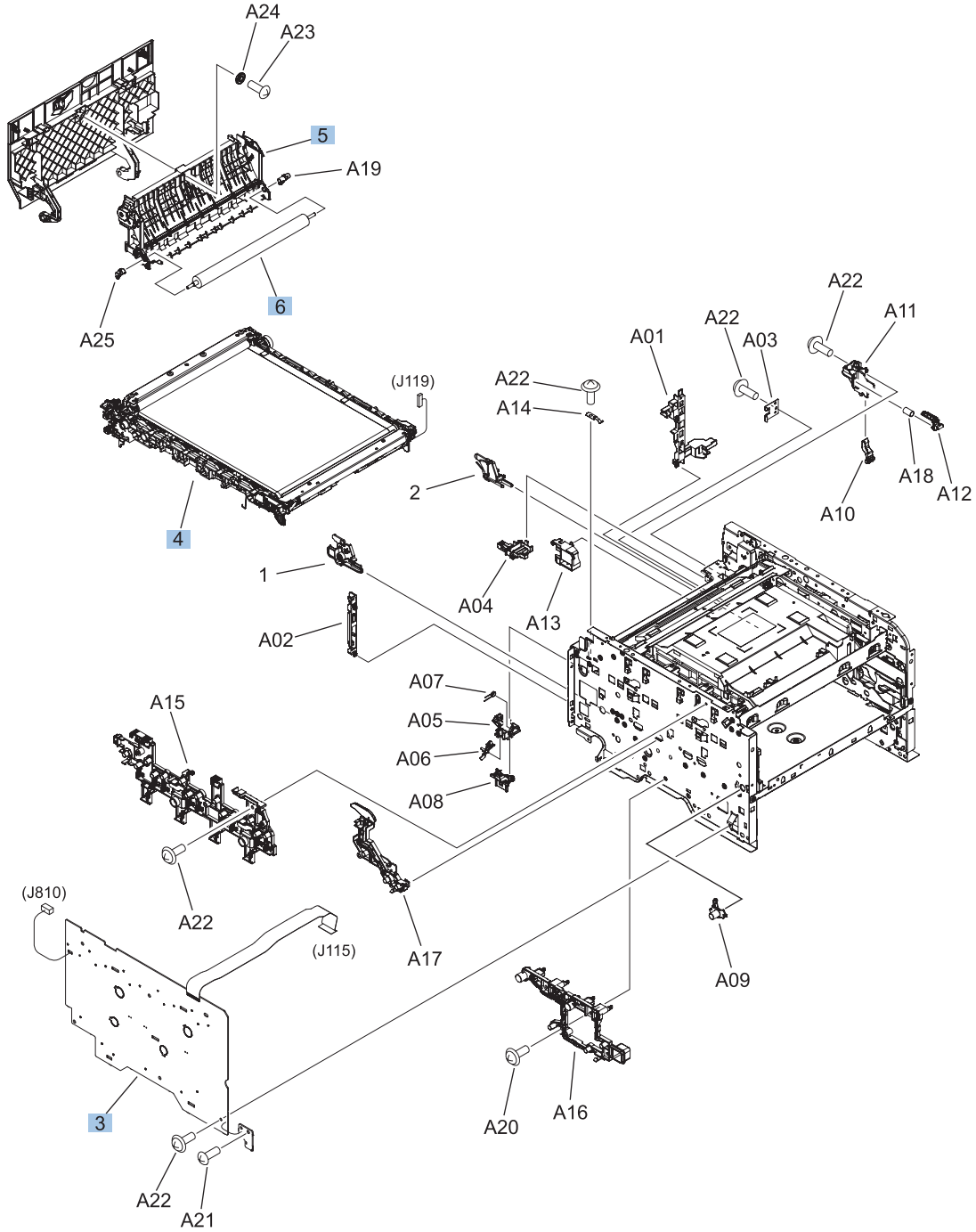


Table 2-12 Internal components (3 of 4)

Ref	Description	Part number	Qty
1	ITB lock lever assembly, left	RM1-4482-000	1
2	ITB lock lever assembly, right	RM1-4483-000	1
3	High voltage PCA	RM1-8705-000	1
4	Intermediate transfer belt assembly (ITB)	RM1-8777-000	1
5	Paper feed guide assembly	RM1-8779-000	1
6	Roller, transfer	RM1-4445-000	1

Figure 2-8 Internal components (4 of 4)

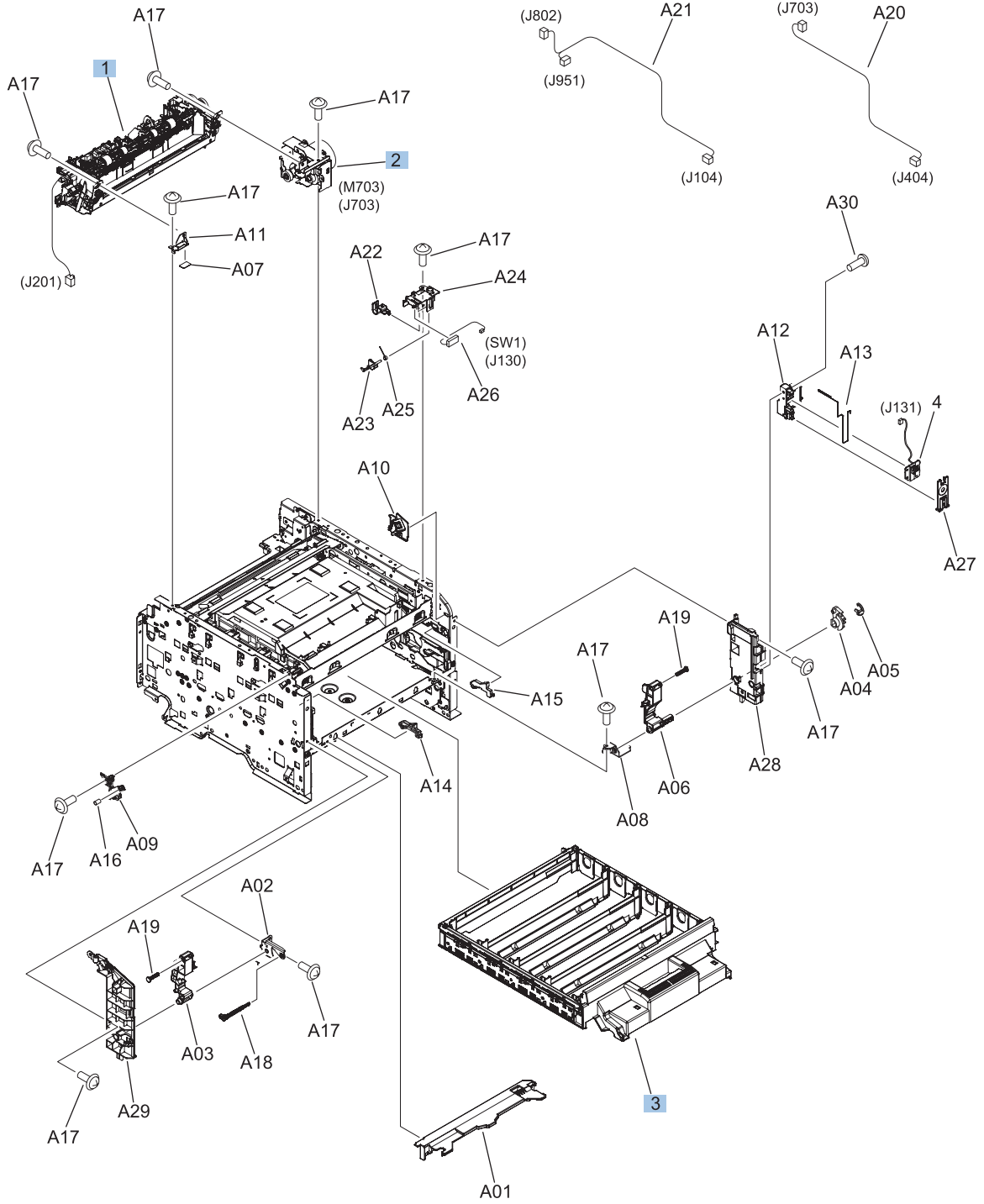


Table 2-13 Internal components (4 of 4)

Ref	Description	Part number	Qty
1	Fuser assembly (110V-127V)	RM1-8780-000	1
1	Fuser assembly (220V-240V)	RM1-8781-000	1
2	Fuser drive motor	RM1-8784-000	1
3	Cassette assembly	RM1-8774-000	1

Alphabetical parts list

Table 2-14 Alphabetical parts list

Description	Part number	Table and page
Bracket, wireless	RC3-2746-000	Internal components (2 of 4) on page 83
Cable, flexible flat (base, network model)	RK2-4540-000	Internal components (2 of 4) on page 83
Cable, flexible flat (network model)	RK2-4546-000	Internal components (2 of 4) on page 83
Cassette assembly	RM1-8772-000	Internal components (1 of 4) on page 81
Cassette assembly	RM1-8774-000	Internal components (4 of 4) on page 87
Control panel, wireless network model	CF147-60101	Covers, panels, and doors—network wireless model on page 79
Control-panel assembly (network model)	RM1-8788-000	Covers, panels, and doors—network model on page 77
Cover, front	RM1-8769-000	Covers, panels, and doors—network model on page 77
Cover, front	RM1-8769-000	Covers, panels, and doors—network wireless model on page 79
Cover, holder	RC2-2014-000	Internal components (1 of 4) on page 81
Cover, left	RC3-2652-000	Covers, panels, and doors—network model on page 77
Cover, left	RC3-2652-000	Covers, panels, and doors—network wireless model on page 79
Cover, rear lower	RC3-2658-000	Covers, panels, and doors—network wireless model on page 79
Cover, rear right	RC3-2657-000	Covers, panels, and doors—network wireless model on page 79
Cover, rear upper	RC3-2656-000	Covers, panels, and doors—network wireless model on page 79
Cover, rear, lower	RC3-2658-000	Covers, panels, and doors—network model on page 77
Cover, rear, right	RC3-2657-000	Covers, panels, and doors—network model on page 77

Table 2-14 Alphabetical parts list (continued)

Description	Part number	Table and page
Cover, rear, upper	RC3-2656-000	Covers, panels, and doors—network model on page 77
Cover, right	RM1-8771-000	Covers, panels, and doors—network wireless model on page 79
Cover, upper	RM1-9327-000	Covers, panels, and doors—network wireless model on page 79
Cover, USB	RC3-2893-000	Covers, panels, and doors—network wireless model on page 79
DC controller PCA	RM1-8704-000	Internal components (2 of 4) on page 83
Door, front	RM1-8768-000	Covers, panels, and doors—network model on page 77
Door, front	RM1-8768-000	Covers, panels, and doors—network wireless model on page 79
Door, rear	RC3-2659-000	Covers, panels, and doors—network model on page 77
Door, rear	RC3-2659-000	Covers, panels, and doors—network wireless model on page 79
Fan	RK2-4255-000	Internal components (2 of 4) on page 83
Formatter PCA (network model)	CF152-60001	Internal components (2 of 4) on page 83
Formatter, (network wireless model)	CF153-60001	Internal components (2 of 4) on page 83
Fuser assembly (110V-127V)	RM1-8780-000	Internal components (4 of 4) on page 87
Fuser assembly (220V-240V)	RM1-8781-000	Internal components (4 of 4) on page 87
Fuser drive motor	RM1-8784-000	Internal components (4 of 4) on page 87
Fuser power supply assembly (110V-127V)	RM1-8709-000	Internal components (1 of 4) on page 81
Fuser power supply assembly (220V-240V)	RM1-8710-000	Internal components (1 of 4) on page 81
High voltage PCA	RM1-8705-000	Internal components (3 of 4) on page 85

Table 2-14 Alphabetical parts list (continued)

Description	Part number	Table and page
Intermediate transfer belt assembly (ITB)	RM1-8777-000	Internal components (3 of 4) on page 85
ITB lock lever assembly, left	RM1-4482-000	Internal components (3 of 4) on page 85
ITB lock lever assembly, right	RM1-4483-000	Internal components (3 of 4) on page 85
Low voltage power supply assembly, network model (110V-127V)	RM1-9011-000	Internal components (2 of 4) on page 83
Low voltage power supply assembly, network model (220V-240V)	RM1-9013-000	Internal components (2 of 4) on page 83
Low voltage power supply assembly, network wireless model (110V-127V)	RM1-9012-000	Internal components (2 of 4) on page 83
Low voltage power supply assembly, network wireless model (220V-240V)	RM1-9014-000	Internal components (2 of 4) on page 83
Main drive assembly	RM1-9328-000	Internal components (2 of 4) on page 83
Paper feed guide assembly	RM1-8779-000	Internal components (3 of 4) on page 85
PCA, driver assembly	RM1-8706-000	Internal components (2 of 4) on page 83
Right cover assembly	RM1-8771-000	Covers, panels, and doors—network model on page 77
Roller, pickup assembly	RM1-8047-000	Internal components (1 of 4) on page 81
Roller, separation Assembly	RM1-8765-000	Internal components (1 of 4) on page 81
Roller, transfer	RM1-4445-000	Internal components (3 of 4) on page 85
Sub drive assembly	RM1-8785-000	Internal components (2 of 4) on page 83
Upper cover assembly	RM1-8770-000	Covers, panels, and doors—network model on page 77
Walk-up USB cable	CF146-60103	Covers, panels, and doors—network wireless model on page 79
Walk-up USB PCA	CF368A	Covers, panels, and doors—network wireless model on page 79
Wireless PCA	1150-7940	Internal components (2 of 4) on page 83

Numerical parts list

Table 2-15 Numerical parts list

Part number	Description	Table and page
1150-7940	Wireless PCA	Internal components (2 of 4) on page 83
CF146-60103	Walk-up USB cable	Covers, panels, and doors—network wireless model on page 79
CF147-60101	Control panel, wireless network model	Covers, panels, and doors—network wireless model on page 79
CF152-60001	Formatter PCA (network model)	Internal components (2 of 4) on page 83
CF153-60001	Formatter, (network wireless model)	Internal components (2 of 4) on page 83
CF368A	Walk-up USB PCA	Covers, panels, and doors—network wireless model on page 79
RC2-2014-000	Cover, holder	Internal components (1 of 4) on page 81
RC3-2652-000	Cover, left	Covers, panels, and doors—network model on page 77
RC3-2652-000	Cover, left	Covers, panels, and doors—network wireless model on page 79
RC3-2656-000	Cover, rear, upper	Covers, panels, and doors—network model on page 77
RC3-2656-000	Cover, rear upper	Covers, panels, and doors—network wireless model on page 79
RC3-2657-000	Cover, rear, right	Covers, panels, and doors—network model on page 77
RC3-2657-000	Cover, rear right	Covers, panels, and doors—network wireless model on page 79
RC3-2658-000	Cover, rear, lower	Covers, panels, and doors—network model on page 77
RC3-2658-000	Cover, rear lower	Covers, panels, and doors—network wireless model on page 79
RC3-2659-000	Door, rear	Covers, panels, and doors—network model on page 77

Table 2-15 Numerical parts list (continued)

Part number	Description	Table and page
RC3-2659-000	Door, rear	Covers, panels, and doors— network wireless model on page 79
RC3-2746-000	Bracket, wireless	Internal components (2 of 4) on page 83
RC3-2893-000	Cover, USB	Covers, panels, and doors— network wireless model on page 79
RK2-4255-000	Fan	Internal components (2 of 4) on page 83
RK2-4540-000	Cable, flexible flat (base, network model)	Internal components (2 of 4) on page 83
RK2-4546-000	Cable, flexible flat (network model)	Internal components (2 of 4) on page 83
RM1-4445-000	Roller, transfer	Internal components (3 of 4) on page 85
RM1-4482-000	ITB lock lever assembly, left	Internal components (3 of 4) on page 85
RM1-4483-000	ITB lock lever assembly, right	Internal components (3 of 4) on page 85
RM1-8047-000	Roller, pickup assembly	Internal components (1 of 4) on page 81
RM1-8704-000	DC controller PCA	Internal components (2 of 4) on page 83
RM1-8705-000	High voltage PCA	Internal components (3 of 4) on page 85
RM1-8706-000	PCA, driver assembly	Internal components (2 of 4) on page 83
RM1-8709-000	Fuser power supply assembly (110V-127V)	Internal components (1 of 4) on page 81
RM1-8710-000	Fuser power supply assembly (220V-240V)	Internal components (1 of 4) on page 81
RM1-8765-000	Roller, separation Assembly	Internal components (1 of 4) on page 81
RM1-8768-000	Door, front	Covers, panels, and doors— network model on page 77
RM1-8768-000	Door, front	Covers, panels, and doors— network wireless model on page 79
RM1-8769-000	Cover, front	Covers, panels, and doors— network model on page 77

Table 2-15 Numerical parts list (continued)

Part number	Description	Table and page
RM1-8769-000	Cover, front	Covers, panels, and doors—network wireless model on page 79
RM1-8770-000	Upper cover assembly	Covers, panels, and doors—network model on page 77
RM1-8771-000	Right cover assembly	Covers, panels, and doors—network model on page 77
RM1-8771-000	Cover, right	Covers, panels, and doors—network wireless model on page 79
RM1-8772-000	Cassette assembly	Internal components (1 of 4) on page 81
RM1-8774-000	Cassette assembly	Internal components (4 of 4) on page 87
RM1-8777-000	Intermediate transfer belt assembly (ITB)	Internal components (3 of 4) on page 85
RM1-8779-000	Paper feed guide assembly	Internal components (3 of 4) on page 85
RM1-8780-000	Fuser assembly (110V-127V)	Internal components (4 of 4) on page 87
RM1-8781-000	Fuser assembly (220V-240V)	Internal components (4 of 4) on page 87
RM1-8784-000	Fuser drive motor	Internal components (4 of 4) on page 87
RM1-8785-000	Sub drive assembly	Internal components (2 of 4) on page 83
RM1-8788-000	Control-panel assembly (network model)	Covers, panels, and doors—network model on page 77
RM1-9011-000	Low voltage power supply assembly, network model (110V-127V)	Internal components (2 of 4) on page 83
RM1-9012-000	Low voltage power supply assembly, network wireless model (110V-127V)	Internal components (2 of 4) on page 83
RM1-9013-000	Low voltage power supply assembly, network model (220V-240V)	Internal components (2 of 4) on page 83
RM1-9014-000	Low voltage power supply assembly, network wireless model (220V-240V)	Internal components (2 of 4) on page 83
RM1-9327-000	Cover, upper	Covers, panels, and doors—network wireless model on page 79
RM1-9328-000	Main drive assembly	Internal components (2 of 4) on page 83

Index

A

- accessories
 - ordering 70
- after-service checklist 5

C

- cartridge
 - ordering 70
 - part number 70
- cautions iii
- checklists
 - after-service 5
 - preservice 4
- control-panel module
 - removing 31
- conventions, document iii
- covers 31
 - control-panel module,
 - removing 31
 - left, removing 18
 - locations 76
 - parts list 76
 - rear door and rear lower cover,
 - removing 23
 - rear side, removing 21
 - rear upper, removing 22
 - right, removing 15
 - top, removing 26

D

- DC controller PCA, removing 44
- diagrams 69
 - covers, panels, and doors 76
 - internal assemblies 80
- document conventions iii
- doors
 - front cover, removing 35
 - front, removing 35

- parts list 76
- rear door and rear lower cover,
 - removing 23

E

- electrostatic discharge (ESD) 2
- ESD (electrostatic discharge) 2

F

- formatter PCA, removing 47
- Front cover, removing 35
- front door, removing 35
- fuser, removing 64

I

- internal assembly
 - locations 80
 - parts list 80
- ITB
 - replacing 52

L

- left cover, removing 18

M

- main motor
 - replacing 51

N

- notes iii

O

- ordering
 - product documents 70
 - supplies and accessories 70
 - toner cartridge 70
 - whole-unit replacement 71

P

- panels
 - parts list 76
- paper guide assembly, removing 39
- part number
 - toner cartridge 70
 - whole-unit replacement 71
- parts 69
 - cover locations 76
 - door locations 76
 - internal assembly locations 80
 - panel locations 76
 - screws 4
- pickup roller, removing 8
- pliers, required 3
- post-service tests 5
- power supply (fuser)
 - removing 61
- power supply (high-voltage),
 - removing 56
- Power supply (low-voltage),
 - removing 59
- preservice checklist 4
- print quality
 - test 5

R

- rear door and rear lower cover,
 - removing 23
- rear upper cover, removing 22
- rear-side cover, removing 21
- removing parts 31
 - cautions for 2
 - checklists 4
 - control-panel module 31
 - DC controller PCA 44
 - formatter PCA 47
 - front doors 35

- fuser 64
- left cover 18
- order of 7
- paper guide assembly 39
- pickup roller 8
- power supply (fuser) 61
- power supply (high-voltage) 56
- power supply (low-voltage) 59
- rear door and rear lower cover 23
- rear upper cover 22
- rear-side cover 21
- right cover 15
- separation roller 10
- tools, required 3
- upper cover 26
- replacing
 - ITB 52
 - main motor 51
 - parts 2
- right cover, removing 15
- rollers
 - transfer 12
- rollers, pickup and separation; removing 8

S

- screwdrivers, required 3
- screws
 - replacing 2
- separation rollers
 - removing 10
- service
 - tools, required 3
- static precautions 2
- supplies
 - ordering 70

T

- tests
 - post-service 5
 - print-quality 5
- tips iii
- toner cartridge
 - ordering 70
 - part number 70
- tools, required 3
- transfer roller 12

U

- upper cover, removing 26

W

- warnings iii



CF146-90961

