

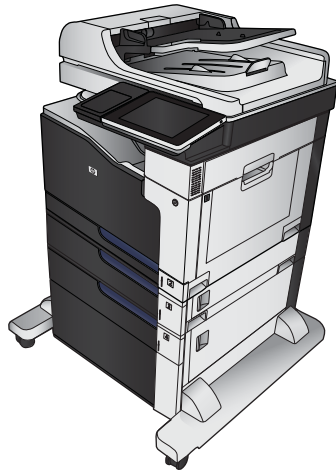


# LASERJET ENTERPRISE 700 COLOR MFP

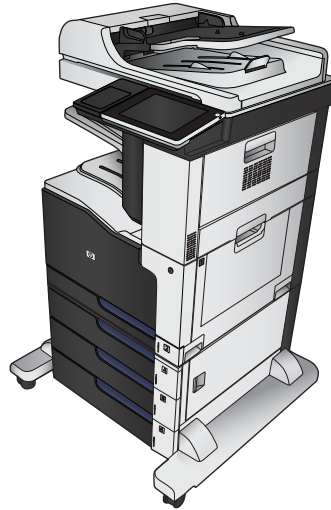
## Repair Manual



M775dn



M775f



M775z



M775z+





# HP LaserJet Enterprise 700 color MFP M775

Repair Manual

**Copyright and License**

© 2012 Copyright Hewlett-Packard Development Company, L.P.

Reproduction, adaptation, or translation without prior written permission is prohibited, except as allowed under the copyright laws.

The information contained herein is subject to change without notice.

The only warranties for HP products and services are set forth in the express warranty statements accompanying such products and services. Nothing herein should be construed as constituting an additional warranty. HP shall not be liable for technical or editorial errors or omissions contained herein.

Part number: CC522-90967


Edition 1, 10/2012

**Trademark Credits**


Microsoft®, Windows®, Windows® XP, and Windows Vista® are U.S. registered trademarks of Microsoft Corporation.


## Conventions used in this guide

---

 **TIP:** Tips provide helpful hints or shortcuts.

 **NOTE:** Notes provide important information to explain a concept or to complete a task.

 **CAUTION:** Cautions indicate procedures that you should follow to avoid losing data or damaging the product.

 **WARNING!** Warnings alert you to specific procedures that you should follow to avoid personal injury, catastrophic loss of data, or extensive damage to the product.

---



---

# Table of contents

|   |          |
|---|----------|
| <b>1 Removal and replacement .....</b>                                | <b>1</b> |
| Removal and replacement strategy .....                                | 2        |
| Cautions during removal and replacement .....                         | 2        |
| Required tools .....  | 3        |
| Types of screws .....   | 3        |
| Service approach .....  | 3        |
| Before performing service .....                                       | 4        |
| After performing service .....  | 4        |
| Parts removal order .....   | 4        |
| Control-panel assembly .....  | 5        |
| Intermediate transfer belt .....                                      | 7        |
| Fuser .....   | 9        |
| Formatter PCA .....   | 10       |
| Hard disk drive (HDD) .....   | 11       |
| Reinstall the HDD .....   | 12       |
| Secondary transfer roller .....                                       | 13       |
| Document feeder mylar strips .....                                    | 14       |
| Install replacement document feeder mylar strips .....                | 15       |
| Document feeder foam reflector .....                                  | 16       |
| Install a replacement document feeder foam reflector .....            | 17       |
| Pickup, feed, and separation (rollers and pads) .....                 | 22       |
| Tray 1 (multipurpose tray) pickup roller .....                        | 22       |
| Tray 1 separation pad .....   | 24       |
| Tray 2 pickup roller .....  | 26       |
| Tray 2 separation roller .....  | 27       |
| 1 x 500 or 3 x 500 pickup, feed, and separation rollers .....         | 29       |
| High capacity input feeder pickup, feed, and separation rollers ..... | 30       |
| Document feeder pickup and feed roller assembly .....                 | 32       |
| Document feeder separation pad .....                                  | 34       |
| Reinstall the document feeder separation pad .....                    | 35       |
| Covers, doors, and whole unit replacement .....                       | 36       |
| Document feeder front cover .....                                     | 36       |

|   |    |
|---|----|
| Document feeder hatch cover .....                             | 41 |
| Document feeder input tray bottom cover .....                 | 42 |
| Document feeder roller cover .....                            | 43 |
| Remove the document feeder roller cover .....                 | 43 |
| Document feeder rear cover .....                              | 46 |
| Remove the document feeder rear cover .....                   | 46 |
| Scanner left cover .....                                      | 49 |
| Remove the scanner left cover .....                           | 49 |
| Scanner right cover .....                                     | 51 |
| Remove the scanner right cover .....                          | 51 |
| Scanner front cover .....                                     | 53 |
| Remove the scanner front cover .....                          | 53 |
| Reinstall the scanner front cover .....                       | 55 |
| Left cover .....  | 57 |
| Rear cover .....  | 58 |
| Right rear cover .....  | 59 |
| Remove the right rear cover .....                             | 59 |
| Toner collection unit (TCU) access door .....                 | 60 |
| Remove the TCU access door .....                              | 60 |
| Right door assembly .....                                     | 62 |
| Remove the right door assembly .....                          | 62 |
| Rear upper cover .....  | 66 |
| Right upper cover .....                                       | 67 |
| Scanner rear and FFC bezel cover .....                        | 68 |
| Stapler/stacker rear cover .....                              | 69 |
| Document feeder .....   | 71 |
| Remove the document feeder assembly .....                     | 71 |
| Reinstall the document feeder .....                           | 73 |
| Scanner assembly .....  | 74 |
| Remove the scanner assembly .....                             | 74 |
| Reinstall the scanner assembly .....                          | 77 |
| Stapler/stacker assembly .....                                | 78 |
| Remove the stapler/stacker assembly .....                     | 78 |
| Left upper cover .....  | 82 |
| Remove the left upper cover .....                             | 82 |
| Front upper cover .....                                       | 83 |
| Remove the front upper cover; stapler/stacker model .....     | 83 |
| Remove the front upper cover; non stapler/stacker model ..... | 85 |
| Front right cover .....                                       | 86 |
| Remove the front right cover .....                            | 86 |
| Front door assembly .....                                     | 88 |



|   |     |
|---|-----|
| Remove the front door assembly .....  | 88  |
| Top right cover .....   | 91  |
| Remove the top right cover .....  | 91  |
| Output cover; non stapler/stacker model .....                                     | 93  |
| Remove the output cover .....   | 93  |
| Top cover .....   | 95  |
| Remove the top cover .....  | 95  |
| Top rear cover .....  | 97  |
| Remove the top rear cover .....   | 97  |
| Main assemblies .....   | 101 |
| Document feeder paper present sensor .....  | 101 |
| Remove the document feeder paper present sensor .....                             | 101 |
| Document feeder hinge .....   | 103 |
| Remove the document hinge .....   | 103 |
| Document feeder width sensor, paper-long and paper-short sensors .....            | 105 |
| Remove the document feeder width sensor, paper-short and paper-long sensors ..... | 105 |
| Document feeder tray extender .....   | 108 |
| Remove the document tray extender .....   | 108 |
| Sub-power supply assembly .....   | 110 |
| Remove the power supply assembly .....  | 110 |
| Sub power supply fan FM5 .....  | 112 |
| Remove the sub power supply fan FM5 .....   | 112 |
| Lifter-drive assembly .....   | 115 |
| Remove the lifter-drive assembly .....  | 115 |
| ITB front guide assembly .....  | 118 |
| Remove the ITB front guide assembly .....   | 119 |
| ITB rear guide assembly .....   | 121 |
| Remove the ITB rear guide assembly .....  | 121 |
| Residual toner full sensor .....  | 122 |
| Remove the residual toner full sensor .....                                       | 122 |
| Reinstall the residual toner full sensor .....                                    | 125 |
| Residual toner feed assembly .....  | 127 |
| Remove the residual toner feed assembly .....                                     | 128 |
| Paper delivery assembly .....   | 131 |
| Remove the paper delivery assembly .....  | 131 |
| Laser scanner .....   | 133 |
| Remove the laser/scanner assembly .....   | 133 |
| Cartridge fan FM4 .....   | 137 |
| Remove the cartridge fan FM4 .....  | 137 |
| Fuser fan FM2 .....   | 139 |

|   |     |
|---|-----|
| Remove the fuser fan FM2 .....                                    | 139 |
| Formatter fan FM3 .....   | 141 |
| Remove the formatter fan FM3 .....                                | 141 |
| ITB motor M1 .....  | 143 |
| Remove the ITB motor M1 .....                                     | 143 |
| Drum motor M2 .....   | 145 |
| Remove the drum motor M2 .....                                    | 145 |
| Developing motor M3 .....   | 147 |
| Remove the developing motor M3 .....                              | 147 |
| Fuser motor M4 .....  | 149 |
| Remove the fuser motor M4 .....                                   | 149 |
| Developing disengagement motor M6 .....                           | 151 |
| Remove the developing disengagement motor M6 .....                | 151 |
| Power-supply fan FM1 .....  | 153 |
| Remove the power-supply fan FM1 .....                             | 153 |
| Power switch .....  | 155 |
| Remove the power switch .....                                     | 155 |
| Environment sensor .....  | 157 |
| Scan control board (SCB) .....                                    | 158 |
| Remove the scan control board (SCB) .....                         | 158 |
| Reinstall the SCB .....   | 160 |
| Installing a replacement SCB and image scanner memory board ..... | 160 |
| Document feeder open sensor and flag .....                        | 161 |
| Remove the document open sensor and flag .....                    | 161 |
| Reinstall the document feeder open sensor and flag .....          | 163 |
| Image scanner memory board .....                                  | 164 |
| Remove the image scanner memory board .....                       | 164 |
| Installing a replacement SCB and image scanner memory board ..... | 165 |
| Fax PCA .....   | 166 |
| Remove the fax PCA .....  | 166 |
| Reinstall the fax PCA .....                                       | 167 |
| Image (developing) high-voltage power supply (HVPS) .....         | 168 |
| Remove the image (developing) high-voltage power supply .....     | 168 |
| Reinstall the image (developing) high-voltage power supply .....  | 170 |
| Interconnect PCA .....  | 171 |
| Remove the interconnect PCA .....                                 | 171 |
| DC controller PCA .....   | 174 |
| Remove the DC controller PCA .....                                | 174 |
| Formatter cage .....  | 177 |
| Remove the formatter cage .....                                   | 177 |
| First-transfer high-voltage power supply .....                    | 179 |

|   |     |
|---|-----|
| Remove the first-transfer high-voltage power supply .....             | 179 |
| Reinstall the first-transfer high-voltage power supply .....          | 181 |
| Second-transfer high-voltage power supply and holder .....            | 182 |
| Remove the second-transfer high-voltage power supply and holder ..... | 182 |
| Driver PCA .....  | 184 |
| Remove the driver PCA .....   | 184 |
| Low-voltage power supply (LVPS) .....                                 | 186 |
| Remove the LVPS .....   | 186 |
| Duplex drive assembly .....   | 190 |
| Remove the duplex-drive assembly .....                                | 191 |
| Reinstall the duplex-drive assembly .....                             | 193 |
| Main drive assembly .....   | 194 |
| Remove the main drive assembly .....                                  | 195 |
| Install the main drive assembly .....                                 | 202 |
| Fuser drive assembly .....  | 207 |
| Remove the fuser drive assembly .....                                 | 208 |
| Install a replacement fuser drive assembly .....                      | 211 |
| Fuser gear assembly .....   | 213 |
| Remove the fuser gear assembly .....                                  | 214 |
| Install a replacement fuser gear assembly .....                       | 218 |
| Input devices .....   | 220 |
| 1x500-sheet paper feeder assembly .....                               | 220 |
| 1x500 rear cover .....  | 220 |
| 1x500 left cover .....  | 221 |
| 1x500 right-front cover .....   | 223 |
| 1x500 front-upper cover .....   | 224 |
| Remove the 1x500 front-upper cover .....                              | 224 |
| 1x500 right door .....  | 225 |
| 1x500 right-lower cover .....   | 227 |
| Remove the 1x500 right-lower cover .....                              | 227 |
| 1x500 pickup assembly .....   | 228 |
| Remove the 1x500 pickup assembly .....                                | 228 |
| 1x500 lifter-drive assembly .....                                     | 231 |
| Remove the 1x500 lifter-drive assembly .....                          | 231 |
| 1x500 pickup motor .....  | 233 |
| Remove the 1x500 pickup motor .....                                   | 233 |
| 1x500 driver PCA .....  | 234 |
| Remove the 1x500 driver PCA .....                                     | 234 |
| 1x500- and 3x500-sheet paper deck (PD) .....                          | 235 |
| PD rear cover .....   | 235 |
| PD left cover .....   | 236 |

|   |     |
|---|-----|
| PD right front cover .....                  | 238 |
| PD front upper cover .....                  | 239 |
| Remove the PD front upper cover .....       | 239 |
| PD front door .....                         | 241 |
| PD storage box .....                        | 243 |
| Remove the PD storage box .....             | 243 |
| Reinstall the PD storage box .....          | 244 |
| PD right door .....                         | 245 |
| PD right lower cover .....                  | 247 |
| Remove the right lower cover .....          | 247 |
| PD left lower cover .....                   | 249 |
| Remove the left lower cover .....           | 249 |
| PD rear lower cover .....                   | 251 |
| Remove the rear lower cover .....           | 251 |
| PD front lower cover .....                  | 252 |
| Remove the front lower cover .....          | 252 |
| PD pickup assembly cassette 1 .....         | 253 |
| Remove the pickup assembly cassette 1 ..... | 253 |
| Reinstall the pickup assembly .....         | 255 |
| PD pickup assembly cassette 2 .....         | 256 |
| Remove the pickup assembly cassette 2 ..... | 256 |
| Reinstall the pickup assembly .....         | 257 |
| PD pickup assembly cassette 3 .....         | 258 |
| Remove the pickup assembly cassette 3 ..... | 258 |
| Reinstall the pickup assembly .....         | 259 |
| PD lifter drive assembly .....              | 260 |
| Remove the lifter drive assembly .....      | 260 |
| PD pickup motor .....                       | 262 |
| Remove the pickup motor .....               | 262 |
| PD controller PCA .....                     | 263 |
| Remove the controller PCA .....             | 263 |
| High capacity input feeder .....            | 265 |
| HCI right tray .....                        | 265 |
| HCI left tray .....                         | 266 |
| HCI left cover .....                        | 267 |
| Remove the HCI left cover .....             | 267 |
| HCI left lower cover .....                  | 269 |
| Remove the HCI left lower cover .....       | 269 |
| HCI rear cover .....                        | 271 |
| Remove the HCI rear cover .....             | 271 |
| HCI right door .....                        | 272 |

|  |     |
|--|-----|
| HCI right front cover .....                                  | 274 |
| Remove the HCI right front cover .....                       | 274 |
| HCI right center cover and right rear cover .....            | 275 |
| Remove the HCI right center cover and right rear cover ..... | 275 |
| HCI right lower cover .....                                  | 277 |
| Remove the HCI right lower cover .....                       | 277 |
| HCI rear lower cover .....                                   | 279 |
| Remove the HCI rear lower cover .....                        | 279 |
| HCI left tray lifter drive .....                             | 280 |
| Remove the HCI left tray lifter drive .....                  | 280 |
| Reinstall the HCI left tray lifter drive .....               | 281 |
| HCI right tray lifter drive .....                            | 282 |
| Remove the HCI right tray lifter drive .....                 | 282 |
| Reinstall the HCI left tray lifter drive .....               | 283 |
| HCI left tray pickup drive .....                             | 284 |
| Remove the HCI left tray pickup drive .....                  | 284 |
| Reinstall the HCI tray pickup drive .....                    | 285 |
| HCI right tray pickup drive .....                            | 286 |
| Remove the HCI right tray pickup drive .....                 | 286 |
| Reinstall the HCI tray pickup drive .....                    | 287 |
| HCI controller PCA .....                                     | 288 |
| Remove the HCI controller PCA .....                          | 288 |
| HCI left tray automatic close assembly .....                 | 289 |
| Remove the HCI left tray automatic close assembly .....      | 289 |
| HCI right tray automatic close assembly .....                | 291 |
| Remove the HCI right tray automatic close assembly .....     | 291 |
| HCI left tray pickup assembly .....                          | 293 |
| Remove the HCI left tray pickup assembly .....               | 293 |
| Reinstall the HCI tray pickup assembly .....                 | 294 |
| HCI right tray pickup assembly .....                         | 295 |
| Remove the HCI right tray pickup assembly .....              | 295 |
| HCI merge assembly .....                                     | 297 |
| Remove the HCI merge assembly .....                          | 297 |
| Reinstall the HCI merge assembly .....                       | 299 |
| Output devices .....   | 300 |
| Stapler/stacker .....  | 300 |
| Stapler/stacker rear cover .....                             | 300 |
| Stapler/stacker front right cover .....                      | 302 |
| Stapler/stacker front left cover .....                       | 303 |
| Remove the stapler/stacker front left cover .....            | 303 |
| Stapler/stacker right door .....                             | 304 |

|  |     |
|--|-----|
| Remove the stapler/stacker right door .....              | 304 |
| Stapler/stacker left rear cover .....                    | 306 |
| Remove the stapler/stacker left rear cover .....         | 306 |
| Stapler/stacker output bin assembly .....                | 307 |
| Remove the stapler/stacker output bin assembly .....     | 307 |
| Stapler/stacker left lower cover .....                   | 309 |
| Remove the stapler/stacker left lower cover .....        | 309 |
| Stapler/stacker operation assembly .....                 | 310 |
| Remove the stapler/stacker operation assembly .....      | 310 |
| Stapler/stacker feed guide assembly .....                | 312 |
| Remove the stapler/stacker feed guide assembly .....     | 312 |
| Stapler/stacker door switch .....                        | 316 |
| Remove the stapler/stacker door switch .....             | 316 |
| Stapler/stacker inlet solenoid assembly .....            | 318 |
| Remove the stapler/stacker inlet solenoid assembly ..... | 318 |
| Stapler/stacker stapler assembly .....                   | 320 |
| Remove the stapler/stacker stapler assembly .....        | 320 |
| Reinstall the stapler/stacker stapler assembly .....     | 321 |
| Stapler/stacker controller PCA .....                     | 322 |
| Remove the stapler/stacker controller PCA .....          | 322 |

## **2 Parts and diagrams ..... 323**

|   |     |
|---|-----|
| Order parts by authorized service providers .....     | 324 |
| Order parts, accessories, and supplies .....          | 324 |
| Related documentation and software .....              | 324 |
| Supplies part numbers .....                           | 325 |
| Customer self-repair parts .....                      | 325 |
| Service replacement parts .....                       | 327 |
| Accessories .....                                     | 328 |
| How to use the parts lists and diagrams .....         | 328 |
| Assembly locations .....                              | 330 |
| Base product (no optional trays or accessories) ..... | 330 |
| Document feeder and scanner .....                     | 331 |
| Stapler/stacker .....                                 | 331 |
| 500-sheet paper feeder .....                          | 332 |
| 1x500-sheet paper deck .....                          | 333 |
| 3x500-sheet paper deck .....                          | 334 |
| High capacity input (HCI) paper deck .....            | 335 |
| Document feeder and scanner whole units .....         | 336 |
| Document feeder assemblies .....                      | 338 |
| Scanner assemblies .....                              | 340 |

|   |     |
|---|-----|
| Scanner controller board (SCB) .....                | 342 |
| Stapler/stacker assembly .....                      | 344 |
| Stapler/stacker covers .....                        | 344 |
| Stapler/stacker components .....                    | 346 |
| Covers .....  | 348 |
| Right door .....                                    | 350 |
| Internal assemblies .....                           | 352 |
| Internal assemblies (1 of 8) .....                  | 352 |
| Internal assemblies (2 of 8) .....                  | 354 |
| Internal assemblies (3 of 8) .....                  | 356 |
| Internal assemblies (4 of 8) .....                  | 358 |
| Internal assemblies (5 of 8) .....                  | 360 |
| Internal assemblies (6 of 8) .....                  | 362 |
| Internal assemblies (7 of 8) .....                  | 364 |
| Internal assemblies (8 of 8) .....                  | 366 |
| 1x500-sheet paper feeder .....                      | 368 |
| 1x500-sheet paper feeder covers .....               | 368 |
| 1x500-sheet paper feeder components .....           | 370 |
| 1x500-sheet and 3x500-sheet paper deck .....        | 372 |
| 1x500-sheet and 3x500-sheet paper deck covers ..... | 372 |
| 1x500-sheet paper deck components .....             | 374 |
| 3x500-sheet paper deck components .....             | 376 |
| High capacity input (HCI) feeder .....              | 378 |
| HCI covers .....                                    | 378 |
| HCI components (1 of 2) .....                       | 380 |
| HCI components (2 of 2) .....                       | 382 |
| Alphabetical parts list .....                       | 384 |
| Numerical parts list .....                          | 401 |

|                    |            |
|--------------------|------------|
| <b>Index .....</b> | <b>419</b> |
|--------------------|------------|





---

# List of tables

|            |   |     |
|------------|---|-----|
| Table 2-1  | Order parts, accessories, and supplies .....          | 324 |
| Table 2-2  | Related documentation and software .....              | 324 |
| Table 2-3  | Supplies part numbers .....                           | 325 |
| Table 2-4  | Customer self-repair parts .....                      | 325 |
| Table 2-5  | Base product (no optional trays or accessories) ..... | 330 |
| Table 2-6  | Document feeder and scanner .....                     | 331 |
| Table 2-7  | 500-sheet paper feeder .....                          | 332 |
| Table 2-8  | 1x500-sheet paper deck .....                          | 333 |
| Table 2-9  | 3x500-sheet paper deck .....                          | 334 |
| Table 2-10 | High capacity input (HCI) paper deck .....            | 335 |
| Table 2-11 | Document feeder and scanner whole units .....         | 337 |
| Table 2-12 | Document feeder assemblies .....                      | 339 |
| Table 2-13 | Scanner assemblies .....                              | 341 |
| Table 2-14 | Scanner controller board (SCB) assembly .....         | 343 |
| Table 2-15 | Stapler/stacker covers .....                          | 345 |
| Table 2-16 | Stapler/stacker components .....                      | 347 |
| Table 2-17 | Covers .....  | 349 |
| Table 2-18 | Right door .....                                      | 351 |
| Table 2-19 | Internal assemblies (1 of 8) .....                    | 353 |
| Table 2-20 | Internal assemblies (2 of 8) .....                    | 355 |
| Table 2-21 | Internal assemblies (3 of 8) .....                    | 357 |
| Table 2-22 | Internal assemblies (4 of 8) .....                    | 359 |
| Table 2-23 | Internal assemblies (5 of 8) .....                    | 361 |
| Table 2-24 | Internal assemblies (6 of 8) .....                    | 363 |
| Table 2-25 | Internal assemblies (7 of 8) .....                    | 365 |
| Table 2-26 | Internal assemblies (8 of 8) .....                    | 367 |
| Table 2-27 | 1x500-sheet paper feeder covers .....                 | 369 |
| Table 2-28 | 1x500-sheet paper feeder components .....             | 371 |
| Table 2-29 | 1x500-sheet and 3x500-sheet paper deck covers .....   | 373 |
| Table 2-30 | 1x500-sheet paper deck components .....               | 375 |
| Table 2-31 | 3x500-sheet paper deck components .....               | 377 |
| Table 2-32 | HCI covers .....                                      | 379 |

|            |                               |     |
|------------|-------------------------------|-----|
| Table 2-33 | HCI components (1 of 2) ..... | 381 |
| Table 2-34 | HCI components (2 of 2) ..... | 383 |
| Table 2-35 | Alphabetical parts list ..... | 384 |
| Table 2-36 | Numerical parts list .....    | 401 |

---

# List of figures

|             |   |    |
|-------------|---|----|
| Figure 1-1  | Screwdrivers .....  | 3  |
| Figure 1-2  | Remove the control-panel assembly (1 of 4) .....                    | 5  |
| Figure 1-3  | Remove the control panel (2 of 4) .....                             | 5  |
| Figure 1-4  | Remove the control-panel assembly (3 of 4) .....                    | 6  |
| Figure 1-5  | Remove the control-panel assembly (4 of 4) .....                    | 6  |
| Figure 1-6  | Remove the ITB (1 of 3) .....                                       | 7  |
| Figure 1-7  | Remove the ITB (2 of 3) .....                                       | 7  |
| Figure 1-8  | Remove the ITB (3 of 3) .....                                       | 8  |
| Figure 1-9  | Remove the fuser (1 of 2) .....                                     | 9  |
| Figure 1-10 | Remove the fuser (2 of 2) .....                                     | 9  |
| Figure 1-11 | Remove the formatter PCA (1 of 2) .....                             | 10 |
| Figure 1-12 | Remove the Formatter PCA (2 of 2) .....                             | 10 |
| Figure 1-13 | Remove the HDD (1 of 2) .....                                       | 11 |
| Figure 1-14 | Remove the HDD (2 of 2) .....                                       | 11 |
| Figure 1-15 | HDD installed—correct .....   | 12 |
| Figure 1-16 | HDD installed—incorrect .....                                       | 12 |
| Figure 1-17 | Remove the secondary transfer roller .....                          | 13 |
| Figure 1-18 | Remove the secondary transfer roller .....                          | 13 |
| Figure 1-19 | Remove the document feeder mylar strips (1 of 3) .....              | 14 |
| Figure 1-20 | Remove the document feeder mylar strips (2 of 3) .....              | 14 |
| Figure 1-21 | Remove the document feeder mylar strips (3 of 3) .....              | 15 |
| Figure 1-22 | Remove the document feeder foam reflector (1 of 3) .....            | 16 |
| Figure 1-23 | Remove the document feeder foam reflector (2 of 3) .....            | 16 |
| Figure 1-24 | Remove the document feeder foam reflector (3 of 3) .....            | 17 |
| Figure 1-25 | Install a replacement document feeder foam reflector (1 of 8) ..... | 17 |
| Figure 1-26 | Install a replacement document feeder foam reflector (2 of 8) ..... | 18 |
| Figure 1-27 | Install a replacement document feeder foam reflector (3 of 8) ..... | 18 |
| Figure 1-28 | Install a replacement document feeder foam reflector (4 of 8) ..... | 19 |
| Figure 1-29 | Install a replacement document feeder foam reflector (5 of 8) ..... | 19 |
| Figure 1-30 | Install a replacement document feeder foam reflector (6 of 6) ..... | 20 |
| Figure 1-31 | Install a replacement document feeder foam reflector (7 of 8) ..... | 20 |
| Figure 1-32 | Install a replacement document feeder foam reflector (8 of 8) ..... | 21 |

|             |   |    |
|-------------|---|----|
| Figure 1-33 | Remove the Tray 1 pickup roller (1 of 2)  | 22 |
| Figure 1-34 | Remove the Tray 1 pickup roller (2 of 2)  | 23 |
| Figure 1-35 | Remove the Tray 1 separation pad (1 of 4)   | 24 |
| Figure 1-36 | Remove the Tray 1 separation pad (2 of 4)   | 24 |
| Figure 1-37 | Remove the Tray 1 separation pad (3 of 4)   | 25 |
| Figure 1-38 | Remove the Tray 1 separation pad (4 of 4)   | 25 |
| Figure 1-39 | Remove the Tray 2 pickup roller   | 26 |
| Figure 1-40 | Remove the separation Tray 2 roller (1 of 2)  | 27 |
| Figure 1-41 | Remove the separation Tray 2 roller (2 of 2)  | 28 |
| Figure 1-42 | Remove the 1 x 500 or 3 x 500 rollers (1 of 2)                                      | 29 |
| Figure 1-43 | Remove the 1 x 500 or 3 x 500 rollers (2 of 2)                                      | 29 |
| Figure 1-44 | Remove the high capacity input feeder pickup, feed, and separation rollers (1 of 4) | 30 |
| Figure 1-45 | Remove the high capacity input feeder pickup, feed, and separation rollers (2 of 4) | 30 |
| Figure 1-46 | Remove the high capacity input feeder pickup, feed, and separation rollers (3 of 4) | 31 |
| Figure 1-47 | Remove the high capacity input feeder pickup, feed, and separation rollers (4 of 4) | 31 |
| Figure 1-48 | Remove the document feeder pickup and feed roller assemblies (1 of 3)               | 32 |
| Figure 1-49 | Remove the document feeder pickup and feed roller assemblies (2 of 3)               | 32 |
| Figure 1-50 | Remove the document feeder pickup and feed roller assemblies (3 of 3)               | 33 |
| Figure 1-51 | Remove the document feeder separation pad (1 of 3)                                  | 34 |
| Figure 1-52 | Remove the document feeder separation pad (2 of 3)                                  | 34 |
| Figure 1-53 | Remove the document feeder separation pad (3 of 3)                                  | 35 |
| Figure 1-54 | Reinstall the document feeder separation pad  | 35 |
| Figure 1-55 | Remove the document feeder front cover (1 of 8)                                     | 36 |
| Figure 1-56 | Remove the document feeder front cover (2 of 8)                                     | 37 |
| Figure 1-57 | Remove the document feeder front cover (3 of 8)                                     | 37 |
| Figure 1-58 | Remove the document feeder front cover (4 of 8)                                     | 38 |
| Figure 1-59 | Remove the document feeder front cover (5 of 8)                                     | 38 |
| Figure 1-60 | Remove the document feeder front cover (6 of 8)                                     | 39 |
| Figure 1-61 | Remove the document feeder front cover (7 of 8)                                     | 39 |
| Figure 1-62 | Remove the document feeder front cover (8 of 8)                                     | 40 |
| Figure 1-63 | Remove the document feeder hatch cover (1 of 2)                                     | 41 |
| Figure 1-64 | Remove the document feeder hatch cover (2 of 2)                                     | 41 |
| Figure 1-65 | Remove the document feeder input tray bottom cover                                  | 42 |
| Figure 1-66 | Remove the document feeder roller cover (1 of 4)                                    | 43 |
| Figure 1-67 | Remove the document feeder roller cover (2 of 4)                                    | 44 |
| Figure 1-68 | Remove the document feeder roller cover (3 of 4)                                    | 44 |
| Figure 1-69 | Remove the document feeder roller cover (4 of 4)                                    | 45 |
| Figure 1-70 | Remove the document feeder rear cover (1 of 4)                                      | 46 |
| Figure 1-71 | Remove the document feeder rear cover (2 of 4)                                      | 47 |
| Figure 1-72 | Remove the document feeder rear cover (3 of 4)                                      | 47 |
| Figure 1-73 | Remove the document feeder rear cover (4 of 4)                                      | 48 |

|              |  |    |
|--------------|--|----|
| Figure 1-74  | Remove the scanner left cover (1 of 2)         | 49 |
| Figure 1-75  | Remove the scanner left cover (2 of 2)         | 50 |
| Figure 1-76  | Remove the scanner right cover (1 of 2)        | 51 |
| Figure 1-77  | Remove the scanner right cover (2 of 2)        | 52 |
| Figure 1-78  | Remove the scanner front cover (1 of 3)        | 53 |
| Figure 1-79  | Remove the scanner front cover (2 of 3)        | 54 |
| Figure 1-80  | Remove the scanner front cover (3 of 3)        | 54 |
| Figure 1-81  | Reinstall the scanner front cover (1 of 3)     | 55 |
| Figure 1-82  | Reinstall the scanner front cover (2 of 3)     | 55 |
| Figure 1-83  | Reinstall the scanner front cover (3 of 3)     | 56 |
| Figure 1-84  | Remove the left cover (1 of 2)                 | 57 |
| Figure 1-85  | Remove the left cover (2 of 2)                 | 57 |
| Figure 1-86  | Remove the rear cover (1 of 2)                 | 58 |
| Figure 1-87  | Remove the rear cover (2 of 2)                 | 58 |
| Figure 1-88  | Remove the right rear cover (1 of 2)           | 59 |
| Figure 1-89  | Remove the right rear cover (2 of 2)           | 59 |
| Figure 1-90  | Remove the TCU access door (1 of 3)            | 60 |
| Figure 1-91  | Remove the TCU access door (2 of 3)            | 61 |
| Figure 1-92  | Remove the TCU access door (3 of 3)            | 61 |
| Figure 1-93  | Remove the right door assembly (1 of 7)        | 62 |
| Figure 1-94  | Remove the right door assembly (2 of 7)        | 63 |
| Figure 1-95  | Remove the right door assembly (3 of 7)        | 63 |
| Figure 1-96  | Remove the right-door assembly (4 of 7)        | 64 |
| Figure 1-97  | Remove the right-door assembly (5 of 7)        | 64 |
| Figure 1-98  | Remove the right door assembly (6 of 7)        | 65 |
| Figure 1-99  | Remove the right door assembly (7 of 7)        | 65 |
| Figure 1-100 | Remove the rear upper cover (1 of 2)           | 66 |
| Figure 1-101 | Remove the rear upper cover (2 of 2)           | 66 |
| Figure 1-102 | Remove the right upper cover                   | 67 |
| Figure 1-103 | Remove the document feeder lower-rear cover    | 68 |
| Figure 1-104 | Remove the stapler/stacker rear cover (1 of 3) | 69 |
| Figure 1-105 | Remove the stapler/stacker rear cover (2 of 3) | 69 |
| Figure 1-106 | Remove the stapler/stacker rear cover (3 of 3) | 70 |
| Figure 1-107 | Remove the document feeder (1 of 4)            | 71 |
| Figure 1-108 | Remove the document feeder (2 of 4)            | 72 |
| Figure 1-109 | Remove the document feeder (3 of 4)            | 72 |
| Figure 1-110 | Remove the document feeder (4 of 4)            | 73 |
| Figure 1-111 | Remove the scanner assembly (1 of 5)           | 74 |
| Figure 1-112 | Remove the scanner assembly (2 of 5)           | 75 |
| Figure 1-113 | Remove the scanner (3 of 5)                    | 75 |
| Figure 1-114 | Remove the scanner assembly (4 of 5)           | 76 |

|              |   |     |
|--------------|---|-----|
| Figure 1-115 | Remove the scanner assembly (5 of 5)  | 76  |
| Figure 1-116 | Reinstall the scanner assembly  | 77  |
| Figure 1-117 | Remove the stapler/stacker assembly (1 of 7)                                | 78  |
| Figure 1-118 | Remove the stapler/stacker assembly (2 of 7)                                | 79  |
| Figure 1-119 | Remove the stapler/stacker assembly (3 of 7)                                | 79  |
| Figure 1-120 | Remove the stapler/stacker assembly (4 of 7)                                | 80  |
| Figure 1-121 | Remove the stapler/stacker assembly (5 of 7)                                | 80  |
| Figure 1-122 | Remove the stapler/stacker assembly (6 of 7)                                | 81  |
| Figure 1-123 | Remove the stapler/stacker assembly (7 of 7)                                | 81  |
| Figure 1-124 | Remove the left upper cover   | 82  |
| Figure 1-125 | Remove the front upper cover; stapler/stacker model (1 of 2)                | 83  |
| Figure 1-126 | Remove the front upper cover; stapler/stacker model (2 of 2)                | 84  |
| Figure 1-127 | Remove the front upper cover; non stapler/stacker model                     | 85  |
| Figure 1-128 | Remove the front right cover (1 of 2)                                       | 86  |
| Figure 1-129 | Remove the front right cover (2 of 2)                                       | 87  |
| Figure 1-130 | Remove the front door assembly (1 of 4)                                     | 89  |
| Figure 1-131 | Remove the front door assembly (2 of 4)                                     | 89  |
| Figure 1-132 | Remove the front door assembly (3 of 4)                                     | 90  |
| Figure 1-133 | Remove the front door assembly (4 of 4)                                     | 90  |
| Figure 1-134 | Remove the top right cover (1 of 2)   | 91  |
| Figure 1-135 | Remove the top right cover (2 of 2)   | 92  |
| Figure 1-136 | Remove the output cover (1 of 2)  | 93  |
| Figure 1-137 | Remove the output cover (2 of 2)  | 94  |
| Figure 1-138 | Remove the top cover (1 of 3)   | 95  |
| Figure 1-139 | Remove the top cover (2 of 3)   | 96  |
| Figure 1-140 | Remove the top cover (3 of 3)   | 96  |
| Figure 1-141 | Remove the top rear cover (1 of 5)  | 98  |
| Figure 1-142 | Remove the top rear cover (2 of 5)  | 98  |
| Figure 1-143 | Remove the top rear cover (3 of 5)  | 99  |
| Figure 1-144 | Remove the top rear cover (4 of 5)  | 99  |
| Figure 1-145 | Remove the top rear cover (5 of 5)  | 100 |
| Figure 1-146 | Remove the document feeder paper present sensor (1 of 2)                    | 101 |
| Figure 1-147 | Remove the document feeder paper present sensor (2 of 2)                    | 102 |
| Figure 1-148 | Remove the document feeder hinge (1 of 2)                                   | 103 |
| Figure 1-149 | Remove the document feeder hinge (2 of 2)                                   | 104 |
| Figure 1-150 | Remove the document feeder width sensor, paper-short and paper-long sensors | 105 |
| Figure 1-151 | Remove the document feeder width sensor                                     | 106 |
| Figure 1-152 | Remove the document feeder paper-short sensor                               | 106 |
| Figure 1-153 | Remove the document feeder paper-long sensor                                | 107 |
| Figure 1-154 | Remove the document feeder tray extender (1 of 3)                           | 108 |
| Figure 1-155 | Remove the document feeder tray extender (2 of 3)                           | 109 |

|              |   |     |
|--------------|---|-----|
| Figure 1-156 | Remove the document feeder tray extender (3 of 3) | 109 |
| Figure 1-157 | Remove the sub-power supply assembly (1 of 2)     | 110 |
| Figure 1-158 | Remove the sub-power supply assembly (2 of 2)     | 111 |
| Figure 1-159 | Remove the sub power supply fan FM5 (1 of 5)      | 112 |
| Figure 1-160 | Remove the sub power supply fan FM5 (2 of 5)      | 113 |
| Figure 1-161 | Remove the sub power supply fan FM5 (3 of 5)      | 113 |
| Figure 1-162 | Remove the sub power supply fan FM5 (4 of 5)      | 114 |
| Figure 1-163 | Remove the sub power supply fan FM5 (5 of 5)      | 114 |
| Figure 1-164 | Remove the lifter-drive assembly (1 of 3)         | 115 |
| Figure 1-165 | Remove the lifter-drive assembly (2 of 3)         | 116 |
| Figure 1-166 | Remove the lifter-drive assembly (3 of 3)         | 117 |
| Figure 1-167 | Remove the ITB front guide assembly (1 of 4)      | 119 |
| Figure 1-168 | Remove the ITB front guide assembly (2 of 4)      | 119 |
| Figure 1-169 | Remove the ITB front guide assembly (3 of 4)      | 120 |
| Figure 1-170 | Remove the ITB front guide assembly (4 of 4)      | 120 |
| Figure 1-171 | Remove the ITB rear guide assembly                | 121 |
| Figure 1-172 | Remove the residual toner full sensor (1 of 5)    | 122 |
| Figure 1-173 | Remove the residual toner full sensor (2 of 5)    | 123 |
| Figure 1-174 | Remove the residual toner full sensor (3 of 5)    | 123 |
| Figure 1-175 | Remove the residual toner full sensor (4 of 5)    | 124 |
| Figure 1-176 | Remove the residual toner full sensor (5 of 5)    | 124 |
| Figure 1-177 | Reinstall the residual toner full sensor (1 of 3) | 125 |
| Figure 1-178 | Reinstall the residual toner full sensor (2 of 3) | 125 |
| Figure 1-179 | Reinstall the residual toner full sensor (3 of 3) | 126 |
| Figure 1-180 | Remove the residual toner feed assembly (1 of 6)  | 128 |
| Figure 1-181 | Remove the residual toner feed assembly (2 of 6)  | 128 |
| Figure 1-182 | Remove the residual toner feed assembly (3 of 6)  | 129 |
| Figure 1-183 | Remove the residual toner feed assembly (4 of 6)  | 129 |
| Figure 1-184 | Remove the residual toner feed assembly (5 of 6)  | 130 |
| Figure 1-185 | Remove the residual toner feed assembly (6 of 6)  | 130 |
| Figure 1-186 | Remove the paper delivery assembly (1 of 2)       | 132 |
| Figure 1-187 | Remove the paper delivery assembly (2 of 2)       | 132 |
| Figure 1-188 | Remove the laser/scanner (1 of 6)                 | 133 |
| Figure 1-189 | Remove the laser/scanner (2 of 6)                 | 134 |
| Figure 1-190 | Remove the laser/scanner (3 of 6)                 | 134 |
| Figure 1-191 | Remove the laser/scanner (4 of 6)                 | 135 |
| Figure 1-192 | Remove the laser/scanner (5 of 6)                 | 135 |
| Figure 1-193 | Remove the laser/scanner (6 of 6)                 | 136 |
| Figure 1-194 | Remove the cartridge fan FM4 (1 of 3)             | 137 |
| Figure 1-195 | Remove the cartridge fan FM4 (2 of 3)             | 137 |
| Figure 1-196 | Remove the cartridge fan FM4 (3 of 3)             | 138 |

|              |  |     |
|--------------|--|-----|
| Figure 1-197 | Remove the fuser fan FM2 (1 of 2)                        | 139 |
| Figure 1-198 | Remove the fuser fan FM2 (2 of 2)                        | 140 |
| Figure 1-199 | Remove the formatter fan FM3 (1 of 2)                    | 141 |
| Figure 1-200 | Remove the formatter fan FM3 (2 of 2)                    | 142 |
| Figure 1-201 | Remove the ITB motor M1 (1 of 2)                         | 143 |
| Figure 1-202 | Remove the ITB motor M1 (2 of 2)                         | 144 |
| Figure 1-203 | Remove the drum motor M2 (1 of 2)                        | 145 |
| Figure 1-204 | Remove the drum motor M2 (2 of 2)                        | 146 |
| Figure 1-205 | Remove the developing motor M3 (1 of 2)                  | 147 |
| Figure 1-206 | Remove the developing motor M3 (2 of 2)                  | 148 |
| Figure 1-207 | Remove the fuser motor M4 (1 of 2)                       | 149 |
| Figure 1-208 | Remove the fuser motor M4 (1 of 2)                       | 150 |
| Figure 1-209 | Remove the developing disengagement motor M6 (1 of 2)    | 151 |
| Figure 1-210 | Remove the developing disengagement motor M6 (2 of 2)    | 152 |
| Figure 1-211 | Remove the power-supply fan FM1 (1 of 3)                 | 153 |
| Figure 1-212 | Remove the power-supply fan FM1 (2 of 3)                 | 154 |
| Figure 1-213 | Remove the power-supply fan FM1 (3 of 3)                 | 154 |
| Figure 1-214 | Remove the power switch (1 of 2)                         | 155 |
| Figure 1-215 | Remove the power switch (2 of 2)                         | 156 |
| Figure 1-216 | Remove the environment sensor (1 of 2)                   | 157 |
| Figure 1-217 | Remove the environment sensor (2 of 2)                   | 157 |
| Figure 1-218 | Remove the SCB (1 of 3)                                  | 158 |
| Figure 1-219 | Remove the SCB (2 of 3)                                  | 159 |
| Figure 1-220 | Remove the SCB (3 of 3)                                  | 159 |
| Figure 1-221 | Reinstall the SCB  | 160 |
| Figure 1-222 | Remove the document feeder open sensor and flag (1 of 4) | 161 |
| Figure 1-223 | Remove the document feeder open sensor and flag (2 of 4) | 161 |
| Figure 1-224 | Remove the document feeder open sensor and flag (3 of 4) | 162 |
| Figure 1-225 | Remove the document feeder open sensor and flag (4 of 4) | 162 |
| Figure 1-226 | Reinstall the document feeder open sensor and flag       | 163 |
| Figure 1-227 | Remove the image scanner memory board (1 of 2)           | 164 |
| Figure 1-228 | Remove the image scanner memory board (2 of 2)           | 165 |
| Figure 1-229 | Remove the fax PCA                                       | 166 |
| Figure 1-230 | Reinstall the fax PCA                                    | 167 |
| Figure 1-231 | Remove the HVPS (1 of 4)                                 | 168 |
| Figure 1-232 | Remove the HVPS (2 of 4)                                 | 169 |
| Figure 1-233 | Remove the HVPS (3 of 4)                                 | 169 |
| Figure 1-234 | Remove the HVPS (4 of 4)                                 | 170 |
| Figure 1-235 | Reinstall the HVPS                                       | 170 |
| Figure 1-236 | Remove the interconnect PCA (1 of 5)                     | 171 |
| Figure 1-237 | Remove the interconnect PCA (2 of 5)                     | 172 |



|              |  |     |
|--------------|--|-----|
| Figure 1-238 | Remove the interconnect PCA (3 of 5)                                     | 172 |
| Figure 1-239 | Remove the interconnect PCA (4 of 5)                                     | 173 |
| Figure 1-240 | Remove the interconnect PCA (5 of 5)                                     | 173 |
| Figure 1-241 | Remove the DC controller PCA (1 of 4)                                    | 174 |
| Figure 1-242 | Remove the DC controller PCA (2 of 4)                                    | 175 |
| Figure 1-243 | Remove the DC controller PCA (3 of 4)                                    | 175 |
| Figure 1-244 | Remove the DC controller PCA (4 of 4)                                    | 176 |
| Figure 1-245 | Remove the formatter cage (1 of 3)                                       | 177 |
| Figure 1-246 | Remove the formatter cage (2 of 3)                                       | 178 |
| Figure 1-247 | Remove the formatter cage (3 of 3)                                       | 178 |
| Figure 1-248 | Remove the first-transfer high-voltage power supply (1 of 2)             | 179 |
| Figure 1-249 | Remove the first-transfer high-voltage power supply (2 of 3)             | 180 |
| Figure 1-250 | Remove the first-transfer high-voltage power supply (3 of 3)             | 180 |
| Figure 1-251 | Reinstall the first-transfer high-voltage power supply                   | 181 |
| Figure 1-252 | Remove the second-transfer high-voltage power supply and holder (1 of 3) | 182 |
| Figure 1-253 | Remove the second-transfer high-voltage power supply and holder (2 of 3) | 183 |
| Figure 1-254 | Remove the second-transfer high-voltage power supply and holder (3 of 3) | 183 |
| Figure 1-255 | Remove the driver PCA (1 of 3)   | 184 |
| Figure 1-256 | Remove the driver PCA (2 of 3)   | 185 |
| Figure 1-257 | Remove the driver PCA (3 of 3)   | 185 |
| Figure 1-258 | Remove the LVPS (1 of 6)   | 187 |
| Figure 1-259 | Remove the LVPS (2 of 6)   | 187 |
| Figure 1-260 | Remove the LVPS (3 of 6)   | 188 |
| Figure 1-261 | Remove the LVPS (4 of 6)   | 188 |
| Figure 1-262 | Remove the LVPS (5 of 6)   | 189 |
| Figure 1-263 | Remove the LVPS (6 of 6)   | 189 |
| Figure 1-264 | Remove the duplex-drive assembly (1 of 4)                                | 191 |
| Figure 1-265 | Remove the duplex-drive assembly (2 of 4)                                | 192 |
| Figure 1-266 | Remove the duplex-drive assembly (3 of 4)                                | 192 |
| Figure 1-267 | Remove the duplex-drive assembly (4 of 4)                                | 193 |
| Figure 1-268 | Reinstall the duplex-drive assembly                                      | 193 |
| Figure 1-269 | Remove the main drive assembly (1 of 7)                                  | 195 |
| Figure 1-270 | Remove the main drive assembly (2 of 7)                                  | 195 |
| Figure 1-271 | Remove the main drive assembly (3 of 7)                                  | 196 |
| Figure 1-272 | Remove the main drive assembly (4 of 7)                                  | 196 |
| Figure 1-273 | Remove the main drive assembly (5 of 7)                                  | 197 |
| Figure 1-274 | Remove the main drive assembly (6 of 7)                                  | 197 |
| Figure 1-275 | Remove the main drive assembly (optional step; 1 of 4)                   | 198 |
| Figure 1-276 | Remove the main drive assembly (optional step; 2 of 4)                   | 198 |
| Figure 1-277 | Remove the main drive assembly (optional step; 3 of 4)                   | 199 |
| Figure 1-278 | Remove the main drive assembly (optional step; 4 of 4)                   | 200 |

|              |   |     |
|--------------|---|-----|
| Figure 1-279 | Remove the main drive assembly (7 of 7)             | 201 |
| Figure 1-280 | Install the main drive assembly (1 of 8)            | 202 |
| Figure 1-281 | Install the main drive assembly (2 of 8)            | 203 |
| Figure 1-282 | Install the main drive assembly (3 of 8)            | 203 |
| Figure 1-283 | Install the main drive assembly (4 of 8)            | 204 |
| Figure 1-284 | Install the main drive assembly (5 of 8)            | 204 |
| Figure 1-285 | Install the main drive assembly (6 of 8)            | 205 |
| Figure 1-286 | Install the main drive assembly (7 of 8)            | 206 |
| Figure 1-287 | Install the main drive assembly (8 of 8)            | 206 |
| Figure 1-288 | Remove the fuser drive assembly (1 of 4)            | 208 |
| Figure 1-289 | Remove the fuser drive assembly (2 of 4)            | 209 |
| Figure 1-290 | Remove the fuser drive assembly (3 of 4)            | 209 |
| Figure 1-291 | Remove the fuser drive assembly (4 of 4)            | 210 |
| Figure 1-292 | Install a replacement fuser drive assembly (1 of 3) | 211 |
| Figure 1-293 | Install a replacement fuser drive assembly (2 of 3) | 212 |
| Figure 1-294 | Install a replacement fuser drive assembly (3 of 3) | 212 |
| Figure 1-295 | Remove the fuser gear assembly (1 of 7)             | 214 |
| Figure 1-296 | Remove the fuser gear assembly (2 of 7)             | 214 |
| Figure 1-297 | Remove the fuser gear assembly (3 of 7)             | 215 |
| Figure 1-298 | Remove the fuser gear assembly (4 of 7)             | 215 |
| Figure 1-299 | Remove the fuser gear assembly (5 of 7)             | 216 |
| Figure 1-300 | Remove the fuser gear assembly (6 of 7)             | 216 |
| Figure 1-301 | Remove the fuser gear assembly (7 of 7)             | 217 |
| Figure 1-302 | Install a replacement fuser gear assembly (1 of 3)  | 218 |
| Figure 1-303 | Install a replacement fuser gear assembly (2 of 3)  | 218 |
| Figure 1-304 | Install a replacement fuser gear assembly (3 of 3)  | 219 |
| Figure 1-305 | Remove the 1x500 rear cover                         | 220 |
| Figure 1-306 | Remove the 1x500 left cover (1 of 2)                | 221 |
| Figure 1-307 | Remove the 1x500 left cover (2 of 2)                | 221 |
| Figure 1-308 | Remove the 1x500 right-front cover                  | 223 |
| Figure 1-309 | Remove the 1x500 front-upper cover                  | 224 |
| Figure 1-310 | Remove the 1x500 right door (1 of 3)                | 225 |
| Figure 1-311 | Remove the 1x500 right door (2 of 3)                | 225 |
| Figure 1-312 | Remove the 1x500 right door (3 of 3)                | 226 |
| Figure 1-313 | Remove the 1x500 right-lower cover                  | 227 |
| Figure 1-314 | Remove the 1x500 pickup assembly (1 of 4)           | 228 |
| Figure 1-315 | Remove the 1x500 pickup assembly (2 of 4)           | 229 |
| Figure 1-316 | Remove the 1x500 pickup assembly (3 of 4)           | 229 |
| Figure 1-317 | Remove the 1x500 pickup assembly (4 of 4)           | 230 |
| Figure 1-318 | Remove the 1x500 lifter-drive assembly (1 of 2)     | 231 |
| Figure 1-319 | Remove the 1x500 lifter-drive assembly (2 of 2)     | 232 |

|              |   |     |
|--------------|---|-----|
| Figure 1-320 | Remove the 1x500 pickup motor .....                     | 233 |
| Figure 1-321 | Remove the 1x500 driver PCA .....                       | 234 |
| Figure 1-322 | Remove the PD rear cover .....                          | 235 |
| Figure 1-323 | Remove the PD left cover (1 of 3) .....                 | 236 |
| Figure 1-324 | Remove the PD left cover (2 of 3) .....                 | 236 |
| Figure 1-325 | Remove the PD left cover (3 of 3) .....                 | 237 |
| Figure 1-326 | Remove the PD right front cover .....                   | 238 |
| Figure 1-327 | Remove the PD front upper cover (1 of 2) .....          | 239 |
| Figure 1-328 | Remove the PD front upper cover (2 of 2) .....          | 240 |
| Figure 1-329 | Remove the PD front door (1 of 3) .....                 | 241 |
| Figure 1-330 | Remove the PD front door (2 of 3) .....                 | 241 |
| Figure 1-331 | Remove the PD front door (3 of 3) .....                 | 242 |
| Figure 1-332 | Remove the PD storage box .....                         | 243 |
| Figure 1-333 | PD storage box left-side guides .....                   | 244 |
| Figure 1-334 | PD storage box right-side guide .....                   | 244 |
| Figure 1-335 | Remove the PD right door (1 of 3) .....                 | 245 |
| Figure 1-336 | Remove the PD right door (2 of 3) .....                 | 245 |
| Figure 1-337 | Remove the PD right door (3 of 3) .....                 | 246 |
| Figure 1-338 | Remove the PD right lower cover (1 of 2) .....          | 247 |
| Figure 1-339 | Remove the PD right lower cover (2 of 2) .....          | 248 |
| Figure 1-340 | Remove the PD left lower cover (1 of 2) .....           | 249 |
| Figure 1-341 | Remove the PD left lower cover (2 of 2) .....           | 250 |
| Figure 1-342 | Remove the PD rear lower cover .....                    | 251 |
| Figure 1-343 | Remove the PD front lower cover .....                   | 252 |
| Figure 1-344 | Remove the PD pickup assembly cassette 1 (1 of 3) ..... | 253 |
| Figure 1-345 | Remove the PD pickup assembly cassette 1 (2 of 3) ..... | 254 |
| Figure 1-346 | Remove the PD pickup assembly cassette 1 (3 of 3) ..... | 254 |
| Figure 1-347 | Reinstall the pickup assembly .....                     | 255 |
| Figure 1-348 | Remove the PD pickup assembly cassette 2 (1 of 2) ..... | 256 |
| Figure 1-349 | Remove the PD pickup assembly cassette 2 (2 of 2) ..... | 257 |
| Figure 1-350 | Reinstall the pickup assembly .....                     | 257 |
| Figure 1-351 | Remove the PD pickup assembly cassette 3 (1 of 2) ..... | 258 |
| Figure 1-352 | Remove the PD pickup assembly cassette 3 (2 of 2) ..... | 259 |
| Figure 1-353 | Reinstall the pickup assembly .....                     | 259 |
| Figure 1-354 | Remove the PD lifter drive assembly (1 of 3) .....      | 260 |
| Figure 1-355 | Remove the PD lifter drive assembly (2 of 3) .....      | 261 |
| Figure 1-356 | Remove the PD lifter drive assembly (3 of 3) .....      | 261 |
| Figure 1-357 | Remove the PD pickup motor .....                        | 262 |
| Figure 1-358 | Remove the PD controller PCA (1 of 2) .....             | 263 |
| Figure 1-359 | Remove the PD controller PCA (2 of 2) .....             | 264 |
| Figure 1-360 | Remove the HCI right tray .....                         | 265 |

|              |   |     |
|--------------|---|-----|
| Figure 1-361 | Remove the HCI left tray .....  | 266 |
| Figure 1-362 | Remove the HCI left cover (1 of 3) .....                              | 267 |
| Figure 1-363 | Remove the HCI left cover (2 of 3) .....                              | 267 |
| Figure 1-364 | Remove the HCI left cover (3 of 3) .....                              | 268 |
| Figure 1-365 | Remove the HCI left lower cover (1 of 2) .....                        | 269 |
| Figure 1-366 | Remove the HCI left lower cover (2 of 2) .....                        | 270 |
| Figure 1-367 | Remove the HCI rear cover .....                                       | 271 |
| Figure 1-368 | Remove the HCI right door (1 of 2) .....                              | 272 |
| Figure 1-369 | Remove the HCI right door (1 of 2) .....                              | 273 |
| Figure 1-370 | Remove the HCI right front cover (1 of 2) .....                       | 274 |
| Figure 1-371 | Remove the HCI right front cover (2 of 2) .....                       | 274 |
| Figure 1-372 | Remove the HCI right center cover and right rear cover (1 of 2) ..... | 275 |
| Figure 1-373 | Remove the HCI right center cover and right rear cover (2 of 2) ..... | 276 |
| Figure 1-374 | Remove the HCI right lower cover (1 of 2) .....                       | 277 |
| Figure 1-375 | Remove the HCI right lower cover (2 of 2) .....                       | 278 |
| Figure 1-376 | Remove the HCI rear lower cover .....                                 | 279 |
| Figure 1-377 | Remove the HCI left tray lifter drive .....                           | 280 |
| Figure 1-378 | Reinstall the HCI left tray lifter drive .....                        | 281 |
| Figure 1-379 | Remove the HCI right tray lifter drive .....                          | 282 |
| Figure 1-380 | Reinstall the HCI right tray lifter drive .....                       | 283 |
| Figure 1-381 | Remove the HCI left tray pickup drive (1 of 2) .....                  | 284 |
| Figure 1-382 | Remove the HCI left tray pickup drive (2 of 2) .....                  | 285 |
| Figure 1-383 | Reinstall the HCI tray pickup drive .....                             | 285 |
| Figure 1-384 | Remove the HCI right tray pickup drive (1 of 2) .....                 | 286 |
| Figure 1-385 | Remove the HCI right tray pickup drive (2 of 2) .....                 | 287 |
| Figure 1-386 | Reinstall the HCI tray pickup drive .....                             | 287 |
| Figure 1-387 | Remove the HCI controller PCA .....                                   | 288 |
| Figure 1-388 | Remove the HCI left tray automatic close assembly (1 of 2) .....      | 289 |
| Figure 1-389 | Remove the HCI left tray automatic close assembly (2 of 2) .....      | 290 |
| Figure 1-390 | Remove the HCI right tray automatic close assembly (1 of 2) .....     | 291 |
| Figure 1-391 | Remove the HCI right tray automatic close assembly (2 of 2) .....     | 292 |
| Figure 1-392 | Remove the HCI left tray pickup assembly (1 of 2) .....               | 293 |
| Figure 1-393 | Remove the HCI left tray pickup assembly (2 of 2) .....               | 294 |
| Figure 1-394 | Reinstall the HCI tray pickup assembly .....                          | 294 |
| Figure 1-395 | Remove the HCI right tray pickup assembly (1 of 2) .....              | 295 |
| Figure 1-396 | Remove the HCI right tray pickup assembly (2 of 2) .....              | 296 |
| Figure 1-397 | Remove the HCI merge assembly (1 of 2) .....                          | 297 |
| Figure 1-398 | Remove the HCI merge assembly (2 of 2) .....                          | 298 |
| Figure 1-399 | Reinstall the merge assembly (1 of 2) .....                           | 299 |
| Figure 1-400 | Reinstall the merge assembly (2 of 2) .....                           | 299 |
| Figure 1-401 | Remove the stapler/stacker rear cover (1 of 3) .....                  | 300 |

|              |   |     |
|--------------|---|-----|
| Figure 1-402 | Remove the stapler/stacker rear cover (2 of 3)              | 301 |
| Figure 1-403 | Remove the stapler/stacker rear cover (3 of 3)              | 301 |
| Figure 1-404 | Remove the stapler/stacker front right cover                | 302 |
| Figure 1-405 | Remove the stapler/stacker front left cover                 | 303 |
| Figure 1-406 | Remove the stapler/stacker right door (1 of 4)              | 304 |
| Figure 1-407 | Remove the stapler/stacker right door (2 of 4)              | 304 |
| Figure 1-408 | Remove the stapler/stacker right door (3 of 4)              | 305 |
| Figure 1-409 | Remove the stapler/stacker right door (4 of 4)              | 305 |
| Figure 1-410 | Remove the stapler/stacker left rear cover                  | 306 |
| Figure 1-411 | Remove the output bin assembly (1 of 2)                     | 307 |
| Figure 1-412 | Remove the output bin assembly (2 of 2)                     | 308 |
| Figure 1-413 | Remove the stapler/stacker left lower cover                 | 309 |
| Figure 1-414 | Remove the stapler/stacker operation assembly (1 of 2)      | 310 |
| Figure 1-415 | Remove the stapler/stacker operation assembly (2 of 2)      | 311 |
| Figure 1-416 | Remove the stapler/stacker feed guide assembly (1 of 7)     | 312 |
| Figure 1-417 | Remove the stapler/stacker feed guide assembly (2 of 7)     | 313 |
| Figure 1-418 | Remove the stapler/stacker feed guide assembly (3 of 7)     | 313 |
| Figure 1-419 | Remove the stapler/stacker feed guide assembly (4 of 7)     | 314 |
| Figure 1-420 | Remove the stapler/stacker feed guide assembly (5 of 7)     | 314 |
| Figure 1-421 | Remove the stapler/stacker feed guide assembly (6 of 7)     | 315 |
| Figure 1-422 | Remove the stapler/stacker feed guide assembly (7 of 7)     | 315 |
| Figure 1-423 | Remove the stapler/stacker door switch (1 of 3)             | 316 |
| Figure 1-424 | Remove the stapler/stacker door switch (2 of 3)             | 316 |
| Figure 1-425 | Remove the stapler/stacker feed door switch (3 of 3)        | 317 |
| Figure 1-426 | Remove the stapler/stacker inlet solenoid assembly (1 of 2) | 318 |
| Figure 1-427 | Remove the stapler/stacker inlet solenoid assembly (2 of 2) | 319 |
| Figure 1-428 | Remove the stapler/stacker stapler assembly (1 of 3)        | 320 |
| Figure 1-429 | Remove the stapler/stacker stapler assembly (2 of 3)        | 320 |
| Figure 1-430 | Remove the stapler/stacker stapler assembly (3 of 3)        | 321 |
| Figure 1-431 | Reinstall the stapler/stacker stapler assembly              | 321 |
| Figure 1-432 | Remove the stapler/stacker controller PCA (1 of 2)          | 322 |
| Figure 1-433 | Remove the stapler/stacker controller PCA (2 of 2)          | 322 |
| Figure 2-1   | Base product (no optional trays or accessories)             | 330 |
| Figure 2-2   | Document feeder and scanner                                 | 331 |
| Figure 2-3   | Stapler/stacker   | 331 |
| Figure 2-4   | 500-sheet paper feeder                                      | 332 |
| Figure 2-5   | 1x500-sheet paper deck                                      | 333 |
| Figure 2-6   | 3x500-sheet paper deck                                      | 334 |
| Figure 2-7   | High capacity input (HCI) paper deck                        | 335 |
| Figure 2-8   | Document feeder and scanner whole units                     | 336 |
| Figure 2-9   | Document feeder assemblies                                  | 338 |

|             |   |     |
|-------------|---|-----|
| Figure 2-10 | Scanner assemblies .....                            | 340 |
| Figure 2-11 | Scanner controller board (SCB) .....                | 342 |
| Figure 2-12 | Stapler/stacker covers .....                        | 344 |
| Figure 2-13 | Stapler/stacker components .....                    | 346 |
| Figure 2-14 | Covers .....  | 348 |
| Figure 2-15 | Right door .....                                    | 350 |
| Figure 2-16 | Internal assemblies (1 of 8) .....                  | 352 |
| Figure 2-17 | Internal assemblies (2 of 8) .....                  | 354 |
| Figure 2-18 | Internal assemblies (3 of 8) .....                  | 356 |
| Figure 2-19 | Internal assemblies (4 of 8) .....                  | 358 |
| Figure 2-20 | Internal assemblies (5 of 8) .....                  | 360 |
| Figure 2-21 | Internal assemblies (6 of 8) .....                  | 362 |
| Figure 2-22 | Internal assemblies (7 of 8) .....                  | 364 |
| Figure 2-23 | Internal assemblies (8 of 8) .....                  | 366 |
| Figure 2-24 | 1x500-sheet paper feeder covers .....               | 368 |
| Figure 2-25 | 1x500-sheet paper feeder components .....           | 370 |
| Figure 2-26 | 1x500-sheet and 3x500-sheet paper deck covers ..... | 372 |
| Figure 2-27 | 1x500-sheet paper deck components .....             | 374 |
| Figure 2-28 | 3x500-sheet paper deck components .....             | 376 |
| Figure 2-29 | HCI covers .....                                    | 378 |
| Figure 2-30 | HCI components (1 of 2) .....                       | 380 |
| Figure 2-31 | HCI components (2 of 2) .....                       | 382 |

---

# 1 Removal and replacement

- [Removal and replacement strategy](#)
- [Control-panel assembly](#)
- [Intermediate transfer belt](#)
- [Fuser](#)
- [Formatter PCA](#)
- [Hard disk drive \(HDD\)](#)
- [Secondary transfer roller](#)
- [Document feeder mylar strips](#)
- [Document feeder foam reflector](#)
- [Pickup, feed, and separation \(rollers and pads\)](#)
- [Covers, doors, and whole unit replacement](#)
- [Main assemblies](#)
- [Input devices](#)
- [Output devices](#)

# Removal and replacement strategy

## Cautions during removal and replacement

This chapter describes the removal and replacement of field-replaceable units (FRUs) only.

Replacing FRUs is generally the reverse of removal. Notes are included to provide directions for difficult or critical replacement procedures.

HP does not support repairing individual subassemblies or troubleshooting to the PCA component level.

Never operate or service the product with the protective cover removed from the laser scanner assembly. The reflected beam, although invisible, can damage your eyes.


The sheet-metal parts can have sharp edges. Be careful when handling sheet-metal parts.




Some parts are sensitive to electrostatic discharge (ESD). Look for the ESD reminder when removing product parts. Always perform service work at an ESD-protected workstation or mat. If an ESD workstation or mat is not available, ground yourself by touching the sheet-metal chassis *before* touching an ESD-sensitive part.

Protect the ESD-sensitive parts by placing them in ESD pouches when they are out of the product.

**CAUTION:** Do not bend or fold the flat flexible cables (FFCs) during removal or installation.

 **NOTE:** To install a self-tapping screw, first turn it counterclockwise to align it with the existing thread pattern, and then carefully turn it clockwise to tighten. Do not overtighten. If a self-tapping screw-hole becomes stripped, repair the screw-hole or replace the affected assembly.


 **TIP:** For clarity, some figures in this chapter show assemblies removed that are not required to be removed to service the product (for example, the scanner and document feeder assemblies). The procedures in this manual are correct for your product.

---




## Required tools

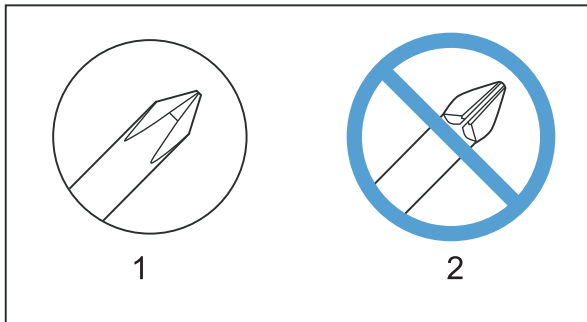
- #2 Phillips screwdriver with a magnetic tip and a 152-mm (6-in) shaft length

 **NOTE:** For the best fit, use a JIS #2 Phillips screwdriver for the stapler/stacker.


- Small, flat-blade screwdriver
- Needle-nose pliers
- ESD strap (if one is available)
- Penlight

 **CAUTION:** Always use a Phillips screwdriver (callout 1). Do not use a Pozidriv screwdriver (callout 2) or any motorized screwdriver. These can damage screws or screw threads.

**Figure 1-1** Screwdrivers



## Types of screws

 **WARNING!** Make sure that components are replaced with the correct screw type. Using the incorrect screw (for example, substituting a long screw for the correct shorter screw) can cause damage to the product or interfere with product operation. Do not intermix screws that are removed from one component with the screws that are removed from another component.

For a complete list of screw types and part numbers, see the Parts chapter.

## Service approach

The HP LaserJet Enterprise 700 color MFP M775 uses a field repair strategy. Defective parts are diagnosed and replaced at the Field Replaceable Unit (FRU) assembly level. Repair normally begins by using the product internal diagnostics and the following two-step process:

1. Isolate the problem to the major system (for example, the network or server, or the product).
2. Troubleshoot the problem by using the procedures in the troubleshooting chapter.

After you locate a faulty part, the product can usually be repaired at the assembly level by replacing FRUs. Some mechanical assemblies might need to be repaired at the subassembly level. Hewlett-Packard Company does not support replacement of components on the printed circuit assemblies.

The user replaces toner cartridges as they are depleted. Additional instructions about other user-replaceable parts are provided in this section.

The product tracks the amount of use on the customer-replaceable supplies by keeping a page count. The product prompts the user to replace certain items when a supply is depleted or a specific number of pages has been printed.

Swapping toner cartridges between products might cause a misrepresentation of supply life values and is not recommended.

## Before performing service

---

**⚠ WARNING!** Turn the product off, wait 5 seconds, and then remove the power cord before attempting to service the product. *If this warning is not followed, severe injury and damage to the product can result.* The power must be on for certain functional checks during troubleshooting. However, the power supply should be disconnected during parts removal.

---

1. Remove all paper.
2. Place the product on an ESD mat (if available). If an ESD workstation or mat is not available, ground yourself by touching the sheet-metal chassis *before* touching an ESD-sensitive part.
3. Remove the toner cartridges.
4. Remove the toner collection unit (TCU)
5. Remove the trays.

## After performing service

1. Reinstall the toner cartridges.
2. Reinstall the trays.
3. Return all paper to the trays.
4. Plug in the power cable and turn on the product.
5. Perform print-quality tests by printing from a host computer, the scanner glass, and the document feeder.

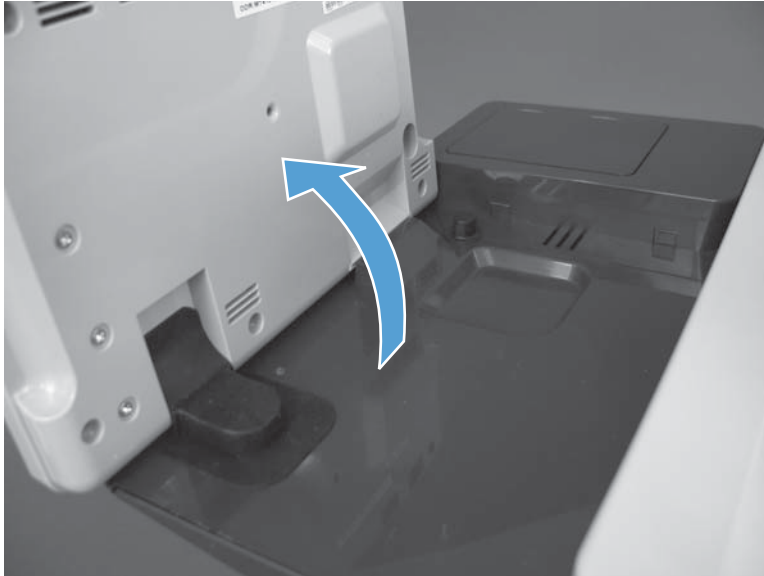
## Parts removal order

If multiple components must be removed to gain access to an assembly, the first step of the removal procedure lists all of the components that must be removed to gain access to that assembly. Use these lists to determine which parts must be removed before removing other parts.

# Control-panel assembly

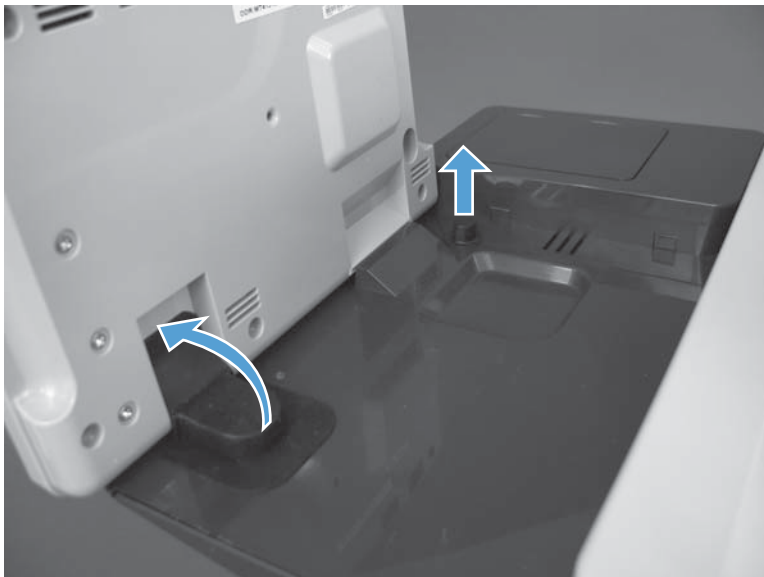
1. Tilt the control panel up.

**Figure 1-2** Remove the control-panel assembly (1 of 4)



2. Remove the antistatic covers to reveal the thumbscrews.

**Figure 1-3** Remove the control panel (2 of 4)



3. Remove two thumb-screws (callout 1), and then carefully separate the control panel from the product.

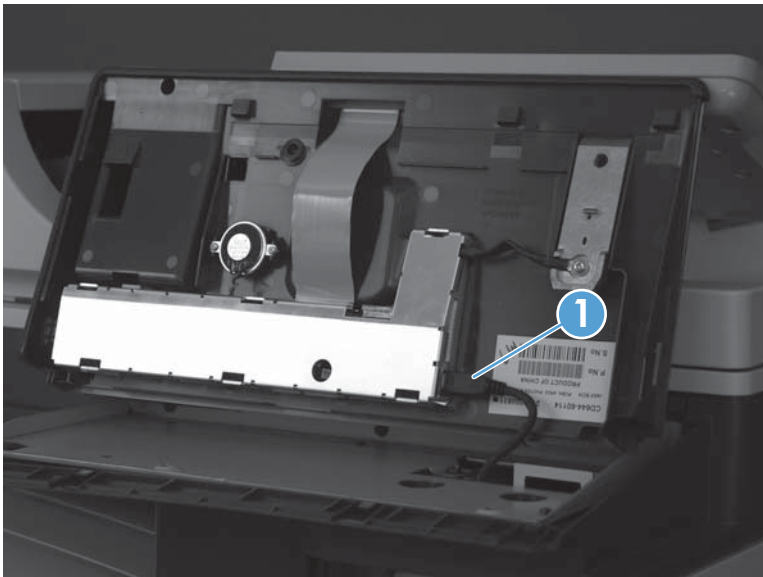
**⚠ CAUTION:** The control panel is still attached to the product by the control-panel cable.

**Figure 1-4** Remove the control-panel assembly (3 of 4)



4. Disconnect one connector (callout 1), and then remove the control panel from the product.

**Figure 1-5** Remove the control-panel assembly (4 of 4)

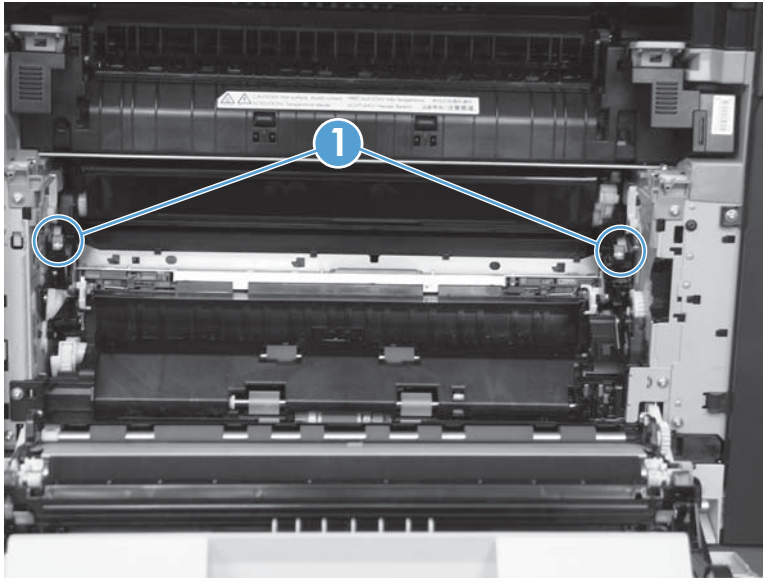


# Intermediate transfer belt

**⚠ CAUTION:** Avoid touching the black plastic intermediate transfer belt (ITB). Skin oils on the belt might cause print quality problems.

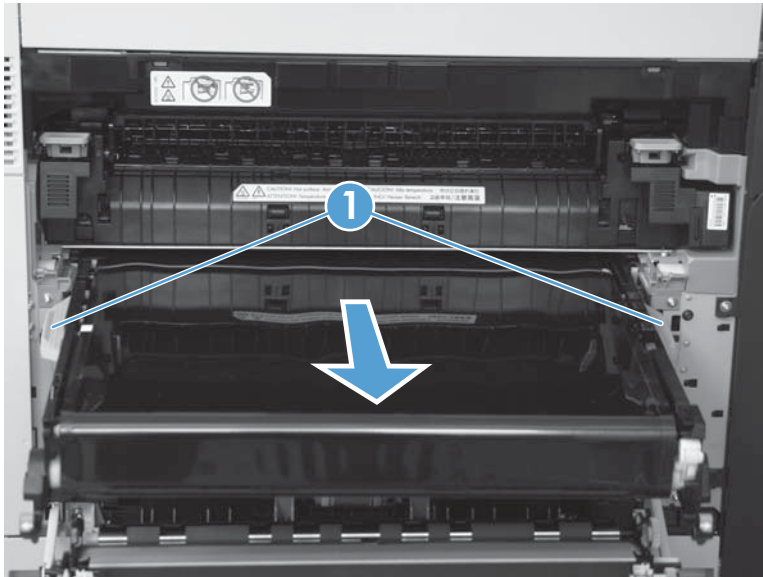
1. Open the right door, and then grasp the small handles on the ITB (callout 1).

**Figure 1-6** Remove the ITB (1 of 3)



2. Pull the ITB out of the product until two large handles (callout 1) expand along the right and left sides of the ITB.

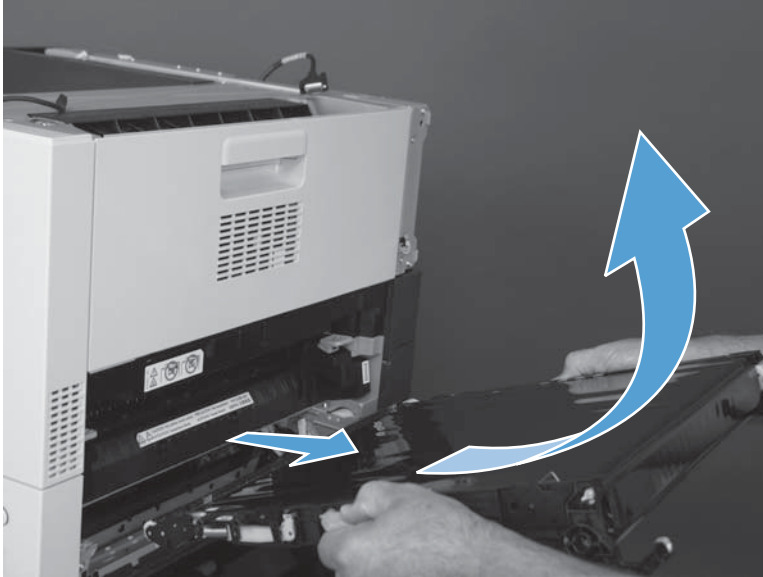
**Figure 1-7** Remove the ITB (2 of 3)



3. Continue to slide the ITB out of the product until it stops, and then slightly rotate the ITB up to remove it.

**CAUTION:** The ITB is a sensitive component. Be careful when handling the ITB so that it is not damaged. Always place the ITB in a safe and protected location.

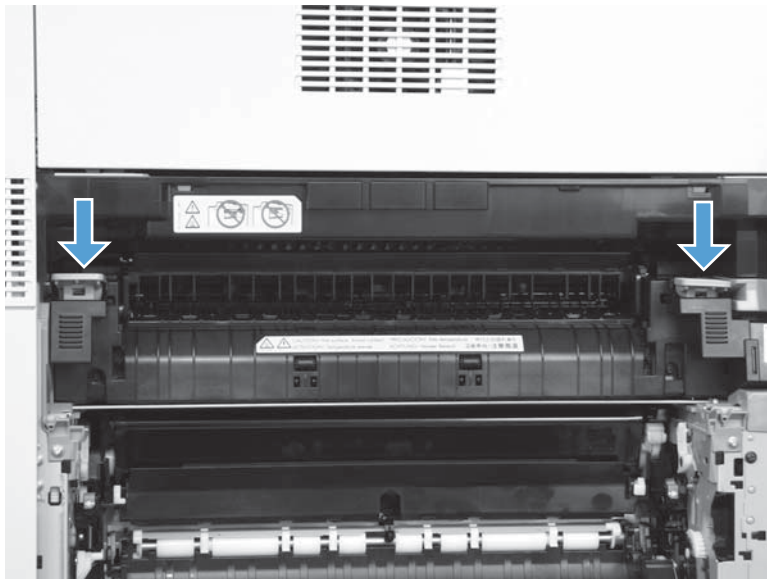
**Figure 1-8** Remove the ITB (3 of 3)



# Fuser

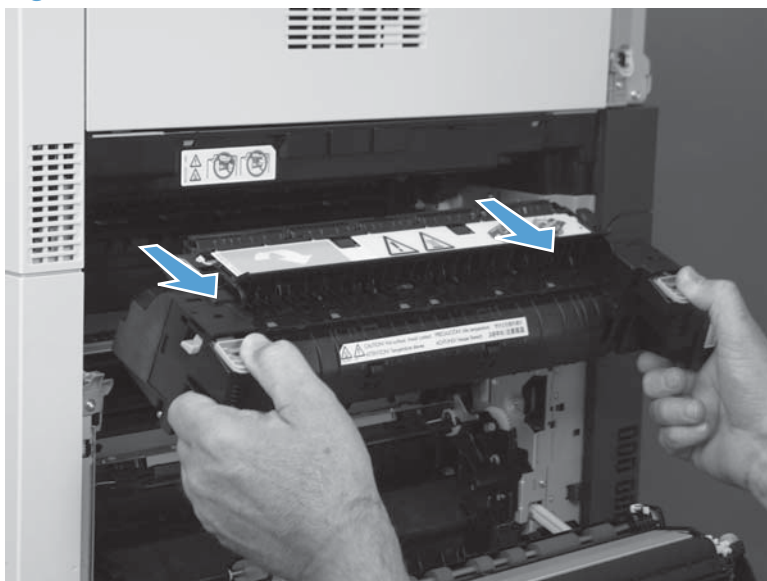
1. Open the right door
2. Depress the two blue tabs on the fuser handles.

**Figure 1-9** Remove the fuser (1 of 2)



3. Pull the fuser straight out of the product.

**Figure 1-10** Remove the fuser (2 of 2)

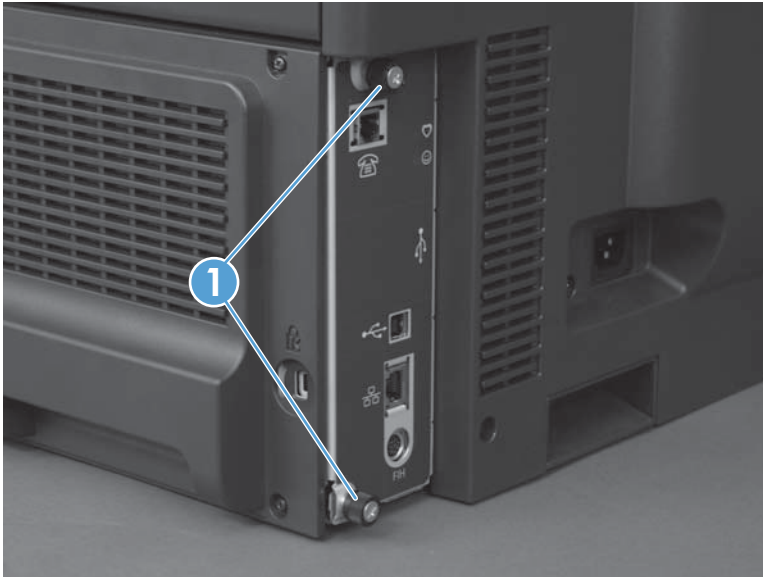


# Formatter PCA

**CAUTION:**  ESD sensitive assembly.

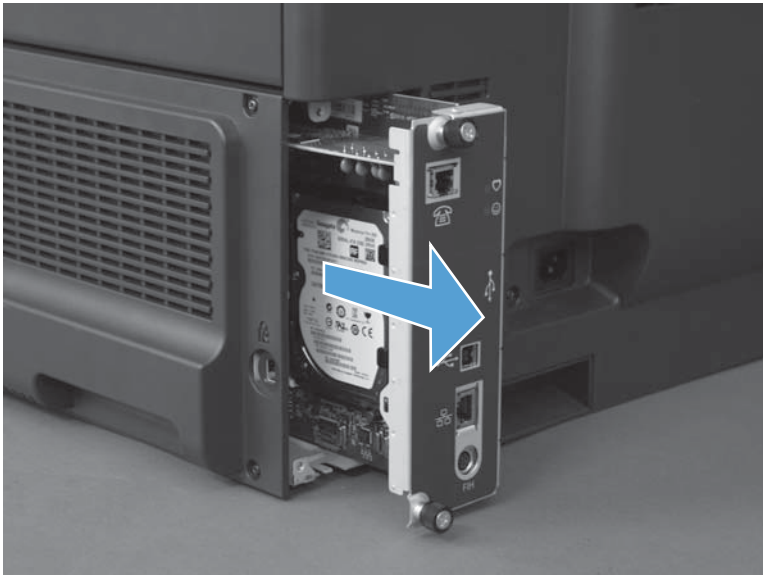
1. Loosen two thumb screws (callout 1).

**Figure 1-11** Remove the formatter PCA (1 of 2)



2. Pull the formatter straight out of the product to remove it.

**Figure 1-12** Remove the Formatter PCA (2 of 2)

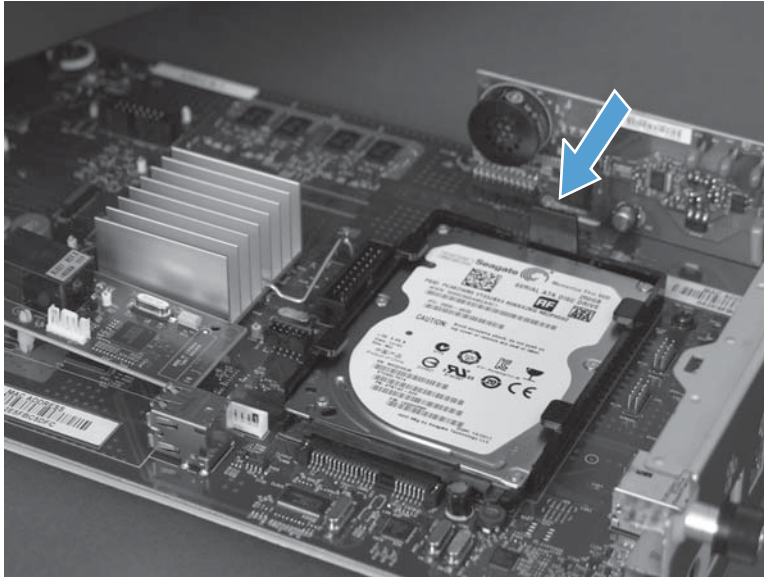




## Hard disk drive (HDD)

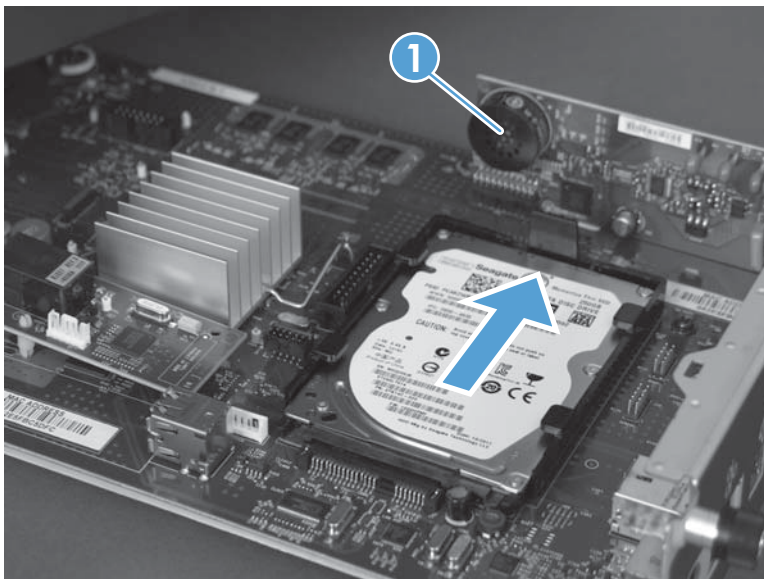
1. Remove the formatter. See [Formatter PCA on page 10](#).
2. Push the locking tab toward the HDD to release it.

**Figure 1-13** Remove the HDD (1 of 2)



3. Slide the HDD toward the fax PCA (callout 1) to remove it.

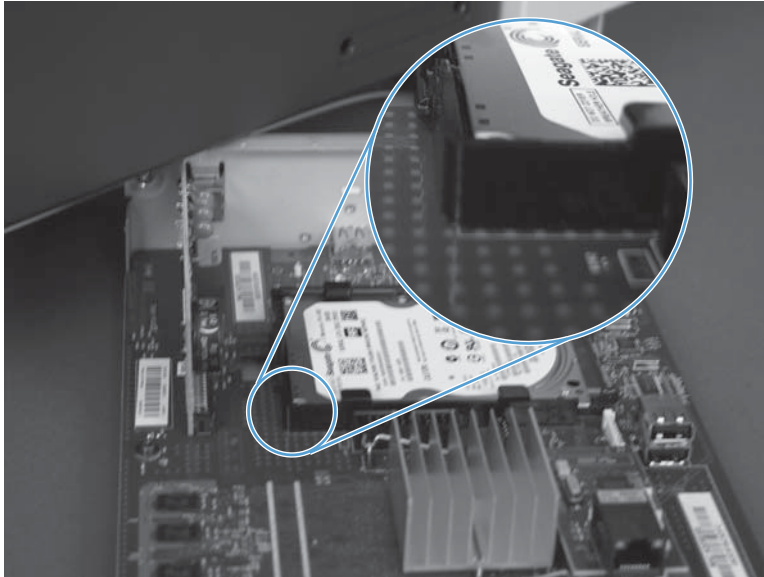
**Figure 1-14** Remove the HDD (2 of 2)



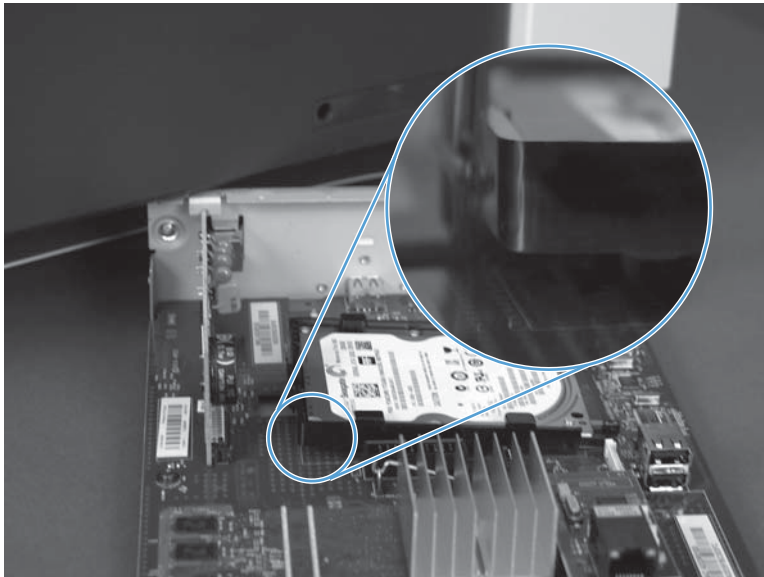
## Reinstall the HDD

Make sure that the HDD is correctly positioned on the formatter PCA. The HDD must lay flat on the formatter PCA.

**Figure 1-15** HDD installed—correct



**Figure 1-16** HDD installed—incorrect

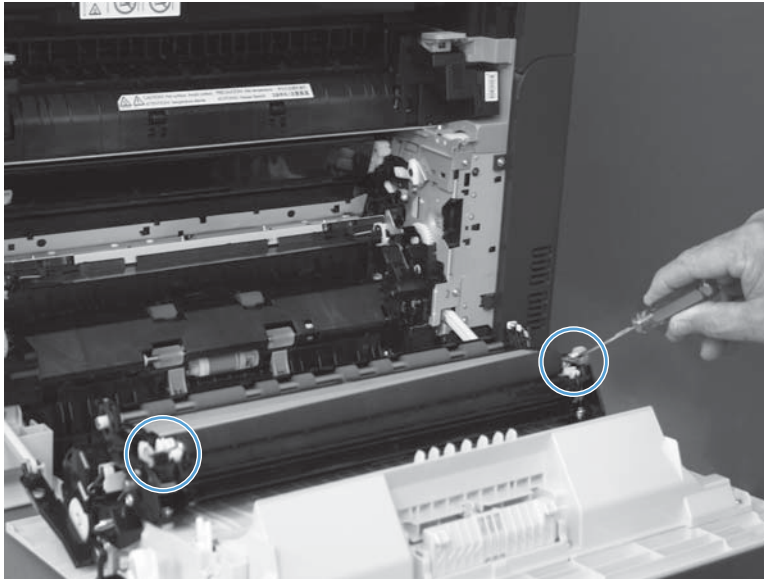


## Secondary transfer roller

**⚠ CAUTION:** Do not touch the roller surface unless you are replacing the roller. Skin oils on the roller can cause paper pickup problems.

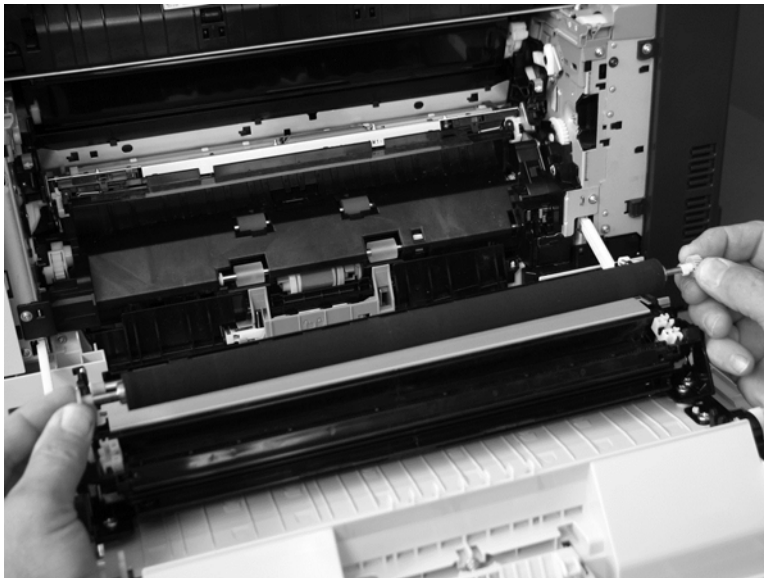
1. Open the right door.
2. Use a small flat-blade screwdriver to carefully release the roller shaft from the collars.

**Figure 1-17** Remove the secondary transfer roller




3. Remove the secondary transfer roller.

**Figure 1-18** Remove the secondary transfer roller

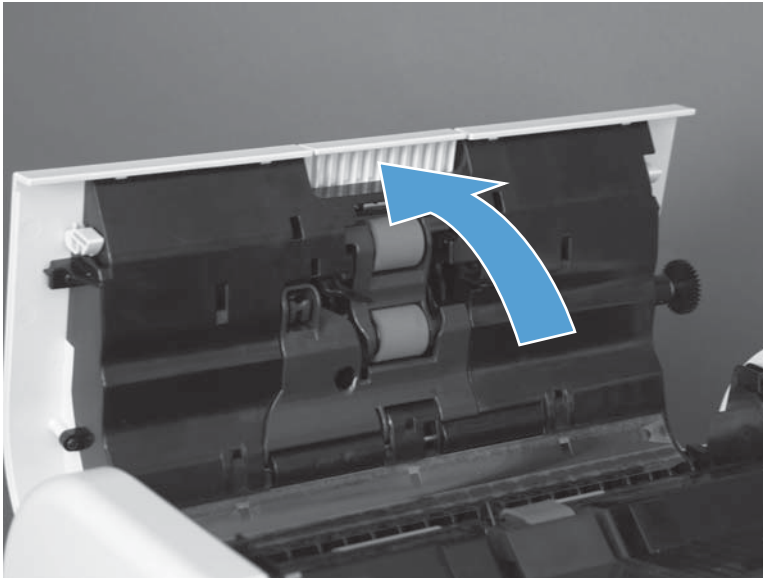


## Document feeder mylar strips

 **TIP:** Before removing the mylar strips, take note of how they are positioned on the document jam access door and the inside bottom edge of the document feeder cover.

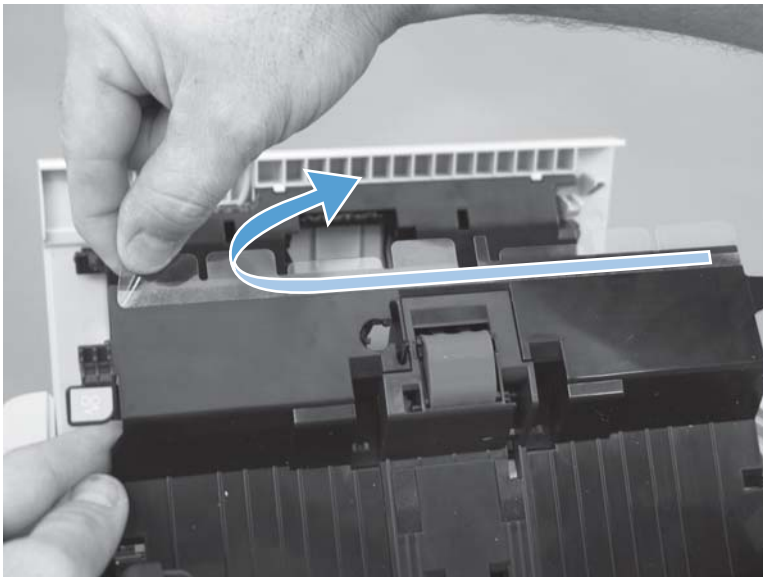
1. Open the document feeder cover.

**Figure 1-19** Remove the document feeder mylar strips (1 of 3)



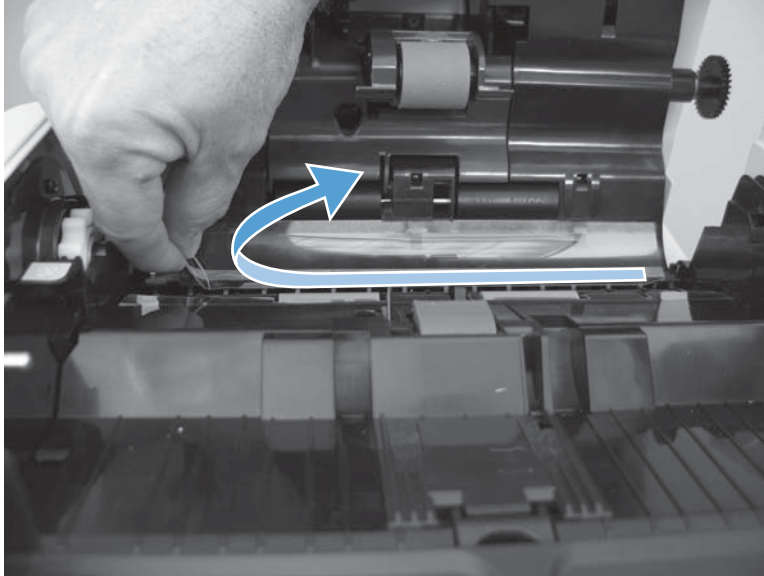
2. Lift up the jam access door, and carefully remove the mylar strip.

**Figure 1-20** Remove the document feeder mylar strips (2 of 3)



3. Carefully remove the second mylar strip located along the inside bottom edge of the document feeder jam access door.

**Figure 1-21** Remove the document feeder mylar strips (3 of 3)



## Install replacement document feeder mylar strips

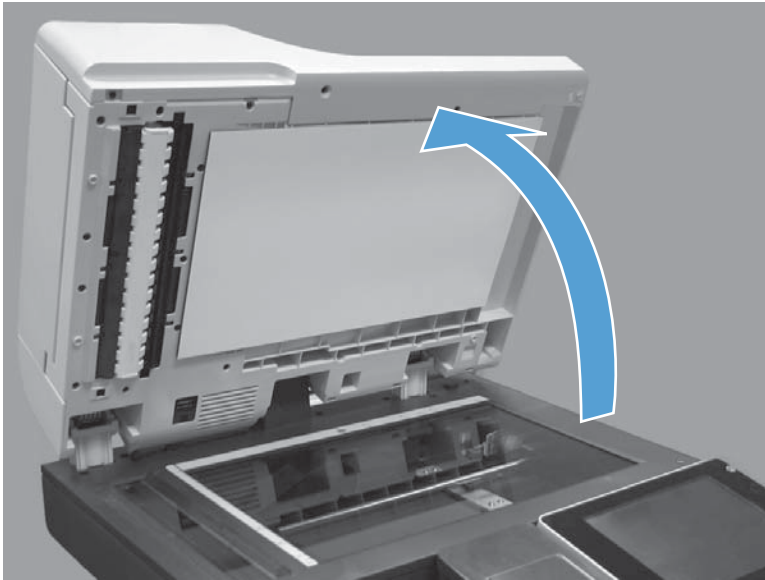
Use the following guidelines when you install the replacement mylar strips:

- Skin oils on the mylar strips can cause paper pickup problems. Wash your hands before handling the replacement mylar strips.
- When handling the replacement mylar strips, do not touch the adhesive portion of the strips.
- Make sure to firmly press down along the mylar strips to adhere them to the document feeder when installing them.

## Document feeder foam reflector

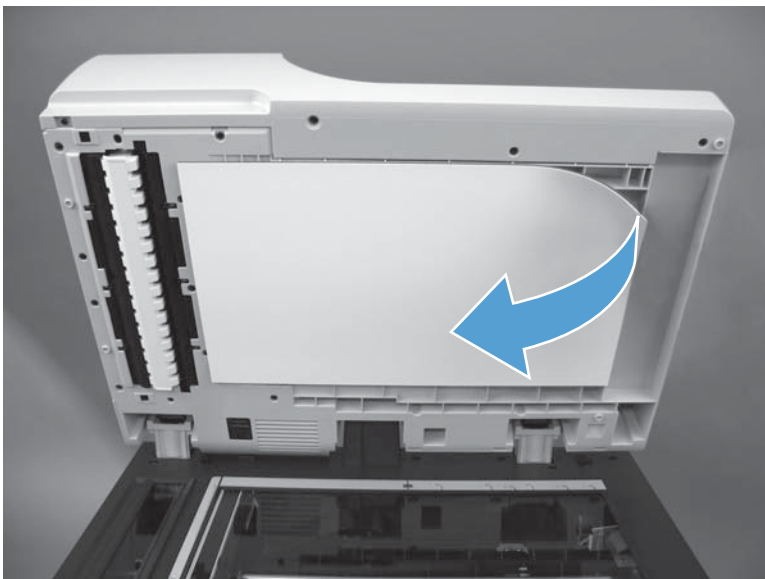
1. Open the document feeder.

**Figure 1-22** Remove the document feeder foam reflector (1 of 3)



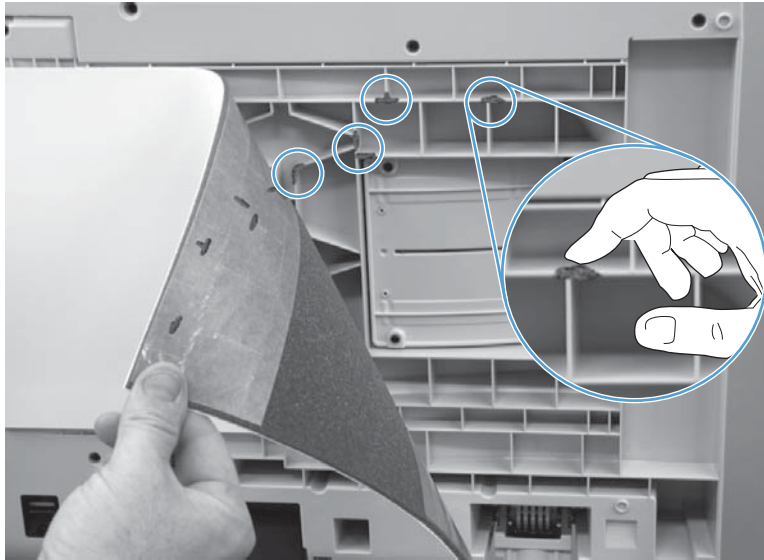
2. Carefully remove the foam reflector.

**Figure 1-23** Remove the document feeder foam reflector (2 of 3)




3. Remove any left over foam reflector adhesive material from the document feeder.

**Figure 1-24** Remove the document feeder foam reflector (3 of 3)

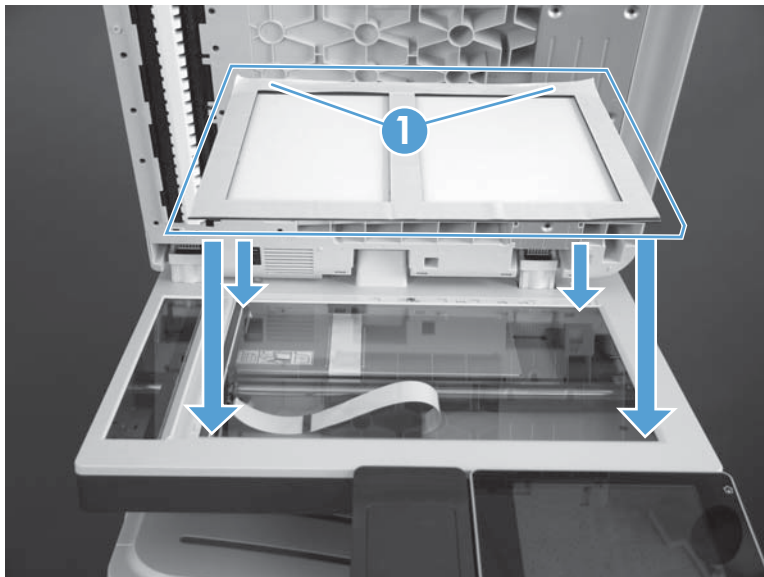


## Install a replacement document feeder foam reflector

1. Position the replacement foam reflector on the scanner glass.

 **NOTE:** One long edge of the foam backing does not have adhesive tape (callout 1). Make sure that this edge is closest to the hinge side of the glass when positioning the foam on the glass.

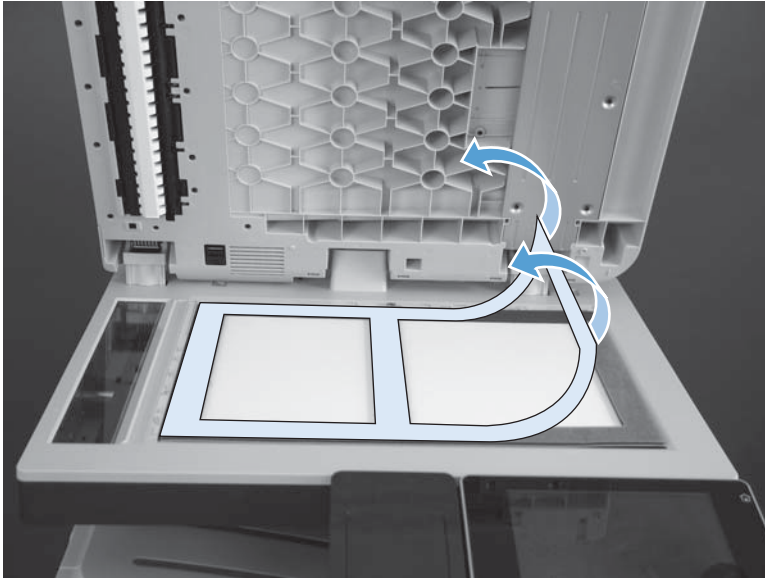
**Figure 1-25** Install a replacement document feeder foam reflector (1 of 8)



- Carefully remove the protective backing from the adhesive portion of the foam reflector.

**⚠ CAUTION:** Do not touch the exposed adhesive.

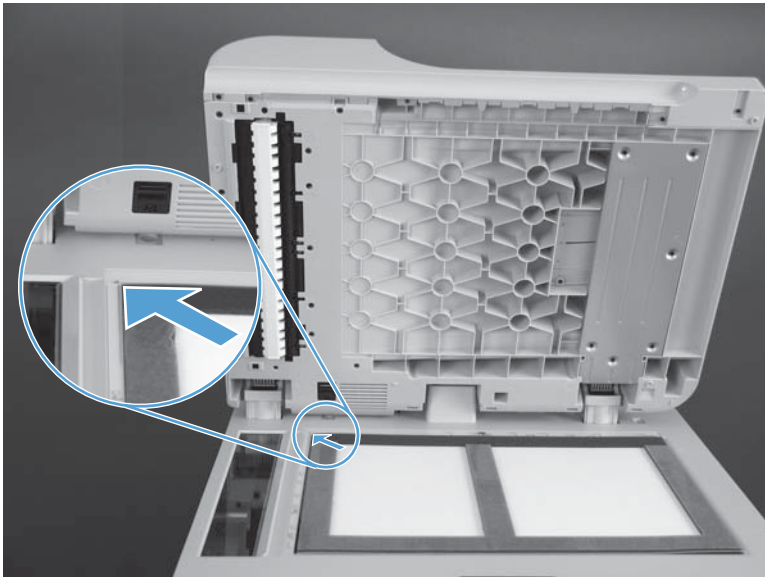
**Figure 1-26** Install a replacement document feeder foam reflector (2 of 8)



- Make sure that the foam reflector is aligned with the upper-left corner of the scanner glass.

**📝 NOTE:** One long edge of the foam backing does not have adhesive tape. Make sure that this edge is closest to the hinge side of the glass when positioning the foam on the glass.

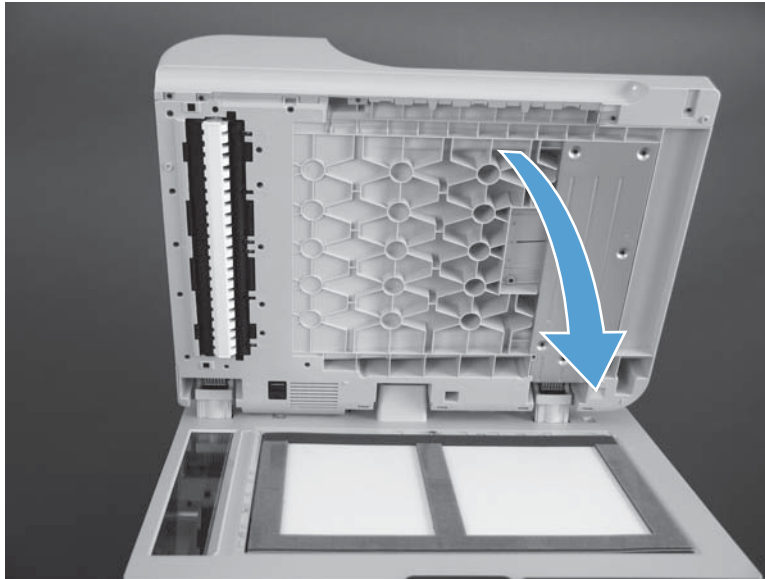
**Figure 1-27** Install a replacement document feeder foam reflector (3 of 8)





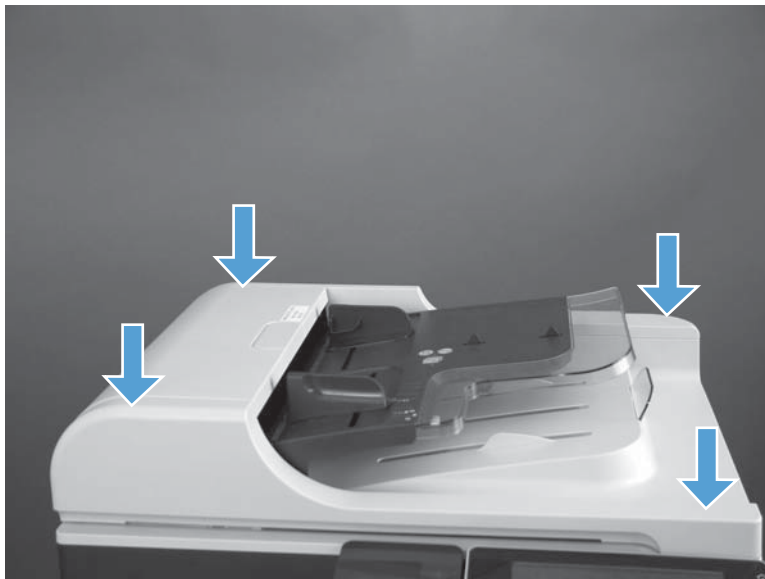
4. Completely close the document feeder.

**Figure 1-28** Install a replacement document feeder foam reflector (4 of 8)



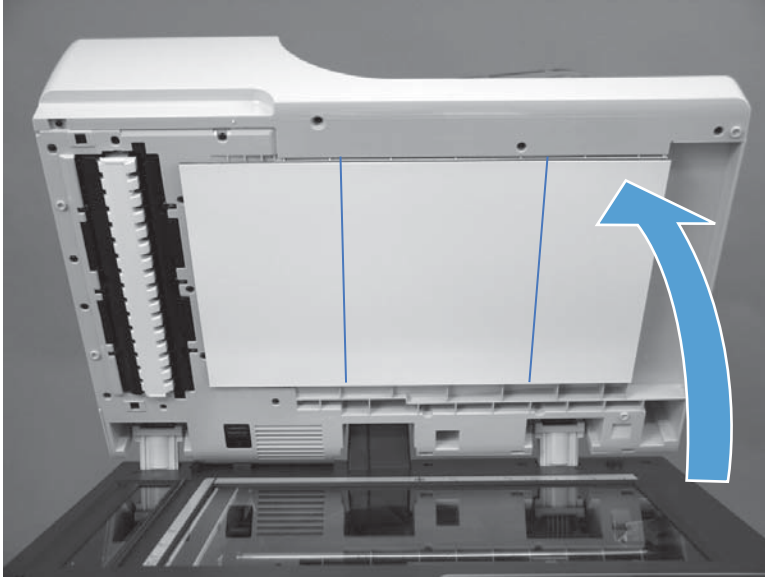
5. Firmly push down on the four corners of the document feeder to adhere the foam reflector to the document feeder.

**Figure 1-29** Install a replacement document feeder foam reflector (5 of 8)



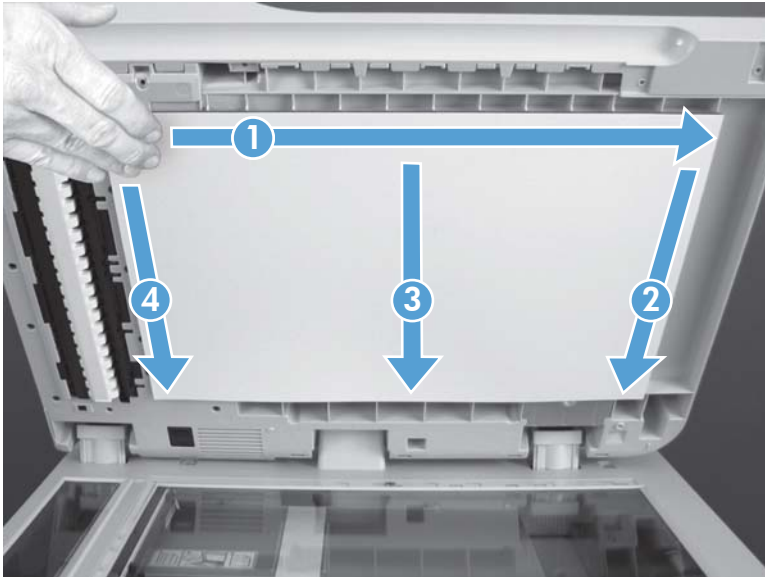
- Carefully open the document feeder.

**Figure 1-30** Install a replacement document feeder foam reflector (6 of 6)



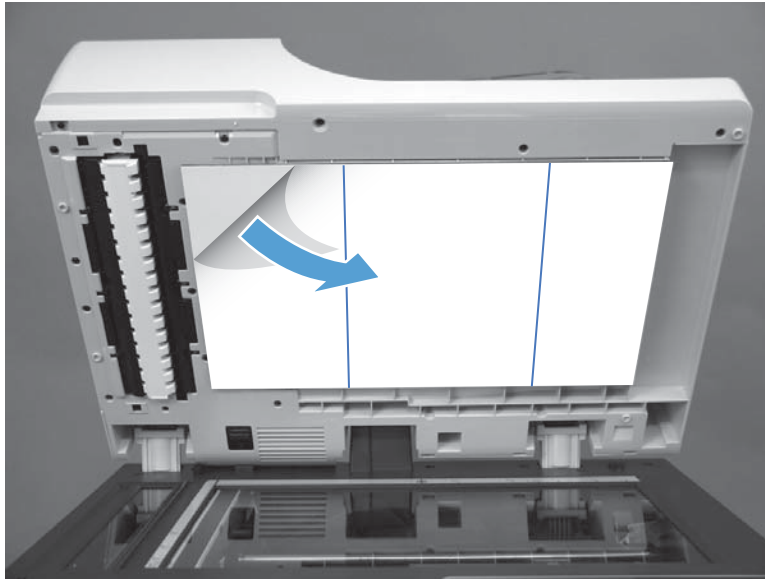
- Firmly press along the adhesive portions of the foam reflector in the order shown to adhere it to the document feeder.

**Figure 1-31** Install a replacement document feeder foam reflector (7 of 8)



8. Carefully remove the protective sheet from the foam reflector.

**Figure 1-32** Install a replacement document feeder foam reflector (8 of 8)



# Pickup, feed, and separation (rollers and pads)

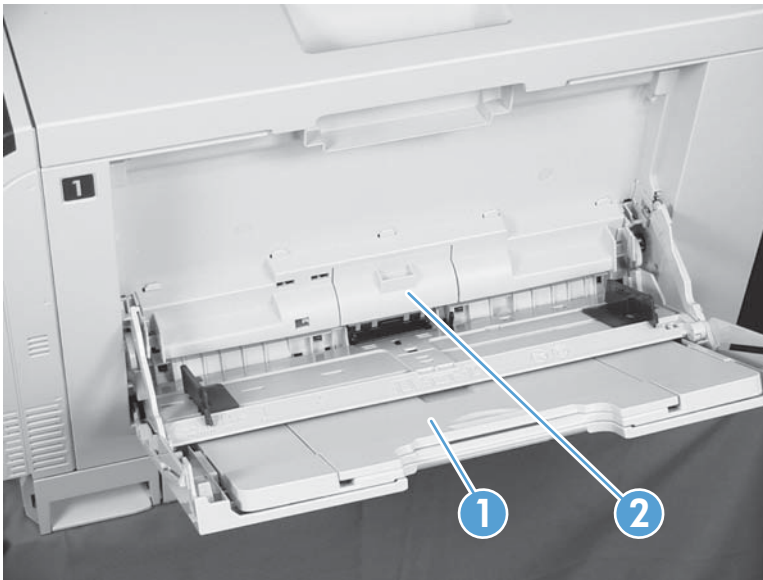
## Tray 1 (multipurpose tray) pickup roller

**CAUTION:** Do not touch the roller surface unless you are replacing the roller. Skin oils on the roller can cause paper pickup problems.


**NOTE:** Replace the separation pad and rollers at the same time.

1. Open Tray 1 (callout 1), and then remove the pickup roller cover (callout 2).

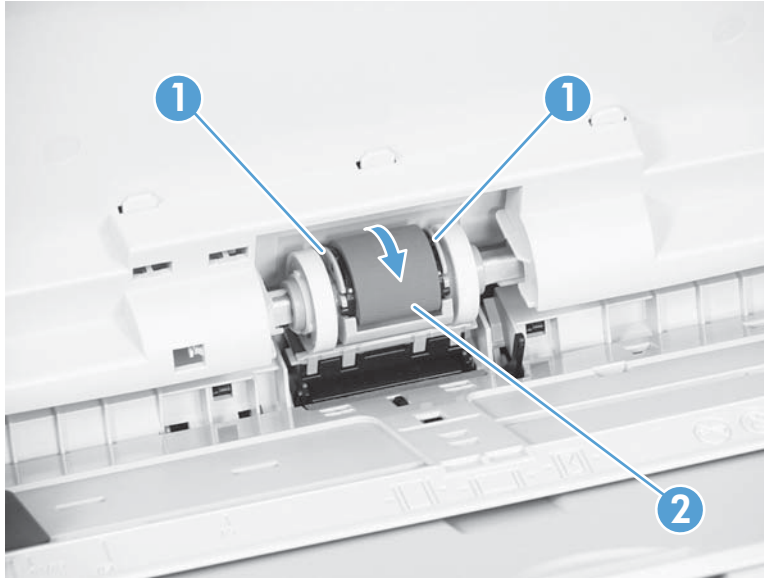
**Figure 1-33** Remove the Tray 1 pickup roller (1 of 2)



2. Spread out the pickup roller retainers (callout 1) until both sides unlatch, and then remove the pickup roller (callout 2).

 **Reinstallation tip** When you reinstall the roller, make sure that the roller snaps into place.

**Figure 1-34** Remove the Tray 1 pickup roller (2 of 2)



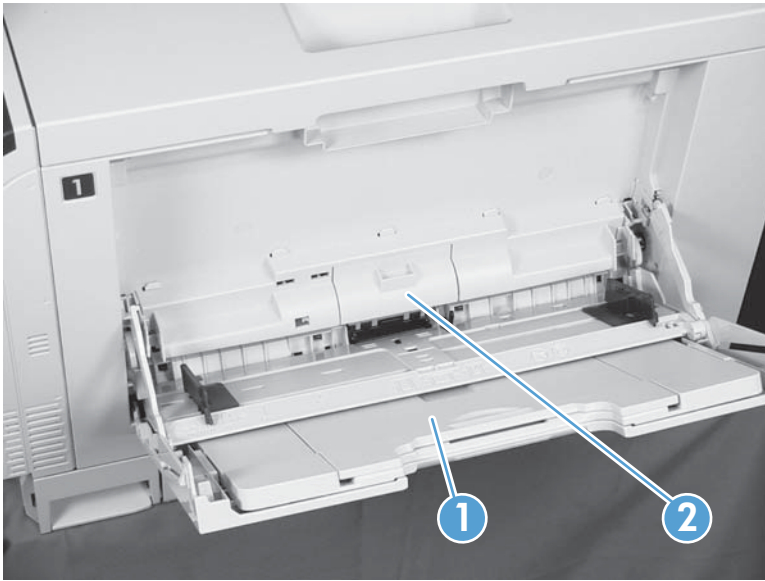
## Tray 1 separation pad

**CAUTION:** Do not touch the pad surface unless you are replacing the pad. Skin oils on the pad can cause paper pickup problems.

**NOTE:** Replace the separation pad and rollers at the same time.

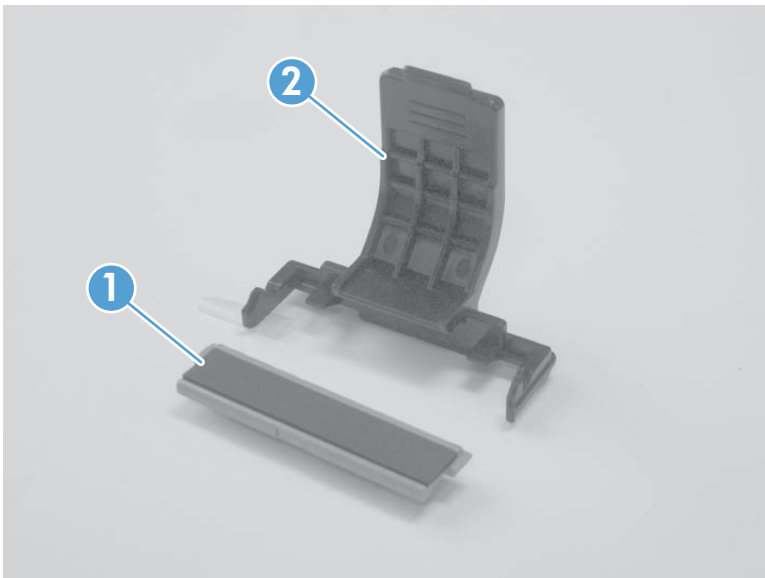
1. Open Tray 1 (callout 1), and then remove the pickup roller cover (callout 2).

**Figure 1-35** Remove the Tray 1 separation pad (1 of 4)



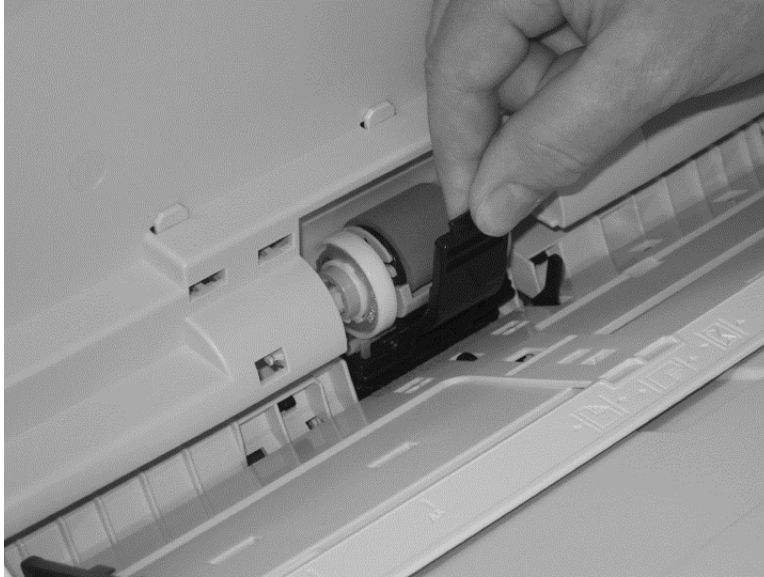
2. Take out the replacement separation pad (callout 1) and the supplied install/removal tool (callout 2).

**Figure 1-36** Remove the Tray 1 separation pad (2 of 4)



3. Insert the tool under the installed separation pad.

**Figure 1-37** Remove the Tray 1 separation pad (3 of 4)



4. Rotate the top of the tool away from the product to release the installed separation pad, and then remove the tool and the separation pad together.

**Figure 1-38** Remove the Tray 1 separation pad (4 of 4)



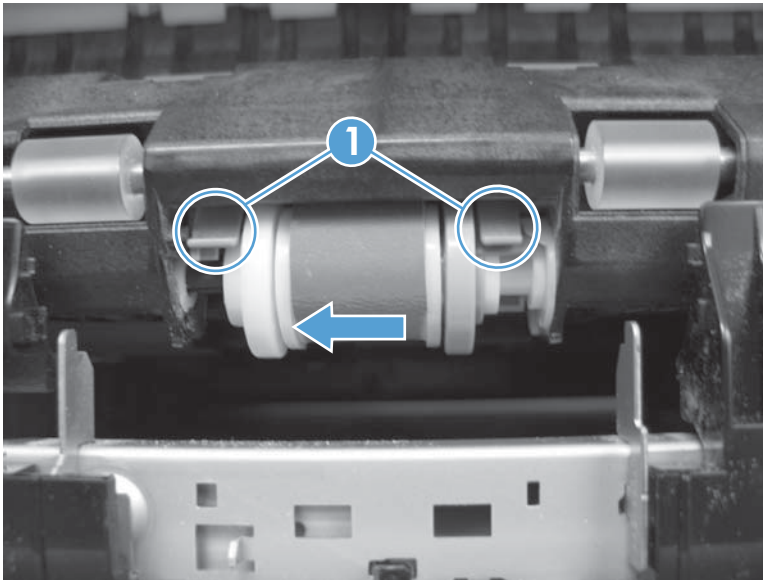
## Tray 2 pickup roller

**CAUTION:** Do not touch the roller surface unless you are replacing the roller. Skin oils on the roller can cause paper pickup problems.

**NOTE:** Replace the separation pad and rollers at the same time.

1. Open Tray 2.
2. Open the right-door assembly, and then remove the Tray 2 separation roller (see [Tray 2 separation roller on page 27](#)).
3. Lift one of the two levers (callout 1) on either side of the pickup roller, and then push the right side of the roller in the direction of the arrow to remove it.

**Figure 1-39** Remove the Tray 2 pickup roller



4. Remove the pickup roller.

**Reinstallation tip** Insert the left side of the roller into the product first. Make sure that the replacement roller snaps into place.



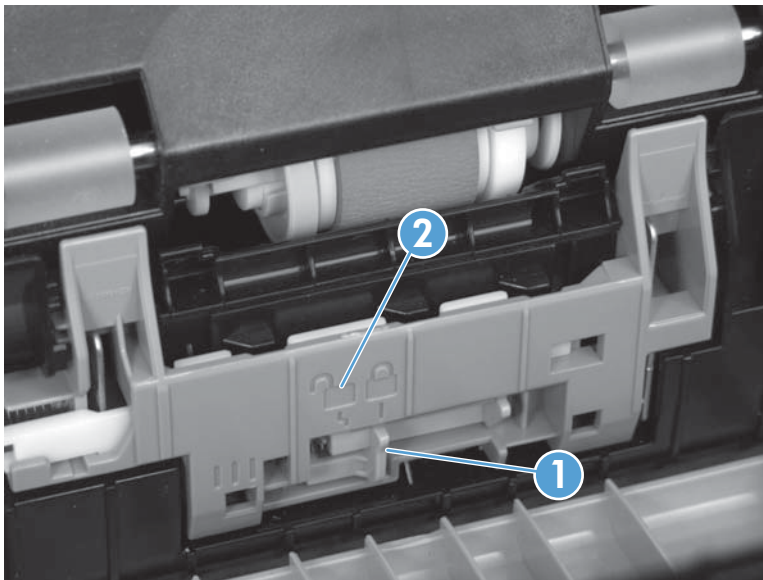
## Tray 2 separation roller

**CAUTION:** Do not touch the roller surface unless you are replacing the roller. Skin oils on the roller can cause paper pickup problems.


**NOTE:** Replace the separation pad and rollers at the same time.

1. Remove Tray 2 from the product.
2. Open the right-door.
3. On the separation roller assembly, slide the lever (callout 1) toward the unlocked icon (callout 2) until it clicks into the unlocked position.

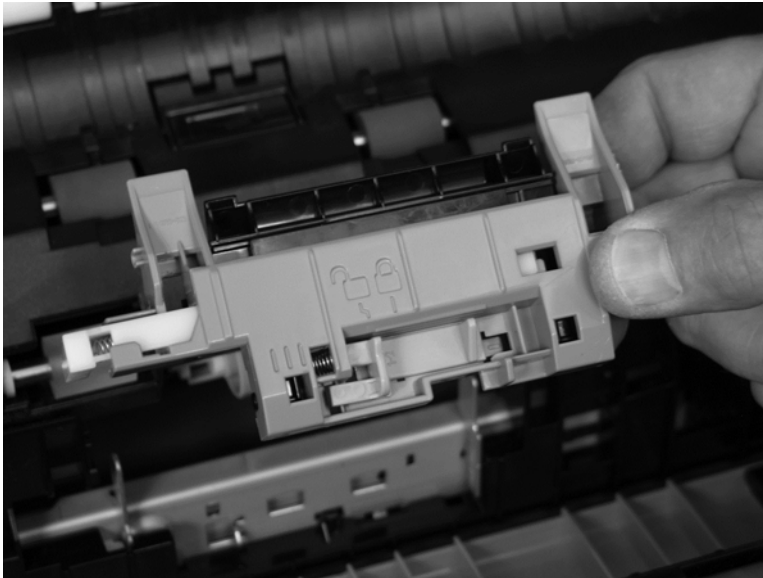
**Figure 1-40** Remove the separation Tray 2 roller (1 of 2)



4. Pull the separation roller assembly up and remove it from the product.

 **Reinstallation tip** When you install the separation roller assembly, make sure that it snaps into the locked position.

**Figure 1-41** Remove the separation Tray 2 roller (2 of 2)



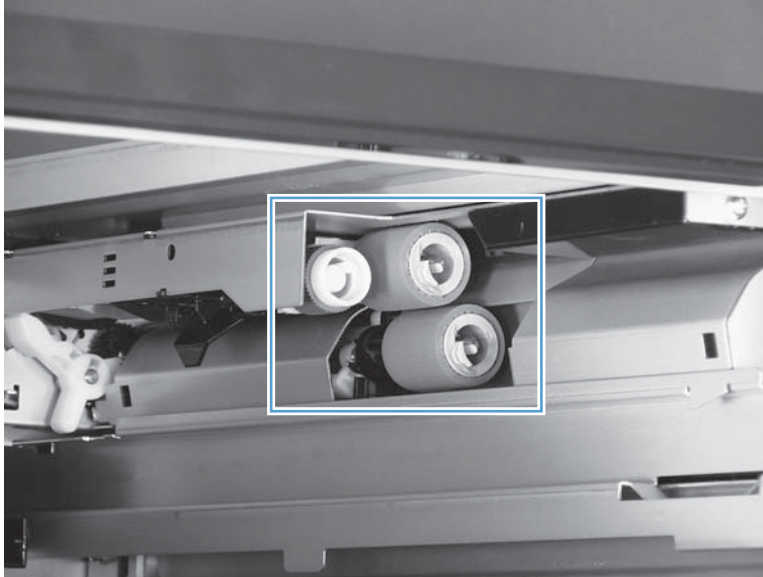
## 1 x 500 or 3 x 500 pickup, feed, and separation rollers

**CAUTION:** Do not touch the roller surface unless you are replacing the roller. Skin oils on the roller can cause paper pickup problems.

**NOTE:** Replace all of the rollers at the same time.

1. Remove the Tray 3 or Tray 4/5/6 cassette from the product, and then locate the rollers on the right-hand side of the tray cavity.

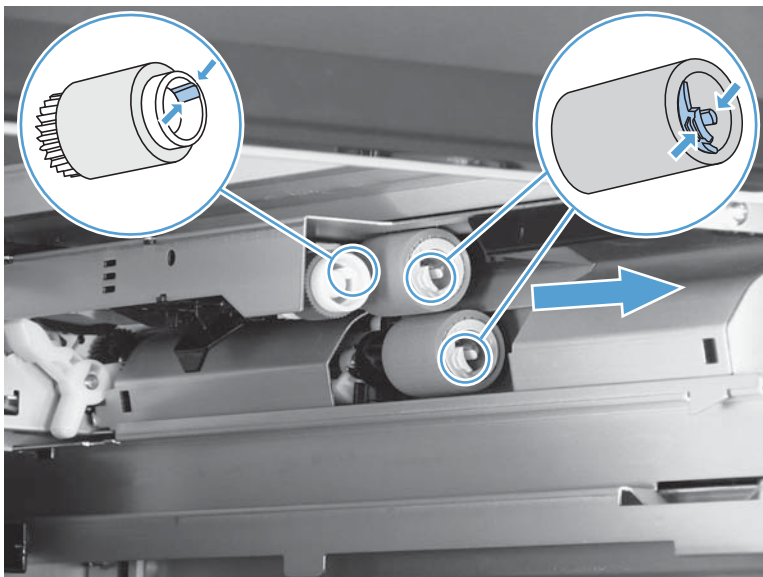
**Figure 1-42** Remove the 1 x 500 or 3 x 500 rollers (1 of 2)



2. Release three tabs, and then pull the rollers in the direction of the arrow.

**Reinstallation tip** When you reinstall the rollers, make sure that the rollers snap into place.

**Figure 1-43** Remove the 1 x 500 or 3 x 500 rollers (2 of 2)



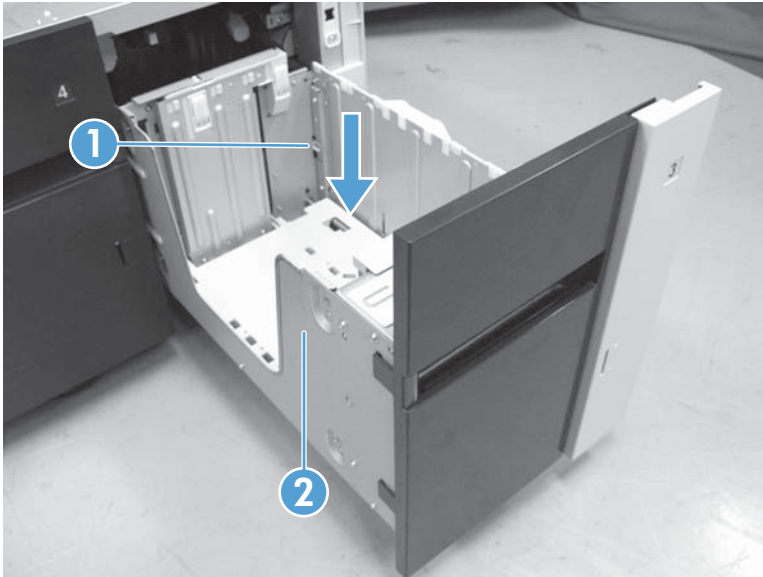
## High capacity input feeder pickup, feed, and separation rollers

**CAUTION:** Do not touch the roller surface unless you are replacing the roller. Skin oils on the roller can cause paper pickup problems.

**NOTE:** Replace all of the rollers at the same time.

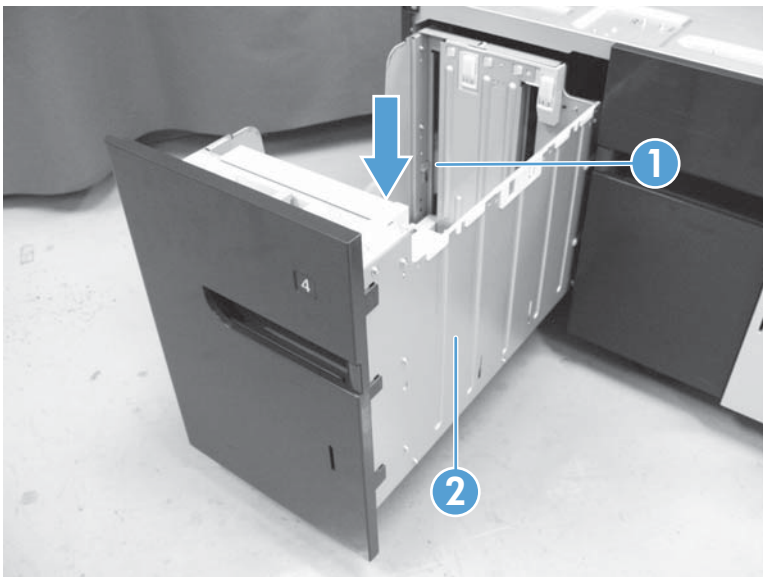
1. Open the high capacity right tray. Lower the tray release lever (callout 1) and then remove the right tray (callout 2).

**Figure 1-44** Remove the high capacity input feeder pickup, feed, and separation rollers (1 of 4)



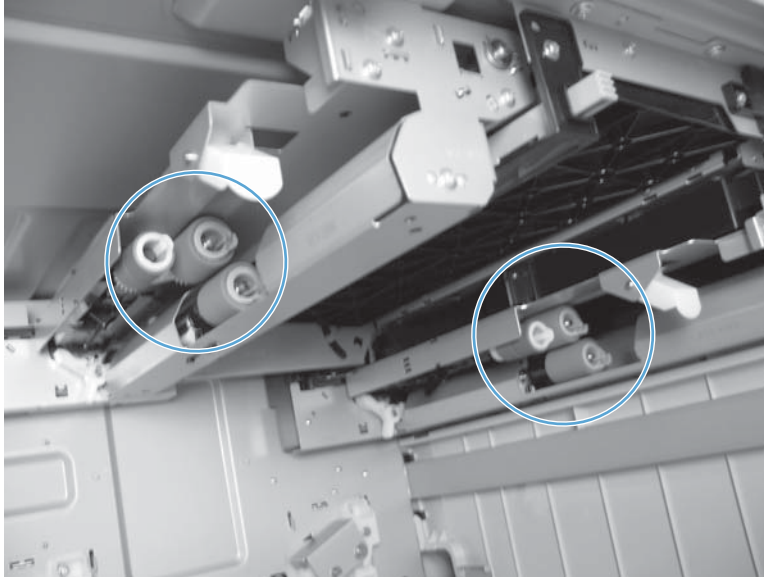
2. Open the high capacity left tray. Lower the tray release lever (callout 1) and then remove the left tray (callout 2).

**Figure 1-45** Remove the high capacity input feeder pickup, feed, and separation rollers (2 of 4)



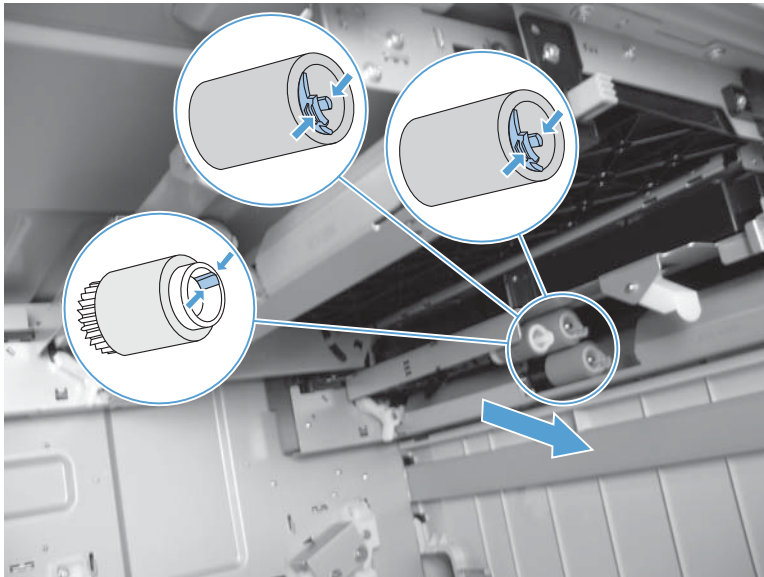
3. Look up into the tray cavity and locate the rollers.

**Figure 1-46** Remove the high capacity input feeder pickup, feed, and separation rollers (3 of 4)



4. Release three tabs, and then pull the rollers in the direction of the arrow. Repeat this step for remaining rollers.

**Figure 1-47** Remove the high capacity input feeder pickup, feed, and separation rollers (4 of 4)



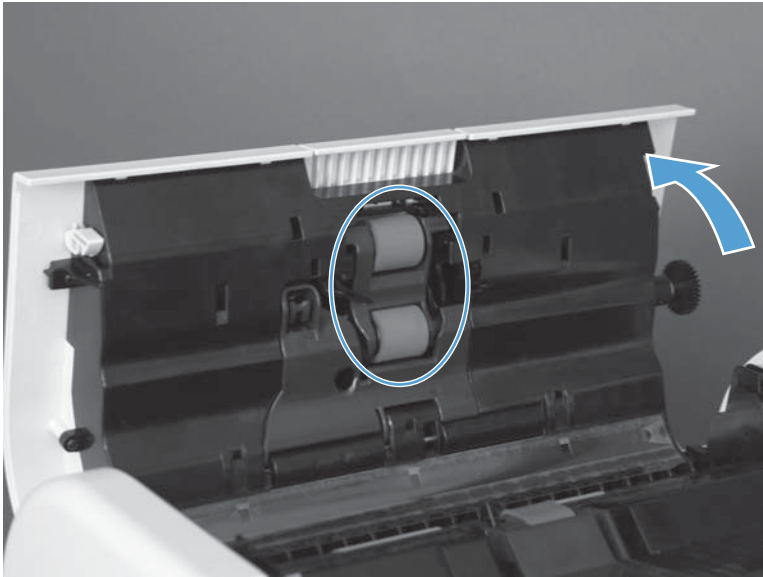
## Document feeder pickup and feed roller assembly

**CAUTION:** Do not touch the roller surface unless you are replacing the roller. Skin oils on the roller can cause paper pickup problems.

**NOTE:** Replace the separation pad and rollers at the same time.

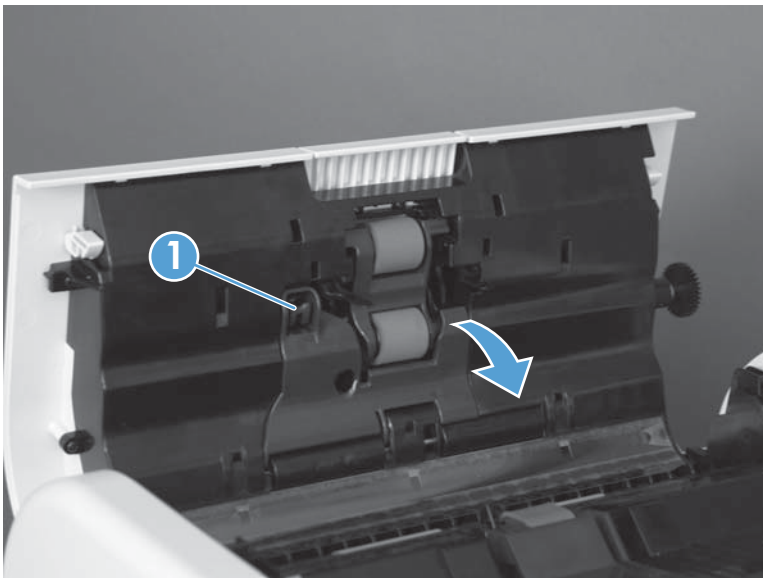
1. Open the document feeder cover and locate the document feeder pickup and feed roller assemblies.

**Figure 1-48** Remove the document feeder pickup and feed roller assemblies (1 of 3)




2. Release one tab (callout 1) to open the assembly cover.

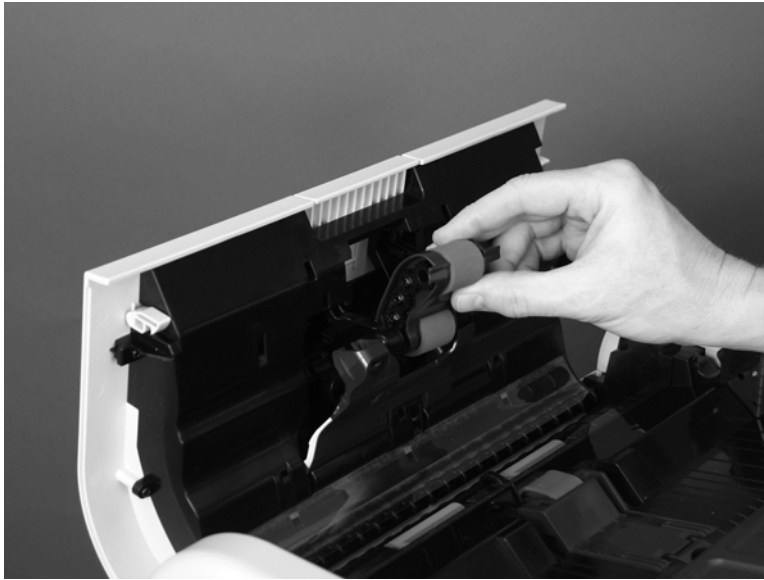
**Figure 1-49** Remove the document feeder pickup and feed roller assemblies (2 of 3)



3. Push the roller assembly toward the front of the product, and then pull the assembly away from the document feeder.

 **Reinstallation tip** Align the pin on the right of the roller assembly with the hole on the right of the document feeder cover. Slide the roller assembly to the right (toward the back of the product) until it snaps into place.

**Figure 1-50** Remove the document feeder pickup and feed roller assemblies (3 of 3)



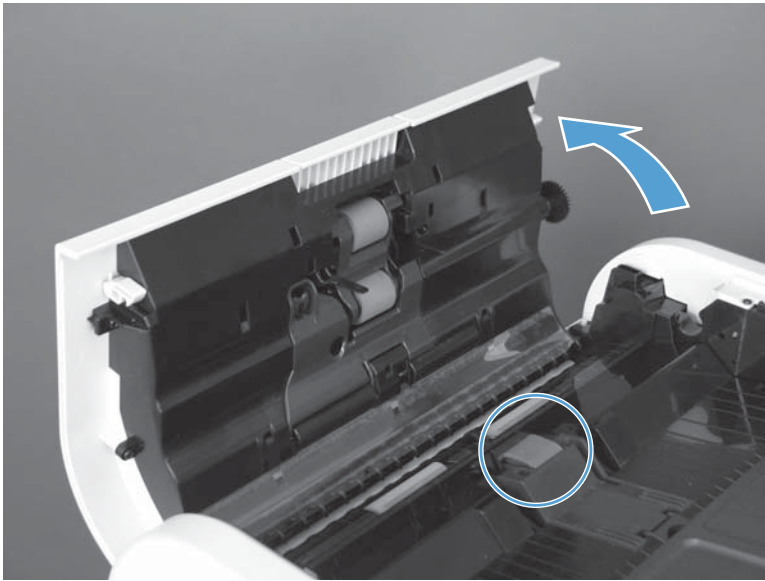
## Document feeder separation pad

**CAUTION:** Do not touch the pad surface unless you are replacing the pad. Skin oils on the pad can cause paper pickup problems.

**NOTE:** Replace the separation pad and rollers at the same time.

1. Open the document feeder cover and locate the document feeder separation pad.

**Figure 1-51** Remove the document feeder separation pad (1 of 3)



2. Press the tab (callout 1) toward the separation pad.

**Figure 1-52** Remove the document feeder separation pad (2 of 3)

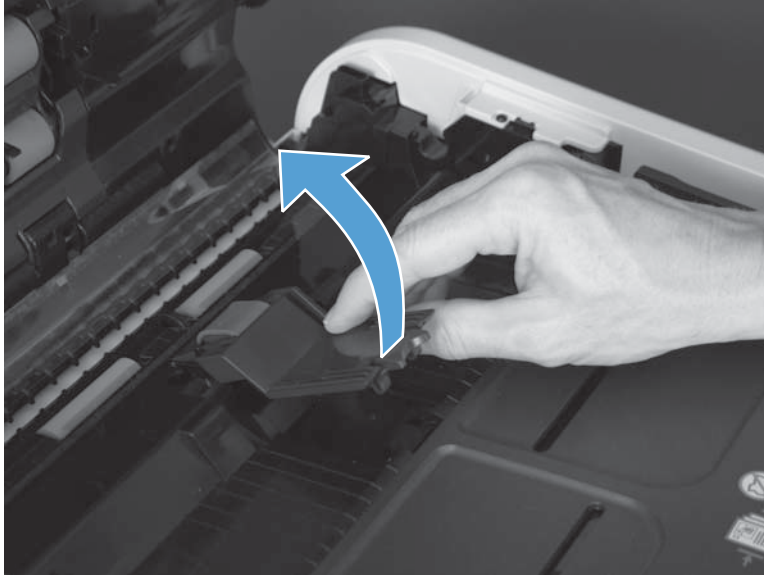




3. Rotate the separation pad assembly up and away from the document feeder, and then remove the assembly.

**CAUTION:** The spring underneath the separation pad is not captive. Do not lose the spring.

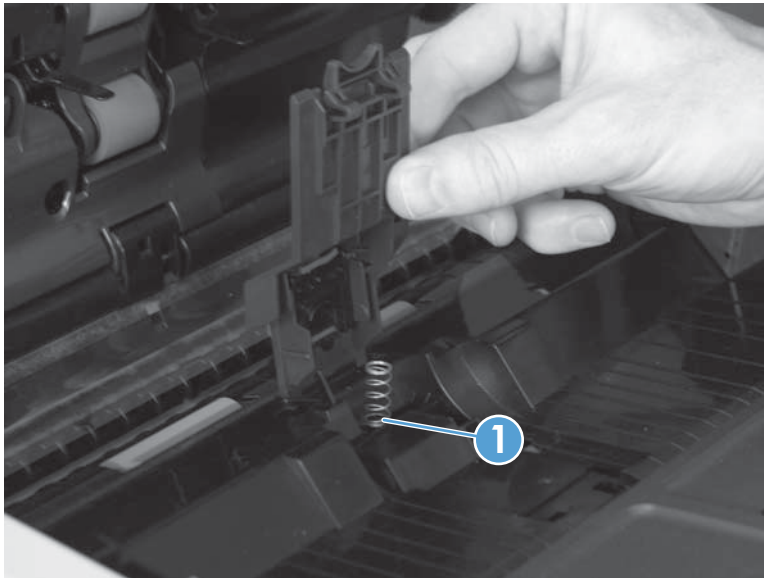
**Figure 1-53** Remove the document feeder separation pad (3 of 3)



### Reinstall the document feeder separation pad

When the replacement separation pad assembly is installed, make sure that the spring is seated on the spring pedestal (callout 1) under the separation pad.

**Figure 1-54** Reinstall the document feeder separation pad



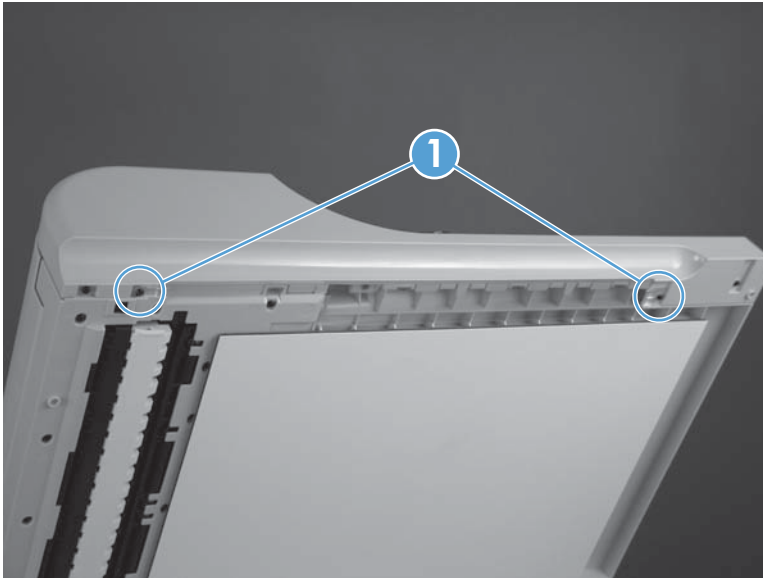
# Covers, doors, and whole unit replacement

**TIP:** For clarity, some figures in this chapter show assemblies removed that are not required to be removed to service the product (for example, the scanner and document feeder assemblies). The procedures in this manual are correct for your product.


## Document feeder front cover

1. Open the document feeder, and then remove two screws (callout 1).

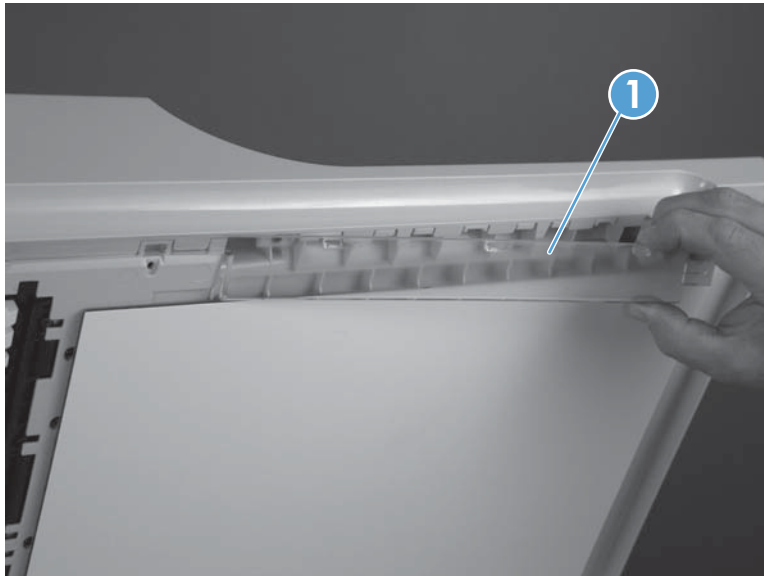
**Figure 1-55** Remove the document feeder front cover (1 of 8)



- Carefully remove the clear-plastic reflective cover (callout 1).

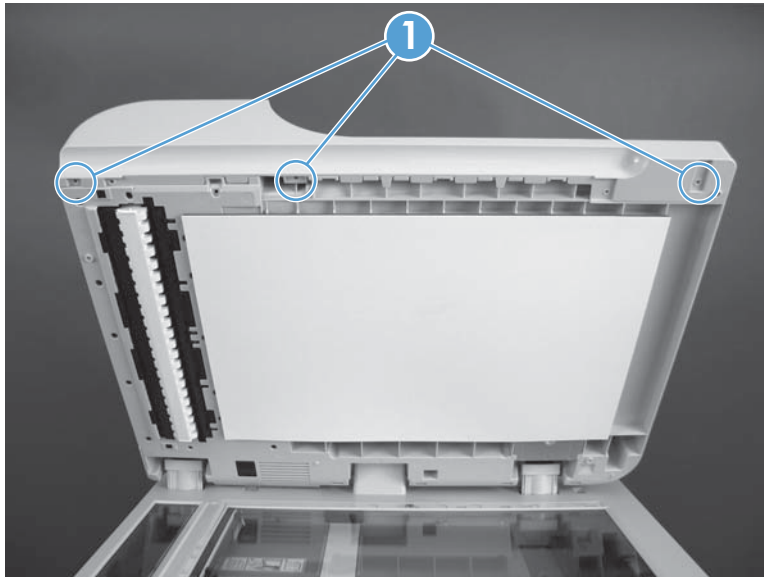
 **TIP:** The cover has several press-fit tabs along its upper edge. Start at the wide end (right-hand side) of the cover and carefully release the tabs from right to left.

**Figure 1-56** Remove the document feeder front cover (2 of 8)




- Remove three screws (callout 1).

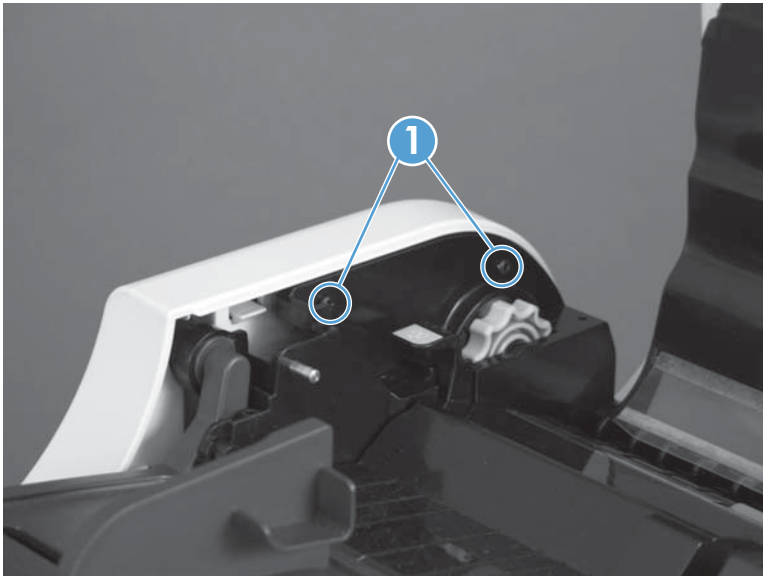
**Figure 1-57** Remove the document feeder front cover (3 of 8)



4. Open the document feeder hatch cover, and then remove two screws (callout 1).

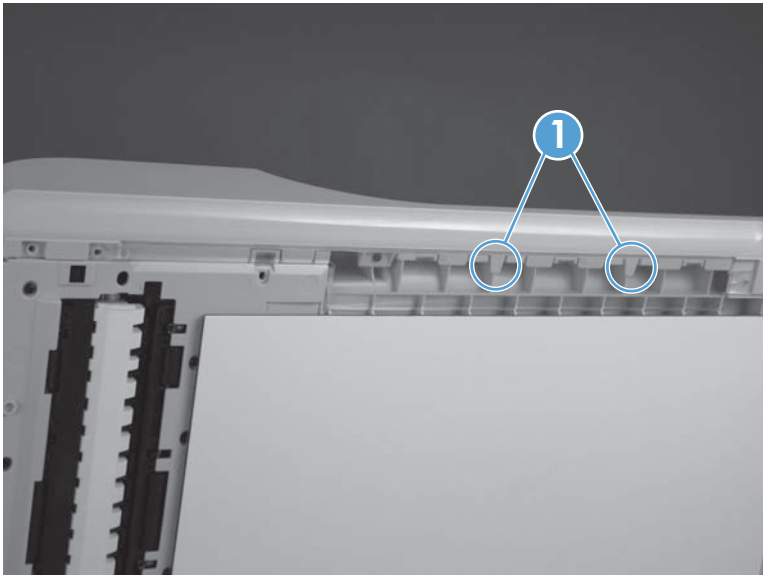
 **Reinstallation tip** These two screws are longer than the other front cover mounting screws. Make sure you replace them in the correct position when the cover is reinstalled.

**Figure 1-58** Remove the document feeder front cover (4 of 8)



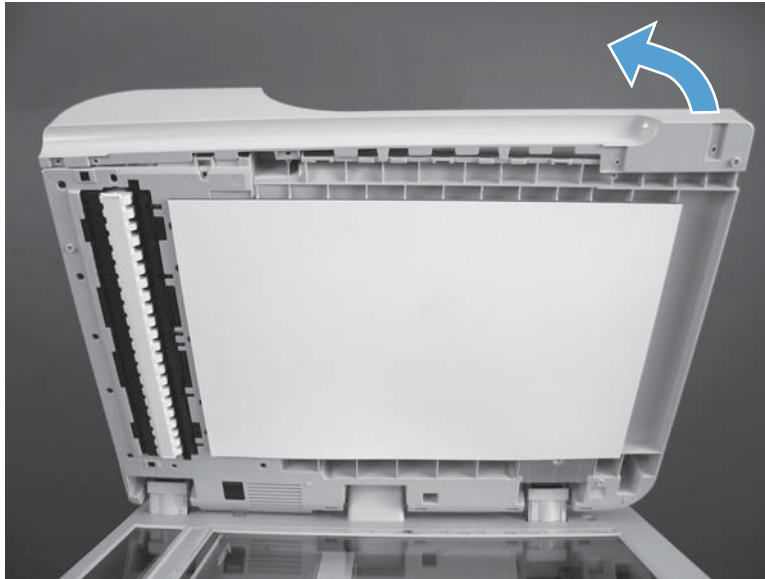
5. Release two tabs (callout 1).

**Figure 1-59** Remove the document feeder front cover (5 of 8)



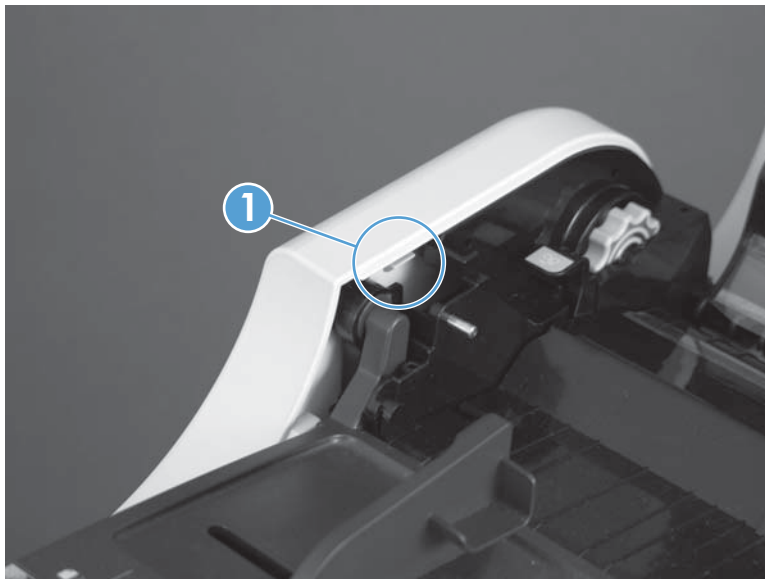
- Carefully rotate the right-hand end of the cover up and away from the document feeder.

**Figure 1-60** Remove the document feeder front cover (6 of 8)



- Release one tab (callout 1) inside of the document feeder hatch cover.

**Figure 1-61** Remove the document feeder front cover (7 of 8)




8. Remove the cover.

**Figure 1-62** Remove the document feeder front cover (8 of 8)



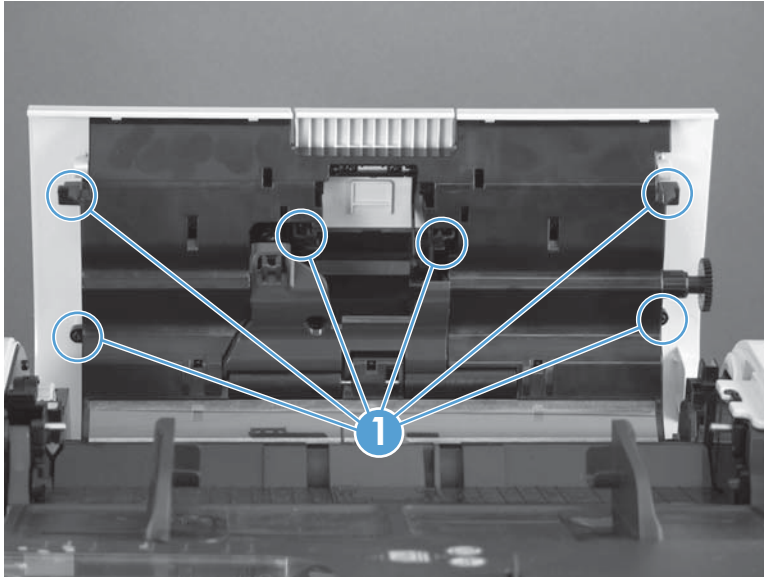
## Document feeder hatch cover

1. Remove six screws (callout 1).

 **TIP:** It might be easier to remove these screws with a short-shaft screwdriver.

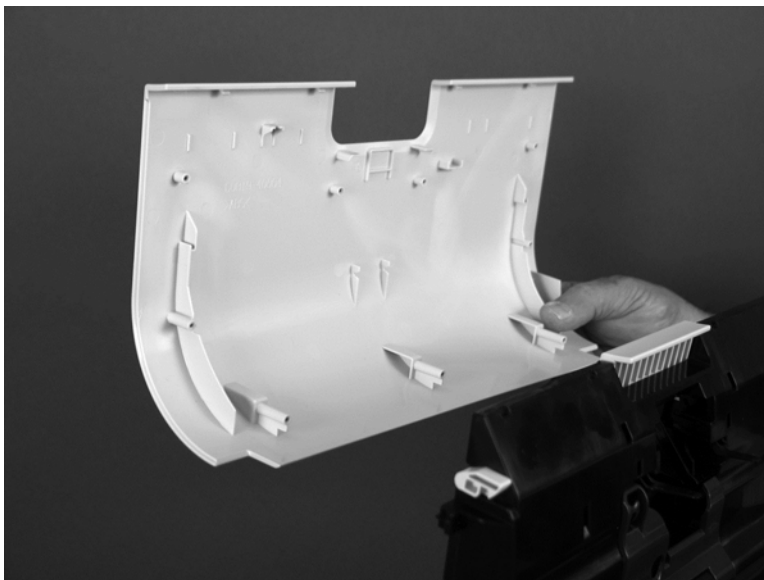
---

**Figure 1-63** Remove the document feeder hatch cover (1 of 2)




2. Remove the hatch cover.

**Figure 1-64** Remove the document feeder hatch cover (2 of 2)

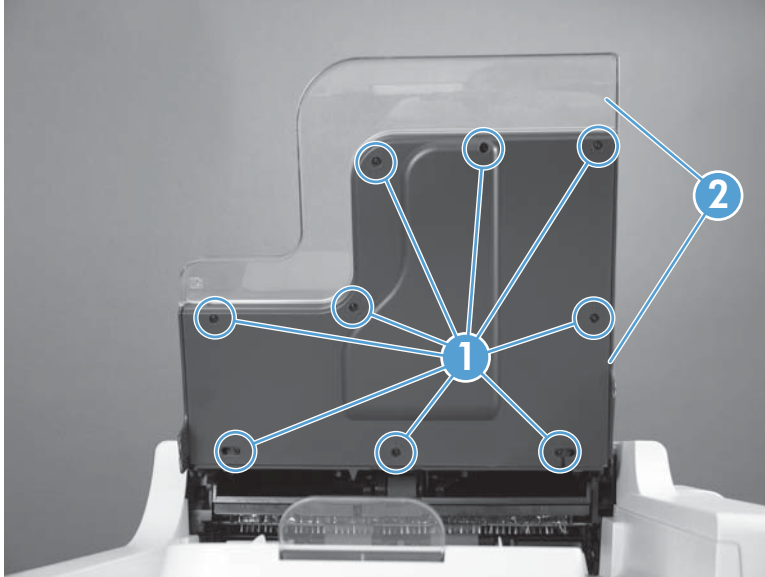


## Document feeder input tray bottom cover

Raise the input tray, remove nine screws (callout 1), and then remove the cover (callout 2).

 **NOTE:** The clear plastic portion of the assembly can be separated from the cover when the cover is removed.

**Figure 1-65** Remove the document feeder input tray bottom cover





## Document feeder roller cover

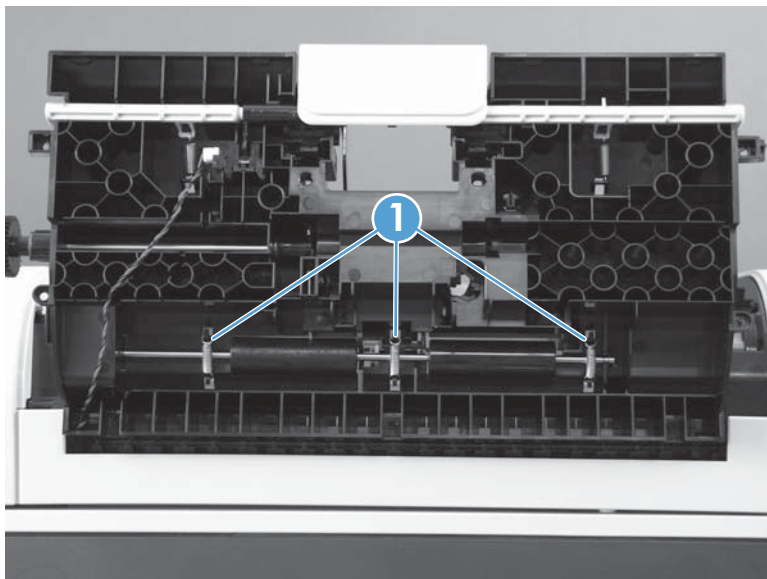
Before proceeding, remove the following assemblies:

- Document feeder pickup and feed roller assembly. See [Document feeder pickup and feed roller assembly on page 32](#).
- Document feeder hatch cover. See [Document feeder hatch cover on page 41](#).

### Remove the document feeder roller cover

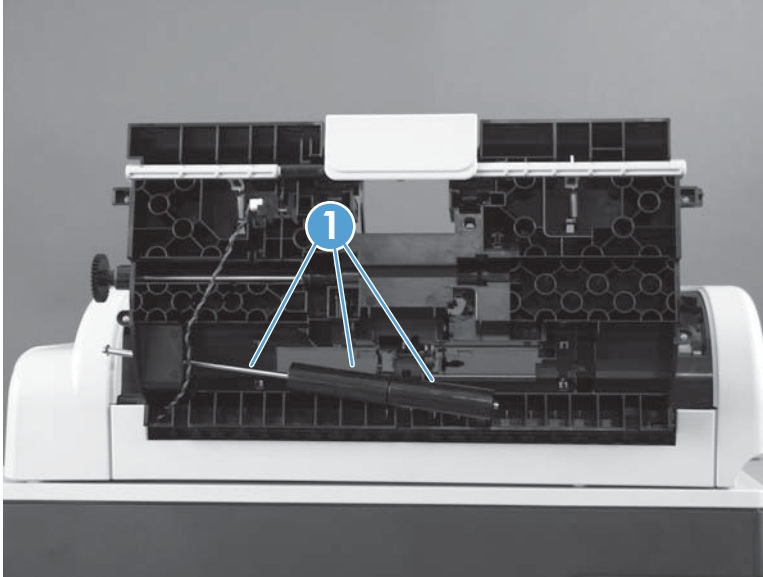
1. Remove three springs (callout 1).

**Figure 1-66** Remove the document feeder roller cover (1 of 4)



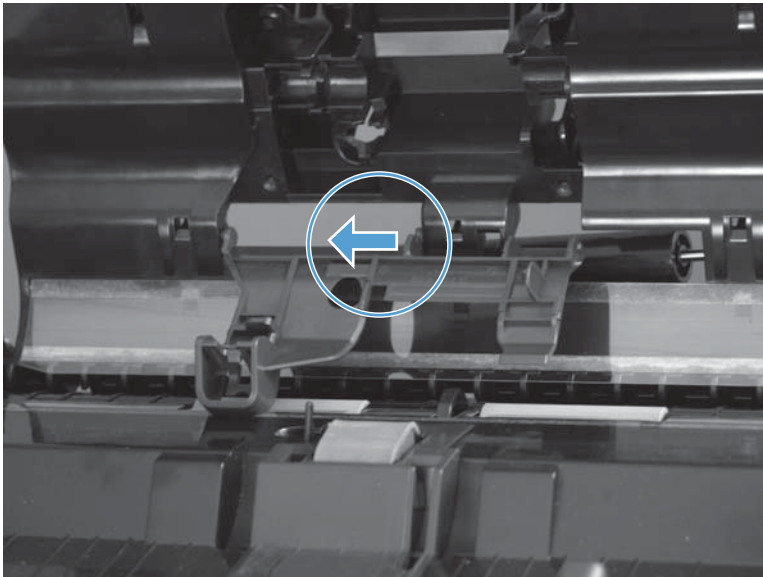
2. Move the rollers and shaft (callout 1) out of the way.

**Figure 1-67** Remove the document feeder roller cover (2 of 4)



3. Use a flat blade screw driver to carefully release one cover hinge pin on the inside of the door.

**Figure 1-68** Remove the document feeder roller cover (3 of 4)



4. Remove the cover.

**Figure 1-69** Remove the document feeder roller cover (4 of 4)



## Document feeder rear cover

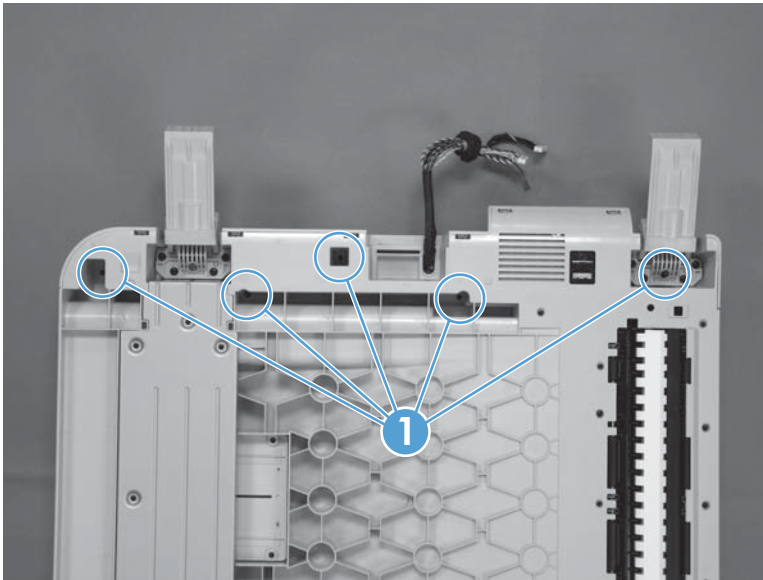
Before proceeding, remove the following assemblies:

- Document feeder foam reflector. See [Document feeder foam reflector on page 16](#).
- Document feeder. See [Document feeder on page 71](#).

### Remove the document feeder rear cover

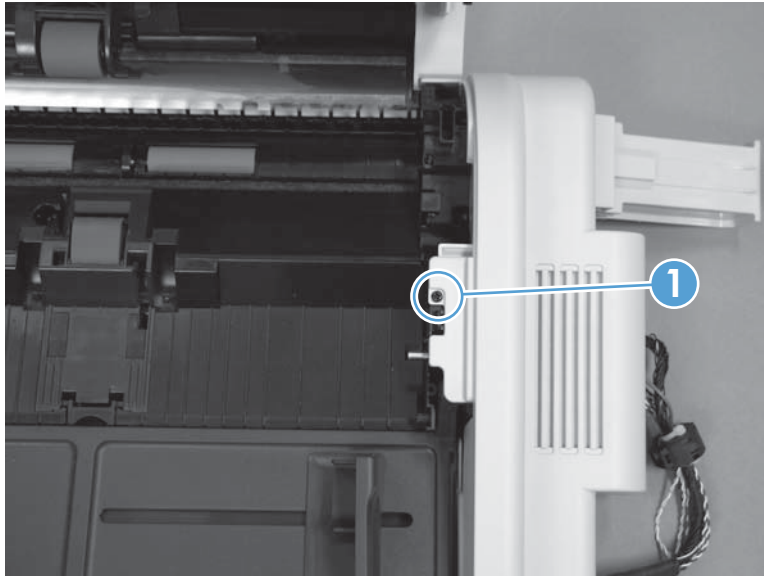
1. Turn the document feeder upside down, and then remove five screws (callout 1).

**Figure 1-70** Remove the document feeder rear cover (1 of 4)



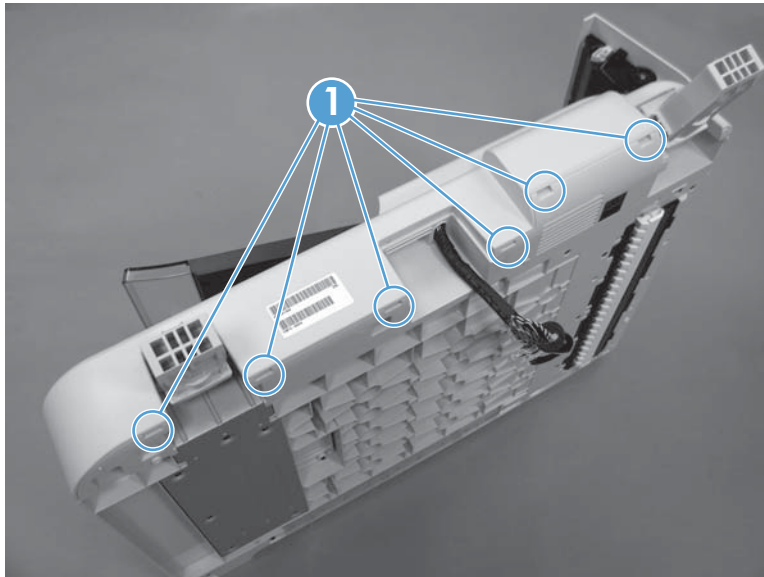
2. Turn the document feeder right-side up, open the document feeder hatch cover, and then remove one screw (callout 1).

**Figure 1-71** Remove the document feeder rear cover (2 of 4)



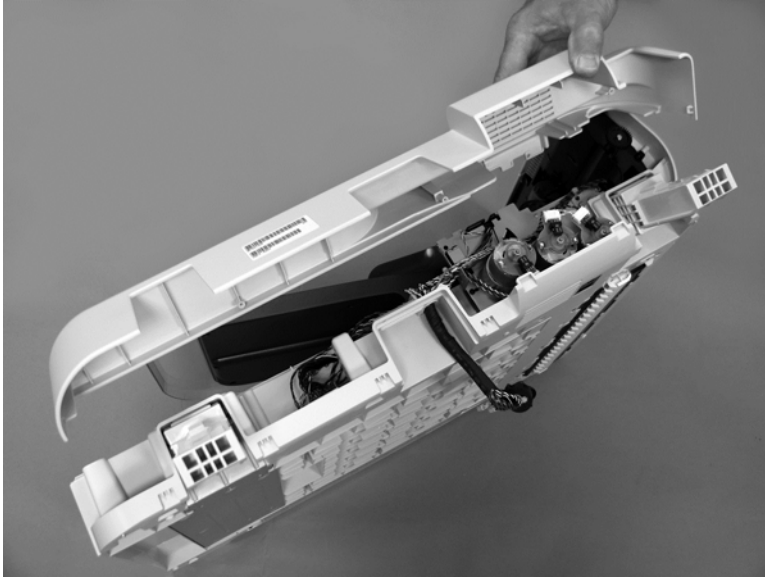
3. Release six tabs (callout 1) along the bottom edge of the cover.

**Figure 1-72** Remove the document feeder rear cover (3 of 4)



4. Remove the cover.

**Figure 1-73** Remove the document feeder rear cover (4 of 4)



## Scanner left cover

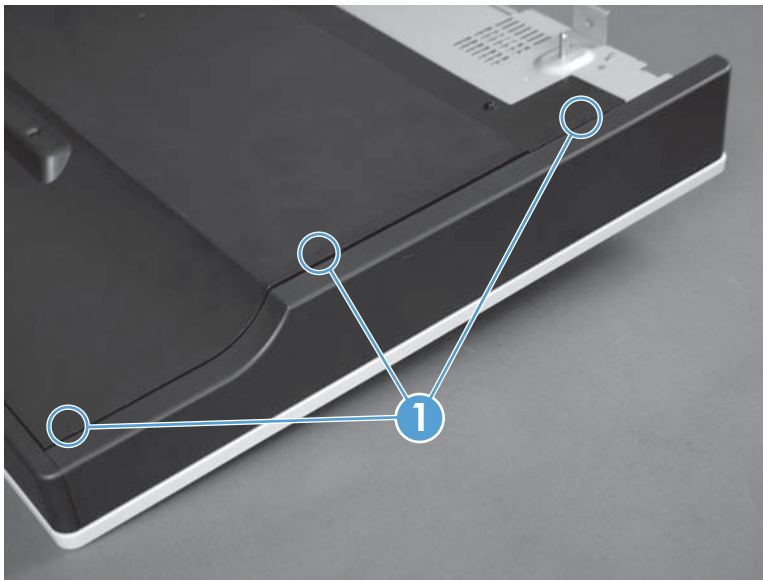
**Before proceeding, remove the following assemblies:**

- Document feeder. See [Document feeder on page 71](#).
- Control panel assembly. See [Control-panel assembly on page 5](#).
- Scanner assembly. See [Scanner assembly on page 74](#).

### Remove the scanner left cover

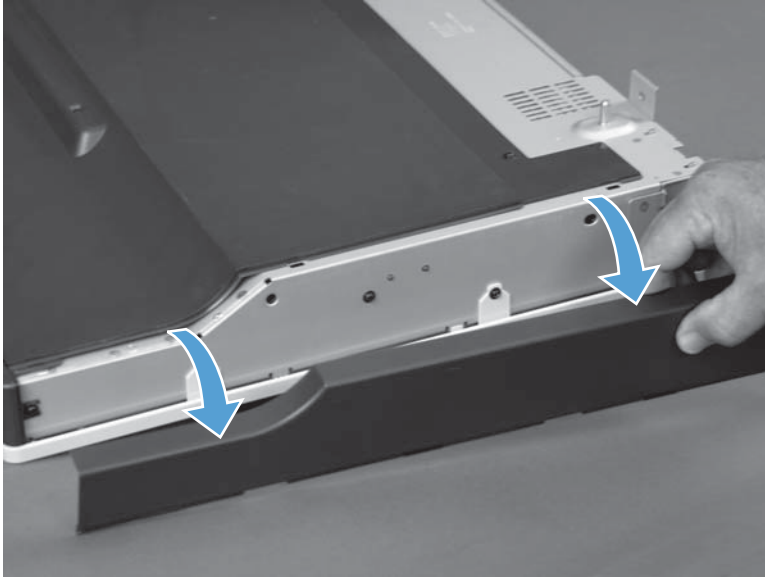
1. Turn the scanner upside down, and then release three tabs (callout 1).

**Figure 1-74** Remove the scanner left cover (1 of 2)



2. Rotate the cover away from the scanner to remove it.

**Figure 1-75** Remove the scanner left cover (2 of 2)





## Scanner right cover

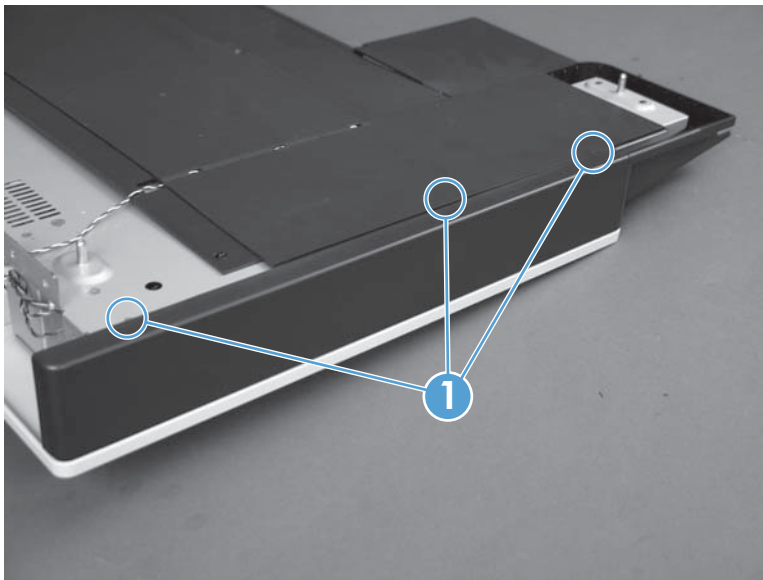
**Before proceeding, remove the following assemblies:**

- Document feeder. See [Document feeder on page 71](#).
- Control panel assembly. See [Control-panel assembly on page 5](#).
- Scanner assembly. See [Scanner assembly on page 74](#).

### Remove the scanner right cover

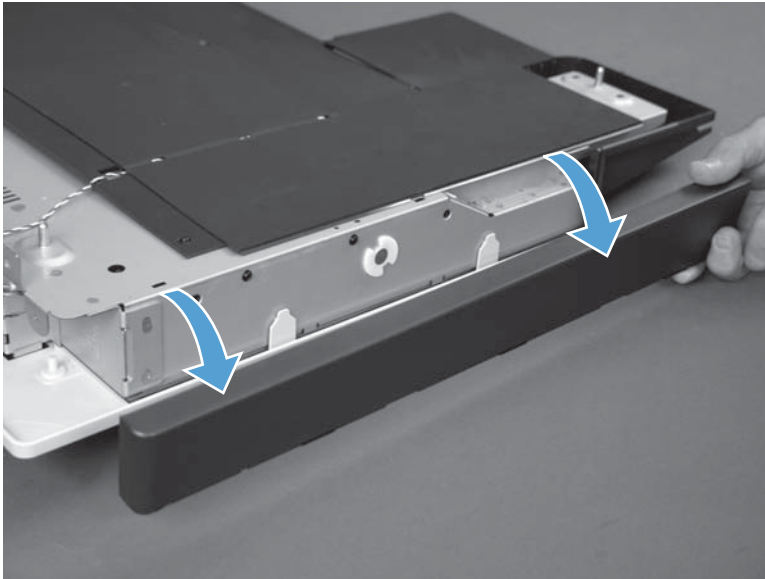
1. Turn the scanner upside down, and then release three tabs (callout 1).

**Figure 1-76** Remove the scanner right cover (1 of 2)



2. Rotate the cover away from the scanner to remove it.

**Figure 1-77** Remove the scanner right cover (2 of 2)



## Scanner front cover

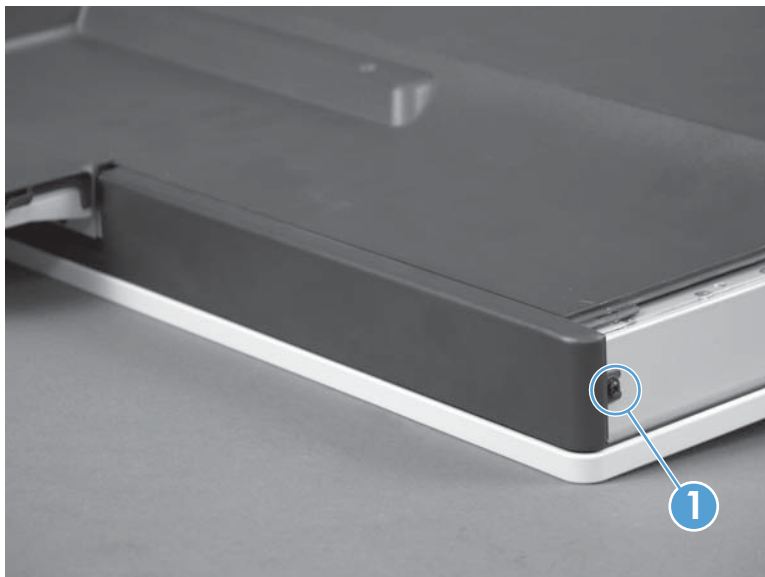
Before proceeding, remove the following assemblies:

- Document feeder. See [Document feeder on page 71](#).
- Control panel assembly. See [Control-panel assembly on page 5](#).
- Scanner assembly. See [Scanner assembly on page 74](#).
- Scanner left cover. See [Scanner left cover on page 49](#).


### Remove the scanner front cover

1. Remove one screw (callout 1).

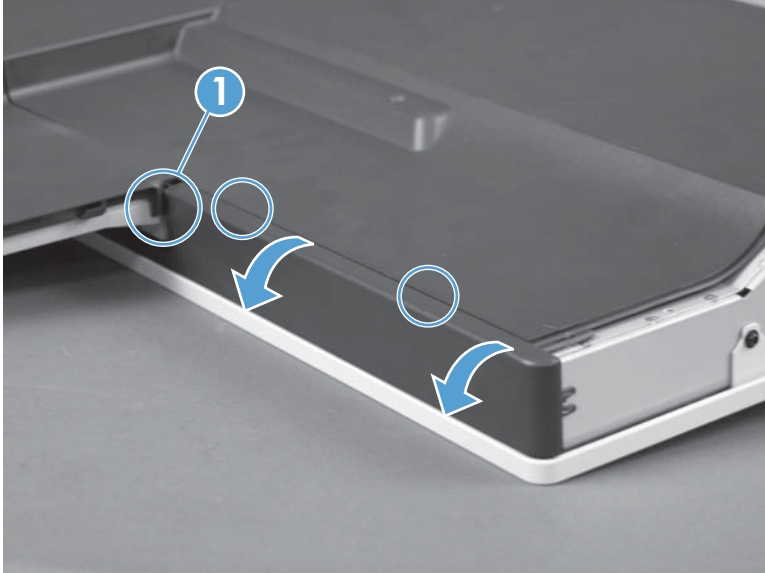
**Figure 1-78** Remove the scanner front cover (1 of 3)




2. Release two tabs, and then slightly rotate the cover away from the scanner.

 **TIP:** Slightly lift up on the control panel bottom cover (callout 1) to give the front cover clearance.

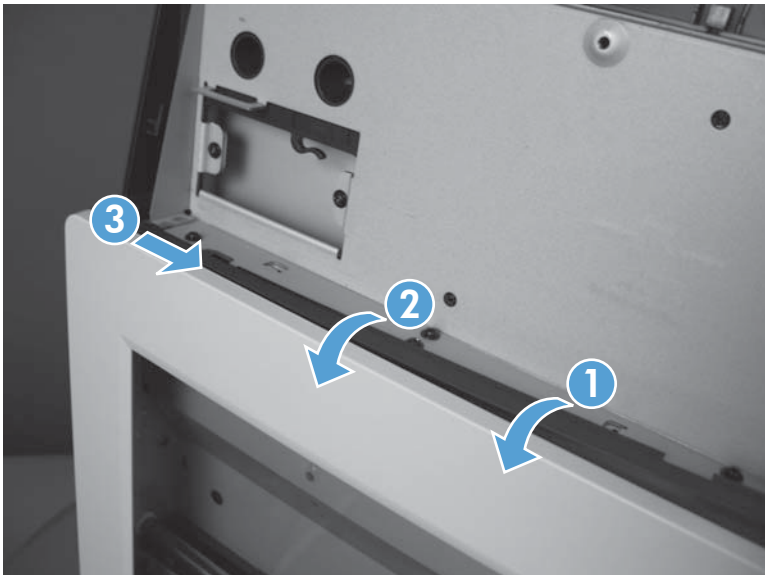
**Figure 1-79** Remove the scanner front cover (2 of 3)



3. Continue to carefully rotate (callout 1 and callout 2) the cover away from the scanner to remove it.

 **TIP:** When most of the cover is released, carefully pull back on the cover to release the end tab that fits under the scanner right cover (callout 3).

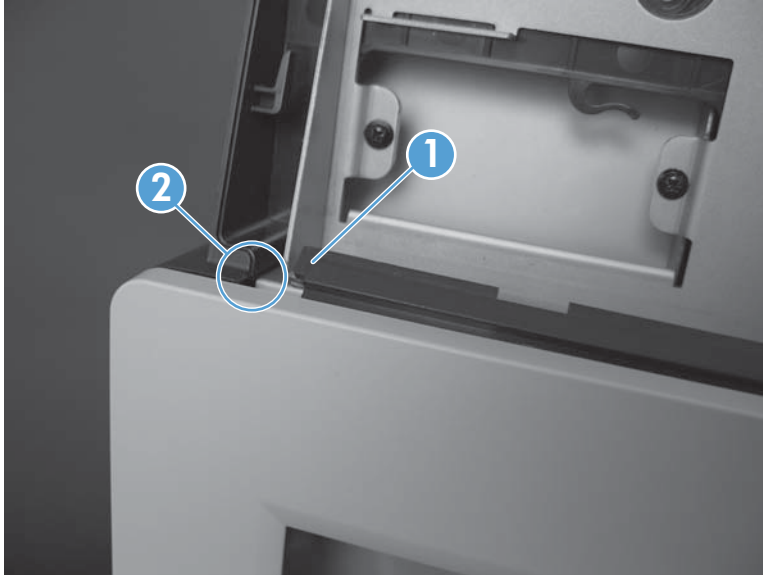
**Figure 1-80** Remove the scanner front cover (3 of 3)



## Reinstall the scanner front cover

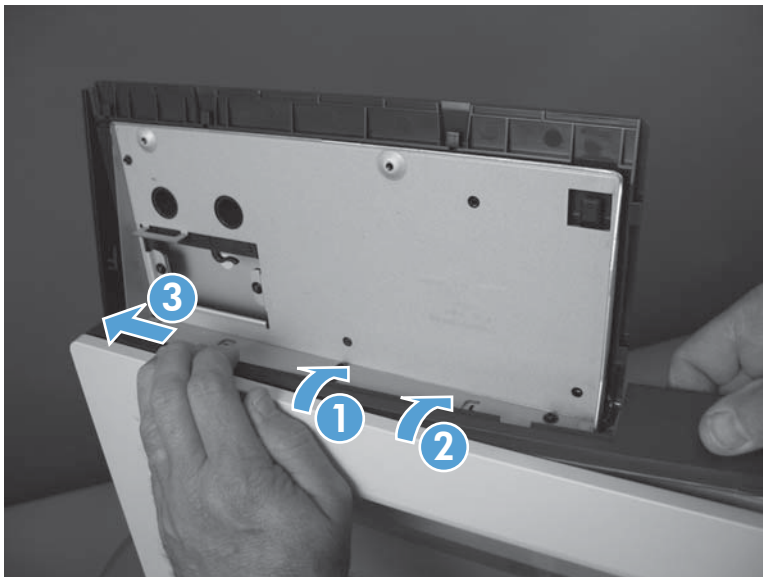
1. When the cover is reinstalled, the tab (callout 1) on the end of the cover must fit under the scanner right cover (callout 2).

**Figure 1-81** Reinstall the scanner front cover (1 of 3)



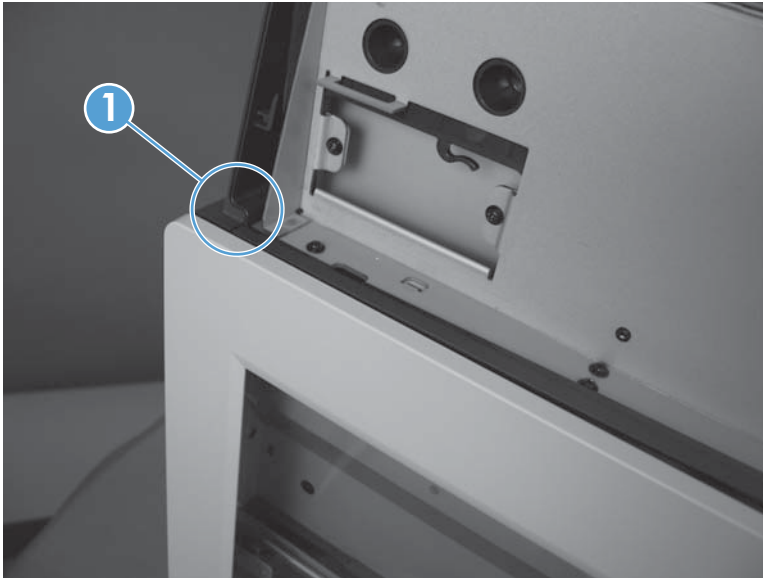
2. Rotate the cover into place along the control-panel cavity (callout 1 and callout 2), and then push on the cover to seat the tab on the end of the cover under the scanner right cover (callout 3).

**Figure 1-82** Reinstall the scanner front cover (2 of 3)



3. Verify the tab on the front cover is correctly seated under the scanner right cover (callout 1) before snapping the remaining section of the cover in place.

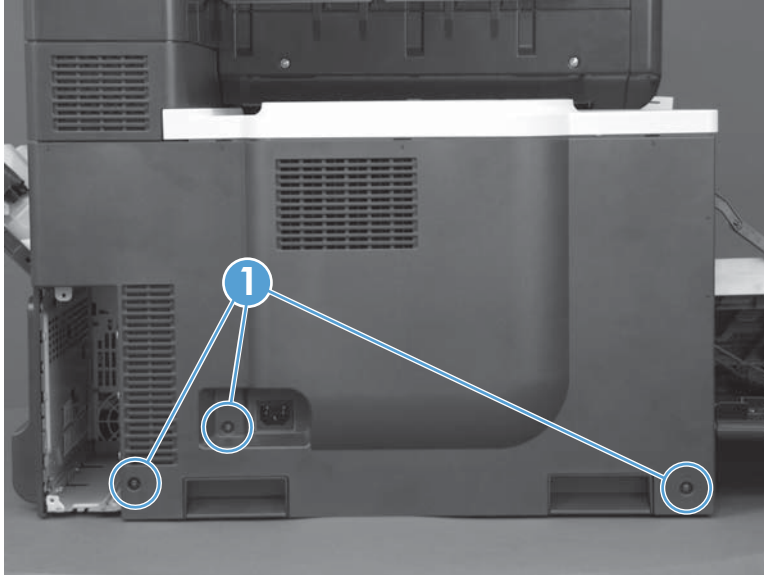
**Figure 1-83** Reinstall the scanner front cover (3 of 3)




## Left cover

1. Open the TCU access door, and then open the front door.
2. Remove three screws (callout 1).

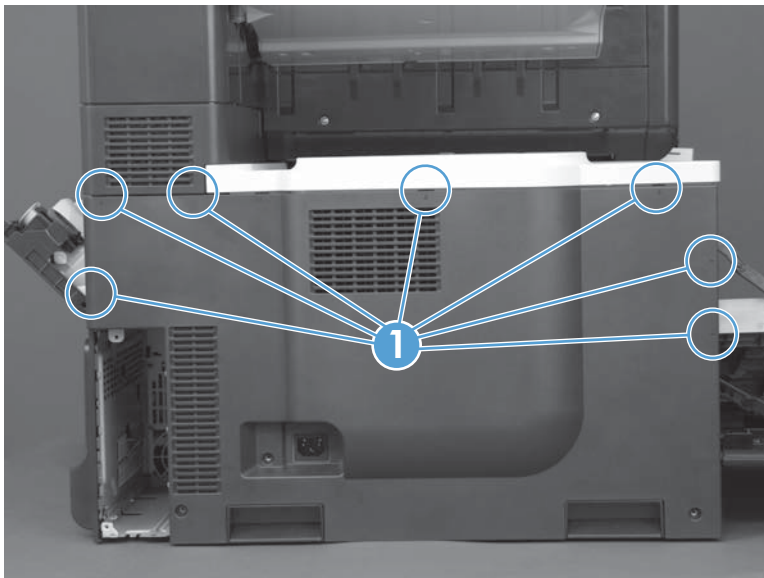
**Figure 1-84** Remove the left cover (1 of 2)



3. Release seven tabs (callout 1), and then remove the cover.

 **TIP:** Release the two tabs near the front door, and then, working counter clockwise toward the TCU access door, release the remaining tabs.

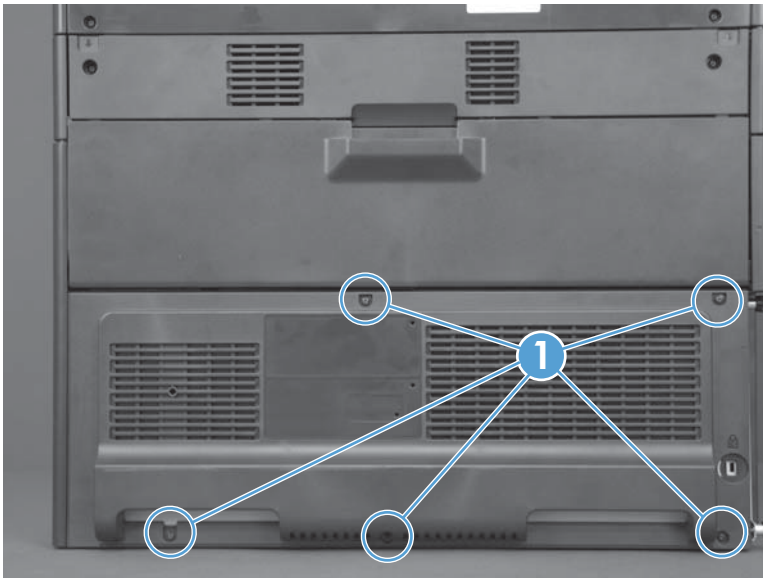
**Figure 1-85** Remove the left cover (2 of 2)



## Rear cover

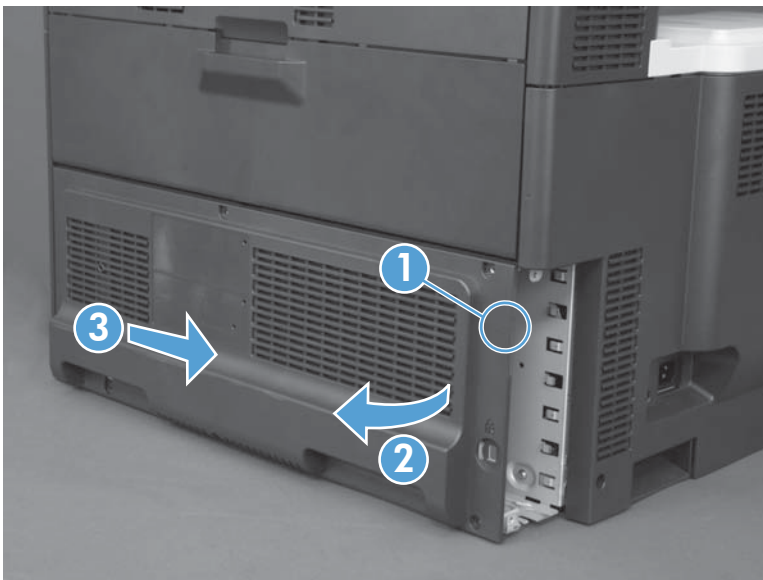
1. Remove five screws (callout 1).

**Figure 1-86** Remove the rear cover (1 of 2)



2. Release one tab (callout 1), rotate the right side of the cover away from the product (callout 2), and then slide it away from the product (callout 3) to remove the cover.

**Figure 1-87** Remove the rear cover (2 of 2)





## Right rear cover

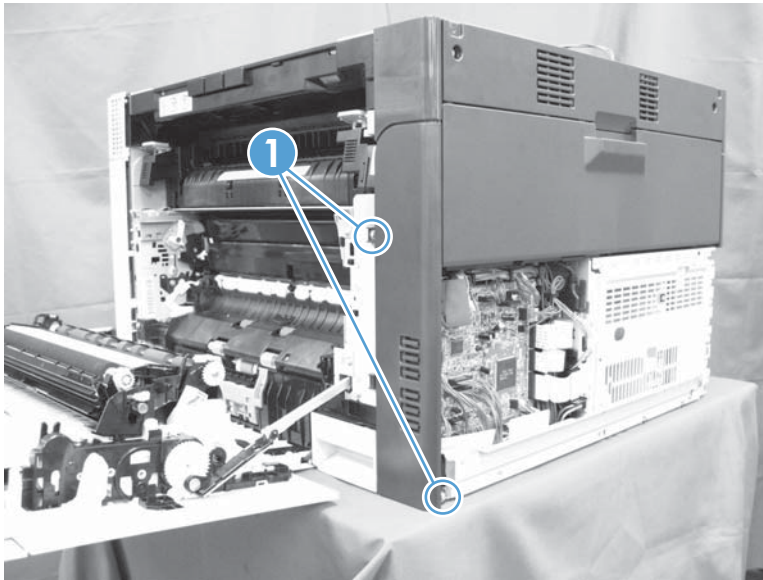
Before proceeding, remove the following assemblies:

- Rear cover. See [Rear cover on page 58](#).

### Remove the right rear cover

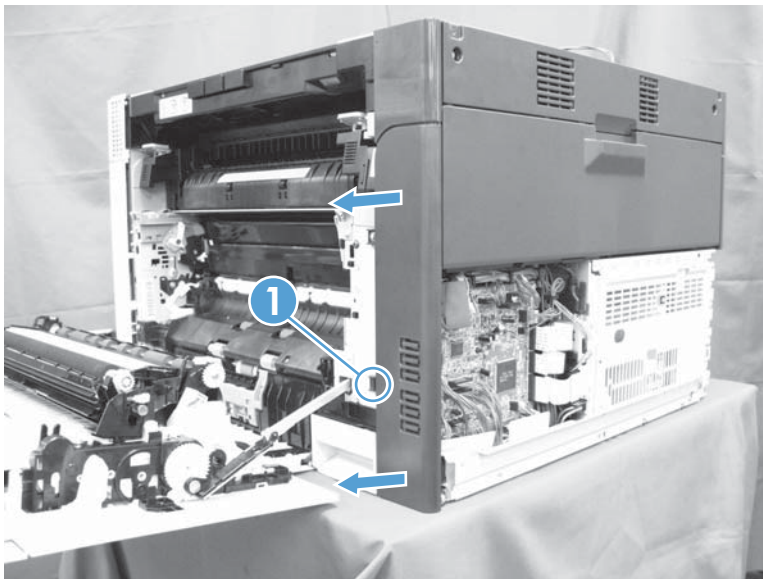
1. Open the right door.
2. Remove two screws (callout 1).

**Figure 1-88** Remove the right rear cover (1 of 2)



3. Release one tab (callout 1), and then remove the cover.

**Figure 1-89** Remove the right rear cover (2 of 2)



## Toner collection unit (TCU) access door

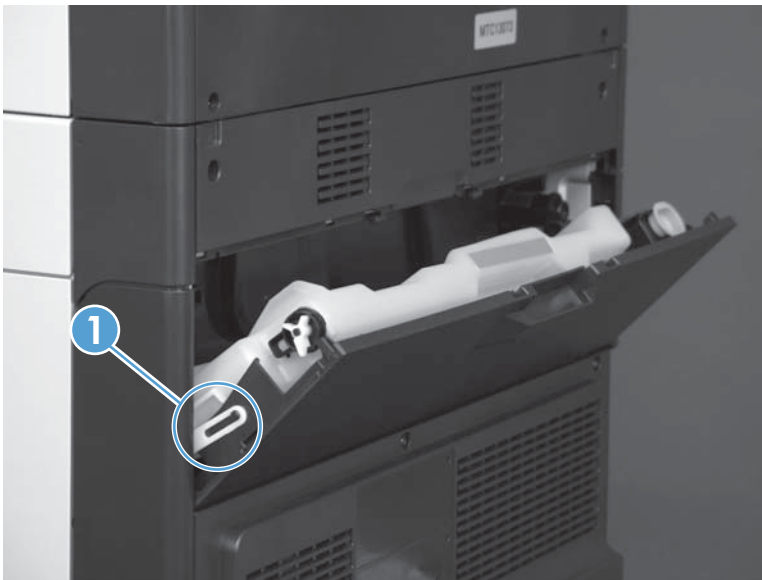
Before proceeding, remove the following assemblies:

- Rear cover. See [Rear cover on page 58](#).
- Right rear cover. See [Right rear cover on page 59](#).

### Remove the TCU access door

1. Open the TCU access door, and then remove the TCU.
2. Release the link arm (callout 1) on the left side of the door.

**Figure 1-90** Remove the TCU access door (1 of 3)

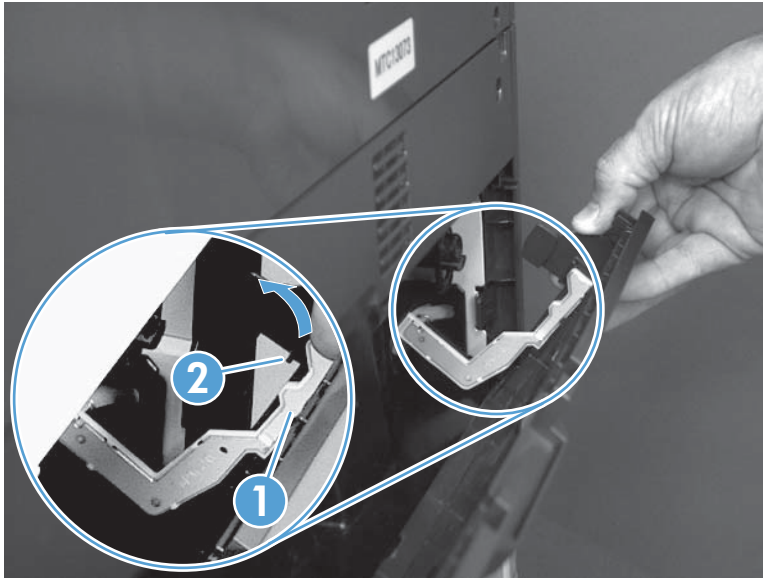


- Partially close the door so that the right link arm (callout 1) can clear the stop (callout 2) on the door, and then disengage the link arm from the door.

**⚠ CAUTION:** The link arm is spring loaded. Hold the link arm while it is being disconnected or the link arm might break if it is allowed to suddenly retract into the product when it is released.

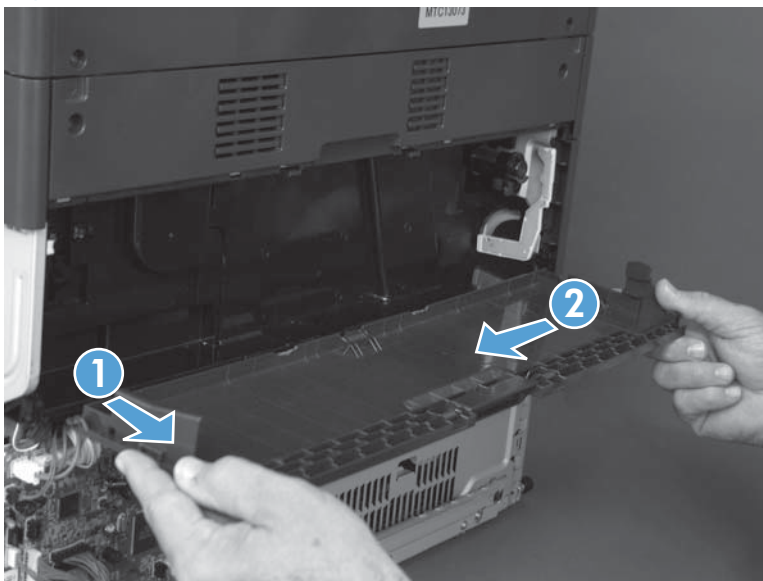
Do not disconnect the right-hand link arm when the door is completely open. Doing so can disconnect the link arm spring.

**Figure 1-91** Remove the TCU access door (2 of 3)



- Open the door 90 degrees (callout 1), and then rotate the left side of the door away from the product to remove it (callout 2).

**Figure 1-92** Remove the TCU access door (3 of 3)



## Right door assembly

Before proceeding remove the following assemblies:

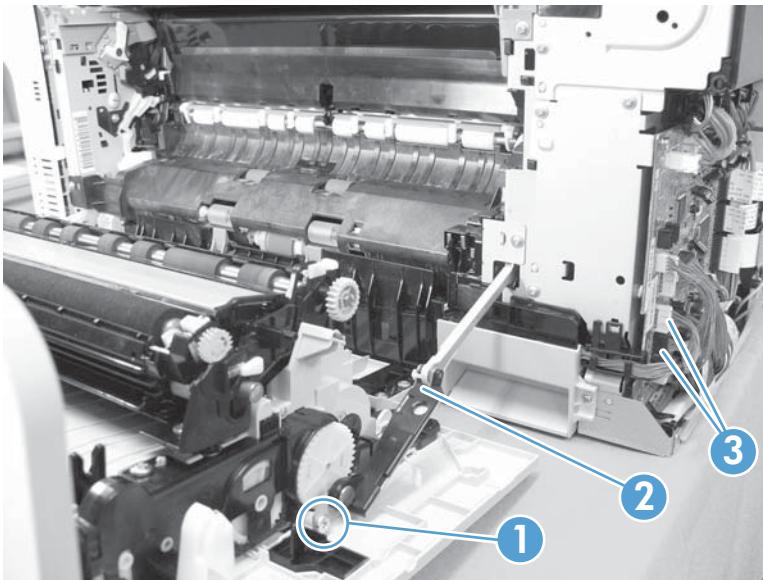
- Rear cover. See [Rear cover on page 58](#).
- Right rear cover. See [Right rear cover on page 59](#).

### Remove the right door assembly

1. Remove one screw (callout 1), release the link arm (callout 2), and then disconnect two connectors (callout 3).

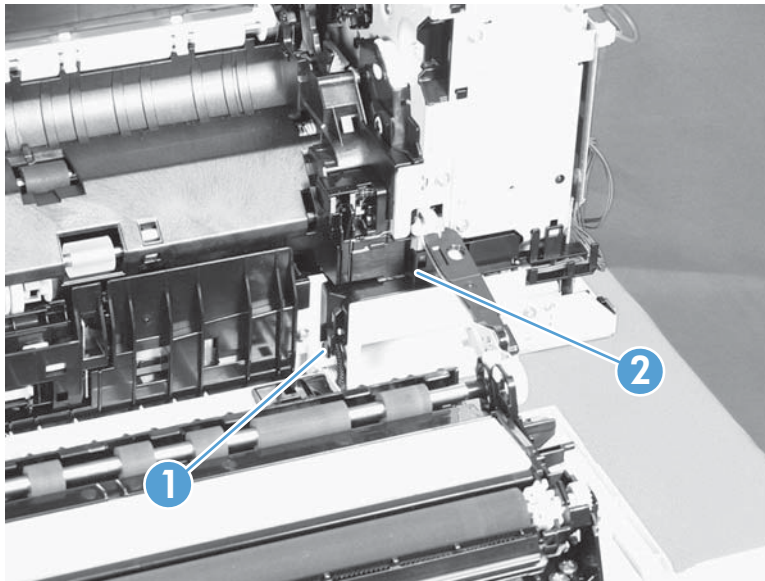
 **NOTE:** The link arm is spring loaded and retracts into the product.

**Figure 1-93** Remove the right door assembly (1 of 7)




- Carefully release one tab (callout 1), and then remove the cable cover (callout 2).

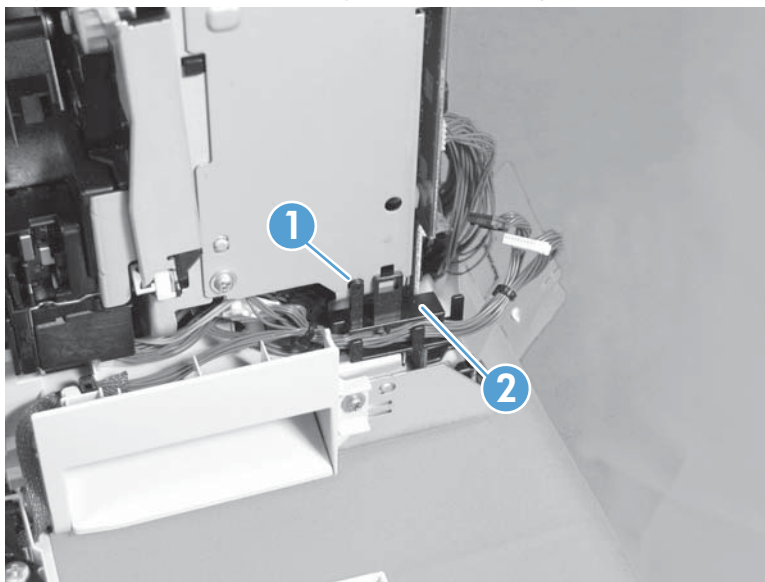
**Figure 1-94** Remove the right door assembly (2 of 7)



- Release one tab (callout 1), and then remove the guide (callout 2).

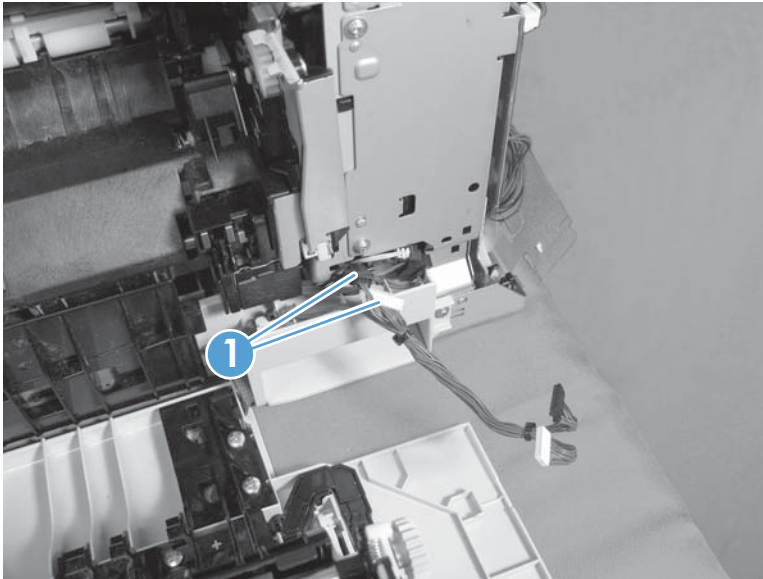
 **TIP:** Release the wire harnesses from the guide as you remove it.

**Figure 1-95** Remove the right door assembly (3 of 7)



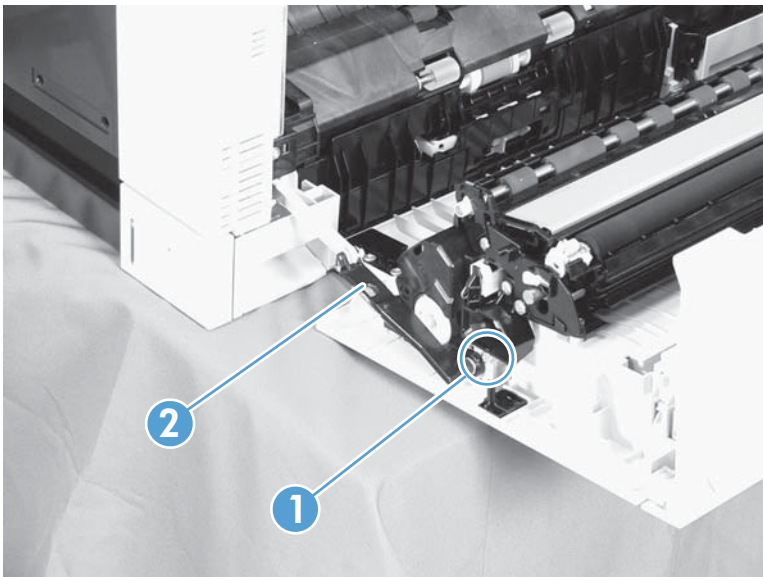
4. Disconnect two connectors (callout 1).

**Figure 1-96** Remove the right-door assembly (4 of 7)



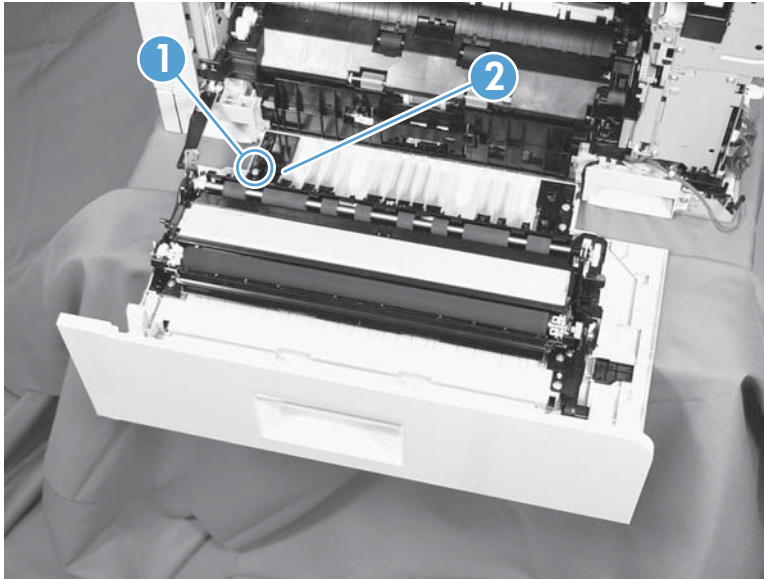
5. Remove one screw (callout 1), and then release the link arm (callout 2).

**Figure 1-97** Remove the right-door assembly (5 of 7)



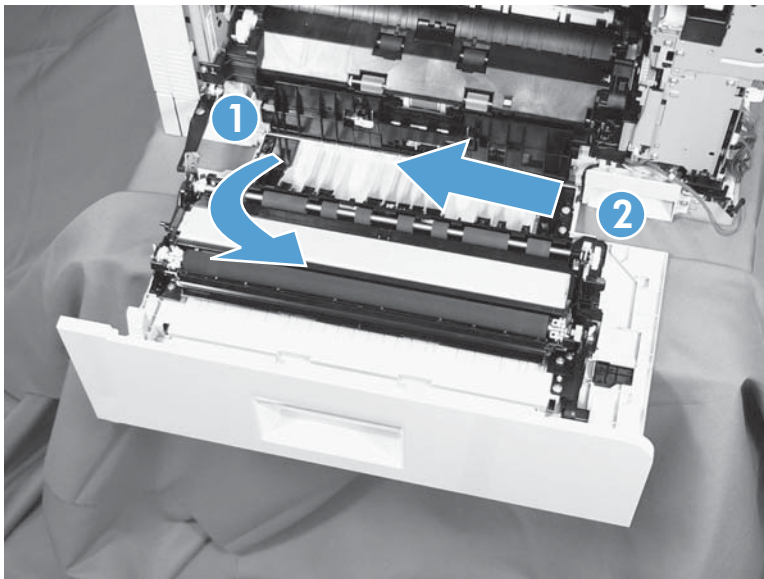
6. Remove one screw (callout 1), and then remove the hinge (callout 2).

**Figure 1-98** Remove the right door assembly (6 of 7)



7. Rotate the left side of the door away from the product, and then slide the door assembly to the left to remove it.

**Figure 1-99** Remove the right door assembly (7 of 7)

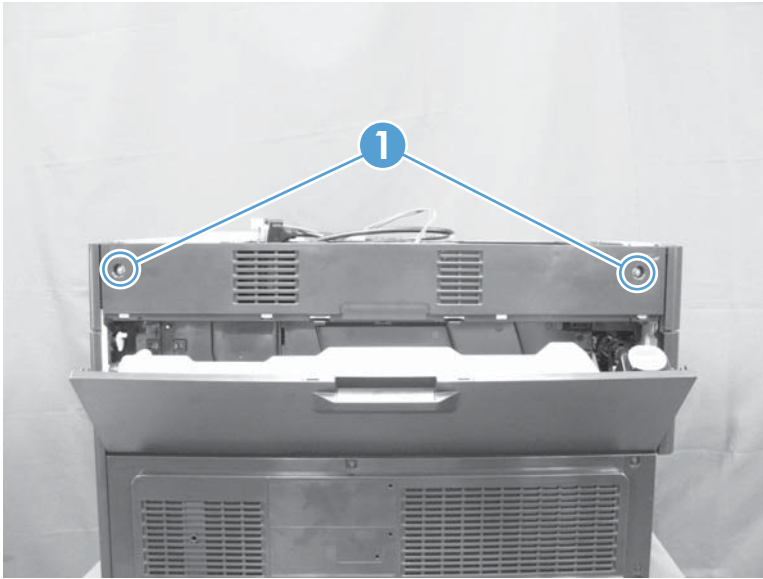


## Rear upper cover

It might be easier to remove this cover, if the right upper cover is removed. See [Right upper cover on page 67](#).

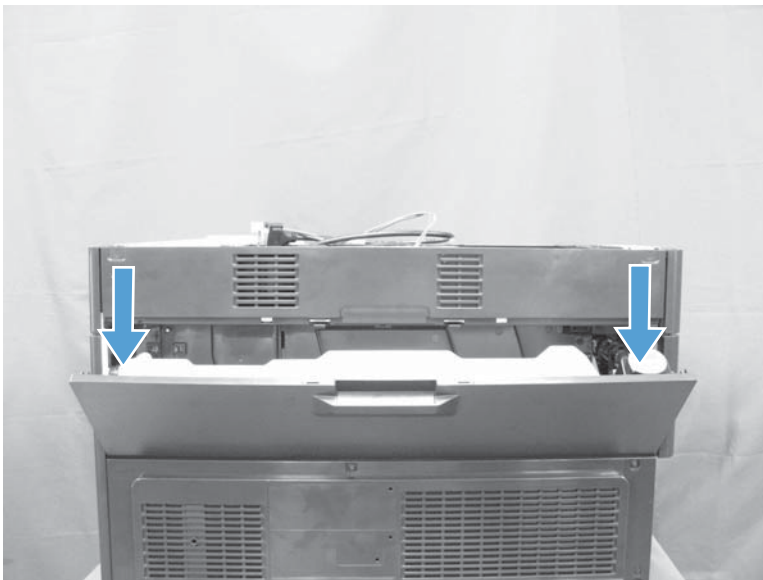
1. Open the TCU access door.
2. Remove two screws (callout 1).

**Figure 1-100** Remove the rear upper cover (1 of 2)



3. Pull down on the cover to release it, and then remove the cover.

**Figure 1-101** Remove the rear upper cover (2 of 2)

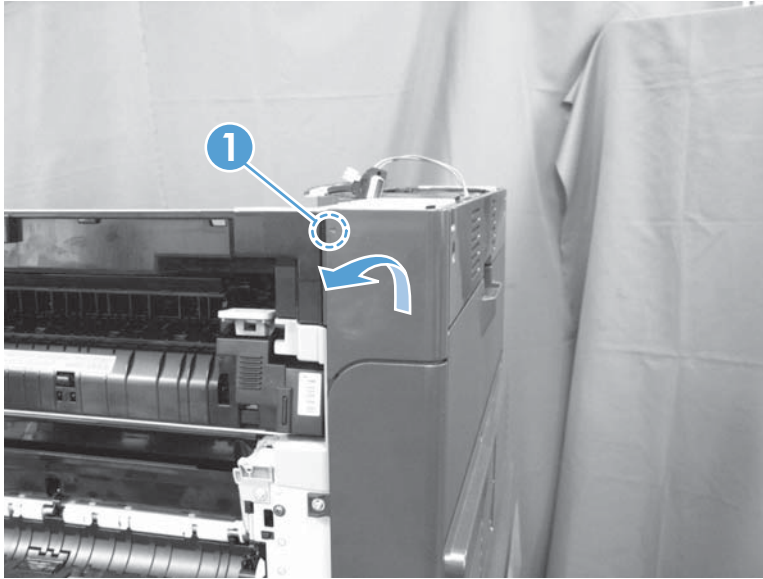




## Right upper cover


1. Open the right door.
2. Release one tab (callout 1), rotate the top of the cover away from the product, and then remove the cover.

**Figure 1-102** Remove the right upper cover

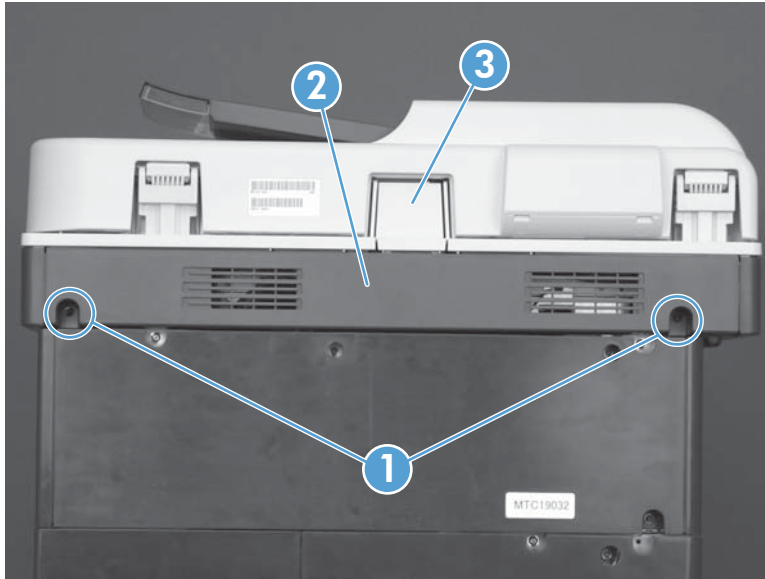


## Scanner rear and FFC bezel cover

Remove two screws (callout 1), and remove the scanner rear cover (callout 2).

 **NOTE:** The bezel cover (callout 3) is attached to the back cover, but not captive when the cover is removed and can be easily dislodged. Remove the bezel cover if necessary.

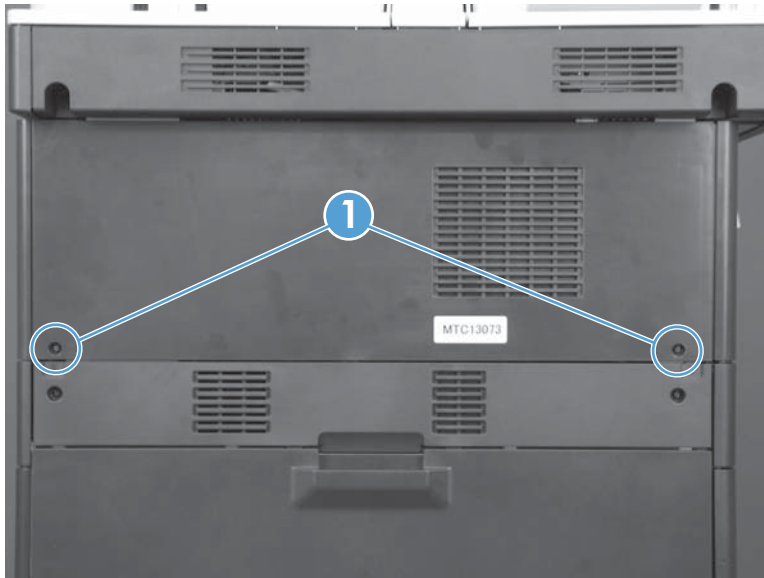
**Figure 1-103** Remove the document feeder lower-rear cover



## Stapler/stacker rear cover

1. Remove two screws (callout 1).

**Figure 1-104** Remove the stapler/stacker rear cover (1 of 3)



2. Open the jam access door, and then release three tabs (callout 1).

**Figure 1-105** Remove the stapler/stacker rear cover (2 of 3)



3. Slide the cover to the left to release it, and then remove the cover.

**Figure 1-106** Remove the stapler/stacker rear cover (3 of 3)



## Document feeder

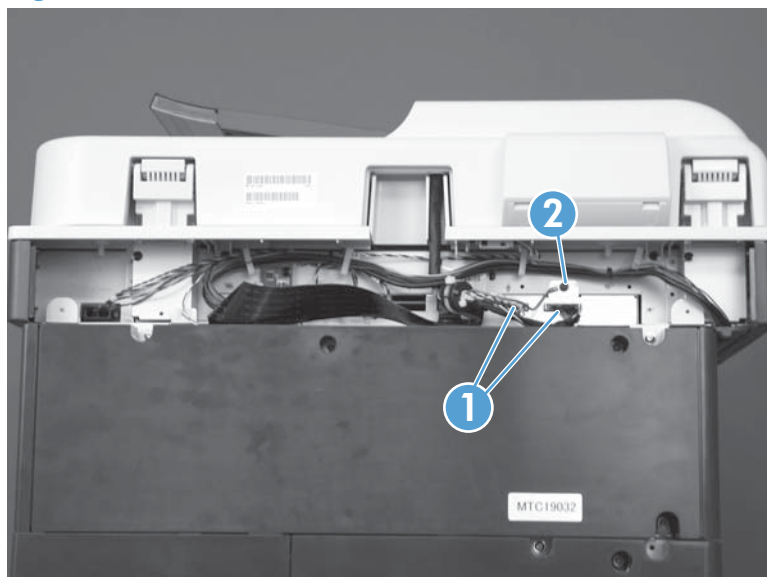
Before proceeding, remove the following assemblies:

- Scanner rear and FFC bezel cover. See [Scanner rear and FFC bezel cover on page 68](#).


### Remove the document feeder assembly

1. Disconnect two connectors (callout 1) and remove one ground wire screw (callout 2).

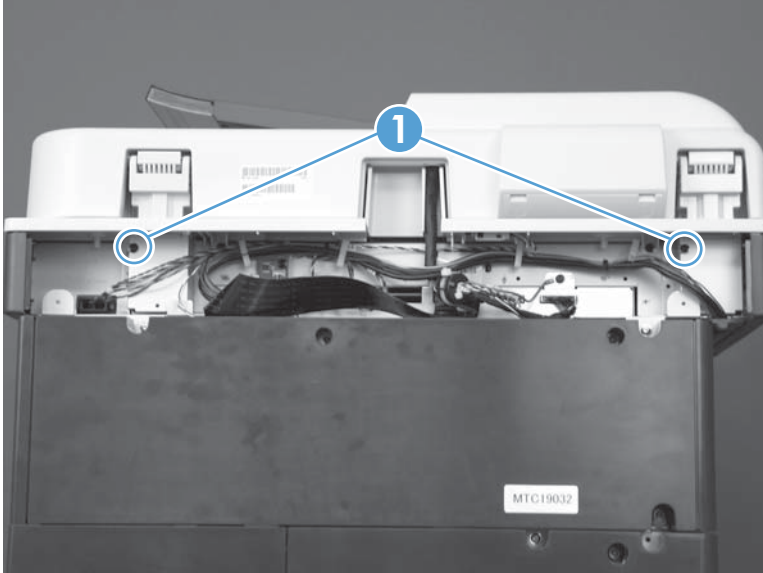
**Figure 1-107** Remove the document feeder (1 of 4)



2. Remove two screws (callout 1) in the hinge housings.

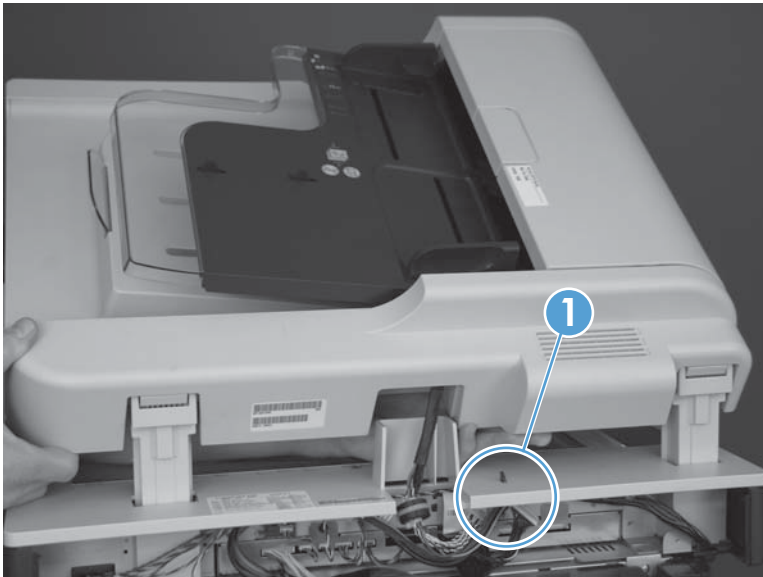
 **NOTE:** The housing screws (callout 1) are longer than most of the screws used in the product. You must use these longer screws in the hinge housings when you reinstall the document feeder.

**Figure 1-108** Remove the document feeder (2 of 4)




3. Release the cables from one retainer (callout 1).

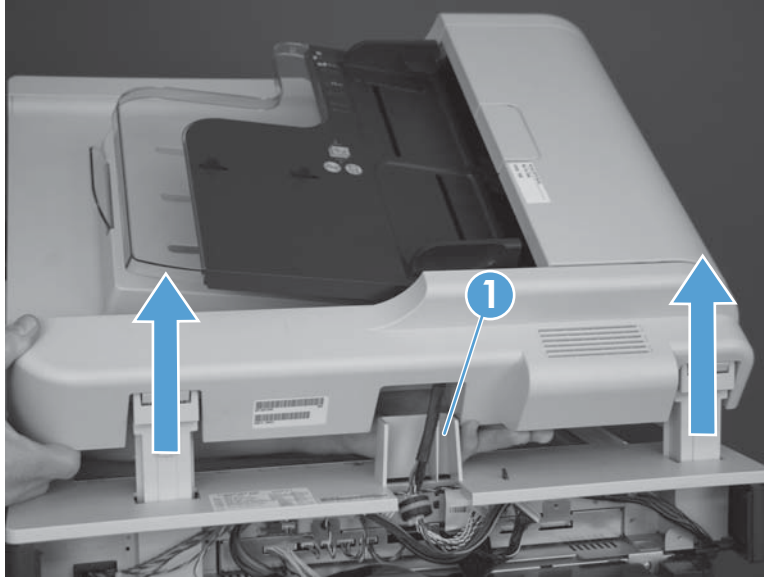
**Figure 1-109** Remove the document feeder (3 of 4)




4. Slightly raise the right side of the assembly, release the cables from the raceway (callout 1), and then lift the document feeder assembly up to remove it.

 **Reinstallation tip** Position the cables toward the back of the product. With the right side of the document feeder slightly raised, thread the cables through the raceway (callout 1).

**Figure 1-110** Remove the document feeder (4 of 4)



## Reinstall the document feeder

 **NOTE:** If a replacement document feeder or scanner assembly is installed, you must install a replacement foam reflector on the document feeder. See [Document feeder foam reflector on page 16](#).

### Installing a replacement document feeder assembly


If a replacement document feeder is installed, do the following:

1. From the Home screen on the control panel, scroll to and touch the [Device Maintenance](#) button.
2. Open the [Service](#) menu.
3. On the sign-in screen, select the [Service Access Code](#) option from the drop-down list.
4. Enter the following service access code for this product: 11077512.
5. Reset the following values:
  - [Document Feeder Kit Count](#); set to zero
  - [ADF Count](#); set to zero

## Scanner assembly

### Before proceeding, remove the following assemblies:


- Control-panel assembly. See [Control-panel assembly on page 5](#).
- Optional: Document feeder. See [Document feeder on page 71](#).

 **NOTE:** HP recommends removing the document feeder to decrease the weight of the scanner assembly when it is lifted off of the product.

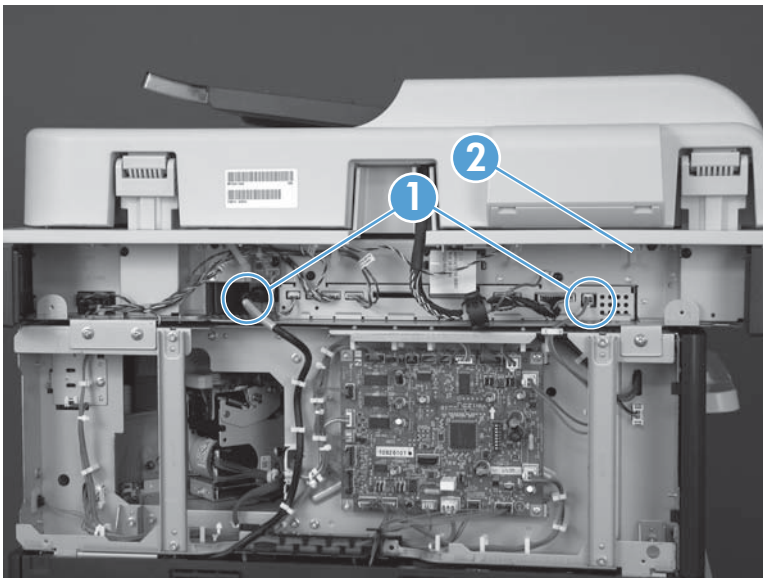
- Scanner rear and FFC bezel cover. See [Scanner rear and FFC bezel cover on page 68](#).
- Remove one of the following:
  - If a stapler/stacker is installed: stapler/stacker rear cover. See [Stapler/stacker rear cover on page 69](#).
  - If a stapler/stacker is not installed: rear upper cover. See [Rear upper cover on page 66](#).

### Remove the scanner assembly

1. Disconnect two connectors (callout 1), and then release the wire harness from the retainer (callout 2).

 **NOTE:** In the figure below, the wire harness has already been released from the retainer (callout 2).

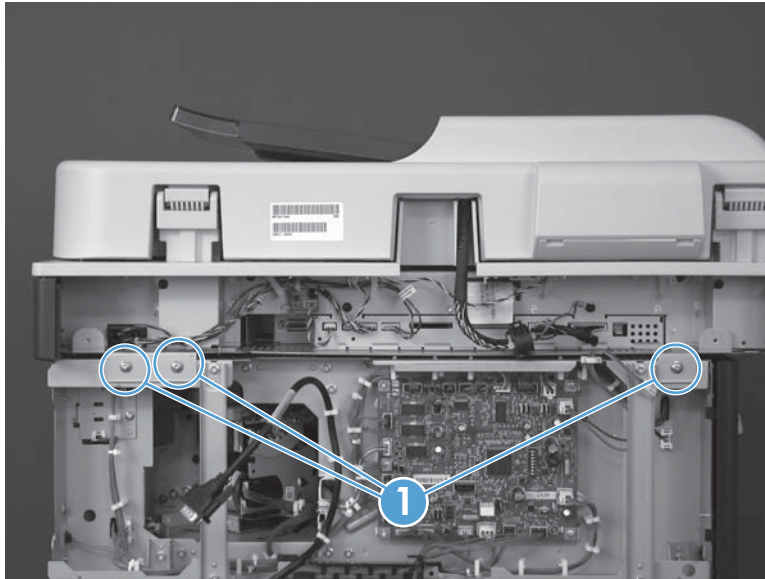
**Figure 1-111** Remove the scanner assembly (1 of 5)





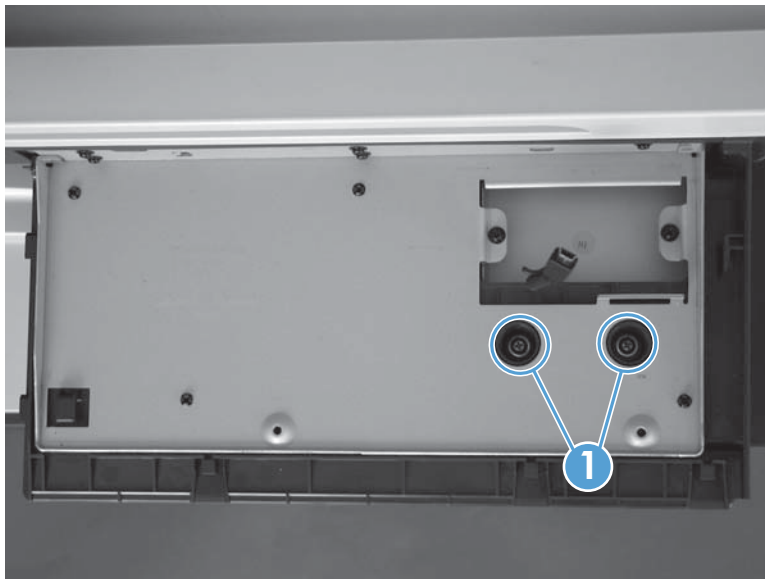
2. Remove three screws (callout 1).

**Figure 1-112** Remove the scanner assembly (2 of 5)




3. Remove two screws (callout 1) in the control-panel cavity.

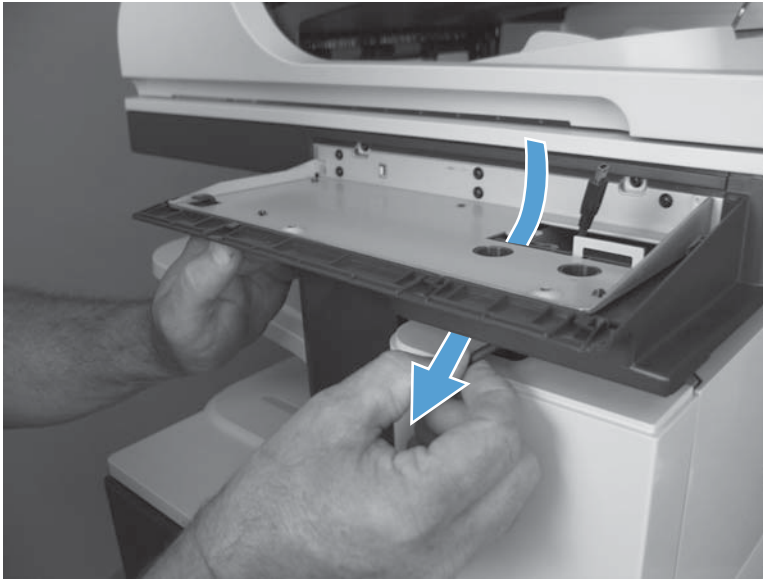
**Figure 1-113** Remove the scanner (3 of 5)




4. Slightly lift up on the control-panel housing, release the cable from the retaining clip, and then carefully feed the control-panel cable out of the opening in the housing.

 **TIP:** While you prepare to remove the assembly, use the handle of a small screw driver to keep the front of the scanner assembly separated from the stapler/stacker and avoid pinching the control-panel cable.

**Figure 1-114** Remove the scanner assembly (4 of 5)

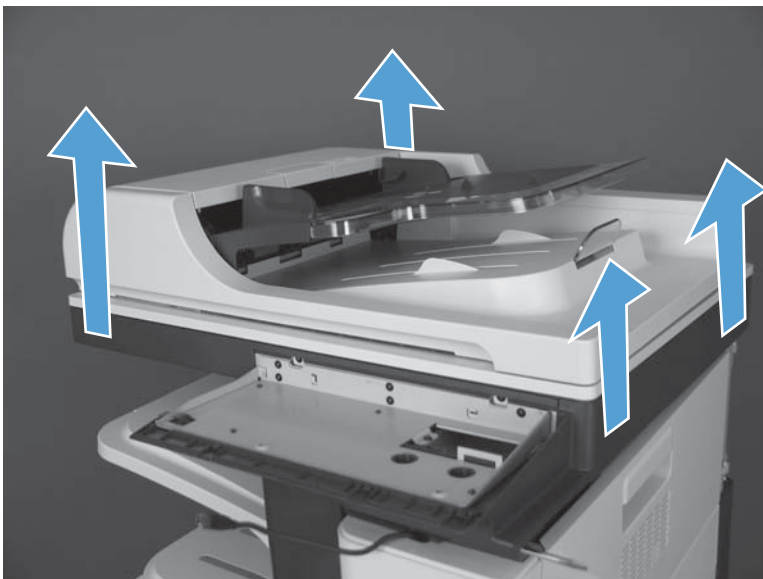


5. Lift the scanner assembly up and off of the product to remove it.

 **CAUTION:** The scanner assembly is heavy. HP recommends that two people remove the scanner assembly from the product if the document feeder was not removed.

The document feeder is not secured in the closed position and can suddenly open when handling the scanner assembly.

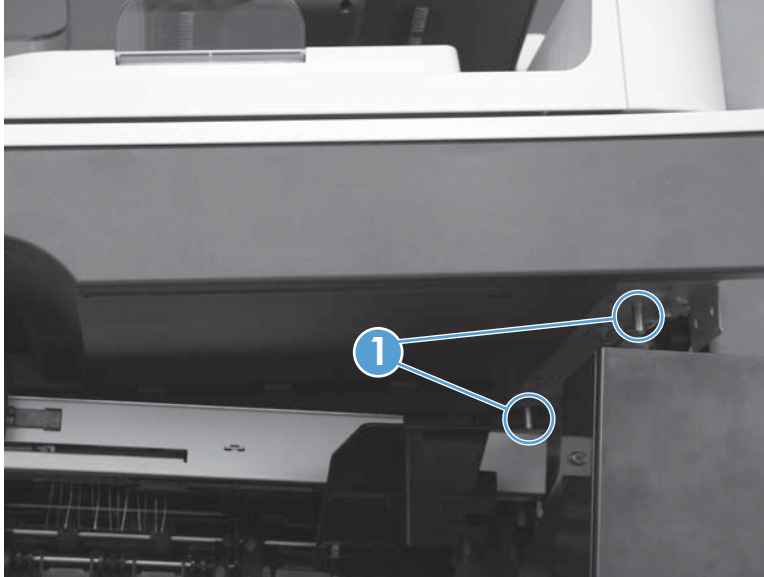
**Figure 1-115** Remove the scanner assembly (5 of 5)



## Reinstall the scanner assembly

Use the alignment pins (callout 1) on the back of the scanner assembly to mount the assembly on the product base

**Figure 1-116** Reinstall the scanner assembly



**NOTE:** If a replacement document feeder or scanner assembly is installed, you must install a replacement foam reflector on the document feeder. See [Document feeder foam reflector on page 16](#).

## Installing a replacement scanner assembly


If a replacement image scanner is installed, do the following:

1. From the Home screen on the control panel, scroll to and touch the [Device Maintenance](#) button.
2. Open the [Service](#) menu.
3. On the sign-in screen, select the [Service Access Code](#) option from the drop-down list.
4. Enter the following service access code for this product: 11077512.
5. Reset the following values:
  - [Flatbed Count](#); set to zero

## Stapler/stacker assembly

Before proceeding, remove the following assemblies:

- Control-panel assembly. See [Control-panel assembly on page 5](#).
- Stapler/stacker rear cover. See [Stapler/stacker rear cover on page 69](#).
- Optional: Document feeder. See [Document feeder on page 71](#).

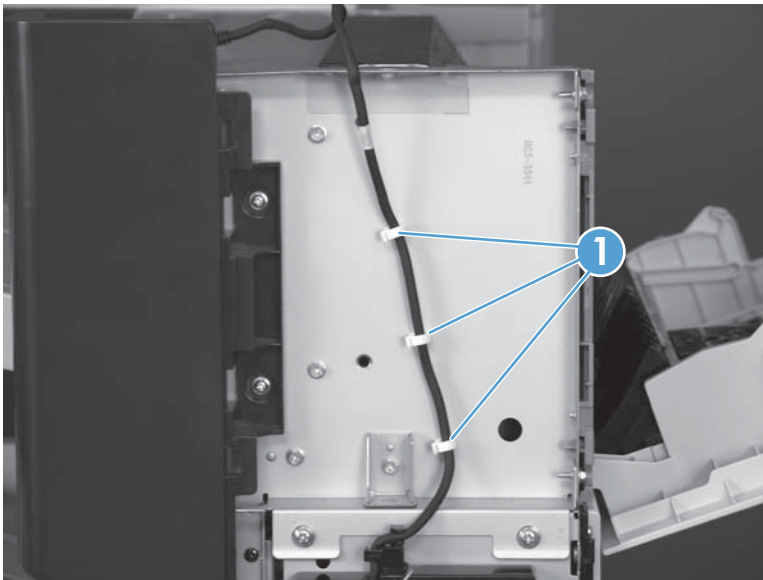
 **NOTE:** HP recommends removing the document feeder to decrease the weight of the scanner assembly when it is lifted off of the product.

- Scanner assembly. See [Scanner assembly on page 74](#).
- Front upper cover. See [Front upper cover on page 83](#).

### Remove the stapler/stacker assembly

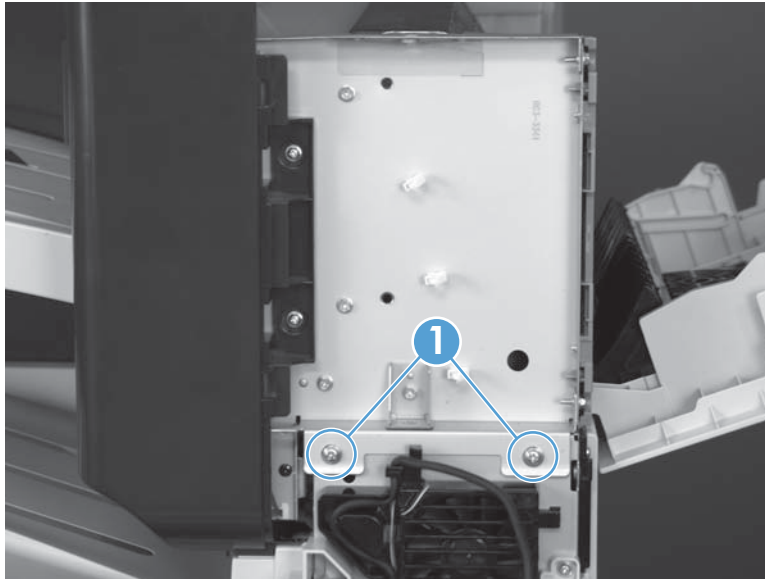
1. Release the control-panel cable from three retainers (callout 1).

**Figure 1-117** Remove the stapler/stacker assembly (1 of 7)



2. Remove two screws (callout 1).

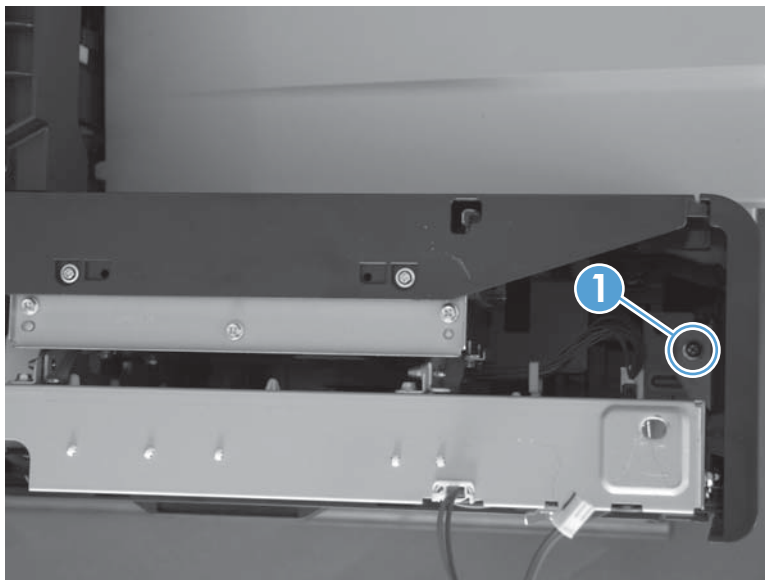
**Figure 1-118** Remove the stapler/stacker assembly (2 of 7)



3. Remove one screw (callout 1).

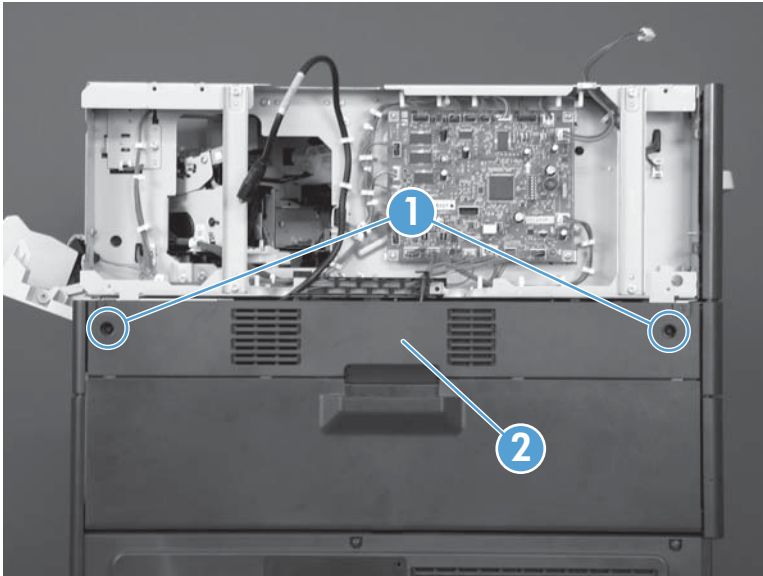
 **NOTE:** Look down at the top of the product to locate this screw.

**Figure 1-119** Remove the stapler/stacker assembly (3 of 7)



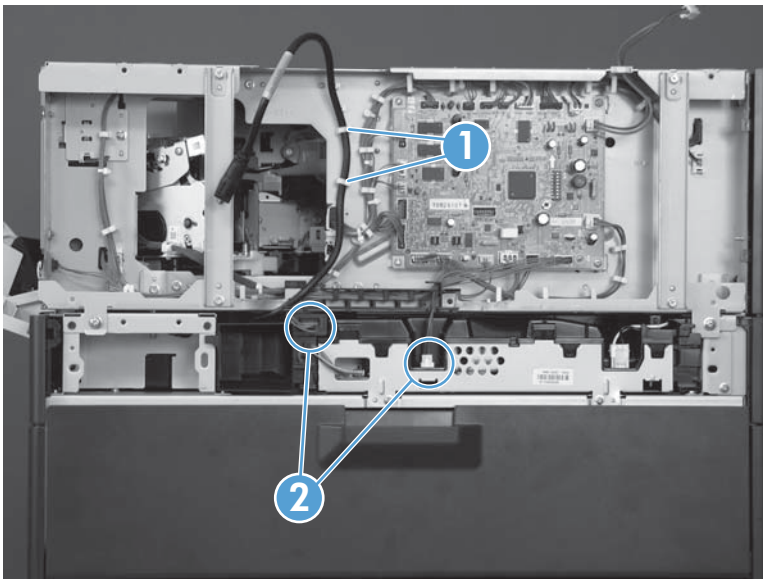
4. Remove two screws (callout 1), open the toner access door, and then pull down on the rear upper cover (callout 2) to remove it.

**Figure 1-120** Remove the stapler/stacker assembly (4 of 7)



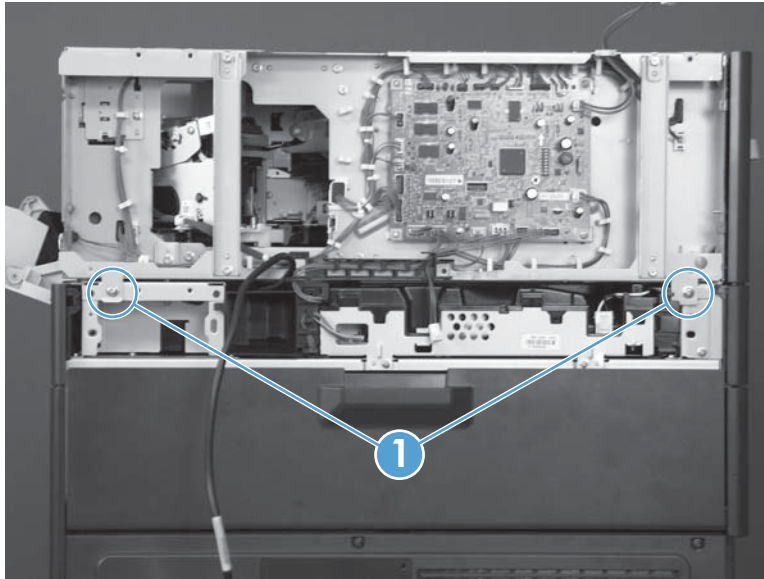
5. Release the black serial cable from two retainers (callout 1), and then disconnect two connectors (callout 2).

**Figure 1-121** Remove the stapler/stacker assembly (5 of 7)



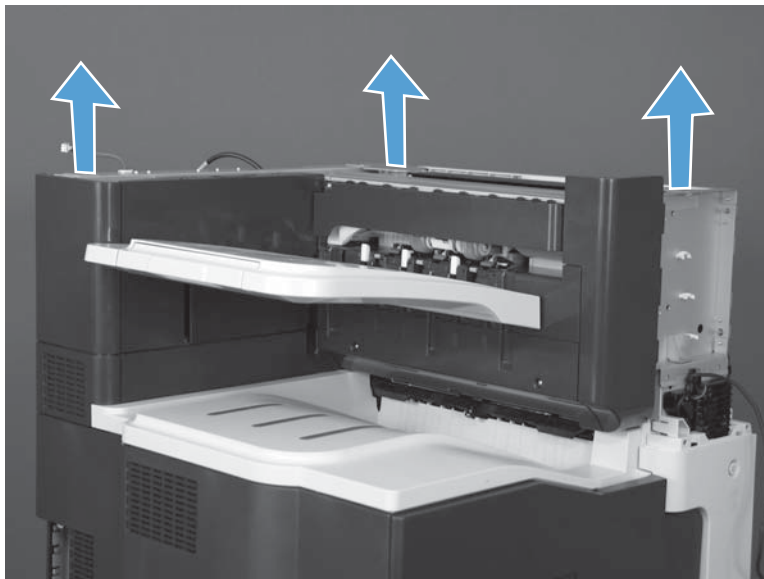
6. Remove two screws (callout 1).

**Figure 1-122** Remove the stapler/stacker assembly (6 of 7)



7. Lift the assembly straight up and off of the product.


**Figure 1-123** Remove the stapler/stacker assembly (7 of 7)



## Left upper cover

Before proceeding, remove the following assemblies:

- Control-panel assembly. See [Control-panel assembly on page 5](#).
- Optional: Document feeder. See [Document feeder on page 71](#).

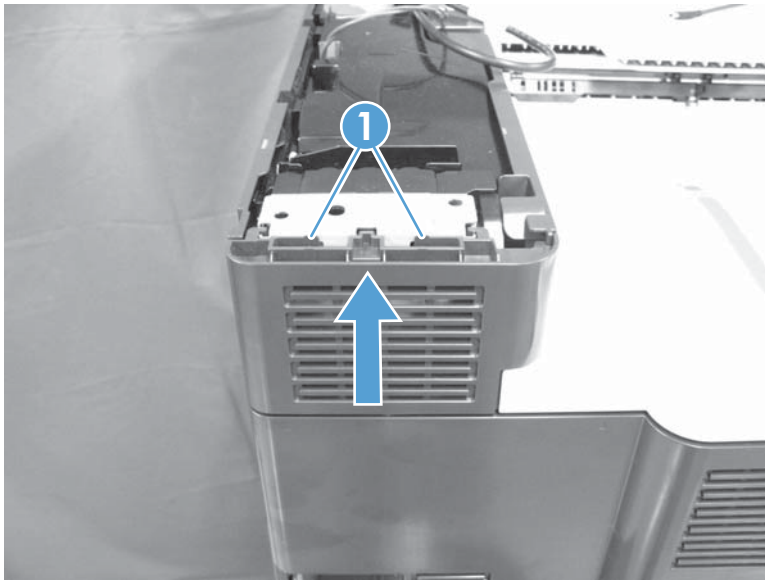
 **NOTE:** HP recommends removing the document feeder to decrease the weight of the scanner assembly when it is lifted off of the product.

- Scanner assembly. See [Scanner assembly on page 74](#).
- For a stapler/stacker model:
  - Stapler/stacker assembly. See [Stapler/stacker assembly on page 78](#).

## Remove the left upper cover

Release two tabs (callout 1), and then slide the cover upward to remove it.

**Figure 1-124** Remove the left upper cover






## Front upper cover

### Before proceeding, remove the following assemblies:

- Control-panel assembly. See [Control-panel assembly on page 5](#).
- For products with a stapler/stacker installed:
  - Stapler/stacker rear cover. See [Stapler/stacker rear cover on page 69](#).
- Optional: Document feeder. See [Document feeder on page 71](#).

 **NOTE:** HP recommends removing the document feeder to decrease the weight of the scanner assembly when it is lifted off of the product.

- Scanner assembly. See [Scanner assembly on page 74](#).

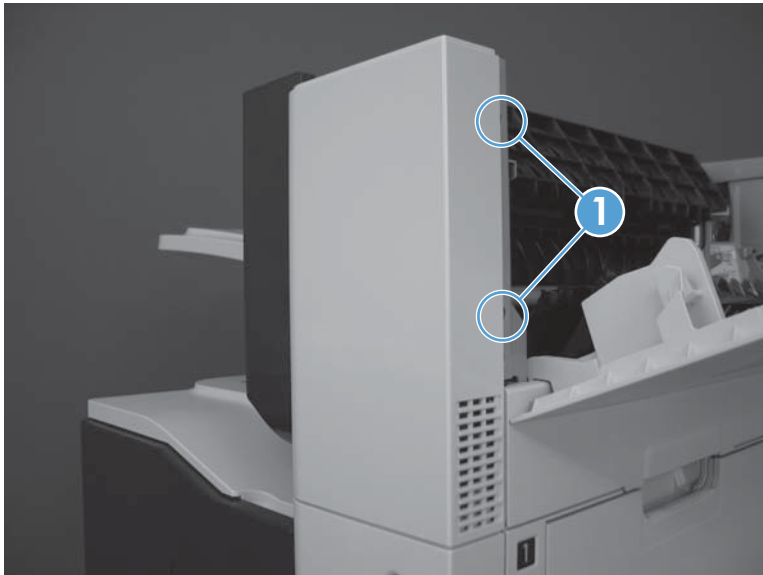
 **NOTE:** For a stapler/stacker model, see [Remove the front upper cover; stapler/stacker model on page 83](#).

For a non stapler/stacker model, see [Remove the front upper cover; non stapler/stacker model on page 85](#).

## Remove the front upper cover; stapler/stacker model

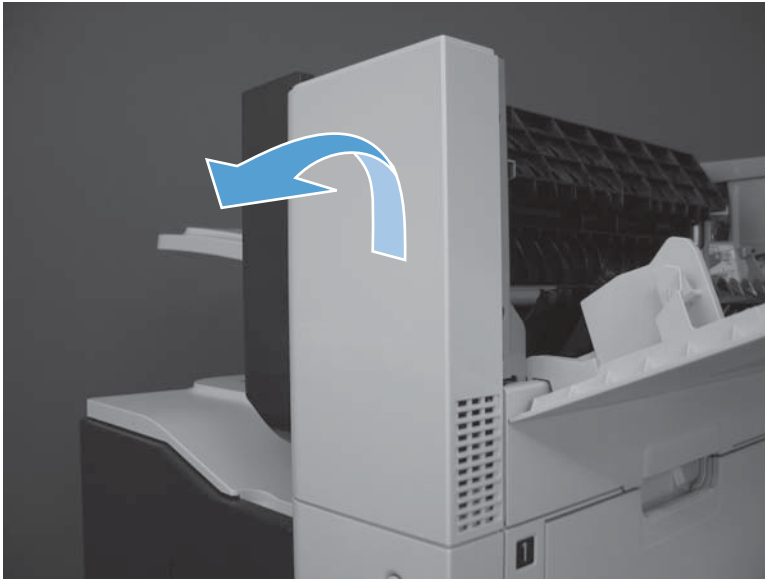
1. Open the right door.
2. Release two tabs (callout 1), and then remove the cover.

**Figure 1-125** Remove the front upper cover; stapler/stacker model (1 of 2)



3. Rotate the top of the cover away from the product to remove it.

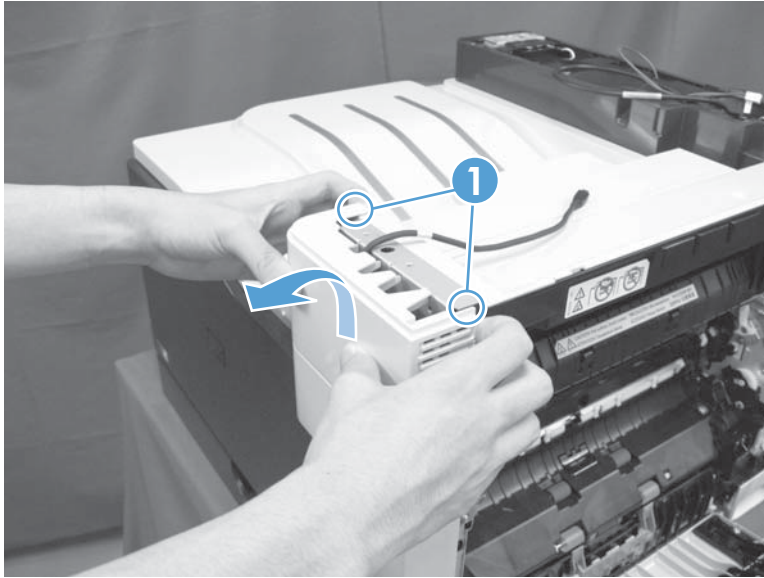
**Figure 1-126** Remove the front upper cover; stapler/stacker model (2 of 2)



## Remove the front upper cover; non stapler/stacker model

1. Open the right door.
2. Release two tabs (callout 1), rotate the top of the cover away from the product, and then remove the cover.

**Figure 1-127** Remove the front upper cover; non stapler/stacker model



## Front right cover

### Before proceeding, remove the following assemblies:

- Control-panel assembly. See [Control-panel assembly on page 5](#).
- Optional: Document feeder. See [Document feeder on page 71](#).



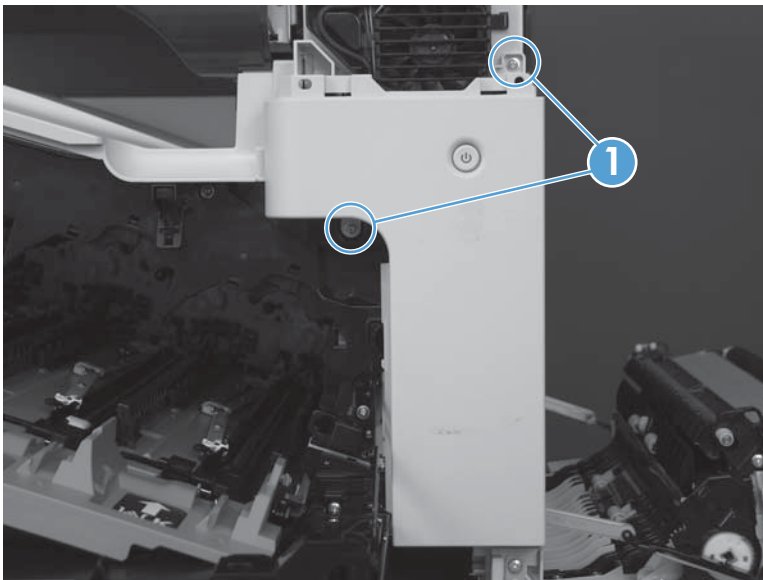
**NOTE:** HP recommends removing the document feeder to decrease the weight of the scanner assembly when it is lifted off of the product.

- Scanner assembly. See [Scanner assembly on page 74](#).
- For a stapler/stacker model:
  - Stapler/stacker assembly. See [Stapler/stacker assembly on page 78](#).
- Front upper cover. See [Front upper cover on page 83](#).

### Remove the front right cover

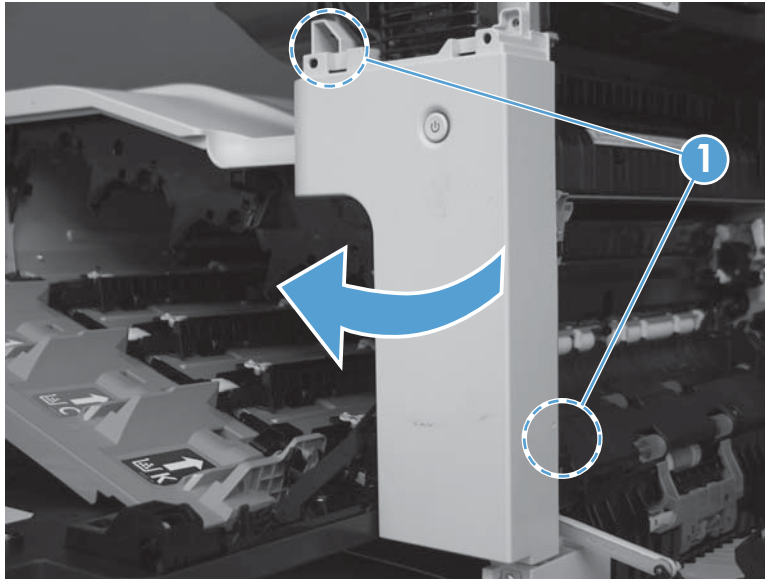
1. Open the front door and right door.
2. Remove two screws (callout 1).

**Figure 1-128** Remove the front right cover (1 of 2)



3. Release two tabs (callout 1), and then remove the cover.

**Figure 1-129** Remove the front right cover (2 of 2)



## Front door assembly

### Before proceeding, remove the following assemblies:

- Control-panel assembly. See [Control-panel assembly on page 5](#).
- Optional: Document feeder. See [Document feeder on page 71](#).



**NOTE:** HP recommends removing the document feeder to decrease the weight of the scanner assembly when it is lifted off of the product.

---

- Scanner assembly. See [Scanner assembly on page 74](#).
- For a stapler/stacker model:
  - Stapler/stacker assembly. See [Stapler/stacker assembly on page 78](#).
- Front upper cover. See [Front upper cover on page 83](#).
- Front right cover. See [Front right cover on page 86](#).

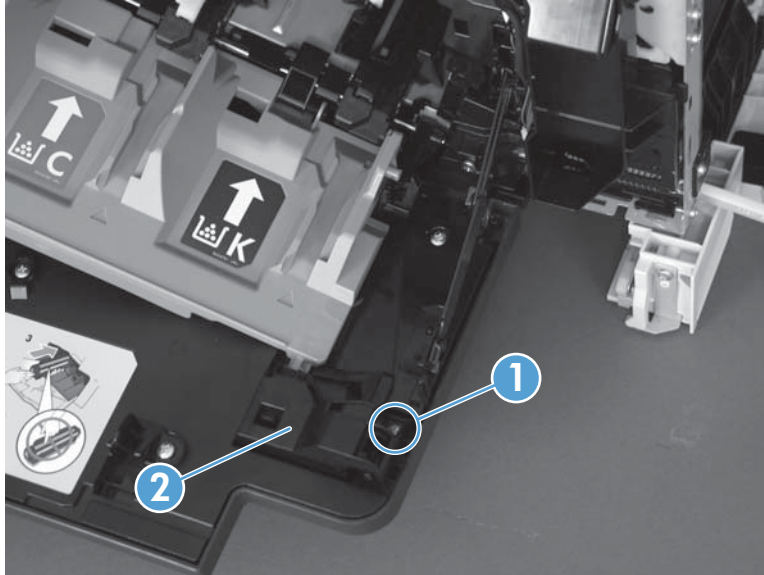
### Remove the front door assembly

1. Open the front door.

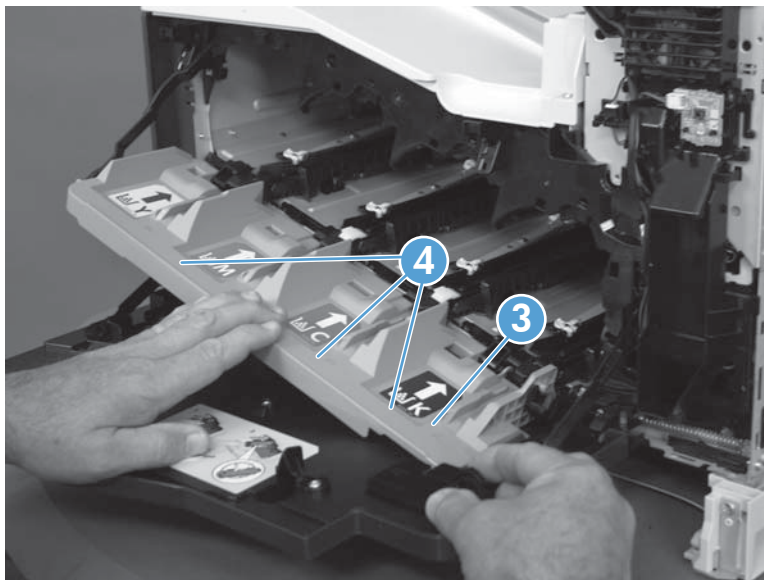
2. Remove one screw (callout 1) and remove the left side of the inner cover rail mount (callout 2).

**⚠ CAUTION:** As shown in [Figure 1-131 Remove the front door assembly \(2 of 4\)](#) on page 89, when loosening the inner cover rail mount (callout 3), hold down the inner cover (callout 4) with one hand to prevent it from springing back at the product.

**Figure 1-130** Remove the front door assembly (1 of 4)

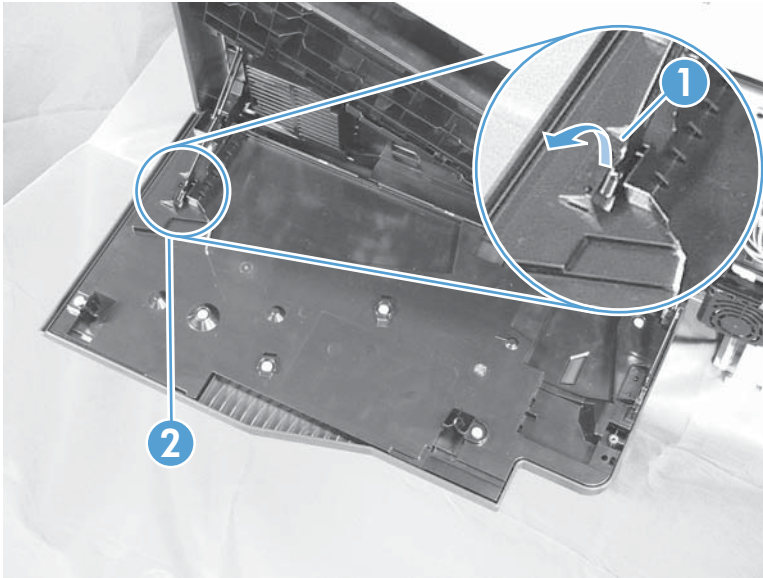


**Figure 1-131** Remove the front door assembly (2 of 4)



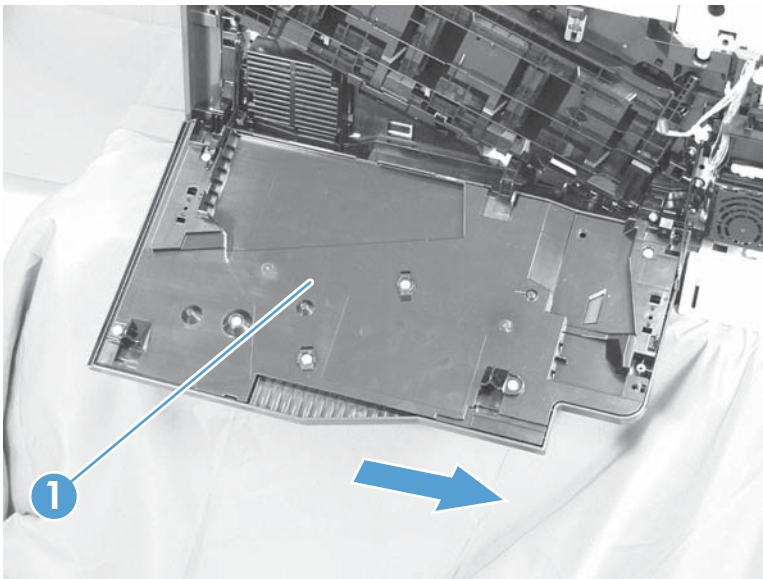
3. Close the inner cover, and then release one tab (callout 1) on the stopper (callout 2) with a small flat-blade screwdriver.

**Figure 1-132** Remove the front door assembly (3 of 4)



4. Position the door as shown below (callout 1; door should hang down past 90 degrees), and then slide the front-door assembly in the direction that the arrow indicates to remove it from the product.

**Figure 1-133** Remove the front door assembly (4 of 4)





## Top right cover

### Before proceeding, remove the following assemblies:

- Control-panel assembly. See [Control-panel assembly on page 5](#).
- Fuser. See [Fuser on page 9](#).
- Optional: Document feeder. See [Document feeder on page 71](#).



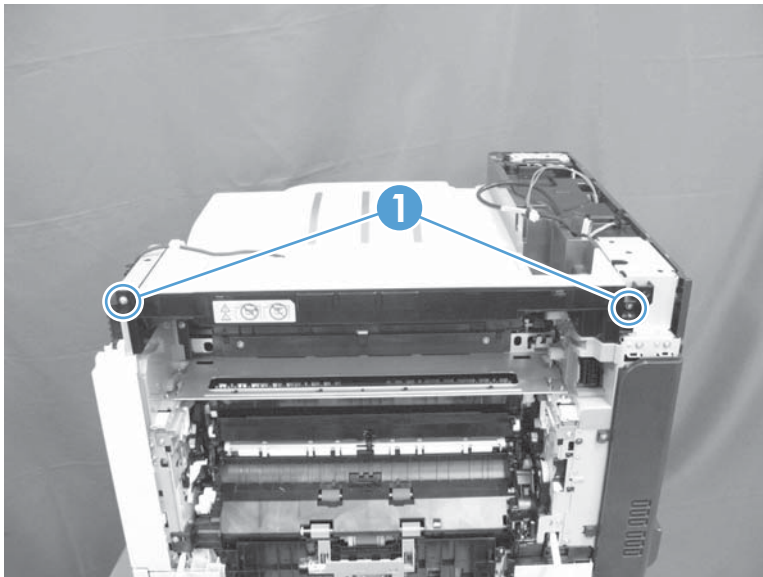
**NOTE:** HP recommends removing the document feeder to decrease the weight of the scanner assembly when it is lifted off of the product.

- Scanner assembly. See [Scanner assembly on page 74](#).
- For a stapler/stacker model:
  - Stapler/stacker assembly. See [Stapler/stacker assembly on page 78](#).
- Right upper cover. See [Right upper cover on page 67](#).
- Front upper cover. See [Front upper cover on page 83](#).

## Remove the top right cover

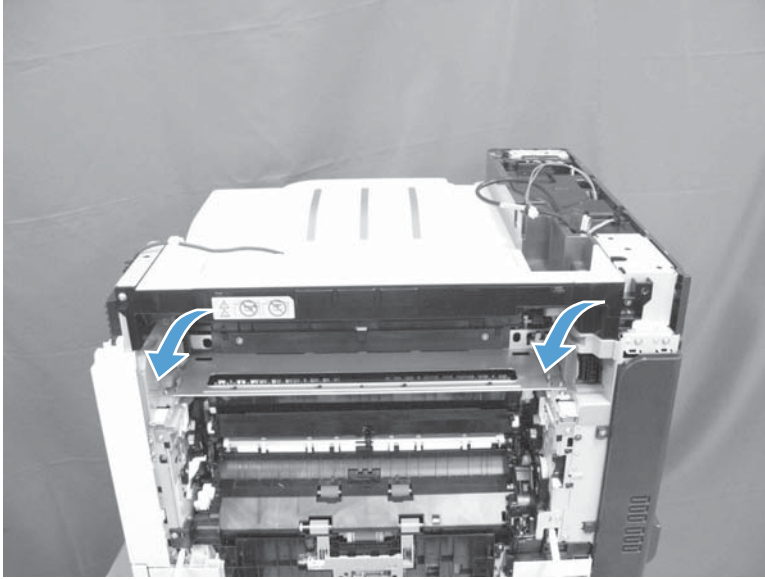
1. Open the right door.
2. Remove two screws (callout 1).

**Figure 1-134** Remove the top right cover (1 of 2)



3. Remove the cover.

**Figure 1-135** Remove the top right cover (2 of 2)



## Output cover; non stapler/stacker model

### Before proceeding, remove the following assemblies:

- Control-panel assembly. See [Control-panel assembly on page 5](#).
- Fuser. See [Fuser on page 9](#).
- Optional: Document feeder. See [Document feeder on page 71](#).



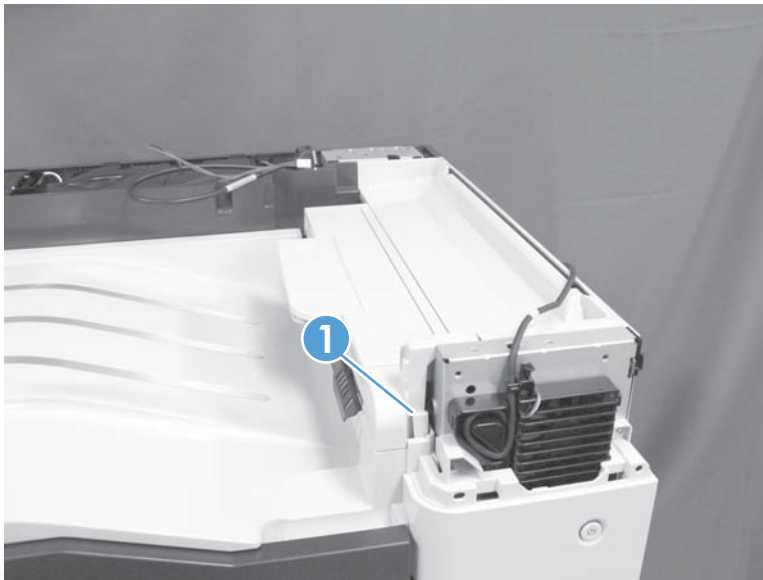
**NOTE:** HP recommends removing the document feeder to decrease the weight of the scanner assembly when it is lifted off of the product.

- Scanner assembly. See [Scanner assembly on page 74](#).
- Front upper cover. See [Front upper cover on page 83](#).

### Remove the output cover

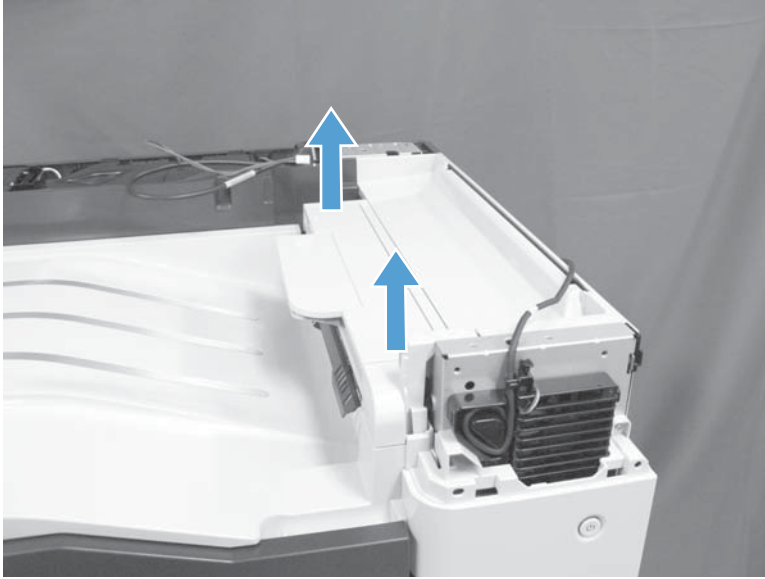
1. Release one tab (callout 1).

**Figure 1-136** Remove the output cover (1 of 2)



2. Remove the cover.

**Figure 1-137** Remove the output cover (2 of 2)



## Top cover

### Before proceeding, remove the following assemblies:

- Control-panel assembly. See [Control-panel assembly on page 5](#).
- Intermediate transfer belt. See [Intermediate transfer belt on page 7](#).
- Left cover. See [Left cover on page 57](#).
- Optional: Document feeder. See [Document feeder on page 71](#).



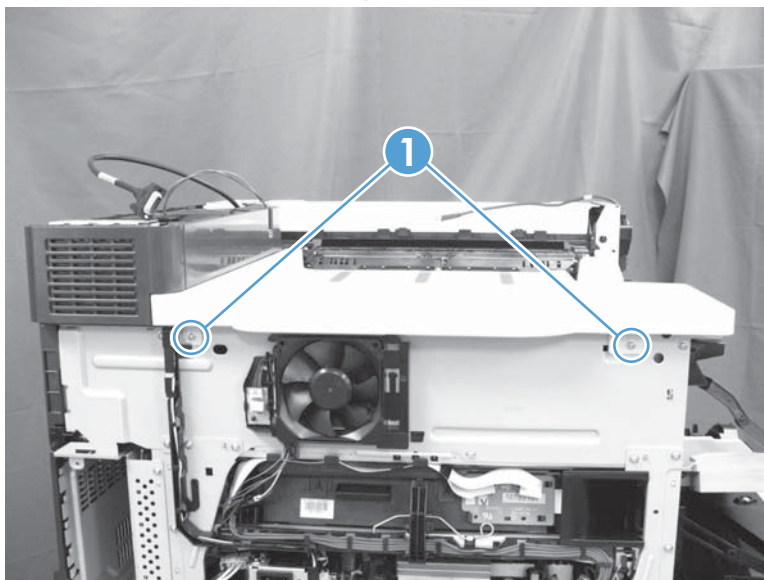
**NOTE:** HP recommends removing the document feeder to decrease the weight of the scanner assembly when it is lifted off of the product.

- Scanner assembly. See [Scanner assembly on page 74](#).
- For a stapler/stacker model:
  - Stapler/stacker assembly. See [Stapler/stacker assembly on page 78](#).
- Front upper cover. See [Front upper cover on page 83](#).
- Front right cover. See [Front right cover on page 86](#).
- For a non stapler/stacker model:
  - Output cover. See [Output cover; non stapler/stacker model on page 93](#).

## Remove the top cover

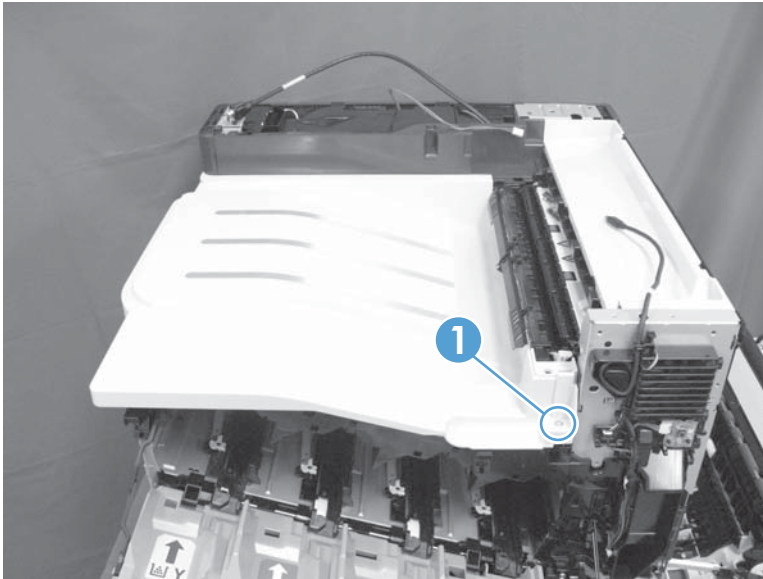
1. Open the front door.
2. Remove two screws (callout 1).

**Figure 1-138** Remove the top cover (1 of 3)



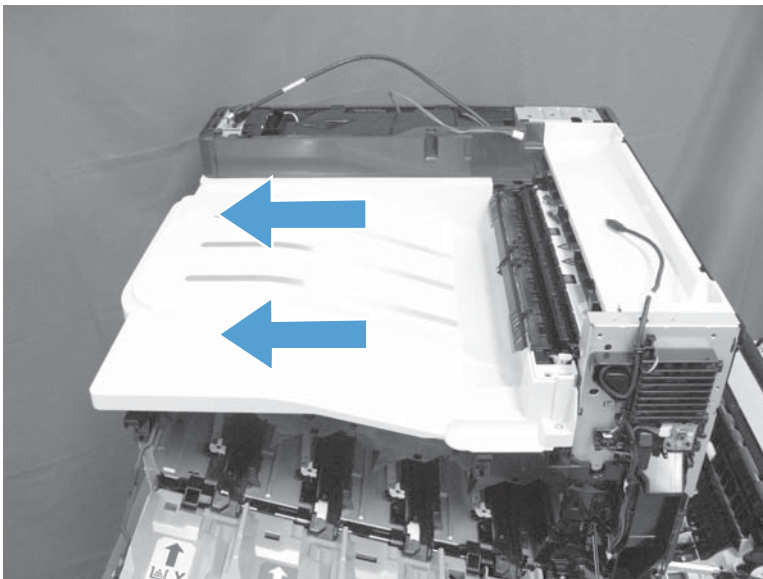
3. Remove one screw (callout 1).

**Figure 1-139** Remove the top cover (2 of 3)



4. Slightly lift the front-right corner of the cover, and then slide it in the direction of the arrows shown below to remove the cover.

**Figure 1-140** Remove the top cover (3 of 3)



## Top rear cover

### Before proceeding, remove the following assemblies:

- Control-panel assembly. See [Control-panel assembly on page 5](#).
- Intermediate transfer belt. See [Intermediate transfer belt on page 7](#).
- Left cover. See [Left cover on page 57](#).
- Optional: Document feeder. See [Document feeder on page 71](#).



**NOTE:** HP recommends removing the document feeder to decrease the weight of the scanner assembly when it is lifted off of the product.

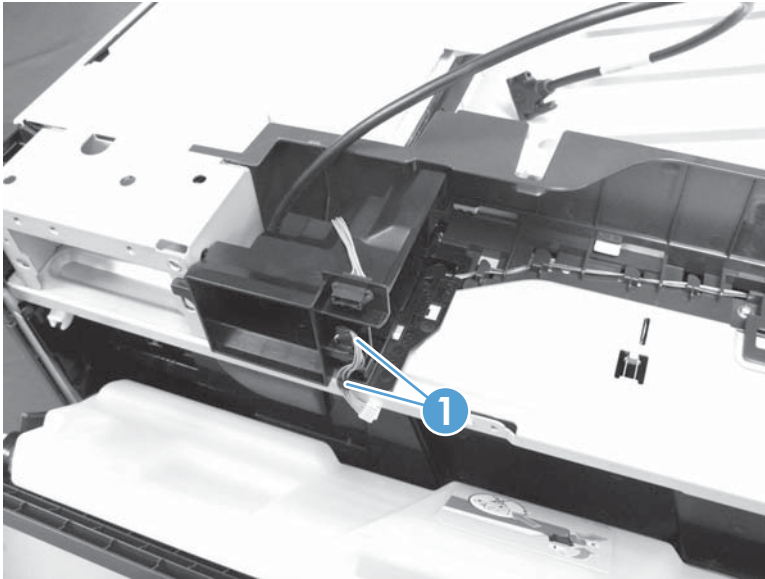
- Scanner assembly. See [Scanner assembly on page 74](#).
- For a stapler/stacker model:
  - Stapler/stacker assembly. See [Stapler/stacker assembly on page 78](#).
- Left upper cover. See [Left upper cover on page 82](#).
- Rear-upper cover. See [Rear upper cover on page 66](#).
- Front-upper cover. See [Front upper cover on page 83](#).
- Front right cover. See [Front right cover on page 86](#).
- For a non stapler/stacker model:
  - Output cover. See [Output cover; non stapler/stacker model on page 93](#).
- Top cover. See [Top cover on page 95](#).
- Sub power supply. See [Sub-power supply assembly on page 110](#).
- Sub power supply fan FM5. See [Sub power supply fan FM5 on page 112](#).

### Remove the top rear cover

1. Open the front door.

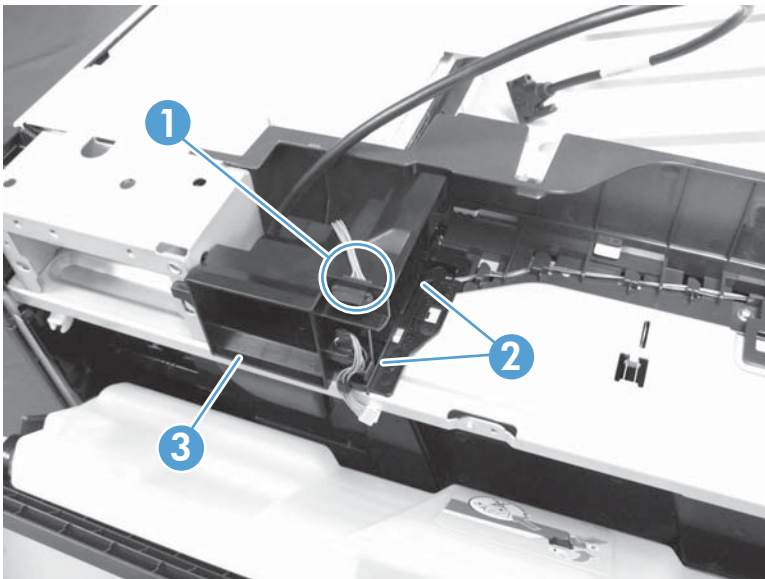
2. Release the wire harnesses from the retainers (callout 1).

**Figure 1-141** Remove the top rear cover (1 of 5)



3. Disconnect one connector (callout 1), release two tabs (callout 2), and then remove the duct (callout 3).

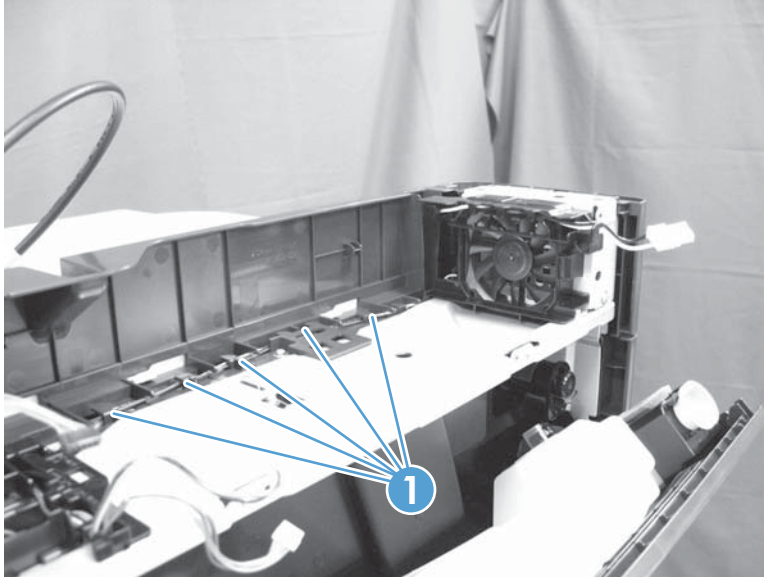
**Figure 1-142** Remove the top rear cover (2 of 5)





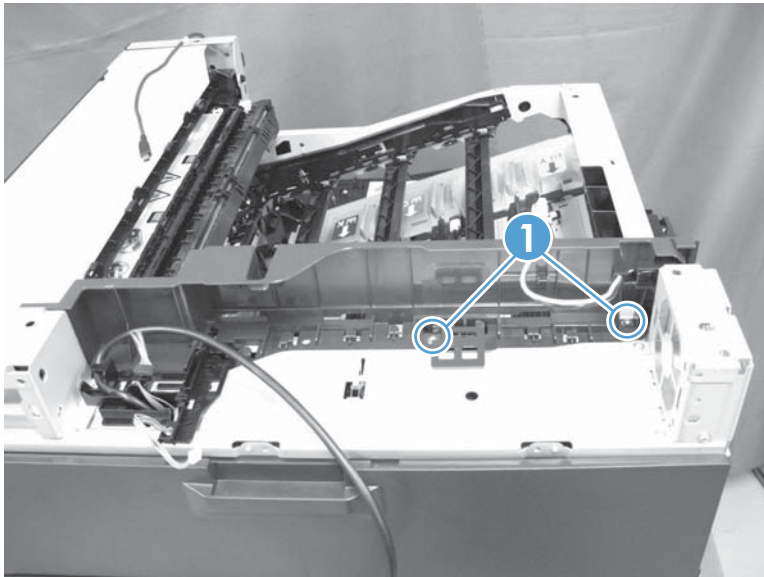
4. Release the wire harness from the retainers (callout 1) on the top rear cover.

**Figure 1-143** Remove the top rear cover (3 of 5)



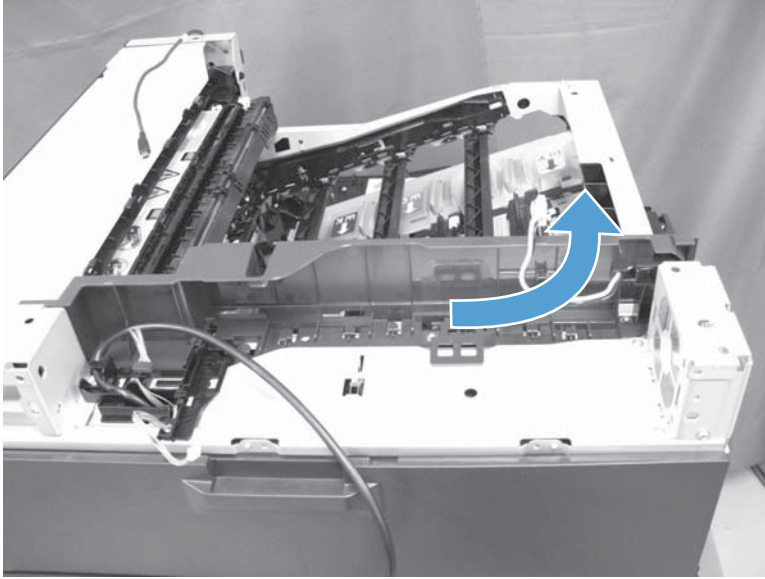
5. Remove two screws (callout 1).

**Figure 1-144** Remove the top rear cover (4 of 5)




6. Slightly slide the cover to the right to release it, and then remove the cover.

**Figure 1-145** Remove the top rear cover (5 of 5)



# Main assemblies

 **TIP:** For clarity, some figures in this chapter show assemblies removed that are not required to be removed to service the product (for example, the scanner and document feeder assemblies). The procedures in this manual are correct for your product.

## Document feeder paper present sensor

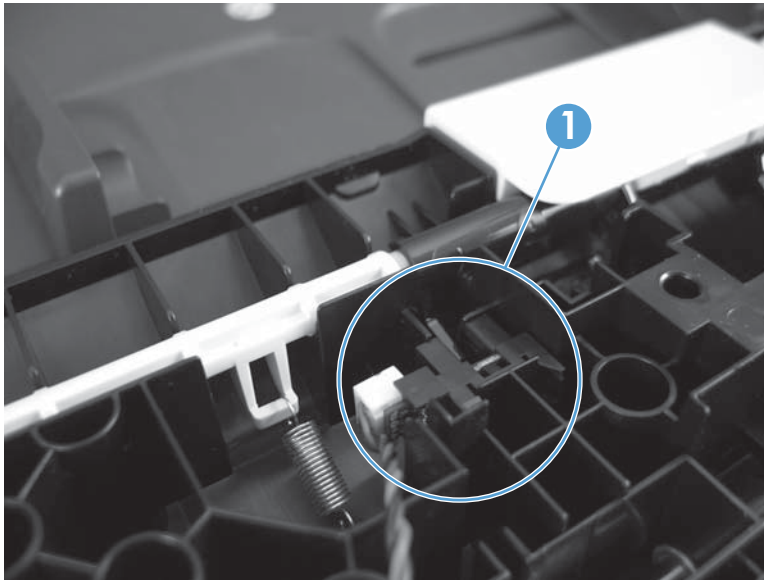
**Before proceeding, remove the following assemblies:**

- Document feeder pickup and feed roller assembly. See [Document feeder pickup and feed roller assembly on page 32](#).
- Document feeder hatch cover. See [Document feeder hatch cover on page 41](#).

### Remove the document feeder paper present sensor

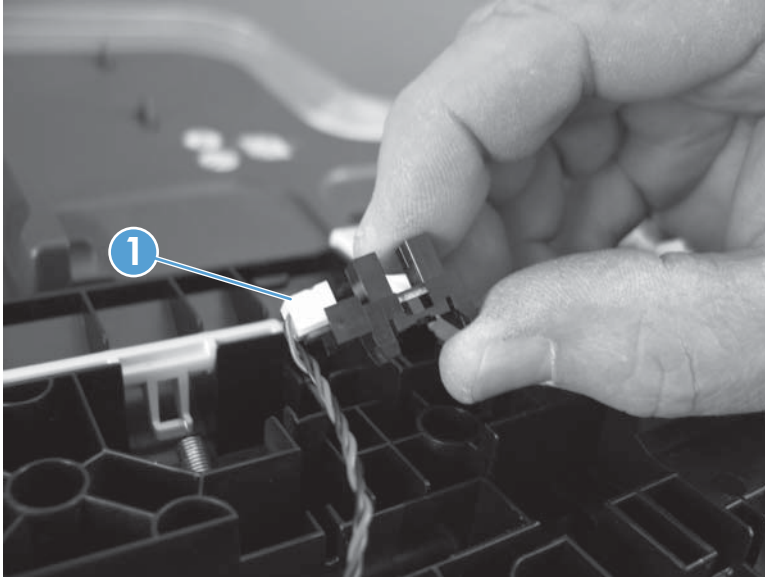
1. Remove the sensor (callout 1).

**Figure 1-146** Remove the document feeder paper present sensor (1 of 2)



2. Disconnect one connector (callout 1).

**Figure 1-147** Remove the document feeder paper present sensor (2 of 2)



## Document feeder hinge

Before proceeding, remove the following assemblies:

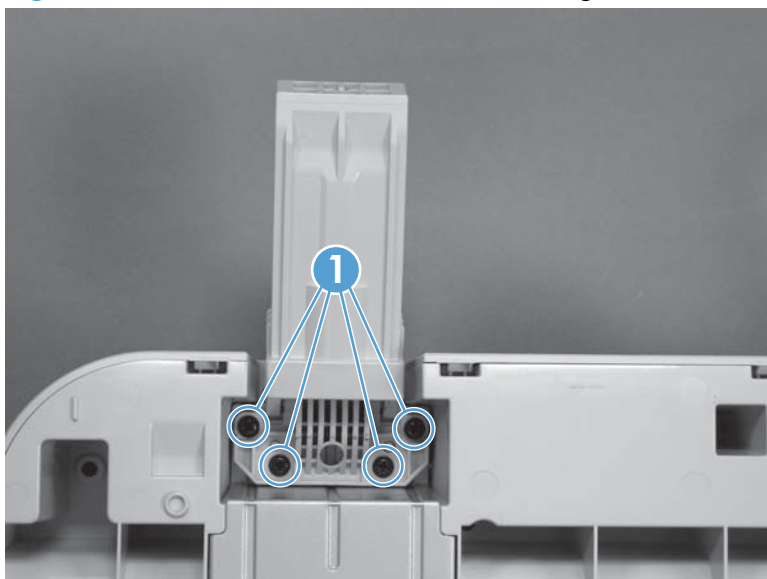
- Document feeder. See [Document feeder on page 71](#).

### Remove the document feeder hinge

The right and left document feeder hinges look identical, but they are not the same part. When ordering a replacement hinge, make sure you specify the correct (right or left) hinge part number.

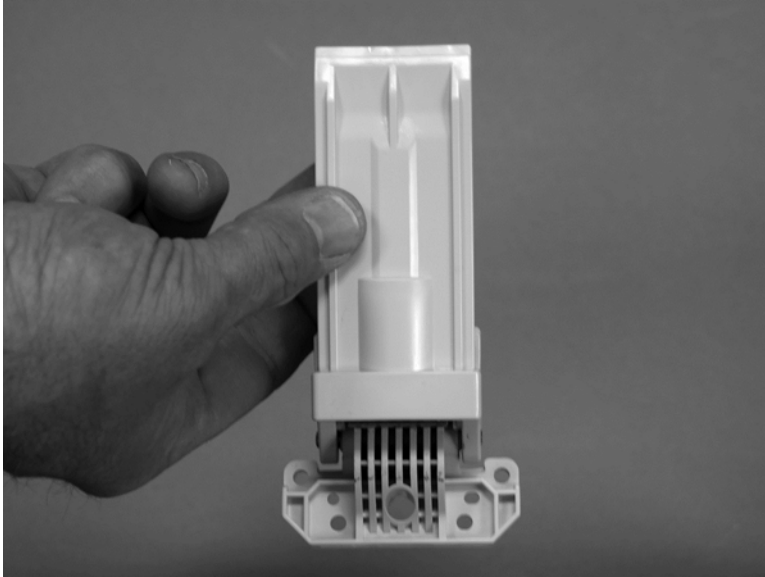
1. Turn the document feeder upside down, and then remove four screws (callout 1).

**Figure 1-148** Remove the document feeder hinge (1 of 2)



2. Remove the right or left hinge.

**Figure 1-149** Remove the document feeder hinge (2 of 2)



## Document feeder width sensor, paper-long and paper-short sensors

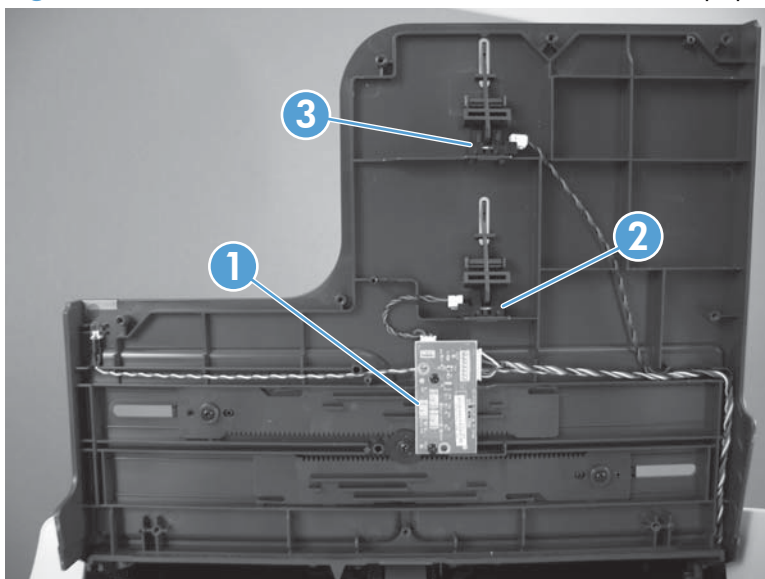
Before proceeding, remove the following assemblies:

- Document feeder tray bottom cover. See [Document feeder input tray bottom cover on page 42](#).

### Remove the document feeder width sensor, paper-short and paper-long sensors

1. Identify the sensor to be replaced.
  - Width-adjust sensor (callout 1)
  - Paper-short sensor (callout 2)
  - Paper-long sensor (callout 3)

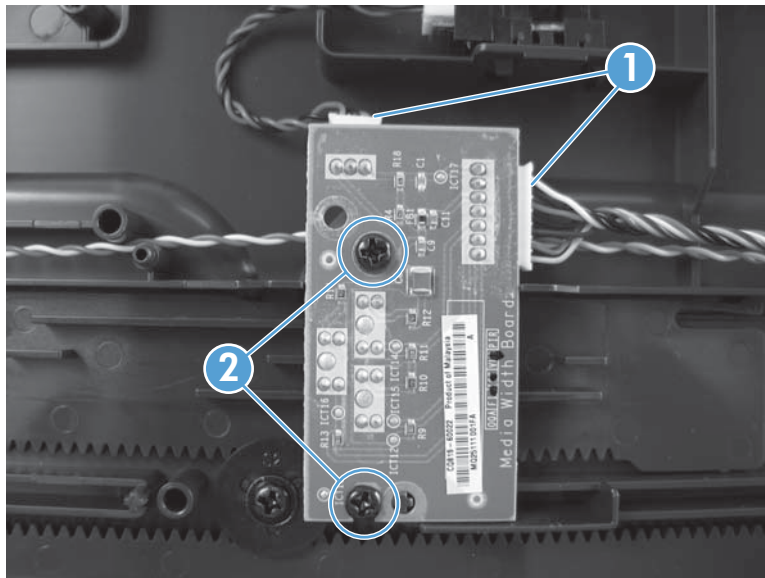
**Figure 1-150** Remove the document feeder width sensor, paper-short and paper-long sensors



2. Do one of the following:

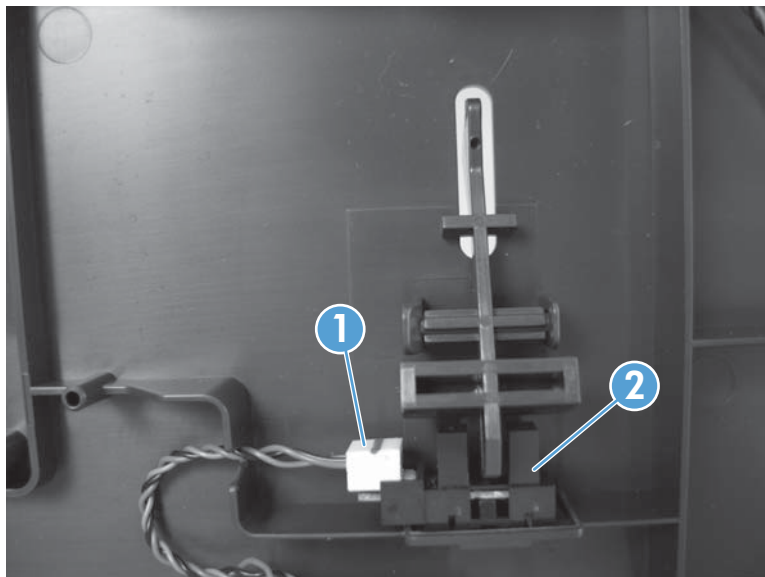
- **Width-adjust sensor:** Disconnect two connectors (callout 1, remove two screws (callout 2), and then remove the sensor PCA.

**Figure 1-151** Remove the document feeder width sensor



- **Paper-short sensor:** Disconnect one connector (callout 1, and then remove the sensor (callout 2).

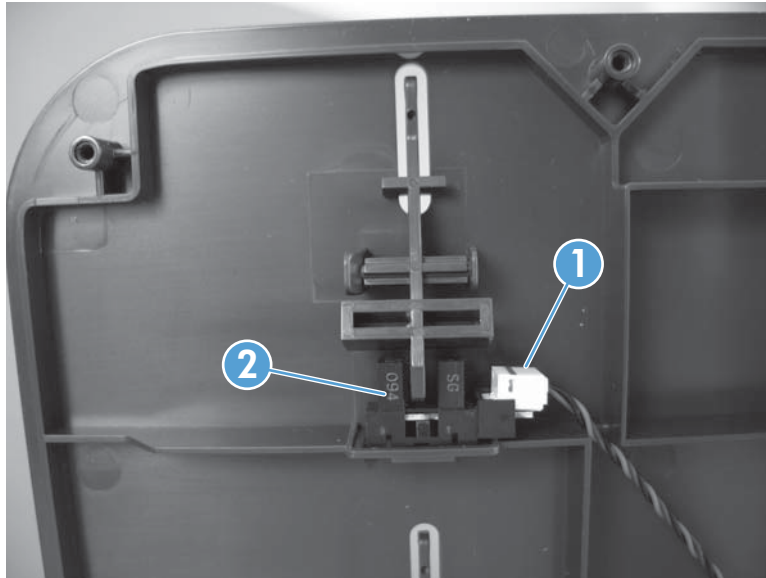
**Figure 1-152** Remove the document feeder paper-short sensor





- **Paper-long sensor:** Disconnect one connector (callout 1, and then remove the sensor (callout 2).

**Figure 1-153** Remove the document feeder paper-long sensor



## Document feeder tray extender

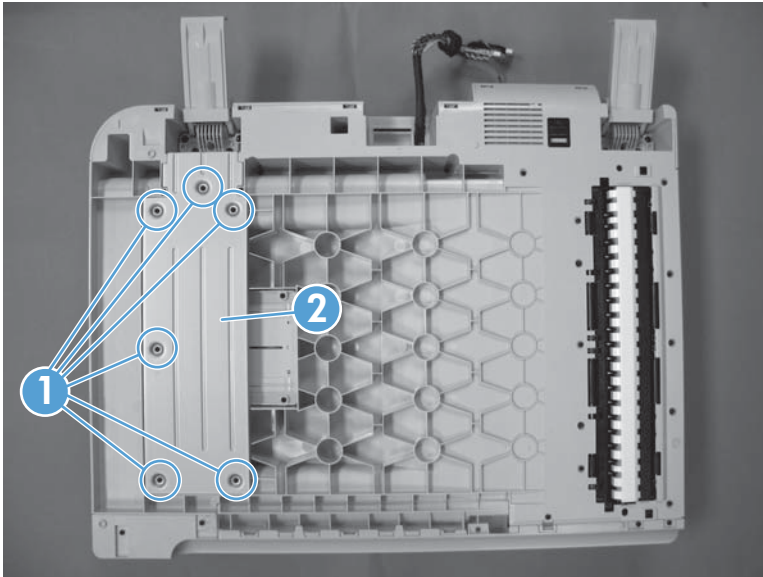
Before proceeding, remove the following assemblies:

- Document feeder foam reflector. See [Document feeder foam reflector on page 16](#).
- Document feeder. See [Document feeder on page 71](#).

### Remove the document tray extender

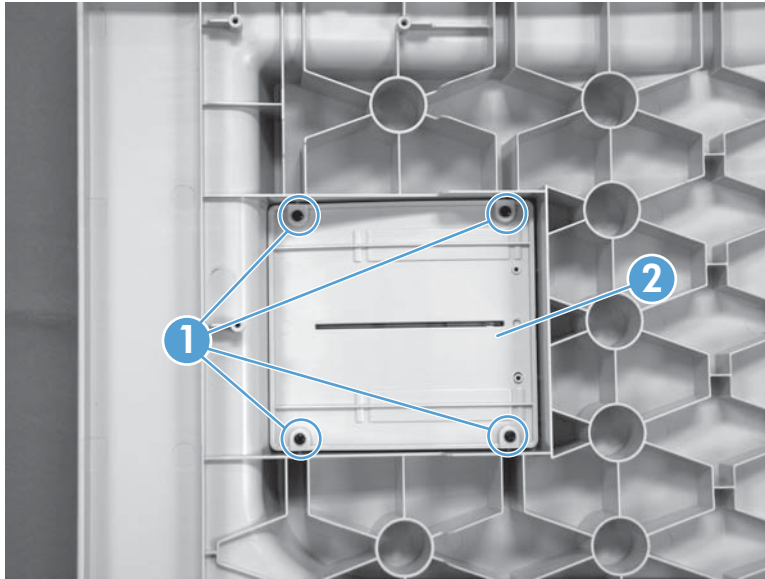
1. Turn the document feeder upside down, remove six screws (callout 1), and then remove the sheet-metal plate (callout 2).

**Figure 1-154** Remove the document feeder tray extender (1 of 3)



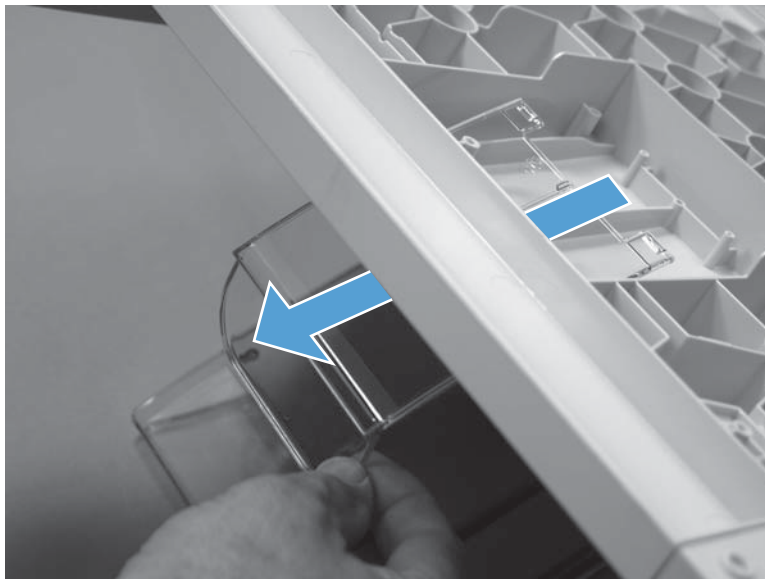
2. Remove four screws (callout 1), and then remove the cover (callout 2).

**Figure 1-155** Remove the document feeder tray extender (2 of 3)



3. Remove the tray extender.

**Figure 1-156** Remove the document feeder tray extender (3 of 3)




## Sub-power supply assembly

Before proceeding, remove the following assemblies:

- Control-panel assembly. See [Control-panel assembly on page 5](#).
- Rear upper cover. See [Rear upper cover on page 66](#).
- Stapler/stacker rear cover. See [Stapler/stacker rear cover on page 69](#).
- Optional: Document feeder. See [Document feeder on page 71](#).

---

 **NOTE:** HP recommends removing the document feeder to decrease the weight of the scanner assembly when it is lifted off of the product.


---

- Scanner assembly. See [Scanner assembly on page 74](#).
- Staple/stacker assembly. See [Stapler/stacker assembly on page 78](#).

## Remove the power supply assembly

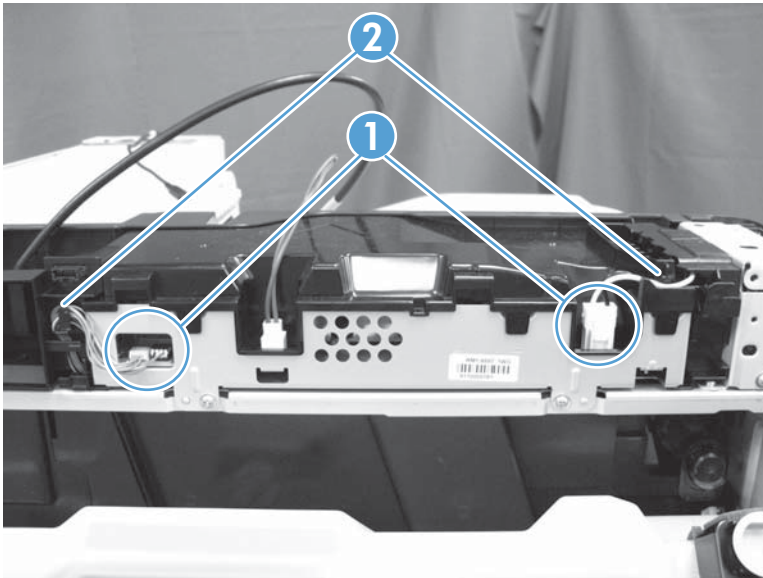
1. Open the toner collection unit (TCU) access door.
2. Disconnect three connectors (callout 1).

---

 **TIP:** It is not necessary to remove the wire harnesses from the retainers (callout 2).

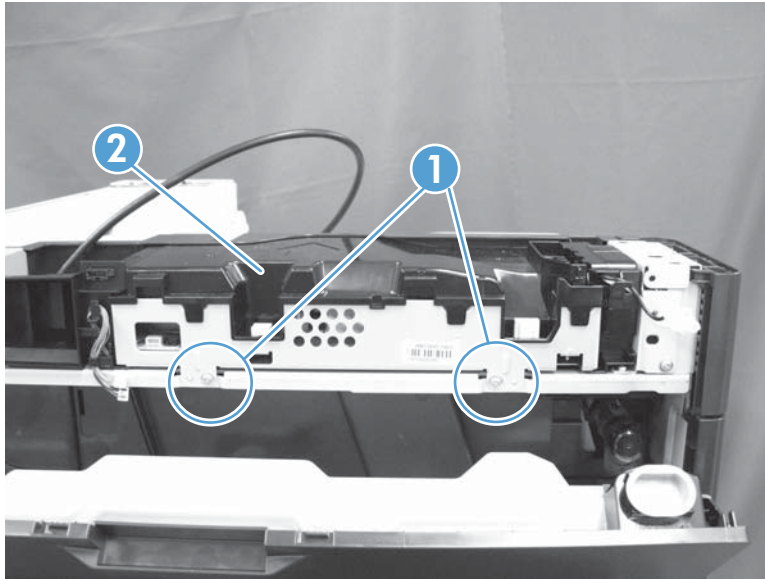
---

**Figure 1-157** Remove the sub-power supply assembly (1 of 2)



3. Remove two screws (callout 1), and then remove the assembly (callout 2).

**Figure 1-158** Remove the sub-power supply assembly (2 of 2)



## Sub power supply fan FM5

Before proceeding, remove the following assemblies:

- Control-panel assembly. See [Control-panel assembly on page 5](#).
- Optional: Document feeder. See [Document feeder on page 71](#).



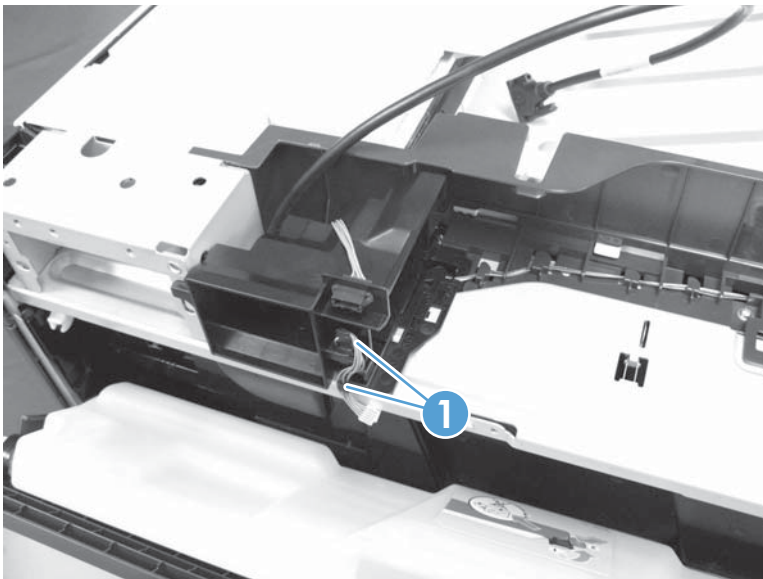
**NOTE:** HP recommends removing the document feeder to decrease the weight of the scanner assembly when it is lifted off of the product.

- Scanner assembly. See [Scanner assembly on page 74](#).
- For a stapler/stacker model:
  - Stapler/stacker assembly. See [Stapler/stacker assembly on page 78](#).
- Sub power supply assembly. See [Sub-power supply assembly on page 110](#).

## Remove the sub power supply fan FM5

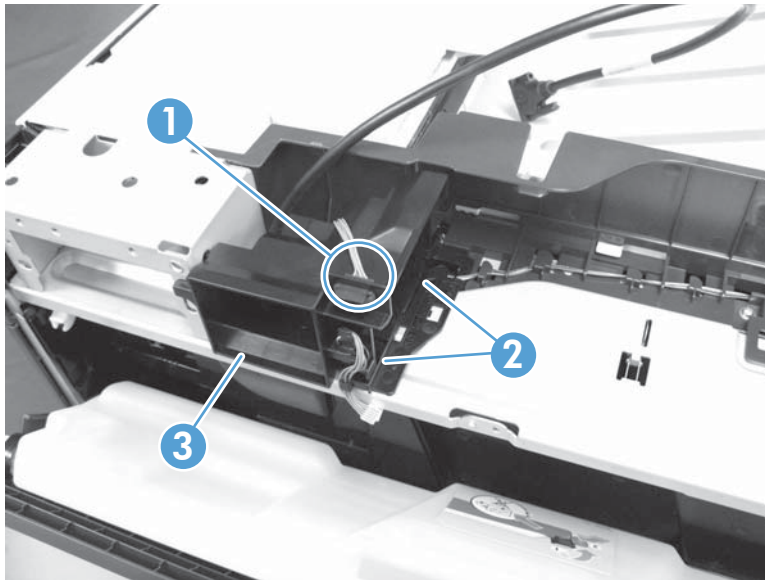
1. Release the wire harness from the retainers (callout 1).

**Figure 1-159** Remove the sub power supply fan FM5 (1 of 5)



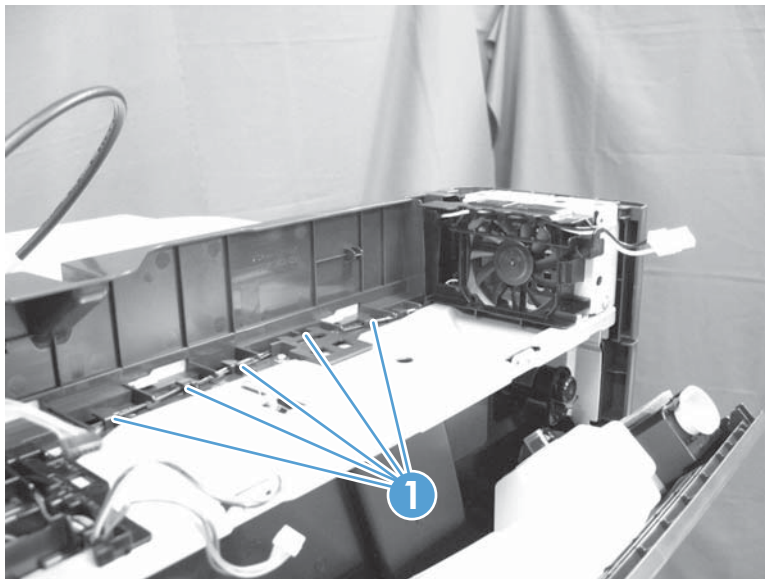
2. Disconnect one connector (callout 1), release two tabs (callout 2), and then remove the duct (callout 3).

**Figure 1-160** Remove the sub power supply fan FM5 (2 of 5)



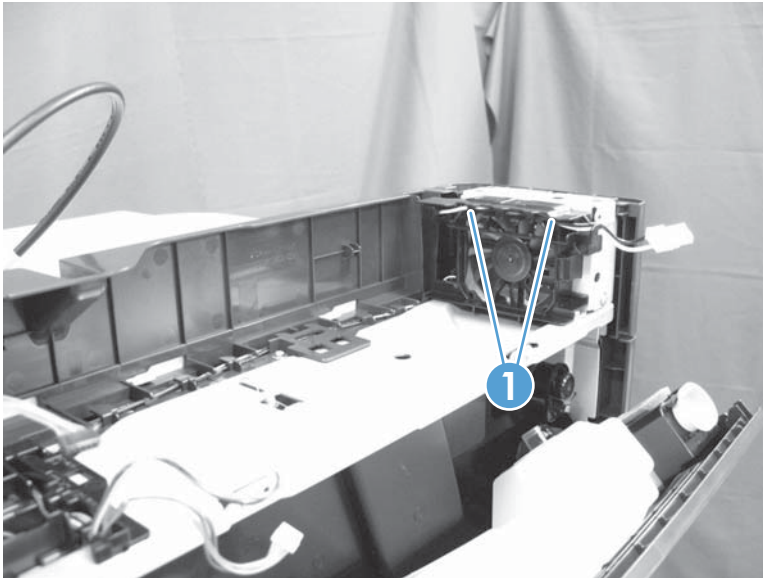
3. Release the wire harness from the retainers (callout 1) on the top rear cover.

**Figure 1-161** Remove the sub power supply fan FM5 (3 of 5)



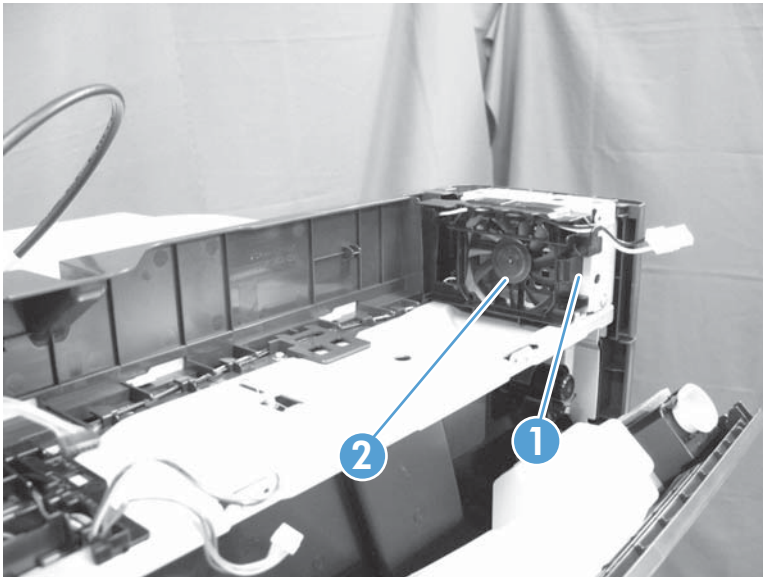
4. Release the wire harness (callout 1) from the retainers (callout 2) along the top of the fan assembly.

**Figure 1-162** Remove the sub power supply fan FM5 (4 of 5)



5. Release one tab (callout 1), and then remove the assembly (callout 2).

**Figure 1-163** Remove the sub power supply fan FM5 (5 of 5)






# Lifter-drive assembly

## Before proceeding, remove the following assemblies:

Removing the optional items below will make the product lighter and easier to handle.

- Optional: Control-panel assembly. See [Control-panel assembly on page 5](#).
- Optional: Stapler/stacker rear cover. See [Stapler/stacker rear cover on page 69](#).
- Optional: Document feeder. See [Document feeder on page 71](#).

---


 **NOTE:** HP recommends removing the document feeder to decrease the weight of the scanner assembly when it is lifted off of the product.


---

- Optional: Scanner assembly. See [Scanner assembly on page 74](#).
- Intermediate transfer belt. See [Intermediate transfer belt on page 7](#).
- Fuser. See [Fuser on page 9](#).

## Remove the lifter-drive assembly

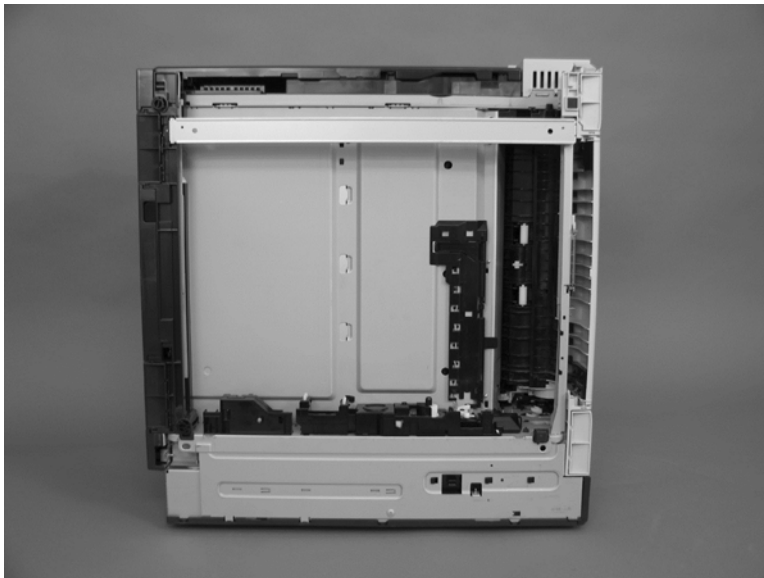
1. Remove Tray 2 if it was not already removed. Place the product so that the front side is face up.

 **WARNING!** With the optional assemblies listed above installed, the product is very heavy. HP recommends at least two people handle the product.

 **CAUTION:** If you did not remove the optional assemblies in the list above, be aware the document feeder can suddenly open when the product is placed face up. Secure the document feeder before moving the product.

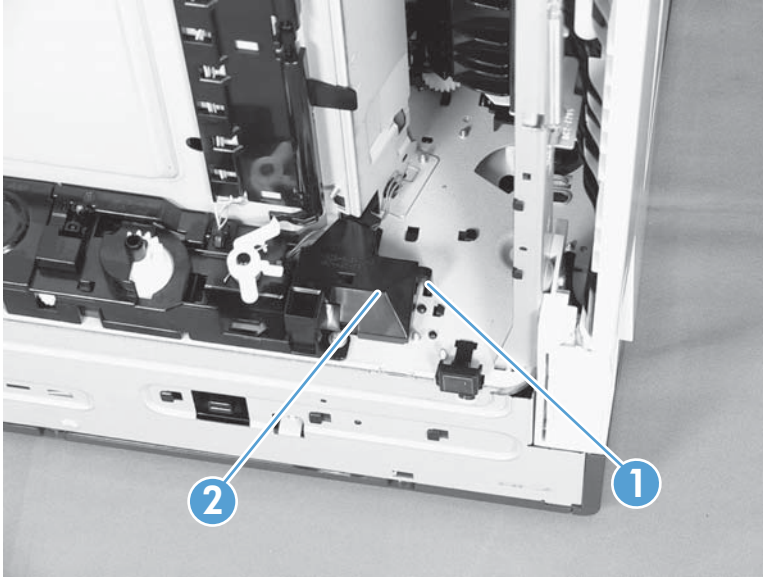
---

**Figure 1-164** Remove the lifter-drive assembly (1 of 3)



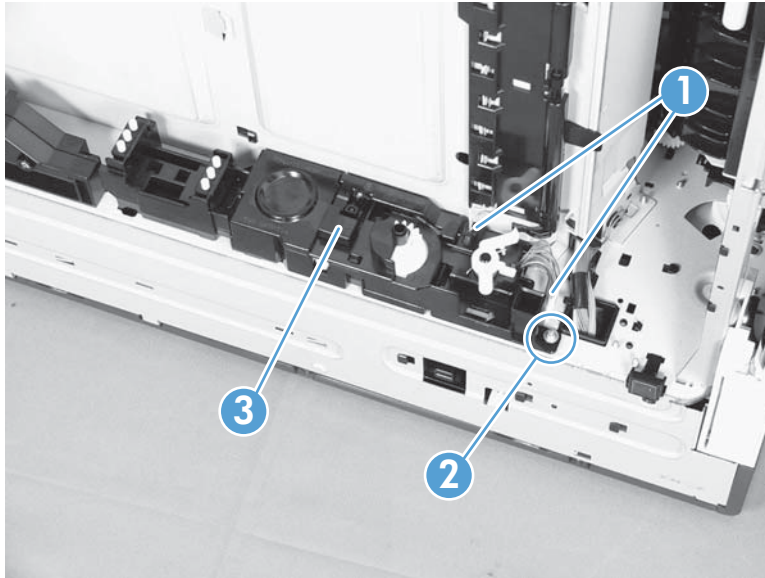
2. Release the tab (callout 1), and then pull up to remove the cover (callout 2).


**Figure 1-165** Remove the lifter-drive assembly (2 of 3)

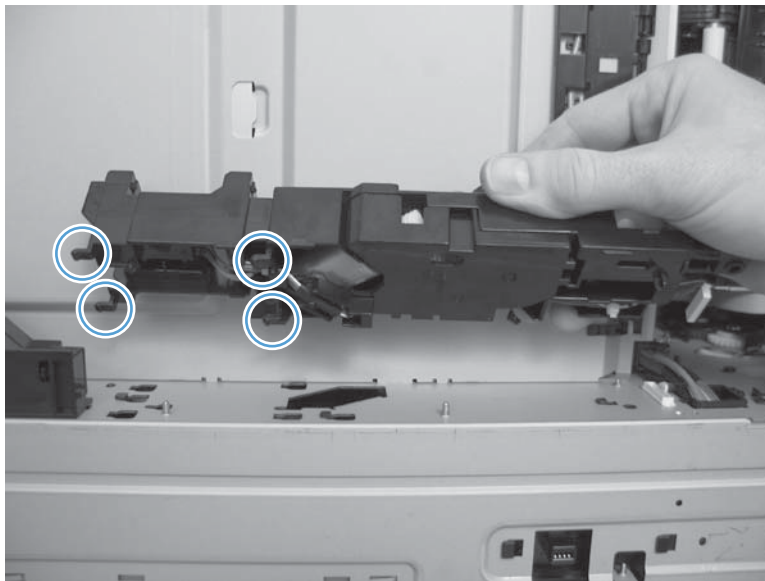


3. Disconnect two connectors (callout 1), remove one screw (callout 2), and then remove the lifter drive (callout 3).

**Figure 1-166** Remove the lifter-drive assembly (3 of 3)



 **Reinstallation tip** Make sure that the tabs align correctly when reinstalling the lifter-drive assembly.



## ITB front guide assembly

### Before proceeding, remove the following assemblies:

- Control-panel assembly. See [Control-panel assembly on page 5](#).
- Intermediate transfer belt. See [Intermediate transfer belt on page 7](#).
- Left cover. See [Left cover on page 57](#).
- Optional: Document feeder. See [Document feeder on page 71](#).




**NOTE:** HP recommends removing the document feeder to decrease the weight of the scanner assembly when it is lifted off of the product.

---

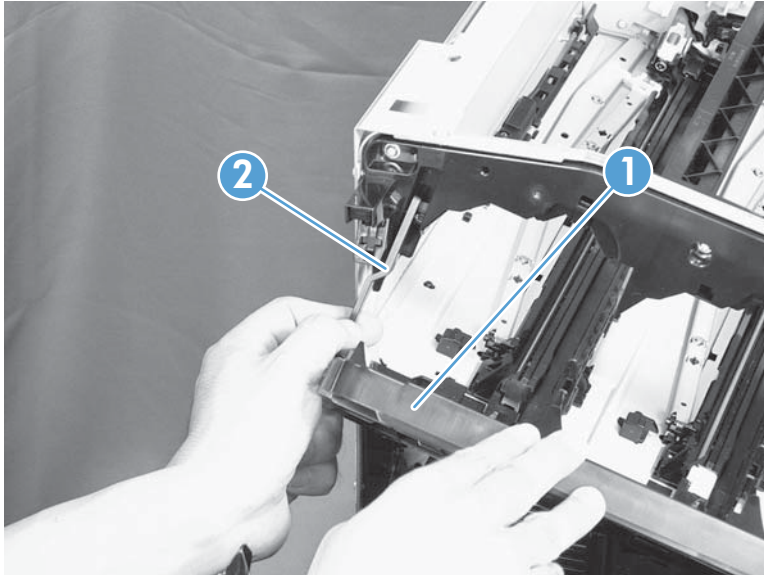
- Scanner assembly. See [Scanner assembly on page 74](#).
- For a stapler/stacker model:
  - Stapler/stacker assembly. See [Stapler/stacker assembly on page 78](#).
- Front upper cover. See [Front upper cover on page 83](#).
- Front right cover. See [Front right cover on page 86](#).
- For a non stapler/stacker model:
  - Output cover. See [Output cover; non stapler/stacker model on page 93](#).
- Top cover. See [Top cover on page 95](#).

## Remove the ITB front guide assembly


1. Open the front door (callout 1) halfway, and then push up the upper part of the link arm (callout 2) to detach it from the product chassis.

 **TIP:** It might be easier to release the link arm by using a small flat blade screwdriver to ease it off of the chassis.

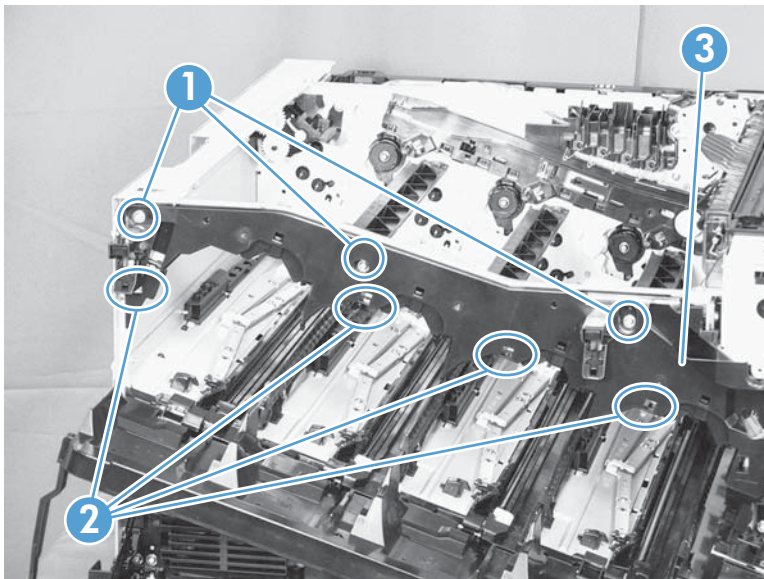
**Figure 1-167** Remove the ITB front guide assembly (1 of 4)



2. Remove three screws (callout 1), release four tabs (callout 2), and then remove the cartridge upper guide (callout 3).

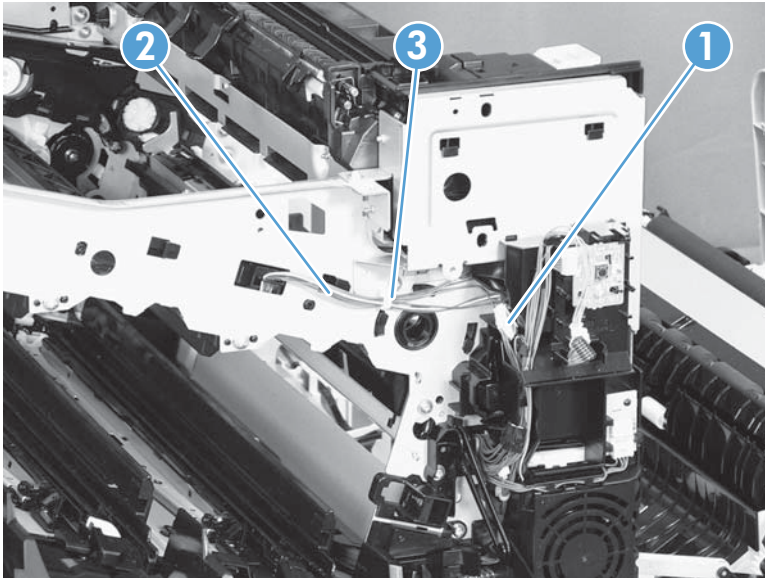
 **Reinstallation tip** Make sure that all of the tabs are positioned behind the sheet metal when the assembly is reinstalled.

**Figure 1-168** Remove the ITB front guide assembly (2 of 4)



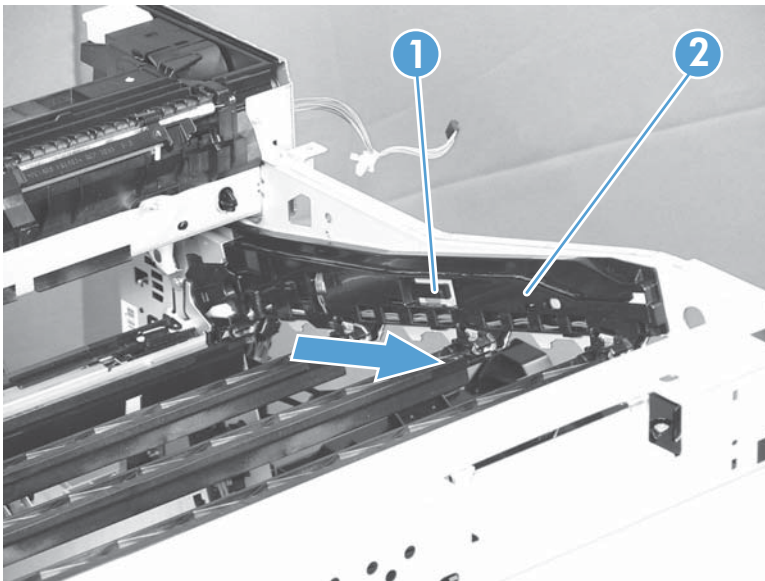
3. Disconnect one connector (callout 1), and then release the cables (callout 2) from the cable clamp (callout 3).

**Figure 1-169** Remove the ITB front guide assembly (3 of 4)



4. Release one tab (callout 1), and then slide the ITB front guide assembly (callout 2) in the direction that the arrow indicates to remove it.


**Figure 1-170** Remove the ITB front guide assembly (4 of 4)



## ITB rear guide assembly

### Before proceeding, remove the following assemblies:

- Control-panel assembly. See [Control-panel assembly on page 5](#).
- Intermediate transfer belt. See [Intermediate transfer belt on page 7](#).
- Left cover. See [Left cover on page 57](#).
- Optional: Document feeder. See [Document feeder on page 71](#).

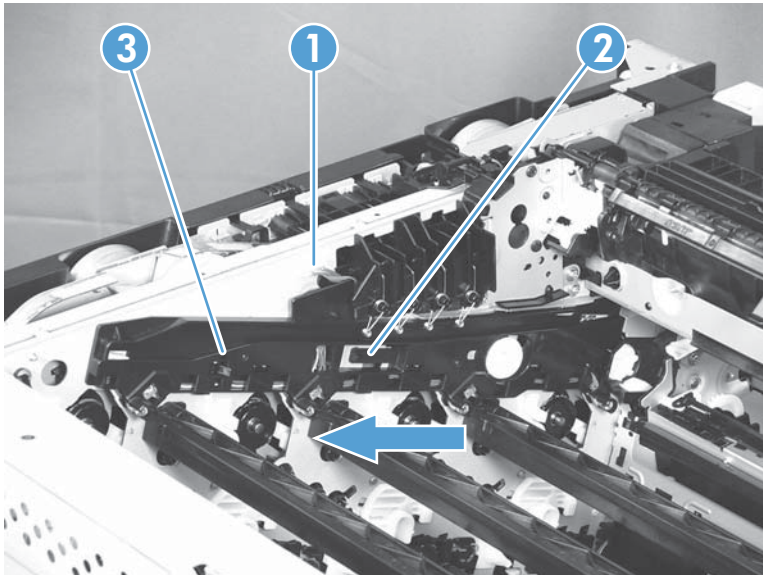
 **NOTE:** HP recommends removing the document feeder to decrease the weight of the scanner assembly when it is lifted off of the product.

- Scanner assembly. See [Scanner assembly on page 74](#).
- For a stapler/stacker model:
  - Stapler/stacker assembly. See [Stapler/stacker assembly on page 78](#).
- Front upper cover. See [Front upper cover on page 83](#).
- Front right cover. See [Front right cover on page 86](#).
- For a non stapler/stacker model:
  - Output cover. See [Output cover; non stapler/stacker model on page 93](#).
- Top cover. See [Top cover on page 95](#).

### Remove the ITB rear guide assembly

- ▲ Disconnect one connector (callout 1), release one tab (callout 2), and then slide the ITB rear guide (callout 3) in the direction that the arrow indicates to remove it.

**Figure 1-171** Remove the ITB rear guide assembly



## Residual toner full sensor

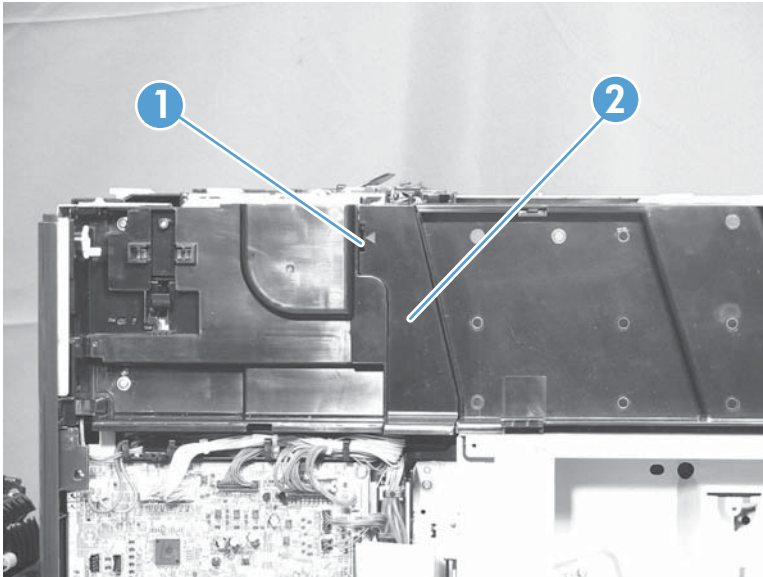
Before proceeding, remove the following assemblies:

- Rear cover. See [Rear cover on page 58](#).
  - Right rear cover. See [Right rear cover on page 59](#).
  - Toner collection unit (TCU) access door. See [Toner collection unit \(TCU\) access door on page 60](#).
- Rear upper cover. See [Right upper cover on page 67](#).

### Remove the residual toner full sensor


1. Release one tab (callout 1), and then remove the cover (callout 2).

**Figure 1-172** Remove the residual toner full sensor (1 of 5)

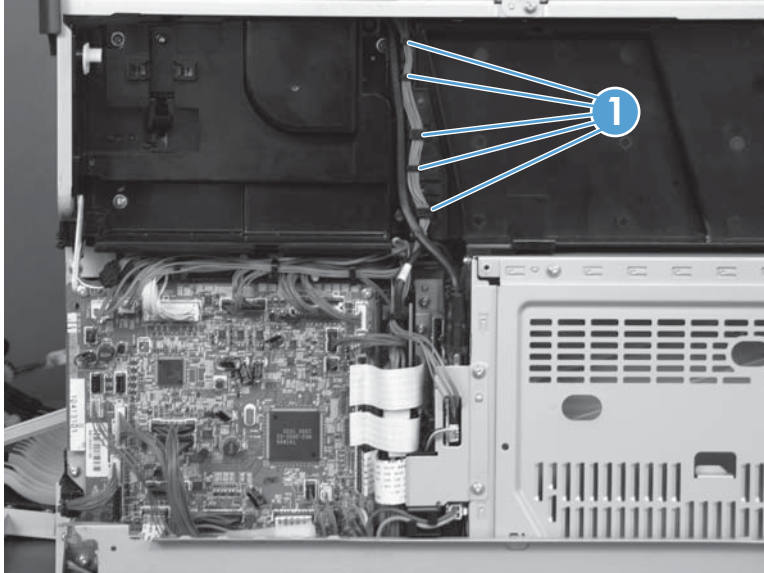




2. Release the wire harness from the retainers (callout 1).

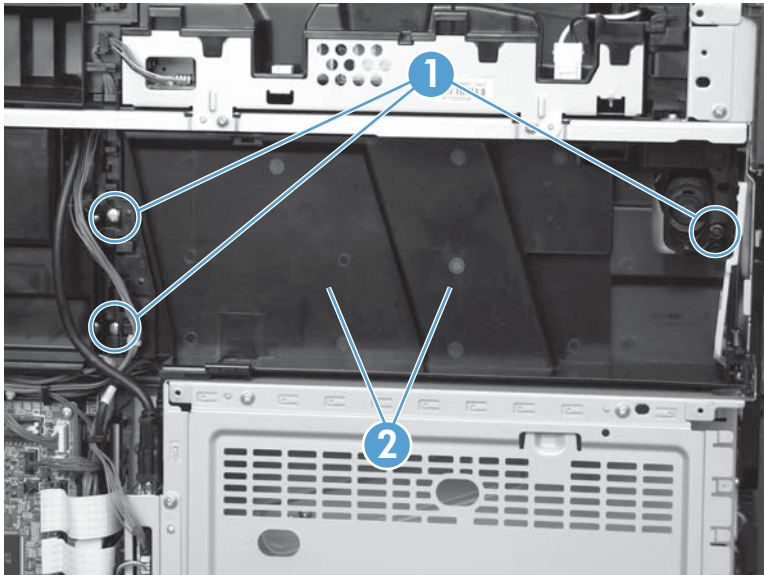
 **TIP:** It might be easier to release the wire harness if you start at the bottom-most retainer (near the DC controller).

**Figure 1-173** Remove the residual toner full sensor (2 of 5)




3. Remove three screws (callout 1), and then remove the cover (callout 2).

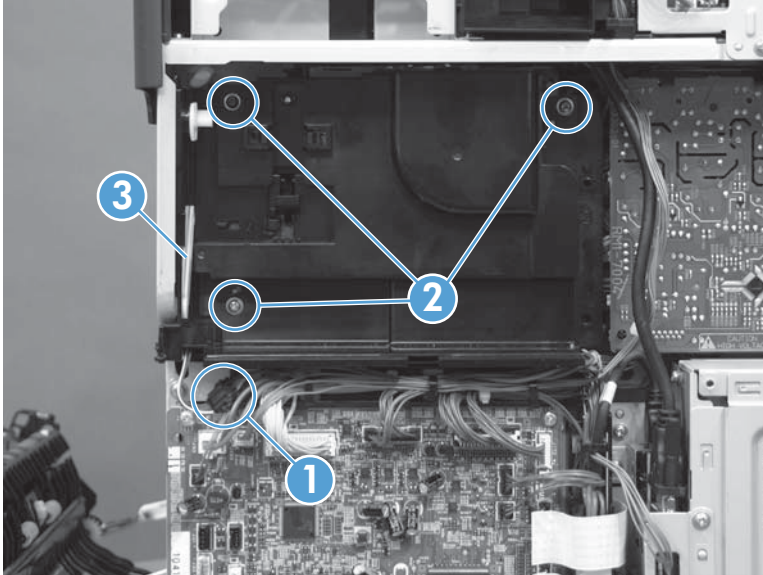
**Figure 1-174** Remove the residual toner full sensor (3 of 5)




4. Disconnect one connector (callout 1), and then remove three screws (callout 2).

 **Reinstallation tip** If the assembly is being replaced, remove the toner access door link (callout 3) from the discarded assembly, and then install it on the replacement assembly.

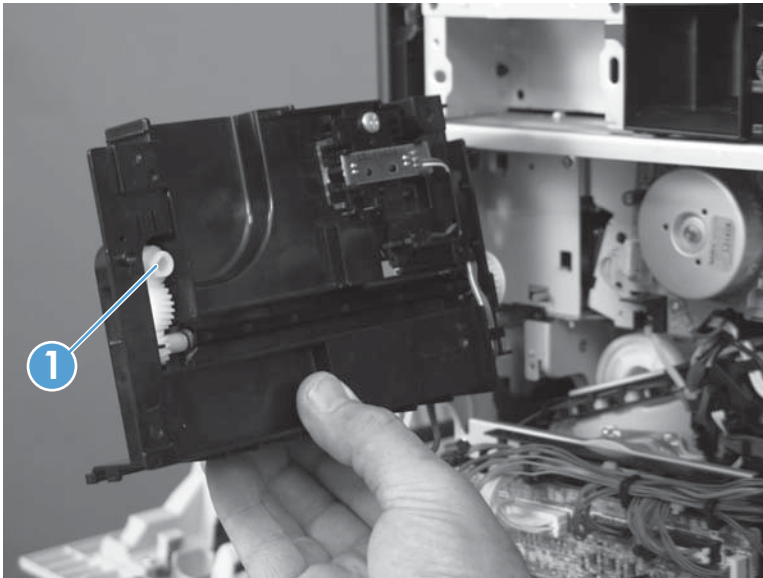
**Figure 1-175** Remove the residual toner full sensor (4 of 5)



5. Remove the residual toner full sensor assembly.

 **CAUTION:** During the removal process, make sure that the white gear (callout 1) does not fall out of the assembly. The white gear might stay on the product, and not come off with the assembly.

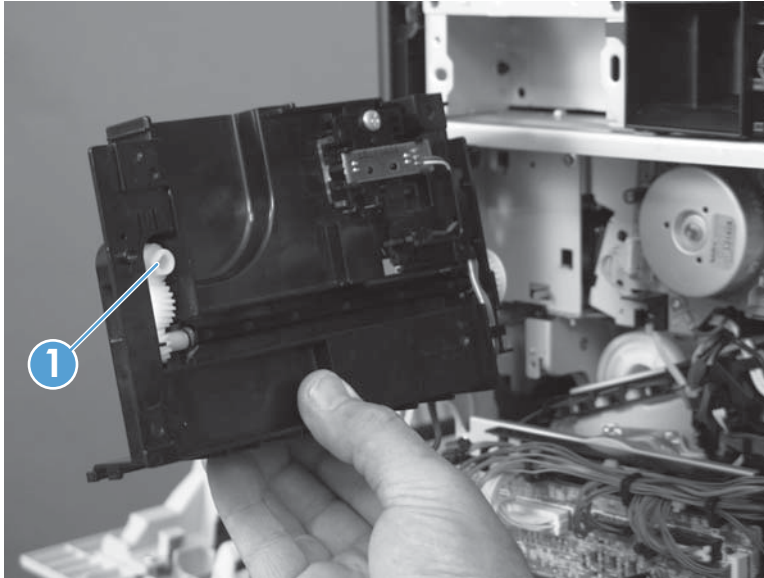
**Figure 1-176** Remove the residual toner full sensor (5 of 5)



## Reinstall the residual toner full sensor

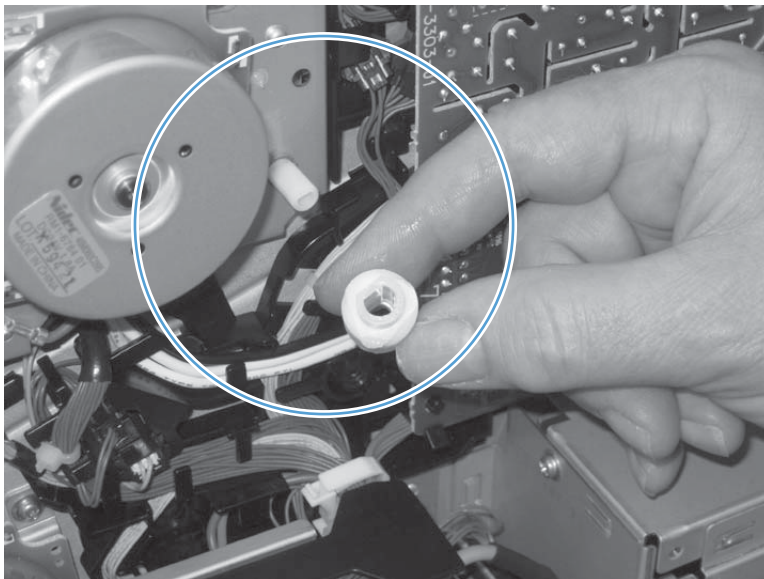
1. If the white gear (callout 1) remained with the residual toner full sensor assembly when it was removed, carefully remove it from the assembly.

**Figure 1-177** Reinstall the residual toner full sensor (1 of 3)



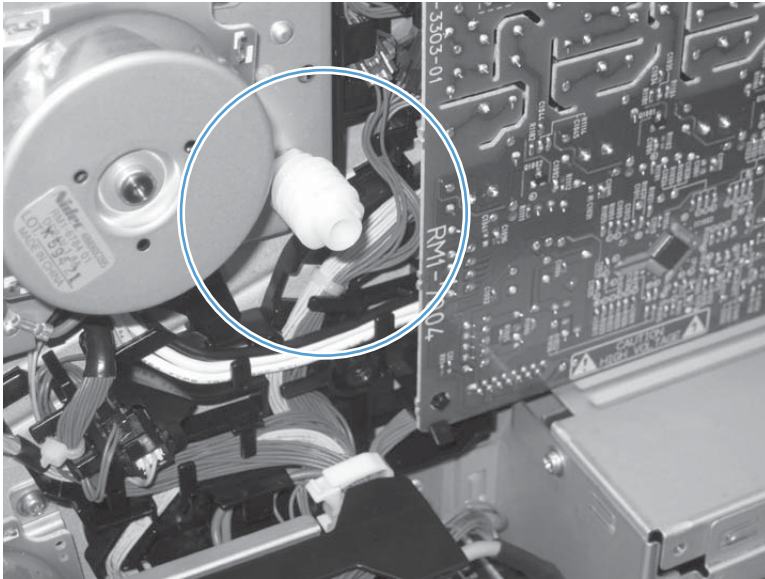
2. Align the flat portion of the gear with the corresponding flat portion of the drive shaft.

**Figure 1-178** Reinstall the residual toner full sensor (2 of 3)



3. Install the gear on the shaft before you install the residual toner full sensor assembly.

**Figure 1-179** Reinstall the residual toner full sensor (3 of 3)



# Residual toner feed assembly

## Before proceeding, remove the following assemblies:

- Control-panel assembly. See [Control-panel assembly on page 5](#).
- Intermediate transfer belt. See [Intermediate transfer belt on page 7](#).
- Left cover. See [Left cover on page 57](#).
- Rear cover. See [Rear cover on page 58](#).
- Right rear cover. See [Right rear cover on page 59](#).
- Toner access door. See [Toner collection unit \(TCU\) access door on page 60](#).
- Optional: Document feeder. See [Document feeder on page 71](#).



**NOTE:** HP recommends removing the document feeder to decrease the weight of the scanner assembly when it is lifted off of the product.

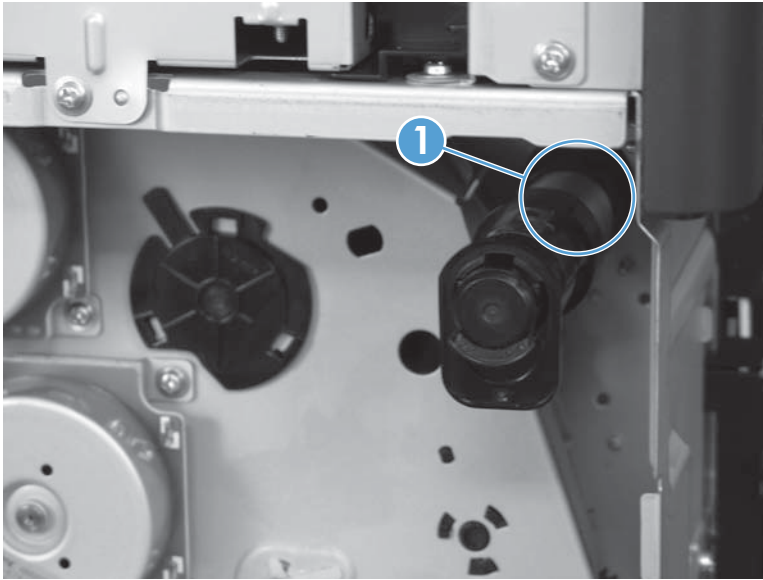
- Scanner assembly. See [Scanner assembly on page 74](#).
- For a stapler/stacker model:
  - Stapler/stacker assembly. See [Stapler/stacker assembly on page 78](#).
- Front upper cover. See [Front upper cover on page 83](#).
- Front right cover. See [Front right cover on page 86](#).
- Output cover. See [Output cover; non stapler/stacker model on page 93](#).
- Top cover. See [Top cover on page 95](#).
- Toner cover. See the first, second, and third steps of [Residual toner full sensor on page 122](#).

## Remove the residual toner feed assembly

**CAUTION:** The residual toner feed assembly contains toner. Do not spill toner into the product when handling the assembly.

1. Carefully peel back the protective sheet (callout 1) from the augur-shaft cover.

**Figure 1-180** Remove the residual toner feed assembly (1 of 6)



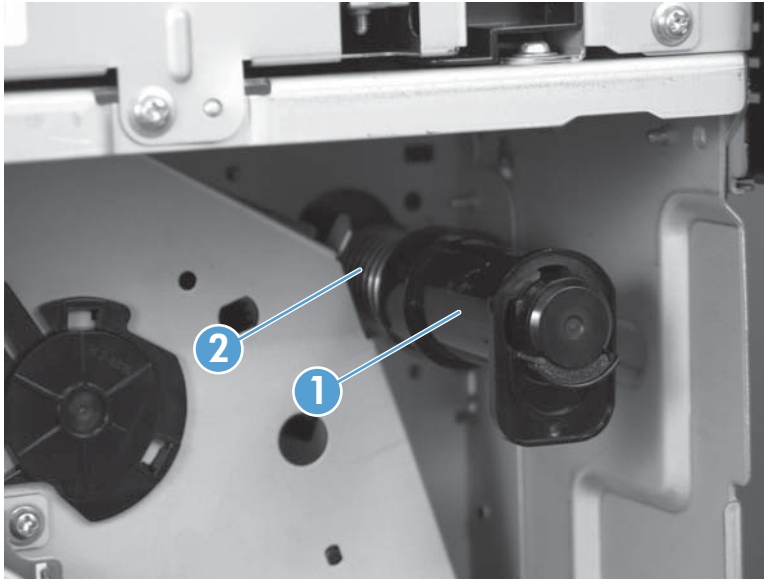
2. Release one tab (callout 1)

**Figure 1-181** Remove the residual toner feed assembly (2 of 6)



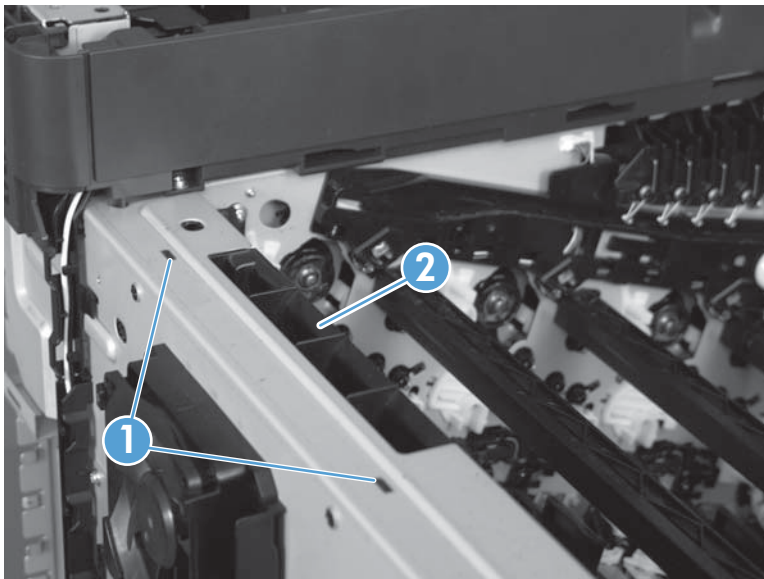
- Carefully slide the cover (callout 1) and the spring (callout 2) off of the augur shaft.

**Figure 1-182** Remove the residual toner feed assembly (3 of 6)



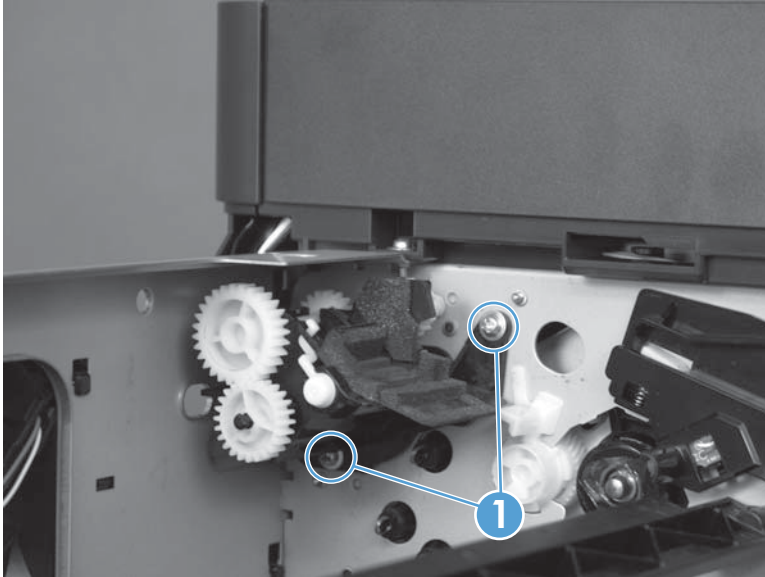
- Release two tabs (callout 1), and then remove the duct (callout 2).

**Figure 1-183** Remove the residual toner feed assembly (4 of 6)



5. Remove two screws (callout 1).

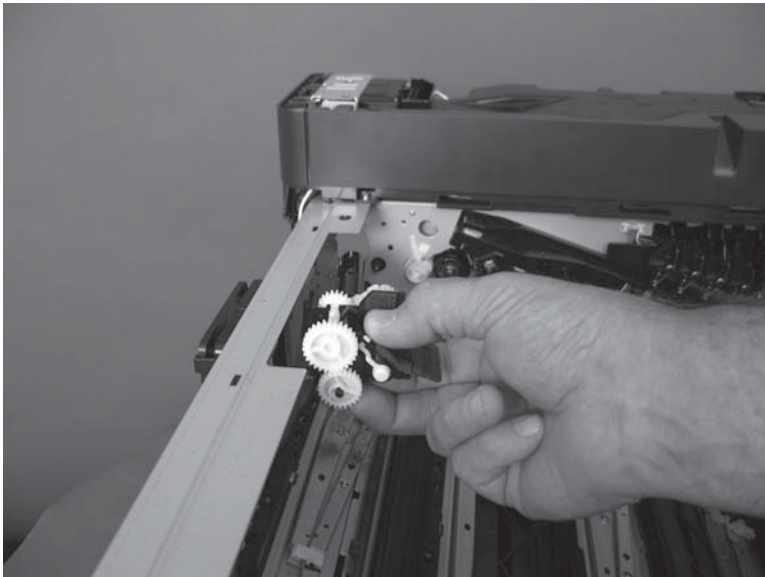
**Figure 1-184** Remove the residual toner feed assembly (5 of 6)



6. Carefully remove the residual toner full sensor assembly.

**⚠ CAUTION:** The assembly can easily come apart when being handled and spill toner into the product or work environment. Handle the assembly gently to avoid spilled toner.

**Figure 1-185** Remove the residual toner feed assembly (6 of 6)





# Paper delivery assembly

## Before proceeding, remove the following assemblies:

- Control-panel assembly. See [Control-panel assembly on page 5](#).
- Intermediate transfer belt. See [Intermediate transfer belt on page 7](#).
- Fuser. See [Fuser on page 9](#).
- Left cover. See [Left cover on page 57](#).
- Rear cover. See [Rear cover on page 58](#).
- Right rear cover. See [Right rear cover on page 59](#).
- Right upper cover. See [Right upper cover on page 67](#).
- Optional: Document feeder. See [Document feeder on page 71](#).



**NOTE:** HP recommends removing the document feeder to decrease the weight of the scanner assembly when it is lifted off of the product.

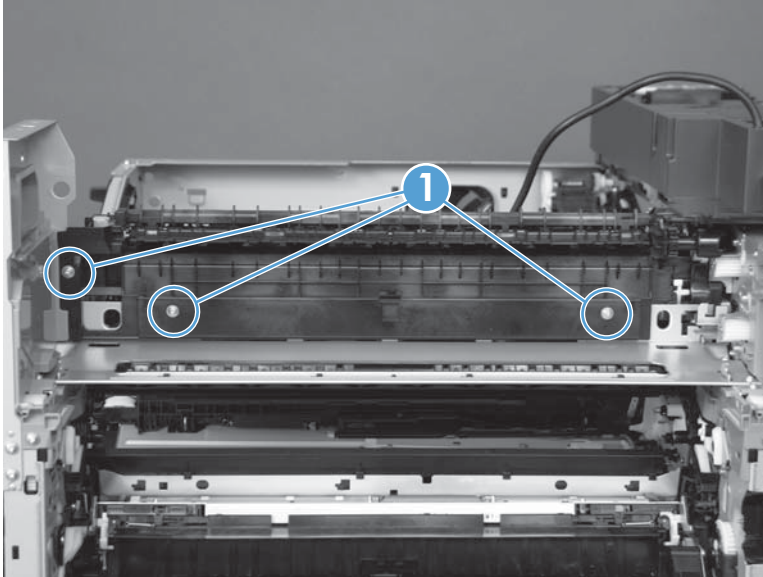
- Scanner assembly. See [Scanner assembly on page 74](#).
- For a stapler/stacker model:
  - Stapler/stacker assembly. See [Stapler/stacker assembly on page 78](#).
- Front upper cover. See [Front upper cover on page 83](#).
- Front right cover. See [Front right cover on page 86](#).
- Top right cover. See [Top right cover on page 91](#).
- Output cover. See [Output cover; non stapler/stacker model on page 93](#).
- Top cover. See [Top cover on page 95](#).

## Remove the paper delivery assembly

1. Open the right door.

2. Remove three screws (callout 1).

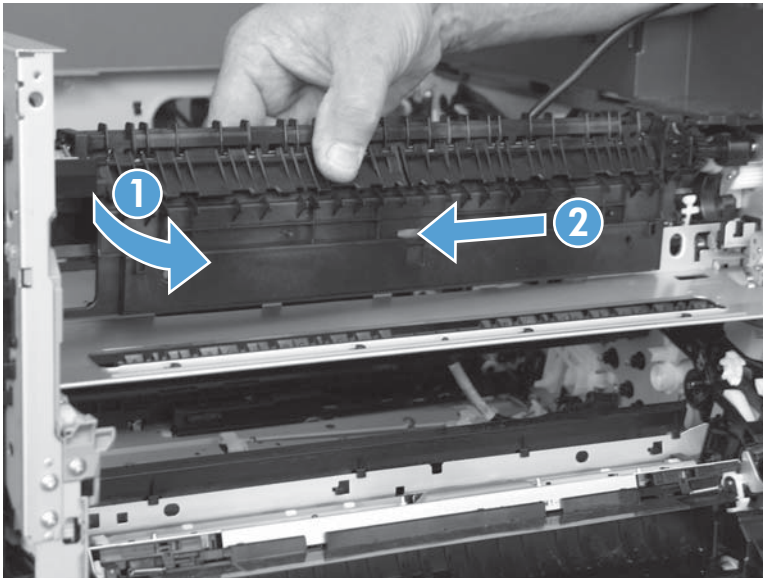
**Figure 1-186** Remove the paper delivery assembly (1 of 2)



3. Rotate the left side of the assembly out and away from the product (callout 1), and then slide the assembly in the direction of the arrow (callout 2) to remove it.

**CAUTION:** A black gear on the right-hand side of the assembly is not captive. Do not lose the gear when handling the assembly.

**Figure 1-187** Remove the paper delivery assembly (2 of 2)



## Laser scanner

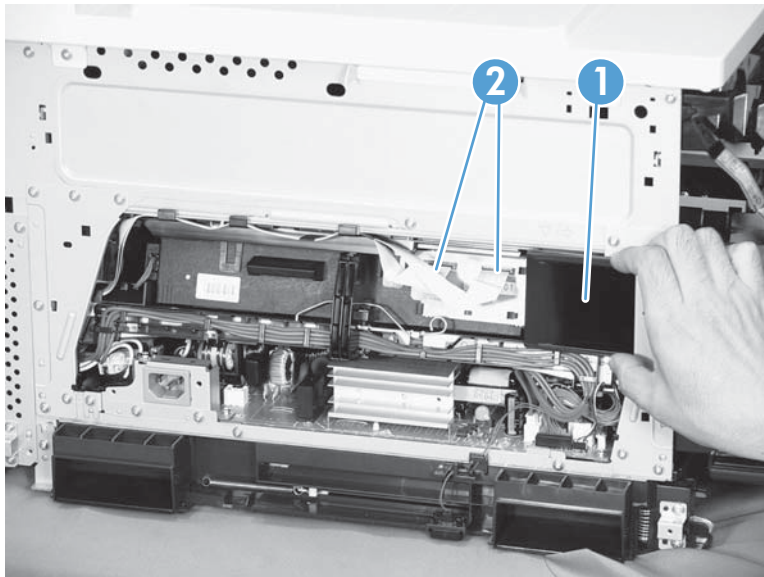
Before proceeding, remove the following assemblies:

- Left cover. See [Left cover on page 57](#).

### Remove the laser/scanner assembly

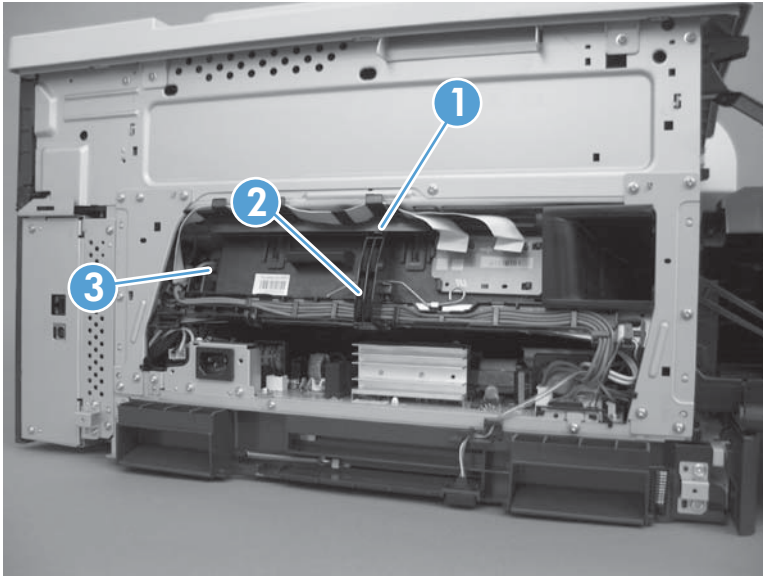
1. Remove Tray 2 (if installed) and open the front door.
2. On the left side of the product, pinch and remove the fan duct (callout 1), and then disconnect the two FFCs (callout 2).

**Figure 1-188** Remove the laser/scanner (1 of 6)




3. Release one tab (callout 1), remove the stopper (callout 2), and then disconnect one connector (callout 3).

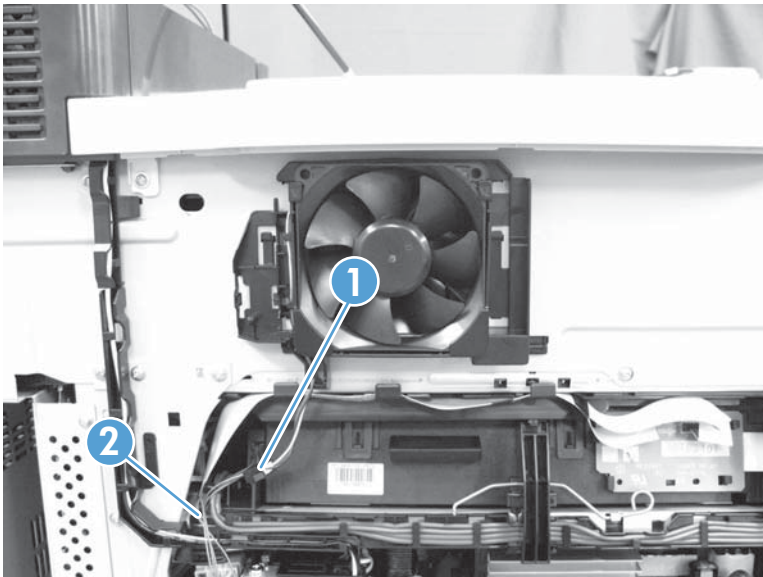
**Figure 1-189** Remove the laser/scanner (2 of 6)



4. Disconnect one connector (callout 1), and then release the cartridge fan and environmental sensor wire harness from the cable guide (callout 2).

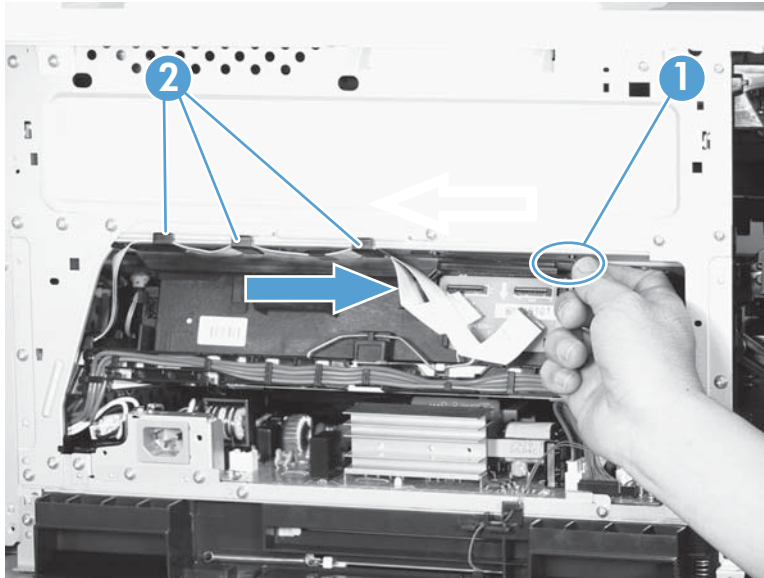
 **Reinstallation tip** Releasing the wire harness from the cable guide makes installing the laser/scanner easier.

**Figure 1-190** Remove the laser/scanner (3 of 6)



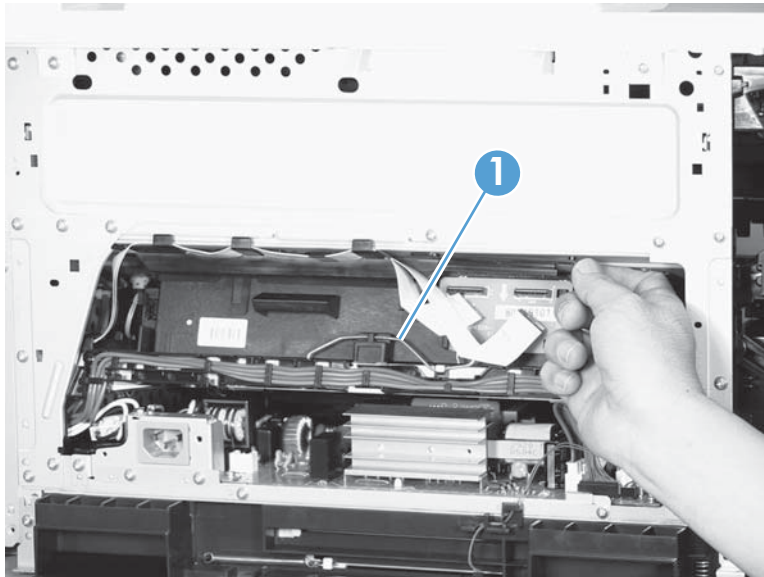
5. Release one tab (callout 1), and then slide the cable guide (callout 2) in the direction that the arrow indicates to remove the guide and the FFCs.

**Figure 1-191** Remove the laser/scanner (4 of 6)



6. Remove one spring (callout 1).

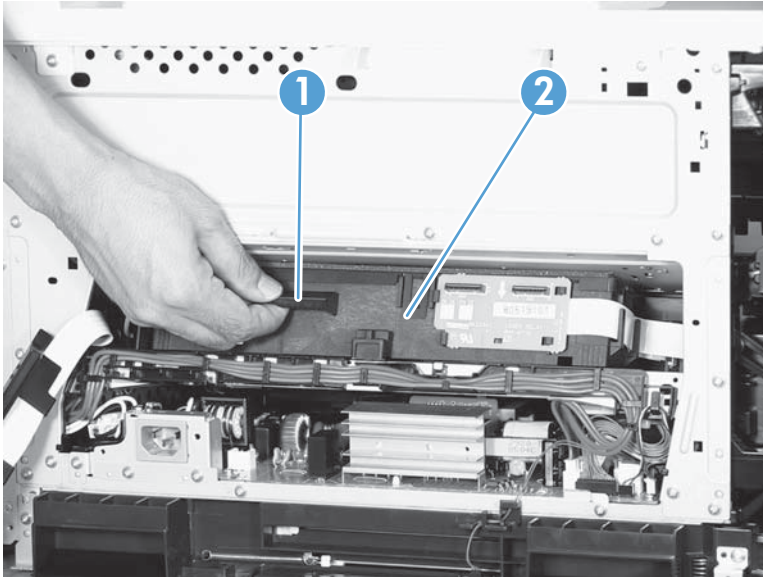
**Figure 1-192** Remove the laser/scanner (5 of 6)



7. While holding up the handle (callout 1), pull the laser/scanner (callout 2) up slightly and then out of the product.

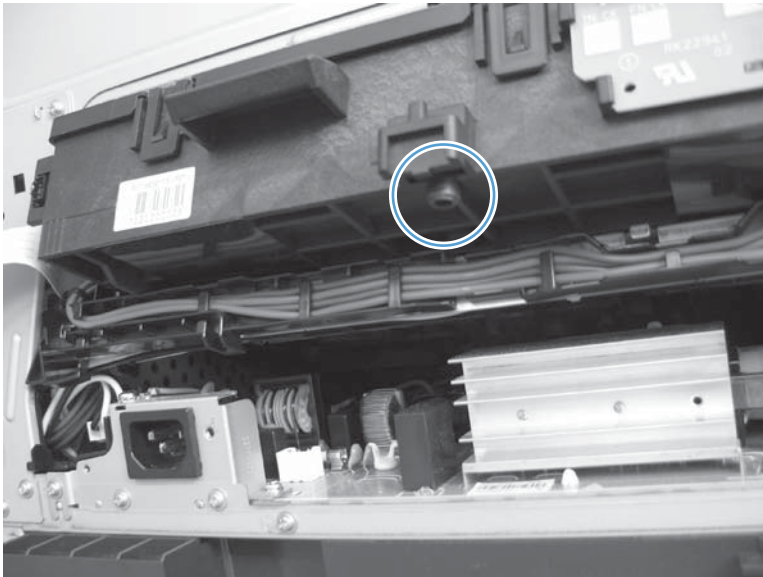
**CAUTION:** Do not touch the protective glass strip on top of the assembly.

**Figure 1-193** Remove the laser/scanner (6 of 6)



**Reinstallation tip** Align the assembly with the guides on the left side of the opening when reinstalling the assembly.

Align the pin on the bottom of the assembly with the hole in the product when reinstalling the assembly. After pushing the assembly into the product, you might have to pull the assembly slightly forward to seat the pin in the hole.



## Cartridge fan FM4

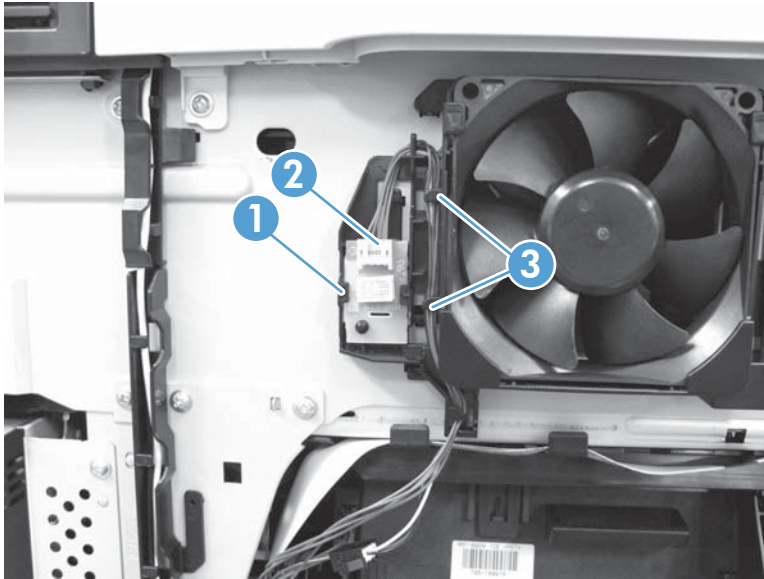
Before proceeding, remove the following assemblies:

- Remove the left cover. See [Left cover on page 57](#).

### Remove the cartridge fan FM4

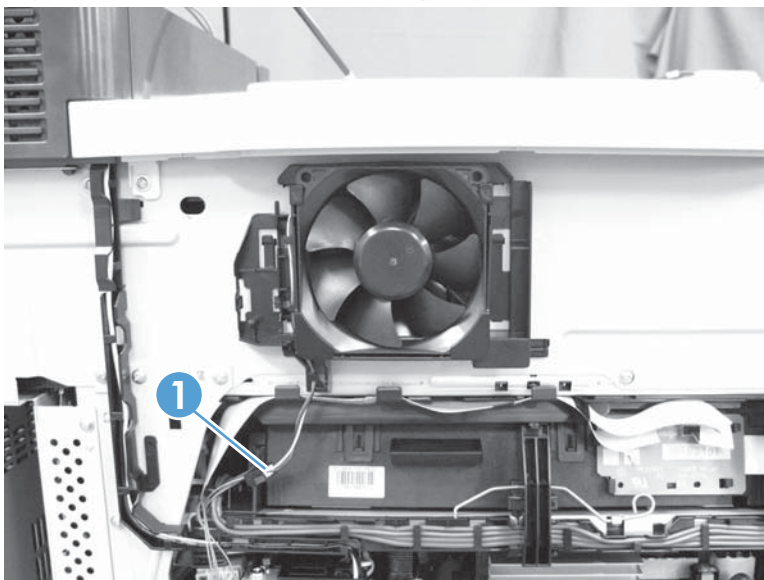
1. Release one tab (callout 1), separate the environmental sensor (callout 2) from the fan assembly, and then release the wire harness from the retainer (callout 3) to remove it.

**Figure 1-194** Remove the cartridge fan FM4 (1 of 3)



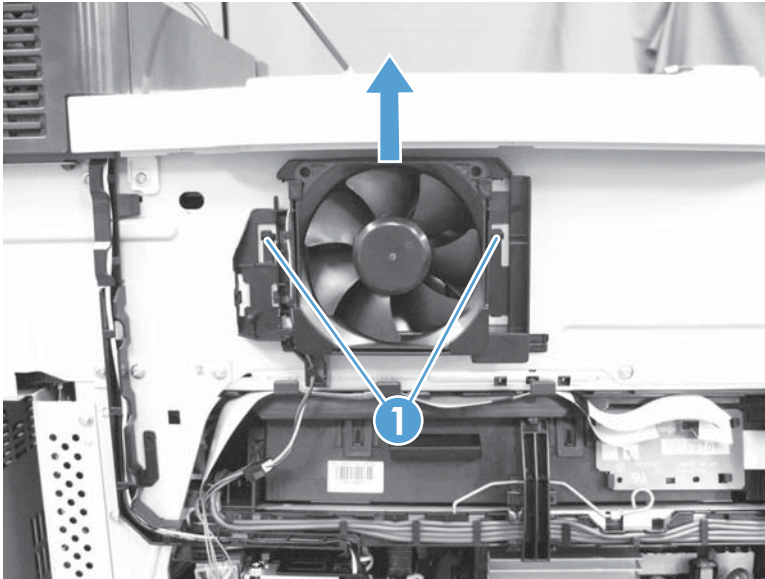
2. Disconnect one connector (callout 1).

**Figure 1-195** Remove the cartridge fan FM4 (2 of 3)



3. Release two tabs (callout 1), and then pull up on the assembly to remove it.

**Figure 1-196** Remove the cartridge fan FM4 (3 of 3)






## Fuser fan FM2

### Before proceeding, remove the following assemblies:

- Control-panel assembly. See [Control-panel assembly on page 5](#).
- Right upper cover. See [Right upper cover on page 67](#).
- Scanner rear and FFC bezel cover. See [Scanner rear and FFC bezel cover on page 68](#).
- Optional: Document feeder. See [Document feeder on page 71](#).

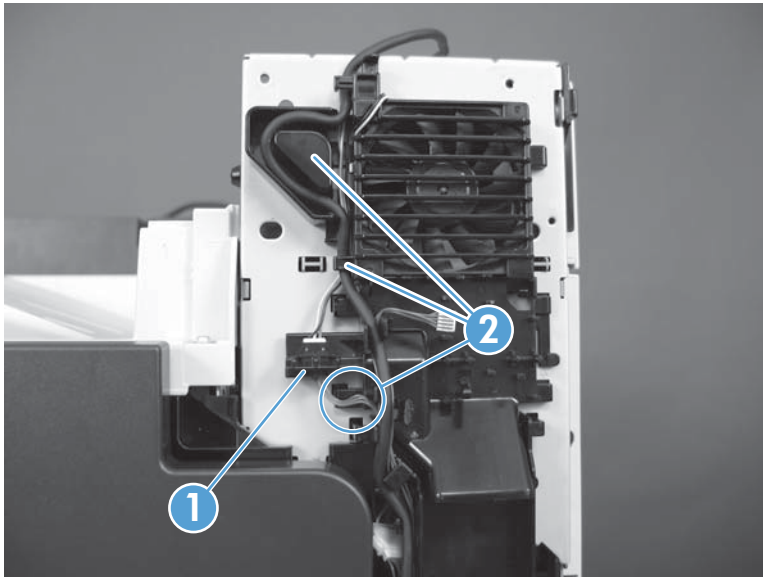
 **NOTE:** HP recommends removing the document feeder to decrease the weight of the scanner assembly when it is lifted off of the product.

- Scanner assembly. See [Scanner assembly on page 74](#).
- Front upper cover. See [Front upper cover on page 83](#).
- Front right cover. See [Front right cover on page 86](#).
- Power switch PCA. See [Power switch on page 155](#).

### Remove the fuser fan FM2

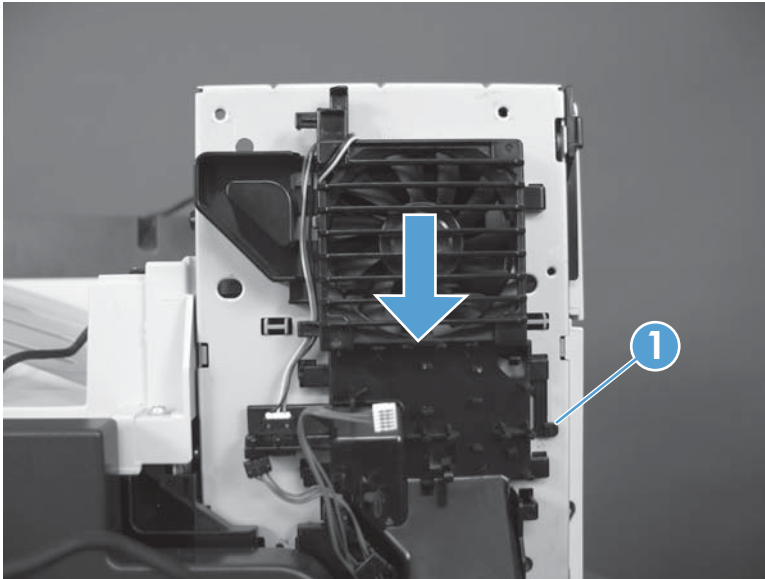
1. Disconnect one connector (callout 1), and then release the wire harness and black cable from the retainer (callout 2).

**Figure 1-197** Remove the fuser fan FM2 (1 of 2)



2. Release one tab (callout 1), and then pull down on the fan assembly to remove it.

**Figure 1-198** Remove the fuser fan FM2 (2 of 2)



## Formatter fan FM3

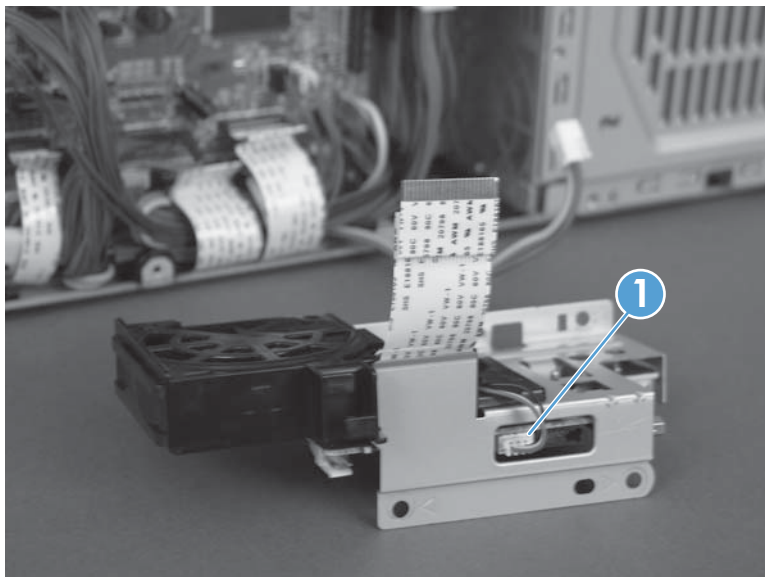
Before proceeding, remove the following assemblies:

- Formatter PCA. See [Formatter PCA on page 10](#).
- Rear cover. See [Rear cover on page 58](#).
- Right rear cover. See [Right rear cover on page 59](#).
- Interconnect PCA. See [Interconnect PCA on page 171](#).

### Remove the formatter fan FM3

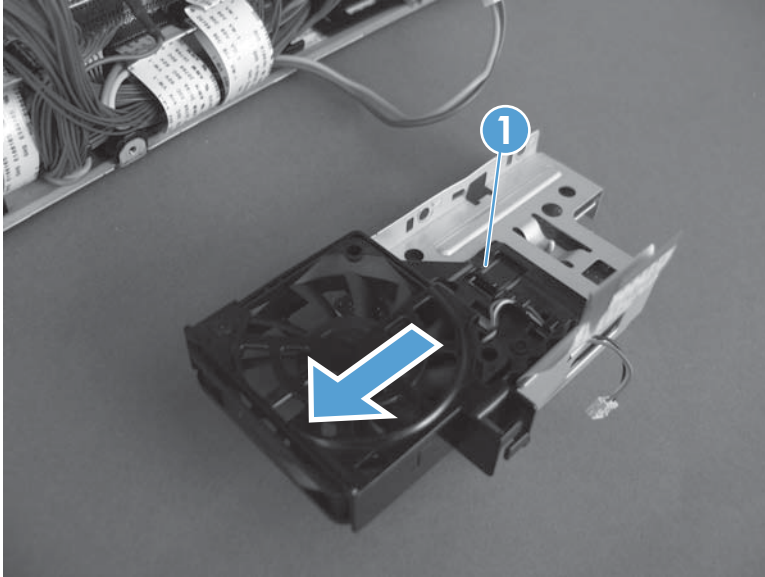
1. Disconnect one connector (callout 1).

**Figure 1-199** Remove the formatter fan FM3 (1 of 2)



2. Release one tab (callout 1), and then pull down on the fan to remove it.

**Figure 1-200** Remove the formatter fan FM3 (2 of 2)



## ITB motor M1

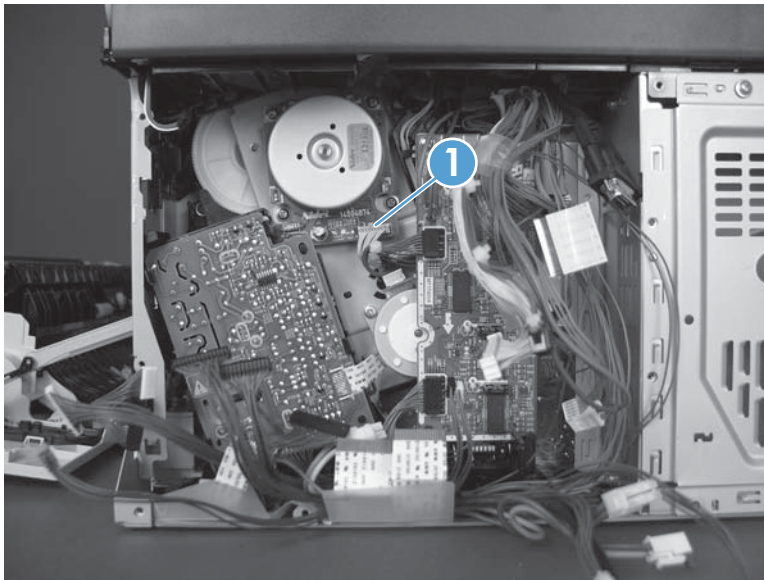
Before proceeding, remove the following assemblies:

- Formatter PCA. See [Formatter PCA on page 10](#).
- Rear cover. See [Rear cover on page 58](#).
- Right rear cover. See [Right rear cover on page 59](#).
- Interconnect PCA. See [Interconnect PCA on page 171](#).
- DC controller PCA and sheet-metal bracket. See [DC controller PCA on page 174](#).

### Remove the ITB motor M1

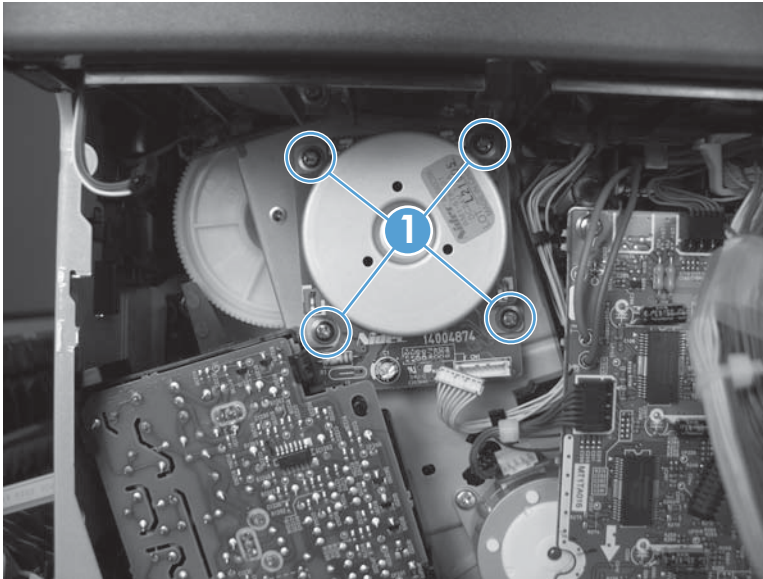
1. Disconnect one connector (callout 1).

**Figure 1-201** Remove the ITB motor M1 (1 of 2)



2. Remove four screws (callout 1), and then remove the motor.

**Figure 1-202** Remove the ITB motor M1 (2 of 2)



## Drum motor M2

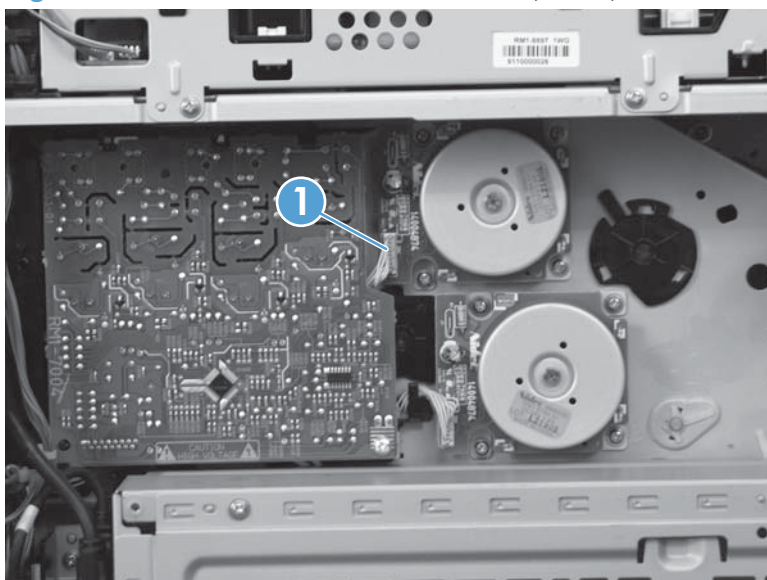
Before proceeding, remove the following assemblies:

- Rear cover. See [Rear cover on page 58](#).
- Right rear cover. See [Right rear cover on page 59](#).
- Toner access door. See [Toner collection unit \(TCU\) access door on page 60](#).
- Toner cover. See the first, second, and third steps of [Residual toner full sensor on page 122](#)

### Remove the drum motor M2

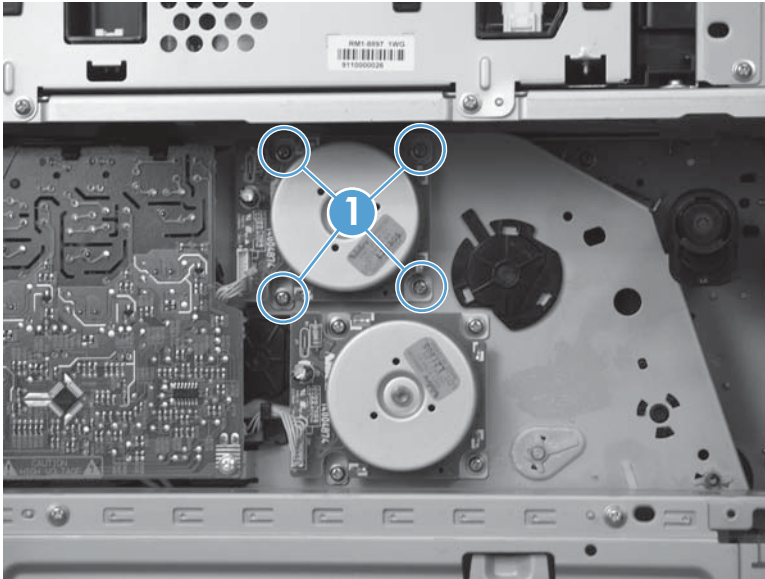
1. Disconnect one connector (callout 1).

**Figure 1-203** Remove the drum motor M2 (1 of 2)



2. Remove four screws (callout 1), and then remove the motor.

**Figure 1-204** Remove the drum motor M2 (2 of 2)





## Developing motor M3

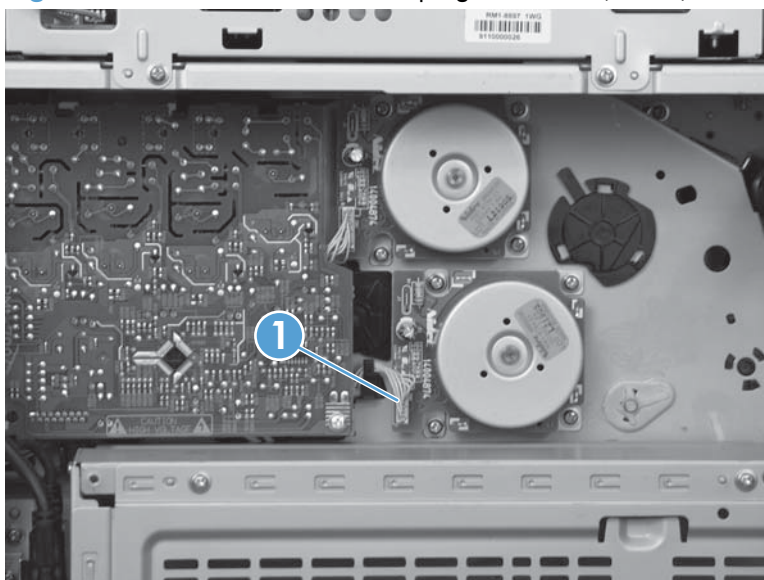
Before proceeding, remove the following assemblies:

- Rear cover. See [Rear cover on page 58](#).
- Right rear cover. See [Right rear cover on page 59](#).
- Toner access door. See [Toner collection unit \(TCU\) access door on page 60](#).
- Toner cover. See the first, second, and third steps of [Residual toner full sensor on page 122](#)

### Remove the developing motor M3

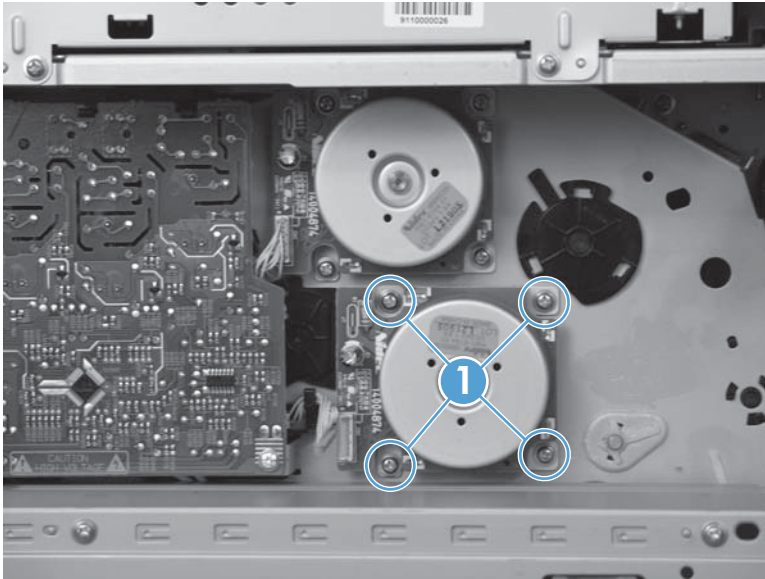
1. Disconnect one connector (callout 1).

**Figure 1-205** Remove the developing motor M3 (1 of 2)



2. Remove four screws (callout 1), and then remove the motor.

**Figure 1-206** Remove the developing motor M3 (2 of 2)



## Fuser motor M4

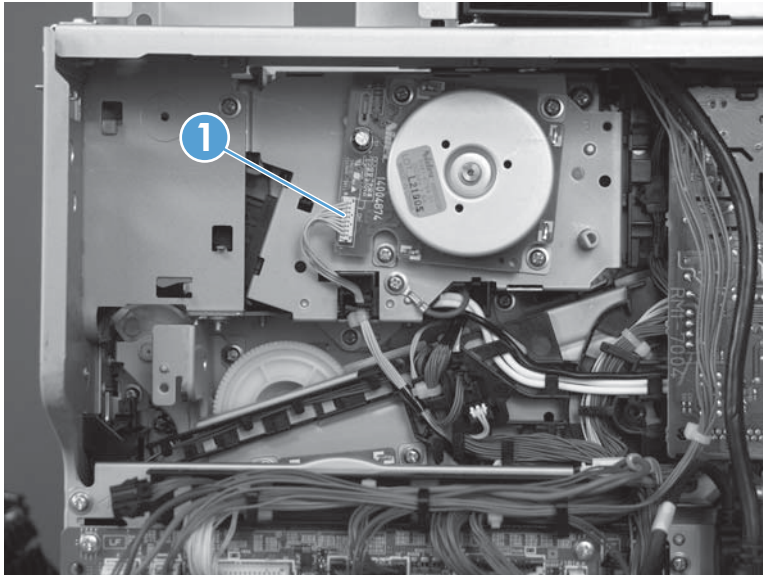
Before proceeding, remove the following assemblies:

- Rear cover. See [Rear cover on page 58](#).
- Right rear cover. See [Right rear cover on page 59](#).
- Toner access door. See [Toner collection unit \(TCU\) access door on page 60](#).
- Residual toner full sensor. See [Residual toner full sensor on page 122](#)

### Remove the fuser motor M4

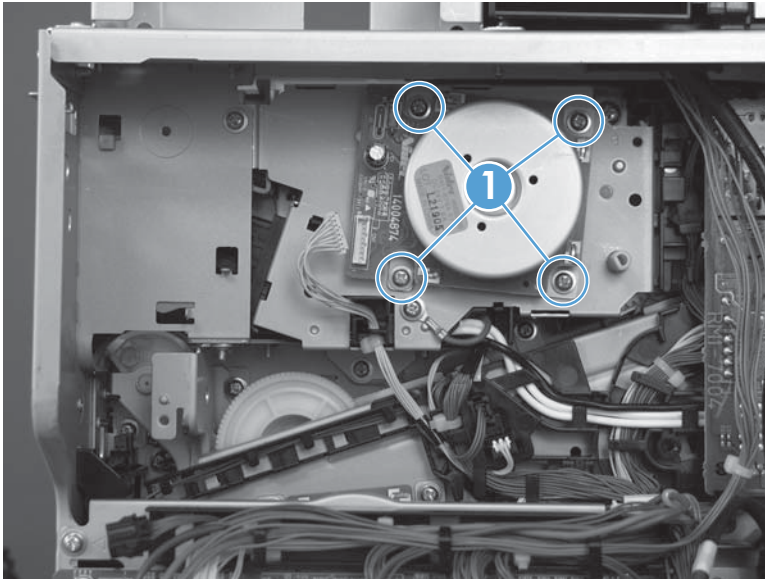
1. Disconnect one connector (callout 1).

**Figure 1-207** Remove the fuser motor M4 (1 of 2)



2. Remove four screws (callout 1), and then remove the motor.

**Figure 1-208** Remove the fuser motor M4 (1 of 2)



## Developing disengagement motor M6

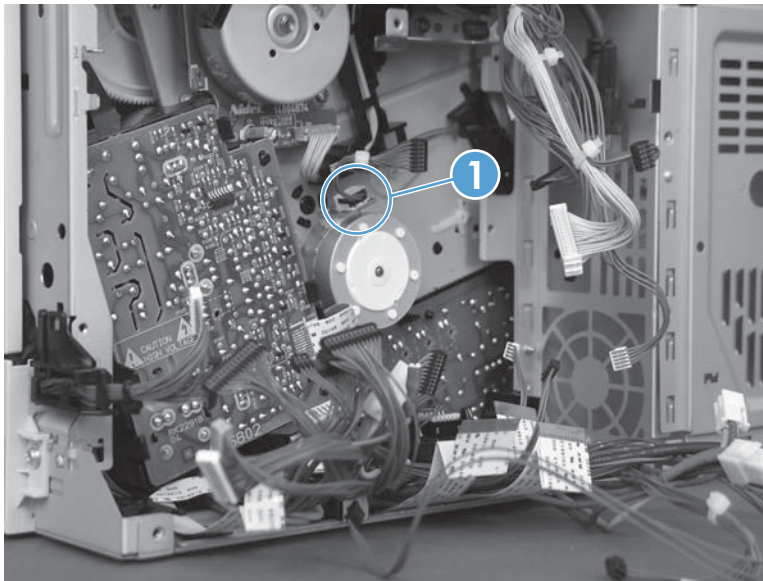
Before proceeding, remove the following assemblies:

- Formatter PCA. See [Formatter PCA on page 10](#).
- Rear cover. See [Rear cover on page 58](#).
- Right rear cover. See [Right rear cover on page 59](#).
- Interconnect PCA. See [Interconnect PCA on page 171](#).
- DC controller PCA and sheet-metal bracket. See [DC controller PCA on page 174](#).
- Driver PCA. See [Driver PCA on page 184](#).

### Remove the developing disengagement motor M6

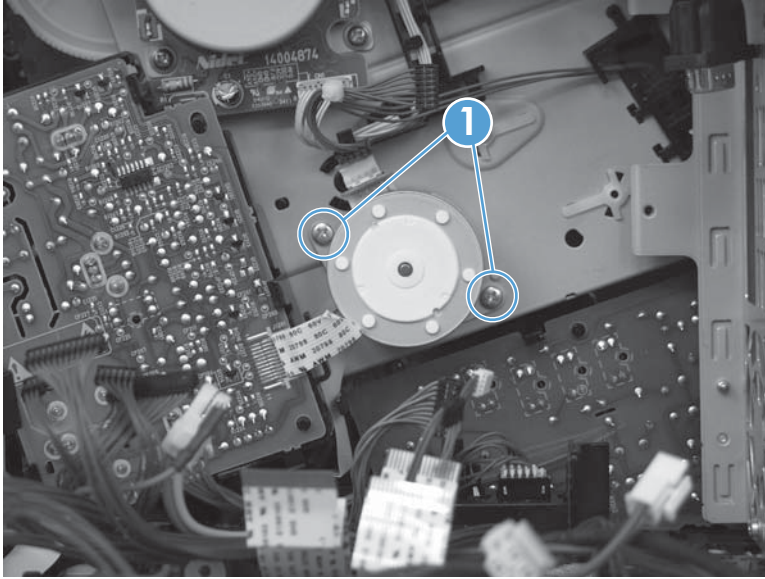
1. Disconnect one connector (callout 1).

**Figure 1-209** Remove the developing disengagement motor M6 (1 of 2)




2. Remove two screws (callout 1), and then remove the motor.

**Figure 1-210** Remove the developing disengagement motor M6 (2 of 2)




## Power-supply fan FM1

 **TIP:** If Tray 2 has not already been removed in order to service the product, remove it now.

### Before proceeding, remove the following assemblies:

- Control-panel assembly. See [Control-panel assembly on page 5](#).
- Left cover. See [Left cover on page 57](#).
- Rear upper cover. See [Rear upper cover on page 66](#).
- Optional: Document feeder. See [Document feeder on page 71](#).

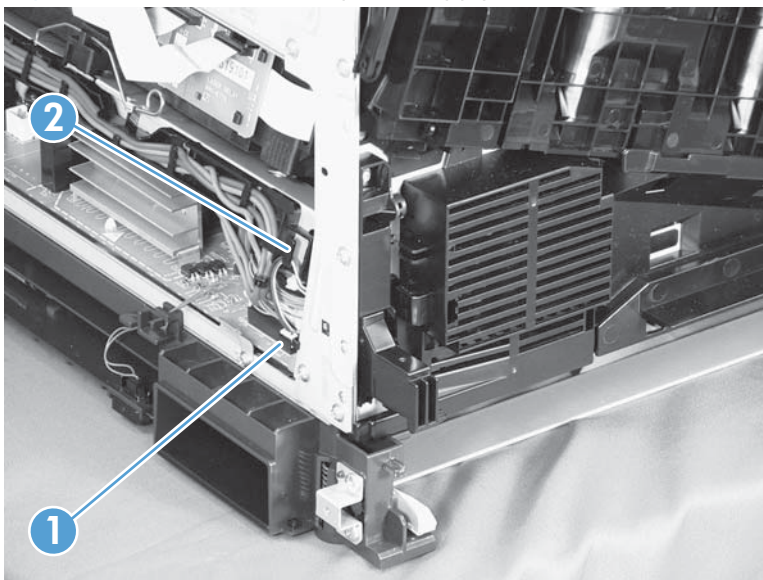
 **NOTE:** HP recommends removing the document feeder to decrease the weight of the scanner assembly when it is lifted off of the product.

- Scanner assembly. See [Scanner assembly on page 74](#).
- For a stapler/stacker model:
  - Stapler/stacker assembly. See [Stapler/stacker assembly on page 78](#).
- Front upper cover. See [Front upper cover on page 83](#).
- Front right cover. See [Front right cover on page 86](#).
- Front door. See [Front door assembly on page 88](#).

## Remove the power-supply fan FM1

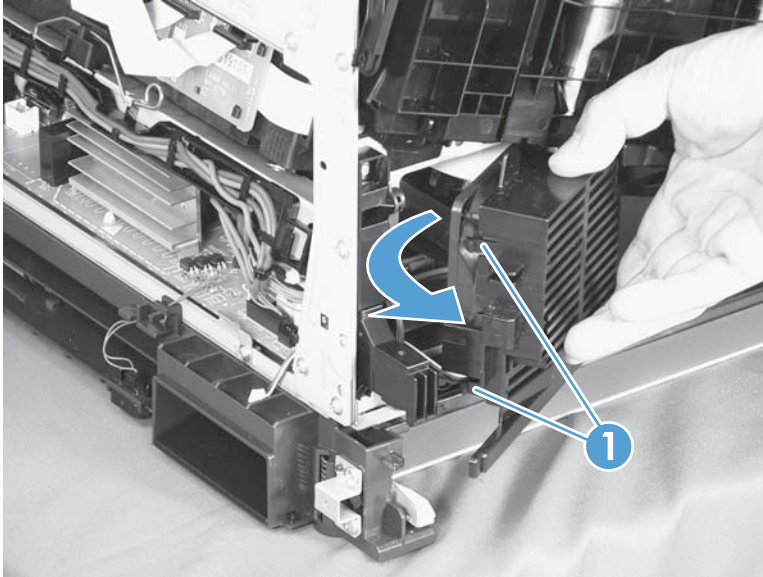
1. Disconnect one connector (callout 1), and then release the wire harness from the retainer (callout 2).

**Figure 1-211** Remove the power-supply fan FM1 (1 of 3)



2. Release two tabs (callout 1), and then remove the fan assembly.

**Figure 1-212** Remove the power-supply fan FM1 (2 of 3)

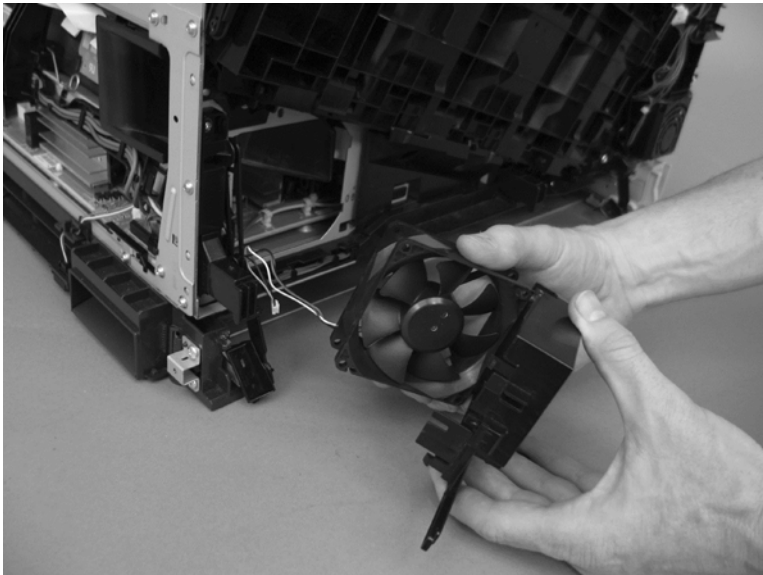


3. Pull on the sides of the fan holder to remove the fan.

**TIP:** Take note of the position of the fan. It must be installed correctly to move air into the product to cool the power supply.

Make sure that you position the bottom-right corner inside the sheet metal when the assembly is reinstalled.

**Figure 1-213** Remove the power-supply fan FM1 (3 of 3)






## Power switch

 **CAUTION:**  ESD sensitive assembly.

### Before proceeding, remove the following assemblies:

- Control-panel assembly. See [Control-panel assembly on page 5](#).
- Optional: Document feeder. See [Document feeder on page 71](#).

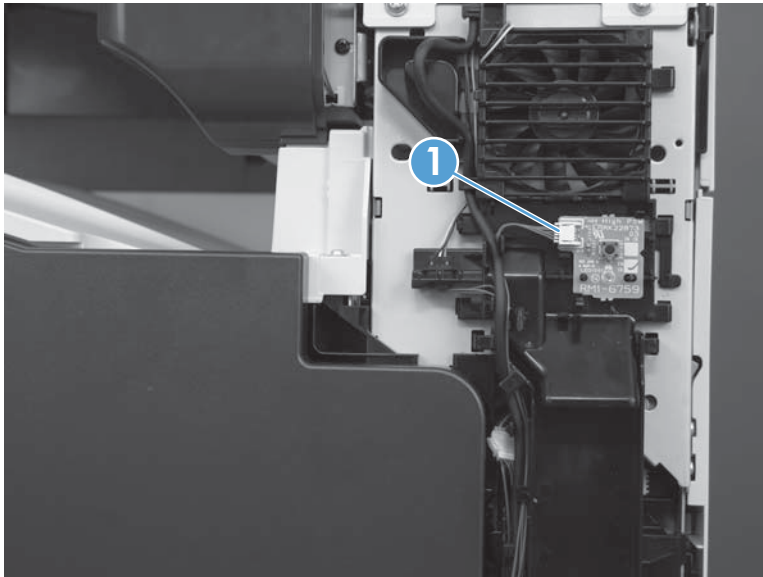
 **NOTE:** HP recommends removing the document feeder to decrease the weight of the scanner assembly when it is lifted off of the product.

- Scanner assembly. See [Scanner assembly on page 74](#).
- Front upper cover. See [Front upper cover on page 83](#).
- Front right cover. See [Front right cover on page 86](#).

## Remove the power switch

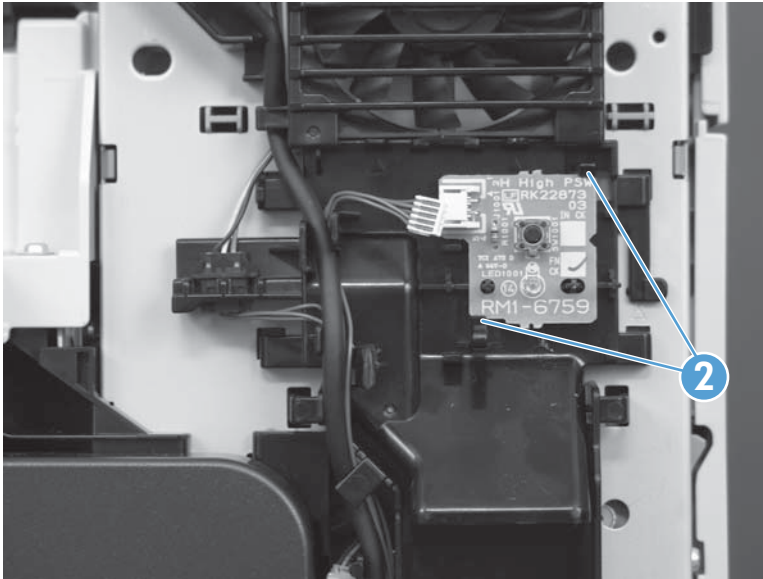
1. Disconnect one connector (callout 1).

**Figure 1-214** Remove the power switch (1 of 2)




2. Release two tabs, and then remove the switch.

**Figure 1-215** Remove the power switch (2 of 2)

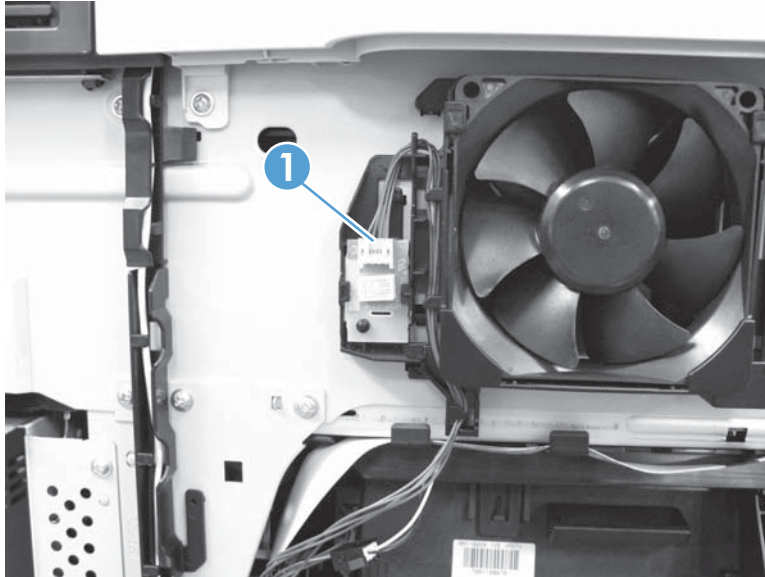


## Environment sensor

1. Remove the left cover. See [Left cover on page 57](#).
2. Disconnect one connector (callout 1).

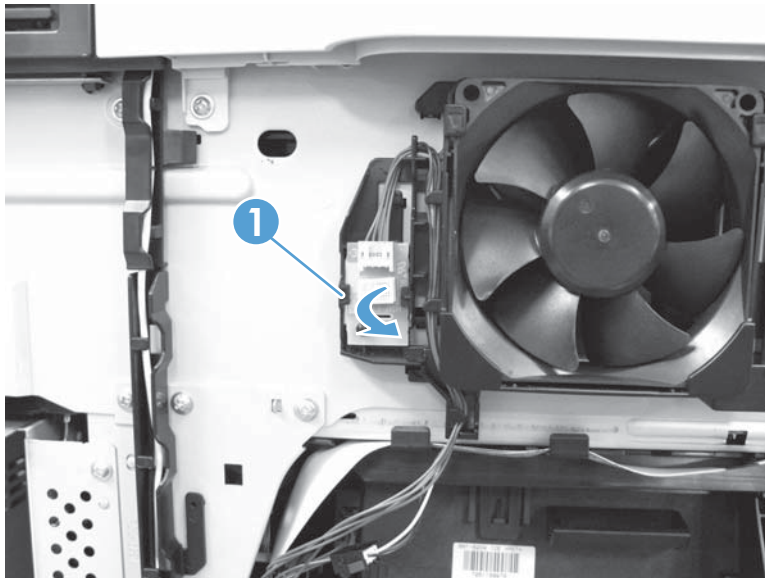
 **TIP:** Release the wire harness from the retainer to easily disconnect the connector.

**Figure 1-216** Remove the environment sensor (1 of 2)



3. Release one tab (callout 1), and then remove the environmental sensor.

**Figure 1-217** Remove the environment sensor (2 of 2)



## Scan control board (SCB)

**⚠ CAUTION:**  ESD sensitive assembly.

Do not replace the SCB and the image scanner memory board at the same time. If you must replace both assemblies, see [Installing a replacement SCB and image scanner memory board on page 160](#).

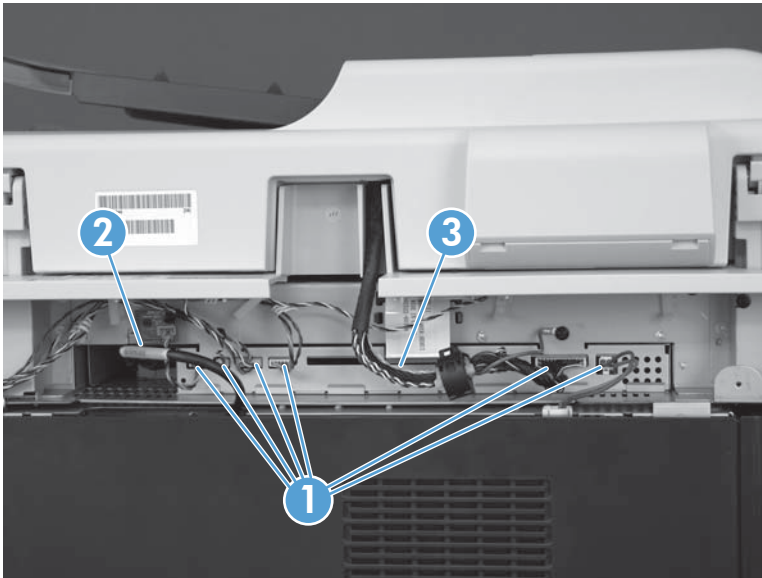
- Scanner rear cover. [Scanner rear and FFC bezel cover on page 68](#).

### Remove the scan control board (SCB)

1. Disconnect six connectors (callout 1), one serial cable (callout 2), and one FFC (callout 3).

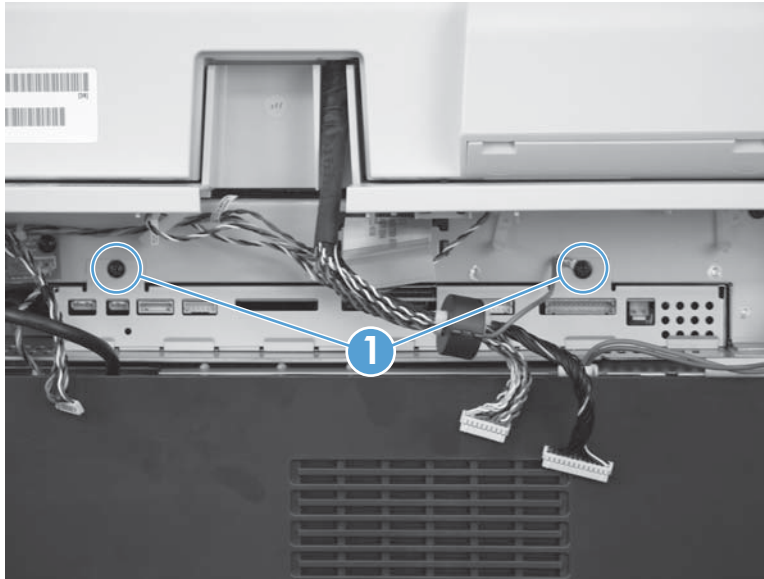
**💡 Reinstallation tip** Use the top most connector position when reinstalling the FFC to the SCB.

**Figure 1-218** Remove the SCB (1 of 3)



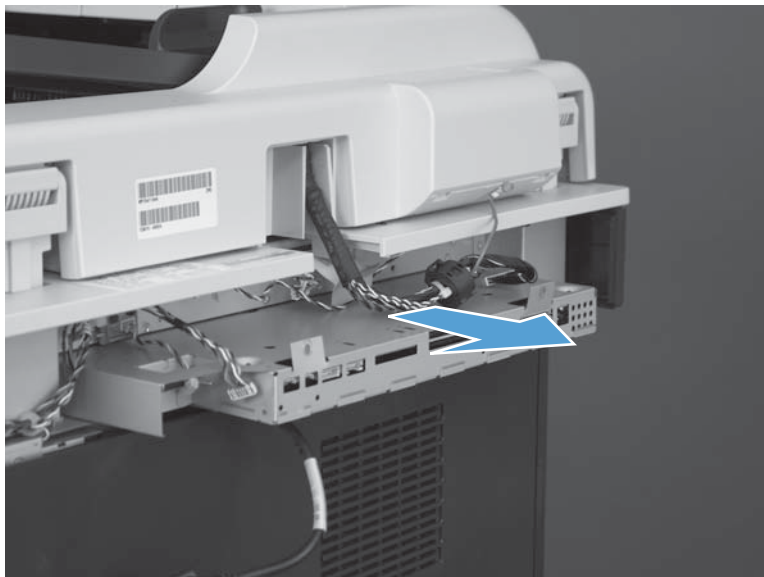
2. Remove two screws (callout 1).

**Figure 1-219** Remove the SCB (2 of 3)



3. Slide the SCB straight out of the product to remove it.

**Figure 1-220** Remove the SCB (3 of 3)



## Reinstall the SCB

Do not forget to attach the ground wire (callout 1) when you reinstall the SCB mounting screws.

**Figure 1-221** Reinstall the SCB



## Installing a replacement SCB and image scanner memory board

The image scanner memory board contains the primary copy of the scan head calibration values. The SCB contains a backup copy of these values. Replacing both of these assemblies at the same time will cause these values to be lost and the image scanner will not operate.

If both assemblies must be replaced, do the following:

1. Replace either the image scanner memory board or the SCB.
2. Turn the product power on, and wait for the product to reach the [Ready](#) state.
3. Turn the product power off, and then replace the remaining assembly.

## Document feeder open sensor and flag

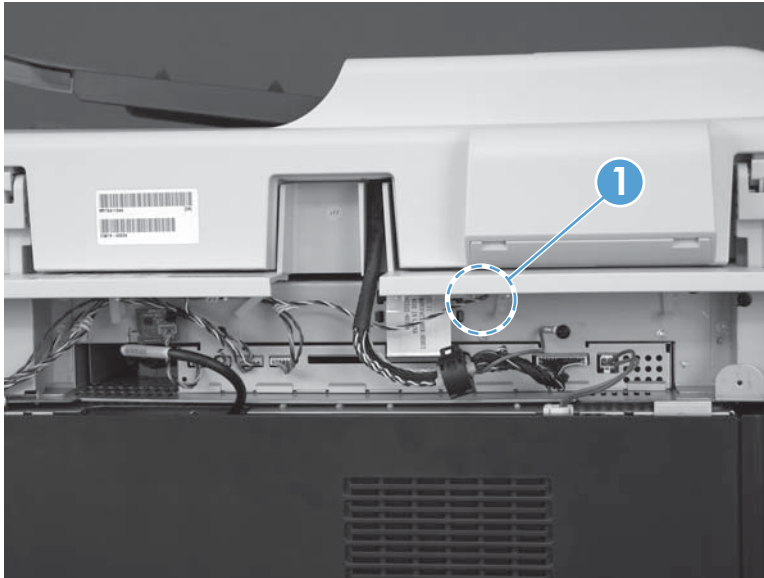
Before proceeding, remove the following assemblies:

- Scanner rear and FFC bezel cover. See [Scanner rear and FFC bezel cover on page 68](#).

### Remove the document open sensor and flag

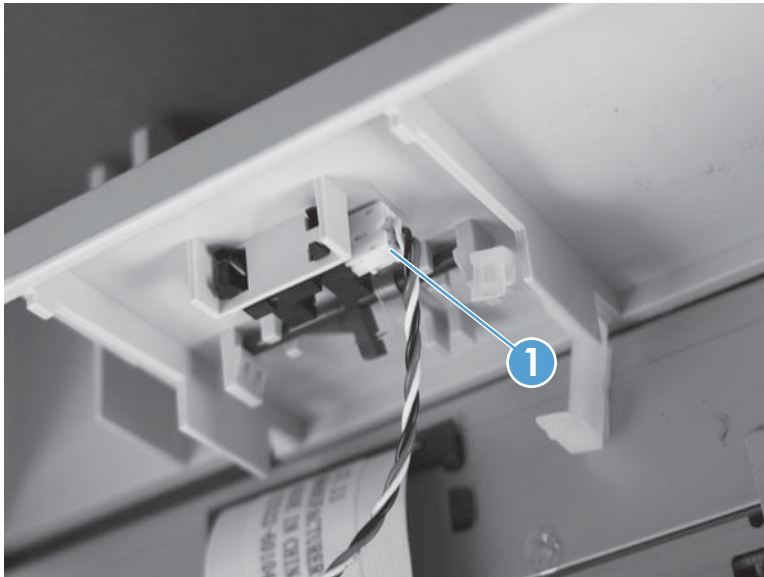
1. Locate the document feeder open sensor (callout 1).

**Figure 1-222** Remove the document feeder open sensor and flag (1 of 4)



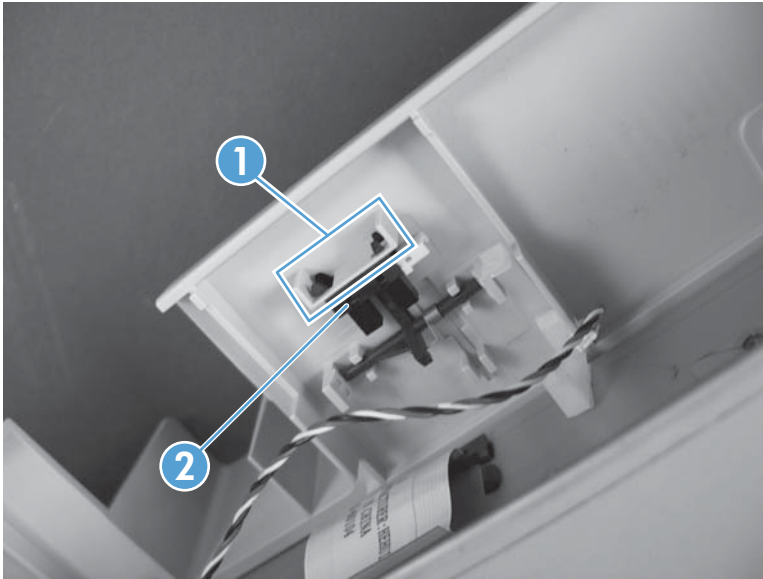
2. Disconnect one connector (callout 1).

**Figure 1-223** Remove the document feeder open sensor and flag (2 of 4)



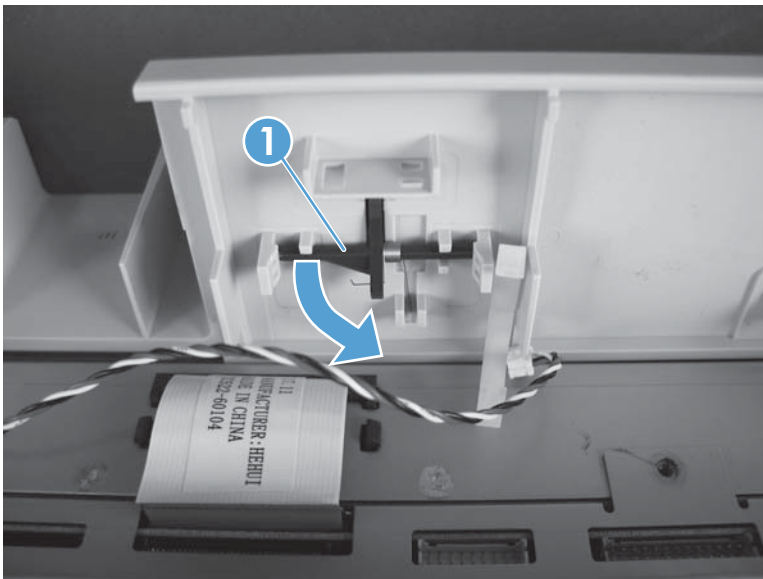
3. Release four tabs (callout 1), and then remove the sensor (callout 2).

**Figure 1-224** Remove the document feeder open sensor and flag (3 of 4)



4. Carefully remove the sensor flag (callout 1).

**Figure 1-225** Remove the document feeder open sensor and flag (4 of 4)

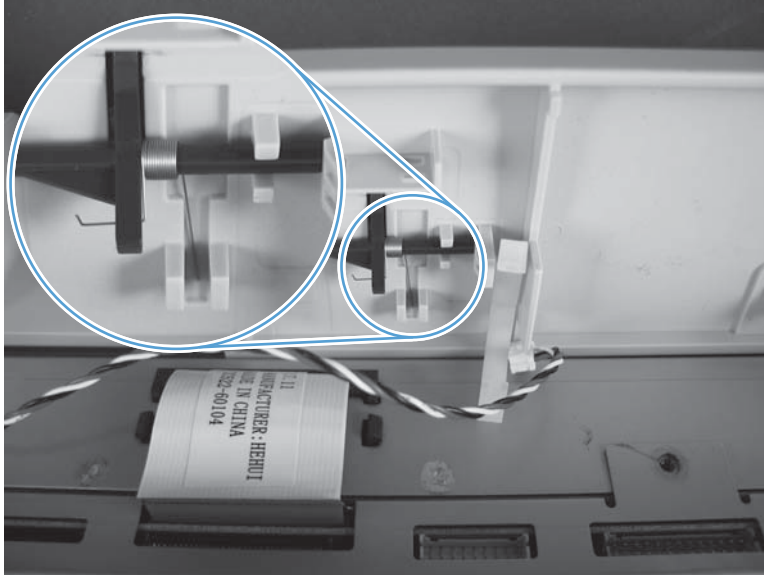




## Reinstall the document feeder open sensor and flag

When the assembly is removed, the spring is loose. When you reinstall the assembly, make sure that the long end of the spring fits in the provided channel and the short end of the spring is behind the flag.

**Figure 1-226** Reinstall the document feeder open sensor and flag



## Image scanner memory board

**⚠ CAUTION:**  ESD sensitive assembly.

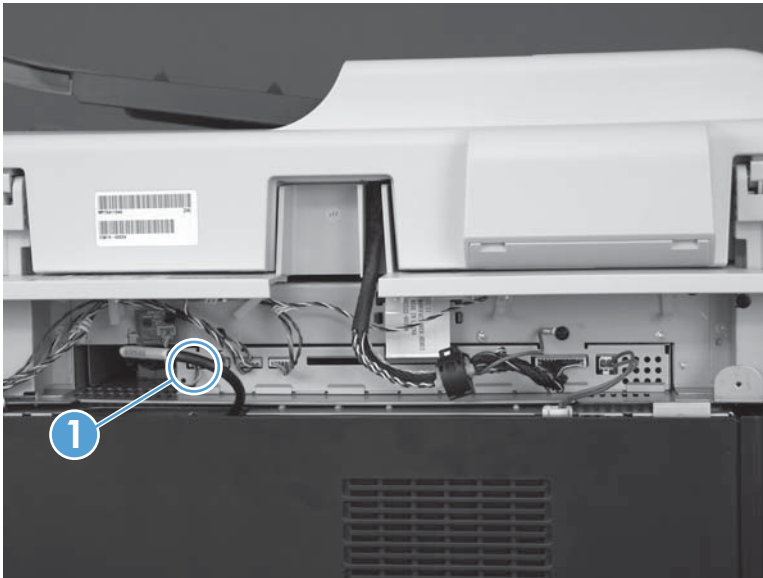
Do not replace the SCB and the image scanner memory board at the same time. If you must replace both assemblies, see [Installing a replacement SCB and image scanner memory board on page 165](#).

- Scanner rear and FFC bezel cover. [Scanner rear and FFC bezel cover on page 68](#).


### Remove the image scanner memory board

1. Disconnect one connector (callout 1).

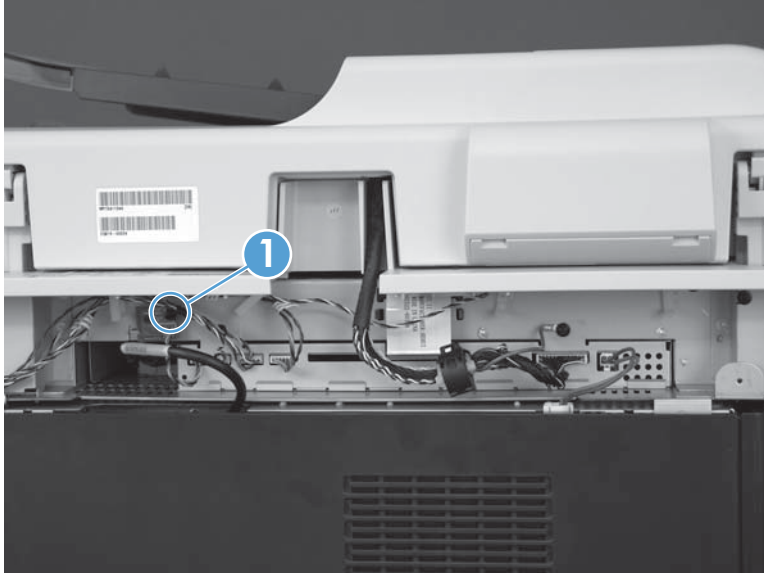
**Figure 1-227** Remove the image scanner memory board (1 of 2)



2. Remove one screw (callout 1), and then carefully remove the image scanner memory board.

 **Reinstallation tip** When the image scanner memory board is reinstalled, make sure that the notch in the board fits over the provided plastic pin.

**Figure 1-228** Remove the image scanner memory board (2 of 2)



## Installing a replacement SCB and image scanner memory board

The image scanner memory board contains the primary copy of the scan head calibration values. The SCB contains a backup copy of these values. Replacing both of these assemblies at the same time will cause these values to be lost and the image scanner will not operate.

If both assemblies must be replaced, do the following:

1. Replace either the image scanner memory board or the SCB.
2. Turn the product power on, and wait for the product to reach the [Ready](#) state.
3. Turn the product power off, and then replace the remaining assembly.

## Fax PCA

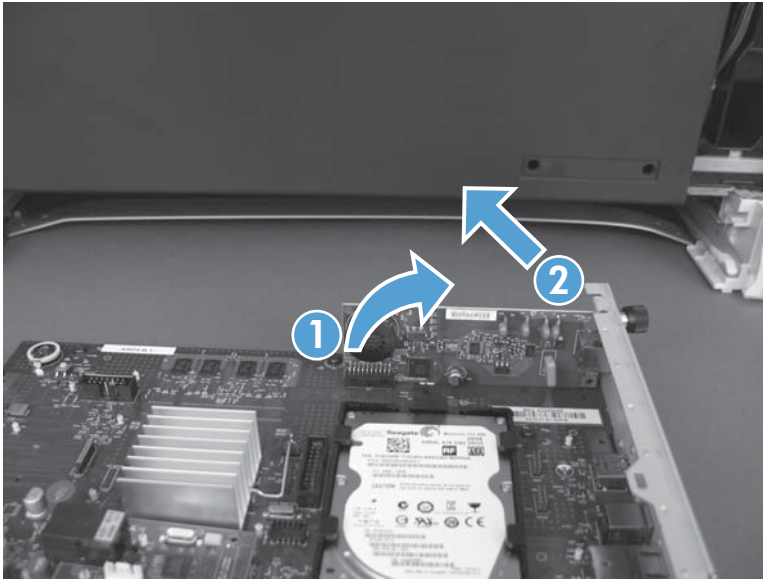
**CAUTION:**  ESD sensitive assembly.

- Formatter PCA. See [Formatter PCA on page 10](#).

## Remove the fax PCA


- ▲ Rotate the connector end of the fax PCA up and away from the formatter to remove it.

**Figure 1-229** Remove the fax PCA

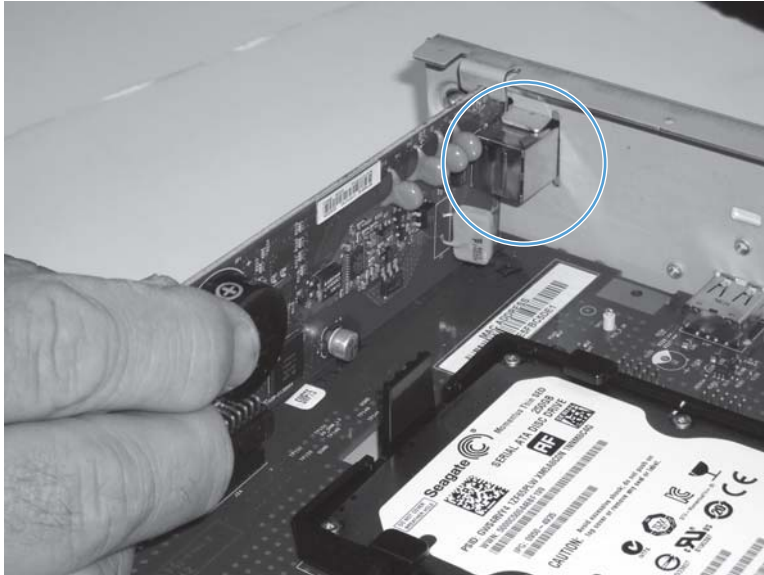


## Reinstall the fax PCA

Carefully align the fax port in the holder on the formatter tray, and then push down on the PCA to seat the connector on the formatter PCA.

 **NOTE:** When the fax PCA is correctly installed, the fax port is firmly held in place by the holder on the formatter tray.

**Figure 1-230** Reinstall the fax PCA



## Image (developing) high-voltage power supply (HVPS)

**CAUTION:**  ESD sensitive assembly.

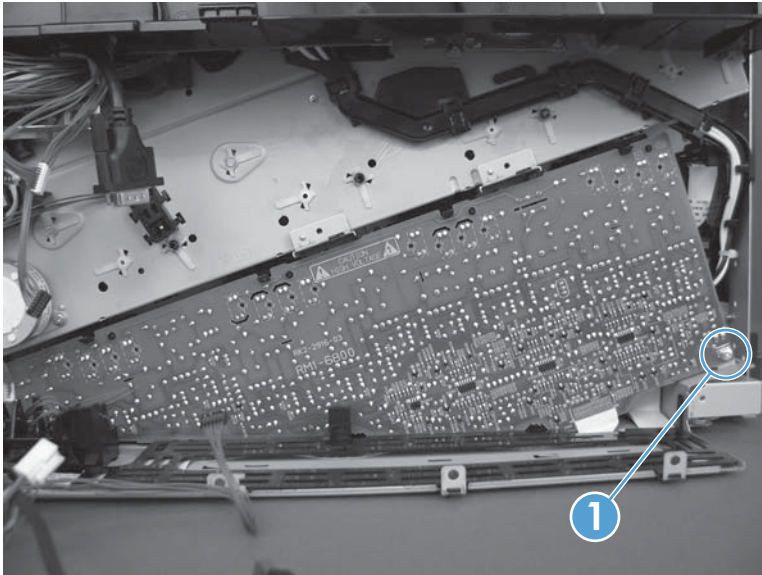
**Before proceeding, remove the following assemblies:**

- Formatter PCA. See [Formatter PCA on page 10](#).
- Rear cover. See [Rear cover on page 58](#).
- Interconnect PCA. See [Interconnect PCA on page 171](#).
- Formatter cage assembly. See [Formatter cage on page 177](#).

### Remove the image (developing) high-voltage power supply

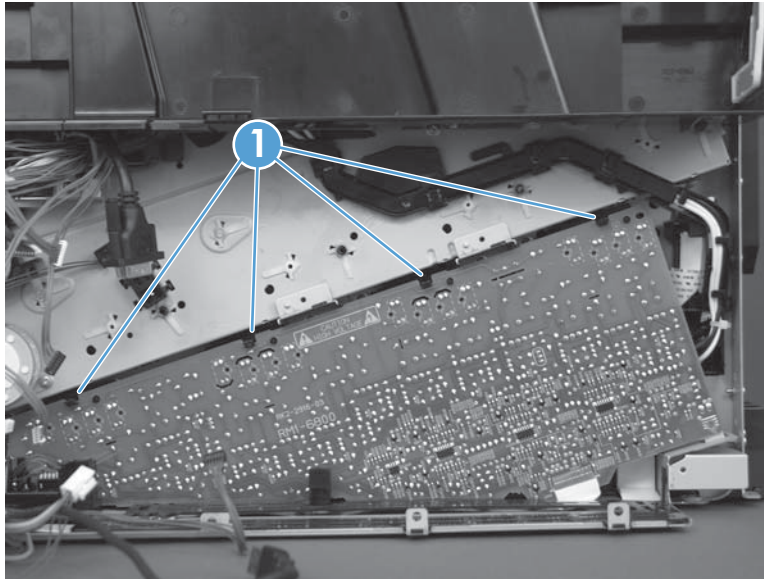
1. Remove one screw (callout 1).

**Figure 1-231** Remove the HVPS (1 of 4)



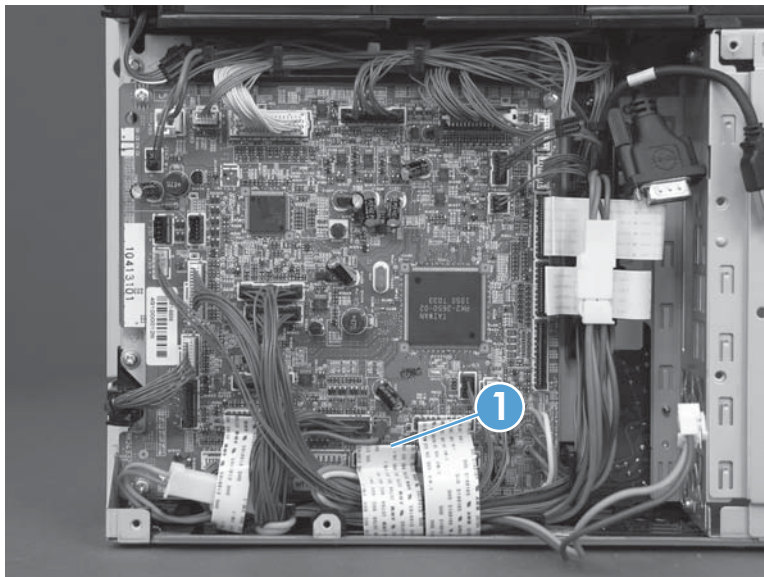
2. Release four tabs (callout 1).

**Figure 1-232** Remove the HVPS (2 of 4)



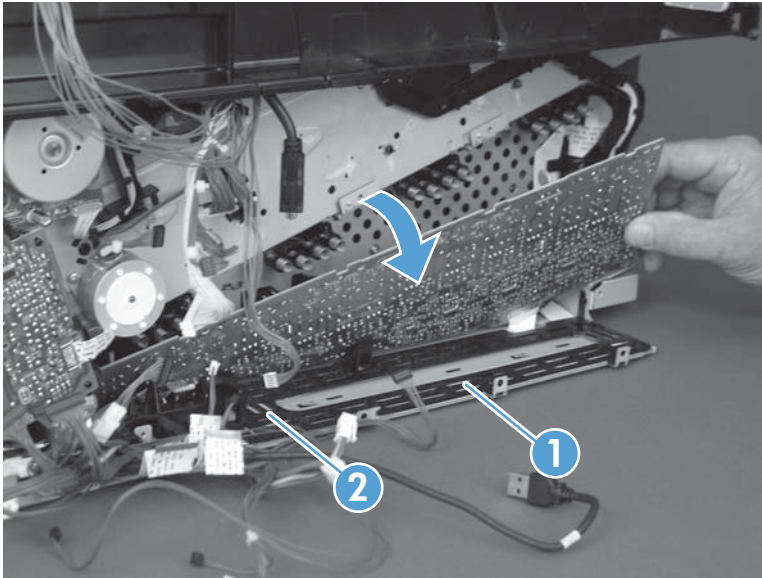
3. Disconnect one FFC (callout 1).

**Figure 1-233** Remove the HVPS (3 of 4)



4. Remove the guide (callout 1), carefully remove the FFC (callout 2), and then rotate the top of the HVPS away from the product to remove it.

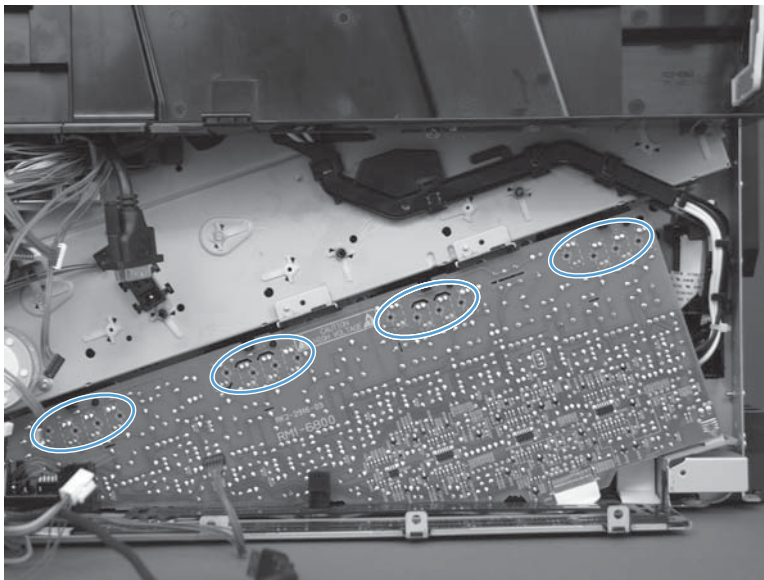
**Figure 1-234** Remove the HVPS (4 of 4)



## Reinstall the image (developing) high-voltage power supply

When you reinstall the power supply PCA, look through the holes on the PCA and make sure that the contact springs are correctly positioned against the back side of the PCA.

**Figure 1-235** Reinstall the HVPS





## Interconnect PCA


 **CAUTION:**  ESD sensitive assembly.

### Before proceeding, remove the following assemblies:

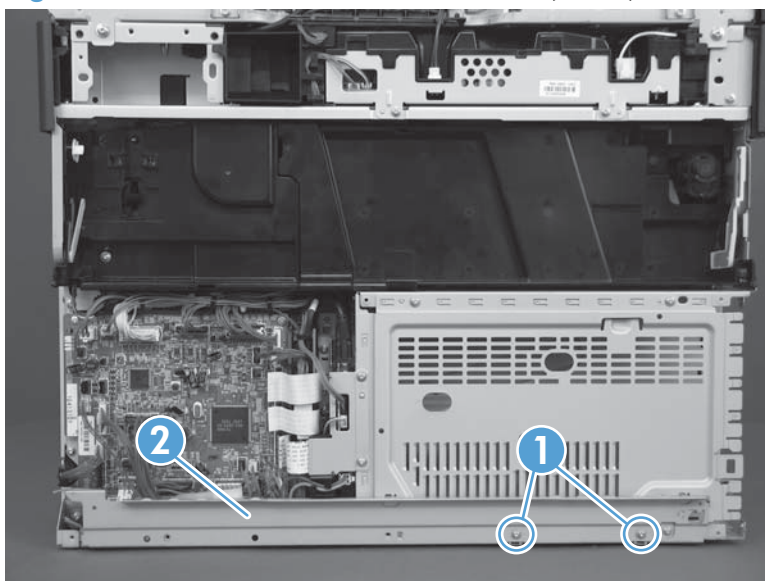
- Formatter PCA. See [Formatter PCA on page 10](#).
- Rear cover. See [Rear cover on page 58](#).
- Right rear cover. See [Right rear cover on page 59](#).

### Remove the interconnect PCA

1. Remove two screws (callout 1), and then remove the sheet-metal plate (callout 2).

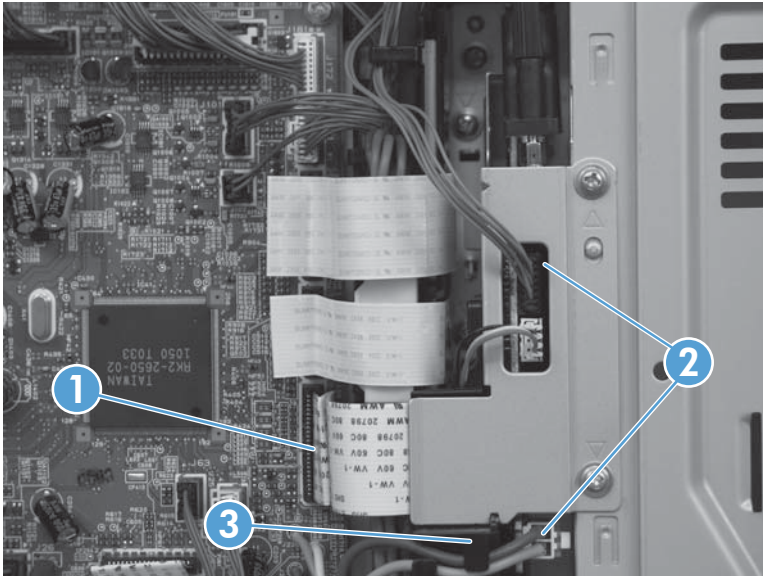
 **NOTE:** The rear upper cover and toner collection unit access door are shown removed in the figure below, but they do not need to be removed to gain access to the interconnect PCA.

**Figure 1-236** Remove the interconnect PCA (1 of 5)



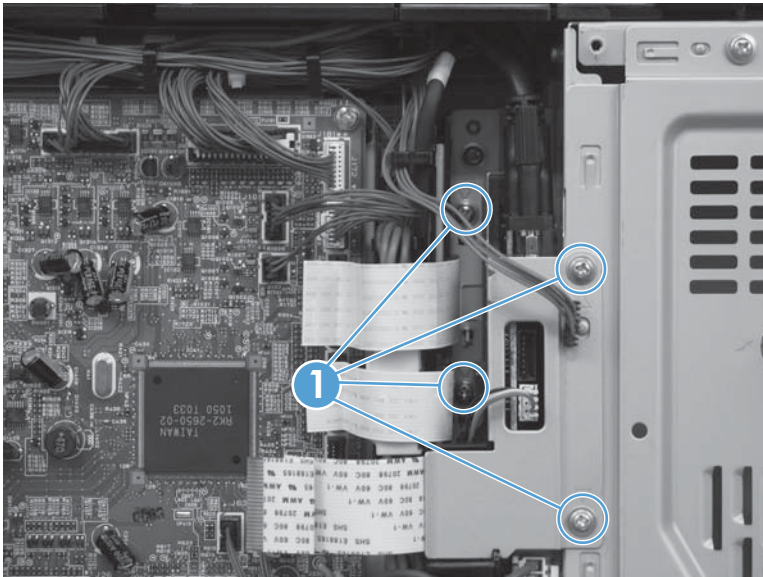
2. Disconnect one FFC (callout 1), two connectors (callout 2), and then release the wire harness from the retainer (callout 3).

**Figure 1-237** Remove the interconnect PCA (2 of 5)



3. Remove four screws (callout 1).

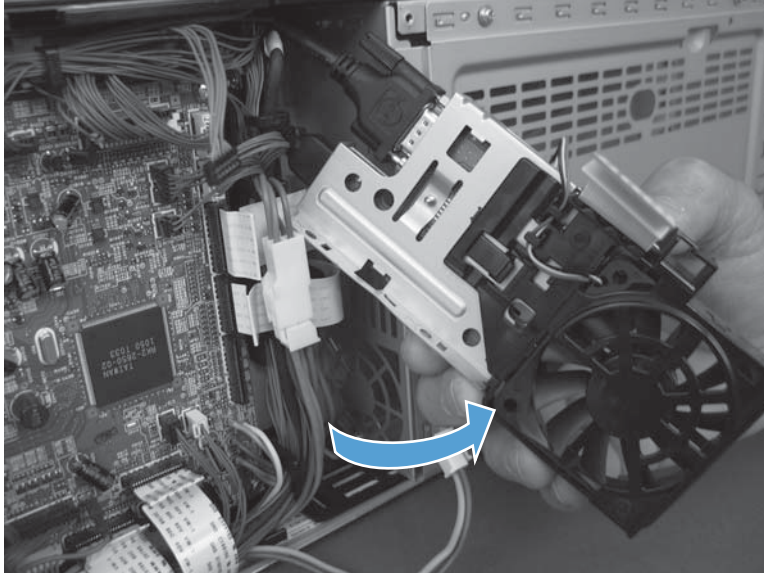
**Figure 1-238** Remove the interconnect PCA (3 of 5)



4. Rotate the bottom of the PCA out and away from the product.

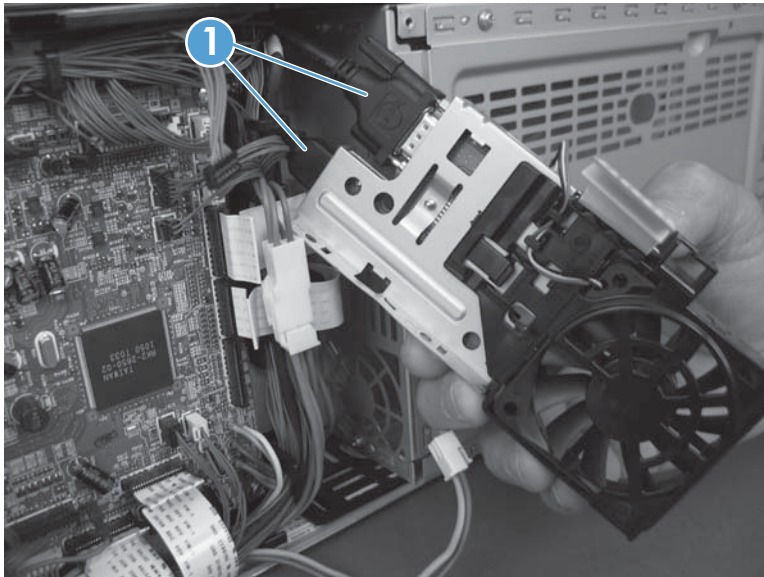
**CAUTION:** The PCA is still attached to the product. Do not attempt to completely remove the PCA.

**Figure 1-239** Remove the interconnect PCA (4 of 5)



5. Disconnect two connectors (callout 1), and then remove the PCA.

**Figure 1-240** Remove the interconnect PCA (5 of 5)



## DC controller PCA


 **CAUTION:**  ESD sensitive assembly.

 **NOTE:** **Remove the DC controller PCA to replace it:** Only remove the PCA (not the sheet-metal bracket behind it).


**Remove the DC controller PCA to gain access to other assemblies:** Remove the PCA and the sheet-metal bracket behind it as one assembly.

### Before proceeding, remove the following assemblies:

- Formatter PCA. See [Formatter PCA on page 10](#).

 **NOTE:** Only remove the formatter if you are removing the both the DC controller PCA and the sheet metal bracket behind it.

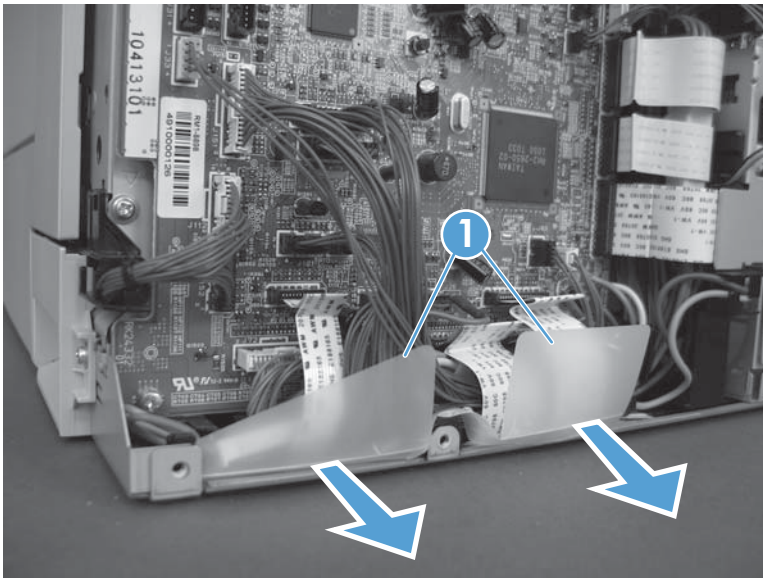
- Rear cover. See [Rear cover on page 58](#).
- Right rear cover. See [Right rear cover on page 59](#).
- Interconnect PCA. See [Interconnect PCA on page 171](#).

 **NOTE:** Only remove the interconnect PCA if you are removing both the DC controller PCA and the sheet metal bracket behind it.

## Remove the DC controller PCA


1. Carefully remove the plastic protective shield (callout 1).

**Figure 1-241** Remove the DC controller PCA (1 of 4)

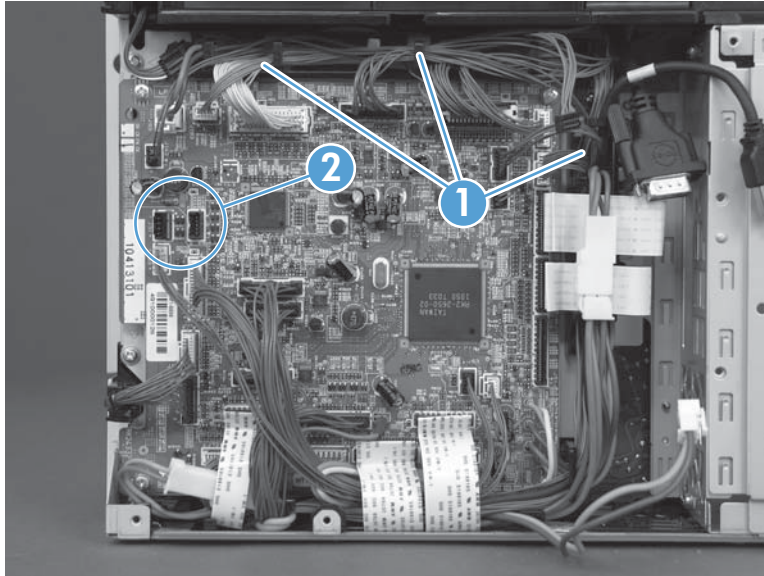


2. Disconnect all of the FFCs and connectors, and then release the wire harness from the retainers (callout 1).

 **NOTE:** There are four intermediate connectors in the wire harnesses.

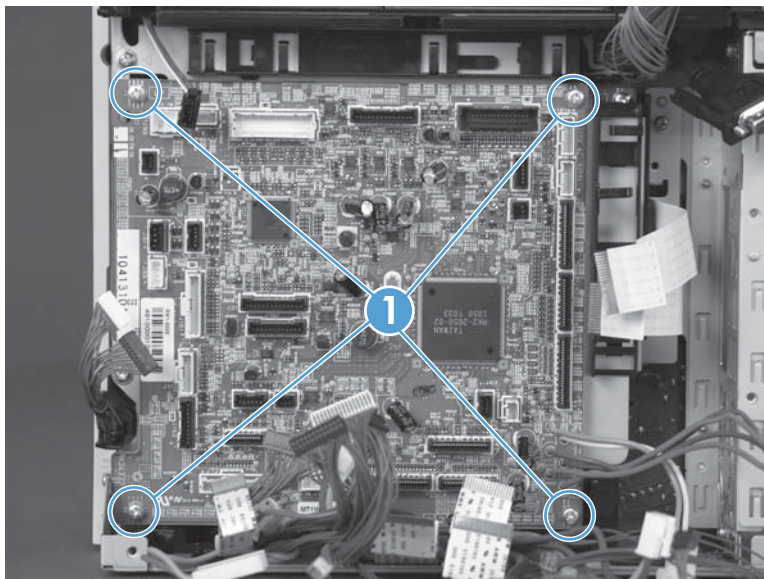
 **Reinstallation tip** Two connectors (callout 2) should be empty when the DC controller PCA is reinstalled.

**Figure 1-242** Remove the DC controller PCA (2 of 4)




3. **To remove the DC controller PCA only:** Remove four screws (callout 1), and then remove the PCA.

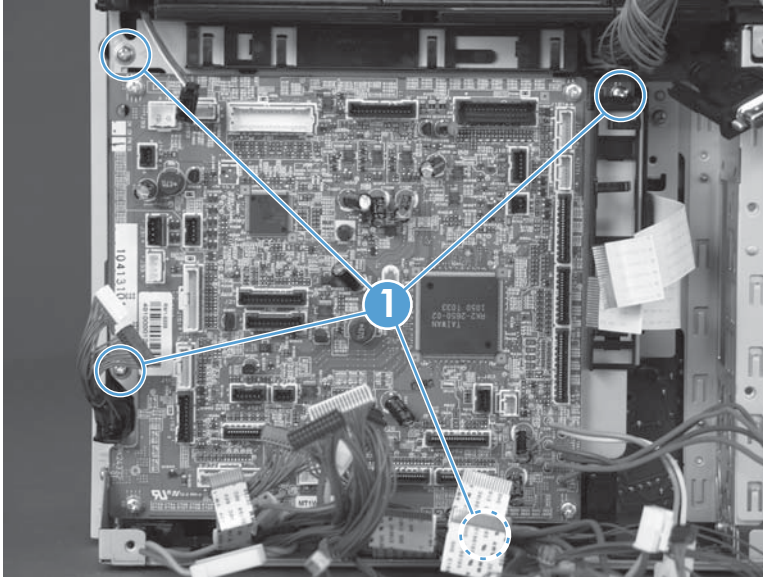
**Figure 1-243** Remove the DC controller PCA (3 of 4)



4. **To remove the DC controller PCA and the sheet-metal bracket:** Remove four screws (callout 1), and then remove the PCA.

 **TIP:** Partially release the wire harnesses from the retainer along the bottom edge of the assembly to access one screw.

**Figure 1-244** Remove the DC controller PCA (4 of 4)




## Formatter cage

Before proceeding, remove the following assemblies:

- Formatter PCA. See [Formatter PCA on page 10](#).
- Rear cover. See [Rear cover on page 58](#).
- Right rear cover. See [Right rear cover on page 59](#).
- Interconnect PCA. See [Interconnect PCA on page 171](#).

---

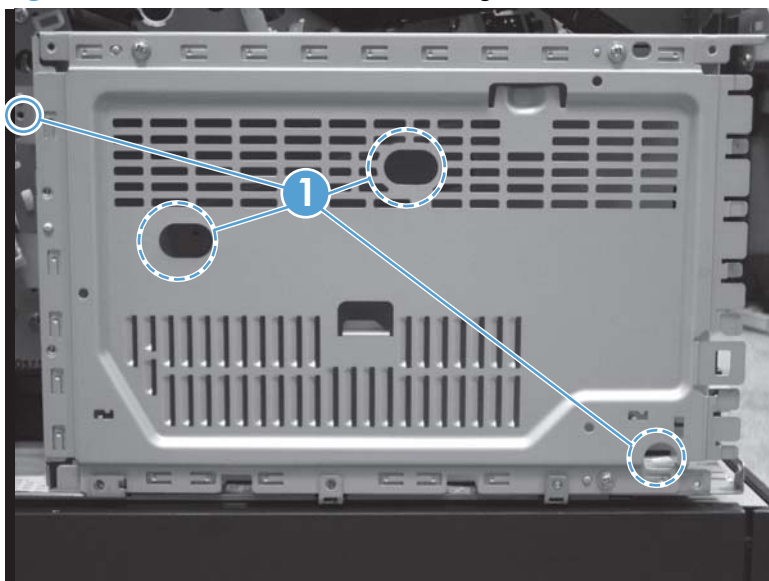
 **TIP:** The interconnect PCA does not need to be completely removed to remove the formatter cage.

---

### Remove the formatter cage

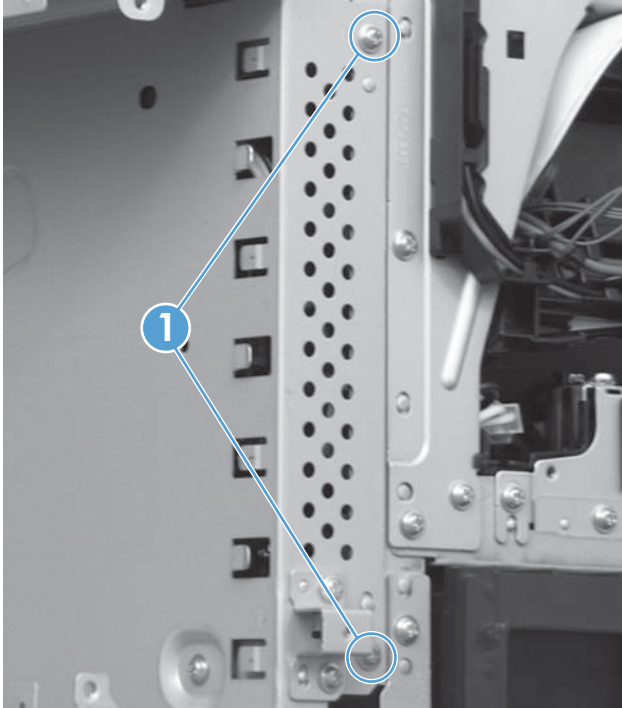
1. Remove four screws (callout 1).

**Figure 1-245** Remove the formatter cage (1 of 3)




2. Remove two screws (callout 1) from the left side of the product.

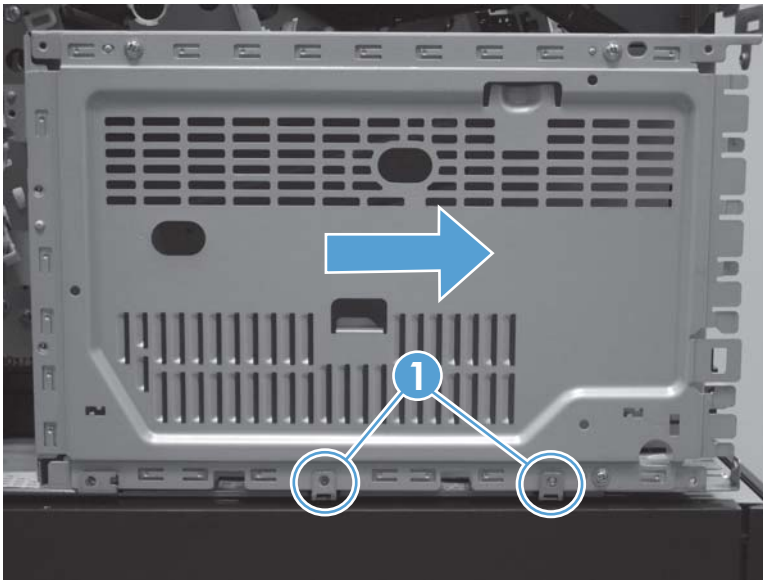
**Figure 1-246** Remove the formatter cage (2 of 3)



3. Slide the formatter cage out and away from the product to remove it.

 **Reinstallation tip** When the formatter cage is reinstalled, make sure that it is positioned behind the tabs (callout 1) on the chassis.

**Figure 1-247** Remove the formatter cage (3 of 3)





## First-transfer high-voltage power supply

Before proceeding, remove the following assemblies:

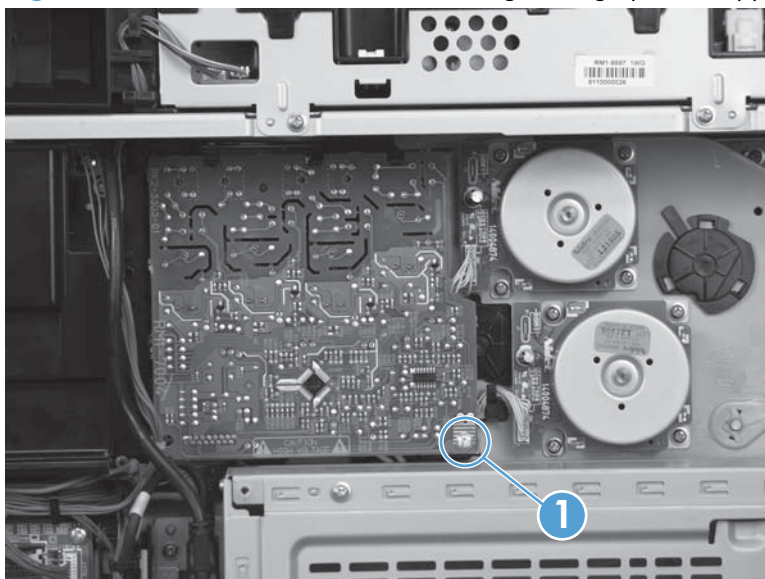
- Rear cover. See [Rear cover on page 58](#).
- Right rear cover. See [Right rear cover on page 59](#).
- Toner collection unit (TCU) access door. See [Toner collection unit \(TCU\) access door on page 60](#)
- Toner cover. See the first, second, and third steps of [Residual toner full sensor on page 122](#)

## Remove the first-transfer high-voltage power supply

 **CAUTION:**  ESD-sensitive part.

1. Remove one screw (callout 1).

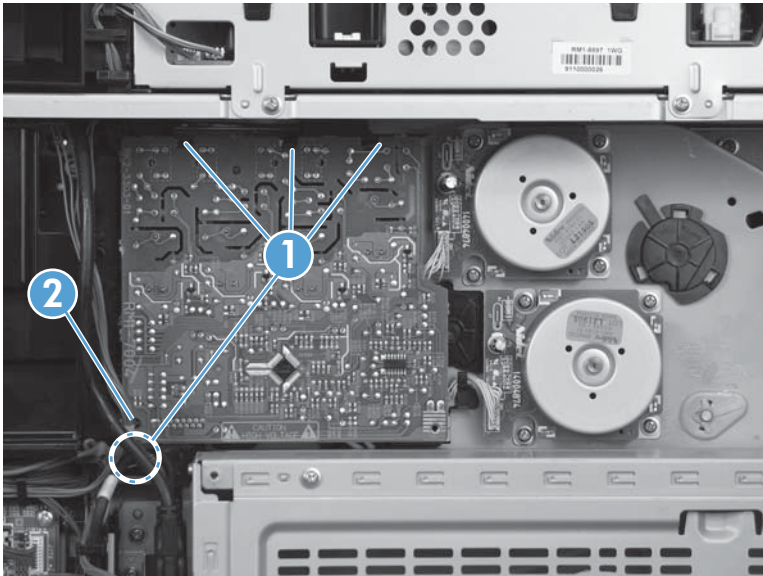
**Figure 1-248** Remove the first-transfer high-voltage power supply (1 of 2)



2. Release four tabs (callout 1), and then slide the power supply off the alignment post (callout 2).

**⚠ CAUTION:** The assembly is still attached to the product by a wire harness on the back side of the PCA. Do not attempt to completely remove the assembly.

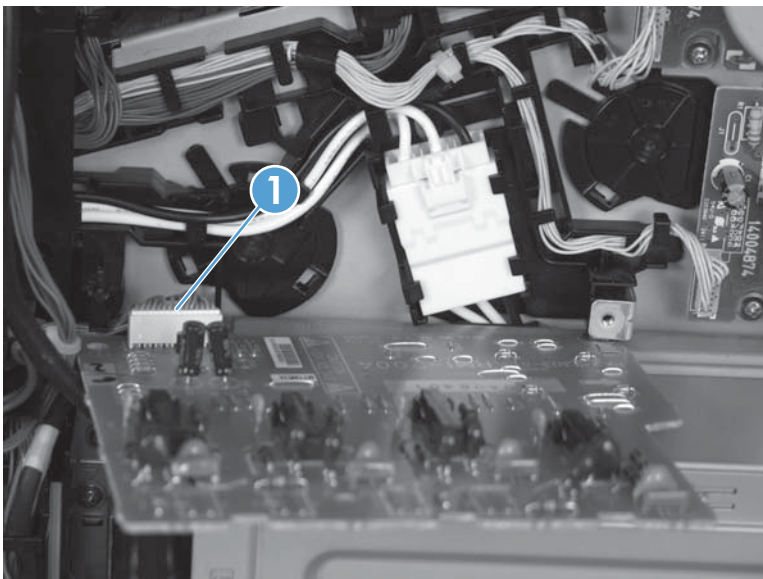
**Figure 1-249** Remove the first-transfer high-voltage power supply (2 of 3)



3. Disconnect one connector (callout 1), and then remove the assembly.

**💡 TIP:** If the DC controller was removed from the product, this wire harness has already been disconnected (from the DC controller). Skip this step, and then remove the assembly with the wire harness connected to it. If a replacement assembly is installed, transfer the wire harness to the replacement assembly.

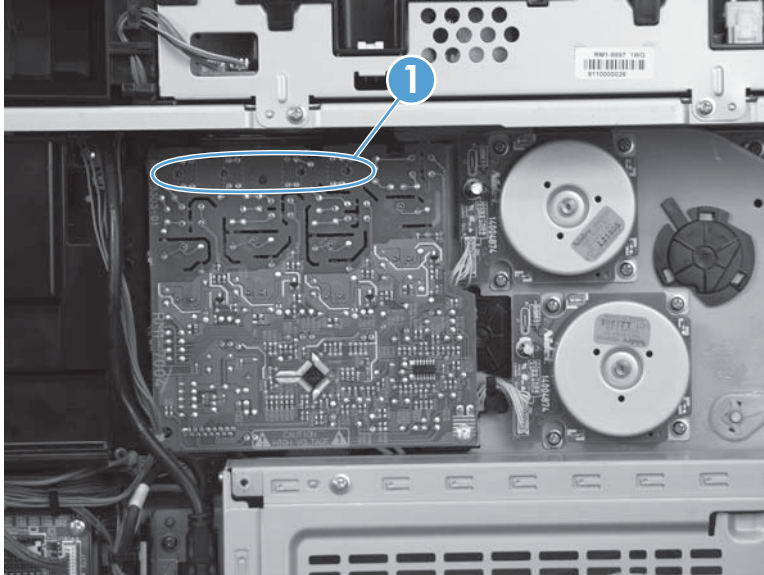
**Figure 1-250** Remove the first-transfer high-voltage power supply (3 of 3)



## Reinstall the first-transfer high-voltage power supply

When you reinstall the power supply, look through the holes on the PCA (callout 1) and make sure that the contact springs are correctly positioned against the back side of the PCA.

**Figure 1-251** Reinstall the first-transfer high-voltage power supply



## Second-transfer high-voltage power supply and holder

**CAUTION:**  ESD sensitive assembly.

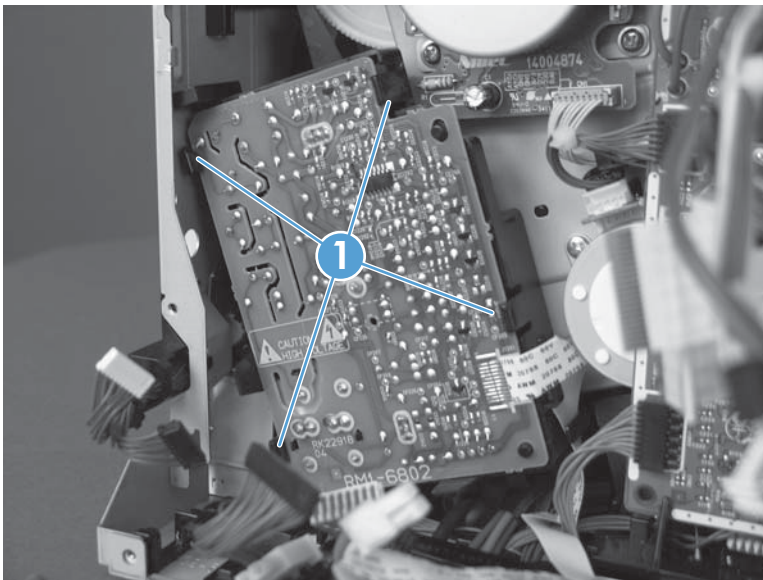
### Before proceeding, remove the following assemblies:

- Formatter PCA. See [Formatter PCA on page 10](#).
- Rear cover. See [Rear cover on page 58](#).
- Right rear cover. See [Right rear cover on page 59](#).
- Interconnect PCA. See [Interconnect PCA on page 171](#).
- DC controller PCA and sheet-metal bracket. See [DC controller PCA on page 174](#).

### Remove the second-transfer high-voltage power supply and holder

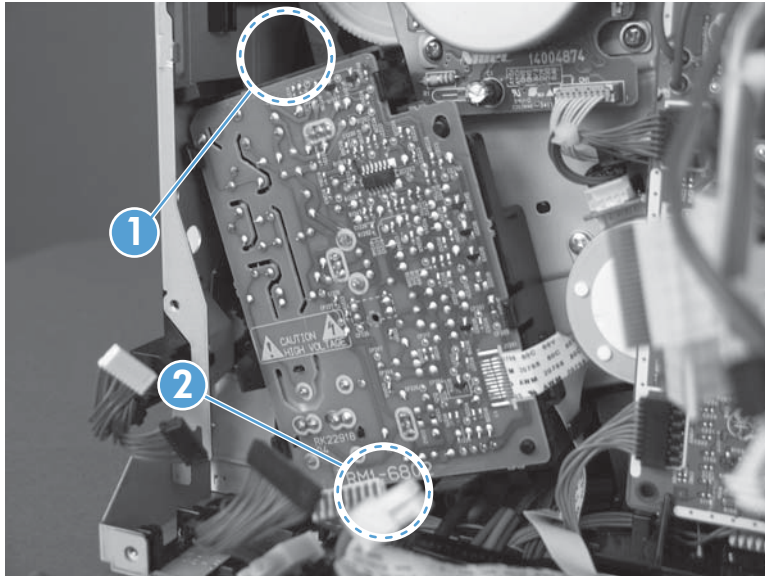
1. To remove the PCA only: Release four tabs (callout 1). Proceed to the last step in this section.

**Figure 1-252** Remove the second-transfer high-voltage power supply and holder (1 of 3)



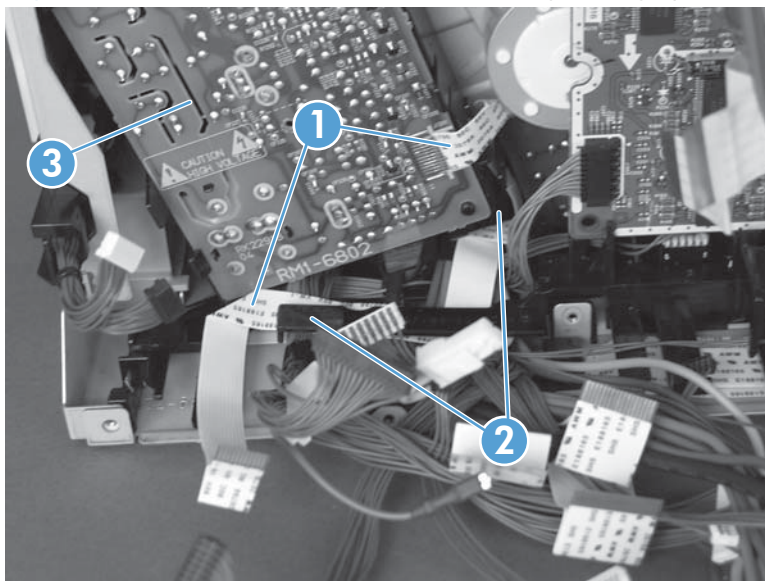
2. To remove the PCA and holder: Remove one screw (callout 1), and then release one tab (callout 2).

**Figure 1-253** Remove the second-transfer high-voltage power supply and holder (2 of 3)



3. Release one FFC (callout 1) from the retainer (callout 2), and then carefully separate the PCA or the PCA and holder (callout 3) from the product.

**Figure 1-254** Remove the second-transfer high-voltage power supply and holder (3 of 3)



## Driver PCA

**CAUTION:**  ESD sensitive assembly.

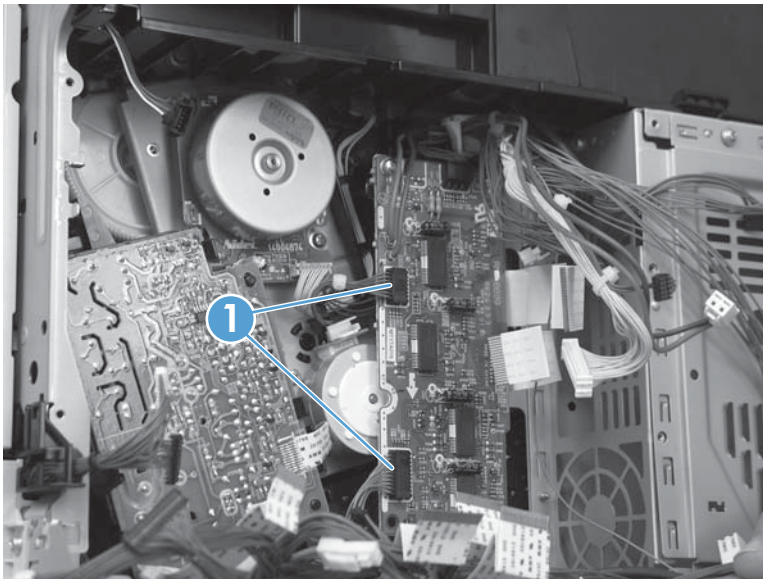
### Before proceeding, remove the following assemblies:

- Formatter PCA. See [Formatter PCA on page 10](#).
- Rear cover. See [Rear cover on page 58](#).
- Right rear cover. See [Right rear cover on page 59](#).
- Image (developing) high-voltage power supply (HVPS). See [Image \(developing\) high-voltage power supply \(HVPS\) on page 168](#).
- Interconnect PCA. See [Interconnect PCA on page 171](#).
- DC controller PCA and sheet-metal bracket. See [DC controller PCA on page 174](#).

### Remove the driver PCA

1. Disconnect two connectors (callout 1).

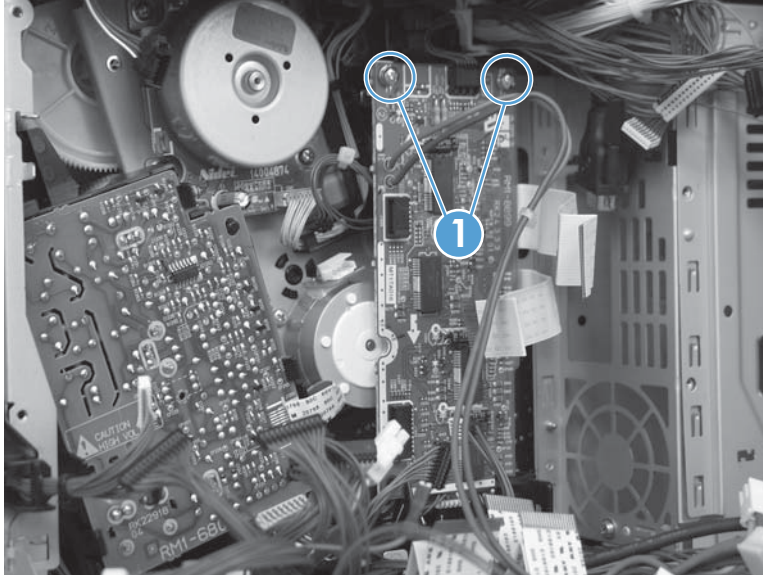
**Figure 1-255** Remove the driver PCA (1 of 3)



2. Remove two screws (callout 1), and then carefully separate the PCA from the product.

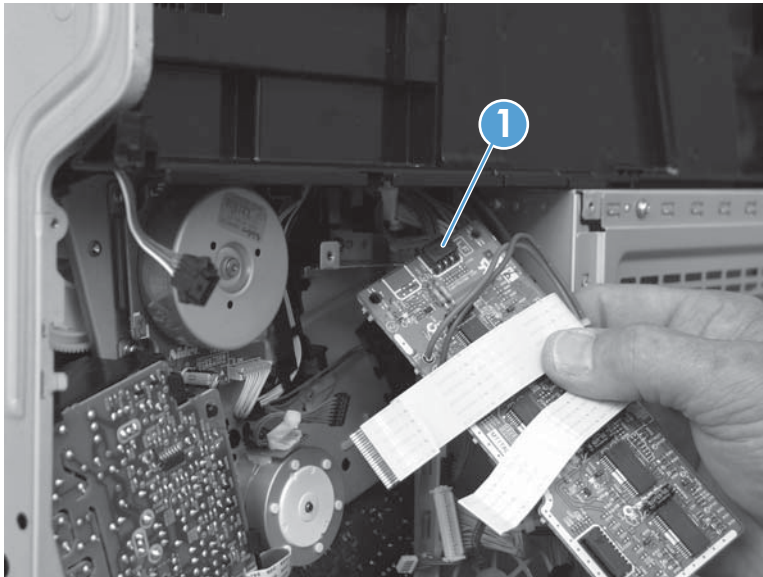
**CAUTION:** The PCA is still connected to the product by a wire harness. Do not attempt to completely remove the PCA.

**Figure 1-256** Remove the driver PCA (2 of 3)



3. Disconnect one connector (callout 1), and then remove the PCA.

**Figure 1-257** Remove the driver PCA (3 of 3)



## Low-voltage power supply (LVPS)

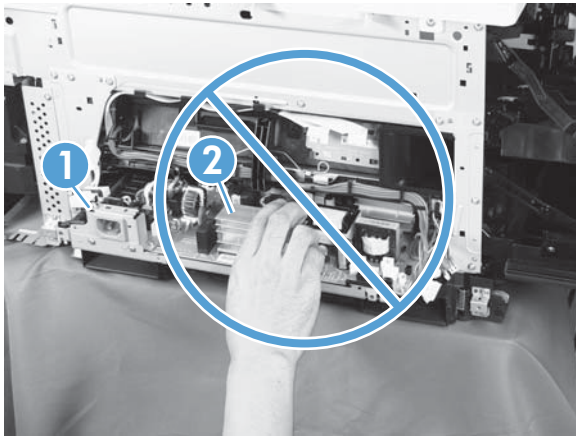
**⚠ CAUTION:**  ESD sensitive assembly.

**Before proceeding, remove the following assemblies:**

- Left cover. See [Left cover on page 57](#).

### Remove the LVPS

**⚠ WARNING!** When removing the low-voltage power supply ( callout 1), do not touch the electric element (callout 2) as shown. Be sure to hold the bottom side of the low-voltage power supply.



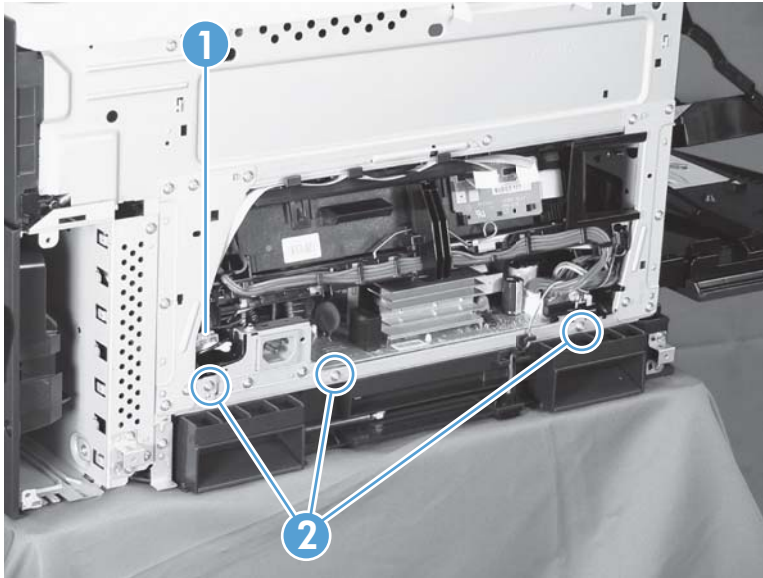


**CAUTION:**  ESD-sensitive part.

Unplug the power cord from the product before proceeding.

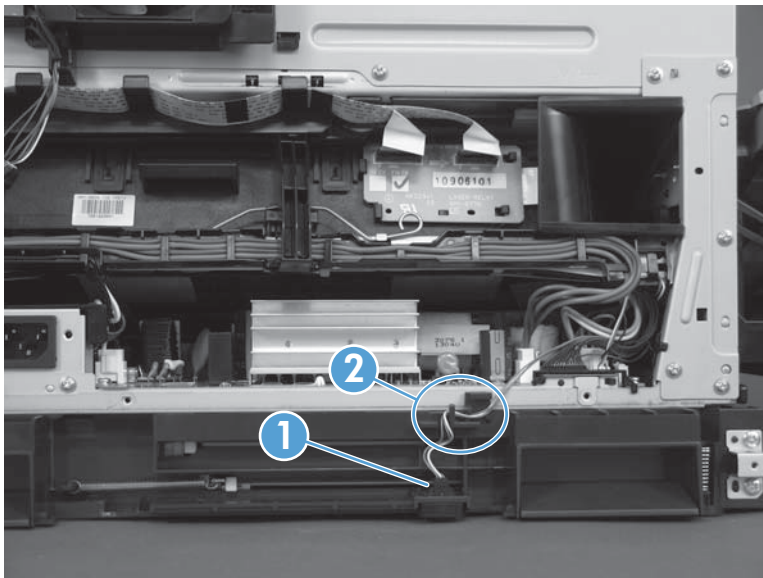
1. Disconnect one connector (callout 1), and then remove three screws (callout 2) that have a triangular icon next to them.

**Figure 1-258** Remove the LVPS (1 of 6)



2. Disconnect one connector (callout 1), and then release the wire harness from the retainer (callout 2).

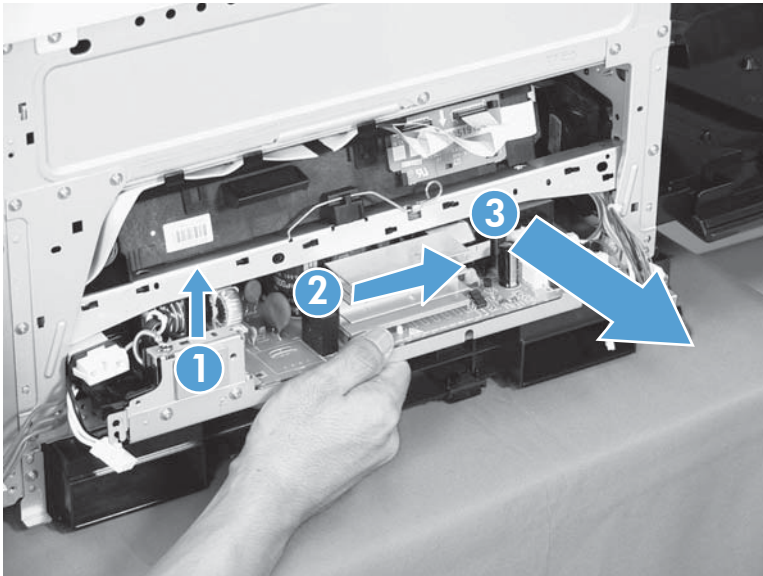
**Figure 1-259** Remove the LVPS (2 of 6)



3. Lift up on the low-voltage power supply, slide it forward, and then slightly pull it out of the product.

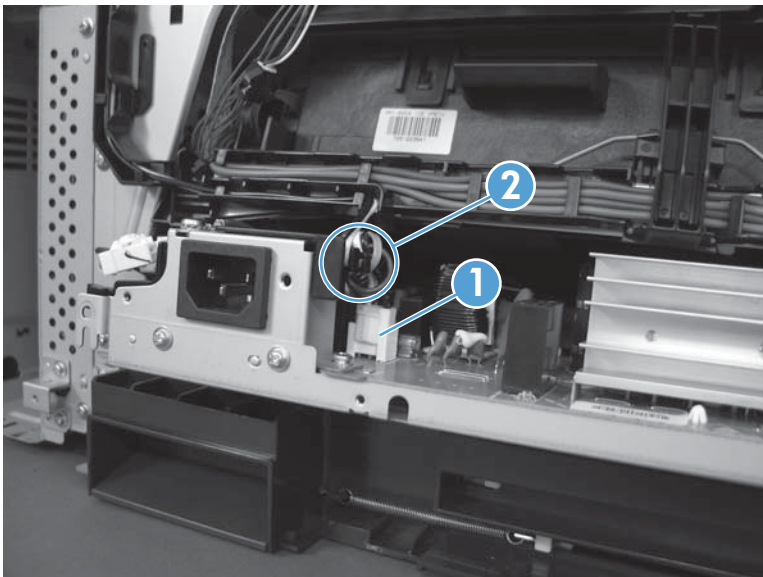
**⚠ CAUTION:** The power supply is still connected by several wire harnesses to the product. Do not attempt to completely remove the power supply.

**Figure 1-260** Remove the LVPS (3 of 6)





4. Disconnect one connector (callout 1), and then release the wire harness from the retainer (callout 2).

**Figure 1-261** Remove the LVPS (4 of 6)

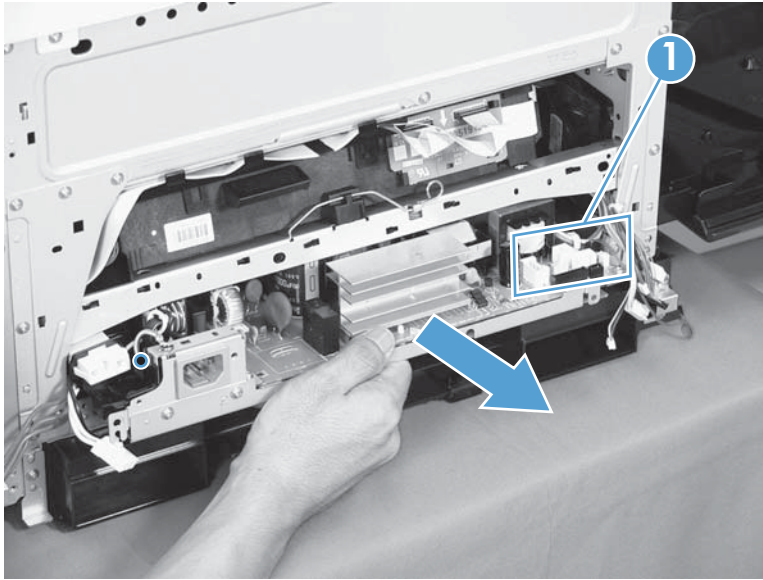


5. Disconnect eight connectors (callout 1), and then continue to carefully pull the LVPS out of the product.

 **Reinstallation tip** The wire harness disconnected in step 2 (see [Figure 1-259 Remove the LVPS \(2 of 6\) on page 187](#)), is not captive when one of the connectors in this step is disconnected. If you are installing a replacement LVPS, install this harness on the assembly.

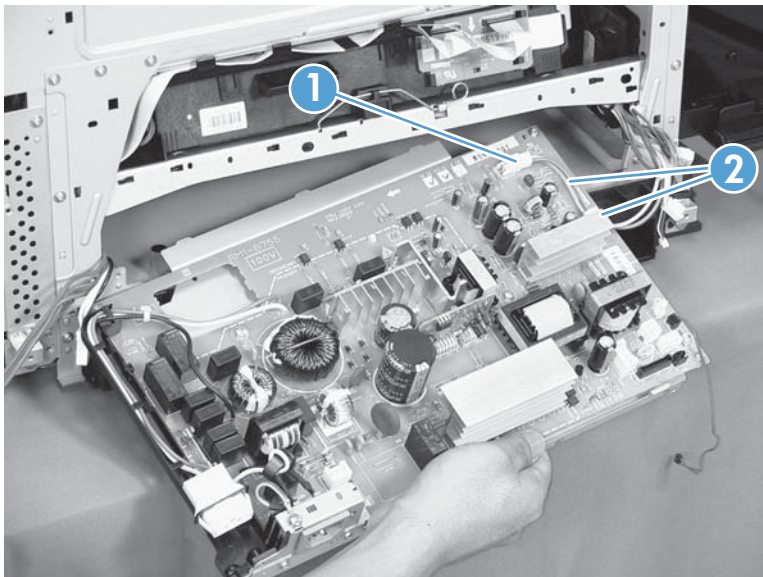
 **CAUTION:** The power supply is still connected to the product by a wire harness. Do not attempt to completely remove the power supply.

**Figure 1-262** Remove the LVPS (5 of 6)



6. Disconnect one rear connector (callout 1), release the wire harness from two retainers (callout 2), and then remove the LVPS.

**Figure 1-263** Remove the LVPS (6 of 6)



## Duplex drive assembly

### Before proceeding, remove the following assemblies:

- Formatter PCA. See [Formatter PCA on page 10](#).
- Control-panel assembly. See [Control-panel assembly on page 5](#).
- Intermediate transfer belt. See [Intermediate transfer belt on page 7](#).
- Fuser. See [Fuser on page 9](#).
- Left cover. See [Left cover on page 57](#).
- Rear cover. See [Rear cover on page 58](#).
- Right rear cover. See [Right rear cover on page 59](#).
- Right upper cover. See [Right upper cover on page 67](#).
- Toner collection unit (TCU) access door. See [Toner collection unit \(TCU\) access door on page 60](#).
- Optional: Document feeder. See [Document feeder on page 71](#).



**NOTE:** HP recommends removing the document feeder to decrease the weight of the scanner assembly when it is lifted off of the product.

- Scanner assembly. See [Scanner assembly on page 74](#).
- Front upper cover. See [Front upper cover on page 83](#).
- Front right cover. See [Front right cover on page 86](#).
- For a non stapler/stacker model:
  - Output cover. See [Output cover; non stapler/stacker model on page 93](#).
- For a stapler/stacker model:
  - Stapler/stacker assembly. See [Stapler/stacker assembly on page 78](#).
- Left upper cover. See [Left upper cover on page 82](#).
- To right cover. See [Top right cover on page 91](#).
- Top cover. See [Top cover on page 95](#).
- Top rear cover. See [Top rear cover on page 97](#).
- Sub power assembly. See [Sub-power supply assembly on page 110](#).
- Paper delivery assembly. See [Paper delivery assembly on page 131](#).
- Toner cover. See the first, second, and third steps of [Residual toner full sensor on page 122](#).
- Formatter cage assembly. See [Formatter cage on page 177](#).

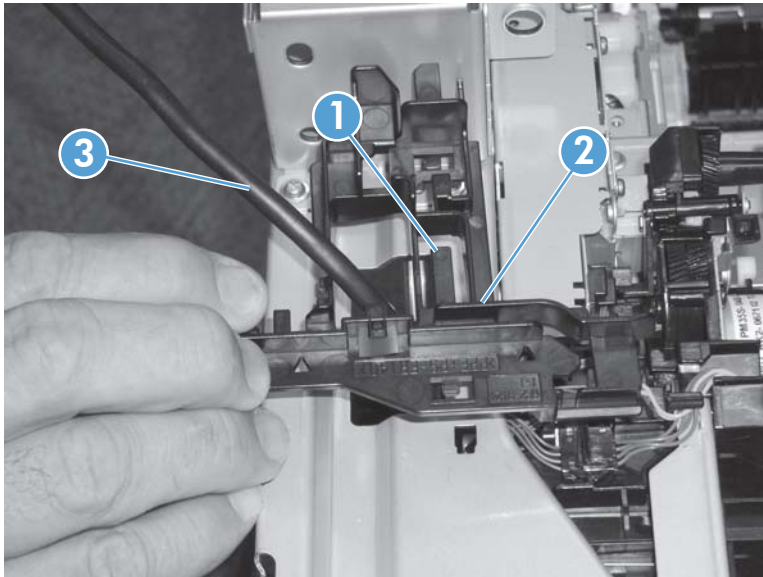
- Image (developing) high-voltage power supply (HVPS). See [Image \(developing\) high-voltage power supply \(HVPS\) on page 168](#).
- First transfer high-voltage PCA. See [First-transfer high-voltage power supply on page 179](#).
- Second transfer high-voltage PCA and holder. See [Second-transfer high-voltage power supply and holder on page 182](#).
- Driver PCA. See [Driver PCA on page 184](#).

## Remove the duplex-drive assembly

1. Release one tab (callout 1), and then remove the guide (callout 2).

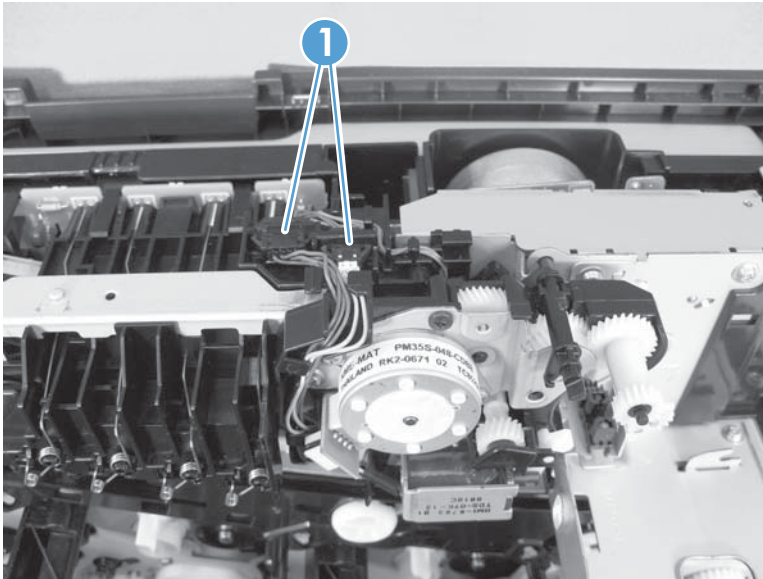
 **NOTE:** Carefully feed the cable (callout 3) through the hole to remove the guide.

**Figure 1-264** Remove the duplex-drive assembly (1 of 4)



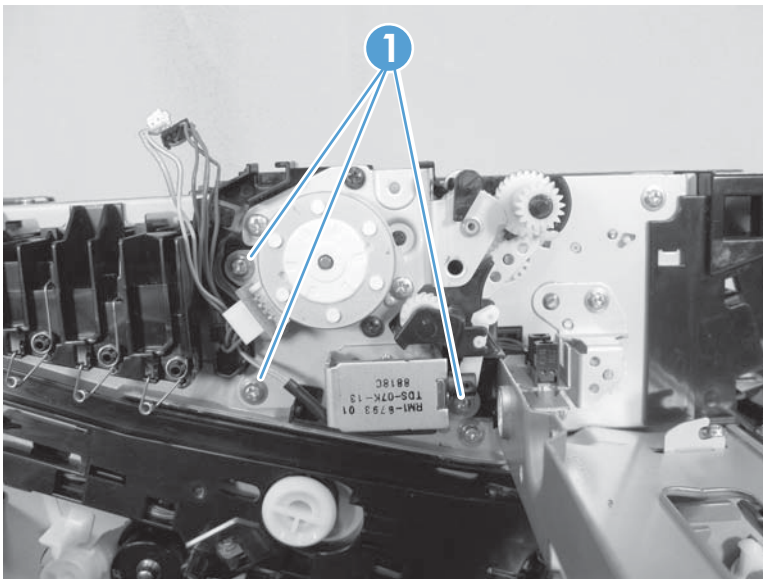
2. Disconnect two connectors (callout 1).

**Figure 1-265** Remove the duplex-drive assembly (2 of 4)



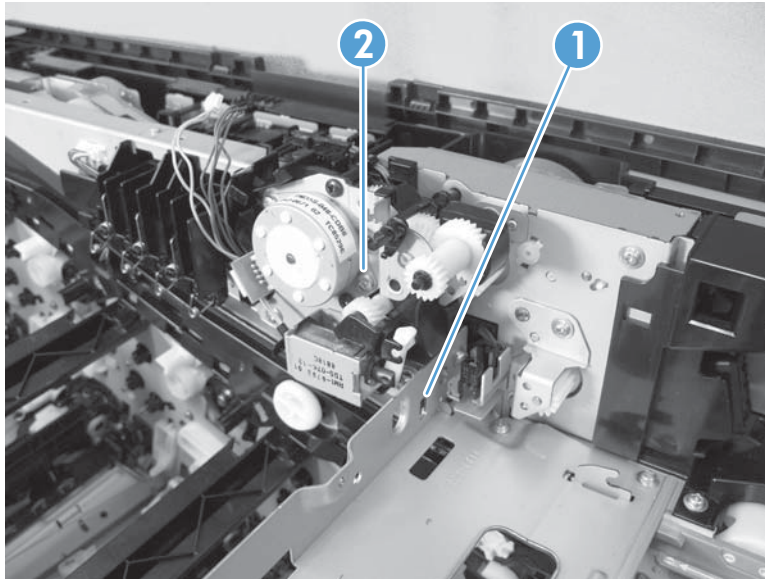
3. Remove three screws (callout 1).

**Figure 1-266** Remove the duplex-drive assembly (3 of 4)



4. Release one tab (callout 1), and then remove the assembly (callout 2).

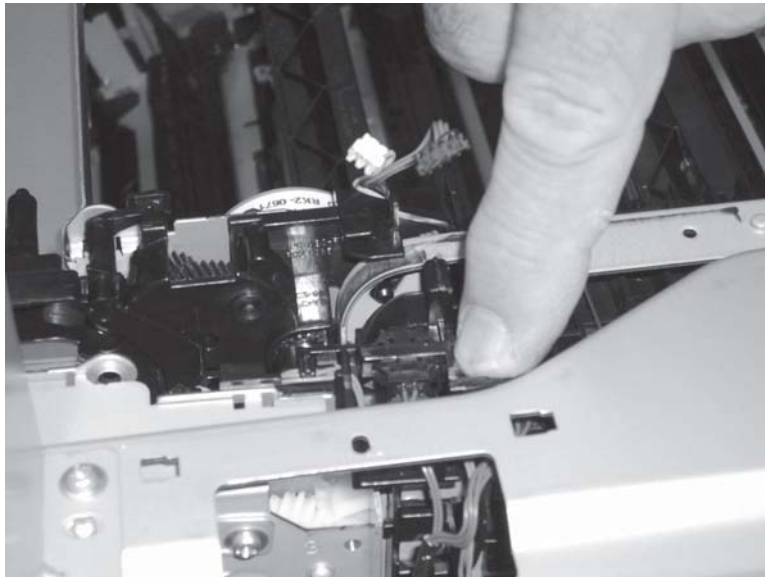
**Figure 1-267** Remove the duplex-drive assembly (4 of 4)



## Reinstall the duplex-drive assembly

When the assembly is reinstalled, rotate it under the edge of the chassis, and then slightly push down on the assembly to clear the edge of the chassis.

**Figure 1-268** Reinstall the duplex-drive assembly



## Main drive assembly



**NOTE:** If the toner cartridges have not been removed to service the product, remove them now.

---

### Before proceeding, remove the following assemblies:

- Formatter PCA. See [Formatter PCA on page 10](#).
- Control-panel assembly. See [Control-panel assembly on page 5](#).
- Intermediate transfer belt. See [Intermediate transfer belt on page 7](#).
- Left cover. See [Left cover on page 57](#).
- Rear cover. See [Rear cover on page 58](#).
- Right rear cover. See [Right rear cover on page 59](#).
- Toner collection unit (TCU) access door. See [Toner collection unit \(TCU\) access door on page 60](#).
- For a stapler/stacker model:
  - Stapler/stacker assembly. See [Stapler/stacker assembly on page 78](#).
- Optional: Document feeder. See [Document feeder on page 71](#).



**NOTE:** HP recommends removing the document feeder to decrease the weight of the scanner assembly when it is lifted off of the product.

---

- Scanner assembly. See [Scanner assembly on page 74](#).
- Front upper cover. See [Front upper cover on page 83](#).
- Front right cover. See [Front right cover on page 86](#).
- For a non stapler/stacker model:
  - Output cover. See [Output cover; non stapler/stacker model on page 93](#).
- Top cover. See [Top cover on page 95](#).
- Residual toner full sensor. See [Residual toner full sensor on page 122](#).
- Interconnect PCA. See [Interconnect PCA on page 171](#).
- Formatter cage assembly. See [Formatter cage on page 177](#).
- DC controller and sheet-metal bracket. See [DC controller PCA on page 174](#).
- Image (developing) high-voltage power supply (HVPS). See [Image \(developing\) high-voltage power supply \(HVPS\) on page 168](#).
- First transfer high-voltage PCA. See [First-transfer high-voltage power supply on page 179](#).

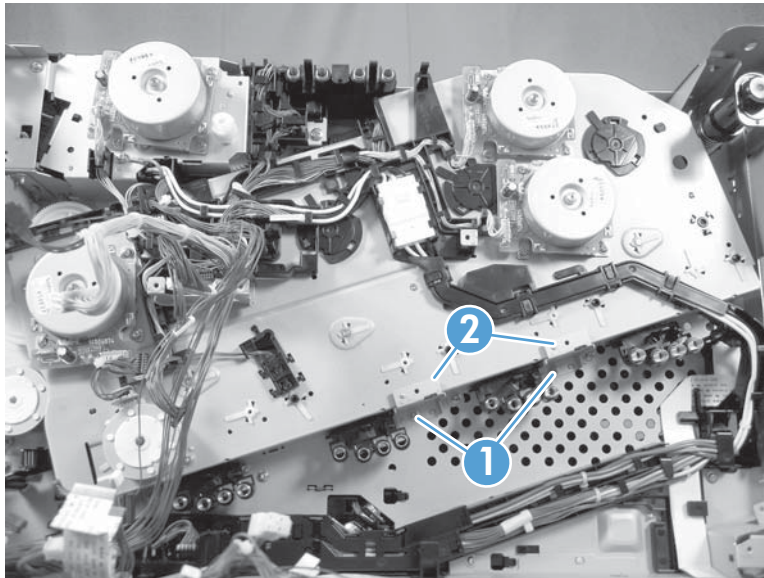


- Second transfer high-voltage PCA. See [Second-transfer high-voltage power supply and holder on page 182](#).
- Driver PCA. See [Driver PCA on page 184](#).


## Remove the main drive assembly

1. Remove two screws (callout 1), and then remove the sheet-metal support brackets (callout 2).

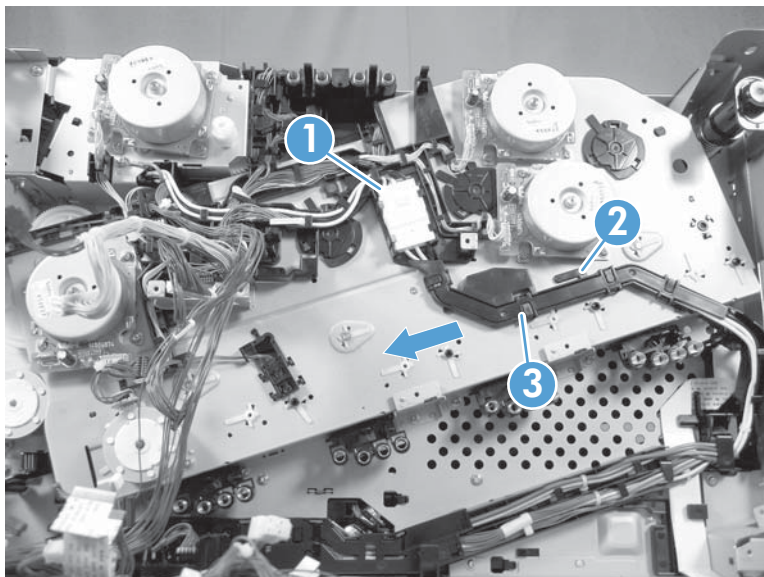
**Figure 1-269** Remove the main drive assembly (1 of 7)



2. Disconnect one connector (callout 1), release one tab (callout 2), slide the cable guide (callout 3) to the left to release it, and then move the guide to the side, out of the way.

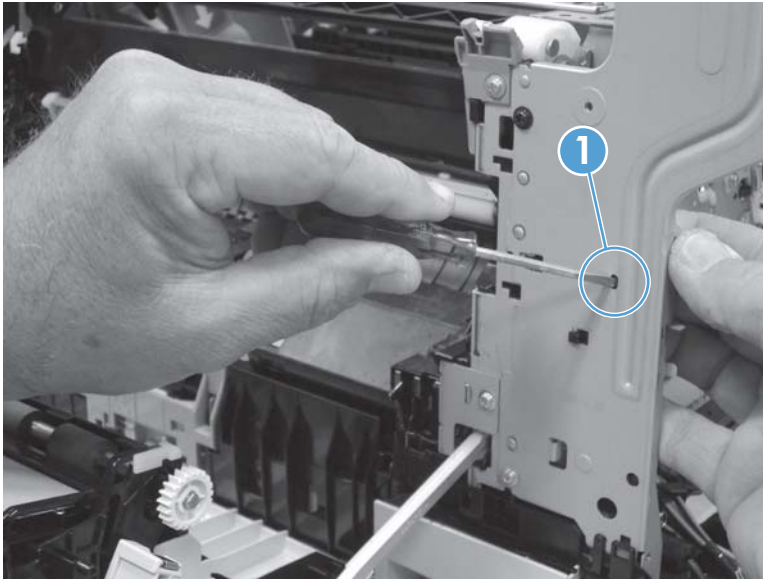
 **TIP:** It might be easier to disconnect the connector if you release it from the holder.

**Figure 1-270** Remove the main drive assembly (2 of 7)




3. From the front of the product, use a small flat blade screwdriver to release one tab (callout 1).

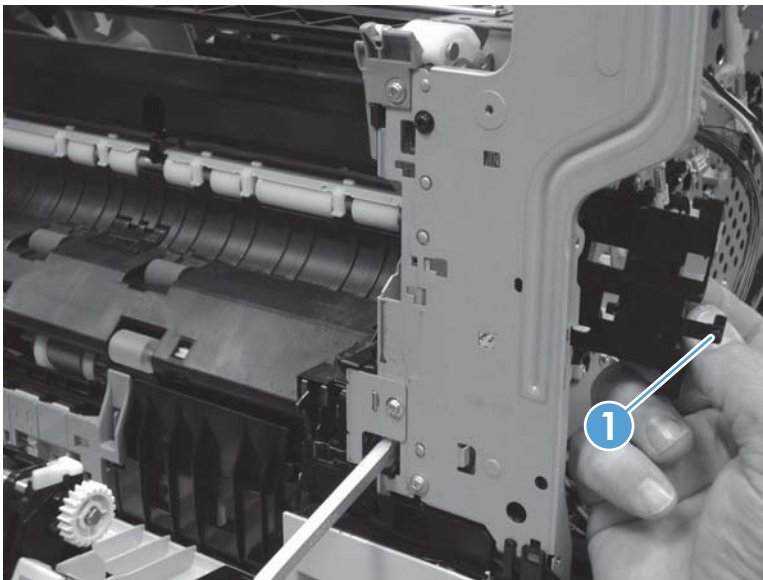
**Figure 1-271** Remove the main drive assembly (3 of 7)



4. Remove the sensor holder.

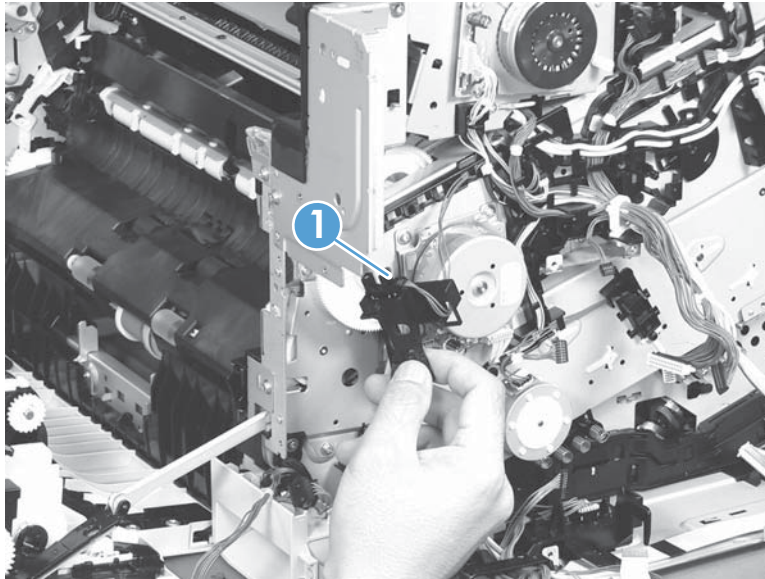
 **Reinstallation tip** When the sensor holder is reinstalled, make sure that the tab (callout 1) is correctly positioned in the hole in the chassis. Apply pressure to the tab to make sure it is fully seated in the hole and cannot be dislodged when the product is reassembled.

**Figure 1-272** Remove the main drive assembly (4 of 7)



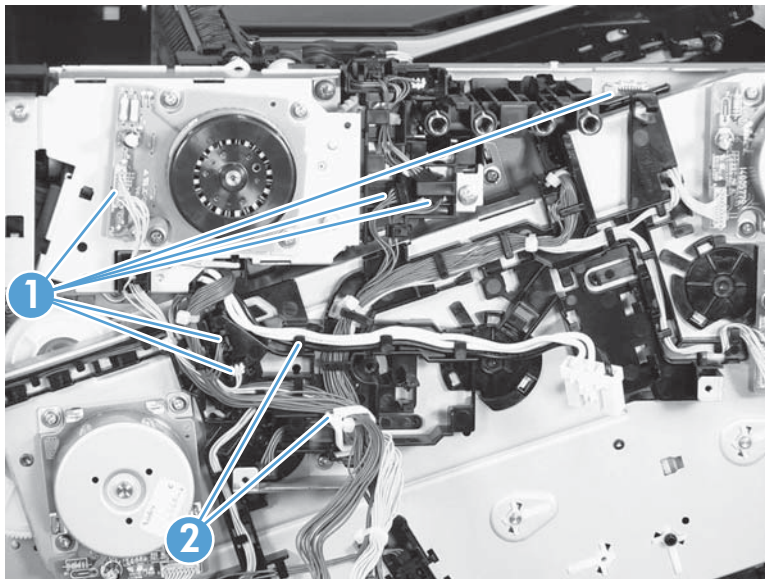
5. Disconnect one connector (callout 1), and then remove the sensor assembly.

**Figure 1-273** Remove the main drive assembly (5 of 7)



6. Disconnect six connectors (callout 1), and then release the wire harnesses from the guides (callout 2).

**Figure 1-274** Remove the main drive assembly (6 of 7)



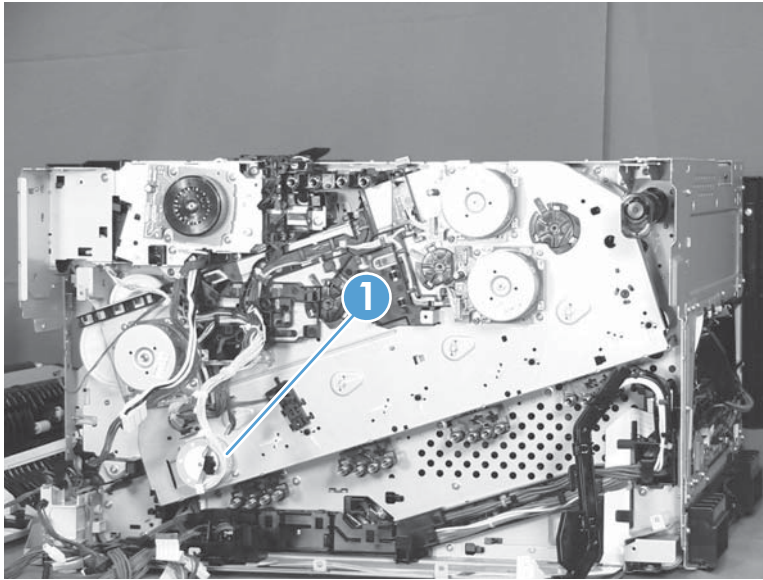
7. **Optional step:** If you are replacing the main drive, skip this step.

If you are removing the main drive to access the fuser drive assembly, do the following:

## Removing the main drive to access the fuser drive assembly only

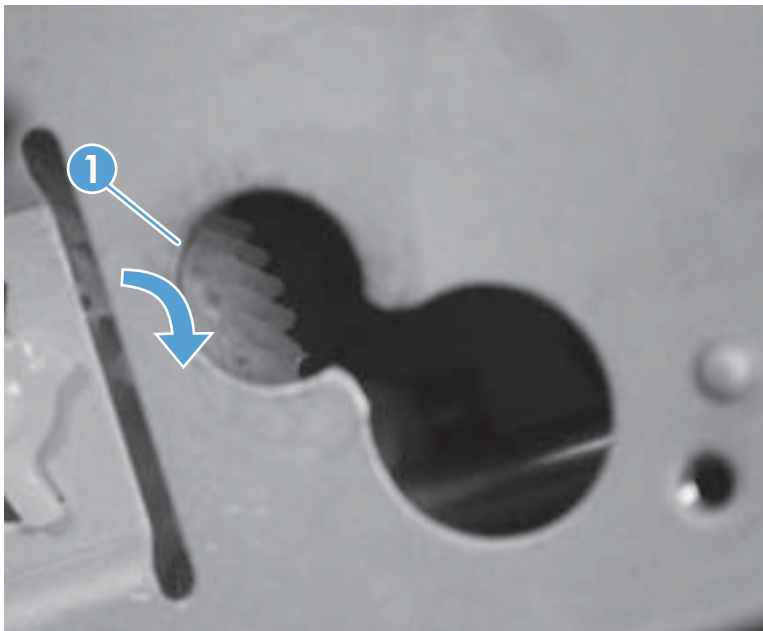
- a. Disconnect one connector, and then remove one motor (callout 1).

**Figure 1-275** Remove the main drive assembly (optional step; 1 of 4)




- b. Use a small flat blade screw driver to rotate the gear (callout 1) behind the motor.

**Figure 1-276** Remove the main drive assembly (optional step; 2 of 4)

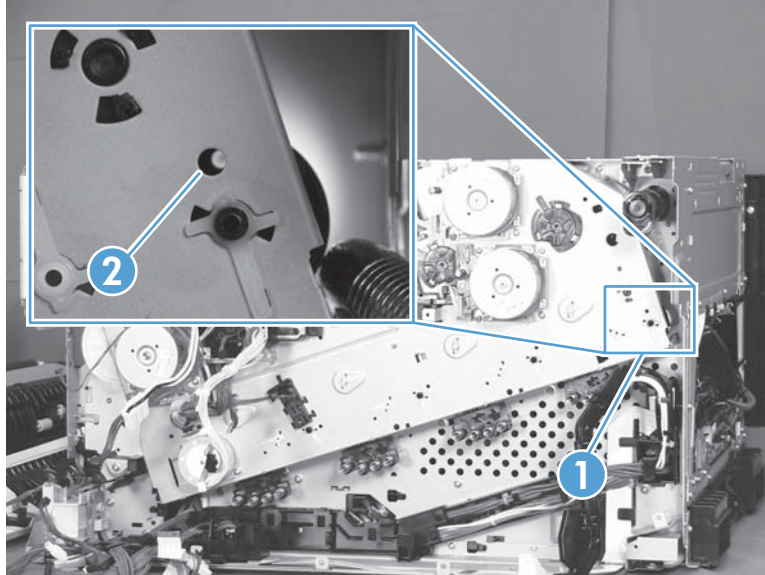


- c. Continue to rotate the gear until the hole in the right-most drive gear (callout 1) is aligned with the hole in the main drive chassis (callout 2).

 **TIP:** Use a flashlight to back light the gear until the hole in the gear is visible.

You might have to turn the gear behind the motor many times before the hole in the gear is visible.

**Figure 1-277** Remove the main drive assembly (optional step; 3 of 4)

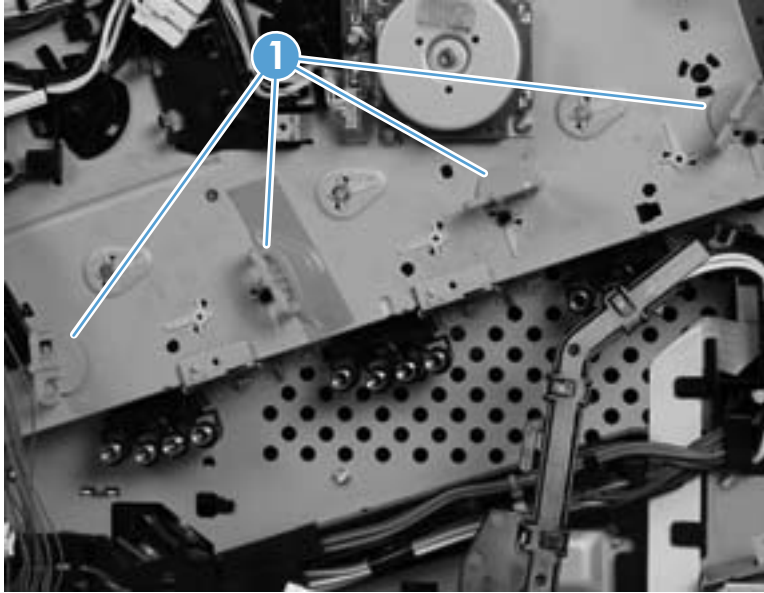


- d. Install the orange spacers (included with the fuser drive kit) in the holes (callout 1) in the main-drive chassis to lock the gears in place.

**⚠ CAUTION:** Failure to follow this step will allow the gears to rotate—the gears will be out of phase—and it will be difficult to reinstall the assembly on the product.


**💡 TIP:** Secure the spacers with tape to prevent them from falling out.

**Figure 1-278** Remove the main drive assembly (optional step; 4 of 4)



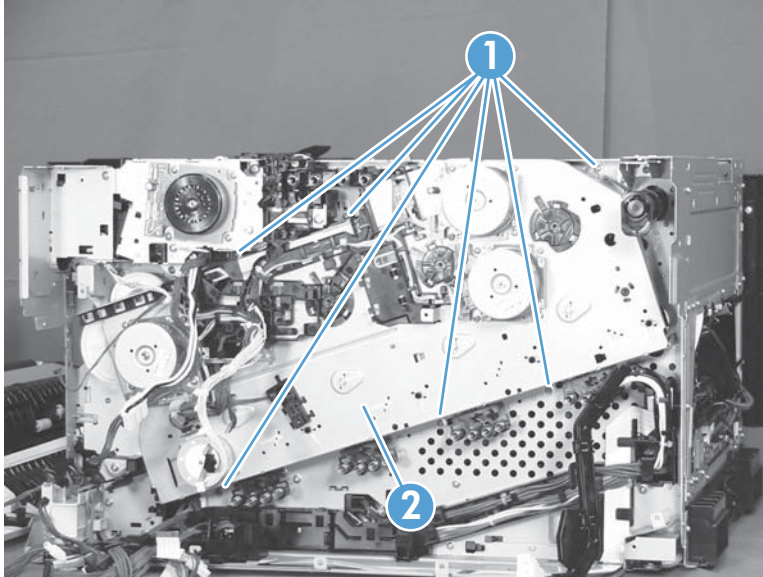
8. Close the front and right doors, remove six screws (callout 1), and then remove the main drive assembly (callout 2).

Release the wire harnesses as needed to remove the assembly.

 **NOTE:** Make sure that the right door is closed.

If you are removing the main drive to access the fuser drive assembly, make sure that you installed the orange spacers—see [Figure 1-278 Remove the main drive assembly \(optional step; 4 of 4\) on page 200](#)—so that the gears when do not rotate when handling the assembly.

**Figure 1-279** Remove the main drive assembly (7 of 7)




## Install the main drive assembly

 **NOTE:** Installing a replacement assembly: follow the instructions in this section.

**Reinstalling the original assembly:** some of these instructions in this section do not apply (for example, removing some the shipping tape). **Do not** rotate the gears when handling the assembly. If the gears are rotated—and become out of phase—it will be difficult to install the assembly on the product.


1. Do one of the following:

- **Installing a replacement assembly:** Do not remove the orange spacers and spacer-shipping tape (callout 1) installed on the replacement main drive assembly. Remove the remaining shipping tape (callout 2).

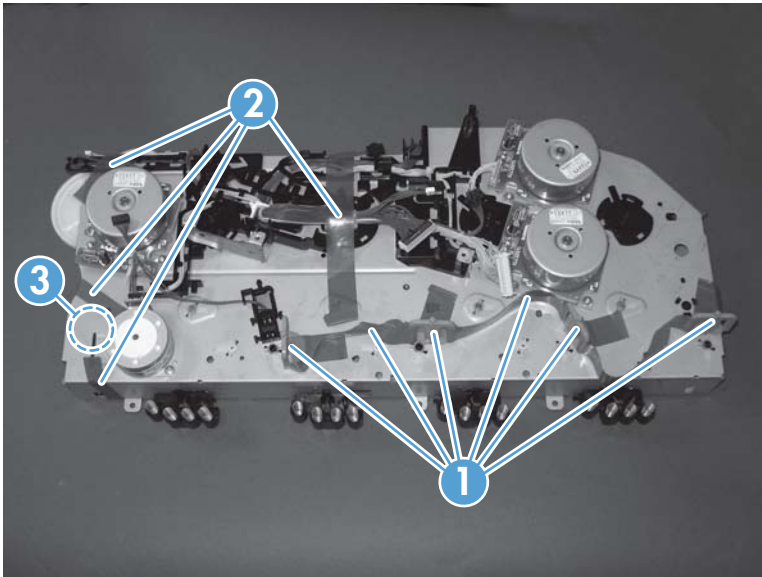
 **CAUTION:** A gear (callout 3) on the back of the assembly is not captive when the shipping tape is removed. Do not lose the gear when handling the assembly with the shipping tape removed.

When removing tape, make sure that the entire strip is removed. Check the back of the assembly to verify that the entire strip of tape is removed.

- **Installing the original assembly:** Do not remove the orange spacers (callout 1) installed when the main drive assembly was removed.


 **CAUTION:** A gear (callout 3) on the back of the assembly is not captive. Do not lose the gear when handling the assembly.

**Figure 1-280** Install the main drive assembly (1 of 8)

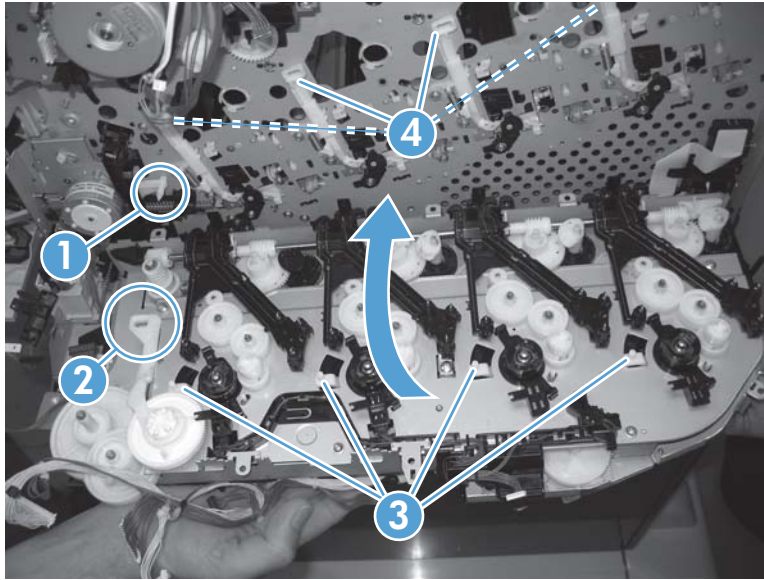





2. With the front door and right door closed, position the drive assembly near the product, and then rotate it up and onto the chassis.

 **NOTE:** Make sure that the right-door link arm shaft (callout 1) aligns with and is positioned in the hole (callout 2) on the arm on the drive assembly, and that the pins on the assembly (callout 3) are positioned in the holes in the link arms on the chassis (callout 4).

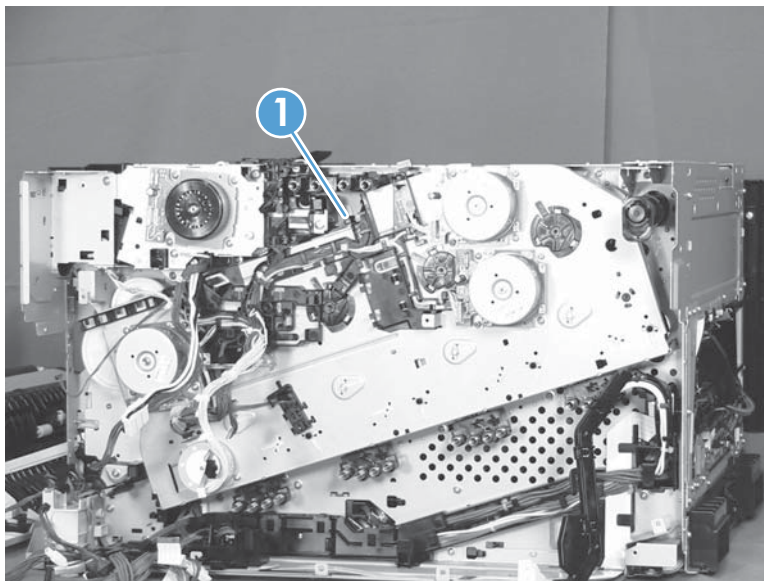
**Figure 1-281** Install the main drive assembly (2 of 8)



3. Install one screw (callout 1).

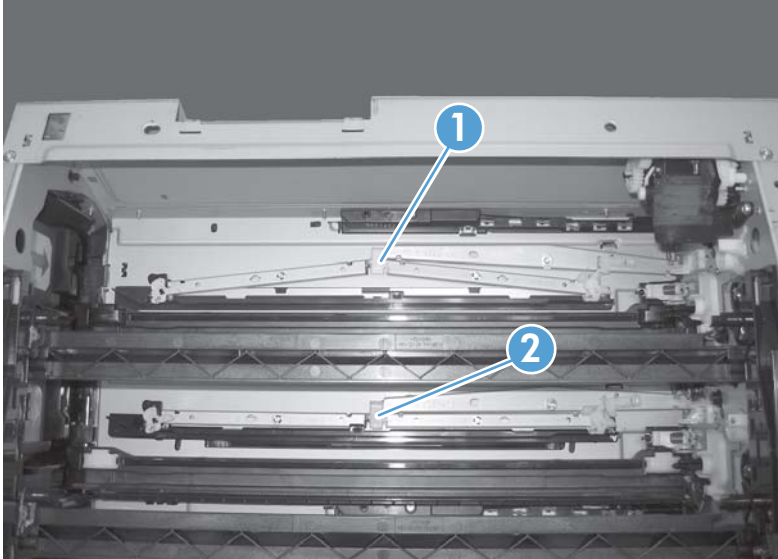
 **NOTE:** Do not fully tighten this screw.

**Figure 1-282** Install the main drive assembly (3 of 8)




4. From the top of the product, look at each shutter arm. Make sure that they are in the closed position (callout 1). If they are in the open position (callout 2), carefully push on the shutters to close them.

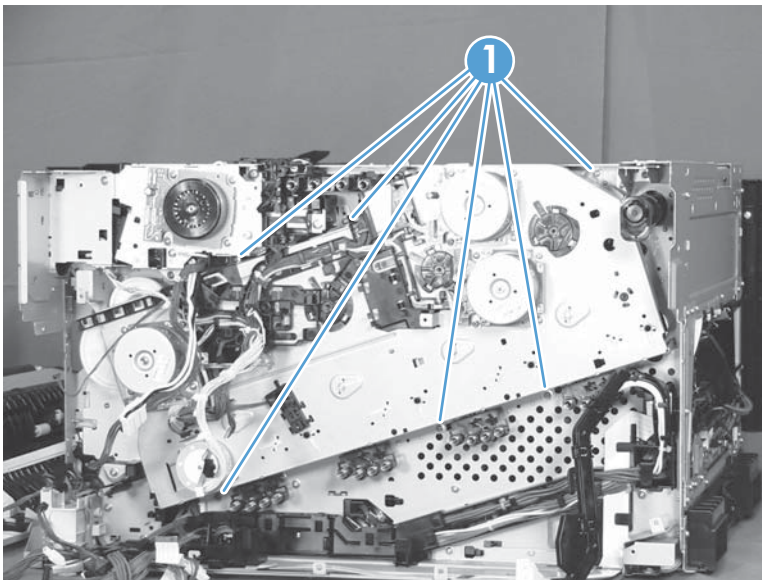
**Figure 1-283** Install the main drive assembly (4 of 8)



5. Make sure that the six sheet-metal screw tabs (callout 1) on the drive assembly are flat against the product chassis.

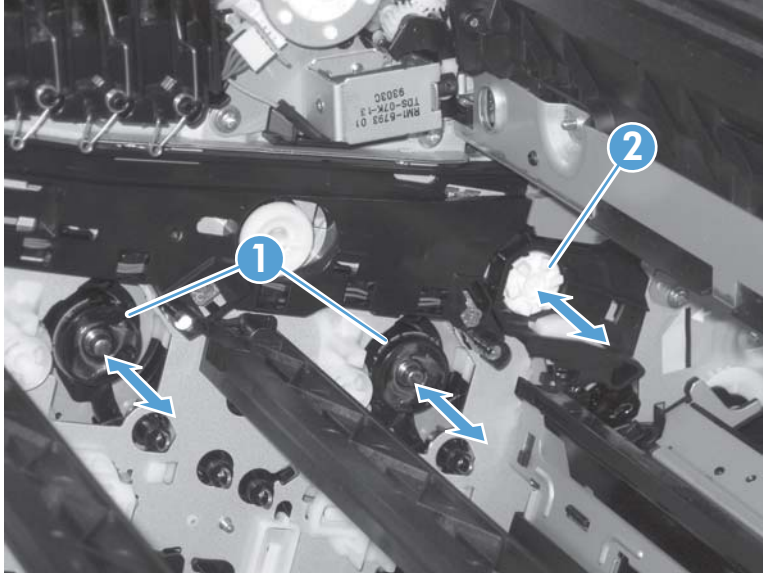
 **NOTE:** If the tabs are not flat against the chassis, the developer-disengagement drive gears and cams—on the back side of the drive assembly—are not properly aligned with, and seated in, the corresponding holes on the product. Remove the drive assembly, realign it, and then reinstall it. See [Figure 1-281 Install the main drive assembly \(2 of 8\) on page 203](#).

**Figure 1-284** Install the main drive assembly (5 of 8)



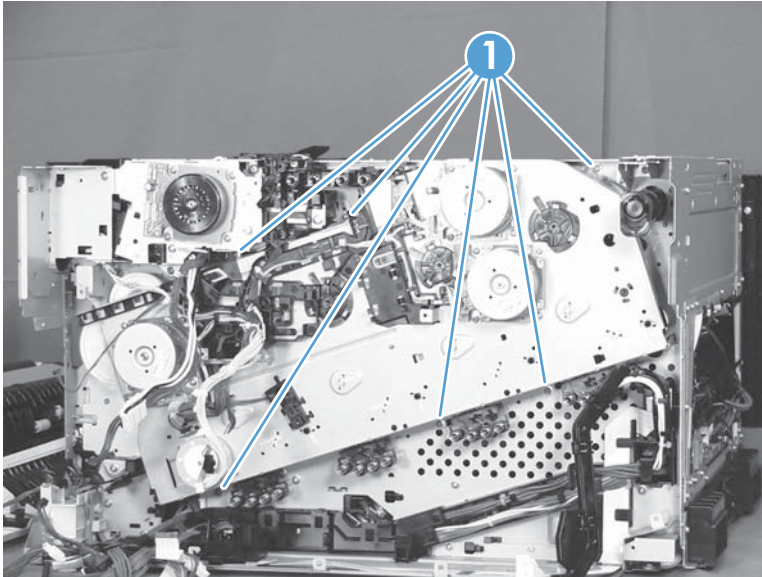
6. With the drive assembly correctly installed, verify the following:
- Open and close the front door. The OPC drum drive gears (callout 1; two shown, four total) must move in and out when viewed from inside the product.
  - Open and close the right door. The ITB drive gear (callout 2) must move in and out when viewed from inside the product.

**Figure 1-285** Install the main drive assembly (6 of 8)




7. Install the remaining five mounting screws, tighten all six screws (callout 1), and then do one of the following.
  - **Installing a replacement assembly:** Remove the orange spacers and spacer shipping tape.
  - **Installing the original assembly:** Remove the orange spacers.

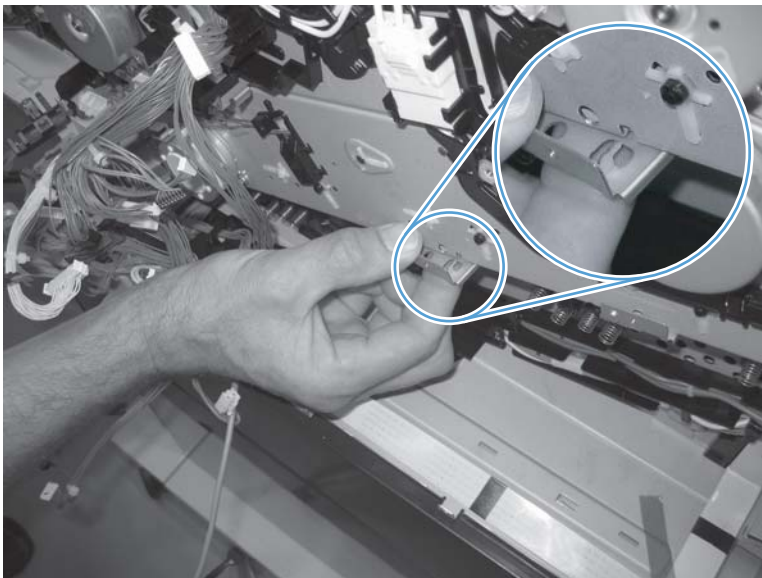
**Figure 1-286** Install the main drive assembly (7 of 8)



8. Reinstall the two small sheet-metal brackets.

 **NOTE:** The tab on the sheet-metal brackets must be inserted in the hole in the drive assembly chassis as shown below.

**Figure 1-287** Install the main drive assembly (8 of 8)



# Fuser drive assembly

## Before proceeding, remove the following assemblies:

- Formatter PCA. See [Formatter PCA on page 10](#).
- Control-panel assembly. See [Control-panel assembly on page 5](#).
- Intermediate transfer belt. See [Intermediate transfer belt on page 7](#).
- Left cover. See [Left cover on page 57](#).
- Rear cover. See [Rear cover on page 58](#).
- Right rear cover. See [Right rear cover on page 59](#).
- Toner collection unit (TCU) access door. See [Toner collection unit \(TCU\) access door on page 60](#)
- Optional: Document feeder. See [Document feeder on page 71](#).



**NOTE:** HP recommends removing the document feeder to decrease the weight of the scanner assembly when it is lifted off of the product.

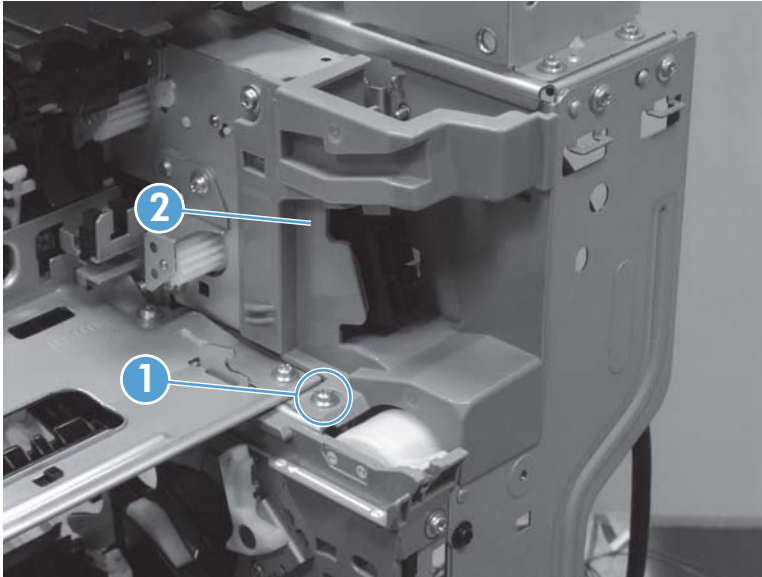
- Scanner assembly. See [Scanner assembly on page 74](#).
- For a stapler/stacker model:
  - Stapler/stacker assembly. See [Stapler/stacker assembly on page 78](#).
- Front upper cover. See [Front upper cover on page 83](#).
- Front right cover. See [Front right cover on page 86](#).
- Top right cover. See [Top right cover on page 91](#).
- For a non stapler/stacker model:
  - Output cover. See [Output cover; non stapler/stacker model on page 93](#).
- Top cover. See [Top cover on page 95](#).
- Top rear cover. See [Top rear cover on page 97](#).
- Sub-power supply assembly. See [Sub-power supply assembly on page 110](#).
- Toner cover. See the first, second, and third steps of [Residual toner full sensor on page 122](#)
- Formatter cage assembly. See [Formatter cage on page 177](#).
- Image (developing) high-voltage power supply (HVPS). See [Image \(developing\) high-voltage power supply \(HVPS\) on page 168](#).
- Interconnect PCA. See [Interconnect PCA on page 171](#).
- DC controller and sheet-metal bracket. See [DC controller PCA on page 174](#).
- First transfer high-voltage PCA. See [First-transfer high-voltage power supply on page 179](#).

- Second transfer high-voltage PCA and holder. See [Second-transfer high-voltage power supply and holder on page 182](#).
- Driver PCA. See [Driver PCA on page 184](#).
- Main drive assembly. See [Main drive assembly on page 194](#).

## Remove the fuser drive assembly

1. Remove one screw (callout 1), and then remove the bracket (callout 2).

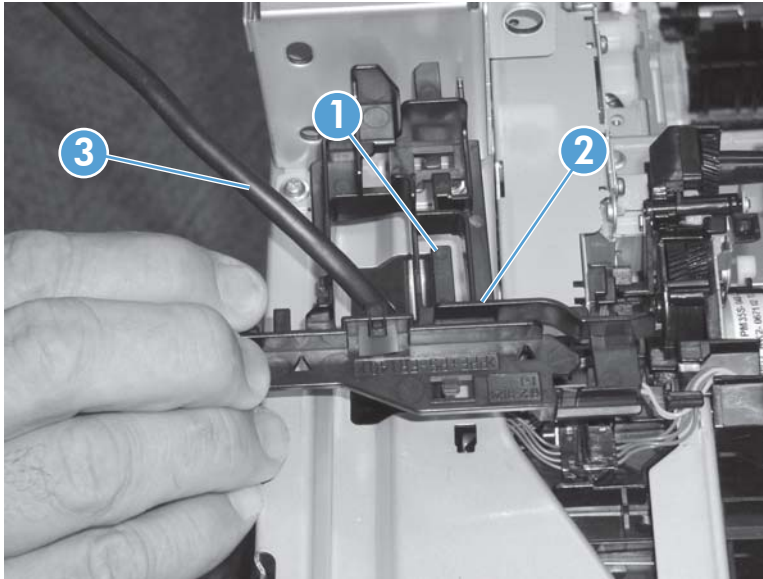
**Figure 1-288** Remove the fuser drive assembly (1 of 4)



2. Release one tab (callout 1), and then remove the guide (callout 2).

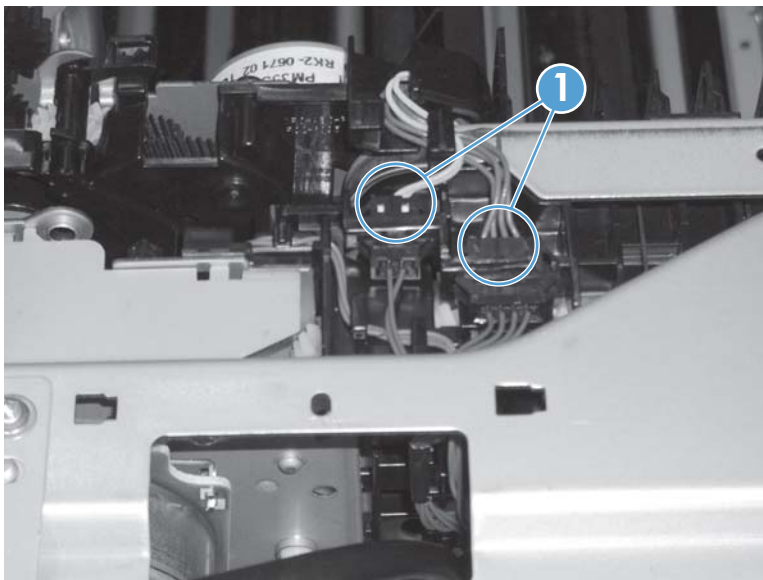
 **NOTE:** Carefully feed the cable (callout 3) through the hole to remove the guide.

**Figure 1-289** Remove the fuser drive assembly (2 of 4)



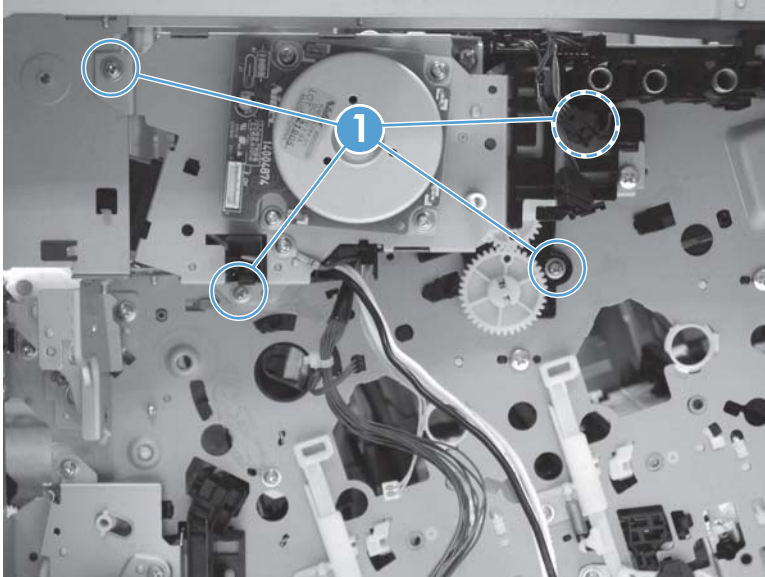
3. Disconnect two connectors (callout 1).

**Figure 1-290** Remove the fuser drive assembly (3 of 4)



4. Remove four screws (callout 1), and then remove the fuser drive assembly.

**Figure 1-291** Remove the fuser drive assembly (4 of 4)






## Install a replacement fuser drive assembly

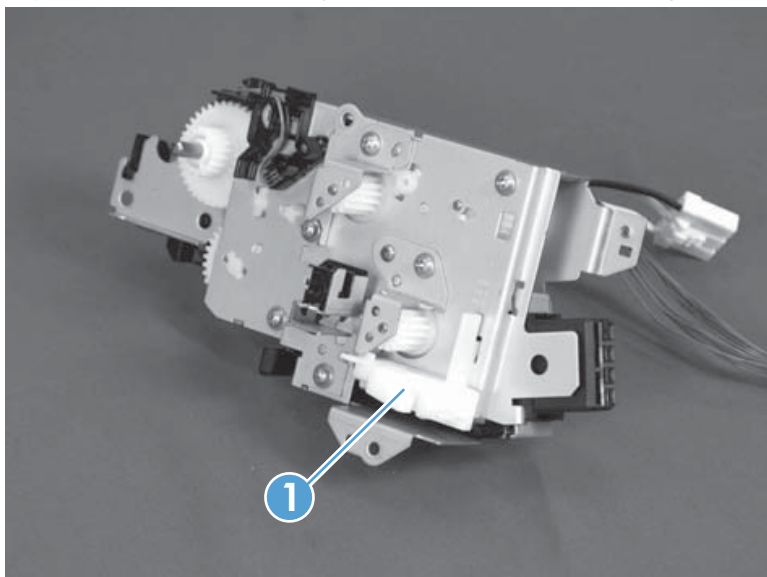
Use the following procedure to install a replacement fuser drive assembly or reinstall the original fuser drive assembly.

- 1. Replacement fuser drive assembly:** Before beginning, take note of the spacer (callout 1) on the replacement fuser drive assembly.

**Original fuser drive assembly:** Proceed to the next step.

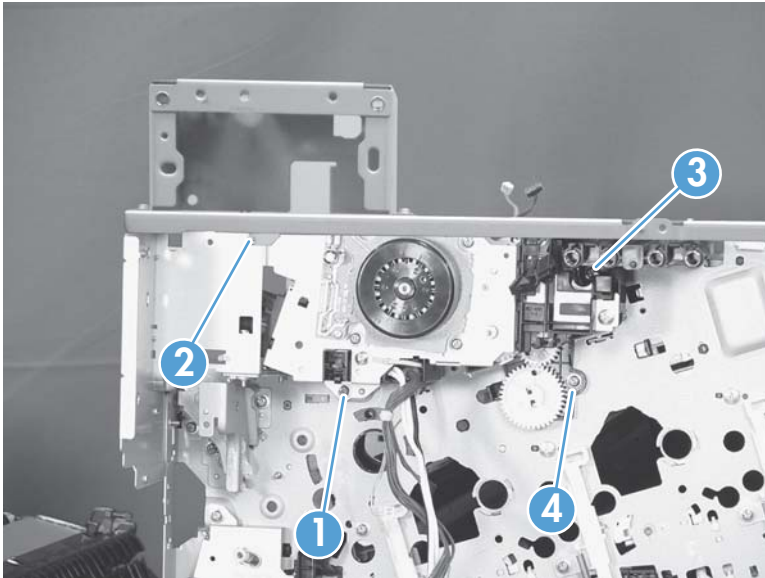
 **NOTE:** The assembly shown in the figure below is the fuser gear assembly (a sub-component of the fuser drive assembly). The location of the spacer (callout 1) is same for the fuser gear and fuser drive assemblies.

**Figure 1-292** Install a replacement fuser drive assembly (1 of 3)



2. Fasten the replacement fuser drive assembly to the product with four screws. Install the screws in the order shown below (callouts 1 to 4).

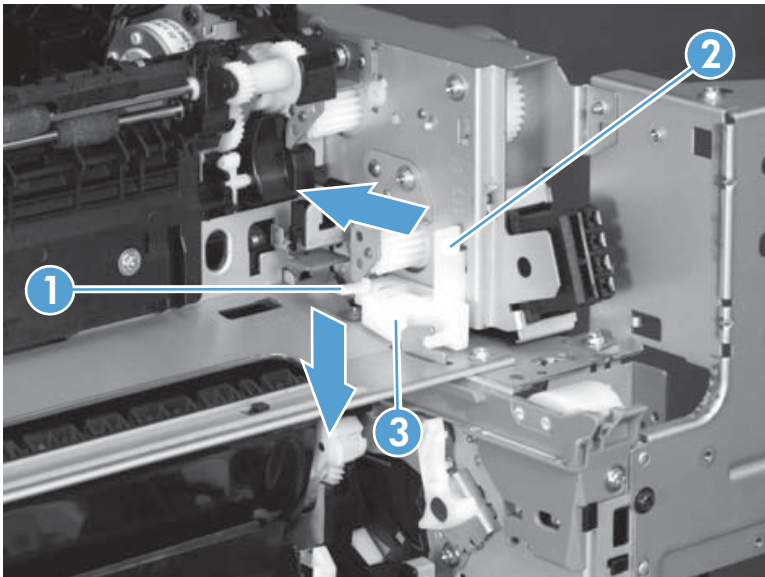
**Figure 1-293** Install a replacement fuser drive assembly (2 of 3)



3. **Replacement fuser drive assembly:** Release two tabs in the order shown below (callouts 1 and 2), and then remove the spacer (callout 3).

**Original fuser drive assembly:** Installation complete—this step is not required.

**Figure 1-294** Install a replacement fuser drive assembly (3 of 3)



# Fuser gear assembly

## Before proceeding, remove the following assemblies:

- Fuser. See [Fuser on page 9](#).
- Control-panel assembly. See [Control-panel assembly on page 5](#).
- Intermediate transfer belt. See [Intermediate transfer belt on page 7](#).
- Left cover. See [Left cover on page 57](#).
- Rear cover. See [Rear cover on page 58](#).
- Right rear cover. See [Right rear cover on page 59](#).
- Toner collection unit (TCU) access door. See [Toner collection unit \(TCU\) access door on page 60](#).
- Optional: Document feeder. See [Document feeder on page 71](#).



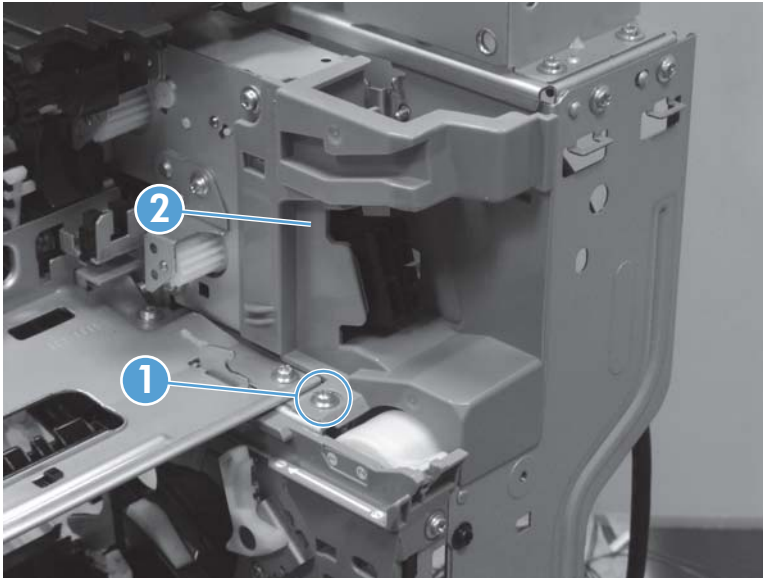
**NOTE:** HP recommends removing the document feeder to decrease the weight of the scanner assembly when it is lifted off of the product.

- Scanner assembly. See [Scanner assembly on page 74](#).
- For a stapler/stacker model:
  - Stapler/stacker assembly. See [Stapler/stacker assembly on page 78](#).
- For a non stapler/stacker model:
  - Output cover. See [Output cover; non stapler/stacker model on page 93](#).
- Front upper cover. See [Front upper cover on page 83](#).
- Front right cover. See [Front right cover on page 86](#).
- Output cover. See [Output cover; non stapler/stacker model on page 93](#).
- Top cover. See [Top cover on page 95](#).
- Residual toner full sensor. See [Residual toner full sensor on page 122](#).
- First transfer high-voltage PCA. See [First-transfer high-voltage power supply on page 179](#).
- Fuser motor M4. See [Fuser motor M4 on page 149](#).

## Remove the fuser gear assembly

1. Remove one screw (callout 1), and then remove the bracket (callout 2).

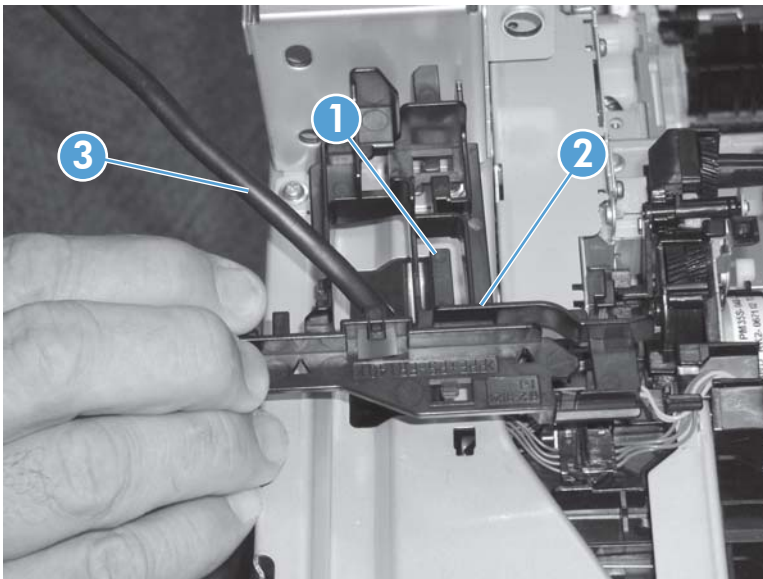
**Figure 1-295** Remove the fuser gear assembly (1 of 7)



2. Release one tab (callout 1), and then remove the guide (callout 2).

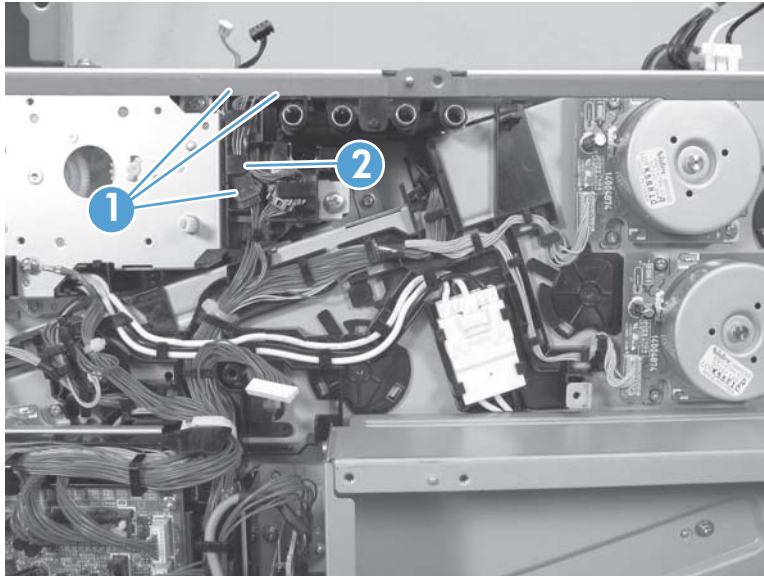
 **NOTE:** Carefully feed the cable (callout 3) through the hole to remove the guide.

**Figure 1-296** Remove the fuser gear assembly (2 of 7)



3. Disconnect three connectors (callout 1), and then release the wire harnesses from the guide (callout 2).

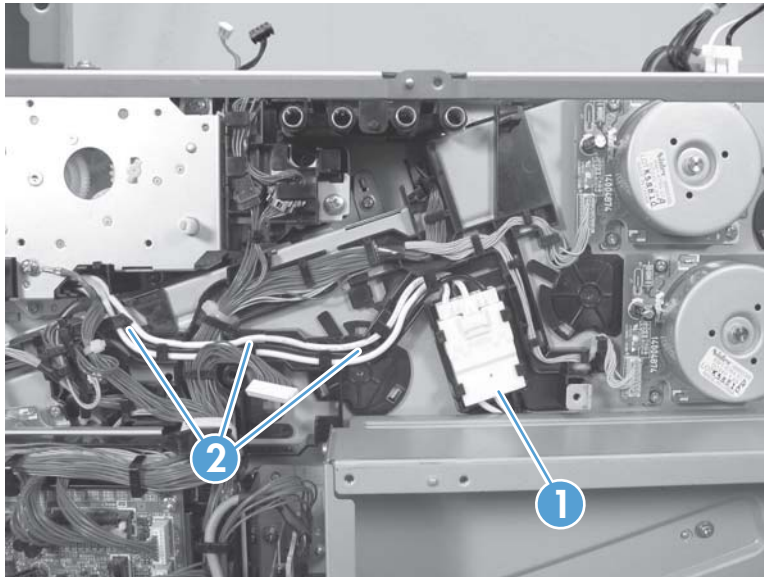
**Figure 1-297** Remove the fuser gear assembly (3 of 7)



4. Disconnect one connector (callout 1), and then release the wire harness from the guide (callout 2).

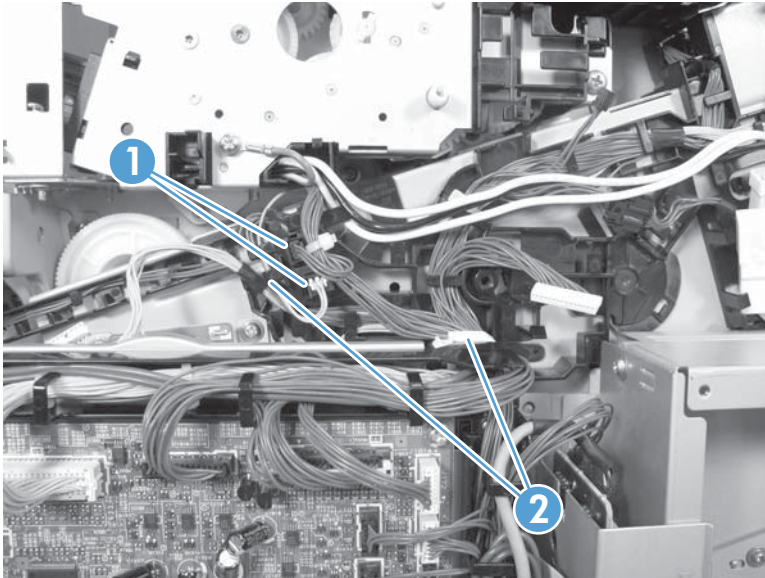
 **TIP:** It might be easier to disconnect the connector, if you release it from the black-plastic holder.

**Figure 1-298** Remove the fuser gear assembly (4 of 7)



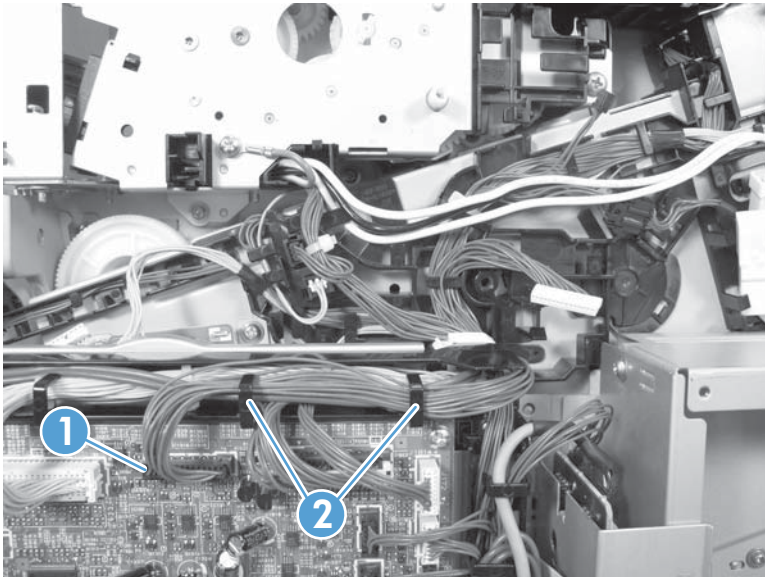
5. Disconnect two connectors (callout 1), and then release the wire harness from the retainer and guide (callout 2).

**Figure 1-299** Remove the fuser gear assembly (5 of 7)



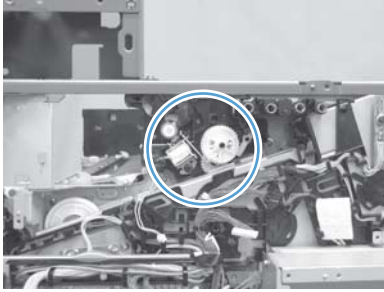
6. Disconnect one connector (callout 1), and then release the wire harness from the guide (callout 2).

**Figure 1-300** Remove the fuser gear assembly (6 of 7)

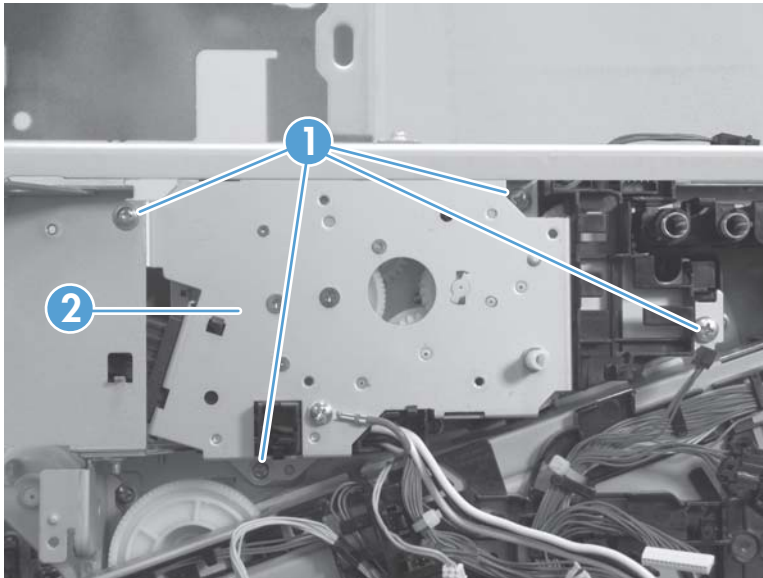


7. Remove four screws (callout 1), and then remove the fuser gear assembly (callout 2).

**⚠ CAUTION:** Do not remove the gear or solenoid located behind the fuser gear assembly. The gear and solenoid are installed in specific alignment with the other components behind the assembly. If the gear or solenoid are removed, the product will not properly function.



**Figure 1-301** Remove the fuser gear assembly (7 of 7)



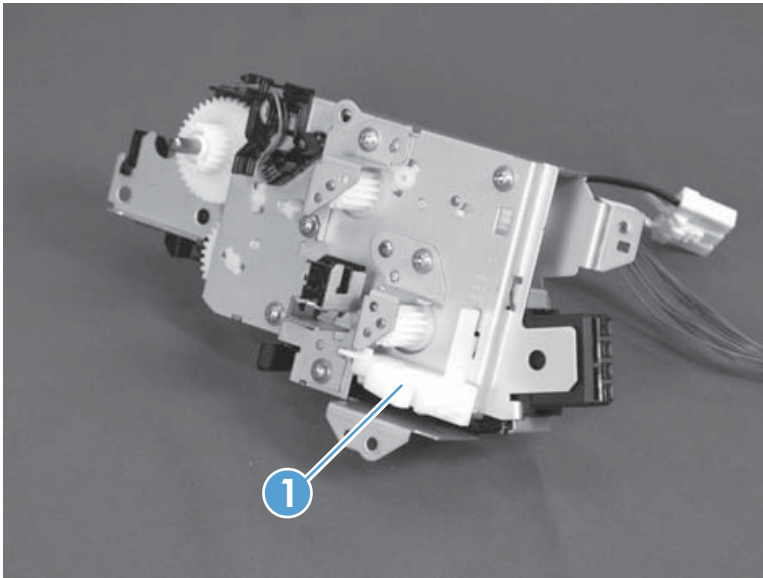
## Install a replacement fuser gear assembly

Use the following procedure to install a replacement fuser drive assembly or reinstall the original fuser gear assembly.

1. **Replacement fuser gear assembly:** Before beginning, take note of the spacer (callout 1) on the replacement fuser gear assembly.

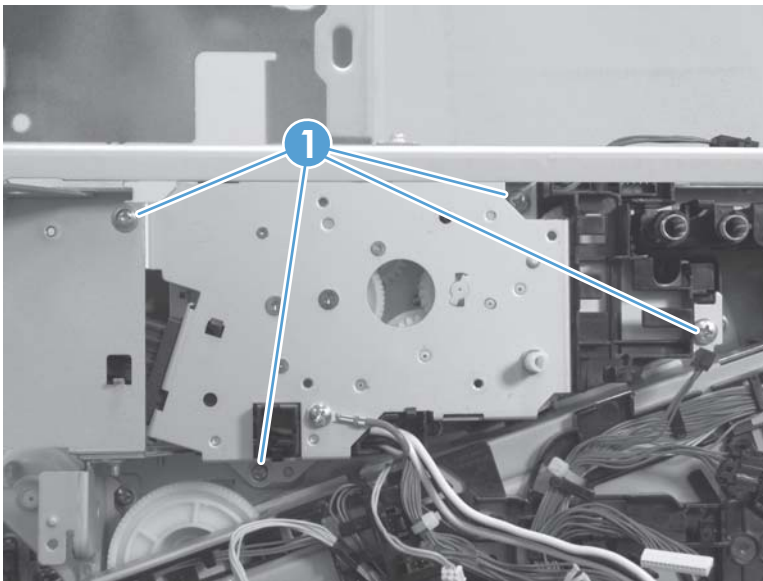
**Original fuser gear assembly:** Proceed to the next step.

**Figure 1-302** Install a replacement fuser gear assembly (1 of 3)



2. Fasten the replacement fuser gear assembly to the product with four screws (callout 1).

**Figure 1-303** Install a replacement fuser gear assembly (2 of 3)

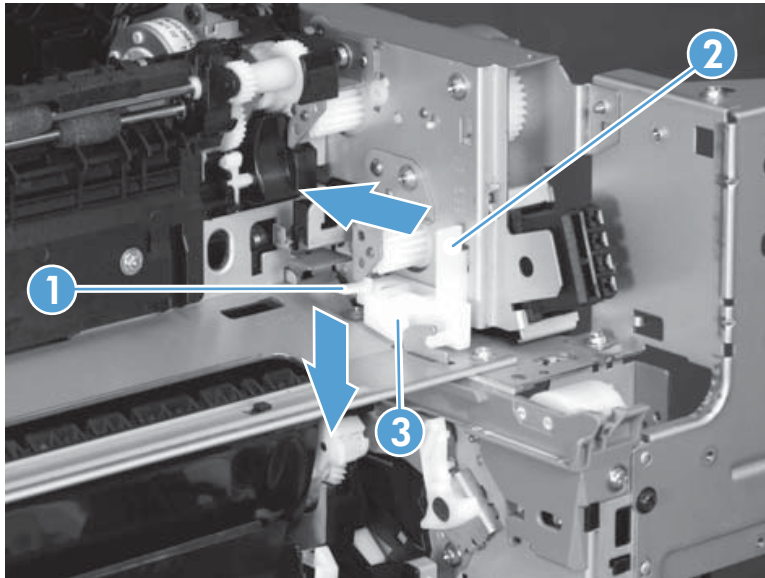





- 3. Replacement fuser gear assembly:** Release two tabs in the order shown below (callouts 1 and 2), and then remove the spacer (callout 3).

**Original fuser gear assembly:** Installation complete—this step is not required.

**Figure 1-304** Install a replacement fuser gear assembly (3 of 3)



# Input devices

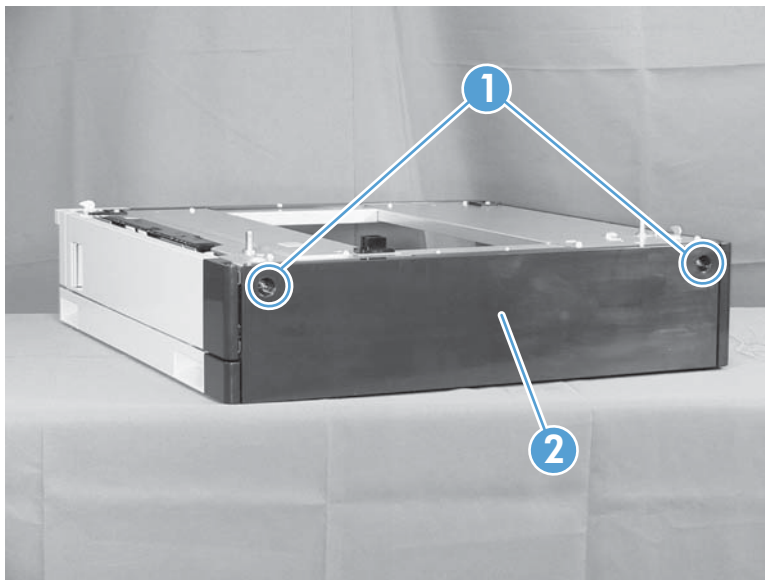
 **NOTE:** Some of the procedures in this section require the product to be removed from the input device.

## 1x500-sheet paper feeder assembly

### 1x500 rear cover

Remove two screws (callout 1), and then remove the rear cover (callout 2).

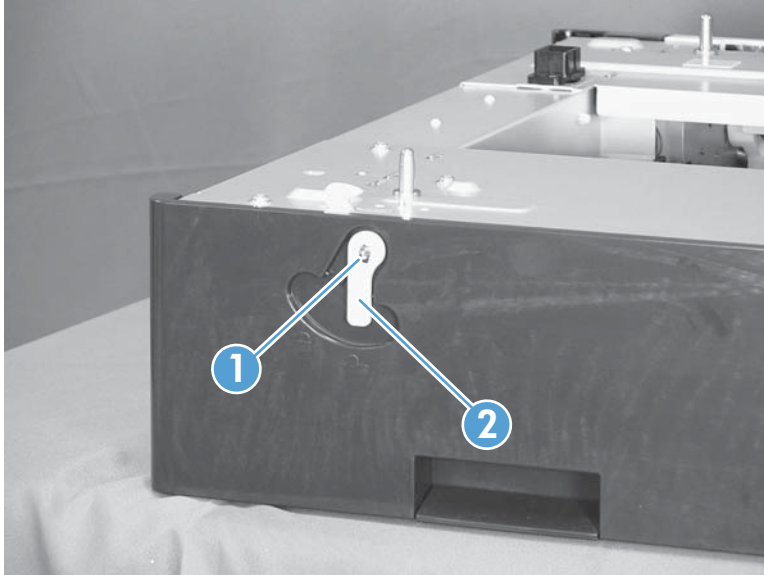
**Figure 1-305** Remove the 1x500 rear cover



## 1x500 left cover

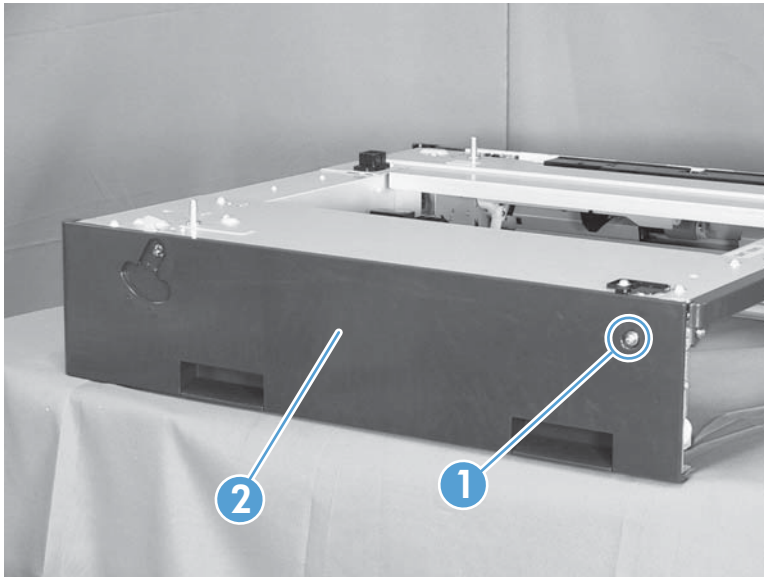
1. Take the cassette out of the feeder, release one tab (callout 1), and then remove the lever (callout 2).


**Figure 1-306** Remove the 1x500 left cover (1 of 2)

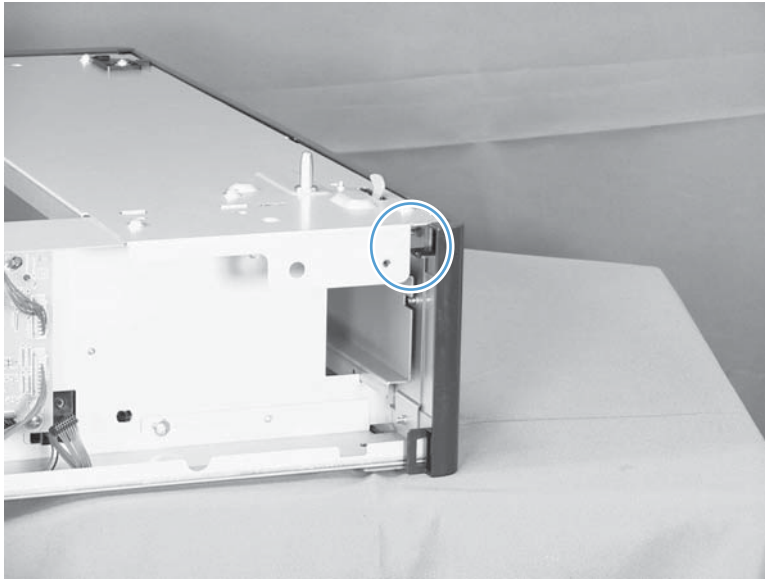
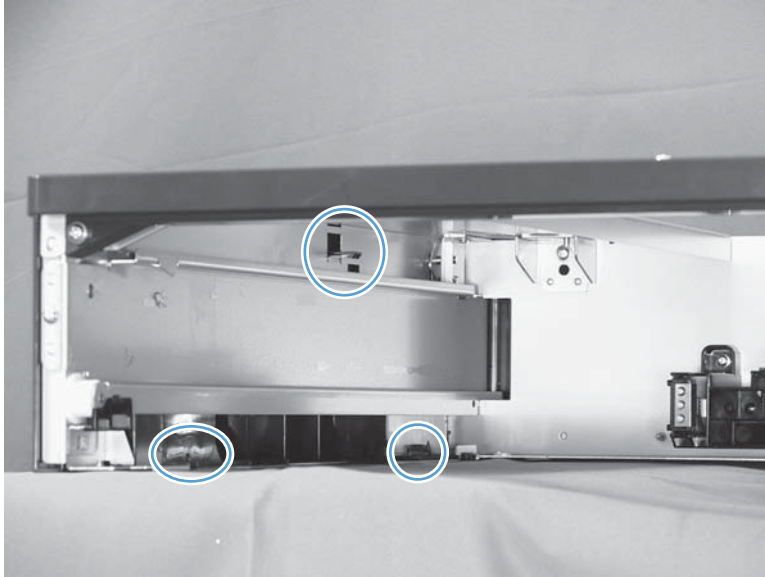


2. Remove one screw (callout 1), release four tabs from the inside (see the tip that follows this step), and then remove the left cover (callout 2).

**Figure 1-307** Remove the 1x500 left cover (2 of 2)



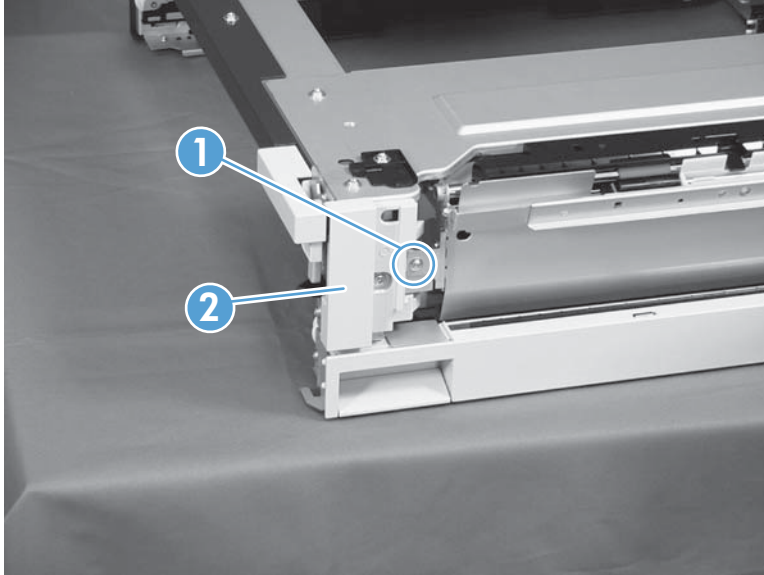
 **TIP:** The following figures show the tabs inside the cover.




## 1x500 right-front cover

1. Take the cassette out of the feeder, and then open the right door.
2. Remove one screw (callout 1), and then remove the right-front cover (callout 2).

**Figure 1-308** Remove the 1x500 right-front cover



## 1x500 front-upper cover

 **NOTE:** If the feeder is installed on the product, remove the cassette from the tray above the feeder.

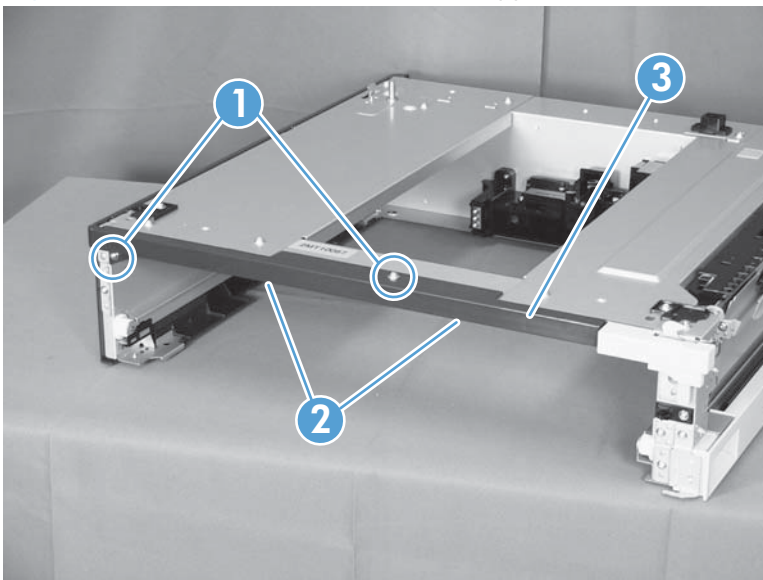
### Before proceeding, remove the following assemblies:

- Right-front cover. See [1x500 right-front cover on page 223](#).

### Remove the 1x500 front-upper cover

1. Remove the cassette from the feeder.
2. Remove two screws (callout 1), release two tabs (callout 2), and then remove the front upper cover (callout 3).

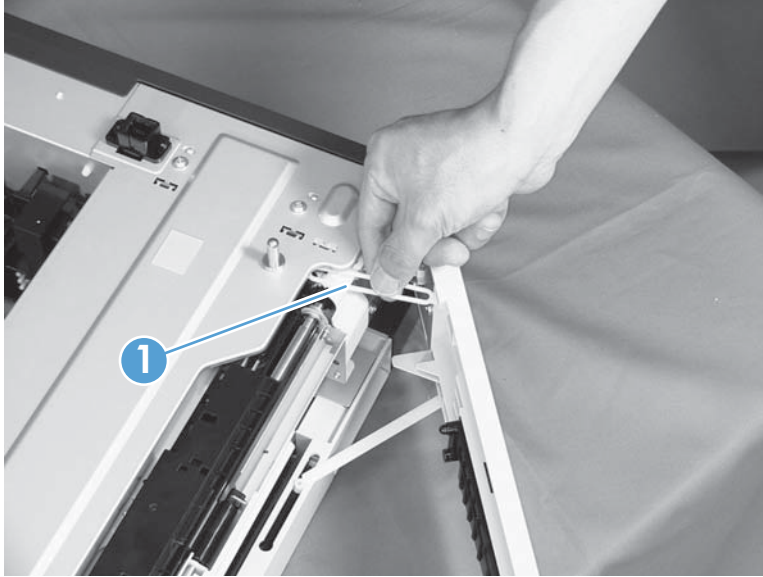
**Figure 1-309** Remove the 1x500 front-upper cover



## 1x500 right door

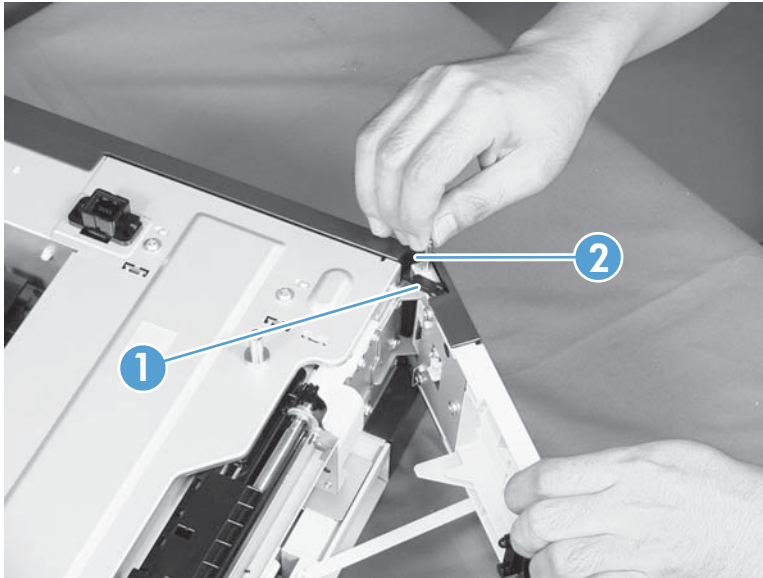
1. Lift the product off the feeder, and then open the tray right door.
2. Release the link arm (callout 1).

**Figure 1-310** Remove the 1x500 right door (1 of 3)



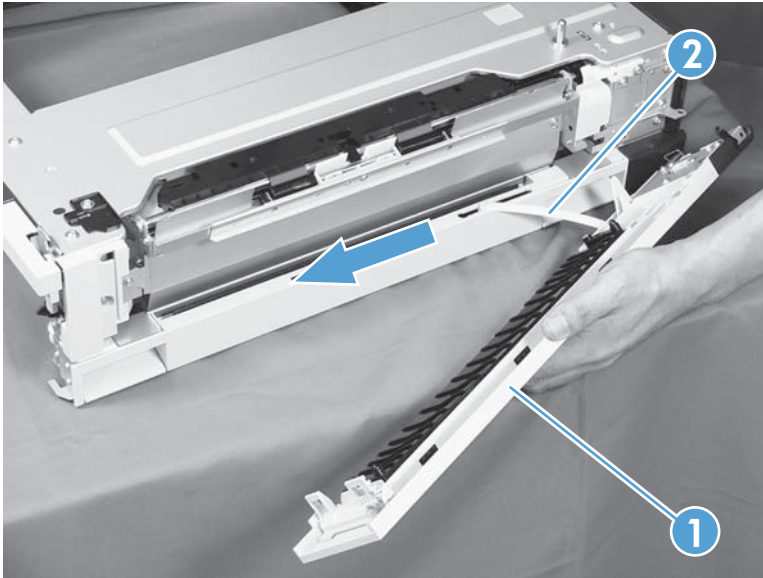
3. Release the stopper (callout 1), and then release the shaft (callout 2).

**Figure 1-311** Remove the 1x500 right door (2 of 3)



4. Slide the right door (callout 1) and the arm (callout 2) in the direction indicated to remove them together, and then remove the arm from the right door.

**Figure 1-312** Remove the 1x500 right door (3 of 3)





## 1x500 right-lower cover

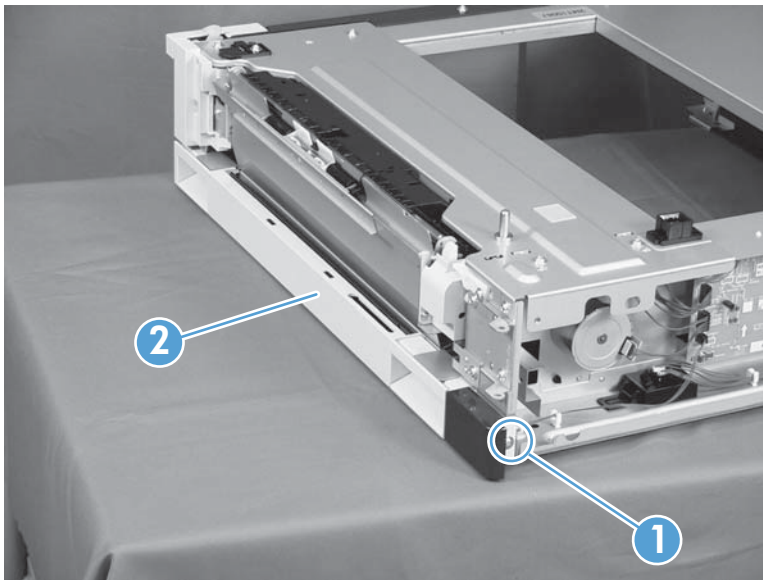
Before proceeding, remove the following assemblies:

- Rear cover. See [1x500 rear cover on page 220](#).
- Right door. See [1x500 right door on page 225](#).

### Remove the 1x500 right-lower cover

1. Remove the cassette from the feeder.
2. Remove one screw (callout 1), and then slide the cover (callout 2) to the right to clear an alignment pin at the left side of the cover.

**Figure 1-313** Remove the 1x500 right-lower cover



## 1x500 pickup assembly

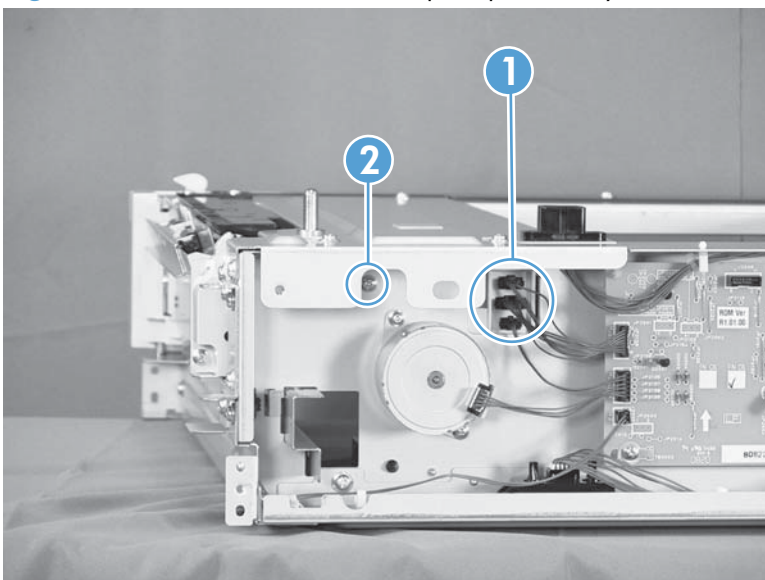
### Before proceeding, remove the following assemblies:

- 1x500 rear cover. See [1x500 rear cover on page 220](#).
- 1x500 right-front cover. See [1x500 right-front cover on page 223](#).
- 1x500 right door. See [1x500 right door on page 225](#).
- 1x500 right-lower cover. See [1x500 right-lower cover on page 227](#).

### Remove the 1x500 pickup assembly

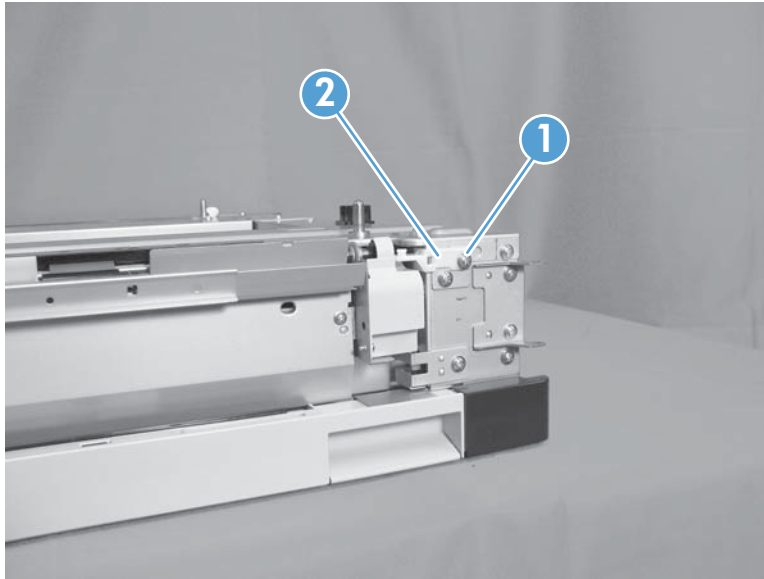
1. Disconnect three connectors (callout 1), and then remove one screw (callout 2).

**Figure 1-314** Remove the 1x500 pickup assembly (1 of 4)



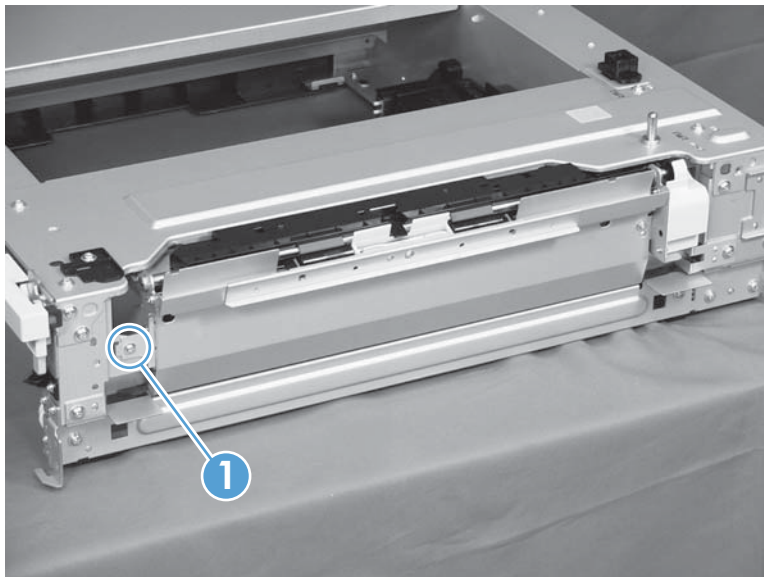
2. Remove one screw (callout 1), and then remove the stopper of the right-door link (callout 2).

**Figure 1-315** Remove the 1x500 pickup assembly (2 of 4)



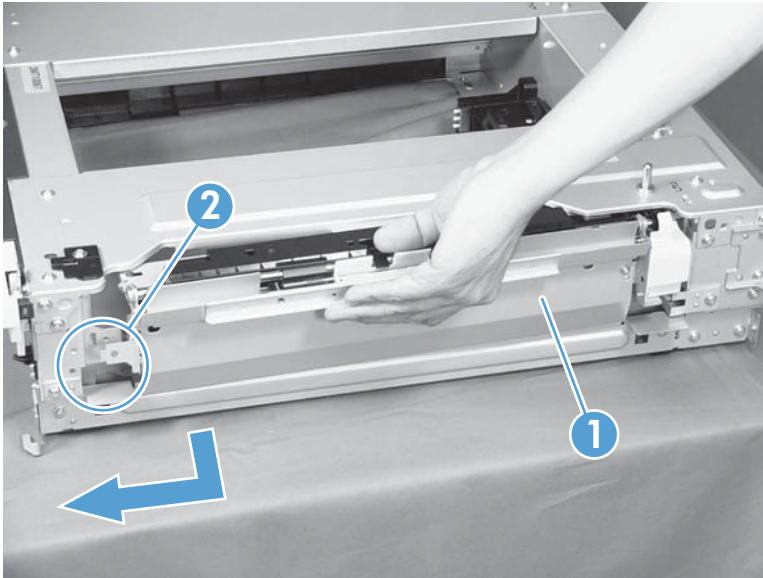
3. Remove one screw (callout 1).

**Figure 1-316** Remove the 1x500 pickup assembly (3 of 4)



4. Lift the 1x500 pickup assembly (callout 1) slightly to clear a tab (callout 2), and then slide it in the direction indicated to remove it.

**Figure 1-317** Remove the 1x500 pickup assembly (4 of 4)



## 1x500 lifter-drive assembly

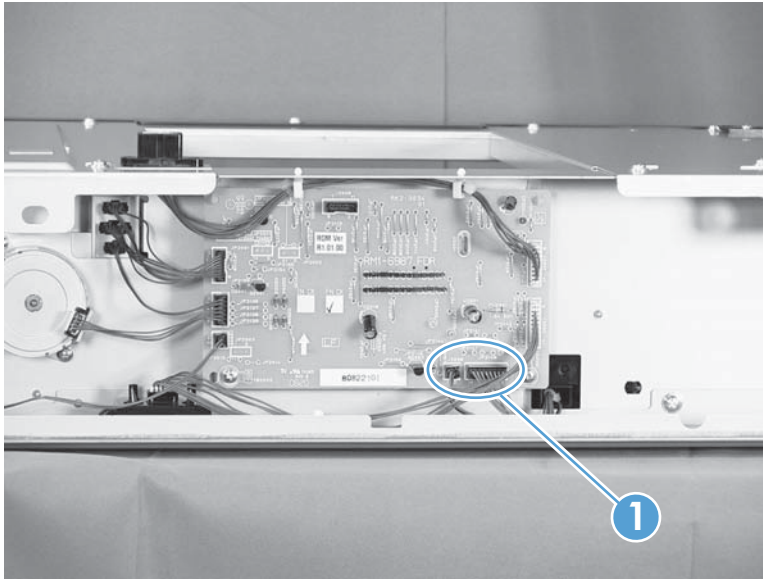
Before proceeding, remove the following assemblies:

- 1x500 rear cover. See [1x500 rear cover on page 220](#).

### Remove the 1x500 lifter-drive assembly

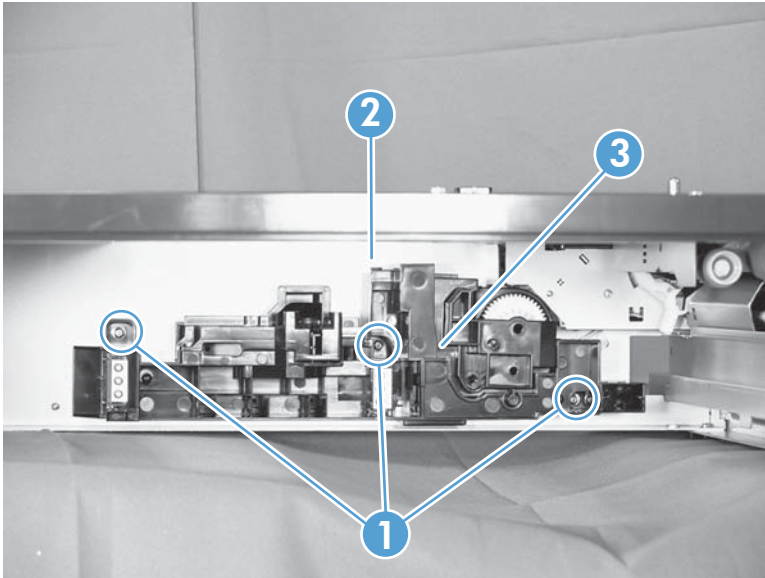
1. Remove the cassette from the feeder.
2. Disconnect two connectors (callout 1).

**Figure 1-318** Remove the 1x500 lifter-drive assembly (1 of 2)



3. From the front, inside the tray cavity, remove three screws (callout 1), release one tab (callout 2), and then remove the 1x500 lifter-drive assembly (callout 3).

**Figure 1-319** Remove the 1x500 lifter-drive assembly (2 of 2)



## 1x500 pickup motor

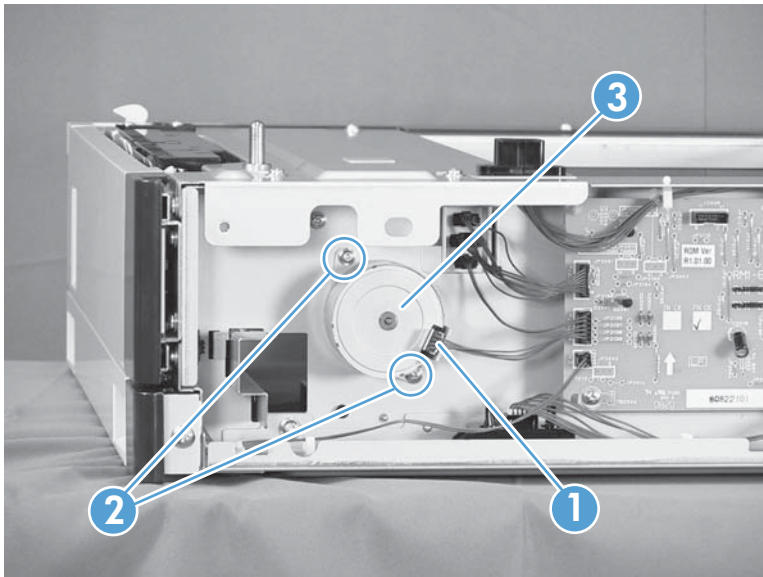
Before proceeding, remove the following assemblies:

- 1x500 rear cover. See [1x500 rear cover on page 220](#).

### Remove the 1x500 pickup motor

1. Remove the cassette from the feeder.
2. Disconnect one connector (callout 1), remove two screws (callout 2), and then remove the 1x500 pickup motor (callout 3).

**Figure 1-320** Remove the 1x500 pickup motor




## 1x500 driver PCA

Before proceeding, remove the following assemblies:

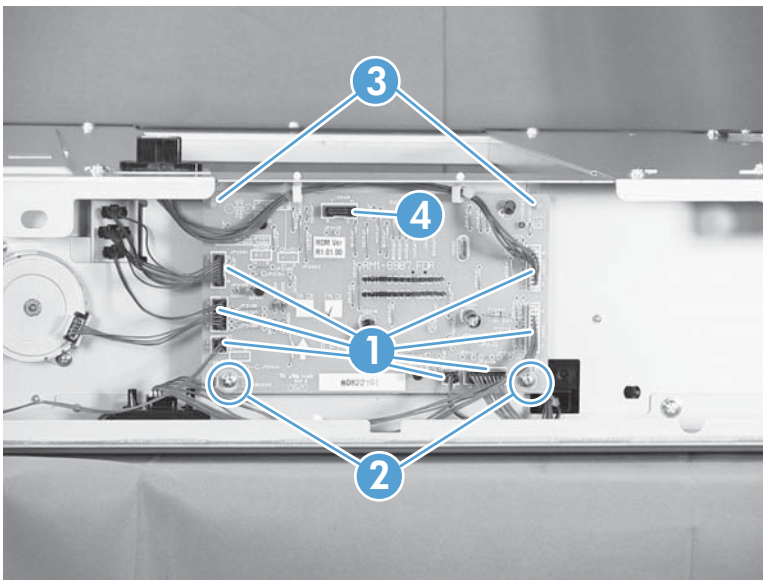
- 1x500 rear cover. See [1x500 rear cover on page 220](#).

### Remove the 1x500 driver PCA

1. Remove the cassette from the feeder.
2. Disconnect seven connectors (callout 1), remove two screws (callout 2), release two tabs (callout 3), and then remove the 1x500 driver PCA.


 **NOTE:** One connector (callout 4) on the 1x500 driver PCA remains empty.

**Figure 1-321** Remove the 1x500 driver PCA





## 1x500- and 3x500-sheet paper deck (PD)

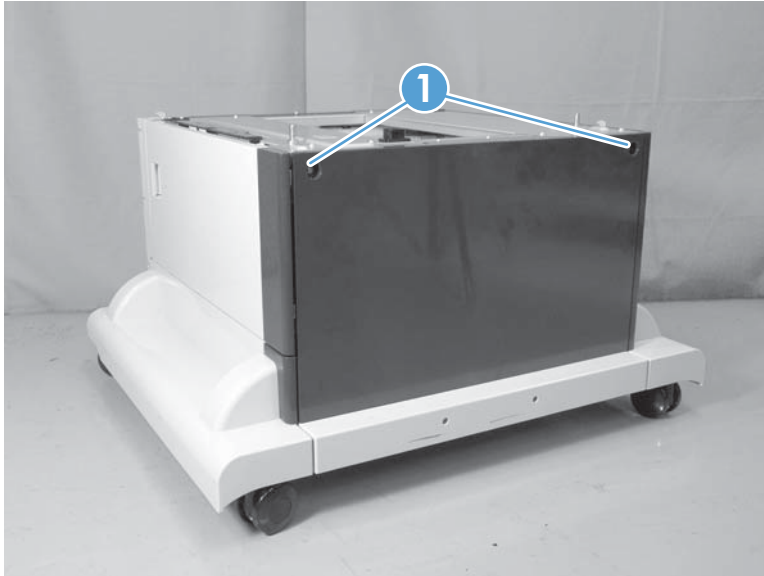
 **NOTE:** Unless otherwise noted, the procedures in this section are valid for both the 1x500- and 3x500-sheet paper decks.

Some of the procedures in this section require the product to be removed from the input device.

### PD rear cover

Remove two screws (callout 1), and then remove the cover.

**Figure 1-322** Remove the PD rear cover

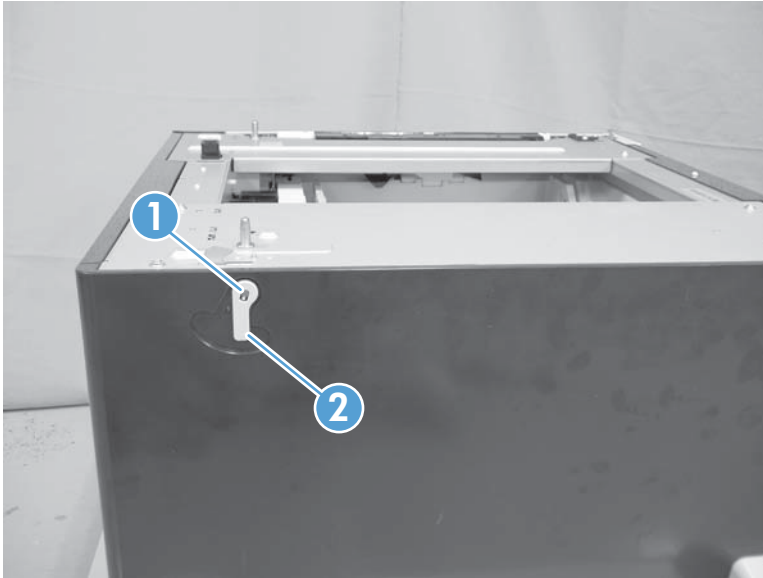


## PD left cover

1. Release one tab (callout 1), and then remove the lever (callout 2).

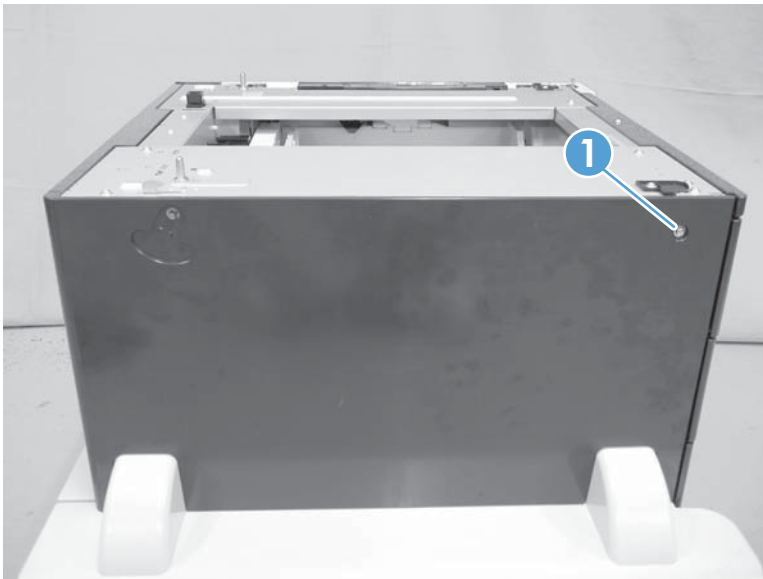
**CAUTION:** The tab can be easily broken.

**Figure 1-323** Remove the PD left cover (1 of 3)



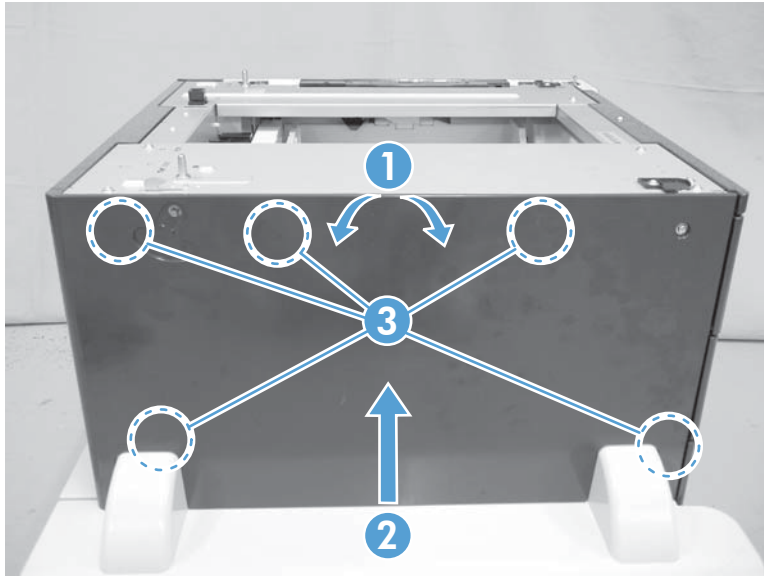
2. Remove one screw (callout 1), and then remove the cover.

**Figure 1-324** Remove the PD left cover (2 of 3)



3. Carefully separate the top of the cover from the paper deck (callout 1), lift up on the cover (callout 2) to release five tabs (callout 3), and then remove the cover.

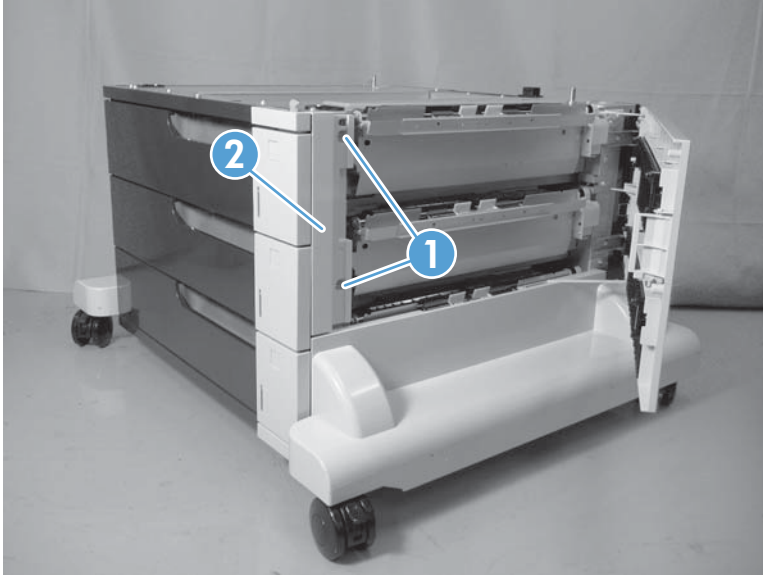
**Figure 1-325** Remove the PD left cover (3 of 3)




## PD right front cover

1. Open the PD right door.
2. Remove two screws (callout 1), and then remove the cover (callout 2).

**Figure 1-326** Remove the PD right front cover



## PD front upper cover

 **NOTE:** If the paper deck is installed on the product, remove the cassette from the tray above the paper deck.

### Before proceeding, remove the following assemblies:

- PD right front cover. [PD right front cover on page 238](#).

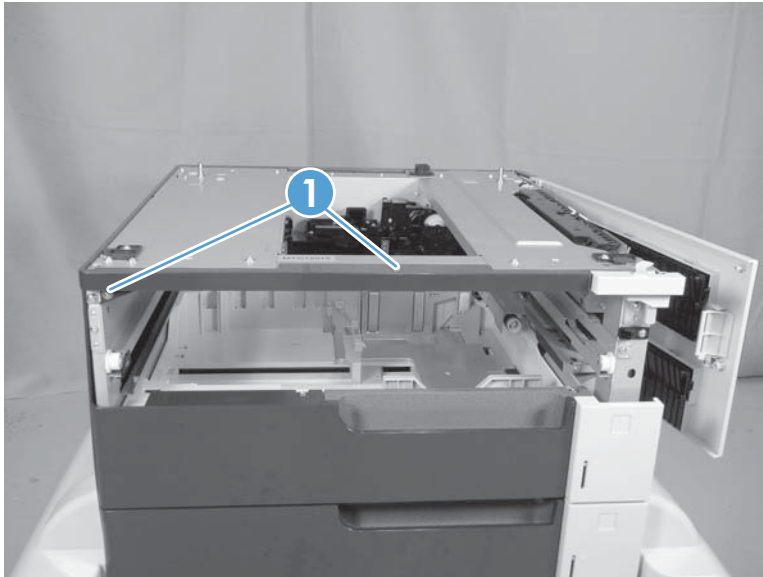
### Remove the PD front upper cover

1. Remove the cassette.

 **NOTE:** For the 3x500-sheet PD, remove the top-most cassette.

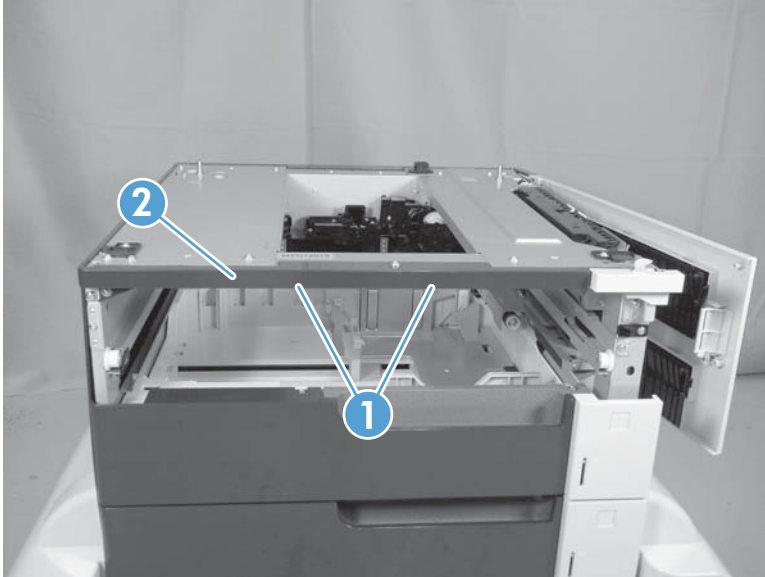
2. Remove two screws (callout 1).

**Figure 1-327** Remove the PD front upper cover (1 of 2)




3. Release two tabs (callout 1), and then remove the cover (callout 2).


**Figure 1-328** Remove the PD front upper cover (2 of 2)



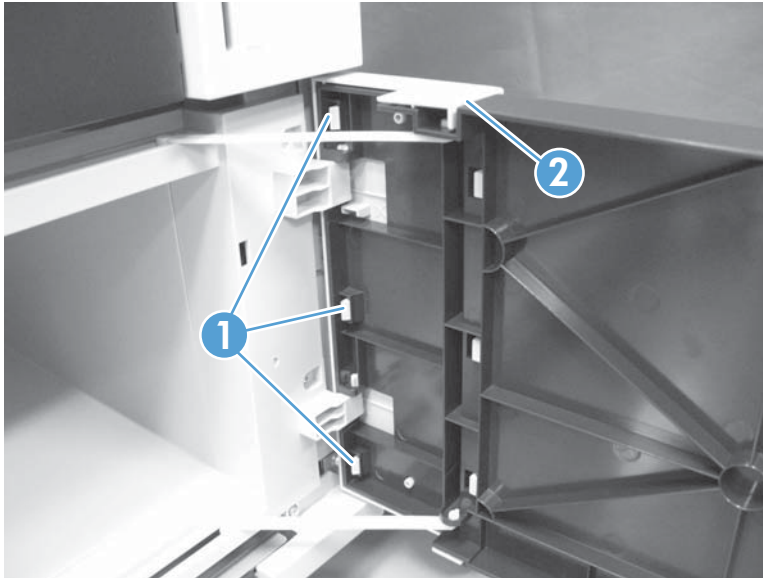
## PD front door

 **NOTE:** For the 1x500-sheet PD only.

1. Open the front door.
2. Release three tabs (callout 1), and then remove the cover (callout 2).

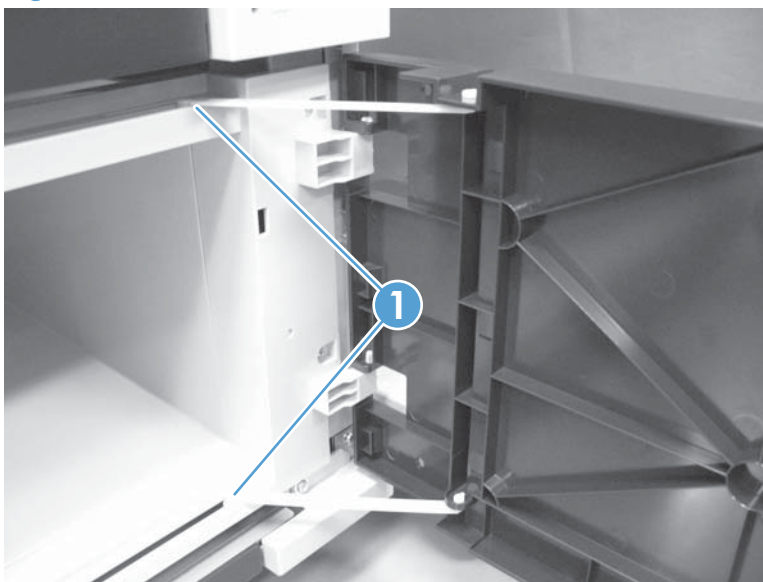
 **TIP:** Partially close the door, and then remove the cover from the front side of the door.

**Figure 1-329** Remove the PD front door (1 of 3)



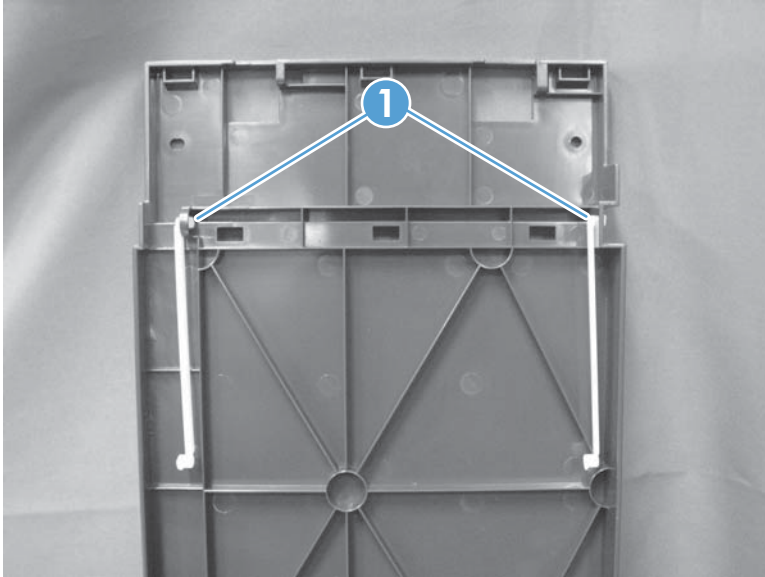
3. Support the door, lift up on the door to release the hinges, and then release two link arms (callout 1).

**Figure 1-330** Remove the PD front door (2 of 3)



4. If necessary, remove two link arms (callout 1) from the door.

**Figure 1-331** Remove the PD front door (3 of 3)






## PD storage box

Before proceeding, remove the following assemblies:

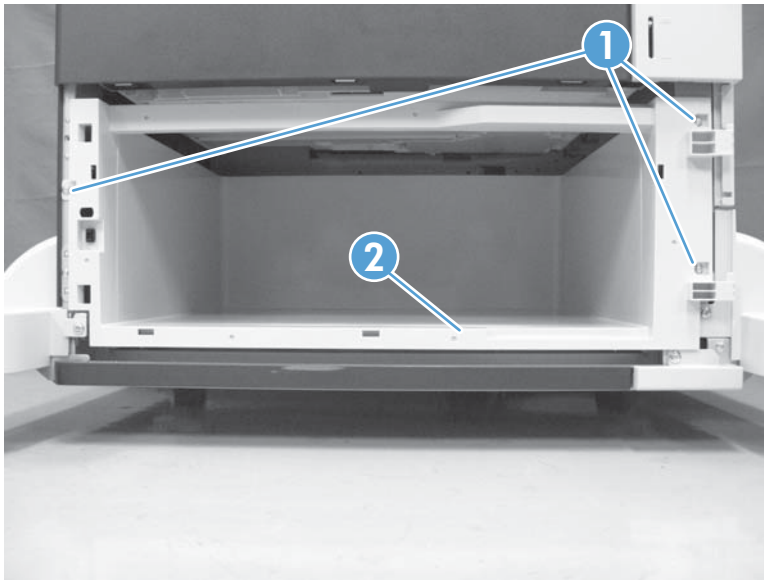
- PD front door. See [PD front door on page 241](#).

### Remove the PD storage box

 **NOTE:** For the 1x500-sheet PD only.

Remove three screws (callout 1), and then remove the storage box (callout 2).

**Figure 1-332** Remove the PD storage box

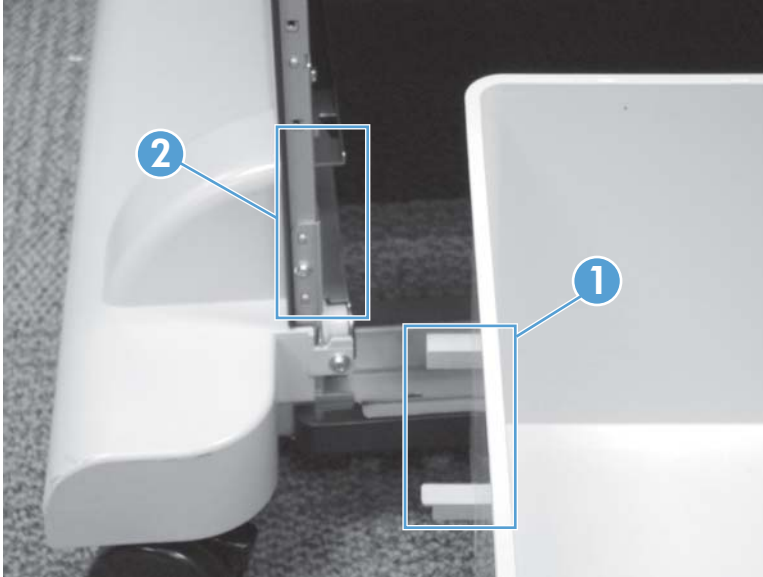


## Reinstall the PD storage box

When the PD storage box is reinstalled, do the following:

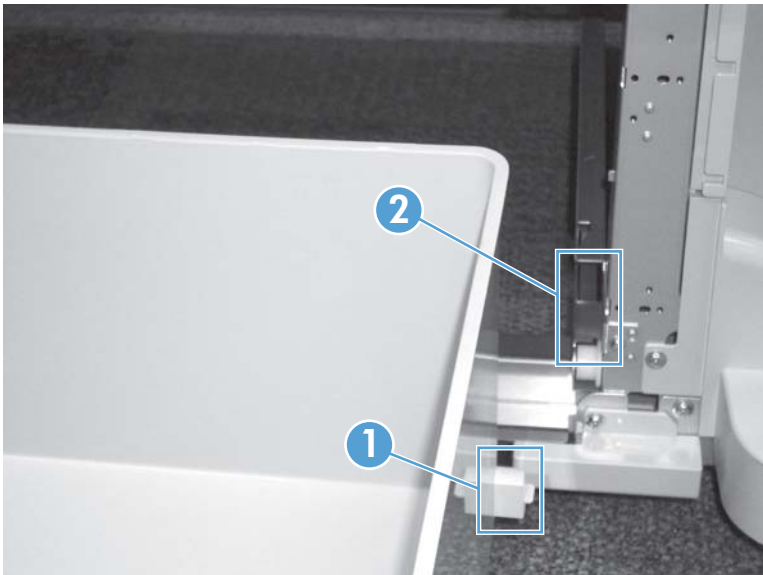
- a. Make sure that the two guides (callout 1) on the left side of the box are correctly aligned and inserted between the rails (callout 2) in the paper deck.

**Figure 1-333** PD storage box left-side guides




- b. Make sure that the guide (callout 1) on the right side of the box are correctly aligned and inserted between the rails (callout 2) in the paper deck.

**Figure 1-334** PD storage box right-side guide

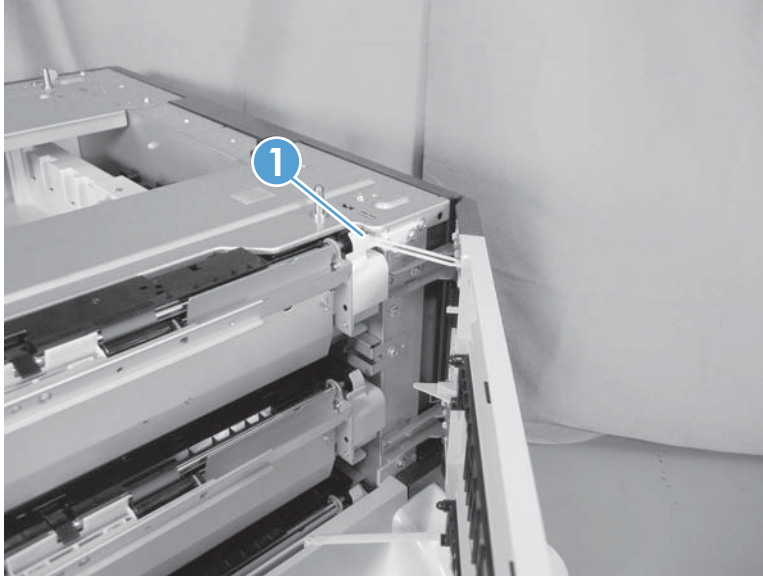


## PD right door

 **TIP:** The door can be removed with the product installed on the paper deck. Slightly lift up on the corner of the product to release the hinges.

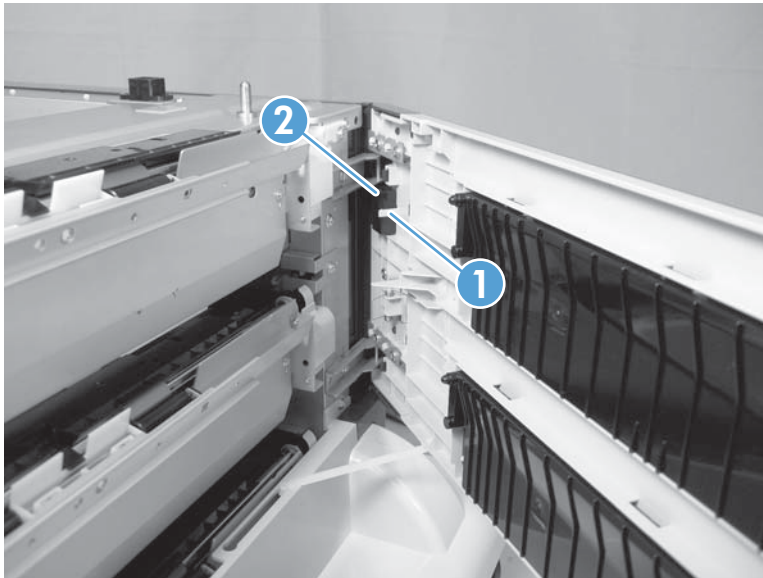
1. Open the right door.
2. Support the door, and then release one link arm (callout 1).

**Figure 1-335** Remove the PD right door (1 of 3)



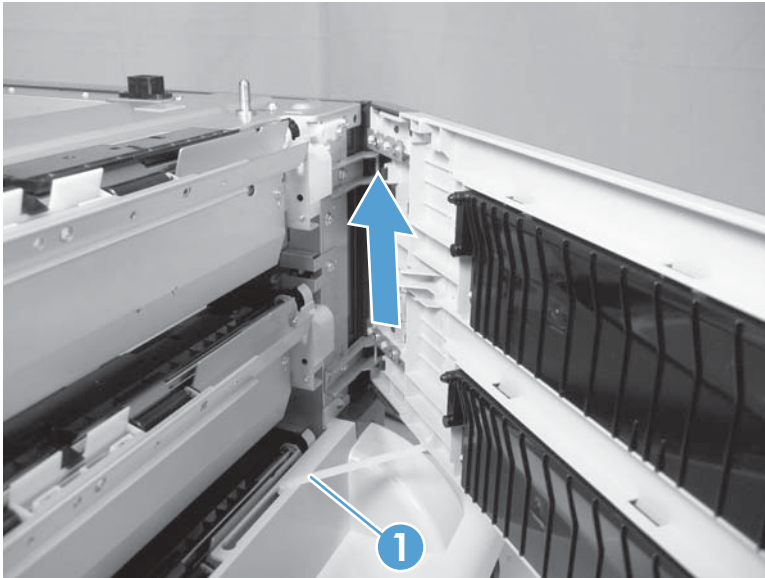
3. Release one tab (callout 1), and then remove the stopper (callout 2).

**Figure 1-336** Remove the PD right door (2 of 3)



4. Lift up on the door to separate it from the PD, release one link arm (callout 1), and then remove the door.

**Figure 1-337** Remove the PD right door (3 of 3)



## PD right lower cover

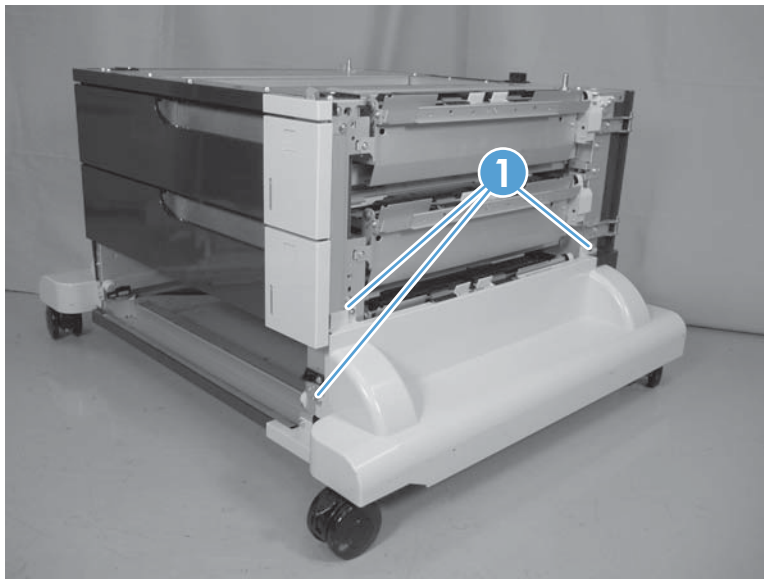
### Before proceeding, remove the following assemblies:

- PD right front cover. See [PD right front cover on page 238](#).
- 1x500-sheet PD only: PD front door. See [PD front door on page 241](#).
- 1x500-sheet PD only: PD storage box. See [PD storage box on page 243](#).
- PD right door. See [PD right door on page 245](#).


### Remove the right lower cover

1. 3x500-sheet PD only: Remove the PD cassette 3 (lower-most cassette).
2. Remove three screws (callout 1).

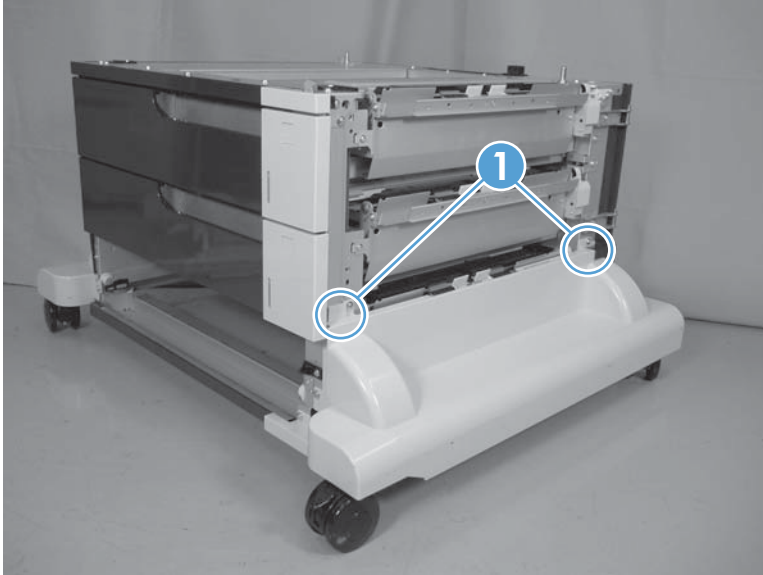
**Figure 1-338** Remove the PD right lower cover (1 of 2)



3. Release two round tabs (callout 1), and then remove the cover.

 **TIP:** When the cover is reinstalled, align the round tabs (callout 1) in the holes next to the upper screw holes. Make sure that the tabs snap into the holes and that the cover is tight up against the sheet-metal chassis.

**Figure 1-339** Remove the PD right lower cover (2 of 2)



## PD left lower cover

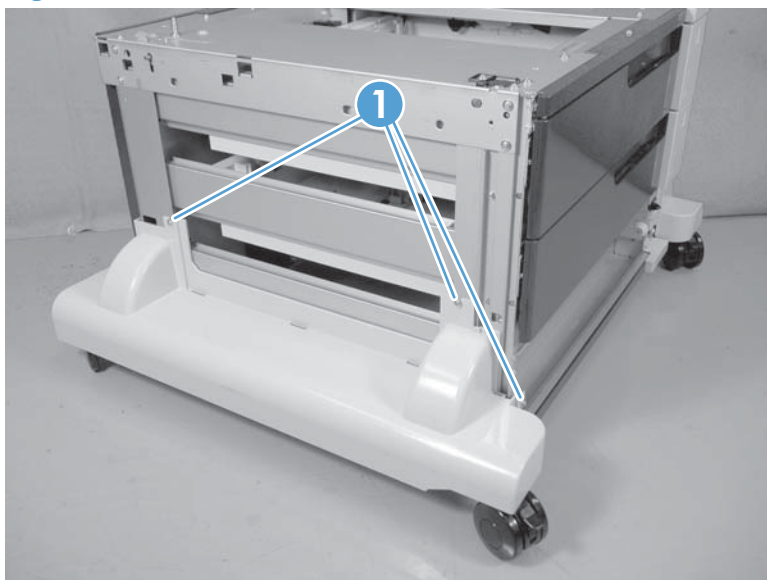
Before proceeding, remove the following assemblies:

- PD left cover. See [PD left cover on page 236](#).


### Remove the left lower cover

1. 1x500-sheet PD only: Open the front door.  
**-or-**  
3x500-sheet PD only: Remove the PD cassette 3 (lower-most cassette).
2. Remove three screws (callout 1).

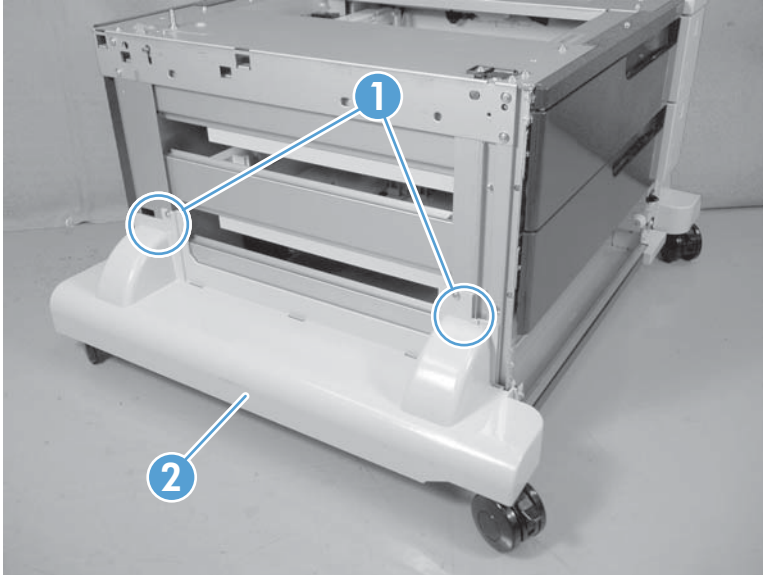
**Figure 1-340** Remove the PD left lower cover (1 of 2)



3. Release two round tabs (callout 1), and then remove the cover (callout 2).

 **TIP:** When the cover is reinstalled, align the round tabs (callout 1) in the holes next to the upper screw holes. Make sure that the tabs snap into the holes and that the cover is tight up against the sheet-metal chassis.

**Figure 1-341** Remove the PD left lower cover (2 of 2)





## PD rear lower cover

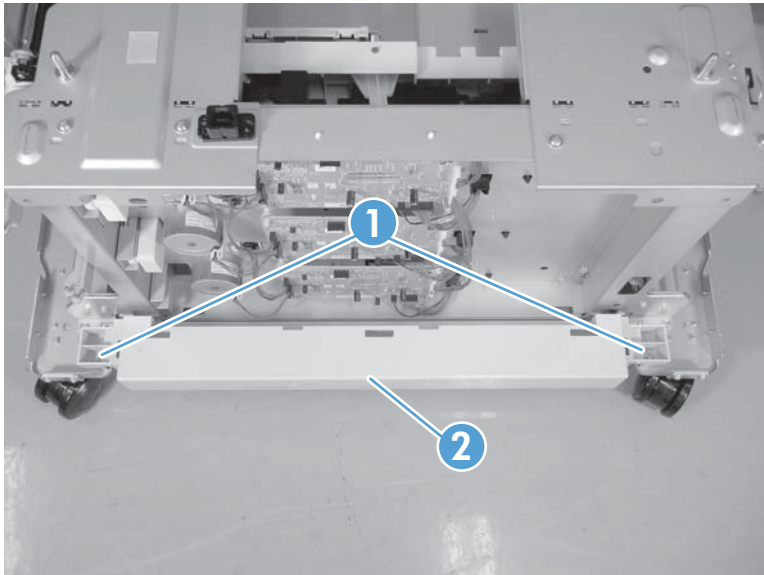
### Before proceeding, remove the following assemblies:

- PD right front cover. See [PD right front cover on page 238](#).
- PD front door. See [PD front door on page 241](#).
- PD rear cover. See [PD rear cover on page 235](#).
- PD left cover. See [PD left cover on page 236](#).
- PD right lower cover. See [PD right lower cover on page 247](#).
- PD left lower cover. See [PD left lower cover on page 249](#).

### Remove the rear lower cover

Remove two screws (callout 1), and then remove the cover (callout 2).

**Figure 1-342** Remove the PD rear lower cover



## PD front lower cover

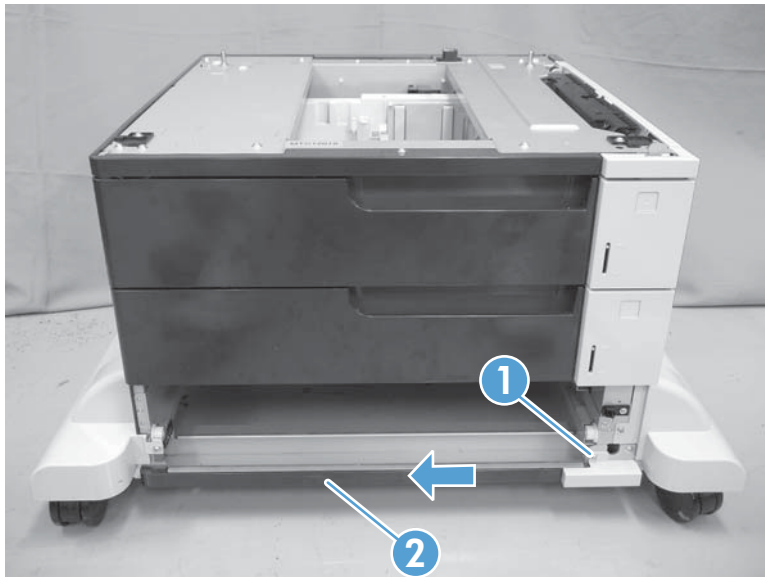
### Before proceeding, remove the following assemblies:

- 1x500-sheet PD only: PD storage box. See [PD storage box on page 243](#).
- 3x500-sheet PD only: Remove the PD cassette 3 (lower-most cassette).

### Remove the front lower cover

Remove one screw (callout 1), slide the cover to the left to release it, and then remove the cover (callout 2).

**Figure 1-343** Remove the PD front lower cover



## PD pickup assembly cassette 1

Before proceeding, remove the following assemblies:

- PD rear cover. See [PD rear cover on page 235](#).
- PD right front cover. See [PD right front cover on page 238](#).
- PD right door. See [PD right door on page 245](#).

### Remove the pickup assembly cassette 1

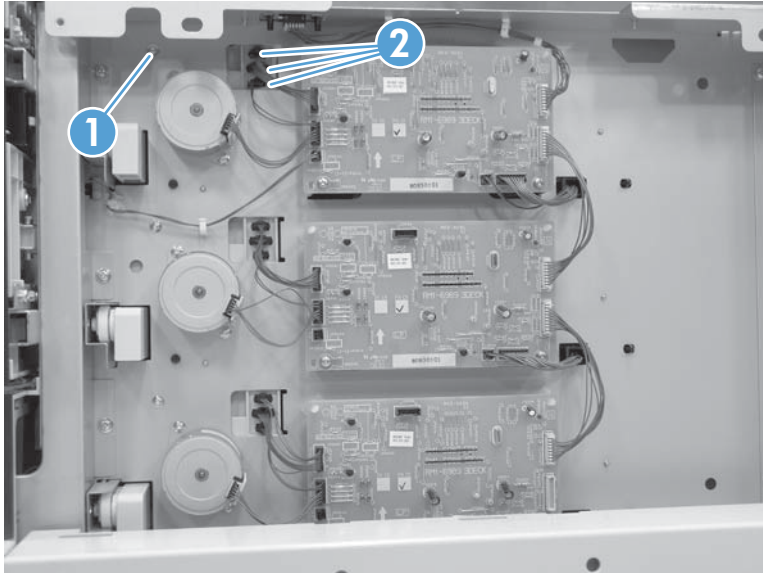
1. 1x500-sheet PD only: Remove the PD cassette.

**-or-**

3x500-sheet PD only: Remove the PD cassette 1 (upper-most cassette).

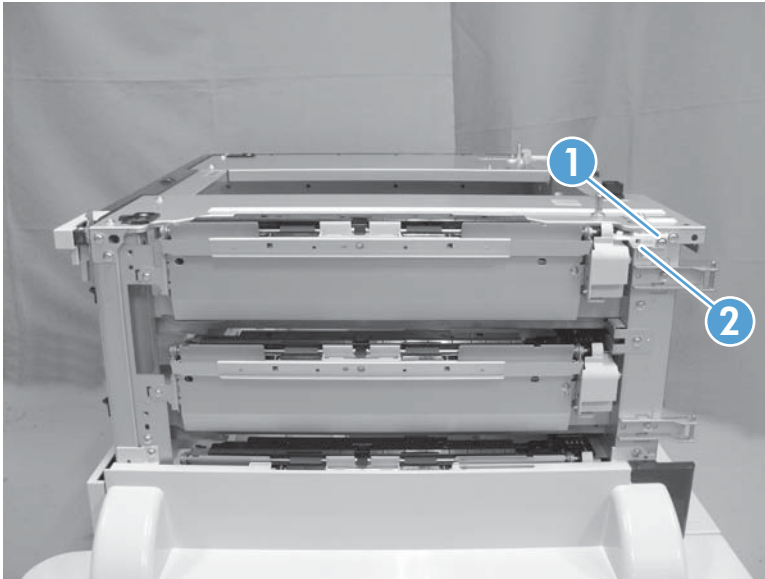
2. Remove one screw (callout 1), and then disconnect three connectors (callout 2).

**Figure 1-344** Remove the PD pickup assembly cassette 1 (1 of 3)



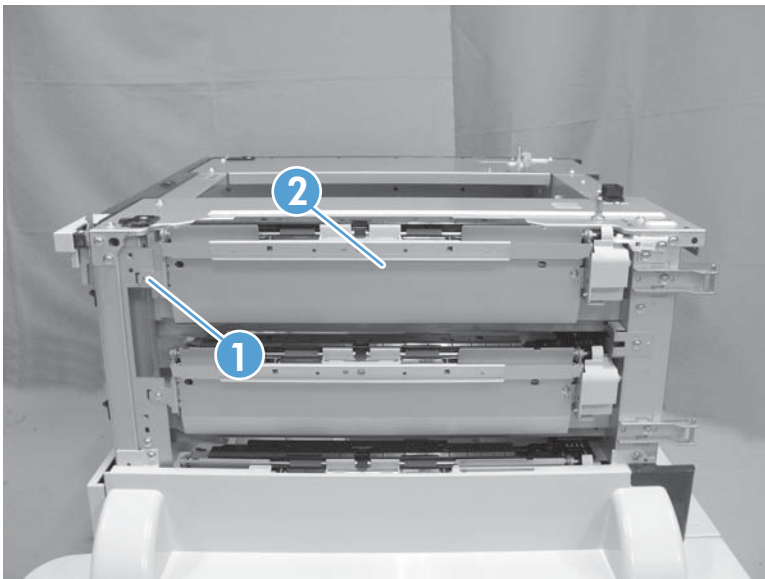
3. Remove one screw (callout 1), and then remove the right-door-link stopper (callout 2).

**Figure 1-345** Remove the PD pickup assembly cassette 1 (2 of 3)




4. Remove one screw (callout 1), and then remove the assembly (callout 2).

**Figure 1-346** Remove the PD pickup assembly cassette 1 (3 of 3)

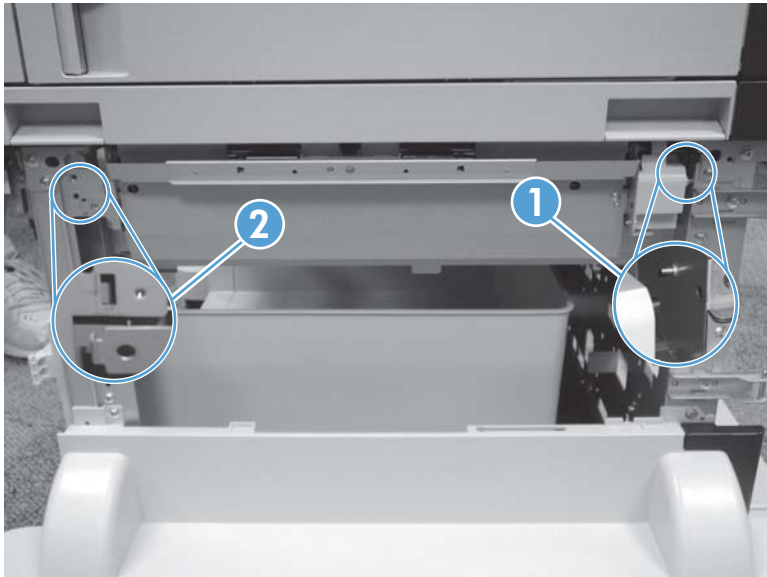


## Reinstall the pickup assembly

To reinstall the assembly, put the shaft in the hole provided in the chassis (callout 1), and then make sure that the tab on the assembly is positioned in the slot provided in the chassis (callout 2).

 **NOTE:** The 1x500-sheet PD is shown below, but the reinstall procedure is also correct for the 3x500-sheet PD pickup assemblies.

**Figure 1-347** Reinstall the pickup assembly




## PD pickup assembly cassette 2

Before proceeding, remove the following assemblies:

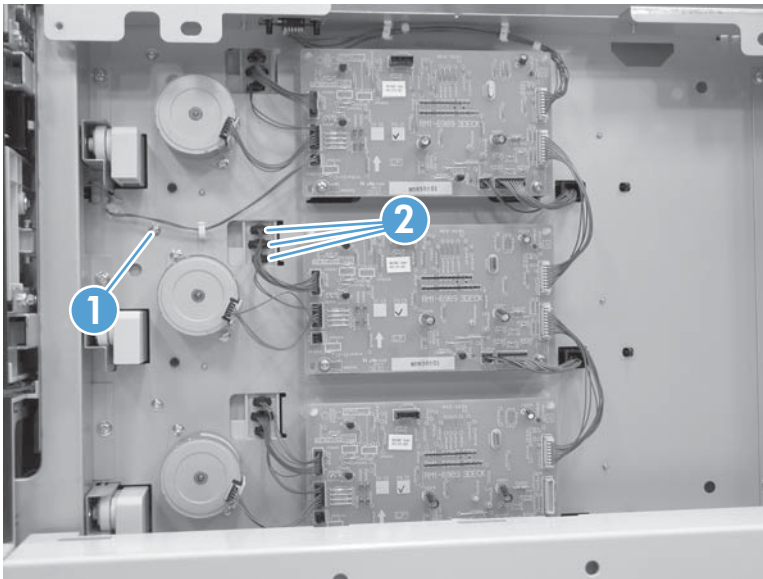
- PD rear cover. See [PD rear cover on page 235](#).
- PD right front cover. See [PD right front cover on page 238](#).
- PD right door. See [PD right door on page 245](#).

### Remove the pickup assembly cassette 2

 **NOTE:** For the 3x500-sheet PD only.

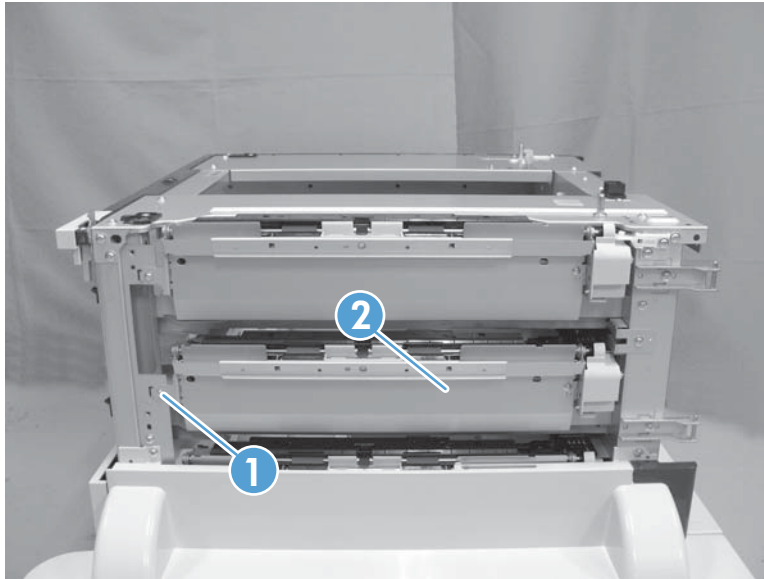
1. Remove the PD cassette 2.
2. Remove one screw (callout 1), and then disconnect three connectors (callout 2).

**Figure 1-348** Remove the PD pickup assembly cassette 2 (1 of 2)




3. Remove one screw (callout 1), and then remove the assembly (callout 2).

**Figure 1-349** Remove the PD pickup assembly cassette 2 (2 of 2)

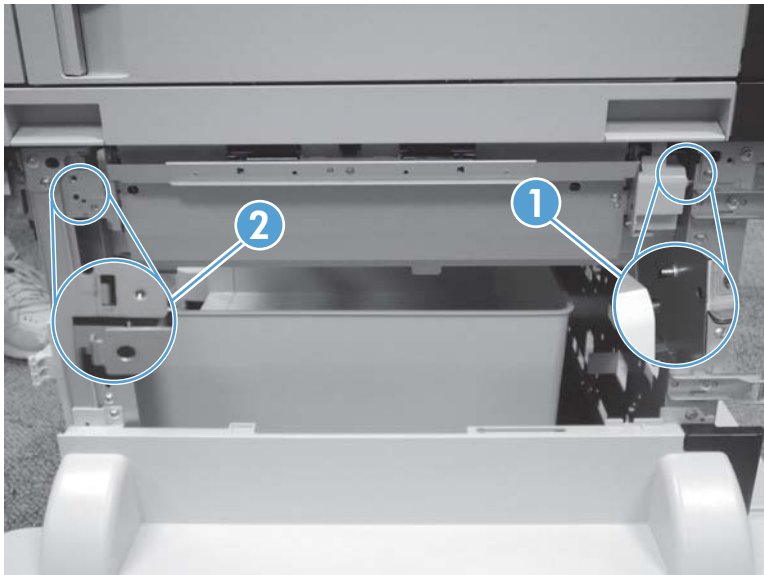


### Reinstall the pickup assembly

To reinstall the assembly, put the shaft in the hole provided in the chassis (callout 1), and then make sure that the tab on the assembly is positioned in the slot provided in the chassis (callout 2).

 **NOTE:** The 1x500-sheet PD is shown below, but the reinstall procedure is also correct for the 3x500-sheet PD pickup assemblies.

**Figure 1-350** Reinstall the pickup assembly




## PD pickup assembly cassette 3

### Before proceeding, remove the following assemblies:

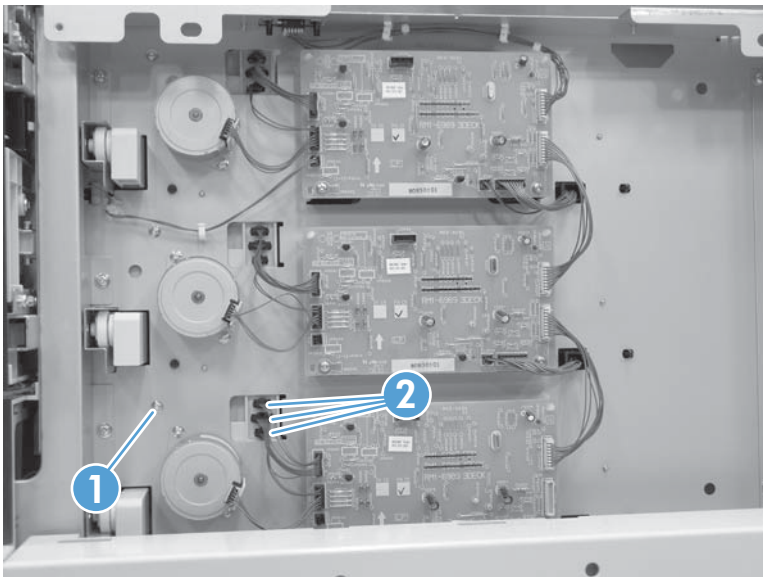
- PD rear cover. See [PD rear cover on page 235](#).
- PD right front cover. See [PD right front cover on page 238](#).
- PD right front cover. See [PD right front cover on page 238](#).
- PD right door. See [PD right door on page 245](#).
- PD right lower cover. See [PD right lower cover on page 247](#).

### Remove the pickup assembly cassette 3

 **NOTE:** For the 3x500-sheet PD only.

1. Remove the PD cassette 3.
2. Remove one screw (callout 1), and then disconnect three connectors (callout 2).

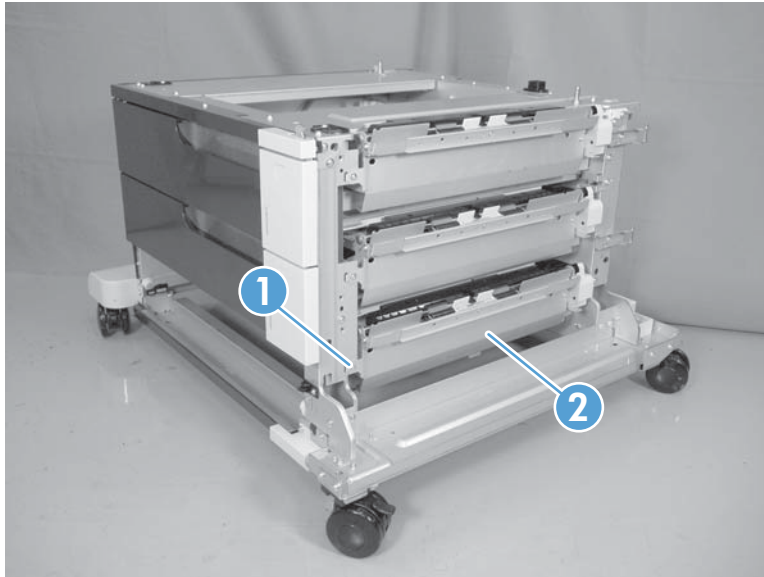
**Figure 1-351** Remove the PD pickup assembly cassette 3 (1 of 2)






3. Remove one screw (callout 1), and then remove the assembly (callout 2).

**Figure 1-352** Remove the PD pickup assembly cassette 3 (2 of 2)

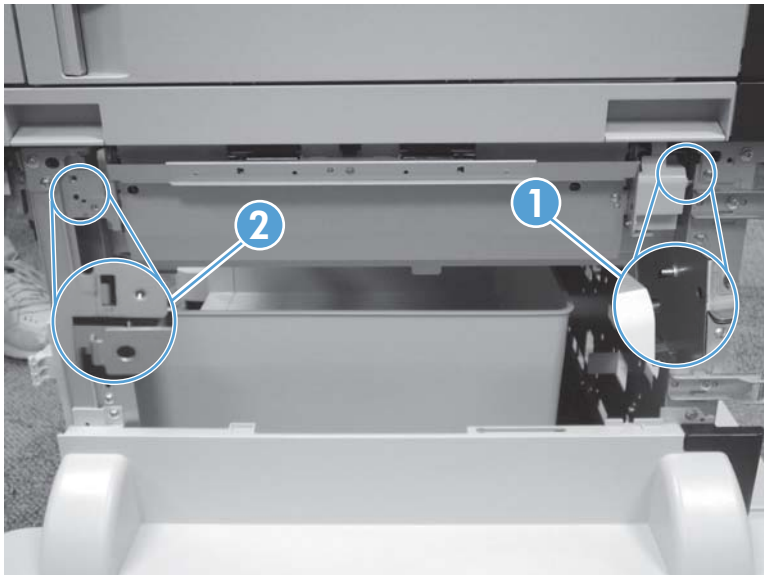


### Reinstall the pickup assembly

To reinstall the assembly, put the shaft in the hole provided in the chassis (callout 1), and then make sure that the tab on the assembly is positioned in the slot provided in the chassis (callout 2).

 **NOTE:** The 1x500-sheet PD is shown below, but the reinstall procedure is also correct for the 3x500-sheet PD pickup assemblies.

**Figure 1-353** Reinstall the pickup assembly



## PD lifter drive assembly

### Before proceeding, remove the following assemblies:

- PD rear cover. See [PD rear cover on page 235](#).
- 1x500-sheet PD only: PD front door. See [PD front door on page 241](#).
- 1x500-sheet PD only: PD storage box. See [PD storage box on page 243](#).

### Remove the lifter drive assembly

 **TIP:** For the 3x500-sheet paper deck, use this procedure to remove any of the lifter drive assemblies.

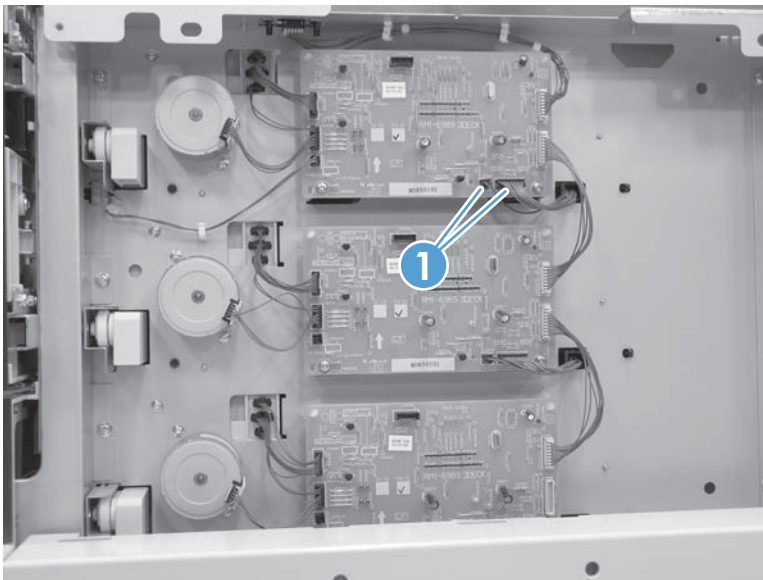
1. 1x500-sheet PD only: Remove the PD cassette.

**-or-**

3x500-sheet PD only: Remove all of the PD cassettes.

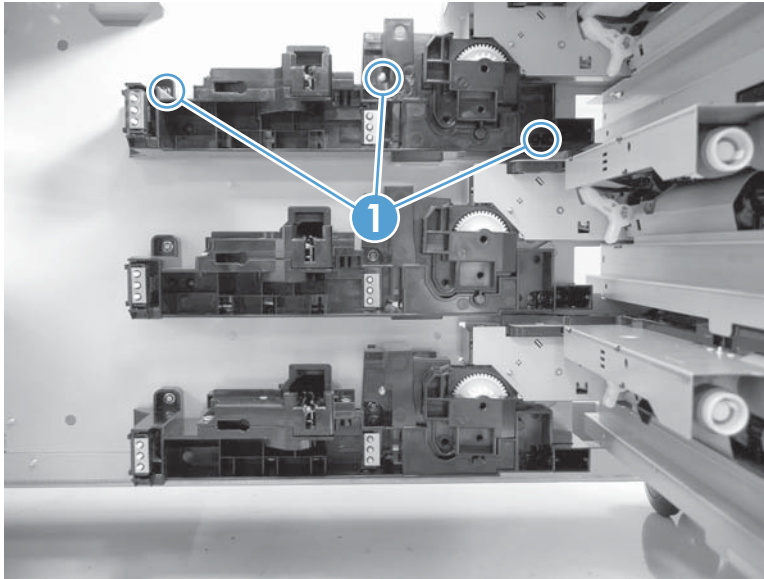
2. Disconnect two connectors (callout 1).

**Figure 1-354** Remove the PD lifter drive assembly (1 of 3)




3. From the front of the device look inside the tray cavity, and then remove three screws (callout 1).

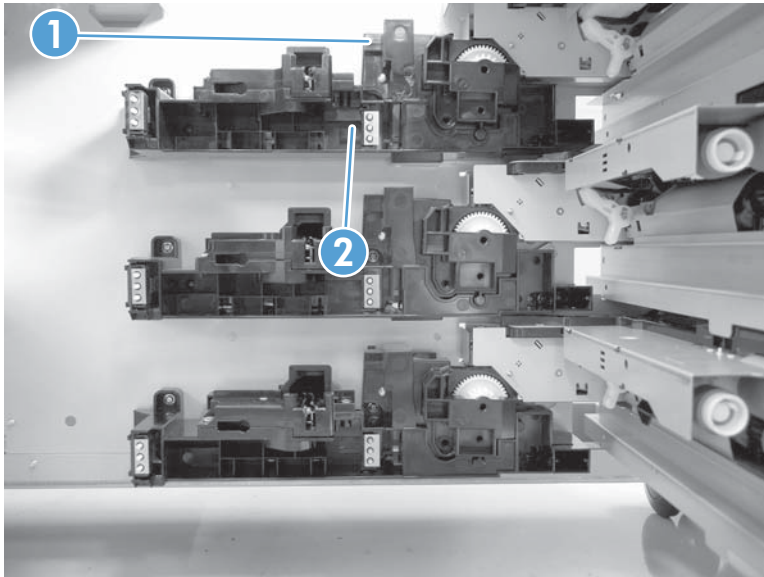
**Figure 1-355** Remove the PD lifter drive assembly (2 of 3)



4. Release one tab (callout 1), and then remove the assembly (callout 2).

 **TIP:** When the assembly is reinstalled, feed the wire harness through the hole provided in the chassis.

**Figure 1-356** Remove the PD lifter drive assembly (3 of 3)




## PD pickup motor

Before proceeding, remove the following assemblies:

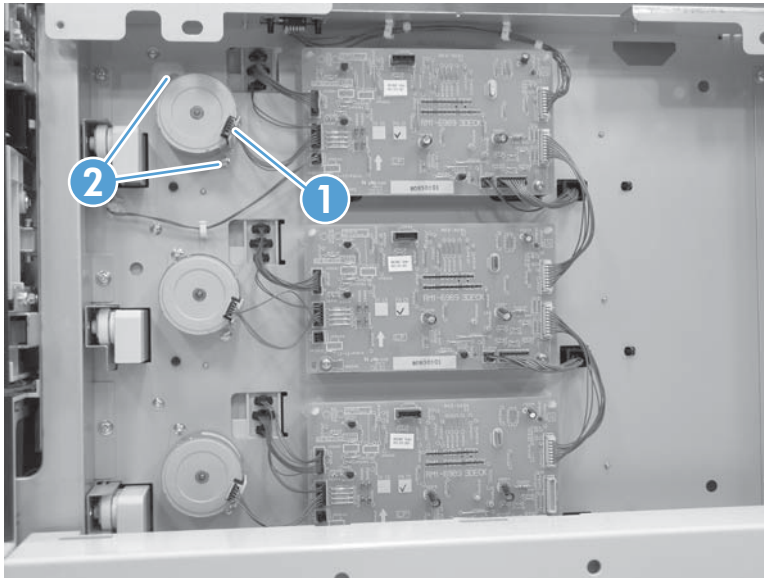
- PD rear cover. See [PD rear cover on page 235](#).

### Remove the pickup motor

 **TIP:** For the 3x500-sheet paper deck, use this procedure to remove any of the pickup motor assemblies.

Disconnect one connector (callout 1), remove two screws (callout 2), and then remove the motor.

**Figure 1-357** Remove the PD pickup motor




## PD controller PCA

Before proceeding, remove the following assemblies:

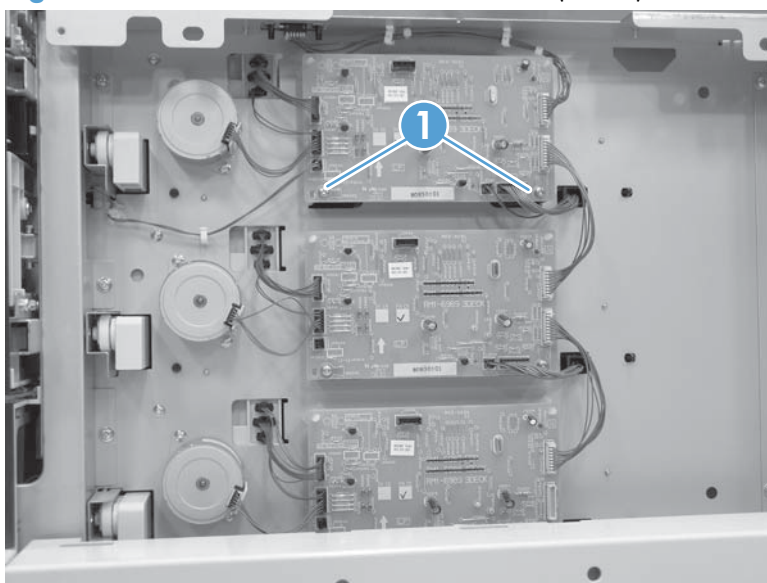
- PD rear cover. See [PD rear cover on page 235](#).

### Remove the controller PCA

 **TIP:** For the 3x500-sheet paper deck, use this procedure to remove any of the controller PCAs.

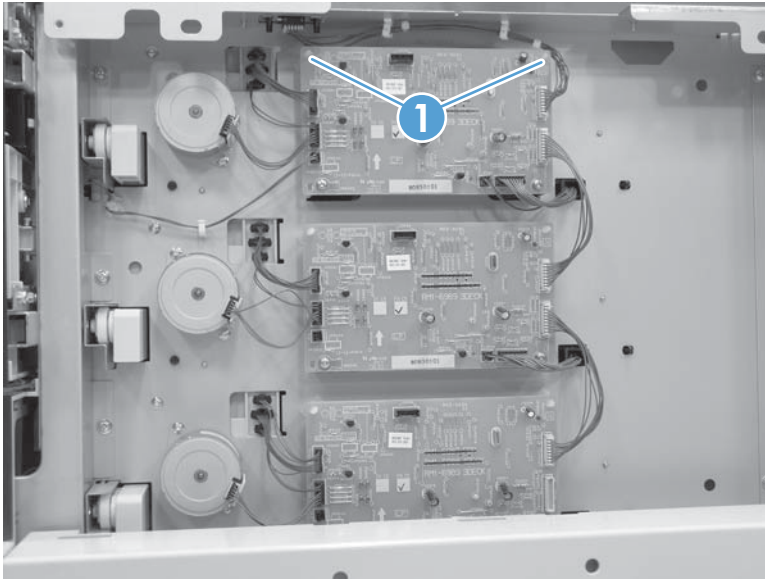
1. Disconnect all of the connectors.
2. Remove two screws (callout 1)

**Figure 1-358** Remove the PD controller PCA (1 of 2)




3. Release two tabs (callout 1), and then remove the PCA.

**Figure 1-359** Remove the PD controller PCA (2 of 2)




## High capacity input feeder

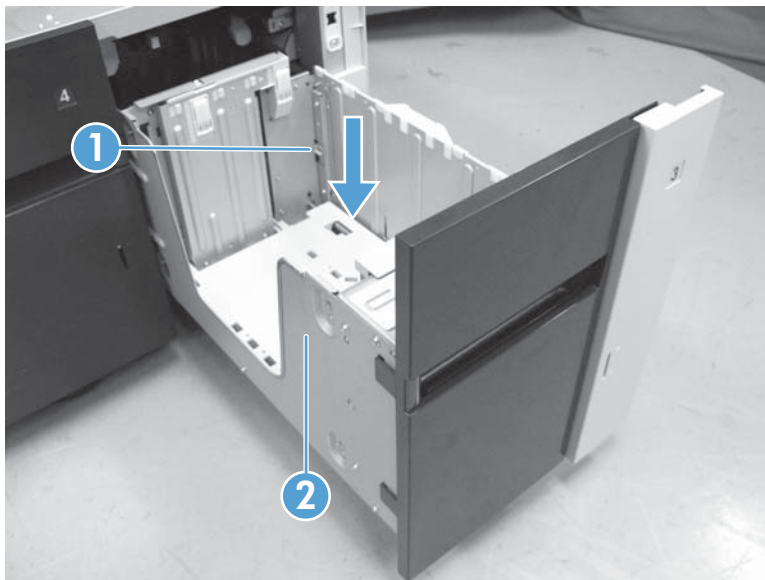
 **NOTE:** Some of the procedures in this section require the product to be removed from the input device.

### HCI right tray

1. Open the right tray.
2. Lower the tray release lever (callout 1), and then remove the right tray (callout 2).


 **NOTE:** When the tray is reinstalled, the release lever automatically returns to the locked position.

**Figure 1-360** Remove the HCI right tray

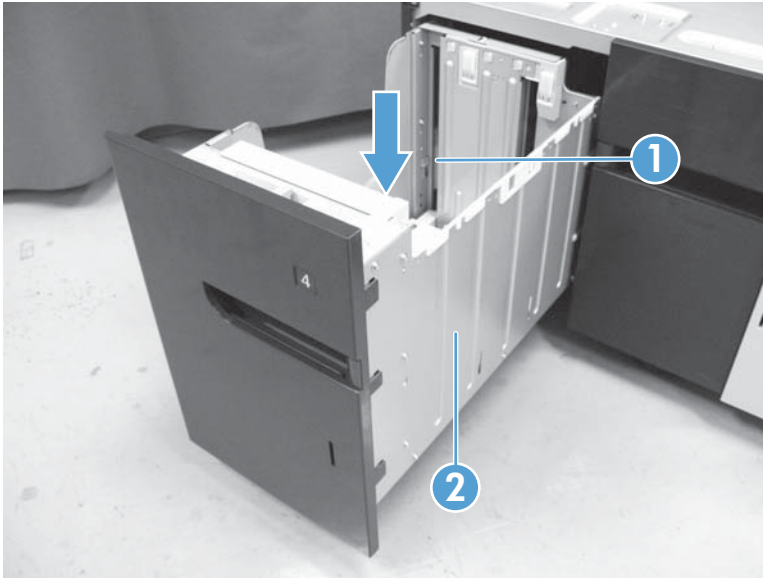


## HCI left tray

1. Open the left tray.
2. Lower the tray release lever (callout 1), and then remove the left tray (callout 2).

 **NOTE:** When the tray is reinstalled, the release lever automatically returns to the locked position.

**Figure 1-361** Remove the HCI left tray





## HCI left cover

Before proceeding, remove the following assemblies:

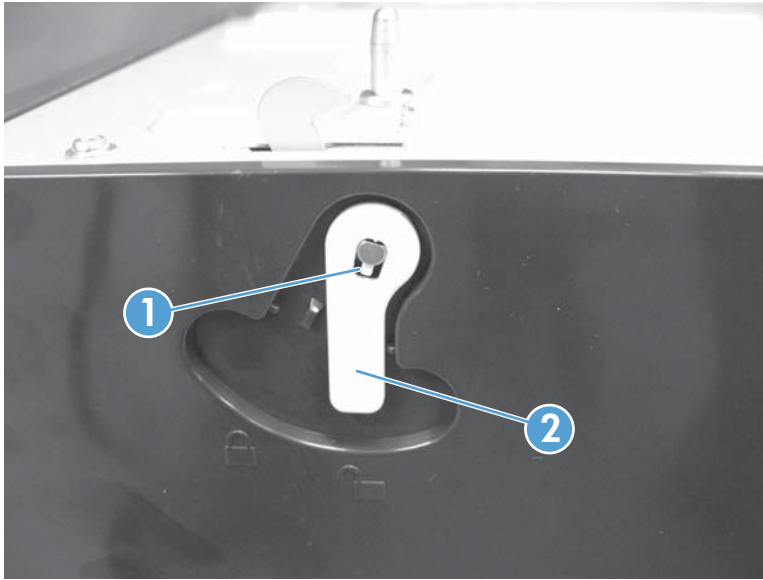
- HCI left tray. See [HCI left tray on page 266](#).

### Remove the HCI left cover

1. Release one tab (callout 1), and then remove the lever (callout 2).

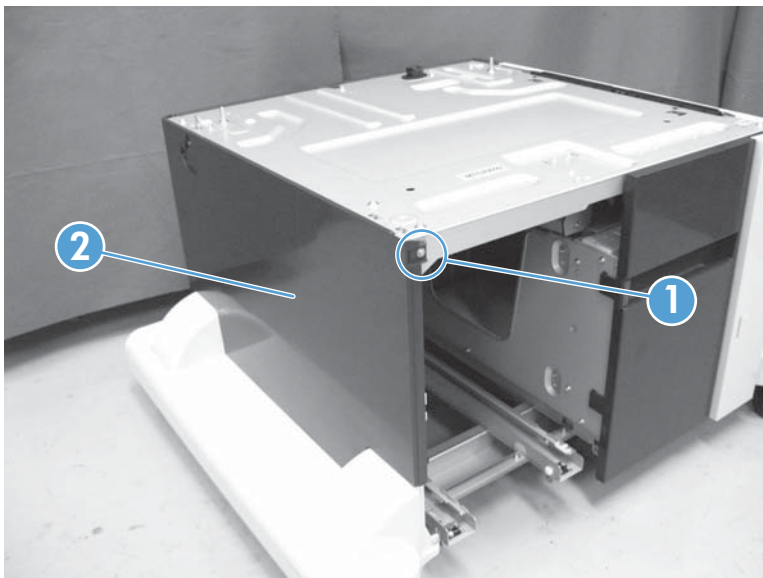
**⚠ CAUTION:** The tab can be easily broken.

**Figure 1-362** Remove the HCI left cover (1 of 3)



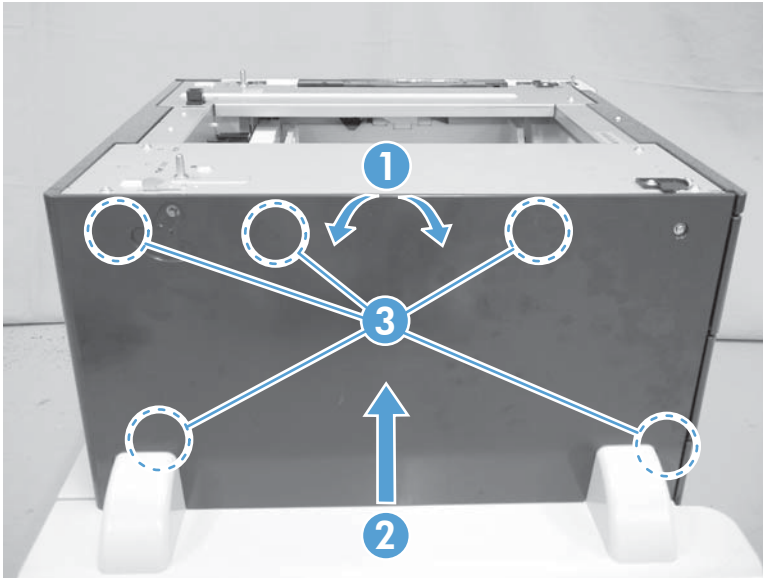
2. Remove one screw (callout 1), and then remove the left cover (callout 2) from the HCI.

**Figure 1-363** Remove the HCI left cover (2 of 3)



- Carefully separate the top of the cover from the HCI (callout 1), lift up on the cover (callout 2) to release five tabs (callout 3), and then remove the cover.

**Figure 1-364** Remove the HCI left cover (3 of 3)



## HCI left lower cover

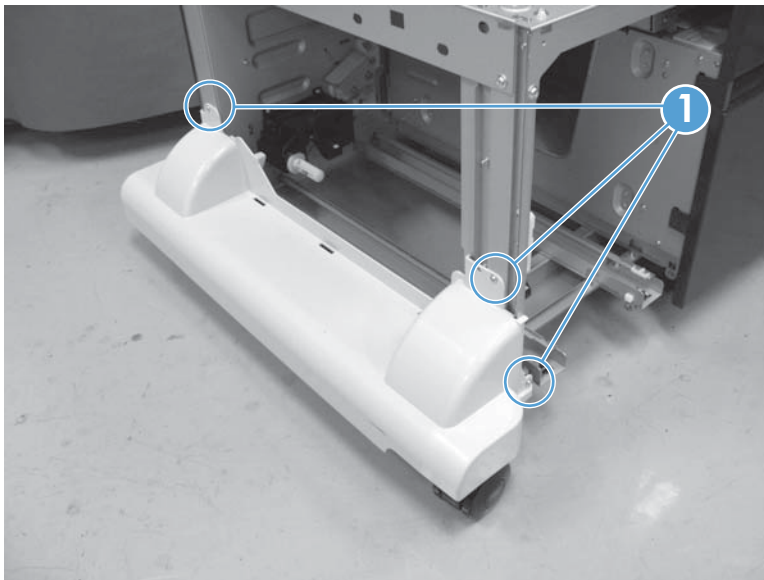
Before proceeding, remove the following assemblies:

- HCI left tray. See [HCI left tray on page 266](#).
- HCI left cover. See [HCI left cover on page 267](#).


### Remove the HCI left lower cover

1. Remove three screws (callout 1).

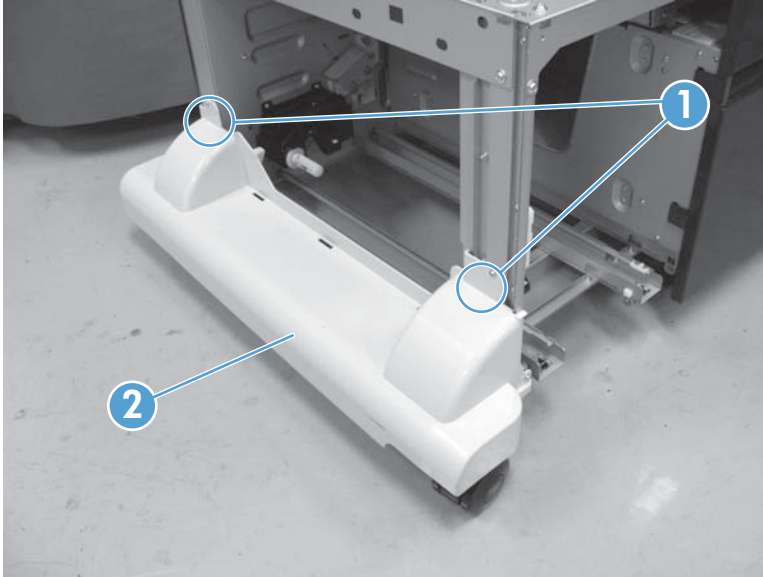
**Figure 1-365** Remove the HCI left lower cover (1 of 2)



2. Release two round tabs (callout 1), and then remove the cover (callout 2).

 **Reinstallation tip** When the cover is reinstalled, align the round tabs (callout 1) in the holes next to the upper screw holes. Make sure that the tabs snap into the holes and that the cover is tight up against the sheet-metal chassis.

**Figure 1-366** Remove the HCI left lower cover (2 of 2)



## HCI rear cover

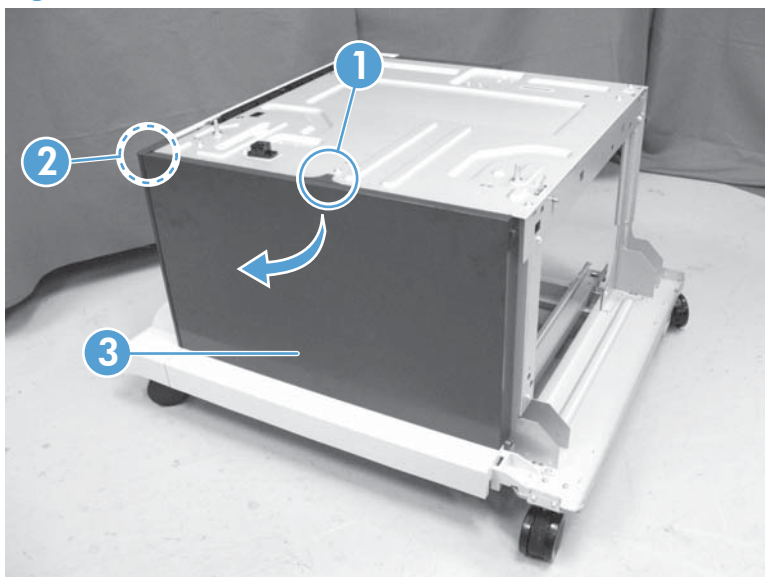
Before proceeding, remove the following assemblies:

- HCI left tray. See [HCI left tray on page 266](#).
- HCI left cover. See [HCI left cover on page 267](#).

### Remove the HCI rear cover

Release one tab (callout 1), flex the middle of the cover away from the HCI to release one tab (callout 2), and then remove the rear cover (callout 3).

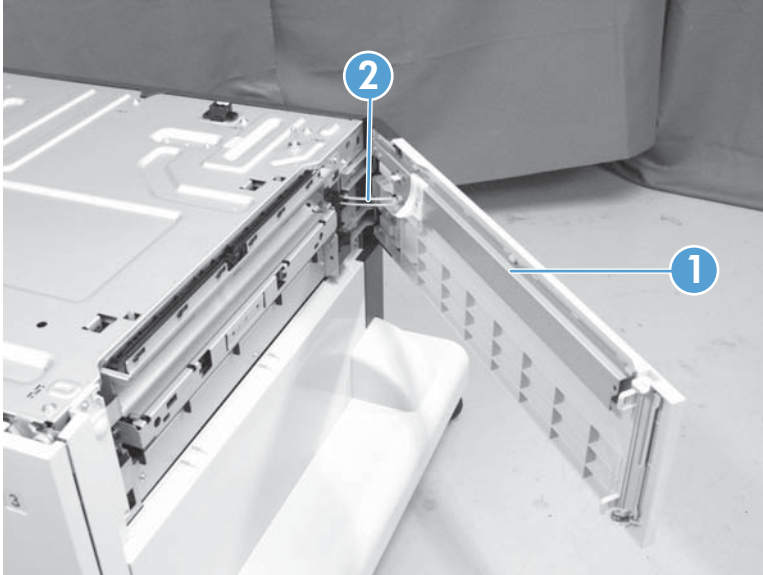
**Figure 1-367** Remove the HCI rear cover



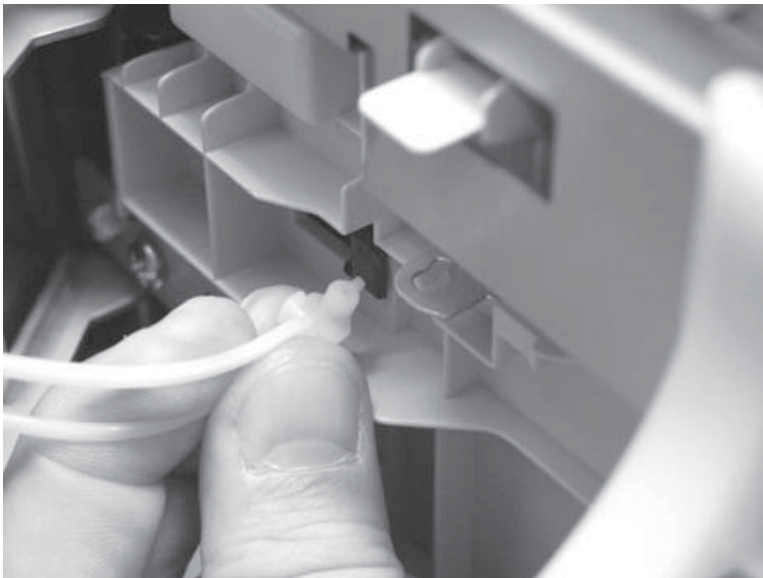
## HCI right door

1. Open the right door (callout 1), and then close the right door slightly and release the link (callout 2).

**Figure 1-368** Remove the HCI right door (1 of 2)

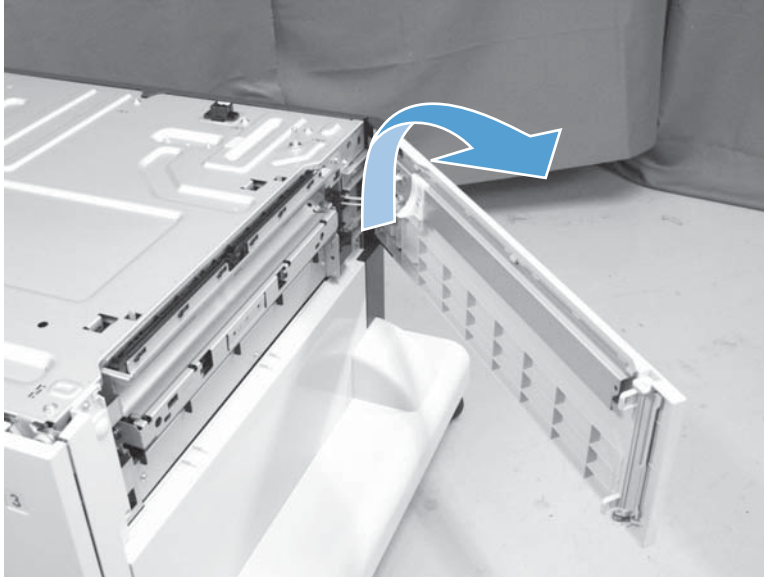


The figure below shows the door link in detail.



2. Slightly lift up on the door to release it, and then remove the door.

**Figure 1-369** Remove the HCI right door (1 of 2)



## HCI right front cover

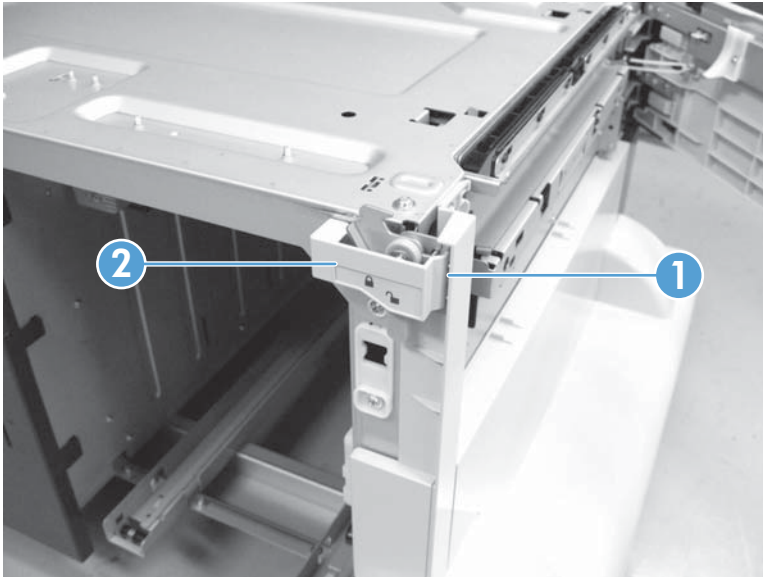
Before proceeding, remove the following assemblies:

- HCI right tray. See [HCI right tray on page 265](#).

### Remove the HCI right front cover

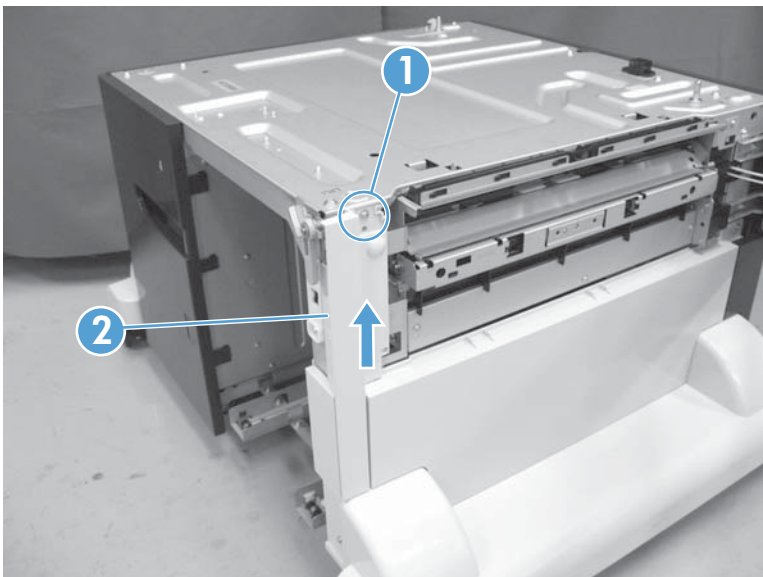
1. Open the HCI right door, release one tab (callout 1), and then remove the lock cover (callout 2).

**Figure 1-370** Remove the HCI right front cover (1 of 2)



2. Remove one screw (callout 1), slide the cover up to release it, and then remove the right front cover (callout 2).

**Figure 1-371** Remove the HCI right front cover (2 of 2)





## HCI right center cover and right rear cover

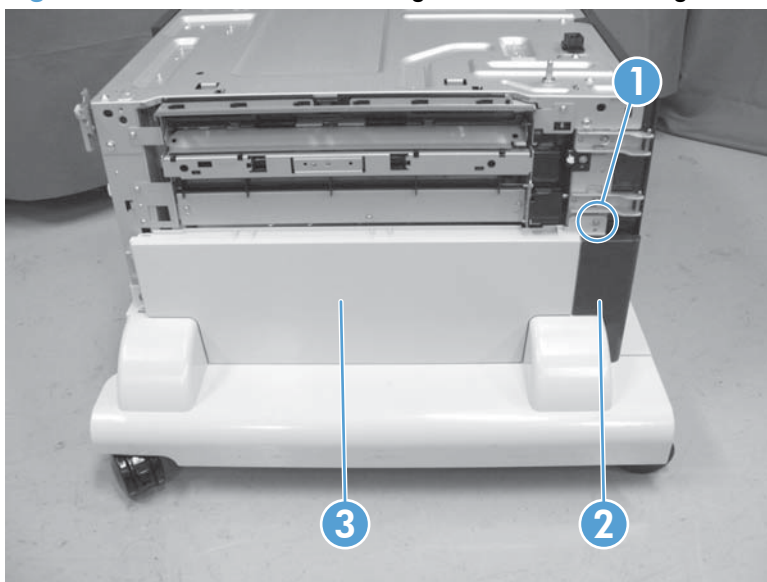
### Before proceeding, remove the following assemblies:

- HCI right tray. See [HCI right tray on page 265](#).
- HCI right door. See [HCI right door on page 272](#).
- HCI right front cover. See [HCI right front cover on page 274](#).

### Remove the HCI right center cover and right rear cover

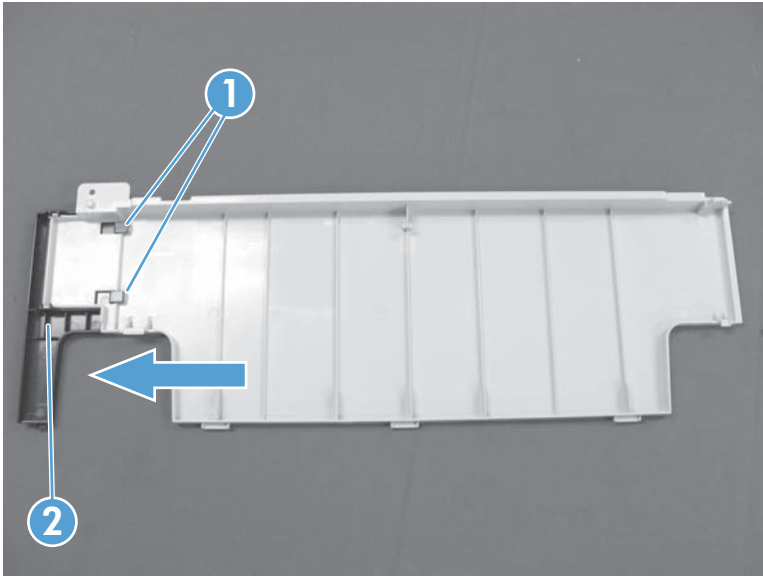
1. Remove one screw (callout 1), and then remove the right rear cover (callout 2) and the right center cover (callout 3) together.

**Figure 1-372** Remove the HCI right center cover and right rear cover (1 of 2)



2. Release two tabs (callout 1), slide the right rear cover (callout 2) in the direction indicated and remove it from the right center cover.

**Figure 1-373** Remove the HCI right center cover and right rear cover (2 of 2)



## HCI right lower cover

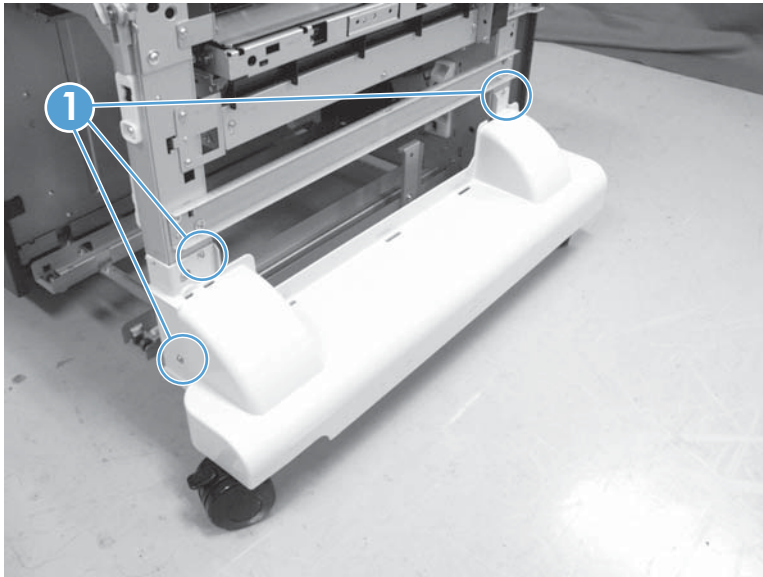
Before proceeding, remove the following assemblies:

- HCI right tray. See [HCI right tray on page 265](#).
- HCI right door. See [HCI right door on page 272](#).
- HCI right front cover. See [HCI right front cover on page 274](#).
- HCI right center cover. See [HCI right center cover and right rear cover on page 275](#).


### Remove the HCI right lower cover

1. Remove three screws (callout 1).

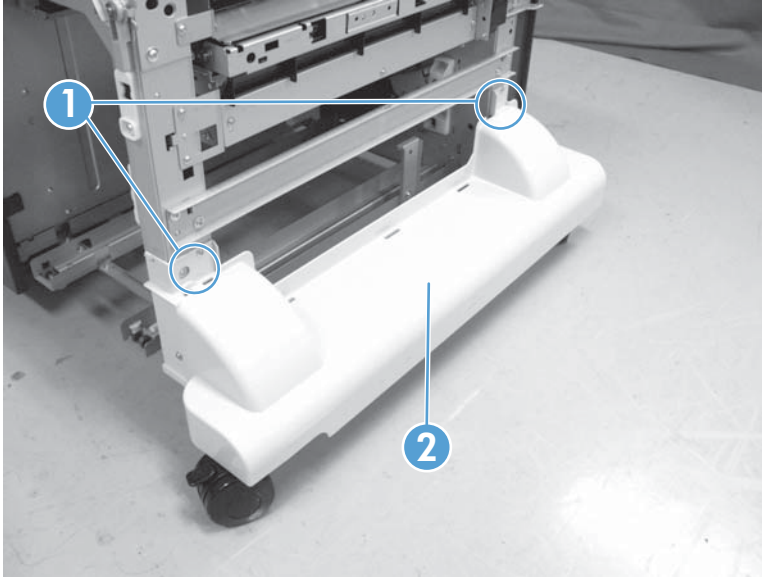
**Figure 1-374** Remove the HCI right lower cover (1 of 2)



2. Release two round tabs (callout 1), and then remove the cover (callout 2).

 **Reinstallation tip** When the cover is reinstalled, align the round tabs (callout 1) in the holes next to the upper screw holes. Make sure that the tabs snap into the holes and that the cover is tight up against the sheet-metal chassis.

**Figure 1-375** Remove the HCI right lower cover (2 of 2)



## HCI rear lower cover

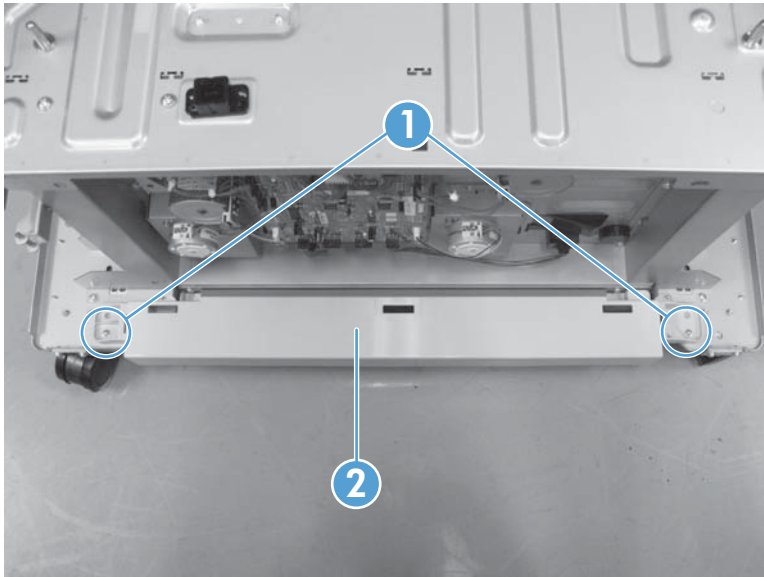
### Before proceeding, remove the following assemblies:

- HCI right tray. See [HCI right tray on page 265](#).
- HCI left tray. See [HCI left tray on page 266](#).
- HCI left lower cover. See [HCI left lower cover on page 269](#).
- HCI rear cover. See [HCI rear cover on page 271](#).
- HCI right lower cover. See [HCI right lower cover on page 277](#).

### Remove the HCI rear lower cover

Remove two screws (callout 1), and then remove the rear lower cover (callout 2).

**Figure 1-376** Remove the HCI rear lower cover



## HCI left tray lifter drive

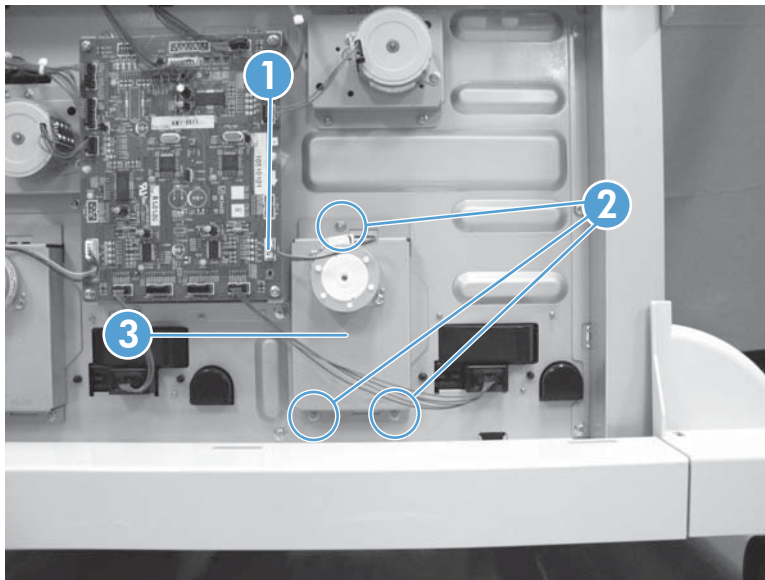
**Before proceeding, remove the following assemblies:**

- HCI left tray. See [HCI left tray on page 266](#).
- HCI left cover. See [HCI left cover on page 267](#).
- HCI rear cover. See [HCI rear cover on page 271](#).

### Remove the HCI left tray lifter drive

Disconnect one connector (callout 1), remove three screws (callout 2), and then remove the left tray lifter drive (callout 3).

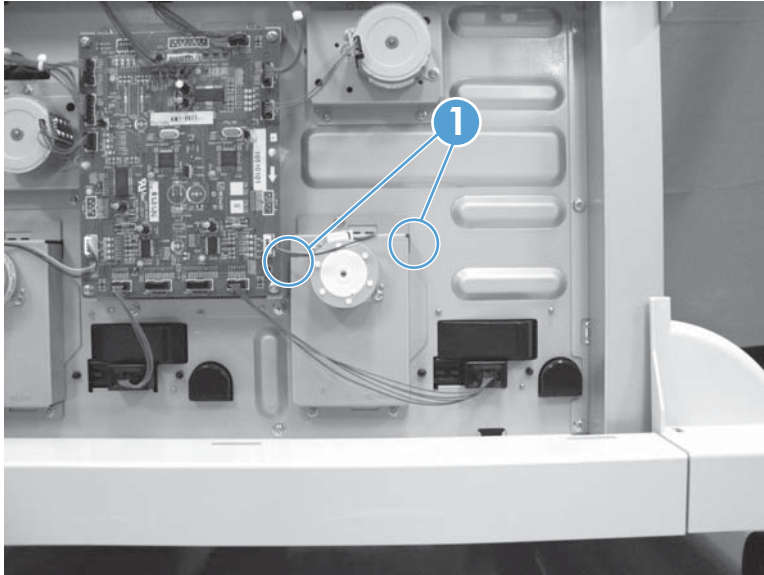
**Figure 1-377** Remove the HCI left tray lifter drive



## Reinstall the HCI left tray lifter drive

When the assembly is reinstalled, make sure that the tabs (callout 1) on the assembly fit into the slots in the chassis.

**Figure 1-378** Reinstall the HCI left tray lifter drive



## HCI right tray lifter drive

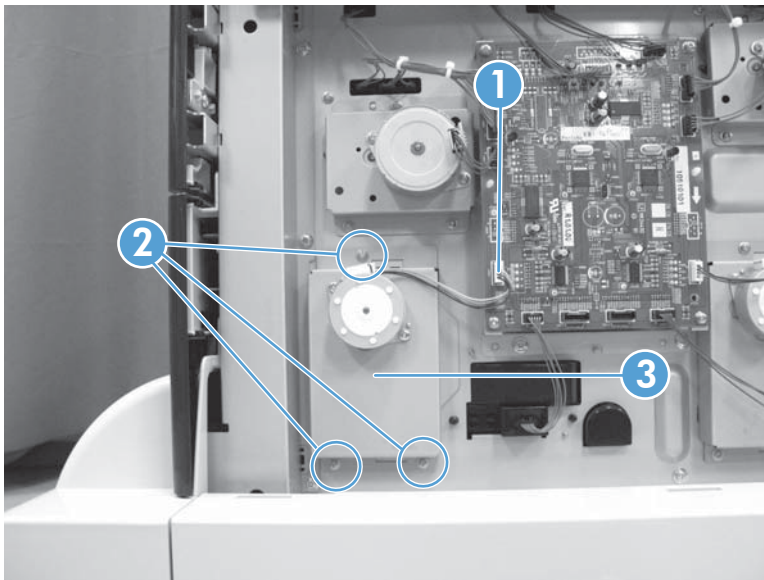
**Before proceeding, remove the following assemblies:**

- HCI left tray. See [HCI left tray on page 266](#).
- HCI left cover. See [HCI left cover on page 267](#).
- HCI rear cover. See [HCI rear cover on page 271](#).

### Remove the HCI right tray lifter drive

Disconnect one connector (callout 1), remove three screws (callout 2), and then remove the right tray lifter drive (callout 3).

**Figure 1-379** Remove the HCI right tray lifter drive

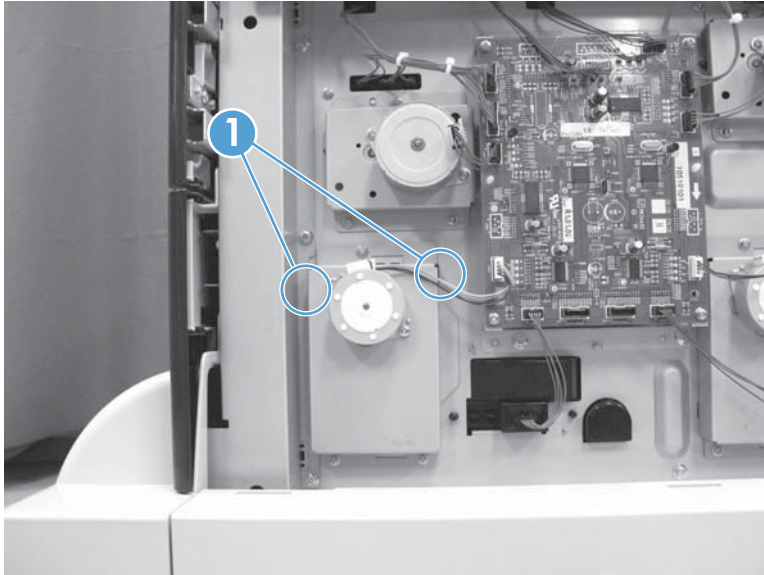




## Reinstall the HCI left tray lifter drive

When the assembly is reinstalled, make sure that the tabs (callout 1) on the assembly fit into the slots in the chassis.

**Figure 1-380** Reinstall the HCI right tray lifter drive



## HCI left tray pickup drive

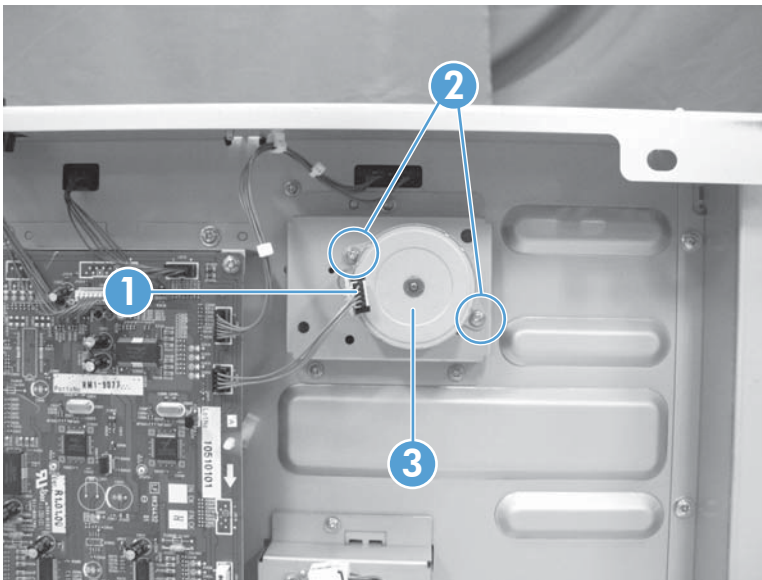
### Before proceeding, remove the following assemblies:

- HCI left tray. See [HCI left tray on page 266](#).
- HCI left cover. See [HCI left cover on page 267](#).
- HCI rear cover. See [HCI rear cover on page 271](#).

### Remove the HCI left tray pickup drive

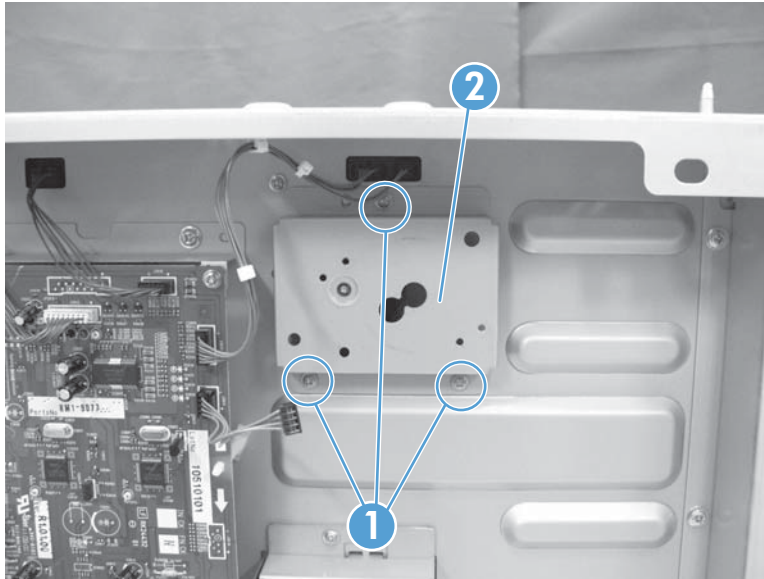
1. Disconnect one connector (callout 1), remove two screws (callout 2), and then remove the HCI left tray pickup motor (callout 3).

**Figure 1-381** Remove the HCI left tray pickup drive (1 of 2)



2. Remove three screws (callout 1), and then remove the left tray pickup drive (callout 2).

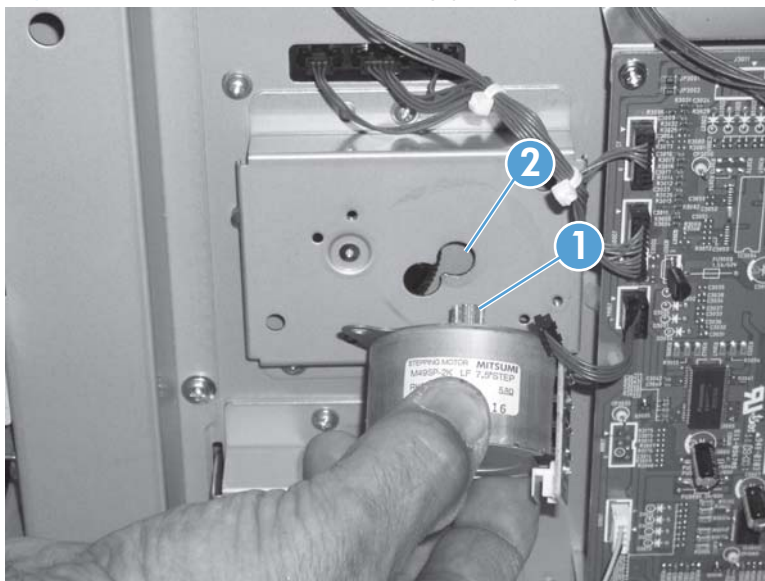
**Figure 1-382** Remove the HCI left tray pickup drive (2 of 2)



### Reinstall the HCI tray pickup drive

When the pickup drive motor is reinstalled, make sure that the motor gear (callout 1) is positioned in the top-most hole (callout 2) of the drive assembly. You might have to move the motor back and forth to seat the gear.

**Figure 1-383** Reinstall the HCI tray pickup drive



## HCI right tray pickup drive

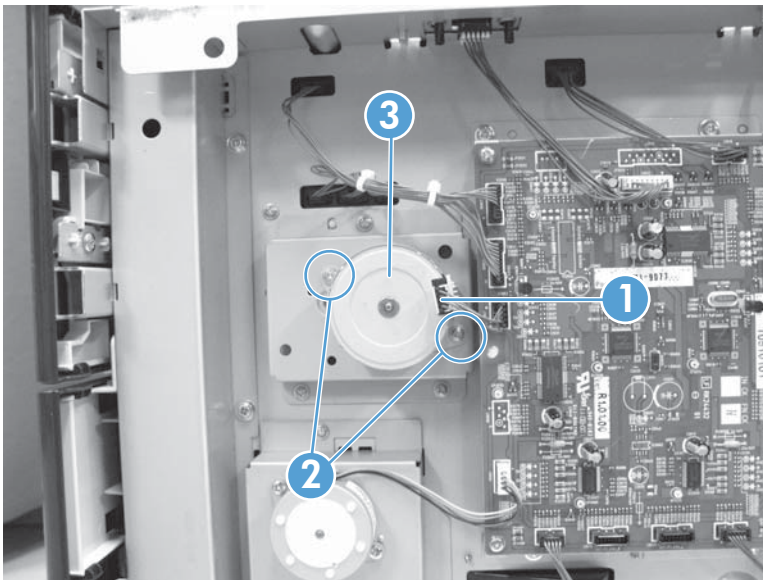
Before proceeding, remove the following assemblies:

- HCI left tray. See [HCI left tray on page 266](#).
- HCI left cover. See [HCI left cover on page 267](#).
- HCI rear cover. See [HCI rear cover on page 271](#).

### Remove the HCI right tray pickup drive

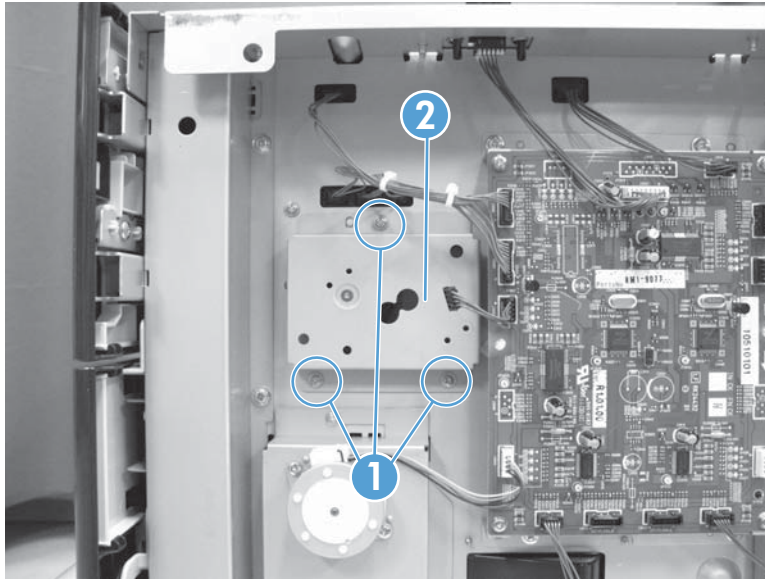
1. Disconnect one connector (callout 1), remove two screws (callout 2), and then remove the HCI right tray pickup motor (callout 3).

**Figure 1-384** Remove the HCI right tray pickup drive (1 of 2)



2. Remove three screws (callout 1), and then remove the right tray pickup drive (callout 2).

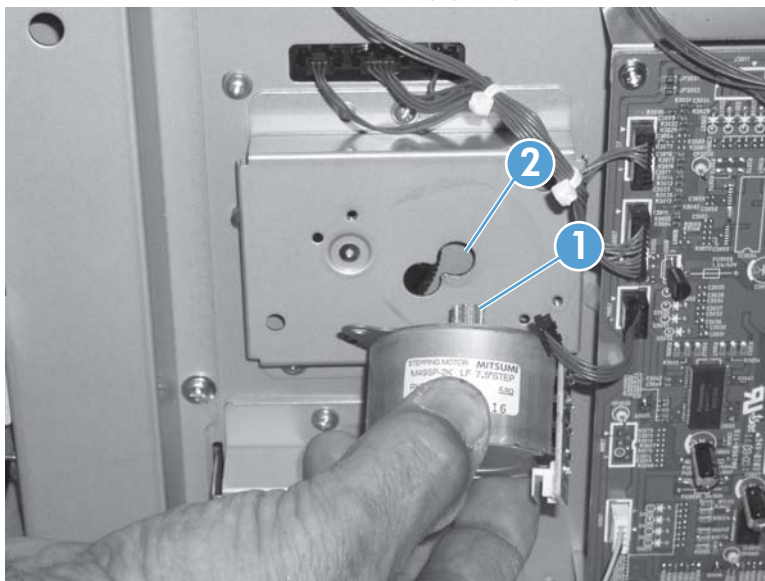
**Figure 1-385** Remove the HCI right tray pickup drive (2 of 2)



### Reinstall the HCI tray pickup drive

When the pickup drive motor is reinstalled, make sure that the motor gear (callout 1) is positioned in the top-most hole (callout 2) of the drive assembly. You might have to move the motor back and forth to seat the gear.

**Figure 1-386** Reinstall the HCI tray pickup drive



## HCI controller PCA

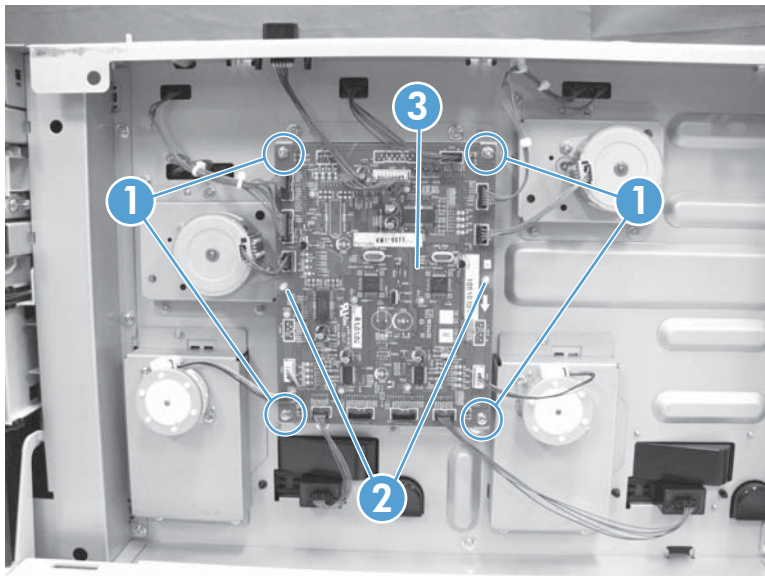
Before proceeding, remove the following assemblies:

- HCI left tray. See [HCI left tray on page 266](#).
- HCI left cover. See [HCI left cover on page 267](#).
- HCI rear cover. See [HCI rear cover on page 271](#).

### Remove the HCI controller PCA

Disconnect all of the connectors on the HCI controller PCA, remove four screws (callout 1), release two tabs (callout 2), and then remove the HCI controller PCA (callout 3).

**Figure 1-387** Remove the HCI controller PCA



## HCI left tray automatic close assembly

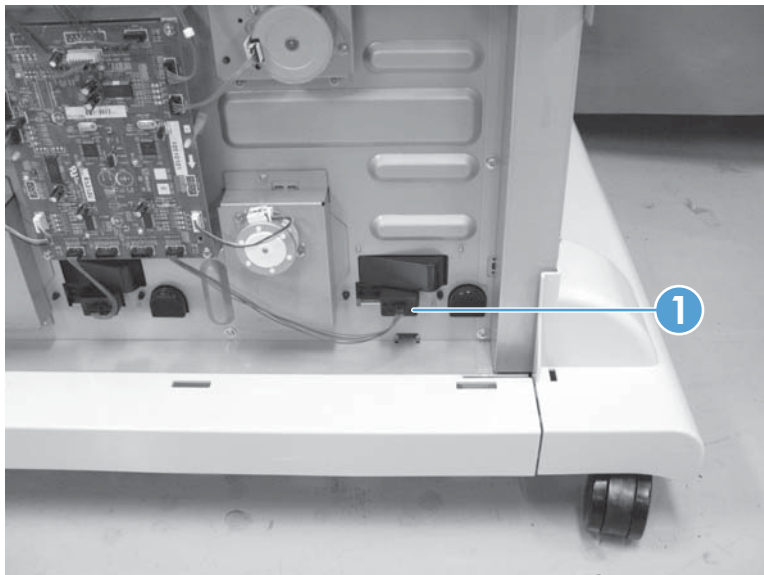
Before proceeding, remove the following assemblies:

- HCI left tray. See [HCI left tray on page 266](#).
- HCI left cover. See [HCI left cover on page 267](#).
- HCI rear cover. See [HCI rear cover on page 271](#).

### Remove the HCI left tray automatic close assembly

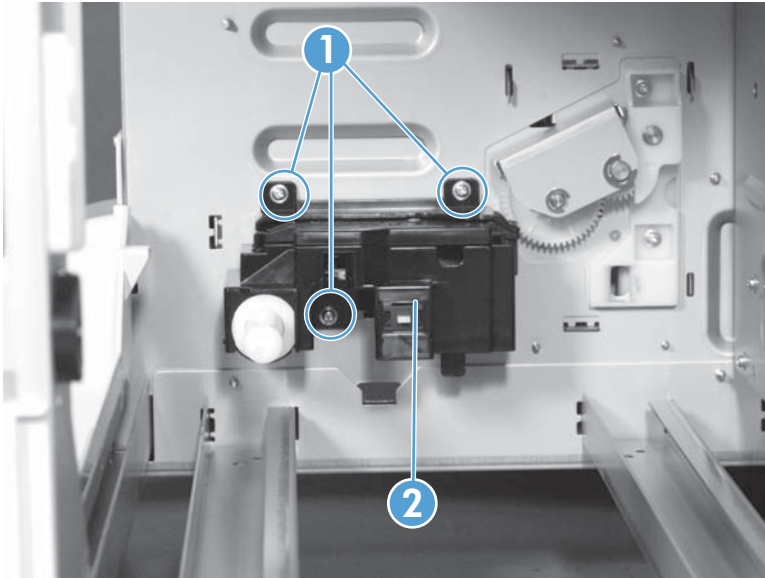
1. Disconnect one connector (callout 1).

**Figure 1-388** Remove the HCI left tray automatic close assembly (1 of 2)



2. From inside the tray cavity, remove three screws (callout 1), and then remove the left tray automatic close assembly (callout 2).

**Figure 1-389** Remove the HCI left tray automatic close assembly (2 of 2)





## HCI right tray automatic close assembly

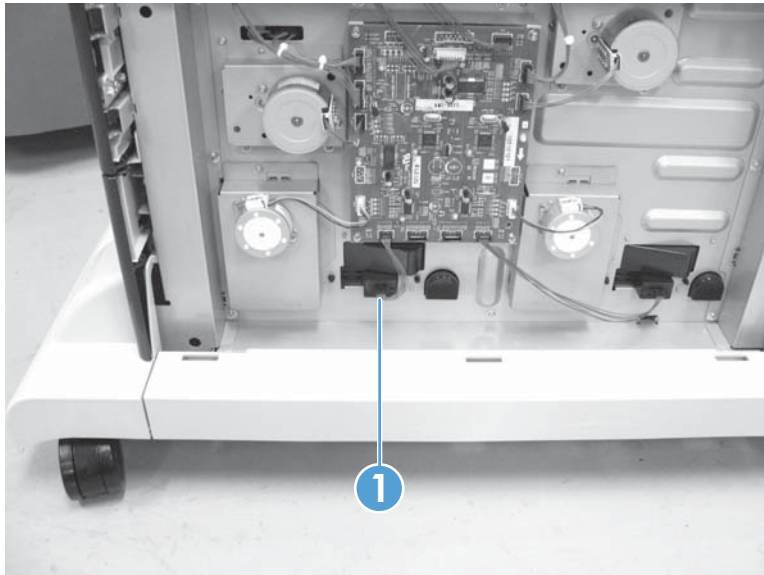
Before proceeding, remove the following assemblies:

- HCI right tray. See [HCI right tray on page 265](#).
- HCI left tray. See [HCI left tray on page 266](#).
- HCI left cover. See [HCI left cover on page 267](#).
- HCI rear cover. See [HCI rear cover on page 271](#).

### Remove the HCI right tray automatic close assembly

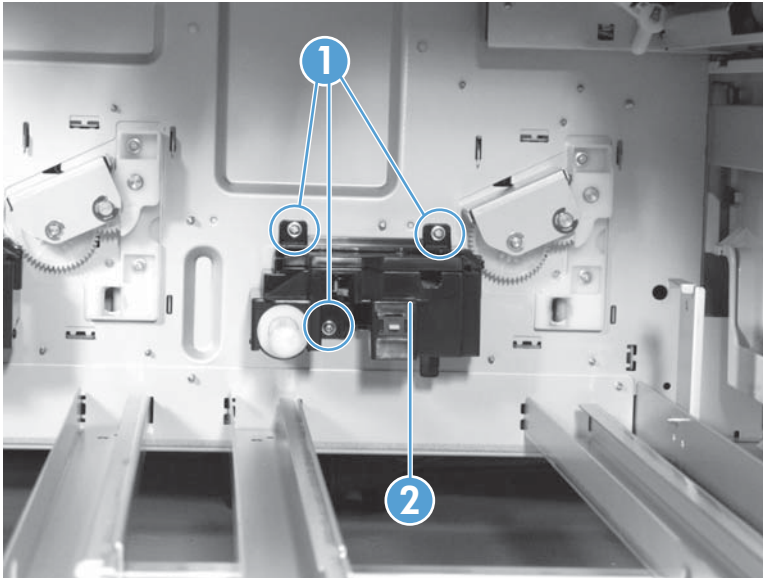
1. Disconnect one connector (callout 1).

**Figure 1-390** Remove the HCI right tray automatic close assembly (1 of 2)



2. From inside the tray cavity, remove three screws (callout 1), and then remove the right tray automatic close assembly (callout 2).

**Figure 1-391** Remove the HCI right tray automatic close assembly (2 of 2)



## HCI left tray pickup assembly

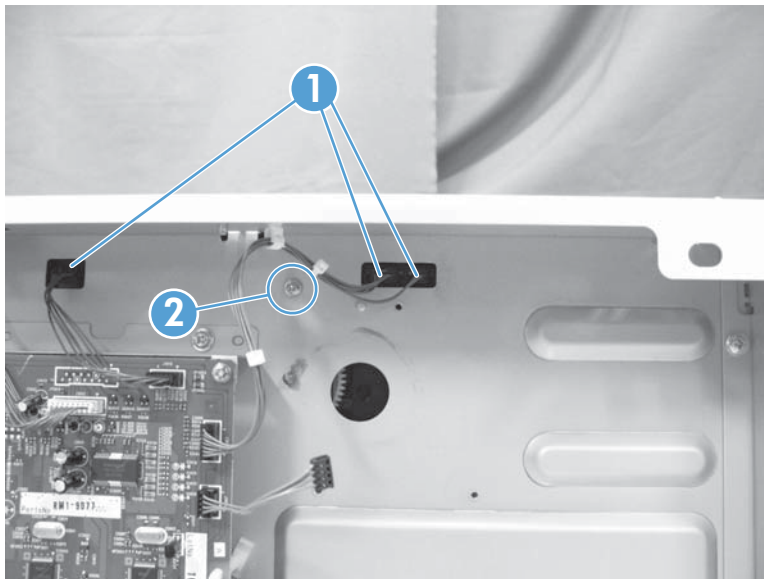
Before proceeding, remove the following assemblies:

- HCI right tray. See [HCI right tray on page 265](#).
- HCI left tray. See [HCI left tray on page 266](#).
- HCI left cover. See [HCI left cover on page 267](#).
- HCI rear cover. See [HCI rear cover on page 271](#).
- HCI left tray pickup drive. See [HCI left tray pickup drive on page 284](#).


### Remove the HCI left tray pickup assembly

1. Disconnect three connectors (callout 1) and remove one screw (callout 2).

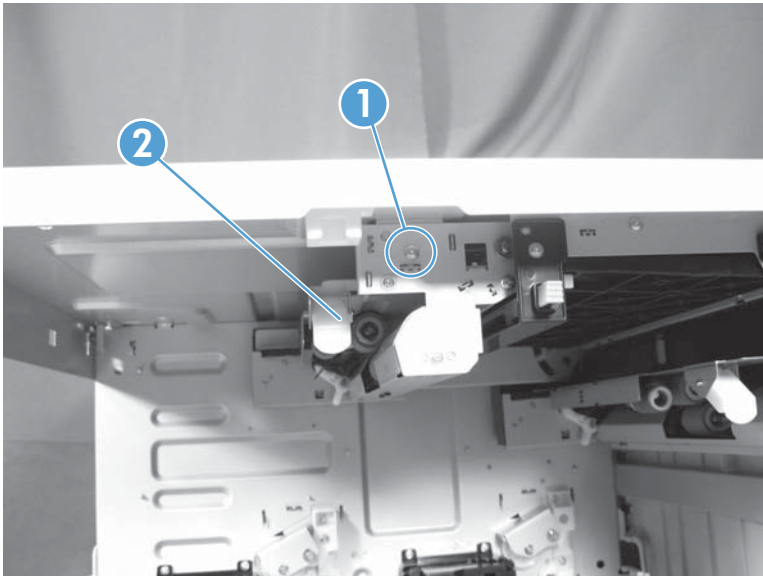
**Figure 1-392** Remove the HCI left tray pickup assembly (1 of 2)



2. Remove one screw (callout 1), and then remove the left tray pickup assembly (callout 2).

 **TIP:** When removing the screw (callout 1), hold the left tray pickup assembly so that you do not drop the assembly.

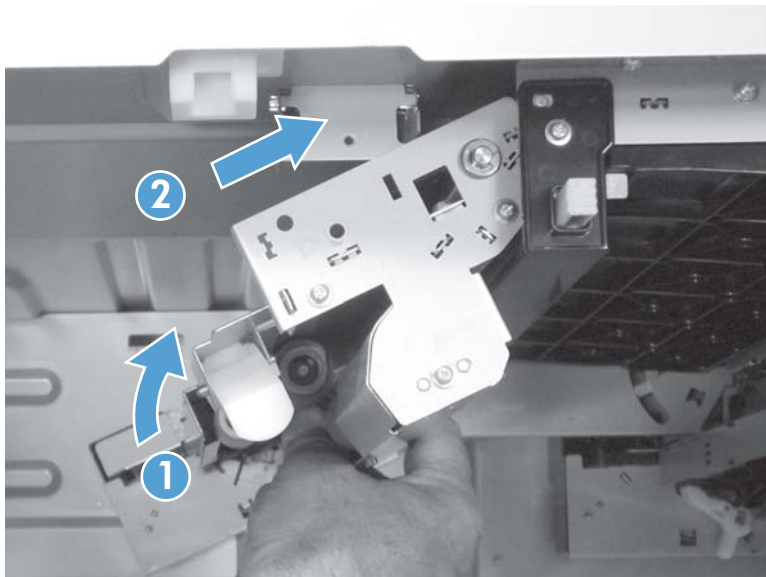
**Figure 1-393** Remove the HCI left tray pickup assembly (2 of 2)



### Reinstall the HCI tray pickup assembly

To reinstall the assembly, place it in the HCI, and then rotate it up and into position.

**Figure 1-394** Reinstall the HCI tray pickup assembly



## HCI right tray pickup assembly

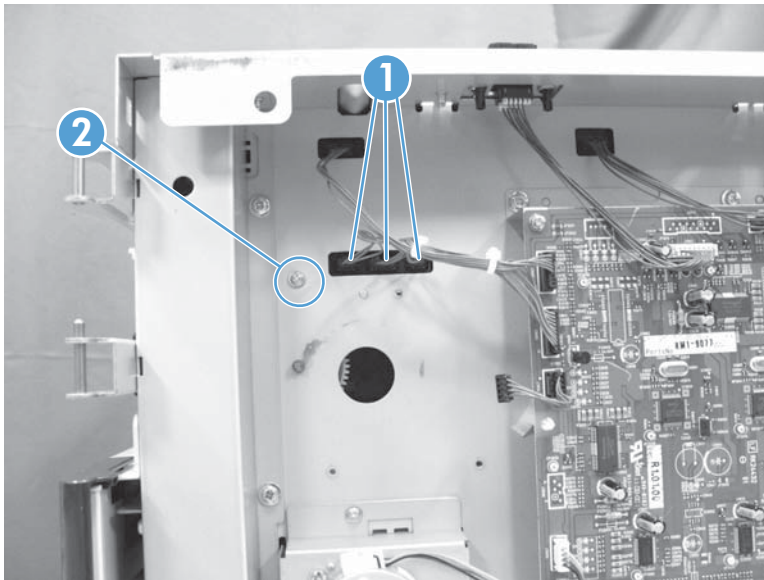
Before proceeding, remove the following assemblies:

- HCI right tray. See [HCI right tray on page 265](#).
- HCI left tray. See [HCI left tray on page 266](#).
- HCI left cover. See [HCI left cover on page 267](#).
- HCI right door. See [HCI right door on page 272](#).
- HCI right front cover. See [HCI right front cover on page 274](#).
- HCI rear cover. See [HCI rear cover on page 271](#).
- HCI right tray pickup drive. See [HCI right tray pickup drive on page 286](#).


### Remove the HCI right tray pickup assembly

1. Disconnect three connectors (callout 1) and remove one screw (callout 2).

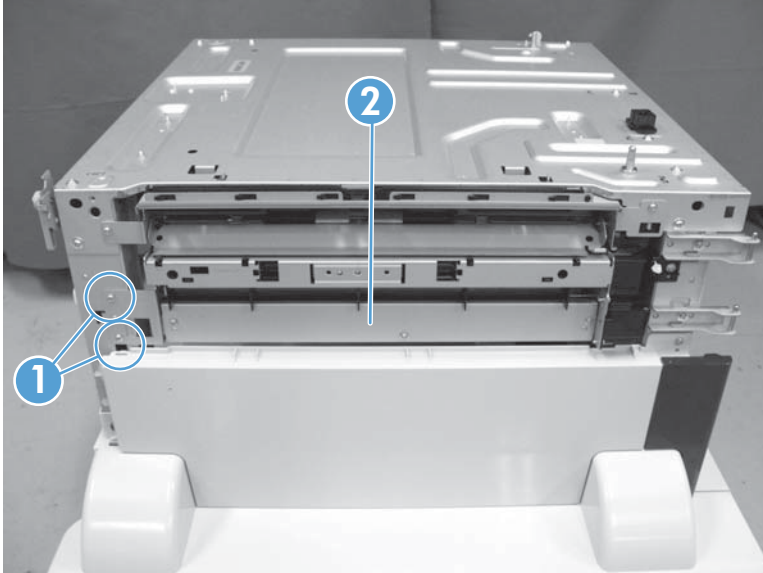
**Figure 1-395** Remove the HCI right tray pickup assembly (1 of 2)



2. Remove two screws (callout 1), and then remove the right tray pickup assembly (callout 2).

 **TIP:** It might be easier to lift up on the merge assembly flap, and then remove (or replace) the pickup assembly from the right side of the HCl chassis (rather than from inside the chassis cavity).

**Figure 1-396** Remove the HCl right tray pickup assembly (2 of 2)



## HCI merge assembly

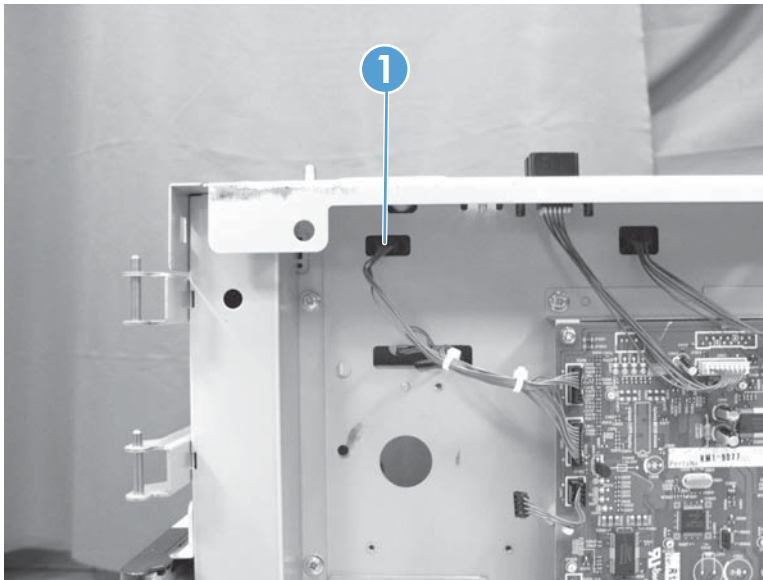
### Before proceeding, remove the following assemblies:

- HCI right tray. See [HCI right tray on page 265](#).
- HCI left tray. See [HCI left tray on page 266](#).
- HCI left cover. See [HCI left cover on page 267](#).
- HCI right door. See [HCI right door on page 272](#).
- HCI right front cover. See [HCI right front cover on page 274](#).
- HCI rear cover. See [HCI rear cover on page 271](#).
- HCI right tray pickup drive. See [HCI right tray pickup drive on page 286](#).
- HCI right tray pickup assembly. See [HCI right tray pickup assembly on page 295](#).

### Remove the HCI merge assembly

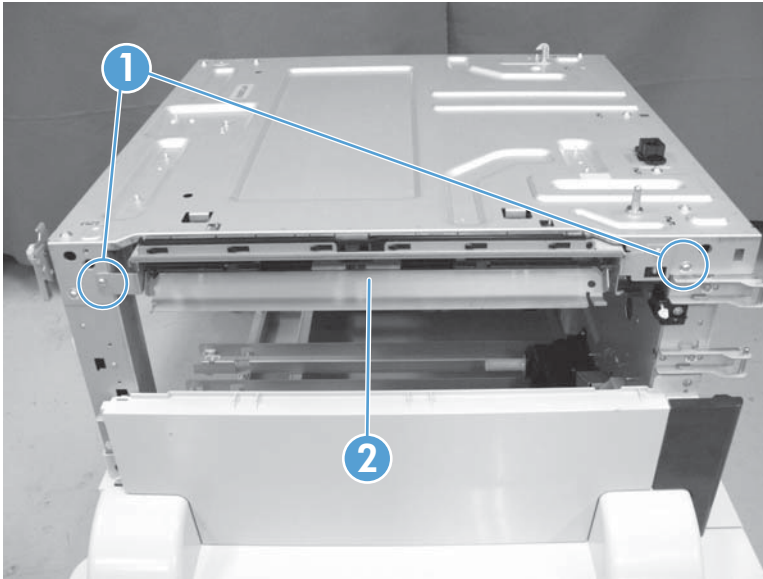
1. Disconnect one connector (callout 1).

**Figure 1-397** Remove the HCI merge assembly (1 of 2)



2. Remove two screws (callout 1), and then remove the merge assembly (callout 2).

**Figure 1-398** Remove the HCl merge assembly (2 of 2)

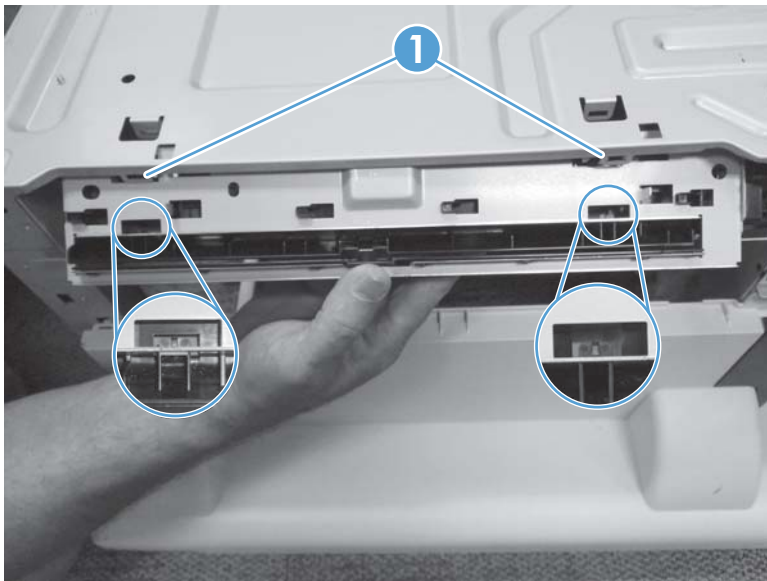




## Reinstall the HCI merge assembly

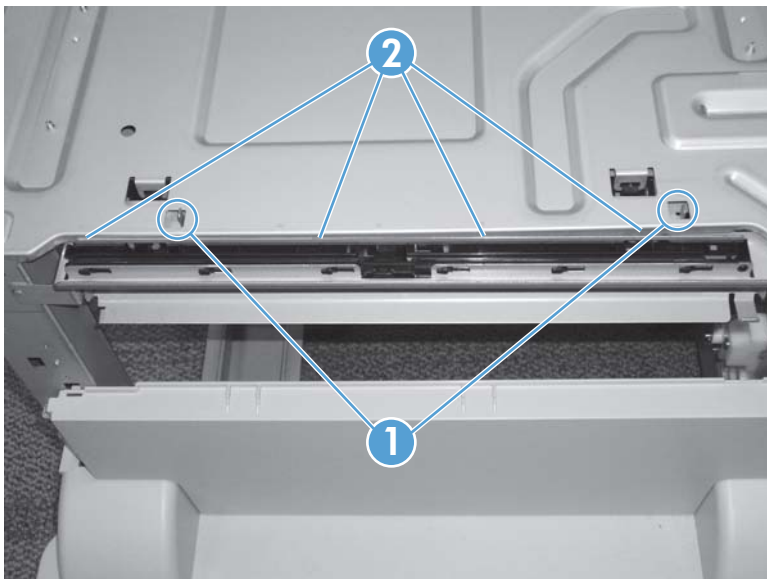
The tabs at the top of the HCI merge assembly fit into slots provided in the chassis (callout 1).

**Figure 1-399** Reinstall the merge assembly (1 of 2)




When the assembly is correctly installed, two sheet metal tabs (callout 1) are positioned in the provided holes in the chassis, and the assembly fits tight against the edge of the chassis (callout 2).

**Figure 1-400** Reinstall the merge assembly (2 of 2)



# Output devices

## Stapler/stacker

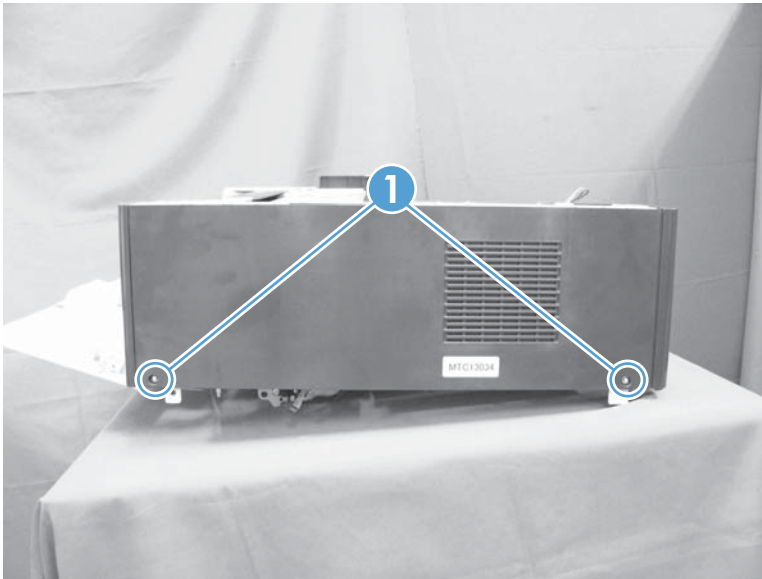
 **NOTE:** The stapler/stacker is shown removed from the product in this section, however, it is only necessary to remove the stapler/stacker from the product to perform the following procedures if the front right cover must be removed.

To remove the stapler/stacker, see [Stapler/stacker assembly on page 78](#).

### Stapler/stacker rear cover

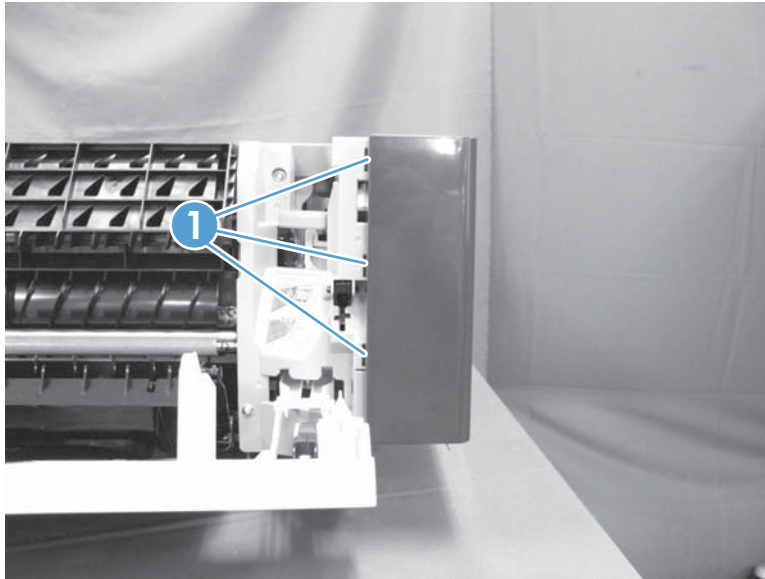
1. Open the right door.
2. Remove two screws (callout 1).

**Figure 1-401** Remove the stapler/stacker rear cover (1 of 3)



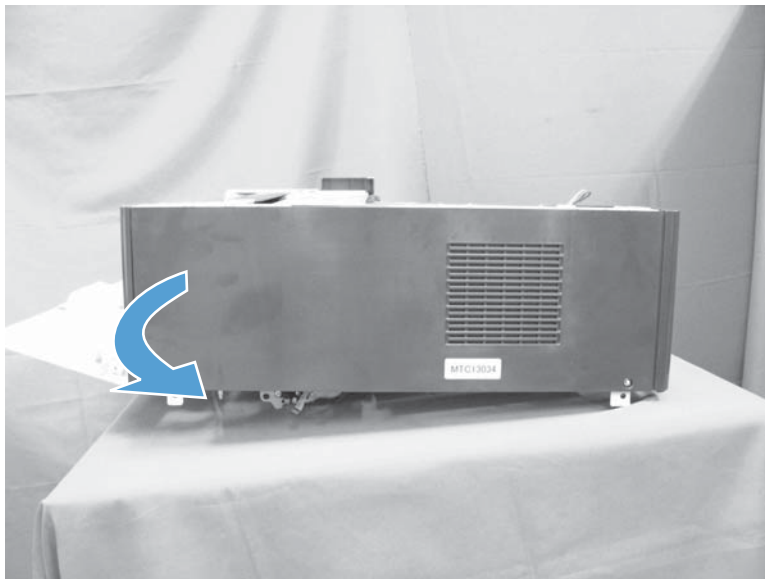
3. Release three tabs (callout 1).

**Figure 1-402** Remove the stapler/stacker rear cover (2 of 3)



4. Slide the cover to the left to release it, and then remove the cover.

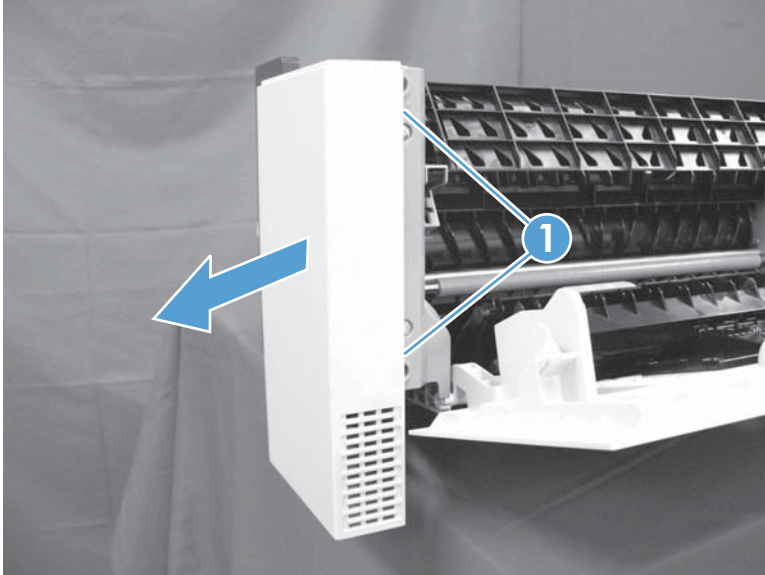
**Figure 1-403** Remove the stapler/stacker rear cover (3 of 3)



## Stapler/stacker front right cover

1. Open the right door.
2. Release two tabs (callout 1), and then remove the cover.

**Figure 1-404** Remove the stapler/stacker front right cover



## Stapler/stacker front left cover

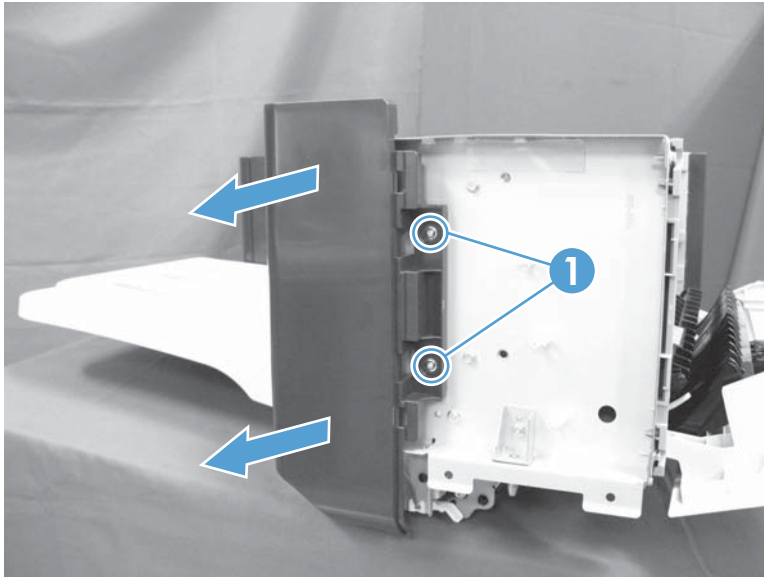
Before proceeding, remove the following assemblies:

- Stapler/stacker front right cover. See [Stapler/stacker front right cover on page 302](#).

### Remove the stapler/stacker front left cover

Remove two screws (callout 1), and then remove the cover (callout 2).

**Figure 1-405** Remove the stapler/stacker front left cover



## Stapler/stacker right door

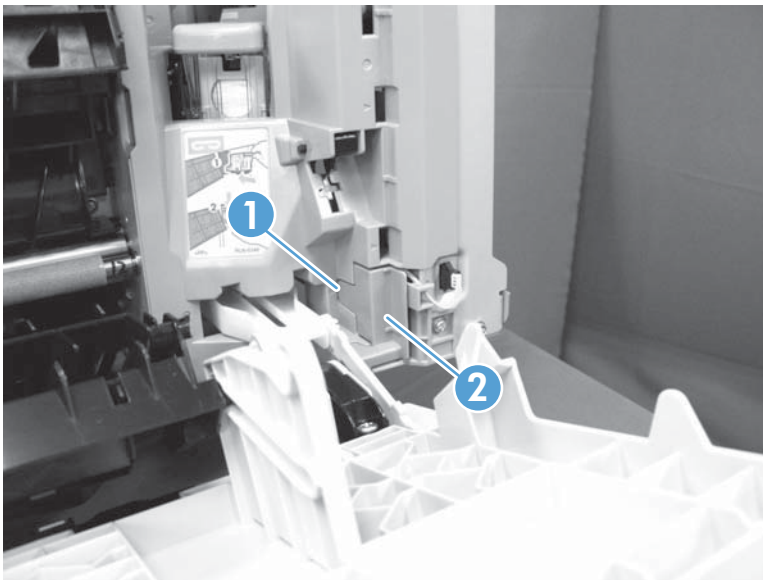
Before proceeding, remove the following assemblies:

- Stapler/stacker rear cover. See [Stapler/stacker rear cover on page 300](#).

### Remove the stapler/stacker right door

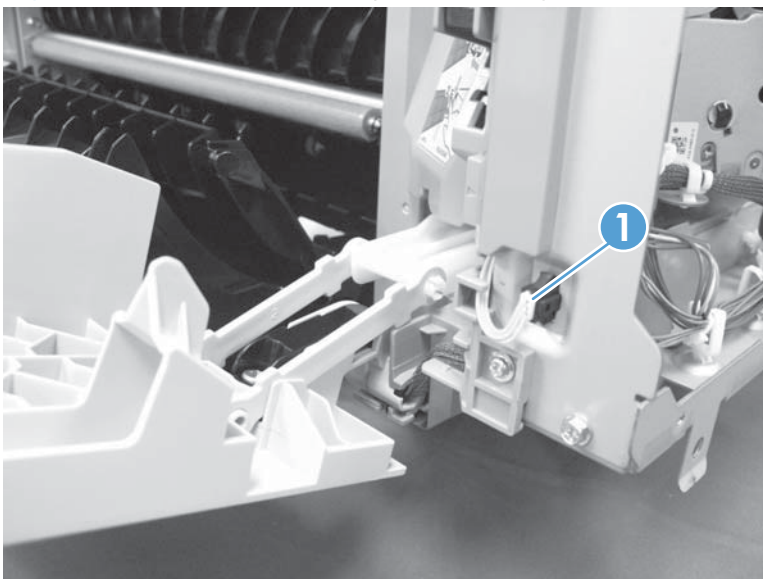
1. Open the right door.
2. Release one tab (callout 1), and then remove the cover (callout 2).

**Figure 1-406** Remove the stapler/stacker right door (1 of 4)



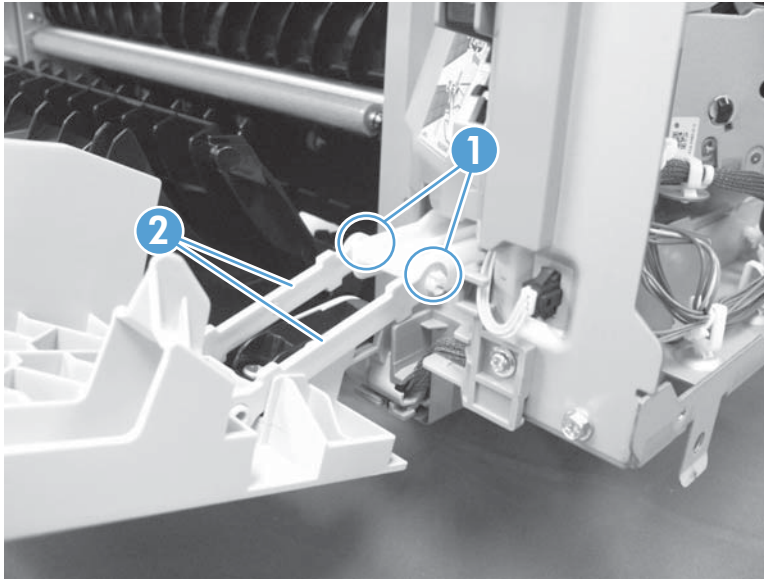
3. Disconnect one connector (callout 1).

**Figure 1-407** Remove the stapler/stacker right door (2 of 4)



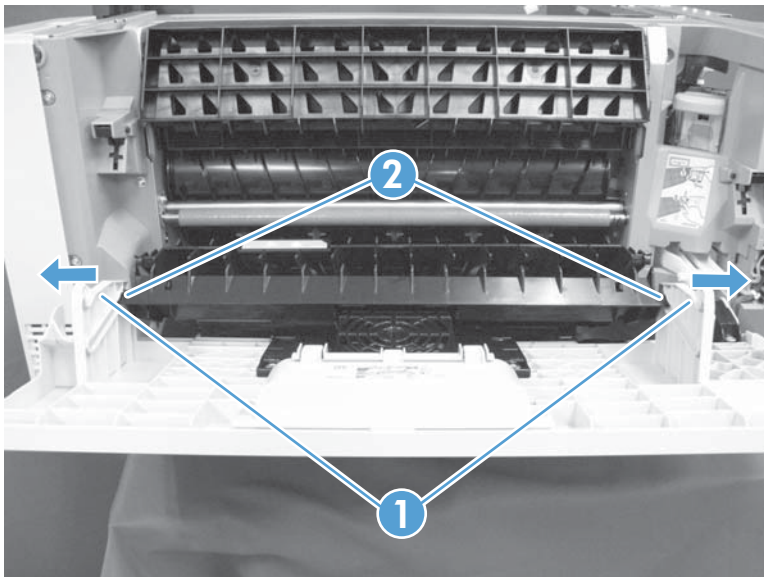
4. Release two tabs (callout 1), and then release the right and left links (callout 2).

**Figure 1-408** Remove the stapler/stacker right door (3 of 4)



5. Carefully flex the sides of the door (callout 1) to release two pins (callout 2), and then remove the door.

**Figure 1-409** Remove the stapler/stacker right door (4 of 4)



## Stapler/stacker left rear cover

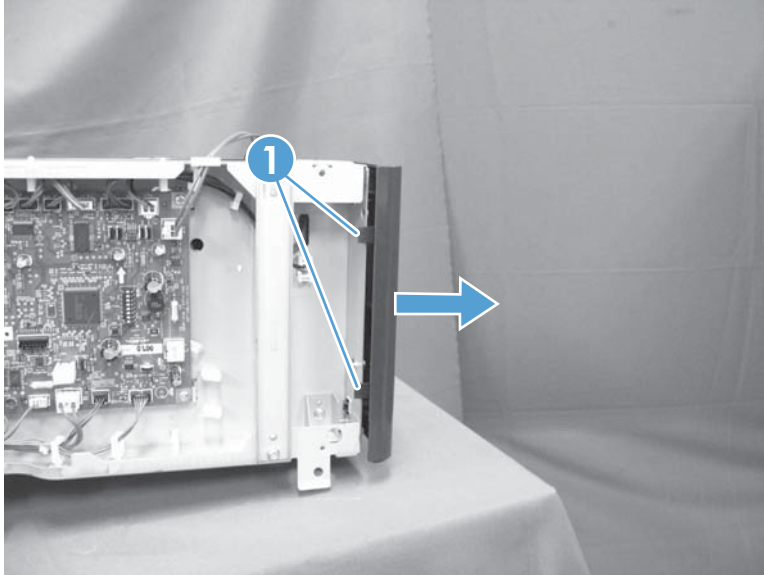
Before proceeding, remove the following assemblies:

- Stapler/stacker rear cover. See [Stapler/stacker rear cover on page 300](#).

### Remove the stapler/stacker left rear cover

Release two tabs (callout 1), and then remove the cover.

**Figure 1-410** Remove the stapler/stacker left rear cover





## Stapler/stacker output bin assembly

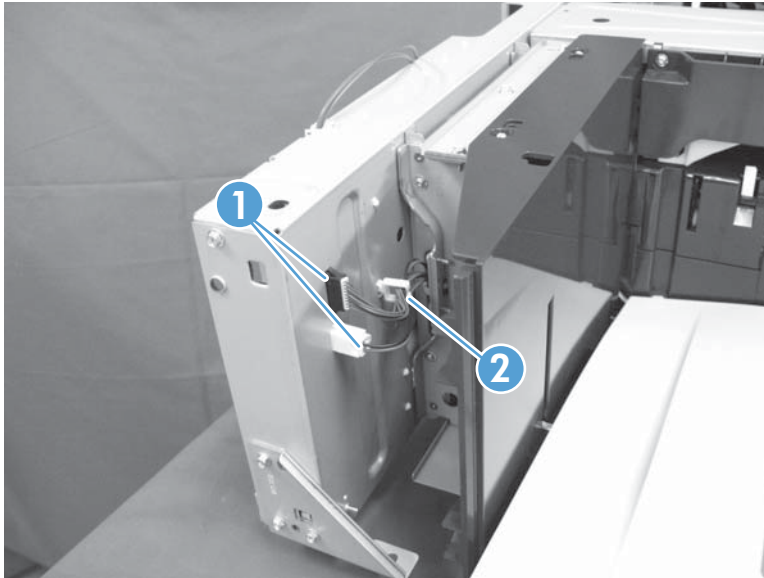
Before proceeding, remove the following assemblies:

- Stapler/stacker rear cover. See [Stapler/stacker rear cover on page 300](#).
- Stapler/stacker left rear cover. See [Stapler/stacker left rear cover on page 306](#).

### Remove the stapler/stacker output bin assembly

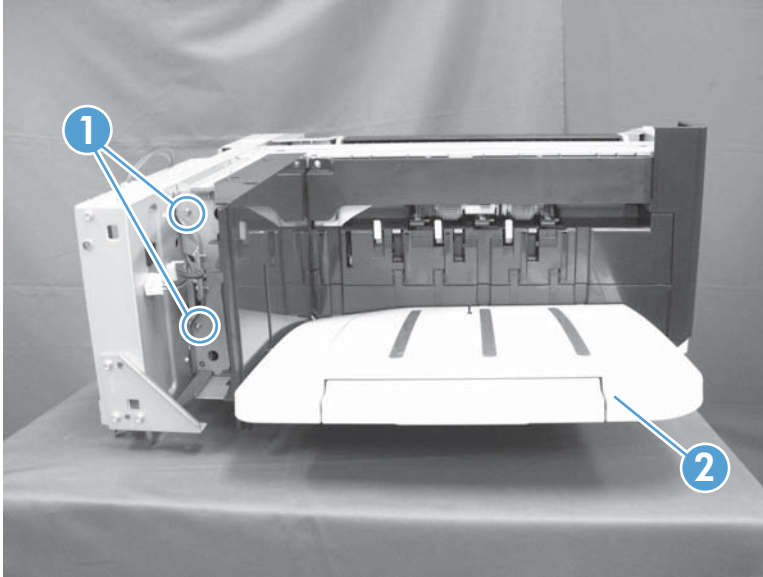
1. Disconnect two connectors (callout 1), and then release the wire harnesses from the retainer (callout 2).

**Figure 1-411** Remove the output bin assembly (1 of 2)



2. Remove two screws (callout 1), and then pull the assembly (callout 2) forward to remove it.

**Figure 1-412** Remove the output bin assembly (2 of 2)



## Stapler/stacker left lower cover

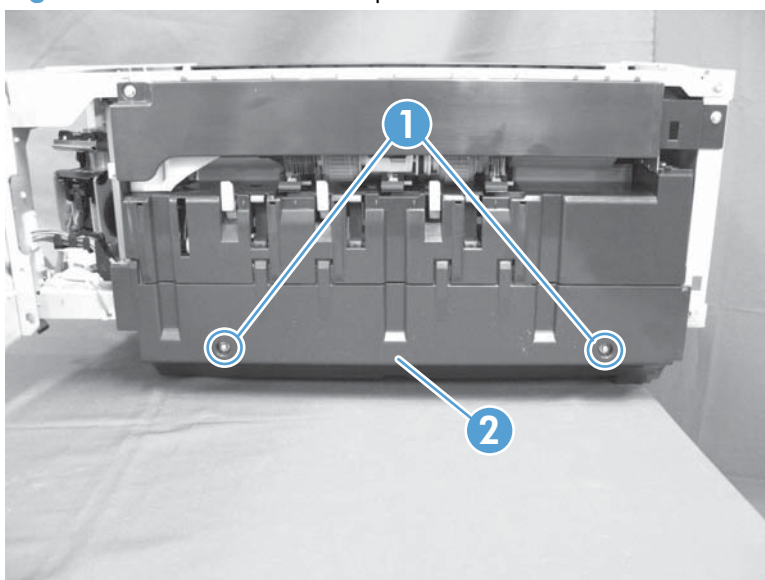
Before proceeding, remove the following assemblies:

- Stapler/stacker front right cover. See [Stapler/stacker front right cover on page 302](#).
- Stapler/stacker rear cover. See [Stapler/stacker rear cover on page 300](#).
- Stapler/stacker left rear cover. See [Stapler/stacker left rear cover on page 306](#).
- Stapler/stacker output bin assembly. See [Stapler/stacker output bin assembly on page 307](#).

### Remove the stapler/stacker left lower cover

Release two screws (callout 1), and then remove the cover (callout 2).

**Figure 1-413** Remove the stapler/stacker left lower cover



## Stapler/stacker operation assembly

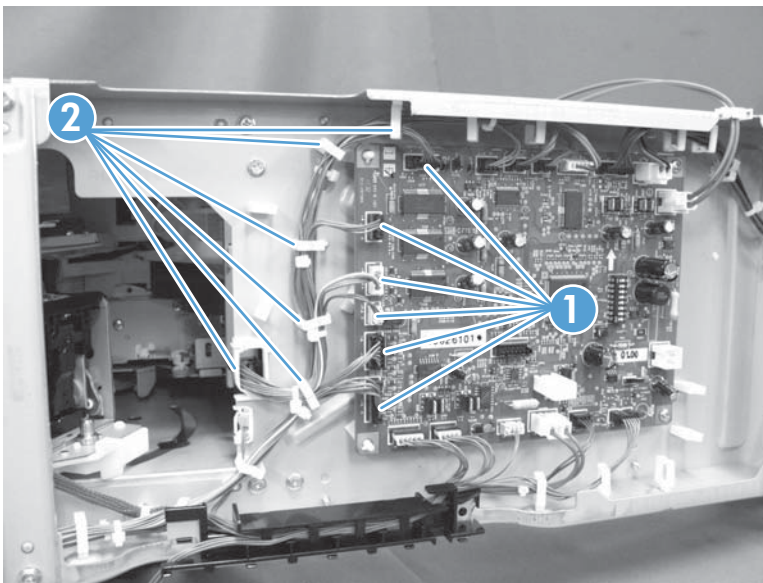
### Before proceeding, remove the following assemblies:

- Stapler/stacker front right cover. See [Stapler/stacker front right cover on page 302](#).
- Stapler/stacker rear cover. See [Stapler/stacker rear cover on page 300](#).
- Stapler/stacker left rear cover. See [Stapler/stacker left rear cover on page 306](#).
- Stapler/stacker output bin assembly. See [Stapler/stacker output bin assembly on page 307](#).
- Stapler/stacker lower left cover. See [Stapler/stacker left lower cover on page 309](#).


### Remove the stapler/stacker operation assembly

1. Open the stapler/stacker right door to move the stapler assembly out of the way.
2. Disconnect six connectors (callout 1), and then release the wire harnesses from the retainers (callout 2).

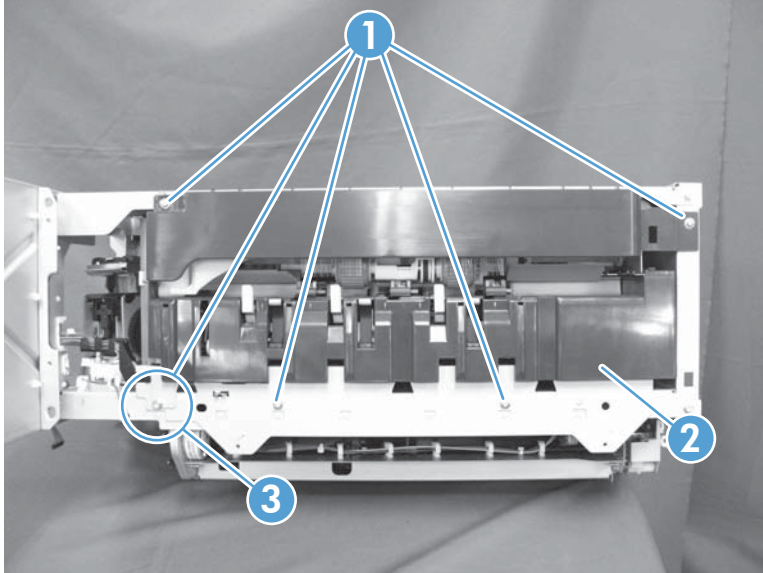
**Figure 1-414** Remove the stapler/stacker operation assembly (1 of 2)



3. Remove five screws (callout 1), and then remove the assembly (callout 2).

 **TIP:** One screw (callout 3) is longer than the others. Make sure that you use this screw in the correct position when the assembly is reinstalled.

**Figure 1-415** Remove the stapler/stacker operation assembly (2 of 2)



## Stapler/stacker feed guide assembly

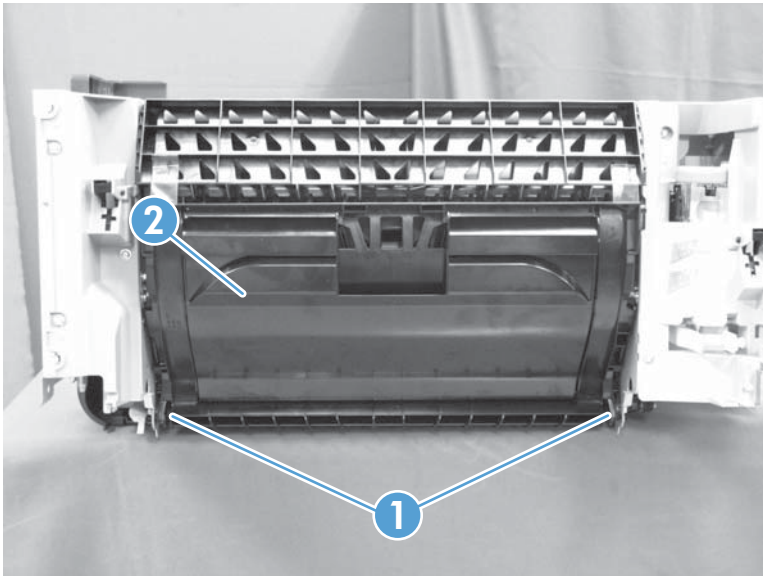
### Before proceeding, remove the following assemblies:

- Stapler/stacker front right cover. See [Stapler/stacker front right cover on page 302](#).
- Stapler/stacker rear cover. See [Stapler/stacker rear cover on page 300](#).
- Stapler/stacker right door. See [Stapler/stacker right door on page 304](#).

### Remove the stapler/stacker feed guide assembly

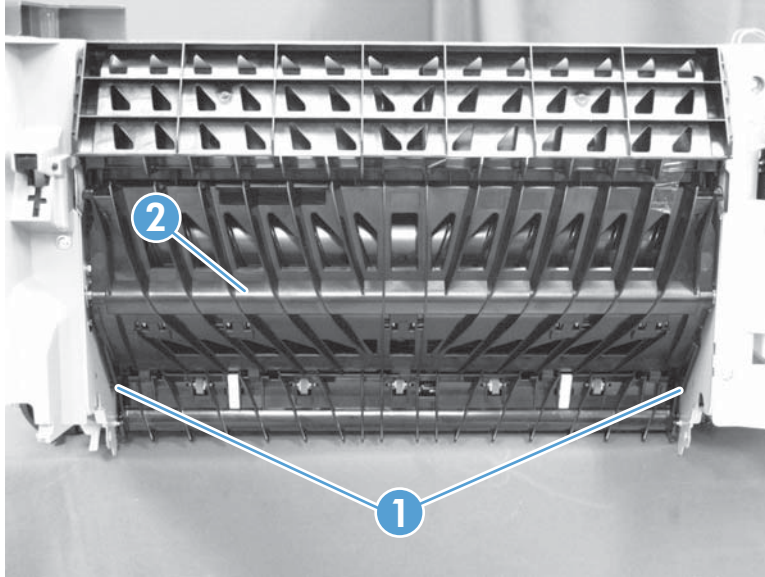
1. Release two shafts (callout 1), and then remove the right door lower guide assembly (callout 2).

**Figure 1-416** Remove the stapler/stacker feed guide assembly (1 of 7)



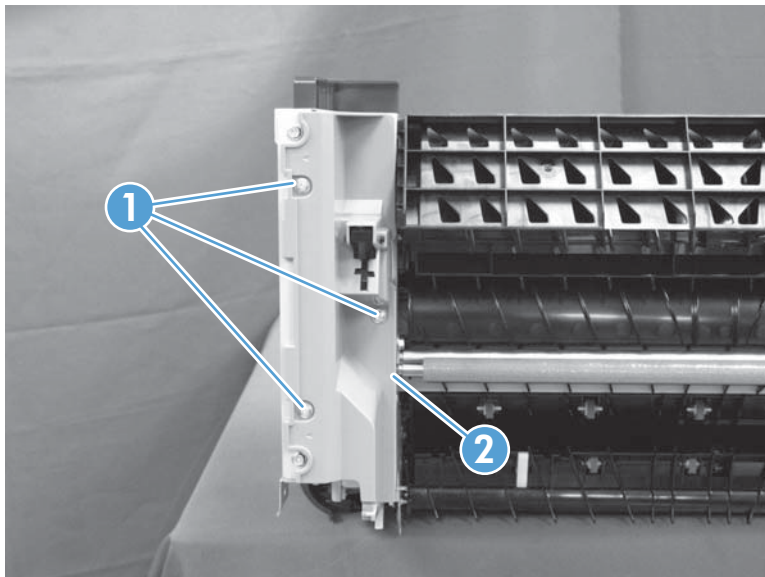
2. Release two shafts (callout 1), and then remove the center feed guide assembly (callout 2).

**Figure 1-417** Remove the stapler/stacker feed guide assembly (2 of 7)



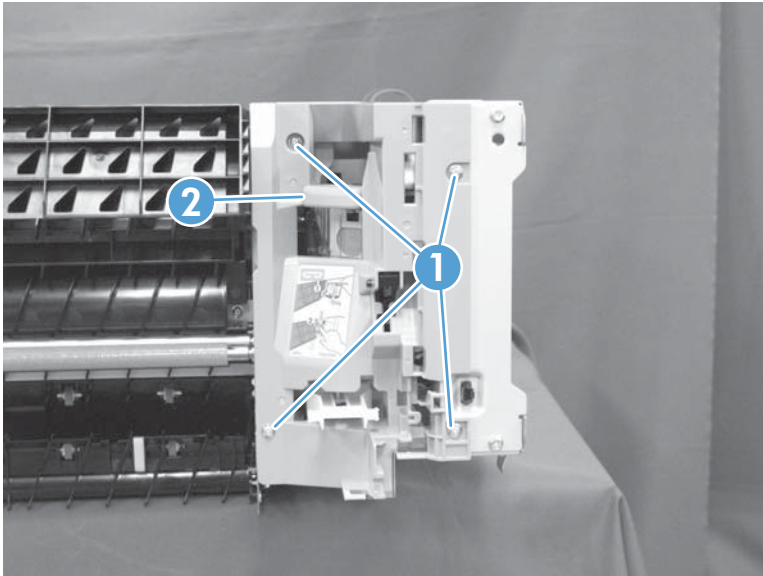
3. Remove three screws (callout 1), and then remove the right front inner cover (callout 2).

**Figure 1-418** Remove the stapler/stacker feed guide assembly (3 of 7)



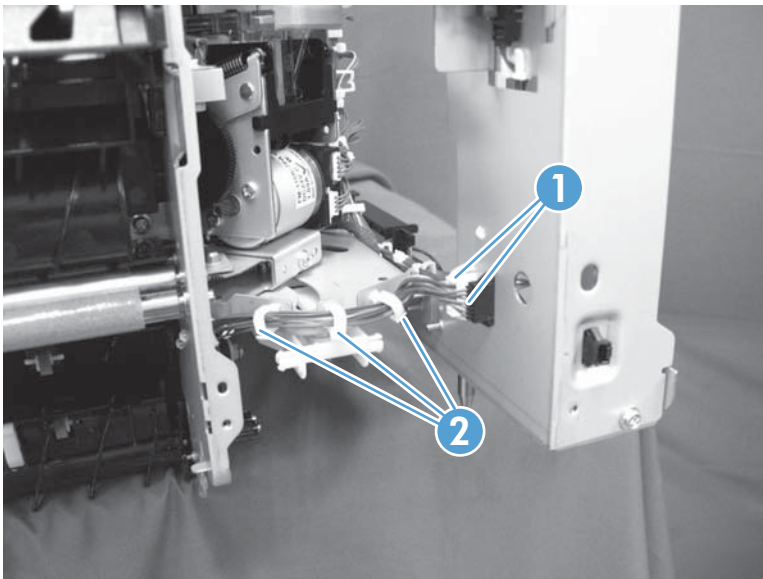
4. Move the stapler assembly to the back, remove four screws (callout 1), and then remove the right rear inner cover (callout 2).

**Figure 1-419** Remove the stapler/stacker feed guide assembly (4 of 7)



5. Disconnect two connectors (callout 1), and then release the wire harnesses from the retainers (callout 2).

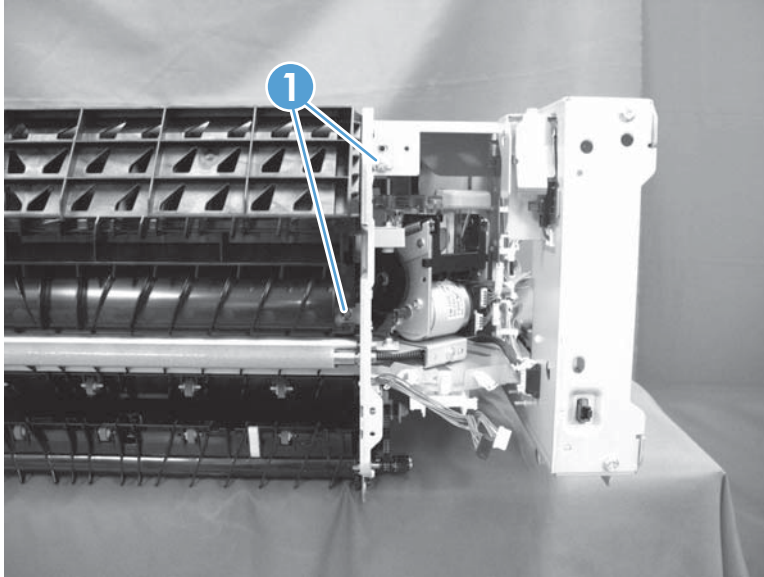
**Figure 1-420** Remove the stapler/stacker feed guide assembly (5 of 7)





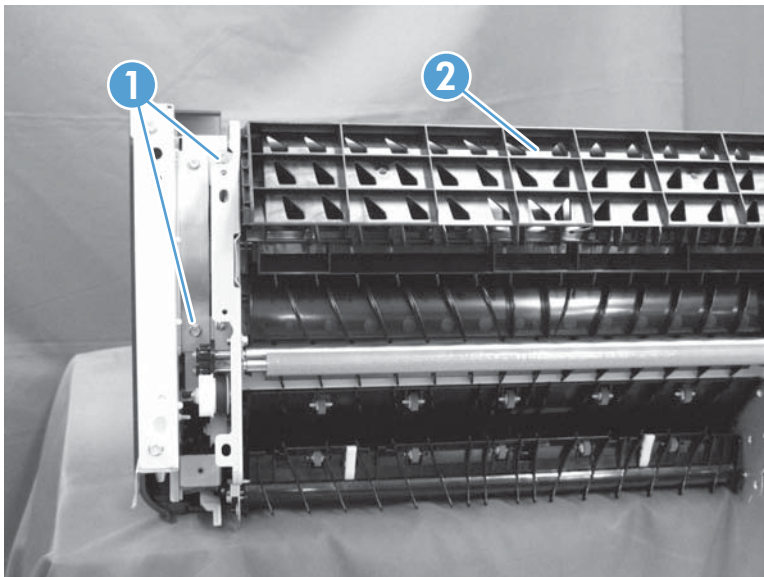
6. Remove two screws (callout 1).

**Figure 1-421** Remove the stapler/stacker feed guide assembly (6 of 7)



7. Remove two screws (callout 1), and then remove the assembly (callout 2).

**Figure 1-422** Remove the stapler/stacker feed guide assembly (7 of 7)



## Stapler/stacker door switch

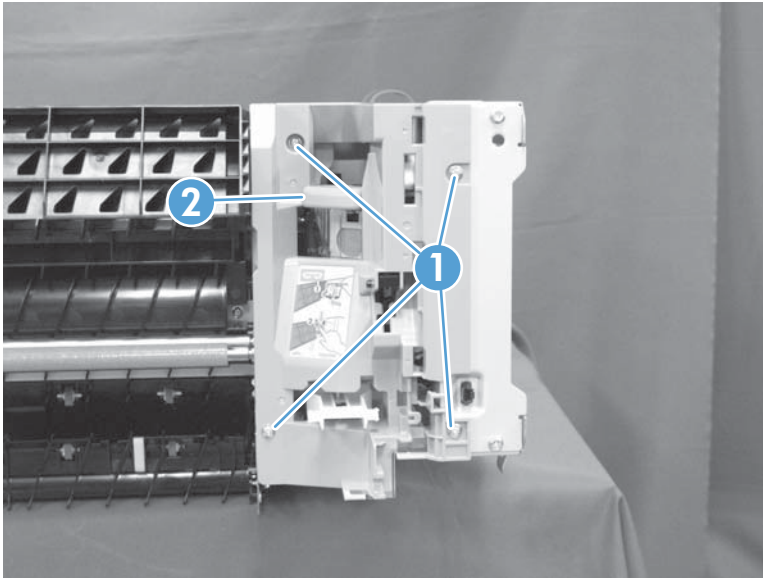
Before proceeding, remove the following assemblies:

- Stapler/stacker right door. See [Stapler/stacker right door on page 304](#).

### Remove the stapler/stacker door switch

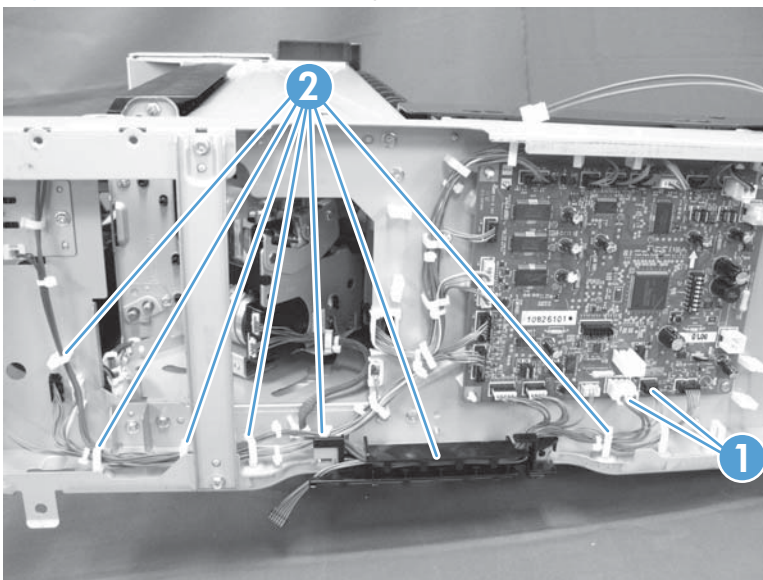
1. Move the stapler assembly to the back, remove four screws (callout 1), and then remove the right rear inner cover (callout 2).

**Figure 1-423** Remove the stapler/stacker door switch (1 of 3)




2. Disconnect two connectors (callout 1), and then release the wire harnesses from the retainers and guide (callout 2).

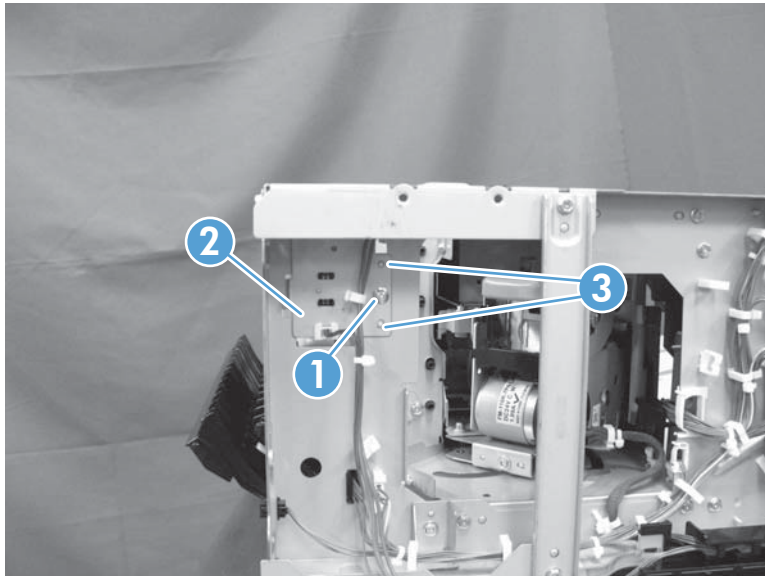
**Figure 1-424** Remove the stapler/stacker door switch (2 of 3)



3. Remove one screw (callout 1), and then remove the assembly (callout 2).

 **TIP:** When the assembly is reinstalled, make sure that the locator pins (callout 3) are correctly positioned, and that the assembly is tight against the chassis.

**Figure 1-425** Remove the stapler/stacker feed door switch (3 of 3)



## Stapler/stacker inlet solenoid assembly

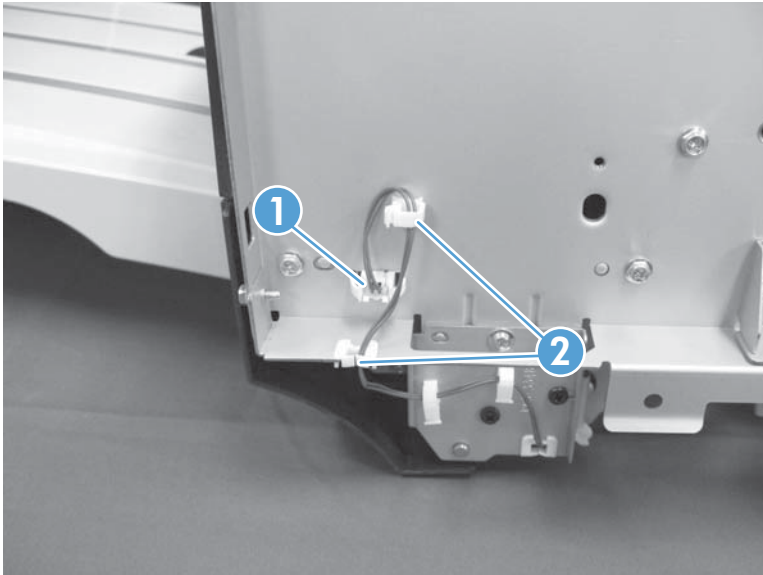
Before proceeding, remove the following assemblies:

- Stapler/stacker front right cover. See [Stapler/stacker front right cover on page 302](#).
- Stapler/stacker front left cover. See [Stapler/stacker front left cover on page 303](#).


### Remove the stapler/stacker inlet solenoid assembly

1. Disconnect one connector (callout 1), and then release the wire harness from the retainers (callout 2).

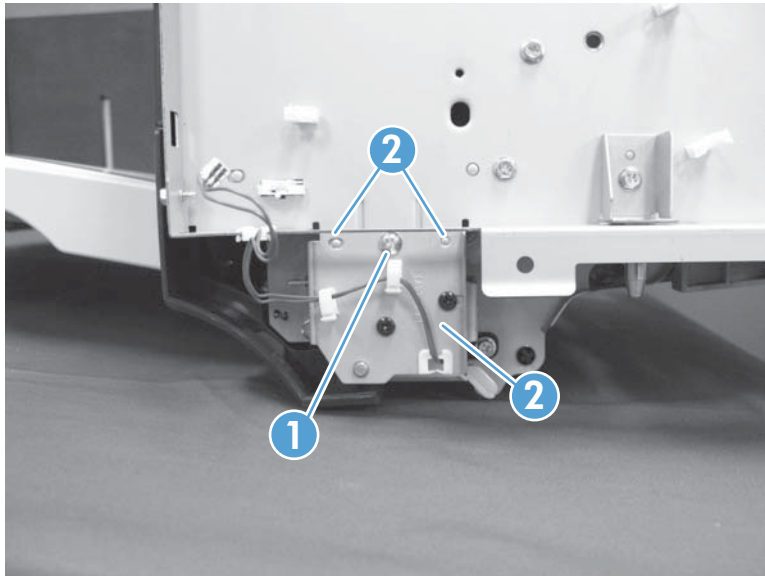
**Figure 1-426** Remove the stapler/stacker inlet solenoid assembly (1 of 2)



2. Remove one screw (callout 1), and then remove the assembly (callout 2).

 **TIP:** When the assembly is reinstalled, make sure that the locator pins (callout 3) are correctly positioned, and that the assembly is tight against the chassis.

**Figure 1-427** Remove the stapler/stacker inlet solenoid assembly (2 of 2)



## Stapler/stacker stapler assembly

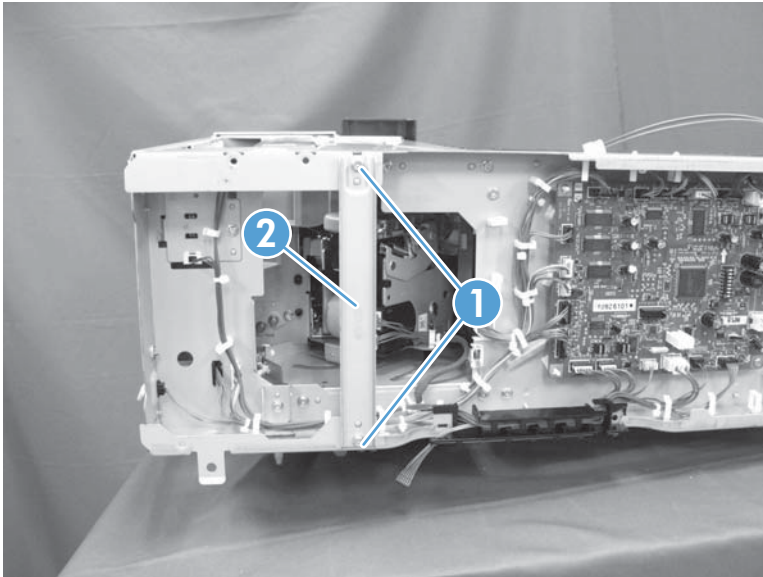
Before proceeding, remove the following assemblies:

- Stapler/stacker rear cover. See [Stapler/stacker rear cover on page 300](#).

### Remove the stapler/stacker stapler assembly

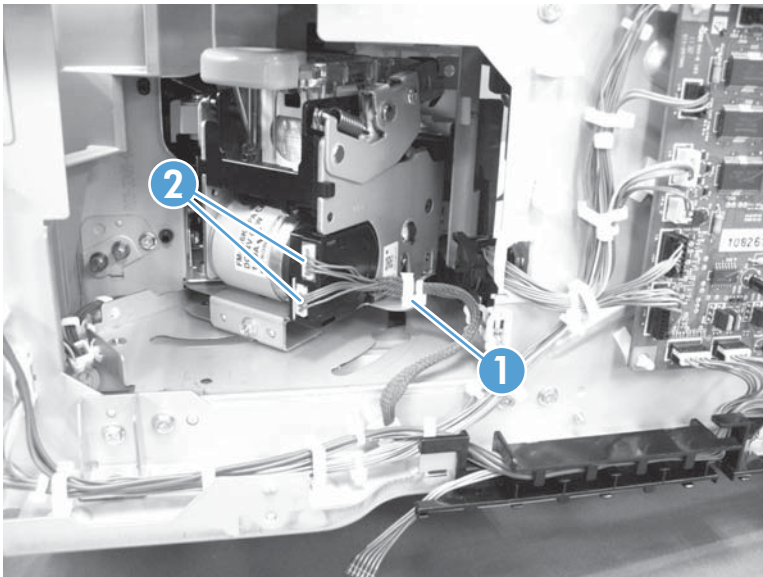
1. Remove two screws (callout 1), and then remove the sheet-metal plate (callout 2).

**Figure 1-428** Remove the stapler/stacker stapler assembly (1 of 3)



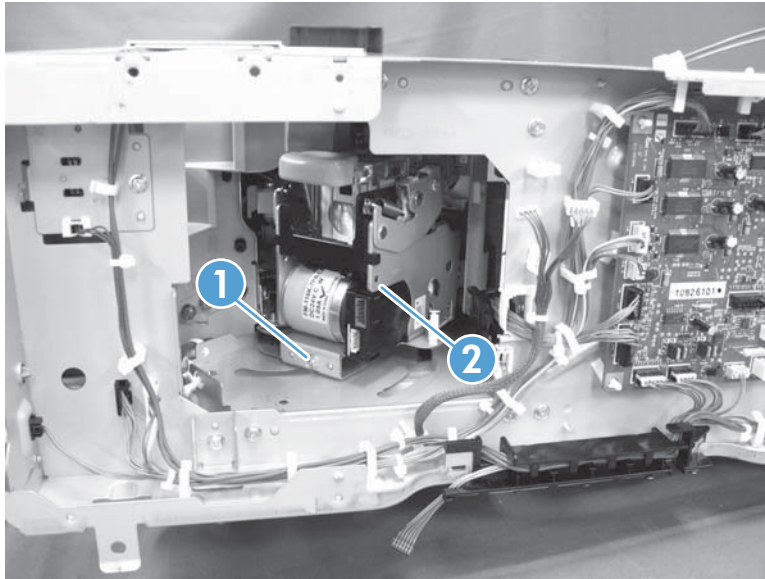
2. Release the wire harnesses from the retainer (callout 1), and then disconnect two connectors (callout 2).

**Figure 1-429** Remove the stapler/stacker stapler assembly (2 of 3)



3. Remove one screw (callout 1), and then remove the assembly (callout 2).

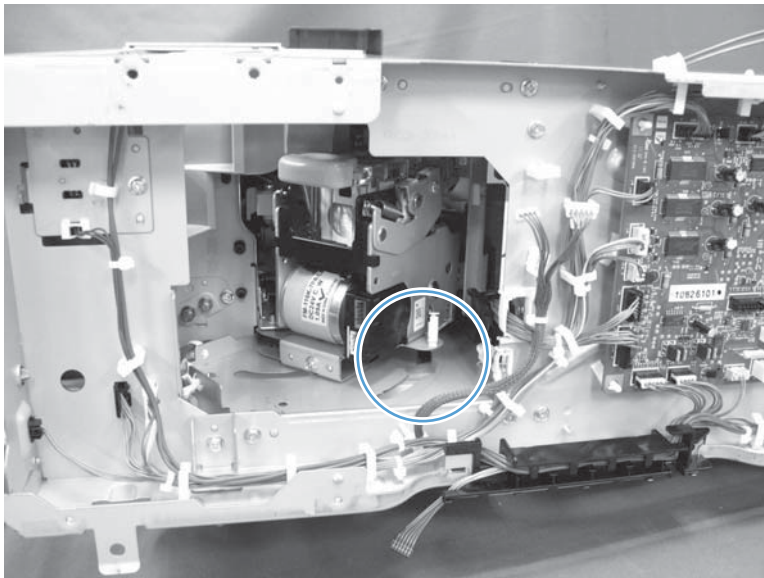
**Figure 1-430** Remove the stapler/stacker stapler assembly (3 of 3)



### Reinstall the stapler/stacker stapler assembly

When the assembly is reinstalled, make sure that the white-plastic knob on the bottom of the stapler assembly is correctly positioned through the slot in the chassis.

**Figure 1-431** Reinstall the stapler/stacker stapler assembly



## Stapler/stacker controller PCA

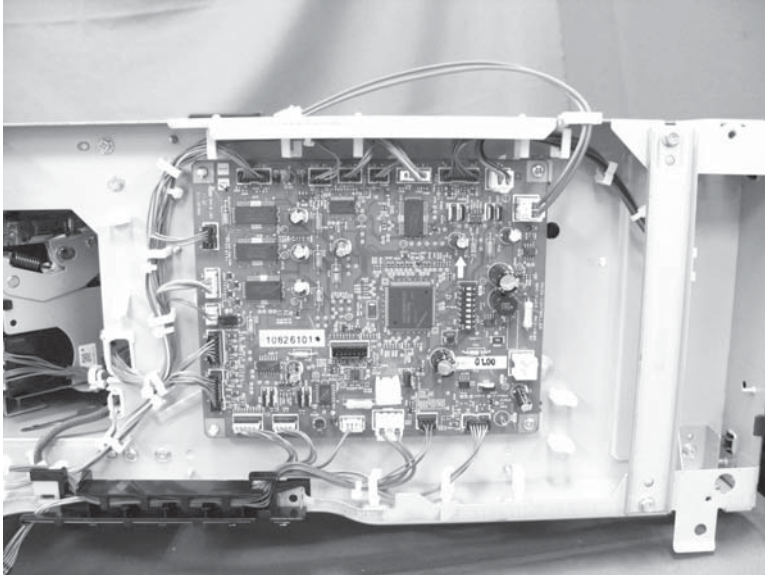
Before proceeding, remove the following assemblies:

- Stapler/stacker rear cover. See [Stapler/stacker rear cover on page 300](#).

### Remove the stapler/stacker controller PCA

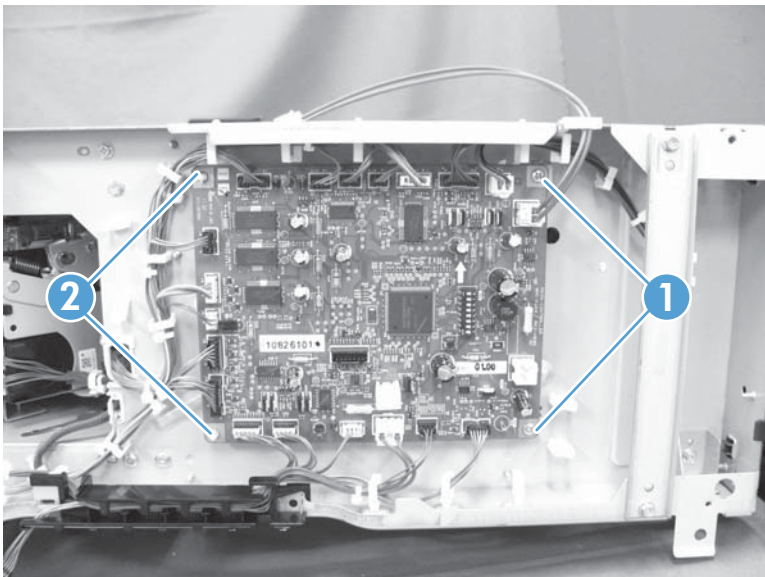
1. Disconnect all of the connectors on the stapler/stacker controller PCA.

**Figure 1-432** Remove the stapler/stacker controller PCA (1 of 2)



2. Remove two screws (callout 1), release two tabs (callout 2) and then remove the PCA.

**Figure 1-433** Remove the stapler/stacker controller PCA (2 of 2)





---

## 2 Parts and diagrams

- [Order parts by authorized service providers](#)
- [How to use the parts lists and diagrams](#)
- [Assembly locations](#)
- [Document feeder and scanner whole units](#)
- [Document feeder assemblies](#)
- [Scanner assemblies](#)
- [Scanner controller board \(SCB\)](#)
- [Stapler/stacker assembly](#)
- [Covers](#)
- [Right door](#)
- [Internal assemblies](#)
- [1x500-sheet paper feeder](#)
- [1x500-sheet and 3x500-sheet paper deck](#)
- [High capacity input \(HCI\) feeder](#)
- [Alphabetical parts list](#)
- [Numerical parts list](#)

# Order parts by authorized service providers

## Order parts, accessories, and supplies

**Table 2-1 Order parts, accessories, and supplies**

|  |  |
|--|--|
| Order supplies and paper                   | <a href="http://www.hp.com/go/suresupply">www.hp.com/go/suresupply</a>   |
| Order genuine HP parts or accessories      | <a href="http://www.hp.com/buy/parts">www.hp.com/buy/parts</a>   |
| Order through service or support providers | Contact an HP-authorized service or support provider.  |
| Order using HP software                    | For information about using the HP software to order parts, accessories, and supplies, see the product user guide. |

## Related documentation and software

**Table 2-2 Related documentation and software**

| <b>Item</b>   | <b>Description</b>      | <b>Part number</b> |
|---|-------------------------|--------------------|
| <i>HP LaserJet Enterprise 700 Color MFP M775 User Guide</i>             | Product user guide      | CC522-90908        |
| <i>HP LaserJet Enterprise 700 Color MFP M775 Repair Manual</i>          | English service manuals | CC522-90967        |
| <i>HP LaserJet Enterprise 700 Color MFP M775 Troubleshooting Manual</i> |                         | CC522-90968        |

## Supplies part numbers

**Table 2-3 Supplies part numbers**

| Item                         | Description           | Part number           |
|------------------------------|-----------------------|-----------------------|
| HP LaserJet toner cartridges | Black print cartridge | CE340A (new)          |
|                              |                       | CE340-67901 (service) |
|                              | Cyan print cartridge  | CE341A (new)          |
|                              |                       | CE341-67901 (service) |
| Yellow print cartridge       | CE342A (new)          |                       |
|                              | CE342-67901 (service) |                       |
| Magenta print cartridge      | CE343A (new)          |                       |
|                              | CE343-67901 (service) |                       |

## Customer self-repair parts

The following customer self-repair parts are available for the product.

Each kit includes parts and installation instructions. The customer self repair (CSR) level indicates the expected difficulty the customer will experience when replacing this part:

- **A:** Easy
- **B:** Difficult



**NOTE:** For more information, go to [www.hp.com/go/customerselfrepair/lj700colorMFPM775](http://www.hp.com/go/customerselfrepair/lj700colorMFPM775).

**Table 2-4 Customer self-repair parts**

| Item  | Description                      | CSR level | Part number |
|---|----------------------------------|-----------|-------------|
| Hard disk drive replacement kit   | • Hard Disk, 320GB               | B         | CC522-67903 |
| Replacement kit for the HP High-Performance Secure Hard Disk (government option only) | • Hard Disk, 320GB               | B         | CC522-67932 |
| Formatter replacement kit   | • Formatter PCA assembly         | A         | CC522-67933 |
|   | • Formatter PCA assembly (China) |           | CC522-67934 |
| Control-panel replacement kit   | • Control Panel                  | A         | CD644-67916 |
| Fax-card replacement kit  | • Fax card PCA                   | B         | CC522-67929 |
|   |                                  |           | CC487A      |

**Table 2-4 Customer self-repair parts (continued)**

| Item   | Description  | CSR level | Part number   |
|--|--|-----------|---|
| Document-feeder-roller maintenance kit               | <ul style="list-style-type: none"> <li>Document feeder preventative maintenance rollers</li> </ul>                                 | A         | L2725-60002<br>L2718A   |
| Document feeder reflector foam A3                    | <ul style="list-style-type: none"> <li>Document-feeder reflector foam A3</li> </ul>  | B         | 5851-4888   |
| Fuser replacement kit                                | <ul style="list-style-type: none"> <li>Fuser</li> </ul>  | A         | CC522-67904 (110V)<br>CE514A (110V)<br>CC522-67926 (220V)<br>CE515A (220V)                        |
|  |  |           | <b>NOTE:</b> Make sure that you use the correct part number for the rated voltage of the product. |
| Staple-cartridge refill                              | <ul style="list-style-type: none"> <li>Staple cartridge</li> </ul>   | A         | C8085-60541<br>C8091A   |
| 1x500-sheet paper feeder kit                         | <ul style="list-style-type: none"> <li>1x500-sheet paper feeder</li> </ul>   | A         | CE860-67901<br>CE860A   |
| 3x500-sheet paper feeder with stand kit              | <ul style="list-style-type: none"> <li>3x500-sheet paper deck</li> </ul>   | A         | CE725-67901<br>CE725A   |
| 1x500-sheet paper deck with stand kit                | <ul style="list-style-type: none"> <li>1x500-sheet paper deck with stand</li> </ul>  | A         | CC522-67907<br>CE792A   |
| 3,500-sheet high-capacity feeder with stand kit      | <ul style="list-style-type: none"> <li>3,500-sheet high-capacity feeder with stand</li> </ul>                                      | A         | CC522-67908<br>CF305A   |
| Toner-collection-unit kit                            | <ul style="list-style-type: none"> <li>Toner collection unit (bottle)</li> </ul>   | A         | CE980-67901<br>CE980A   |
| Tray 1 pickup roller and separation pad kit          | <ul style="list-style-type: none"> <li>Tray 1 separation pad</li> <li>Tray 1 pickup roller</li> </ul>                              | A         | CC522-67928   |
| Tray 2 pickup roller/separation pad kit              | <ul style="list-style-type: none"> <li>Tray 2 separation roller</li> <li>Tray 2 pickup roller</li> </ul>                           | A         | CC522-67927   |
| Tray 3, 4, 5, or 6 pickup feed/separation roller kit | <ul style="list-style-type: none"> <li>Tray 3, 4, 5, or 6 separation rollers</li> <li>Tray 3, 4, 5, or 6 pickup rollers</li> </ul> | A         | CC522-67909   |
| 3,500-sheet tray pickup roller/separation roller kit | <ul style="list-style-type: none"> <li>HCI feed/separation rollers</li> <li>HCI pickup rollers</li> </ul>                          | A         | 5851-5011   |

**Table 2-4 Customer self-repair parts (continued)**

| Item   | Description                                       | CSR level | Part number |
|--|---|-----------|-------------|
| Intermediate transfer belt kit (maintenance) | • ITB   | A         | CC522-67910 |
|  | • Secondary transfer roller                       |           | CE516A      |
|  | • Tray 2 pickup and separation roller             |           |             |
|  | • Pickup and feed rollers for the 500-sheet trays |           |             |
|  | • Feed rollers for the high-capacity trays        |           |             |
| Intermediate transfer belt kit (repair)      | • ITB   | A         | CC522-67911 |
|  | • Secondary transfer roller                       |           |             |
| Secondary transfer roller kit                | • Secondary transfer roller                       | A         | CC522-67912 |
| Tray 2 replacement                           | • Tray 2 cassette                                 | A         | CC522-67913 |
| Tray 3, 4, 5, or 6 replacement               | • Tray 3, 4, 5, or 6 cassette                     | A         | CC522-67914 |
|  | • Tray label                                      |           |             |
| 3,500-sheet high-capacity Tray 3             | • HCl Tray 3 (right side)                         | A         | CC522-67916 |
|  | • Tray label                                      |           |             |
| 3,500-sheet high-capacity Tray 4             | • HCl Tray 4 (left side)                          | A         | CC522-67915 |
|  | • Tray label                                      |           |             |
| Tray label kit                               | • HCl tray labels                                 | A         | CE707-00001 |

## Service replacement parts

| Item                                 | Description                   | Part number    |
|--------------------------------------|-------------------------------|----------------|
| DC controller service kit            | • DC controller PCA           | RM1-9371-000CN |
| Front cover service kit              | • Front cover assembly        | CE707-67902    |
|                                      | • HP logo jewel               |                |
| Fuser drive service kit              | • Fuser drive assembly        | CE707-67904    |
|                                      | • Main drive alignment pins   |                |
|                                      | • Install guide               |                |
| Inner door service kit               | • Inner door assembly         | CC522-67906    |
|                                      | • Four color cartridge labels |                |
| Interconnect board (ICB) service kit | • ICB PCA                     | RM1-9368-000CN |
| Main drive service kit               | • Main drive assembly         | CE708-67901    |
|                                      | • Install guide               |                |

| Item  | Description                             | Part number        |
|---|---|--------------------|
| Toner vacuum service kit                          | • Toner vacuum                          | CC468-69002 (110V) |
|   | • Instructions for use                  | CC468-69003 (220V) |
| Flatbed scanner service kit                       | • Flatbed Scanner assembly              | CC522-67922        |
|   | • Kit, reflector foam A3                |                    |
| Document feeder service kit                       | • Document feeder assembly A3           | CC522-67923        |
|   | • Kit, reflector foam A3                |                    |
| Reflector foam service kit                        | • Reflector foam A3                     | 5851-4888          |
|   | • Install guide                         |                    |
| Document feeder separation pad spring service kit | • Document feeder separation pad spring | 5851-4879          |
|   | • Install guide                         |                    |
| Document feeder mylar A3 service kit              | • Document feeder mylar – separation    | 5851-4997          |
|   | • Document feeder mylar – deskew        |                    |
|   | • Install guide                         |                    |


## Accessories


| Item                                | Description  | Part number |
|-------------------------------------|--|-------------|
| 1x500-sheet paper feeder            | Optional tray to increase paper capacity               | CE860A      |
| 1x500-sheet paper deck with cabinet | Optional tray to increase paper capacity               | CE792A      |
| 3x500-sheet paper deck with stand   | Optional tray to increase paper capacity               | CE725A      |
| 3,500-sheet high-capacity tray      | Optional tray to increase paper capacity               | CF305A      |
| Fax accessory                       | HP LaserJet MFP Analog Fax Accessory 500               | CC487A      |
| USB wireless print server           | HP Jetdirect ew2500 Wireless Print Server              | J8026A      |
| USB cable                           | Standard USB-compatible device connector, 2 m (6.5 ft) | C6518A      |

## How to use the parts lists and diagrams

The figures in this chapter show the major subassemblies in the product and their component parts. A parts list table follows each exploded view assembly diagram. Each table lists the item number, the associated part number, and the description of each part. If a part is not listed in the table, then it is not a field replacement unit (FRU).

---

 **CAUTION:** Be sure to order the correct part. When looking for part numbers for electrical components, pay careful attention to the voltage that is listed in the description column. Doing so will ensure that the part number selected is for the correct model.

 **NOTE:** In this manual, the abbreviation “PCA” stands for “printed circuit-board assembly.” Components described as a PCA might consist of a single circuit board or a circuit board plus other parts, such as cables and sensors.

---

# Assembly locations

## Base product (no optional trays or accessories)

Figure 2-1 Base product (no optional trays or accessories)

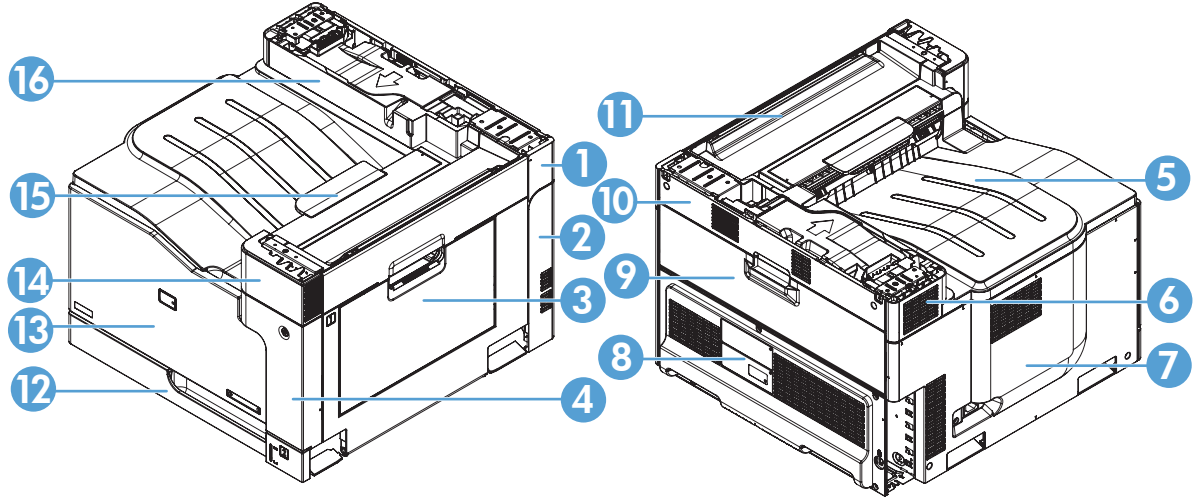


Table 2-5 Base product (no optional trays or accessories)

| Item | Description       | Item | Description                       |
|------|-------------------|------|-----------------------------------|
| 1    | Right upper cover | 9    | Toner collection unit access door |
| 2    | Right rear cover  | 10   | Rear upper cover                  |
| 3    | Right door        | 11   | Top right cover                   |
| 4    | Front right cover | 12   | Tray 2 cassette                   |
| 5    | Top cover         | 13   | Front door                        |
| 6    | Left upper cover  | 14   | Front upper cover                 |
| 7    | Left cover        | 15   | Output cover                      |
| 8    | Rear cover        | 16   | Top rear cover                    |



## Document feeder and scanner

Figure 2-2 Document feeder and scanner

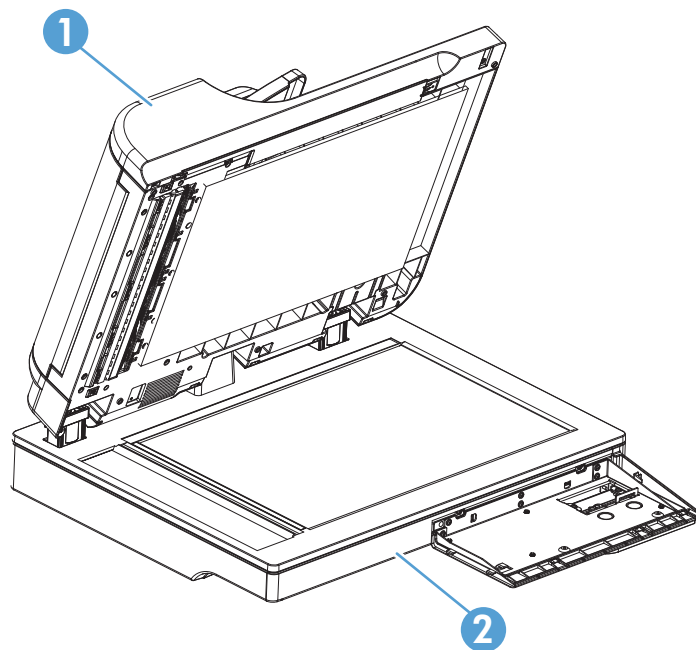
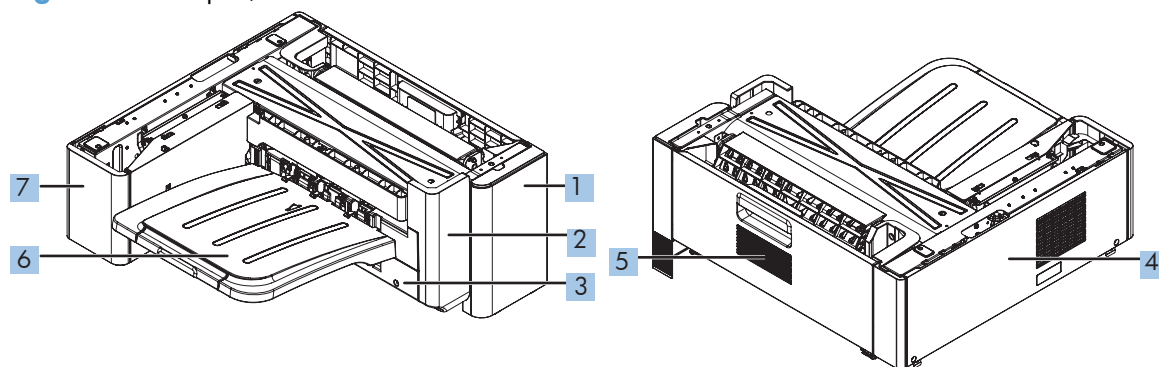


Table 2-6 Document feeder and scanner

| Item | Description              |
|------|--------------------------|
| 1    | Document feeder assembly |
| 2    | Scanner assembly         |

## Stapler/stacker

Figure 2-3 Stapler/stacker



| Item | Description       | Item | Description |
|------|-------------------|------|-------------|
| 1    | Front right cover | 5    | Right door  |
| 2    | Front left cover  | 6    | Output bin  |

| Item | Description      | Item | Description |
|------|------------------|------|-------------|
| 3    | Left lower cover | 7    | Left rear   |
| 4    | Rear cover       |      |             |

## 500-sheet paper feeder

Figure 2-4 500-sheet paper feeder

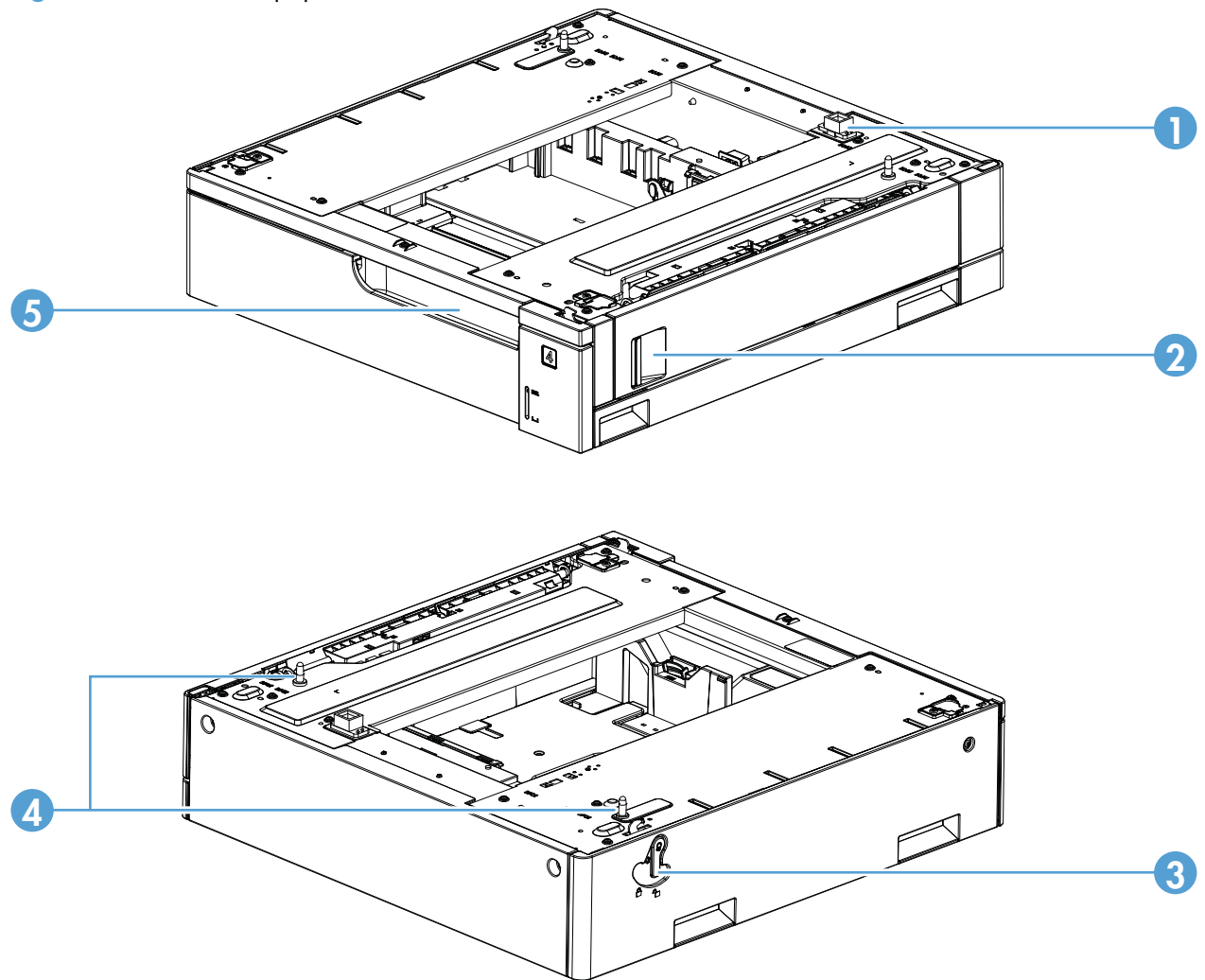


Table 2-7 500-sheet paper feeder

| Item | Description | Item | Description     |
|------|-------------|------|-----------------|
| 1    | Connector   | 4    | Positioning pin |
| 2    | Right door  | 5    | Cassette        |
| 3    | Lock lever  |      |                 |

## 1x500-sheet paper deck

Figure 2-5 1x500-sheet paper deck

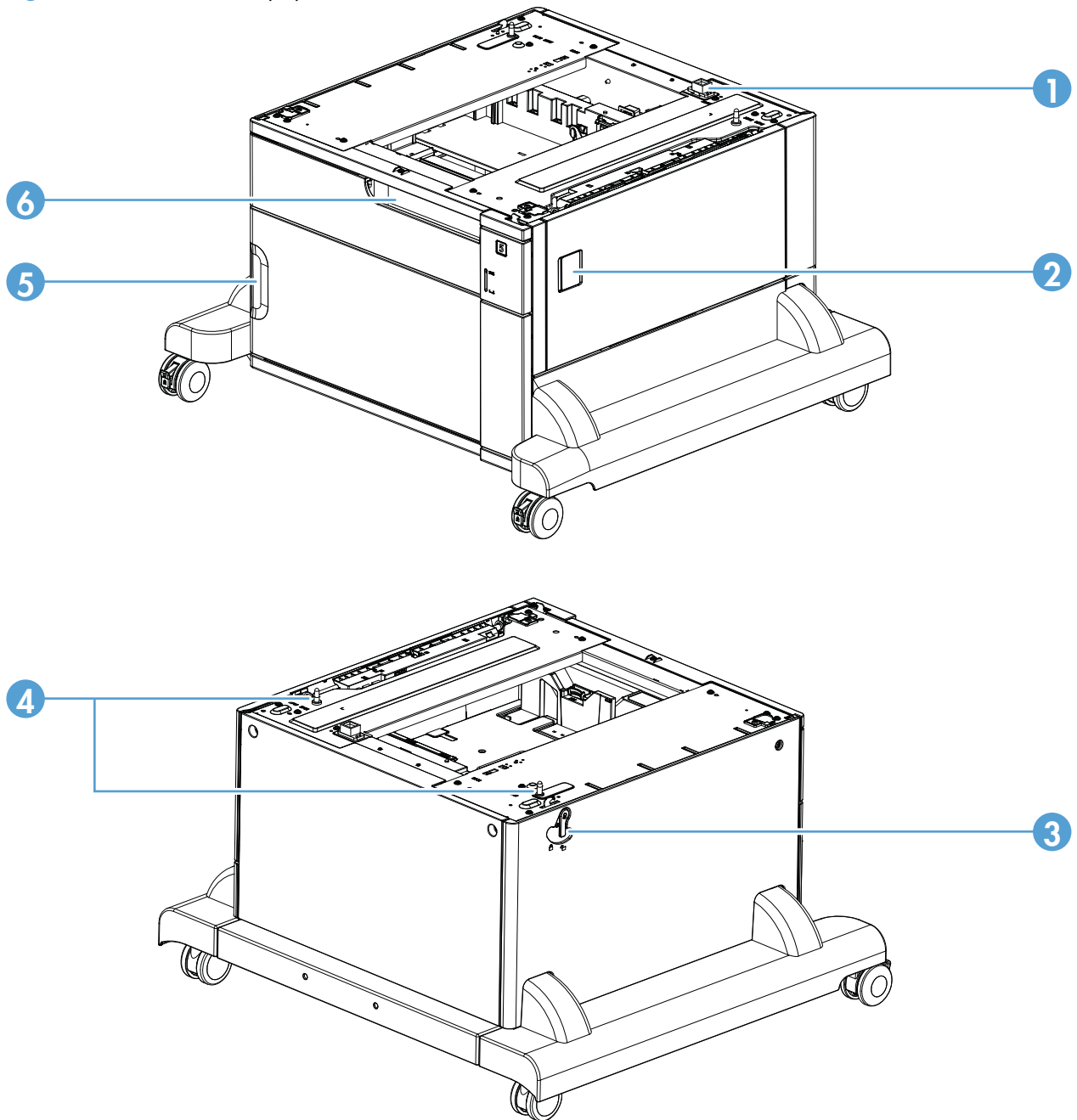


Table 2-8 1x500-sheet paper deck

| Item | Description | Item | Description     |
|------|-------------|------|-----------------|
| 1    | Connector   | 4    | Positioning pin |
| 2    | Right door  | 5    | Front door      |
| 3    | Lock lever  | 6    | Cassette        |

## 3x500-sheet paper deck

Figure 2-6 3x500-sheet paper deck

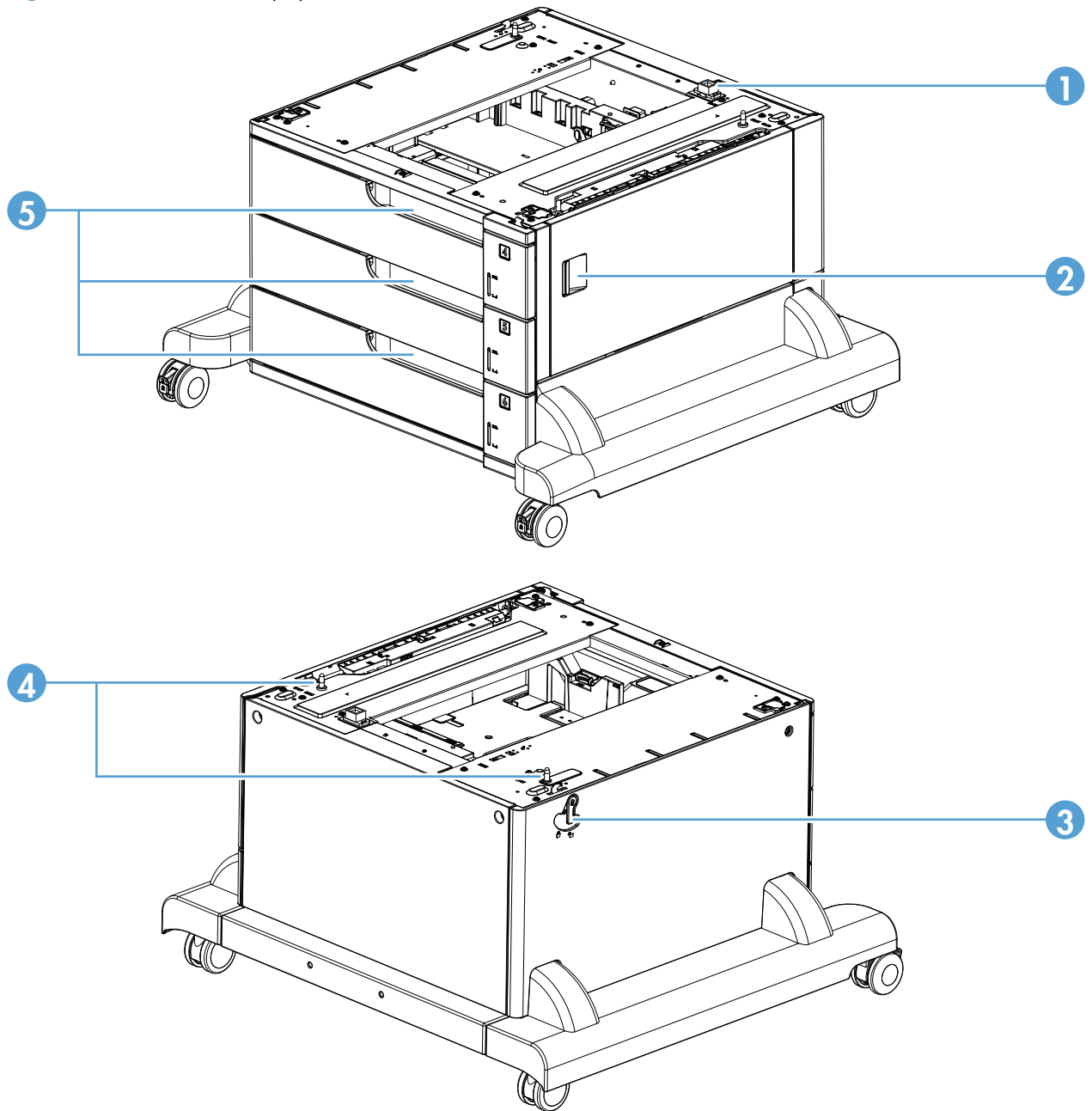


Table 2-9 3x500-sheet paper deck

| Item | Description | Item | Description     |
|------|-------------|------|-----------------|
| 1    | Connector   | 4    | Positioning pin |
| 2    | Right door  | 5    | Cassette        |
| 3    | Lock lever  |      |                 |

## High capacity input (HCI) paper deck

Figure 2-7 High capacity input (HCI) paper deck

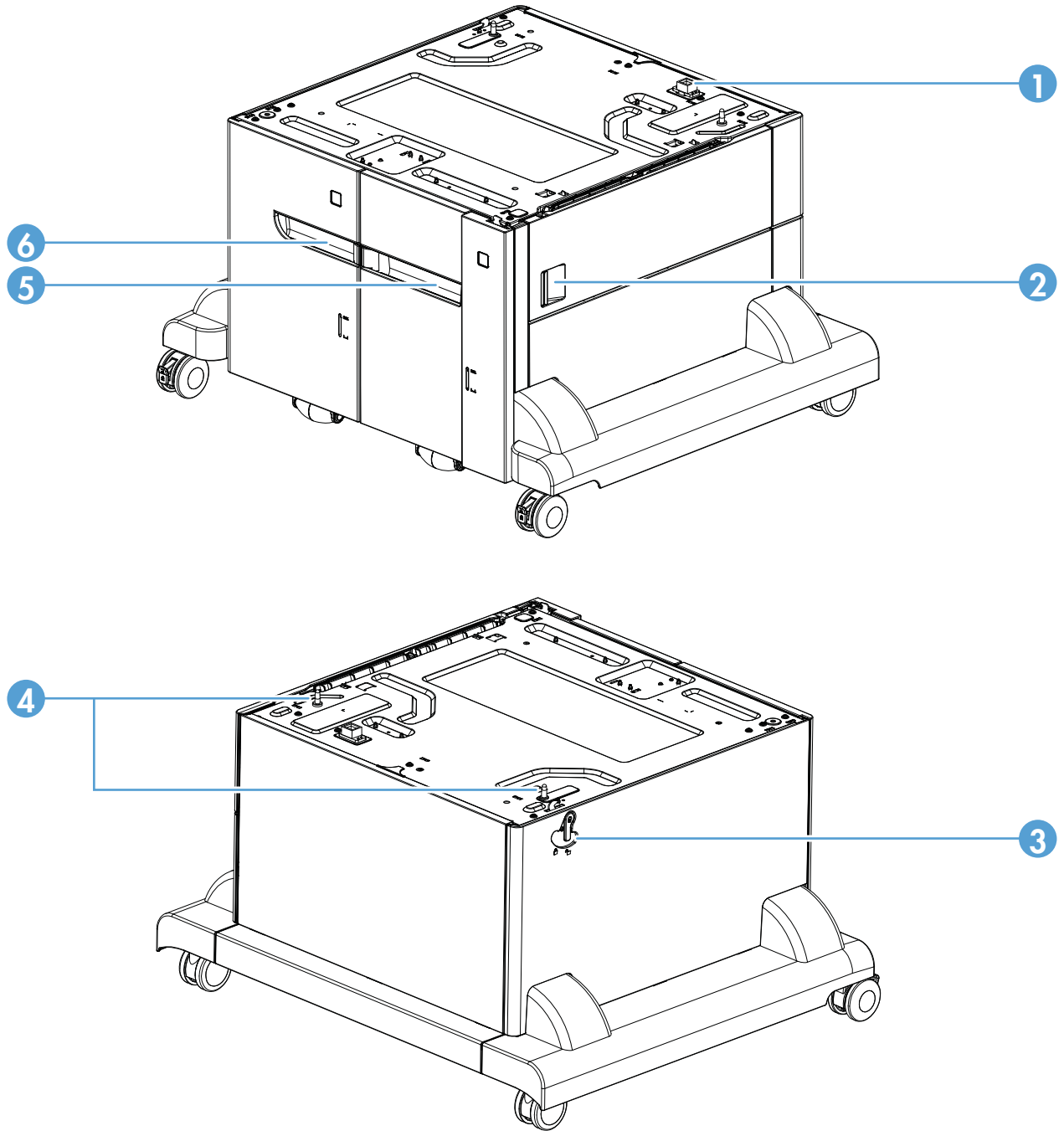
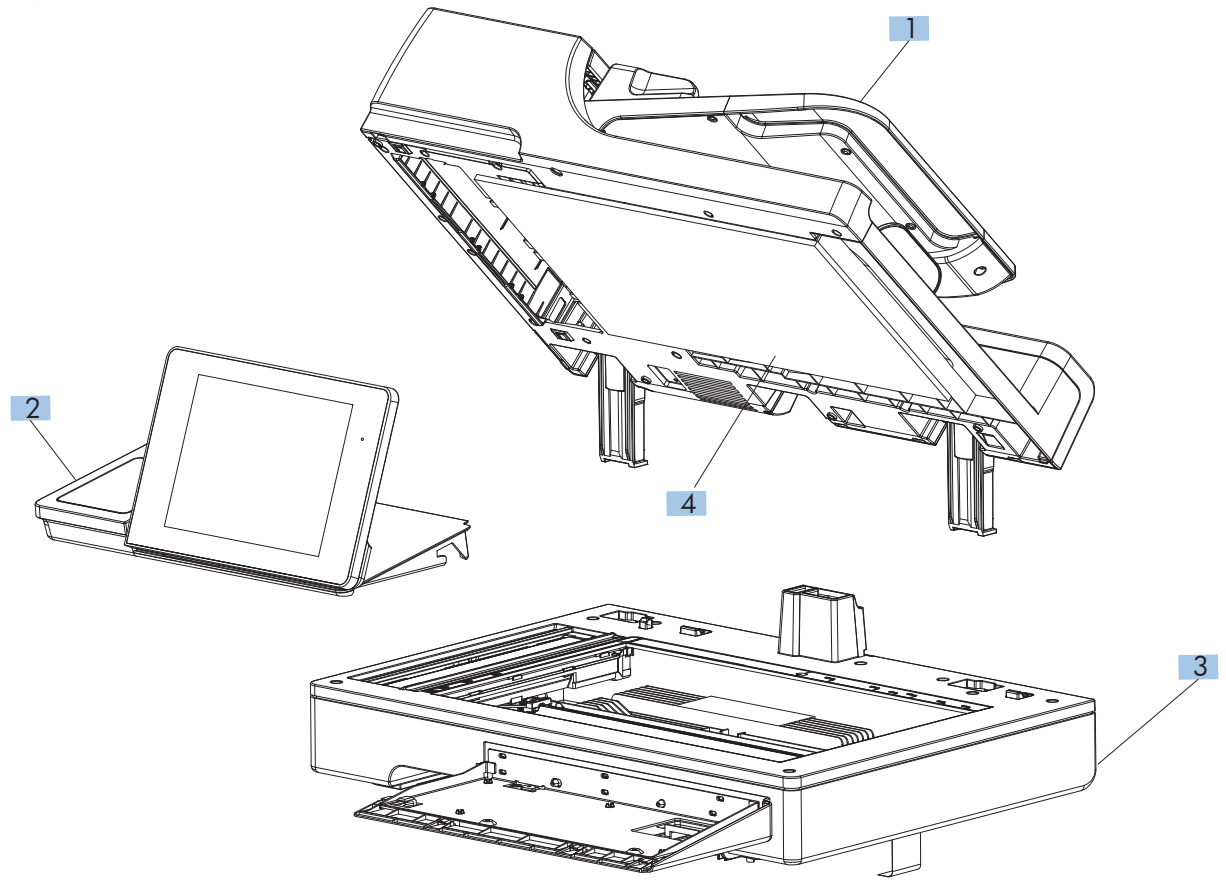


Table 2-10 High capacity input (HCI) paper deck

| Item | Description | Item | Description     |
|------|-------------|------|-----------------|
| 1    | Connector   | 4    | Positioning pin |
| 2    | Right door  | 5    | Right cassette  |
| 3    | Lock lever  | 6    | Left cassette   |

# Document feeder and scanner whole units

Figure 2-8 Document feeder and scanner whole units

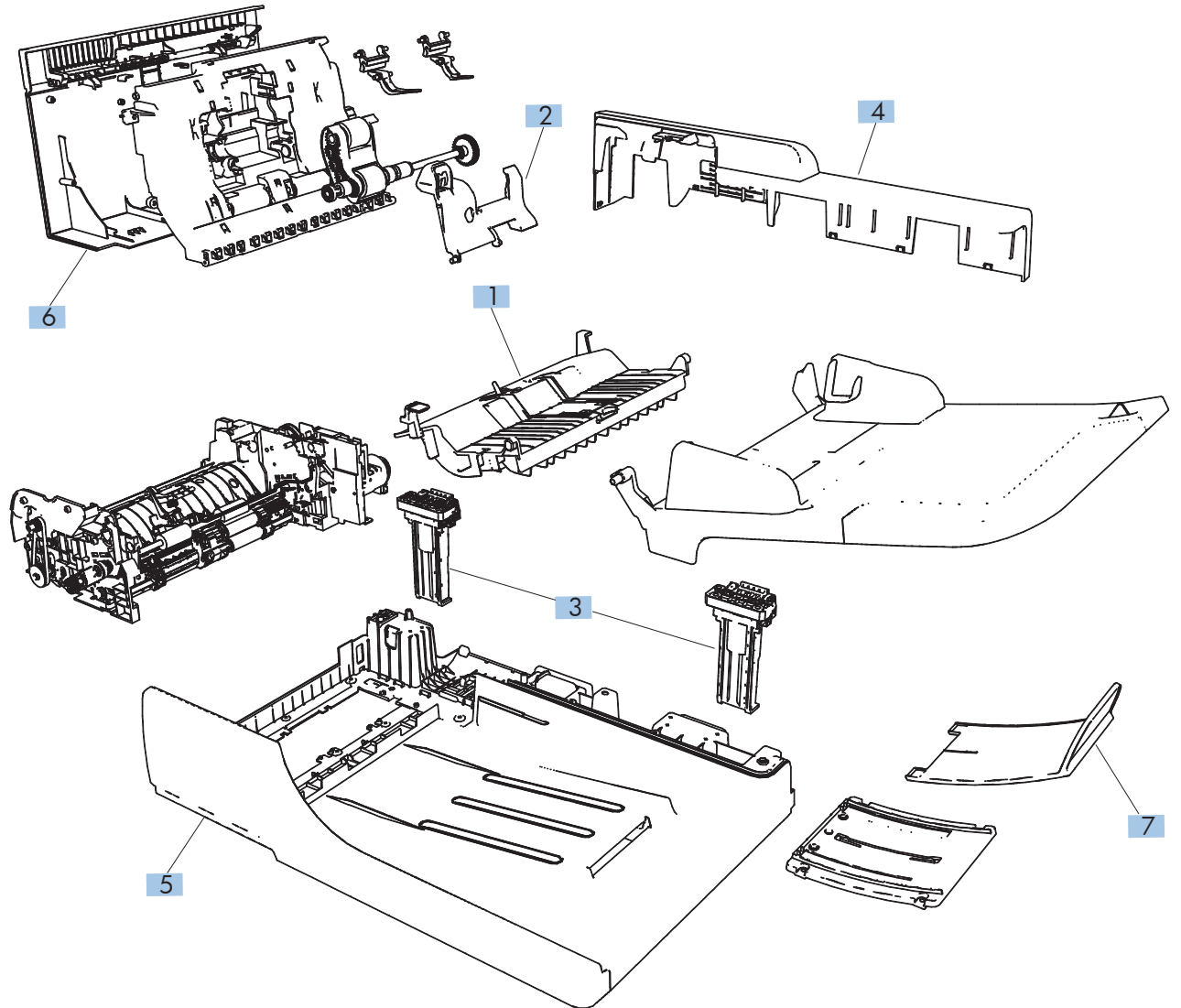


**Table 2-11 Document feeder and scanner whole units**

| <b>Ref</b> | <b>Description</b>                                    | <b>Part number</b> | <b>Qty</b> |
|------------|---|--------------------|------------|
| 1          | Kit, ADF whole unit, A3 (includes foam reflector kit) | CC522-67923        | 1          |
| 2          | Kit, scanner whole unit (includes foam reflector kit) | CC522-67922        | 1          |
| 3          | Kit, control panel                                    | CD644-67916        | 1          |
| 4          | Kit, reflector foam, A3                               | 5851-4888          | 1          |

# Document feeder assemblies

Figure 2-9 Document feeder assemblies



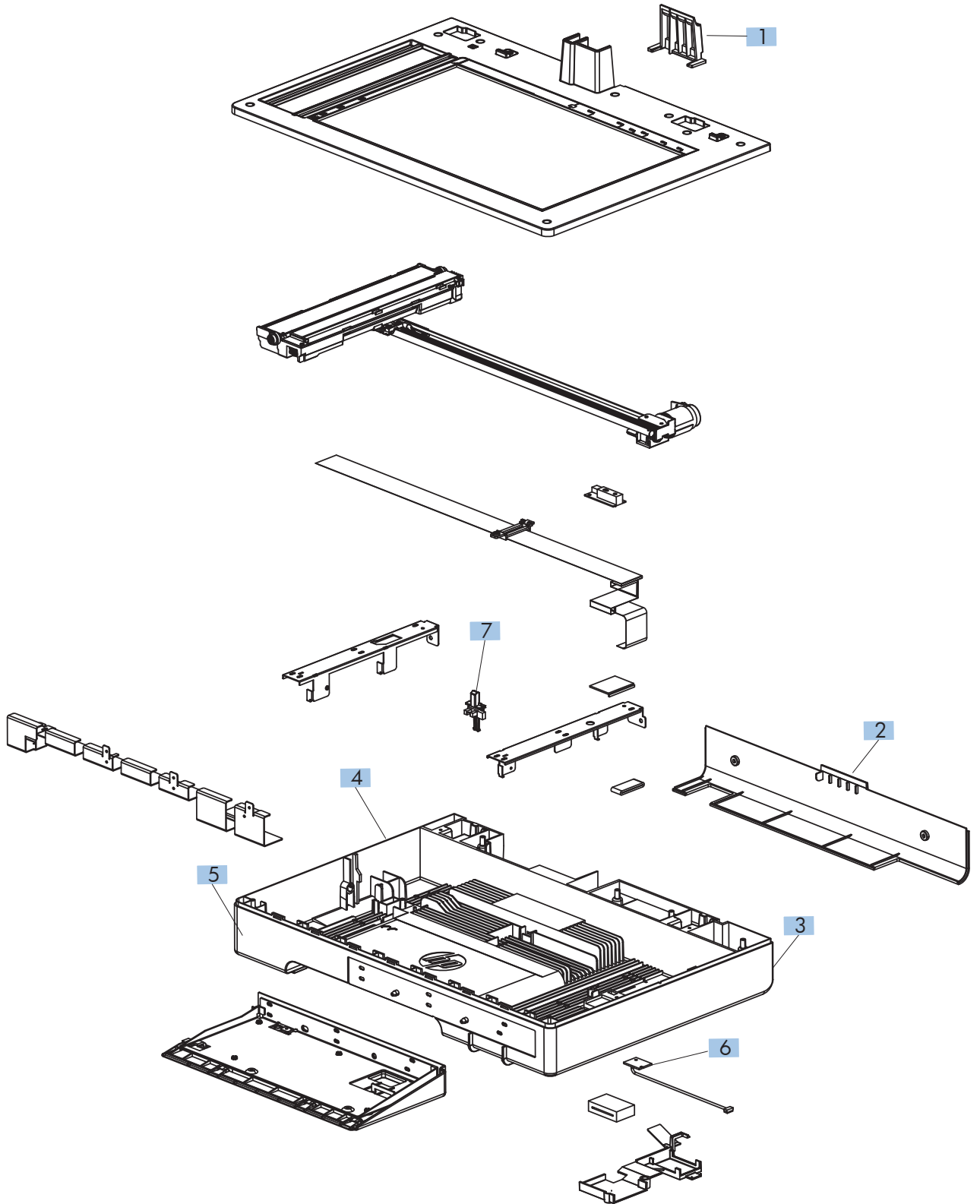


**Table 2-12 Document feeder assemblies**

| <b>Ref</b> | <b>Description</b>        | <b>Part number</b> | <b>Qty</b> |
|------------|---------------------------|--------------------|------------|
| All shown  | ADF Assembly (complete)   | CC522-67923        | 1          |
| 1          | ADF separation pad spring | 5851-4879          | 1          |
| 2          | ADF roller cover, A3      | CQ819-40032        | 1          |
| 3          | ADF hinge assembly        | CQ819-60011        | 2          |
| 4          | Cover, ADF rear           | CQ819-40005        | 1          |
| 5          | Cover, ADF front          | CQ819-40003        | 1          |
| 6          | Cover, hatch              | CQ819-40004        | 1          |
| 7          | ADF tray extender         | Q7404-40020        | 1          |
| Not shown  | Photosensor               | CC355-80014        | 1          |
| Not shown  | Width sensor PCA          | CQ819-60022        | 1          |
| Not shown  | Media Stopper, Front      | CC355-40046        | 1          |
| Not shown  | Media Stopper, rear       | CC355-40047        | 1          |
| Not shown  | Kit, A3 ADF mylar         | 5851-4997          | 1          |
| Not shown  | Flag, media presence      | CC355-40015        | 1          |

# Scanner assemblies

Figure 2-10 Scanner assemblies



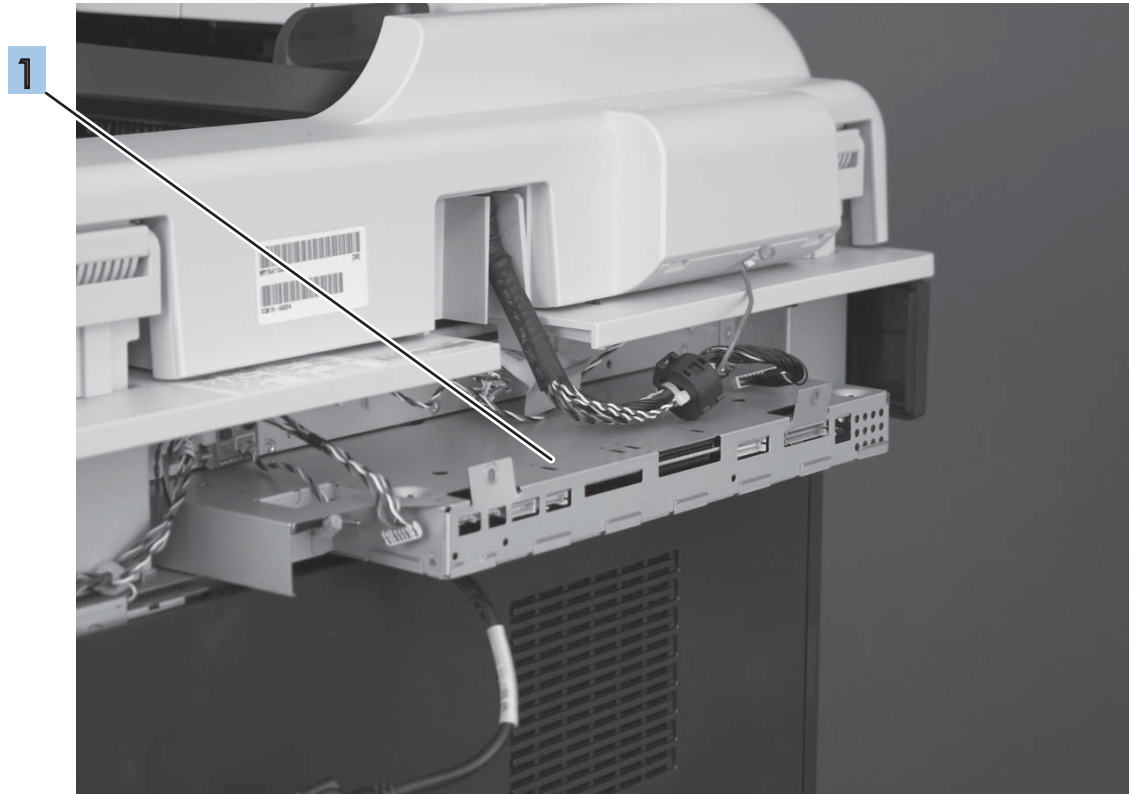
**Table 2-13 Scanner assemblies**

| <b>Ref</b> | <b>Description</b>                           | <b>Part number</b> | <b>Qty</b> |
|------------|--|--------------------|------------|
| All shown  | Flatbed scanner Assy (complete) <sup>1</sup> | CC522-67922        | 1          |
| 1          | Cover, ADF cable                             | CC522-40023        | 1          |
| 2          | Cover, back scanner                          | CC522-40017        | 1          |
| 3          | Cover, right scanner                         | CC522-40022        | 1          |
| 4          | Cover, front scanner                         | CC522-40020        | 1          |
| 5          | Cover, left scanner                          | CC522-40021        | 1          |
| 6          | PCA, scanner memory                          | 5851-4285          | 1          |
| 7          | Flag, document feeder open sensor            | CC522-40029        | 1          |
| Not shown  | Spring, document feeder sensor               | CC522-80101        | 1          |

<sup>1</sup> Does not include the scan control board (SCB).

## Scanner controller board (SCB)

Figure 2-11 Scanner controller board (SCB)



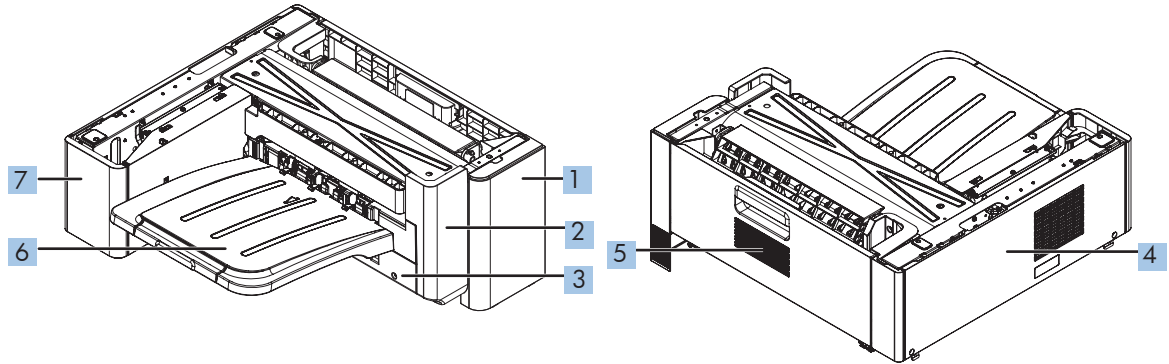
**Table 2-14 Scanner controller board (SCB) assembly**

| <b>Ref</b> | <b>Description</b>      | <b>Part number</b> | <b>Qty</b> |
|------------|-------------------------|--------------------|------------|
| 1          | SCB, top Level Assembly | CC522-67931        | 1          |

# Stapler/stacker assembly

## Stapler/stacker covers

Figure 2-12 Stapler/stacker covers

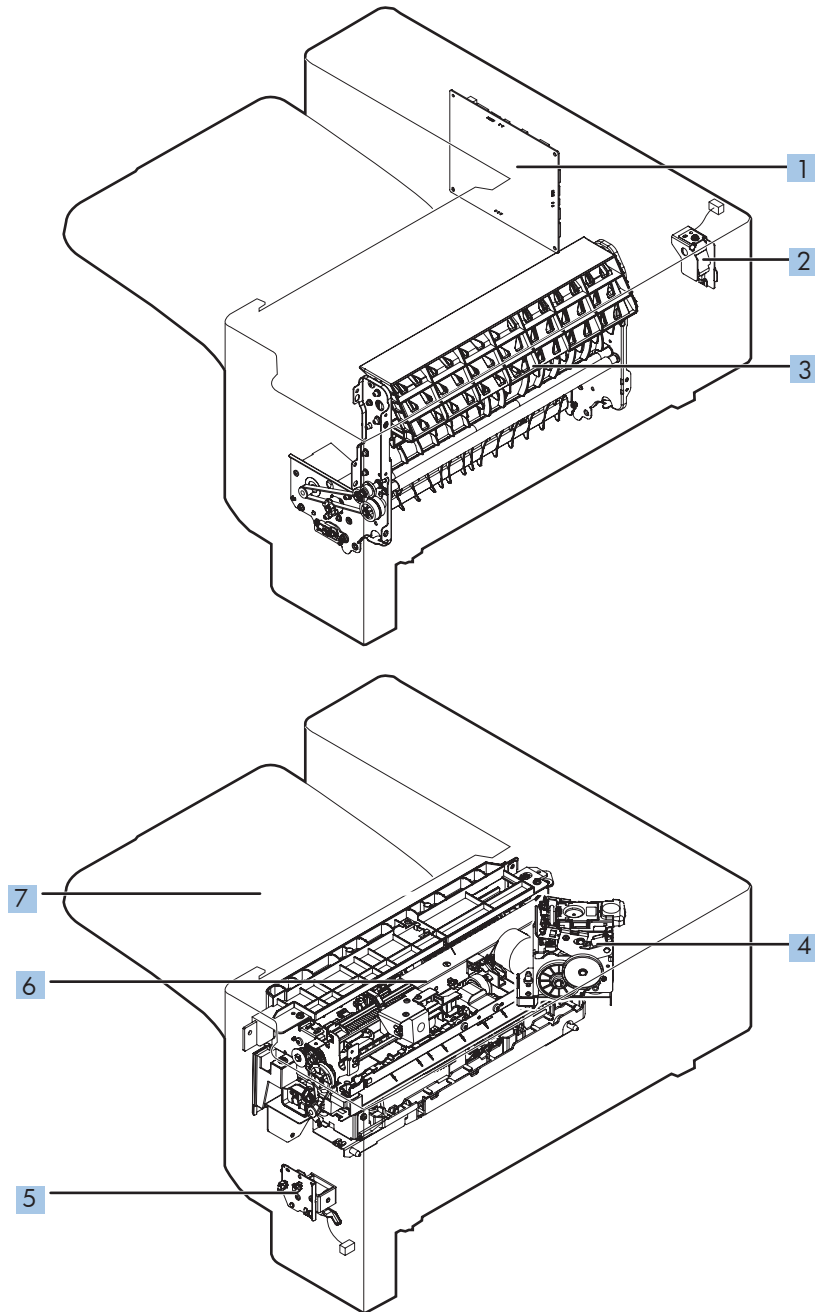


**Table 2-15 Stapler/stacker covers**

| <b>Ref</b> | <b>Description</b>               | <b>Part number</b> | <b>Qty</b> |
|------------|----------------------------------|--------------------|------------|
| 1          | Cover, front right               | RC3-3324-000CN     | 1          |
| 2          | Cover, front left                | RC3-3325-000CN     | 1          |
| 3          | Cover, left lower                | RC3-3331-000CN     | 1          |
| 4          | Cover, rear                      | RM1-9980-000CN     | 1          |
| 5          | Door, right                      | RM1-9440-000CN     | 1          |
| 6          | Output bin (tray assembly)       | RM1-9443-000CN     | 1          |
| 7          | Cover, left rear                 | RC3-3326-000CN     | 1          |
| Not shown  | Cover, front inner               | RM1-9981-000CN     | 1          |
| Not shown  | Cover, stapler                   | RM1-9982-000CN     | 1          |
| Not shown  | Right door, lower guide assembly | RM1-9989-000CN     | 1          |
| Not shown  | Cover, right door cable, small   | RC3-3323-000CN     | 1          |

## Stapler/stacker components

Figure 2-13 Stapler/stacker components



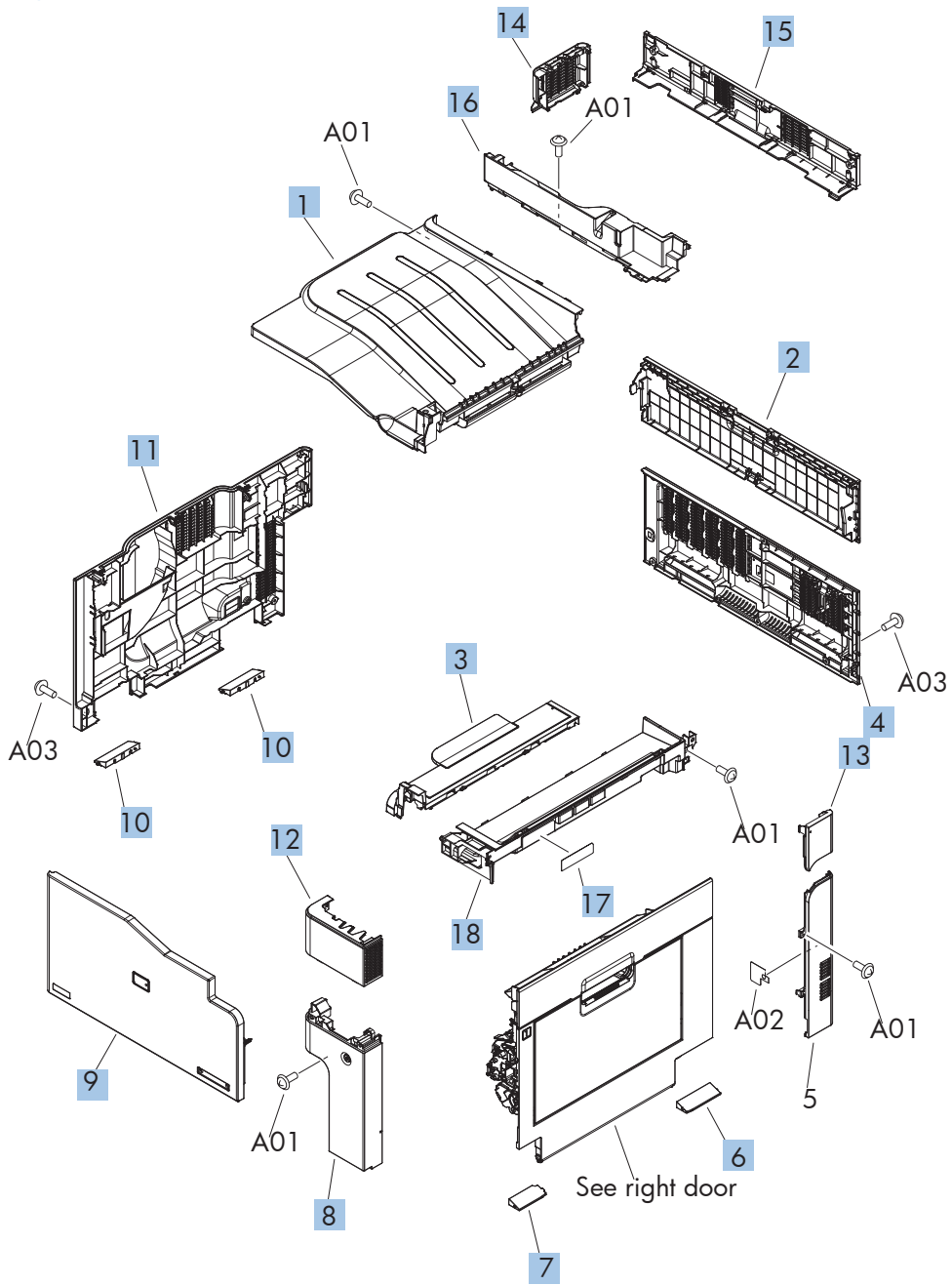


**Table 2-16 Stapler/stacker components**

| <b>Ref</b> | <b>Description</b>               | <b>Part number</b> | <b>Qty</b> |
|------------|----------------------------------|--------------------|------------|
| 1          | PCA, main controller             | RM1-9459-000CN     | 1          |
| 2          | Switch, door assembly            | RM1-9445-000CN     | 1          |
| 3          | Feed guide assembly              | RM1-9441-000CN     | 1          |
| 4          | Stapler assembly                 | RM1-9446-000CN     | 1          |
| 5          | Solenoid, flapper assembly       | RM1-9444-000CN     | 1          |
| 6          | Operation assembly               | RM1-9442-000CN     | 1          |
| 7          | Tray assembly                    | RM1-9443-000CN     | 1          |
| Not shown  | Paper feed center guide assembly | RM1-9988-000CN     | 1          |

# Covers

Figure 2-14 Covers

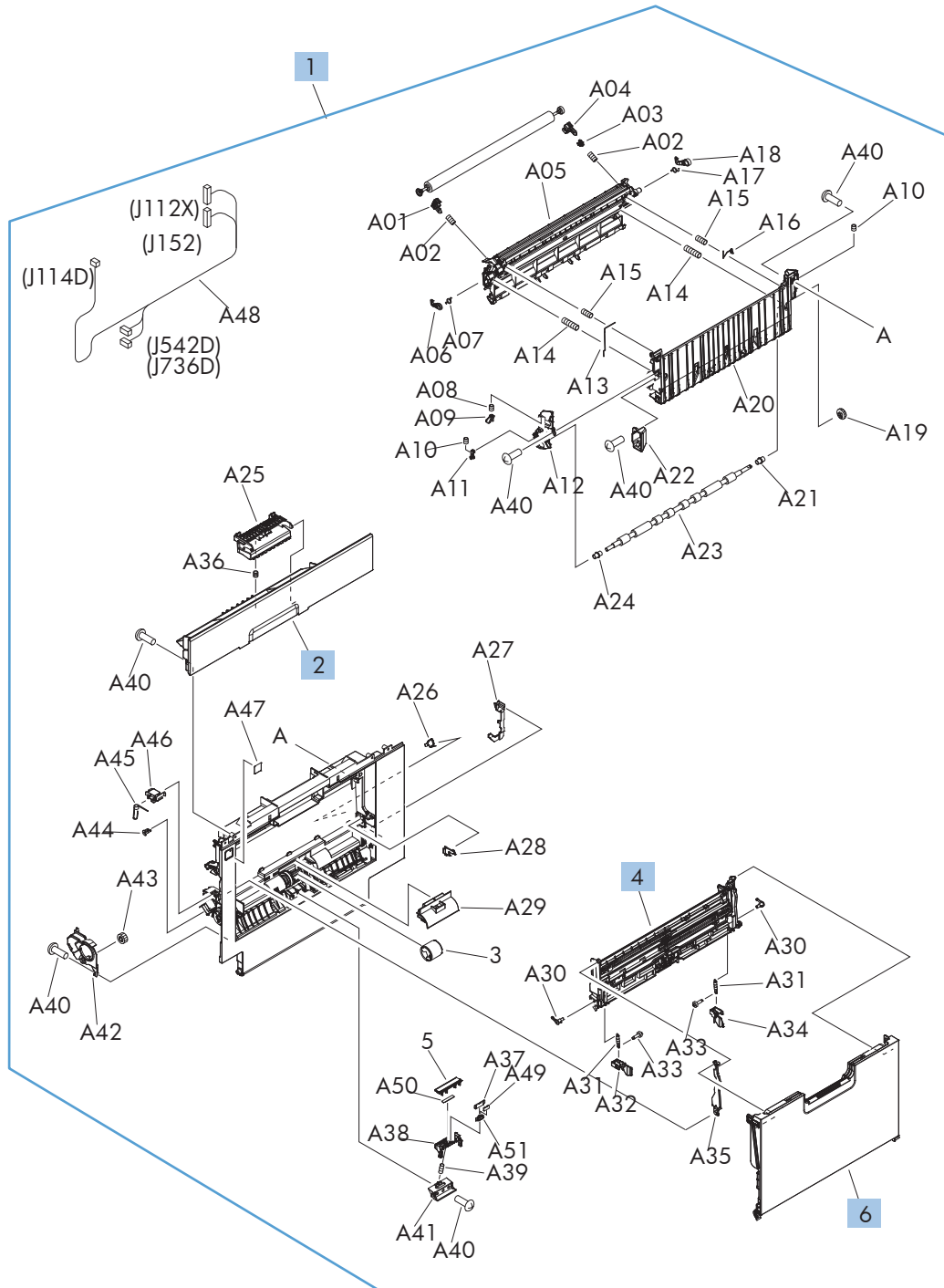


**Table 2-17 Covers**

| <b>Ref</b> | <b>Description</b>                      | <b>Part number</b> | <b>Qty</b> |
|------------|---|--------------------|------------|
| 1          | Cover, top                              | RM1-9358-000CN     | 1          |
| 2          | Door, toner collection unit access      | RC2-7034-000CN     | 1          |
| 3          | Cover, delivery                         | RM1-9383-000CN     | 1          |
| 4          | Cover, rear                             | RM1-9362-000CN     | 1          |
| 5          | Cover, right rear                       | RM1-7142-000CN     | 1          |
| 6          | Cover, handle, lower-right, rear        | RC2-6626-000CN     | 1          |
| 7          | Cover, handle, lower-right, front       | RC2-6627-000CN     | 1          |
| 8          | Cover, right front                      | RM1-9359-000CN     | 1          |
| 9          | Kit, front cover assembly with HP jewel | CE707-67902        | 1          |
| 10         | Cover, handle, lower-left               | RC2-6625-000CN     | 2          |
| 11         | Cover, left                             | RM1-9363-000CN     | 1          |
| 12         | Cover, right upper                      | RC2-9155-000CN     | 1          |
| 13         | Cover, right rear                       | RC2-9157-000CN     | 1          |
| 14         | Cover, left rear                        | RC2-9158-000CN     | 1          |
| 15         | Cover, rear upper                       | RC2-9160-000CN     | 1          |
| 16         | Wall, inner                             | RC3-2321-000CN     | 1          |
| 17         | Label, fixing (fuser) access            | RC3-2334-000CN     | 1          |
| 18         | Cover, right upper                      | RM1-9367-000CN     | 1          |

# Right door

Figure 2-15 Right door



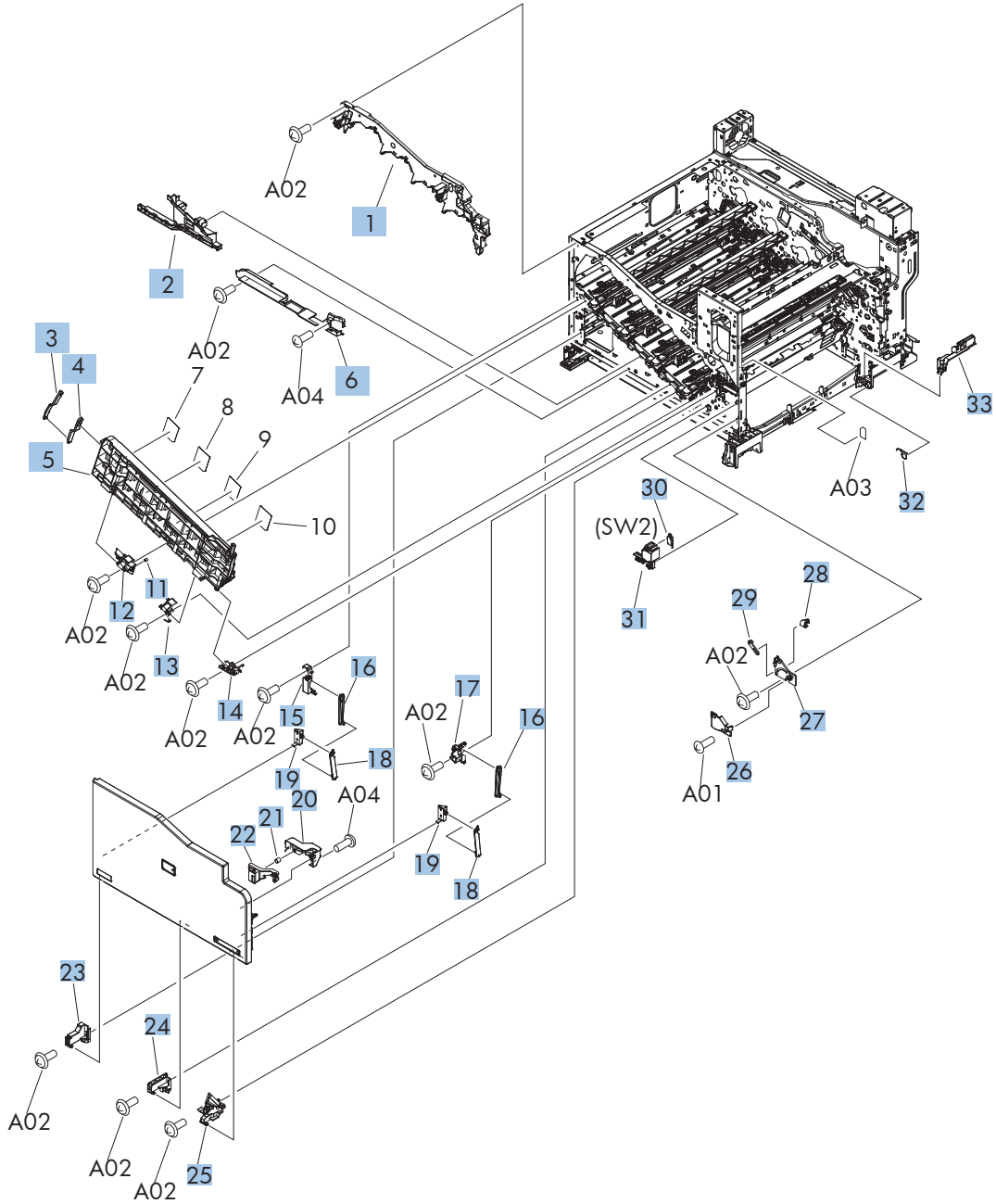
**Table 2-18 Right door**

| <b>Ref</b> | <b>Description</b>                | <b>Part number</b> | <b>Qty</b> |
|------------|-----------------------------------|--------------------|------------|
| 1          | Door, right                       | RM1-9360-000CN     | 1          |
| 2          | Cover, right upper                | RM1-9361-000CN     | 1          |
| 4          | MP (Tray 1) lifter plate assembly | RM1-9389-000CN     | 1          |
| 6          | MP tray (Tray 1) assembly         | RM1-6045-000CN     | 1          |

# Internal assemblies

## Internal assemblies (1 of 8)

Figure 2-16 Internal assemblies (1 of 8)

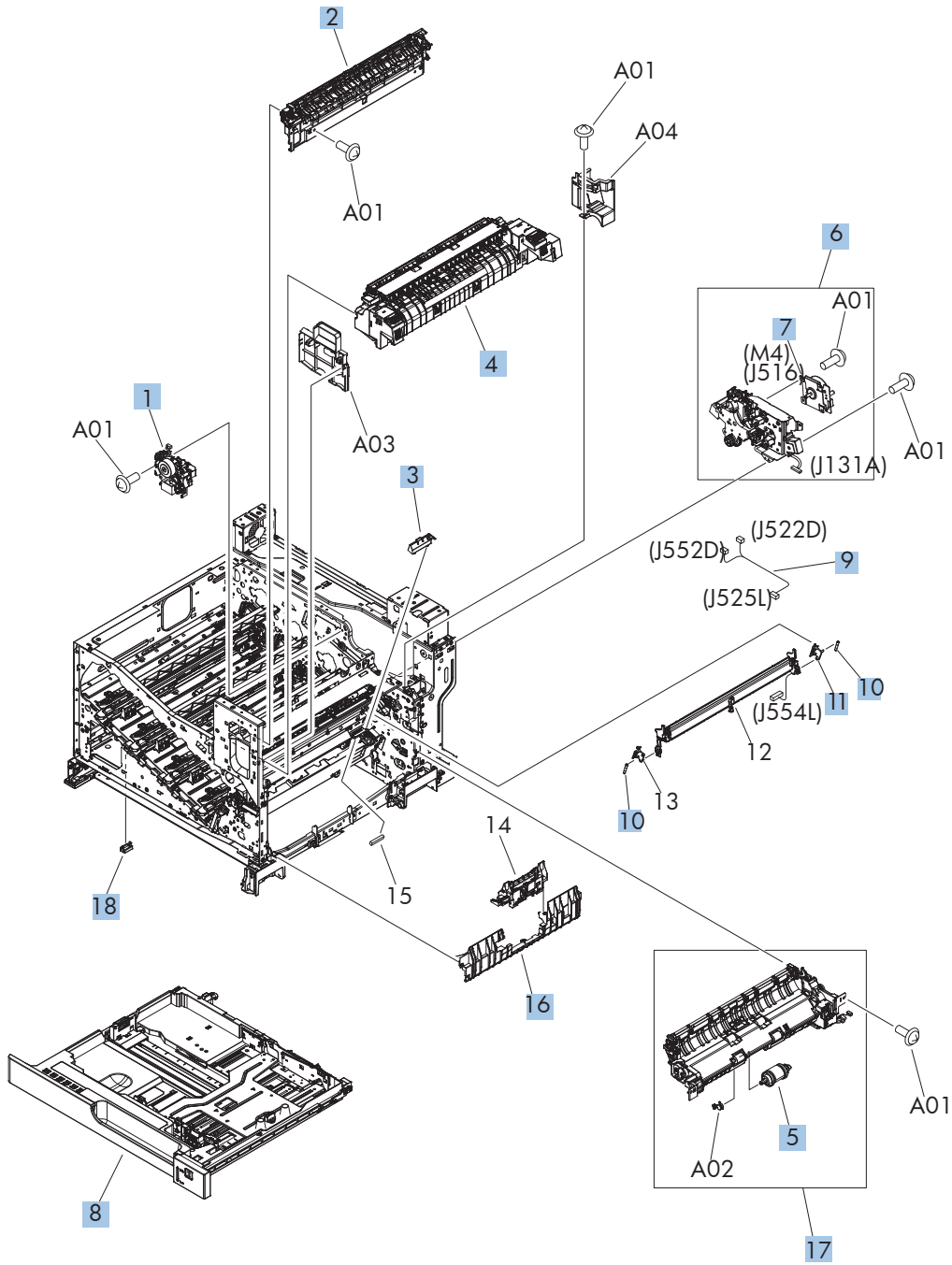


**Table 2-19 Internal assemblies (1 of 8)**

| <b>Ref</b> | <b>Description</b>              | <b>Part number</b> | <b>Qty</b> |
|------------|---------------------------------|--------------------|------------|
| 1          | Cartridge guide assembly, upper | RM1-5990-000CN     | 1          |
| 2          | Duct, front                     | RC2-7300-000CN     | 1          |
| 3          | Stopper, inner door, 1          | RC2-6719-000CN     | 1          |
| 4          | Stopper, inner door, 2          | RC2-6736-000CN     | 1          |
| 5          | Kit, door inner                 | CC522-67906        | 1          |
| 6          | Cover, lower front              | RC2-6737-000CN     | 1          |
| 11         | Spring, grounding               | RC2-7209-000CN     | 1          |
| 12         | Hinge, inner door, left         | RC2-6716-000CN     | 1          |
| 13         | Hinge, inner door, right        | RC2-6712-000CN     | 1          |
| 14         | Rail, cartridge auxiliary       | RC2-6724-000CN     | 1          |
| 15         | Mount, cover arm, front         | RC2-6735-000CN     | 1          |
| 16         | Arm, front cover, 1             | RC2-6732-000CN     | 2          |
| 17         | Mount, inner door toggle        | RC2-6717-000CN     | 1          |
| 18         | Arm, front cover, 2             | RC2-6733-000CN     | 2          |
| 19         | Mount, stopper arm              | RC2-6745-000CN     | 2          |
| 20         | Mount, inner door rail          | RC2-6743-000CN     | 1          |
| 21         | Spring, compression             | RU6-2721-000CN     | 1          |
| 22         | Lever, inner door pressure      | RC2-6744-000CN     | 1          |
| 23         | Hinge, front cover, left        | RC2-6713-000CN     | 1          |
| 24         | Hinge, front cover, center      | RC2-6738-000CN     | 1          |
| 25         | Hinge, front cover, right       | RC2-6715-000CN     | 1          |
| 26         | Cover, guide                    | RC2-7204-000CN     | 1          |
| 27         | Guide, arm, front               | RC2-6632-000CN     | 1          |
| 28         | Lever, push                     | RC2-7198-000CN     | 1          |
| 29         | Lever, lift, 2                  | RC2-7200-000CN     | 1          |
| 30         | Microswitch                     | WC4-5251-000CN     | 1          |
| 31         | Holder, interlock switch        | RC2-6689-000CN     | 1          |
| 32         | Spring, leaf, grounding         | RC2-7092-000CN     | 1          |
| 33         | Cover, handle guide             | RC2-6670-000CN     | 1          |

## Internal assemblies (2 of 8)

Figure 2-17 Internal assemblies (2 of 8)



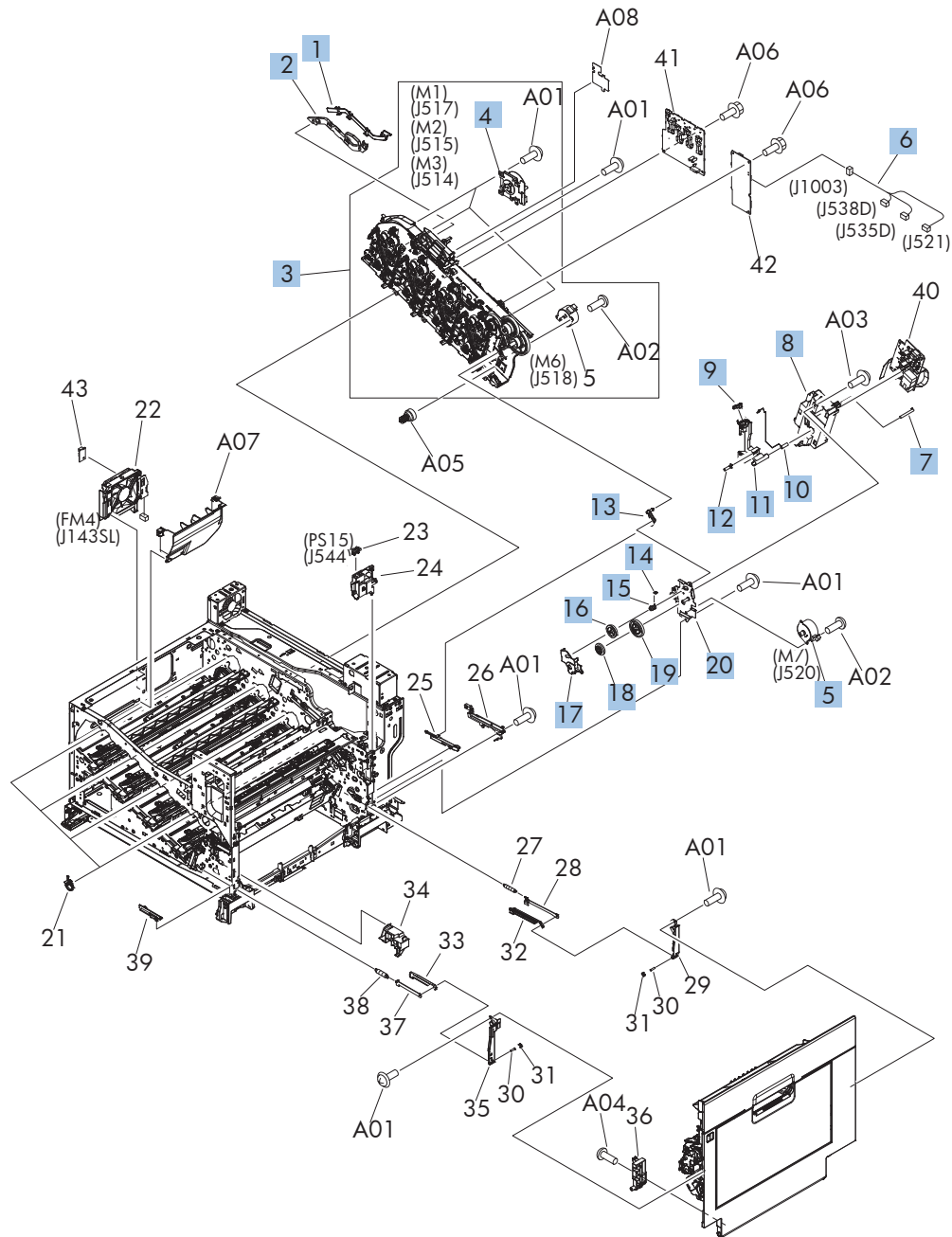


**Table 2-20 Internal assemblies (2 of 8)**

| <b>Ref</b> | <b>Description</b>                           | <b>Part number</b> | <b>Qty</b> |
|------------|--|--------------------|------------|
| 1          | Reverse drive assembly                       | RM2-0698-000CN     | 1          |
| 2          | Paper delivery assembly                      | RM1-9377-000CN     | 1          |
| 3          | Cover, cable, protective                     | RC2-6832-000CN     | 1          |
| 4          | Kit, fuser replacement 110V                  | CC522-67904        | 1          |
| 4          | Kit, fuser replacement 220V                  | CC522-67926        | 1          |
| 5          | Kit, paper pick roller and separation roller | CC522-67927        | 1          |
| 6          | Kit, fuser drive assembly                    | CE707-67904        | 1          |
| 7          | Motor, fixing (fuser)                        | RM1-6074-000CN     | 1          |
| 8          | Kit, Tray 2                                  | CE522-67913        | 1          |
| 9          | Cable, SB joint                              | RM1-6867-000CN     | 1          |
| 10         | Spring, tension                              | RU6-2710-000CN     | 2          |
| 11         | Support, frame                               | RC2-7197-000CN     | 1          |
| 12         | Sensor, registration                         | RM1-7922-000CN     | 1          |
| 13         | Support, frame                               | RC2-7196-000CN     | 1          |
| 15         | Connector, snap tight, BK                    | VS1-7207-019CN     | 1          |
| 16         | Guide, paper feed                            | RC2-7297-000CN     | 1          |
| 17         | Paper pickup assembly (Tray 2)               | CE522-67903        | 1          |
| 18         | Cover, connector, lower                      | RC2-6642-000CN     | 1          |
| Not shown  | Guide  | RC2-6551-000CN     | 1          |

## Internal assemblies (3 of 8)

Figure 2-18 Internal assemblies (3 of 8)

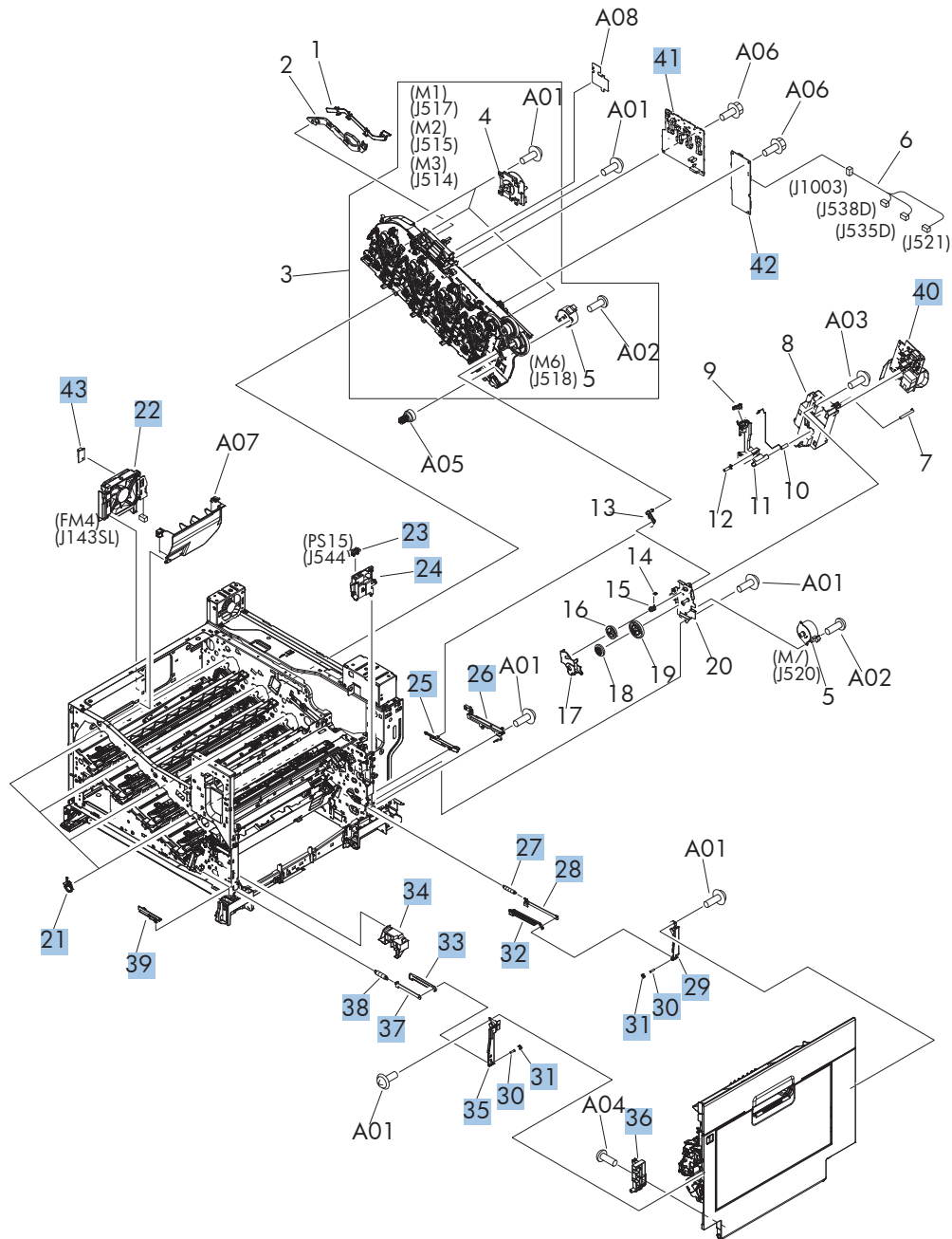


**Table 2-21 Internal assemblies (3 of 8)**

| <b>Ref</b> | <b>Description</b>              | <b>Part number</b> | <b>Qty</b> |
|------------|---------------------------------|--------------------|------------|
| 1          | Cover, main drive cable, lower  | RC2-6574-000CN     | 1          |
| 2          | Guide, main drive cable         | RC2-6659-000CN     | 1          |
| 3          | Kit, main drive assembly duplex | CE708-67901        | 1          |
| 4          | Motor, DC                       | RM1-6088-000CN     | 3          |
| 5          | Motor, DC stepping (M6, M7)     | RK2-3298-000CN     | 2          |
| 6          | Cable, feed joint               | RM1-6846-000CN     | 1          |
| 7          | Spring, grounding               | RU6-2772-000CN     | 1          |
| 8          | Holder, 2cnd transfer H.V.T.    | RC2-6681-010CN     | 1          |
| 9          | Cap, T2 contact                 | RC2-6691-000CN     | 1          |
| 10         | Spring, contact                 | RU6-2771-000CN     | 2          |
| 11         | Holder, 2cnd power dispatching  | RC2-6682-000CN     | 1          |
| 12         | Spring, grounding               | RC2-6700-000CN     | 1          |
| 13         | Link, ITB coupling release      | RC2-6823-000CN     | 1          |
| 14         | Spring, tension                 | RU6-2671-000       | 1          |
| 15         | Hook, duplexing spring          | RC2-6932-000CN     | 1          |
| 16         | Gear, 25T                       | RU6-0771-000CN     | 1          |
| 17         | Cover, duplexing gear           | RC2-6931-000CN     | 1          |
| 18         | Gear, 25T                       | RU6-0772-000CN     | 1          |
| 19         | Gear, 74T                       | RU6-0773-000CN     | 1          |
| 20         | Plate, duplexing drive gear     | RL1-2266-000CN     | 1          |

## Internal assemblies (4 of 8)

Figure 2-19 Internal assemblies (4 of 8)

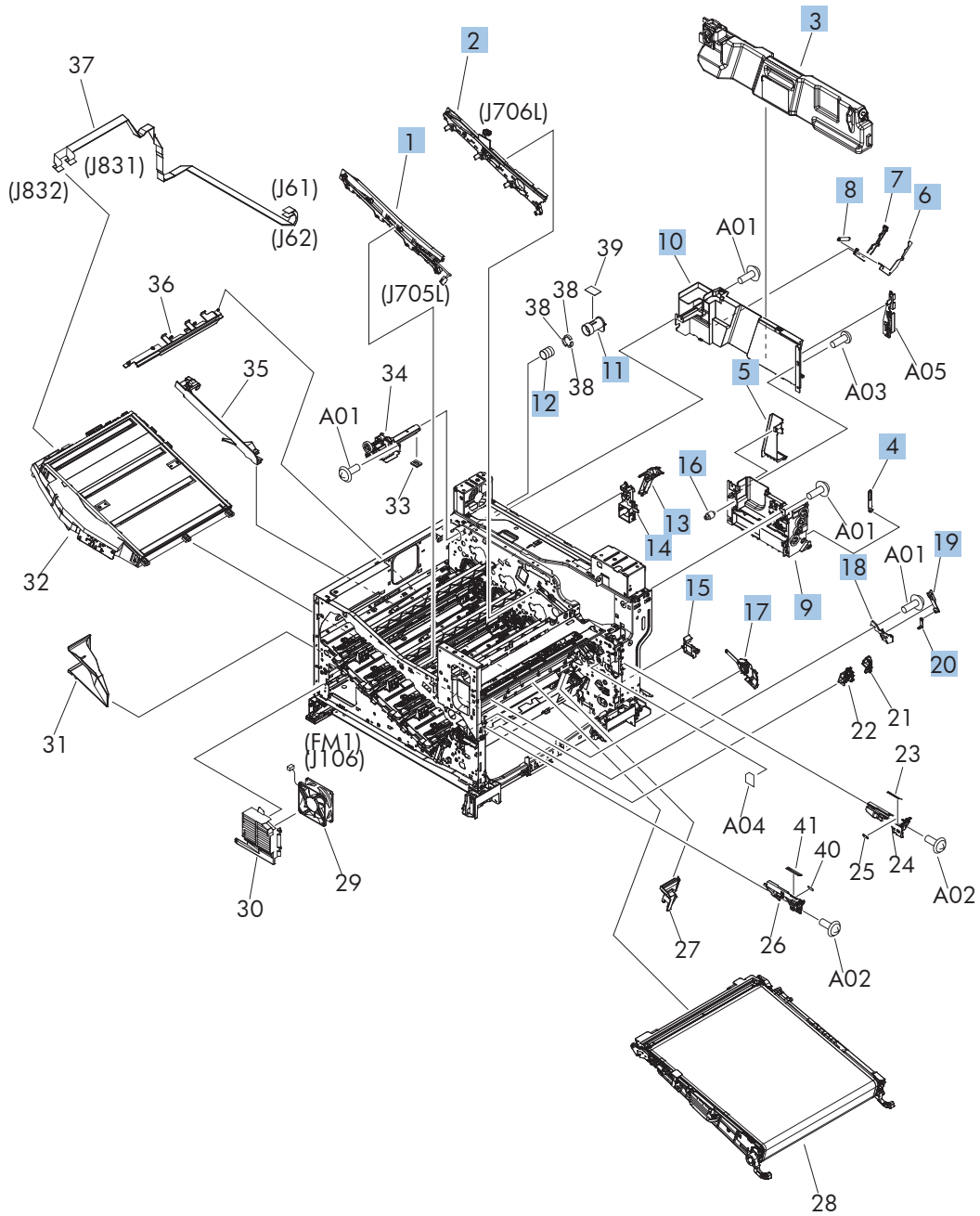


**Table 2-22 Internal assemblies (4 of 8)**

| <b>Ref</b> | <b>Description</b>                  | <b>Part number</b> | <b>Qty</b> |
|------------|-------------------------------------|--------------------|------------|
| 21         | Support, developing coupling        | RC2-6811-000CN     | 4          |
| 22         | Cartridge fan (FM4)                 | RM1-9364-000CN     | 1          |
| 23         | Photointerrupter                    | WG8-5935-000CN     | 1          |
| 24         | Holder, door detect, right          | RC3-4687-000CN     | 1          |
| 25         | Arm, ITB coupling release           | RC2-6824-000CN     | 1          |
| 26         | Rail, door link, rear lower         | RC2-6635-000CN     | 1          |
| 27         | Spring, tension                     | RU6-2744-000CN     | 1          |
| 28         | Plate, right door link, rear        | RC2-7273-000CN     | 1          |
| 29         | Plate, right door link fixed, RR    | RL1-2282-000CN     | 1          |
| 30         | Shaft, right door link              | RU5-4979-000CN     | 2          |
| 31         | Lock, door link, right              | RC2-7234-000CN     | 2          |
| 32         | Link, right door, 2 rear            | RC2-7236-000CN     | 1          |
| 33         | Link, right door, 2 front           | RC2-7233-010CN     | 1          |
| 34         | Duct, joint                         | RC2-8360-000CN     | 1          |
| 35         | Plate, right door link fixed, FR    | RL1-2281-000CN     | 1          |
| 36         | Hinge, right door, front            | RC2-7094-000CN     | 1          |
| 37         | Plate, right door link fixed, front | RC2-7272-010CN     | 1          |
| 38         | Spring, tension                     | RU6-2727-000CN     | 1          |
| 39         | Rail, door link, front lower        | RC2-6634-000CN     | 1          |
| 40         | PCA, 2cnd transfer H.V.P.           | RM1-6802-000CN     | 1          |
| 41         | PCA, 1st transfer H.V.P.            | RM1-7004-000CN     | 1          |
| 42         | PCA, driver                         | RM1-8899-000CN     | 1          |
| 43         | Sensor, environmental PCA           | RK2-2884-000CN     | 1          |

## Internal assemblies (5 of 8)

Figure 2-20 Internal assemblies (5 of 8)

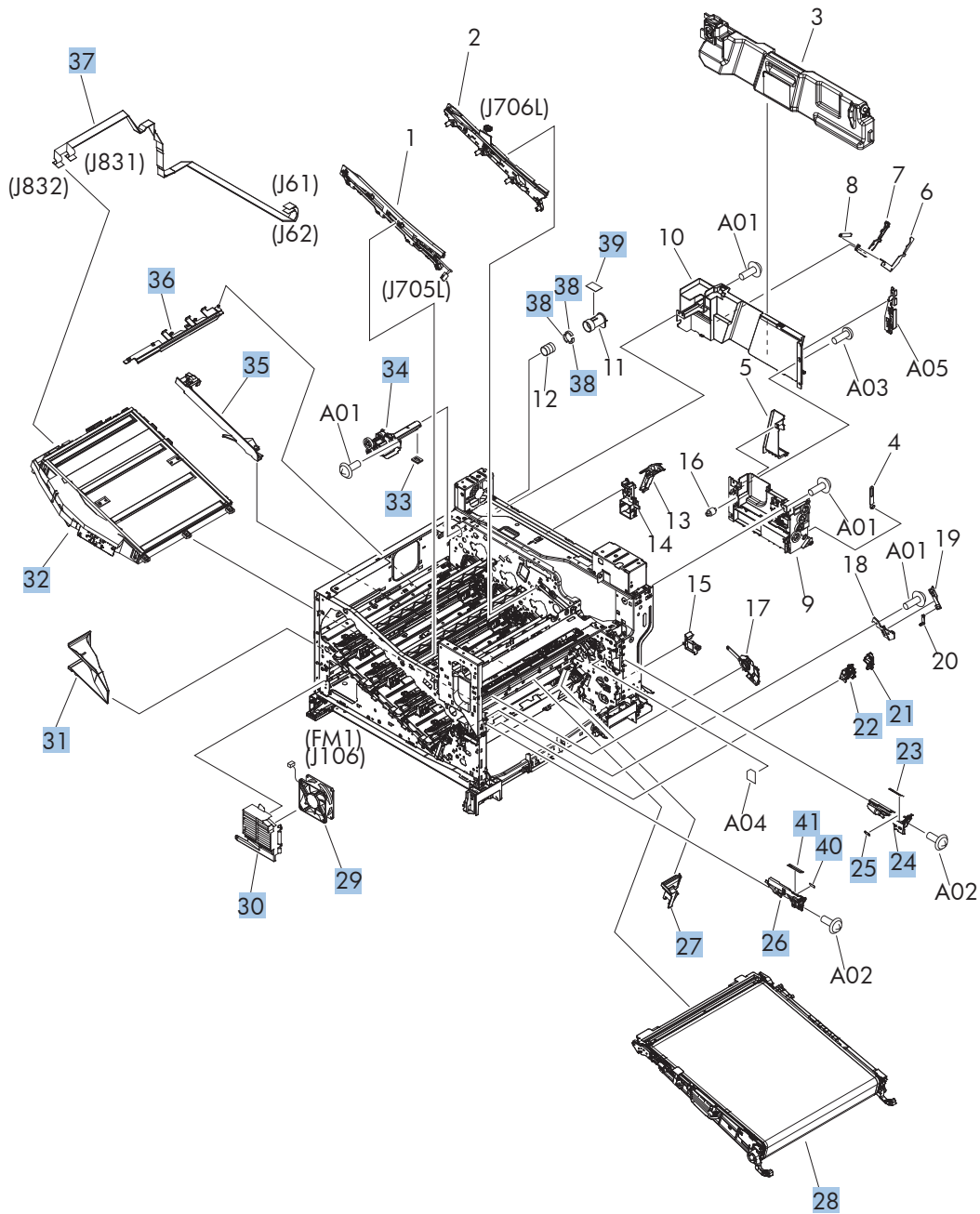


**Table 2-23 Internal assemblies (5 of 8)**

| <b>Ref</b> | <b>Description</b>               | <b>Part number</b> | <b>Qty</b> |
|------------|----------------------------------|--------------------|------------|
| 1          | ITB guide rail assembly          | RM1-6018-000CN     | 1          |
| 2          | ITB guide rail assembly, R1      | RM1-6037-000CN     | 1          |
| 3          | Kit, toner collection unit (TCU) | CE980-67901        | 1          |
| 4          | Arm, waste toner, left           | RC2-7035-000CN     | 1          |
| 5          | Cover, waster toner, 3           | RC2-6963-000CN     | 1          |
| 6          | Plate, arm reinforcement         | RC2-9649-000CN     | 1          |
| 7          | Arm, waste toner, right          | RC2-7036-000CN     | 1          |
| 8          | Spring, tension                  | RU6-2831-000CN     | 1          |
| 9          | Cover, waste toner               | RM1-6012-000CN     | 1          |
| 10         | Cover, waste toner 2             | RC2-6962-000CN     | 1          |
| 11         | Shutter, exhaust                 | RC2-7010-000CN     | 1          |
| 12         | Spring, compression              | RU6-2683-000CN     | 1          |
| 13         | Guide, fixing (fuser) AC cable   | RC2-6693-000CN     | 1          |
| 14         | Guide, LVT cable                 | RC2-6662-000CN     | 1          |
| 15         | Clamp, edge                      | RC2-6663-000CN     | 1          |
| 16         | Gear, link worm                  | RU6-0795-000CN     | 1          |
| 17         | ITB guide rail                   | RM1-6019-000CN     | 1          |
| 18         | Guide, slide                     | RC2-7203-000CN     | 1          |
| 19         | Slider, push                     | RC2-7201-000CN     | 1          |
| 20         | Lever, lift 1                    | RC2-7199-000CN     | 1          |

## Internal assemblies (6 of 8)

Figure 2-21 Internal assemblies (6 of 8)





**Table 2-24 Internal assemblies (6 of 8)**

| <b>Ref</b> | <b>Description</b>                           | <b>Part number</b> | <b>Qty</b> |
|------------|--|--------------------|------------|
| 21         | Cover, main crossmember cable                | RC2-6650-000CN     | 1          |
| 22         | Guide, main crossmember cable                | RC2-6600-000CN     | 1          |
| 23         | Label, ITB set, RH                           | RU5-8807-000CN     | 1          |
| 24         | Rail, ITB guide                              | RC2-7185-000CN     | 1          |
| 25         | Label, ITB set, RV                           | RU5-8805-000CN     | 1          |
| 26         | Rail, ITB guide, F3                          | RC2-7193-000CN     | 1          |
| 27         | Guide, inside cable                          | RC2-6589-000CN     | 1          |
| 28         | Kit, intermediate transfer belt (ITB) repair | CC522-67911        | 1          |
| 29         | Fan (FM1; power supply)                      | RK2-2276-000CN     | 1          |
| 30         | Holder, power supply fan                     | RC2-7299-000CN     | 1          |
| 31         | Duct, fan, 1                                 | RC2-8388-000CN     | 1          |
| 32         | Laser/scanner assembly                       | RM1-6122-070CN     | 1          |
| 33         | Seal, toner supporter guide                  | RC2-7018-000CN     | 1          |
| 34         | Toner feed assembly                          | RM1-6040-010CN     | 1          |
| 35         | Guide, laser                                 | RC2-6628-000CN     | 1          |
| 36         | Holder, flexible flat cable (FFC)            | RC2-6655-000CN     | 1          |
| 37         | FFC assembly                                 | RM1-6804-000CN     | 1          |
| 38         | Seal, slide shutter                          | RC3-1014-000CN     | 3          |
| 39         | Sheet, slide seal                            | RC3-1013-000CN     | 1          |
| 40         | Label, ITB insert, FV                        | RU5-8804-000CN     | 1          |
| 41         | Label, ITB insert, FH                        | RU5-8806-000CN     | 1          |
| Not shown  | Lock plate, front                            | RL1-2235-000CN     | 1          |
| Not shown  | Lock plate, 2cnd transfer                    | RL1-2236-000CN     | 1          |
| Not shown  | Spring, torsion                              | RU6-2670-000CN     | 2          |



**Table 2-25 Internal assemblies (7 of 8)**

| <b>Ref</b> | <b>Description</b>                     | <b>Part number</b> | <b>Qty</b> |
|------------|--|--------------------|------------|
| 1          | Holder, 1st transfer power dispatching | RC2-6680-000CN     | 1          |
| 2          | Spring, contact                        | RU6-2767-000CN     | 2          |
| 3          | Spring, contact                        | RU6-2768-000CN     | 1          |
| 4          | Guide, crossmember cable, rear         | RC2-6588-000CN     | 1          |
| 5          | Stopper, laser                         | RC2-6646-000CN     | 1          |
| 6          | Guide, crossmember cable, front        | RC2-6587-000CN     | 1          |
| 7          | Spring, rod                            | RC2-6611-000CN     | 1          |
| 8          | Cover, cable, right rear               | RC2-8424-000CN     | 1          |
| 9          | Lifter drive assembly                  | RM1-6039-000CN     | 1          |
| 10         | Auto close assembly                    | RM1-6036-000CN     | 1          |
| 11         | Duplexing fan (FM2)                    | RM1-9365-000CN     | 1          |
| 12         | Cable assembly, switch                 | RM1-8903-000CN     | 1          |
| 13         | Low-voltage power supply (110V-127V)   | RM1-8895-000CN     | 1          |
| 13         | Low-voltage power supply (220V-2450V)  | RM1-8896-000CN     | 1          |
| 14         | Guide, cable                           | RC3-0684-000CN     | 1          |
| 15         | Cable, low-voltage AC joint            | RM1-6811-000CN     | 1          |
| 16         | Cable, low voltage                     | RM1-6807-000CN     | 1          |
| 17         | Cable, low voltage, test               | RM1-6813-000CN     | 1          |
| 18         | Cable assembly, left                   | RM1-8901-000CN     | 1          |
| 19         | Toner remanet detect PCA               | RM1-6779-000CN     | 4          |
| 20         | Power switch PCA                       | RM1-6759-000CN     | 1          |



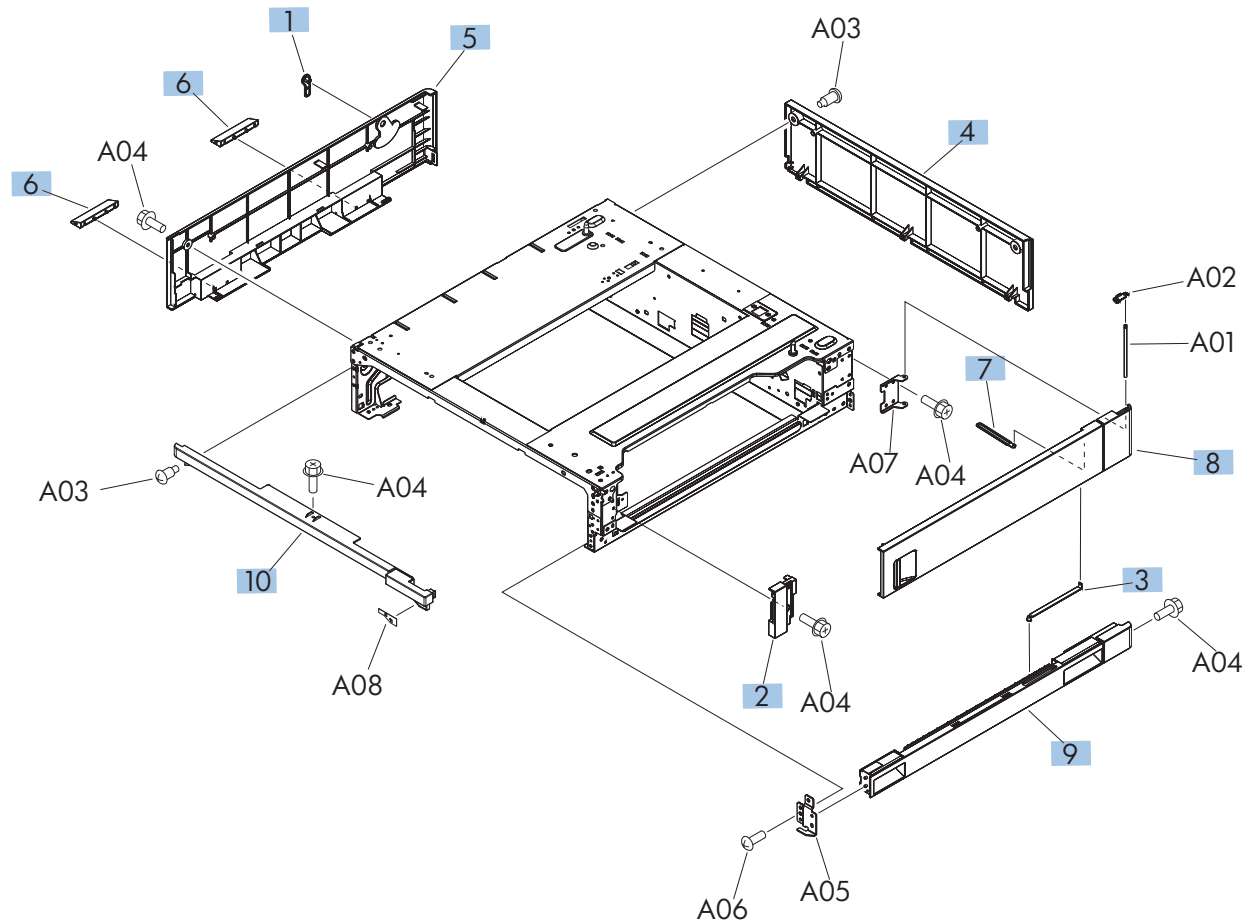
**Table 2-26 Internal assemblies (8 of 8)**

| <b>Ref</b> | <b>Description</b>                            | <b>Part number</b> | <b>Qty</b> |
|------------|---|--------------------|------------|
| 1          | DC controller PCA                             | RM1-9371-000CN     | 1          |
| 2          | Interconnect PCA (ICB) (inner connecting PCA) | RM1-9368-000CN     | 1          |
| 3          | Imaging high-voltage PCA assembly             | RM1-6800-000CN     | 1          |
| 4          | Sub power supply                              | RM1-9366-000CN     | 1          |
| 5          | Sub power supply fan (FM5)                    | RM1-9384-000CN     | 1          |
| 6          | Guide, DC controller, support cable           | RC2-6665-000CN     | 1          |
| 7          | Cable, 1st transfer                           | RM1-6822-000CN     | 1          |
| 8          | Cable, rear                                   | RM1-6863-000CN     | 1          |
| 9          | Formatter cage                                | RM1-9382-000CN     | 1          |
| Not shown  | Kit, formatter replacement PCA                | CC522-67901        | 1          |
| 10         | Plate, FFC protective                         | RC2-9687-000CN     | 1          |
| 11         | Holder, paper pickup connector                | RC2-6638-000CN     | 1          |
| 12         | Connector, 8P                                 | VS1-7514-008CN     | 1          |
| 13         | Plate, box pillar                             | RC2-6673-000CN     | 2          |
| 14         | Guide, imaging H.V.T. cable                   | RC2-6661-000CN     | 1          |
| 15         | Cover, imaging H.V.T. cable                   | RC2-6573-000CN     | 1          |
| 16         | Crossmember, cover, left                      | RC2-6760-000CN     | 2          |
| 17         | Cable, USB                                    | RK2-4329-000CN     | 1          |
| 18         | Cable assembly, sub power supply              | RM1-8905-000CN     | 1          |
| 19         | Cable assembly, stacker                       | RM1-8906-000CN     | 1          |

# 1x500-sheet paper feeder

## 1x500-sheet paper feeder covers

Figure 2-24 1x500-sheet paper feeder covers



**Table 2-27 1x500-sheet paper feeder covers**

| <b>Ref</b> | <b>Description</b>         | <b>Part number</b> | <b>Qty</b> |
|------------|----------------------------|--------------------|------------|
| 1          | Handle, lock, rear         | RC2-9303-000CN     | 1          |
| 2          | Cover, right front         | RC2-9320-000CN     | 1          |
| 3          | Link, right door, lower    | RC2-9327-000CN     | 1          |
| 4          | Cover, rear                | RC2-9330-000CN     | 1          |
| 5          | Cover, left                | RC2-9331-000CN     | 1          |
| 6          | Cover, handle lower        | RC2-9332-000CN     | 2          |
| 7          | Link, right door, upper    | RC2-9335-000CN     | 1          |
| 8          | Right door assembly        | RM1-6946-000CN     | 1          |
| 9          | Right lower cover assembly | RM1-6948-000CN     | 1          |
| 10         | Front upper cover assembly | RM1-6949-000CN     | 1          |





**Table 2-28 1x500-sheet paper feeder components**

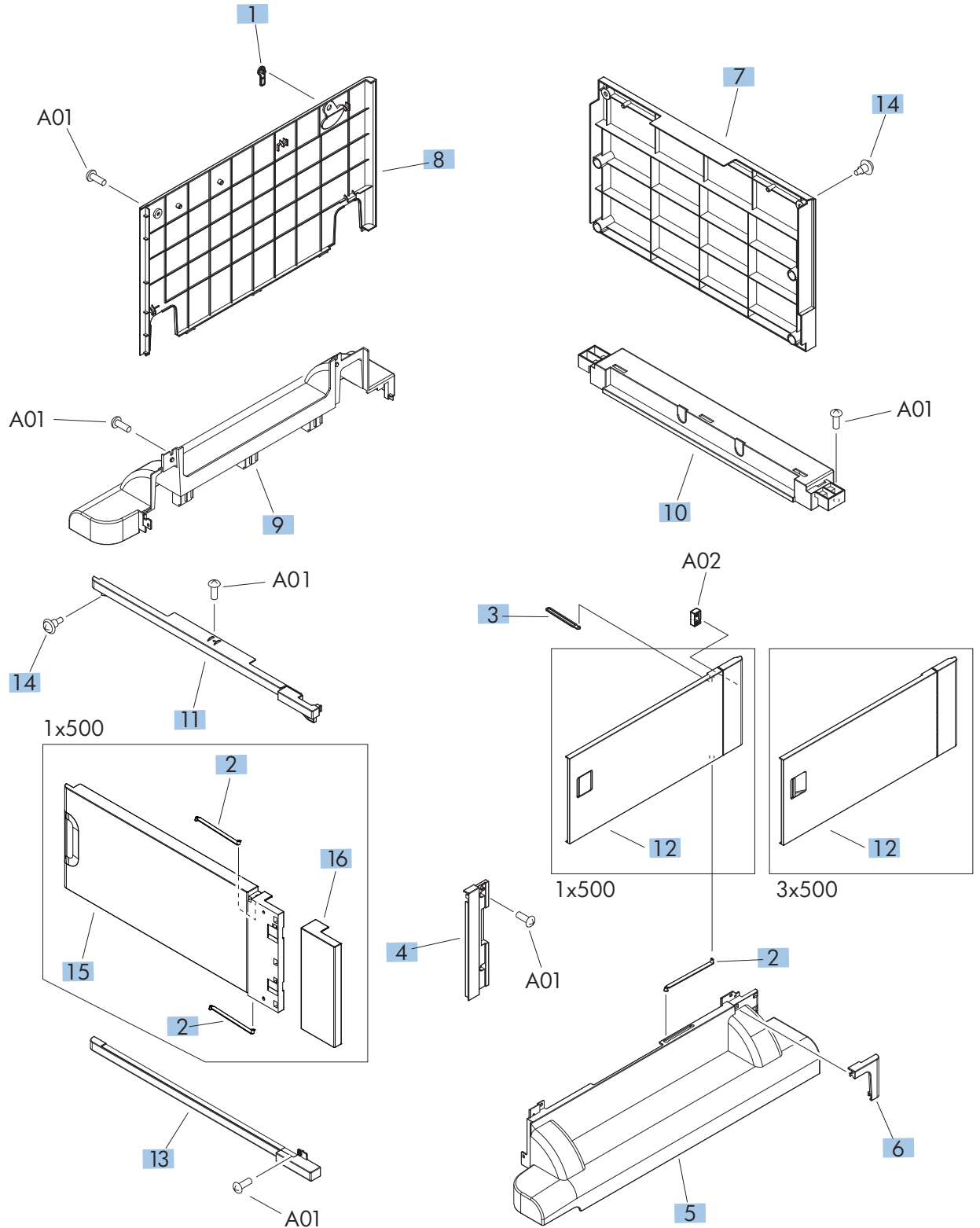
| <b>Ref</b> | <b>Description</b>                       | <b>Part number</b> | <b>Qty</b> |
|------------|--|--------------------|------------|
| 1          | Switch, button                           | WC2-5512-000CN     | 1          |
| 2          | Motor, stepping, DC                      | RK2-1331-000CN     | 1          |
| 3          | Lifter drive assembly                    | RM1-3819-000CN     | 1          |
| 4          | Tray 3 - 6 (1x500, 1x500 w/stand, 3x500) | CC522-67914        | 1          |
| 5          | Paper pickup assembly                    | RM1-6944-000CN     | 1          |
| 6          | Paper feeder controller PCA              | RM1-6987-000CN     | 1          |
| 7          | Kit, roller pickup <sup>1</sup>          | CC522-67909        | 1          |
| 8          | Kit, feed roller assembly <sup>1</sup>   | CC522-67909        | 1          |
| 9          | Label, cassette number                   | CE707-00001        | 1          |
| 11         | Connector, 8P                            | VS1-7514-008CN     | 1          |

<sup>1</sup> This service kit contains four pickup and four feed rollers.

# 1x500-sheet and 3x500-sheet paper deck

## 1x500-sheet and 3x500-sheet paper deck covers

Figure 2-26 1x500-sheet and 3x500-sheet paper deck covers

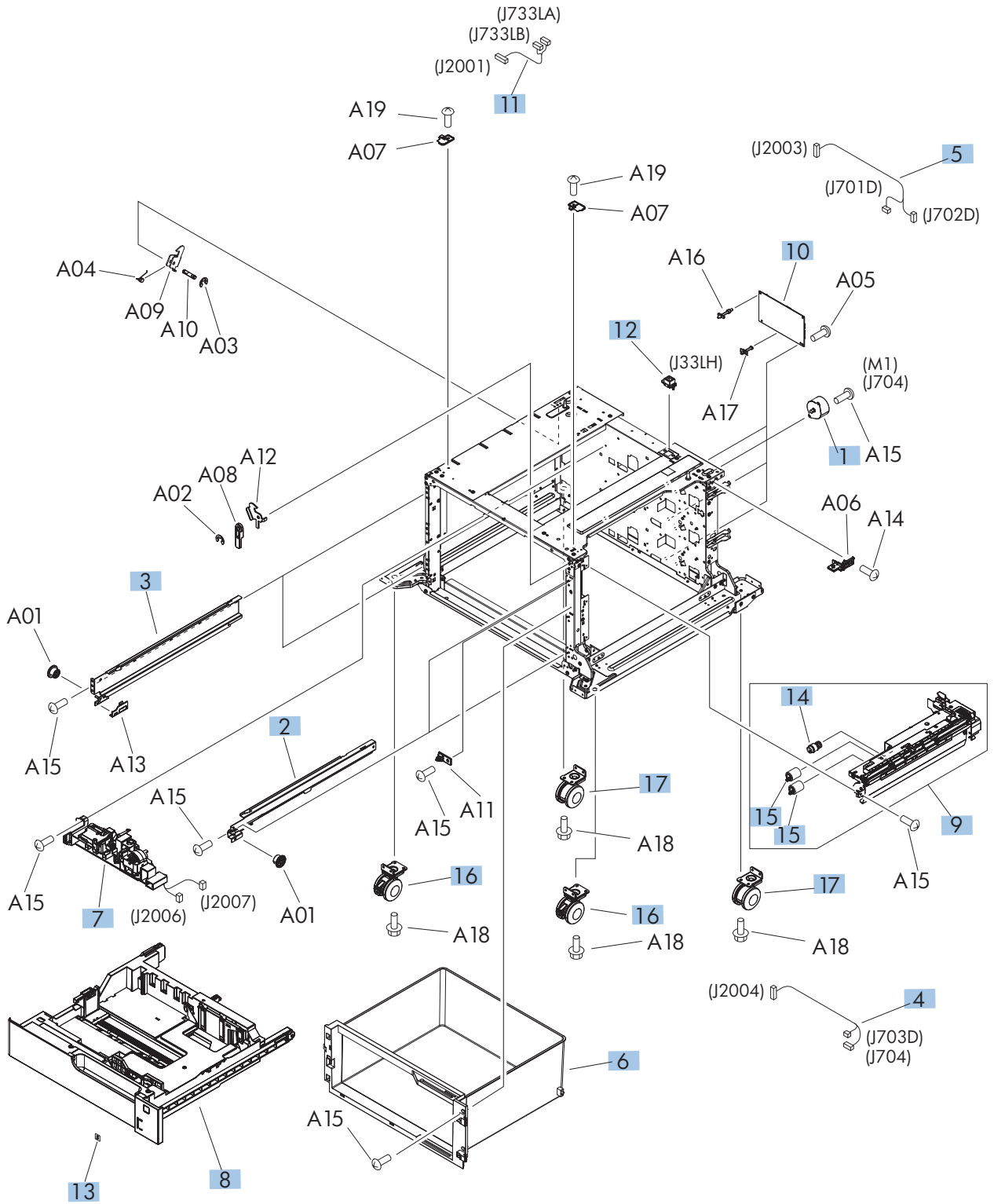


**Table 2-29 1x500-sheet and 3x500-sheet paper deck covers**

| <b>Ref</b> | <b>Description</b>                     | <b>Part number</b> | <b>Qty</b> |
|------------|--|--------------------|------------|
| 1          | Handle, lock, rear                     | RC2-9303-000CN     | 1          |
| 2          | Link, right door, lower                | RC2-9327-000CN     | 3          |
| 3          | Link, right door, upper                | RC2-9335-000CN     | 1          |
| 4          | Cover, right corner                    | RC2-9343-000CN     | 1          |
| 5          | Cover, right lower, 1                  | RC2-9346-000CN     | 1          |
| 6          | Cover, right lower, 2                  | RC2-9347-000CN     | 1          |
| 7          | Cover, rear                            | RC2-9348-000CN     | 1          |
| 8          | Cover, left                            | RC2-9349-000CN     | 1          |
| 9          | Cover, left lower                      | RC2-9350-000CN     | 1          |
| 10         | Cover, rear lower                      | RC2-9357-000CN     | 1          |
| 11         | Front upper cover assembly             | RM1-6949-000CN     | 1          |
| 12         | Right door assembly (1x500 paper deck) | RM1-6952-000CN     | 1          |
| 12         | Right door assembly (3x500 paper deck) | RM1-6953-000CN     | 1          |
| 13         | Front lower cover assembly             | RM1-6958-000CN     | 1          |
| 14         | Screw, stepped                         | RU5-9056-000CN     | 3          |
| 15         | Door, stock, 1 (1x500 paper deck only) | RC2-9353-000CN     | 1          |
| 16         | Door, stock, 2 (1x500 paper deck only) | RC2-9354-000CN     | 1          |

# 1x500-sheet paper deck components

Figure 2-27 1x500-sheet paper deck components



**Table 2-30 1x500-sheet paper deck components**

| <b>Ref</b> | <b>Description</b>                       | <b>Part number</b> | <b>Qty</b> |
|------------|--|--------------------|------------|
| 1          | Motor, stepping, DC                      | RK2-1331-000CN     | 1          |
| 2          | Rail, cassette, right                    | RL1-1390-000CN     | 2          |
| 3          | Rail, cassette, left                     | RL1-1391-000CN     | 2          |
| 4          | Cable, paper pickup option               | RM1-3575-000CN     | 1          |
| 5          | Cable, multisensor                       | RM1-3647-000CN     | 1          |
| 6          | Stock box assembly                       | RM1-6954-000CN     | 1          |
| 7          | Lifter drive assembly                    | RM1-3819-000CN     | 1          |
| 8          | Tray 3 - 6 replacement                   | CC522-67914        | 1          |
| 9          | Paper pickup assembly <sup>1</sup>       | RM1-6944-000CN     | 1          |
| 10         | Feeder PCA                               | RM1-6988-000CN     | 1          |
| 11         | Cable, engine interface                  | RM1-6991-000CN     | 1          |
| 12         | Connector, 8P                            | VS1-7500-008CN     | 1          |
| 14         | Kit, pickup roller <sup>1</sup>          | CC522-67909        | 1          |
| 15         | Kit, pickup and feed roller <sup>1</sup> | CC522-67909        | 1          |
| 16         | Caster, double lock, front               | RC1-9896-000CN     | 2          |
| 17         | Caster, rear                             | RC3-2994-000CN     | 2          |

<sup>1</sup> This service kit contains four pickup and four feed rollers.



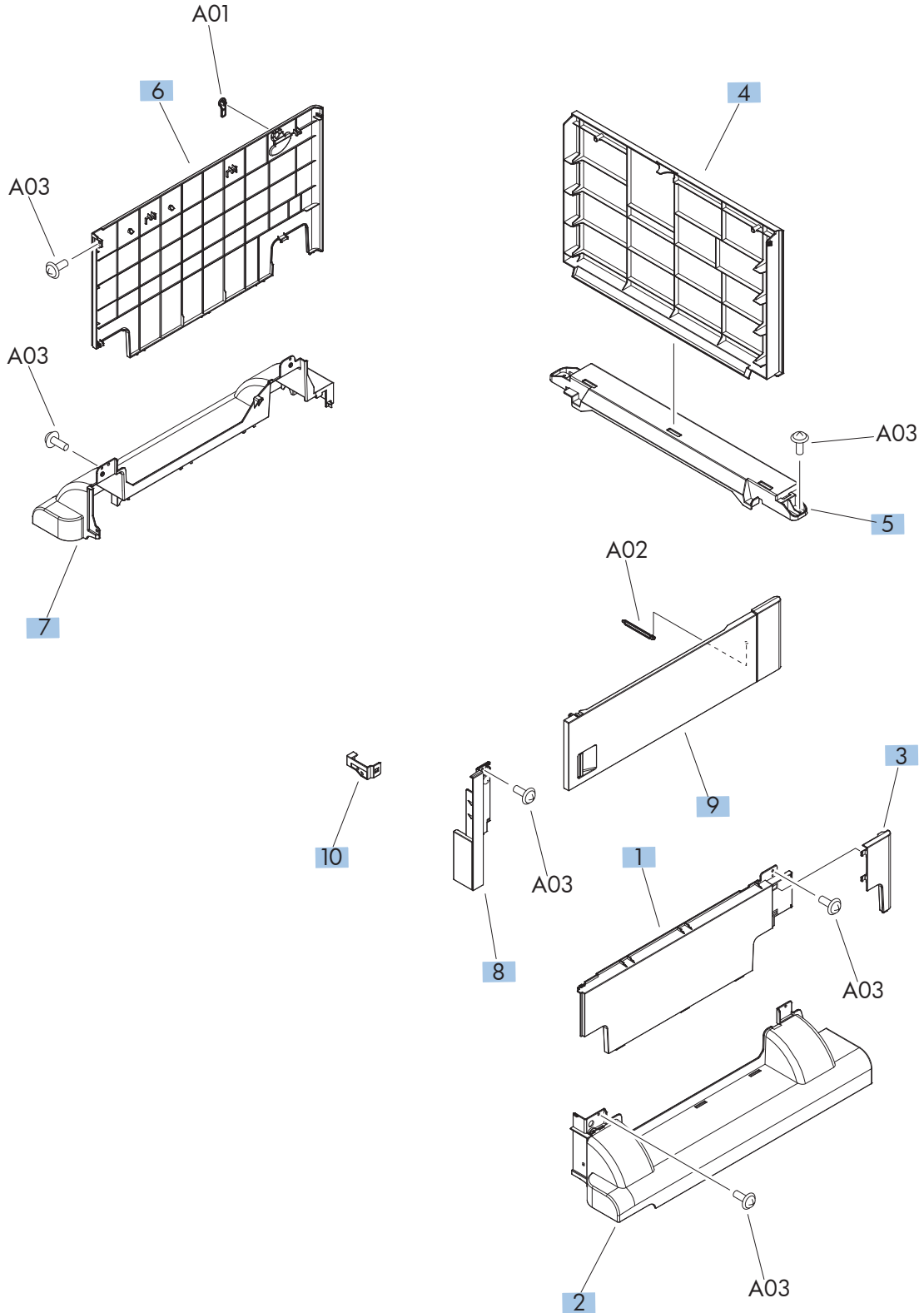
**Table 2-31 3x500-sheet paper deck components**

| <b>Ref</b> | <b>Description</b>         | <b>Part number</b> | <b>Qty</b> |
|------------|----------------------------|--------------------|------------|
| 1          | Motor, stepping, DC        | RK2-1331-000CN     | 3          |
| 2          | Rail, cassette, right      | RL1-1390-000CN     | 3          |
| 3          | Rail, cassette, left       | RL1-1391-000CN     | 3          |
| 4          | Cable, paper pickup option | RM1-3575-000CN     | 3          |
| 5          | Cable, multi sensor        | RM1-3647-000CN     | 3          |
| 6          | Cable, door open switch    | RM1-3651-000CN     | 1          |
| 7          | Lifter drive assembly      | RM1-3819-000CN     | 3          |
| 8          | Tray 3 - 6 replacement     | CC522-67914        | 1          |
| 9          | Paper pickup assembly      | RM1-6944-000CN     | 3          |
| 10         | Feeder PCA                 | RM1-6989-000CN     | 1          |
| 11         | Cable, engine interface    | RM1-6991-000CN     | 1          |
| 12         | Cable, PCA joint           | RM1-6992-000CN     | 2          |
| 13         | Switch, button             | WC2-5512-000CN     | 1          |
| 16         | Caster, double lock, front | RC1-9896-000CN     | 2          |
| 17         | Caster, rear               | RC3-2994-000CN     | 2          |
| 18         | Connector, 8P              | VS1-7500-008CN     | 1          |

# High capacity input (HCI) feeder

## HCI covers

Figure 2-29 HCI covers



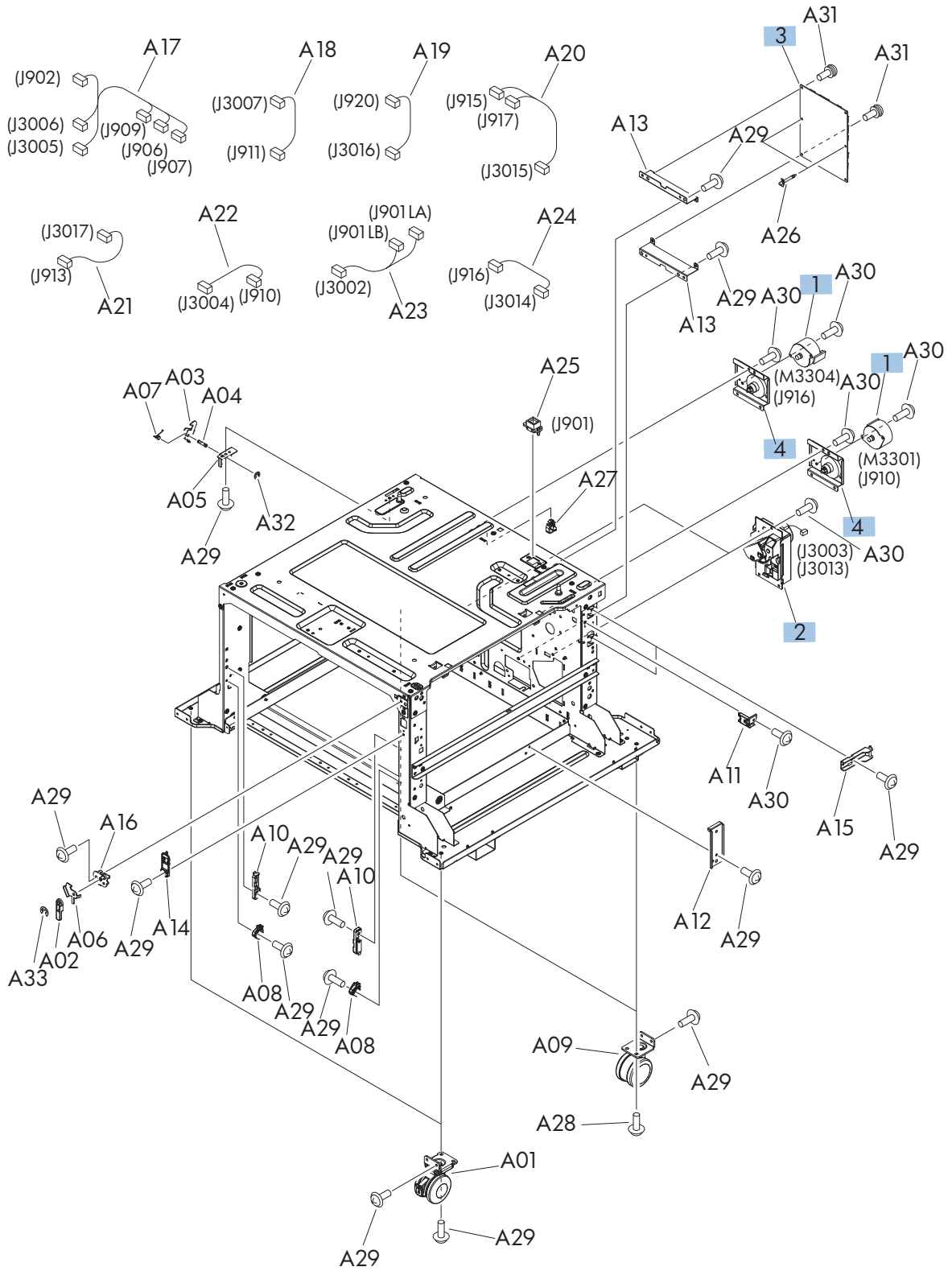


**Table 2-32 HCI covers**

| <b>Ref</b> | <b>Description</b>              | <b>Part number</b> | <b>Qty</b> |
|------------|---------------------------------|--------------------|------------|
| 1          | Cover, right center             | RC3-3000-000CN     | 1          |
| 2          | Cover, right lower              | RC3-3001-000CN     | 1          |
| 3          | Cover, right rear               | RC3-3002-000CN     | 1          |
| 4          | Cover, rear                     | RC3-3003-000CN     | 1          |
| 5          | Cover, rear lower               | RC3-3004-000CN     | 1          |
| 6          | Cover, left                     | RC3-3005-000CN     | 1          |
| 7          | Cover, left lower               | RC3-3006-000CN     | 1          |
| 8          | Cover, corner, right            | RC3-3009-000CN     | 1          |
| 9          | Right door assembly             | RM1-8868-000CN     | 1          |
| 10         | Right front lock cover assembly | RM1-9416-000CN     | 1          |

# HCI components (1 of 2)

Figure 2-30 HCI components (1 of 2)

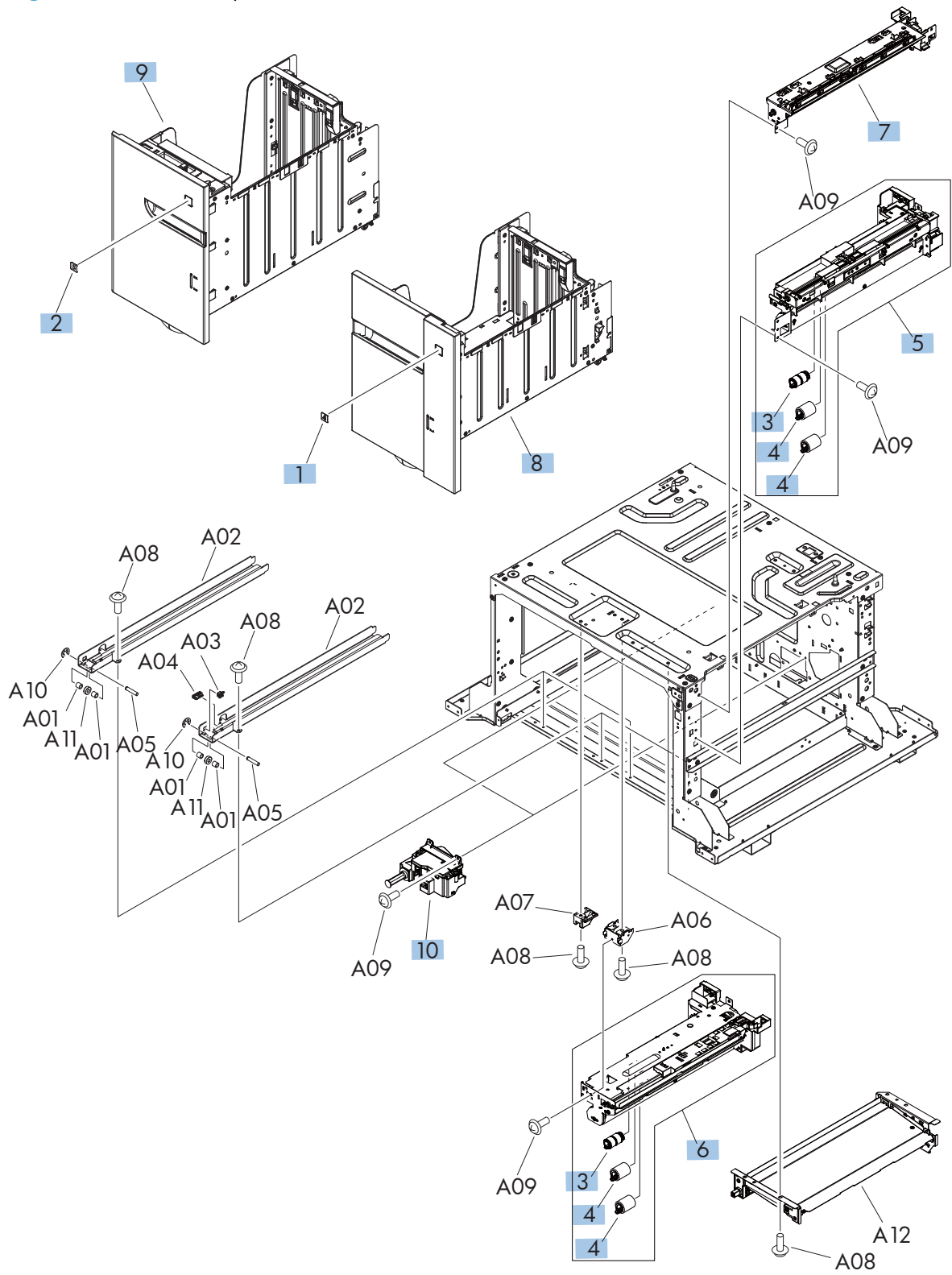


**Table 2-33 HCI components (1 of 2)**

| <b>Ref</b> | <b>Description</b>          | <b>Part number</b> | <b>Qty</b> |
|------------|-----------------------------|--------------------|------------|
| 1          | Motor, stepping, DC         | RK2-1331-000CN     | 2          |
| 2          | Lifter drive assembly       | RM1-8879-000CN     | 2          |
| 3          | Controller PCA              | RM1-9077-000CN     | 1          |
| 4          | Paper pickup motor assembly | RM1-9422-000CN     | 2          |

## HCI components (2 of 2)

Figure 2-31 HCI components (2 of 2)



**Table 2-34 HCI components (2 of 2)**

| <b>Ref</b> | <b>Description</b>                           | <b>Part number</b> | <b>Qty</b> |
|------------|--|--------------------|------------|
| 3          | Kit, pick/feed roller 3,500 HCI <sup>1</sup> | 5851-5011          | 1          |
| 4          | Kit, pick/feed roller 3,500 HCI <sup>1</sup> | 5851-5011          | 1          |
| 5          | Paper pickup assembly, right                 | RM1-8869-000CN     | 1          |
| 6          | Paper pickup assembly, left                  | RM1-8876-000CN     | 1          |
| 7          | Crossing paper feed assembly                 | RM1-8888-000CN     | 1          |
| 8          | Tray 3, 3,500 HCI                            | CC522-67916        | 1          |
| 9          | Tray 4, 3,500 HCI                            | CC522-67915        | 1          |
| 10         | Auto close assembly                          | RM1-8880-000CN     | 2          |

<sup>1</sup> This service kit contains two pickup and four feed rollers.

# Alphabetical parts list

**Table 2-35 Alphabetical parts list**

| <b>Description</b>               | <b>Part number</b> | <b>Table and page</b>   |
|----------------------------------|--------------------|---|
| ADF Assembly (complete)          | CC522-67923        | <a href="#">Document feeder assemblies on page 339</a>        |
| ADF hinge assembly               | CQ819-60011        | <a href="#">Document feeder assemblies on page 339</a>        |
| ADF roller cover, A3             | CQ819-40032        | <a href="#">Document feeder assemblies on page 339</a>        |
| ADF separation pad spring        | 5851-4879          | <a href="#">Document feeder assemblies on page 339</a>        |
| ADF tray extender                | Q7404-40020        | <a href="#">Document feeder assemblies on page 339</a>        |
| Arm, front cover, 1              | RC2-6732-000CN     | <a href="#">Internal assemblies (1 of 8) on page 353</a>      |
| Arm, front cover, 2              | RC2-6733-000CN     | <a href="#">Internal assemblies (1 of 8) on page 353</a>      |
| Arm, ITB coupling release        | RC2-6824-000CN     | <a href="#">Internal assemblies (4 of 8) on page 359</a>      |
| Arm, waste toner, left           | RC2-7035-000CN     | <a href="#">Internal assemblies (5 of 8) on page 361</a>      |
| Arm, waste toner, right          | RC2-7036-000CN     | <a href="#">Internal assemblies (5 of 8) on page 361</a>      |
| Auto close assembly              | RM1-6036-000CN     | <a href="#">Internal assemblies (7 of 8) on page 365</a>      |
| Auto close assembly              | RM1-8880-000CN     | <a href="#">HCI components (2 of 2) on page 383</a>           |
| Cable assembly, left             | RM1-8901-000CN     | <a href="#">Internal assemblies (7 of 8) on page 365</a>      |
| Cable assembly, stacker          | RM1-8906-000CN     | <a href="#">Internal assemblies (8 of 8) on page 367</a>      |
| Cable assembly, sub power supply | RM1-8905-000CN     | <a href="#">Internal assemblies (8 of 8) on page 367</a>      |
| Cable assembly, switch           | RM1-8903-000CN     | <a href="#">Internal assemblies (7 of 8) on page 365</a>      |
| Cable, 1st transfer              | RM1-6822-000CN     | <a href="#">Internal assemblies (8 of 8) on page 367</a>      |
| Cable, door open switch          | RM1-3651-000CN     | <a href="#">3x500-sheet paper deck components on page 377</a> |
| Cable, engine interface          | RM1-6991-000CN     | <a href="#">1x500-sheet paper deck components on page 375</a> |

**Table 2-35 Alphabetical parts list (continued)**

| <b>Description</b>              | <b>Part number</b> | <b>Table and page</b>   |
|---------------------------------|--------------------|---|
| Cable, engine interface         | RM1-6991-000CN     | <a href="#">3x500-sheet paper deck components on page 377</a> |
| Cable, feed joint               | RM1-6846-000CN     | <a href="#">Internal assemblies (3 of 8) on page 357</a>      |
| Cable, low voltage              | RM1-6807-000CN     | <a href="#">Internal assemblies (7 of 8) on page 365</a>      |
| Cable, low voltage, test        | RM1-6813-000CN     | <a href="#">Internal assemblies (7 of 8) on page 365</a>      |
| Cable, low-voltage AC joint     | RM1-6811-000CN     | <a href="#">Internal assemblies (7 of 8) on page 365</a>      |
| Cable, multi sensor             | RM1-3647-000CN     | <a href="#">3x500-sheet paper deck components on page 377</a> |
| Cable, multisensor              | RM1-3647-000CN     | <a href="#">1x500-sheet paper deck components on page 375</a> |
| Cable, paper pickup option      | RM1-3575-000CN     | <a href="#">1x500-sheet paper deck components on page 375</a> |
| Cable, paper pickup option      | RM1-3575-000CN     | <a href="#">3x500-sheet paper deck components on page 377</a> |
| Cable, PCA joint                | RM1-6992-000CN     | <a href="#">3x500-sheet paper deck components on page 377</a> |
| Cable, rear                     | RM1-6863-000CN     | <a href="#">Internal assemblies (8 of 8) on page 367</a>      |
| Cable, SB joint                 | RM1-6867-000CN     | <a href="#">Internal assemblies (2 of 8) on page 355</a>      |
| Cable, USB                      | RK2-4329-000CN     | <a href="#">Internal assemblies (8 of 8) on page 367</a>      |
| Cap, T2 contact                 | RC2-6691-000CN     | <a href="#">Internal assemblies (3 of 8) on page 357</a>      |
| Cartridge fan (FM4)             | RM1-9364-000CN     | <a href="#">Internal assemblies (4 of 8) on page 359</a>      |
| Cartridge guide assembly, upper | RM1-5990-000CN     | <a href="#">Internal assemblies (1 of 8) on page 353</a>      |
| Caster, double lock, front      | RC1-9896-000CN     | <a href="#">1x500-sheet paper deck components on page 375</a> |
| Caster, double lock, front      | RC1-9896-000CN     | <a href="#">3x500-sheet paper deck components on page 377</a> |
| Caster, rear                    | RC3-2994-000CN     | <a href="#">1x500-sheet paper deck components on page 375</a> |
| Caster, rear                    | RC3-2994-000CN     | <a href="#">3x500-sheet paper deck components on page 377</a> |

**Table 2-35 Alphabetical parts list (continued)**

| <b>Description</b>        | <b>Part number</b> | <b>Table and page</b>   |
|---------------------------|--------------------|---|
| Clamp, edge               | RC2-6663-000CN     | <a href="#">Internal assemblies (5 of 8) on page 361</a>        |
| Connector, 8P             | VS1-7514-008CN     | <a href="#">Internal assemblies (8 of 8) on page 367</a>        |
| Connector, 8P             | VS1-7514-008CN     | <a href="#">1x500-sheet paper feeder components on page 371</a> |
| Connector, 8P             | VS1-7500-008CN     | <a href="#">1x500-sheet paper deck components on page 375</a>   |
| Connector, 8P             | VS1-7500-008CN     | <a href="#">3x500-sheet paper deck components on page 377</a>   |
| Connector, snap tight, BK | VS1-7207-019CN     | <a href="#">Internal assemblies (2 of 8) on page 355</a>        |
| Controller PCA            | RM1-9077-000CN     | <a href="#">HCI components (1 of 2) on page 381</a>             |
| Cover, ADF cable          | CC522-40023        | <a href="#">Scanner assemblies on page 341</a>                  |
| Cover, ADF front          | CQ819-40003        | <a href="#">Document feeder assemblies on page 339</a>          |
| Cover, ADF rear           | CQ819-40005        | <a href="#">Document feeder assemblies on page 339</a>          |
| Cover, back scanner       | CC522-40017        | <a href="#">Scanner assemblies on page 341</a>                  |
| Cover, cable, protective  | RC2-6832-000CN     | <a href="#">Internal assemblies (2 of 8) on page 355</a>        |
| Cover, cable, right rear  | RC2-8424-000CN     | <a href="#">Internal assemblies (7 of 8) on page 365</a>        |
| Cover, connector, lower   | RC2-6642-000CN     | <a href="#">Internal assemblies (2 of 8) on page 355</a>        |
| Cover, corner, right      | RC3-3009-000CN     | <a href="#">HCI covers on page 379</a>                          |
| Cover, delivery           | RM1-9383-000CN     | <a href="#">Covers on page 349</a>                              |
| Cover, duplexing gear     | RC2-6931-000CN     | <a href="#">Internal assemblies (3 of 8) on page 357</a>        |
| Cover, front inner        | RM1-9981-000CN     | <a href="#">Stapler/stacker covers on page 345</a>              |
| Cover, front left         | RC3-3325-000CN     | <a href="#">Stapler/stacker covers on page 345</a>              |
| Cover, front right        | RC3-3324-000CN     | <a href="#">Stapler/stacker covers on page 345</a>              |
| Cover, front scanner      | CC522-40020        | <a href="#">Scanner assemblies on page 341</a>                  |



**Table 2-35 Alphabetical parts list (continued)**

| <b>Description</b>                | <b>Part number</b> | <b>Table and page</b>   |
|-----------------------------------|--------------------|---|
| Cover, guide                      | RC2-7204-000CN     | <a href="#">Internal assemblies (1 of 8) on page 353</a>                  |
| Cover, handle guide               | RC2-6670-000CN     | <a href="#">Internal assemblies (1 of 8) on page 353</a>                  |
| Cover, handle lower               | RC2-9332-000CN     | <a href="#">1x500-sheet paper feeder covers on page 369</a>               |
| Cover, handle, lower-left         | RC2-6625-000CN     | <a href="#">Covers on page 349</a>  |
| Cover, handle, lower-right, front | RC2-6627-000CN     | <a href="#">Covers on page 349</a>  |
| Cover, handle, lower-right, rear  | RC2-6626-000CN     | <a href="#">Covers on page 349</a>  |
| Cover, hatch                      | CQ819-40004        | <a href="#">Document feeder assemblies on page 339</a>                    |
| Cover, imaging H.V.T. cable       | RC2-6573-000CN     | <a href="#">Internal assemblies (8 of 8) on page 367</a>                  |
| Cover, left                       | RM1-9363-000CN     | <a href="#">Covers on page 349</a>  |
| Cover, left                       | RC2-9331-000CN     | <a href="#">1x500-sheet paper feeder covers on page 369</a>               |
| Cover, left                       | RC2-9349-000CN     | <a href="#">1x500-sheet and 3x500-sheet paper deck covers on page 373</a> |
| Cover, left                       | RC3-3005-000CN     | <a href="#">HCI covers on page 379</a>                                    |
| Cover, left lower                 | RC3-3331-000CN     | <a href="#">Stapler/stacker covers on page 345</a>                        |
| Cover, left lower                 | RC2-9350-000CN     | <a href="#">1x500-sheet and 3x500-sheet paper deck covers on page 373</a> |
| Cover, left lower                 | RC3-3006-000CN     | <a href="#">HCI covers on page 379</a>                                    |
| Cover, left rear                  | RC3-3326-000CN     | <a href="#">Stapler/stacker covers on page 345</a>                        |
| Cover, left rear                  | RC2-9158-000CN     | <a href="#">Covers on page 349</a>  |
| Cover, left scanner               | CC522-40021        | <a href="#">Scanner assemblies on page 341</a>                            |
| Cover, lower front                | RC2-6737-000CN     | <a href="#">Internal assemblies (1 of 8) on page 353</a>                  |
| Cover, main crossmember cable     | RC2-6650-000CN     | <a href="#">Internal assemblies (6 of 8) on page 363</a>                  |
| Cover, main drive cable, lower    | RC2-6574-000CN     | <a href="#">Internal assemblies (3 of 8) on page 357</a>                  |
| Cover, rear                       | RM1-9980-000CN     | <a href="#">Stapler/stacker covers on page 345</a>                        |

**Table 2-35 Alphabetical parts list (continued)**

| <b>Description</b>             | <b>Part number</b> | <b>Table and page</b>   |
|--------------------------------|--------------------|---|
| Cover, rear                    | RM1-9362-000CN     | <a href="#">Covers on page 349</a>  |
| Cover, rear                    | RC2-9330-000CN     | <a href="#">1x500-sheet paper feeder covers on page 369</a>               |
| Cover, rear                    | RC2-9348-000CN     | <a href="#">1x500-sheet and 3x500-sheet paper deck covers on page 373</a> |
| Cover, rear                    | RC3-3003-000CN     | <a href="#">HCl covers on page 379</a>                                    |
| Cover, rear lower              | RC2-9357-000CN     | <a href="#">1x500-sheet and 3x500-sheet paper deck covers on page 373</a> |
| Cover, rear lower              | RC3-3004-000CN     | <a href="#">HCl covers on page 379</a>                                    |
| Cover, rear upper              | RC2-9160-000CN     | <a href="#">Covers on page 349</a>  |
| Cover, right center            | RC3-3000-000CN     | <a href="#">HCl covers on page 379</a>                                    |
| Cover, right corner            | RC2-9343-000CN     | <a href="#">1x500-sheet and 3x500-sheet paper deck covers on page 373</a> |
| Cover, right door cable, small | RC3-3323-000CN     | <a href="#">Stapler/stacker covers on page 345</a>                        |
| Cover, right front             | RM1-9359-000CN     | <a href="#">Covers on page 349</a>  |
| Cover, right front             | RC2-9320-000CN     | <a href="#">1x500-sheet paper feeder covers on page 369</a>               |
| Cover, right lower             | RC3-3001-000CN     | <a href="#">HCl covers on page 379</a>                                    |
| Cover, right lower, 1          | RC2-9346-000CN     | <a href="#">1x500-sheet and 3x500-sheet paper deck covers on page 373</a> |
| Cover, right lower, 2          | RC2-9347-000CN     | <a href="#">1x500-sheet and 3x500-sheet paper deck covers on page 373</a> |
| Cover, right rear              | RM1-7142-000CN     | <a href="#">Covers on page 349</a>  |
| Cover, right rear              | RC2-9157-000CN     | <a href="#">Covers on page 349</a>  |
| Cover, right rear              | RC3-3002-000CN     | <a href="#">HCl covers on page 379</a>                                    |
| Cover, right scanner           | CC522-40022        | <a href="#">Scanner assemblies on page 341</a>                            |
| Cover, right upper             | RC2-9155-000CN     | <a href="#">Covers on page 349</a>  |
| Cover, right upper             | RM1-9367-000CN     | <a href="#">Covers on page 349</a>  |
| Cover, right upper             | RM1-9361-000CN     | <a href="#">Right door on page 351</a>                                    |
| Cover, stapler                 | RM1-9982-000CN     | <a href="#">Stapler/stacker covers on page 345</a>                        |

**Table 2-35 Alphabetical parts list (continued)**

| <b>Description</b>                     | <b>Part number</b> | <b>Table and page</b>   |
|--|--------------------|---|
| Cover, top                             | RM1-9358-000CN     | <a href="#">Covers on page 349</a>  |
| Cover, waste toner                     | RM1-6012-000CN     | <a href="#">Internal assemblies (5 of 8) on page 361</a>                  |
| Cover, waste toner 2                   | RC2-6962-000CN     | <a href="#">Internal assemblies (5 of 8) on page 361</a>                  |
| Cover, waster toner, 3                 | RC2-6963-000CN     | <a href="#">Internal assemblies (5 of 8) on page 361</a>                  |
| Crossing paper feed assembly           | RM1-8888-000CN     | <a href="#">HCI components (2 of 2) on page 383</a>                       |
| Crossmember, cover, left               | RC2-6760-000CN     | <a href="#">Internal assemblies (8 of 8) on page 367</a>                  |
| DC controller PCA                      | RM1-9371-000CN     | <a href="#">Internal assemblies (8 of 8) on page 367</a>                  |
| Door, right                            | RM1-9440-000CN     | <a href="#">Stapler/stacker covers on page 345</a>                        |
| Door, right                            | RM1-9360-000CN     | <a href="#">Right door on page 351</a>                                    |
| Door, stock, 1 (1x500 paper deck only) | RC2-9353-000CN     | <a href="#">1x500-sheet and 3x500-sheet paper deck covers on page 373</a> |
| Door, stock, 2 (1x500 paper deck only) | RC2-9354-000CN     | <a href="#">1x500-sheet and 3x500-sheet paper deck covers on page 373</a> |
| Door, toner collection unit access     | RC2-7034-000CN     | <a href="#">Covers on page 349</a>  |
| Duct, fan, 1                           | RC2-8388-000CN     | <a href="#">Internal assemblies (6 of 8) on page 363</a>                  |
| Duct, front                            | RC2-7300-000CN     | <a href="#">Internal assemblies (1 of 8) on page 353</a>                  |
| Duct, joint                            | RC2-8360-000CN     | <a href="#">Internal assemblies (4 of 8) on page 359</a>                  |
| Duplexing fan (FM2)                    | RM1-9365-000CN     | <a href="#">Internal assemblies (7 of 8) on page 365</a>                  |
| Fan (FM1; power supply)                | RK2-2276-000CN     | <a href="#">Internal assemblies (6 of 8) on page 363</a>                  |
| Feed guide assembly                    | RM1-9441-000CN     | <a href="#">Stapler/stacker components on page 347</a>                    |
| Feeder PCA                             | RM1-6988-000CN     | <a href="#">1x500-sheet paper deck components on page 375</a>             |
| Feeder PCA                             | RM1-6989-000CN     | <a href="#">3x500-sheet paper deck components on page 377</a>             |

**Table 2-35 Alphabetical parts list (continued)**

| <b>Description</b>                           | <b>Part number</b> | <b>Table and page</b>   |
|--|--------------------|---|
| FFC assembly                                 | RM1-6804-000CN     | <a href="#">Internal assemblies (6 of 8) on page 363</a>                  |
| Flag, document feeder open sensor            | CC522-40029        | <a href="#">Scanner assemblies on page 341</a>                            |
| Flag, media presence                         | CC355-40015        | <a href="#">Document feeder assemblies on page 339</a>                    |
| Flatbed scanner Assy (complete) <sup>1</sup> | CC522-67922        | <a href="#">Scanner assemblies on page 341</a>                            |
| Formatter cage                               | RM1-9382-000CN     | <a href="#">Internal assemblies (8 of 8) on page 367</a>                  |
| Front lower cover assembly                   | RM1-6958-000CN     | <a href="#">1x500-sheet and 3x500-sheet paper deck covers on page 373</a> |
| Front upper cover assembly                   | RM1-6949-000CN     | <a href="#">1x500-sheet paper feeder covers on page 369</a>               |
| Front upper cover assembly                   | RM1-6949-000CN     | <a href="#">1x500-sheet and 3x500-sheet paper deck covers on page 373</a> |
| Gear, 25T                                    | RU6-0771-000CN     | <a href="#">Internal assemblies (3 of 8) on page 357</a>                  |
| Gear, 25T                                    | RU6-0772-000CN     | <a href="#">Internal assemblies (3 of 8) on page 357</a>                  |
| Gear, 74T                                    | RU6-0773-000CN     | <a href="#">Internal assemblies (3 of 8) on page 357</a>                  |
| Gear, link worm                              | RU6-0795-000CN     | <a href="#">Internal assemblies (5 of 8) on page 361</a>                  |
| Guide  | RC2-6551-000CN     | <a href="#">Internal assemblies (2 of 8) on page 355</a>                  |
| Guide, arm, front                            | RC2-6632-000CN     | <a href="#">Internal assemblies (1 of 8) on page 353</a>                  |
| Guide, cable                                 | RC3-0684-000CN     | <a href="#">Internal assemblies (7 of 8) on page 365</a>                  |
| Guide, crossmember cable, front              | RC2-6587-000CN     | <a href="#">Internal assemblies (7 of 8) on page 365</a>                  |
| Guide, crossmember cable, rear               | RC2-6588-000CN     | <a href="#">Internal assemblies (7 of 8) on page 365</a>                  |
| Guide, DC controller, support cable          | RC2-6665-000CN     | <a href="#">Internal assemblies (8 of 8) on page 367</a>                  |
| Guide, fixing (fuser) AC cable               | RC2-6693-000CN     | <a href="#">Internal assemblies (5 of 8) on page 361</a>                  |

**Table 2-35 Alphabetical parts list (continued)**

| <b>Description</b>                     | <b>Part number</b> | <b>Table and page</b>   |
|--|--------------------|---|
| Guide, imaging H.V.T. cable            | RC2-6661-000CN     | <a href="#">Internal assemblies (8 of 8) on page 367</a>                  |
| Guide, inside cable                    | RC2-6589-000CN     | <a href="#">Internal assemblies (6 of 8) on page 363</a>                  |
| Guide, laser                           | RC2-6628-000CN     | <a href="#">Internal assemblies (6 of 8) on page 363</a>                  |
| Guide, LVT cable                       | RC2-6662-000CN     | <a href="#">Internal assemblies (5 of 8) on page 361</a>                  |
| Guide, main crossmember cable          | RC2-6600-000CN     | <a href="#">Internal assemblies (6 of 8) on page 363</a>                  |
| Guide, main drive cable                | RC2-6659-000CN     | <a href="#">Internal assemblies (3 of 8) on page 357</a>                  |
| Guide, paper feed                      | RC2-7297-000CN     | <a href="#">Internal assemblies (2 of 8) on page 355</a>                  |
| Guide, slide                           | RC2-7203-000CN     | <a href="#">Internal assemblies (5 of 8) on page 361</a>                  |
| Handle, lock, rear                     | RC2-9303-000CN     | <a href="#">1x500-sheet paper feeder covers on page 369</a>               |
| Handle, lock, rear                     | RC2-9303-000CN     | <a href="#">1x500-sheet and 3x500-sheet paper deck covers on page 373</a> |
| Hinge, front cover, center             | RC2-6738-000CN     | <a href="#">Internal assemblies (1 of 8) on page 353</a>                  |
| Hinge, front cover, left               | RC2-6713-000CN     | <a href="#">Internal assemblies (1 of 8) on page 353</a>                  |
| Hinge, front cover, right              | RC2-6715-000CN     | <a href="#">Internal assemblies (1 of 8) on page 353</a>                  |
| Hinge, inner door, left                | RC2-6716-000CN     | <a href="#">Internal assemblies (1 of 8) on page 353</a>                  |
| Hinge, inner door, right               | RC2-6712-000CN     | <a href="#">Internal assemblies (1 of 8) on page 353</a>                  |
| Hinge, right door, front               | RC2-7094-000CN     | <a href="#">Internal assemblies (4 of 8) on page 359</a>                  |
| Holder, 1st transfer power dispatching | RC2-6680-000CN     | <a href="#">Internal assemblies (7 of 8) on page 365</a>                  |
| Holder, 2cnd power dispatching         | RC2-6682-000CN     | <a href="#">Internal assemblies (3 of 8) on page 357</a>                  |
| Holder, 2cnd transfer H.V.T.           | RC2-6681-010CN     | <a href="#">Internal assemblies (3 of 8) on page 357</a>                  |
| Holder, door detect, right             | RC3-4687-000CN     | <a href="#">Internal assemblies (4 of 8) on page 359</a>                  |

**Table 2-35 Alphabetical parts list (continued)**

| <b>Description</b>                                    | <b>Part number</b> | <b>Table and page</b>   |
|---|--------------------|---|
| Holder, flexible flat cable (FFC)                     | RC2-6655-000CN     | <a href="#">Internal assemblies (6 of 8) on page 363</a>            |
| Holder, interlock switch                              | RC2-6689-000CN     | <a href="#">Internal assemblies (1 of 8) on page 353</a>            |
| Holder, paper pickup connector                        | RC2-6638-000CN     | <a href="#">Internal assemblies (8 of 8) on page 367</a>            |
| Holder, power supply fan                              | RC2-7299-000CN     | <a href="#">Internal assemblies (6 of 8) on page 363</a>            |
| Hook, duplexing spring                                | RC2-6932-000CN     | <a href="#">Internal assemblies (3 of 8) on page 357</a>            |
| Imaging high-voltage PCA assembly                     | RM1-6800-000CN     | <a href="#">Internal assemblies (8 of 8) on page 367</a>            |
| Interconnect PCA (ICB) (inner connecting PCA)         | RM1-9368-000CN     | <a href="#">Internal assemblies (8 of 8) on page 367</a>            |
| ITB guide rail  | RM1-6019-000CN     | <a href="#">Internal assemblies (5 of 8) on page 361</a>            |
| ITB guide rail assembly                               | RM1-6018-000CN     | <a href="#">Internal assemblies (5 of 8) on page 361</a>            |
| ITB guide rail assembly, R1                           | RM1-6037-000CN     | <a href="#">Internal assemblies (5 of 8) on page 361</a>            |
| Kit, A3 ADF mylar                                     | 5851-4997          | <a href="#">Document feeder assemblies on page 339</a>              |
| Kit, ADF whole unit, A3 (includes foam reflector kit) | CC522-67923        | <a href="#">Document feeder and scanner whole units on page 337</a> |
| Kit, control panel                                    | CD644-67916        | <a href="#">Document feeder and scanner whole units on page 337</a> |
| Kit, door inner                                       | CC522-67906        | <a href="#">Internal assemblies (1 of 8) on page 353</a>            |
| Kit, feed roller assembly <sup>1</sup>                | CC522-67909        | <a href="#">1x500-sheet paper feeder components on page 371</a>     |
| Kit, formatter replacement PCA                        | CC522-67901        | <a href="#">Internal assemblies (8 of 8) on page 367</a>            |
| Kit, front cover assembly with HP jewel               | CE707-67902        | <a href="#">Covers on page 349</a>                                  |
| Kit, fuser drive assembly                             | CE707-67904        | <a href="#">Internal assemblies (2 of 8) on page 355</a>            |
| Kit, fuser replacement 110V                           | CC522-67904        | <a href="#">Internal assemblies (2 of 8) on page 355</a>            |
| Kit, fuser replacement 220V                           | CC522-67926        | <a href="#">Internal assemblies (2 of 8) on page 355</a>            |

**Table 2-35 Alphabetical parts list (continued)**

| <b>Description</b>                                    | <b>Part number</b> | <b>Table and page</b>   |
|---|--------------------|---|
| Kit, intermediate transfer belt (ITB) repair          | CC522-67911        | <a href="#">Internal assemblies (6 of 8) on page 363</a>            |
| Kit, main drive assembly duplex                       | CE708-67901        | <a href="#">Internal assemblies (3 of 8) on page 357</a>            |
| Kit, paper pick roller and separation roller          | CC522-67927        | <a href="#">Internal assemblies (2 of 8) on page 355</a>            |
| Kit, pick/feed roller 3,500 HCl <sup>1</sup>          | 5851-5011          | <a href="#">HCl components (2 of 2) on page 383</a>                 |
| Kit, pick/feed roller 3,500 HCl <sup>1</sup>          | 5851-5011          | <a href="#">HCl components (2 of 2) on page 383</a>                 |
| Kit, pickup and feed roller <sup>1</sup>              | CC522-67909        | <a href="#">1x500-sheet paper deck components on page 375</a>       |
| Kit, pickup roller <sup>1</sup>                       | CC522-67909        | <a href="#">1x500-sheet paper deck components on page 375</a>       |
| Kit, reflector foam, A3                               | 5851-4888          | <a href="#">Document feeder and scanner whole units on page 337</a> |
| Kit, roller pickup <sup>1</sup>                       | CC522-67909        | <a href="#">1x500-sheet paper feeder components on page 371</a>     |
| Kit, scanner whole unit (includes foam reflector kit) | CC522-67922        | <a href="#">Document feeder and scanner whole units on page 337</a> |
| Kit, toner collection unit (TCU)                      | CE980-67901        | <a href="#">Internal assemblies (5 of 8) on page 361</a>            |
| Kit, Tray 2   | CE522-67913        | <a href="#">Internal assemblies (2 of 8) on page 355</a>            |
| Label, cassette number                                | CE707-00001        | <a href="#">1x500-sheet paper feeder components on page 371</a>     |
| Label, fixing (fuser) access                          | RC3-2334-000CN     | <a href="#">Covers on page 349</a>                                  |
| Label, ITB insert, FH                                 | RU5-8806-000CN     | <a href="#">Internal assemblies (6 of 8) on page 363</a>            |
| Label, ITB insert, FV                                 | RU5-8804-000CN     | <a href="#">Internal assemblies (6 of 8) on page 363</a>            |
| Label, ITB set, RH                                    | RU5-8807-000CN     | <a href="#">Internal assemblies (6 of 8) on page 363</a>            |
| Label, ITB set, RV                                    | RU5-8805-000CN     | <a href="#">Internal assemblies (6 of 8) on page 363</a>            |
| Laser/scanner assembly                                | RM1-6122-070CN     | <a href="#">Internal assemblies (6 of 8) on page 363</a>            |
| Lever, inner door pressure                            | RC2-6744-000CN     | <a href="#">Internal assemblies (1 of 8) on page 353</a>            |

**Table 2-35 Alphabetical parts list (continued)**

| <b>Description</b>                   | <b>Part number</b> | <b>Table and page</b>   |
|--------------------------------------|--------------------|---|
| Lever, lift 1                        | RC2-7199-000CN     | <a href="#">Internal assemblies (5 of 8) on page 361</a>                  |
| Lever, lift, 2                       | RC2-7200-000CN     | <a href="#">Internal assemblies (1 of 8) on page 353</a>                  |
| Lever, push                          | RC2-7198-000CN     | <a href="#">Internal assemblies (1 of 8) on page 353</a>                  |
| Lifter drive assembly                | RM1-6039-000CN     | <a href="#">Internal assemblies (7 of 8) on page 365</a>                  |
| Lifter drive assembly                | RM1-3819-000CN     | <a href="#">1x500-sheet paper feeder components on page 371</a>           |
| Lifter drive assembly                | RM1-3819-000CN     | <a href="#">1x500-sheet paper deck components on page 375</a>             |
| Lifter drive assembly                | RM1-3819-000CN     | <a href="#">3x500-sheet paper deck components on page 377</a>             |
| Lifter drive assembly                | RM1-8879-000CN     | <a href="#">HCl components (1 of 2) on page 381</a>                       |
| Link, ITB coupling release           | RC2-6823-000CN     | <a href="#">Internal assemblies (3 of 8) on page 357</a>                  |
| Link, right door, 2 front            | RC2-7233-010CN     | <a href="#">Internal assemblies (4 of 8) on page 359</a>                  |
| Link, right door, 2 rear             | RC2-7236-000CN     | <a href="#">Internal assemblies (4 of 8) on page 359</a>                  |
| Link, right door, lower              | RC2-9327-000CN     | <a href="#">1x500-sheet paper feeder covers on page 369</a>               |
| Link, right door, lower              | RC2-9327-000CN     | <a href="#">1x500-sheet and 3x500-sheet paper deck covers on page 373</a> |
| Link, right door, upper              | RC2-9335-000CN     | <a href="#">1x500-sheet paper feeder covers on page 369</a>               |
| Link, right door, upper              | RC2-9335-000CN     | <a href="#">1x500-sheet and 3x500-sheet paper deck covers on page 373</a> |
| Lock plate, 2cnd transfer            | RL1-2236-000CN     | <a href="#">Internal assemblies (6 of 8) on page 363</a>                  |
| Lock plate, front                    | RL1-2235-000CN     | <a href="#">Internal assemblies (6 of 8) on page 363</a>                  |
| Lock, door link, right               | RC2-7234-000CN     | <a href="#">Internal assemblies (4 of 8) on page 359</a>                  |
| Low-voltage power supply (110V-127V) | RM1-8895-000CN     | <a href="#">Internal assemblies (7 of 8) on page 365</a>                  |



**Table 2-35 Alphabetical parts list (continued)**

| <b>Description</b>                    | <b>Part number</b> | <b>Table and page</b>   |
|---------------------------------------|--------------------|---|
| Low-voltage power supply (220V-2450V) | RM1-8896-000CN     | <a href="#">Internal assemblies (7 of 8) on page 365</a>        |
| Media Stopper, Front                  | CC355-40046        | <a href="#">Document feeder assemblies on page 339</a>          |
| Media Stopper, rear                   | CC355-40047        | <a href="#">Document feeder assemblies on page 339</a>          |
| Microswitch                           | WC4-5251-000CN     | <a href="#">Internal assemblies (1 of 8) on page 353</a>        |
| Motor, DC                             | RM1-6088-000CN     | <a href="#">Internal assemblies (3 of 8) on page 357</a>        |
| Motor, DC stepping (M6, M7)           | RK2-3298-000CN     | <a href="#">Internal assemblies (3 of 8) on page 357</a>        |
| Motor, fixing (fuser)                 | RM1-6074-000CN     | <a href="#">Internal assemblies (2 of 8) on page 355</a>        |
| Motor, stepping, DC                   | RK2-1331-000CN     | <a href="#">1x500-sheet paper feeder components on page 371</a> |
| Motor, stepping, DC                   | RK2-1331-000CN     | <a href="#">1x500-sheet paper deck components on page 375</a>   |
| Motor, stepping, DC                   | RK2-1331-000CN     | <a href="#">3x500-sheet paper deck components on page 377</a>   |
| Motor, stepping, DC                   | RK2-1331-000CN     | <a href="#">HCI components (1 of 2) on page 381</a>             |
| Mount, cover arm, front               | RC2-6735-000CN     | <a href="#">Internal assemblies (1 of 8) on page 353</a>        |
| Mount, inner door rail                | RC2-6743-000CN     | <a href="#">Internal assemblies (1 of 8) on page 353</a>        |
| Mount, inner door toggle              | RC2-6717-000CN     | <a href="#">Internal assemblies (1 of 8) on page 353</a>        |
| Mount, stopper arm                    | RC2-6745-000CN     | <a href="#">Internal assemblies (1 of 8) on page 353</a>        |
| MP (Tray 1) lifter plate assembly     | RM1-9389-000CN     | <a href="#">Right door on page 351</a>                          |
| MP tray (Tray 1) assembly             | RM1-6045-000CN     | <a href="#">Right door on page 351</a>                          |
| Operation assembly                    | RM1-9442-000CN     | <a href="#">Stapler/stacker components on page 347</a>          |
| Output bin (tray assembly)            | RM1-9443-000CN     | <a href="#">Stapler/stacker covers on page 345</a>              |
| Paper delivery assembly               | RM1-9377-000CN     | <a href="#">Internal assemblies (2 of 8) on page 355</a>        |
| Paper feed center guide assembly      | RM1-9988-000CN     | <a href="#">Stapler/stacker components on page 347</a>          |

**Table 2-35 Alphabetical parts list (continued)**

| <b>Description</b>                 | <b>Part number</b> | <b>Table and page</b>   |
|------------------------------------|--------------------|---|
| Paper feeder controller PCA        | RM1-6987-000CN     | <a href="#">1x500-sheet paper feeder components on page 371</a> |
| Paper pickup assembly              | RM1-6944-000CN     | <a href="#">1x500-sheet paper feeder components on page 371</a> |
| Paper pickup assembly              | RM1-6944-000CN     | <a href="#">3x500-sheet paper deck components on page 377</a>   |
| Paper pickup assembly (Tray 2)     | CE522-67903        | <a href="#">Internal assemblies (2 of 8) on page 355</a>        |
| Paper pickup assembly, left        | RM1-8876-000CN     | <a href="#">HCl components (2 of 2) on page 383</a>             |
| Paper pickup assembly, right       | RM1-8869-000CN     | <a href="#">HCl components (2 of 2) on page 383</a>             |
| Paper pickup assembly <sup>1</sup> | RM1-6944-000CN     | <a href="#">1x500-sheet paper deck components on page 375</a>   |
| Paper pickup motor assembly        | RM1-9422-000CN     | <a href="#">HCl components (1 of 2) on page 381</a>             |
| PCA, 1st transfer H.V.P.           | RM1-7004-000CN     | <a href="#">Internal assemblies (4 of 8) on page 359</a>        |
| PCA, 2cnd transfer H.V.P.          | RM1-6802-000CN     | <a href="#">Internal assemblies (4 of 8) on page 359</a>        |
| PCA, driver                        | RM1-8899-000CN     | <a href="#">Internal assemblies (4 of 8) on page 359</a>        |
| PCA, main controller               | RM1-9459-000CN     | <a href="#">Stapler/stacker components on page 347</a>          |
| PCA, scanner memory                | 5851-4285          | <a href="#">Scanner assemblies on page 341</a>                  |
| Photointerrupter                   | WG8-5935-000CN     | <a href="#">Internal assemblies (4 of 8) on page 359</a>        |
| Photosensor                        | CC355-80014        | <a href="#">Document feeder assemblies on page 339</a>          |
| Plate, arm reinforcement           | RC2-9649-000CN     | <a href="#">Internal assemblies (5 of 8) on page 361</a>        |
| Plate, box pillar                  | RC2-6673-000CN     | <a href="#">Internal assemblies (8 of 8) on page 367</a>        |
| Plate, duplexing drive gear        | RL1-2266-000CN     | <a href="#">Internal assemblies (3 of 8) on page 357</a>        |
| Plate, FFC protective              | RC2-9687-000CN     | <a href="#">Internal assemblies (8 of 8) on page 367</a>        |
| Plate, right door link fixed, FR   | RL1-2281-000CN     | <a href="#">Internal assemblies (4 of 8) on page 359</a>        |

**Table 2-35 Alphabetical parts list (continued)**

| <b>Description</b>                     | <b>Part number</b> | <b>Table and page</b>   |
|--|--------------------|---|
| Plate, right door link fixed, front    | RC2-7272-010CN     | <a href="#">Internal assemblies (4 of 8) on page 359</a>                  |
| Plate, right door link fixed, RR       | RL1-2282-000CN     | <a href="#">Internal assemblies (4 of 8) on page 359</a>                  |
| Plate, right door link, rear           | RC2-7273-000CN     | <a href="#">Internal assemblies (4 of 8) on page 359</a>                  |
| Power switch PCA                       | RM1-6759-000CN     | <a href="#">Internal assemblies (7 of 8) on page 365</a>                  |
| Rail, cartridge auxiliary              | RC2-6724-000CN     | <a href="#">Internal assemblies (1 of 8) on page 353</a>                  |
| Rail, cassette, left                   | RL1-1391-000CN     | <a href="#">1x500-sheet paper deck components on page 375</a>             |
| Rail, cassette, left                   | RL1-1391-000CN     | <a href="#">3x500-sheet paper deck components on page 377</a>             |
| Rail, cassette, right                  | RL1-1390-000CN     | <a href="#">1x500-sheet paper deck components on page 375</a>             |
| Rail, cassette, right                  | RL1-1390-000CN     | <a href="#">3x500-sheet paper deck components on page 377</a>             |
| Rail, door link, front lower           | RC2-6634-000CN     | <a href="#">Internal assemblies (4 of 8) on page 359</a>                  |
| Rail, door link, rear lower            | RC2-6635-000CN     | <a href="#">Internal assemblies (4 of 8) on page 359</a>                  |
| Rail, ITB guide                        | RC2-7185-000CN     | <a href="#">Internal assemblies (6 of 8) on page 363</a>                  |
| Rail, ITB guide, F3                    | RC2-7193-000CN     | <a href="#">Internal assemblies (6 of 8) on page 363</a>                  |
| Reverse drive assembly                 | RM2-0698-000CN     | <a href="#">Internal assemblies (2 of 8) on page 355</a>                  |
| Right door assembly                    | RM1-6946-000CN     | <a href="#">1x500-sheet paper feeder covers on page 369</a>               |
| Right door assembly                    | RM1-8868-000CN     | <a href="#">HCI covers on page 379</a>                                    |
| Right door assembly (1x500 paper deck) | RM1-6952-000CN     | <a href="#">1x500-sheet and 3x500-sheet paper deck covers on page 373</a> |
| Right door assembly (3x500 paper deck) | RM1-6953-000CN     | <a href="#">1x500-sheet and 3x500-sheet paper deck covers on page 373</a> |
| Right door, lower guide assembly       | RM1-9989-000CN     | <a href="#">Stapler/stacker covers on page 345</a>                        |
| Right front lock cover assembly        | RM1-9416-000CN     | <a href="#">HCI covers on page 379</a>                                    |

**Table 2-35 Alphabetical parts list (continued)**

| <b>Description</b>             | <b>Part number</b> | <b>Table and page</b>   |
|--------------------------------|--------------------|---|
| Right lower cover assembly     | RM1-6948-000CN     | <a href="#">1x500-sheet paper feeder covers on page 369</a>               |
| SCB, top Level Assembly        | CC522-67931        | <a href="#">Scanner controller board (SCB) assembly on page 343</a>       |
| Screw, stepped                 | RU5-9056-000CN     | <a href="#">1x500-sheet and 3x500-sheet paper deck covers on page 373</a> |
| Seal, slide shutter            | RC3-1014-000CN     | <a href="#">Internal assemblies (6 of 8) on page 363</a>                  |
| Seal, toner supporter guide    | RC2-7018-000CN     | <a href="#">Internal assemblies (6 of 8) on page 363</a>                  |
| Sensor, environmental PCA      | RK2-2884-000CN     | <a href="#">Internal assemblies (4 of 8) on page 359</a>                  |
| Sensor, registration           | RM1-7922-000CN     | <a href="#">Internal assemblies (2 of 8) on page 355</a>                  |
| Shaft, right door link         | RU5-4979-000CN     | <a href="#">Internal assemblies (4 of 8) on page 359</a>                  |
| Sheet, slide seal              | RC3-1013-000CN     | <a href="#">Internal assemblies (6 of 8) on page 363</a>                  |
| Shutter, exhaust               | RC2-7010-000CN     | <a href="#">Internal assemblies (5 of 8) on page 361</a>                  |
| Slider, push                   | RC2-7201-000CN     | <a href="#">Internal assemblies (5 of 8) on page 361</a>                  |
| Solenoid, flapper assembly     | RM1-9444-000CN     | <a href="#">Stapler/stacker components on page 347</a>                    |
| Spring, compression            | RU6-2721-000CN     | <a href="#">Internal assemblies (1 of 8) on page 353</a>                  |
| Spring, compression            | RU6-2683-000CN     | <a href="#">Internal assemblies (5 of 8) on page 361</a>                  |
| Spring, contact                | RU6-2771-000CN     | <a href="#">Internal assemblies (3 of 8) on page 357</a>                  |
| Spring, contact                | RU6-2767-000CN     | <a href="#">Internal assemblies (7 of 8) on page 365</a>                  |
| Spring, contact                | RU6-2768-000CN     | <a href="#">Internal assemblies (7 of 8) on page 365</a>                  |
| Spring, document feeder sensor | CC522-80101        | <a href="#">Scanner assemblies on page 341</a>                            |
| Spring, grounding              | RC2-7209-000CN     | <a href="#">Internal assemblies (1 of 8) on page 353</a>                  |
| Spring, grounding              | RU6-2772-000CN     | <a href="#">Internal assemblies (3 of 8) on page 357</a>                  |

**Table 2-35 Alphabetical parts list (continued)**

| <b>Description</b>           | <b>Part number</b> | <b>Table and page</b>   |
|------------------------------|--------------------|---|
| Spring, grounding            | RC2-6700-000CN     | <a href="#">Internal assemblies (3 of 8) on page 357</a>        |
| Spring, leaf, grounding      | RC2-7092-000CN     | <a href="#">Internal assemblies (1 of 8) on page 353</a>        |
| Spring, rod                  | RC2-6611-000CN     | <a href="#">Internal assemblies (7 of 8) on page 365</a>        |
| Spring, tension              | RU6-2710-000CN     | <a href="#">Internal assemblies (2 of 8) on page 355</a>        |
| Spring, tension              | RU6-2671-000       | <a href="#">Internal assemblies (3 of 8) on page 357</a>        |
| Spring, tension              | RU6-2744-000CN     | <a href="#">Internal assemblies (4 of 8) on page 359</a>        |
| Spring, tension              | RU6-2727-000CN     | <a href="#">Internal assemblies (4 of 8) on page 359</a>        |
| Spring, tension              | RU6-2831-000CN     | <a href="#">Internal assemblies (5 of 8) on page 361</a>        |
| Spring, torsion              | RU6-2670-000CN     | <a href="#">Internal assemblies (6 of 8) on page 363</a>        |
| Stapler assembly             | RM1-9446-000CN     | <a href="#">Stapler/stacker components on page 347</a>          |
| Stock box assembly           | RM1-6954-000CN     | <a href="#">1x500-sheet paper deck components on page 375</a>   |
| Stopper, inner door, 1       | RC2-6719-000CN     | <a href="#">Internal assemblies (1 of 8) on page 353</a>        |
| Stopper, inner door, 2       | RC2-6736-000CN     | <a href="#">Internal assemblies (1 of 8) on page 353</a>        |
| Stopper, laser               | RC2-6646-000CN     | <a href="#">Internal assemblies (7 of 8) on page 365</a>        |
| Sub power supply             | RM1-9366-000CN     | <a href="#">Internal assemblies (8 of 8) on page 367</a>        |
| Sub power supply fan (FM5)   | RM1-9384-000CN     | <a href="#">Internal assemblies (8 of 8) on page 367</a>        |
| Support, developing coupling | RC2-6811-000CN     | <a href="#">Internal assemblies (4 of 8) on page 359</a>        |
| Support, frame               | RC2-7197-000CN     | <a href="#">Internal assemblies (2 of 8) on page 355</a>        |
| Support, frame               | RC2-7196-000CN     | <a href="#">Internal assemblies (2 of 8) on page 355</a>        |
| Switch, button               | WC2-5512-000CN     | <a href="#">1x500-sheet paper feeder components on page 371</a> |

**Table 2-35 Alphabetical parts list (continued)**

| <b>Description</b>                       | <b>Part number</b> | <b>Table and page</b>   |
|--|--------------------|---|
| Switch, button                           | WC2-5512-000CN     | <a href="#">3x500-sheet paper deck components on page 377</a>   |
| Switch, door assembly                    | RM1-9445-000CN     | <a href="#">Stapler/stacker components on page 347</a>          |
| Toner feed assembly                      | RM1-6040-010CN     | <a href="#">Internal assemblies (6 of 8) on page 363</a>        |
| Toner remanet detect PCA                 | RM1-6779-000CN     | <a href="#">Internal assemblies (7 of 8) on page 365</a>        |
| Tray 3 - 6 (1x500, 1x500 w/stand, 3x500) | CC522-67914        | <a href="#">1x500-sheet paper feeder components on page 371</a> |
| Tray 3 - 6 replacement                   | CC522-67914        | <a href="#">1x500-sheet paper deck components on page 375</a>   |
| Tray 3 - 6 replacement                   | CC522-67914        | <a href="#">3x500-sheet paper deck components on page 377</a>   |
| Tray 3, 3,500 HCI                        | CC522-67916        | <a href="#">HCI components (2 of 2) on page 383</a>             |
| Tray 4, 3,500 HCI                        | CC522-67915        | <a href="#">HCI components (2 of 2) on page 383</a>             |
| Tray assembly                            | RM1-9443-000CN     | <a href="#">Stapler/stacker components on page 347</a>          |
| Wall, inner                              | RC3-2321-000CN     | <a href="#">Covers on page 349</a>                              |
| Width sensor PCA                         | CQ819-60022        | <a href="#">Document feeder assemblies on page 339</a>          |

# Numerical parts list

**Table 2-36 Numerical parts list**

| <b>Part number</b> | <b>Description</b>                           | <b>Table and page</b>   |
|--------------------|--|---|
| 5851-4285          | PCA, scanner memory                          | <a href="#">Scanner assemblies on page 341</a>                      |
| 5851-4879          | ADF separation pad spring                    | <a href="#">Document feeder assemblies on page 339</a>              |
| 5851-4888          | Kit, reflector foam, A3                      | <a href="#">Document feeder and scanner whole units on page 337</a> |
| 5851-4997          | Kit, A3 ADF mylar                            | <a href="#">Document feeder assemblies on page 339</a>              |
| 5851-5011          | Kit, pick/feed roller 3,500 HCl <sup>1</sup> | <a href="#">HCl components (2 of 2) on page 383</a>                 |
| 5851-5011          | Kit, pick/feed roller 3,500 HCl <sup>1</sup> | <a href="#">HCl components (2 of 2) on page 383</a>                 |
| CC355-40015        | Flag, media presence                         | <a href="#">Document feeder assemblies on page 339</a>              |
| CC355-40046        | Media Stopper, Front                         | <a href="#">Document feeder assemblies on page 339</a>              |
| CC355-40047        | Media Stopper, rear                          | <a href="#">Document feeder assemblies on page 339</a>              |
| CC355-80014        | Photosensor                                  | <a href="#">Document feeder assemblies on page 339</a>              |
| CC522-40017        | Cover, back scanner                          | <a href="#">Scanner assemblies on page 341</a>                      |
| CC522-40020        | Cover, front scanner                         | <a href="#">Scanner assemblies on page 341</a>                      |
| CC522-40021        | Cover, left scanner                          | <a href="#">Scanner assemblies on page 341</a>                      |
| CC522-40022        | Cover, right scanner                         | <a href="#">Scanner assemblies on page 341</a>                      |
| CC522-40023        | Cover, ADF cable                             | <a href="#">Scanner assemblies on page 341</a>                      |
| CC522-40029        | Flag, document feeder open sensor            | <a href="#">Scanner assemblies on page 341</a>                      |
| CC522-67901        | Kit, formatter replacement PCA               | <a href="#">Internal assemblies (8 of 8) on page 367</a>            |
| CC522-67904        | Kit, fuser replacement 110V                  | <a href="#">Internal assemblies (2 of 8) on page 355</a>            |
| CC522-67906        | Kit, door inner                              | <a href="#">Internal assemblies (1 of 8) on page 353</a>            |

**Table 2-36 Numerical parts list (continued)**

| <b>Part number</b> | <b>Description</b>                                    | <b>Table and page</b>   |
|--------------------|---|---|
| CC522-67909        | Kit, roller pickup <sup>1</sup>                       | <a href="#">1x500-sheet paper feeder components on page 371</a>     |
| CC522-67909        | Kit, feed roller assembly <sup>1</sup>                | <a href="#">1x500-sheet paper feeder components on page 371</a>     |
| CC522-67909        | Kit, pickup roller <sup>1</sup>                       | <a href="#">1x500-sheet paper deck components on page 375</a>       |
| CC522-67909        | Kit, pickup and feed roller <sup>1</sup>              | <a href="#">1x500-sheet paper deck components on page 375</a>       |
| CC522-67911        | Kit, intermediate transfer belt (ITB) repair          | <a href="#">Internal assemblies (6 of 8) on page 363</a>            |
| CC522-67914        | Tray 3 - 6 (1x500, 1x500 w/stand, 3x500)              | <a href="#">1x500-sheet paper feeder components on page 371</a>     |
| CC522-67914        | Tray 3 - 6 replacement                                | <a href="#">1x500-sheet paper deck components on page 375</a>       |
| CC522-67914        | Tray 3 - 6 replacement                                | <a href="#">3x500-sheet paper deck components on page 377</a>       |
| CC522-67915        | Tray 4, 3,500 HCI                                     | <a href="#">HCI components (2 of 2) on page 383</a>                 |
| CC522-67916        | Tray 3, 3,500 HCI                                     | <a href="#">HCI components (2 of 2) on page 383</a>                 |
| CC522-67922        | Kit, scanner whole unit (includes foam reflector kit) | <a href="#">Document feeder and scanner whole units on page 337</a> |
| CC522-67922        | Flatbed scanner Assy (complete) <sup>1</sup>          | <a href="#">Scanner assemblies on page 341</a>                      |
| CC522-67923        | Kit, ADF whole unit, A3 (includes foam reflector kit) | <a href="#">Document feeder and scanner whole units on page 337</a> |
| CC522-67923        | ADF Assembly (complete)                               | <a href="#">Document feeder assemblies on page 339</a>              |
| CC522-67926        | Kit, fuser replacement 220V                           | <a href="#">Internal assemblies (2 of 8) on page 355</a>            |
| CC522-67927        | Kit, paper pick roller and separation roller          | <a href="#">Internal assemblies (2 of 8) on page 355</a>            |
| CC522-67931        | SCB, top Level Assembly                               | <a href="#">Scanner controller board (SCB) assembly on page 343</a> |
| CC522-80101        | Spring, document feeder sensor                        | <a href="#">Scanner assemblies on page 341</a>                      |
| CD644-67916        | Kit, control panel                                    | <a href="#">Document feeder and scanner whole units on page 337</a> |
| CE522-67903        | Paper pickup assembly (Tray 2)                        | <a href="#">Internal assemblies (2 of 8) on page 355</a>            |



**Table 2-36 Numerical parts list (continued)**

| <b>Part number</b> | <b>Description</b>                      | <b>Table and page</b>   |
|--------------------|---|---|
| CE522-67913        | Kit, Tray 2                             | <a href="#">Internal assemblies (2 of 8) on page 355</a>        |
| CE707-00001        | Label, cassette number                  | <a href="#">1x500-sheet paper feeder components on page 371</a> |
| CE707-67902        | Kit, front cover assembly with HP jewel | <a href="#">Covers on page 349</a>                              |
| CE707-67904        | Kit, fuser drive assembly               | <a href="#">Internal assemblies (2 of 8) on page 355</a>        |
| CE708-67901        | Kit, main drive assembly duplex         | <a href="#">Internal assemblies (3 of 8) on page 357</a>        |
| CE980-67901        | Kit, toner collection unit (TCU)        | <a href="#">Internal assemblies (5 of 8) on page 361</a>        |
| CQ819-40003        | Cover, ADF front                        | <a href="#">Document feeder assemblies on page 339</a>          |
| CQ819-40004        | Cover, hatch                            | <a href="#">Document feeder assemblies on page 339</a>          |
| CQ819-40005        | Cover, ADF rear                         | <a href="#">Document feeder assemblies on page 339</a>          |
| CQ819-40032        | ADF roller cover, A3                    | <a href="#">Document feeder assemblies on page 339</a>          |
| CQ819-60011        | ADF hinge assembly                      | <a href="#">Document feeder assemblies on page 339</a>          |
| CQ819-60022        | Width sensor PCA                        | <a href="#">Document feeder assemblies on page 339</a>          |
| Q7404-40020        | ADF tray extender                       | <a href="#">Document feeder assemblies on page 339</a>          |
| RC1-9896-000CN     | Caster, double lock, front              | <a href="#">1x500-sheet paper deck components on page 375</a>   |
| RC1-9896-000CN     | Caster, double lock, front              | <a href="#">3x500-sheet paper deck components on page 377</a>   |
| RC2-6551-000CN     | Guide                                   | <a href="#">Internal assemblies (2 of 8) on page 355</a>        |
| RC2-6573-000CN     | Cover, imaging H.V.T. cable             | <a href="#">Internal assemblies (8 of 8) on page 367</a>        |
| RC2-6574-000CN     | Cover, main drive cable, lower          | <a href="#">Internal assemblies (3 of 8) on page 357</a>        |
| RC2-6587-000CN     | Guide, crossmember cable, front         | <a href="#">Internal assemblies (7 of 8) on page 365</a>        |
| RC2-6588-000CN     | Guide, crossmember cable, rear          | <a href="#">Internal assemblies (7 of 8) on page 365</a>        |

**Table 2-36 Numerical parts list (continued)**

| <b>Part number</b> | <b>Description</b>                  | <b>Table and page</b>                                    |
|--------------------|-------------------------------------|--|
| RC2-6589-000CN     | Guide, inside cable                 | <a href="#">Internal assemblies (6 of 8) on page 363</a> |
| RC2-6600-000CN     | Guide, main crossmember cable       | <a href="#">Internal assemblies (6 of 8) on page 363</a> |
| RC2-6611-000CN     | Spring, rod                         | <a href="#">Internal assemblies (7 of 8) on page 365</a> |
| RC2-6625-000CN     | Cover, handle, lower-left           | <a href="#">Covers on page 349</a>                       |
| RC2-6626-000CN     | Cover, handle, lower-right, rear    | <a href="#">Covers on page 349</a>                       |
| RC2-6627-000CN     | Cover, handle, lower-right, front   | <a href="#">Covers on page 349</a>                       |
| RC2-6628-000CN     | Guide, laser                        | <a href="#">Internal assemblies (6 of 8) on page 363</a> |
| RC2-6632-000CN     | Guide, arm, front                   | <a href="#">Internal assemblies (1 of 8) on page 353</a> |
| RC2-6634-000CN     | Rail, door link, front lower        | <a href="#">Internal assemblies (4 of 8) on page 359</a> |
| RC2-6635-000CN     | Rail, door link, rear lower         | <a href="#">Internal assemblies (4 of 8) on page 359</a> |
| RC2-6638-000CN     | Holder, paper pickup connector      | <a href="#">Internal assemblies (8 of 8) on page 367</a> |
| RC2-6642-000CN     | Cover, connector, lower             | <a href="#">Internal assemblies (2 of 8) on page 355</a> |
| RC2-6646-000CN     | Stopper, laser                      | <a href="#">Internal assemblies (7 of 8) on page 365</a> |
| RC2-6650-000CN     | Cover, main crossmember cable       | <a href="#">Internal assemblies (6 of 8) on page 363</a> |
| RC2-6655-000CN     | Holder, flexible flat cable (FFC)   | <a href="#">Internal assemblies (6 of 8) on page 363</a> |
| RC2-6659-000CN     | Guide, main drive cable             | <a href="#">Internal assemblies (3 of 8) on page 357</a> |
| RC2-6661-000CN     | Guide, imaging H.V.T. cable         | <a href="#">Internal assemblies (8 of 8) on page 367</a> |
| RC2-6662-000CN     | Guide, LVT cable                    | <a href="#">Internal assemblies (5 of 8) on page 361</a> |
| RC2-6663-000CN     | Clamp, edge                         | <a href="#">Internal assemblies (5 of 8) on page 361</a> |
| RC2-6665-000CN     | Guide, DC controller, support cable | <a href="#">Internal assemblies (8 of 8) on page 367</a> |
| RC2-6670-000CN     | Cover, handle guide                 | <a href="#">Internal assemblies (1 of 8) on page 353</a> |

**Table 2-36 Numerical parts list (continued)**

| <b>Part number</b> | <b>Description</b>                     | <b>Table and page</b>                                    |
|--------------------|--|--|
| RC2-6673-000CN     | Plate, box pillar                      | <a href="#">Internal assemblies (8 of 8) on page 367</a> |
| RC2-6680-000CN     | Holder, 1st transfer power dispatching | <a href="#">Internal assemblies (7 of 8) on page 365</a> |
| RC2-6681-010CN     | Holder, 2cnd transfer H.V.T.           | <a href="#">Internal assemblies (3 of 8) on page 357</a> |
| RC2-6682-000CN     | Holder, 2cnd power dispatching         | <a href="#">Internal assemblies (3 of 8) on page 357</a> |
| RC2-6689-000CN     | Holder, interlock switch               | <a href="#">Internal assemblies (1 of 8) on page 353</a> |
| RC2-6691-000CN     | Cap, T2 contact                        | <a href="#">Internal assemblies (3 of 8) on page 357</a> |
| RC2-6693-000CN     | Guide, fixing (fuser) AC cable         | <a href="#">Internal assemblies (5 of 8) on page 361</a> |
| RC2-6700-000CN     | Spring, grounding                      | <a href="#">Internal assemblies (3 of 8) on page 357</a> |
| RC2-6712-000CN     | Hinge, inner door, right               | <a href="#">Internal assemblies (1 of 8) on page 353</a> |
| RC2-6713-000CN     | Hinge, front cover, left               | <a href="#">Internal assemblies (1 of 8) on page 353</a> |
| RC2-6715-000CN     | Hinge, front cover, right              | <a href="#">Internal assemblies (1 of 8) on page 353</a> |
| RC2-6716-000CN     | Hinge, inner door, left                | <a href="#">Internal assemblies (1 of 8) on page 353</a> |
| RC2-6717-000CN     | Mount, inner door toggle               | <a href="#">Internal assemblies (1 of 8) on page 353</a> |
| RC2-6719-000CN     | Stopper, inner door, 1                 | <a href="#">Internal assemblies (1 of 8) on page 353</a> |
| RC2-6724-000CN     | Rail, cartridge auxiliary              | <a href="#">Internal assemblies (1 of 8) on page 353</a> |
| RC2-6732-000CN     | Arm, front cover, 1                    | <a href="#">Internal assemblies (1 of 8) on page 353</a> |
| RC2-6733-000CN     | Arm, front cover, 2                    | <a href="#">Internal assemblies (1 of 8) on page 353</a> |
| RC2-6735-000CN     | Mount, cover arm, front                | <a href="#">Internal assemblies (1 of 8) on page 353</a> |
| RC2-6736-000CN     | Stopper, inner door, 2                 | <a href="#">Internal assemblies (1 of 8) on page 353</a> |
| RC2-6737-000CN     | Cover, lower front                     | <a href="#">Internal assemblies (1 of 8) on page 353</a> |

**Table 2-36 Numerical parts list (continued)**

| <b>Part number</b> | <b>Description</b>                 | <b>Table and page</b>                                    |
|--------------------|------------------------------------|--|
| RC2-6738-000CN     | Hinge, front cover, center         | <a href="#">Internal assemblies (1 of 8) on page 353</a> |
| RC2-6743-000CN     | Mount, inner door rail             | <a href="#">Internal assemblies (1 of 8) on page 353</a> |
| RC2-6744-000CN     | Lever, inner door pressure         | <a href="#">Internal assemblies (1 of 8) on page 353</a> |
| RC2-6745-000CN     | Mount, stopper arm                 | <a href="#">Internal assemblies (1 of 8) on page 353</a> |
| RC2-6760-000CN     | Crossmember, cover, left           | <a href="#">Internal assemblies (8 of 8) on page 367</a> |
| RC2-6811-000CN     | Support, developing coupling       | <a href="#">Internal assemblies (4 of 8) on page 359</a> |
| RC2-6823-000CN     | Link, ITB coupling release         | <a href="#">Internal assemblies (3 of 8) on page 357</a> |
| RC2-6824-000CN     | Arm, ITB coupling release          | <a href="#">Internal assemblies (4 of 8) on page 359</a> |
| RC2-6832-000CN     | Cover, cable, protective           | <a href="#">Internal assemblies (2 of 8) on page 355</a> |
| RC2-6931-000CN     | Cover, duplexing gear              | <a href="#">Internal assemblies (3 of 8) on page 357</a> |
| RC2-6932-000CN     | Hook, duplexing spring             | <a href="#">Internal assemblies (3 of 8) on page 357</a> |
| RC2-6962-000CN     | Cover, waste toner 2               | <a href="#">Internal assemblies (5 of 8) on page 361</a> |
| RC2-6963-000CN     | Cover, waster toner, 3             | <a href="#">Internal assemblies (5 of 8) on page 361</a> |
| RC2-7010-000CN     | Shutter, exhaust                   | <a href="#">Internal assemblies (5 of 8) on page 361</a> |
| RC2-7018-000CN     | Seal, toner supporter guide        | <a href="#">Internal assemblies (6 of 8) on page 363</a> |
| RC2-7034-000CN     | Door, toner collection unit access | <a href="#">Covers on page 349</a>                       |
| RC2-7035-000CN     | Arm, waste toner, left             | <a href="#">Internal assemblies (5 of 8) on page 361</a> |
| RC2-7036-000CN     | Arm, waste toner, right            | <a href="#">Internal assemblies (5 of 8) on page 361</a> |
| RC2-7092-000CN     | Spring, leaf, grounding            | <a href="#">Internal assemblies (1 of 8) on page 353</a> |
| RC2-7094-000CN     | Hinge, right door, front           | <a href="#">Internal assemblies (4 of 8) on page 359</a> |

**Table 2-36 Numerical parts list (continued)**

| <b>Part number</b> | <b>Description</b>                  | <b>Table and page</b>                                    |
|--------------------|-------------------------------------|--|
| RC2-7185-000CN     | Rail, ITB guide                     | <a href="#">Internal assemblies (6 of 8) on page 363</a> |
| RC2-7193-000CN     | Rail, ITB guide, F3                 | <a href="#">Internal assemblies (6 of 8) on page 363</a> |
| RC2-7196-000CN     | Support, frame                      | <a href="#">Internal assemblies (2 of 8) on page 355</a> |
| RC2-7197-000CN     | Support, frame                      | <a href="#">Internal assemblies (2 of 8) on page 355</a> |
| RC2-7198-000CN     | Lever, push                         | <a href="#">Internal assemblies (1 of 8) on page 353</a> |
| RC2-7199-000CN     | Lever, lift 1                       | <a href="#">Internal assemblies (5 of 8) on page 361</a> |
| RC2-7200-000CN     | Lever, lift, 2                      | <a href="#">Internal assemblies (1 of 8) on page 353</a> |
| RC2-7201-000CN     | Slider, push                        | <a href="#">Internal assemblies (5 of 8) on page 361</a> |
| RC2-7203-000CN     | Guide, slide                        | <a href="#">Internal assemblies (5 of 8) on page 361</a> |
| RC2-7204-000CN     | Cover, guide                        | <a href="#">Internal assemblies (1 of 8) on page 353</a> |
| RC2-7209-000CN     | Spring, grounding                   | <a href="#">Internal assemblies (1 of 8) on page 353</a> |
| RC2-7233-010CN     | Link, right door, 2 front           | <a href="#">Internal assemblies (4 of 8) on page 359</a> |
| RC2-7234-000CN     | Lock, door link, right              | <a href="#">Internal assemblies (4 of 8) on page 359</a> |
| RC2-7236-000CN     | Link, right door, 2 rear            | <a href="#">Internal assemblies (4 of 8) on page 359</a> |
| RC2-7272-010CN     | Plate, right door link fixed, front | <a href="#">Internal assemblies (4 of 8) on page 359</a> |
| RC2-7273-000CN     | Plate, right door link, rear        | <a href="#">Internal assemblies (4 of 8) on page 359</a> |
| RC2-7297-000CN     | Guide, paper feed                   | <a href="#">Internal assemblies (2 of 8) on page 355</a> |
| RC2-7299-000CN     | Holder, power supply fan            | <a href="#">Internal assemblies (6 of 8) on page 363</a> |
| RC2-7300-000CN     | Duct, front                         | <a href="#">Internal assemblies (1 of 8) on page 353</a> |
| RC2-8360-000CN     | Duct, joint                         | <a href="#">Internal assemblies (4 of 8) on page 359</a> |

**Table 2-36 Numerical parts list (continued)**

| <b>Part number</b> | <b>Description</b>       | <b>Table and page</b>   |
|--------------------|--------------------------|---|
| RC2-8388-000CN     | Duct, fan, 1             | <a href="#">Internal assemblies (6 of 8) on page 363</a>                  |
| RC2-8424-000CN     | Cover, cable, right rear | <a href="#">Internal assemblies (7 of 8) on page 365</a>                  |
| RC2-9155-000CN     | Cover, right upper       | <a href="#">Covers on page 349</a>  |
| RC2-9157-000CN     | Cover, right rear        | <a href="#">Covers on page 349</a>  |
| RC2-9158-000CN     | Cover, left rear         | <a href="#">Covers on page 349</a>  |
| RC2-9160-000CN     | Cover, rear upper        | <a href="#">Covers on page 349</a>  |
| RC2-9303-000CN     | Handle, lock, rear       | <a href="#">1x500-sheet paper feeder covers on page 369</a>               |
| RC2-9303-000CN     | Handle, lock, rear       | <a href="#">1x500-sheet and 3x500-sheet paper deck covers on page 373</a> |
| RC2-9320-000CN     | Cover, right front       | <a href="#">1x500-sheet paper feeder covers on page 369</a>               |
| RC2-9327-000CN     | Link, right door, lower  | <a href="#">1x500-sheet paper feeder covers on page 369</a>               |
| RC2-9327-000CN     | Link, right door, lower  | <a href="#">1x500-sheet and 3x500-sheet paper deck covers on page 373</a> |
| RC2-9330-000CN     | Cover, rear              | <a href="#">1x500-sheet paper feeder covers on page 369</a>               |
| RC2-9331-000CN     | Cover, left              | <a href="#">1x500-sheet paper feeder covers on page 369</a>               |
| RC2-9332-000CN     | Cover, handle lower      | <a href="#">1x500-sheet paper feeder covers on page 369</a>               |
| RC2-9335-000CN     | Link, right door, upper  | <a href="#">1x500-sheet paper feeder covers on page 369</a>               |
| RC2-9335-000CN     | Link, right door, upper  | <a href="#">1x500-sheet and 3x500-sheet paper deck covers on page 373</a> |
| RC2-9343-000CN     | Cover, right corner      | <a href="#">1x500-sheet and 3x500-sheet paper deck covers on page 373</a> |
| RC2-9346-000CN     | Cover, right lower, 1    | <a href="#">1x500-sheet and 3x500-sheet paper deck covers on page 373</a> |
| RC2-9347-000CN     | Cover, right lower, 2    | <a href="#">1x500-sheet and 3x500-sheet paper deck covers on page 373</a> |

**Table 2-36 Numerical parts list (continued)**

| <b>Part number</b> | <b>Description</b>                     | <b>Table and page</b>   |
|--------------------|--|---|
| RC2-9348-000CN     | Cover, rear                            | <a href="#">1x500-sheet and 3x500-sheet paper deck covers on page 373</a> |
| RC2-9349-000CN     | Cover, left                            | <a href="#">1x500-sheet and 3x500-sheet paper deck covers on page 373</a> |
| RC2-9350-000CN     | Cover, left lower                      | <a href="#">1x500-sheet and 3x500-sheet paper deck covers on page 373</a> |
| RC2-9353-000CN     | Door, stock, 1 (1x500 paper deck only) | <a href="#">1x500-sheet and 3x500-sheet paper deck covers on page 373</a> |
| RC2-9354-000CN     | Door, stock, 2 (1x500 paper deck only) | <a href="#">1x500-sheet and 3x500-sheet paper deck covers on page 373</a> |
| RC2-9357-000CN     | Cover, rear lower                      | <a href="#">1x500-sheet and 3x500-sheet paper deck covers on page 373</a> |
| RC2-9649-000CN     | Plate, arm reinforcement               | <a href="#">Internal assemblies (5 of 8) on page 361</a>                  |
| RC2-9687-000CN     | Plate, FFC protective                  | <a href="#">Internal assemblies (8 of 8) on page 367</a>                  |
| RC3-0684-000CN     | Guide, cable                           | <a href="#">Internal assemblies (7 of 8) on page 365</a>                  |
| RC3-1013-000CN     | Sheet, slide seal                      | <a href="#">Internal assemblies (6 of 8) on page 363</a>                  |
| RC3-1014-000CN     | Seal, slide shutter                    | <a href="#">Internal assemblies (6 of 8) on page 363</a>                  |
| RC3-2321-000CN     | Wall, inner                            | <a href="#">Covers on page 349</a>  |
| RC3-2334-000CN     | Label, fixing (fuser) access           | <a href="#">Covers on page 349</a>  |
| RC3-2994-000CN     | Caster, rear                           | <a href="#">1x500-sheet paper deck components on page 375</a>             |
| RC3-2994-000CN     | Caster, rear                           | <a href="#">3x500-sheet paper deck components on page 377</a>             |
| RC3-3000-000CN     | Cover, right center                    | <a href="#">HCI covers on page 379</a>                                    |
| RC3-3001-000CN     | Cover, right lower                     | <a href="#">HCI covers on page 379</a>                                    |
| RC3-3002-000CN     | Cover, right rear                      | <a href="#">HCI covers on page 379</a>                                    |
| RC3-3003-000CN     | Cover, rear                            | <a href="#">HCI covers on page 379</a>                                    |
| RC3-3004-000CN     | Cover, rear lower                      | <a href="#">HCI covers on page 379</a>                                    |
| RC3-3005-000CN     | Cover, left                            | <a href="#">HCI covers on page 379</a>                                    |

**Table 2-36 Numerical parts list (continued)**

| <b>Part number</b> | <b>Description</b>             | <b>Table and page</b>   |
|--------------------|--------------------------------|---|
| RC3-3006-000CN     | Cover, left lower              | <a href="#">HCl covers on page 379</a>                          |
| RC3-3009-000CN     | Cover, corner, right           | <a href="#">HCl covers on page 379</a>                          |
| RC3-3323-000CN     | Cover, right door cable, small | <a href="#">Stapler/stacker covers on page 345</a>              |
| RC3-3324-000CN     | Cover, front right             | <a href="#">Stapler/stacker covers on page 345</a>              |
| RC3-3325-000CN     | Cover, front left              | <a href="#">Stapler/stacker covers on page 345</a>              |
| RC3-3326-000CN     | Cover, left rear               | <a href="#">Stapler/stacker covers on page 345</a>              |
| RC3-3331-000CN     | Cover, left lower              | <a href="#">Stapler/stacker covers on page 345</a>              |
| RC3-4687-000CN     | Holder, door detect, right     | <a href="#">Internal assemblies (4 of 8) on page 359</a>        |
| RK2-1331-000CN     | Motor, stepping, DC            | <a href="#">1x500-sheet paper feeder components on page 371</a> |
| RK2-1331-000CN     | Motor, stepping, DC            | <a href="#">1x500-sheet paper deck components on page 375</a>   |
| RK2-1331-000CN     | Motor, stepping, DC            | <a href="#">3x500-sheet paper deck components on page 377</a>   |
| RK2-1331-000CN     | Motor, stepping, DC            | <a href="#">HCl components (1 of 2) on page 381</a>             |
| RK2-2276-000CN     | Fan (FM1; power supply)        | <a href="#">Internal assemblies (6 of 8) on page 363</a>        |
| RK2-2884-000CN     | Sensor, environmental PCA      | <a href="#">Internal assemblies (4 of 8) on page 359</a>        |
| RK2-3298-000CN     | Motor, DC stepping (M6, M7)    | <a href="#">Internal assemblies (3 of 8) on page 357</a>        |
| RK2-4329-000CN     | Cable, USB                     | <a href="#">Internal assemblies (8 of 8) on page 367</a>        |
| RL1-1390-000CN     | Rail, cassette, right          | <a href="#">1x500-sheet paper deck components on page 375</a>   |
| RL1-1390-000CN     | Rail, cassette, right          | <a href="#">3x500-sheet paper deck components on page 377</a>   |
| RL1-1391-000CN     | Rail, cassette, left           | <a href="#">1x500-sheet paper deck components on page 375</a>   |
| RL1-1391-000CN     | Rail, cassette, left           | <a href="#">3x500-sheet paper deck components on page 377</a>   |
| RL1-2235-000CN     | Lock plate, front              | <a href="#">Internal assemblies (6 of 8) on page 363</a>        |



**Table 2-36 Numerical parts list (continued)**

| <b>Part number</b> | <b>Description</b>               | <b>Table and page</b>   |
|--------------------|----------------------------------|---|
| RL1-2236-000CN     | Lock plate, 2cnd transfer        | <a href="#">Internal assemblies (6 of 8) on page 363</a>        |
| RL1-2266-000CN     | Plate, duplexing drive gear      | <a href="#">Internal assemblies (3 of 8) on page 357</a>        |
| RL1-2281-000CN     | Plate, right door link fixed, FR | <a href="#">Internal assemblies (4 of 8) on page 359</a>        |
| RL1-2282-000CN     | Plate, right door link fixed, RR | <a href="#">Internal assemblies (4 of 8) on page 359</a>        |
| RM1-3575-000CN     | Cable, paper pickup option       | <a href="#">1x500-sheet paper deck components on page 375</a>   |
| RM1-3575-000CN     | Cable, paper pickup option       | <a href="#">3x500-sheet paper deck components on page 377</a>   |
| RM1-3647-000CN     | Cable, multisensor               | <a href="#">1x500-sheet paper deck components on page 375</a>   |
| RM1-3647-000CN     | Cable, multi sensor              | <a href="#">3x500-sheet paper deck components on page 377</a>   |
| RM1-3651-000CN     | Cable, door open switch          | <a href="#">3x500-sheet paper deck components on page 377</a>   |
| RM1-3819-000CN     | Lifter drive assembly            | <a href="#">1x500-sheet paper feeder components on page 371</a> |
| RM1-3819-000CN     | Lifter drive assembly            | <a href="#">1x500-sheet paper deck components on page 375</a>   |
| RM1-3819-000CN     | Lifter drive assembly            | <a href="#">3x500-sheet paper deck components on page 377</a>   |
| RM1-5990-000CN     | Cartridge guide assembly, upper  | <a href="#">Internal assemblies (1 of 8) on page 353</a>        |
| RM1-6012-000CN     | Cover, waste toner               | <a href="#">Internal assemblies (5 of 8) on page 361</a>        |
| RM1-6018-000CN     | ITB guide rail assembly          | <a href="#">Internal assemblies (5 of 8) on page 361</a>        |
| RM1-6019-000CN     | ITB guide rail                   | <a href="#">Internal assemblies (5 of 8) on page 361</a>        |
| RM1-6036-000CN     | Auto close assembly              | <a href="#">Internal assemblies (7 of 8) on page 365</a>        |
| RM1-6037-000CN     | ITB guide rail assembly, R1      | <a href="#">Internal assemblies (5 of 8) on page 361</a>        |
| RM1-6039-000CN     | Lifter drive assembly            | <a href="#">Internal assemblies (7 of 8) on page 365</a>        |
| RM1-6040-010CN     | Toner feed assembly              | <a href="#">Internal assemblies (6 of 8) on page 363</a>        |

**Table 2-36 Numerical parts list (continued)**

| <b>Part number</b> | <b>Description</b>                 | <b>Table and page</b>   |
|--------------------|------------------------------------|---|
| RM1-6045-000CN     | MP tray (Tray 1) assembly          | <a href="#">Right door on page 351</a>                          |
| RM1-6074-000CN     | Motor, fixing (fuser)              | <a href="#">Internal assemblies (2 of 8) on page 355</a>        |
| RM1-6088-000CN     | Motor, DC                          | <a href="#">Internal assemblies (3 of 8) on page 357</a>        |
| RM1-6122-070CN     | Laser/scanner assembly             | <a href="#">Internal assemblies (6 of 8) on page 363</a>        |
| RM1-6759-000CN     | Power switch PCA                   | <a href="#">Internal assemblies (7 of 8) on page 365</a>        |
| RM1-6779-000CN     | Toner remanet detect PCA           | <a href="#">Internal assemblies (7 of 8) on page 365</a>        |
| RM1-6800-000CN     | Imaging high-voltage PCA assembly  | <a href="#">Internal assemblies (8 of 8) on page 367</a>        |
| RM1-6802-000CN     | PCA, 2cnd transfer H.V.P.          | <a href="#">Internal assemblies (4 of 8) on page 359</a>        |
| RM1-6804-000CN     | FFC assembly                       | <a href="#">Internal assemblies (6 of 8) on page 363</a>        |
| RM1-6807-000CN     | Cable, low voltage                 | <a href="#">Internal assemblies (7 of 8) on page 365</a>        |
| RM1-6811-000CN     | Cable, low-voltage AC joint        | <a href="#">Internal assemblies (7 of 8) on page 365</a>        |
| RM1-6813-000CN     | Cable, low voltage, test           | <a href="#">Internal assemblies (7 of 8) on page 365</a>        |
| RM1-6822-000CN     | Cable, 1st transfer                | <a href="#">Internal assemblies (8 of 8) on page 367</a>        |
| RM1-6846-000CN     | Cable, feed joint                  | <a href="#">Internal assemblies (3 of 8) on page 357</a>        |
| RM1-6863-000CN     | Cable, rear                        | <a href="#">Internal assemblies (8 of 8) on page 367</a>        |
| RM1-6867-000CN     | Cable, SB joint                    | <a href="#">Internal assemblies (2 of 8) on page 355</a>        |
| RM1-6944-000CN     | Paper pickup assembly              | <a href="#">1x500-sheet paper feeder components on page 371</a> |
| RM1-6944-000CN     | Paper pickup assembly <sup>1</sup> | <a href="#">1x500-sheet paper deck components on page 375</a>   |
| RM1-6944-000CN     | Paper pickup assembly              | <a href="#">3x500-sheet paper deck components on page 377</a>   |
| RM1-6946-000CN     | Right door assembly                | <a href="#">1x500-sheet paper feeder covers on page 369</a>     |

**Table 2-36 Numerical parts list (continued)**

| <b>Part number</b> | <b>Description</b>                     | <b>Table and page</b>   |
|--------------------|--|---|
| RM1-6948-000CN     | Right lower cover assembly             | <a href="#">1x500-sheet paper feeder covers on page 369</a>               |
| RM1-6949-000CN     | Front upper cover assembly             | <a href="#">1x500-sheet paper feeder covers on page 369</a>               |
| RM1-6949-000CN     | Front upper cover assembly             | <a href="#">1x500-sheet and 3x500-sheet paper deck covers on page 373</a> |
| RM1-6952-000CN     | Right door assembly (1x500 paper deck) | <a href="#">1x500-sheet and 3x500-sheet paper deck covers on page 373</a> |
| RM1-6953-000CN     | Right door assembly (3x500 paper deck) | <a href="#">1x500-sheet and 3x500-sheet paper deck covers on page 373</a> |
| RM1-6954-000CN     | Stock box assembly                     | <a href="#">1x500-sheet paper deck components on page 375</a>             |
| RM1-6958-000CN     | Front lower cover assembly             | <a href="#">1x500-sheet and 3x500-sheet paper deck covers on page 373</a> |
| RM1-6987-000CN     | Paper feeder controller PCA            | <a href="#">1x500-sheet paper feeder components on page 371</a>           |
| RM1-6988-000CN     | Feeder PCA                             | <a href="#">1x500-sheet paper deck components on page 375</a>             |
| RM1-6989-000CN     | Feeder PCA                             | <a href="#">3x500-sheet paper deck components on page 377</a>             |
| RM1-6991-000CN     | Cable, engine interface                | <a href="#">1x500-sheet paper deck components on page 375</a>             |
| RM1-6991-000CN     | Cable, engine interface                | <a href="#">3x500-sheet paper deck components on page 377</a>             |
| RM1-6992-000CN     | Cable, PCA joint                       | <a href="#">3x500-sheet paper deck components on page 377</a>             |
| RM1-7004-000CN     | PCA, 1st transfer H.V.P.               | <a href="#">Internal assemblies (4 of 8) on page 359</a>                  |
| RM1-7142-000CN     | Cover, right rear                      | <a href="#">Covers on page 349</a>  |
| RM1-7922-000CN     | Sensor, registration                   | <a href="#">Internal assemblies (2 of 8) on page 355</a>                  |
| RM1-8868-000CN     | Right door assembly                    | <a href="#">HCI covers on page 379</a>                                    |
| RM1-8869-000CN     | Paper pickup assembly, right           | <a href="#">HCI components (2 of 2) on page 383</a>                       |
| RM1-8876-000CN     | Paper pickup assembly, left            | <a href="#">HCI components (2 of 2) on page 383</a>                       |

**Table 2-36 Numerical parts list (continued)**

| <b>Part number</b> | <b>Description</b>                            | <b>Table and page</b>                                    |
|--------------------|---|--|
| RM1-8879-000CN     | Lifter drive assembly                         | <a href="#">HCI components (1 of 2) on page 381</a>      |
| RM1-8880-000CN     | Auto close assembly                           | <a href="#">HCI components (2 of 2) on page 383</a>      |
| RM1-8888-000CN     | Crossing paper feed assembly                  | <a href="#">HCI components (2 of 2) on page 383</a>      |
| RM1-8895-000CN     | Low-voltage power supply (110V-127V)          | <a href="#">Internal assemblies (7 of 8) on page 365</a> |
| RM1-8896-000CN     | Low-voltage power supply (220V-2450V)         | <a href="#">Internal assemblies (7 of 8) on page 365</a> |
| RM1-8899-000CN     | PCA, driver                                   | <a href="#">Internal assemblies (4 of 8) on page 359</a> |
| RM1-8901-000CN     | Cable assembly, left                          | <a href="#">Internal assemblies (7 of 8) on page 365</a> |
| RM1-8903-000CN     | Cable assembly, switch                        | <a href="#">Internal assemblies (7 of 8) on page 365</a> |
| RM1-8905-000CN     | Cable assembly, sub power supply              | <a href="#">Internal assemblies (8 of 8) on page 367</a> |
| RM1-8906-000CN     | Cable assembly, stacker                       | <a href="#">Internal assemblies (8 of 8) on page 367</a> |
| RM1-9077-000CN     | Controller PCA                                | <a href="#">HCI components (1 of 2) on page 381</a>      |
| RM1-9358-000CN     | Cover, top                                    | <a href="#">Covers on page 349</a>                       |
| RM1-9359-000CN     | Cover, right front                            | <a href="#">Covers on page 349</a>                       |
| RM1-9360-000CN     | Door, right                                   | <a href="#">Right door on page 351</a>                   |
| RM1-9361-000CN     | Cover, right upper                            | <a href="#">Right door on page 351</a>                   |
| RM1-9362-000CN     | Cover, rear                                   | <a href="#">Covers on page 349</a>                       |
| RM1-9363-000CN     | Cover, left                                   | <a href="#">Covers on page 349</a>                       |
| RM1-9364-000CN     | Cartridge fan (FM4)                           | <a href="#">Internal assemblies (4 of 8) on page 359</a> |
| RM1-9365-000CN     | Duplexing fan (FM2)                           | <a href="#">Internal assemblies (7 of 8) on page 365</a> |
| RM1-9366-000CN     | Sub power supply                              | <a href="#">Internal assemblies (8 of 8) on page 367</a> |
| RM1-9367-000CN     | Cover, right upper                            | <a href="#">Covers on page 349</a>                       |
| RM1-9368-000CN     | Interconnect PCA (ICB) (inner connecting PCA) | <a href="#">Internal assemblies (8 of 8) on page 367</a> |
| RM1-9371-000CN     | DC controller PCA                             | <a href="#">Internal assemblies (8 of 8) on page 367</a> |

**Table 2-36 Numerical parts list (continued)**

| <b>Part number</b> | <b>Description</b>                | <b>Table and page</b>                                    |
|--------------------|-----------------------------------|--|
| RM1-9377-000CN     | Paper delivery assembly           | <a href="#">Internal assemblies (2 of 8) on page 355</a> |
| RM1-9382-000CN     | Formatter cage                    | <a href="#">Internal assemblies (8 of 8) on page 367</a> |
| RM1-9383-000CN     | Cover, delivery                   | <a href="#">Covers on page 349</a>                       |
| RM1-9384-000CN     | Sub power supply fan (FM5)        | <a href="#">Internal assemblies (8 of 8) on page 367</a> |
| RM1-9389-000CN     | MP (Tray 1) lifter plate assembly | <a href="#">Right door on page 351</a>                   |
| RM1-9416-000CN     | Right front lock cover assembly   | <a href="#">HCI covers on page 379</a>                   |
| RM1-9422-000CN     | Paper pickup motor assembly       | <a href="#">HCI components (1 of 2) on page 381</a>      |
| RM1-9440-000CN     | Door, right                       | <a href="#">Stapler/stacker covers on page 345</a>       |
| RM1-9441-000CN     | Feed guide assembly               | <a href="#">Stapler/stacker components on page 347</a>   |
| RM1-9442-000CN     | Operation assembly                | <a href="#">Stapler/stacker components on page 347</a>   |
| RM1-9443-000CN     | Output bin (tray assembly)        | <a href="#">Stapler/stacker covers on page 345</a>       |
| RM1-9443-000CN     | Tray assembly                     | <a href="#">Stapler/stacker components on page 347</a>   |
| RM1-9444-000CN     | Solenoid, flapper assembly        | <a href="#">Stapler/stacker components on page 347</a>   |
| RM1-9445-000CN     | Switch, door assembly             | <a href="#">Stapler/stacker components on page 347</a>   |
| RM1-9446-000CN     | Stapler assembly                  | <a href="#">Stapler/stacker components on page 347</a>   |
| RM1-9459-000CN     | PCA, main controller              | <a href="#">Stapler/stacker components on page 347</a>   |
| RM1-9980-000CN     | Cover, rear                       | <a href="#">Stapler/stacker covers on page 345</a>       |
| RM1-9981-000CN     | Cover, front inner                | <a href="#">Stapler/stacker covers on page 345</a>       |
| RM1-9982-000CN     | Cover, stapler                    | <a href="#">Stapler/stacker covers on page 345</a>       |
| RM1-9988-000CN     | Paper feed center guide assembly  | <a href="#">Stapler/stacker components on page 347</a>   |
| RM1-9989-000CN     | Right door, lower guide assembly  | <a href="#">Stapler/stacker covers on page 345</a>       |

**Table 2-36 Numerical parts list (continued)**

| <b>Part number</b> | <b>Description</b>     | <b>Table and page</b>   |
|--------------------|------------------------|---|
| RM2-0698-000CN     | Reverse drive assembly | <a href="#">Internal assemblies (2 of 8) on page 355</a>                  |
| RU5-4979-000CN     | Shaft, right door link | <a href="#">Internal assemblies (4 of 8) on page 359</a>                  |
| RU5-8804-000CN     | Label, ITB insert, FV  | <a href="#">Internal assemblies (6 of 8) on page 363</a>                  |
| RU5-8805-000CN     | Label, ITB set, RV     | <a href="#">Internal assemblies (6 of 8) on page 363</a>                  |
| RU5-8806-000CN     | Label, ITB insert, FH  | <a href="#">Internal assemblies (6 of 8) on page 363</a>                  |
| RU5-8807-000CN     | Label, ITB set, RH     | <a href="#">Internal assemblies (6 of 8) on page 363</a>                  |
| RU5-9056-000CN     | Screw, stepped         | <a href="#">1x500-sheet and 3x500-sheet paper deck covers on page 373</a> |
| RU6-0771-000CN     | Gear, 25T              | <a href="#">Internal assemblies (3 of 8) on page 357</a>                  |
| RU6-0772-000CN     | Gear, 25T              | <a href="#">Internal assemblies (3 of 8) on page 357</a>                  |
| RU6-0773-000CN     | Gear, 74T              | <a href="#">Internal assemblies (3 of 8) on page 357</a>                  |
| RU6-0795-000CN     | Gear, link worm        | <a href="#">Internal assemblies (5 of 8) on page 361</a>                  |
| RU6-2670-000CN     | Spring, torsion        | <a href="#">Internal assemblies (6 of 8) on page 363</a>                  |
| RU6-2671-000       | Spring, tension        | <a href="#">Internal assemblies (3 of 8) on page 357</a>                  |
| RU6-2683-000CN     | Spring, compression    | <a href="#">Internal assemblies (5 of 8) on page 361</a>                  |
| RU6-2710-000CN     | Spring, tension        | <a href="#">Internal assemblies (2 of 8) on page 355</a>                  |
| RU6-2721-000CN     | Spring, compression    | <a href="#">Internal assemblies (1 of 8) on page 353</a>                  |
| RU6-2727-000CN     | Spring, tension        | <a href="#">Internal assemblies (4 of 8) on page 359</a>                  |
| RU6-2744-000CN     | Spring, tension        | <a href="#">Internal assemblies (4 of 8) on page 359</a>                  |
| RU6-2767-000CN     | Spring, contact        | <a href="#">Internal assemblies (7 of 8) on page 365</a>                  |
| RU6-2768-000CN     | Spring, contact        | <a href="#">Internal assemblies (7 of 8) on page 365</a>                  |

**Table 2-36 Numerical parts list (continued)**

| <b>Part number</b> | <b>Description</b>        | <b>Table and page</b>   |
|--------------------|---------------------------|---|
| RU6-2771-000CN     | Spring, contact           | <a href="#">Internal assemblies (3 of 8) on page 357</a>        |
| RU6-2772-000CN     | Spring, grounding         | <a href="#">Internal assemblies (3 of 8) on page 357</a>        |
| RU6-2831-000CN     | Spring, tension           | <a href="#">Internal assemblies (5 of 8) on page 361</a>        |
| VS1-7207-019CN     | Connector, snap tight, BK | <a href="#">Internal assemblies (2 of 8) on page 355</a>        |
| VS1-7500-008CN     | Connector, 8P             | <a href="#">1x500-sheet paper deck components on page 375</a>   |
| VS1-7500-008CN     | Connector, 8P             | <a href="#">3x500-sheet paper deck components on page 377</a>   |
| VS1-7514-008CN     | Connector, 8P             | <a href="#">Internal assemblies (8 of 8) on page 367</a>        |
| VS1-7514-008CN     | Connector, 8P             | <a href="#">1x500-sheet paper feeder components on page 371</a> |
| WC2-5512-000CN     | Switch, button            | <a href="#">1x500-sheet paper feeder components on page 371</a> |
| WC2-5512-000CN     | Switch, button            | <a href="#">3x500-sheet paper deck components on page 377</a>   |
| WC4-5251-000CN     | Microswitch               | <a href="#">Internal assemblies (1 of 8) on page 353</a>        |
| WG8-5935-000CN     | Photointerrupter          | <a href="#">Internal assemblies (4 of 8) on page 359</a>        |





# Index

## Symbols/Numerics

- 1 x 500 or 3 x 500 rollers
  - pickup, feed, and separation rollers, replacing 29
- 1x500 driver PCA
  - components, removing 234
- 1x500 front-upper cover
  - components, removing 224
- 1x500 left cover
  - components, removing 221
- 1x500 lifter-driver assembly
  - components, removing 231
- 1x500 pickup assembly
  - components, removing 228
- 1x500 pickup motor
  - components, removing 233
- 1x500 rdriver PCA
  - components, removing 234
- 1x500 rear cover
  - components, removing 220
- 1x500 rear-front cover
  - components, removing 223
- 1x500 rear-upper cover
  - components, removing 224
- 1x500 right-lower cover door
  - components, removing 227
- 1x500 right door
  - components, removing 225
- 1x500-sheet paper deck
  - removing and replacing 235
- 1x500-sheet paper feeder assembly
  - components, removing 220
- 3,500-sheet high-capacity input tray
  - part number 328
- 500-sheet input tray
  - part number 328

## A

- accessories
  - ordering 324
  - part number 328
- after-service checklist 4

## B

- before-service checklist 4

## C

- cartridge
  - ordering 325
  - part number 325
- cartridge fan
  - removing and replacing 137
- cautions iii
- control panel
  - assemble control panel 5
- controller PCA
  - removing and replacing 174
- controller PCA, high capacity input (HCI) feeder
  - removing and replacing 288
- conventions, document iii
- covers
  - front door assembly, removing 88

## D

- DC controller PCA
  - removing and replacing 174
- developing disengagement motor M6
  - removing and replacing 151
- developing motor M3
  - removing and replacing 147
- diagrams 323
- document conventions iii

- document feeder
  - removing and replacing 71
- document feeder foam reflector
  - removing and replacing 16
- document feeder front cover
  - removing and replacing 36
- document feeder hatch cover
  - removing and replacing 41
- document feeder hinge
  - removing and replacing 103
- document feeder mylar strips
  - removing and replacing 14
- document feeder open sensor and flag
  - removing and replacing 161
- document feeder paper present sensor
  - removing and replacing 101
- document feeder pickup and feed roller assembly
  - removing and replacing 32
- document feeder rear cover
  - removing and replacing 46
- document feeder roller cover
  - removing and replacing 43
- document feeder separation pad
  - removing and replacing 34
- document feeder tray extender
  - removing and replacing 108
- document feeder width sensor, paper-long and paper-short sensors
  - removing and replacing 105
- document hinge
  - removing and replacing 103
- document input tray bottom cover
  - removing and replacing 42
- driver PCA
  - removing and replacing 184

- drum motor M2
  - removing and replacing 145
- duplex drive assembly
  - removing and replacing 190
- E**
- electrostatic discharge (ESD) 2
- environmental sensor
  - removing and replacing 157
- ESD electrostatic discharge (ESD) 2
- F**
- fan, fuser
  - removing and replacing 139
- fax PCA
  - removing and replacing 166
- feed roller, replacing 1 x 500 or 3 x 500 29
- ffront door assembly
  - removing and replacing 88
- field-replaceable units (FRUs)
  - replacing 2
- foam reflector
  - removing and replacing foam reflector 17
- formatter fan FM3
  - removing and replacing 141
- formatter, cage
  - removing and replacing 177
- front right cover
  - removing and replacing 86
- front upper cover
  - removing and replacing 83
- front-right cover
  - removing and replacing 86
- FRUs (field-replaceable units)
  - replacing 2
- fuser
  - removing and replacing 9
- fuser drive assembly
  - removing and replacing 207
- fuser fan
  - removing and replacing 139
- fuser gear assembly
  - removing and replacing 213
- fuser motor M4
  - removing and replacing 149
- H**
- hard disk drive
  - removing and replacing 11
- HDD
  - removing and replacing HDD 12
- high capacity input (HCI) feeder controller PCA, removing and replacing 288
- left cover, removing and replacing 267
- left lower cover, removing and replacing 269
- left tray automatic close assembly, removing and replacing 289
- left tray lifter drive, removing and replacing 280
- left tray pickup assembly, removing and replacing 293
- left tray pickup drive, removing and replacing 284
- left tray, removing and replacing 266
- merge assembly, removing and replacing 297
- rear cover, removing and replacing 271
- rear lower cover, removing and replacing 279
- removing and replacing 265
- right center cover, removing and replacing 275
- right door, removing and replacing 272
- right front cover, removing and replacing 274
- right lower cover, removing and replacing 277
- right rear cover, removing and replacing 275
- right tray automatic close assembly, removing and replacing 291
- right tray lifter drive, removing and replacing 282
- right tray pickup assembly, removing and replacing 295
- right tray pickup drive, removing and replacing 286
- right tray, removing and replacing 265
- high capacity input feeder pickup, feed, and separation rollers
  - removing and replacing 30
- high-voltage power supply
  - removing and replacing 168
  - removing, first transfer 179
- I**
- image scanner memory board
  - removing and replacing 164
- input devices
  - devices 220
- install a replacement fuser drive assembly
  - removing and replacing 211
- install a replacement fuser gear assembly
  - removing and replacing 218
- install the main drive assembly
  - removing and replacing 202
- installation 2
  - screws 2
  - See also* replacing parts
- installing a replacement SCB and image scanner memory board
  - removing and replacing 160, 165
- interconnect PCA
  - removing and replacing 171
- intermediate transfer belt
  - removing and replacing 7
- remove the developing disengagement motor M6
  - removing and replacing 151
- remove the formatter fan FM3
  - removing and replacing 141
- ITB front guide assembly
  - ITB 118
- ITB motor M1
  - removing and replacing 143
- ITB rear guide assembly
  - removing and replacing 121

## L

- laser scanner
  - cautions for servicing 2
  - removing and replacing 133
- left cover
  - removing and replacing 57
- left cover, high capacity input (HCI) feeder
  - removing and replacing 267
- left lower cover, high capacity input (HCI) feeder
  - removing and replacing 269
- left tray automatic close assembly, high capacity input (HCI) feeder
  - removing and replacing 289
- left tray lifter drive, high capacity input (HCI) feeder
  - removing and replacing 280
- left tray pickup assembly, high capacity input (HCI) feeder
  - removing and replacing 293
- left tray pickup drive, high capacity input (HCI) feeder
  - removing and replacing 284
- left tray, high capacity input (HCI) feeder
  - removing and replacing 266
- left upper cover
  - removing and replacing 82
- Lifter-drive assembly
  - removing and replacing 115
- lifter-drive assembly
  - removing and replacing 115
- low-voltage power supply
  - removing and replacing 186

## M

- main drive assembly
  - removing 194
- merge assembly, high capacity input (HCI) feeder
  - removing and replacing 297
- mylar strips
  - replace mylar 15

## N

- notes iii

## O

- order parts by authorized service providers
  - order parts 324
- ordering
  - print cartridge 325
  - product documents 324
  - supplies and accessories 324
- output cover
  - removing and replacing 93
- output devices
  - rear cover, removing and replacing 300

## P

- paper delivery assembly
  - removing and replacing 131
- part number
  - accessories 328
  - print cartridge 325
- part numbers
  - replacement parts 325
  - supplies 325
  - toner cartridges 325
  - trays 328
- parts 323
- parts lists and diagrams
  - covers 348
  - internal assemblies 352
  - internal assemblies (1 of 8) 352
  - internal assemblies (2 of 8) 354
  - internal assemblies (3 of 8) 356
  - internal assemblies (5 of 8) 360
  - internal assemblies (7 of 8) 364
  - internal assemblies (8 of 8) 366
  - internal components (4 of 8) 358
  - internal components (6 of 8) 362
  - right door 350
  - using 328
- PCA
  - removing and replacing formatter 10

- PD controller PCA
  - rear cover, removing and replacing 263
- PD front door
  - rear cover, removing and replacing 241
- PD front lower cover
  - rear cover, removing and replacing 252
- PD front upper cover
  - rear cover, removing and replacing 239
- PD left cover
  - rear cover, removing and replacing 236
- PD left lower cover
  - rear cover, removing and replacing 249
- PD lifter drive assembly
  - rear cover, removing and replacing 260
- PD pickup assembly cassette 1
  - rear cover, removing and replacing 253
- PD pickup assembly cassette 2
  - rear cover, removing and replacing 256
- PD pickup assembly cassette 3
  - rear cover, removing and replacing 258
- PD pickup motor
  - rear cover, removing and replacing 262
- PD rear cover
  - rear cover, removing and replacing 235
- PD rear lower cover
  - rear cover, removing and replacing 251
- PD right door
  - rear cover, removing and replacing 245
- PD right front cover
  - rear cover, removing and replacing 238
- PD right lower cover
  - rear cover, removing and replacing 247

- PD storage box
    - rear cover, removing and replacing 243
  - pickup rollers
    - 1 x 500 or 3 x 500 rollers, replacing 29
    - tray 1, replacing 22
    - tray 2, replacing 26
  - pickup, feed, and separation (rollers and pads), remove 22
  - pickup, feed, and separation rollers
    - high capacity input feeder, replacing 30
  - power supply assembly
    - removing and replacing 110
  - power supply, high-voltage
    - removing and replacing 168
  - power supply, low-voltage
    - removing and replacing 186
  - power switch
    - removing and replacing 155
  - power-supply fan FM1
    - removing and replacing 153
  - print cartridge
    - ordering 325
    - part number 325
- R**
- rear cover
    - removing and replacing 58
  - rear cover, high capacity input (HCI) feeder
    - removing and replacing 271
  - rear lower cover, high capacity input (HCI) feeder
    - removing and replacing 279
  - rear upper cover
    - removing and replacing 66
  - rear-upper cover
    - removing and replacing 69, 300
  - reinstall high-voltage power supply
    - removing, first transfer 181
  - reinstall PD pickup assembly
    - cassette 1
      - rear cover, removing and replacing 255
    - reinstall PD pickup assembly
      - cassette 2
        - rear cover, removing and replacing 257
    - reinstall the document feeder
      - removing and replacing 73
    - reinstall the document feeder open sensor and flag
      - removing and replacing 163
    - reinstall the duplex-drive assembly
      - removing and replacing 193
    - reinstall the fax PCA
      - removing and replacing 167
    - reinstall the HCI left tray lifter drive
      - rear cover, removing and replacing 281
    - reinstall the HCI left tray pickup drive
      - rear cover, removing and replacing 285
    - reinstall the HCI merge assembly
      - rear cover, removing and replacing 299
    - reinstall the HCI right tray pickup drive
      - rear cover, removing and replacing 287
    - reinstall the HCI tray pickup assembly
      - rear cover, removing and replacing 294
    - reinstall the PD pickup assembly
      - cassette 3
        - rear cover, removing and replacing 259
    - reinstall the PD storage box
      - rear cover, removing and replacing 244
    - reinstall the residual toner full sensor
      - removing and replacing 125
    - reinstall the scanner assembly
      - removing and replacing 77
    - reinstall the stapler/stacker stapler assembly
      - rear cover, removing and replacing 321
  - related documentation and software
    - order parts 324
  - removal order
    - removing order 4
  - removal strategy
    - removing and replacing 2
  - remove the 1x500 pickup assembly
    - components, removing 228
  - remove the 1x500 right-lower cover
    - components, removing 227
  - remove the cartridge fan FM4
    - removing and replacing 137
  - remove the controller PCA
    - rear cover, removing and replacing 263
  - remove the DC controller PCA
    - removing and replacing 174
  - remove the developing motor M3
    - removing and replacing 147
  - remove the document feeder assembly
    - removing and replacing 71
  - remove the document feeder paper present sensor
    - removing and replacing 101
  - remove the document feeder roller cover
    - removing and replacing 43
  - Remove the document feeder width sensor, paper-short and paper-long sensors
    - removing and replacing 105
  - Remove the document tray extender
    - removing and replacing 108
  - remove the driver PCA
    - removing and replacing 184
  - remove the drumer motor M2
    - removing and replacing 145
  - remove the duplex-drive assembly
    - removing and replacing 191
  - remove the fax PCA
    - removing and replacing 166
  - remove the formatter cage
    - removing and replacing 177
  - remove the front lower cover
    - rear cover, removing and replacing 252
  - remove the front upper cover
    - removing and replacing 83, 85
  - remove the fuser drive assembly
    - removing and replacing 208

- remove the fuser motor M4
  - removing and replacing 149
- remove the HCI controller PCA
  - rear cover, removing and replacing 288
- remove the HCI left lower cover
  - rear cover, removing and replacing 269
- remove the HCI left ray automatic close assembly
  - rear cover, removing and replacing 289
- remove the HCI left tray lifter drive
  - rear cover, removing and replacing 280
- remove the HCI left tray pickup
  - rear cover, removing and replacing 293
- remove the HCI left tray pickup drive
  - rear cover, removing and replacing 284
- remove the HCI merge assembly
  - rear cover, removing and replacing 297
- remove the HCI rear cover
  - rear cover, removing and replacing 271
- remove the HCI rear lower cover
  - rear cover, removing and replacing 279
- remove the HCI right center cover and right rear cover
  - rear cover, removing and replacing 275
- remove the HCI right front cover
  - rear cover, removing and replacing 274
- remove the HCI right lower cover
  - rear cover, removing and replacing 277
- remove the HCI right tray automatic close assembly
  - rear cover, removing and replacing 291
- remove the HCI right tray lifter drive
  - rear cover, removing and replacing 282
- Remove the HCI right tray pickup assembly
  - rear cover, removing and replacing 295
- remove the HCI right tray pickup drive
  - rear cover, removing and replacing 286
- remove the image (developing) high-voltage power supply
  - removing and replacing 168, 170
- remove the image scanner memory board
  - removing and replacing 164
- remove the interconnect PCA
  - removing and replacing 171
- remove the ITB front guide
  - removing and replacing 119
- remove the ITB motor M1
  - removing and replacing 143
- remove the laser/scanner assembly
  - removing and replacing 133
- remove the left lower cover
  - rear cover, removing and replacing 249
- remove the left upper cover
  - removing and replacing 82
- remove the lifter drive assembly
  - rear cover, removing and replacing 260
- remove the LVPS
  - removing and replacing 186
- remove the main drive assembly
  - removing and replacing 195
- remove the paper delivery assembly
  - removing and replacing 131
- remove the PD front upper cover
  - removing and replacing 239
- remove the PD pickup assembly cassette 1
  - rear cover, removing and replacing 253
- remove the PD pickup assembly cassette 2
  - rear cover, removing and replacing 256
- remove the PD pickup assembly cassette 3
  - rear cover, removing and replacing 258
- remove the PD storage box
  - rear cover, removing and replacing 243
- remove the pickup motor
  - rear cover, removing and replacing 262
- remove the power switch
  - removing and replacing 155
- remove the power-supply fan
  - removing and replacing 153
- remove the rear lower cover
  - rear cover, removing and replacing 251
- remove the residual toner feed assembly
  - removing and replacing 128
- remove the residual toner full sensor
  - removing and replacing 122
- remove the right door assembly
  - removing and replacing 62
- remove the right lower cover
  - rear cover, removing and replacing 247
- remove the ruser fan FM2
  - removing and replacing 139
- remove the scanner assembly
  - removing and replacing 74
- remove the second-transfer high-voltage power supply
  - removing and replacing 182
- remove the stapler/stacker assembly
  - 78
- remove the stapler/stacker controller PCA
  - rear cover, removing and replacing 322
- remove the stapler/stacker door switch
  - rear cover, removing and replacing 316
- remove the stapler/stacker feed guide assembly
  - rear cover, removing and replacing 312

- remove the stapler/stacker front left cover
    - rear cover, removing and replacing 303
  - remove the stapler/stacker front left rear cover
    - rear cover, removing and replacing 306
  - remove the stapler/stacker inlet solenoid assembly
    - rear cover, removing and replacing 318
  - remove the stapler/stacker left lower cover
    - rear cover, removing and replacing 309
  - remove the stapler/stacker operation assembly
    - rear cover, removing and replacing 310
  - remove the stapler/stacker output bin assembly
    - rear cover, removing and replacing 307
  - remove the stapler/stacker right door
    - rear cover, removing and replacing 304
  - remove the stapler/stacker stapler assembly
    - rear cover, removing and replacing 320
  - removing parts
    - 1 x 500 or 3 x 500 pickup and feed rollers 29
    - 1x500-sheet paper feeder assembly 220, 221, 223, 224, 225, 227, 228, 231, 233, 234
    - after-service checklist 4
    - before-service checklist 4
    - front door assembly 88
    - high-voltage power supply, first transfer 179, 181
    - main drive assembly 194
    - residual toner feed assembly 127
    - residual toner full sensor 122
    - service approach 3
    - tools, required 3
    - tray 1 pickup roller 22
    - tray 2 pickup roller 26
    - tray 2 separation roller 27
  - repair approach 3
  - replace covers, doors, and whole unit
    - removing and replacing whole unit 36
  - replacement parts
    - part numbers 325
  - replacing parts
    - 1 x 500 or 3 x 500 pickup and feed rollers 29
    - about 2
    - after-service checklist 4
    - before-service checklist 4
    - screws 2
    - service approach 3
    - tools, required 3
    - tray 1 pickup roller 22
    - tray 2 pickup roller 26
    - tray 2 separation roller 27
  - right center cover, high capacity input (HCI) feeder
    - removing and replacing 275
  - right door assembly
    - removing and replacing 62
  - right door, high capacity input (HCI) feeder
    - removing and replacing 272
  - right front cover, high capacity input (HCI) feeder
    - removing and replacing 274
  - right lower cover, high capacity input (HCI) feeder
    - removing and replacing 277
  - right rear cover
    - removing and replacing 59
  - right rear cover, high capacity input (HCI) feeder
    - removing and replacing 275
  - right tray automatic close assembly, high capacity input (HCI) feeder
    - removing and replacing 291
  - right tray lifter drive, high capacity input (HCI) feeder
    - removing and replacing 282
  - right tray pickup assembly, high capacity input (HCI) feeder
    - removing and replacing 295
  - right tray pickup drive, high capacity input (HCI) feeder
    - removing and replacing 286
  - right tray, high capacity input (HCI) feeder
    - removing and replacing 265
  - right upper cover
    - removing and replacing 67
  - right-rear cover
    - removing and replacing 59
  - reinstall the HCI left tray lifter drive rear cover, removing and replacing 283
  - rollers
    - 1 x 500 or 3 x 500 pickup, feed, and separation replacing 29
    - tray 1 pickup, replacing 22
    - tray 2, replacing 26
- S**
- Scan control board (SCB)
    - removing and replacing 158, 160
  - scanner assembly
    - removing and replacing 74
  - scanner front cover
    - removing and replacing 53, 55
  - scanner left cover
    - removing and replacing 49
  - scanner reare and FFC bezel cover
    - removing and replacing 68
  - scanner right cover
    - removing and replacing 51
  - screwdrivers, required 3
  - screws
    - installing 2
    - types of 3
  - second-transfer high-voltage power supply
    - removing and replacing 182
  - secondary roller
    - removing and replacing roller 13
  - sensors
    - residual toner feed assembly, removing 127
    - residual toner full sensor, removing 122

- separation rollers
  - tray 2 , replacing 27
- service approach 3
- service replacement parts
  - order parts 327
- Sremove the document open sensor and flag
  - removing and replacing 161
- sremove the fuser gear assembly
  - removing and replacing 214
- stapler/stacker assembly
  - removing and replacing 78
- stapler/stacker operation assembly
  - removing and replacing 310
- stapler/stacker, door switch
  - removing and replacing 316
- stapler/stacker, feed guide assembly
  - removing and replacing 312
- stapler/stacker, front left cover
  - removing and replacing 303
- stapler/stacker, front right cover
  - removing and replacing 302
- stapler/stacker, inlet stapler assembly
  - removing and replacing 318
- stapler/stacker, left lower cover
  - removing and replacing 309
- stapler/stacker, left rear cover
  - removing and replacing 306
- stapler/stacker, output bin assembly
  - removing and replacing 307
- stapler/stacker, PCA
  - removing and replacing 322
- stapler/stacker, right door
  - removing and replacing 304
- stapler/stacker, stapler assembly
  - removing and replacing 320
- static, precautions for 2
- sub power supply assembly
  - removing and replacing 110
- sub power supply fan
  - removing and replacing 112
- sub power supply fan FM5
  - removing and replacing 112
- supplies
  - ordering 324
  - part numbers 325

- supplies part numbers
  - order parts 325

## T

- TCU
  - remove the TCU access door 60
  - TCU access door 60
- tips iii
- toner cartridges
  - part numbers 325
- tools, required 3
- top cover
  - removing and replacing 95
- top rear cover
  - removing and replacing 97
- top right cover
  - removing and replacing 91
- top-right cover
  - removing and replacing 91
- tray 1
  - pickup roller, replacing 22
- tray 1 separation pad assembly
  - removing and replacing 24
- tray 2
  - pickup roller, replacing 26
  - separation roller, replacing 27
- trays
  - part numbers 328
- troubleshooting
  - service approach 3

## W

- warnings iii









CC522-90967

