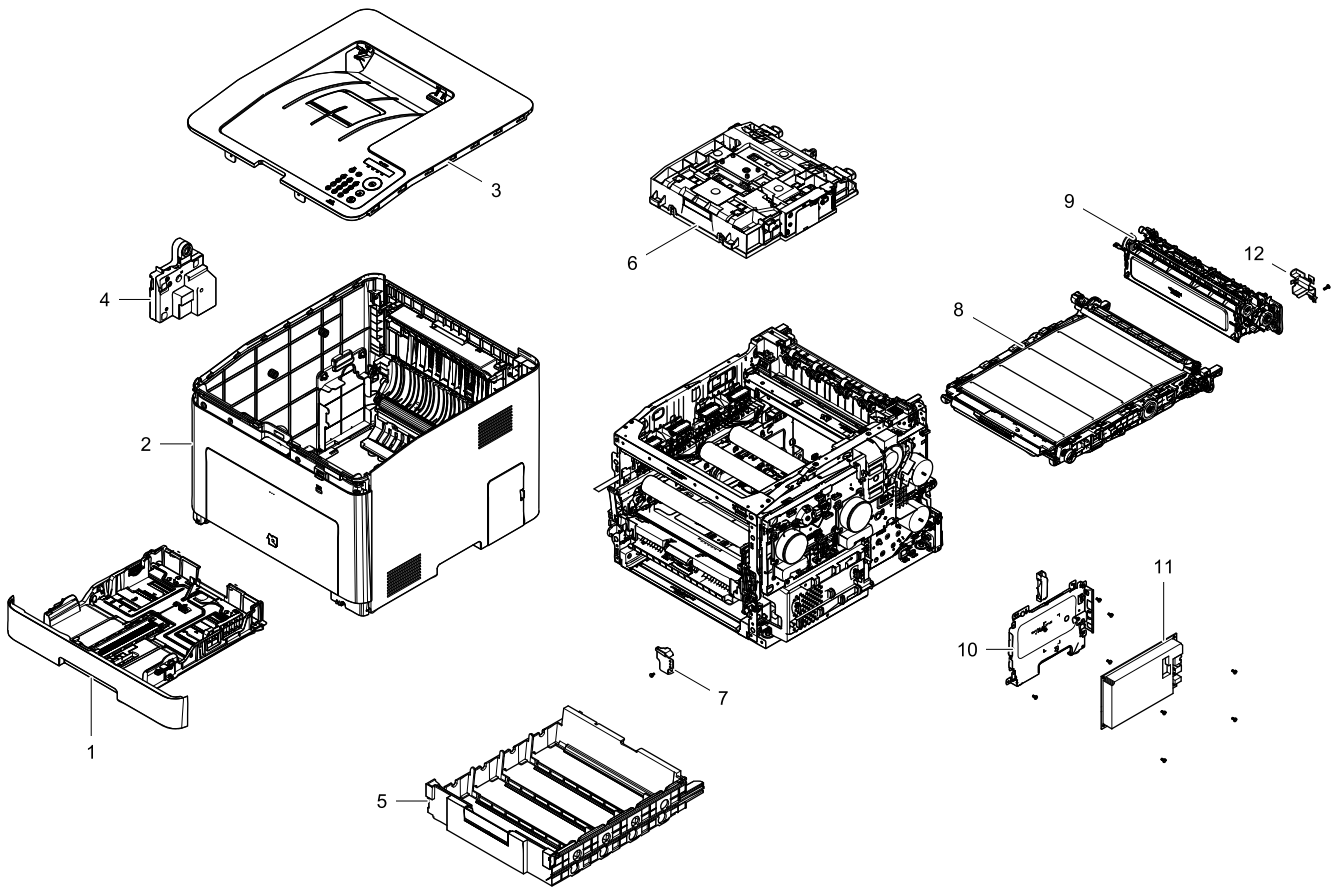


# 1. Main

## Exploded View



## Parts List

No.	Lvl.	Material Code	Description & Specification	SNA	Qty.	Remark
1	1	JC90-01182A	CASSETTE; CLP-680ND	SA	1	
2	1	JC95-01649A	COVER; CLP-680ND,SEC	SNA	1	
3	1	JC95-01778A	COVER-TOP; CLP-680ND,SEC	SA	1	
4	1	JC96-06367A	CARTRIDGE-WTB; CLP-680ND	SA	1	
5	2	JC93-00757A	FRAME-DRAWER; CLP-680ND,XAA	SA	1	
6	1	JC97-04082A	LSU; CLP-680ND,SEC,TANDEM,,A4(Ltr),600,M3,	SA	1	
7	2	JC63-03763A	COVER-CONN; CLP-680DW,HIPS,70,BLACK	SNA	1	
8	1	JC96-06514A	TRANSFER-CARTRIDGE; CLP-680ND,SEC	SA	1	
9	2	JC91-01214A	FUSER; SL-C3010ND,SEC,NON-MD,220V	SA	1	For 220V model
		JC91-01213A	FUSER; SL-C3010ND,SEC,NON-MD,110V	SA	1	For 110V model
10	2	JC61-05410A	BRACKET-MAIN_BOARD; CLP-680DW,EGI-SECC,0.	SNA	1	

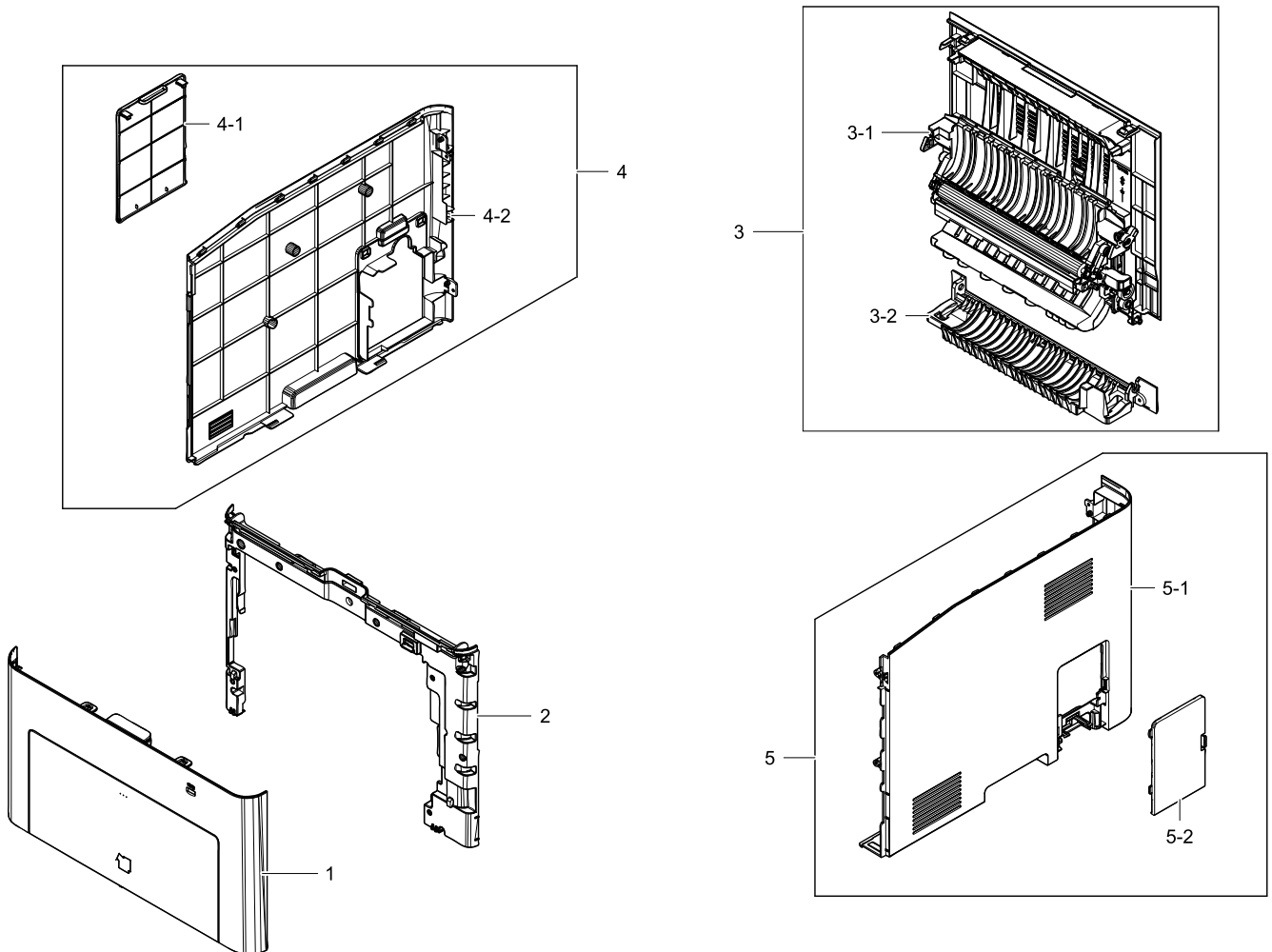
Exploded Views and Parts List

---

No.	Lvl.	Material Code	Description & Specification	SNA	Qty.	Remark
11	2	JC92-02528B	PBA-MAIN; CLP-680ND,SEC,MAIN,FR4,4L,109.2	SA	1	
12	2	JC67-00647A	CAP-FUSER AC HARNESS; CLP-470NW,ABS+PC,23	SA	1	

## 2. COVER

### Exploded View



### Parts List

No.	Lvl.	Loc.	Material Code	Description & Specification	SNA	Qty.
1	2		JC95-01654A	COVER-FRONT; CLP-680ND,SEC	SA	1
2	2		JC63-03795A	COVER-FRONT INNER; CLP-680ND,HIPS,80.2,39	SNA	1
3	2		JC95-01656A	COVER-REAR; CLP-680ND,SEC	SA	1
3-1	1		JC82-00372B	A/S ASSY-COVER REAR; SL-C2620,SEC,SVC,COV	SA	1
3-2	3		JC63-03703A	COVER-REAR BOTTOM; CLP-680ND,HIPS,2T,328,	SNA	1
4	2		JC95-01660A	COVER-LEFT; CLP-680ND,SEC	SA	1
4-1	3		JC63-03734A	COVER-WTB; CLP-680ND,HIPS,2.2t,160mm,110m	SNA	1
4-2	3		JC63-03733A	COVER-LEFT; CLP-680ND,HIPS,2.2t,436mm,295	SNA	1
5	2		JC95-01664A	COVER-RIGHT; CLP-680ND,SEC	SA	1

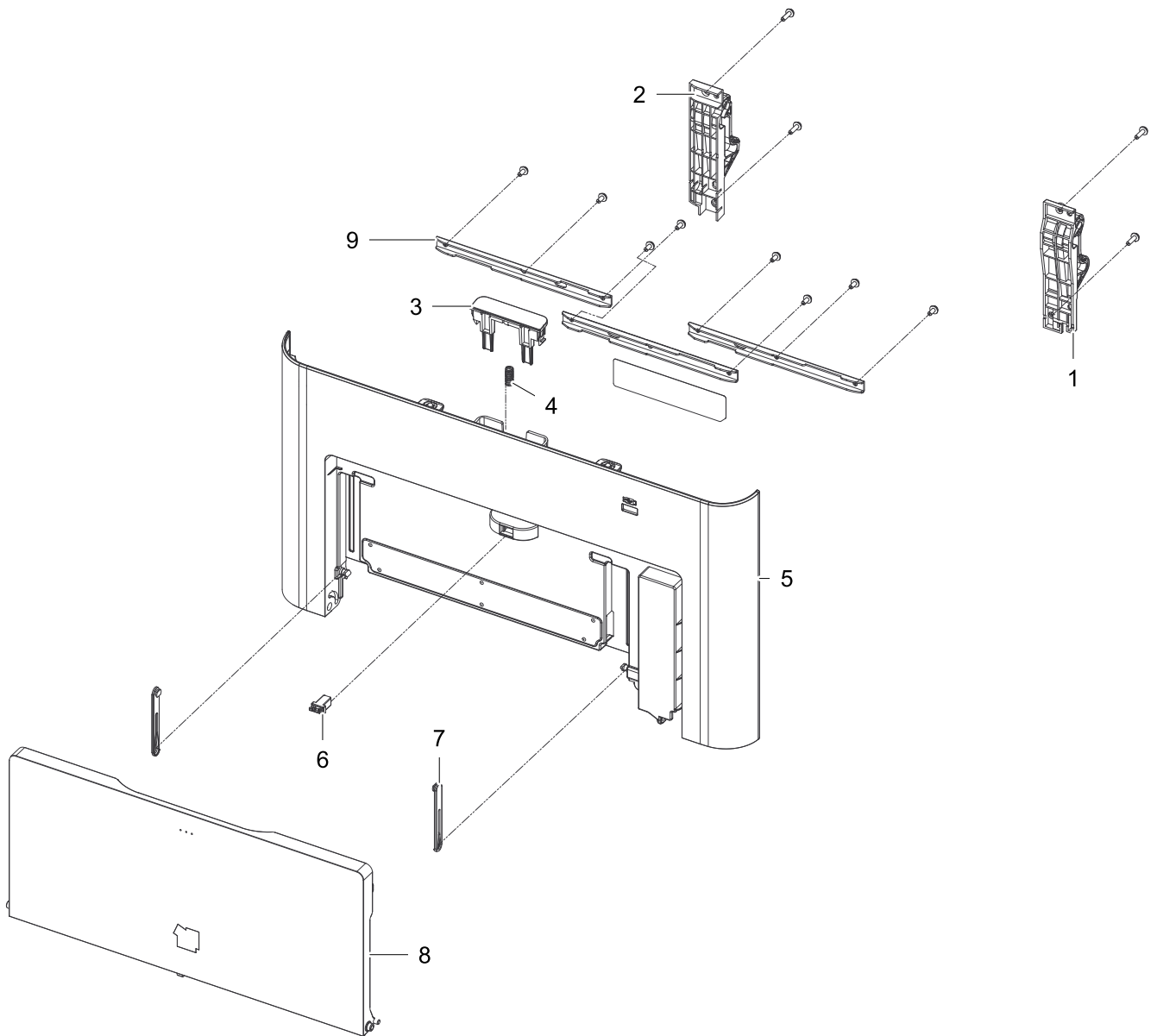
Exploded Views and Parts List

---

No.	Lvl.	Loc.	Material Code	Description & Specification	SNA	Qty.
5-1	3		JC63-03731A	COVER-RIGHT; CLP-680ND,HIPS,2.2t,452mm,29	SNA	1
5-2	3		JC63-03732A	COVER-DIMM; CLP-680ND,HIPS,2.2t,132mm,85m	SNA	1

## 2.1. COVER-FRONT

### Exploded View



### Parts List

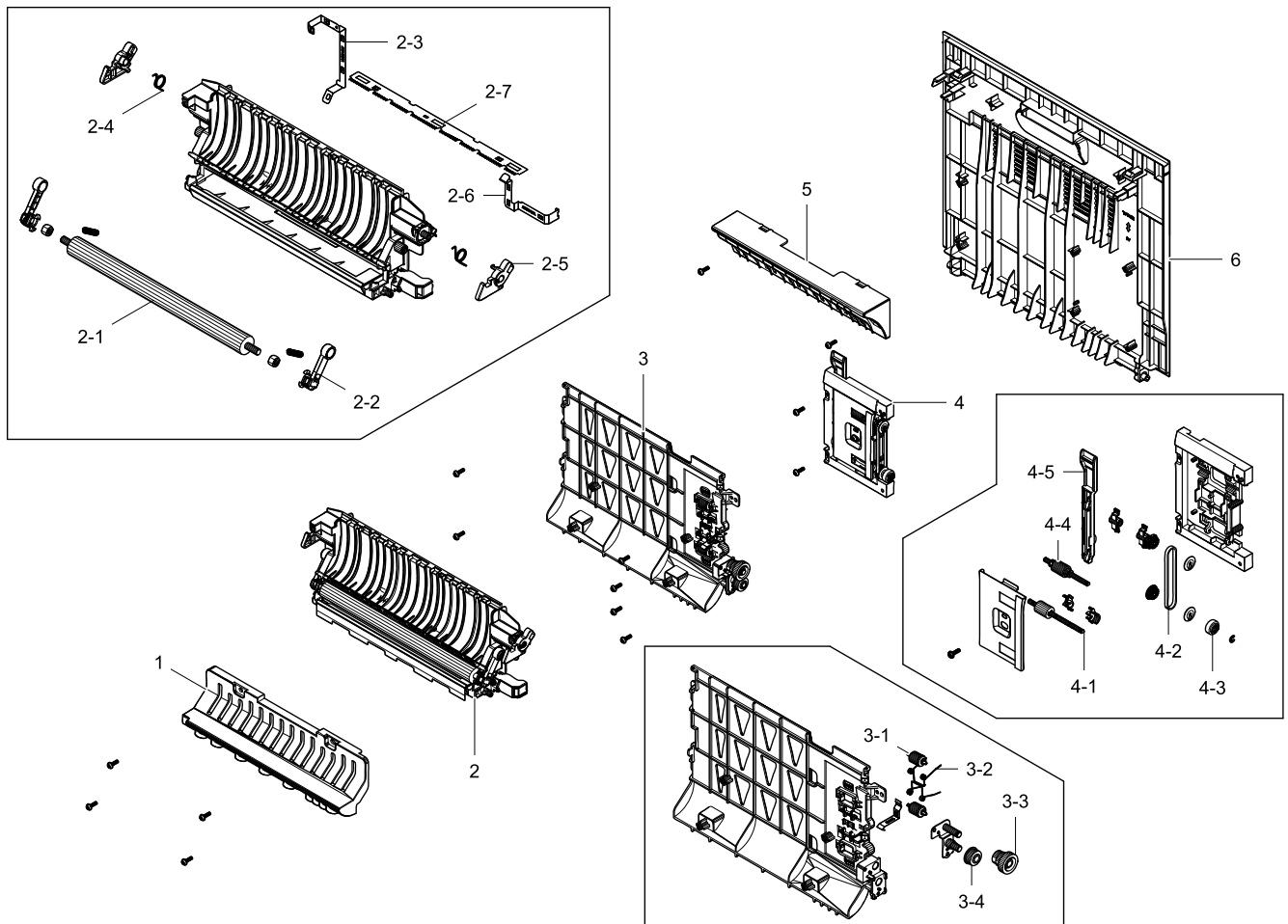
No.	Lvl.	Loc.	Material Code	Description & Specification	SNA	Qty.
1	3		JC66-03640A	LINK-SUPPORT R; CLP-680ND,ABS,122mm,2.0t,	SNA	1
2	3		JC66-03639A	LINK-SUPPORT L; CLP-680ND,ABS,118mm,2.0t,	SNA	1
3	3		JC64-00826A	BUTTON-FRONT; CLP-680ND,ABS,62,BLACK	SNA	1
4	3	G1550	6107-001404	SPRING-CS; SWPB,WHT,PI0.6,D6.3,L15.3,ID5.	SNA	1
5	3		JC63-03729A	COVER-FRONT; CLP-680ND,HIPS,378mm,200mm,2	SNA	1

Exploded Views and Parts List

No.	Lvl.	Loc.	Material Code	Description & Specification	SNA	Qty.
6	3	J3647	JB64-00007A	LOCKER-LATCH PUSH; MJC-3305/CPQ,POM,BLACK	SA	1
7	3		JC66-02086D	LINK-COVER_MP; CLP-680ND,ABS,62.3,2,NAOTO	SNA	2
8	3		JC95-01651A	COVER-MP TRAY; CLX-6260FD,SEC	SA	1
9	3		JC61-05810A	BRACKET-FRONT; CLX-6260,EGI-SECC,1.2,8.3,	SNA	3

## 2.2. COVER-REAR

### Exploded View



### Parts List

No.	Lvl.	Loc.	Material Code	Description & Specification	SNA	Qty.
1	3		JC61-05421A	GUIDE-TRANSFER; CLP-680ND,HIPS,2T,235,63.	SNA	1
2	3		JC95-01638A	COVER-REAR TRANSFER; CLP-680ND	SA	1
2-1	4		JC66-03756A	ROLLER-TRANSFER2; CLP-680ND,NBR(ECO),6,21	SA	1
2-2	4		JC61-05463A	HOLDER-T2; CLP-680ND,POM,10.4,32,BLACK,12	SNA	2
2-3	4		JC61-05471A	PLATE-BIAS-TRANSFER; CLP-680ND,STAINLESS-	SNA	1
2-4	4		6107-003201	SPRING-TS; SWP,0.9,11.2,10.3,3.125,LEFT,1	SNA	1
2-5	4		JC64-00803A	LOCKER-TRANSFER R; CLP-680ND,POM,WHITE,42	SNA	1
2-6	4		JC61-05472A	PLATE-GROUND TRANSFER2; CLP-680ND,STAINLE	SNA	1
2-7	4	D1171	JC70-10232A	IPR-PLATE SAW; ML-80,SUS304 CSP 1/2H,T0.1	SNA	1

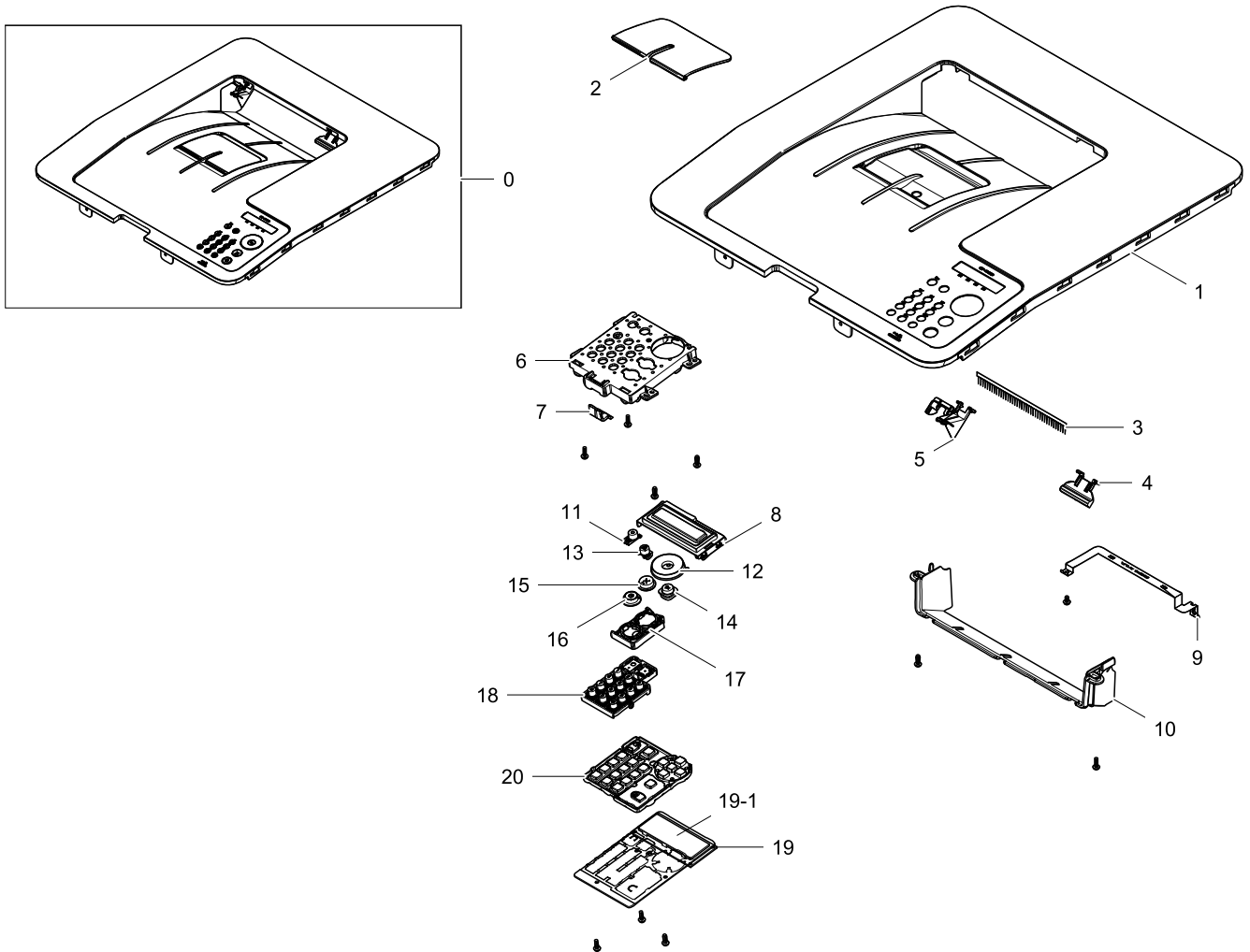
Exploded Views and Parts List

No.	Lvl.	Loc.	Material Code	Description & Specification	SNA	Qty.
3	3		JC90-01204A	DUPLEX GUIDE-UPPER; CLP-680ND	SA	1
3-1	4		JC66-02981A	ROLLER-DUPLEX_OUTER; ML-5015ND,EPDM70,10.	SNA	2
3-2	4		6107-003256	SPRING-TS; SUS304,NO,0.55,4.05,3.5,2-5.8,	SNA	2
3-3	4		JC66-03721A	GEAR-DOUBLE DRIVE DUPLEX; CLP-680ND,POM,0	SNA	1
3-4	4		JC66-03720A	GEAR-IN DUPLEX; CLP-680ND,POM,0.8,16,14.8	SNA	1
4	3		JC90-01203A	DUPLEX GUIDE-LOWER; CLP-680ND	SNA	1
4-1	4		JC66-03635A	ROLLER-DUPLEX; CLP-680ND,EPDM,PI11.3,L66.	SA	1
4-2	4	A4233	6602-001588	BELT-TIMING GEAR; 32S2M152,CR+GF+NF,T3.2,	SNA	1
4-3	4		JC66-03722A	GEAR-DUPLEX; CLP-680ND,POM,0.6,20,13.44,J	SNA	1
4-4	4		JC66-03008A	SHAFT-FEED_DUP_1; ML-2950ND,POM,57.6,4,WH	SNA	1
4-5	4		JC66-03601A	LEVER-ALIGN ADJUST; CLP-680ND,ABS,13.65,1	SNA	1
5	3		JC61-05420A	GUIDE-REAR; CLP-680ND,HIPS,2T,223,63.5,50	SNA	1
6	3		JC63-03793A	COVER-REAR; CLP-680ND,HIPS,270,328,ROUSSE	SNA	1



### 3. COVER-TOP

#### Exploded View



#### Parts List

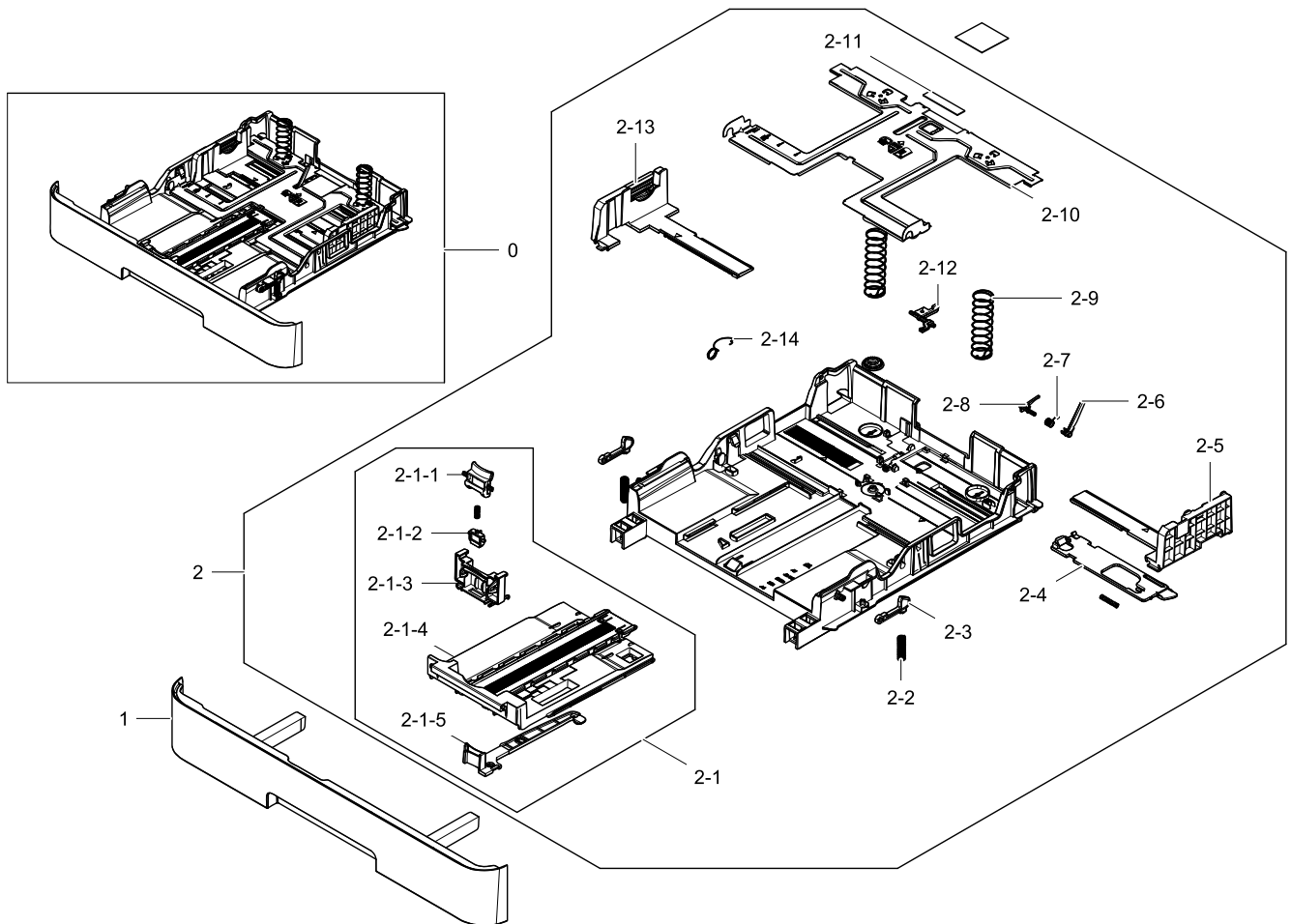
No.	Lvl.	Loc.	Material Code	Description & Specification	SNA	Qty.
0	1		JC95-01778A	COVER-TOP; CLP-680ND,SEC	SA	1
1	2		JC63-03735B	COVER-TOP; CLP-680ND,ABS,2.5 t	SNA	1
2	2		JC61-05514A	STACKER-MAIN; CLP-680ND,ABS,2.2,100.13,73	SA	1
3	2		JC67-00693A	BRUSH-ANTISTATIC; CLX-6260ND,THUNDERON FI	SNA	1
4	2		JC72-01343B	GUIDE-PMO-SUB_M_STACKER; CLX-6260,ABS,39*	SNA	1
5	2		JC61-05517A	STACKER-BINFULL; CLP-680ND,ABS,STACKER/UN	SA	1
6	2		JC61-05624A	HOLDER-OPE; CLP-680ND,HIPS,48,34,SPLIT BL	SNA	1

## Exploded Views and Parts List

No.	Lvl.	Loc.	Material Code	Description & Specification	SNA	Qty.
7	2		JC67-00648B	LENS-STATUS; CLP-680ND,PMMA+PMMA,16.7x9,1	SNA	1
8	2		JC63-03792A	COVER-LCD; CLP-680ND,PC,40.5,90.7,ROUSSEA	SNA	1
9	2		JC63-03719A	GROUND-EXIT; CLP-680ND,C5210P,0.2T,GROUND	SNA	1
10	2		JC63-03796A	COVER-EXIT; CLP-680ND,ABS,64.6,243.9,ROUS	SNA	1
11	2		JC64-00842A	KEY-ECO; CLX-6260ND,ABS,15X12,1.5	SNA	1
12	2		JC64-00811A	KEY-NAVIGATION; CLP-680ND,ABS,63,BLACK	SNA	1
13	2		JC64-00840A	KEY-DEMO; CLX-6260ND,ABS,8X8,1.5	SNA	1
14	2		JC64-00814A	KEY-OK; CLP-680ND,ABS,18,BLACK	SNA	1
15	2		JC64-00813A	KEY-STOP; CLP-680ND,ABS,14.15,SPLIT ORANG	SNA	1
16	2		JC64-00812A	KEY-POWER; CLP-680ND,ABS,13.36,1.5T,SPLIT	SNA	1
17	2		JC61-05619A	HOLDER-KEY; CLP-680ND,ABS,71,52,BLACK	SNA	1
18	2		JC64-00828A	KEY-NUMERICAL; CLP-680ND,ABS,63,BLACK	SNA	1
19	2		JC92-02520A	PBA-OPE; CLP-680ND,SEC,STM8SP103K3MAZTR,5	SA	1
19-1	3	D4979	JC07-00003A	LCD-DISPLAY(XEV); VHX1620BHRC9/YMC162197A	SA	1
20	2		JC64-00839A	KEY-OPE PAD; CLP-680ND,Silicone,63x50,1,T	SNA	1

## 4. CASSETTE

### Exploded View



### Parts List

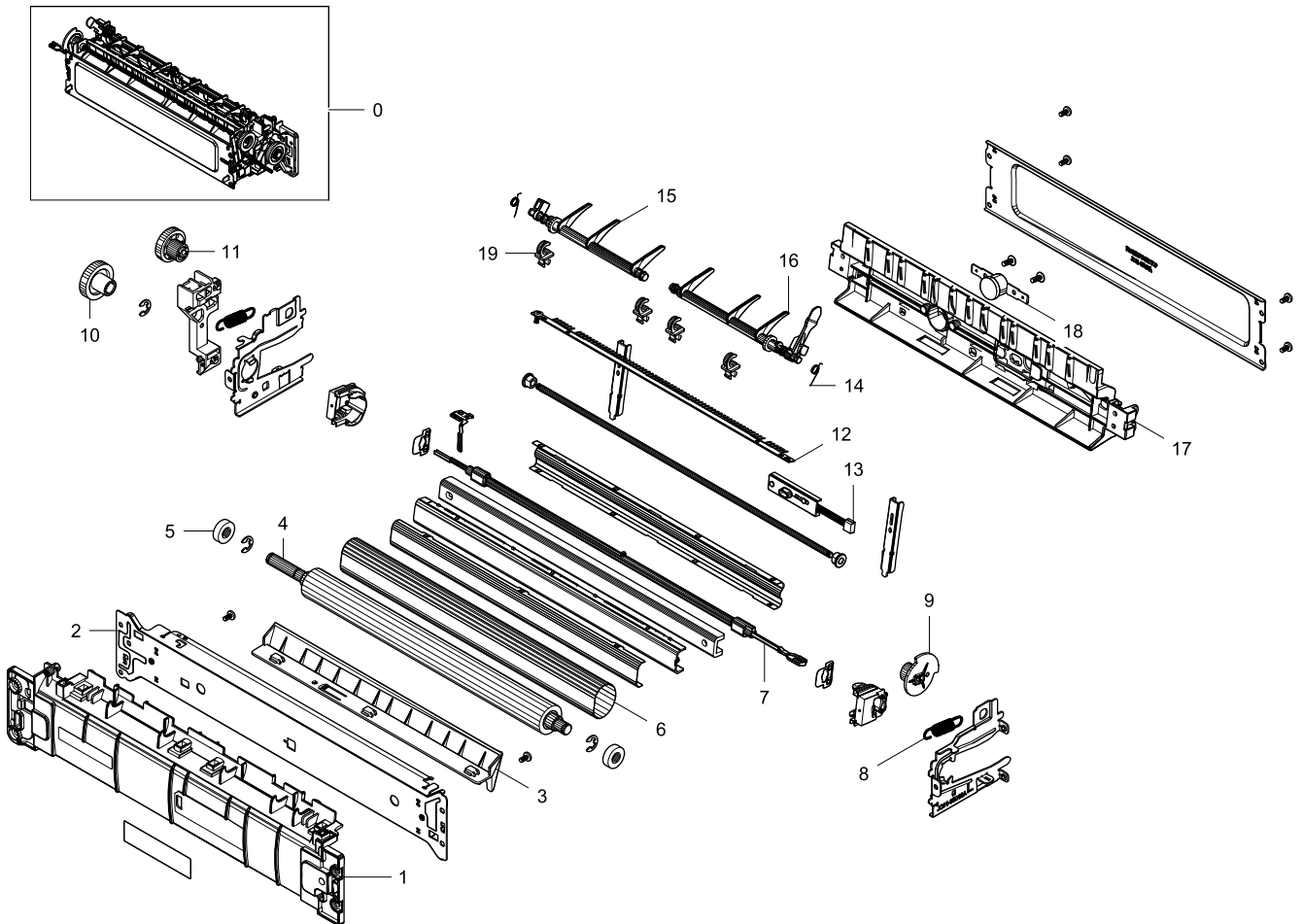
No.	Lvl.	Loc.	Material Code	Description & Specification	SNA	Qty.
0	1		JC90-01182A	CASSETTE; CLP-680ND	SA	1
1	2		JC64-00799A	HANDLE-CASSETTE; CLP-680ND,HIPS,HR-1360T	SA	1
2	2		JC90-01179A	CASSETTE-FRAME; CLP-470N,XAA	SNA	1
2-1	3		JC90-01178A	CASSETTE-GUIDE REAR; CLP-470N,XAA	SNA	1
2-1-1	4		JC66-03032A	LEVER-GUIDE_REAR; ML-2950ND,ABS,40,24.7,H	SNA	1
2-1-2	4		JC61-04131A	STOPPER-SIDE RIGHT; ML-3710,POM,3.0,20,11	SNA	1
2-1-3	4		JC61-04418A	ADJUST-REAR; ML-2950ND,ABS,2.0,56.23,29.8	SNA	1
2-1-4	4		JC61-05449A	GUIDE-PAPER REAR; CLP-680ND,HIPS,2T,125,2	SA	1
2-1-5	4		JC66-03031B	LEVER-GUIDE_EXTENSION; ML-2950ND,POM,1.8,	SNA	1
2-2	3	L7422	6107-001287	SPRING-CS; SUS304-WPB,PI0.6,D6.5,L25,ID5.	SNA	2

## Exploded Views and Parts List

No.	Lvl.	Loc.	Material Code	Description & Specification	SNA	Qty.
2-3	3		JC64-00610A	LOCKER-CASSETTE; ML-3710,POM,NTR,41.5,15	SNA	2
2-4	3		JC64-00657A	LOCKER-PLATE; ML-2950ND,POM,WHITE,KEPITAL	SA	1
2-5	3		JC61-04397A	GUIDE-ADJUST_L; ML-2950ND,ABS,2.0,135.52,	SA	1
2-6	3		JC66-03764A	LEVER-EMPTY; CLP-680ND,ABS,5,13.8,57,BLAC	SA	1
2-7	3		6107-003233	SPRING-TS; SUS304,0.25,6,LEFT,7,7,305	SNA	1
2-8	3		JC66-03595A	ACTUATOR-EMPTY LINK; CLP-680ND,ABS,30,BLA	SNA	1
2-9	3		6107-002935	SPRING-CS; SUS304,0.8,18.2,64.0,17.4,19.0	SA	2
2-10	3		JC61-05533A	PLATE-KONCK UP; CLP-680ND,EGI-SECC,0.8T,2	SNA	1
2-11	3	F9051	JC73-00141A	RPR-PAD CASSETTE; ML-1510,URETHANE SPONGE	SA	1
2-12	3		JC66-03610A	ACTUATOR-EMPTY; CLP-680ND,PC,2T,20,25,NH-	SA	1
2-13	3		JC90-01106A	CASSETTE-GUIDE RIGHT; ML-2955ND,SEE	SA	1
2-14	3		6107-003232	SPRING-ETC; SUS304,0.5,10,27.51,RIGHT	SNA	1

## 5. FUSER

### Exploded View



### Parts List

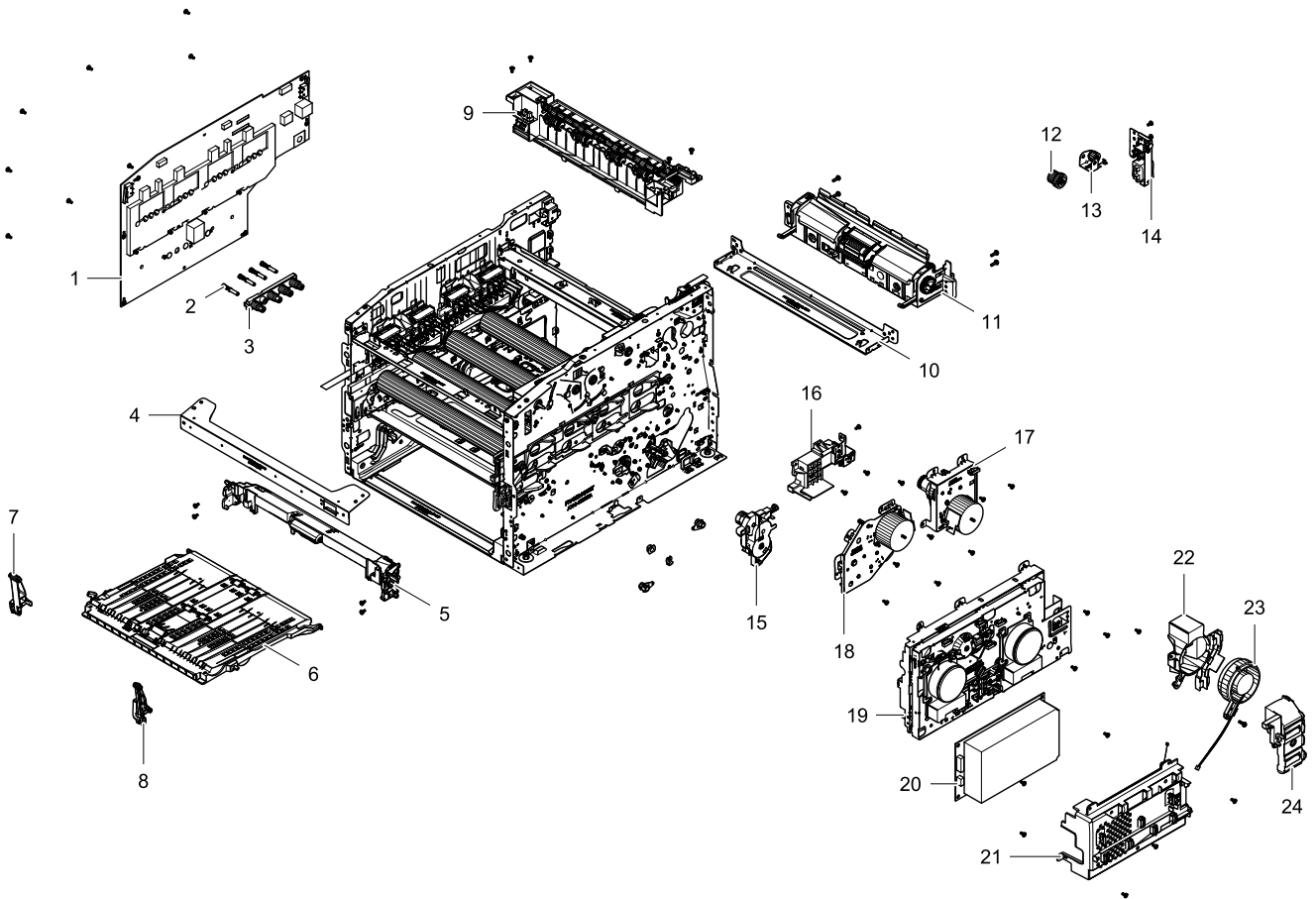
No.	Lvl.	Material Code	Description & Specification	SNA	Qty.	Remark
0	1	JC91-01214A	FUSER; SL-C3010ND,SEC,NON-MD,220V	SA	1	For 220V model
		JC91-01213A	FUSER; SL-C3010ND,SEC,NON-MD,110V	SA	1	For 110V model
1	2	JC63-03680A	COVER-DUPLEX; CLP-680ND,PET+GF,60.3,324.2	SNA	1	
2	2	JC61-05039A	FRAME-FUSER BOTTOM; CLP-680ND,EGI-SECC,0.	SNA	1	
3	2	JC61-05386A	GUIDE-INPUT; CLP-680ND,PET+GF,24.71,222,G	SNA	1	
4	2	JC66-03776A	ROLLER-PRESSURE; CLP-680ND,SUM22,8,8,RED,	SNA	1	
5	2	6601-001341	BEARING-BALL; 688ZZ,ID8,OD16,L5,SUJ2	SA	2	
6	2	JC66-03784A	DRUM-FUSER BELT; CLP-680ND,SILICON,24,248	SNA	1	

## Exploded Views and Parts List

No.	Lvl.	Material Code	Description & Specification	SNA	Qty.	Remark
7	2	4713-001658	LAMP-HALOGEN; 230V,800W	SNA	1	For 220V model
		4713-001657	LAMP-HALOGEN; 115V,850W	SNA	1	For 110V model
8	2	6107-003245	SPRING-ES; SUS304,7,32.3	SNA	2	
9	2	JC66-03436A	ACTUATOR-CAM; CLP-680ND,PA,A50H1,BLACK,AC	SNA	1	
10	2	JC66-03432A	GEAR-FUSER; CLP-680ND,PA,1,25,27,Rhodia 2	SNA	1	
11	2	JC66-03437A	GEAR-CAM; CLP-680ND,PA,1,22,24,FR-7025V0F	SNA	1	
12	2	JC67-00528A	BRUSH-EXIT; ML-5010,SUS FIBER,0.9T,W6.2,L	SA	1	
13	2	1404-001729	THERMISTOR-NTC ASSY; 100Kohm,12.6x46.5x8.	SNA	1	
14	2	JC61-70903A	SPRING ETC-ACTUATOR; ML-165,SUS304,PI0.2,	SA	2	
15	2	JC66-03504A	ACTUATOR-GUIDE; CLP-680ND,PA,111,Rhodia 2	SNA	1	
16	2	JC66-03412A	ACTUATOR-EXIT; CLP-680ND,PA,Rhodia 2413GW	SNA	1	
17	2	JC61-05040A	HOLDER-HARNESS; CLP-680ND,PET+GF,44.16,26	SNA	1	
18	2	4712-001091	THERMOSTAT; AC125/250V,195+-5100	SNA	1	
19	2	JC61-02411A	BUSH-TX; CLP-310,POM,7.0,10.0,10,BLACK	SNA	4	

## 6. FRAME

### Exploded View



### Parts List

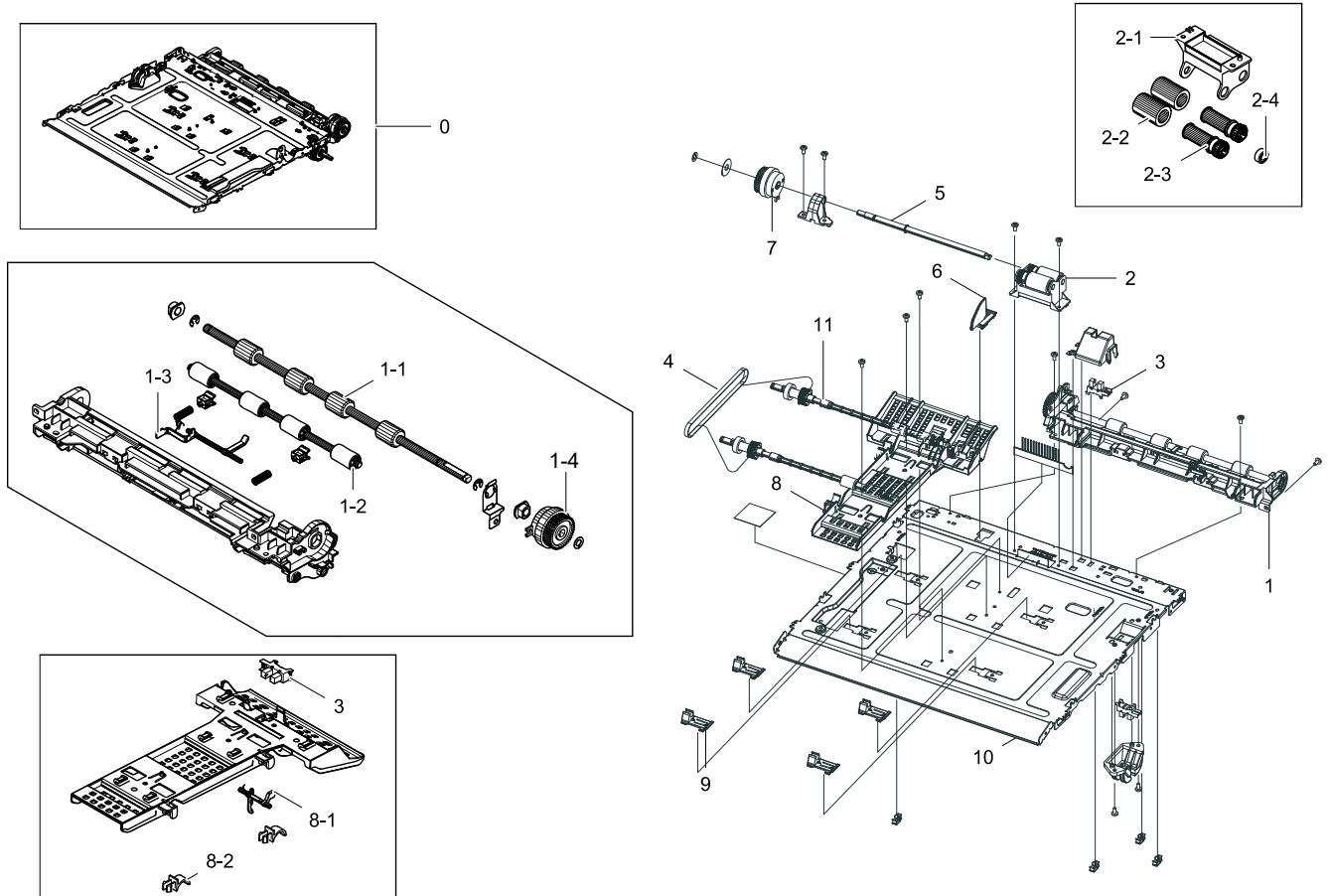
No.	Lvl.	Material Code	Description & Specification	SNA	Qty.	Remark
1	4	JC44-00216A	HVPS; 24V,21.6V~27.6V,MAX 5KV,MAX-2KV,600	SA	1	
2	4	JC93-00658A	FRAME-T1 TERMINAL; CLP-470N,XAA	SNA	4	
3	4	JC61-05487A	HOLDER-HV T1; CLP-680ND,ABS+PC,100	SNA	1	
4	3	JC61-05407A	BRACKET-FRONT_TOP; CLP-680DW,EGI-SECC,1.0	SNA	1	
5	3	JC93-00795A	FRAME-PICKUP MP; CLP-680ND	SA	1	
6	3	JC93-00792A	FRAME-TRAY MP; CLP-680ND	SA	1	
7	3	JC66-03637A	LINK-L; CLP-680ND,POM,68mm,2.0t,WHITE,ROU	SA	1	
8	3	JC66-03638A	LINK-R; CLP-680ND,POM,68mm,2.0t,WHITE,ROU	SA	1	
9	3	JC93-00752A	FRAME-EXIT; CLP-680ND,XAA	SA	1	
10	3	JC61-05404A	BRACKET-BOTTOM_REAR; CLP-680DW,EGI-SECC,1	SNA	1	

No.	Lvl.	Material Code	Description & Specification	SNA	Qty.	Remark
11	3	JC93-00793A	FRAME-RETARD; CLP-680ND	SA	1	
12	3	JC66-03723A	GEAR-DOUBLE DUPLEX; CLP-680ND,POM,0.6/0.8	SNA	1	
13	3	JC93-00774A	DRIVE-DUPLEX SWING; CLP-680ND,SEC	SA	1	
14	3	JC93-00764A	FRAME-POWER SWITCH; CLP-680ND,XAA	SNA	1	
15	3	JC93-00770A	DRIVE-T1; CLP-680ND,SEC	SNA	1	
16	3	JC61-05575A	BRACKET-TR MOTOR DC; CLP-680ND,ABS+PC,2.5	SNA	1	
17	3	JC93-00767A	DRIVE-FUSER; CLP-680ND,SEC	SA	1	
18	3	JC93-00769A	DRIVE-PH; CLP-680ND,SEC	SA	1	
19	3	JC93-00766A	DRIVE-MAIN; CLP-680ND,SEC	SA	1	
20	2	JC44-00223A	SMPS-V2; CLP-680ND,PSPN-Type3R-V2,Flyback	SA	1	For 220V model
		JC44-00222A	SMPS-V1; CLP-680ND,PSPN-Type3R-V1,Flyback	SA	1	For 110V model
21	3	JC93-00756A	FRAME-COVER SMPS; CLP-680ND,XAA	SNA	1	
22	3	JC67-00657A	DUCT-MAIN FAN; CLP-680ND,HIPS,200	SNA	1	
23	3	JC31-00160A	FAN-TYPE 5; Type5,24,170mA,4.0mmH20,0.433	SA	1	
24	3	JC61-05424A	GUIDE-FFC; CLP-680DW,HIPS,70,HR-1360T,GUI	SNA	1	



## 6.1. FRAME-BRACKET MP

### Exploded View



### Parts List

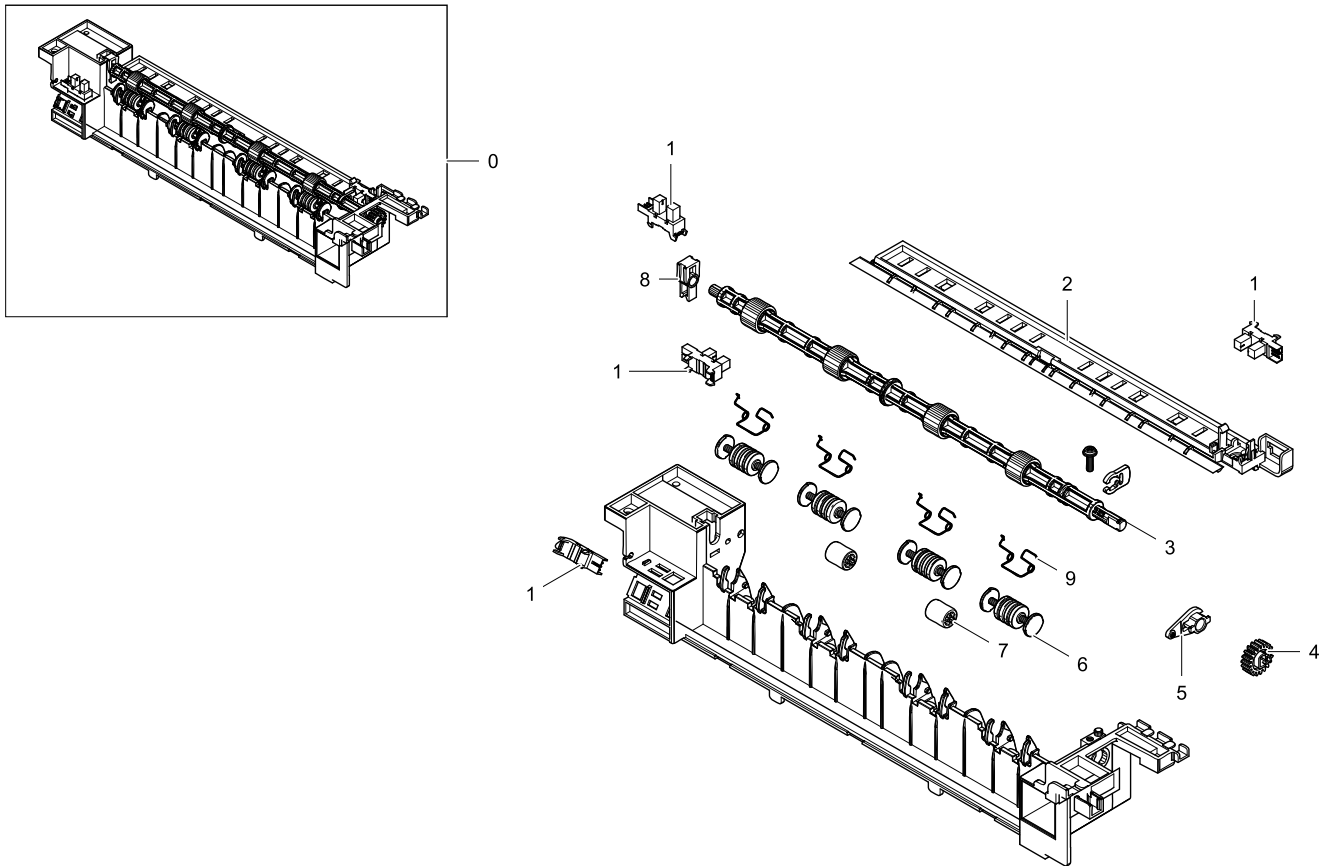
No.	Lvl.	Loc.	Material Code	Description & Specification	SNA	Qty.
0	3		JC93-00750A	FRAME-BRACKET MP; CLP-680ND,XAA	SNA	1
1	4		JC93-00790A	FRAME-REGI; CLP-680ND	SNA	1
1-1	5		JC66-03633A	ROLLER-REGI; CLP-680ND,EPDM,PI14,L269,GRA	SA	1
1-2	5		JC61-05611A	ROLLER-REGI IDLE; CLP-680ND,POM,20,12,ROL	SNA	4
1-3	5		JC66-03611A	ACTUATOR-REGI SENSOR; CLP-680ND,PC+GF,2T,	SA	1
1-4	5		JC47-00035B	CLUTCH-ELECTRIC; 2.5,41,0.6,120mA,200Ohm	SA	1
2	4		JC93-00673A	FRAME-PICKUP ONEWAY; CLP-470N,XAA	SNA	1
2-1	5		JC61-05370A	HOLDER-PICKUP; CLP-680ND,ABS+PC,59.8	SNA	1
2-2	5		JC66-02939B	ROLLER-MAT_RETARD; ML-2955ND,EPDM,OD 16,2	SA	2
2-3	5		JC66-03047A	CLUTCH-P-ONEWAY; ML-2955ND,POM	SNA	2
2-4	5	C3485	JC66-01918A	GEAR-IDLE PICK UP; CLX-3170FN,POM,0.5,20,	SNA	1
3	4	L9633	0604-001415	PHOTO-INTERRUPTER; TR,DIP-4,BK	SA	1

Exploded Views and Parts List

No.	Lvl.	Loc.	Material Code	Description & Specification	SNA	Qty.
4	4		6602-001721	BELT-TIMING GEAR; S2M250,RUB(CR),L250	SA	1
5	4		JC66-03620A	SHAFT-PICK UP; CLP-680ND,PC,147.5,6,NH-10	SNA	1
6	4		JC61-05447A	GUIDE-PICKUP; CLP-680ND,HIPS,BLACK,PATH	SNA	1
7	4		JC47-00035A	CLUTCH-ELECTRIC Z41; ML-2950ND,DC24V 10%	SA	1
8	4		JC93-00791A	FRAME-FEED MP; CLP-680ND	SNA	1
8-1	5		JC66-03608A	ACTUATOR-FEED MP; CLP-680ND,PC,BLACK,ACTU	SA	1
8-2	5	L9445	JC61-03973A	HOLDER-SHAFT; ML-1660,POM,21.8,BLACK	SA	2
9	4		JC61-05529A	HOLDER-SHAFT MP; CLP-680ND,POM,1.5,12.5,3	SNA	4
10	4		JC61-05412A	BRACKET-MP; CLP-680DW,EGI-SECC,0.8T,400,1	SNA	1
11	4		JC93-00787A	FRAME-ROLLER_MP; CLP-680ND	SA	2

## 6.2. FRAME-EXIT

### Exploded View

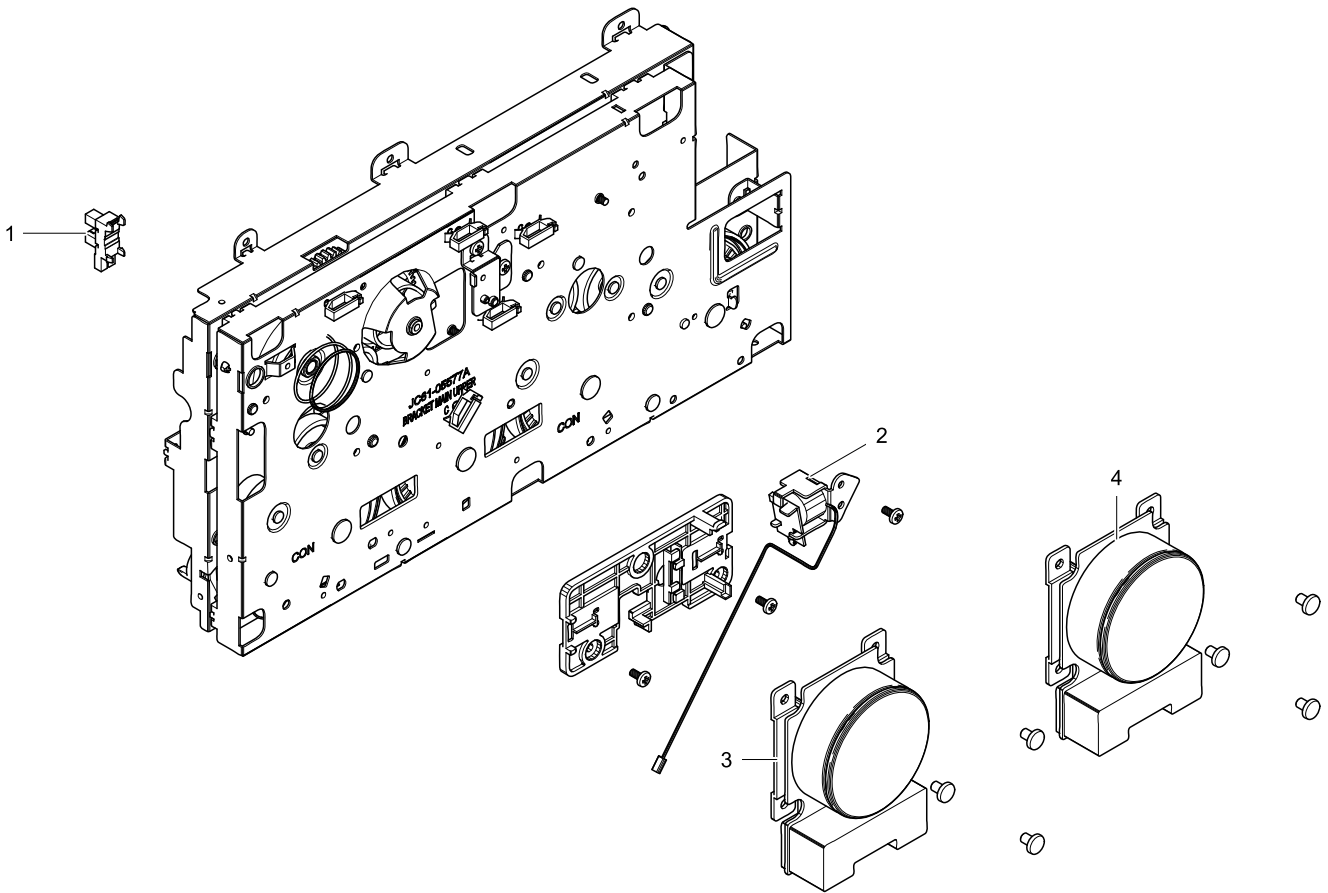


### Parts List

No.	Lvl.	Loc.	Material Code	Description & Specification	SNA	Qty.
0	3		JC93-00752A	FRAME-EXIT; CLP-680ND,XAA	SA	1
1	4	L9633	0604-001415	PHOTO-INTERRUPTER; TR,DIP-4,BK	SA	1
2	4		JC61-05423A	GUIDE-EXIT PATH; CLP-680DW,ABS,200,SR-032	SNA	1
3	4		JC93-00763A	FRAME-ROLLER EXIT F DOWN; CLP-680ND,XAA	SNA	1
4	4		JC66-03731A	GEAR-EXIT; CLP-680ND,POM,0.8,19,16.96,JGM	SNA	1
5	4	K8195	JC72-41191B	SHAFT; ML-2150,POM,BLK,DE8903	SNA	1
6	4		JC66-03606A	ROLLER-EXIT IDLE; CLP-680ND,POM,12,ETC RO	SNA	4
7	4	L2183	JC72-40981A	ROLLER; ML-165,POM,WHT,HB	SA	2
8	4	H1227	JC61-00845A	BUSH-M-EXIT; ML-2550,DE8903(NTR),5,7,	SA	1
9	4		6107-003226	SPRING-TS; SWP B,0.5,15.27,3.5,4,1.368,LE	SNA	4

### 6.3. DRIVE-MAIN

#### Exploded View

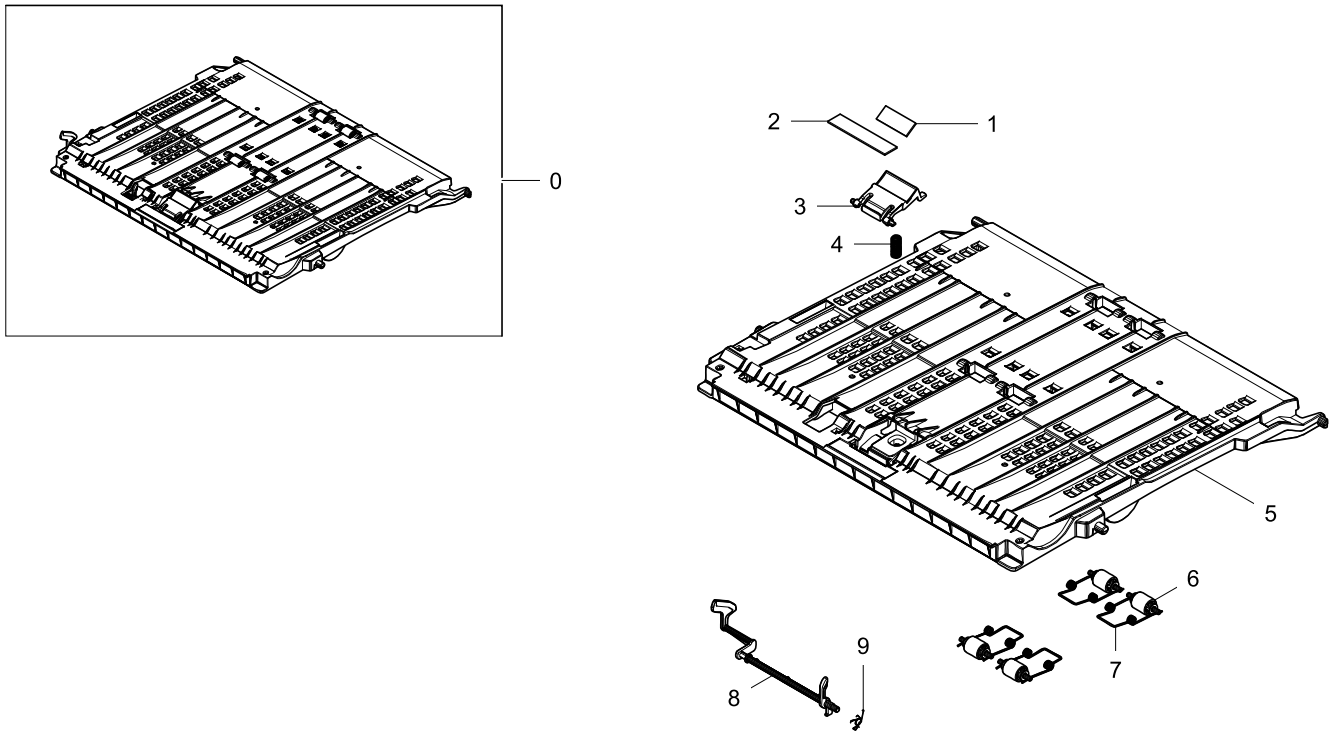


#### Parts List

No.	Lvl.	Loc.	Material Code	Description & Specification	SNA	Qty.
1	4	L9633	0604-001415	PHOTO-INTERRUPTER; TR,DIP-4,BK	SA	1
2	4		JC33-00028D	SOLENOID; CLP-680ND,DC 24V,70,22.1*14.8	SA	1
3	4		JC31-00165A	MOTOR BLDC-BT6; 430 ~ 2400 rpm,DC 24V,2.0	SA	1
4	4	K1289	JC31-00075A	MOTOR BLDC; DNQ08M05W37A,2400RPM,1,500 gf	SA	1

## 6.4. FRAME-TRAY MP

### Exploded View

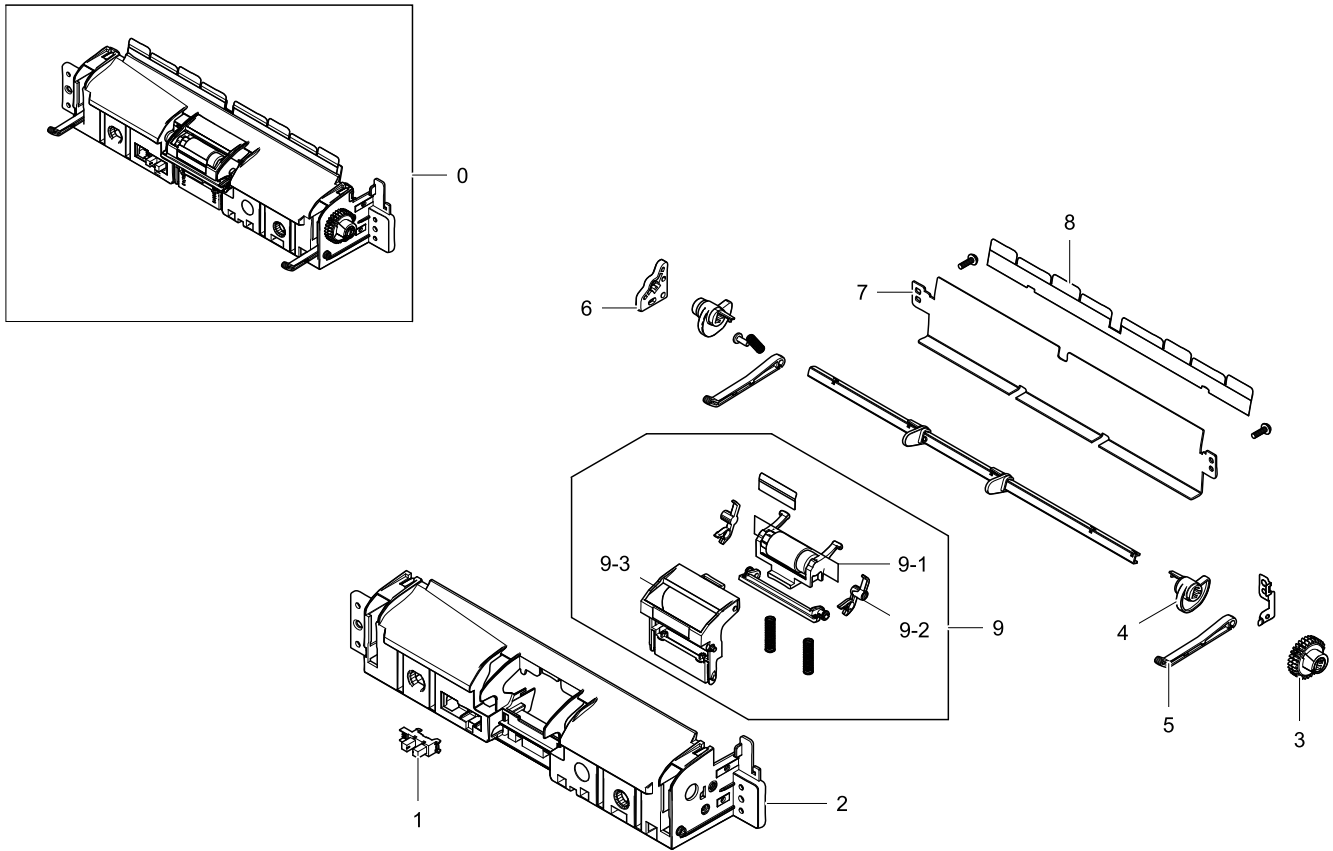


### Parts List

No.	Lvl.	Loc.	Material Code	Description & Specification	SNA	Qty.
0	3		JC93-00792A	FRAME-TRAY MP; CLP-680ND	SA	1
1	4		JC67-00550A	PAD RUBBER-FRICTION; ML-2160,EPDM,1,23x8.	SA	1
2	4	F9043	JC73-00140A	RPR-FRICTION PAD; ML-1510,NBB,1T 8.9*47,5	SA	1
3	4		JC61-05527A	HOLDER-PAD MP; CLP-680ND,ABS+PC,NAOTO GRA	SA	1
4	4	L9374	6107-002617	SPRING-CS; SUS304,PI0.45,D4.95,L16.5,ID4.	SA	1
5	4		JC63-03701A	TRAY-MP; CLP-680ND,ABS,2.0,258,232.6,NAOT	SNA	1
6	4	F8925	JC66-00896A	ROLLER-M-IDLE_ DUP; ML-3560,POM,OD9.6,14.	SA	4
7	4		6107-003344	SPRING-TS; SWP,0.75,4.25,4,3.9,free	SNA	4
8	4		JC66-03612A	ACTUATOR-EMPTY MP; CLP-680ND,PC,BLACK,ACT	SA	1
9	4	G1591	6107-001164	SPRING-TS; SUS,PI0.15,D3.95,ID3.8,OD4.1	SA	1

## 6.5. FRAME-RETARD

### Exploded View



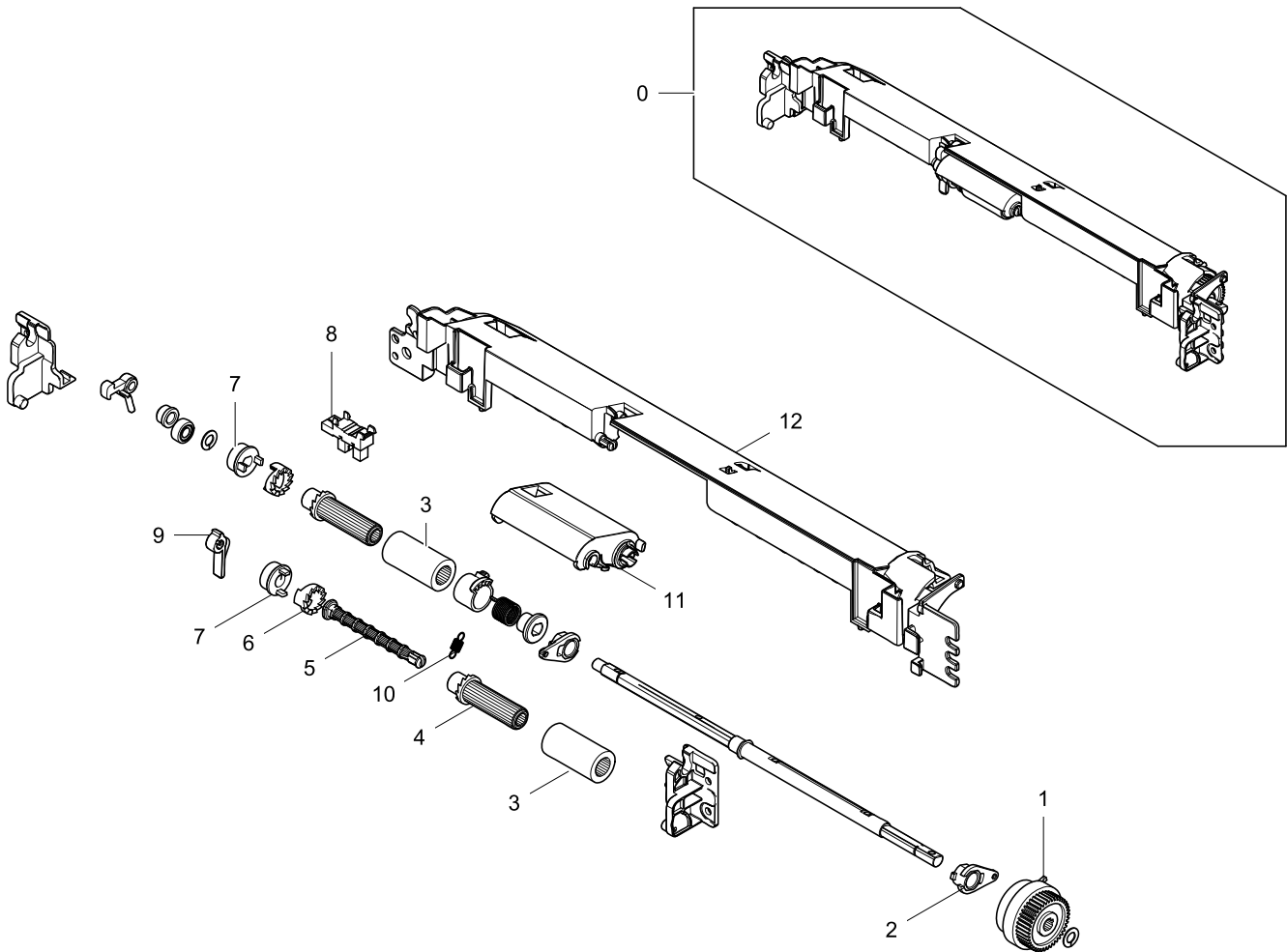
### Parts List

No.	Lvl.	Loc.	Material Code	Description & Specification	SNA	Qty.
0	3		JC93-00793A	FRAME-RETARD; CLP-680ND	SNA	1
1	4	L9633	0604-001415	PHOTO-INTERRUPTER; TR,DIP-4,BK	SA	1
2	4		JC61-05441A	FRAME-RETARD; CLP-680ND,ABS+GF,GR-4020L,2	SNA	1
3	4		JC93-00760A	DRIVE-GEAR KNOCK UP; CLP-680ND	SNA	1
4	4		JC66-03590A	CAM-KNOCK UP R; CLP-680ND,POM,22	SNA	1
5	4		JC66-03615A	LEVER-KNOCK UP; CLP-680ND,POM,2T,5,60,F20	SNA	2
6	4		JC61-05392A	HOLDER-CAM; CLP-680ND,POM,21.8	SNA	1
7	4		JC61-05540A	PLATE-GUIDE PAPER; CLP-680ND,EGI-SECC,1.0	SNA	1
8	4		JC63-03868A	SHEET-GUIDE; CLP-680ND,PET,0.125,222.5	SNA	1
9	4		JC93-00794A	FRAME-RETARD-HOLDER; CLP-680ND	SA	1
9-1	5		JC93-00682A	FRAME-ROLLER RETARD; CLP-680ND	SNA	1

No.	Lvl.	Loc.	Material Code	Description & Specification	SNA	Qty.
9-2	5		JC61-05389A	GUIDE-KICKER R; CLP-680ND,ABS+PC,24.9,GUI	SNA	1
9-3	5		JC61-05442A	FRAME-RETARD COVER; CLP-680ND,ABS+GF,GR-4	SNA	1

## 6.6. FRAME-PICKUP MP

### Exploded View



### Parts List

No.	Lvl.	Loc.	Material Code	Description & Specification	SNA	Qty.
0	3		JC93-00795A	FRAME-PICKUP MP; CLP-680ND	SA	1
1	4		JC47-00035A	CLUTCH-ELECTRIC Z41; ML-2950ND,DC24V 10%	SA	1
2	4	I7270	JC61-02260A	HOLDER-SHAFT; CLX-6200FX,POM	SNA	2
3	4	F9180	JC73-00295A	RUBBER-PICK_UP; ML-2855ND,IR(EPDM),30,15,	SA	2
4	4	G0798	JC61-02808A	SLEEVE-MP; ML-2855ND,6,41.4,10	SNA	2
5	4	G0313	JC66-02073A	SHAFT-PICK UP SUB; ML-2855ND,ABS,54.2,6,B	SNA	1
6	4	F4568	JB72-00845A	PMC-PICK UP CLUTCH SUB; SCX-1110F,POM,BLA	SNA	2
7	4	C3536	JC66-02075A	GEAR-JOINT; ML-2855ND,POM,0.5,23,BLACK,12	SNA	1
8	4	L9633	0604-001415	PHOTO-INTERRUPTER; TR,DIP-4,BK	SA	1



No.	Lvl.	Loc.	Material Code	Description & Specification	SNA	Qty.
9	4		JC61-04057A	STOPPER-MP; ML-3710ND,POM,5,23.9,WHT	SA	1
10	4		6107-002780	SPRING-ES; SUS304,PI0.24,L11.1,ID3.5,OD4	SA	1
11	4		JC61-05528A	HOUSING-PICKUP MP; CLP-680ND,HIPS,17.2,63	SNA	1
12	4		JC61-05446A	GUIDE-UPPER MP; CLP-680ND,ABS+GF,GF20%,GU	SNA	1