

# *Parts Catalog* - CLX-6220FX/6250FX



- Speed (printing and copy)
  - CLX-6220FX : Black/Color 20 ppm (A4) / 21ppm (Letter)
  - CLX-6250FX : Black/Color 24 ppm (A4) / 25ppm (Letter)
- Printing resolution : up to 9600x600 dpi effective output
- CPU
  - CLX-6220FX : 360MHz
  - CLX-6250FX : 700MHz
- Toner cartridge
  - Initial (black/color) : 2.5K/2K(6220FX) , 5K/4K(6250FX)
- Machine Life : 200K or 5 years
- Paper handling
  - : Max. 850 sheets paper capacity
  - : 250 sheets cassette, 500 sheets option cassette
  - : MP tray : 100 sheets
- Memory : 256MB (Max.768MB(6250FX), 512MB(6220FX))
- Network, USB 2.0
- 4 Line LCD

**This Parts Catalog is a property of Samsung Electronics Co.,Ltd.  
Any unauthorized use of this manual can be punished under  
applicable International and/or domestic law.**



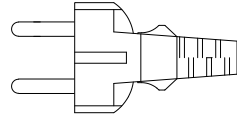
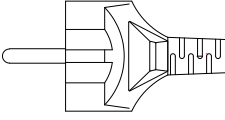
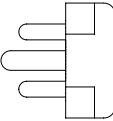
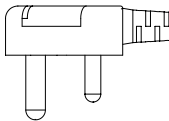
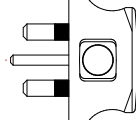
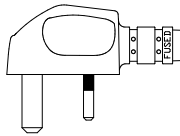
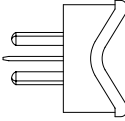
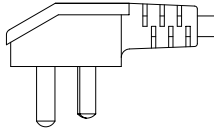
# Exploded view and parts list

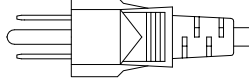
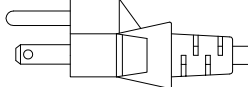
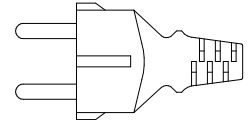
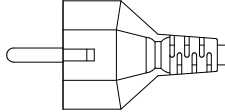
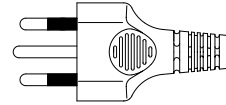
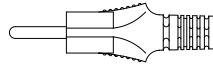
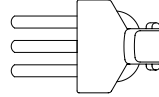
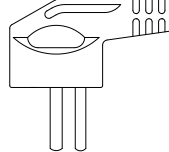
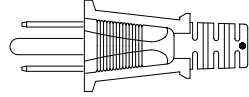
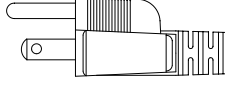
## Contents

Power Cord .....	4	14. ELA UNIT-REVERSE .....	37
Harness connection table .....	5	15. ELA UNIT-MOTOR BRKT .....	39
Thumbnail .....	8	16. ELA UNIT-FRAME REV .....	41
1. MAIN .....	10	17. MEA UNIT-COVER TOP .....	43
2. COVER .....	12	18. SCANNER .....	45
3. COVER-FRONT ASSY .....	14	19. OPE .....	47
4. COVER-MP .....	16	20. DADF .....	49
5. COVER-MIDDLE ASSY .....	18	21. DADF-COVER PLATEN .....	51
6. COVER-MIDDLE REAR ASSY .....	20	22. DADF STACKER-TX.....	53
7. FRAME .....	22	23. DADF-UPPER .....	55
8. FRAME_BOTTOM .....	24	24. DADF-COVER OPEN .....	57
9. FRAME LEFT .....	26	25. DADF-LOWER .....	59
10. FRAME RIGHT .....	28	26. PLATEN .....	61
11. DRIVE_FUSER-BRACKET .....	30	27. PLATEN-UPPER .....	63
12. DRIVE FEED .....	32	28. PLATEN-LOWER .....	65
13. FUSER .....	34	29. CASSETTE.....	67

# Power Cord

Power Cord differs by countries. Please check your country code.

Top View	Side View	Part Code
		Usable Country Code
		3903-000020
		XAZ
		3903-000042
		SEE / STS / XSA / XSG XSS / XEV / XEG
		3903-000050
		XFA / XIP
		3903-000067
		XEU / XSS
		3903-000082
		XIL

Top View	Side View	Part Code
		Usable Country Code
		3903-000085
		XAA / XAX
		3903-000133
		KOR
		3903-000146
		XBH
		3903-000182
		ETS
		3903-000227
		TED



## Harness connection table

No.	Parts Code	Description	Connection	Pin		Sepecification
1	JC39-00650A	FLAT CABLE	Main PBA ↔ HVPS	30p	30p	CLP-660,30,0.05,410mm,AWM20624,1R,1.0mm,WHITE,FFC,1:1,FLAT CABLE
2	JC39-00651A	FLAT CABLE	Main PBA ↔ HVPS	24p	24p	CLP-660,24,0.05,390mm,AWM20624,1R,1.0mm,WHITE,FFC,1:1,FLAT CABLE
3	JC39-00675A	HARNESS-FDB SMPS	SMPS ↔ FDB	2p	2p	CLP-660,UL 1617,2PIN,100mm,BLK/WHT,16AWG,MG610599-2(Blue),MG610599-1(RED)
4	JC39-01333A	HARNESS-MP DRAWER_MP	MP DRAWER CON. ↔ MP SENSOR	4p,5p	2p,3p	CLX-6220FX,2p,3p,4p,150mm/275mm/50mm,BLK/GRAY,26AWG,173977-2 / 177977-3,50212-8000,UL 1061
5	JC39-00668A	HARNESS-FUSER DRAW_F	FUSER DRAW ↔ Fuser	8p	2p	CLP-660,UL3398,2PIN,65mm/105mm,WHT,16AWG,292182-8
6	JC39-01049A	HARNESS-FUSER GND	FUSER DRAW ↔ FRAME GND	4P	2P	CLP-770ND,4p/2p,50mm,WHT,26AWG,YBH200-02,35750-0510,UL3398
7	JC39-00938A	HARNESS-BLDC_CLU_FAN	Main PBA ↔ Fuser FAN	10p	2p,2p	CLP-660,UL 10272,10P/2P/2P,225mm/300mm/75mm,BLK/GRAY,26AWG,1-173977-5,1-173977-0/173977-2
8	JC39-01026A	HARNESS-OPC BLDC	Main PBA ↔ OPC BLDC	10p	10p	CLP-770ND,10p/10p,425mm,BLK/GRAY,26AWG,1-173977-0,1-173977-0,UL 10272
9	JC39-01028A	HARNESS-DEVE BLDC PICKUP SOL	Main PBA ↔ DEVE BLDC	12p	10p, 2p	CLP-770ND,12p/10p2p,325mm/650mm,BLK/GRAY,26AWG,1-173977-2,1-173977-0/173977-2,UL 10272
10	JC39-01249A	HARNESS-FEEDSTEP_MOTOR	Main PBA ↔ FEED MOTOR	4p	4p	CLP-670ND,4p,550mm,BLK/GRAY,26AWG,173977-4,173977-4,UL 10272
11	JC39-01337A	HARNESS-EXIT_STEPMOTOR	Main PBA ↔ EXIT MOTOR	4p	4p	CLP-670ND,4p,500mm,BLK/GRAY,26AWG,173977-4,173977-4,UL 10272
12	JC39-01340A	HARNESS-HVPS_24V	Main PBA ↔ HVPS	2p	2p	CLP-670ND,2p,700mm,BLK/GRAY,18AWG,YH396-03,YH396-03,UL 1061
13	JC39-01251A	HARNESS-FUSERDRAW_FR_SINGLE	Main PBA ↔ Fuser DRAWER CON.	4p	2p,1p	CLP-620ND,2p,1p,4p,600mm450mm325mm,BLK/GRAY,16AWG,292185-8,MG610599,UL 1617
14	JC39-00665A	HARNESS-EMPT FEED_FR	EMPT-FEED SENSOR ↔ HVPS	3p	3p	CLP-660,UL 10272,3PIN/3PIN,150mm/225mm,BLK/GRAY,26AWG,173977-6,173977-3,UL 10272
15	JC39-00666A	HARNESS-MP DRAW_FR	MP DRAWER CON. ↔ HVPS	6p,2p	7p	CLP-660,UL 1061,6PIN/2PIN,175mm/150mm,BLK/GRAY,26AWG,52968-0819,173977-7
16	JC39-01341A	HARNESS-ERASER_PTL	Main PBA ↔ HVPS	8P	LED	CLP-670ND,8p,775mm,BLK/GRAY,26AWG,173977-8,UL 10272
17	JC39-00663A	HARNESS-PTB DRAW_FR	PTB DRAWER ↔ PTB CRUM PBA	14p	14p	CLP-660,UL 10272,14PIN,475mm,BLK/GRAY,26AWG,173977-7,3-353293-4,UL 10272
18	JC39-00956A	HARNESS-FUSER_GND				CLP-310,UL 1007,1P,75mm,GRN,18,35750-1110
19	JC39-01029A	HARNESS-TEMP HUMIDITY	SUB-TEMP PBA ↔ Main PBA	8P	2P,4P	CLP-770ND,8p/2p4p,500mm/400mm,BLK/GRAY,26AWG,173977-6,2-173983-2/173977-4,UL 10272
20	JC39-01031A	HARNESS-DEVE CRUM IF	Main PBA ↔ DEVE CRUM PBA	8p	7p	CLP-770ND,8p/7p,225mm,BLK/GRAY,26AWG,2-173983-7,2-353293-7,UL 10272
21	JC39-00839A	HARNESS-USB HOST	Main PBA ↔ USB HOST	5P	5P	CLX-6240FX,UL2725,5P/5P,575mm/120mm/50mm,RED/WHITE/GREEN/BLACK,24AWG/28AWG,51004-0500,51004-0500

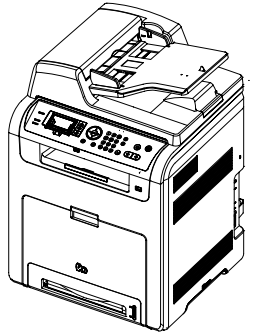
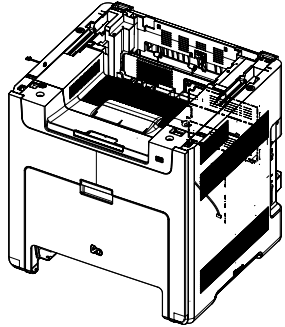
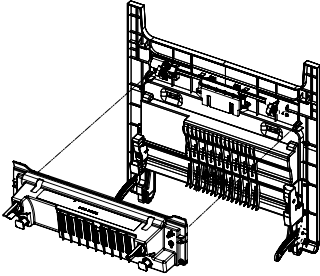
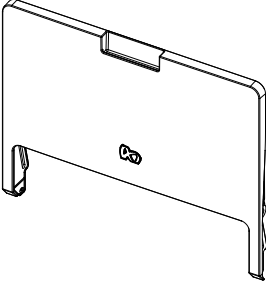
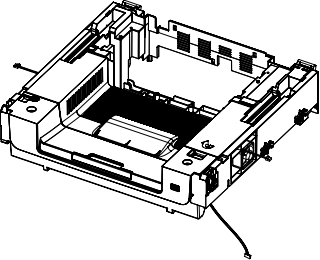
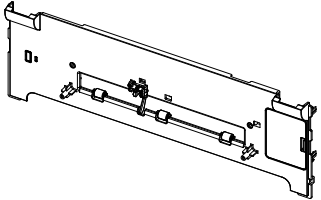
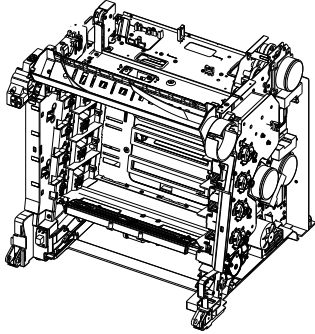
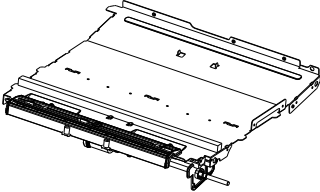
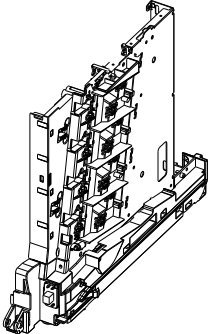
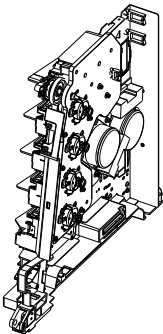
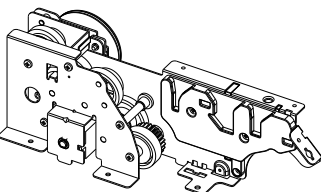
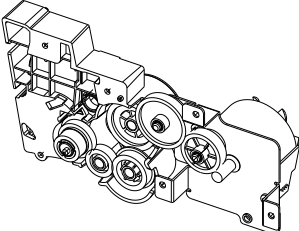
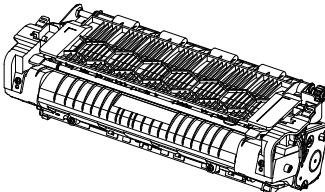
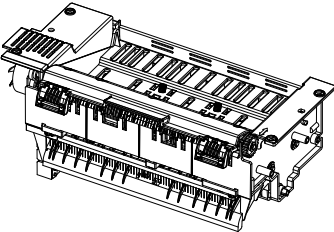
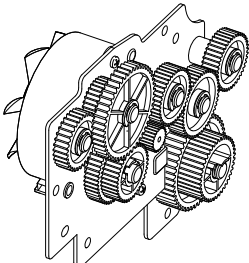
## Harness connection table

No.	Parts Code	Description	Connection	Pin		Sepecification
22	JC39-00847A	HARNESS-SCANNER OPEN	REVERSE PBA ↔ SCANNER OPEN SENSOR	4p	Switch	CLX-6240FX, UL10272, 4P, 350mm, BLK/GRAY, 24AWG, 173977-4, SS5GL (SWITCH)
23	JC39-00942A	HARNESS-REVERSE JAM	JAM SENSOR ↔ REVERSE PBA	3P	3P	CLX-6200FX, UL10272, 3P/3P, 375MM, BLK/GRAY, 26AWG, 353293-3, 173977-3
24	JC39-00840A	HARNESS-REV GND	REVERSE UNIT GND ↔ REVERSE PBA GND	2P	1P	CLX-6240FX, UL1007, 2P, 275mm/75mm, GREEN, 18AWG, 35750-1110, 35750-1110, UL1007
25	JC39-00845A	HARNESS-REV MOT EXIT	EXIT SENSOR ↔ REVERSE PBA	3P, 4P	7P	CLX-6240FX, UL10272, 7P/3P/4P, 350mm/250mm, BLK/GRAY, 26AWG, 173977-7, 173977-3/173977-4
26	JC39-00846A	HARNESS-REV SWING	SWING SENSOR ↔ REVERSE PBA	3P	3P	CLX-6240FX, UL10272, 3P/3P, 325mm, BLK/GRAY, 26AWG, 173977-3, 173977-3
27	JC39-00664A	HARNESS-PTB DRAW_P	PTB DRAWER ↔ PTB CRUM PBA	7p, 7p	14p	CLP-660, UL10272, 14PIN, 50mm, BLK/GRAY, 26AWG, 173977-7, 3-353293-4, UL10272
28	JC39-01338A	HARNESS-ACR_SENSOR	PTB CRUM PBA ↔ ACR SENSOR	10p	5p, 5p	CLP-670ND, 5p, 5p/10p, 125mm/275mm, BLK/GRAY, 26AWG, 173977-5, 1-173977-0, UL10272
29	JC39-00770A	HARNESS-KC	Main PBA ↔ LSU	20P	10P, 10P	CLP-660, HARNESS, UL10272, 20/10/10, 375/450, GREY, 26, 4-3532934-0, 1353293-0/3-353293-0
30	JC39-00771A	HARNESS-MY	Main PBA ↔ LSU	20P	10P, 10P	CLP-660, HARNESS, UL10272, 20/10/10, 450/375, GREY, 26, 4-3532934-0, 1353293-0/3-353293-0
31	JC39-00772A	HARNESS-MOTOR	Main PBA ↔ LSU	10P	5P, 5P	CLP-660, HARNESS, UL10272, 10/5/5, 575, GREY, 26, 1-173977-0, 173977-5/173977-5
32	JC39-00837A	HARNESS-PD	LSU PBA	3p	3p	CLP-660, HARNESS, UL1061, 3/3, 75, B/W, 28, 51021-0330, 51021-0330
33	JC39-01048A	HARNESS-PD	LSU PBA	3p	3p	CLP-750, HARNESS, UL1061, 3/3, 275, GREY, 28, 51021-0330, UL1061
34	JC39-00851A	HARNESS-DADF UPPER	DADF UPPER CON. ↔ DADF PBA	22P	11P, 12P	CLX-6240FX, UL10272, 22/11/12P, 175mm, BLK/GRAY, 26AWG, 5-292178-1, 1-353293-1/2
35	JC39-00852A	HARNESS-DADF MOTOR	DADF MOTOR ↔ DADF PBA	4P	6P	CLX-6240FX, UL10272, 4P/6P, 150mm, BLK/GRAY, 26AWG, 173977-4, 173977-6
36	JC39-00855A	HARNESS-DADF REGI SOL	REGI SOL ↔ DADF PBA	2P	2P	CLX-6240FX, UL10272, 2P/2P, 150mm, BLK/GRAY, 26AWG, 353293-2, 292254-2
37	JC39-00854A	HARNESS-DADF SENSOR 2	DADF SENSOR2 ↔ DADF PBA	3P, 3P	7P	CLX-6240FX, UL10272, 7P/3P/3P, 475mm/275mm, BLK/GRAY, 26AWG, 353293-7, 173977-3/173977-3
38	JC39-00853A	HARNESS-DADF SENSOR 1	DADF SENSOR1 ↔ DADF PBA	3P, 3P	6P	CLX-6240FX, UL10272, 6P/3P/3P, 525mm/425mm, BLK/GRAY, 26AWG, 353293-6, 173977-3/173977-3
39	JC39-00841A	HARNESS-SCAN GND	SCAN JOINT GND ↔ FRAM GND	1P	1P	CLX-6240FX, UL1007, 1P, 275mm, GREEN, 18AWG, 35750-1110, 35750-1110
40	JC39-00848A	HARNESS-SCAN	SCANJOINT PBA ↔ Main PBA	34P	34P	CLX-6240FX, UL10272, 34P/34P, 550mm, BLK/GRAY/BLUE, 26AWG, 3-353293-4, 3-353293-4
41	JC39-00850A	HARNESS-DADF LOWER	DADF LOWER CON. ↔ SCANJOINT PBA	22P	11P, 12P	CLX-6240FX, UL10272, 22/11/12P, 125mm, BLK/GRAY, 26AWG, 5-292178-1, 1-353293-1/2

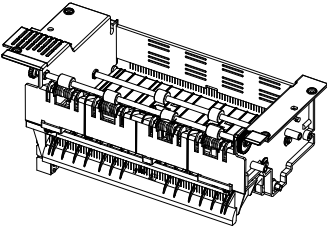
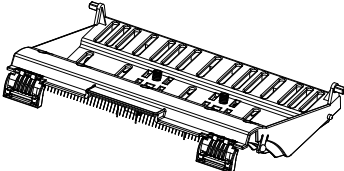
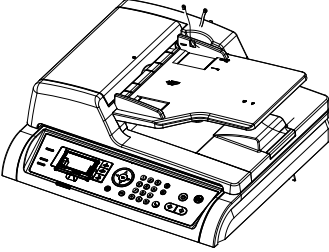
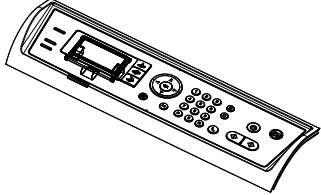
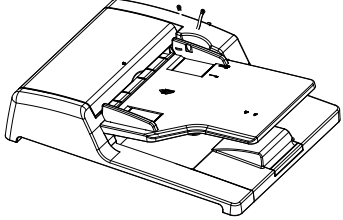
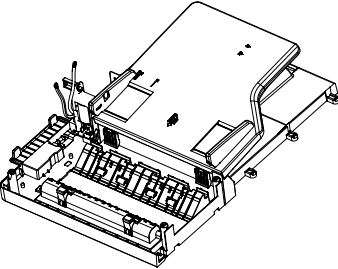
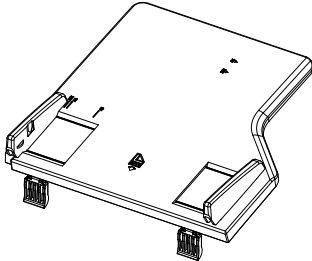
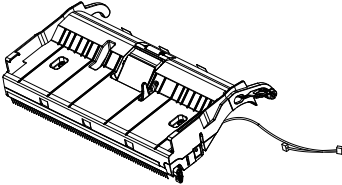
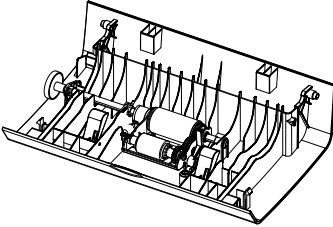
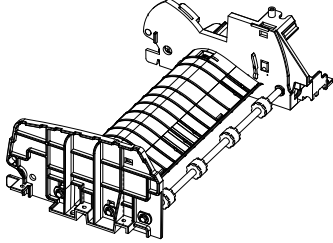
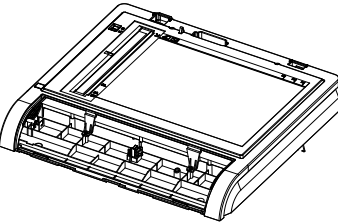
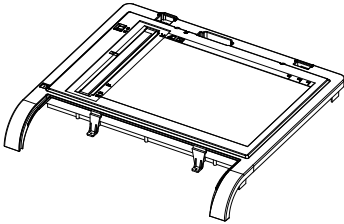
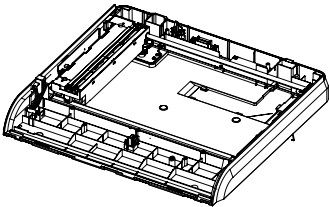
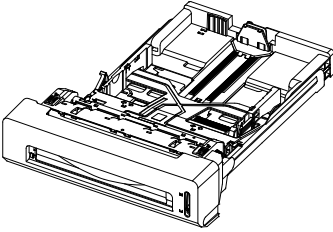
## Harness connection table

No.	Parts Code	Description	Connection	Pin		Sepecification
42	JC39-00856A	HARNESS-CCD HOME	CCD HOME SENOR ↔ OPE PBA	3P	3P	CLX-6240FX, UL10272, 3P/3P, 225mm, BLK/GRAY, 26AWG, 173977-3, 173977-3
43	JC39-00857A	HARNESS-BIN FULL	BIN FULL SENSOR ↔ OPE PBA	3P	3P	CLX-6240FX, UL10272, 3P/3P, 250mm, BLK/GRAY, 26AWG, 353293-3, 173977-3
44	JC39-00890A	HARNESS-SCAN MOTOR	SCANJOINT PBA ↔ SCAN MOTOR	4P	4P	CLX-6240FX, UL10272, 4pin, 275mm, BLK/GRAY, 26AWG, 173977-4, 173977-4
45	JC39-01325A	HARNESS-OPE	OPE PBA ↔ SCANJOINT PBA	10P	10P	CLX-6250FX, 10P, 10P, 675mm, BLK/GRAY, 26AWG, 1-353293-0, 1-353293-0, UL 10272
46	JC39-00661A	HARNESS-FUSER CONTROL	Main PBA ↔ FDB	6P	6P	CLP-660, UL 10272, 6PIN, 125mm, BLK/GRAY, 26AWG, 173977-6, 173977-6
47	JC39-00838A	HARNESS-SMPS	Main PBA ↔ SMPS	28p	28p	CLX-6240FX, UL1061, 28P/28P, 150mm, BLK/GRAY, 24AWG, DF11-28DS-2C, DF11-28DS-2C
48	JC39-00843A	HARNESS-MODEM	Main PBA ↔ MODEM PBA	12P	12P	CLX-6200FX, UL10272, 12P/12P, 150mm, BLK/GRAY, 26AWG, 1-173977-2, 1-173977-2
49	JC39-00844A	HARNESS-REVERSE	Main PBA ↔ REVERSE PBA	20P	20P	CLX-6240FX, UL10272, 20P/20P, 325mm, BLK/GRAY, 26AWG, 2-353293-0, 2-353293-0, UL 10272
50	JC39-00893A	HARNESS-FAN EXTENSION	REVERSE PBA ↔ SMPS FAN	3P	3P	CLX-6240FX, UL10272, 3pin, 75mm, Black/Gray, AWG26, 51005-0300, 51004-0300
51	JC39-00917A	HARNESS-REVERSE SOL	REVERSE PBA ↔ REVERSE SOL	2P	2P	CLX-6240FX, UL10272, 2P, 125mm, BLK/GRAY, 26AWG, 173977-2, 292254-2, UL 10272
52	JC39-00662A	HARNESS-AC INLET	POWER CORD ↔ FDB	2P	2P	CLP-660, UL 1617/UL1015, 2PIN/2PIN, 100mm/100mm, BLK/WHT/GRE, 16AWG/16AWG, DF22R-2S-7.92C(BLK)

# Tumbnail 1

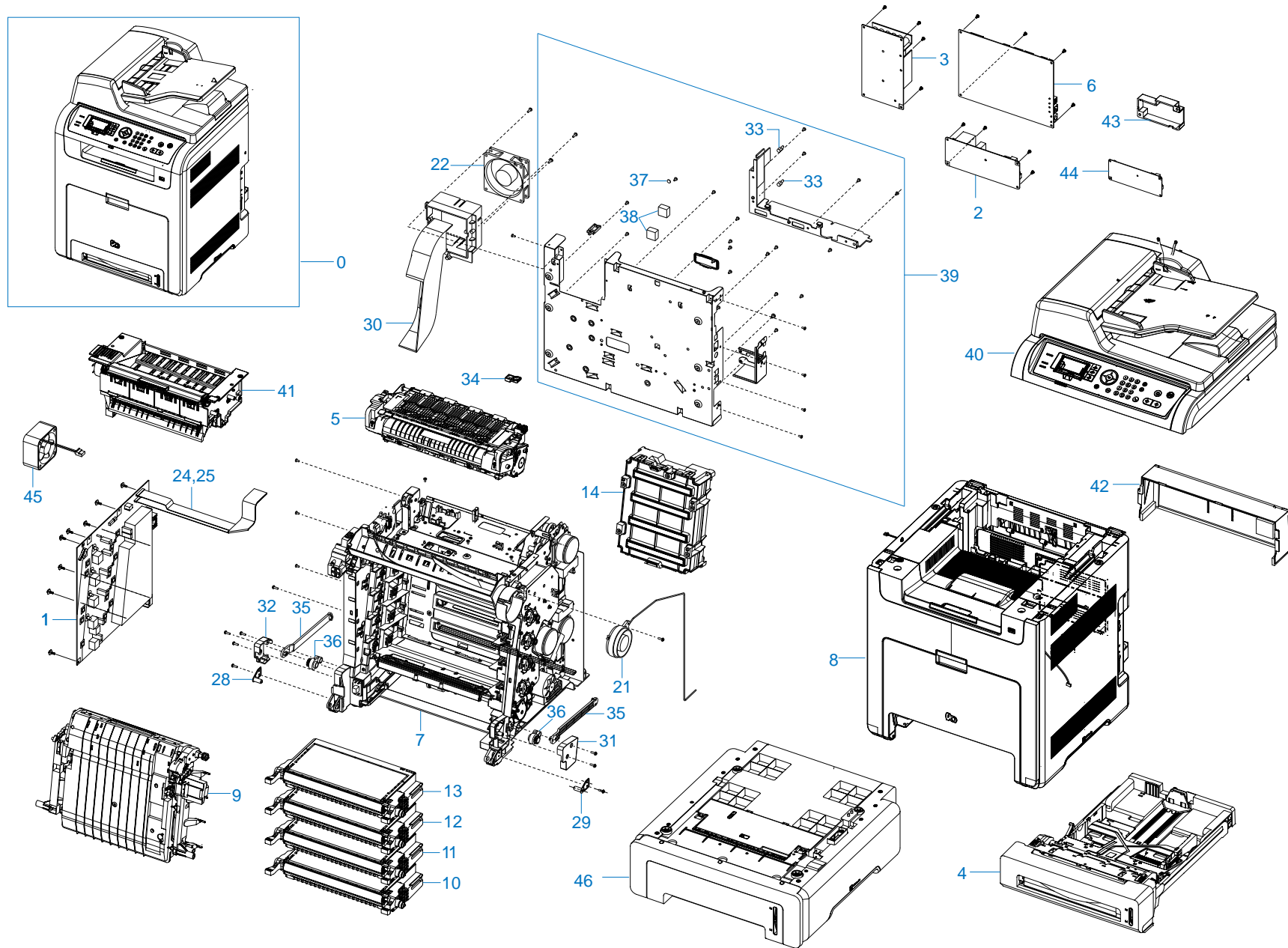
				
<p>1. MAIN</p>	<p>2. COVER</p>	<p>3. COVER-FRONT ASSY</p>	<p>4. COVER-MP</p>	<p>5. COVER-MIDDLE ASSY</p>
				
<p>6. COVER-MIDDLE REAR ASSY</p>	<p>7. FRAME</p>	<p>8. FRAME_BOTTOM</p>	<p>9. FRAME LEFT</p>	<p>10. FRAME RIGHT</p>
				
<p>11. DRIVE_FUSER-BRACKET</p>	<p>12. DRIVE FEED</p>	<p>13. FUSER</p>	<p>14. ELA UNIT-REVERSE</p>	<p>15. ELA UNIT-MOTOR BRKT</p>

## Tumbnail 2

				
16. ELA UNIT-FRAME REV	17. MEA UNIT-COVER TOP	18. SCANNER	19. OPE	20. DADF
				
21. DADF-COVER PLATEN	22. DADF STACKER-TX	23. DADF-UPPER	24. DADF-COVER OPEN	25. DADF-LOWER
				
26. PLATEN	27. PLATEN-UPPER	28. PLATEN-LOWER	29. CASSETTE	



# 1. Main



## Main parts list

SA : SERVICE AVAILABLE, SNA : SERVICE not AVAILABLE

Drawer#	SEC_Code	Description	QT'y	Service	Remark
1	JC44-00183A	HVPS	1	SA	
2	JC44-00184A	FDB-1LAMP-ZC-V2	1	SA	6220_220V
2	JC44-00186A	FDB-SINGLE TRIAC V1	1	SA	6220_110V
2	JC44-00185A	FDB-MULTI TRIAC V1	1	SA	6250_110V
2	JC44-00187A	FDB-MULTI TRIAC V2	1	SA	6250_220V
3	JC44-00100B	SMPS-V2C	1	SA	220V
3	JC44-00093B	SMPS-V1	1	SA	110V
4	JC90-00980A	CASSETTE	1	SA	
5	JC91-00970A	FUSER	1	SA	6220_110V
5	JC91-00971A	FUSER	1	SA	6220_220V
5	JC91-00968A	FUSER	1	SA	6250_110V
5	JC91-00969A	FUSER	1	SA	6250_220V
6	JC92-02240A	PBA-MAIN	1	SA	6220
6	JC92-02238A	PBA-MAIN	1	SA	6250
7	JC93-00147B	FRAME	1	SNA	6220
7	JC93-00147A	FRAME	1	SNA	6250
8	JC95-01170A	COVER	1	SNA	
9	CLT-T508	CARTRIDGE-TRANSFER	1	SNA	Sales
10	CLT-Y508S	CARTRIDGE-TONER Y	1	SNA	Sales
11	CLT-M508S	CARTRIDGE-TONER M	1	SNA	Sales
12	CLT-C508S	CARTRIDGE-TONER C	1	SNA	Sales
13	CLT-K508S	CARTRIDGE-TONER K	1	SNA	Sales
14	JC97-03733A	LSU	1	SA	
21	JC31-00072A	FAN	1	SA	
22	JC31-00088A	FAN-DC	1	SA	
24	JC39-00650A	FLAT CABLE	1	SA	

Drawer#	SEC_Code	Description	QT'y	Service	Remark
25	JC39-00651A	FLAT CABLE	1	SA	
28	JC61-01896A	BRACKET-HINGE_L	1	SNA	
29	JC61-01897A	BRACKET-HINGE_R	1	SNA	
30	JC61-01910A	FRAME-DUCT	1	SNA	
31	JC61-01911A	FRAME-DAMPER_R	1	SNA	
32	JC61-01912A	FRAME-DAMPER_L	1	SNA	
33	JC61-02543A	SUPPORT-PCB	2	SNA	
34	JC61-03706A	HOLDER-LOCK FUSER	1	SA	
35	JC66-01422A	LINK-HINGE	2	SNA	
36	JC66-01425A	DAMPER-HINGE	2	SNA	
37	JC68-01760A	LABEL-INFORMATION	1	SNA	
38	JC73-00280A	RUBBER-SUPPORT	2	SA	
39	JC98-01267A	ETC-BRACKET	1	SNA	
40	JC97-03762A	SCANNER	1	SNA	6250/others
40	JC97-03762B	SCANNER	1	SNA	6250/XAA
40	JC97-03762C	SCANNER	1	SNA	6220/others
40	JC97-03762D	SCANNER	1	SNA	6220/XAA
40	JC97-03762J	SCANNER	1	SNA	6220/STS
41	JC96-04800A	ELA UNIT-REVERSE	1	SA	
42	JC95-01189A	COVER-NOISE	1	SNA	
43	JC63-01518A	COVER-LIU	1	SA	
44	JC92-02060D	PBA-FAX CARD P	1	SA	others
44	JC92-02060E	PBA-FAX CARD S	1	SA	SEE
45	JC31-00050A	FAN	1	SA	
46	CLX-S6250A	Option cassette	1	SNA	Sales





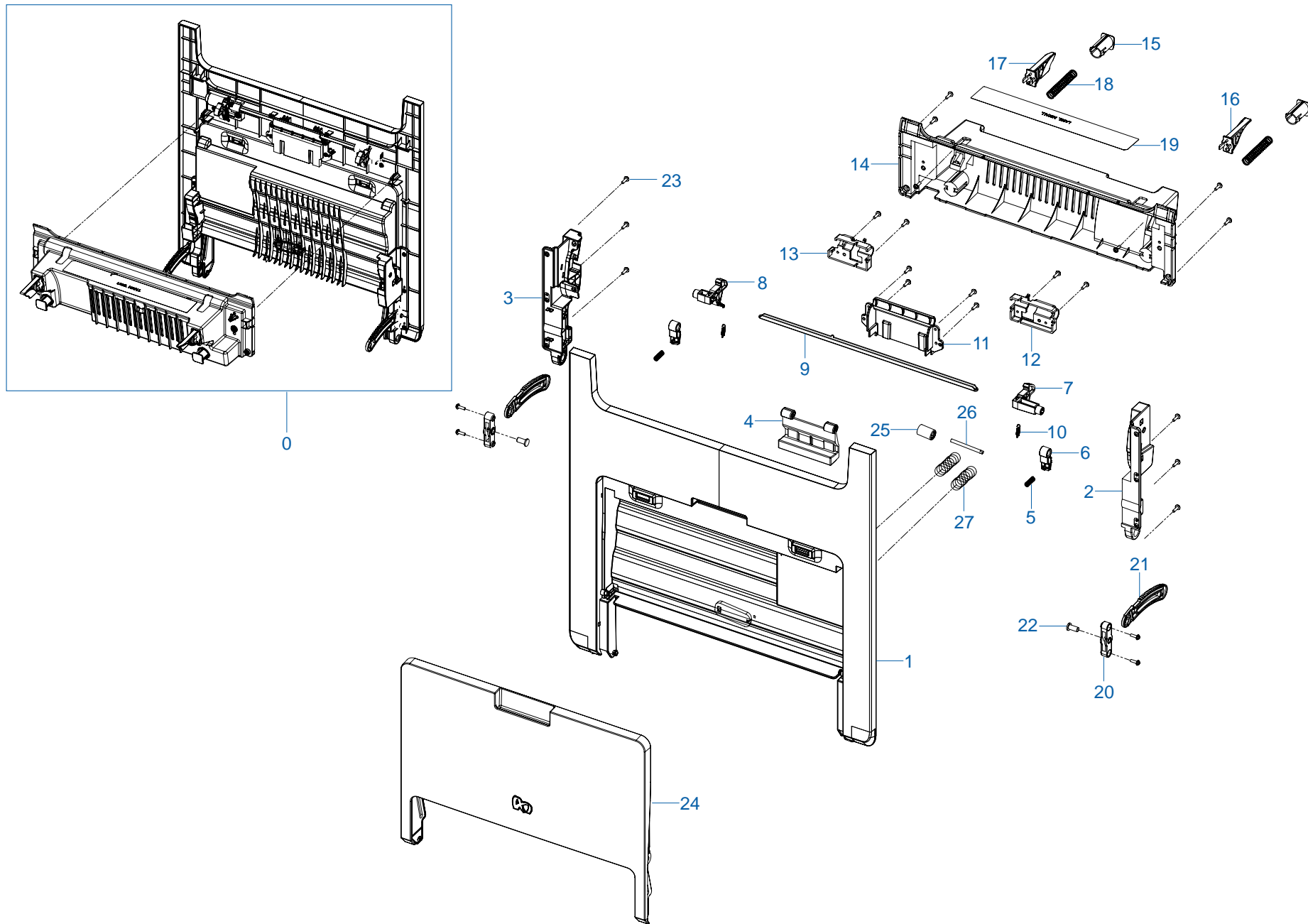
## COVER parts list

SA : SERVICE AVAILABLE, SNA : SERVICE not AVAILABLE

Drawer#	SEC_Code	Description	QT'y	Service	Remark
0	JC95-01170A	COVER	1	SNA	
1	JC95-01167A	COVER-FRONT ASSY	1	SA	
2	JC95-01188A	COVER-RIGHT ASSY	1	SA	
3	JC95-01168A	COVER-MIDDLE ASSY	1	SA	

Drawer#	SEC_Code	Description	QT'y	Service	Remark
4	JC63-01519C	COVER-LEFT	1	SA	
5	JC97-03052A	MEA-BRACKET REAR	1	SA	
6	JC95-01169A	COVER-MIDDLE REAR ASSY	1	SA	
7	JC95-01187A	COVER-REVERSE	1	SA	

### 3. COVER-FRONT ASSY



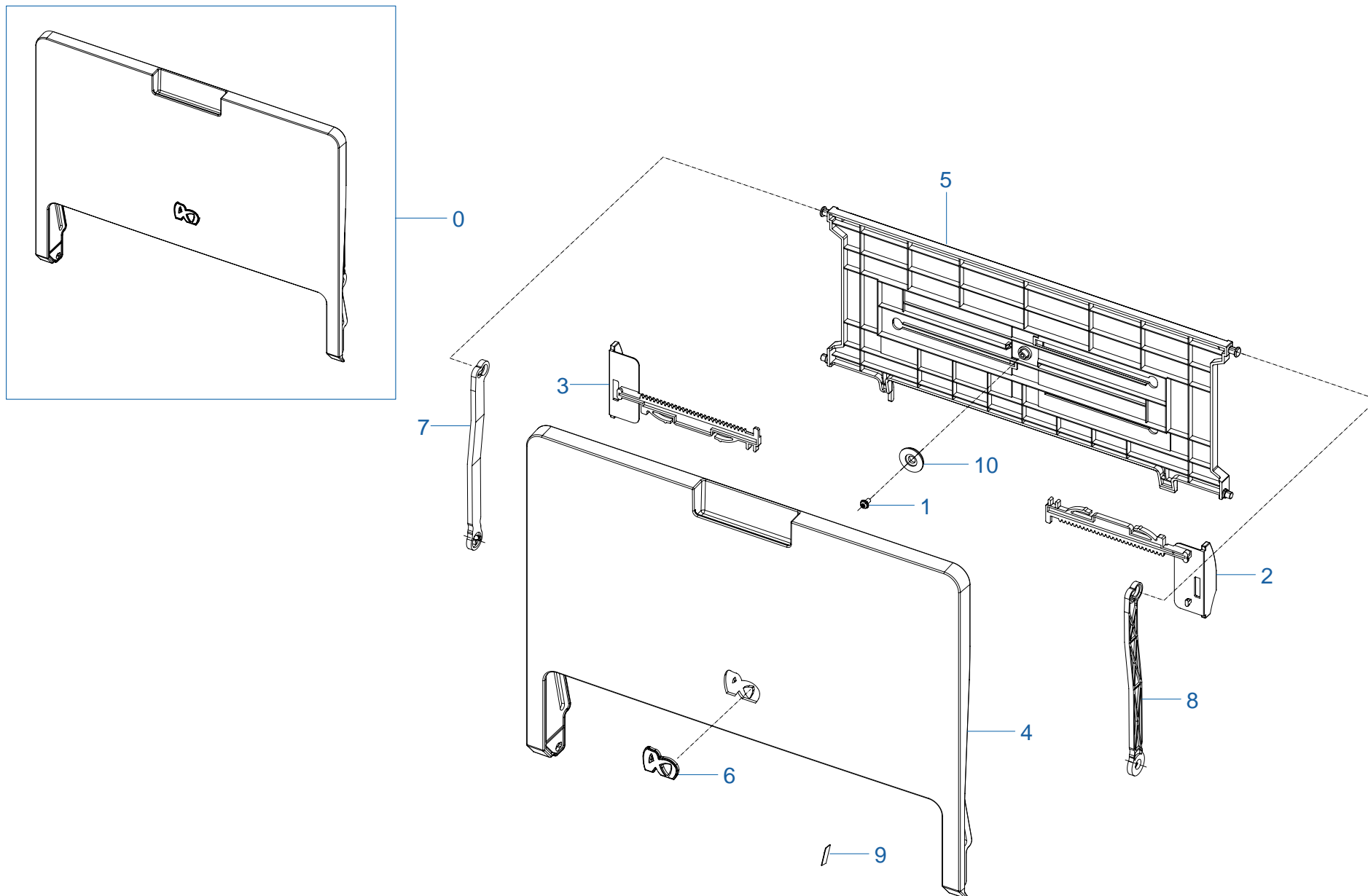
## COVER-FRONT ASSY parts list

SA : SERVICE AVAILABLE, SNA : SERVICE not AVAILABLE

Drawer#	SEC_Code	Description	QT'y	Service	Remark
0	JC95-01167A	COVER-FRONT ASSY	1	SA	
1	JC63-01521C	COVER-FRONT	1	SA	
2	JC61-01849B	SUPPORT-PTB R	1	SNA	
3	JC61-01846B	HOLDER-LINK FRONT	2	SNA	
4	JC64-00299D	KNOB-HANDLE	1	SNA	
5	JC61-00038A	SPRING ETC-GUIDE DEVE	2	SA	
6	JC66-01354A	LEVER-PTB	2	SNA	
7	JC64-00306A	LOCKER-FRONT R	1	SNA	
8	JC64-00305A	LOCKER-FRONT L	1	SNA	
9	JC61-01050A	BRACKET-P-COVER LOCK	1	SNA	
10	6107-001138	SPRING-ES	2	SA	
11	JC61-01841A	HOLDER-KNOB HANDLE	1	SNA	
12	JC61-01843A	HOLDER-LOCKER FRONT R	1	SNA	
13	JC61-01842A	HOLDER-LOCKER FRONT L	1	SNA	

Drawer#	SEC_Code	Description	QT'y	Service	Remark
14	JC63-01290B	COVER-FRONT PATH	1	SNA	
15	JC66-01421A	LEVER-PTB TOP	2	SNA	
16	JC66-01353A	LEVER-COUPLING R	1	SNA	
17	JC66-01352A	LEVER-COUPLING L	1	SNA	
18	6107-001345	SPRING-CS	2	SA	
19	JC68-01905A	LABEL-INSTALL	1	SNA	
20	JC61-01848B	SUPPORT-PTB L	1	SNA	
21	JC66-01358A	LINK-SUPPORT	2	SNA	
22	JC66-00835A	SHAFT-HINGE LINK	2	SNA	
23	6003-000196	SCREW-TAPTYPE	24	SA	
24	JC95-01154A	COVER-MP	1	SNA	
25	JC66-01022A	ROLLER-M_IDLE SCF	1	SNA	
26	JC66-01846A	SHAFT-DUP_ROLLER	1	SA	
27	6107-001218	SPRING-CS	2	SA	

### 4. COVER-MP



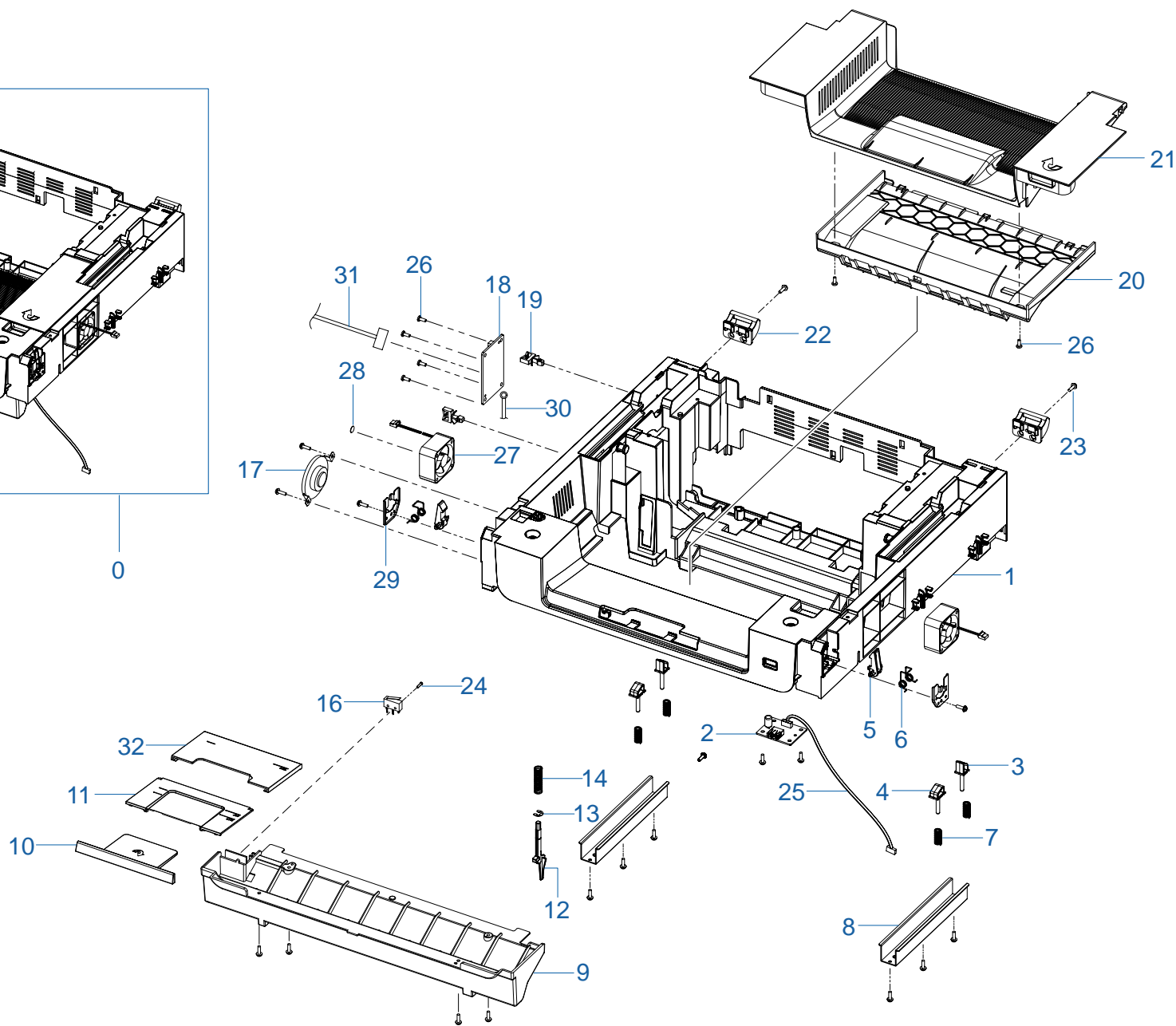
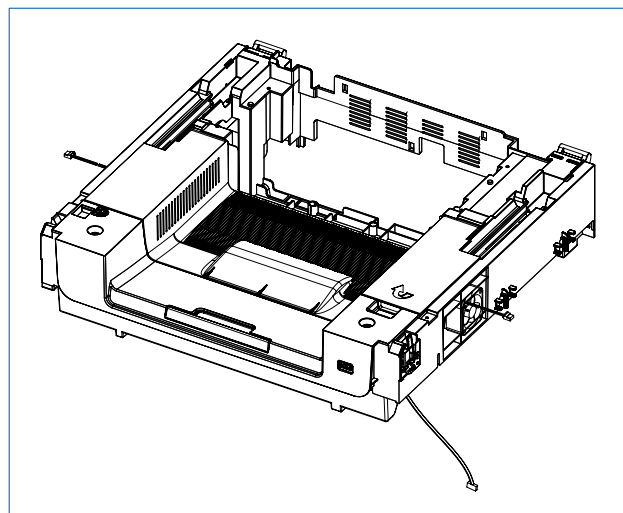
## COVER-MP parts list

SA : SERVICE AVAILABLE, SNA : SERVICE not AVAILABLE

Drawer#	SEC_Code	Description	QT'y	Service	Remark
0	JC95-01154A	COVER-MP	1	SNA	
1	6003-000264	SCREW-TAPTYPE	1	SNA	
2	JC61-01042D	GUIDE-SIDE MP R	1	SA	
3	JC61-01043D	GUIDE-SIDE MP L	1	SA	
4	JC63-01287B	COVER-MP_TRAY	1	SA	
5	JC63-01293B	TRAY-ASF_INPUT	1	SA	

Drawer#	SEC_Code	Description	QT'y	Service	Remark
6	JC64-00428A	BADGE-COLOR MIDDLE	1	SNA	
7	JC66-01349A	LINK-TRAY_MP_L	1	SNA	
8	JC66-01350A	LINK-TRAY_MP_R	1	SNA	
9	JC68-01528A	LABEL(R)-HEIGHT MP	1	SNA	
10	JG66-40003A	GEAR-PINION	1	SA	

### 5. COVER-MIDDLE ASSY



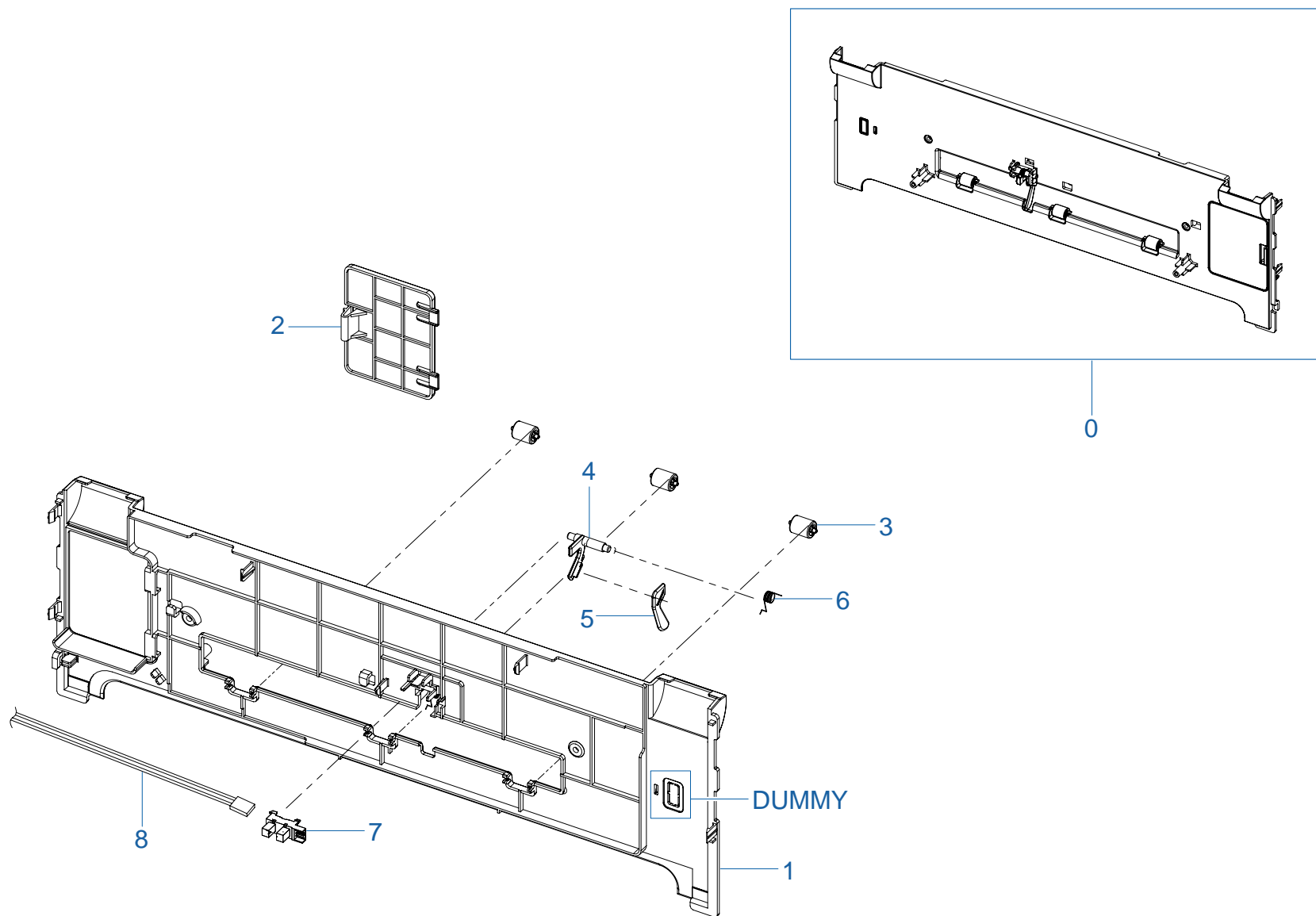
## COVER-MIDDLE ASSY parts list

SA : SERVICE AVAILABLE, SNA : SERVICE not AVAILABLE

Drawer#	SEC_Code	Description	QT'y	Service	Remark
0	JC95-01168A	COVER-MIDDLE ASSY	1	SA	
1	JC63-01543C	COVER-MIDDLE	1	SNA	
2	6003-000269	SCREW-TAPTYPE	2	SA	
3	JC66-01616A	LATCH-MIDDLE A	2	SA	
4	JC66-01617A	LATCH-MIDDLE B	2	SA	
5	JC61-01983A	HOLDER-LSU	2	SNA	
6	JC61-02512A	SPRING ETC-LOCKER	2	SA	
7	6107-001194	SPRING-CS	4	SA	
8	JC61-02210A	BRACKET-MID LOCK	2	SNA	
9	JC63-01567C	COVER-LOCKER FRONT	1	SA	
10	JC63-02056C	TRAY-ASF FOLDER	1	SA	
11	JC63-01560D	TRAY-ASF OUTPUT	1	SA	
12	JC66-01623A	ACTUATOR-SW_OPEN	1	SA	
13	6044-000231	RING-E	1	SA	
14	6107-001363	SPRING-CS	1	SA	
15	JC92-01964A	PBA-USB HOST	1	SA	

Drawer#	SEC_Code	Description	QT'y	Service	Remark
16	JC39-00847A	HARNESS-SCANNER OPEN	1	SA	
17	3001-002207	SPEAKER	1	SA	
18	JC92-01953A	PBA-REVERSE	1	SA	
19	6502-000132	CABLE CLAMP	2	SNA	
20	JC63-01550A	COVER-MIDDLE EXIT	1	SA	
21	JC63-01547C	COVER-MIDDLE OPEN	1	SA	
22	JC61-02410A	SUPPORT-MIDDLE	2	SNA	
23	6003-000196	SCREW-TAPTYPE	21	SA	
24	6003-000152	SCREW-TAPTYPE	1	SA	
25	JC39-00839A	HARNESS-USB HOST	1	SA	
26	6003-000282	SCREW-TAPTYPE	6	SA	
28	JC68-01760A	LABEL-INFORMATION	1	SNA	
29	JC61-02213A	BRACKET-LOCKER	2	SNA	
30	JC39-00496A	CBF HARNESS-LSU_GND	1	SA	
31	JC39-00893A	HARNESS-FAN EXTENSION	1	SA	
32	JC63-02049C	TRAY-ASF LEGAL	1	SNA	

### 6. COVER-MIDDLE REAR ASSY





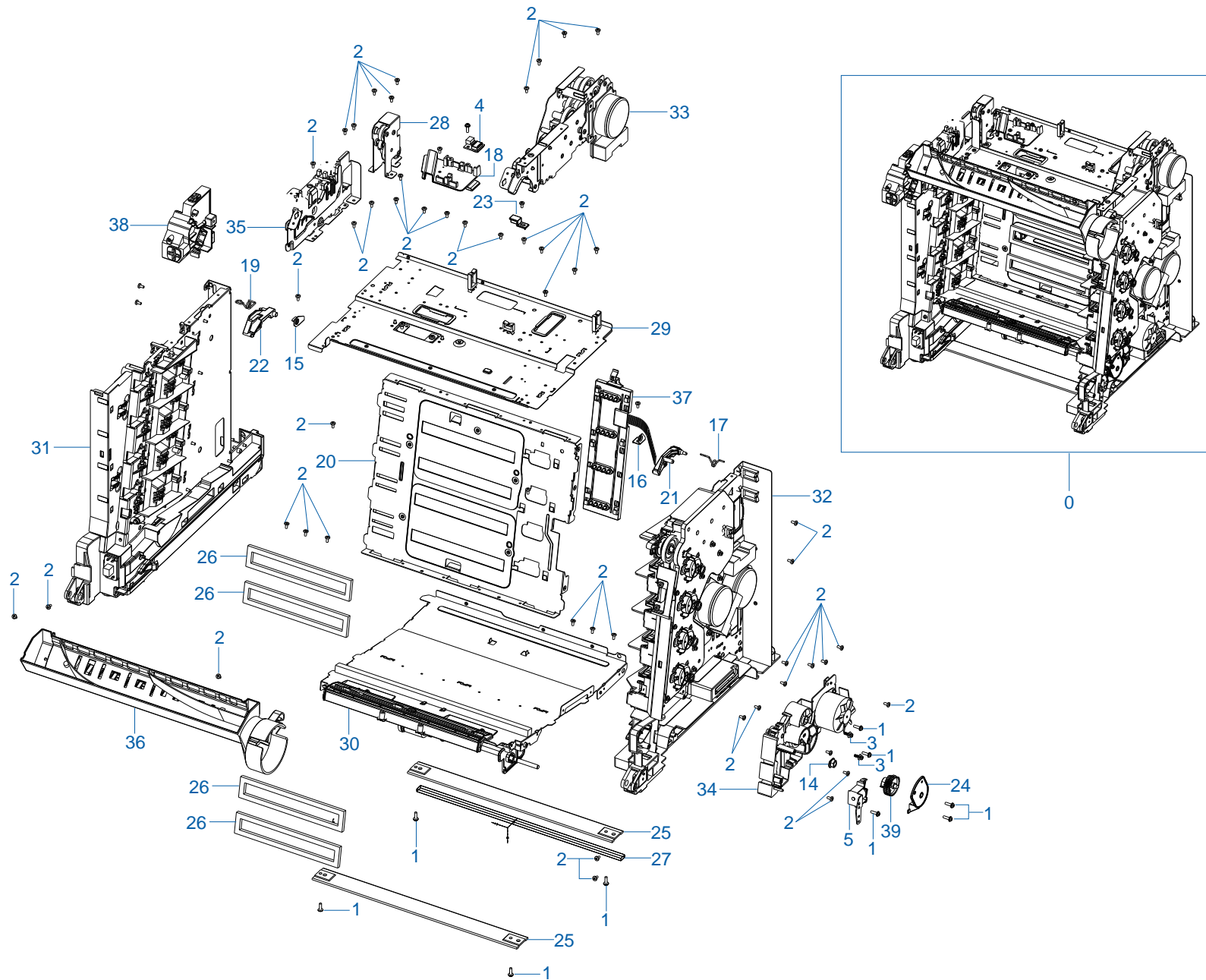
**COVER-MIDDLE REAR ASSY parts list**

SA : SERVICE AVAILABLE, SNA : SERVICE not AVAILABLE

Drawer#	SEC_Code	Description	QT'y	Service	Remark
0	JC95-01169A	COVER-MIDDLE REAR ASSY	1	SA	
1	JC63-01549D	COVER-MIDDLE REAR	1	SNA	
2	JC63-01667B	COVER-WLAN	1	SNA	
3	JC72-40981A	PMO-ROLLER UPPER DP	3	SA	
4	JC66-01924A	ACTUATOR-REAR OUT	1	SA	

Drawer#	SEC_Code	Description	QT'y	Service	Remark
5	JC61-02547A	GUIDE-ACTUATOR	1	SA	
6	JB61-00076A	SPRING ETC-TORSION DOC (CC2-F)	1	SA	
7	0604-001095	PHOTO-INTERRUPTER	1	SA	
8	JC39-00942A	HARNESS-REVERSE JAM	1	SA	

# 7. FRAME



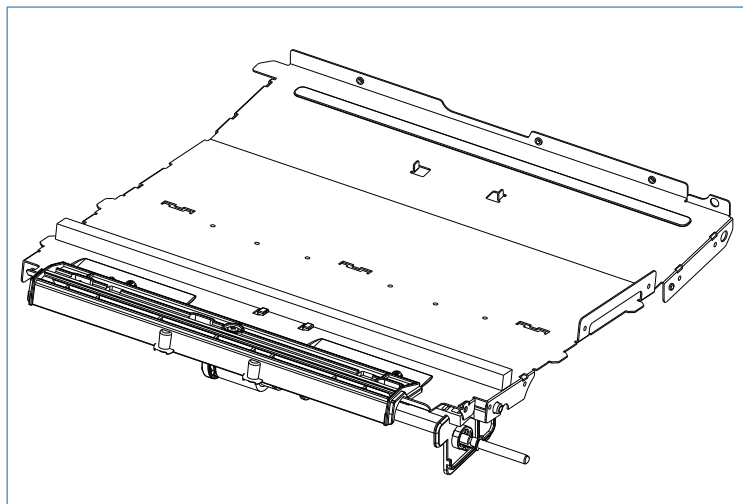
## FRAME Parts List

SA : SERVICE AVAILABLE, SNA : SERVICE not AVAILABLE

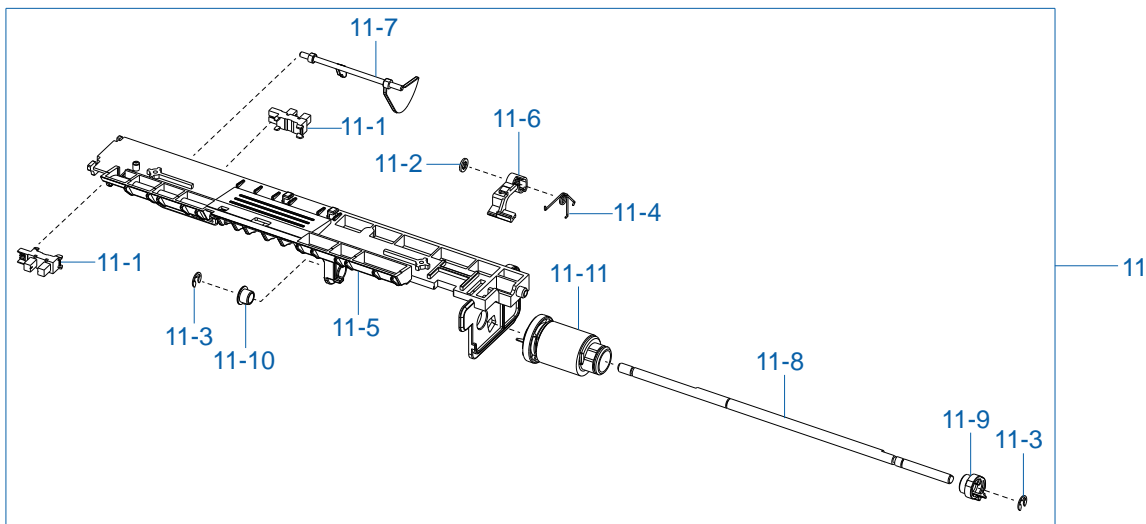
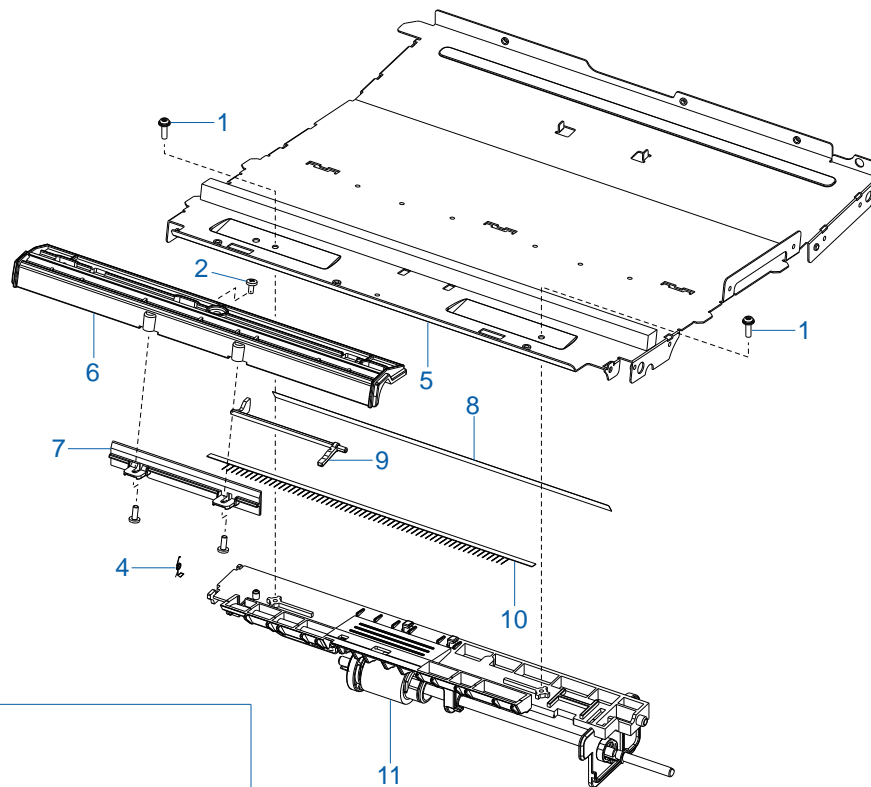
Drawer#	SEC_Code	Description	QT'y	Service	Remark
0	JC93-00147A	FRAME	1	SNA	6250
0	JC93-00147B	FRAME	1	SNA	6220
1	6003-000196	SCREW-TAPTYPE	10	SA	
2	6003-000269	SCREW-TAPTYPE	63	SA	
3	6006-001193	SCREW-MACHINE	2	SNA	
4	JC32-00005A	SENSOR-HUMIDITY	1	SA	
5	JC33-00022A	SOLENOID-PICK_UP	1	SA	
7	JC39-00938A	HARNESS-BLDC_CLU_FAN	1	SNA	Refer to harness connection table
8	JC39-01026A	HARNESS-OPC BLDC	1	SNA	
9	JC39-01028A	HARNESS-DEVE BLDC PICKUP SOL	1	SNA	
10	JC39-01249A	HARNESS-FEEDSTEP_MOTOR	1	SNA	
11	JC39-01337A	HARNESS-EXIT_STEP MOTOR	1	SNA	
12	JC39-01249A	HARNESS-FEEDSTEP_MOTOR	1	SNA	
13	JC39-01340A	HARNESS-HVPS_24V	1	SNA	
14	JC61-00423A	BUSH-6_D	1	SA	
15	JC61-01855A	BRACKET-LOCKER_PT_B_L	1	SNA	
16	JC61-01869A	BRACKET-LOCKER_PT_B_R	1	SNA	
17	JC61-01879A	SPRING ETC-LOCK_PT_B_R	1	SNA	
18	JC61-01890A	GUIDE-HARNESS_CABLE	1	SNA	
19	JC61-01899A	SPRING ETC-LOCK_PT_B_L	1	SNA	
20	JC61-01927A	FRAME-LSU	1	SNA	

Drawer#	SEC_Code	Description	QT'y	Service	Remark
21	JC64-00303A	LOCKER-PTB_R	1	SA	
22	JC64-00304A	LOCKER-PTB_L	1	SA	
23	JC66-01300A	LEVER-FUSER FRAME	1	SNA	
24	JC67-00215A	CAP-MAIN PICK-UP GEAR	1	SNA	
25	JC71-00042A	BAR-P_CROSS BOTTOM	2	SA	
26	JC72-01539A	SPONGE-SEALING_LSU	4	SNA	
27	JC72-01553A	SPONGE-BAR_CROSS	1	SNA	
28	JC93-00126A	DRIVE EXIT-BRACKET	1	SA	
29	JC93-00145A	FRAME-TOP	1	SNA	6250
29	JC93-00145B	FRAME-TOP	1	SNA	6220
30	JC93-00146A	FRAME-BOTTOM	1	SNA	
31	JC93-00150A	FRAME-LEFT	1	SNA	
32	JC93-00151A	FRAME-RIGHT	1	SNA	6250
32	JC93-00151B	FRAME-RIGHT	1	SNA	6220
33	JC93-00152A	DRIVE FUSER-BRACKET	1	SA	
34	JC93-00153A	DRIVE-FEED	1	SNA	
35	JC96-04481A	ELA UNIT-OPE_LEFT	1	SA	
36	JC96-04487A	ELA UNIT-DUCT_FUSER	1	SA	
37	JC96-05420A	ELA UNIT-DEVE_CRUM	1	SNA	
38	JC97-02883A	MEA UNIT-COVER_OPEN	1	SA	
39	JC97-02895A	MEA-GEAR PICK UP	1	SA	

### 8. FRAME\_BOTTOM



0



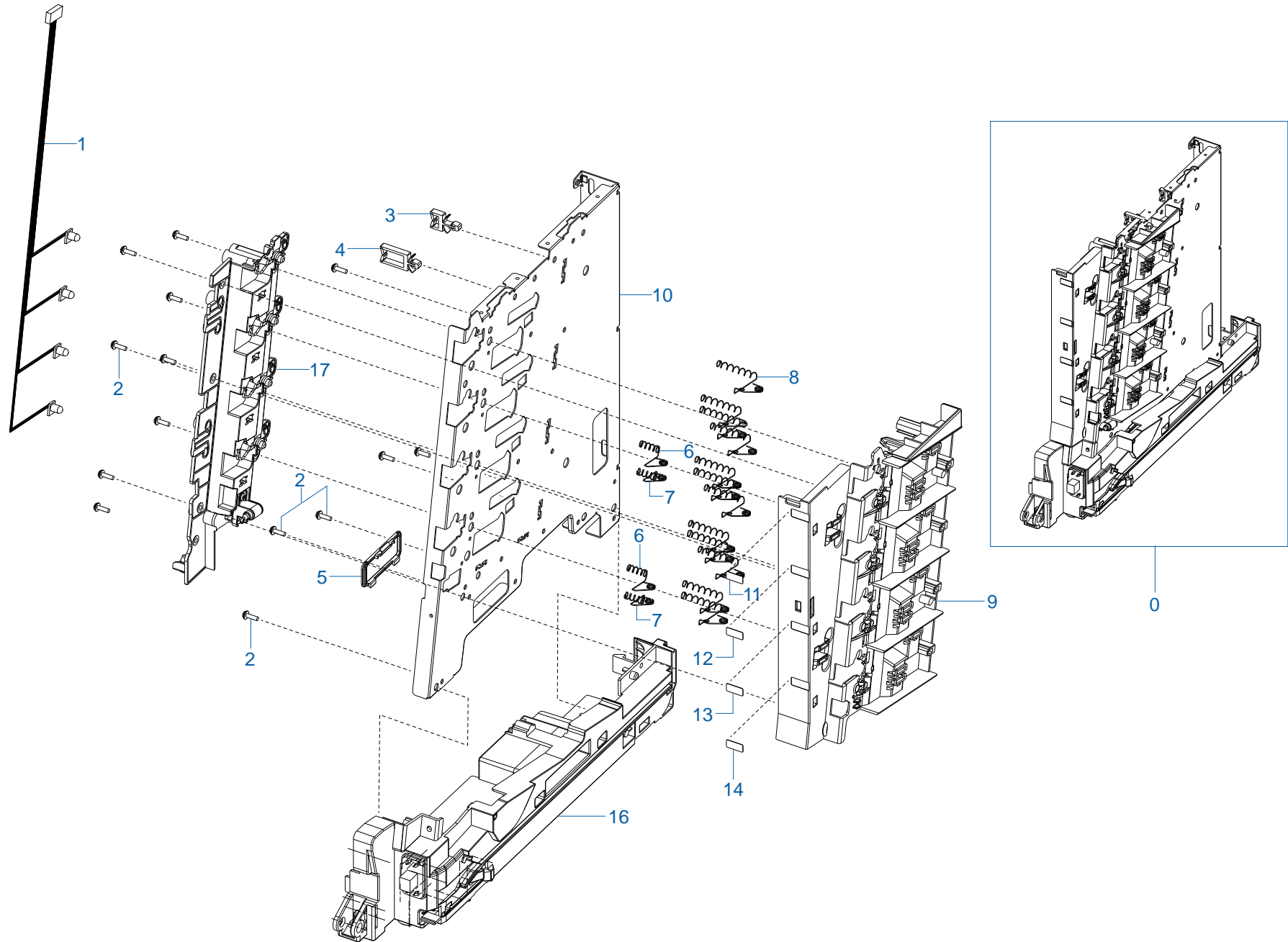
## FRAME\_BOTTOM Parts List

SA : SERVICE AVAILABLE, SNA : SERVICE not AVAILABLE

Drawer#	SEC_Code	Description	QT'y	Service	Remark
0	JC93-00146A	FRAME-BOTTOM	1	SNA	
1	6003-000196	SCREW-TAPTYPE	2	SA	
2	6003-000269	SCREW-TAPTYPE	1	SA	
3	6003-000282	SCREW-TAPTYPE	2	SA	
4	6107-001165	SPRING-TS	1	SA	
5	JC61-01871A	FRAME-BOTTOM	1	SNA	
6	JC61-01878A	GUIDE-PICKUP	1	SNA	
7	JC61-03333A	FRAME-PICKUP_GUIDE	1	SNA	
8	JC62-00364A	SEAL-FILM SCATTERING	1	SNA	
9	JC66-02294A	ACTUATOR-REGI_DALI	1	SA	
10	JC67-00295A	BRUSH-ANTISTATIC	1	SA	
11	JC96-04491A	ELA UNIT-PICK UP	1	SA	

Drawer#	SEC_Code	Description	QT'y	Service	Remark
11-1	0604-001095	PHOTO-INTERRUPTER	2	SA	
11-2	6044-000001	RING-CS	1	SA	
11-3	6044-000125	RING-E	2	SA	
11-4	6107-001170	SPRING-TS	1	SA	
11-5	JC61-01838A	FRAME-PICK UP	1	SNA	
11-6	JC66-00377A	CAM-M-PICK_UP	1	SA	
11-7	JC66-01187A	LEVER-ACTUATOR EMPTY	1	SA	
11-8	JC66-01336A	SHAFT-PICK UP	1	SA	
11-9	JC66-01402A	CAM-SHAFT_PICK UP	1	SNA	
11-10	JC72-41364A	PMO-BUSHING_P/U,MP	1	SA	
11-11	JC90-00932A	ASF-PICK UP	1	SA	

### 9. FRAME LEFT



## FRAME LEFT Parts List

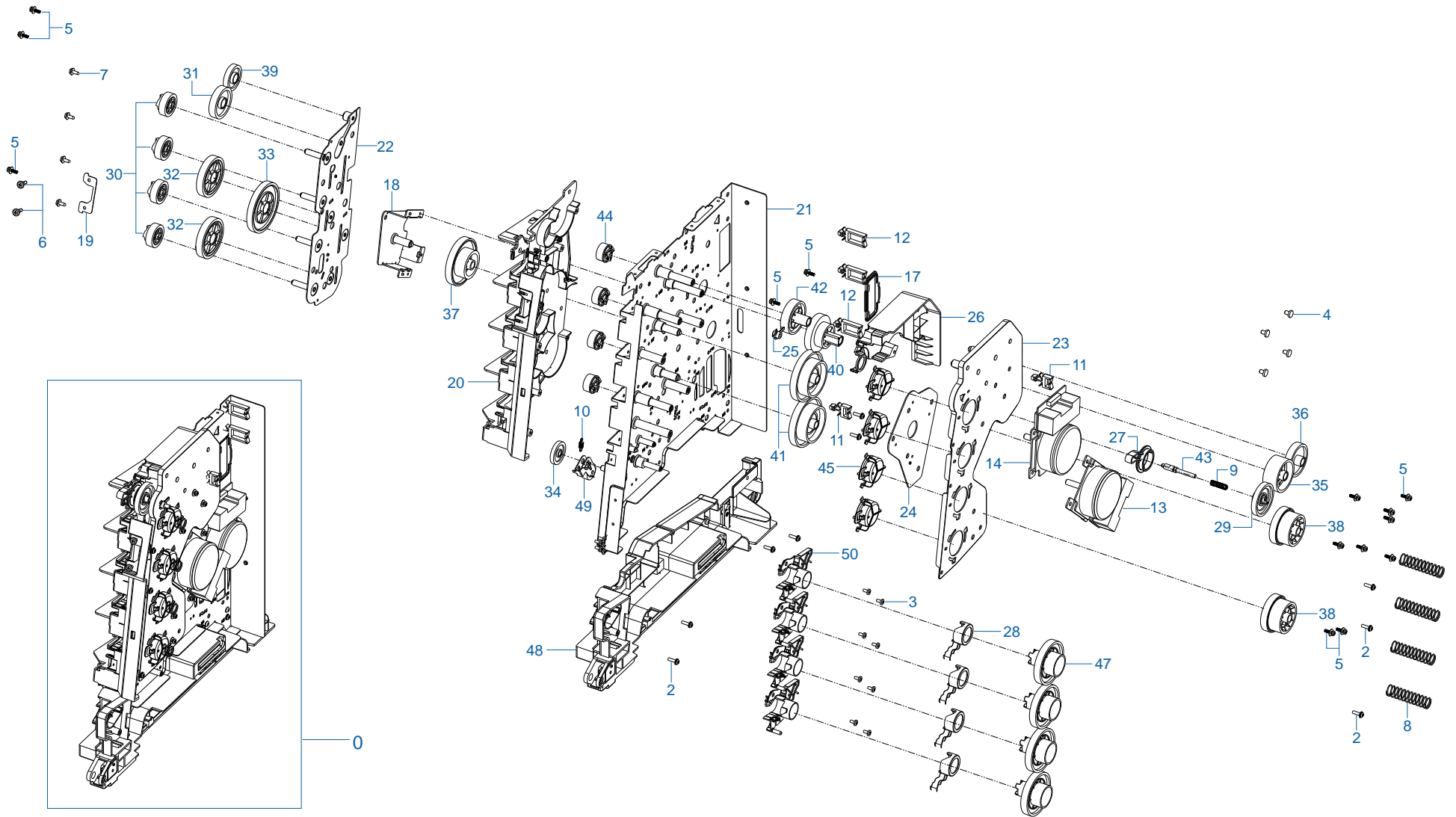
SA : SERVICE AVAILABLE, SNA : SERVICE not AVAILABLE

Drawer#	SEC_Code	Description	QT'y	Service	Remark
0	JC93-00150A	FRAME-LEFT	1	SNA	
1	JC98-01242A	BOARD-PTL	1	SA	
2	6003-000196	SCREW-TAPTYPE	14	SA	
3	6502-000132	CABLE CLAMP	1	SNA	
4	6502-001093	CABLE CLAMP	1	SNA	
5	JC61-01012A	GUIDE-_M_BUSH HARNESS S	1	SNA	
6	JC61-01883A	SPRING ETC-PTB_C	2	SA	
7	JC61-01884A	SPRING ETC-PTB_B	2	SA	
8	JC61-01885A	SPRING ETC-DEVE	12	SA	

Drawer#	SEC_Code	Description	QT'y	Service	Remark
9	JC61-01908A	GUIDE-RAIL-L	1	SNA	
10	JC61-01926A	FRAME-LEFT	1	SNA	
11	JC68-01503B	LABEL-BLANK	1	SNA	
12	JC68-01504A	LABEL(R)-C	1	SNA	
13	JC68-01505A	LABEL(R)-M	1	SNA	
14	JC68-01506A	LABEL(R)-Y	1	SNA	
15	JC68-02050A	LABEL-CAUTION	1	SNA	
16	JC93-00149A	FRAME BASE-LEFT	1	SNA	
17	JC96-05423A	ELA UNIT-PTB_TERMINAL	1	SNA	



# 10. FRAME RIGHT





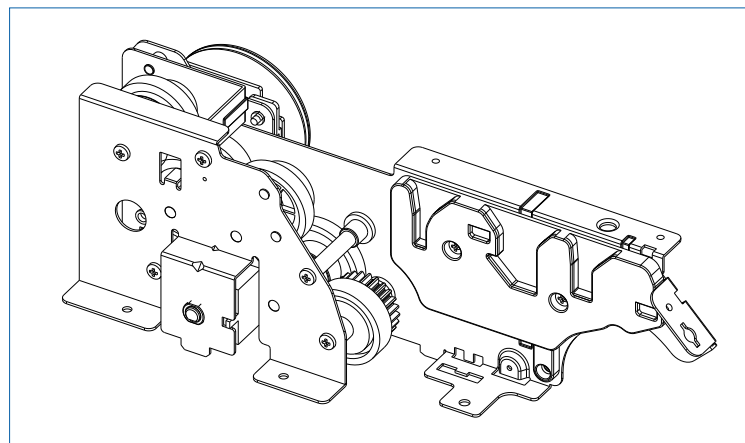
## FRAME RIGHT Parts List

SA : SERVICE AVAILABLE, SNA : SERVICE not AVAILABLE

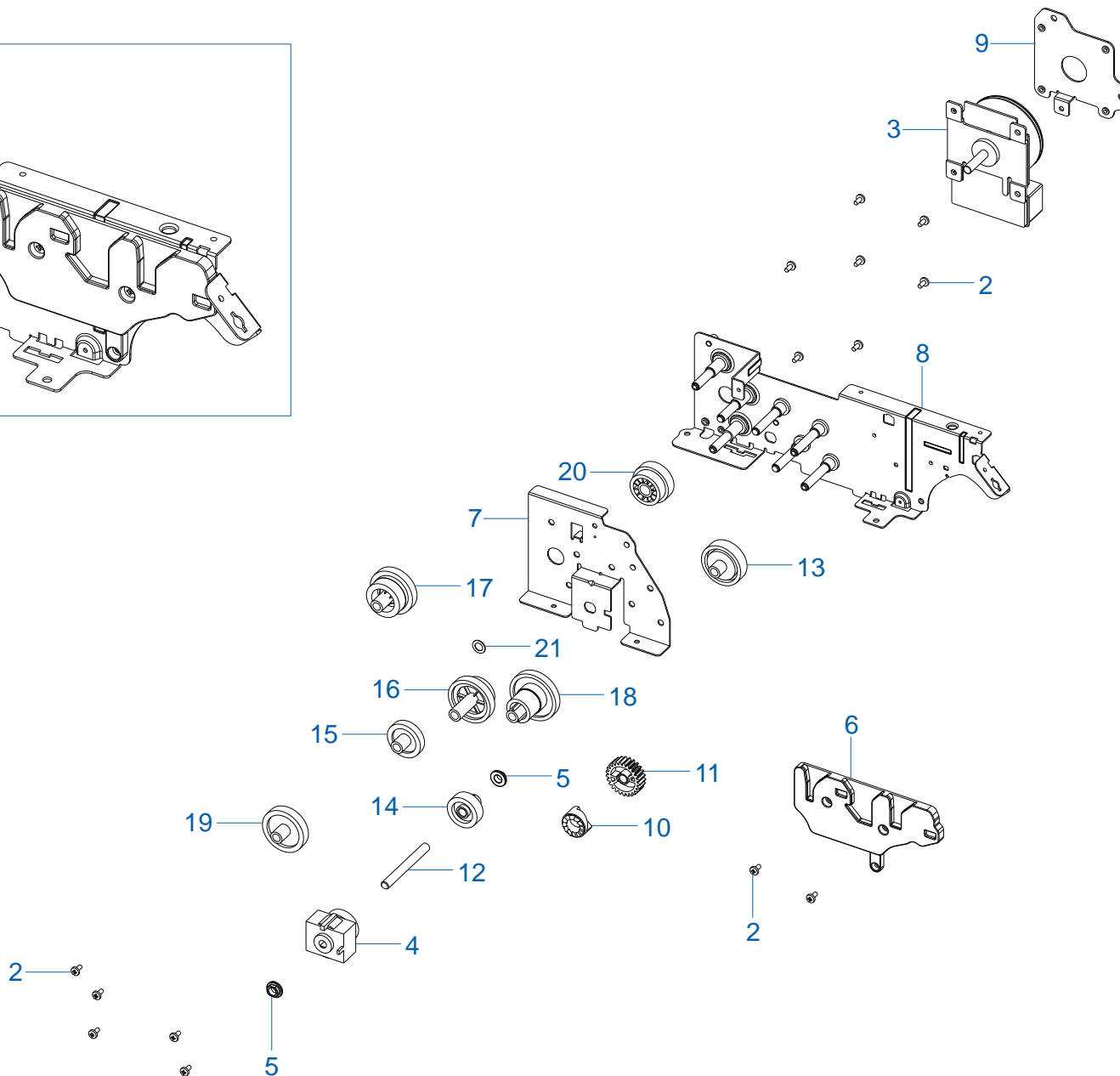
Drawer#	SEC_Code	Description	QT'y	Service	Remark
0	JC93-00151A	FRAME-RIGHT	1	SNA	6250
0	JC93-00151B	FRAME-RIGHT	1	SNA	6220
1	0205-001003	GREASE-BEARING	0.01	SNA	
2	6003-000196	SCREW-TAPTYPE	10	SA	
3	6003-000269	SCREW-TAPTYPE	19	SA	
4	6003-000301	SCREW-TAPTYPE	4	SA	
5	6006-001193	SCREW-MACHINE	14	SNA	
6	6009-001396	SCREW-SPECIAL	2	SNA	
7	6009-001492	SCREW-HEX	4	SA	
8	6107-001317	SPRING-CS	4	SA	
9	6107-001318	SPRING-CS	1	SA	
10	6107-001320	SPRING-ES	1	SA	
11	6502-000132	CABLE CLAMP	2	SNA	
12	6502-001093	CABLE CLAMP	3	SNA	
13	JC31-00075A	MOTOR BLDC	1	SA	
14	JC31-00091A	MOTOR BLDC	1	SA	6220
14	JC31-00117A	MOTOR BLDC	1	SA	6250
15	JC39-00663A	HARNESS-PTB DRAW_FR	1	SNA	
16	JC39-00956A	HARNESS-FUSER_GND	1	SNA	
17	JC61-01012A	GUIDE-_M_BUSH HARNESS S	1	SNA	
18	JC61-01837A	BRACKET-GEAR DEVE	1	SNA	
19	JC61-01898A	BRACKET-DRAWER_PT B	1	SNA	
20	JC61-01907A	GUIDE-RAIL-R	1	SNA	
21	JC61-01925C	FRAME-RIGHT	1	SNA	
22	JC61-02160B	BRACKET-DEVE_DR B	1	SNA	
23	JC61-02775A	BRACKET-MAIN COVER	1	SNA	
24	JC61-02777A	BRACKET-BLDC MOTOR	1	SNA	

Drawer#	SEC_Code	Description	QT'y	Service	Remark
25	JC61-02778A	HOLDER-PTB GEAR	1	SNA	
26	JC63-02079A	COVER-PTB GEAR	1	SNA	
27	JC66-01343A	CAM-PTB COUPLING	1	SNA	
28	JC66-01344A	CAM-OPC COUPLING	4	SNA	
29	JC66-01361A	GEAR-COUPLING DRV PTB	1	SNA	
30	JC66-01365A	GEAR-DRV2 DEVE	4	SNA	
31	JC66-01367A	GEAR-IDLE DEVE	1	SNA	
32	JC66-01369A	GEAR-IDLE DEVE	2	SNA	
33	JC66-01370A	GEAR-IDLE DEVE	1	SNA	
34	JC66-01373A	GEAR-IDLE FEED	1	SNA	
35	JC66-01377A	GEAR- IDLE PTB A	1	SNA	
36	JC66-01378A	GEAR-IDLE PTB B	1	SNA	
37	JC66-01380A	GEAR-RDCN DEVE	1	SNA	
38	JC66-01389A	GEAR-RDCN OPC	2	SNA	
39	JC66-01394A	GEAR-IDLE DEVE	1	SNA	
40	JC66-02047A	GEAR-RDCN PTB A	1	SNA	
41	JC66-02048A	GEAR-RDCN OPC A	2	SNA	
42	JC66-02049A	GEAR-IDLE PTB C	1	SNA	
43	JC66-02105A	SHAFT-PTB GEAR	1	SNA	
44	JC66-02443A	GEAR-DRV DEVE CZ	4	SNA	
45	JC67-00341A	CAP-OPC GEAR	4	SNA	
46	JC92-02107A	PBA SUB-TEMP	1	SNA	
47	JC93-00112A	DRIVE MAIN-GEAR OPC	4	SNA	
48	JC93-00148A	FRAME BASE-RIGHT	1	SNA	
49	JC97-02851A	MEA UNIT-SWING	1	SNA	
50	JC97-02853A	MEA UNIT-COUPLING OPC	4	SNA	

# 11. DRIVE\_FUSER-BRACKET



0



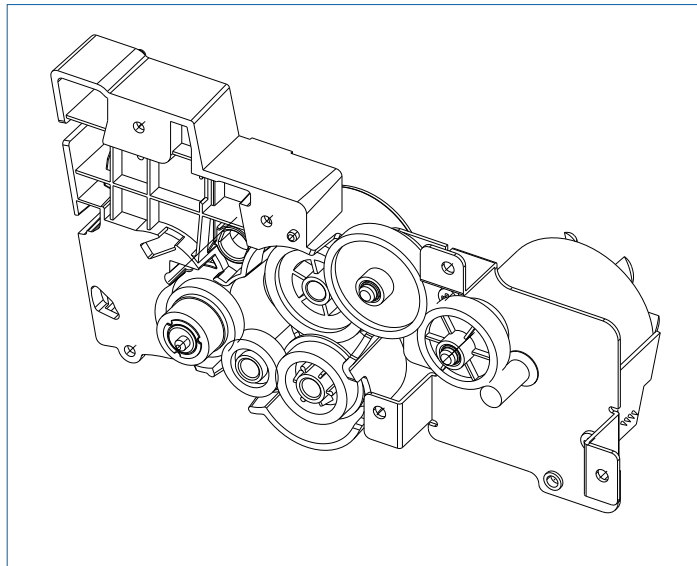
## DRIVE\_FUSER-BRACKET Parts List

SA : SERVICE AVAILABLE, SNA : SERVICE not AVAILABLE

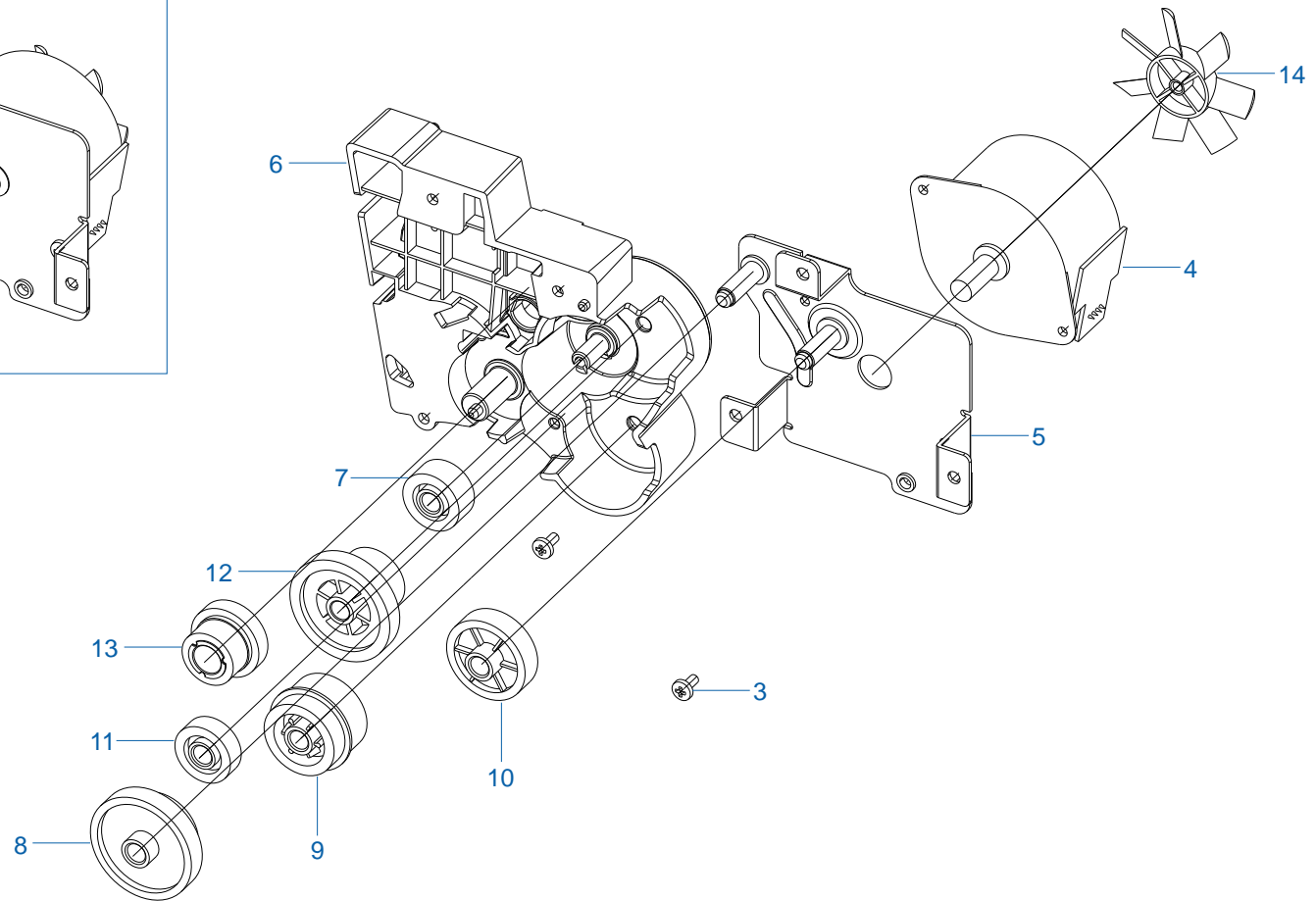
Drawer#	SEC_Code	Description	QT'y	Service	Remark
0	JC93-00152A	DRIVE FUSER-BRACKET	1	SA	
1	0205-001003	GREASE-BEARING	0.003	SNA	
2	6003-000269	SCREW-TAPTYPE	14	SA	
3	JC31-00075A	MOTOR BLDC	1	SA	
4	JC47-00006D	CLUTCH-BK DEVE	1	SNA	
5	JC61-00699A	BUSH-D6/L4	2	SNA	
6	JC61-01851A	GUIDE-FUSER R	1	SNA	
7	JC61-01859B	BRACKET-FUSER DRIVE L	1	SNA	
8	JC61-01860B	BRACKET-FUSER R BLDC	1	SNA	
9	JC61-02550A	BRACKET-FUSER MOTOR	1	SNA	
10	JC66-01070A	LATCH-M-HUB CLUTCH	1	SNA	

Drawer#	SEC_Code	Description	QT'y	Service	Remark
11	JC66-01155A	GEAR-FUSER RDCN OUT V	1	SA	
12	JC66-01341A	SHAFT-CLUTCH FU	1	SNA	
13	JC66-01362A	GEAR-DRV FU	1	SNA	
14	JC66-01366A	GEAR-IDLE DEVE	1	SNA	
15	JC66-01368A	GEAR-IDLE DEVE	1	SNA	
16	JC66-01386A	GEAR- RDCN FU	1	SNA	
17	JC66-01387A	GEAR-RDCN FU	1	SNA	
18	JC66-01388A	GEAR-RDCN FU	1	SNA	
19	JC66-01393A	GEAR-IDLE DEVE	1	SNA	
20	JC66-02434A	GEAR-RDCN FUCZ	1	SNA	
21	JG74-10541A	MPR-RING CHARGE	1	SA	

## 12. DRIVE FEED



0



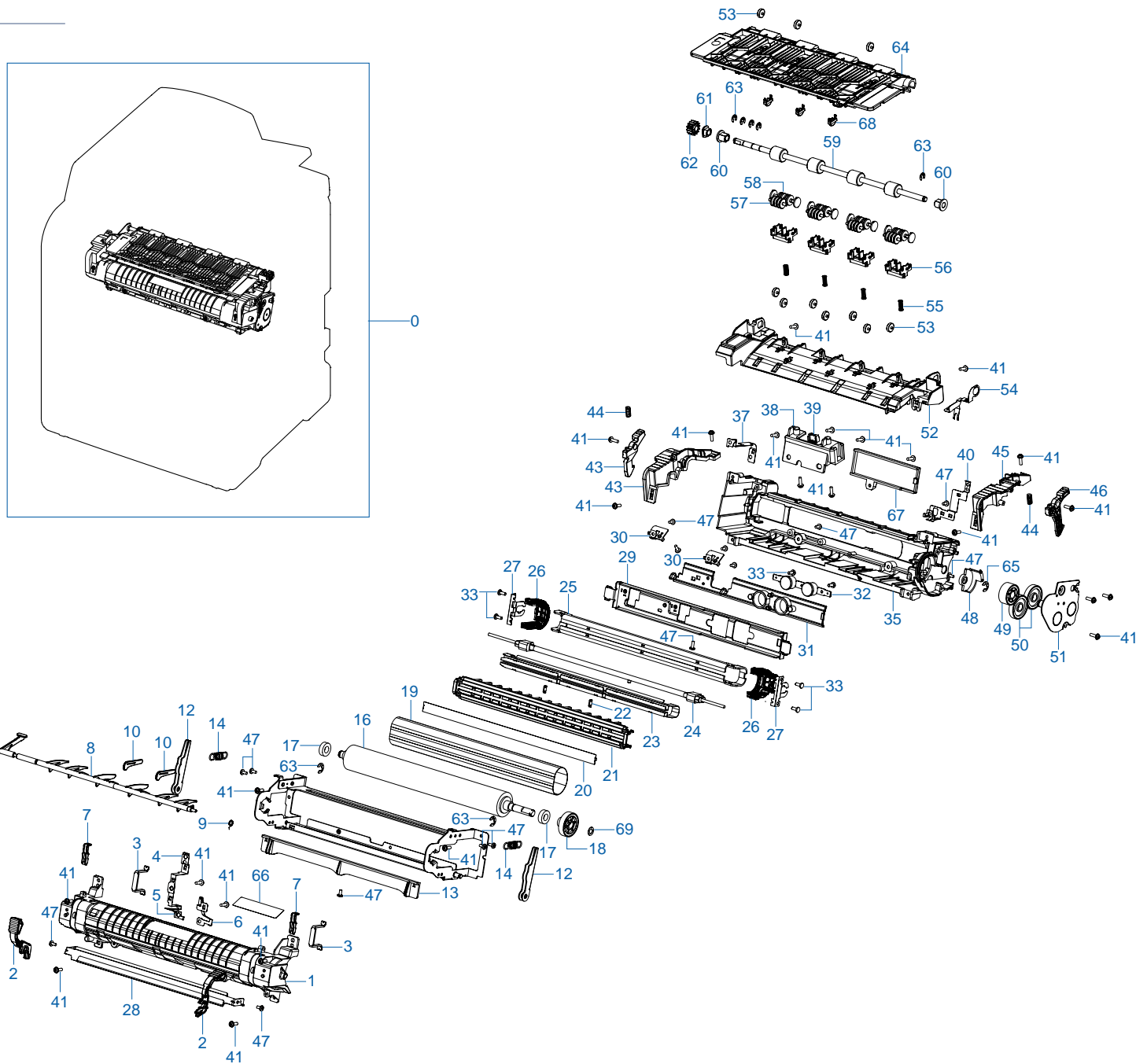
## DRIVE FEED Parts List

SA : SERVICE AVAILABLE, SNA : SERVICE not AVAILABLE

Drawer#	SEC_Code	Description	QT'y	Service	Remark
0	JC93-00153A	DRIVE-FEED	1	SNA	
1	0205-001003	GREASE-BEARING	0.002	SNA	
2	0205-001232	GREASE	1	SNA	
3	6003-000269	SCREW-TAPTYPE	2	SA	
4	JC31-00112A	MOTOR STEP	1	SA	
5	JC61-02776B	BRACKET-FEED MOTOR	1	SNA	
6	JC61-03520A	BRACKET-FEED GEAR	1	SA	
7	JC66-01363A	GEAR-DRV MAIN PICK-UP	1	SNA	

Drawer#	SEC_Code	Description	QT'y	Service	Remark
8	JC66-02040A	GEAR-RDCN FEED A	1	SNA	
9	JC66-02042A	GEAR-RDCN FEED C	1	SNA	
10	JC66-02043A	GEAR-IDLE FEED A	1	SNA	
11	JC66-02044A	GEAR-IDLE FEED B	1	SNA	
12	JC66-02436A	GEAR-RCDN FEED B	1	SA	
13	JC66-02437A	GEAR-RCDN FEED D	1	SA	
14	JC72-00825A	PMO-IMPELLER_DRV	1	SA	

### 13. FUSER



## FUSER Parts List

SA : SERVICE AVAILABLE, SNA : SERVICE not AVAILABLE

Drawer#	SEC_Code	Description	QT'y	Service	Remark
0	JC91-00970A	FUSER	1	SA	6220_110V
0	JC91-00971A	FUSER	1	SA	6220_220V
0	JC91-00968A	FUSER	1	SA	6250_110V
0	JC91-00969A	FUSER	1	SA	6250_220V
1	JC61-02724A	FRAME-LOWER FUSER	1	SNA	
2	JC66-02023A	LEVER-JAM	2	SNA	
3	JC66-02024A	LEVER-RELEASE	2	SNA	
4	JC63-02504A	GROUND-PR_SUB	1	SNA	
5	JC61-02738A	PLATE-GROUND SUB	1	SNA	
6	JC61-02727A	PLATE-GROUND FUSER PR	1	SNA	
7	JC61-03507A	HOLDER-RELEASE	2	SNA	
8	JC66-01404A	ACTUATOR-FUSER	1	SA	
9	JC61-70903A	SPRING ETC-ACTUATOR	1	SNA	
10	JC61-02731A	GUIDE-ACTUATOR	2	SA	
11	JC61-02718A	BRACKET-FUSER MAIN	1	SNA	
12	JC61-03494A	BRACKET-BUSH	2	SNA	
13	JC61-02732A	GUIDE-PLATE	1	SNA	
14	6107-001835	SPRING-ES	2	SNA	
15	JC61-02723A	BRACKET-SUPPORT	1	SNA	
16	JC66-02433A	ROLLER-PRESSURE	1	SA	
17	6601-001341	BEARING-BALL	2	SNA	
18	JC66-02022A	GEAR-PR	1	SA	
19	JC66-02037A	DRUM-FUSER_BELT	1	SA	
20	JC61-02722A	BRACKET-NIP SUB	1	SNA	
21	JC61-02735A	HOLDER-INNER	1	SNA	
22	JC61-02662A	BRACKET-GAP	2	SNA	
23	JC61-02721A	BRACKET-NIP	1	SNA	
24	4713-001284	LAMP-HALOGEN	1	SA	6220_110V
24	4713-001285	LAMP-HALOGEN	1	SA	6220_220V
24	4713-001272	LAMP-HALOGEN	1	SA	6250_110V
24	4713-001273	LAMP-HALOGEN	1	SA	6250_220V

Drawer#	SEC_Code	Description	QT'y	Service	Remark
25	JC61-02720A	BRACKET-INNER BELT PI30	1	SNA	
26	JC61-02737A	BUSH-BELT	2	SNA	
27	JC61-02739A	HOLDER-LAMP	2	SNA	
28	JC61-03705A	GUIDE-INPUT_P	1	SA	
29	JC61-02713A	BRACKET-BELT	1	SNA	
30	JC61-02769A	BRACKET-THERMISTOR	1	SNA	
31	JC61-02734A	HOLDER-HARNESS	1	SNA	
32	4712-001050	THERMOSTAT	1	SA	
33	6003-000282	SCREW-TAPTYPE	6	SNA	
34	6003-000267	SCREW-TAPTYPE	2	SNA	
35	JC61-02725A	FRAME-UPPER FUSER	1	SNA	
36	JC63-02572A	COVER-THERMOSTAT	1	SNA	
37	JC63-02503A	GROUND-LOWER	1	SNA	
38	JC61-01929A	HOLDER-CONNECTOR	1	SNA	
39	JC61-02657A	HOLDER-THERMISTOR	1	SNA	
40	JC63-01309A	GROUND-UPPER	1	SNA	
41	6003-000196	SCREW-TAPTYPE	25	SNA	
42	JC64-00525A	HANDLE-FUSER_LC	1	SNA	
43	JC64-00310A	LOCKER-FUSER_L	1	SNA	
44	JC61-00550A	SPRING ETC-DEVE REAR	2	SNA	
45	JC64-00524A	HANDLE-FUSER_RC	1	SNA	
46	JC64-00309A	LOCKER-FUSER_R	1	SNA	
47	6003-000269	SCREW-TAPTYPE	12	SNA	
48	JC63-02445A	COVER-GEAR FUSER	1	SNA	
49	JC66-02025A	GEAR-IDLE PR	1	SA	
50	JC66-02026A	GEAR-IDLE SUB	2	SA	
51	JC61-02717A	BRACKET-DRIVE FUSER	1	SNA	
52	JC61-02728A	GUIDE-OUTPUT FUSER	1	SNA	
53	JC66-00608A	ROLLER-EXIT IDLE	10	SNA	
54	JC63-01310A	GROUND-EXIT	1	SNA	
55	JC61-70911A	SPRING ETC-EXIT ROLL FD	4	SNA	

## FUSER Parts List

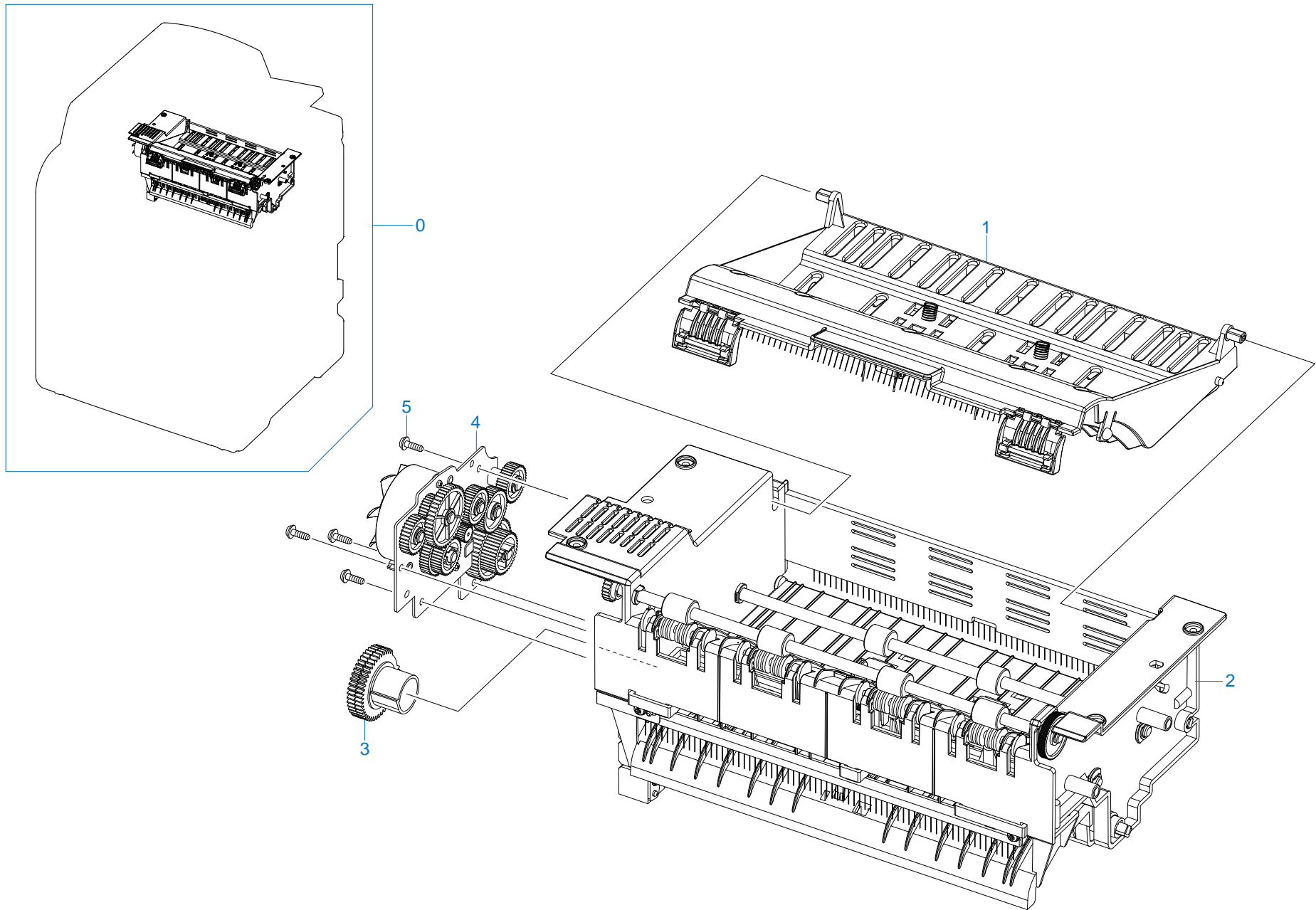
SA : SERVICE AVAILABLE, SNA : SERVICE not AVAILABLE

Drawer#	SEC_Code	Description	QT'y	Service	Remark
56	JC61-00547A	HOLDER-EXIT(MC)	4	SNA	
57	JC66-01233A	ROLLER FD R	4	SNA	
58	JC72-41007A	PMO-ROLLER FD F	4	SNA	
59	JC66-02558A	ROLLER-EXIT	1	SNA	
60	JC61-00884A	BUSH-6_D(L)	2	SNA	
61	JC61-00423A	BUSH-6_D	1	SNA	
62	JC66-00782A	GEAR-_M_EXIT	1	SA	
63	6044-000125	RING-E	5	SNA	
64	JC61-01935A	GUIDE-DUPLEX	1	SA	

Drawer#	SEC_Code	Description	QT'y	Service	Remark
65	6044-000125	RING-E	3	SNA	
66	JC68-01581A	LABEL-CAUTION	1	SNA	
67	JC63-02572A	COVER-THERMOSTAT	1	SNA	
68	JC61-03752A	HOLDER_RIB	3	SNA	
69	6031-000023	WASHER-PLAN	1	SNA	
70	1404-001538	THERMISTOR-NTC ASSY	1	SA	6220
70	1404-001486	THERMISTOR-NTC ASSY	1	SA	6250
71	JC39-00668A	HARNESS-FUSER DRAW_F	1	SNA	
72	JC68-01381A	LABEL(R)-PPID(DEVE)	1	SNA	



### 14. ELA UNIT-REVERSE



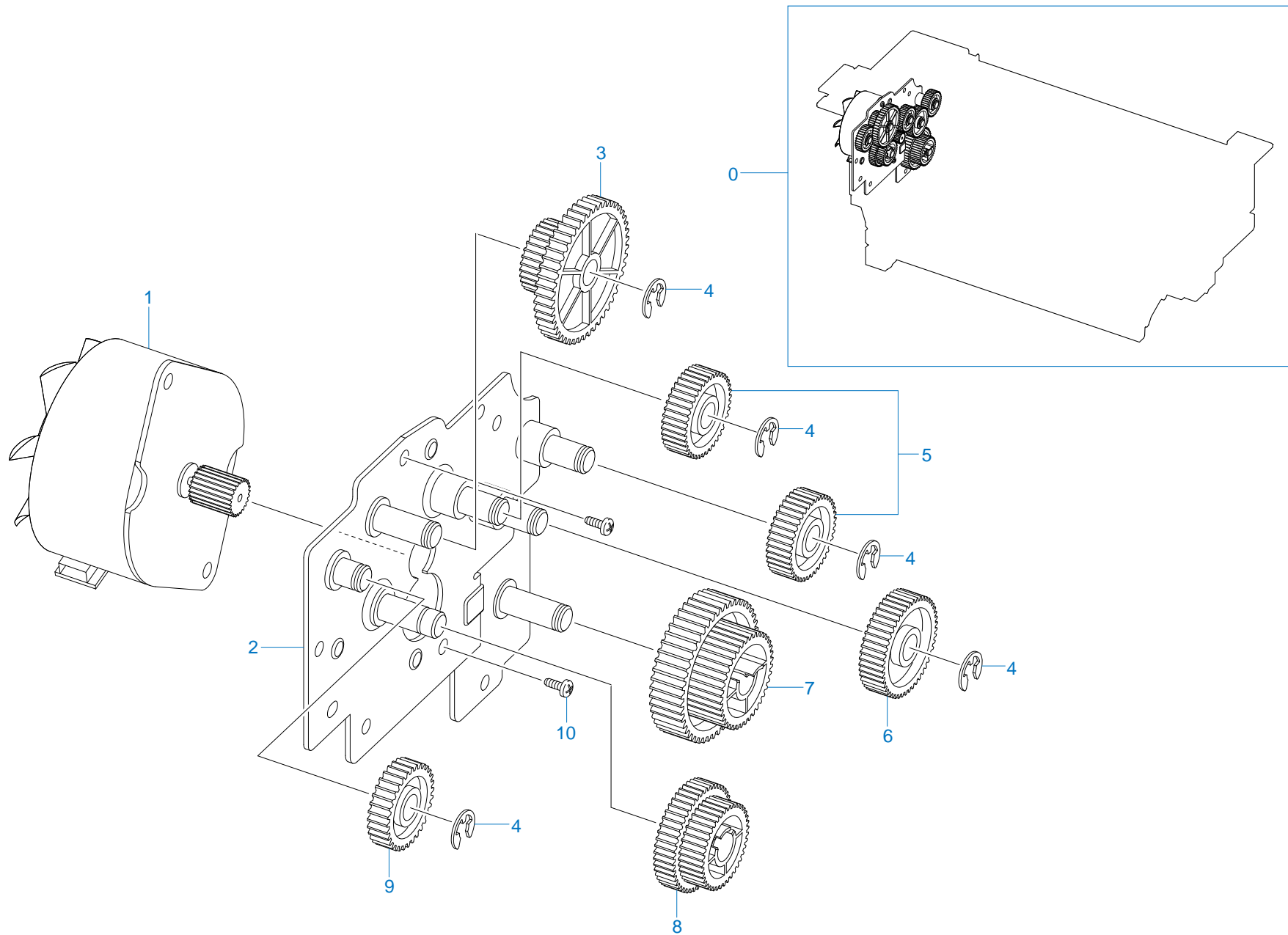
**ELA UNIT-REVERSE parts list**

SA : SERVICE AVAILABLE, SNA : SERVICE not AVAILABLE

Drawer#	SEC_Code	Description	QT'y	Service	Remark
0	JC96-04800A	ELA UNIT-REVERSE	1	SA	
1	JC97-03056A	MEA UNIT-COVER TOP	1	SNA	
2	JC96-04822A	ELA UNIT-FRAME REV	1	SNA	

Drawer#	SEC_Code	Description	QT'y	Service	Remark
3	JC97-03146A	MEA-GEAR REVERSE	1	SA	
4	JC96-04814A	ELA UNIT-MOTOR BRKT	1	SA	
5	6003-000196	SCREW-TAPTITE	4	SA	

# 15. ELA UNIT-MOTOR BRKT



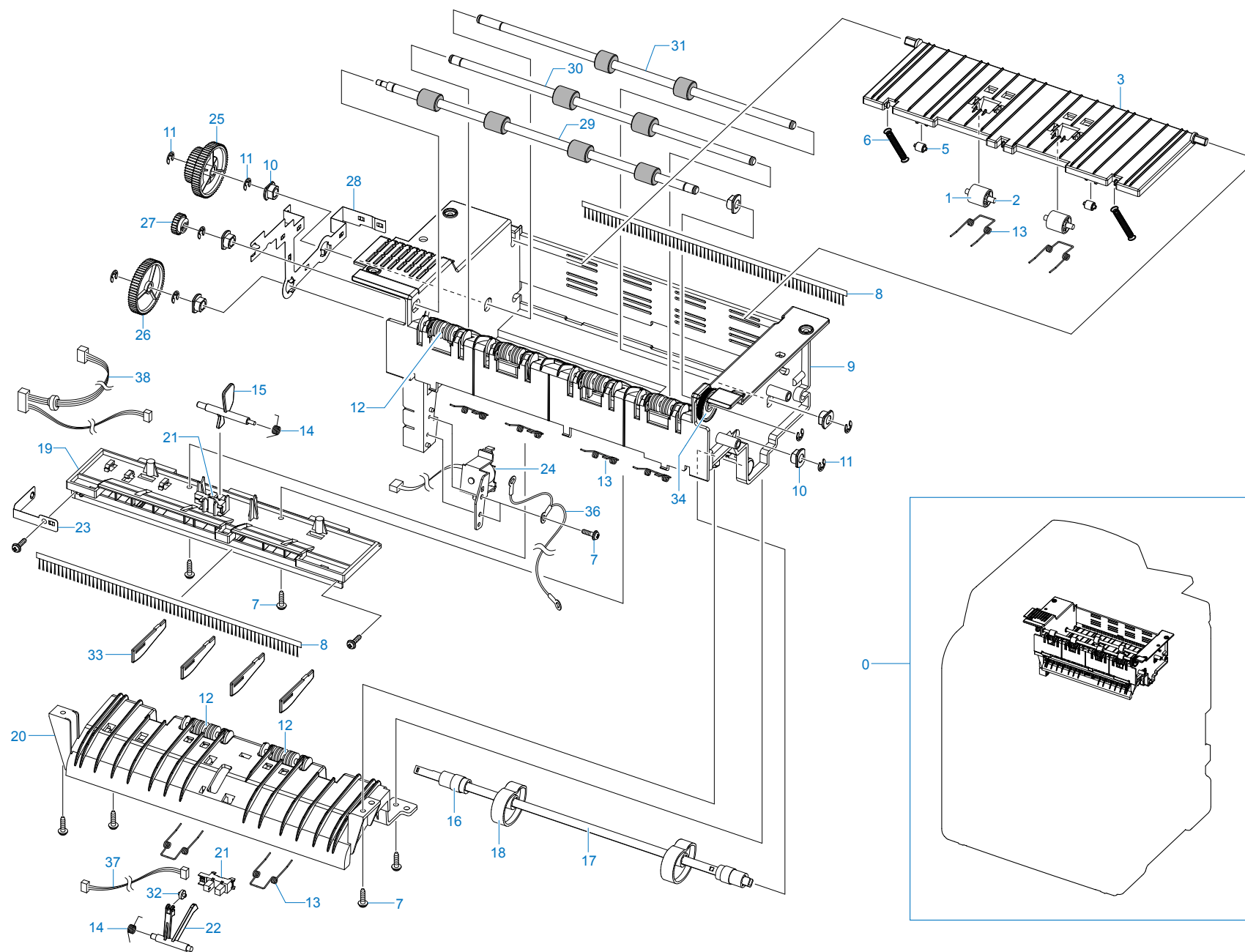
**ELA UNIT-MOTOR BRKT parts list**

SA : SERVICE AVAILABLE, SNA : SERVICE not AVAILABLE

Drawer#	SEC_Code	Description	QT'y	Service	Remark
0	JC96-04814A	ELA UNIT-MOTOR BRKT	1	SA	
1	JC31-00106A	MOTOR STEP	1	SA	
2	JC61-02208A	BRACKET-GEAR REV	1	SNA	
3	JC66-01611A	GEAR-REV 39/19	1	SNA	
4	6044-000125	RING-E	5	SA	
5	JC66-01609A	GEAR-REV 31	2	SNA	

Drawer#	SEC_Code	Description	QT'y	Service	Remark
6	JC66-01613A	GEAR-REV 37	1	SNA	
7	JC66-01630A	GEAR-REV 26/39	1	SNA	
8	JC66-01612A	GEAR-REV 39/23	1	SNA	
9	JC66-01610A	GEAR-REV 23	1	SNA	
10	6003-000269	SCREW-TAPTITE	2	SA	

# 16. ELA UNIT-FRAME REV



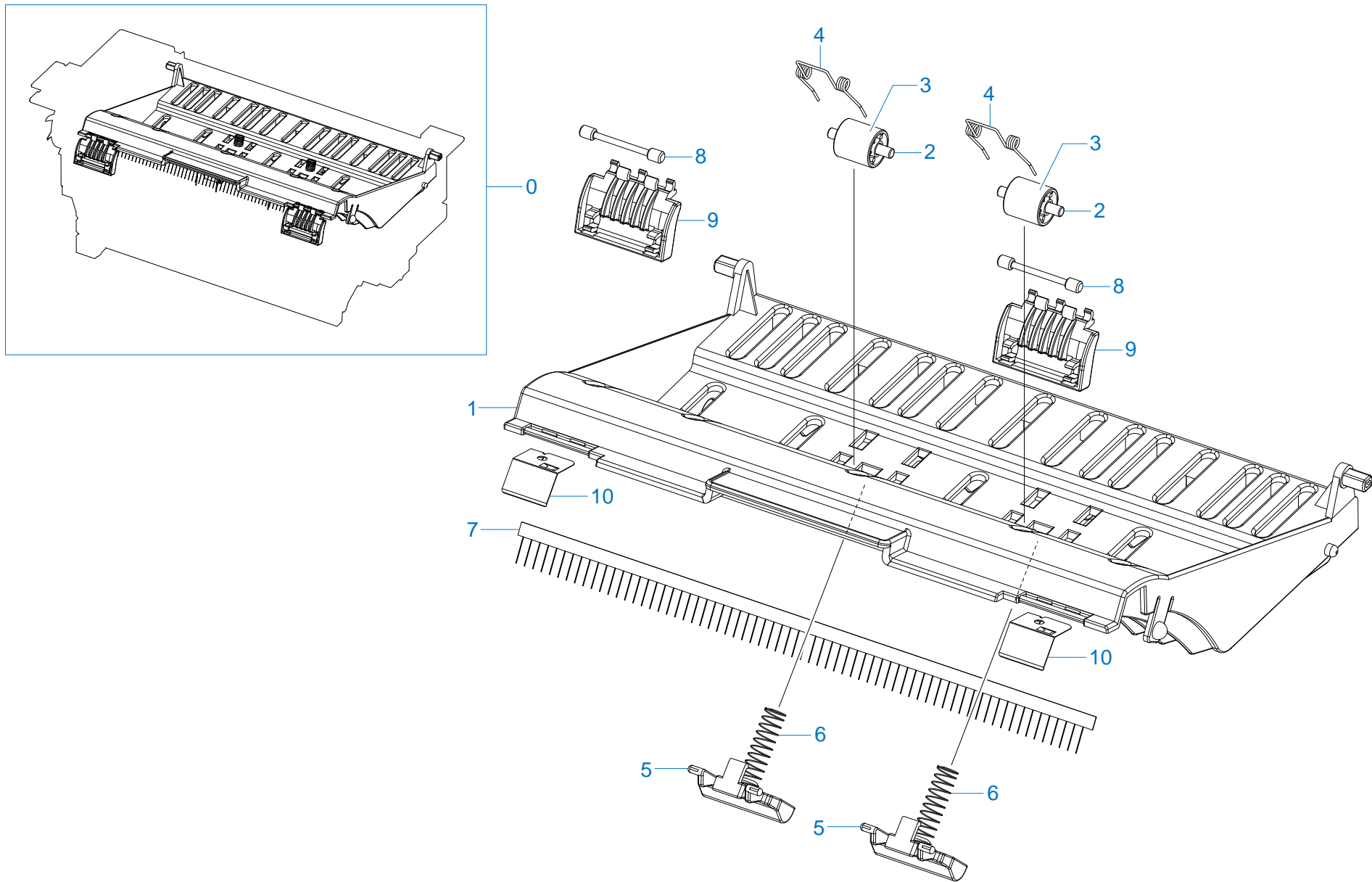
## ELA UNIT-FRAME REV parts list

SA : SERVICE AVAILABLE, SNA : SERVICE not AVAILABLE

Drawer#	SEC_Code	Description	QT'y	Service	Remark
0	JC96-04822A	ELA UNIT-FRAME REV	1	SNA	
1	JC66-00529A	ROLLER-M-IDLE FEED	2	SA	
2	JC66-01833A	SHAFT-REV IDLE	2	SNA	
3	JC61-02217A	PLATE-REVERSE	1	SNA	
5	JC72-01004A	PMO-IDLE KNOCK UP MP	2	SA	
6	6107-001185	SPRING-ES	2	SA	
7	6003-000196	SCREW-TAPTITE	11	SA	
8	JC75-00095A	MEC-BRUSH ANTISTATIC	2	SA	
9	JC61-02199A	FRAME-REVERSE	1	SNA	
10	JC61-00423A	BUSH-6_D	6	SA	
11	6044-000125	RING-E	5	SA	
12	JC72-41007A	PMO-ROLLER FD F	6	SA	
13	JC61-02449A	SPRING ETC-REVERSE	8	SA	
14	JB61-00076A	SPRING ETC-TORSION DOC (CC2-F)	2	SA	
15	JC66-01621A	ACTUATOR-REV_OUT	1	SA	
16	JC61-02212A	HOLDER-SHAFT CAM	2	SNA	
17	JC66-01618A	SHAFT-CAM REV	1	SNA	
18	JC66-01620A	CAM-REV	2	SNA	
19	JC63-01556A	COVER-BOTTOM REV	1	SNA	

Drawer#	SEC_Code	Description	QT'y	Service	Remark
20	JC63-01561A	COVER-MIDDLE INLET	1	SNA	
21	0604-001095	PHOTO-INTERRUPTER	2	SA	
22	JC66-01622A	ACTUATOR-MIDDLE	1	SA	
23	JC63-01566A	GROUND-BOTTOM	1	SNA	
24	JC33-00022A	SOLENOID-PICK_UP	1	SA	
25	JC66-01615A	GEAR-REV 65/31	1	SA	
26	JC66-01631A	GEAR-REV 65	1	SA	
27	JC66-00810A	GEAR-EXIT_DRV17	1	SA	
28	JC63-01558A	GROUND-REV MAIN	1	SNA	
29	JC66-01836A	ROLLER-EXIT	1	SNA	
30	JC66-01835A	ROLLER-MIDDLE	1	SNA	
31	JC66-01834A	ROLLER-REVERSE	1	SNA	
32	JC66-01829A	ROLLER-ACT MIDDLE	1	SNA	
33	JC61-02510A	GUIDE-BOTTOM REV	4	SNA	
34	JC66-01614A	GEAR-REMOVE	1	SNA	
36	JC39-00840A	REV GND HARNESS	1	SA	
37	JC39-00846A	HARNESS-REV-SWING	1	SA	
38	JC39-00845A	HARNESS-REV MOT EXIT	1	SA	

# 17. MEA UNIT-COVER TOP



**MEA UNIT-COVER TOP parts list**

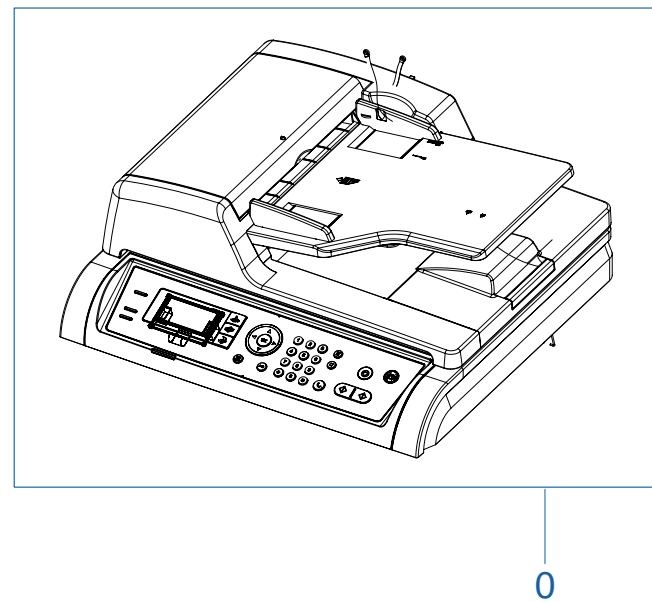
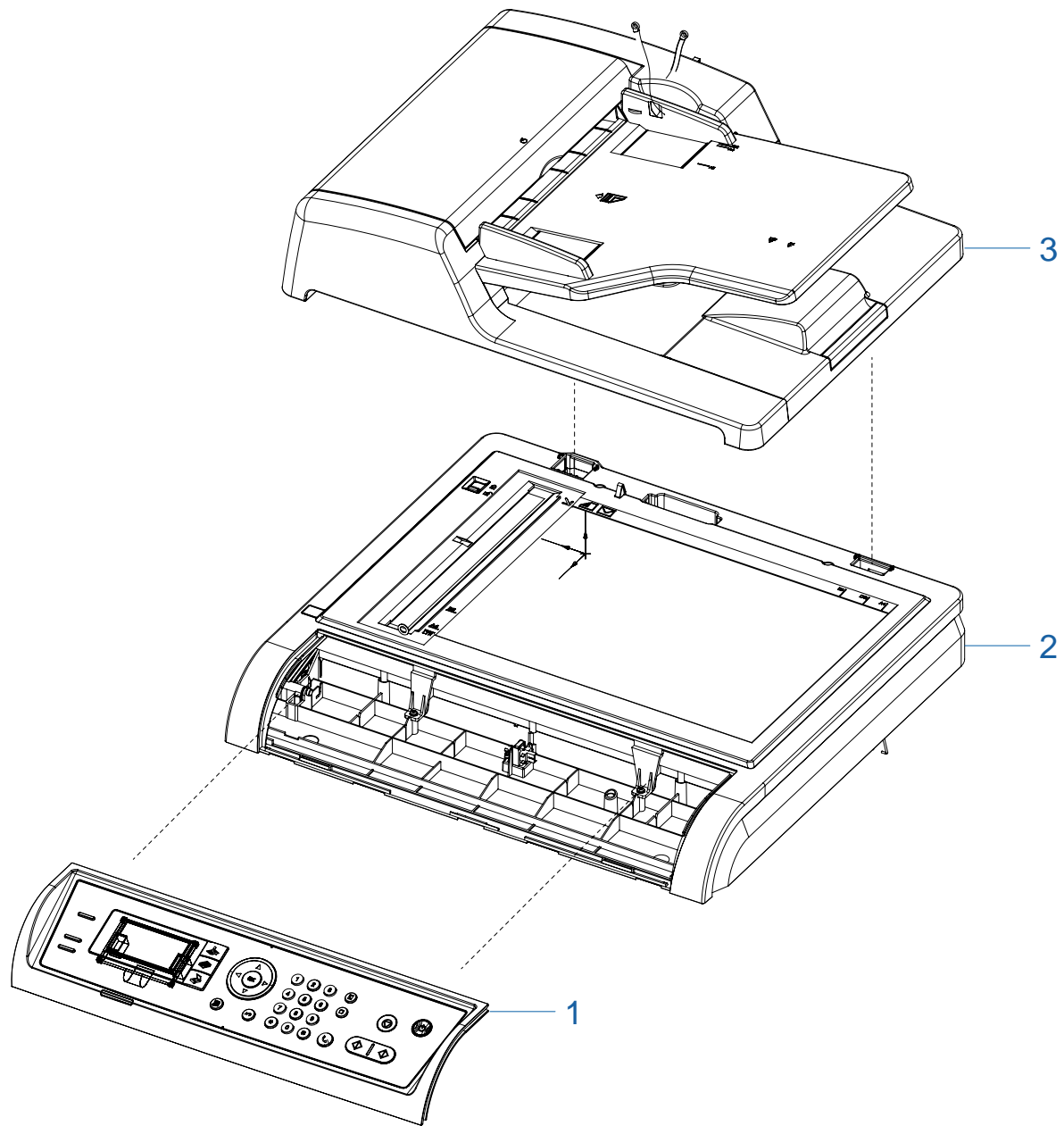
SA : SERVICE AVAILABLE, SNA : SERVICE not AVAILABLE

Drawer#	SEC_Code	Description	QT'y	Service	Remark
0	JC97-03056A	MEA UNIT-COVER TOP	1	SNA	
1	JC63-01542A	COVER-REVERSE TOP	1	SNA	
2	JC66-01833A	SHAFT-REV IDLE	2	SNA	
3	JC66-00529A	ROLLER-M-IDLE FEED	2	SA	
4	JC61-02449A	SPRING ETC-REVERSE	2	SA	
5	JC61-02218A	GUIDE-PAPER REV	2	SNA	

Drawer#	SEC_Code	Description	QT'y	Service	Remark
6	JC61-02449A	SPRING ACTUATOR S/W	2	SA	
7	JC75-00095A	MEC-BRUSH ANTISTATIC	1	SA	
8	JC66-00594A	SHAFT-STACKER	2	SA	
9	JC61-00712A	GUIDE-STACKER SUB	2	SA	
10	JC63-01557A	GROUND REV FRONT	1	SNA	



# 18. SCANNER



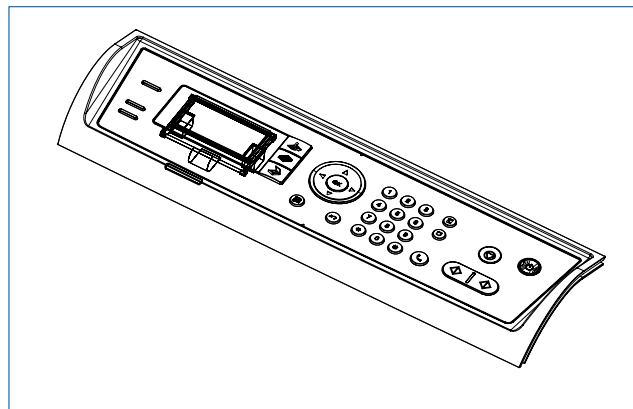
## SCANNER parts list

SA : SERVICE AVAILABLE, SNA : SERVICE not AVAILABLE

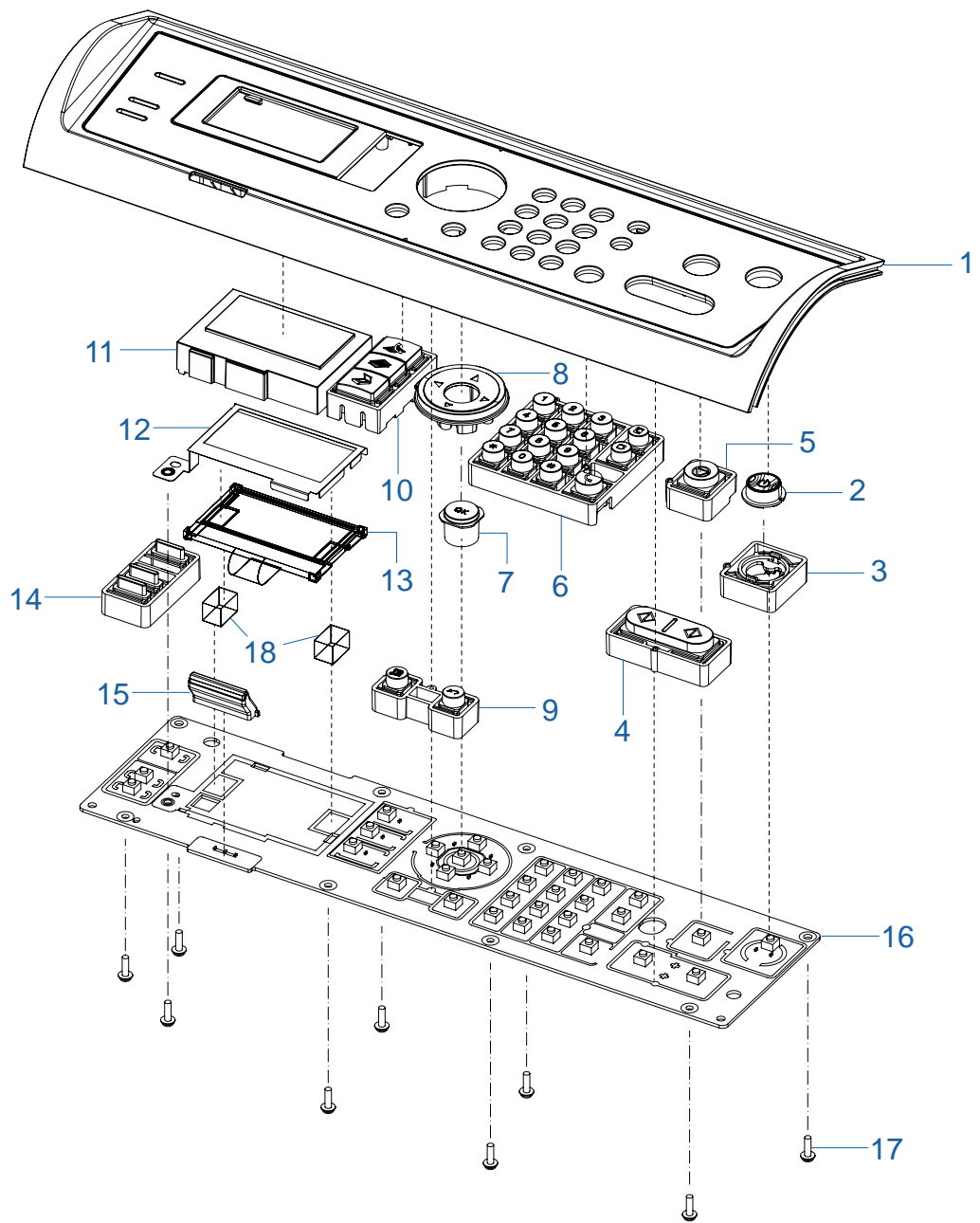
Drawer#	SEC_Code	Description	QT'y	Service	Remark
0	JC97-03762A	SCANNER	1	SNA	6250/others
0	JC97-03762B	SCANNER	1	SNA	6250/XAA
0	JC97-03762C	SCANNER	1	SNA	6220/others
0	JC97-03762D	SCANNER	1	SNA	6220/XAA
0	JC97-03762J	SCANNER	1	SNA	6220/STS
1	JC97-03734A	OPE	1	SA	6250/XAA
1	JC97-03734D	OPE	1	SA	6220/STS

Drawer#	SEC_Code	Description	QT'y	Service	Remark
1	JC97-03734F	OPE	1	SA	6220/XAA
1	JC97-03734G	OPE	1	SA	6220/others
1	JC97-03734L	OPE	1	SA	6250/others
2	JC97-03761A	PLATEN	1	SA	
3	JC97-03760A	DADF	1	SA	
4	JC68-02111B	LABEL-INFORMATION	1	SNA	

# 19. OPE



0



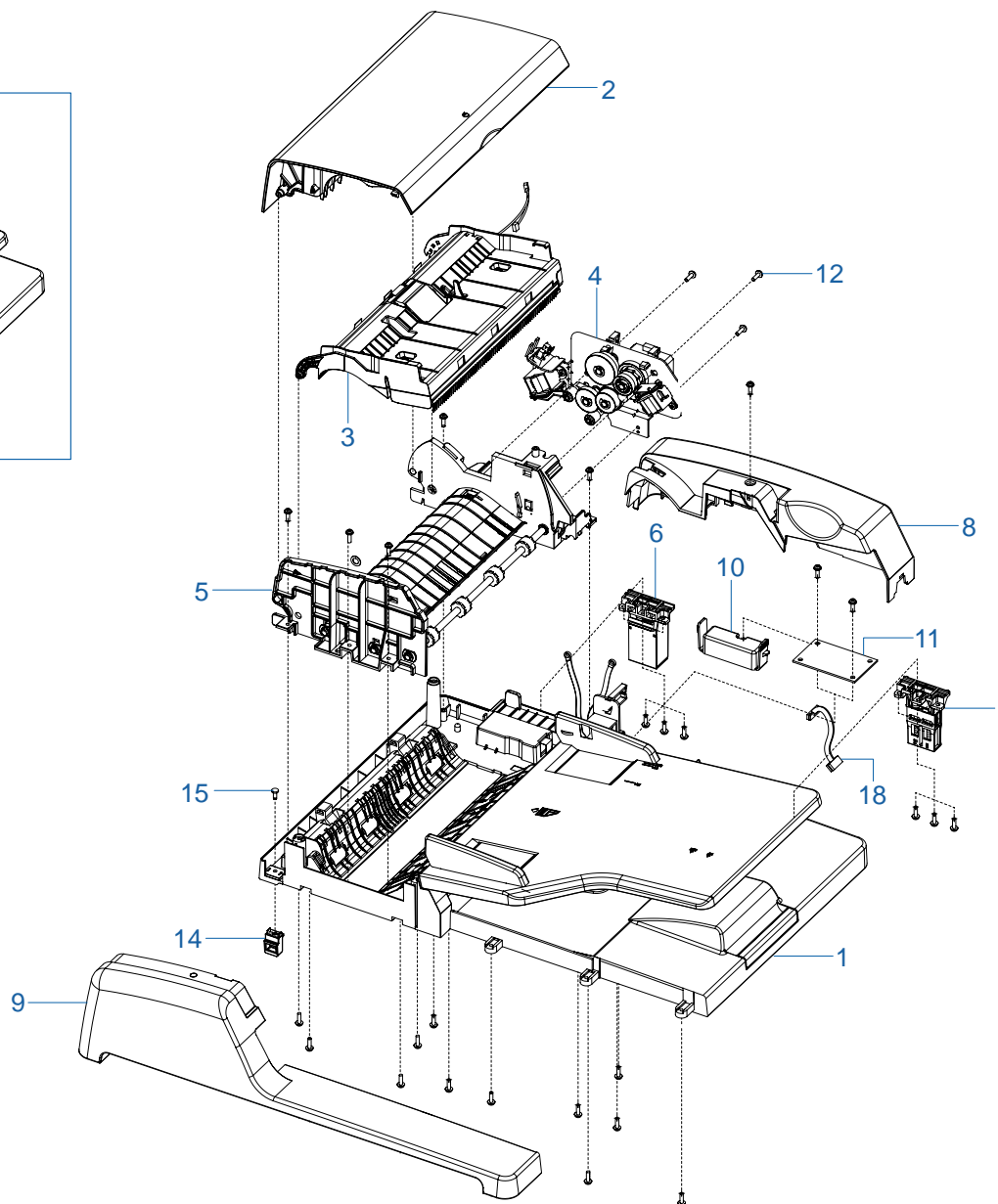
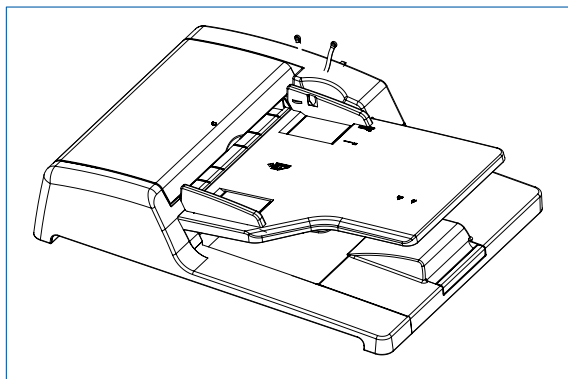
## OPE parts list

SA : SERVICE AVAILABLE, SNA : SERVICE not AVAILABLE

Drawer#	SEC_Code	Description	QT'y	Service	Remark
0	JC97-03734A	OPE	1	SA	6250/XAA
0	JC97-03734D	OPE	1	SA	6220/STS
0	JC97-03734F	OPE	1	SA	6220/XAA
0	JC97-03734G	OPE	1	SA	6220/others
0	JC97-03734L	OPE	1	SA	6250/others
1	JC63-02513A	COVER-OPE	1	SA	6250/XAA
1	JC63-02513E	COVER-OPE	1	SA	6220/STS
1	JC63-02513G	COVER-OPE	1	SA	6220/XAA
1	JC63-02513K	COVER-OPE	1	SA	6250/others
1	JC63-02513L	COVER-OPE	1	SA	6220/others
2	JB64-00114B	KEY-POWER	1	SNA	
3	JC64-00443A	KEY-POWER_B	1	SNA	
4	JC64-00391A	KEY-START	1	SNA	
5	JC64-00393A	KEY-STOP	1	SNA	

Drawer#	SEC_Code	Description	QT'y	Service	Remark
6	JC64-00394A	KEY-TEL	1	SNA	
7	JC64-00389A	KEY-OK	1	SNA	
8	JC64-00445A	KEY-CIRCLE	1	SNA	
9	JC64-00447B	KEY-BACK	1	SNA	
10	JC64-00387A	KEY-FAX	1	SNA	
11	JC61-02792A	HOLDER-LCD	1	SNA	
12	JC61-03703A	BRACKET-LCD	1	SNA	
13	JC07-00012A	LCD	1	SA	
14	JC64-00528A	KEY-EXTRA	1	SA	
15	JC67-00429A	LENS-LED_STATUS	1	SNA	
16	JC92-02242A	PBA-OPE	1	SA	
17	6003-000196	SCREW-TAPTYPE	9	SA	
18	JC72-01529A	SPONGE-LCD	2	SNA	
19	JC68-02111B	LABEL-INFORMATION	1	SNA	

## 20. DADF



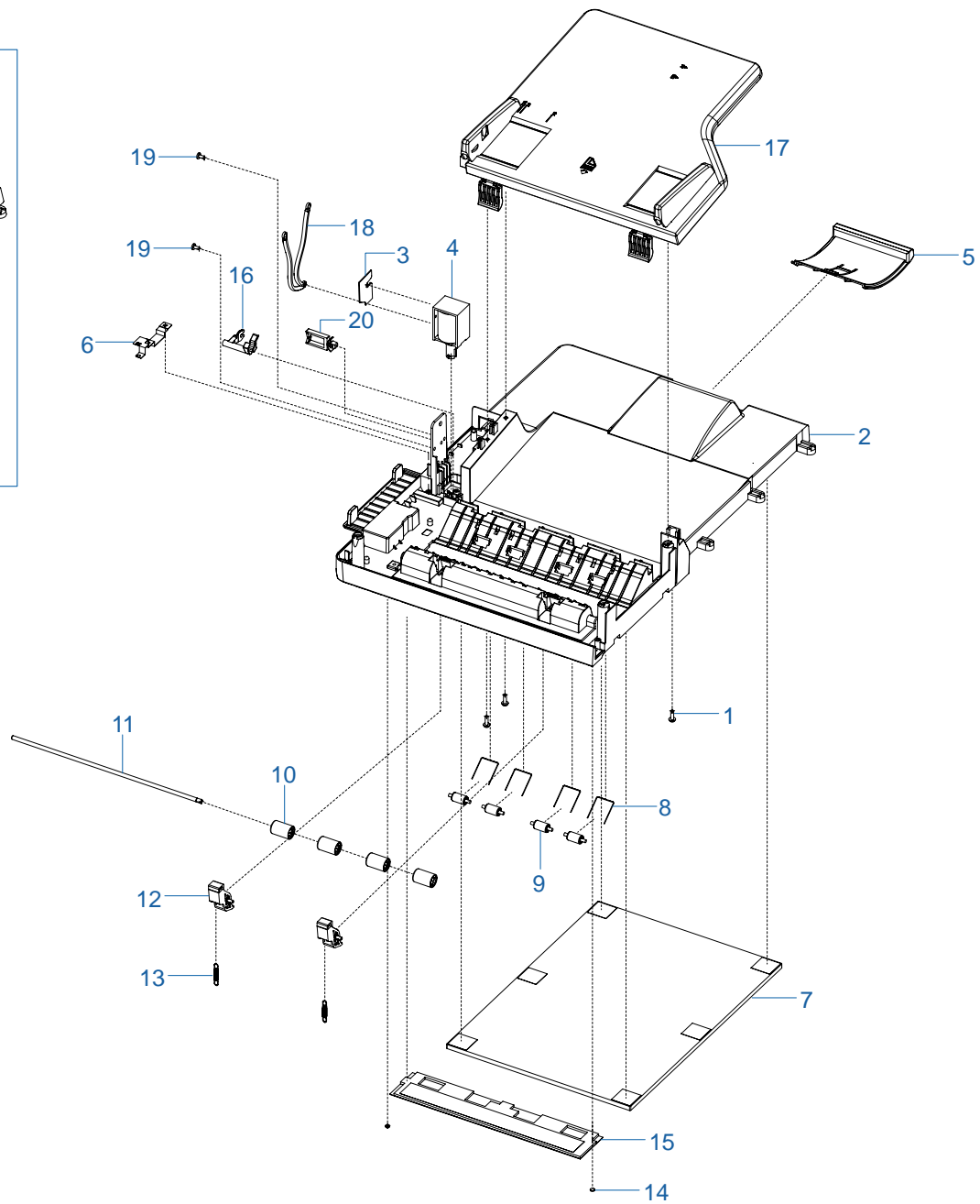
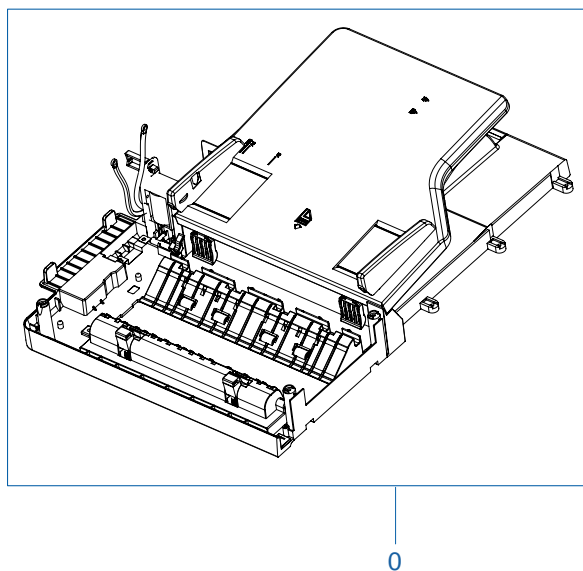
## DADF parts list

SA : SERVICE AVAILABLE, SNA : SERVICE not AVAILABLE

Drawer#	SEC_Code	Description	QT'y	Service	Remark
0	JC97-03760A	DADF	1	SA	
1	JC97-03748A	DADF-COVER PLATEN	1	SA	
2	JC97-03755A	DADF-COVER OPEN	1	SA	
3	JC97-03749A	DADF-UPPER	1	SA	
4	JC93-00208A	DRIVE-DADF	1	SA	
5	JC97-03759A	DADF-LOWER	1	SA	
6	JC97-03038A	MEA UNIT-HINGE_DADF	1	SA	
7	JC97-03220A	MEA-UNIT_HINGE	1	SA	
8	JC63-01606D	COVER-DADF_R	1	SNA	
9	JC63-01579C	COVER-HANDLE_PLATEN	1	SNA	

Drawer#	SEC_Code	Description	QT'y	Service	Remark
10	JC63-00998F	COVER-ADF CONNECTOR	1	SNA	
11	JC92-01954A	PBA-DADF	1	SA	
12	6003-000196	SCREW-TAPTYPE	27	SA	
13	JC68-02194A	LABEL-CLEANING	1	SNA	
14	JC63-01551C	COVER-ADF LOCK PL	1	SNA	
15	6003-000282	SCREW-TAPTYPE	1	SA	
16	JC39-00509A	CBF HARNESS-GND ZENER	1	SA	
17	JC39-00507A	CBF HARNESS-GND1	1	SA	
18	JC39-00851A	HARNESS-DADF UPPER	1	SA	

## 21. DADF-COVER PLATEN





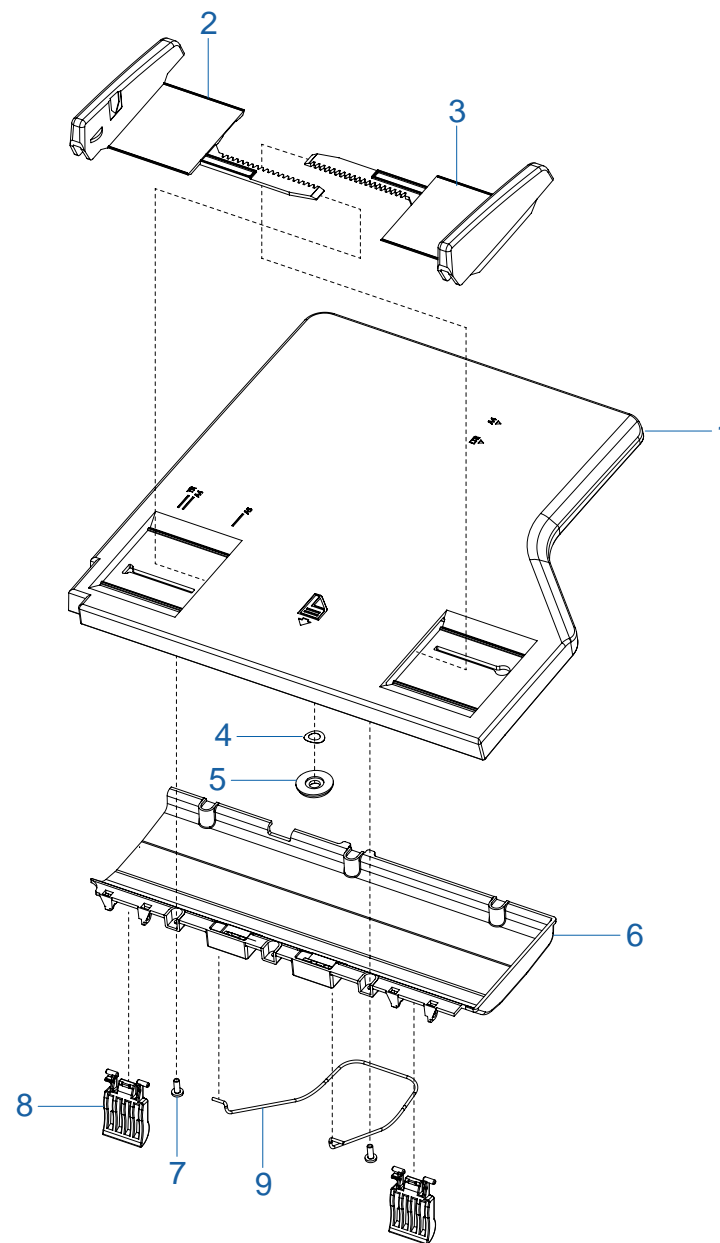
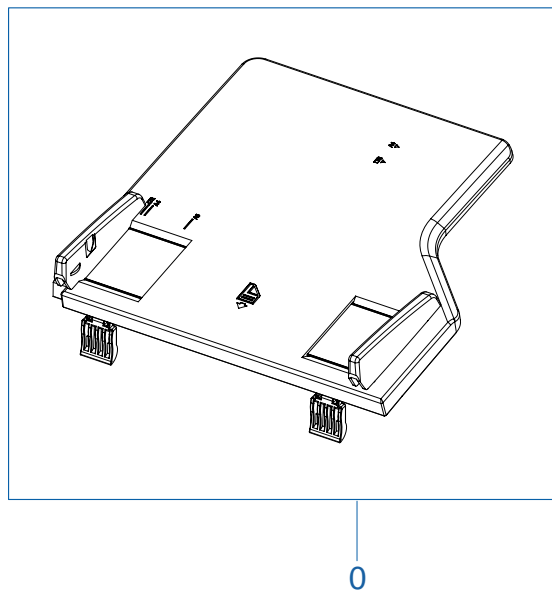
## DADF-COVER PLATEN parts list

SA : SERVICE AVAILABLE, SNA : SERVICE not AVAILABLE

Drawer#	SEC_Code	Description	QT'y	Service	Remark
0	JC97-03748A	DADF-COVER PLATEN	1	SA	
1	6003-000196	SCREW-TAPTYPE	5	SA	
2	JC63-01623D	COVER-PLATEN	1	SNA	
3	JC69-01327A	PAD-SOLENOID	1	SNA	
4	JC33-00031A	SOLENOID-LIFTING	1	SA	
5	JC61-02418D	GUIDE-EXTENSION	1	SNA	
6	JC63-01660A	GROUND-PLATEN	1	SA	
7	JC63-00209A	SHEET-WHITE SPONGE	1	SA	
8	JC61-02429A	SPRING ETC-MID IDLE	4	SNA	
9	JC66-01764A	ROLLER-IDLE	4	SA	
10	JC66-01022B	ROLLER-IDLE SCF	4	SA	

Drawer#	SEC_Code	Description	QT'y	Service	Remark
11	JC66-01817A	SHAFT-FEED IDLE	1	SA	
12	JC66-01749A	LEVER-JAM_FEED	2	SNA	
13	6107-001554	SPRING-ES	2	SNA	
14	JC72-01440A	SPONGE-PLATEN DUMMY	2	SNA	
15	JC72-01439A	SPONGE-DADF PLATEN	1	SNA	
16	JC66-01774A	LEVER-LIFTING_EXIT	1	SNA	
17	JC97-03756A	DADF STACKER-TX	1	SA	
18	JC39-00892A	HARNESS-DADF GND	1	SNA	
19	6003-000269	SCREW-TAPTYPE	2	SA	
20	6502-001093	CABLE CLAMP	1	SNA	

## 22. DADF STACKER-TX



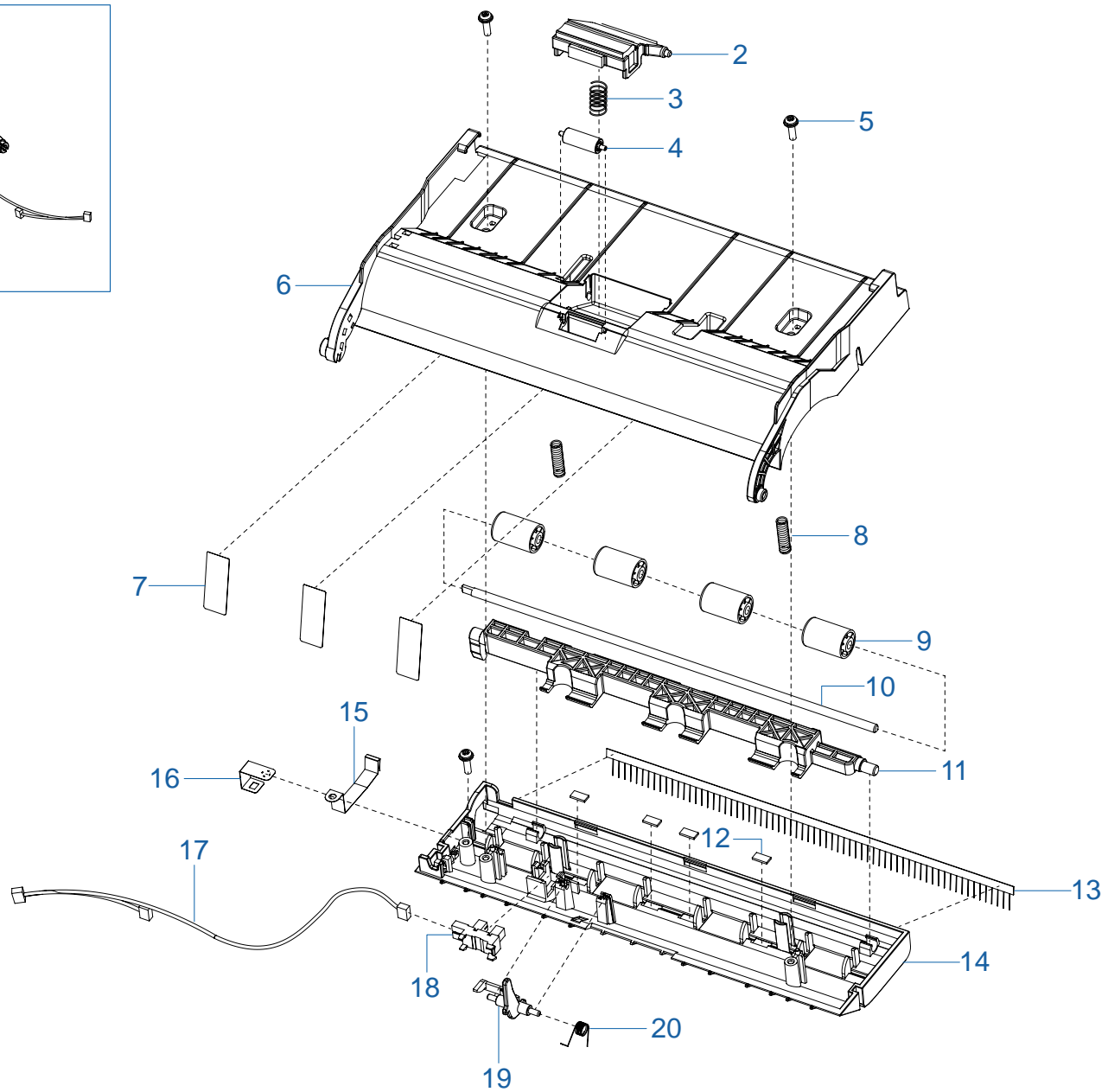
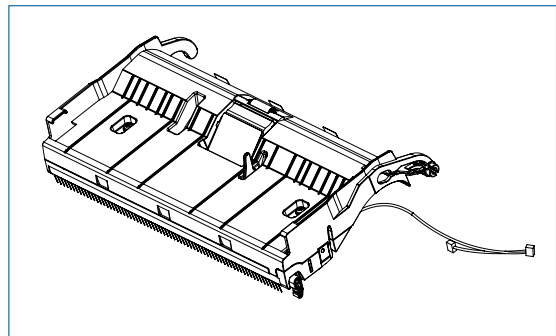
## DADF STACKER-TX parts list

SA : SERVICE AVAILABLE, SNA : SERVICE not AVAILABLE

Drawer#	SEC_Code	Description	QT'y	Service	Remark
0	JC97-03756A	DADF STACKER-TX	1	SA	
1	JC63-02169C	COVER-STACKER_TX	1	SNA	
2	JC61-02845C	GUIDE-DOCU L	1	SNA	
3	JC61-02846C	GUIDE-DOCU R	1	SNA	
4	JF70-10616A	IPR-WASHER SPRING CU	1	SNA	

Drawer#	SEC_Code	Description	QT'y	Service	Remark
5	JG66-40003A	GEAR-PINION	1	SA	
6	JC63-02177C	COVER-RACK	1	SNA	
7	6003-000282	SCREW-TAPTYPE	2	SA	
8	JC61-02846C	GUIDE-DOCU R	1	SNA	
9	JC61-02513A	GUIDE-STACKER WIRE	1	SNA	

### 23. DADF-UPPER



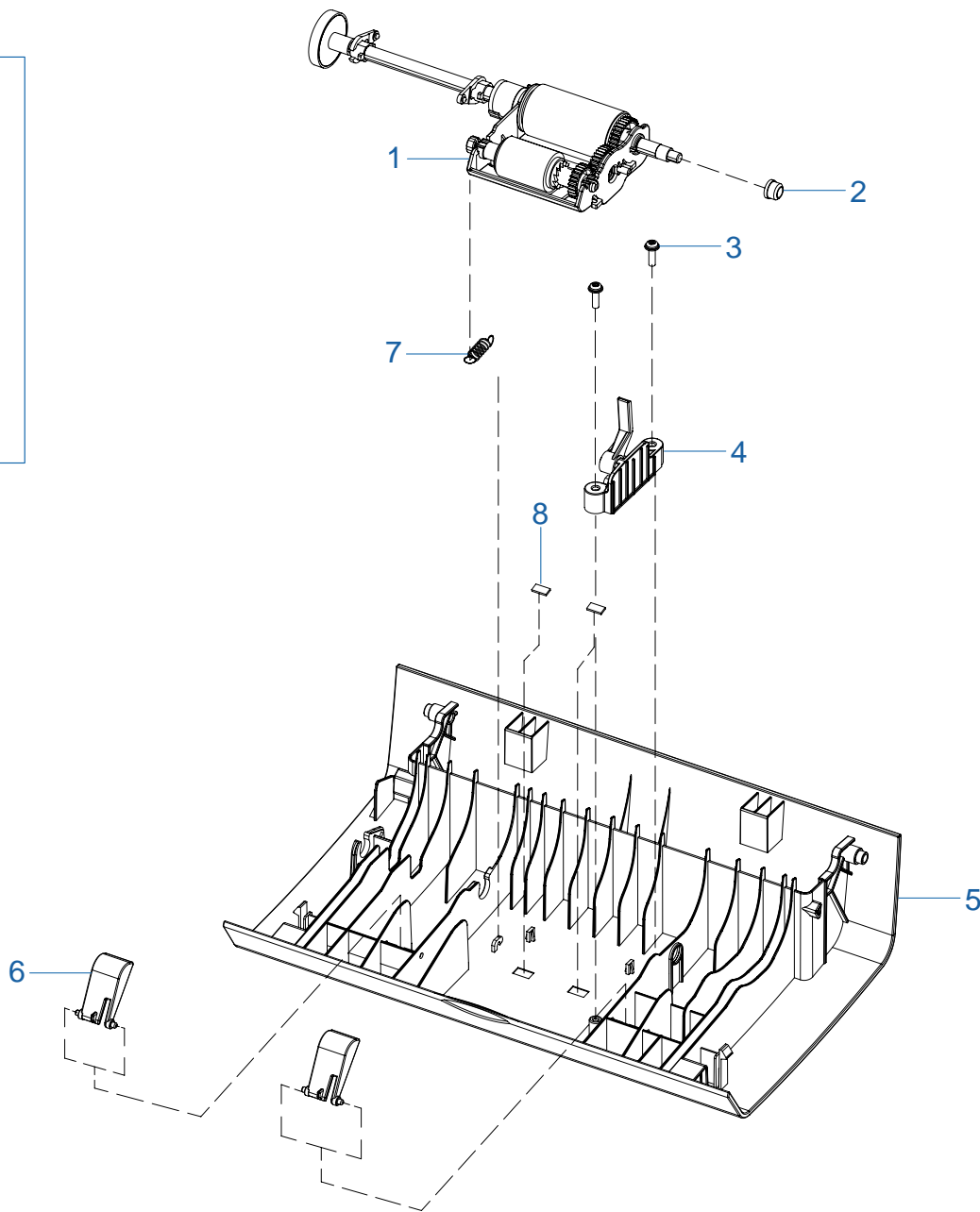
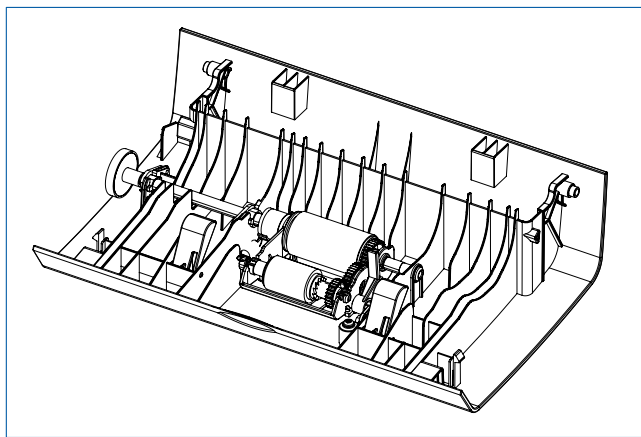
## DADF-UPPER parts list

SA : SERVICE AVAILABLE, SNA : SERVICE not AVAILABLE

Drawer#	SEC_Code	Description	QT'y	Service	Remark
0	JC97-03749A	DADF-UPPER	1	SA	
2	JC97-03069A	MEA UNIT-DADF RUBBER	1	SA	
3	JC61-00387A	SPRING ETC-PAD	1	SA	
4	JC66-00461A	ROLLER-M-ADF IDLE	1	SA	
5	6003-000196	SCREW-TAPTYPE	3	SA	
6	JC63-01610D	COVER-DADF_UPPER TOP	1	SA	
7	JC63-01776A	SHEET-PATH	3	SA	
8	JC61-02428A	SPRING ETC-EXIT IDLE	2	SNA	
9	JC66-01022B	ROLLER-IDLE SCF	4	SNA	
10	JC66-01817A	SHAFT-FEED IDLE	1	SNA	
11	JC61-02252A	HOLDER-LIFTING_IDLE	1	SNA	
12	JC66-01876A	DAMPER-DADF UPPER	4	SNA	

Drawer#	SEC_Code	Description	QT'y	Service	Remark
13	JC75-00095A	MEC-BRUSH ANTISTATIC	1	SA	
14	JC63-01622D	COVER-DADF_UPPER BT	1	SNA	
15	JC63-01664A	GROUND-BRUSH	1	SA	
16	JC63-01663A	GROUND-DADF UPPER	1	SA	
17	JC39-00854A	HARNESS-DADF SENSOR 2	1	SA	
18	0604-001095	PHOTO-INTERRUPTER	1	SA	
19	JC66-01765A	ACTUATOR-EMPTY	1	SA	
20	JB61-00076A	SPRING ETC-TORSION DOC (CC2-F)	1	SA	
21	JC39-00322A	CBF HARNESS-SCAN GND	1	SNA	
24	JC68-02079A	LABEL-INFORMATION	1	SNA	
25	JC68-02078A	LABEL-INFORMATION	1	SNA	

### 24. DADF-COVER OPEN



**DADF-COVER OPEN parts list**

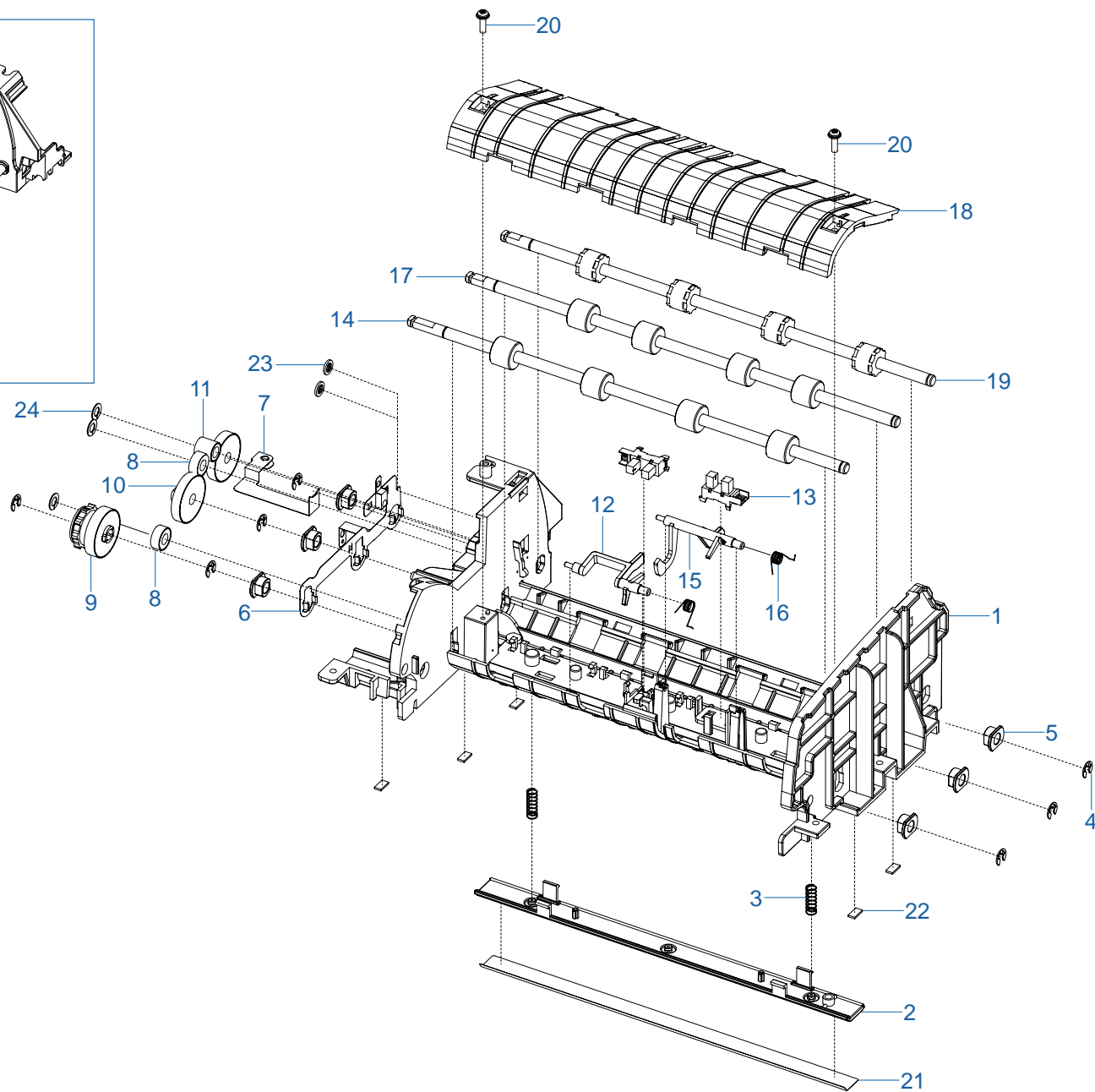
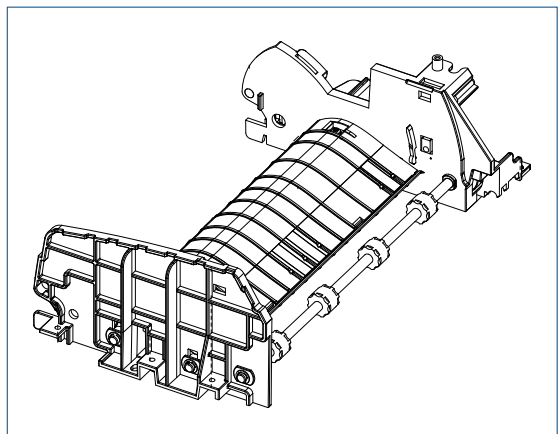
SA : SERVICE AVAILABLE, SNA : SERVICE not AVAILABLE

Drawer#	SEC_Code	Description	QT'y	Service	Remark
0	JC97-03755A	DADF-COVER OPEN	1	SA	
1	JC97-03070A	MEA UNIT-PICK UP DADF	1	SA	
2	JB72-00819A	PMO-BUSH	1	SA	
3	6003-000196	SCREW-TAPTYPE	2	SA	
4	JC97-03060A	MEA UNIT-STOPPER	1	SA	

Drawer#	SEC_Code	Description	QT'y	Service	Remark
5	JC63-02171C	COVER-OPEN	1	SNA	
6	JC61-00788A	GUIDE-M_DOC SENSOR	2	SNA	
7	JC61-02489A	SPRING ETC-PICKUP	1	SA	
8	JC66-01876A	DAMPER-DADF UPPER	2	SNA	



## 25. DADF-LOWER



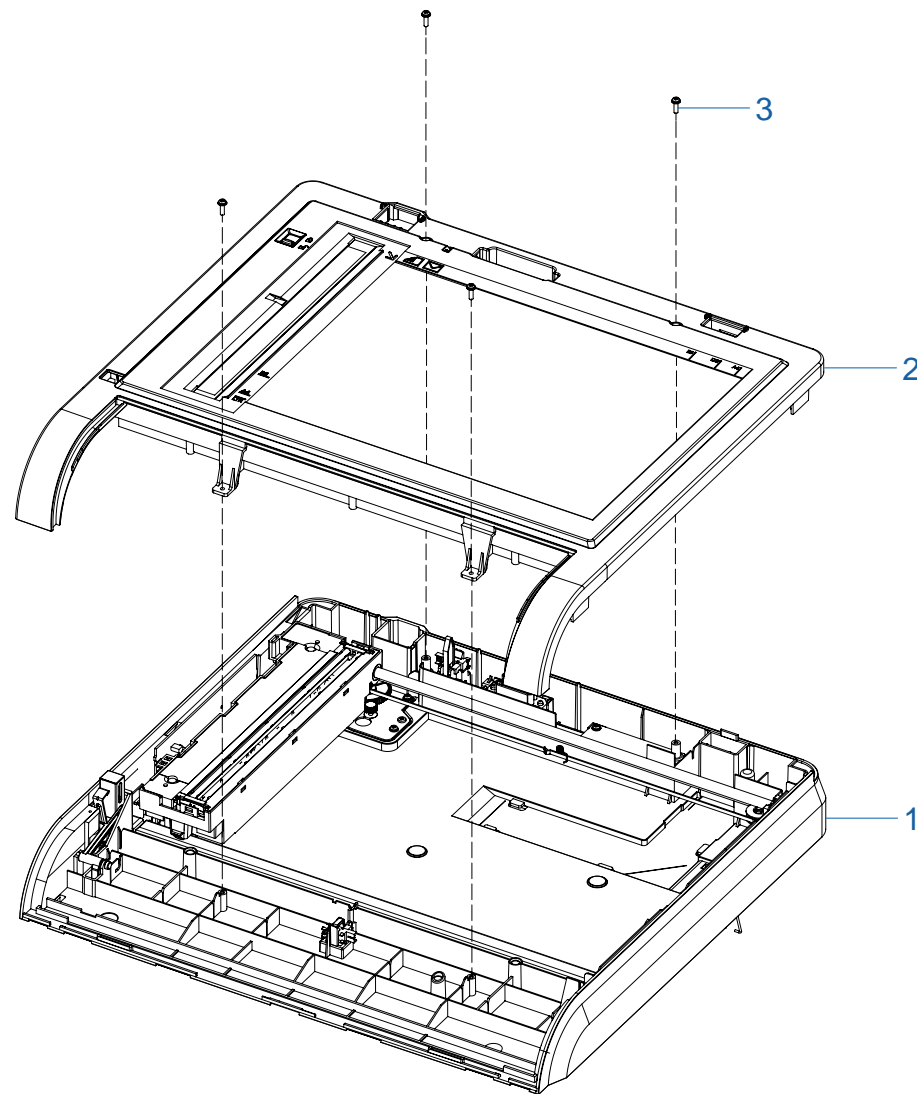
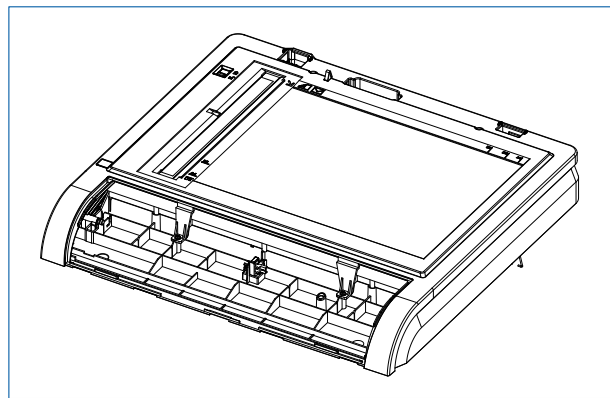
## DADF-LOWER parts list

SA : SERVICE AVAILABLE, SNA : SERVICE not AVAILABLE

Drawer#	SEC_Code	Description	QT'y	Service	Remark
0	JC97-03759A	DADF-LOWER	1	SA	
1	JC63-01589A	COVER-DADF_LOWER	1	SNA	
2	JC61-02686A	PLATE-WHITE BAR	1	SA	
3	JC61-70935A	SPRING ETC-SEPERATE P/UP	2	SA	
4	6044-000125	RING-E	7	SA	
5	JC61-00423A	BUSH-6_D	6	SA	
6	JC63-01662A	GROUND-FEED EXIT	1	SA	
7	JC63-01661A	GROUND-DADF	1	SA	
8	JC66-01755A	GEAR-FEED IDLE D	2	SA	
9	JC97-03085A	MEA-GEAR FEED	1	SA	
10	JC66-01757A	GEAR-EXIT	2	SA	
11	JC66-01754A	GEAR-FEED IDLE C	1	SA	
12	JC66-01766A	ACTUATOR-FEED	1	SA	
13	0604-001095	PHOTO-INTERRUPTER	2	SA	

Drawer#	SEC_Code	Description	QT'y	Service	Remark
14	JC66-01823A	ROLLER-FEED	1	SA	
15	JC66-01762A	ACTUATOR-REGI	1	SA	
16	JB61-00076A	SPRING ETC-TORSION DOC (CC2-F)	2	SA	
17	JC66-01822A	ROLLER-MIDDLE	1	SA	
18	JC63-01597A	COVER-DADF_MIDDLE	1	SNA	
19	JC66-01824A	ROLLER-EXIT	1	SA	
20	6003-000196	SCREW-TAPTYPE	2	SA	
21	JC63-02659A	SHEET-WHITE_BAR	1	SA	
22	JC66-01876A	DAMPER-DADF UPPER	5	SNA	
23	6044-000001	RING-CS	2	SA	
24	6031-001255	WASHER-PLAIN	3	SA	
25	JC39-00853A	HARNESS-DADF SENSOR 1	1	SA	
26	0205-001080	GREASE-BEARING	1	SNA	

## 26. PLATEN



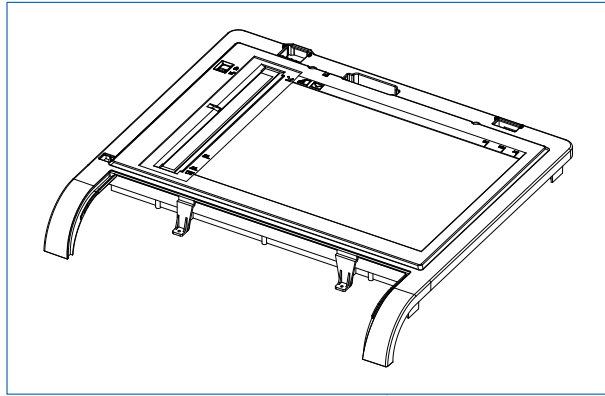
**PLATEN parts list**

SA : SERVICE AVAILABLE, SNA : SERVICE not AVAILABLE

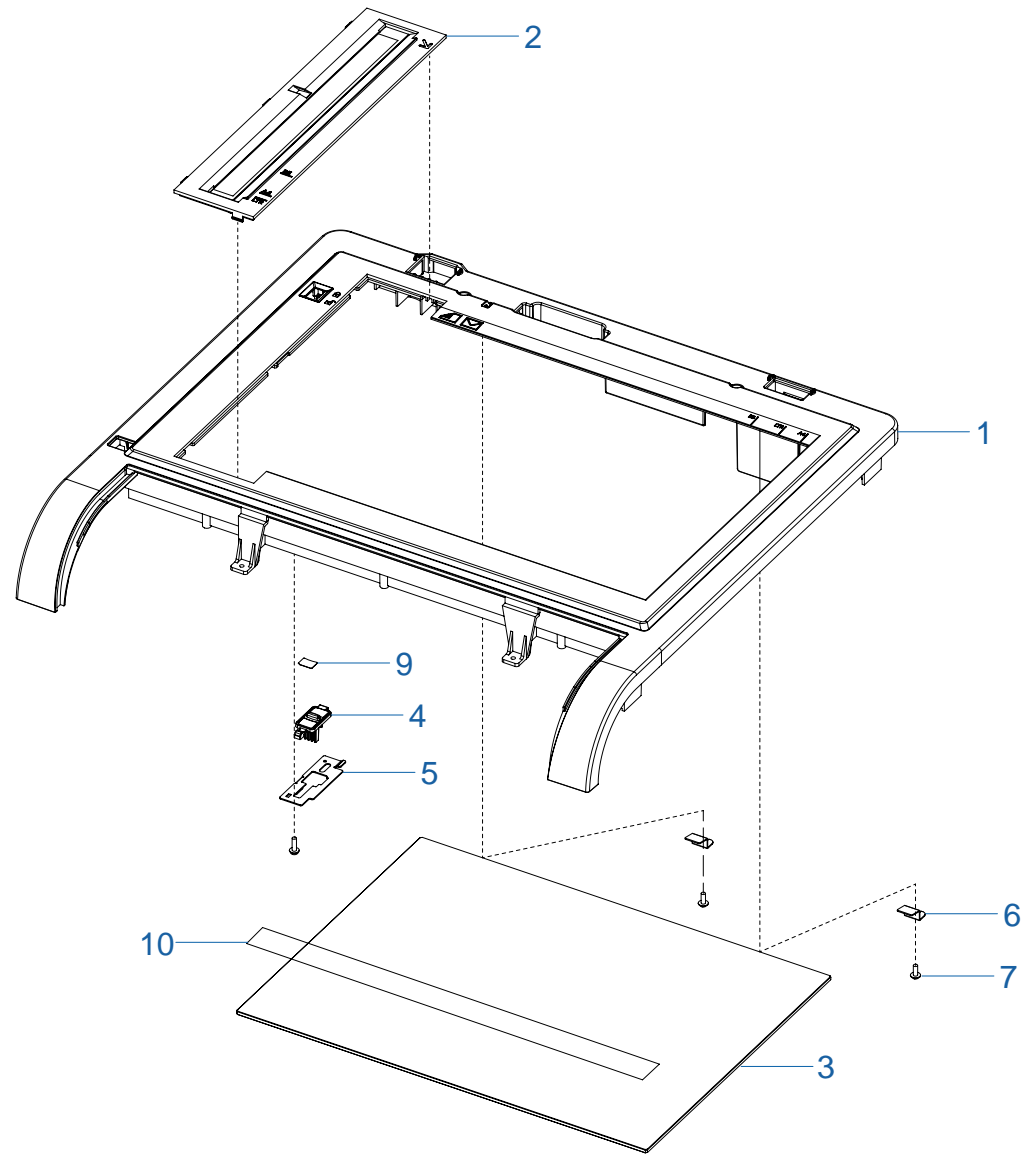
Drawer#	SEC_Code	Description	QT'y	Service	Remark
0	JC97-03761A	PLATEN	1	SA	
1	JC97-03758A	PLATEN-LOWER	1	SA	

Drawer#	SEC_Code	Description	QT'y	Service	Remark
2	JC97-03757A	PLATEN-UPPER	1	SNA	
3	6003-000196	SCREW-TAPTYPE	4	SA	

## 27. PLATEN-UPPER



0



2

1

9

4

5

6

7

10

3

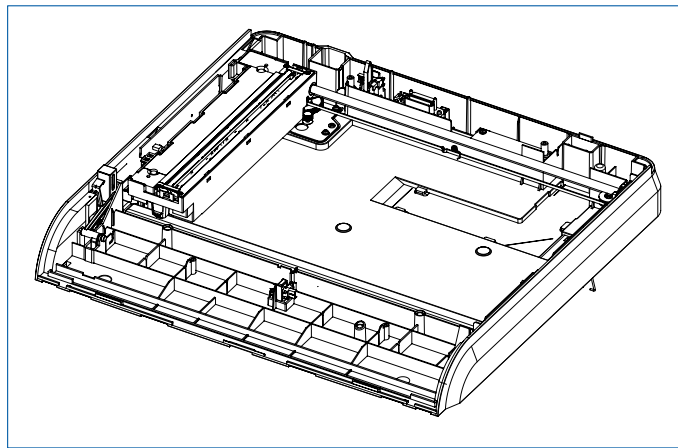
## PLATEN-UPPER parts list

SA : SERVICE AVAILABLE, SNA : SERVICE not AVAILABLE

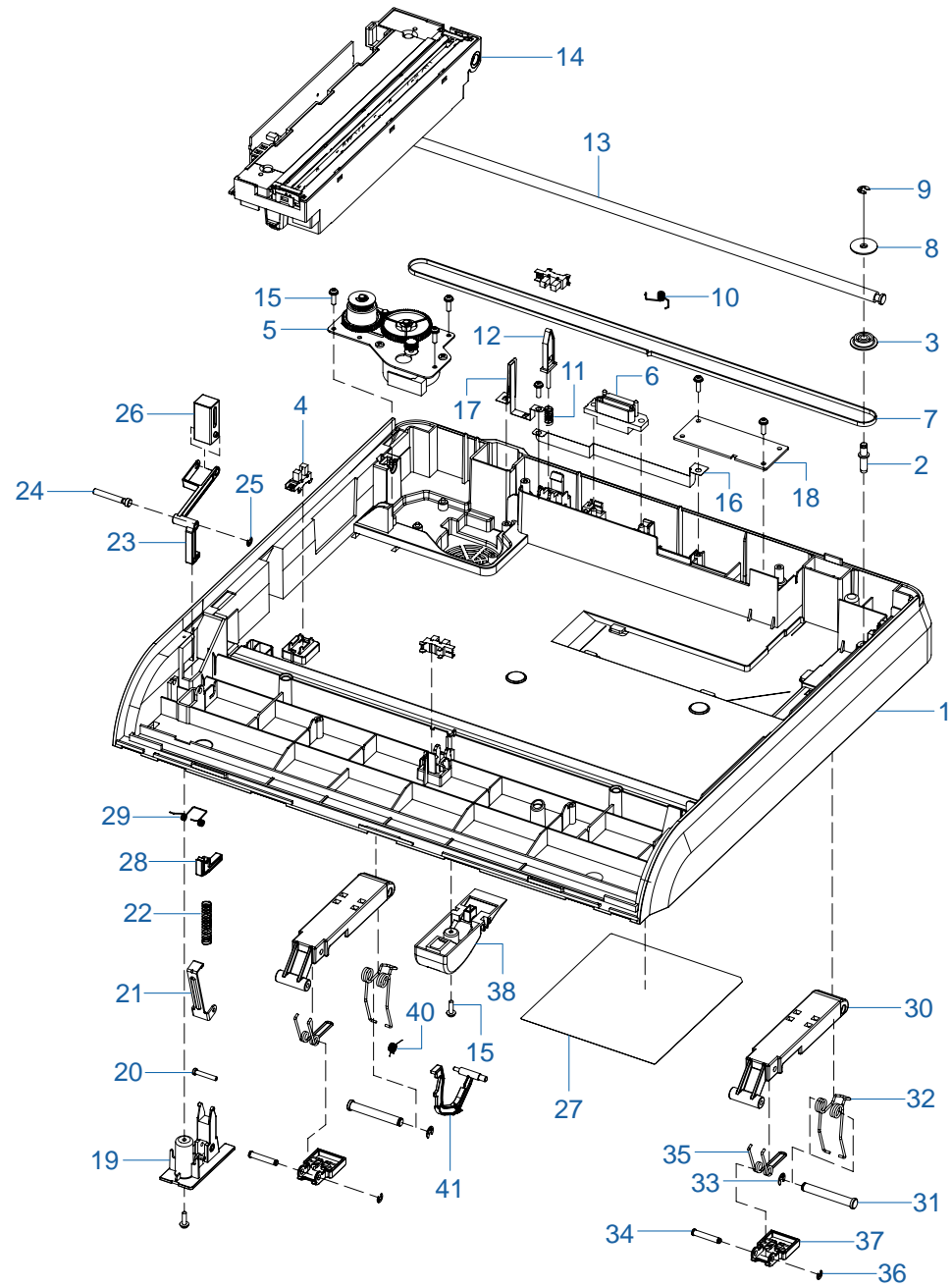
Drawer#	SEC_Code	Description	QT'y	Service	Remark
0	JC97-03757A	PLATEN-UPPER	1	SNA	
1	JC63-01506C	COVER-SCAN UPPER	1	SNA	
2	JC97-03765A	PLATEN-DUMMY UPPER	1	SA	
3	JC01-00001A	GLASS-SCAN	1	SA	
4	JC66-02546A	LEVER-LINK LOCKER	1	SNA	
5	JC61-01987A	BRACKET-LOCKER	1	SNA	

Drawer#	SEC_Code	Description	QT'y	Service	Remark
6	JB70-00148A	IPR-HOLDER GLASS	2	SA	
7	6002-000440	SCREW-TAPPING	2	SNA	
8	6003-000196	SCREW-TAPTYPE	1	SA	
9	JC68-01991B	LABEL-INFORMATION	1	SNA	
10	0203-001267	TAPE-DOUBLE FACE	1	SNA	

## 28. PLATEN-LOWER



0





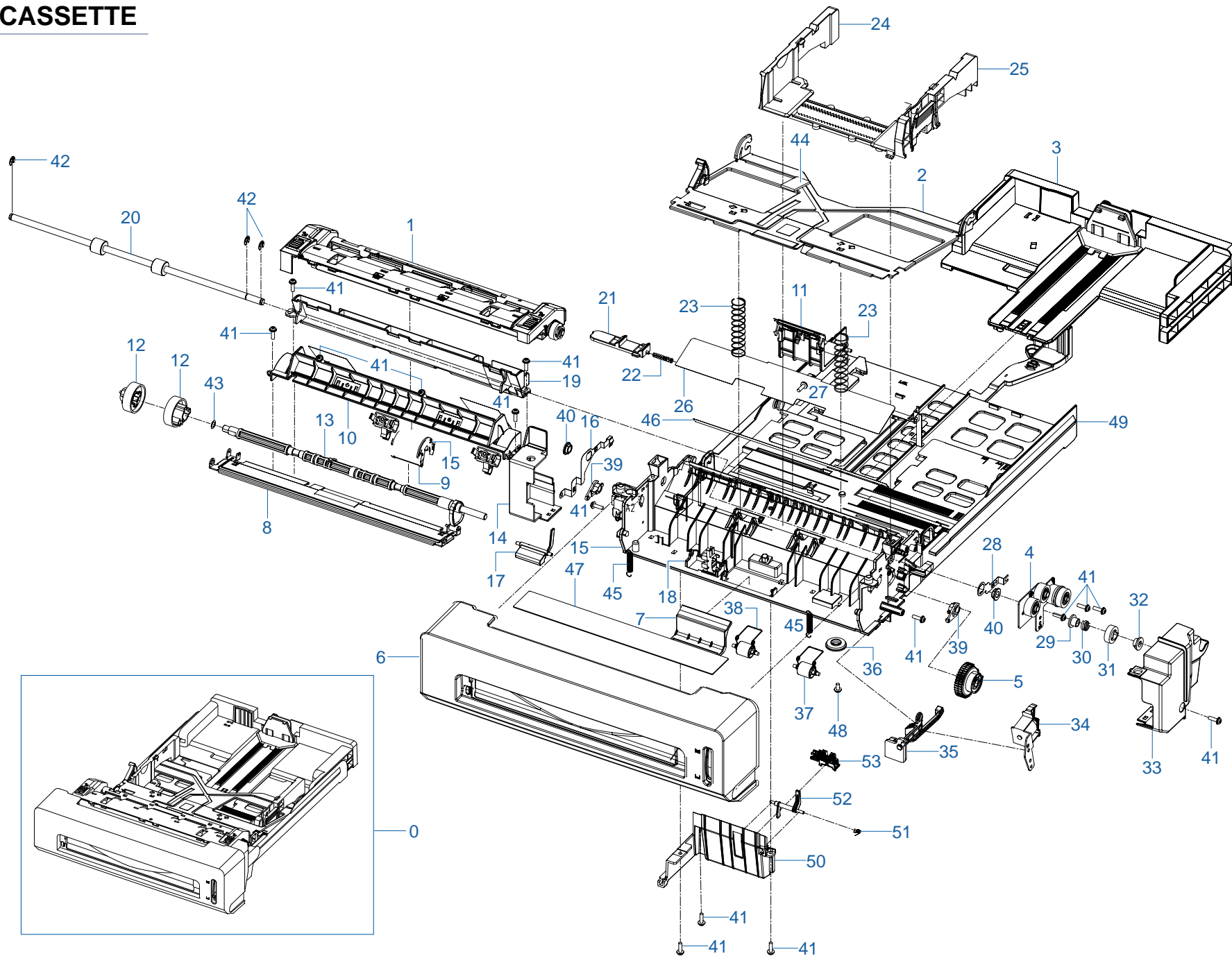
## PLATEN-LOWER parts list

SA : SERVICE AVAILABLE, SNA : SERVICE not AVAILABLE

Drawer#	SEC_Code	Description	QT'y	Service	Remark
0	JC97-03758A	PLATEN-LOWER	1	SA	
1	JC63-01505C	COVER-SCAN LOWER	1	SNA	
2	JB70-00154A	ICT-INSERT SHAFT	1	SNA	
3	JB72-00763A	PMO-PULLEY	1	SA	
4	0604-001095	PHOTO-INTERRUPTER	3	SA	
5	JC96-05285A	ELA HOU-BRACKET MOTOR	1	SA	
6	JC39-00850A	HARNESS-DADF LOWER	1	SA	
7	6602-001067	BELT-TIMING GEAR	1	SA	
8	JB72-00764A	PMO-HOLDER BELT	1	SA	
9	6044-000125	RING-E	3	SA	
10	JB61-00059A	SPRING ETC-BELT	1	SA	
11	6107-001135	SPRING-CS	1	SA	
12	JC72-00755A	PMO-LEVER SENSOR	1	SA	
13	JB70-00145A	ICT-SHAFT CCD	1	SNA	
14	JC97-03735A	CCDM	1	SNA	
15	6003-000196	SCREW-TAPTYPE	8	SA	
16	JC63-01559A	GROUND-SCAN LOWER	1	SNA	
17	JC63-01565A	GROUND-CONNECTION	1	SNA	
18	JC92-02245A	PBA-SCAN JOINT	1	SA	
19	JC63-01555C	COVER-ADF LOCK LO	1	SNA	
20	JC66-01831A	SHAFT-ADF LOCK	1	SNA	
21	JC61-02216A	PLATE-ADF LOCK	1	SNA	
22	6107-001395	SPRING-CS	1	SNA	
23	JC66-01750A	LINK-SCAN LOCK	1	SNA	
24	JC66-01832A	SHAFT-SCAN LOCK	1	SNA	

Drawer#	SEC_Code	Description	QT'y	Service	Remark
25	6044-000159	RING-C	1	SA	
26	JC63-01552C	COVER-ADF LOCK UP	1	SNA	
27	JC68-01998A	LABEL-INFORMATION	1	SNA	
28	JC66-01888A	LEVER-SCAN LOCK	1	SNA	
29	JC61-02449A	SPRING ETC-REVERSE	1	SA	
30	JC61-02214A	SUPPORT-SCAN	2	SNA	
31	JC66-01830A	SHAFT-HINGE SCAN	2	SNA	
32	JC61-02448A	SPRING ETC-SUPPORT	2	SA	
33	6044-000125	RING-E	7	SA	
34	JC66-01907A	SHAFT-DAMPER HINGE	2	SNA	
35	JC61-02511A	SPRING ETC-DAMPER	2	SA	
36	6044-000159	RING-C	3	SA	
37	JC61-02491A	SUPPORT-DAMPER	2	SNA	
38	JC63-01564C	COVER-OUTBIN	1	SNA	
40	JB61-00076A	SPRING ETC-TORSION DOC (CC2-F)	1	SA	
41	JC66-01624A	ACTUATOR-OUT_FULL	1	SNA	
42	JC39-00857A	HARNESS-BIN FULL	1	SA	Refer to connection table
43	JC39-01325A	HARNESS-OPE	1	SNA	
44	JC39-01334A	FLAT CABLE	1	SNA	
45	JC39-00841A	HARNESS-SCAN GND	1	SA	
46	JC39-00856A	HARNESS-CCD HOME	2	SA	
47	JC39-00890A	HARNESS-SCAN MOTOR	1	SA	
48	JC39-00848A	HARNESS-SCAN	1	SA	

# 29. CASSETTE



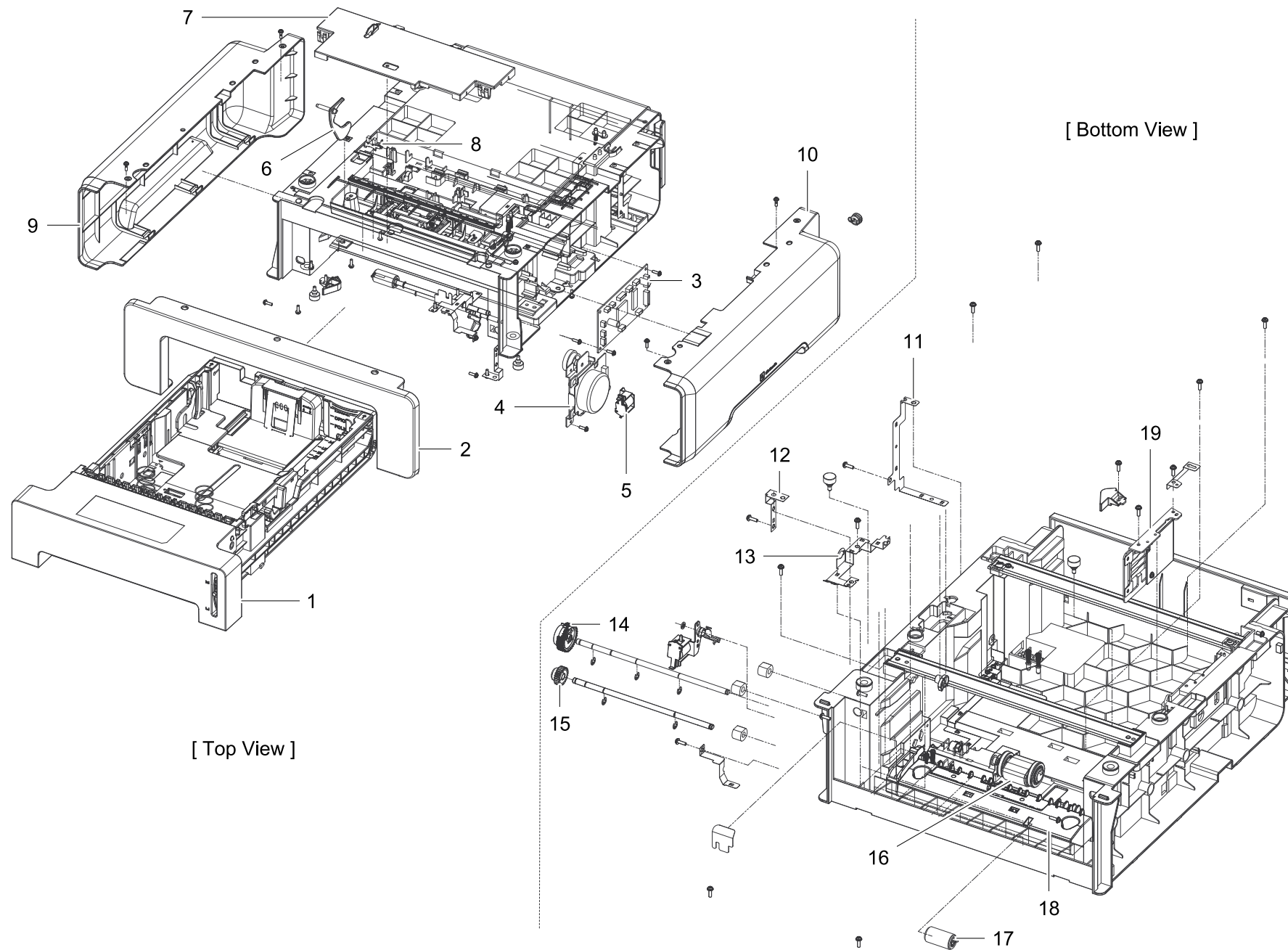
## CASSETTE parts list

SA : SERVICE AVAILABLE, SNA : SERVICE not AVAILABLE

Drawer#	SEC_Code	Description	QT'y	Service	Remark
0	JC90-00980A	CASSETTE	1	SA	
1	JC90-00978A	CASSETTE-REGISTRATION	1	SA	
2	JC97-02888A	MEA-KNOCK_UP_PLATE	1	SNA	
3	JC90-00972A	CASSETTE-EXTENSION	1	SA	
4	JC97-02889A	MEA UNIT-GEAR_BASE	1	SNA	
5	JC97-02893A	MEA-GEAR PICKUP_MP	1	SA	
6	JC90-00976A	CASSETTE-COVER ASSY	1	SNA	
7	JC97-02892A	MEA-HOLDER PAD_MP	1	SA	
8	JC97-02891A	MEA-KNOCK_UP PLATE_MP	1	SNA	
9	JC96-02686B	ELA UNIT-ROLLER P/UP MP	1	SA	
10	JC90-00977A	CASSETTE-GUIDE DUPLEX	1	SA	
11	JC97-03077A	MEA-HOLDER_PAD	1	SA	
12	JC72-01003A	PMO-IDLE PICK UP MP	2	SA	
13	JC66-01348A	SHAFT-MP_PICK_UP	1	SA	
14	JC63-01286B	COVER-DRAW_CONNECTOR	1	SNA	
15	JC39-01333A	HARNESS-MP DRAWER_MP	1	SNA	
16	JC63-01282A	GROUND-REGI_BRKT	1	SNA	
17	JC66-01403A	ACTUATOR-FEED_EMPTY	1	SA	
18	0604-001095	PHOTO-INTERRUPTER	1	SA	
19	JC61-01865A	GUIDE-PAPER_MPF	1	SNA	
20	JC66-01347A	ROLLER-FEED	1	SA	
21	JC72-00972A	PMO-PLATE_LOCKER	1	SA	
22	JG61-70531A	SPRING ETC-LOCKER,PLATE	1	SA	
23	6107-001166	SPRING-CS	2	SA	
24	JC70-00300A	ADJUST-M-CASSETTE_L	1	SA	
25	JC70-00301A	ADJUST-M-CASSETTE_R	1	SC	
26	JC61-01940A	PLATE-GND_KNOCKUP	1	SNA	
27	JC63-01291A	SHEET-MPF	1	SNA	
28	JC61-01923A	PLATE-GND-BRKT-GEAR	1	SNA	

Drawer#	SEC_Code	Description	QT'y	Service	Remark
29	JC61-01128A	HOLDER-_M_GEAR REGI	1	SNA	
30	6107-001249	SPRING-CS	1	SNA	
31	JC66-00774A	GEAR-M-REGI	1	SA	
32	JC61-01127A	HOLDER-_M_CLUTCH GEAR	1	SNA	
33	JC63-01285A	COVER-GEAR_BOX	1	SNA	
34	JC33-00022A	SOLENOID-PICK_UP	1	SA	
35	JC66-01355C	LEVER-LINK_INDICATOR	1	SA	
36	JG66-40003A	GEAR-PINION	1	SA	
37	JC66-00764A	ROLLER-IDLE FEED	2	SA	
38	JC61-01274A	SPRING ETC-ROLLER	2	SNA	
39	JC72-41191B	PMO-BEARING SHAFT	2	SA	
40	JC61-00699A	BUSH-D6/L4	2	SNA	
41	6003-000196	SCREW-TAPTYPE	10	SA	
42	6044-000125	RING-E	3	SA	
43	6031-001543	WASHER-PLAIN	1	SNA	
44	JC62-00326A	SEAL-WASTE SIDE	1	SNA	
45	JC61-70913A	SPRING ETC-KNOCK UP MP	2	SA	
46	JC63-01756A	SHEET-CASSETTE	1	SNA	
47	JC68-02020A	LABEL-INFORMATION	1	SNA	
48	6003-000264	SCREW-TAPTYPE	1	SNA	
49	JC61-01856A	FRAME-CASSETTE	1	SNA	
50	JC61-03704A	HOLDER-ACTUATOR	1	SNA	
51	JB61-00107A	SPRING ETC-LEVER SENSOR	1	SA	
52	JC66-02556A	ACTUATOR-CHECK PAPER	1	SNA	
53	0604-001393	PHOTO-INTERRUPTER	1	SNA	
54	0205-001003	GREASE-BEARING	1	SNA	
55	0205-001067	GREASE-GRAPHITE	1	SNA	
56	0205-001144	GREASE-BEARING	1	SNA	

### 30. SCF (Second Cassette Feeder)



[ Top View ]

[ Bottom View ]

## SCF Parts List

SA : SERVICE AVAILABLE, SNA : SERVICE not AVAILABLE

Drawer#	SEC_Code	Description	QT'y	Service	Remark
1	JC90-00975A	SCF-CASSETTE	1	SA	
2	JC63-01539C	COVER-FRONT SCF	1	SNA	
3	JC92-02095B	PBA-SCF	1	SA	
4	JC96-05106A	ELA-SCF BLDC	1	SA	
5	JC33-00034A	SOLENOID-PICK UP	1	SA	
6	JC72-00992A	PMO-ACTUATOR EMPTY, SCF	1	SA	
7	JC63-00686B	COVER-DUMMY_SCF	1	SNA	
8	0604-001095	PHOTO-INTERRUPTER	1	SA	
9	JC63-01538C	COVER-LEFT SCF	1	SNA	
10	JC63-01537C	COVER-RIGHT SCF	1	SNA	

Drawer#	SEC_Code	Description	QT'y	Service	Remark
11	JC63-02072A	GROUND-PBA-MAIN	1	SNA	
12	JC63-01136A	GROUND-P_FRONT_BOTTOM	1	SNA	
13	JC63-01141A	GROUND-P_SHAFT	1	SNA	
14	JC97-03228A	MEA-GEAR PICK UP	1	SA	
15	JC97-03270A	MEA-GEAR ONEWAY	1	SA	
16	JC97-02233A	MEA UNIT-P/UP_HOUSING	1	SA	
17	JC81-03458A	AS-UNIT_FEED1	1	SA	
18	JC96-04019A	ELA UNIT-IDLE_SCF	1	SNA	
19	JC96-02127B	ELA UNIT-CST SENSOR	1	SA	