

---

# Samsung MultiXpress CLX-9201NA, CLX-9251NA, CLX-9301NA Laser MFP - Parts List (Exploded View)

# MAIN

Figure 1 MAIN

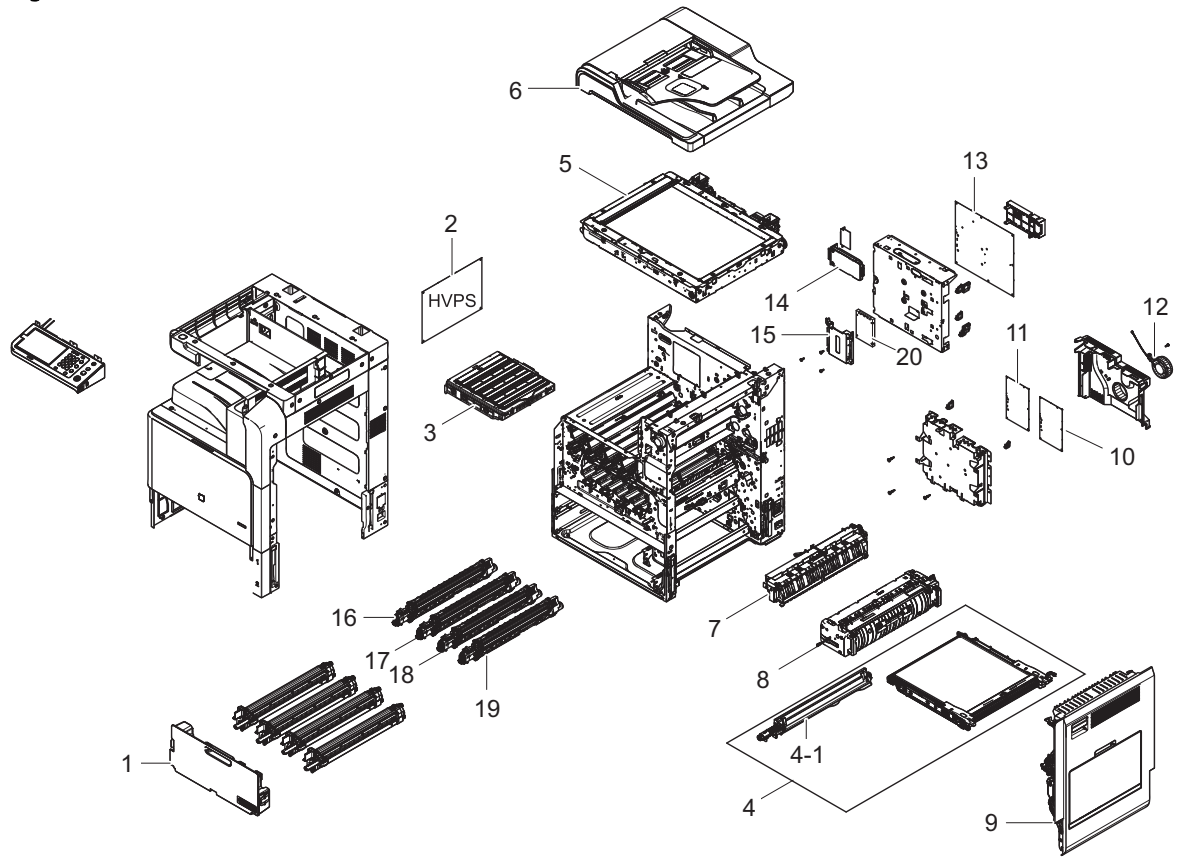


Table 1 MAIN

Ref	Description	Part Number	Qty
1	CARTRIDGE-WTB	JC96-06209A	1
2	HVPS-POLARIS HVPS	JC44-00212A	1
3	LSU	JC97-04010A	1
4	TRANSFER-ITB	JC93-01378A	1
4-1	TRANSFER-CARTRIDGE-ITB CLEAN	JC96-06246A	1
5	PLATEN FR HR	JC97-04020A	1
6	DADF	JC97-03989A	1
7	EXIT	JC90-01118A	1
8	FUSER (220V model)	JC91-01063A	1
8	FUSER (110V model)	JC91-01064A	1
9	COVER-SIDE	JC95-01507A	1
10	FDB-POLARIS / EVERGREEN_V2 (220V model)	JC44-00211A	1

Table 1 MAIN (continued)

Ref	Description	Part Number	Qty
10	FDB-POLARIS / EVERGREEN_V1 (110V model)	JC44-00210A	1
11	SMPS-V2 (220V model)	JC44-00100C	1
11	SMPS-V1 (110V model)	JC44-00093C	1
12	FAN-TYPE 6	JC31-00160C	1
13	PBA-MAIN	JC92-02429A	1
14	PBA-FAX JOINT	JC92-02439A	1
15	MEA UNIT-HOLDER HDD	JC97-02276A	1
16	CARTRIDGE-DEVE Y	JC96-06729A	1
17	CARTRIDGE-DEVE M	JC96-06730A	1
18	CARTRIDGE-DEVE C	JC96-06731A	1
19	CARTRIDGE-DEVE K	JC96-06732A	1
20	HDD	JC59-00035A	1

# EXIT

Figure 2 EXIT

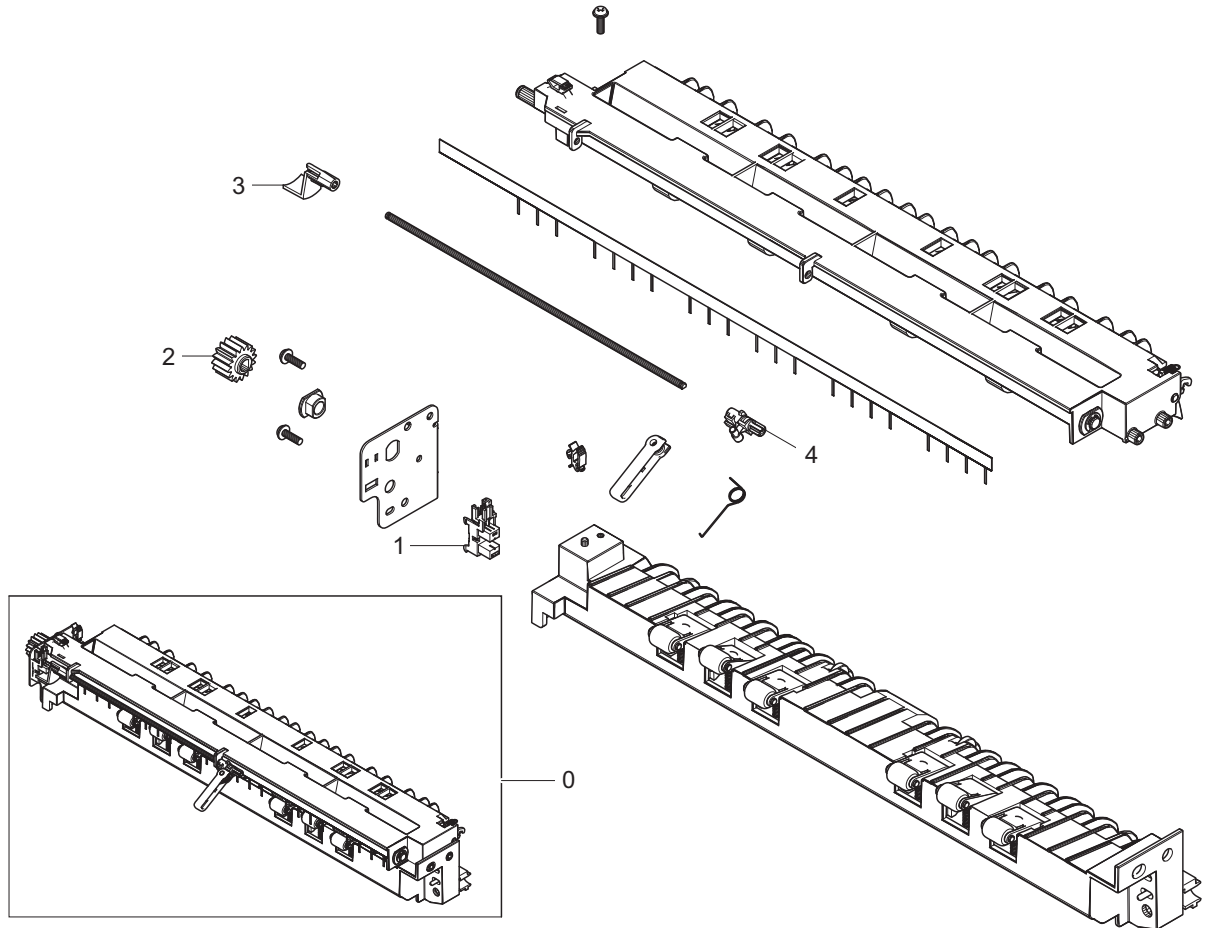


Table 2 EXIT

Ref	Description	Part Number	Qty
0	EXIT	JC90-01118A	1
1	PHOTO-INTERRUPTER	0604-001393	1
2	GEAR-EXIT	JC66-02163A	1
3	LEVER-ACTURATOR F_D FULL	JC66-02218A	1
4	LEVER-ACT FULL EXIT	JC66-02278A	1



# CASSETTE-1ST

Figure 3 CASSETTE-1ST

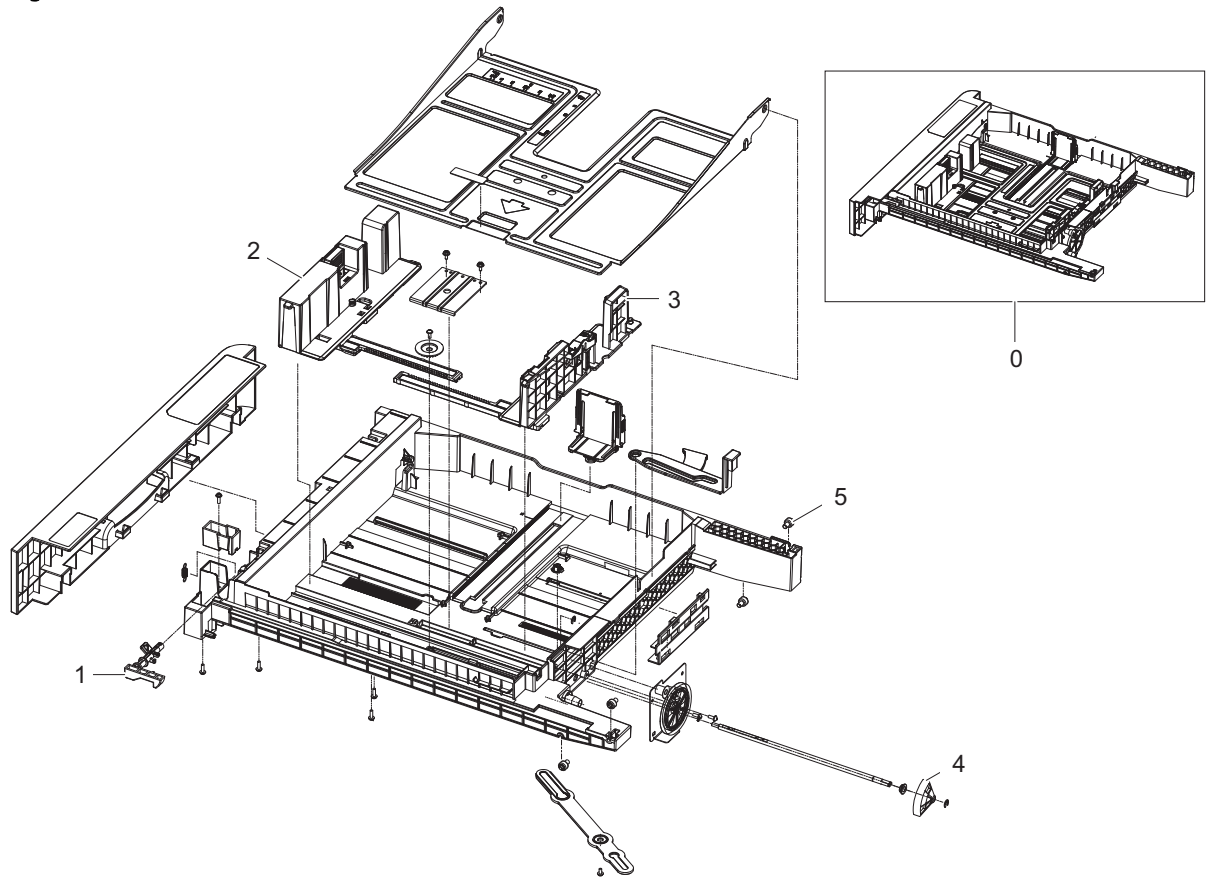


Table 3 CASSTTE-1ST

Ref	Description	Part Number	Qty
0	CASSETTE-1ST	JC90-01140A	1
1	LOCKER-CASSETTE 1ST	JC64-00715A	1
2	CASSETTE-GUIDE FRONT	JC90-01130A	1
3	CASSETTE-GUIDE REAR	JC90-01131A	1
4	CASSETTE SUB-LIFTING GEAR	JC90-01588A	1
5	ROLLER-IDLE CST	JC61-03331A	4



# CASSETTE-2ND

Figure 4 CASSETTE-2ND

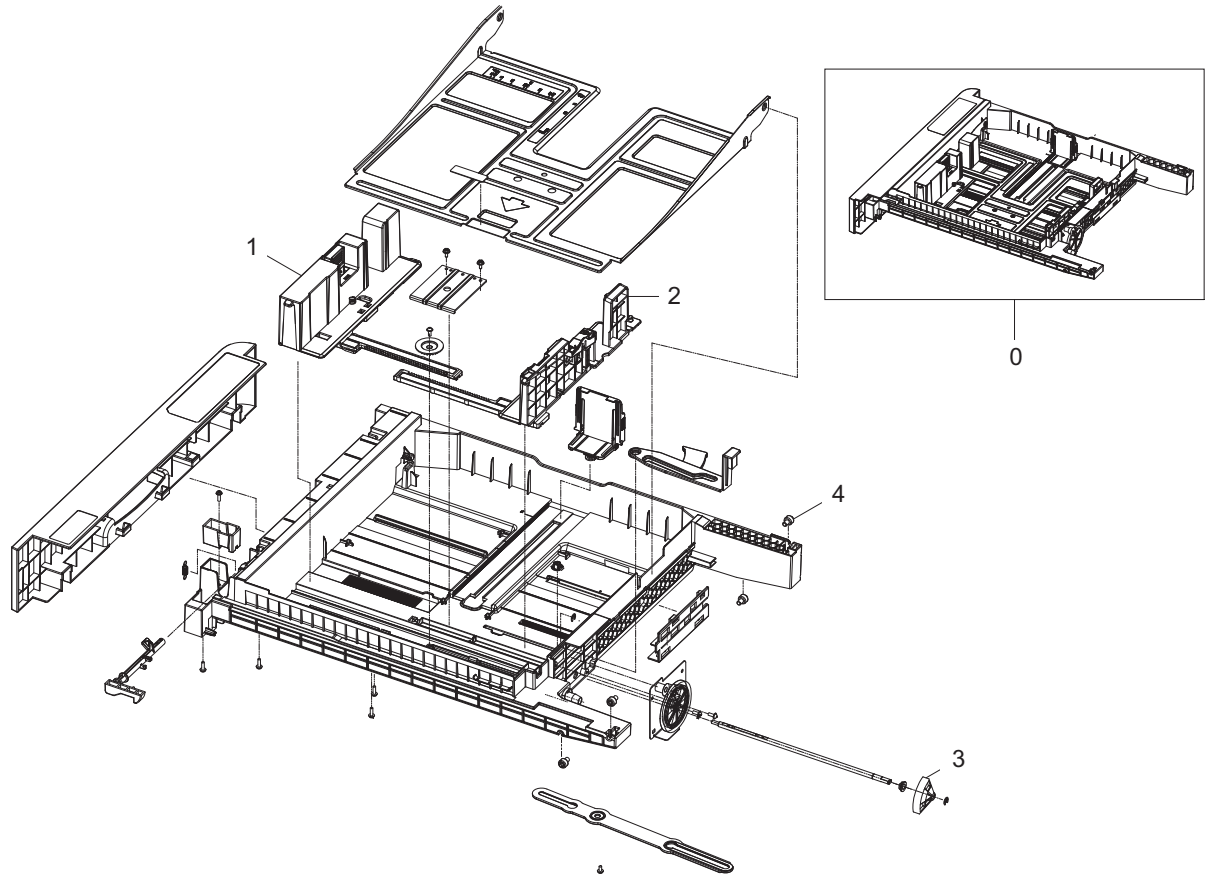


Table 4 CASSTTE-2ND

Ref	Description	Part Number	Qty
0	CASSETTE-2ND	JC90-01141A	1
1	CASSETTE-GUIDE FRONT	JC90-01130A	1
2	CASSETTE-GUIDE REAR	JC90-01131A	1
3	CASSETTE SUB-LIFTING GEAR	JC90-01588A	1
4	ROLLER-IDLE CST	JC61-03331A	4





# FUSER

Figure 5 FUSER

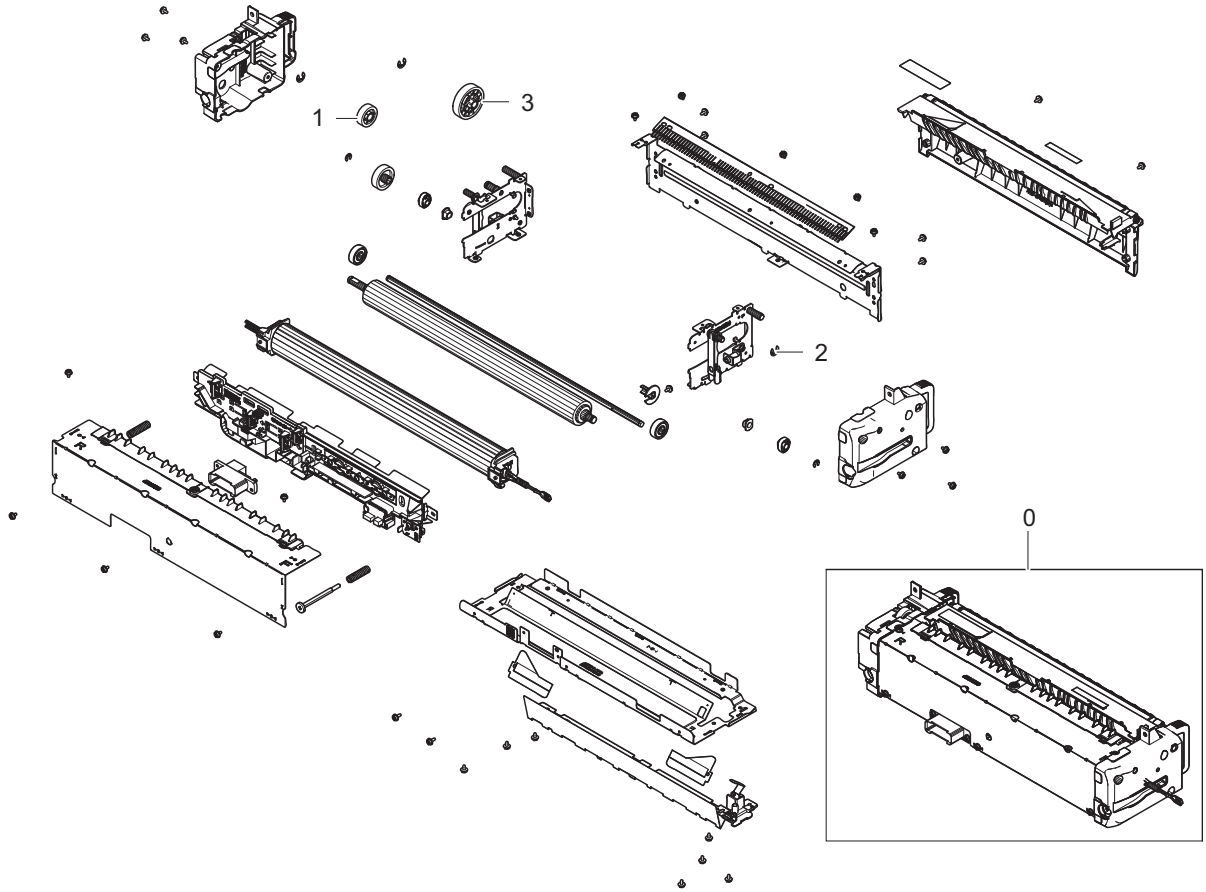


Table 5 FUSER

Ref	Part Number	Description	Qty
0	FUSER (220V model)	JC91-01063A	1
0	FUSER (110V model)	JC91-01064A	1
1	GEAR-IDLE FUSER	JC66-03145A	1
2	RING-E	6044-000129	3
3	GEAR-PR	JC66-03144A	1



# FRAME-MAIN ENGINE

Figure 6 FRAME-MAIN ENGINE

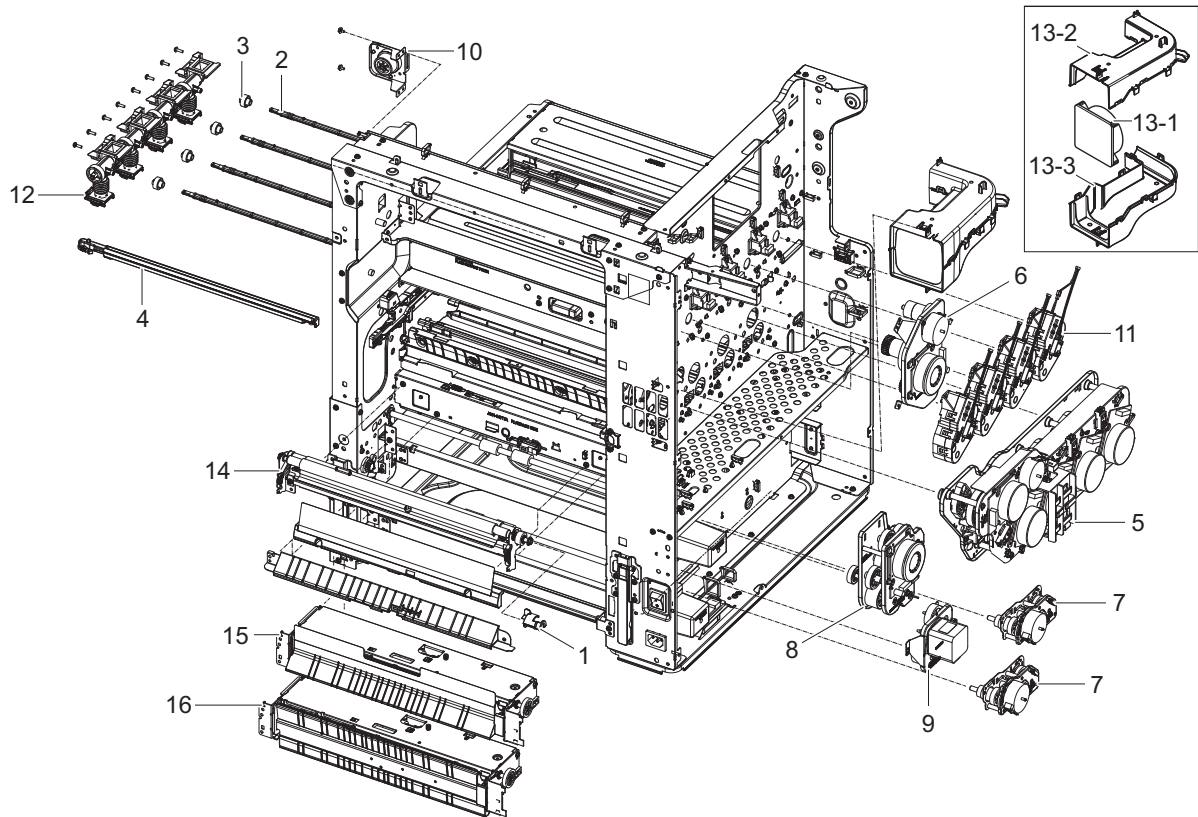


Table 6 FRAME-MAIN ENGINE

Ref	Description	Part Number	Qty
1	STOPPER-REGI	JC61-04900A	1
2	LINK-FEEDING DUCT	JC66-03164A	4
3	GEAR-IDLE FEEDING DUCT	JC66-03166A	4
4	FRAME-REGI HOLDER DUST	JC93-00078B	1
5	DRIVE MAIN	JC93-00440A	1
6	DRIVE FUSER-EXIT	JC93-00441A	1
7	DRIVE-PICKUP	JC93-00442A	2
8	DRIVE-REGI MP	JC93-00443A	1
9	DRIVE-FEED	JC93-00444A	1
10	DRIVE-WTB	JC93-00445A	1
11	DRIVE-TONER SUPPLY	JC93-00446A	4
12	FRAME MAIN-DUCT TONER	JC93-00483B	4
13-1	FAN	JC31-00161A	1
13-2	DUCT-FUSER UPPER	JC67-00570A	1

Table 6 FRAME-MAIN ENGINE (continued)

Ref	Description	Part Number	Qty
13-3	DUCT-FUSER LOWER	JC67-00571A	1
14	FRAME-MAIN REGI	JC93-00508A	1
15	FRAME MAIN-PICKUP 1ST	JC93-00511A	1
16	FRAME MAIN-PICKUP 2ND	JC93-00512A	1

# Sub units of FRAME-MAIN ENGINE

## DRIVE MAIN

Figure 7 DRIVE MAIN

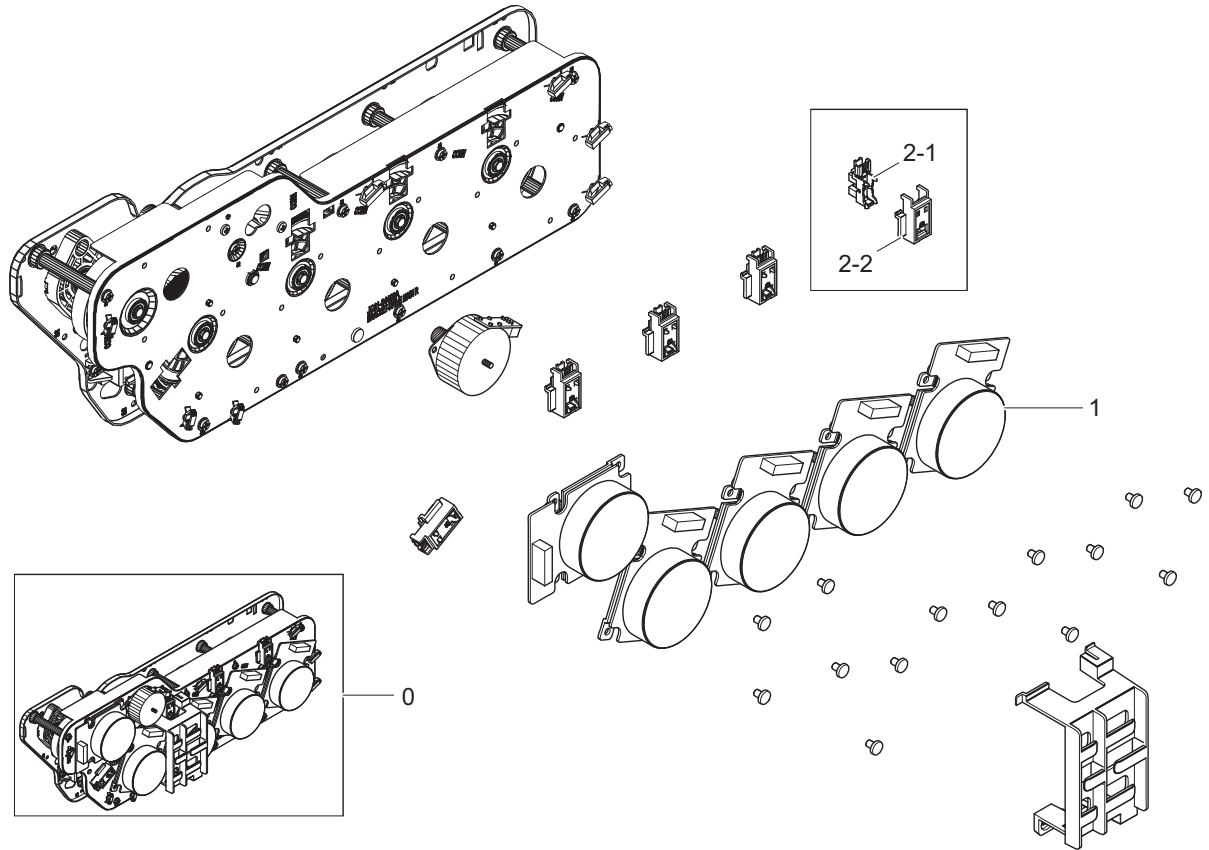


Table 7 DRIVE MAIN

Ref	Part Number	Description	Qty
0	DRIVE MAIN	JC93-00440A	1
1	MOTOR BLDC	JC31-00123A	5
2-1	PHOTO-INTERRUPTER	0604-001393	4
2-2	HOLDER-SENSOR OPC	JC61-04538A	4



# DRIVE FUSER-EXIT

Figure 8 DRIVE FUSER-EXIT

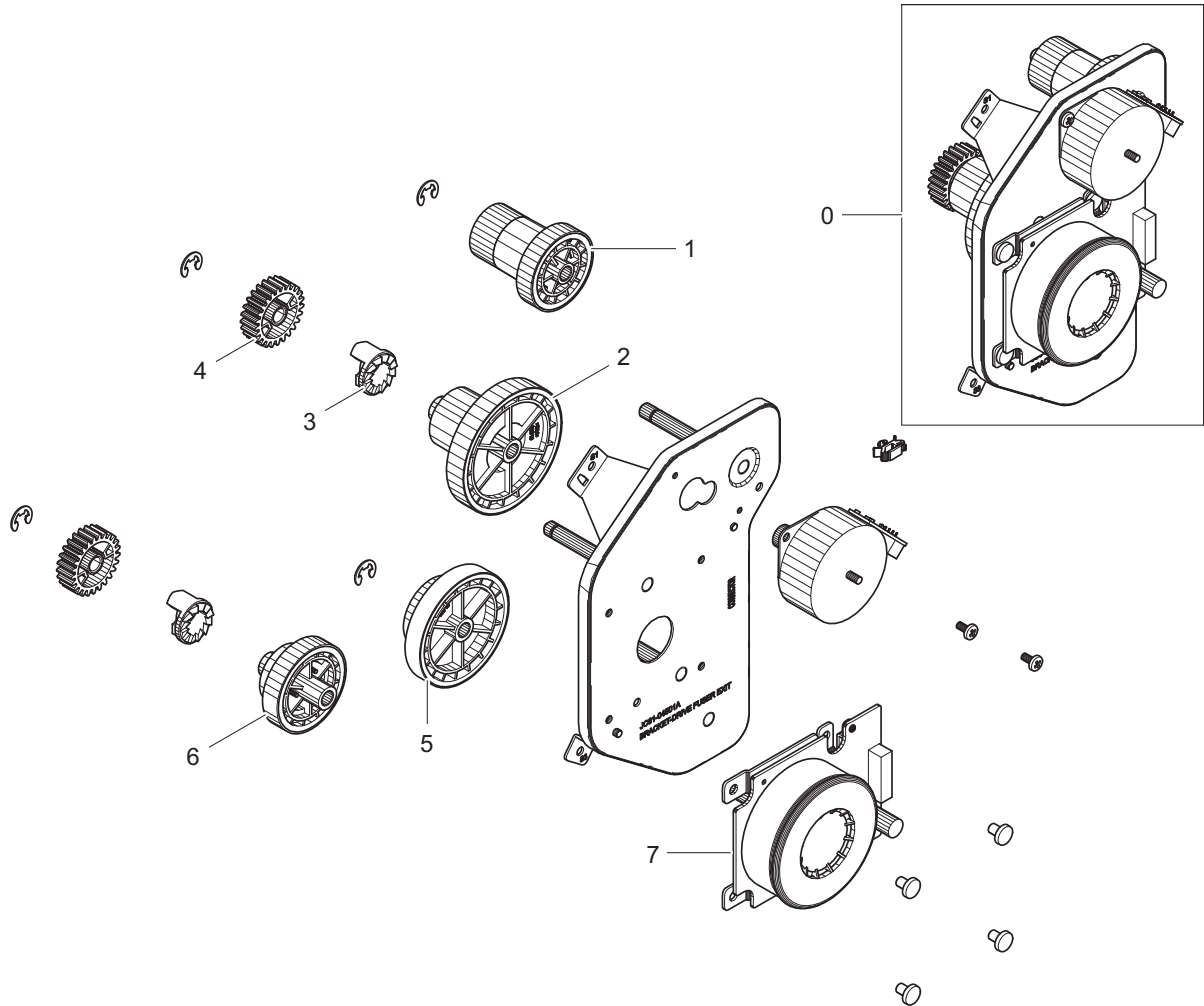


Table 8 DRIVE FUSER-EXIT

Ref	Description	Part Number	Qty
0	DRIVE FUSER-EXIT	JC93-00441A	1
1	GEAR-RDCN EXIT	JC66-03108A	1
2	GEAR-FUSER ONE WAY	JC66-03105A	1
3	GEAR-HUB CLUTCH	JC66-00340A	2
4	GEAR-RDCN FUSER OUT	JC66-00417A	2
5	GEAR-RDCN FUSER RELEASE	JC66-03106A	1
6	GEAR-FUSER RELEASE	JC66-03107A	1
7	MOTOR BLDC	JC31-00123B	1





# DRIVE-REGI MP

Figure 9 DRIVE-REGI MP

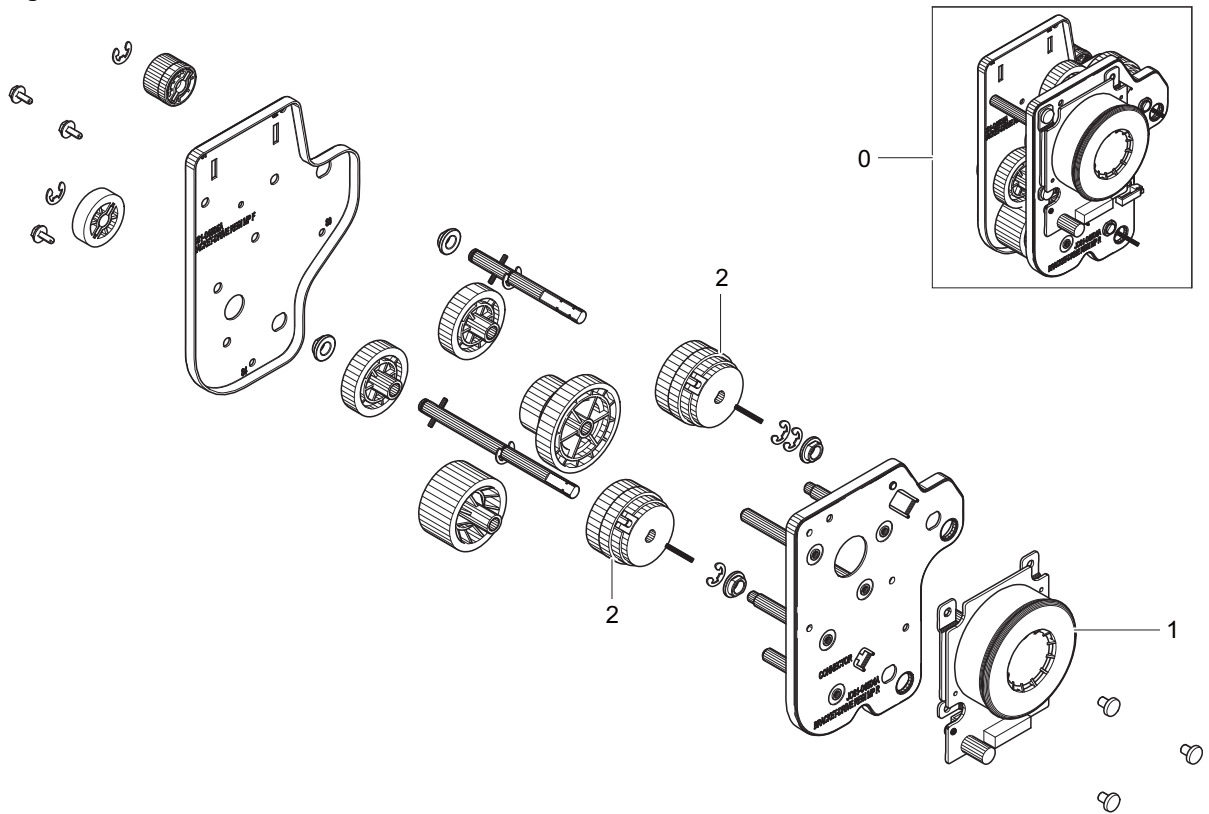


Table 9 DRIVE-REGI MP

Ref	Description	Part Number	Qty
0	DRIVE-REGI MP	JC93-00443A	1
1	MOTOR BLDC	JC31-00123B	1
2	CLUTCH-ELECTRIC	JC47-00037A	2



# FRAME-MAIN REGI

Figure 10 FRAME-MAIN REGI

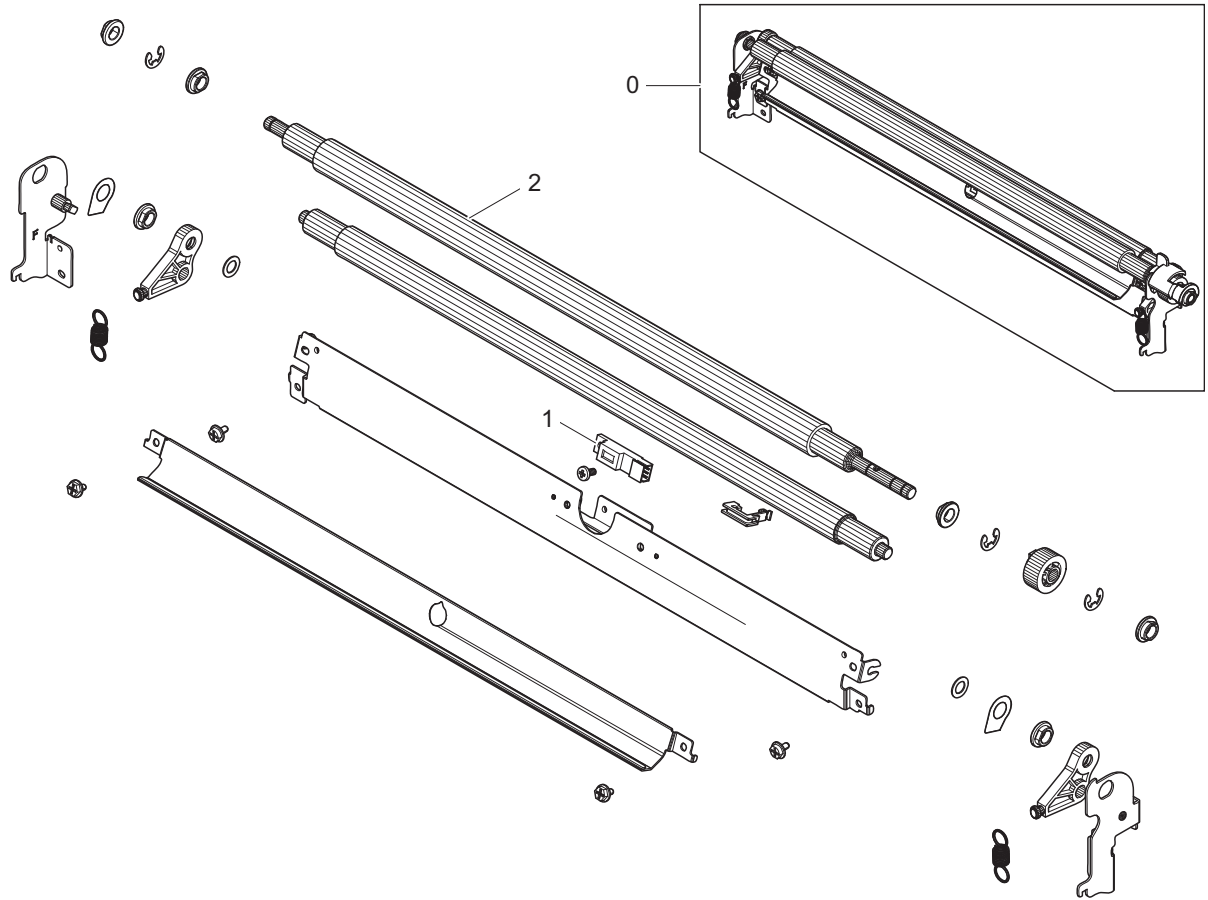


Table 10 FRAME-MAIN REGI

Ref	Description	Part Number	Qty
0	FRAME-MAIN REGI	JC93-00508A	1
1	PHOTO-INTERRUPTER	0604-001381	1
2	ROLLER IDLE-REGI	JC66-03180A	1



# FRAME MAIN-PICKUP1\_2

Figure 11 FRAME MAIN-PICKUP1\_2

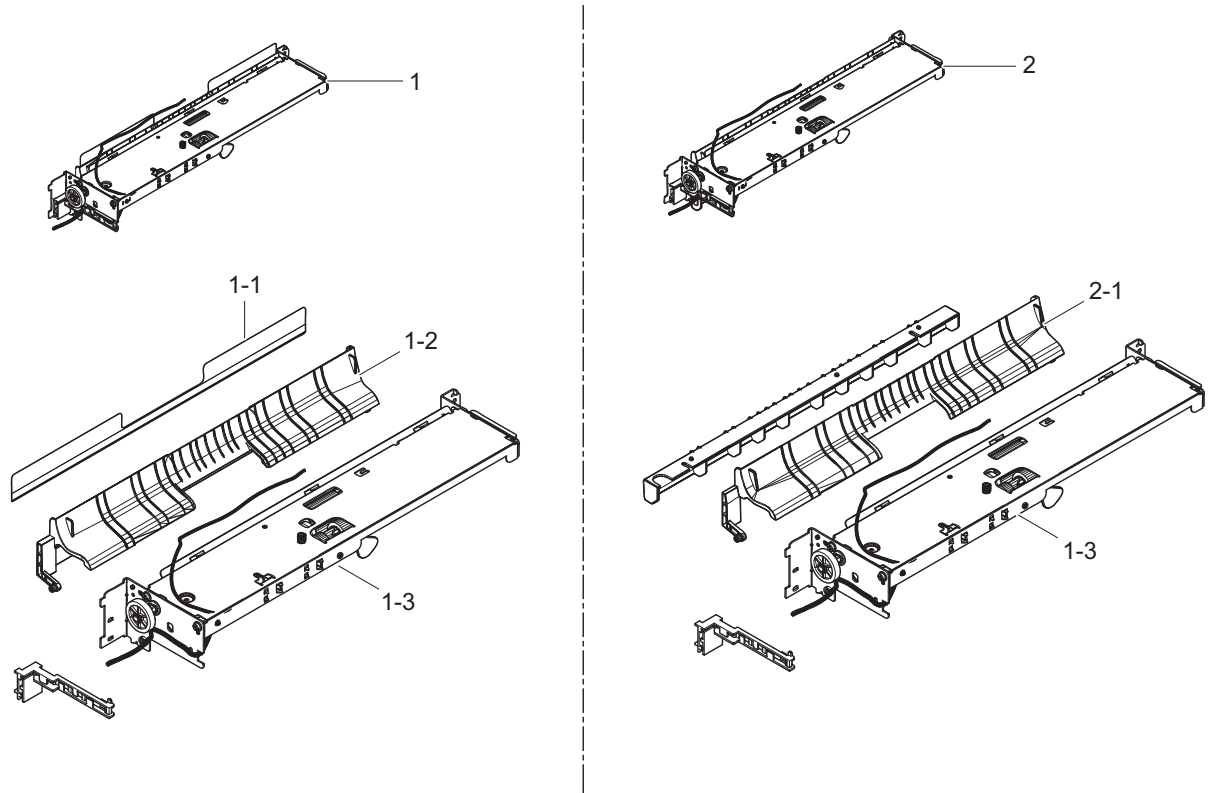


Table 11 FRAME MAIN-PICKUP1\_2

Ref	Description	Part Number	Qty
1	FRAME MAIN-PICKUP 1ST	JC93-00511A	1
1-1	SHEET-GUIDE PICKUP	JC63-03342A	1
1-2	GUIDE-PICKUP 1ST	JC61-04721A	1
1-3	FRAME MAIN-PICKUP	JC93-00510A	1
2	FRAME MAIN-PICKUP 2ND	JC93-00512A	1
2-1	GUIDE-PICKUP 2ND	JC61-04717A	1

# Sub units of FRAME MAIN-PICKUP 1 and 2

## FRAME MAIN-PICKUP

Figure 12 FRAME MAIN-PICKUP

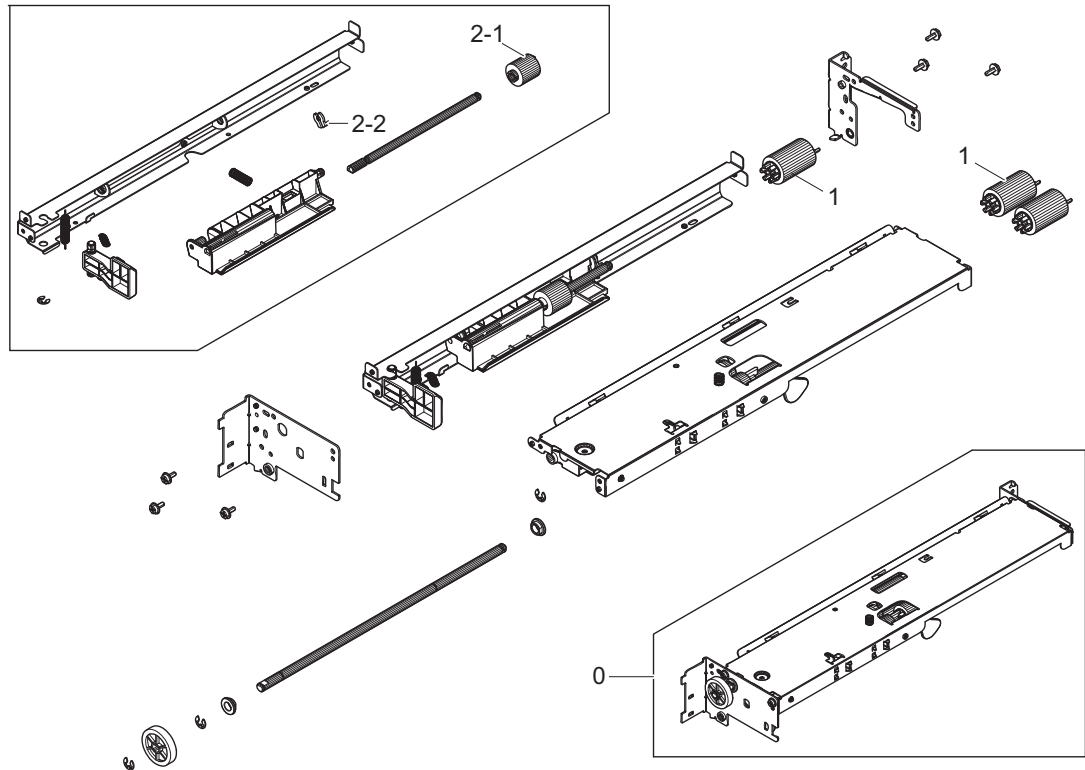


Table 12 FRAME MAIN-PICKUP

Ref	Part Number	Description	Qty
0	FRAME MAIN-PICKUP	JC93-00510A	1
1	FRAME-MAIN PICK UP ROLLER	JC93-00540A	3
2-1	COUPLER-TORQUELIMITER	JC67-00455A	1
2-2	FIXER-M_E RING 4PI	JC61-01367A	1

## Sub units of FRAME MAIN-PICKUP

### FRAME MAIN-PICKUP UPPER

Figure 13 FRAME MAIN-PICKUP UPPER

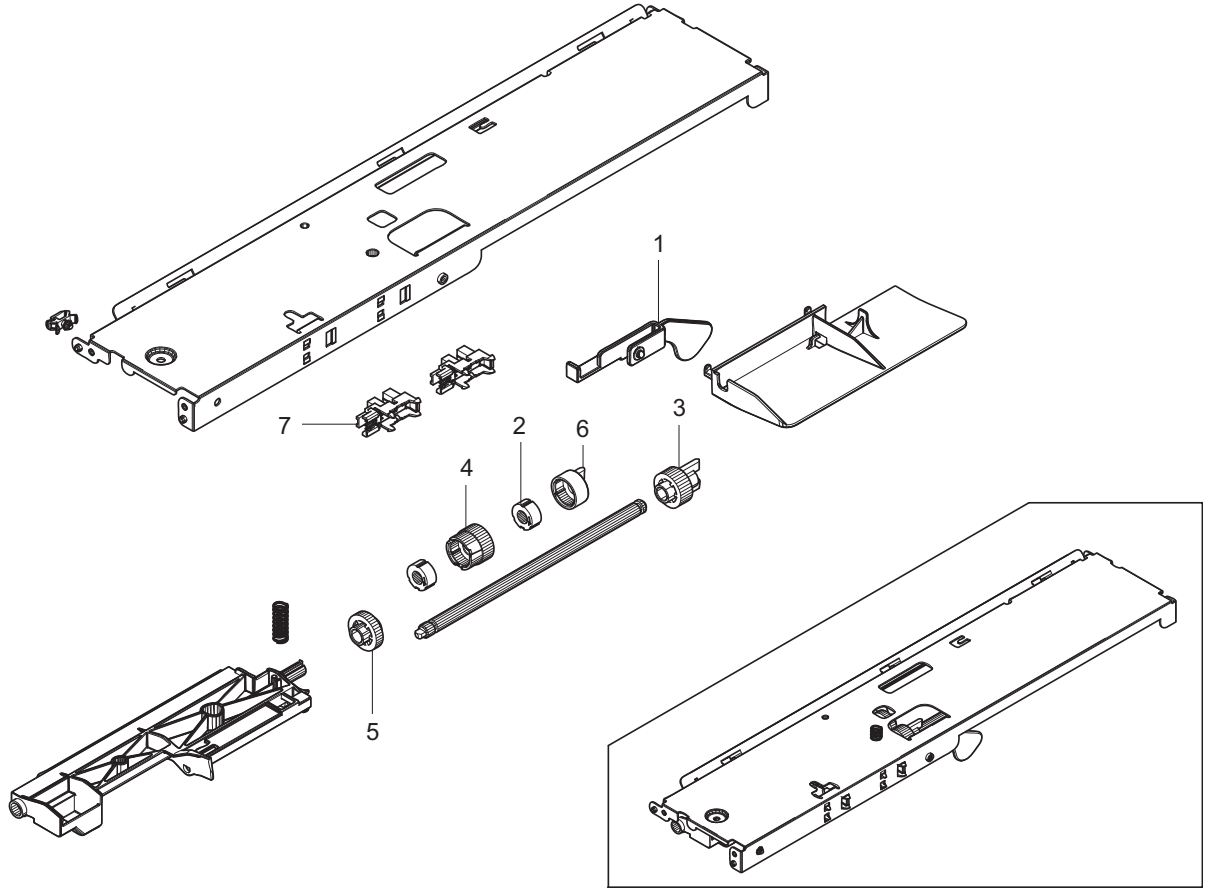


Table 13 FRAME MAIN-PICKUP UPPER

Ref	Description	Part Number	Qty
1	ACTUATOR-EMPTY PICKUP	JC66-03199A	1
2	CLUTCH-P_ONE WAY	JC66-00977A	2
3	GEAR-M_PU JOINT	JC66-00943A	1
4	GEAR-M_ONE WAY	JC66-00941A	1
5	GEAR-M_IDLE PU	JC66-00940A	1
6	HOLDER-M_IDLE ONE WAY	JC61-01288A	1
7	PHOTO-INTERRUPTER	0604-001393	2





# FRAME-MAIN

Figure 14 FRAME-MAIN

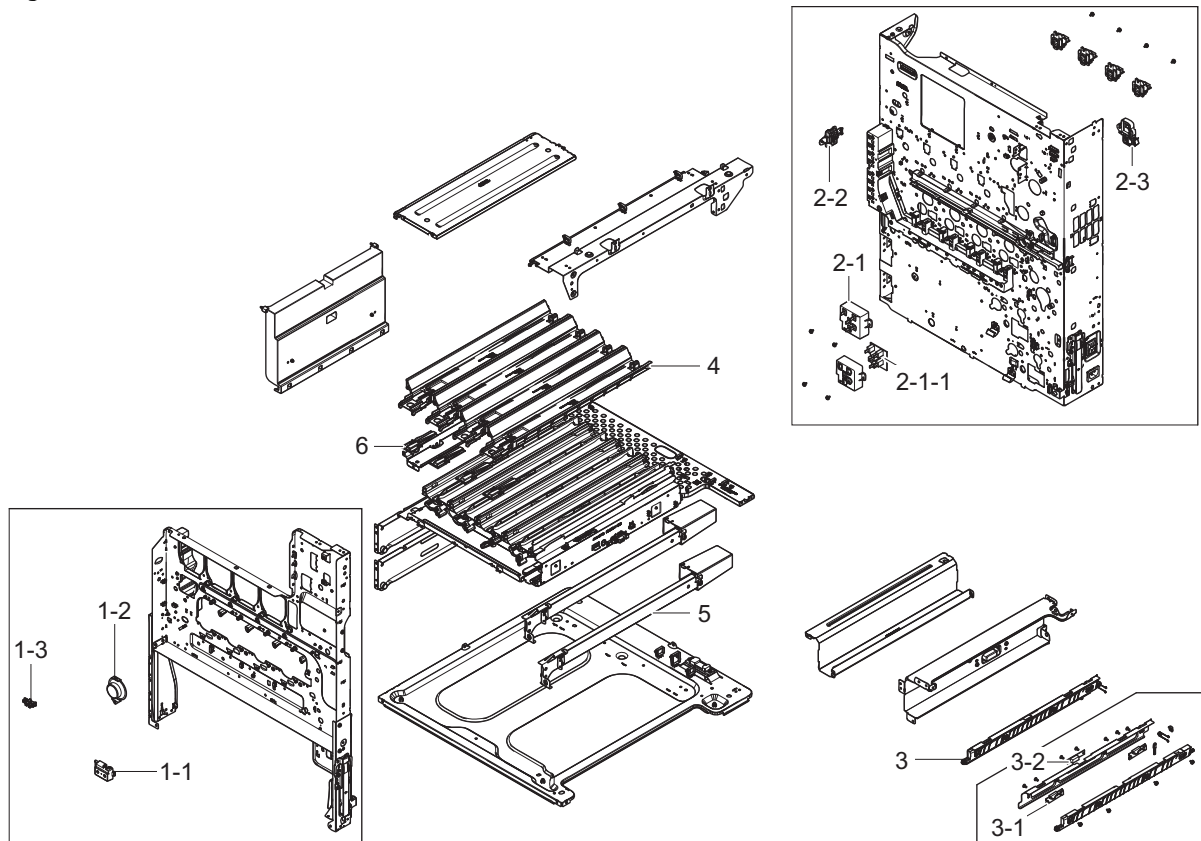


Table 14 FRAME-MAIN

Ref	Part Number	Description	Qty
1-1	FRAME MAIN-WTB SENSOR	JC93-00492A	1
1-2	SPEAKER	3001-002207	1
1-3	PHOTO-INTERRUPTER	0604-001393	1
2-1	FRAME MAIN-REAR HOLDER AUTOSIZE	JC93-00018A	2
2-1-1	PBA-PAPER SIZE SENSOR	JC92-02622A	2
2-2	FRAME MAIN-HUMIDITY SENSOR	JC93-00486A	1
2-3	FRAME MAIN-SWITCH OPEN	JC93-00466A	1
3	FRAME MAIN-MIDDLE ACR	JC93-00482A	1
3-1	SENSOR-CTD	JC32-00014A	2
3-2	SENSOR-CTD	JC32-00012A	1
4	GUIDE-TONER CARTRIDGE	JC61-04784A	4
5	FRAME MAIN-RIGHT CST RAIL	JC93-00478A	2
6	SHUTTER-FEEDING DUCT	JC64-00693A	4



# COVER

Figure 15 COVER

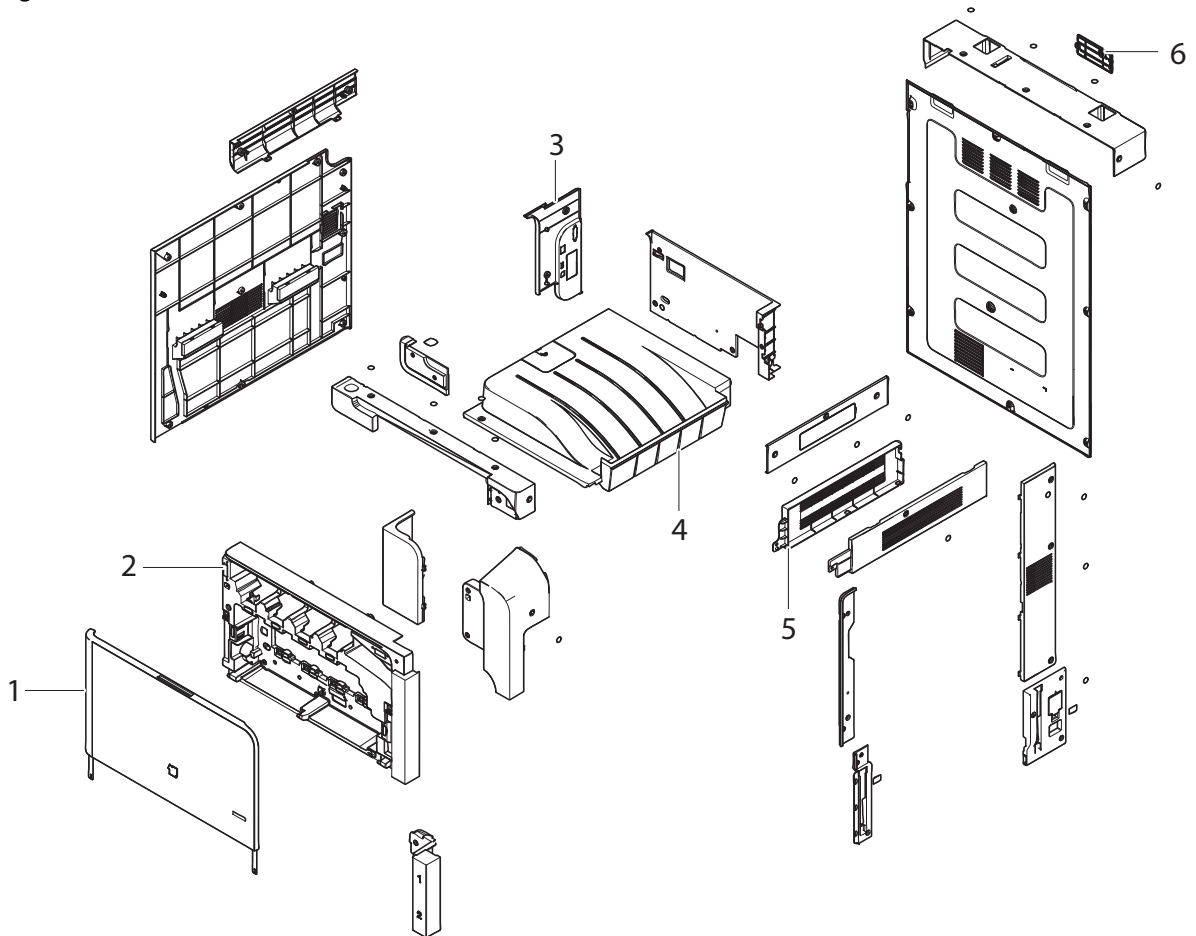


Table 15 COVER

Ref	Description	Part Number	Qty
1	COVER-FRONT	JC95-01496A	1
2	COVER-INNER	JC95-01498A	1
3	COVER-LEFT UPPER	JC63-03406A	1
4	COVER-EXIT	JC95-01499A	1
5	COVER-EXIT DUMMY	JC63-03391A	1
6	COVER-CONNECTOR DADF	JC63-03333A	1



# COVER-SIDE

Figure 16 COVER-SIDE

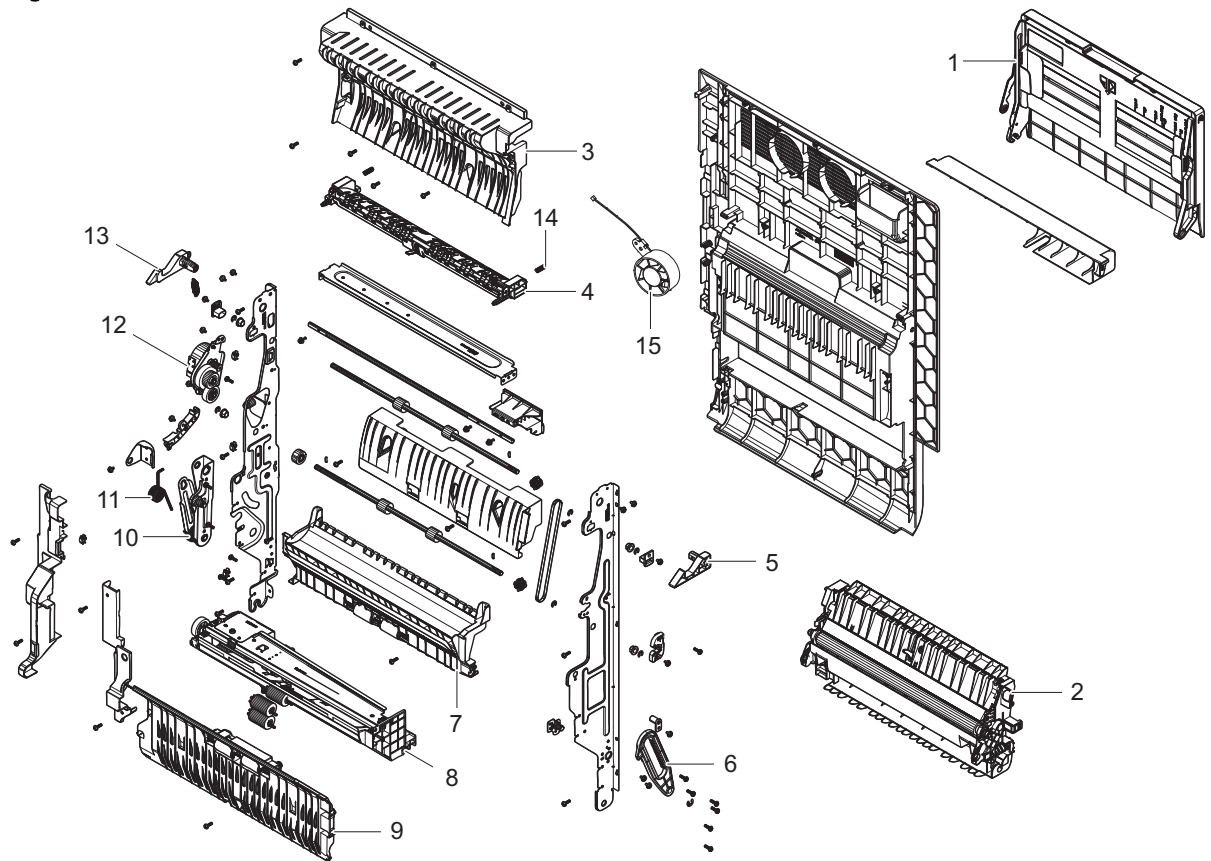


Table 16 COVER-SIDE

Ref	Description	Part Number	Qty
1	MP-TRAY	JC90-01117A	1
2	COVER-SIDE GUIDE FEED	JC95-01513A	1
3	GUIDE-DUPLEX UPPER	JC61-04795A	1
4	COVER-SIDE EXIT	JC95-01509C	1
5	LOCKER-SIDE	JC64-00710A	1
6	LINK-D	JC66-03235A	1
7	COVER-SIDE FEED DUPLEX	JC95-01517A	1
8	MP	JC90-01139A	1
9	COVER-SIDE TAKE AWAY	JC95-01516A	1
10	COVER-SIDE LINK REAR	JC95-01518A	1
11	SPRING-TS	6107-003052	1
12	COVER-SIDE DUPLEX MOTOR	JC95-01510A	1
13	LOCKER-SIDE REAR	JC64-00711A	1

Table 16 COVER-SIDE (continued)

Ref	Description	Part Number	Qty
14	SPRING-CS	6107-001731	2
15	FAN-TYPE 6	JC31-00160C	1

# MP-TRAY

Figure 17 MP-TRAY

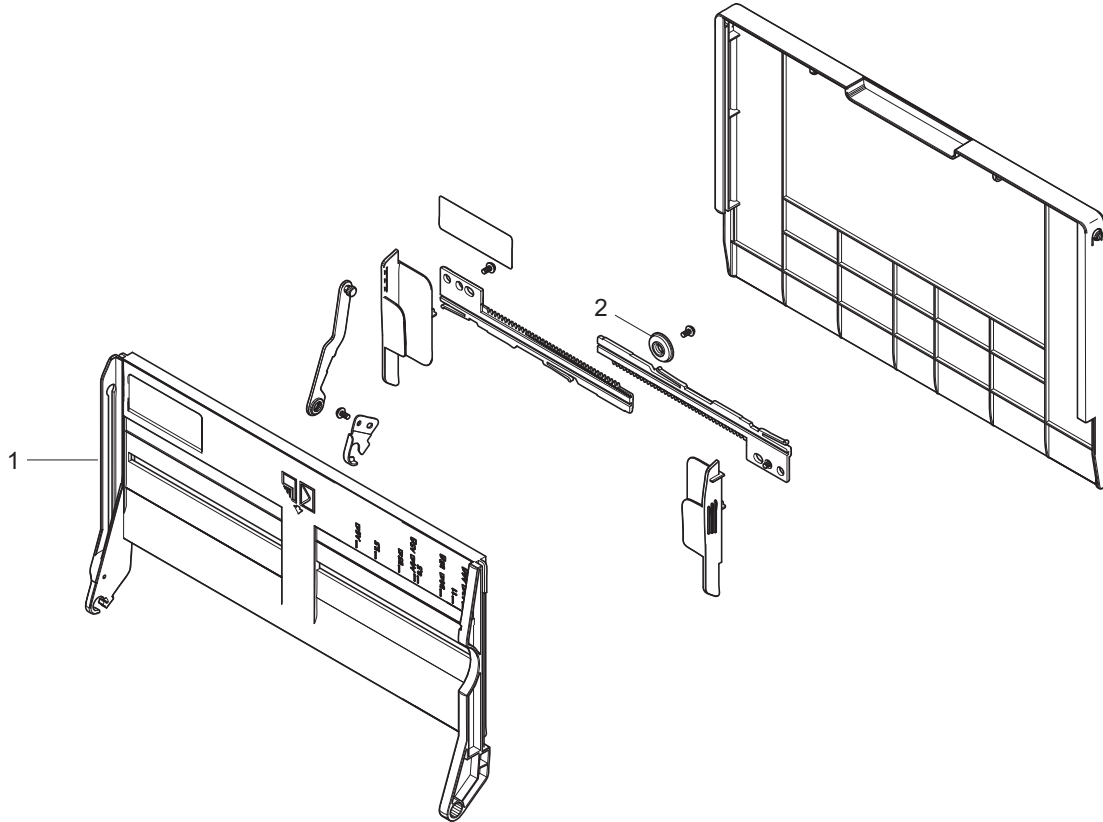


Table 17 MP-TRAY

Ref	Description	Part Number	Qty
1	FRAME-TRAY-UPPER	JC61-04758A	1
2	GEAR-PINION	JG66-40003A	1





# MP

Figure 18 MP

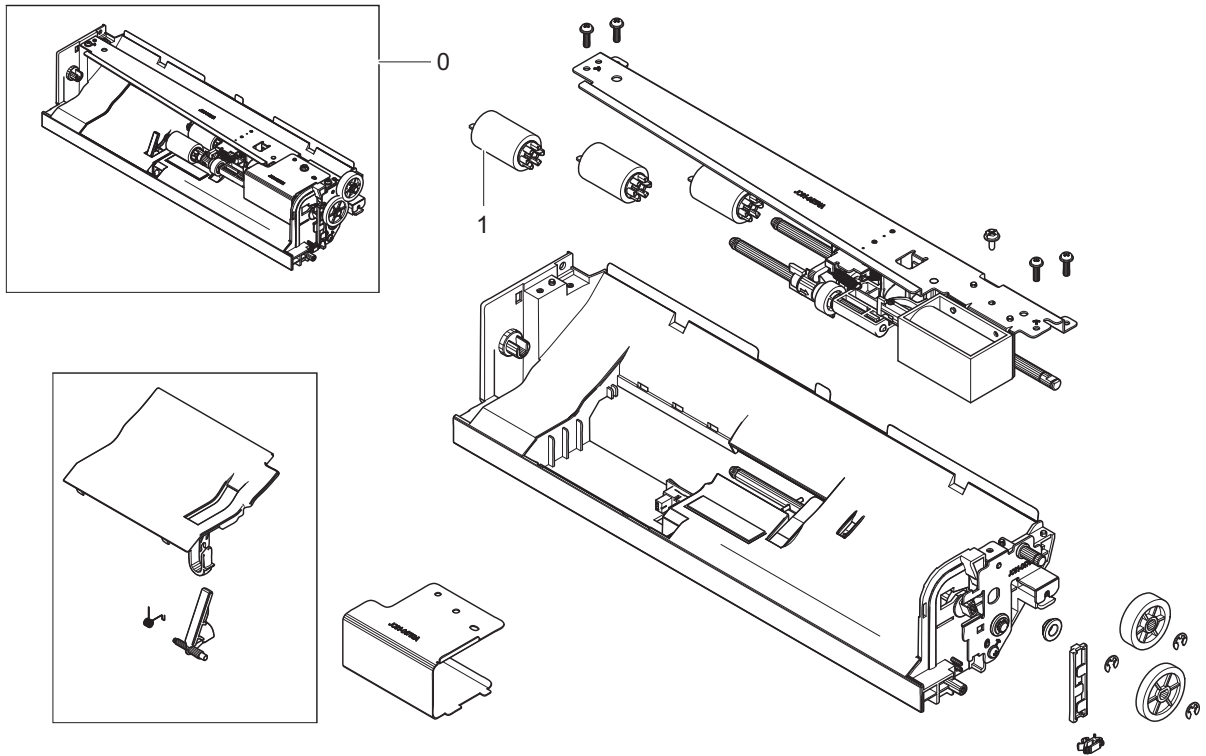


Table 18 MP

Ref	Description	Part Number	Qty
0	MP	JC90-01139A	1
1	FRAME-MAIN PICK UP ROLLER	JC93-00540A	3

## Sub units of MP

### MP-BRACKET PICK UP

Figure 19 MP-BRACKET PICK UP

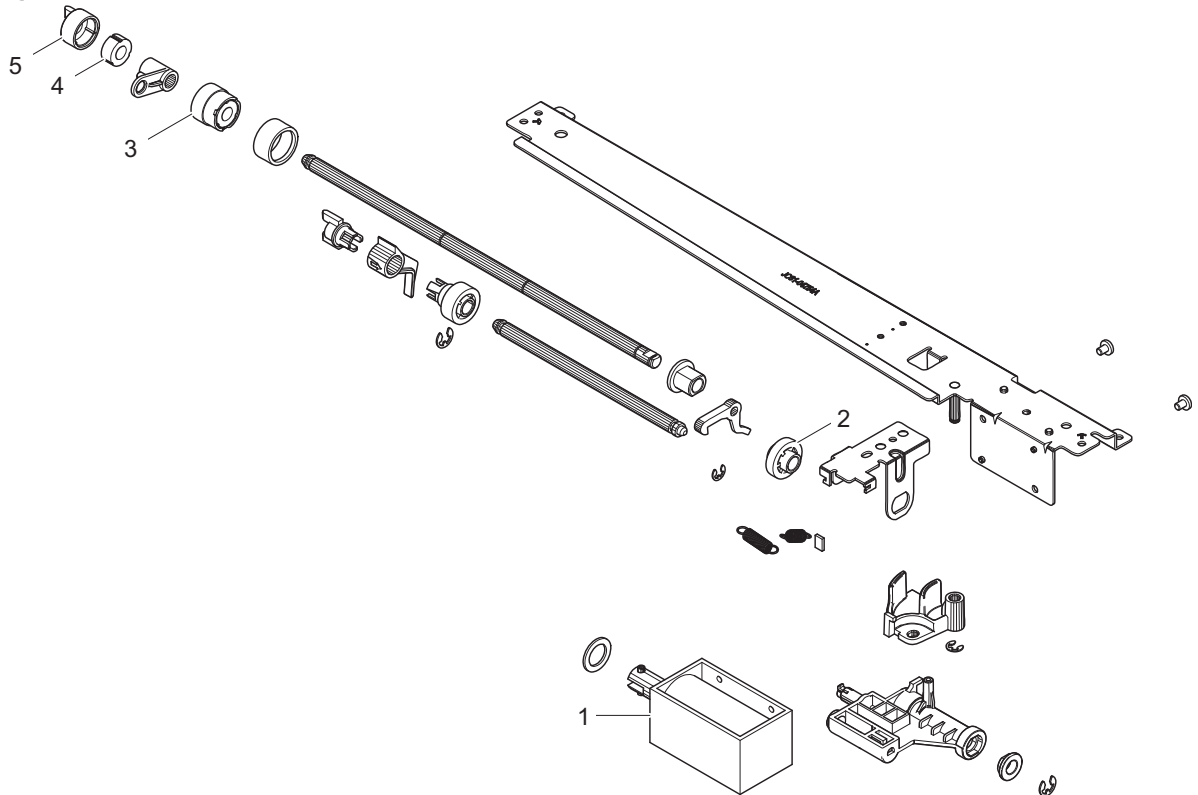


Table 19 MP-BRACKET PICK UP

Ref	Description	Part Number	Qty
1	SOLENOID-MP	JC33-00029B	1
2	GEAR-M_IDLE PU	JC66-00940A	1
3	MP-ONE WAY	JC90-00918A	1
4	CLUTCH-P_ONE WAY	JC66-00977A	1
5	HOLDER-M_IDLE ONE WAY	JC61-01288A	1

# MP GUIDE-MAIN

Figure 20 MP GUIDE-MAIN

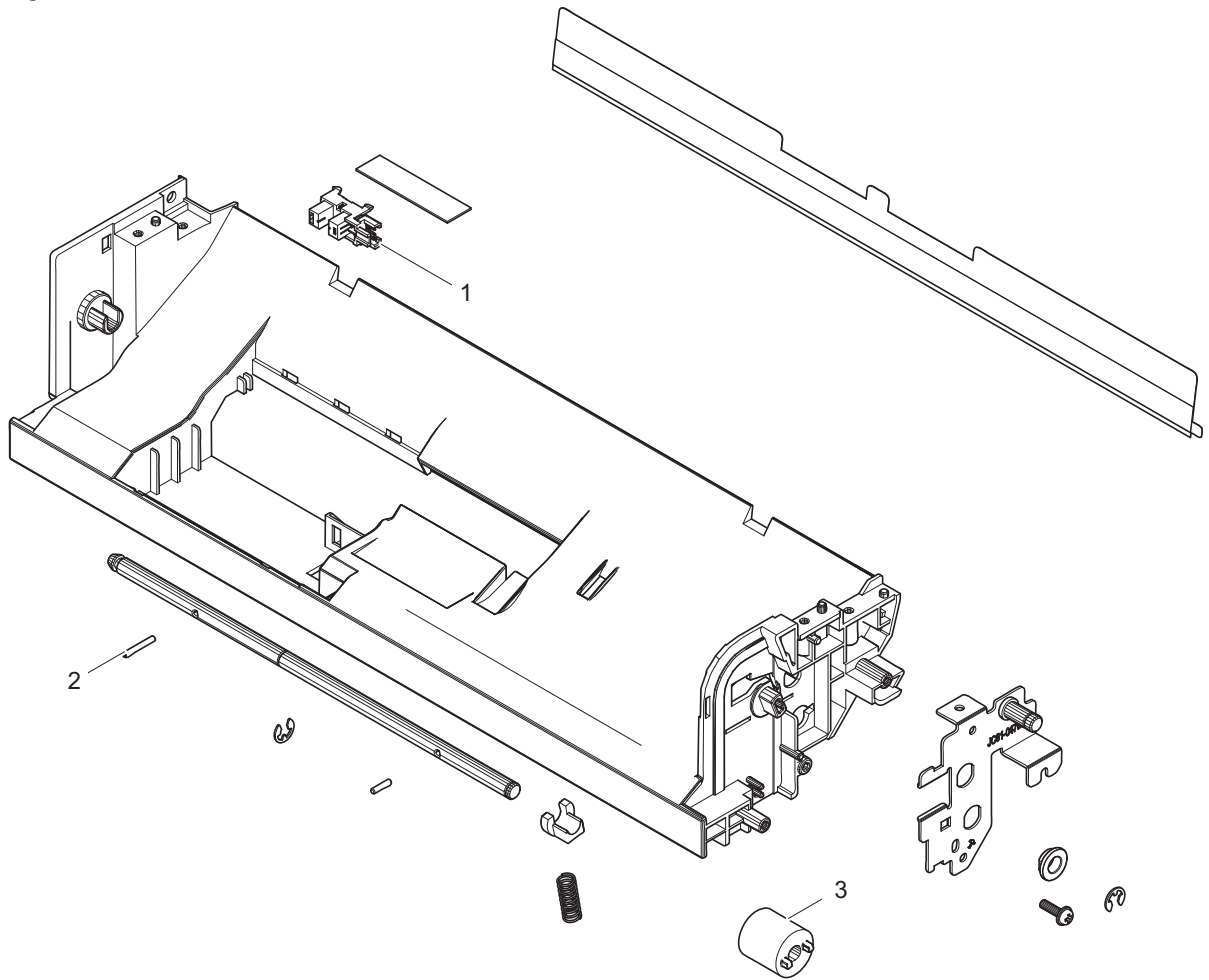


Table 20 MP GUIDE-MAIN

Ref	Description	Part Number	Qty
1	PHOTO-INTERRUPTER	0604-001393	1
2	PIN-SPRING	6043-001097	1
3	COUPLER-TORQUELIMITER	JC67-00455A	1



# COVER-SIDE EXIT

Figure 21 COVER-SIDE EXIT

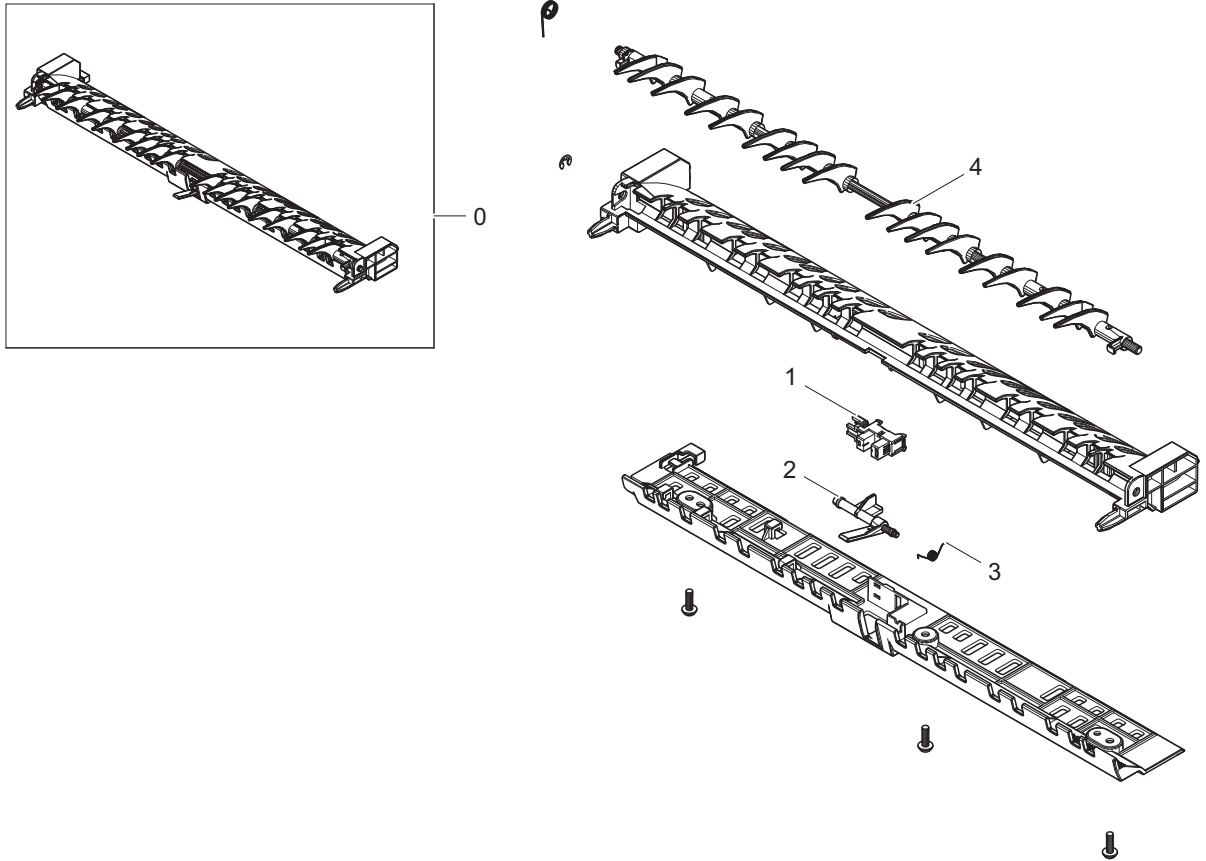


Table 21 COVER-SIDE EXIT

Ref	Description	Part Number	Qty
0	COVER-SIDE EXIT	JC95-01509C	1
1	PHOTO-INTERRUPTER	0604-001393	1
2	ACTUATOR-FUSER OUT	JC66-03307A	1
3	SPRING-TS	6107-001737	1
4	GUIDE-GATE	JC61-04792A	1



# COVER-SIDE GUIDE FEED

Figure 22 COVER-SIDE GUIDE FEED

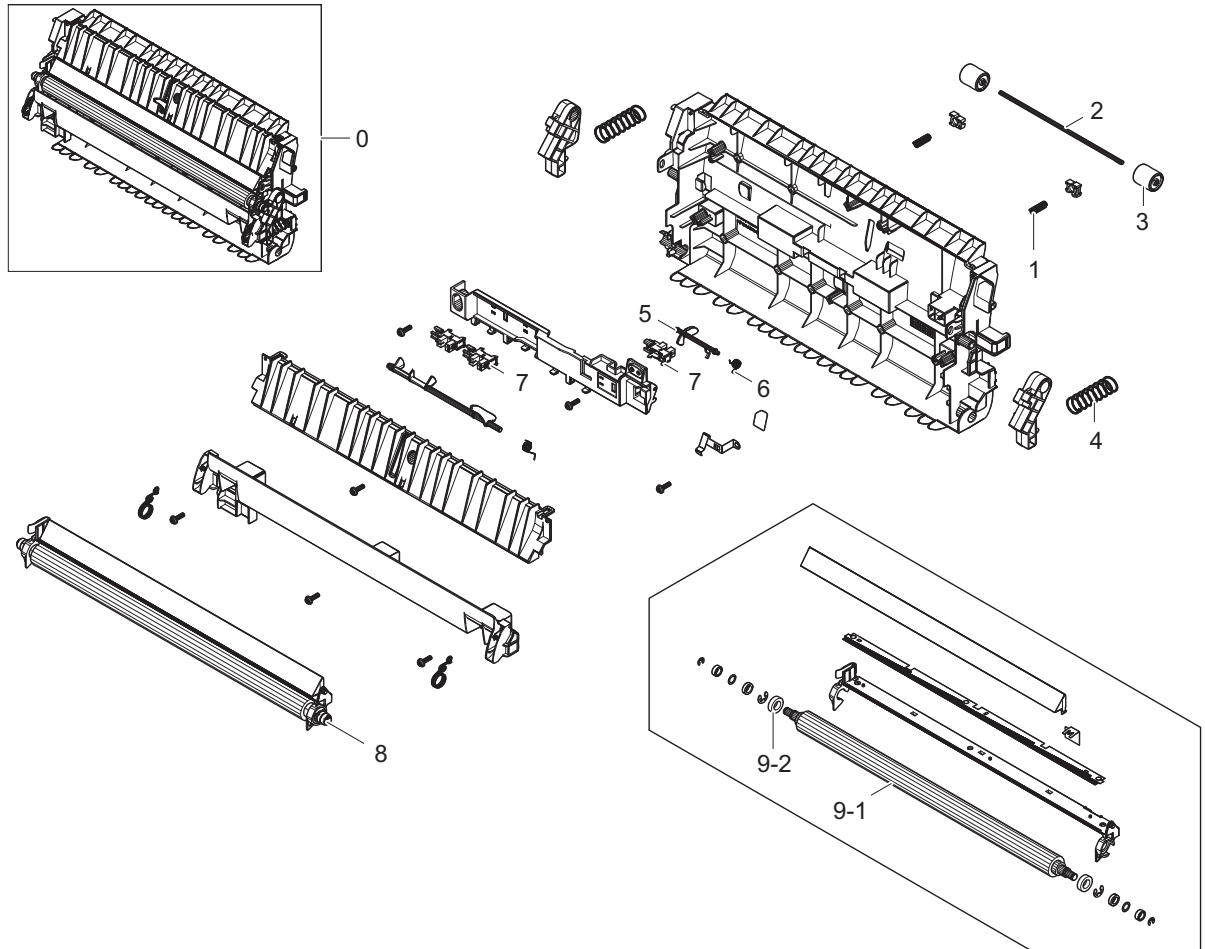


Table 22 COVER-SIDE GUIDE FEED

Ref	Description	Part Number	Qty
0	COVER-SIDE GUIDE FEED	JC95-01513A	1
1	SPRING-CS	6107-001731	2
2	SHAFT-ROLLER IDLE L	JC66-02354A	1
3	ROLLER IDLE-RUBBER-IDLE	JC66-02289B	2
4	SPRING-CS	6107-003048	2
5	ACTUATOR-DUPLEX 2	JC66-02180A	1
6	SPRING-TS	6107-001737	1
7	PHOTO-INTERRUPTER	0604-001393	3
8	COVER-SIDE ROLLER T2	JC95-01514A	1
9-1	ROLLER TR-TRANSFER2	JC66-03182A	1
9-2	BEARING BALL	6601-001389	2





# DADF

Figure 23 DADF

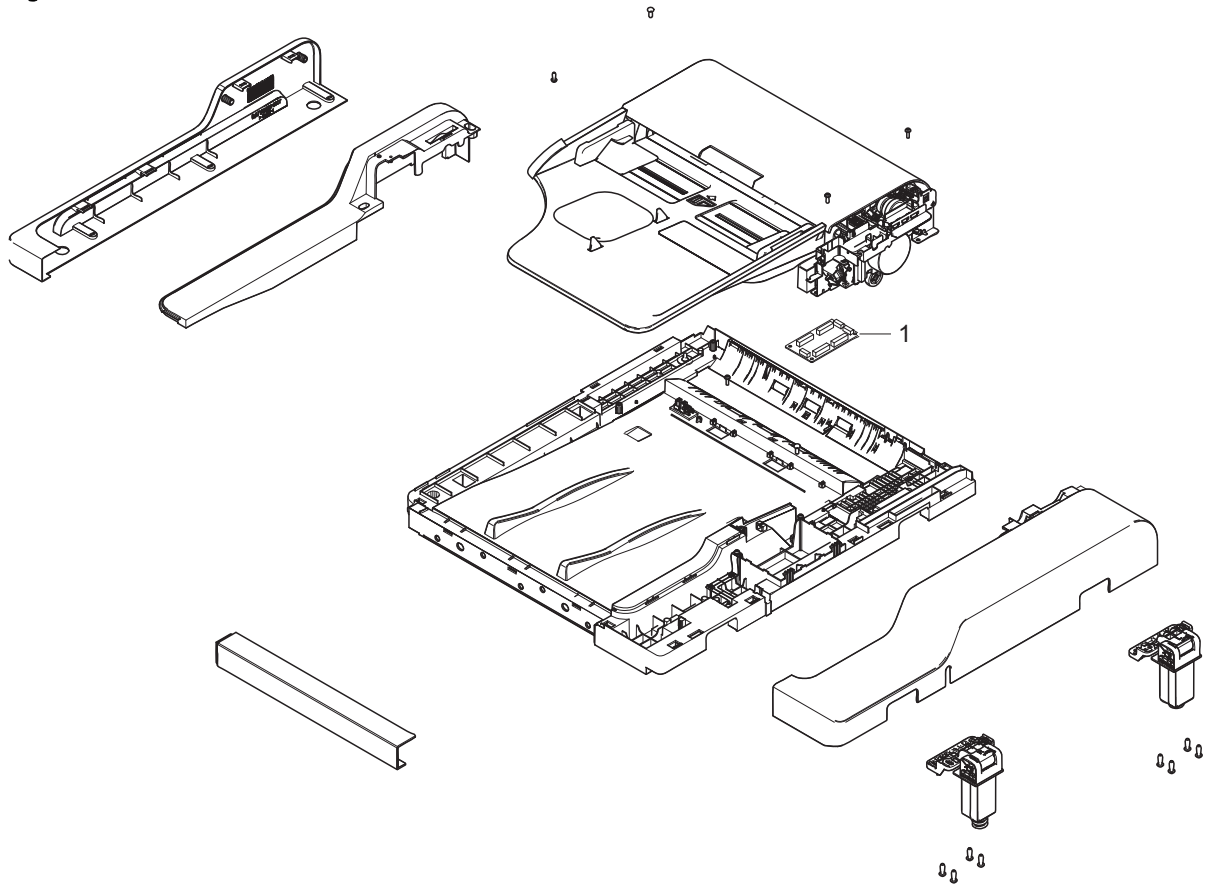


Table 23 DADF

Ref	Description	Part Number	Qty
1	PBA-ADF	JC92-02446A	1

# Sub units of DADF

## DADF-SUB

Figure 24 DADF-SUB

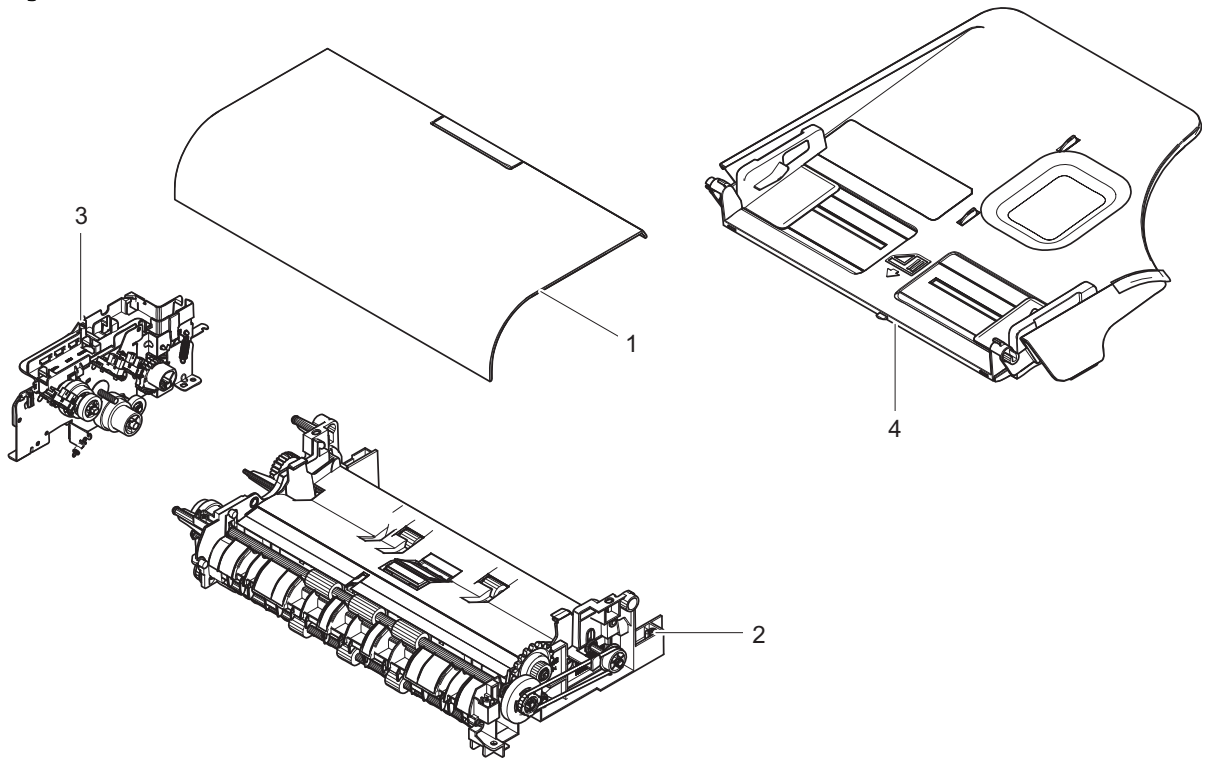


Table 24 DADF-SUB

Ref	Description	Part Number	Qty
1	DADF OPEN-COVER	JC97-03990A	1
2	DADF FRAME-MAIN	JC97-03992A	1
3	DADF-MOTOR	JC97-03993A	1
4	DADF STACKER	JC97-03994A	1

## Sub units of DADF-SUB

### DADF OPEN-COVER

Figure 25 DADF OPEN-COVER

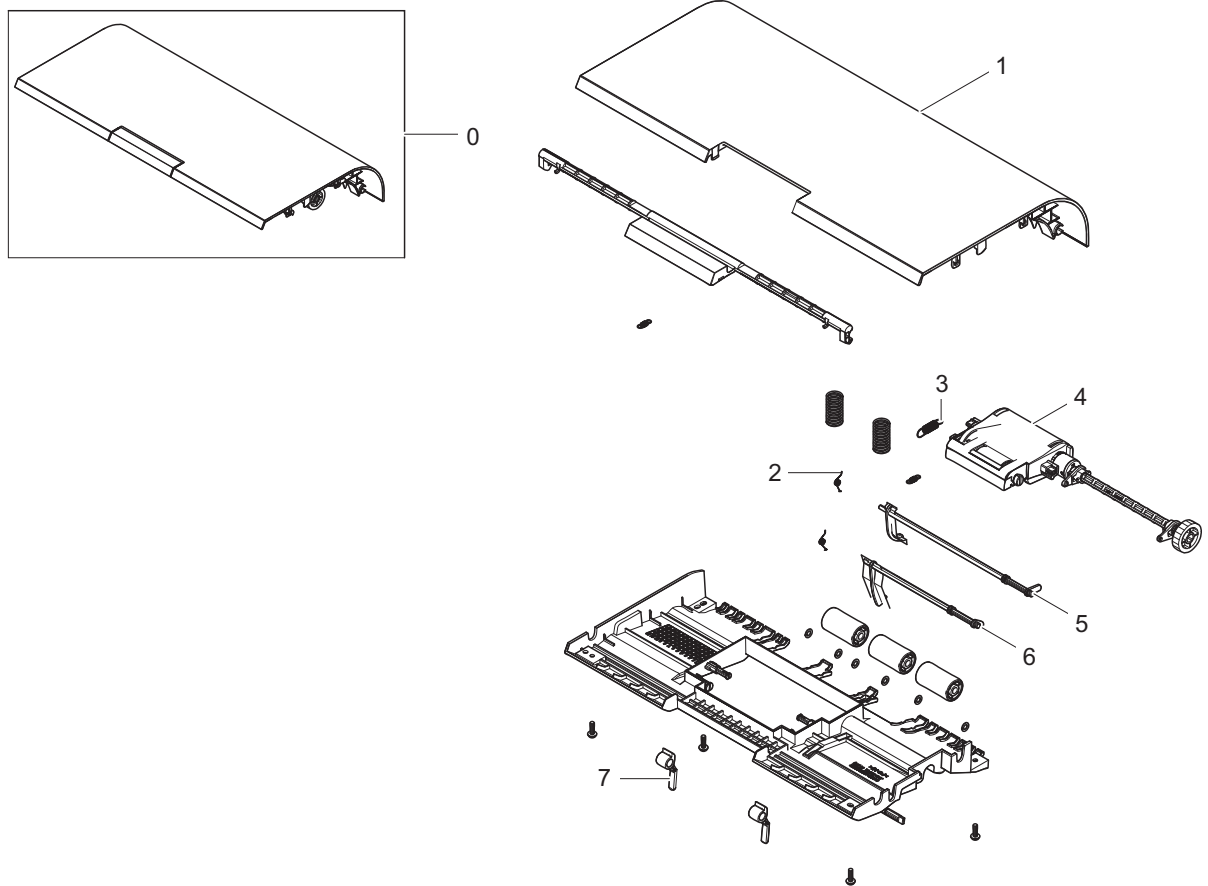


Table 25 DADF OPEN-COVER

Ref	Description	Part Number	Qty
0	DADF OPEN-COVER	JC97-03990A	1
1	COVER-OPEN	JC63-03273A	1
2	SPRING-TS	6107-001737	2
3	SPRING ETC-PICKUP	JC61-00482A	1
4	DADF GUIDE-PIKCUP	JC97-04009A	1
5	ACTUATOR-REGI	JC66-03148A	1
6	ACTUATOR-DETECT	JC66-03147A	1
7	STOPPER-PAPER	JC61-04647A	2



# DADF FRAME-MAIN

Figure 26 DADF FRAME-MAIN

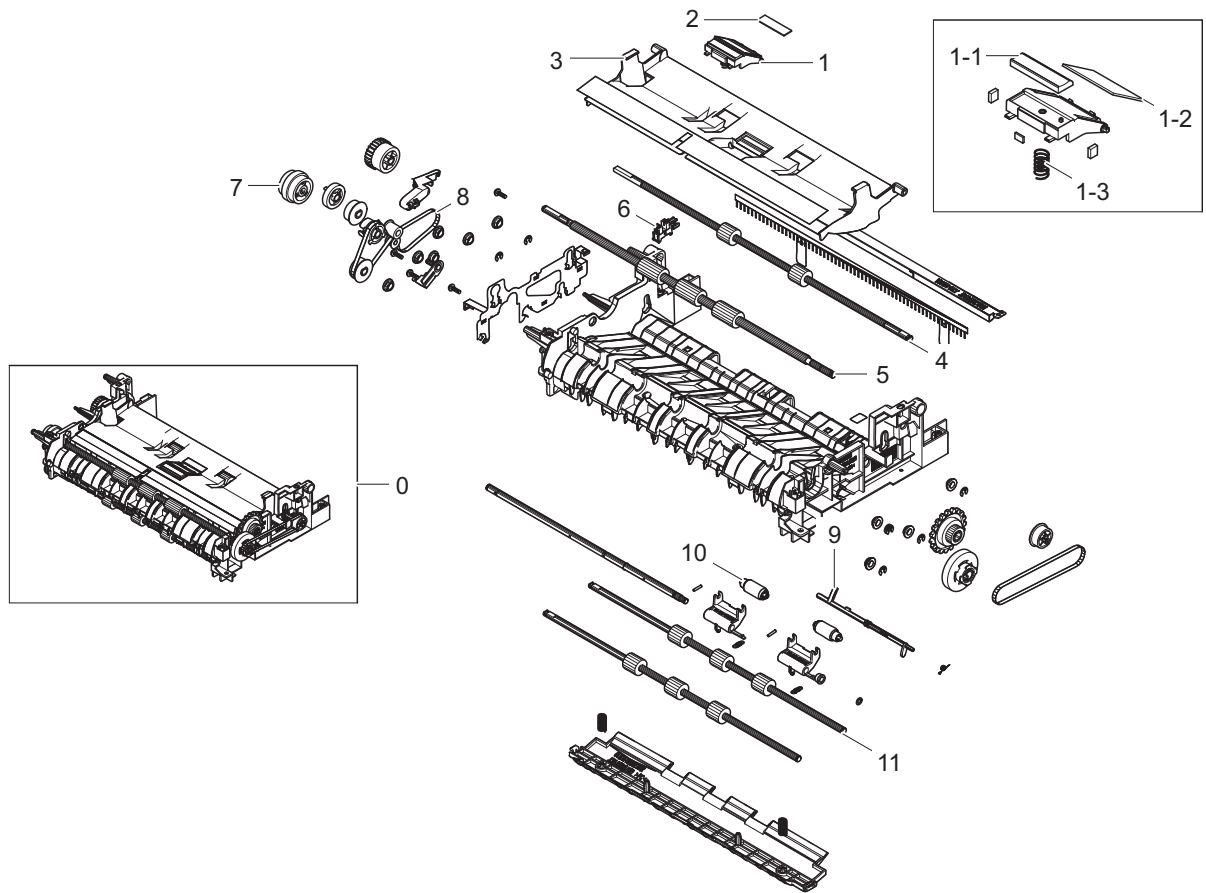


Table 26 DADF FRAME-MAIN

Ref	Description	Part Number	Qty
0	DADF FRAME-MAIN	JC97-03992A	1
1	ADF-HOLDER ADF RUBBER	JC97-04243A	1
1-1	RMO-ADF RUBBER	JB73-00052A	1
1-2	SHEET-GUIDE PAD	JC63-04366A	1
1-3	SPRING ETC-PAD	JC61-00387A	1
2	PAD-GUIDE_PICKUP	JC69-02810A	1
3	GUIDE-PICK_UP	JC61-04583A	1
4	ROLLER ADF-EXIT	JC66-03095A	1
5	ROLLER ADF-REGI	JC66-03094A	1
6	PHOTO-INTERRUPTER	0604-001393	1
7	CLUTCH-ELECTRONIC CLUTCH	JC47-00033G	1
8	BELT-TIMING GEAR	6602-003183	1
9	ACTUATOR-EXIT	JC66-03184A	1

Table 26 DADF FRAME-MAIN (continued)

Ref	Description	Part Number	Qty
10	ROLLER ADF-EXIT_IDLE	JC66-03177A	2
11	ROLLER ADF-RUBBER-FEED	JC66-03093A	2

# DADF-MOTOR

Figure 27 DADF-MOTOR

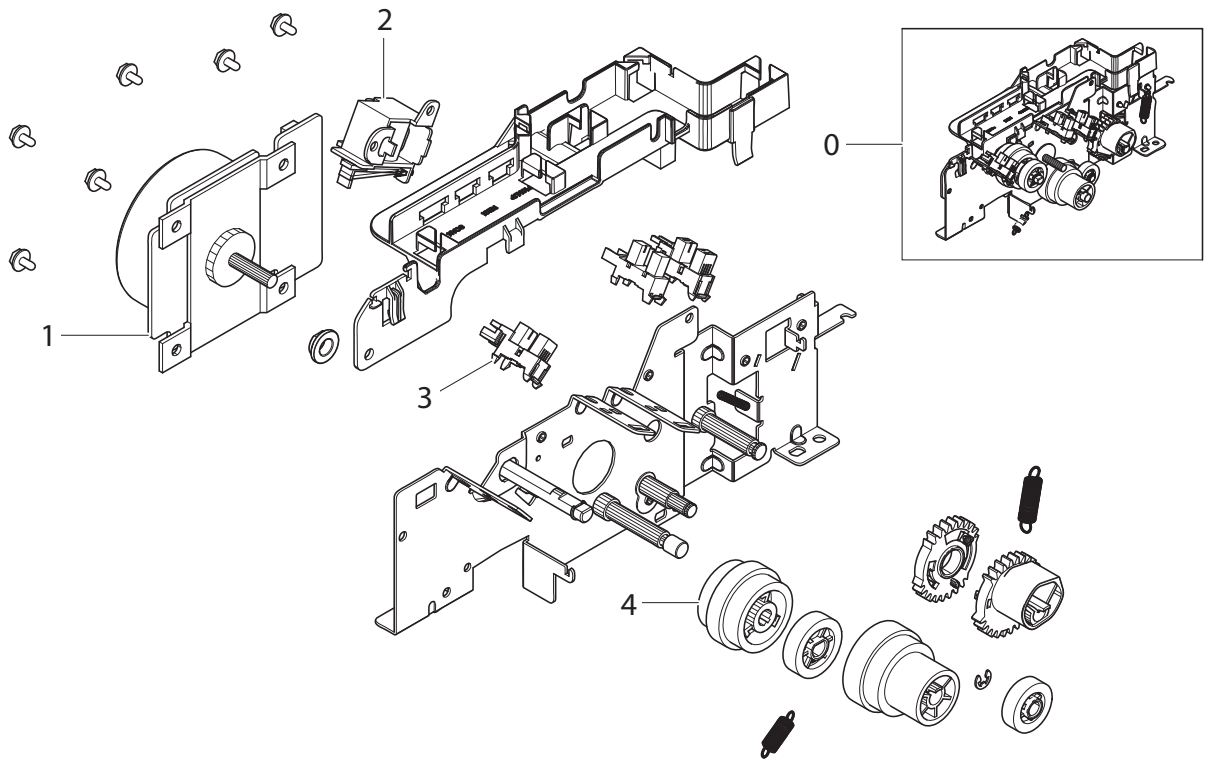


Table 27 DADF-MOTOR

Ref	Description	Part Number	Qty
0	DADF-MOTOR	JC97-03993A	1
1	MOTOR BLDC-TYPE1	JC31-00156C	1
2	SOLENOID-PICK UP	JC33-00007A	1
3	PHOTO-INTERRUPTER	0604-001393	3
4	CLUTCH-ELECTRONIC CLUTCH	JC47-00033G	1





# DADF STACKER

Figure 28 DADF STACKER

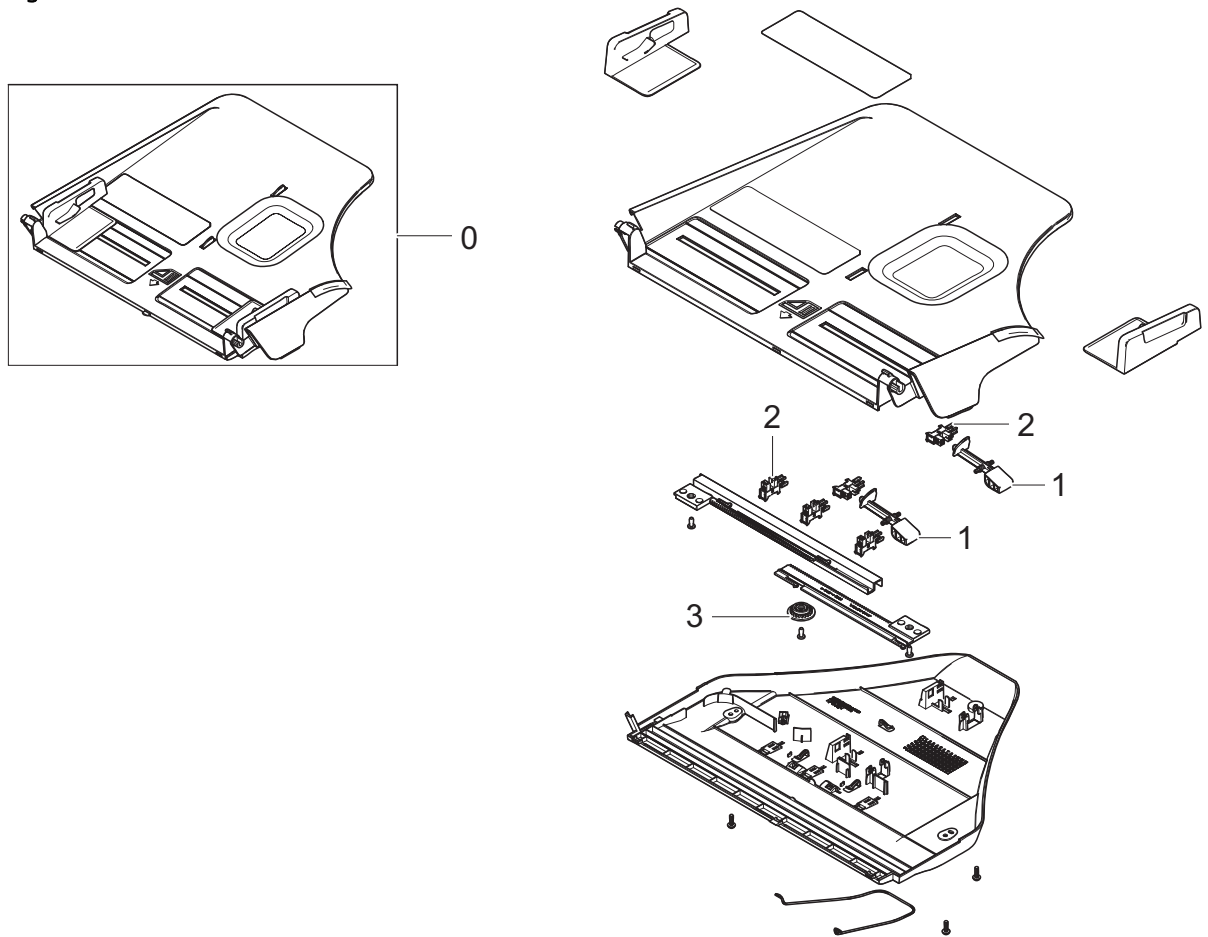


Table 28 DADF STACKER

Ref	Description	Part Number	Qty
0	DADF STACKER	JC97-03994A	1
1	ACTUATOR-PAPER_LENGTH	JC66-03209A	2
2	PHOTO-INTERRUPTER	0604-001393	5
3	GEAR	JF72-41354A	1



# DADF PLATEN

Figure 29 DADF PLATEN

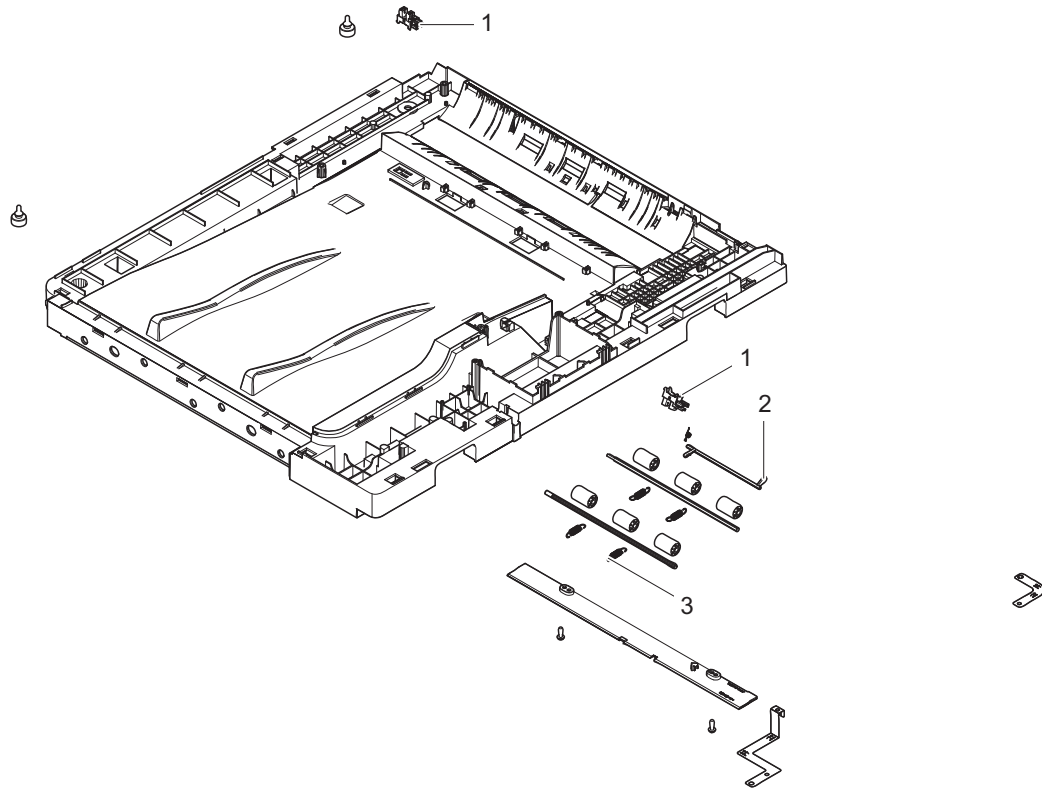


Table 29 DADF PLATEN

Ref	Description	Part Number	Qty
1	PHOTO-INTERRUPTER	0604-001393	2
2	ACTUATOR-SCAN	JC66-03210A	1
3	SPRING-ES	6107-003277	4



# OPE

Figure 30 OPE

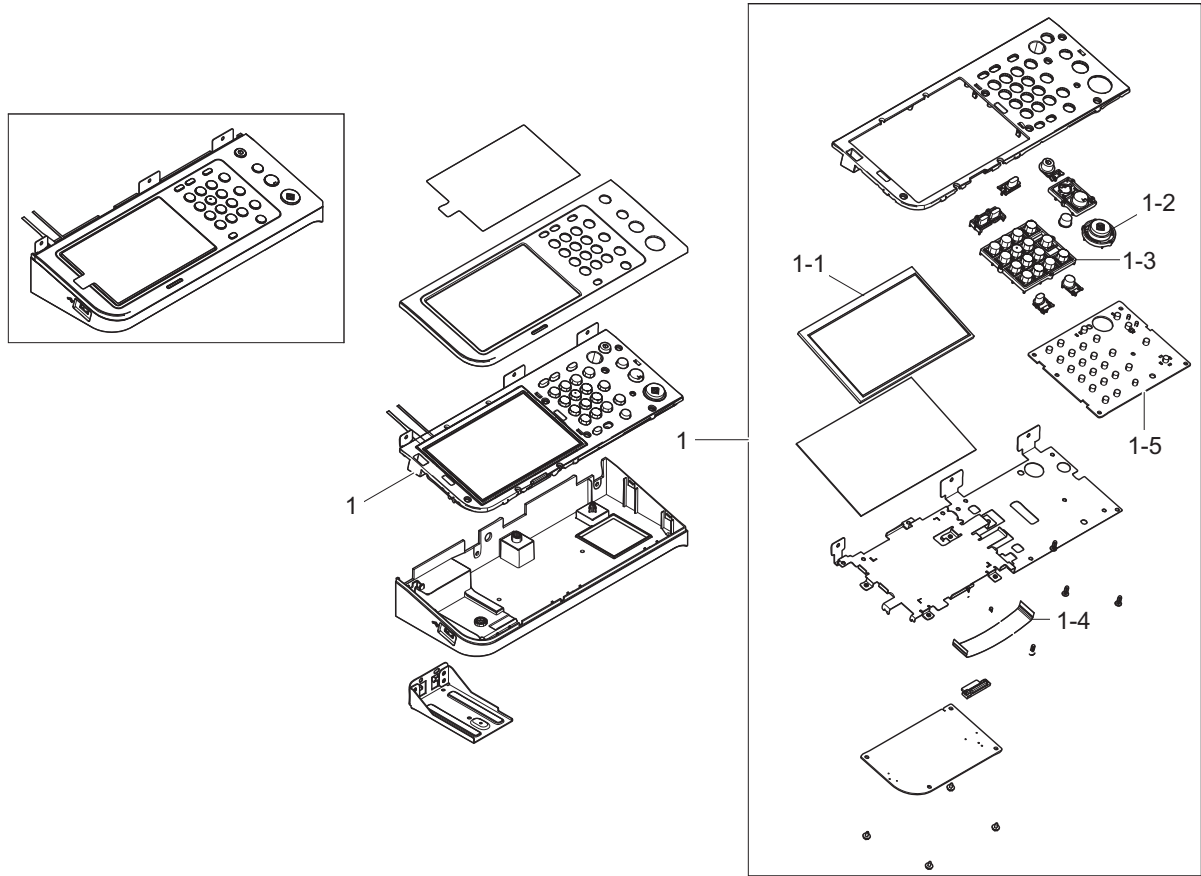


Table 30 OPE

Ref	Description	Part Number	Qty
1	OPE-FRONT	JC97-04007A	1
1-1	LCD-CITARA	JC07-00028A	1
1-2	KEY-START	JC64-00686A	1
1-3	KEY-M TEL	JC64-00684A	1
1-4	FLAT CABLE-KEY	JC39-01575A	1
1-5	PBA-OPE KEY	JC92-02435A	1



# PLATEN FR HR

Figure 31 PLATEN FR HR

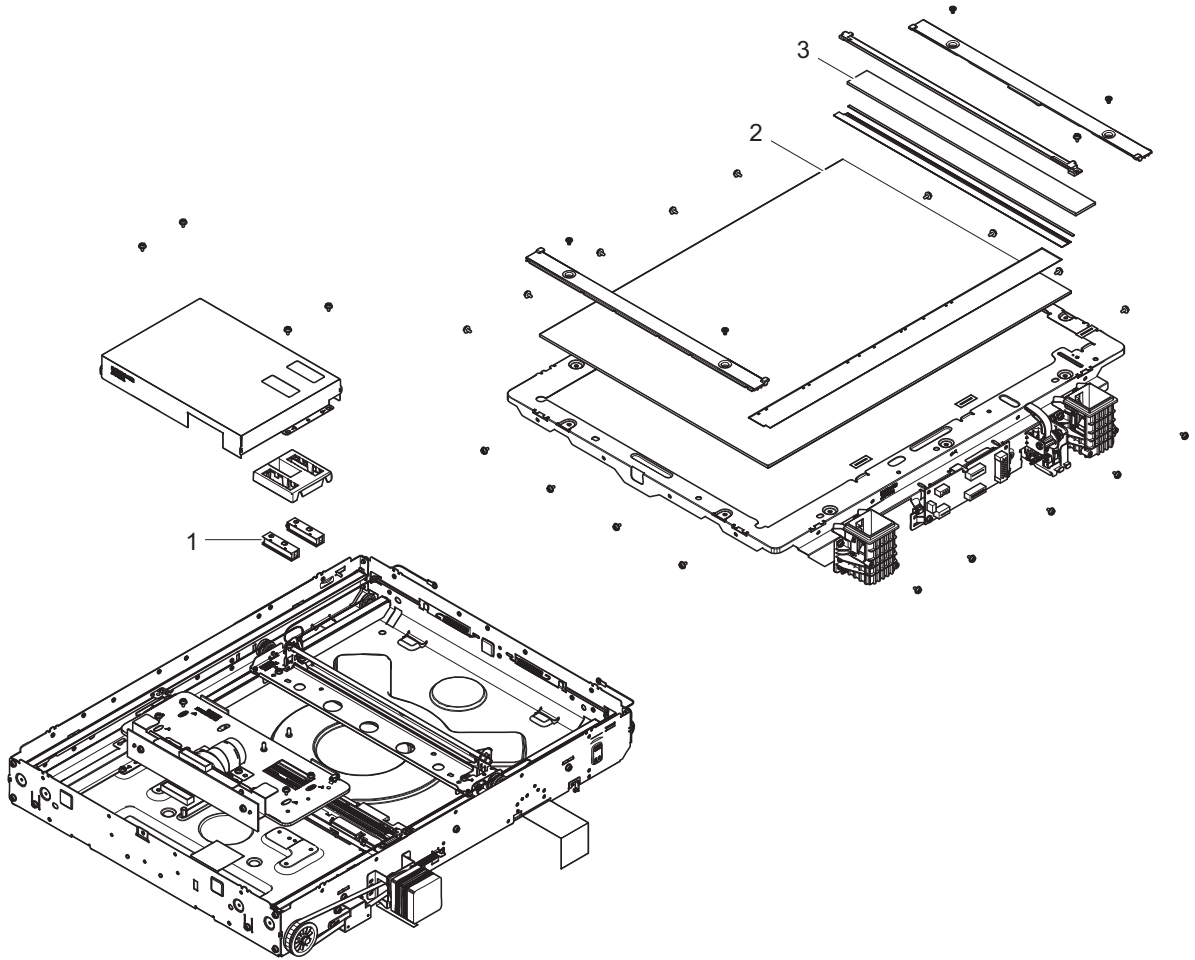


Table 31 PLATEN FR HR

Ref	Description	Part Number	Qty
1	PHOTO-INTERRUPTER	0604-001453	2
2	GLASS OTHERS-SCAN	JC01-00072A	1
3	GLASS OTHERS-SCAN ADF	JC01-00073A	1



# PLATEN FR HR-LOWER

Figure 32 PLATEN FR HR-LOWER

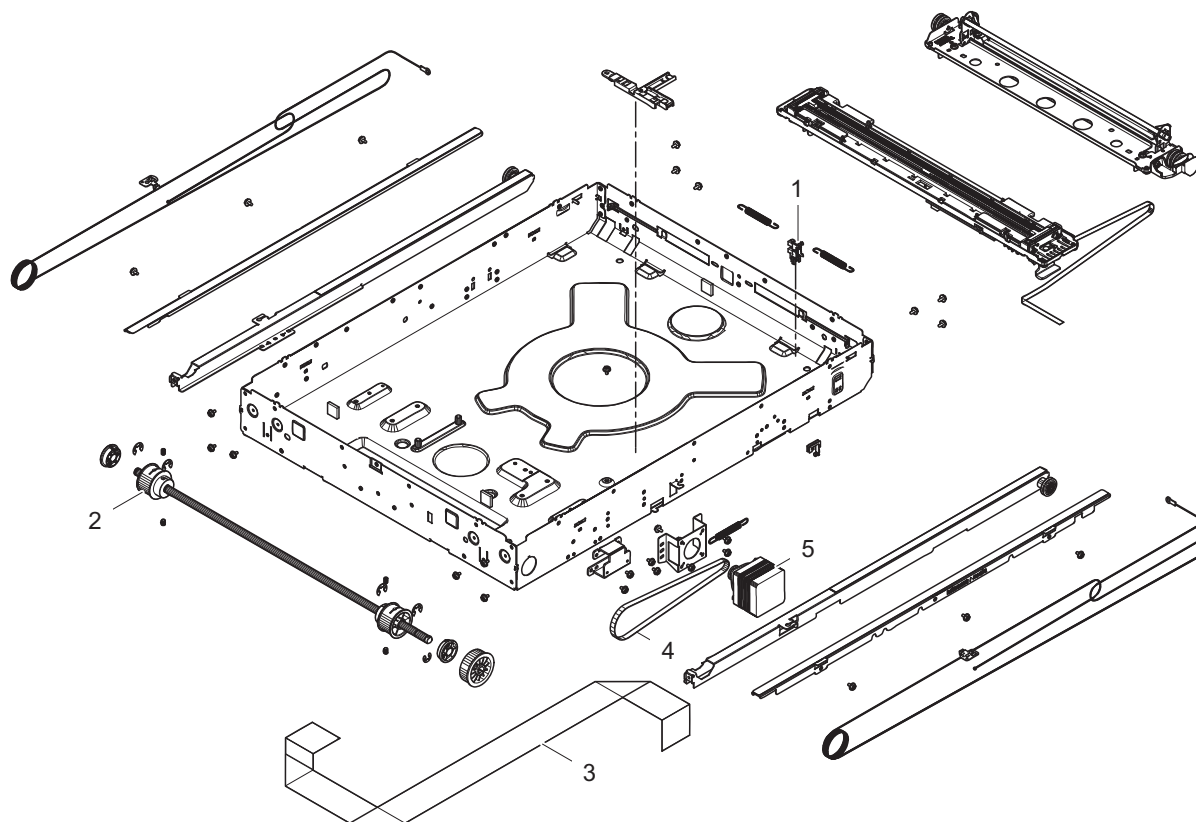


Table 32 PLATEN FR HR-LOWER

Ref	Description	Part Number	Qty
1	PHOTO-INTERRUPTER	0604-001393	1
2	PULLEY-DRIVING	JC66-03242A	2
3	FLAT CABLE-CCD IF	JC39-01673A	1
4	BELT-TIMING GEAR	6602-001725	1
5	MOTOR STEP 1P	JC31-00158A	1

# PLATEN FR HR-UPPER

Figure 33 PLATEN FR HR-UPPER

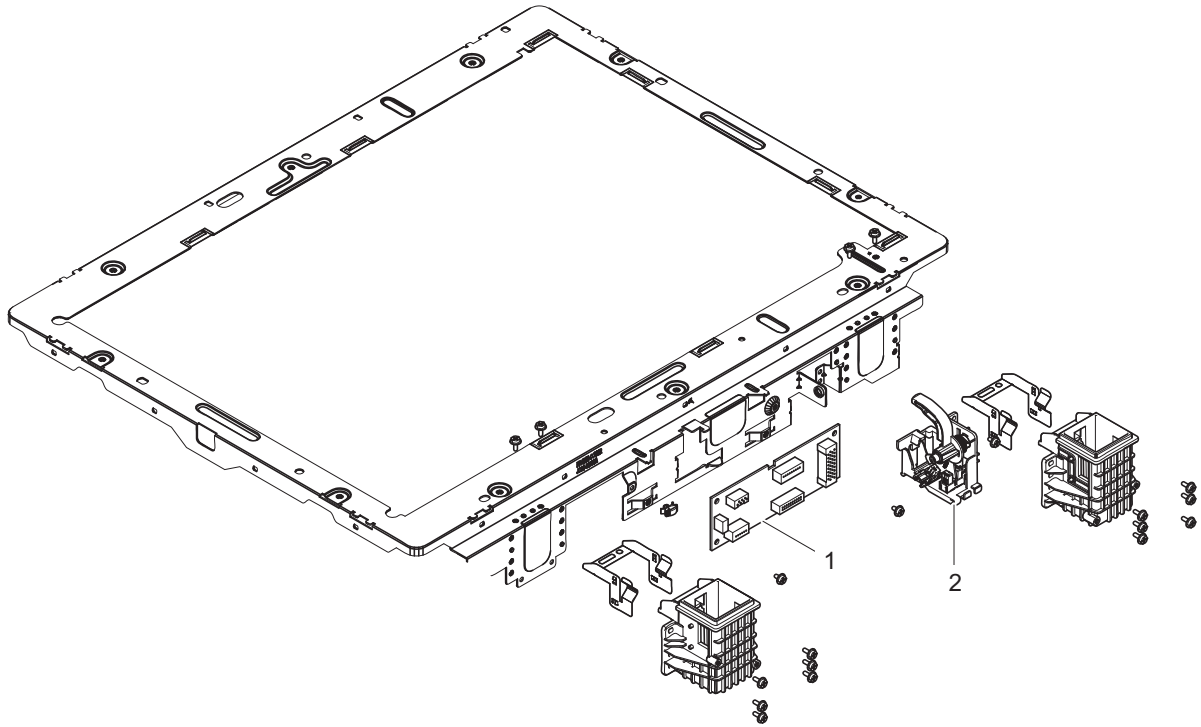


Table 33 PLATEN FR HR-UPPER

Ref	Description	Part Number	Qty
1	PBA-SCAN JOINT	JC92-02447A	1
2	PLATEN FR HR-OPEN SENSOR	JC97-04003A	1