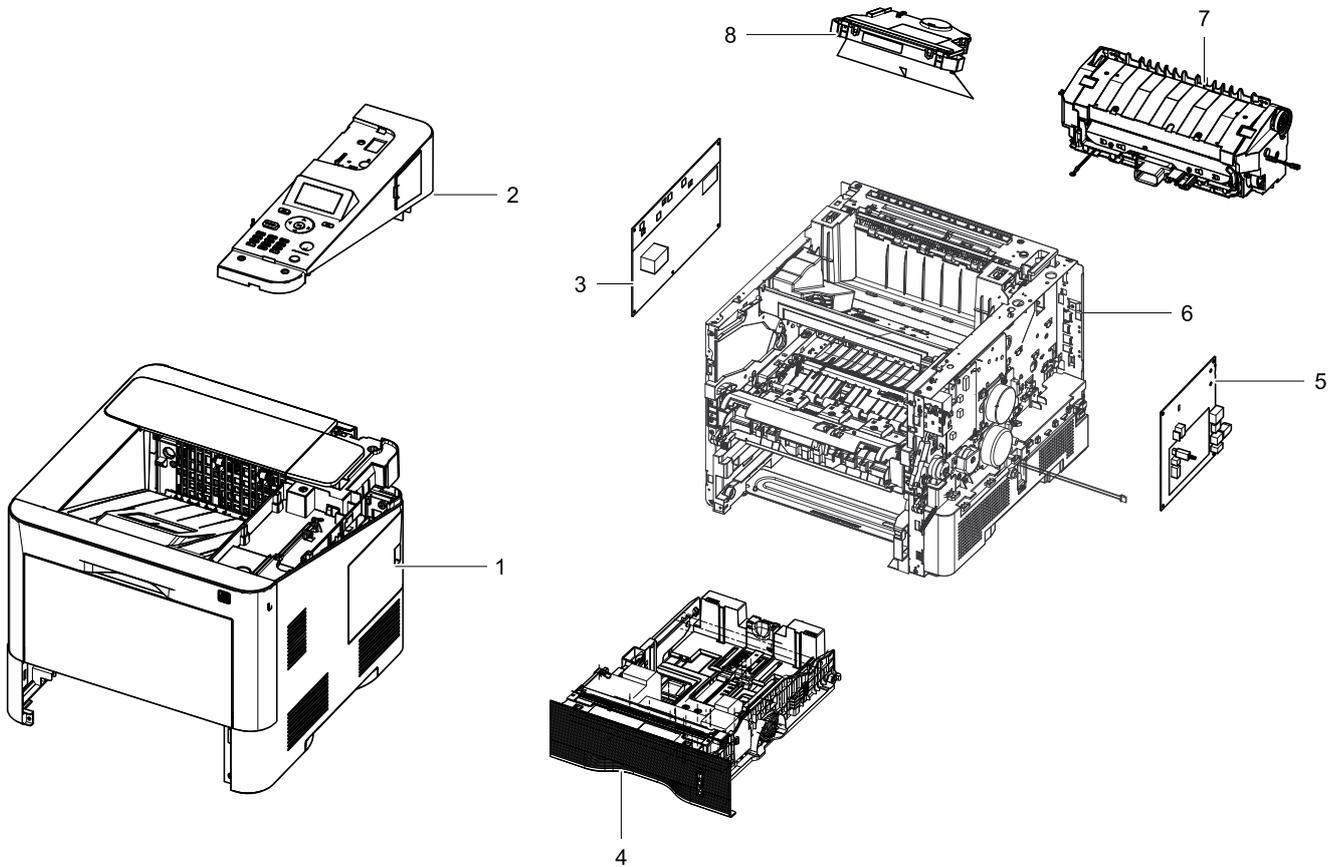


1. Main

Exploded View

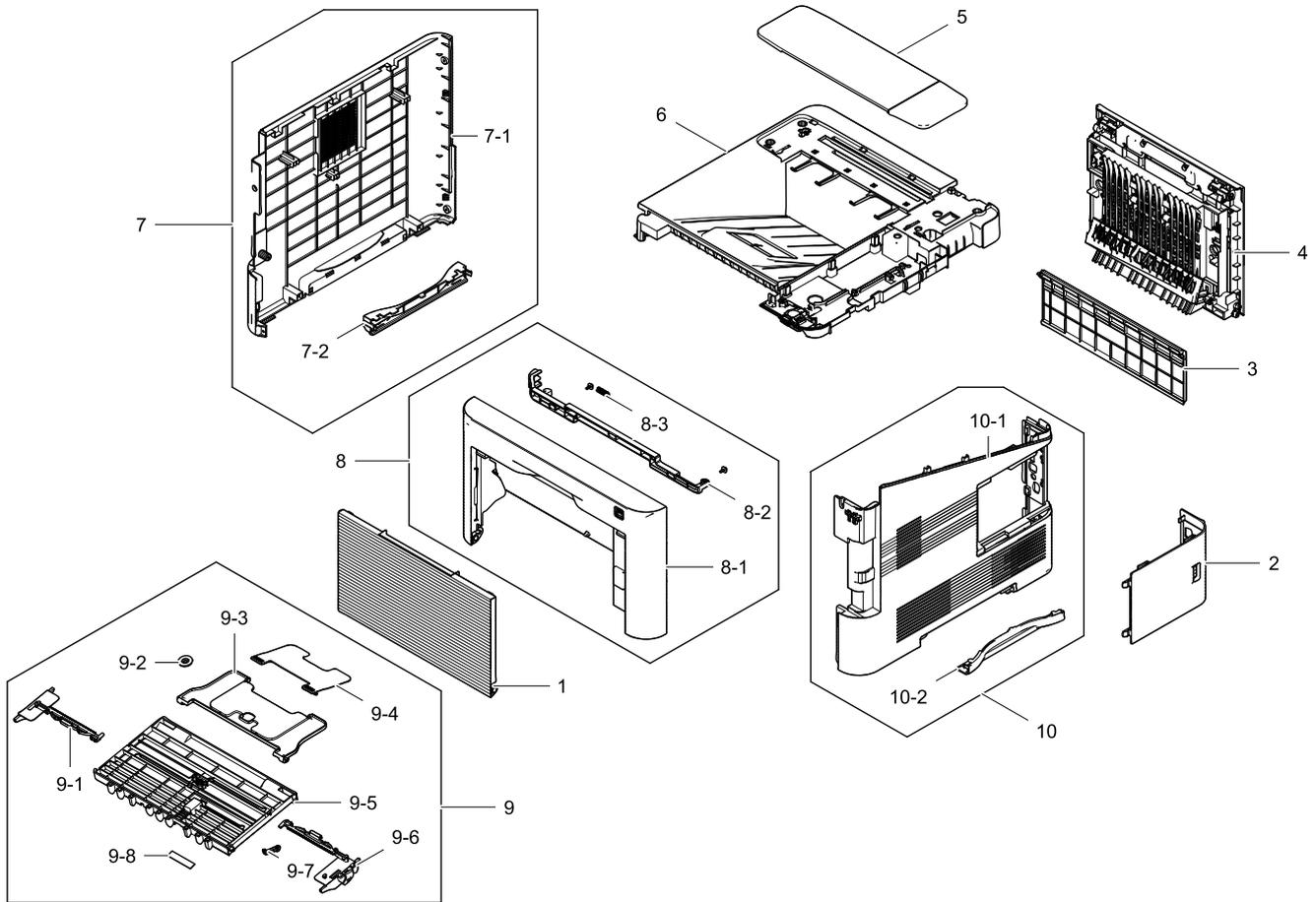


Parts List

No.	Parent	Lvl.	Loc.	Material Code	Description & Specification	SNA	Qty.
1	ML-5012ND/CAS	1		JC93-00390A	FRAME; ML-5015ND/XAA,SEC	SNA	1
2	ML-5012ND/CAS	1		JC97-03940A	OPE-4LINE; ML-5010ND,SEC	SA	1
3	JC98-01759A	2		JC44-00202A	HVPS; 24V,21.6V~27.6V,MAX 5KV,MAX-2KV,600	SA	1
4	ML-5012ND/CAS	1		JC90-01090A	CASSETTE; ML-5015ND/XAA,SEC	SA	1
5	ML-5012ND/CAS	1		JC92-02355B	PBA-MAIN; ML-5010ND,SEC,CHORUS4,XAA,168x1	SA	1
6	ML-5012ND/CAS	1		JC93-00390A	FRAME; ML-5015ND/XAA,SEC	SNA	1
7	ML-5012ND/CAS	1		JC91-01029A	FUSER; ML-5010ND,SEC,WORLD,110V	SA	1
8	ML-5012ND/CAS	1		JC97-03877A	LSU; ML-5010ND,SEC,Single,A4(Ltr),600dpi,	SA	1

2. Cover

Exploded View



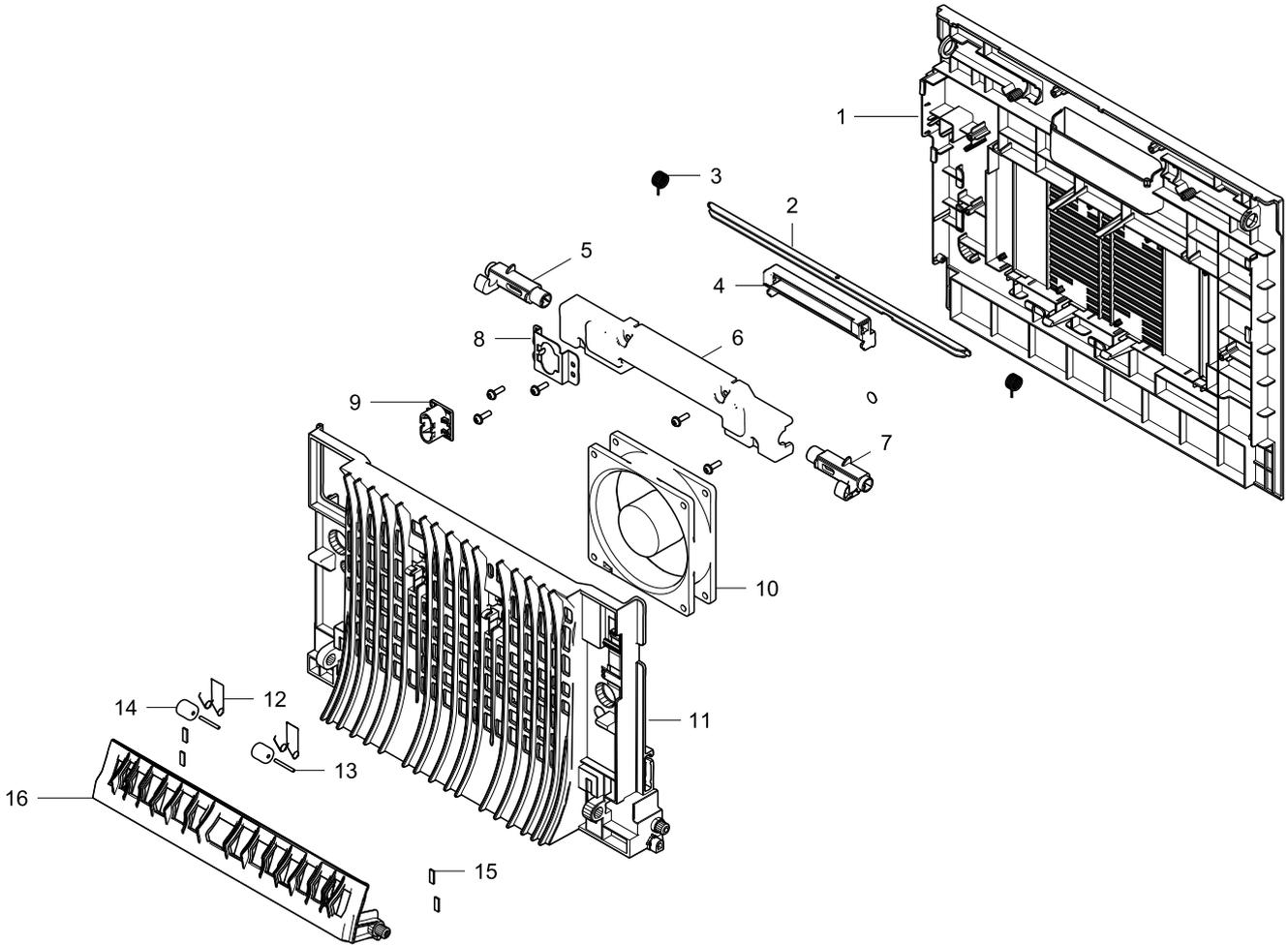
Parts List

No.	Parent	Lvl.	Loc.	Material Code	Description & Specification	SNA	Qty.
1	JC95-01427A	2		JC63-03046A	COVER-MP; ML-5017ND,HIPS,GRAY	SA	1
2	JC95-01427A	2		JC63-03043A	COVER-RIGHT DUMMY; ML-5017ND,HIPS,GRAY	SA	1
3	JC95-01436A	3		JC63-03014A	COVER-CASSETTE REAR; ML-5015ND,HIPS,GRAY	SNA	1
4	JC95-01427A	2		JC95-01409A	COVER-REAR; ML-5015ND,SEC	SA	1
5	JC95-01427A	2		JC95-01407A	COVER-MAILBOX; ML-5015ND,SEC	SA	1
6	JC95-01427A	2		JC95-01404A	COVER-TOP; ML-5010ND,SEC	SA	1
7	JC95-01427A	2		JC95-01438A	COVER-LEFT; ML-5017ND,SEC	SNA	1
7-1	JC95-01438A	3		JC63-03041A	COVER-LEFT; ML-5017ND,HIPS,GRAY	SA	1
7-2	JC95-01438A	3		JC63-03045A	COVER-HANDLE LEFT; ML-5017ND,HIPS,GRAY	SA	1
8	JC95-01427A	2		JC95-01433A	COVER-FRONT; ML-5012ND,SEC	SA	1

No.	Parent	Lvl.	Loc.	Material Code	Description & Specification	SNA	Qty.
8-1	JC95-01433A	3		JC63-03047B	COVER-FRONT; ML-5012ND,HIPS,GRAY	SNA	1
8-2	JC95-01433A	3		JC64-00641A	LOCKER-FRONT; ML-5015ND,ABS,BLACK	SNA	1
8-3	JC95-01433A	3		6107-002960	SPRING-CS; SUS304,0.6,7.1,7.7,14,RIGHT	SNA	1
9	JC95-01427A	2		JC90-01083A	MP-TRAY; ML-5015ND,SEC	SA	1
9-1	JC90-01083A	3		JC61-04334A	GUIDE-SIDE_MP_L; ML-6510ND,ABS,2.5,128.4,	SNA	1
9-2	JC90-01083A	3	C3690	JG66-40003A	GEAR-PINION; SF4000,POM,1,Z16,WHT	SA	1
9-3	JC90-01083A	3		JC63-03036A	TRAY-MP EXTENSION; ML-5015ND,ABS,2.0	SA	1
9-4	JC90-01083A	3		JC61-02804C	STACKER-MP; ML-6510ND,HIPS,120.6,81.4,WAV	SNA	1
9-5	JC90-01083A	3		JC63-03035A	TRAY-MP; ML-5015ND,ABS,2.0	SA	1
9-6	JC90-01083A	3		JC61-02645D	GUIDE-SIDE_MP_R; ML-6510ND,ABS,2.5,138.4,	SNA	1
9-7	JC90-01083A	3		JC66-02907A	LINK-MP UPPER; ML-5015ND,POM	SA	1
9-8	JC90-01083A	3	F9051	JC73-00141A	RPR-PAD CASSETTE; ML-1510,URETHANE SPONGE	SA	1
10	JC95-01427A	2		JC95-01437A	COVER-RIGHT; ML-5017ND,SEC	SNA	1
10-1	JC95-01437A	3		JC63-03042A	COVER-RIGHT; ML-5017ND,HIPS,GRAY	SA	1
10-2	JC95-01437A	3		JC63-03044A	COVER-HANDLE RIGHT; ML-5017ND,HIPS,GRAY	SA	1

2.1. Cover-Rear

Exploded View



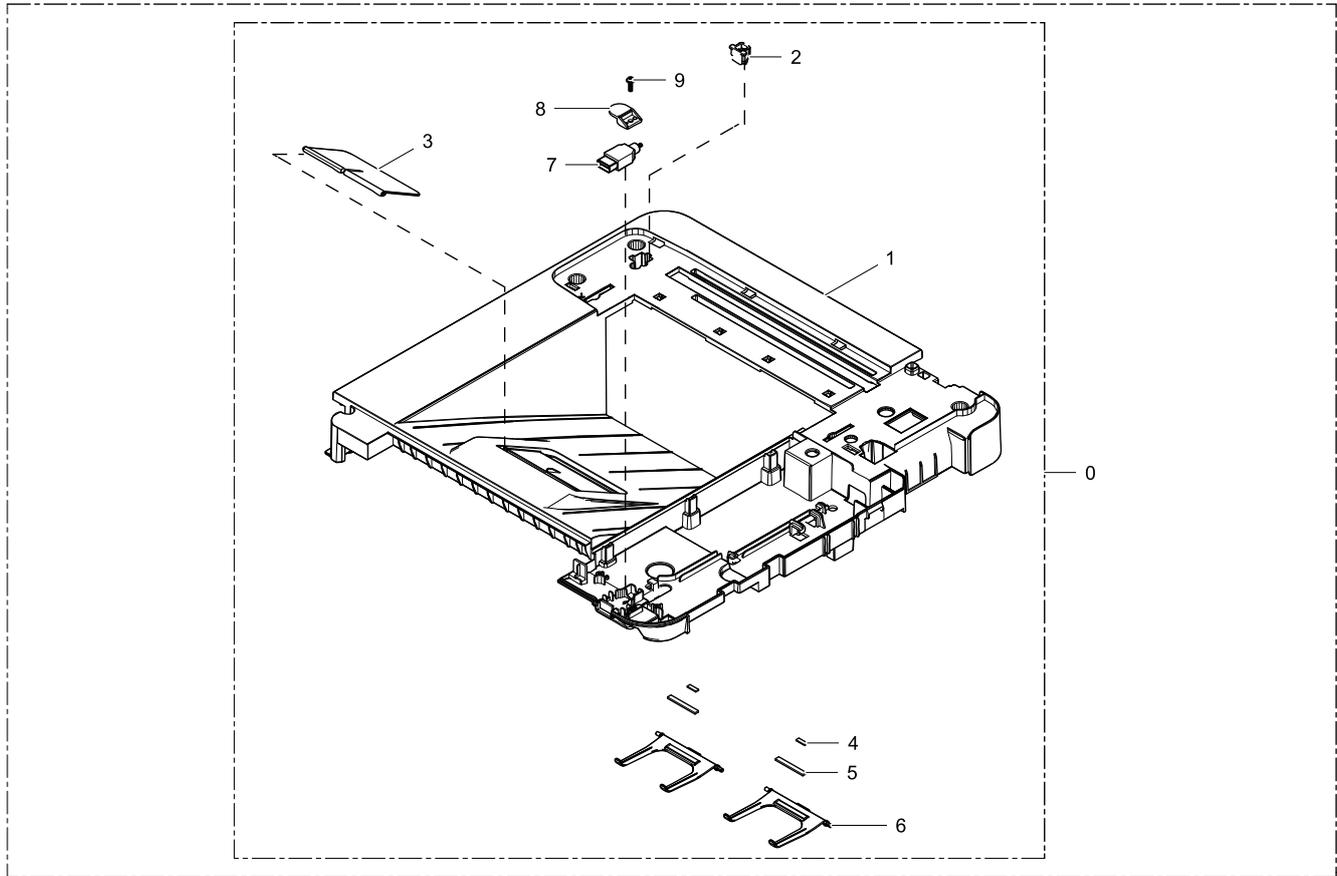
Parts List

No.	Parent	Lvl.	Loc.	Material Code	Description & Specification	SNA	Qty.
1	JC95-01409A	3		JC63-02990A	COVER-REAR; ML-5015ND,HIPS,GRAY	SA	1
2	JC95-01409A	3		JC61-01404A	BRACKET-P-HANDLE SCF; SCX-6345N/XRX,SECC,	SNA	1
3	JC95-01409A	3	L7529	6107-001268	SPRING-TS; SUS304 WPB,PI0.9,D8.9,L7,ID8.0	SA	2
4	JC95-01409A	3		JC64-00420C	HANDLE-REAR COVER; ML-6510ND,ABS,HB	SA	1
5	JC95-01409A	3		JC64-00547A	LOCKER-REAR L; ML-6510ND,POM,BLACK	SA	1
6	JC95-01409A	3		JC61-03909B	HOLDER-LOCKER; ML-6510ND,ABS	SNA	1
7	JC95-01409A	3		JC64-00548A	LOCKER-REAR R; ML-6510ND,POM,BLACK	SA	1
8	JC95-01409A	3		JC61-04276A	BRACKET-FEMALE; ML-5015ND,SECC,0.8T	SNA	1

No.	Parent	Lvl.	Loc.	Material Code	Description & Specification	SNA	Qty.
9	JC95-01409A	3		JC39-01431A	HARNESS-REAR_COVER_FU; ML-4510ND,UL10272,	SNA	1
10	JC95-01409A	3	I4722	JC31-00088A	FAN-DC; CLX-8380ND/XAA,UL10272 AWG#26,AMP	SA	1
11	JC95-01409A	3		JC61-04266A	GUIDE-REAR; ML-5015ND,ABS,GUIDE	SA	1
12	JC95-01409A	3		6107-002910	SPRING-TS; SUS,0.45,5.45,12	SA	2
13	JC95-01409A	3	C7178	JC70-20901A	SHAFT; ML-5000A,SUS304,17.2,1.9,PI1.9	SNA	2
14	JC95-01409A	3	K6709	JC72-20902A	ROLLER; ML-5000A,TEFLON,WHT	SA	2
15	JC95-01404A	3	H6441	JC66-00738A	DAMPER-PAD ADF_R2; SCX-4720F,PORON,1(TAPE	SNA	2
16	JC95-01409A	3		JC61-04268A	GUIDE-EXIT; ML-5015ND,PC,PC-GF20%,BLACK,P	SA	1

2.2. Cover-Top

Exploded View



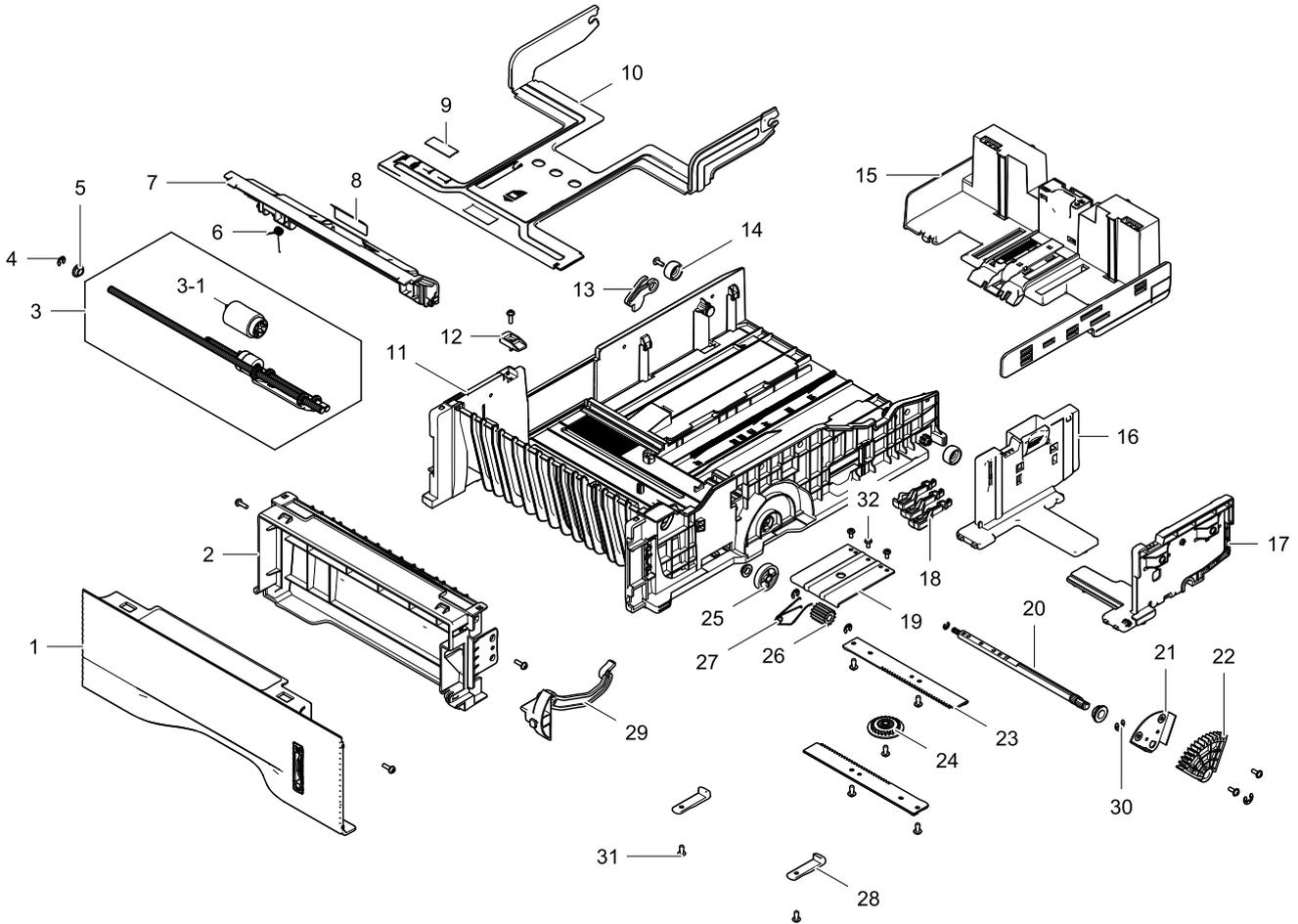
Parts List

No.	Parent	Lvl.	Loc.	Material Code	Description & Specification	SNA	Qty.
0	JC95-01427A	2		JC95-01404A	COVER-TOP; ML-5010ND,SEC	SA	1
1	JC95-01404A	3		JC63-03012A	COVER-TOP; ML-5015ND,HIPS,GRAY	SA	1
2	JC95-01404A	3		JC66-02903A	LEVER-EXPANDER; ML-5015ND,POM,2,17,12,WHI	SA	1
3	JC95-01404A	3		JC72-01367E	PMO-STACKER_RX; ML-6510ND,ABS,HB,Wave Gra	SA	1
4	JC95-01404A	3	H6441	JC66-00738A	DAMPER-PAD ADF_R2; SCX-4720F,PORON,1(TAPE	SNA	2
5	JC95-01404A	3		JC66-03030A	DAMPER-LEVER STACKING; ML-5015ND,VHM-C 15	SNA	2
6	JC95-01404A	3		JC66-02904A	LEVER-STACKING; ML-5015ND,PC,2,77,64.3,BI	SA	2
7	JC95-01404A	3		JC39-01508A	HARNESS-USB_HOST; ML-5010ND,UL2725,AWG28,	SNA	1

No.	Parent	Lvl.	Loc.	Material Code	Description & Specification	SNA	Qty.
8	JC95-01404A	3	L7585	JC61-00667A	STOPPER-M-FAN80; ML-2150,ABS HB,26.4,BLAC	SA	1
9	JC95-01409A	3	F9909	6003-000196	SCREW-TAPTTYPE; PWH,+B,M3,L10,NI PLT,SWRC	SA	7

3. Cassette

Exploded View



Parts List

No.	Parent	Lvl.	Loc.	Material Code	Description & Specification	SNA	Qty.
1	JC90-01090A	2		JC64-00642A	HANDLE-CASSETTE; ML-5015ND,HIPS,GRAY	SNA	1
2	JC90-01090A	2		JC81-08737A	CSP-FRAME-GUIDE PAPER DUMMY; ML-3200,ABS,	SNA	1
3	JC90-01090A	2		JC90-01049A	CASSETTE-RETARD; ML-6510ND,XRX	SNA	1
3-1	JC90-01049A	3	J9057	JC97-02259A	MEA UNIT-ROLLER PU; SCX-6345N/XRX,XEROX,-	SA	1
4	JC91-01029A	2	F8266	6044-000125	RING-E; ID4,OD9,T0.6,STSC	SA	4
5	JC90-01090A	2	H1184	JC61-00699A	BUSH-D6/L4; CLP-500,Fe+Cu+Zn-Slearate,6	SA	2
6	JC90-01090A	2		JC81-08640A	CSP-SPRING TS; ML-6510ND,SUS304-WPB	SNA	1
7	JC90-01090A	2		JC81-08479B	CSP-CAP RETARD; ML-6510ND,PC,NH-1035,Wave	SNA	1

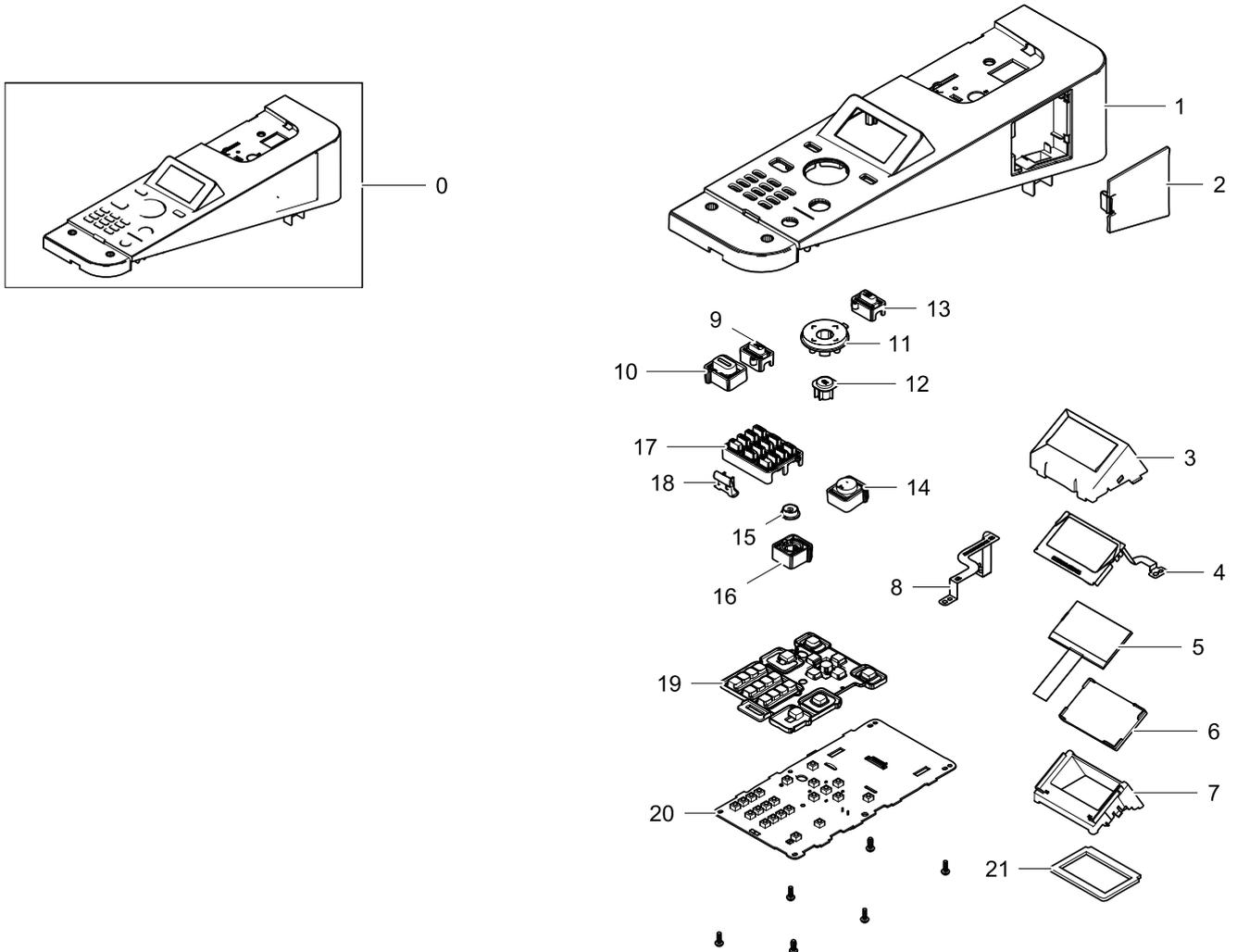
No.	Parent	Lvl.	Loc.	Material Code	Description & Specification	SNA	Qty.
8	JC90-01090A	2		JC81-08641A	CSP-SHEET RETARD HCF; SCX-HCF100/SEC,PET+	SNA	1
9	JC90-01090A	2	K3724	JC69-00494A	PAD-MP(PLUS); EPU,SCX-5315F,0.9T,W31*L11.	SA	1
10	JC90-01090A	2		JC81-08519A	CSP-PLATE KNOCK UP; ML-6510ND,SECC1.6T	SNA	1
11	JC90-01090A	2		JC81-08488B	CSP-FRAME CASSETTE; ML-6510ND,ABS / HB,HF	SNA	1
12	JC90-01090A	2		JC61-00832D	STOPPER-KNOCK UP; ML-S6510A/SEE,ABS,HF066	SNA	1
13	JC90-01090A	2		JC81-08494A	CSP-LOCKER CASSETTE; ML-6510ND,POM,M90-44	SNA	1
14	JC90-01090A	2		JC61-03882A	ROLLER-SUPPORT_CST; ML-6510ND,POM,W16,L8,	SNA	2
15	JC90-01090A	2		JC90-01050B	CASSETTE-GUIDE REAR PAPER; ML-6510ND,SEC	SNA	1
16	JC90-01090A	2		JC90-01048A	CASSETTE-SIDE LEFT; ML-6510ND,XRX	SNA	1
17	JC90-01090A	2		JC90-01047A	CASSETTE-SIDE RIGHT; ML-6510ND,XRX	SNA	1
18	JC90-01090A	2		JC81-08485A	CSP-DETECTOR PAPER SIZE; ML-6510ND,POM,M9	SNA	3
19	JC90-01090A	2		JC61-03206A	PLATE-LEVER; CLX-9350,SECC,1.6T,73,60	SNA	1
20	JC90-01090A	2		JC81-08636A	CSP-SHAFT LEVER; ML-6510ND,SUM22 NI,L200.	SNA	1
21	JC90-01090A	2	K7782	JC61-01791A	PLATE-LIFTING GEAR; SCX-6345N,SECC,T1.2,3	SNA	1
22	JC90-01090A	2		JC81-08478A	CSP-GEAR LIFTING; ML-6510ND,POM,M90-44	SNA	1
23	JC90-01090A	2		JC81-08492A	CSP-GEAR RACK; ML-6510ND,SECC1.6T	SNA	2
24	JC90-01090A	2	I5678	JC66-01020A	GEAR-M_PINION 24; SCX-6345N/XRX,POM,1,24,	SA	1
25	JC90-01090A	2	I5831	JC66-01676A	GEAR-PICKUP DRIVE; SCX-6555N,POM,1,25,BLK	SA	1
26	JC90-01090A	2		JC81-08477A	CSP-GEAR IDLE RETARD; ML-6510ND,POM,M90-4	SNA	1
27	JC90-01090A	2		JC81-08486A	CSP-SPRING GROUND CASSETTE; ML-6510ND,SUS	SNA	1
28	JC90-01090A	2		JC81-08602A	CSP-LOCKER GUIDE REAR; ML-6510ND,POM,M90-	SNA	2
29	JC90-01090A	2		JC64-00628A	INDICATOR-PAPER; ML-5015ND,ABS	SA	1
30	JC90-01090A	2	L4040	6044-000231	RING-E; ID5.0,OD11.0,T0.6,PASS,STS304	SNA	2

Exploded Views and Parts List

No.	Parent	Lvl.	Loc.	Material Code	Description & Specification	SNA	Qty.
31	JC91-01029A	2	F9821	6002-000440	SCREW-TAPPING; PWH,+2,M3,L8,ZPC(BLK),SWR	SNA	7
32	JC93-00391A	3	F9840	6003-000269	SCREW-TAPTYPE; BH,+,-,S,M3,L6,ZPC(WHT),SW	SA	43

4. OPE_4LINE

Exploded View



Parts List

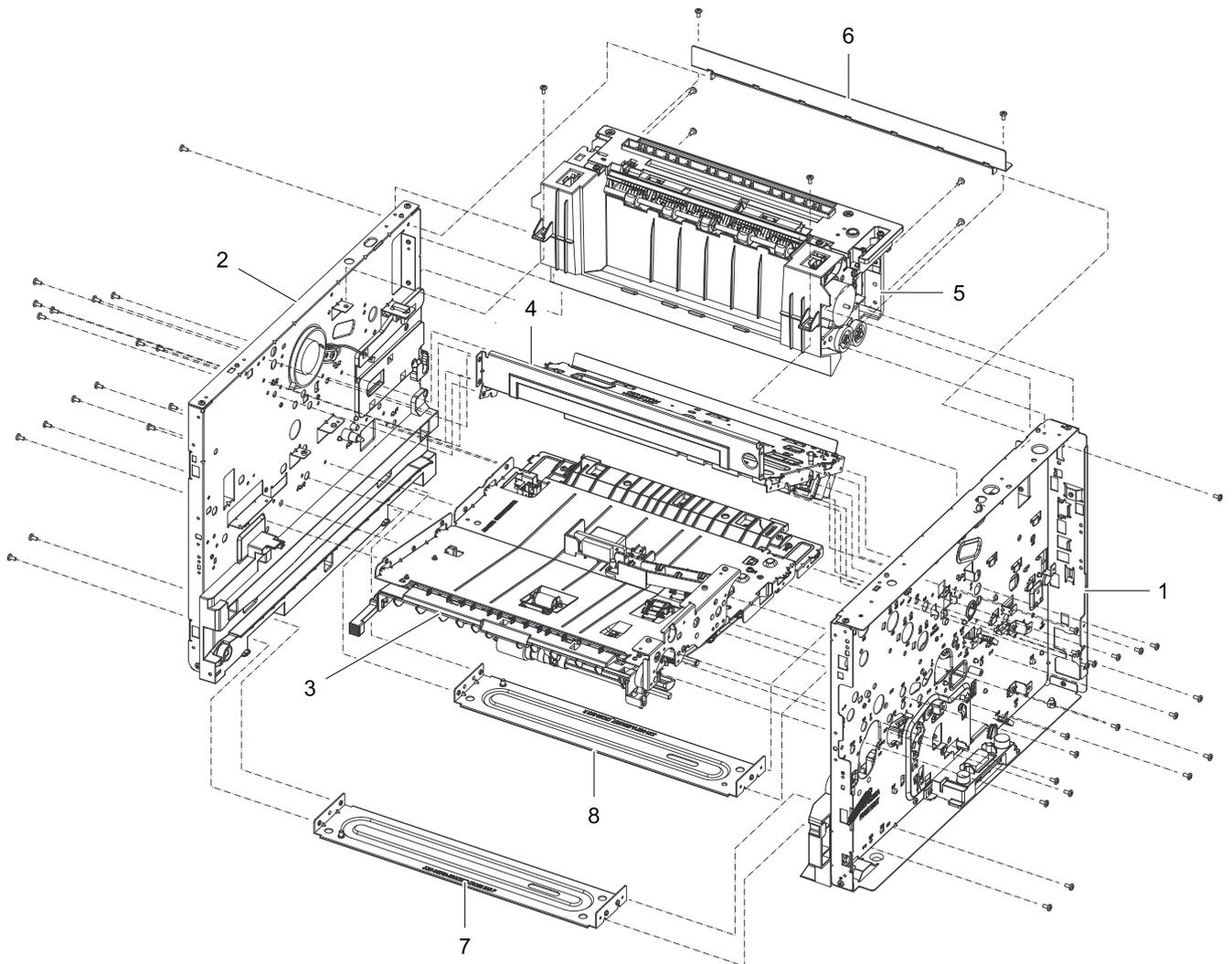
No.	Parent	Lvl.	Loc.	Material Code	Description & Specification	SNA	Qty.
0	ML-5012ND/XAA	1		JC97-03940A	OPE-4LINE; ML-5010ND,SEC	SA	1
1	JC97-03940A	2		JC63-03013A	COVER-OPE 4LINE; ML-5015ND,HIPS	SA	1
2	JC97-03940A	2		JC63-03015A	COVER-W LAN; ML-5015ND,HIPS	SNA	1
3	JC97-03940A	2		JC67-00519A	LENS-LCD; ML-5015ND,PMMA,TRANSPARENT	SNA	1
4	JC97-03940A	2		JC63-03006A	GROUND-LCD; ML-5010ND,C5210P	SNA	1
5	JC97-03940A	2		JC07-00020A	LCD; YMC12864-309BEEFDGN,ML-4510ND,128 x	SA	1
6	JC97-03940A	2		JC61-04252A	HOLDER-LCD; ML-5010ND,PC,SEMI TRANSPARENC	SNA	1
7	JC97-03940A	2		JC61-04251A	HOLDER-LCD LOWER; ML-5015ND,ABS,WHITE	SNA	1

Exploded Views and Parts List

No.	Parent	Lvl.	Loc.	Material Code	Description & Specification	SNA	Qty.
8	JC97-03940A	2		JC63-03003A	GROUND-PBA; ML-5010ND,C5210P	SNA	1
9	JC97-03940A	2		JC64-00626B	KEY-BACK; ML-4510ND,ABS,SOLID GRAY	SNA	1
10	JC97-03940A	2		JC64-00600B	KEY-ECO; ML-4510ND,ABS,SOLID GRAY	SNA	1
11	JC97-03940A	2		JC64-00601B	KEY-CIRCLE; SCX-4833FR,ABS,Solid Gray	SNA	1
12	JC97-03940A	2		JC64-00566C	KEY-OK; ABS,18.6*18.6,14,1.0,SOLID GRAY,0	SNA	1
13	JC97-03940A	2		JC64-00625B	KEY-MENU; ML-4510ND,ABS,SOLID GRAY	SNA	1
14	JC97-03940A	2		JC64-00564C	KEY-STOP; SCX-4933FN,ABS,28*26.5,HB,Solid	SNA	1
15	JC97-03940A	2		JC64-00589C	KEY-POWER; ABS,13.2,1.6,SOLID GRAY/W0014,	SNA	1
16	JC97-03940A	2		JC64-00606A	KEY-POWER HOLDER; ABS,26.8*24.6*12.9,Wave	SNA	1
17	JC97-03940A	2		JC64-00631A	KEY-NUMERICAL; ABS,0103-007264	SNA	1
18	JC97-03940A	2		JC67-00520A	LENS-LED STATUS; ML-5015ND,PMMA,MILKY WHI	SNA	1
19	JC97-03940A	2		JC64-00646A	KEY-OPE PAD; ML-5015ND,Silicone,7.3,TRANS	SNA	1
20	JC97-03940A	2		JC92-02380A	PBA-LCD PANEL; ML-4510ND,SEC,S3C828B,197	SA	1
21	JC97-03940A	2		JC62-00866A	SEAL-4LINE LCD; ML-4510ND,Polyurethane Fo	SNA	1

5. Frame-Base

Exploded View

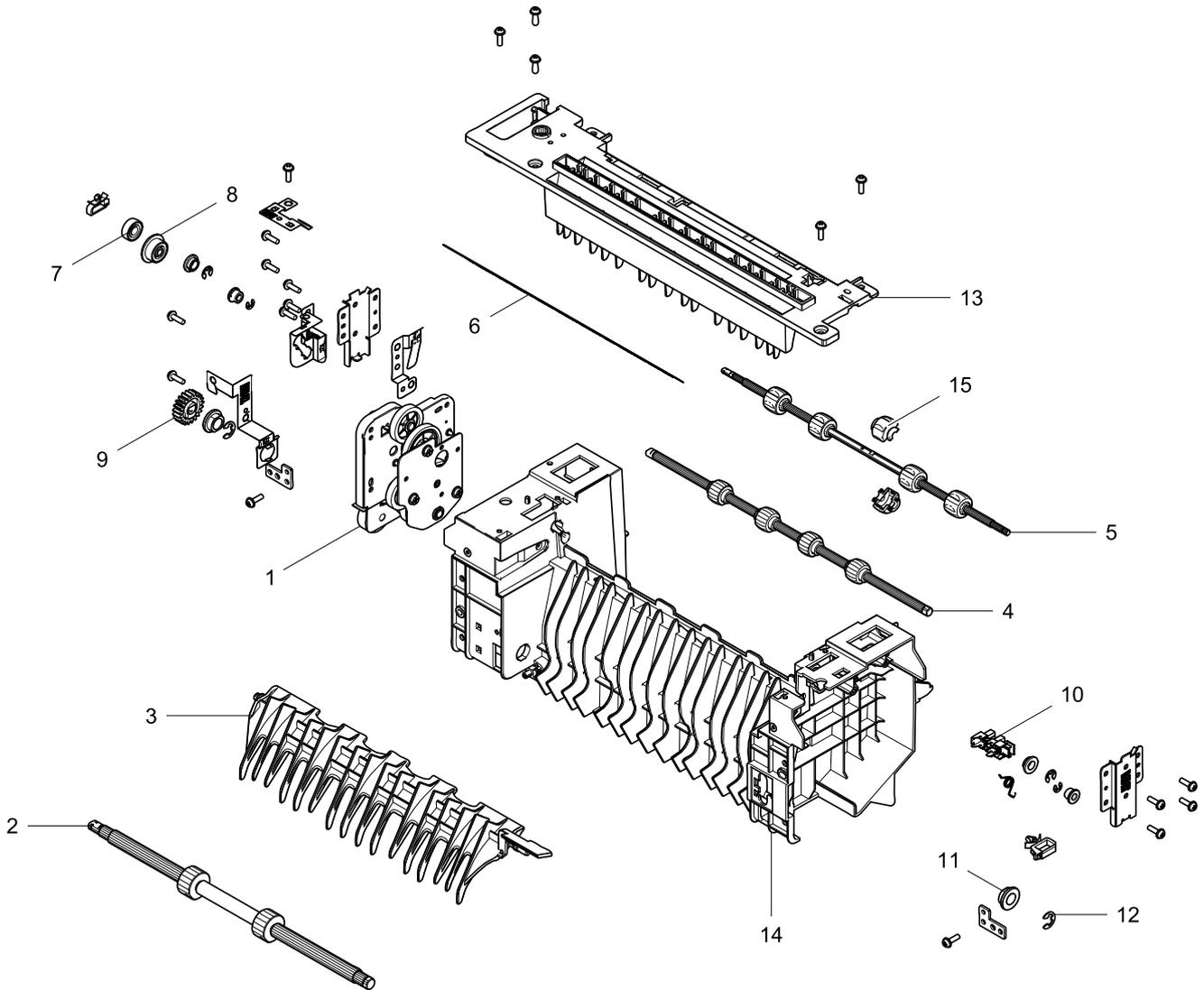


Parts List

No.	Parent	Lvl.	Loc.	Material Code	Description & Specification	SNA	Qty.
1	JC93-00359A	3		JC93-00367A	FRAME-RIGHT; ML-5015ND,SEC	SNA	1
2	JC93-00359A	3		JC93-00364A	FRAME-LEFT; ML-5015ND,SEC	SNA	1
3	JC93-00359A	3		JC90-01076A	DUPLEX; ML-5015ND,SEC	SA	1
4	JC93-00359A	3		JC93-00372A	FRAME-UPPER; ML-5015ND,SEC	SNA	1
5	JC93-00359A	3		JC90-01071A	EXIT; ML-5015ND,SEC	SA	1
6	JC93-00359A	3		JC61-04269A	BRACKET-SUPPORT FRAME; ML-5015ND,SECC,1.2	SNA	1
7	JC93-00359A	3		JC61-04270A	BRACKET-CROSS BAR F; ML-5015ND,SECC,1.0T	SNA	1
8	JC93-00359A	3		JC61-04271A	BRACKET-CROSS BAR R; ML-5015ND,SECC,1.0T	SNA	1

5.1. Exit

Exploded View



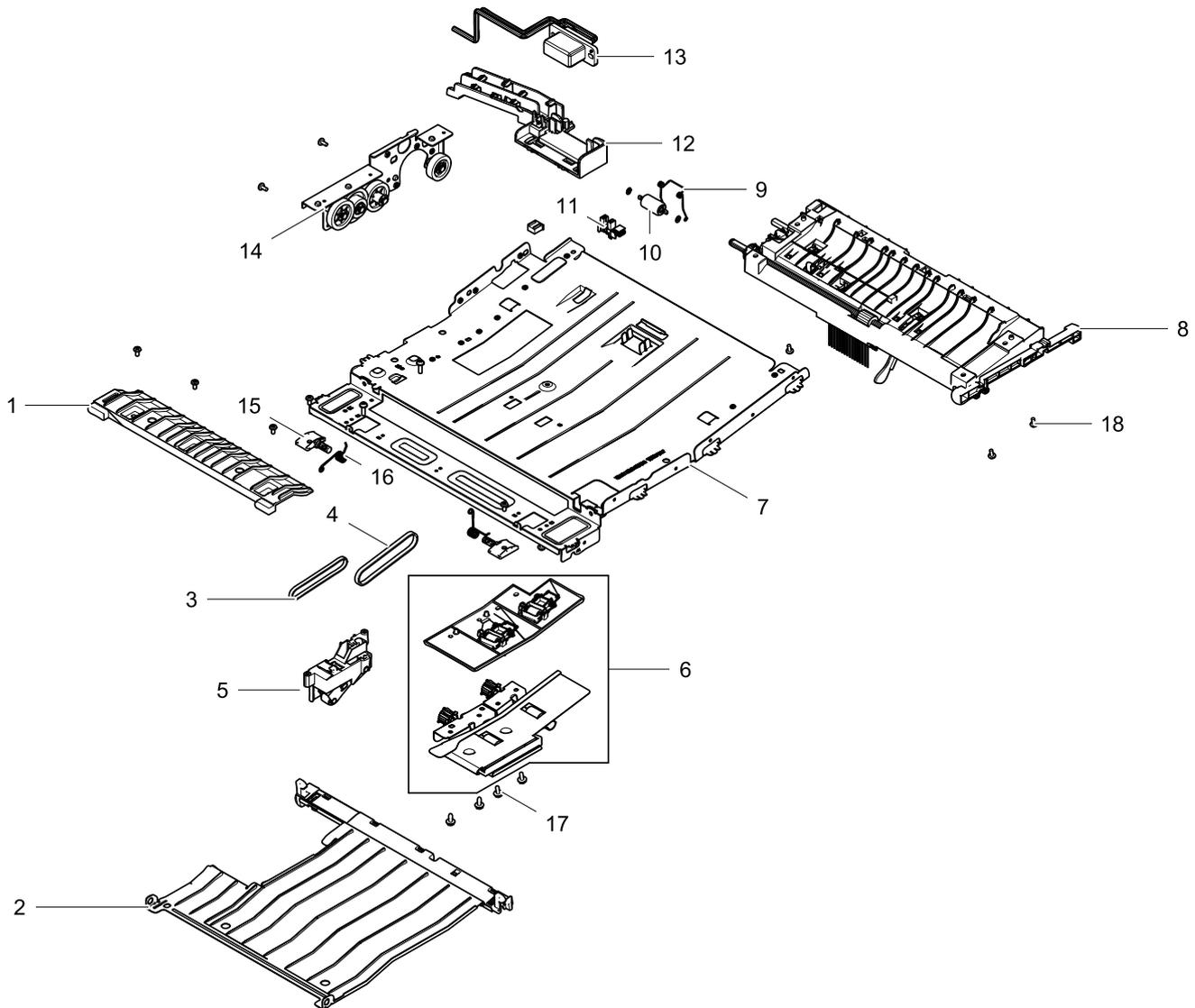
Parts List

No.	Parent	Lvl.	Loc.	Material Code	Description & Specification	SNA	Qty.
1	JC90-01071A	4		JC93-00349A	DRIVE EXIT; ML-5015ND,SEC	SA	1
2	JC90-01071A	4		JC90-01092A	EXIT-ROLLER DUPLEX; ML-5015ND,SEC	SA	1
3	JC90-01071A	4		JC61-03891A	GUIDE-DEFLECTOR; ML-6510ND,PPE+PS,BLACK,P	SNA	1
4	JC90-01071A	4		JC66-02663A	ROLLER-EXIT_UPPER; ML-6510ND,EPDM,SUM22+N	SNA	1
5	JC90-01071A	4		JC66-02664A	ROLLER-EXIT_LOWER; ML-6510ND,EPDM,SUM22+N	SNA	1
6	JC90-01071A	4	H1153	JC67-00295A	BRUSH-ANTISTATIC; CLP-660,AL+SUS FIBER,22	SA	1

No.	Parent	Lvl.	Loc.	Material Code	Description & Specification	SNA	Qty.
7	JC90-01071A	4	I5639	JC66-01017A	GEAR-M_EXIT UPPER; SCX-6345N/XRX,POM,0.8,	SA	1
8	JC90-01071A	4	I5638	JC66-01018A	GEAR-M_EXIT LOWER; SCX-6345N/XRX,POM,0.8,	SA	1
9	JC90-01071A	4	I5712	JC66-00854A	GEAR-M-EXIT DUP Z21; ML-3560,POM,1,21,WHT	SA	1
10	JC93-00366A	4		0604-001325	PHOTO-INTERRUPTER; TR,BULK	SA	2
11	JC90-01071A	4	H1176	JC61-00426A	BUSH-8/5; ML-9400W,bearing, 8,OD12.0,L6.	SA	2
12	JC90-01071A	4	L4041	6044-000129	RING-E; ID6,OD12,T0.8,ZPC,STSC	SA	2
13	JC90-01071A	4		JC61-04283A	FRAME-CAP_EXIT; ML-5015ND,ABS+PC,BLACK	SNA	1
14	JC90-01071A	4		JC61-04282A	FRAME-EXIT; ML-5015ND,ABS,GRAY	SNA	1
15	JC90-01071A	4		JC67-00477A	CAP-ROLLER_EXIT; ML-6510ND,PC,Black	SNA	2

5.2. Duplex

Exploded View



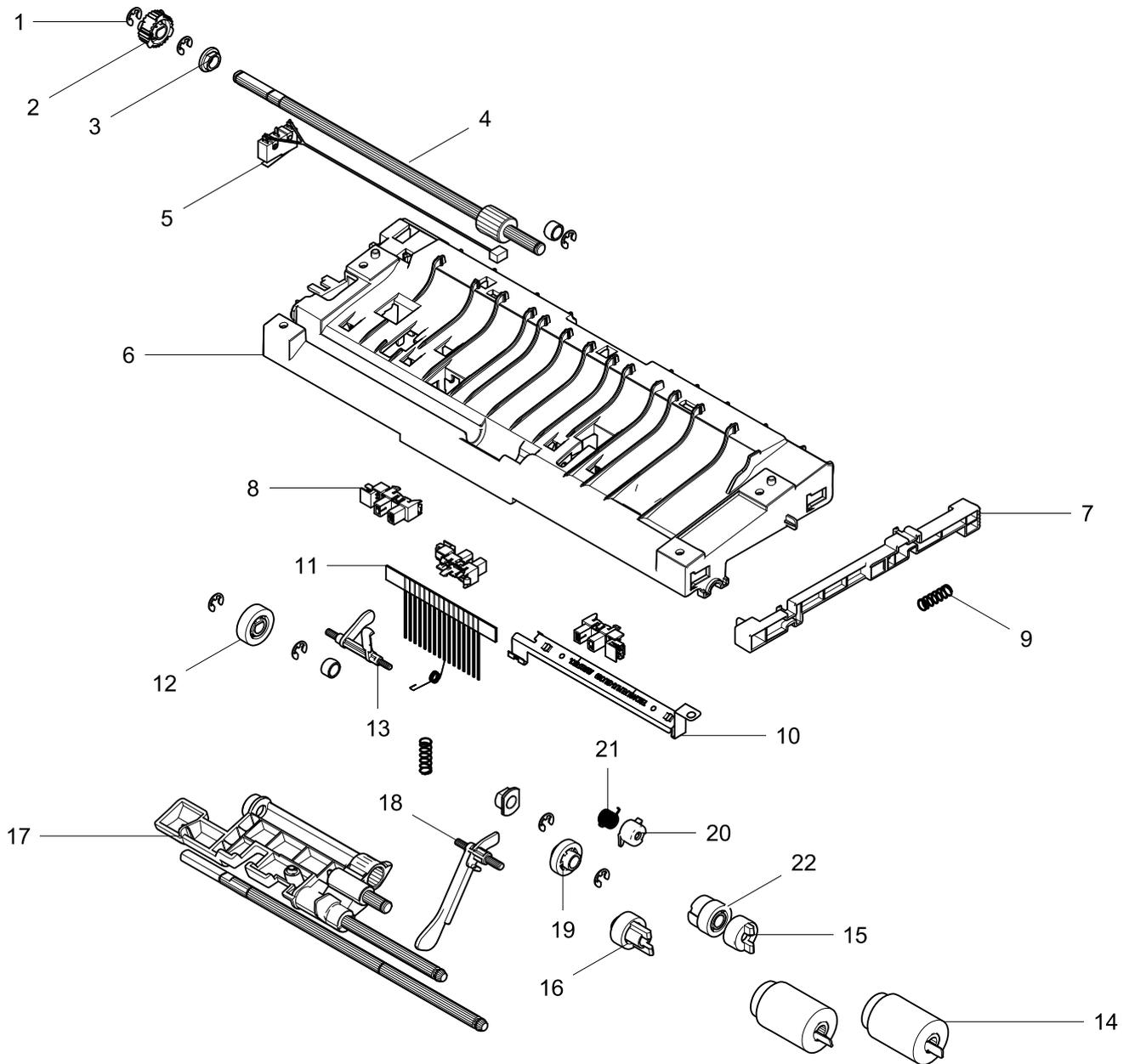
Parts List

No.	Parent	Lvl.	Loc.	Material Code	Description & Specification	SNA	Qty.
1	JC90-01076A	4		JC61-04267A	GUIDE-DUPLEX REAR; ML-5015ND,ABS,BLACK,GU	SA	1
2	JC90-01076A	4		JC90-01087A	DUPLEX-GUIDE LOWER; ML-5015ND,SEC	SA	1
3	JC90-01076A	4	A4233	6602-001588	BELT-TIMING GEAR; 32S2M152,CR+GF+NF,T3.2,	SNA	1
4	JC93-00348A	4	A4235	6602-001581	BELT-TIMING GEAR; 40S2M168,RUBBER,T1.36,L	SA	2
5	JC90-01076A	4		JC93-00369A	FRAME-STOPPER CASSETTE; ML-5015ND,SEC	SA	1

No.	Parent	Lvl.	Loc.	Material Code	Description & Specification	SNA	Qty.
6	JC90-01076A	4		JC90-01084A	DUPLEX-FEEDER UPPER; ML-5015ND,SEC	SA	1
7	JC90-01076A	4		JC61-04221A	GUIDE-DUPLEX UPPER; SECC,1.0T,PAPER	SA	1
8	JC90-01076A	4		JC93-00383A	FRAME-PICK UP; ML-5015ND,SEC	SA	1
9	JC90-01076A	4		6107-002857	SPRING-TS; SWP B,BK,0.70,ID3.4,5.79	SA	1
10	JC90-01076A	4		JC66-02291A	ROLLER-IDLE MP; CLX-9350,POM,12,20.2	SNA	1
11	JC93-00366A	4		0604-001325	PHOTO-INTERRUPTER; TR,BULK	SA	2
12	JC90-01076A	4		JC61-04253A	HOLDER-HARNESS DRAW; ML-5015ND,ABS,BLACK	SA	1
13	JC90-01076A	4		JC39-01444A	HARNESS-FUSER_FR; ML-4510ND,UL10272,AWG26	SNA	1
14	JC90-01076A	4		JC93-00352A	DRIVE-DUPLEX; ML-5015ND,SEC	SA	1
15	JC90-01076A	4		JC61-04249A	HOLDER-DUP LOWER; ML-5015ND,ABS+GF20%,BLA	SA	2
16	JC90-01076A	4		6107-002850	SPRING-TS; SWP B,1,6.2,7.9	SA	2
17	JC90-01076A	4	F9643	6009-001492	SCREW-HEX; HWH,+,M3,L8,NI PLT,SWRCH18A,S,	SNA	4
18	JC93-00384A	4	F9840	6003-000269	SCREW-TAPTYPE; BH,+,-,S,M3,L6,ZPC(WHT),SW	SA	2

5.2.1. Frame-Pick up

Exploded View



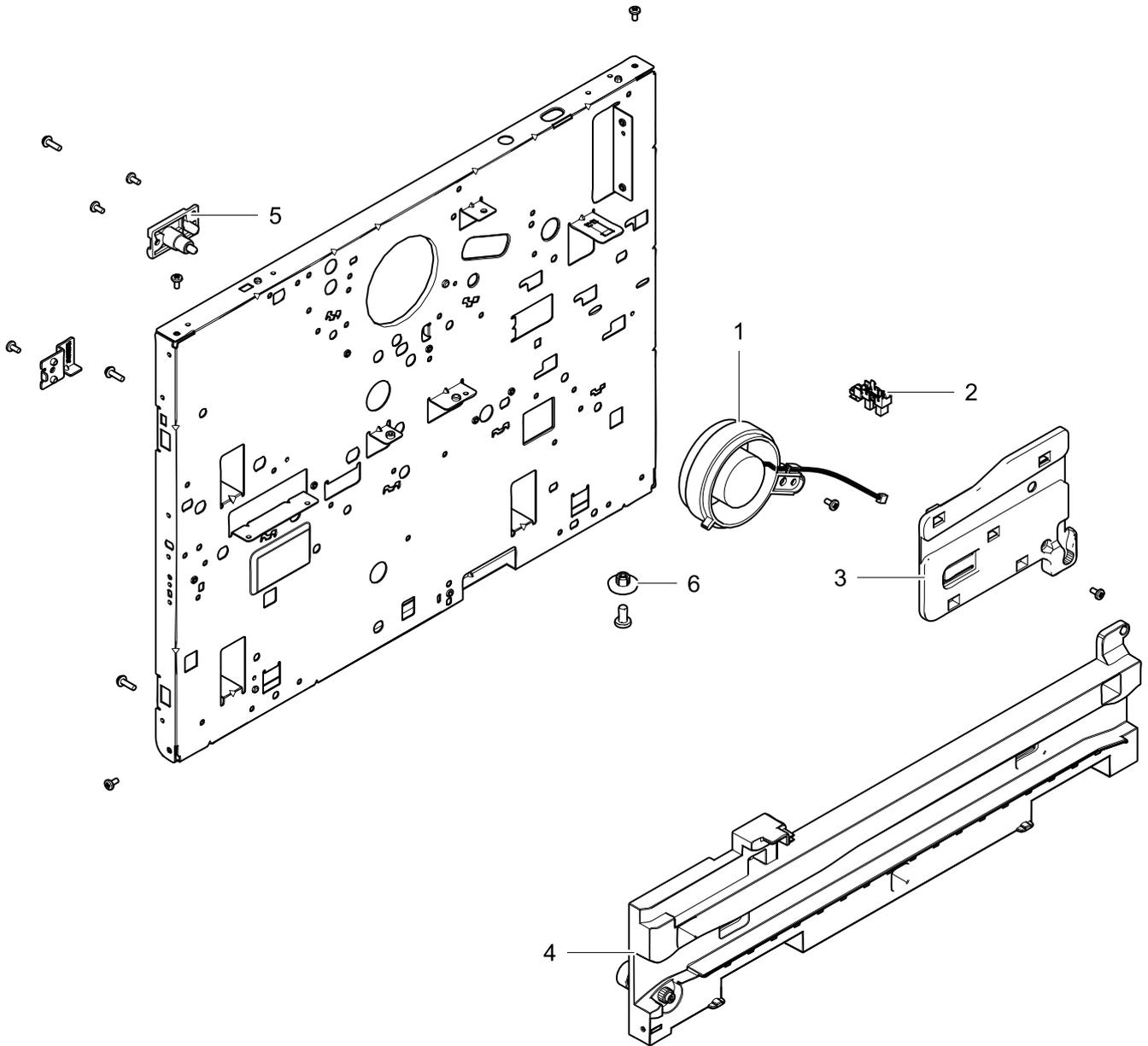
Parts List

No.	Parent	Lvl.	Loc.	Material Code	Description & Specification	SNA	Qty.
1	JC93-00393A	5	F8266	6044-000125	RING-E; ID4,OD9,T0.6,STSC	SA	4
2	JC93-00383A	5		JC66-02902A	PULLEY-DUPLEX; ML-5015ND,POM	SA	1
3	JC90-01080A	5	H1184	JC61-00699A	BUSH-D6/L4; CLP-500,Fe+Cu+Zn-Slearate,6	SA	2
4	JC93-00383A	5		JC66-02966A	ROLLER-DUPELX_DRIVE; ML-5015ND,EPDM + SUM	SA	1
5	JC93-00383A	5		JC39-01443A	HARNESS-DUP & UPLIMIT_SEN; ML-4510ND,UL1027	SNA	1

No.	Parent	Lvl.	Loc.	Material Code	Description & Specification	SNA	Qty.
6	JC93-00383A	5		JC61-04255A	HOLDER-PICK UP; ML-5015ND,PC+GF	SNA	1
7	JC93-00383A	5		JC70-00598A	ADJUST-DUPLEX OPEN; ML-5015ND,ABS,ICE GRE	SNA	1
8	JC93-00383A	5		0604-001325	PHOTO-INTERRUPTER; TR,BULK	SA	3
9	JC93-00383A	5		6107-002854	SPRING-CS; SWP B,0.5,17.5,4.7,5.7	SA	1
10	JC93-00383A	5		JC63-02982A	GROUND-DUPLEX BRACKET; ML-5015ND,C5210P,0	SNA	1
11	JC93-00383A	5		JC67-00468A	BRUSH-PICK; ML-6510ND,SUS FIBER,35,71.7,N	SNA	1
12	JC93-00383A	5		JC66-02895A	GEAR-RETARD IDLE A; ML-5015ND,POM,0.6,29,	SA	1
13	JC93-00383A	5		JC66-02906A	ACTUATOR-DUPLEX; ML-5015ND,POM,Black	SA	1
14	JC93-00383A	5	J9057	JC97-02259A	MEA UNIT-ROLLER PU; SCX-6345N/XRX,XEROX,-	SA	2
15	JC93-00383A	5	J8666	JC97-02292A	MEA UNIT-IDLE FORWARD; SCX-6345N/XRX,XERO	SNA	1
16	JC93-00383A	5	I5681	JC66-00943A	GEAR-M_PU JOINT; SCX-6345N/XRX,POM,0.7,21	SA	1
17	JC93-00383A	5		JC61-04235A	HOUSING-PICKUP; ML-5015ND,PC	SNA	1
18	JC93-00383A	5		JC66-02905A	ACTUATOR-PAPER EMPTY; ML-5015ND,PC,Black	SA	1
19	JC93-00383A	5	I5652	JC66-00940A	GEAR-M_IDLE PU; SCX-6345N/XRX,POM,0.7,22,	SA	1
20	JC93-00383A	5		JC61-04259A	HOLDER-ACTUATOR EMPTY; ML-5015ND,ABS	SNA	1
21	JC93-00383A	5		6107-002855	SPRING-TS; SUS304,0.5,6.2,7.2	SA	1
22	JC93-00383A	5	J8520	JC97-02291A	MEA UNIT-GEAR ONE WAY; SCX-6345N/XRX,XERO	SNA	1

5.3. Frame-Left

Exploded View



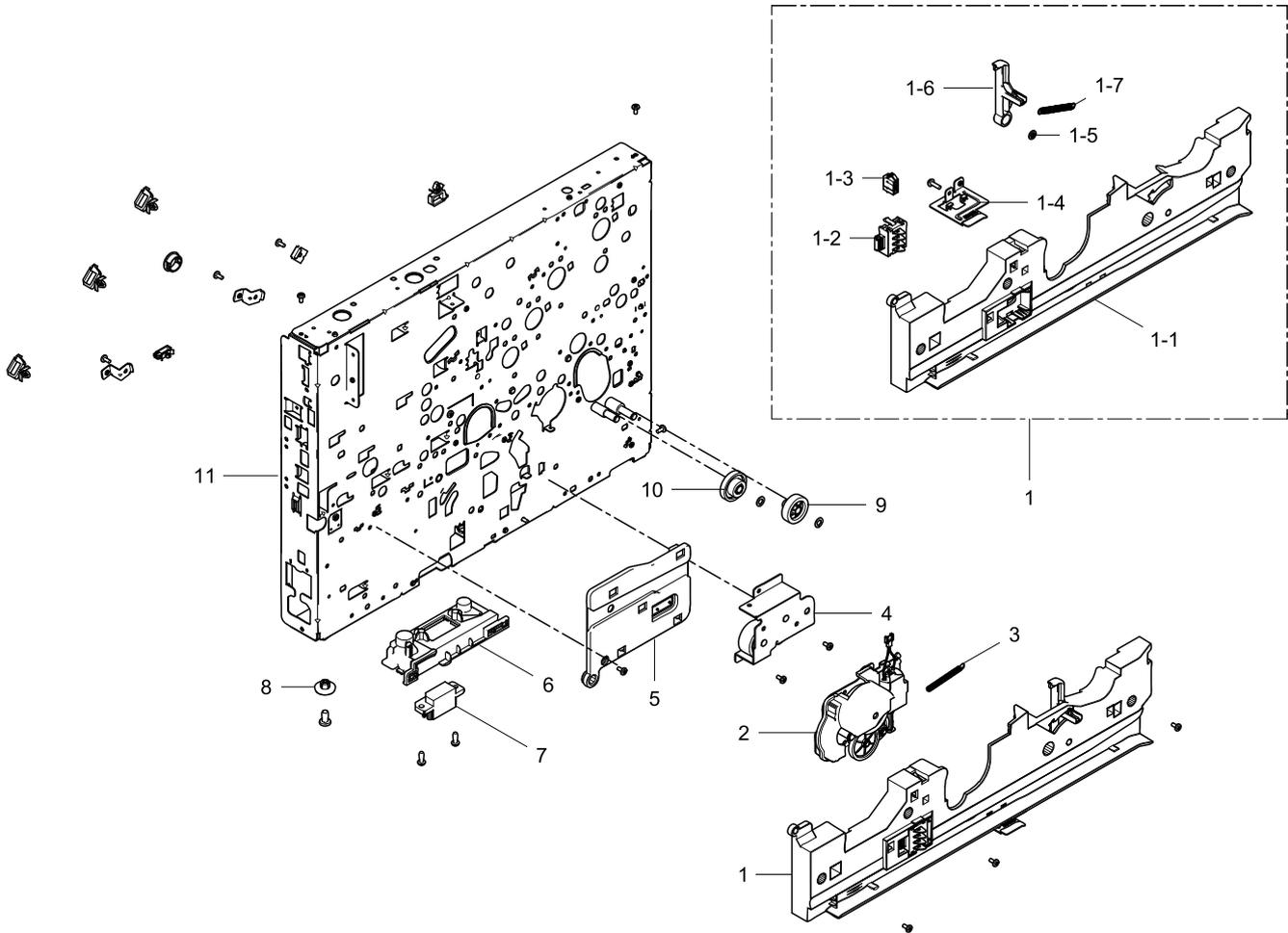
Parts List

No.	Parent	Lvl.	Loc.	Material Code	Description & Specification	SNA	Qty.
1	JC93-00364A	4	I4723	JC31-00086A	FAN-DC; CLX-8380ND/XAA,PBT+GF,UL10272 AWG	SA	1
2	JC93-00366A	4		0604-001325	PHOTO-INTERRUPTER; TR,BULK	SA	2
3	JC93-00364A	4		JC61-04261A	GUIDE-FUSER L; ML-5015ND,ABS+PET,BLACK,GU	SNA	1
4	JC93-00364A	4		JC93-00360A	FRAME-GUIDE CASSETTE LEFT; ML-5015ND,SEC	SNA	1

No.	Parent	Lvl.	Loc.	Material Code	Description & Specification	SNA	Qty.
5	JC93-00364A	4		JC93-00371A	FRAME-TERMINAL FUSER; ML-5015ND,SEC	SA	1
6	JC93-00367A	4		JC61-03946A	HOLDER-FOOT_LOWER; ML-6510ND,PC,W17.8,L7.	SA	1

5.4. Frame-Right

Exploded View



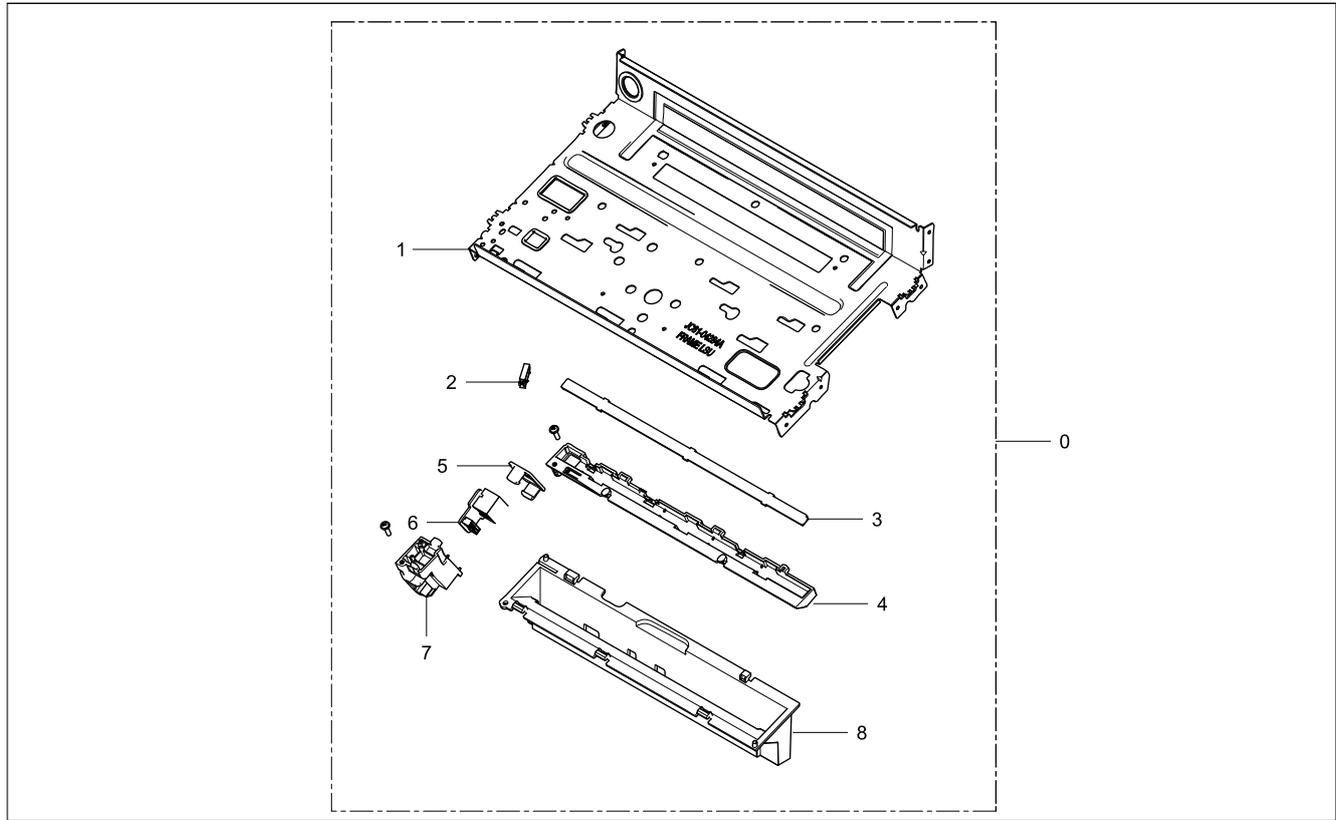
Parts List

No.	Lvl.	Loc.	Material Code	Description & Specification	SNA	Qty.
1	4		JC93-00361A	FRAME-GUIDE CASSETTE RIGHT; ML-5015ND,SEC	SNA	1
1-1	5		JC61-04265A	GUIDE-CASSETTE R; ML-5015ND,ABS,BLACK,GUI	SNA	1
1-2	5		JC34-00001A	SWITCH-SIGNAL; Lever Type,PBT, POM, BsP,D	SA	1
1-3	5		JC39-01440A	HARNES-CST_JOINT; ML-4510ND,UL10272,AWG2	SNA	1
1-4	5		JC61-04289A	BRACKET-GROUND CASSETTE; ML-5015ND,SECC,1	SNA	1
1-5	5	F8258	6044-000001	RING-CS; ID2.8,OD8,T0.25,BLACK,SK-5	SNA	1
1-6	5		JC66-02627A	LEVER-PICK_UP; ML-6510ND,POM,W66,L29.5,F2	SA	1
1-7	5		6107-001517	SPRING-ES; SWP,PI0.5,MD5.1,L30,ID4.4,OD5.	SNA	1
2	4		JC93-00350A	DRIVE-FEED; ML-5015ND,SEC	SA	1

No.	Lvl.	Loc.	Material Code	Description & Specification	SNA	Qty.
3	4	L7510	6107-001259	SPRING-ES; SWP-B,PI0.35,D4.25,L33.8,ID3.9	SA	1
4	4		JC93-00351A	DRIVE FUSER-BRACKET; ML-5015ND,SEC	SA	1
5	4		JC61-04262A	GUIDE-FUSER R; ML-5015ND,ABS+GF,GF20%,BLA	SNA	1
6	4		JC61-04242A	HOLDER-CONNECTOR SCF; ML-5015ND,ABS+PC,BL	SNA	1
7	4		JC39-01441A	HARNESS-SCF; ML-4510ND,UL10272,AWG26,UL10	SA	1
8	4		JC61-03946A	HOLDER-FOOT_LOWER; ML-6510ND,PC,BLACK	SA	1
9	4		JC66-02886A	GEAR-RETARD IDLE B; ML-5015ND,POM,1.0,23,	SA	1
10	4		JC66-02885A	GEAR-RETARD RDCN; ML-5015ND,POM,0.6, 1.0,	SA	1
11	4		JC61-04285A	FRAME-RIGHT; ML-5015ND,EGI-SECC,1	SNA	1

5.5. Frame-Upper

Exploded View

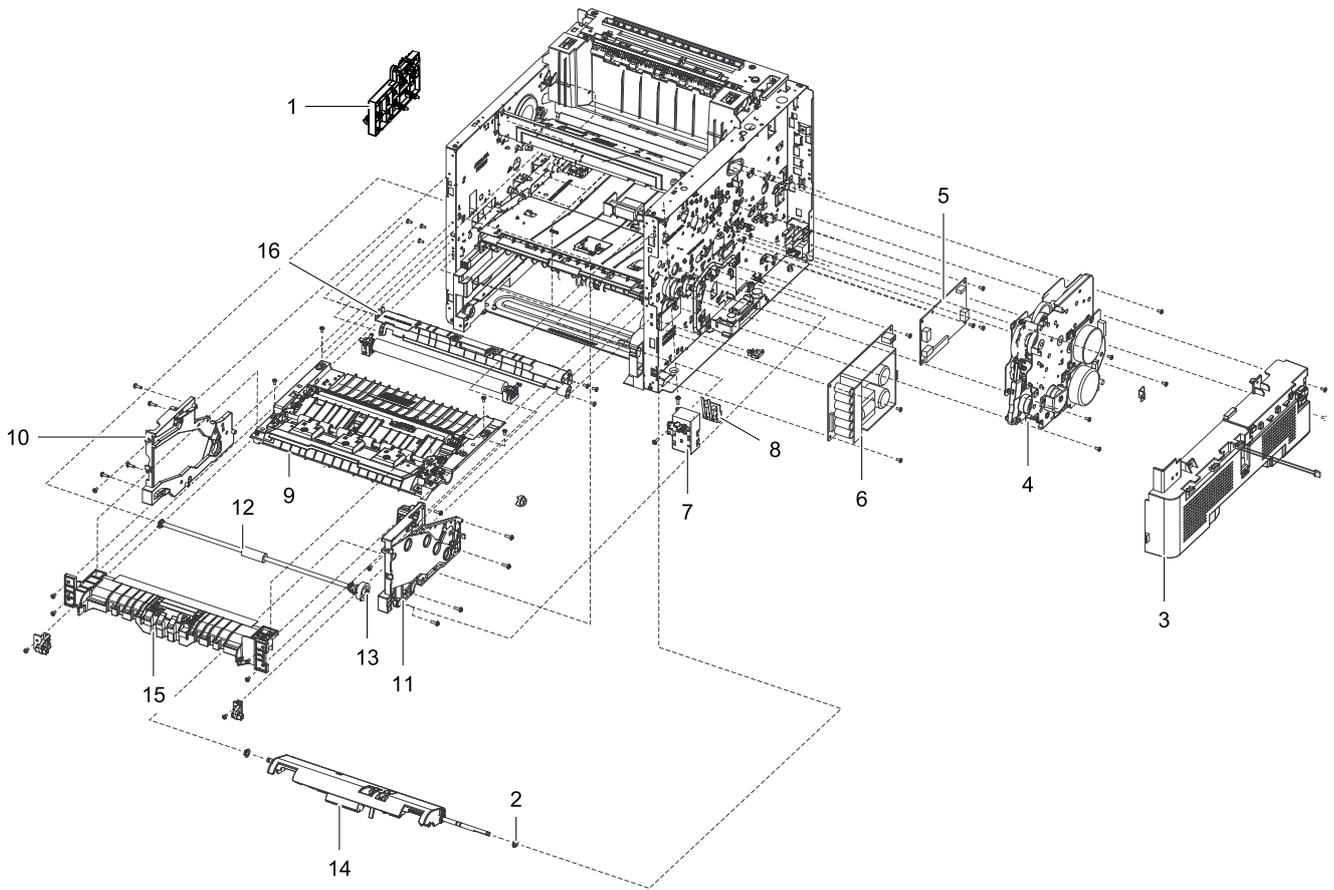


Parts List

No.	Parent	Lvl.	Loc.	Material Code	Description & Specification	SNA	Qty.
0	JC93-00359A	3		JC93-00372A	FRAME-UPPER; ML-5015ND,SEC	SNA	1
1	JC93-00372A	4		JC61-04284A	FRAME-LSU LOWER; ML-5015ND,SECC,1.0T	SNA	1
2	JC95-01410A	4	L9053	6502-001130	CABLE CLAMP; DACS-3N,14*5,Nylon66,BLACK	SA	3
3	JC93-00372A	4		JC92-02373A	PBA-ERASER; ML-4510ND,24V,PBA-ERASER,FR-1	SNA	1
4	JC93-00372A	4		JC61-04247A	HOLDER-ERASER; ML-5015ND,PC	SNA	1
5	JC93-00372A	4		JC61-03903A	HOLDER-CONNECTOR_DEVE; ML-6510ND,ABS,W29,	SNA	1
6	JC96-06126A	4		JC92-02372A	PBA-DEVE CRUM; ML-4510ND,SEC,DEVE CRUM,33	SNA	1
7	JC93-00372A	4		JC61-04243A	HOLDER-CONNECTOR DEVE; ML-5015ND,ABS,BLAC	SNA	1
8	JC93-00372A	4		JC67-00517A	DUCT-MAIN DEVE; ML-5015ND,ABS,BLACK	SNA	1

6. Frame-Main

Exploded View



Parts List

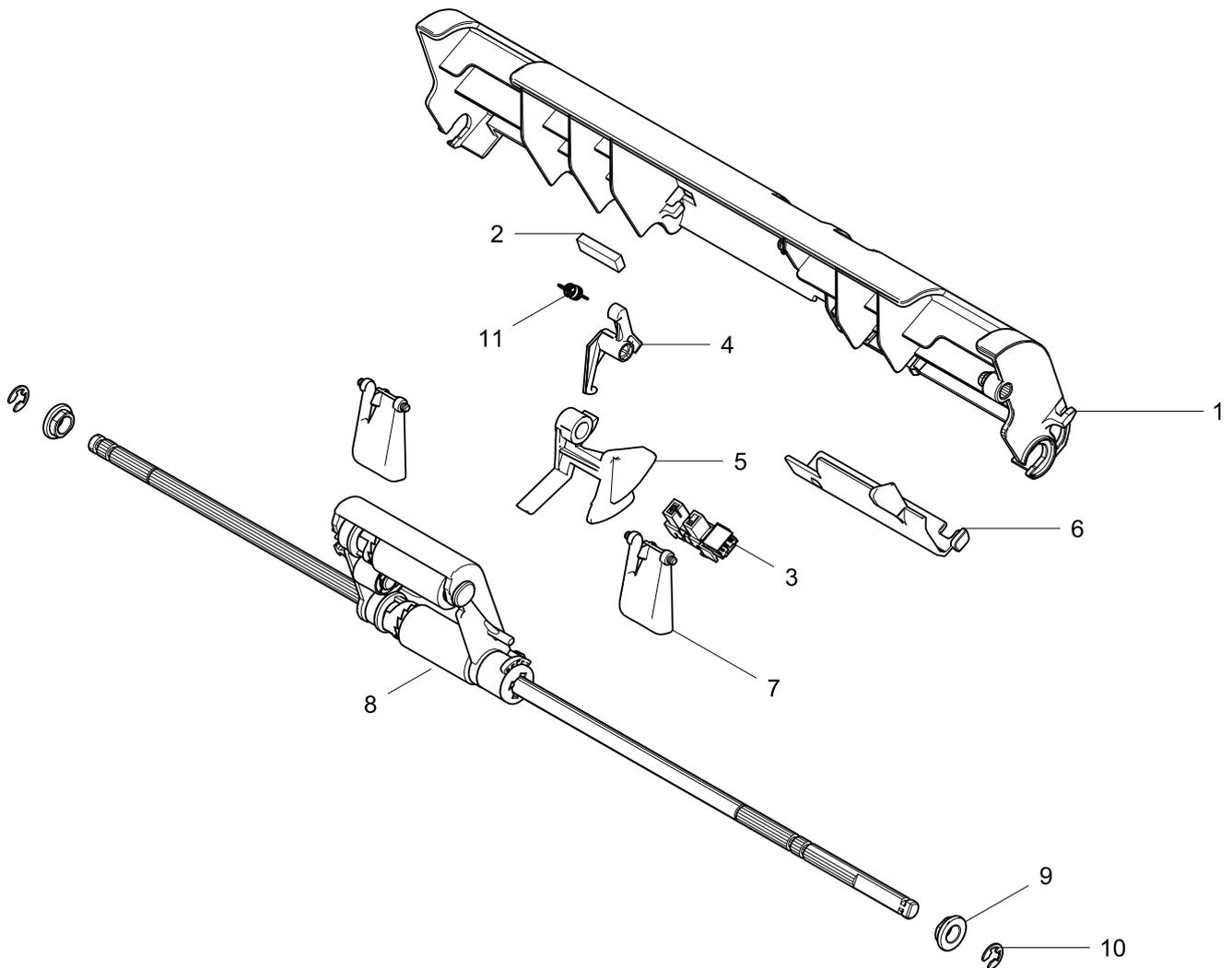
No.	Parent	Lvl.	Loc.	Material Code	Description & Specification	SNA	Qty.
1	JC93-00391A	3		JC93-00370A	FRAME-TERMINAL; ML-5015ND,SEC	SA	1
2	JC93-00391A	3	H1184	JC61-00699A	BUSH-D6/L4; CLP-500,Fe+Cu+Zn-Slearate,6	SA	6
3	JC93-00391A	3		JC95-01410A	COVER-SMPS; ML-5015ND,SEC	SNA	1
4	JC93-00391A	3		JC93-00348A	DRIVE MAIN; ML-5015ND,SEC	SA	1
5	JC93-00391A	3		JC44-00203A	FDB-PETREL V1; ML-5010ND,PETREL FDB-V1,AC	SA	1
6	JC93-00391A	3		JC44-00091C	SMPS-V1; ML-5010ND,PSPN-Type4-V1,Flyback,	SA	1
7	JC93-00391A	3		JC61-04245A	HOLDER-COVER OPEN; ML-5015ND,ABS,BLACK	SA	1
8	JC93-00391A	3		JC92-02371A	PBA-COVER OPEN SENSOR; ML-4510ND,SEC,COVE	SA	1
9	JC93-00391A	3		JC93-00366A	FRAME-MIDDLE; ML-5015ND,SEC	SA	1
10	JC93-00391A	3		JC93-00362A	FRAME-GUIDE OPC LEFT; ML-5015ND,SEC	SNA	1

Exploded Views and Parts List

No.	Parent	Lvl.	Loc.	Material Code	Description & Specification	SNA	Qty.
11	JC93-00391A	3		JC93-00363A	FRAME-GUIDE OPC RIGHT; ML-5015ND,SEC	SNA	1
12	JC93-00391A	3		JC66-02965A	ROLLER-FEED_DRIVE; ML-5015ND,EPDM + SUM22	SNA	1
13	JC93-00391A	3	F4568	JB72-00845A	PMO-PICK UP CLUTCH SUB; SCX-1110F,POM(DE8	SNA	1
14	JC93-00391A	3		JC90-01079A	MP-UPPER; ML-5015ND,SEC	SA	1
15	JC93-00391A	3		JC90-01081A	MP-LOWER; ML-5015ND,SEC	SA	1
16	JC93-00384A	4		JC61-04226A	PLATE-FEED IDLE; SECC,1.2T	SNA	1

6.1. MP-Upper

Exploded View



Parts List

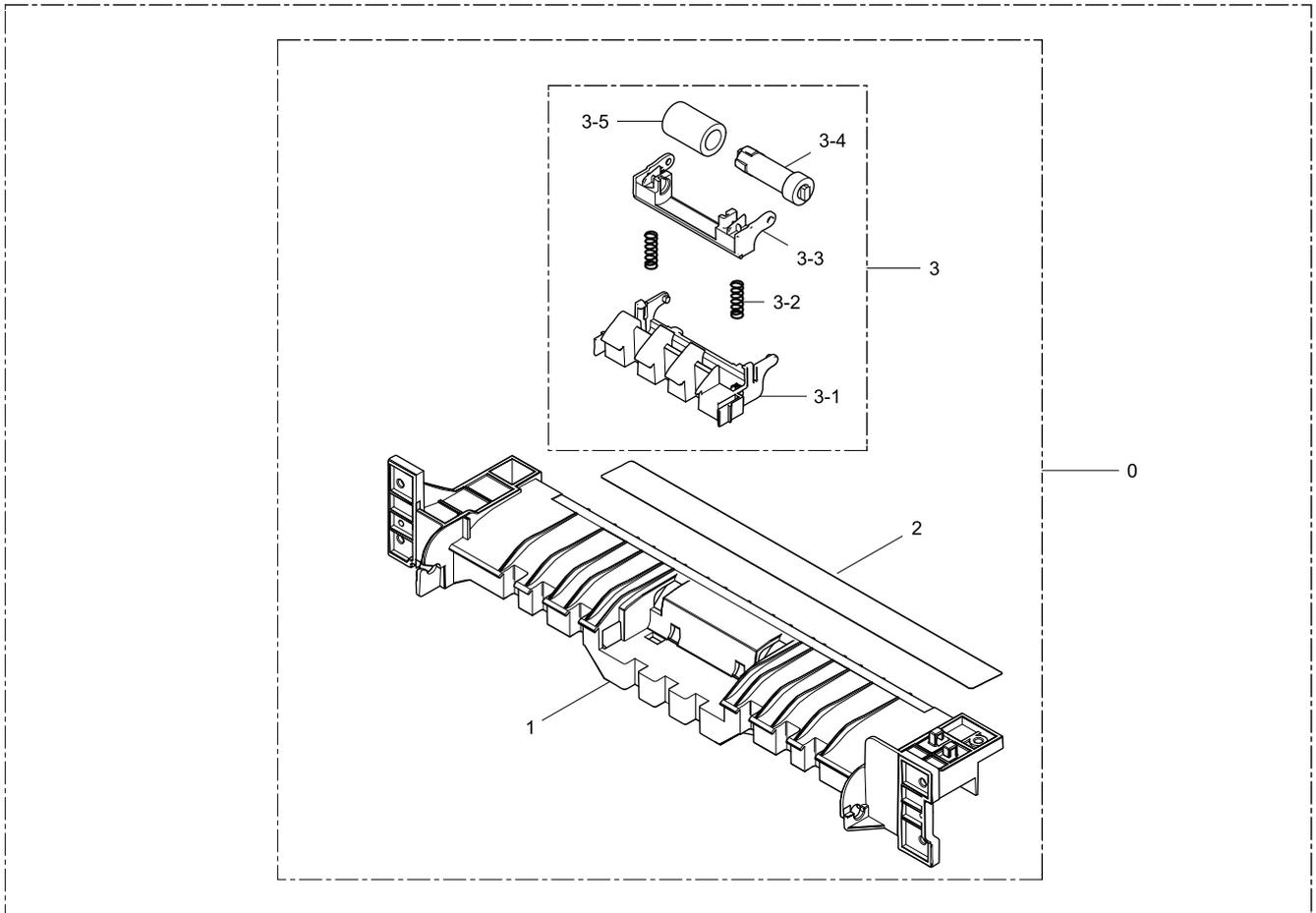
No.	Parent	Lvl.	Loc.	Material Code	Description & Specification	SNA	Qty.
1	JC90-01079A	4		JC61-04232A	FRAME-MP UPPER; ML-5015ND,ABS	SNA	1
2	JC90-01079A	4		JC66-02970A	DAMPER-MP_PICKUP; ML-5015ND,NHK-WB3T,T3,W	SNA	1
3	JC93-00366A	4		0604-001325	PHOTO-INTERRUPTER; TR,BULK	SA	2
4	JC90-01079A	4		JC66-02908A	LATCH-STOPPER; ML-5015ND,POM	SNA	1
5	JC90-01079A	4		JC61-04231A	STOPPER-PAPER MP; ML-5015ND,PC	SNA	1
6	JC90-01079A	4		JC61-04233A	FRAME-MP UPPER_SUB; ML-5015ND,ABS	SNA	1
7	JC90-01079A	4	I6320	JC61-00788A	GUIDE-M_DOC SENSOR; SCX-6320F,HIPS HB,2.5	SNA	2
8	JC90-01079A	4		JC90-01080A	MP-PICK UP; ML-5015ND,SEC	SA	1

Exploded Views and Parts List

No.	Parent	Lvl.	Loc.	Material Code	Description & Specification	SNA	Qty.
9	JC93-00348A	4	H1184	JC61-00699A	BUSH-D6/L4; CLP-500,Fe+Cu+Zn-Slearate,6	SA	4
10	JC96-06109A	4	F8266	6044-000125	RING-E; ID4,OD9,T0.6,STSC	SA	1
11	JC90-01079A	4		6107-002863	SPRING-ES; SUS304,0.35,14.2,OD4.6,13	SA	1

6.2. MP-Lower

Exploded View

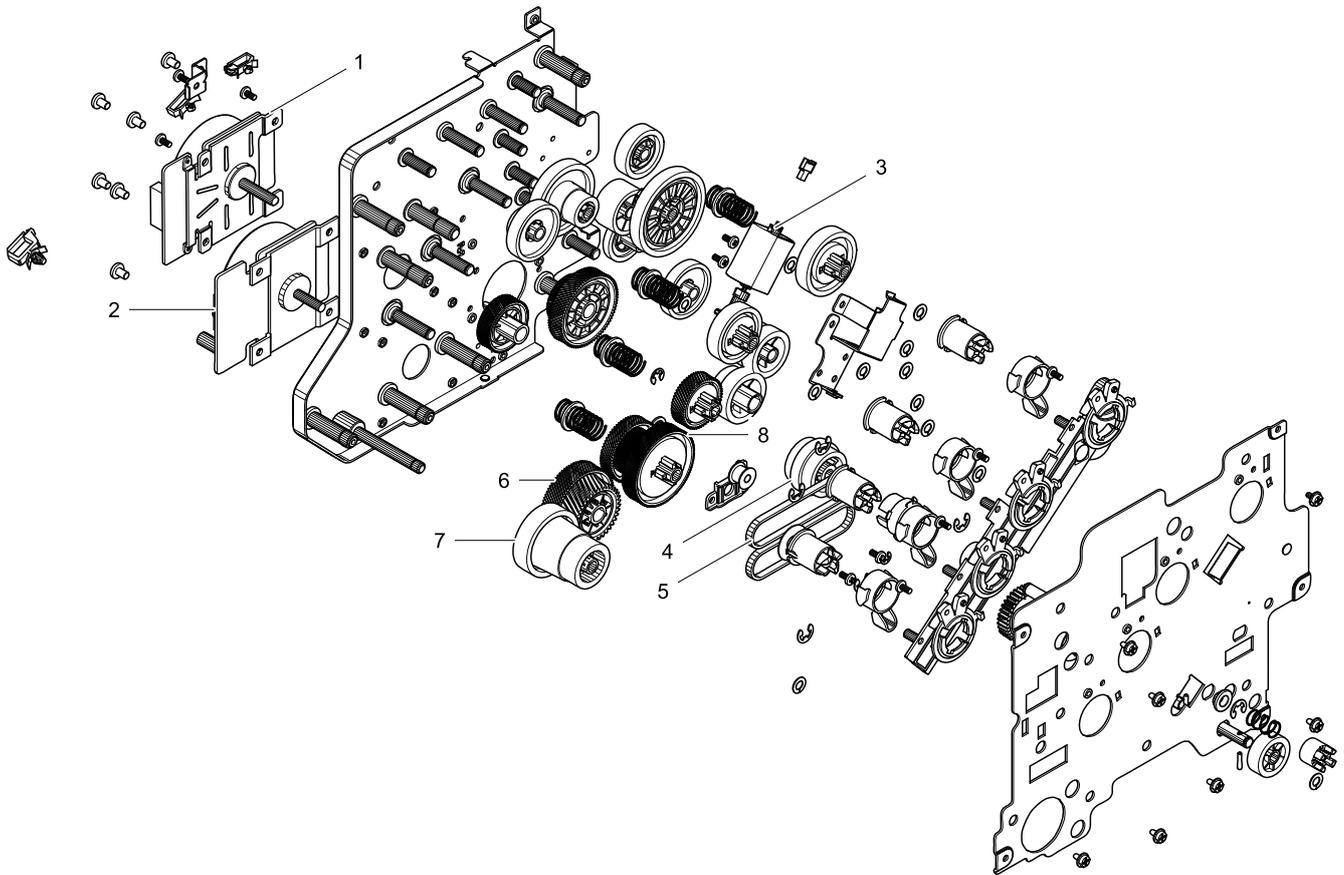


Parts List

No.	Parent	Lvl.	Loc.	Material Code	Description & Specification	SNA	Qty.
0	JC93-00391A	3		JC90-01081A	MP-LOWER; ML-5015ND,SEC	SA	1
1	JC90-01081A	4		JC61-04234A	FRAME-MP LOWER; ML-5015ND,PC	SNA	1
2	JC90-01081A	4		JC63-03095A	SHEET-MP_LOWER; ML-5015ND,PET,0.125,233,2	SNA	1
3	JC90-01081A	4		JC90-01082A	MP-RETARD; ML-5015ND,SEC	SA	1
3-1	JC90-01082A	5		JC61-04237A	HOUSING-MP RETARD; ML-5015ND,ABS	SNA	1
3-2	JC90-01082A	5		6107-002889	SPRING-ETC; SUS304,0.40,5.2,4.8,5.6,22,RI	SA	2
3-3	JC90-01082A	5		JC61-04257A	HOLDER-MP RETARD; ML-5015ND,ABS	SNA	1
3-4	JC90-01082A	5		JC67-00465A	COUPLER-TORQUE_LIMITER; ML-6510ND,42,20g,	SNA	1
3-5	JC90-01082A	5		JC73-00328A	RUBBER-TL; ML-6510ND,EPDM+IR,16,24,NTR,PA	SNA	1

6.3. Drive Main

Exploded View

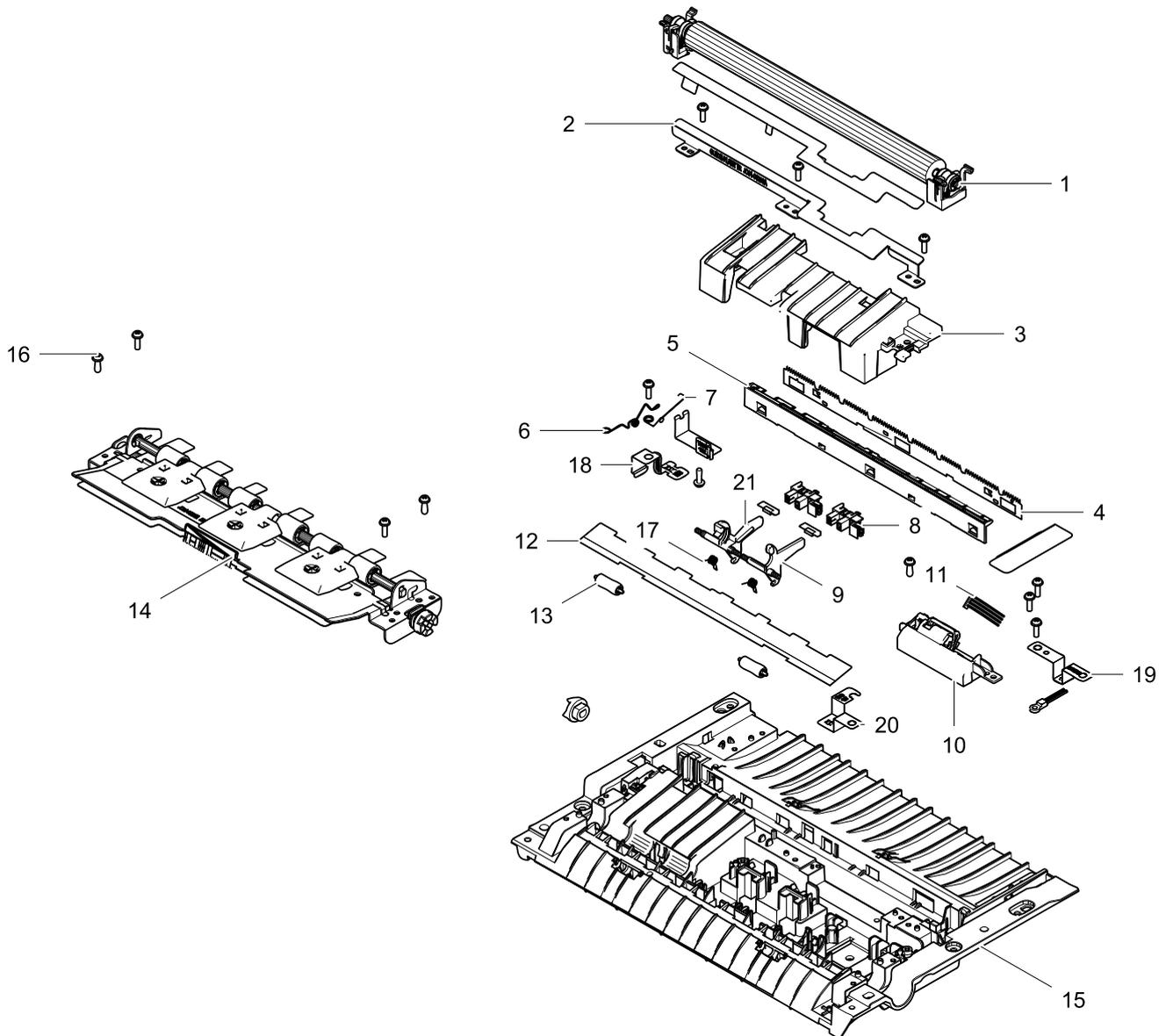


Parts List

No.	Parent	Lvl.	Loc.	Material Code	Description & Specification	SNA	Qty.
1	JC93-00348A	4		JC31-00150A	MOTOR BLDC-TYPE4; 1100~2500,DC 24V,2A,25W	SA	1
2	JC93-00348A	4		JC31-00144A	MOTOR BLDC; DC 24V,2.0A,25W,ML-3700,TYPE2	SA	1
3	JC93-00348A	4	K1299	JC31-00078A	MOTOR DC; NF213G-1020515,DC24V,CLX-8380ND	SA	1
4	JC93-00348A	4		JC47-00033A	CLUTCH-ELECTRIC; ML-3200ND,DC24V,125mA,Z2	SA	1
5	JC93-00348A	4	A4235	6602-001581	BELT-TIMING GEAR; 40S2M168,RUBBER,T1.36,L	SA	2
6	JC93-00348A	4		JC66-02874A	GEAR-FUSER RDCN A; ML-5015ND,POM,0.5, 0.8	SA	1
7	JC93-00348A	4		JC66-02875A	GEAR-FUSER RDCN B; ML-5015ND,POM,0.8, 1.0	SA	1
8	JC93-00348A	4		JC66-02856A	GEAR-OPC DRIVE; ML-5015ND,POM,0.3,139,43.	SA	1

6.4. Frame-Middle

Exploded View



Parts List

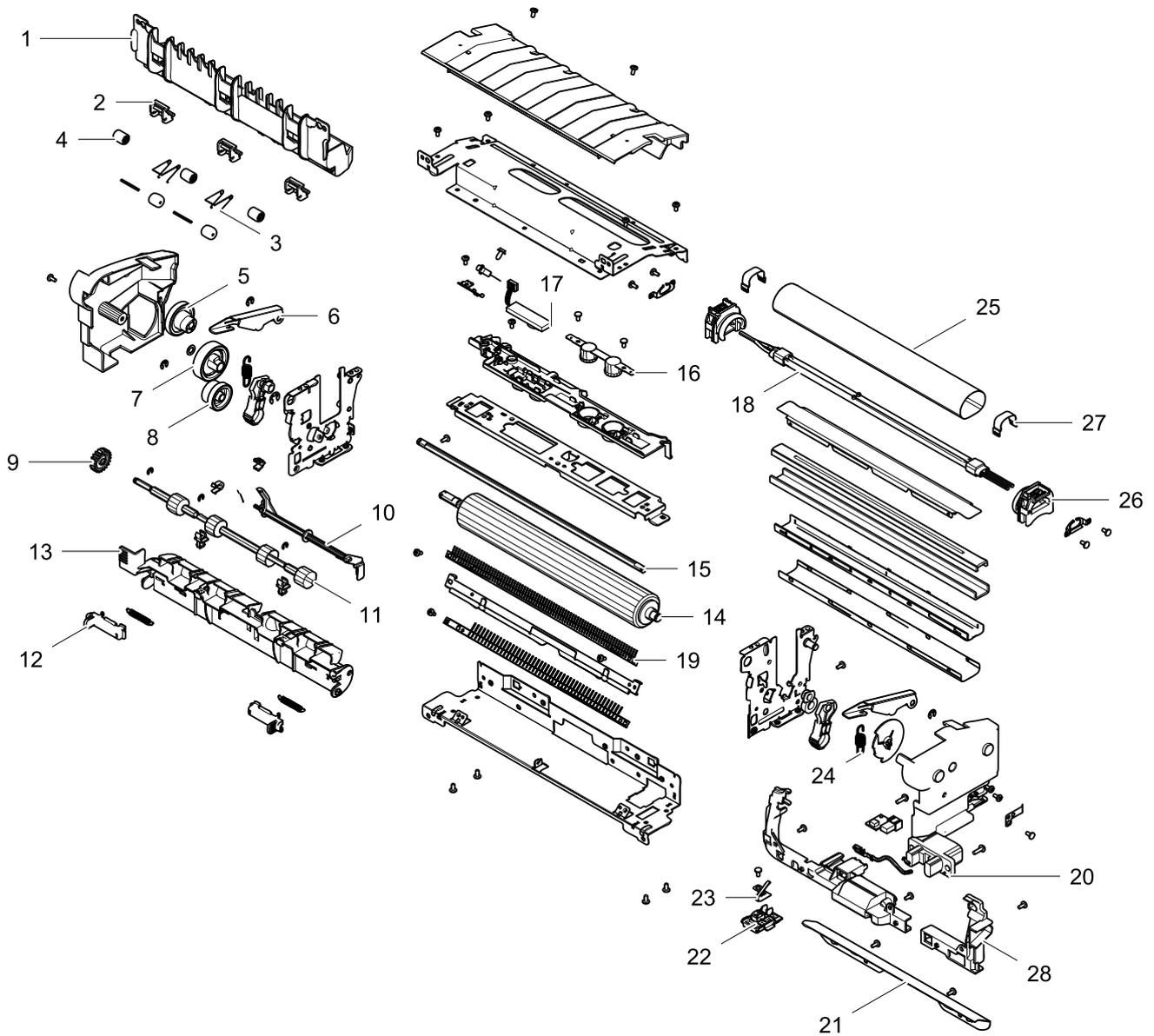
No.	Parent	Lvl.	Loc.	Material Code	Description & Specification	SNA	Qty.
1	JC93-00366A	4		JC93-00393A	FRAME-ROLLER TRANSFER; ML-501ND,SEC	SA	1
2	JC93-00366A	4		JC61-04280A	PLATE-GUIDE TR; ML-5015ND,SECC,1.0T	SNA	1
3	JC93-00366A	4		JC63-02986A	COVER-ACTUATOR; ML-5015ND,ABS+PC,BLACK	SNA	1
4	JC93-00366A	4	J0815	JC70-10232D	IPR-E-PLATE SAW(MCK2); SCX-6320F,SUS304CS	SA	1
5	JC93-00366A	4		JC61-03906A	HOLDER-SAW; ML-6510ND,PC,W216.8,L16,Black	SNA	1

Exploded Views and Parts List

No.	Parent	Lvl.	Loc.	Material Code	Description & Specification	SNA	Qty.
6	JC93-00366A	4		6107-002909	SPRING-ETC; SWP B,0.6CD,4PI,4.6	SA	1
7	JC93-00366A	4		6107-002869	SPRING-TS; SUS304,0.3,2.7,3.3	SA	1
8	JC93-00366A	4		0604-001325	PHOTO-INTERRUPTER; TR,BULK	SA	2
9	JC93-00366A	4		JC66-02913A	ACTUATOR-FEED; ML-5015ND,POM,Black	SA	1
10	JC93-00366A	4		JC93-00392A	FRAME-SENSOR CTD; ML-501ND,SEC	SNA	1
11	JC93-00392A	5		JC39-01432A	HARNESS-CTD; ML-4510ND,UL10272,AWG26,UL/C	SNA	1
12	JC93-00366A	4		JC63-03097A	SHEET-REGI; ML-5015ND,PET,0.188,227.5,22.	SNA	1
13	JC93-00366A	4	L4482	JC66-00461A	ROLLER-M-ADF IDLE; SCX-4114F,POM,BLK	SA	2
14	JC93-00366A	4		JC93-00385A	FRAME-REGI; ML-5015ND,SEC	SA	1
15	JC93-00366A	4		JC61-04281A	FRAME-MIDDLE; ML-5015ND,ABS+PC,BLACK	SNA	1
16	JC95-01410A	4	F9909	6003-000196	SCREW-TAPTYPE; PWH,+,B,M3,L10,NI PLT,SWRC	SA	2
17	JC93-00366A	4	L7541	6107-001261	SPRING-TS; SUS304-WPB,PI0.35,D5.15,L12/12	SA	2
18	JC93-00366A	4		JC63-02997A	GROUND-TR; ML-5015ND,C5210P	SNA	1
19	JC93-00366A	4		JC63-02996A	GROUND-PLATE TR; ML-5015ND,C5210P	SNA	1
20	JC93-00366A	4		JC63-03002A	GROUND-REGI ROLLER; ML-5015ND,C5210P	SNA	1
21	JC93-00366A	4		JC66-02914A	ACTUATOR-REGI; ML-5015ND,POM,Black	SA	1

7. Fuser

Exploded View



Parts List

No.	Parent	Lvl.	Loc.	Material Code	Description & Specification	SNA	Qty.
1	JC91-01043A	3		JC61-04179A	GUIDE-EXIT-UPPER; ML-5010ND,PET+GF30%,2T,	SNA	1
2	JC91-01043A	3	I7207	JC61-00785A	HOLDER-M-IDLE ROLLER; ML-2150,PC,BLK	SA	3
3	JC91-01043A	3	L7538	6107-001159	SPRING-TS; SUS304,PI0.45,D3.85,L20,W10,ID	SA	2
4	JC91-01043A	3	L2183	JC72-40981A	PMO-ROLLER UPPER DP; ML-165,POM,WHT,HB	SA	3

Exploded Views and Parts List

No.	Parent	Lvl.	Loc.	Material Code	Description & Specification	SNA	Qty.
5	JC91-01029A	2		JC66-02852A	GEAR-CAM; ML-5010ND,NYLON,1,31,33	SNA	1
6	JC91-01045A	3		JC66-02851A	LEVER-PRESSURE; ML-5010ND,SECC,1.2T,8.5,9	SA	2
7	JC91-01029A	2		JC66-02854A	GEAR-PR; ML-5010ND,PPS,1,33,37.32	SA	1
8	JC91-01029A	2		JC66-02853A	GEAR-ACCEL; ML-5010ND,NYLON,1,25,27	SNA	1
9	JC91-01040A	3		JC66-02757A	GEAR-EXIT-Z21; ML-6510ND,PA66,1,21,NATURA	SNA	1
10	JC91-01040A	3		JC66-02850A	ACTUATOR-EXIT; ML-5010ND,PA66,2T,20.1,125	SA	1
11	JC91-01040A	3		JC66-02973A	ROLLER-EXIT_F_UP; ML-5010,SUM+SI,17.6,236	SA	1
12	JC91-01040A	3	I7170	JC61-01625A	HOLDER-M_REAR_LEVER; SCX-5530FN,PC,NH-102	SA	2
13	JC91-01040A	3		JC61-04178A	ADJUST; ML-5010ND,PET+GF,2T,44.8,252,PATH	SNA	1
14	JC91-01029A	2		JC66-02855A	ROLLER-PRESSURE; ML-5010ND,PFA+SPONGE+STK	SA	1
15	JC91-01029A	2		JC66-02931A	SHAFT-CAM; ML-5010ND,SUM22,297.2,6	SNA	1
16	JC91-01039A	3	SNA	4712-001093	THERMOSTAT; AC125/250V,195+-50(NULL)	1	
17	JC91-01039A	3		JC91-01048A	FUSER-THERMISTOR HOLDER; ML-5010ND,SEC,EX	SA	1
18	JC91-01042A	3		4713-001573	LAMP-HALOGEN; 115V,1300W,266	SA	1
19	JC91-01029A	2		JC67-00528A	BRUSH-EXIT; ML-5010,SUS FIBER,0.9T,W6.2,L	SA	1
20	JC91-01029A	2		JC39-01450A	HARNESS-FUSER_FU; ML-4510ND,UL3398,AWG16,	SNA	1
21	JC91-01029A	2		JC61-04195A	GUIDE-INPUT; ML-5010ND,SUS,0.8T,20.3,228,	SNA	1
22	JC91-01044A	3		JC61-04174A	HOLDER-PLATE_BIAS; ML-5010ND,PET+GF,2T,7.	SNA	1
23	JC91-01044A	3		JC61-04182A	PLATE-BIAS PR; ML-5010ND,SUS,0.2T,3,7.6	SNA	1
24	JC91-01029A	2		6107-002874	SPRING-ES; SUS304,1.2,7.4,6.2,8.6	SA	2
25	JC91-01042A	3		JC66-02037B	DRUM-FUSER_BELT; ML-5010ND,SUS+SI,ID30,OD	SNA	1
26	JC91-01042A	3		JC61-04168A	BUSH-BELT; ML-5010ND,PPS,23.5,BLK	SNA	2
27	JC91-01042A	3		JC61-04184A	PLATE-PROTECTOR-LAMP; ML-5010ND,AL,0.5T,8	SNA	2
28	JC91-01029A	2		JC61-04173A	HOLDER-HARNESS_DUCT_L; ML-5010ND,PET+GF,2	SNA	1