
Samsung ProXpress SL-M4530ND, SL-M4530NX Laser Printer - Parts List (Exploded View)

- MAIN
- COVER-TOP for SL-M4530ND
- COVER-TOP for SL-M4530NX
- CASSETTE
- FRAME-BASE
- Sub units of FRAME-BASE
- FRAME-MAIN
- Sub units of FRAME-MAIN

MAIN

Figure 1 MAIN

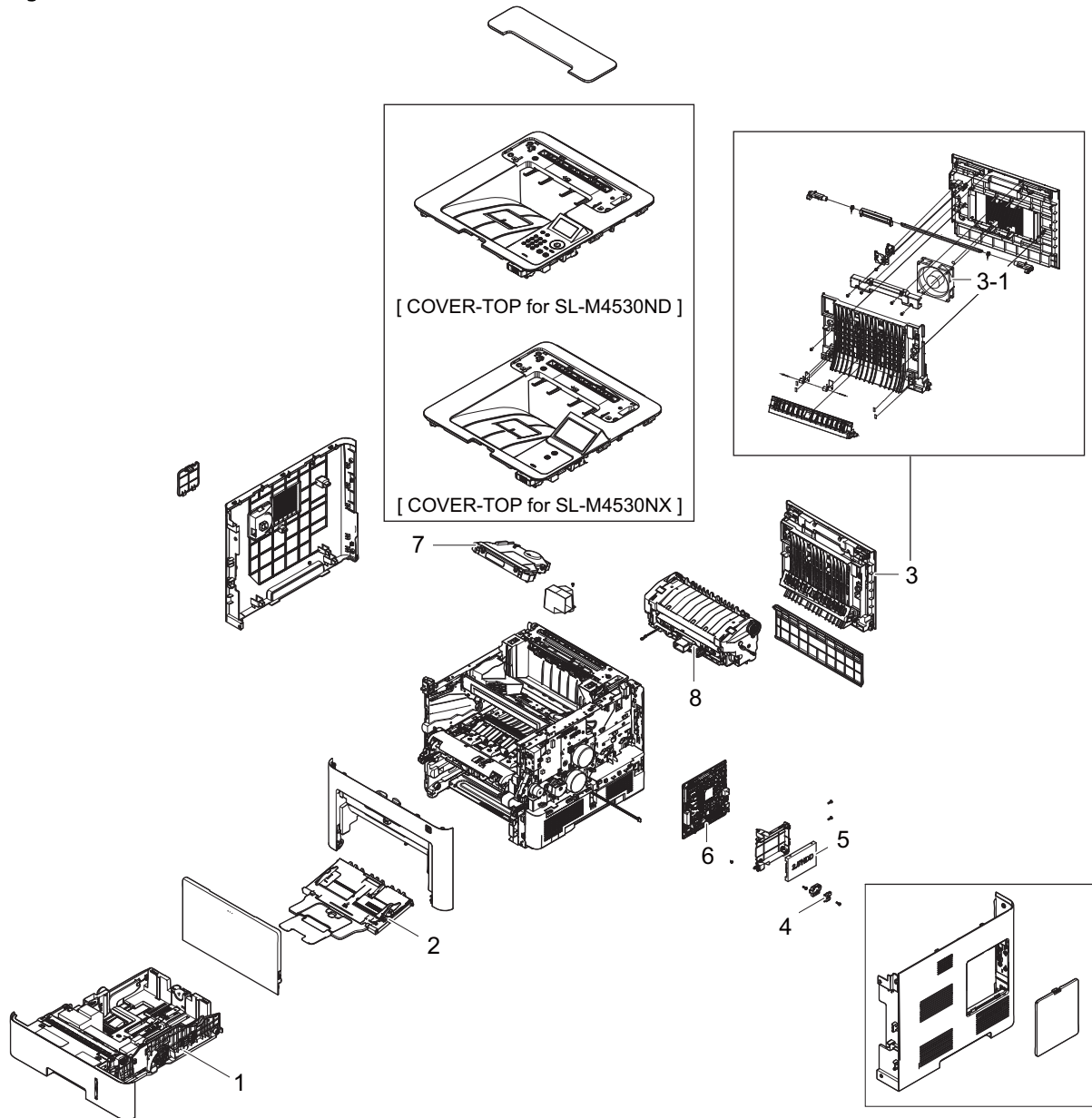


Table 1 MAIN

Ref	Description	Part Number	Qty
1	CASSETTE	JC90-01091B	1
2	MP SUB-TRAY	JC90-01083B	1
3	COVER-REAR	JC95-01409B	1
3-1	FAN-DC	JC31-00088A	1
4	SENSOR-HUMIDITY	JC32-00005A	1
5	HDD (Only for SL-M4530NX)	JC59-00035A	1

Table 1 MAIN (continued)

Ref	Description	Part Number	Qty
6	PBA-MAIN (for SL-M4530ND)	JC92-02802A	1
6	PBA-MAIN (for SL-M4530NX)	JC92-02801A	1
7	LSU	JC97-03877A	1
8	FUSER (220V)	JC91-01177A	1
8	FUSER (110V)	JC91-01176A	1

COVER-TOP for SL-M4530ND

Figure 2 COVER-TOP for SL-M4530ND

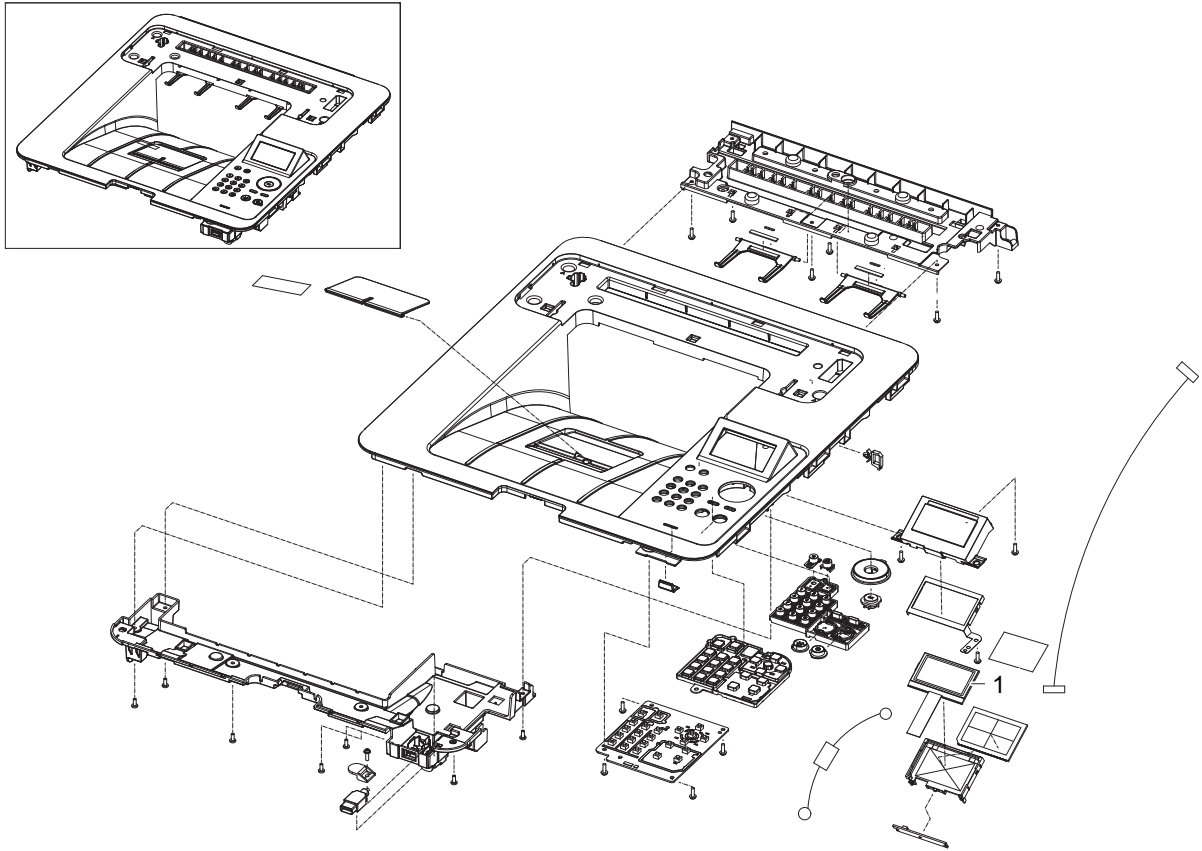


Table 2 COVER-TOP for SL-M4530ND

Ref	Description	Part Number	Qty
1	LCD	JC07-00020A	1

COVER-TOP for SL-M4530NX

Figure 3 COVER-TOP for SL-M4530NX

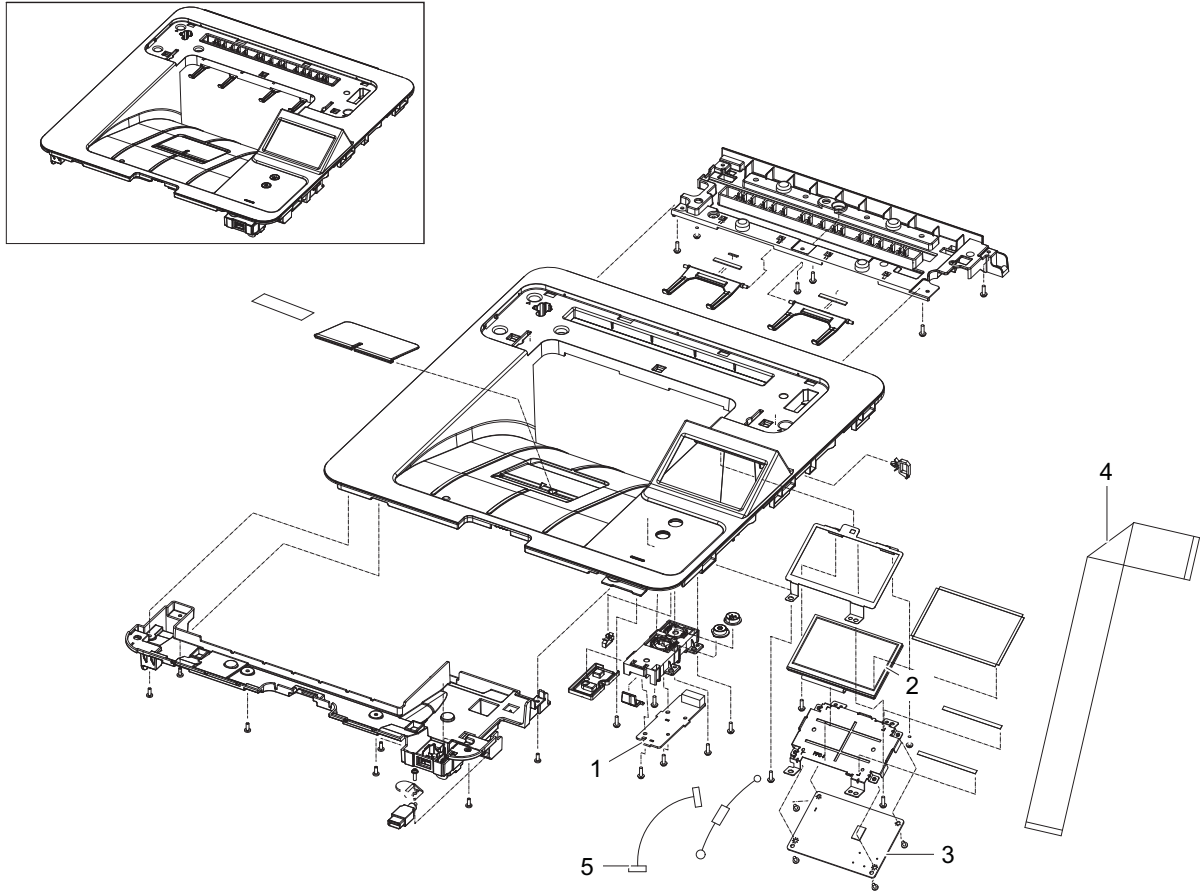


Table 3 COVER-TOP for SL-M4530NX

Ref	Description	Part Number	Qty
1	PBA-OPE KEY	JC92-02800A	1
2	LCD	JC07-00017A	1
3	PBA-OPE	JC92-02797A	1
4	FLAT CABLE-OPE	JC39-02363A	1
5	HARNESS-OPE KEY	JC39-02104A	1

CASSETTE

Figure 4 CASSETTE

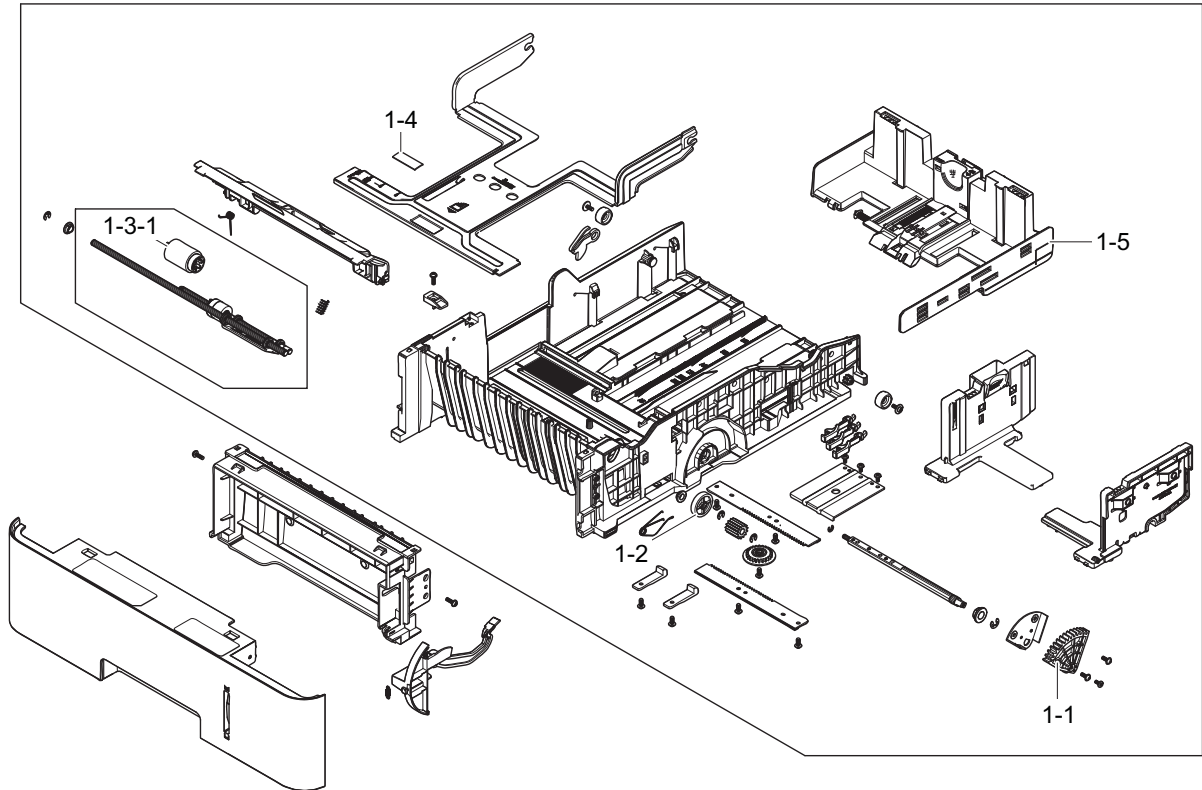


Table 4 CASSETTE

Ref	Description	Part Number	Qty
1-1	CSP-GEAR LIFTING	JC81-08478A	1
1-2	GEAR-PICKUP DRIVE	JC66-01676A	1
1-3-1	ADF-MEA UNIT-ROLLER PU	JC97-02259A	1
1-4	PAD-MP(PLUS)	JC69-00494A	1
1-5	CASSETTE SUB-GUIDE REAR PAPER	JC90-01050F	1

FRAME-BASE

Figure 5 FRAME-BASE

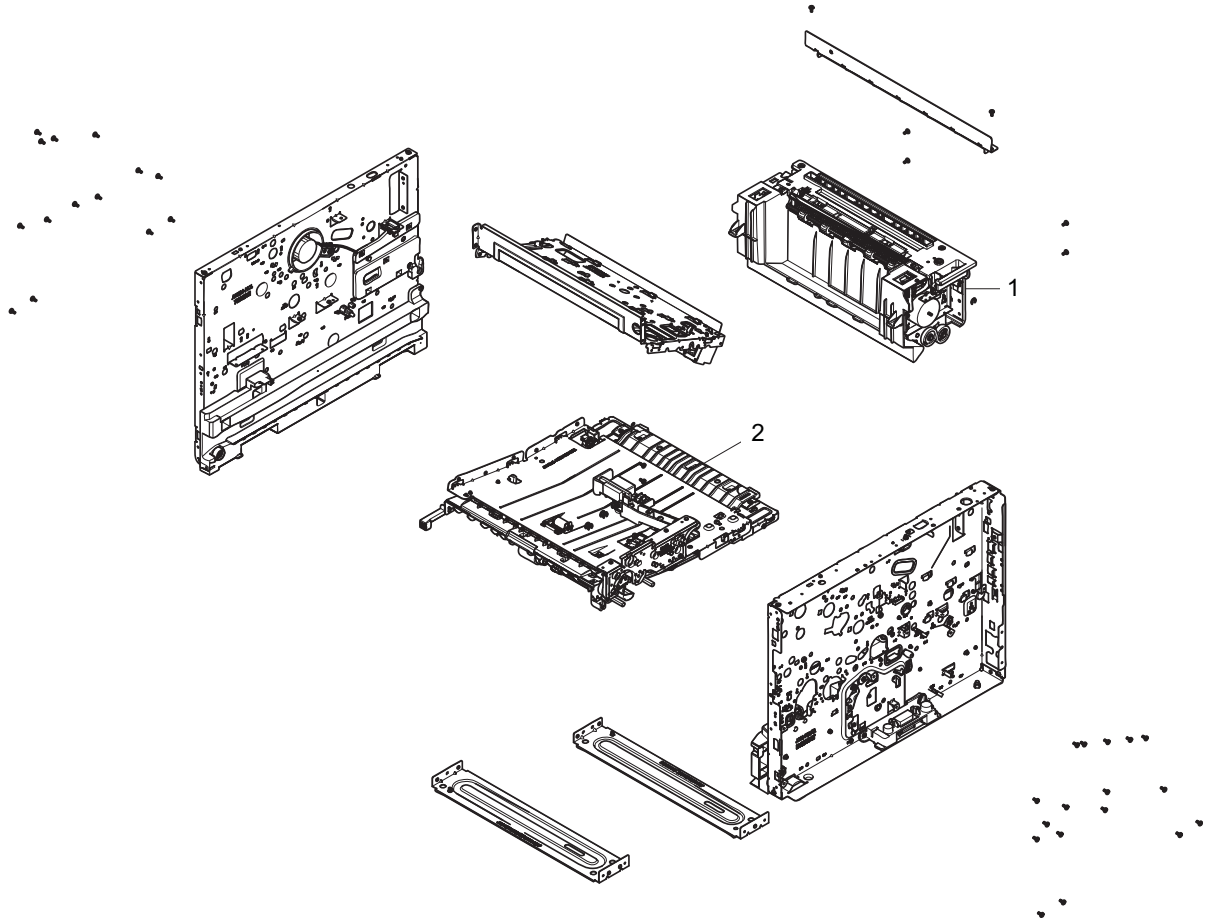


Table 5 FRAME-BASE

Ref	Description	Part Number	Qty
1	EXIT	JC90-01071C	1
2	DUPLEX	JC90-01076A	1

Sub units of FRAME-BASE

- EXIT
- DUPLEX
- Sub unit of DUPLEX
- FRAME-LEFT
- FRAME-RIGHT
- FRAME-UPPER

EXIT

Figure 6 EXIT

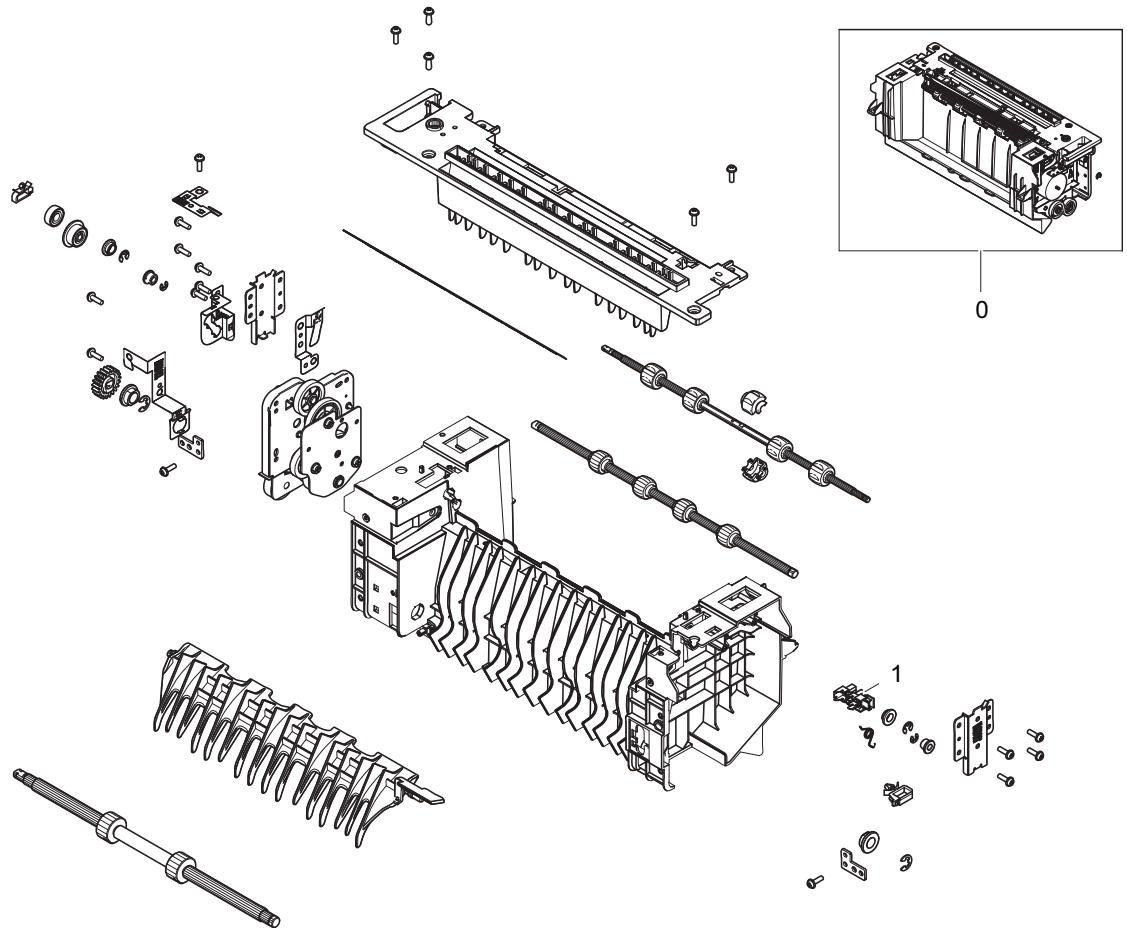


Table 6 EXIT

Ref	Description	Part Number	Qty
0	EXIT	JC90-01071C	1
1	PHOTO-INTERRUPTER	0604-001325	1

DUPLEX

Figure 7 DUPLEX

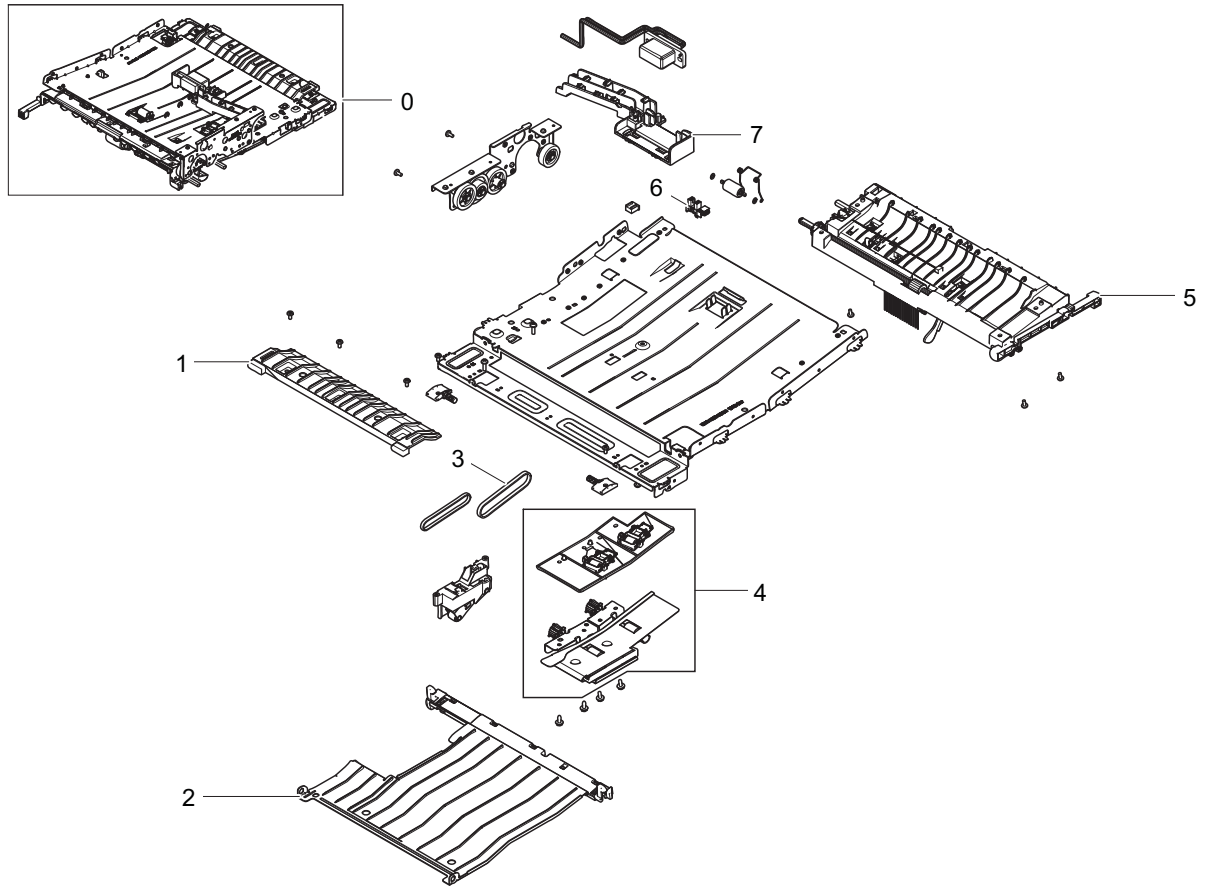


Table 7 DUPLEX

Ref	Description	Part Number	Qty
0	DUPLEX	JC90-01076A	1
1	GUIDE-DUPLEX REAR	JC61-04267A	1
2	DUPLEX-GUIDE LOWER	JC90-01087A	1
3	BELT-TIMING GEAR	6602-001581	3
4	DUPLEX-FEEDER UPPER	JC90-01084A	1
5	FRAME-PICK UP	JC93-00383A	1
6	PHOTO-INTERRUPTER	0604-001325	1
7	HOLDER-HARNESS DRAW	JC61-04253A	1

Sub unit of DUPLEX

- FRAME-PICK UP

FRAME-PICK UP

Figure 8 FRAME-PICK UP

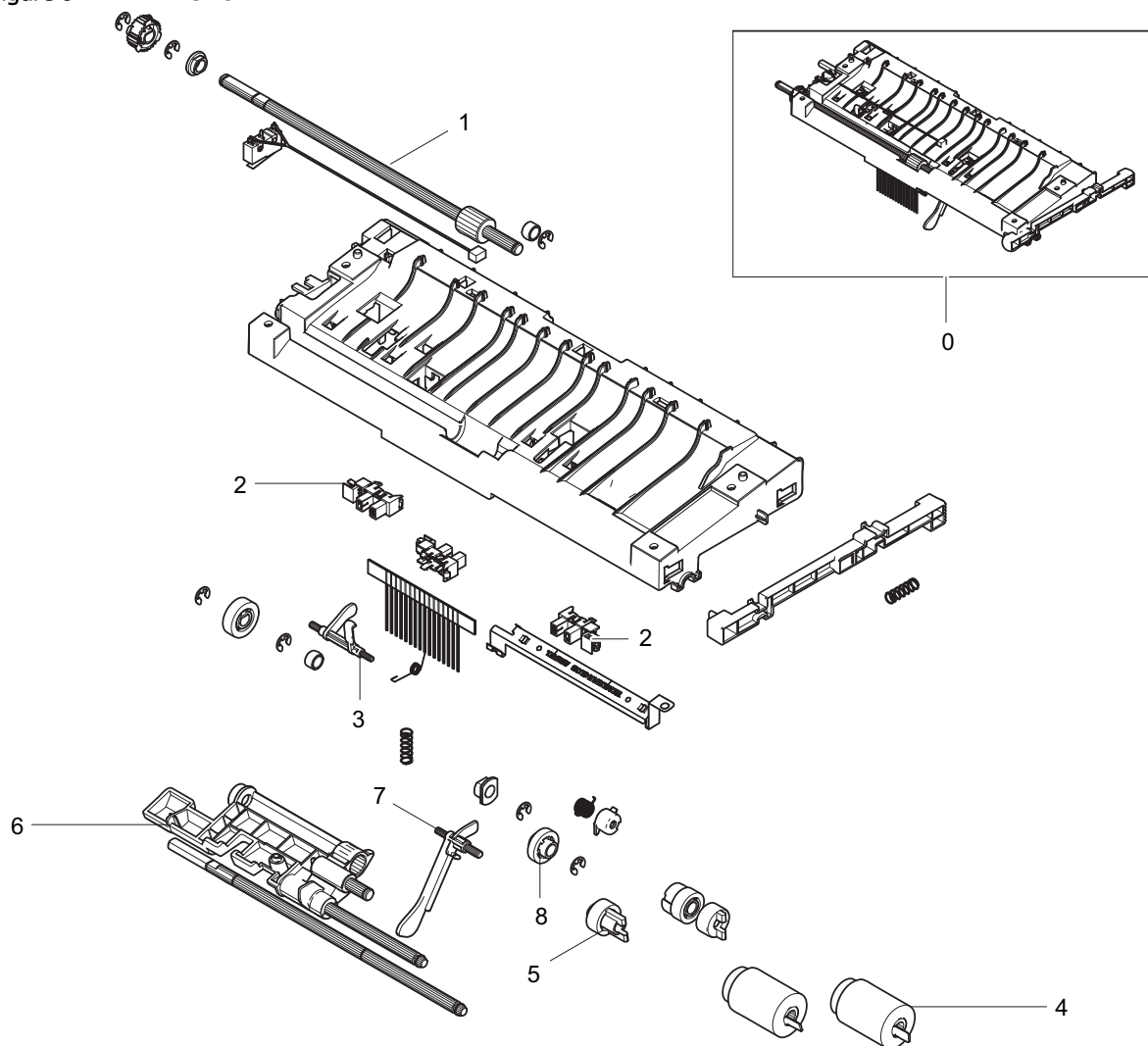


Table 8 FRAME-PICK UP

Ref	Description	Part Number	Qty
0	FRAME-PICK UP	JC93-00383A	1
1	ROLLER IDLE-DUPELX_DRIVE	JC66-02966A	1
2	PHOTO-INTERRUPTER	0604-001325	3
3	ACTUATOR-DUPLEX	JC66-02906A	1
4	ADF-MEA UNIT-ROLLER PU	JC97-02259A	2
5	GEAR-M PU JOINT	JC66-00943A	1

Table 8 FRAME-PICK UP (continued)

Ref	Description	Part Number	Qty
6	HOUSING-PICKUP	JC61-04235A	1
7	ACTUATOR-PAPER EMPTY	JC66-02905A	1
8	GEAR-M IDLE PU	JC66-00940A	1

FRAME-LEFT

Figure 9 FRAME-LEFT

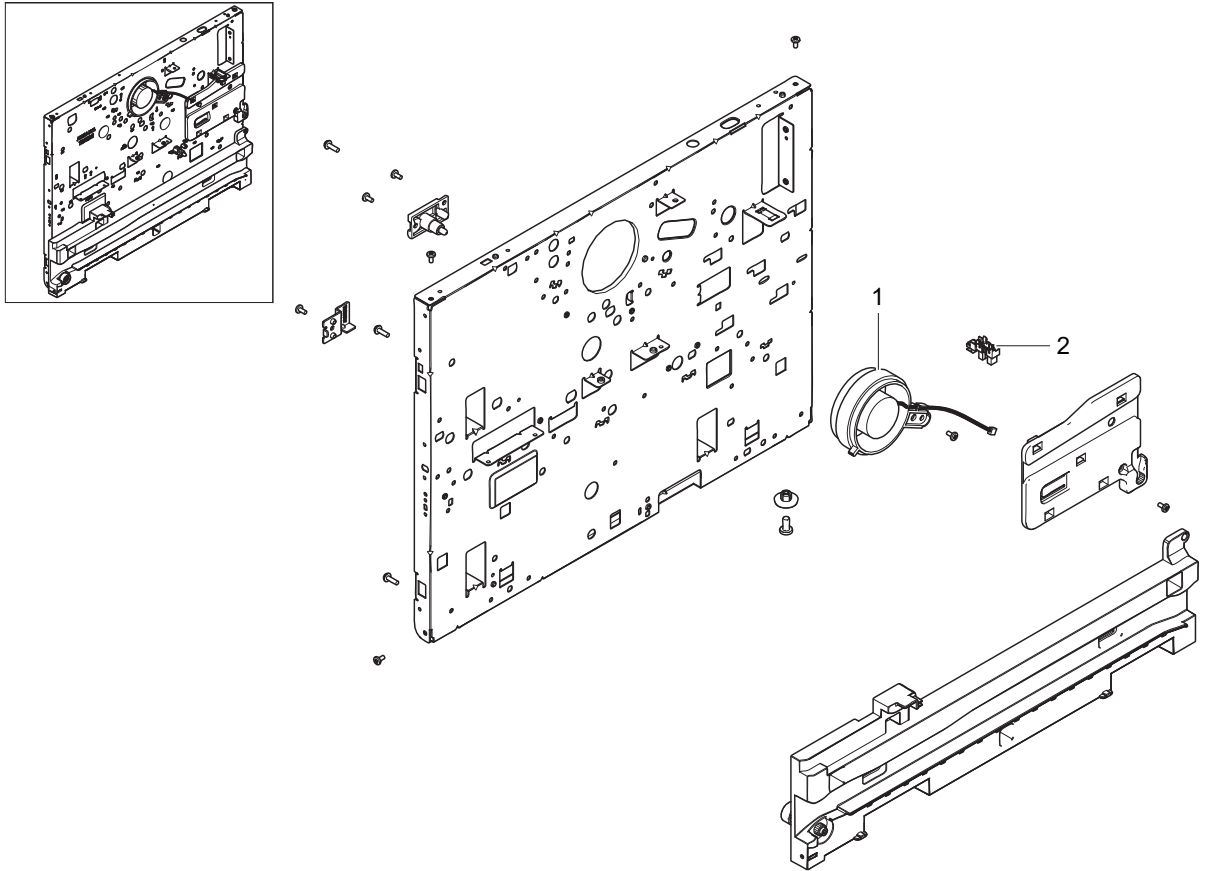


Table 9 FRAME-LEFT

Ref	Description	Part Number	Qty
1	FAN-DC	JC31-00086A	1
2	PHOTO-INTERRUPTER	0604-001325	1

FRAME-RIGHT

Figure 10 FRAME-RIGHT

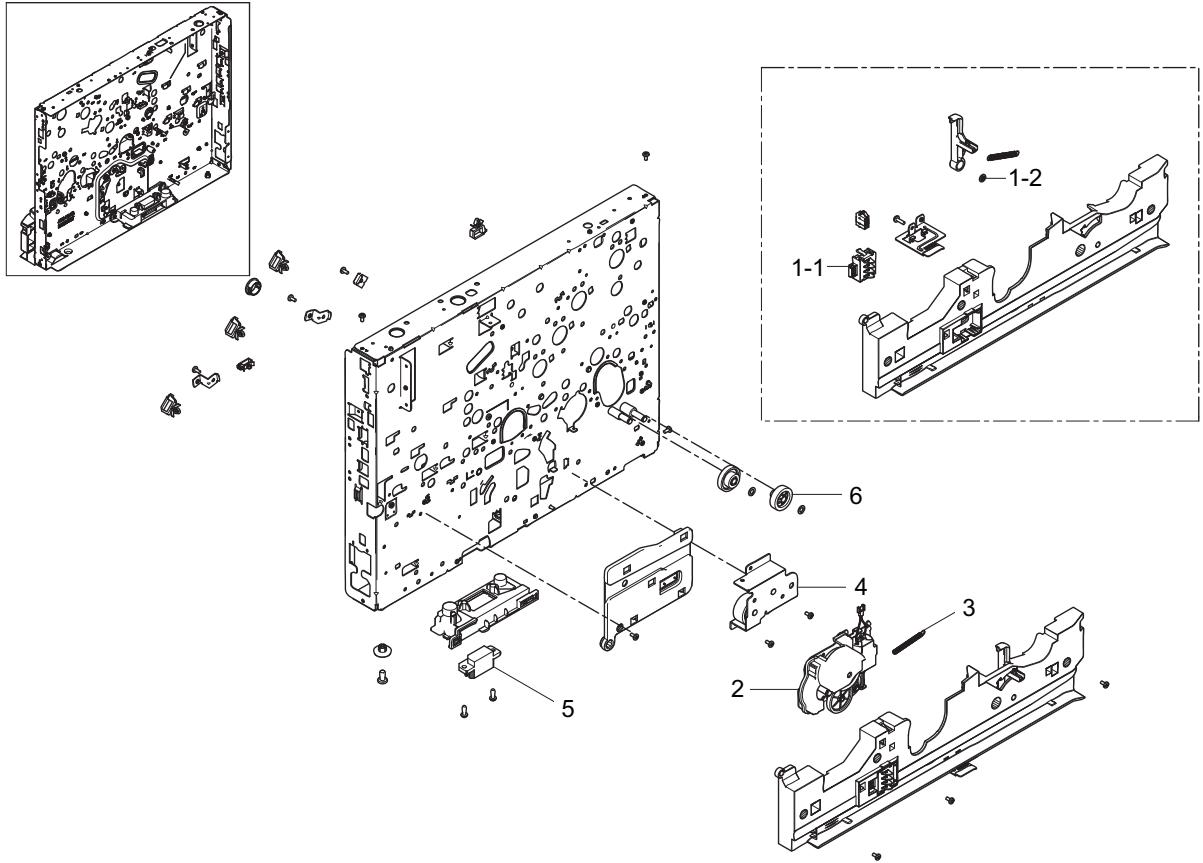


Table 10 FRAME-RIGHT

Ref	Description	Part Number	Qty
1-1	SWITCH-SIGNAL	JC34-00001A	1
1-2	RING-CS	6044-000001	1
2	DRIVE-FEED	JC93-00350A	1
3	SPRING-ES	6107-001259	1
4	DRIVE FUSER-BRACKET	JC93-00351A	1
5	HARNESS-SCF	JC39-01441A	1
6	GEAR-RETARD IDLE B	JC66-02886A	1

FRAME-UPPER

Figure 11 FRAME-UPPER

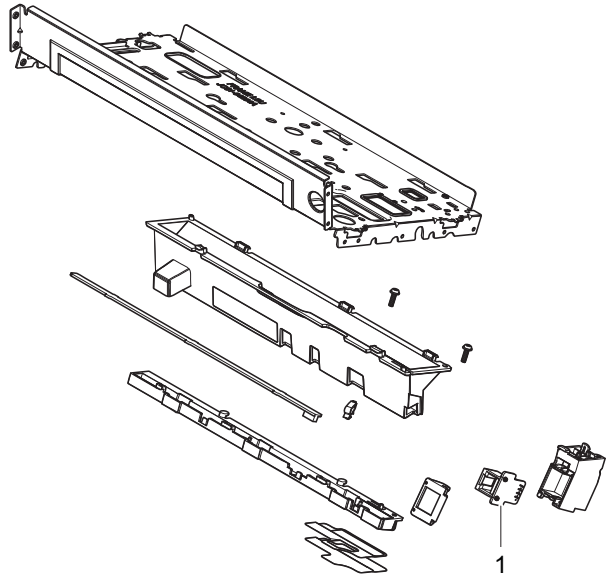
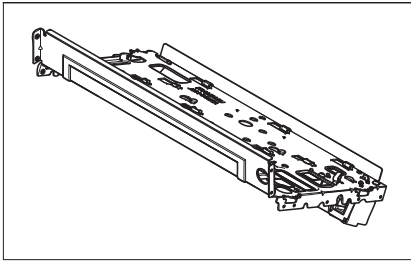


Table 11 FRAME-UPPER

Ref	Description	Part Number	Qty
1	PBA-DEVE CRUM JOINT	JC92-02163A	1

FRAME-MAIN

Figure 12 FRAME-MAIN

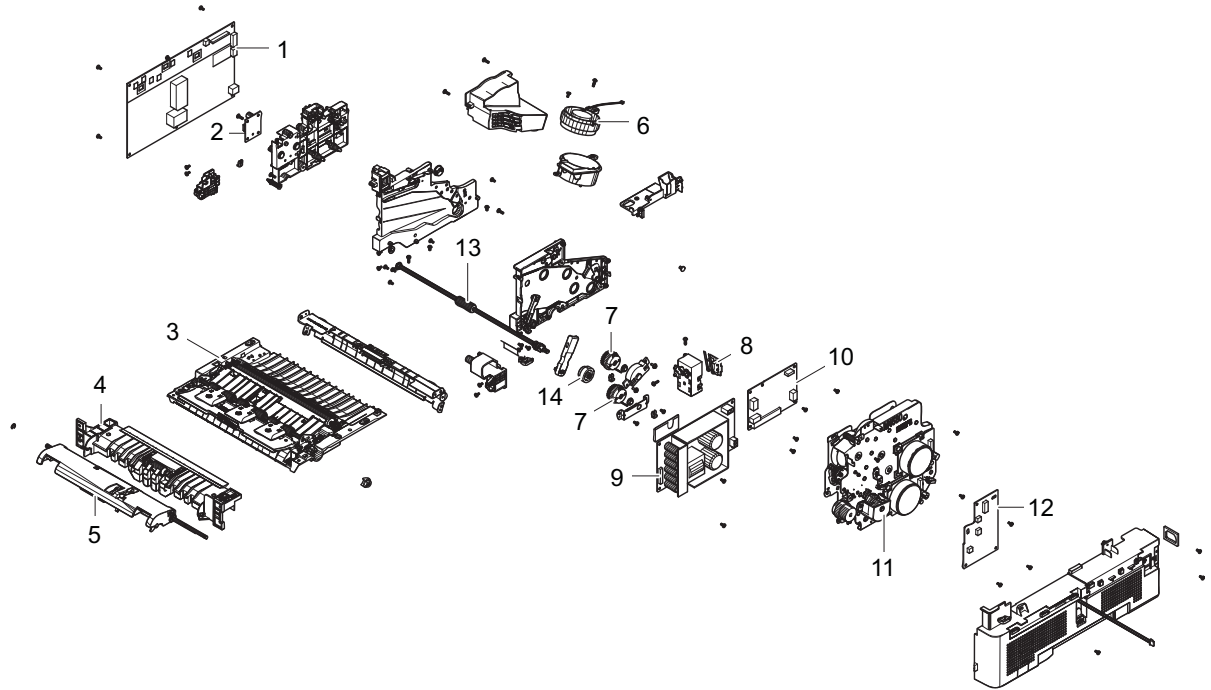


Table 12 FRAME-MAIN

Ref	Description	Part Number	Qty
1	HVPS (for SL-M4580FX, SL-M4583FX)	JC44-00239A	1
1	HVPS (for SL-M4530ND, SL-M4530NX)	JC44-00239B	1
2	PBA-USB HOST	JC92-02048A	1
3	FRAME-MIDDLE	JC93-00959A	1
4	MP-LOWER	JC90-01081A	1
5	MP-UPPER	JC90-01079A	1
6	FAN-DC	JC31-00086A	1
7	CLUTCH-ELECTRIC	JC47-00033E	2
8	PBA-COVER OPEN SENSOR	JC92-02371A	1
9	SMPS-V2 (220V, Type4)	JC44-00092C	1
9	SMPS-V1 (110V, Type4)	JC44-00091C	1
10	FDB-PETREL V2 (220V)	JC44-00204A	1
10	FDB-PETREL V1 (110V)	JC44-00203A	1
11	DRIVE-MAIN	JC93-00923A	1
12	PBA-JOINT	JC92-02374A	1
13	ROLLER IDLE-FEED_DRIVE	JC66-02965A	1
14	GEAR-FEED DRIVE	JC66-02877A	1

Sub units of FRAME-MAIN

- FUSER
- DRIVE-MAIN
- FRAME-MIDDLE
- MP-UPPER and MP LOWER

FUSER

Figure 13 FUSER

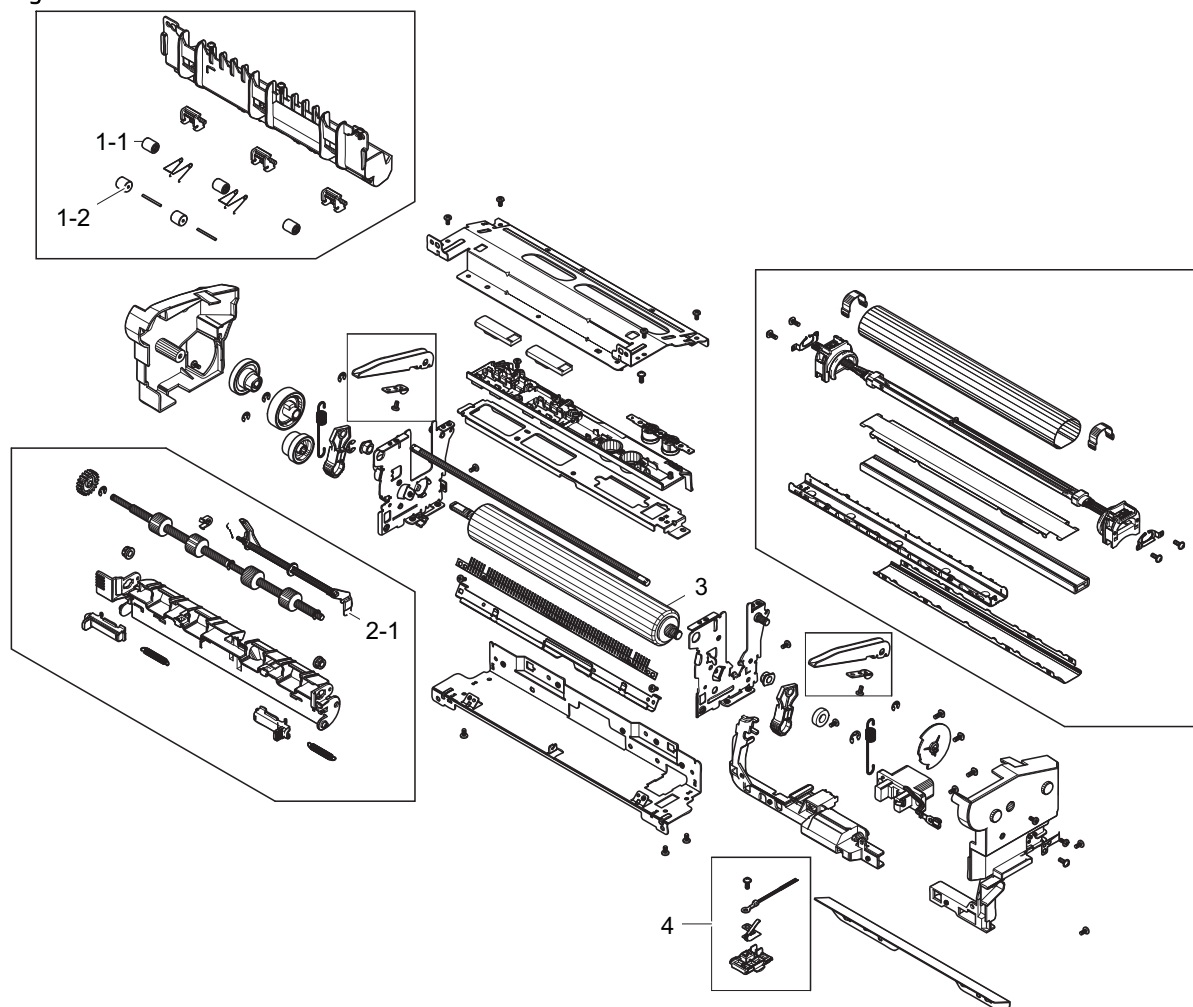


Table 13 FUSER

Ref	Description	Part Number	Qty
1-1	ROLLER	JC72-40981A	3
1-2	ROLLER,ML-5000A,PTFE	JC72-20902A	2
2-1	ACTUATOR-EXIT	JC66-02850A	1

Table 13 FUSER (continued)

Ref	Description	Part Number	Qty
3	ROLLER FUSER-PRESSURE	JC66-02855B	1
4	FUSER-BIAS PRESSURE ROLLER	JC91-01044A	1

DRIVE-MAIN

Figure 14 DRIVE-MAIN

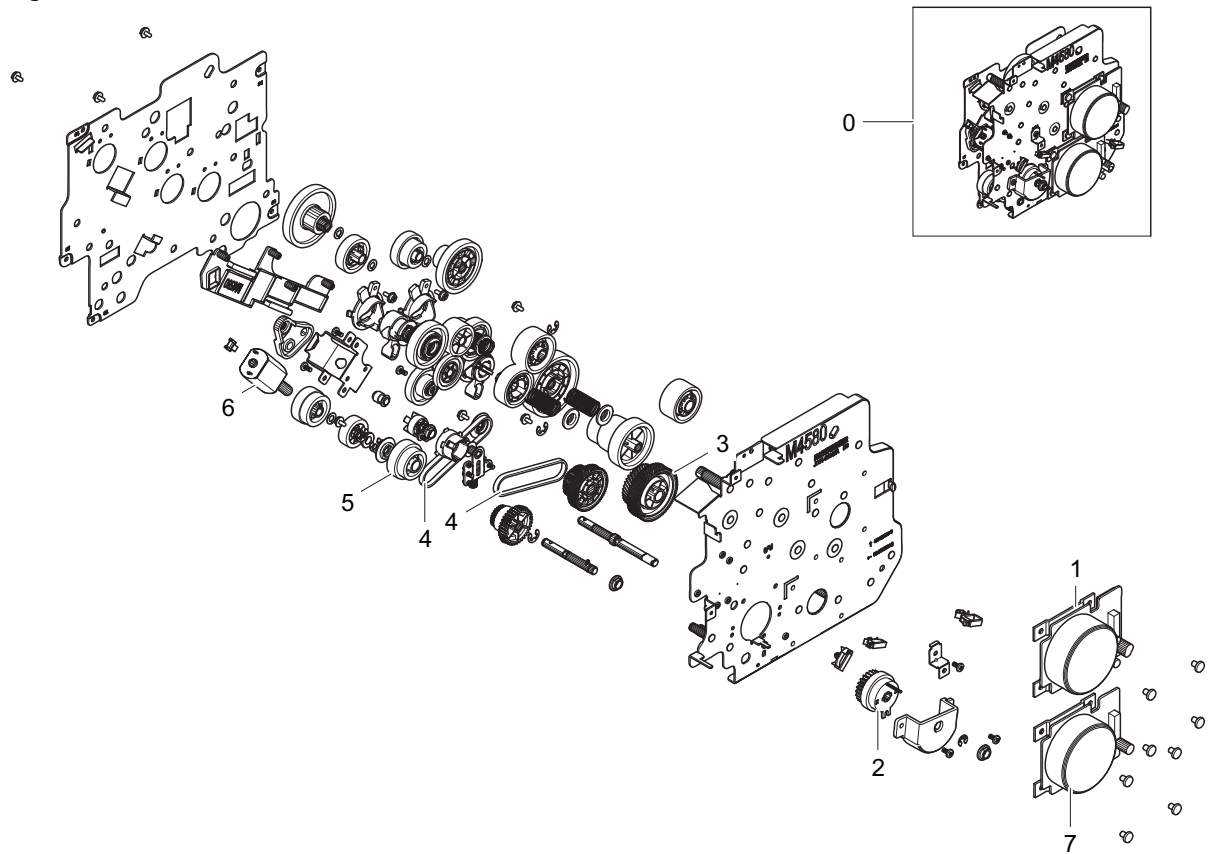


Table 14 DRIVE-MAIN

Ref	Description	Part Number	Qty
0	DRIVE-MAIN	JC93-00923A	1
1	MOTOR BLDC-38W	JC31-00075C	1
2	CLUTCH-ELECTRIC	JC47-00033E	1
3	GEAR-FUSER RDCN A	JC66-02874A	1
4	BELT-TIMING GEAR	6602-001581	2
5	GEAR-FEED RDCN	JC66-02872A	1
6	MOTOR DC	JC31-00078A	1
7	MOTOR BLDC	JC31-00144C	1

FRAME-MIDDLE

Figure 15 FRAME-MIDDLE

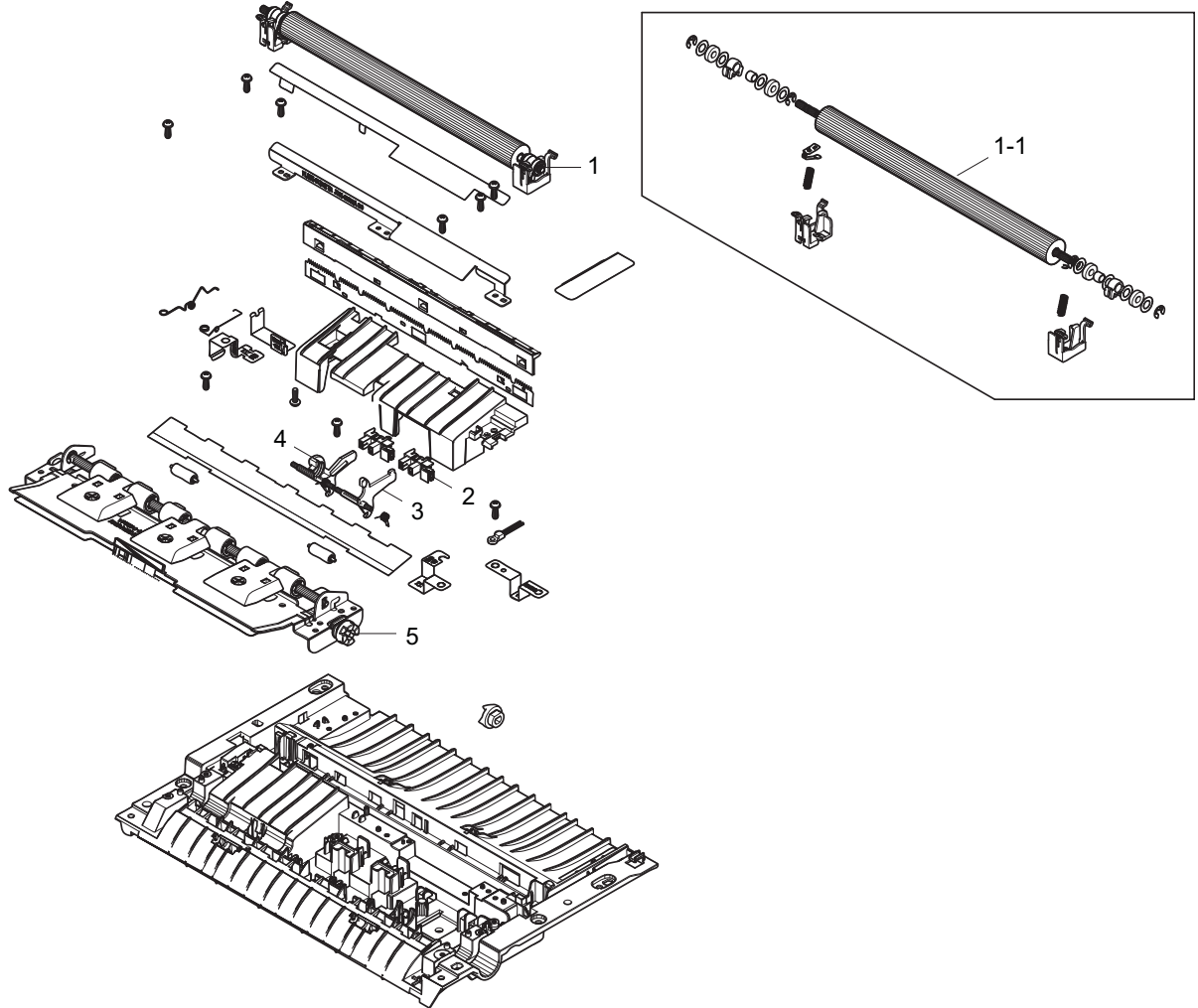
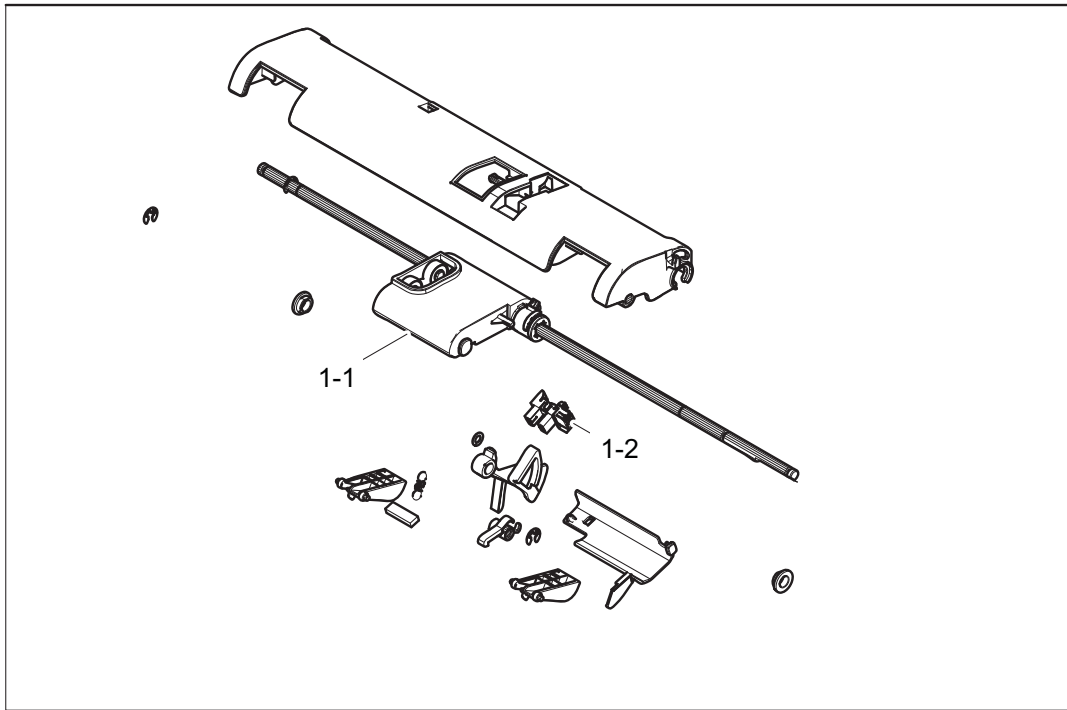


Table 15 FRAME-MIDDLE

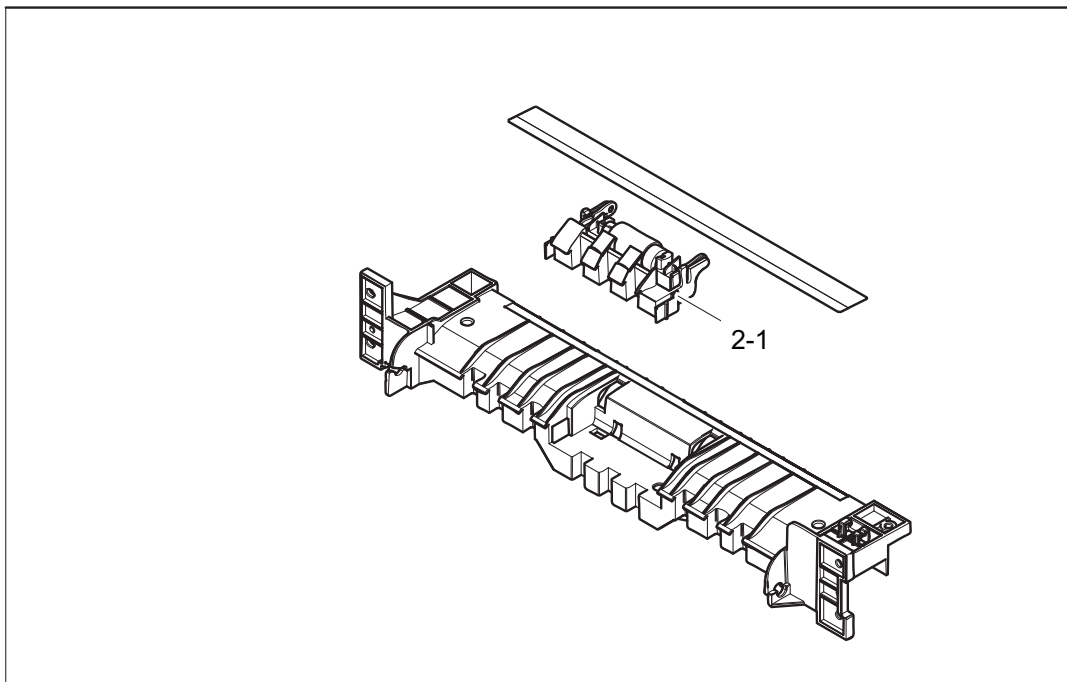
Ref	Description	Part Number	Qty
1	FRAME-ROLLER TRANSFER	JC93-00393A	1
1-1	ROLLER TR-FRAME-ROLLER TRANSFER UV	JC93-00420A	1
2	PHOTO-INTERRUPTER	0604-001325	2
3	ACTUATOR-FEED	JC66-02913A	1
4	ACTUATOR-REGI	JC66-02914A	1
5	FRAME-REGI	JC93-00385A	1

MP-UPPER and MP LOWER

Figure 16 MP-UPPER and MP LOWER



1



2

Table 16 MP-UPPER and MP LOWER

Ref	Description	Part Number	Qty
1	MP-UPPER	JC90-01079A	1
1-1	MP-PICK UP	JC90-01080A	1

Table 16 MP-UPPER and MP LOWER (continued)

Ref	Description	Part Number	Qty
1-2	PHOTO-INTERRUPTER	0604-001325	1
2	MP-LOWER	JC90-01081A	1
2-1	MP-RETARD	JC90-01082A	1

