
Samsung ProXpress SL-C3060ND, SL-C3060FR, SL-C3060FW Color Laser MFP - Parts List (Exploded View)

- MAIN
- COVER
- Sub units of COVER
- COVER-MIDDLE
- CASSETTE
- FRAME
- Sub units of FRAME
- OPE (for SL-C3060FR & SL-C3060FW)
- OPE (for SL-C3060ND)
- SCANNER (for SL-C3060FR & SL-C3060FW)
- Sub units of SCANNER (for SL-C3060FR & SL-C3060FW)
- SCANNER (for SL-C3060ND)
- Sub units of SCANNER (for SL-C3060ND)

MAIN

Figure 1 MAIN

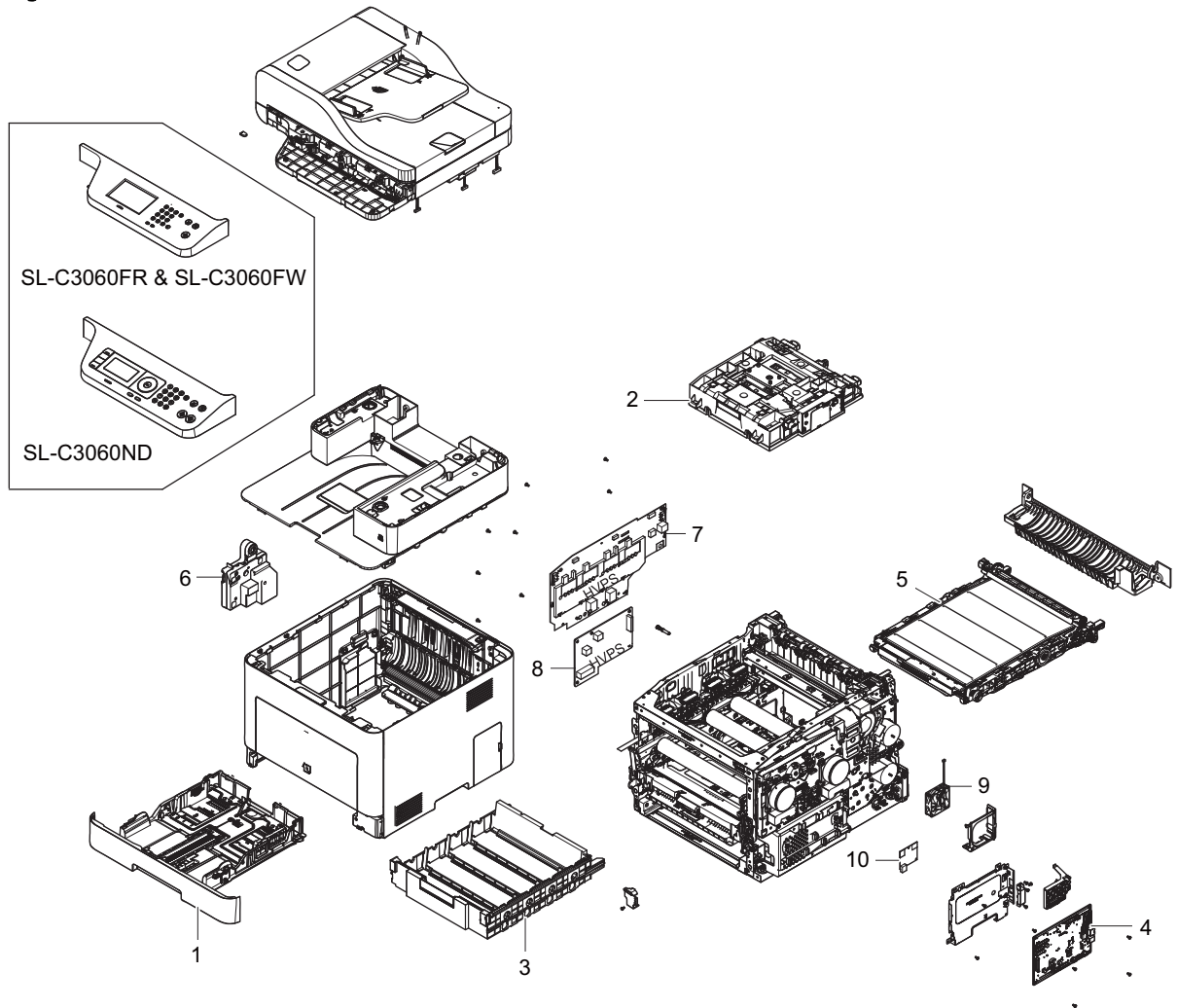


Table 1 MAIN

Ref	Description	Part Number	Qty
1	CASSETTE	JC90-01182B	1
2	LSU	JC97-04082B	1
3	FRAME-DRAWER	JC93-00757A	1
4	PBA MAIN (for SL-C3060ND)	JC92-02905A	1
4	PBA MAIN (for SL-C3060FR)	JC92-02906A	1
4	PBA MAIN (for SL-C3060FW)	JC92-02906B	1
5	ITB	JC93-01287A	1
6	CARTRIDGE-WTB	JC96-06367A	1
7	HVPS1	JC44-00242A	1
8	HVPS2	JC44-00243A	1

Table 1 MAIN (continued)

Ref	Description	Part Number	Qty
9	FAN	JC31-00161A	1
10	PBA-WNPC (only for SL-C3060FW)	JC92-02767A	1

COVER

Figure 2 COVER

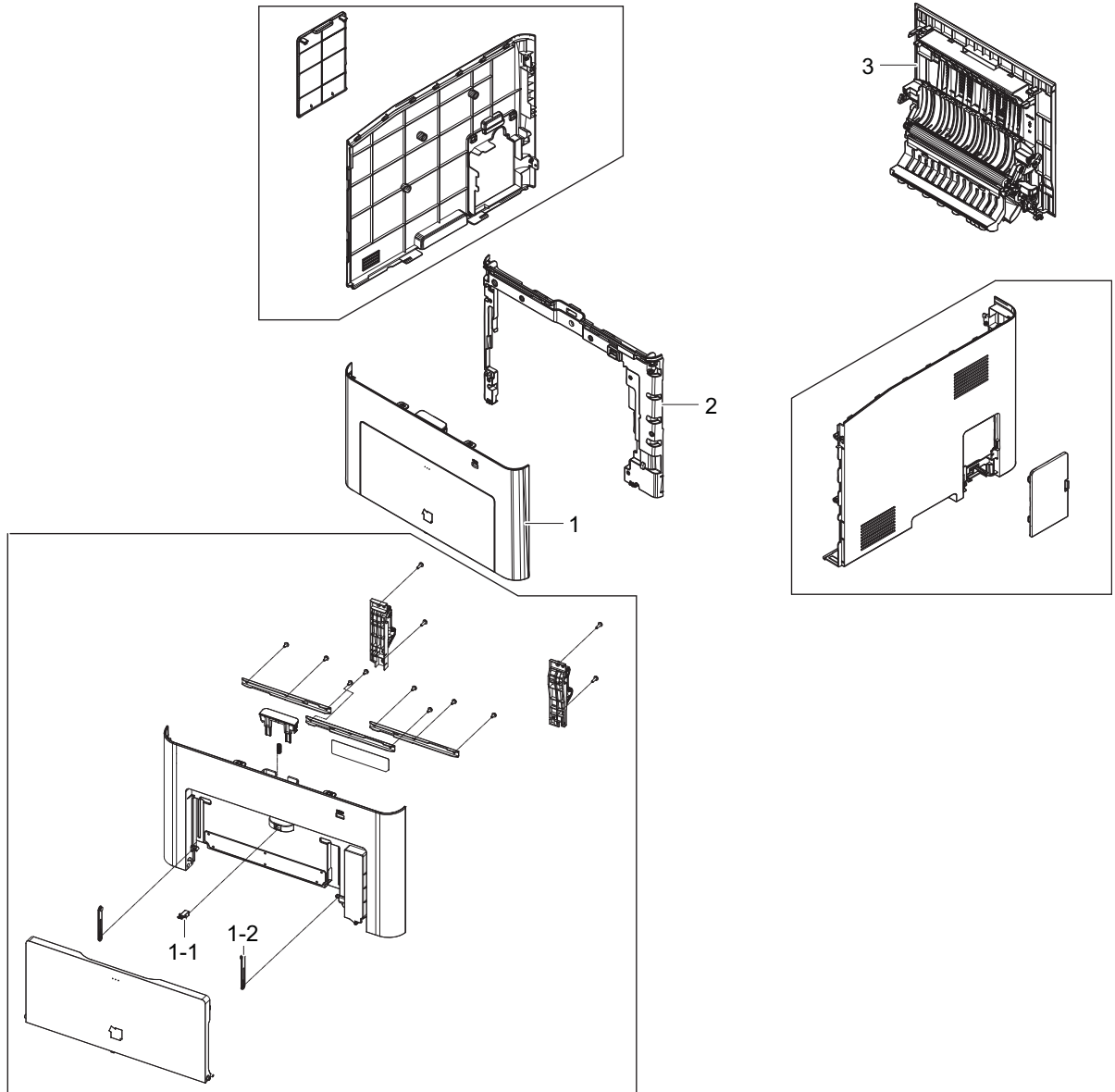


Table 2 COVER

Ref	Description	Part Number	Qty
1	COVER-FRONT	JC95-01691B	1
1-1	LOCKER-LATCH_PUSH	JC64-00912A	1
1-2	LINK-COVER_MP	JC66-02086D	2
2	COVER-FRONT INNER	JC63-03802A	1
3	COVER-REAR	JC95-01657B	1

Sub units of COVER

- COVER-REAR

COVER-REAR

Figure 3 COVER-REAR

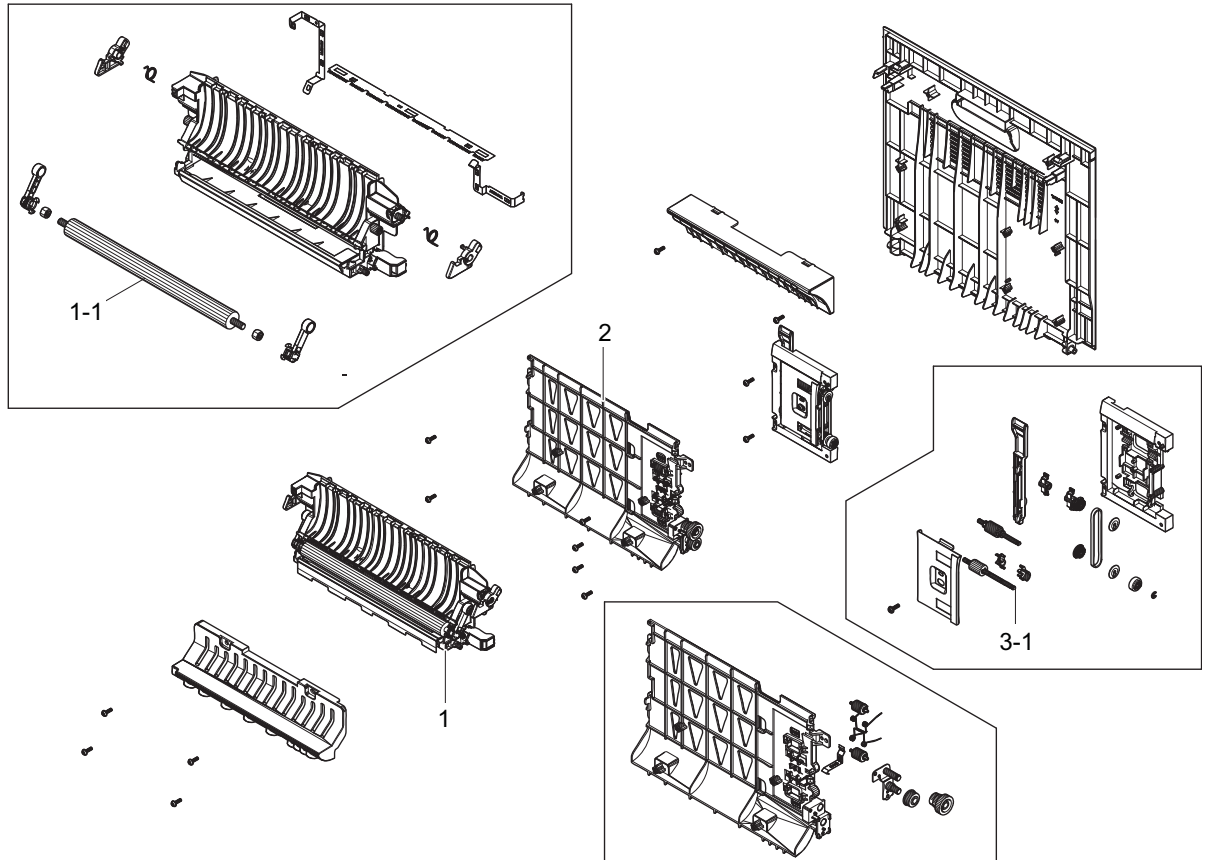


Table 3 COVER-REAR

Ref	Description	Part Number	Qty
1	COVER-REAR TRANSFER	JC95-02044A	1
1-1	ROLLER TR-TRANSFER2	JC66-03756A	1
2	DUPLEX GUIDE-UPPER	JC90-01204A	1
3-1	ROLLER IDLE-DUPLEX	JC66-03635A	1

COVER-MIDDLE

Figure 4 COVER-MIDDLE

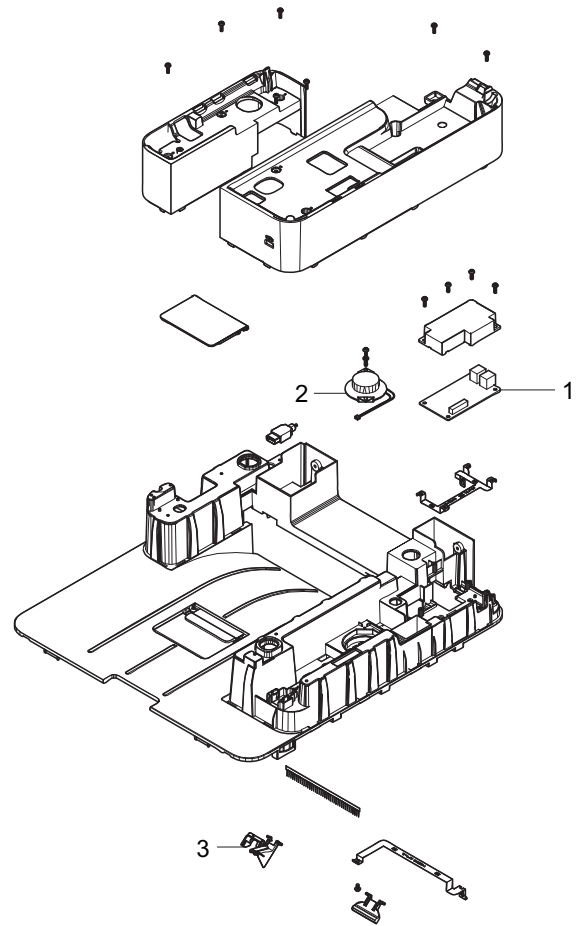
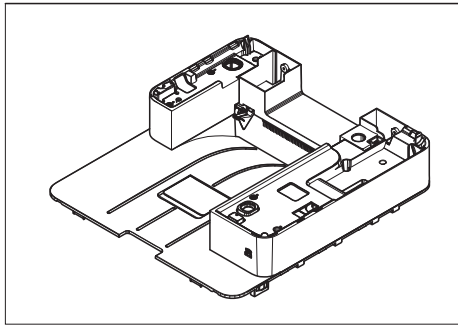


Table 4 COVER-MIDDLE

Ref	Description	Part Number	Qty
1	PBA SUB-FAX (only for SL-C3060FR & SL-C3060FW)	JC92-02552C	1
2	SPEAKER (only for SL-C3060FR & SL-C3060FW)	3001-002262	1
3	STACKER-BINFULL	JC61-05517A	1

CASSETTE

Figure 5 CASSETTE

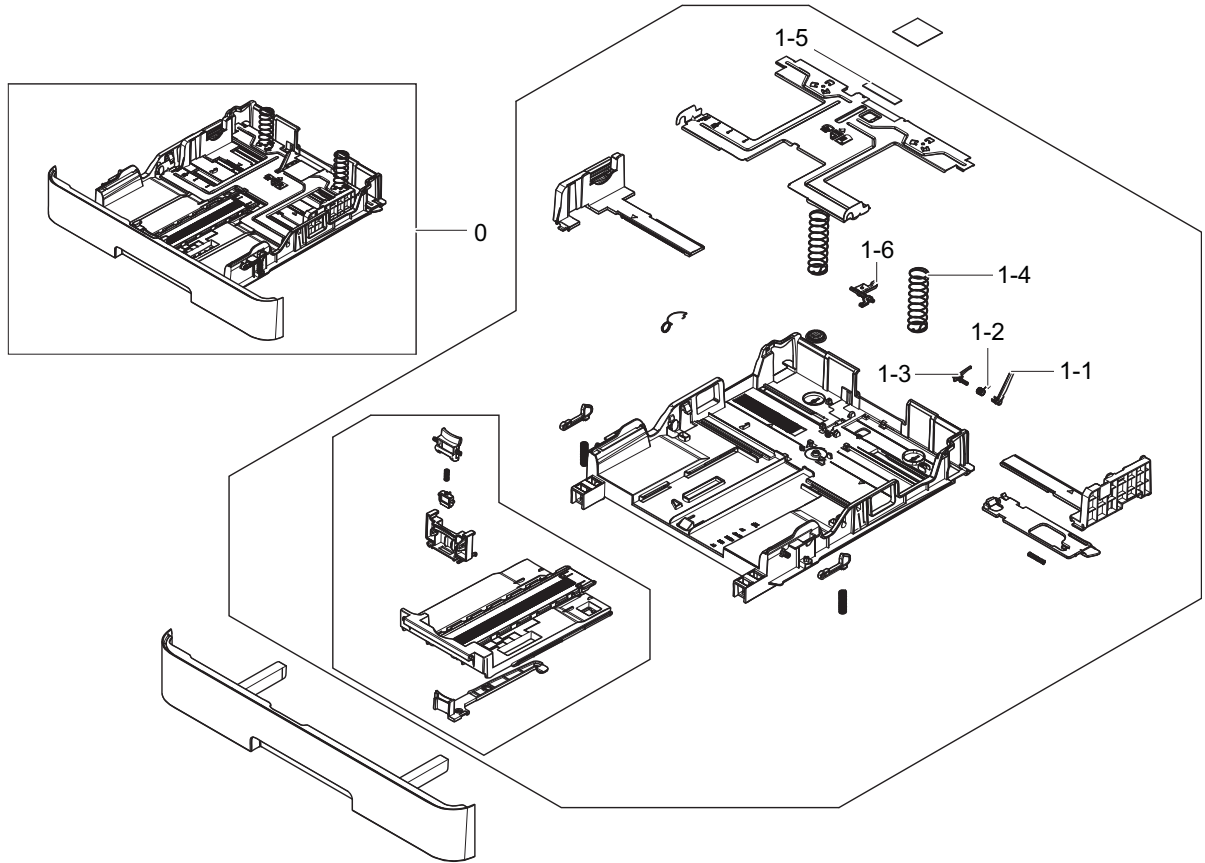


Table 5 CASSETTE

Ref	Description	Part Number	Qty
0	CASSETTE	JC90-01182B	1
1-1	LEVER-EMPTY	JC66-03764A	1
1-2	SPRING-TS	6107-003233	1
1-3	ACTUATOR-EMPTY LINK	JC66-03595A	1
1-4	SPRING-CS	6107-002779	2
1-5	RPR-PAD CASSETTE	JC73-00141A	1
1-6	ACTUATOR-EMPTY	JC66-03610A	1

FRAME

Figure 6 FRAME

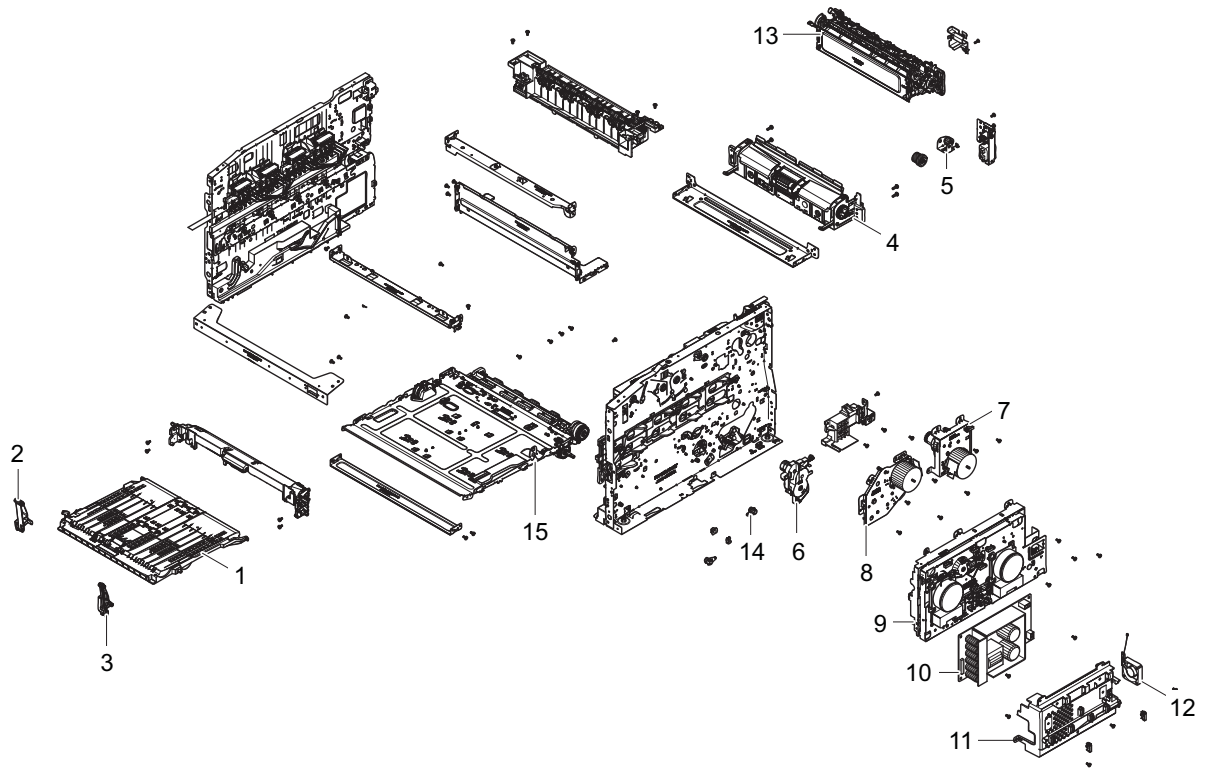


Table 6 FRAME

Ref	Descriptionr	Part Numbe	Qty
1	FRAME-TRAY MP	JC93-00792A	1
2	LINK-L	JC66-03637A	1
3	LINK-R	JC66-03638A	1
4	FRAME-SEPARATION	JC93-01280A	1
5	DRIVE-DUPLEX SWING	JC93-00774A	1
6	DRIVE-T1	JC93-00770A	1
7	DRIVE-FUSER	JC93-00767A	1
8	DRIVE-PH	JC93-00769A	1
9	DRIVE MAIN	JC93-00766D	1
10	SMPS-V2 (220V)	JC44-00223D	1
10	SMPS-V1 (110V)	JC44-00222D	1
11	COVER-SMPS	JC63-03762A	1
12	FAN-TYPE 1	JC31-00152B	1
13	FUSER (220V)	JC91-01214A	1
13	FUSER (110V)	JC91-01213A	1

Table 6 FRAME (continued)

Ref	Descriptionr	Part Numbe	Qty
14	BUSH-SHAFT_MP	JC61-04405A	2
15	FRAME-BRACKET MP	JC93-00750A	1

Sub units of FRAME

- FUSER
- FRAME-BRAKCTET MP
- FRAME-RIGHT and FRAME-LEFT
- DRIVE-MAIN
- FRAME-TRAY MP
- FRAME-SEPARATION
- FRAME-MP UPPER
- FRAME SUB-EXIT

FUSER

Figure 7 FUSER

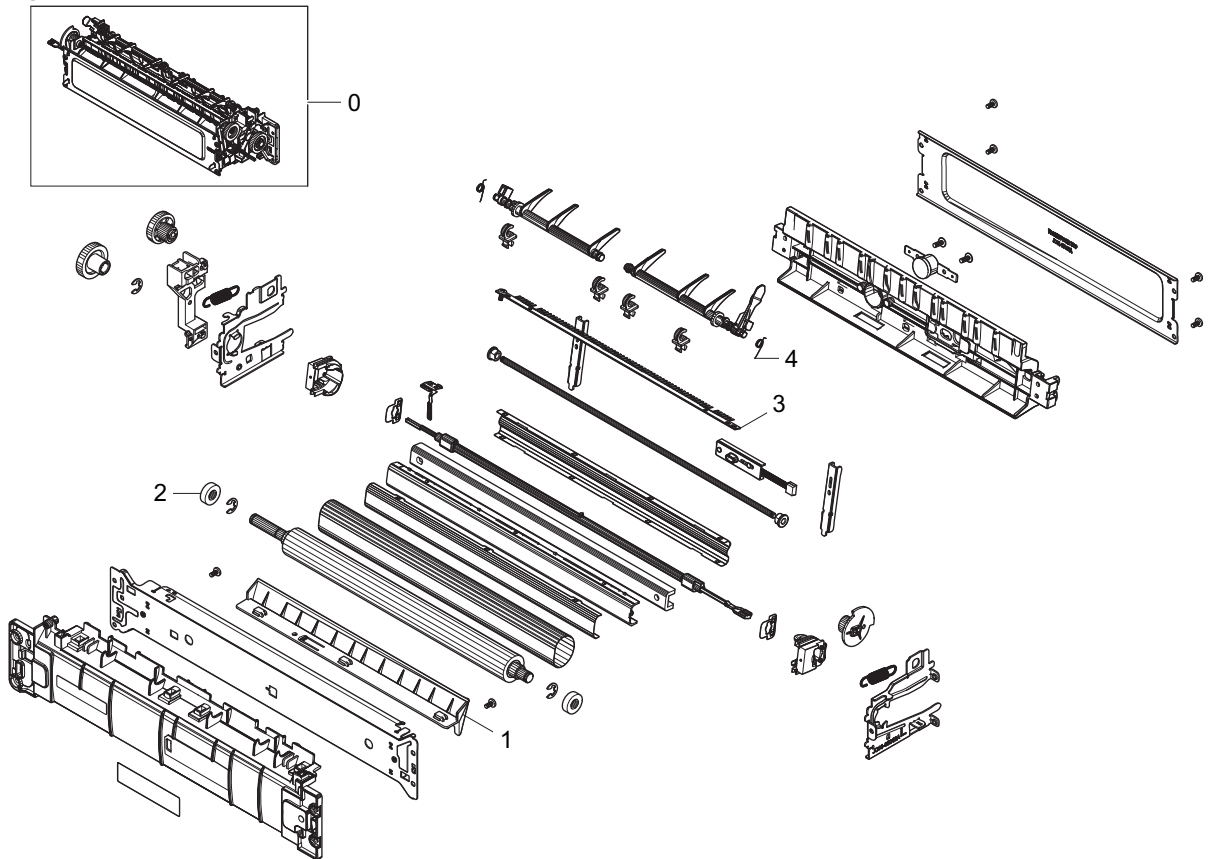


Table 7 FUSER

Ref	Description	Part Number	Qty
0	FUSER (220V)	JC91-01214A	1
0	FUSER (110V)	JC91-01213A	1

Table 7 FUSER (continued)

Ref	Description	Part Number	Qty
1	GUIDE-INPUT	JC61-05386A	1
2	BEARING BALL	6601-001341	2
3	UNIT-MEC BRUSH ANTISTATIC	JC75-00095A	1
4	SPRING ETC-ACTUATOR	JC61-70903A	2

FRAME-BRACKET MP

Figure 8 FRAME-BRACKET MP

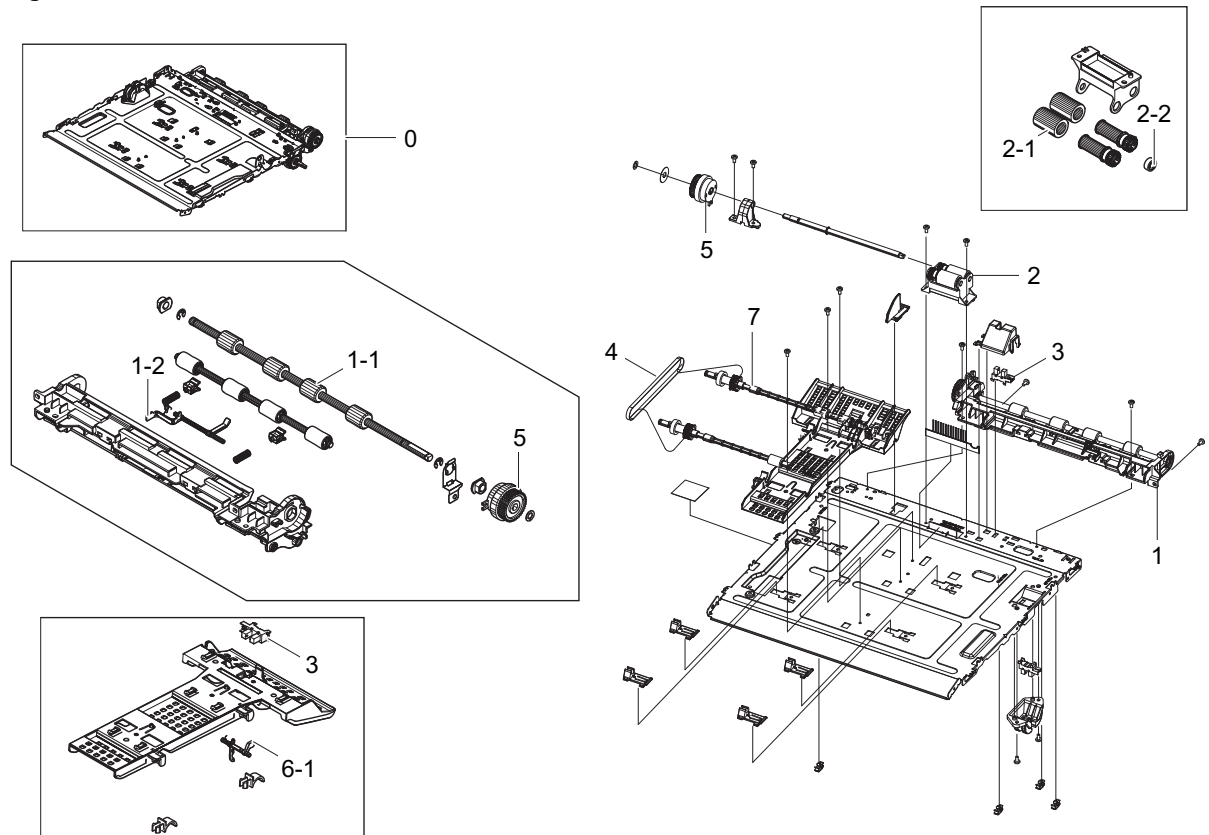


Table 8 FRAME-BRACKET MP

Ref	Description	Part Number	Qty
0	FRAME-BRACKET MP	JC93-00750A	1
1	FRAME-REGI	JC93-00790A	1
1-1	ROLLER IDLE-REGI	JC66-03633A	1
1-2	ACTUATOR-REGI SENSOR	JC66-03611A	1
2	FRAME-PICKUP ONEWAY	JC93-00673A	1
2-1	ROLLER IDLE-MAT_RETARD	JC66-02939B	2
2-2	GEAR-IDLE PICK UP	JC66-01918A	1
3	PHOTO-INTERRUPTER	0604-001415	4
4	BELT-TIMING GEAR	6602-001721	1
5	CLUTCH-ELECTRIC	JC47-00035B	1
6-1	ACTUATOR-FEED MP	JC66-03608A	1
7	FRAME SUB-ROLLER MP	JC93-01357A	2

FRAME-RIGHT and FRAME-LEFT

Figure 9 FRAME-RIGHT and FRAME-LEFT

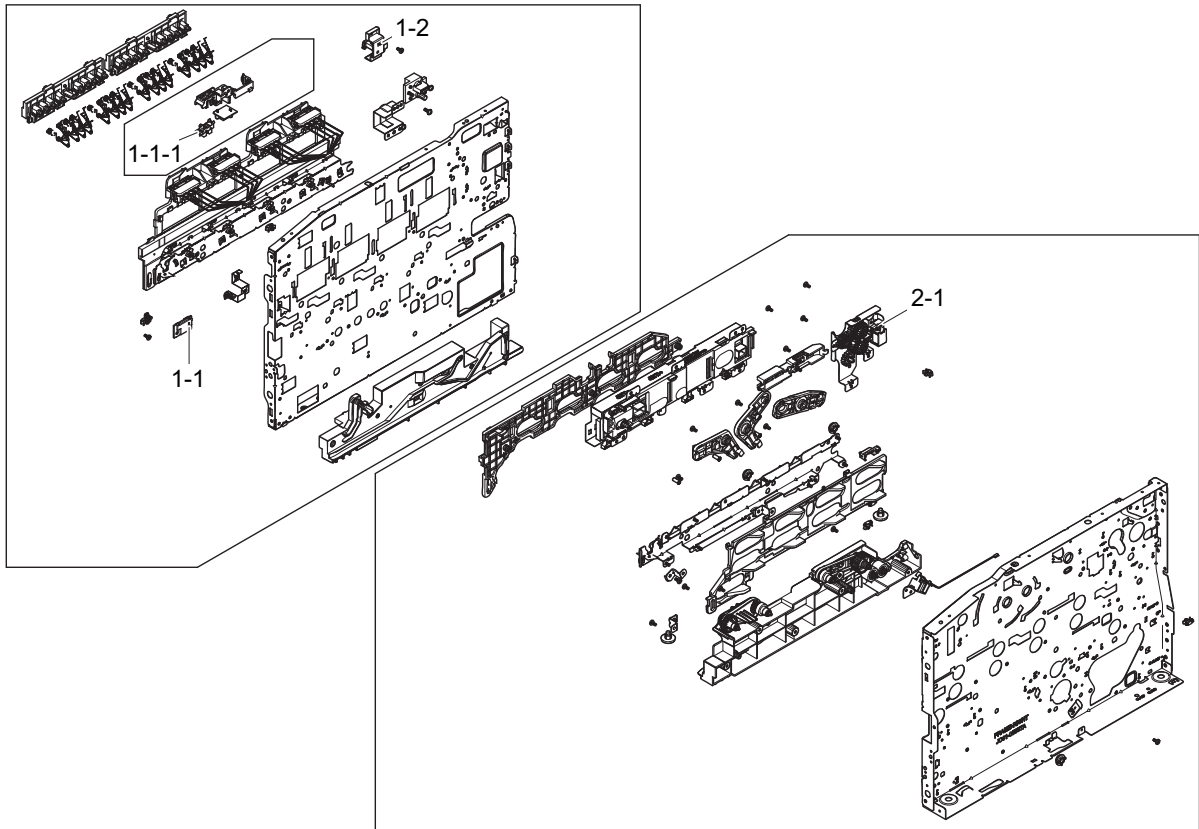


Table 9 FRAME-RIGHT and FRAME-LEFT

Ref	Description	Part Number	Qty
1-1-1	PHOTO-INTERRUPTER	0604-001415	1
1-1	SENSOR	JC32-00015A	1
1-2	HOLDER-ACTUATOR REAR	JC61-05559A	1
2-1	DRIVE-EXIT	JC93-00768A	1

DRIVE-MAIN

Figure 10 DRIVE-MAIN

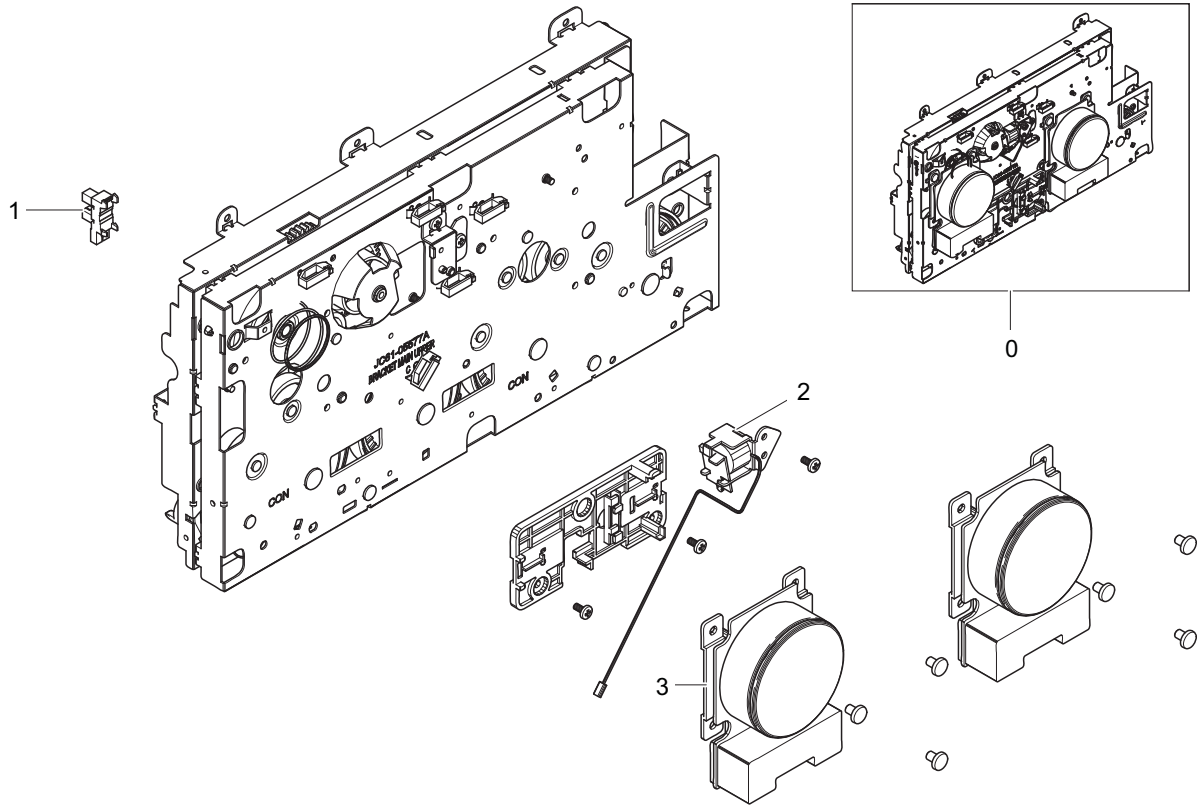


Table 10 DRIVE-MAIN

Ref	Description	Part Number	Qty
0	DRIVE MAIN	JC93-00766D	1
1	PHOTO-INTERRUPTER	0604-001415	4
2	SOLENOID	JC33-00028D	1
3	MOTOR BLDC	JC31-00123B	1

FRAME-TRAY MP

Figure 11 FRAME-TRAY MP

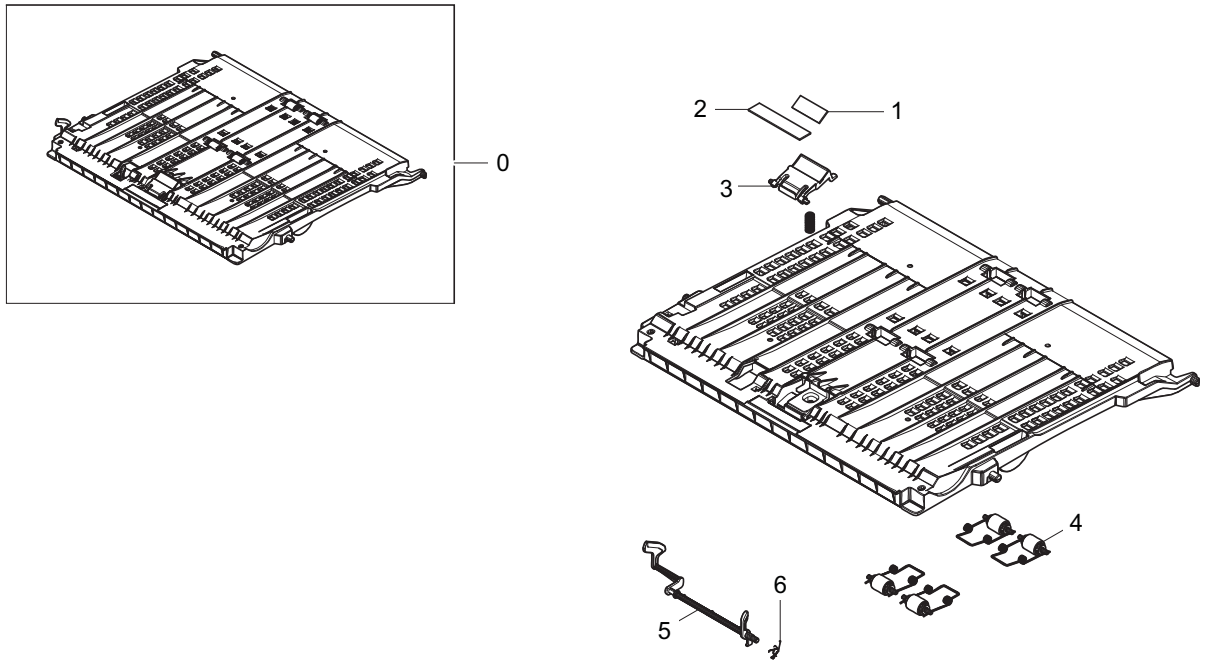


Table 11 FRAME-TRAY MP

Ref	Description	Part Number	Qty
0	FRAME-TRAY MP	JC93-00792A	1
1	FRICTION PAD-RUBBER	JC67-00550A	1
2	RPR-FRICTION PAD	JC73-00140A	1
3	HOLDER-PAD MP	JC61-05527A	1
4	ROLLER IDLE-M-IDLE_ DUP	JC66-00896A	4
5	ACTUATOR-EMPTY MP	JC66-03612A	1
6	SPRING-TS	6107-001164	1

FRAME-SEPARATION

Figure 12 FRAME-SEPARATION

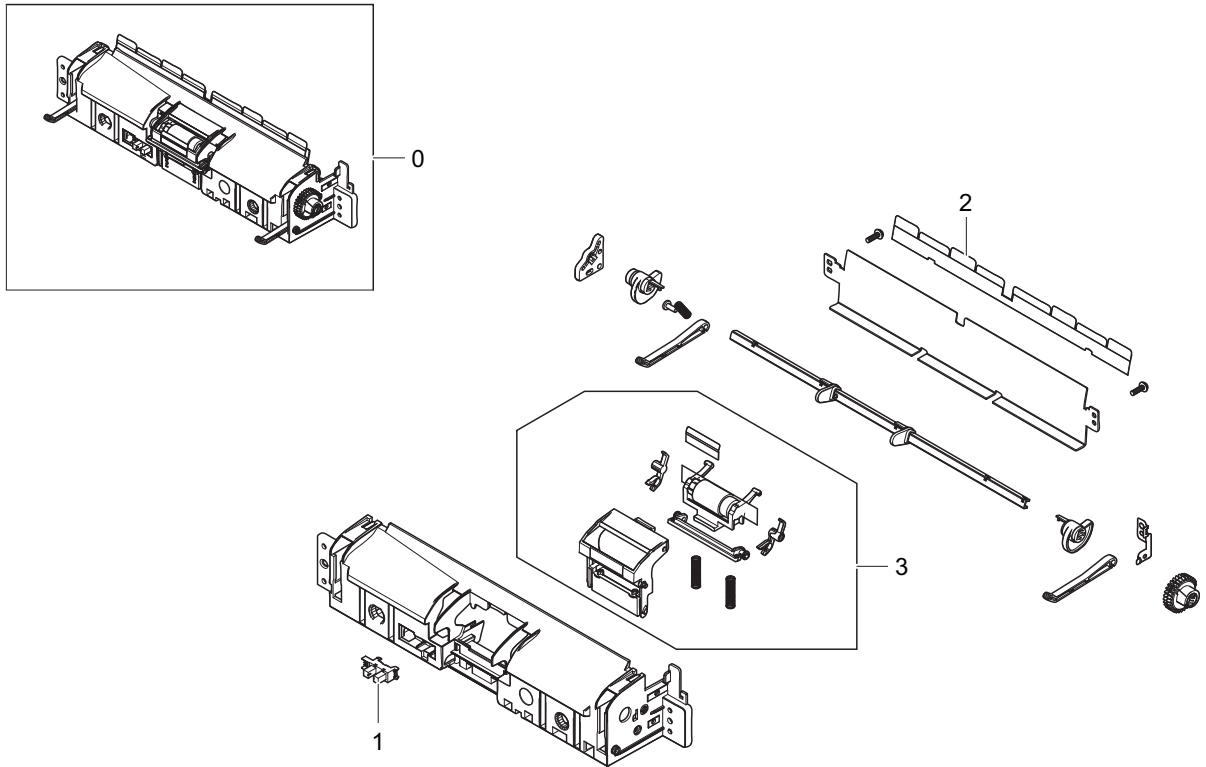


Table 12 FRAME-SEPARATION

Ref	Description	Part Number	Qty
0	FRAME-SEPARATION	JC93-01280A	1
1	PHOTO-INTERRUPTER	0604-001415	4
2	SHEET-GUIDE	JC63-03868A	1
3	FRAME-RETARD-HOLDER	JC93-00794A	1

FRAME-MP UPPER

Figure 13 FRAME-MP UPPER

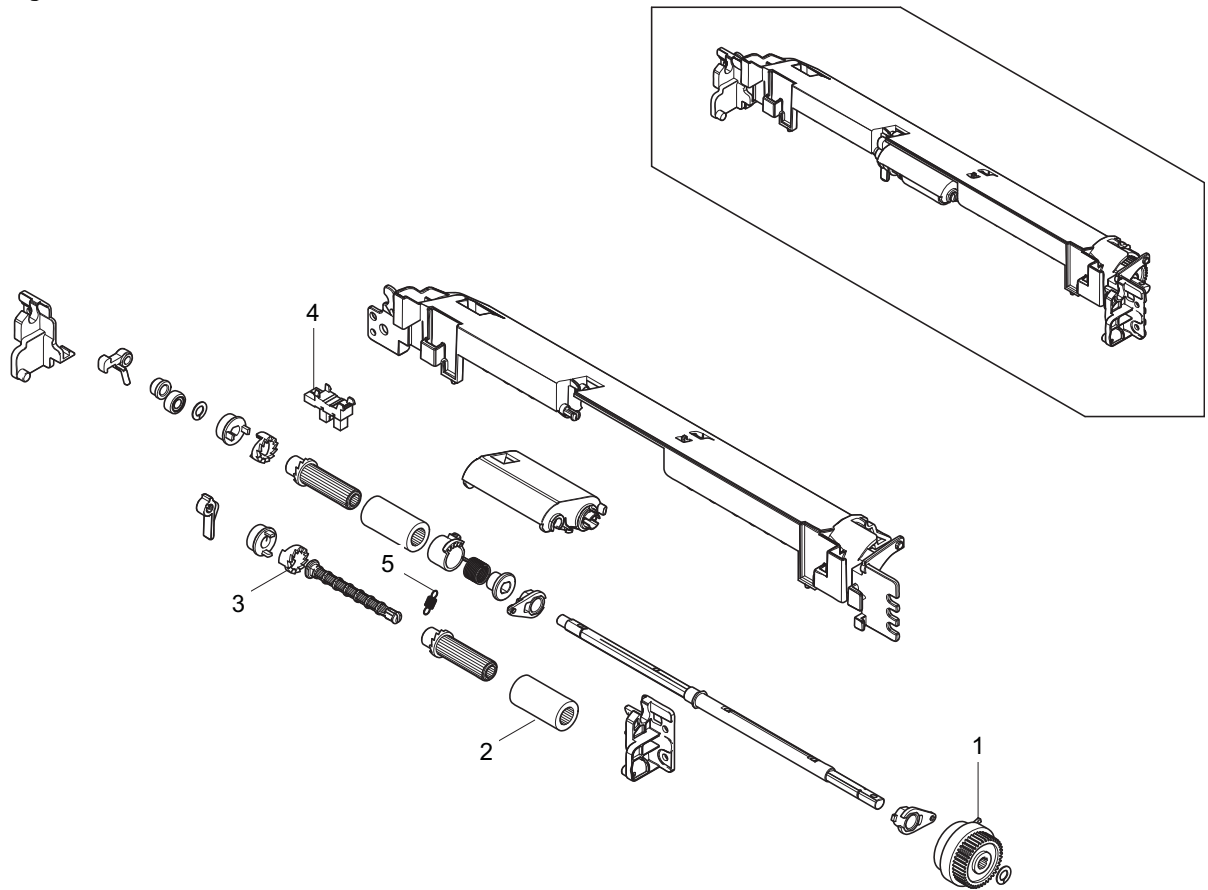


Table 13 FRAME-MP UPPER

Ref	Description	Part Number	Qty
1	CLUTCH-ELECTRIC	JC47-00035C	1
2	ROLLER IDLE-RUBBER-PICK_UP	JC73-00295A	2
3	PMO-PICK UP CLUTCH SUB	JB72-00845A	2
4	PHOTO-INTERRUPTER	0604-001415	4
5	SPRING-ES	6107-002780	1

FRAME SUB-EXIT

Figure 14 FRAME SUB-EXIT

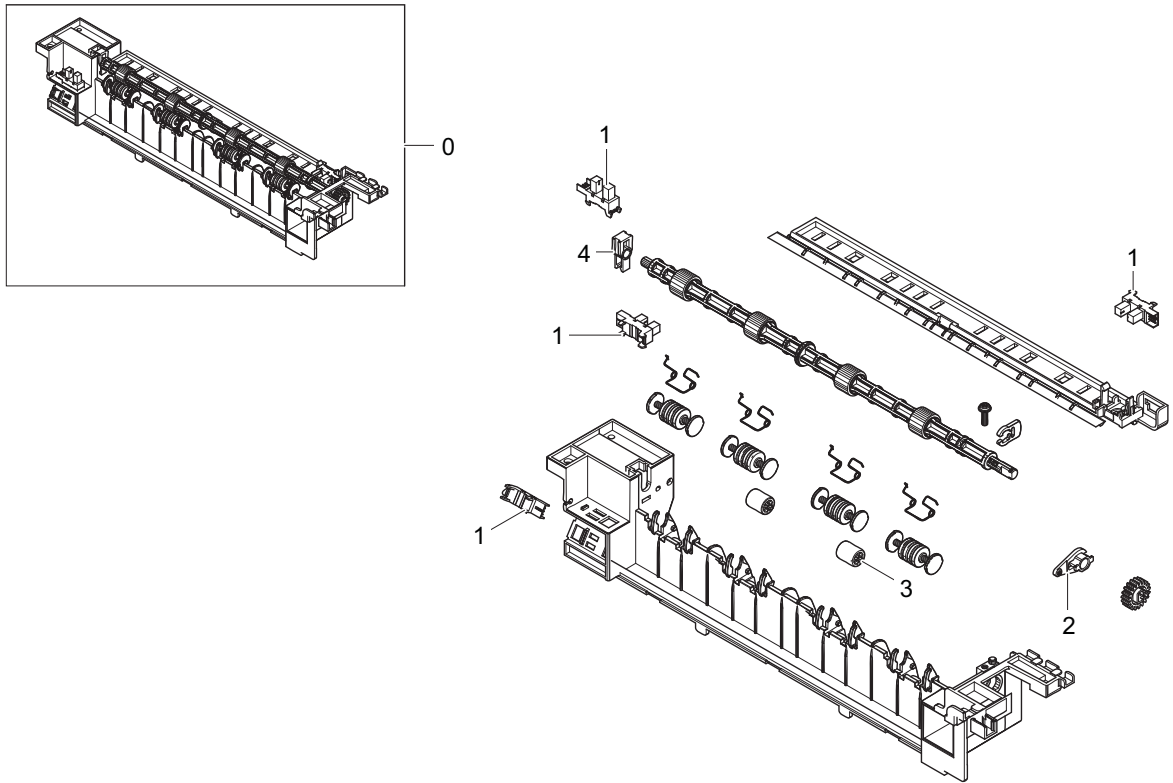


Table 14 FRAME SUB-EXIT

Ref	Description	Part Number	Qty
1	PHOTO-INTERRUPTER	0604-001415	4
2	PMO	JC72-41191B	1
3	ROLLER	JC72-40981A	2
4	BUSH-M-EXIT	JC61-00845A	1

OPE (for SL-C3060FR & SL-C3060FW)

Figure 15 OPE (for SL-C3060FR & SL-C3060FW)

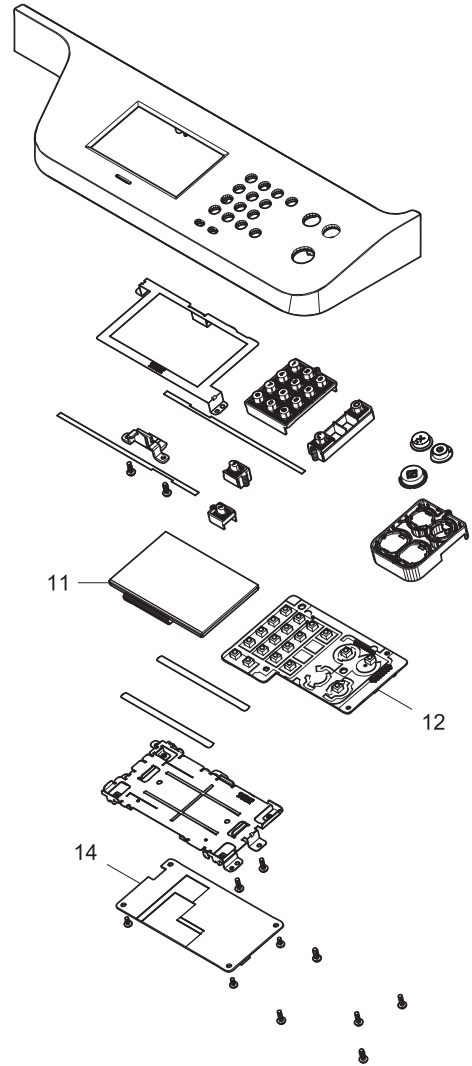
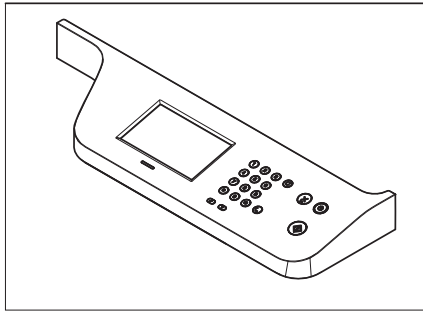


Table 15 OPE (for SL-C3060FR & SL-C3060FW)

Ref	Description	Part Number	Qty
5	LCD	JC07-00030A	1
6	PBA SUB-OPE KEY	JC92-02524B	1
7	PBA OPE	JC92-02918A	1

OPE (for SL-C3060ND)

Figure 16 OPE (for SL-C3060ND)

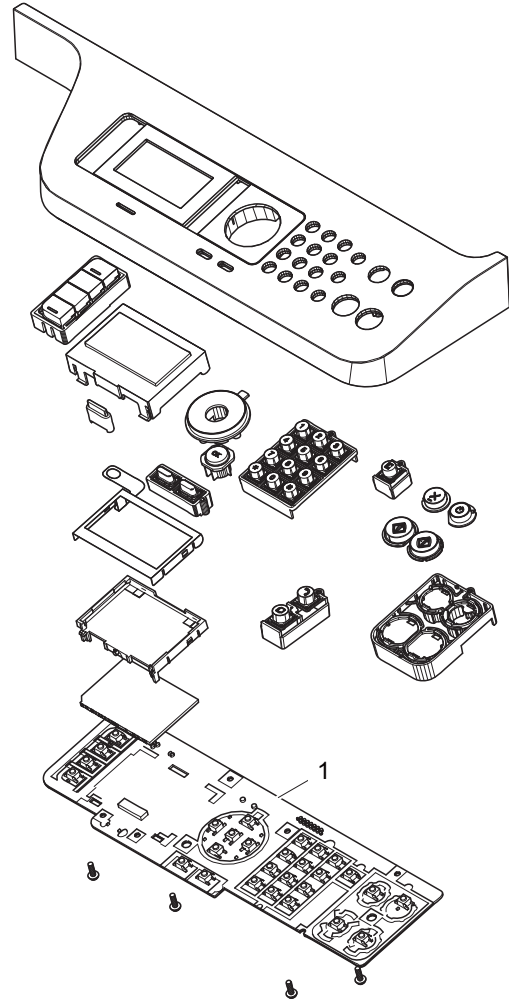
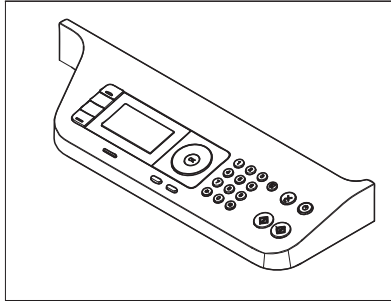


Table 16 OPE (for SL-C3060ND)

Ref	Description	Part Number	Qty
1	PBA OPE	JC92-02930A	1

SCANNER (for SL-C3060FR & SL-C3060FW)

Figure 17 SCANNER (for SL-C3060FR & SL-C3060FW)

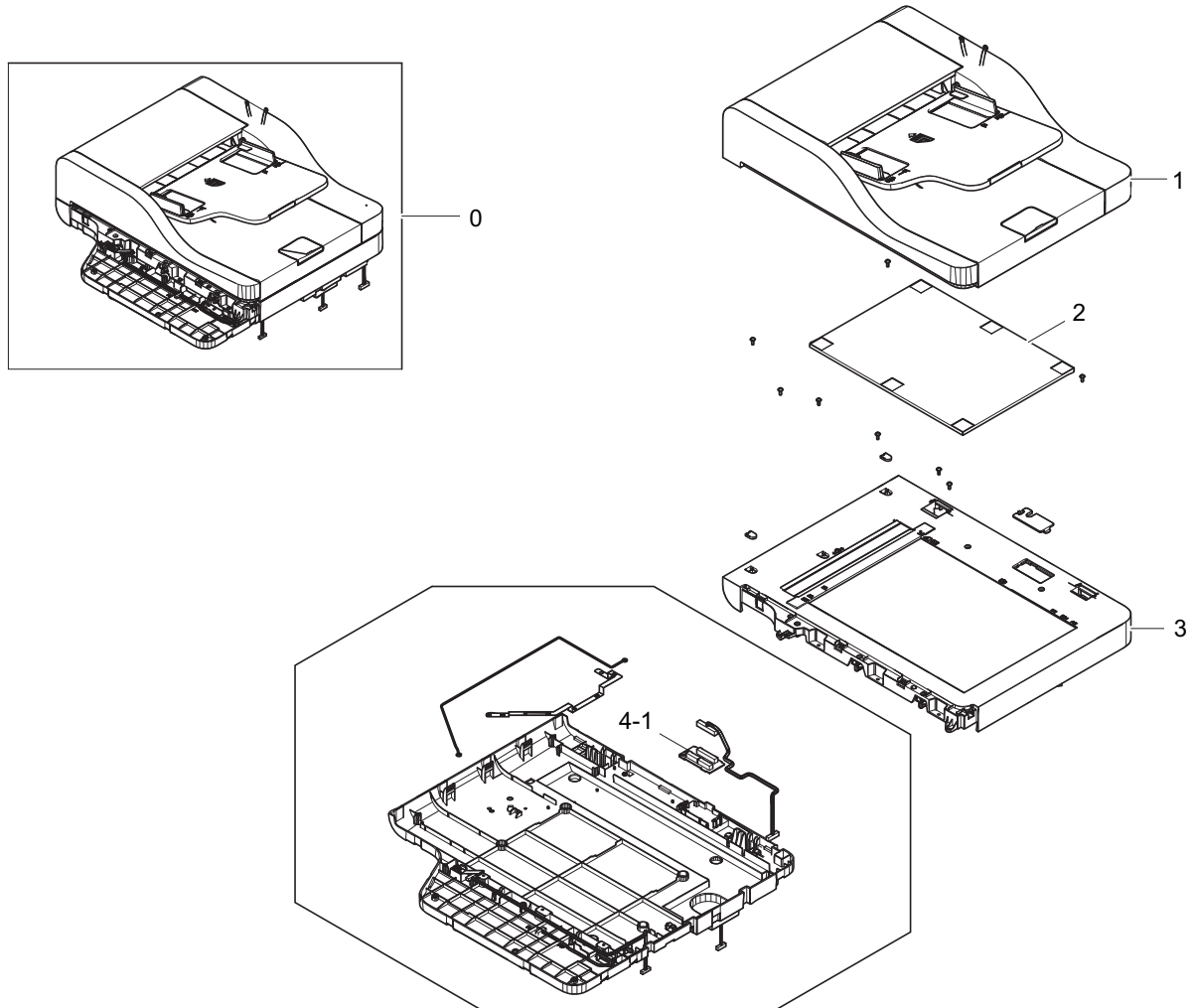


Table 17 SCANNER (for SL-C3060FR & SL-C3060FW)

Ref	Description	Part Number	Qty
1	DADF	JC97-04172A	1
2	SHEET-WHITE SPONGE	JC63-00209A	1
3	PLATEN	JC97-04753A	1
4-1	PBA-JOINT	JC92-02353A	1

Sub units of SCANNER (for SL-C3060FR & SL-C3060FW)

- DADF (for SL-C3060FR & SL-C3060FW)
- Sub units of DADF (for SL-C3060FR & SL-C3060FW)
- PLATEN (for SL-C3060FR & SL-C3060FW)

DADF (for SL-C3060FR & SL-C3060FW)

Figure 18 DADF (for SL-C3060FR & SL-C3060FW)

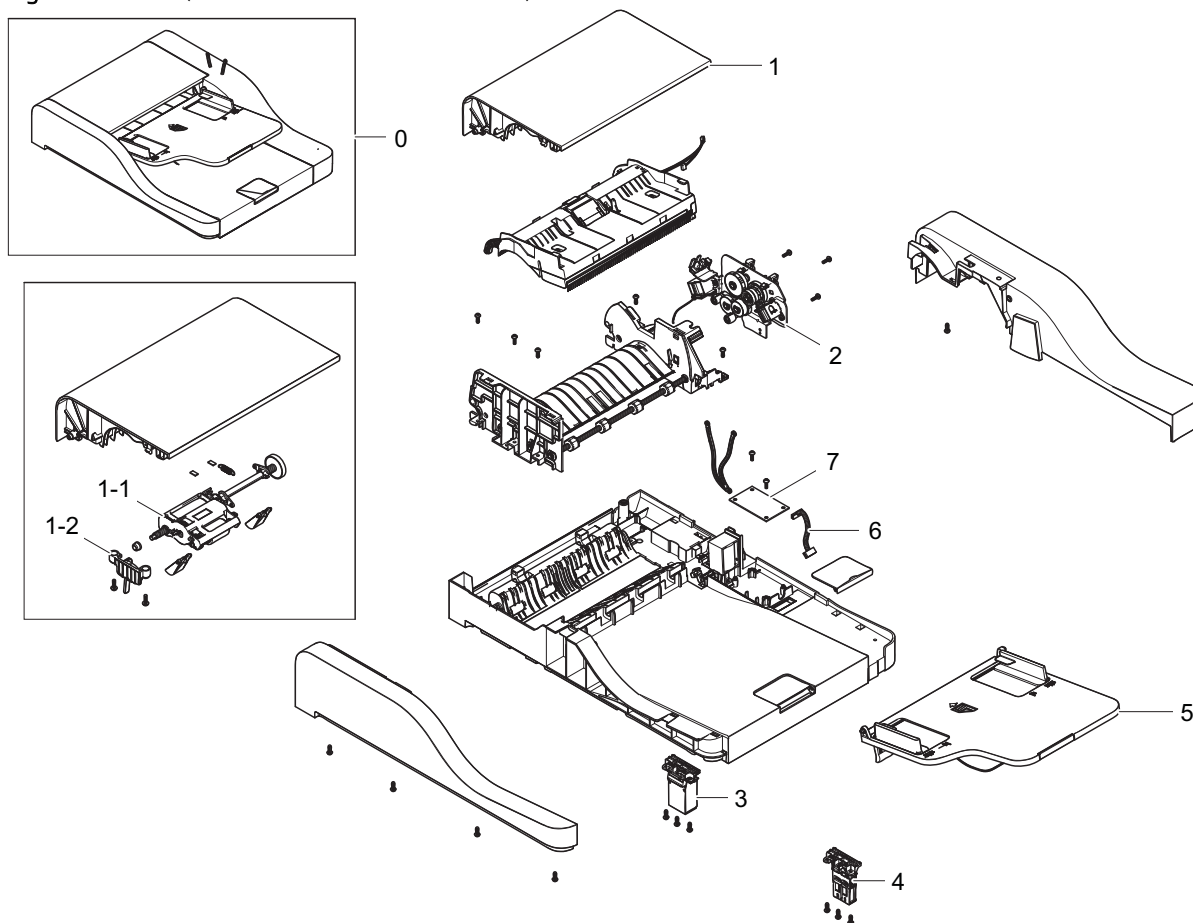


Table 18 DADF

Ref	Description	Part Number	Qty
0	DADF	JC97-04172A	1
1	DADF-COVER OPEN	JC97-04158A	1
1-1	DADF-PICK UP	JC97-04199A	1
1-2	MEA UNIT-STOPPER	JC97-03060A	1
2	DRIVE-DADF	JC93-00761A	1
3	DADF-HINGE_R	JC97-04198A	1

Table 18 DADF (continued)

Ref	Description	Part Number	Qty
4	DADF-HINGE_L	JC97-04197A	1
5	DSDF-STACKER	JC97-04161A	1
6	HARNESS-DADF	JC39-01493A	1
7	PBA-DADF	JC92-01954A	1

Sub units of DADF (for SL-C3060FR & SL-C3060FW)

- DRIVE-DADF (for SL-C3060FR & SL-C3060FW)
- DADF-LOWER (for SL-C3060FR & SL-C3060FW)
- DADF-UPPER (for SL-C3060FR & SL-C3060FW)

DRIVE-DADF (for SL-C3060FR & SL-C3060FW)

Figure 19 DRIVE-DADF (for SL-C3060FR & SL-C3060FW)

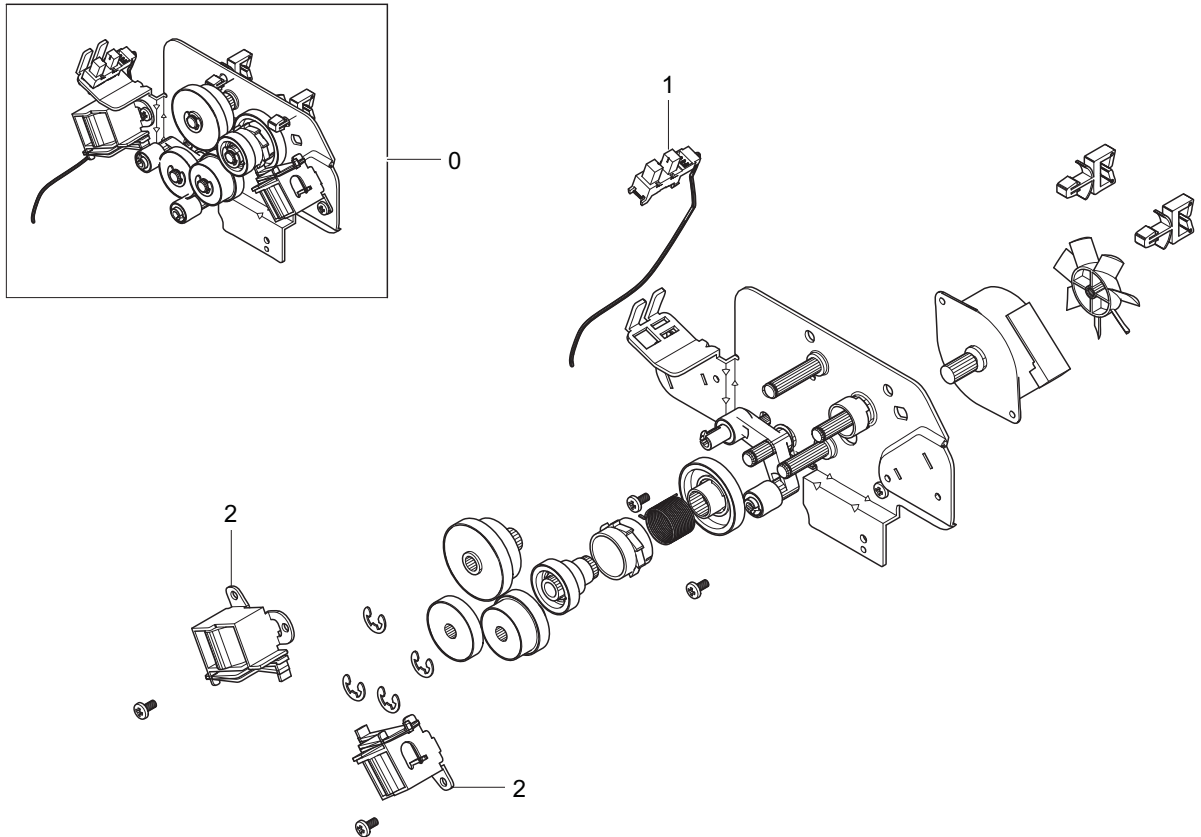


Table 19 DRIVE-DADF

Ref	Description	Part Number	Qty
0	DRIVE-DADF	JC93-00761A	1
1	PHOTO-INTERRUPTER	0604-001393	1
2	SOLENOID-DADF	JC33-00030A	2

DADF-LOWER (for SL-C3060FR & SL-C3060FW)

Figure 20 DADF-LOWER (for SL-C3060FR & SL-C3060FW)

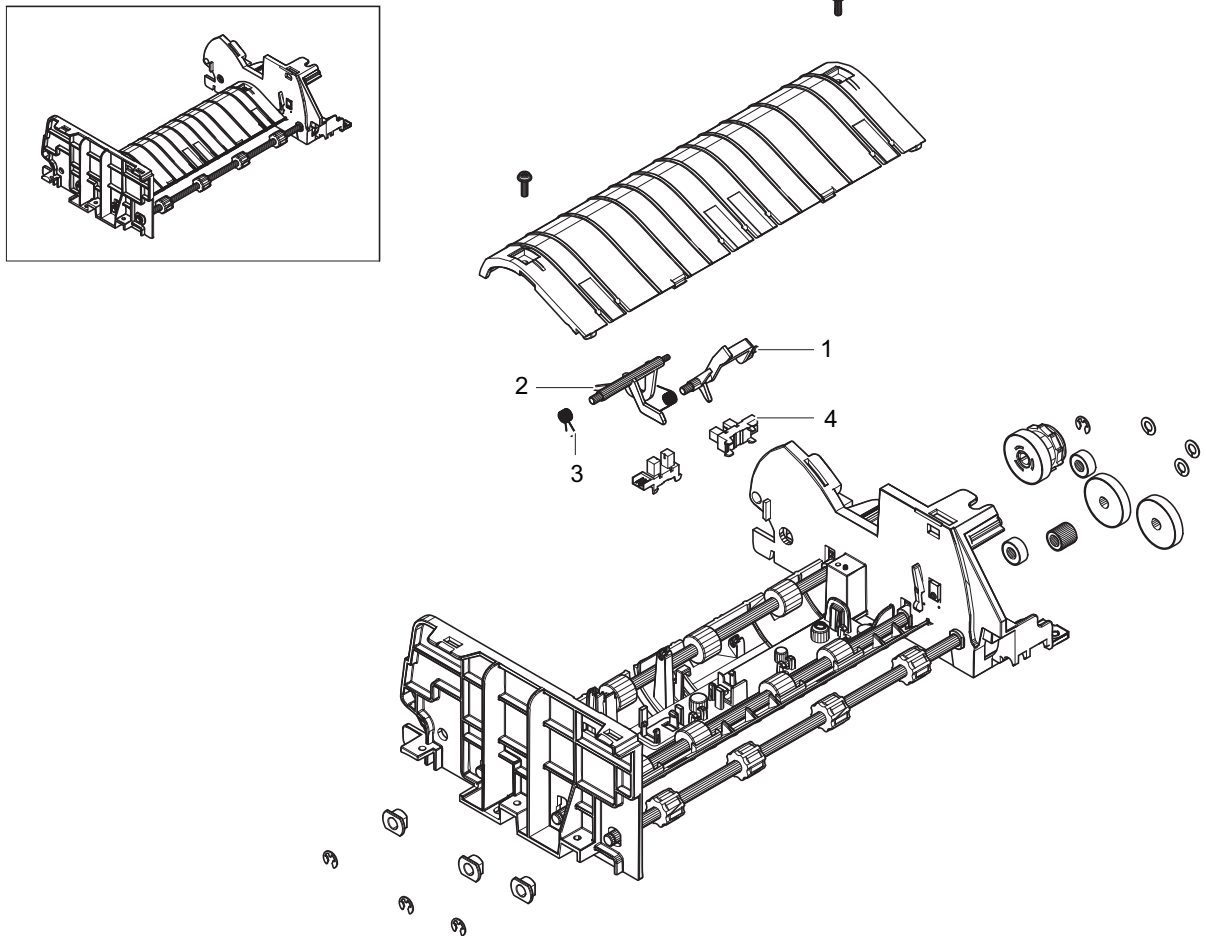


Table 20 DADF-LOWER

Ref	Description	Part Number	Qty
1	ACTUATOR-FEED	JC66-01766A	1
2	ACTUATOR-REGI	JC66-01762A	1
3	SPRING ETC-TORSION DOC (CC2-F)	JB61-00076A	1
4	PHOTO-INTERRUPTER	0604-001415	1

DADF-UPPER (for SL-C3060FR & SL-C3060FW)

Figure 21 DADF-UPPER (for SL-C3060FR & SL-C3060FW)

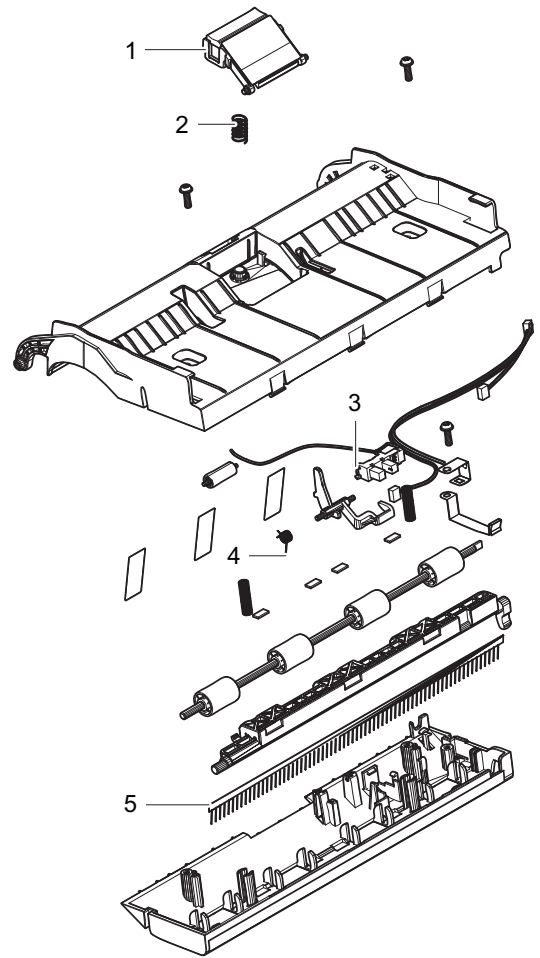
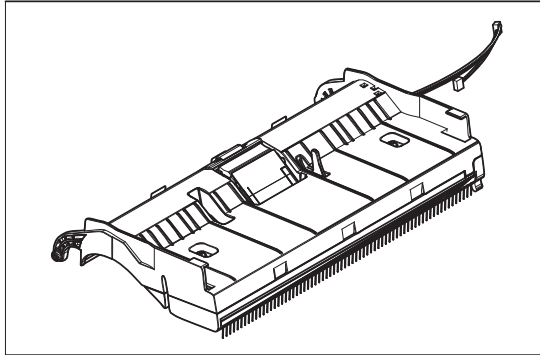


Table 21 DADF-UPPER

Ref	Description	Part Number	Qty
1	MEA UNIT-DADF RUBBER	JC97-03069A	1
2	SPRING ETC-PAD	JC61-00387A	1
3	PHOTO-INTERRUPTER	0604-001415	1
4	SPRING ETC-TORSION DOC (CC2-F)	JB61-00076A	1
5	UNIT-MEC BRUSH ANTISTATIC	JC75-00095A	1

PLATEN (for SL-C3060FR & SL-C3060FW)

Figure 22 PLATEN (for SL-C3060FR & SL-C3060FW)

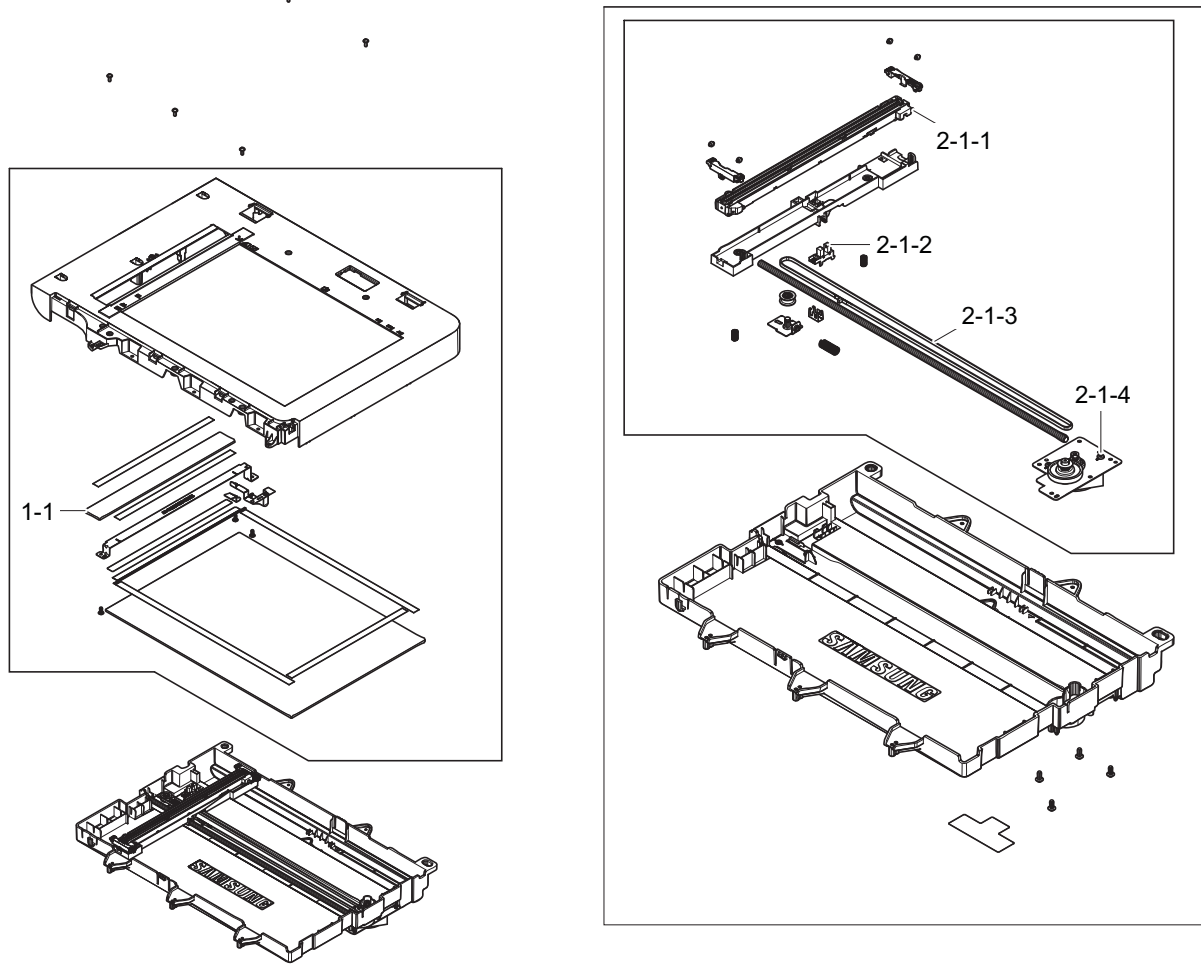


Table 22 PLATEN

Ref	Description	Part Number	Qty
1-1	GLASS OTHERS-ADF	JC01-00058A	1
2-1-1	CONTACT IMAGE SENSOR	0609-001573	1
2-1-2	PHOTO-INTERRUPTER	0604-001415	1
2-1-3	BELT-TIMING GEAR	6602-002970	1
2-1-4	PLATEN-DRIVETRAIN	JC97-04170A	1

SCANNER (for SL-C3060ND)

Figure 23 SCANNER (for SL-C3060ND)

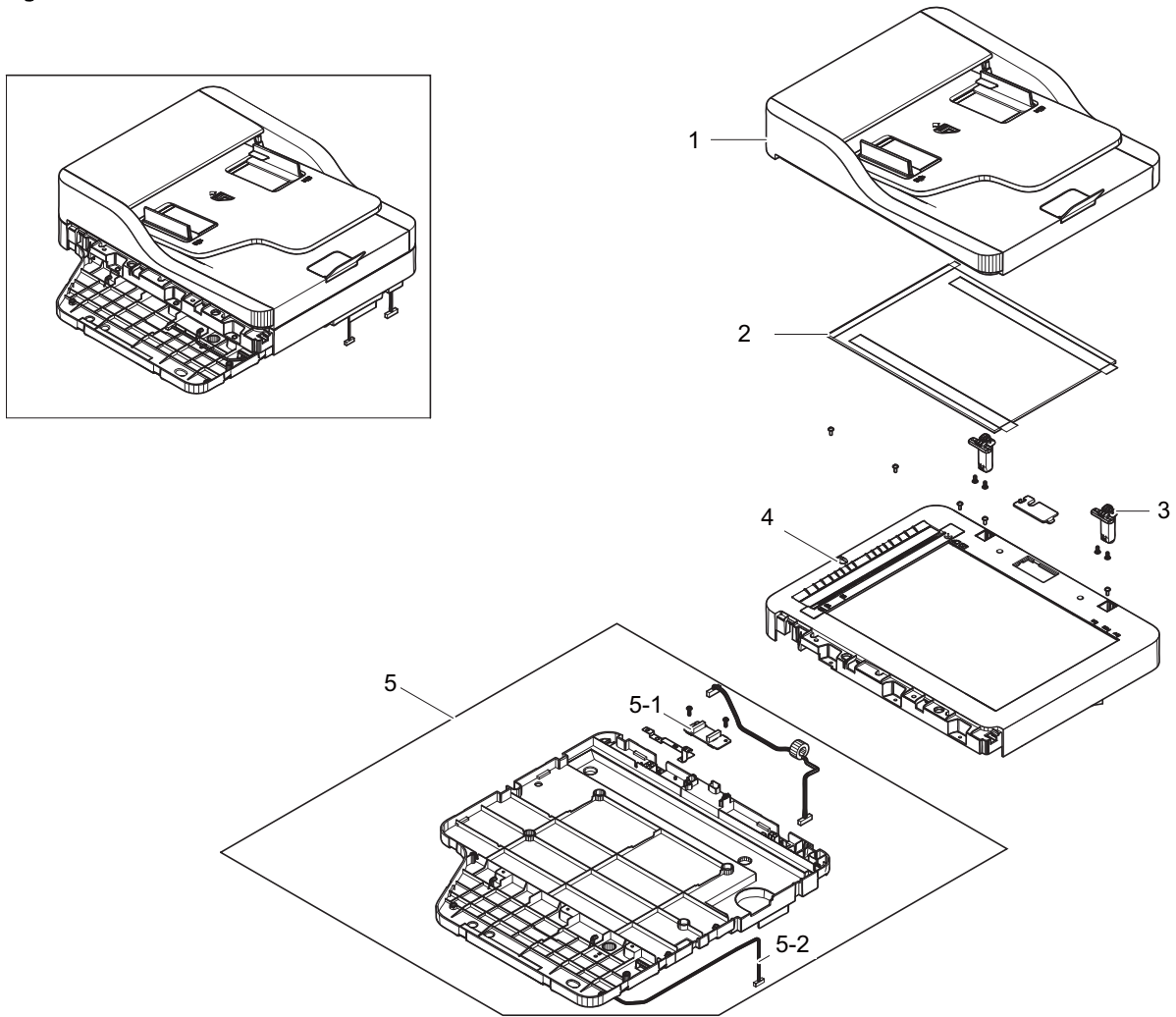


Table 23 SCANNER (for SL-C3060ND)

Ref	Description	Part Number	Qty
1	ADF	JC97-04164A	1
2	SHEET-WHITE	JC01-00060A	1
3	ETC-MEA UNIT-HINGE L	JC97-03191A	2
4	PLATEN	JC97-04756A	1
5	COVER-PLATEN LOWER	JC95-01688A	1
5-1	PBA-ADF	JC92-02426A	1
5-2	HARNESS-OPE 4LINE	JC39-01813A	1

Sub units of SCANNER (for SL-C3060ND)

- ADF (for SL-C3060ND)
- PLATEN (for SL-C3060ND)

ADF (for SL-C3060ND)

Figure 24 ADF (for SL-C3060ND)

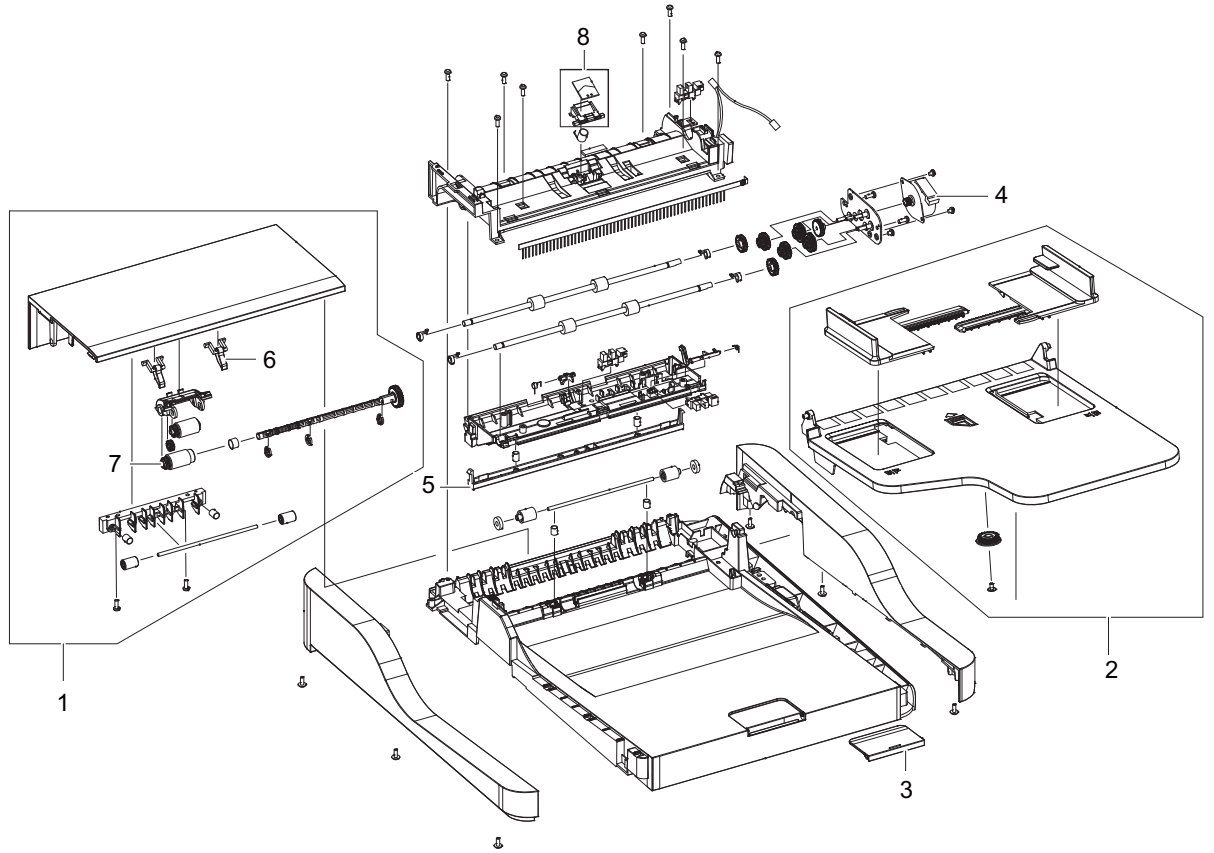


Table 24 ADF

Ref	Description	Part Number	Qty
1	ADF COVER ASSY	JC95-01891A	1
2	INPUT TRAY ASSY	JC97-04413A	1
3	CSP-EXIT STOPPER LID ADF	JC82-00350A	1
4	STEPPING MOTOR PART	JC81-09672A	1
5	CSP-BAR_WHITE	JC81-08907A	1
6	CSP-STOPPER PAPER ADF	JC81-09533A	1
7	AS-ASSY-ROLLER PICKUP	JC81-09670A	1
8	FRICITION PAD ASSY	JC82-00339A	1

PLATEN (for SL-C3060ND)

Figure 25 PLATEN (for SL-C3060ND)

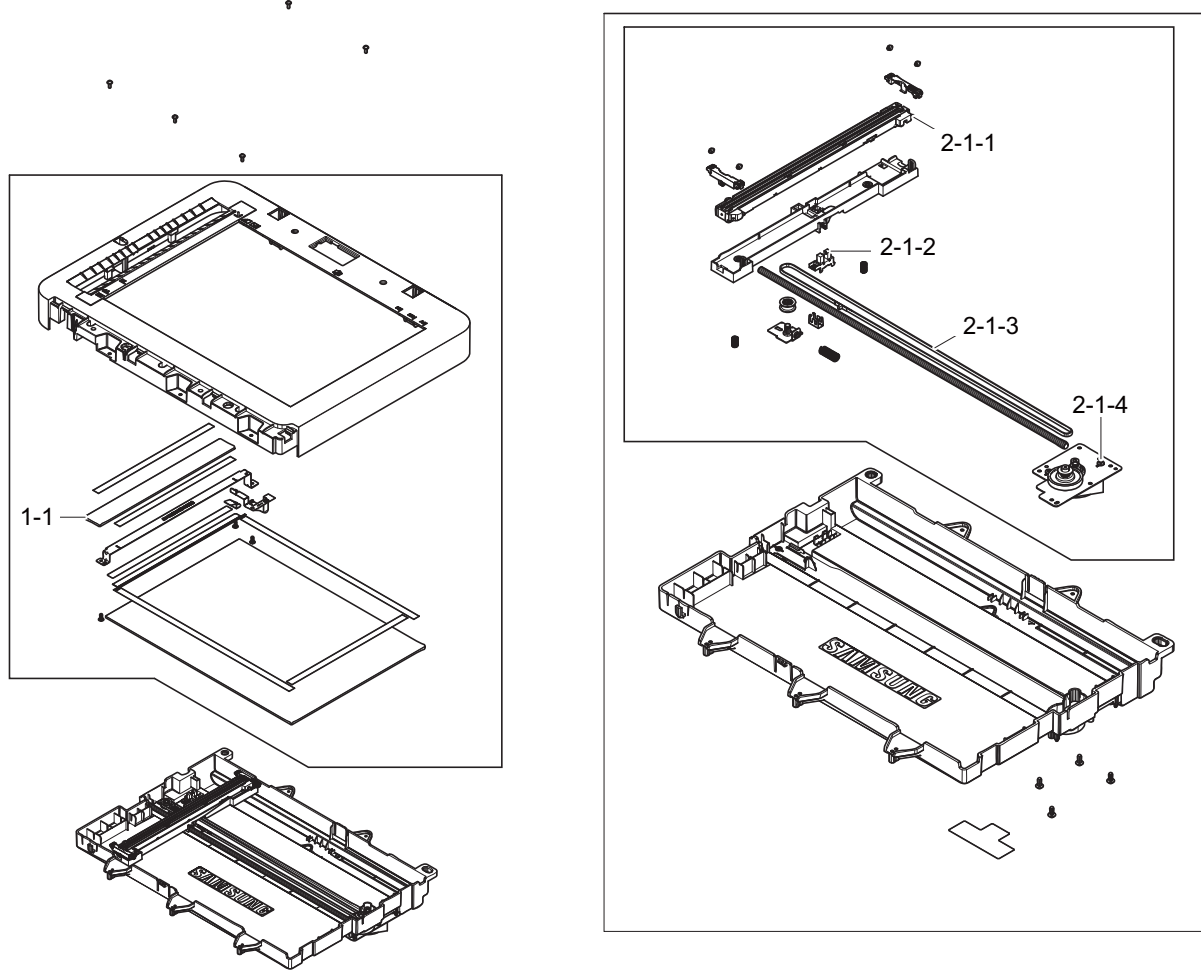


Table 25 PLATEN

Ref	Description	Part Number	Qty
1-1	GLASS OTHERS-ADF	JC01-00058A	1
2-1-1	CONTACT IMAGE SENSOR	0609-001573	1
2-1-2	PHOTO-INTERRUPTER	0604-001415	1
2-1-3	BELT-TIMING GEAR	6602-002970	1
2-1-4	PLATEN-DRIVETRAIN	JC97-04170A	1