

SAMSUNG

DIGITAL LASER MFP
SCX-5635 Series
SCX-5635FN / SCX-5635HN

SERVICE *Manual*

DIGITAL LASER MFP



The keynote of Product

- Speed : 33 ppm (A4), 35 ppm (LTR)
- Print Resolution : 600x600 dpi
- Scan Resolution : Enhanced 4800x4800 dpi
- Toner cartridge
 - Initial : 4K
 - Sales : 4K/10K
- Machine Life : 200K or 5 Years
- Paper handling
 - : 250 sheets cassette
 - : 50 sheets MP tray
 - : 250 sheets option cassette
- Memory : 128 MB (Max. 384 MB)
- Duplex printing
- N/W, USB 2.0, EDI, Wireless option
- 4 Line LCD



ELECTRONICS

GSPN (Global Service Partner Network)

North America : service.samsungportal.com

Latin America : latin.samsungportal.com

CIS : cis.samsungportal.com

Europe : europe.samsungportal.com

China : china.samsungportal.com

Asia : asia.samsungportal.com

Mideast & Africa : mea.samsungportal.com

© Samsung Electronics Co.,Ltd. August. 2008
Printed in Korea.

VERSION NO. : 1.00 CODE : 5635-00000E

Contents

1. Precautions

1.1 Safety Warning	1-1
1.2 Caution for safety	1-2
1.2.1 Toxic material	1-2
1.2.2 Electric Shock and Fire Safety Precautions	1-2
1.2.3 Handling Precautions	1-3
1.2.4 Assembly / Disassembly Precautions	1-3
1.2.5 Disregarding this warning may cause bodily injury	1-4
1.3 ESD Precautions	1-5
1.4 Super Capacitor or Lithium Battery Precautions	1-5

2. Product spec and feature

2.1 Product Overview	2-1
2.1.1 Product Summary	2-1
2.2 Product Specifications	2-2
2.2.1 General Specifications	2-2
2.2.2 Software and Network	2-3
2.2.3 Print Specification	2-4
2.2.4 Scan Specification	2-4
2.2.5 Copy Specification	2-5
2.2.6 Telephone Specification	2-6
2.2.7 Fax Specification	2-6
2.2.8 Paper Handling	2-8
2.2.9 Consumables	2-8
2.2.10 Maintenance Parts	2-9
2.3 Model Comparison	2-10
2.4 System Overview	2-11
2.4.1 Hardware Configuration	2-14
2.4.2 Mechanic configuration	2-21

Continued

3. Disassembly and Reassembly

3.1 Disassembly and Reassembly on Disassembly	3-1
3.2 Maintenance Parts	3-2
3.3 Replacing a Maintenance Parts	3-3
3.3.1 Fuser Unit	3-3
3.3.2 ADF Pick up unit and rubber pad	3-3
3.3.3 Pick up roller	3-4
3.3.4 Transfer roller	3-4
3.3.5 Holder-Pad	3-5
3.4 General Disassembly	3-6
3.4.1 Cover	3-6
3.4.2 ADF Board	3-8
3.4.3 Scan Assy	3-9
3.4.4 Middle Cover	3-11
3.4.5 Main PBA	3-12
3.4.6 Fax board	3-12
3.4.7 SMPS board	3-13
3.4.8 Main Drive unit	3-13
3.4.9 HVPS board	3-14
3.4.10 LSU Unit	3-15

4. Alignment & Troubleshooting

4.1 Alignment and Adjustments	4-1
4.1.1 Control panel overview	4-1
4.1.2 Understanding The Status LED	4-2
4.1.3 Menu Overview	4-3
4.1.4 Tech Mode	4-20
4.1.5 Clearing Paper Jams	4-28
4.1.6 Abnormal Image Printing and Defective Roller	4-35
4.1.7 Error Message	4-37

Continued

4.2 Troubleshooting	4-44
4.2.1 Procedure of Checking the Symptoms	4-44
4.2.2 Solution	4-45

5. System Diagram

5.1 Block Diagram (Main I/F)	5-1
5.2 Block Diagram (SUB B'd)	5-2
5.3 Power Diagram	5-3

6. Reference Information

6.1 Tool for Troubleshooting	6-1
6.2 Acronyms and Abbreviations	6-2
6.2.1 Acronyms	6-2
6.2.2 Service Parts	6-4
6.3 The Sample Pattern for the Test	6-8
6.4 Selecting a location	6-9

Parts Catalog

Harness Connection Table	2
Used Screw List	4
Thumbnail 1	6
1. Main	9
2. ELA HOU-Cover	11
3. ELA HOU-Cover Mid	13
4. MEA-Cover Front	15
5. MEA-Cover Rear	17
6. ELA HOU-Cover Side R	19

Continued

7. ELA HOU-Scan	21
8. ELA HOU-ADF	23
9. MEA-Cover Open	25
10. MEA Unit-Pick Up	27
11. MEA-ADF Upper	29
12. ELA HOU-ADF Lower	31
13. Drive ADF-Bracket	33
14. MEA Unit-Cover Platen	35
15. ELA HOU-Platen	37
16. MEA-Scan Upper	39
17. ELA HOU-Scan Lower	41
18. ELA HOU-Scan Motor	43
19. ELA HOU-OPE	45
20. ELA Unit-Main Drive	47
21. ELA Unit-Duplex Drive	49
22. ELA HOU-Frame	51
23. ELA HOU-Frame Etc.1	53
ELA HOU-Frame Etc.2	54
24. ELA HOU-Frame Exit	57
25. ELA HOU-Guide_Dup F	59
26. ELA HOU-MPF	61
27. ELA HOU-Fuser Drive	63
28. ELA Unit-Fuser	65
29. MEA Unit-Bracket Feed	67
30. MEA Unit-Clutch	69
31. ELA HOU-SMPS_V1/V2	71
32. MEA Unit-Duplex	73
33. MEA Unit-Cassette	75
34. ELA HOU-SCF	77

1. Precautions

In order to prevent accidents and to prevent damage to the equipment please read the precautions listed below carefully before servicing the printer and follow them closely.

1.1 Safety Warning

(1) Only to be serviced by appropriately qualified service engineers.

High voltages and lasers inside this product are dangerous. This printer should only be serviced by a suitably trained and qualified service engineer.

(2) Use only Samsung replacement parts

There are no user serviceable parts inside the printer. Do not make any unauthorized changes or additions to the printer, these could cause the printer to malfunction and create electric shock or fire hazards.

(3) Laser Safety Statement

The Printer is certified in the U.S. to conform to the requirements of DHHS 21 CFR, chapter 1 Subchapter J for Class 1(1) laser products, and elsewhere, it is certified as a Class I laser product conforming to the requirements of IEC 825. Class I laser products are not considered to be hazardous. The laser system and printer are designed so there is never any human access to laser radiation above a Class I level during normal operation, user maintenance, or prescribed service condition.

Warning >> Never operate or service the printer with the protective cover removed from Laser/Scanner assembly. The reflected beam, although invisible, can damage your eyes. When using this product, these basic safety pre-cautions should always be followed to reduce risk of fire, electric shock, and injury to persons.



CAUTION - INVISIBLE LASER RADIATION
WHEN THIS COVER OPEN.
DO NOT OPEN THIS COVER.

VORSICHT - UNSICHTBARE LASERSTRAHLUNG,
WENN ABDECKUNG GE...FFNET.
NICHT DEM STRAHL AUSSETZEN.

ATTENTION - RAYONNEMENT LASER INVISIBLE EN CAS
D'OUVERTURE. EXPOSITION DANGEREUSE
AU FAISCEAU.

ATTENZIONE - RADIAZIONE LASER INVISIBLE IN CASO DI
APERTURA. EVITARE L'ESPOSIZIONE AL
FASCIO.

PRECAUCION - RADIACION LASER IVISIBLE CUANDO SE ABRE.
EVITAR EXPONERSE AL RAYO.

ADVARSEL - USYNLIG LASERSTRALNING VED BNING, NR
SIKKERHEDSBRYDERE ER UDE AF FUNKTION.
UNDG UDSAETTELSE FOR STRALNING.

ADVARSEL - USYNLIG LASERSTRALNING NR DEKSEL
PNES. STIRR IKKE INN I STRLEN.
UNNG EKSPONERING FOR STRLEN.

VARNING - OSYNLIG LASERSTRALNING NR DENNA DEL
R...PPNAD OCH SPRREN R URKOPPLAD.
BETRAKTA EJ STRLEN. STRLEN R FARLIG.

VARO! - AVATTAESSA JA SUOJALUKITUS OHITETTAESSA
OLET ALTIINA NKYMTT...MLLE LASER-
STEILYLLE L KATSO STEESEEN.

注 意 - 严禁揭开此盖, 以免激光泄露灼伤

주 의 - 이 덮개를 열면 레이저광에 노출될 수 있으므로
주의하십시오.

1.2 Caution for safety

1.2.1 Toxic material

This product contains toxic materials that could cause illness if ingested.

- (1) If the LCD control panel is damaged it is possible for the liquid inside to leak. This liquid is toxic. Contact with the skin should be avoided, wash any splashes from eyes or skin immediately and contact your doctor. If the liquid gets into the mouth or is swallowed see a doctor immediately.
- (2) Please keep Drum cartridge and Toner Cartridge away from children. The toner powder contained in the Drum cartridge and Toner Cartridge may be harmful and if swallowed you should contact a doctor.

1.2.2 Electric Shock and Fire Safety Precautions

Failure to follow the following instructions could cause electric shock or potentially cause a fire.

- (1) Use only the correct voltage, failure to do so could damage the printer and potentially cause a fire or electric shock.
- (2) Use only the power cable supplied with the printer. Use of an incorrectly specified cable could cause the cable to overheat and potentially cause a fire.
- (3) Do not overload the power socket, this could lead to overheating of the cables inside the wall and could lead to a fire.
- (4) Do not allow water or other liquids to spill into the printer, this can cause electric shock. Do not allow paper clips, pins or other foreign objects to fall into the printer these could cause a short circuit leading to an electric shock or fire hazard.
- (5) Never touch the plugs on either end of the power cable with wet hands, this can cause electric shock. When servicing the printer remove the power plug from the wall socket.
- (6) Use caution when inserting or removing the power connector. The power connector must be inserted completely otherwise a poor contact could cause overheating possibly leading to a fire. When removing the power connector grip it firmly and pull.
- (7) Take care of the power cable. Do not allow it to become twisted, bent sharply round corners or otherwise damaged. Do not place objects on top of the power cable. If the power cable is damaged it could overheat and cause a fire or exposed cables could cause an electric shock. Replace a damaged power cable immediately, do not reuse or repair the damaged cable. Some chemicals can attack the coating on the power cable, weakening the cover or exposing cables causing fire and shock risks.
- (8) Ensure that the power sockets and plugs are not cracked or broken in any way. Any such defects should be repaired immediately. Take care not to cut or damage the power cable or plugs when moving the machine.
- (9) Use caution during thunder or lightening storms. Samsung recommend that this machine be disconnected from the power source when such weather conditions are expected. Do not touch the machine or the power cord if it is still connected to the wall socket in these weather conditions.
- (10) Avoid damp or dusty areas, install the printer in a clean well ventilated location. Do not position the machine near a humidifier. Damp and dust build up inside the machine can lead to overheating and cause a fire.
- (11) Do not position the printer in direct sunlight. This will cause the temperature inside the printer to rise possibly leading to the printer failing to work properly and in extreme conditions could lead to a fire.
- (12) Do not insert any metal objects into the machine through the ventilator fan or other part of the casing, it could make contact with a high voltage conductor inside the machine and cause an electric shock.

1.2.3 Handling Precautions

The following instructions are for your own personal safety, to avoid injury and so as not to damage the printer

- (1) Ensure the printer is installed on a level surface, capable of supporting its weight. Failure to do so could cause the printer to tip or fall.
- (2) The printer contains many rollers, gears and fans. Take great care to ensure that you do not catch your fingers, hair or clothing in any of these rotating devices.
- (3) Do not place any small metal objects, containers of water, chemicals or other liquids close to the printer which if spilled could get into the machine and cause damage or a shock or fire hazard.
- (4) Do not install the machine in areas with high dust or moisture levels, beside an open window or close to a humidifier or heater. Damage could be caused to the printer in such areas.
- (5) Do not place candles, burning cigarettes, etc on the printer, These could cause a fire.

1.2.4 Assembly / Disassembly Precautions

Replace parts carefully, always use Samsung parts. Take care to note the exact location of parts and also cable routing before dismantling any part of the machine. Ensure all parts and cables are replaced correctly. Please carry out the following procedures before dismantling the printer or replacing any parts.

- (1) Check the contents of the machine memory and make a note of any user settings. These will be erased if the mainboard or network card is replaced.
- (2) Ensure that power is disconnected before servicing or replacing any electrical parts.
- (3) Disconnect printer interface cables and power cables.
- (4) Only use approved spare parts. Ensure that part number, product name, any voltage, current or temperature rating are correct.
- (5) When removing or re-fitting any parts do not use excessive force, especially when fitting screws into plastic.
- (6) Take care not to drop any small parts into the machine.
- (7) Handling of the OPC Drum
 - The OPC Drum can be irreparably damaged if it is exposed to light. Take care not to expose the OPC Drum either to direct sunlight or to fluorescent or incandescent room lighting. Exposure for as little as 5 mins can damage the surface's photoconductive properties and will result in print quality degradation. Take extra care when servicing the printer. Remove the OPC Drum and store it in a black bag or other lightproof container. Take care when working with the covers (especially the top cover) open as light is admitted to the OPC area and can damage the OPC Drum.
 - Take care not to scratch the green surface of the OPC Drum Unit. If the green surface of the Drum Cartridge is scratched or touched the print quality will be compromised.

1.2.5 Disregarding this warning may cause bodily injury

- (1) Be careful with the high temperature part.
The fuser unit works at a high temperature. Use caution when working on the printer. Wait for the fuser to cool down before disassembly.
- (2) Do not put finger or hair into the rotating parts.
When operating a printer, do not put hand or hair into the rotating parts (Paper feeding entrance, motor, fan, etc.). If do, you can get harm.
- (3) When you move the printer
 - When transporting/installing the equipment be sure to hold the positions as shown in the reference chapter.
The equipment is quite heavy and weighs approximately 23Kg (including consumables), therefore pay full attention when handling it.
 - Be sure not to hold the movable parts or units (e.g. the control panel, DADF) when transporting the equipment.
 - Be sure to use a dedicated outlet with 110V/220V power input.
 - The equipment must be grounded for safety.
 - Select a suitable place for installation. Avoid excessive heat, high humidity, dust, vibration and direct sunlight.
 - Provide proper ventilation since the equipment emits a slight amount of ozone.
 - To insure adequate working space for the copying operation, keep a minimum clearance of 10cm (3.9" on the left, 10 cm (3.9") on the right and 10 cm (3.9") on the rear.
 - The equipment shall be installed near the socket outlet and shall be accessible.
 - Be sure to fix and plug in the power cable securely after the installation so that no one trips over it.

1.3 ESD Precautions

Certain semiconductor devices can be easily damaged by static electricity. Such components are commonly called “Electrostatically Sensitive (ES) Devices” or ESDs. Examples of typical ESDs are: integrated circuits, some field effect transistors, and semiconductor “chip” components.

The techniques outlined below should be followed to help reduce the incidence of component damage caused by static electricity.

Caution >>Be sure no power is applied to the chassis or circuit, and observe all other safety precautions.

1. Immediately before handling a semiconductor component or semiconductor-equipped assembly, drain off any electrostatic charge on your body by touching a known earth ground. Alternatively, employ a commercially available wrist strap device, which should be removed for your personal safety reasons prior to applying power to the unit under test.
2. After removing an electrical assembly equipped with ESDs, place the assembly on a conductive surface, such as aluminum or copper foil, or conductive foam, to prevent electrostatic charge buildup in the vicinity of the assembly.
3. Use only a grounded tip soldering iron to solder or desolder ESDs.
4. Use only an “anti-static” solder removal device. Some solder removal devices not classified as “anti-static” can generate electrical charges sufficient to damage ESDs.
5. Do not use Freon-propelled chemicals. When sprayed, these can generate electrical charges sufficient to damage ESDs.
6. Do not remove a replacement ESD from its protective packaging until immediately before installing it. Most replacement ESDs are packaged with all leads shorted together by conductive foam, aluminum foil, or a comparable conductive material.
7. Immediately before removing the protective shorting material from the leads of a replacement ESD, touch the protective material to the chassis or circuit assembly into which the device will be installed.
8. Maintain continuous electrical contact between the ESD and the assembly into which it will be installed, until completely plugged or soldered into the circuit.
9. Minimize bodily motions when handling unpackaged replacement ESDs. Normal motions, such as the brushing together of clothing fabric and lifting one’s foot from a carpeted floor, can generate static electricity sufficient to damage an ESD.

1.4 Super Capacitor or Lithium Battery Precautions

1. Exercise caution when replacing a super capacitor or Lithium battery. There could be a danger of explosion and subsequent operator injury and/or equipment damage if incorrectly installed.
2. Be sure to replace the battery with the same or equivalent type recommended by the manufacturer.
3. Super capacitor or Lithium batteries contain toxic substances and should not be opened, crushed, or burned for disposal.
4. Dispose of used batteries according to the manufacture? instructions.

2. Product spec and feature

2.1 Product Overview

2.1.1 Product Summary

High performance Mono-MFP at a Low Cost of Printing

Medium Workgroup (SMB/Corp) & Tender Biz



- Speed : 33 ppm (A4), 35 ppm (LTR)
- Print Resolution : 600x600 dpi
- Scan Resolution : Enhanced 4800x4800 dpi
- Toner cartridge
 - Initial : 4K
 - Sales : 4K/10K
- Machine Life : 200K or 5 Years
- Paper handling
 - : 250 sheets cassette
 - : 50 sheets MP tray
 - : 250 sheets option cassette
- Memory : 128 MB (Max. 384 MB)
- Duplex printing
- N/W, USB 2.0, Wireless option
- 4 Line LCD

2.2 Product Specifications

2.2.1 General Specifications

Item		Description	
Major Features		Fax, Copier, Print, Scan, ADF,N/W Print , Scan to USB Key	
Size (W*D*H) w/o Hand Set		465.2mmx438mmx456mm (17.7x17.2x18)	
Gross Weight(with package)		23kg	
LCD		4 Line Graphic LCD	
I/O Interface		USB2.0 (High Speed)	
		Direct USB port	
		USB Host	
		OEK(J-SCRIBE)	
		Ethernet 10/100 Base TX	
IEEE802.11 b/g Wireless LAN			
MPU		Chorus-3 / 360MHz	
Device Memory	Standard / Max.		128MB / 384MB(Std./Max)
	Type		DDR2
	Expand Memory Slot , Type		DDR2 SDRAM DIMM
	Compression Technology		YES
Reliability	Max. Monthly Volume (Duty Cycle)	Print	35,000pages
		Scan	1,000pages
		ADF	1,000pages
	Average Monthly Print Volume		2,000pages
	Machine Life		200,000pages or 5 years whichever comes first
	MTBF		14 months at Recommended Duty Cycle
	MPBF		30,000 pages
	MTTR		30 Minutes
UMR		33.350 Per million pages	
Environmental	Temperature	Operating	10~32℃
		Non Operating	-20~40℃
	Humidity	Operating	20~80%
		Non Operating	10~90%
Altitude		Max 8,200ft	
Power Consumption	Printing Operation		600Wh
	Sleep Mode		18Wh
	Power Switch		Yes

Item		Description	
Power Supply	Input Voltage	Low Voltage : 110 ~ 127VAC High Voltage : 220 ~ 240VAC	
	Input Frequency	50 / 60Hz(+/- 3Hz)	
Noise	Printing	52dBA	
	Warm-up	49dBA	
	Copy	ADF	54dB
		Flatbed	54dB
	Standby	26 dB (Initial) / 39dB (Long Term)	
SCF, MP	55dB		
Warm Up Time	from sleep	Less than 15 seconds for Engine (before CCD off) Less than 23 seconds for Scan (after CCD off)	
	From Power On	Less than 55 seconds	

2.2.2 Software and Network

Item		Description
OS		Win 2000/ Win 2003/ Win XP/ 64 bit / Mac (English only web version) / Linux (English only)
WHQL		MFP
Driver		Printer (PCL6, PostScript) TWAIN WIA PSU PC-FAX
Network	Option	Wired (Default) /Wireless(Optional)
	Protocol	TCP/IP, Ethertalk, SNMP, HTTP 1.1
	Operating System	MS Windows 98/2000/XP/NT/Me, MAC (English only, no status monitor, web download only) Linux: Red Hat 8.0~9.0, Fedora Core 1~3, Mandrake 9.0~10.2, SuSE 8.2~9.2. Windows 2003. Netware 4.x, 5.x ,6.x (TCP/IP only)

2.2.3 Print Specification

Item		Description
Print Speed	Simplex	35ppm/Ltr, 33ppm/A4 32ppm/Ltr, 30ppm/A4 from MP tray
	Duplex	18ipm/Ltr, 17ipm/A4 16ipm/Ltr, 15ipm/A4 from MP tray
Print Emulation		PCL6, PCL5e, PostScript Level3(Clone)
Auto Emulation Sensing		YES
Font	Type	93 Scalable, 1 Bitmap
	Number	N/A
Power Save		Yes (5/10/15/30/45min.)
Resolution	Normal	600x600dpi (1200x1200)
	RET	Yes
Toner Save		Yes (No dedicated button on CP)
Memory		30MB
FPOT	From Standby	Less than 8.5 seconds
	From Sleep Status	Less than 24.0 seconds
Duplex Print		Yes
Printable Area		208 x 273 mm (Letter)
Halftone(Gray Scale)		256 levels

2.2.4 Scan Specification

Item		Description
Scan Method		Color CCD
Scan Speed through ADF	Linearity	Approx. 18sec (USB 2.0)
	Gray	Approx. 23sec (USB 2.0)
	Color	Approx. 33sec (USB 2.0)
Scan Speed through Platen	Linearity	Approx. 15sec (USB 2.0)
	Gray	Approx. 20sec (USB 2.0)
	Color 75dpi/300dpi	Approx. 30sec (USB 2.0)
Resolution	Optical	600*1200dpi
	Enhanced	4800dpi*4800dpi
Halftone		256level
Scan Size	Max. Document Width	Max.216mm(8.5")
	Effective Scan Width	Max 208mm(8.2inch)
Scan-to		Scan to Application/Network/Email/USB Key

Item		Description
Scan To Email Locations		200 locations in the Directory with Search, Edit and Store facilities
Scan Depth	Color	24 bit
	Mono	1bit for Linear, 8 Bit for Gray scale

2.2.5 Copy Specification

Item		Description
Resolution	Text	600x600dpi(Platen) 300x300dpi(ADF)
	Text/Photo	600x600dpi(Platen) 300x300dpi(ADF)
	Photo	600x600dpi(Platen) 300x300dpi(ADF)
FCOT	Stand by	Less than 10 seconds :Platen Less than 15 seconds :ADF
	From sleep	Less than 60 seconds :Platen Less than. 65 seconds :ADF
Copy Speed	SDMC at all mode (SDMC: Single Document Multiple Copy)	35cpm/Ltr, 33cpm/A4 from all tray 32cpm/Ltr, 30cpm/A4 from MP
	MDSC at Text, Text/Photo, Photo (MDSC: Multi-document Single Copy)	21cpm/Ltr, 20cpm/A4
Origin Alignment	Platen	REAR LEFT
	ADF	Center
Zoom Range		25% to 400% for Platen 25% to 100% for ADF
Number of Copies		1~99
Preset		Yes
Contrast Levels		5 level
Copy Mode(=Quality)		Text, Text/Photo, Photo
Collation Copy		Yes
Auto return to default mode		Yes (15,30,60,180sec, Off)
Changeable Default mode		Contrast, Image, Reduce/Enlarge,
Special Copy	N-up copy	2-up, 4-up (ADF only)
	Collation Copy	Yes (ADF only)
	Auto Fit Copy	Yes(Platen only)
	ID Copy	Yes(Platen only)
	Clone	Yes(Platen only)
	Poster	Yes(Platen only)

2.2.6 Telephone Specification

Item	Description	
Handset	Yes	
On hook Dial *	Yes	
Search *	Yes(Phone Book)	
1-Touch Dial *	No	
Speed Dial *	200 locations(00~199)	
TAD I/F	Yes	
Tone/Pulse	Selectable in Technical[user] Mode	
Pause	Yes	
Auto Redial	Yes	
Last Number Redial	Yes	
Distinctive Ring	Yes	
Caller ID	No	
External Phone Interface	Yes	
Report & List Print out	Tx/Rx Journal	Yes
	Confirmation	Yes
	Help List	No
	Auto Dial List	Yes
	System Data List	Yes
Sound Control	Ring Volume	Yes(Off, Low, MED, HIGH)
	Key Volume	Yes(On, Off)
	Alarm Volume	Yes(On, Off)
	OHD Volume	Yes
	Speaker	Yes(On, Off, Comm.)

2.2.7 Fax Specification

Item	Description
Compatibility	ITU-T G3
Communication System	PSTN/PABX
Modem Speed	33.6Kbps
TX Speed	3sec
Compression	MH/MR/MMR/JPEG/JBIG
Color Fax	Yes(Sending Only)
ECM	Yes

Item		Description
Resolution	Std	203*98dpi
	Fine	203*196dpi
	S.Fine	300*300dpi
Scan Speed(ADF)	Std	2.5 sec/ LTR
	Fine/S.Fine	5 sec/ LTR
Changeable Default mode		Darkness, Original Type, Reduce/Enlarge, No. Of Copies
Rx fax duplex print out		Yes
Multiple page scan speed		21 ppm/LTR, Std mode
Receive Mode		Fax, TEL, Ans/Fax(DRPD)
Memory	Capacity	4MB
	Optional Memory	No
	Max locations to store to 1 Group Dial	100 locations
	Fax Forward	Yes(On/Off)
	Broadcasting	up to 209 locations
	Cover page	Yes
	Delayed fax	Yes
	Fax Forward to Email Addresses	Yes (Enable / Disable),max 10 locations
Memory RX	Yes	
Functions	Voice Request	No
	TTI	Yes
	RTI	Yes
	Polling	No
	Earth/Recall	No
	Auto Reduction	Yes
	F/W Remote upgrade	No
Junk Fax barrier		Yes
Secure Receive		Yes
Memory Back-up		Yes (Serial Flash)

2.2.8 Paper Handling

Item		Description
Capacity	Main Tray	250sheets
	MP (Bypass) Tray	50 Sheets
Optional Cassette		250sheets
Output Capacity		Face Down: 150Sheets/20lb Face Up: 1Sheet
Output Control		Face Up/Down controlled manually by opening rear cover
Paper Size	Main Tray	A4,Letter,Legal ,Folio, Executive, B5
	MP (Bypass) Tray	Envelope 6 3/4, 7 3/4,#9, #10,DL,C5,B5
Paper Weight	Main Tray	16~24 lb
	MP (Bypass) Tray	16~43 lb
Paper Path	Standard output	Bottom to Middle Front (FIFO)
	Straight Through	Face up, Single Sheet
Paper Size	Max	216 x 356mm(8.5"x14")
	Min	76 x 127mm(3"x5")
ADF	Paper Weight	12.5~28lb
	Capacity	50 sheets
	Document Size Width	142mm - 216mm(5.6" - 8.5")
	Document Size Length	148 mm - 356mm(5.8" - 14.0")
	Document Thickness	0.075mm – 0.13mm(0.003" – 0.005")

2.2.9 Consumables




Item	Life	Part Code	Description
Toner	Initial	-	4Kpages (5% ISO 19752 Test Pattern)
	Sales	MLT-D208S	Standard: 4Kpages
MLT-D208L		High yield: 10K pages	

* Declared yield value in accordance with ISO/IEC 19752.

2.2.10 Maintenance Parts

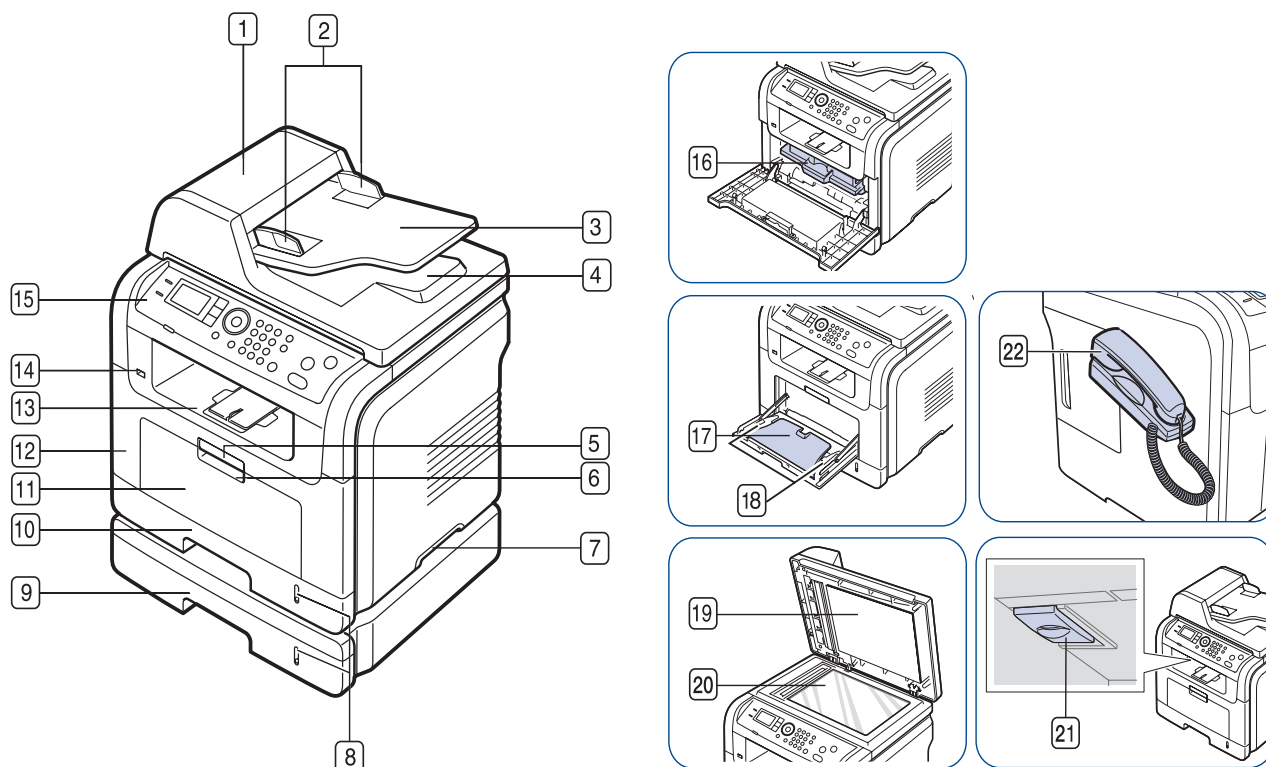
Item	Part Code	Life
Pickup Roller	JC90-00932A	150,000 Pages
Pickup Roller (ADF)	JC97-01962C	80,000 Pages
Pad Unit (Tray)	JC97-03439A	150,000 Pages
Pad Unit (ADF)	JC97-01940B	20,000 Pages
Transfer Roller	JC66-02017A	70,000 Pages
Fuser Unit	JC91-00929A(110V) JC91-00928A(220V)	80,000 Pages

2.3 Model Comparison

	Samsung SCX-5635FN	Samsung SCX-5530FN	HP M2727nf
Image			
Speed(A4)	33 ppm (A4)	28 ppm (A4)	26 ppm
Resolution	Max. 1200x1200 dpi	Max. 1200x1200 dpi	Max. 1200x1200 dpi
CPU	360 MHz	300 Mhz	450 Mhz
Emulation	PCL5e, PCL6, PostScript Level3 ,PDF 1.4	PCL6,PS3	PCL6, PCL5e
Warm-up	15 sec	20 sec	
FPOT (Stand by)	8.5 sec	8.5 sec	10 sec
Memory	128 MB (Max.384 MB)	92 MB (Max.192 MB)	64MB (Max.320 MB)
Interface	N/W, USB 2.0 Wireless LAN (option)	N/W, USB 2.0	N/W, USB 2.0
Duplex	Standard	Standard	Standard
Paper Capacity	250 CST, 50 MP 250 SCF 50 ADF	250 CST, 50 MP 250 SCF 50 ADF	Max. 550 sheets
Toner	Initial : 4K Sales : 4K/ 10K	Initial : 4K Sales : 4K/ 8K	Intial : 3K Sales : 7K
Max. Monthly Duty	35,000	25,000	15,000
Set life	200,000	250,000	

2.4 System Overview

■ Front View

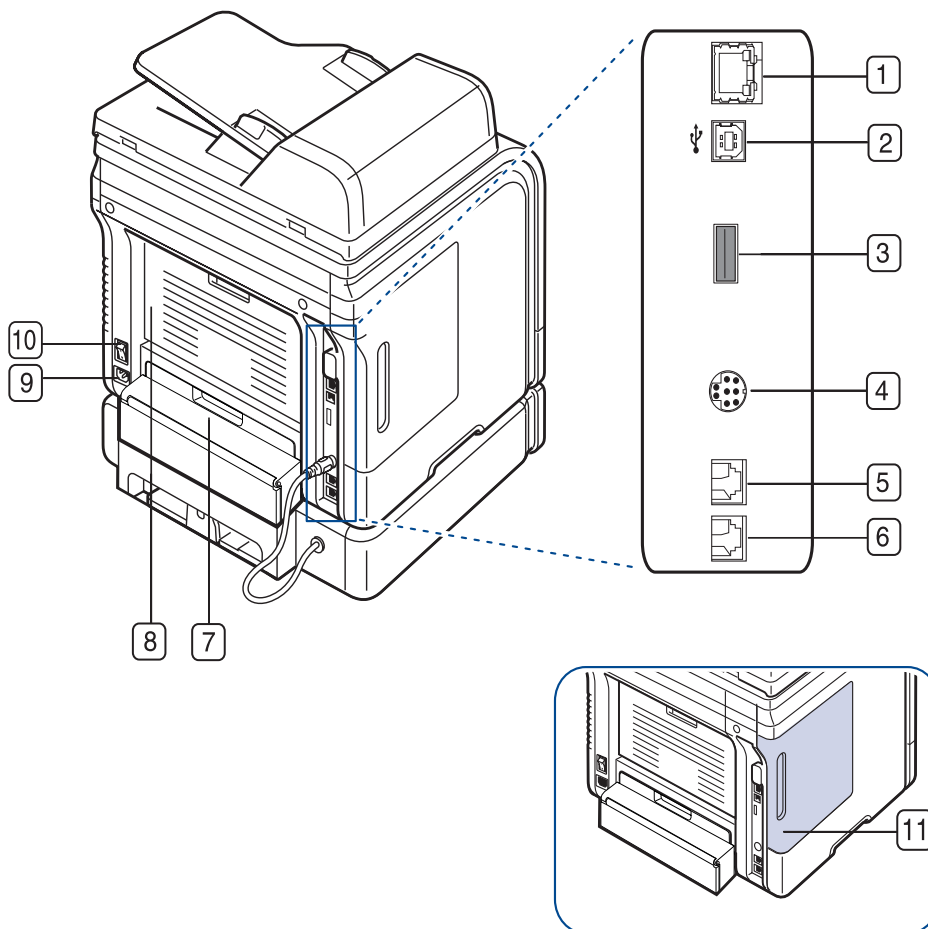


1	Document feeder cover	12	Front cover
2	Document feeder width guides	13	Document output tray
3	Document feeder input tray	14	USB memory port
4	Document feeder output tray	15	Control panel
5	Front cover handle	16	Toner cartridge
6	Multi-purpose tray handle	17	Multi-purpose tray extension
7	Handle	18	Multi-purpose tray paper width guides
8	Paper level indicator	19	Scanner lid
9	Optional tray 2 ^a	20	Scanner glass
10	Tray 1	21	Scanner lock switch
11	Multi-purpose tray	22	Handset ^b

a. Optional device.

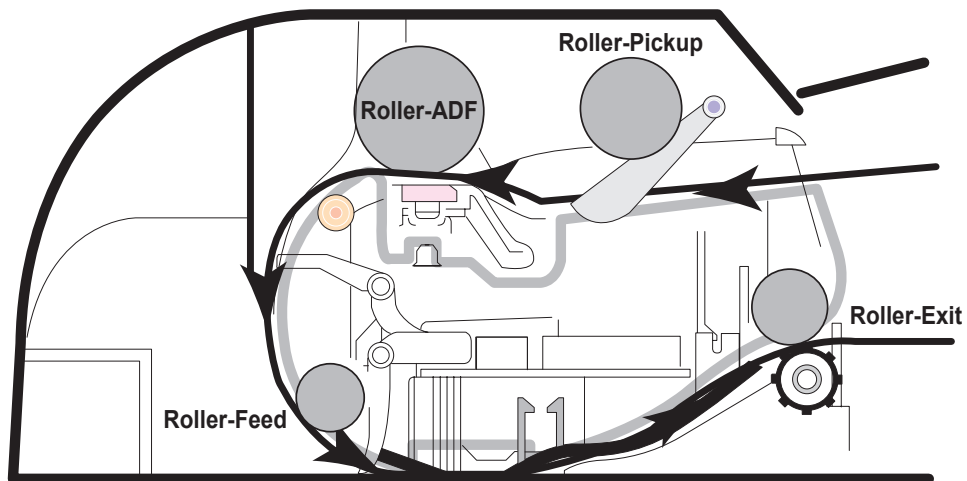
b. SCX-5635HN only.

■ Rear View

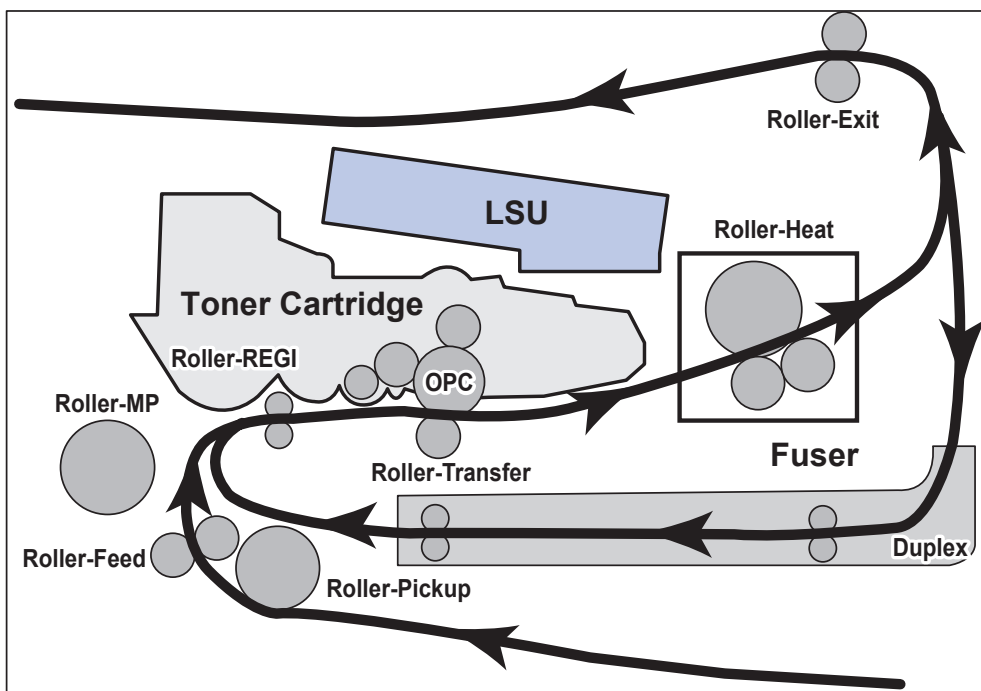


1	Network port	7	Duplex unit
2	USB port	8	Rear door
3	USB host port	9	Power receptacle
4	Optional tray 2 cable connector	10	Power-switch
5	Telephone line socket	11	Control board cover
6	Extension telephone socket (EXT)		

■ Inner View



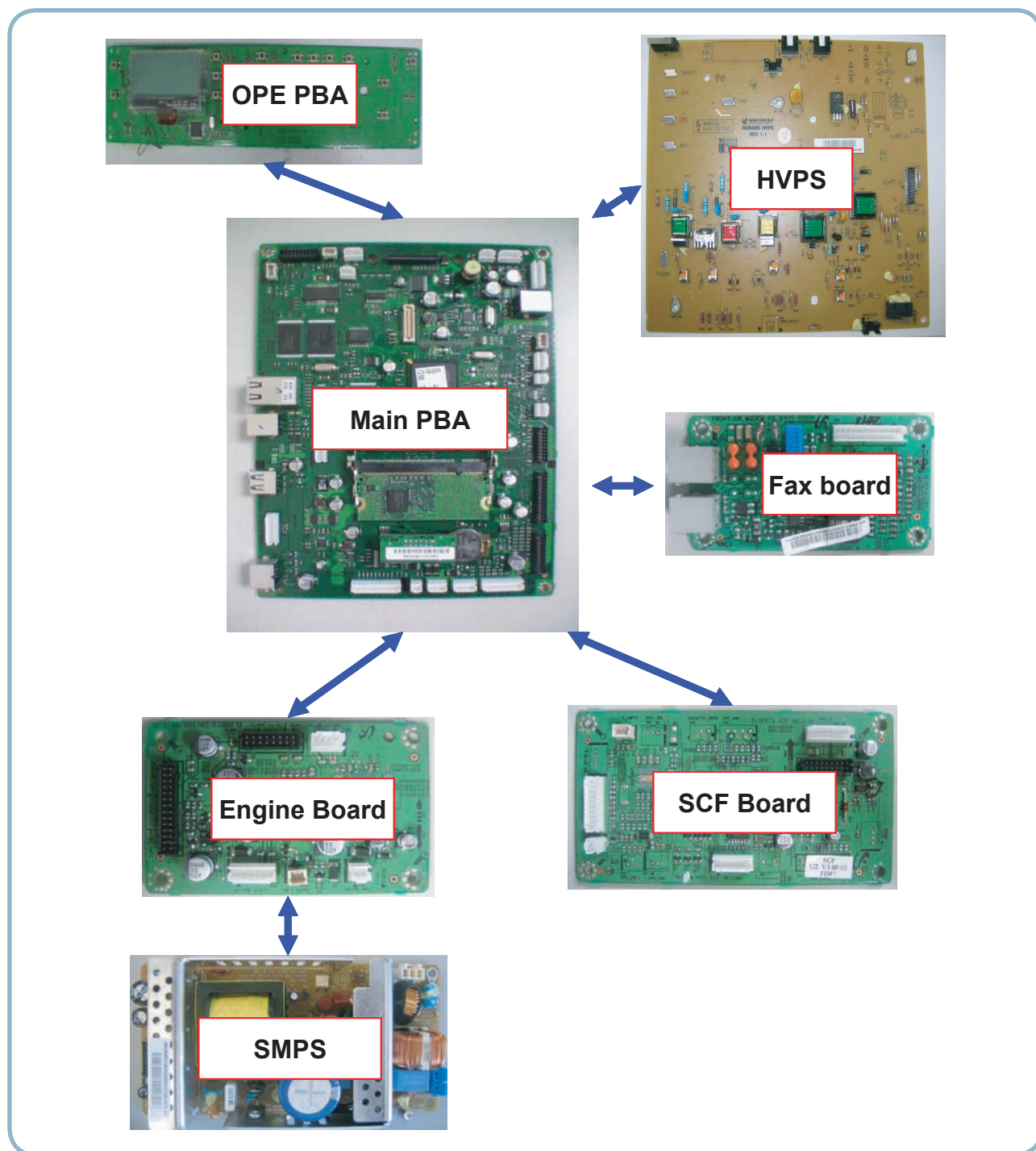
Scanner Part



Engine Part

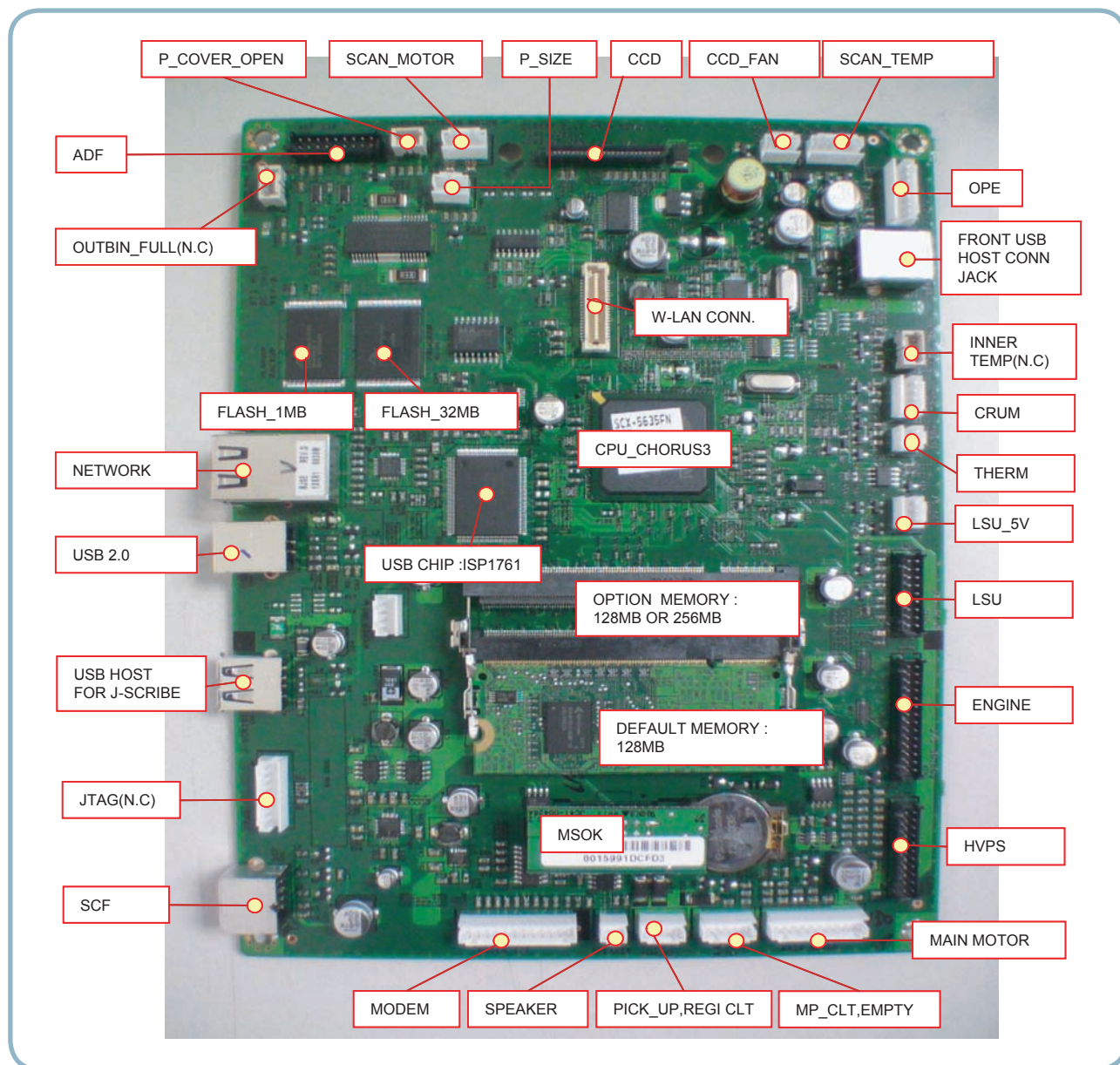
2.4.1 Hardware Configuration

SCX-5635FN is roughly made up Main Control part, Operation Panel part, Scanner part, Line Interface part and Power part. Each Part is separated Module which focus on common and standard design of different kind products. Main control part adopting Fax & LBP Printer exclusive Controller is composed of 1 CPU and 1 Board. Scanner part is composed of ADF and Platen and is connected with Main by Harness . Line Interface part is designed to apply TBR21 standard (Domestic, Europe, etc.)



2.4.1.1 Main PBA

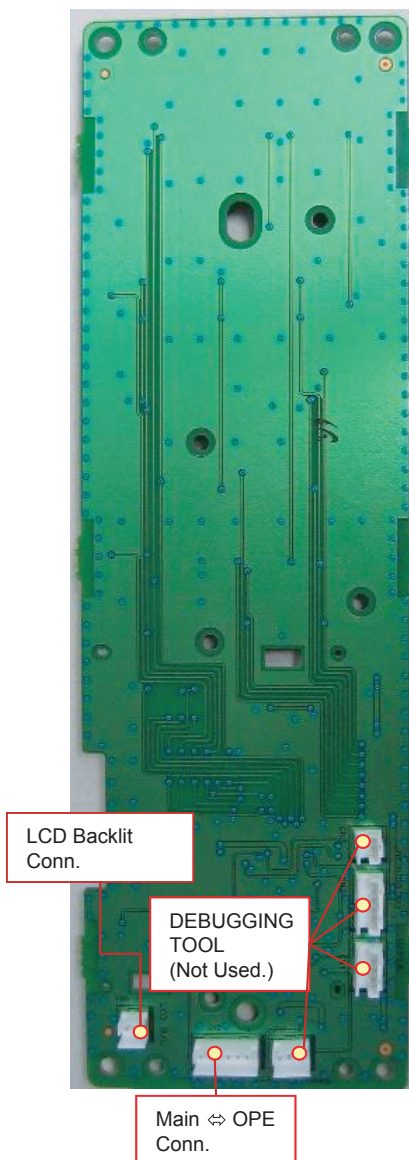
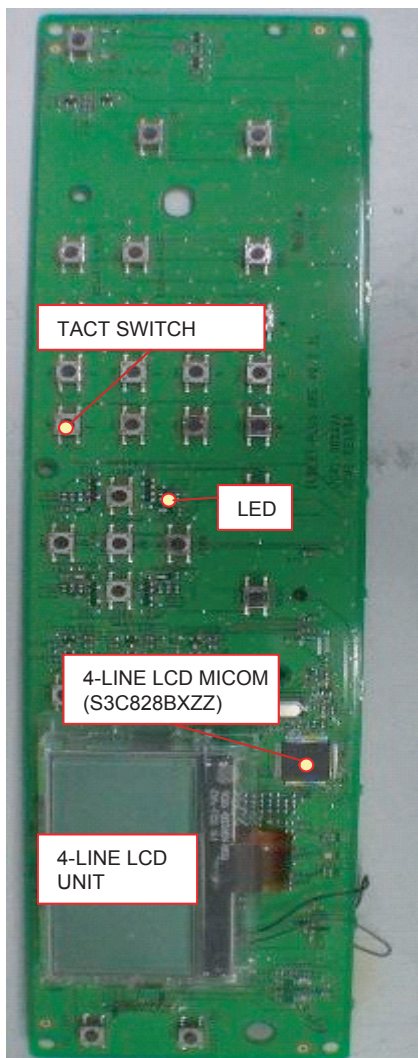
The Main PBA Includes the CPU (Chorus3) and SDRAM and Flash memories, and other drivers for mechanical elements. The Main PBA manages an Electro-photography system, controls the Video Data of printing images from Video Board to LSU, provides PWMs and control signals for high voltages, adjusts temperature in the fusing system, and reads sensor signals. The Main PBA also includes control units for optional SCF and MODEM



- 1) CPU : ARM926EJS CORE , which is exclusive controller to execute Printer & FAX Function and to execute operation block by flash memory within system program, and to control whole system.
- 2) Flash Memory : Record System Program, and download System Program by PC INTERFACE. FAX for Journal List, and Memory for One Touch Dial, Speed Dial List.
- 3) SDRAM : is used as Swath Buffer in Printing, Scan Buffer in Scanning, ECM Buffer in FAX receiving, and System Working Memory Area (DDR2 DIMM)
- size : 128Mbyte(Default) / 256Mbyte(Optional)

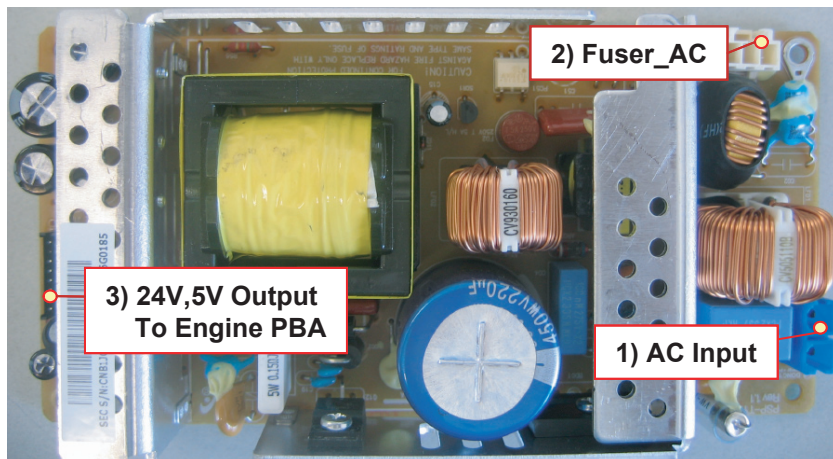
2.4.1.2 OPE_Panel

The OPE PBA controls the 4-LINE LCD unit, and communicates with MAIN PBA through UART. The OPE PBA includes 4-Line LCD micom (S3C828BXZZ), Tact Switch and LEDs.



2.4.1.3 SMPS Board

SMPS(Switching Mode Power Supply) Board supplies electric power to a Main Board and other boards through a Main Controller by +5V,+24V from 110V/220V power input. It has safety protection modes for over current and load.



SPECIFICATION	
General Input/Output Voltage	
1)	AC 110V (90V ~ 135V)
2)	AC 220V (180V ~ 270V)
3)	Input Current: 5.0 [Arms]
4)	Output Power
	: 84W / Max. 111W
	DC 5V: 12W ~ 15W
	DC 24V: 72W ~ 96W

• Connection

1	AC Input (From AC Power)
2	Fuser AC (To Heat Roller)
3	24V,5V Output (To Drive Board)

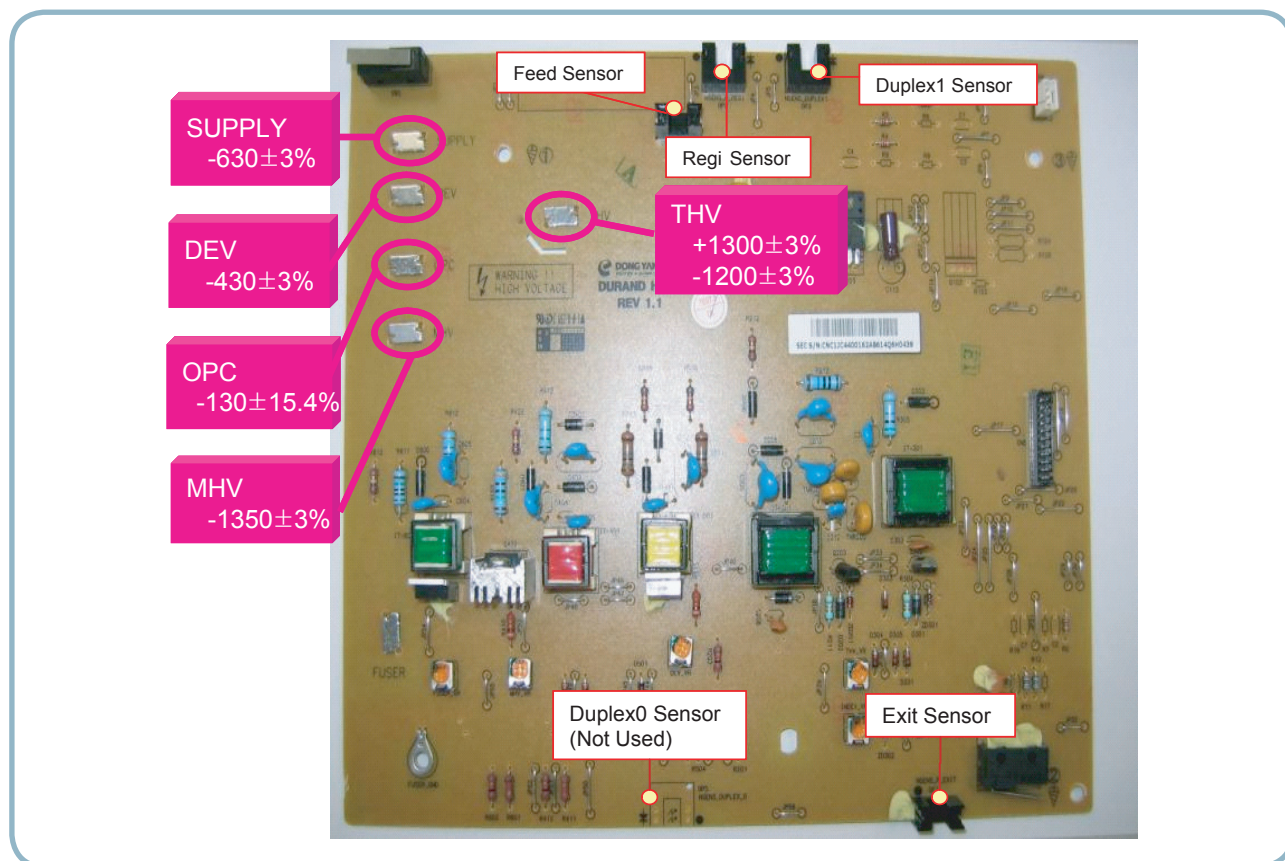
• SMPS PIN Connection

AC Input Connector(CN1)		
PIN ASSIGN	PIN NO	Description
1	AC_L	AC Input
2	AC_N	

DC Output Connector(CN3)					
Description	PIN NO	PIN ASSIGN		PIN NO	Description
Signal	Fuser On	1	2	+24VS	Power
Power	+24V	3	4	GND	Ground
Power	+24V	5	6	GND	Ground
Power	+24V	7	8	GND	Ground
Power	+24V	9	10	GND	Ground
Power	+5V	11	12	GND	Ground
Power	+5V	13	14	GND	Ground
Power	+5V	15	16	Power On/Off	Signal

2.4.1.4 HVPS Board

SCX-5635FN Series HVPS generates 5 Outputs such as THV,MHV,SUP,DEV,OPC. The outputted high voltage is supplied to the toner, OPC cartridge, and transfer roller.

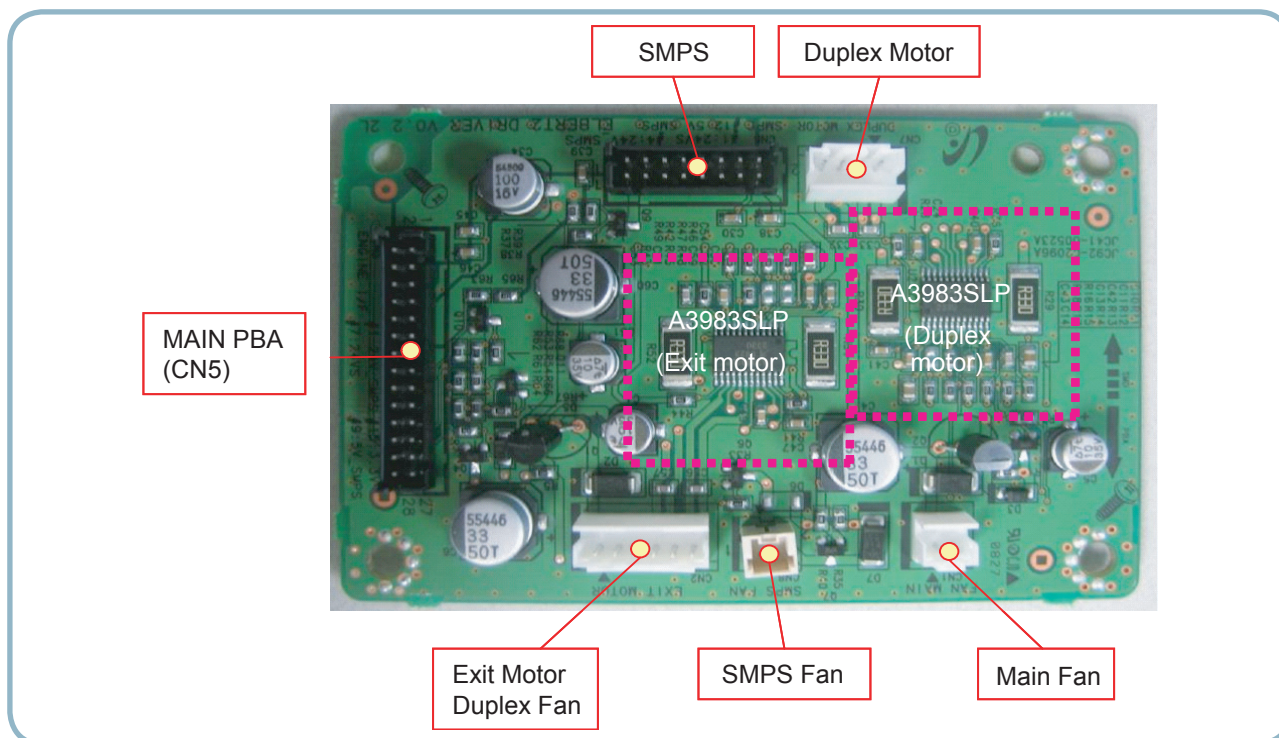


• Connection

DC Output Connector(CN3)					
Description	PIN NO	PIN ASSIGN		PIN NO	Description
Power	+24V	17	18	+24V	Power
Signal	Duplex0 Sensor	19	20	+24V	Power
Ground	GND	21	22	GND	Ground
Power	+24VS	7	8	+24VS	Power
Power	+5V	9	10	+24VS	Power
Signal	Regi Sensor	11	12	Feed Sensor	Signal
Signal	Exit Sensor	13	14	Empty Sensor	Signal
Signal	Duplex1 Sensor	15	16	Cover-Open	Signal
Signal	THV_Read	17	18	THV_En	Signal
Signal	PWM_MHV	19	20	PWM_THV	Signal
Signal	PWM_BIAS	21	22	PWM_DEV	Signal

2.4.1.5 Engine Board

Engine Board is connected with SMPS and Main PBA.
 Engine Board controls the Exit Motor, Duplex Motor, Main Fan, SMPS Fan and Duplex Fan.
 Exit motor and Duplex motor driver IC is A3983.
 24V and 5V flows from SMPS to Main PBA via Engine PBA



• Connection

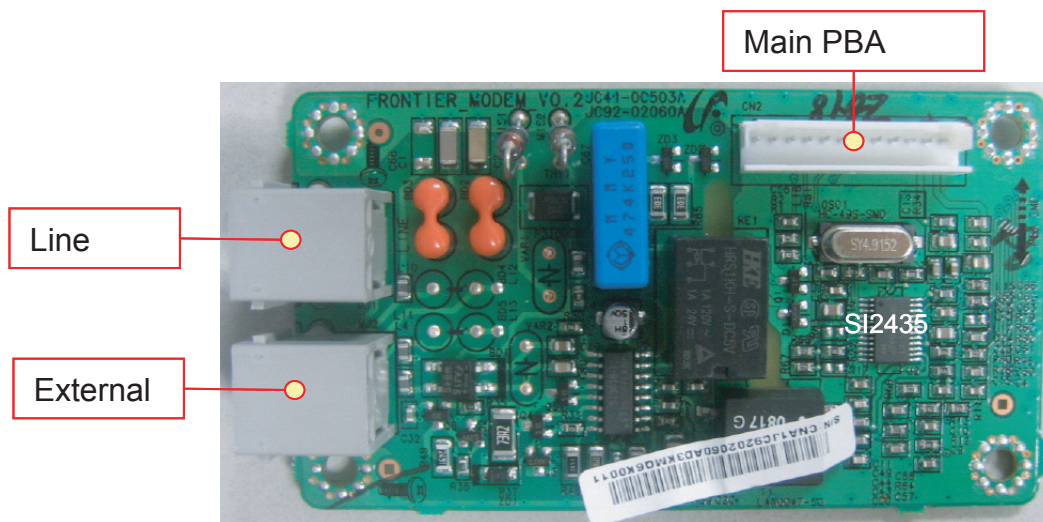
DC Output Connector(CN5)					
Description	PIN NO	PIN ASSIGN		PIN NO	Description
Power	+24V_SMPS	17	18	+24V_SMPS	Power
Power	+24V_SMPS	19	20	GND	Ground
Ground	GND	21	22	GND	Ground
Power	+24VS	7	8	+24VS	Power
Power	+5V_SMPS	9	10	+5V_SMPS	Power
Power	+5V_SMPS	11	12	GND	Ground
Signal	nStand-by	13	14	GND	Ground
Power	+3.3V	15	16	Exit Motor Dir.	Signal
Signal	Exit-Motor_Cur1	17	18	Duplex-Fan	Signal
Signal	Main_Fan	19	20	Exit_Motor_Pha	Signal
Signal	Exit-Motor_Cur2	21	22	Exit_Motor_En	Signal
Signal	Exit_Motor_MS1	23	24	Duplex_Mot_Sleep	Signal
Signal	Duplex_Mot_En	25	26	SMPS_Fan	Signal
Signal	Dup_Mot_Pha	27	28	Fuser_On	Signal

2.4.1.6 Fax Board and SCF Board

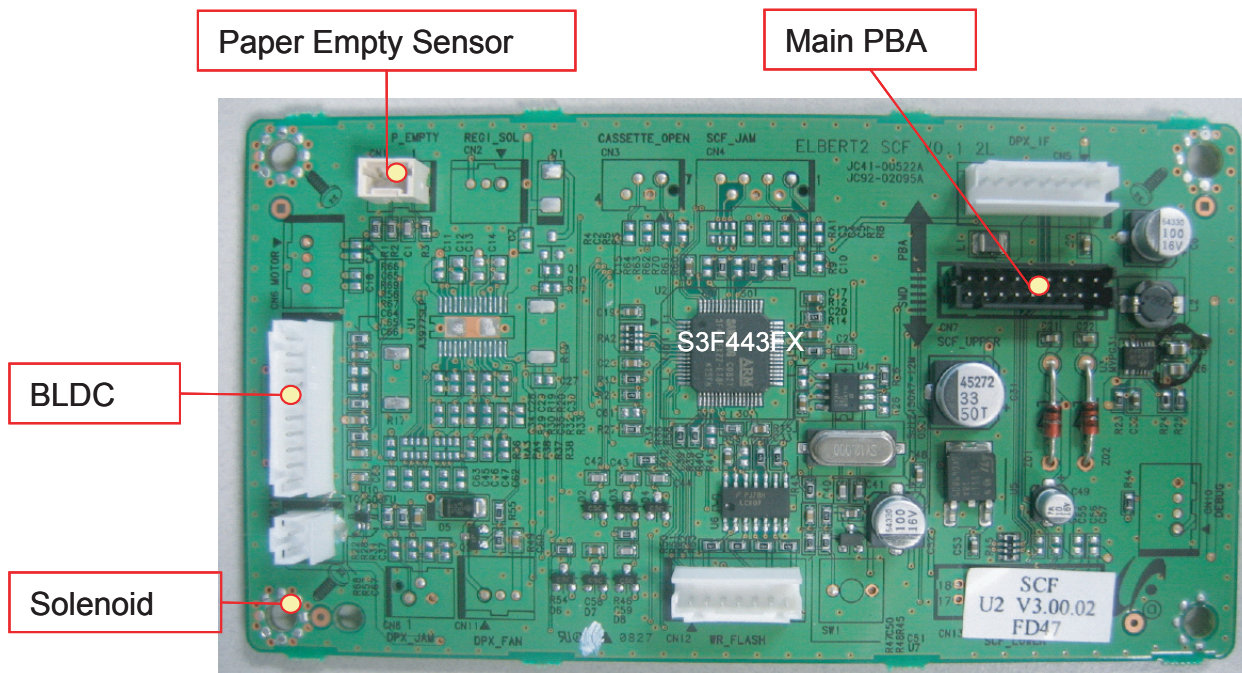
Fax Board is used to communicate with other Fax machines and MFPs.

Fax Board has two external ports like Line and External.

SCF Board is included Optional SCF.



[FAX Board]



[SCF Board]

2.4.2 Mechanic configuration

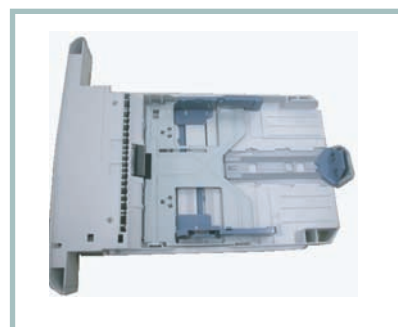
2.4.2.1 Feeding Section

1) Cassette (1st tray)

It stores and automatically feeds print paper.

Pick-up Roller picks up paper, controls drive, feeds paper, removes static electricity, and so on.

- Feeding Method : Cassette Type
- Feeding Standard : Center Loading
- Feeding Capacity : Cassette 250 Sheets (80g/m², 20lb Paper Standard)
- Paper Detecting Sensor : Photo Sensor (Empty, Registration, Exit)
- Paper Size Sensor : None
- Media size : Letter, Legal, Oficio, Folio, A4, ISO B5, JIS B5, Executive, A5



2) SCF (Second Cassette Feeder, 2nd tray)

This is the option unit of SCX-5635FN. This additionally stores and automatically feeds printing paper. Its function is the same as the Cassette (1st tray).

- Feeding Method : Cassette Type
- Feeding Capacity : Cassette 250 Sheets (80g/m², 20lb Paper Standard)
- Media size : Letter, Legal, Oficio, Folio, A4, ISO B5, JIS B5, Executive, A5



3) MP tray (Multi-Purpose tray)

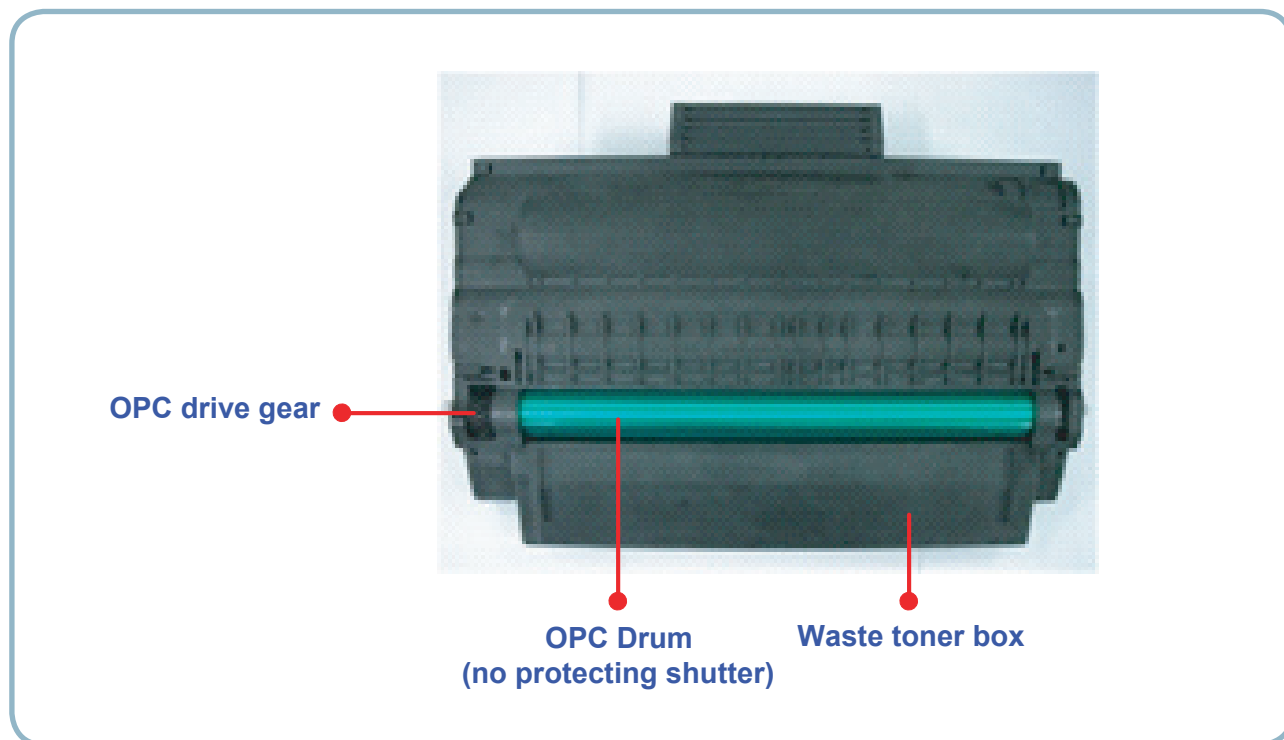
MP tray allows you to print a variety of media type.

- Feeding Capacity : 50 sheets
- Media size : Letter, Legal, Oficio, Folio, A4, ISO B5, JIS B5, envelope DL, Executive, A5, A6, Envelope Monarch, Envelope COM-10, Envelope C5, Envelope C6



2.4.2.2 Toner Cartridge

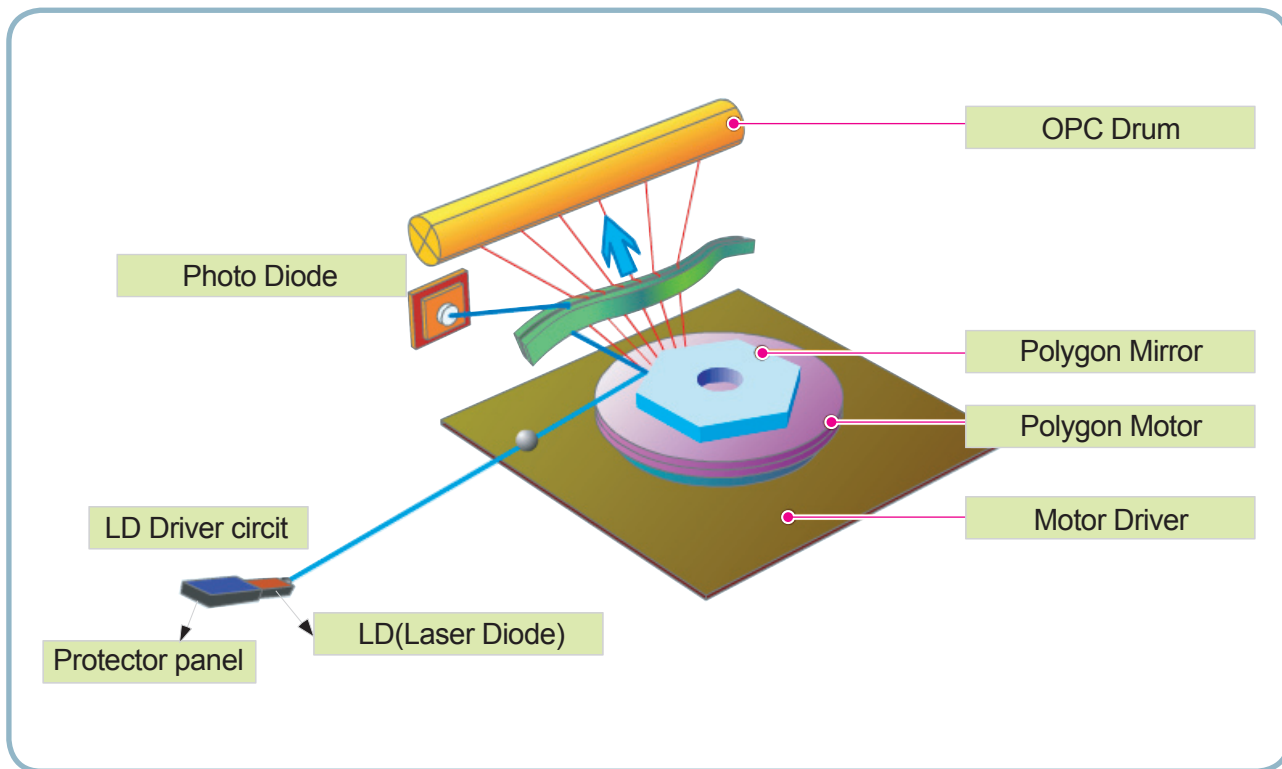
In the toner cartridge, the OPC unit and the developer unit are in a body.
The OPC unit has OPC drum and charging roller, and the developer unit has toner, toner cartridge, supply roller, developing roller, and the blade.



- Lifespan : 4,000 images (in box)
4,000 / 10,000 images - two types (After-Market)
[ISO19752 pattern on A4 paper and 68°F (50 %) ~75°F (60 %)]
- CRUM with encryption
- Non-magnetic 1 element contacting method
- Toner: Non-magnetic 1 element shatter type toner (Average Dia. 8 μ m)
- OPC Cleaning: Rake used toner into waste toner box with cleaning blade
- Method of toner supply : Toner is transported to the developing roller by supply roller.
- Regulating toner level : SUS Blade (Doctor Blade)

2.4.2.3 LSU (Laser scanning unit)

LSU consists of LD(Laser Diode) and polygon motor control. When the controller generate the printing signal, LD will turn on and Polygon motor starts. If the receiving part in LSU detect the beam , Hsync is generated. When the rotation of polygon motor is steady, it is time of LSU ready status for printing. If either of two condition is not satisfied, LSU error is expected.

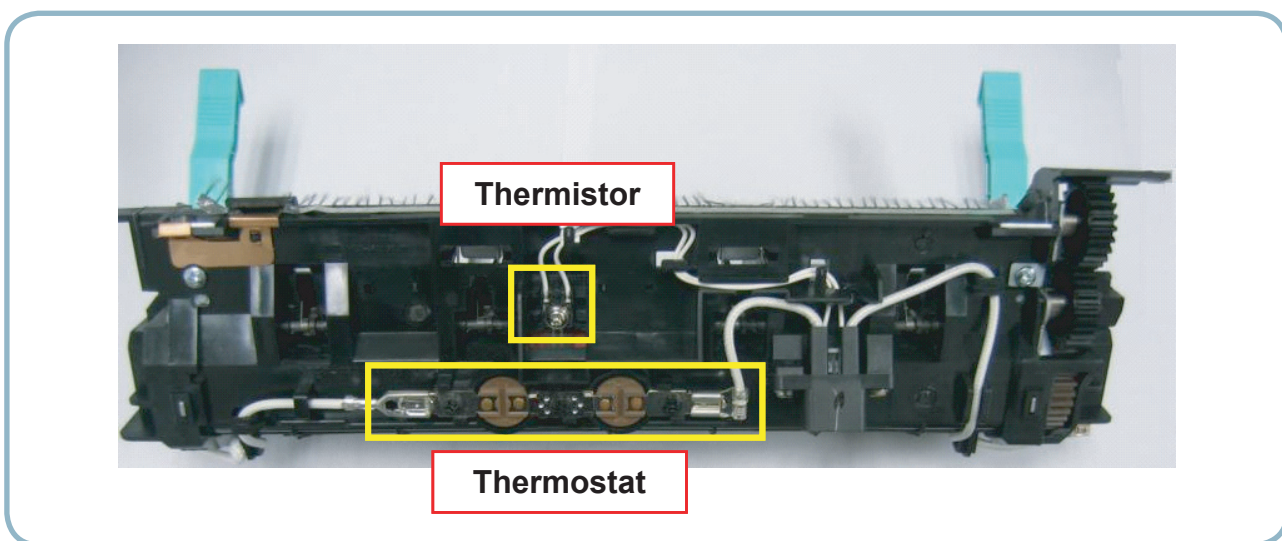


Trouble	Failure Analysis
Polygon Motor Error	The Rotation of Polygon Motor can not reach stable
Hsync Error	Though the rotation of Polygon Motor reach stable, the signal of Hsync is not occurred

2.4.2.4 Fuser Unit

This unit consists of HEAT ROLLER, Thermostats and a Thermistor, etc. It melts and fuses the toner, transferred by the transfer roller onto the paper, by applying pressure and high temperature to complete printing job.

- Fusing type : Thermal fixing with a couple of one heat roller and two pressure rollers
- Heat roller : $\varnothing 28.3$, Anodized, single halogen lamp, thick brown color coating
- Pressure roller 1 : $\varnothing 20.0$ LSR+PFA tube, Electrically conductive
- Pressure roller 2 : $\varnothing 16.0$: LSR+PFA tube, Electrically conductive
- Single thermistor and a pair of thermostat
- A ball bearing at each end of heat roller (total amount; two)
- Jam removal lever / Fuser door open for jam removal
- Life span : 80,000 pages



① **Thermostat**

When a heat lamp is overheated, a Thermostat cuts off the main power to prevent over-heating.
 - Non-Contact type Thermostat

② **Heat roller**

The heat roller transfers the heat from the lamp to apply a heat on the paper. The surface of a heat roller is coated with Teflon, so toner does not stick to the surface.

③ **Pressure roller**

A pressure roller mounted under a heat roller is made of a silicon resin, and the surface also is coated with Teflon. When a paper passes between a heat roller and a pressure roller, toner adheres to the surface of a paper permanently.

Trouble	Temperature Control concept
Open Heat Error	90°C below for 20 sec after power on
Over Heat Error (Fuser High Error)	- 240°C over for 5sec - 230°C over for 5sec - 10°C over than Standby Ref.(170°C) Over for 3min.
Low Heat Error (Fuser Low Error)	10°C below than target Temp. for 15 sec. At Warm up 20°C below than target Temp. for 15 sec. At Printing

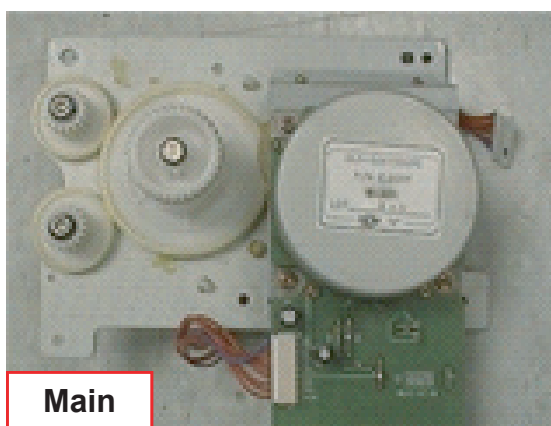
2.4.2.5 Transfer roller

- Lifespan : 70,000 pages

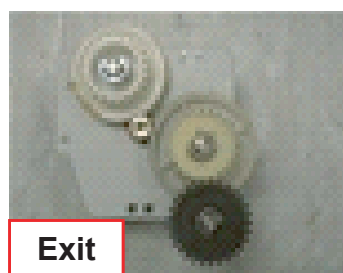


2.4.2.6 Drive Assy

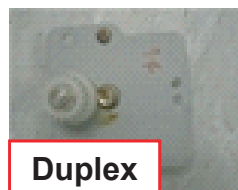
- Main motor ass'y (BLDC) : Paper Pickup, Paper Feeding, Toner Cartridge
- Exit motor ass'y (STEP) : Fuser Unit, Letting out paper or Putting back paper
- Duplex motor ass'y (STEP) : Paper Transferring for duplex printing



Main



Exit



Duplex

2.4.2.7 ADF



- Specification

Capacity	50 sheets of 20lb /80gsm paper
Length	148~356mm
Width	142~216mm
Curl	Below 5mm (Below 2mm at the Top-edge)
Weight	12.5lb ~ 28lb
Thickness	0.075mm ~ 0.13mm

2.4.2.8 Flatbed Scanner



- Scan Method : color CCD(Charge Coupled Device)
- Minimum Scan Line Time: 0.73ms(Color) / 0.365(Mono)
- Scan Resolution : Optical 600x1200dpi
- Scan Width : 216 mm
- CCD Operating part : CCD image sensor uses +5V and Inverter uses +24V.

3. Disassembly and Reassembly

3.1 General Precautions on Disassembly

When you disassemble and reassemble components, you must use extreme caution. The close proximity of cables to moving parts makes proper routing a must.

If components are removed, any cables disturbed by the procedure must be restored as close as possible to their original positions. Before removing any component from the machine, note the cable routing that will be affected.

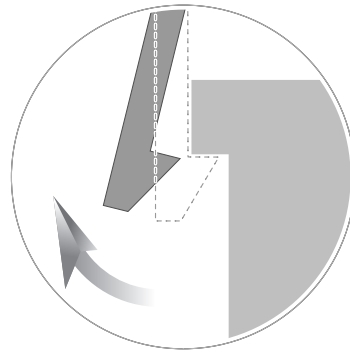
Whenever servicing the machine, you must perform as follows:

1. Check to verify that documents are not stored in memory.
2. Be sure to remove the toner cartridge before you disassemble parts.
3. Unplug the power cord.
4. Use a flat and clean surface.
5. Replace only with authorized components.
6. Do not force plastic-material components.
7. Make sure all components are in their proper position.





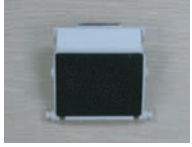

Releasing Plastic Latches

Many of the parts are held in place with plastic latches. The latches break easily; release them carefully.

To remove such parts, press the hook end of the latch away from the part to which it is latched.



3.2 Maintenance Parts

Sec_Code	Description	Life	Image
JC90-00932A	ASF-PICK UP	150K	
JC66-02017A	ROLLER-TRANSFER	70K	
JC91-00928A(220V) JC91-00929A (110V)	FUSER	80K	
JC97-01962C	MEA UNIT-PICK UP (ADF pick up assy)	80K	
JC97-01940B	MEA UNIT-HOLDER ADF	20K	
JC97-03439A	MEA UNIT-HOLDER PAD (Cassette friction pad)	150K	

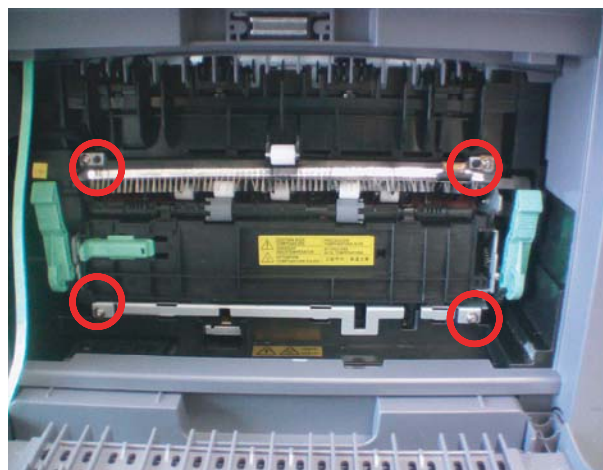
3.3 Replacing a Maintenance Parts

3.3.1 Fuser Unit

1. Open the Rear Cover.



2. Remove the Fuser unit after remove the 4 screws.

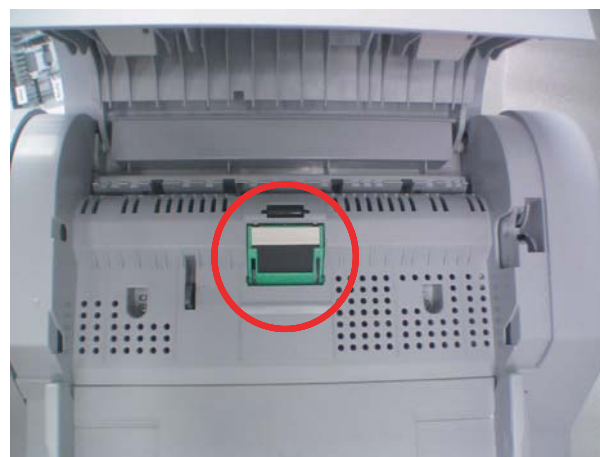


3.3.2 ADF Pick up unit and rubber pad

1. Open the ADF Cover. Remove the pick-up unit by revolving green colored holder.



2. Remove the rubber pad easily.

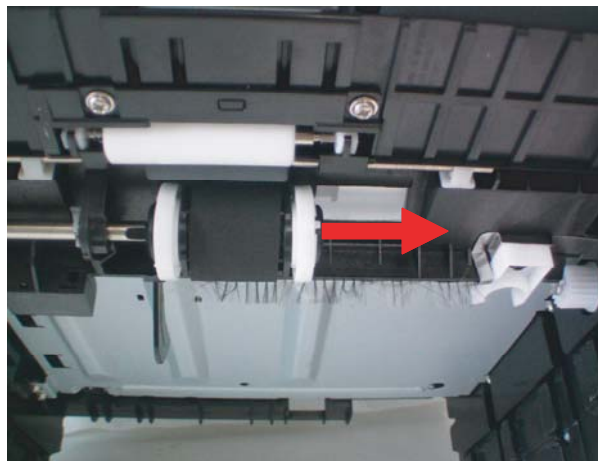


3.3.3 Pick up roller

1. Remove the Cassette.

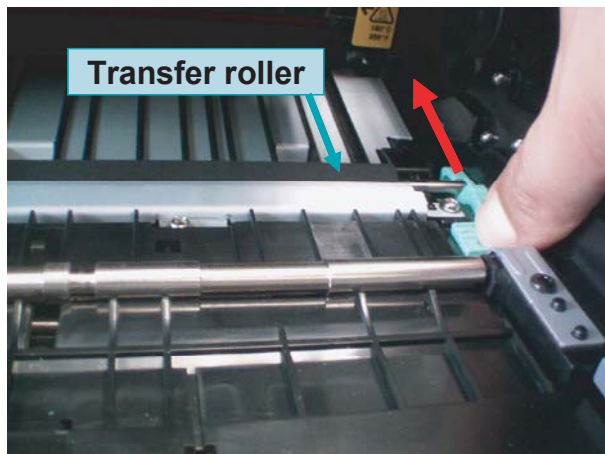


2. Pull the Pick up roller to the direction of arrow from the bottom of SET.



3.3.4 Transfer roller

1. Open the front cover and remove the toner cartridge. To remove the Transfer roller, Push the lever to the direction of arrow.

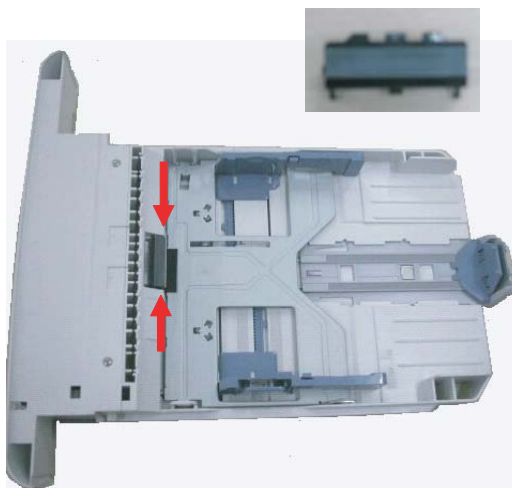


3.3.5 Holder-Pad

1. Remove the Cassette.



2. Remove the Holder pad by unhooking with attention.



3.4 General Disassembly

3.4.1 Cover

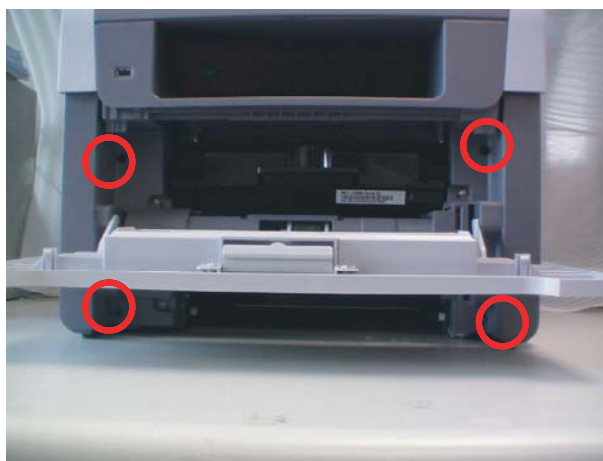
1. Remove the duplex unit & rear cover with disassembling 4 screws.



3. Open 2 cover-upper by lifting it up to the below arrow direction.



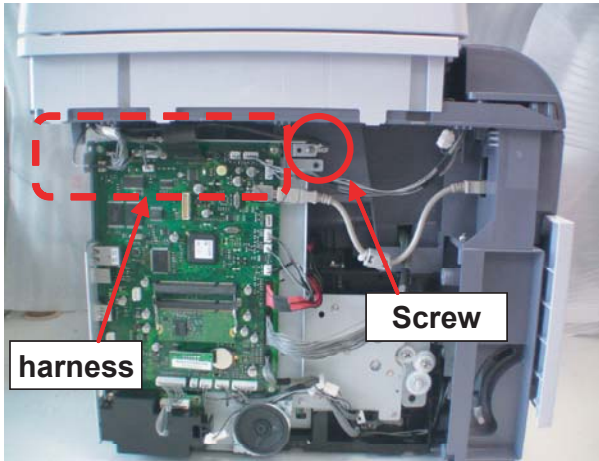
2. Remove 4 screws from front cover.



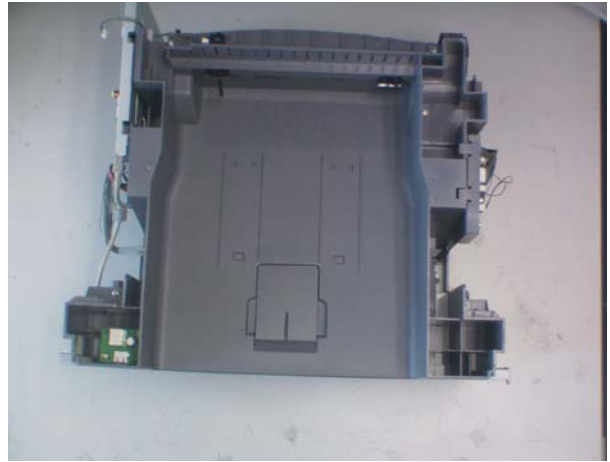
4. Remove the 2 side cover (left & right).



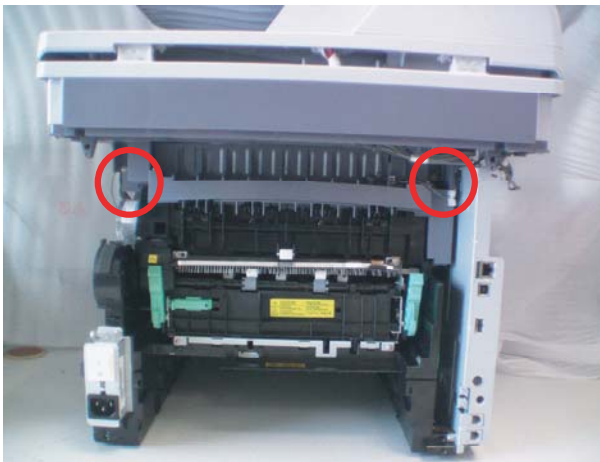
5. Remove 1 screw & disassemble all the connected harnesses with scan unit from main PBA .



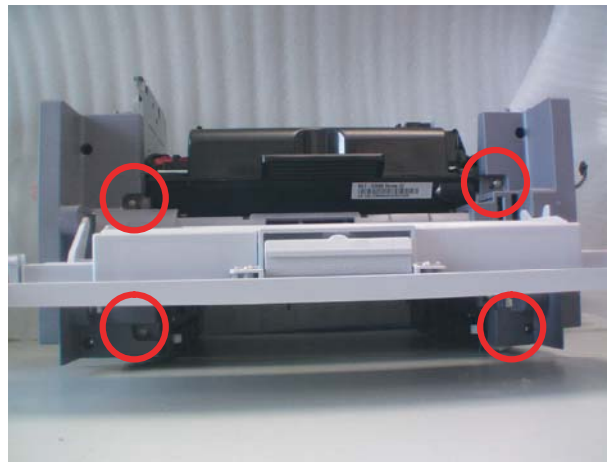
7. Disassemble the middle cover.
(Refer to the 'middle cover disassemble' for specific description)



6. Remove 2 screws & disassemble scan unit from frame base.

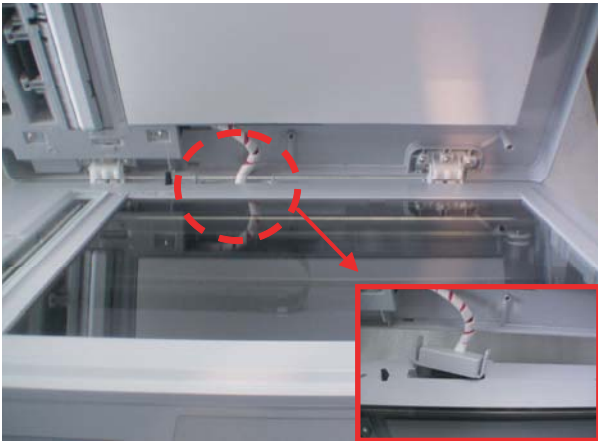


8. Remove 4 screws & disassemble front cover assembly.

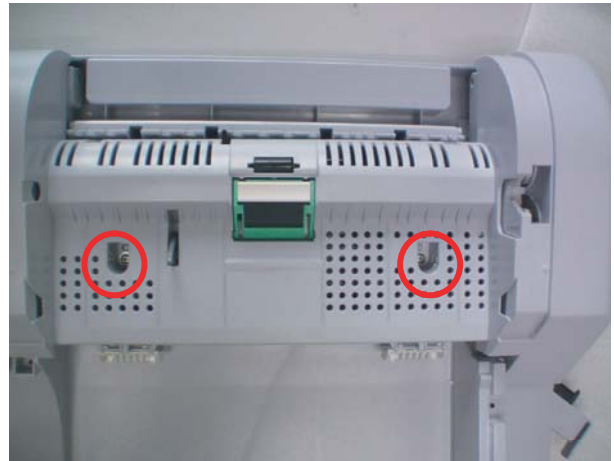


3.4.2 ADF Board

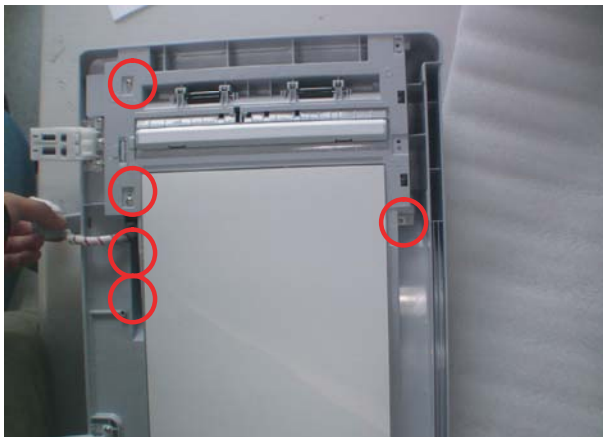
1. Open the ADF & lift it up with disassembling the connector.



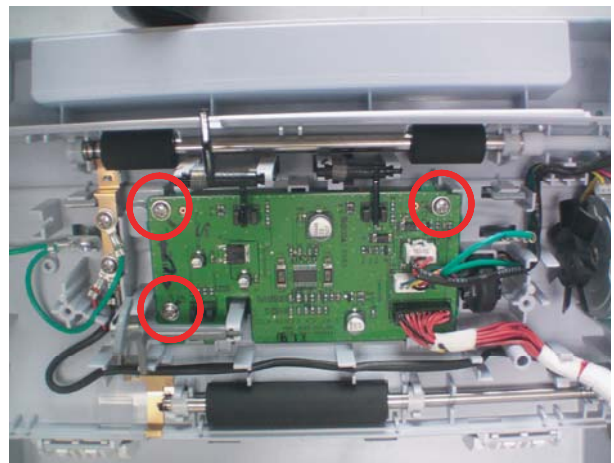
4. Remove 2 screws from ADF unit & disassemble Cover-ADF upper .



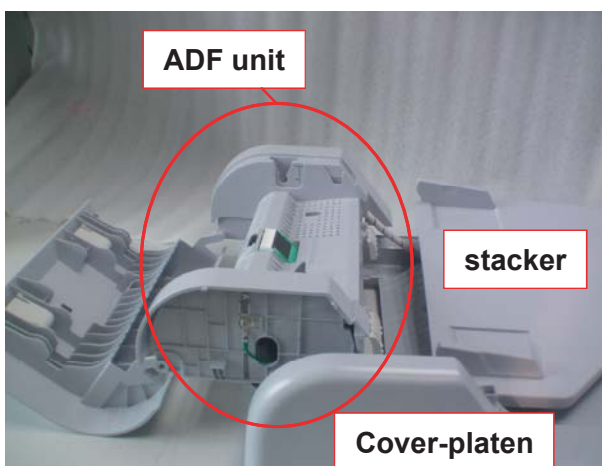
2. Remove 5 screws from the bottom of ADF.



5. Remove all harnesses, 3 screws & 3 actuator.

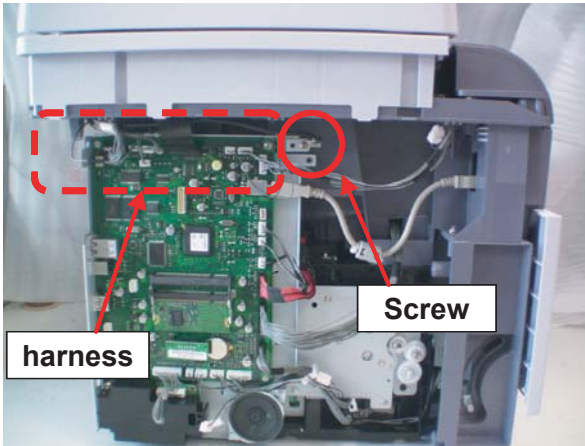


3. Disassemble ADF unit & stacker from cover-platen at the same time.

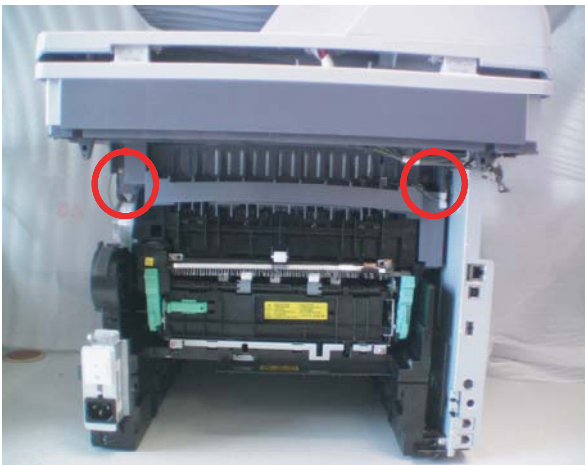


3.4.3 Scan Assy

1. Remove 1 screw & disassemble all the connected harnesses with scan unit from main PBA.



2. Remove 2 screws & disassemble scan unit from frame base.



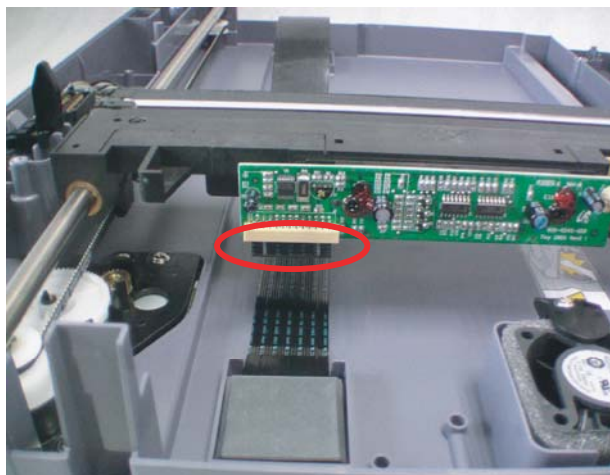
3. Remove 2 screws & disassemble OPE unit.



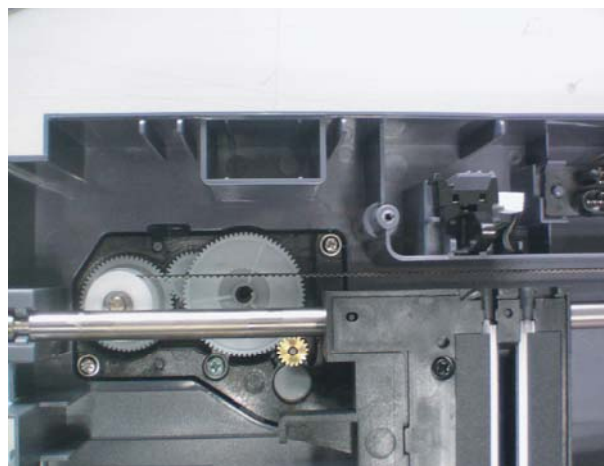
4. Remove 4 screws & disassemble cover-plate



5. Remove the flat cable from CCDM module.

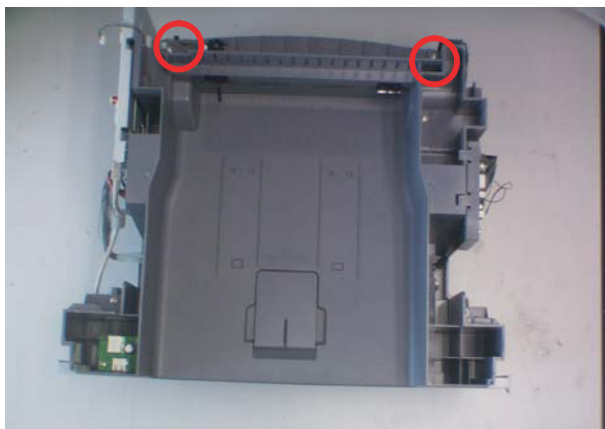


6. Remove CCDM module after disassembling belt unit.

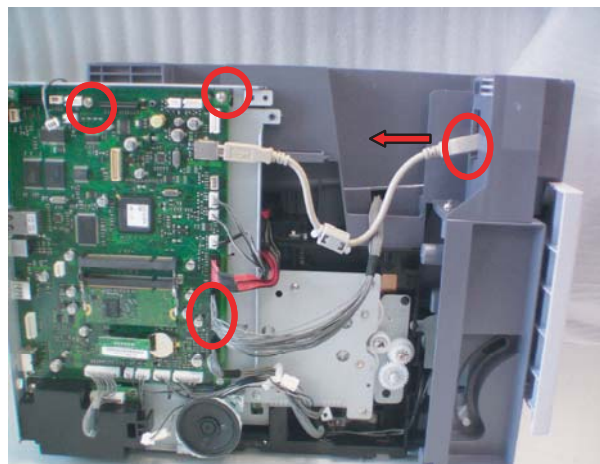


3.4.4 Middle Cover

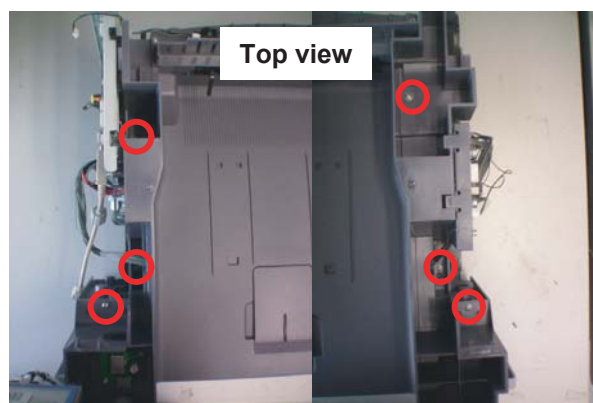
1. Remove the 2 screws & disassemble cover-rear upper.



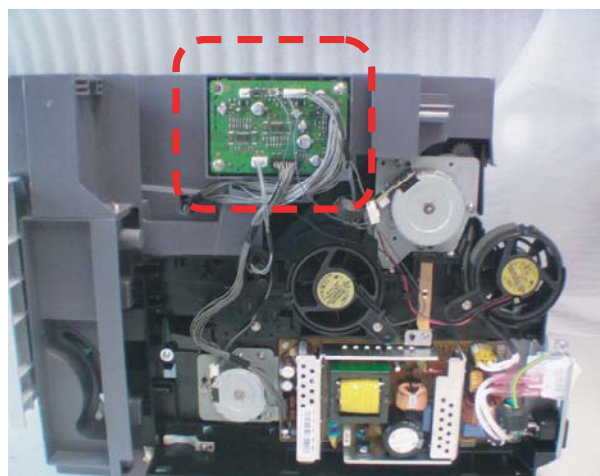
3. Remove harness,usb harness and 2 screws



2. Remove 6 screws.

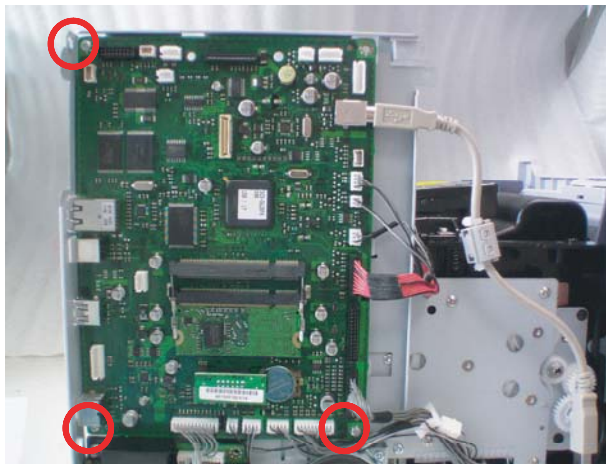


4. Remove all harnesses and disassemble cover-middle from frame-base.



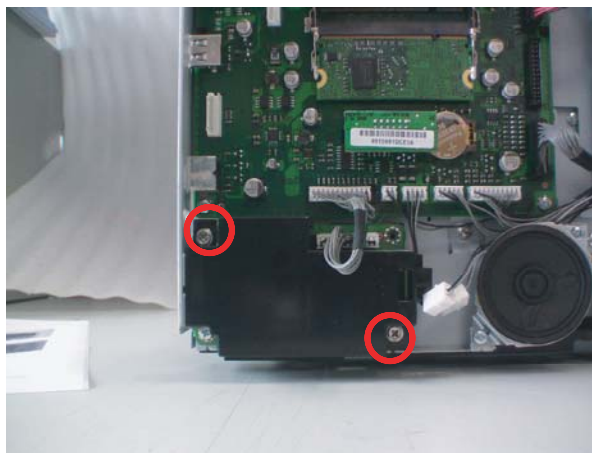
3.4.5 Main PBA

1. Remove the 3 screws & all harnesses.

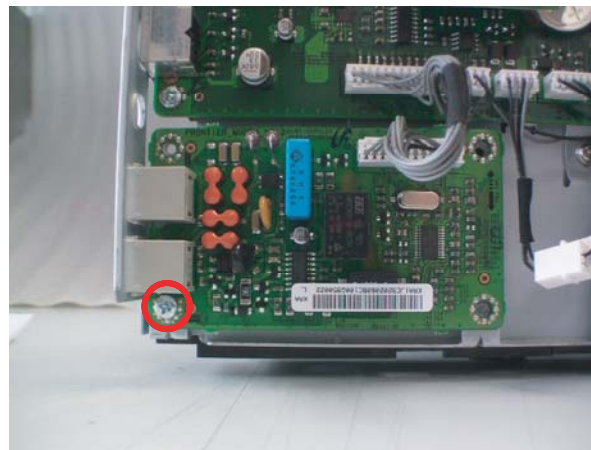


3.4.6 Fax board

1. Remove 2 screws & disassemble cover-fax_ board.

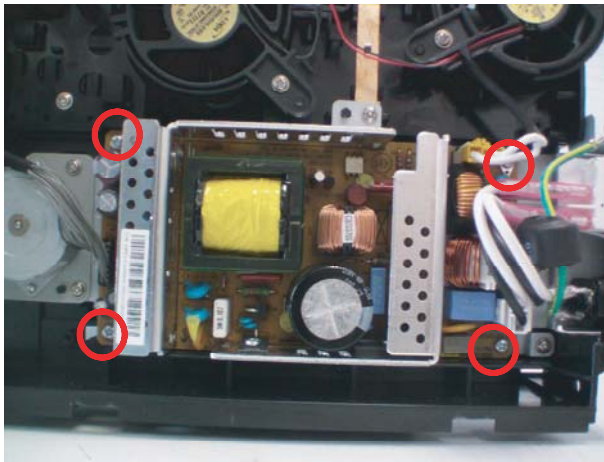


2. Remove 1 screw & harness.



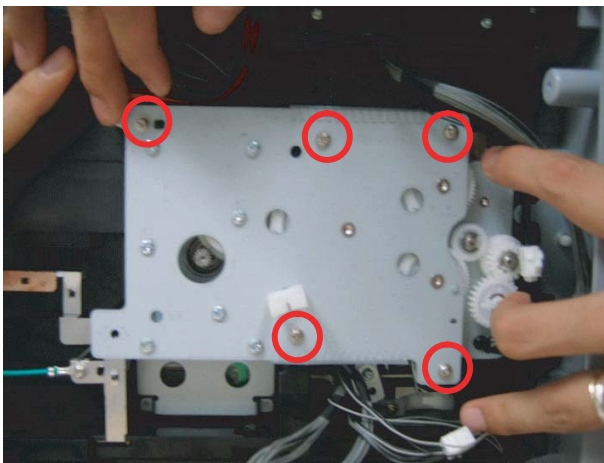
3.4.7 SMPS board

1. Remove 4 screws & all harnesses.



3.4.8 Main Drive unit

1. Remove the Drive unit after removing 5 screws.

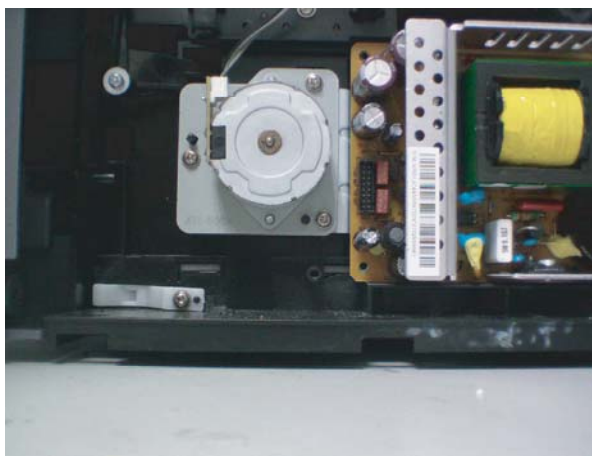


3.4.9 HVPS board

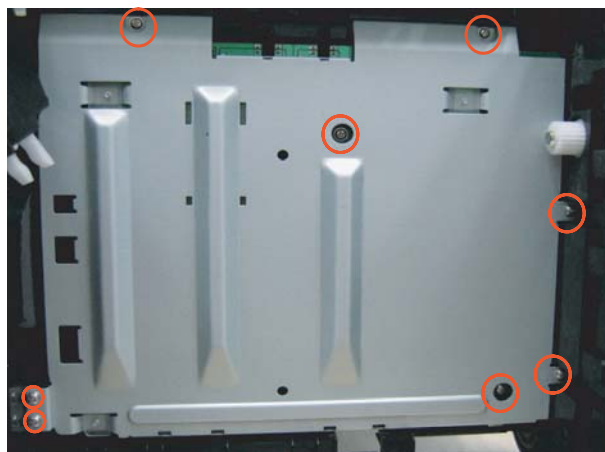
Caution

When disassembling and assembling the HVPS Shield, be careful the harness of the Cassette Sensor.

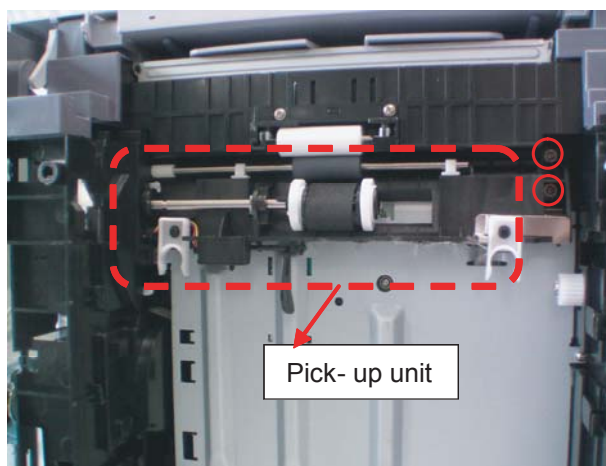
1. Remove 3 screws & disassemble duplex-motor.



3. Remove 8 screws .



2. Remove 2 screws & disassemble pick-up unit.



3.4.10 LSU Unit

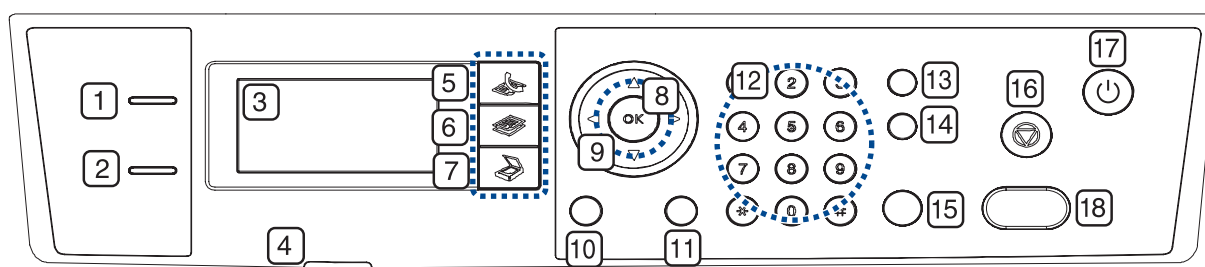
1. Disassemble LSU unit after removing 4 screws.



4. Alignment & Troubleshooting

4.1 Alignment and Adjustments

4.1.1 Control panel overview



1	ID Copy	You can copy both sides of the ID Card like a driver's license to a single side of paper.
2	Direct USB	Allows you to directly print files stores on a USB memory device when it is inserted into the USB memory port on your machine.
3	Display screen	Shows the current status and prompts during an operation.
4	Status	Shows the status of your machine.
5	Fax	Activates Fax mode.
6	Copy	Activates Copy mode.
7	Scan/Email	Activates Scan mode.
8	OK	Confirms the selection on the screen.
9	Arrow	Scroll through the options available in the selected menu, and increase or decrease values.
10	Menu	Enters Menu mode and scrolls through the available menus.
11	Back	Sends you back to the upper menu level.
12	Numeric keypad	Dials fax number, and enters the number value for document copies or other options.
13	Address Book	Allows you to store frequently used fax numbers and email addresses or search for stored fax numbers or email addresses.
14	Redial/Pause	In standby mode, redials the last number. Also in edit mode, inserts a pause into a fax number.
15	On Hook Dial	Performs same as you hold a handset under the telephone line is engaged.
16	Stop/Clear	Stops an operation at any time. The pop-up window appears on the screen showing the current job that the user can stop or resume.
17	Power Saver	Sends the machine into power saver mode. You can also turn the power on and off with this button.
18	Start	Starts a job.

4.1.2 Understanding The Status LED

The color of the Status LED indicates the machine's current status.

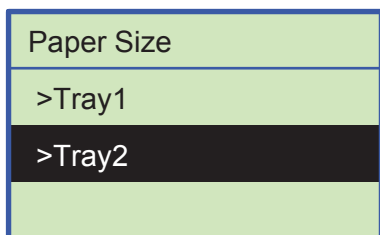
Status		Description
Off		<ul style="list-style-type: none"> The machine is off-line. The machine is in power saver mode. When data is received, or any button is pressed, it switches to on-line automatically.
Green	Blinking	<ul style="list-style-type: none"> When the backlight slowly blinks, the machine is receiving data from the computer. When the backlight blinks rapidly, the machine is printing data.
	On	The machine is on-line and can be used.
Red	Blinking	<ul style="list-style-type: none"> A minor error has occurred and the machine is waiting for the error to be cleared. Check the display message. When the problem is cleared, the machine resumes. The toner cartridge is near the end of its life. Order a new toner cartridge. You can temporarily improve print quality by redistributing the toner.
	On	<ul style="list-style-type: none"> The toner cartridge is totally empty. Remove the old toner cartridge and install a new one. A paper jam has occurred. The cover is opened. Close the cover. There is no paper in the tray. Load paper in the tray. The machine has stopped due to a major error.

4.1.3 Menu Overview

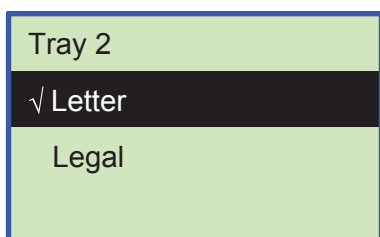
This chapter explains the menu item. If you want to know more information about the menu item, refer to the User Guide.

4.1.3.1 Menu navigation and selection item

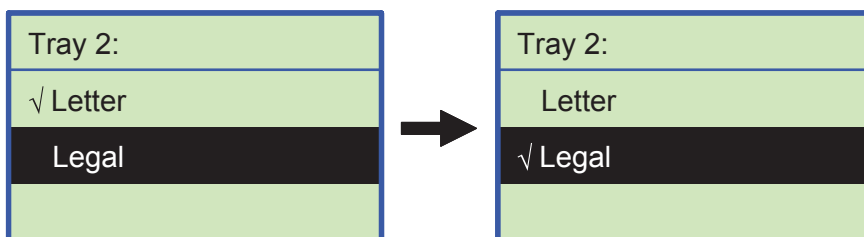
1. Press Menu button. Select the menu you want by using the arrow and OK button.



2. "√" mark indicates current setting value.



3. When you press up/down button, inversion line will be moved.
When user press OK button, √mark will move to new selected item.



4. Press the OK button to process your selection, save your input or selection.
5. To exit the menu, press the Back button repeatedly, or the Stop button.

4.1.3.2 Menu Map

Fax Menus(Fax Feature)

Depth 1	Depth 2	Depth 3
Darkness	Normal *	
	Dark	
	Light	
Resolution	Standard *	
	Fine	
	Super Fine	
	Photo Fax	
	Color Fax	
Multi Send	Multi Send Fax1: Fax2:	Another No.? Yes / No
Delay Send	Delay Send Fax1:	Another No.? Yes / No
Priority Send	Priority Send Fax:	Job Name
Forward	Fax	Send Forward
		Rcv. Forward
	E-mail	Send Forward
		Rcv. Forward
	Server	Send Forward
		Rcv. Forward
Secure Receive	On	Password [????]
	Off *	Password [????]
	Print	Password [????]
Add Page	10:22Am DelayFax	
	ABC	
Cancel Job	10:22Am DelayFax	
	ABC	

Fax Menus(Fax Setup)

Depth 1	Depth 2	Depth 3
Sending	Redial Times	[0-13]times:7
	Redial Term	[1-15]min:3
	Prefix Dial	Prefix Dial No. Fax:
	ECM Mode	On *
		Off
	Send Report	On-Error *
		On
		Off
	Image TCR	On *
		Off
	Dial Mode	Tone *
		Pulse
Receiving	Receive Mode	Fax *
		Tel
		Ans/Fax
		DRPD
	Ring to Answer	[1-7]times:1
	Stamp Rcv Name	On
		Off *
	Rcv Start Code	[0-9]:9
	Auto Reduction	On *
		Off
	Discard Size	[00-30]:20
	Junk Fax Setup	Off *
		On
	DRPD Mode	Waiting Ring
	Duplex Print	Off *
Long Edge		
Short Edge		

Depth 1	Depth 2	Depth 3
Change Default	Resolution	Standard *
		Fine
		Super Fine
		Photo Fax
		Color Fax
	Darkness	Normal*
		Light
Auto Report	On	
	Off	

4.1.3.3 Fax Setup

Changing the fax setup options

Your machine provides you with various user-selectable options for setting up the fax system. You can change the default settings for your preferences and needs.

To change the fax setup options:

1. Press Fax.
2. Press Menu on the control panel.
3. Press the up/down arrow to highlight Fax Setup and press OK.
4. Press the up/down arrow until the fax setup item you want highlights and press OK.
5. Press the up/down arrow until the option you want highlights and press OK.
6. Press the up/down arrow until the desired status appears or enter the value for the option you have selected, and press OK.
7. If necessary, repeat steps 4 through 6.
8. Press Stop/Clear to return to ready mode.


Sending

OPTION	DESCRIPTION
Redial Times	You can specify the number of redial attempts. If you enter 0, the machine will not redial.
Redial Term	Your machine can automatically redial a remote fax machine if it was busy. You can set an interval between attempts.
Prefix Dial	You can set a prefix of up to five digits. This number dials before any automatic dial number is started. It is useful for accessing a PABX exchange.
ECM Mode	This mode helps with poor line quality and makes sure any faxes you send are sent smoothly to any other ECM-equipped fax machine. Sending a fax using ECM may take more time.
Send Report	You can set your machine to print a confirmation report showing whether a transmission was successful, how many pages were sent, and more. The available options are On, Off, and On-Error, which prints only when a transmission is not successful.
Image TCR	This function allows users to know what fax messages have been sent by showing sent messages in the transmission report. The first page of the message is turned into an image file than is printed on the transmission report so the users can see what messages have been sent. However, you can not use this function when sending fax without saving the data in the memory.
Dial Mode	This setting may not be available depending on your country. If you cannot reach this option, your machine does not support this feature. You can set the dial mode for your machine to either tone dialling or pulse dialling. If you have a public telephone system or a private branch exchnage(PBX) system, you may need to select Pulse. Contact your local telephone company if you are not sure which dial mode to use. If you select Pulse, some phone system features might not be available. It can also take longer to dial a fax or phone number.

Receiving

OPTION	DESCRIPTION
Receive Mode	You can select the default fax receiving mode.
Ring to Answer	You can specify the number of times the machine rings before answering an incoming call.
Stamp RCV Name	This option allows the machine to automatically print the page number, and the date and time of reception at the bottom of each page of a received fax.
Rcv Start Code	This code allows you to initiate fax reception from an extension phone plugged into the EXT socket on the back of the machine. If you pick up the extension phone and hear fax tones, enter the code. It is preset to *9* at the factory.
Auto Reduction	<p>When receiving a fax containing pages as long as or longer than the paper loaded in the paper tray, the machine can reduce the size of the original to fit the size of the paper loaded in the machine.</p> <p>Turn on this feature if you want to automatically reduce an incoming page. With this feature set to Off, the machine cannot reduce the original to fit onto one page. The original will be divided and printed in actual size on two or more pages.</p>
Discard Size	<p>When receiving a fax containing pages as long as or longer than the paper in your machine, you can set the machine to discard a specific length from the end of the received fax. The machine will print the received fax on one or more sheets of paper, minus the data that would have been on the specified discard segment.</p> <p>When the received fax contains pages larger than the paper in your machine, and Auto Reduction has been turned on, the machine will reduce the fax to fit on the existing paper, and nothing will be discarded.</p>
Junk Fax Setup	<p>This setting may not be available depending on your country. Using this feature, the system will not accept faxes sent from remote stations whose numbers are stored in the memory as junk fax numbers. This feature is useful for blocking any unwanted faxes.</p> <p>When you turn on this feature, you can access the following options to set junk fax numbers.</p> <ul style="list-style-type: none"> • Add: Allows you to set up to 10 fax numbers. • Delete: Allows you to delete the desired junk fax number. If you select Delete All, Allows you to delete all junk fax numbers.
DRPD Mode	This mode enables a user to use a single telephone line to answer several different telephone numbers. In this menu, you can set the machine to recognize which ring patterns to answer.
Duplex Print	Set this duplex feature to save paper. When the machine prints the received fax data, it prints them on both sides of the paper.

Change Default

OPTION	DESCRIPTION
Resolution	<p>Changing the resolution setting affects the appearance of the received document.</p> <ul style="list-style-type: none"> • Standard: Originals with normal sized characters. • Fine: Originals containing small characters or thin lines or originals printed using a dot-matrix printer. • Super Fine: Originals containing extremely fine detail. Super Fine mode is enabled only if the machine with which you are communicating also supports the Super Fine resolution. <p> • For memory transmission, Super Fine mode is not available. The resolution setting is automatically changed to Fine.</p> <ul style="list-style-type: none"> • When your machine is set to Super Fine resolution and the fax machine with which you are communicating does not support Super Fine resolution, the machine transmits using the highest resolution mode supported by the other fax machine. <ul style="list-style-type: none"> • Photo Fax: Originals containing shades of gray or photographs. • Color Fax: Originals with colors. Sending a color fax is enabled only if the machine with which you are communicating supports color fax reception and you send the fax manually. In this mode, memory transmission is not available.
Darkness	<p>You can select the default contrast mode to fax your originals lighter or darker.</p>

Auto Report

You can set the machine to print a report with detailed information about the previous 50 communication operations, including time and dates.

Copy Menus

Copy Feature	
Reduce/Enlarge	Org.(100%) *
	Custom
	Auto Fit
	LGL->LTR(78%)
	LGL->A4(83%)
	A4->A5(71%)
	A4->LTR(94%)
	A5->A4(141%)
	EXE->LTR(104%)
	25%
	50%
	150%
	200%
	400%
Darkness	Normal *
	Light
	Dark
Original Type	Text *
	Text/Photo
	Photo
Layout	Normal *
	2-Up
	4-Up
	ID copy
	Poster Copy
	Clone Copy

Copy Setup		
Duplex Print	Off *	
	1->2Side Long	
	1->2SideShort	
Change Default	# of Copies	[1-99] : 1
	Copy Collation	On
		Off *
	Reduce/Enlarge	Org.(100%) *
		Custom
		Auto Fit
		LGL->LTR(78%)
		LGL->A4(83%)
		A4->A5(71%)
		A4->LTR(94%)
		A5->A4(141%)
		EXE->LTR(104%)
		25%
		50%
	150%	
	200%	
	400%	
	Darkness	Normal *
		Light
		Dark
Original Type	Text *	
	Text/Photo	
	Photo	

4.1.3.4 Copy Setup

Changing the copy setup options

For copy output, you can set up several options in advance.

1. Press Copy on the control panel.
2. Press Menu on the control panel.
3. Press the up/down arrow to highlight Copy Setup and press OK.
4. Press the up/down arrow until the copy setup item you want highlights and press OK.
5. Press the up/down arrow until the setup option you want highlights and press OK.
6. Press the up/down arrow until the setting you want highlights and press OK.
7. Repeat steps 4 through 6, as needed.
8. Press Stop/Clear to return to ready mode.

Duplex Print

You can set the machine to print copies on both sides of paper.

Change Default

OPTION	DESCRIPTION
#of Copies	You can enter the number of copies using the number keypad.
Copy Collation	You can set the machine to sort the copy job.
Reduce/Enlarge	Reduces or enlarges the size of a copied image.
Darkness	Adjusts the brightness level to make a copy that is easier to read, when the original contains faint markings and dark images.
Original Type	Improves the copy quality by selecting the document type for the current copy job.

Scan Menus (Scan Feature)

USB Feature	
Scan Size	A4 *
	A5
	B5
	Letter
	Legal
	Executive
	Folio
	Oficio
Original Type	Text *
	Text/Photo
	Photo
Resolution	100 dpi
	200 dpi
	300 dpi *
Scan Color	Color *
	Gray
	Mono
Scan Format	BMP
	SINGLE-TIFF
	MULTI-TIFF
	PDF
	JPEG*

E-mail Feature	
Scan Size	A4 *
	A5
	B5
	Letter
	Legal
	Executive
	Folio
	Oficio
Original Type	Text *
	Text/Photo
	Photo
Resolution	100 dpi
	200 dpi
	300 dpi *
Scan Color	Color
	Gray
	Mono *

FTP Feature	
Scan Size	A4 *
	A5
	B5
	Letter
	Legal
	Executive
	Folio
	Oficio
Original Type	Text *
	Text/Photo
	Photo
Resolution	100 dpi
	200 dpi
	300 dpi *
Scan Color	Color *
	Gray
	Mono

SMB Feature	
Scan Size	A4 *
	A5
	B5
	Letter
	Legal
	Executive
	Folio
	Oficio
Original Type	Text *
	Text/Photo
	Photo
Resolution	100 dpi
	200 dpi
	300 dpi *
Scan Color	Color *
	Gray
	Mono



Scan Menus (Scan Setup)

USB Default	
Scan Size	A4 *
	A5
	B5
	Letter
	Legal
	Executive
	Folio
	Oficio
Original Type	Text *
	Text/Photo
	Photo
Resolution	100 dpi
	200 dpi
	300 dpi *
Scan Color	Color *
	Gray
	Mono
Scan Format	BMP
	SINGLE-TIFF
	MULTI-TIFF
	PDF
	JPEG*

E-Mail Default / FTP Default / SMB Default	
Scan Size	A4 *
	A5
	B5
	Letter
	Legal
	Executive
	Folio
	Oficio
Original Type	Text *
	Text/Photo
	Photo
Resolution	100 dpi
	200 dpi
	300 dpi *
Scan Color	Color
	Gray
	Mono *
Scan Format	SINGLE-TIFF
	MULTI-TIFF
	PDF : MULTI-TIFF*
	JPEG

4.1.3.5 Scan Setup

Changing the scan setup options

To avoid having to customize the scan settings for each job, you can set up default scan settings for each scan type.

1. Press Scan/Email.
2. Press Menu on the control panel.
3. Press the up/down arrow to highlight Scan Setup and press OK.
4. Press OK when Change Default highlights .
5. Press the up/down until the scan type you want highlights and press OK.
6. Press the up/down until the scan setting option you want highlights and press OK.
7. Press the up/down arrow until the desired status highlights and press OK.
8. Repeat steps 6 and 7 to set other setting options.
9. When you have finished, press Stop/Clear to return to ready mode.

OPTION	DESCRIPTION
Scan Size	Sets the image size.
Original Type	Sets the original document's type.
Resolution	Sets the image resolution.
Scan Color	Sets the color mode.
Scan Format	Sets the file format in which the image is to be saved. If you select TIFF or PDF, you can select to scan multiple pages.

System Setup (Machine Setup)

Machine ID	ID:
Machine Fax No.	Fax:
Date & Time	12-31-2004[MDY] 12:00 AM
Clock Mode	12 Hours *
	24 Hours
Language	English *
	FRANCAIS
	Espanol
	Portugues E.
	Portugues B.
	Deutsch
	Italiano
	Nederlands
	Русский
	Norsk
	Polski
	Suomi
	Magyar
	Dansk
	Cestina
	Svenska
Turkce	
中國語	
한국어	
Default Mode	Copy *
	Fax

Power Save	5 Min
	10 Min
	15 Min
	20 Min
	30 Min *
	45 Min
	60 Min
Scan Power Save	120 Min
	30 Min *
	60 Min
Timeout	120 Min
	Off
	15 Sec
	30 Sec *
	60 Sec
Job Timeout	120 Sec
	180 Sec
Altitude Adj.	[0-300]sec:15*
Auto Continue	Normal *
	High 1
Auto Tray Switch	On *
	Off
Toner Save	On *
	Off *
Import Setting	Address Book
	Setup Data
Export Setting	Address Book
	Setup Data

System Setup (Paper Setup)

Paper Size		
Tray 1/ 2	Letter * (USA...)	
	Legal	
	Oficio	
	Folio	
	A4 * (UK...)	
	ISO B5	
	JIS B5	
	Executive	
	A5	
MP Tray	Letter * (USA...)	
	Legal	
	Oficio	
	Folio	
	A4 * (UK...)	
	ISO B5	
	JIS B5	
	Statement	
	Executive	
	Letter>Legal>Oficio>Folio>A4>IsoB5>JisB5>Statement>Executive>A5>A6>Monarch ENV>DL Env>C5 Env>C6 Env>No.10 Env>Post Card>Custom	

Tray Confirm	
Tray 1/2	On *
	Off

Paper Type	
Tray 1/2	Plain Paper *
	Thick
	Thin
	Preprinted
	Recycled
	Archive
MP Tray	Plain Paper *
	Thick
	Thin
	Cotton
	Colored
	Preprinted
	Recycled
	Transparency
	Labels
	Card Stock
	Bond
Archive	

Paper Source	
Copy Tray	Tray 1
	Tray 2
	MP Tray
	Tray1/2
	Auto *
Fax Tray	Tray 1
	Tray 2
	Tray1/2
	Auto *

System Setup (Sound/ Report/ Maintenance/ Clear Setting)

Sound/Volume	
Key Sound	On
	Off *
Alarm Sound	On *
	Off
Speaker	On
	Off
	Comm. *
Ringer	Off
	Low
	Mid *
	High

Maintenance	
CLR Empty Msg(In case of occurring Toner Low)	Off *
	On
Ignore Toner	Off *
	On
Supplies Life	Supplies Info
	Total
	ADF Scan
	Platen Scan
	Transfer Belt
Toner Low Alert	On *
	Off
Serial Number	Serial No.
Paper Stacking	Off *
	On
Toner low Notice	1%
	5%
	10% *
	15%

Report	
All Reports	Printing? Yes/No
Configuration	Printing? Yes/No
Phone Book	Printing? Yes/No
Address Book	Fax
	E-mail
Send Report	Printing? Yes/No
Sent Report	Fax
	E-mail
Rcv Report	Printing? Yes/No
Fax Rcv Report	Printing? Yes/No
Schedule Jobs	Printing? Yes/No
User Auth List	Printing? Yes/No

Clear Setting	
All Settings	
Fax Setup	
Copy Setup	
Scan Setup	
System Setup	
Network Setup	
Phone Book	
Address Book	Fax
	Email
Sent Report	Fax
	Email
Rcv Report	
Fax Rcv Report	

4.1.3.6 Clearing Memory

You can selectively clear information stored in your machine's memory.

1. Press Menu on the control panel.
2. Press the up/down arrow to highlight System Setup and press OK.
3. Press the up/down arrow to highlight Clear Setting and press OK.
4. Press the up/down arrow until the item you want to clear highlights and press OK.
5. Press OK when Yes highlights to confirm clearing.
6. Repeat steps 4 through 5 to clear another item.
7. Press Stop/Clear to return to ready mode.

OPTION	DESCRIPTION
All settings	Clears all of the data stored in memory and resets all of your settings to the factory default.
Fax Setup	Restores all of the fax options to the factory default.
Copy Setup	Restores all of the copy options to the factory default.
Scan Setup	Restores all of the scan options to the factory default.
System Setup	Restores all of the system options to the factory default.
Network Setup	Restores all of the network options to the factory default.
Address Book	Clears all of the email address entries stored in memory.
Sent Report	Clears all records of sent faxes and emails.
Fax Rcv Report	Clears all records of received faxes.

Network Menus

Depth 1	Depth 2	Depth 3	Depth 4	Depth 5
TCP/IP	DHCP *			
	BOOTP			
	Static	IP Address	192.0.0.192	Subnet Mask
		Primary DNS	0.0.0.0	
Secondary DNS		0.0.0.0		
Ethernet Speed	Auto *			
	10M Half			
	10M Full			
	100M Half			
	100M Full			
Wireless(for only wireless model)	WLAN Setting	Wizard *	Search ListTestSSID List	WLAN Security
				Authentication
				WPA Key
				Error
		Custom	Edit SSID	Operation Mode
	WLAN Default	Restore		
WLAN Signal	Excellent Very Good Good Low Very Low No Signal			
Clear Settings	Clearing? Yes/No	Clearing...		
Network Info.	Printing? Yes/No	Printing...		

4.1.3.7 Network

You may set up the network with the machine's touch screen. Before doing that, you must have the relevant information concerning the type of network protocols and computer system you use. If you are not sure which setting to use, contact your network administrator to configure this machine to the network.

1. Press Menu on the control panel.
2. Press the up/down arrow to highlight Network and press OK.
3. Press the up/down arrow until the setup option you want highlights and press OK.
4. Press the up/down arrow until the setting you want highlights and press OK.
5. Repeat steps 3 through 4, as needed.
6. Press Stop/Clear to return to ready mode.

OPTION	DESCRIPTION
TCP/IP	Select appropriate protocol and configure parameters to use the network environment.
Ethernet Speed	Configure the network transmission speed.
Wireless^a	Configure the wireless network environments.
Clear Settings	Reverts the network settings to the default values.
Network Info.	This list shows information on your machine's network connection and configuration.

a. This menu only appears when an optional wireless network interface has been installed.

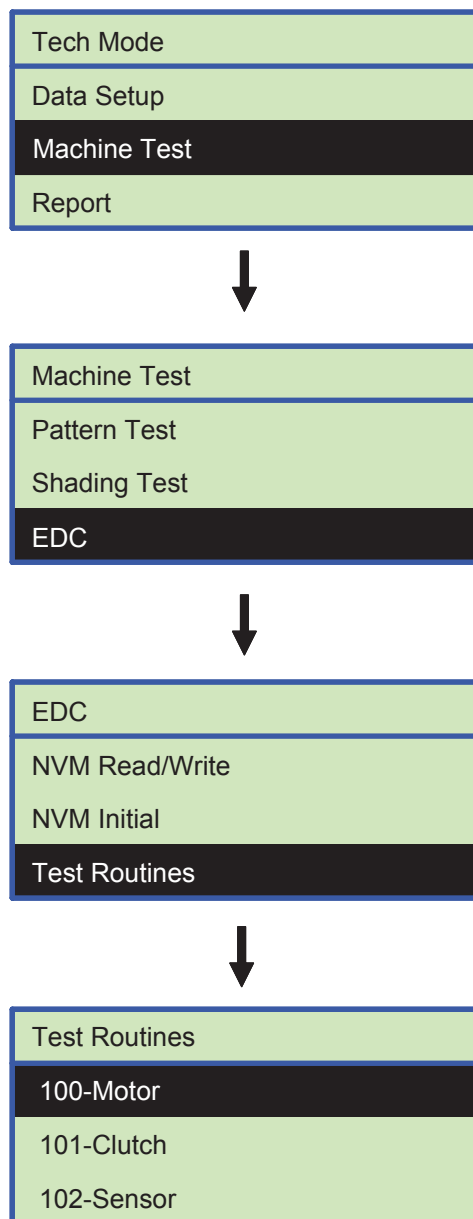
4.1.4 Tech Mode

In service (tech) mode, the technician can check the machine and perform various test to isolate the cause of a malfunction. While in Tech mode, the machine still performs all normal operations.

To enter the Tech Mode

To enter the Tech Mode, press “ **Menu + # + 1 + 9 + 3 + 4 + Menu**” in sequence, and the LCD briefly displays ‘Tech Mode’, the machine has entered service tech mode.

After entering the tech mode, select the item you want by using a button on control panel. Below picture shows to select the motor item in Test Routine.



Tech Mode Menu Map

Depth 1	Depth 2	Depth 3	Depth 4	
Data Setup	Send Level	-9~-15	-12	
	DTMF Level	[Hi]=xx,[Lo]=xx		
	Pause Time	0~9		
	Dial Mode	Tone,Pulse	Tone	
	Modem Speed	33.6, 28.8, 14.4, 12.0, 9.6, 4.8	33.6	
	Error Rate	5%, 10%	10%	
	Clear All Mem.			
	Toner Low Level	[1-30]% : 10		
	Clear Count	Total Page Count		Enter Password
		FLT Scan Count		
		ADF Scan Count		
	Engine Footer	Off*		
On				
Machine Test	Switch Test			
	REDUCE_PANEL			
		COMPLETE_PANEL		
	Test Param Set			
	Modem Test			
	Dram Test			
	Rom Test			
	Pattern Test			
	EDC	NVM Read/Write		
		NVM Initial		
		Test Routines		
	Shading Test	Adjust Shading ?	Shading&Print	
Restart Machine				
TEST USB HOST				
Report	All Report			
	Protocol			
	Supplies Info			
	Configuration			
	Error Info			
	Usage Page			
	ComponentCheck			
Service Support				

Data Setup

Send Level

You can set the level of the transmission signal. Typically, the Tx level should be under -12 dBm.
Caution : The Send Fax Level is set at the best condition in the shipment from factory. Never change settings arbitrarily.

DTMF Level

This is a setting value of the High level tone and low level tone at DTMF mode. (Not dial mode)

Pause Time

It shows the delay time when receiving the pause input at auto dial.

Dial Mode

This function can choose dial method.
*Default : Dial(Dial/Pulse)

Modem Speed

You can set the maximum modem speed. Communication is done with modem speed automatically set at lower speed when communicating with a slower speed modem since communication is done on the standard of the side where modem speed is low for transmission/reception. It is best set 33.6Kbps as default setting.

Error Rate

When the error rate is about exceed the set value, the Baud rate automatically adjusts to 2400 bps. This ensures that the error rate remains below the set value. You can select the rate between 5% and 10%.

Clear All Memory

The function resets the system to factory default settings. This function is used to reset the system to the initial value when the product is functioning abnormally. All the values are returned to the default values, and all the information, which was set by the user, will be erased.
NOTICE : Always perform a memory clear after replacing the main board. Otherwise, the system may not operate properly.

Toner Low Level

The function is to set up the time to inform toner low status. This function can provide user convenience for replacing the toner cartridge.

Clear Count

This function resets Total Page Count, Flatbed Scan Count, ADF Scan Count.

Engine Footer

This function is for monitoring of the engine status. If you perform this function, at printing, the setting value for engine is shown on the bottom of the printed page.

Machine Test

Switch Test

Use this feature to test all keys on the operation control panel. The result is displayed on the LCD window each time you press a key.

Test Param Set (Handset Model only)

You can set the parameter for handset standard.

Caution : The parameter value is set at the best condition in the shipment from factory.

Modem Test

Use this feature to hear various transmission signals to the telephone line from the modem and to check the modem. If no transmission signal sound is heard, it means the modem part of the mainboard malfunctioned.

Dram Test

Use this feature to test the machine's DRAM. The result appears in the LCD display. If all memory is working normally, the LCD shows << O K >>ROM TEST

Use this feature to test the machine's ROM. The result and the software version appear in the LCD display.

- FLASH VER : 1.00 V
- ENGINE VER : 1.00V

Pattern Test

Using this pattern printout, you can check if the printer mechanism is functioning properly. It is needed in the production progress. Service person doesn't need to use it.

Shading Test

The function is to get the optimum scan quality by the specific character of the CCD (Charge Coupled Device). If the copy image quality is poor, perform this function to check the condition of the CCD unit.

EDC

There are 3 sub items in this menu.

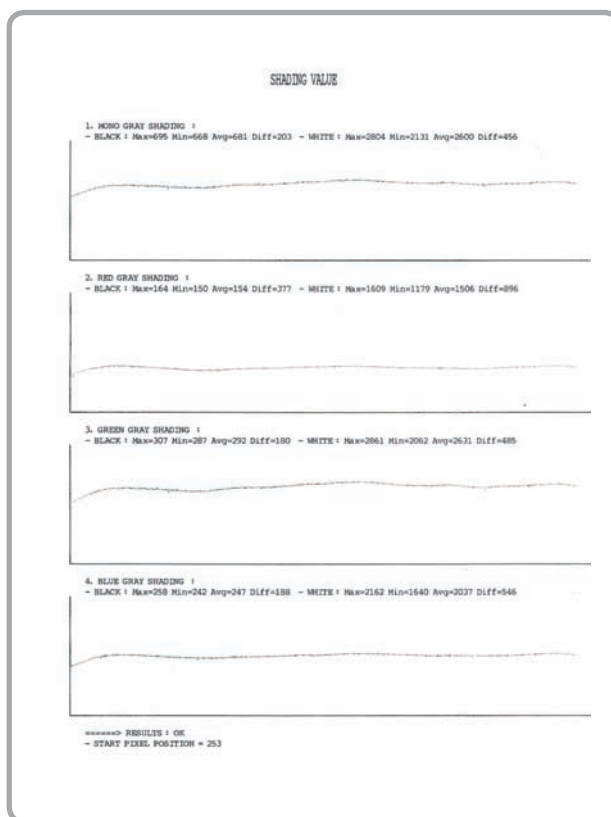
They are NVM Read/Write, NVM initial, Test Routines.

Use this function to check the status of the components in the machine.

Restart Machine

You can reboot the machine by using a key without mechanic rebooting.

Test USB HOST



Test Routines (EDC sub menu)

Depth 1	Depth 2	Meaning	State Displayed
100-Motor	0000-Main BLDC	Main BLDC Motor is On/Off	On[Off]
	0120-Exit Mot Fwd	Exit Motor Forward Fast On/Off	On[Off]
	0140-Dup Mot Fwd	Duplex Motor Forward On/Off	On[Off]
	0150-Dup Mot Bwd	Duplex Motor Backward On/Off	On[Off]
	0160-Dup Fan1Run	Start/Stop Duplex Fan1 run	On[Off]
	0260-SMPS Fan	Start/Stop Deve. Fan run	On[Off]
101-Clutch	0000-MP Feed Clutch	Engages drive to pick up a paper from bypass Tray(MP Tray).	On[Off]
	0010-Tray1 Pickup	Engages drive to pick up a paper from tray1.	On[Off]
	0020-Tray2 Pickup	Engages drive to pick up a paper from tray2. (Optional)	On[Off]
	0050-Registration	Engages drive to registartion rolls.	On[Off]
	0130-Tray2 Feed Mot	Tray2 Feed Motor On/Off	On[Off]
	0170-OutBin Full	Detect when paper is at outbin full sensor	On[Off]
102-Sensor	0010-Tray1 Empty	Detect when paper is in Tray1.	High[low]
	0080-Tray2 Empty	Detect when paper is in tray2.	High[low]
	0280-MP Empty	Detects when paper is in Bypass Tray(MP Tray).	High[low]
	0290-Feed Sensor	Detect when a paper is at Feed sensor.	High[low]
	0360-Regi Sens	Detect when a paper is at Regi. sensor.	High[low]
	0370-Exit Sens	Detect when a paper is at Exit. sensor.	High[low]
	0380-Dup Jam1	Detect when a paper is at Duplex Jam1 sensor.	High[low]
105-MHV Bias	0030-B MHV Bias	Black MHV bias voltage on at normal drive level	On[Off]
106-DEV Bias	0030-B Dev Bias	Black Dev bias voltage on at normal drive level	On[Off]
107-Transfer Bias	0030-B THV Bias	Black THV bias voltage on at normal drive level	On[Off]
	0070-B THV Read	Detect what the THV value is on the THV Roller	Numeric 3 digits
	0120-THV-Ve	ATTR plus bias voltage on at normal drive level	On[Off]
109-Fuser Heater	0000-Temp A	Detects what the temperature A is on fuser.	Numeric 3 digits
	0040-Fan Run	Fuser Fan Motor On/Off	On[Off]
	0050-Bias	Fuser bias voltage on at normal drive level	On[Off]
	0090-Power On	It controls temperature of fuser as 180 degrees.	On[Off]
110-LSU	0000-Motor1 Rdy	Detects if LSU motor1 runs at normal speed.	High[Low]
	0060-Motor1 Run	LSU Motor1 On/Off	On[Off]
	0110-LD Power4	LSU LD4 Power On/Off (black)	On[Off]

Report

All Report

You can print all report at the same time.

Protocol

Protocol list shows the sequence of the CCITTgroup 3 T.30 protocol during the most recent sending or receiving operation. Use this list to check for send and receive errors.

Supplies info

Supplies Information Report shows toner cartridge information such as toner remaining, toner capacity, toner product date etc.

Configuration

Configuration report shows the status of the user-selectable options. You may print this list to confirm your changes after changing settings. This page provides useful information for service.

Error Info

Error Information Report shows error records.

Usage page

Usage page report shows usage page counts since service date. It shows total counts of the simplex print and duplex print.

Component Check

Component Check Report shows the operation procedure of the machine test in tech mode.

Service Support

Customer Assistance Report shows the country setting procedure, F/W upgrade procedure, printing a Test pattern page.

Configuration Report

Configuration Report

Date/Time : 2008-OCT-20 04:56PM MON
 Fax Number :
 Fax Name :
 Model Name : SCX-5635 Series

Options	Item	Status
Default Copies	[1-99]	1
Default Reduce/Enlarge	[Org.(100%)/LGL->LTR(78%)...]	Org.(100%)
Default Darkness	[Light/Normal...]	Normal
Default Original Type	[Text/ Text/Photo...]	Text
Contrast	[Light/Normal...]	Normal
Resolution	[Standard/Fine...]	Standard
Ring To Answer	[1-7]	1
Receive Mode	[Fax/Tel...]	Fax
Redial Term	[1-15]	3
Redial Times	[0-13]	2
Send Report	[On/Off...]	On-Err
Auto Report	[On/Off]	On
Auto Reduction	[On/Off]	On
Discard Size	[0-30]	20 mm
RCV Start Code	[0-9]	*9*
Paper Size(Tray1)	[Letter/A4...]	A4
Paper Size(Manual Feeder)	[Letter/A4...]	A4
Copy Tray	[Tray1/Tray2...]	Auto
Fax Tray	[Tray1/Tray2...]	Auto
Paper Type(Tray1)	[Plain Paper/Bond...]	Plain Paper
Paper Type(Manual Feeder)	[Plain Paper/Bond...]	Plain Paper
Send Forward/RCV Forward	[On/Off...]	Off/Off
Junk Fax Setup	[On/Off]	Off
Secure Receive	[On/Off]	Off
Prefix Dial	[Fax Number]	
Stamp RCV Name	[On/Off]	Off
ECM Mode	[On/Off]	On
Image TCR	[On/Off]	On
Speaker	[On/Off...]	Comm.
Ringer	[Off/Low...]	Mid
Key Sound	[On/Off]	Off
Alarm Sound	[On/Off]	On
Clock Mode	[12 Hour/24 Hour]	12 Hour
Language	[English/Korean...]	Korean
Default Mode	[Fax/Copy]	Copy
Power Save	[5/10/15...]	30 Min
Timeout	[15/30/60...]	30 Sec
Altitude Adjustment	[Plain/High...]	Plain
Send Level	[9-15]	-12 dB
Modem Speed	[33.6/28.8...]Kbps	33.6 Kbps
Error Rate	[5%/10%]	10%
Firmware/Engine Version	: 2.01.80.031	1.30.73
Emulation Version	: PCL5e 5.81 08-08-2008	PCL6 5.83 08-05-2008
	PS3 1.85.166 06-11-2008	PDF V1.00.68 08-12-2008
	TIFF 0.89.00 06-16-2008	KS/KSSM 5.05 05-26-2008
	KSC5895 5.06 05-26-2008	KS/KSSM 5.05 05-26-2008
Installed Date	: 2008. 10. 6	
Total Page Counts	: 61	
CRU Prints/Toner Remaining	: 61	99% (P4.51)
Capacity/Serial	: 4 K	CRUM-08090577577
ADF/Platen Scan Page Counts	: 0	0
IP Address/Memory Size	: 192.0.0.192	128 Mbyte

Supplies Information Report

Supplies Information Report

Date/Time : 2008-OCT-20 04:56PM MON
Fax Number :
Fax Name :
Model Name : SCX-5635 Series

[System Information]

Total Page Counts : 61

[Scan Information]

ADF Scan Page Counts : 0
Platen Scan Page Counts : 0

[Toner Cartridge Information]

Toner Remaining : 99%
Equivalent page printed : 56 (Pages)
Average Area Coverage : 4.51%

Dotcounts : 77990000
Page Count : 61
Motor on time : 168 sec 100%(Life Remaining)
Clear Toner : 0
Replaced Toner Counts : 1
Supplier ID : MT583DOM

Capacity : 4 K
Supplier : SAMSUNG(KOREA)
Serial : CRUM-08090577577
Product Date : 20080905
Installed Date : 20081006

4.1.5 Clearing Paper Jams

Occasionally, paper can be jammed during a print job. Some of the causes include:

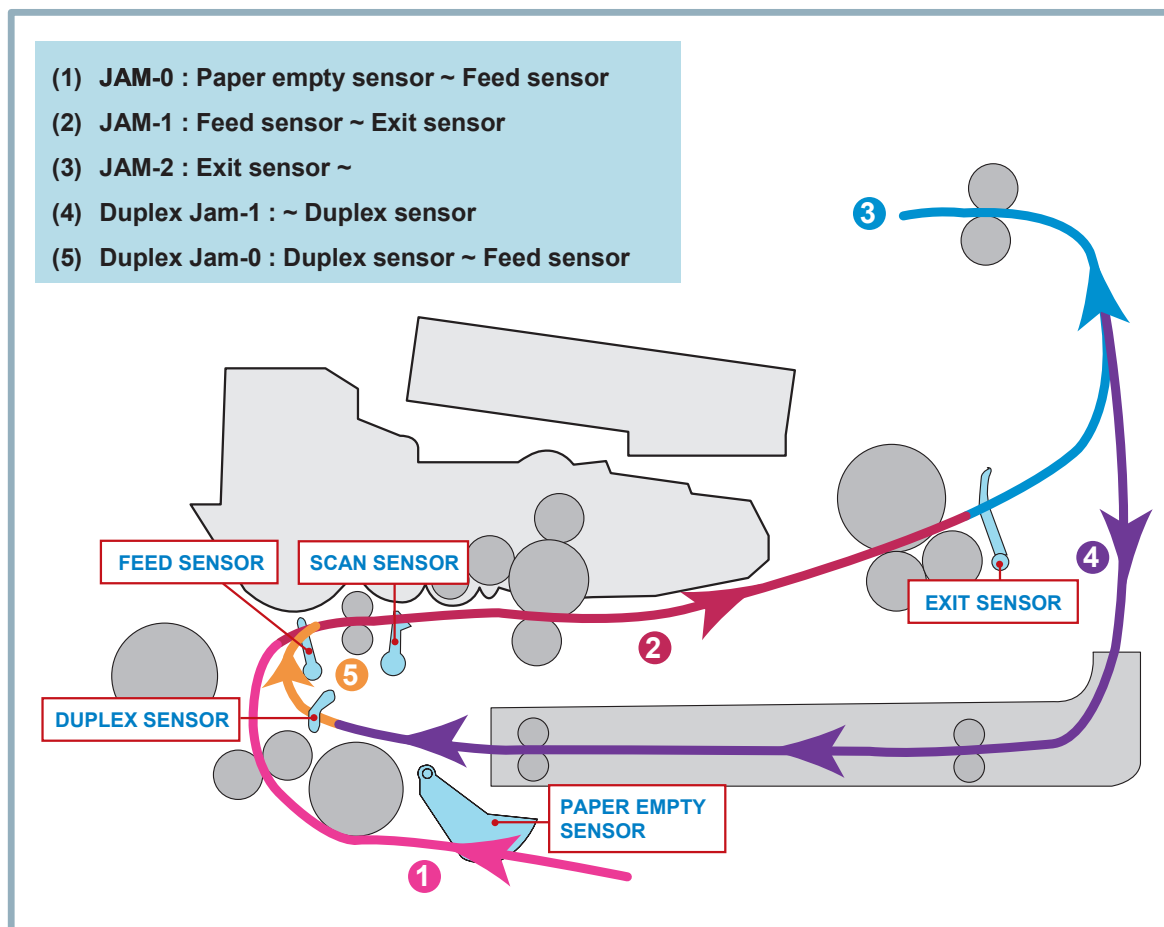
- The tray is loaded improperly or overfilled.
- The tray has been pulled out during a print job.
- The front cover has been opened during a print job.
- Paper was used that does not meet paper specifications.
- Paper that is outside of the supported size range was used.

If a paper jam occurs, LCD window will show the error message. Find and remove the jammed paper. If you don't see the paper, open the covers.

Do not use a pinset or a sharp metal tool when removing a jam.

The covering of a metal part can be removed which can cause an electric leakage.

■ Description of ENGINE JAM type (Layout)



■ Description of ENGINE JAM type (Simplex)

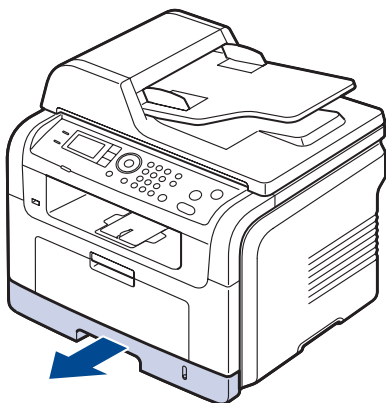
Type	Case	Jam Removal	Jam Layout
Jam 0	Leading edge of media does not arrive at registration within a certain time after pick-up (If fails at a time, it tries pick-up again)	<ol style="list-style-type: none"> 1. Pull out cassette 2. Remove jammed paper 	
Jam 1	Leading edge of media does not arrive at Exit Sensor within a certain time after registration	<ol style="list-style-type: none"> 1. Open front cover 2. Pull out toner cartridge 3. Remove jammed paper 	
Jam 2	Trailing edge of media does not leave Exit Sensor within a certain time after touching registration	<ol style="list-style-type: none"> 1. Open rear cover 2. Pull down jam lever on fuser unit and open fuser cover) 3. Remove jammed paper from exit 	

■ Description of ENGINE JAM type (Duplex)

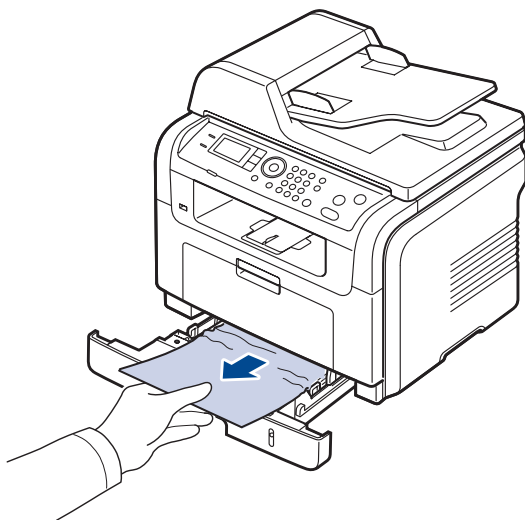
Type	Case	Jam Removal	Jam Layout
Duplex Jam 1	Trailing edge of media leaves Exit Sensor, and does not arrive at Duplex Sensor	<ol style="list-style-type: none"> 1. Open rear cover 2. Remove jammed paper <p>OR</p> <ol style="list-style-type: none"> 1. Pull out duplex unit 2. Remove jammed paper from duplex unit 	
Duplex Jam 0	Leading edge of media does not arrive at registration within a certain time after touching Duplex Sensor	<ol style="list-style-type: none"> 1. Open rear cover 2. Remove jammed paper <p>OR</p> <ol style="list-style-type: none"> 1. Pull out duplex unit 2. Remove jammed paper from duplex unit 	

In Tray 1

1. Open and close the front door. The jammed paper is automatically ejected from the machine. If the paper does not exit, go to the next step.
2. Pull out tray 1 .



3. Remove the jammed paper by gently pulling it straight out.

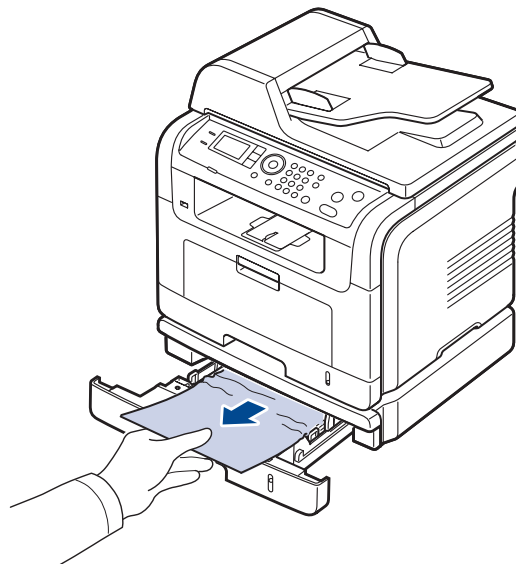


If the paper does not move when you pull, or if you do not see the paper in this area, check the fuser area around the toner cartridge.

4. Insert tray 1 back into the machine until it snaps into place. Printing automatically resumes.

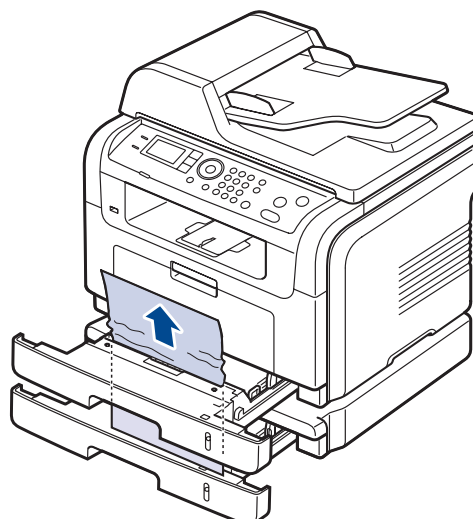
In optional tray 2

1. Pull out optional tray 2.
2. Remove the jammed paper from the machine.



If the paper does not move when you pull or if you do not see the paper in this area, stop and go to the next step.

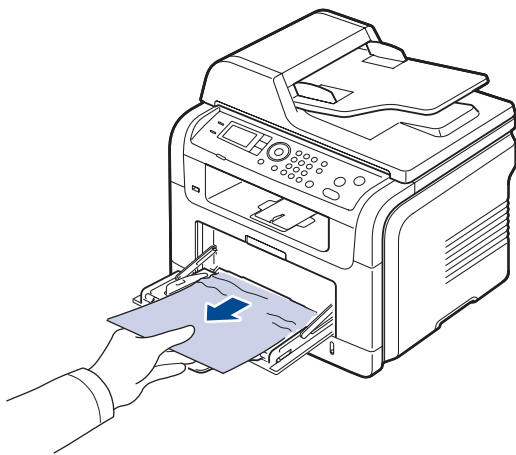
3. Pull tray 1 half-way out.
4. Pull the paper straight up and out.



5. Insert the trays back into the machine. Printing automatically resumes.

In the multi-purpose tray

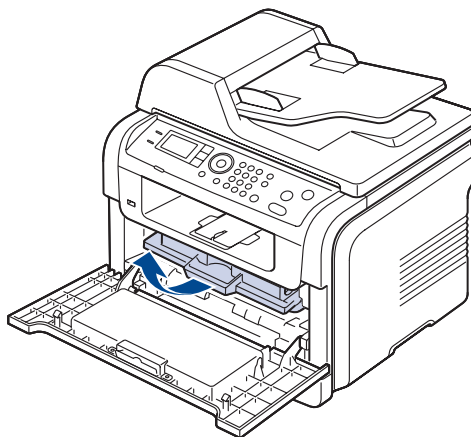
1. If the paper is not feeding properly, pull the paper out of the machine.



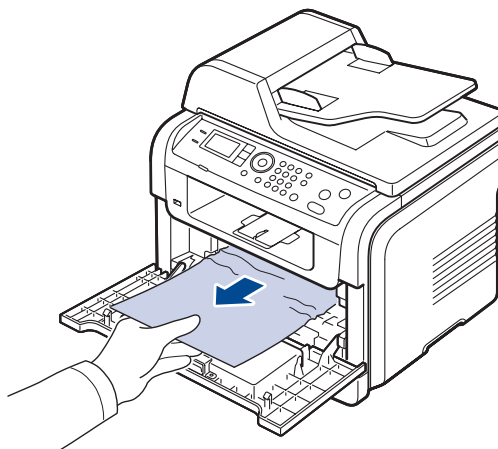
2. Open and close the front door to resume printing.

Inside the machine

1. Open the front door and pull the toner cartridge out, lightly pushing it down.



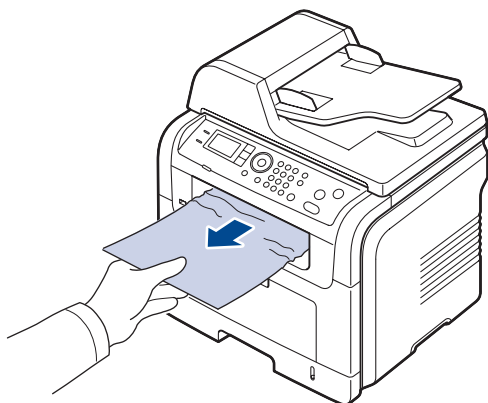
2. Remove the jammed paper by gently pulling it straight out.



3. Replace the toner cartridge and close the front door. Printing automatically resumes.

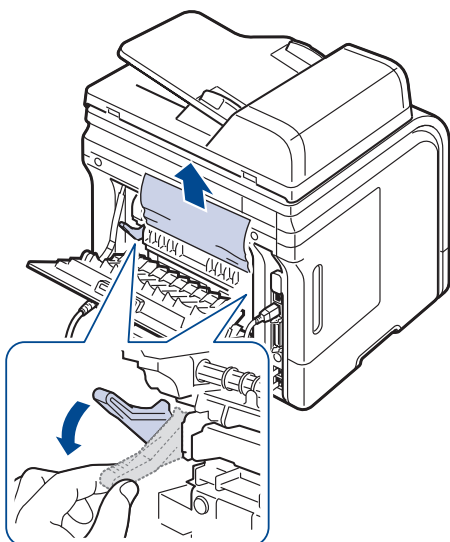
In exit area

1. Open and close the front door. The jammed paper is automatically ejected from the machine. If you do not see the jammed paper, go to next step.
2. Gently pull the paper out of the output tray.



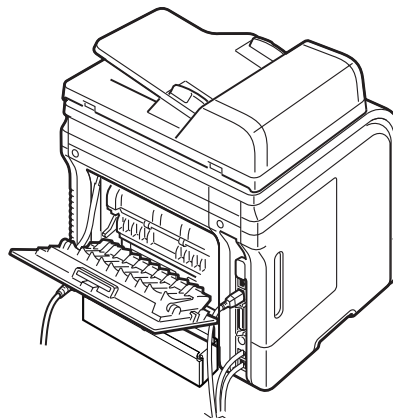
If you do not see the jammed paper or if there is any resistance when

3. Open the rear door.
4. If you see the jammed paper, push the pressure lever on each side up and remove the paper. Skip to step 9.

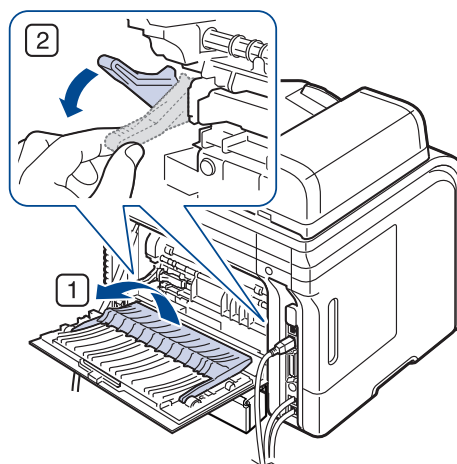


If you still do not see the paper, go to the next step.

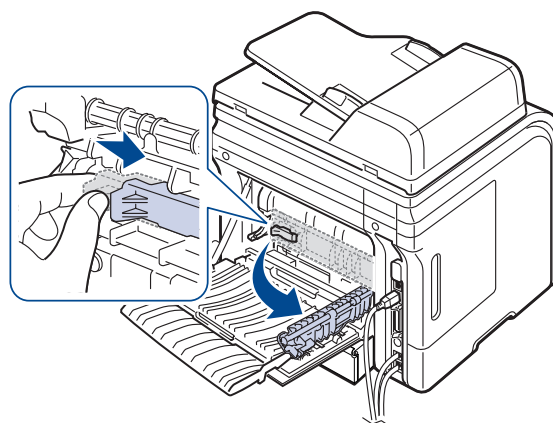
5. Fully open the rear door, as shown.



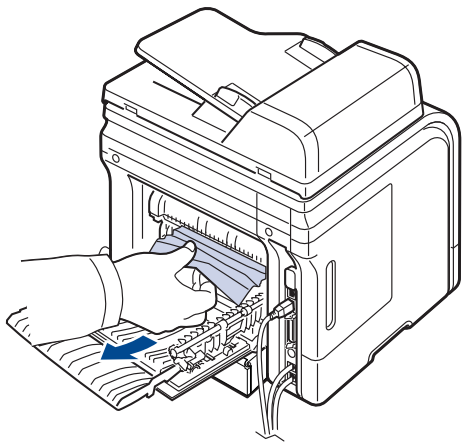
6. Unfold the duplex guide fully and release the pressure lever on each side.



7. While pushing the fuser lever to the right, open the fuser door.



- Pull the jammed paper out.

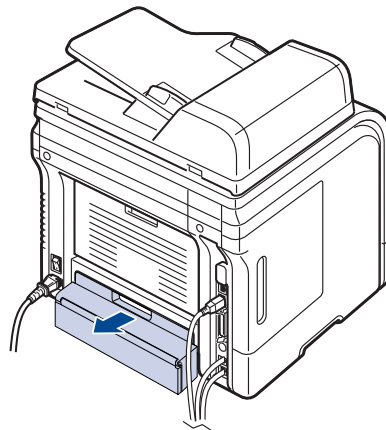


- Return the lever, door, and guide to their original position.
- Close the rear door. Printing automatically resumes.

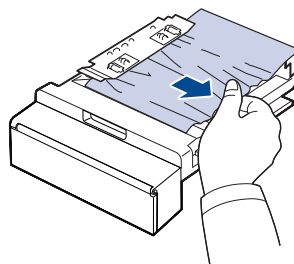
In the duplex unit area

If the duplex unit is not inserted correctly, a paper jam may occur. Make sure that the duplex unit is inserted correctly.

- Pull the duplex unit out of the machine.

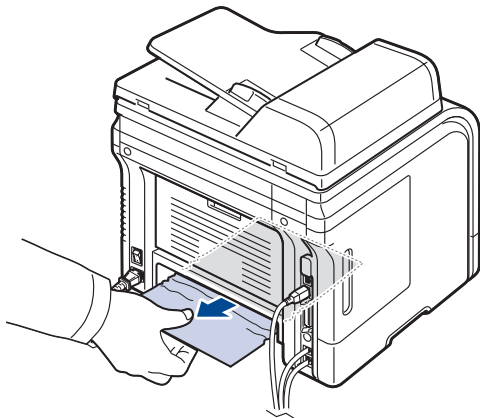


- Remove the jammed paper from the duplex unit.

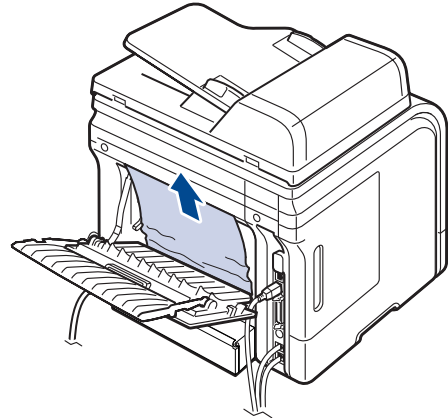


If the paper does not come out with the duplex unit, remove the paper from the bottom of the machine.

Insert the duplex unit into the machine.



5. Pull the jammed paper out.

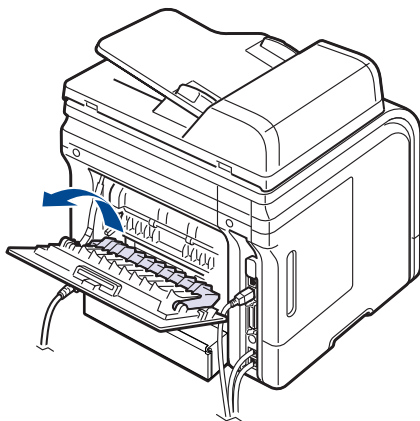


If you still do not see the paper, go to the next step.

6. Fold the duplex guide and close the rear door.

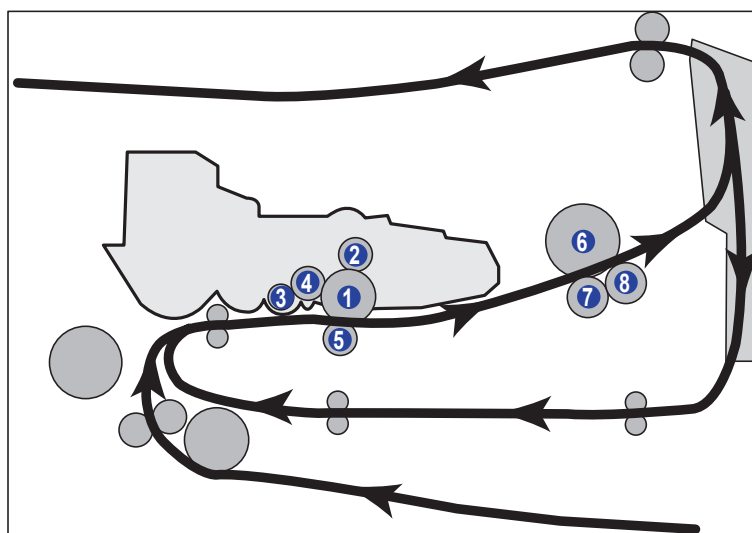
3. Open the rear door.

4. Unfold the duplex guide fully.



4.1.6 Abnormal Image Printing and Defective Roller

If abnormal image prints periodically, check the parts shown below.



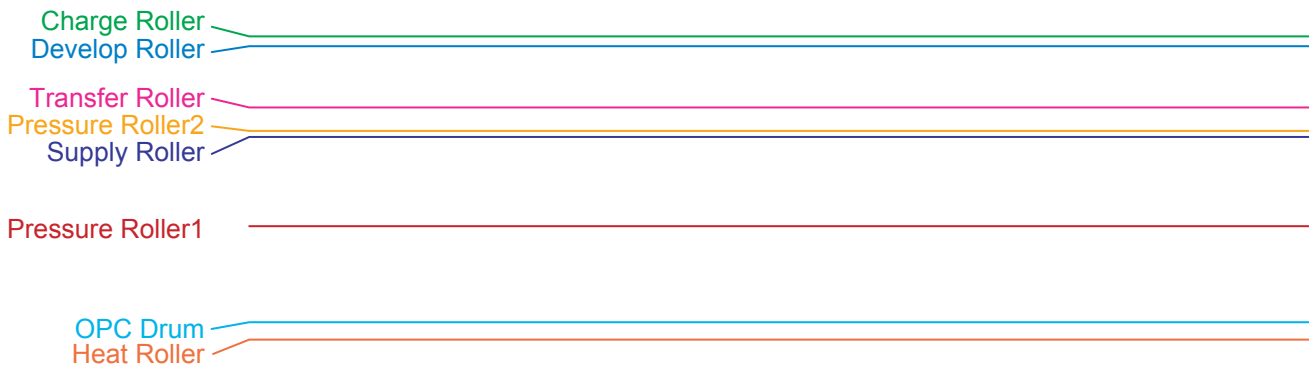
- ① OPC Drum
- ② Charge Roller
- ③ Supply Roller
- ④ Developing Roller
- ⑤ Transfer Roller
- ⑥ Heat Roller
- ⑦ Pressure Roller1
- ⑧ Pressure Roller2

No	Roller	Abnormal image period	Kind of abnormal image
1	OPC Drum	75.5mm	White spot, Block spot
2	Charge Roller	37.7mm	Black spot
3	Supply Roller	51mm	Horizontal density band
4	Develop Roller	39mm	Horizontal density band
5	Transfer Roller	47.1mm	Black side contamination/transfer fault
6	Heat Roller	77.8mm	Black spot and fuser ghost
7	Pressure Roller1	62.8mm	Black side contamination
8	Pressure Roller2	50.2mm	Black side contamination

■ Repetitive defect Image check page

Print this page. Align the this page and the printed defect image and find the defective roller.

Start line _____



4.1.7 Error Message

Messages appear on the control panel display to indicate the machine's status or errors. Some error messages are shown with graphics to help you troubleshoot problem.

Checking display messages

1. When errors occur, Check Status appears on the display and press OK.

2. Check the display message to see what kind of error has occurred.

If several messages appear, press the up/down arrow to highlight the message you want solve.

3. Press OK on the control panel.

Refer to the tables below to understand the messages' and their meaning, and solve the problem, if necessary.



- If Check Status still appears, repeat above steps.
- If a message is not in the table, reboot the power and try the printing job again. If the problem persists, call for service.
- When you call for service, provide the service representative with the contents of display message.
- Some messages may not appear in the display depending on options or models.
- [xxx] indicates the media type.


Message	Meaning	Suggested Solutions
BOOTP problem BOOTP has a problem. Reconfigure DHCP/static IP	There is a problem with the network.	Check your network environment. You can change the network setting to DHCP or STATIC.
BOOTP problem BOOTP has a problem. Switching to Auto IP	There is a problem with the network.	Check your network environment. You can change the network setting to DHCP or STATIC.
Connection Error	Connection with the SMTP server failed.	Check the server settings and the network cable.
Data Read Fail Check USB key	Time expired while reading data.	Try again.
Data Write Fail Check USB key	Storing to the USB memory failed.	Check the available USB memory space.
DHCP problem DHCP has a problem. Reconfigure BOOTP/ static IP	There is a problem with the network.	Check your network environment. You can change the network setting to BOOTP or STATIC.
DHCP problem DHCP has a problem. Switching to Auto IP	There is a problem with the network.	Check your network environment. You can change the network setting to BOOTP or STATIC.
Door is open. Close it	The front door is not securely latched.	1. Close the door. If the message is not disappeared, check the below steps. 2. Check that the door switch is pushed. 3. Check that the LCD message is changed by door switch action.

Message	Meaning	Suggested Solutions
Fax memory is almost full	Fax memory is almost full.	Press the left/right arrow to highlight Cancel or Start, then press OK. If you select Cancel, the machine stops the fax job. If you select Start, the machine only sends scanned documents of the fax job.
Fax unit error Error: #10-002 Turn off then on	The fax card is not installed properly or is out of order.	<ol style="list-style-type: none"> 1. Check the Fax card connector. 2. Replace the Fax Card. 3. If the problem persists, replace the PBA-MAIN.
File Format is Not Supported.	The selected file format is not supported.	Use the correct file format.
Group Not Available	You have tried to select a group location number where only a single location number can be used, such as when adding locations for a multiple send operation.	Use a speed dial number or dial number manually using the number keypad.
IP Conflict This IP address conflicts with that of other system	The IP address is used elsewhere.	Check the IP address or obtain a new IP address.
Jam bottom of duplex	Paper has jammed during duplex printing.	<ol style="list-style-type: none"> 1. Remove the duplex unit and remove the jammed paper. 2. Open the rear door and remove the jammed paper. 3. Check the duplex jam1 sensor on EDC mode.
Jam in exit area	Paper has jammed in exit area.	<ol style="list-style-type: none"> 1. Remove the jammed paper from output tray. If you don't see the jammed paper, open the rear door and remove the jammed paper. 2. Check the exit sensor. If it is defective, replace it.
Jam inside machine	Paper has jammed inside the machine.	<ol style="list-style-type: none"> 1. Open the front door and remove the toner cartridge. Remove the jammed paper. 2. If the paper is removed but message is displayed, check the Regi.sensor on EDC mode. If it is defective replace it. 3. Check the exit sensor. If it is defective, replace it.

Message	Meaning	Suggested Solutions
Jam top of duplex	Paper has jammed during duplex printing.	<ol style="list-style-type: none"> 1. Remove the duplex unit and remove the jammed paper. 2. Open the rear door and remove the jammed paper. 3. Check the duplex jam1 sensor on EDC mode.
Junk Fax Error Junk Fax Job Cancelled	The machine has received a fax from which is registered as a junk fax.	The received fax data will be deleted. Reconfirm junk fax setup.
Line Busy The line is already engaged. Try later	The receiving fax machine did not answer or the line is already engaged.	Try again after a few minutes.
Line Error The Fax Line has a problem. Try again	Your machine cannot connect with the receiving fax machine or has lost contact because of a problem with the phone line.	Try again. If the problem persists, wait an hour or so for the line to clear again. Or, turn the ECM mode on
Low Heat error Error: #02-001 Turn off then on	<ol style="list-style-type: none"> 1. At warm up, the temperature keep up the lower temperature for regular time. 2. In case that the temperature has not reached warm up temperature after warm-up time. 3. At ready, Less than target temperature and for more than 10 sec. 4. At printing, Less than printing Ref. temp and for more than 10 sec. 	<ol style="list-style-type: none"> 1. Measure the resistance value of the thermostat. Is it infinite? Replace the thermostat. 2. Measure the resistance value of the lamp. Is it infinite? Replace the fuser unit. 3. Check that the fuser connector is connected properly. 4. Measure the resistance value of the thermistor. Is it infinite? Replace the thermistor. 5. Replace the fuser unit.
LSU error Error: #04-001 Turn off then on	After LD on, the Laser beam detect signal is not occurred or irregular.	<ol style="list-style-type: none"> 1. Replace the Main board. 2. If the problem persists after replacing the Main board, replace the LSU unit.
LSU error Error: #04-002 Turn off then on	LSU motor does not operate or the drive signal is abnormal.	<ol style="list-style-type: none"> 1. Replace the LSU unit 2. Check the 24V power. If the voltage is not occurred, replce the SMPS board. 3. Check the motor connector, MAIN-PBA connector.
Mail Size Error Mail exceeds than server support	The mail size is larger than the supported size by SMTP server.	Divide your mail or reduce the resolution.
Mail Size Error One Page is Too Large	Single page data exceeds the configured mail size.	Reduce the resolution and try again.

Message	Meaning	Suggested Solutions
Memory Failure Error: #10-001 Turn off then on	At system booting, memory is not read.	Enter the Tech mode. Check the Dram Test. If the memory is defective, replace it.
Memory Full Fax memory is full. Print or remove received fax job	The memory is full.	Print or remove the received fax data in the memory.
Network problem Communication problem occurred with network board	Communication problem occurred with network board.	Replace the PBA-MAIN.
Network Problem Network cable is not connected. Check it	Network cable is not connected.	Connect the machine to the network with a network cable.
Network Problem Network card is not installed. Check it	Network card is not installed.	1. Turn off the machine and reboot it. 2. Replace the PBA-MAIN.
Output bin Full Output bin Full. Remove printed paper	The document output tray is full.	Remove the paper from output tray.
Original paper Jam Original paper jam inside of scanner. Remove Jam	The load original has jammed in the document feeder.	1. Remove all documents on DADF. 2. Open the DADF door and remove the jammed paper.
Over Heat error Error: #02-002 Turn off then on	<ol style="list-style-type: none"> 1. At warm up, the temperature keep up the lower temperature for regular time. 2. At warm up, after temperature checking time, more than regular temperature and for more 30 sec. 3. At standby or not sleep, more than Top temp and for a few minutes. 4. At power save mode, the temperature keep up the constant for regular time. 	<ol style="list-style-type: none"> 1. Measure the resistance value of the thermostat. Is it infinite? Replace the thermostat. 2. Measure the resistance value of the lamp. Is it infinite? Replace the fuser unit. 3. Check that the fuser connector is connected properly. 4. Measure the resistance value of the thermistor. Is it infinite? Replace the thermistor. 5. Replace the fuser unit.

Message	Meaning	Suggested Solutions
Paper Jam in MP tray	Paper has jammed in the feeding area of the MP tray.	<ol style="list-style-type: none"> 1. Remove the paper from MP tray. 2. If pick up roller does not rotate , check the pick up clutch. 3. If Pickup roller is rotating but the paper is not feeding, replace the pick up rubber. 4. Check the feed sensor. If it is defective, replace it.
Paper Jam in tray1	Paper has jammed in the feeding area of the tray1.	<ol style="list-style-type: none"> 1. Remove the paper from tray1. 2. If pick up roller does not rotate , check the pick up clutch. 3. If pickup roller is rotating but the paper is not feeding, replace the pick up rubber. 4. Check the feed sensor. If it is defective, replace it.
Paper Jam in tray2	Paper has jammed in the feeding area of the tray2.	<ol style="list-style-type: none"> 1. Remove the paper from tray2. 2. If pick up roller does not rotate , check the pick up clutch. 3. If pickup roller is rotating but the paper is not feeding, replace the pick up rubber. 4. Check the feed sensor. If it is defective, replace it.
Paper Empty in MP Paper is empty in MP tray. Load paper	There is no paper in the MP tray.	<ol style="list-style-type: none"> 1. Load the papers in the MP Tray. 2. Check the MP empty sensor on EDC mode. 3. If it is defective, replace it.
Paper Empty in tray1 Paper is empty in tray1. Load paper	There is no paper in the tray1.	<ol style="list-style-type: none"> 1. Load the papers in the Tray1. 2. Check the Tray1 empty sensor on EDC mode. 3. If it is defective, replace it.
Paper Empty in tray2 Paper is empty in tray2. Load paper	There is no paper in the tray2.	<ol style="list-style-type: none"> 1. Load the papers in the Tray2. 2. Check the Tray2 empty sensor on EDC mode. 3. If it is defective, replace it.
Paper mismatch MP Load [A4] [Plain] Continue <input type="radio"/> Cancel <input checked="" type="radio"/>	The paper size specified in the printer properties does not match the paper you are loading.	You can select the option between Continue or Cancel. If you select Cancel , the printing job will stop. Load the correct paper in the tray. If you select Continue, printing job will continue.
Paper mismatch Tray1 Load [A4] [Plain] Continue <input type="radio"/> Cancel <input checked="" type="radio"/>	The paper size specified in the printer properties does not match the paper you are loading.	You can select the option between Continue or Cancel. If you select Cancel , the printing job will stop. Load the correct paper in the tray. If you select Continue, printing job will continue.

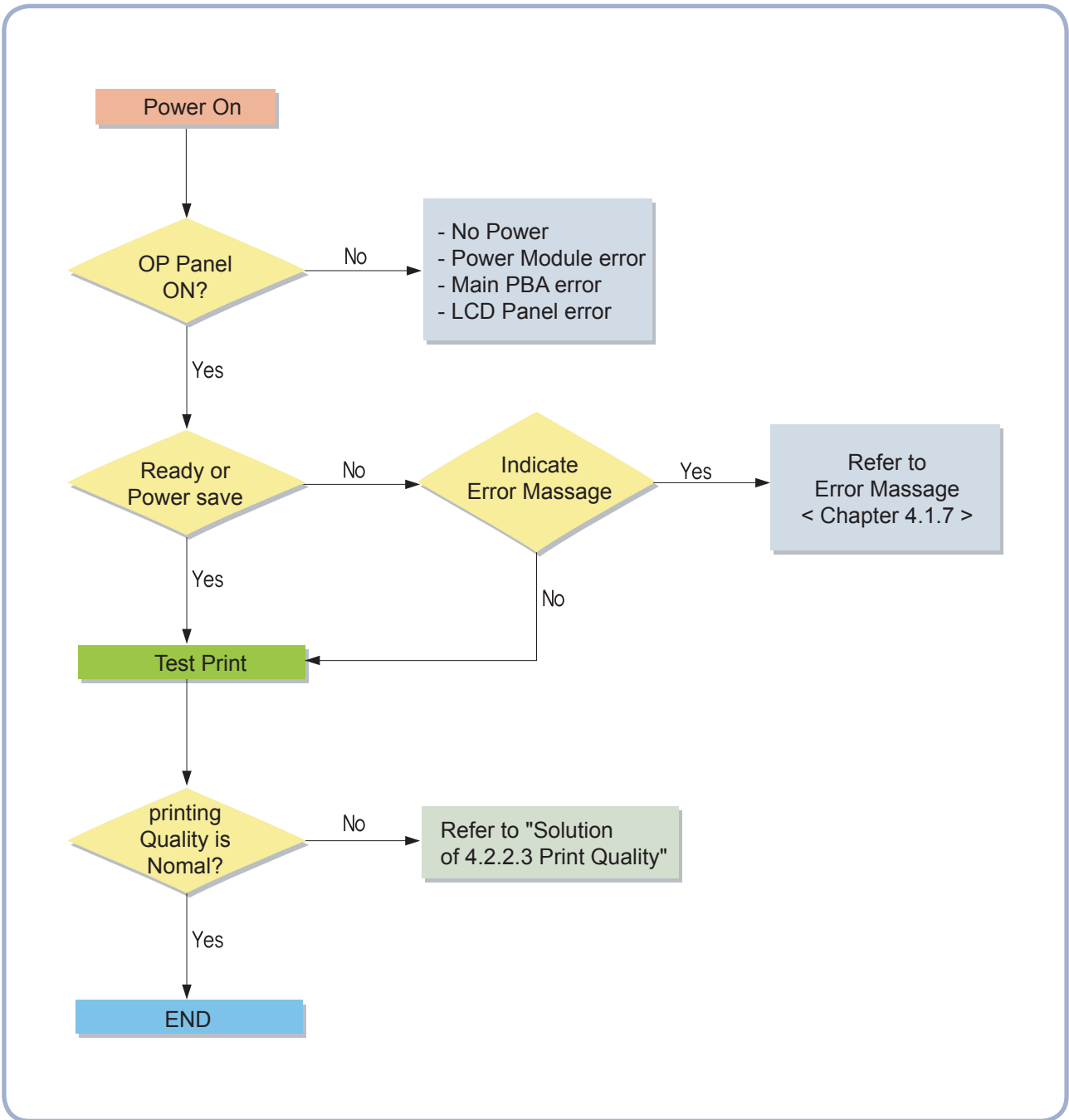
Message	Meaning	Suggested Solutions
Paper mismatch Tray2 Load [A4] [Plain] Continue  Cancel X	The paper size specified in the printer properties does not match the paper you are loading.	You can select the option between Continue or Cancel. If you select Cancel, the printing job will stop. Load the correct paper in the tray. If you select Continue, printing job will continue.
Pickup roller is worn MP pickup roller is worn. Replace with new one	The pickup roller has reached the end of its lifespan.	Replace pick-up roller of MP tray
Pickup roller is worn Tray pickup roller is worn. Replace with new one	The pickup roller has reached the end of its lifespan.	Replace pick-up roller of tray1
Pickup roller is worn Tray2 pickup roller is worn. Replace with new one	The pickup roller has reached the end of its lifespan.	Replace pick-up roller of tray2.
Replace New Toner Replace with New Toner	The toner cartridge has reached the end of its lifespan.	Replace the toner cartridge with a Samsung-genuine toner cartridge.
Scanner door Open Door of scanner is open. Close it	Door of scanner is open.	Close the scanner door.
Scanner locked Scanner locking switch is locked. Release it	The scanner module is locked.	<ol style="list-style-type: none"> 1. Unlock the scanner lock switch. 2. Check the CCDM is moving at power on. 3. Check the connection of CCDM module flat cable. 4. Check the belt unit or gears. 5. Replace the ADF board.
Scanner problem Communication problem occurred with scanner unit	Communication problem occurred with scanner unit	<ol style="list-style-type: none"> 1. Check the harness connecting ADF board and PBA-MAIN. 2. Replace the ADF board. 3. Replace the PBA-MAIN.
System error Error: #02-000 Turn off then on	Fuser has some problems.	<ol style="list-style-type: none"> 1. Remove the fuser unit and re-install it. 2. Replace the fuser unit. 3. Replace the SMPS board.
System error Error: #10-004 Turn off then on	Communication problem occurred.	<ol style="list-style-type: none"> 1. Check the harness connecting OPE PBA and PBA-MAIN. 2. Replace the OPE PBA. 3. Replace the PBA-MAIN.
Toner cartridge error Error: #06-006/7/20 Open/close door	Toner Cartridge is not installed properly or S-chip is defective.	<ol style="list-style-type: none"> 1. Take out the toner cartridge and re-install it. 2. Replace the toner cartridge.

Message	Meaning	Suggested Solutions
Too many Faxes Too many faxes are received. Print or remove job	Too many faxes are received	Print or remove received fax.
Toner is worn Toner is worn. Replace with new one	The toner cartridge is near the end of its lifespan.	You can select the option among Stop or Continue. If you select Stop, the machine stops printing. If you select Continue, the machine keeps printing, but the quality cannot be guaranteed.
Toner Not Compatible Toner cartridge is not compatible. Check guide	The toner cartridge you have installed is not for your machine.	Install a Samsung-genuine toner cartridge designed for your machine.
Toner Not Installed Toner cartridge is not installed. Install it	The toner cartridge is not installed.	Install the toner cartridge.
Tray2 has a problem Communication problem occurred with Tray2	The machine cannot communicate the optional tray 2.	<ol style="list-style-type: none"> 1. Check the cable connecting the machine and the optional tray 2. 2. Replace the PBA of the tray2. 3. Replace the MAIN-PBA.
Tray2 Not Installed Tray2 is not installed	The optional tray2 is not installed.	<ol style="list-style-type: none"> 1. Re-install the tray2. 2. Check the cable connecting the machine and the optional tray 2. 3. Replace the PBA of the tray2. 4. Replace the MAIN-PBA.

4.2 Troubleshooting

4.2.1 Procedure of Checking the Symptoms

Before attempting to repair the printer first obtain a detailed description of the problem from the customer.



4.2.2 Solution

4.2.2.1 Scanner

COPY

PROBLEM	ITEMS TO BE CHECKED	HOW TO SOLVE
White copy	• Check the Scan-Cover open.	• Room light can transit a thin original.
	• Check shading profile.	• Remake shading profile in the tech mode.
Black copy	• Check the CCD problem in Main PBA.	• Check the CCD harness contact.
	• Check shading profile.	• Remake shading profile in the tech mode.
Defective image quality	• Check shading profile.	• Remake shading profile in the tech mode.
	• Check the gap between original and scanner.	• The gap above 0.5mm can cause a blurred image.
Abnormal noise	• Check printing quality.	• See "Print" troubleshooting.
	• Check the Scanner Motor and any mechanical disturbance.	• Check the right position of the Scanner Motor, and check the any mechanical disturbance in the CCD carrying part.
	• Check the Motor Driver in Driver PBA.	• If any driver is defective, replace it.

PC-Scan



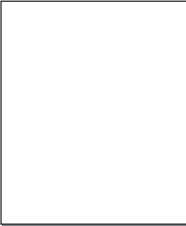

PROBLEM	ITEMS TO BE CHECKED	HOW TO SOLVE
Scanning Error	• Check the printer cable installed.	• Check correct installation, and use standard USB cable.
	• Check how TWAIN driver is installed.	• Remove any other scanner driver. • Reboot after reinstallation of the TWAIN driver.
	• Check the USB signal level.	• If USB signal level is defective, replace Main PBA.
Defective image Quality	• Check shading profile. • Check the gap between original and scanner glass.	• Remake shading profile in the tech mode. • The gap above 0.5mm can cause a blurred image.
	• Check printing quality.	• See "Print" troubleshooting.
Abnormal noise	• Check the Scanner Motor and any mechanical disturbance.	• Check the right position of the Scanner Motor, and check the any mechanical disturbance in the CCD carrying part.
	• Check the Motor Driver in Driver PBA.	• If any driver is defective, replace it.

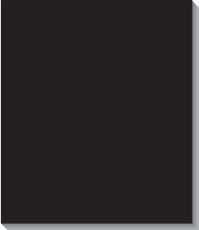


4.2.2.2 FAX


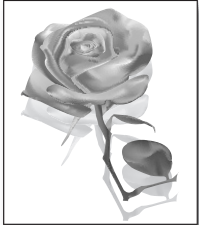
FAX/TELEPHONE Precautions

PROBLEM	ITEMS TO BE CHECKED	HOW TO SOLVE
TEL LINE CANNOT BE ENGAGED (NO DIAL TONE)	<ul style="list-style-type: none"> When you press "OHD" key: a) Check line cord connection. b) Check MAIN LIU harness, and CN2 of the LIU PBA. 	<ul style="list-style-type: none"> a) insert it correctly into the connection jack called "line". b) Replace defective parts.
Cannot MF dial	<ul style="list-style-type: none"> Check MAIN-LIU harness. 	<ul style="list-style-type: none"> Replace defective parts.
MF dial is possible but not DP dial.	<ul style="list-style-type: none"> Check the LIU PBA. 	<ul style="list-style-type: none"> Replace LIU PBA.
Defective fax transmission	<ul style="list-style-type: none"> Check MAIN LIU harness. Check 'hook off' : Refer to 'TEL LINE CANNOT BE ENGAGED' above. Check transmission path and reception path of the LIU PBA. 	<ul style="list-style-type: none"> Replace defective parts. Refer to 'TEL LINE CANNOT BE ENGAGED' above. Replace main PBA, if abnormal. Replace LIU PBA. Replace main PBA.
Defective automatic fax reception	<ul style="list-style-type: none"> Is the ring checked? Refer to 'Defective Transmission.' 	<ul style="list-style-type: none"> Replace LIU PBA if it cannot be checked. Refer to 'Defective Transmission'.

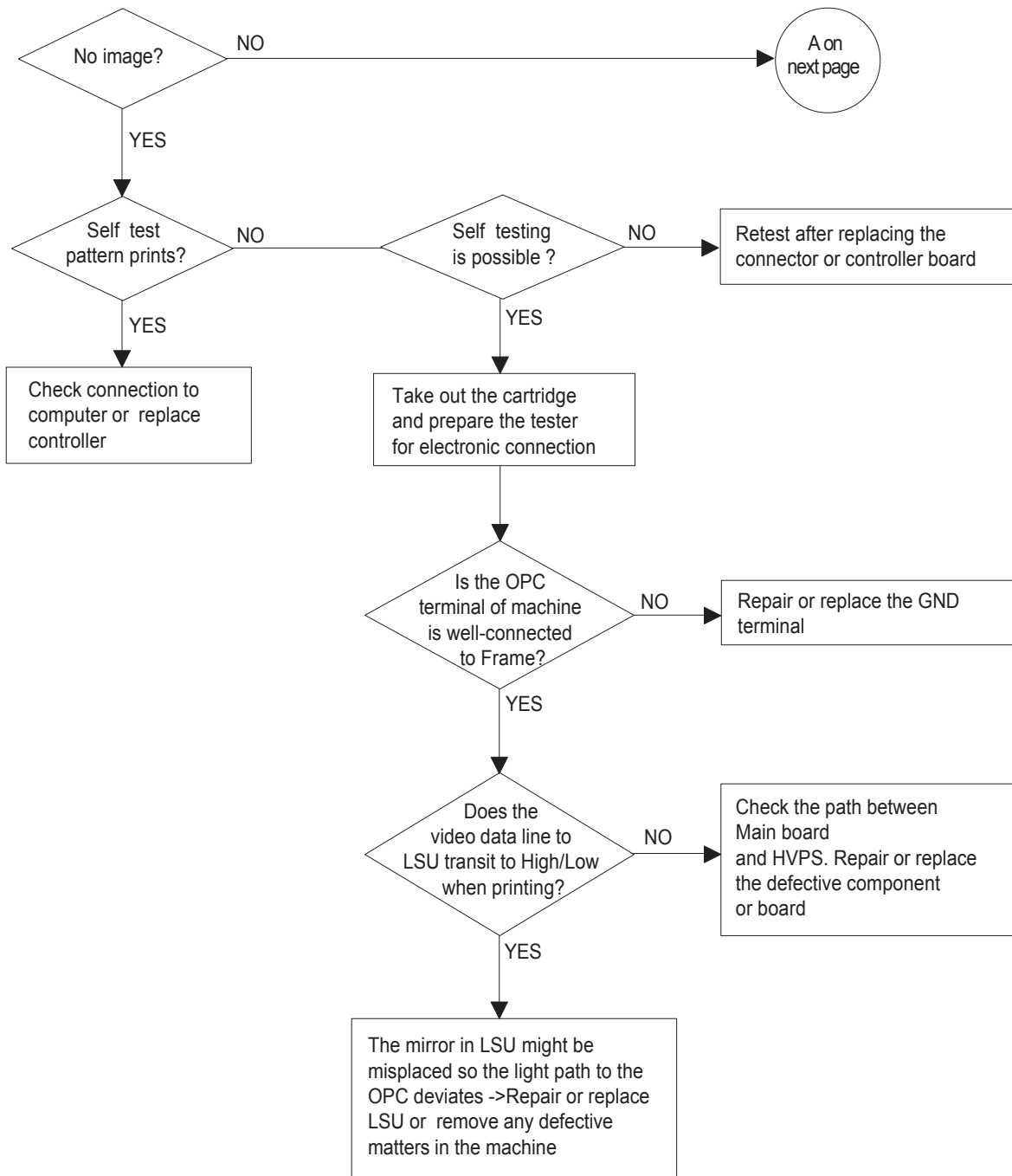
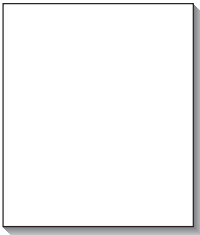
4.2.2.3 Print Quality

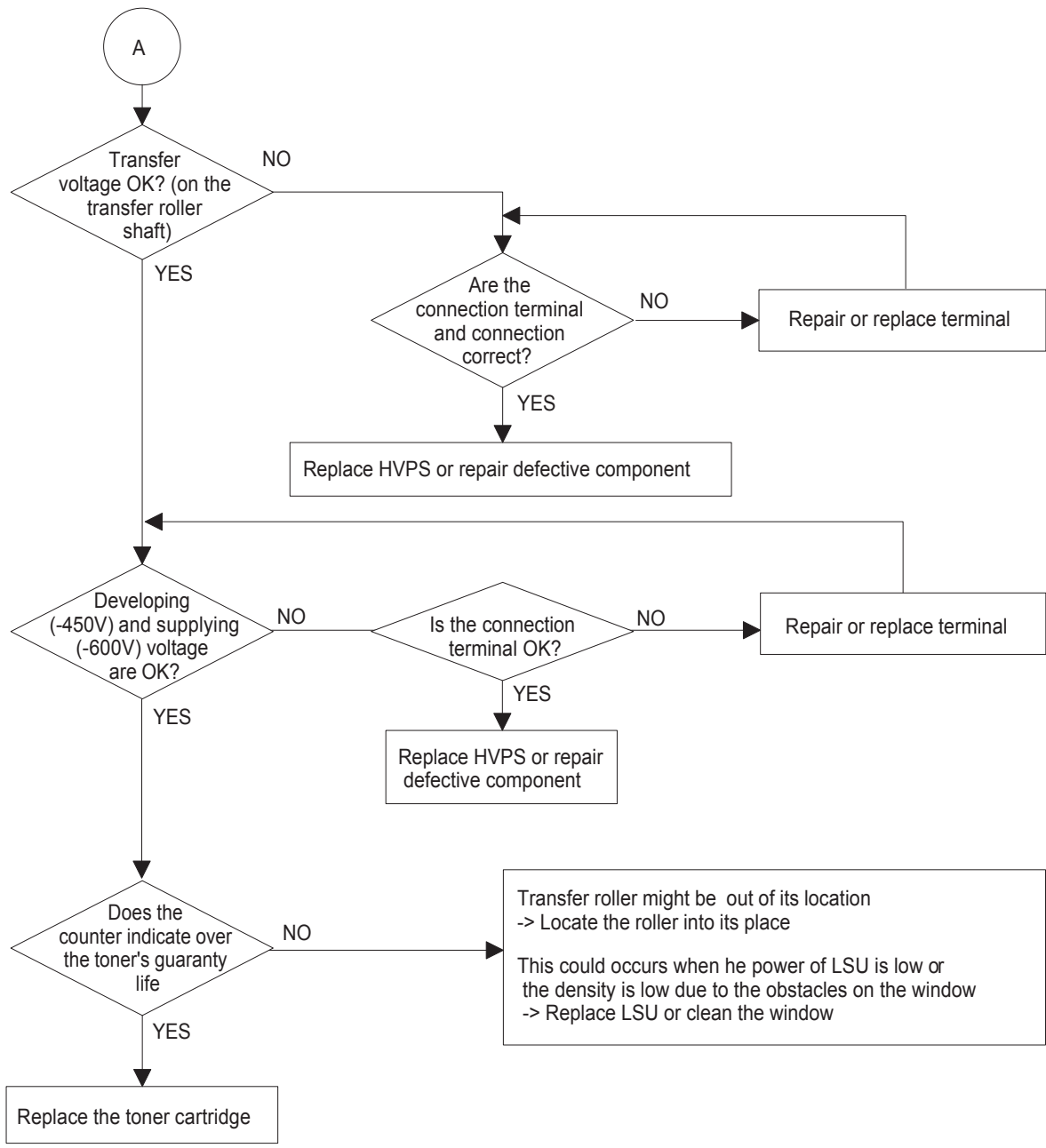
Error Status	Check	Solution
<p>Vertical black line and band</p> 	<ol style="list-style-type: none"> 1. Bad blade of Toner cartridge 2. LSU 3. Bad cleaning blade of drum cartridge. 	<ol style="list-style-type: none"> 1. Change Toner cartridge 2. Replace LSU 3. Replace drum cartridge.
<p>Vertical white line</p> 	<ol style="list-style-type: none"> 1. LSU window contamination 2. Toner cartridge 	<ol style="list-style-type: none"> 1. Clean LSU window 2. If not LSU, change Toner cartridge.
<p>No image</p> 	<ol style="list-style-type: none"> 1. GND OPC is well grounded? 2. LSU running well? 3. Bias voltage is normal? 4. Lower toner? 5. Is there video data from Main PBA 	<ol style="list-style-type: none"> 1. Measure the resistance between frame ground and the ground spring attached frame. Confirm stable ground. Unless bad ground, detach cabinet, check where is bad point 2. Adjust LSU or replace it 3. Normal Dev bias = -450V 4. Shake toner cartridge and print. If a like good, toner is empty 5. Test engine test pattern , replace Main PBA
<p>Light image</p> 	<ol style="list-style-type: none"> 1. LSU light power normal? 2. Enough toner? 3. High charger voltage? 4. Lower bias voltage 5. Contamination of high voltage contact. 6. Transfer volatge and roller. 	<ol style="list-style-type: none"> 1. LSU light power check is difficult. Compare with new one and check. 2. Check toner and the toner cartridge counter 3~4. Measure all high voltage output. 5. Leakage toner cause bad contact and increase contact resistance. Clean contaminated area.

Error Status	Check	Solution
<p>Dark image</p> 	<ol style="list-style-type: none"> 1. LSU light power normal? 2. Bias voltage output is high? 3. Video data is always supplied? 4. Bad high charge voltage contact. 	<ol style="list-style-type: none"> 1. Check the rated level and replace. 2. Set to power rating. 3. Replace defected board. 4. Check the charge voltage or change the drum cartridge.
<p>Background</p> 	<ol style="list-style-type: none"> 1. High voltage output is normal? 2. C/R of drum cartridge is contaminated? 	<ol style="list-style-type: none"> 1. Adjust to the rated status. 2. Replace drum cartridge.
<p>Ghost</p> 	<ol style="list-style-type: none"> 1. High voltage output. 2. Pre-Transfer Lamp. 3. Bad high voltage contact. 	<ol style="list-style-type: none"> 1. Check every high voltage. 2. Check the turn-on PTL, LED crash. 3. Clean the inside machine or replace drum cartridge.
<p>Stains on back of paper</p>	<ol style="list-style-type: none"> 1. Contamination of transfer roller. 2. Stains of paper path. 3. Pressure roller's contamination. 	<ol style="list-style-type: none"> 1. Clean the transfer roller with vacuum cleaner. 2. Clean the area of paper path with cloth or air cleaner. 3. Remove fuser and replace it.
<p>Poor Fusing</p>	<ol style="list-style-type: none"> 1. Use recommended paper? 2. Check fusing temperature. 3. The machine was under the low temperature for a long time? 	<ol style="list-style-type: none"> 1. Should use recommended paper. 2. Check engine controller board. If you have not thermometer, measure the thermistor voltage to CPU, If $2.3V \pm 5\%$ in printing CPU works well. Then, disassemble fuser and check the thermistor contact and thermistor. 3. Re-check after putting the machine in the warm place for certain period.
<p>Partial blank image (not periodic)</p>	<ol style="list-style-type: none"> 1. Toner is low? 2. The toner cartridge is out of position? 	<ol style="list-style-type: none"> 1. Replace Toner cartridge. 2. Check and adjust.

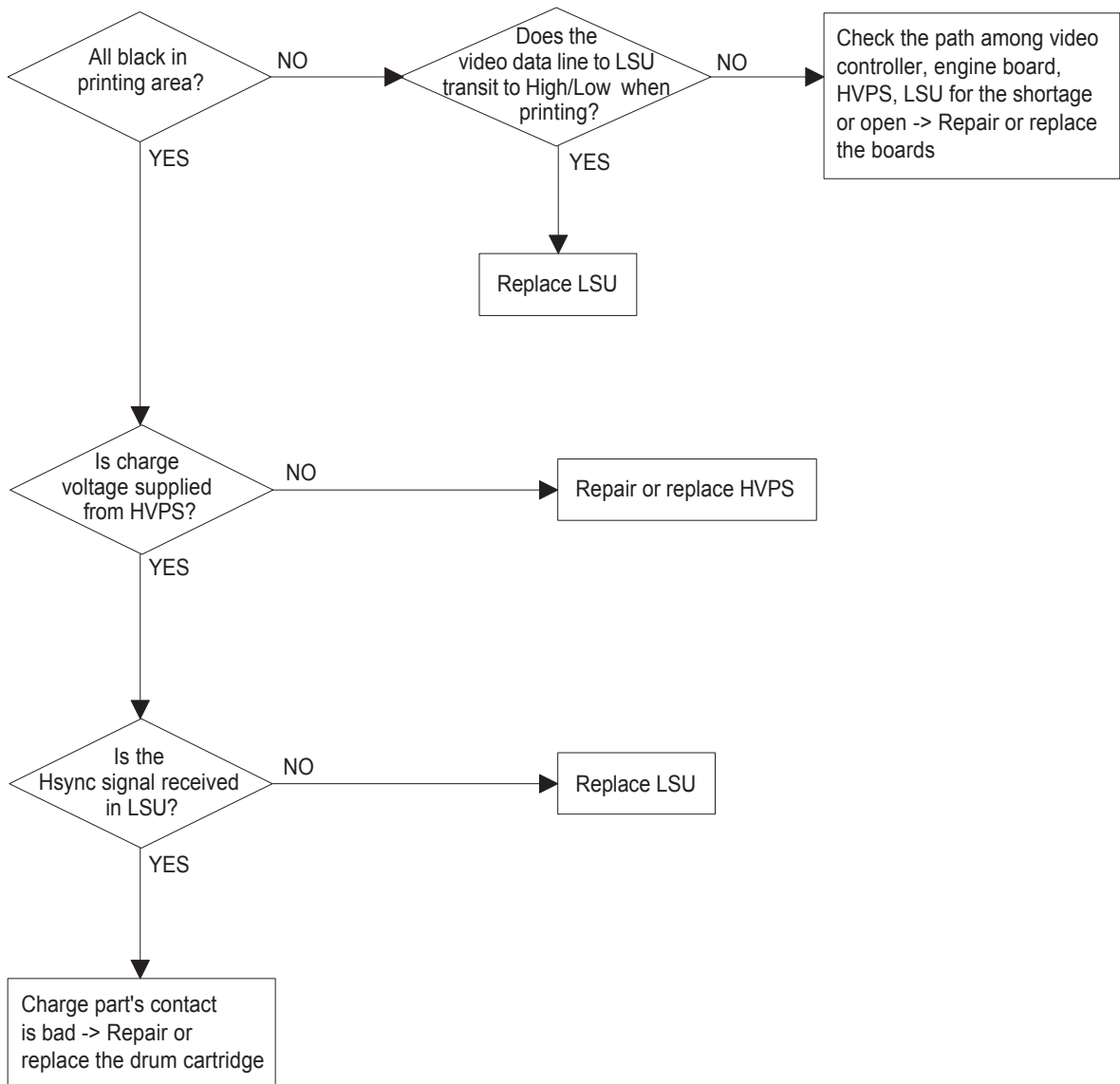
Error Status	Check	Solution
<p>Partial blank image (periodic)</p>	<ol style="list-style-type: none"> 1. Develop roller scar or particle. 2. Scar or particle. (94.3 mm) 3. Transfer roller scar or particle. (56.6 mm) 	<ol style="list-style-type: none"> 1. Replace toner cartridge. 2. Replace drum cartridge. 3. Replace transfer roller.
<p>Different image density (left and right)</p> 	<ol style="list-style-type: none"> 1. Charge roller's pressure force unbalance 2. Dev. roller and OPC or Dev. roller and blade's pressure force unbalance 3. Transfer roller's pressure force unbalance of each side 	<ol style="list-style-type: none"> 1. Replace drum cartridge. 2. Replace toner cartridge and drum cartridge. 3. Check left and right spring of transfer roller and the spring pressing the toner cartridge inside the machine
<p>Horizontal band</p> 	<ol style="list-style-type: none"> 1. Unstable high voltage contact 2. Charge roller's contamination 3. Contamination of heat roller 4. Malfunction of LSU 	<ol style="list-style-type: none"> 1. Clean each contact and check good contact 2. Clean charge roller 3. Replace fuser unit 4. Check Main PBA.

No Image

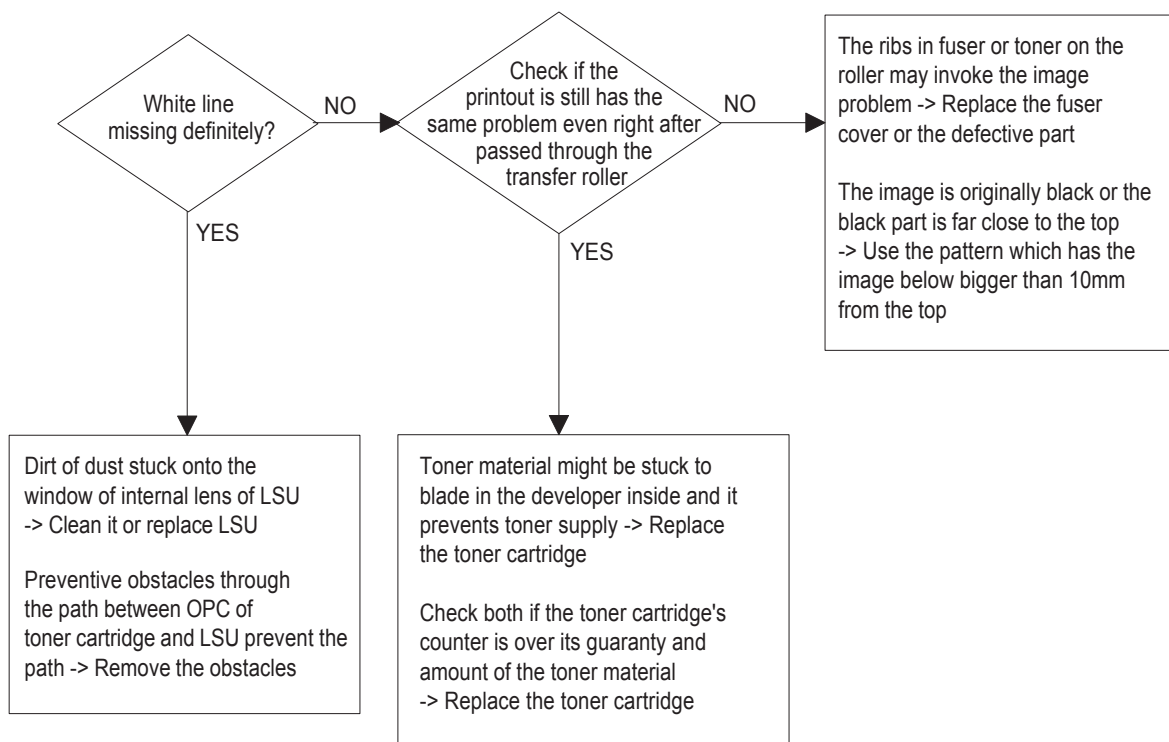




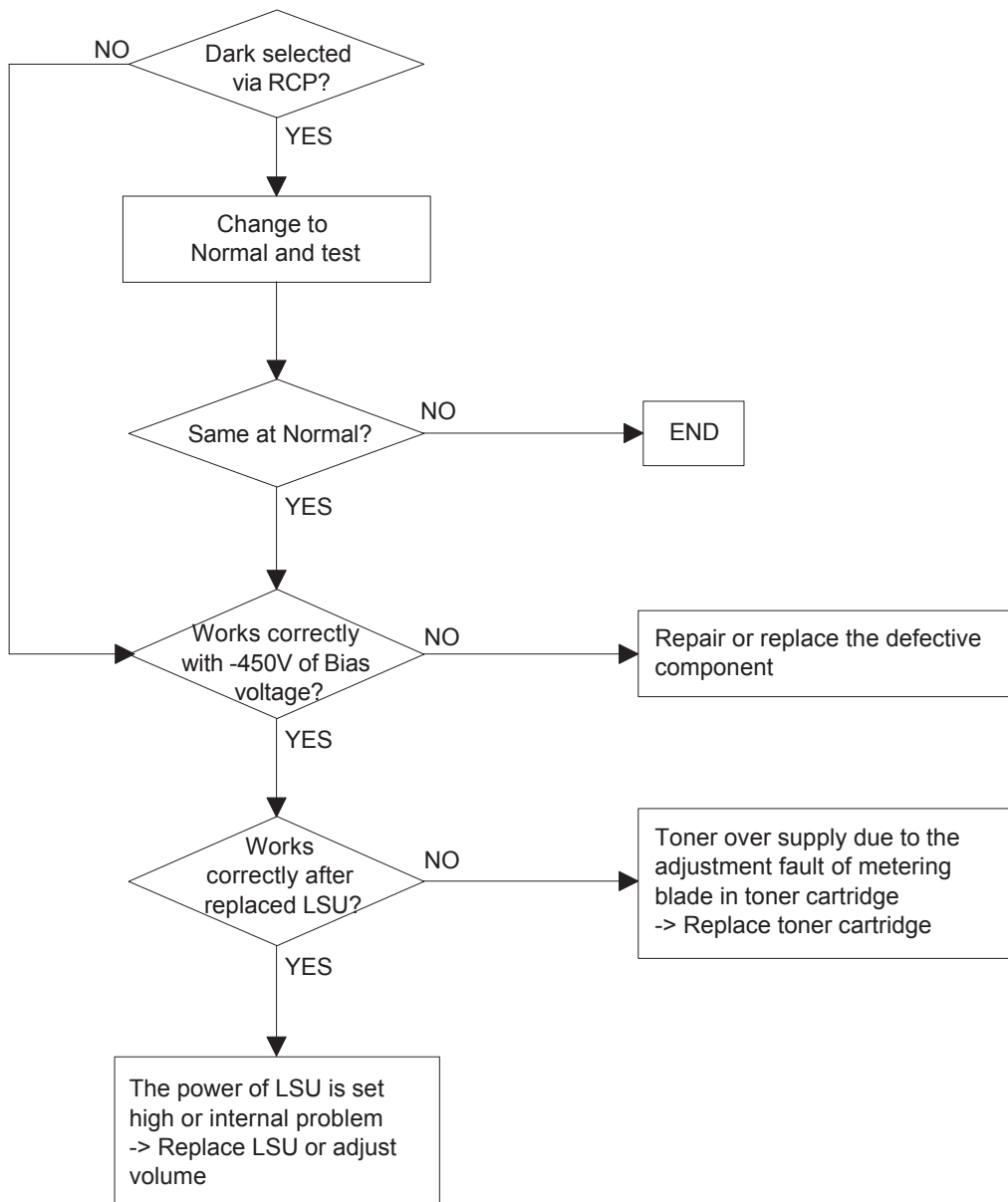
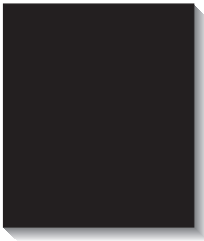
All Black



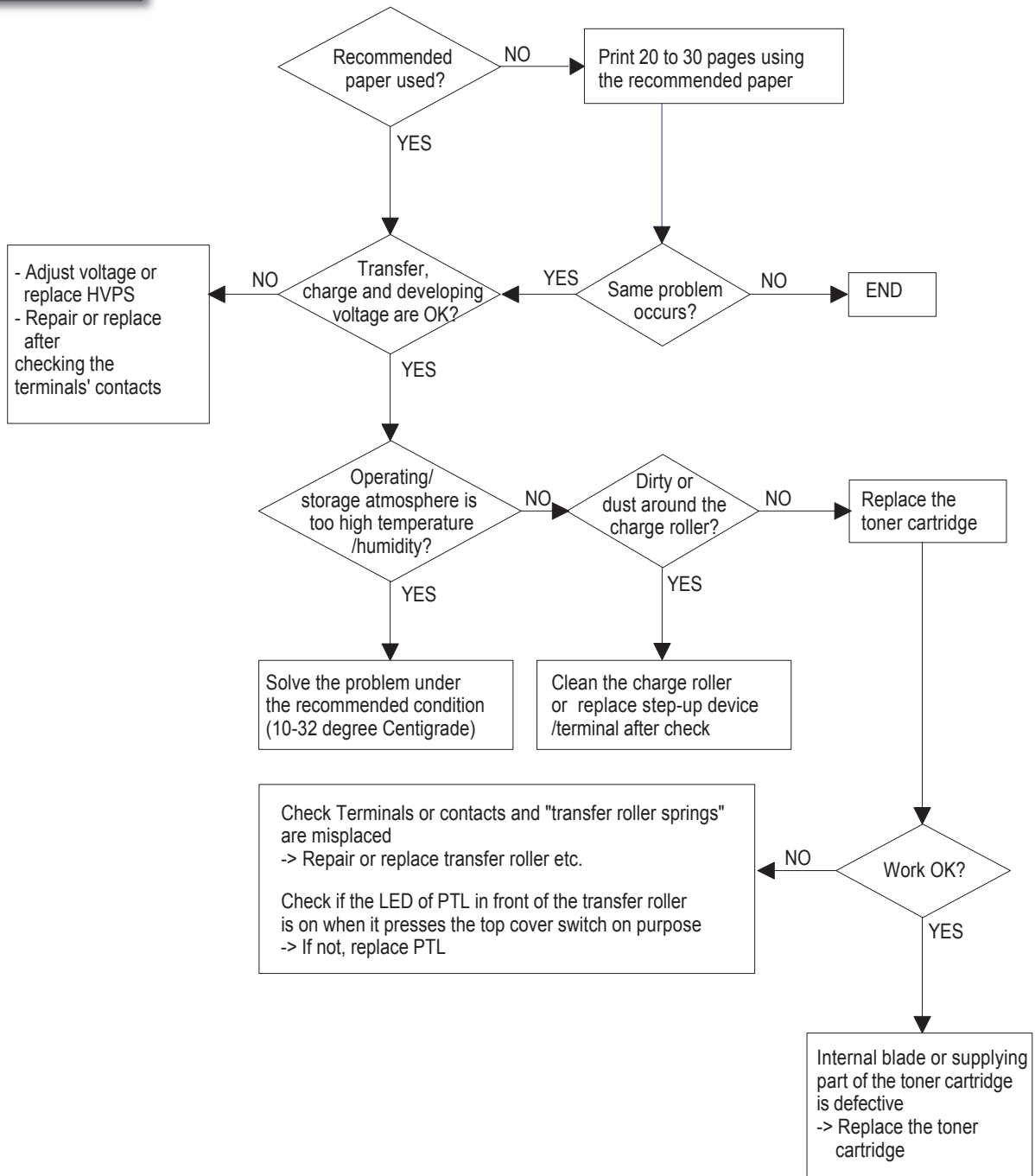
Vertical White Line (Band)



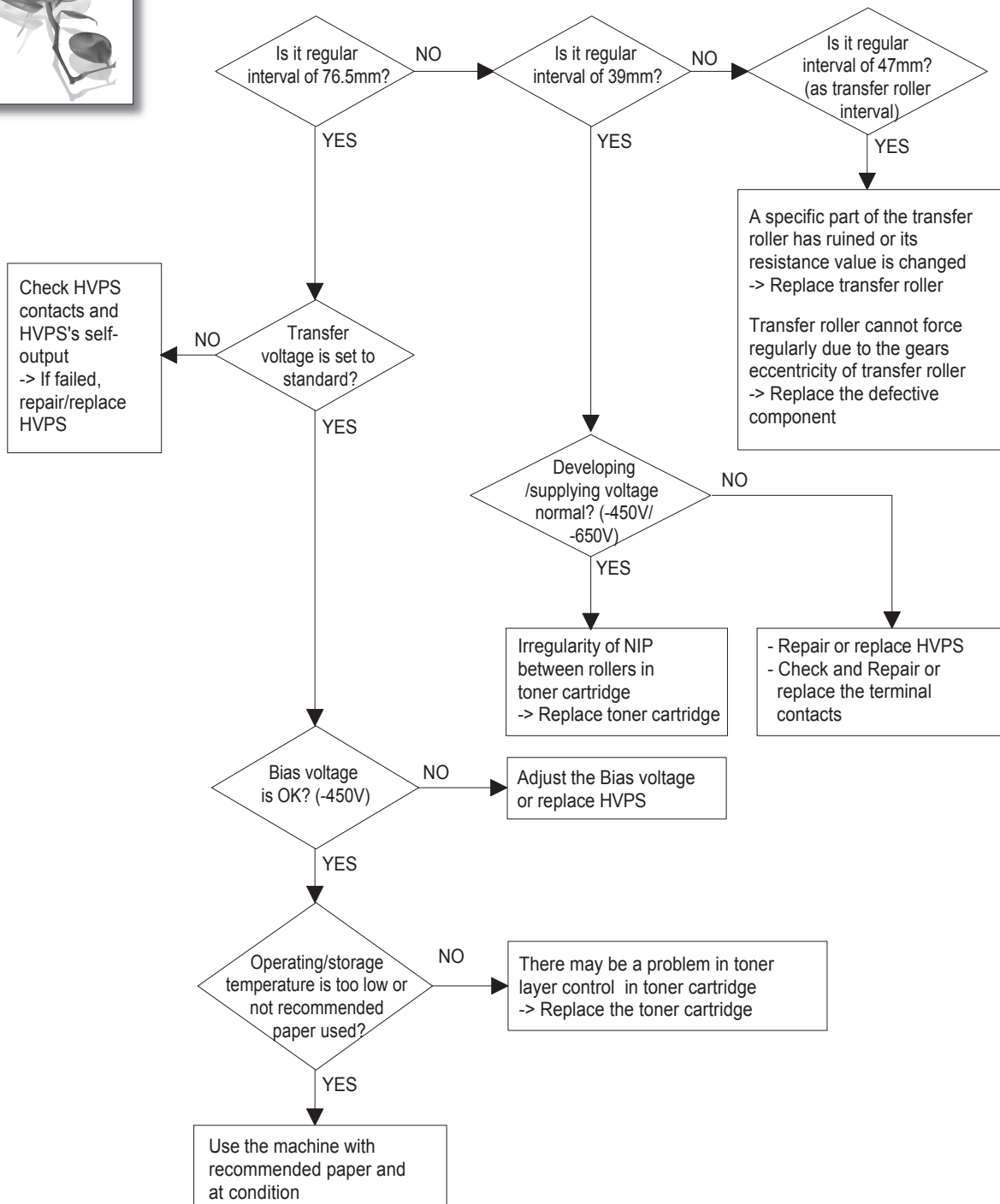
Dark Image



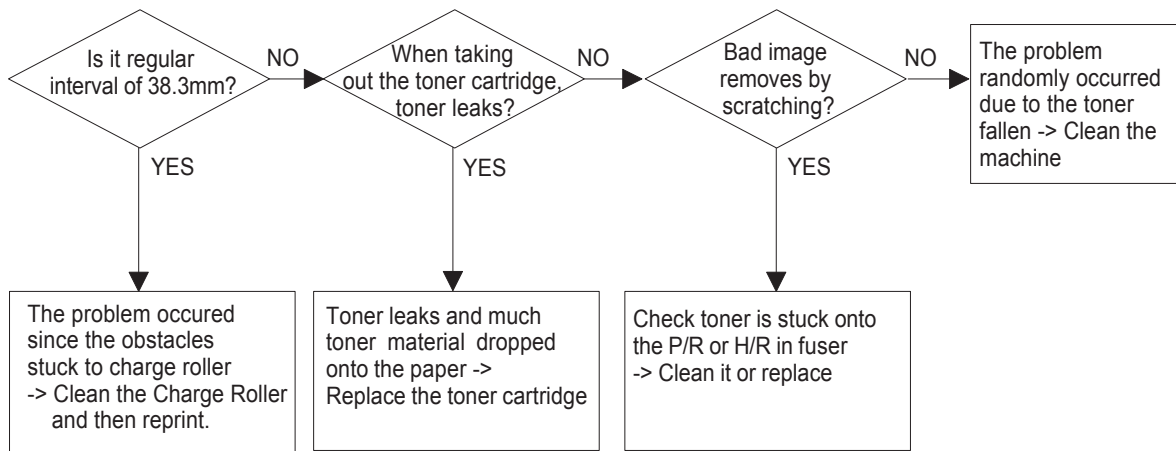
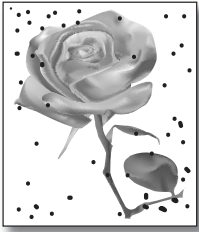
Background



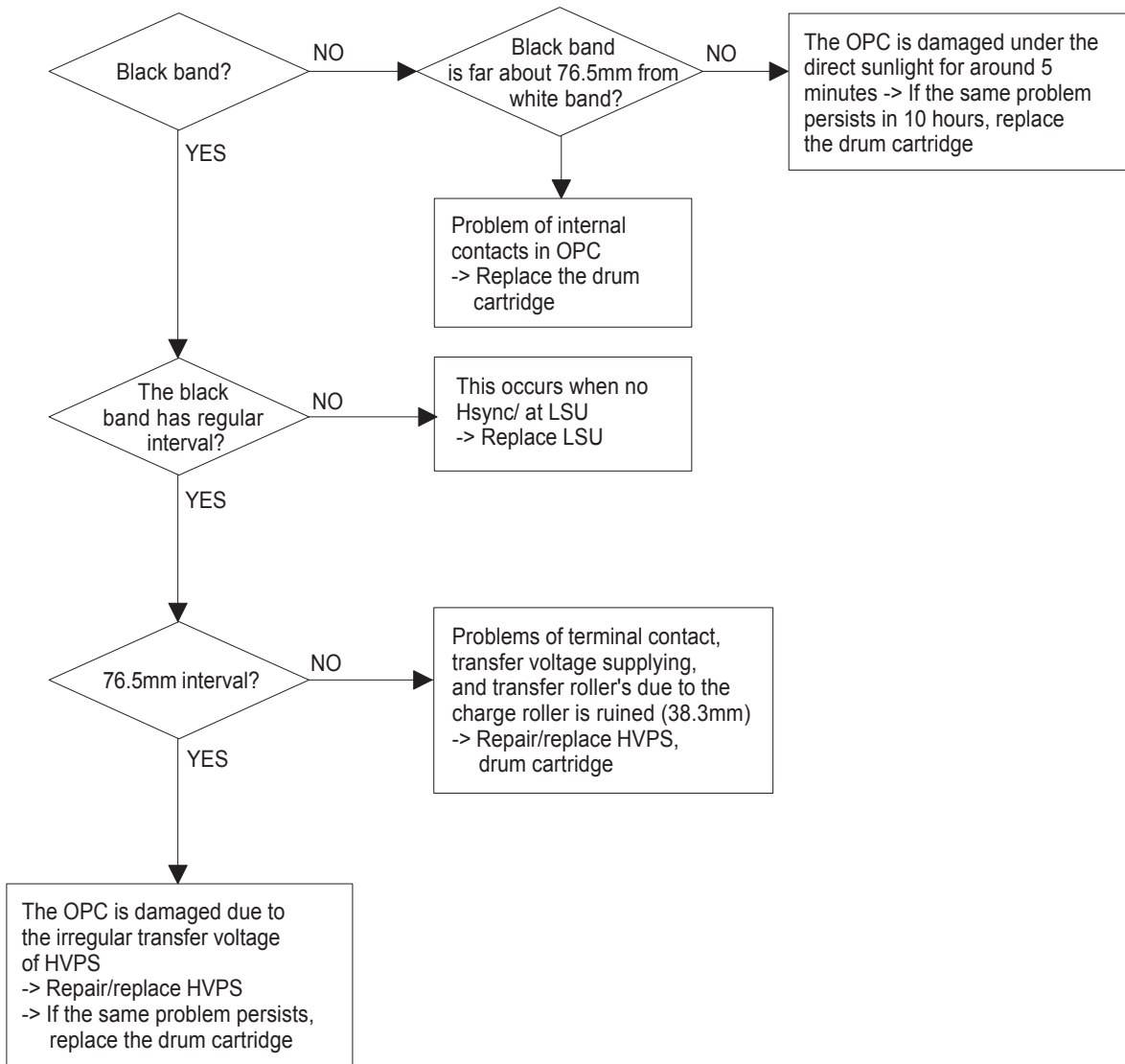
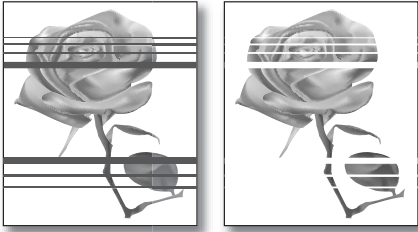
Ghost



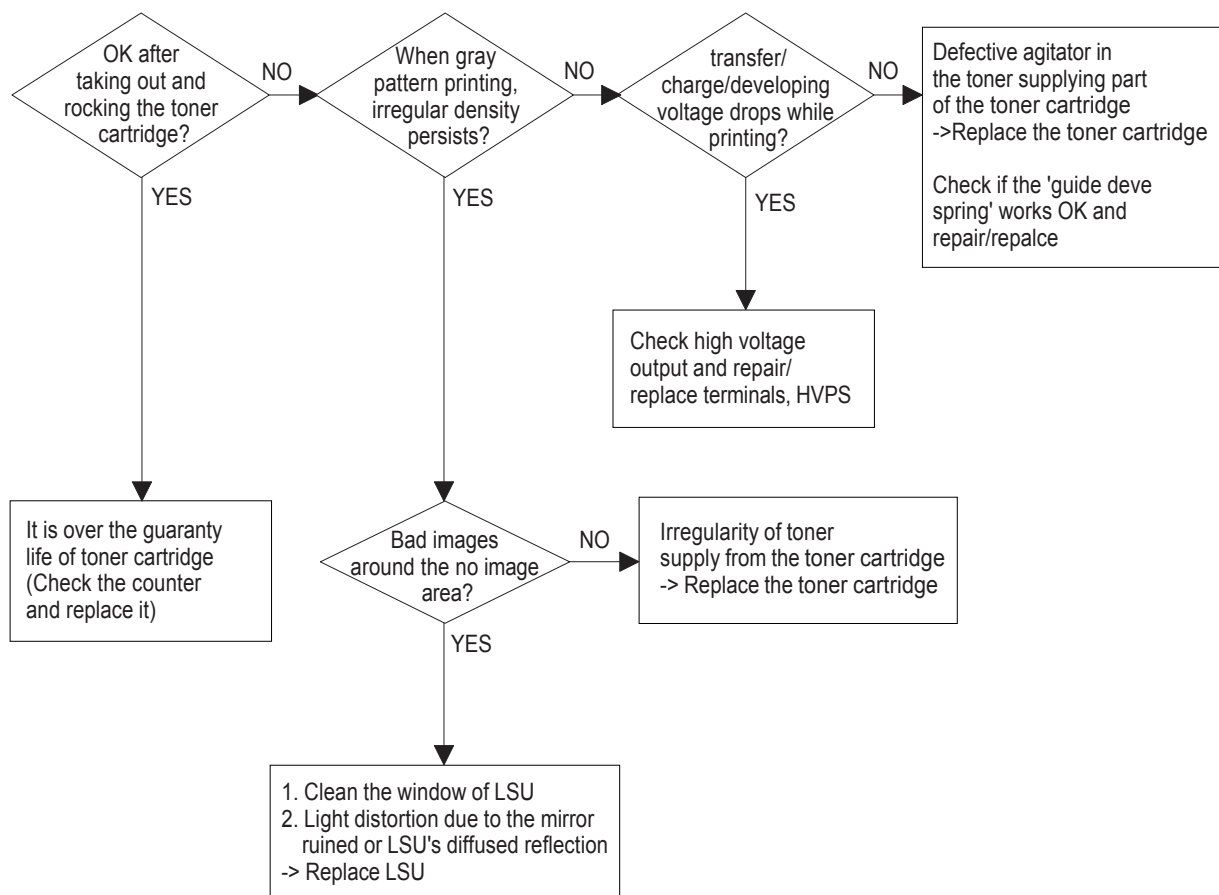
Black Spot



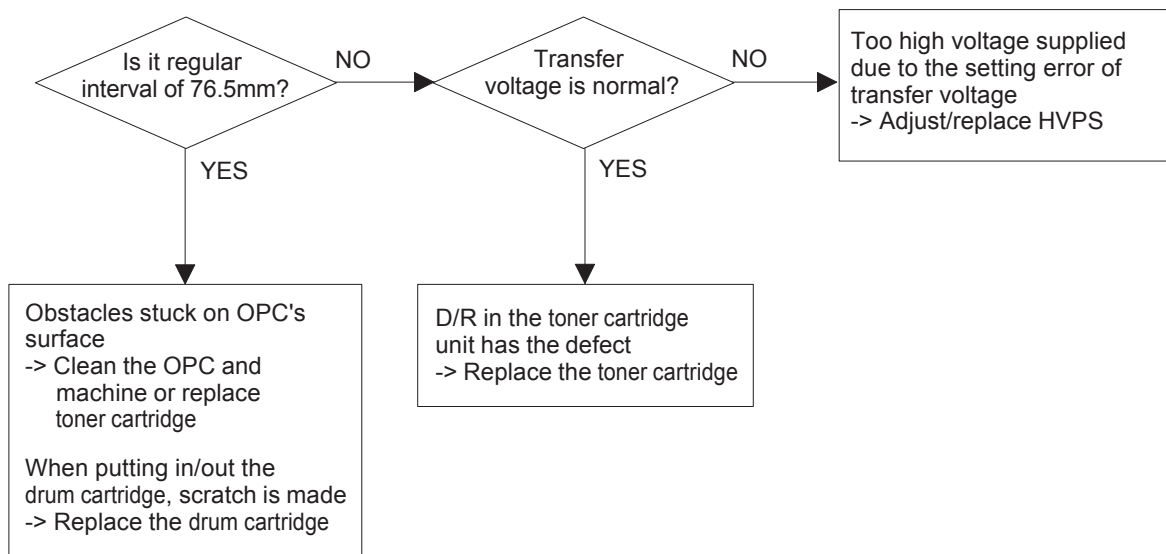
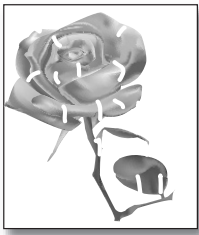
Horizontal Band



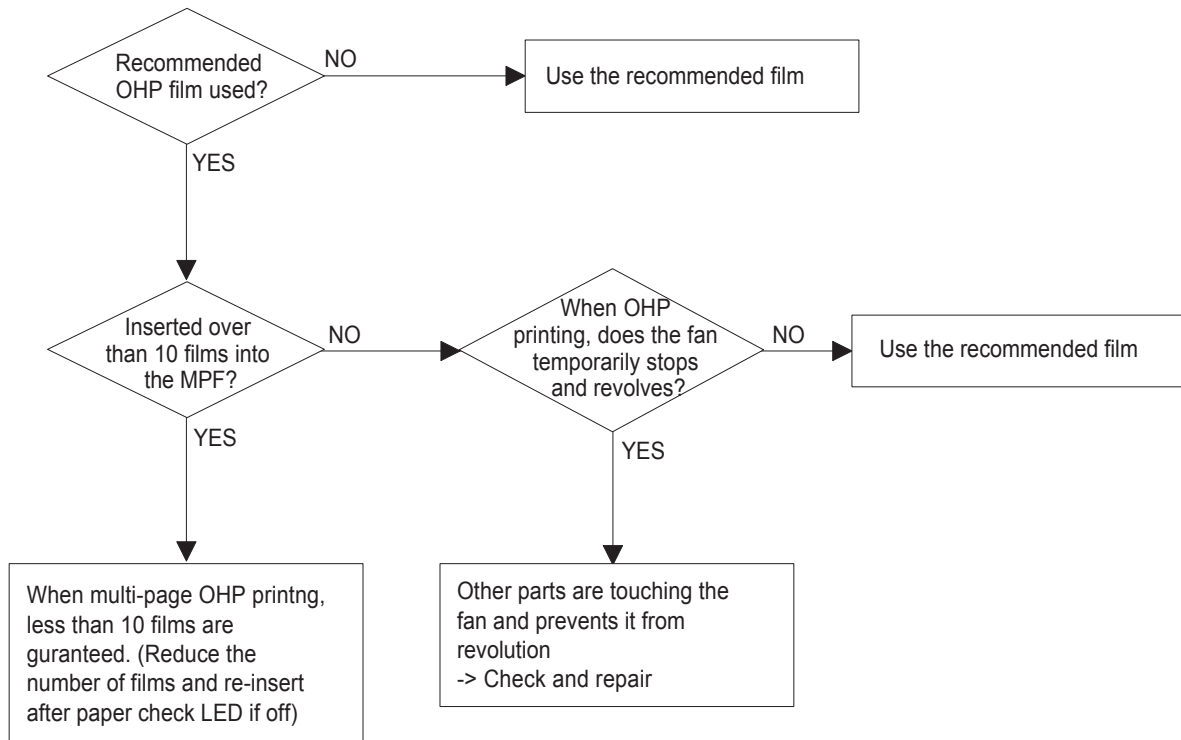
Irregular Density



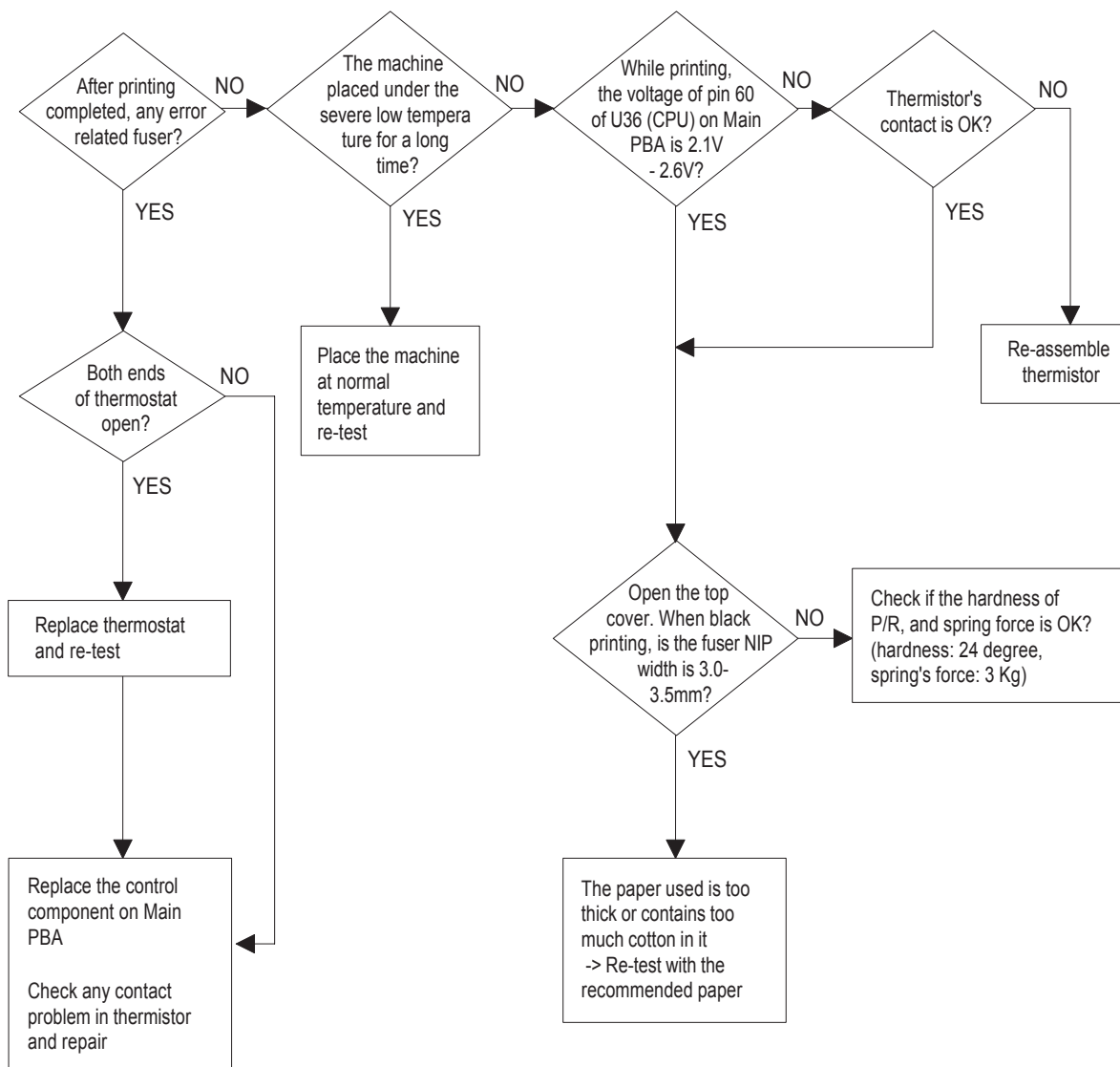
White Spot



Trembling at the End When OHP Printing



Poor Fusing Grade

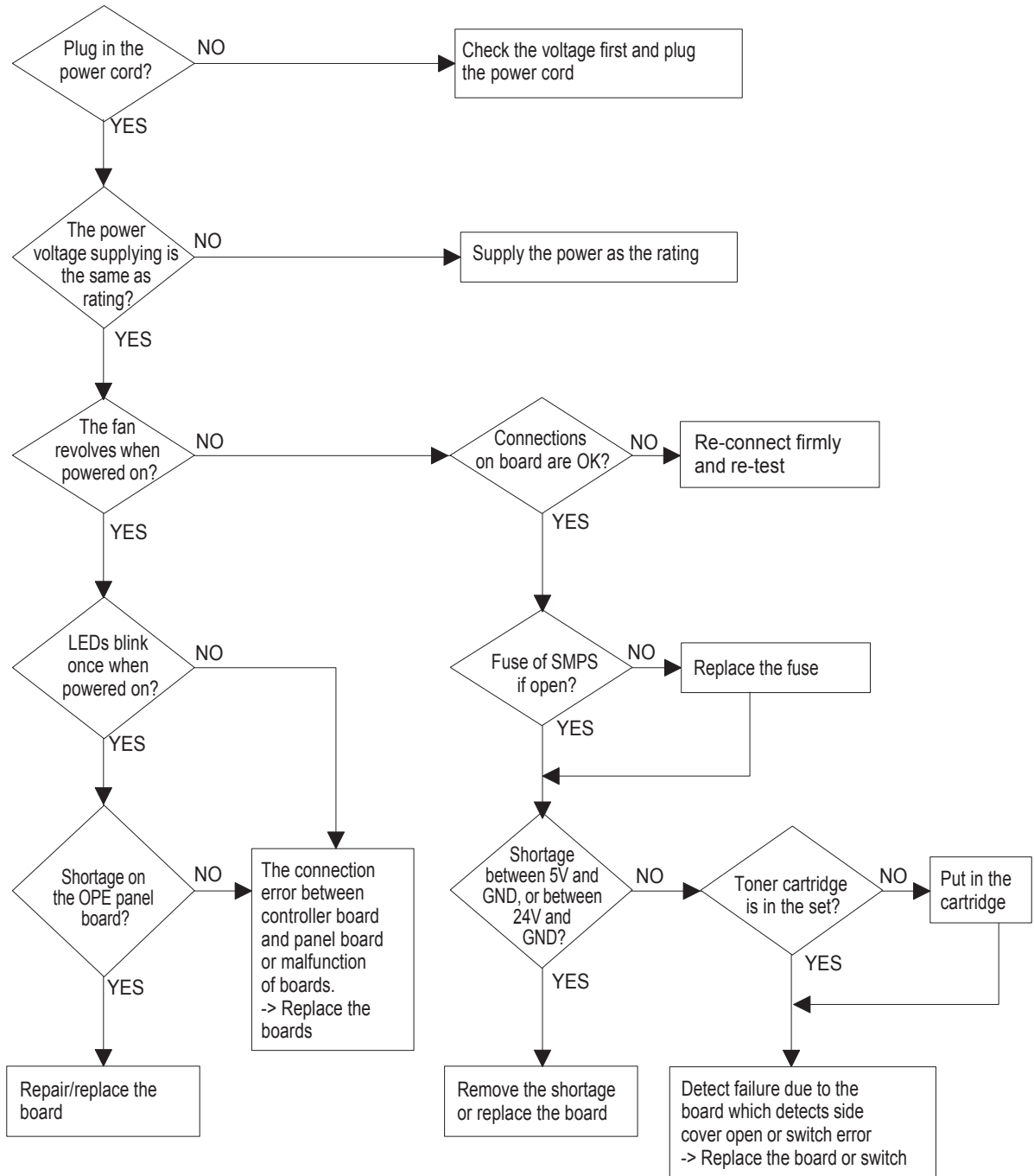


4.2.2.4 Malfunction

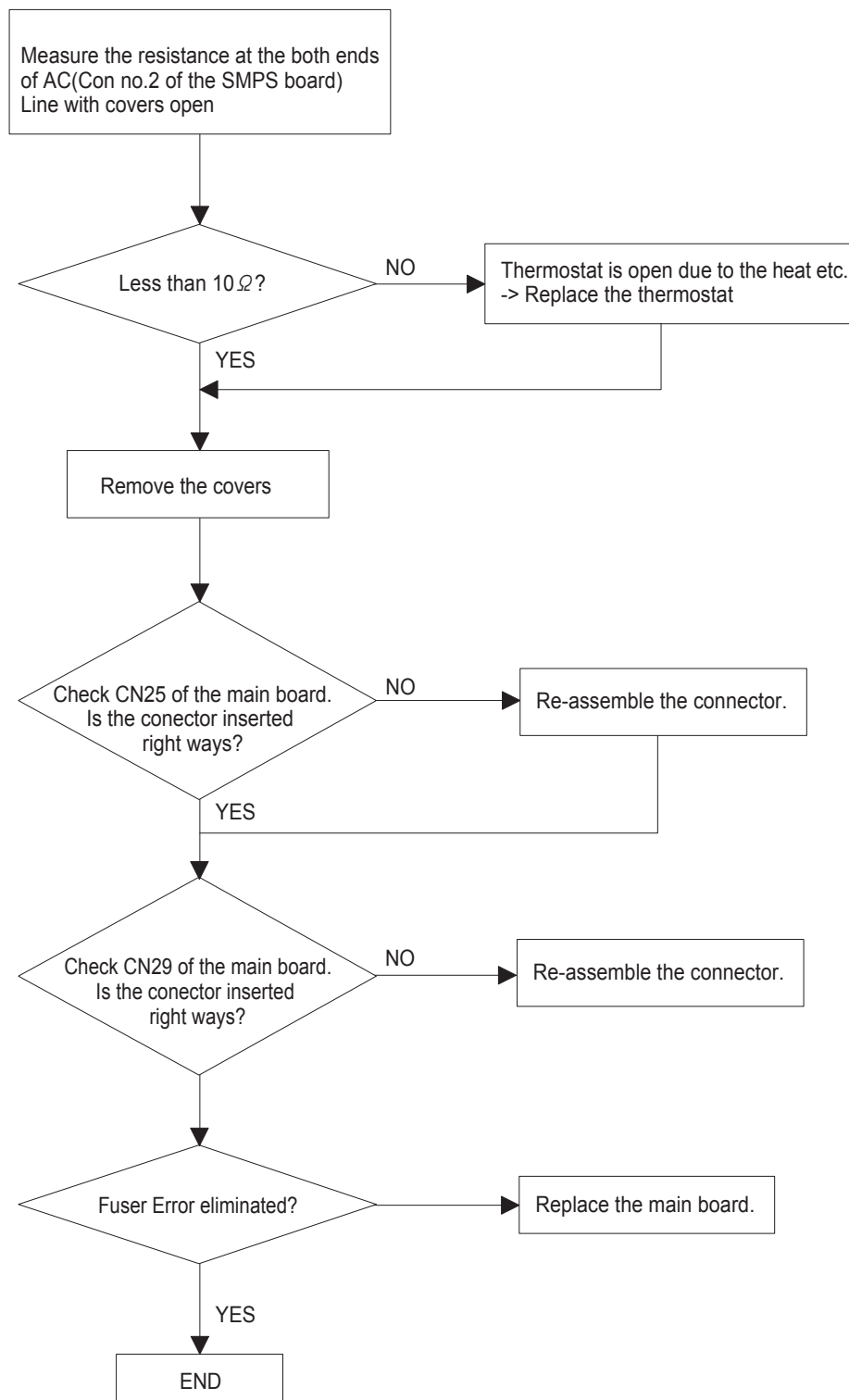
Error Status	Check	Solution
No power	<ol style="list-style-type: none"> 1. Check power is supplying 2. Check fuse F1 open 	<ol style="list-style-type: none"> 1. If supplying power differs from machine's power rating, replace the machine. 2. Replace it.
Fuser Error	<ol style="list-style-type: none"> 1. Thermostat open 2. AC wire open 3. Thermistor wire open 4. Main PBA 	<ol style="list-style-type: none"> 1. Detach AC connector and measure the resistance between pin 1 and 2. If it is megohm, thermostat is open, Replace it. 2. Check bad connector contact or wire is cut. 3. Check thermistor wire and its connection. 4. Replace Main PBA
Cover open	<ol style="list-style-type: none"> 1. When close Side cover, check the lever is pressed 2. Micro switch's contact 3. CPU and related circuit 	<ol style="list-style-type: none"> 1. Open Side cover and press the lever with pen. If Controller detects cover close, there is some mechanical trouble in Side cover and lever's assembly. If not so there is electrical problem.
Jam 0	<p>Check where Jam 0 happens</p> <ol style="list-style-type: none"> 1. Paper is not picked up 2. Paper is located in feed sensor 3. Happened when inserting specific papers such as envelope into the MPF (Multipurpose Paper Feeder)? 4. Happened when inserting specific papers such as envelope into the Manual Feeder? 5. Is the Stacker Extender is folded out? 6. Does not the Guide Adjust distort the papers 	<ol style="list-style-type: none"> 1. Check whether solenoid is working or not by using Engine test mode 2. Check feed sensor malfunction. 3. Re-try inserting a fewer papers. <ul style="list-style-type: none"> • fan the papers and align • take out the loaded papers and insert them reverse direction 4. Take out the loaded papers and insert them reverse direction <ul style="list-style-type: none"> • inserted papers as recommended for Manual Feeding? • When loading, tap the papers until paper detect sensor senses loading 5. When using long papers, use the Stacker Extender 6. Adjust Guide to fit the paper width
Jam 1	<p>Paper is stopped in just after of fuser unit.</p>	<ol style="list-style-type: none"> 1. It is mostly resulted from double feeding. Check paper is well stocked in feeder. 2. Check feed actuator position and actuator's operating. There may be stiff movind or double reflection. If not so, check the operation of feed sensor by Engine test mode. 3. Check exit lever operation. Remove jam and check actuator moving by hand. If actuator is too stiff, paper is wrapped around the heat roller. Remove obstacles or replace.

Error Status	Check	Solution
Jam 2	Check where Jam 2 happens 1. Paper is curled and cannot exit. 2. Paper is curled in the exit cover?	1. Remove paper using pinset or some tool and watch if separate claws have any trouble. Clean around fuser. 2. Check locking works wells. Watch whether the ribs of exit cover have any burr or resistive edge. If they do, remove obstacles or replace.
Jam 2 at face-down tray	1. Then paper is not drawn in because of the stack of papers in the Out tray. 2. Does it curl while coming out?	1. Load recommended quantity of papers 2. Open the Cover Front and check whether roller or spring, which are related to paper out, is not out of position. If so, re-locate or replace.
Clutch error	1. Check the spring of solenoid 2. Check the armature assembly/ cushion 3. Electrical check	1. Check whether the spring is expanded or not. 2. Check armature is well installed. It may be unstable assemble. 3. Remove the Main PBA.
High voltage error	1. Check the terminal output voltage 2. Check HVPS	1. Remove the Toner cartridge and open the cover and press cover open switch lever and measure the voltage with high voltage probe and sending printing data. If the voltage is normal, change the toner cartridge. 2. Disassemble the left side cover, and check HV of the solder side of HVPS and change it.
Feeding obstacles	Does the Plate-knockup prevent the paper loading?	MPF : Turn the power off and on. Open and close the Side cover to return to the original state. Cassette : Adjust Guide to fit the paper width.
Skew	Is the Guide adjust set to the paper width?	Fit the paper width using the Guide adjust.
Stacking	1. Took out the Stacker extender to support long papers? 2. Stacked too many papers more than Stacker can hold?	1. Use extender as per the paper length. 2. The Face-up stacker normally can hold 100 pages when using 75g/m2, however, stacking capacity can be lowered depending on the type of papers.
Engine Error	Check CBF Harness_CN7.(Main PBA to LSU)	Refer to troubleshooting "ENGINE ERROR".
Document Jam	Document is not picked up(in ADF).	1. Check document is well stocked in ADF. 2. Check whether document was been fastened together by staple or clip. 3. Load recommended quantity of papers.
	Document is stopped after it has fed into the ADF.	1. Check whether the Reg. sensor is working or not. 2. Check whether the Feed Roller is working or not.
	Does it curl while coming out?	1. Check the Open Cover whether there are bosses. 2. Check the ADF ass'y is well assemble.

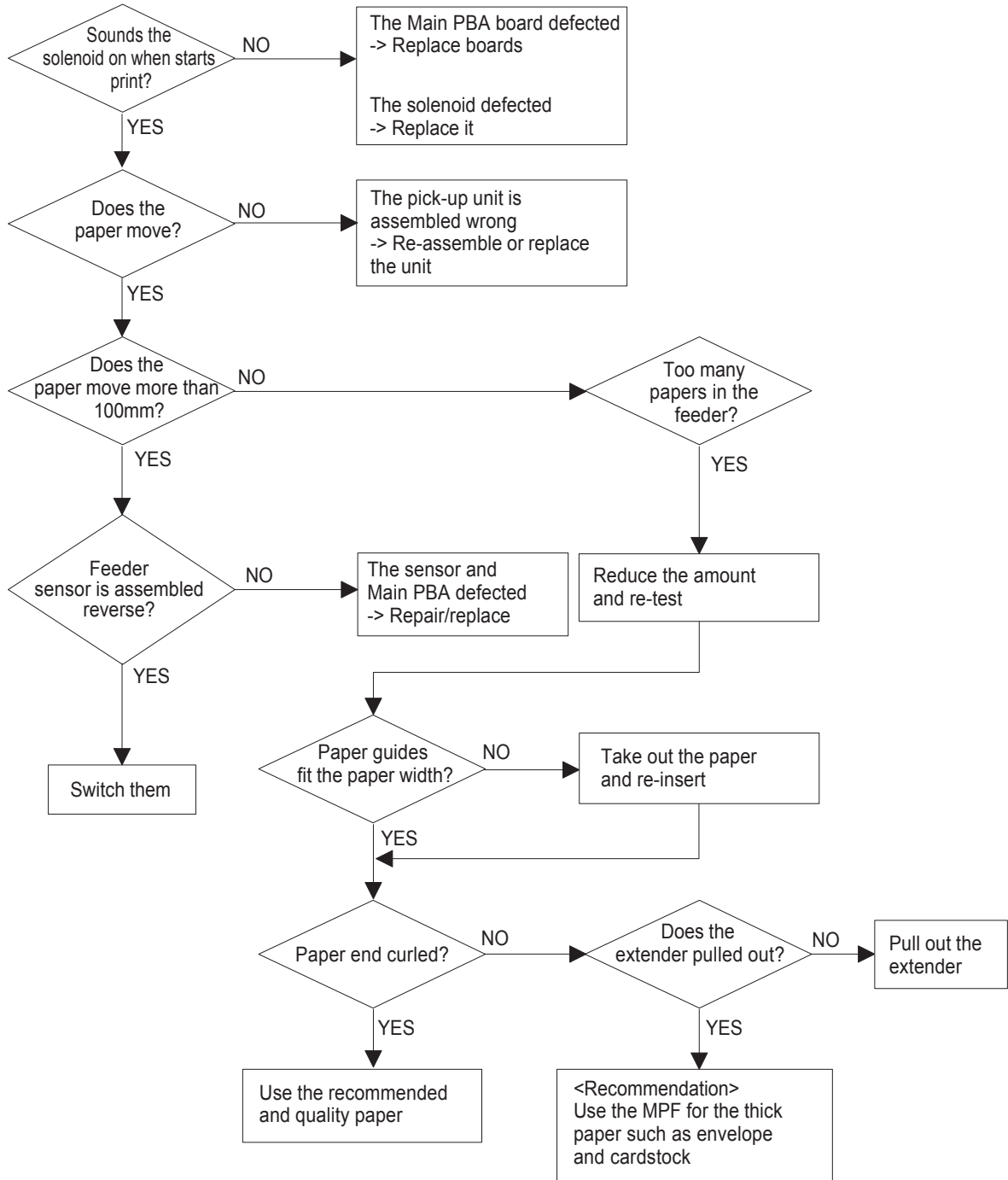
No Power (LCD NO display LED Off)



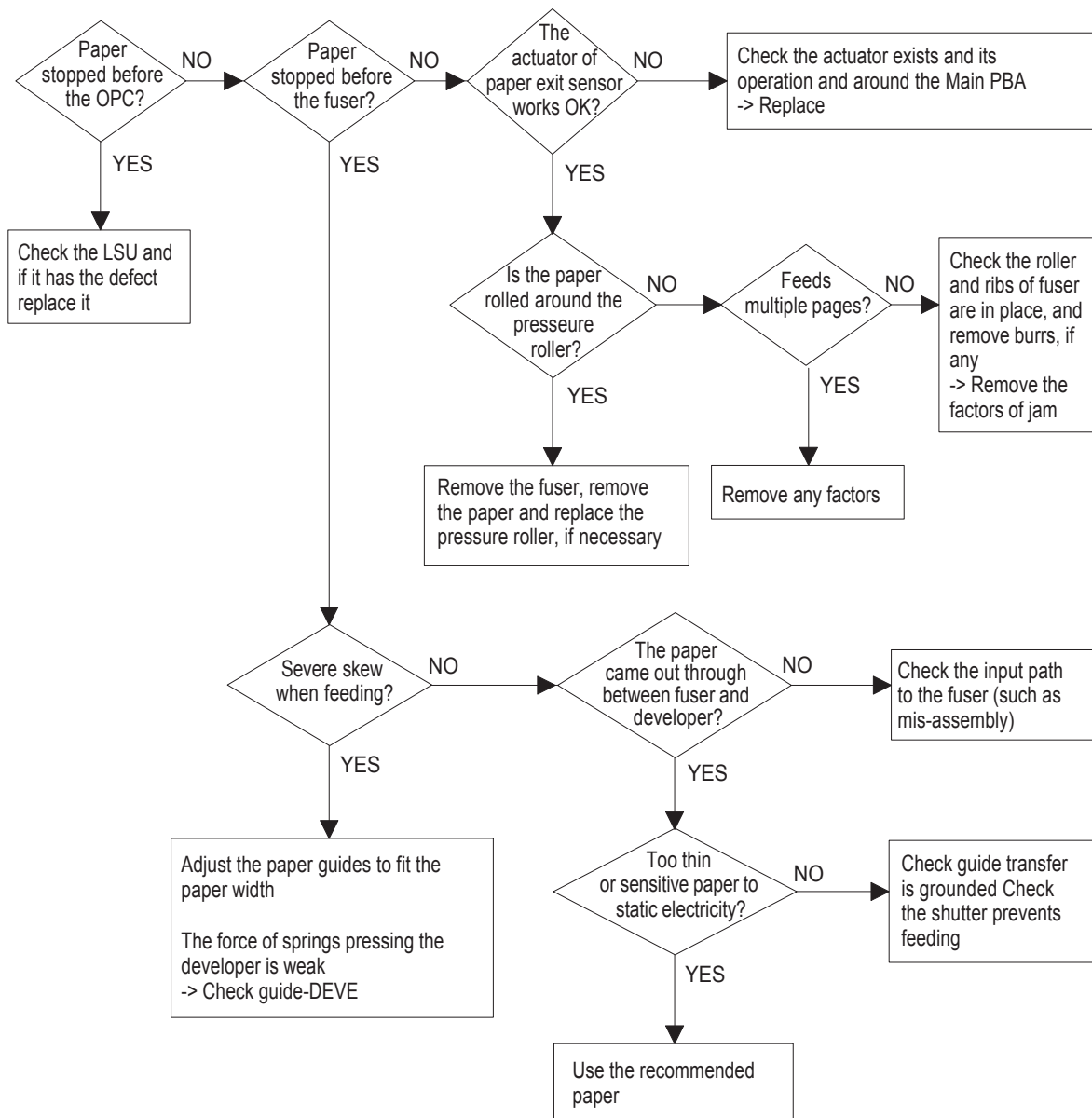
Fuser Error



Paper Jam (Mis-Feeding)



Paper Jam (Jam 1)



4.2.2.5 The cause and solutions of bad environment of the software

NOTE - Always try to an internal page and a copy to be sure that the machines is working and the problem is related to SW.

4.2.2.5(a) The printer is not working (1)

Description : While Power turned on, the printer is not working in the printing mode.

Check and Cause	Solution
<ol style="list-style-type: none"> 1. Check if the PC and the printer is properly connected and the toner cartridge installed. 2. Printing is nor working in the Windows. 3. Check if the printer cable is directly connected to peripheral devices 	<ol style="list-style-type: none"> 1. Replace the printer cable. If the problems not solved even after the cable replaced, check the amount of the remaining tone. 2. Check if the connection between PC and printer port is proper. If you use windows, check if the printer driver in the controller is set up. If the printer driver is properly set up, check in which program the printing is not working. The best way to find out is to open the memo pad to check the function of printing. If it is not working in a certain program, adjust the setup the program requires. Sometimes, the printout is normal within the Windows basic programs, but it's not working in a particular program. In such case, install the new driver again. If not working in the Windows basic program, Check the setup of the port of CMOS is on ECP. And check the address of IRQ 7 and 378 3. If the scanner needs to be connected to the printer, first the remove the scanner from the PC to see if the printer is properly working alone.

4.2.2.5(b) The printer is not working (2)

Description : After receiving the printing order, no response at all or the low speed of printing occurs due to wrong setup of the environment rather than malfunction of the printer itself.

Check and Cause	Solution
<ol style="list-style-type: none"> 1. Secure more space of the hard disk. 2. Printing error occurs even if there is enough space in the hard disk. 3. Check the parallel-port-related items in the CMOS Setup. 4. Reboot the system to print. 	<ol style="list-style-type: none"> 1. Not working with the message 'insufficient printer memory' means hard disk space problem rather than the RAM problem. In this case, provide more space for the hard disk. Secure more space using the disk utilities program. 2. The connection of the cable and printer port is not proper. Check if the connection is properly done and if the parallel port in CMOS is rightly set up. 3. As a printer port, Select ECP or SPP among SPP(Normal), ECP, and EPP modes(increase printing speed) SPP normal mode support 8-bit data transfer, while ECP Mode transfer the 12-bit data. 4. If the regular font is not printing, the cable or the printer driver may be defective. Turn the PC and printer off, and reboot the system to print again. If not solved, double-click the printer in my computer If the regular fonts are not printed this time again. the cable must be defective so replace the cable with new one.

4.2.2.5(c) Abnormal Printing

Description : The printing is not working properly even when the cable has no problem. (even after the cable is replaced) If the printer won't work at all or the strange fonts are repeated, the printer driver may be defective or wrong setup in the CMOS Setup.

Check and Cause	Solution
<ol style="list-style-type: none"> 1. Set up the parallel port in the CMOS SETUP. 2. Printer Driver Error. 3. Error message from insufficient memory. (The printing job sometimes stops or due to insufficient virtual memory, but it actually comes from the insufficient space of the hard disk.) 	<ol style="list-style-type: none"> 1. Select SPP(Normal) or ECP LPT Port the among ECP, EPP or SPP in the CMOS Setup. 2. Check the printer in My Computer.(to see if the printer driver is compatible to the present driver or delete the old driver, if defective and reinstall the new driver) 3. Delete the unnecessary files to secure enough space of the hard disk and start printing job again.

4.2.2.5(d) SPOOL Error

Description : To spool which stands for “simultaneous peripheral operations online” a computer document or task list (or “job”) is to read it in and store it, usually on a hard disk or larger storage medium so that it can be printed or otherwise processed at a more convenient time (for example, when a printer is finished printing its current document).

Check and Cause	Solution
<ol style="list-style-type: none"> 1. Insufficient space of the hard disk in the directory assigned for the basic spool. 2. If the previous printing error not solved. 3. When expected to collide with other program. 4. When an application program or the printer driver is damaged. 5. When some files related to OS are damaged or virus infected. 6. Memory is less than suggested one. 	<ol style="list-style-type: none"> 1. Delete the unnecessary files to provide more space to start printing job. 2. If there are some files with the extension name of ****.jnl, Delete them and Reboot the Windows to restart printing job. 3. Shut down all other programs except the current one, if possible. 4. Delete the printer driver completely and reinstall it. 5. After rebooting the computer, check for viruses, restore the damaged files and reinstall the program to do the printing job. 6. Add up enough memory to the PC.

How to delete the data in the spool manager.

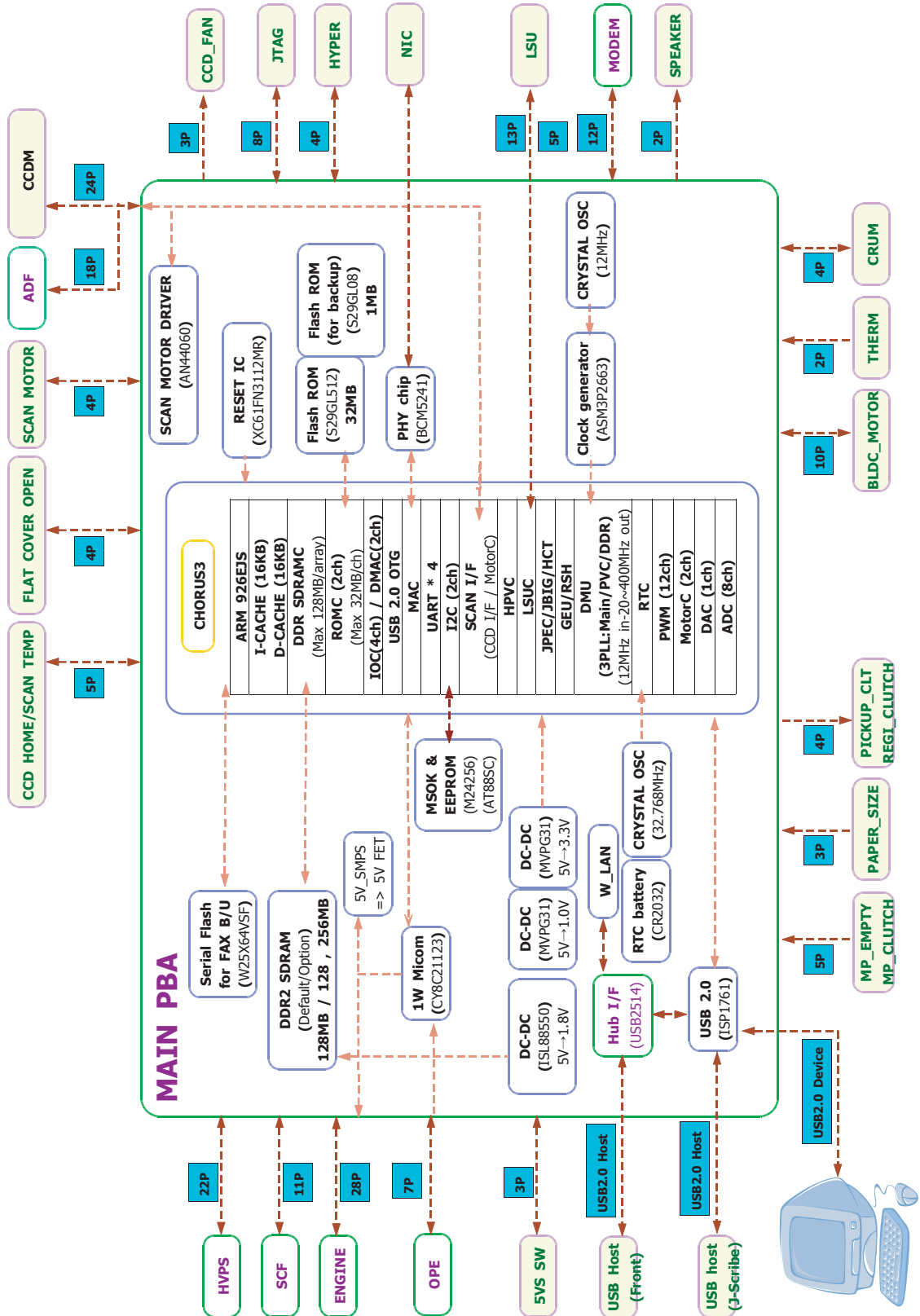
In the spool manager, the installed drivers and the list of the documents waiting to be printed are shown. Select the document to be deleted and check the delete menu.

If you intend to delete the current document being printed, the data being transferred to the printer will be put out and then the document is removed. Before choosing the document, the menu is still inactive.

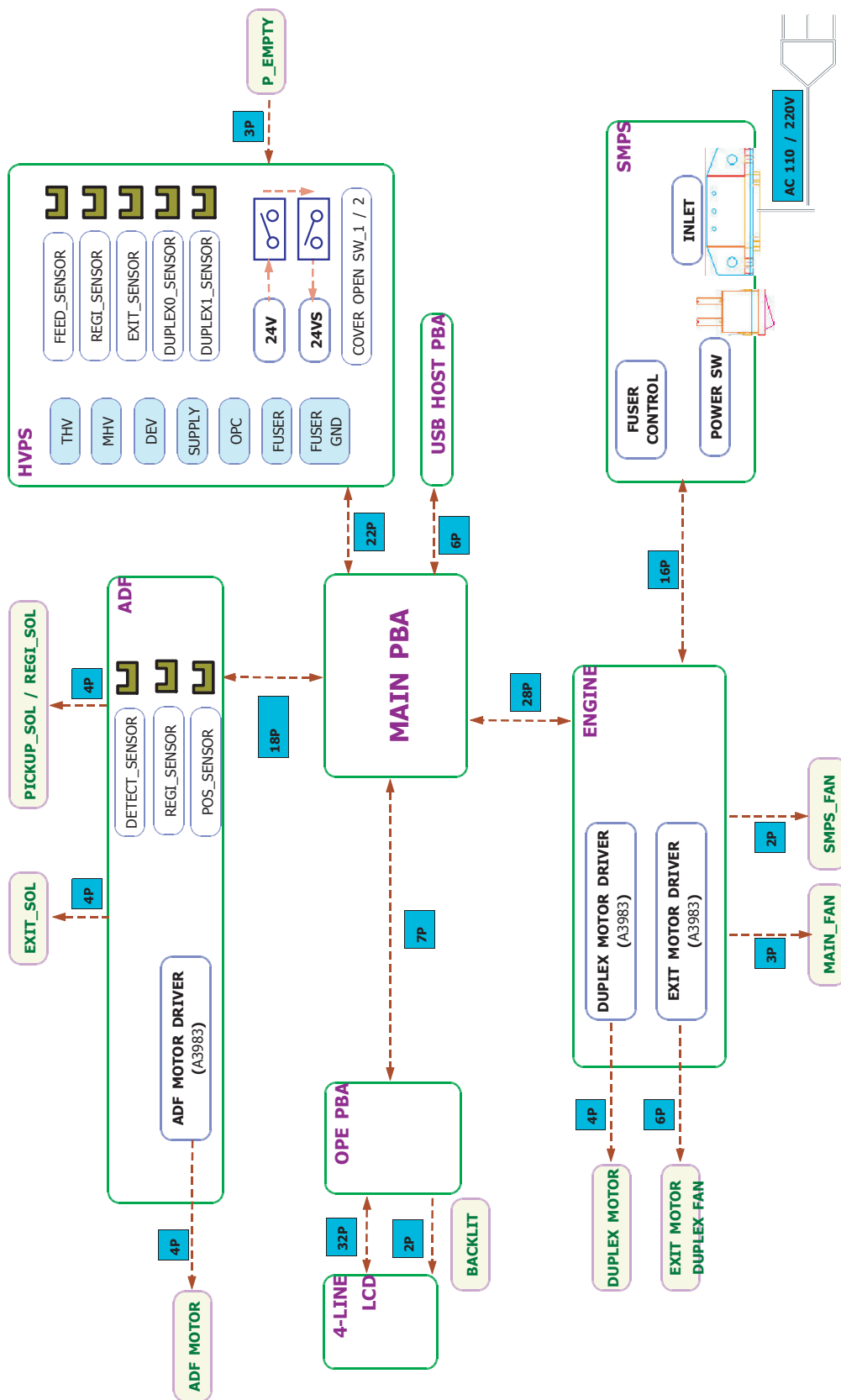
Or put the document out of the list and repeat the routine as in the above or finish the spool manager.

5. System Diagram

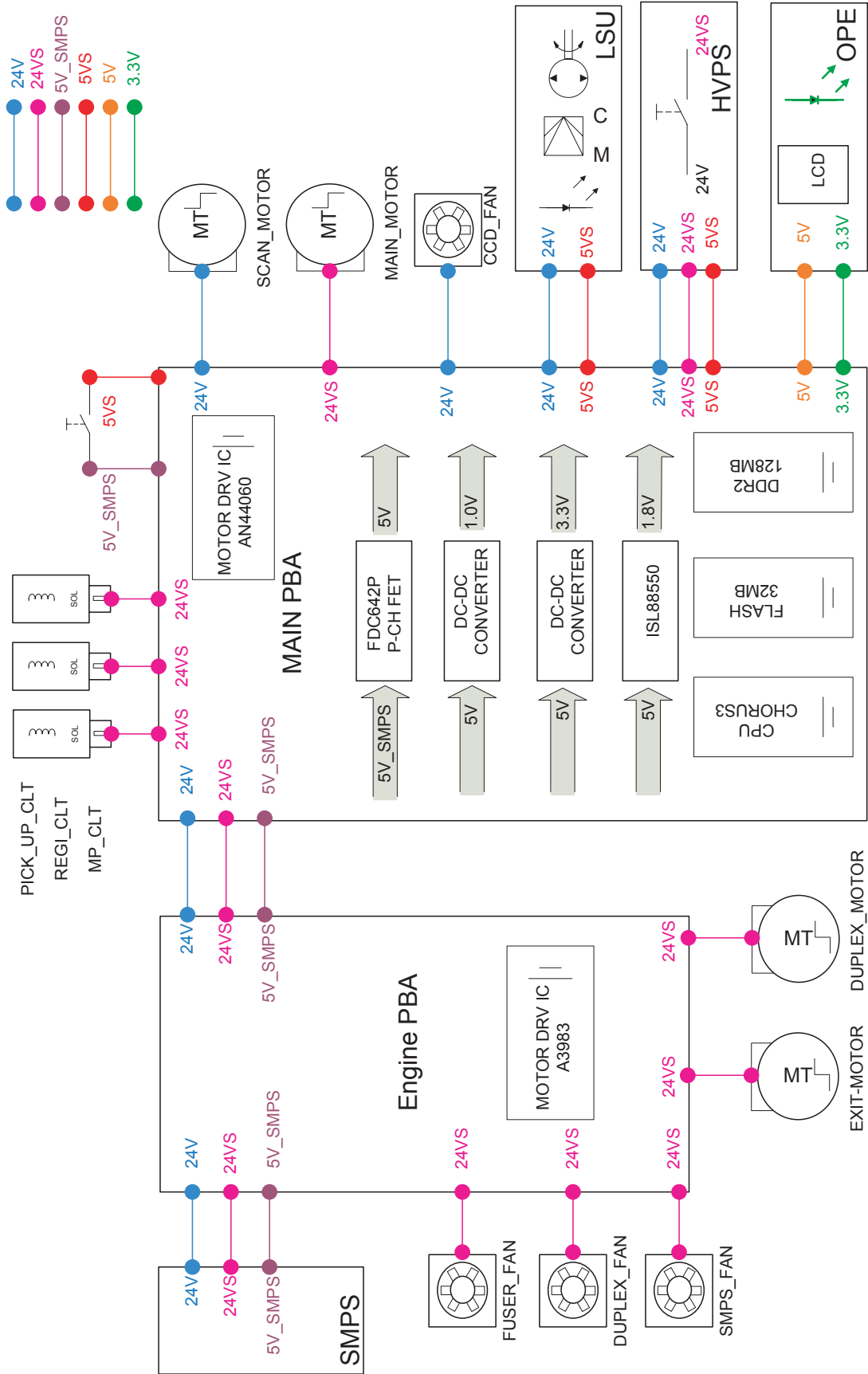
5.1 Block Diagram (Main I/F)



5.2 Block Diagram (SUB B'd)



5.3 Power Diagram



6. Reference Information

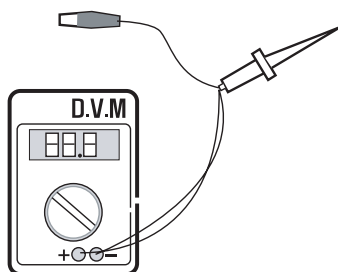
This chapter contains the tools list, list of abbreviations used in this manual, and a guide to the location space required when installing the printer. A definition of test pages and Wireless Network information definition is also included.

6.1 Tool for Troubleshooting

The following tools are recommended safe and easy troubleshooting as described in this service manual.

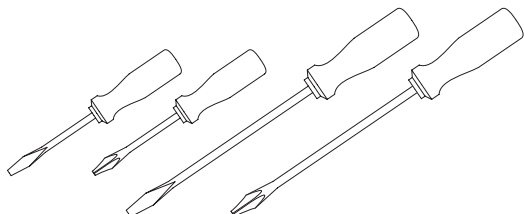
- **DVM (Digital Volt Meter)**

Standard : Indicates more than 3 digits.



- **Driver**

Standard : "-" type, "+" type (M3 long, M3 short, M2 long, M2 short).



- **Tweezers**

Standard : For general home use, small type.



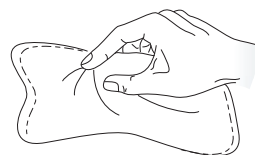
- **Cotton Swab**

Standard : For general home use, for medical service.

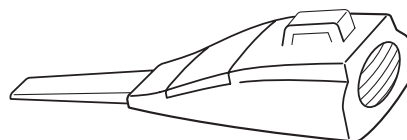


- **Cleaning Equipments**

Standard : An IPA (Isopropyl Alcohol) dry wipe tissue or a gentle neutral detergent and lint-free cloth.



- **Vacuum Cleaner**

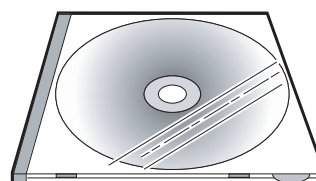


- **Spring Hook**

Standard : For general use



- **Software (Driver) installation CD ROM**



6.2 Acronyms and Abbreviations

The table below explains abbreviations used in this service manual.
The contents of this service manual are declared with abbreviations in many parts. Please refer to the table.

6.2.1 Acronyms

ABS	Automatic Background Suppression(a kind of copy feature)	FDI	Foreign Device Interface
APF	Automatic Paper Feeder(Tray)	FIA	Foreign Interface Attachment
BOOTP	BOOTSTRAP PROTOCOL	FRU	Field Replaceable Unit
CCD	Charged Coupled Device	FPOT	First Print Out Time
CIS	Contact Image Sensor	GW	GateWay
CPM	Copies Per Minute	HH	High Temperature, High Humidity (Testing Chamber conditions)
CP	Control Panel(= OPE)	HPVC	Halftone Printing Video Controller in the SPGPm (Graphic Processor for Copy)
CQ	Copy Quality	IDC	International Data Corp.
CRU	Customer Replaceable Unit	IMAP	Internet Message Access Protocol
CRUM	CRU Memory	IPP	Internet Printing Protocols
CW	Center Ware	IPM	Images Per Minutes
CWDP	Center Ware Device Discovery Software(Samsung equivalent of Samsung's SyncThru)	IPX	Internetwork Packet Exchange
CWIS	Center Ware Internet Services	IQ	Image Quality
DADF	Duplex Auto Document Feeder (= DADH)	ITU	International Telecommunication Union
DC	Direct Connect	JBIG	Joint Binary Image Group (a kind of image data coding method)
DDNS	Dynamic Domain Name System	JPEG	Joint Photographic Expert Group (a kind of image data coding method)
DHCP	Dynamic Host Configuration Protocol	LCD	Liquid Crystal Display
DLC	Data Link Control	LEF	Long Edge Feeding
DNS	Domain Name System	LL	Low Temperature, Low Humidity (Testing Chamber conditions)
ECM	Error Correction Mode	LPR/LPD	Line Printer Daemon Protocols (LPR is a TCP-based protocol)
ECP	Enhanced Capability Port	LSU	Laser Scanning Unit
e-Coil	Extended Coil technology for Rapid(Fast) Fusing.	LUI	Local User Interface
EH&S	Samsung Environment, Health, & Safty	MCBF	Mean Copy Between Failure
ESMTP	Extended Simple Mail Transfer Protocol	MDSP	Multiple Document Single Printout
EP	Electro Photography	MFP	Multi-Functional Product
EPC	Electric Pre-Collation	MH	Modified Huffman (a kind of image data coding method)
FCOT	First Copy Out Time		

MIB	Management Information Base	RT-OS	Real Time Operating System
MIME	Multipurpose Internet Mail Extensions	RX	Receive
MR	Modified Read (a kind of image data coding method)	S2E	Scan-To-Email
MMR	Modified and Modified Read (a kind of image data coding method)	SAD	Solid Area Density
MN std	Multi-National Standard	SC	Service Call
MSOK	Master SOK(System Operation Key)	SCF	Second Cassette Feeder
MSO	Mixed Size Original	SDSP	Single Document Single Printout
MP	Multi Purpose	SDMP	Single Document Multiple Printout
MPBF	Mean Print Between Failure	SDR	Shut Down Rate
MSI	Multi Sheet Input	SEF	Short Edge Feeding
MTBF	Mean Time Between Failure	SIR	Sacrificed(or Standard) Image Reference
MTTR	Mean Time To Repair	SOK	System Operation Key
NCP	Network Control Protocol	sRGB	Standard RGB (Color Coordinate System)
NIC	Network Interface Card	SNMP	Simple Network Management Protocol
NOS	Network Operating System	TCP/IP	Transmission Control Protocol/Internet Protocol
NN	Normal Temperature, Normal Humidity (Testing Chamber conditions)	TBC(or tbc)	To Be Confirmed
NSDR	Non-Shut Down Rate(=USDR)	TBD(or tbd)	To Be Determined
NW	Network	TIFF	(Adobe & Aldus) Tagged Image File Format
OD	Optical Density	TRIM	Technical Retrofit Interim Maintenance
OHD	On Hook Dial	TTM	Time to Market
OSOK	Optional SOK(System Operation Key)	TX	Transmit
OP	Operational Procedure	UI	User Interface
PCL	Printer Control Language	UMC	Unit Manufacturing Cost
PDF	(Adobe) Portable Document Format	UMR	Unscheduled Maintenance Ratio
PPM	Pages Per Minutes	UPnP	Universal Plug and Play
PQ	Print Quality	USB	Universal Serial Bus
PS/3	PostScript Level-3	USDR	Un-Shut Down Rate(=NSDR)
PVC	Printing Video Controller in the SPGPm(Graphic Processor for Printer)	XCMI	Samsung's Management Information Base
QCD	Quality, Cost, and Delivery	WA	Warranty Action
RCP	Remote Control Panel	W x D x H	Width x Depth x Height

6.2.2 Service Parts

ACRONYM	EXPLANATION
ELA HOU-SCANNER ASS'Y	ELA=Electrical Assembly, HOU =Housing
MEA UNIT-COVER PA EXIT ASS'Y	MEA= Mechanical Assembly, PA=Paper
PMO-TRAY EXTENTION MP NE	PMO= Processing Mold MP=Multi-Purpose(Bypass) tray NE=for NEC (common as Samsung Halk printer)
MEC-CASSETTE ASS'Y(LETTER)	MEC = Mechanic Combined unit
COVER-M-FRONT	M=Mold
MPR-NAME/PLATE	MPR= Machinery Press,
UNIT-LSU	LSU =Laser Scanning Unit
SMPS-SMPS(V1)+HVPS	SMPS =Switching Mode Power Supply HVPS =High Voltage Power Supply
ELA-OPC UNIT SET	OPC=Organic Photo-Conductive
ELA HOU-MP ASS'Y	MP =Multi-Purpose (Bypass) tray
PBA MAIN-MAIN	PBA =Printed circuit Board Assembly
PMO-CONNECT PAPER MFP	MFP =Multi-Functional Peripheral
FAN-DC	DC =Direct Current
CBF POWER STITCH GRAY	CBF= Cable Form
MEA UNIT GUIDE CST PA ASS'Y	CST=Cassette(Paper tray), PA=Paper
PBA LIU	PBA =Printed circuit Board Assembly LIU =Line Interface Unit for FAX
SHIELD-P_MAIN LOWER	P=Press
CBF HARNESS-LIU GND	LIU =Line Interface Unit for FAX GND= Ground
PMO-COVER FEED AY	AY=Assembly
PMO-COVER BRKT MOTER	BRKT=Bracket
CBF HARNESS-LSU	LSU =Laser Scanning Unit
IPR-SHIELD SMPS UPPERI	IPR=Iron Press
PMO-BUSHING P/U.MP	P/U=Pickup MP=Multi-Purpose (Bypass) Tray
PMO-HOLDER GEAR TRr	TR= Transfer Roller
SPRING ETC-TR_L	TR_L=Transfer Roller - Left
PMO-CAM JAM REMOVE	PMO-CAM= Processing Mold-CAM
PMO-LOCKER DEVE	DEVE=Developer

ACRONYM	EXPLANATION
SPECIAL SCREW(PANNEL MFP)	MFP =Multi-Functional Peripheral
A/S MATERAL-DUMMY UPPER ASS'Y	A/S=After-Service
MCT-GLASS ADF	MCT= Machinery Cutting ADF=Automatic Document Feeder
PPR-REGISTRATION EDGE(F)	PPR= Processing Press
IPR-HOLDER GLASSI	PR=Iron Press
MCT-GLASS SCANNER(LLEGAL)	MCT= Machinery Cutting
CBF HARNESS-OPE	OPE=Operation Panel(Control Panel)
PBA SUB-D_SUB	PBA SUB-D_SUB =>Sub Printed circuit Board Assembly for the D-SUB type electrical connector (D-Sub) a kind of the connector type(shape 'D')
COVER-M-CCD CABLE	M=Mold CCD=Charge Coupled Device
COVER-SCAN LOWER(UMAX)	UMAX=> Supplier's name for CCD module
ICT-INSERT SHAFTI	ICT= Iron Cutting
IPR-BRK SCAN BD	IPR=Iron Press BRK=Bracket BD= Board
CBF SIGNAL-CCD FFC	CCD = Charge Coupled Device FFC =Flexible Flat Cable
COVER-M-OPE	M=Mold OPE=Operation Panel(Control Panel)
KEY-M-COPY	M=Mold
PLATE-M-ALPHA KEY	M=Molde ALPHA=Alphabet
PMO-GUIDE DP SIDE	DP=Duplex
RING-CS	CS= Compress
GEAR-MP/DUP DRV	MP =Multi-Purpose (Bypass) tray DUP DRV = Duplex Driver
IPR-BRKT G DUPI	PR=Iron Press BRKT=BRACKET G= Ground UP=Duplex
PMO-BUSHING TX(B4)	TX=Transmit
PMO-TRAY CASE, MP	MP=Multi-Purpose tray(Bypass tray)

ACRONYM	EXPLANATION
SPRING CS RE	CS=Compress RE=Rear
SPRING CS FR	CS=Compress FR=Front
PMO-BUSHING FINGER, F	F=Front
ICT-SHAFT-EXIT LOWER ID	ID=Idler
SPRING-EXIT ROLL FD	FD=Face Down
PMO-BUSHING_P/U,MP	P/U=Pickup MP =Multi-Purpose (Bypass) tray
PMO-HOLDER CAM MPF	MPF=Multi-Purpose Feeder(=MP)
PMO-GEAR P/U MPF	P/U=Pickup
MFP =Multi-Functional Peripheral	
RPR-RUBBER PICK UP,MP	RPR=Rubber Press
PBA SUB-MP SEN	PBA SUB-MP-SEN =>Sub Printed circuit Board Assembly for the MP-SEN(= Multi-Purpose (Bypass) tray-Sensor)
A/S MATERIAL-PICKUP,MP	
FOOT-ML80	
HOLDER CATCH CST MC2	MC2=>McKinley2 (Samsung Project code name)
IPR-GROUND PLATE A(OPC)	OPC=Organic Photo-Conductive
ELA M/M-AUD SPEAKER	ELA M/M => Electrical Assembly M/M AUD=Audio
CBF HARNESS-OPC GND	OPC GNG=Organic Photo-Conductive-Ground
IPR-GROUND PLATE SCF	SCF=Second Cassette Feeder(Tray2)
PBA SUB-PTL	PBA SUB-PTL=>Sub Printed circuit Board Assembly for the PTL(= Pre Transfer Lamp)
PBA SUB-FEED+P.EMP SEN.	PBA SUB-FEED=>Sub Printed circuit Board Assembly for the feeder EMP SEN=Empty Sensor
MOTOR STEP-MCK2(MAIN)	
GEAR-EXIT/U	EXIT/U=EXIT/Upper
GEAR-RDCN FEED INNER	RDCN=Reduction
CBF-HARNESS-MAIN-THV WIRE	THV =Transfer High Voltage
CBF-HARNESS-MAIN-MHV WIRE	MHV= High Voltage(Charge Voltage)

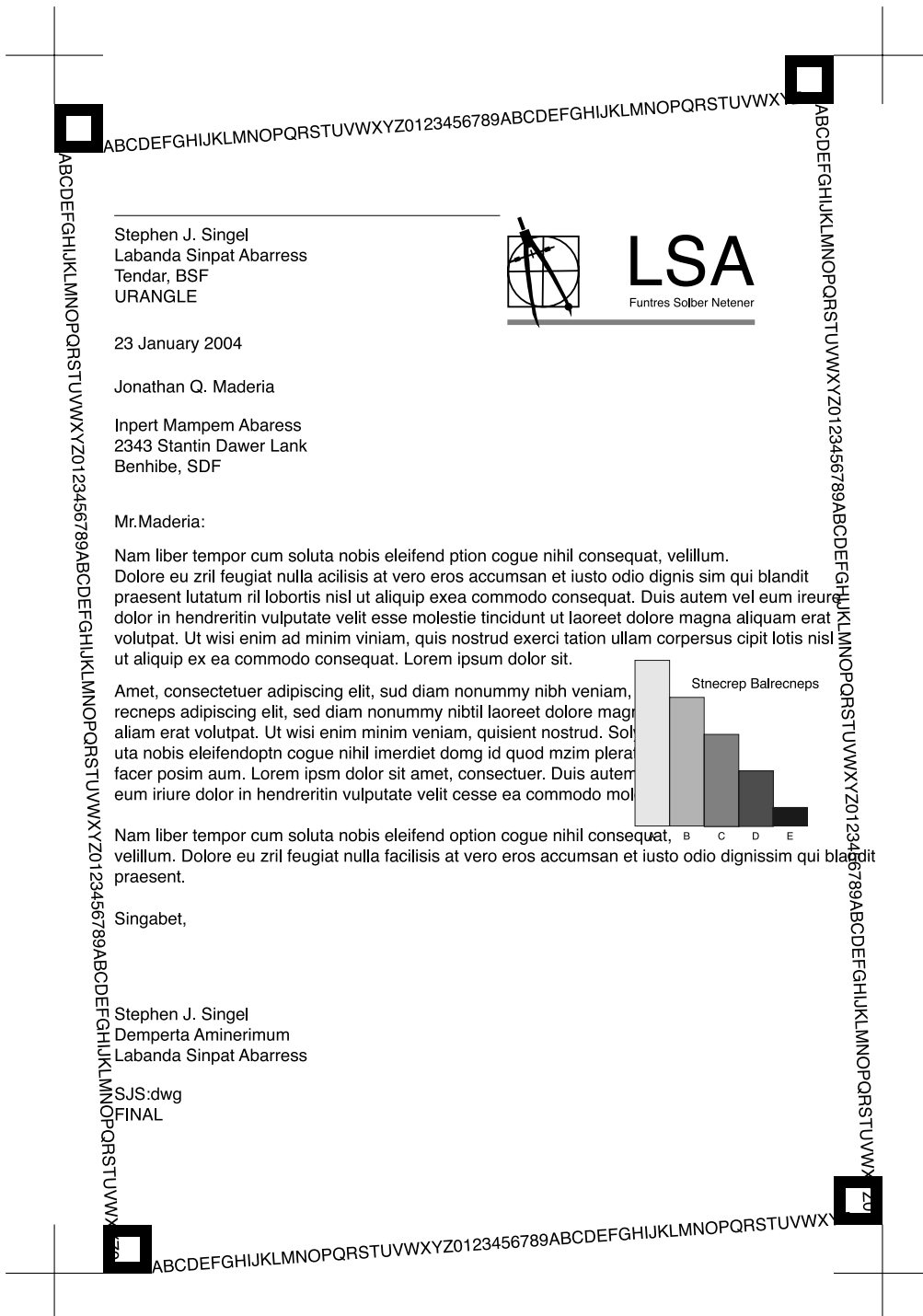
ACRONYM	EXPLANATION
GEAR-EXIT/U, ID	U=Upper ID=Idler
IPR-TERMINAL FU	FU=Fuser
PMO-BEARING H/R-F	H/R-F=Heat Roller - Front
BEARING-H/R L	H/R-L=Heat Roller -Left
PEX-ROLLER EXIT F_UP	PEX= Processing Extrude F_UP=Face Up
SPRING ETC-P/R	P/R=Pressure Roller
SPRING(R)-CAU-HOT-FU	CAU-HOT-FU = Caution Hot -Fuser
PMO-ARM ACTUATOR	PMO-ARM= Processing Mold Arm
LABEL(R)-HV FUSER	HV=High Voltage (220V)
LABEL(R)-LV FUSER	LV=Low Voltage (110V)
PPR-SPONG SHEET	PPR=Plastic Press
IPR-P_PINCH(SCAN)I	PR-P = Iron Press
ROLLER-REGI	REGI=Registration
PBA SUB-REGI	PBA SUB-REGI => Sub Printed circuit Board Assembly for the Registration
GROUND-P_SCAN ROLLER	GROUND-P =Ground-Press
IPR-GUARD C/O S/W	C/O = Cover Open S/W= Switch
MEA UNIT-TX STACKER	TX =Transmit
IPR-WASHER SPRING CU	CU=Curve

6.3 The Sample Pattern for the Test

The sample pattern shown in below is the standard pattern used in the factory.
 The life of the toner cartridge and the printing speed are measured using the pattern shown below.
 (The image is 70% of the actual A4 size).

6.3.1 A4 ISO 19752 Standard Pattern

This test page is reproduced at 70% of the normal A4 size



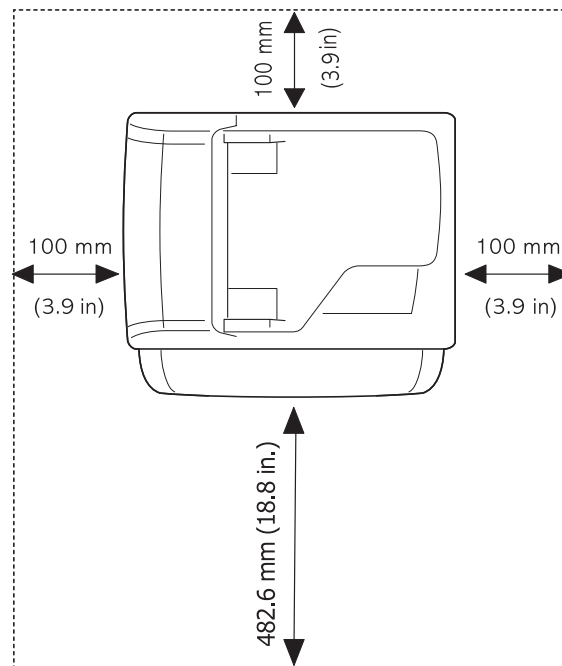
6.4 Selecting a location

Select a level, stable place with adequate space for air circulation. Allow extra space for opening covers and trays.

The area should be well-ventilated and away from direct sunlight or sources of heat, cold, and humidity. Do not set the machine close to the edge of your desk or table.

Clearance space

- Front: 482.6 mm (enough space so that the paper tray can be removed)
- Back: 180 mm (enough space for ventilation)
- Right: 100 mm (enough space for ventilation)
- Left: 100 mm (enough space for ventilation)





Parts Catalog - SCX-5635 Series



- Speed : 33 ppm (A4), 35 ppm (LTR)
- Print Resolution : 600x600 dpi
- Scan Resolution : Enhanced 4800x4800 dpi
- Toner cartridge
 - Initial : 4K
 - Sales : 4K/10K

- Machine Life : 200K or 5 Years
- Paper handling
 - : 250 sheets cassette
 - : 50 sheets MP tray
 - : 250 sheets option cassette

- Memory : 128 MB (Max. 384 MB)
- Duplex printing
- N/W, USB 2.0, EDI, Wireless option
- 4 Line LCD

**This Parts Catalog is a property of Samsung Electronics Co.,Ltd.
Any unauthorized use of this manual can be punished under
applicable International and/or domestic law.**


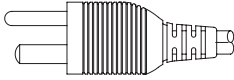
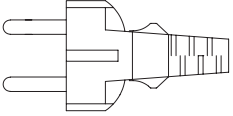
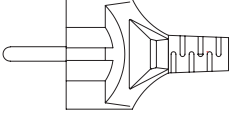
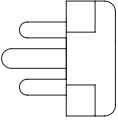
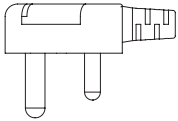
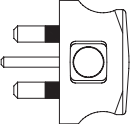
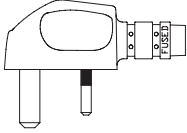
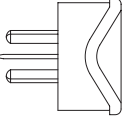
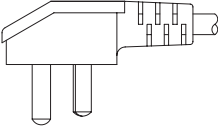
ExplodedView and Parts List

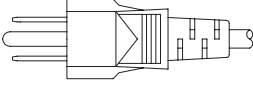
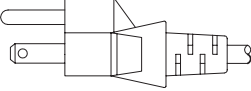
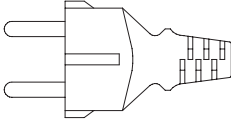
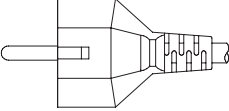
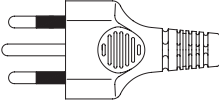
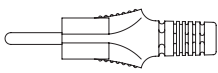
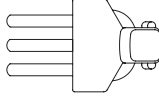
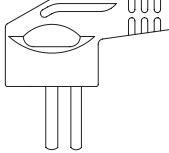
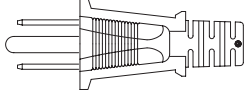
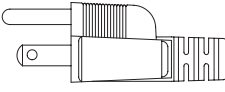
Contents

Power Cord	2	17. ELA HOU-Scan Lower	43
Harness Connection Table	3	18. ELA HOU-Scan Motor	45
Used Screw List	5	19. ELA HOU-OPE	47
Thumbnail 1	7	20. ELA Unit-Main Drive	49
1. Main	10	21. ELA Unit-Duplex Drive	51
2. ELA HOU-Cover	12	22. ELA HOU-Frame	53
3. ELA HOU-Cover Mid	15	23. ELA HOU-Frame Etc.1	55
4. MEA-Cover Front	17	ELA HOU-Frame Etc.2	56
5. MEA-Cover Rear	19	24. ELA HOU-Frame Exit	59
6. ELA HOU-Cover Side R	21	25. ELA HOU-Guide_Dup F	61
7. ELA HOU-Scan	23	26. ELA HOU-MPF	63
8. ELA HOU-ADF	25	27. ELA HOU-Fuser Drive	65
9. MEA-Cover Open	27	28. ELA Unit-Fuser	67
10. MEA Unit-Pick Up	29	29. MEA Unit-Bracket Feed	69
11. MEA-ADF Upper	31	30. MEA Unit-Clutch	71
12. ELA HOU-ADF Lower	33	31. ELA HOU-SMPS_V1/V2	73
13. Drive ADF-Bracket	35	32. MEA Unit-Duplex	75
14. MEA Unit-Cover Platen	37	33. MEA Unit-Cassette	77
15. ELA HOU-Platen	39	34. ELA HOU-SCF	79
16. MEA-Scan Upper	41		

Power Cord

Power Cord differs by countries. Please check your country code.

Top View	Side View	Part Code
		Usable Country Code
		3903-000020
		XAZ
		3903-000042
		SEE / STS / XSA / XSG XSS / XEV / XEG
		3903-000050
		XFA / XIP
		3903-000067
		XEU / XSS
		3903-000082
		XIL

Top View	Side View	Part Code
		Usable Country Code
		3903-000085
		XAA / XAX
		3903-000133
		KOR
		3903-000146
		XBH
		3903-000182
		ETS
		3903-000227
		TED

Harness Connection Table

Ver. 1.04

No.	Parts Code	Description	Connection	Pin		Specification
23	JC39-00536A	CBF HARNESS-ADF UPPER	ADF PBA <-> Main PBA	18P	18P	SCX-5530FN,-,UL 1061,18P,250±10MM,BLACK/RED,#24,3-179694-1,YDH200-18,-,-,-,UL
24	JC39-00887A	HARNESS-F_COVER_OPEN	Main PBA <-> Flat Cover Sensor	3P	3P	SCX-5235ND,-,UL10272,3P/3P,300mm,BLK/GRAY,26AWG,353293-3,173977-3,-,-,-,-,-
25	JC39-01007A	HARNESS-SCAN_MOTOR	Main PBA <-> Scan Motor	4P	4P	SCX-5535ND,-,UL10272,4P / 4P,200MM,BLK/GRAY,26AWG,173977-4,173977-4,-,-,-,-,-
26	JC39-01057A	HARNESS-CCD_HOME	Main PBA <-> CCD_HOME SENSOR	5P	5P	SCX-5635FN,HARNESS,UL10272,5,325,GRAY/BLK,26,173977-3,173977-2,-,-,-,-,UL 10272,-,-
27	JC39-01060A	HARNESS-ADF LOWER	Main PBA <-> ADF PBA	18P	18P	SCX-5635FN,HARNESS,UL10272,18,375,GRAY/BLK,26,3-179694-1,YDH200-18,-,-,-,-,UL 10272,-,-
28	JC39-01061A	HARNESS-SMPS_FAN	Driver PBA <-> SMPS Fan	2P	2P	SCX-5635fN,-,UL10272,2P/2P,350mm,Black / Gray,26AWG,353293-2,173977-2,-,-,-,-,UL 10272,-,-
29	JC39-00863A	HARNESS-ENGINE	Main PBA <-> Driver PBA	28P	28P	SCX-5235ND,-,UL10272,28P/28P,675mm,BLK/GRAY,26AWG,YDH200-28,YDH200-28,-,-,-,-,-
30	JC39-01059A	HARNESS-PAPER_SIZE	Main PBA <-> P_Size Sensor	3P	3P	SCX-5635FN,HARNESS,UL10272,3,150,GRAY/BLK,26,173977-3,-,-,-,-,-,UL 10272,-,-

Used Screw List

Ver. 1.04

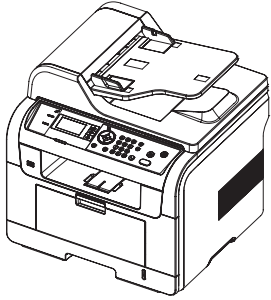
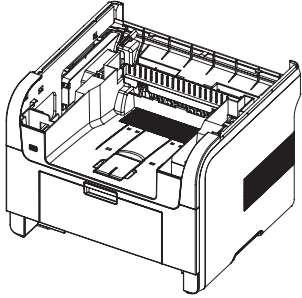
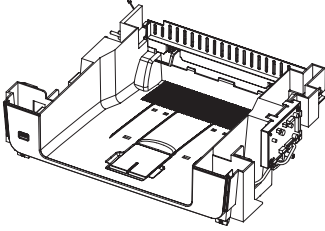
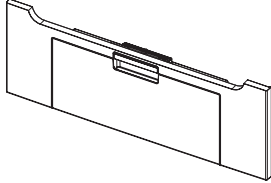
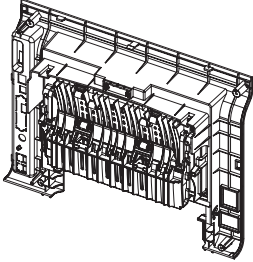
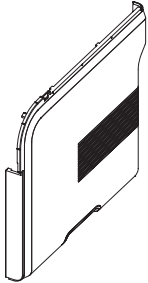
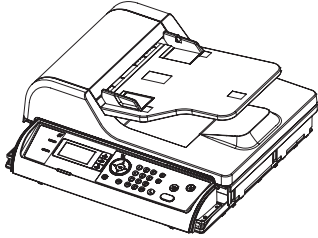
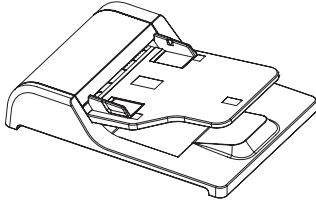
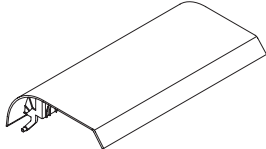
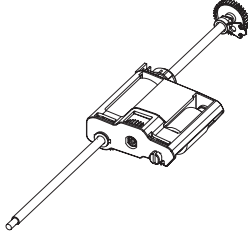
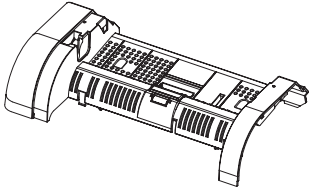
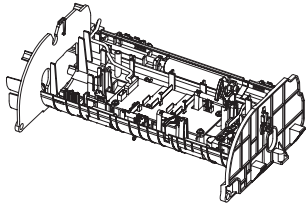
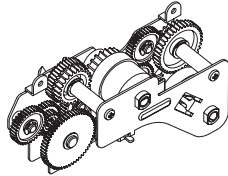
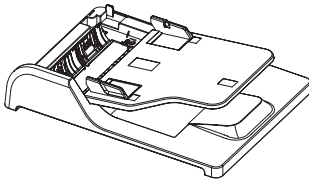
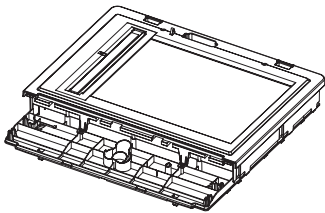
Parts Code	Location	Specification	Qty
6001-000130	ELA UNIT-MAIN DRIVE	SCREW-MACHINE;BH,+,M3,L6,ZPC(WHT),SWRCH18A,-,-	3
	ELA UNIT-DUPLEX DRIVE	SCREW-MACHINE;BH,+,M3,L6,ZPC(WHT),SWRCH18A,-,-	2
6002-000440	ELA HOU-FRAME ETC	SCREW-TAPPING;PWH,+,-,2,M3,L8,ZPC(BLK),SWRCH18A,-	4
	ELA HOU-GUIDE_DUP F (ELA HOU-FRAME ETC)	SCREW-TAPPING;PWH,+,-,2,M3,L8,ZPC(BLK),SWRCH18A,-	1
	HOLDER GLASS + SCAN	SCREW-TAPPING;PWH,+,-,2,M3,L8,ZPC(BLK),SWRCH18A,-	2
6003-000196	ELA HOU-MAIN LINE	SCREW-TAPTITE;PWH,+,B,M3,L10,NI PLT,SWRCH18A	38
	ELA HOU-FRAME	SCREW-TAPTITE;PWH,+,B,M3,L10,NI PLT,SWRCH18A	7
	FUSER-ROLLER	SCREW-TAPTITE;PWH,+,B,M3,L10,NI PLT,SWRCH18A	3
	ELA HOU-FRAME ETC	SCREW-TAPTITE;PWH,+,B,M3,L10,NI PLT,SWRCH18A	34
	FRAME MP+BRACKET FE (ELA HOU-MPF)	SCREW-TAPTITE;PWH,+,B,M3,L10,NI PLT,SWRCH18A	2
	FRAME MP+HOLDER IDL	SCREW-TAPTITE;PWH,+,B,M3,L10,NI PLT,SWRCH18A	2
	FRAME MP+SOLENOID	SCREW-TAPTITE;PWH,+,B,M3,L10,NI PLT,SWRCH18A	1
	ELA HOU-SCAN	SCREW-TAPTITE;PWH,+,B,M3,L10,NI PLT,SWRCH18A	2
	ELA HOU-OPE	SCREW-TAPTITE;PWH,+,B,M3,L10,NI PLT,SWRCH18A	5
	ELA HOU-ADF	SCREW-TAPTITE;PWH,+,B,M3,L10,NI PLT,SWRCH18A	10
	ELA HOU-ADF LOWER	SCREW-TAPTITE;PWH,+,B,M3,L10,NI PLT,SWRCH18A	6
	HINGE + COVER PLATEN	SCREW-TAPTITE;PWH,+,B,M3,L10,NI PLT,SWRCH18A	6
	TX STAXKER + COVER	SCREW-TAPTITE;PWH,+,B,M3,L10,NI PLT,SWRCH18A	3
	ELA HOU-PLATEN	SCREW-TAPTITE;PWH,+,B,M3,L10,NI PLT,SWRCH18A	4
	ELA HOU-SCAN LOWER	SCREW-TAPTITE;PWH,+,B,M3,L10,NI PLT,SWRCH18A	5
	ELA HOU-COVER MID	SCREW-TAPTITE;PWH,+,B,M3,L10,NI PLT,SWRCH18A	7
	CAP SUB ACTUATOR+CO	SCREW-TAPTITE;PWH,+,B,M3,L10,NI PLT,SWRCH18A	1
	KNOB LOCKER+COVER F	SCREW-TAPTITE;PWH,+,B,M3,L10,NI PLT,SWRCH18A	2
	MEA-COVER REAR	SCREW-TAPTITE;PWH,+,B,M3,L10,NI PLT,SWRCH18A	2
	FRAME DUP+BRACKET A (MEA UNIT-DUPLEX)	SCREW-TAPTITE;PWH,+,B,M3,L10,NI PLT,SWRCH18A	2
FRAME DUP+GUIDE UPP (MEA UNIT-DUPLEX)	SCREW-TAPTITE;PWH,+,B,M3,L10,NI PLT,SWRCH18A	4	
MEA UNIT-CASSETTE	SCREW-TAPTITE;PWH,+,B,M3,L10,NI PLT,SWRCH18A	2	
6003-000261	MEA UNIT-CASSETTE	SCREW-TAPTITE;BH,+,-,B,M3,L6,ZPC(WHT),SWRCH18A,-	1
6003-000264	TRAY ASF INPUT UPPE	SCREW-TAPTITE;PWH,+,-,B,M3,L6,ZPC(WHT),SWRCH18A,-	1
	MEA UNIT-CASSETTE	SCREW-TAPTITE;PWH,+,-,B,M3,L6,ZPC(WHT),SWRCH18A,-	1

Used Screw List

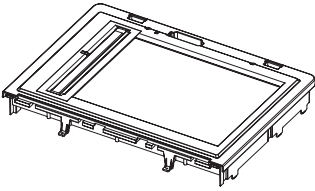
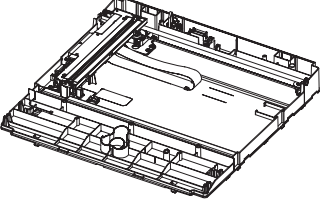
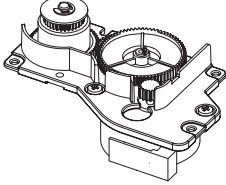
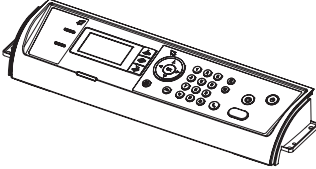
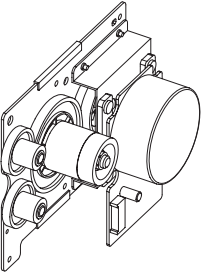
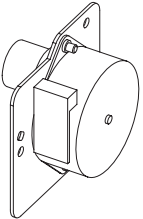
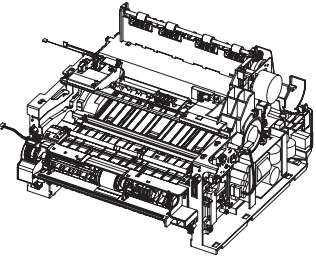
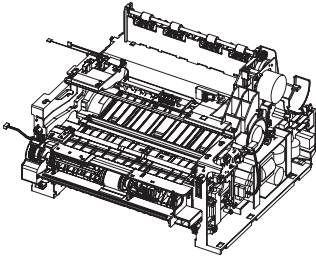
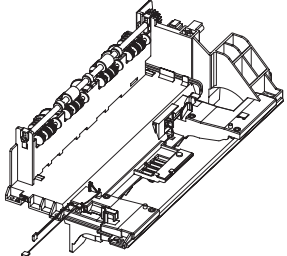
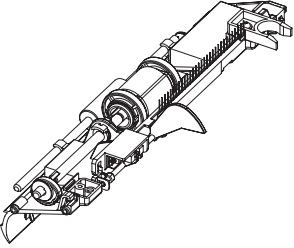
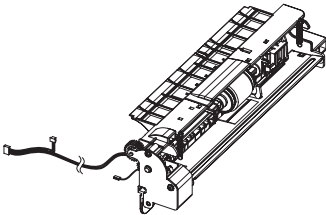
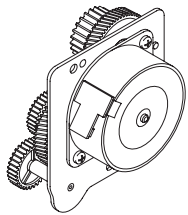
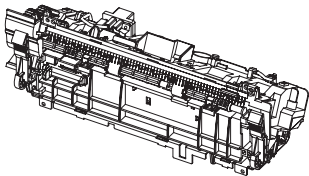
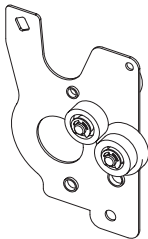
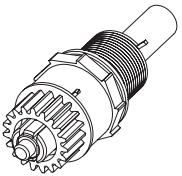
Ver. 1.04

Parts Code	Location	Specification	Qty
6003-000269	ELA UNIT-MAIN DRIVE	SCREW-TAPTITE;BH,+,-,S,M3,L6,ZPC(WHT),SWRCH18A,-	4
	ELA HOU-MAIN LINE	SCREW-TAPTITE;BH,+,-,S,M3,L6,ZPC(WHT),SWRCH18A,-	7
	FUSER-ROLLER	SCREW-TAPTITE;BH,+,-,S,M3,L6,ZPC(WHT),SWRCH18A,-	5
	ELA HOU-FUSER DRIVE	SCREW-TAPTITE;BH,+,-,S,M3,L6,ZPC(WHT),SWRCH18A,-	2
	HVPS+SHIELD HVPS	SCREW-TAPTITE;BH,+,-,S,M3,L6,ZPC(WHT),SWRCH18A,-	3
	ELA HOU-SMPS_V1	SCREW-TAPTITE;BH,+,-,S,M3,L6,ZPC(WHT),SWRCH18A,-	4
	COVER CLUTCH + BRAC	SCREW-TAPTITE;BH,+,-,S,M3,L6,ZPC(WHT),SWRCH18A,-	2
	HARNESS GND + ADF M	SCREW-TAPTITE;BH,+,-,S,M3,L6,ZPC(WHT),SWRCH18A,-	1
	MOTOR ADF + BRACKET	SCREW-TAPTITE;BH,+,-,S,M3,L6,ZPC(WHT),SWRCH18A,-	2
	ELA HOU-ADF LOWER	SCREW-TAPTITE;BH,+,-,S,M3,L6,ZPC(WHT),SWRCH18A,-	1
	ELA HOU-SCAN MOTOR	SCREW-TAPTITE;BH,+,-,S,M3,L6,ZPC(WHT),SWRCH18A,-	2
6003-000282	MEA-TONER KIT	SCREW-TAPTITE;BH,+,-,B,M3,L8,ZPC(BLK),SWRCH18A,-	10
	FUSER-ROLLER	SCREW-TAPTITE;BH,+,-,B,M3,L8,ZPC(BLK),SWRCH18A,-	5
	ELA HOU-FRAME ETC	SCREW-TAPTITE;BH,+,-,B,M3,L8,ZPC(BLK),SWRCH18A,-	5
	EXIT GUIDE (ELA HOU-FRAME ETC)	SCREW-TAPTITE;BH,+,-,B,M3,L8,ZPC(BLK),SWRCH18A,-	3
6003-000301	ELA UNIT-MAIN DRIVE	SCREW-TAPTITE;BH,+,-,S,M4,L6,ZPC(WHT),SWRCH18A,-	4
	ELA HOU-SMPS_V1	SCREW-TAPTITE;BH,+,-,S,M4,L6,ZPC(WHT),SWRCH18A,-	1
6003-001001	MEA-COVER REAR	SCREW-TAPTITE;FH,+B,M3,L8,ZPC(BLK),SWRCH18A	1
6003-001256	ELA HOU-MAIN LINE	SCREW-TAPTITE;BH,+B,M4,L10,NI PLT,SWRCH18A	4
6006-001078	ELA HOU-FRAME ETC	SCREW-TAPTITE;PH,+WSP,B,M3,L10,ZPC(WHT),SWRCH18A,-	3
6009-001492	ELA HOU-MAIN LINE	SCREW-HEX;HWH,+M3,L8,NI PLT,SWRCH18A,S,RF	2

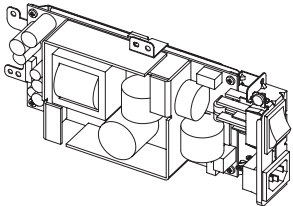
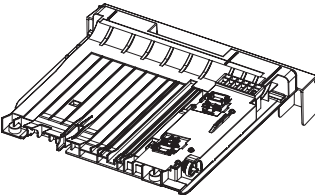
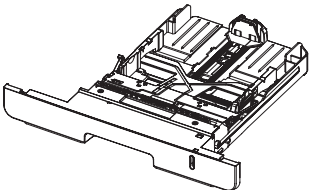
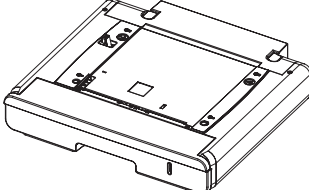
Tumbnail 1

				
<p>1. Main</p>	<p>2. ELA HOU-Cover</p>	<p>3. ELA HOU-Cover Mid</p>	<p>4. MEA-Cover Front</p>	<p>5. MEA-Cover Rear</p>
				
<p>6. ELA HOU-Cover Side R</p>	<p>7. ELA HOU-Scan</p>	<p>8. ELA HOU-ADF</p>	<p>9. MEA-Cover Open</p>	<p>10. MEA Unit-Pick Up</p>
				
<p>11. MEA-ADF Upper</p>	<p>12. ELA HOU-ADF Lower</p>	<p>13. Drive ADF-Bracket</p>	<p>14. MEA Unit-Cover Platen</p>	<p>15. ELA HOU-Platen</p>

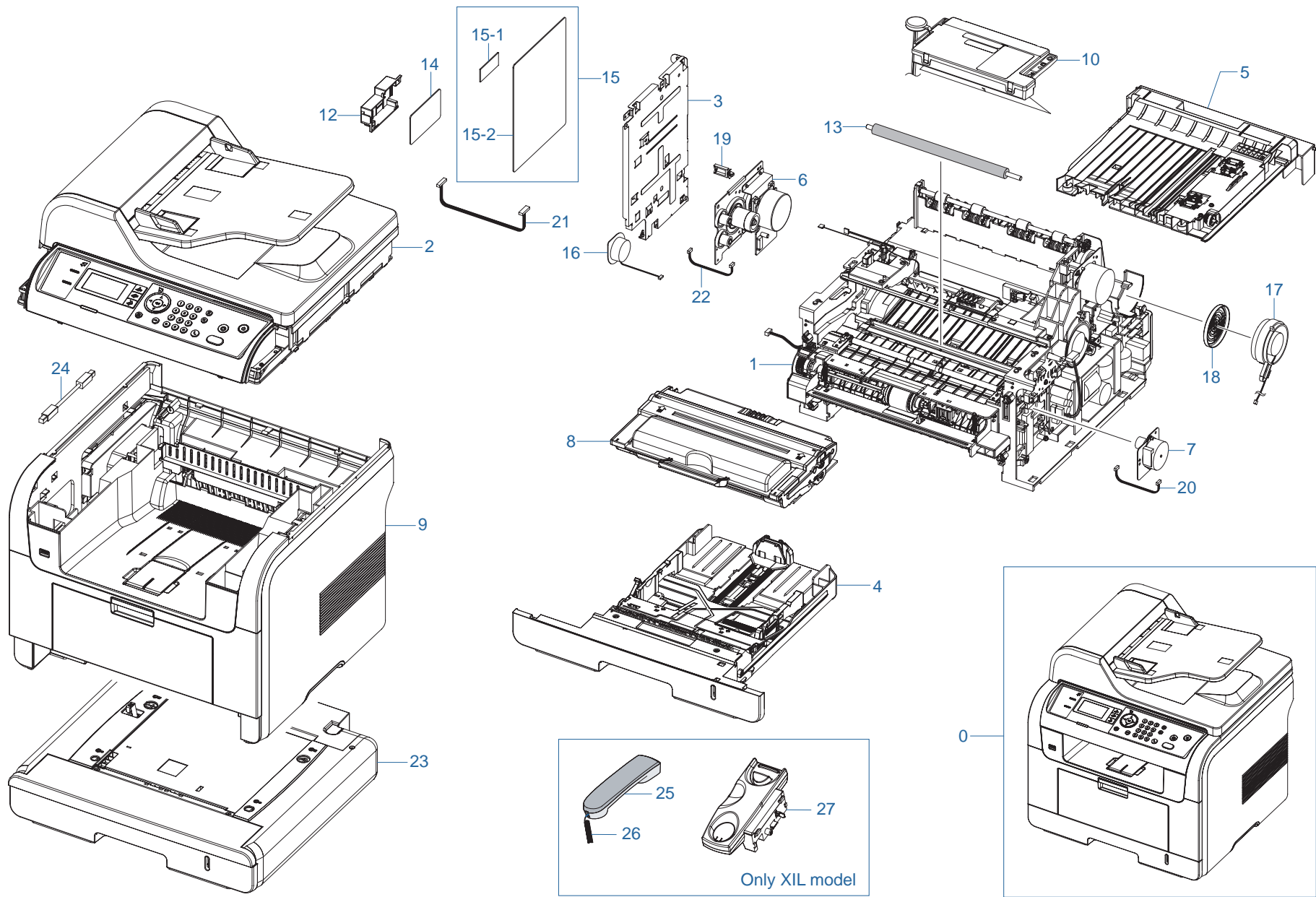
Tumbnail 2

				
<p>16. MEA-Scan Upper</p>	<p>17. ELA HOU-Scan Lower</p>	<p>18. ELA HOU-Scan Motor</p>	<p>19. ELA HOU-OPE</p>	<p>20. ELA Unit-Main Drive</p>
				
<p>21. ELA Unit-Duplex Drive</p>	<p>22. ELA HOU-Frame</p>	<p>23. ELA HOU-Frame Etc</p>	<p>24. ELA HOU-Frame Exit</p>	<p>25. ELA HOU-Guide_Dup F</p>
				
<p>26. ELA HOU-MPF</p>	<p>27. ELA HOU-Fuser Drive</p>	<p>28. ELA Unit-Fuser</p>	<p>29. MEA Unit-Bracket Feed</p>	<p>30. MEA Unit-Clutch</p>

Thumbnail 3

			
<p>31. ELA HOU-SMPS_V1/V2</p>	<p>32. MEA Unit-Duplex</p>	<p>33. MEA Unit-Cassette</p>	<p>34. ELA HOU-SCF</p>

1. Main



Main Parts List

Ver. 1.04

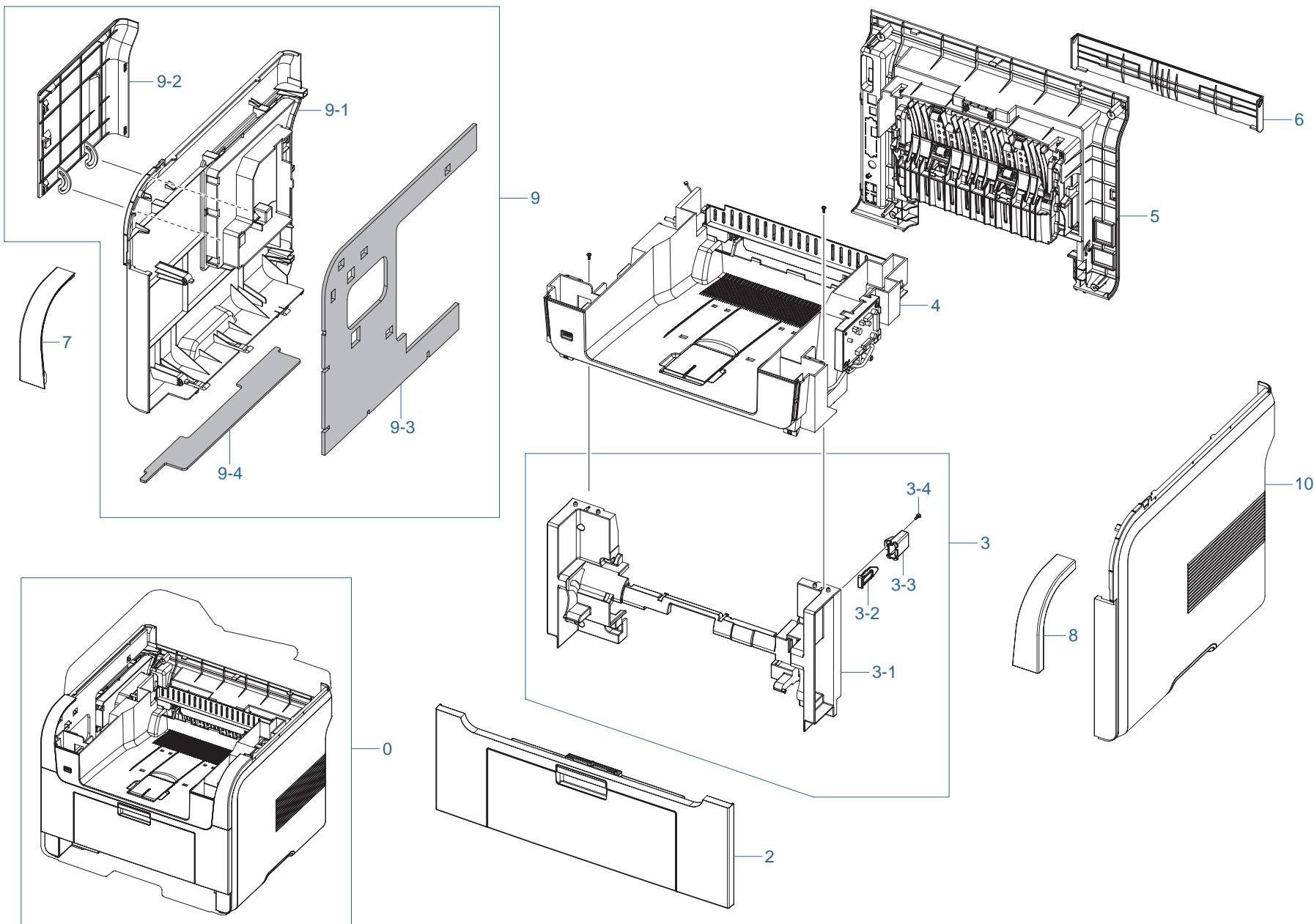
SA : SERVICE AVAILABLE, SNA : SERVICE not AVAILABLE

Drawer#	SEC_Code	Description	QT'y	Service	Remark
0	SCX-5635FN SCX-5635HN	SET	1		
1	JC96-05516A	ELA HOU-FRAME	1	SNA	110V
1	JC96-05517A	ELA HOU-FRAME	1	SNA	220V
2	JC96-05521A	ELA HOU-SCAN	1	SNA	
2	JC96-05521B	ELA HOU-SCAN	1	SNA	5635HN/XIL
3	JC63-02126A	SHIELD-CONTROLLER	1	SA	
4	JC97-03554A	MEA UNIT-CASSETTE	1	SNA	
5	JC97-02393A	MEA UNIT-DUPLEX	1	SA	
6	JC96-03761B	ELA UNIT-MAIN DRIVE	1	SA	
7	JC96-03762B	ELA UNIT-DUPLEX DRIVE	1	SA	
8	JC96-04964W	CARTRIDGE-TONER	1	SNA	
9	JC96-05523A	ELA HOU-COVER	1	SNA	
9	JC96-05523B	ELA HOU-COVER	1	SNA	5635HN/XIL
10	JC59-00027A	UNIT-LSU	1	SA	
12	JC63-01677A	COVER-FAX	1	SA	
13	JC66-02017A	ROLLER-TRANSFER	1	SA	
14	JC92-02106A	PBA-FAX CARD	1	SA	5635HN/XIL
14	JC92-02060B	PBA-FAX CARD	1	SA	SEE, XEC

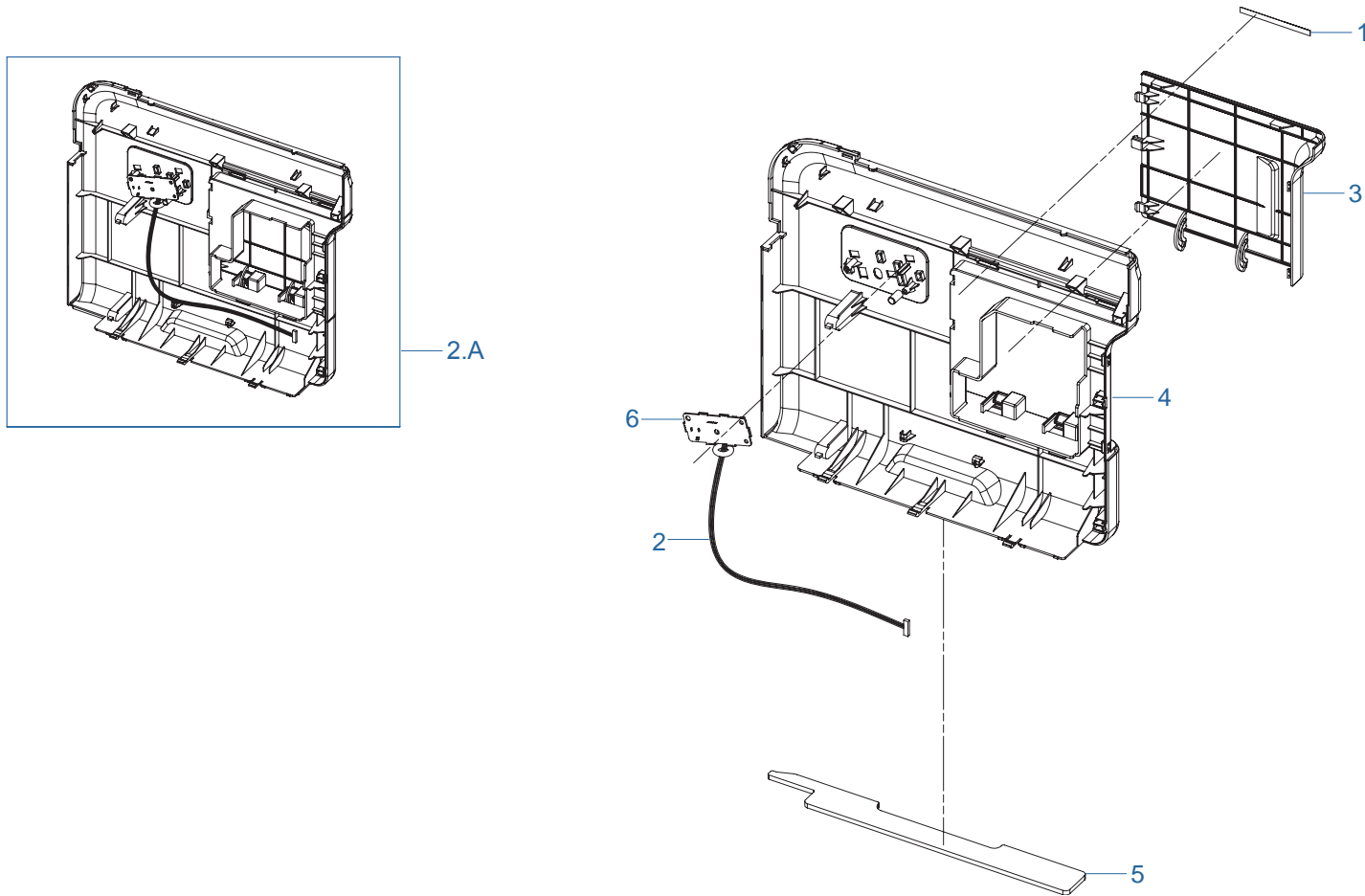
Drawer#	SEC_Code	Description	QT'y	Service	Remark
14	JC92-02060C	PBA-FAX CARD P	1	SA	Other
15	JC96-05483A	ELA UNIT-MAIN	1	SNA	
15	JC96-05483B	ELA UNIT-MAIN	1	SNA	5635HN/XIL
15-1	JC92-01923A	PBA-RAM DIMM	1	SA	
15-2	JC92-02108A	PBA-MAIN	1	SA	Other
15-2	JC92-02108B	PBA-MAIN	1	SA	5635HN/XIL
15-2	JC92-02108C	PBA-MAIN	1	SA	XEC
16	3001-002262	SPEAKER	1	SA	
17	JC31-00087A	FAN-DC	1	SA	
18	JC63-01778A	COVER-FAN_DC	1	SA	
19	6502-001093	CABLE CLAMP	1	SNA	
20	JC39-01003A	HARNESS-DUPLEX_MOTOR	1	SA	
21	JC39-00883A	HARNESS-FAX	1	SA	
22	JC39-00869A	HARNESS-BLDC	1	SA	
23	JC90-00904A	SCF-MAIN	1	SNA	Option Unit
24	JC39-01038A	HARNESS-USB HOST	1	SA	
25	JC98-01018A	HANDSET ASSY	1	SA	5635HN/XIL
26	JB39-00182E	CURL CORD	1	SA	5635HN/XIL
27	JC97-03569A	MEA UNIT_CRADLE	1	SA	5635HN/XIL

2. ELA HOU-Cover

Ver. 1.04



2.A COVER SIDE L (Only XIL model)



ELA HOU-Cover Parts List

Ver. 1.04

SA : SERVICE AVAILABLE, SNA : SERVICE not AVAILABLE

Drawer#	SEC_Code	Description	QT'y	Service	Remark
0	JC96-05523A	ELA HOU-COVER	1	SNA	
2	JC97-02420A	MEA-COVER FRONT	1	SA	
3	JC97-02419A	MEA-COVER MID FRONT	1	SA	
3-1	JC63-00935A	COVER-M_MID FRONT	1	SNA	
3-2	JC72-01339A	PMO-M-SUB ACTUATOR	1	SNA	
3-3	JC67-00068C	CAP-M_SUB ACTUATOR	1	SNA	
3-4	6003-000196	SCREW-TAPTITE	1	SA	
4	JC96-05522A	ELA HOU-COVER MID	1	SNA	
5	JC97-03555A	MEA-COVER REAR	1	SA	

Drawer#	SEC_Code	Description	QT'y	Service	Remark
6	JC63-01464A	COVER-FRAME DUP	1	SA	
7	JC63-00934A	COVER-M_LEFT UPPER	1	SA	
8	JC63-00933A	COVER-M_RIGHT UPPER	1	SA	
9	JC97-03552A	MEA-COVER SIDE L	1	SA	
9-1	JC63-00929A	COVER-M_SIDE L	1	SNA	
9-2	JC63-00930A	COVER-M_DIMM	1	SNA	
9-3	JC72-01535A	SPONGE-COVER SIDE L	1	SNA	
9-4	JC72-01533A	SPONGE-SIDE BOTTOM L	1	SNA	
10	JC96-05518A	ELA HOU-COVER SIDE R	1	SA	

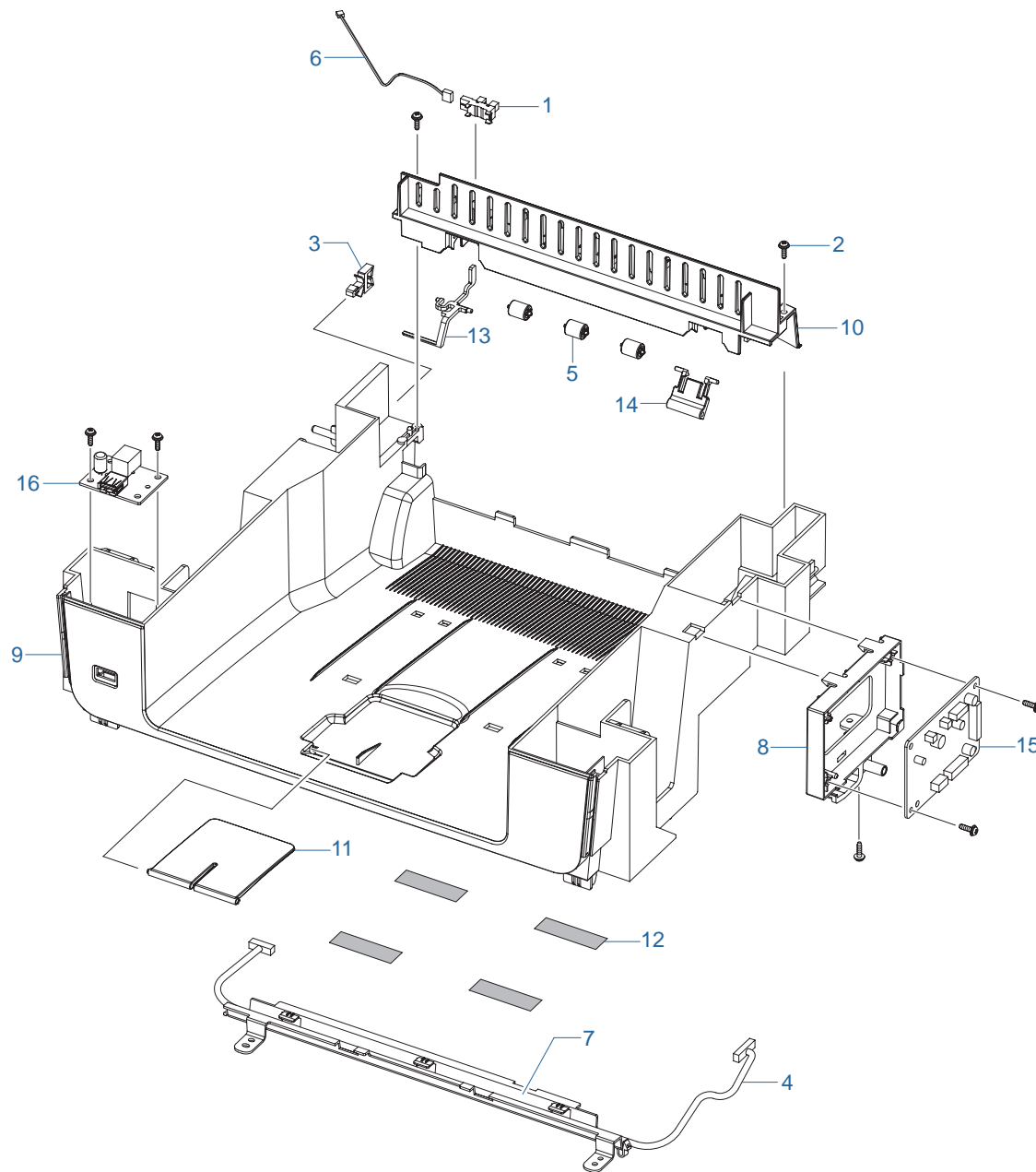
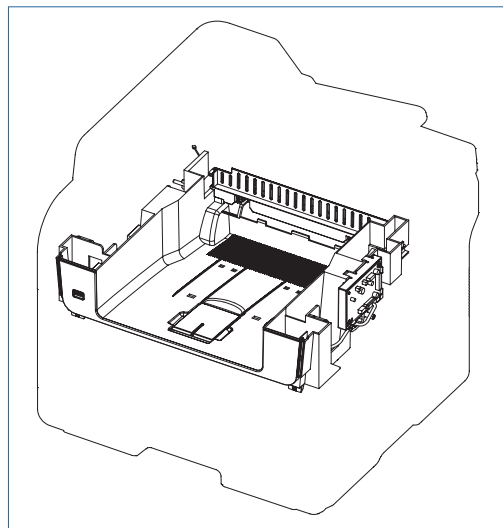
2.A COVER SIDE L (Only XIL model) Parts List

SA : SERVICE AVAILABLE, SNA : SERVICE not AVAILABLE

Drawer#	SEC_Code	Description	QT'y	Service	Remark
0	JC97-03552B	MEA-COVER SIDE L	1	SA	5635HN/XIL
1	0203-001159	TAPE-FILAMENT	1	SNA	
2	JC39-01054A	HARNES-HOOK	1	SA	
3	JC63-00930A	COVER-M_DIMM	1	SNA	

Drawer#	SEC_Code	Description	QT'y	Service	Remark
4	JC63-02122A	COVER-SIDE L	1	SNA	
5	JC72-01533A	SPONGE-SIDE BOTTOM L	1	SNA	
6	JC92-02100A	PBA-HOOK	1	SA	

3. ELA HOU-Cover Mid



ELA HOU-Cover Mid Parts List

Ver. 1.04

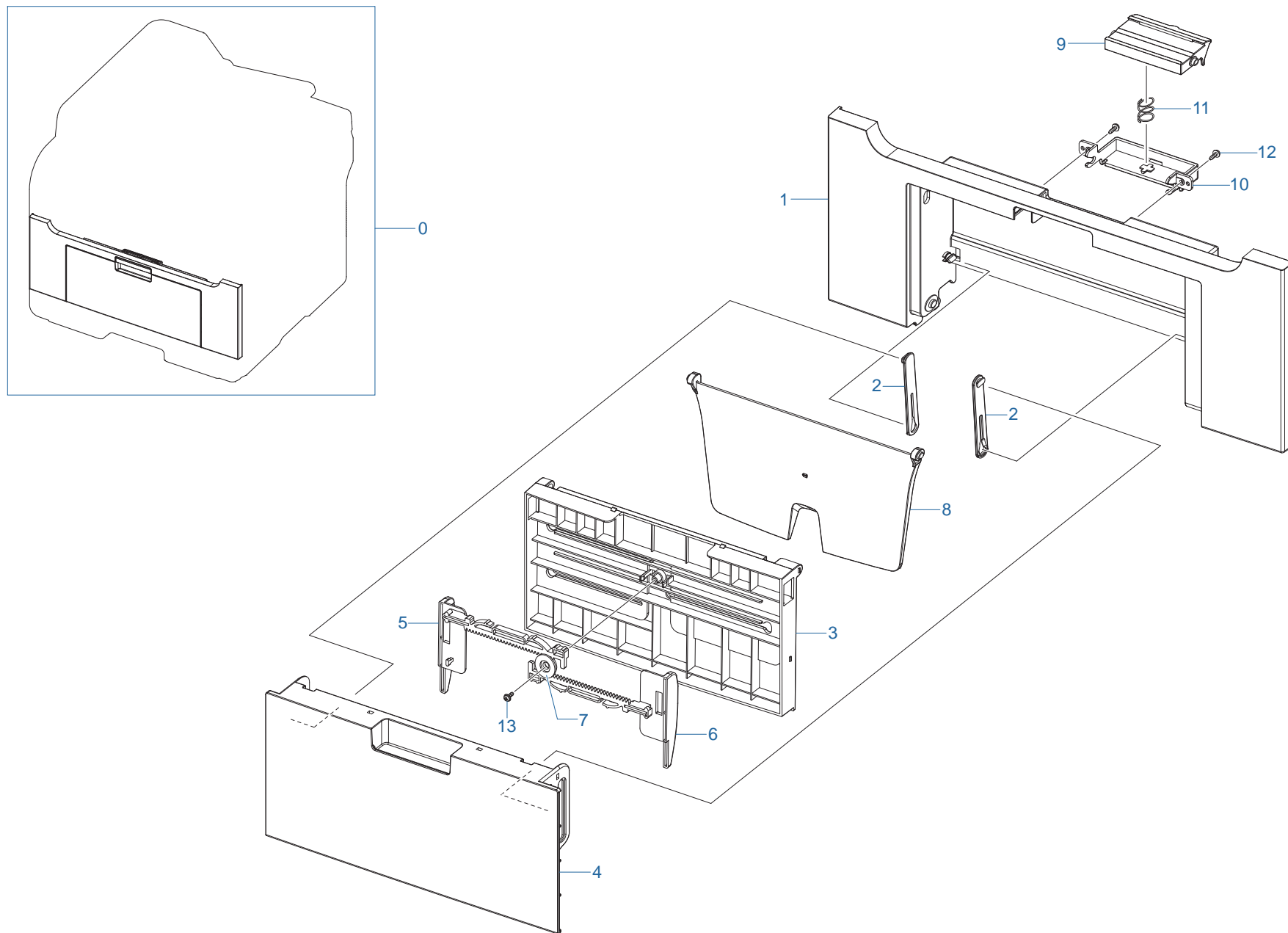
SA : SERVICE AVAILABLE, SNA : SERVICE not AVAILABLE

Drawer#	SEC_Code	Description	QT'y	Service	Remark
0	JC96-05522A	ELA HOU-COVER MID	1	SNA	
1	0604-001095	PHOTO-INTERRUPTER	1	SA	
2	6003-000196	SCREW-TAPTITE	7	SA	
3	6502-000132	CABLE CLAMP	1	SNA	
4	JC39-00863A	HARNESS-ENGINE	1	SA	
5	JC72-40981A	PMO-ROLLER UPPER DP	3	SA	
6	JC39-01059A	HARNESS-PAPER_SIZE	1	SA	
7	JC61-02828A	HOLDER-HANRNESS MIDDLE	1	SA	
8	JC61-02829A	HOLDER-PBA DRIVE	1	SA	

Drawer#	SEC_Code	Description	QT'y	Service	Remark
9	JC63-00927D	COVER-M_MIDDLE	1	SNA	
10	JC63-00938A	COVER-M_REAR UPPER	1	SA	
11	JC63-00944A	COVER-M_STACKER RX	1	SA	
12	JC63-02188A	SHEET-DUMMY MIDDLE	4	SNA	
13	JC66-02107A	ACTUATOR-BIN FULL	1	SNA	
14	JC72-01001A	PMO-SUB STACKER	1	SA	
15	JC92-02096A	PBA-DRIVER	1	SA	
16	JC92-02110A	PBA-USB HOST	1	SA	

4. MEA-Cover Front

Ver. 1.04



MEA-Cover Front Parts List

Ver. 1.04

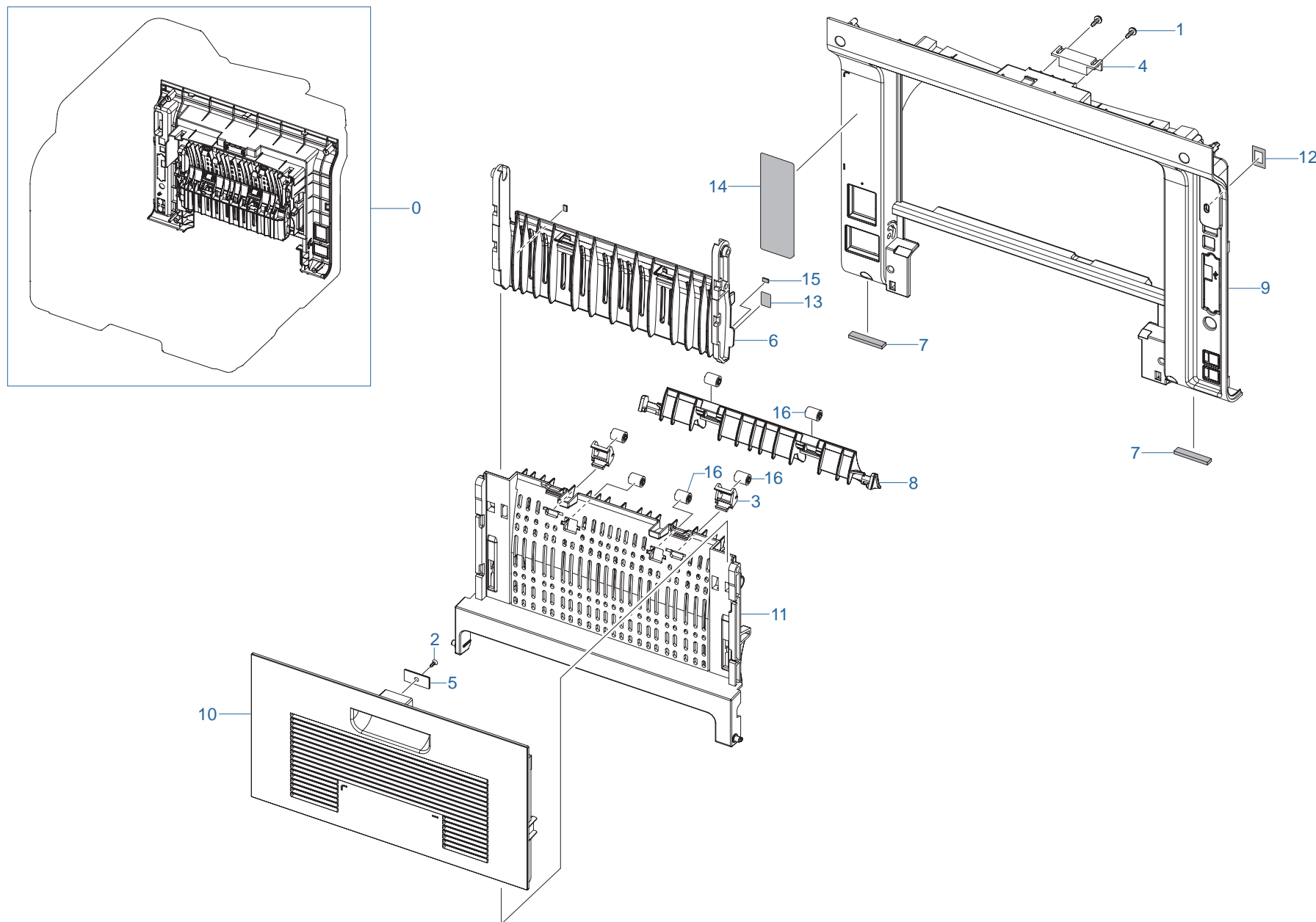
SA : SERVICE AVAILABLE, SNA : SERVICE not AVAILABLE

Drawer#	SEC_Code	Description	QT'y	Service	Remark
0	JC97-02420A	MEA-COVER FRONT	1	SA	
1	JC63-00932A	COVER-M_FRONT	1	SNA	
2	JC63-00444A	TRAY-M-LINK_MP	2	SA	
3	JC63-00446E	TRAY-M-ASF_INPUT UPPER	1	SC	
4	JC63-00945A	TRAY-M-ASF_INPUT	1	SNA	
5	JC70-00479D	ADJUST-M_MP R	1	SNA	
6	JC70-00478D	ADJUST-M_MP L	1	SNA	

Drawer#	SEC_Code	Description	QT'y	Service	Remark
7	JG66-40003A	GEAR-PINION	1	SA	
8	JC63-00447E	TRAY-M-ASF_FOLDER	1	SC	
9	JC64-00154C	KNOB-M_LOCKER	2	SA	
10	JC61-00953D	HOLDER-M_LOCKER	1	SC	
11	JG61-70549A	SPRING ETC-CIS(C2)	1	SA	
12	6003-000196	SCREW-TAPTITE	2	SA	
13	6003-000264	SCREW-TAPTITE	1	SNA	

5. MEA-Cover Rear

Ver. 1.04



ME-A-Cover Rear Parts List

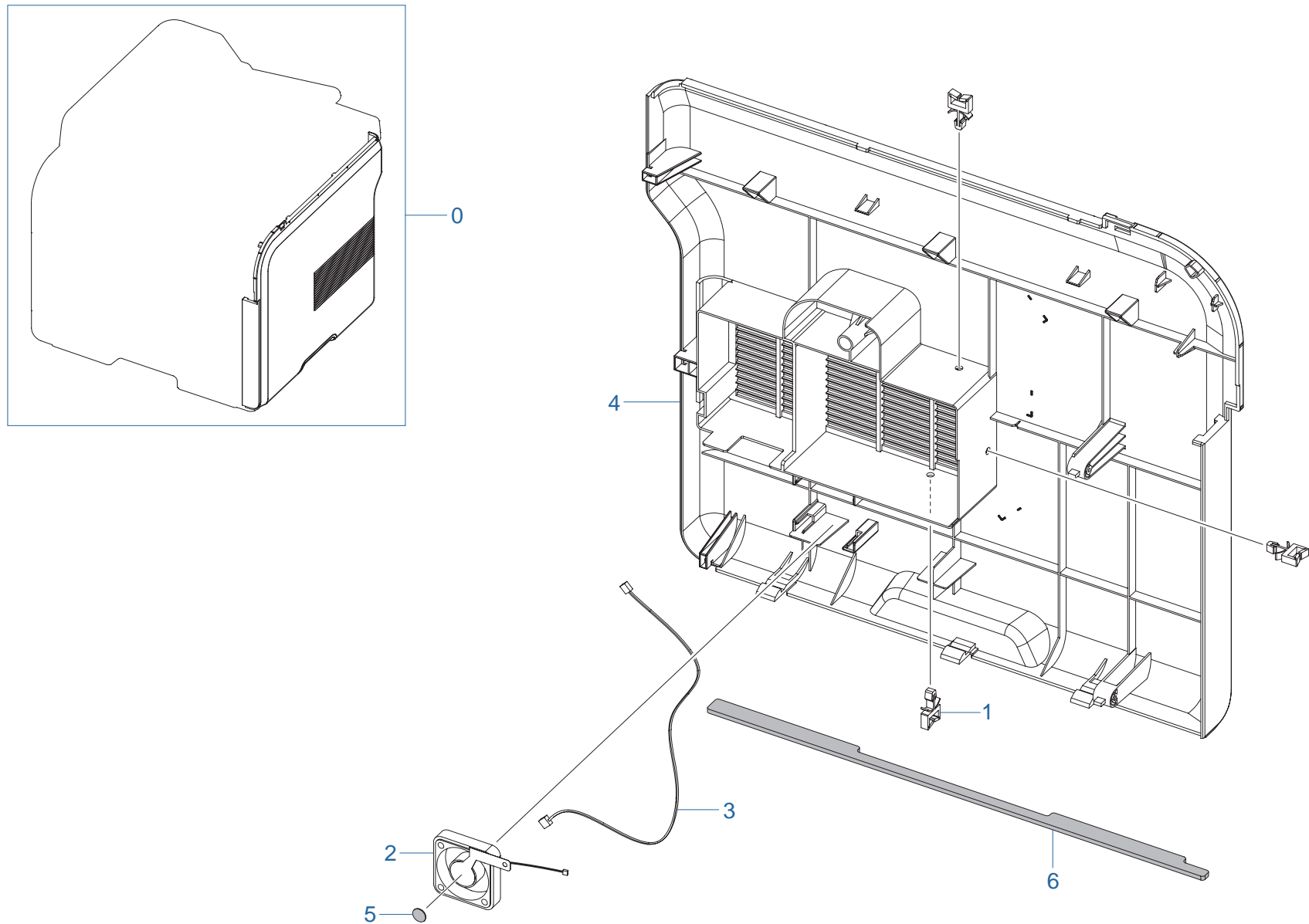
Ver. 1.04

SA : SERVICE AVAILABLE, SNA : SERVICE not AVAILABLE

Drawer#	SEC_Code	Description	QT'y	Service	Remark
0	JC97-03555A	MEA-COVER REAR	1	SA	
1	6003-000196	SCREW-TAPTITE	2	SA	
2	6003-001001	SCREW-TAPTITE	1	SNA	
3	JC61-00785A	HOLDER-M-IDLE ROLLER	2	SA	
4	JC61-00961A	MAGNET-CATCH DELL	1	SNA	
5	JC61-00962A	PLATE-MAGNET CATCH	1	SNA	
6	JC61-01583A	GUIDE-OUTPUT FUSER	1	SNA	
7	JC72-01536A	SPONGE-COVER REAR	2	SNA	
8	JC61-01944A	GUIDE-OUTPUT F UPPER	1	SNA	

Drawer#	SEC_Code	Description	QT'y	Service	Remark
9	JC63-00931F	COVER-REAR	1	SNA	
10	JC63-00936A	COVER-M_FACE UP	1	SNA	
11	JC63-02376A	COVER-REAR STACKER	1	SA	
12	JC63-01098A	SHEET-WNPC	1	SNA	
13	JC68-01669A	LABEL(R)-FUSER	1	SNA	
14	JC68-01668E	LABEL-INFORMATION	1	SNA	
15	JC72-01403A	SPONGE-GUIDE OUTPUT	2	SNA	
16	JC72-40981A	PMO-ROLLER UPPER DP	6	SA	

6. ELA HOU-Cover Side R



ELA HOU-Cover Side R Parts List

Ver. 1.04

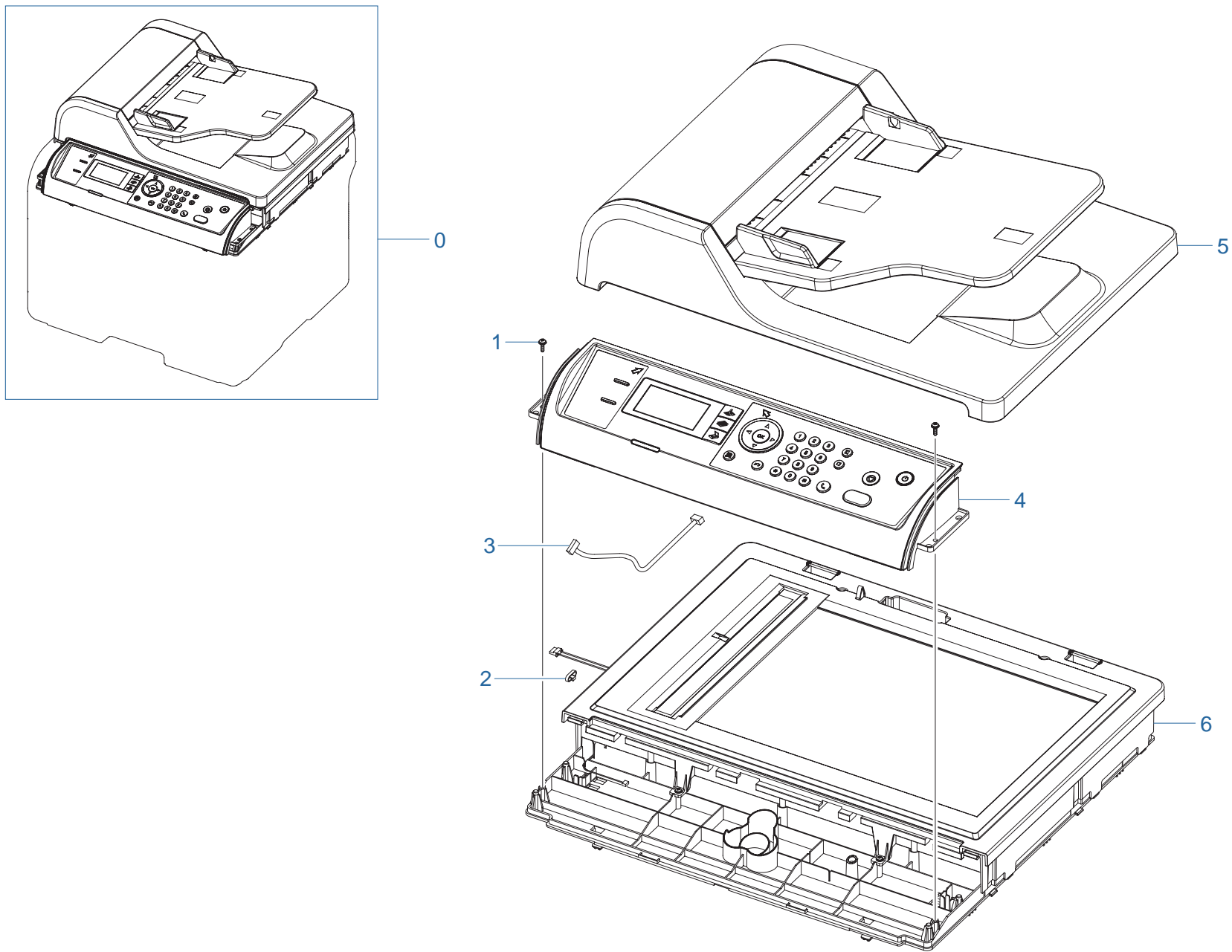
SA : SERVICE AVAILABLE, SNA : SERVICE not AVAILABLE

Drawer#	SEC_Code	Description	QT'y	Service	Remark
0	JC96-05518A	ELA HOU-COVER SIDE R	1	SA	
1	6502-000132	CABLE CLAMP	3	SNA	
2	JC31-00108A	FAN	1	SA	
3	JC39-01061A	HARNESS-SMPS_FAN	1	SA	

Drawer#	SEC_Code	Description	QT'y	Service	Remark
4	JC63-00928A	COVER-M_SIDE R	1	SA	
5	JC68-01760A	LABEL-INFORMATION	1	SNA	
6	JC72-01534A	SPONGE-SIDE BOTTOM R	1	SNA	

7. ELA HOU-Scan

Ver. 1.04



ELA HOU-Scan Parts List

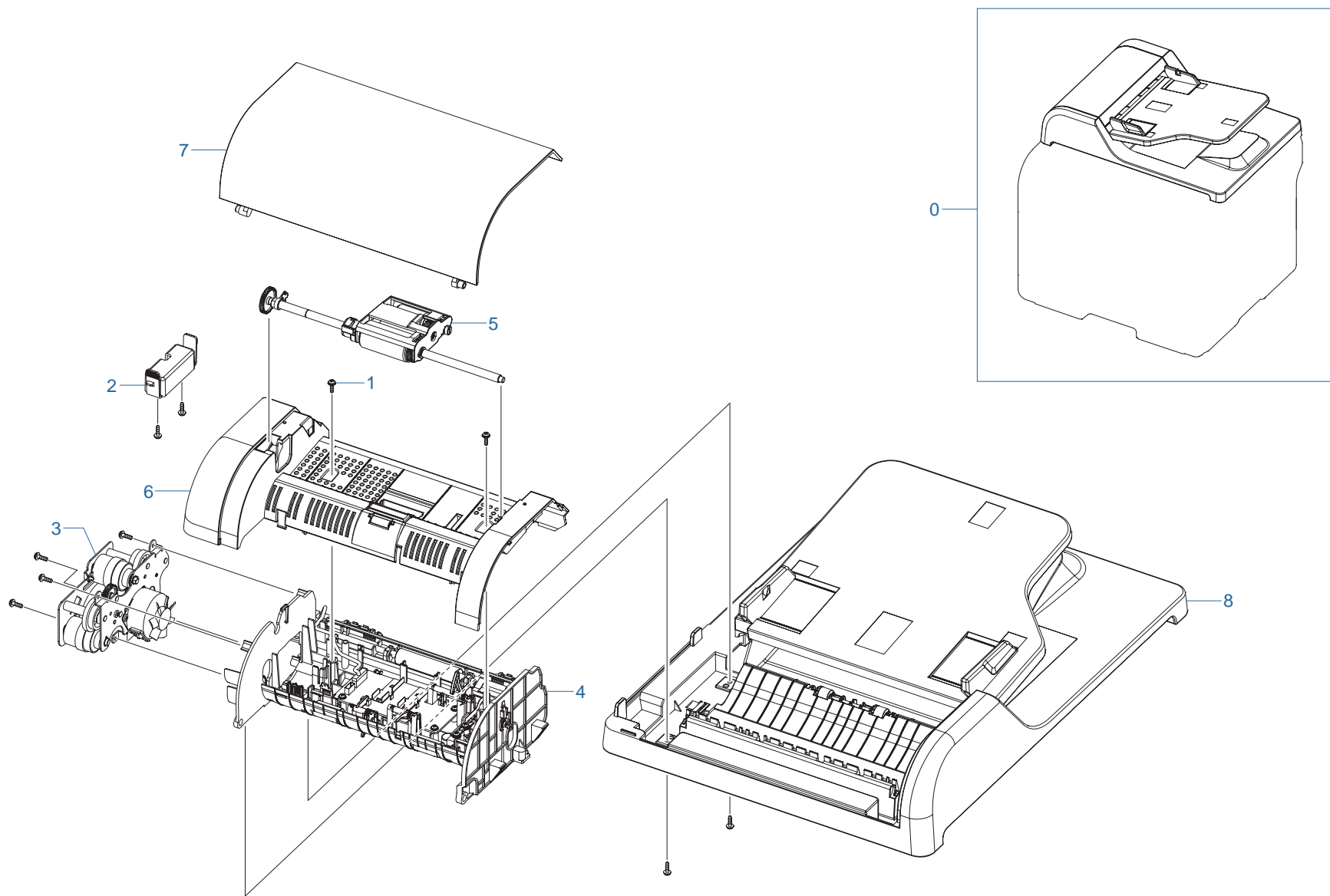
Ver. 1.04

SA : SERVICE AVAILABLE, SNA : SERVICE not AVAILABLE

Drawer#	SEC_Code	Description	QT'y	Service	Remark
0	JC96-05521A	ELA HOU-SCAN	1	SNA	
0	JC96-05521B	ELA HOU-SCAN	1	SNA	5635HN/XIL
1	6003-000196	SCREW-TAPTITE	2	SA	
2	6501-000004	CABLE TIE	1	SA	
3	JC39-01056A	HARNESS-OPE	1	SA	

Drawer#	SEC_Code	Description	QT'y	Service	Remark
4	JC96-05520A	ELA HOU-OPE	1	SNA	
4	JC96-05520B	ELA HOU-OPE	1	SNA	5635HN/XIL
5	JC96-05549A	ELA HOU-ADF	1	SNA	
6	JC96-05551A	ELA HOU-PLATEN	4	SNA	

8. ELA HOU-ADF



ELA HOU-ADF Parts List

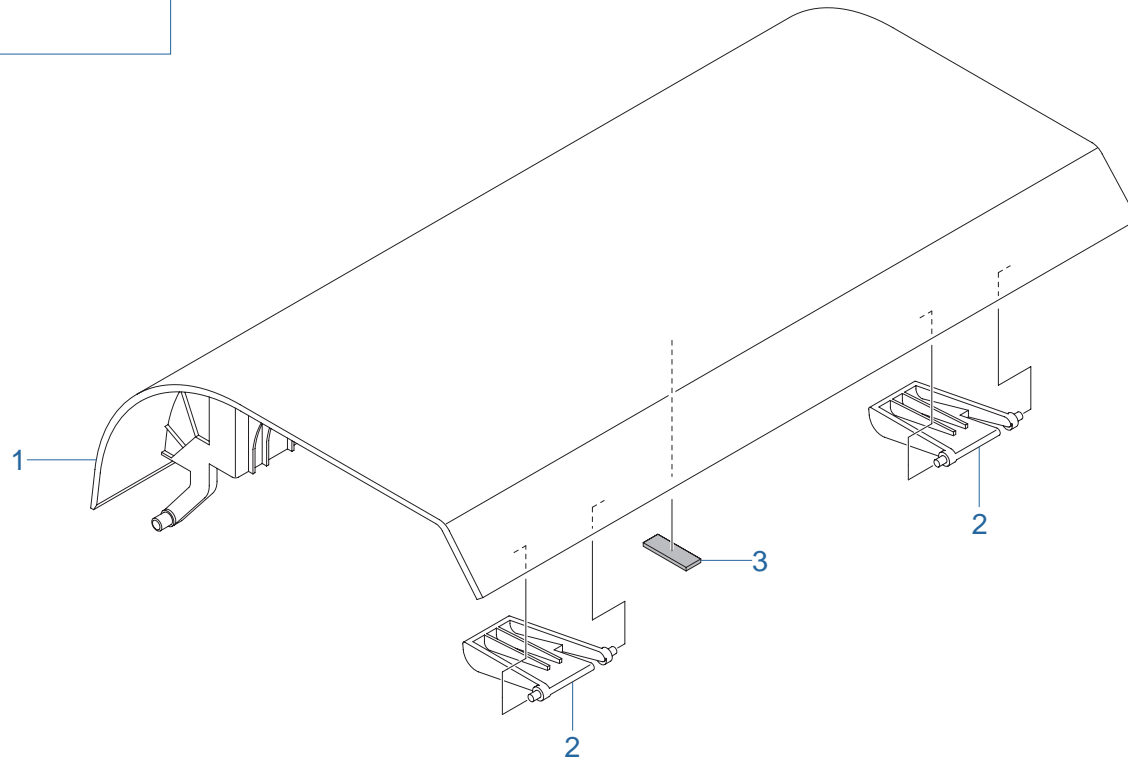
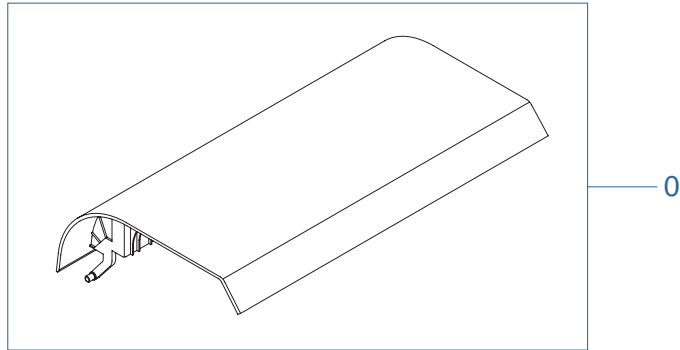
Ver. 1.04

SA : SERVICE AVAILABLE, SNA : SERVICE not AVAILABLE

Drawer#	SEC_Code	Description	QT'y	Service	Remark
0	JC96-05549A	ELA HOU-ADF	1	SNA	
1	6003-000196	SCREW-TAPTITE	10	SA	
2	JC63-00998A	COVER-M_ADF CONNECTOR	1	SNA	
3	JC93-00042A	ELA HOU-ADF MOTOR	1	SA	
4	JC96-05548A	ELA HOU-ADF LOWER	1	SNA	

Drawer#	SEC_Code	Description	QT'y	Service	Remark
5	JC97-01962C	MEA UNIT-PICKUP	1	SA	
6	JC97-02410A	MEA-ADF UPPER	1	SNA	
7	JC97-02411A	MEA-COVER OPEN	1	SA	
8	JC97-02416C	MEA UNIT-COVER PLATEN	1	SA	

9. MEA-Cover Open



MEA-Cover Open Parts List

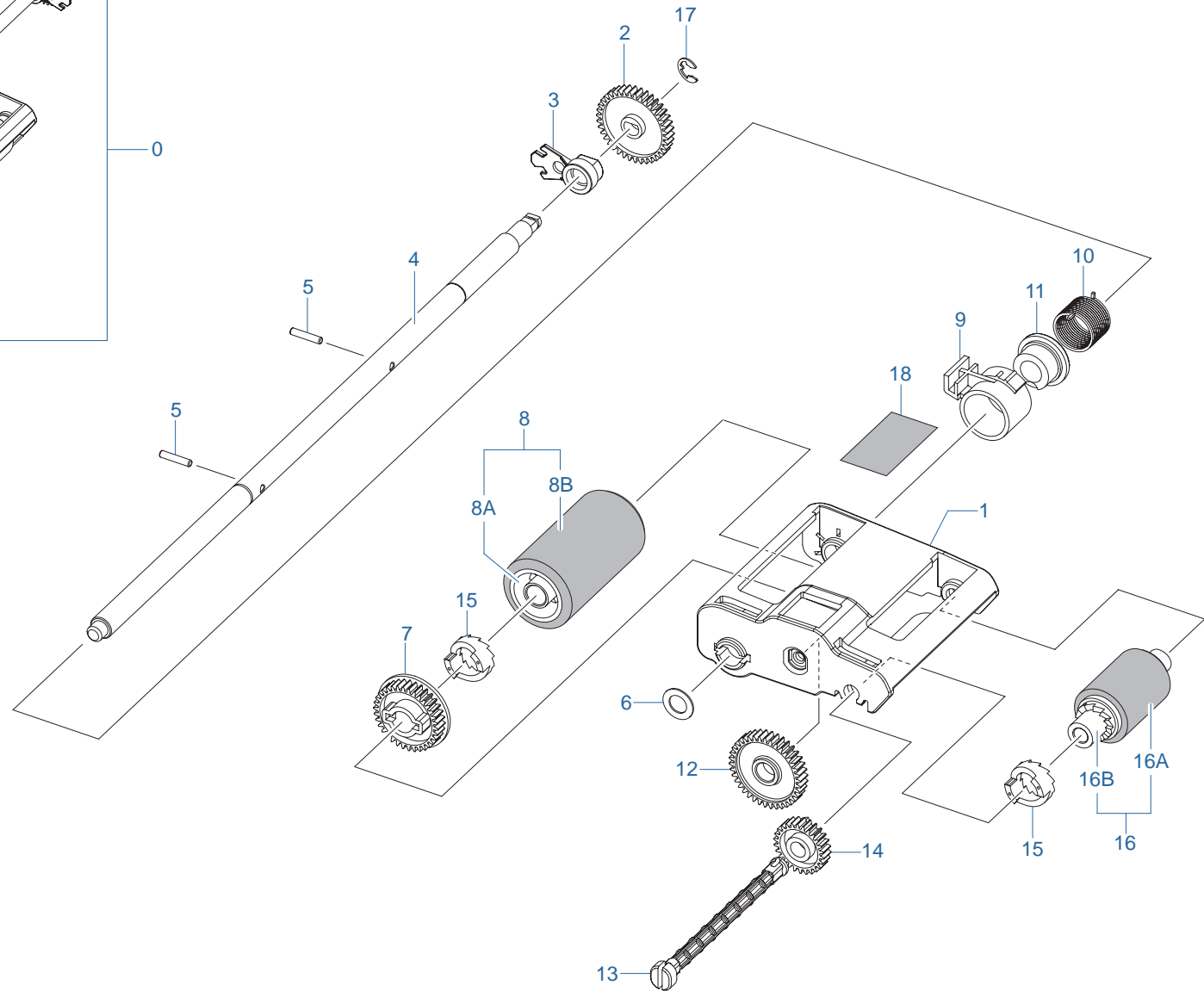
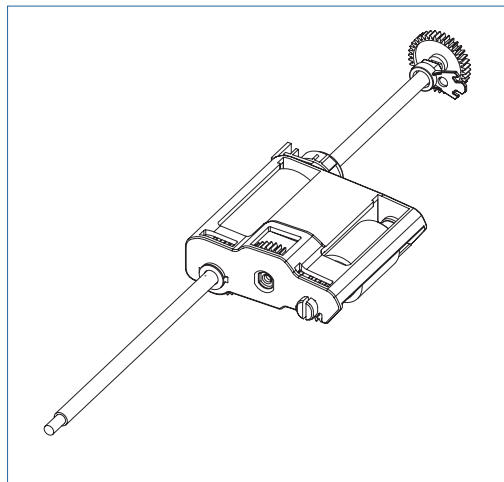
Ver. 1.04

SA : SERVICE AVAILABLE, SNA : SERVICE not AVAILABLE

Drawer#	SEC_Code	Description	QT'y	Service	Remark
0	JC97-02411A	MEA-COVER OPEN	1	SA	
1	JC63-00983A	COVER-M_ADF OPEN	1	SNA	

Drawer#	SEC_Code	Description	QT'y	Service	Remark
2	JB72-00843A	PMO-GUIDE PAPER	2	SA	
3	JC66-00738A	DAMPER-PAD ADF_R2	1	SNA	

10. MEA Unit-Pick Up



MEA Unit-Pick Up Parts List

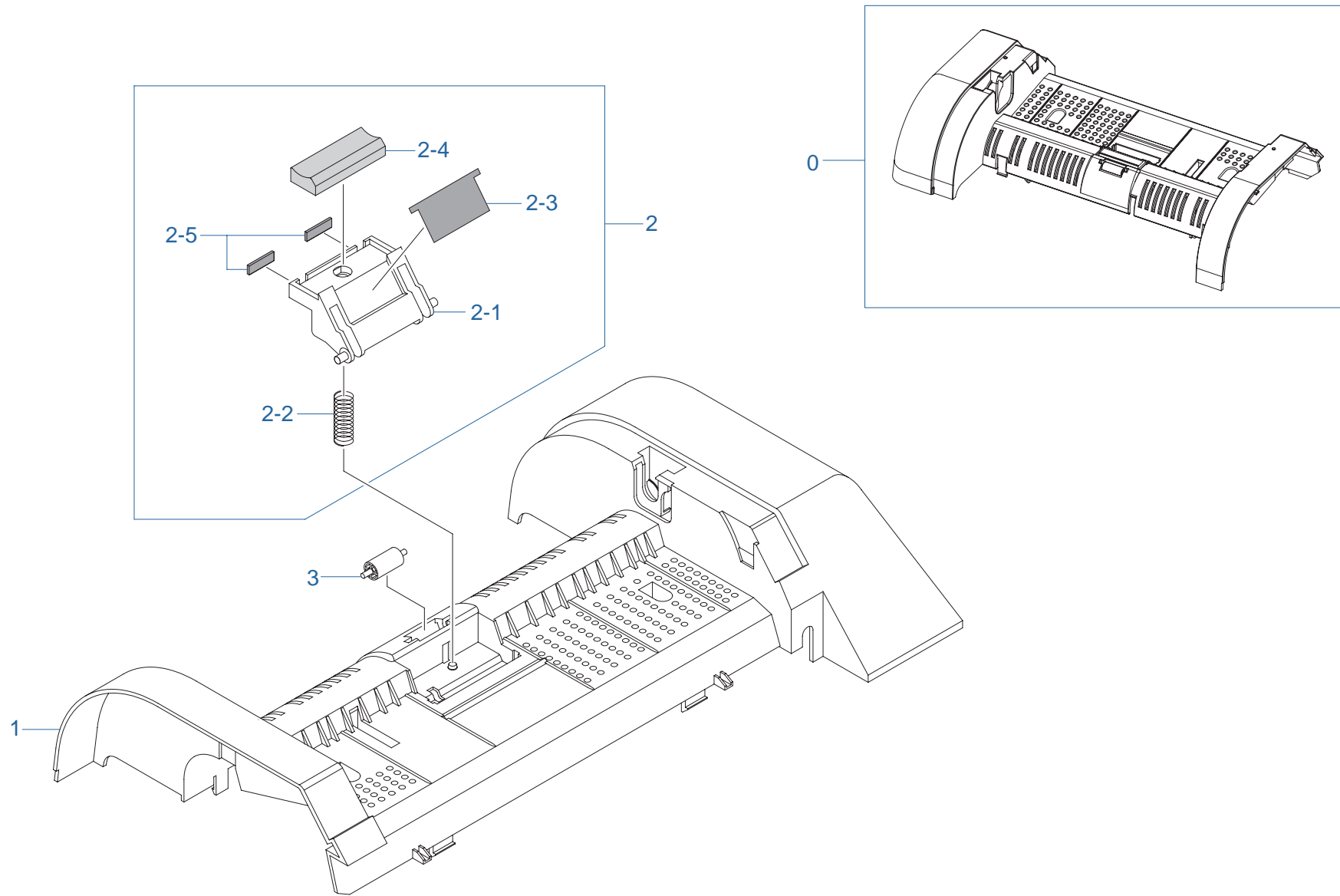
Ver. 1.04

SA : SERVICE AVAILABLE, SNA : SERVICE not AVAILABLE

Drawer#	SEC_Code	Description	QT'y	Service	Remark
0	JC97-01962C	MEA UNIT-PICKUP	1	SA	
1	JC72-00734A	PMO-COVER ADF	1	SA	
2	JB66-00103A	GEAR-ADF 38	1	SA	
3	JC61-00963B	STOPPER-M_PICKUP ADF	1	SA	
4	JC66-00561A	SHAFT-ADF PICKUP	1	SA	
5	JB70-00168A	ICT-PIN ADF	2	SA	
6	6031-000023	WASHER-PLAIN	1	SA	
7	JB66-00104A	GEAR-ADF IDLE 34	1	SA	
8	JB75-00299A	MEC-ADF ROLLER ASSY	1	SA	
8A	JB72-00822A	PMO-SLEEVE ADF	1	SA	
8B	JB73-00054A	RMO-ADF ROLLER	1	SNA	
9	JB72-00821A	PMO-ADF COLAR	1	SA	

Drawer#	SEC_Code	Description	QT'y	Service	Remark
10	JB61-70904A	SPRING ETC-CLUTCH	1	SA	
11	JB72-00817A	PMO-ADF CLUTCH	1	SA	
12	JB66-00102A	GEAR-PICK UP IDEL 38	1	SA	
13	JC72-00744A	PMO-SHAFT PICK UP	1	SA	
14	JB66-00105A	GEAR-PICK UP 26	1	SA	
15	JB72-00845A	PMO-PICK UP CLUTCH SUB	2	SA	
16	JB75-00300A	MEC-PICK UP ROLLER ASSY	1	SA	
16A	JB73-00055A	RMO-PICKUP ROLLER	1	SNA	
16B	JB72-00823A	PMO-SLEEVE PICK UP	1	SA	
17	6044-000159	RING-C	1	SA	
18	JC68-01099A	LABEL(P)-WARNING ADF	1	SNA	

11. MEA-ADF Upper



ME-A-ADF Upper Parts List

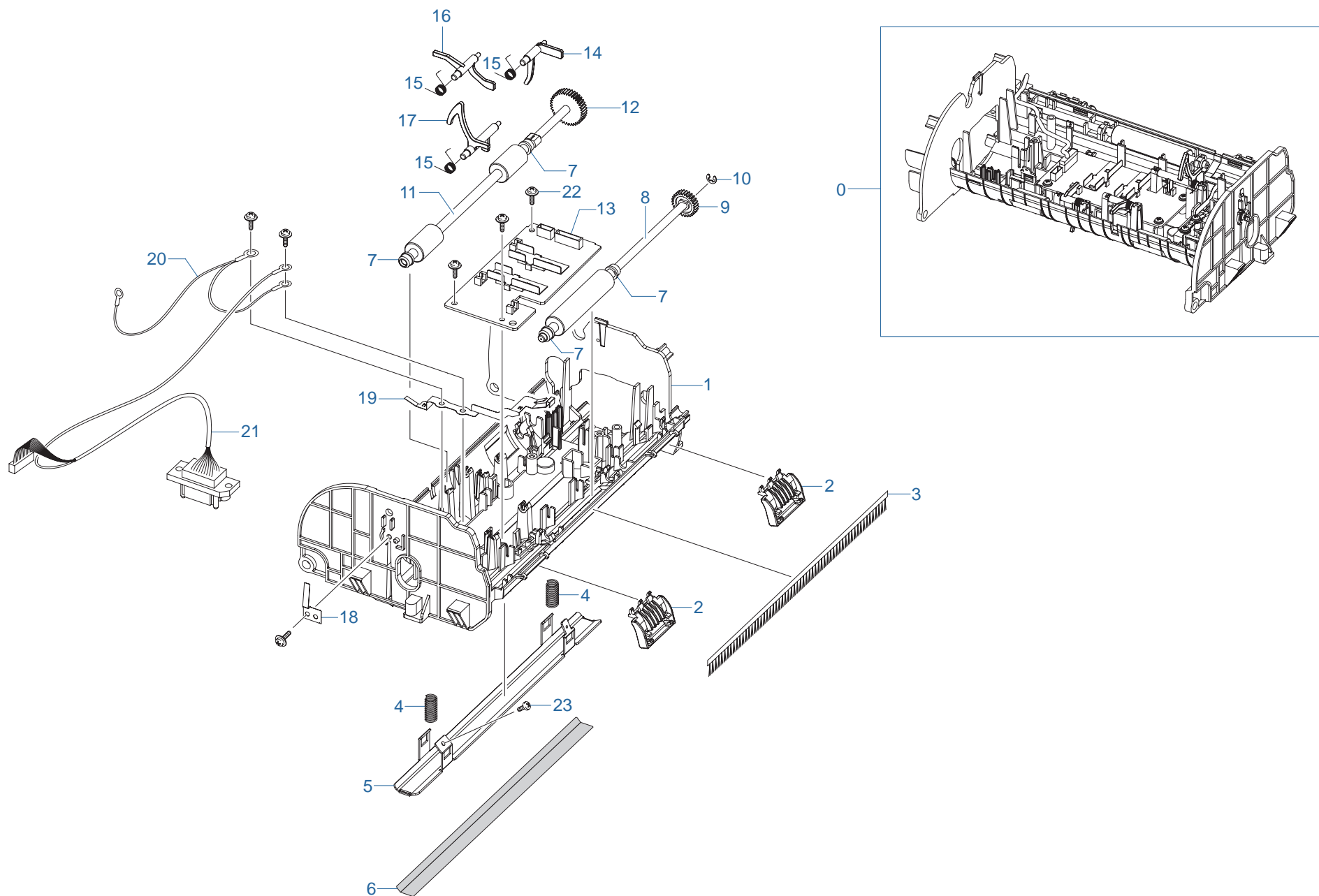
Ver. 1.04

SA : SERVICE AVAILABLE, SNA : SERVICE not AVAILABLE

Drawer#	SEC_Code	Description	QT'y	Service	Remark
0	JC97-02410A	MEA-ADF UPPER	1	SNA	
1	JC63-00985A	COVER-M_ADF UPPER	1	SC	
2	JC97-01940B	MEA UNIT-HOLDER ADF	1	SA	
2-1	JC61-00893B	HOLDER-M_PAD ADF	1	SA	
2-2	JC61-00387A	SPRING ETC-PAD	1	SA	

Drawer#	SEC_Code	Description	QT'y	Service	Remark
2-3	JC63-00373A	SHEET-ADF HOLDER	1	SNA	
2-4	JB73-00052A	RMO-ADF RUBBER	1	SA	
2-5	JC66-00738A	DAMPER-PAD ADF_R2	2	SNA	
3	JC66-00461A	ROLLER-M-ADF IDLE	1	SA	

12. ELA HOU-ADF Lower



ELA HOU-ADF Lower Parts List

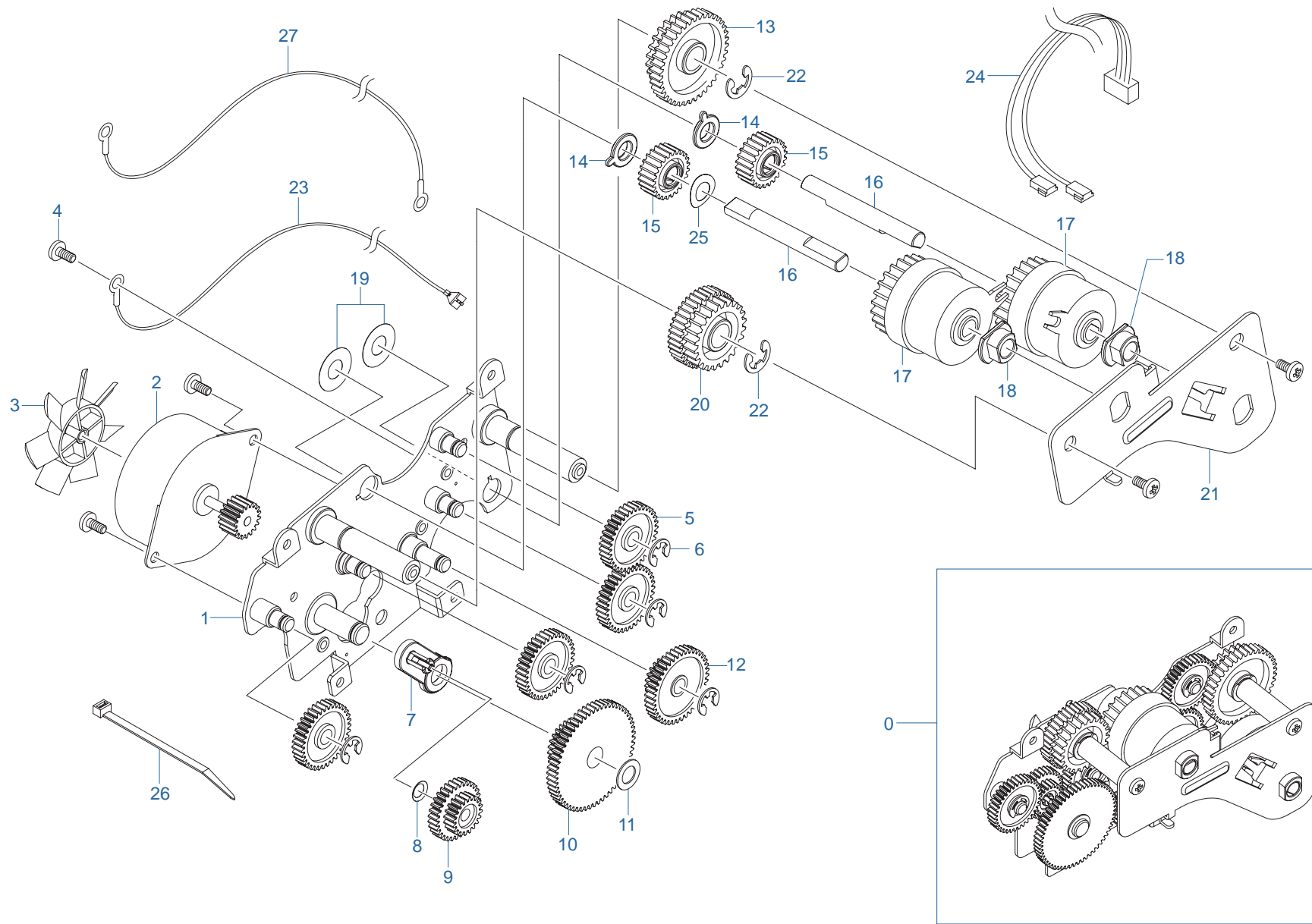
Ver. 1.04

SA : SERVICE AVAILABLE, SNA : SERVICE not AVAILABLE

Drawer#	SEC_Code	Description	QT'y	Service	Remark
0	JC96-05548A	ELA HOU-ADF LOWER	1	SNA	
1	JC63-00982A	COVER-M_ADF LOWER	1	SNA	
2	JC61-00712A	GUIDE-STACKER SUB	2	SA	
3	JC75-00095A	MEC-BRUSH ANTISTATIC	1	SA	
4	JC61-00548A	SPRING ETC-WHITE BAR	2	SA	
5	JC61-01695A	BRACKET-P_WHITE_BAR	1	SA	
6	JC72-00752A	PPR-WHITE BAR SHEET	1	SA	
7	JB72-00819A	PMO-BUSH	4	SA	
8	JC66-00559A	ROLLER-EXIT	1	SA	
9	JC66-00310A	GEAR-AGITATOR-2	1	SA	
10	6044-000159	RING-C	1	SA	
11	JC66-00560A	ROLLER-DRIVE	1	SA	

Drawer#	SEC_Code	Description	QT'y	Service	Remark
12	JC66-00460A	SHAFT-M-FEED GEAR 38	1	SA	
13	JC92-02039A	PBA-ADF	1	SA	
14	JC72-01011A	PMO-ACTUATOR SCAN SENSOR	1	SA	
15	JB61-00076A	SPRING ETC-TORSION DOC (CC2-F)	3	SA	
16	JC72-01010A	PMO-ACTUATOR REGI SENSOR	1	SA	
17	JC72-01320A	PMO-ACT EMPTY ADF	1	SA	
18	JC70-10467A	IPR-GROUND_ROLLER	1	SNA	
19	JC63-00372A	GROUND-P-ADF R2	1	SA	
20	JC39-00534A	CBF HARNESS-ADF R GND	1	SA	
21	JC39-00536A	CBF HARNESS-ADF UPPER	1	SA	
22	6003-000196	SCREW-TAPTITE	6	SA	
23	6003-000269	SCREW-TAPTITE	1	SA	

13. Drive ADF-Bracket



ELA HOU-ADF Motor Parts List

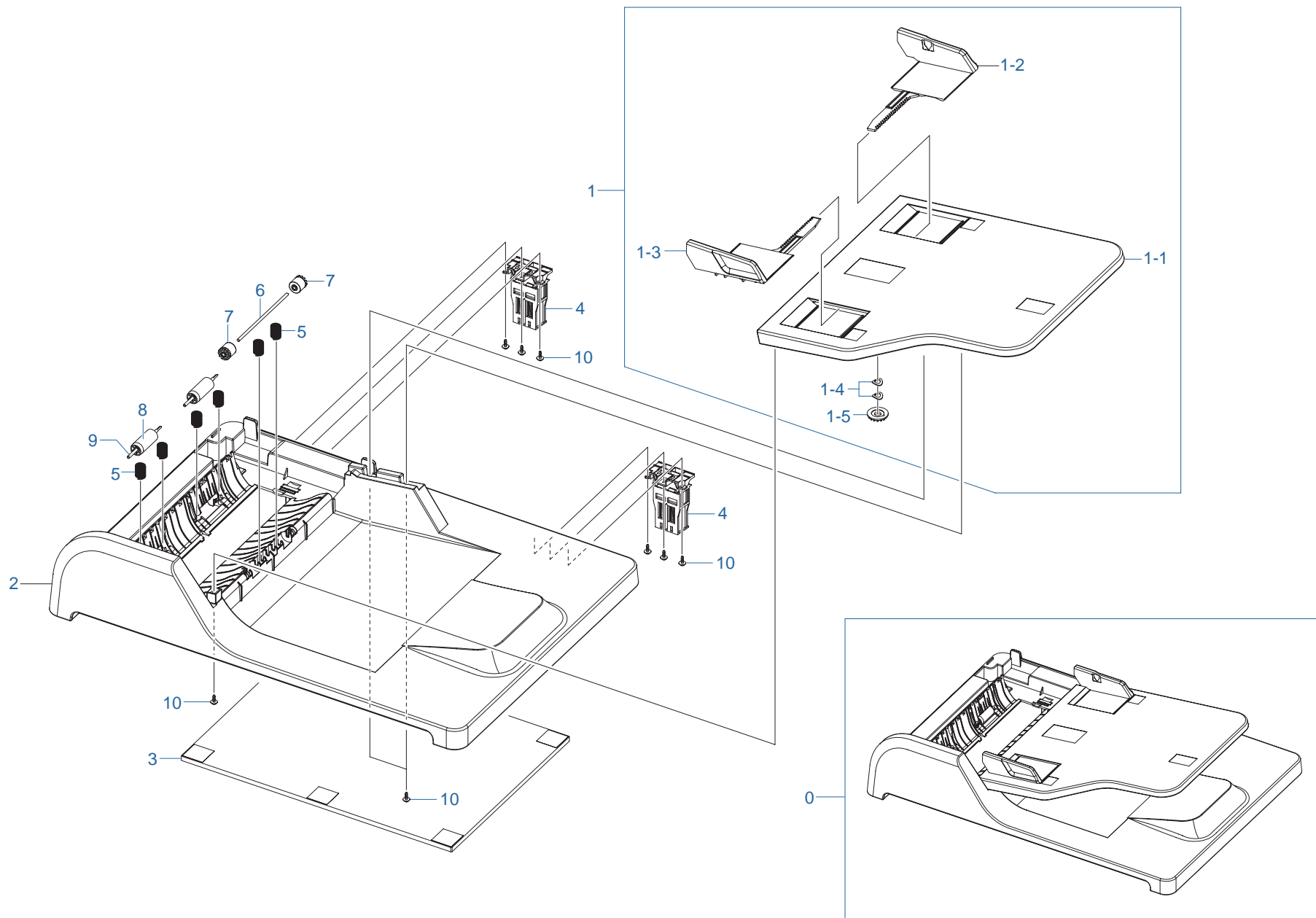
Ver. 1.04

SA : SERVICE AVAILABLE, SNA : SERVICE not AVAILABLE

Drawer#	SEC_Code	Description	QT'y	Service	Remark
0	JC93-00042A	DRIVE ADF-BRACKET	1	SA	
1	JC61-01589A	BRACKET-P-GEAR H	1	SNA	
2	JC31-00036A	MOTOR STEP-ADF	1	SA	
3	JC66-00556A	IMPELLER-ADF	1	SA	
4	6003-000269	SCREW-TAPTITE	5	SA	
5	JC66-00458A	GEAR-IDLE 35 ADF	4	SA	
6	6044-000125	RING-E	5	SC	
7	JC66-01177A	LINK-M_SWING	1	SNA	
8	JB70-00070A	IPR-WASHER WAVE	1	SA	
9	JC66-00457A	GEAR-SWING 31/20 ADF	1	SA	
10	JC66-00455A	GEAR-58/25 ADF	1	SA	
11	6031-000023	WASHER-PLAIN	1	SA	
12	JC66-00456A	GEAR-40/21 ADF	1	SA	
13	JC66-01176A	GEAR-39/29	1	SNA	

Drawer#	SEC_Code	Description	QT'y	Service	Remark
14	JC72-01105A	PMO-BUSHING FEED MID	2	SNA	
15	JC66-01175A	GEAR-24	2	SNA	
16	JC66-00662A	SHAFT-REGI	2	SA	
17	JC66-00972A	CLUTCH-2.5K Z24	2	SA	
18	JC61-00423A	BUSH-6_D	2	SA	
19	JC72-00288B	PPR-SPACER DR R	2	SNA	
20	JC66-01174A	GEAR-40/21	1	SNA	
21	JC63-00995A	COVER-P-CLUTCH	1	SNA	
22	6044-000231	RING-E	2	SA	
23	JC39-00617A	HARNESS-ADF GND	1	SNA	
24	JC39-00538A	CBF HARNESS-ADF CLUT1	1	SA	
25	JF70-10616A	IPR-WASHER SPRING CU	1	SNA	
26	6501-000004	CABLE-TIE	1	SA	
27	JC39-00841A	HARNESS-SCAN GND	1	SA	

14. MEA Unit-Cover Platen



MEA Unit-Cover Platen Parts List

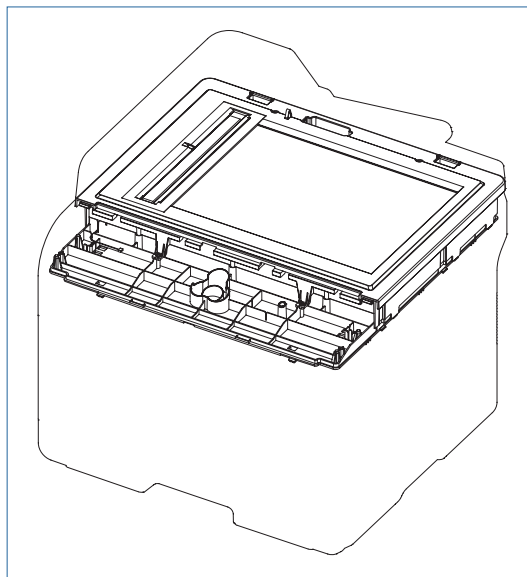
Ver. 1.04

SA : SERVICE AVAILABLE, SNA : SERVICE not AVAILABLE

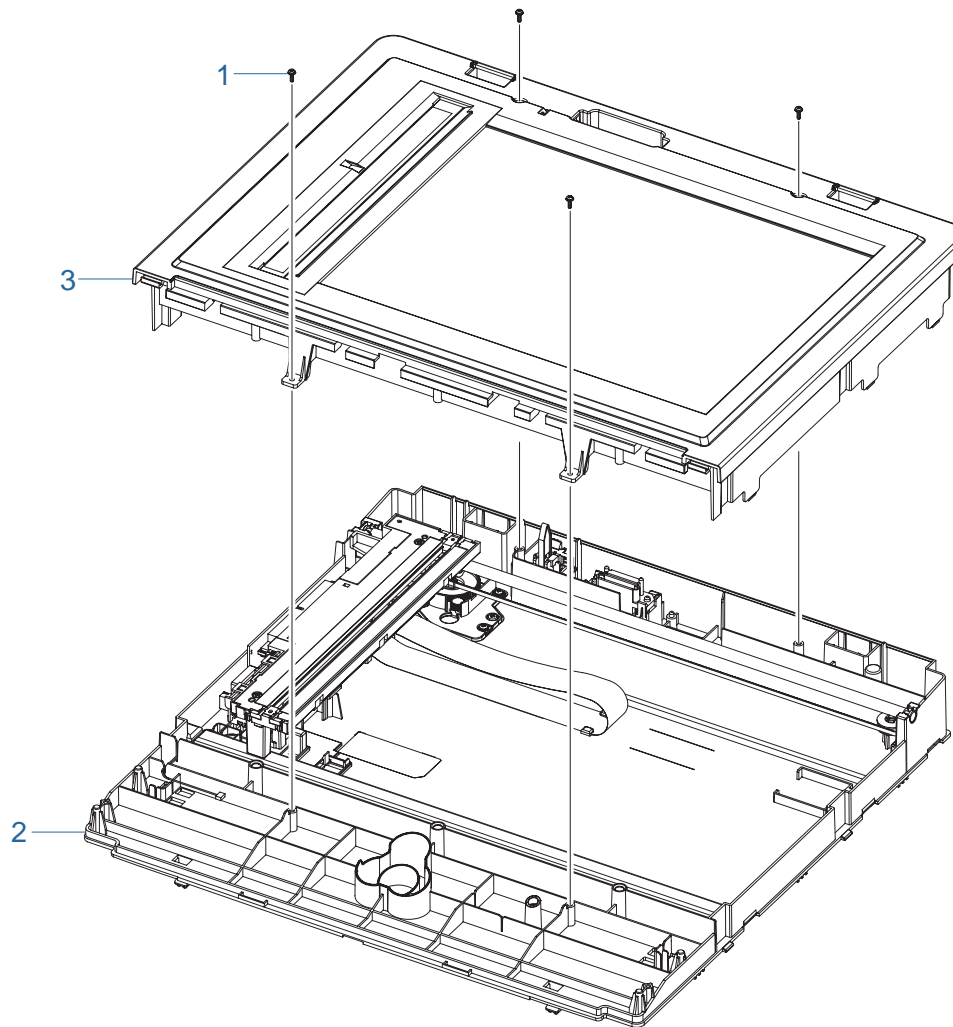
Drawer#	SEC_Code	Description	QT'y	Service	Remark
0	JC97-02416C	MEA UNIT-COVER PLATEN	1	SA	
1	JC97-02406A	MEA-TX STACKER	1	SC	
1-1	JC63-00988A	COVER-M_STACKER TX	1	SNA	
1-2	JC61-01609A	GUIDE-M_DOCU L	1	SNA	
1-3	JC61-01610A	GUIDE-M_DOCU R	1	SNA	
1-4	JF70-10616A	IPR-WASHER SPRING CU	2	SNA	
1-5	JG66-40003A	GEAR-PINION	1	SA	
2	JC63-00984A	COVER-M_PLATEN	1	SNA	

Drawer#	SEC_Code	Description	QT'y	Service	Remark
3	JC63-00209A	SHEET-WHITE SPONGE	1	SC	
4	JC97-02779A	MEA UNIT-HINGE	2	SA	
5	JC61-00011A	SPRING ETC-FEED	6	SA	
6	JF70-40521B	ICT-SHAFT PINCH	1	SNA	
7	JG72-40663A	PMO-ROLL PINCH	2	SA	
8	JC66-00728A	ROLLER-ADF FEED	2	SA	
9	JC66-00909A	SHAFT-IDLE FEED	2	SA	
10	6003-000196	SCREW-TAPTITE	9	SA	

15. ELA HOU-Platen



0



2

3

1

ELA HOU-Platen Parts List

Ver. 1.04

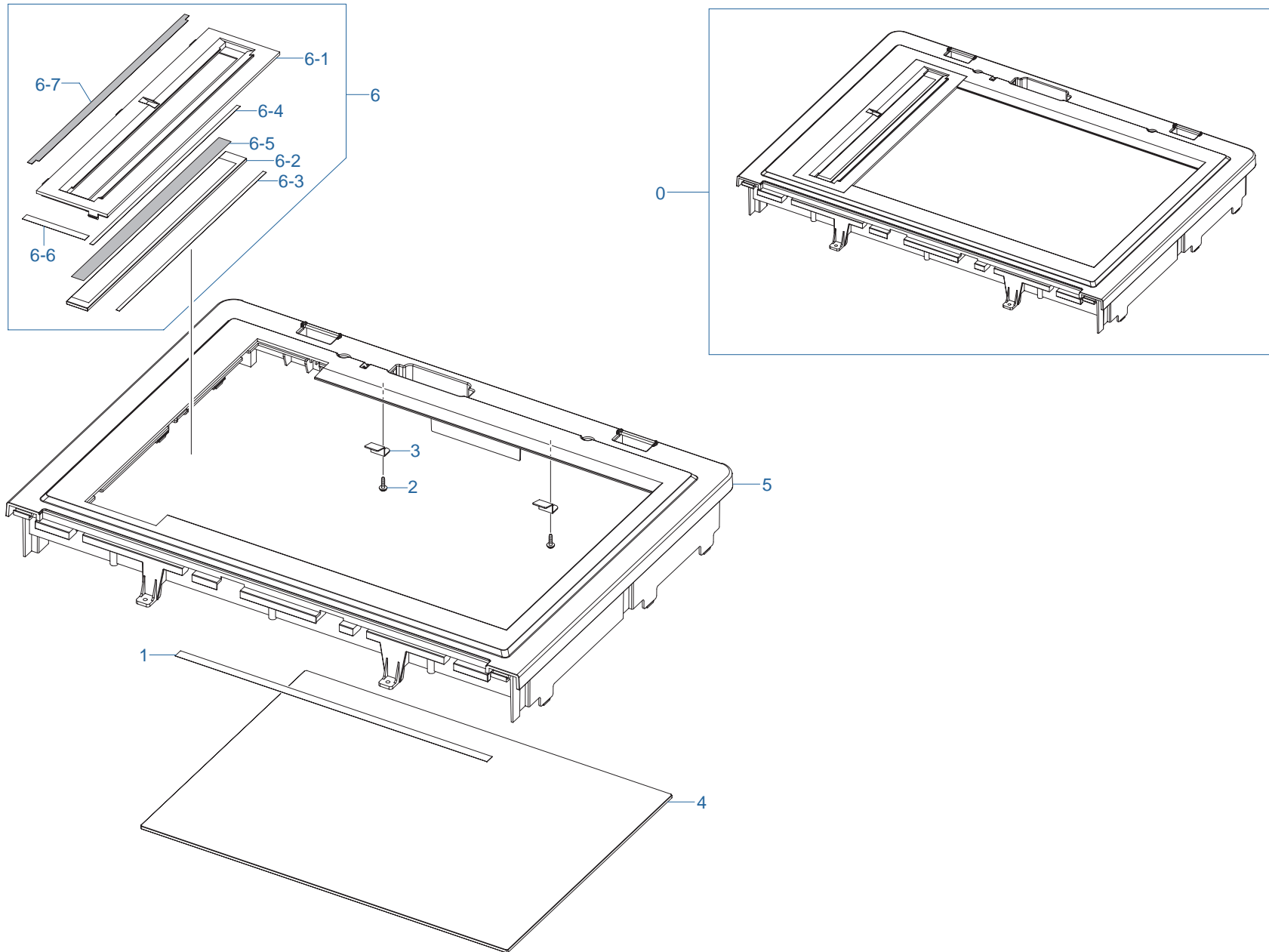
SA : SERVICE AVAILABLE, SNA : SERVICE not AVAILABLE

Drawer#	SEC_Code	Description	QT'y	Service	Remark
0	JC96-05551A	ELA HOU-PLATEN	1	SNA	
1	6003-000196	SCREW-TAPTITE	4	SA	

Drawer#	SEC_Code	Description	QT'y	Service	Remark
2	JC96-05550A	ELA HOU-SCAN LOWER	1	SNA	
3	JC97-02412A	MEA-SCAN UPPER	1	SA	

16. MEA-Scan Upper

Ver. 1.04



MEA-Scan Upper Parts List

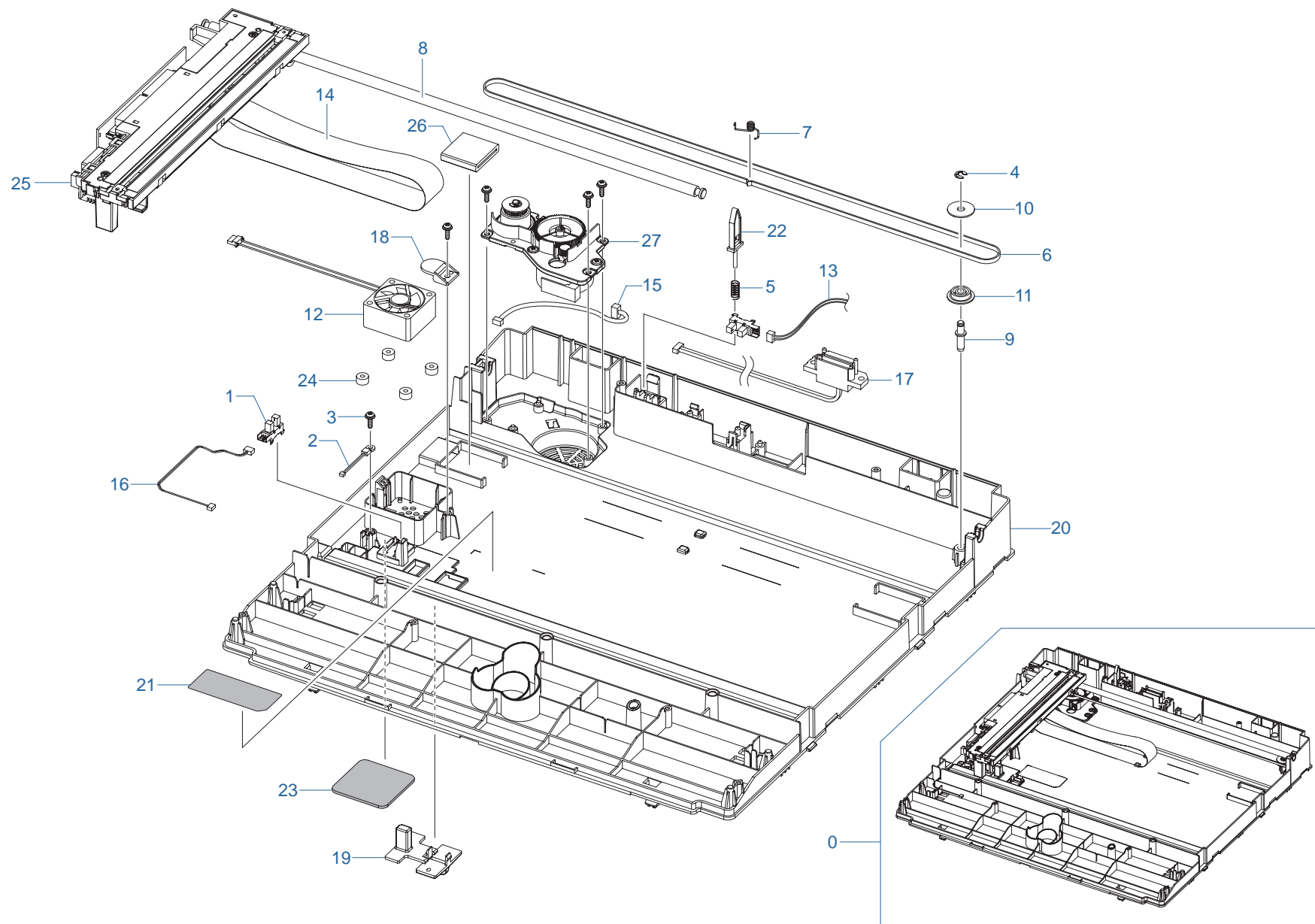
Ver. 1.04

SA : SERVICE AVAILABLE, SNA : SERVICE not AVAILABLE

Drawer#	SEC_Code	Description	QT'y	Service	Remark
0	JC97-02412A	MEA-SCAN UPPER	1	SA	
1	0203-001267	TAPE-DOUBLE FACE	1	SNA	
2	6002-000440	SCREW-TAPPING	2	SNA	
3	JB70-00148A	IPR-HOLDER GLASS	2	SA	
4	JC01-00001A	GLASS-SCAN	1	SA	
5	JC63-00990A	COVER-M_SCAN UPPER	1	SNA	
6	JC97-02429A	MEA UNIT-SCAN DUMMY	1	SA	

Drawer#	SEC_Code	Description	QT'y	Service	Remark
6-1	JC63-00152F	COVER-M_SCAN DUMMY	1	SC	
6-2	JC74-00021A	MCT-GLASS ADF	1	SA	
6-3	0203-001266	TAPE-DOUBLE FACE	1	SNA	
6-4	0203-001744	TAPE-DOUBLE FACE	1	SNA	
6-5	JB68-00644A	LABEL(P)-SHADING	1	SA	
6-6	JC02-00013A	TAPE ETC-DOUBLE TAPE SMALL	1	SNA	
6-7	JC63-01152A	SHEET-ADF GLASS	1	SNA	

17. ELA HOU-Scan Lower



ELA HOU-Scan Lower Parts List

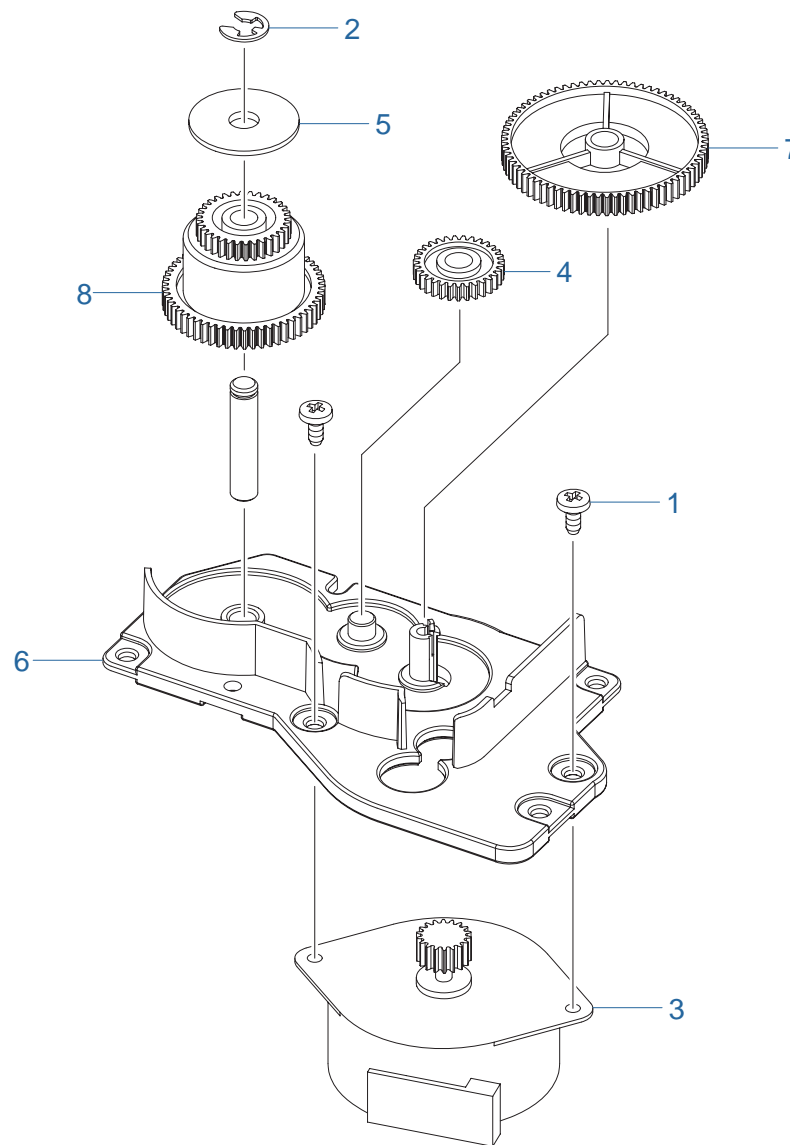
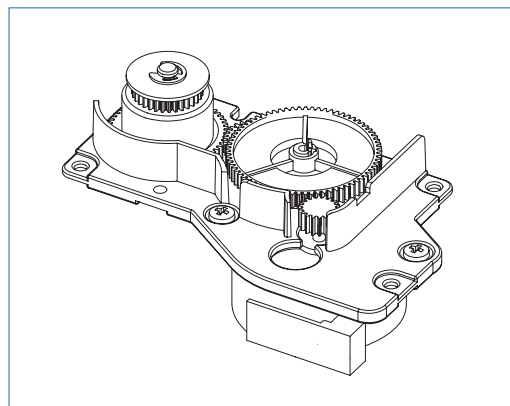
Ver. 1.04

SA : SERVICE AVAILABLE, SNA : SERVICE not AVAILABLE

Drawer#	SEC_Code	Description	QT'y	Service	Remark
0	JC96-05550A	ELA HOU-SCAN LOWER	1	SNA	
1	0604-001095	PHOTO-INTERRUPTER	2	SA	
2	1404-001417	THERMISTOR-NTC ASSY	1	SA	
3	6003-000196	SCREW-TAPTITE	5	SA	
4	6044-000125	RING-E	1	SC	
5	6107-001135	SPRING-CS	1	SA	
6	6602-001067	BELT-TIMING GEAR	1	SA	
7	JB61-00059A	SPRING ETC-BELT	1	SA	
8	JB70-00145A	ICT-SHAFT CCD	1	SNA	
9	JB70-00154A	ICT-INSERT SHAFT	1	SNA	
10	JB72-00763A	PMO-PULLEY	1	SA	
11	JB72-00764A	PMO-HOLDER BELT	1	SA	
12	JC31-00085A	FAN-DC	1	SA	
13	JC39-00887A	HARNESS-F_COVER_OPEN	1	SA	

Drawer#	SEC_Code	Description	QT'y	Service	Remark
14	JC39-01002A	FLAT CABLE	1	SNA	
15	JC39-01007A	HARNESS-SCAN_MOTOR	1	SA	
16	JC39-01057A	HARNESS-CCD_HOME	1	SA	
17	JC39-01060A	HARNESS-ADF LOWER	1	SA	
18	JC61-00667A	STOPPER-M-FAN80	1	SA	
19	JC61-00894B	HOLDER-M_CCD	1	SA	
20	JC63-00989A	COVER-M_SCAN LOWER	1	SNA	
21	JC68-01702A	LABEL-CAUTION	1	SNA	
22	JC72-00755A	PMO-LEVER SENSOR	1	SA	
23	JC72-01543A	SPONGE-CCDM_FAN	1	SNA	
24	JC72-01546A	SPONGE-DAMPER_FAN	4	SNA	
25	JC96-03819A	ELA HOU-CCDM_2905	1	SA	
26	JC96-04726A	ELA UNIT-CORE	1	SA	
27	JC96-04918A	ELA HOU-SCAN MOTOR	1	SA	

18. ELA HOU-Scan Motor



ELA HOU-Scan Motor Parts List

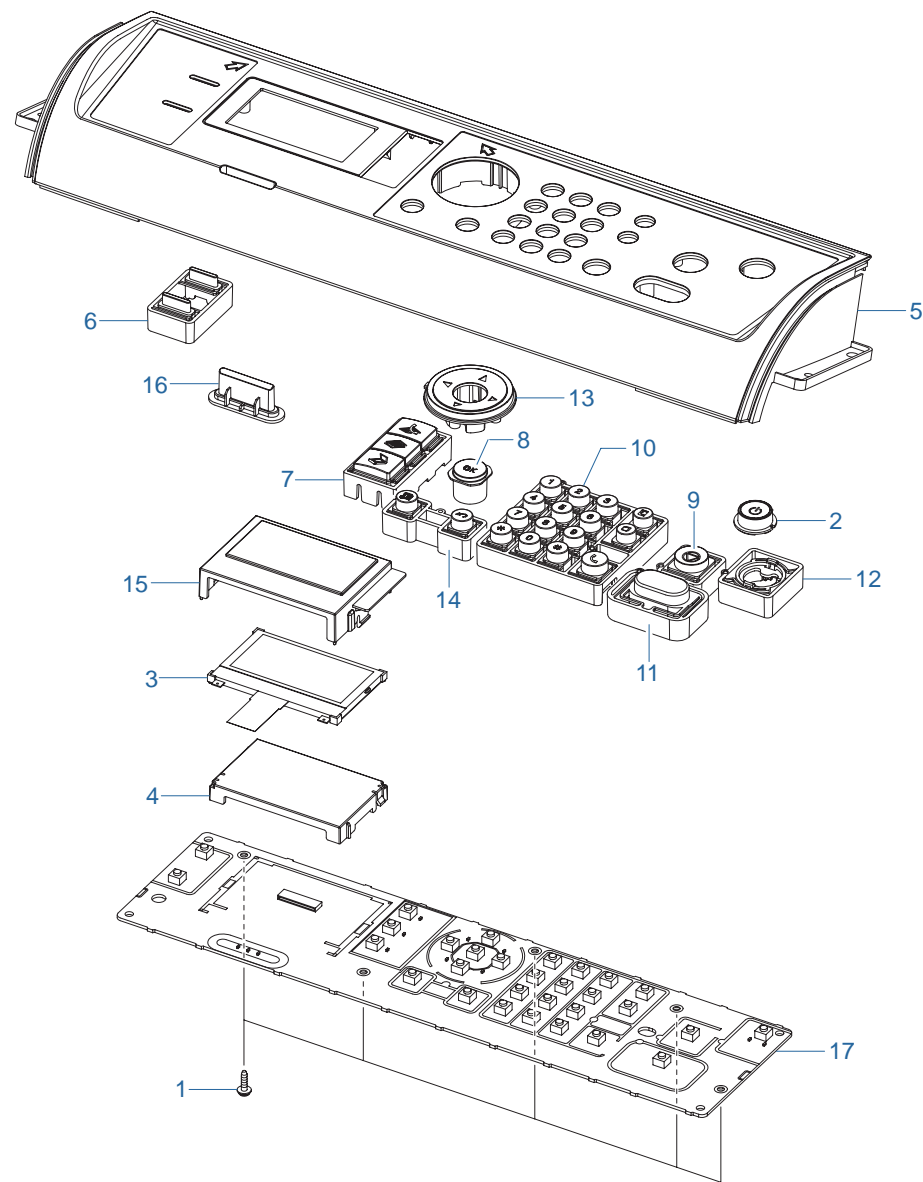
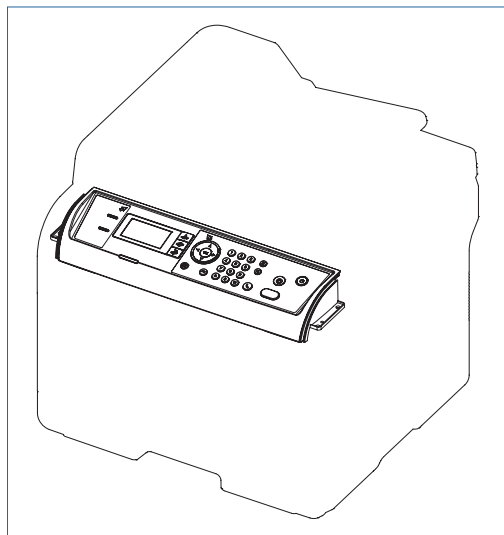
Ver. 1.04

SA : SERVICE AVAILABLE, SNA : SERVICE not AVAILABLE

Drawer#	SEC_Code	Description	QT'y	Service	Remark
0	JC96-04918A	ELA HOU-SCAN MOTOR	1	SA	
1	6003-000269	SCREW-TAPTITE	2	SA	
2	6044-000125	RING-E	1	SC	
3	JC31-00104A	MOTOR STEP	1	SA	
4	JB66-00083A	GEAR-IDLE	1	SA	

Drawer#	SEC_Code	Description	QT'y	Service	Remark
5	JB72-00764A	PMO-HOLDER BELT	1	SA	
6	JC61-00895A	BRACKET-SCAN MOTOR R2	1	SA	
7	JC66-00530A	GEAR-REDUCTION73/37	1	SA	
8	JC66-00531A	GEAR-TIMING	1	SA	

19. ELA HOU-OPE



ELA HOU-OPE Parts List

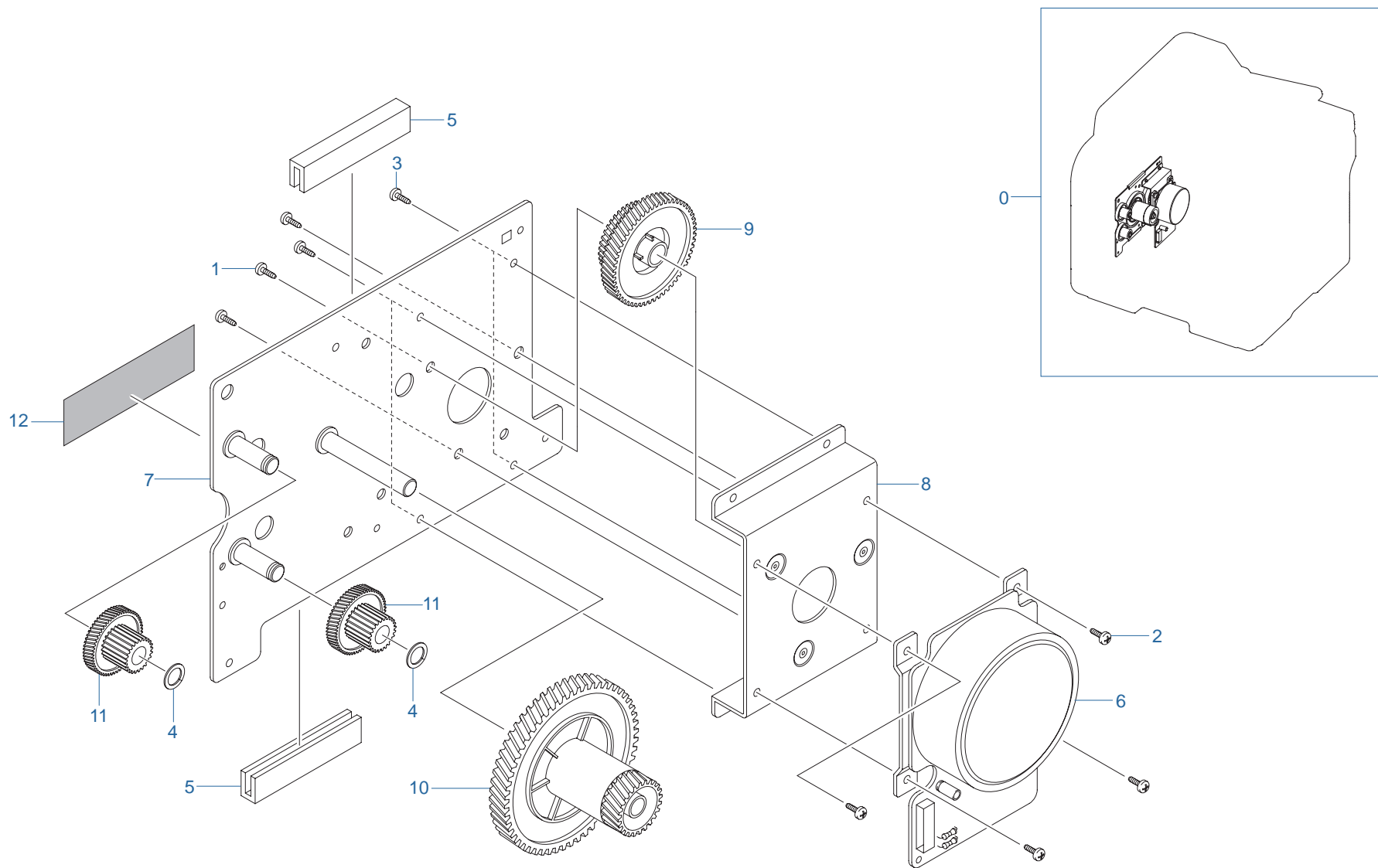
Ver. 1.04

SA : SERVICE AVAILABLE, SNA : SERVICE not AVAILABLE

Drawer#	SEC_Code	Description	QT'y	Service	Remark
0	JC96-05520A	ELA HOU-OPE	1	SNA	
1	6003-000196	SCREW-TAPTITE	5	SA	
2	JB64-00114C	KEY-POWER	1	SNA	
3	JC07-00012A	LCD	1	SA	
4	JC61-02827A	HOLDER-LCD	1	SA	
5	JC63-02125A	COVER-OPE	1	SA	
6	JC64-00386C	KEY-EXTRA	1	SNA	
7	JC64-00387C	KEY-FAX	1	SNA	
8	JC64-00389C	KEY-OK	1	SNA	

Drawer#	SEC_Code	Description	QT'y	Service	Remark
9	JC64-00393C	KEY-STOP	1	SNA	
10	JC64-00394C	KEY-TEL	1	SNA	
11	JC64-00410B	KEY-START	1	SNA	
12	JC64-00443A	KEY-POWER_B	1	SNA	
13	JC64-00445B	KEY-CIRCLE	1	SNA	
14	JC64-00447A	KEY-BACK	1	SA	
15	JC67-00348A	CAP-LCD	1	SA	
16	JC67-00349A	LENS-STATUS	1	SA	
17	JC92-02109A	PBA-OPE	1	SA	

20. ELA Unit-Main Drive



ELA Unit-Main Drive Parts List

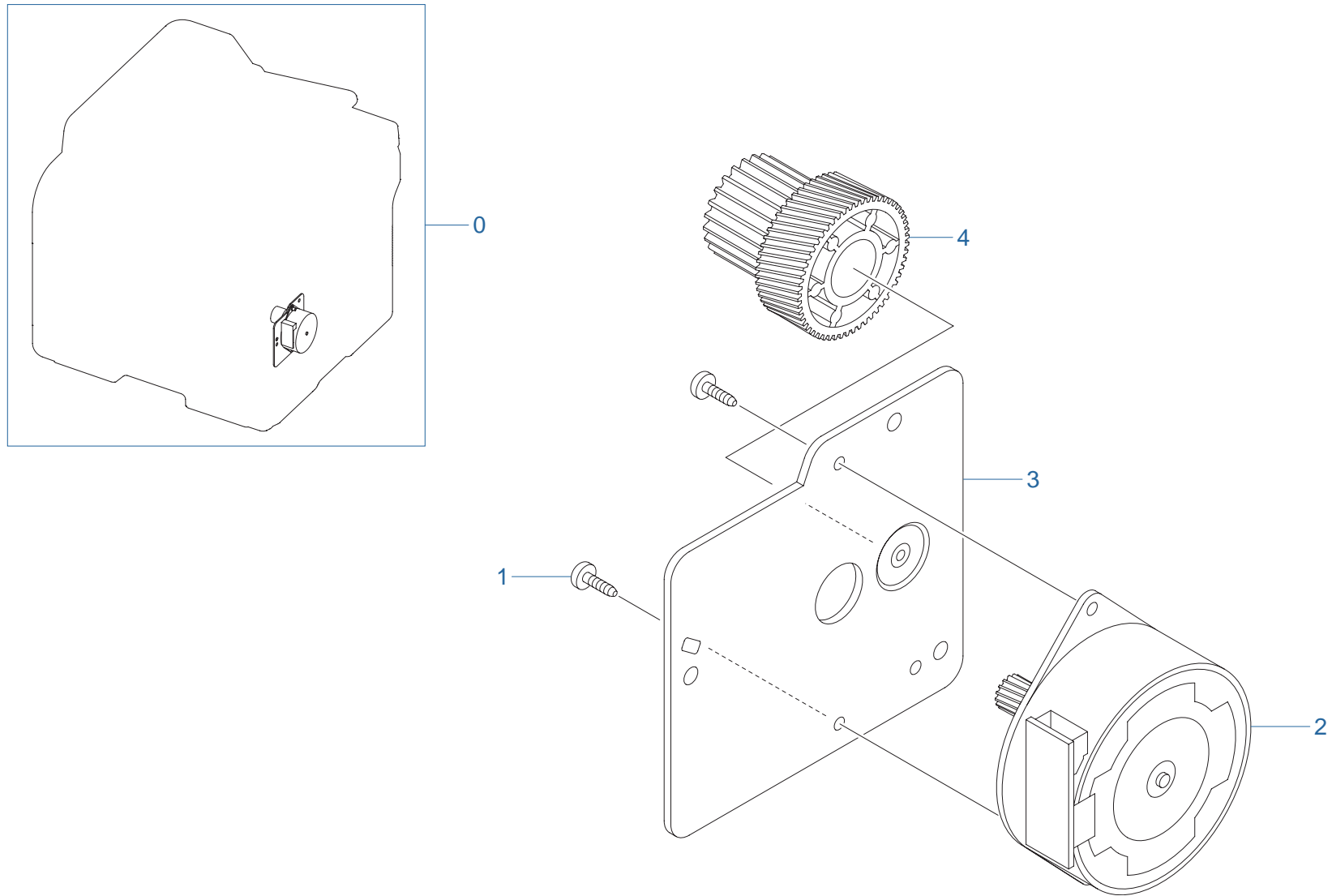
Ver. 1.04

SA : SERVICE AVAILABLE, SNA : SERVICE not AVAILABLE

Drawer#	SEC_Code	Description	QT'y	Service	Remark
0	JC96-03761B	ELA UNIT-MAIN DRIVE	1	SA	
1	6001-000130	SCREW-MACHINE	3	SNA	
2	6003-000301	SCREW-TAPTITE	4	SNA	
3	6003-000269	SCREW-TAPTITE	4	SA	
4	6031-000023	WASHER-PLAIN	2	SA	
5	6302-001056	GASKET	0.4	SNA	
6	JC31-00101A	MOTOR BLDC	1	SA	

Drawer#	SEC_Code	Description	QT'y	Service	Remark
7	JC61-01593A	BRACKET-P-GEAR MAIN	1	SNA	
8	JC61-01597A	BRACKET-P-MOTOR MAIN	1	SNA	
9	JC66-01156A	GEAR-OPC RDCN 93/61	1	SNA	
10	JC66-01157A	GEAR-OPC DRV 113/33	1	SNA	
11	JC66-01162A	GEAR-FEED RDCN 55/18	2	SNA	
12	JC68-01381B	LABEL(R)-PPID(DEVE)	1	SNA	

21. ELA Unit-Duplex Drive



ELA Unit-Duplex Drive Parts List

Ver. 1.04

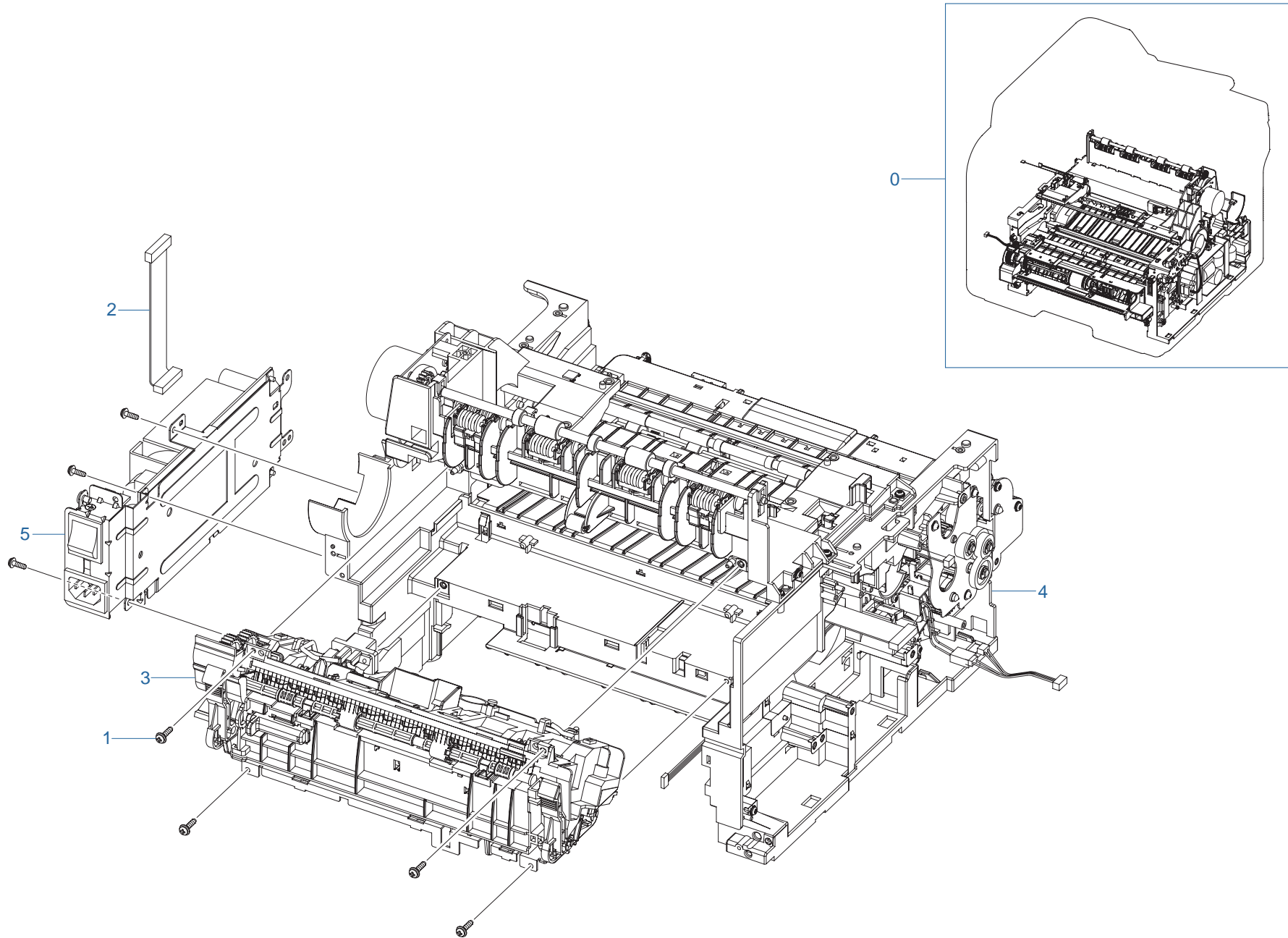
SA : SERVICE AVAILABLE, SNA : SERVICE not AVAILABLE

Drawer#	SEC_Code	Description	QT'y	Service	Remark
0	JC96-03762B	ELA UNIT-DUPLEX DRIVE	1	SA	
1	6001-000130	SCREW-MACHINE	2	SNA	
2	JC31-00103A	MOTOR STEP	1	SA	

Drawer#	SEC_Code	Description	QT'y	Service	Remark
3	JC61-01599A	BRACKET-P-GEAR DUP	1	SNA	
4	JC66-01159A	GEAR DUP RDCN 45/19	1	SNA	

22. ELA HOU-Frame

Ver. 1.04



ELA HOU-Frame Parts List

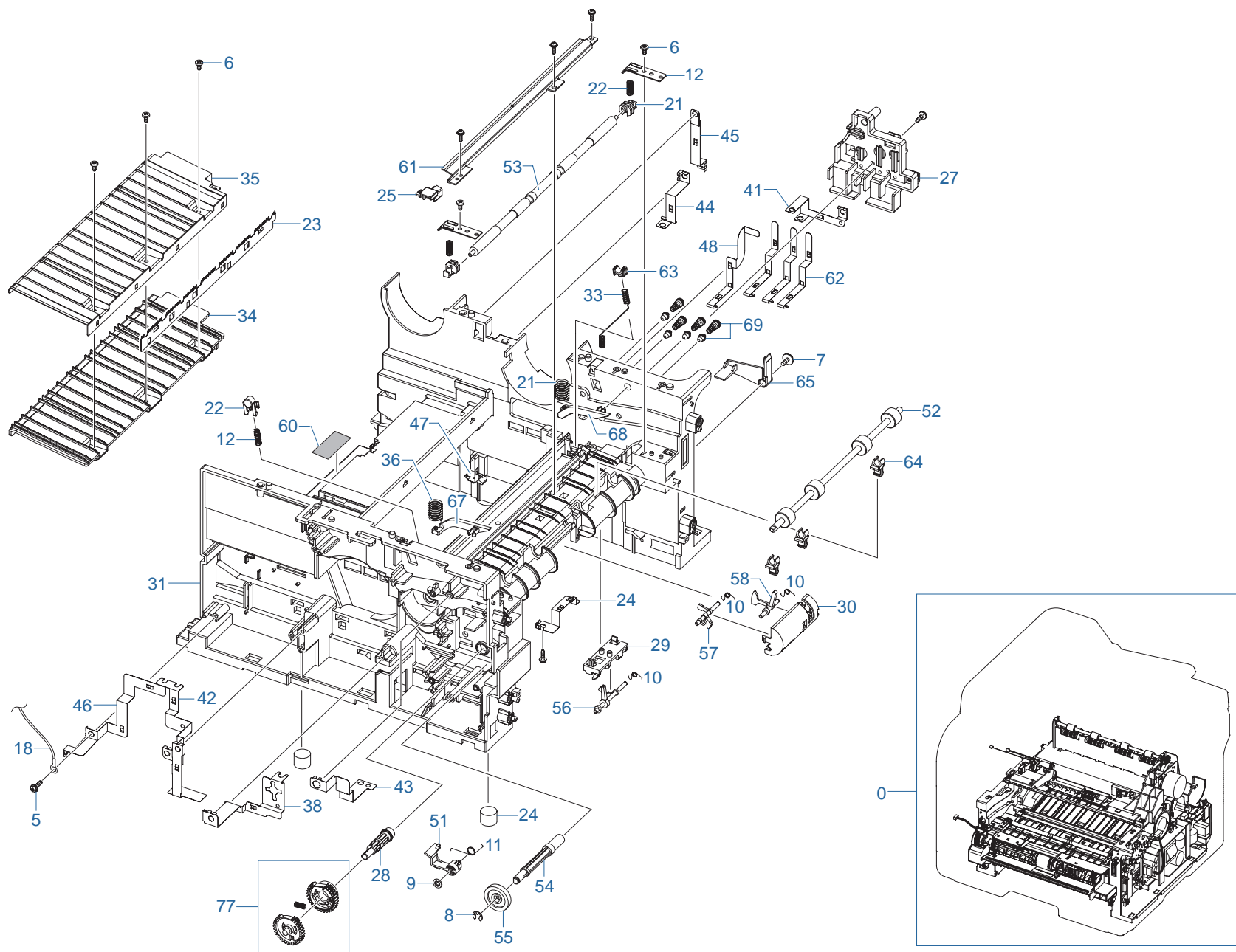
Ver. 1.04

SA : SERVICE AVAILABLE, SNA : SERVICE not AVAILABLE

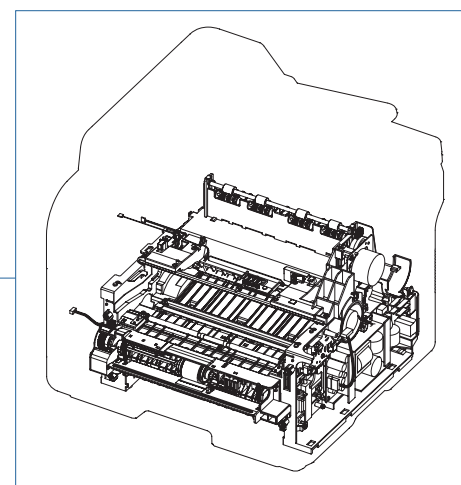
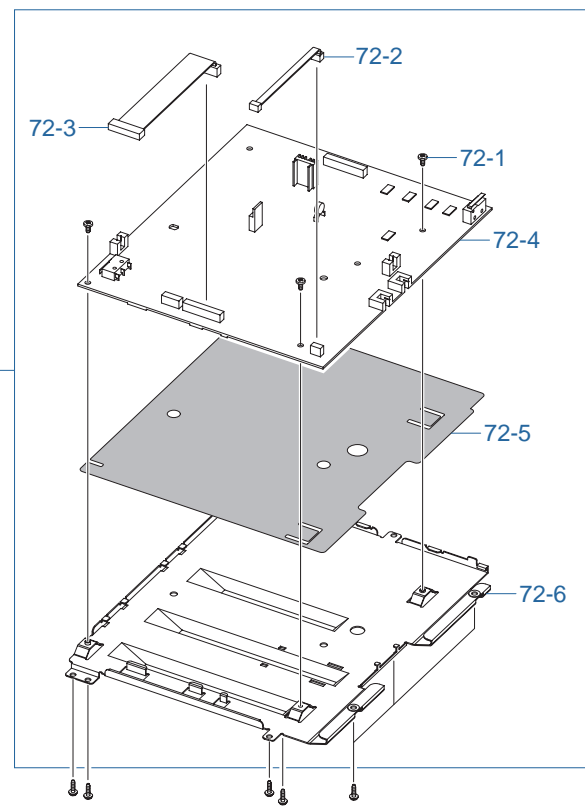
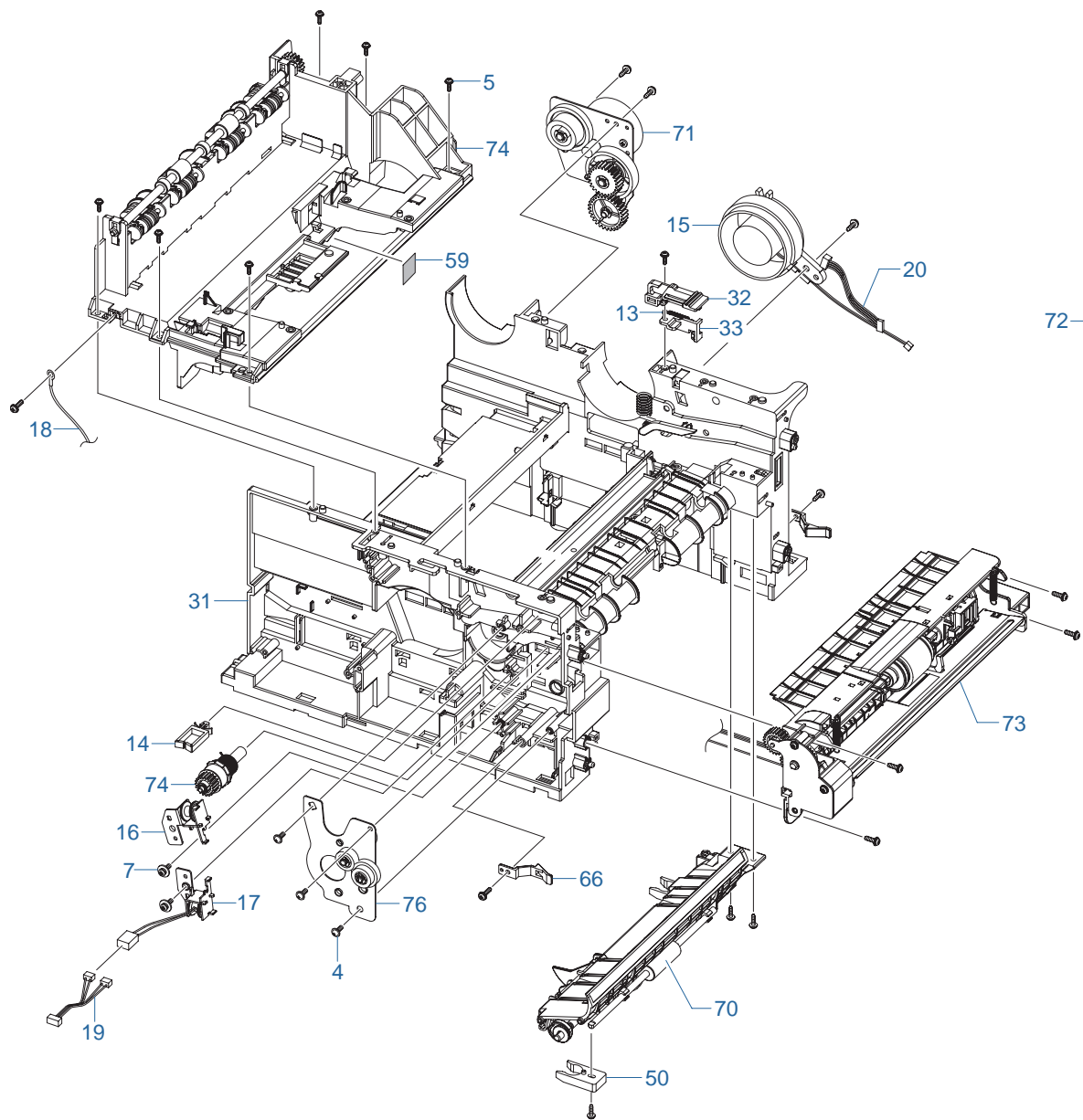
Drawer#	SEC_Code	Description	QT'y	Service	Remark
0	JC96-05516A	ELA HOU-FRAME	1	SNA	110V
0	JC96-05517A	ELA HOU-FRAME	1	SNA	220V
1	6003-000196	SCREW-TAPTITE	9	SA	
2	JC39-00862A	HARNESS-SMPS	1	SA	
3	JC91-00929A	FUSER-ROLLER	1	SA	110V

Drawer#	SEC_Code	Description	QT'y	Service	Remark
3	JC91-00928A	FUSER-ROLLER	1	SA	220V
4	JC96-05515A	ELA HOU-FRAME ETC	1	SNA	
5	JC96-05621A	ELA HOU-SMPS_V1	1	SNA	110V
5	JC96-05622A	ELA HOU-SMPS_V2	1	SNA	220V

23. ELA HOU-Frame Etc.1



ELA HOU-Frame Etc.2



ELA HOU-Frame Parts List

Ver. 1.04

SA : SERVICE AVAILABLE, SNA : SERVICE not AVAILABLE

Drawer#	SEC_Code	Description	QT'y	Service	Remark
0	JC96-05515A	ELA HOU-FRAME ETC	1	SNA	
4	6002-000440	SCREW-TAPPING	4	SNA	
5	6003-000196	SCREW-TAPTITE	34	SA	
6	6003-000282	SCREW-TAPTITE	5	SNA	
7	6006-001078	SCREW-TAPTITE	3	SNA	
8	6044-000001	RING-CS	1	SA	
9	6044-000125	RING-E	1	SC	
10	6107-001164	SPRING-TS	3	SA	
11	6107-001352	SPRING-TS	1	SA	
12	6107-001370	SPRING-CS	1	SA	
13	6107-001498	SPRING-ES	1	SA	
14	6502-001093	CABLE CLAMP	1	SNA	
15	JC31-00107A	FAN	1	SA	
16	JC33-00025B	SOLENOID-MANUAL	1	SA	
17	JC33-00027B	SOLENOID-FEED	1	SA	
18	JC39-00322A	CBF HARNESS-SCAN GND	1	SNA	
19	JC39-00880A	HARNESS-SOLENOID	1	SA	
20	JC39-01004A	HARNESS-EXIT_MOTOR	1	SA	
21	JC61-00585A	BUSH-M-FEED IDLE	2	SA	
22	JC61-00588A	BUSH-M-TR L	1	SA	
23	JC61-00604B	PLATE-E_SAW	1	SC	
24	JC61-00835A	FOOT-BACK	2	SA	
25	JC61-00907A	HOLDER-M-PTL R2	1	SA	
26	JC61-00914A	PLATE-P-PUSH BUSHING	2	SA	
27	JC61-01584A	HOUSING-M_TERMINAL	1	SNA	
28	JC61-01602A	HOLDER-M_PICK UP	1	SNA	
29	JC61-01618A	HOLDER-M_ACT FEED	1	SNA	
30	JC61-01619A	HOLDER-M_ACT REGI	1	SNA	
31	JC61-01620A	FRAME-M_BASE	1	SNA	
32	JC61-01622A	HOLDER-M_TR	1	SNA	
33	JC61-01623A	GUIDE-M HOLDER TR	1	SNA	

Drawer#	SEC_Code	Description	QT'y	Service	Remark
34	JC61-01942A	GUIDE-TR RIB	1	SNA	
35	JC61-01943A	GUIDE-TR	1	SNA	
36	JC61-70932A	SPRING ETC-GUIDE DEVE	2	SA	
37	JC61-70958A	SPRING ETC-TR	2	SA	
38	JC63-00917A	GROUND-P-DRIVE	1	SNA	
39	JC63-00918A	GROUND-P-EARTH TR	1	SNA	
41	JC63-00921A	GROUND-P-GUIDE TR	1	SNA	
42	JC63-00922A	GROUND-P-DRIVE2	1	SNA	
43	JC63-00923A	GROUND-P-PUSH BUSHING	1	SNA	
44	JC63-00924A	GROUND-P-SHIELD SMPS	1	SNA	
45	JC63-00925A	GROUND-P-MOTOR FUSER	1	SNA	
46	JC63-00926A	GROUND-P-SHIELD	1	SNA	
47	JC63-01960A	GROUND-PR_FRAME	1	SNA	
48	JC65-00014A	TERMINAL-P-HV CR	1	SNA	
49	JC65-00018A	TERMINAL-TR	1	SNA	
50	JC66-00050A	CAM-CATCH	1	SA	
51	JC66-00377A	CAM-M-PICK_UP	1	SA	
52	JC66-00526A	ROLLER-FEED ROLLER 1	1	SA	
53	JC66-00527A	SHAFT-FEED IDLE	1	SA	
54	JC66-01160A	SHAFT-M_FEED2	1	SA	
55	JC66-01165A	GEAR-FEED2 Z27	1	SNA	
56	JC66-01189A	LEVER-M_ACTUATOR FEED	1	SA	
57	JC66-01190A	LEVER-M_ACT DUP OUT	1	SA	
58	JC66-01191A	LEVER-M_ACTUATOR REGI	1	SA	
59	JC68-00317A	LABEL(R)-HOT CAUTION,KME	1	SNA	
60	JC68-30928E	LABEL(P)-CAUTION, HOT_FU	1	SNA	
61	JC70-00307A	IPR-P-EARTH TRANSFER	1	SA	
62	JC70-00312A	IPR-P-TERMINAL CON	3	SA	
63	JC72-00102A	PMO-BUSHING_TR(L)	1	SA	
64	JC72-00382B	PMO-BUSHING FEED	3	SA	
65	JC72-00974A	PMO-ACTUATOR CVR OPEN	1	SA	

ELA HOU-Frame Parts List

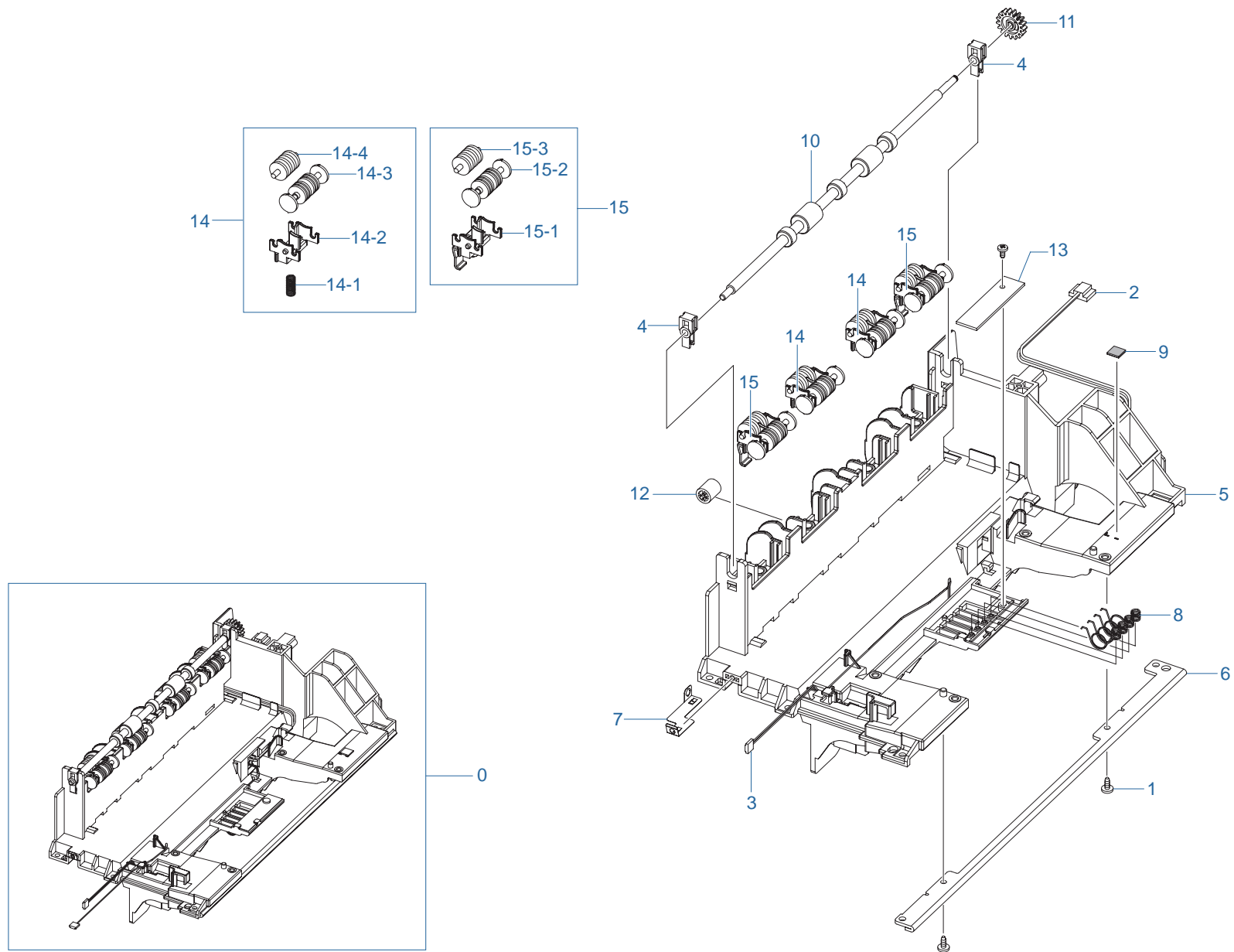
Ver. 1.04

SA : SERVICE AVAILABLE, SNA : SERVICE not AVAILABLE

Drawer#	SEC_Code	Description	QT'y	Service	Remark
66	JC72-00983A	PMO-LOCKER CST	2	SA	
67	JC72-00984A	PMO-PLATE GUIDE DEVE_L	1	SA	
68	JC72-00985A	PMO-PLATE GUIDE DEVE_R	1	SA	
69	JC75-00049A	MEC-TERMINAL	4	SA	
70	JC96-03829B	ELA HOU-GUIDE_DUP F	1	SA	
71	JC96-04634A	ELA HOU-FUSER DRIVE	1	SA	
72	JC96-04879A	ELA HOU-HVPS	1	SNA	
72-1	6003-000269	SCREW-TAPTITE	3	SA	
72-2	JC39-00528A	CBF HARNESS-PAPER EMP	1	SA	

Drawer#	SEC_Code	Description	QT'y	Service	Remark
72-3	JC39-00861A	HARNESS-HVPS	1	SA	
72-4	JC44-00162A	HVPS	1	SA	
72-5	JC63-00961A	SHEET-INSULATOR_HVPS	1	SNA	
72-6	JC63-00914A	SHIELD-P-HVPS	1	SNA	
73	JC96-04880A	ELA HOU-MPF	1	SA	
74	JC90-00911A	EXIT GUIDE	1	SNA	
75	JC97-01788A	MEA UNIT-CLUTCH	1	SA	
76	JC97-02394A	MEA UNIT-BRACKET FEED	1	SA	
77	JC97-02648A	MEA UNIT-GEAR PICK UP	1	SA	

24. ELA HOU-Frame Exit



ELA HOU-Frame Exit Parts List

Ver. 1.04

SA : SERVICE AVAILABLE, SNA : SERVICE not AVAILABLE

Drawer#	SEC_Code	Description	QT'y	Service	Remark
0	JC90-00911A	EXIT GUIDE	1	SNA	
1	6003-000282	SCREW-TAPTITE	3	SNA	
2	JC39-00886A	HARNESS-FUSER_AC	1	SA	
3	JC39-00888A	HARNESS-LSU_SW	1	SA	
4	JC61-00829A	HOLDER-BEARING EXIT F/DOWN	2	SA	
5	JC61-01941A	FRAME-EXIT	1	SNA	
6	JC61-02155A	PLATE-LSU SUPPORT	1	SNA	
7	JC63-01322A	GROUND-FUSER BRUSH	1	SNA	
8	JC65-00019A	TERMINAL-CRUM	4	SA	
9	JC66-01283A	DAMPER-FRAME EXIT	1	SNA	
10	JC66-01196A	ROLLER-EXIT F/DOWN	1	SA	
11	JC66-40209A	GEAR-EXIT	1	SA	

Drawer#	SEC_Code	Description	QT'y	Service	Remark
12	JC72-40981A	PMO-ROLLER UPPER DP	1	SA	
13	JC92-02007A	PBA-DEVE CRUM IF	1	SA	
14	JC97-01034A	MEA RACK-EXIT ROLLER	2	SA	
14-1	JC61-70911A	SPRING ETC-EXIT ROLL FD	1	SA	
14-2	JC72-41006A	PMO-HOLDER EXIT ROLL	1	SA	
14-3	JC72-41007A	PMO-ROLLER FD F	1	SA	
14-4	JC72-41008A	PMO-ROLLER FD R	1	SA	
15	JC97-03469A	MEA RACK-EXIT ROLLER S	2	SNA	
15-1	JC61-02751A	HOLDER-EXIT ROLL SIDE	1	SNA	
15-2	JC72-41007A	PMO-ROLLER FD F	1	SA	
15-3	JC72-41008A	PMO-ROLLER FD R	1	SA	

ELA HOU-Guide_Dup F Parts List

Ver. 1.04

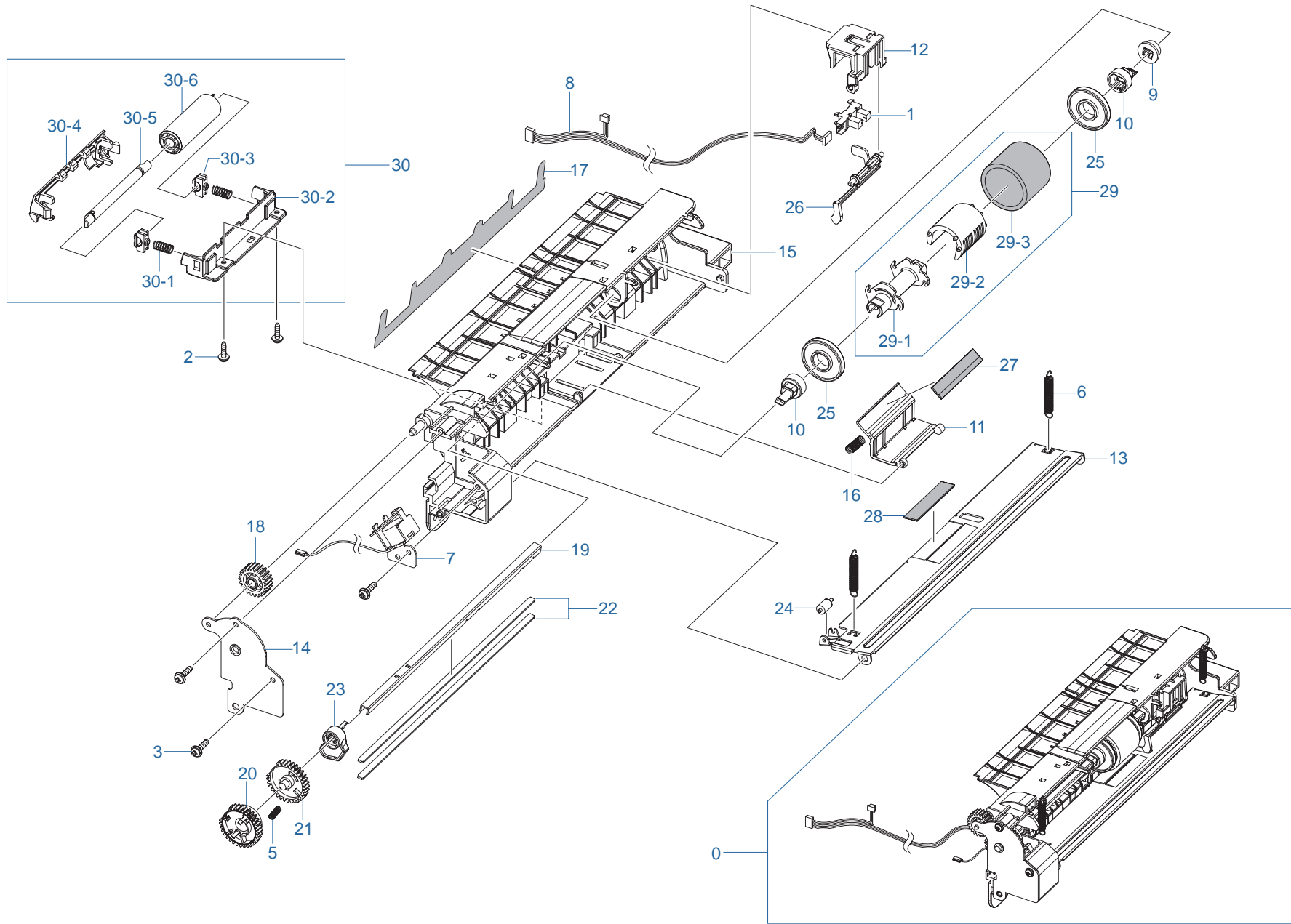
SA : SERVICE AVAILABLE, SNA : SERVICE not AVAILABLE

Drawer#	SEC_Code	Description	QT'y	Service	Remark
0	JC96-03829B	ELA HOU-GUIDE_DUP F	1	SA	
1	0604-001095	PHOTO-INTERRUPTER	1	SA	
2	6002-000440	SCREW-TAPPING	1	SNA	
3	JC61-01367A	FIXER-M_E RING 4PI	1	SA	
4	JC61-01600A	GUIDE-M_FRONT DUPLEX	1	SNA	
5	JC63-00992A	SHEET-GUIDE FRONT DU	1	SNA	
6	JC63-01153A	GROUND-P_BRUSH	1	SNA	
7	JC66-00050A	CAM-CATCH	1	SA	
8	JC66-01171A	SHAFT-PICK UP	1	SNA	
9	JC66-01173A	ROLLER-FEED	1	SA	

Drawer#	SEC_Code	Description	QT'y	Service	Remark
10	JC66-01187A	LEVER-ACTUATOR EMPTY	1	SA	
11	JC66-01581A	CAM-SHAFT PICK UP	1	SNA	
12	JC67-00208A	BRUSH-ANTISTATIC	1	SA	
13	JC72-00382B	PMO-BUSHING FEED	2	SA	
14	JC72-41364A	PMO-BUSHING_P/U,MP	1	SA	
15	JC90-00932A	MEA-ROLLER PICK UP	1	SA	
15-1	JC61-01601B	HOUSING-M_PICK UP	1	SNA	
15-2	JC73-00310A	RUBBER-PICK_UP	1	SNA	
15-3	JC66-01169A	ROLLER-IDLE PICK UP	2	SA	

26. ELA HOU-MPF

Ver. 1.04



ELA HOU-MPF Parts List

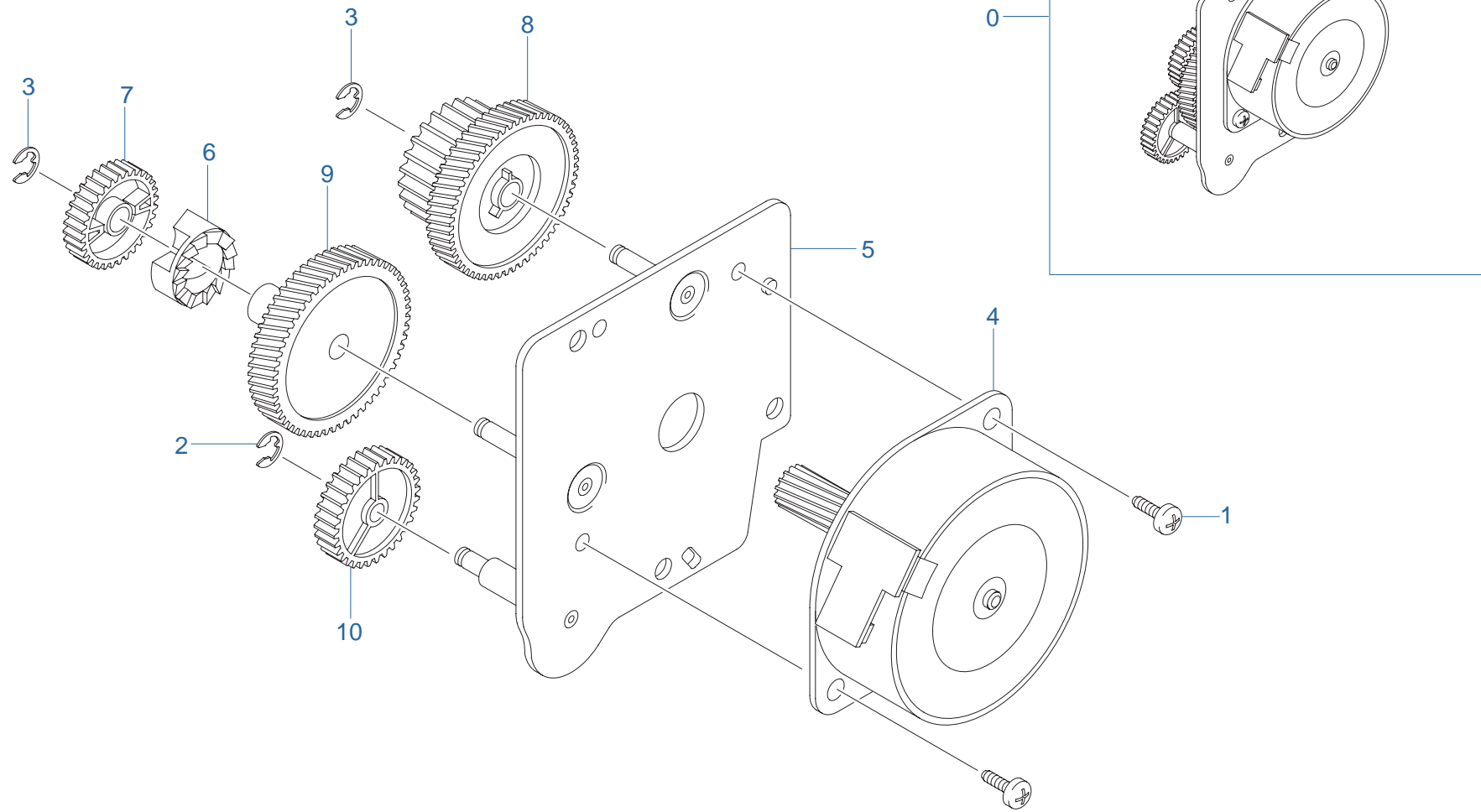
Ver. 1.04

SA : SERVICE AVAILABLE, SNA : SERVICE not AVAILABLE

Drawer#	SEC_Code	Description	QT'y	Service	Remark
0	JC96-04880A	ELA HOU-MPF	1	SA	
1	0604-001095	PHOTO-INTERRUPTER	1	SA	
2	6003-000196	SCREW-TAPTITE	2	SA	
3	6003-000196	SCREW-TAPTITE	2	SA	
4	6003-000196	SCREW-TAPTITE	1	SA	
5	6107-001167	SPRING-CS	1	SA	
6	6107-001237	SPRING-ES	2	SA	
7	JC33-00028B	SOLENOID-MP	1	SA	
8	JC39-00873A	HARNESS-MP	1	SA	
9	JC61-00587A	BUSH-M-PICK_UP R	1	SA	
10	JC61-00915A	STOPPER-M-PICK UP_R2	2	SA	
11	JC61-00924A	HOLDER-M-PAD_MP	1	SA	
12	JC61-00926A	HOLDER-M-SENSOR_MP	1	SA	
13	JC61-00927A	PLATE-P-KNOCK UP_MP	1	SNA	
14	JC61-00932A	BRACKET-P-PICKUP_MP	1	SNA	
15	JC61-01603A	FRAME-M_MP	1	SNA	
16	JC61-70911A	SPRING ETC-EXIT ROLL FD	1	SA	
17	JC63-01936A	SHEET-GUIDE MP	1	SNA	
18	JC66-00396A	GEAR-IDLE 23	1	SA	
19	JC66-00399A	SHAFT-P-PICK_UP	1	SA	

Drawer#	SEC_Code	Description	QT'y	Service	Remark
20	JC66-00709A	GEAR-M-HOLDER_MP	1	SA	
21	JC66-00710A	GEAR-M-PICK UP_MP	1	SA	
22	JC66-00720A	SHAFT-P-CORE	2	SA	
23	JC66-01205A	CAM-M_PICK UP MP	1	SA	
24	JC72-00761A	PMO-ROLLER CAM.MP	1	SA	
25	JC72-00982A	PMO-IDLE PICK_UP	2	SA	
26	JC72-01338A	PMO-M-ACT EMPTY MP	1	SA	
27	JC73-00140A	RPR-FRICTION PAD	1	SA	
28	JC73-00141A	RPR-PAD CASSETTE	1	SA	
29	JC97-02034A	MEA-PICK UP_MP	1	SA	
29-1	JC61-00910A	HOUSING-M-PICK UP2_R2	1	SA	
29-2	JC61-00925A	HOUSING-M_PICK UP_MP	1	SA	
29-3	JC73-00194A	RUBBER-PICK UP MP	1	SA	
30	JC97-02443A	MEA-IDLE FEED	1	SA	
30-1	JC61-00484A	SPRING ETC-EXIT LOWER IDLE	2	SA	
30-2	JC61-01604A	HOLDER-M_IDLE FEED	1	SNA	
30-3	JC61-01605A	HOLDER-M_SHAFT IDLE	2	SNA	
30-4	JC63-00997A	COVER-M_IDLE FEED	1	SNA	
30-5	JC66-01172A	SHAFT-IDLE FEED	1	SNA	
30-6	JC66-01186A	ROLLER-IDLE FEED	1	SNA	

27. ELA HOU-Fuser Drive



ELA HOU-Fuser Drive Parts List

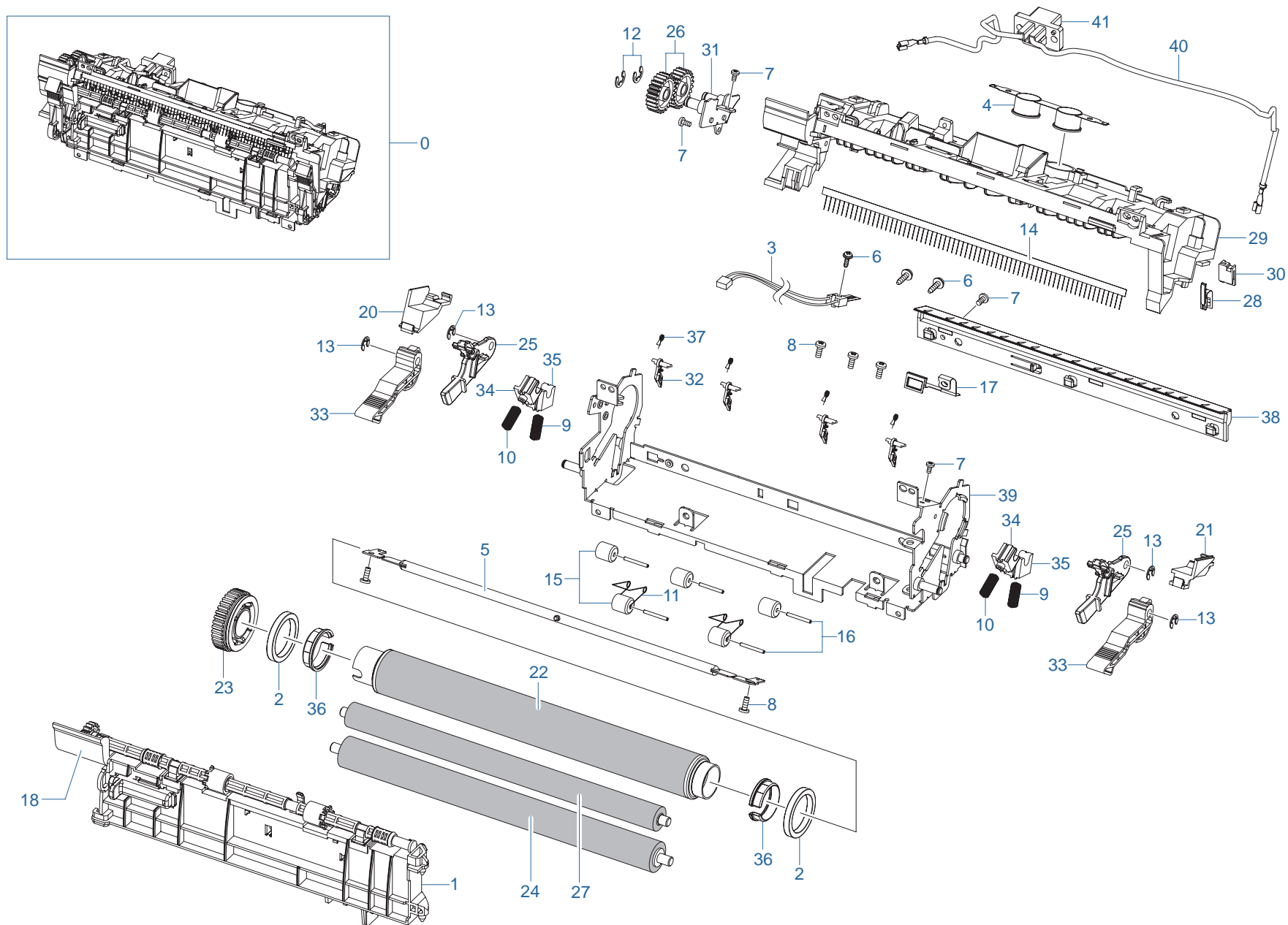
Ver. 1.04

SA : SERVICE AVAILABLE, SNA : SERVICE not AVAILABLE

Drawer#	SEC_Code	Description	QT'y	Service	Remark
0	JC96-04634A	ELA HOU-FUSER DRIVE	1	SA	
1	6003-000269	SCREW-TAPTITE	2	SA	
2	6044-000125	RING-E	1	SC	
3	6044-000231	RING-E	2	SA	
4	JC31-00084A	MOTOR STEP	1	SA	
5	JC61-01946A	BRACKET-FUSER EXIT	1	SNA	

Drawer#	SEC_Code	Description	QT'y	Service	Remark
6	JC66-00340A	GEAR-HUB CLUTCH	1	SA	
7	JC66-00417A	GEAR-RDCN FUSER OUT	1	SA	
8	JC66-01158A	GEAR-EXIT RDCN 87/24	1	SNA	
9	JC66-01163A	GEAR-FUSER RDCN IN 95	1	SNA	
10	JC66-01210A	GEAR-FUSER IDLE FR	1	SA	

28. ELA Unit-Fuser



ELA Unit-Fuser Parts List

Ver. 1.04

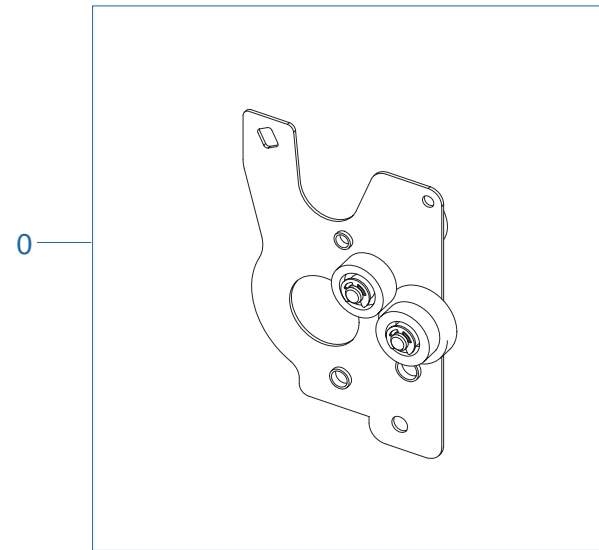
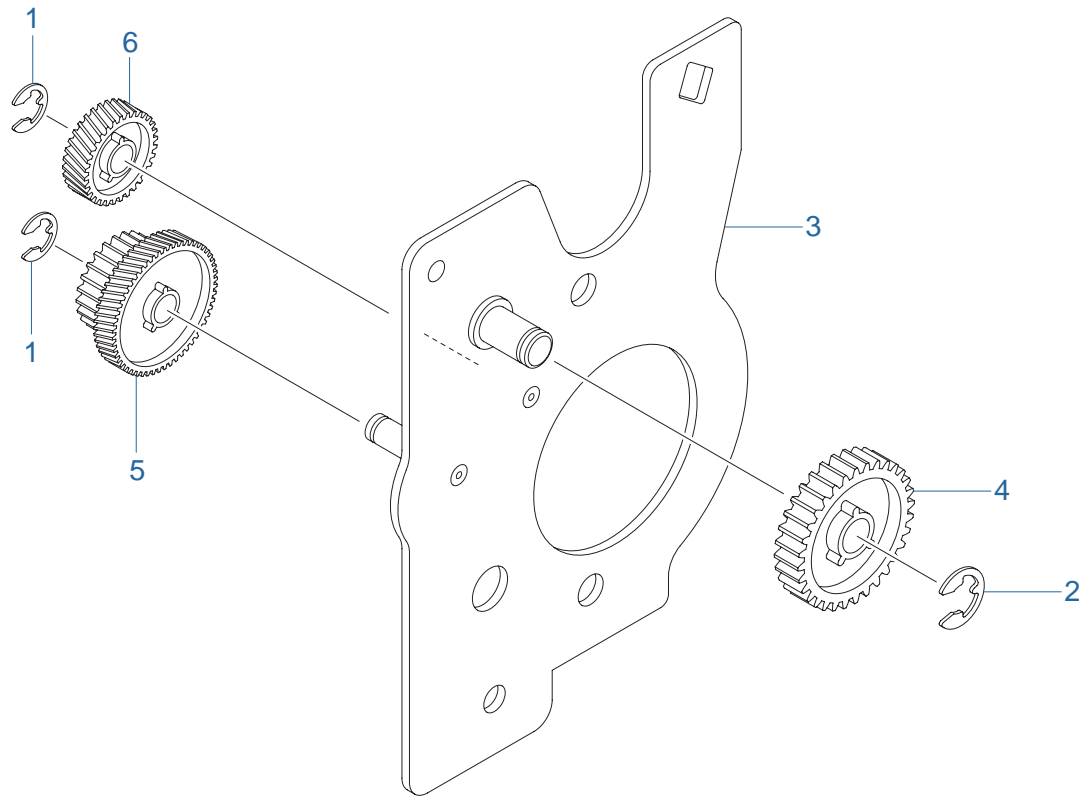
SA : SERVICE AVAILABLE, SNA : SERVICE not AVAILABLE

Drawer#	SEC_Code	Description	QT'y	Service	Remark
0	JC91-00929A	ELA UNIT-FUSER	1	SA	110V
0	JC91-00928A	ELA UNIT-FUSER	1	SA	220V
1	JC90-00910A	MEA UNIT-DOOR FUSER	1	SNA	
2	6601-001479	BEARING-BALL	2	SA	
3	1404-001364	THERMISTOR-NTC ASSY	1	SA	
4	4712-001031	THERMOSTAT	1	SA	
5	4713-001207	LAMP-HALOGEN	1	SA	110V
5	4713-001208	LAMP-HALOGEN	1	SA	220V
6	6003-000196	SCREW-TAPTITE	3	SA	
7	6003-000269	SCREW-TAPTITE	5	SA	
8	6003-000282	SCREW-TAPTITE	5	SNA	
9	6107-001267	SPRING-CS	2	SA	
10	6107-001689	SPRING-CS	2	SNA	
11	6107-001159	SPRING-TS	2	SA	
12	6044-000231	RING-E	2	SA	
13	6044-000125	RING-E	4	SC	
14	JC75-00095A	MEC-BRUSH ANTISTATIC	1	SA	
15	JC72-20902A	PEX-ROLLER F/UP(2)	5	SA	
16	JC70-20901A	IEX-SHAFT IDLE,F/UP	5	SA	
17	JC63-02008A	GROUND-EARTH UPPER	1	SNA	
18	JC68-01581B	LABEL-CAUTION	1	SNA	XAA
18	JC68-01581C	LABEL-CAUTION	1	SNA	SEE
20	JC67-00253A	CAP-LAMP_L	1	SNA	

Drawer#	SEC_Code	Description	QT'y	Service	Remark
21	JC67-00254A	CAP-LAMP_R	1	SNA	
22	JC66-01593B	ROLLER-HEAT	1	SA	
23	JC66-01588A	GEAR-FUSER	1	SA	
24	JC66-01453A	ROLLER-PRESSURE	1	SA	
25	JC66-02283A	LEVER-LINK_JAM	2	SNA	
26	JC66-01153A	GEAR-IDLE 23 FUSER	2	SA	
27	JC66-01079A	ROLLER-PRESSURE	1	SA	
28	JC63-01961A	GROUND-PR_FUSER	1	SNA	
29	JC63-01347A	COVER-FUSER_UPPER	1	SNA	
30	JC61-02631A	GUIDE-GROUND_PR	1	SNA	
31	JC61-02156A	BRACKET-FUSER	1	SNA	
32	JC61-02154A	GUIDE-CLAW	4	SNA	
33	JC61-03340A	HOLDER-JAM	2	SNA	
34	JC61-01961A	BUSH-PR_2ND	2	SNA	
35	JC61-01960A	BUSH-PR_1ST	2	SNA	
36	JC61-01958A	BUSH-HR	2	SA	
37	JC61-01950A	SPRING ETC-CLAW	4	SA	
38	JC61-01949A	GUIDE-INPUT	1	SNA	
39	JC61-01948A	FRAME-FUSER	1	SNA	
40	JC39-00521A	CBF HARNESS-FUSER REC	1	SA	110V
40	JC39-00609A	CBF HARNESS-FUSER R_2	1	SA	220V
41	JC39-00520A	CBF HARNESS-FUSER CON	1	SA	

29. MEA Unit-Bracket Feed

Ver. 1.04



MEA Unit-Bracket Feed Parts List

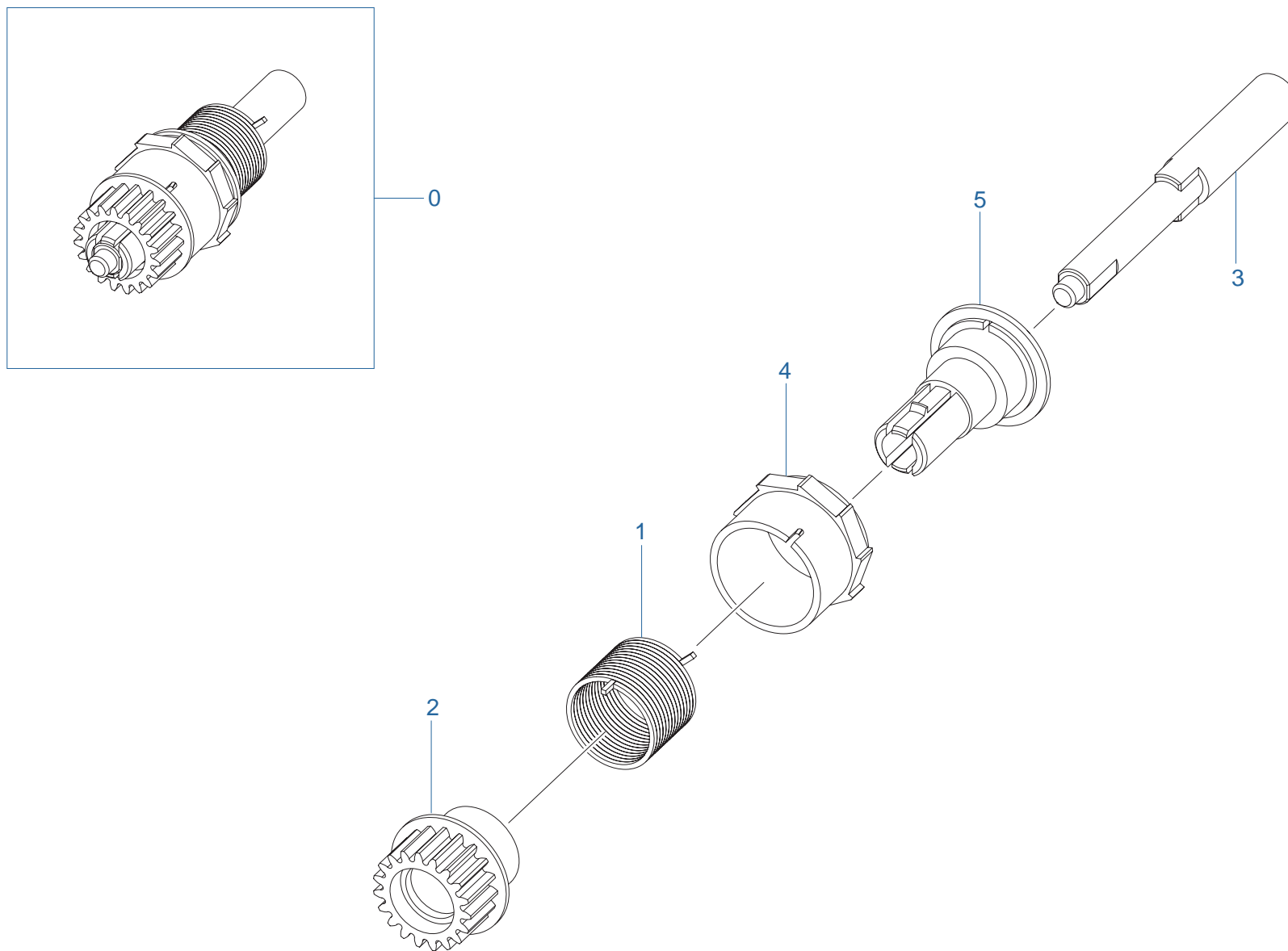
Ver. 1.04

SA : SERVICE AVAILABLE, SNA : SERVICE not AVAILABLE

Drawer#	SEC_Code	Description	QT'y	Service	Remark
0	JC97-02394A	MEA UNIT-BRACKET FEED	1	SA	
1	6044-000125	RING-E	2	SC	
2	6044-000231	RING-E	1	SA	
3	JC61-01582A	BRACKET-P-FEED	1	SNA	

Drawer#	SEC_Code	Description	QT'y	Service	Remark
4	JC66-00484A	GEAR-T2 IDEL_Z27	1	SA	
5	JC66-01164A	GEAR-RETARD 39/19	1	SNA	
6	JC66-01166A	GEAR-IDLE Z29 HELICAL	1	SNA	

30. MEA Unit-Clutch



MEA Unit-Clutch Parts List

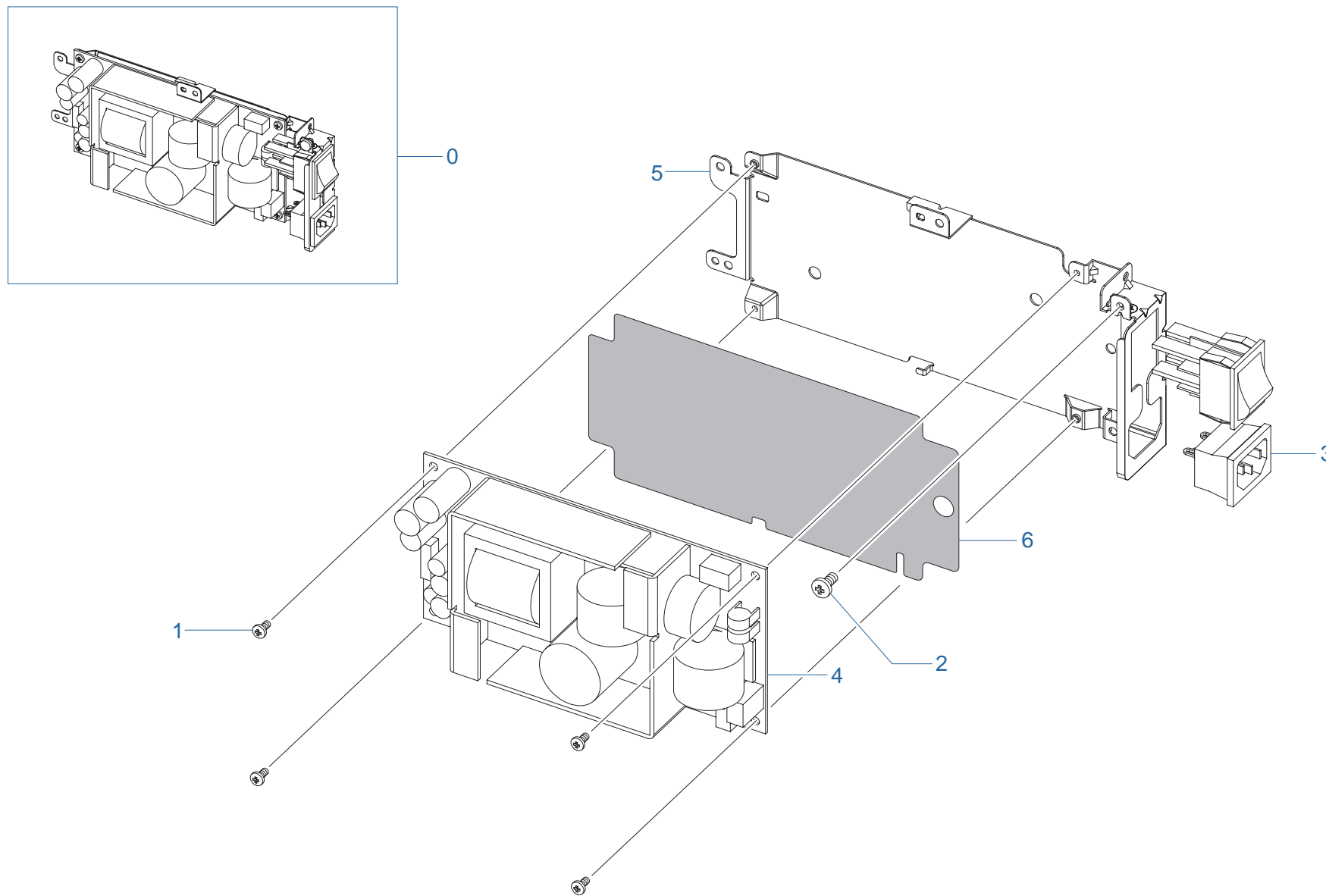
Ver. 1.04

SA : SERVICE AVAILABLE, SNA : SERVICE not AVAILABLE

Drawer#	SEC_Code	Description	QT'y	Service	Remark
0	JC97-01788A	MEA UNIT-CLUTCH	1	SA	
1	6107-001171	SPRING-TS	1	SA	
2	JC66-00393A	GEAR-FEED 1	1	SA	

Drawer#	SEC_Code	Description	QT'y	Service	Remark
3	JC66-00398A	SHAFT-FEED	1	SA	
4	JC72-00978A	PMO-COLLAR_SPRING	1	SA	
5	JC72-00981A	PMO-HUB CLUTCH	1	SNA	

31. ELA HOU-SMPS_V1/V2



ELA HOU-SMPS_V1/V2 Parts List

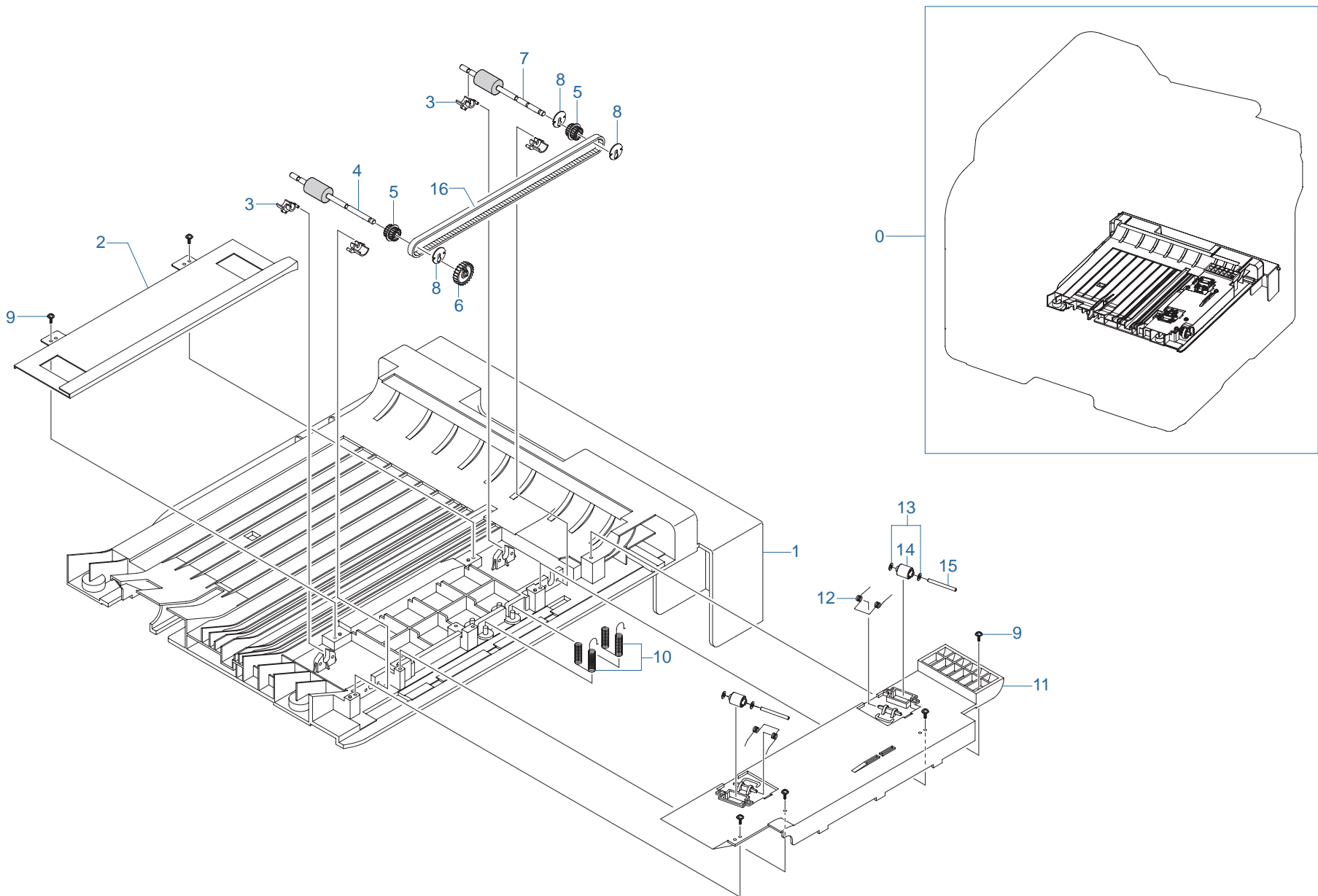
Ver. 1.04

SA : SERVICE AVAILABLE, SNA : SERVICE not AVAILABLE

Drawer#	SEC_Code	Description	QT'y	Service	Remark
0	JC96-05621A	ELA HOU-SMPS_V1	1	SNA	110V
0	JC96-05622A	ELA HOU-SMPS_V2	1	SNA	220V
1	6003-000269	SCREW-TAPTITE	4	SA	
2	6003-000301	SCREW-TAPTITE	1	SNA	
3	JC39-00523A	CBF HARNESS-AC INLET	1	SA	

Drawer#	SEC_Code	Description	QT'y	Service	Remark
4	JC44-00097D	SMPS-V1	1	SA	110V
4	JC44-00090D	SMPS-V2C	1	SA	220V
5	JC63-00913A	SHIELD-P-SMPS	1	SNA	
6	JC63-00960A	SHEET-INSULATOR_SMPS	1	SNA	

32. MEA Unit-Duplex



MEA Unit-Duplex Parts List

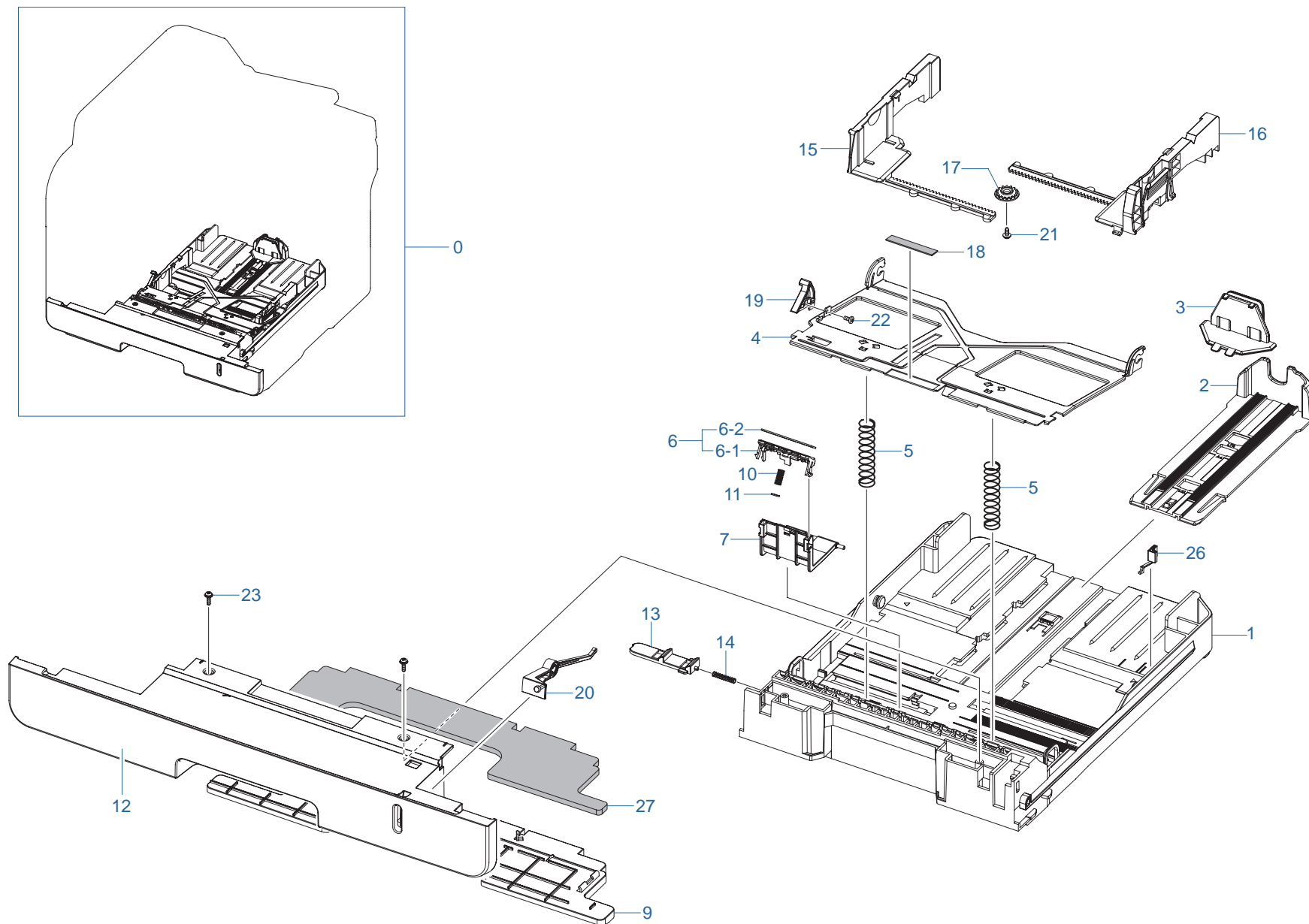
Ver. 1.04

SA : SERVICE AVAILABLE, SNA : SERVICE not AVAILABLE

Drawer#	SEC_Code	Description	QT'y	Service	Remark
0	JC97-02393A	MEA UNIT-DUPLEX	1	SA	
1	JC61-01594A	FRAME-M_DUP	1	SNA	
2	JC61-01595A	GUIDE-M_UPPER DUP	1	SNA	
3	JC61-00665A	BUSH-M-FEED, DUP	4	SA	
4	JC96-04983B	ELA UNIT-ROLLER_DUP2	1	SA	
5	JC66-00899A	PULLEY-18_DUP	2	SA	
6	JC66-00038A	GEAR-EXIT F/DOWN	1	SA	
7	JC96-04983A	ELA UNIT-ROLLER_DUP	1	SA	
8	JC66-00900A	PULLEY-M-18-DUMMY_DUP	3	SA	

Drawer#	SEC_Code	Description	QT'y	Service	Remark
9	6003-000196	SCREW-TAPTITE	6	SA	
10	JC65-00017A	TERMINAL-P-GND DUP	2	SA	
11	JC61-01595A	GUIDE-M_UPPER DUP	1	SNA	
12	6107-001156	SPRING-TS	2	SA	
13	JK72-00058A	PCT-SILP WASHER	4	SNA	
14	JC66-00896A	ROLLER-M-IDLE_DUP	2	SA	
15	JC66-00444A	SHAFT-IDLE ROLL, DUP	2	SA	
16	JC66-20901A	BELT-TIMMING	1	SA	

33. MEA Unit-Cassette



MEA Unit-Cassette Parts List

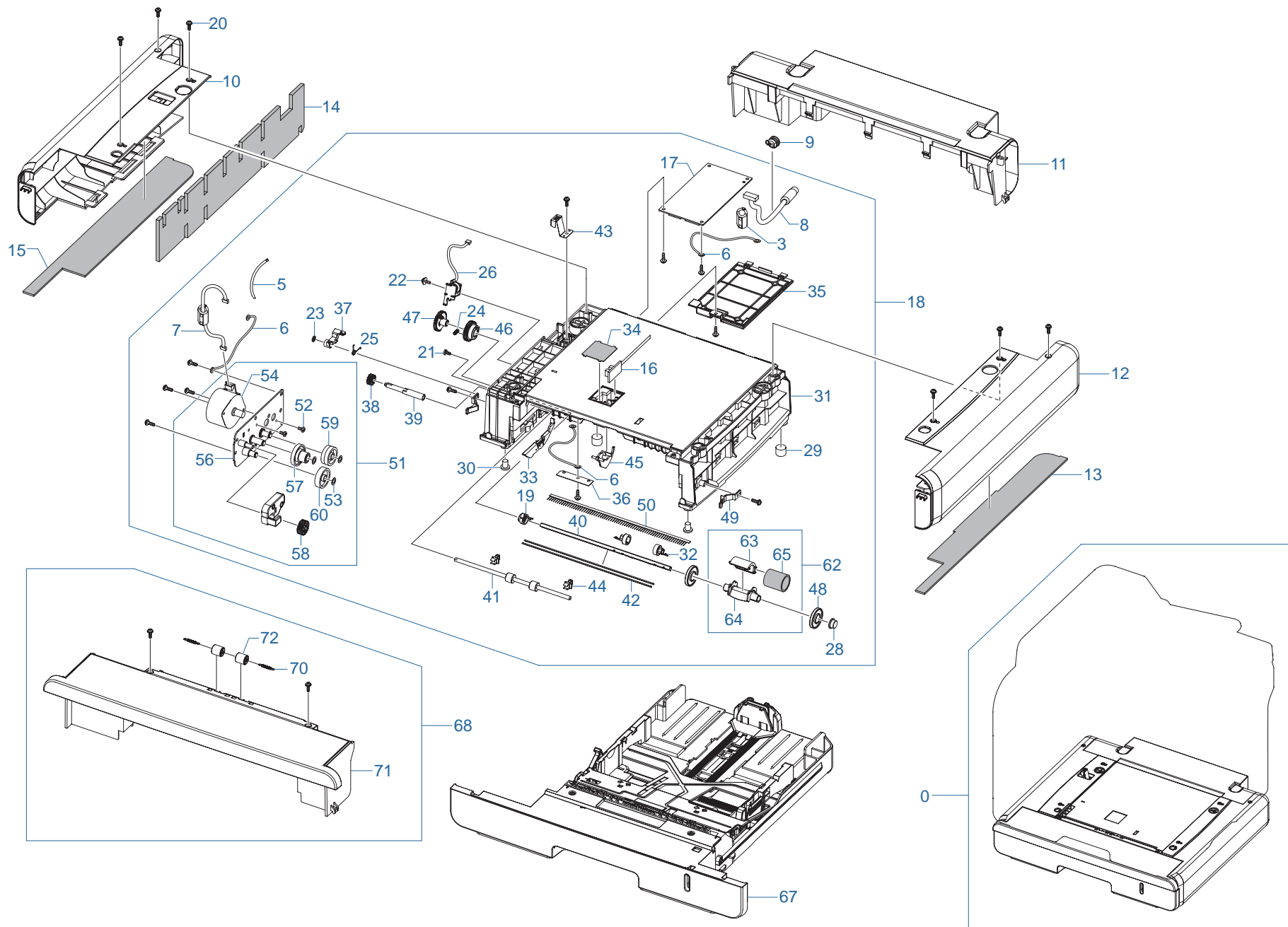
Ver. 1.04

SA : SERVICE AVAILABLE, SNA : SERVICE not AVAILABLE

Drawer#	SEC_Code	Description	QT'y	Service	Remark
0	JC97-03554A	MEA UNIT-CASSETTE	1	SNA	
1	JC61-00876A	FRAME-M_CASSETTE	1	SNA	
2	JC61-00918B	GUIDE-M-EXTENSION L2	1	SA	
3	JC72-00971A	PMO-EXTENSION SMALL	1	SA	
4	JC61-00603A	PLATE-P-KNOCK_UP	1	SNA	
5	6107-001166	SPRING-CS	2	SA	
6	JC97-03439A	MEA UNIT-HOLDER PAD	1	SA	
6-1	JC61-02733A	HOLDER-PAD	1	SA	
6-2	JC73-00140A	RPR-FRICTION PAD	1	SA	
7	JC61-01978A	HOUSING-HOLDER PAD	1	SA	
9	JC63-02167A	COVER-CST LOWER_E	1	SNA	
10	JC61-70911A	SPRING ETC-EXIT ROLL FD	1	SA	
11	JC61-01692A	SUPPORT-HOLDER PAD	1	SNA	
12	JC63-00939A	COVER-M_SUB CST	1	SNA	
13	JC72-00972A	PMO-PLATE_LOCKER	1	SA	

Drawer#	SEC_Code	Description	QT'y	Service	Remark
14	JG61-70531A	SPRING ETC-LOCKER,PLATE	1	SA	
15	JC70-00300A	ADJUST-M-CASSETTE_L	1	SA	
16	JC70-00301A	ADJUST-M-CASSETTE_R	1	SC	
17	JG66-40003A	GEAR-PINION	1	SA	
18	JC73-00141A	RPR-PAD CASSETTE	1	SA	
19	JC66-00719A	CAM-M-KNOCK UP	1	SA	
20	JC64-00253A	INDICATOR-M_CASSETTE	1	SNA	
21	6003-000264	SCREW-TAPTITE	1	SNA	
22	6003-000261	SCREW-TAPTITE	1	SNA	
23	6003-000196	SCREW-TAPTITE	2	SA	
24	JF68-10532B	LABEL(P)-BAR CODE	1	SNA	
25	JC68-02049A	LABEL-INFORMATION	1	SNA	
26	JC61-02484A	STOPPER-ADJUSTER	1	SA	
27	JC72-01532A	SPONGE-CST BOTTOM	1	SNA	

34. ELA HOU-SCF



ELA HOU-SCF Parts List

Ver. 1.04

SA : SERVICE AVAILABLE, SNA : SERVICE not AVAILABLE

Drawer#	SEC_Code	Description	QT'y	Service	Remark
0	JC96-05180A	ELA HOU-SCF	1	SNA	
3	3301-001635	CORE-FERRITE	1	SNA	
4	6003-000196	SCREW-TAPTITE	8	SA	
5	6501-000004	CABLE TIE	1	SA	
6	JC39-00366A	CBF HARNESS-SCF GND	3	SNA	
7	JC39-01003A	HARNESS-DUPLEX_MOTOR	1	SA	
8	JC39-01012A	HARNESS-SCF	1	SNA	
9	JC61-00804A	BUSH-CABLE	1	SNA	
10	JC63-00941A	COVER-LEFT SCF	1	SA	
11	JC63-00943A	COVER-REAR SCF	1	SA	
12	JC63-00942A	COVER-RIGHT SCF	1	SA	
13	JC72-01538A	SPONGE-SCF R	1	SNA	
14	JC72-01469A	SPONGE-SCF L1	1	SNA	
15	JC72-01537A	SPONGE-SCF L2	1	SNA	
16	JC92-01799B	PBA-SUB_EMP	1	SA	
17	JC92-02095A	PBA-SCF	1	SA	
18	JC96-05553A	ELB HOU-FRAME SCF	1	SNA	
20	6003-000196	SCREW-TAPTITE	11	SA	
21	6003-000282	SCREW-TAPTITE	1	SNA	
22	6006-001078	SCREW-TAPTITE	1	SNA	
23	6044-000001	RING-CS	1	SA	
24	6107-001167	SPRING-CS	1	SA	
25	6107-001352	SPRING-TS	1	SA	
26	JC33-00025B	SOLENOID-MANUAL	1	SA	
27	JC66-02084A	CAM-PICK UP	1	SA	
28	JC61-00587A	BUSH-M-PICK_UP R	1	SA	
29	JC61-00835A	FOOT-BACK	2	SA	
30	JC61-00836A	FOOT-FRONT	2	SNA	
31	JC61-00877F	FRAME-M_SCF	1	SNA	
32	JC61-00915A	STOPPER-M-PICK UP_R2	2	SA	
33	JC61-00937A	GUIDE-M-KNOCK UP	1	SA	

Drawer#	SEC_Code	Description	QT'y	Service	Remark
34	JC63-00369A	SHEET-COVER SENSOR	1	SA	
35	JC63-00492C	COVER-M_SIMM	1	SNA	
36	JC63-00527A	SHEET-BRUSH	1	SNA	
37	JC66-00377A	CAM-M-PICK_UP	1	SA	
38	JC66-00394A	GEAR-FEED 2	1	SA	
39	JC66-00398A	SHAFT-FEED	1	SA	
40	JC66-00399A	SHAFT-P-PICK_UP	1	SA	
41	JC66-00598A	ROLLER-FEED	1	SA	
42	JC66-00720A	SHAFT-P-CORE	2	SA	
43	JC70-11028A	IPR-GROUND TOP	1	SNA	
44	JC72-00382B	PMO-BUSHING FEED	2	SA	
45	JC72-00975A	PMO-ACTUATOR EMPTY	1	SA	
46	JC72-00979A	PMO-GEAR PICK_UP A	1	SNA	
47	JC72-00980A	PMO-GEAR PICK_UP B	1	SNA	
48	JC72-00982A	PMO-IDLE PICK_UP	2	SA	
49	JC72-00983A	PMO-LOCKER CST	2	SA	
50	JC75-00095A	MEC-BRUSH ANTISTATIC	0.25	SA	
51	JC96-05389A	ELA HOU-MOTOR SCF	1	SA	
52	6003-000301	SCREW-TAPTITE	2	SA	
53	6031-000023	WASHER-PLAIN	3	SA	
54	JC31-00090A	MOTOR BLDC	1	SA	
55	JC61-00878A	BRACKET-M_FEED SCF	1	SNA	
56	JC61-02749A	BRACKET-SCF DRIVE	1	SNA	
57	JC66-02030A	GEAR-SCF	1	SA	
58	JC66-00396A	GEAR-IDLE 23	1	SA	
59	JC66-00688B	GEAR-61/47 IDLE	1	SA	
60	JC66-00690A	GEAR-35 IDLE	1	SA	
62	JC97-01926A	MEA UNIT-PICK UP	1	SA	
63	JC61-00909A	HOUSING-M-PICK UP_R2	1	SNA	
64	JC61-00910A	HOUSING-M-PICK UP2_R2	1	SA	
65	JC72-01231A	SPONGE-ROLLER PICK_UP	1	SA	

ELA HOU-SCF Parts List

Ver. 1.04

SA : SERVICE AVAILABLE, SNA : SERVICE not AVAILABLE

Drawer#	SEC_Code	Description	QT'y	Service	Remark
67	JC97-03554A	MEA UNIT-CASSETTE SCF	1	SA	
68	JC97-02555A	MEA-COVER FRONT SCF	1	SA	
70	6107-001047	SPRING-ES	2	SNA	

Drawer#	SEC_Code	Description	QT'y	Service	Remark
71	JC63-00940A	COVERT-FRONT SCF	1	SA	
72	JC66-00529A	ROLLER-M-IDLE FEED	2	SNA	