



Mono Laser MFP

Xpress M288 Series

SL-M2880FW / M2885FW

(Ver1.00)

SERVICE MANUAL

Mono Laser MFP

Contents



1. Precautions
2. Product spec and feature
3. Disassembly and Reassembly
4. Alignment and Troubleshooting
5. System Diagram
6. Reference Information

Refer to the service manual in the GSPN (see the rear cover) for more information.

Contents

1.	Precautions	1 – 1
1.1.	Safety warning	1 – 1
1.2.	Caution for safety	1 – 2
1.2.1.	Toxic material.....	1 – 2
1.2.2.	Electric shock and fire safety precautions	1 – 2
1.2.3.	Handling precautions	1 – 4
1.2.4.	Assembly and Disassembly precautions	1 – 4
1.2.5.	Disregarding this warning may cause bodily injury	1 – 5
1.3.	ESD precautions.....	1 – 6
1.4.	Caution for Data Loss.....	1 – 7
2.	Product spec and feature	2 – 1
2.1.	Product Specifications	2 – 1
2.1.1.	Product Overview.....	2 – 1
2.1.2.	Specifications	2 – 2
2.1.2.1.	General Print Engine.....	2 – 2
2.1.2.2.	Copy.....	2 – 3
2.1.2.3.	Scan	2 – 4
2.1.2.4.	Fax.....	2 – 5
2.1.2.5.	Controller and Software.....	2 – 6
2.1.2.6.	Paper Handling.....	2 – 7
2.1.2.7.	Reliability and Service	2 – 8
2.1.2.8.	Environment	2 – 8
2.1.2.9.	Supplies	2 – 9
2.1.2.10.	Maintenance parts	2 – 10
2.1.2.11.	Options	2 – 10
2.1.3.	Model Comparison	2 – 11
2.2.	System Overview.....	2 – 13
2.2.1.	Front View	2 – 13
2.2.2.	Rear View	2 – 14
2.2.3.	Paper Path.....	2 – 15
2.2.4.	System Layout.....	2 – 16
2.2.4.1.	Feeding Part.....	2 – 17
2.2.4.2.	Transfer Roller	2 – 19
2.2.4.3.	Drive Unit	2 – 19
2.2.4.4.	Fuser	2 – 20
2.2.4.5.	LSU (Laser Scanner Unit).....	2 – 21
2.2.4.6.	Toner System	2 – 22
2.2.5.	Hardware configuration	2 – 23

2.2.5.1.	Main board	2 – 24
2.2.5.2.	OPE board	2 – 26
2.2.5.3.	Wireless LAN board	2 – 27
2.2.5.4.	Joint PBA	2 – 27
2.2.5.5.	SMPS Board	2 – 28
2.2.5.6.	HVPS Board	2 – 30
2.2.5.7.	Fax board	2 – 31
2.2.5.8.	NFC Tag Sticker	2 – 32
2.2.5.9.	Electrical Parts Location	2 – 33
2.2.6.	Engine F/W Control Algorithm	2 – 36
2.2.6.1.	Feeding	2 – 36
2.2.6.2.	Transfer	2 – 36
2.2.6.3.	Fusing	2 – 37
2.2.6.4.	LSU	2 – 37
2.2.7.	Software Descriptions	2 – 38
2.2.7.1.	Software system overview	2 – 38
2.2.7.2.	Architecture	2 – 38
2.2.7.3.	Data and Control Flow	2 – 39
3.	Disassembly and Reassembly	3 – 1
3.1.	Precautions when replacing parts	3 – 1
3.1.1.	Precautions when assembling and disassembling	3 – 1
3.1.2.	Precautions when handling PBA	3 – 1
3.1.3.	Releasing Plastic Latches	3 – 2
3.2.	Screws used in the printer	3 – 3
3.3.	Replacing the Main SVC parts	3 – 4
3.3.1.	Side Cover	3 – 4
3.3.2.	Rear Cover	3 – 5
3.3.3.	Front Cover	3 – 6
3.3.4.	Scan Unit	3 – 7
3.3.5.	OPE	3 – 8
3.3.6.	ADF	3 – 9
3.3.7.	ADF Roller	3 – 9
3.3.8.	ADF Motor	3 – 10
3.3.9.	Scan Motor	3 – 11
3.3.10.	CIS Unit	3 – 12
3.3.11.	Fax Board	3 – 12
3.3.12.	Middle Cover	3 – 13
3.3.13.	Main Board	3 – 14
3.3.14.	SMPS	3 – 14
3.3.15.	HVPS	3 – 15

3.3.16.	Bin-Full Sensor	3 – 15
3.3.17.	Main Drive unit	3 – 16
3.3.18.	Pick up and Regi Clutch	3 – 16
3.3.19.	Pick up and Forward roller	3 – 17
3.3.20.	Retard Roller	3 – 18
3.3.21.	Duplex Unit	3 – 19
3.3.22.	Transfer Roller	3 – 20
3.3.23.	LSU	3 – 20
3.3.24.	Fuser Unit	3 – 21
3.3.25.	Exit Sensor	3 – 21
3.3.26.	Feed and Regi sensor PBA	3 – 22
3.3.27.	Motor	3 – 23
4.	Alignment and Troubleshooting	4 – 1
4.1.	Alignment and Adjustments	4 – 1
4.1.1.	Control Panel	4 – 1
4.1.2.	Understanding the status LED	4 – 3
4.1.3.	Jam Removal	4 – 4
4.1.3.1.	Clearing original document jams	4 – 4
4.1.3.2.	Clearing paper jams	4 – 7
4.1.4.	Useful menu item for service	4 – 14
4.1.5.	Periodic defective image	4 – 16
4.1.6.	Useful management tools	4 – 17
4.1.6.1.	Using Samsung Easy Printer Manager (Windows and Macintosh only)	4 – 17
4.1.6.2.	Using Samsung Printer Status (Windows only)	4 – 19
4.1.6.3.	Using SyncThru Web Service (SWS)	4 – 20
4.1.7.	Updating Firmware	4 – 22
4.1.7.1.	Update the firmware by using the USB port	4 – 22
4.1.7.2.	Update the firmware by using the network	4 – 22
4.1.8.	Tech Mode	4 – 25
4.2.	Troubleshooting	4 – 30
4.2.1.	Procedure of checking the symptoms	4 – 30
4.2.1.1.	Basic Check List	4 – 31
4.2.2.	Error Code and Troubleshooting	4 – 32
4.2.3.	Image quality problem	4 – 48
5.	System Diagram	5 – 1
5.1.	Block Diagram	5 – 1
5.2.	Connection Diagram	5 – 2
6.	Reference Information	6 – 1
6.1.	Tool for Troubleshooting	6 – 1
6.2.	Glossary	6 – 2

6.3. The Sample Pattern for the Test 6 – 8

6.4. Selecting a location 6 – 9

6.5. Model Name and Code 6 – 10

6.6. Document Revision List..... 6 – 11

1. Precautions

In order to prevent accidents and damages to the equipment please read the precautions listed below carefully before servicing the product and follow them closely.

1.1. Safety warning

1) Only to be serviced by a factory trained service technician.

High voltages and lasers inside this product are dangerous. This product should only be serviced by a factory trained service technician.

2) Use only Samsung replacement parts.

There are no user serviceable parts inside the product. Do not make any unauthorized changes or additions to the product as these could cause the product to malfunction and create an electric shocks or fire hazards.

3) Laser Safety Statement

The printer is certified in the U.S. to conform to the requirements of DHHS 21 CFR, chapter 1 Subchapter J for Class I(1) laser products, and elsewhere is certified as a Class I laser product conforming to the requirements of IEC 60825-1. Class I laser products are not considered to be hazardous. The laser system and printer are designed so there is never any human access to laser radiation above a Class I level during normal operation, user maintenance or prescribed service condition.

- Wavelength: 800 nm
- Beam divergence
 - Parallel: 11 degrees
 - Perpendicular: 35 degrees
- Maximum power of energy output: 12 mW



WARNING

Never operate or service the product with the protective cover removed from Laser/Scanner assembly. The reflected beam, although invisible, can damage your eyes.

When using this product, these basic safety precautions should always be followed to reduce risk of fire, electric shock, and personal injury.



CAUTION - CLASS 3B LASER RADIATION WHEN OPEN
AVOID EXPOSURE TO THE BEAM.
DANGER - LASER RADIATION AVOID DIRECT
EXPOSURE TO BEAM.
DANGER - RADIATIONS INVISIBLES DU LASER EN CAS
D'OUVERTURE. EVITER TOUTE EXPOSITION
DIRECTE AU FASCEAU.
VORSICHT - UNSICHTBARE LASERSTRAHLUNG, WENN
ABDECKUNG GEÖFFNET.
NICHT DEM STRAHL AUSSETZEN.
ATTENZIONE - RADIAZIONE LASER INVISIBILE IN CASO DI
APERTURA. EVITARE L'ESPOSIZIONE AL FASCIO.
PRECAUCIÓN - RADIACIÓN LASER INVISIBLE CUANDO SE ABRE.
EVITAR EXPONERSE AL RAYO.
PERIGO - RADIAÇÃO LASER INVISÍVEL AO ABRIR. EVITE
EXPOSIÇÃO DIRECTA AO FEIXE.
GEVAAR - ONZICHTBARE LASERSTRALLEN BIJ GEOPENDE
KLEP. DEZE KLEP NIET OPENEN.
ADVARSEL - USYNLIG LASERSTRÅLNING VED ÅBNING.
UNDGÅ UDSÆTTTELSE FOR STRÅLNING.
ADVARSEL - USYNLIG LASERSTRÅLNING NÅR DEKSEL
ÅPNES. UNNGÅ EKSPONERING FOR STRÅLEN.
VARNING - OSYNLIG LASERSTRÅLNING NÅR DENNA DEL
ÄR ÖPPEN. STRÅLEN ÄR FARLIG.
VAROITUS - NÄKYMÄTÖNTÄ LASERSÄTEILYÄ AVATTAESSA.
VARO SUORAA ALTISTUMISTA SÄTEELLE.
注 意 - 严禁揭开此盖, 以免激光泄露灼伤
主 意 - 이 덮개를 열면 레이저광에 노출될 수 있으므로
주의하십시오.

4) Lithium battery not replaceable by user

1.2. Caution for safety

1.2.1. Toxic material

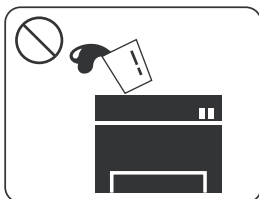
This product contains toxic materials that could cause illness if ingested.

- 1) Please keep imaging unit and toner cartridge away from children. The toner powder contained in the imaging unit and toner cartridge may be harmful, and if swallowed, you should contact a doctor.

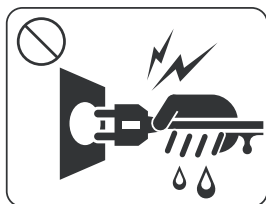
1.2.2. Electric shock and fire safety precautions

Failure to follow the following instructions could cause electric shock or potentially cause a fire.

- 1) Use only the correct voltage, failure to do so could damage the product and potentially cause a fire or electric shock.
- 2) Use only the power cable supplied with the product. Use of an incorrectly specified cable could cause the cable to overheat and potentially cause a fire.
- 3) Do not overload the power socket, this could lead to overheating of the cables inside the wall and could lead to a fire.
- 4) Do not allow water or other liquids to spill into the product, this can cause electric shock. Do not allow paper clips, pins or other foreign objects to fall into the product, these could cause a short circuit leading to an electric shock or fire hazard.

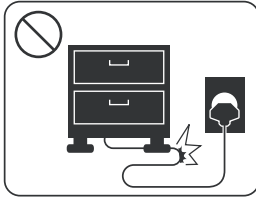


- 5) Never touch the plugs on either end of the power cable with wet hands, this can cause electric shock. When servicing the product, remove the power plug from the wall socket.

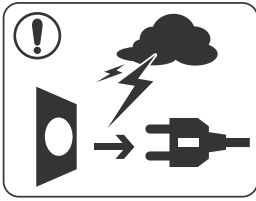


- 6) Use caution when inserting or removing the power cord. When removing the power cord, grip it firmly and pull. The power cord must be inserted completely, otherwise a poor contact could cause overheating leading to a fire.
- 7) Take care of the power cable. Do not allow it to become twisted, bent sharply around corners or power cable may be damaged. Do not place objects on top of the power cable. If the power cable is damaged it could overheat and cause a fire. Exposed cables could cause an electric shock. Replace the damaged power cable immediately, do not reuse or repair the damaged cable. Some chemicals can attack the coating on the power cable, weakening the cover or exposing cables causing fire and shock risks.

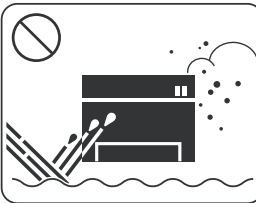
1. Precautions



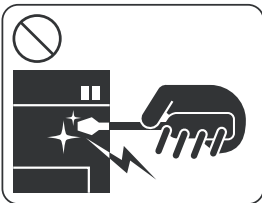
- 8) Ensure that the power sockets and plugs are not cracked or broken in any way. Any such defects should be repaired immediately. Take care not to cut or damage the power cable or plugs when moving the machine.
- 9) Use caution during thunder or lightning storms. Samsung recommends that this machine be disconnected from the power source when such weather conditions are expected. Do not touch the machine or the power cord if it is still connected to the wall socket in these weather conditions.




- 10) Avoid damp or dusty areas, install the product in a clean well ventilated location. Do not position the machine near a humidifier or in front of an air conditioner. Moisture and dust built up inside the machine can lead to overheating and cause a fire or cause parts to rust.



- 11) Do not position the product in direct sunlight. This will cause the temperature inside the product to rise possibly leading to the product failing to work properly and in extreme conditions could lead to a fire.
- 12) Do not insert any metal objects into the machine through the ventilator fan or other part of the casing, it could make contact with a high voltage conductor inside the machine and cause an electric shock.



- 13)  When replacing the SMPS board, please wait 5 minutes after unplugging the power cord, then replace it. You can get a shock by the electric discharge.

1.2.3. Handling precautions

The following instructions are for your own personal safety to avoid injury and so as not to damage the product.

- 1) Ensure the product is installed on a level surface, capable of supporting its weight. Failure to do so could cause the product to tip or fall.
- 2) The product contains many rollers, gears and fans. Take great care to ensure that you do not catch your fingers, hair or clothing in any of these rotating devices.
- 3) Do not place any small metal objects, containers of water, chemicals or other liquids close to the product which if spilled could get into the machine and cause damage or a shock or fire hazard.
- 4) Do not install the machine in areas with high dust or moisture levels, beside an open window or close to a humidifier or heater. Damage could be caused to the product in such areas.
- 5) Do not place candles, burning cigarettes, etc on the product, These could cause a fire.
- 6) Ensure that the machine is installed and used in proper area to meet the temperature and humidity specifications.
 - If the machine is stored at below zero Celsius for a long time, do not use the machine instantly after movement. It can malfunction. Take care of the machine storage. If the machine is stored at below zero Celsius for a long time, keep the machine at room temperature and install it.

1.2.4. Assembly and Disassembly precautions

- 1) Replace parts carefully and always use Samsung parts. Take care to note the exact location of parts and also cable routing before dismantling any part of the machine. Ensure all parts and cables are replaced correctly. Please carry out the following procedures before dismantling the product or replacing any parts.
- 2) Ensure that power is disconnected before servicing or replacing any electrical parts.
- 3) Disconnect interface cables and power cables.
- 4) Only use approved spare parts. Ensure that part number, product name, any voltage, current or temperature rating are correct.
- 5) When removing or re-fitting any parts do not use excessive force, especially when fitting screws into plastic.
- 6) Take care not to drop any small parts into the machine.
- 7) Handling of the OPC Drum
 - The OPC Drum can be irreparably damaged if it is exposed to light. Take care not to expose the OPC Drum either to direct sunlight or to fluorescent or incandescent room lighting. Exposure for as little as 5 minutes can damage the surface of the photoconductive properties and will result in print quality degradation. Take extra care when servicing the product. Remove the OPC Drum and store it in a black bag or other lightproof container. Take care when working with the Covers (especially the top cover) open as light is admitted to the OPC area and can damage the OPC Drum.
 - Take care not to scratch the green surface of the OPC Drum Unit. If the green surface of the Drum Cartridge is scratched or touched the print quality will be compromised.

1.2.5. Disregarding this warning may cause bodily injury

- 1) Be careful with the high temperature part.

The fuser unit works at a high temperature. Use caution when working on the printer. Wait for the fuser unit to cool down before disassembly.



- 2) Do not put fingers or hair into the rotating parts.

When operating a printer, do not put hand or hair into the rotating parts (Paper feeding entrance, motor, fan, etc.). If do, you can get harm.



- 3) When you move the printer, use safe lifting and handling techniques.

This printer is heavy. Use the lifting handles located on each side of the machine. Back injury could be caused if you do not lift carefully.

- 4) Ensure the printer is installed safely.

Ensure the printer is installed on a level surface, capable of supporting its weight. Failure to do so could cause the printer to tip or fall possibly causing personal injury or damaging the printer.

- 5) Do not install the printer on a sloping or unstable surface. After installation, double check that the printer is stable.

1.3. ESD precautions

Certain semiconductor devices can be easily damaged by static electricity. Such components are commonly called “Electrostatically Sensitive (ES) Devices” or ESDs. Examples of typical ESDs are: integrated circuits, some field effect transistors, and semiconductor “chip” components. The techniques outlined below should be followed to help reduce the incidence of component damage caused by static electricity.



CAUTION

Be sure no power is applied to the chassis or circuit, and observe all other safety precautions.

- 1) Immediately before handling a semiconductor component or semiconductor-equipped assembly, drain off any electrostatic charge on your body by touching a known earth ground. Alternatively, employ a commercially available wrist strap device, which should be removed for your personal safety reasons prior to applying power to the unit under test.
- 2) After removing an electrical assembly equipped with ESDs, place the assembly on a conductive surface, such as aluminum or copper foil, or conductive foam, to prevent electrostatic charge buildup in the vicinity of the assembly.
- 3) Use only a grounded tip soldering iron to solder or desolder ESDs.
- 4) Use only an “anti-static” solder removal device. Some solder removal devices not classified as “anti-static” can generate electrical charges sufficient to damage ESDs.
- 5) Do not use Freon-propelled chemicals. When sprayed, these can generate electrical charges sufficient to damage ESDs.
- 6) Do not remove a replacement ESD from its protective packaging until immediately before installing it. Most replacement ESDs are packaged with all leads shorted together by conductive foam, aluminum foil, or a comparable conductive material.
- 7) Immediately before removing the protective shorting material from the leads of a replacement ESD, touch the protective material to the chassis or circuit assembly into which the device will be installed.
- 8) Maintain continuous electrical contact between the ESD and the assembly into which it will be installed, until completely plugged or soldered into the circuit.
- 9) Minimize bodily motions when handling unpackaged replacement ESDs. Normal motions, such as the brushing together of clothing fabric and lifting one’s foot from a carpeted floor, can generate static electricity sufficient to damage an ESD.

1.4. Caution for Data Loss

To prevent loss of customers data the SVC engineer provides end-user with relevant information in advance.

2. Product spec and feature

2.1. Product Specifications

2.1.1. Product Overview



[M2880FW]



[M2885FW]

- 1) **Speed**
 - Up to 28 ppm in A4 (29 ppm in Letter)
- 2) **Printing Resolution**
 - Up to 4,800 x 600 dpi effective output
- 3) **Processor**
 - 600MHz
- 4) **Printer Language Emulation**
 - SPL / PCL5e / PCL6
- 5) **Memory**
 - 128MB
- 6) **Interface**
 - High speed USB 2.0
 - 10/100 BaseTX network connector
 - 802.11b/g/n wireless LAN
 - NFC printing support
- 7) **Toner cartridge yield**
 - Initial
 - M2880FW : 1,500 pages (700 pages for only /XAC model)
 - M2885FW : 1,200 pages
 - Standard / High Yield
 - M2880FW : 3,000 pages
 - M2885FW : 1,200 pages / 3,000 pages (2 types)

2.1.2. Specifications

- Product Specifications are subject to change without notice.

2.1.2.1. General Print Engine

Item		Specification
Engine Speed	Simplex	Up to 28 ppm in A4 (29 ppm in Letter)
	Duplex	Up to 14 ppm in A4 (15 ppm in Letter)
Warmup time	from sleep	Less than 14 sec
FPOT	From Ready	Less than 8.5 sec
	From Sleep	Less than 14 sec
Resolution	Optical	600 x 600 dpi
	Enhanced	4,800 x 600 dpi effective output

2.1.2.2. Copy

Item		Specification
Copy Speed	SDMC (Single Document Multiple Copy)	Up to 28 cpm in A4 (29 cpm in Letter)
	MDMC (Multiple Document Multiple Copy)	Up to 20 cpm in A4 (21 cpm in Letter)
FCOT (Mono)	From Ready	<ul style="list-style-type: none"> • Less than 14 sec @ Platen • Less than 15 sec @ ADF
	From Sleep	Less than 42 sec @ Platen / ADF
Zoom Rate	Platen	25 ~ 400 %
	ADF	25 ~ 400 %
Multi Copy		1 ~ 99
Resolution (Original Type)	Text	<ul style="list-style-type: none"> • Scan : 600 x 600 dpi (Optical 300 x 300 dpi), Printing : 600 x 600 dpi @ ADF • Scan : 600 x 600 dpi (Optical 600 x 300 dpi), Printing : 600 x 600 dpi @ Platen
	Text/Photo	<ul style="list-style-type: none"> • Scan : 600 x 600 dpi (Optical 300 x 300 dpi), Printing : 600 x 600 dpi @ ADF • Scan : 600 x 600 dpi (Optical 600 x 300 dpi), Printing : 600 x 600 dpi @ Platen
	Photo	<ul style="list-style-type: none"> • Scan : 600 x 600 dpi (Optical 600 x 300 dpi), Printing : 600 x 600 dpi @ ADF • Scan : 1,200 x 1,200 dpi (Optical 600 x 600 dpi), Printing : 1,200 x 1,200 dpi @ Platen
	Magazine	No
	Copied Original	No
	Map	No
	Light Original	No
	Darkness Control	
Features	N-Up	2-Up / 4-Up
	ID Card Copy	Yes (Platen Only)
	Poster Copy	No
	Clone Copy	No
	Booklet	No
	Covers	No
	Transparencies	No
	Book Copy	No
Save to File	No	

2.1.2.3. Scan

Item		Specification
Scan Method		Color CIS
Compatibility		TWAIN / WIA
Color Mode		B/W / Gray / Color
Scan Speed	B/W (Lineart, Halftone)	17 ipm @ 300 dpi (Less than 15 sec)
	Gray	17 ipm @ 300 dpi (Less than 20 sec)
	Color	6 ipm @ 300 dpi (Less than 30 sec)
Client OS Support		<ul style="list-style-type: none"> • Window : <ul style="list-style-type: none"> • 8 (32 / 64 bit) / 7 (32 / 64 bit) / Vista (32 / 64 bit) / XP (32 / 64 bit) / 2008 Server R2 / 2008 server (32 / 64 bit) / 2003 Server (32 / 64 bit) • Linux : <ul style="list-style-type: none"> • RedHat Enterprise Linux WS 4 / 5 (32 / 64 bit) • Fedora 5 ~ 13 (32 / 64 bit) • SuSE Linux 10.1 (32 bit) • OpenSuSE 10.2 / 10.3 / 11.0 / 11.1 / 11.2 (32 / 64 bit) • Mandriva 2007 / 2008 / 2009 / 2009.1 / 2010 (32 / 64 bit) • Ubuntu 6.06 / 6.10 / 7.04 / 7.10 / 8.04 / 8.10 / 9.04 / 9.10 / 10.04 (32 / 64 bit) • SuSE Linux Enterprise Desktop 10 / 11 (32 / 64 bit) • Debian 4.0 / 5.0 (32 / 64 bit) • Mac OS : <ul style="list-style-type: none"> • X 10.5 ~ 10.8 • UNIX : <ul style="list-style-type: none"> • Sun Solaris 9 / 10 (x86 / SPARC) • HP-UNIX 11.0 / 11i v1 / 11i v2 / 11i v3 (PA-RISC / Itanium) • IBM AIX 5.1 / 5.2 / 5.3 / 5.4
Resolution	Optical	Up to 1,200 x 1,200 dpi
	Enhanced	Up to 4,800 x 4,800 dpi
Scan Size	ADF	Max. 216 x 356 mm (8.5" x 14")*
	Platen	Max. 210 x 297 mm (8.3" x 11.7")*
Scan-to	HDD	No
	USB	No
	Email	No
	Client(NetScan)	No
	SMB	No
	FTP	No
	HTTP(S)	No
	PC	Yes
	WSD	Yes
WebDAV	No	
File Formats		JPEG / Single-TIFF / Multi-TIFF / Single-PDF / Multi-PDF

2.1.2.4. Fax

Item		Specification
Compatibility		ITU-T G3 / ECM
Communication System		PSTN / PABX
Modem Speed		33.6 Kbps
TX Speed		3 sec (Mono / Standard / ECM-MMR / ITU-T G3 No.1 Chart)
Compression		MH, MR, MMR, JBIG, JPEG (Tx Only)
Color Fax		Yes
Telephone Features	On hook Dial	Yes
	Search	Yes (Phone Book)
	1-Touch Dial	No
	Speed Dial	200 locations
	TAD I/F	Yes
	Tone/Pulse	Selectable in Tech Mode or User Menu (Depends on each country)
	Pause	Yes
	Auto Redial	Yes
	Last Number Redial	Yes
	Distinctive Ring	Yes
	Caller ID	Yes (Depends on each country)
	External Phone Interface	Yes
Report & List Print out	Tx/Rx Journal	Yes
	Confirmation	2 Types available (with Image TCR, w/o image TCR)
	Auto Dial List	Yes
	System Data List	List all user setting
Fax Memory Std/Max		8 MB (600 pages)
Fax Forward to e-mail		No
Fax to PC		Yes
Broadcasting		Up to 209 locations
Delayed fax		Yes (Tx Only)

2.1.2.5. Controller and Software

Item		Specification
Processor		600MHz
Memory	Std.	128 MB
	Max. (Option)	No
Printer Languages		SPL / PCL5e / PCL6
Fonts		PCL : 95 Scalable Fonts (Include OCR-A / OCR-B) / 1 Bitmap
Print Driver	Default Driver	PCL6
	Supporting OS	Windows 8.1/ 8 / 7 / Vista / XP / 2012 Server / 2008 Server R2 / 2008 server / 2003 Server
		Linux <ul style="list-style-type: none"> • RedHat Enterprise Linux WS 4, 5, 6 (32/64 bit) • Fedora 5, 6, 7, 8, 9, 10, 11, 12, 13, 14, 15 (32/64 bit) • OpenSuSE 10.2, 10.3, 11.0, 11.1, 11.2, 11.3, 11.4 (32/64 bit) • Mandriva 2007, 2008, 2009, 2009.1, 2010 (32/64 bit) • Ubuntu 6.06, 6.10, 7.04, 7.10, 8.04, 8.10, 9.04, 9.10, 10.04, 10.10, 11.04 (32/64 bit) • SuSE Linux Enterprise Desktop 10, 11 (32/64 bit) • Debian 4.0, 5.0, 6.0 (32/64 bit)
		Mac OS X 10.5 ~ 10.9
		UNIX <ul style="list-style-type: none"> • Sun Solaris 9,10,11 (x86, SPARC) • HP-UX 11.0, 11i v1, 11i v2, 11i v3 (PA-RISC, Itanium) • IBM AIX 5.1, 5.2, 5.3, 5.4, 6.1, .7.1 (PowerPC)
Interface	USB	Hi-speed USB 2.0
	USB Host (Direct USB)	No
	Wired LAN	Ethernet 10/100 Base Tx
	Wireless LAN	Wireless 802.11 b/g/n
Network Protocol		<ul style="list-style-type: none"> • [TCP/IP] TCP / IPv4/v6 / HTTP / SNMPv1/v2c/v3 / SMTP / DNS / WINS / DDNS / DHCP / BOOTP / AutoIP / Standard TCP/IP Printing / LPR / WSD Print / IPP / UPnP(SSDP) / Bonjour / WSD Discovery / SLP / SetIP / Google Csploud Print / WSD Scan • [Others] IPPs / IPsec

2.1.2.6. Paper Handling

Item		Specification
Standard Capacity		250-sheet Cassette @ 80g/m ² , 1-sheet Multi Purpose Tray
Max. Capacity		251-sheet
Output Stacking	Capacity	<ul style="list-style-type: none"> • Face-Down : 150 sheets @ 80 g/m² • Face-Up : 1 sheet
Printing Size	Max. Size	216 x 356 mm (8.5" x 14")
	Min. Size	76 x 127 mm (3.0" x 5.0")
Standard Cassette Tray	Capacity	250-sheet Cassette @ 80g/m ²
	Media sizes	A4, A5, A6, Letter, Legal, Executive, Folio, Oficio, ISO B5, JIS B5
	Media types	Plain, Thin, Thick, Cardstock, Recycled, Archive, Bond
	Media weight	16~43 lb (60 to 163 g/m ²)
	Sensing	<ul style="list-style-type: none"> • H/W Install Detect : No • Paper Empty : Yes • Paper Type Detect : No • Paper Size Detect : No
Multi-purpose tray	Capacity	1 sheet
	Media sizes	A4, A5, A6, Letter, Legal, Executive, Folio, Oficio, ISO B5, JIS B5, Envelope (Monarch/No-10/DL/C5/C6), Custom 76 x 127 mm ~ 216 x 356 mm (3" x 5" ~ 8.5" x 14")
	Media type	Plain, Thin, Thick, Thicker, Cardstock, Transparency, Pre-Printed, Recycled, Archive, Bond, Label, Envelope, Thick Envelope, Cotton, Colored
	Media weight	60 ~ 220 g/m ² (16 ~ 58 lb)
	Sensing	Yes
Optional Cassette Tray		N/A
Output Full sensing		Yes
ADF	Capacity	40-sheet
	Duplex Document Scanning	No
	Document Size	<ul style="list-style-type: none"> • Width : 148 ~ 216 mm (5.8" ~ 8.5") • Length : 148 ~ 356 mm (5.8" ~ 14")
	Document Weight	60 ~ 105 g/m ² (16 ~ 28 lb)
	Sensing	No
	Auto Detected Size	No
Duplex Printing	Media sizes	A4, Letter, Legal, US Folio, Oficio

2.1.2.7. Reliability and Service

Item	Specification
Max. Monthly Duty	12,000 pages

2.1.2.8. Environment

Item	Specification	
Operating Environment	Temperature	10°C ~ 32°C
	Humidity	20% ~ 80%
Acoustic Noise Level (Sound Power/Pressure)	Printing Simplex	Less than 50 dBA
	Copying	Less than 52 dBA @ Platen Less than 53 dBA @ ADF
	Standby	Less than 26 dBA
	Sleep	Less than 26 dBA
Power Consumption	Ready	Less than 50 W
	Normal operation	Less than 400 W
	Max / Peak	Less than 450 W
	Sleep	Less than 1.6W (If Wi-fi direct-on is disabled, less than 2.4W)
	Power Off	Less than 0.2 W
	TEC	Less than 1.4Kwh/week (If Wi-fi direct-on is disabled, less than 1.25Kwh/week)
Dimension (W x D x H)	SET	401 x 362 x 367 mm (15.8" x 14.3" x 14.4")
Weight	Net (SET without supplies)	10.4 kg (23.0 lbs)

2.1.2.9. Supplies

[Separated Toner System]

Model	Item	Average Yield	Model Code	
Xpress M2885FW	Toner Cartridge	Initial Toner	Approx. 1,200 pages	-
		Standard Toner	Approx. 1,200 pages	MLT-D116S
		High Yield Toner	Approx. 3,000 pages	MLT-D116L
	Imaging Unit	Approx. 9,000 pages	MLT-R116	

[Integrated Toner System]

Model	Item	Average Yield	Model Code	
Xpress M2880FW	Laser Toner Cartridge	Initial Toner	Approx. 1,500 pages (Approx. 700 pages for only /XAC model)	-
		Standard Toner	-	-
		High Yield Toner	Approx. 3,000 pages	MLT-D115L



NOTE

- Declared yield value in accordance with ISO/IEC 19752.
- Depending on the options and job mode used, the toner cartridge's lifespan may differ.
- When replacing a toner cartridge, check the model name and supplies code.




2.1.2.10. Maintenance parts

Item	Image	Part Code	Life
Fuser		<ul style="list-style-type: none"> • 220V • JC91-01034B • 110V • JC91-01034A 	100,000 pages
Transfer Roller		JC66-01218A	100,000 pages
Pick-Up/ Forward Roller Assy		JC93-00405A	50,000 pages
Reverse(Retard) Roller		JC90-01107B	50,000 pages

2.1.2.11. Options

Item	Specification
Memory	N/A
Second Cassette	N/A
Hard Disk	N/A

2.1.3. Model Comparison

		Brother MFC-7460DN	Samsung Xpress M288xFW	HP M1536dnf
Image				
Print	Max. Black Print Speed (ppm)	26 / 27ppm (A4 / Ltr.)	28 / 29 ppm (A4 / Ltr.)	25 / 26 ppm (A4/Ltr.)
	First Time to Print	Less than 8.5 sec.	Less than 8.5 sec.	As fast as 8.5 sec (from Auto-Off)
Fax	Best Transmission Speed (sec)	Approx. 7 seconds per page	3sec @33.6Kbps	3 sec per page
	Fax Page Memory‡	Up to 400 pages fax memory	Up to 600 pages fax memory (8MB)	Up to 400 pages
Copy	Max. Automatic Document Feeder Capacity	35-Page ADF	40-Page ADF	35-Page ADF
	Max. Black Copy Speed (A4 / Ltr. cpm)	26 / 27cpm Black	28 / 29cpm Black	25 / 26cpm Black
Scan	Optical Scan Resolution (dpi)	600 x 2400 dpi	Up to 1,200 x 1,200 dpi	Up to 1200 dpi
	Input Color Scan Bit Depth	48 bit	16Bit x 3	24-bit

2. Product spec and feature

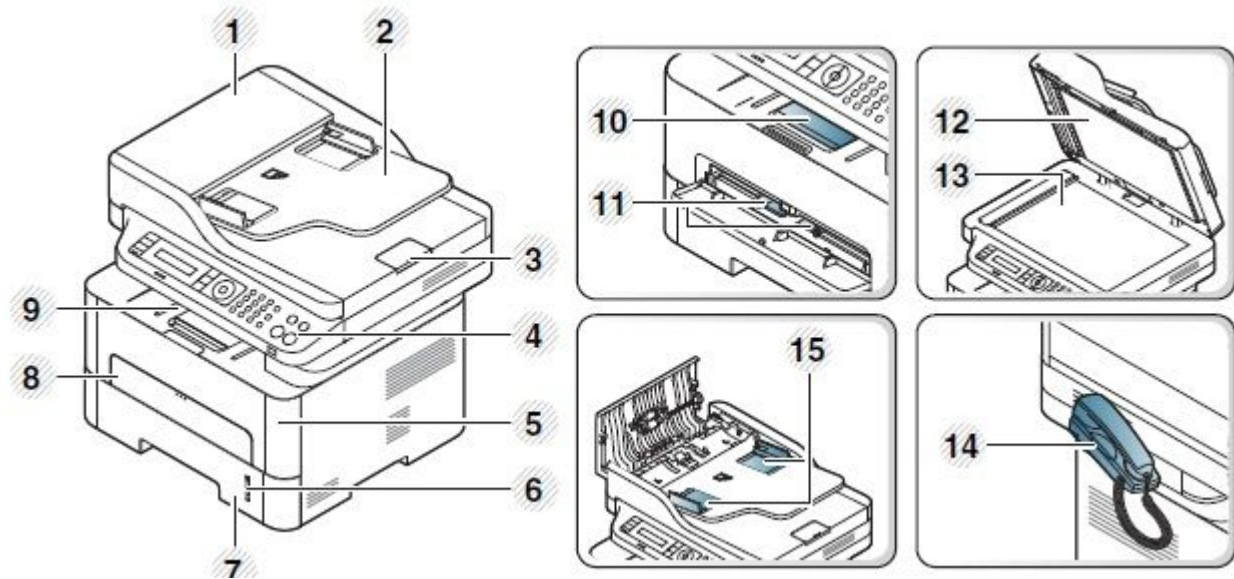
		Brother MFC-7460DN	Samsung Xpress M288xFW	HP M1536dnf
Other	CPU (Processor) Speed	200 MHz	600 MHz	500 MHz
	Power Consumption - Sleep/Ready/Copying	1.5W / 55W / 445W	3W / 50W / 400W	0.4W (off), 1.6W (Auto-off) / 2.2W / 440W
	Machine Noise (Ready/Copying)	30 dB / 53 dB	26dB/50dB	INA/51dB
	Carton Dimensions (W"xD"xH")	405 x 398.5 x 316 mm (15.9" x 15.7" x 12.4")	401 x 362 x 363.2 mm (15.8" x 14.2" x 14.3")	441 x 343 x 373 mm
	Unit Weight (lbs)	11.6Kg (25.6 lbs.)	11.12Kg (24.5 lbs.) : All-in-One	11.7Kg (25.8 lbs.)
			11.34Kg (25 lbs.) : Separate	
	"In-box" Consumables/Yield	(1) Starter Toner (700 pages) (1) DR420 (12,000 pages)	(1) Starter Toner Cartridge (1000 pages)	
			(1) Drum Unit (9,000 pages)	
Separate Type (Standard/High)	1.2K / 2.6K	1.0K / 2.5K		
All-in-One Type (Standard/High)	N/A	1.5K / 3.0K		

2.2. System Overview

2.2.1. Front View

NOTE

- This illustration may differ from your machine depending on its model.
- Some features and optional goods may not be available depending on model or country.



1	Document feeder cover
2	Document feeder guide cover
3	Document feeder output tray
4	Control Panel
5	Front Cover
6	Paper level indicator
7	Tray
8	Manual feeder tray

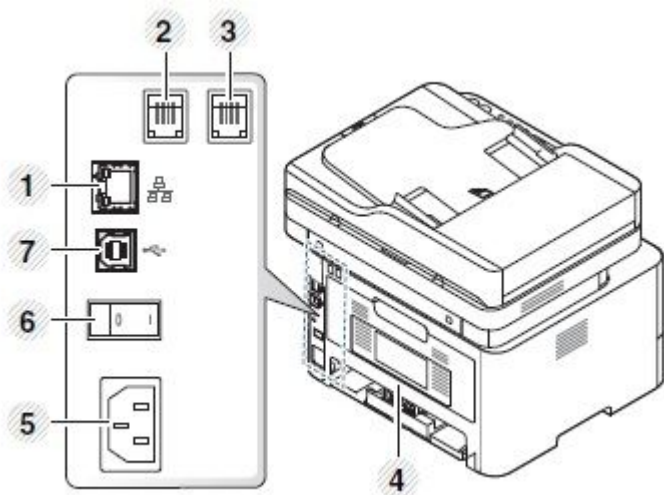
9	Output tray
10	Output support
11	Paper width guide on a manual feeder tray
12	Scanner lid
13	Scanner glass
14	Handset*
15	Paper width guide on a Document feeder

* Handset Supported Model Only.

2.2.2. Rear View

NOTE

- This illustration may differ from your machine depending on its model.
- Some features and optional goods may not be available depending on model or country.



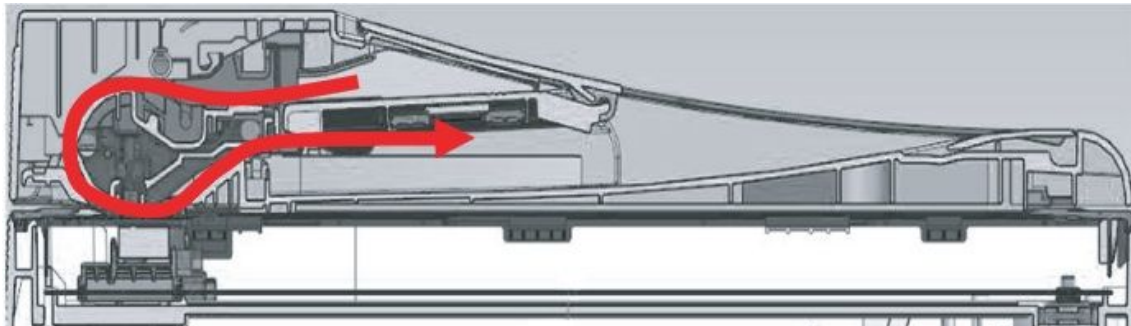
1	Network port
2	Telephone line socket (Line)
3	Extension telephone socket (EXT)
4	Rear cover
5	Power receptacle

6	Power-switch
7	USB port

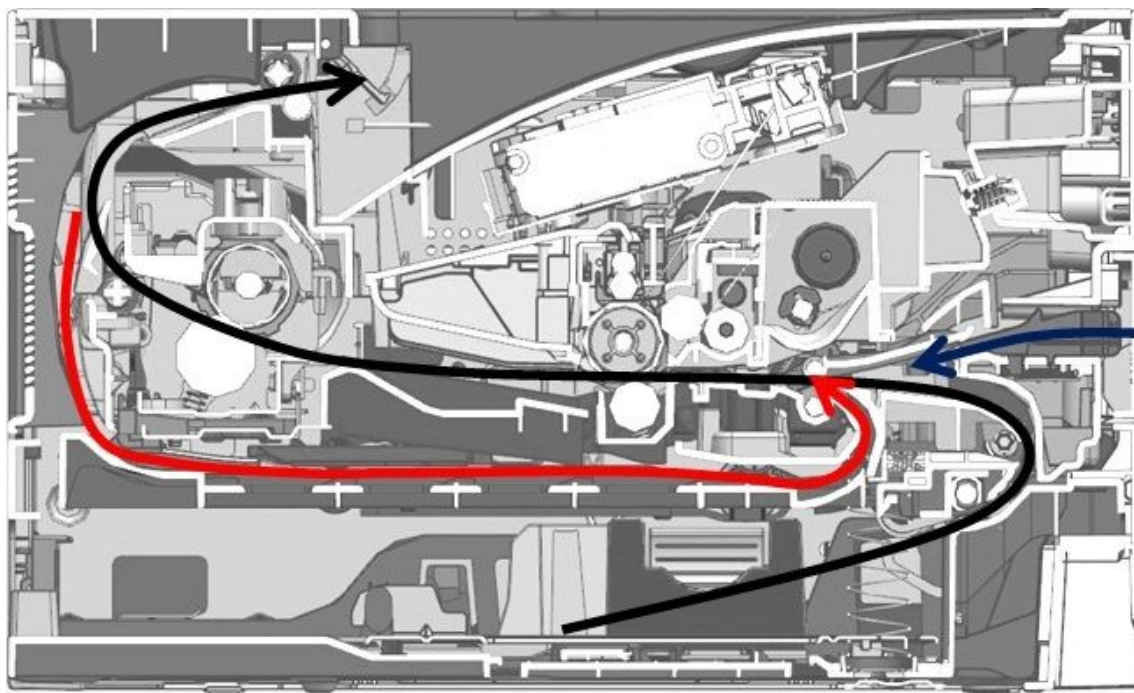
2.2.3. Paper Path

The following diagram displays the path the paper follows during the printing process.

[ADF]



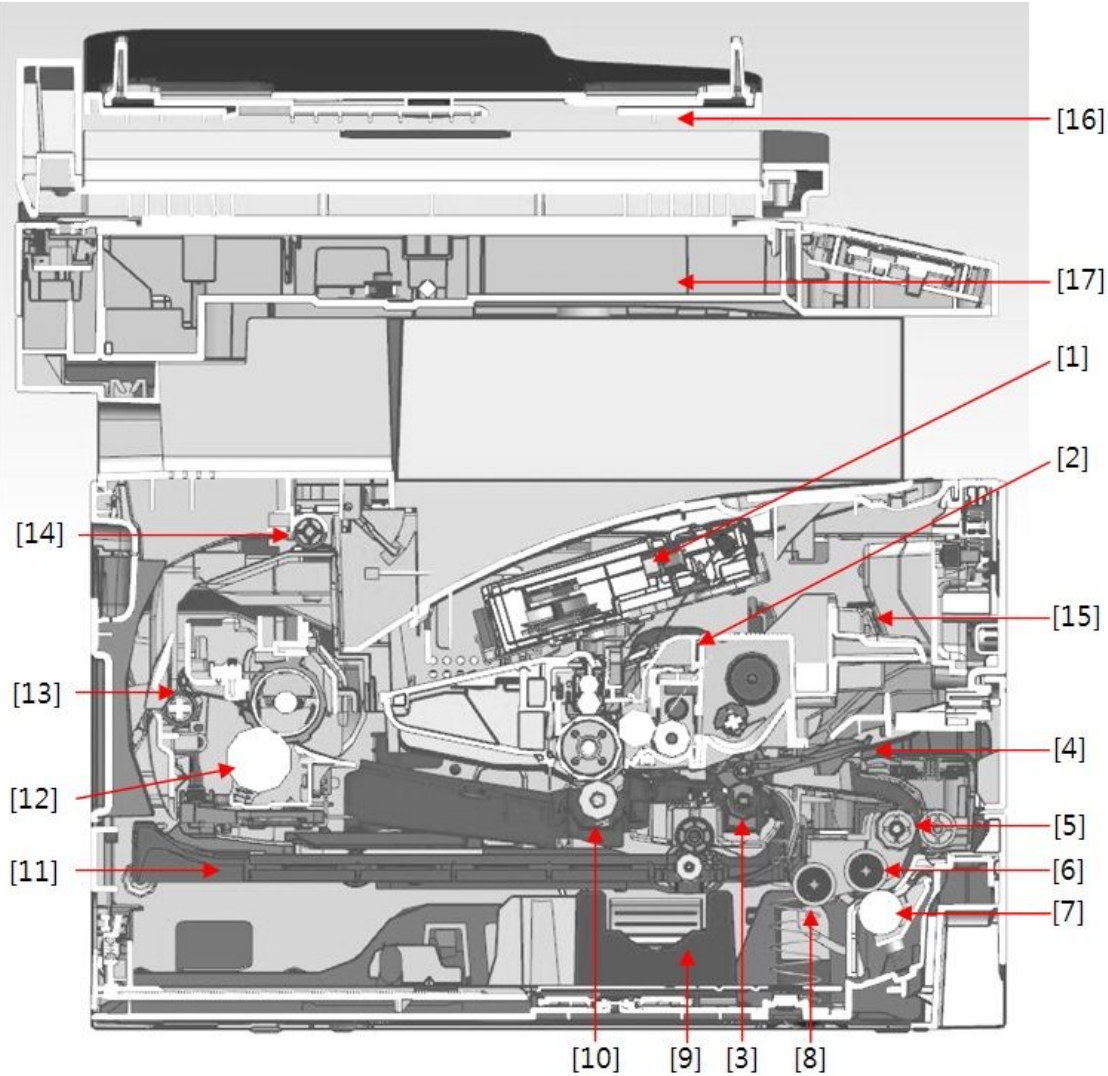
[Engine]



— Simplex — Duplex — MP

2.2.4. System Layout

This model consists of the Scanner parts, Engine parts, Hardware and Firmware. The scanner parts consists of ADF and platen. The engine parts consists of the mechanical parts comprising Frame, Duplex, Toner cartridge, Drive unit, Transfer roller, Fuser, Cassette. The Hardware part consists of the main control board, power board, operation panel, PC Interface.



1	LSU
2	Toner Cartridge
3	Regi Roller
4	MP Tray
5	Feed Roller
6	Forward Roller
7	Retard Roller
8	Pick up Roller
9	Cassette

10	Transfer Roller
11	Duplex Unit
12	Fuser Unit
13	Exit Roller 1
14	Exit Roller 2
15	Toner Cartridge Pressure Unit *
16	ADF
17	Scan Unit

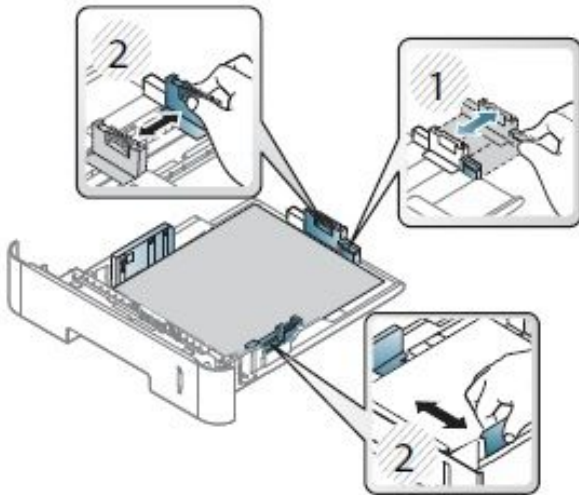
* Separated Toner System Model only (Xpress M2885FW)

2.2.4.1. Feeding Part

It consists of a cassette, an MP tray for supplying different types of media (envelope, label, special paper) and parts related to paper transferring.

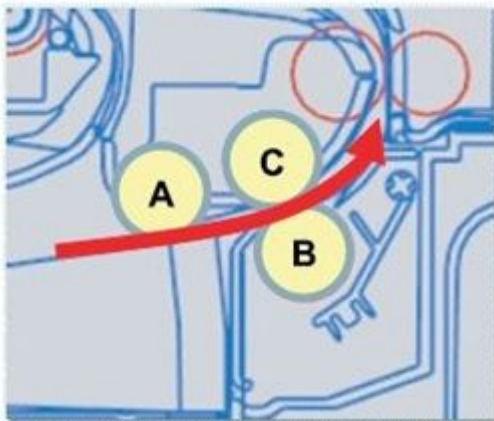
1) Cassette

The cassette stores the paper (Capacity: 250 sheets (80g/m² paper standard). Both the side guide and the rear guide can be adjusted for various types of papers from A6 to legal size paper. It has a paper existence sensing function, paper arranging function, various size papers accepting function.



2) Pick-Up / Forward / Retard roller

When pickup takes place, the pickup roller moves down to come into contact with the surface of the paper. The pickup roller moves down when the pickup clutch is activated. The forward roller and the retard roller serve to make sure that a single sheet of paper is moved to the paper path, and the paper is moved as far as the registration roller by the work of the feed roller.



(A) Pick up Roller

(B) Retard Roller

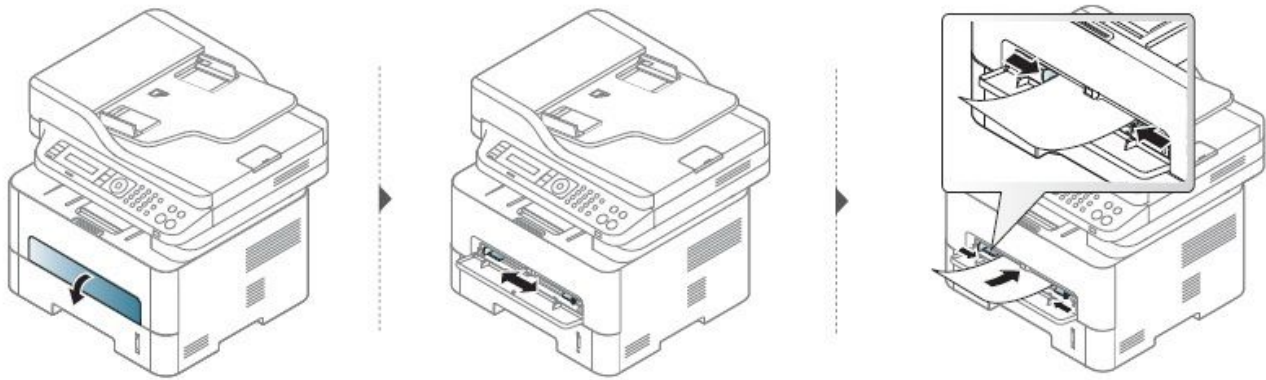
(C) Forward Roller

3) Registration roller

It is used as an anti skew device, and to setup proper registration timing with that of the toned image on the drum. It also is used for jam detection to ensure paper has left the paper tray.

4) MP (Multi-Purpose) Tray

The multi-purpose tray can hold special sizes and types of print material, such as postcards, note cards, and envelopes.



2.2.4.2. Transfer Roller

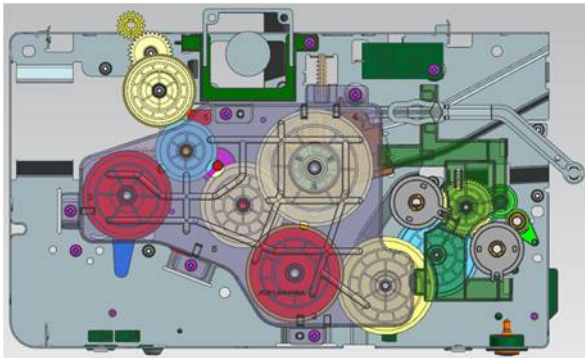
The transfer roller delivers the toner of the OPC drum to the paper.

- Life Span : Print over 50,000 sheets (in 15~30°C)



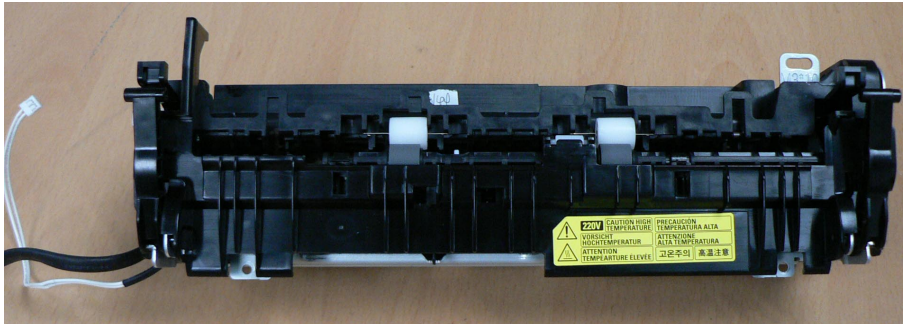
2.2.4.3. Drive Unit

In this model, the driving device consists of BLDC motor, Regi./Pick up clutches, various gears for OPC, Fuser, Pick-up, Feed, Regi, Exit.



2.2.4.4. Fuser

This unit consists of Heat Roller, a Thermostat, and Thermistors, etc. It fuses the toner that was transferred by the transfer roller onto the paper, by applying pressure and high temperature to complete fusing process.



1) **Thermostat**

When a heat lamp is overheated, a Thermostat cuts off the main power to prevent over- heating.

- Thermostat Type : Non- Contact type Thermostat
- Control Temperature : $195^{\circ}\text{C} \pm 5^{\circ}\text{C}$

2) **Thermistor**

It is a temperature detecting sensor.

- Temperature Resistance : $7 (180^{\circ}\text{C})$

3) **Heat roller**

The heat roller transfers the heat from the lamp to apply a heat on the paper.

The surface of a heat roller is coated with Teflon, so toner does not stick to the surface.

4) **Pressure roller**

A pressure roller mounted under a heat roller is made of a silicon resin, and the surface also is coated with Teflon. When a paper passes between a heat roller and a pressure roller, toner adheres to the surface of a paper and is permanently fused.

5) **Halogen Lamp**

- Voltage : $120\text{ V} (115 \pm 5\%) / 220\text{ V} : 230 \pm 5\%$
- Capacity : $850\text{ Watt} \pm 42.5\text{W}$

6) **Items for safety**

Protecting device for overheating

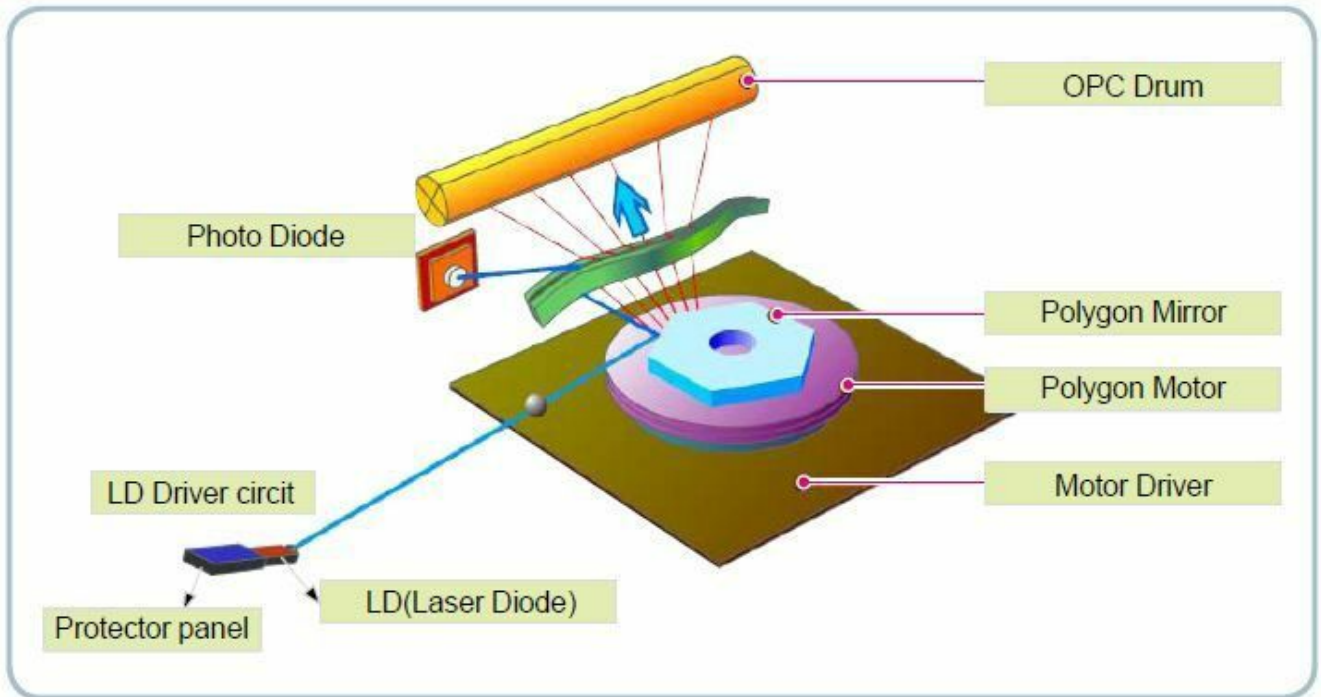
- 1st protection device: Hardware cuts off when overheated
- 2nd protection device: Software cuts off when overheated
- 3rd protection device: Thermostat cuts off main power.

Safety device

- A fuser power is cut off when a front cover is opened
- Maintain a temperature of fuser cover's surface under 80°C for user, and attach a caution label at where customer can see easily when customer open a rear cover.

2.2.4.5. LSU (Laser Scanner Unit)

It is the core part of the LBP which switches from the video data received to the controller to the electrostatic latent image on the OPC drum by controlling laser beam, exposing OPC drum, and turning principle of polygon mirror. The OPC drum is turned with the paper feeding speed. The HSYNC signal is created when the laser beam from LSU reaches the end of the polygon mirror, and the signal is sent to the controller. The controller detects the HSYNC signal to adjust the vertical line of the image on paper. In other words, after the HSYNC signal is detected, the image data is sent to the LSU to adjust the left margin on paper. The one side of the polygon mirror is one line for scanning.


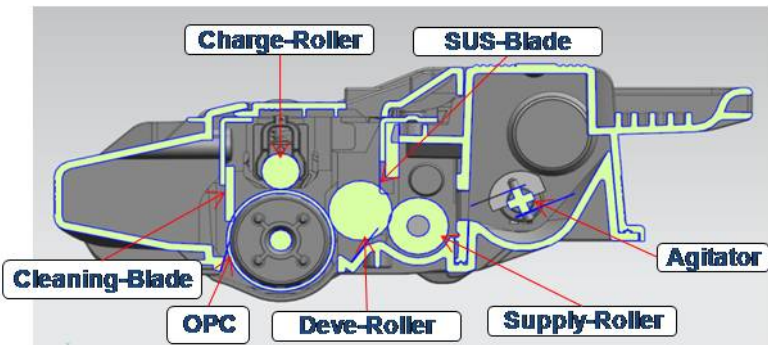


2.2.4.6. Toner System


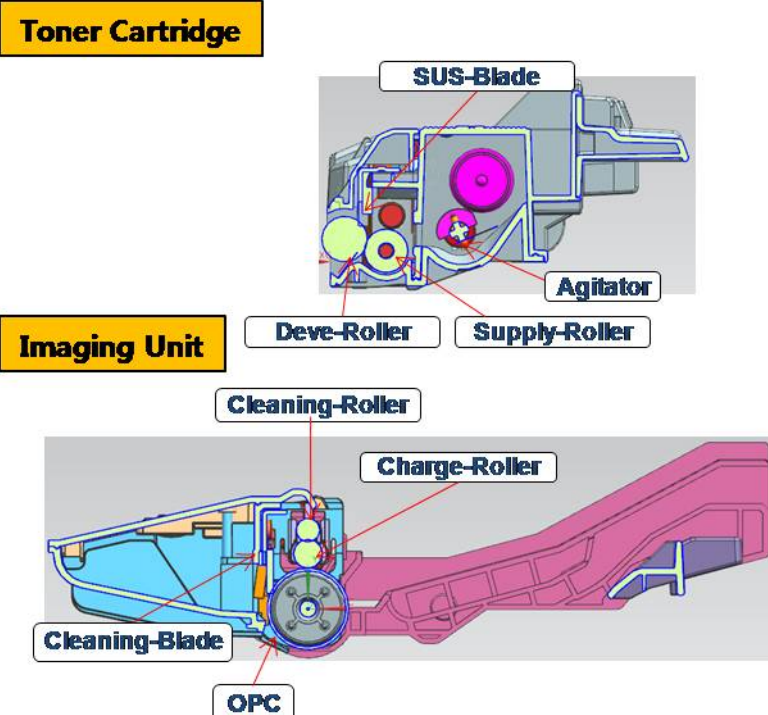
By using the electronic photo process, it creates a visual image. In the toner cartridge, the OPC unit and the developing unit are in a body. The OPC unit has OPC drum and charging roller, and the developing unit has toner, supply roller, developing roller, and blade.

- Developing Method : Non magnetic 1 element contacting method
- Toner : Non magnetic 1 element shatter type toner
- OPC Cleaning : Collect the toner by using cleaning blade
- Handling of wasted toner : Collect the wasted toner in the cleaning frame by using cleaning blade
- Classifying device for toner cartridge: ID is classified by CRUM.

[Integrated Toner System]

Image	Layout
	

[Separated Toner System]

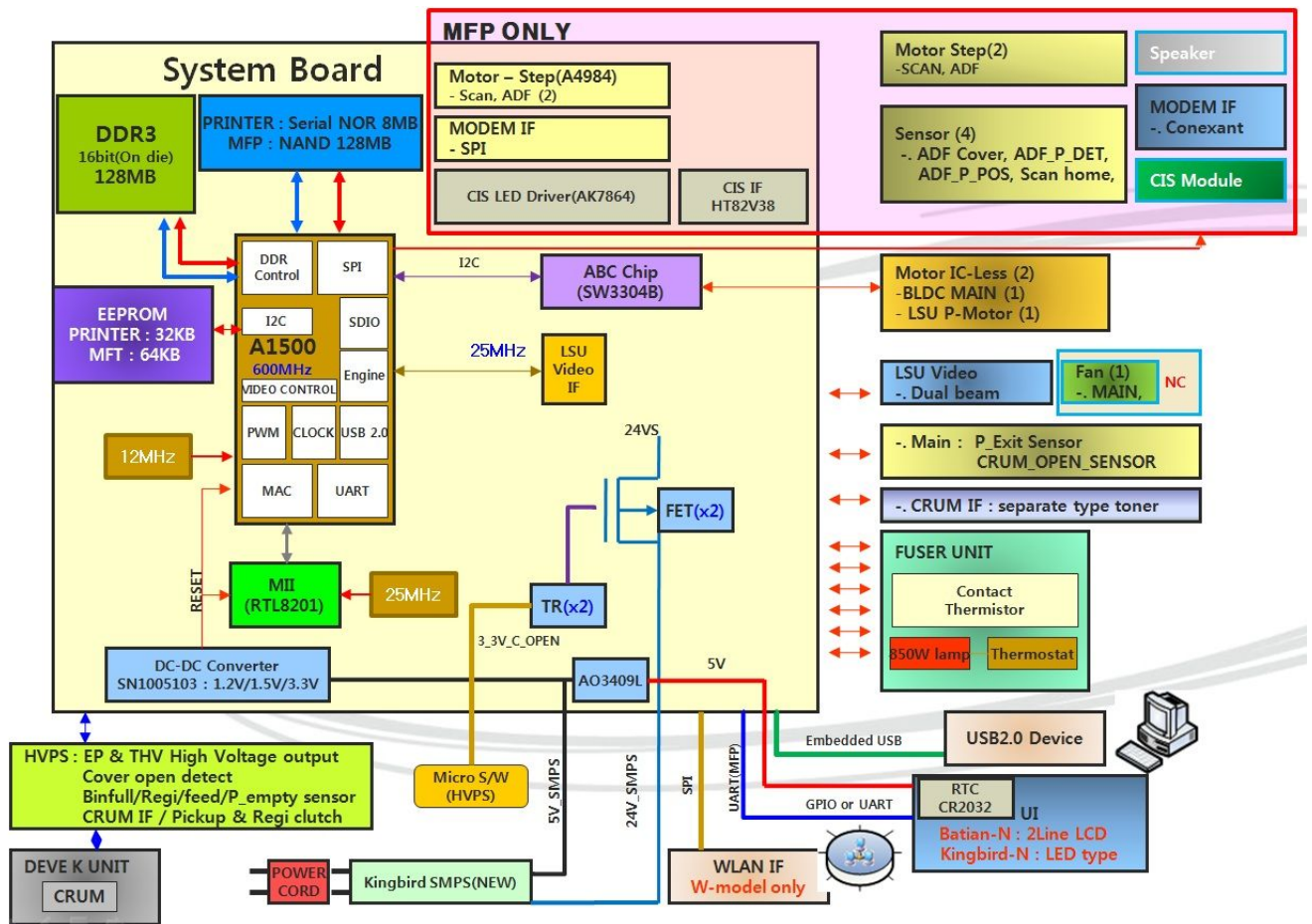
Image	Layout
	

2.2.5. Hardware configuration

Xpress M288x Series Electrical Circuit System consists of the following:

- Main board (System board)
- OPE board
- SMPS board
- HVPS board
- Fax board

Diagram Electrical Circuit



Xpress M288x series has a system board of integrated engine controller and video controller.

The engine controller controls all modules required to print, that is, LSU, HVPS, SMPS, FAN, Fuser, etc.

It communicates with the video control block inside CPU for printing. And it has the interface for all video sync signal to print out the video data.

The video controller receives print data from the host through network or USB Port. It takes this information and generates printable video bitmap data.

The main board adopts the 600MHz CPU, on board DDR3 memory (128MB) to perform printing jobs successfully.

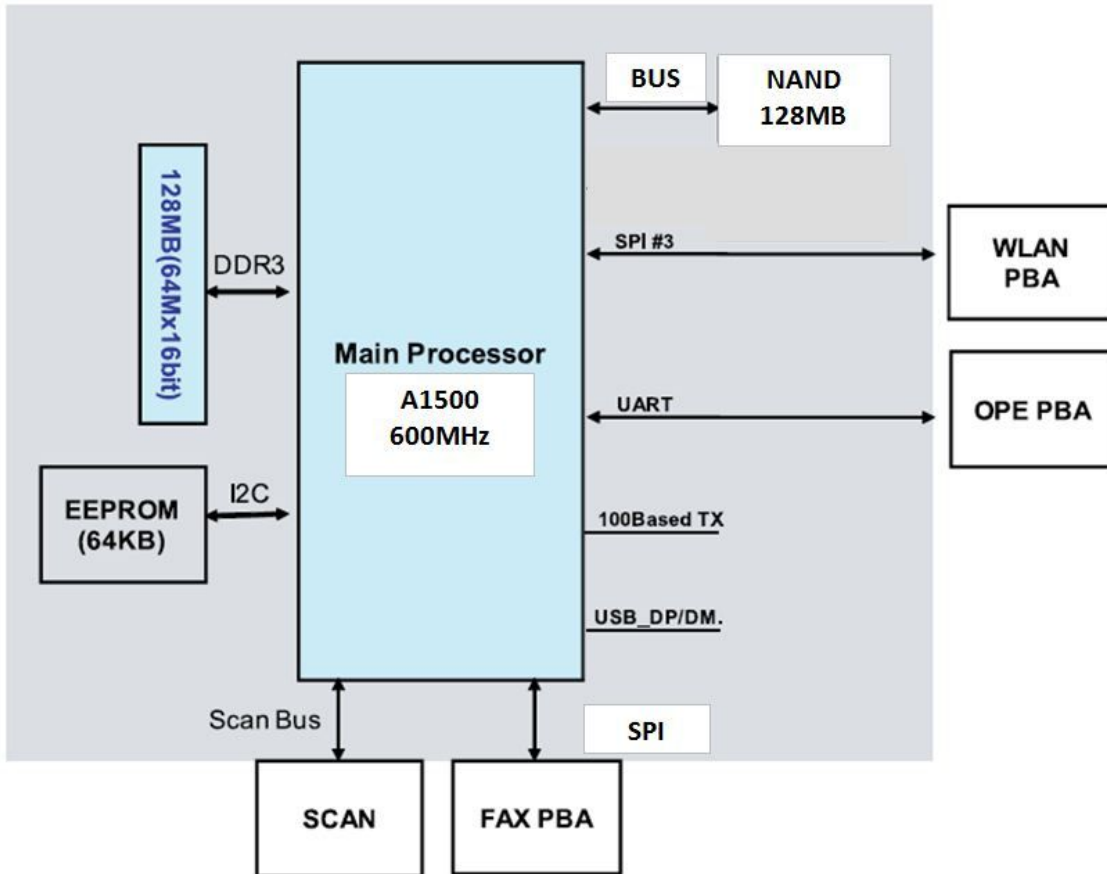
2.2.5.1. Main board

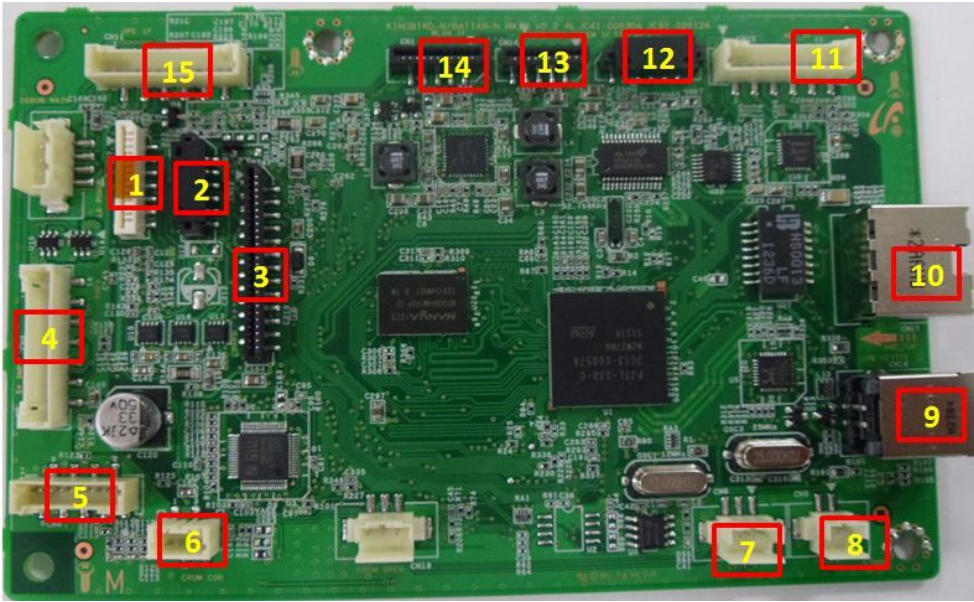
A1500 chip is adopted as the main processor. Its process speed is 600 MHz. It is integrated engine controller and video controller.

DDR3 128MB is adopted for high speed data processing. Boot has 8MB SPI.

USB is the embedded type and wired network supports 100M full duplex.

[Main board diagram]



[Main board image]

- **Connection**

1	LSU Video Connector
2	LSU Motor Connector
3	HVPS Interface Connector
4	CIS Interface Connector
5	Platen Step Motor Connector
6	OPE Connector
7	Scan Home Sensor Connector
8	ADF Module Interface Connector
9	SMPS Interface Connector

10	Main BLDC Motor Connector
11	FAX Board Interface Connector
12	Paper Exit Sensor Connector
13	Fuser Thermistor Interface Connector
14	Wired Network Connector
15	USB Device Connector
16	Wireless Modle Interface Connector

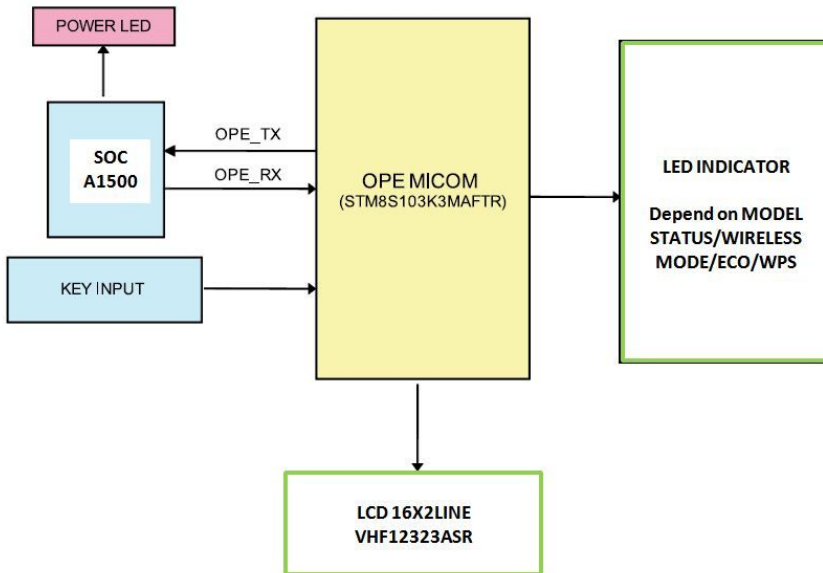
- **Information**

- Part Code : JC92-02716A (for M2885FW) / JC92-02717A (for M2880FW)
- PBA name : PBA-MAIN

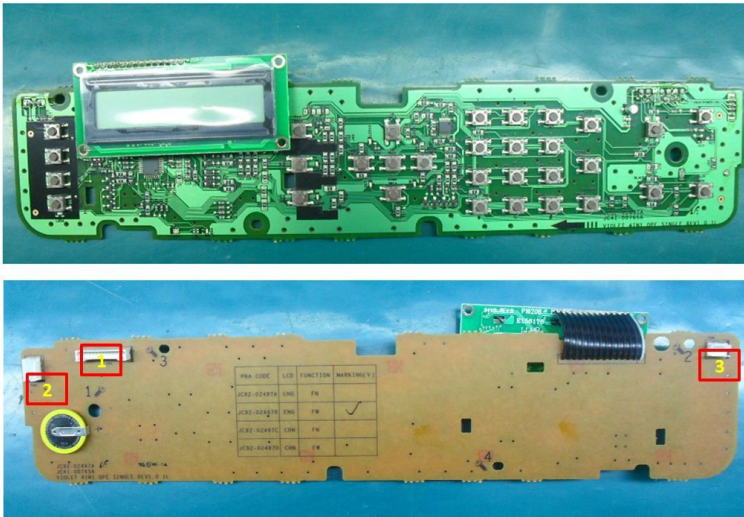
2.2.5.2. OPE board

The OPE Controller is composed of an OPE MICOM(STM8SP103K3MAFTR), Satus LED, Mode LED, Power LED, WPS LED. OPE communicates with main controller via UART. The power LED is controlled by the main board.

[OPE board diagram]



[OPE board image]



• Information

- Part Code : JC92-02497B
- PBA Name : PBA OPE

• Connection

1	MAIN PBA Connector
2	Platen Motor Connector
3	Scan Home Connector

2.2.5.3. Wireless LAN board

The Wireless LAN Module supports 802.11b/g/n. It communicates with video controller via SPI.

[WLAN board image]



- **Information**

- Part Code : JC92-02517A
- PBA name : PBA-WNPC

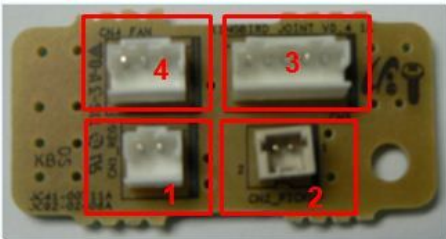
- **Connection**

1	INTERFACE CONNECTOR TO SYSTEM BOARD (JC39-01992A , FFC CABLE-WLAN)
---	---

2.2.5.4. Joint PBA

The Joint PBA is the interface connection board for Regi. clutch, Pick-up clutch, Fan.

[Joint PBA image]



- **Information**

- Part Code : JC92-02406A
- PBA name : JOINT PBA

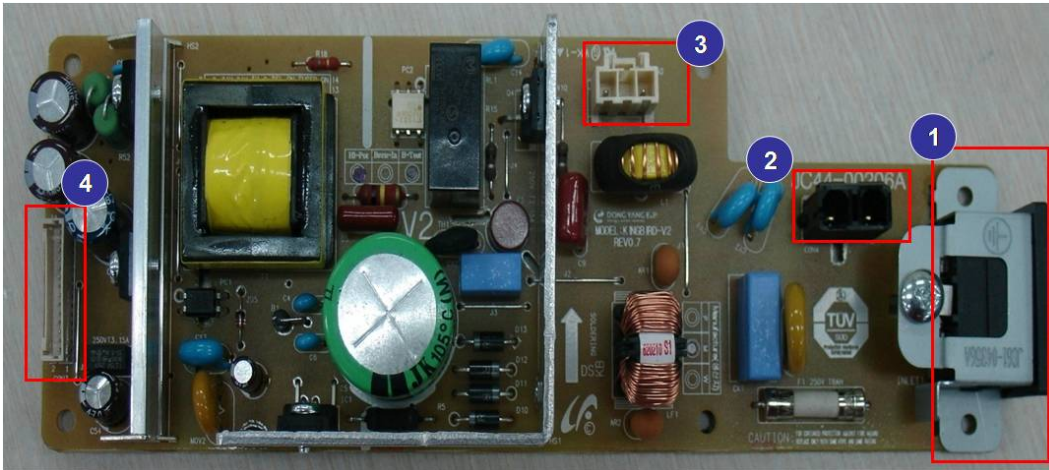
- **Connection**

1	Regi. Clutch
2	Pick-Up Clutch
3	HVPS I/F
4	Fan

2.2.5.5. SMPS Board

The SMPS (Switching Mode Power Supply) Board supplies electric power to the Main Board and other boards through a Main Controller. The voltage provided includes +5V, and +24V from a 110V/220V power input.

[SMPS board image]



• **Specification**

General Input / Output Voltage

- AC 110V (90V ~ 135V)
- AC 220V (180V ~ 270V)
- Input Current : 10.0A (110V) / 8.0A (220V)
- Output Power: 58W
 - DC 5V : 10W
 - DC 24V : 48W

• **Information**

	110V	220V
Part Code	JC98-03176A	JC98-03175A
PBA name	ETC-SMPS V1	ETC-SMPS V2

• **Connection**

1	AC_Inlet
2	INPUT_AC Switch
3	FUSER_AC Output
4	OUTPUT_DC

- **Input / Output connector**

AC Input Connector (CON2)		
Pin Assign	Pin No	Description
1	AC_L	AC Output for Heater Controller
2	AC_N	

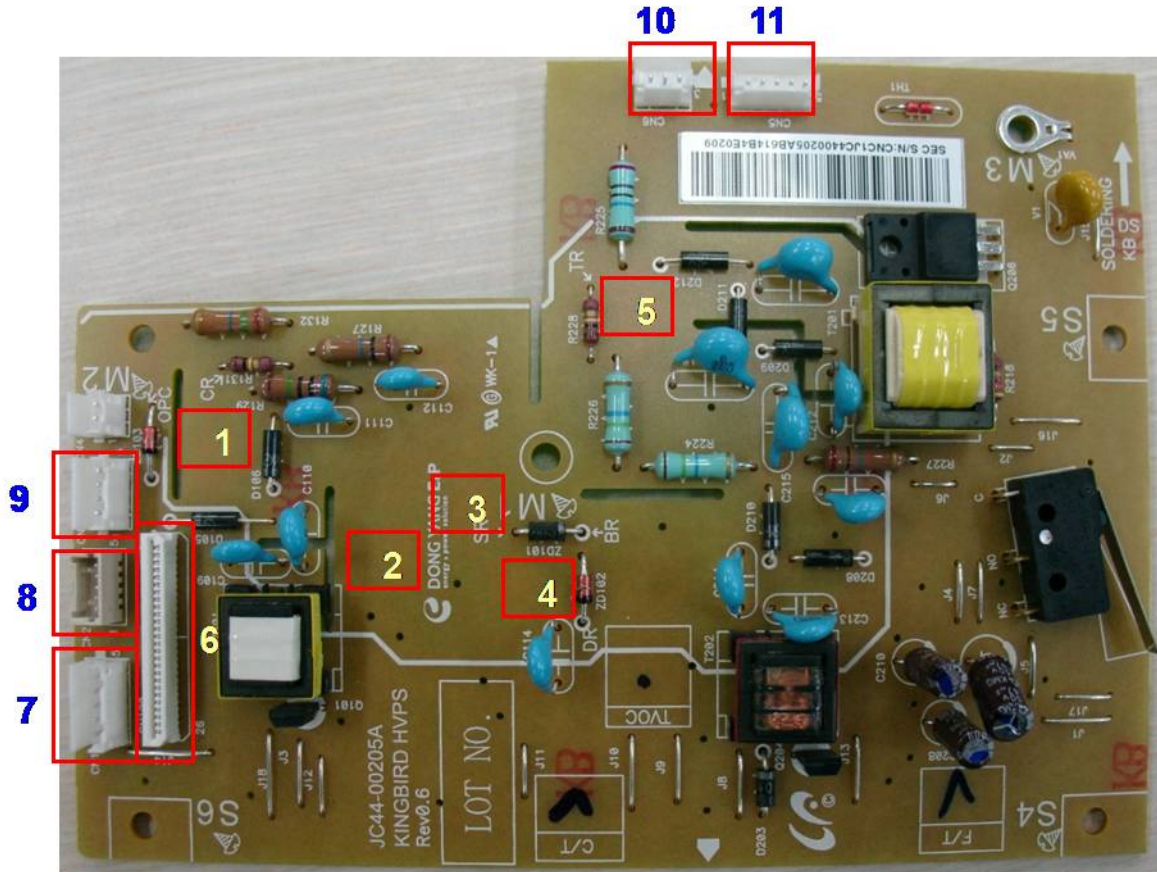
AC Input Connector (CON4)		
Pin Assign	Pin No	Description
1	AC_N	AC Input Switch
2	AC_N	

DC Output Connector (CON3)					
Pin Assign	Pin No	Description	Pin Assign	Pin No	Description
1	GND	Ground	8	5V	+5V Power
2	GND	Ground	9	5V	+5V Power
3	GND	Ground	10	GND	Ground
4	24V	+24V Power	11	24V_OFF	Sleep mode
5	24V	+24V Power	12	RELAY ON	Fuser Relay
6	24V	+24V Power	13	24V_F	Photo Triac Bias
7	GND	Ground	14	Fuser on	Fuser On

2.2.5.6. HVPS Board

This board generates high-voltage channels which includes MHV, DEV, BLADE, SUPPLY, THV.

[HVPS board image]



- **Information**
 - Part Code : JC44-00205A
 - PBA name : HVPS

• **Connection**

1	Charger
2	DEV
3	SUP
4	Blade
5	THV
6	HVPS I/F
7	Clutch I/F
8	Outbin Full I/F
9	Crum I/F
10	FAN SMPS I/F
11	Regi, Feed sensor I/F
12	Empty sensor I/F

2.2.5.7. Fax board

Fax controller (FCON) controls sending and receiving fax.



- **Information**

- Part Code : JC92-02569A
- PBA Name : PBA LIU

- **Connection**

1	Main PBA Connection FFC Cable : JC39-01993A
2	Speacker Connection

2.2.5.8. NFC Tag Sticker

Near field communication (NFC) is a set of standards for smartphones and similar devices to establish radio communication with each other by touching them together or bringing them into close proximity, usually no more than a few centimeters. Present and anticipated applications include contactless transactions, data exchange, and simplified setup of more complex communications such as Wi-Fi. Communication is also possible between an NFC device and an unpowered NFC chip, called a "tag". NFC tag sticker stores Mac, PIN, Mobile Print App URL of Printer/MFP.



Front - label



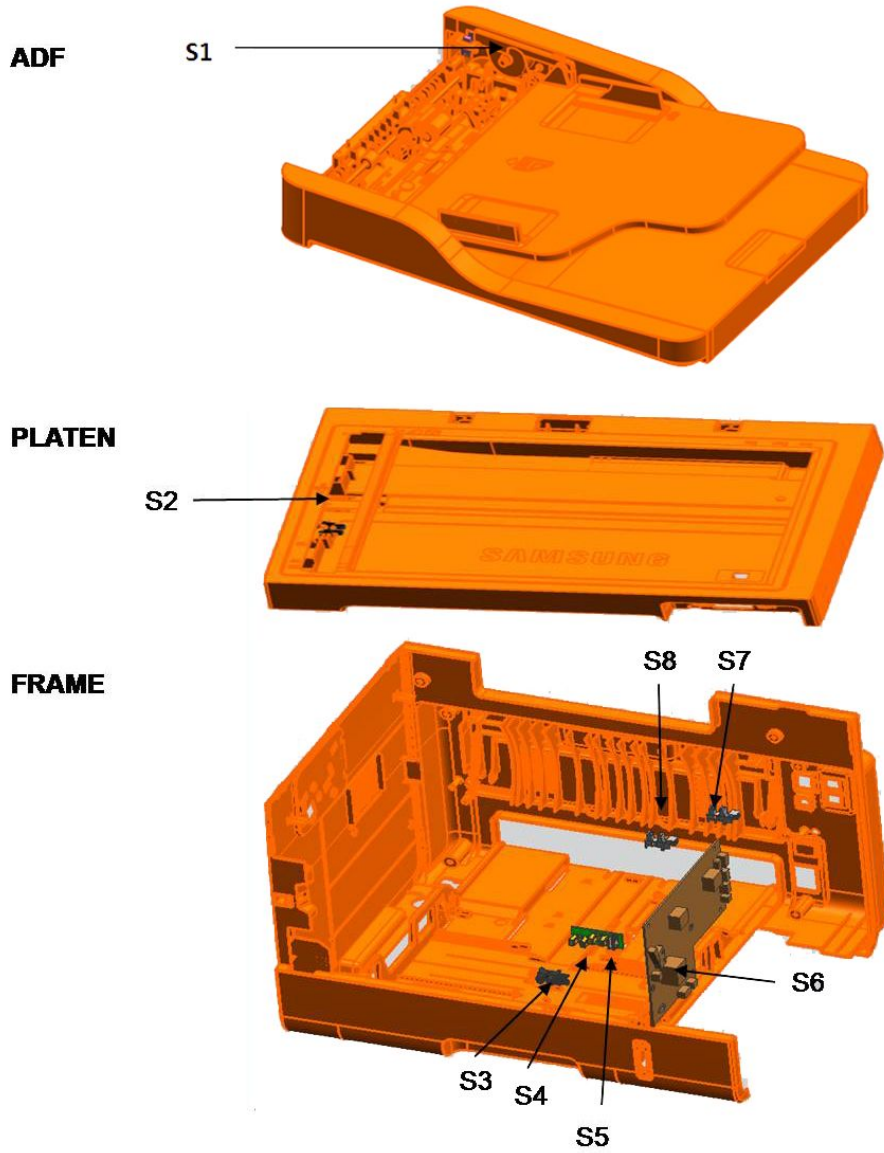
Rear – Inlay & NFC chip

- **Information**

- Part Code : JC68-03012A
- Part Name : LABEL ETC-NFC TECTILE STICKER (25x25mm)

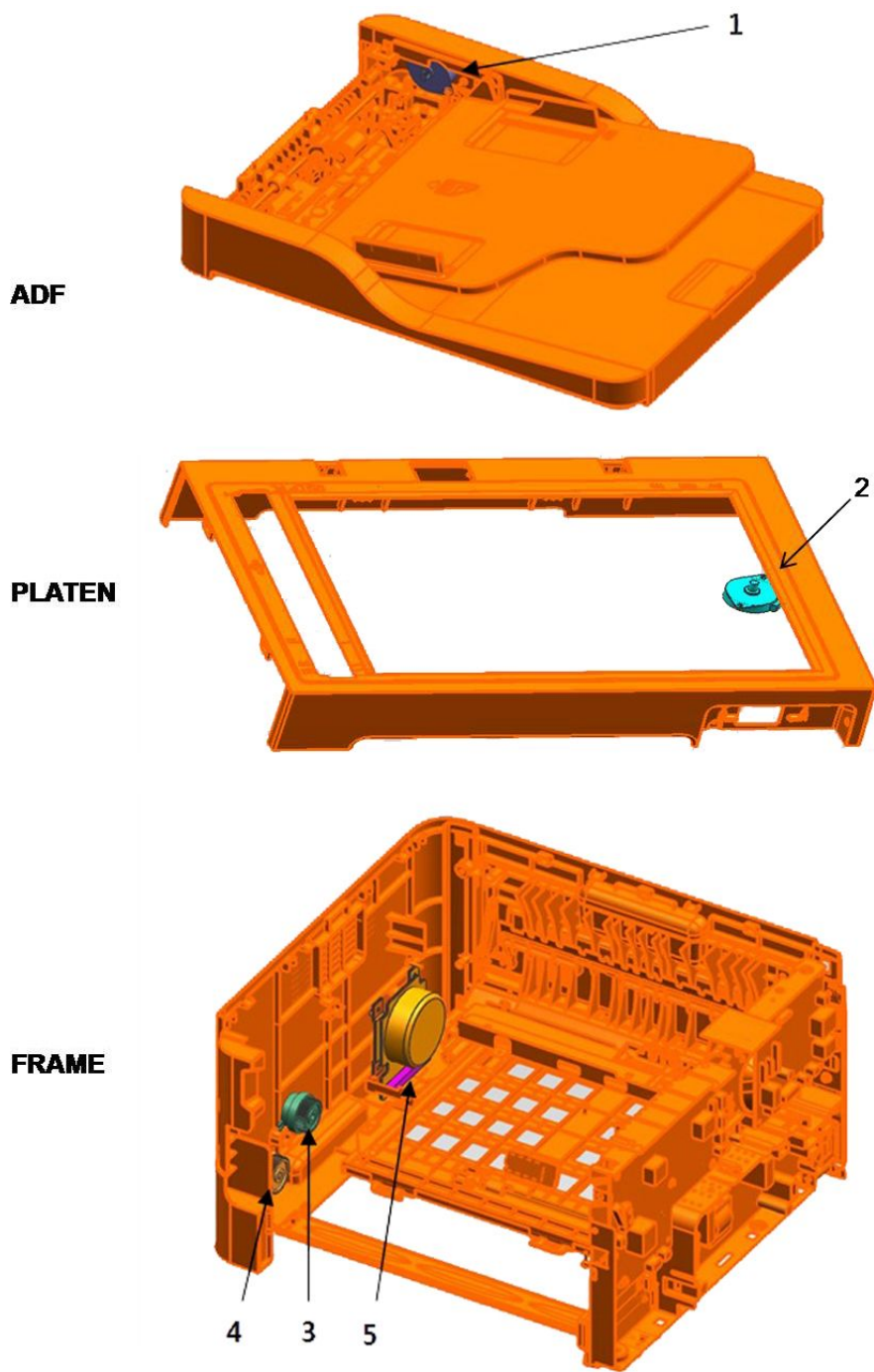
2.2.5.9. Electrical Parts Location

1) Sensors



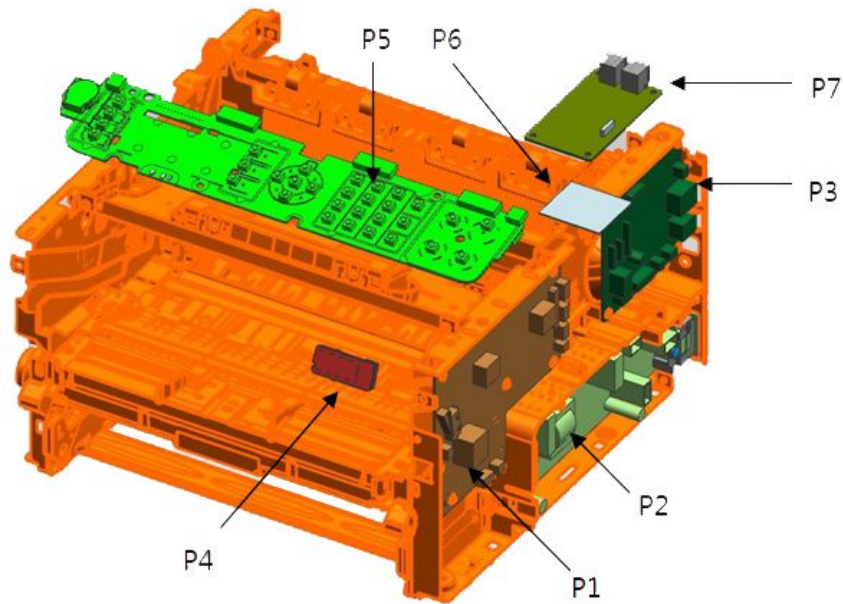
Ref.	Description	Controller	Function
S1	Photo interrupter (Paper empty sensor)	Main Board	Paper empty sensor
S2	Photo interrupter (exit Sensor)		Paper detection
S3	Photo interrupter (Bin full sensor)		BINFULL detection
S4	Photo interrupter (Regi sensor)		Paper detection
S5	Photo interrupter (feed Sensor)		Paper detection
S6	Switch Front Cover		Cover open detection

2) Motor, Fan, Clutch



Ref	Description
1	ADF Motor
2	Scan Motor
3	Pick up clutch
4	Registration clutch
5	Main Motor

3) Board



Ref	Description	Function
1	HVPS	High Voltage Generation
2	SMPS	Constant Voltage Generation
3	Main Board	Main Controller
4	CRUM Board *	Toner Cartridge Check
5	OPE Board	Panel Control / Toner Status
6	WLAN Board	Wi-Fi, Wireless
7	FAX Board	Fax

* Xpress M2885FW only

2.2.6. Engine F/W Control Algorithm

2.2.6.1. Feeding

If feeding from a cassette, the drive of the pickup roller is controlled by controlling the solenoid. The on/off of the solenoid is controlled by controlling the general output port or the external output port. While paper moves, occurrence of Jam is judged as below.

Item	Description
JAM 0	<ul style="list-style-type: none">• After picking up, paper cannot be entered because to paper is not fed.• After picking up, paper entered but it cannot reach to the feed sensor in predetermined period of time. due to slip, etc.• After picking up, if the feed sensor is not on, re-pick up. After re-picking up, if the feed sensor is not on after certain time, it is JAM 0.• Even though the paper reaches to the feed sensor, the feed sensor doesn't be ON.
JAM 1	<ul style="list-style-type: none">• After the leading edge of the paper passes the feed sensor, the trailing edge of the paper cannot pass the feed sensor after predetermined period of time.• After the leading edge of the paper passes the feed sensor, the paper cannot reach the exit sensor after predetermined period of time. <p>* The paper exists between the feed sensor and the exit sensor.</p>
JAM 2	After the trailing edge of the paper passes the feed sensor, the paper cannot pass the exit sensor predetermined period of time.

2.2.6.2. Transfer

The charging voltage, developing voltage and the transfer voltage are controlled by PWM (Pulse Width Modulation). The each output voltage is changeable due to the PWM duty. The transfer voltage admitted when the paper passes the transfer roller is decided by environment conditions. The resistance value of the transfer roller is changed due to the surrounding environment or the environment of the set, and the voltage value, which changes due to the environments, is changed through AD converter. The voltage value for impressing to the transfer roller is decided by the changed value.

2.2.6.3. Fusing

The temperature change of the heat roller's surface is changed to the resistance value through the use of a thermistor. The Main Board uses the resistance value of the Thermistor and converts it to a voltage value through the use of an AD converter, the temperature is decided based on the voltage value read. The AC power is controlled by comparing the target temperature to the value from the thermistor. If the value from the thermistor is out of controlling range while controlling the fusing, the error stated in the below table occurs.

- Open Heat Error

When the engine operates the warm-up process, if the temperature of the fixing unit is not higher than a specified temperature, the engine defines Open Heat Error. When this error is detected, the engine stops all functions and keeps the error state. Also, the engine informs the error status of the main system, so it can take appropriate action; and then the error message is displayed at LCD window or LED informing the error status of the user.

- Low Heat Error

When the engine is at stand-by, printing or warm-up mode, if the temperature of the fixing unit is lower than the specified temperature at each state and the lower temperature state is maintained during the specified time, the engine defines Low Heat Error. When this error is detected, the engine stops all functions and keeps it at the error state. Also, the engine informs the error status of the main system, so it can take appropriate action; and then the error message is displayed at LCD window or LED informing the error status of the user.

- Over Heat Error

For overall engine state, if the temperature of the fixing unit is higher than the specified temperature and the temperature state is detected for a specific duration, then the engine defines Over Heat Error. When this error is detected, the engine stops all functions and keeps it at the error state. Also, the engine informs the error status of the main system, so it can take appropriate action; and then the error message is displayed at LCD window or LED informing the error status of the user.

2.2.6.4. LSU

LSU receives the image data from PVC or HPVC and make the latent image on OPC surface. It uses the single beam, LD. The errors related to LSU are as follows:

- By Lready

When the printing is started, the engine drives the polygon motor of LSU. After the specified time is elapsed, if the motor is not in a ready status, the engine detects the error that the polygon motor is not in a ready status. If this error happens, the engine stops all functions and keeps it at the error state. Also, the engine informs the error status of the main system and the error message is displayed at LCD window to inform the error status of the user.

- By Hsync

When the polygon motor is ready, the LSU sends out the signal called Hsync and used to synchronize with each image line. So, if the engine does not detect consecutively the signal for a fixed time, it defines the Hsync Error. If this error happens, the engine stops all functions and keeps it at the error state. Also, the engine informs the error status of the main system and then the error message is displayed at LCD window to inform the error status of the user. LSU Error Recovery: If the LReady or Hsync error happens, the paper is exited before the error code is initiated. The engine mode is changed to recovery mode and the engine informs the main system of the engine mode. And the engine checks the LSU error. If the error doesn't happen, the printing job.

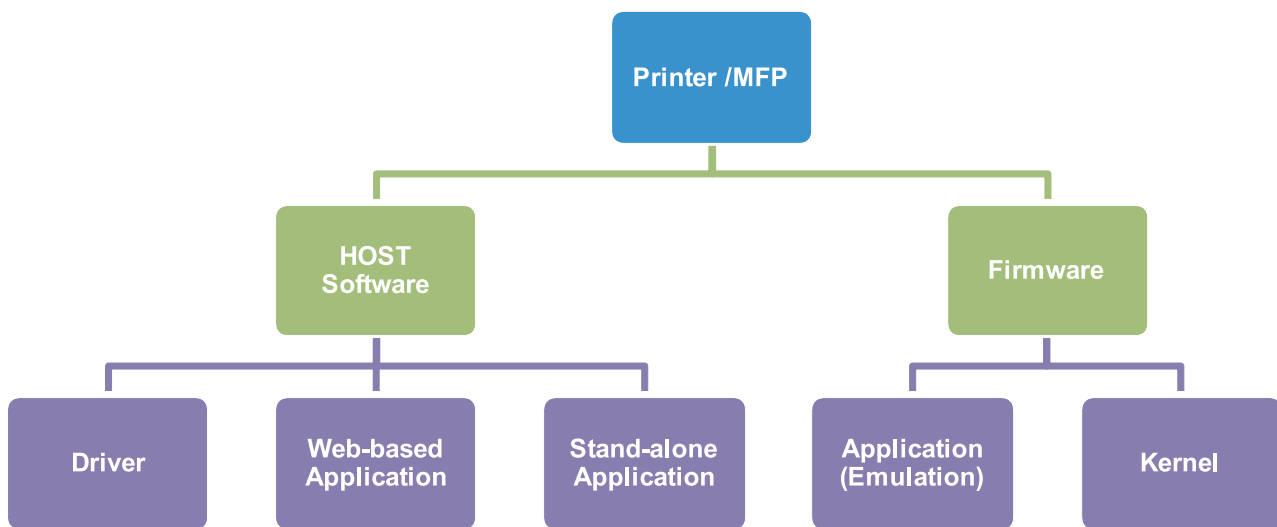
2.2.7. Software Descriptions

2.2.7.1. Software system overview

The software system of this model is constructed with

- Host Software part that the application software operated in Window and Web Environment
- Firmware parts that is a Embedded software controls printing job.

2.2.7.2. Architecture



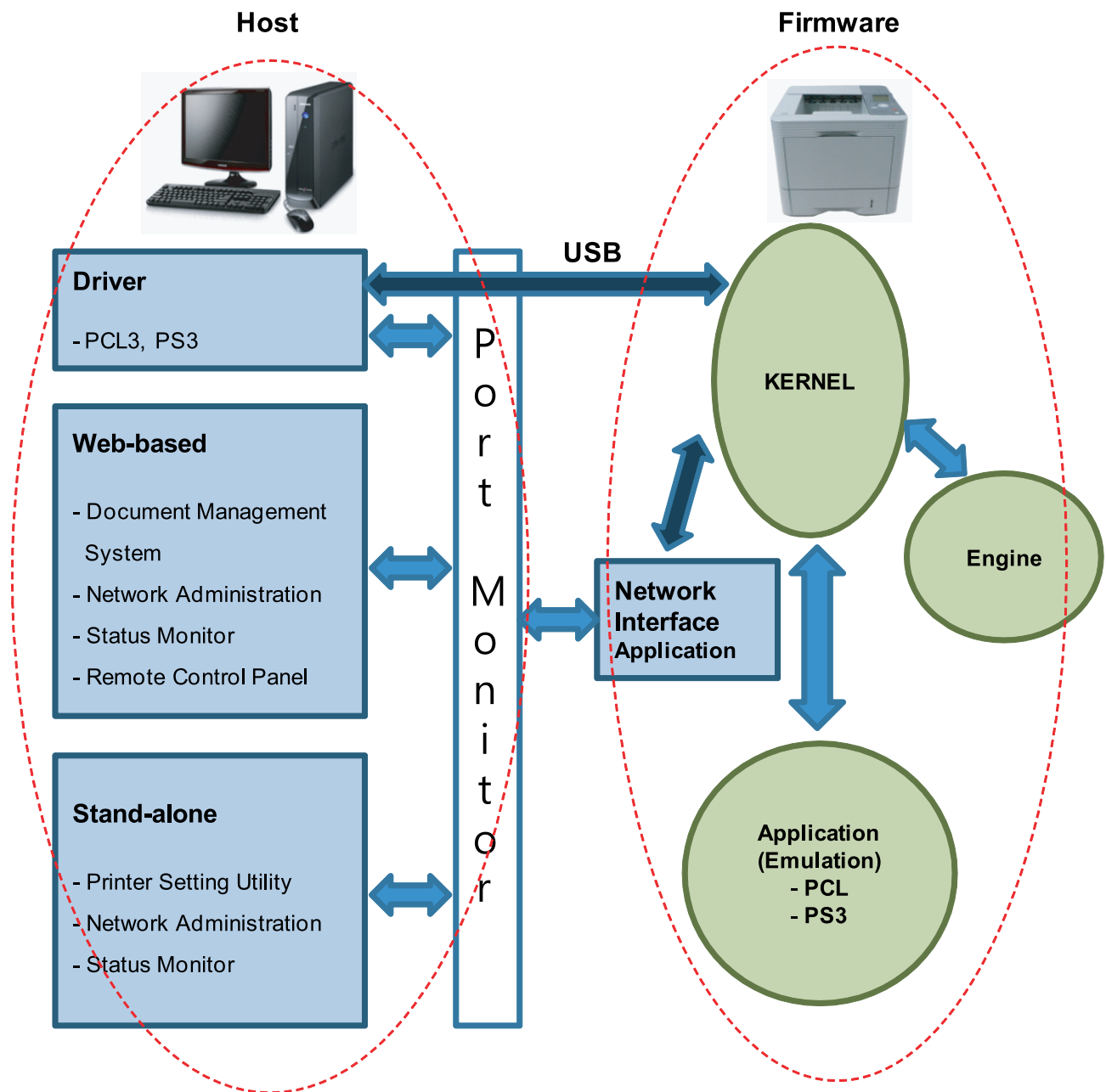
Host Software is made up of

- 1) Graphic User Interface offers the various editing functions to user in Host.
- 2) Driver translates the received document to a Printing Command language which printer can understand and transfers data to spooler.
- 3) Stand-alone Application offers the various printing application such as Easy Printer Manager, Printer Status in Window system.
- 4) Web-based-Application offers the same functions as Stand-alone Application in Web environment.

Firmware is made up of

- 1) Application (Emulation) that is a interpreter translates data received from Host to a printing language (PCL, PS, GDI, etc.) to be able to make the user to take same output as originally one what composed in Host.
- 2) Kernel controls and manage the whole procedure including Control flow and Printing Job before transferring to Engine system.

2.2.7.3. Data and Control Flow



The above Block Diagram is explained that:

Host Side is made up of

- 1) Driver that is Windows application software translate printed data to one of printer language and create spooler file.
- 2) Web-based Application that offer a various printer additional functions, management of printing job, printer administration, Status monitor to monitoring the printer status by real time in Web, independent environment on OS.
- 3) Stand-alone Application that is a similar Window software as same as above 2.
- 4) Port Monitor that manages the network communication between spooler and Network Interface Card, or various additional application and Network Interface Card,(this is, at first, make communication logical port, manage the data, transfer them from spooler to network port, and offer the result of printing).

Firmware Side is made up of

- 1) Network Interface Card is that relay the communication between Host and kernel using various network protocol.
- 2) Kernel is that manages the flow control of emulation procedure, receiving data from Host or Network card and printing with engine & rendering job.
- 3) Emulation is that interprets the various output data from selected emulation.
- 4) Engine is that prints rendered bit-map data to paper with required size and type by Kernel.

And then, for Job Spooling function for Multi-User, Multi-Printing that is occurred in Network printing and various additional printing functions, this Kernel use max. 10 Queuing systems in a memory.

In Printing, the two procedures are

- 1) Case of using USB Port
 - After user start to print the wanted document to PCL string or compressed GDI bit-map data, the Driver translates the all graphic data of the client PC and send data to host spooler. And then the spooler sends the data stream to the printer via USB port.
 - Kernel receives this data from Host, and then select emulation fit to data and start selected one. After emulation job end, Kernel sends the output bit-map data to Engine using Printer Video Controller (by clock type for LSU).
 - Engine print the received data to required paper with the sequential developing process.
- 2) Case of using Network Interface Card
 - After user start to print the wanted document to PCL string or compressed GDI bit-map data, Driver translate the all graphic data of it and send data to host spooler.
 - If so, Port monitor managing network port receives data from spooler and sends a data stream to the Network Interface Card.
 - Network interface card receives it and send to Kernel part.
 - Kernel receives this data from Host, and then select emulation fit to data and start selected one. After emulation job end, Kernel sends the output bit-map data to Engine using Printer Video Controller (by clock type for LSU).
 - Engine print the received data to required paper with the sequential developing process.

3. Disassembly and Reassembly

3.1. Precautions when replacing parts

3.1.1. Precautions when assembling and disassembling

- Use only approved Samsung spare parts. Ensure that part number, product name, any voltage, current or temperature rating are correct. Failure to do so could result in damage to the machine, circuit overload, fire or electric shock.
- Do not make any unauthorized changes or additions to the printer, these could cause the printer to malfunction and create electric shock or fire hazards.
- Take care when dismantling the unit to note where each screw goes. There are 19 different screws. Use of the wrong screw could lead to system failure, short circuit or electric shock.
- Do not disassemble the LSU unit. Once it is disassembled dust is admitted to the mirror chamber and will seriously degrade print quality. There are no serviceable parts inside.
- Regularly check the condition of the power cord, plug and socket. Bad contacts could lead to overheating and fire. Damaged cables could lead to electric shock or unit malfunction.

3.1.2. Precautions when handling PBA

Static electricity can damage a PBA, always use approved anti-static precautions when handling or storing a PBA.

- **Precautions when moving and storing PBA**
 - 1) Please keep PBA in a conductive case, anti-static bag, or wrapped in aluminum foil.
 - 2) Do not store a PBA where it is exposed to direct sunlight.
- **Precautions when replacing PBA**
 - 1) Disconnect power connectors first, before disconnecting other cables.
 - 2) Do not touch any soldered connections, connector terminals or other electronic parts when handling insulated parts.
- **Precautions when checking PBA**
 - 1) Before touching a PBA, please touch other grounded areas of the chassis to discharge any static electrical charge on the body.
 - 2) Take care not to touch the PBA with your bare hands or metal objects as you could create a short circuit or get an electric shock. Take extra care when handling PBAs with moving parts fitted such as sensors, motors or lamps as they may get hot.
 - 3) Take care when fitting, or removing, screws. Look out for hidden screws. Always ensure that the correct screw is used and always ensure that when toothed washers are removed they are refitted in their original positions.

3.1.3. Releasing Plastic Latches

Many of the parts are held in place with plastic latches. The latches break easily; release them carefully.

To remove such parts, press the hook end of the latch away from the part to which it is latched.



3.2. Screws used in the printer

The screws listed in the table below are used in this printer. Please ensure that, when you disassemble the printer, you keep a note of which screw is used for which part and that, when reassembling the printer, the correct screws are used in the appropriate places.

Part Code	Location	Description	Qty
6003-000196	FUSER	SCREW-TAPTYPE;PWH,+B,M3,L10,NI PLT,SWRCH18A	2
6003-000269		SCREW-TAPTYPE;BH,+,-,S,M3,L6,ZPC(WHT),SWRCH18A,-	2
6003-000282		SCREW-TAPTYPE;BH,+,-,B,M3,L8,ZPC(BLK),SWRCH18A,-	2
6003-000196	FUSER-UPPER	SCREW-TAPTYPE;PWH,+B,M3,L10,NI PLT,SWRCH18A	1
6003-000282		SCREW-TAPTYPE;BH,+,-,B,M3,L8,ZPC(BLK),SWRCH18A,-	2
6003-000196	FRAME MAIN	SCREW-TAPTYPE;PWH,+B,M3,L10,NI PLT,SWRCH18A	22
6003-000269		SCREW-TAPTYPE;BH,+,-,S,M3,L6,ZPC(WHT),SWRCH18A,-	26
6003-000196	DUPLEX	SCREW-TAPTYPE;PWH,+B,M3,L10,NI PLT,SWRCH18A	1
6003-000261		SCREW-TAPTYPE;BH,+,-,B,M3,L6,ZPC(WHT),SWRCH18A,-	3
6003-000269	FRAME MAIN-LEFT	SCREW-TAPTYPE;BH,+,-,S,M3,L6,ZPC(WHT),SWRCH18A,-	12
6003-000282		SCREW-TAPTYPE;BH,+,-,B,M3,L8,ZPC(BLK),SWRCH18A,-	1
6003-000269	FRAME MAIN-RIGHT	SCREW-TAPTYPE;BH,+,-,S,M3,L6,ZPC(WHT),SWRCH18A,-	6
6003-000282		SCREW-TAPTYPE;BH,+,-,B,M3,L8,ZPC(BLK),SWRCH18A,-	1
6003-000196	FRAME-PAPER_PATH	SCREW-TAPTYPE;PWH,+B,M3,L10,NI PLT,SWRCH18A	9
6003-000196	FRAME BASE-PICKUP	SCREW-TAPTYPE;PWH,+B,M3,L10,NI PLT,SWRCH18A	2
6003-000282	LSU	SCREW-TAPTYPE;BH,+,-,B,M3,L8,ZPC(BLK),SWRCH18A,-	5
6003-000196	COVER-TOP	SCREW-TAPTYPE;PWH,+B,M3,L10,NI PLT,SWRCH18A	4
6003-000196	MAINLINE	SCREW-TAPTYPE;PWH,+B,M3,L10,NI PLT,SWRCH18A	1
6003-000269		SCREW-TAPTYPE;BH,+,-,S,M3,L6,ZPC(WHT),SWRCH18A,-	13

3.3. Replacing the Main SVC parts

3.3.1. Side Cover

1. Remove the Cassette from Printer.



2. Open the Front-Cover, then pull out the Toner Cartridge.



3. Remove the Left Cover and Right Cover. * Attention to the direction of the hooks



3.3.2. Rear Cover

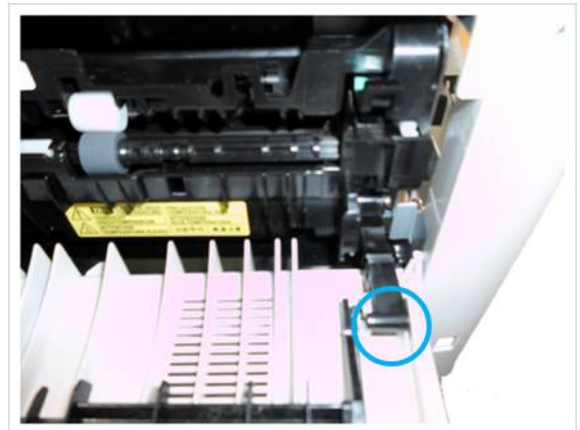
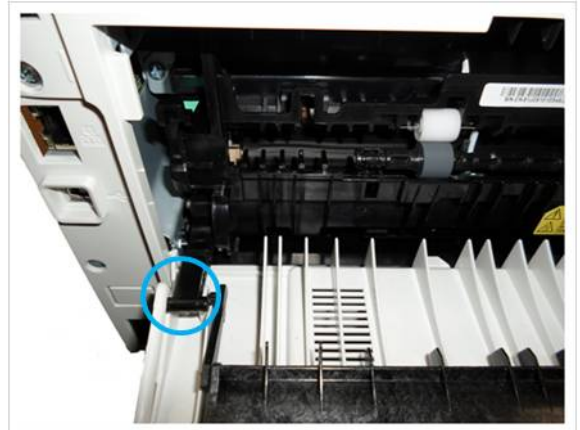
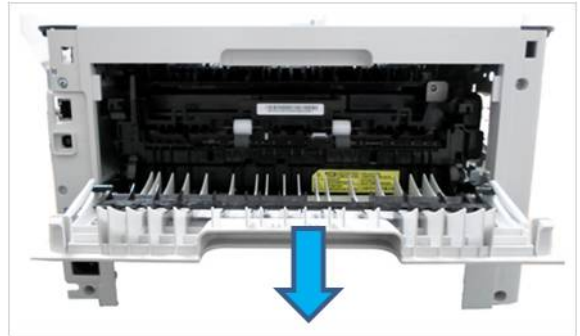
1. Remove the Side Covers.
(Refer to 3.3.1 Side Cover)
2. Turn the machine back, then remove 4 screws of the back side of the machine.



3. Open the Lower Rear Cover.



4. Remove 2 hooks at each side of the Lower Rear cover.



5. Take off the Rear Cover * Attention : where 3 hooks are.

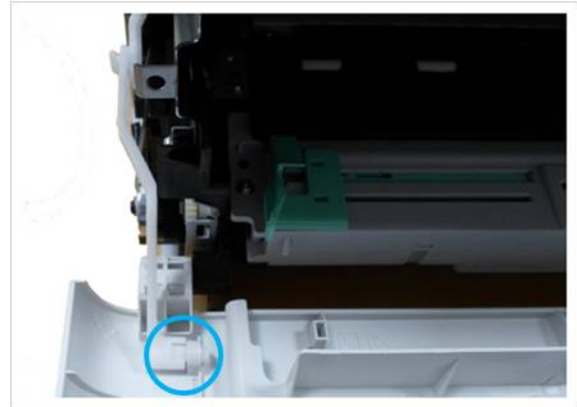


3.3.3. Front Cover

1. Remove Side Covers and Rear Cover.
(Refer to 3.3.1 Side Cover)
(Refer to 3.3.2 Rear Cover)
2. Remove a Harness cable at right side of the machine.



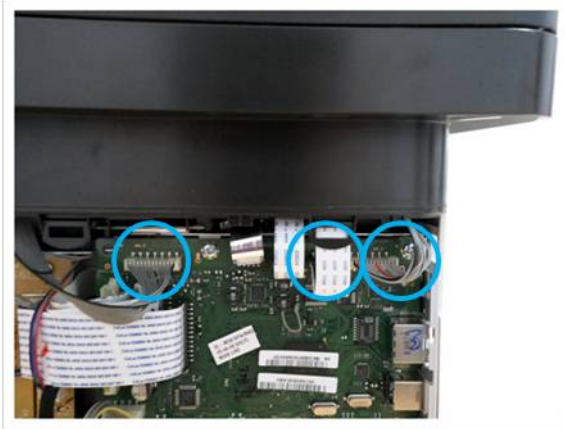
3. Remove a hook at inside of the Front Cover.



4. Remove the Front Cover.

3.3.4. Scan Unit

1. Remove the Right Cover.
(Refer to 3.3.1 Side Cover)
2. Remove 3 harnesses on the board.



3. Turn the machine to backward, then remove 2 screws.



4. Push the ADF Unit to front.

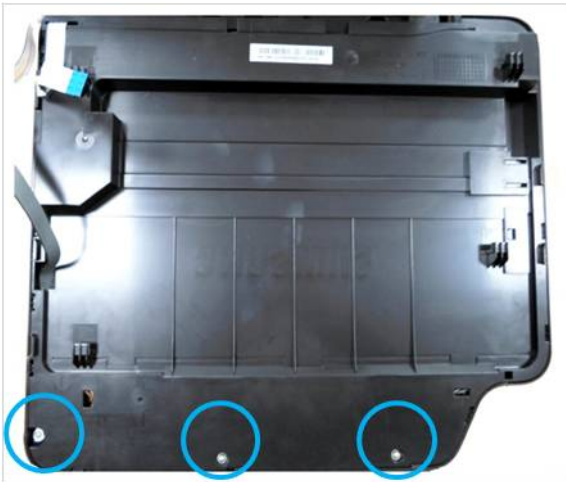


5. Pull out the ADF Unit.



3.3.5. OPE

1. Remove the Right Cover.
(Refer to 3.3.1 Side Cover)
2. Remove the Scan Unit
(Refer to 3.3.4 Scan Unit)
3. Turn up the ADF Unit, then remove 3 screws.



4. Remove the OPE Unit.

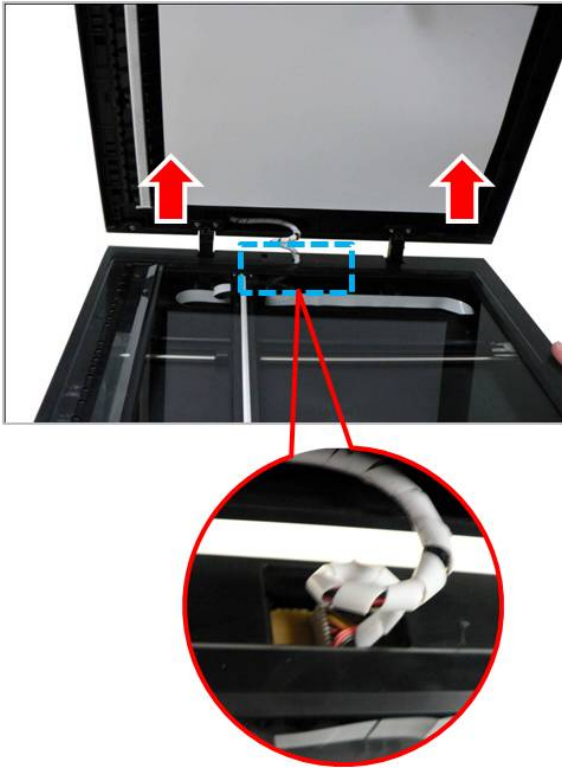


5. Remove 4 screws and 1 harness on the backside of the OPE Board.



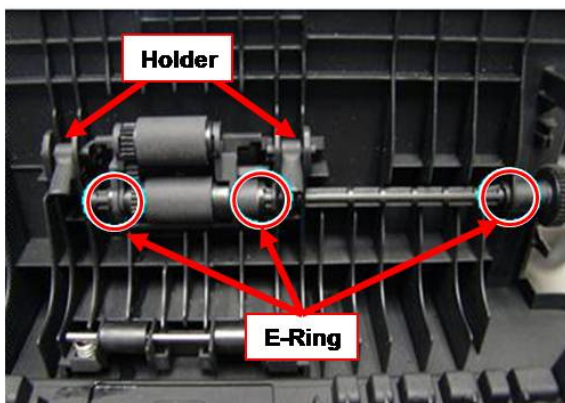
3.3.6. ADF

1. Open the ADF, then remove the connector cover.
2. Take off the connector, then remove the ADF to upward.

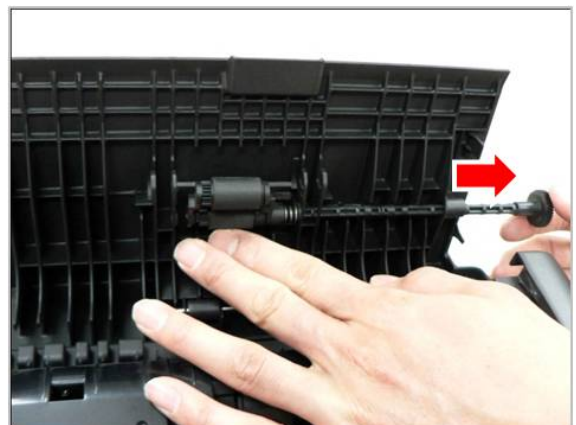


3.3.7. ADF Roller

1. Remove the ADF cover.
2. Remove 2 holder and 3 E-ring on the Roller assembly.



3. Take off the ADF Roller shaft.

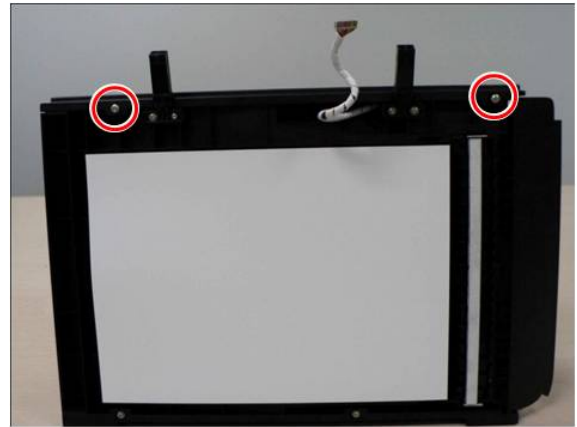


3.3.8. ADF Motor

1. Remove the ADF unit.
(Refer to 3.3.6 ADF)
2. Open the ADF Cover, then remove a screw.



3. Remove 2 screws on the back side of the ADF, then remove the back cover of the ADF.



4. Remove 3 screws, then take off the ADF Motor.

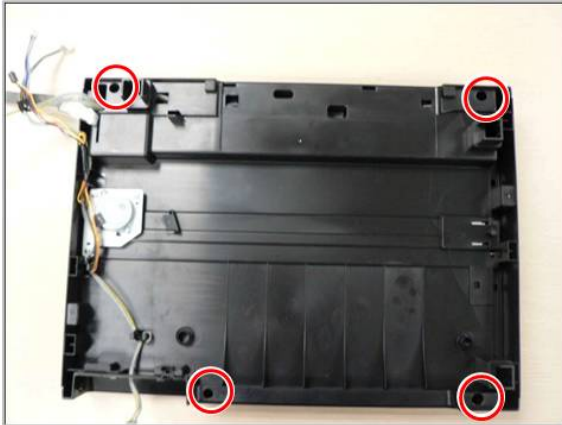


3.3.9. Scan Motor

1. Remove the ADF Unit and Scan Unit.
2. Remove 3 screws on the bottom of the Scan Unit.



3. Remove 4 screws.



4. Take off the Platen Glass.

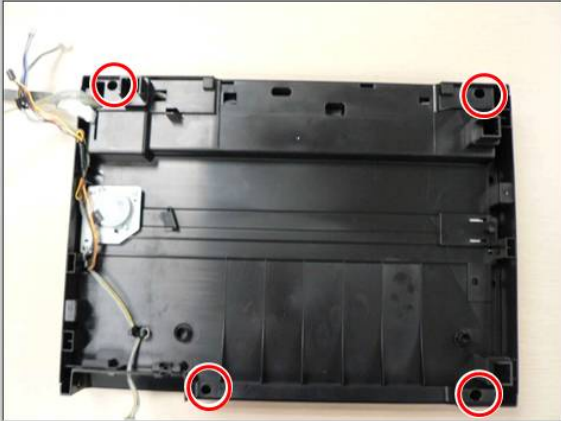


5. Remove the rubber belt, then take off the motor.

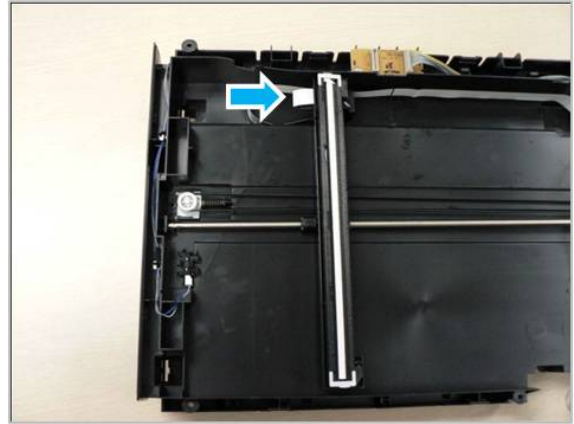


3.3.10. CIS Unit

1. Remove the ADF unit and the Scan unit.
2. Remove the 4 screws.



4. Take off the flat cable connected with CIS Unit, then remove the CIS Unit.



3. Take off the Platen Glass



3.3.11. Fax Board

1. Remove the Right Cover.
2. Remove 4 screws and a connector on the FAX Board.

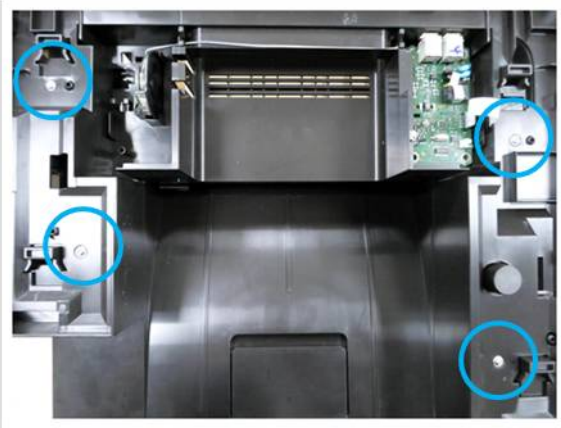
3. Take off the FAX Board.



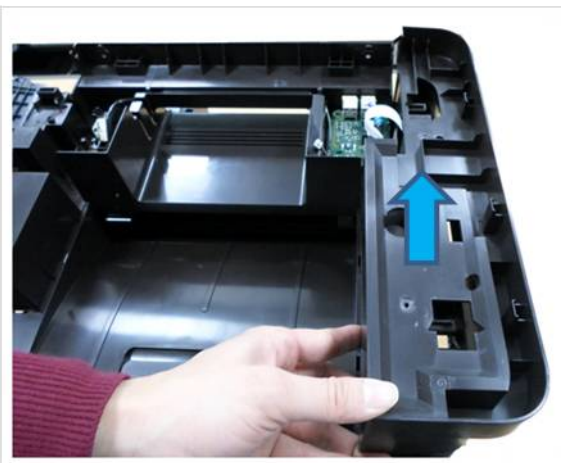
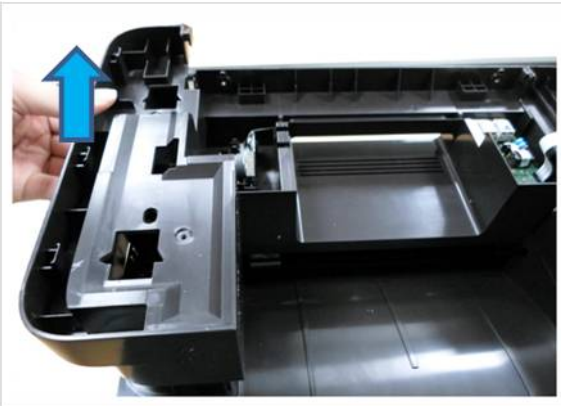
3.3.12. Middle Cover

1. Remove the Scan Unit.

2. Remove 3 screws.

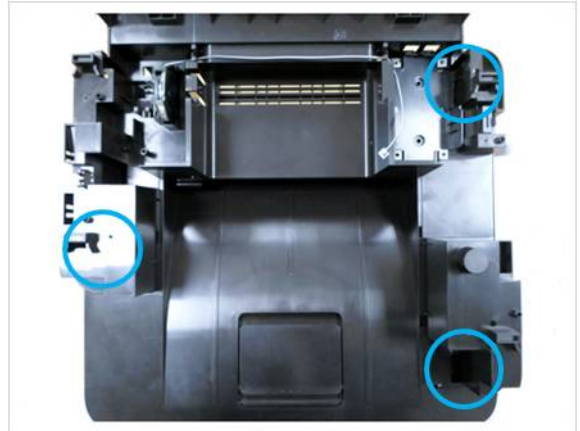


3. Remove 2 covers at the each side of the Middle Cover.

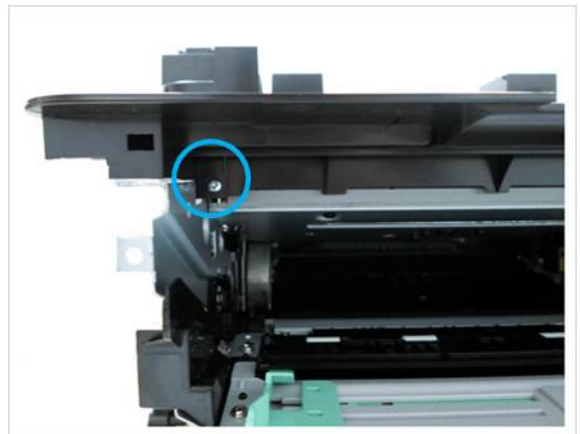


4. Remove the Fax Board.
(Refer to 3.3.11 Fax Board)

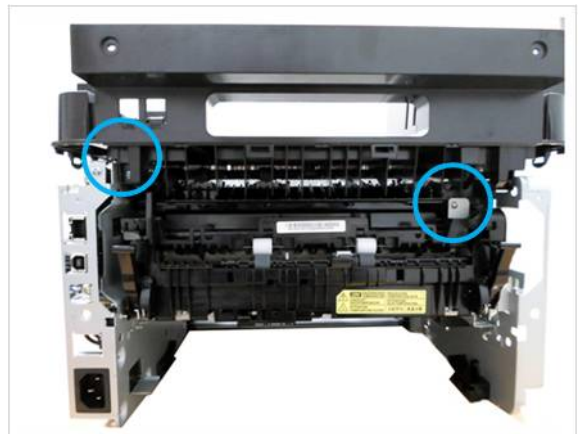
5. Remove 3 screws.



6. Remove a screw on the front.



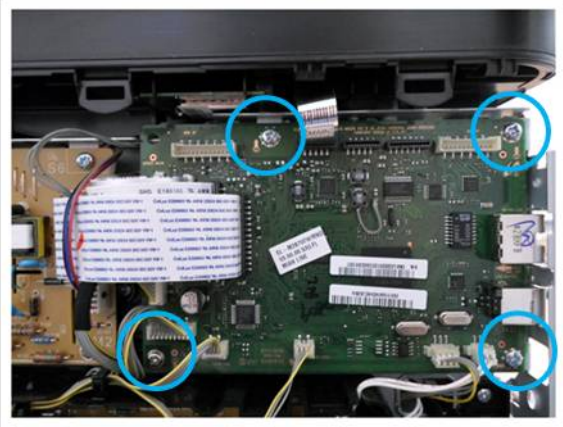
7. Remove 2 screws on the rear.



8. Pull out the Middle Cover,

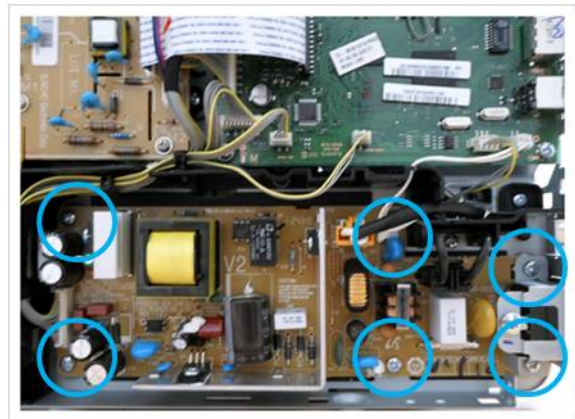
3.3.13. Main Board

1. Remove the Right Cover.
(Refer to 3.3.1 Side Cover)
2. Remove all connectors on the board.
3. Remove 4 screws on the board
4. Separate the Main Board from the machine.



3.3.14. SMPS

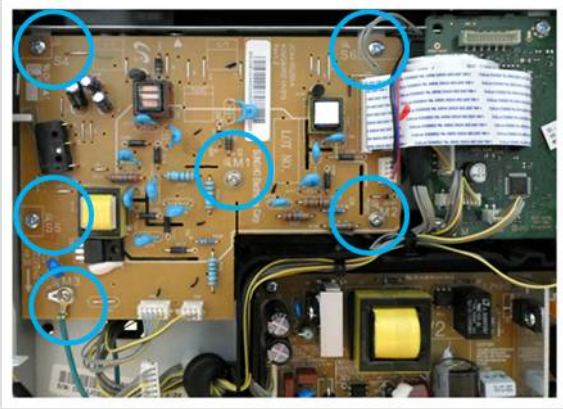
1. Remove the Right Cover
(Refer to 3.3.1 Side Cover)
2. Remove all connectors on the board.
3. Remove 6 screws on the board.



4. Separate the SMPS from the machine.

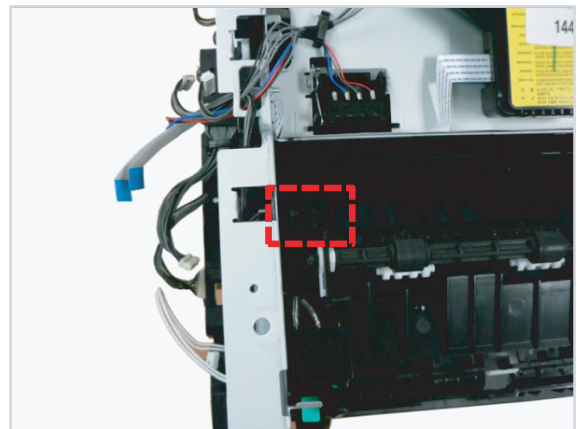
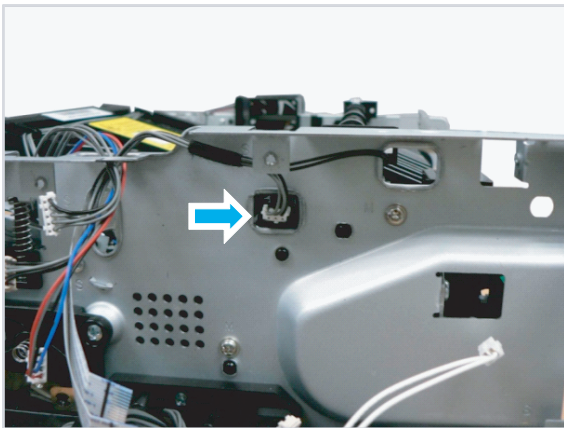
3.3.15. HVPS

1. Remove the Right Cover
(Refer to 3.3.1 Side Cover)
2. Remove all connectors on the board.
3. Remove 6 screws on the board.
4. Separate the HVPS from the machine.



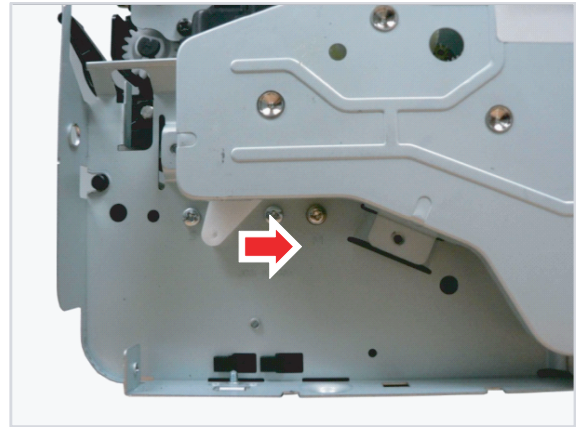
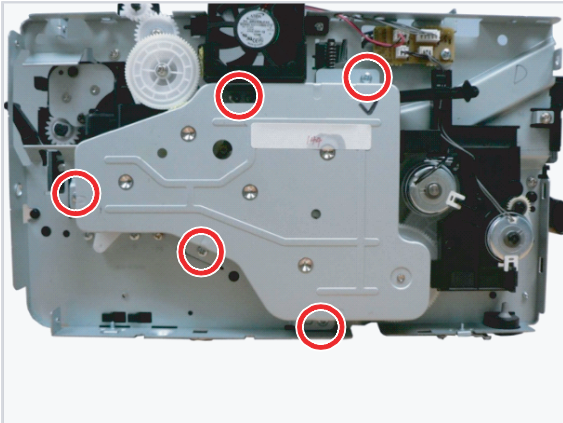
3.3.16. Bin-Full Sensor

1. Remove the right cover.
2. Remove the main board.
3. Unplug the sensor connector.
4. Release the Bin-Full sensor.



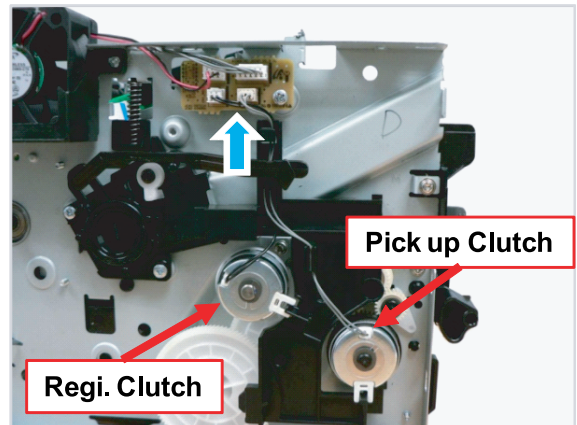
3.3.17. Main Drive unit

1. Remove the left cover.
2. Remove 5 screws.
3. Release the main drive unit after moving the holder to the right.



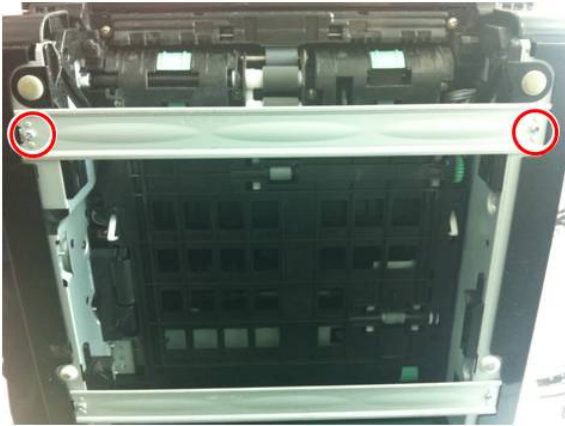
3.3.18. Pick up and Regi Clutch

1. Remove the left cover.
2. Remove the washer securing the clutch. Unplug the connector on Joint PBA. And release the clutch.

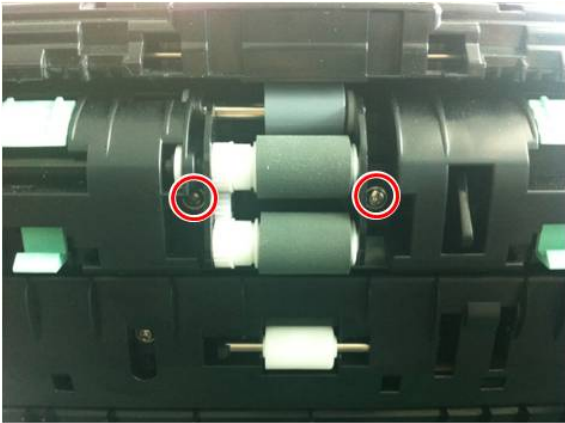


3.3.19. Pick up and Forward roller

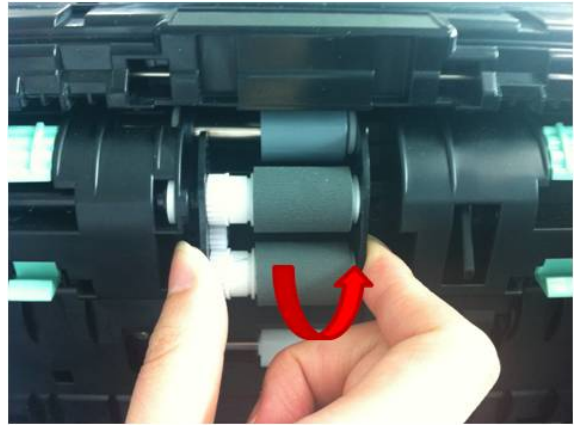
1. Remove the bottom bar after removing 2 screws.



2. Remove 2 screws.



3. Release the pick-up/forward roller Assy.

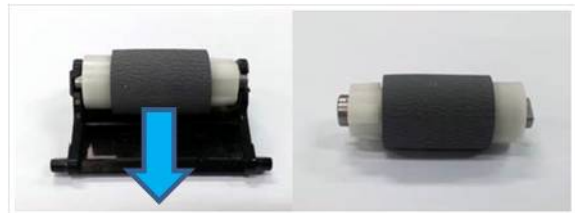
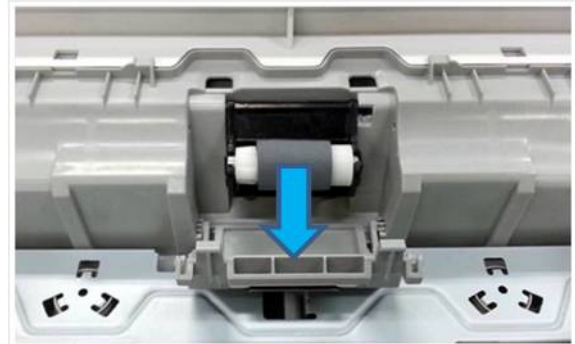


3.3.20. Retard Roller

1. Remove the cassette.
2. Open the retard roller cover.

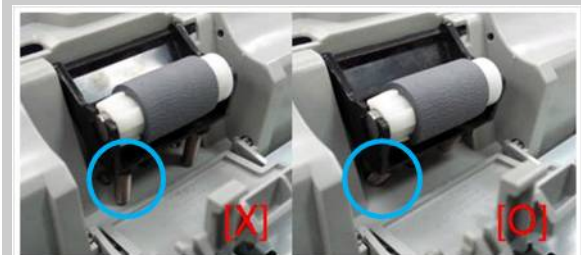
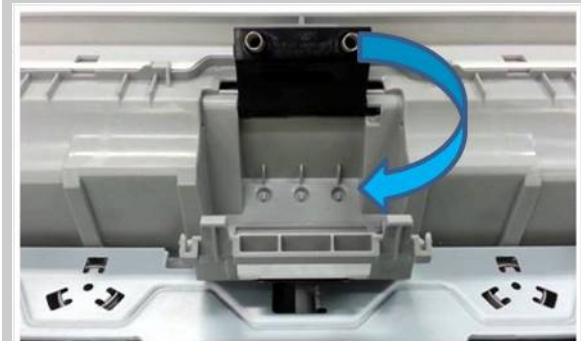


3. Release the retard roller holder. Then release the retard roller from its holder.



NOTE

When reassembling the retard roller holder, place two springs on the bottom hole.

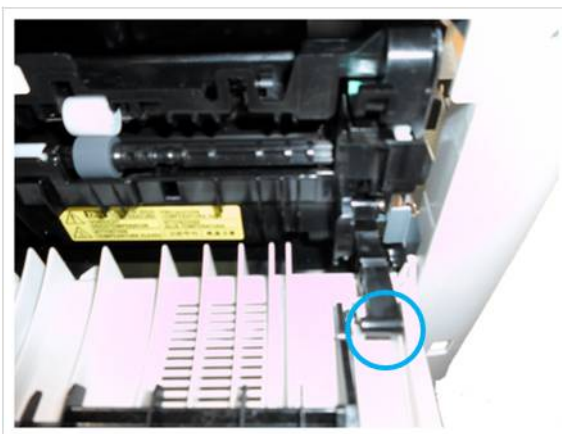
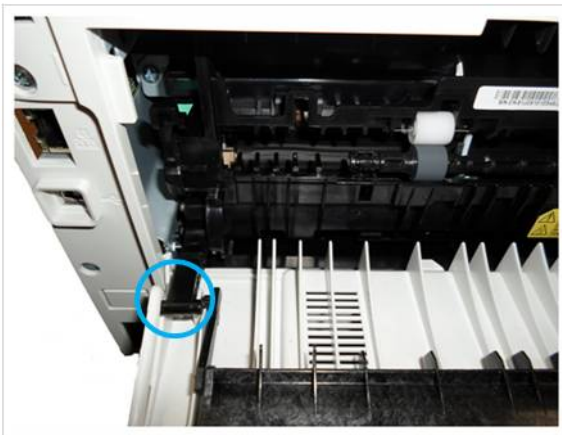


3.3.21. Duplex Unit

1. Remove the cassette, then remove 4 screws from the Rear Cover.



2. Open the Rear Cover. Release the 2 hinges at the each side of the cover. And then remove the rear cover.



3. Stand the machine. Push the green handle to release the duplex unit.

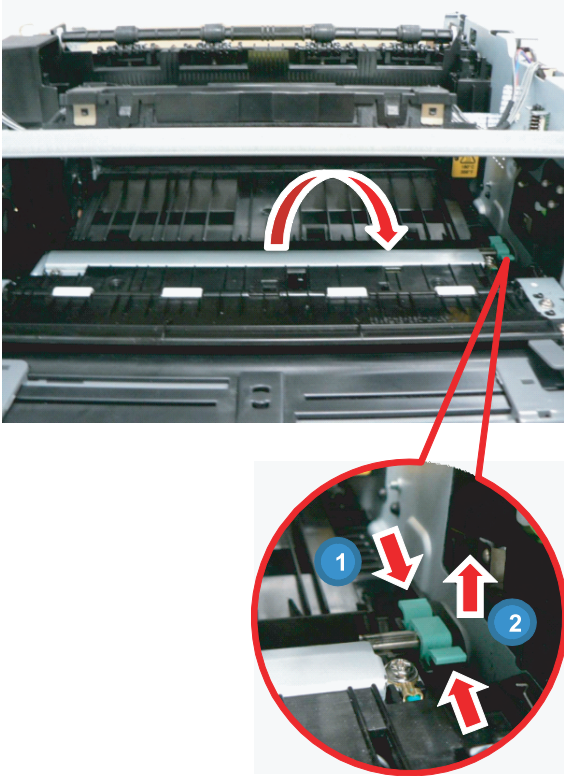


4. Pull off the hinge, then remove the Duplex Unit to upward.



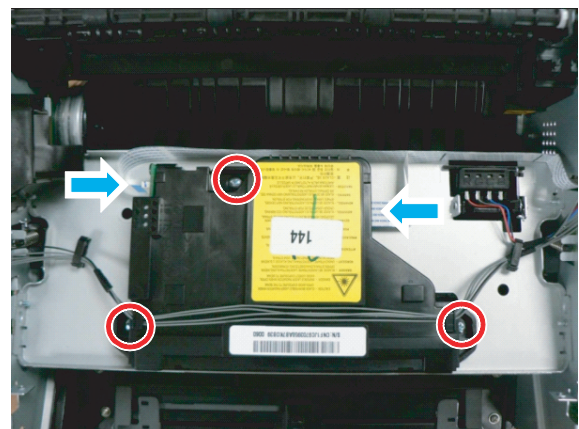
3.3.22. Transfer Roller

1. Open the front cover. Remove the toner cartridge.
2. Remove the holder. Then remove the transfer roller.



3.3.23. LSU

1. Remove the top cover.
2. Unplug 2 flat cables. Remove 3 screws. And release the LSU.

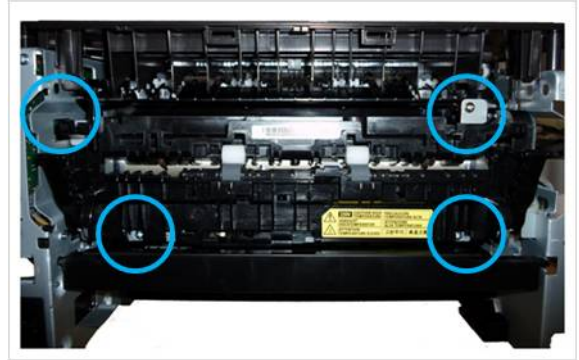


3.3.24. Fuser Unit

1. Remove the right and rear cover.
2. Unplug 2 connectors. (SMPS board x 1, Main board x 1)

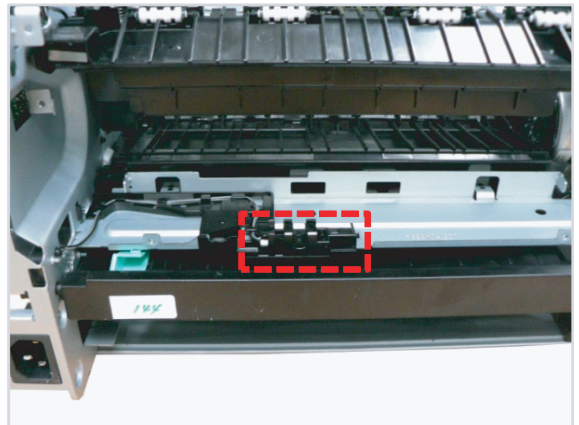


3. Remove the fuser unit after removing 4 screws.



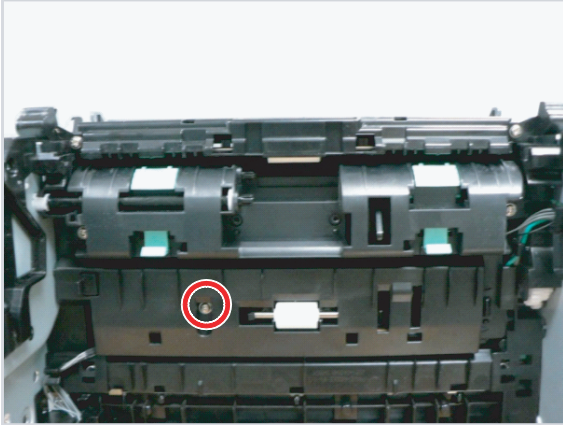
3.3.25. Exit Sensor

1. Remove the fuser unit.
2. Release the exit sensor after unplugging the connector.

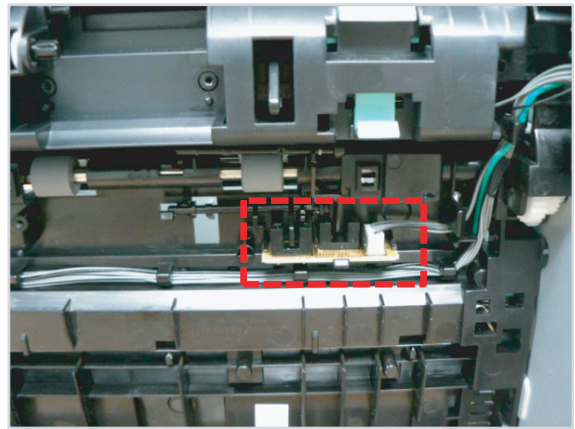


3.3.26. Feed and Regi sensor PBA

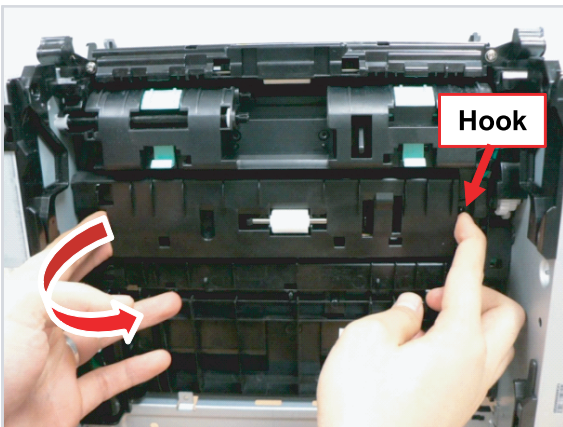
1. Remove the duplex unit.
2. Remove 1 screw.



4. Remove the sensor PBA after unplugging the connector.



3. Remove the sensor cover while pushing the hook.

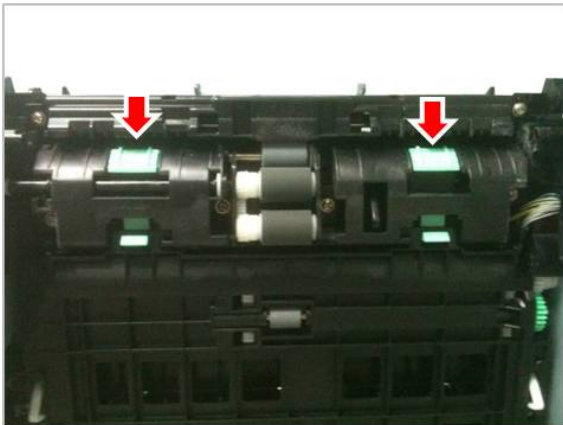


3.3.27. Motor

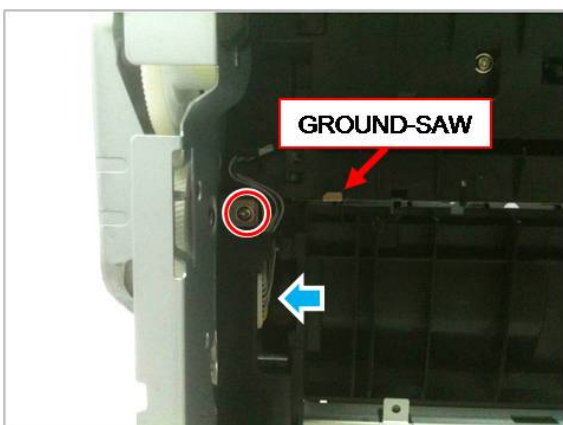
1. First, remove all covers.
2. See the bottom of the machine. Remove 2 screws. And remove PLATE-BOTTOM.



3. Remove the Duplex unit while pushing green buttons.



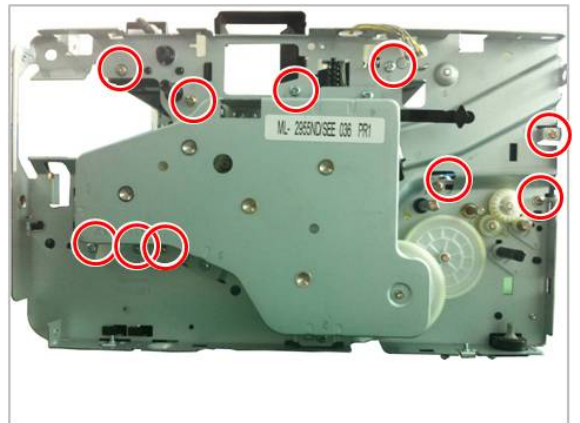
4. Remove 1 screw. Remove the GROUND-SAW. And unplug the motor connector.



5. Remove GEAR-RDCN EXIT, GEAR-IDLE EXIT, GEAR-EXT.



6. Remove Clutches and GEAR-FEED after removing washers securing them.
7. Turn the machine to backward. Removing 10 screws.



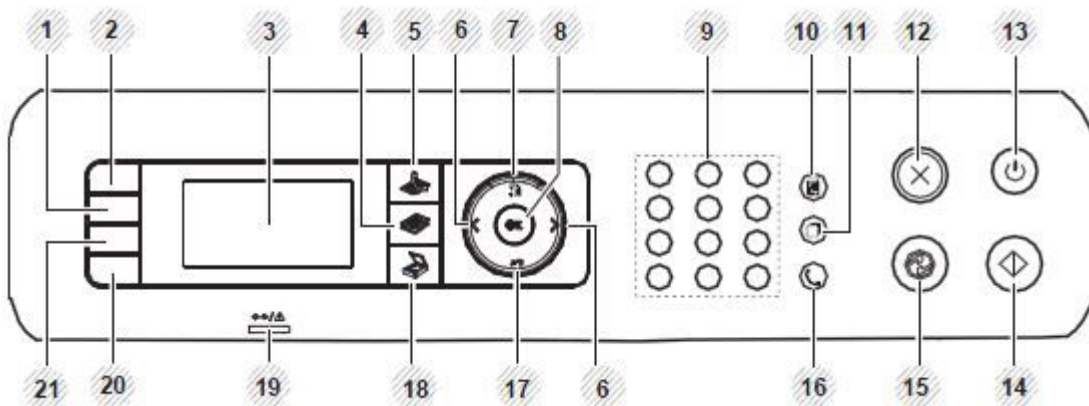
4. Alignment and Troubleshooting

4.1. Alignment and Adjustments


This chapter describes the main functions for service, such as the product maintenance method, the test output related to maintenance and repair, Jam removing method, and so on.

It includes the contents of manual.

4.1.1. Control Panel



1	Darkness	Adjust the brightness level to make a copy for easier reading, when the original contains faint markings and dark images.
2	ID Copy	Allows you to copy both sides of an ID card like a driver’s license on a single side of paper.
3	Display screen	Shows the current status and displays prompts during an operation.
4	Copy	Switches to Copy mode.
5	Fax	Switches to Fax mode.
6	Left/Right Arrows	Scrolls through the options available in the selected menu and increases or decreases values.
7	Menu	Opens Menu mode and scrolls through the available menus.
8	OK	Confirms the selection on the screen.
9	Numeric keypad	Dials a number or enters alphanumeric characters.
10	Address Book	Allows you to store frequently used fax numbers or search for stored fax numbers.
11	Redial/ Pause(-)	Redials the last number in ready mode, or inserts a pause(-) into a fax number in edit mode.
12	Stop/ Clear	Stops an operations at any time.
13	Power/ Wakeup	Turns the power on or off, or wakes up the machine from the power save mode. If you need to turn the machine off, press this button for more than three seconds.
14	Start	Starts a job.
15	Power Saver	Goes into power save mode.

16	On Hook Dial	When you press this button, you can hear a dial tone. Then enter a fax number. It is similar to making a call using speaker phone.
17	Back	Sends you back to the upper menu level.
18	Scan	Switches to Scan mode.
19	Status LED	Indicates the status of your machine.
20	Eco	Turn on Eco mode to reduce toner consumption and paper usage.
21	Print Screen	<p>Press this button and the display will Print Screen? on the display screen. If you want to print only the active screen, select the Active. If you want to print the whole screen, select Full.</p> <div style="background-color: #e0e0e0; padding: 10px;"> <p> NOTE</p> <ul style="list-style-type: none"> • Print Screen can only be used in the Windows and Mac operating systems. • You can only use this function with USB connected machine. • When printing the active window/whole monitor screen using the print screen button, the machine may use more toner depending on what is being printed. • You can only use this function if the machine's Samsung Easy Printer Manager program is installed. If you are a Mac OS user, you need to enable Screen Print Settings from the Samsung Easy Printer Manager to use the Print Screen feature. </div>
	Reduce/Enlarge	You can reduce or enlarge the size of a copied image from 25% to 400% when you copy original documents from the scanner glass.
	WPS	Configures the wireless network connection easily without a computer.

4.1.2. Understanding the status LED

The color of the LED indicates the machine's current status.



NOTE

- Some LEDs may not be available depending on model or country.
- To resolve the error, look at the error message and its instructions from the troubleshooting part.
- You also can resolve the error with the guideline from the computers' Samsung Printer Status or Smart Panel program window.

Status LED

Status		Description	
Status LED	Off		The machine is off-line.
	Green	Blinking	When the backlight blinks, the machine is receiving or printing data.
		On	The machine is on-line and can be used.
	Red	Blinking	<ul style="list-style-type: none"> • A minor error has occurred and the machine is waiting for the error to be cleared. Check the display message. When the problem is cleared, the machine resumes. For some models that does not support the display screen on the control panel, this feature is not applicable. • Small amount of toner is left in the cartridge. The estimated cartridge life of toner is close. Prepare a new cartridge for replacement. You may temporarily increase the printing quality by redistributing the toner.
On		<ul style="list-style-type: none"> • A toner cartridge has almost reached its estimated cartridge life. It is recommended to replace the toner cartridge. • The cover is opened. Close the cover. • There is no paper in the tray. Load paper in the tray • The machine has stopped due to a major error. 	
Wireless LED	Blue	On	When the machine is connected to a wireless network, Wireless LED lights on blue.
Power LED	Blue	On	The machine is in ready mode or in power save mode.
		Off	The machine's power is off.
Eco button	Green	On	Eco mode is on. Duplex, 2-up, toner save on, skip blank page feature will automatically be applied when printing.
		Off	Eco mode is off.



NOTE

Estimated cartridge life means the expected or estimated toner cartridge life, which indicates the average capacity of print-outs and is designed pursuant to ISO/ IEC 19752. The number of pages may be affected by operating environment, printing interval, graphics, media and media size. Some amount of toner may remain in the cartridge even when red LED is on and the printer stops printing.

4.1.3. Jam Removal

4.1.3.1. Clearing original document jams

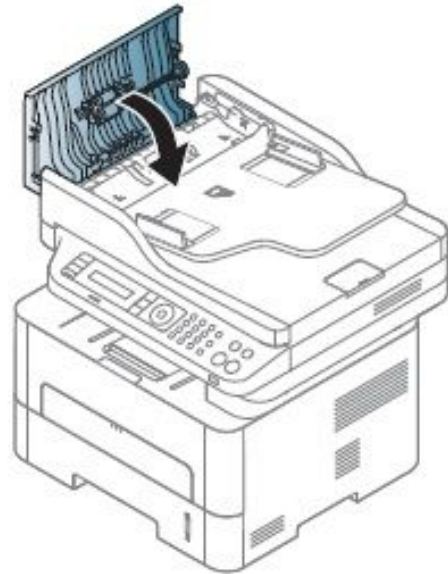
To avoid tearing the document, remove the jammed document slowly and carefully.

Original paper jam in front of scanner

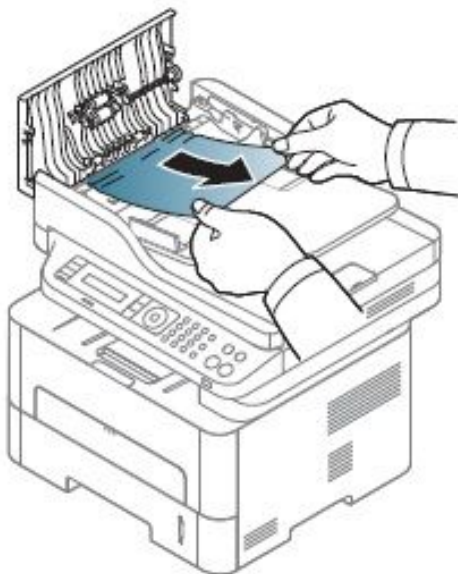
1) Open the document feeder cover.



3) Close the document feeder cover.



2) Gently remove the jammed paper from the document feeder.



Original paper jam inside of scanner

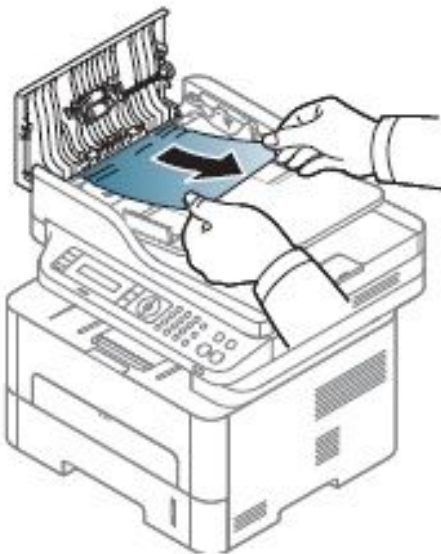
1) Open the document feeder cover.



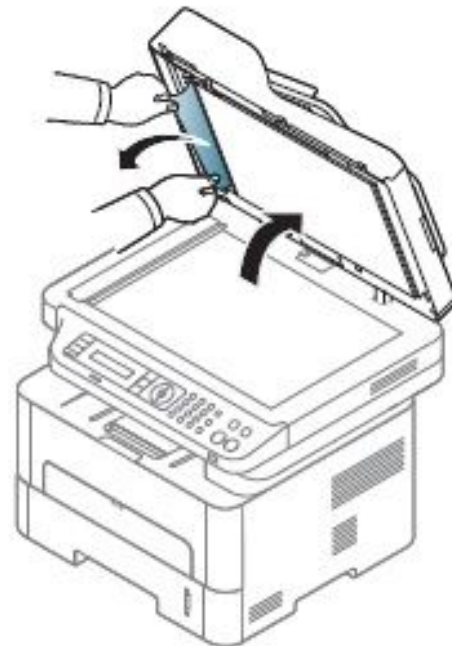
3) Open the document feeder.



2) Gently remove the jammed paper from the document feeder.



4) Grasp the misfeed paper, and remove the paper from the feed area by carefully pulling it.

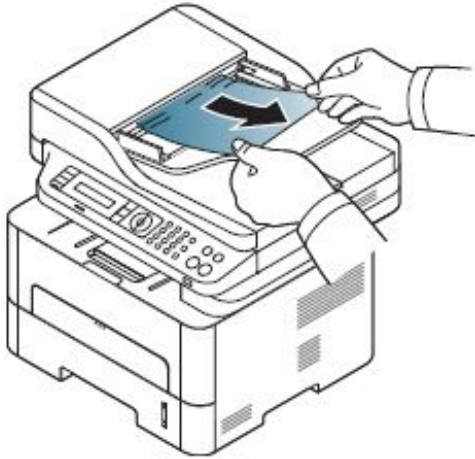


If you see no paper in this area, go to next step.

5) Close the document feeder.

Original paper jam in exit area of scanner

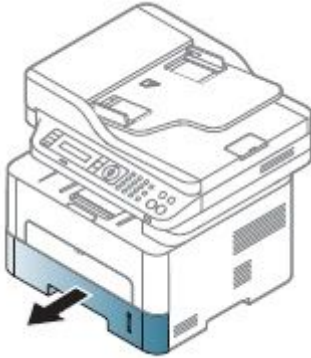
- 1) Remove any remaining pages from the document feeder.
- 2) Gently remove the jammed paper from the document feeder.



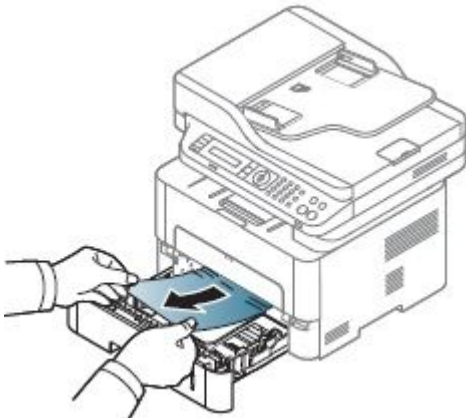
4.1.3.2. Clearing paper jams

In Tray

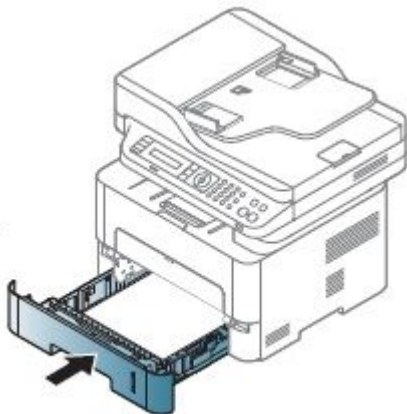
- 1) Open and close the front cover. The jammed paper is automatically ejected from the machine. If the paper does not exit, go to the next step.
- 2) Pull out tray.



- 3) Remove the jammed paper by gently pulling it straight out.
If the paper does not move when you pull, or if you do not see the paper in this area, check the fuser area around the toner cartridge.

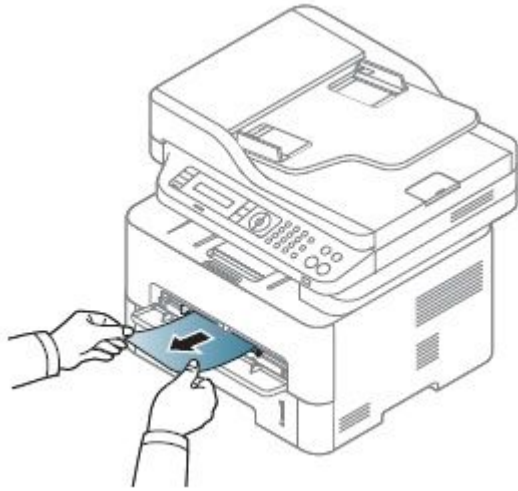


- 4) Insert tray back into the machine until it snaps into place. Printing automatically resumes.



In the manual feeder

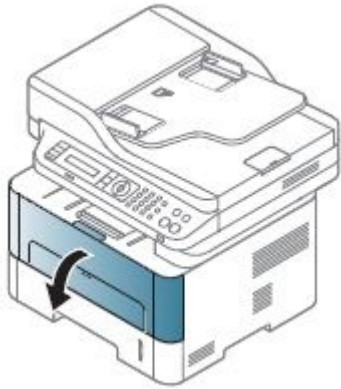
- 1) If the paper is not feeding properly, pull the paper out of the machine.



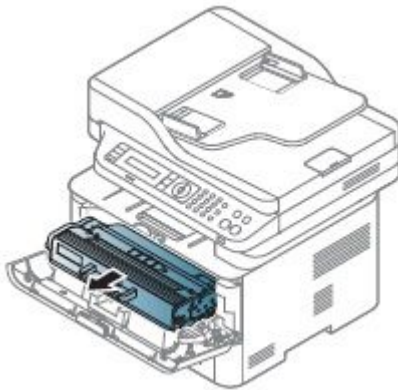
- 2) Open and close the manual feeder.

Inside the machine

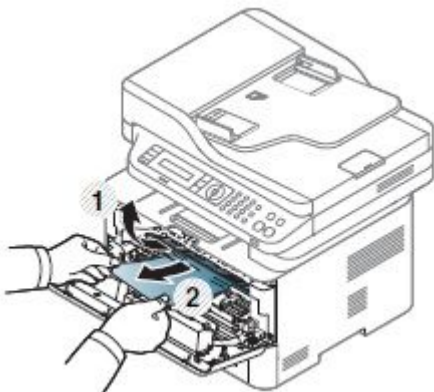
- 1) Open the front cover.



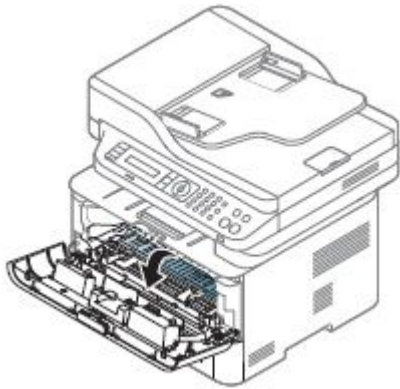
- 2) Remove the Toner Cartridge.



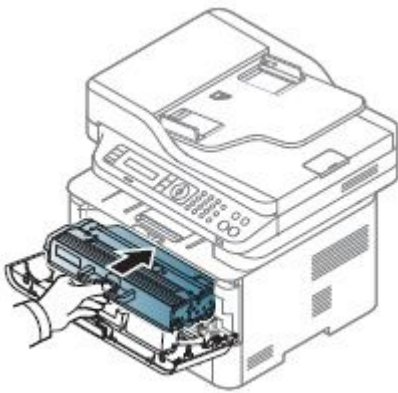
- 3) Pull the jam guides, then remove a jammed paper.



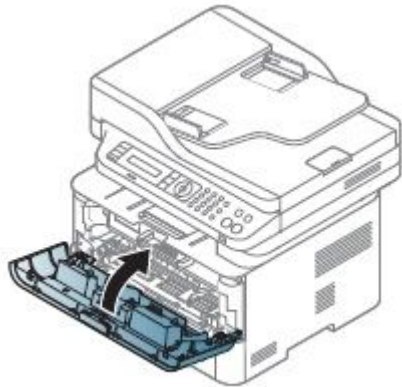
- 4) Close the jam guide.



- 5) Install the toner cartridge.

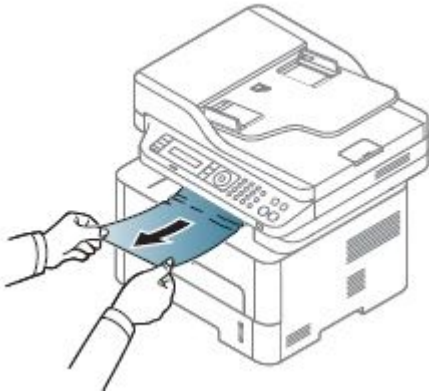


- 6) Close the front cover and check printing automatically resumes.



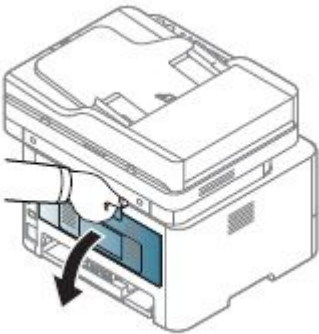
In exit area

- 1) Open and close the front cover. The jammed paper is automatically ejected from the machine. If you do not see the jammed paper, go to next step.
- 2) Gently pull the paper out of the output tray.

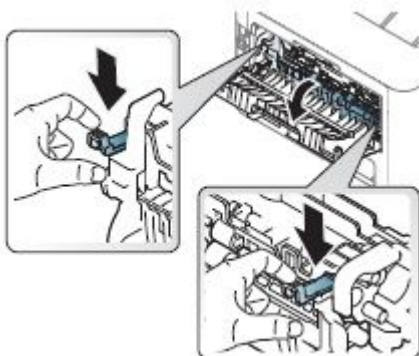


If you do not see the jammed paper or if there is any resistance when you pull, stop and go to the next step.

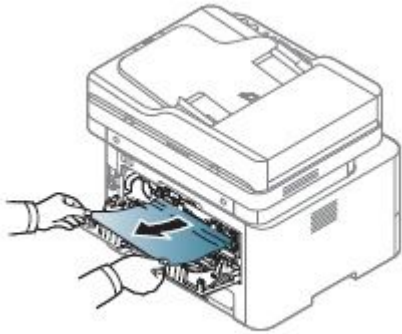
- 3) Open the rear cover.



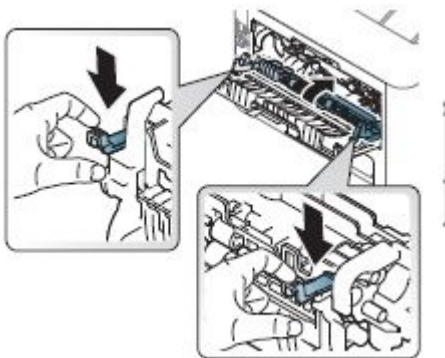
- 4) Open the Fuser cover with pushing the each side levers (Green Color)



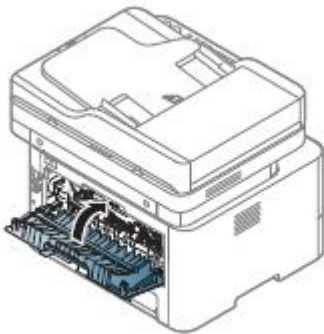
- 5) Remove the jammed paper in the Exit Unit.



- 6) Close the Fuser cover.

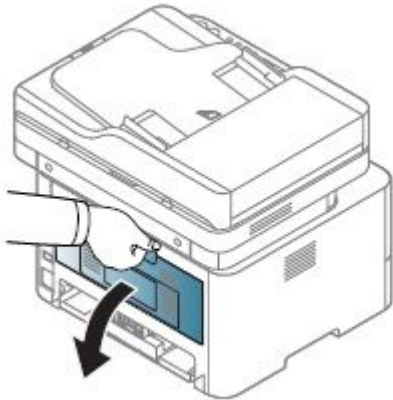


- 7) Close the Rear Cover and check printing automatically resumes.

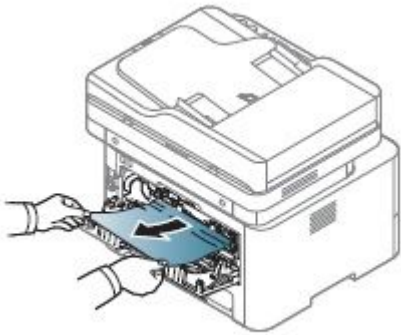


In the duplex area

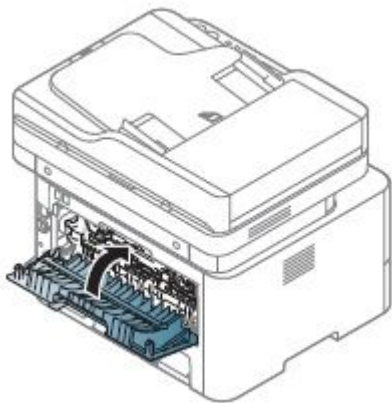
- 1) Remove the Rear Cover.



- 2) Remove the jammed paper in the Duplex Unit.



- 3) Close the Rear Cover and check printing automatically resumes.



4.1.4. Useful menu item for service

a) Monitoring the supplies life

If you experience frequent paper jams or printing problems, check the number of pages the machine has printed or scanned. Replace the corresponding parts, if necessary.



NOTE

It may be necessary to press OK to navigate to lower-level menus for some models.

- 1) Select **Menu > System Setup > Machine Setup > Maintenance > Supplies Life** on the control panel.
- 2) Select the option you want and press **OK**.
 - **Supplies Info** : Prints the supply information page.
 - **Total** : Displays the total number of pages printed.
 - **ADF Scan** : Displays the number of pages printed by using the document feeder. P
 - **Platen Scan** : Displays the number of pages scanned by using scanner glass.
- 3) Press “Stop/Clear” button to return to ready mode.

b) Checking the firmware version

You can check the product’s firmware version.

- Select **Menu > System Setup > Machine Setup > Firmware version** on the control panel.

c) Maintenance menu

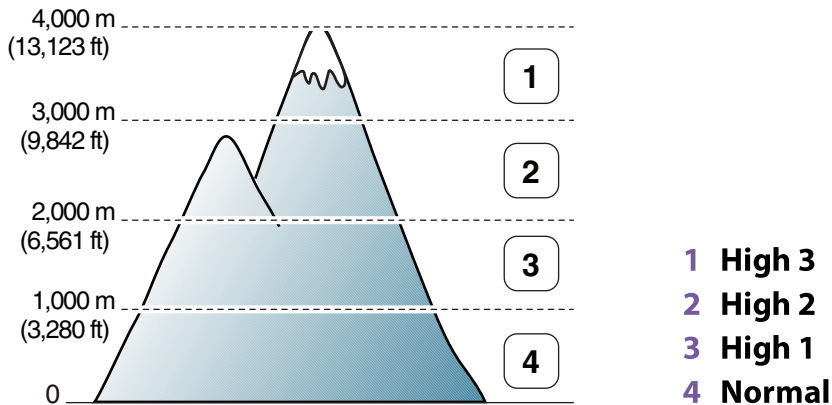
This menu allows you to maintain your machine.

- 1) Select **Menu > System Setup > Machine Setup > Maintenance** on the control panel.
- 2) Select the option you want and press **OK**.
 - **Clean Drum** : Cleans the OPC drum of the cartridge by printing a sheet.
 - **Clean Fuser** : Cleans the fuser by printing a sheet.
 - **CLR Empty Msg.**: This option appears only when toner cartridge is empty.
 - **Supplies Info.**: Allows you to check how many pages are printed and how much toner is left in the cartridge.
 - **TonerLow Alert** : If toner in the cartridge has run out, a message informing the user to change the toner cartridge appears. You can set the option for this message to appear or not.
 - **Paper Stacking** : If you use a machine in a humid area, or you are using the damp print media caused by a high humidity, the printouts on the output tray may be curled and may not be stacked properly. In this case, you can set the machine to use this function to let print-outs stacked firmly. But, using this function will make the print speed slow.

d) Altitude adjustment

Print quality is affected by atmospheric pressure, which is determined by the height of the machine above sea level. The following information will guide you on how to set your machine for the best print quality.

Before you set the altitude value, determine the altitude where you are.



You can set the altitude value from Device Settings or Machine section in Printer Settings Utility program.

- For Windows and Macintosh, open the **Samsung Easy Printer Manager** program.
Click **Device Settings > Link to Program** button, you can configure various machine settings.
- For Linux, open the **Smart Panel** program.
Click Printer Setting. Click **Setting > Altitude Adjustment**. Select the appropriate value from the drop-down list, and then click Apply.

You can also set the altitude in **System Setup** option on the machine's display.

- Select "**Menu > System Setup > Machine Setup > Altitude Adj.**" on the control panel.



NOTE

If your machine is connected to the network, you can set the altitude via SyncThru™ Web Service.

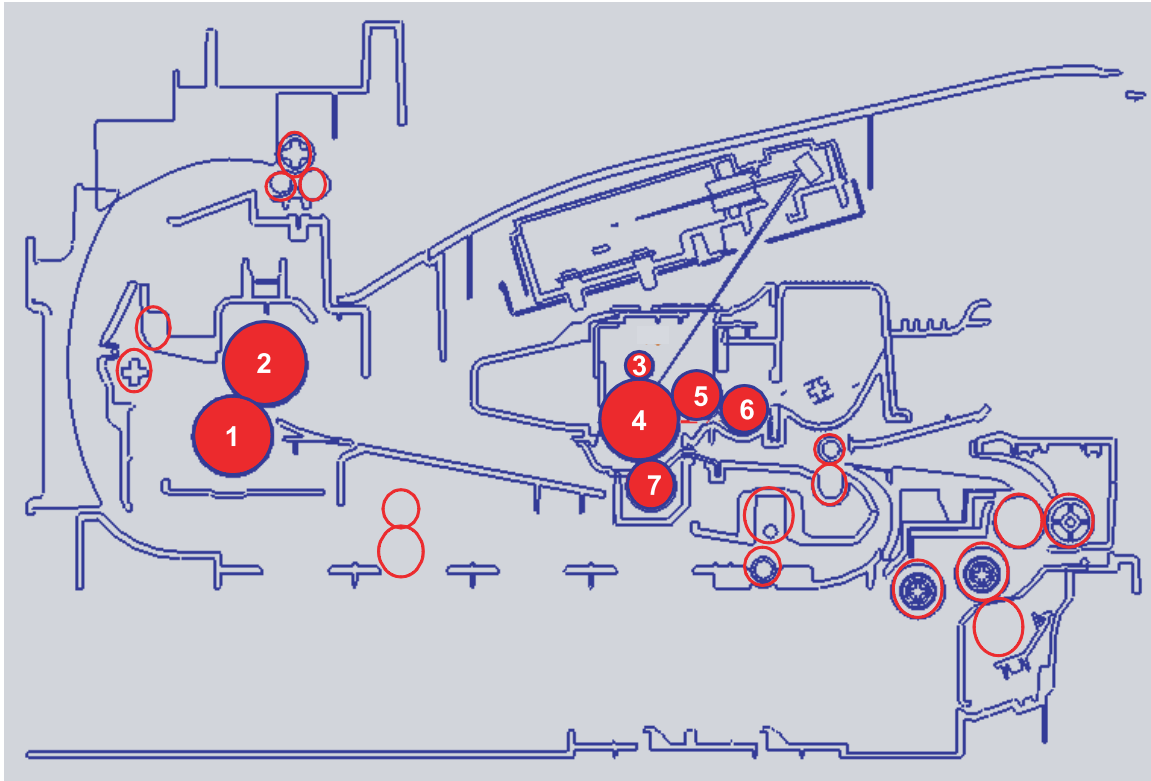
e) Printing a report

This product provides several printable reports for maintenance purposes. These reports can be used to aid the diagnosis of print quality problems.

- 1) Press **Menu > System Setup > Report** on the control panel.
- 2) Select the option you want and press **OK**.
 - **Menu Map** : Prints the menu map which shows the layout and current settings of this machine.
 - **All Reports** : Prints all kinds of reports that this machine provides.
 - **Configuration** : Prints a report on the machine's overall configuration.
 - **Supplies Info.** : Prints supplies' information page.
 - **Address Book** : Prints all of the email addresses currently stored in the machine's memory.

4.1.5. Periodic defective image

If an image defects appears at regular intervals on the printed-paper, it is due to a faulty or damaged roller. Refer to the table below and check the condition of the appropriate roller.



	Roller	Period (mm)	Phenomenon	Defective part
1	Pressure Roller	75.4 mm	Background	Fuser
2	Heat Roller	77.6 mm	Black spot and image ghost	
3	Charging Roller	26.7 mm	Black Spot and line and periodic band	Toner Cartridge
4	OPC Drum	75.49 mm	White and Black Spots	
5	Supply Roller	63.22 mm	Periodic Band by little difference of density	
6	Developing Roller	36.75 mm	White spot, Horizontal black band	
7	Transfer Roller	47.12 mm	Ghost, Damaged image by abnormal transfer	Transfer roller

4.1.6. Useful management tools

4.1.6.1. Using Samsung Easy Printer Manager (Windows and Macintosh only)

NOTE

- This feature may not be available depending on model or optional goods.
- Available for Windows or Macintosh OS users only.
- For Windows, Internet Explorer 6.0 or higher is the minimum requirement for Samsung Easy Printer Manager.

Samsung Easy Printer Manager is an application that combines Samsung machine settings into one location. Samsung Easy Printer Manager combines device settings as well as printing environments, settings/actions and launching. All of these features provide a gateway to conveniently use your Samsung machine. Samsung Easy Printer Manager provides two different user interfaces for the user to choose from: the basic user interface and the advanced user interface. Switching between the two interfaces is easy: just click a button.

Understanding Samsung Easy Printer Manager

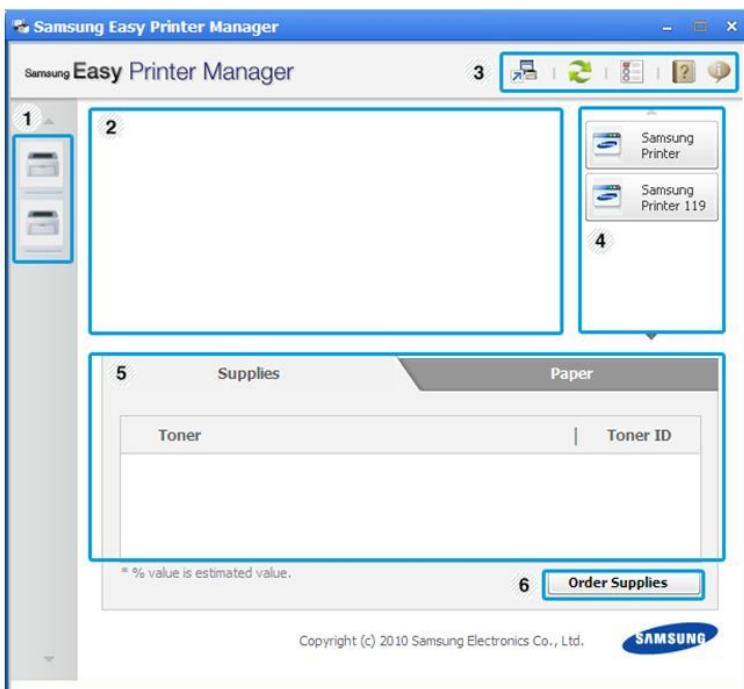
To open the program:


- For Windows, Select Start > Programs or All Programs > Samsung Printers > Samsung Easy Printer Manager > Samsung Easy Printer Manager.
- For Macintosh, Open the Applications folder > Samsung folder > Samsung Easy Printer Manager.

The Samsung Easy Printer Manager interface is comprised of various basic sections as described in the table that follows:

NOTE

The screenshot may differ depending on operating system you are using.



No	Area	Description
1	Printer List	The printer list displays the installed printer icons on your computer.
2	Printer Information	<p>This area gives you general information about your machine. You can check information, such as the machine's model name, IP address (or Port name), and machine status.</p> <div style="background-color: #e0e0e0; padding: 5px;">  NOTE Troubleshooting button: This button opens Troubleshooting Guide when an error occurs. You can directly open the necessary section in the user's guide. </div>
3	Application Information	Includes links for changing to the advanced settings, preference, help, and about.
4	Quick links	Displays Quick links to machine specific functions. This section also includes links to applications in the advanced settings.
5	Contents Area	Displays information about the selected machine, remaining toner level, and paper. The information will vary based on the machine selected. Some machines do not have this feature.
6	Order Supplies	Click on the Order button from the supply ordering window. You can order replacement toner cartridge(s) from online.

Advanced settings user interface overview

The advanced user interface is intended to be used by the person responsible for managing the network and machines.

- **Device Settings**

You can configure various machine settings such as machine setup, paper, layout, emulation, network, and print information.

- **Scan to PC Settings**

This menu includes settings to create or delete scan to PC profiles.

- **Scan Activation** : Determines whether or not scanning is enabled on the device.
- **Profile** : Displays the scanning profiles saved on the selected device.
- **Basic tab** : Contains settings related general scan and device settings.
- **Image tab** : Contains settings related to image altering.

- **Fax to PC settings**

This menu includes settings related to the basic fax functionality of the selected device.

- **Disable** : If Disable is On, incoming faxes will not be received on this device.
- **Enable Fax Receiving from Device** : Enables faxing on the device and allow more options to be set.

- **Alert Settings**

This is menu includes settings related to error alerting.

- **Printer Alert** : Provides settings related to when alerts will be received.
- **Email Alert** : Provides options relating to receiving alerts via email.
- **History Alert** : Provides a history of device and toner related alerts.

- **Job Accounting**

Provides querying of quota information of the specified job accounting user. This quota information can be created and applied to devices by job accounting software such as SyncThru™ or CounThru™ admin software.

4.1.6.2. Using Samsung Printer Status (Windows only)

The Samsung Printer Status is a program that monitors and informs you of the machine status.

NOTE




- The Samsung Printer Status window and its contents shown in this user’s guide may differ depending on the machine or operating system in use.
- Check the operating system(s) that are compatible with your machine.

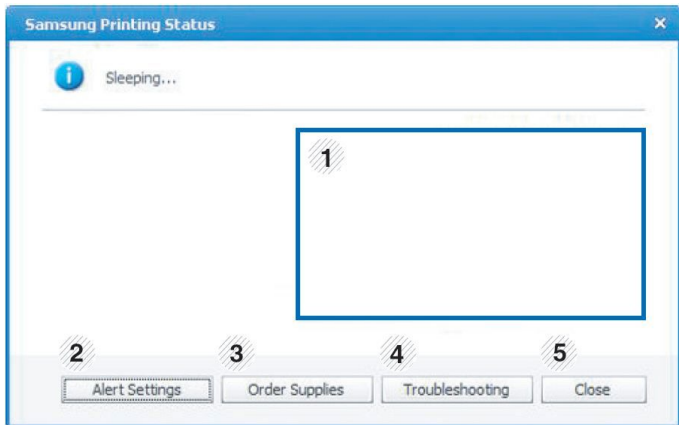
Samsung Printer Status overview

If an error occurs while operating, you can check the error from the Samsung Printer Status. Samsung Printer Status is installed automatically when you install the machine software.

You can also launch Samsung Printer Status manually. Go to the **Printing Preferences** , click the **Basic** tab > **Printer Status** button.

These icons appear on the Windows task bar:

Icon	Mean	Description
	Normal	The machine is in ready mode and experiencing no errors or warnings.
	Warning	The machine is in a state where a soft error has occurred. For example, a toner low status, which may lead to toner empty status.
	Error	The machine has at least one hard error, such as out of paper, fuser error, etc. Machine does not have ability to come to ready without customer intervention.



1	Toner Level	You can view the level of toner remaining in each toner cartridge. The machine and the number of toner cartridge(s) shown in the above window may differ depending on the machine in use. Some machines do not have this feature.
2	Alert Settings	Select the settings you want from the options window.
3	Order Supplies	You can order replacement toner cartridge(s) from online.
4	Troubleshooting	You can directly open the troubleshooting section in the user’s guide.
5	Close	Close the window.

4.1.6.3. Using SyncThru Web Service (SWS)

SWS is an embedded web server in the machine. This web server informs you of machine configuration, version, status and allows you to customize the machine's settings. You can contact this server via wired and wireless network using your web browser in the remote place.

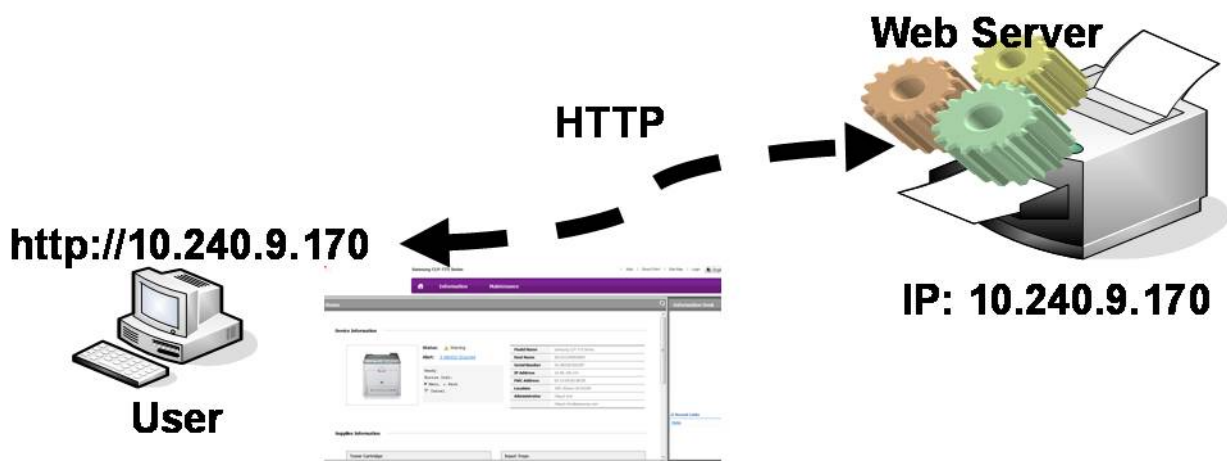
Connecting preparations

- Wired or Wireless Network connection is established.
- Browser (Ex> Internet Explorer) Program on your PC network connected

SWS overview

SyncThru Web Service (SWS)

- accepts HTTP request via port 80 as normal web servers.
- provides interface to users information of networked printers and allow to configure the setting of printers.
- is able to provide more complicated options than Local UI for printer configuration.



Connection Procedure

- 1) Open the Web-browser and input IP address of machine. Click "Login".
- 2) Log-in Admin Mode. (ID: admin, PW: sec00000)
- 3) Select pages to check the configuration and customize the settings.



CAUTION

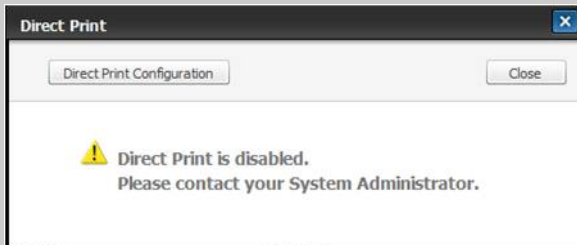
Please, change SWS Default ID and Password for system security in case of your first connection.

 **NOTE**

If the machine supports 'Direct Print', you can enable this function using the SWS menu. The default configuration is 'Disabled' for your security.

Firstly, you have to login to SWS.

- 1) Click 'Direct Print Configuration' in the pop up windows when clicking 'Direct Print'.
- 2) In the 'Services' Menu, check 'Direct Print'.



Or,

- 1) Click 'System Security' in the 'Security' menu.
- 2) Select 'Feature Management' in the left frame.
- 3) In the 'Services' Menu, check 'Direct Print'.

4.1.7. Updating Firmware

This chapter includes instructions for updating the printer firmware. You can update the printer firmware by using one of the following methods :

- Update the firmware by using the USB port.
- Update the firmware by using the Network.

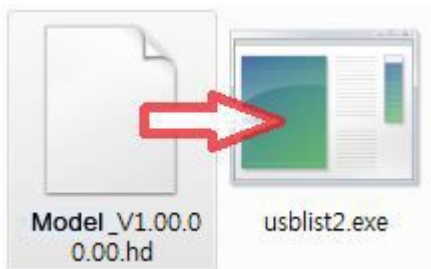
4.1.7.1. Update the firmware by using the USB port

Upgrading preparations

- usblast2.exe : Tool which sends firmware data to printer.
- Firmware file to update.

Upgrade Procedure

- 1) Turn the machine off.
- 2) Connect USB cable to printer.
- 3) Turn the machine on. Check if the printer is the ready status.
- 4) Drag the SWUPGRADE_ON.prn file and drop down on the usblast2.exe.
- 5) Drag the firmware file and drop down on the usblast2.exe.



And then firmware update will be started automatically.

- 6) When upgrading is completed, machine is automatically re-booting.

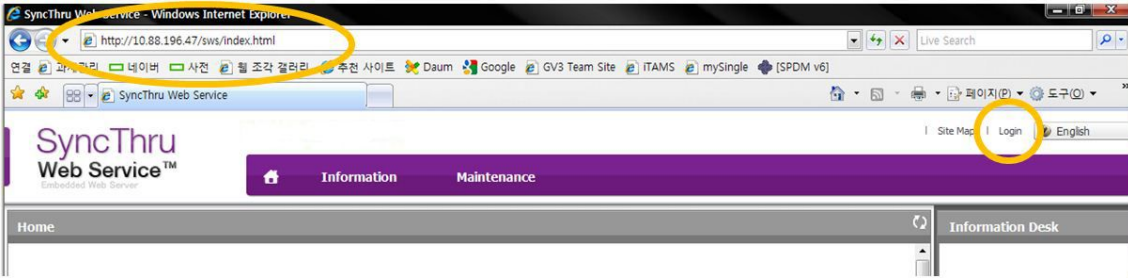
4.1.7.2. Update the firmware by using the network

Upgrading preparations

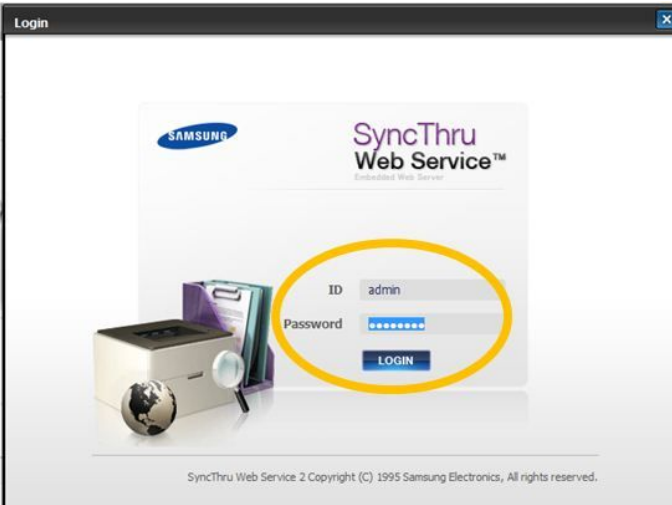
- Wired or Wireless Network connection is established.
- Firmware file to update

Upgrade Procedure

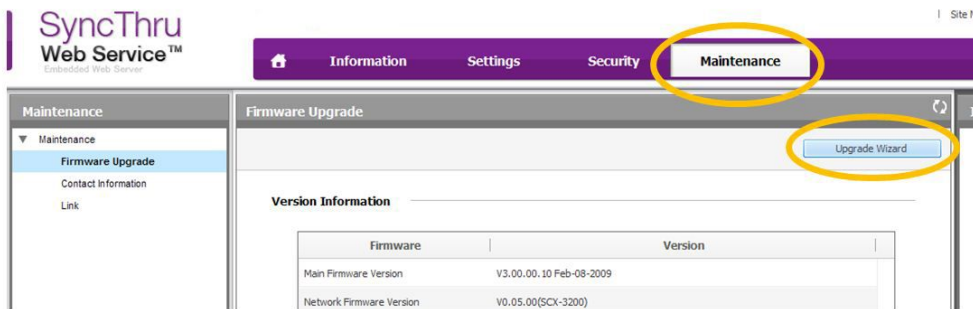
1) Open the Web-browser and input IP address of machine. Click “Login”.



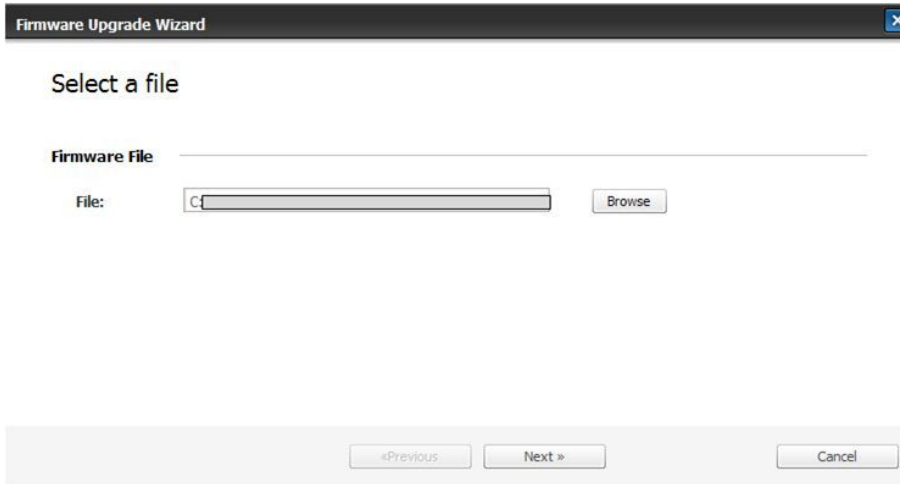
2) Log-in Admin Mode. (ID: admin, PW: sec00000)



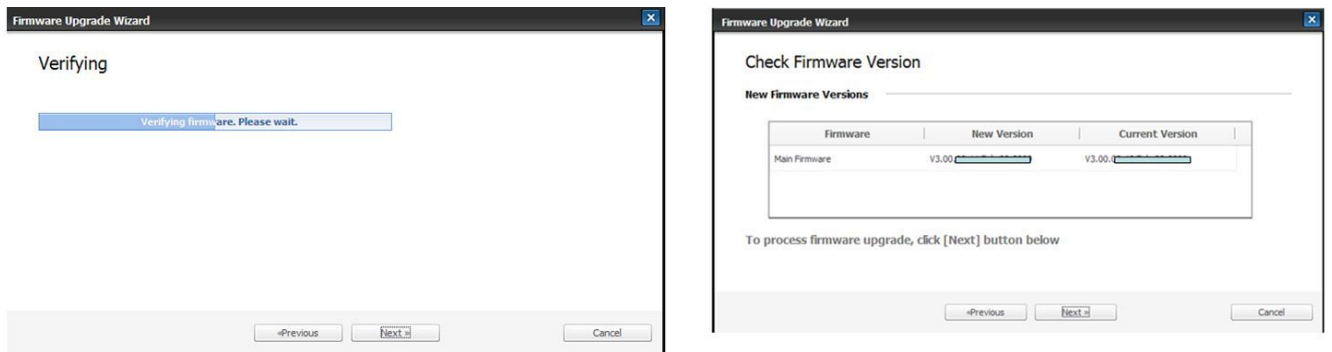
3) Select Maintenance menu and click “upgrade wizard”



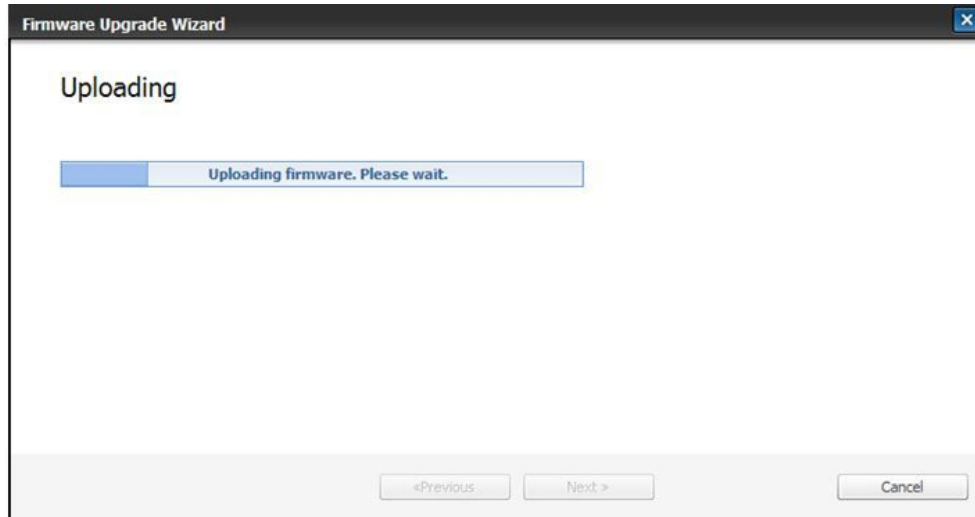
- 4) Select firmware file using “browser” button and press next button.



- 5) SyncThru will check verify firmware file and compare version and press next button.



- 6) Machine starts upgrading. SyncThru will return home page after upgrading is completed.



4.1.8. Tech Mode



In service (tech) mode, the technician can check the machine and perform various test to isolate the cause of a malfunction. While in Tech mode, the machine still performs all normal operations.

a) Entering the Tech Mode

Press “**Menu > # > 1 > 9 > 3 > 4 > Menu**” on the control panel.

b) Tech mode menu

Depth 1	Depth 2	Depth 3	Depth 4
Data Setup	Send Level	[9-15]	12
	DTMF Level	High [0-15]	Low [0-15]
	Pause Time	[1-9]	
	Dial Mode	Tone,Pulse	Tone
	Modem Speed	33.6, 28.8, 14.4, 12.0, 9.6, 4.8	33.6
	Error Rate	5%, 10%	10%
	Clear All Mem.		
	Toner Low Level	[1:30]:10	
	Clear Count	Enter Password [????]	Platen Scan
			ADF Scan
			Transfer Roller
			Fuser
			Pickup Roller
			Retard Roller
			Forward Roller
			Feed Roller
	Engine Footer	Off*	On
			Off
	Dial Tone	On	Off
			Off
Caller ID	On	Off	
		Off	
Machine Test	Switch Test		
	Test Param Set		
	Modem Test		
	Dram Test		
	Rom Test		
	Shading Test		
	Scan Aging		

Depth 1	Depth 2	Depth 3	Depth 4
Report	All Report		
	Protocol		
	Supplies Info		
	Configuration		
	Error Info		
	Usage Counter		
	Component Check		
	Fax Options		
EDC Mode	NVM Initialize		
	NVM Read Write	 NOTE Refer to NVM Read Write table.	
	Test Routine	 NOTE Refer to Test Routine.	

c) Data Setup

- **Send Level**

You can set the level of the transmission signal. Typically, the Tx level should be under -12 dBm.

 **NOTE**

The Send Fax Level is set at the best condition in the shipment from factory.

- **DTMF Level**

This is a setting value of the High level tone and low level tone at DTMF mode. (Not dial mode)

- **Pause Time**

It shows the delay time when receiving the pause input at auto dial.

- **Dial Mode**

This function can choose dial method.

* Default : Dial (Dial/Pulse)

- **Modem Speed**

You can set the maximum modem speed. Communication is done with modem speed automatically set at lower speed when communicating with a slower speed modem since communication is done on the standard of the side where modem speed is low for transmission/reception. It is best set 33.6 Kbps as default setting.

- **Error Rate**

When the error rate is about exceed the set value, the Baud rate automatically adjusts to 2400 bps. This ensures that the error rate remains below the set value. You can select the rate between 5% and 10%.

- **Clear All Memory**

The function resets the system to factory default settings. This function is used to reset the system to the initial value when the product is functioning abnormally. All the values are returned to the default values, and all the information, which was set by the user, will be erased.

**NOTE**

Always perform a memory clear after replacing the main board. Otherwise, the system may not operate properly.

- **Toner Low Level**

The function is to set up the time to inform toner low status. This function can provide user convenience for replacing the toner cartridge.

- **Clear Count**

This function resets the count value you select.

- **Engine Footer**

This function is for monitoring of the engine status. If you perform this function, at printing, the setting value for engine is shown on the bottom of the printed page.

d) Machine Test

- **Switch Test**

Use this feature to test all keys on the operation control panel. The result is displayed on the LCD window each time you press a key.

- **Test Param Set (Handset Model only)**

You can set the parameter for handset standard.

**NOTE**

The parameter value is set at the best condition in the shipment from factory.

- **Modem Test**

Use this feature to hear various transmission signals to the telephone line from the modem and to check the modem. If no transmission signal sound is heard, it means the modem part of the main board malfunctioned.

- **Dram Test**

Use this feature to test the machine's DRAM. The result appears in the LCD display.

- **Shading Test**

The function is to get the optimum scan quality by the specific character of the CIS (Contact Image Sensor). If the copy image quality is poor, perform this function to check the condition CIS unit.

e) Report

- **All report**

You can print all report at a time.

- **Protocol**

Protocol list shows the sequence of the CCITT group 3 T.30 protocol during the most recent sending or receiving operation. Use this list to check for send and receive errors.

- **Supplies Info**

Supplies Information Report shows toner cartridge information such as toner remaining, toner capacity, toner product date etc.

- **Configuration**

Configuration report shows the status of the user-selectable options. You may print this list to confirm your changes after changing settings. This page provides useful information for service.

- **Error Info**

Error Information Report shows error records.

- **Usage page**

Usage page report shows usage page counts since service date. It shows total counts of the simplex print and duplex print.

- **Component Check**

Component Check Report shows the operation procedure of the machine test in tech mode.

f) EDC mode

- **NVM Initialize**

This menu is to initialize the NVM value.

- **NVM Read/Write**

This menu can change a configuration value for engine firmware.

NVM code	LCD	Meaning	Default	Min/Max
105-0030	0030-MHV DC K	Charger HV Black DC Duty	210	50 ~ 250
106-0030	0030-Deve DC K	Deve DC Black	190	50 ~ 250
107-0080	0080-THV	Transfer2 HV	130	50~250
107-0090	0090-THV Dup	Transfer2 HV of Duplex	130	50~250
109-0000	0000-Ready Temp	Target Temperature during standby mode.	10	0~15
109-0010	0010-Print Temp	Target Temperature during run mode.	5	0~10
110-0070	0070-LD Power K	Black LD Power at Normal Speed	450	50~600

- **Test Routines**

This menu can perform the operation test for the main components.

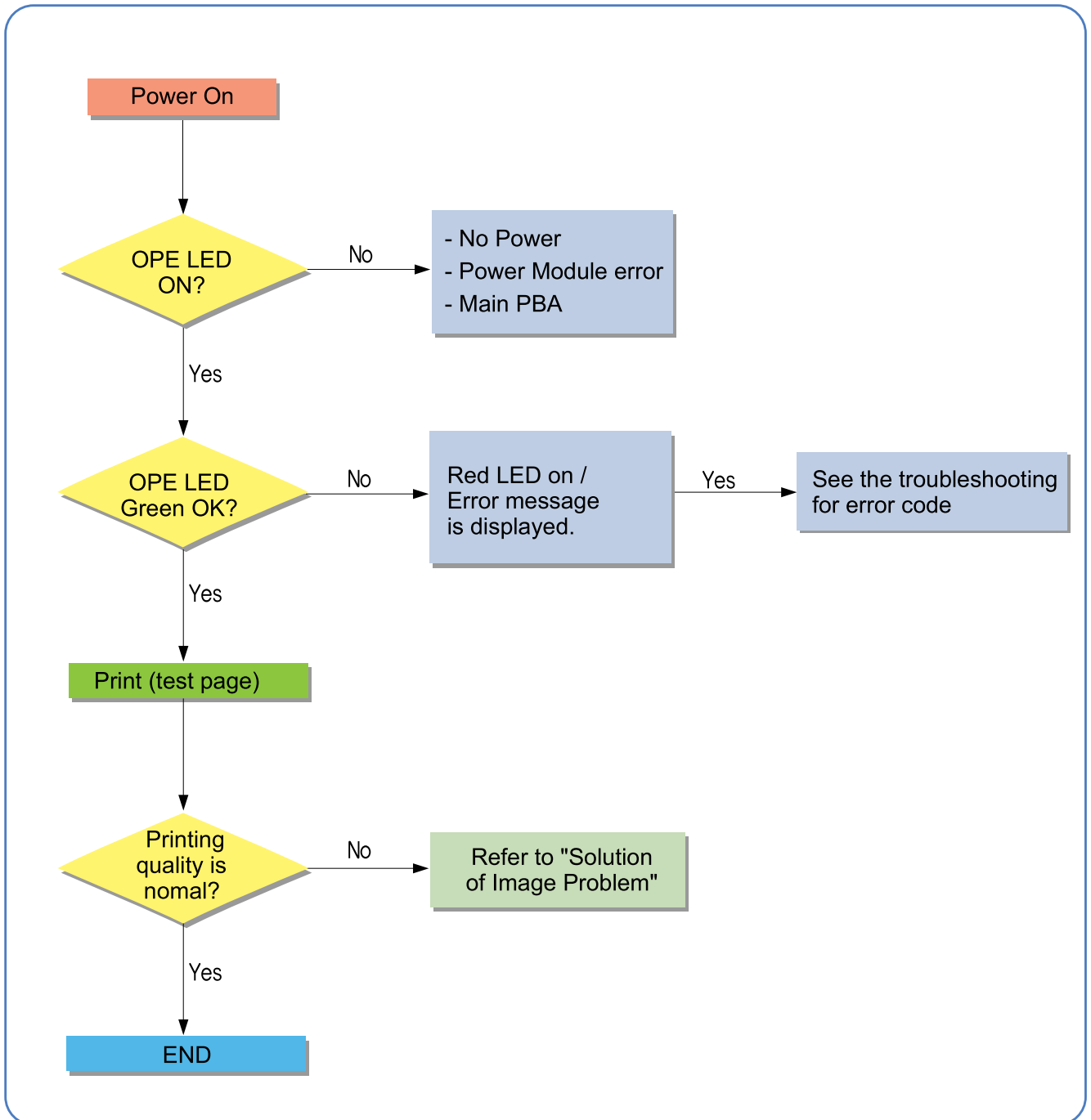
Code	Displayed Name	Meaning	Input / Output	State Displayed
100-0000	Main BLDC Motor	Main BLDC Motor is On/Off	Output	On[Off]
100-0010	Main BLDC Motor Ready	Detect if Main BLDC Motor runs at normal speed	Input	High[Low]
101-0010	T1 Pick-Up Clutch	Engages drive to pick up a paper from tray1.	Output	On[Off]
101-0050	Registration Clutch	Engages drive to registartion rolls.	Output	On[Off]
101-0190	Out-Bin Full Sensor	Detect when a paper is at Duplex Ready sensor.	Input	High[Low]
102-0010	T1 Paper Empty Sensor	Detect when paper is in Tray1.	Input	High[Low]
102-0290	Feed Sensor	Detect when a paper is at Feed sensor.	Input	High[Low]
102-0360	Regi. Sensor	Detect when a paper is at Regi. sensor.	Input	High[Low]
102-0370	Exit Sensor	Detect when a paper is at Exit. sensor.	Input	High[Low]
105-0030	Black MHV Bias	Black MHV bias voltage on at normal drive level	Output	On[Off]
106-0030	Black Dev Bias	Black Dev bias voltage on at normal drive level	Output	On[Off]

Code	Displayed Name	Meaning	Input / Output	State Displayed
107-0030	Black THV Bias	Black THV bias voltage on at normal drive level	Output	On[Off]
107-0031	Black THV(-) Bias	Black THV bias voltage on at normal drive level	Output	On[Off]
107-0070	Black THV Bias Read	Detect what the THV value is on the THV Roller	Input	Numeric 3 digits
109-0000	Fuser Temperature A	Detects what the temperature A is on fuser.	Input	Numeric 3 digits
109-0040	Fuser Fan Run	Fuser Fan Motor On/Off	Output	On[Off]
109-0050	Fuser Bias	Fuser bias voltage on at normal drive level	Output	On[Off]
110-0000	LSU Motor1 Run Ready	Detects if LSU motor1 runs at normal speed.	Input	High[Low]
110-0060	LSU Motor1 Run	LSU Motor1 On/Off	Output	On[Off]
110-0110	LSU LD Power4	LSU LD4 Power On/Off (black)	Output	On[Off]

4.2. Troubleshooting

4.2.1. Procedure of checking the symptoms

Before attempting to repair the printer first obtain a detailed description of the problem from the customer.



4.2.1.1. Basic Check List

1) **Check the Power.**

- Check that the power switch is turned on.
- Check that the power cable is plugged into the outlet and the printer.
- Check the voltage of the power outlet.

2) **Check the LED of Panel.**

- Is there OPE LED ON?
 - › If not check power cable, switch SMPS or Main board.
- Is the abnormal Lamp?
 - › Check the Main board and cable harness.

3) **Check the Paper Path**

- Is there a Paper Jam?
 - › Remove any paper fragments caught in the paper path.
- Paper Jam occurs repeatedly at a specific point in the Paper Path
 - › Open the fuser cover, Jam clear.
 - › Dismantle the machine and carefully inspect the region where the jam occurs.
(Especially, check if paper fragments are caught in the Fuser)

4) **Print the Information Page (Configuration).**

- Try printing a test page from a computer.
 - › If there is an error check cables and driver installation.

5) **Check the Print Quality.**

- Is there are a Print Quality Problem?
 - › Refer to image quality problem section.

6) **Check consumables (toner etc.).**

- Using the keys print the Test Pattern.
 - › Expected life of various consumable parts, compare this with the figures printed and replace as required

4.2.2. Error Code and Troubleshooting

Error in machine can be checked through “Event Log Information” report.

Error Code	Error Message	Troubleshooting
A1-1110	Error #A1-1110 Turn off then on	Page 4-33
C2-1110	Prepare new cartridge	Page 4-34
C2-1120	Replace new cartridge	Page 4-34
C2-1140	Replace new cartridge	Page 4-34
C2-1410	Install toner cartridge	Page 4-35
C2-1510	Not Compatible Toner cartridge	Page 4-35
M1-1010	Paper Jam in Tray1	Page 4-36
M1-5012	Paper Empty in Tray	Page 4-37
M2-1110	Paper Jam inside machine	Page 4-38
M2-2110	Paper Jam top of duplex	Page 4-38
M2-2310	Paper Jam bottom of duplex	Page 4-38
M3-1110	Paper Jam in exit area	Page 4-39
M3-2130	Output bin full Remove paper	Page 4-39
S1-3212	Error #S1-3212 Turn off then on	Page 4-41
S1-5221	Install wireless NIC	Page 4-41
S2-4110	Door open Close it	Page 4-42
S3-3121	Scanner Locked.	Page 4-43
S6-3123	Network Problem : IP Conflict	Page 4-44
U1-2315	Error #U1-2315 Turn off then on	Page 4-45
U1-2320	Error #U1-2320 Turn off then on	Page 4-45
U1-2330	Error #U1-2330 Turn off then on	Page 4-45
U1-2331	Error #U1-2331 Turn off then on	Page 4-45
U1-2333	Error #U1-2333 Turn off then on	Page 4-45
U1-2334	Error #U1-2334 Turn off then on	Page 4-45
U1-2340	Error #U1-2340 Turn off then on	Page 4-45
U2-1112	Error #U2-1112 Turn off then on	Page 4-46
U2-1113	Error #U2-1113 Turn off then on	Page 4-46
U3-3313	Document jam. Remove jam	Page 4-47
U3-3314	Document jam. Remove jam	Page 4-47
U3-4110	Door of scanner is open.	Page 4-47

▶ **Error Code**

A1-1110

▶ **Error message**

Error #A1-1110 Turn off then on

▶ **Symptom**

After working the main BLDC motor, the Ready signal has not occurred within 1 sec.

▶ **Troubleshooting method**

※ First, turn the machine off then on. If the error persists, refer to the following.

- 1) Check if the motor connector on the main board is connected properly. Reconnect it.
- 2) OPC coupler has overloaded. After removing the toner cartridge, rotate the OPC coupler. (Spec : 6 kgf.cm) If there is any damage, the OPC coupler can't rotate well. Replace the toner cartridge.
- 3) The main BLDC motor is defective.
 - Unplug the connector from the motor carefully.
 - Replace the main BLDC motor with new one.



- 4) If the problem persists, replace the main board.

▶ **Error Code**

C2-1110

C2-1120

C1-1140

▶ **Error message**

Prepare new cartridge

Replace new cartridge

Replace new cartridge

▶ **Symptom**

The remaining toner cartridge is less than 10% / The toner cartridge is at the end of its life.

▶ **Troubleshooting method**

Print the supply information report. (Menu > System Setup > Maintenance > Supplies Life)

Check the life remaining of the toner cartridge.

If its life is at the end, turn the machine off and replace the toner cartridge with new one.

▶ **Error Code**

C1-1410

▶ **Error message**

Install toner cartridge

▶ **Symptom**

The toner cartridge is not installed. / The machine can't detect the toner cartridge.

▶ **Troubleshooting method**

- 1) Turn the machine off then on.
- 2) Remove the toner cartridge. Thoroughly roll the cartridge five or six times to distribute the toner evenly inside the cartridge. And reinstall the toner cartridge.
- 3) Check if the CRUM contact area is contaminated. Clean it.

▶ **Error Code**

C1-1510

▶ **Error message**

Not Compatible Toner cartridge

▶ **Symptom**

Toner cartridge is not compatible.

▶ **Troubleshooting method**

- 1) Print the supply information report. Check information of the toner cartridge.
- 2) If the toner cartridge is not a Samsung genuine toner cartridge, replace with new one.

▶ Error Code

M1-1010

▶ Error message

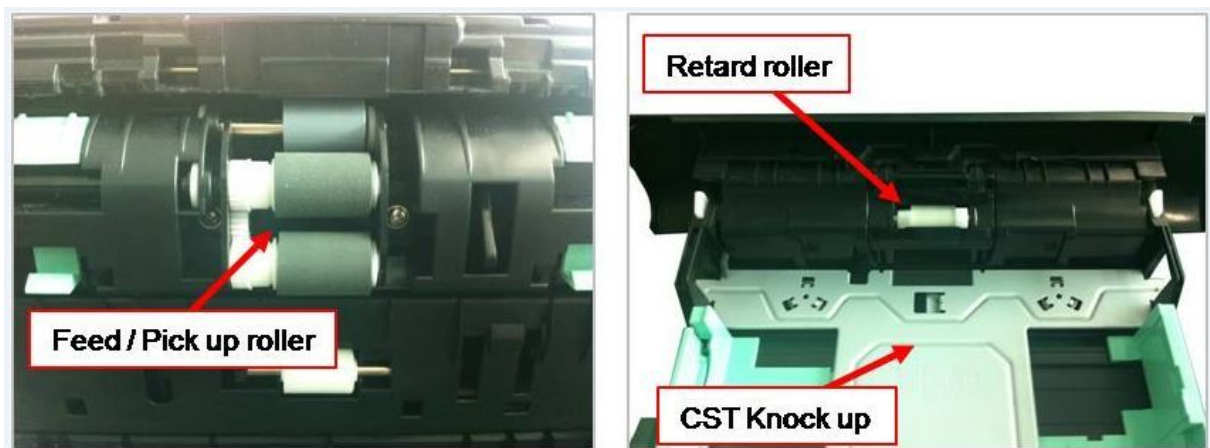
Paper Jam in Tray1

▶ Symptom

The jammed paper has occurred in the tray.

▶ Troubleshooting method

- 1) First, clear the jam. (Refer to 4.1.3.2 Jam removal)
- 2) Remove the tray. Check if the loaded paper is in proper place. Align it.
- 3) If the jammed paper occurred before entering it to the retard roller, check the Sheet Retard / Pickup roller / Forward roller / CST Knock up / CST Knock up Spring.



- 4) If the jammed paper occurred after entering it to the retard roller, check the Ribs in paper path.

▶ **Error Code**

M1-5012

▶ **Error message**

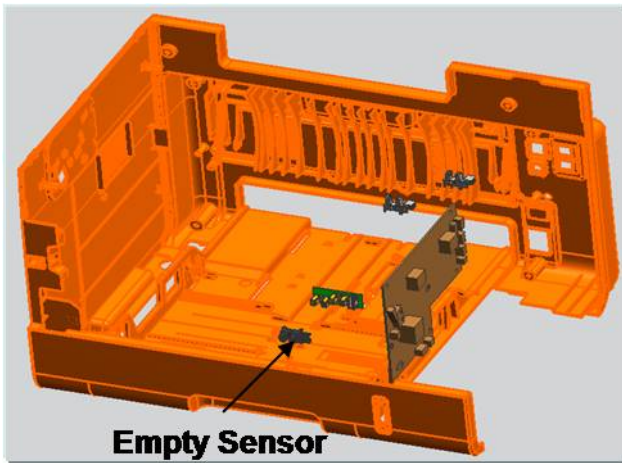
Paper Empty in Tray

▶ **Symptom**

Paper is empty in tray. / Paper is loaded in tray but the machine detects empty status.

▶ **Troubleshooting method**

- 1) If there is a jammed paper, first clear the jam. (Refer to 4.1.3 Jam removal)
- 2) Load the paper in tray.
- 3) Check if the empty actuator works normally. If it is defective or broken, replace it.
- 4) If the actuator operation is OK, check the empty sensor. Reconnect the sensor connector. If the sensor is defective, replace it.



▶ Error Code

M2-1110

▶ Error message

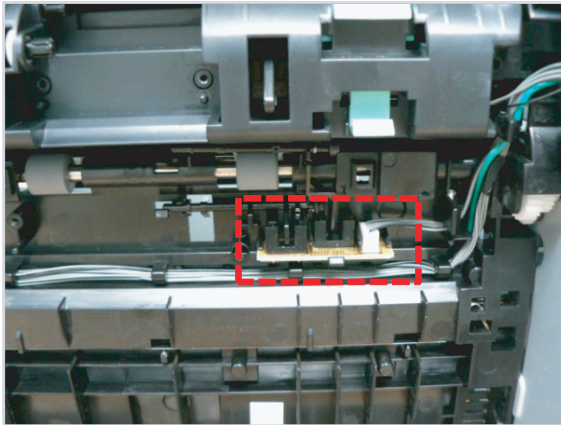
Paper Jam inside machine

▶ Symptom

A paper jam was detected at the feed sensor.

▶ Troubleshooting method

- 1) Remove the jammed paper. If the error persists, check the followings. (Refer to 4.1.3 Jam removal)
- 2) Check if the feed/regi sensor connector is connected properly.



- 3) Check if the regi./feed actuator works normally. If it is defective or broken, replace it.

▶ Error Code

M2-2110

M2-2310

▶ Error message

Paper Jam top of duplex

Paper Jam bottom of duplex

▶ Symptom

A paper jam was detected in the duplex area.

▶ Troubleshooting method

- 1) First, remove the jammed paper. (Refer to 4.1.3 Jam removal)
- 2) Check if the paper in tray is loaded properly. Adjust the guide. Check the machine setting is normal for paper.
- 3) Check if the Guide-Change Duplex of the rear cover is defective or broken. Check if the rib form of the rear cover is normal.

▶ **Error Code**

M3-1110

▶ **Error message**

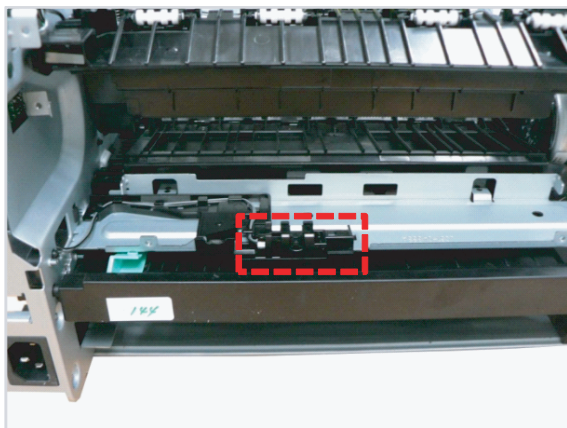
Paper Jam in exit area

▶ **Symptom**

A paper jam was detected in the exit area.

▶ **Troubleshooting method**

- 1) Open the rear cover. Remove the jammed paper. (Refer to 4.1.3 Jam removal)
- 2) Check if the Guide-Change Duplex of the rear cover is defective.
- 3) Check if the exit sensor and actuator is working normally.



▶ Error Code

M3-2130

▶ Error message

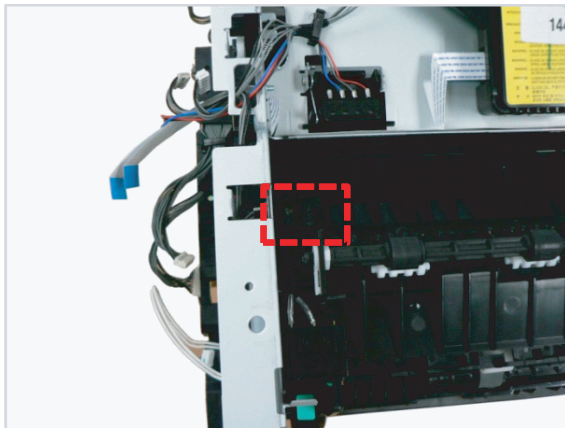
Output bin full Remove paper

▶ Symptom

The machine detected that the output tray has got full or the bin-full sensor is defective.

▶ Troubleshooting method

- 1) Remove the paper on the output tray.
(The maximum loading capacity is 150 sheets based on standard paper(80g/m2).)
- 2) Check if the Bin-full Sensor connector is connected properly. Reconnect it or replace the Bin-full sensor.



▶ **Error Code**

S1-3212

▶ **Error message**

Error #S1-3212 Turn off then on

▶ **Symptom**

The Motor Control chip on the main board does not work normally.

▶ **Troubleshooting method**

- 1) Turn the machine off then on.
- 2) If the problem persists, replace the main board.

▶ **Error Code**

S1-5221

▶ **Error message**

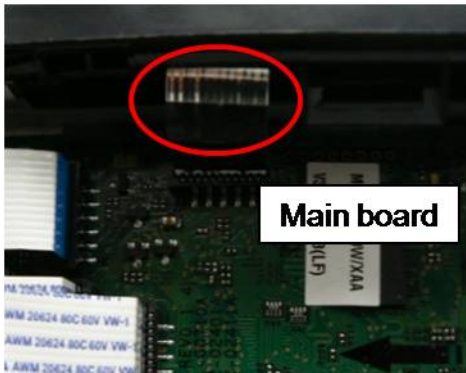
Install wireless NIC

▶ **Symptom**

The communication error between the main board and the wireless board has occurred.

▶ **Troubleshooting method**

Check if the connection between the main board and the wireless board is normal.



If the connection is OK, replace the part in this order. (Flat cable -> Wireless board -> Main board)

► **Error Code**

S2-4110

► **Error message**

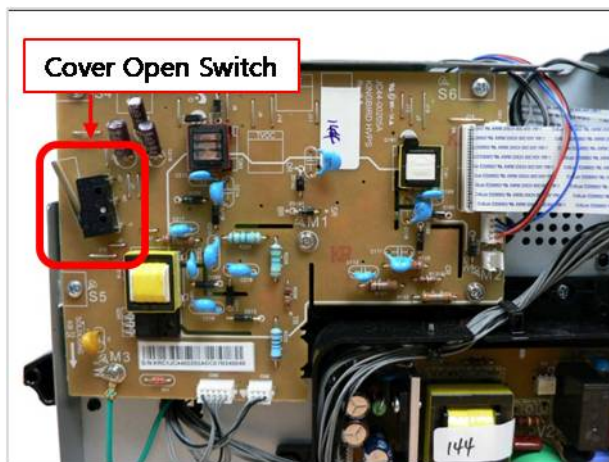
Door open Close it

► **Symptom**

Door is open or the cover open switch is defective.

► **Troubleshooting method**

- 1) Check if the front cover is closed perfectly.
- 2) Check if the connection between the main board and HVPS board is correct.
- 3) Check if the cover open switch on HVPS board is operated properly. If it is defective, replace the HVPS board.



▶ **Error Code**

S3-3121

▶ **Error message**

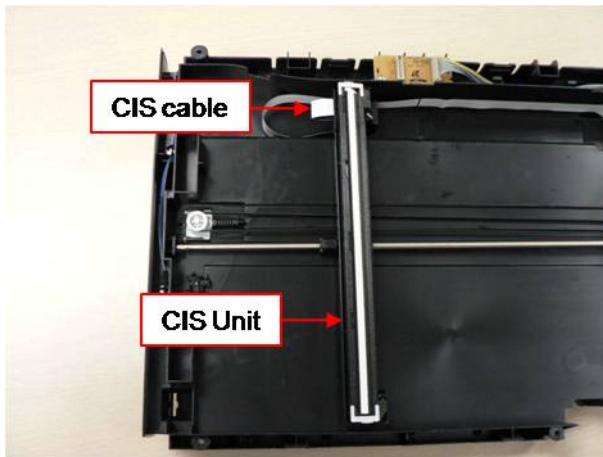
Scanner Locked.

▶ **Symptom**

CIS unit in the scanner does not move.

▶ **Troubleshooting method**

- 1) Check if the CIS unit moves when turning the machine off then on.
- 2) Check if the CIS cable is connected correctly. Reconnect it.



- 3) If the CIS unit is defective, replace it.
- 4) Check if there is any defective part in the scanner. Find and replace it.
- 5) If the problem persists, replace the main board.

▶ Error Code

S6-3123

▶ Error message

Network Problem : IP Conflict

▶ Symptom

Network has some problem. (IP address conflicts with that of other system. / Communication error / There is no response when checking the ping test.)

▶ Troubleshooting method

Change the machine's IP address.

- Execute the Samsung Easy Printer Manager program. (Device setting — Network — IP address). Change the IP address.
- In case of DHCP or Bootp, reboot the machine to receive a new IP address.

▶ Error Code

U1-2315

U1-2320

▶ Error message

Error #U1-2315 Turn off then on

Error #U1-2320 Turn off then on

▶ Symptom

The temperature control of fuser unit is abnormal. (Open Heat Error)

▶ Troubleshooting method

- 1) Turn the machine off. Re-install the fuser unit. Then turn the machine on. Is the error message is disappeared?
- 2) If the problem persists, turn the machine off and remove the fuser unit. Check if the fuser connector is connected properly. Check if the input voltage is normal.

▶ **Error Code**

U1-2330

U1-2331

U1-2333

U1-2334

U1-2340

▶ **Error message**

Error #U1-2330 Turn off then on

Error #U1-2331 Turn off then on

Error #U1-2333 Turn off then on

Error #U1-2334 Turn off then on

Error #U1-2340 Turn off then on

▶ **Symptom**

The temperature control of fuser unit is abnormal. (Low Heat Error or Over Heat Error)

▶ **Troubleshooting method**

- 1) Turn the machine off. Re-install the fuser unit. Then turn the machine on. Is the error message is disappeared?
- 2) If the problem persists, turn the machine off and remove the fuser unit.
 - a) Check if the fuser connector is connected properly.
 - b) Check if the input voltage is normal.
 - c) Check if the thermistor is twisted or contaminated.

► **Error Code**

U2-1112

U2-1113

► **Error message**

Error #U2-1112 Turn off then on

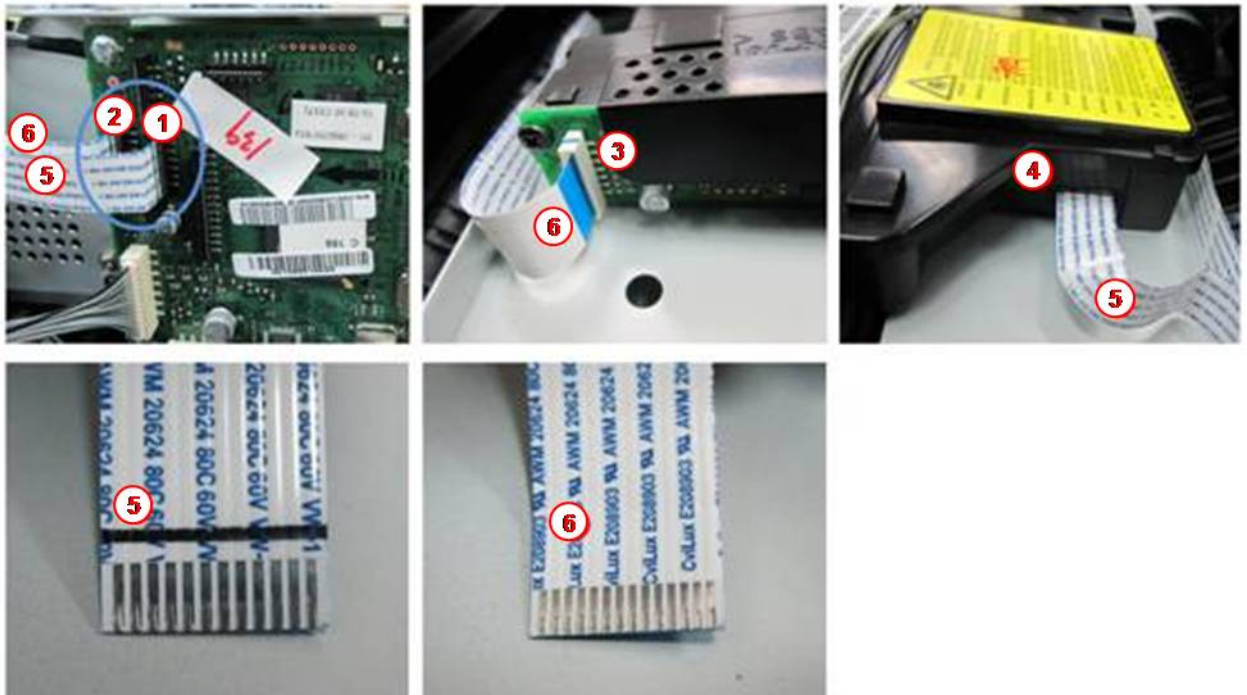
Error #U2-1113 Turn off then on

► **Symptom**

LSU Motor does not work normally.

► **Troubleshooting method**

- 1) Execute the LSU motor test in EDC program. Check the LSU motor operation sound.
- 2) If there is no sound, remove the right cover. Check if the LSU harness on the main board is connected properly. (picture- ,)
- 3) If it is OK, remove the top cover. Check if the LSU harness on LSU board is connected properly. (picture- ,)
- 4) Check if the LSU harness is defective. (picture- ,)
- 5) Reconnect the LSU harness and then execute the LSU motor test in EDC program again.
- 6) If the problem persists, replace the LSU.
- 7) If the problem persists after replacing LSU, replace the main board.



▶ **Error Code**

U3-3313

U3-3314

▶ **Error message**

Document jam. Remove jam

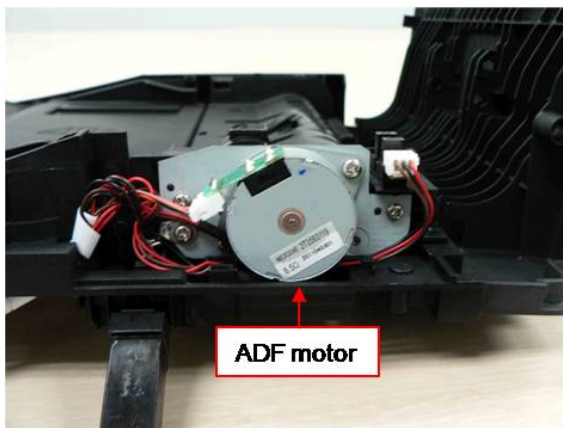
Document jam. Remove jam

▶ **Symptom**

A document jam was detected in the ADF unit.

▶ **Troubleshooting method**

- 1) Remove the jammed paper from ADF unit. (Refer to 4.1.3.1)
- 2) If the error persists, turn the machine off then on.
- 3) If the document jam occurs continually, open the ADF cover-top. Check if the ADF pick up roller is contaminated or worn out. Clean or replace it.
- 4) If the pick up roller is OK, check the followings.
 - a) Check if the ADF motor is working normally.



- b) Check if the connector on the ADF joint board is connected correctly.
- 5) If the problem persists, replace the ADF unit.

▶ **Error Code**

U3-4110

▶ **Error message**

Door of scanner is open.

▶ **Symptom**

ADF or ADF top cover is opened.

▶ **Troubleshooting method**

- 1) Close the ADF unit.
- 2) Close the ADF top cover.

4.2.3. Image quality problem

1) Vertical Black Line and Band

Description : Straight thin black vertical line occurs in the printed image.



Check and cause	Solution
<ul style="list-style-type: none"> Damaged develop roller in the toner system. Deformed Doctor-blade or cleaning-blade. Scratched surface of the charge roller in the toner system. 	Replace the laser toner cartridge or imaging unit.
Partly depression or deformation on the surface of the transfer roller.	Replace the transfer roller.

2) Vertical White Line

Description : White vertical voids occurs in the printed image.



Check and cause	Solution
Foreign matter sticks onto the window of internal lenses of LSU mirror.	Clean the LSU window with recommended cleaner (IPA). Clean the window with a clean cotton swab.
The life of the laser toner cartridge or imaging unit has been expired.	Replace the laser toner cartridge or imaging unit.
Some foreign substances are on the window of the imaging unit frame.	Remove the foreign matter of the exposure window.
If the fuser is defective, voids occur periodically at the top of a black image.	Open the rear cover. Reinstall the fuser unit.

3) **Horizontal Black Band**

Description : Dark or blurry horizontal stripes occur in the printing periodically.



Check and cause	Solution
Bad contacts of the voltage terminals to imaging unit.	Clean each voltage terminal of the Charge, Developing roller and Transfer roller. (remove the toner particles and paper particles)
The rollers of developer may be stained. <ul style="list-style-type: none"> • OPC Drum = 75.4 mm • Charge Roller = 26.7 mm • Developing Roller = 36.75 mm 	Replace the laser toner cartridge or imaging unit.

4) **Black and White spot**

Description : Dark or blurry black spots occur periodically in the printing.



Check and cause	Solution
If dark or blurry black spots occur periodically, the rollers in the Imaging unit may be contaminated with foreign matter or paper particles. <ul style="list-style-type: none"> • OPC Drum = 75.4 mm • Charge Roller = 26.7 mm • Developing Roller = 36.75 mm 	Clean each voltage terminal of the Charge, Developing roller and Transfer roller. (remove the toner particles and paper particles)
If faded areas or voids occur in a black image at intervals of 75.4 mm, the OPC drum surface is damaged.	Replace the laser toner cartridge or imaging unit.
If a black image is partially broken, the transfer voltage is abnormal or the transfer roller's life has expired.	<ul style="list-style-type: none"> • If the transfer roller's life is expired, replace it. • Clean the inside of the set against the paper particles and foreign matter in order not to cause the trouble.

5) **Light image**

Description : The printed image is light, with no ghost.



Check and cause	Solution
Toner cartridge life is expired.	Replace the toner cartridge.
HVPS terminal is contaminated.	Clean the contaminated terminal.
The output from the HVPS is abnormal.	Replace the HVPS board.

6) **Dark or Black page**

Description : The printed image is dark or black.



Check and cause	Solution
Check if the high voltage terminal is contaminated.	Clean the high voltage terminal.
The charging roller is defective.	Replace the imaging unit.
The output from the HVPS is abnormal.	Replace the HVPS board.

7) **Uneven Density**

Description : Print density is uneven between left and right.



Check and cause	Solution
<ul style="list-style-type: none"> • The pressure force on the left and right springs of the transfer roller is not even. • The springs are damaged. • The transfer roller is improperly installed. 	<ol style="list-style-type: none"> 1) Remove the transfer roller Assy. 2) Check if the transfer roller Assy has any wrong part. 3) Replace the transfer roller Assy.
The toner level is not even on the laser toner cartridge or imaging unit due to the bad blade.	Replace the laser toner cartridge or imaging unit.

8) **Background**

Description : Light dark background appears in whole area of the printing.



Check and cause	Solution
Does recycle paper be used?	Use the proper papers.
The life of the imaging unit has been expired	Replace the laser toner cartridge or imaging unit.
The output from the HVPS is abnormal.	Replace the HVPS board.

9) **Ghost**

Description : Ghost occurs at 75.4mm intervals of the OPC drum.



Check and cause	Solution
The high voltage terminal is contaminated.	Clean the high voltage terminals.
The life of the imaging unit has been expired	Replace the imaging unit.
The life of the transfer roller has been expired.	Replace the transfer roller.

10) **Stains on back of page**

Description : The back of the page is stained.



Check and cause	Solution
Transfer roller is contaminated.	Replace the transfer roller.

11) **Blank page**

Description : The back of the page is stained.



Check and cause	Solution
The ground contact of laser toner cartridge or imaging unit is bad.	Clean the ground terminal of laser toner cartridge or imaging unit. If the problem persists, replace it.
LSU is defective.	Replace the LSU.
The connection between the main board and HVPS board is bad.	Reconnect the harness. If the main board or HVPS board is defective, replace it.

12) **Partial image void**

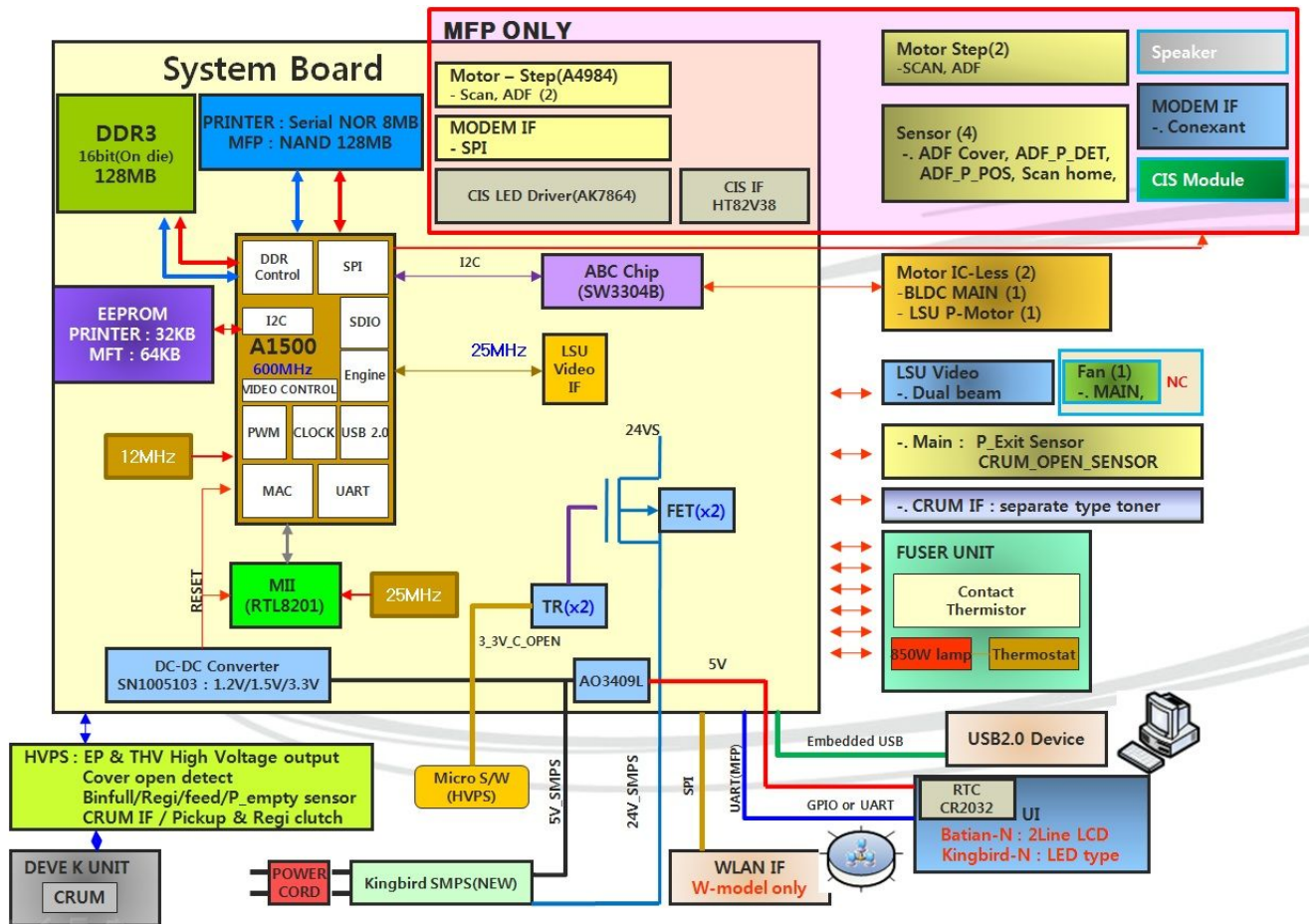
Description : The partial void occurs in the printed page.



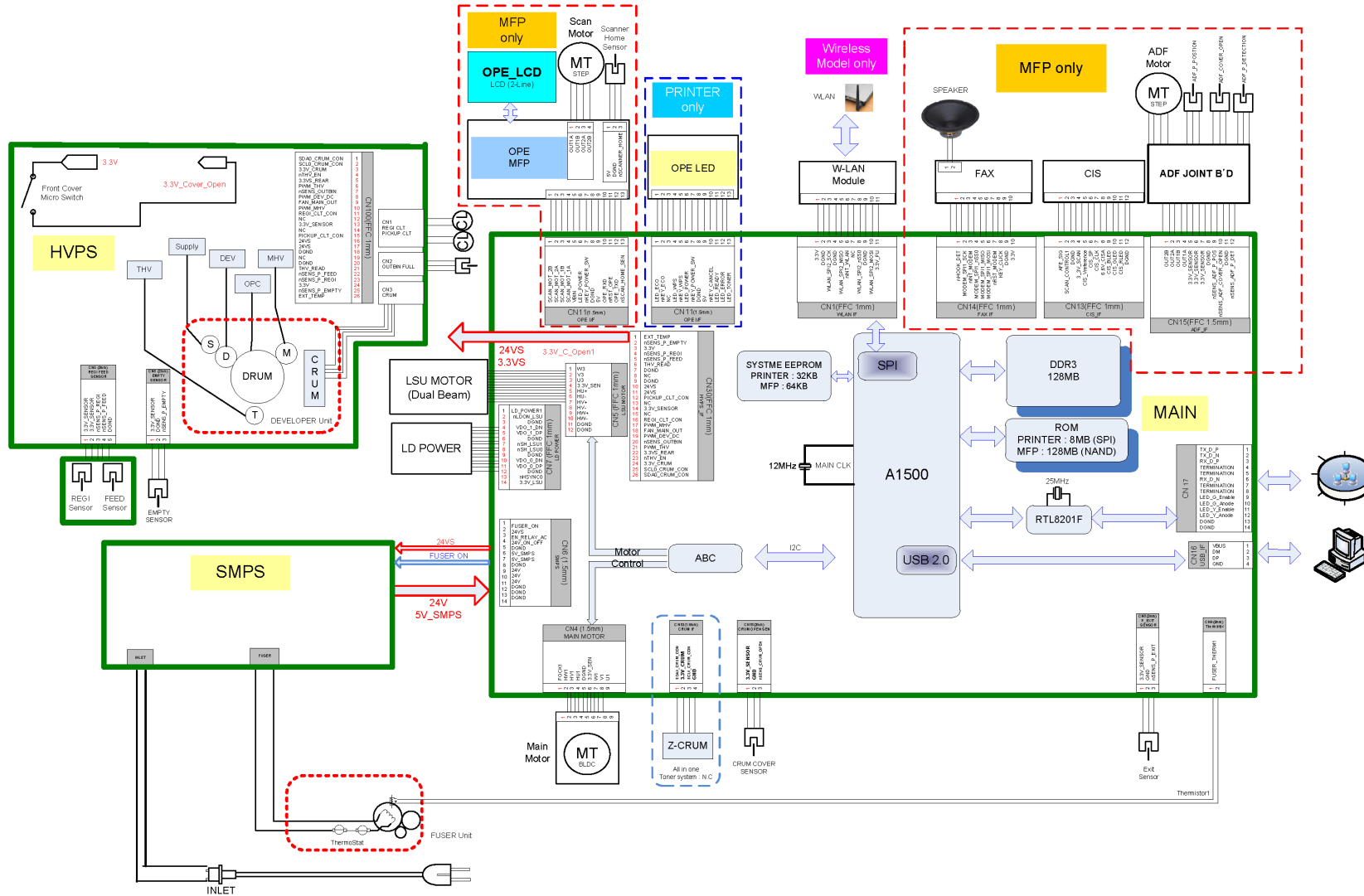
Check and cause	Solution
The printer is not installed on flat ground.	Install the printer on flat ground. Print 10 sample pages for test.
The developer circulation in the laser toner cartridge or imaging unit is bad.	1) Shake the imaging unit 2~3 times from right to left. Reinstall the imaging unit. Print 10 sample pages for test. 2) If the problem persists, replace the imaging unit.
The contact between imaging unit and transfer roller is bad.	Check if the imaging unit and transfer roller are installed properly.

5. System Diagram

5.1. Block Diagram



5.2. Connection Diagram

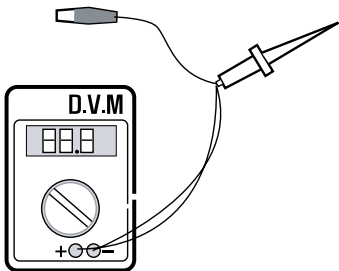
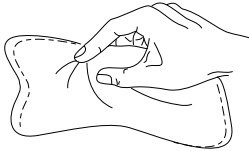
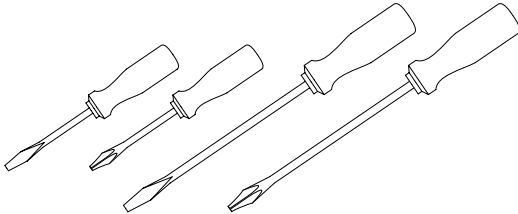
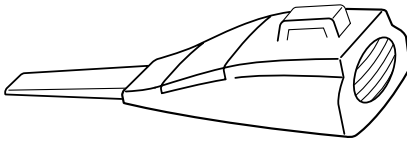



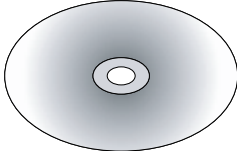


6. Reference Information

This chapter contains the tools list, list of abbreviations used in this manual, and a guide to the location space required when installing the printer. A definition of test pages and Wireless Network information definition is also included.

6.1. Tool for Troubleshooting

The following tools are recommended safe and easy troubleshooting as described in this service manual.

<p>DVM (Digital Volt Meter) Standard : Indicates more than 3 digits.</p> 	<p>Cleaning Equipments Standard : An IPA (Isopropyl Alcohol) dry wipe tissue or a gentle neutral detergent and lint-free cloth.</p> 
<p>Driver Standard : “-” type, “+” type (M3 long, M3 short, M2 long, M2 short).</p> 	<p>Vacuum Cleaner</p> 
<p>Tweezers Standard : For general home use, small type.</p> 	<p>Spring Hook Standard : For general use</p> 
<p>Cotton Swab Standard : For general home use, for medical service.</p> 	<p>Software (Driver) installation CD ROM</p> 

6.2. Glossary

The following glossary helps you get familiar with the product by understanding the terminologies commonly used with printing as well as mentioned in this user's guide and service manual.

802.11	802.11 is a set of standards for wireless local area network (WLAN) communication, developed by the IEEE LAN/MAN Standards Committee (IEEE 802).
802.11b/g/n	802.11b/g/n can share same hardware and use the 2.4 GHz band. 802.11b supports bandwidth up to 11 Mbps, 802.11n supports bandwidth up to 150 Mbps. 802.11b/g/n devices may occasionally suffer interference from microwave ovens, cordless telephones, and Bluetooth devices.
Access point	Access Point or Wireless Access Point (AP or WAP) is a device that connects wireless communication devices together on wireless local area networks (WLAN), and acts as a central transmitter and receiver of WLAN radio signals.
ADF	An Automatic Document Feeder (ADF) is a scanning unit that will automatically feed an original sheet of paper so that the machine can scan some amount of the paper at once.
AppleTalk	AppleTalk is a proprietary suite of protocols developed by Apple, Inc for computer networking. It was included in the original Macintosh (1984) and is now deprecated by Apple in favor of TCP/IP networking.
BIT Depth	A computer graphics term describing the number of bits used to represent the color of a single pixel in a bitmapped image. Higher color depth gives a broader range of distinct colors. As the number of bits increases, the number of possible colors becomes impractically large for a color map. 1-bit color is commonly called as monochrome or black and white.
BMP	A bitmapped graphics format used internally by the Microsoft Windows graphics subsystem (GDI), and used commonly as a simple graphics file format on that platform.
BOOTP	Bootstrap Protocol. A network protocol used by a network client to obtain its IP address automatically. This is usually done in the bootstrap process of computers or operating systems running on them. The BOOTP servers assign the IP address from a pool of addresses to each client. BOOTP enables 'diskless workstation' computers to obtain an IP address prior to loading any advanced operating system.
CCD	Charge Coupled Device (CCD) is a hardware which enables the scan job. CCD Locking mechanism is also used to hold the CCD module to prevent any damage when you move the machine.
Collation	Collation is a process of printing a multiple-copy job in sets. When collation is selected, the device prints an entire set before printing additional copies.
Control Panel	A control panel is a flat, typically vertical, area where control or monitoring instruments are displayed. They are typically found in front of the machine.
Coverage	It is the printing term used for a toner usage measurement on printing. For example, 5% coverage means that an A4 sided paper has about 5% image or text on it. So, if the paper or original has complicated images or lots of text on it, the coverage will be higher and at the same time, a toner usage will be as much as the coverage.
CSV	Comma Separated Values (CSV). A type of file format, CSV is used to exchange data between disparate applications. The file format, as it is used in Microsoft Excel, has become a de facto standard throughout the industry, even among non-Microsoft platforms.
DADF	A Duplex Automatic Document Feeder (DADF) is a scanning unit that will automatically feed and turn over an original sheet of paper so that the machine can scan on both sides of the paper.
Default	The value or setting that is in effect when taking a printer out of its box state, reset, or initialized.
DHCP	A Dynamic Host Configuration Protocol (DHCP) is a client-server networking protocol. A DHCP server provides configuration parameters specific to the DHCP client host requesting, generally, information required by the client host to participate on an IP network. DHCP also provides a mechanism for allocation of IP addresses to client hosts.
DIMM	Dual Inline Memory Module (DIMM), a small circuit board that holds memory. DIMM stores all the data within the machine like printing data, received fax data.

DLNA	The Digital Living Network Alliance (DLNA) is a standard that allows devices on a home network to share information with each other across the network.
DNS	The Domain Name Server (DNS) is a system that stores information associated with domain names in a distributed database on networks, such as the Internet.
Dot Matrix Printer	A dot matrix printer refers to a type of computer printer with a print head that runs back and forth on the page and prints by impact, striking an ink-soaked cloth ribbon against the paper, much like a typewriter.
DPI	Dots Per Inch (DPI) is a measurement of resolution that is used for scanning and printing. Generally, higher DPI results in a higher resolution, more visible detail in the image, and a larger file size.
DRPD	Distinctive Ring Pattern Detection. Distinctive Ring is a telephone company service which enables a user to use a single telephone line to answer several different telephone numbers.
Duplex	A mechanism that will automatically turn over a sheet of paper so that the machine can print (or scan) on both sides of the paper. A printer equipped with a Duplex Unit can print on both sides of paper during one print cycle.
Duty Cycle	Duty cycle is the page quantity which does not affect printer performance for a month. Generally the printer has the lifespan limitation such as pages per year. The lifespan means the average capacity of print-outs, usually within the warranty period. For example, if the duty cycle is 48,000 pages per month assuming 20 working days, a printer limits 2,400 pages a day.
ECM	Error Correction Mode (ECM) is an optional transmission mode built into Class 1 fax machines or fax modems. It automatically detects and corrects errors in the fax transmission process that are sometimes caused by telephone line noise.
Emulation	Emulation is a technique of one machine obtaining the same results as another. An emulator duplicates the functions of one system with a different system, so that the second system behaves like the first system. Emulation focuses on exact reproduction of external behavior, which is in contrast to simulation, which concerns an abstract model of the system being simulated, often considering its internal state.
Ethernet	Ethernet is a frame-based computer networking technology for local area networks (LANs). It defines wiring and signaling for the physical layer, and frame formats and protocols for the media access control (MAC)/data link layer of the OSI model. Ethernet is mostly standardized as IEEE 802.3. It has become the most widespread LAN technology in use during the 1990s to the present.
EtherTalk	A suite of protocols developed by Apple Computer for computer networking. It was included in the original Macintosh (1984) and is now deprecated by Apple in favor of TCP/IP networking.
FDI	Foreign Device Interface (FDI) is a card installed inside the machine to allow a third party device such as a coin operated device or a card reader. Those devices allow the pay-for-print service on your machine.
FTP	A File Transfer Protocol (FTP) is a commonly used protocol for exchanging files over any network that supports the TCP/IP protocol (such as the Internet or an intranet).
Fuser Unit	The part of a laser printer that fuses the toner onto the print media. It consists of a heat roller and a pressure roller. After toner is transferred onto the paper, the fuser unit applies heat and pressure to ensure that the toner stays on the paper permanently, which is why paper is warm when it comes out of a laser printer.
Gateway	A connection between computer networks, or between a computer network and a telephone line. It is very popular, as it is a computer or a network that allows access to another computer or network.
Grayscale	A shades of gray that represent light and dark portions of an image when color images are converted to grayscale; colors are represented by various shades of gray.
Halftone	An image type that simulates grayscale by varying the number of dots. Highly colored areas consist of a large number of dots, while lighter areas consist of a smaller number of dots.
HDD	Hard Disk Drive (HDD), commonly referred to as a hard drive or hard disk, is a non-volatile storage device which stores digitally-encoded data on rapidly rotating platters with magnetic surfaces.

IEEE	The Institute of Electrical and Electronics Engineers (IEEE) is an international non-profit, professional organization for the advancement of technology related to electricity.
IEEE 1284	The 1284 parallel port standard was developed by the Institute of Electrical and Electronics Engineers (IEEE). The term "1284-B" refers to a specific connector type on the end of the parallel cable that attaches to the peripheral (for example, a printer).
Intranet	A private network that uses Internet Protocols, network connectivity, and possibly the public telecommunication system to securely share part of an organization's information or operations with its employees. Sometimes the term refers only to the most visible service, the internal website.
IP address	An Internet Protocol (IP) address is a unique number that devices use in order to identify and communicate with each other on a network utilizing the Internet Protocol standard.
IPM	The Images Per Minute (IPM) is a way of measuring the speed of a printer. An IPM rate indicates the number of single-sided sheets a printer can complete within one minute.
IPP	The Internet Printing Protocol (IPP) defines a standard protocol for printing as well as managing print jobs, media size, resolution, and so forth. IPP can be used locally or over the Internet to hundreds of printers, and also supports access control, authentication, and encryption, making it a much more capable and secure printing solution than older ones.
IPX/SPX	IPX/SPX stands for Internet Packet Exchange/Sequenced Packet Exchange. It is a networking protocol used by the Novell NetWare operating systems. IPX and SPX both provide connection services similar to TCP/IP, with the IPX protocol having similarities to IP, and SPX having similarities to TCP. IPX/SPX was primarily designed for local area networks (LANs), and is a very efficient protocol for this purpose (typically its performance exceeds that of TCP/IP on a LAN).
ISO	The International Organization for Standardization (ISO) is an international standard-setting body composed of representatives from national standards bodies. It produces world-wide industrial and commercial standards.
ITU-T	The International Telecommunication Union is an international organization established to standardize and regulate international radio and telecommunications. Its main tasks include standardization, allocation of the radio spectrum, and organizing interconnection arrangements between different countries to allow international phone calls. A -T out of ITU-T indicates telecommunication.
ITU-T No. 1 chart	Standardized test chart published by ITU-T for document facsimile transmissions.
JBIG	Joint Bi-level Image Experts Group (JBIG) is an image compression standard with no loss of accuracy or quality, which was designed for compression of binary images, particularly for faxes, but can also be used on other images.
JPEG	Joint Photographic Experts Group (JPEG) is a most commonly used standard method of lossy compression for photographic images. It is the format used for storing and transmitting photographs on the World Wide Web.
LDAP	The Lightweight Directory Access Protocol (LDAP) is a networking protocol for querying and modifying directory services running over TCP/IP.
LED	A Light-Emitting Diode (LED) is a semiconductor device that indicates the status of a machine.
MAC address	Media Access Control (MAC) address is a unique identifier associated with a network adapter. MAC address is a unique 48-bit identifier usually written as 12 hexadecimal characters grouped in pairs (e. g., 00-00-0c-34-11-4e). This address is usually hard-coded into a Network Interface Card (NIC) by its manufacturer, and used as an aid for routers trying to locate machines on large networks.
MFP	Multi Function Peripheral (MFP) is an office machine that includes the following functionality in one physical body, so as to have a printer, a copier, a fax, a scanner and etc.
MH	Modified Huffman (MH) is a compression method for decreasing the amount of data that needs to be transmitted between the fax machines to transfer the image recommended by ITU-T T.4. MH is a codebook-based run-length encoding scheme optimized to efficiently compress white space. As most faxes consist mostly of white space, this minimizes the transmission time of most faxes.
MMR	Modified Modified READ (MMR) is a compression method recommended by ITU-T T.6.

Modem	A device that modulates a carrier signal to encode digital information, and also demodulates such a carrier signal to decode transmitted information.
MR	Modified Read (MR) is a compression method recommended by ITUT T.4. MR encodes the first scanned line using MH. The next line is compared to the first, the differences determined, and then the differences are encoded and transmitted.
NetWare	A network operating system developed by Novell, Inc. It initially used cooperative multitasking to run various services on a PC, and the network protocols were based on the archetypal Xerox XNS stack. Today NetWare supports TCP/IP as well as IPX/SPX.
OPC	Organic Photo Conductor (OPC) is a mechanism that makes a virtual image for print using a laser beam emitted from a laser printer, and it is usually green or rust colored and has a cylinder shape. An imaging unit containing a drum slowly wears the drum surface by its usage in the printer, and it should be replaced appropriately since it gets worn from contact with the cartridge development brush, cleaning mechanism, and paper.
Originals	The first example of something, such as a document, photograph or text, etc, which is copied, reproduced or translated to produce others, but which is not itself copied or derived from something else.
OSI	Open Systems Interconnection (OSI) is a model developed by the International Organization for Standardization (ISO) for communications. OSI offers a standard, modular approach to network design that divides the required set of complex functions into manageable, self-contained, functional layers. The layers are, from top to bottom, Application, Presentation, Session, Transport, Network, Data Link and Physical.
PABX	A private automatic branch exchange (PABX) is an automatic telephone switching system within a private enterprise.
PCL	Printer Command Language (PCL) is a Page Description Language (PDL) developed by HP as a printer protocol and has become an industry standard. Originally developed for early inkjet printers, PCL has been released in varying levels for thermal, dot matrix printer, and laser printers.
PDF	Portable Document Format (PDF) is a proprietary file format developed by Adobe Systems for representing two dimensional documents in a device independent and resolution independent format.
PostScript(PS)	PostScript (PS) is a page description language and programming language used primarily in the electronic and desktop publishing areas. - that is run in an interpreter to generate an image.
Printer Driver	A program used to send commands and transfer data from the computer to the printer.
Print Media	The media like paper, envelopes, labels, and transparencies which can be used in a printer, a scanner, a fax or, a copier.
PPM	Pages Per Minute (PPM) is a method of measurement for determining how fast a printer works, meaning the number of pages a printer can produce in one minute.
PRN file	An interface for a device driver, this allows software to interact with the device driver using standard input/output system calls, which simplifies many tasks.
Protocol	A convention or standard that controls or enables the connection, communication, and data transfer between two computing endpoints.
PSTN	The Public-Switched Telephone Network (PSTN) is the network of the world's public circuit-switched telephone networks which, on industrial premises, is usually routed through the switchboard.
RADIUS	Remote Authentication Dial In User Service (RADIUS) is a protocol for remote user authentication and accounting. RADIUS enables centralized management of authentication data such as usernames and passwords using an AAA (authentication, authorization, and accounting) concept to manage network access.
Resolution	The sharpness of an image, measured in Dots Per Inch (DPI). The higher the dpi, the greater the resolution.
SMB	Server Message Block (SMB) is a network protocol mainly applied to share files, printers, serial ports, and miscellaneous communications between nodes on a network. It also provides an authenticated Interprocess communication mechanism.

SMTP	Simple Mail Transfer Protocol (SMTP) is the standard for e-mail transmissions across the Internet. SMTP is a relatively simple, text based protocol, where one or more recipients of a message are specified, and then the message text is transferred. It is a client server protocol, where the client transmits an email message to the server.
SSID	Service Set Identifier (SSID) is a name of a wireless local area network (WLAN). All wireless devices in a WLAN use the same SSID in order to communicate with each other. The SSIDs are case-sensitive and have a maximum length of 32 characters.
Subnet Mask	The subnet mask is used in conjunction with the network address to determine which part of the address is the network address and which part is the host address.
TCP/IP	The Transmission Control Protocol (TCP) and the Internet Protocol (IP); the set of communications protocols that implement the protocol stack on which the Internet and most commercial networks run.
TCR	Transmission Confirmation Report (TCR) provides details of each transmission such as job status, transmission result and number of pages sent. This report can be set to print after each job or only after failed transmissions.
TIFF	Tagged Image File Format (TIFF) is a variable-resolution bitmapped image format. TIFF describes image data that typically come from scanners. TIFF images make use of tags, keywords defining the characteristics of the image that is included in the file. This flexible and platform-independent format can be used for pictures that have been made by various image processing applications.
Toner Cartridge	A kind of bottle or container used in a machine like a printer which contains toner. Toner is a powder used in laser printers and photocopiers, which forms the text and images on the printed paper. Toner can be fused by a combination of heat/pressure from the fuser, causing it to bind to the fibers in the paper.
TWAIN	An industry standard for scanners and software. By using a TWAIN-compliant scanner with a TWAIN-compliant program, a scan can be initiated from within the program. It is an image capture API for Microsoft Windows and Apple Macintosh operating systems.
UNC Path	Uniform Naming Convention (UNC) is a standard way to access network shares in Window NT and other Microsoft products. The format of a UNC path is: \\<servername>\<sharename>\<Additional directory>
URL	Uniform Resource Locator (URL) is the global address of documents and resources on the Internet. The first part of the address indicates what protocol to use, the second part specifies the IP address or the domain name where the resource is located.
USB	Universal Serial Bus (USB) is a standard that was developed by the USB Implementers Forum, Inc., to connect computers and peripherals. Unlike the parallel port, USB is designed to concurrently connect a single computer USB port to multiple peripherals.
Watermark	A watermark is a recognizable image or pattern in paper that appears lighter when viewed by transmitted light. Watermarks were first introduced in Bologna, Italy in 1282; they have been used by papermakers to identify their product, and also on postage stamps, currency, and other government documents to discourage counterfeiting.
WEP	Wired Equivalent Privacy (WEP) is a security protocol specified in IEEE 802.11 to provide the same level of security as that of a wired LAN. WEP provides security by encrypting data over radio so that it is protected as it is transmitted from one end point to another.
WIA	Windows Imaging Architecture (WIA) is an imaging architecture that is originally introduced in Windows Me and Windows XP. A scan can be initiated from within these operating systems by using a WIA-compliant scanner.
WPA	Wi-Fi Protected Access (WPA) is a class of systems to secure wireless (Wi-Fi) computer networks, which was created to improve upon the security features of WEP.
WPA-PSK	WPA-PSK (WPA Pre-Shared Key) is special mode of WPA for small business or home users. A shared key, or password, is configured in the wireless access point (WAP) and any wireless laptop or desktop devices. WPA-PSK generates a unique key for each session between a wireless client and the associated WAP for more advanced security.

WPS	The Wi-Fi Protected Setup (WPS) is a standard for establishing a wireless home network. If your wireless access point supports WPS, you can configure the wireless network connection easily without a computer.
XPS	XML Paper Specification (XPS) is a specification for a Page Description Language (PDL) and a new document format, which has benefits for portable document and electronic document, developed by Microsoft. It is an XML-based specification, based on a new print path and a vector-based device-independent document format.

6.3. The Sample Pattern for the Test

The life of the toner cartridge and the printing speed are measured using the pattern shown below.

Stephen J. Singel
Labanda Sinpat Abarress
Tendar, BSF
URANGLE

23 January 2004

Jonathan Q. Maderia

Inpert Mampem Abareess
2343 Stantin Dawer Lank
Benhibe, SDF

Mr.Maderia:

Nam liber tempor cum soluta nobis eleifend ption cogue nihil consequat, velillum.
Dolore eu zril feugiat nulla acilisis at vero eros accumsan et iusto odio dignis sim qui blandit
praesent lutatum ril lobortis nisl ut aliquip exea commodo consequat. Duis autem vel eum ireund
dolor in hendreritin vulputate velit esse molestie tincidunt ut laoreet dolore magna aliquam erat
volutpat. Ut wisi enim ad minim veniam, quis nostrud exerci tation ullam corpersus cipit lotis nisl
ut aliquip ex ea commodo consequat. Lorem ipsum dolor sit.

Amet, consectetuer adipiscing elit, sud diam nonummy nibh veniam,
recneps adipiscing elit, sed diam nonummy nibtil laoreet dolore mag
aliam erat volutpat. Ut wisi enim minim veniam, quisient nostrud. Sol
uta nobis eleifendoptn cogue nihil imerdiet domg id quod mzim plera
facer posim aum. Lorem ipsm dolor sit amet, consectuer. Duis autem
eum iriure dolor in hendreritin vulputate velit cesse ea commodo mol

Category	Value
B	High
C	Medium-High
D	Medium
E	Low

Nam liber tempor cum soluta nobis eleifend option cogue nihil consequat, B C D E
velillum. Dolore eu zril feugiat nulla facilisis at vero eros accumsan et iusto odio dignissim qui blandit
praesent.

Singabet,

Stephen J. Singel
Demperta Aminerimum
Labanda Sinpat Abarress

SJS:dwg
FINAL

6.4. Selecting a location

Select a level, stable place with adequate space for air circulation. Allow extra space for opening covers and trays.

The area should be well-ventilated and away from direct sunlight or sources of heat, cold, and humidity. Do not set the machine close to the edge of your desk or table.

Clearance space

- Front: 326 mm (enough space so that the paper tray can be removed)
- Back: 100 mm (enough space for ventilation)
- Right: 100 mm (enough space for ventilation)
- Left: 100 mm (enough space for ventilation)

6.5. Model Name and Code

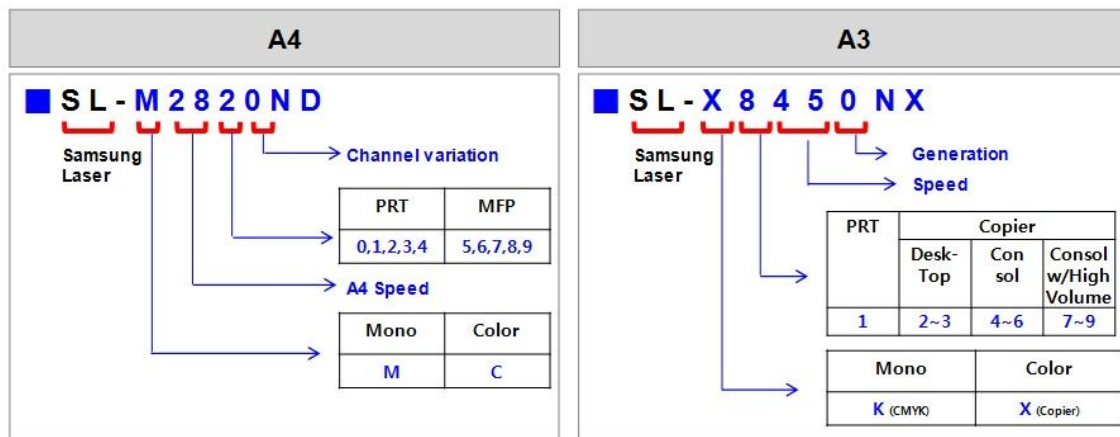
1) Sub brand name Information

- Applying Independent sub brand name by Segment : Xpress / ProXpress / MultiXpress



2) Model code Information

- Basic Structure : [SL-●○○■□◆◆]



- ◆◆ : Function Information

	Function
N	Network
W	Wireless Network
D	Duplex Printing
R	Reverse Type ADF
F	Fax
X	XOA (eXtensible Open Architecture)
H	Handset
A	Auto Document Feeder

6.6. Document Revision List

Version	Date	Page	Description
1.00	17/02/2014	-	Release



GSPN (GLOBAL SERVICE PARTNER NETWORK)

Area	Web Site
Europe, MENA, CIS, Africa	https://gspn1.samsungsportal.com
E.Asia, W.Asia, China, Japan	https://gspn2.samsungsportal.com
N.America, S.America	https://gspn3.samsungsportal.com

This Service Manual is a property of Samsung Electronics Co.,Ltd.
Any unauthorized use of Manual can be punished under applicable International and/or domestic law.

© 2013 Samsung Electronics Co.,Ltd.
All rights reserved.
Printed in Korea
Code No.: